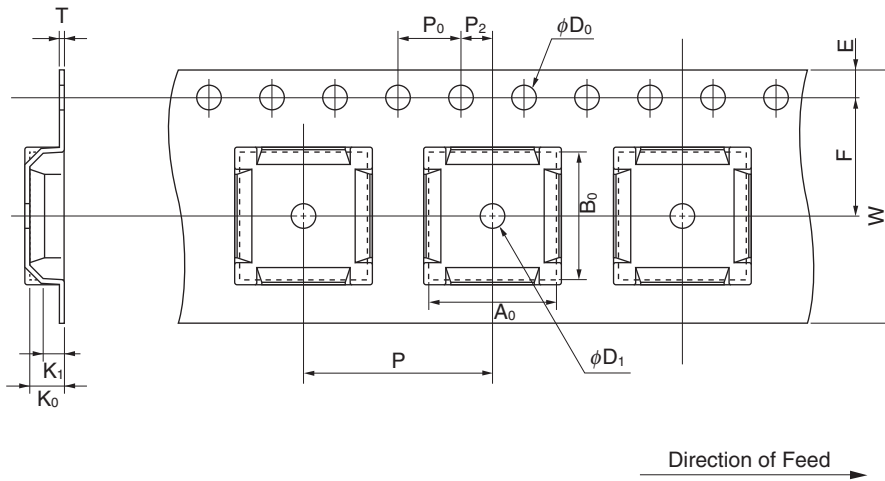


# EMBOSS TAPE CONTAINER

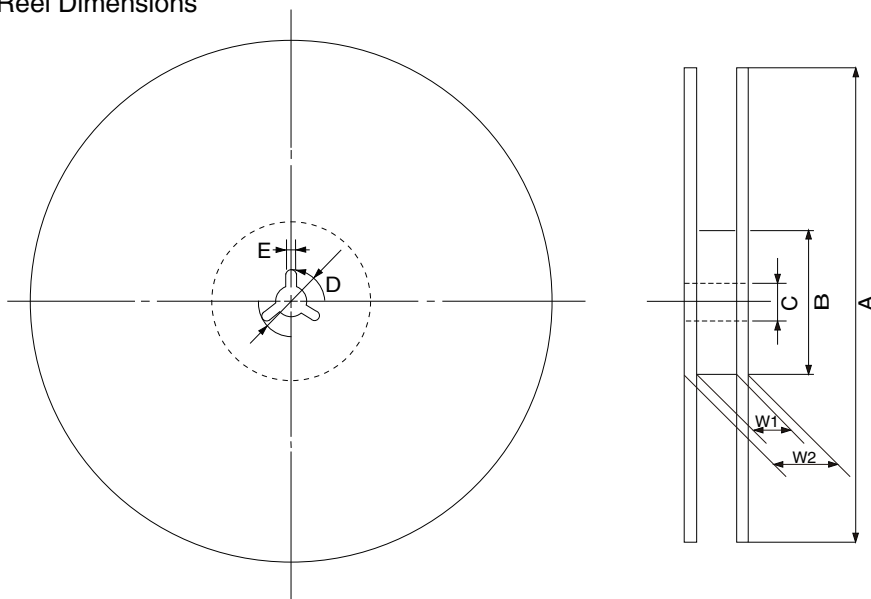
## Tape Dimensions



(Unit : mm)

Symbol	Specification
$A_0$	7.3
$B_0$	7.3
$K_0$	1.75
$K_1$	1.1
$W$	$16.0 \pm 0.3$
$F$	$7.5 \pm 0.1$
$E$	$1.75 \pm 0.1$
$P$	$12.0 \pm 0.1$
$P_2$	$2.0 \pm 0.1$
$P_0$	$4.0 \pm 0.1$
$D_0$	$1.5^{+0.1}_0$
$T$	0.3
$D_1$	1.5 MIN.

## Reel Dimensions



(Unit:mm)

Symbol	Specification
$A$	$\phi 330 \pm 2.0$
$B$	$\phi 100$
$C$	$\phi 13.0 \pm 0.2$
$D$	$\phi 21.0 \pm 0.8$
$E$	$2.0 \pm 0.5$
$W_1$	17.5
$W_2$	21.5

Applied Package	Quantity (pcs)
109-pin TAPE FBGA (7x7)	2,000 MAX.
144-pin TAPE FBGA (7x7)	1,000 MAX. or 2,000 MAX.