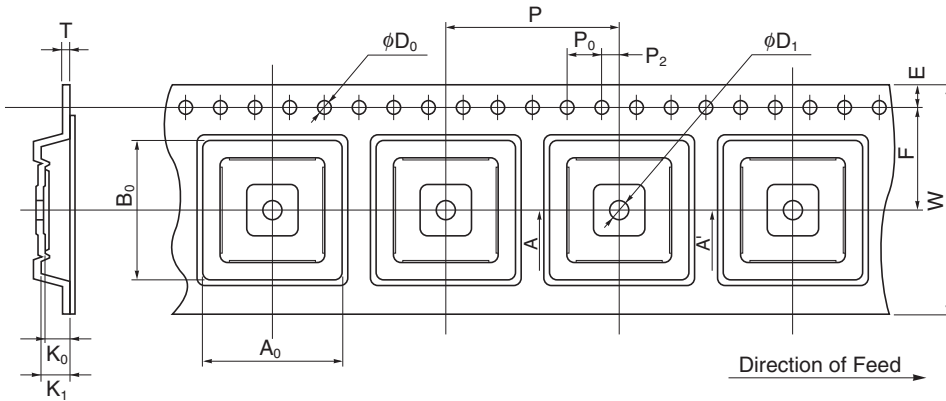


EMBOSS TAPE CONTAINER

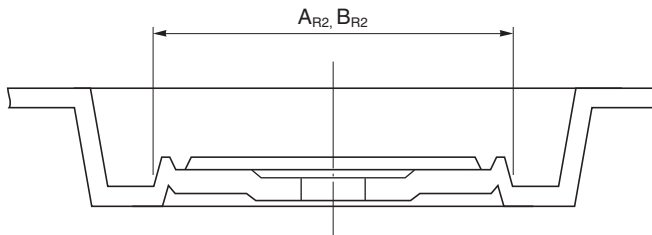
Tape Dimensions

(Unit :mm)



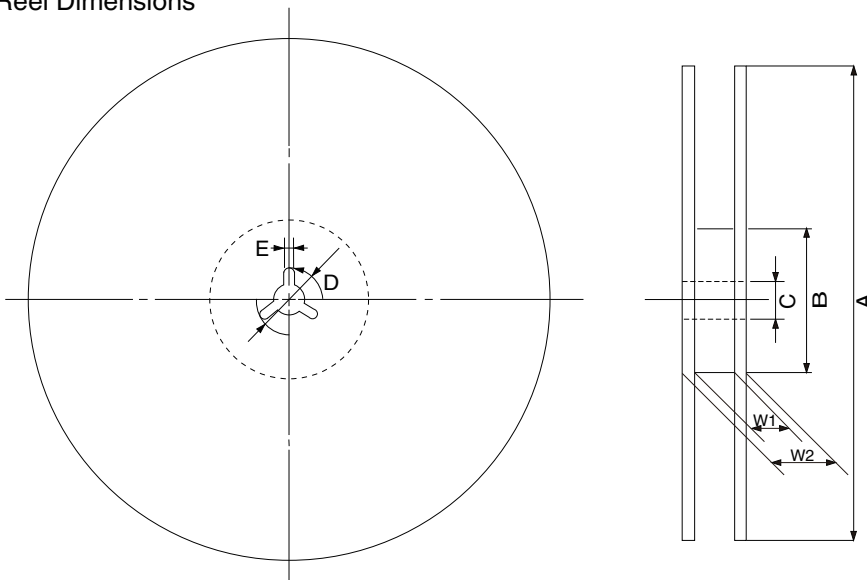
Symbol	Specification
A_0	18.5
B_0	18.5
K_0	2.65
K_1	3.15
W	24.0 ± 0.3
F	11.5 ± 0.1
E	1.75 ± 0.1
P	20.0 ± 0.1
P_2	2.0 ± 0.1
P_0	4.0 ± 0.1
D_0	$1.5^{+0.1}_{-0}$
T	0.3
D_1	2.0 MIN.
A_{R2}	15
B_{R2}	15

<SECTION A - A'>



Reel Dimensions

(Unit: mm)



Symbol	Specification
A	$\phi 330 \pm 2.0$
B	$\phi 100$
C	$\phi 13.0 \pm 0.2$
D	$\phi 21.0 \pm 0.8$
E	2.0 ± 0.5
W_1	25.5
W_2	29.5 ± 1.0

Applied Package	Quantity (pcs)
64-Pin Plastic QFP (2.55mm thick)	500 MAX.