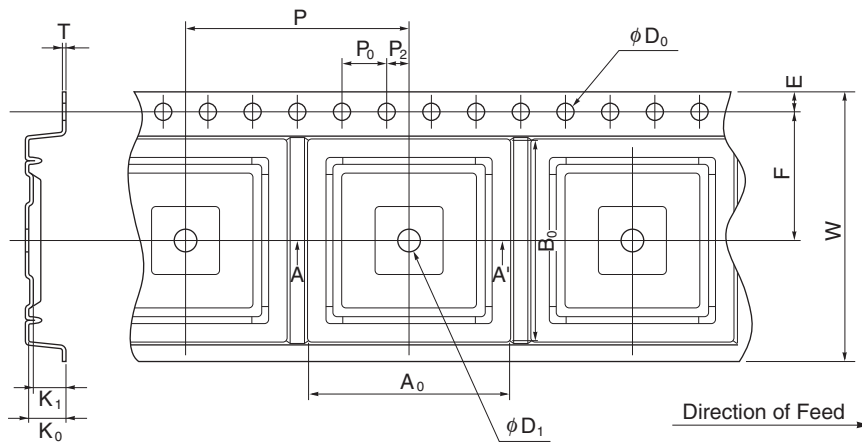


# EMBOSS TAPE CONTAINER

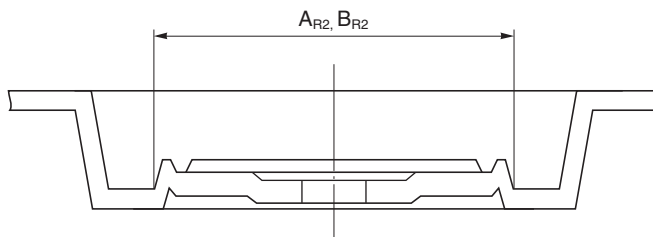
## Tape Dimensions



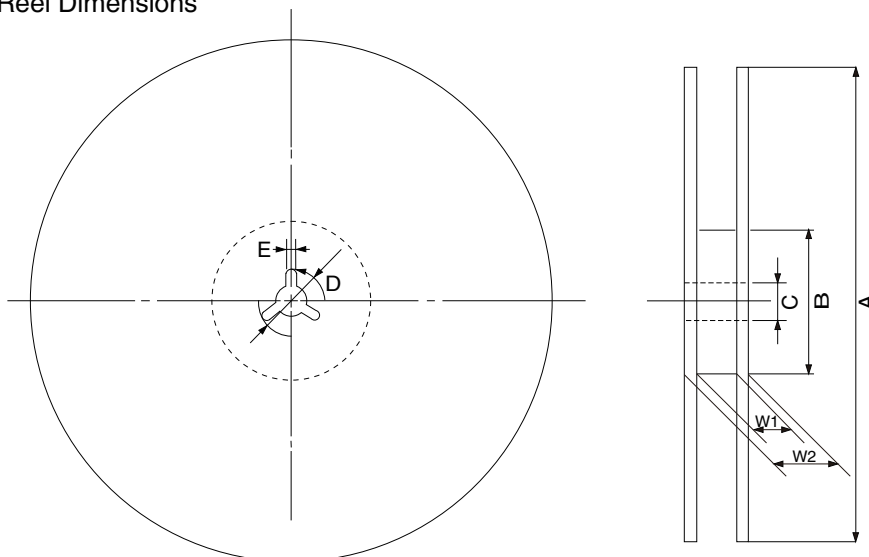
(Unit :mm)

| Symbol          | Specification                    |
|-----------------|----------------------------------|
| A <sub>0</sub>  | 18.2                             |
| B <sub>0</sub>  | 18.2                             |
| K <sub>0</sub>  | 3.25                             |
| K <sub>1</sub>  | 2.85                             |
| W               | 24.0±0.3                         |
| F               | 11.5±0.1                         |
| E               | 1.75±0.1                         |
| P               | 20.0±0.1                         |
| P <sub>2</sub>  | 2.0±0.1                          |
| P <sub>0</sub>  | 4.0±0.1                          |
| D <sub>0</sub>  | 1.5 <sup>+0.1</sup> <sub>0</sub> |
| T               | 0.3                              |
| D <sub>1</sub>  | 1.5 MIN.                         |
| A <sub>R2</sub> | 14.8                             |
| B <sub>R2</sub> | 14.8                             |

## <SECTION A - A'>



## Reel Dimensions



(Unit: mm)

| Symbol         | Specification |
|----------------|---------------|
| A              | φ330±2.0      |
| B              | φ100          |
| C              | φ13.0±0.2     |
| D              | φ21.0±0.8     |
| E              | 2.0±0.5       |
| W <sub>1</sub> | 25.5          |
| W <sub>2</sub> | 29.5±1.0      |

| Applied Package                  | Quantity (pcs) |
|----------------------------------|----------------|
| 64-Pin Plastic QFP (2.7mm thick) | MAX. 500       |