

RL78/G14

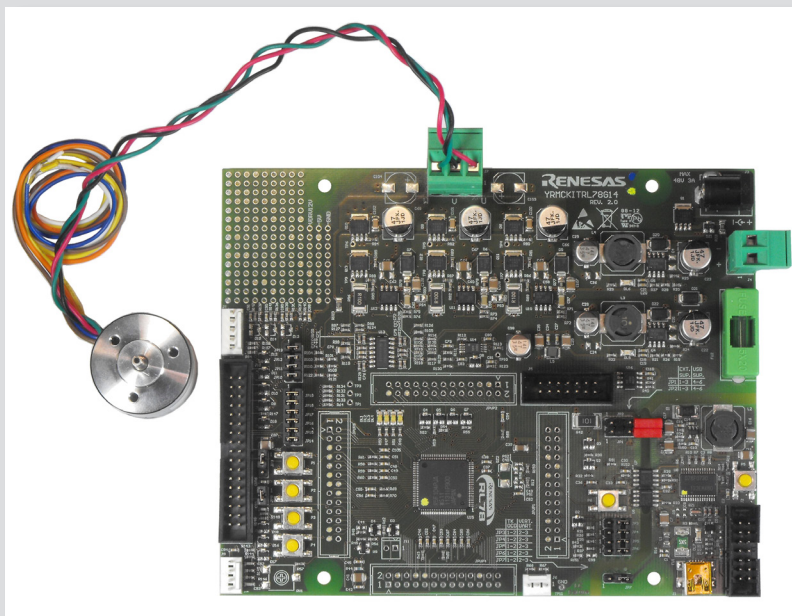
The Smart Solution for Sensorless Motor Control Applications



A fully featured motor control kit providing an off-the shelf solution for your 3-phase inverter.



- USB powered GUI User friendly enabling full motor calibration & software tuning



- Dedicated kit to 3-phase Permanent Magnet Motors
 - » Kit power rating: 150 W
 - » Ext. power stage: 1.5 KW
- Fail-safe mechanisms embedded
 - » High noise immunity
 - » IEC60730 Class B software embedded
- RL78/G14 enables sensorless field oriented control algorithms: up to 24 KHz PWM & 8 KHz control loop

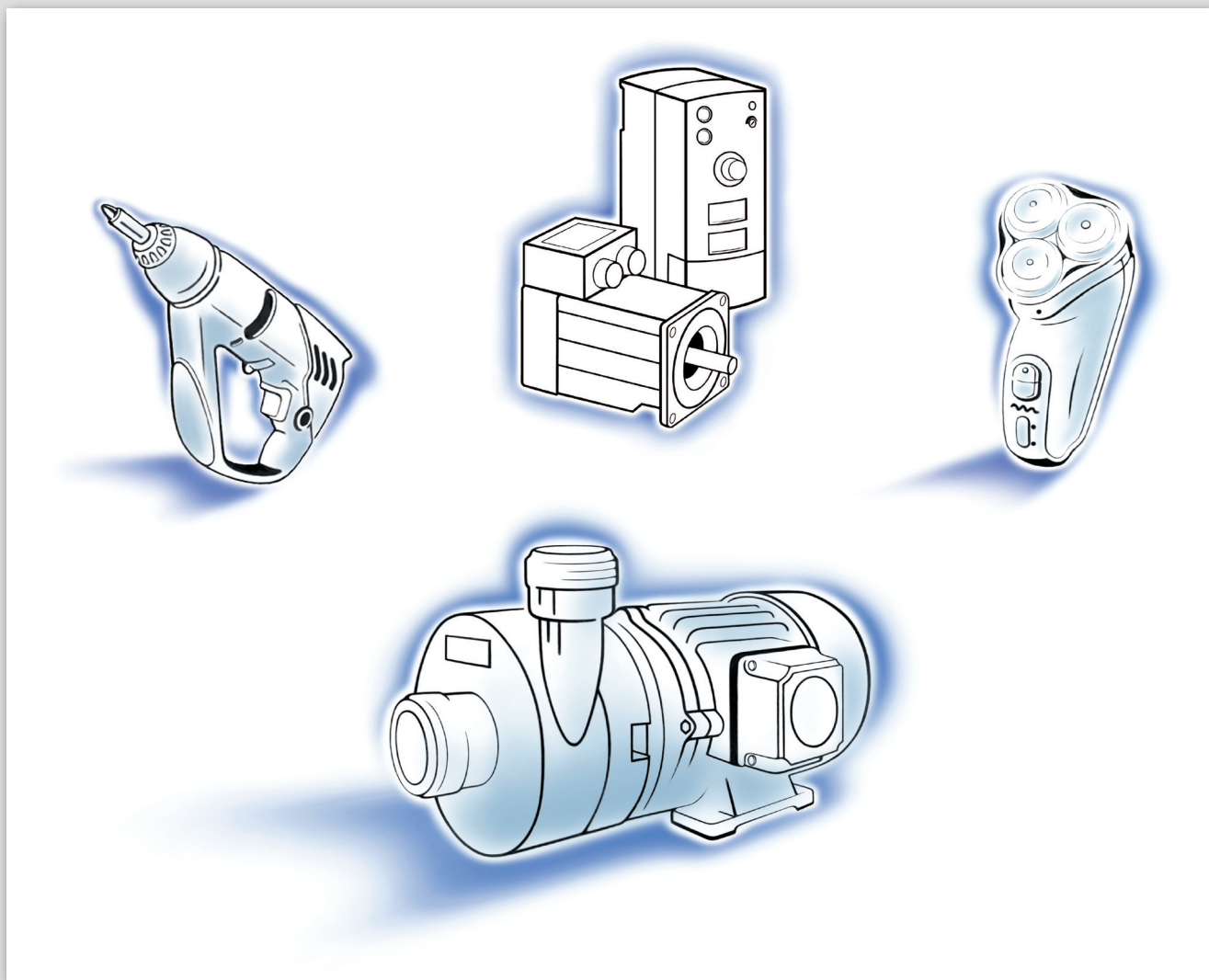
Kit Content

- CD-ROM including the schematics, gerber files, PC GUI, embedded software
- 15 V 3-phase PM AC motor
- USB cable
- Quick Starting Guide

RL78/G14 motor control kit offers everything

- Low audible & electrical noise
- Fast reaction to any load variation, no Torque ripple
 - » Highest efficiency reached
- Competitive price: **EUR 155,-**
 - » Part-name: YRMCKITRL78G14
- Low BOM costs
 - » Power supply cost reduced
- Enhanced failure detection
 - » Class B software, VDE certified
- Reduce development time by 4 man months

Drive your motors, thanks to the RL78:



Before purchasing or using any Renesas Electronics products listed herein, please refer to the latest product manual and/or data sheet in advance.

RENESAS

