

# R7F0C807

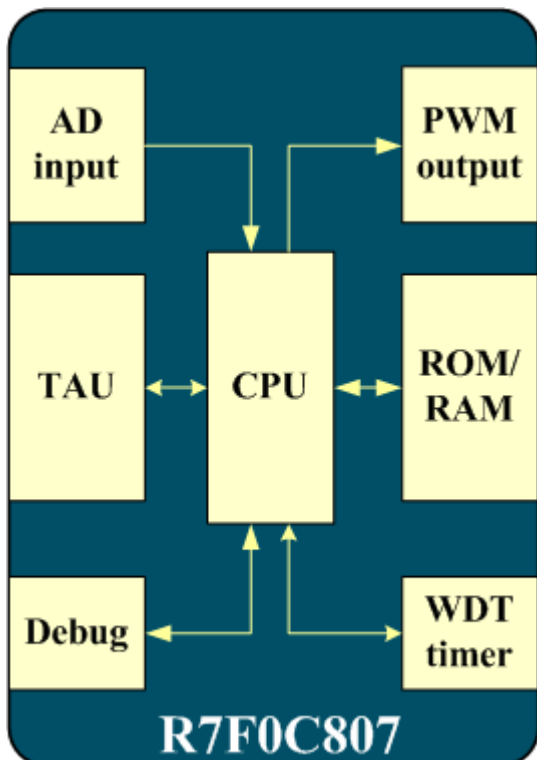
## Wireless Charging Transmitter

R7F0C807 Wireless charging transmitter

## Outline

- Adopt 8-bit MCU R7F0C807 (20 pins, 20MHz frequency) of Renesas. Use TAU, AD converter, I/O module etc. to realize intelligent power transmission.
- Characters:
  - ◆ Intelligent power transmission
  - ◆ Over current protection
  - ◆ Over temperature protection
  - ◆ Voltage detection
  - ◆ Low power consumption in standby mode
  - ◆ LED indication

Used modules of MCU



Working picture

