

R7F0C009

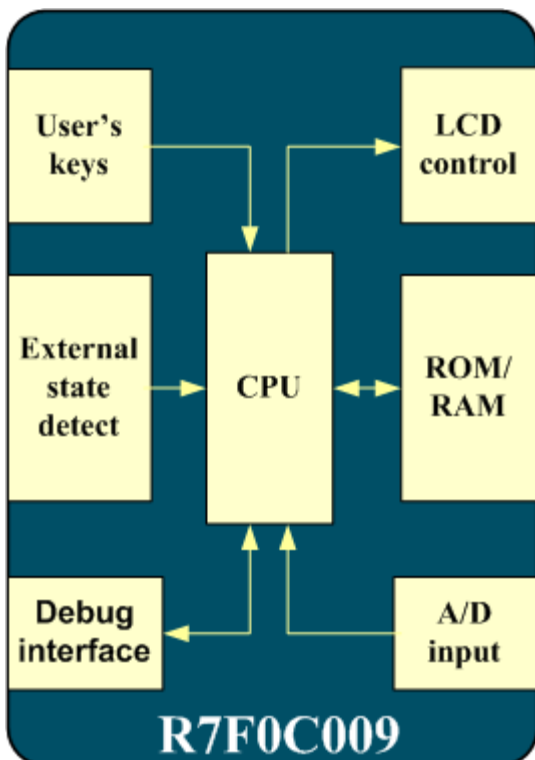
Intelligent Water Dispenser Control

R7F0C009 Intelligent Water Dispenser Control

Outline

- Use Renesas's 16-bit MCU R7F0C009 (30-pin, 24MHz), through I/O ports, A/D converter, TAU, etc. to implement control of LCD module and water dispenser work mode.
- 6 user's keys to control water dispenser work mode (ON/OFF, Lock/Set, water yield, Disinfect/+, Cool/Light, Hot water).
- LCD display: time, hot water, distinct, cool, lock, water yield, night light, etc. status.

MCU connection diagram



Demo board

