

R7F0C014B2D

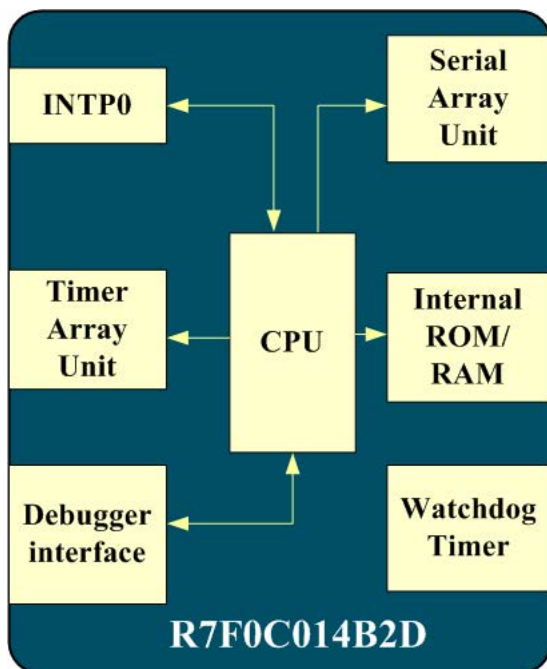
128x64 Dot-matrix LCD Control

R7F0C014B2D 128x64 LCD control

Outline

- Renesas 16-bit MCU R7F0C014B2D is used to control 128x64 Dot-matrix LCD.
- MCU operates the output function of ports to control the data signal and control signal of LCD for scrolling display of characters on LCD.
 - In parallel mode, MCU controls the parallel data bus D0~D7 of LCD with I/O ports.
 - In serial mode, the serial array unit of MCU operates in CSI mode, controlling the SI (data signal) and SCK (clock signal) of LCD.

Used modules



Demo picture

