

INTRODUCING HVPAK™

CUSTOMIZE YOUR INDUSTRIAL DESIGNS WITH ADVANCED MOTOR DRIVER SOLUTION

HVPAK (up to 26.4 V and 3 A per OUT) takes its roots from the **GreenPAK family** featuring its configurability and free GUI-based **software** to design the circuit without any programming language needed. It combines mixed-signal logic and **high-voltage H-/Half-bridge** functionality in **a tiny 2 mm x 3 mm QFN package**.

The HVPAK incorporates advanced PWM macrocells, enabling the simultaneous control of multiple motors with varying PWM frequencies and duty cycles.

Its compact size and low idle current consumption make it highly versatile, expanding its range of potential applications. This tiny and thermally-efficient IC provides an ideal platform for designing mixed-signal functions alongside its high-voltage capabilities.

Winning Combo:
Servo Motor Control for
Robot Limbs

Winning Combo:
DC Motor Driver
PMOD™

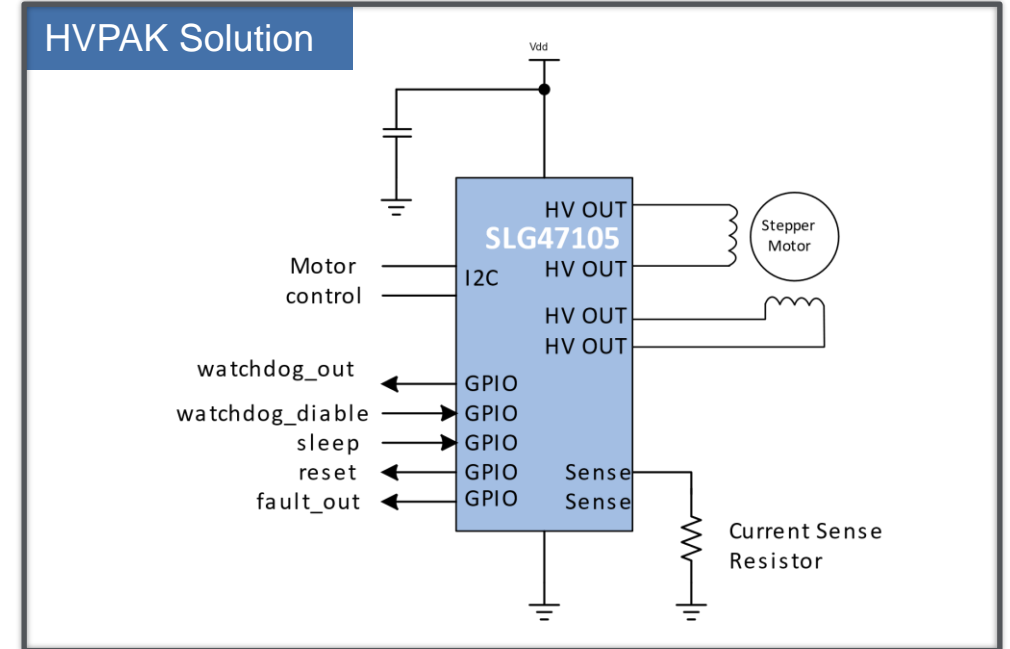
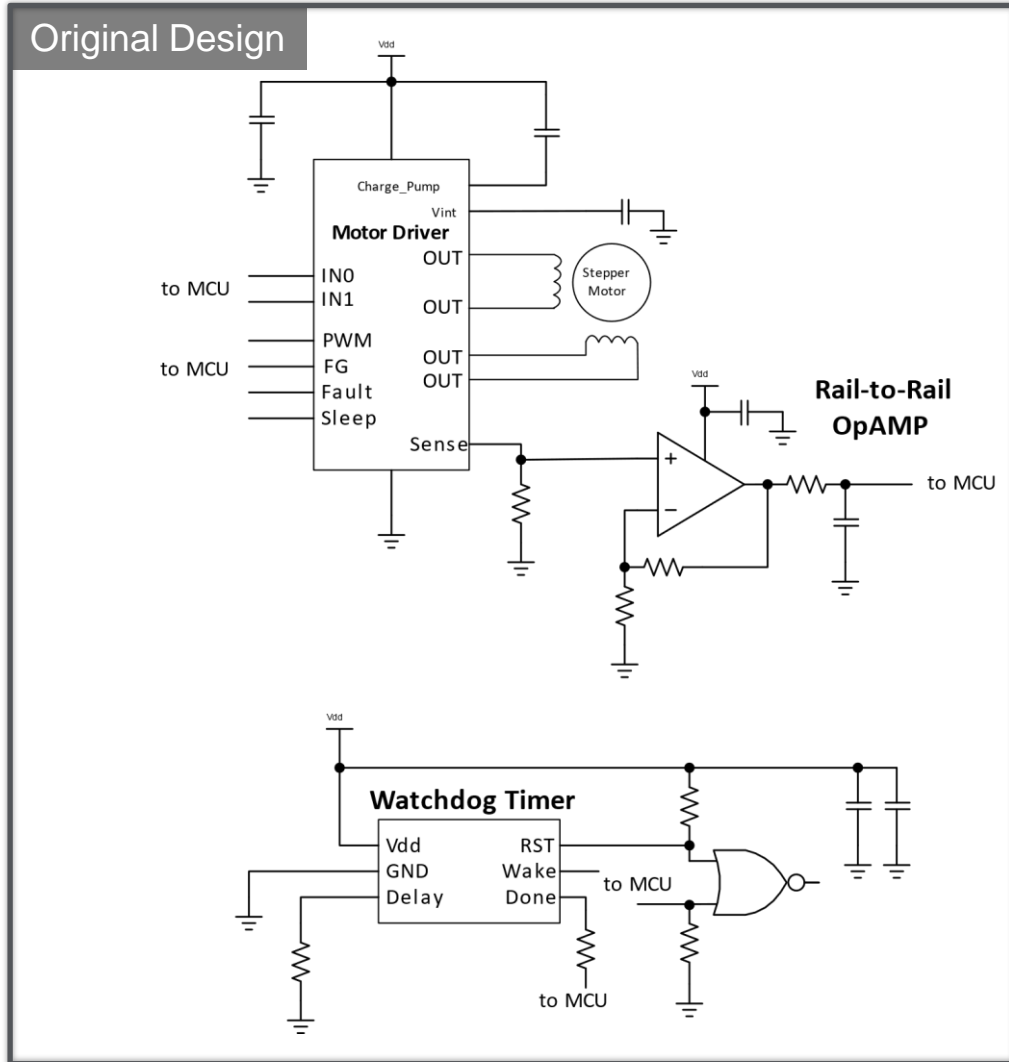
Application Notes
using HVPAK

Download
Go Configure™
Software Hub

Datasheet
SLG47105

Datasheet
SLG47115

HVPAK APPROACH: ROBOT DESIGN



Design reduced by:

- 2 ICs
- 13 passive components
- reduced current consumption by five times (idle mode)

Value	Approx. savings with HVPK
Layout Size	18.8 mm ²
Cost Savings	\$ 1.51