
V850E2/ML4

R01AN1221EJ0100

Rev.1.00

Jun. 22, 2012

A/D converter

Abstract

This document describes how to set up the A/D converter (ADC) and also gives an outline of the operation and describes the procedures for using a sample program for the V850E2/ML4.

The features of the function or operation are described below.

- Conversion by one-shot mode
- Software triggered
- Conversion by the scan list of channel group (CG)0
- Continuous conversions by restarting in the A/D conversion end interrupt.

Products

V850E2/ML4

Integrated development environments

CubeSuite+, GHS MULTI V5.1.7D, and IAR for V850 Kickstart V3.80.

When using this application note with other Renesas MCUs, careful evaluation is recommended after making modifications to comply with the alternate MCU.

Contents

1. Specifications.....	3
2. Operation Confirmation Conditions.....	4
3. Hardware.....	5
3.1 Hardware Configuration.....	5
3.2 Pin(s) Used.....	6
4. Software.....	7
4.1 Operation Overview.....	7
4.2 Required Memory Size.....	8
4.3 File Composition.....	9
4.4 Option-Setting Memory.....	10
4.5 Variable(s).....	11
4.6 Function(s).....	11
4.7 Function Specification(s).....	12
4.8 Flowchart(s).....	14
4.8.1 Main Processing.....	14
4.8.2 Main Processing.....	15
4.8.3 Interrupt Processing.....	16
5. Sample Code.....	17
6. Reference Documents.....	17

1. Specifications

The sample program converts the scan list of CG0 by using the software trigger in one-shot mode. The number of times conversion of the scan list is repeated can be set from one to four per CG in a specific register for a given channel, but is set to one in the sample program. Having finished converting the scan list, the sample program turns on an LED to reflect the result.

Table 1.1 lists the Peripheral Functions and their Applications and Figure 1.1 shows the Usage Example.

Table 1.1 Peripheral Functions and their Applications

Peripheral Function	Application
Ports(P1_4, P1_5, P4_3, P4_4)	Connected to LEDs, and light on or off LEDs.
ADC	ADC converts analog input from ANI00 pins.

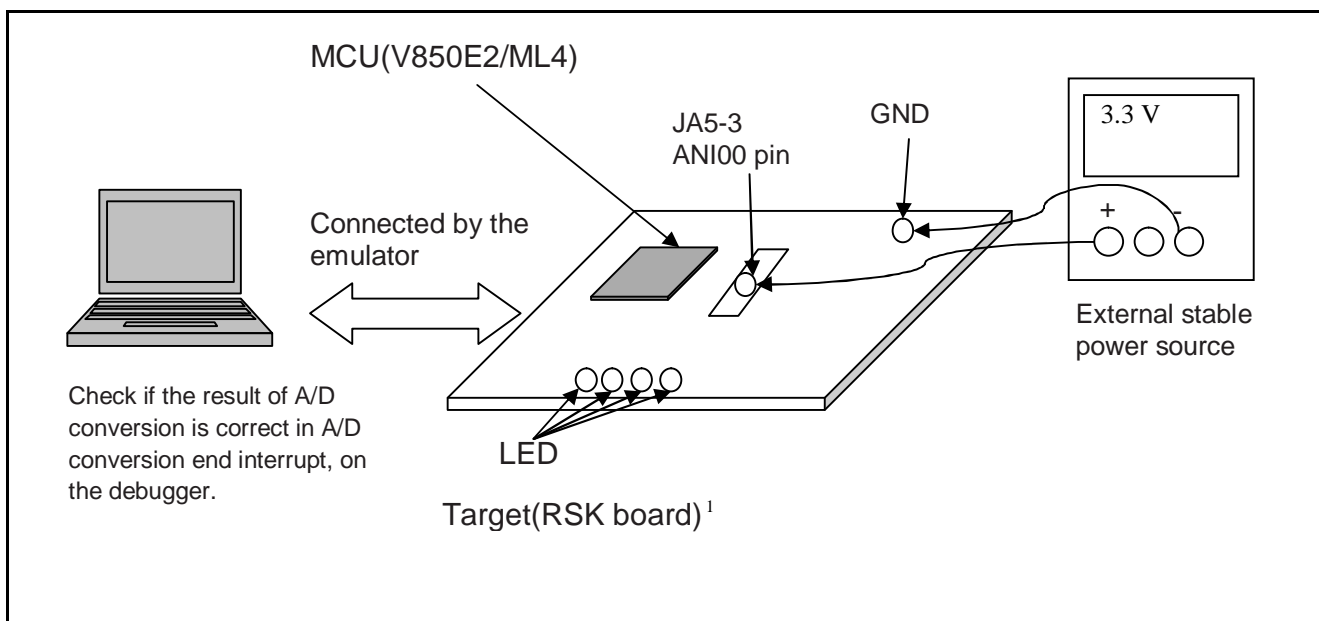


Figure 1.1 Usage Example¹

¹ Mass production of RSK board will start in August, 2012.

2. Operation Confirmation Conditions

The sample code accompanying this application note has been run and confirmed under the conditions below.

Table 2.1 Operation Confirmation Conditions

Item	Contents
MCU used	V850E2/ML4
Operating frequency	200MHz (PLL multiplies the oscillator input frequency (fx: 10MHz) by 20.)
Operating voltage	3.3V
Integrated development environment	CubeSuite+ V1.00
	GHS MULTI V5.1.7D
	IAR for V850 Kickstart V3.80.1
C compiler	CX V1.20(CubeSuite+), optimization: default
	C-V850E 5.1.7 RELEASE(GHS MULTI) , optimization: default
	IAR C/C++ Compiler for V850 3.80.1 [Kickstart] (3.80.1.30078), optimization: default
Operating mode	Normal operation mode
Sample code version	V1.00
Board used	RSK board
Device used	E1 emulator or MINICUBE, stable power source(KENWOOD product)
Tool used	none

3. Hardware

3.1 Hardware Configuration

Figure 3.1 shows a Connection Example.

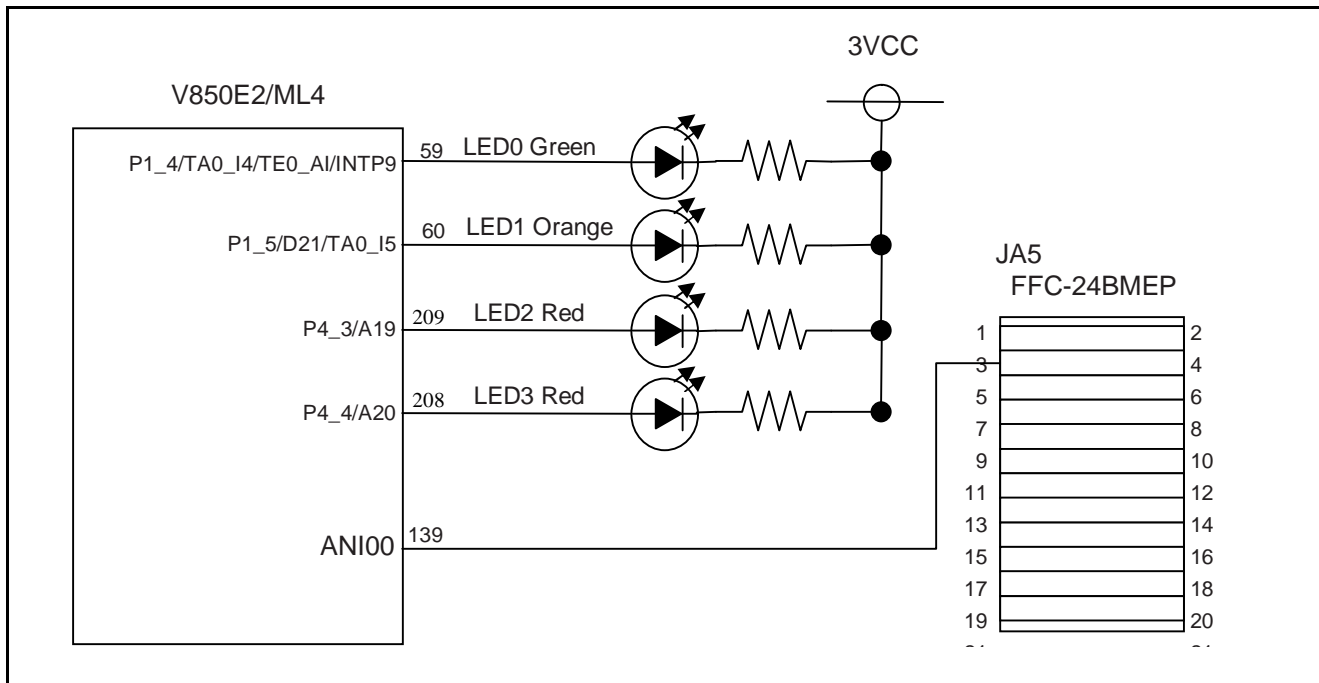


Figure 3.1 Connection Example on RSK board

3.2 Pin(s) Used

Table 3.1 lists the Pins Used and Its Function.

Table 3.1 Pins Used and Its Functions

Pin Name	I/O	Function
PORT P1_4	output	Port mode, output, LED0
PORT P1_5	output	Port mode, output, LED1
PORT P4_3	output	Port mode, output, LED2
PORT P4_4	output	Port mode, output, LED3
ANI00	input	External input to ADC

4.2 Required Memory Size

Table 4.1 lists the Required Memory Size. (CubeSuite+, optimization=default)

Table 4.1 Required Memory Size

Memory Used	Size	Remarks
ROM	2304	Shown as ROM area size in map file
RAM	4128	Shown as RAM area size in map file
Maximum user stack usage	4	CubeSuite+ stack estimation tool calculated.
Maximum interrupt stack usage	68	The same as above.

Note: • The required memory size varies depending on the C compiler version and compile options.

4.3 File Composition

Table 4.2 lists the File(s) Used in the Sample Code. Files not generated by the integrated development environment should not be listed in this table.

Table 4.2 File(s) Used in the Sample Code

File Name	Outline	Remarks
crtE.s	Initialize hardware	Only in the project for CubeSuite+
startup.s		Only in the project for GHS MULTI
V850E2ML4.dir	Linker directive file	Only in the project for CubeSuite+
V850E2_ML4 ADC.ld		Only in the project for GHS MULTI
vector.s	Vector table	Only in the project for GHS MULTI
adc.h	Declare variables and functions.	
df4022_800.h	Declare register macros for V850E2/ML4	Only in the project for GHS MULTI
main.c	Main routine	
initial.c	Initialize software	
adc_control.c	Initialize ADC	
interrupt.c	Interrupt routines	

4.4 Option-Setting Memory

This sample does not specify any option-bytes. Specify them if necessary.

4.5 Variable(s)

Table 4.3 lists the Global Variable(s).

Table 4.3 Global Variable(s)

Type	Variable Name	Contents	Function Used
unsigned short	adc_result[10]	Buffer for A/D converted data	__interrupt void int_adca0i0(void); void ram_initial(void);

4.6 Function(s)

Table 4.4 lists the Function(s).

Table 4.4 Function(s)

Function Name	Outline
void port_initial(void)	Sets up ports and their mode.
void cg_initial(void)	Initializes the special clock frequency control register.
void hbus_initial(void)	Initializes the AHB bus
void board_initial(void)	Initializes the LEDs
void ram_initial(void)	Sets up the initial state of the user RAM
void adc_initial(void)	Sets up the operation of the ADC.
interrupt void int_adca0err(void)	Processes A/D conversion end interrupt.
interrupt void int_adca0i0(void)	Processes A/D conversion end interrupt.
void main(void)	Calls necessary initialization functions before entering an infinite loop.

4.7 Function Specification(s)

The following table(s) list(s) the sample code function specification(s).

[Function Name]	
Outline	Main routine
Header	-
Declaration	void main(void)
Description	Calls initializing functions, enters infinite loop and waits A/D conversion interrupt.
Arguments	none -
Return Value	none
[Function Name]	
Outline	Sets up ports and their mode.
Header	adc.h
Declaration	void port_initial (void)
Description	Sets up ports in port-mode, output, for controlling LEDs.
Arguments	none -
Return Value	none
[Function Name]	
Outline	Initialize clock
Header	adc.h
Declaration	void cg_initial(void)
Description	Initializes the special clock frequency control register.
Arguments	none -
Return Value	none
[Function Name]	
Outline	Initialize H-bus
Header	adc.h
Declaration	void hbus_initial(void)
Description	Initializes AHB-bus
Arguments	none -
Return Value	none
[Function Name]	
Outline	Initialize board
Header	adc.h
Declaration	void board_initial(void)
Description	Initialize LED on the board.
Arguments	- -
Return Value	-

[Function Name]	
Outline	Initialize users' memory.
Header	adc.h
Declaration	void ram_initial(void)
Description	Initialize LED on the board.
Arguments	-
Return Value	-
[Function Name]	
Outline	Initialize ADC.
Header	adc.h
Declaration	void adc_initial(void)
Description	Initialize ADC and its mode.
Arguments	-
Return Value	-
[Function Name]	
Outline	Processes A/D conversion end interrupt.
Header	-
Declaration	__interrupt void int_adca0i0(void)
Description	Stores the conversion result in users' memory area, and restarts A/D conversion.
Arguments	-
Return Value	-
[Function Name]	
Outline	Processes A/D conversion error interrupt.
Header	-
Declaration	__interrupt void int_adca0err(void)
Description	Stops A/D conversion and turn LED2 on.
Arguments	-
Return Value	-

4.8 Flowchart(s)

4.8.1 Main Processing

Figure 4.1 shows the Main Processing.

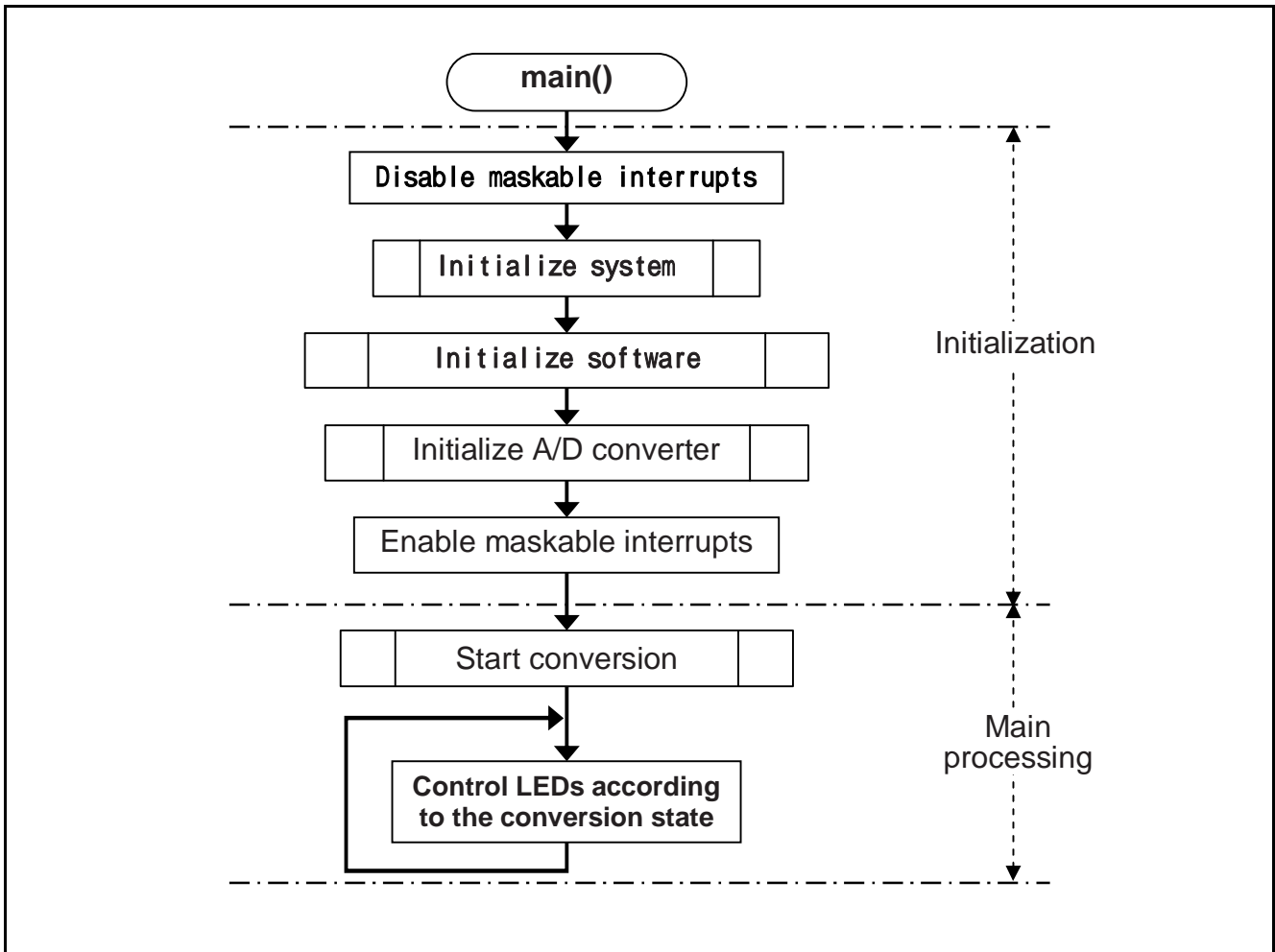


Figure 4.1 Main Processing

4.8.2 Main Processing

Figure 4.2 shows the Main Processing.

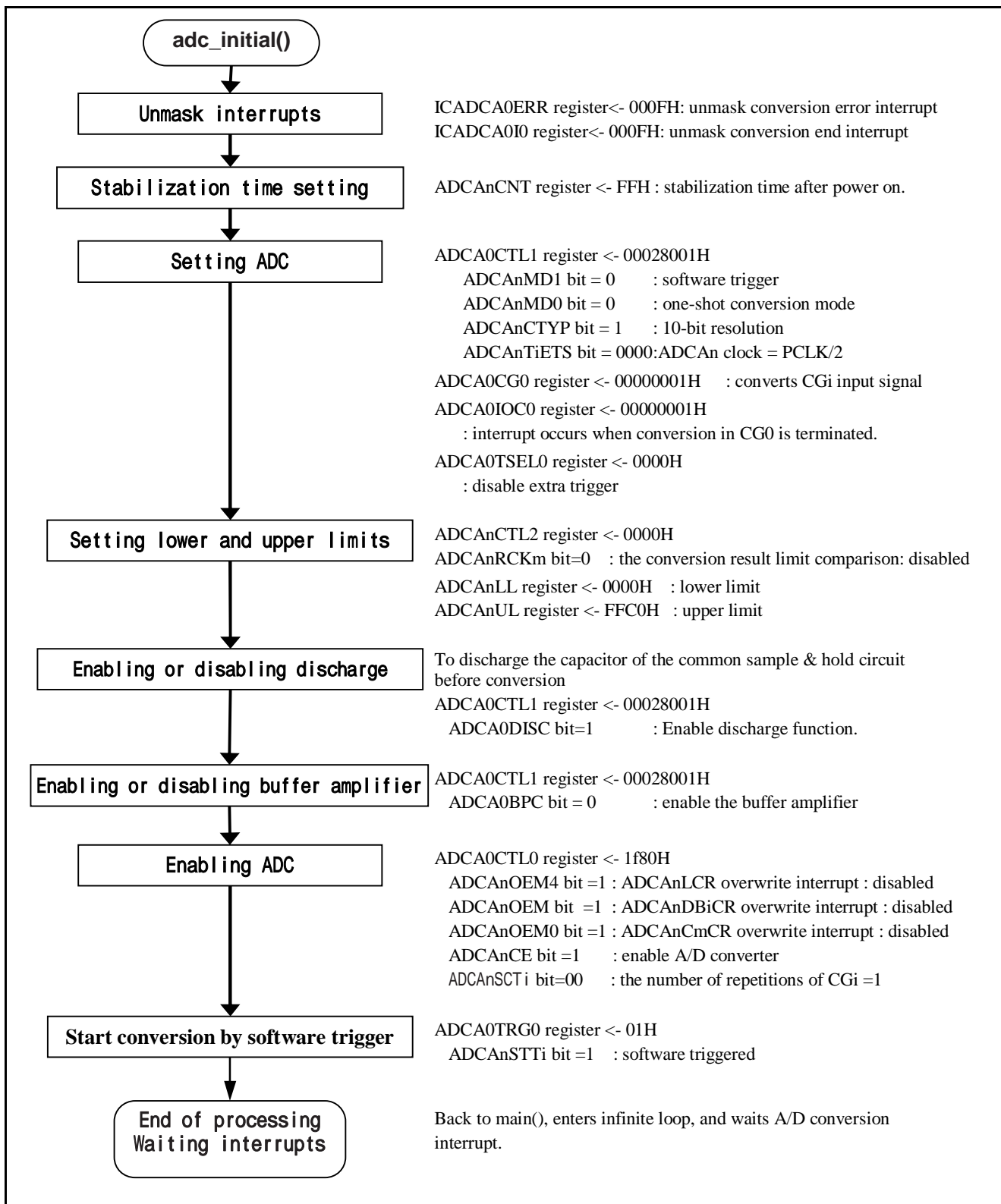


Figure 4.2 Initializing ADC

4.8.3 Interrupt Processing

Figure 4.3 shows the Interrupt operation.

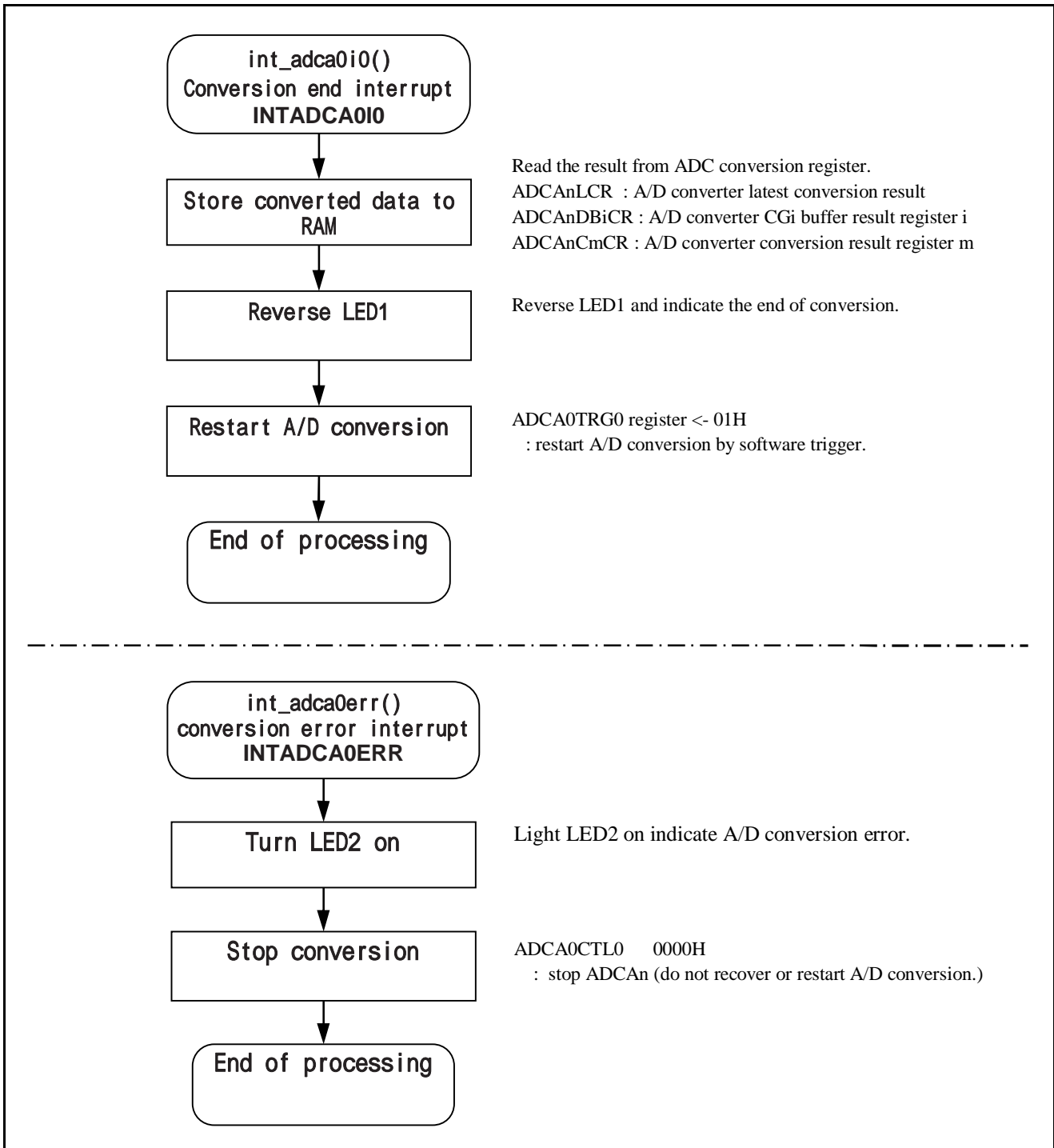


Figure 4.3 Interrupt operation

5. Sample Code

Sample code can be downloaded from the Renesas Electronics website.

6. Reference Documents

User's Manual: Hardware

V850E2/ML4 User's Manual: Hardware (R01UH0262EJ)

The latest version can be downloaded from the Renesas Electronics website.

Technical Update/Technical News

The latest information can be downloaded from the Renesas Electronics website.

Website and Support

Renesas Electronics website

<http://www.renesas.com>

Inquiries

<http://www.renesas.com/contact/>

REVISION HISTORY	V850E2/ML4 Application Note A/D converter
-------------------------	---

Rev.	Date	Description	
		Page	Summary
1.00	Jun. 22, 2012	—	First edition issued

All trademarks and registered trademarks are the property of their respective owners.

General Precautions in the Handling of MPU/MCU Products

The following usage notes are applicable to all MPU/MCU products from Renesas. For detailed usage notes on the products covered by this manual, refer to the relevant sections of the manual. If the descriptions under General Precautions in the Handling of MPU/MCU Products and in the body of the manual differ from each other, the description in the body of the manual takes precedence.

1. Handling of Unused Pins

Handle unused pins in accord with the directions given under Handling of Unused Pins in the manual.

- The input pins of CMOS products are generally in the high-impedance state. In operation with an unused pin in the open-circuit state, extra electromagnetic noise is induced in the vicinity of LSI, an associated shoot-through current flows internally, and malfunctions occur due to the false recognition of the pin state as an input signal become possible. Unused pins should be handled as described under Handling of Unused Pins in the manual.

2. Processing at Power-on

The state of the product is undefined at the moment when power is supplied.

- The states of internal circuits in the LSI are indeterminate and the states of register settings and pins are undefined at the moment when power is supplied.

In a finished product where the reset signal is applied to the external reset pin, the states of pins are not guaranteed from the moment when power is supplied until the reset process is completed.

In a similar way, the states of pins in a product that is reset by an on-chip power-on reset function are not guaranteed from the moment when power is supplied until the power reaches the level at which resetting has been specified.

3. Prohibition of Access to Reserved Addresses

Access to reserved addresses is prohibited.

- The reserved addresses are provided for the possible future expansion of functions. Do not access these addresses; the correct operation of LSI is not guaranteed if they are accessed.

4. Clock Signals

After applying a reset, only release the reset line after the operating clock signal has become stable.

When switching the clock signal during program execution, wait until the target clock signal has stabilized.

- When the clock signal is generated with an external resonator (or from an external oscillator) during a reset, ensure that the reset line is only released after full stabilization of the clock signal. Moreover, when switching to a clock signal produced with an external resonator (or by an external oscillator) while program execution is in progress, wait until the target clock signal is stable.

5. Differences between Products

Before changing from one product to another, i.e. to one with a different type number, confirm that the change will not lead to problems.

The characteristics of MPU/MCU in the same group but having different type numbers may differ because of the differences in internal memory capacity and layout pattern. When changing to products of different type numbers, implement a system-evaluation test for each of the products.

Notice

1. Descriptions of circuits, software and other related information in this document are provided only to illustrate the operation of semiconductor products and application examples. You are fully responsible for the incorporation of these circuits, software, and information in the design of your equipment. Renesas Electronics assumes no responsibility for any losses incurred by you or third parties arising from the use of these circuits, software, or information.
 2. Renesas Electronics has used reasonable care in preparing the information included in this document, but Renesas Electronics does not warrant that such information is error free. Renesas Electronics assumes no liability whatsoever for any damages incurred by you resulting from errors in or omissions from the information included herein.
 3. Renesas Electronics does not assume any liability for infringement of patents, copyrights, or other intellectual property rights of third parties by or arising from the use of Renesas Electronics products or technical information described in this document. No license, express, implied or otherwise, is granted hereby under any patents, copyrights or other intellectual property rights of Renesas Electronics or others.
 4. You should not alter, modify, copy, or otherwise misappropriate any Renesas Electronics product, whether in whole or in part. Renesas Electronics assumes no responsibility for any losses incurred by you or third parties arising from such alteration, modification, copy or otherwise misappropriation of Renesas Electronics product.
 5. Renesas Electronics products are classified according to the following two quality grades: "Standard" and "High Quality". The recommended applications for each Renesas Electronics product depends on the product's quality grade, as indicated below.
"Standard": Computers, office equipment, communications equipment, test and measurement equipment, audio and video equipment, home electronic appliances, machine tools, general electronic equipment, and industrial robots etc.
"High Quality": Transportation equipment (automobiles, taxis, ships, etc.), traffic control systems, air-traffic control systems, cell-phone systems, and safety equipment etc.
Renesas Electronics products are neither intended nor optimized for use in products or systems that may pose a direct threat to human life or bodily injury (airlines, fire suppress devices or systems, surgical instruments etc.), or may cause serious property damages (nuclear reactor control systems, military equipment etc.). You must check the quality grade of each Renesas Electronics product before using it in a particular application. You may not use any Renesas Electronics product for any application for which it is not intended. Renesas Electronics shall not be in any way liable for any damages or losses incurred by you or third parties arising from the use of any Renesas Electronics product for which the product is not intended by Renesas Electronics.
 6. You should use the Renesas Electronics products described in this document within the range specified by Renesas Electronics, especially with regard to the maximum rating, operating supply voltage range, maximum power voltage range, heat radiation characteristics, installation and other product characteristics. Renesas Electronics shall have no liability for malfunctions or damages arising out of the use of Renesas Electronics products beyond such specified ranges.
 7. Although Renesas Electronics endeavors to improve the quality and reliability of its products, semiconductor products have specific characteristics such as the occurrence of failure of a certain rate and malfunctions under certain use conditions. Further, Renesas Electronics products are not subject to radiation hardness design. Please be sure to implement safety measures to guard them against the possibility of physical injury, and injury or damage caused by fire in the event of the failure of a Renesas Electronics product, such as safety design for hardware and software including but not limited by redundancy, the control and malfunction prevention, appropriate treatment for aging degradation or any other appropriate measures. Because the evaluation of microcomputer software alone is very difficult, please evaluate the safety of the final products or systems manufactured by you.
 8. Please contact a Renesas Electronics sales office for details on its environmental matters such as the environmental compatibility of each Renesas Electronics product. Please use Renesas Electronics products in compliance with applicable laws and regulations that regulate the inclusion or use of restricted substances, including without limitation, the EU RoHS Directive. Renesas Electronics assumes no liability for damages or losses resulting as a result of your noncompliance with applicable laws and regulations.
 9. Renesas Electronics products and technology may not be used for or incorporated into any products or systems whose manufacture, use, or sale is prohibited under any applicable domestic or foreign laws or regulations. You should not use Renesas Electronics products or technology described in this document for any purpose relating to military applications or use by the military, including but not limited to the development of weapons of mass destruction. When exporting the Renesas Electronics products or technology described in this document, you should comply with the applicable export control laws and regulations and follow the procedures required by such laws and regulations.
 10. It is the responsibility of the buyer or distributor of Renesas Electronics products, who distributes, disposes of, or otherwise places the product with a third party, to notify such third party in advance of the contents and conditions set forth in this document. Renesas Electronics assumes no responsibility for any losses incurred by you or third parties as a result of unauthorized use of Renesas Electronics products.
 11. This document may not be reproduced or disclosed in any form, in whole or in part, without prior written consent of Renesas Electronics.
 12. Please contact a Renesas Electronics sales office if you have any questions regarding the information contained in this document or Renesas Electronics products, or if you have any other inquiries.
- [Note 1] "Renesas Electronics" as used in this document means Renesas Electronics Corporation and also includes its majority-owned subsidiaries.
[Note 2] "Renesas Electronics products" means any product developed or manufactured by either Renesas Electronics.



SALES OFFICES

Renesas Electronics Corporation

<http://www.renesas.com>

Refer to <http://www.renesas.com> for the latest and detailed information.

Renesas Electronics America Inc.
2880 South Bascom Avenue, Suite 100, San Jose, CA 95128, U.S.A.
Tel: +1-408-853-8200, Fax: +1-408-853-8128

Renesas Electronics Canada Limited
1191 Midland Road, Scarborough, Ontario M1V 5G3, Canada
Tel: +1-416-291-8441, Fax: +1-416-291-8222

Renesas Electronics Europe Limited
Dukes Meadow, Millboard Road, Bourne End, Buckinghamshire, SL8 5BN, U.K.
Tel: +44-1829-545-100, Fax: +44-1829-545-680

Renesas Electronics Europe GmbH
Arendshoop 10, 49478 Düsseldorf, Germany
Tel: +49-211-96090, Fax: +49-211-96091327

Renesas Electronics (China) Co., Ltd.
7th Floor, Chongxin Plaza, No. 27 Zhongyuan Road, Haidian District, Beijing 100080, P.R.China
Tel: +86-10-8526-1156, Fax: +86-10-8526-7878

Renesas Electronics (Shanghai) Co., Ltd.
Unit 204, 2/F, AZA Center, No. 1155 Luozui Road, Pudong District, Shanghai 200120, China
Tel: +86-21-5877-1916, Fax: +86-21-5877-7659 / 7666

Renesas Electronics Hong Kong Limited
Unit 1801-1813, 18/F., Tower B, Grand Century Plaza, 189 Prince Edward Road West, Mong Kok, Kowloon, Hong Kong
Tel: +852-2599-8916, Fax: +852-2599-9029/9044

Renesas Electronics Taiwan Co., Ltd.
12F, No. 245, Fu Shing North Road, Taipei, Taiwan
Tel: +886-2-8175-9600, Fax: +886-2-8175-9670

Renesas Electronics Singapore Pte. Ltd.
1 HarbourFront Avenue, #08-10, Jockey Club Tower, Singapore 099293
Tel: +65-6619-8800, Fax: +65-6619-9001

Renesas Electronics Malaysia Sdn. Bhd.
Unit 201, Block B, Mines Asas, Mines Trade Centre, No. 12, Jin Ponniah Road, 46000 Petaling Jaya, Selangor Darul Ehsar, Malaysia
Tel: +60-3-7665-9980, Fax: +60-3-7665-9610

Renesas Electronics Korea Co., Ltd.
11F., Samil Center Bldg., 760-8 Yongsu-Dong, Kangnam-Ku, Seoul 150-080, Korea
Tel: +82-2-639-7373, Fax: +82-2-639-6141