

To our customers,

---

## Old Company Name in Catalogs and Other Documents

---

On April 1<sup>st</sup>, 2010, NEC Electronics Corporation merged with Renesas Technology Corporation, and Renesas Electronics Corporation took over all the business of both companies. Therefore, although the old company name remains in this document, it is a valid Renesas Electronics document. We appreciate your understanding.

Renesas Electronics website: <http://www.renesas.com>

April 1<sup>st</sup>, 2010  
Renesas Electronics Corporation

Issued by: Renesas Electronics Corporation (<http://www.renesas.com>)

Send any inquiries to <http://www.renesas.com/inquiry>.

## Notice

1. All information included in this document is current as of the date this document is issued. Such information, however, is subject to change without any prior notice. Before purchasing or using any Renesas Electronics products listed herein, please confirm the latest product information with a Renesas Electronics sales office. Also, please pay regular and careful attention to additional and different information to be disclosed by Renesas Electronics such as that disclosed through our website.
2. Renesas Electronics does not assume any liability for infringement of patents, copyrights, or other intellectual property rights of third parties by or arising from the use of Renesas Electronics products or technical information described in this document. No license, express, implied or otherwise, is granted hereby under any patents, copyrights or other intellectual property rights of Renesas Electronics or others.
3. You should not alter, modify, copy, or otherwise misappropriate any Renesas Electronics product, whether in whole or in part.
4. Descriptions of circuits, software and other related information in this document are provided only to illustrate the operation of semiconductor products and application examples. You are fully responsible for the incorporation of these circuits, software, and information in the design of your equipment. Renesas Electronics assumes no responsibility for any losses incurred by you or third parties arising from the use of these circuits, software, or information.
5. When exporting the products or technology described in this document, you should comply with the applicable export control laws and regulations and follow the procedures required by such laws and regulations. You should not use Renesas Electronics products or the technology described in this document for any purpose relating to military applications or use by the military, including but not limited to the development of weapons of mass destruction. Renesas Electronics products and technology may not be used for or incorporated into any products or systems whose manufacture, use, or sale is prohibited under any applicable domestic or foreign laws or regulations.
6. Renesas Electronics has used reasonable care in preparing the information included in this document, but Renesas Electronics does not warrant that such information is error free. Renesas Electronics assumes no liability whatsoever for any damages incurred by you resulting from errors in or omissions from the information included herein.
7. Renesas Electronics products are classified according to the following three quality grades: “Standard”, “High Quality”, and “Specific”. The recommended applications for each Renesas Electronics product depends on the product’s quality grade, as indicated below. You must check the quality grade of each Renesas Electronics product before using it in a particular application. You may not use any Renesas Electronics product for any application categorized as “Specific” without the prior written consent of Renesas Electronics. Further, you may not use any Renesas Electronics product for any application for which it is not intended without the prior written consent of Renesas Electronics. Renesas Electronics shall not be in any way liable for any damages or losses incurred by you or third parties arising from the use of any Renesas Electronics product for an application categorized as “Specific” or for which the product is not intended where you have failed to obtain the prior written consent of Renesas Electronics. The quality grade of each Renesas Electronics product is “Standard” unless otherwise expressly specified in a Renesas Electronics data sheets or data books, etc.
  - “Standard”: Computers; office equipment; communications equipment; test and measurement equipment; audio and visual equipment; home electronic appliances; machine tools; personal electronic equipment; and industrial robots.
  - “High Quality”: Transportation equipment (automobiles, trains, ships, etc.); traffic control systems; anti-disaster systems; anti-crime systems; safety equipment; and medical equipment not specifically designed for life support.
  - “Specific”: Aircraft; aerospace equipment; submersible repeaters; nuclear reactor control systems; medical equipment or systems for life support (e.g. artificial life support devices or systems), surgical implantations, or healthcare intervention (e.g. excision, etc.), and any other applications or purposes that pose a direct threat to human life.
8. You should use the Renesas Electronics products described in this document within the range specified by Renesas Electronics, especially with respect to the maximum rating, operating supply voltage range, movement power voltage range, heat radiation characteristics, installation and other product characteristics. Renesas Electronics shall have no liability for malfunctions or damages arising out of the use of Renesas Electronics products beyond such specified ranges.
9. Although Renesas Electronics endeavors to improve the quality and reliability of its products, semiconductor products have specific characteristics such as the occurrence of failure at a certain rate and malfunctions under certain use conditions. Further, Renesas Electronics products are not subject to radiation resistance design. Please be sure to implement safety measures to guard them against the possibility of physical injury, and injury or damage caused by fire in the event of the failure of a Renesas Electronics product, such as safety design for hardware and software including but not limited to redundancy, fire control and malfunction prevention, appropriate treatment for aging degradation or any other appropriate measures. Because the evaluation of microcomputer software alone is very difficult, please evaluate the safety of the final products or system manufactured by you.
10. Please contact a Renesas Electronics sales office for details as to environmental matters such as the environmental compatibility of each Renesas Electronics product. Please use Renesas Electronics products in compliance with all applicable laws and regulations that regulate the inclusion or use of controlled substances, including without limitation, the EU RoHS Directive. Renesas Electronics assumes no liability for damages or losses occurring as a result of your noncompliance with applicable laws and regulations.
11. This document may not be reproduced or duplicated, in any form, in whole or in part, without prior written consent of Renesas Electronics.
12. Please contact a Renesas Electronics sales office if you have any questions regarding the information contained in this document or Renesas Electronics products, or if you have any other inquiries.

(Note 1) “Renesas Electronics” as used in this document means Renesas Electronics Corporation and also includes its majority-owned subsidiaries.

(Note 2) “Renesas Electronics product(s)” means any product developed or manufactured by or for Renesas Electronics.

***APPLICATION NOTE***

**$\mu$ PD7225**

**PROGRAMMABLE LCD CONTROLLER/DRIVER**

The application circuits and their parameters are for reference only and are not intended for use in actual design-ins.

No part of this document may be copied or reproduced in any form or by any means without the prior written consent of NEC Corporation. NEC Corporation assumes no responsibility for any errors which may appear in this document.

NEC Corporation does not assume any liability for infringement of patents, copyrights or other intellectual property rights of third parties by or arising from use of a device described herein or any other liability arising from use of such device. No license, either express, implied or otherwise, is granted under any patents, copyrights or other intellectual property rights of NEC Corporation or others.

While NEC Corporation has been making continuous effort to enhance the reliability of its semiconductor devices, the possibility of defects cannot be eliminated entirely. To minimize risks of damage or injury to persons or property arising from a defect in an NEC semiconductor device, customers must incorporate sufficient safety measures in its design, such as redundancy, fire-containment, and anti-failure features.

NEC devices are classified into the following three quality grades:

"Standard", "Special", and "Specific". The Specific quality grade applies only to devices developed based on a customer designated "quality assurance program" for a specific application. The recommended applications of a device depend on its quality grade, as indicated below. Customers must check the quality grade of each device before using it in a particular application.

Standard: Computers, office equipment, communications equipment, test and measurement equipment, audio and visual equipment, home electronic appliances, machine tools, personal electronic equipment and industrial robots

Special: Transportation equipment (automobiles, trains, ships, etc.), traffic control systems, anti-disaster systems, anti-crime systems, safety equipment and medical equipment (not specifically designed for life support)

Specific: Aircrafts, aerospace equipment, submersible repeaters, nuclear reactor control systems, life support systems or medical equipment for life support, etc.

The quality grade of NEC devices is "Standard" unless otherwise specified in NEC's Data Sheets or Data Books. If customers intend to use NEC devices for applications other than those specified for Standard quality grade, they should contact an NEC sales representative in advance.

Anti-radioactive design is not implemented in this product.

### Main revisions in this edition

Pages	Description
Chapter 2	<ul style="list-style-type: none"><li>• <math>\mu</math>PD7507 <math>\mu</math>PD7507B</li><li>• Deletion of description related to <math>\mu</math>COM-43NA</li></ul>

## CONTENTS

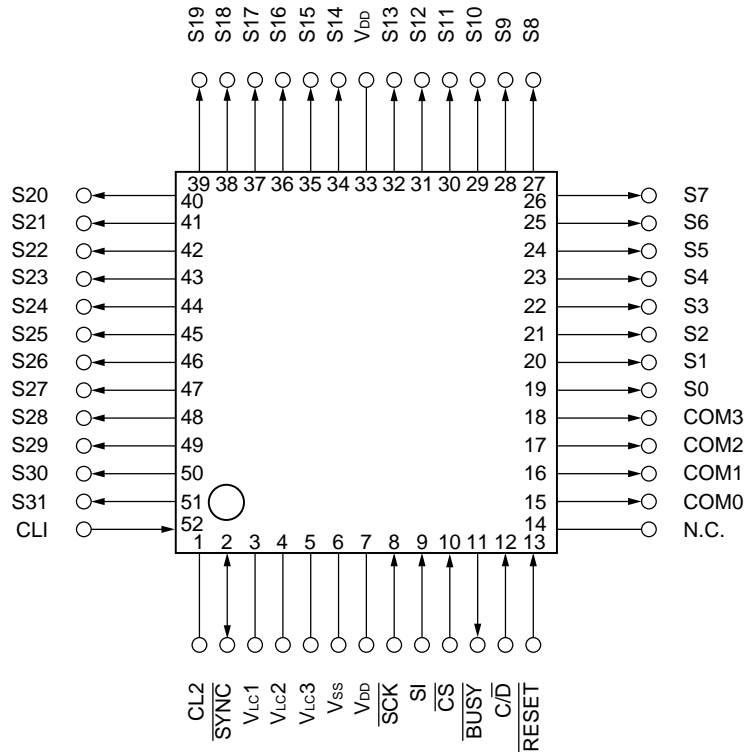
<b>CHPATER 1 GENERAL</b> .....	<b>1</b>
<b>1.1 General</b> .....	<b>1</b>
<b>1.2 Internal Segment Decoder</b> .....	<b>3</b>
1.2.1 7-segment decoder .....	3
1.2.2 14-segment decoder .....	6
1.2.3 The Input of serial data .....	8
<b>1.3 The Commands of <math>\mu</math>PD7225</b> .....	<b>9</b>
1.3.1 MODE SET .....	9
1.3.2 SYNCHRONIZED TRANSFER .....	9
1.3.3 UNSYNCHRONIZED TRANSFER .....	9
1.3.4 PAUSE TRANSFER .....	10
1.3.5 BLINKING ON .....	10
1.3.6 BLINKING OFF .....	10
1.3.7 DISPLAY ON .....	10
1.3.8 DISPLAY OFF .....	10
1.3.9 WITH SEGMENT DECODER .....	11
1.3.10 WITHOUT SEGMENT DECODER .....	11
1.3.11 LOAD DATA POINTER .....	11
1.3.12 WRITE DATA MEMORY .....	11
1.3.13 OR DATA MEMORY .....	11
1.3.14 AND DATA MEMORY .....	12
1.3.15 CLEAR DATA MEMORY .....	12
1.3.16 WRITE BLINKING DATA MEMORY .....	12
1.3.17 OR BLINKING DATA MEMORY .....	12
1.3.18 AND BLINKING DATA MEMORY .....	12
1.3.19 CLEAR BLINKING DATA MEMORY .....	13
<b>CHAPTER 2 EXAMPLES OF APPLICATIONS</b> .....	<b>15</b>
<b>2.1 Matters Attended to in a Program</b> .....	<b>15</b>
<b>2.2 System Using <math>\mu</math>PD7507B</b> .....	<b>15</b>
2.2.1 Interface with $\mu$ PD7507B and $\mu$ PD7225 .....	15
2.2.2 The connection of $\mu$ PD7225 and LCD .....	16
2.2.3 Structure of the display data within the program memory of $\mu$ PD7507B .....	16
2.2.4 Program example .....	17
2.2.5 How to set wait time .....	23
<b>APPENDIX A BIAS OF LCD AND THE NUMBER OF TIME SHARING DRIVES</b> .....	<b>25</b>
<b>APPENDIX B TIME SHARING DRIVE AND THE MAXIMUM NUMBER OF DISPLAY ELEMENTS</b> .	<b>27</b>
<b>APPENDIX C DISPLAY TIMING AND SEGMENT DRIVE SIGNALS</b> .....	<b>29</b>
<b>APPENDIX D LCD POWER SOURCE CIRCUITS</b> .....	<b>31</b>

# CHAPTER 1 GENERAL

## 1.1 General

$\mu$ PD7225 is an LCD (Liquid Crystal Display) controller/driver which is programmable by software. Figure1-1. shows the pin configurations for  $\mu$ PD7225. Figure 1-2. shows a functional block diagram. The  $\mu$ PD7225 interfaces with the CPU through a serial ports, in a microcomputer application system, for directly controlling LCD by static 2-, 3- or 4-time sharing. It also incorporates a segment decoder for generating specific segment patterns and can also control blinking operations.

**Figure1-1. Pin Configurations**



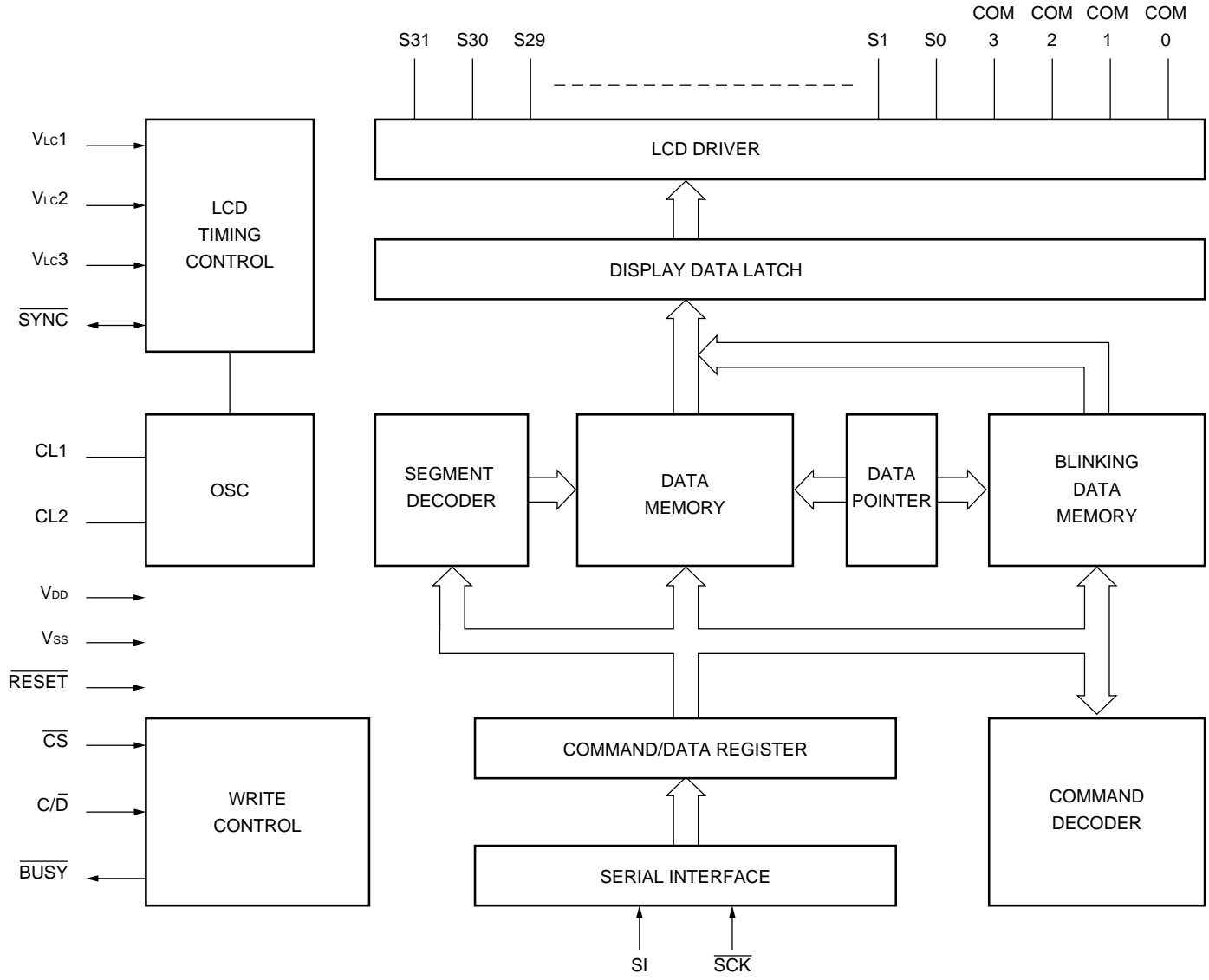


Figure 1-2. Block Diagram



## 1.2 Internal Segment Decoder

$\mu$ PD7225 incorporates 7-segment type and 14-segment type decoders, taking in serial data at the SI pin, and generating patterns as shown in Figure 1-4. and Figure 1-5.

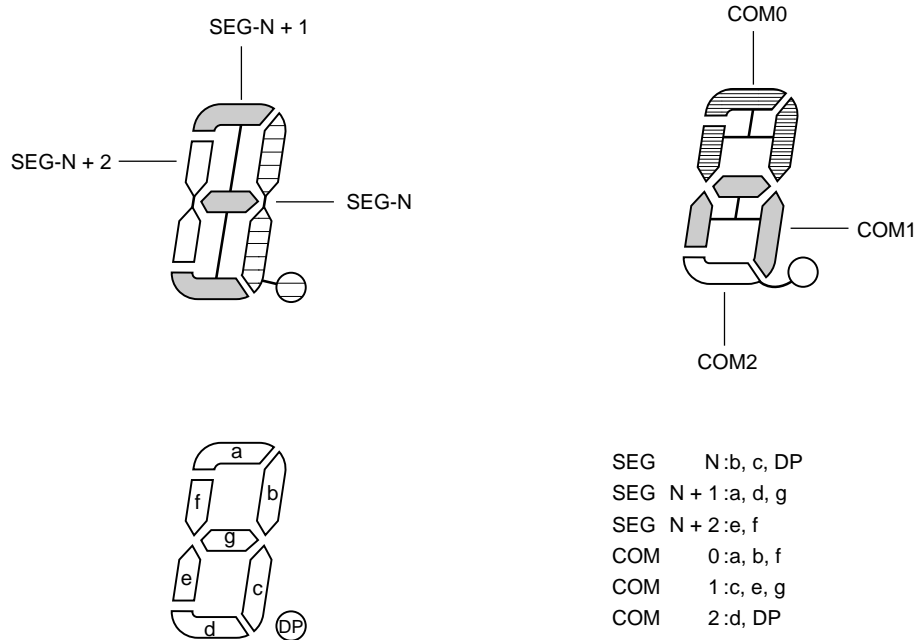
### 1.2.1 7-segment decoder

A 7-segment decoder, which performs 3- or 4-time sharing drive can generate numeric characters 0 to 9, five kinds of signs and blank display codes.

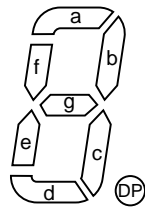
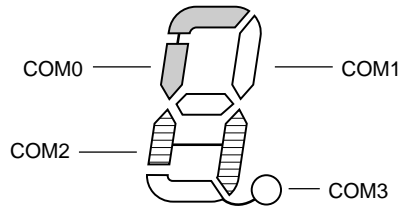
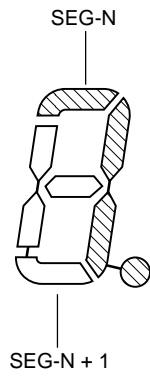
When the LCD display is made with the segment decoder output (display code), the LCD configuration shown in Figure 1-3. should be used. With LCD that is not configured like this, different display patterns are appeared.

**Figure 1-3. 7-segment Type LCD**

Make the connection in the following configuration for a 3-time sharing type of LCD.



In the case of 4-time sharing, make the following connection.



- SEG N : a, b, c, DP
- SEG N + 1 : d, e, f, g
- COM 0 : a, f
- COM 1 : b, g
- COM 2 : c, e
- COM 3 : d, DP

Figure 1-4. 7-Segment

Data (HEX)	Display pattern	Data memory				
		3-time sharing			4-time sharing	
		N+2	N+1	N	N+1	N
00		3	5	3	D	7
01		0	0	3	0	6
02		2	7	1	E	3
03		0	7	3	A	7
04		1	2	3	3	6
05		1	7	2	B	5
06		3	7	2	F	5
07		0	1	3	0	7

Data (HEX)	Display pattern	Data memory				
		3-time sharing			4-time sharing	
		N+2	N+1	N	N+1	N
08		3	7	3	F	7
09		1	7	3	B	7
0A		0	2	0	2	0
0B		3	7	0	F	1
0C		3	5	0	D	1
0D		0	6	0	A	0
0E		2	6	2	E	4
0F		0	0	0	0	0

1.2.2 14-segment decoder

A 14-segment decoder, which performs 4-time sharing drive, can generate 36 kinds of alphanumeric characters, 12 kinds of signs and blank display codes.

Figure 1-5. 14-Segment Type

In the case of a 14-segment type, only the 4-time sharing can be used. The relation between SEGMENT and COMMON is realized by the following connection.

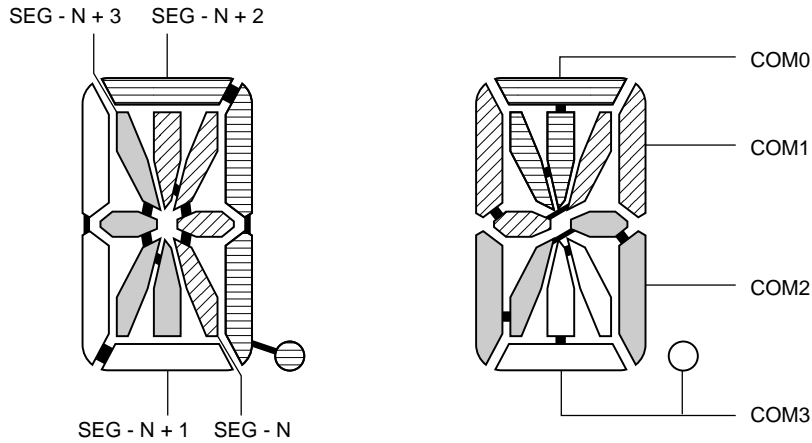
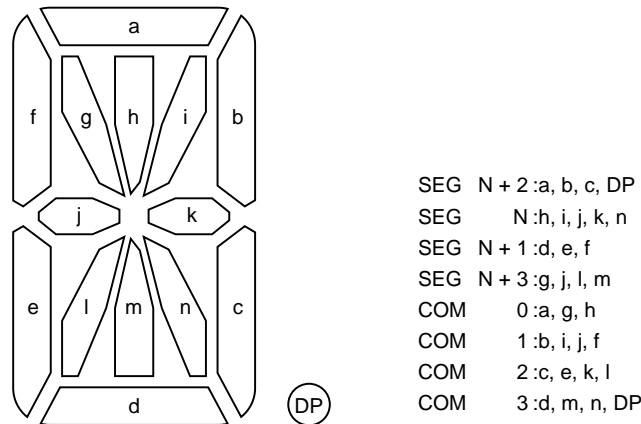


Figure 1-6. 14-Segment Type LCD



Shown next is the configuration of input data, display pattern and the display data written in the data memory. In the case of a 7-segment type, the 4 least significant bits (D3 to D0) are decoded, whereas the 7 least significant bits (D6 to D0) are decoded in the 14-segment type. In this case, the input data and display pattern of the 14-segment type correspond to the 8-bit ASCII code. The beginning write address for the display data should be Address N.

Figure 1-7. 14-Segment

Most significant bits

Data (HEX)	A				B				C				D							
	Display pattern	Data memory				Display pattern	Data memory				Display pattern	Data memory				Display pattern	Data memory			
		N+3	N+2	N+1	N		N+3	N+2	N+1	N		N+3	N+2	N+1	N		N+3	N+2	N+1	N
0		0	0	0	0		4	7	E	2		A	7	C	0		2	3	6	4
1		0	0	0	0		0	6	0	0		2	7	6	4		0	7	E	8
2		0	0	0	0		2	3	C	4		8	7	8	5		2	3	6	C
3		0	0	0	0		2	7	8	4		0	1	E	0		1	5	8	4
4		0	0	0	0		2	6	2	4		8	7	8	1		8	1	0	1
5		0	0	0	0		2	5	A	4		2	1	E	4		0	6	E	0
6		0	0	0	0		2	5	E	4		2	1	6	4		4	0	6	2
7		0	0	0	2		0	7	0	0		0	5	E	4		4	6	6	8
8		0	0	0	A		2	7	E	4		2	6	6	4		5	0	0	A
9		5	0	0	0		2	7	A	4		8	1	8	1		9	0	0	2
A		F	0	0	F		0	0	0	0		0	6	C	0		4	1	8	2
B		A	0	0	5		0	0	0	0		2	0	6	A		0	0	0	0
C		0	0	0	0		4	0	8	2		0	0	E	0		1	0	0	8
D		2	0	0	4		2	0	8	4		1	6	6	2		0	0	0	0
E		0	0	0	0		1	0	8	8		1	6	6	8		0	0	0	0
F		4	0	0	2		0	0	0	0		0	7	E	0		0	0	0	0

Least significant bits

### 1.2.3 The Input of serial data

Serial data is synchronized by the serial clock in units of 8 bits and inputted to the SI pin at the top of MSB. As  $\overline{\text{BUSY}}$  becomes low when  $\overline{\text{CS}}$  becomes low, synchronization is made with SCK when the  $\overline{\text{BUSY}}$  signal becomes high after internal processing (SCK counter and data pointer are cleared), and the first bit (MSB) is transferred. Serial data is transferred to the serial register in units of 1 bit by the rise of  $\overline{\text{SCK}}$ . Inputting eight serial clock transitions causes all 8-bit data to be transferred to the serial register. Upon the rise of the 8th serial clock  $\overline{\text{BUSY}}$  becomes low, the state of C/D pin is fetched, and it is determined whether the 8-bit data is a command or data.

Then, the contents of the serial register are fetched by the command/data register.

When two bytes or more of serial data are inputted continuously,  $\overline{\text{CS}}$  should be left low until the input of all the bytes is completed. Every time the input of one byte is completed,  $\overline{\text{BUSY}}$  becomes low. As  $\overline{\text{BUSY}}$  becomes high when serial data is fetched by the command/data register from the serial register, the next serial data can be inputted.

When  $\overline{\text{CS}}$  is raised after the input of all serial data is completed, the contents of the data memory are displayed.

Do not raise  $\overline{\text{CS}}$  while a byte is being transferred (i. e. in the state where the serial clock is not input through eight transitions).

When it is necessary to make the temporarily stop transfer due to a CPU interruption while several bytes are being transferred, make  $\overline{\text{CS}}$  high after executing the PAUSE TRANSFER command. IF  $\overline{\text{CS}}$  is made high in this case, transfer is not made from the data memory to the data display latch.

To start the transfer of the serial data again,  $\overline{\text{CS}}$  is made low like an ordinary transfer start. In this case, however, only the SCK counter is cleared and the data pointer keeps the contents before interruption. Therefore, when the start of the next serial data starts, the transferred data is processed as the subsequent data.

Figure 1-8. One-byte Input

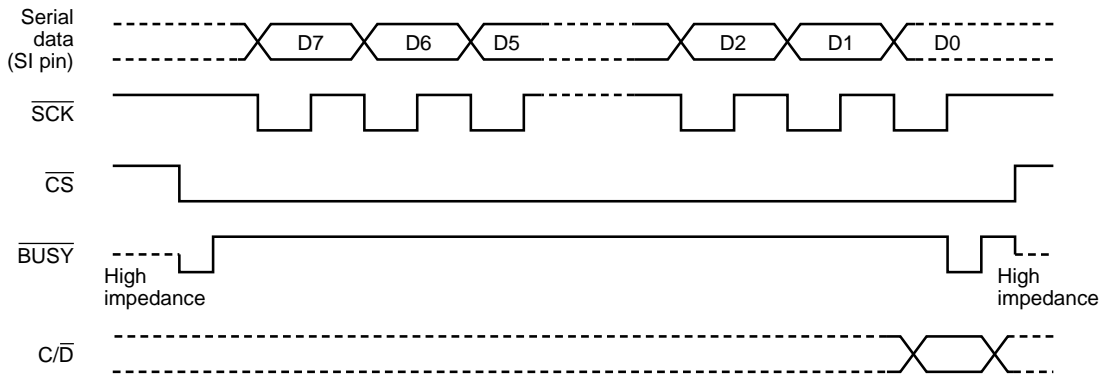
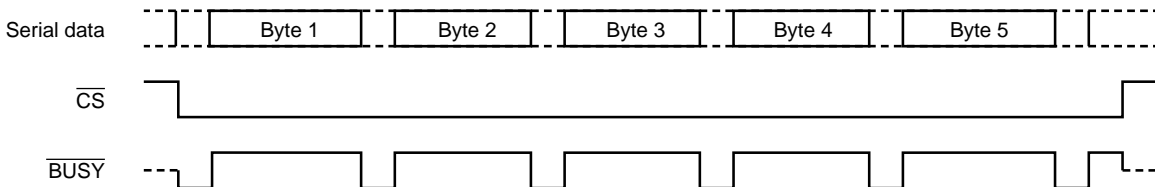


Figure 1-9. The Continuous Input of 5 Bytes



### 1.3 The Commands of $\mu$ PD7225

#### 1.3.1 MODE SET

0	1	0	M2	M1	M0	F1	F0
---	---	---	----	----	----	----	----

This command sets the time sharings number for LCD display, the bias method and frame frequency.

(a) M1 and M0 specify time sharing.

M1	M0	
0	0	----- 4-time sharing drive
1	0	----- 3-time sharing drive
1	1	----- 2-time sharing drive
0	1	----- Static drive

(b) M2 specifies the bias method.

M2	
0	----- 1/3 bias method
1	----- 1/2 bias method
1/1	----- Static

(c) F1 and F0 sets the frame frequency.

F1	F0	Scale ratio
0	0	----- $2^7$
0	1	----- $2^8$
1	0	----- $2^9$
1	1	----- $2^{11}$

#### 1.3.2 SYNCHRONIZED TRANSFER

0	0	1	1	0	0	0	1
---	---	---	---	---	---	---	---

This command controls the re-writing of display data.

Raising the  $\overline{CS}$  signal usually re-writes the display data (i. e. the transfer of display data from the data memory to the display data latch). After this command is executed, the display data is re-written at the beginning of the alternating drive period (frame frequency times the number of time sharings) when the  $\overline{CS}$  signal is raised.

#### 1.3.3 UNSYNCHRONIZED TRANSFER

0	0	1	1	0	0	0	0
---	---	---	---	---	---	---	---

This command controls the re-writing of display data.

After this command is executed, the display data is re-written upon raising the CS pin.

**1.3.4 PAUSE TRANSFER**

0	0	1	1	1	0	0	0
---	---	---	---	---	---	---	---

This command inhibits the re-writing of display data.

After this command is executed, data displayed at the rise of the first  $\overline{CS}$  pin is not re-written, but it is retained until the second  $\overline{CS}$  pin is raised. Furthermore, raising the first  $\overline{CS}$  pin does not clear the data pointer.

This command is used when the CS pin must be raised temporarily due to a CPU interrupt that occurred while the serial data is being inputted.

**1.3.5 BLINKING ON**

0	0	0	1	1	0	1	K0
---	---	---	---	---	---	---	----

This command sets the blinking state. The least significant bit K0 is used to set the blinking frequency.

K0  
 0 -----  $f_{osc}/2^{17}$  (Hz)  
 1 -----  $f_{osc}/2^{16}$  (Hz)                       $f_{osc}$ : Oscillation frequency

**1.3.6 BLINKING OFF**

0	0	0	1	1	0	0	0
---	---	---	---	---	---	---	---

Execution of this command stops the blinking operation.

**1.3.7 DISPLAY ON**

0	0	0	1	0	0	0	1
---	---	---	---	---	---	---	---

After this command is executed, the LCD display begins according to the display data of the display data latch.

**1.3.8 DISPLAY OFF**

0	0	0	1	0	0	0	0
---	---	---	---	---	---	---	---

Execution of this command makes non-selective the relation between all the common drive signals and the segment drive signals.



As a result, the display is extinguished. This command does not affect the transfer of display data from the data memory to the display data latch.

### 1.3.9 WITH SEGMENT DECODER

0	0	0	1	0	1	0	1
---	---	---	---	---	---	---	---

Data inputted after this command is executed is sent to the segment decoder, and the code obtained by the segment decoder is written into the data memory.

### 1.3.10 WITHOUT SEGMENT DECODER

0	0	0	1	0	1	0	0
---	---	---	---	---	---	---	---

Data inputted after this command is executed is written into the data memory without passing the segment decoder.

### 1.3.11 LOAD DATA POINTER

1	1	1	D4	D3	D2	D1	D0
---	---	---	----	----	----	----	----

This command sets the immediate data D4-D0 in the data pointer.

### 1.3.12 WRITE DATA MEMORY

1	1	0	1	D3	D2	D1	D0
---	---	---	---	----	----	----	----

This command stores the immediate data D3-D0 in the data memory addressed by the data pointer, incrementing by (+1) the contents of the data pointer.

### 1.3.13 OR DATA MEMORY

1	0	1	1	D3	D2	D1	D0
---	---	---	---	----	----	----	----

The contents of the data memory addressed by the data pointer and the immediate data D3-D0 are ORed, and the result is stored in the data memory. The contents of the data pointer are incremented by (+1).

**1.3.14 AND DATA MEMORY**

1	0	0	1	D3	D2	D1	D0
---	---	---	---	----	----	----	----

The contents of the data memory addressed by the data pointer and the immediate data D3-D0 are ANDed; the result is stored in the data memory. The contents of the data pointer are incremented by (+1).

**1.3.15 CLEAR DATA MEMORY**

0	0	1	0	0	0	0	0
---	---	---	---	---	---	---	---

This command clears the contents of the data memory and the data pointer.

**1.3.16 WRITE BLINKING DATA MEMORY**

1	1	0	0	D3	D2	D1	D0
---	---	---	---	----	----	----	----

This command stores the immediate data D3-D0 in the blinking data memory addressed by the data pointer, incrementing the contents of the data pointer by (+1).

**1.3.17 OR BLINKING DATA MEMORY**

1	0	1	0	D3	D2	D1	D0
---	---	---	---	----	----	----	----

The contents of the blinking data memory addressed by the data pointer and the immediate data D3-D0 are ORed, the result is stored in the blinking data memory. The contents of the data pointer are incremented by (+1).

**1.3.18 AND BLINKING DATA MEMORY**

1	0	0	0	D3	D2	D1	D
---	---	---	---	----	----	----	---

The contents of the blinking data memory addressed by the data pointer and the immediate data D3-D0 are ANDed, the result is stored in the blinking data memory. The contents of the data pointer are incremented by (+1).

**1.3.19 CLEAR BLINKING DATA MEMORY**

0	0	0	0	0	0	0	0
---	---	---	---	---	---	---	---

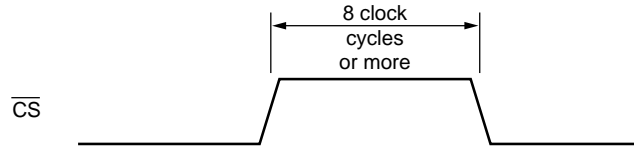
This command clears the contents of the blinking data memory and the data pointer.

[MEMO]

## CHAPTER 2 EXAMPLES OF APPLICATIONS

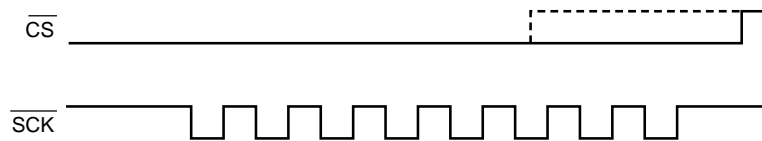
### 2.1 Matters Attended to in a Program

(a) The high-level signal to the  $\overline{\text{CS}}$  pin must have 8 clock cycles or more at the clock frequency.



(b) When the data is transferred, be sure to check the  $\overline{\text{BUSY}}$  pin to confirm whether or not the data is transferable.

(c) Be sure not to raise the chip select signal while the data is being transferred. Raising it during transfer may cause a malfunction.

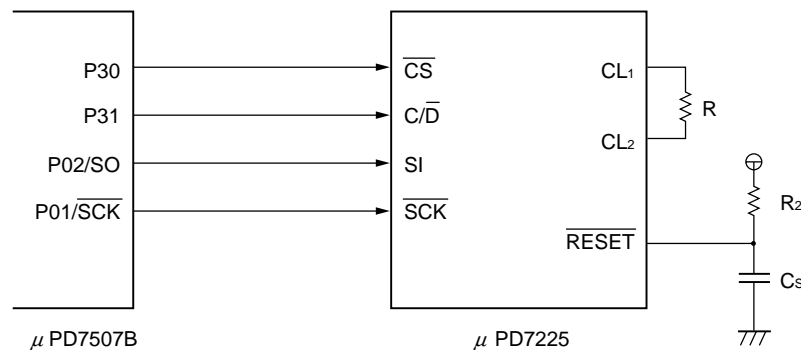


### 2.2 System Using $\mu\text{PD7507B}$

This section introduces an example where a CMOS 4-bit one-chip microcomputer ( $\mu\text{PD7507B}$ ) is used as the control system for the  $\mu\text{PD7225}$ . In this example, it is presumed that the display panel which uses a 14-segment 8-digit LCD panel writes the data in the mode to use the segment decoder. In addition, it is presumed that this program does not test the  $\overline{\text{BUSY}}$  signal outputted by  $\mu\text{PD7225}$ , and that the serial data is sent.

#### 2.2.1 Interface with $\mu\text{PD7507B}$ and $\mu\text{PD7225}$

**Figure 2-1. Interface with  $\mu\text{PD7507B}$**



Shown below are the pin functions of  $\mu$ PD7507B in this interface.

- P30: Used for the chip Select signal.
- P31: Specifies command/data for the serial data to be written.
- P02/SO: Used for serial data output (command/data).
- P01/ $\overline{\text{SCK}}$ : Used for the serial clock output.

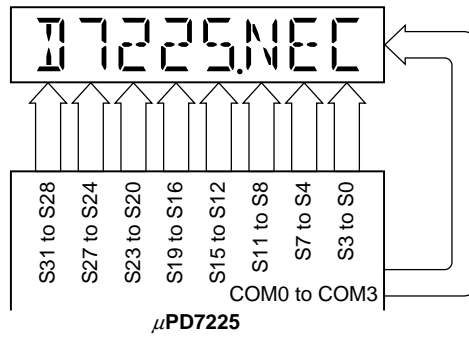
The clock for  $\mu$ PD7225 can be easily made only by connecting resistance to clock the pins (CL1, CL2).

Example:  $R = 180\text{k}\Omega - f_{\text{CLK}} \simeq 130 \text{ kHz (TYP.)}$   
 $(V_{\text{DD}} = 5.0 \text{ V})$

When it is necessary to adjust the clock with a variable resistance, use  $R = 180 \text{ k}\Omega \pm 5 \%$ .

**2.2.2 The connection of  $\mu$ PD7225 and LCD**

**Figure 2-2. Example of Connection for LCD Display**



**2.2.3 Structure of the display data within the program memory of  $\mu$ PD7507B**

This section shows the structure of the data written in the program memory of  $\mu$ PD7507B to display "D7225.NEC", as shown in the example.

**Program memory**

Address		
150H	C4	; "D"
151H	B7	; "7"
152H	B2	; "2"
153H	B2	; "2"
154H	B5	; "5"
155H	CE	; "N"
156H	C5	; "E"
157H	C3	; "C"

Write the data in  $\mu$ PD7225 in the order 157H  $\rightarrow$  150H of the program memory.

### 2.2.4 Program example

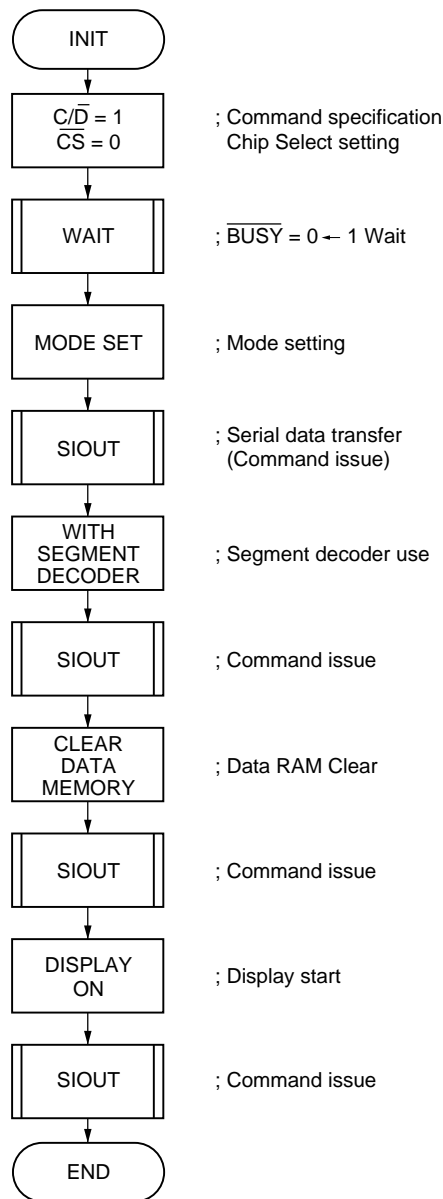
This section shows a program to control the  $\mu$ PD7225 by dividing one into the INITIALIZE routine, data routine, the display routine of DP, weight routine and serial data transfer routine.

This section shows a program which only controls  $\mu$ PD7225. It is assumed, therefore, that the data memory of  $\mu$ PD7507B has been initialized or the stack pointer has already been set.

#### (1) INITIALIZE Routine

In the INITIALIZE routine, each mode is set after the RESET for  $\mu$ PD7225 is removed, the display RAM is cleared and the command of display start is transferred.

#### Flowchart



## Program list

```

INIT:   LAI    0EH
        OP    3    ; C/D = 1  CS = 0
        CALL  WAIT ; WAIT  BUSY 0 → 1
        LHLD  7FH
        LAI    2    ;
        ST                ; } MODE SET
        LAI    4    ; } COMMAND SET
        CALL  SIOUT ; COMMAND OUT
        LAI    5    ;
        ST                ; } WITH SEGMENT DECODER
        LAI    1    ;
        CALL  SIOUT ;
        LAI    0    ;
        ST                ; } CLEAR DATA MEMORY
        LAI    2    ;
        CALL  SIOUT ;
        LAI    1    ;
        ST                ; } DISPLAY ON
        CALL  SIOUT ;
; INIT END

```

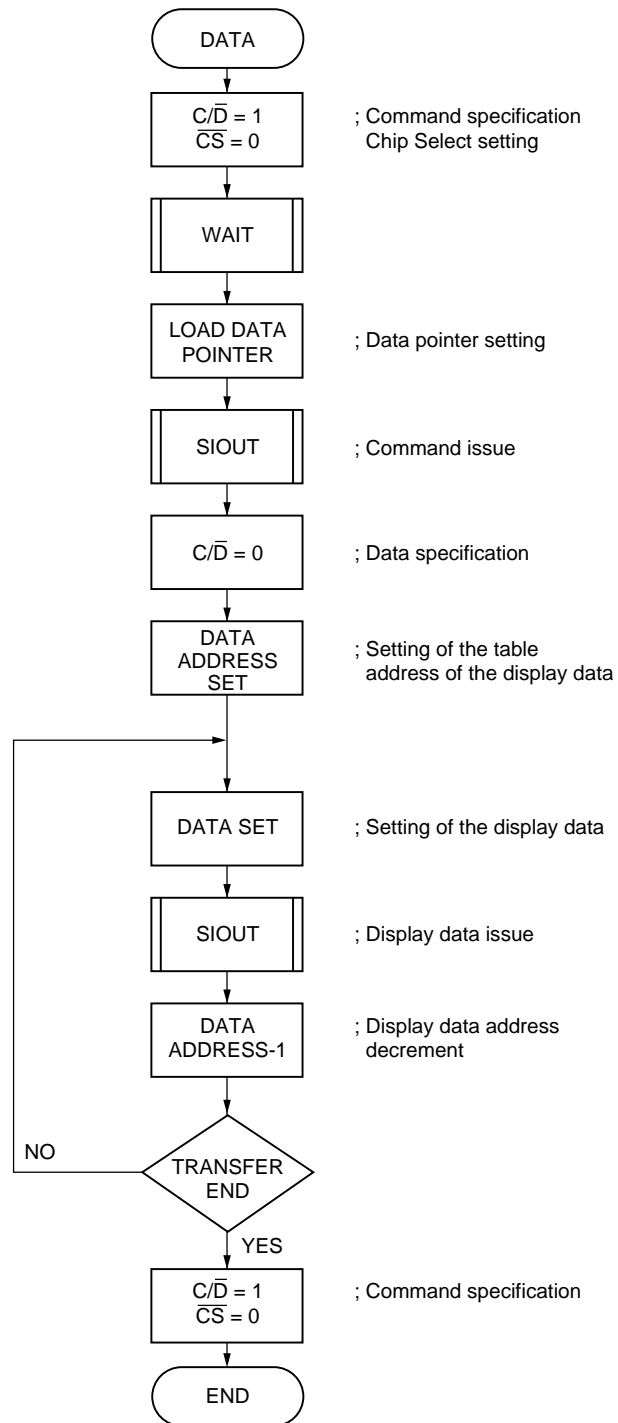
In this program,  $\overline{CS}$  is not raised after issuing the DISPLAY ON command. If it is necessary to raise  $\overline{CS}$ , be sure to hold  $\overline{CS} = 1$  for 48 clocks or more. (The  $\mu$ PD7225 clock) (In the case of UNSYNCHRONIZED TRANSFER MODE)



(2) Data routine

The data routine is used to write display data.

Flowchart



## Program list

```

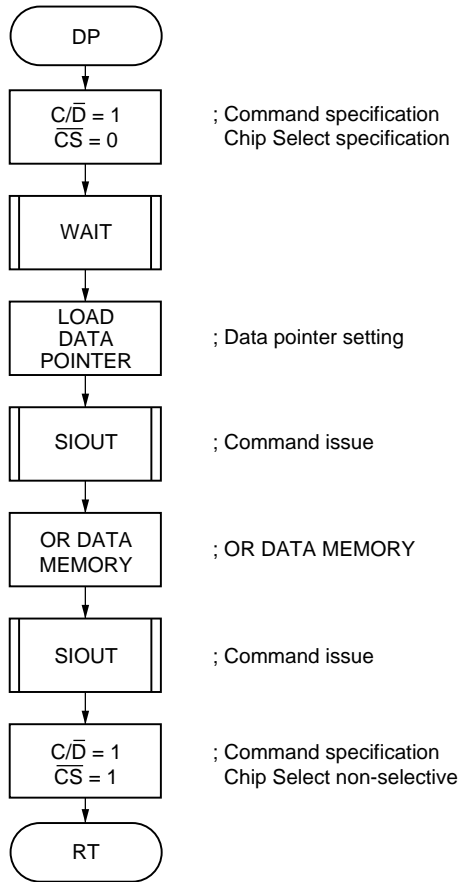
DATA:  LAI    0EH
        OP    3      ; C/D = 1, CS = 0
        CALL  WAIT
        LHLD  7FH   ;
        LAI   0      ; } LOAD DATA POINTER
        ST    ;     ; (DP = 00)
        LAI   0EH   ;
        CALL  SIOUT ; COMMAND OUT
        LAI   0CH
        OP    3      ; C/D = 0, CS = 0
        LAI   7      ; DATA NO.
        LHLD  71H   ; (71) DATA ADDRESS
        ST
        DLS
TABL:  LADR   71H   ;
        ST    ;     ; DATA TABLE ADDRESS SET
        LAI   5      ;
        LAMTL ;     ; TABLE LOOK UP
        CALL  SIOUT ; DATA OUT
        DDRL  71H   ; DATA ADDRESS-1
        JCP   TABL
        LAI   0FH
        OP    3      ; C/D = 1, CS = 1
;DATA END

```

**(3) DP display routine**

The DP display routine displays "." between "5" and "N" as shown in Figure 2-12. The use of this routine is not restricted to DP, but it can be applied to the change of each character.

**Flowchart**



**Program list**

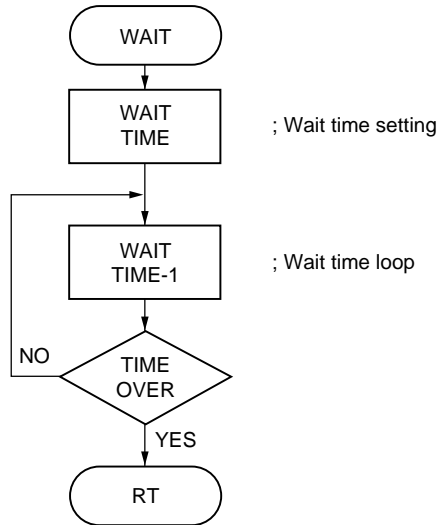
```

DP:    LAI    0EH
        OP    3      ; C/D̄ = 1, CS̄ = 0
        CALL  WAIT
        LAI    0CH   ; } LOAD DATA POINTER
        ST                ; } (DP = 0C)
        LAI    0EH   ; }
        CALL  SIOUT
        LAI    8     ; }
        ST                ; } OR DATA MEMORY
        LAI    0BH   ; }
        CALL  SIOUT ;
        LAI    0FH
        OP    3      ; C/D̄ = 1, CS̄ = 1
        RT
;DP END
    
```

**(4) Wait routine**

Because the  $\overline{\text{BUSY}}$  signal outputted by  $\mu\text{PD7225}$  is not tested here, it is necessary to allow enough time until  $\overline{\text{BUSY}} = 1$  is obtained before starting serial data transfer.

**Flowchart**



**Program list**

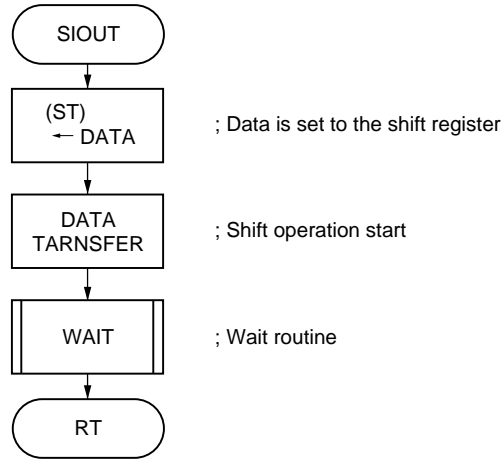
```

WAIT:   LAI    05H    ; WAIT TIME SET
        TAL
LOOP:   LAI    0FH    ; WAIT TIME SET
        TAE
        DES           ; WAIT
        JCP    $-1
        DLS           ; WAIT
        JCP    LOOP
        JHLT   7FH    ; "HL" REG SET
        RT
    
```

**(5) Serial data transfer routine**

This routine transfers 8-bit serial data to the  $\mu$ PD7225.

**Flowchart**



**Program list**

```

SIOUT:  TAMSIO      ; (ST) ← DATA
        SIO         ; DATA TRANSFER
        CALL  WAIT
        RT
    
```

**2.2.5 How to set wait time**

The  $\overline{\text{BUSY}}$  low level time ( $t_{\text{WLB}}$ ) for the  $\mu$ PD7225 is shown in the table below.

	MIN.	MAX.	Unit
$t_{\text{WLB}}$	4	44 (57)*	1/fc

- Where:
- fc is the clock frequency of the  $\mu$ PD7225.
  - 14-segment decoder is used.
  - $\overline{\text{CS}} = 1 \geq 48/\text{fc}$  : (UNSYNCHRONIZED TRANSFER MODE)
  - $\overline{\text{CS}} = 1 \geq (48 + \text{Alternating drive frequency})/\text{fc}$  : (SYNCHRONIZED TRANSFER MODE)  
 In this case, alternating drive frequency = frame frequency x the number of time-shares
  - \*signifies the case where BLINKING is used.

When serial data is sent from CPU to  $\mu$ PD7225, the  $\overline{\text{BUSY}}$  signal need not be tested if the data is sent after Wait time of  $t_{\text{WLB}}$  MAX.

The example below shows the setting of the actual Wait time in the above-mentioned Wait routine.

Although  $\mu$ PD7225 generates the clock through an internal oscillator (i. e. R connected to CL1 and CL2), there is a drift in the clock frequency. (See Figure 2-11.)

	Condition	MIN.	MAX.	Unit
Oscillation frequency	R = 180 kΩ ± 5% V <sub>DD</sub> = 5 V ± 10 %	85	175	kHz
	R = 180 kΩ ± 5% V <sub>DD</sub> = 3 V ± 10 %	50	140	kHz

In considering the MAX. time of  $\overline{\text{BUSY}} = 0$ , it is necessary to consider the case where the frequency is the lowest. Therefore the MAX. time of  $\overline{\text{BUSY}} = 0$  under the conditions

- R = 180 kΩ + 5 %
- V<sub>DD</sub> = 5 V + 10 %
- BLINKING unused
- 14-segment decoder used
- UNSYNCHRONIZED TRANSFER mode

is obtained according to the following expression:

$$t_{\text{WLB}} (\text{MAX.}) \times 1/f_c (\text{MIN.}) = 44 \times 1/85 \times 10^3 = 520 (\mu\text{s})$$

On the other hand, when Wait time is set without using a timer by the software of μPD7507B, it is necessary to consider the case where the clock is the fastest.

On the assumption that the system clock is generated by CR in μPD7507B, the oscillation frequency has the following deviations.

	Condition	MIN.	MAX.	Unit
f <sub>CC</sub>	R = 82 kΩ ± 2 % C = 33pF ± 5 % (V <sub>DD</sub> = 5 V ± 10 %)	120	280	kHz

It is therefore necessary to set the Wait routine with respect to f<sub>CC</sub> = 280 kHz.

Because one machine cycle is 7 [μs] at f<sub>c</sub> = 280 kHz in μPD7507B, Wait of 75 (machine cycles) becomes necessary in order to precision indicates:

$$520 [\mu\text{s}] / 7 [\mu\text{s}] = 74.3 = \underline{75} (\text{machine cycles})$$

In order to set Wait time, the lowest clock of the μPD7225 is combined with the fastest system clock of the CPU.

## APPENDIX A BIAS OF LCD AND THE NUMBER OF TIME SHARING DRIVES

Figure A-1. shows the relationship between LCD bias and the number of time sharing drives.

**Figure A-1. Relation between the Bias and the Number of Time Sharing Drives**

Bias \ Number of time-shares	Static	2-time shares	3-time shares	4-time shares
Static	○			
1/2		○	○	
1/3			○	○

[MEMO]



## APPENDIX B TIME SHARING DRIVE AND THE MAXIMUM NUMBER OF DISPLAY ELEMENTS

Shown below are each time sharing drive for the  $\mu$ PD7225 and the maximum number of elements displayable in the static display.

Number of time-sharing drives	Maximum number of displayable elements	Structure of LCD
Static drive	32	COM0, S0-S31
2-time sharing drive	64	COM0, COM1, S0-S31
3-time sharing drive	96	COM0-COM2, S0-S31
4-time sharing drive	128	COM0-COM3, S0-S31

Shown below is the maximum number of display digits for a 7- segment type or a 14-segment type.

Number of time-sharing drives	7-segment LCD	14-segment LCD
Static drive	4 digits + 4 elements*	2 digits + 4 elements*
2-time sharing drive	8 digits + 16 elements*	4 digits + 8 elements*
3-time sharing drive	10 digits + 26 elements*	6 digits + 12 elements*
4-time sharing drive	16 digits + 16 elements*	8 digits + 16 elements*

**Remarks:** \* These elements can be used as decimal points or indicators.

As shown above, an increase in the number of time shares results in an increase in the number of controllable elements.

Therefore, select the number of time shares according to what display is made in the application system and how many display elements are required. An insufficient number of display elements can be coped with by using several  $\mu$ PD7225s.

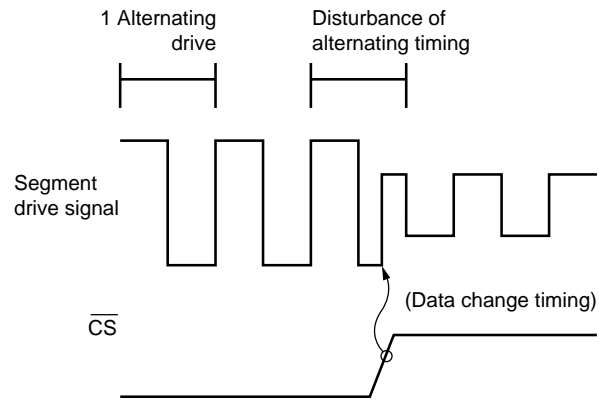
In the case of a static drive, there is no problem of cross-talk in a time sharing drive, and better display quality can be obtained.

[MEMO]

## APPENDIX C DISPLAY TIMING AND SEGMENT DRIVE SIGNALS

An LCD requires alternating drive by its nature. However, because an alternating drive loses balance temporarily the instant the display state changes due to a change in timing, the relation may be disturbed between a common drive signal and a segment drive signal. Therefore, a small direct portion may be imposed. (See Figure C-1.)

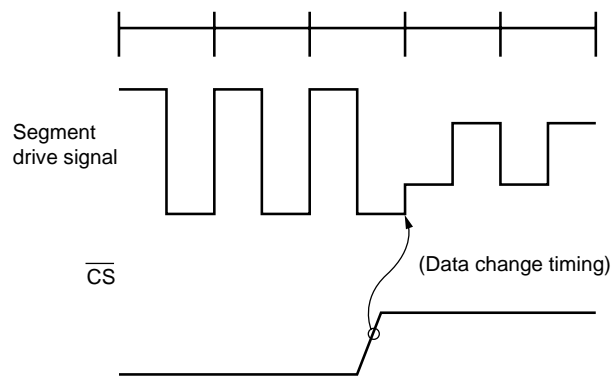
**Figure C-1. Segment Drive Signal Waveform**



Although an LCD's life shortens when DC voltage is imposed for a long time, the life of LCD's being used today is not significantly affected by the instantaneous imbalance in an alternating drive as shown in Figure C-1. Therefore, the LCD can be driven by the UNSYNCHRONIZED TRANSFER command.

To synchronize a change in the display state with alternating timing, the SYNCHRONIZED TRANSFER command is used. After  $\overline{CS}$  is raised and after this command is executed, a change is made in the display data at the beginning of the next alternating timing.

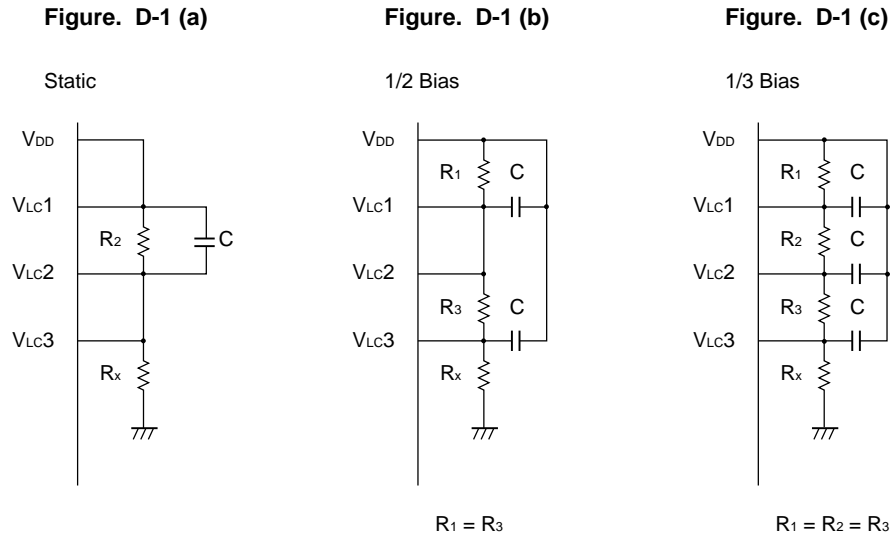
**Figure C-2. Segment Drive Signal Waveform**



[MEMO]

## APPENDIX D LCD POWER SOURCE CIRCUITS

Figure D-1(a), (b) and (c) show LCD power source circuits in Static, 1/2 bias and 1/3 bias.

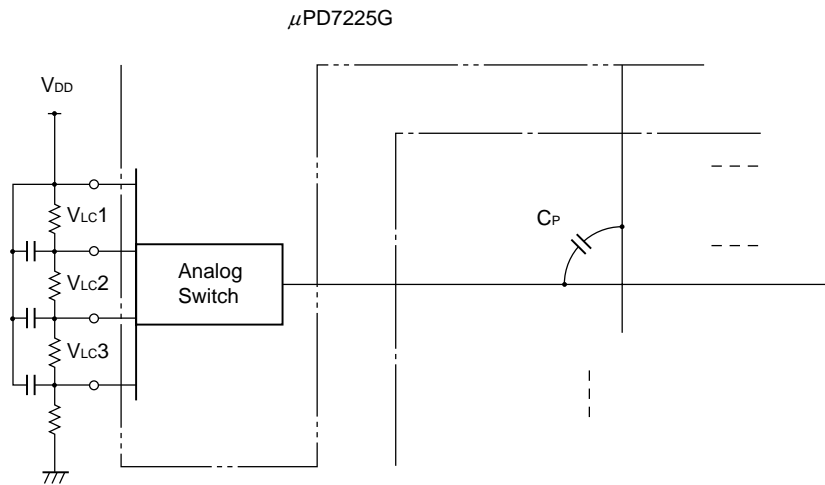


**Remark:**  $V_{LCD} = V_{DD} - V_{Lc3}$

$$V_{LCD} : V_{Lc3} = R_{1+2+3} : R_x$$

**Example:** In case of  $R_1 = R_2 = R_3 = 5 \text{ k}\Omega$ , bias in 1.3 of 3-V drive and 4-time sharing drive becomes  $R_x = 10 \text{ k}\Omega$

**Figure D-2. LCD Equivalent Circuit**



**Remark:**  $C_P = \text{pattern capacity}$

When represented in an equivalent circuit, LCD drive can be compared with the charging/discharging of  $C_P$  as shown in Figure D-2.

Where drive voltage  $V_{Lc0}$  to 3 is made from an external split resistance, the charging/discharging waveform becomes dulled when this split resistance is large. Therefore, the effective value of voltage drops and contrast becomes poor.

To better the contrast of LCD and improve visibility in such a case, connect a condenser, lower the impedance of the circuit and adjust the waveform.