

To our customers,

Old Company Name in Catalogs and Other Documents

On April 1st, 2010, NEC Electronics Corporation merged with Renesas Technology Corporation, and Renesas Electronics Corporation took over all the business of both companies. Therefore, although the old company name remains in this document, it is a valid Renesas Electronics document. We appreciate your understanding.

Renesas Electronics website: <http://www.renesas.com>

April 1st, 2010
Renesas Electronics Corporation

Issued by: Renesas Electronics Corporation (<http://www.renesas.com>)

Send any inquiries to <http://www.renesas.com/inquiry>.

Notice

1. All information included in this document is current as of the date this document is issued. Such information, however, is subject to change without any prior notice. Before purchasing or using any Renesas Electronics products listed herein, please confirm the latest product information with a Renesas Electronics sales office. Also, please pay regular and careful attention to additional and different information to be disclosed by Renesas Electronics such as that disclosed through our website.
2. Renesas Electronics does not assume any liability for infringement of patents, copyrights, or other intellectual property rights of third parties by or arising from the use of Renesas Electronics products or technical information described in this document. No license, express, implied or otherwise, is granted hereby under any patents, copyrights or other intellectual property rights of Renesas Electronics or others.
3. You should not alter, modify, copy, or otherwise misappropriate any Renesas Electronics product, whether in whole or in part.
4. Descriptions of circuits, software and other related information in this document are provided only to illustrate the operation of semiconductor products and application examples. You are fully responsible for the incorporation of these circuits, software, and information in the design of your equipment. Renesas Electronics assumes no responsibility for any losses incurred by you or third parties arising from the use of these circuits, software, or information.
5. When exporting the products or technology described in this document, you should comply with the applicable export control laws and regulations and follow the procedures required by such laws and regulations. You should not use Renesas Electronics products or the technology described in this document for any purpose relating to military applications or use by the military, including but not limited to the development of weapons of mass destruction. Renesas Electronics products and technology may not be used for or incorporated into any products or systems whose manufacture, use, or sale is prohibited under any applicable domestic or foreign laws or regulations.
6. Renesas Electronics has used reasonable care in preparing the information included in this document, but Renesas Electronics does not warrant that such information is error free. Renesas Electronics assumes no liability whatsoever for any damages incurred by you resulting from errors in or omissions from the information included herein.
7. Renesas Electronics products are classified according to the following three quality grades: “Standard”, “High Quality”, and “Specific”. The recommended applications for each Renesas Electronics product depends on the product’s quality grade, as indicated below. You must check the quality grade of each Renesas Electronics product before using it in a particular application. You may not use any Renesas Electronics product for any application categorized as “Specific” without the prior written consent of Renesas Electronics. Further, you may not use any Renesas Electronics product for any application for which it is not intended without the prior written consent of Renesas Electronics. Renesas Electronics shall not be in any way liable for any damages or losses incurred by you or third parties arising from the use of any Renesas Electronics product for an application categorized as “Specific” or for which the product is not intended where you have failed to obtain the prior written consent of Renesas Electronics. The quality grade of each Renesas Electronics product is “Standard” unless otherwise expressly specified in a Renesas Electronics data sheets or data books, etc.
 - “Standard”: Computers; office equipment; communications equipment; test and measurement equipment; audio and visual equipment; home electronic appliances; machine tools; personal electronic equipment; and industrial robots.
 - “High Quality”: Transportation equipment (automobiles, trains, ships, etc.); traffic control systems; anti-disaster systems; anti-crime systems; safety equipment; and medical equipment not specifically designed for life support.
 - “Specific”: Aircraft; aerospace equipment; submersible repeaters; nuclear reactor control systems; medical equipment or systems for life support (e.g. artificial life support devices or systems), surgical implantations, or healthcare intervention (e.g. excision, etc.), and any other applications or purposes that pose a direct threat to human life.
8. You should use the Renesas Electronics products described in this document within the range specified by Renesas Electronics, especially with respect to the maximum rating, operating supply voltage range, movement power voltage range, heat radiation characteristics, installation and other product characteristics. Renesas Electronics shall have no liability for malfunctions or damages arising out of the use of Renesas Electronics products beyond such specified ranges.
9. Although Renesas Electronics endeavors to improve the quality and reliability of its products, semiconductor products have specific characteristics such as the occurrence of failure at a certain rate and malfunctions under certain use conditions. Further, Renesas Electronics products are not subject to radiation resistance design. Please be sure to implement safety measures to guard them against the possibility of physical injury, and injury or damage caused by fire in the event of the failure of a Renesas Electronics product, such as safety design for hardware and software including but not limited to redundancy, fire control and malfunction prevention, appropriate treatment for aging degradation or any other appropriate measures. Because the evaluation of microcomputer software alone is very difficult, please evaluate the safety of the final products or system manufactured by you.
10. Please contact a Renesas Electronics sales office for details as to environmental matters such as the environmental compatibility of each Renesas Electronics product. Please use Renesas Electronics products in compliance with all applicable laws and regulations that regulate the inclusion or use of controlled substances, including without limitation, the EU RoHS Directive. Renesas Electronics assumes no liability for damages or losses occurring as a result of your noncompliance with applicable laws and regulations.
11. This document may not be reproduced or duplicated, in any form, in whole or in part, without prior written consent of Renesas Electronics.
12. Please contact a Renesas Electronics sales office if you have any questions regarding the information contained in this document or Renesas Electronics products, or if you have any other inquiries.

(Note 1) “Renesas Electronics” as used in this document means Renesas Electronics Corporation and also includes its majority-owned subsidiaries.

(Note 2) “Renesas Electronics product(s)” means any product developed or manufactured by or for Renesas Electronics.

R8C/26 GROUP

Touch Panel Controller with IIC Interface

Abstract

This article introduces an example of controlling the panel and detecting coordinates as part of a larger system by using a R8C/26 to interface with a resistor type of film touch panel. A MigoR platform evaluation board, with a SH7722 (Part number R8A77220AC266BGV) as the main processor and a R8C/26 as the touch panel controller, is used as the demonstration. In this demonstration, the touch panel coordinate information is realized by the Renesas R8C/26 through the IIC bus.

Introduction

The example application is applied to the following configuration:

R8C/26

The R8C/26, part name R5F21262NFP, is a group of the R8C series based on the R8C CPU Core used in the application system with a maximum operating frequency at 20MHz.

ROM: 8K bytes

RAM: 512 bytes

ROM Type: Flash Memory

Package Type: PLQP0032GB-A

MigoR Platform

R8A77220AC266BGV (SH7722) is used as a main processor which incorporates SH4AL-DSP operating at a maximum frequency of 333MHz.

The basic functions of the MigoR, Part Name YTD07DS7722B, are as following.

FLASH ROM: 64M bytes, 16bits width

SDRAM: 64M bytes, 64bits width

QVGA color LCD display in 2.2 inches

VGA camera module build-in

Ethernet, TV out, SD Card, etc are build-in

C Compiler

High Performance Embedded Workshop V4.03 by Renesas Technology Corp.
M16C standard toolchain Ver. V.5.40.00 by Renesas Technology Corp.

Contents

Abstract	2
Introduction.....	2
1. R8C/26 Touch Panel Controller	3
1.1 R8C/26 Key Features.....	3
1.2 Concept of Touch Panel.....	4
1.3 Control Circuit.....	5
1.4 R8C/26 Interface with Control Circuit.....	5
1.5 Distortion and Calibration of Touch Panel	7
1.6 Interface with the Main Processor SH7722.....	8
2. Register Definitions in R8C/26	10
2.1 Device ID.....	10
2.2 Touch Panel Controller Registers	10
2.3 Register Descriptions	10
3. Flowchart.....	12
3.1 R8C/26 Touch Panel Controller Main Routine.....	12
3.2 TouchControl() Function Call Flowchart.....	13
3.3 System Communication Model with SH7722.....	15
4. Program Code	15
4.1 Source File	16
4.2 Program Source Code File List	16
5. Reference Circuit.....	17
5.1 Touch Panel Interface Circuit.....	17
5.2 R8C/26 Circuit	17
6. Reference Document	18
Website and Support.....	19
Revision Record of Touch Panel Controller with IIC Sample Code	19

1. R8C/26 Touch Panel Controller

1.1 R8C/26 Key Features

- 8-bit Multifunction Timer with 8-bit Prescaler (Timer RA and RB): 2 channels
- Input Capture/Output Compare Timer (Timer RC): 16-bit x 1 channel
- Real-Time Clock Timer with Compared Match Function (Timer RE): 1 channel
- UART/Clock Synchronous Serial Interface: 2 channels
- I²C-bus Interface (IIC)/Chip-select Clock Synchronous Serial Interface: 1 channel
- LIN Module: 1 channel (Timer RA, UART0)
- 10-bit A/D Converter: 12 channels
- Watchdog Timer
- Clock Generation Circuits: XIN Clock Generation Circuit, On-chip Oscillator (High/Low Speed), XCIN Clock Generation Circuit
- Oscillation Stop Detection Function
- Voltage Detection Circuit
- Power-On Reset Circuit
- I/O Ports: 25 (incl. LED drive ports)
- External Interrupt Pins: 7

1.2 Concept of Touch Panel

The included resistor type of touch panel uses two films which each have a resistance of several hundred ohms across the film axis. The upper film has an equivalent resistance from Y+ to Y-. To measure vertical location, the upper film is supplied with 3VDC and the lower film is kept floating. When an object presses the upper film into the bottom film, a voltage appears on the bottom film. The value of the voltage is proportional to where the films touch. The closer to the +3VDC side of the panel, the larger the voltage and vice versa. Similarly, to detect horizontal position, a voltage is supplied to the lower film and the upper film is kept floating, and measurements are made the same way. The voltages are measured by two 10-bit analog-to-digital converters inside the R8C/26.

The concept shows as below.

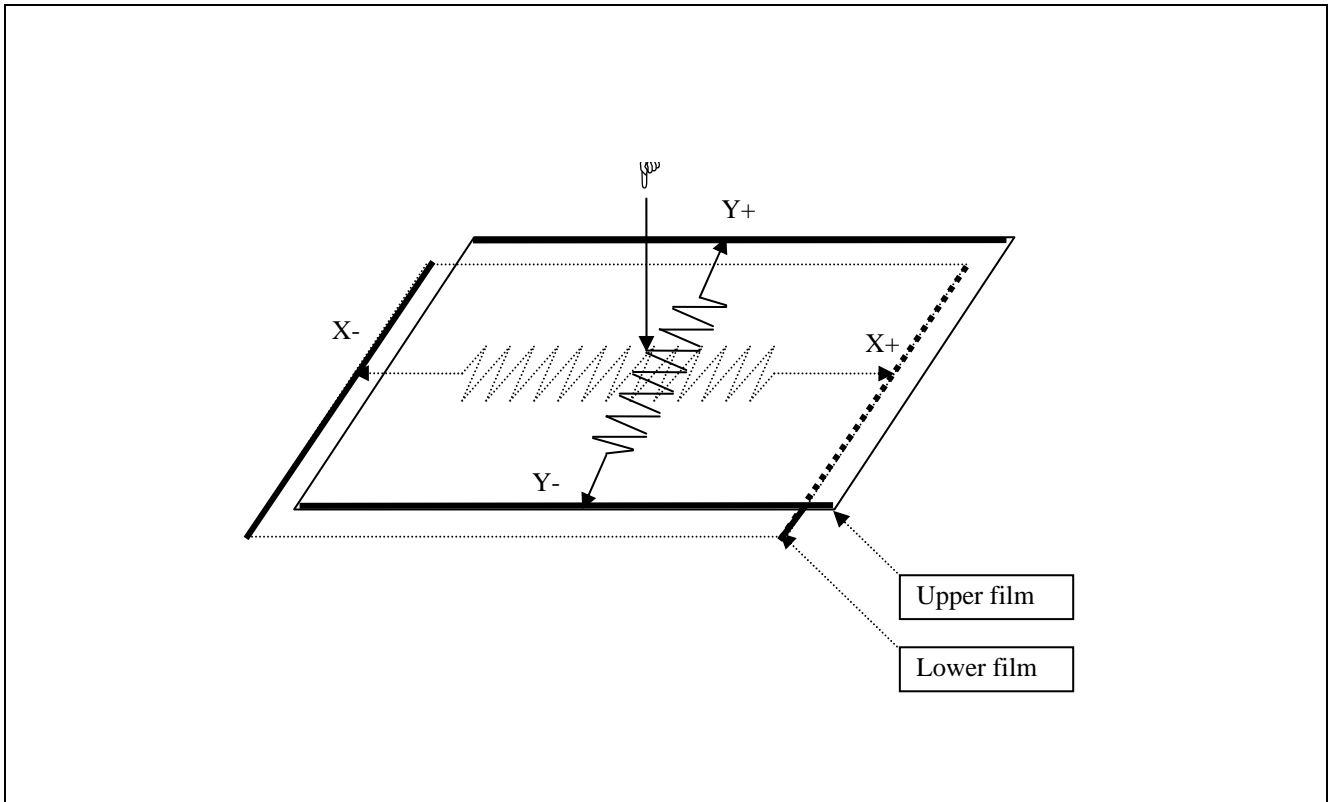


Figure 1 Concept of resistor type touch panel

1.3 Control Circuit

To measure the position on the touch panel, a circuit array is presented, composed of two NPN and two PNP transistors which switch on or off depending on which axis is being measured. There are three GPIOs (General Purpose Input Output) switching the four transistors to meet position measuring method described in above section. These GPIOs are TP_A0, TP_A1, and TP_A2. To measure voltage, the analog inputs TP_AN0 and TP_AN1 are used. The control circuit is shown below in the block diagram.

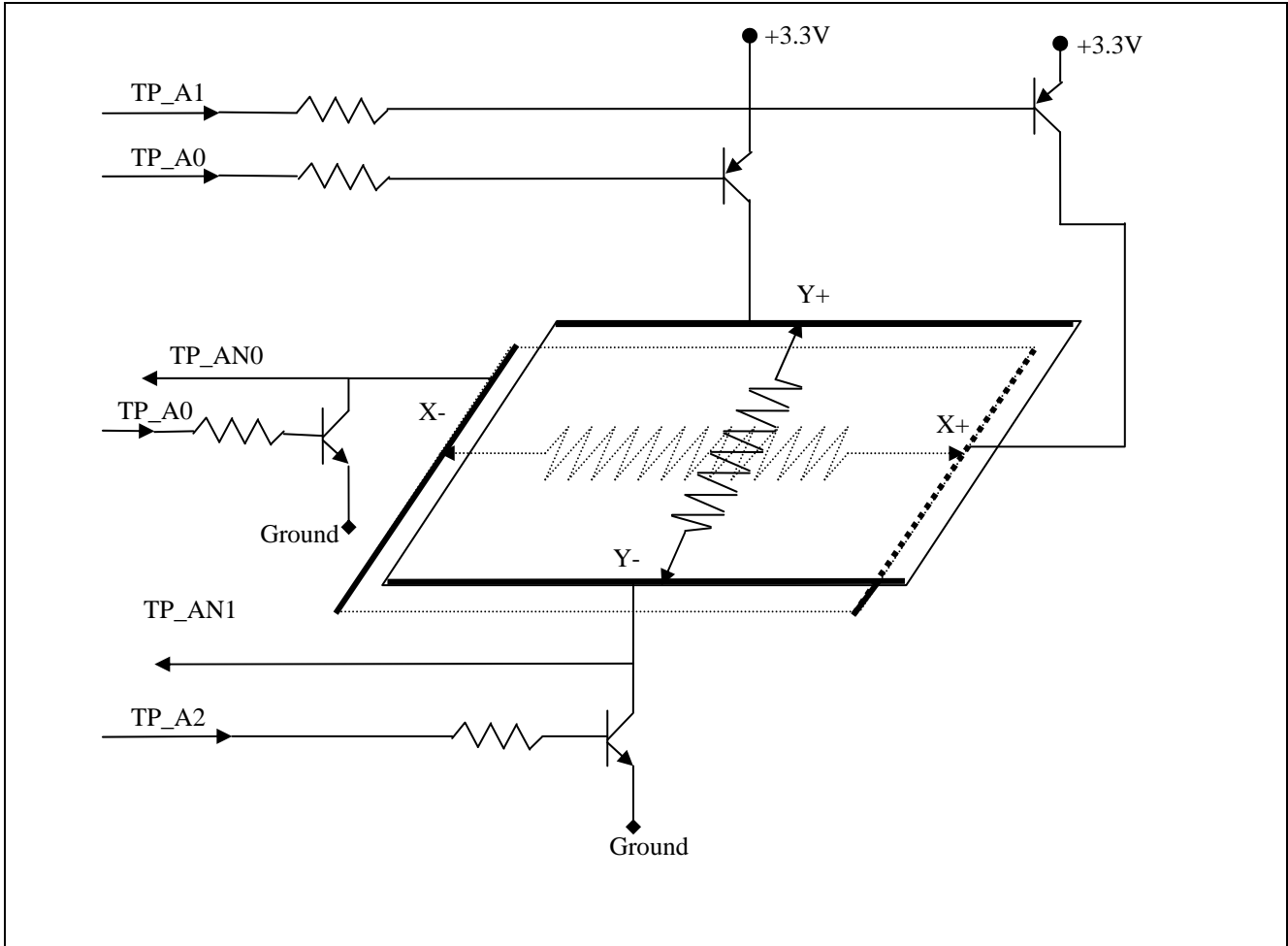


Figure 2 Control circuit

As seen in Figure 2, a combination of TP_A0, TP_A1, and TP_A2 are set to control which axis is being measured. Table 1 outlines these combinations. No other combinations are recommended.

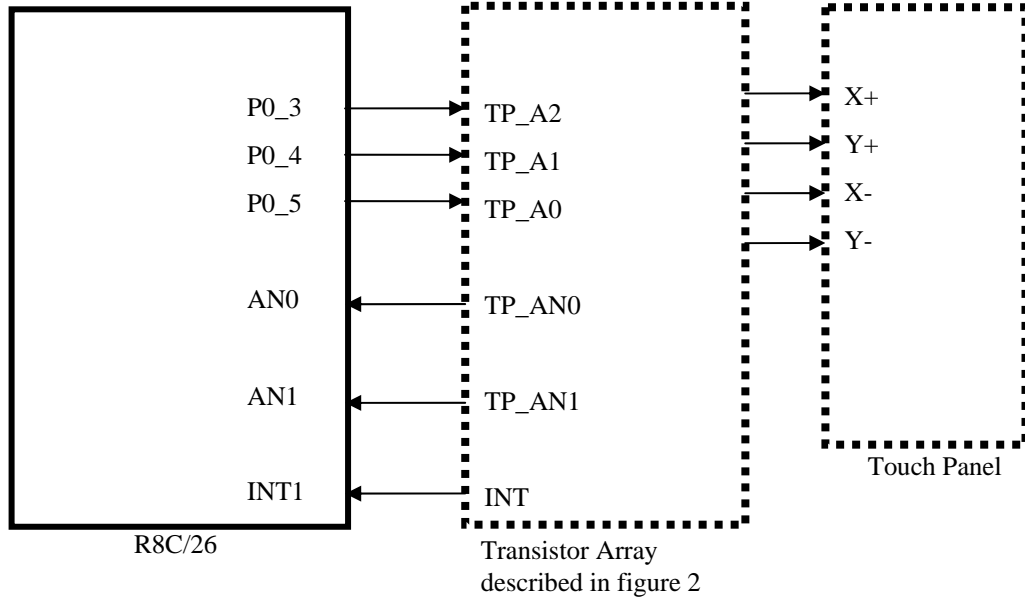
Table 1 GPIO Output and Analog Input

TP_A2	TP_A1	TP_A0	TP_AN1	TP_AN0	Description
1	1	0	—	Input	TP_AN0 measured value is position of Y axis
0	0	1	Input	—	TP_AN1 measured value is position of Y axis

Note: Other than above setting table is prohibited

1.4 R8C/26 Interface with Control Circuit

The controller R8C/26 uses GPIO port 0 bit 5 (P0_5) for TP_A0, bit 4 (P0_4) for TP_A1, and bit 3 (P0_3) for TP_A2. And input AN0 is connected to TP_AN0 and input AN1 is connected to TP_AN1. Its connection interface is shown in the figure below.



Note: R8C 26 uses A/D converter pin (AN0, AN1) to detect the voltage for Y,X axes.
INT1 is an interrupt pin to start scanning, however it is not used in this application example

Figure 3 R8C/26 interface with control circuit

1.5 Distortion and Calibration of Touch Panel

As mentioned in sections above, touch panel axis measurement is switched by pairs of NPN and PNP transistors, which are given +3.3VDC or GND. However, each transistor has an equivalent resistance when it is turned on, it does not perform as an ideal switch. Also, the touch panel must be sized larger than the display screen, to allow coverage over the whole display area. Thus, the touch panel position measured by a 10-bit analog-to-digital converter is not an ideal result with a range from 0x000 to 0x3FF.

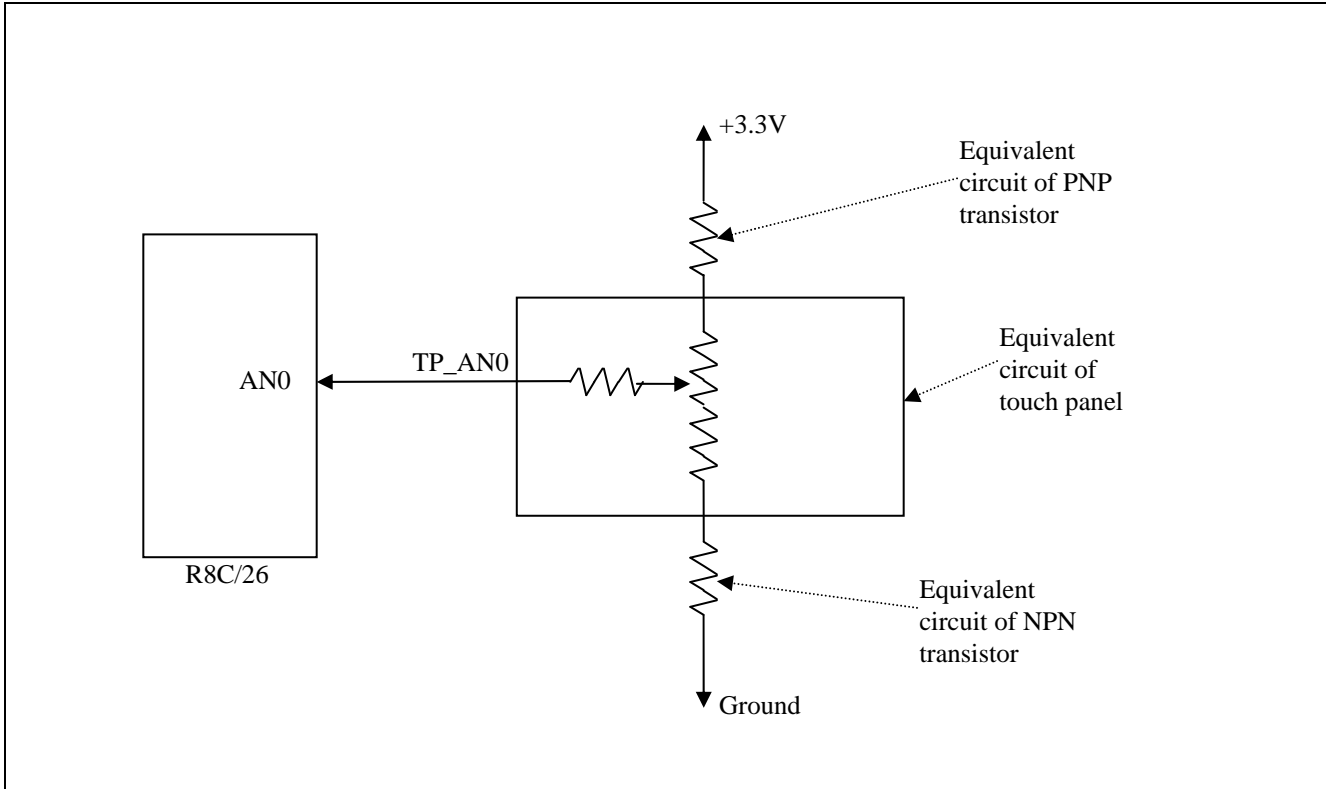


Figure 4 Equivalent circuit of resistor type touch panel

When the touch panel is not pressed, the two films are isolated. The position measured by AN0 and AN1 from the floating film is around 0x3C0 to 0x3F8. This range was derived from experimentation. The touch panel thusly defines any value over 0x3A0 as a "no press" state, and makes no additional attempts to relay coordinate information to the SH7722 main processor. The experimental measurements of vertical position show measured values may happen between 0x50 and 0x3A0.

Since the touch panel size is larger than the active display area, as shown in Figure 5, the controller can eliminate the border area defined as the area in which the touch panel extends beyond the display area. Calibration is required since it may not be accurate to get exact mapping from the touch panel to the active display. The main processor has a display controller that can draw a set of crosshairs at a certain physical location on the active display, and request the end user to touch the crosshair. A table, then, can be setup that will convert touch panel coordinates to active display coordinates. This method is not explained any further in this application note.

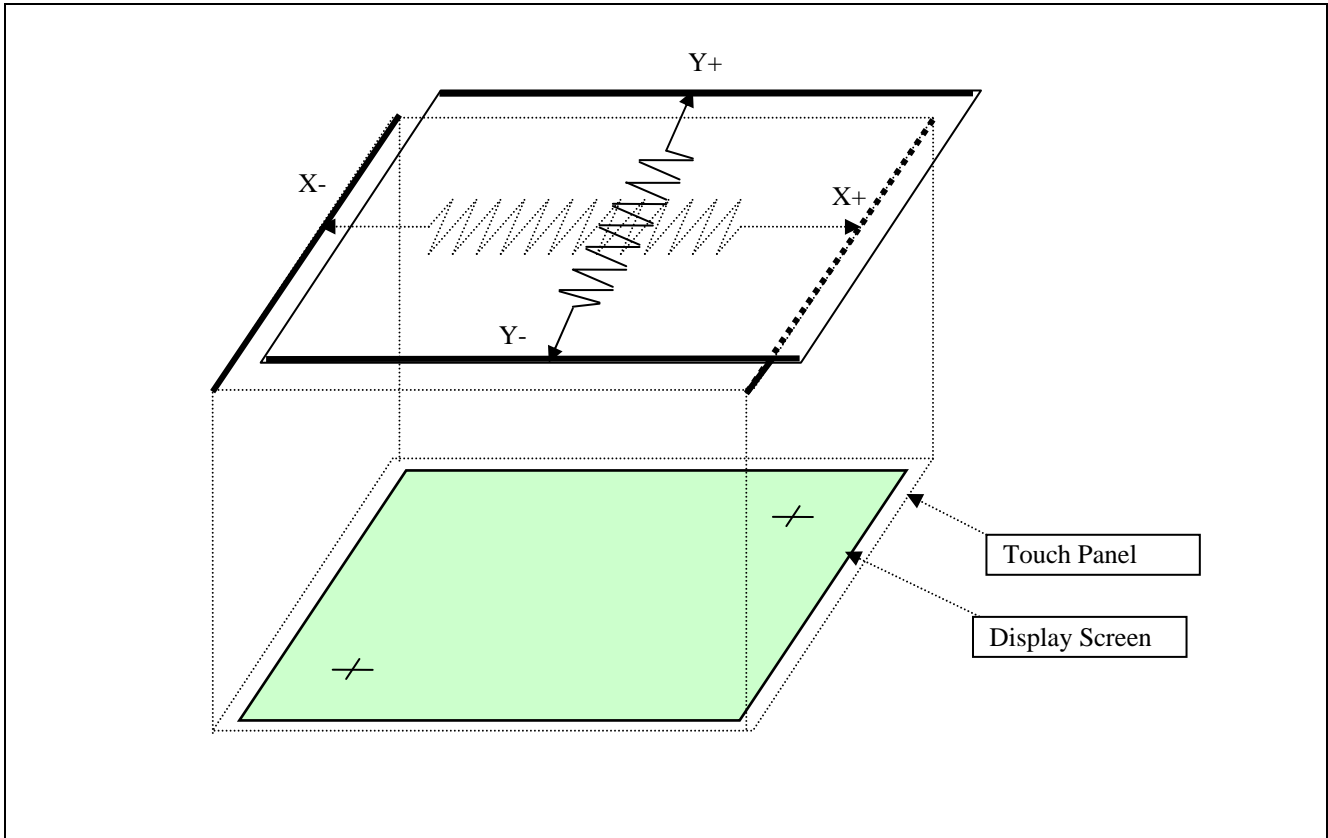


Figure 5 Touch panel and display Panel

1.6 Interface with the Main Processor SH7722

Except for controlling and scanning the touch panel, R8C/26 acts as a slave device accessed by the SH7722 main processor through the IIC bus. When it is started by a system reset, it begins periodic control and measurement of the X and Y positions from the touch panel. The R8C/26 has the capability to detect pen-down edge, pen-up edge, or pen-down repeating at twenty times per second. It generates an interrupt signal to SH7722 IRQ6 from GPIO power 1, bit 6 (P1_6) whenever the R8C/26 controller has any of those three events. The R8C/26 slave address is assigned to 0xA2/0xA3, which is easily modified by changing program code. Through the IIC bus protocol, accessing 0xA2 after IIC start results in a READ command, and continuously gets single bytes of data, which are read into the SH7722. Next, 0xA3 is accessed, and an INDEX command indicates the register number to be accessed inside the R8C/26. The function registers of the touch panel controller are defined in the R8C/26. Please refer to chapter 2.

Through the IIC bus, the SH7722 can access the configuration register of the R8C/26, to enable or disable touch panel control routing. Touch panel control routing is enabled by default when the R8C/26 starts. Details are given in chapter 2.

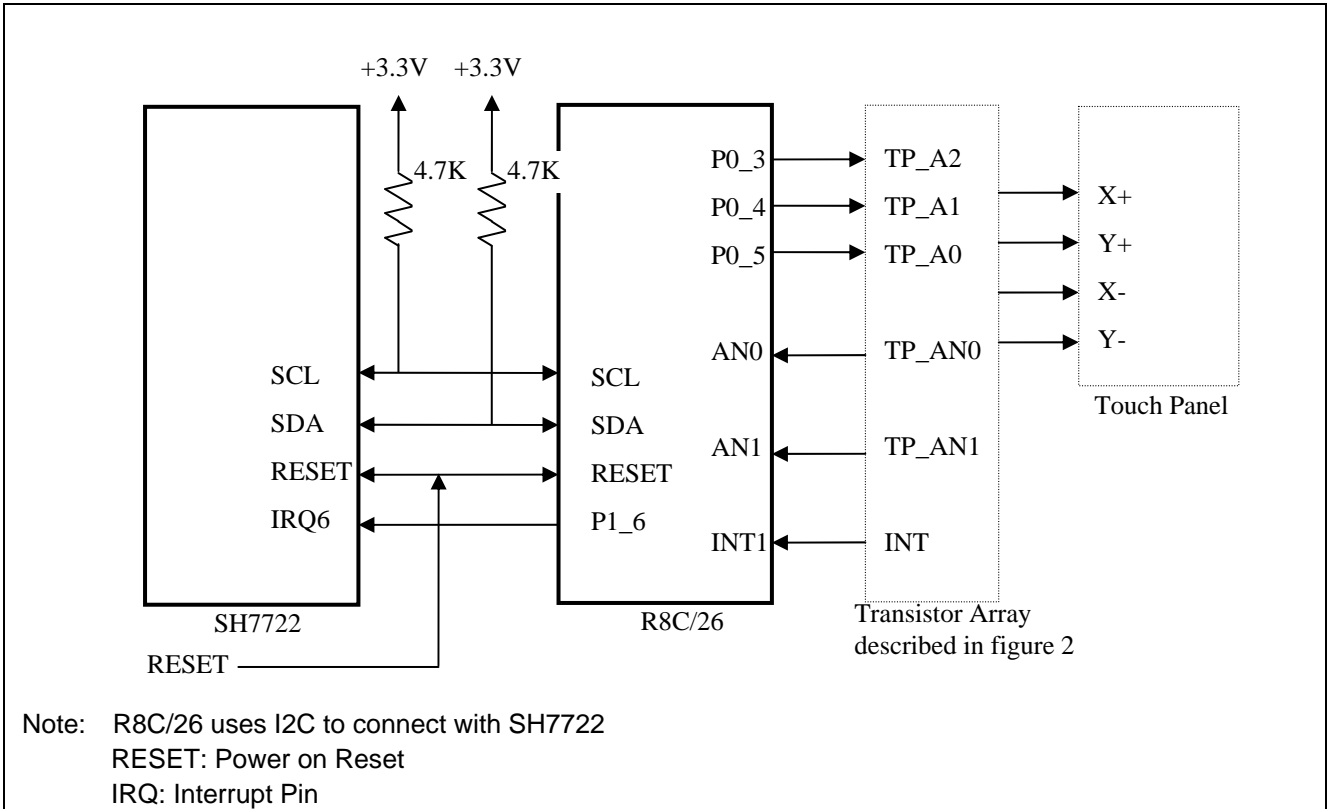


Figure 6 Interface between SH7722 and R8C/26

2. Registers Definition in R8C/26

2.1 Device ID

For the MigoR system, the SH7722 is an IIC bus master, and the R8C/26 is the slave device with device ID shown in table 2 below.

R8C/26 slave address is assigned to 0x51 in table 2 below, which is combined with the R/W bit ID. 0xA2 would be used for READ command, and ID 0xA3 would be used for WRITE command.

Table 2 Device ID for touch panel controller

SA6	SA5	SA4	SA3	SA2	SA1	SA0	R/W	Description
1	0	1	0	0	0	1	0	READ ID
0	0	1	0	0	0	1	1	WRITE ID

2.2 Touch Panel Controller Registers

There are six registers defined for the touch panel controller to provide enable/disable function, coordinate information, and touch panel events to SH7722 through IIC bus. The six registers are listed in table 3 below.

Table 3 Registers for touch panel controller

Index(HEX)	Initial value	Register name	Read/Write	Description
0x00	0x01	SYSCFG	R/W	configuration
0x08	0x00	YDL	R	Bit 7 to 0 are bit 7 to bit 0 of Y axis coordinate
0x09	0x00	YDH	R	Bit 1 to 0 are bit 9 to bit 8 of Y axis coordinate
0x0A	0x00	XDL	R	Bit 7 to 0 are bit 7 to bit 0 of X axis coordinate
0x0B	0x00	XDH	R	Bit 1 to 0 are bit 9 to bit 8 of X axis coordinate
0x0C	0x00	SYSFLAG	R	Event flag to indicate pen-down/up or repeat

2.3 Register Descriptions

Register SYSCFG is provided to enable touch panel controller. It also provides coordinate information, and touch panel events to SH7722 through IIC bus.

Register SYSCFG: Index = 0x00, width = 8 bits.

Bit number	Initial value	Read/Write	Description
7	0	R/W	No use
6	0	R/W	No use
5	0	R/W	No use
4	0	R/W	No use
3	0	R/W	No use
2	0	R/W	No use
1	0	R/W	No use
0	1	R/W	1 : Enable touch panel controller, scanning panel is started 0 : Disable touch panel controller, scanning panel is halted

Register YDL: Index = 0x08, width = 8 bits.

Bit number	Initial value	Read/Write	Description
7	0	R	Y coordinates bit 7 to bit 0
6	0	R	
5	0	R	
4	0	R	
3	0	R	
2	0	R	
1	0	R	
0	0	R	

Register YDH: Index = 0x09, width = 8 bits.

Bit number	Initial value	Read/Write	Description
7	0	R	No use
6	0	R	No use
5	0	R	No use
4	0	R	No use
3	0	R	No use
2	0	R	No use
1	0	R	bit 1, bit 0 : Y coordinates bit 9 to bit 8
0	0	R	

Register XDL: Index = 0x0A, width = 8 bits.

Bit number	Initial value	Read/Write	Description
7	0	R	X coordinates bit 7 to bit 0
6	0	R	
5	0	R	
4	0	R	
3	0	R	
2	0	R	
1	0	R	
0	0	R	

Register XDH: Index = 0x0B, width = 8 bits.

Bit number	Initial value	Read/Write	Description
7	0	R	No use
6	0	R	No use
5	0	R	No use
4	0	R	No use
3	0	R	No use
2	0	R	No use
1	0	R	bit 1, bit 0 : X coordinates bit 9 to bit 8
0	0	R	

Register SYSFLAG: Index = 0x0C, width = 8 bits.

Bit number	Initial value	Read/Write	Description
7	0	R	No use
6	0	R	No use
5	0	R	No use
4	0	R	No use
3	0	R	Bit 3-0 = 0000 : No event
2	0	R	Bit 3-0 = 0001 : Pen-down event
1	0	R	Bit 3-0 = 0010 : Pen-down repeat
0	0	R	Bit 3-0 = 0011 : Pen-up event

3. Flowchart

3.1 R8C/26 Touch Panel Controller Main Routine

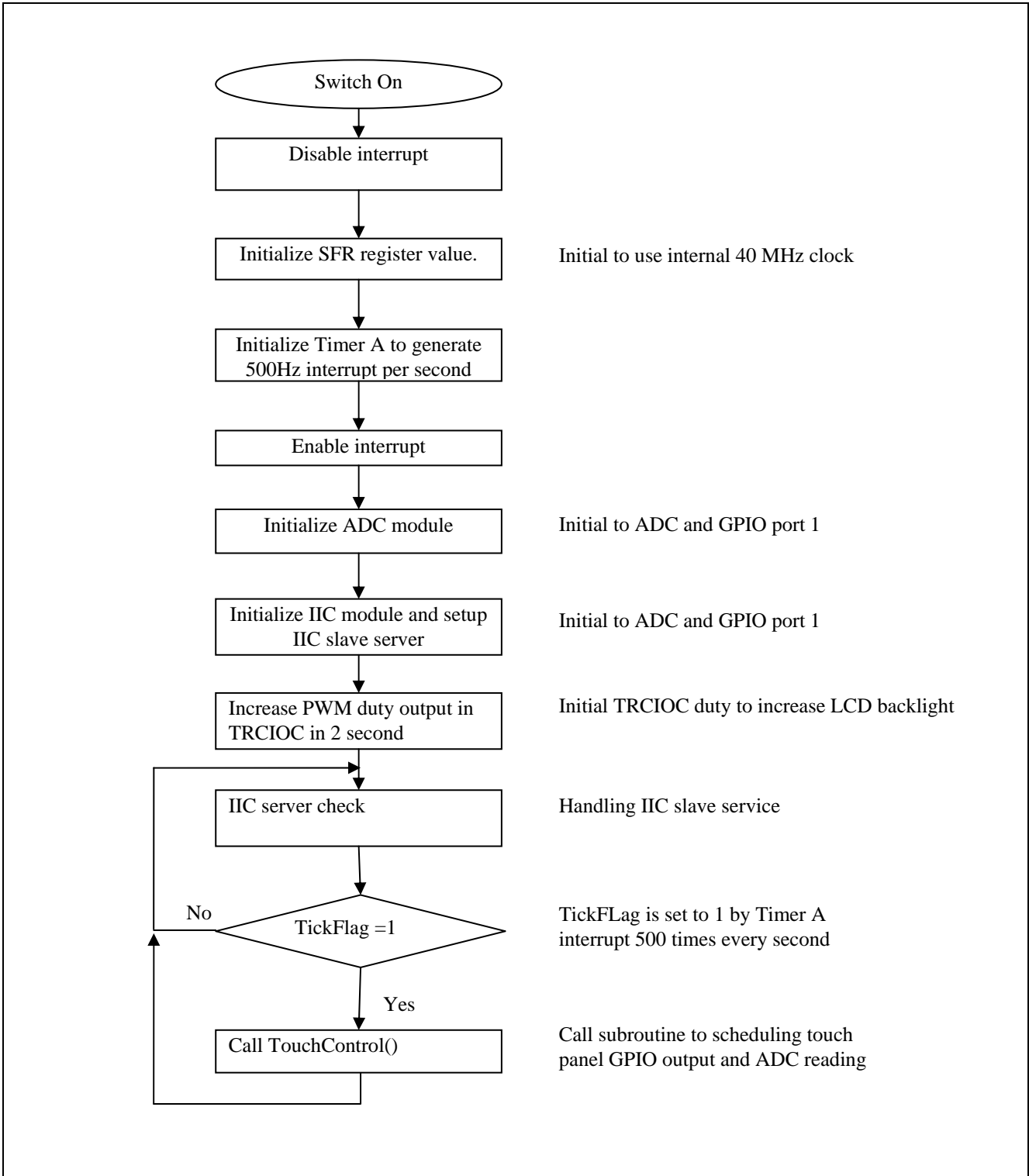


Figure 7 R8C/26 touch panel controller main routine

3.2 TouchControl() Function Call Flowchart

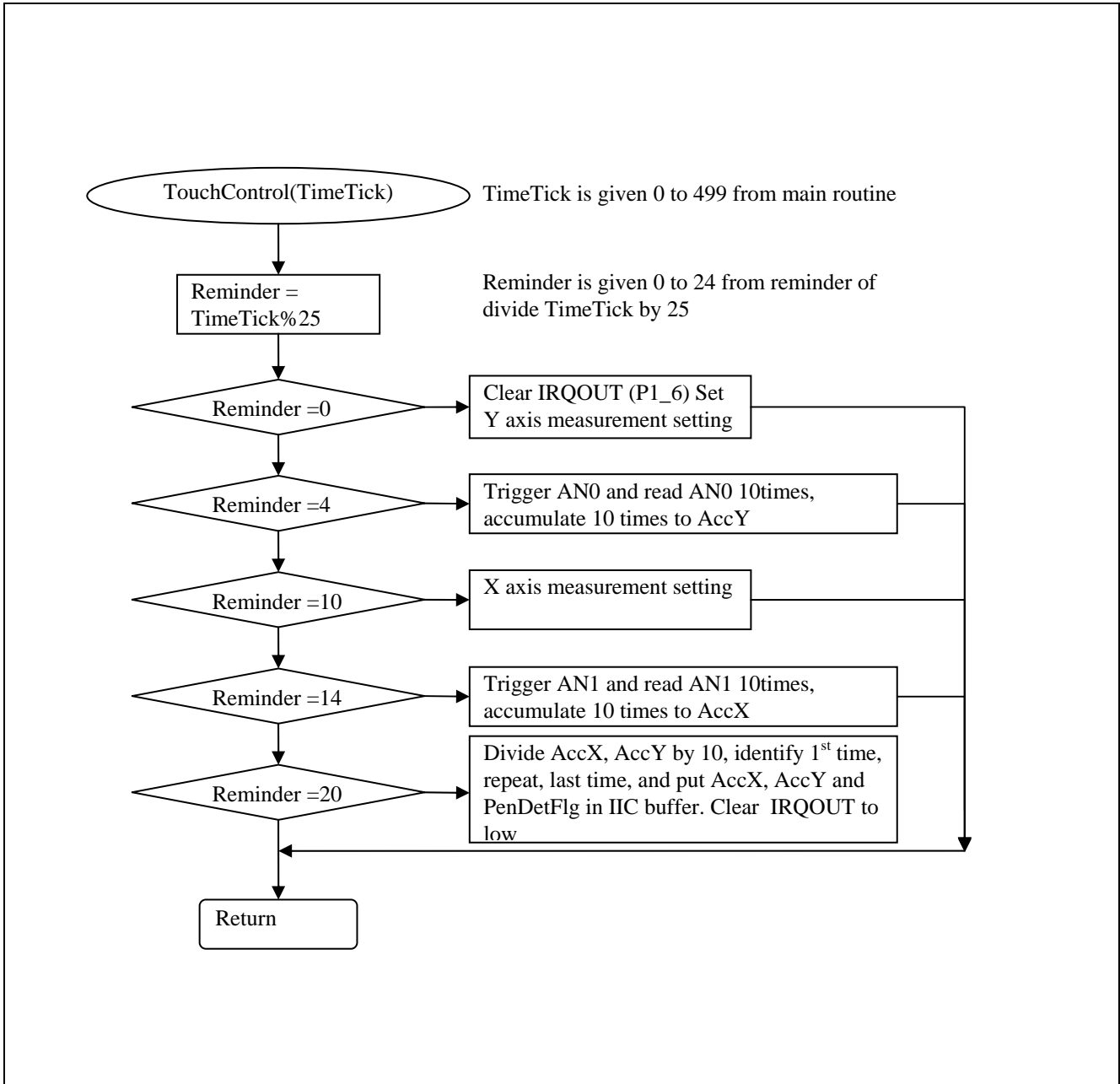
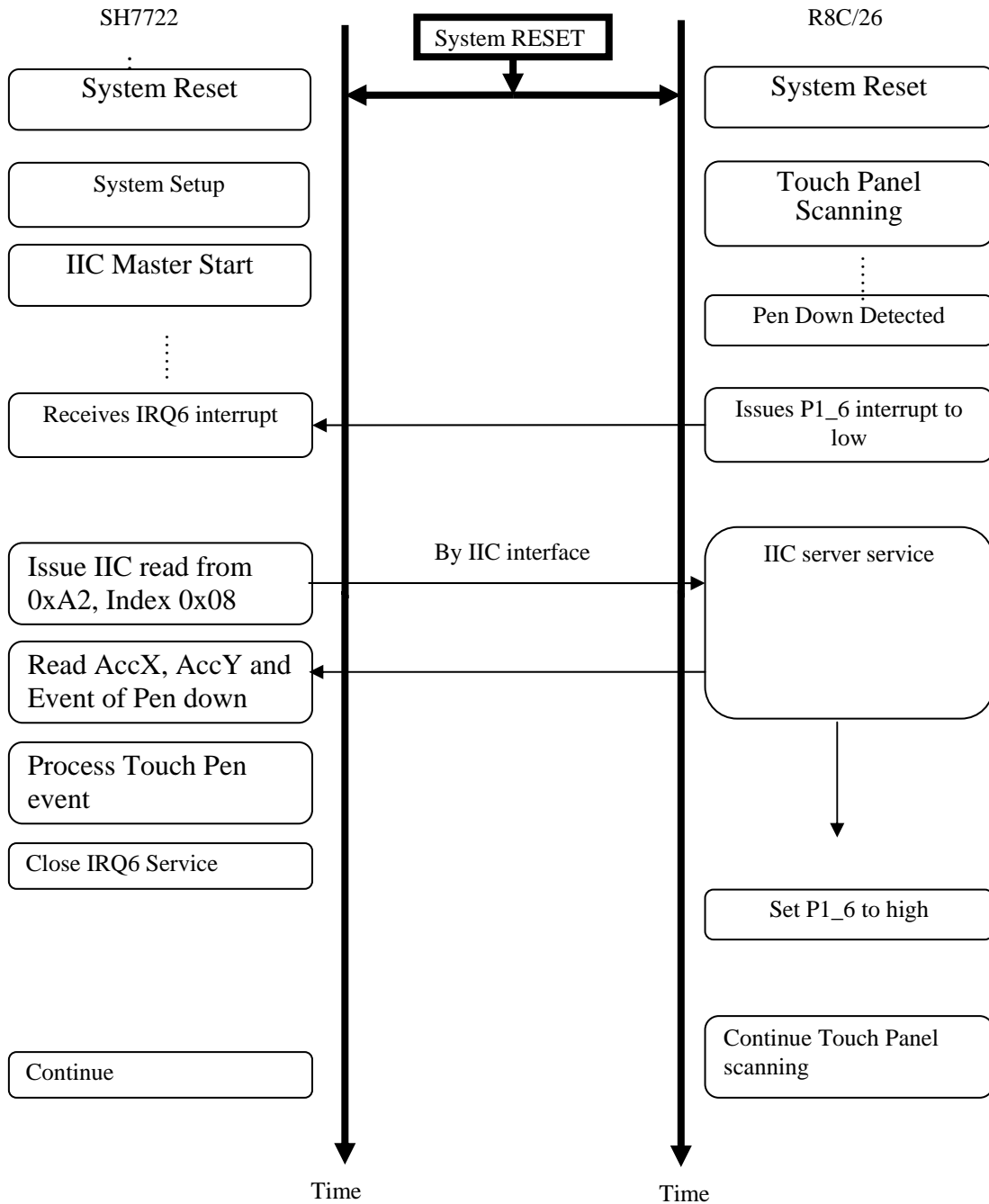


Figure 8 TouchControl() function call flowchart

3.3 System Communication Model with SH7722



4. Program Code

4.1 Source File

All Source files including whole workspace for HEW (High Performance Embedded Workshop) project file are compressed in one file named MigoR8CTPC.ZIP. Please extract from folder /MigoR8CTPC, and copy MigoR8CTPC to c:/workspace/MigoR8CTPC when downloaded.

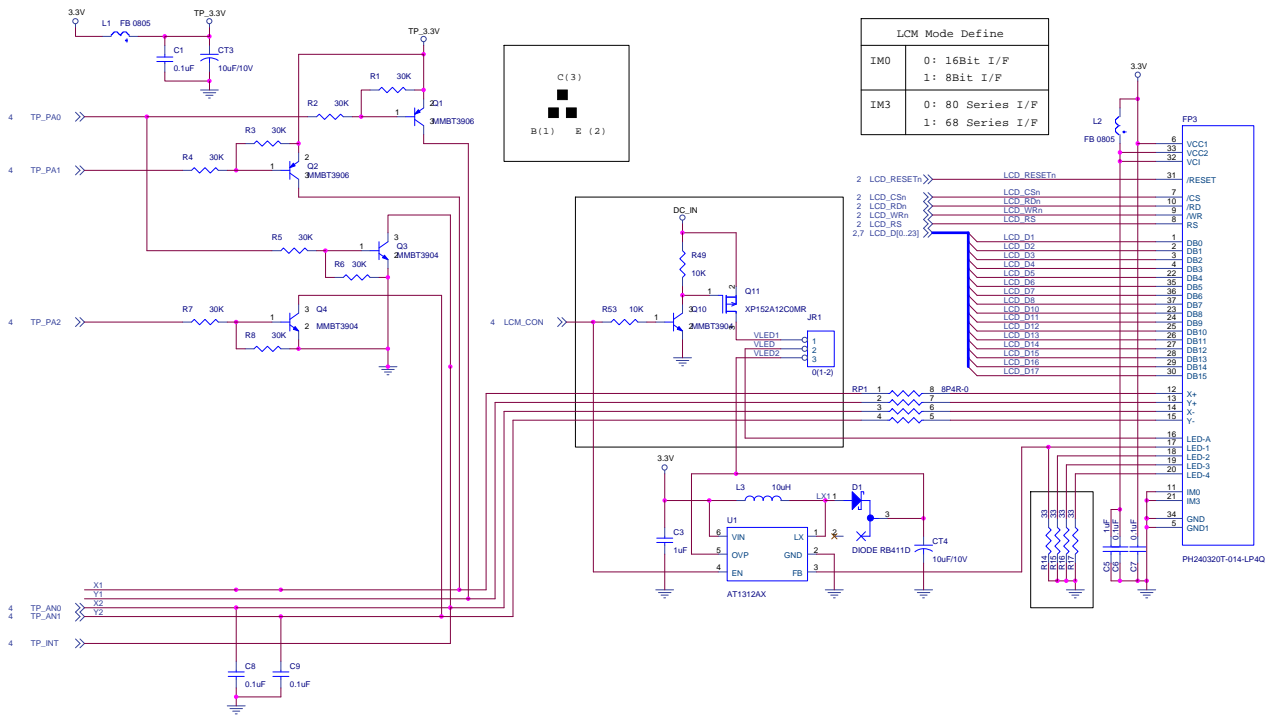
4.2 Program Source Code File List

Table 4 Source file list

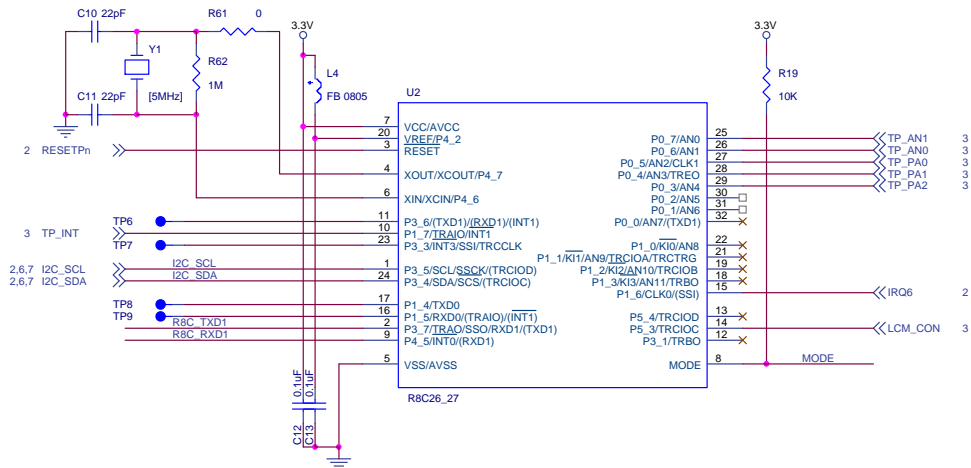
Number	Directory	File name	File type	Function description
1	Source\Common	Ncrt0.a30	Assembly code	Start up assembly program for R8C
2	Include	R8CMigoC.h	Header file	Header for this application
3	Source\IIC	R8C_IIC.h	Header file	Header for IIC
4	Include	Sfr_r827.h	Header file	R8C/26,R8C/27 special function register define
5	Source\Common	Sect30.inc	Assembly Including file	Assembly including file for ncrt0.a30. To applicable when using basic I/O library. To do section definition.
6	Source\AD	R8c_AD.c	C	ADC converter and touch panel control. To initialize ADC component, trigger X-Y value, and generate interrupt to notify MigoR platform interrupt handler.
7	Source\IIC	R8c_IIC.c	C	Salve IIC program. To initialize IIC component, write IIC buffer, switch and handle IIC state.
8	Source\Timer	R8c_timer.c	C	Timer component. To initialize and setup timer component.
9	Source\Common	R8CMigoC.c	C	Main Program. This is the main tutorial code. For components initialization, and interrupt handler.
10	Source\Common	Sfr_r827.inc	Assembly Including file	To definition of R8C/26 & R8C/27 Group SFR

5. Reference Circuit

5.1 Touch Panel Interface Circuit



5.2 R8C/26 Circuit



6. Reference Document

Datasheet

R8C/26 Group Data sheet (R8C Tiny Series)

Download the latest version from the Renesas Technology website.

SH7722 Group Data sheet ()

Download the latest version from the Renesas Technology website.

Technical News/Technical Update

Download the latest information from the Renesas Technology website.

Website and Support

Renesas Technology Website

<http://www.renesas.com/>

Inquiries

<http://www.renesas.com/inquiry>

csc@renesas.com

Revision Record of Touch Panel Controller with IIC Sample Code

Rev.	Date	Description	
		Page	Summary
1.00	Oct.31.08	-	First edition issued

All trademarks and registered trademarks are the property of their respective owners.

Notes regarding these materials

1. This document is provided for reference purposes only so that Renesas customers may select the appropriate Renesas products for their use. Renesas neither makes warranties or representations with respect to the accuracy or completeness of the information contained in this document nor grants any license to any intellectual property rights or any other rights of Renesas or any third party with respect to the information in this document.
2. Renesas shall have no liability for damages or infringement of any intellectual property or other rights arising out of the use of any information in this document, including, but not limited to, product data, diagrams, charts, programs, algorithms, and application circuit examples.
3. You should not use the products or the technology described in this document for the purpose of military applications such as the development of weapons of mass destruction or for the purpose of any other military use. When exporting the products or technology described herein, you should follow the applicable export control laws and regulations, and procedures required by such laws and regulations.
4. All information included in this document such as product data, diagrams, charts, programs, algorithms, and application circuit examples, is current as of the date this document is issued. Such information, however, is subject to change without any prior notice. Before purchasing or using any Renesas products listed in this document, please confirm the latest product information with a Renesas sales office. Also, please pay regular and careful attention to additional and different information to be disclosed by Renesas such as that disclosed through our website. (<http://www.renesas.com>)
5. Renesas has used reasonable care in compiling the information included in this document, but Renesas assumes no liability whatsoever for any damages incurred as a result of errors or omissions in the information included in this document.
6. When using or otherwise relying on the information in this document, you should evaluate the information in light of the total system before deciding about the applicability of such information to the intended application. Renesas makes no representations, warranties or guarantees regarding the suitability of its products for any particular application and specifically disclaims any liability arising out of the application and use of the information in this document or Renesas products.
7. With the exception of products specified by Renesas as suitable for automobile applications, Renesas products are not designed, manufactured or tested for applications or otherwise in systems the failure or malfunction of which may cause a direct threat to human life or create a risk of human injury or which require especially high quality and reliability such as safety systems, or equipment or systems for transportation and traffic, healthcare, combustion control, aerospace and aeronautics, nuclear power, or undersea communication transmission. If you are considering the use of our products for such purposes, please contact a Renesas sales office beforehand. Renesas shall have no liability for damages arising out of the uses set forth above.
8. Notwithstanding the preceding paragraph, you should not use Renesas products for the purposes listed below:
 - (1) artificial life support devices or systems
 - (2) surgical implantations
 - (3) healthcare intervention (e.g., excision, administration of medication, etc.)
 - (4) any other purposes that pose a direct threat to human life
 Renesas shall have no liability for damages arising out of the uses set forth in the above and purchasers who elect to use Renesas products in any of the foregoing applications shall indemnify and hold harmless Renesas Technology Corp., its affiliated companies and their officers, directors, and employees against any and all damages arising out of such applications.
9. You should use the products described herein within the range specified by Renesas, especially with respect to the maximum rating, operating supply voltage range, movement power voltage range, heat radiation characteristics, installation and other product characteristics. Renesas shall have no liability for malfunctions or damages arising out of the use of Renesas products beyond such specified ranges.
10. Although Renesas endeavors to improve the quality and reliability of its products, IC products have specific characteristics such as the occurrence of failure at a certain rate and malfunctions under certain use conditions. Please be sure to implement safety measures to guard against the possibility of physical injury, and injury or damage caused by fire in the event of the failure of a Renesas product, such as safety design for hardware and software including but not limited to redundancy, fire control and malfunction prevention, appropriate treatment for aging degradation or any other applicable measures. Among others, since the evaluation of microcomputer software alone is very difficult, please evaluate the safety of the final products or system manufactured by you.
11. In case Renesas products listed in this document are detached from the products to which the Renesas products are attached or affixed, the risk of accident such as swallowing by infants and small children is very high. You should implement safety measures so that Renesas products may not be easily detached from your products. Renesas shall have no liability for damages arising out of such detachment.
12. This document may not be reproduced or duplicated, in any form, in whole or in part, without prior written approval from Renesas.
13. Please contact a Renesas sales office if you have any questions regarding the information contained in this document, Renesas semiconductor products, or if you have any other inquiries.

© 2008. Renesas Technology Corp., All rights reserved.