

To our customers,

Old Company Name in Catalogs and Other Documents

On April 1st, 2010, NEC Electronics Corporation merged with Renesas Technology Corporation, and Renesas Electronics Corporation took over all the business of both companies. Therefore, although the old company name remains in this document, it is a valid Renesas Electronics document. We appreciate your understanding.

Renesas Electronics website: <http://www.renesas.com>

April 1st, 2010
Renesas Electronics Corporation

Issued by: Renesas Electronics Corporation (<http://www.renesas.com>)

Send any inquiries to <http://www.renesas.com/inquiry>.

Notice

1. All information included in this document is current as of the date this document is issued. Such information, however, is subject to change without any prior notice. Before purchasing or using any Renesas Electronics products listed herein, please confirm the latest product information with a Renesas Electronics sales office. Also, please pay regular and careful attention to additional and different information to be disclosed by Renesas Electronics such as that disclosed through our website.
2. Renesas Electronics does not assume any liability for infringement of patents, copyrights, or other intellectual property rights of third parties by or arising from the use of Renesas Electronics products or technical information described in this document. No license, express, implied or otherwise, is granted hereby under any patents, copyrights or other intellectual property rights of Renesas Electronics or others.
3. You should not alter, modify, copy, or otherwise misappropriate any Renesas Electronics product, whether in whole or in part.
4. Descriptions of circuits, software and other related information in this document are provided only to illustrate the operation of semiconductor products and application examples. You are fully responsible for the incorporation of these circuits, software, and information in the design of your equipment. Renesas Electronics assumes no responsibility for any losses incurred by you or third parties arising from the use of these circuits, software, or information.
5. When exporting the products or technology described in this document, you should comply with the applicable export control laws and regulations and follow the procedures required by such laws and regulations. You should not use Renesas Electronics products or the technology described in this document for any purpose relating to military applications or use by the military, including but not limited to the development of weapons of mass destruction. Renesas Electronics products and technology may not be used for or incorporated into any products or systems whose manufacture, use, or sale is prohibited under any applicable domestic or foreign laws or regulations.
6. Renesas Electronics has used reasonable care in preparing the information included in this document, but Renesas Electronics does not warrant that such information is error free. Renesas Electronics assumes no liability whatsoever for any damages incurred by you resulting from errors in or omissions from the information included herein.
7. Renesas Electronics products are classified according to the following three quality grades: “Standard”, “High Quality”, and “Specific”. The recommended applications for each Renesas Electronics product depends on the product’s quality grade, as indicated below. You must check the quality grade of each Renesas Electronics product before using it in a particular application. You may not use any Renesas Electronics product for any application categorized as “Specific” without the prior written consent of Renesas Electronics. Further, you may not use any Renesas Electronics product for any application for which it is not intended without the prior written consent of Renesas Electronics. Renesas Electronics shall not be in any way liable for any damages or losses incurred by you or third parties arising from the use of any Renesas Electronics product for an application categorized as “Specific” or for which the product is not intended where you have failed to obtain the prior written consent of Renesas Electronics. The quality grade of each Renesas Electronics product is “Standard” unless otherwise expressly specified in a Renesas Electronics data sheets or data books, etc.
 - “Standard”: Computers; office equipment; communications equipment; test and measurement equipment; audio and visual equipment; home electronic appliances; machine tools; personal electronic equipment; and industrial robots.
 - “High Quality”: Transportation equipment (automobiles, trains, ships, etc.); traffic control systems; anti-disaster systems; anti-crime systems; safety equipment; and medical equipment not specifically designed for life support.
 - “Specific”: Aircraft; aerospace equipment; submersible repeaters; nuclear reactor control systems; medical equipment or systems for life support (e.g. artificial life support devices or systems), surgical implantations, or healthcare intervention (e.g. excision, etc.), and any other applications or purposes that pose a direct threat to human life.
8. You should use the Renesas Electronics products described in this document within the range specified by Renesas Electronics, especially with respect to the maximum rating, operating supply voltage range, movement power voltage range, heat radiation characteristics, installation and other product characteristics. Renesas Electronics shall have no liability for malfunctions or damages arising out of the use of Renesas Electronics products beyond such specified ranges.
9. Although Renesas Electronics endeavors to improve the quality and reliability of its products, semiconductor products have specific characteristics such as the occurrence of failure at a certain rate and malfunctions under certain use conditions. Further, Renesas Electronics products are not subject to radiation resistance design. Please be sure to implement safety measures to guard them against the possibility of physical injury, and injury or damage caused by fire in the event of the failure of a Renesas Electronics product, such as safety design for hardware and software including but not limited to redundancy, fire control and malfunction prevention, appropriate treatment for aging degradation or any other appropriate measures. Because the evaluation of microcomputer software alone is very difficult, please evaluate the safety of the final products or system manufactured by you.
10. Please contact a Renesas Electronics sales office for details as to environmental matters such as the environmental compatibility of each Renesas Electronics product. Please use Renesas Electronics products in compliance with all applicable laws and regulations that regulate the inclusion or use of controlled substances, including without limitation, the EU RoHS Directive. Renesas Electronics assumes no liability for damages or losses occurring as a result of your noncompliance with applicable laws and regulations.
11. This document may not be reproduced or duplicated, in any form, in whole or in part, without prior written consent of Renesas Electronics.
12. Please contact a Renesas Electronics sales office if you have any questions regarding the information contained in this document or Renesas Electronics products, or if you have any other inquiries.

(Note 1) “Renesas Electronics” as used in this document means Renesas Electronics Corporation and also includes its majority-owned subsidiaries.

(Note 2) “Renesas Electronics product(s)” means any product developed or manufactured by or for Renesas Electronics.

SH7145 Group

A/D Conversion in Continuous Scan Mode

Introduction

A/D conversion (continuous scan mode) is performed three times on the signals on analog input channels 0 to 3 (AN0 to AN3). The converted data for each round of scan are stored to different areas in RAM.

Target Device

SH7145F

Contents

1. Specifications	2
2. Description of Functions	3
3. Principles of Operation.....	4
4. Description of Software.....	5
5. Flowchart.....	7
6. Program Listing.....	9

1. Specifications

The A/D converter of the SH7145 is used to perform A/D conversion in continuous scan mode.

As shown in figure 1, A/D conversion is performed three times using analog input channels 0 to 3 (AN0 to AN3), and the converted data are stored to RAM.

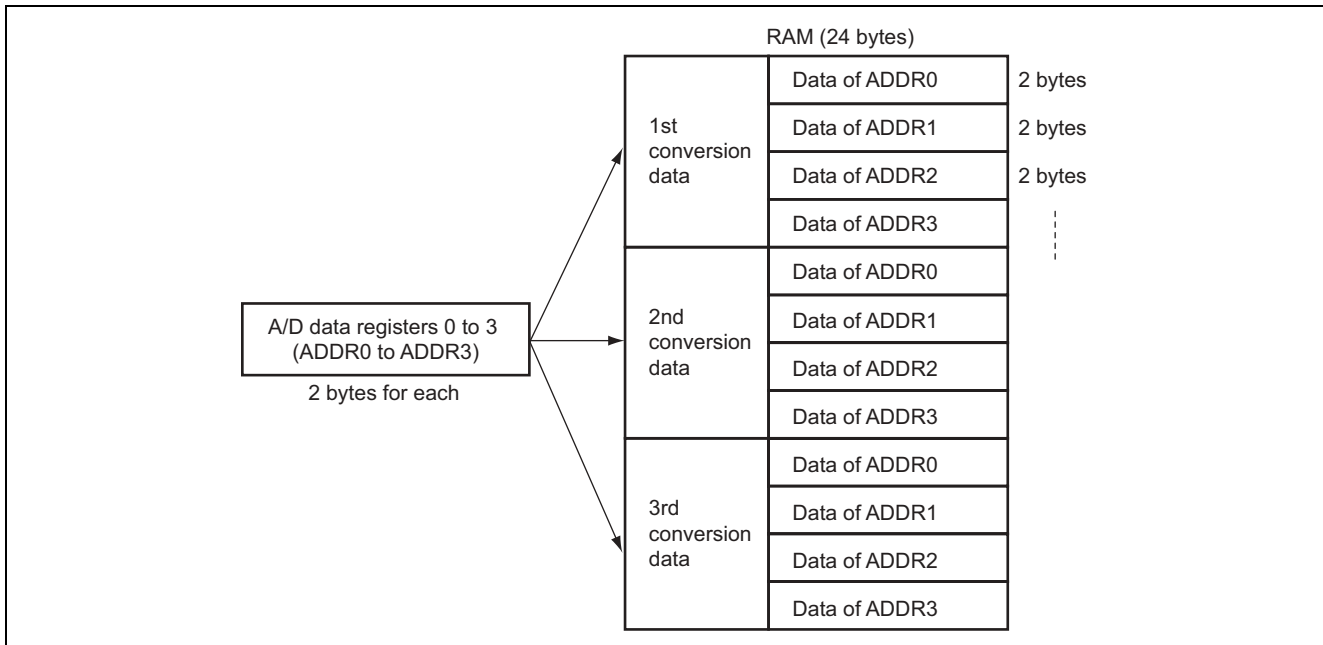


Figure 1 Storage of A/D-Converted Data

2. Description of Functions

In this sample task, channels 0 to 3 (ch0 to ch3) of the A/D converter are used to perform A/D conversion.

2.1 A/D Converter

This is a 10-bit successive approximation A/D converter. Figure 2 shows a block diagram of the A/D converter; below, the converter functions are explained.

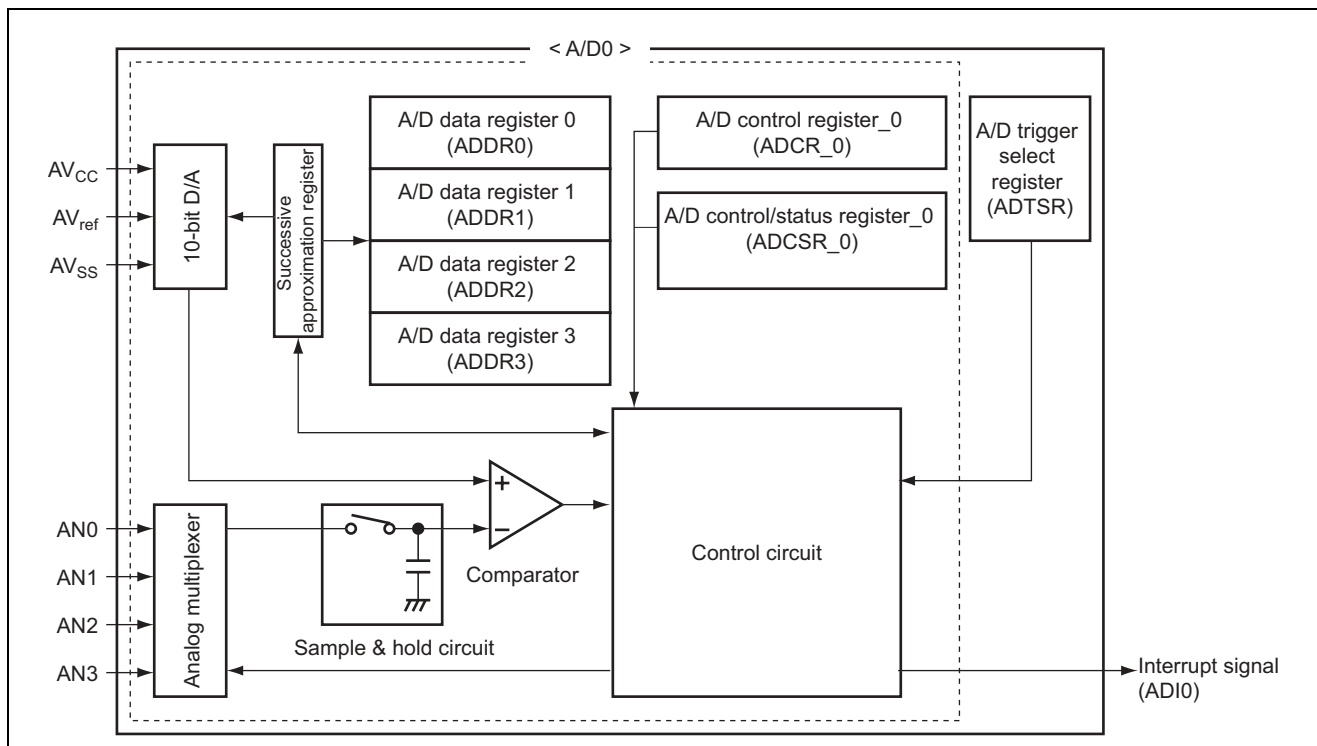


Figure 2 Block Diagram of A/D Converter (ch0 to ch3)

- The A/D data registers (ADDR0 to ADDR3) are 16-bit read-only registers which store the results of conversion for the corresponding analog input channels. The converted data is stored in bits 15 to 6 of ADDR, and the lowermost 6 bits are always 0.
- The A/D control register_0 (ADCR_0) controls starting of A/D conversion and selects the operating clock.
- The A/D control/status register_0 (ADCSR_0) controls A/D conversion operation.
- The A/D trigger select register (ADTSR) enables starting of A/D conversion by an external trigger.

3. Principles of Operation

Figure 3 shows an example of operation in continuous scan mode. Table 1 describes the software and hardware processing performed for the operation of figure 3.

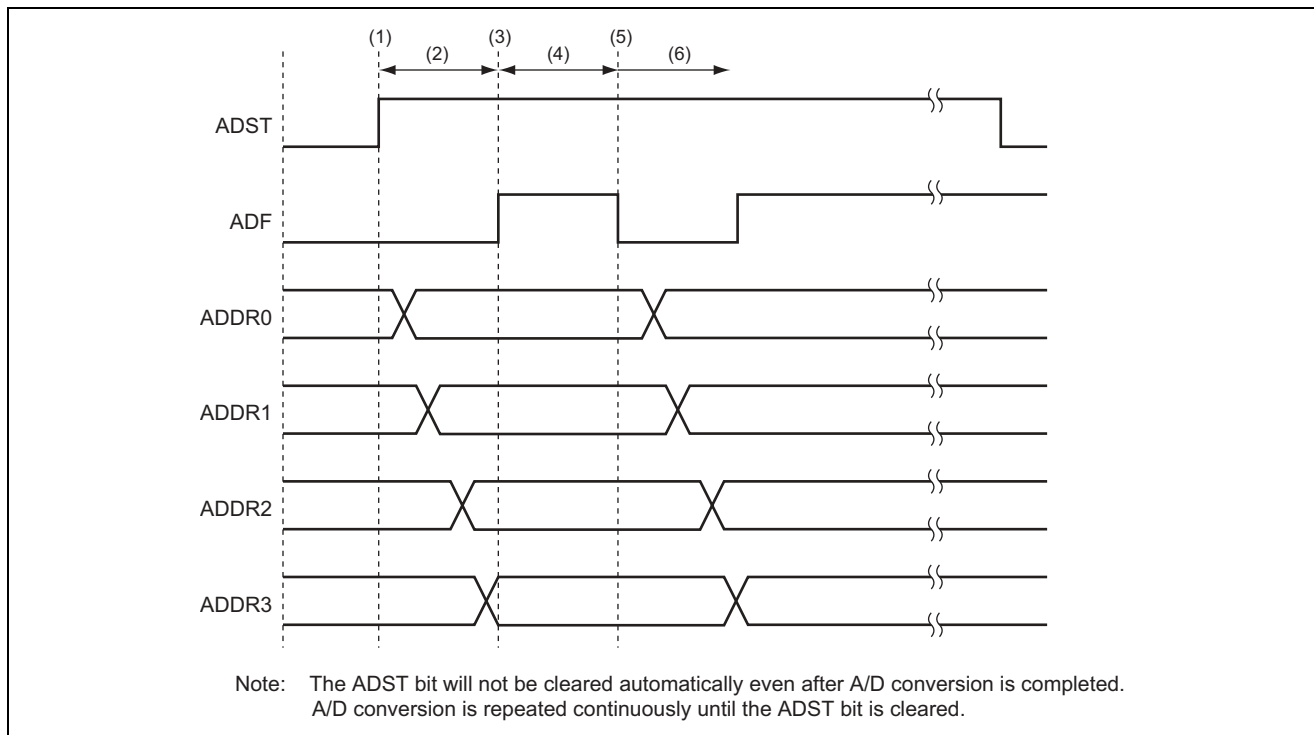


Figure 3 Example of Operation in Continuous Scan Mode

Table 1 Description of Processing

	Software Processing	Hardware Processing
(1)	Set the ADST bit in ADCR_0 to 1.	Start A/D conversion on analog input channels 0, 1, 2, 3 in this order.
(2)	—	Store A/D-converted data to ADDR registers.
(3)	—	Set the ADF flag to 1 when A/D conversion for all channels is completed.
(4)	Store the data in ADDR registers to RAM.	—
(5)	Clear the ADF flag to 0.	Start A/D conversion on analog input channels 0, 1, 2, 3 in this order.
(6)	Repeat steps (2) through (5) above.	Repeat steps (2) through (5) above.

4. Description of Software

4.1 Modules

Table 2 describes the modules used in this sample task.

Table 2 Description of Modules

Module Name	Label Name	Functions
Main routine	main	Initializes A/D0 and calls A/D conversion routine.
A/D conversion routine	ad_conv	Starts A/D conversion and stores the results of conversion to RAM.

4.2 Internal Registers

Tables 3 and 4 describe the internal registers used in this sample task. The settings are values used in this sample task and differ from the initial values.

Table 3 Description of Internal Registers (1)

Register Name	Bit	Bit Name	Setting	Function
MSTCR2				Module standby control register 2
	4	MSTP4	0	A/D0 Standby Control When MSTP4 = 0, the standby state of A/D0 is cancelled.
ADCSR_0				A/D control/status register 0
	7	ADF	*	A/D End Flag Set to 1 when A/D conversion ends.
	6	ADIE	0	A/D Interrupt Enable When ADIE = 1, A/D conversion end interrupt is enabled.
	5	—	0	Reserved
	4	ADM	1	A/D Mode Select When ADM = 1, A/D converter operates in scan mode.
	3	—	1	Reserved
	2	—	0	Reserved
	1	CH1	1	Channel Select 1, 0
0	CH0	1	These bits select analog input channels for A/D conversion.	

Note: * Only 0 can be written to this bit for clearing; this bit is automatically set by hardware.

Table 4 Description of Internal Registers (2)

Register Name	Bit	Bit Name	Setting	Function
ADCR_0	A/D control register 0			
	7	TRGE	0	Trigger Enable When TRGE = 0, A/D conversion triggering is disabled.
	6	CKS1	0	Clock Select 1, 0
	5	CKS0	0	Set A/D conversion time (in this sample task, P ϕ /32).
	4	ADST	*	A/D Start Setting ADST to 1 starts A/D conversion.
	3	ADCS	1	A/D Continuous Scan When ADCS = 1, A/D converter operates in continuous scan mode.
	2	—	1	Reserved
	1 0		1 1	
ADDR0		—	A/D data register 0 Stores the results of A/D conversion for analog input pin 0 (AN0).	
ADDR1		—	A/D data register 1 Stores the results of A/D conversion for analog input pin 1 (AN1).	
ADDR2		—	A/D data register 2 Stores the results of A/D conversion for analog input pin 2 (AN2).	
ADDR3		—	A/D data register 3 Stores the results of A/D conversion for analog input pin 3 (AN3).	

Note: * Clear this bit to 0 to stop A/D conversion.

4.3 RAM Usage

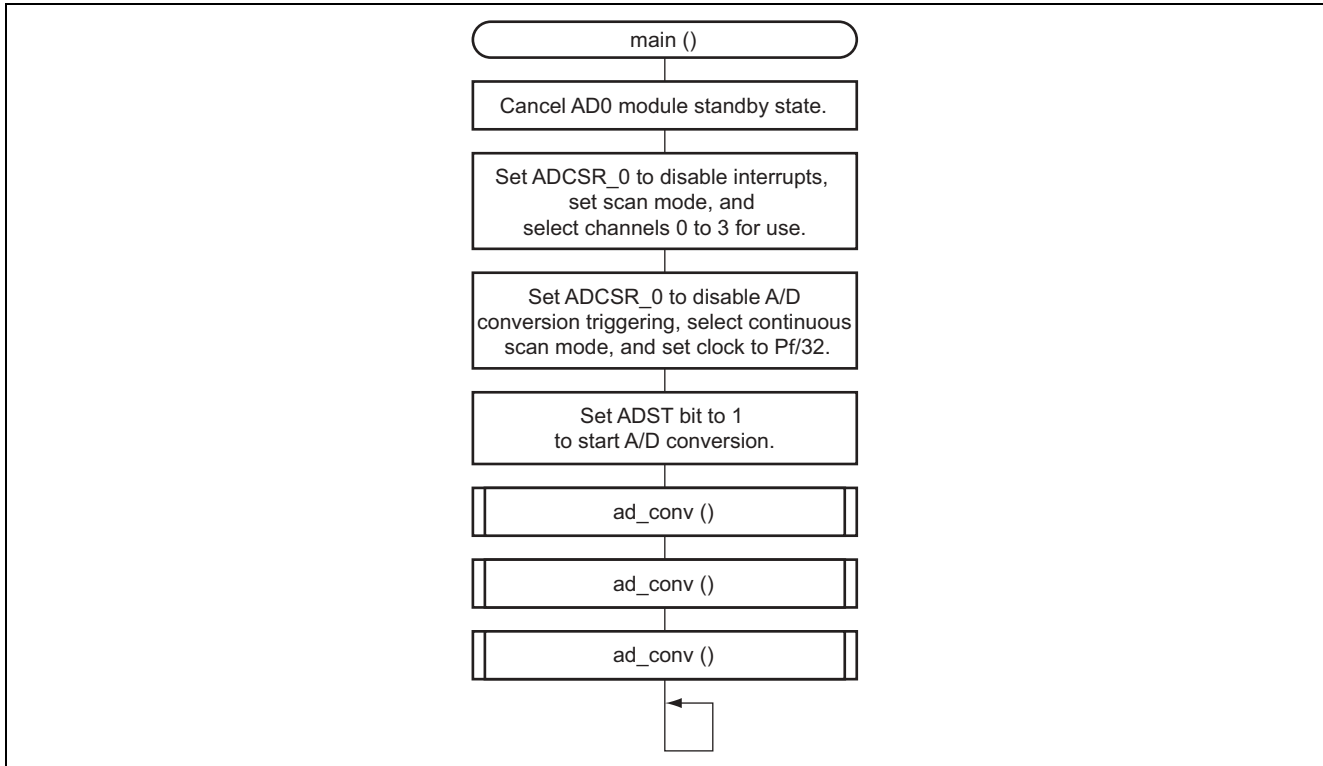
Table 5 describes the RAM usage in this sample task.

Table 5 Description of RAM

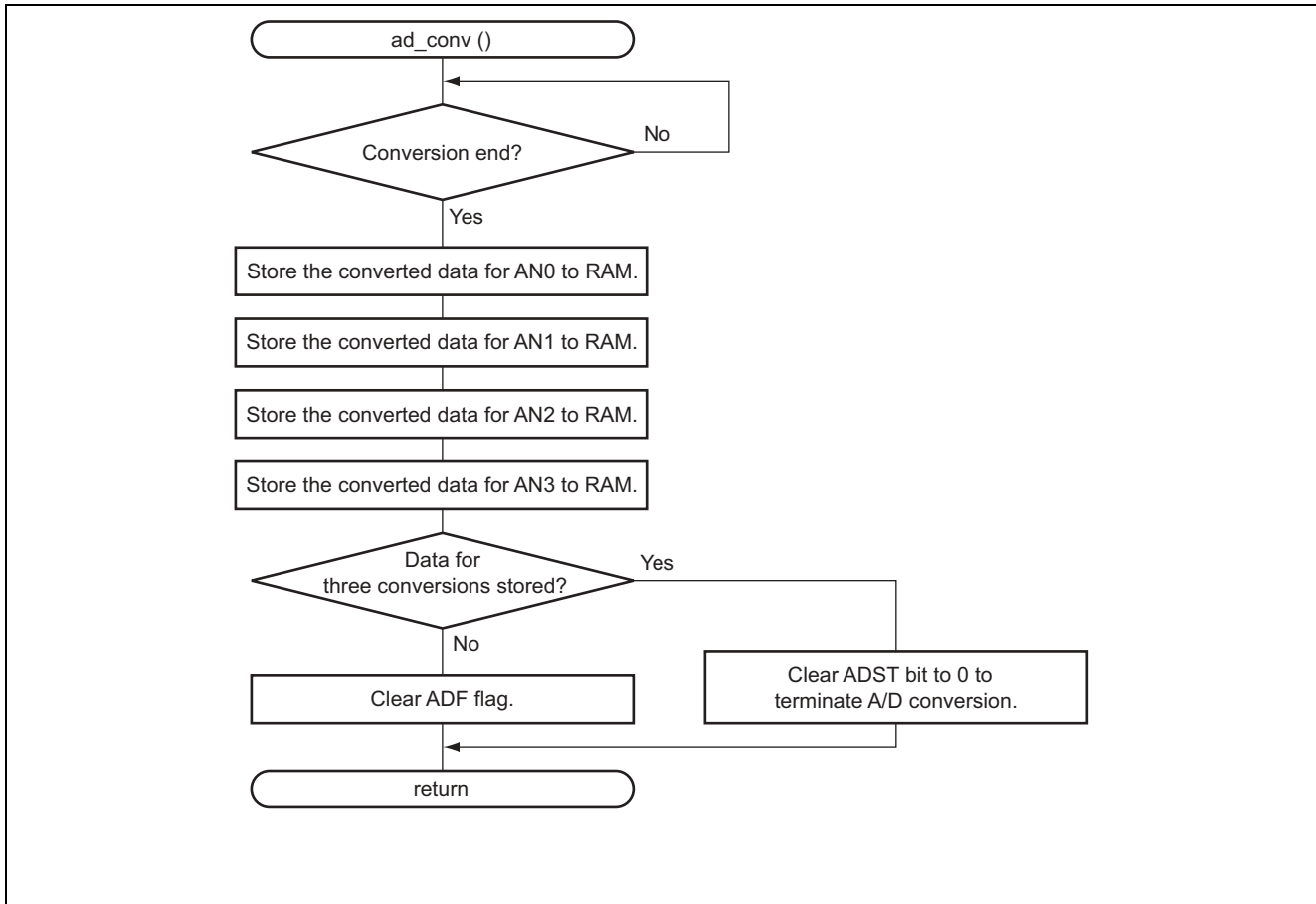
Label Name	Function	Address	Used in
Ad_data[0-2][0-3]	Array for storing A/D converted data (2 bytes/data)	On-chip RAM	A/D conversion routine

5. Flowchart

5.1 Main Routine



5.2 A/D Conversion Routine



6. Program Listing

```

/*****/
/* SH7145F Application Note */
/* */
/* Function */
/* :AD0(Continuous Scan Mode) */
/* */
/* External input clock :12.5MHz */
/* Internal CPU clock :50MHz */
/* Internal peripheral clock :25MHz */
/* */
/* Written :2003/10 Rev.1.0 */
/*****/

#include "iodefine.h"
#include <machine.h>

/*****/
/* Symbol Definition */
/*****/
#define AD 3
#define CH 4

/*****/
/* Function Define */
/*****/
void main(void);
void ad_conv(void);

void dummy_f(void);

/*****/
/* RAM Allocation Definition */
/*****/
unsigned short Ad_data[AD][CH];

unsigned char ad_count;
unsigned char ch_count;

```

```

/*****
/* Main Program
/*****
void main( void )
{
    ad_count = 0;
    ch_count = 0;

    P_STBY.MSTCR2.BIT.MSTP4 = 0;          /* Disable AD0 standby mode          */

    P_AD.ADCSR_0.BYTE = 0x1B;            /* Set ADCSR_0                      */
        //[7] = 0;ADF
        //[6] = 0;A/D interrupt disable
        //[5] = 0;reserve
        //[4] = 1;scan mode
        //[3] = 1;reserve
        //[2] = 0;reserve
        //[1] = 1
        //[0] = 1;channel select AN0-3

    P_AD.ADCR_0.BYTE = 0x0F;            /* Set ADCR_0                      */
        //[7] = 0;trigger disable
        //[6] = 0
        //[5] = 0;clock Pf0/32
        //[4] = 0;wait conversion
        //[3] = 1;continuous scan
        //[2] = 1;reserve
        //[1] = 1;reserve
        //[0] = 1;reserve

    P_AD.ADCR_0.BIT.ADST = 1;          /* Start AD converter              */

    ad_conv();
    ad_conv();
    ad_conv();

    while(1);                          /* LOOP                             */
}

```

```

/*****
/*  ad_conv
/*****
void ad_conv(void)
{
    while(P_AD.ADCSR_0.BIT.ADF == 0);          /* Waits till a conversion end          */

    Ad_data[ad_count][ch_count] = P_AD.ADDR0.WORD; /* Store AD(ch0) data          */
    ch_count++;

    Ad_data[ad_count][ch_count] = P_AD.ADDR1.WORD; /* Store AD(ch1) data          */
    ch_count++;

    Ad_data[ad_count][ch_count] = P_AD.ADDR2.WORD; /* Store AD(ch3) data          */
    ch_count++;

    Ad_data[ad_count][ch_count] = P_AD.ADDR3.WORD; /* Store AD(ch4) data          */
    ch_count = 0;
    ad_count++;

    if(ad_count == 3)
        P_AD.ADCR_0.BIT.ADST = 0;          /* Clear ADST bit          */
    else
        P_AD.ADCSR_0.BIT.ADF = 0;          /* Clear ADF flag          */
}

/*****
/*  Interruption Program
/*****
#pragma interrupt(dummy_f)
void dummy_f(void)
{
    /* Other Interrupt */
}

```

Revision Record

Rev.	Date	Description	
		Page	Summary
1.00	Sep.16.04	—	First edition issued

Keep safety first in your circuit designs!

1. Renesas Technology Corp. puts the maximum effort into making semiconductor products better and more reliable, but there is always the possibility that trouble may occur with them. Trouble with semiconductors may lead to personal injury, fire or property damage.
Remember to give due consideration to safety when making your circuit designs, with appropriate measures such as (i) placement of substitutive, auxiliary circuits, (ii) use of nonflammable material or (iii) prevention against any malfunction or mishap.

Notes regarding these materials

1. These materials are intended as a reference to assist our customers in the selection of the Renesas Technology Corp. product best suited to the customer's application; they do not convey any license under any intellectual property rights, or any other rights, belonging to Renesas Technology Corp. or a third party.
2. Renesas Technology Corp. assumes no responsibility for any damage, or infringement of any third-party's rights, originating in the use of any product data, diagrams, charts, programs, algorithms, or circuit application examples contained in these materials.
3. All information contained in these materials, including product data, diagrams, charts, programs and algorithms represents information on products at the time of publication of these materials, and are subject to change by Renesas Technology Corp. without notice due to product improvements or other reasons. It is therefore recommended that customers contact Renesas Technology Corp. or an authorized Renesas Technology Corp. product distributor for the latest product information before purchasing a product listed herein.
The information described here may contain technical inaccuracies or typographical errors.
Renesas Technology Corp. assumes no responsibility for any damage, liability, or other loss rising from these inaccuracies or errors.
Please also pay attention to information published by Renesas Technology Corp. by various means, including the Renesas Technology Corp. Semiconductor home page (<http://www.renesas.com>).
4. When using any or all of the information contained in these materials, including product data, diagrams, charts, programs, and algorithms, please be sure to evaluate all information as a total system before making a final decision on the applicability of the information and products. Renesas Technology Corp. assumes no responsibility for any damage, liability or other loss resulting from the information contained herein.
5. Renesas Technology Corp. semiconductors are not designed or manufactured for use in a device or system that is used under circumstances in which human life is potentially at stake. Please contact Renesas Technology Corp. or an authorized Renesas Technology Corp. product distributor when considering the use of a product contained herein for any specific purposes, such as apparatus or systems for transportation, vehicular, medical, aerospace, nuclear, or undersea repeater use.
6. The prior written approval of Renesas Technology Corp. is necessary to reprint or reproduce in whole or in part these materials.
7. If these products or technologies are subject to the Japanese export control restrictions, they must be exported under a license from the Japanese government and cannot be imported into a country other than the approved destination.
Any diversion or reexport contrary to the export control laws and regulations of Japan and/or the country of destination is prohibited.
8. Please contact Renesas Technology Corp. for further details on these materials or the products contained therein.