

RTK0EE0016D11004BJ

Design guidelines for circuit boards with the external front-end module

Introduction

This document gives guidelines for designing circuit boards that incorporate the RF transceiver and the front-end module.

This document explains the daughter board design of the evaluation kit as an example. The evaluation kit consists of a mother board (RTK0EE0013D12002BJ) and a daughter board (RTK0EE0016D11004BJ). The RTK0EE0016D11004BJ consists of MCU / RF transceiver (RX65W-A), and front-end module (SKY66122-11).

Note: Descriptions in this application note are examples for reference. Following the guidelines does not guarantee the quality of characteristic signals. In attempting to use this device in your actual system, extensively consider and evaluate the system as a whole. Choosing to use the device in your system is at your own responsibility.

Target Device

RX65W-A

Contents

1. Overview	3
1.1 Related documents.....	3
1.2 Appearance of the evaluation kit.....	3
1.3 Appearance of the RTK0EE0016D11004BJ (Daughter board)	4
1.4 Appearance of the RTK0EE0013D12002BJ (Mother board)	4
2. Circuit design.....	5
2.1 Interface of front-end module (SKY66122-11)	5
2.2 RF signal line.....	6
2.2.1 TX attenuator circuit	6
2.2.2 TX SAW filter circuit	6
2.2.3 RX SAW filter circuit	6
2.3 Antenna signal line	7
2.3.1 LC filter circuit.....	7
2.3.2 Antenna matching circuit.....	7
2.4 Reference clock circuit	8
2.4.1 Using a 48MHz TCXO.....	8
2.4.2 Using a CKOUT pin	9
2.5 DC-DC converter circuit	10
2.6 Power supply circuit.....	10
3. Layout design	11
3.1 RF signal line.....	12
3.2 SPI signal line.....	13

3.3	TCXO circuit	14
3.4	DC-DC converter circuit	15
3.5	Power supply circuit.....	16
3.5.1	RF transceiver (RX65W-A).....	16
3.5.2	Front-end module (SKY66122-11)	17
3.6	Ground.....	18
3.6.1	RF transceiver (RX65W-A).....	18
3.6.2	Front-end module (SKY66122-11)	19
3.6.3	The outer periphery of the board.....	20
3.6.4	Metal case	20
3.6.5	Connection of mother board and daughter board	21
4.	Circuit Diagram for Reference	22
4.1	Circuit diagram	22
4.2	Bill of materials	23
5.	Configuration of Application Note.....	24
	Revision History	26

1. Overview

This document explains the daughter board design of the evaluation kit as an example. The evaluation kit consists of a mother board (RTK0EE0013D12002BJ) and a daughter board (RTK0EE0016D11004BJ). The RTK0EE0016D11004BJ consists of MCU / RF transceiver (RX65W-A), and front-end module (SKY66122-11).

The RF characteristics are greatly affected by the design method. Therefore, in order to obtain the original RF characteristics, it is recommended to design board according to the precautions described in this document.

1.1 Related documents

Also refer to the following document related to this application note.

R01UH0993EJ0110 : RX65W-A Group User's Manual: Hardware

R35AN0013EJ0100 : R9A06G062GNP Design Guidelines for Circuit Boards with the Sub-GHz Transceiver

1.2 Appearance of the evaluation kit

The appearance of the evaluation kit is shown in Figure 1-1.



Figure 1-1 : Appearance of the evaluation kit

1.3 Appearance of the RTK0EE0016D11004BJ (Daughter board)

The appearance of the RTK0EE0016D11004BJ is shown in Figure 1-2.

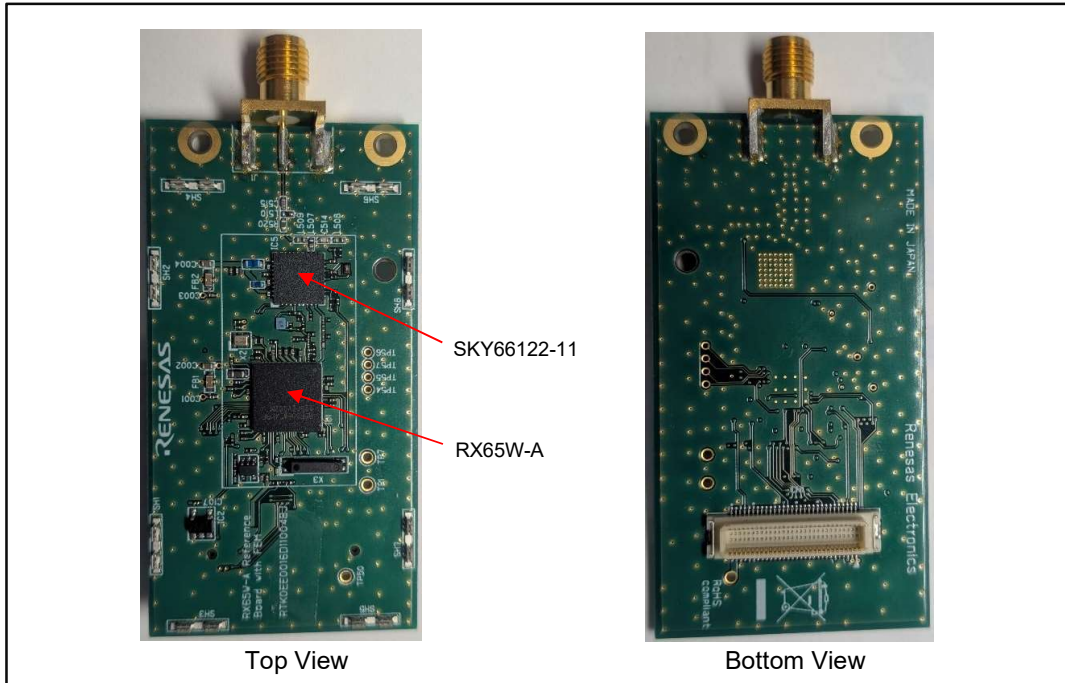


Figure 1-2 : Appearance of the RTK0EE0016D11004BJ (Daughter board)

1.4 Appearance of the RTK0EE0013D12002BJ (Mother board)

The appearance of the RTK0EE0013D12002BJ is shown in Figure 1-3.

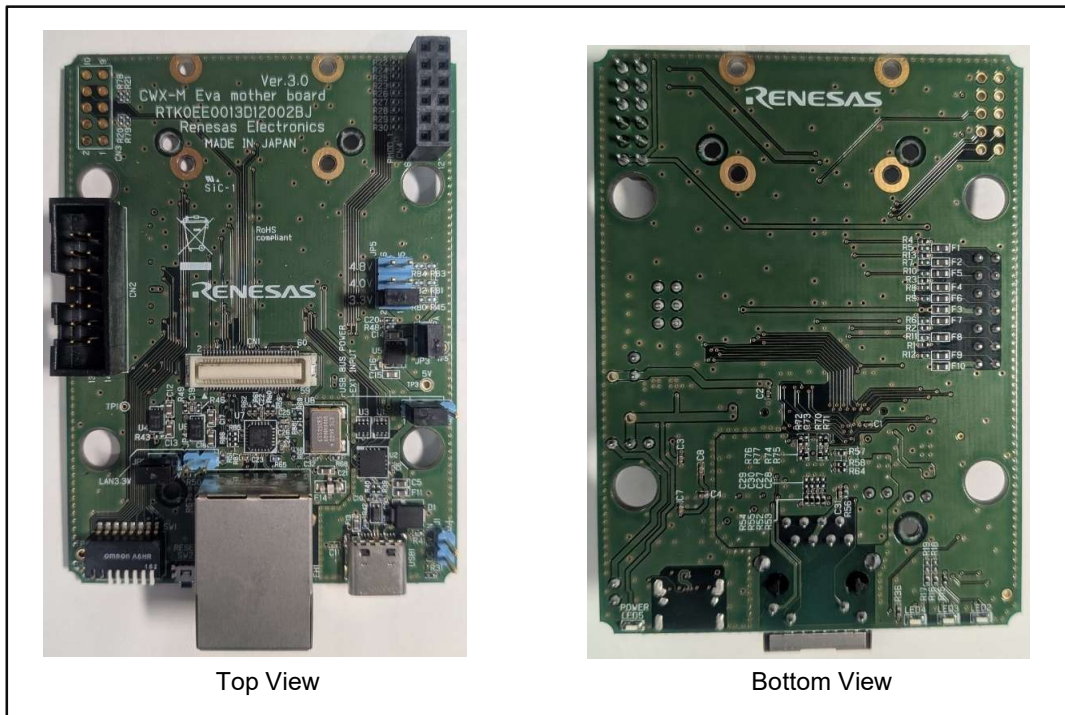


Figure 1-3 : Appearance of the RTK0EE0013D12002BJ (Mother board)

2. Circuit design

This chapter explains the circuit design when using the MCU / RF transceiver IC (RX65W-A) and a front-end module (SKY66122-11).

For the detail circuit design of SKY66122-11 peripheral circuit, refer to the manufacturer's data sheet.

2.1 Interface of front-end module (SKY66122-11)

Table 2-1 shows the outline of SKY66122-11 pins and connection examples with the RF transceiver IC.

Table 2-1 : Outline of SKY66122-11 pins and connection examples

Pin	Pin Name	Description	Connection
1	CPS	Path select control	RX65W-A : B6(GPIO8)
2	CTX	Transmit / Receive control	RX65W-A : C6(GPIO7)
3	GND	Ground	Ground
4	PA_IN	Input to PA	RX65W-A : C1(RFOUT) Connect to TX SAW filter output pin Refer to chapter 2.2.
5	GND	Ground	Ground
6	GND	Ground	Ground
7	TX_FLT	Source for external TX filter	50 Ω termination
8	GND	Ground	Ground
9	T/R	Transmit and receive	RX65W-A : A1(RFIN) Refer to chapter 2.2.
10	GND	Ground	Ground
11	CSD	Shutdown control	RX65W-A : N10(PD4) (Pull down this signal line with 56k Ω)
12	GND	Ground	Ground
13	GND	Ground	Ground
14	LNA_IN	LNA input	Connect to RX SAW filter output pin
15	GND	Ground	Ground
16	RX_FLT	Source for external RX filter	Connect to RX SAW filter input pin
17	GND	Ground	Ground
18	VDET	Power detector output	Connect to AD function pin of MCU
19	GND	Ground	Ground
20	ANT	Antenna	Antenna
21	GND	Ground	Ground
22	GND	Ground	Ground
23	GND	Ground	Ground
24	GND	Ground	Ground
25	GND	Ground	Ground
26	GND	Ground	Ground
27	GND	Ground	Ground
28	GND	Ground	Ground
29	VCC2	Power supply	Connect to power supply
30	GND	Ground	Ground
31	VCC0	Decoupling capacitor	Connect to decoupling capacitor
32	GND	Ground	Ground
33	VCC1	Power supply	Connect to power supply
34	GND	Ground	Ground
35	VSUP1	General voltage supply	Connect to power supply
36	GND	Ground	Ground
Die Pad	GND	Ground	Ground

2.2 RF signal line

2.2.1 TX attenuator circuit

It is recommended to mount an attenuator circuit on the TX signal line between the RF transceiver and SKY66122-11. Figure 2-1 shows the mounting position of the attenuator.

It extends the variable range of the TX power. The RF transceiver has the power variable range of -15 to +15 dBm and about 30 dB. However, since the TX gain of SKY66122-11 is about 30 dB, even if the gain of the RF transceiver is varied, the output of SKY66122-11 remains saturated, and the variable range of the TX power is narrowed. The variable range of the TX power is extended by mounting the attenuator.

2.2.2 TX SAW filter circuit

It is recommended to mount the SAW filter on TX signal line to meet radio wave regulations. Figure 2-1 shows the mounting position of the TX SAW filter.

2.2.3 RX SAW filter circuit

It is recommended to mount the SAW filter on RX signal line to consideration of RX intermodulation from other systems (esp. cellular system). Figure 2-1 shows the mounting position of the RX SAW filter.

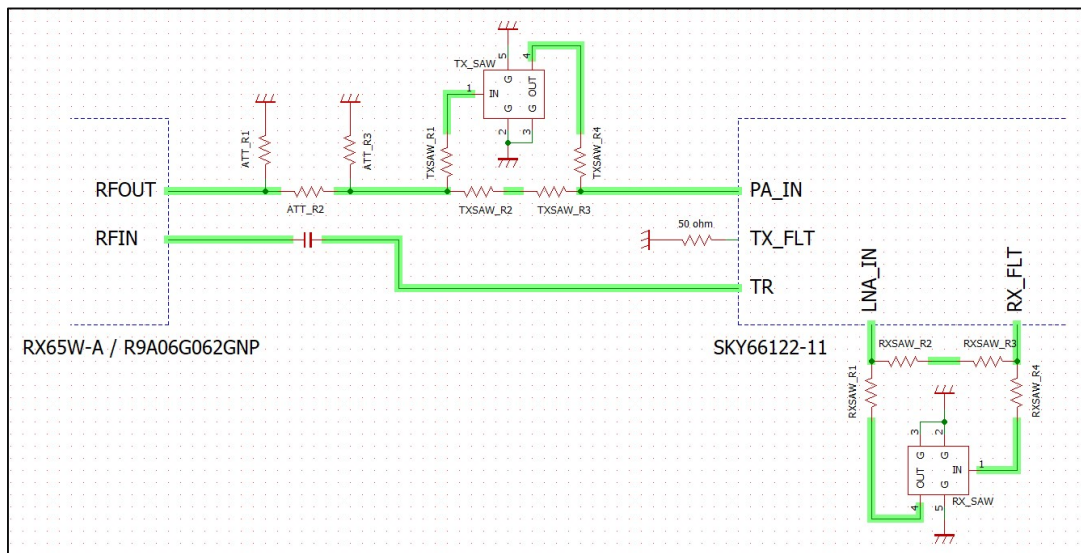


Figure 2-1 : Example of RF signal line

Table 2-2 : Examples of the component values (RF signal line)

Item	FCC	ETSI	ARIB
TX attenuator	5dB ATT_R1 : 180 ohm ATT_R2 : 30 ohm ATT_R2 : 180 ohm	10dB ATT_R1 : 100 ohm ATT_R2 : 68 ohm ATT_R2 : 100 ohm	5dB ATT_R1 : 180 ohm ATT_R2 : 30 ohm ATT_R2 : 180 ohm
TX SAW	Mounted ex. B39921B2672P810 TXSAW_R1 : 0 ohm TXSAW_R2 : NM TXSAW_R3 : NM TXSAW_R4 : 0 ohm	Not mounted TXSAW_R1 : NM TXSAW_R2 : 0 ohm TXSAW_R3 : 0 ohm TXSAW_R4 : NM	Mounted ex. B39931B2645P810 TXSAW_R1 : 0 ohm TXSAW_R2 : NM TXSAW_R3 : NM TXSAW_R4 : 0 ohm
RX SAW	Mounted ex. B39921B2672P810 RXSAW_R1 : 0 ohm RXSAW_R2 : NM RXSAW_R3 : NM RXSAW_R4 : 0 ohm	Mounted ex. B39871B2600P810 RXSAW_R1 : 0 ohm RXSAW_R2 : NM RXSAW_R3 : NM RXSAW_R4 : 0 ohm	Mounted ex. B39931B2645P810 RXSAW_R1 : 0 ohm RXSAW_R2 : NM RXSAW_R3 : NM RXSAW_R4 : 0 ohm

2.3 Antenna signal line

2.3.1 LC filter circuit

It is recommended to add an LC filter and a notch filter to the ANT pin of the SKY66122-11. This is to suppress harmonics of the fundamental wave. Figure 2-2 shows an example of the antenna signal line circuit. Table 2-3 shows examples of the component values in the initial condition.

2.3.2 Antenna matching circuit

When using a monopole antenna instead of a dipole antenna, it is recommended to mount antenna matching components on the board. Figure 2-2 shows the circuit example of the antenna matching components. Table 2-3 shows examples of the component values in the initial condition.

In the initial condition, R1, R2, and R3 are not used as the antenna matching components. Adjust the component values by customer according to the antenna characteristics to be used.

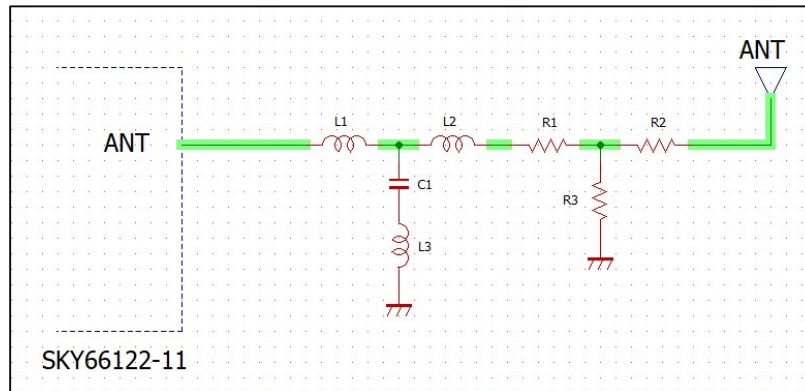


Figure 2-2 : Example of Antenna signal line

Table 2-3 : Examples of the component values (Antenna signal line)

Item	L1 [nH]	L2 [nH]	C1 [pF]	L3 [nH]	R1 [ohm]	R2 [ohm]	R3 [ohm]
LC & notch filter	5.6	5.6	1.8	3.0			
Antenna matching					0	0	NM

2.4 Reference clock circuit

2.4.1 Using a 48MHz TCXO

Figure 2-3 shows an example of the standard configuration of a circuit with the use of a temperature-compensated crystal oscillator (TCXO). To suppress the harmonic components, we recommend adjusting the voltage amplitude value of output from the 48-MHz TCXO. The voltage amplitude adjustment uses the capacitance division of C1 and C2. Connect a capacitor (C3) to the XOUT pin.

Table 2-4 lists typical values of the constants for the circuit with the use of the NT1612SA from NDK as the TCXO. Before final determination of the constants, we recommend you proceed with sufficient evaluation from the various relevant viewpoints, such as the type of TCXO and the stray capacitance generated by the patterns for your own PCB.

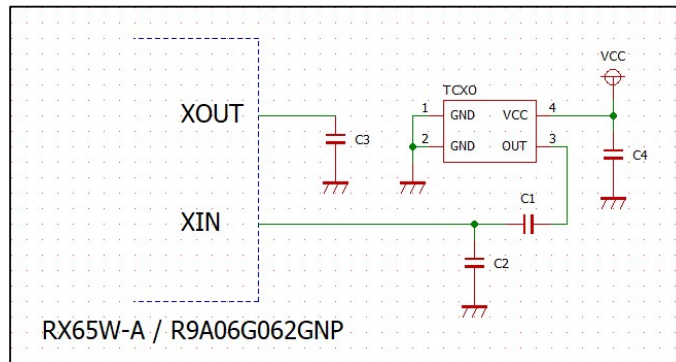


Figure 2-3 : Example of reference clock circuits (TCXO)

Table 2-4 : Examples of the component values (TCXO)

TCXO	C1 [pF]	C2 [pF]	C3 [pF]	C4 [uF]
NT1612SA	9	18	1000	0.1

The RTK0EE0016D11004BJ evaluation kit does not use a crystal oscillator. For the circuit design of the crystal oscillator, please refer to the following application note.

R35AN0013EJ0100 : R9A06G062GNP Design Guidelines for Circuit Boards with the Sub-GHz Transceiver

2.4.2 Using a CKOUT pin

Figure 2-4 shows an example of the circuit configuration using CKOUT pin. The RX65W-A has a function that outputs a 16MHz clock, which is the 48MHz reference clock divided by 3, from the CKOUT pin. This clock can be used as the MCU's main clock.

Maybe the harmonic components at integer multiples of the CKOUT signal frequency adversely affecting the operation within the desired bandwidth. We recommend inserting damping resistors or low-pass filters for suppressing the harmonic components in response to the state of the spurious emissions from the CKOUT signal.

Table 2-5 lists examples of the constants for the circuit.

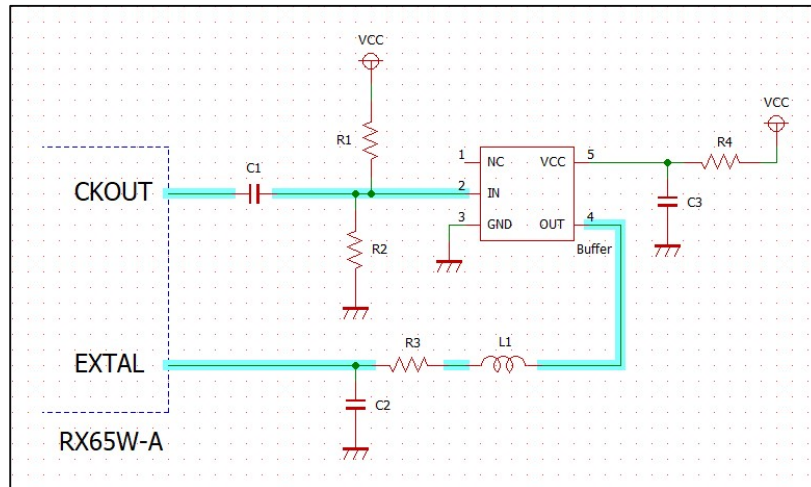


Figure 2-4 : Example of reference clock circuits (CKOUT)

Table 2-5 : Examples of the component values (CKOUT)

Buffer	L1 [nH]	C1 [pF]	C2 [pF]	C2 [uF]	R1 [ohm]	R2 [ohm]	R3 [ohm]	R4
SN74LVC1G34DCK	100	1000	NM	0.1	8.2k	8.2k	160	BLM03AG700SN1

When the CKOUT function is not used, an external crystal oscillator can be used as the MCU's main clock. In that case, please refer to the RX65W-A user's manual.

2.5 DC-DC converter circuit

Figure 2-5 shows an example of the external circuit configuration for the DC-DC converter. Connect the grounds for capacitors C1 to the VSS_DDC pin along the shortest possible paths. Table 2-6 lists examples of the constants for the DC-DC converter circuit.

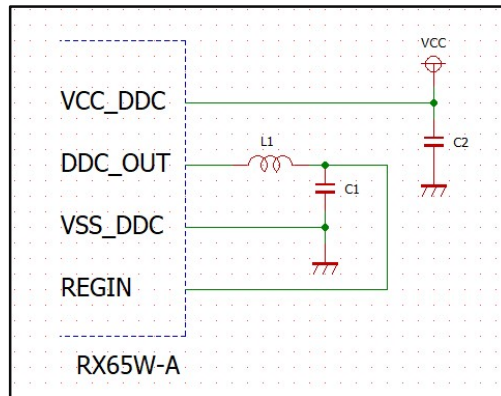


Figure 2-5 : Example of DC-DC converter circuits

Table 2-6 : Examples of the component values (DC-DC converter circuits)

L1 [uH]	C1 [uF]	C2 [uF]
10 (MLZ1608M100WT)	1	0.1

2.6 Power supply circuit

When sharing the power supply for each IC, it is recommended to separate the power supply with a noise filter or ferrite beads. Figure 2-6 shows an example of the power supply circuit using the noise filter. Table 2-7 shows examples of the component values.

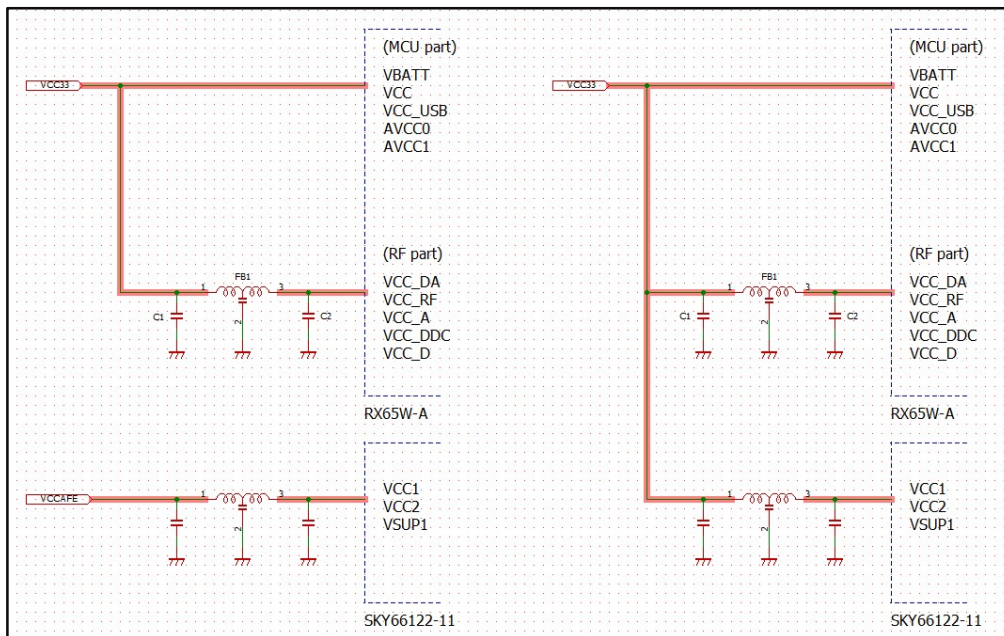


Figure 2-6 : Example of the power supply circuit

Table 2-7 : Examples of the component values (Power supply circuit)

FB1	C1 [uF]	C2 [uF]
NFM18CC222R1C3	1	4.7

3. Layout design

This chapter explains the layout design when using a MCU / RF transceiver (RX65W-A) and a front-end module (SKY66122-11).

For the detail layout design of SKY66122-11 peripheral circuit, refer to the manufacturer's data sheet.

We recommend the application of the same principles for the pattern layout of a board as those applied on the evaluation board from Renesas.

As is the case with the evaluation board from Renesas, a PCB with four wiring layers is recommended.

- PCB material : FR-4
Board thickness : 1.6 mm
Number of layers : Four
- Major layer configuration (main intended use)
First layer : signal lines, second layer : ground, third layer : VDD, forth layer : ground, signal lines, or ground and signal lines

The board layer structure is shown in Figure 3-1 and Figure 3-2. This daughter board is designed with a 4-layer board.

Board material : R-1766W / R-1661GG (Panasonic Industry)

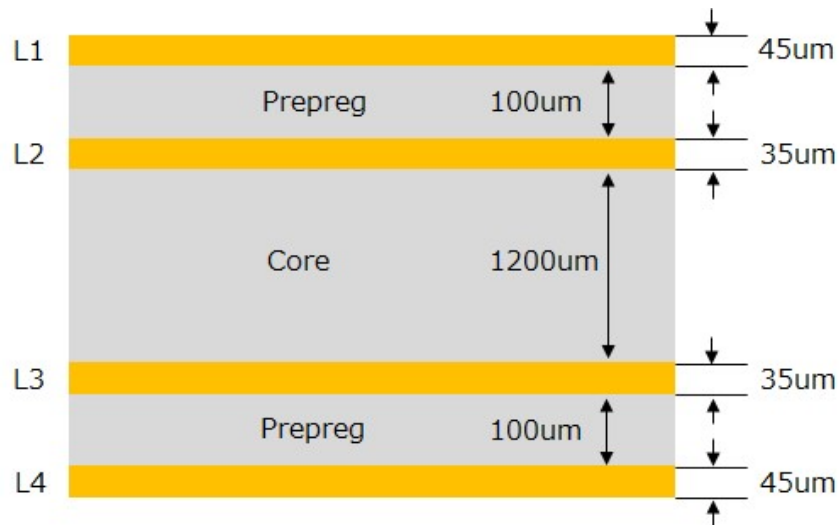


Figure 3-1 : Board layer structure

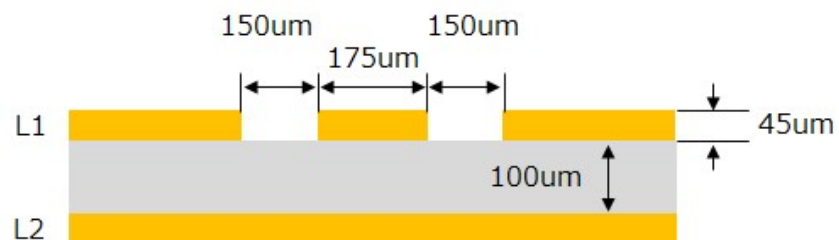


Figure 3-2 : RF unit 50 ohm impedance line

3.1 RF signal line

Points to note in the design of the wiring patterns around the RF signal lines are as follows.

- Use coplanar lines for the RF signals and design the wiring patterns to maintain characteristic impedances of 50 ohms.
- Place as many via holes as possible around the coplanar lines and secure the widest possible ground regions.
- Do not place the lines for different signals in the second layer just below the RF signal lines.
- The VSS (B1), VSS (D1) and VSS (A2) pins are wired outside the IC and used as the GND for the coplanar lines.
- Secure the widest possible ground regions for the VSS (B1) and VSS (D1) pins. Connect these pins to the other VSS pins on the surface layer and connect the pins to the ground (second) layer through as many via holes as possible.

Figure 3-3 shows an example of the layout around the RF signal lines.

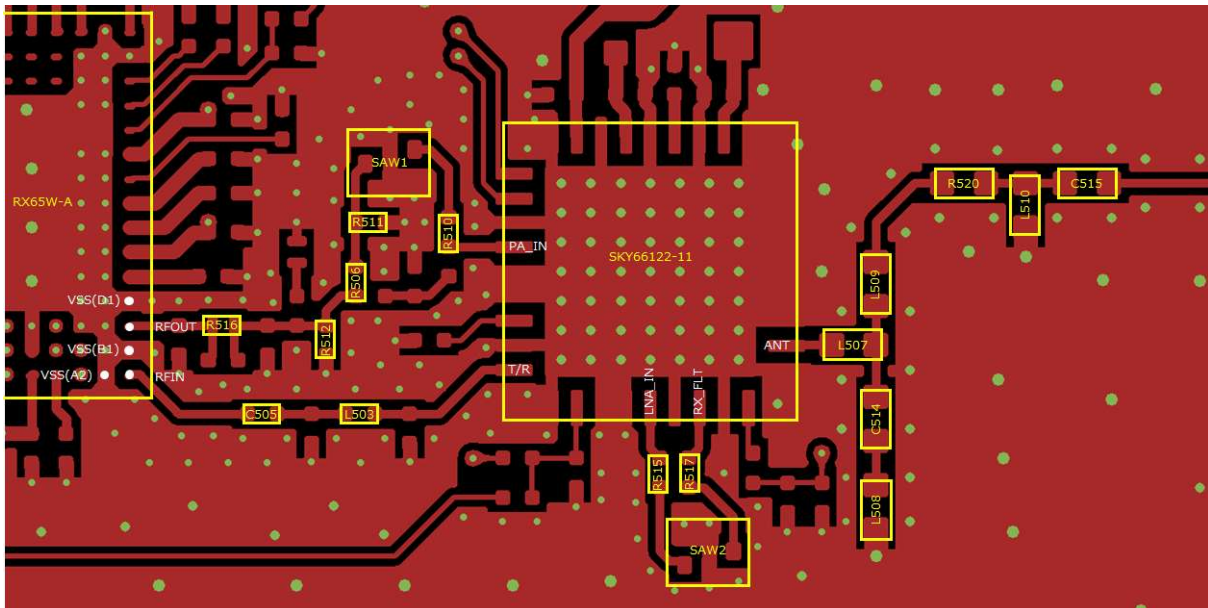


Figure 3-3 : Examples of layout around the RF signal lines

3.2 SPI signal line

Points to note in the design of the wiring patterns around the SPI signal lines are as follows.

- Connect the SPI signal pin to the adjacent pin. Do not wire outside the IC.

SIN(C12) connects to B12 pin.

SCLK(C11) connects to B11 pin.

SOUT(A11) connects to A12 pin.

SEN(B10) connects to A10 pin.

Figure 3-4 shows an example of the layout around the SPI signal lines.

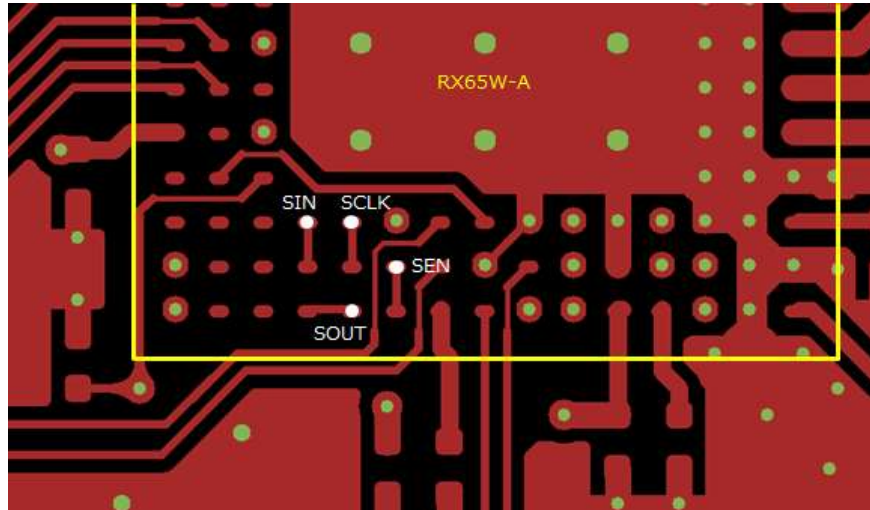


Figure 3-4 : Examples of layout around the SPI signal lines

3.3 TCXO circuit

Points to note in the design of the wiring patterns for the TCXO circuits are as follows.

- Do not place signal lines other than those for the XIN and XOUT pins around the TCXO. Especially, do not place the power supply line of the front-end module(FEM) around the TCXO. This is because the TCXO output may couple into the FEM, resulting in unwanted spurious signals.
- Place as wide surface GND area as possible between the TCXO and FEM.
- Proceed with sufficient evaluation of your system in detail before determining the constants for the circuits related to the TCXO.

Figure 3-5 shows an example of the layout around the TCXO circuits.

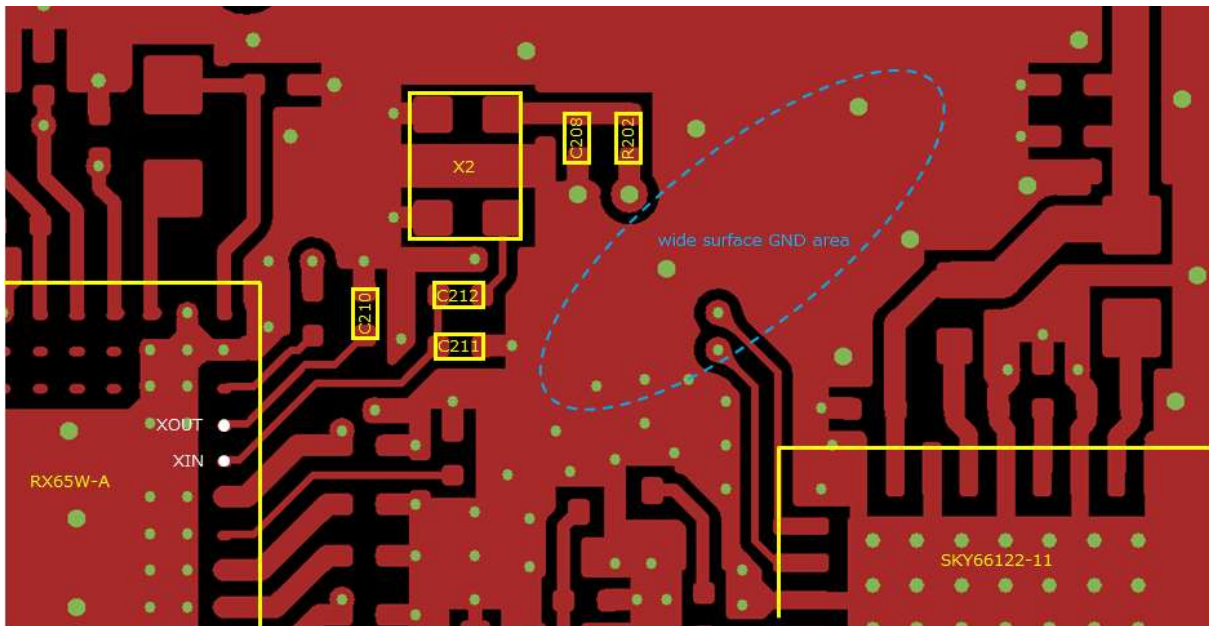


Figure 3-5 : Example of layout around the TCXO circuits

The RTK0EE0016D11004BJ evaluation kit does not use a crystal oscillator. For the layout design of the crystal oscillator, please refer to the following application note.

R35AN0013EJ0100 : R9A06G062GNP Design Guidelines for Circuit Boards with the Sub-GHz Transceiver

3.4 DC-DC converter circuit

Points to note in the design of the feedback loop patterns for the output line of the DC-DC converter are as follows.

- Do not place signal lines around the REGIN (R1), VSS_DDC (R2), DDC_OUT (R3), and VCC_DDC (R5) pins.
- Make the wiring loop between the REGIN and DDC_OUT pins as short as possible.
- Place capacitor C205 as close as possible to the VCC_DDC pin.
- Place grounds for capacitors C205 and C207 such that they can be connected to the VSS_DDC pin along the shortest possible paths on the ground surface.

Figure 3-6 shows an example of the layout around the DC-DC converter circuits.

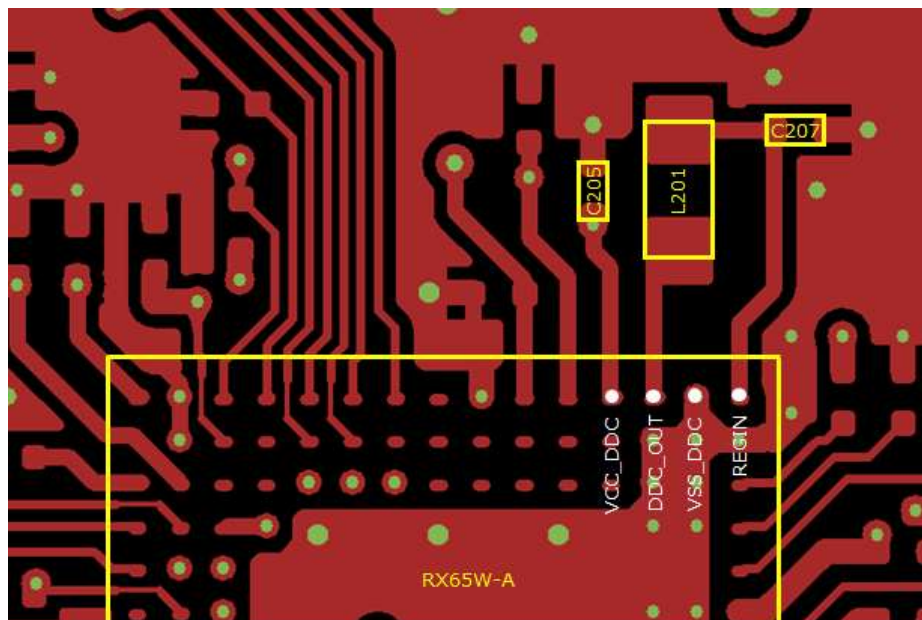


Figure 3-6 : Example of layout around the DC-DC converter circuits

3.5 Power supply circuit

3.5.1 RF transceiver (RX65W-A)

Points to note in the design of the pattern layouts for power supply circuits on the board are as follows.

- Place bypass capacitors close to the respective power supply pins such that the wiring lengths are as short as possible.
- Place via holes for grounds close to grounds for the bypass capacitors such that the grounds can be connected to the ground (second) layer through the via holes along the shortest possible paths. One or more GND via holes must be placed for one bypass capacitor.
- Unless otherwise specified, keep wiring runs to power supply pins as thick as possible in consideration of keeping the impedances low.

Figure 3-7 shows an example of the layout around power supply circuits for the RF transceiver.

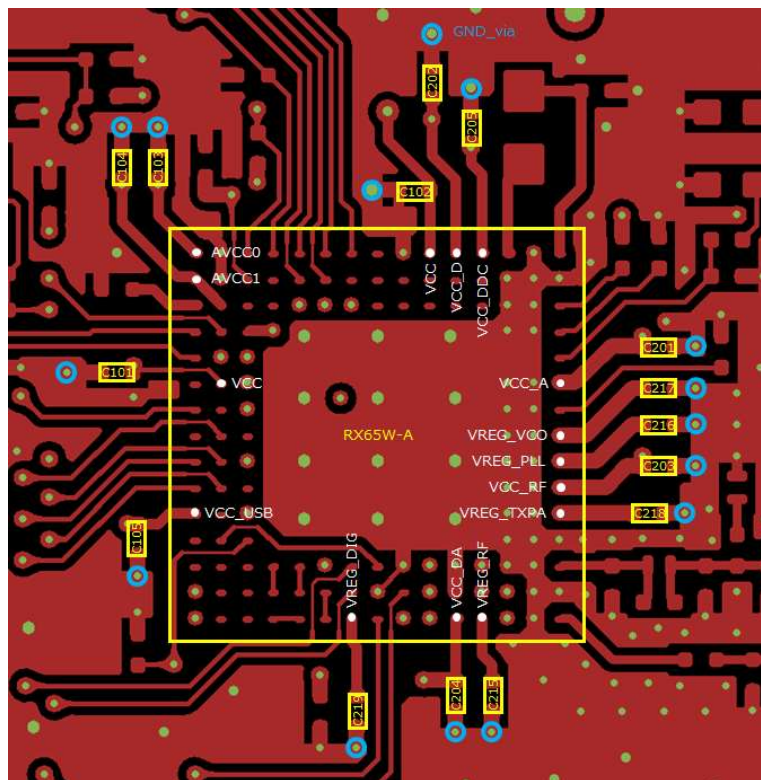


Figure 3-7 : Example of the layout around power supply circuits (RF transceiver)

3.5.2 Front-end module (SKY66122-11)

Points to note in the design of the pattern layouts for power supply circuits on the board are as follows.

- Place bypass capacitors close to the respective power supply pins such that the wiring lengths are as short as possible.
- Place via holes for grounds close to grounds for the bypass capacitors such that the grounds can be connected to the ground (second) layer through the via holes along the shortest possible paths. One or more GND via holes must be placed for one bypass capacitor.
- Unless otherwise specified, keep wiring runs to power supply pins as thick as possible in consideration of keeping the impedances low.

Figure 3-8 shows an example of the layout around power supply circuits for the front-end module.

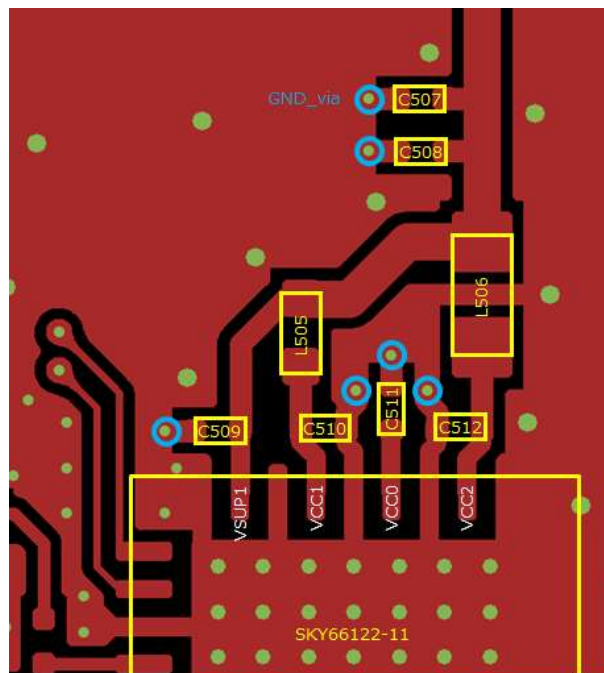


Figure 3-8 : Example of the layout around power supply circuits (front-end module)

3.6 Ground

3.6.1 RF transceiver (RX65W-A)

Points to note in the design of the wiring patterns for grounds are as follows.

- Connect the GND pins of the RF part shown below on the surface layer, then create a large GND area on the surface layer.

VSS (A2, B1, B2, B5, B8, C2, C3, C5, C7, D1, D2, D3, D4, E2, E3, F2, F3, G2, G3, H2, H3, J2, J3, K2, K3, L2, L3, M2, M3, N2, N3, P1, P2, P3)

VSS_DDC (R2)

- The large GND area created must have as many GND vias as possible and short between the top layer and the bottom layer to have low impedance.
- Use the second layer as the ground layer. It is recommended that the second layer be solid plane GND.
- RX65W-A's the VSS (P1) pin is wired outside the IC and connects to the surface GND.

Figure 3-9 shows an example of the layout around grounds for the RF transceiver.

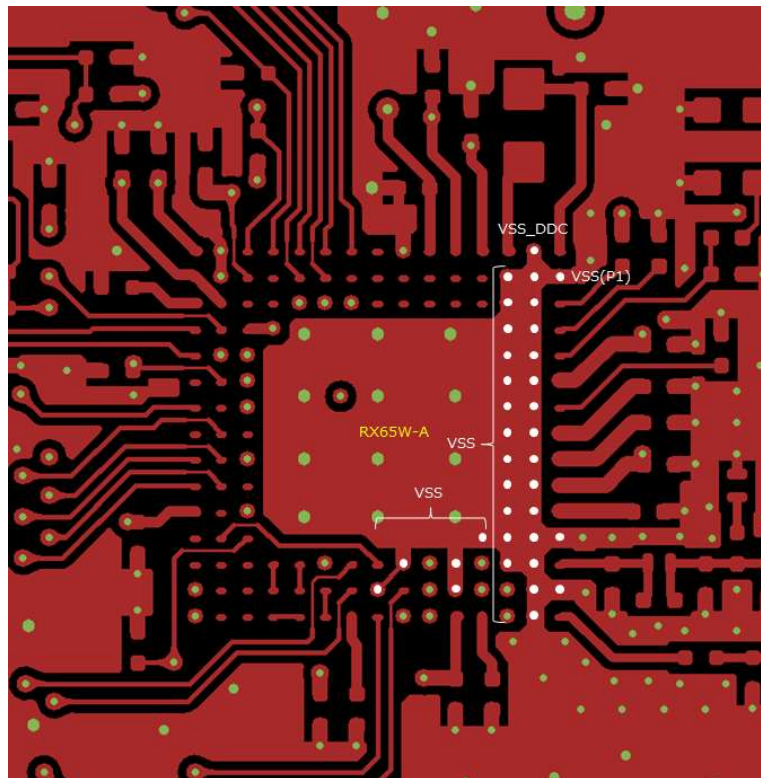


Figure 3-9 : Example of layout around grounds (RF transceiver)

3.6.2 Front-end module (SKY66122-11)

Points to note in the design of the wiring patterns for grounds are as follows.

- The front-end module's exposed die pad and RF circuit GND must have as many GND vias as possible and short between the top layer and the bottom layer to have low impedance.
- Use the second layer as the ground layer. It is recommended that the second layer be solid plane GND.
- Connect the GND(pin5), GND(pin6), GND(pin8), GND(pin10), GND(pin12), GND(pin13), GND(pin15), GND(pin17), GND(pin19), GND(pin21), GND(pin22), GND(pin23), GND(pin24), GND(pin25), GND(pin26), GND(pin27), GND(pin28), GND(pin30), GND(pin32), GND(pin34) and GND(pin 36) pins to the exposed die pad in the surface layer and connect them to the ground (second) layer through via holes along the shortest possible paths.
- Do not place signal lines under the exposed die pad.

Figure 3-10 shows an example of the layout around grounds for front-end module.

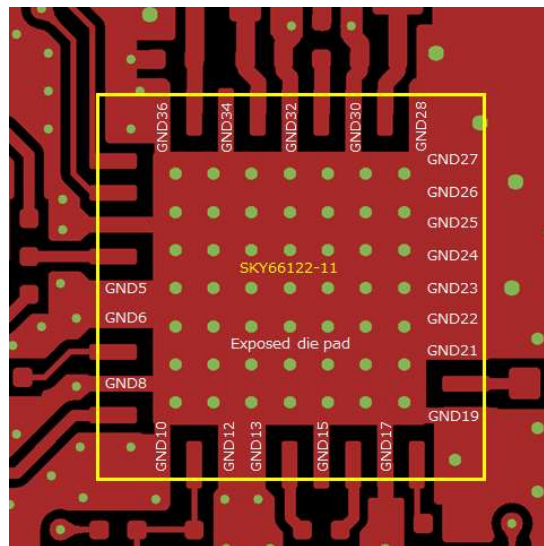


Figure 3-10 : Example of layout around grounds (front-end module)

3.6.3 The outer periphery of the board

The outer periphery of the board must be surrounded by GND patterns, and as many GND vias as possible must be placed. This is the area framed in yellow in Figure 3-10.

This is to prevent radio wave radiation from the board.

Figure 3-11 shows an example of the layout around the outer periphery of the board.

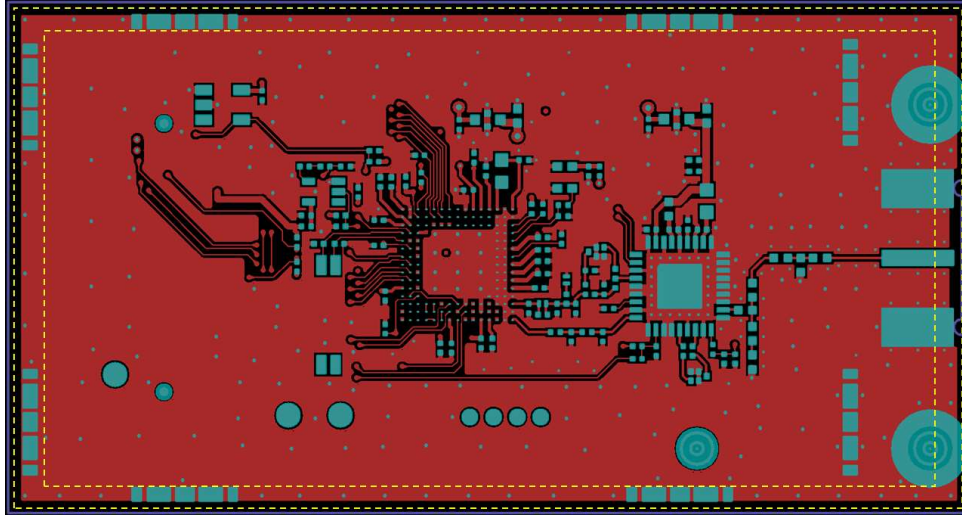


Figure 3-11 : Example of layout around the outer periphery of the board

3.6.4 Metal case

It is recommended to install a metal case in the RF circuit area. This is to prevent spurious radiation from board patterns other than the antenna.

In tests using antenna, spurious that did not exist in the wired condition may be found. Especially when aiming for FCC certification of the module, shielding must be installed.

When shielding the RF circuit, connect the outer periphery of the metal case to the board GND as much as possible. It is necessary to connect the outer periphery of the metal case to the board GND at intervals of at least $\lambda/2$. (When shielding 10GHz spurious, it is 1.5 cm or less.)

3.6.5 Connection of mother board and daughter board

When combining a mother board and a daughter board, such as the evaluation kit introduced in this document, it is recommended to strengthen the GND connection between the two boards.

Depending on how the parent board and daughter board are connected, the board may act as an antenna and radiate unwanted signals generated within the board.

If unwanted signals radiated from the board are input through the antenna, RX characteristics may degrade.

Figure 3-12 shows an example of connecting GND between two boards.

The left figure shows the case when the GND connection is not strengthened. The GND connection is at the PCB connector only. In this case, unwanted signals may be radiated from the board.

The right figure shows the case when the GND connection is strengthened. The GND connection is strengthened using metal screws. In this case, no unwanted signals are radiated from the board.

If metal screws are used, the board resist must be removed from the connection area.

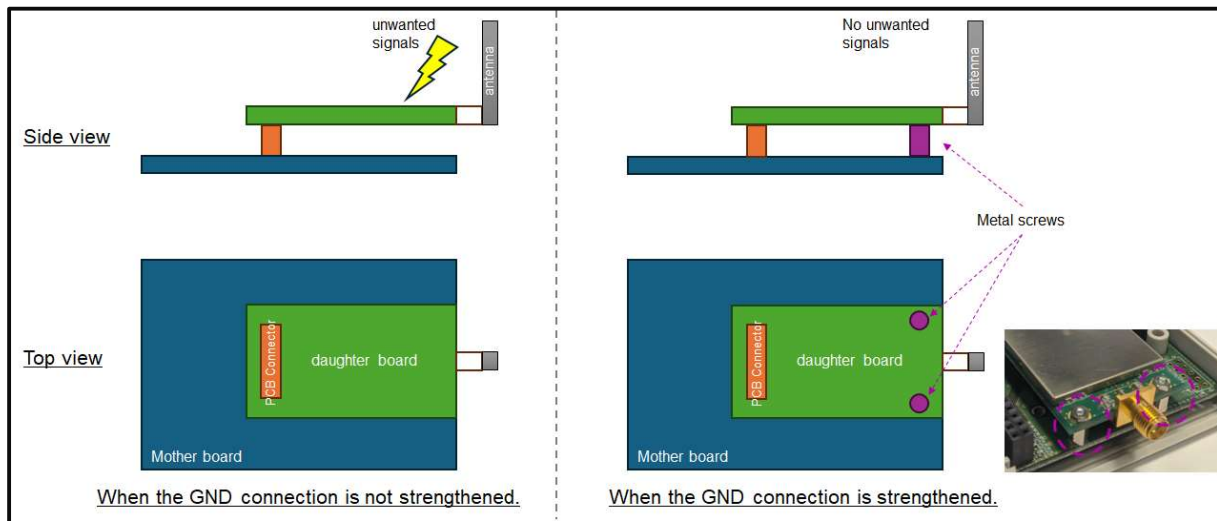


Figure 3-12 : Example of connecting GND between two boards

4.2 Bill of materials

Table 4-1 bill of materials in the reference diagram of circuits shown in Figure 4-1.

Table 4-1 Bill of materials

RTK0EE0016D11004BJ_Parts List					
Patrs ID	Reference	Type	Patrs number	Manufacture	Note
CN1	DF17(2.0)-60DP-0.5V(57)	Connector	DF17(2.0)-60DP-0.5V(57)	HIROSE	
C001,C003,C201,C207,C215,C219	1.0uF	Capacitor	CL03A105KP3NSNC	SAMSUNG ELE	C0603/10V/10%
C002,C004	10uF	Capacitor	GRM155R61A106ME11D	Murata	C1005/10V/20%
C101,C102,C103,C104,C105,C107,C202,C204,C205,C208,C407,C409	0.1uF	Capacitor	GRM033R61C104KE84D	Murata	C0603/16V/10%
C106	0.22uF	Capacitor	GRM033R61A224KE90D	Murata	C0603/10V/10%
C108,C412,C502,C506,C513,C501,C503,C504	NM	Capacitor	-	-	Not mounted
C203,C216,C217	2.2uF	Capacitor	GRM033R61A225KE47D	Murata	C0603/10V/10%
C210,C408,C507	1000pF	Capacitor	GRM033R71H102KA12D	Murata	C0603/50V/10%
C213,C214	15pF	Capacitor	GRM0332C1H150JA01D	Murata	C0603/50V/5%
C211	18pF	Capacitor	GRM0332C1H180JA01D	Murata	C0603/50V/5%
C212	9pF	Capacitor	GRM0335C1H9R0BA01D	Murata	C0603/50V/0.1pF
C218	0.47uF	Capacitor	LMK063BBJ474KPLF	Taiyo yuden	C0603/10V/10%
C505,C508	33pF	Capacitor	GRM0332C1H330JA01D	Murata	C0603/50V/5%
C509	68pF	Capacitor	GRM0332C1H680JA01D	Murata	C0603/50V/5%
C510	1500pF	Capacitor	GRM033R71H152KA12D	Murata	C0603/50V/10%
C511	22pF	Capacitor	GRM0332C1H220JA01D	Murata	C0603/50V/5%
C512	1pF	Capacitor	GRM0335C1H1R0BA01D	Murata	C0603/50V/0.1pF
C514	1.8pF	Capacitor	GJM1555C1H1R8B01	Murata	C1005/50V/0.1pF
C515	39pF	Capacitor	CL05C390JB5NNNC	SAMSUNG ELE	C1005/50V/5%
FB1,FB2	NFM18CC222R1C3D	EMI Filter	NFM18CC222R1C3D	Murata	2200pF/16V/1608
FB3	70	Ferrite bead	BLM03AG700SN1	Murata	0603
IC1	RX65W-A	RF transceiver / MCU	R5F565WEMDBF	RENESAS	145-pin, TFBGA
IC2	S-80129ANMC-JCOxG	Delay IC	S-80129ANMC-JCOxG	SII	SOT-23-5
IC3	SN74LVC1G34DCK	Buffer	SN74LVC1G34DCK	TI	SC70-5
IC5	SKY66122-11	Front-end module	SKY66122-11	Skyworks	36-pin, 6 x 6 x 0.9 mm
J1	73251-1150	SMA connector	73251-1150	MOLEX	1.57 End Launch
L201	10uH	Inductor	MLZ1608M100WT000	TDK	L1608/20%
L401	100nH	Inductor	LQP03TNR10H02D	Murata	L0603
L503	0	Inductor	RK73Z1HTTC	KOA	R0603
L505	3.3nH	Inductor	LQW15AN3N3C80	Murata	L1005/0.2nH
L506	6.8nH	Inductor	LQW18AN6N8C00	Murata	L1608/0.2nH
L507,L509	5.6nH	Inductor	LQG15HS5N6B02D	Murata	L1005/0.1nH
L508	3.0nH	Inductor	LQG15HS3N0B02D	Murata	L1005/0.1nH
R101,R102	100	Resistor	RK73B1HTTC101J	KOA	R0603
R103,R104,R105,R106,R107,R116	4.7K	Resistor	RK73B1HTTC472J	KOA	R0603
R202,R502,R518,R515,R516,R517	0	Resistor	RK73Z1HTTC	KOA	R0603
R215,R503	56K/1%	Resistor	RK73H1HTTC5602F	KOA	R0603/1%
R411,R412	8.2K	Resistor	RK73H1HTTC8201F	KOA	R0603
R418	160	Resistor	RK73B1HTTC161J	KOA	R0603
R501,R514,R519	NM	Resistor			Not mounted
R506	30 (for FCC/ARIB) NM (for ETSI)	Resistor	RK73B1HTTC300J (for FCC/ARIB) Not mounted (for ETSI)	KOA	R0603
R507	NM (for FCC/ARIB) 68 (for ETSI)	Resistor	Not mounted (for FCC/ARIB) RK73B1HTTC680J (for ETSI)	KOA	R0603
R508	NM (for FCC/ARIB) 100 (for ETSI)	Resistor	Not mounted (for FCC/ARIB) RK73B1HTTC101J (for ETSI)	KOA	R0603
R509	NM (for FCC/ARIB) 0 (for ETSI)	Resistor	Not mounted (for FCC/ARIB) RK73Z1HTTC (for ETSI)	KOA	R0603
R510	0 (for FCC/ARIB) NM (for ETSI)	Resistor	RK73Z1HTTC (for FCC/ARIB) Not mounted (for ETSI)	KOA	R0603
R511	180 (for FCC/ARIB) NM (for ETSI)	Resistor	RK73B1HTTC181J (for FCC/ARIB) Not mounted (for ETSI)	KOA	R0603
R512	180 (for FCC/ARIB) 100 (for ETSI)	Resistor	RK73B1HTTC181J (for FCC/ARIB) RK73B1HTTC101J (for ETSI)	KOA	R0603
R513	51	Resistor	RK73B1HTTC510J	KOA	R0603
R520	0	Resistor	RK73Z1ETTP	KOA	R1005
SAW1	B39921B2672P810 (for FCC) B39931B2645P810 (for ARIB) NM (for ETSI)	SAW filter	B39921B2672P810 (for FCC) B39931B2645P810 (for ARIB) Not mounted (for ETSI)	Qualcomm	5-pin, 1.4 x 1.1 x 0.45 mm
SAW2	B39921B2672P810 (for FCC) B39931B2645P810 (for ARIB) B39871B2600P810 (for ETSI)	SAW filter	B39921B2672P810 (for FCC) B39931B2645P810 (for ARIB) B39871B2600P810 (for ETSI)	Qualcomm	5-pin, 1.4 x 1.1 x 0.45 mm
X2	NT1612SA-48M-RNA5028A	TCXO	NT1612SA-48M-RNA5028A	NDK	Clipped sine wave
X3	SSP-T7-F 12.5pF	Crystal resonator	SSP-T7-F / 12.5pF	SII	-40 to +85deg-C
SH1,SH2,SH3,SH4,SH5,SH6,SH7,SH8	36900000	Shield Clip	36900000	Würth Elektronik	6.5 x 0.8 x 1.28 mm

5. Configuration of Application Note

This Application Note contains the following contents listed in Table 5-1 and Table 5-2.

Table 5-1 : Configuration of Application Note-1

File organization	Description
r01an8165ej0100-rtk0ee0016d11004bj(RX65W-A).pdf	This application note
r01an8165ej0100-rtk0ee0016d11004bj-hw-design	
01_Daughter board	
01_Circuit_Diagram	
RTK0EE0016D11004BJ_Circuit_Diagram.pdf	Circuit diagram
02_Parts_List	
RTK0EE0016D11004BJ_Parts_List.pdf	Parts list
03_Gerber_Data	
RTK0EE0016D11004BJ_LA.G01	L1: Analog signal, Parts layer
RTK0EE0016D11004BJ_L2.G02	L2: GND layer
RTK0EE0016D11004BJ_L3.G03	L3: Power supply, GND layer
RTK0EE0016D11004BJ_LB.G04	L4: Digital signal, GND layer
RTK0EE0016D11004BJ_RA.G05	L1: Resist
RTK0EE0016D11004BJ_RB.G06	L4: Resist
RTK0EE0016D11004BJ_SA.G07	L1: Silk
RTK0EE0016D11004BJ_SB.G08	L4: Silk
RTK0EE0016D11004BJ_GA.G09	Dimensions
RTK0EE0016D11004BJ_MA.G11	L1: Solder Mask
RTK0EE0016D11004BJ_MB.G12	L4: Solder Mask
RTK0EE0016D11004BJ_HO.dr1	Drill data
04_Board_Layout_Diagram	
RTK0EE0016D11004BJ_Board_Layout_Diagram.pdf	Board layout diagram
05_Board_Design_Checklist	
RTK0EE0016D11004BJ_Board_Design_Checklist.xlsx	Board design checklist

Table 5-2 : Configuration of Application Note-2

File organization	Description
r01an8165ej0100-rtk0ee0016d11004bj(RX65W-A).pdf	This application note
r01an8165ej0100-rtk0ee0016d11004bj-hw-design	
02_Mother board	
01_Circuit_Diagram	
RTK0EE0013D12002BJ_Circuit_Diagram.pdf	Circuit diagram
02_Parts_List	
RTK0EE0013D12002BJ_Parts_List.pdf	Parts list
03_Gerber_Data	
RTK0EE0013D12002BJ_LA.G01	L1: Signal, Parts layer
RTK0EE0013D12002BJ_L2.G02	L2: GND layer
RTK0EE0013D12002BJ_L3.G03	L3: Power supply layer
RTK0EE0013D12002BJ_LB.G04	L4: Signal, Parts layer
RTK0EE0013D12002BJ_RA.G05	L1: Resist
RTK0EE0013D12002BJ_RB.G06	L4: Resist
RTK0EE0013D12002BJ_SA.G07	L1: Silk
RTK0EE0013D12002BJ_SB.G08	L4: Silk
RTK0EE0013D12002BJ_GA.G09	Dimensions
RTK0EE0013D12002BJ_MA.G11	L1: Solder Mask
RTK0EE0013D12002BJ_MB.G12	L4: Solder Mask
RTK0EE0013D12002BJ_HO.dr1	Drill data
04_Board_Layout_Diagram	
RTK0EE0013D12002BJ_Board_Layout_Diagram.pdf	Board layout diagram

Revision History

Rev.	Date	Description	
		Page	Summary
1.00	Dec.05.2025	-	First edition issued

General Precautions in the Handling of Microprocessing Unit and Microcontroller Unit Products

The following usage notes are applicable to all Microprocessing unit and Microcontroller unit products from Renesas. For detailed usage notes on the products covered by this document, refer to the relevant sections of the document as well as any technical updates that have been issued for the products.

1. Precaution against Electrostatic Discharge (ESD)

A strong electrical field, when exposed to a CMOS device, can cause destruction of the gate oxide and ultimately degrade the device operation. Steps must be taken to stop the generation of static electricity as much as possible, and quickly dissipate it when it occurs. Environmental control must be adequate. When it is dry, a humidifier should be used. This is recommended to avoid using insulators that can easily build up static electricity. Semiconductor devices must be stored and transported in an anti-static container, static shielding bag or conductive material. All test and measurement tools including work benches and floors must be grounded. The operator must also be grounded using a wrist strap. Semiconductor devices must not be touched with bare hands. Similar precautions must be taken for printed circuit boards with mounted semiconductor devices.

2. Processing at power-on

The state of the product is undefined at the time when power is supplied. The states of internal circuits in the LSI are indeterminate and the states of register settings and pins are undefined at the time when power is supplied. In a finished product where the reset signal is applied to the external reset pin, the states of pins are not guaranteed from the time when power is supplied until the reset process is completed. In a similar way, the states of pins in a product that is reset by an on-chip power-on reset function are not guaranteed from the time when power is supplied until the power reaches the level at which resetting is specified.

3. Input of signal during power-off state

Do not input signals or an I/O pull-up power supply while the device is powered off. The current injection that results from input of such a signal or I/O pull-up power supply may cause malfunction and the abnormal current that passes in the device at this time may cause degradation of internal elements. Follow the guideline for input signal during power-off state as described in your product documentation.

4. Handling of unused pins

Handle unused pins in accordance with the directions given under handling of unused pins in the manual. The input pins of CMOS products are generally in the high-impedance state. In operation with an unused pin in the open-circuit state, extra electromagnetic noise is induced in the vicinity of the LSI, an associated shoot-through current flows internally, and malfunctions occur due to the false recognition of the pin state as an input signal become possible.

5. Clock signals

After applying a reset, only release the reset line after the operating clock signal becomes stable. When switching the clock signal during program execution, wait until the target clock signal is stabilized. When the clock signal is generated with an external resonator or from an external oscillator during a reset, ensure that the reset line is only released after full stabilization of the clock signal. Additionally, when switching to a clock signal produced with an external resonator or by an external oscillator while program execution is in progress, wait until the target clock signal is stable.

6. Voltage application waveform at input pin

Waveform distortion due to input noise or a reflected wave may cause malfunction. If the input of the CMOS device stays in the area between V_{IL} (Max.) and V_{IH} (Min.) due to noise, for example, the device may malfunction. Take care to prevent chattering noise from entering the device when the input level is fixed, and also in the transition period when the input level passes through the area between V_{IL} (Max.) and V_{IH} (Min.).

7. Prohibition of access to reserved addresses

Access to reserved addresses is prohibited. The reserved addresses are provided for possible future expansion of functions. Do not access these addresses as the correct operation of the LSI is not guaranteed.

8. Differences between products

Before changing from one product to another, for example to a product with a different part number, confirm that the change will not lead to problems. The characteristics of a microprocessing unit or microcontroller unit products in the same group but having a different part number might differ in terms of internal memory capacity, layout pattern, and other factors, which can affect the ranges of electrical characteristics, such as characteristic values, operating margins, immunity to noise, and amount of radiated noise. When changing to a product with a different part number, implement a system-evaluation test for the given product.

Notice

1. Descriptions of circuits, software and other related information in this document are provided only to illustrate the operation of semiconductor products and application examples. You are fully responsible for the incorporation or any other use of the circuits, software, and information in the design of your product or system. Renesas Electronics disclaims any and all liability for any losses and damages incurred by you or third parties arising from the use of these circuits, software, or information.
2. Renesas Electronics hereby expressly disclaims any warranties against and liability for infringement or any other claims involving patents, copyrights, or other intellectual property rights of third parties, by or arising from the use of Renesas Electronics products or technical information described in this document, including but not limited to, the product data, drawings, charts, programs, algorithms, and application examples.
3. No license, express, implied or otherwise, is granted hereby under any patents, copyrights or other intellectual property rights of Renesas Electronics or others.
4. You shall be responsible for determining what licenses are required from any third parties, and obtaining such licenses for the lawful import, export, manufacture, sales, utilization, distribution or other disposal of any products incorporating Renesas Electronics products, if required.
5. You shall not alter, modify, copy, or reverse engineer any Renesas Electronics product, whether in whole or in part. Renesas Electronics disclaims any and all liability for any losses or damages incurred by you or third parties arising from such alteration, modification, copying or reverse engineering.
6. Renesas Electronics products are classified according to the following two quality grades: "Standard" and "High Quality". The intended applications for each Renesas Electronics product depends on the product's quality grade, as indicated below.

"Standard": Computers; office equipment; communications equipment; test and measurement equipment; audio and visual equipment; home electronic appliances; machine tools; personal electronic equipment; industrial robots; etc.

"High Quality": Transportation equipment (automobiles, trains, ships, etc.); traffic control (traffic lights); large-scale communication equipment; key financial terminal systems; safety control equipment; etc.

Unless expressly designated as a high reliability product or a product for harsh environments in a Renesas Electronics data sheet or other Renesas Electronics document, Renesas Electronics products are not intended or authorized for use in products or systems that may pose a direct threat to human life or bodily injury (artificial life support devices or systems; surgical implantations; etc.), or may cause serious property damage (space system; undersea repeaters; nuclear power control systems; aircraft control systems; key plant systems; military equipment; etc.). Renesas Electronics disclaims any and all liability for any damages or losses incurred by you or any third parties arising from the use of any Renesas Electronics product that is inconsistent with any Renesas Electronics data sheet, user's manual or other Renesas Electronics document.

7. No semiconductor product is absolutely secure. Notwithstanding any security measures or features that may be implemented in Renesas Electronics hardware or software products, Renesas Electronics shall have absolutely no liability arising out of any vulnerability or security breach, including but not limited to any unauthorized access to or use of a Renesas Electronics product or a system that uses a Renesas Electronics product. RENESAS ELECTRONICS DOES NOT WARRANT OR GUARANTEE THAT RENESAS ELECTRONICS PRODUCTS, OR ANY SYSTEMS CREATED USING RENESAS ELECTRONICS PRODUCTS WILL BE INVULNERABLE OR FREE FROM CORRUPTION, ATTACK, VIRUSES, INTERFERENCE, HACKING, DATA LOSS OR THEFT, OR OTHER SECURITY INTRUSION ("Vulnerability Issues"). RENESAS ELECTRONICS DISCLAIMS ANY AND ALL RESPONSIBILITY OR LIABILITY ARISING FROM OR RELATED TO ANY VULNERABILITY ISSUES. FURTHERMORE, TO THE EXTENT PERMITTED BY APPLICABLE LAW, RENESAS ELECTRONICS DISCLAIMS ANY AND ALL WARRANTIES, EXPRESS OR IMPLIED, WITH RESPECT TO THIS DOCUMENT AND ANY RELATED OR ACCOMPANYING SOFTWARE OR HARDWARE, INCLUDING BUT NOT LIMITED TO THE IMPLIED WARRANTIES OF MERCHANTABILITY, OR FITNESS FOR A PARTICULAR PURPOSE.
8. When using Renesas Electronics products, refer to the latest product information (data sheets, user's manuals, application notes, "General Notes for Handling and Using Semiconductor Devices" in the reliability handbook, etc.), and ensure that usage conditions are within the ranges specified by Renesas Electronics with respect to maximum ratings, operating power supply voltage range, heat dissipation characteristics, installation, etc. Renesas Electronics disclaims any and all liability for any malfunctions, failure or accident arising out of the use of Renesas Electronics products outside of such specified ranges.
9. Although Renesas Electronics endeavors to improve the quality and reliability of Renesas Electronics products, semiconductor products have specific characteristics, such as the occurrence of failure at a certain rate and malfunctions under certain use conditions. Unless designated as a high reliability product or a product for harsh environments in a Renesas Electronics data sheet or other Renesas Electronics document, Renesas Electronics products are not subject to radiation resistance design. You are responsible for implementing safety measures to guard against the possibility of bodily injury, injury or damage caused by fire, and/or danger to the public in the event of a failure or malfunction of Renesas Electronics products, such as safety design for hardware and software, including but not limited to redundancy, fire control and malfunction prevention, appropriate treatment for aging degradation or any other appropriate measures. Because the evaluation of microcomputer software alone is very difficult and impractical, you are responsible for evaluating the safety of the final products or systems manufactured by you.
10. Please contact a Renesas Electronics sales office for details as to environmental matters such as the environmental compatibility of each Renesas Electronics product. You are responsible for carefully and sufficiently investigating applicable laws and regulations that regulate the inclusion or use of controlled substances, including without limitation, the EU RoHS Directive, and using Renesas Electronics products in compliance with all these applicable laws and regulations. Renesas Electronics disclaims any and all liability for damages or losses occurring as a result of your noncompliance with applicable laws and regulations.
11. Renesas Electronics products and technologies shall not be used for or incorporated into any products or systems whose manufacture, use, or sale is prohibited under any applicable domestic or foreign laws or regulations. You shall comply with any applicable export control laws and regulations promulgated and administered by the governments of any countries asserting jurisdiction over the parties or transactions.
12. It is the responsibility of the buyer or distributor of Renesas Electronics products, or any other party who distributes, disposes of, or otherwise sells or transfers the product to a third party, to notify such third party in advance of the contents and conditions set forth in this document.
13. This document shall not be reprinted, reproduced or duplicated in any form, in whole or in part, without prior written consent of Renesas Electronics.
14. Please contact a Renesas Electronics sales office if you have any questions regarding the information contained in this document or Renesas Electronics products.

(Note1) "Renesas Electronics" as used in this document means Renesas Electronics Corporation and also includes its directly or indirectly controlled subsidiaries.

(Note2) "Renesas Electronics product(s)" means any product developed or manufactured by or for Renesas Electronics.

(Rev.5.0-1 October 2020)

Corporate Headquarters

TOYOSU FORESIA, 3-2-24 Toyosu,
Koto-ku, Tokyo 135-0061, Japan
www.renesas.com

Trademarks

Renesas and the Renesas logo are trademarks of Renesas Electronics Corporation. All trademarks and registered trademarks are the property of their respective owners.

Contact information

For further information on a product, technology, the most up-to-date version of a document, or your nearest sales office, please visit:
www.renesas.com/contact/