

RL78/G22

Middle-speed On-chip Oscillator (MOCO) Clock Frequency Correction

Introduction

This application note explains how to correct the oscillation clock frequency of the middle-speed on-chip oscillator (MOCO) by using the middle-speed on-chip oscillator trimming register (MIOTRM) incorporated in RL78/G22.

An error in the oscillation frequency of the middle-speed on-chip oscillator (MOCO) is detected using a high-speed on-chip oscillator (HOCO) and the middle-speed on-chip oscillator trimming register (MIOTRM) is adjusted to set the oscillation frequency of the MOCO close to 4 MHz.

Target Device

RL78/G22

When applying the sample program covered in this application note to another microcomputer, modify the program according to the specifications for the target microcomputer and conduct an extensive evaluation of the modified program.

Contents

1. Specifications	3
1.1 Overview of Specifications	3
1.2 Outline of Operation	4
1.3 Description of Calibration Methods	5
2. Operation Confirmation Conditions	7
3. Hardware Descriptions	8
3.1 Example of hardware configuration	8
3.2 List of Pins Used	9
4. Software Explanation	10
4.1 Setting of Option Byte	10
4.2 List of Constants	10
4.3 List of Variables	11
4.4 List of Functions	11
4.5 Specification of Functions	12
4.6 Flowcharts	13
4.6.1 Main Processing	13
4.6.2 Calibration process	14
4.6.3 MOCO Correction Function	15
5. Sample Code	17
6. Reference Documents	17
Revision History	18

1. Specifications

1.1 Overview of Specifications

In this application note, an error in the clock oscillation frequency of the MOCO is detected using a HOCO. The HIOTRM register is adjusted to set the oscillation frequency of the MOCO close to 4 MHz.

When the start switch is pressed, the 32-bit interval timer counts the period of MOCO. The HOCO is used for the count clock of the 32-bit interval timer. If the count value measured by the 32-bit interval timer is beyond the target range, the MIOTRM register is adjusted to set the oscillation frequency of the MOCO close to 4 MHz. The target range of the MOCO oscillation frequency is 4 MHz \pm 1.3% (3.948 MHz to 4.052 MHz) under the condition of HOCO frequency \pm 1.0%.

32-bit interval timer measures period of the middle-speed on-chip oscillator. To enhance accuracy, the pulse interval is measured four times to detect an error in the oscillation frequency of the MOCO.

Caution: Specified times and calibration methods in this sample code are used as examples. In this sample code, input from the start switch is used to start calibration, to simplify processing flows and to provide clear understanding. Adjust the timing of starting calibration and the intervals between start timings according to the system. This application note describes two calibration methods. Select the method most appropriate to the system for use.

Table 1-1 lists the peripheral functions to be used and their uses.

Table 1-1 Peripheral Function and Use

Peripheral Function	Use
Pin input edge detection interrupt	Used for the correction start switch.
32-bit interval timer channel 0, 1	Used for calibration of MOCO.
Timer Array Unit channel 0	Used to prevent chattering on the correction start switch.

1.2 Outline of Operation

The following describes the settings of peripheral functions.

(1) Initialization of external interrupt (INTP0)

The settings are shown in Table 1-2

Table 1-2 Initial Setting Conditions of External Interrupt (INTP0)

Item	Description
Valid edge	Falling edge

(2) Initialization of 32-bit interval timer

Use in 16-bit capture mode.

The settings are shown in Table 1-3.

Table 1-3 Initial Setting Conditions of 32-bit interval timer (Channel 0 and 1)

Item	Description
Operating mode	16-bit capture mode
Operating clock (fITL0)	fIHP
Count source division ratio	fITL0 (non-devided)
Capture trigger	Interrupt on compare match with ITLCMP01
Capture clock	fSXP
Interval of capture trigger	128 counts

(3) Initialization of Timer Array Unit

The settings are shown in Table 1-4.

Table 1-4 Initial Setting Conditions of timer array unit channel 0

Item	Description
Operating mode	Interval timer
Operating clock	CK00
Count source division ratio	fCLK/2 ⁸
Interval period	10 ms

1.3 Description of Calibration Methods

This section describes the two calibration methods to be used in this application note.

Use the 32-bit interval timer in 16-bit capture mode to measure the period of the middle-speed on-chip oscillator.

Select the interrupt on compare match with ITLCMP01 for the capture trigger and generate a trigger every 128 counts with the clock of the middle-speed on-chip oscillator (4 MHz).

Select a high-speed on-chip oscillator clock (32 MHz) for the count clock.

To enhance accuracy, the subsystem clock cycle is measured four times, and the four captured values are added up to calculate an error in the MOCO oscillation clock frequency.

The target frequency range should be within $\pm 2\text{LSB}$ ($\pm 0.3\%$) of the trimming register (MIOTRM).

The calculated value of the count for four captures is the value in the following table.

Table 1-5 Range of Count Values

MOCO Clock Frequency (f_{IM})		Count Value Obtained through Four Times of Capture (Calculated Value)
4MHz		4096
4MHz - 0.3%	3.988MHz	4108.325
4MHz + 0.3%	4.012MHz	4083.749

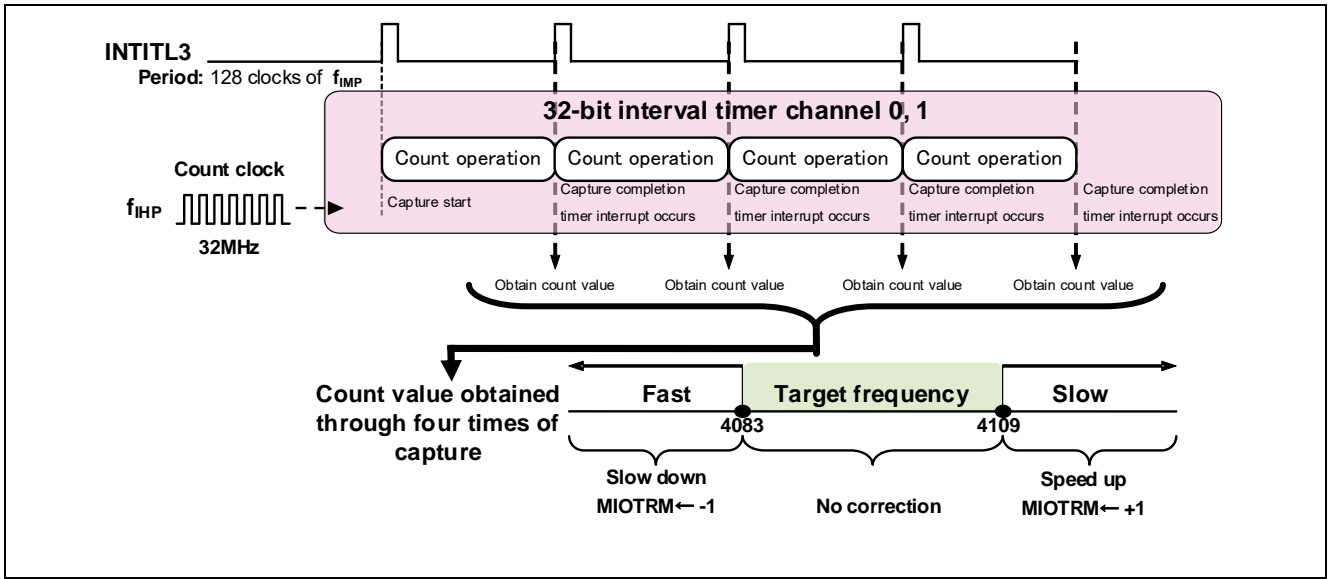
Shown in Table 1-5, the target range of the count value obtained through four times of capture is set to 4084 to 4108.

When the frequency accuracy of the high-speed on-chip oscillator is within $\pm 1.0\%$, the frequency accuracy of the medium-speed on-chip oscillator will be within $\pm 1.3\%$.

If the obtained count value is 4083 or less, this means that the MOCO clock is slower than the target frequency. If it is 4109 or more, this means that the MOCO clock is faster than the target frequency. Determine the direction of correction of the MIOTRM register value (speeding up/slowing down), according to the count value, and perform calibration by incrementing the MIOTRM register value by ± 1 . When the count value is within the target range, the calibration is completed.

Figure 1-1 gives an example of calibration.

Figure 1-1 Example of Calibration



2. Operation Confirmation Conditions

The sample code of this application note has been tested under the following conditions.

Table2-1 Operation Confirmation Conditions

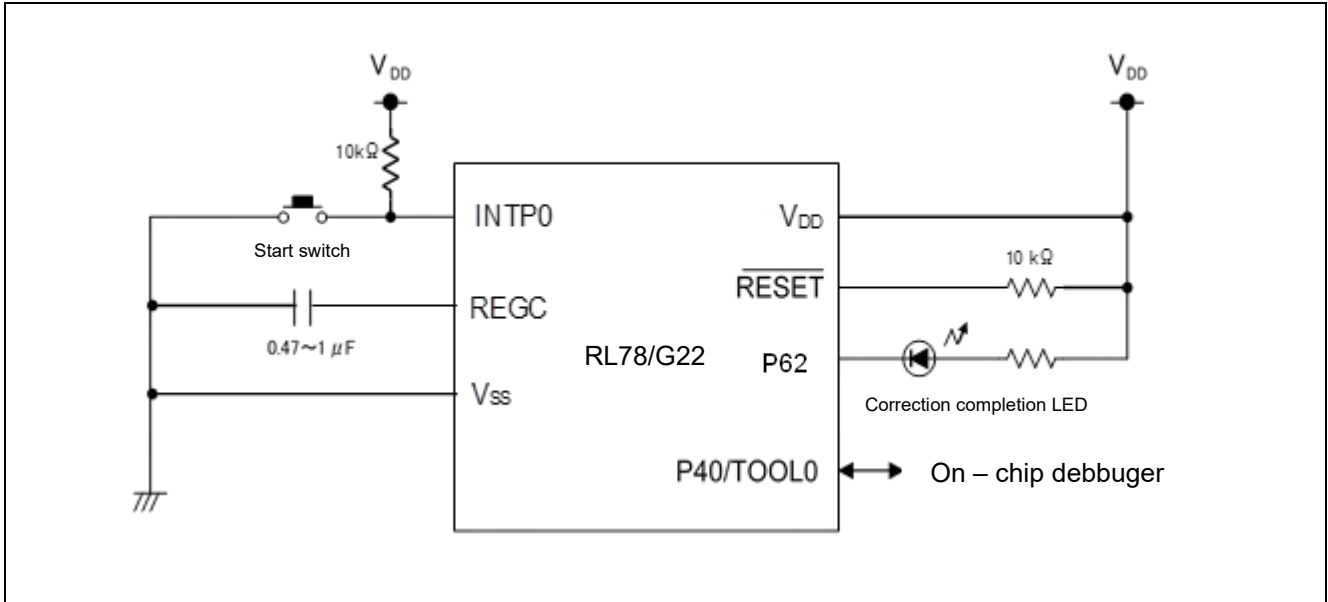
Item	Description
MCU used	RL78/G22 (R7F100GGE)
Board used	RL78/G22 Fast Prototyping Board (RTK7RLG220C00000BJ)
Operating frequency	High-speed on-chip oscillator clock: 32_MHz CPU/peripheral hardware clock: 32_MHz Middle-speed on-chip oscillator (MOOC) clock: 4MHz
Operating voltage	3.3 V (can be operated at 1.8 V to 5.5 V) LVD0 detection voltage: Reset mode At rising edge TYP. 1.90 V (1.84 V to 1.95 V) At falling edge TYP. 1.86 V (1.80 V to 1.91 V)
Integrated development environment (CS+)	CS+ V8.12.00 from Renesas Electronics Corp.
C compiler (CS+)	CC-RL V1.14.00 from Renesas Electronics Corp.
Integrated development environment (e2studio)	e2 studio V2024-07 (24.7.0) from Renesas Electronics Corp.
C compiler (e2studio)	CC-RL V1.14.00 from Renesas Electronics Corp.
Integrated development environment (IAR)	IAR Embedded Workbench for Renesas RL78 V5.10.3 from IAR Systems Corp.
C compiler (IAR)	IAR C/C++ Compiler for Renesas RL78 V5.10.3 from IAR Systems Corp.
Smart configurator (SC)	V1.11.0 from Renesas Electronics Corp.
Board support package (BSP)	V1.70 from Renesas Electronics Corp.

3. Hardware Descriptions

3.1 Example of hardware configuration

Figure 3-1 shows an example of the hardware configuration used in the application note.

Figure 3-1 Hardware Configuration



- Caution:
1. The purpose of this circuit is only to provide the connection outline and the circuit is simplified accordingly. When designing and implementing an actual circuit, provide proper pin treatment and make sure that the hardware's electrical specifications are met (connect the input-only ports separately to V_{DD} or V_{SS} via a resistor).
 2. Connect any pins whose name begins with EV_{SS} to V_{SS} and any pins whose name begins with EV_{DD} to V_{DD}, respectively.
 3. V_{DD} must be held at not lower than the reset release voltage (V_{LVD}) that is specified as LVD.

3.2 List of Pins Used

Table3-1 lists the pins used and their functions.

Table3-1 Pins used and their functions.

Pin Name	I/O	Description
P137/INTP0	Input	Start switch: Connects the switch for starting calibration.
P62	Output	Correction completion LED: Connects the LED that indicates correction completion.

Caution: In this application note, only the used pins are processed. When actually designing your circuit, make sure the design includes sufficient pin processing and meets electrical characteristic requirements.

4. Software Explanation

4.1 Setting of Option Byte

Table 4-1 shows the option byte settings.

Table 4-1 Option Byte Settings

Address	Setting Value	Contents
000C0H/010C0H	11101111B	Disables the watchdog timer. (Counting stopped after reset)
000C1H/010C1H	11111110B	LVD0 detection voltage: Reset mode At rising edge TYP. 1.90 V (1.84 V to 1.95 V) At falling edge TYP. 1.86 V (1.80 V to 1.91 V)
000C2H/010C2H	11101000B	HS mode, High-speed on-chip oscillator clock (f_{IH}): 32 MHz
000C3H/010C3H	10000101B	Enables on-chip debugging

4.2 List of Constants

Table 4-2 lists the constants that are used in the sample code.

Table 4-2 Constants

Constant Name	Setting Value	Description
MIOTRM_MAX	11111111B	Maximum value of the MIOTRM register
MIOTRM_MIN	00000000B	Minimum value of the MIOTRM register
CCNT_MAX	4109	Upper threshold of clock count
CCNT_MIN	4083	Lower threshold of clock count

4.3 List of Variables

Table 4-3 lists the global variables.

Table 4-3 Global Variables

Type	Variable Name	Contents	Function Used
uint8_t	calibration_count	Calibration count value	R_Main_Calibrate_MOCO() R_Trimming_OCO()
uint8_t	calibrate_history	Calibration history	R_Main_Calibrate_MOCO() R_Trimming_OCO()
uint16_t	count_value	Count value (Used as an argument of R_Trimming_OCO)	R_Main_Calibrate_MOCO() R_Trimming_OCO()
uint16_t	max	Upper threshold of count	R_Main_Calibrate_MOCO() R_Trimming_OCO()
uint16_t	min	Lower threshold of count	R_Main_Calibrate_MOCO() R_Trimming_OCO()

4.4 List of Functions

Table 4-4 shows a list of functions.

Table 4-4 Functions

Function Name	Outline
R_Main_Calibrate_MOCO	Calibration process
R_Trimming_OCO	MOCO clock correction

4.5 Specification of Functions

The function specifications of the sample code are shown below.

[Function Name] R_Main_Calibrate_MOCO

Outline	Calibration process
Header	None
Declaration	void R_Main_Calibrate(void)
Description	Frequency measurement and correction process for the middle-speed on-chip oscillator.
Argument	None
Return Value	None
Outline	None

[Function Name]R_Trimming_OCO

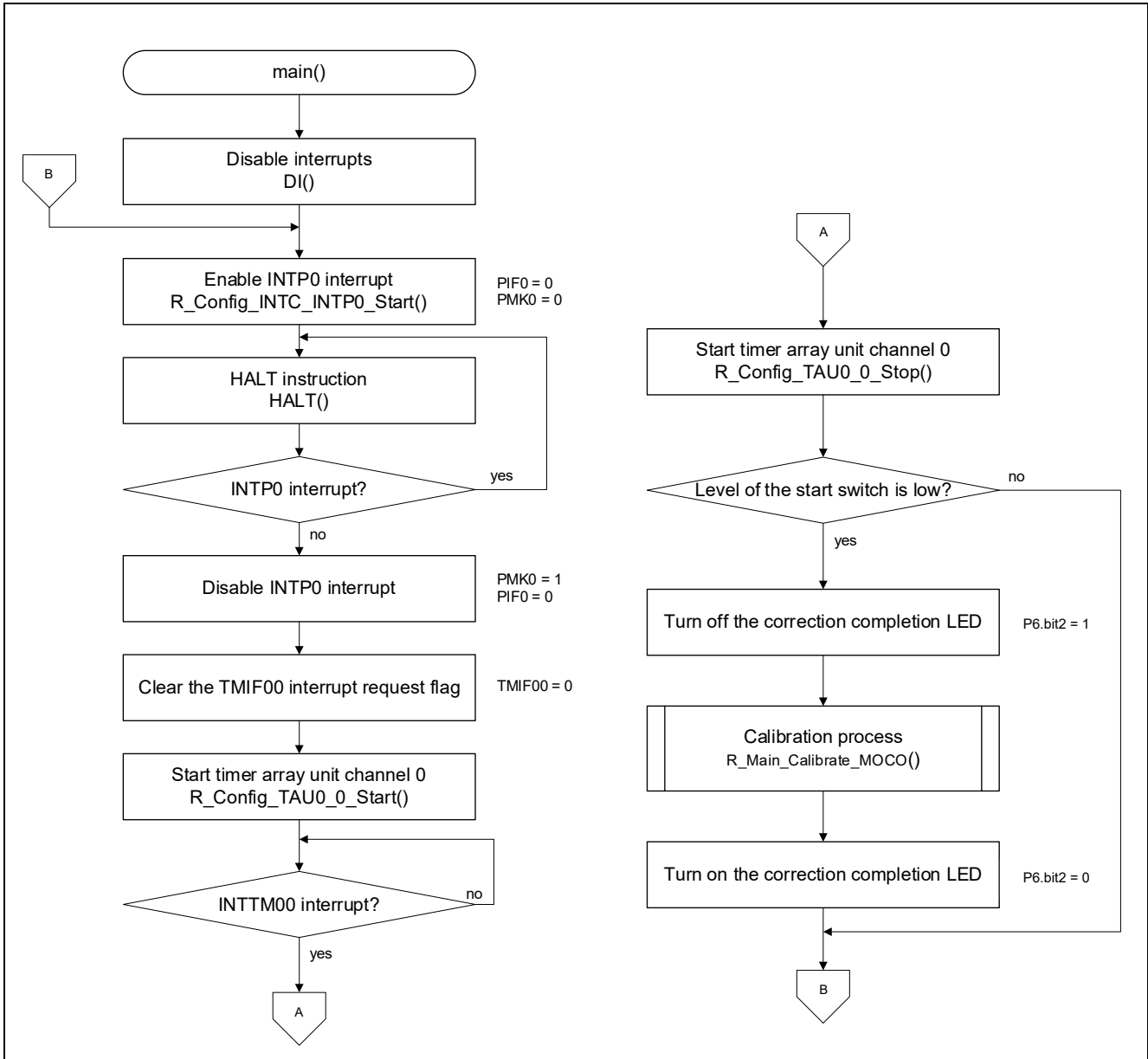
Outline	MOCO clock correction
Header	None
Declaration	uint8_t R_Trimming_OCO(uint16_t count)
Description	This function sets the MIOTRM according to the argument and then determines whether to continue calibration.
Argument	count : [Target clock count value]
Return Value	[0]: Calibration ends. [1]: Calibration continues.
Outline	None

4.6 Flowcharts

4.6.1 Main Processing

Figure 4-1 shows the flowchart of the main processing.

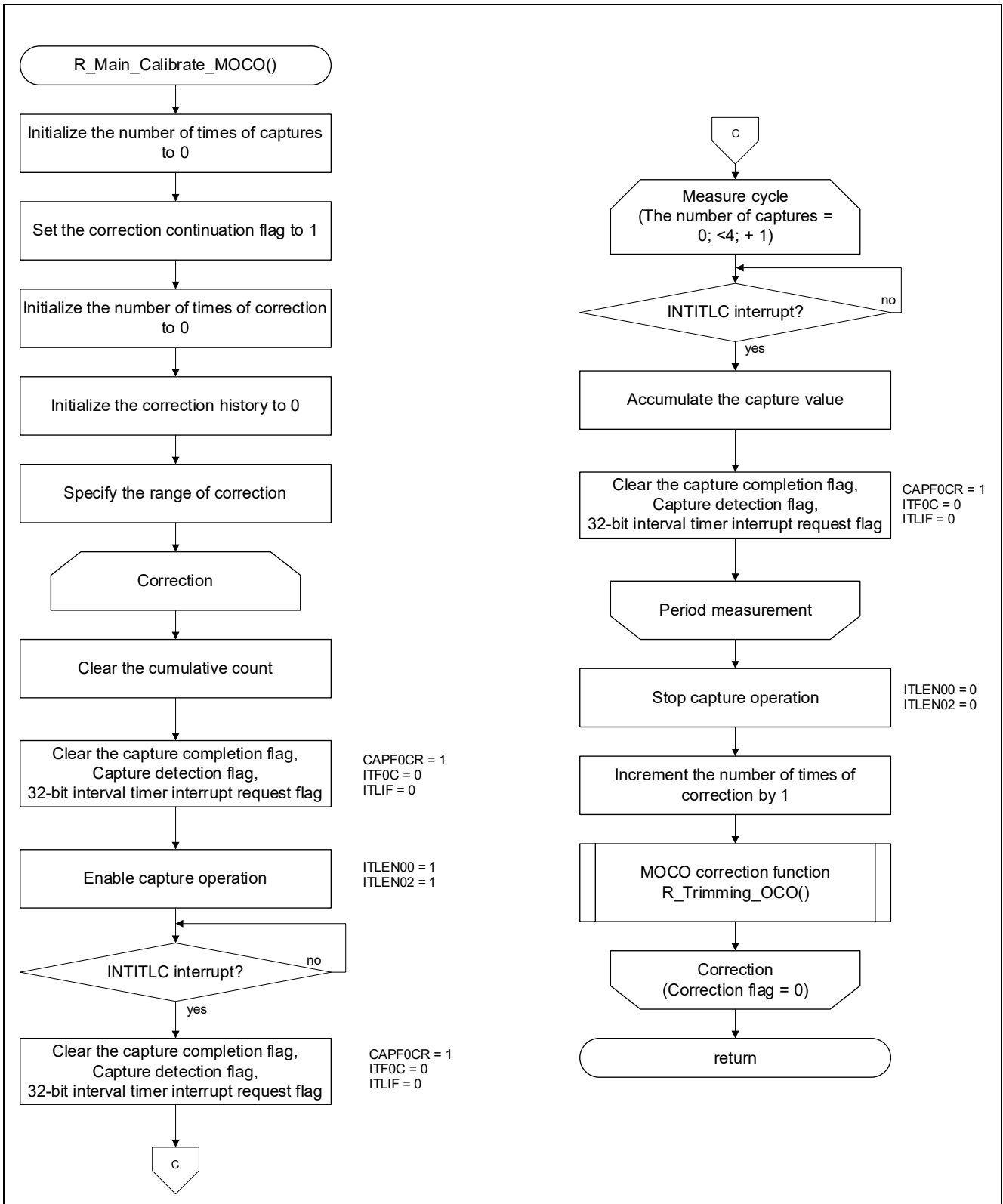
Figure 4-1 Main Processing



4.6.2 Calibration process

Figure 4-2 show the flowchart for calibration process.

Figure 4-2 Calibration process



4.6.3 MOCO Correction Function

Figure 4-3 and Figure 4-4 show the flowcharts for the MOCO correction function.

Figure 4-3 MOCO Correction Function (1/2)

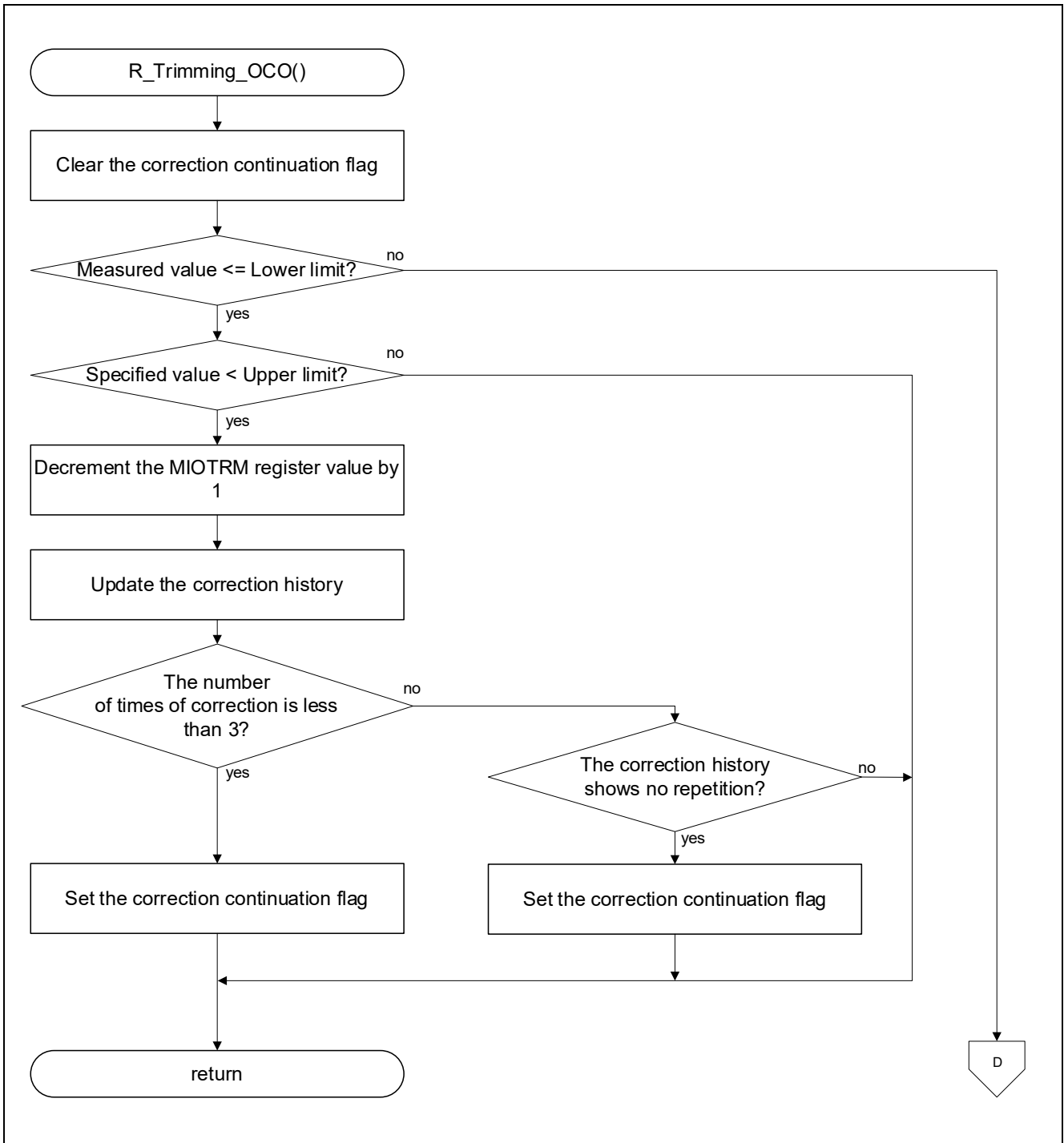
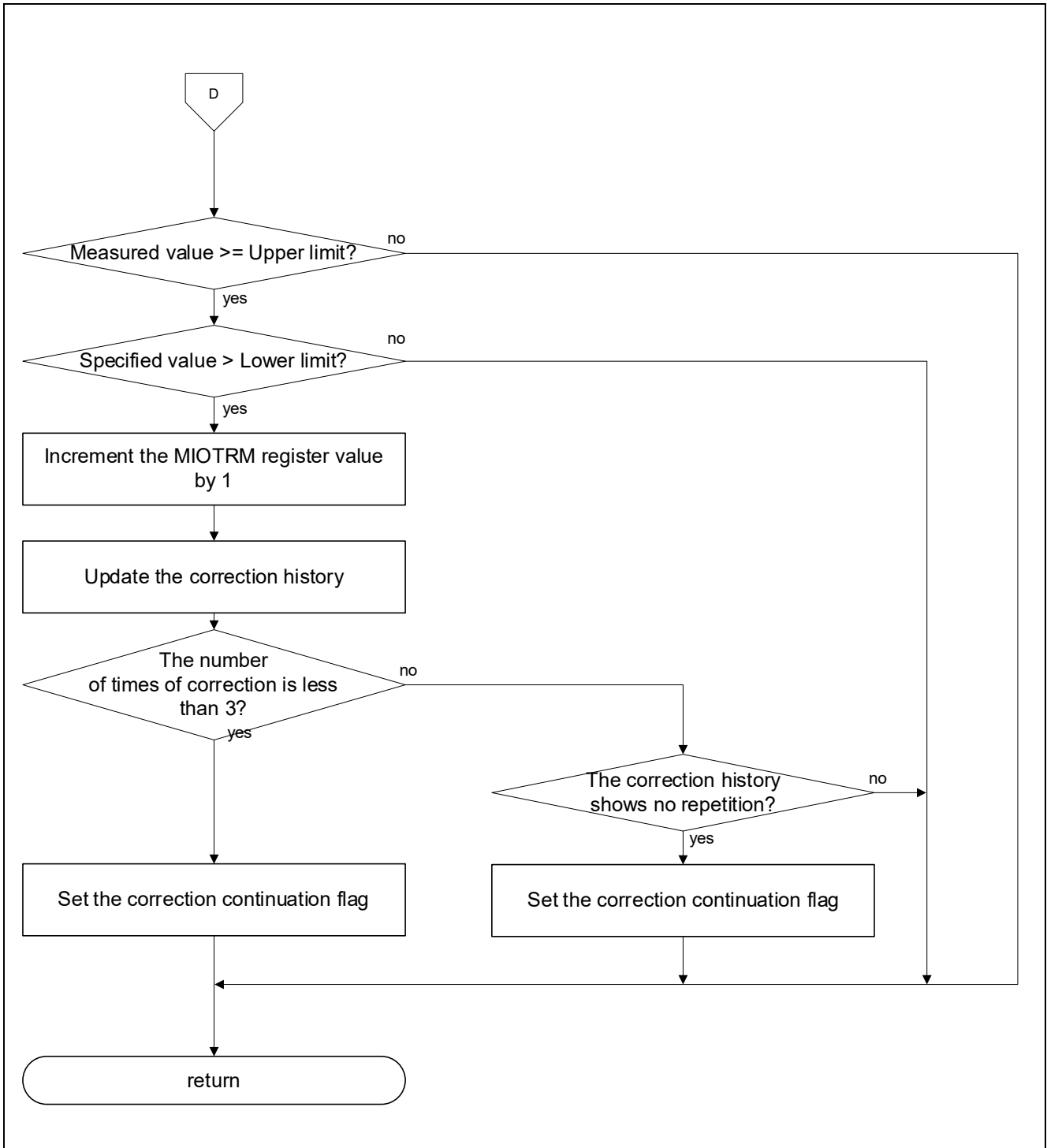


Figure 4-4 MOCO Correction Function (2/2)



5. Sample Code

Sample code can be downloaded from the Renesas Electronics website.

6. Reference Documents

RL78/G22 User's Manual: Hardware (R01UH0978E)

RL78 family user's manual software (R01US0015E)

The latest versions can be downloaded from the Renesas Electronics website.

Technical update

The latest versions can be downloaded from the Renesas Electronics website.

Website and Support

Renesas Electronics Website

<http://www.renesas.com/>

Inquiries

<http://www.renesas.com/contact/>

All trademarks and registered trademarks are the property of their respective owners.

Revision History

Rev.	Date	Description	
		Page	Summary
1.00	Oct.21.24	—	First Edition

General Precautions in the Handling of Microprocessing Unit and Microcontroller Unit Products

The following usage notes are applicable to all Microprocessing unit and Microcontroller unit products from Renesas. For detailed usage notes on the products covered by this document, refer to the relevant sections of the document as well as any technical updates that have been issued for the products.

1. Precaution against Electrostatic Discharge (ESD)

A strong electrical field, when exposed to a CMOS device, can cause destruction of the gate oxide and ultimately degrade the device operation. Steps must be taken to stop the generation of static electricity as much as possible, and quickly dissipate it when it occurs. Environmental control must be adequate. When it is dry, a humidifier should be used. This is recommended to avoid using insulators that can easily build up static electricity.

Semiconductor devices must be stored and transported in an anti-static container, static shielding bag or conductive material. All test and measurement tools including work benches and floors must be grounded. The operator must also be grounded using a wrist strap. Semiconductor devices must not be touched with bare hands. Similar precautions must be taken for printed circuit boards with mounted semiconductor devices.

2. Processing at power-on

The state of the product is undefined at the time when power is supplied. The states of internal circuits in the LSI are indeterminate and the states of register settings and pins are undefined at the time when power is supplied. In a finished product where the reset signal is applied to the external reset pin, the states of pins are not guaranteed from the time when power is supplied until the reset process is completed. In a similar way, the states of pins in a product that is reset by an on-chip power-on reset function are not guaranteed from the time when power is supplied until the power reaches the level at which resetting is specified.

3. Input of signal during power-off state

Do not input signals or an I/O pull-up power supply while the device is powered off. The current injection that results from input of such a signal or I/O pull-up power supply may cause malfunction and the abnormal current that passes in the device at this time may cause degradation of internal elements. Follow the guideline for input signal during power-off state as described in your product documentation.

4. Handling of unused pins

Handle unused pins in accordance with the directions given under handling of unused pins in the manual. The input pins of CMOS products are generally in the high-impedance state. In operation with an unused pin in the open-circuit state, extra electromagnetic noise is induced in the vicinity of the LSI, an associated shoot-through current flows internally, and malfunctions occur due to the false recognition of the pin state as an input signal become possible.

5. Clock signals

After applying a reset, only release the reset line after the operating clock signal becomes stable. When switching the clock signal during program execution, wait until the target clock signal is stabilized. When the clock signal is generated with an external resonator or from an external oscillator during a reset, ensure that the reset line is only released after full stabilization of the clock signal. Additionally, when switching to a clock signal produced with an external resonator or by an external oscillator while program execution is in progress, wait until the target clock signal is stable.

6. Voltage application waveform at input pin

Waveform distortion due to input noise or a reflected wave may cause malfunction. If the input of the CMOS device stays in the area between V_{IL} (Max.) and V_{IH} (Min.) due to noise, for example, the device may malfunction. Take care to prevent chattering noise from entering the device when the input level is fixed, and also in the transition period when the input level passes through the area between V_{IL} (Max.) and V_{IH} (Min.).

7. Prohibition of access to reserved addresses

Access to reserved addresses is prohibited. The reserved addresses are provided for possible future expansion of functions. Do not access these addresses as the correct operation of the LSI is not guaranteed.

8. Differences between products

Before changing from one product to another, for example to a product with a different part number, confirm that the change will not lead to problems. The characteristics of a microprocessing unit or microcontroller unit products in the same group but having a different part number might differ in terms of internal memory capacity, layout pattern, and other factors, which can affect the ranges of electrical characteristics, such as characteristic values, operating margins, immunity to noise, and amount of radiated noise. When changing to a product with a different part number, implement a system-evaluation test for the given product.

Notice

1. Descriptions of circuits, software and other related information in this document are provided only to illustrate the operation of semiconductor products and application examples. You are fully responsible for the incorporation or any other use of the circuits, software, and information in the design of your product or system. Renesas Electronics disclaims any and all liability for any losses and damages incurred by you or third parties arising from the use of these circuits, software, or information.
2. Renesas Electronics hereby expressly disclaims any warranties against and liability for infringement or any other claims involving patents, copyrights, or other intellectual property rights of third parties, by or arising from the use of Renesas Electronics products or technical information described in this document, including but not limited to, the product data, drawings, charts, programs, algorithms, and application examples.
3. No license, express, implied or otherwise, is granted hereby under any patents, copyrights or other intellectual property rights of Renesas Electronics or others.
4. You shall be responsible for determining what licenses are required from any third parties, and obtaining such licenses for the lawful import, export, manufacture, sales, utilization, distribution or other disposal of any products incorporating Renesas Electronics products, if required.
5. You shall not alter, modify, copy, or reverse engineer any Renesas Electronics product, whether in whole or in part. Renesas Electronics disclaims any and all liability for any losses or damages incurred by you or third parties arising from such alteration, modification, copying or reverse engineering.
6. Renesas Electronics products are classified according to the following two quality grades: "Standard" and "High Quality". The intended applications for each Renesas Electronics product depends on the product's quality grade, as indicated below.

"Standard": Computers; office equipment; communications equipment; test and measurement equipment; audio and visual equipment; home electronic appliances; machine tools; personal electronic equipment; industrial robots; etc.

"High Quality": Transportation equipment (automobiles, trains, ships, etc.); traffic control (traffic lights); large-scale communication equipment; key financial terminal systems; safety control equipment; etc.

Unless expressly designated as a high reliability product or a product for harsh environments in a Renesas Electronics data sheet or other Renesas Electronics document, Renesas Electronics products are not intended or authorized for use in products or systems that may pose a direct threat to human life or bodily injury (artificial life support devices or systems; surgical implantations; etc.), or may cause serious property damage (space system; undersea repeaters; nuclear power control systems; aircraft control systems; key plant systems; military equipment; etc.). Renesas Electronics disclaims any and all liability for any damages or losses incurred by you or any third parties arising from the use of any Renesas Electronics product that is inconsistent with any Renesas Electronics data sheet, user's manual or other Renesas Electronics document.
7. No semiconductor product is absolutely secure. Notwithstanding any security measures or features that may be implemented in Renesas Electronics hardware or software products, Renesas Electronics shall have absolutely no liability arising out of any vulnerability or security breach, including but not limited to any unauthorized access to or use of a Renesas Electronics product or a system that uses a Renesas Electronics product. RENESAS ELECTRONICS DOES NOT WARRANT OR GUARANTEE THAT RENESAS ELECTRONICS PRODUCTS, OR ANY SYSTEMS CREATED USING RENESAS ELECTRONICS PRODUCTS WILL BE INVULNERABLE OR FREE FROM CORRUPTION, ATTACK, VIRUSES, INTERFERENCE, HACKING, DATA LOSS OR THEFT, OR OTHER SECURITY INTRUSION ("Vulnerability Issues"). RENESAS ELECTRONICS DISCLAIMS ANY AND ALL RESPONSIBILITY OR LIABILITY ARISING FROM OR RELATED TO ANY VULNERABILITY ISSUES. FURTHERMORE, TO THE EXTENT PERMITTED BY APPLICABLE LAW, RENESAS ELECTRONICS DISCLAIMS ANY AND ALL WARRANTIES, EXPRESS OR IMPLIED, WITH RESPECT TO THIS DOCUMENT AND ANY RELATED OR ACCOMPANYING SOFTWARE OR HARDWARE, INCLUDING BUT NOT LIMITED TO THE IMPLIED WARRANTIES OF MERCHANTABILITY, OR FITNESS FOR A PARTICULAR PURPOSE.
8. When using Renesas Electronics products, refer to the latest product information (data sheets, user's manuals, application notes, "General Notes for Handling and Using Semiconductor Devices" in the reliability handbook, etc.), and ensure that usage conditions are within the ranges specified by Renesas Electronics with respect to maximum ratings, operating power supply voltage range, heat dissipation characteristics, installation, etc. Renesas Electronics disclaims any and all liability for any malfunctions, failure or accident arising out of the use of Renesas Electronics products outside of such specified ranges.
9. Although Renesas Electronics endeavors to improve the quality and reliability of Renesas Electronics products, semiconductor products have specific characteristics, such as the occurrence of failure at a certain rate and malfunctions under certain use conditions. Unless designated as a high reliability product or a product for harsh environments in a Renesas Electronics data sheet or other Renesas Electronics document, Renesas Electronics products are not subject to radiation resistance design. You are responsible for implementing safety measures to guard against the possibility of bodily injury, injury or damage caused by fire, and/or danger to the public in the event of a failure or malfunction of Renesas Electronics products, such as safety design for hardware and software, including but not limited to redundancy, fire control and malfunction prevention, appropriate treatment for aging degradation or any other appropriate measures. Because the evaluation of microcomputer software alone is very difficult and impractical, you are responsible for evaluating the safety of the final products or systems manufactured by you.
10. Please contact a Renesas Electronics sales office for details as to environmental matters such as the environmental compatibility of each Renesas Electronics product. You are responsible for carefully and sufficiently investigating applicable laws and regulations that regulate the inclusion or use of controlled substances, including without limitation, the EU RoHS Directive, and using Renesas Electronics products in compliance with all these applicable laws and regulations. Renesas Electronics disclaims any and all liability for damages or losses occurring as a result of your noncompliance with applicable laws and regulations.
11. Renesas Electronics products and technologies shall not be used for or incorporated into any products or systems whose manufacture, use, or sale is prohibited under any applicable domestic or foreign laws or regulations. You shall comply with any applicable export control laws and regulations promulgated and administered by the governments of any countries asserting jurisdiction over the parties or transactions.
12. It is the responsibility of the buyer or distributor of Renesas Electronics products, or any other party who distributes, disposes of, or otherwise sells or transfers the product to a third party, to notify such third party in advance of the contents and conditions set forth in this document.
13. This document shall not be reprinted, reproduced or duplicated in any form, in whole or in part, without prior written consent of Renesas Electronics.
14. Please contact a Renesas Electronics sales office if you have any questions regarding the information contained in this document or Renesas Electronics products.

(Note1) "Renesas Electronics" as used in this document means Renesas Electronics Corporation and also includes its directly or indirectly controlled subsidiaries.

(Note2) "Renesas Electronics product(s)" means any product developed or manufactured by or for Renesas Electronics.

(Rev.5.0-1 October 2020)

Corporate Headquarters

TOYOSU FORESIA, 3-2-24 Toyosu,
Koto-ku, Tokyo 135-0061, Japan
www.renesas.com

Trademarks

Renesas and the Renesas logo are trademarks of Renesas Electronics Corporation. All trademarks and registered trademarks are the property of their respective owners.

Contact information

For further information on a product, technology, the most up-to-date version of a document, or your nearest sales office, please visit:
www.renesas.com/contact/.