

RAA271084 Power Supply Circuit Design for RH850/U2B24

This application note describes how to connect the RAA271084 power management IC (PMIC) with the RH850/U2B24 automotive 32-bit microcontroller (MCU), providing examples and guidelines for power on/off requirements, low power mode supported by the RAA271084, recommendations for unused pins, and OTP settings.

- **Target Device:** RAA271084
- **Target MCU:** RH850/U2B24

Contents

1. **Power Solution Examples**..... 2

 1.1 Example 1 – Power Configuration Block Diagram for RH850/U2B24 without SVR (SBMD = 0)..... 3

 1.2 Example 2 – Power Configuration Block Diagram for RH850/U2B24 without SVR (SBMD = 1)..... 5

 1.3 Example 3 – Power Configuration Block Diagram for RH850/U2B24 with SVR (SBMD = 0)..... 7

 1.4 Example 4 – Power Configuration Block Diagram for RH850/U2B24 with SVR (SBMD = 1)..... 9

2. **RAA271084 Power On/Off Requirements from the RH850/U2B24**..... 11

3. **Supported Settings for the MCU Low-Power Mode** 12

4. **Unused Pins Recommendations**..... 12

5. **OTP Configuration Recommendations** 13

6. **References**..... 15

7. **Revision History** 15

Figures

Figure 1. RAA271084 Application Diagram Showing RH850/U2B24 without SVR (SBMD = 0).....3

Figure 2. RAA271084 Application Diagram Showing RH850/U2B24 without SVR (SBMD = 1).....5

Figure 3. RAA271084 Application Diagram Showing RH850/U2B24 with SVR (SBMD = 0).....7

Figure 4. RAA271084 Application Diagram Showing RH850/U2B24 with SVR (SBMD = 1).....9

Figure 5. RH850/U2B24 Power On/Off Timings (Normal Operating Mode and User Boot Mode 0)11

1. Power Solution Examples

The RAA271084 contains a high-voltage primary buck/boost controller, a low-voltage synchronous buck controller and five low-dropout linear regulators (LDO), two of which can be used as trackers. DCDC switching frequency, output voltage, power-up/down sequence and other features can be configured by OTP.

There are four power solution examples for the RH850/U2B24 using the RAA271084. The main differences in the examples are the MCU SVR function used/unused and SBMD = 0/1. These are described in the following sub-sections.

Example 1 (section 1.1) is a minimum BoM area solution. In this connection, SBMD is set to 0 and the MCU V_{DD} is directly supplied from the RAA271084 DCDC2 regulator output. The LDO1–4 outputs are used to supply other MCU power rails. The direct V_{DD} supply reduces BoM area by eliminating the BoM of the MCU embedded voltage regulator (SVR). For more information on RH850/U2B24 SVR functions, see References item [2].

Example 2 (section 1.2) is minimum BoM area solution. In this connection, SBMD is set to 1 and the MCU V_{DD} is directly supplied from the RAA271084 DCDC2 regulator output. The LDO1–4 outputs are used to supply other MCU power rails. The direct V_{DD} supply reduces BoM area by eliminating the BoM of the MCU embedded voltage regulator (SVR). For more information on RH850/U2B24 SVR functions, see References item [2].

Example 3 (section 1.3) is a flexible power supply solution. In this connection, SBMD is set to 0 and the DCDC2 regulator is used to supply the MCU SVR and other power-rails. Compared with example1, the LDO output can be used for other power rails than those of the MCU.

Example 4 (section 1.4) is a flexible power supply solution. In this connection, SBMD is set to 1 and the DCDC2 regulator is used to supply the MCU SVR and other power-rails. Compare with example2, the LDO output can be used for other power rails than those of the MCU.

Important: When DCDC2 output is set 5V, the switching frequency required is 440kHz. When the DCDC2 output is 3.3V or less, the switching frequency can be 440kHz or 2.2MHz. DCDC1 switching frequency can be 440kHz or 2.2MHz.

1.1 Example 1 – Power Configuration Block Diagram for RH850/U2B24 without SVR (SBMD = 0)

The RAA271084 has two buck controllers and five LDOs. These outputs are controlled by Wake1 and Wake2. Figure 1 shows an example of a connection with the RH850/U2B24 and RAA271084 without SVR (SBMD = 0). While SBMD = 0, AWOVCL should be connected to the 1.09V power rail.

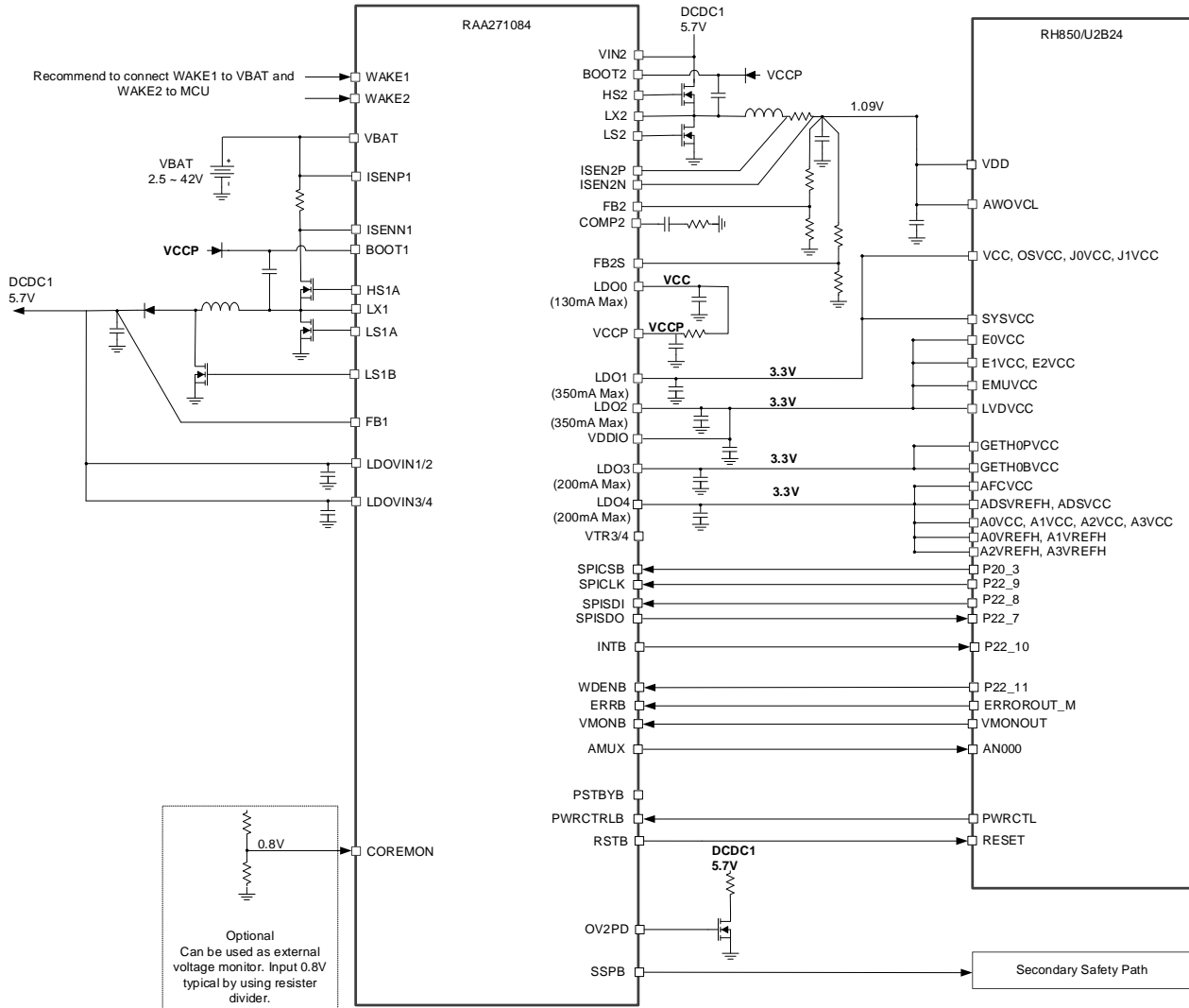


Figure 1. RAA271084 Application Diagram Showing RH850/U2B24 without SVR (SBMD = 0)

Table 1. Regulator Connection for Example 1

Regulators	Output Voltage	PMIC Output Current Capability	Supply for
DCDC1	5.7V	-	VIN2, LDOVIN1/2, and LDOVIN3/4 of RAA271084
DCDC2	1.09V	-	MCU VDD
LDO1	3.3V	350mA	VCC, OSCVCC, J0VCC, J1VCC, SYSVCC of MCU
LDO2	3.3V	350mA	E0VCC, E1VCC, E2VCC, EMUVCC, and LVDVCC of MCU
LDO3	3.3V	200mA	GETH0PVCC, GETH0BVCC of MCU
LDO4	3.3V	200mA	AFCVCC, ADSVREFH, ADSVCC, A0VCC, A1VCC, A2VCC, A3VCC, A0VREFH, A1VREFH, A2VREFH, and A3VREFH of MCU

Regulators	Output Voltage	PMIC Output Current Capability	Supply for
VCC(LDO0)	5V	130mA	VCCP of RAA271084

Table 2. I/O Connections

The RAA271084		The RH850/U2B24
Pin#	Pin name	Pin name
7	WAKE1	-
8	WAKE2	-
10	OV2_PD	(External FET gate)
13	PSTBYB	-
14	PWRCTLB	PWRCTL
23	COREMON	(Optional, external 0.8V)
24	AMUX	AN000
25	SSPB	(Depends on System)
26	WDENB	P22_11
27	VMONB	VMONOUT
28	ERRB	ERROROUT_M
29	RSTB	RESET
30	INTB	P22_10
31	SPISDO	P22_7
32	SPISDI	P22_8
33	SPICLK	P22_9
34	SPICSB	P20_3

Note: () is not MCU pins.

1.2 Example 2 – Power Configuration Block Diagram for RH850/U2B24 without SVR (SBMD = 1)

The RAA271084 has two buck controllers and five LDOs. These outputs are controlled by Wake1 and Wake2. Figure 2 shows an example of a connection with the RH850/U2B24 and RAA271084 without SVR (SBMD = 1). While SBMD = 1, AWOVCL should be connected to the 1.09V power rail.

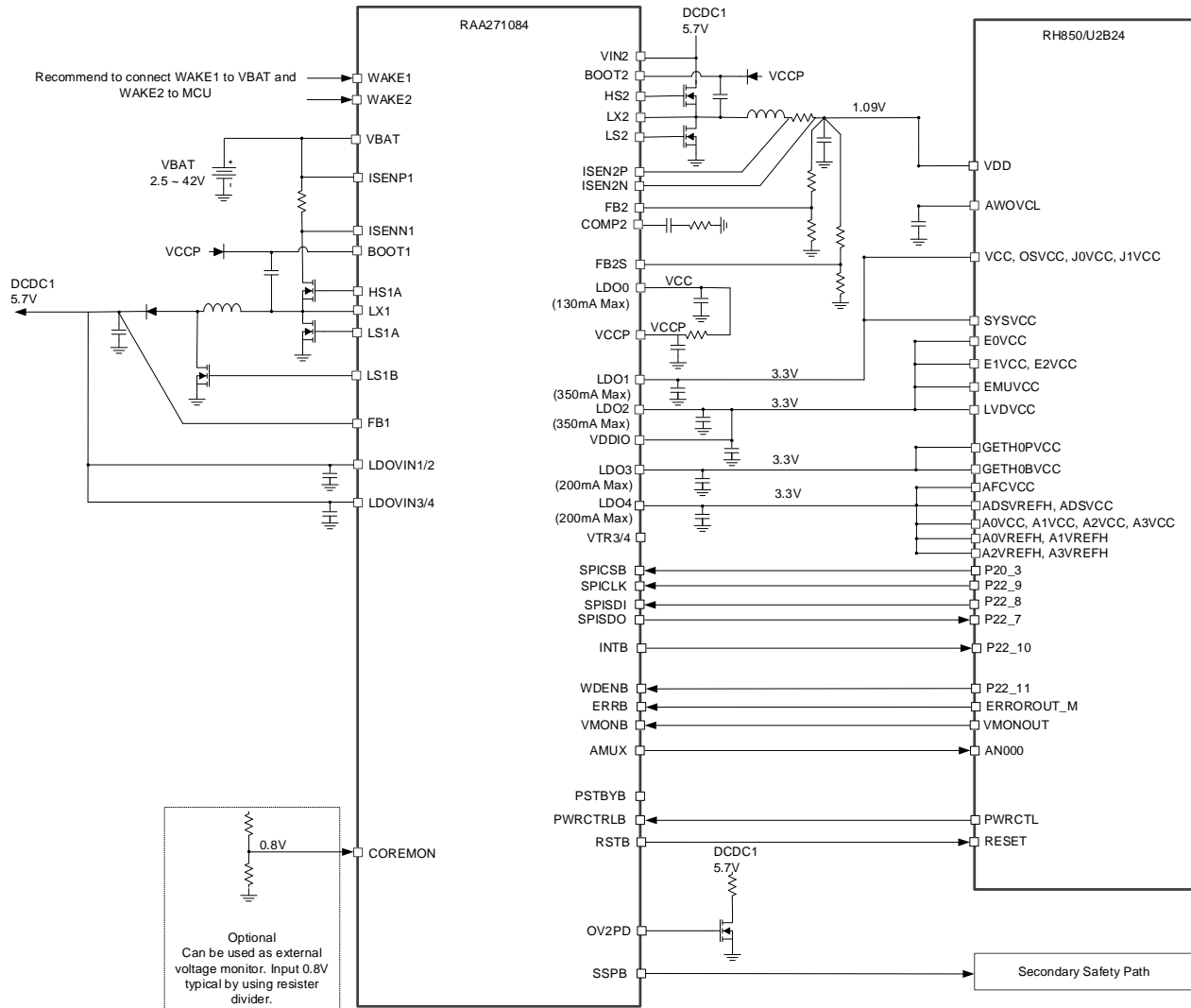


Figure 2. RAA271084 Application Diagram Showing RH850/U2B24 without SVR (SBMD = 1)

Table 3. Regulator Connection for Example 2

Regulators	Output Voltage	PMIC Output Current Capability	Supply for
DCDC1	5.7V	-	VIN2, LDOVIN1/2, and LDOVIN3/4 of RAA271084
DCDC2	1.09V	-	MCU VDD
LDO1	3.3V	350mA	VCC, OSCVCC, J0VCC, J1VCC, SYSVCC of MCU
LDO2	3.3V	350mA	E0VCC, E1VCC, E2VCC, EMUVCC, and LVDVCC of MCU
LDO3	3.3V	200mA	GETH0PVCC, GETH0BVCC of MCU
LDO4	3.3V	200mA	AFCVCC, ADSVREFH, ADSVCC, A0VCC, A1VCC, A2VCC, A3VCC, A0VREFH, A1VREFH, A2VREFH, and A3VREFH of MCU

Regulators	Output Voltage	PMIC Output Current Capability	Supply for
VCC(LDO0)	5V	130mA	VCCP of RAA271084

Table 4. I/O Connections

The RAA271084		The RH850/U2B24
Pin#	Pin name	Pin name
7	WAKE1	-
8	WAKE2	-
10	OV2_PD	(External FET gate)
13	PSTBYB	RESETOUT
14	PWRCTLB	PWRCTL
23	COREMON	(Optional, external 0.8V)
24	AMUX	AN000
25	SSPB	(Depends on System)
26	WDENB	P22_11
27	VMONB	VMONOUT
28	ERRB	ERROROUT_M
29	RSTB	RESET
30	INTB	P22_10
31	SPISDO	P22_7
32	SPISDI	P22_8
33	SPICLK	P22_9
34	SPICSB	P20_3

Note: () is not MCU pins.

1.3 Example 3 – Power Configuration Block Diagram for RH850/U2B24 with SVR (SBMD = 0)

The RAA271084 has two buck controllers and five LDOs. These outputs are controlled by Wake1 and Wake2. Figure 3 shows an example of a connection with the RH850/U2B24 and RAA271084 with SVR (SBMD = 0); V_{DD} is supplied by SVR. While SBMD = 0, AWOVCL should be connected to the 1.09V power rail.

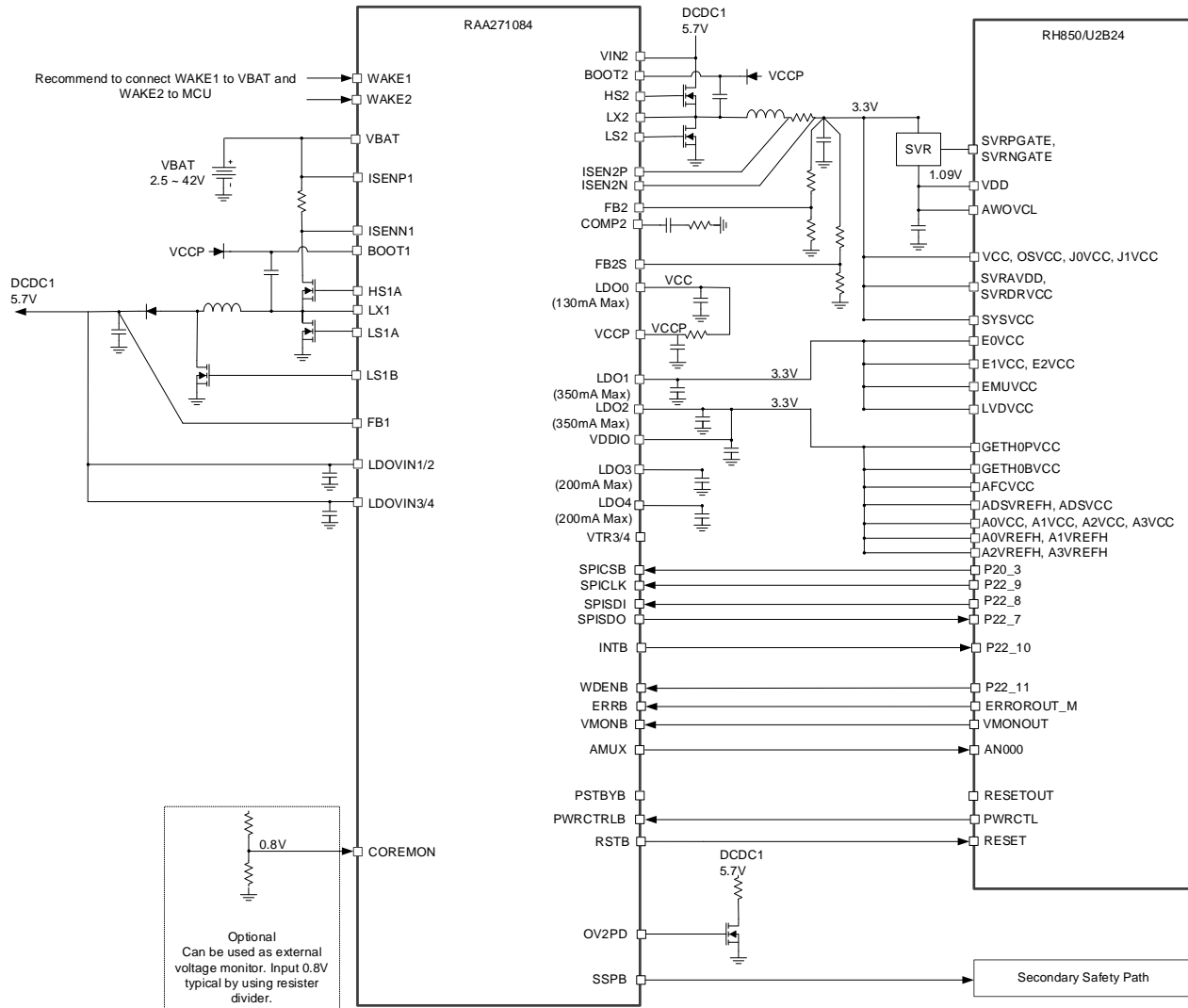


Figure 3. RAA271084 Application Diagram Showing RH850/U2B24 with SVR (SBMD = 0)

Table 5. Regulator Connection for Example 3

Regulators	Output Voltage	PMIC Output Current Capability	Supply for
DCDC1	5.7V	-	VIN2, LDOVIN1/2, and LDOVIN3/4 of RAA271084
DCDC2	3.3V	-	INPUT of SVR
LDO1	3.3V	350mA	VCC, OSCVCC, J0VCC, J1VCC, SYSVCC, SVRAVDD, and SVRDRVCC of MCU
LDO2	3.3V	350mA	E0VCC, E1VCC, E2VCC, LVDVCC, and EMUVCC of MCU
LDO3	3.3V	200mA	GETH0PVCC, GETH0BVCC of MCU

Regulators	Output Voltage	PMIC Output Current Capability	Supply for
LDO4	3.3V	200mA	AFCVCC, ADSVREFH, ADSVCC, A0VCC, A1VCC, A2VCC, A3VCC, A0VREFH, A1VREFH, A2VREFH, and A3VREFH of MCU
VCC(LDO0)	5V	130mA	VCCP of RAA271084

Table 6. I/O Connections

The RAA271084		The RH850/U2B24
Pin#	Pin name	Pin name
7	WAKE1	
8	WAKE2	
10	OV2_PD	(External FET gate)
13	PSTBYB	RESETOUT
14	PWRCTLB	PWRCTL
23	COREMON	(Optional, external 0.8V)
24	AMUX	AN000
25	SSPB	(Depends on System)
26	WDENB	P22_11
27	VMONB	VMONOUT
28	ERRB	ERROROUT_M
29	RSTB	RESET
30	INTB	P22_10
31	SPISDO	P22_7
32	SPISDI	P22_8
33	SPICLK	P22_9
34	SPICSB	P20_3

Note: () is not MCU pins.

1.4 Example 4 – Power Configuration Block Diagram for RH850/U2B24 with SVR (SBMD = 1)

Figure 3 shows an example of a connection with the RH850/U2B24 and RAA271084 with SVR (SBMD = 0); V_{DD} is supplied by SVR. While SBMD = 1, AWOVCL is a power supply for connecting internal circuits to external buffer capacitors.

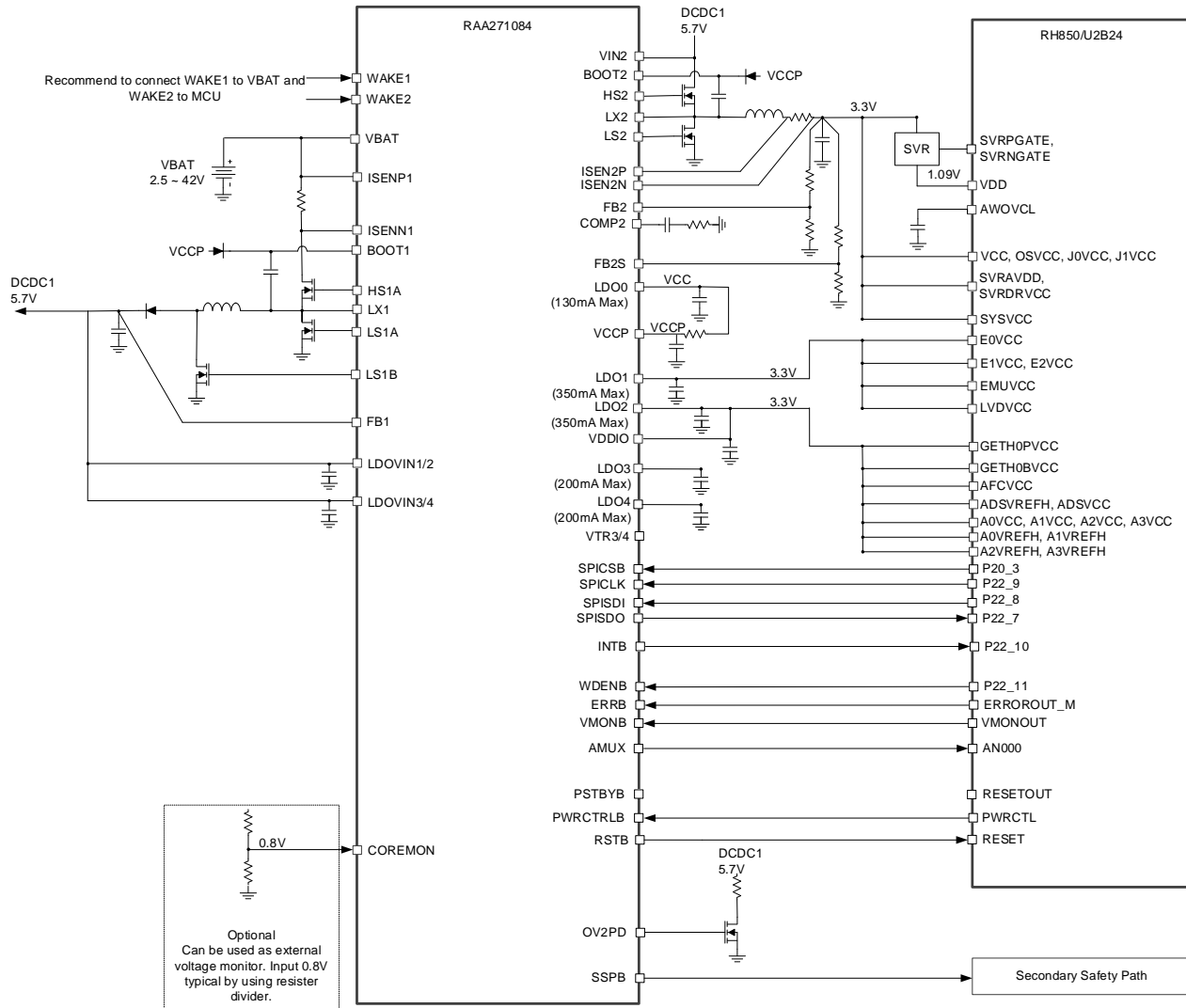


Figure 4. RAA271084 Application Diagram Showing RH850/U2B24 with SVR (SBMD = 1)

Table 7. Regulator Connections for Example 4

Regulators	Output Voltage	Output Current	Supply for
DCDC1	5.7V	-	VIN2, LDOVIN1/2, and LDOVIN3/4 of RAA271084
DCDC2	3.3V	-	INPUT of SVR
LDO1	3.3V	350mA	VCC, OSCVCC, J0VCC, J1VCC, SYSVCC, SVRAVDD, and SVRDRVCC of MCU
LDO2	3.3V	350mA	E0VCC, E1VCC, E2VCC, LVDVCC, and EMUVCC of MCU
LDO3	3.3V	200mA	GETH0PVCC, GETH0BVCC of MCU

Regulators	Output Voltage	Output Current	Supply for
LDO4	3.3V	200mA	AFCVCC, ADSVREFH, ADSVCC, A0VCC, A1VCC, A2VCC, A3VCC, A0VREFH, A1VREFH, A2VREFH, and A3VREFH of MCU
VCC(LDO0)	5V	130mA	VCCP of RAA271084

Table 8. I/O Connections

The RAA271084		The RH850/U2B24
Pin#	Pin Name	Pin Name
7	WAKE1	
8	WAKE2	
10	OV2_PD	(External FET gate)
13	PSTBYB	RESETOUT
14	PWRCTLB	PWRCTL
23	COREMON	(Optional, external 0.8V)
24	AMUX	AN000
25	SSPB	(Depends on System)
26	WDENB	P22_11
27	VMONB	VMONOUT
28	ERRB	ERROROUT_M
29	RSTB	RESET
30	INTB	P22_10
31	SPISDO	P22_7
32	SPISDI	P22_8
33	SPICLK	P22_9
34	SPICSB	P20_3

Note: () is not MCU pins.

2. RAA271084 Power On/Off Requirements from the RH850/U2B24

The RH850/U2B24 is a sequence-free product. Thus, only power-on-reset timing and power-hold time requirements are considered when the regulators are disabled. Both requirements are satisfied by the RAA271084 if any OTP settings for the power-on/off sequence timings are set (OPT_SEQ_CTRL, OPT_SLOT_TIME, OPT_SLOT_DCDC, OPT_SLOT_LDO, OPT_TOFF_TIME, or OPT_RSTB_DLY).

For power-on timing, keep the RESET at Low during t_{RESH1} after all MCU power rails are supplied. The order of the power supplies are not required for the MCU power rails. The startup timing of each regulator and RSTB hold time for the RAA271084 are configurable. Any settings of OPT_SEQ_CTRL, OPT_SLOT_TIME, OPT_SLOT_DCDC, OPT_SLOT_LDO, or OPT_RSTB_DLY satisfies the RH850/U2B24 requirement. For more information about configurable items and timings, refer to the *Timing Summary* section of the RAA271084 datasheet.

For power-off timing, keep the power-rails High during t_{PWH} from RESET = Low in order to avoid damaging the device. The RAA271084 regulators can configure the off delay time (regulator output hold time when the regulator is disabled.). Any setting of OPT_TOFF_TIME satisfies the RH850/U2B24 requirement.

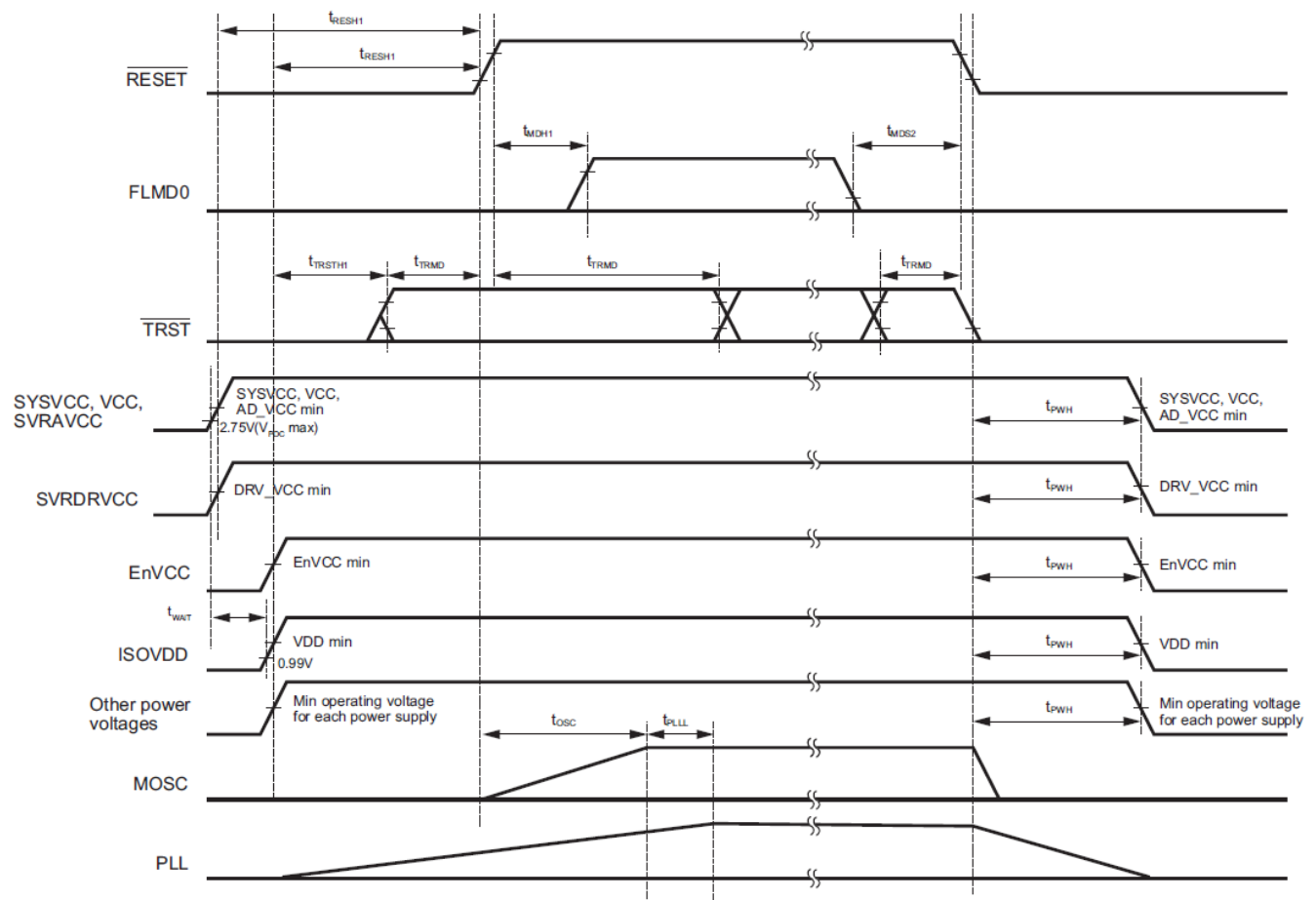


Figure 5. RH850/U2B24 Power On/Off Timings (Normal Operating Mode and User Boot Mode 0)

Note: For more information, refer to the *Power On/Off Timing* section of the RH850/U2B24 hardware manual.

3. Supported Settings for the MCU Low-Power Mode

The RH850/U2B24 provides DeepSTOP mode as the low-power mode. The RAA271084 contains a dedicated DeepSTOP mode to support this setting. The RAA271084 stops the power supply for the MCU V_{DD} during DeepSTOP mode. The regulator output state in DeepSTOP is configurable by OTP and the output status is shown in Table 9. For more information about how to enter/exit the DeepSTOP mode, refer to the *DeepSTOP Entry/Exit* section of the RAA271084 datasheet.

In Example 1 (see Table 9), DCDC2 is disabled because it is supplied by V_{DD} . Other regulators are enabled to retain the MCU power supply.

In Example 3 (see Table 9), DCDC2 is enabled because it supplies not only the MCU SVR but other MCU power rails as well. LDO3 and LDO4 are disabled as they do not provide a supply to the MCU.

Note: LDO3 and LDO4 output statuses depends on the connecting devices and system requirements.

Table 9. Regulator State at DeepSTOP Mode

Assumed Use-Case at DeepSTOP Mode							
Regulators	LDO0	DCDC1	DCDC2	LDO1	LDO2	LDO3	LDO4
Example 1	On	On	Off	On	On	On	On
Example 3	On	On	On	On	On	Off*	Off*

4. Unused Pins Recommendations

This section describes recommendations for unused pins (see Table 10). For any functions or pins that are not being used, change the OTP configuration from the recommended values (described in Table 11) to what is noted in Table 10.

Table 10. RAA271084 Unused Pins Recommendations

Pin No.	Pin Name	I/O	Recommended Handling of Unused Pin(s)	Note
3	NC	-	Open	-
7	WAKE1	Input	Connect to ground	Use either WAKE1 or WAKE2.
8	WAKE2	Input	Connect to ground	Use either WAKE1 or WAKE2.
10	OV2_PD	Output	Open	-
13	PSTBY	Input	Open	-
14	PWRCTRLB	Input	Open	-
15	LDOVO4	Output	Open	Set LDO4 as disabled by OTP.
16	LDOVIN3/4	Input	Open	Set LDO3 and LDO4 as disabled by OTP.
17	LDOVO3	Output	Open	Set LDO3 as disabled by OTP.
18	VTR3/4	Input	Open	Set LDO3 and LDO4 as LDO output by OTP.
19	NC	-	Open	-
20	LDOVO2	Output	Open	Set LDO2 as disabled by OTP.
21	LDOVIN1/2	Input	Open	Set LDO1 and LDO2 as LDO output by OTP.

Pin No.	Pin Name	I/O	Recommended Handling of Unused Pin(s)	Note
22	LDOVO1	Output	Open	Set LDO1 as disabled by OTP.
23	COREMON	Input	Connect to ground	-
24	AMUX	Output	Open	-
25	SSPB	Output	Open	-
26	WDENB	Input	Connect to ground	-
27	VMONB	Input	Connect to ground	-
28	ERRB	Input	Connect to ground	-
30	INTB	Output	Open	-
31	SPISDO	Output	Open	-
32	SPISDI	Input	Open	-
33	SPICLK	Input	Open	-
34	SPICSB	Input	Open	-

5. OTP Configuration Recommendations

The RAA271084 has a custom configuration saved in one time programmable (OTP) memory. This section shows the recommended OTP configuration/value settings (see Table 11) for Example 1 (see section 1.1) and Example 3 (see section 1.3). For more information about the device, see the RAA271084 datasheet.

Table 11. OTP Configuration for Example 1 and Example 3

Address	Register Name	OTP Value Example 1	OTP Value Example3
0x10	OPT_SEQ_CTRL	0x00	0x00
0x11	OPT_SLOT_TIME	0x00	0x00
0x12	OPT_SLOT_DCDC	0x00	0x00
0x13	OPT_SLOT_LDO	0x00	0x00
0x14	OPT_HP	0x00	0x00
0x15	OPT_DS	0x00	0x32
0x16	OPT_TOFF_TIME	0x00	0x00
0x30	OPT_ERRB_CTRL	0x00	0x00
0x31	OPT_VMONB_CTRL	0x00	0x00
0x82	OPT_WDT_CONFIG1	0x00	0x00
0x120	OPT_FLT_RESP1	0x00	0x00
0x121	OPT_FLT_RESP2	0x00	0x00
0x122	OPT_FLT_RESP3	0x00	0x00
0x123	OPT_FLT_RESP4	0x00	0x00

Address	Register Name	OTP Value Example 1	OTP Value Example3
0x124	OPT_FLT_RESP5	0x00	0x00
0x125	OPT_FLT_RESP6	0x00	0x00
0x126	OPT_FLT_RESP7	0x00	0x00
0x127	OPT_FLT_RESP8	0x00	0x00
0x128	OPT_FLT_SHDN1	0x00	0x00
0x129	OPT_FLT_SHDN2	0x00	0x00
0x140	OPT_INTB_MASK1	0x00	0x00
0x141	OPT_INTB_MASK2	0x00	0x00
0x142	OPT_INTB_MASK3	0x00	0x00
0x143	OPT_INTB_MASK4	0x00	0x00
0x148	OPT_SSPB_MASK1	0x00	0x00
0x149	OPT_SSPB_MASK2	0x00	0x00
0x14A	OPT_SSPB_MASK3	0x00	0x00
0x14D	OPT_SSPB_MASK5	0x00	0x00
0x150	OPT_VOUT	0x2C	0x38
0x151	OPT_FB1_THRESH	0x00	0x00
0x152	OPT_FB2_THRESH	0x00	0x00
0x153	OPT_LDO1_THRESH	0x00	0x00
0x154	OPT_LDO2_THRESH	0x00	0x00
0x155	OPT_LDO3_THRESH	0x00	0x00
0x156	OPT_LDO4_THRESH	0x00	0x00
0x157	OPT_COREMON_THRESH	0x00	0x00
0x158	OPT_LDO0_THRESH	0x00	0x00
0x160	OPT_FAULT_DLY1	0x00	0x00
0x161	OPT_FAULT_DLY2	0x00	0x00
0x162	OPT_FAULT_DLY3	0x00	0x00
0x163	OPT_FAULT_DLY4	0x00	0x00
0x164	OPT_FAULT_DLY5	0x00	0x00
0x200	OPT_DEV_MODE1	0x30	0x00
0x201	OPT_DEV_MODE2	0x10	0x10
0x202	OPT_DEV_MODE3	0x00	0x00
0x203	SEL_DEV_MODE1	0x11	0x00

Address	Register Name	OTP Value Example 1	OTP Value Example3
0x204	OPT_WAIT_DISCHG1	0x00	0x00
0x205	OPT_WAIT_DISCHG2	0x00	0x00
0x206	OPT_PD_CTRL	0x00	0x00
0x207	OPT_STATE_CTRL	0x00	0x00
0x208	OPT_SS	0x00	0x00
0x209	OPT_WDENB_CTRL	0x00	0x00
0x20B	OPT_PG_CTRL	0x00	0x00
0x20C	OPT_AMUX_BUF_OFFSET	0x00	0x00
0x20D	OPT_CALIB_OSC32K	0x00	0x00
0x20E	OPT_VDDIO	0x01	0x02
0x3C1	OTP ID1	-	-
0x3D0	OTP ID2	-	-

6. References

[1] RAA271084 Datasheet

[2] RH850/U2B Group User's Manual: Hardware (r01uh0923ej0100_rh850u2b.pdf)

Note: Unless otherwise indicated, the references listed above are the latest published version.

7. Revision History

Revision	Date	Description
1.01	May 28, 2025	Updated Figures 1 to 4. Updated Tables 2, 4, 6, and 8.
1.00	Oct 16, 2024	Initial release.

Notice

1. Descriptions of circuits, software and other related information in this document are provided only to illustrate the operation of semiconductor products and application examples. You are fully responsible for the incorporation or any other use of the circuits, software, and information in the design of your product or system. Renesas Electronics disclaims any and all liability for any losses and damages incurred by you or third parties arising from the use of these circuits, software, or information.
2. Renesas Electronics hereby expressly disclaims any warranties against and liability for infringement or any other claims involving patents, copyrights, or other intellectual property rights of third parties, by or arising from the use of Renesas Electronics products or technical information described in this document, including but not limited to, the product data, drawings, charts, programs, algorithms, and application examples.
3. No license, express, implied or otherwise, is granted hereby under any patents, copyrights or other intellectual property rights of Renesas Electronics or others.
4. You shall be responsible for determining what licenses are required from any third parties, and obtaining such licenses for the lawful import, export, manufacture, sales, utilization, distribution or other disposal of any products incorporating Renesas Electronics products, if required.
5. You shall not alter, modify, copy, or reverse engineer any Renesas Electronics product, whether in whole or in part. Renesas Electronics disclaims any and all liability for any losses or damages incurred by you or third parties arising from such alteration, modification, copying or reverse engineering.
6. Renesas Electronics products are classified according to the following two quality grades: "Standard" and "High Quality". The intended applications for each Renesas Electronics product depends on the product's quality grade, as indicated below.

"Standard": Computers; office equipment; communications equipment; test and measurement equipment; audio and visual equipment; home electronic appliances; machine tools; personal electronic equipment; industrial robots; etc.

"High Quality": Transportation equipment (automobiles, trains, ships, etc.); traffic control (traffic lights); large-scale communication equipment; key financial terminal systems; safety control equipment; etc.

Unless expressly designated as a high reliability product or a product for harsh environments in a Renesas Electronics data sheet or other Renesas Electronics document, Renesas Electronics products are not intended or authorized for use in products or systems that may pose a direct threat to human life or bodily injury (artificial life support devices or systems; surgical implantations; etc.), or may cause serious property damage (space system; undersea repeaters; nuclear power control systems; aircraft control systems; key plant systems; military equipment; etc.). Renesas Electronics disclaims any and all liability for any damages or losses incurred by you or any third parties arising from the use of any Renesas Electronics product that is inconsistent with any Renesas Electronics data sheet, user's manual or other Renesas Electronics document.
7. No semiconductor product is absolutely secure. Notwithstanding any security measures or features that may be implemented in Renesas Electronics hardware or software products, Renesas Electronics shall have absolutely no liability arising out of any vulnerability or security breach, including but not limited to any unauthorized access to or use of a Renesas Electronics product or a system that uses a Renesas Electronics product. RENESAS ELECTRONICS DOES NOT WARRANT OR GUARANTEE THAT RENESAS ELECTRONICS PRODUCTS, OR ANY SYSTEMS CREATED USING RENESAS ELECTRONICS PRODUCTS WILL BE INVULNERABLE OR FREE FROM CORRUPTION, ATTACK, VIRUSES, INTERFERENCE, HACKING, DATA LOSS OR THEFT, OR OTHER SECURITY INTRUSION ("Vulnerability Issues"). RENESAS ELECTRONICS DISCLAIMS ANY AND ALL RESPONSIBILITY OR LIABILITY ARISING FROM OR RELATED TO ANY VULNERABILITY ISSUES. FURTHERMORE, TO THE EXTENT PERMITTED BY APPLICABLE LAW, RENESAS ELECTRONICS DISCLAIMS ANY AND ALL WARRANTIES, EXPRESS OR IMPLIED, WITH RESPECT TO THIS DOCUMENT AND ANY RELATED OR ACCOMPANYING SOFTWARE OR HARDWARE, INCLUDING BUT NOT LIMITED TO THE IMPLIED WARRANTIES OF MERCHANTABILITY, OR FITNESS FOR A PARTICULAR PURPOSE.
8. When using Renesas Electronics products, refer to the latest product information (data sheets, user's manuals, application notes, "General Notes for Handling and Using Semiconductor Devices" in the reliability handbook, etc.), and ensure that usage conditions are within the ranges specified by Renesas Electronics with respect to maximum ratings, operating power supply voltage range, heat dissipation characteristics, installation, etc. Renesas Electronics disclaims any and all liability for any malfunctions, failure or accident arising out of the use of Renesas Electronics products outside of such specified ranges.
9. Although Renesas Electronics endeavors to improve the quality and reliability of Renesas Electronics products, semiconductor products have specific characteristics, such as the occurrence of failure at a certain rate and malfunctions under certain use conditions. Unless designated as a high reliability product or a product for harsh environments in a Renesas Electronics data sheet or other Renesas Electronics document, Renesas Electronics products are not subject to radiation resistance design. You are responsible for implementing safety measures to guard against the possibility of bodily injury, injury or damage caused by fire, and/or danger to the public in the event of a failure or malfunction of Renesas Electronics products, such as safety design for hardware and software, including but not limited to redundancy, fire control and malfunction prevention, appropriate treatment for aging degradation or any other appropriate measures. Because the evaluation of microcomputer software alone is very difficult and impractical, you are responsible for evaluating the safety of the final products or systems manufactured by you.
10. Please contact a Renesas Electronics sales office for details as to environmental matters such as the environmental compatibility of each Renesas Electronics product. You are responsible for carefully and sufficiently investigating applicable laws and regulations that regulate the inclusion or use of controlled substances, including without limitation, the EU RoHS Directive, and using Renesas Electronics products in compliance with all these applicable laws and regulations. Renesas Electronics disclaims any and all liability for damages or losses occurring as a result of your noncompliance with applicable laws and regulations.
11. Renesas Electronics products and technologies shall not be used for or incorporated into any products or systems whose manufacture, use, or sale is prohibited under any applicable domestic or foreign laws or regulations. You shall comply with any applicable export control laws and regulations promulgated and administered by the governments of any countries asserting jurisdiction over the parties or transactions.
12. It is the responsibility of the buyer or distributor of Renesas Electronics products, or any other party who distributes, disposes of, or otherwise sells or transfers the product to a third party, to notify such third party in advance of the contents and conditions set forth in this document.
13. This document shall not be reprinted, reproduced or duplicated in any form, in whole or in part, without prior written consent of Renesas Electronics.
14. Please contact a Renesas Electronics sales office if you have any questions regarding the information contained in this document or Renesas Electronics products.

(Note1) "Renesas Electronics" as used in this document means Renesas Electronics Corporation and also includes its directly or indirectly controlled subsidiaries.

(Note2) "Renesas Electronics product(s)" means any product developed or manufactured by or for Renesas Electronics.

(Disclaimer Rev.5.0-1)

Corporate Headquarters

TOYOSU FORESIA, 3-2-24 Toyosu,
Koto-ku, Tokyo 135-0061, Japan
www.renesas.com

Trademarks

Renesas and the Renesas logo are trademarks of Renesas Electronics Corporation. All trademarks and registered trademarks are the property of their respective owners.

Contact Information

For further information on a product, technology, the most up-to-date version of a document, or your nearest sales office, please visit:
www.renesas.com/contact/