

---

**M16C/5LD, M16C/56D, M16C/5L, M16C/56, M16C/5M,  
M16C/57, and M16C/6C Groups**

R01AN0835EJ0101

Rev.1.01

Feb 29, 2012

**Time Measurement Function of Timer S with Prescaler Function**

---

**1. Abstract**

This document describes the setting method and an application example for time measurement with the prescaler function of timer S in the M16C/5LD, M16C/56D, M16C/5L, M16C/56, M16C/5M, M16C/57, and M16C/6C Groups.

**2. Introduction**

The application example described in this document applies to the following microcomputers (MCUs):

- MCU: M16C/5LD, M16C/56D, M16C/5L, M16C/56, M16C/5M, M16C/57, and M16C/6C Groups

This application note can be used with other M16C Family MCUs which have the same special function registers (SFRs) as the above groups. Check the user's manual for any modifications to functions. Careful evaluation is recommended before using the program described in this application note.

### 3. Outline

Timer S has an input capture/output compare function (IC/OC). The input capture (IC) is used for time measurement and the output compare (OC) is used for waveform generation. The IC/OC has one 16-bit free-running base timer and eight channels for time measurement and waveform generation.

#### 3.1 Time Measurement Function

Input pulse cycle or pulse width from external devices can be measured using time measurement function.

Table 3.1 lists the Time Measurement Function Settings. The operation using the settings checked with '✓' is explained in this application note.

**Table 3.1 Time Measurement Function Settings**

Item	Setting
Trigger input polarities	✓ Rising edge of the INPC1_j (j = 0 to 7) pin input
	Falling edge of the INPC1_j pin input
	Both edges of the INPC1_j pin input
Digital filter functions	✓ No digital filter
	fBT1
	f1TIMS or f2TIMS
Prescaler functions	Not used
	✓ Used
Gate functions	✓ Gate function not used
	Gate function used
Channels	Channel 0
	Channel 1
	Channel 2
	Channel 3
	Channel 4
	Channel 5
	✓ Channel 6
	Channel 7
Interrupts	✓ IC/OC base timer interrupt (interrupt priority level: level 4)
	✓ IC/OC interrupt 0 (interrupt priority level: level 3)
	IC/OC interrupt 1
	IC/OC channel 0 interrupt
	IC/OC channel 1 interrupt
	IC/OC channel 2 interrupt
	IC/OC channel 3 interrupt

### 3.2 Prescaler function

The time measurement is performed every time a trigger input is counted (G1TPRk register value + 1 (k = 6 and 7)) times.

Figure 3.1 shows the Time Measurement with Prescaler Function (Prescaler Cycle).

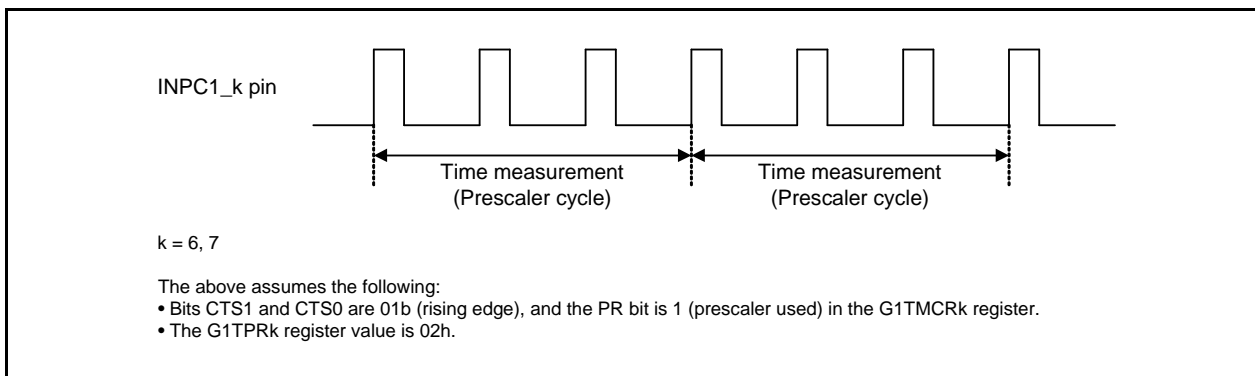


Figure 3.1 Time Measurement with Prescaler Function (Prescaler Cycle)

### 3.3 Note on Prescaler Function

After setting the PR bit in the G1TMCRk register to 1 (prescaler function used) from 0 (prescaler function not used), the first prescaler cycle may become n instead of n + 1 (n is the set value in the G1TPRk register). The subsequent prescaler cycle becomes n + 1.

## 4. Peripheral Functions

This chapter provides supplementary information about notes on timer S. Refer to the User's Manual: Hardware for details.

### 4.1 Notes on Timer S

#### 4.1.1 Interrupt Request When Selecting Time Measurement Function

When the FSC<sub>j</sub> bit ( $j = 0$  to  $7$ ) in the G1FS register is set to 1, and the IFE<sub>j</sub> bit in the G1FE register is also set to 1, the G1IR<sub>j</sub> bit in the G1IR register, or the IR bits in registers ICOCiIC ( $i = 0, 1$ ) or ICOCHjIC ( $j = 0$  to  $3$ ) may become 1 (interrupt requested) after a maximum of two fBT1 cycles <sup>(1)</sup>.

When using IC/OC interrupt  $i$  or IC/OC channel  $j$  interrupt, set bits FSC<sub>j</sub> and IFE<sub>j</sub> to 1, then perform the following:

- (1) Wait for two or more fBT1 cycles <sup>(1)</sup>.
- (2) Set the IR bit in the ICOCiIC register and/or the ICOCHjIC register to 0.
- (3) Wait for three or more fBT1 cycles <sup>(1)</sup> after the time measurement function is selected. Set the G1IR register to 00h <sup>(2)</sup> after setting the IR bit in the ICOCiIC register to 0.

Notes:

1. When using the digital filter, time required for the function also needs to be considered.
2. Verify the value in the G1IR register is 00h by reading. If the read value is not 00h, repeat writing 00h to the G1IR register.

## 5. Application Example

### 5.1 Explanation of the Sample Program

Trigger input is counted using the prescaler function of time measurement function with channel 6. A time measurement is performed every three times a trigger is input.

In the IC/OC interrupt 0 handler, the G1TM6 register value is read, and a prescaler cycle is calculated by the difference between the previous and current read values.

In this sample program, a measurement for a maximum of two cycles of the base timer (i.e., for one overflow) can be performed.

The clock conditions are as follows:

- Main clock: 20 MHz
- Base timer operation clock (fBT1): 10 MHz

Table 5.1 lists the Variables for the Sample Program, and Figure 5.1 shows a Sample Program Operation.

**Table 5.1 Variables for the Sample Program**

Variable Name	Purpose
old_tr	To store the G1TM6 register previous value
new_tr	To store the G1TM6 register current value
measurement	To store the calculated prescaler cycle
over_run_f (overrun flag)	To confirm whether a base timer overflow occurs or not

- (1) After timer S is initialized, the BTS bit in the G1BCR1 register is set to 1 (base timer count starts).
- (2) When a prescaler becomes 0 and a rising edge is received, IC/OC interrupt 0 occurs. The G1IR6 bit in the G1IR register is cleared in the IC/OC interrupt 0 handler. The previous measured value is stored in the variable (old\_tr) and current measured value is stored in the variable (new\_tr). Then, the overrun flag is read to confirm whether the base timer overflows while measuring.

When an overflow occurs:

A prescaler cycle is calculated by the calculation method with overflow ( $10000h - old\_tr + new\_tr$ ), and the result is stored in the variable (measurement).

When an overflow does not occur:

A prescaler cycle is calculated by the calculation method without overflow ( $new\_tr - old\_tr$ ), and the result is stored in the variable (measurement).

(In this sample program, the first calculated result of time measurement is undefined.)

The overrun flag is cleared at the end.

- (3) When base timer overflows, IC/OC base timer interrupt occurs. The overrun flag is set in the base timer interrupt handler.

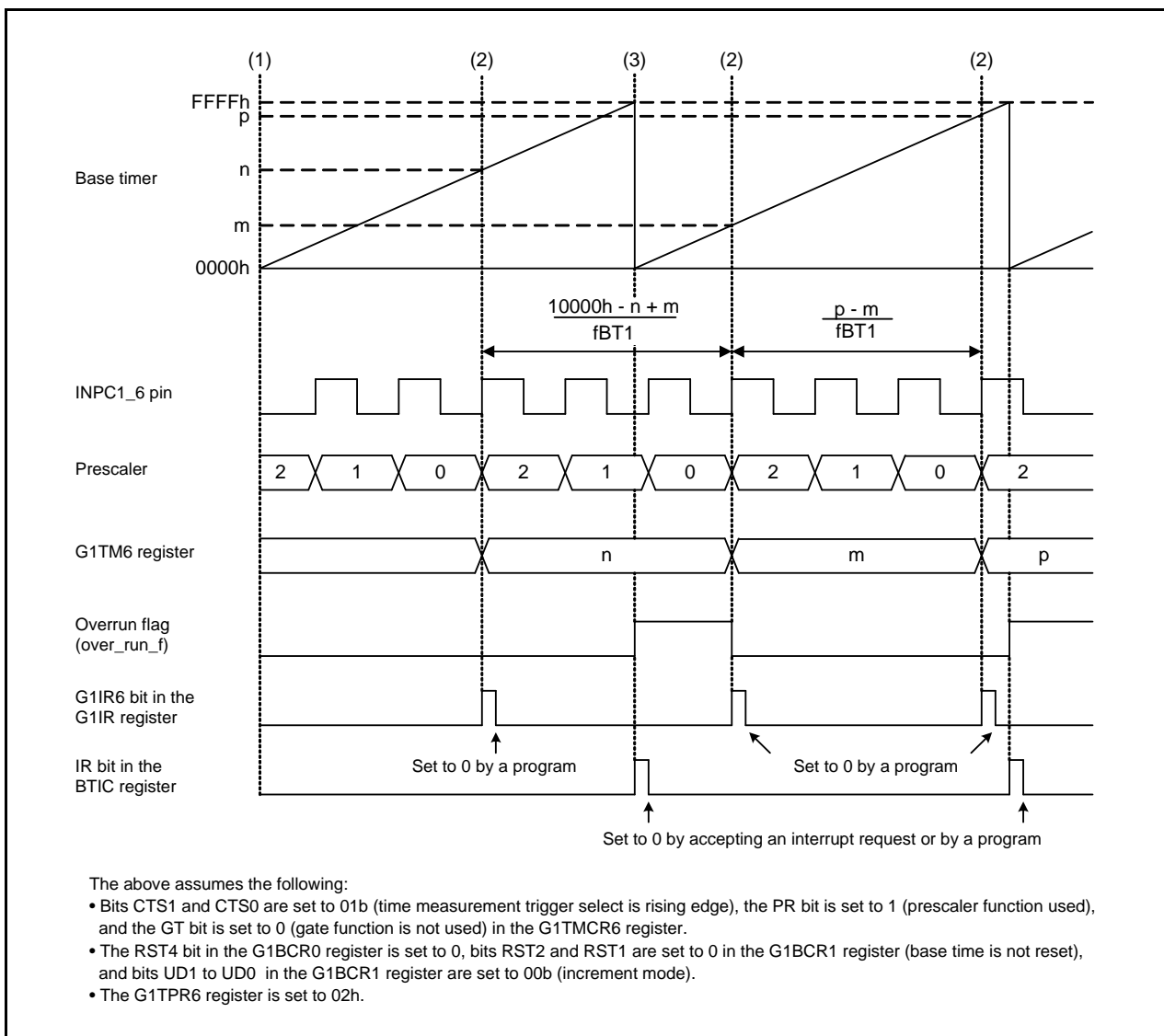
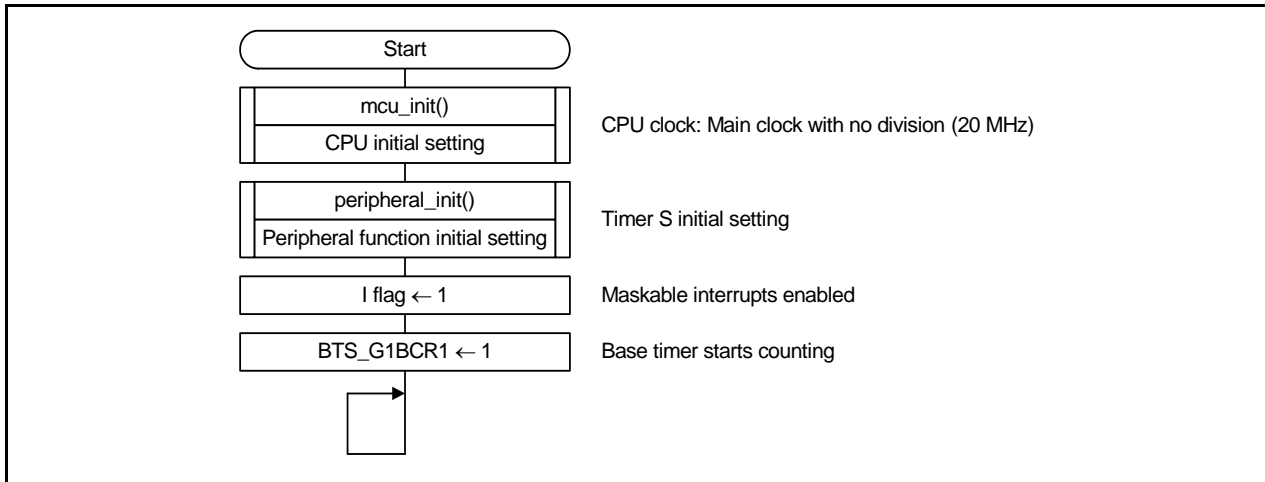


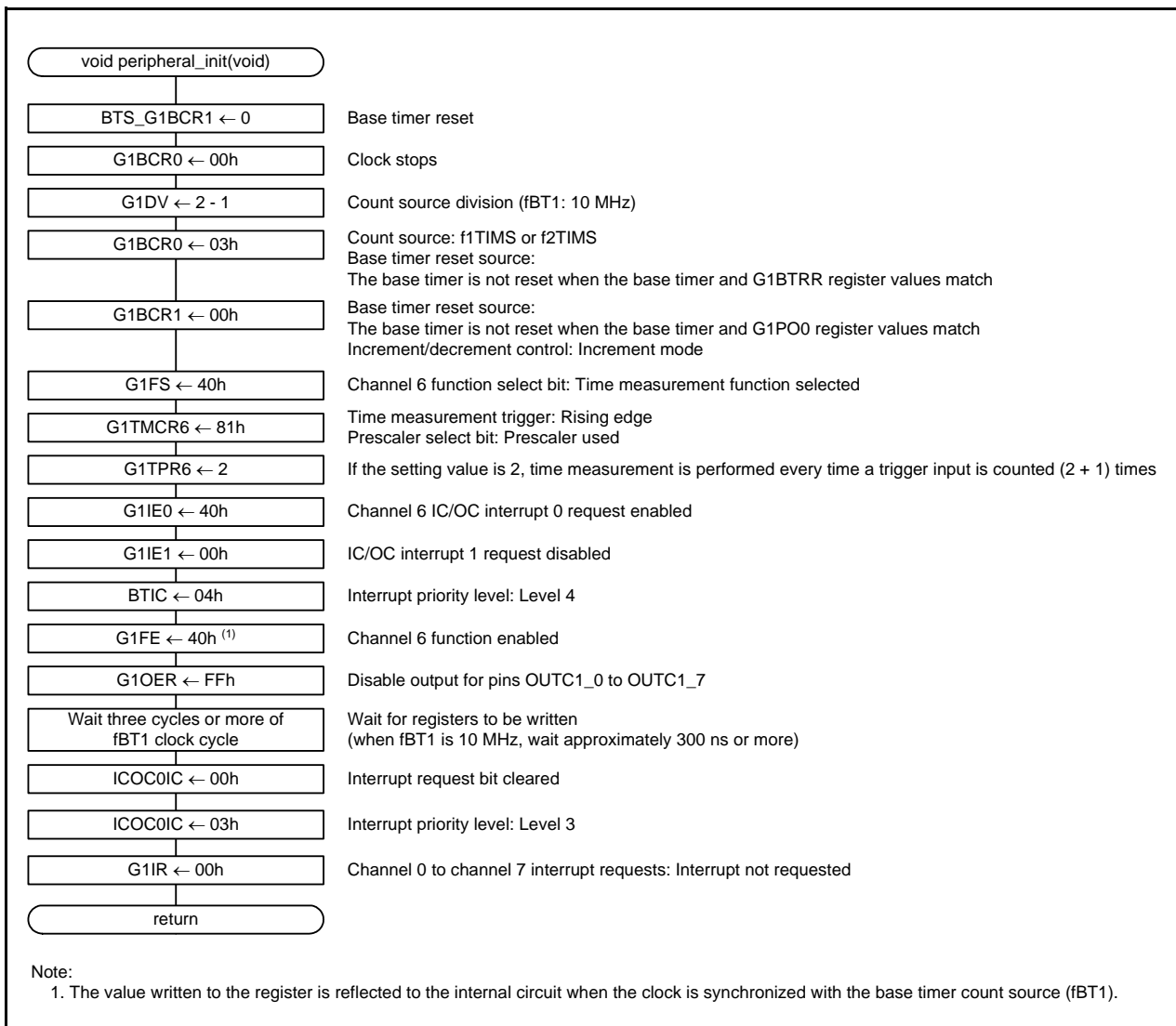
Figure 5.1 Sample Program Operation

## 5.2 Settings

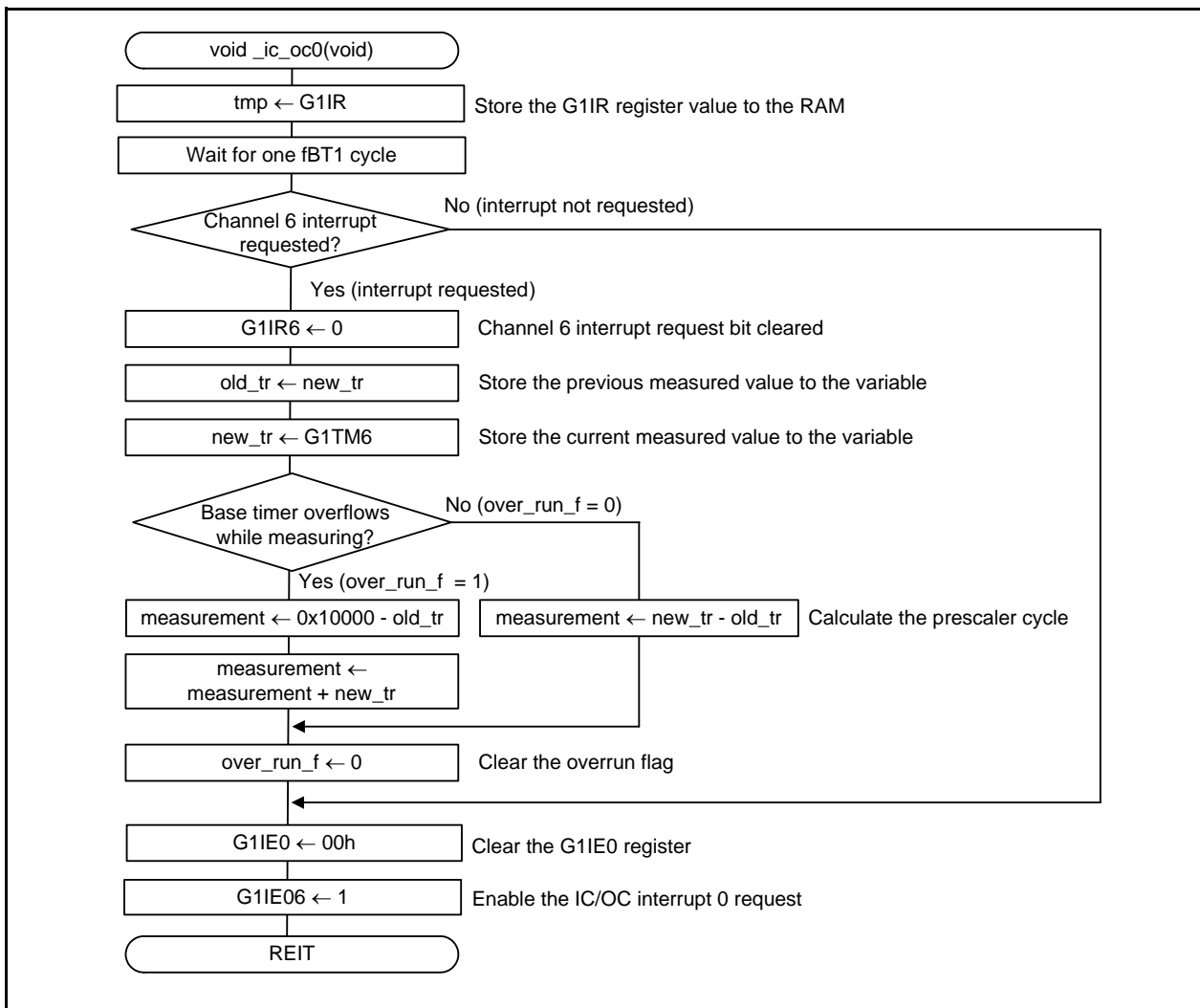
### 5.2.1 Main Function



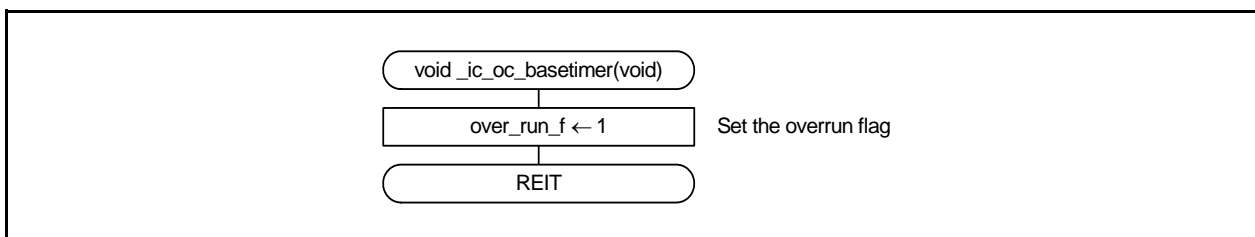
### 5.2.2 Peripheral Function Initial Setting



### 5.2.3 IO/CO Interrupt 0 Function



### 5.2.4 Base Timer Interrupt Function





## 6. Sample Program

A sample program can be downloaded from the Renesas Electronics website.

## 7. Reference Documents

M16C/5LD Group, M16C/56D Group User's Manual: Hardware Rev.1.20

M16C/5L Group, M16C/56 Group User's Manual: Hardware Rev.1.10

M16C/5M Group, M16C/57 Group User's Manual: Hardware Rev.1.10

M16C/6C Group User's Manual: Hardware Rev.2.00

The latest versions can be downloaded from the Renesas Electronics website.

Technical Update/Technical News

The latest information can be downloaded from the Renesas Electronics website.

C Compiler User's Manual

M16C Series, R8C Family C Compiler Package V.5.45

C Compiler User's Manual Rev.2.00

The latest version can be downloaded from the Renesas Electronics website.

## Website and Support

Renesas Electronics website

<http://www.renesas.com/>

Inquiries

<http://www.renesas.com/contact/>

Revision History	M16C/5LD, M16C/56D, M16C/5L, M16C/56, M16C/5M, M16C/57, and M16C/6C Groups Time Measurement Function of Timer S with Prescaler Function
------------------	--

Rev.	Date	Description	
		Page	Summary
1.00	Jul 30, 2010	—	First edition issued
1.01	Feb 29, 2012	—	Added M16C/57 Group.
		4	4. Peripheral Functions: Added.
		5	5.1 Explanation of the Sample Program: Rewritten.
		7	5.2.2 Peripheral Function Initial Setting: Changed.
		7	5.2.3 IO/CO Interrupt 0 Function: Changed.
		9	7. Reference Documents: Updated.
		9	Website and Support: Updated the URL of the Inquiries.

All trademarks and registered trademarks are the property of their respective owners.

## General Precautions in the Handling of MPU/MCU Products

The following usage notes are applicable to all MPU/MCU products from Renesas. For detailed usage notes on the products covered by this manual, refer to the relevant sections of the manual. If the descriptions under General Precautions in the Handling of MPU/MCU Products and in the body of the manual differ from each other, the description in the body of the manual takes precedence.

### 1. Handling of Unused Pins

Handle unused pins in accord with the directions given under Handling of Unused Pins in the manual.

- The input pins of CMOS products are generally in the high-impedance state. In operation with an unused pin in the open-circuit state, extra electromagnetic noise is induced in the vicinity of LSI, an associated shoot-through current flows internally, and malfunctions occur due to the false recognition of the pin state as an input signal become possible. Unused pins should be handled as described under Handling of Unused Pins in the manual.

### 2. Processing at Power-on

The state of the product is undefined at the moment when power is supplied.

- The states of internal circuits in the LSI are indeterminate and the states of register settings and pins are undefined at the moment when power is supplied.

In a finished product where the reset signal is applied to the external reset pin, the states of pins are not guaranteed from the moment when power is supplied until the reset process is completed.

In a similar way, the states of pins in a product that is reset by an on-chip power-on reset function are not guaranteed from the moment when power is supplied until the power reaches the level at which resetting has been specified.

### 3. Prohibition of Access to Reserved Addresses

Access to reserved addresses is prohibited.

- The reserved addresses are provided for the possible future expansion of functions. Do not access these addresses; the correct operation of LSI is not guaranteed if they are accessed.

### 4. Clock Signals

After applying a reset, only release the reset line after the operating clock signal has become stable. When switching the clock signal during program execution, wait until the target clock signal has stabilized.

- When the clock signal is generated with an external resonator (or from an external oscillator) during a reset, ensure that the reset line is only released after full stabilization of the clock signal. Moreover, when switching to a clock signal produced with an external resonator (or by an external oscillator) while program execution is in progress, wait until the target clock signal is stable.

### 5. Differences between Products

Before changing from one product to another, i.e. to one with a different part number, confirm that the change will not lead to problems.

- The characteristics of MPU/MCU in the same group but having different part numbers may differ because of the differences in internal memory capacity and layout pattern. When changing to products of different part numbers, implement a system-evaluation test for each of the products.

## Notice

- All information included in this document is current as of the date this document is issued. Such information, however, is subject to change without any prior notice. Before purchasing or using any Renesas Electronics products listed herein, please confirm the latest product information with a Renesas Electronics sales office. Also, please pay regular and careful attention to additional and different information to be disclosed by Renesas Electronics such as that disclosed through our website.
- Renesas Electronics does not assume any liability for infringement of patents, copyrights, or other intellectual property rights of third parties by or arising from the use of Renesas Electronics products or technical information described in this document. No license, express, implied or otherwise, is granted hereby under any patents, copyrights or other intellectual property rights of Renesas Electronics or others.
- You should not alter, modify, copy, or otherwise misappropriate any Renesas Electronics product, whether in whole or in part.
- Descriptions of circuits, software and other related information in this document are provided only to illustrate the operation of semiconductor products and application examples. You are fully responsible for the incorporation of these circuits, software, and information in the design of your equipment. Renesas Electronics assumes no responsibility for any losses incurred by you or third parties arising from the use of these circuits, software, or information.
- When exporting the products or technology described in this document, you should comply with the applicable export control laws and regulations and follow the procedures required by such laws and regulations. You should not use Renesas Electronics products or the technology described in this document for any purpose relating to military applications or use by the military, including but not limited to the development of weapons of mass destruction. Renesas Electronics products and technology may not be used for or incorporated into any products or systems whose manufacture, use, or sale is prohibited under any applicable domestic or foreign laws or regulations.
- Renesas Electronics has used reasonable care in preparing the information included in this document, but Renesas Electronics does not warrant that such information is error free. Renesas Electronics assumes no liability whatsoever for any damages incurred by you resulting from errors in or omissions from the information included herein.
- Renesas Electronics products are classified according to the following three quality grades: "Standard", "High Quality", and "Specific". The recommended applications for each Renesas Electronics product depends on the product's quality grade, as indicated below. You must check the quality grade of each Renesas Electronics product before using it in a particular application. You may not use any Renesas Electronics product for any application categorized as "Specific" without the prior written consent of Renesas Electronics. Further, you may not use any Renesas Electronics product for any application for which it is not intended without the prior written consent of Renesas Electronics. Renesas Electronics shall not be in any way liable for any damages or losses incurred by you or third parties arising from the use of any Renesas Electronics product for an application categorized as "Specific" or for which the product is not intended where you have failed to obtain the prior written consent of Renesas Electronics. The quality grade of each Renesas Electronics product is "Standard" unless otherwise expressly specified in a Renesas Electronics data sheets or data books, etc.  
"Standard": Computers; office equipment; communications equipment; test and measurement equipment; audio and visual equipment; home electronic appliances; machine tools; personal electronic equipment; and industrial robots.  
"High Quality": Transportation equipment (automobiles, trains, ships, etc.); traffic control systems; anti-disaster systems; anti-crime systems; safety equipment; and medical equipment not specifically designed for life support.  
"Specific": Aircraft; aerospace equipment; submersible repeaters; nuclear reactor control systems; medical equipment or systems for life support (e.g. artificial life support devices or systems), surgical implantations, or healthcare intervention (e.g. excision, etc.), and any other applications or purposes that pose a direct threat to human life.
- You should use the Renesas Electronics products described in this document within the range specified by Renesas Electronics, especially with respect to the maximum rating, operating supply voltage range, movement power voltage range, heat radiation characteristics, installation and other product characteristics. Renesas Electronics shall have no liability for malfunctions or damages arising out of the use of Renesas Electronics products beyond such specified ranges.
- Although Renesas Electronics endeavors to improve the quality and reliability of its products, semiconductor products have specific characteristics such as the occurrence of failure at a certain rate and malfunctions under certain use conditions. Further, Renesas Electronics products are not subject to radiation resistance design. Please be sure to implement safety measures to guard them against the possibility of physical injury, and injury or damage caused by fire in the event of the failure of a Renesas Electronics product, such as safety design for hardware and software including but not limited to redundancy, fire control and malfunction prevention, appropriate treatment for aging degradation or any other appropriate measures. Because the evaluation of microcomputer software alone is very difficult, please evaluate the safety of the final products or system manufactured by you.
- Please contact a Renesas Electronics sales office for details as to environmental matters such as the environmental compatibility of each Renesas Electronics product. Please use Renesas Electronics products in compliance with all applicable laws and regulations that regulate the inclusion or use of controlled substances, including without limitation, the EU RoHS Directive. Renesas Electronics assumes no liability for damages or losses occurring as a result of your noncompliance with applicable laws and regulations.
- This document may not be reproduced or duplicated, in any form, in whole or in part, without prior written consent of Renesas Electronics.
- Please contact a Renesas Electronics sales office if you have any questions regarding the information contained in this document or Renesas Electronics products, or if you have any other inquiries.  
(Note 1) "Renesas Electronics" as used in this document means Renesas Electronics Corporation and also includes its majority-owned subsidiaries.  
(Note 2) "Renesas Electronics product(s)" means any product developed or manufactured by or for Renesas Electronics.



### SALES OFFICES

Renesas Electronics Corporation

<http://www.renesas.com>

Refer to "<http://www.renesas.com/>" for the latest and detailed information.

**Renesas Electronics America Inc.**  
2880 Scott Boulevard Santa Clara, CA 95050-2554, U.S.A.  
Tel: +1-408-586-6000, Fax: +1-408-586-6130

**Renesas Electronics Canada Limited**  
1101 Nicholson Road, Newmarket, Ontario L3Y 9C3, Canada  
Tel: +1-905-898-5441, Fax: +1-905-898-3220

**Renesas Electronics Europe Limited**  
Dukes Meadow, Millboard Road, Bourne End, Buckinghamshire, SL8 5FH, U.K.  
Tel: +44-1628-585-100, Fax: +44-1628-585-900

**Renesas Electronics Europe GmbH**  
Arcadiastrasse 10, 40472 Düsseldorf, Germany  
Tel: +49-211-65030, Fax: +49-211-6503-1327

**Renesas Electronics (China) Co., Ltd.**  
7th Floor, Quantum Plaza, No.27 ZhiChunLu Haidian District, Beijing 100083, P.R.China  
Tel: +86-10-8235-1155, Fax: +86-10-8235-7679

**Renesas Electronics (Shanghai) Co., Ltd.**  
Unit 204, 205, AZIA Center, No.1233 Lujiazui Ring Rd., Pudong District, Shanghai 200120, China  
Tel: +86-21-5877-1818, Fax: +86-21-6887-7858 / -7898

**Renesas Electronics Hong Kong Limited**  
Unit 1601-1613, 16/F., Tower 2, Grand Century Place, 193 Prince Edward Road West, Mongkok, Kowloon, Hong Kong  
Tel: +852-2886-9318, Fax: +852 2886-9022/9044

**Renesas Electronics Taiwan Co., Ltd.**  
13F, No. 363, Fu Shing North Road, Taipei, Taiwan  
Tel: +886-2-8175-9600, Fax: +886 2-8175-9670

**Renesas Electronics Singapore Pte. Ltd.**  
1 HarbourFront Avenue, #06-10, Keppel Bay Tower, Singapore 098632  
Tel: +65-6213-0200, Fax: +65-6276-8001

**Renesas Electronics Malaysia Sdn.Bhd.**  
Unit 906, Block B, Menara Amcorp, Amcorp Trade Centre, No. 18, Jin Persiaran Barat, 46050 Petaling Jaya, Selangor Darul Ehsan, Malaysia  
Tel: +60-3-7955-9390, Fax: +60-3-7955-9510

**Renesas Electronics Korea Co., Ltd.**  
11F., Samik Lavied' or Bldg., 720-2 Yeoksam-Dong, Kangnam-Ku, Seoul 135-080, Korea  
Tel: +82-2-558-3737, Fax: +82-2-558-5141