



Initializing Blank Flash Devices on Embedded Platforms

80C2000_AN003_02

November 2, 2009

6024 Silver Creek Valley Road San Jose, California 95138

Telephone: (408) 284-8200 • FAX: (408) 284-3572

Printed in U.S.A.

©2009 Integrated Device Technology, Inc.

GENERAL DISCLAIMER

Integrated Device Technology, Inc. ("IDT") reserves the right to make changes to its products or specifications at any time, without notice, in order to improve design or performance. IDT does not assume responsibility for use of any circuitry described herein other than the circuitry embodied in an IDT product. Disclosure of the information herein does not convey a license or any other right, by implication or otherwise, in any patent, trademark, or other intellectual property right of IDT. IDT products may contain errata which can affect product performance to a minor or immaterial degree. Current characterized errata will be made available upon request. Items identified herein as "reserved" or "undefined" are reserved for future definition. IDT does not assume responsibility for conflicts or incompatibilities arising from the future definition of such items. IDT products have not been designed, tested, or manufactured for use in, and thus are not warranted for, applications where the failure, malfunction, or any inaccuracy in the application carries a risk of death, serious bodily injury, or damage to tangible property. Code examples provided herein by IDT are for illustrative purposes only and should not be relied upon for developing applications. Any use of such code examples shall be at the user's sole risk.

Copyright © 2009 Integrated Device Technology, Inc.
All Rights Reserved.

The IDT logo is registered to Integrated Device Technology, Inc. IDT is a trademark of Integrated Device Technology, Inc.

Initializing Blank Flash Devices on Embedded Platforms

This application note describes a design method for an embedded system that easily allows loading the contents of a (potentially blank) flash from the PCI bus. A secondary benefit is that when the switches are reset, different boot images can be selected.

This application note applies to both the Tsi106 and Tsi107 devices. Any differences are noted in the document (see Section 1.4, “Tsi106 Restrictions” 7).

This application note covers the following topics:

Topic	Page
Section 1.1, “Overview”	4
Section 1.2, “Hardware Implementation”	4
Section 1.3, “Local Program Software”	6
Section 1.4, “Tsi106 Restrictions”	7
Section 1.5, “Other Restrictions”	8
Section 1.6, “Conclusion”	8

The Tsi106 and Tsi107 can load start-up code from a flash device called the *boot flash*. This flash device is typically located on the local memory bus, but can be optionally redirected to the PCI bus. To enhance performance or system architecture, the boot flash should be on the local bus.

When an embedded system is manufactured, the boot flash is often completely blank and requires initialization from a master image. If a boot-sector flash (pre-loaded with appropriate software) is not appropriate or not available, the local memory bus flash can be programmed in place only with special tools such as in-circuit programmers or JTAG tools.

The Tsi106 and Tsi107 share a common architecture, and the same restrictions that prevent the most obvious solutions from working affect them all. These restrictions include the following limitations:

- External PCI masters cannot write to the flash/ROM addresses.
- External PCI masters cannot configure the target system sufficiently to force it to boot into a configured and downloaded DRAM. The target must initialize its own memory, which requires it to run a program, which in turn requires a non-blank flash.
- When the controller is configured to boot from a PCI-hosted ROM, it loses the access to the local boot ROM space that $\overline{RCS0}$ controls.
- When the controller is configured to boot from local ROM, it loses access to the PCI boot ROM space that a PCI-to-ISA bridge usually provides.

The following sections provide a solution that works for the Tsi106 and Tsi107 and requires only a small amount of hardware and software support.

1.1 Overview

The method outlined in this application note uses one of the additional chip-select lines ($\overline{RCS1}$, $\overline{RCS2}$ and $\overline{RCS3}$) that the Tsi106 and Tsi107 provide. ($\overline{RCS2}$ and $\overline{RCS3}$ are available only on the Tsi107.) With a small amount of hardware, the system can recover access to the local ROM when booting from PCI by relocating the local boot ROM to a different chip select. The system requires that the embedded controller has the following facilities:

- Access to a PCI-hosted local ROM
- Hardware to re-route $\overline{RCS0}$ and one of $\overline{RCS1}$, $\overline{RCS2}$ or $\overline{RCS3}$

1.2 Hardware Implementation

The hardware requirement is minimal, and can be implemented with a three-position jumper. It can fit in a PAL or tiny fraction of an ASIC, or can be implemented with discrete gates. Two different implementation methods, which are shown in Figure 1 and Figure 2, consist of a few gates that are inserted between the $\overline{RCS0}$ signal and the chip select (\overline{CS}) of the flash or a simple three-position jumper.

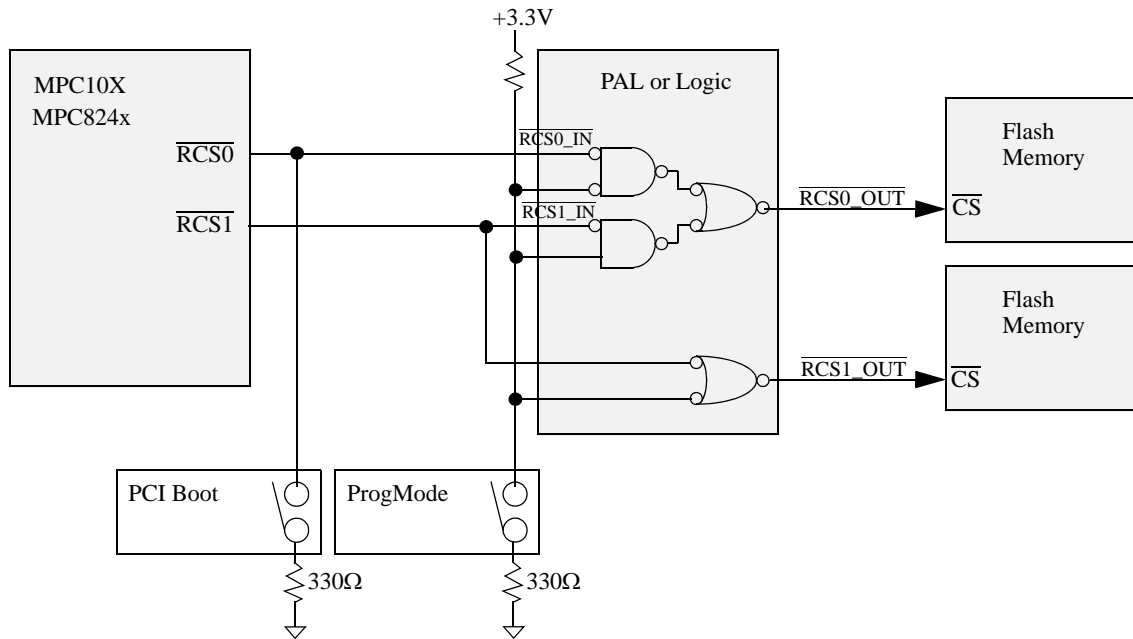


Figure 1. RCS Routing Logic - PAL/FPGA Version

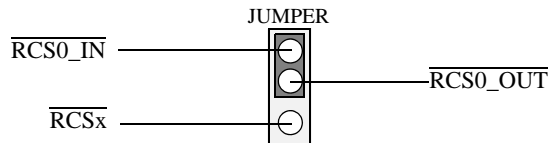


Figure 2. RCS Routing Logic - Jumper Version

Whether logic, jumpers, or switches are used depends largely upon reliability and the designer’s accessibility requirements. Any of these methods can serve for the purposes of this application note. The following VHDL code is representative of code that a PAL or ASIC implementation uses:

```

rsc0o_L <= '0' WHEN ( (rsc0i_L = '0' AND progmode_L = '1')
                     OR (rsc1i_L = '0' AND progmode_L = '0'))
                ELSE '1';

rsc1o_L <= '0' WHEN (rsc1i_L = '0' AND progmode_L = '0')
                ELSE '1';

```

The essence of the logic is that in normal mode when PROGMODE is high, the RCS0_OUT and RCS1_OUT pins follow their respective RCSx_IN inputs and act as normal flash, ROM, or I/O chip selects. In program mode, when PROGMODE is asserted low, RCS1_OUT is deactivated and RCS0_OUT is asserted whenever RCS1_IN is asserted.

Note that $\overline{RCS0}$ appears to be asserted while booting from PCI. The memory controller does not drive the line, and the external pull-down apparently makes it low. The logic must account for this situation, and the board must not fail to operate when a flash device is present and always enabled. (Usually, when PCI boot is enabled $\overline{RCS0}$ is not used.) The logic shown above handles this situation.

Note also that the logic is required even if $\overline{RCS1}$ is never used. Without $\overline{PROGMODE}$, the flash would be permanently enabled when PCI boot is selected. Therefore, while the logic can be simplified, it cannot be reduced to an 'OR' of the two signals ($\overline{RCS0}$ and $\overline{RCS1}$). $\overline{PROGMODE}$ must be involved.

1.3 Local Program Software

Hardware and a few software issues must be addressed. A custom controller program for the PCI master, which transfers the desired program to the device to program, must be created. This image could be embedded in the PCI boot ROM or transferred to PCI memory from disk, depending on the complexity of the master program.

An alternate approach is to have the same code run in both the PCI and local ROM spaces. Because the Tsi106 and Tsi107 devices do not treat the memory spaces differently, no programming effort is required for the application. Instead, the code can be manually instructed to copy itself to local ROM or can automatically detect it running on PCI and initiate the transfer automatically.

The general programming steps are as follows:

1. Set board to boot from PCI space with hardware jumper or switch. Use a switch enabling a pull-down resistor on $\overline{RCS0}$. This step must be done in hardware.
2. Enable 'program mode' using a hardware jumper if needed.
3. Apply power and reset.
4. The board fetches instructions from PCI.
5. Initialization software sets the PICR2[CF_FF0_LOCAL] bit to re-enable local access to the $\overline{RCS1}$ flash space.
6. Startup code either automatically enters program mode or waits for a command from the user.
7. Software copies itself from PCI ROM (at 0xFF800000–0xFFFFFFFF or as size indicates) to local ROM (at 0xFF000000–0xFF7FFFFFFF) using normal flash write algorithms. With the logic above writes to the $\overline{RCS1}$ space are redirected to the $\overline{RCS0}$ flash space.
8. Remove program mode and PCI boot options.
9. Apply reset. The board boots from newly-programmed local flash.

Note that the software routine must use the proper alignment of stores when writing to the $\overline{RCS1}$ space: 32- or 64-bits. The Tsi107 does not require that the write operation is the same size of the write, but the store address must be properly adjusted. The following copy sequence is used:

```

//!=====
//! Enter unlock sequence for flash if needed, by doing dummy writes to
//! special addresses.
lis    r3,0x0010                                //!< Set R3 = 1M
mtctr  r3                                        //!< store in counter register
lis    r3,0xFFFF0                               //!< R3 is now PCI flash/ROM address
lis    r4,0xFF00                                //!< R4 is now local aliases flash address

```

```

loop:lbz r5,0(r3)

    /* Do program enable sequence for flash, if needed.
    stb    r5,0(r4)                /* Write new byte
    addi   r3,1                    /* Next byte-aligned byte
    addi   r4,4                    /* Next word-aligned byte (see text).
    bdnz  loop                    /* Until 1M done
  
```

Many flash devices require write sequences to dummy addresses before write operations can occur. This requirement is not shown in the code above.

1.4 Tsi106 Restrictions

The Tsi106 implements the methods that this application note describes, but has a serious limitation. The Tsi106 rejects writes to the $\overline{\text{RCS1}}$ space unless they are 64-bit single-beat writes. The only way to generate such a cycle is to use the floating-point unit to do a store. Since MPE60x processors do not have floating point, they cannot implement this method at all if the Tsi106 is used.

For others, the only difference shows up in writing to the $\overline{\text{RCS1}}$ address (which is actually the boot ROM). Since the write must occur in the floating-point unit, the code changes to:

```

align    8                        /* itof must be aligned
itof:bss 8                        /* 8 byte to hold GPR->FPR transfer

    /* Enter unlock sequence for flash if needed, by doing dummy writes to
    /* special addresses.

    lis    r3,0x0010                /* Set R3 = 1M
    mtctr  r3                       /* store in counter register
    lis    r3,0xFFFF0              /* R3 is now PCI flash/ROM address
    lis    r4,0xFF00                /* R4 is now local aliases flash address
    lis    r6,HI(itof)
    ori    r6,r6,LO(itof)          /* R6 points to 'itof' buffer
    loop:lbz r5,0(r3)              /* Move data from GPR5 to FPR5
    stb    r5,0(r6)
    lfd    f5,0(r6)

    /* Do program enable sequence for flash, if needed.
    stfd   f5,0(r4)                /* Write new byte
    addi   r3,1                    /* Next byte-aligned byte
  
```

```

addi    r4,4                //!< Next word-aligned byte (see text).
bdnz    loop                //!< Until 1M done

```

Note that the writes that unlock and enable programming for the flash device must be done with the 64-bit FPR registers.

1.5 Other Restrictions

Because the limited number of address lines that the Tsi106, flash ROMs larger than one Mbyte cannot be directly programmed. Software might be able to do bank selection to control the high-order address pin (SDMA0/SDBA1/AR0) directly, which the Tsi106 does not drive when writing to the $\overline{\text{RCS1}}$ space. This functionality is beyond the scope of this application note, but is relatively straightforward.

The $\overline{\text{RCS0}}$ space is often subdivided into spaces for ROM and I/O on embedded controllers. If so, this application note is still valid as long as the software can handle the fact that the I/O addresses change when in program mode. Because the change from local to PCI occurs only at reset, software should be able to configure I/O addresses then.

1.6 Conclusion

With some teamwork between the software and hardware, a blank, unsocketed flash program can be soldered directly to an embedded controller or computer system.

IMPORTANT NOTICE AND DISCLAIMER

RENESAS ELECTRONICS CORPORATION AND ITS SUBSIDIARIES (“RENESAS”) PROVIDES TECHNICAL SPECIFICATIONS AND RELIABILITY DATA (INCLUDING DATASHEETS), DESIGN RESOURCES (INCLUDING REFERENCE DESIGNS), APPLICATION OR OTHER DESIGN ADVICE, WEB TOOLS, SAFETY INFORMATION, AND OTHER RESOURCES “AS IS” AND WITH ALL FAULTS, AND DISCLAIMS ALL WARRANTIES, EXPRESS OR IMPLIED, INCLUDING, WITHOUT LIMITATION, ANY IMPLIED WARRANTIES OF MERCHANTABILITY, FITNESS FOR A PARTICULAR PURPOSE, OR NON-INFRINGEMENT OF THIRD-PARTY INTELLECTUAL PROPERTY RIGHTS.

These resources are intended for developers who are designing with Renesas products. You are solely responsible for (1) selecting the appropriate products for your application, (2) designing, validating, and testing your application, and (3) ensuring your application meets applicable standards, and any other safety, security, or other requirements. These resources are subject to change without notice. Renesas grants you permission to use these resources only to develop an application that uses Renesas products. Other reproduction or use of these resources is strictly prohibited. No license is granted to any other Renesas intellectual property or to any third-party intellectual property. Renesas disclaims responsibility for, and you will fully indemnify Renesas and its representatives against, any claims, damages, costs, losses, or liabilities arising from your use of these resources. Renesas' products are provided only subject to Renesas' Terms and Conditions of Sale or other applicable terms agreed to in writing. No use of any Renesas resources expands or otherwise alters any applicable warranties or warranty disclaimers for these products.

(Disclaimer Rev.1.01)

Corporate Headquarters

TOYOSU FORESIA, 3-2-24 Toyosu,
Koto-ku, Tokyo 135-0061, Japan
www.renesas.com

Trademarks

Renesas and the Renesas logo are trademarks of Renesas Electronics Corporation. All trademarks and registered trademarks are the property of their respective owners.

Contact Information

For further information on a product, technology, the most up-to-date version of a document, or your nearest sales office, please visit www.renesas.com/contact-us/.