

RJH65T46DPQ

Efficiency Improvement on PFC Circuits

Overview

This application note mainly discusses the Power Factor Correction (PFC) function and the improvement with the IGBT device - RJH65T46DPQ to compare with competitor product.

Target Device

IGBT: RJH65T46DPQ

Contents

1. Introduction.....	2
2. Passive Power Factor Collection	2
2.1 Introduction.....	2
2.2 Application	3
3. Active Power Factor Correction	4
3.1 Introduction.....	4
3.2 Application	4
3.3 Interleaved Power Factor Correction.....	5
4. Result Measurement.....	6
4.1 Evaluation Method.....	6
4.2 Measurement Result	6
5. IGBT Introduction	8
5.1 IGBT Outline.....	8
6. Conclusion.....	8
Revision History.....	9

1. Introduction

Power factor measures how efficiently electrical power is used, calculated as the ratio of real power (output) to apparent power (supplied). Power factor correction improves this ratio by adjusting the phase relationship between voltage and current, thereby reducing reactive power and enhancing energy efficiency. There are two main types of PFC: passive PFC and active PFC.

2. Passive Power Factor Correction

2.1 Introduction

Passive Power Factor Correction (PFC) consists of passive components and is a method used to enhance the efficiency of electrical devices by regulating how electricity flows through them. The power factor efficiency typically ranges between 70% and 80%.

This correction method employs a low-pass harmonic filter at the AC input. A capacitor and inductor form a series resonance circuit to filter out the high distortion harmonic waveforms, allowing only the 50 or 60Hz fundamental wave to increase the power factor. Therefore, its simple structure and affordability make it ideal for low-power applications, typically used in small power supplies of about 100W or less. However, this method also comes with disadvantages such as requiring a large filter size, heavy weight design, and lower efficiency compared to others design.

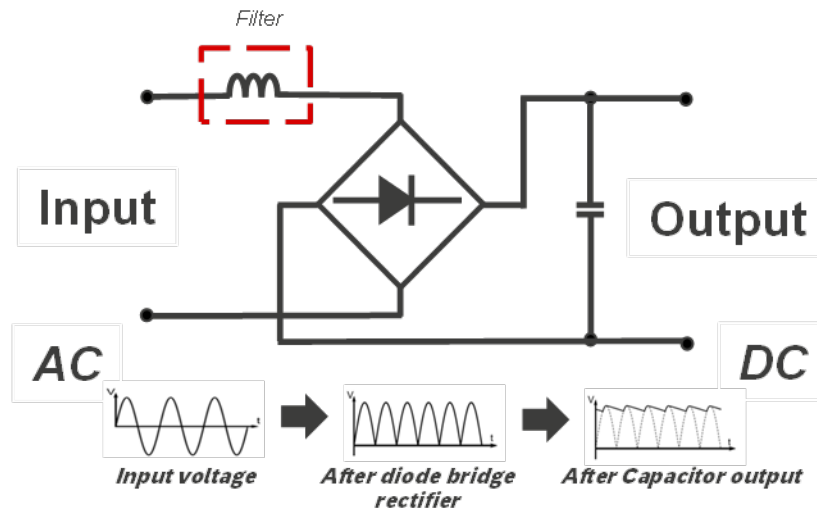


Figure 2-1 Passive Power Factor Correction

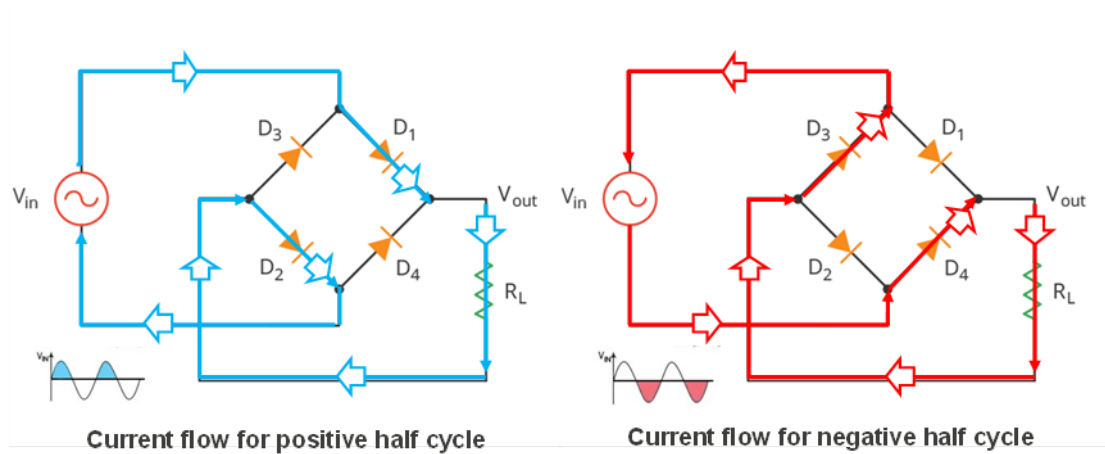


Figure 2-2 Current flow in Full Bridge rectifier

The illustration above shows the input voltage flow through the diode bridge circuit configuration, which controls full-wave AC voltage by allowing only positive voltage to pass through the rectifier.

2.2 Application

The passive PFC is utilized in various low-power applications which's below 100W, spanning low-power electronics, small household appliances, and basic electronic devices.

- Lower power electronics benefit from efficient power management, enhancing devices like chargers and adapters.
- Small household appliances such as coffee makers and hair dryers benefit from passive PFC without needing high power.
- Basic electronic devices like LED lights, small fans, and radios prioritize cost-effectiveness and simplicity, making Partial switching PFC an ideal choice.

3. Active Power Factor Correction

3.1 Introduction

Active Power Factor Correction (PFC), also known as full-switching PFC, utilizes a switching converter to modulate the distorted waveform and this helps improve power efficiency and quality by optimizing electrical systems. This is achieved through rapid switching of components such as transistors or MOSFETs, adjusting incoming AC voltage, and shaping current waveforms. It enables the power factor value to reach above 90%, and in specific designs, it can even achieve 99.99%. Active PFC can detect input voltages of 110V and 240V AC, resulting in smaller dimensions and weight compared to passive PFC for high-power applications.

This technology improves power factor, enhances efficiency by minimizing energy wastage and heat generation, and mitigates harmonic distortions, ensuring more effective use of electrical power and higher quality in electrical networks and devices. A boost converter as below figure is the most widely used circuit for these applications. The simplest boost converter consists of an inductor, a transistor, and a diode.

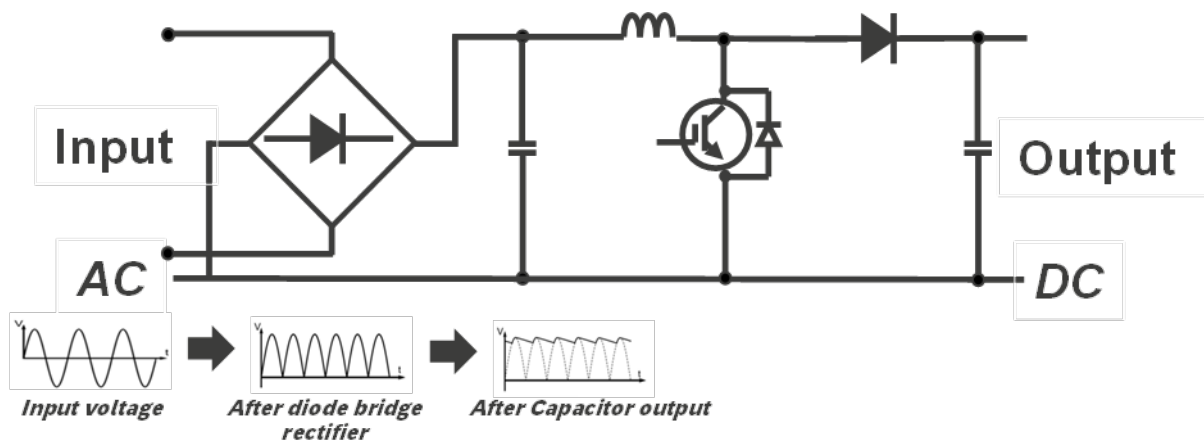


Figure 3-1 Active Power Factor Correction with switching

3.2 Application

Full switching power factor correction (PFC) is typically used in applications where maintaining a high-power efficient operation and compliance with power quality standards. Some common applications include:

- Industrial Motor Drives: Ensures efficient operation of large motors and reduces energy losses.
- Data Centers: Optimizes power usage of servers and equipment for reliable operation.
- Telecommunications: Maintains efficiency and power quality in communication systems.
- Consumer Electronics: Meets regulatory standards and improves energy efficiency in devices like computers and TVs.
- Renewable Energy Systems: Ensures smooth integration of solar and wind power systems with the grid.
- Electric Vehicle Chargers: Provides efficient charging and compliance with grid standards.

3.3 Interleaved Power Factor Correction

Interleaved Power Factor Correction (PFC) represents a more advanced and efficient alternative compared to traditional boost-type PFC systems. In this topology, two IGBTs work in tandem to emulate the functionality of a boost converter. This configuration not only enhances power efficiency by minimizing energy losses but also significantly reduces current ripple, thereby stabilizing fluctuating currents and mitigating harmonic distortions.

The integration of interleaved PFC is particularly beneficial in high-power applications where reliability and energy efficiency are paramount. By synchronizing the operation of multiple power stages, this method ensures smoother power delivery and superior performance across industrial machinery, telecommunications equipment, and server farms.

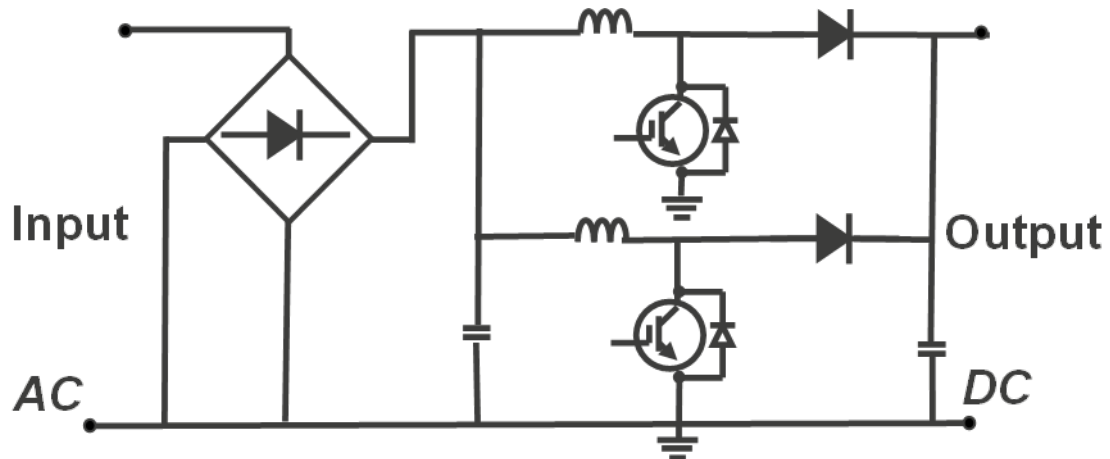


Figure 3-2 Interleaved Power Factor Correction

4. Result Measurement

4.1 Evaluation Method

Renesas has designed an evaluation board featuring an Interleaved PFC circuit for product internal evaluation. The board is primarily used to measure and compare the switching losses (ON/OFF) and conduction losses against competitor products during development.

4.2 Measurement Result

The graph in the figure below compares the efficiency of RJH65T46DPQ with a competitor product having similar specifications and power ratings. The results show that Renesas' product (blue line) achieves higher efficiency compared to the competitor (green line).

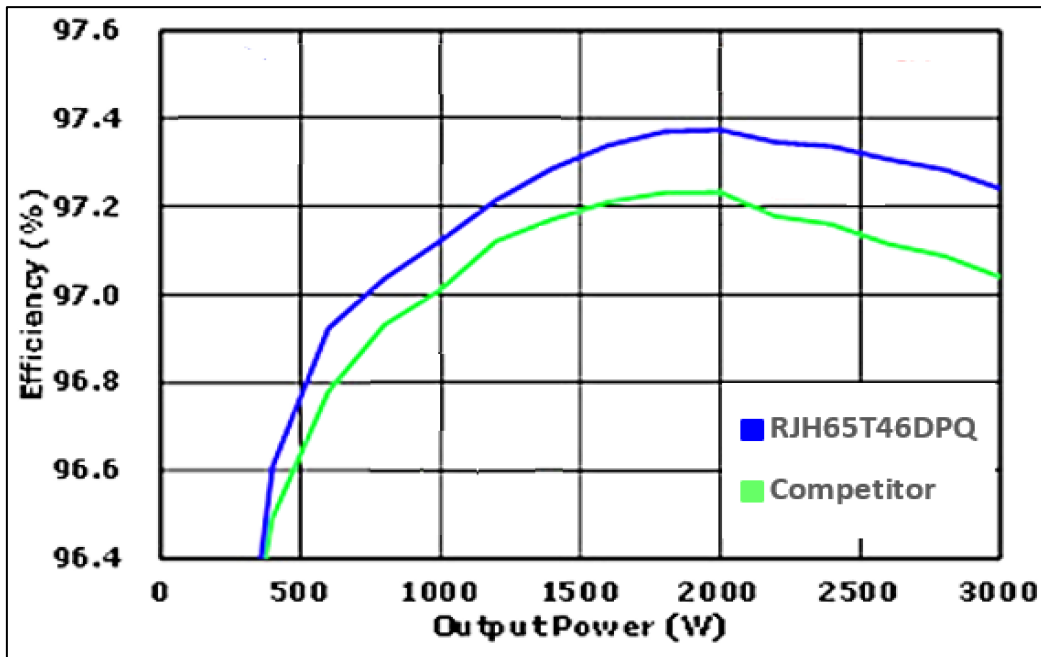


Figure 4-1 Output Power versus Efficiency Change

The graph below shows the switching (ON/OFF) and conduction losses. From the graph, it is evident that the RJH65T46DPQ manages losses better, at approximately 19 watts, compared to the competitor's 23 watts. This represents a 17% improvement over the competitor. The improvement in the evaluation is attributed to its lower VCE(SAT) of typically 1.8V and a good trr (100ns) due to the integrated FRD in the RJH65T46DPQ.

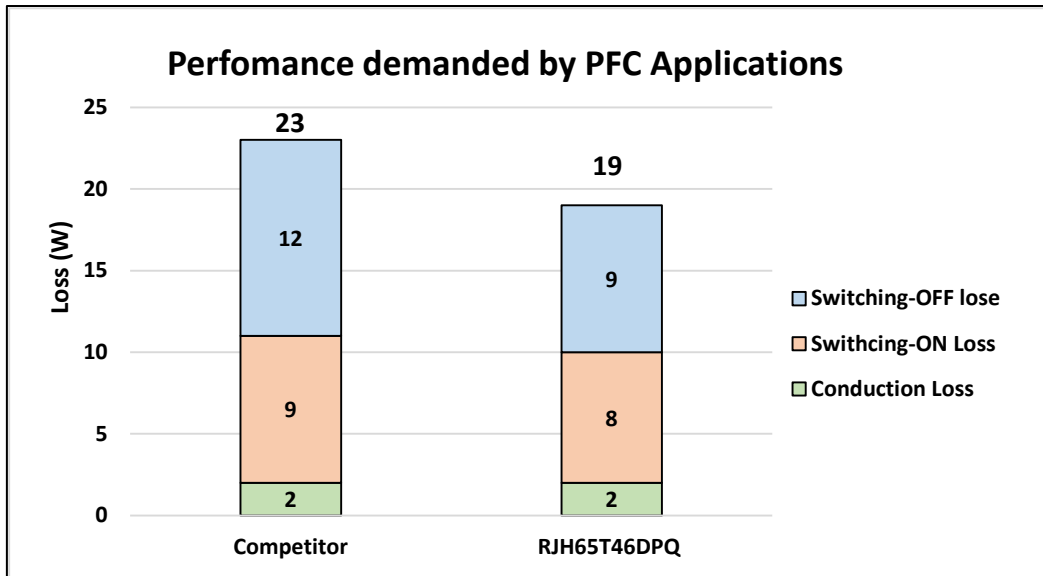


Figure 4-2 Performance demanded by PFC Applications

5. IGBT Introduction

The IGBT (RJH65T46DPQ) has been selected as the core component for this Power Factor Correction (PFC) circuit solution. With a voltage capability of 650V and a power switching capacity of 40A, this IGBT is specifically designed for PFC applications, ensuring efficient power conversion and improved power factor.

The RJH65T46DPQ IGBT is ideally suited for Power Factor Correction (PFC) circuits as:

- Trench gate and thin wafer technology (G7H series)
- Build in fast recovery diode in one package
- Low collector to emitter saturation voltage $V_{CE(sat)} = 1.8V$ typ. (at $I_C = 40A$, $V_{GE} = 15V$)
- High speed switching
- Operation frequency ($20kHz \leq f < 100kHz$)

Applicable applications include air conditioner outdoor units, industrial machinery, power supplies, and renewable energy systems

5.1 IGBT Outline

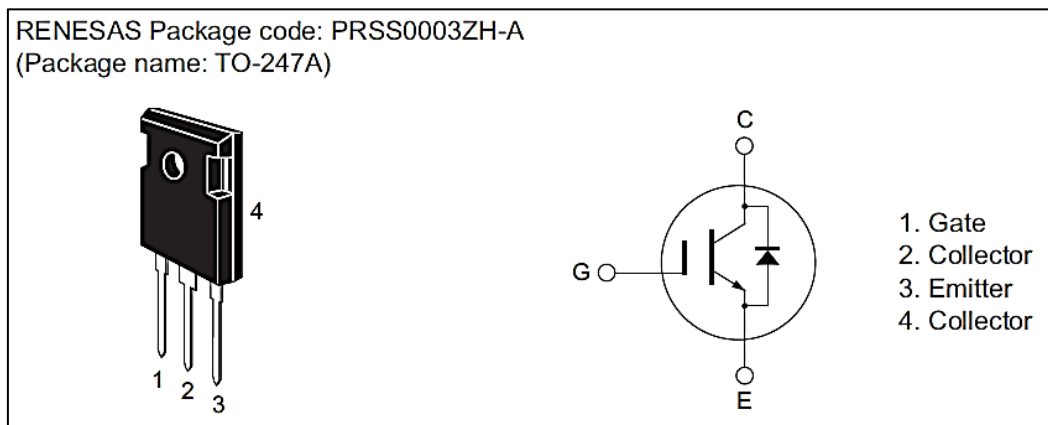


Figure 5-1 RJH65T46DPQ IGBT Outline

Note: The details of the IGBT can refer to datasheet at Renesas webpage.

6. Conclusion

In conclusion, Interleaved PFC offers superior performance and is well-suited for large power applications. It enhances power efficiency by reducing current ripple and switching losses. Renesas has conducted simulations using the interleaved PFC circuit board, demonstrating significant improvements in switching losses. This allows users to make more informed choices when selecting IGBT products.

Revision History

Rev.	Date	Description	
		Page	Summary
1. 00	Jul.24.24	-	First edition

Notice

1. Descriptions of circuits, software and other related information in this document are provided only to illustrate the operation of semiconductor products and application examples. You are fully responsible for the incorporation or any other use of the circuits, software, and information in the design of your product or system. Renesas Electronics disclaims any and all liability for any losses and damages incurred by you or third parties arising from the use of these circuits, software, or information.
2. Renesas Electronics hereby expressly disclaims any warranties against and liability for infringement or any other claims involving patents, copyrights, or other intellectual property rights of third parties, by or arising from the use of Renesas Electronics products or technical information described in this document, including but not limited to, the product data, drawings, charts, programs, algorithms, and application examples.
3. No license, express, implied or otherwise, is granted hereby under any patents, copyrights or other intellectual property rights of Renesas Electronics or others.
4. You shall be responsible for determining what licenses are required from any third parties, and obtaining such licenses for the lawful import, export, manufacture, sales, utilization, distribution or other disposal of any products incorporating Renesas Electronics products, if required.
5. You shall not alter, modify, copy, or reverse engineer any Renesas Electronics product, whether in whole or in part. Renesas Electronics disclaims any and all liability for any losses or damages incurred by you or third parties arising from such alteration, modification, copying or reverse engineering.
6. Renesas Electronics products are classified according to the following two quality grades: "Standard" and "High Quality". The intended applications for each Renesas Electronics product depends on the product's quality grade, as indicated below.
 - "Standard": Computers; office equipment; communications equipment; test and measurement equipment; audio and visual equipment; home electronic appliances; machine tools; personal electronic equipment; industrial robots; etc.
 - "High Quality": Transportation equipment (automobiles, trains, ships, etc.); traffic control (traffic lights); large-scale communication equipment; key financial terminal systems; safety control equipment; etc.

Unless expressly designated as a high reliability product or a product for harsh environments in a Renesas Electronics data sheet or other Renesas Electronics document, Renesas Electronics products are not intended or authorized for use in products or systems that may pose a direct threat to human life or bodily injury (artificial life support devices or systems; surgical implantations; etc.), or may cause serious property damage (space system; undersea repeaters; nuclear power control systems; aircraft control systems; key plant systems; military equipment; etc.). Renesas Electronics disclaims any and all liability for any damages or losses incurred by you or any third parties arising from the use of any Renesas Electronics product that is inconsistent with any Renesas Electronics data sheet, user's manual or other Renesas Electronics document.
7. No semiconductor product is absolutely secure. Notwithstanding any security measures or features that may be implemented in Renesas Electronics hardware or software products, Renesas Electronics shall have absolutely no liability arising out of any vulnerability or security breach, including but not limited to any unauthorized access to or use of a Renesas Electronics product or a system that uses a Renesas Electronics product. RENESAS ELECTRONICS DOES NOT WARRANT OR GUARANTEE THAT RENESAS ELECTRONICS PRODUCTS, OR ANY SYSTEMS CREATED USING RENESAS ELECTRONICS PRODUCTS WILL BE INVULNERABLE OR FREE FROM CORRUPTION, ATTACK, VIRUSES, INTERFERENCE, HACKING, DATA LOSS OR THEFT, OR OTHER SECURITY INTRUSION ("Vulnerability Issues"). RENESAS ELECTRONICS DISCLAIMS ANY AND ALL RESPONSIBILITY OR LIABILITY ARISING FROM OR RELATED TO ANY VULNERABILITY ISSUES. FURTHERMORE, TO THE EXTENT PERMITTED BY APPLICABLE LAW, RENESAS ELECTRONICS DISCLAIMS ANY AND ALL WARRANTIES, EXPRESS OR IMPLIED, WITH RESPECT TO THIS DOCUMENT AND ANY RELATED OR ACCOMPANYING SOFTWARE OR HARDWARE, INCLUDING BUT NOT LIMITED TO THE IMPLIED WARRANTIES OF MERCHANTABILITY, OR FITNESS FOR A PARTICULAR PURPOSE.
8. When using Renesas Electronics products, refer to the latest product information (data sheets, user's manuals, application notes, "General Notes for Handling and Using Semiconductor Devices" in the reliability handbook, etc.), and ensure that usage conditions are within the ranges specified by Renesas Electronics with respect to maximum ratings, operating power supply voltage range, heat dissipation characteristics, installation, etc. Renesas Electronics disclaims any and all liability for any malfunctions, failure or accident arising out of the use of Renesas Electronics products outside of such specified ranges.
9. Although Renesas Electronics endeavors to improve the quality and reliability of Renesas Electronics products, semiconductor products have specific characteristics, such as the occurrence of failure at a certain rate and malfunctions under certain use conditions. Unless designated as a high reliability product or a product for harsh environments in a Renesas Electronics data sheet or other Renesas Electronics document, Renesas Electronics products are not subject to radiation resistance design. You are responsible for implementing safety measures to guard against the possibility of bodily injury, injury or damage caused by fire, and/or danger to the public in the event of a failure or malfunction of Renesas Electronics products, such as safety design for hardware and software, including but not limited to redundancy, fire control and malfunction prevention, appropriate treatment for aging degradation or any other appropriate measures. Because the evaluation of microcomputer software alone is very difficult and impractical, you are responsible for evaluating the safety of the final products or systems manufactured by you.
10. Please contact a Renesas Electronics sales office for details as to environmental matters such as the environmental compatibility of each Renesas Electronics product. You are responsible for carefully and sufficiently investigating applicable laws and regulations that regulate the inclusion or use of controlled substances, including without limitation, the EU RoHS Directive, and using Renesas Electronics products in compliance with all these applicable laws and regulations. Renesas Electronics disclaims any and all liability for damages or losses occurring as a result of your noncompliance with applicable laws and regulations.
11. Renesas Electronics products and technologies shall not be used for or incorporated into any products or systems whose manufacture, use, or sale is prohibited under any applicable domestic or foreign laws or regulations. You shall comply with any applicable export control laws and regulations promulgated and administered by the governments of any countries asserting jurisdiction over the parties or transactions.
12. It is the responsibility of the buyer or distributor of Renesas Electronics products, or any other party who distributes, disposes of, or otherwise sells or transfers the product to a third party, to notify such third party in advance of the contents and conditions set forth in this document.
13. This document shall not be reprinted, reproduced or duplicated in any form, in whole or in part, without prior written consent of Renesas Electronics.
14. Please contact a Renesas Electronics sales office if you have any questions regarding the information contained in this document or Renesas Electronics products.

(Note1) "Renesas Electronics" as used in this document means Renesas Electronics Corporation and also includes its directly or indirectly controlled subsidiaries.

(Note2) "Renesas Electronics product(s)" means any product developed or manufactured by or for Renesas Electronics.

(Rev.5.0-1 October 2020)

Corporate Headquarters

TOYOSU FORESIA, 3-2-24 Toyosu,
Koto-ku, Tokyo 135-0061, Japan
www.renesas.com

Trademarks

Renesas and the Renesas logo are trademarks of Renesas Electronics Corporation. All trademarks and registered trademarks are the property of their respective owners.

Contact information

For further information on a product, technology, the most up-to-date version of a document, or your nearest sales office, please visit:
www.renesas.com/contact/.