

Application Note

Peak to Peak Frequency Monitor

AN-CM-306

Abstract

This application note covers the method of designing a peak detector circuit for a variable analog signal and includes a frequency monitor circuit used to calculate time between two consecutive peaks. The GreenPAK™ SLG46620 IC is used to create this circuit.

The application note comes complete with design files which can be found in the References section.

Peak to Peak Frequency Monitor

Contents

Abstract	1
Contents	2
Figures	2
Tables	2
1 Terms and Definitions	3
2 References	3
3 Introduction	4
4 Design Overview	5
5 GreenPAK Design	6
5.1 Peak Detector	6
5.2 Peak to Peak Frequency Monitor Design	9
6 Results	11
7 Conclusions	13
Revision History	14

Figures

Figure 1: System Working Process	5
Figure 2: Circuit Block Diagram.....	6
Figure 3: ADC, SPI, and DFFs Timing Diagram.....	7
Figure 4: GreenPAK Design-Matrix 0.....	7
Figure 5: GreenPAK Design-Matrix 1	8
Figure 6: LUTs Properties	9
Figure 7: CNT5 & CNT9 Properties.....	10
Figure 8: CNT5 & CNT9 Properties.....	11
Figure 9: Blue Signal Is Input, Red Signal Is PD Out Signal.....	11
Figure 10: Generating a Custom Signal.....	12
Figure 11: Blue Signal Is Input, Red Signal Is PD Out Signal.....	12

Tables

Table 1: Output States for Different Periods	13
--	----

Peak to Peak Frequency Monitor

1 Terms and Definitions

ADC	Analog to Digital Converter
PPM	Pulse Per Minute
SPS	Sample Per Second
PD	Peak Detector
PGA	Programmable Gain Amplifier
FSM	Finite State Machine

2 References

For related documents and software, please visit:

[GreenPAK™ Programmable Mixed-Signal Products | Renesas](#)

Download our free GreenPAK™ Designer software [1] to open the .gp files [2] and view the proposed circuit design. Use the GreenPAK development tools [3] to freeze the design into your own customized IC in a matter of minutes. Find out more in complete library of application notes [4] featuring design examples as well as explanations of features and blocks within the GreenPAK IC.

- [1] [GreenPAK Designer Software](#), Software Download and User Guide
- [2] [AN-CM-306 Peak to Peak Frequency Monitor.gp](#), [GreenPAK Design File](#)
- [3] [GreenPAK Development Tools](#), [GreenPAK Development Tools Webpage](#)
- [4] [GreenPAK Application Notes](#), [GreenPAK Application Notes Webpage](#)
- [5] [SLG46620V](#), Datasheet

This article was originally published on [Embedded Computing Design](#).

Peak to Peak Frequency Monitor

3 Introduction

Frequency monitoring circuits are addressed in several varieties. A "Zero-crossing detector" is considered one of the most common methods due to its simplicity of design for periodic and regular signals. However, if the signal is aperiodic or irregular (contains a non-instantaneous zero period between pulses) zero-crossing cannot be used. In such cases a peak to peak frequency monitor is a desired alternative.

The peak-to-peak method is used with real-world analog signals, often originating from analog sensors. The design described in the following note uses the GreenPAK SLG46620V [5] GreenPAK to calculate the low-end frequency for signals ranging from 0.5 Hz to 200 Hz and whose waveform width is between 100 -1000 ms. With a fundamental understanding of this application the peak-to-peak measurement of other analog widths and periods can be designed.

The GreenPAK SLG46620 IC comprises all parts of the peak-to-peak design. Thus, the IC is responsible for receiving an analog signal sample and storing identified peaks in an internal buffer. The GreenPAK is also responsible for comparing the measured time period between two peaks with internal thresholds to give a signal when these thresholds are exceeded.

The design is made up of one analog signal input and 4 outputs:

- PD: To give a pulse when the peak is detected.
- High PPM: Gives HIGH if the signal frequency exceeds the upper threshold.
- Low PPM: Gives HIGH if the signal frequency exceeds the lower threshold.
- Normal: Gives HIGH if the frequency is within the two thresholds.

The SLG46620V's Analog-to-Digital Converter [ADC] macrocell provides a fit for peak signal detection. The SLG46620V, similar to other GreenPAK products, is a suitable choice when a low-power, cost-effective, small device is required that can substitute for a system of discrete ICs and passive devices. This unique blend makes the SLG46620 an ideal candidate for portable, cost sensitive consumer products.

In this app note the general circuit is explained with the expectation that it will be augmented to fit a particular, real-world application. The results of the design utilize the GreenPAK Designer signal generator to test varied signals and display the corresponding output. Signals are generated at higher and lower frequency than the values stored in the IC and the corresponding output for each case is displayed to confirm correct operation to the reader.

Peak to Peak Frequency Monitor

4 Design Overview

The detection process samples an analog signal using the ADC block, then stores it in an internal buffer. A new sample of the analog signal is then received and compared to the stored sample.

If the new sample's value is greater than the currently stored value, the analog voltage is increasing. The new sample is stored in the buffer and the next sample of the signal is received and compared. But, if the received sample equals the stored sample in the buffer, the signal is constant. At this point either it reached a short constant value but not reached the peak, or it has reached the peak, so the peak state is only considered when the signal begins to fall.

If the next sample is smaller than the previous one stored in ADC buffer, then a peak state is recorded. The process is repeated at another cycle to find the next peak.

To calculate frequency, we calculate time between two consecutive peaks and this time is compared to certain thresholds that are pre-stored in the internal registers of the IC. If this time is greater than the higher threshold, the frequency is less than the allowed limit. If this time is less than the lower threshold, the frequency is greater than the allowed limit.

Since the design is suitable for relatively low-frequency signals, they are usually calculated in pulses per minute, abbreviated in this context to PPM. Thresholds are labeled as High PPM and Low PPM.

To ensure that all recorded peaks are desired, each peak will be compared to a pre-stored voltage threshold so that a peak is only considered if its amplitude is greater than the chosen threshold, and short-amplitude signals are ignored. [Figure 1](#) shows the working process.

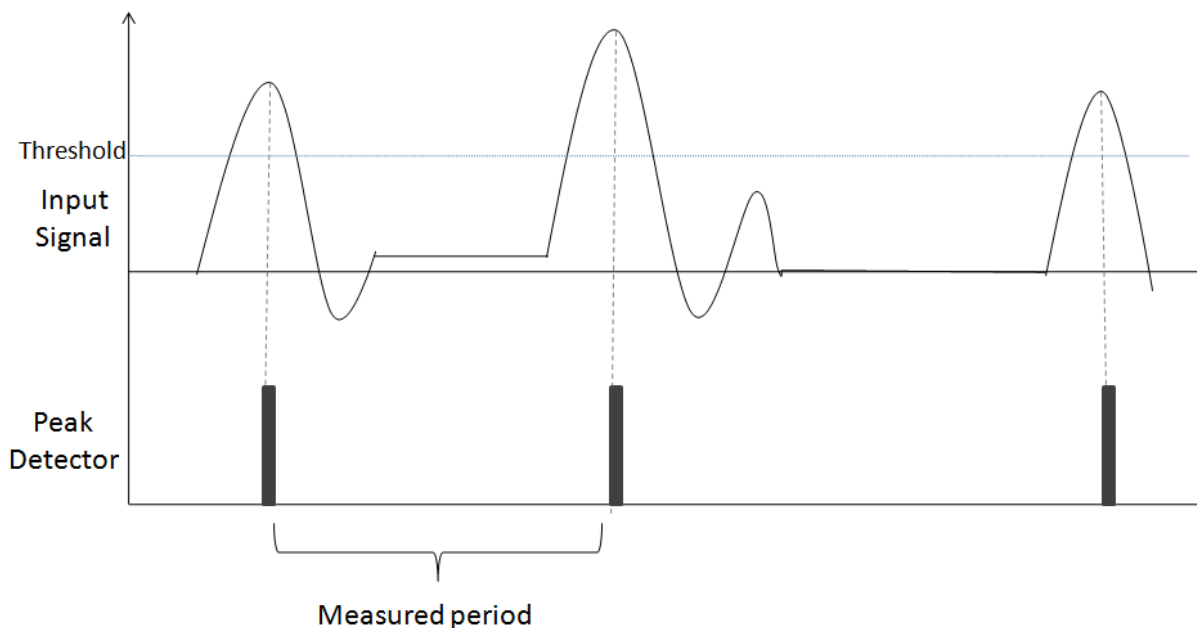


Figure 1: System Working Process

Peak to Peak Frequency Monitor

5 GreenPAK Design

The design consists of two parts: a peak detector circuit and a frequency monitor circuit, which contains a timer and threshold comparator. Figure 2 shows the block diagram of the design.

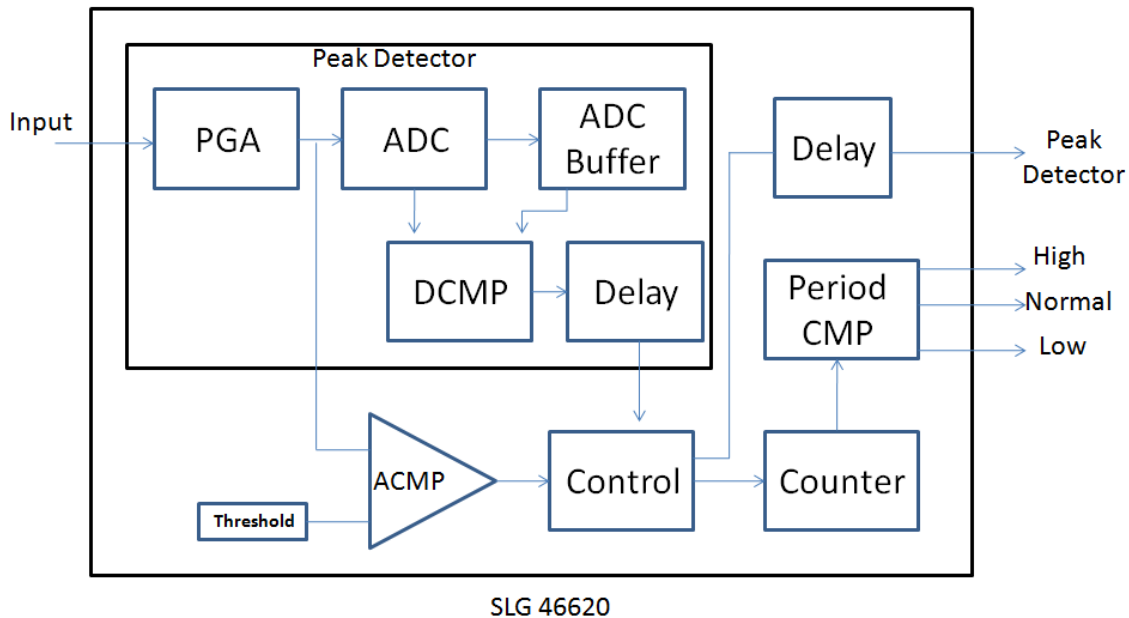


Figure 2: Circuit Block Diagram

5.1 Peak Detector

The IC receives the external signal through Pin8, which is configured to operate as an analog input/output. The signal then passes through a Programmable Gain Amplifier, or PGA, which sets the gain. The operation mode of ADC is single-ended and a x1 gain is set. Then, the signal enters the ADC block.

In this design the input signal is low frequency, so the sample rate is reduced by dividing the clock cycles by 16. The sample rate becomes equivalent to 97,6563 sps to reduce error values and spikes.

$$\text{Sample rate} = \text{PWM \& ADC clock} / 256 = 25\text{k} / 16 / 256$$

To indicate a peak, a signal must be given to indicate whether the analog input is rising or falling. To do this, two consecutive values from the ADC output must be compared. The SLG46620V SPI block is configured to run as an ADC buffer.

According to ADC properties within datasheet, PAR data is ready to be used several clock cycles before the ADC INT output is activated. Taking advantage of this property, the ADC INT output is connected to the SCLK input of the SPI block via DLY5, which is configured to operate as a rising edge delay. Therefore, the comparison is made between the new ADC value and the old one with the rising edge of the ADC INT output signal. After a delay, the DLY5 output triggers SPI to store the new value in the buffer. The work timing diagram is clarified in Figure 3.

Peak to Peak Frequency Monitor

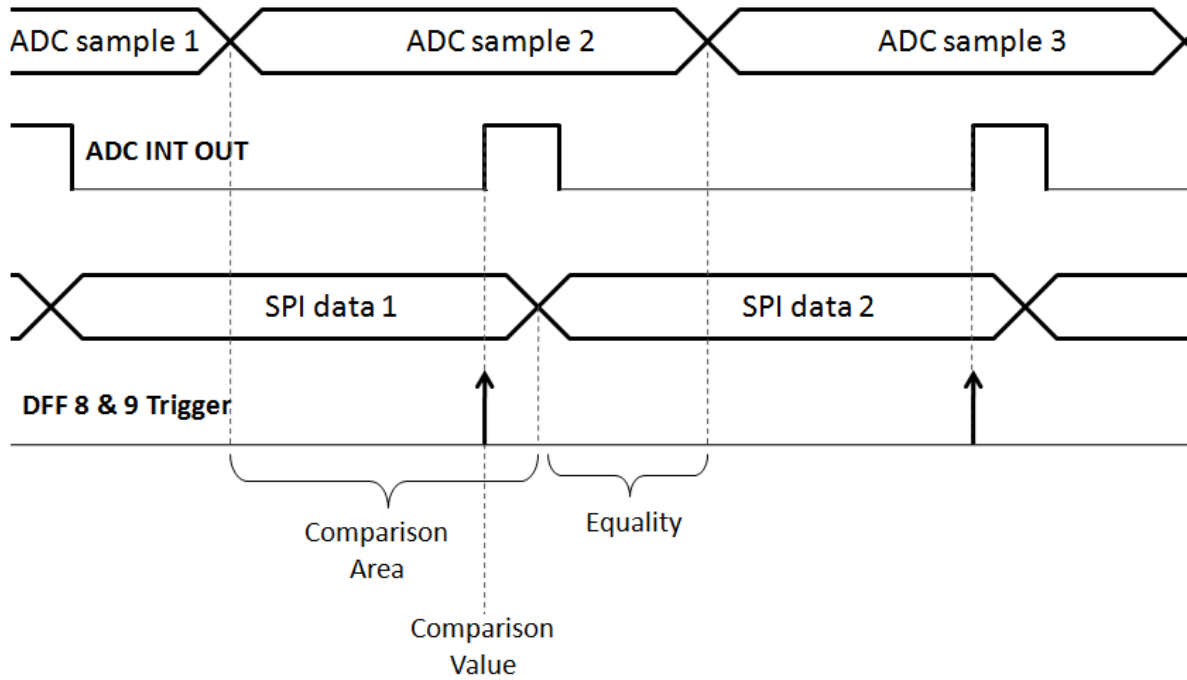


Figure 3: ADC, SPI, and DFFs Timing Diagram

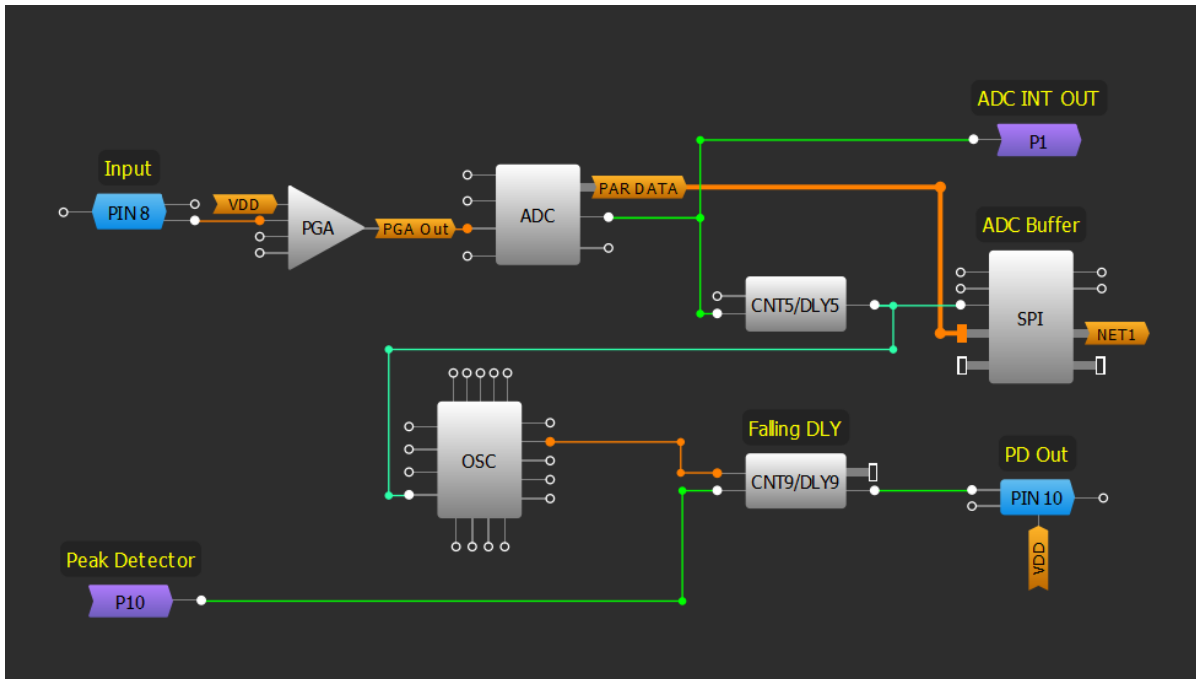


Figure 4: GreenPAK Design-Matrix 0

The ADC value is compared to the buffered value via DCMP0, where the IN+ input takes its value from ADC [7:0] and the IN- input takes its value from SPI [7:0]. The EQ and OUT+ outputs are connected to DFF8 and DFF9 respectively.

If the ADC value is greater than the SPI value, then OUT+ = 1, and EQ = 0.

If the ADC value is less than the SPI value, then OUT+ = 0, and EQ = 0.

Peak to Peak Frequency Monitor

If the ADC value equals the SPI value, then $OUT+ = 0$, and $EQ = 1$.

The EQ and OUT+ outputs are held with the rising edge of the ADC INT output signal. To ensure that no equality state is recorded with each comparison, the SPI will trigger via DLY5 output. Thus, the comparison is only between two consecutive values as shown in Figure 3.

By monitoring the state of the EQ and OUT+ outputs during system operation, intermittent pulses are introduced that would cause glitches if left unaccounted. To prevent this and maintain a stable signal CNT3, CNT7, and CNT8 operate as delays to debounce the system. The effect of spikes on the output state can thus be prevented.

3-bit LUT8 operates as an SR latch, where the signal from the OUT+ output represents Set, indicating the signal is rising. Reset comes from 3-bit LUT9 which means the signal is falling.

3L9 is configured to give a High signal if the $OUT+ = 0$, $EQ = 0$ and the ACMP1 output is high.

The priority has been given to the rising state, as the aim of the system is to detect the highest value of the amplitude.

Once the signal starts to fall after a rising state, the 3L8 output will be changed from high to low and the falling edge is detected through P DLY1. The P DLY1 output indicates the detection of the peak (PD). The PD signal passes to Pin10 with an increase in pulse width through DLY9 to fit the sensitivity of any external device. It is also used to reset the counter.

ACMP1 is used to compare PGA output with a fixed threshold, chosen to be 200 mv in this design. Therefore, the peak will be ignored if its amplitude is less than the marginal value.

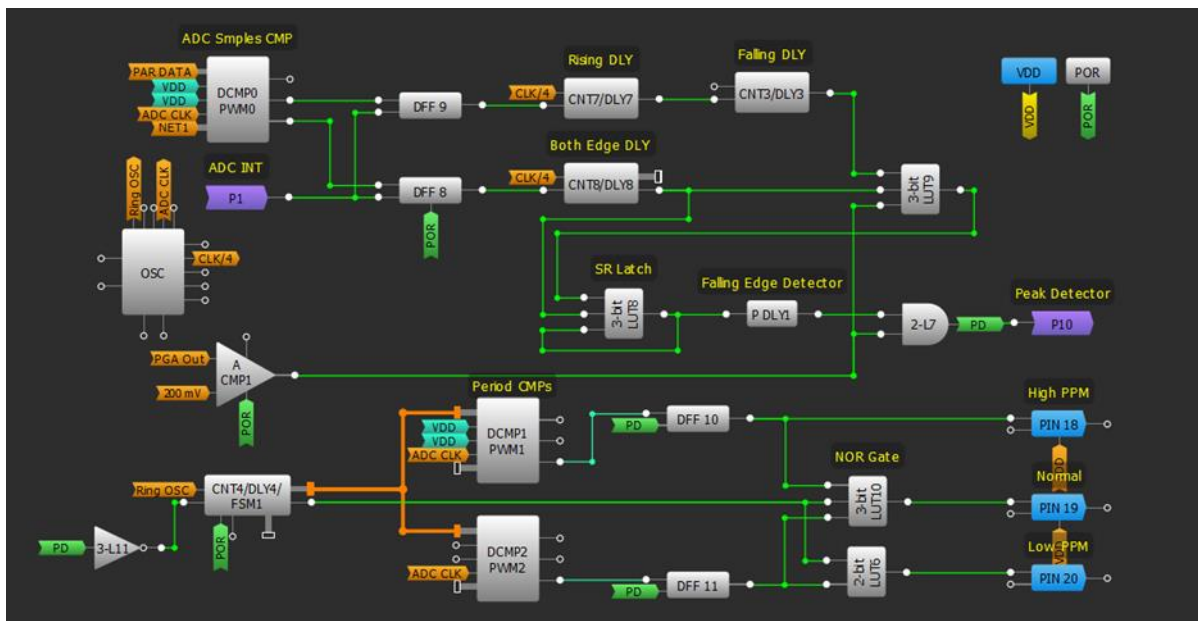


Figure 5: GreenPAK Design-Matrix 1

Peak to Peak Frequency Monitor

5.2 Peak to Peak Frequency Monitor Design

Having constructed the peak detector design, we will use the PD signal coming out of the said design to build a frequency monitor.

FSM1 serves as a counter to calculate the time between the two peaks. Since the expected signal is low frequency, the clock source for FMS1 has been selected as LF OSC, divided by 16. Therefore, measuring time can be between 19 ms and 2.35 s with a ~10 ms step. By using the low frequency oscillator active current consumption is minimized.

DCMP1 and DCMP2 compare the FSM1 value with the upper and lower frequency thresholds. DCMP1 compares the FSM1 value with the (1:1) register value, set as 500 ms in this design and represents the lower threshold. DCMP2 compares the FSM1 value to the register2 value, set as 897 ms in this design.

The compared value is stored in DFF10 and DFF11 along with the rising edge of the PD signal. Q output polarity has been configured to DFF11 to be inverted.

FSM1 data < Register0 value ---> DCMP1 OUT+ = HIGH ---> DFF10 out = HIGH ---> High PPM

FSM1 data > Register2 value ---> DCMP2 OUT+ = HIGH ---> DFF11 out = HIGH ---> Low PPM

Register0 < FSM1 data < Register2 ---> 3L10 out = HIGH ---> Normal

FSM1 resets with the falling edge of the PD signal through the 3L11 inverter. If the period exceeds the FSM1 work range of 2.35 s, FSM1 output provides a high signal to 3L10 and 2L6 to turn off all outputs. This case indicates the measured period is greater than intended. This function can be used to indicate that there are no pulses in the input or at a dangerously low period for the particular application. The clock source for the FSM can be changed to suit the application intended to be implemented.



Figure 6: LUTs Properties

Peak to Peak Frequency Monitor

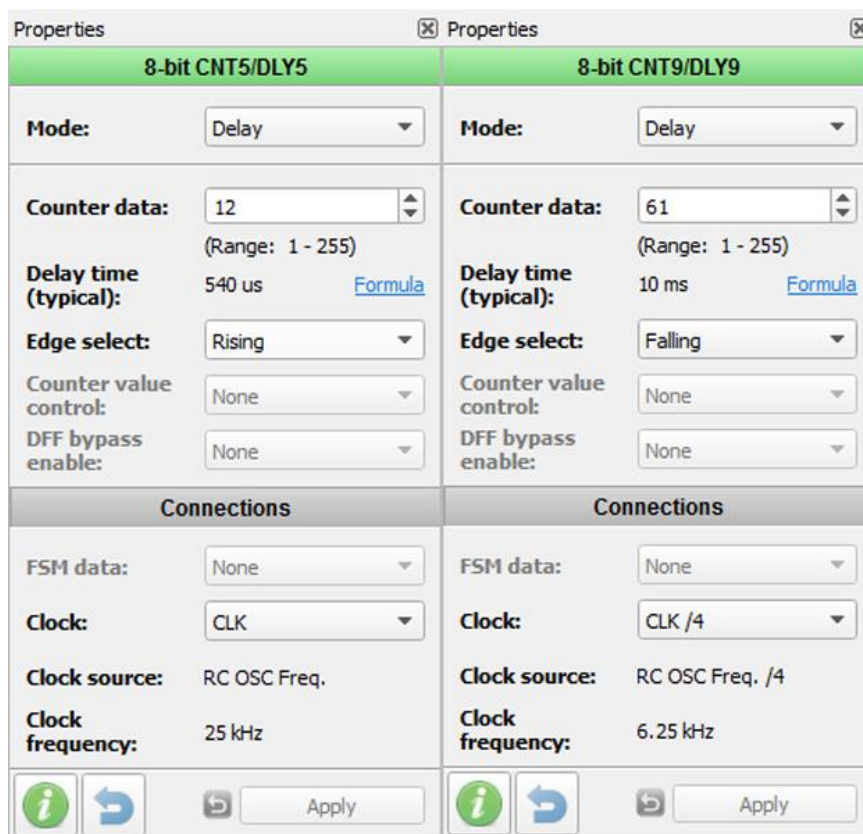


Figure 7: CNT5 & CNT9 Properties

Peak to Peak Frequency Monitor

6 Results

The signal wizard included in the GreenPAK Designer program has been used to examine the design and ensure it works as expected.

Signal Wizard is very convenient for design inspection, where signals of different shapes can be generated without the need to use an external signal generator. The signal frequency and amplitude can be easily controlled. A custom signal can also be generated.

Several signals were generated. The PD signal is displayed as shown in the figures below.

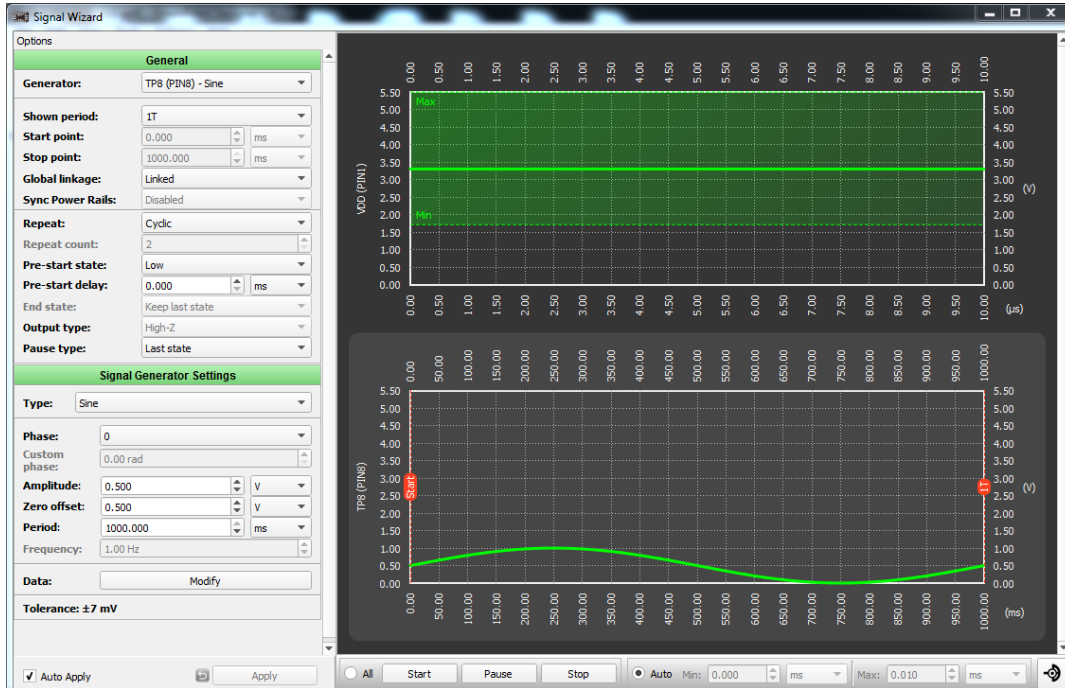


Figure 8: CNT5 & CNT9 Properties

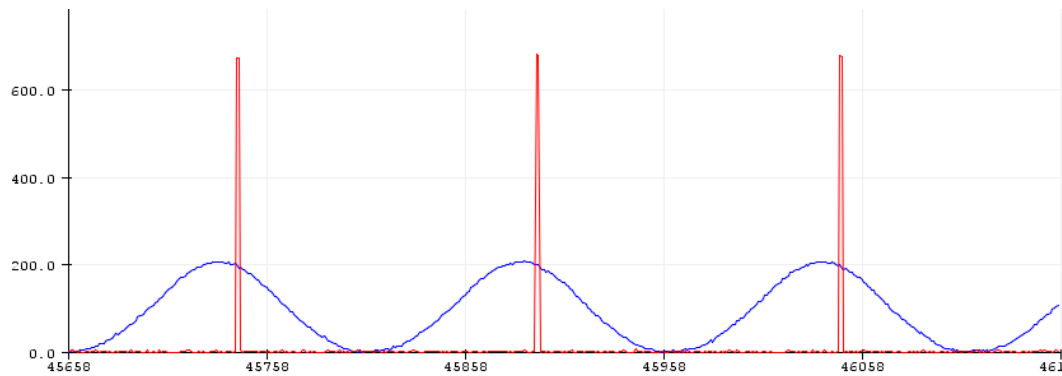


Figure 9: Blue Signal Is Input, Red Signal Is PD Out Signal

Peak to Peak Frequency Monitor

Generating a custom signal with a short undesirable peak.

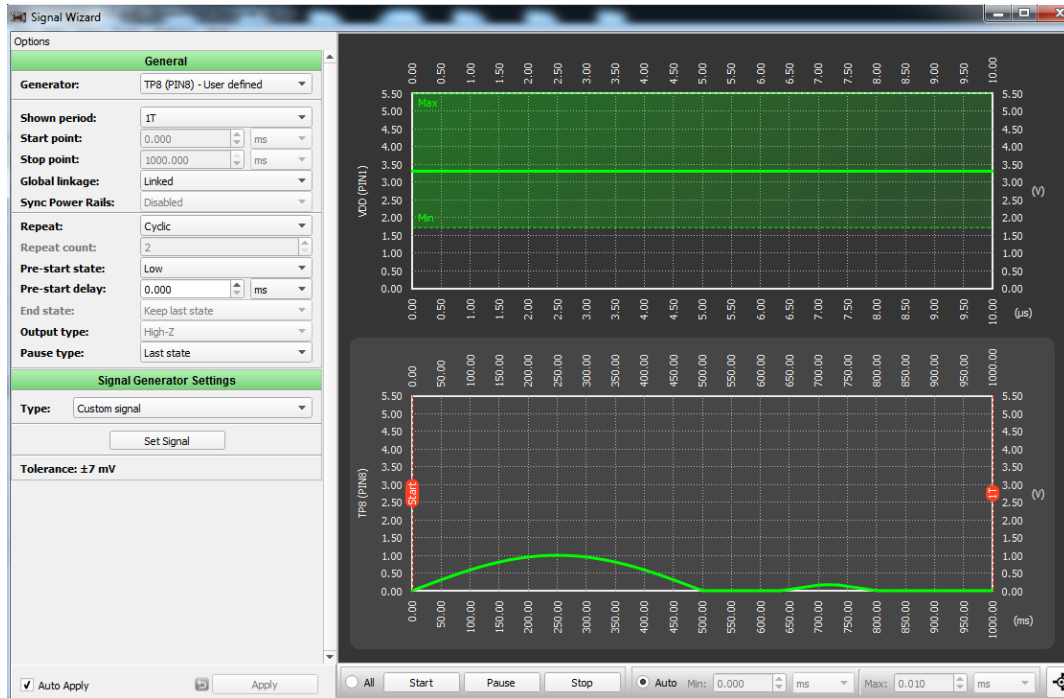


Figure 10: Generating a Custom Signal

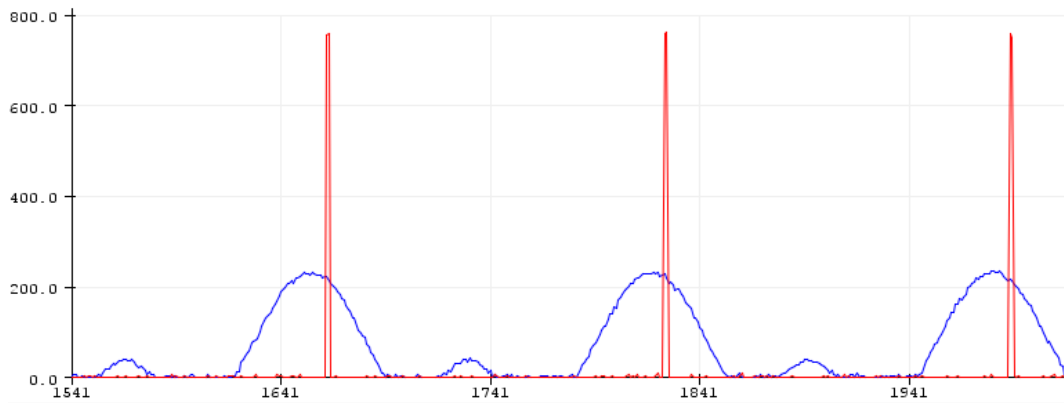


Figure 11: Blue Signal Is Input, Red Signal Is PD Out Signal

Different periods have been applied to the input. Corresponding output states are shown in [Table 1](#).

Peak to Peak Frequency Monitor

Table 1: Output States for Different Periods

Peak to Peak Period on Input	Pin18 Output (High PPM)	Pin19 Output (Normal)	Pin20 Output (Low PPM)	Peak to Peak Period on Input
400 ms	High	Low	Low	400 ms
1000 ms	Low	Low	High	1000 ms
800 ms	Low	High	Low	800 ms
No signal	Low	Low	Low	No signal

7 Conclusions

This application note outlines how to build a peak detection circuit using a GreenPAK, which includes a frequency monitor circuit based on the peak-to-peak time calculation of the input signal.

The GreenPAK IC has demonstrated a high efficiency for integrating several functions in a low cost and small area IC solution making it especially suitable for portable and wearable devices.

Peak to Peak Frequency Monitor**Revision History**

Revision	Date	Description
1.0	13-Oct-2020	Initial version.

IMPORTANT NOTICE AND DISCLAIMER

RENESAS ELECTRONICS CORPORATION AND ITS SUBSIDIARIES (“RENESAS”) PROVIDES TECHNICAL SPECIFICATIONS AND RELIABILITY DATA (INCLUDING DATASHEETS), DESIGN RESOURCES (INCLUDING REFERENCE DESIGNS), APPLICATION OR OTHER DESIGN ADVICE, WEB TOOLS, SAFETY INFORMATION, AND OTHER RESOURCES “AS IS” AND WITH ALL FAULTS, AND DISCLAIMS ALL WARRANTIES, EXPRESS OR IMPLIED, INCLUDING, WITHOUT LIMITATION, ANY IMPLIED WARRANTIES OF MERCHANTABILITY, FITNESS FOR A PARTICULAR PURPOSE, OR NON-INFRINGEMENT OF THIRD-PARTY INTELLECTUAL PROPERTY RIGHTS.

These resources are intended for developers who are designing with Renesas products. You are solely responsible for (1) selecting the appropriate products for your application, (2) designing, validating, and testing your application, and (3) ensuring your application meets applicable standards, and any other safety, security, or other requirements. These resources are subject to change without notice. Renesas grants you permission to use these resources only to develop an application that uses Renesas products. Other reproduction or use of these resources is strictly prohibited. No license is granted to any other Renesas intellectual property or to any third-party intellectual property. Renesas disclaims responsibility for, and you will fully indemnify Renesas and its representatives against, any claims, damages, costs, losses, or liabilities arising from your use of these resources. Renesas' products are provided only subject to Renesas' Terms and Conditions of Sale or other applicable terms agreed to in writing. No use of any Renesas resources expands or otherwise alters any applicable warranties or warranty disclaimers for these products.

(Disclaimer Rev.1.01)

Corporate Headquarters

TOYOSU FORESIA, 3-2-24 Toyosu,
Koto-ku, Tokyo 135-0061, Japan
www.renesas.com

Trademarks

Renesas and the Renesas logo are trademarks of Renesas Electronics Corporation. All trademarks and registered trademarks are the property of their respective owners.

Contact Information

For further information on a product, technology, the most up-to-date version of a document, or your nearest sales office, please visit www.renesas.com/contact-us/.