

# Application Note

## PWM Frequency Converter

### AN-CM-271

#### **Abstract**

*This application note describes how to shift frequency of PWM signal without loss of duty cycle.*

*This application note comes complete with design files which can be found in the References section.*

---

---

---

---

**PWM Frequency Converter****Contents**

<b>Abstract</b> .....	<b>1</b>
<b>Contents</b> .....	<b>2</b>
<b>Figures</b> .....	<b>2</b>
<b>1 Terms and Definitions</b> .....	<b>3</b>
<b>2 References</b> .....	<b>3</b>
<b>3 Introduction</b> .....	<b>4</b>
<b>4 How it works?</b> .....	<b>4</b>
<b>5 Conclusions</b> .....	<b>7</b>
<b>Revision History</b> .....	<b>8</b>

**Figures**

Figure 1: PWM Frequency Converter.....	4
Figure 2: Shifting Input Frequency from 100 Hz to 300 Hz .....	5
Figure 3: Shifting Input Frequency from 100 Hz to 25 Hz .....	5
Figure 4: Shifting Input Frequency from 100 Hz to 7.81 kHz .....	6
Figure 5: Zoomed Figure 4.....	6
Figure 6: Shifting Input Frequency from 1 kHz to 4 kHz .....	7

---

## PWM Frequency Converter

---

### 1 Terms and Definitions

PWM	Pulse width modulation
SPI	Serial peripheral interface
FSM	Finite state machine
CNT	Counter
OSC	Oscillator
DCMP	Digital comparator

### 2 References

For related documents and software, please visit:

[GreenPAK™ Programmable Mixed-Signal Products | Renesas](#)

Download our free [GreenPAK™ Designer](#) software [1] to open the .gp files [2] and view the proposed circuit design. Use the [GreenPAK development tools](#) [3] to freeze the design into your own customized IC in a matter of minutes. Find out more in complete library of application notes [4] featuring design examples as well as explanations of features and blocks within the GreenPAK IC.

- [1] [GreenPAK Designer Software](#), Software Download and User Guide
- [2] [AN-CM-271 PWM Frequency Converter.gp](#), [GreenPAK Design File](#)
- [3] [GreenPAK Development Tools](#), [GreenPAK Development Tools Webpage](#)
- [4] [GreenPAK Application Notes](#), [GreenPAK Application Notes Webpage](#)

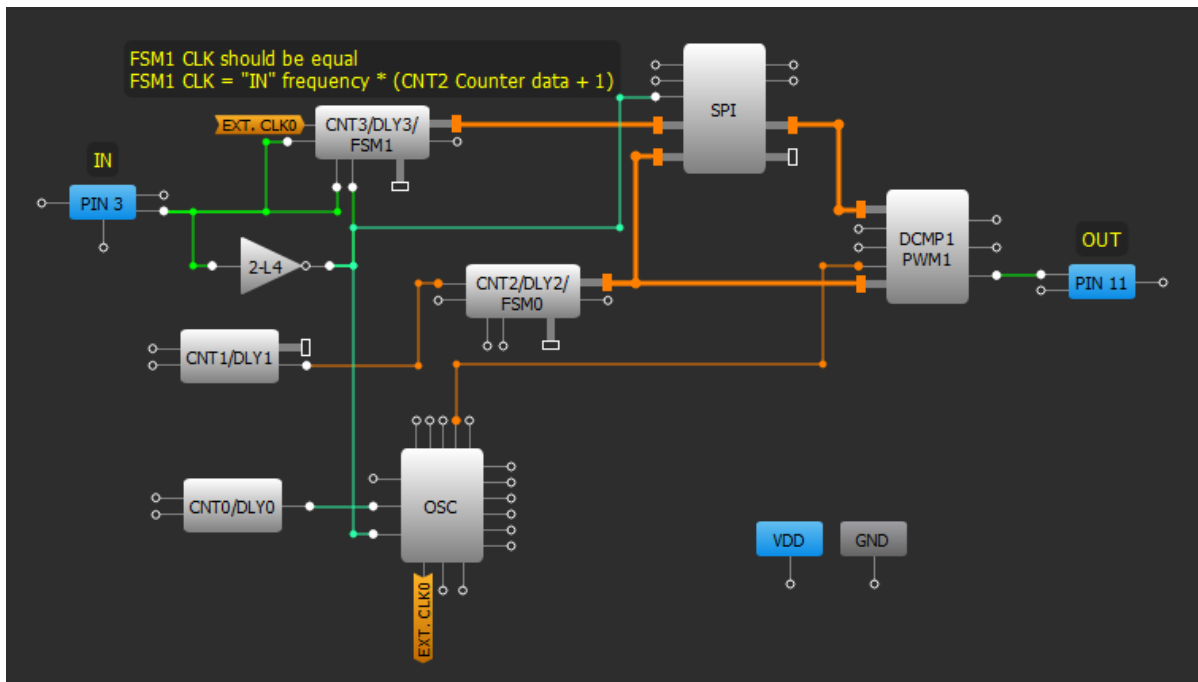
Author: Ivan Vaskiv

## PWM Frequency Converter

### 3 Introduction

Sometimes there is a need to change a frequency with retain a duty cycle. The following design allows changing frequency and retaining the duty cycle.

### 4 How it works?



**Figure 1: PWM Frequency Converter**

This design is designated to change the input frequency without loss of the duty cycle value. It only allows to do that for one constant frequency.

Let's see how it works. When PIN#3 goes HIGH, FSM1 is reset by the rising edge and starts to count UP, thus measuring the pulse width. Then, when PIN#3 goes LOW FSM1 stops and falling edge at PIN#3 through inverter 2-L4 writes FSM1 counter value into SPI buffer. This operation is repeated each period.

At the same time, CNT2 just counts input frequency from CNT1. The counter value of CNT2 all time is compared with SPI buffer's value by the DCMP1. The frequency at "OUT" is equal to output frequency of CNT2. To change the "OUT" frequency input frequency of CNT2 should be changed. Namely, CNT1 counter data can be changed, oscillator divider can be changed, type of OSC can be changed, also input frequency can be taken directly from OSC or external oscillator.

The input frequency of FSM1 (FSM1 CLK) should be selected using following formula:

$$\text{FSM1 CLK} = \text{"IN" frequency} \times (\text{CNT2 Counter data} + 1)$$

"IN" frequency – frequency at PIN#3

If CNT0 counter data is 255, the formula can be written as:

$$\text{FSM1 CLK} = 256 \times \text{"IN" frequency}$$

To change the FSM1 CLK, CNT0 counter data can be changed, oscillator divider can be changed, type of OSC can be changed, also CNT2 counter data can be changed.

Below are shown several scope shots of the design's functionality.

PWM Frequency Converter

Channel 1 (yellow/top line) – PIN#3 (IN)

Channel 2 (light blue/2nd line) – PIN#11 (OUT)

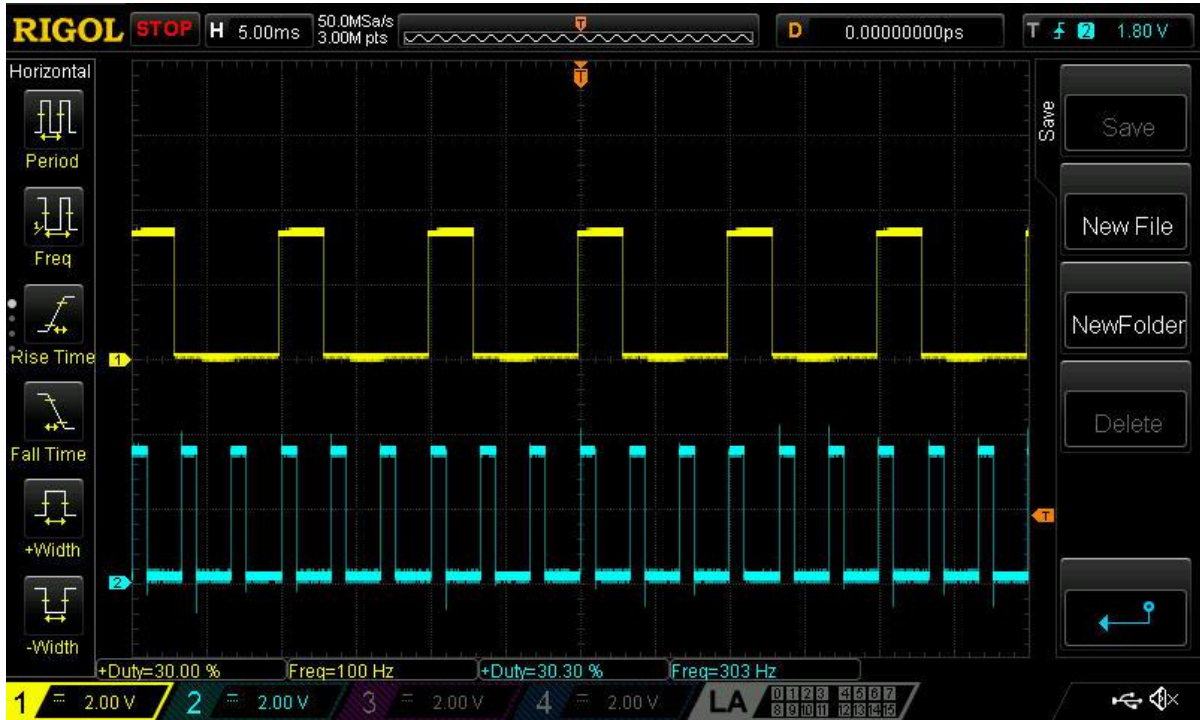


Figure 2: Shifting Input Frequency from 100 Hz to 300 Hz

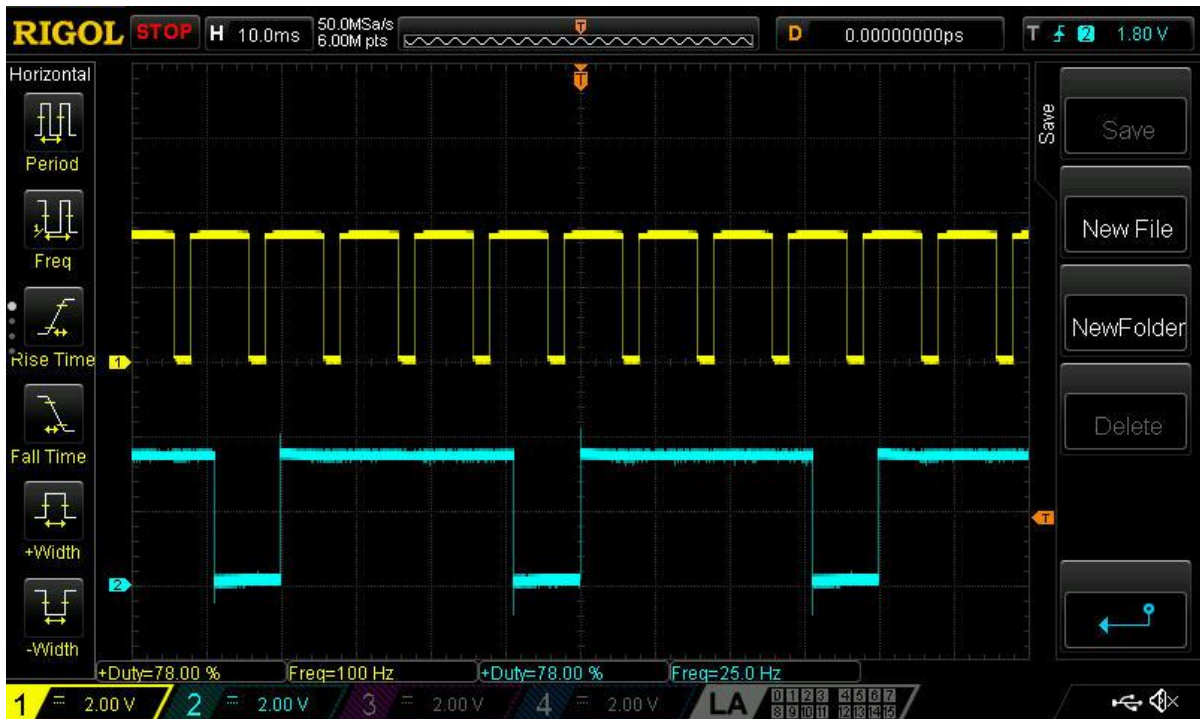


Figure 3: Shifting Input Frequency from 100 Hz to 25 Hz

PWM Frequency Converter



Figure 4: Shifting Input Frequency from 100 Hz to 7.81 kHz

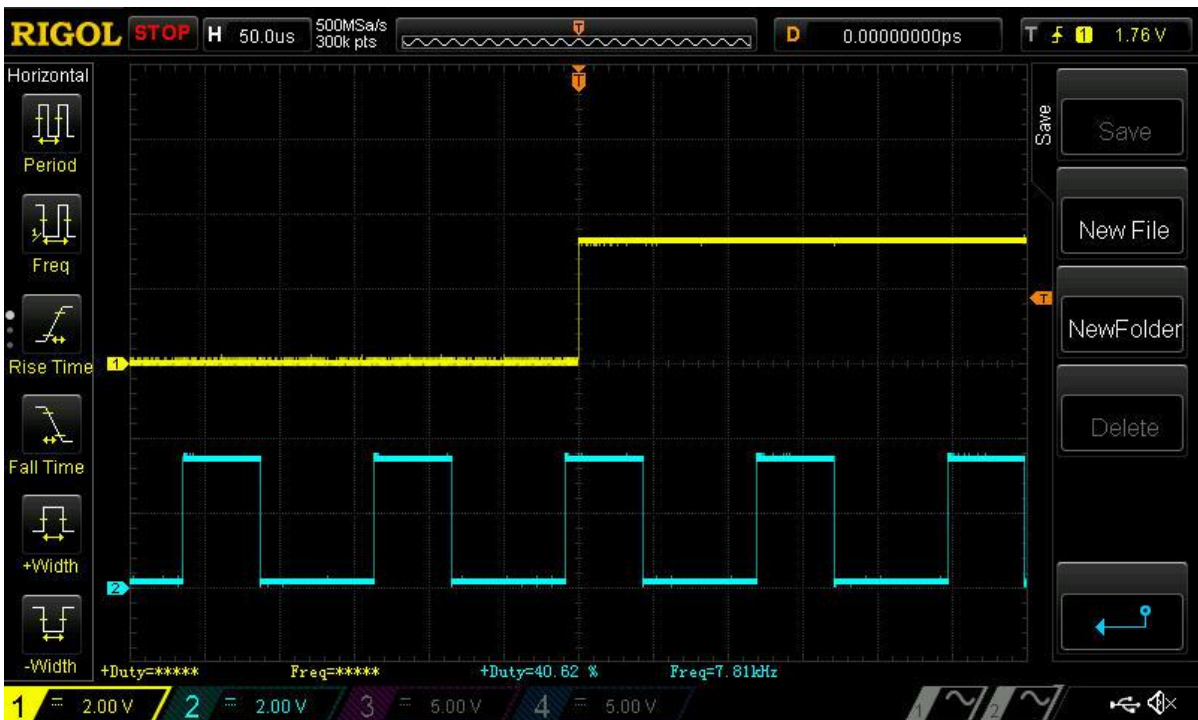


Figure 5: Zoomed Figure 4.

PWM Frequency Converter

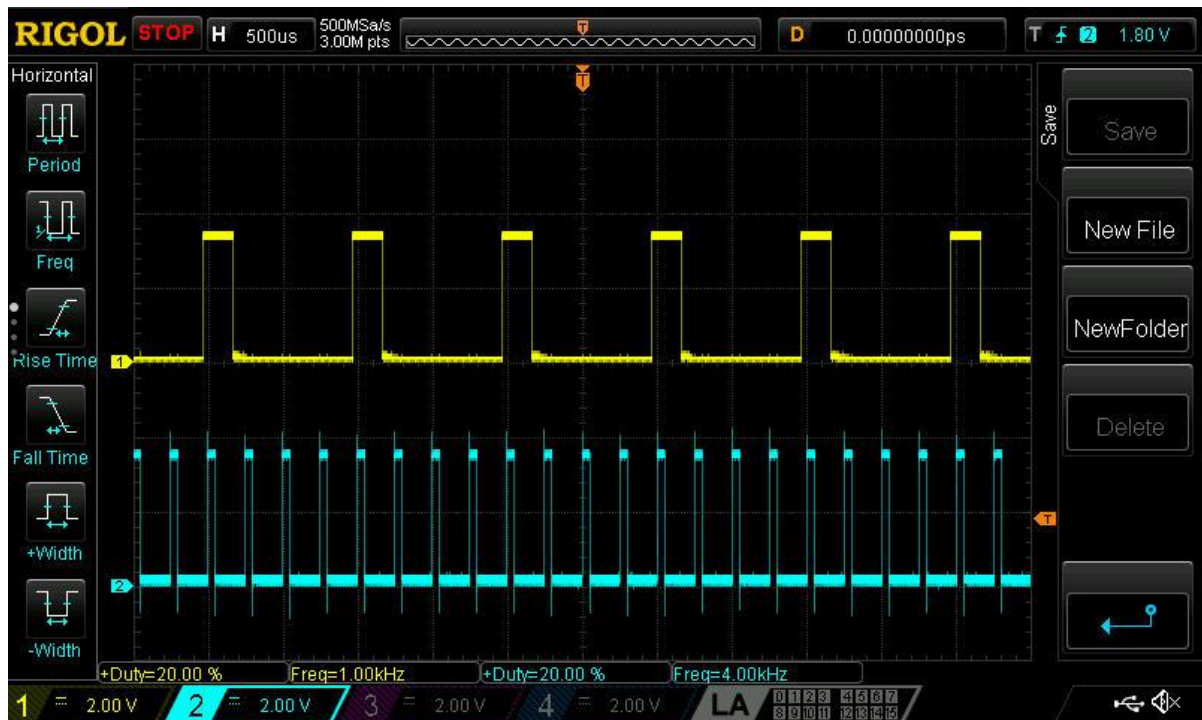


Figure 6: Shifting Input Frequency from 1 kHz to 4 kHz

### 5 Conclusions

This design can be used in many projects where there is a need to change a constant input frequency without loss of the duty cycle, for example LED backlight, motor controller, voltage regulator etc.

---

---

**PWM Frequency Converter****Revision History**

Revision	Date	Description
1.0	21-Jan-2019	Initial Version



## IMPORTANT NOTICE AND DISCLAIMER

RENESAS ELECTRONICS CORPORATION AND ITS SUBSIDIARIES (“RENESAS”) PROVIDES TECHNICAL SPECIFICATIONS AND RELIABILITY DATA (INCLUDING DATASHEETS), DESIGN RESOURCES (INCLUDING REFERENCE DESIGNS), APPLICATION OR OTHER DESIGN ADVICE, WEB TOOLS, SAFETY INFORMATION, AND OTHER RESOURCES “AS IS” AND WITH ALL FAULTS, AND DISCLAIMS ALL WARRANTIES, EXPRESS OR IMPLIED, INCLUDING, WITHOUT LIMITATION, ANY IMPLIED WARRANTIES OF MERCHANTABILITY, FITNESS FOR A PARTICULAR PURPOSE, OR NON-INFRINGEMENT OF THIRD-PARTY INTELLECTUAL PROPERTY RIGHTS.

These resources are intended for developers who are designing with Renesas products. You are solely responsible for (1) selecting the appropriate products for your application, (2) designing, validating, and testing your application, and (3) ensuring your application meets applicable standards, and any other safety, security, or other requirements. These resources are subject to change without notice. Renesas grants you permission to use these resources only to develop an application that uses Renesas products. Other reproduction or use of these resources is strictly prohibited. No license is granted to any other Renesas intellectual property or to any third-party intellectual property. Renesas disclaims responsibility for, and you will fully indemnify Renesas and its representatives against, any claims, damages, costs, losses, or liabilities arising from your use of these resources. Renesas' products are provided only subject to Renesas' Terms and Conditions of Sale or other applicable terms agreed to in writing. No use of any Renesas resources expands or otherwise alters any applicable warranties or warranty disclaimers for these products.

(Disclaimer Rev.1.01 Jan 2024)

### Corporate Headquarters

TOYOSU FORESIA, 3-2-24 Toyosu,  
Koto-ku, Tokyo 135-0061, Japan  
[www.renesas.com](http://www.renesas.com)

### Trademarks

Renesas and the Renesas logo are trademarks of Renesas Electronics Corporation. All trademarks and registered trademarks are the property of their respective owners.

### Contact Information

For further information on a product, technology, the most up-to-date version of a document, or your nearest sales office, please visit [www.renesas.com/contact-us/](http://www.renesas.com/contact-us/).