

Application Note

A Contactless Rotary Encoder

AN-CM-228

Abstract

This application note describes how to design a high reliability, contactless rotary switch or encoder using a Renesas GreenPAK.

This application note comes complete with design files which can be found in the References section.

A Contactless Rotary Encoder

Contents

Abstract	1
Contents	2
Figures.....	2
1 Terms and Definitions.....	3
2 References	3
3 Introduction.....	4
4 Design Concept	4
5 GreenPAK Design Implementation.....	6
6 Test Results	9
7 Conclusion	9
Revision History	10

Figures

Figure 1: Top Level Application Schematic for Demonstration	4
Figure 2: Oscilloscope Capture Showing the Difference in Risetime.....	5
Figure 3: GreenPAK Designer Schematic.....	6
Figure 4: Oscillator Configuration Settings.....	7
Figure 5: ASM State Diagram Showing Possible State Transitions.....	8
Figure 6: Output Connection Matrix	8
Figure 7: Crude Prototype	9

A Contactless Rotary Encoder

1 Terms and Definitions

ASM	asynchronous state machine
IC	integrated circuit

2 References

For related documents and software, please visit:

[GreenPAK™ Programmable Mixed-Signal Products | Renesas](#)

Download our free [GreenPAK™ Designer](#) software [1] to open the .gp files [2] and view the proposed circuit design. Use the [GreenPAK](#) development tools [3] to freeze the design into your own customized IC in a matter of minutes. Renesas Electronics provides a complete library of application notes [4] featuring design examples as well as explanations of features and blocks within the IC.

- [1] [GreenPAK Designer Software](#), Software Download and User Guide, Renesas Electronics
- [2] [AN-CM-228 A Contactless Rotary Encoder.gp](#), [GreenPAK Design File](#), Renesas Electronics
- [3] [GreenPAK Development Tools](#), [GreenPAK Development Tools Webpage](#), Renesas Electronics
- [4] [GreenPAK Application Notes](#), [GreenPAK Application Notes Webpage](#), Renesas Electronics
- [5] [SLG46537](#), Datasheet, Renesas Electronics

Author: Joe Froniewski

A Contactless Rotary Encoder

3 Introduction

This application note describes how to design a high reliability rotary switch or encoder using a Renesas GreenPAK [5]. This switch design is contactless, and therefore ignores contact oxidation and wear. It is ideal for use outdoors where there is long term moisture, dust, temperature extremes, etc.

Renesas GreenPAK SLG46537: The GreenPAK IC provides all the circuit functions for this design. It generates a signal (EVAL) for improved signal to noise, receives inputs from each sector pad of the rotary switch, and interprets each sector pad using the Asynchronous State Machine (ASM) to guarantee only one switch selection.

4 Design Concept

This design works by timing. It generates a clock (EVAL) signal to slowly pull up each sector pad through external 100 kohm resistors (Figure 1). The EVAL signal is capacitively coupled to the central “wiper” which drives the rising edge of the selected sector pad faster than all the others (fast in Figure 1). The GreenPAK Asynchronous State Machine (ASM) then evaluates which rising edge arrived first and the result gets latched. The advantage of the capacitive coupling design is for reliability. Whether the encoder is built capacitive and then wears out to direct connection, or built direct connection and then degrades (oxidizes) to capacitive, it still works.

The top-level schematic in Figure 1 shows the outputs connected to external LED's for demonstration.

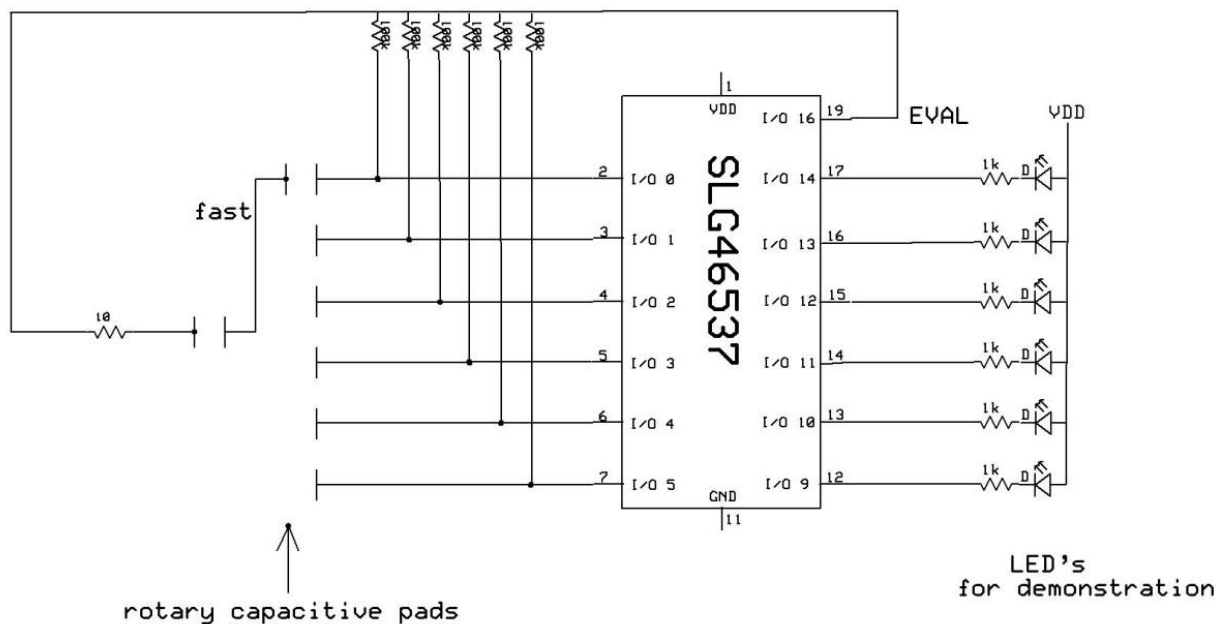


Figure 1: Top Level Application Schematic for Demonstration

Figure 2 is an oscilloscope capture showing the difference in risetime of a sector pad having the selector wiper aligned with it, versus the risetime of the other unselected pads. The ΔT is 248 nS, which more than enough margin for the GreenPAK Asynchronous State Machine (ASM) to resolve. The ASM can resolve in under a nanosecond, and its internal arbitration circuitry guarantees that only one state is valid. Hence, only one output will register at any time.

A Contactless Rotary Encoder



Figure 2: Oscilloscope Capture Showing the Difference in Risetime

A Contactless Rotary Encoder

5 GreenPAK Design Implementation

The schematic programmed into the GreenPAK IC is shown in Figure 3.

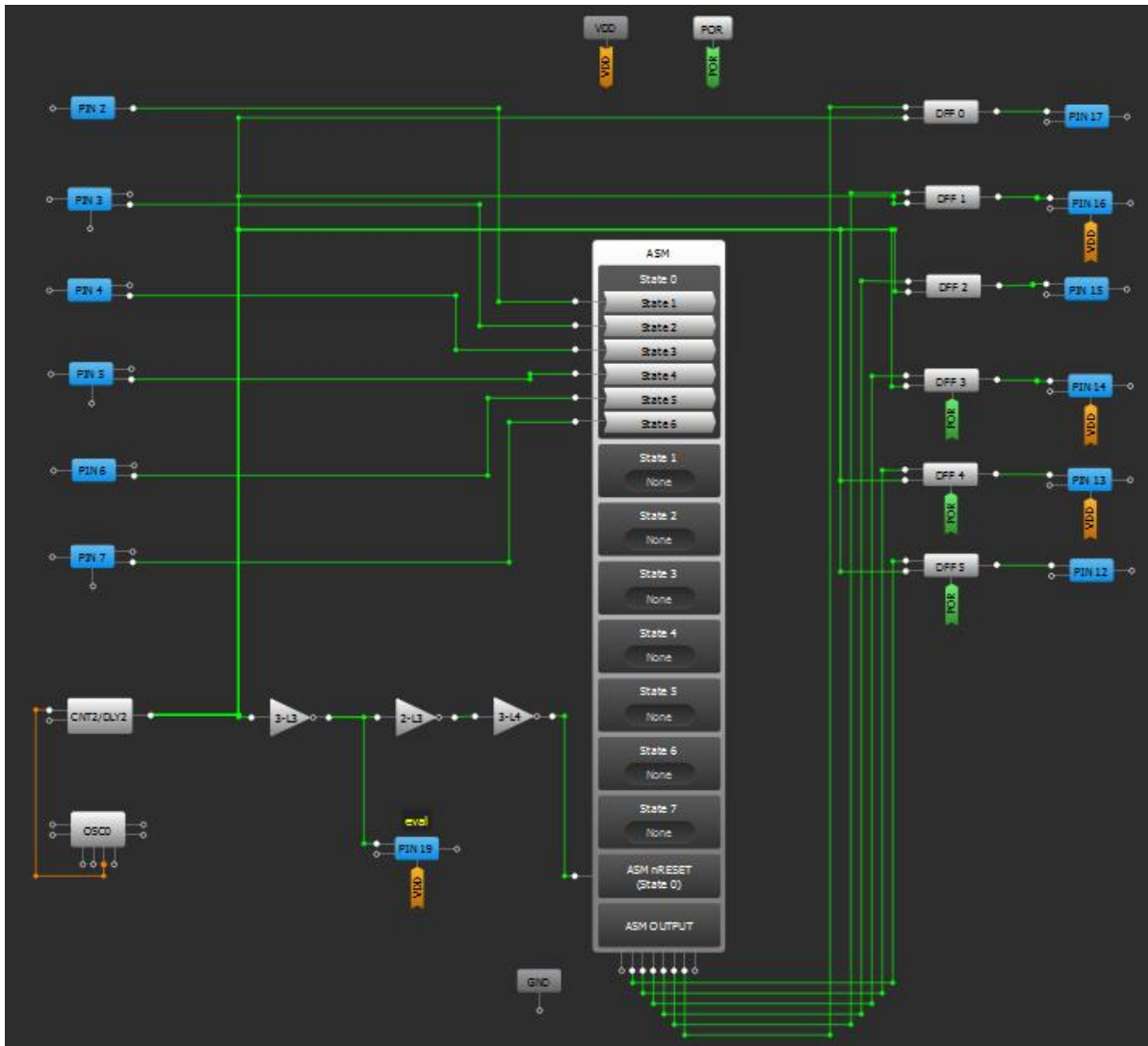


Figure 3: GreenPAK Designer Schematic

To save power, the EVAL signal is generated at a rate appropriate for the application response time. The low frequency oscillator is used and further divided down with CNT2. In this example it's approximately 16 Hz. See configuration settings in Figure 4.

A Contactless Rotary Encoder

Properties OSC0

Control pin mode: Force on

OSC Power Mode: Force Power On

Clock selector: OSC

EXT CLK Pin selector: PIN 20 (IO17)

Fast start-up: Disable

RC OSC Frequency: 25 kHz

'CLK' predivider by: 8

'OUT0' second divider by: 64

'OUT1' second divider by: 1

Information

Frequency

Clock output configuration:

RC OSC Output	Value
CLK /4	RC OSC Freq. /8 /4
CLK /12	RC OSC Freq. /8 /12
CLK /24	RC OSC Freq. /8 /24
CLK /64	RC OSC Freq. /8 /64
OUT0	RC OSC Freq. /8 /64
OUT1	RC OSC Freq. /8

Properties 3-bit LUT5/8-bit CNT2/DLY2

Type: CNT/DLY

Mode: Counter

Counter data: 64
(Range: 1 - 255)

Output period (typical): 499.2 ms [Formula](#)

Edge select: Rising

Output polarity: Non-inverted (OUT)

Q mode: None

Stop and restart: None

Connections

Clock: OSC0 CLK /24

Clock source: RC OSC Freq. /8 /24

Clock frequency: 130.208 Hz

Figure 4: Oscillator Configuration Settings

The illustration of the possible state transitions is shown in the ASM state diagram (Figure 5).

A Contactless Rotary Encoder

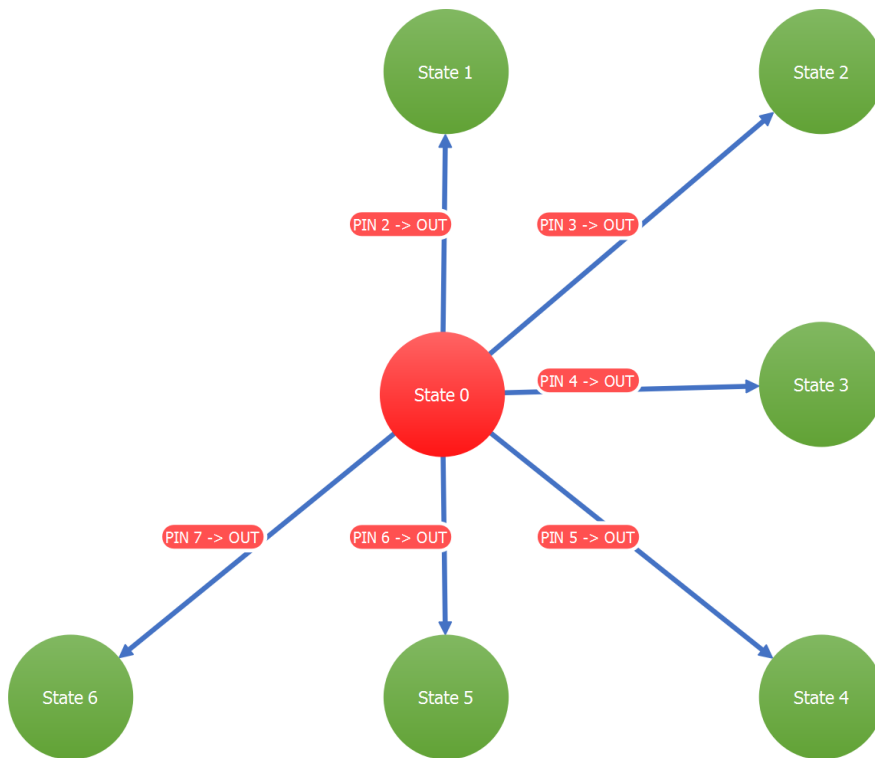


Figure 5: ASM State Diagram Showing Possible State Transitions

A slightly delayed copy of EVAL is used as an ASM reset with each cycle. This ensures that we always start from STATE0. After the ASM reset condition, EVAL signal is monitored by the ASM at each of the pads. Only the earliest rising edge will cause the state transition out of STATE0. Any subsequent rising edges from other pads will be ignored since only one state transition is possible. This is also because of the way we configured the ASM as shown in Figure 6. Each of the 6 ASM output states corresponds to only one of the sector pads.

The DFF latches hold the ASM result steady so that there is no switching of the final output during ASM reset. The desired polarity for driving our open drain NMOS output pins requires us to configure the DFF's with inverted outputs.

State name	Connection Matrix Output RAM							
	OUT7	OUT6	OUT5	OUT4	OUT3	OUT2	OUT1	OUT0
State 0	0	0	0	0	0	0	0	1
State 1	0	0	0	0	0	0	1	0
State 2	0	0	0	0	0	1	0	0
State 3	0	0	0	0	1	0	0	0
State 4	0	0	0	1	0	0	0	0
State 5	0	0	1	0	0	0	0	0
State 6	0	1	0	0	0	0	0	0
State 7	0	0	0	0	0	0	0	0

Figure 6: Output Connection Matrix

A Contactless Rotary Encoder

6 Test Results

The photos below show a crude prototype, fully operational. It is also low power, measuring only 5 μ A for the GreenPAK.

The layout of pads and wiper are maximized for strongest signal. The prototype was found to be immune to strong RF interference such as large fluorescent bulbs, and 5 W 145 MHz radio. This is likely because all pads receive the interference in common mode.

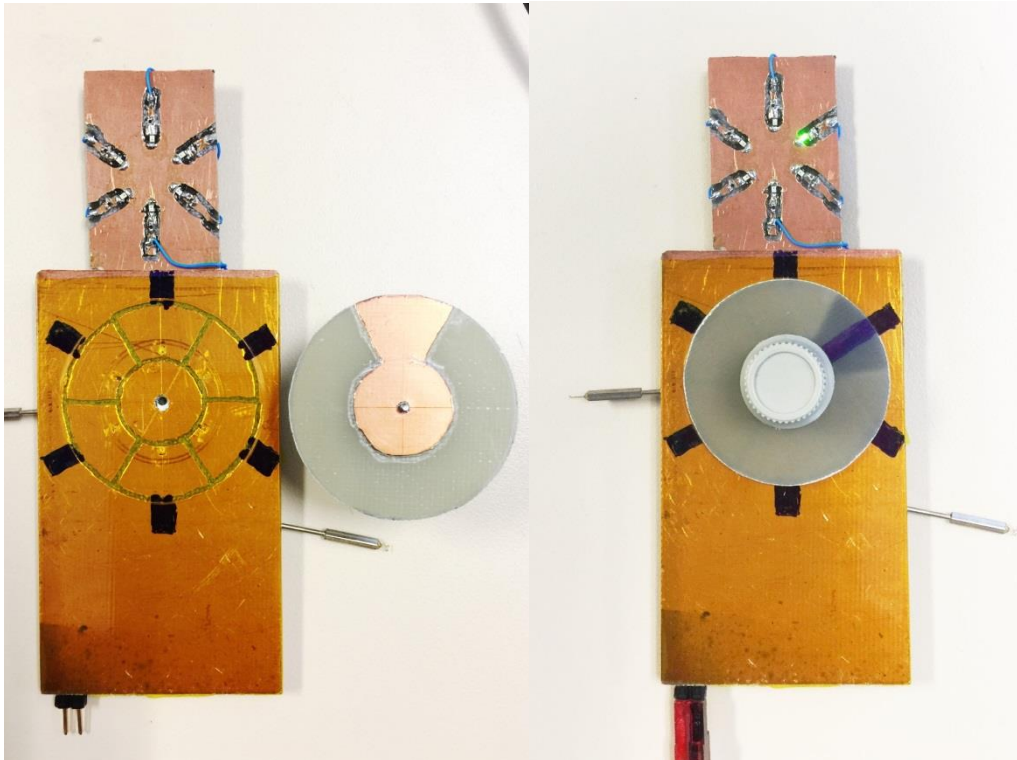


Figure 7: Crude Prototype

It is possible to lay out the pads and wiper dimensions so there is no overlap of 2 pads at the same time to the wiper in any position. This may not really be necessary since the ASM arbitration circuitry will allow only one of the states to be valid, even in the event of 2 simultaneous rising edges. That is another reason this design is robust. Good sensitivity is achieved with the board layout having interconnect traces to the pads very narrow, and equal length to each other so the total capacitance of each sector pad is matched with the others. A final product could include mechanical detents for the wiper so it “clicks” when centered to each of the positions, and also provides a nice tactile feel.

7 Conclusion

GreenPAK IC offers a low power, robust, and complete solution for this high reliability rotary switch. It is ideal for applications such as outdoor timers and controls that require stable, long term operation.

A Contactless Rotary Encoder

Revision History

Revision	Date	Description
1.0	06-Mar-2018	Initial version

IMPORTANT NOTICE AND DISCLAIMER

RENESAS ELECTRONICS CORPORATION AND ITS SUBSIDIARIES (“RENESAS”) PROVIDES TECHNICAL SPECIFICATIONS AND RELIABILITY DATA (INCLUDING DATASHEETS), DESIGN RESOURCES (INCLUDING REFERENCE DESIGNS), APPLICATION OR OTHER DESIGN ADVICE, WEB TOOLS, SAFETY INFORMATION, AND OTHER RESOURCES “AS IS” AND WITH ALL FAULTS, AND DISCLAIMS ALL WARRANTIES, EXPRESS OR IMPLIED, INCLUDING, WITHOUT LIMITATION, ANY IMPLIED WARRANTIES OF MERCHANTABILITY, FITNESS FOR A PARTICULAR PURPOSE, OR NON-INFRINGEMENT OF THIRD-PARTY INTELLECTUAL PROPERTY RIGHTS.

These resources are intended for developers who are designing with Renesas products. You are solely responsible for (1) selecting the appropriate products for your application, (2) designing, validating, and testing your application, and (3) ensuring your application meets applicable standards, and any other safety, security, or other requirements. These resources are subject to change without notice. Renesas grants you permission to use these resources only to develop an application that uses Renesas products. Other reproduction or use of these resources is strictly prohibited. No license is granted to any other Renesas intellectual property or to any third-party intellectual property. Renesas disclaims responsibility for, and you will fully indemnify Renesas and its representatives against, any claims, damages, costs, losses, or liabilities arising from your use of these resources. Renesas' products are provided only subject to Renesas' Terms and Conditions of Sale or other applicable terms agreed to in writing. No use of any Renesas resources expands or otherwise alters any applicable warranties or warranty disclaimers for these products.

(Disclaimer Rev.1.01 Jan 2024)

Corporate Headquarters

TOYOSU FORESIA, 3-2-24 Toyosu,
Koto-ku, Tokyo 135-0061, Japan
www.renesas.com

Trademarks

Renesas and the Renesas logo are trademarks of Renesas Electronics Corporation. All trademarks and registered trademarks are the property of their respective owners.

Contact Information

For further information on a product, technology, the most up-to-date version of a document, or your nearest sales office, please visit www.renesas.com/contact-us/.