

**Reference Design using the HC55185 and the Texas Instruments TCM38C17 Quad Combo**

The purpose of this application note is to provide a reference design for the HC55185 and Texas Instruments TCM38C17 Quad Combo.

The network requirements of many countries require the analog subscriber line circuit (SLIC) to terminate the subscriber line with an impedance for voiceband frequencies which is complex, rather than resistive (e.g. 600Ω). The HC55185 accomplishes this impedance matching with a single network connected between the VTX pin and the -IN pin.

The TCM38C17 Quad Combo has a programmable receive output amplifier to adjust the output gain into the SLIC. The output amplifier gain is programmed with two simple resistors. Transhybrid balance is achieved via the TCM38C17 GSX amplifier.

Discussed in this application note are the following:

- 2-wire 600Ω impedance matching.
- Receive gain (4-wire to 2-wire) and transmit gain (2-wire to 4-wire) calculations.
- Transhybrid balance calculations.
- Reference design for 600Ω 2-wire load.
- Reference design for China complex 2-wire load.

**Impedance Matching**

Impedance matching of the HC55185 to the subscriber load is important for optimization of 2 wire return loss, which in turn cuts down on echoes in the end to end voice communication path. Impedance matching of the HC55185 is accomplished by making the SLIC's impedance (Z<sub>O</sub>, Figure 1)

equal to the desired terminating impedance Z<sub>L</sub>, minus the value of the protection resistors (R<sub>P</sub>). The formula to calculate the proper R<sub>S</sub> for matching the 2-wire impedance is shown in Equation 1.

$$R_S = 133.3 \cdot (Z_L - 2R_P) \tag{EQ. 1}$$

Equation 1 can be used to match the impedance of the SLIC and the protection resistors (Z<sub>TR</sub>) to any known line impedance (Z<sub>L</sub>). Figure 1 shows the calculations of R<sub>S</sub> to match a resistive and 2 complex loads.

**EXAMPLE 1:**

Calculate R<sub>S</sub> to make Z<sub>TR</sub> = 600Ω in series with 2.16μF. R<sub>P</sub> = 49Ω.

$$R_S = 133.3 \left( 600 + \frac{1}{j\omega 2.16 \times 10^{-6}} - (2)(49) \right) \tag{EQ. 2}$$

R<sub>S</sub> = 66.9kΩ in series with 16.2nF.

Note: Some impedance models, with a series capacitor, will cause the op-amp feedback to behave as an open circuit DC. A resistor with a value of about 10 times the reactance of the R<sub>S</sub> capacitor (2.16μF/133.3 = 16.2nF) at the low frequency of interest (200Hz for example) can be placed in parallel with the capacitor in order to solve the problem (491kΩ for a 16.2nF capacitor).

**EXAMPLE 2:**

Calculate R<sub>S</sub> to make Z<sub>TR</sub> = 200 + 680//0.1μF. R<sub>P</sub> = 49Ω.

$$Z_T = 133.3 \left( 200 + \frac{680}{1 + j\omega 680(0.1) \times 10^{-6}} - (2)(49) \right) \tag{EQ. 3}$$

R<sub>S</sub> = 13.6kΩ in series with the parallel combination of 90.6kΩ and 750pF.

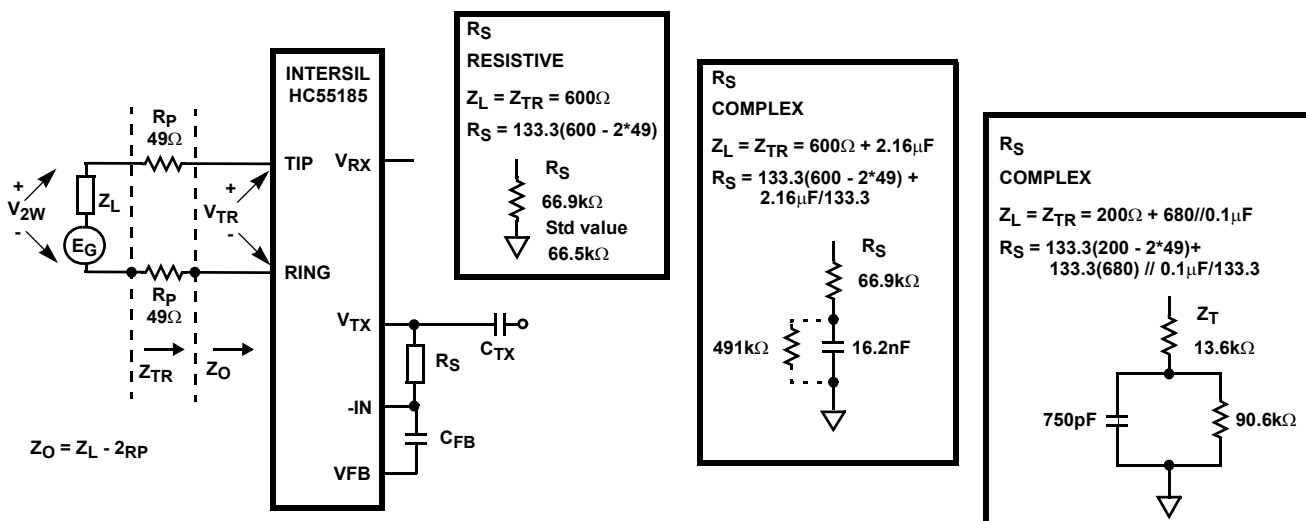


FIGURE 1. IMPEDANCE MATCHING

## SLIC in the Active Mode

Figure 2 shows a simplified AC transmission model of the HC55185 and the connection of the TCM38C17 to the SLIC. Circuit analysis of the HC55185 yields the following design equations:

The Sense Amplifier is configured as a 4 input differential amplifier with a gain of 3/4. The voltage at the output of the sense amplifier ( $V_{SA}$ ) is calculated using superposition.  $V_{SA1}$  is the voltage resulting from  $V_1$ ,  $V_{SA2}$  is the voltage resulting from  $V_2$  and so on (reference Figure 2).

$$V_{SA1} = \frac{3}{4}(V_1) \quad (\text{EQ. 4})$$

$$V_{SA2} = \frac{3}{4}(V_2) \quad (\text{EQ. 5})$$

$$V_{SA3} = -\frac{3}{4}(V_3) \quad (\text{EQ. 6})$$

$$V_{SA4} = \frac{3}{4}(V_4) \quad (\text{EQ. 7})$$

$$V_{SA} = [(V_2 - V_1) + (V_4 - V_3)] \frac{3}{4} = [\Delta V + \Delta V] \frac{3}{4} \quad (\text{EQ. 8})$$

Where  $\Delta V$  is equal to  $I_M R_{SENSE}$  ( $R_{SENSE} = 20\Omega$ )

$$V_{SA} = 2(\Delta I_M \times 20) \frac{3}{4} = \Delta I_M 30 \quad (\text{EQ. 9})$$

The voltage at VTX is equal to:

$$V_{TX} = -V_{SA} \left( \frac{R_S}{8K} \right) = - \left( \frac{R_S}{8K} \right) \Delta I_M 30 \quad (\text{EQ. 10})$$

$V_{TR}$  is defined in Figure 2, note polarity assigned to  $V_{TR}$ :

$$V_{TR} = 2(V_{RX} + V_{TX}) \quad (\text{EQ. 11})$$

Setting  $V_{RX}$  equal to zero, substituting EQ. 10 into EQ. 11 and defining  $Z_O = -V_{TR}/\Delta I_M$  will enable the user to determine the require feedback to match the line impedance at  $V_{2W}$ .

$$Z_O = \frac{1}{133.33} R_S \quad (\text{EQ. 12})$$

$Z_O$  is the source impedance of the device and is defined as  $Z_O = Z_L - 2R_P$ .  $Z_L$  is the line impedance.  $R_S$  is defined as:

$$R_S = 133.33(Z_L - 2R_P) \quad (\text{EQ. 13})$$

Node Equation at HC55185  $V_{RX}$  input

$$I_X = \frac{V_{RX}}{R} + \frac{V_{TX}}{R} \quad (\text{EQ. 14})$$

Substitute Equation 10 into Equation 14

$$I_X = \frac{V_{RX}}{R} - \left( \frac{R_S \Delta I_M 30}{8K} \right) \quad (\text{EQ. 15})$$

Loop Equation at HC55185 feed amplifier and load

$$I_X R - V_{TR} + I_X R = 0 \quad (\text{EQ. 16})$$

Substitute Equation 15 into Equation 16

$$V_{TR} = 2V_{RX} - \left( \frac{R_S \Delta I_M 60}{8K} \right) \quad (\text{EQ. 17})$$

Substitute Equation 12 for  $R_S$  and  $-V_{2W}/Z_L$  for  $\Delta I_M$  into Equation 17.

$$V_{TR} = 2V_{RX} + \frac{Z_O V_{2W}}{Z_L} \quad (\text{EQ. 18})$$

Loop Equation at Tip/Ring interface

$$V_{2W} - I_M 2R_P + V_{TR} = 0 \quad (\text{EQ. 19})$$

Substitute Equation 18 into Equation 19 and combine terms.

$$V_{2W} \left[ \frac{Z_L + Z_O + 2R_P}{Z_L} \right] = -2V_{RX} \quad (\text{EQ. 20})$$

where:

$V_{RX}$  = The input voltage at the  $V_{RX}$  pin.

$V_{SA}$  = An internal node voltage that is a function of the loop current and the output of the Sense Amplifier.

$I_X$  = Internal current in the SLIC that is the difference between the input receive current and the feedback current.

$I_M$  = The AC metallic current.

$R_P$  = A protection resistor (typical 49.9 $\Omega$ ).

$R_S$  = An external resistor/network for matching the line impedance.

$V_{TR}$  = The tip to ring voltage at the output pins of the SLIC.

$V_{2W}$  = The tip to ring voltage including the voltage across the protection resistors.

$Z_L$  = The line impedance.

$Z_O$  = The source impedance of the device.

## Receive Gain ( $V_{IN}$ to $V_{2W}$ )

4-wire to 2-wire gain is equal to the  $V_{2W}$  divided by the input voltage  $V_{IN}$ , reference Figure 2. The gain through the TCM38C17 is programmed to be 1.0 using Equation 21.

$$G_{(\text{PCMIN-PWRO}^+)} = \frac{R_1 + R_2}{4 \left( R_2 + \frac{R_1}{4} \right)} \quad (\text{EQ. 21})$$

The input and output gain adjustments are discussed in detail in PCM CODEC / Filter Combo Family: Device Design-in and Application Data [1]. The maximum output (Gain =1) can be obtained by maximizing  $R_1$  and minimizing  $R_2$  (Figure 2). This can be done by letting  $R_1 = \text{infinity}$  and  $R_2 = 0$ , as shown in Figure 3.

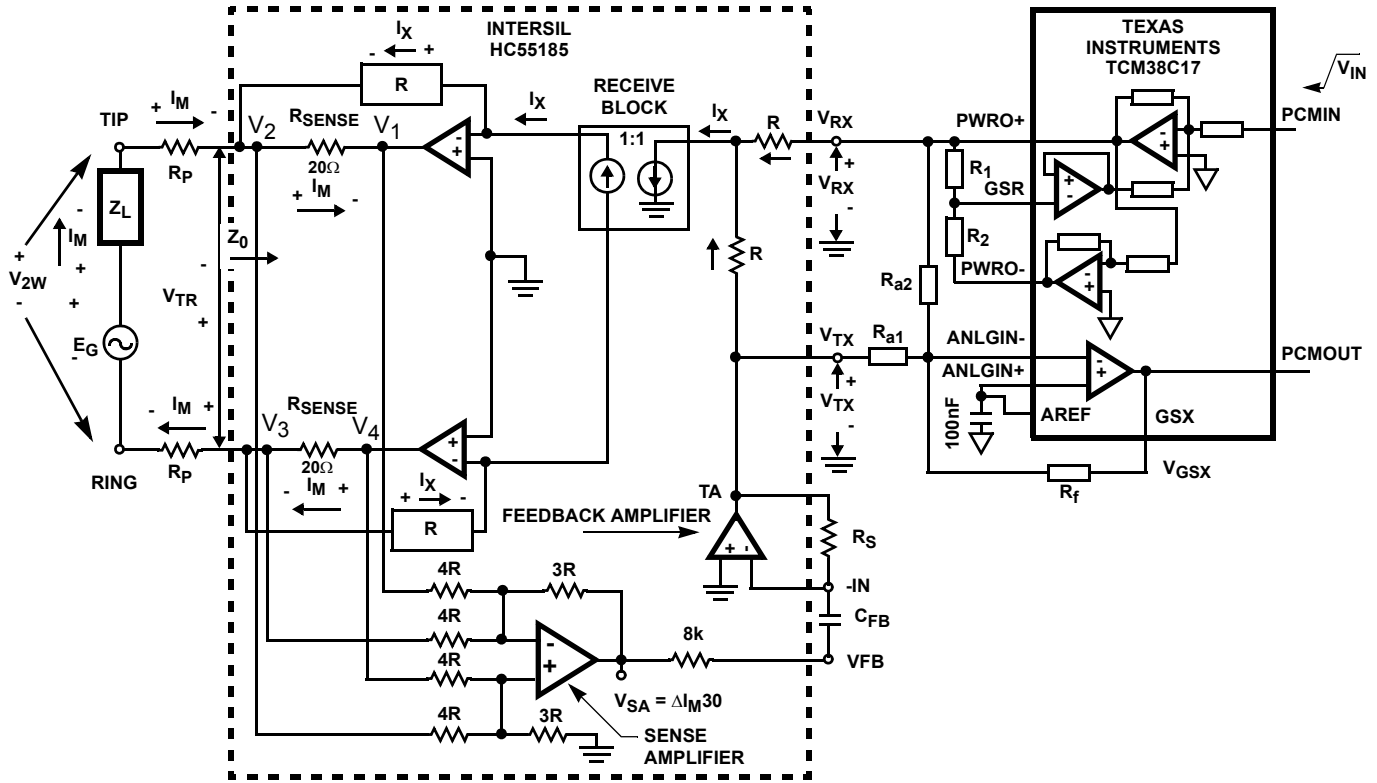


FIGURE 2. HC55185 SIMPLIFIED AC TRANSMISSION CIRCUIT AND TCM38C17

The receive gain is calculated using Equation 20 and the relationship  $R_S = 133.33(Z_L - 2R_P)$ .

Equation 22 expresses the receive gain ( $V_{IN}$  to  $V_{2W}$ ) in terms of network impedances, where  $V_{IN} = V_{PCMIN} = V_{PWRO+} = V_{RX}$ .

$$G_{4-2} = \frac{V_{2W}}{V_{IN}} = -2 \frac{Z_L}{Z_L + Z_O + 2R_P} \quad (\text{EQ. 22})$$

Notice that the phase of the 4-wire to 2-wire signal is  $180^\circ$  out of phase with the input signal.

### Transmit Gain Across HC55185 ( $E_G$ to $V_{TX}$ )

The 2-wire to 4-wire gain is equal to  $V_{TX}/E_G$  with  $V_{RX} = 0$ , reference Figure 2.

Loop Equation (EQ. 23)

$$-E_G + Z_L I_M + 2R_P I_M - V_{TR} = 0$$

From Equation 18 with  $V_{RX} = 0$

$$V_{TR} = \frac{Z_O V_{2W}}{Z_L} \quad (\text{EQ. 24})$$

Substituting Equation 24 into Equation 23 and simplifying.

$$E_G = -V_{2W} \left[ \frac{Z_L + 2R_P + Z_O}{Z_L} \right] \quad (\text{EQ. 25})$$

Substituting Equation 12 into Equation 10 and defining  $\Delta I_M = -V_{2W}/Z_L$  results in Equation 26 for  $V_{TX}$ .

$$V_{TX} = \frac{V_{2W}}{2} \left[ \frac{Z_L - 2R_P}{Z_L} \right] \quad (\text{EQ. 26})$$

Combining Equations 25 and 26 results in Equation 27.

$$G_{2-4} = \frac{V_{TX}}{E_G} = -\frac{Z_L - 2R_P}{2(Z_L + 2R_P + Z_O)} = -\frac{Z_O}{2(Z_L + 2R_P + Z_O)} \quad (\text{EQ. 27})$$

A more useful form of the equation is rewritten in terms of  $V_{TX}/V_{2W}$ . A voltage divider equation is written to convert from  $E_G$  to  $V_{2W}$  as shown in Equation 28.

$$V_{2W} = \left( \frac{Z_O + 2R_P}{Z_L + Z_O + 2R_P} \right) E_G \quad (\text{EQ. 28})$$

Substituting  $Z_L = Z_O + 2R_P$  and rearranging Equation 28 in terms of  $E_G$  results in Equation 29.

$$E_G = 2V_{2W} \quad (\text{EQ. 29})$$

Substituting Equation 29 into Equation 27 results in an equation for 2-wire to 4-wire gain that's a function of the synthesized input impedance of the SLIC and the protection resistors.

$$G_{2-4} = \frac{V_{TX}}{V_{2W}} = -\frac{Z_O}{(Z_L + 2R_P + Z_O)} \quad (\text{EQ. 30})$$

Notice that the phase of the 2-wire to 4-wire signal is out-of-phase with the input signal and when the protection resistors are set to zero, the transmit gain is -6dB.

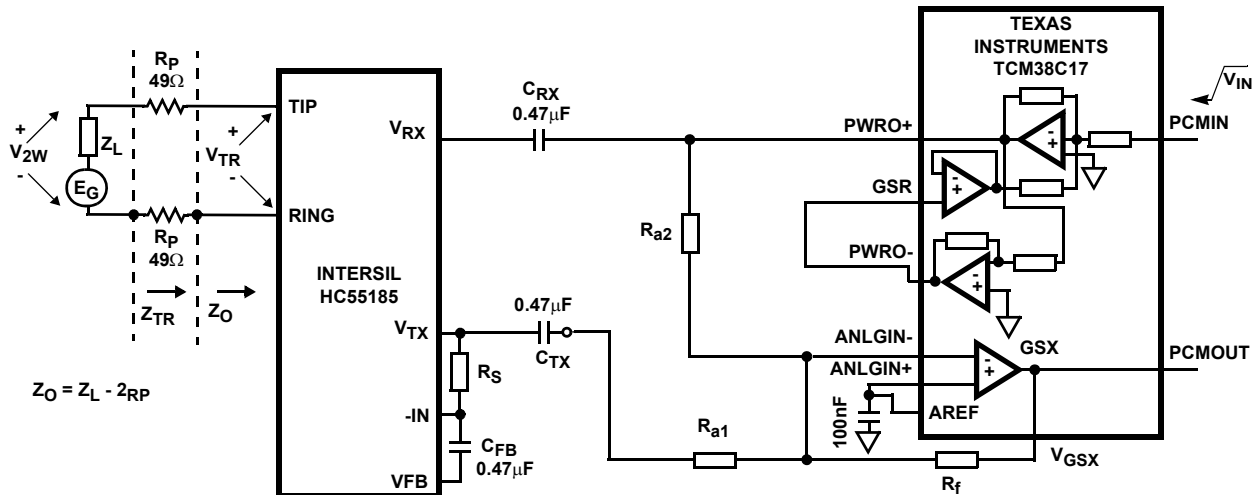


FIGURE 3. RECEIVE GAIN G(4-2), TRANSMIT GAIN (2-4) AND TRANSHYBRID BALANCE

### Transmit Gain Across the System ( $V_{2W}$ to $V_{PCMOUT}$ )

2-wire to 4-wire gain is equal to the  $V_{PCMOUT}$  voltage divided by the 2-wire voltage  $V_{2W}$ , reference Figure 3.

$$G_{2-4} = \frac{V_{PCMOUT}}{V_{2W}} \quad (\text{EQ. 31})$$

$V_{PCMOUT}$  is only a function of  $V_{TX}$  and the feedback resistors  $R_{a1}$  and  $R_f$  Equation 32. This is because  $V_{IN}$  is considered ground for this analysis, thereby effectively grounding the  $V_{PWRO+}$  output.

$$V_{PCMOUT} = -V_{TX} \frac{R_f}{R_{a1}} \quad (\text{EQ. 32})$$

An equation for the system transmit gain is achieved by substituting Equation 30 into Equation 32.

$$G_{2-4} = \frac{V_{PCMOUT}}{V_{2W}} = -\frac{V_{TX}}{V_{2W}} \frac{R_f}{R_{a1}} = \frac{Z_O}{(Z_L + 2R_P + Z_O)} \frac{R_f}{R_{a1}} \quad (\text{EQ. 33})$$

To achieve a Transmit Gain of one ( $V_{PCMOUT}/V_{2W}$ ), make  $R_f = (Z_L + 2R_P + Z_O)$  and  $R_{a1} = Z_O$ . Actual values of  $R_{a1}$  and  $R_f$  were multiplied by 100 to reduce loading effects on the GSX opamp.

### Transhybrid Balance G(4-4)

Transhybrid balance is a measure of how well the input signal is canceled (that being received by the SLIC) from the transmit signal (that being transmitted from the SLIC to the CODEC). Without this function, voice communication would be difficult because of the echo.

The signals at  $V_{PWRO+}$  and  $V_{TX}$  (Figure 3) are opposite in phase. Transhybrid balance is achieved by summing two signals that are equal in magnitude and opposite in phase into the GSX amplifier.

Transhybrid balance is achieved by summing the  $V_{PWRO+}$  signal with the output signal from the HC55185 when proper gain adjustments are made to match  $V_{PWRO+}$  and  $V_{TX}$  magnitudes.

For discussion purpose, the GSX amplifier is redrawn with the external resistors in Figure 4.

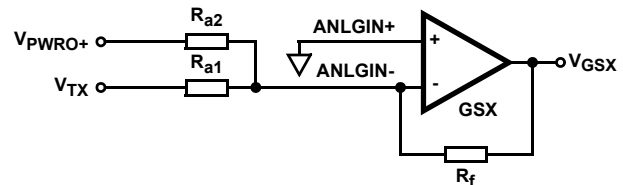


FIGURE 4. TRANSHYBRID BALANCE CIRCUIT

The gain through the GSX amplifier from  $V_{PWRO+}$  is set by resistors  $R_{a2}$  and  $R_f$ . The gain through the GSX amplifier from  $V_{TX}$  is set by resistors  $R_{a1}$  and  $R_f$ .

Transhybrid balance is achieved by adjusting the magnitude from both  $V_{PWRO+}$  and  $V_{TX}$  so their equal to each other.

### Reference Design of the HC55185 and the TCM38C17 With a 600Ω Load

The design criteria is as follows:

- 4-wire to 2-wire gain ( $V_{PCMIN}$  to  $V_{2W}$ ) equal 0dB
- 2-wire to 4-wire gain ( $V_{2W}$  to  $V_{PCMOUT}$ ) equal 0dB
- Two Wire Return Loss greater than -30dB (200Hz to 4kHz)
- $R_p = 49.9\Omega$

Figure 5 gives the reference design using the Intersil HC55185 and the Texas Instruments TCM38C17 Quad Combo. Also shown in Figure 5 are the voltage levels at specific points in the circuit.

## Impedance Matching

The 2-wire impedance is matched to the line impedance  $Z_0$  using Equation 1, repeated here in Equation 34.

$$R_S = 133.3 \cdot (Z_L - 2R_P) \quad (\text{EQ. 34})$$

For a line impedance of  $600\Omega$ ,  $R_S$  equals:

$$R_S = 133.3 \cdot (600 - 98) = 66.9\text{k}\Omega \quad (\text{EQ. 35})$$

The closest standard value for  $R_S$  is  $66.5\text{k}\Omega$ .

## Transhybrid Balance ( $Z_L = 600\Omega$ )

The internal GSX amplifier of the TCM38C17 is used to perform the transhybrid balance function. Transhybrid balance is achieved by summing two signals that are equal in magnitude and opposite in phase into the GSX amplifier. From Equation 33, repeated here in Equation 36, a Transmit Gain ( $V_{\text{PCMOUT}}/V_{2W}$ ) of one is achieved if we make  $R_f = (Z_L + 2R_P + Z_0)$  and  $R_{a1} = Z_0$ .

$$G_{2-4} = \frac{V_{\text{PCMOUT}}}{V_{2W}} = -\frac{V_{\text{TX}} R_f}{V_{2W} R_{a1}} = -\frac{Z_0 R_f}{(Z_L + 2R_P + Z_0) R_{a1}} \quad (\text{EQ. 36})$$

$$R_f = (Z_L + 2R_P + Z_0) = (600 + 98 + 502)(100) = 120\text{k}\Omega \quad (\text{EQ. 37})$$

$$R_{a1} = (Z_0) = 502\Omega(100) = 50.2\text{k}\Omega \quad (\text{EQ. 38})$$

Actual values of  $R_{a1}$  and  $R_f$  were multiplied by 100 to reduce loading effects on the GSX op-amp.

Closest standard value for  $R_f$  is  $121.0\text{k}\Omega$   
Closest standard value for  $R_{a1}$  is  $49.9\text{k}\Omega$

The TCM38C17 receive gain is programmed to 1.0 by maximizing  $R_1$  and minimizing  $R_2$  resistor values (Figure 2).

The gain from  $\text{PWRO+}/V_{\text{RX}}$  through the SLIC at  $V_{\text{TX}}$  is 0.418 (Eq. 10 in the Intersil HC55185 data sheet, repeated here in Equation 39).

$$G_{4-4} = \frac{V_{\text{TX}}}{V_{\text{RX}}} = -\frac{Z_0}{(Z_L + 2R_P + Z_0)} \quad (\text{EQ. 39})$$

To achieve transhybrid balance from the  $\text{PWRO+}$  pin to  $\text{PCMOUT}$  set  $R_{a2} = R_{a1} / 0.418$ .

$$R_{a2} = \left(\frac{49.9\text{k}\Omega}{0.418}\right) = 119.37\text{k}\Omega \quad (\text{EQ. 40})$$

Closest standard value for  $R_{a2}$  is  $118\text{k}\Omega$ .

## Specific Implementation for China

The design criteria for a China specific solution are as follows:

- Desired line circuit impedance is  $200 + 680/j0.1\mu\text{F}$
- Receive gain ( $V_{2W}/V_{\text{PCMIN}}$ ) is  $-3.5\text{dB}$
- Transmit gain ( $V_{\text{PCMOUT}}/V_{2W}$ ) is  $0\text{dB}$
- $0\text{dBm}_0$  is defined as  $1\text{mW}$  into the complex impedance at  $1020\text{Hz}$
- $R_p = 49.9\Omega$

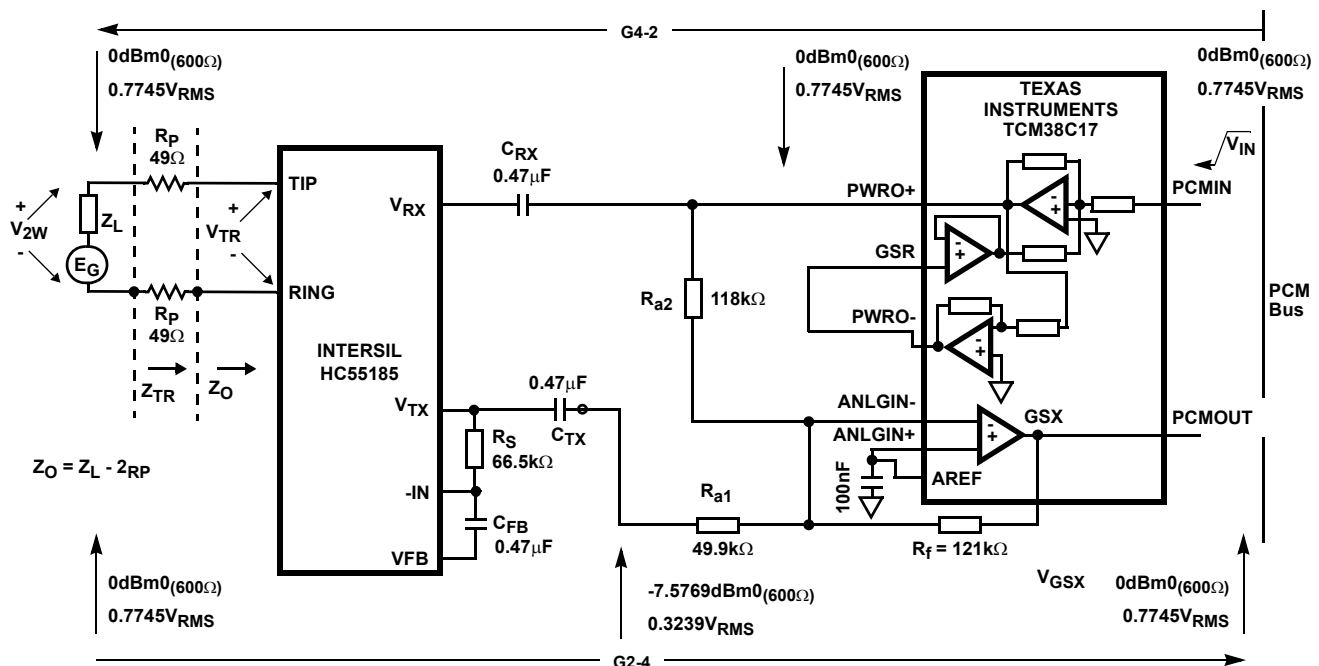


FIGURE 5. REFERENCE DESIGN OF THE HC55185 AND THE TCM38C17 WITH A  $600\Omega$  LOAD IMPEDANCE

Figure 6 gives the reference design using the Intersil HC55185 and the Texas Instruments TCM38C17 Quad Combo. Also shown in Figure 6 are the voltage levels at specific points in the circuit. These voltages will be used to adjust the gains of the network.

### Adjustment to Get -3.5dBm0 at the Load Referenced to 600Ω

The voltage equivalent to 0dBm0 into 811Ω (0dBm0(811Ω)) is calculated using Equation 41 (811Ω is the impedance of complex China load at 1020Hz).

$$0\text{dBm}_{(811\Omega)} = 10\log\frac{V^2}{811(0.001)} = 0.90055V_{\text{RMS}} \quad (\text{EQ. 41})$$

The gain referenced back to 0dBm0(600Ω) is equal to:

$$\text{GAIN} = 20\log\frac{0.90055V_{\text{RMS}}}{0.7745V_{\text{RMS}}} = 1.309\text{dB} \quad (\text{EQ. 42})$$

The adjustment to get -3.5dBm0 at the load referenced to 600Ω is:

$$\text{Adjustment} = -3.5\text{dBm0} + 1.309\text{dBm0} = -2.19\text{dB} \quad (\text{EQ. 43})$$

The voltage at the load (referenced to 600Ω) is given in Equation 44:

$$-2.19\text{dBm}_{(600\Omega)} = 10\log\frac{V^2}{600(0.001)} = 0.60196V_{\text{RMS}} \quad (\text{EQ. 44})$$

### Impedance Matching

The 2-wire impedance is matched to the line impedance  $Z_L$  using Equation 1, repeated here in Equation 45.

$$R_S = 133.3 \cdot (Z_L - 2R_P) \quad (\text{EQ. 45})$$

For a line impedance of  $200 + 680/j\omega \cdot 0.1\mu\text{F}$ ,  $R_S$  equals:

$$R_S = 133.3 \cdot \left(200 + \frac{680}{1 + j\omega 680(0.1) \times 10^{-6}} - (2)(49.9)\right) \quad (\text{EQ. 46})$$

$$R_S = 133.3 \cdot (102\Omega) + \left[133.3 \cdot 680\Omega \parallel \frac{0.1\mu\text{F}}{133.3}\right] \quad (\text{EQ. 47})$$

$R_S = 13.6\text{k}\Omega$  in series with the parallel combination of  $90.6\text{k}\Omega$  and  $750\text{pF}$  (closest standard values are:  $R_S = 13.7\text{k}\Omega$ ,  $R_P = 90.9\text{k}\Omega$  and  $C_P = 680\text{pF}$ ).

To achieve a 4-wire to 2-wire gain ( $V_{\text{PCMIN}}$  to  $V_{2W}$ ) that is equivalent to 0dBm(600Ω) at the complex load, the gain through the TCM38C17 ( $V_{\text{PCMIN}}$  to  $V_{\text{PWRO+}}$ ) must equal -2.19dBm (0.60196V<sub>RMS</sub>). The gain through the TCM38C17 will then equal -2.19dBm (0.60196V<sub>RMS</sub>) divided by the input voltage 0dBm (0.7745V<sub>RMS</sub>). This gain is equal to 0.777.

The gain through the TCM38C17 ( $V_{\text{PCMIN}}$  to  $V_{\text{PWRO+}}$ ) is given in Equation 21 and repeated here in Equation 48.

$$G_{(\text{PCMIN}-\text{PWRO})} = \frac{R_1 + R_2}{4\left(R_2 + \frac{R_1}{4}\right)} \quad (\text{EQ. 48})$$

Setting the gain equal to 0.777 we can now determine the value of the gain setting resistors  $R_1$  and  $R_2$ . Selecting the value of  $R_1$  to be 49.9kΩ,  $R_2$  is calculated to 5.27kΩ. (Note: the value of  $R_1 + R_2$  should be greater than 10kΩ but less than 100kΩ.)

$$0.777 = \frac{R_1 + R_2}{4\left(R_2 + \frac{R_1}{4}\right)} \quad (\text{EQ. 49})$$

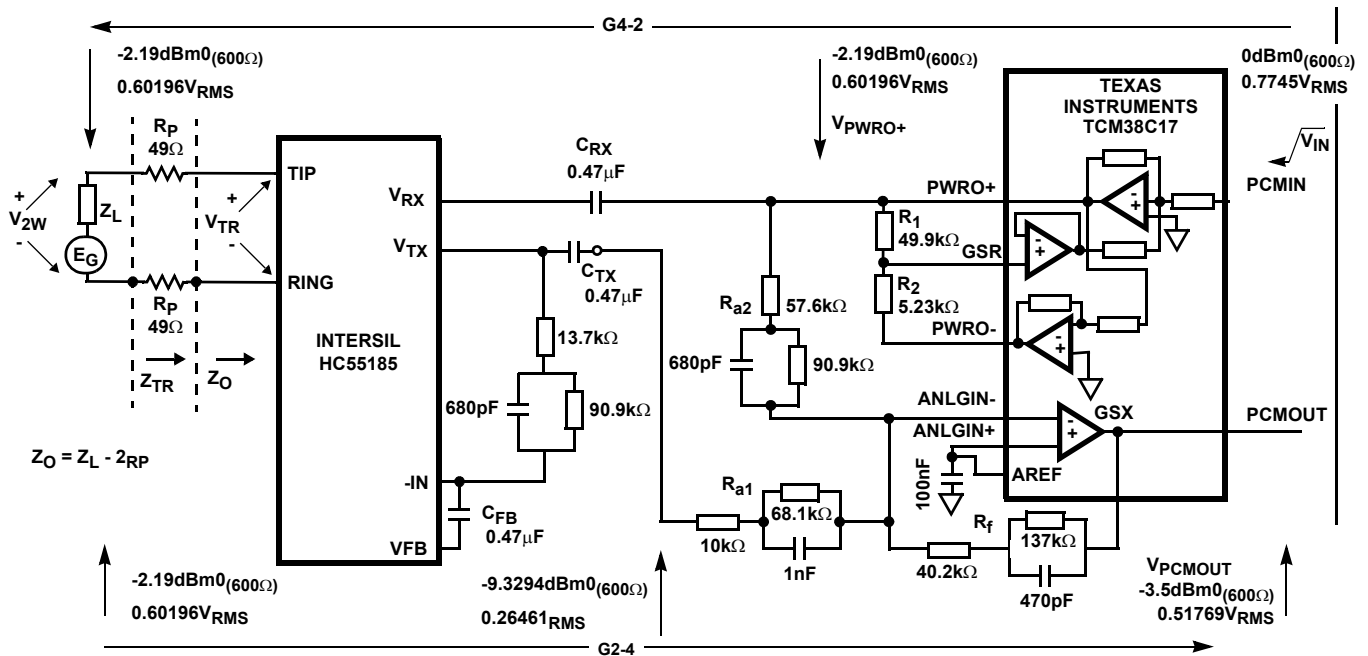


FIGURE 6. REFERENCE DESIGN OF THE HC55185 AND THE TCM38C17 WITH CHINA COMPLEX LOAD IMPEDANCE

$$R_2 = R_1 \left( \frac{0.222}{2.108} \right) = 49.9k\Omega(0.105) = 5.27k\Omega \quad (\text{EQ. 50})$$

The closest standard value for  $R_2$  is 5.23k $\Omega$ .

### Transhybrid Balance ( $Z_L = 200 + 680 // 0.1\mu F$ )

The internal GSX amplifier of the TCM38C17 is used to perform the transhybrid balance function. Transhybrid balance is achieved by summing two signals that are equal in magnitude and opposite in phase into the GSX amplifier. From Equation 33, repeated here in Equation 51, a Transmit Gain ( $V_{PCMOUT} / V_{2W}$ ) of one is achieved if we make  $R_f = (Z_L + 2R_P + Z_O)$  and  $R_{a1} = Z_O$ .

$$G_{2-4} = \frac{V_{PCMOUT}}{V_{2W}} = -\frac{V_{TX} R_f}{V_{2W} R_{a1}} = \frac{Z_O}{(Z_L + 2R_P + Z_O)} \frac{R_f}{R_{a1}} \quad (\text{EQ. 51})$$

Note:  $2R_P + Z_O = Z_L$

$$R_f = (Z_L + 2R_P + Z_O) = (2Z_L) = 2(200 + 680 // 0.1\mu F) \quad (\text{EQ. 52})$$

$$R_f = (400\Omega + 1.36k\Omega // 50nF)100 = 40k\Omega + 136k\Omega // 500pF \quad (\text{EQ. 53})$$

$$R_{a1} = (Z_O) = (Z_L - 2R_P) = (100.2 + 680 // 0.1\mu F) \quad (\text{EQ. 54})$$

$$R_{a1} = (100.2\Omega + 680\Omega // 0.1\mu F)100 = 10k\Omega + 68k\Omega // 1nF \quad (\text{EQ. 55})$$

Actual values of  $R_{a1}$  and  $R_f$  were multiplied by 100 to reduce loading effects on the GSX op-amp.

Closest standard values for  $R_f$  are:  $R_S = 40.2k\Omega$ ,  
 $R_P = 137k\Omega$  and  $C_P = 470pF$ .

Closest standard values for  $R_{a1}$  are:  $R_S = 10k\Omega$ ,  
 $R_P = 68.1k\Omega$  and  $C_P = 1nF$ .

The TCM38C17 receive gain is programmed to 1.0 by maximizing  $R_1$  and minimizing  $R_2$  resistor values (Figure 2).

The gain from PWRO+/ $V_{RX}$  through the SLIC at  $V_{TX}$  is 0.442 @ 1kHz ( $Z_L = 813$ ,  $Z_O = 719$ ) (Eq. 10 in the Intersil HC55185 data sheet, repeated here in Equation 56).

$$G_{4-4} = \frac{V_{TX}}{V_{RX}} = \frac{Z_O}{(Z_L + 2R_P + Z_O)} \quad (\text{EQ. 56})$$

To achieve transhybrid balance from the PWRO+ pin to PCMOUT set  $R_{a2} = R_{a1} / 0.442$ .

$$R_{a2} = \left( \frac{10k\Omega + 68k\Omega // 1nF}{0.442} \right) = (22.62k\Omega + 153.8k\Omega // 442pF) \quad (\text{EQ. 57})$$

Closest standard values for  $R_{a2}$  are:  $R_S = 22.6k\Omega$ ,  $R_P = 154k\Omega$  and  $C_P = 470pF$ .

### Reference

- [1] Website  
[www.ti.com/sc/docs/psheets/abstract/apps/slwa006.htm](http://www.ti.com/sc/docs/psheets/abstract/apps/slwa006.htm)

## Notice

1. Descriptions of circuits, software and other related information in this document are provided only to illustrate the operation of semiconductor products and application examples. You are fully responsible for the incorporation or any other use of the circuits, software, and information in the design of your product or system. Renesas Electronics disclaims any and all liability for any losses and damages incurred by you or third parties arising from the use of these circuits, software, or information.
  2. Renesas Electronics hereby expressly disclaims any warranties against and liability for infringement or any other claims involving patents, copyrights, or other intellectual property rights of third parties, by or arising from the use of Renesas Electronics products or technical information described in this document, including but not limited to, the product data, drawings, charts, programs, algorithms, and application examples.
  3. No license, express, implied or otherwise, is granted hereby under any patents, copyrights or other intellectual property rights of Renesas Electronics or others.
  4. You shall not alter, modify, copy, or reverse engineer any Renesas Electronics product, whether in whole or in part. Renesas Electronics disclaims any and all liability for any losses or damages incurred by you or third parties arising from such alteration, modification, copying or reverse engineering.
  5. Renesas Electronics products are classified according to the following two quality grades: "Standard" and "High Quality". The intended applications for each Renesas Electronics product depends on the product's quality grade, as indicated below.  
"Standard": Computers; office equipment; communications equipment; test and measurement equipment; audio and visual equipment; home electronic appliances; machine tools; personal electronic equipment; industrial robots; etc.  
"High Quality": Transportation equipment (automobiles, trains, ships, etc.); traffic control (traffic lights); large-scale communication equipment; key financial terminal systems; safety control equipment; etc.  
Unless expressly designated as a high reliability product or a product for harsh environments in a Renesas Electronics data sheet or other Renesas Electronics document, Renesas Electronics products are not intended or authorized for use in products or systems that may pose a direct threat to human life or bodily injury (artificial life support devices or systems; surgical implantations; etc.), or may cause serious property damage (space system; undersea repeaters; nuclear power control systems; aircraft control systems; key plant systems; military equipment; etc.). Renesas Electronics disclaims any and all liability for any damages or losses incurred by you or any third parties arising from the use of any Renesas Electronics product that is inconsistent with any Renesas Electronics data sheet, user's manual or other Renesas Electronics document.
  6. When using Renesas Electronics products, refer to the latest product information (data sheets, user's manuals, application notes, "General Notes for Handling and Using Semiconductor Devices" in the reliability handbook, etc.), and ensure that usage conditions are within the ranges specified by Renesas Electronics with respect to maximum ratings, operating power supply voltage range, heat dissipation characteristics, installation, etc. Renesas Electronics disclaims any and all liability for any malfunctions, failure or accident arising out of the use of Renesas Electronics products outside of such specified ranges.
  7. Although Renesas Electronics endeavors to improve the quality and reliability of Renesas Electronics products, semiconductor products have specific characteristics, such as the occurrence of failure at a certain rate and malfunctions under certain use conditions. Unless designated as a high reliability product or a product for harsh environments in a Renesas Electronics data sheet or other Renesas Electronics document, Renesas Electronics products are not subject to radiation resistance design. You are responsible for implementing safety measures to guard against the possibility of bodily injury, injury or damage caused by fire, and/or danger to the public in the event of a failure or malfunction of Renesas Electronics products, such as safety design for hardware and software, including but not limited to redundancy, fire control and malfunction prevention, appropriate treatment for aging degradation or any other appropriate measures. Because the evaluation of microcomputer software alone is very difficult and impractical, you are responsible for evaluating the safety of the final products or systems manufactured by you.
  8. Please contact a Renesas Electronics sales office for details as to environmental matters such as the environmental compatibility of each Renesas Electronics product. You are responsible for carefully and sufficiently investigating applicable laws and regulations that regulate the inclusion or use of controlled substances, including without limitation, the EU RoHS Directive, and using Renesas Electronics products in compliance with all these applicable laws and regulations. Renesas Electronics disclaims any and all liability for damages or losses occurring as a result of your noncompliance with applicable laws and regulations.
  9. Renesas Electronics products and technologies shall not be used for or incorporated into any products or systems whose manufacture, use, or sale is prohibited under any applicable domestic or foreign laws or regulations. You shall comply with any applicable export control laws and regulations promulgated and administered by the governments of any countries asserting jurisdiction over the parties or transactions.
  10. It is the responsibility of the buyer or distributor of Renesas Electronics products, or any other party who distributes, disposes of, or otherwise sells or transfers the product to a third party, to notify such third party in advance of the contents and conditions set forth in this document.
  11. This document shall not be reprinted, reproduced or duplicated in any form, in whole or in part, without prior written consent of Renesas Electronics.
  12. Please contact a Renesas Electronics sales office if you have any questions regarding the information contained in this document or Renesas Electronics products.
- (Note 1) "Renesas Electronics" as used in this document means Renesas Electronics Corporation and also includes its directly or indirectly controlled subsidiaries.  
(Note 2) "Renesas Electronics product(s)" means any product developed or manufactured by or for Renesas Electronics.

(Rev.4.0-1 November 2017)



### SALES OFFICES

Renesas Electronics Corporation

<http://www.renesas.com>

Refer to "<http://www.renesas.com/>" for the latest and detailed information.

**Renesas Electronics America Inc.**  
1001 Murphy Ranch Road, Milpitas, CA 95035, U.S.A.  
Tel: +1-408-432-8888, Fax: +1-408-434-5351

**Renesas Electronics Canada Limited**  
9251 Yonge Street, Suite 8309 Richmond Hill, Ontario Canada L4C 9T3  
Tel: +1-905-237-2004

**Renesas Electronics Europe Limited**  
Dukes Meadow, Millboard Road, Bourne End, Buckinghamshire, SL8 5FH, U.K  
Tel: +44-1628-651-700, Fax: +44-1628-651-804

**Renesas Electronics Europe GmbH**  
Arcadiastrasse 10, 40472 Düsseldorf, Germany  
Tel: +49-211-6503-0, Fax: +49-211-6503-1327

**Renesas Electronics (China) Co., Ltd.**  
Room 1709 Quantum Plaza, No.27 ZhichunLu, Haidian District, Beijing, 100191 P. R. China  
Tel: +86-10-8235-1155, Fax: +86-10-8235-7679

**Renesas Electronics (Shanghai) Co., Ltd.**  
Unit 301, Tower A, Central Towers, 555 Langao Road, Putuo District, Shanghai, 200333 P. R. China  
Tel: +86-21-2226-0888, Fax: +86-21-2226-0999

**Renesas Electronics Hong Kong Limited**  
Unit 1601-1611, 16/F., Tower 2, Grand Century Place, 193 Prince Edward Road West, Mongkok, Kowloon, Hong Kong  
Tel: +852-2265-6688, Fax: +852-2886-9022

**Renesas Electronics Taiwan Co., Ltd.**  
13F, No. 363, Fu Shing North Road, Taipei 10543, Taiwan  
Tel: +886-2-8175-9600, Fax: +886-2-8175-9670

**Renesas Electronics Singapore Pte. Ltd.**  
80 Bendemeer Road, Unit #06-02 Hyflux Innovation Centre, Singapore 339949  
Tel: +65-6213-0200, Fax: +65-6213-0300

**Renesas Electronics Malaysia Sdn.Bhd.**  
Unit 1207, Block B, Menara Amcorp, Amcorp Trade Centre, No. 18, Jln Persiaran Barat, 46050 Petaling Jaya, Selangor Darul Ehsan, Malaysia  
Tel: +60-3-7955-9390, Fax: +60-3-7955-9510

**Renesas Electronics India Pvt. Ltd.**  
No.777C, 100 Feet Road, HAL 2nd Stage, Indiranagar, Bangalore 560 038, India  
Tel: +91-80-67208700, Fax: +91-80-67208777

**Renesas Electronics Korea Co., Ltd.**  
17F, KAMCO Yangjae Tower, 262, Gangnam-daero, Gangnam-gu, Seoul, 06265 Korea  
Tel: +82-2-558-3737, Fax: +82-2-558-5338