

Implementing Tip and Ring Protection Circuitry for the HC5518X Ringing SLIC Family

Introduction



A very important segment of the design of telecommunications equipment is proving adequate surge protection

circuitry for the equipment terminals. System designers are required to protect the system from secondary (let through) disturbances as identified in GR-1089 - CORE, Issue 2, Section 4. Developing the protection circuitry solution while maintaining overall system performance and cost can often be challenging. This application note describes circuitry which could be used to meet the GR-1089, Section 4 requirements for the HC5518X family of ringing SLICs.

Basic Protection Circuit Description

Figure 1 illustrates a basic concept for primary and secondary protection of telecommunications equipment terminals where ringing SLICs are used. Although the following discussions focus primarily on second level surge protection, it is interesting to briefly discuss primary protection and "let through" surges as defined by GR-1089. Primary surge protection usually consists of a 3 mil carbon block or gas tube (GDT). These are voltage and current limiting devices that will "let through" surges of up to 2.5kV peak surge (lightning) and 600V_{RMS} (60Hz) power line cross. Let through surge currents can range from 500A peak (2μs x 10μs) lightning to 1A (600V_{RMS}) power cross. Consult GR-1089 for additional details concerning let through surges for secondary protection.

The secondary protection must protect the T and R ports from the "let through" voltages and currents. Although secondary protection schemes are application dependent, Figure 1 shows a typical implementation for a single stage ringing SLIC where through SLIC ringing is used. The circuit usually consists of fuses, PTCs (poly switch), RFI capacitors, diode bridges, and TVS devices such as the Intersil SGT27S10. This combination of protection circuitry must clamp the T and R ports to ground when a fault condition is present that exceeds the maximum output capabilities of the ringing SLIC. When the fault condition disappears, normal operation must resume.

The "resettable" PTCs are current limiting devices which increase in resistance when an applied fault condition exceeds the specified trip limits of the PTC. When the PTC is "tripped," it remains in a high impedance state until the fault is removed. Capacitors C₁ and C₂ provide a low impedance path to ground for RFI transients. The diode bridge is used to clamp positive surges to ground and steer negative transients to the TVS which turns "on" and clamps the T and R terminals to ground. With the appropriate selection of these protection components, secondary protection requirements specified by GR-1089 can be met while maintaining overall system performance.

Suggested Protection Circuitry for HC5518x

Utilizing operational specifications provided by the HC5518X data sheet and the GR-1089 requirements, the circuit illustrated in Figure 2 can be implemented to protect the SLIC from secondary surge levels.

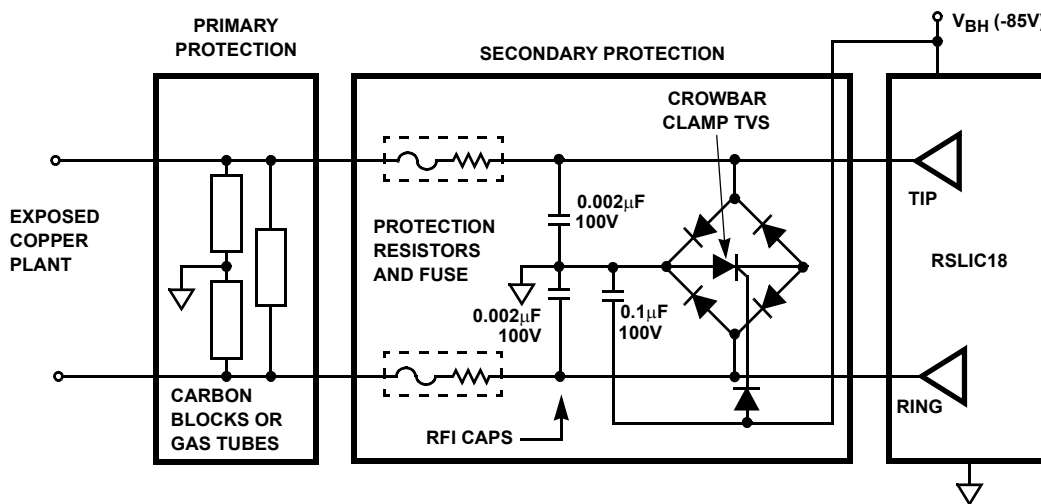


FIGURE 1. BASIC PROTECTION CIRCUIT

The circuit in Figure 2 is recommended for applications where the high battery voltage (V_{BH}) can range up to $-85V$.

To understand the selection of the protection devices an examination of the requirements placed upon the HC5518X, the TVS and the PTC should be reviewed.

HC5518X Protection Requirements During Fault Conditions

1. HC5518X's Trip and Ring ports must survive $100V_{PEAK}$ "residual" surges above ground or below V_{BH} for $1\mu s$ during 2/10 lightning tests. This represents the typical "let through" lightning surge from the protection circuitry that the SLIC will encounter.
2. HC5518X's Tip and Ring ports must survive $3V_{PEAK}$ "residual" surges above ground or below V_{BH} during AC power cross tests. This represents the typical "let through" AC power cross surge from the protection circuitry that the SLIC will encounter.
3. HC5518X must survive Tip and/or Ring faults to ground.

HC5518X Operational Conditions

1. Loop Current = 15mA to 45mA
2. Maximum ringing voltage = $83.4V_{PEAK}$ ($59V_{RMS}$)
3. Maximum On Hook Ringing Current = $42mA_{RMS}$ ($5REN$). PTC must not open.
4. Maximum Off Hook Ringing Current = $254mA_{RMS}$ ($5REN + R_{LOOP}$). PTC must not open before ring trip.
5. $V_{BH} = -85V$, $V_{BL} = -24V$, $RP = 35\Omega s/leg$.

Using the conditions above, the selection of the protection resistance (RP), the TVS, and the PTC can be determined.

Protection Resistance Configuration

The HC5518X data sheet specifies 35Ω per leg for protection resistance. As shown in Figure 2, RP has been divided into 3 separate resistors and equals 35Ω . The total resistance of the PTC and R_{PT} on R_{PR} should equal 15Ω . The PTC represents 5Ω of RP (total) and limits the fault current to the TVS/diode bridge and the HC5518X. Additionally $10\Omega, 1W$ resistors are placed between the diode bridge and the PTC. These resistors provide additional current limiting to the diode bridge/TVS and the HC5518X. Finally, $20\Omega, 1/2W$ resistors are placed between the diode bridge and the HC5518X to provide the final current limiting function to the SLIC. This arrangement provides the necessary current limiting to the system, selection of lower wattage resistors, and minimizes affects on circuit performance.

TVS Selection

TVS devices are solid state SCR type structures that are available in fixed or gate controlled breakover voltages (VBO). **The gate controlled version is best suited for the ringing SLIC application since its gate can be tied to the battery voltage enabling the TVS to track variations in the battery supply.** A "stopper" diode is placed in series with the gate of the TVS to prevent the V_{BH} power supply from being shorted to ground whenever a fault condition energizes the SCR protection device. Additionally, in multi-line systems where power supplies are very robust, the "stopper" diode serves to protect the SCR and prevent disruption of service on the other lines. The Intersil SGT27S10 gated TVS was selected using the following criteria.

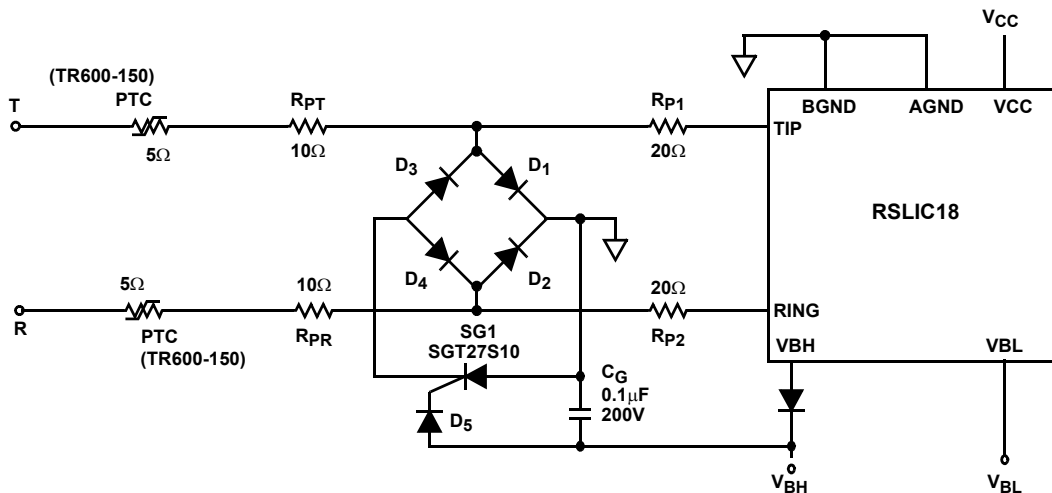


FIGURE 2. RSLIC18 PROTECTION CIRCUIT FOR $V_{BH} = -85V$ APPLICATION

Selection of TVS for Lightning and Power Line Cross

10/1000 waveform = 1000V, 40A (GR-1089)

2/10 waveform = 2500V, 125A (GR-1089)

Peak line voltage to ground (40A peak current) = 25V (measured)

Peak line to TVS gate voltage (40A peak current) = -15V (measured)

Maximum Line to ground voltage = -90V (GR-1089)

Maximum Gate to line voltage = -90V (GR-1089)

Maximum gate current (10ms) = 1A (GR-1089)

Gate Trigger Current (Igt) = 150mA

Holding Current = 100mA

PTC (Positive Temperature Coefficient Thermistor) Selection

For the HC5518X protection circuitry the TR600-150 was selected. As a general rule of thumb, the PTC should have the lowest off state resistance possible. This allows for ease of matching to minimize affects on system performance. Additionally the TR600-150 resistance is specified as 6Ω which comprises part of the total protection resistance for the HC5518X.

PTC Specifications

PTC Resistance = 5Ω to 12Ω at 20°C

1 Hour Post Trip Resistance = 20Ω at = 20°C

PTC Holding Current = 83mA at 70°C

55 Second Time To Trip at 20°C = 350mA

55 Second Time To Trip at 70°C = 193mA

Maximum Operating Voltage = 60V

Maximum Interrupt Voltage = 600V

Maximum Interrupt Current = 3A

With the selected components as shown in Figure 2, the protection circuitry can be prototyped and tested to GR-1089 requirements. It should be understood that HC5518X protection circuit is not limited to the recommended selections but any alternative selection would require retesting to GR-1089.

HC5518X Protection Circuit Surge Testing Procedure

The HC5518 protection circuit as shown in Figure 2 was tested to GR-1089 requirements. The HC5518 was exposed to each fault condition in all of its operating modes. Table 1 shows the operating modes for the HC5518X device. Using the circuit shown in Figure 2, the appropriate test signal generator and sequencing control is applied to the T and R ports at the PTCs. For lightning surge tests, Table 2 identifies the tests to be performed and the procedure. For AC power cross tests, Table 3 gives the tests to be performed and the procedure.

TABLE 1. RSLIC OP MODE CONTROL

OP MODE	F2	F1	F0	E0	BSEL
Forward Active	L	L	H	H	H/L
Reverse Active	L	H	H	H	H/L
Low Power Standby	L	L	L	H	H/L
Ringing	H	L	L	H	H/L
Tip Open	H	H	L	H	H/L
Forward Loop Back	H	L	H	H	H/L
Power Denial	H	H	H	H	H/L

Three HC5518Xs were tested to all of the fault conditions listed in Tables 2 and 3. Pre and post data was recorded for each of the surge tests. The governing criteria for pass or fail is given in the last item of each of the test procedures.

Checking Ringing Capability

Once the protection circuitry has been selected and tested, the ringing capability of the SLIC should be evaluated for possible limitations. The HC5518X ringing capability was tested under conditions illustrated in Figure 3. The input ringing signal (sinewave) applied to the VRS pin was adjusted for maximum peak voltage swing on Tip and Ring while applying 1, 3, and 5 REN loads. The results of the evaluation are shown in Table 4.

Surge Test Results and Conclusion

Three HC5518X devices passed all of the fault conditions applied as recommended by GR-1089. After each fault condition was removed, the devices under test returned to their normal operating state that was selected. The protection circuitry as recommended in Figure 2 can be used to meet specific requirements for secondary fault protection identified in GR-1089.

TABLE 2. LIGHTNING SURGE TESTS

V_{OPEN} (RMS)	I_{SHORT} (AMP)	R_S (Ω)	WAVEFORM (μs)	TEST CONDITIONS	NO. OF TESTS	EXPECTED CURRENT
±1kV	100	10	10/1000	Tip to Source, Ring to Gnd	25 times	40A
±1kV	100	10	10/1000	Ring to Source, Tip to Gnd	25 times	40A
±1kV	100	10	10/1000	Tip and Ring to Source	25 times	40A
±2.5kV	500	5	2/10	Tip to Source, Ring to Gnd	10 times	125A
±2.5kV	500	5	2/10	Ring to Source, Tip to Gnd	10 times	125A
±2.5kV	500	5	2/10	Tip and Ring to Source	10 times	125A

TEST PROCEDURE FOR TEST NO. 1 TO 12

1. With PTC in circuit.
2. Collect pre-test data on open tip and ring voltage and loop current readings with 600Ω load for V_{BH} and V_{BL} mode and record the data.
3. Set the scope settings.
4. Store the V_P waveforms on scope screen when first applying the test signal and record the data.
5. Continue the surge test until it is complete.
6. Collect post-test data on open tip and ring voltage and loop current readings with 600Ω load for V_{BH} and V_{BL} mode and record the data.
7. The DUT passes the test, if the difference between the pre and post-test data is less than 5%. Otherwise, the DUT fails the test.

TABLE 3. AC POWER CROSS TESTS

V_{OPEN} (RMS)	I_{SHORT} (AMP)	R_S (Ω)	TEST CONDITIONS	TEST DURATION	EXPECTED CURRENT
50	0.330	150	Tip to Source, Ring to Gnd	15 minutes	300mA
50	0.330	150	Ring to Source, Tip to Gnd	15 minutes	300mA
50	0.330	150	Tip and Ring to Source	15 minutes	300mA
100	0.170	600	Tip to Source, Ring to Gnd	15 minutes	160mA
100	0.170	600	Ring to Source, Tip to Gnd	15 minutes	160mA
100	0.170	600	Tip and Ring to Source	15 minutes	160mA
200	0.330	600	Tip to Source, Ring to Gnd	1 sec, 60 times	320mA
200	0.330	600	Ring to Source, Tip to Gnd	1 sec, 60 times	320mA
200	0.330	600	Tip and Ring to Source	1 sec, 60 times	320mA
400	0.670	600	Tip to Source, Ring to Gnd	1 sec, 60 times	630mA
400	0.670	600	Ring to Source, Tip to Gnd	1 sec, 60 times	630mA
400	0.670	600	Tip and Ring to Source	1 sec, 60 times	630mA
600	1	600	Tip to Source, Ring to Gnd	1 sec, 60 times	950mA
600	1	600	Ring to Source, Tip to Gnd	1 sec, 60 times	950mA
600	1	600	Tip and Ring to Source	1 sec, 60 times	950mA

AC POWER CROSS TEST PROCEDURE

TEST PROCEDURE FOR TEST NO. 1, 2, 3, 4, 5, 6		TEST PROCEDURE FOR TEST NO. 7, 8, 9, 10, 11, 12	
1.	With PTC in circuit.	1.	With PTC in circuit.
2.	Collect pre-test data on open tip and ring voltage and loop current readings with 600Ω load for V _{BH} and V _{BL} mode and record the data.	2.	Collect pre-test data.
3.	Store the V _P waveforms on scope screen when first applying the test signal and record the data.	3.	Store the V _P waveforms on scope screen when first applying the test signal and record the data.
4.	Set storage scope to real time mode.	4.	Set storage scope to real time mode.
5.	Record the PTC time to trip data if PTC tripped.	5.	Record the thermal alarm data if SLIC went into thermal alarm within 1 minute.
6.	Record the thermal alarm data if SLIC went into thermal alarm.	6.	Replace the PTC with a 5Ω power resistor and set the timer to 1 second on, 2 seconds off.
7.	Collect the post-test data on open tip and ring voltage and loop current readings with 600Ω load for V _{BH} and V _{BL} mode and record the data.	7.	Collect the post-test data.
8.	The DUT passes the test, if the difference between the pre and post-test data are less than 5%. Otherwise, the DUT fails the test.	8.	The DUT passes the test, if the difference between the pre and post-test data are less than 5%. Otherwise, the DUT fails the test.

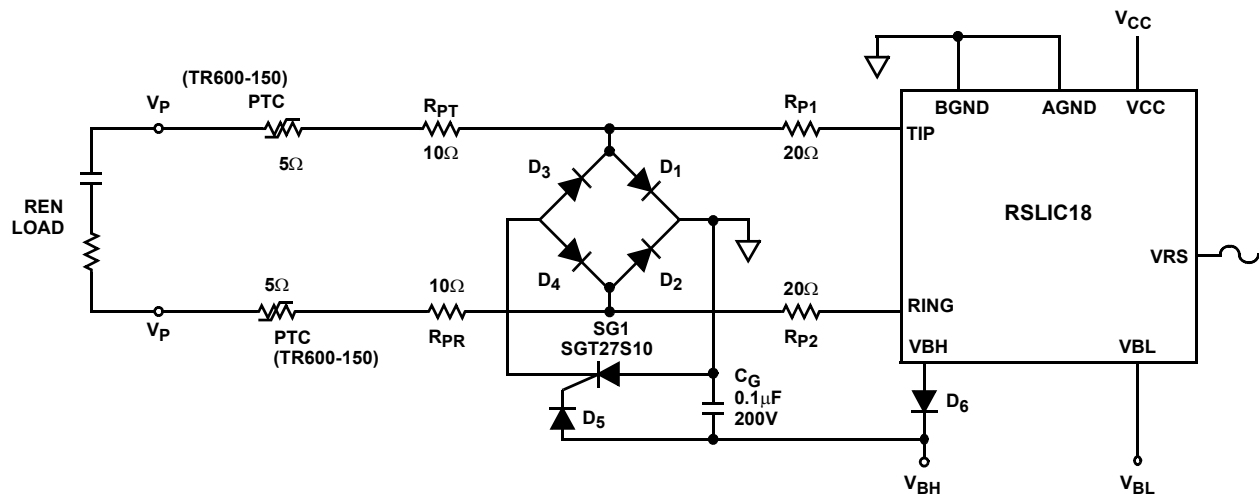


FIGURE 3. RINGING CAPABILITY TEST CIRCUIT

TABLE 4. RINGING CAPABILITY AT 1% THD

V _{BH}	1 REN	3 REN	5 REN
-90V	87.5Vp	83.5Vp	80.5Vp
-85V	83.4Vp	82.0Vp	80.5Vp
-80V	77.0Vp	74.5Vp	71.0Vp
1 REN = 6kΩ + 8μF	3 REN = 2kΩ + 24μF		5 REN = 1.2kΩ + 40μF

Notice

1. Descriptions of circuits, software and other related information in this document are provided only to illustrate the operation of semiconductor products and application examples. You are fully responsible for the incorporation or any other use of the circuits, software, and information in the design of your product or system. Renesas Electronics disclaims any and all liability for any losses and damages incurred by you or third parties arising from the use of these circuits, software, or information.
2. Renesas Electronics hereby expressly disclaims any warranties against and liability for infringement or any other claims involving patents, copyrights, or other intellectual property rights of third parties, by or arising from the use of Renesas Electronics products or technical information described in this document, including but not limited to, the product data, drawings, charts, programs, algorithms, and application examples.
3. No license, express, implied or otherwise, is granted hereby under any patents, copyrights or other intellectual property rights of Renesas Electronics or others.
4. You shall not alter, modify, copy, or reverse engineer any Renesas Electronics product, whether in whole or in part. Renesas Electronics disclaims any and all liability for any losses or damages incurred by you or third parties arising from such alteration, modification, copying or reverse engineering.
5. Renesas Electronics products are classified according to the following two quality grades: "Standard" and "High Quality". The intended applications for each Renesas Electronics product depends on the product's quality grade, as indicated below.
"Standard": Computers; office equipment; communications equipment; test and measurement equipment; audio and visual equipment; home electronic appliances; machine tools; personal electronic equipment; industrial robots; etc.
"High Quality": Transportation equipment (automobiles, trains, ships, etc.); traffic control (traffic lights); large-scale communication equipment; key financial terminal systems; safety control equipment; etc.
Unless expressly designated as a high reliability product or a product for harsh environments in a Renesas Electronics data sheet or other Renesas Electronics document, Renesas Electronics products are not intended or authorized for use in products or systems that may pose a direct threat to human life or bodily injury (artificial life support devices or systems; surgical implantations; etc.), or may cause serious property damage (space system; undersea repeaters; nuclear power control systems; aircraft control systems; key plant systems; military equipment; etc.). Renesas Electronics disclaims any and all liability for any damages or losses incurred by you or any third parties arising from the use of any Renesas Electronics product that is inconsistent with any Renesas Electronics data sheet, user's manual or other Renesas Electronics document.
6. When using Renesas Electronics products, refer to the latest product information (data sheets, user's manuals, application notes, "General Notes for Handling and Using Semiconductor Devices" in the reliability handbook, etc.), and ensure that usage conditions are within the ranges specified by Renesas Electronics with respect to maximum ratings, operating power supply voltage range, heat dissipation characteristics, installation, etc. Renesas Electronics disclaims any and all liability for any malfunctions, failure or accident arising out of the use of Renesas Electronics products outside of such specified ranges.
7. Although Renesas Electronics endeavors to improve the quality and reliability of Renesas Electronics products, semiconductor products have specific characteristics, such as the occurrence of failure at a certain rate and malfunctions under certain use conditions. Unless designated as a high reliability product or a product for harsh environments in a Renesas Electronics data sheet or other Renesas Electronics document, Renesas Electronics products are not subject to radiation resistance design. You are responsible for implementing safety measures to guard against the possibility of bodily injury, injury or damage caused by fire, and/or danger to the public in the event of a failure or malfunction of Renesas Electronics products, such as safety design for hardware and software, including but not limited to redundancy, fire control and malfunction prevention, appropriate treatment for aging degradation or any other appropriate measures. Because the evaluation of microcomputer software alone is very difficult and impractical, you are responsible for evaluating the safety of the final products or systems manufactured by you.
8. Please contact a Renesas Electronics sales office for details as to environmental matters such as the environmental compatibility of each Renesas Electronics product. You are responsible for carefully and sufficiently investigating applicable laws and regulations that regulate the inclusion or use of controlled substances, including without limitation, the EU RoHS Directive, and using Renesas Electronics products in compliance with all these applicable laws and regulations. Renesas Electronics disclaims any and all liability for damages or losses occurring as a result of your noncompliance with applicable laws and regulations.
9. Renesas Electronics products and technologies shall not be used for or incorporated into any products or systems whose manufacture, use, or sale is prohibited under any applicable domestic or foreign laws or regulations. You shall comply with any applicable export control laws and regulations promulgated and administered by the governments of any countries asserting jurisdiction over the parties or transactions.
10. It is the responsibility of the buyer or distributor of Renesas Electronics products, or any other party who distributes, disposes of, or otherwise sells or transfers the product to a third party, to notify such third party in advance of the contents and conditions set forth in this document.
11. This document shall not be reprinted, reproduced or duplicated in any form, in whole or in part, without prior written consent of Renesas Electronics.
12. Please contact a Renesas Electronics sales office if you have any questions regarding the information contained in this document or Renesas Electronics products.
(Note 1) "Renesas Electronics" as used in this document means Renesas Electronics Corporation and also includes its directly or indirectly controlled subsidiaries.
(Note 2) "Renesas Electronics product(s)" means any product developed or manufactured by or for Renesas Electronics.

(Rev.4.0-1 November 2017)



SALES OFFICES

Renesas Electronics Corporation

<http://www.renesas.com>

Refer to "<http://www.renesas.com/>" for the latest and detailed information.

Renesas Electronics America Inc.
1001 Murphy Ranch Road, Milpitas, CA 95035, U.S.A.
Tel: +1-408-432-8888, Fax: +1-408-434-5351

Renesas Electronics Canada Limited
9251 Yonge Street, Suite 8309 Richmond Hill, Ontario Canada L4C 9T3
Tel: +1-905-237-2004

Renesas Electronics Europe Limited
Dukes Meadow, Millboard Road, Bourne End, Buckinghamshire, SL8 5FH, U.K
Tel: +44-1628-651-700, Fax: +44-1628-651-804

Renesas Electronics Europe GmbH
Arcadiastrasse 10, 40472 Düsseldorf, Germany
Tel: +49-211-6503-0, Fax: +49-211-6503-1327

Renesas Electronics (China) Co., Ltd.
Room 1709 Quantum Plaza, No.27 ZhichunLu, Haidian District, Beijing, 100191 P. R. China
Tel: +86-10-8235-1155, Fax: +86-10-8235-7679

Renesas Electronics (Shanghai) Co., Ltd.
Unit 301, Tower A, Central Towers, 555 Langao Road, Putuo District, Shanghai, 200333 P. R. China
Tel: +86-21-2226-0888, Fax: +86-21-2226-0999

Renesas Electronics Hong Kong Limited
Unit 1601-1611, 16/F., Tower 2, Grand Century Place, 193 Prince Edward Road West, Mongkok, Kowloon, Hong Kong
Tel: +852-2265-6688, Fax: +852-2886-9022

Renesas Electronics Taiwan Co., Ltd.
13F, No. 363, Fu Shing North Road, Taipei 10543, Taiwan
Tel: +886-2-8175-9600, Fax: +886-2-8175-9670

Renesas Electronics Singapore Pte. Ltd.
80 Bendemeer Road, Unit #06-02 Hyflux Innovation Centre, Singapore 339949
Tel: +65-6213-0200, Fax: +65-6213-0300

Renesas Electronics Malaysia Sdn.Bhd.
Unit 1207, Block B, Menara Amcorp, Amcorp Trade Centre, No. 18, Jln Persiaran Barat, 46050 Petaling Jaya, Selangor Darul Ehsan, Malaysia
Tel: +60-3-7955-9390, Fax: +60-3-7955-9510

Renesas Electronics India Pvt. Ltd.
No.777C, 100 Feet Road, HAL 2nd Stage, Indiranagar, Bangalore 560 038, India
Tel: +91-80-67208700, Fax: +91-80-67208777

Renesas Electronics Korea Co., Ltd.
17F, KAMCO Yangjae Tower, 262, Gangnam-daero, Gangnam-gu, Seoul, 06265 Korea
Tel: +82-2-558-3737, Fax: +82-2-558-5338