

### Introduction

The ISL70003SEH is a radiation and SEE hardened synchronous buck regulator capable of operating over an input voltage range of 3.0V to 13.2V. The ISL70003SEH uses voltage mode control architecture with feed-forward and switches at a selectable frequency of 500kHz or 300kHz. Compensation is externally adjustable to allow for an optimum balance between stability and output dynamic performance. With integrated MOSFETs and class leading radiation performance, this highly efficient single chip power solution is an ideal choice in many space point of load applications.

The PSPICE average model for the ISL70003SEH was developed to help system designers evaluate the operation of this IC prior to or in conjunction with prototyping a system design. This model accurately simulates typical performance characteristics such as loop analysis and transient analysis at room temperature (+25 °C). Functionality has been verified on Cadence Orcad 16.6.

### Reference Documents

- [ISL70003SEH](#) Data Sheet
- ISL70003SEH SMD [5962-14203](#)

### License Statement

The information in this macromodel is protected under the United States copyright laws. Intersil Corporation hereby grants users of this macromodel hereto referred to as “Licensee”, a nonexclusive, nontransferable license to use this model as long as the Licensee abides by the terms of this agreement.

Before using this macromodel, the Licensee should read this license. If the Licensee does not accept these terms, permission to use the model is not granted.

The Licensee may not sell, loan, rent, or license the macro-model, in whole, in part, or in modified form, to anyone outside the Licensee’s company. The Licensee may modify the macro-model to suit his/her specific applications, and the Licensee may make copies of this macromodel for use within their company only.

This macromodel is provided “AS IS, WHERE IS, AND WITH NO WARRANTY OF ANY KIND EITHER EXPRESSED OR IMPLIED, INCLUDING, BUT NOT LIMITED TO, ANY IMPLIED WARRANTIES OF MERCHANTABILITY AND FITNESS FOR A PARTICULAR PURPOSE.”

In no event will Intersil be liable for special, collateral, incidental, or consequential damages in connection with or arising out of the use of this macromodel. Intersil reserves the right to make changes to the product and the macromodel without prior notice.

### Project File

The zip folder [isl70003seh-pspice-files.zip](#) contains all the necessary files to simulate the average model including the project file (isl70003seh.opj) and the model library (isl70003seh\_avg.lib). The application schematic mimics the evaluation board, which is designed for 12V input to 3.3V output conversion, see [Figure 1](#). Three simulation profiles are preset to run an AC loop analysis, start-up and 3A load transient for rapid analysis of the ISL70003SEH, see [Figures 4](#) through [9](#) for performance curves.

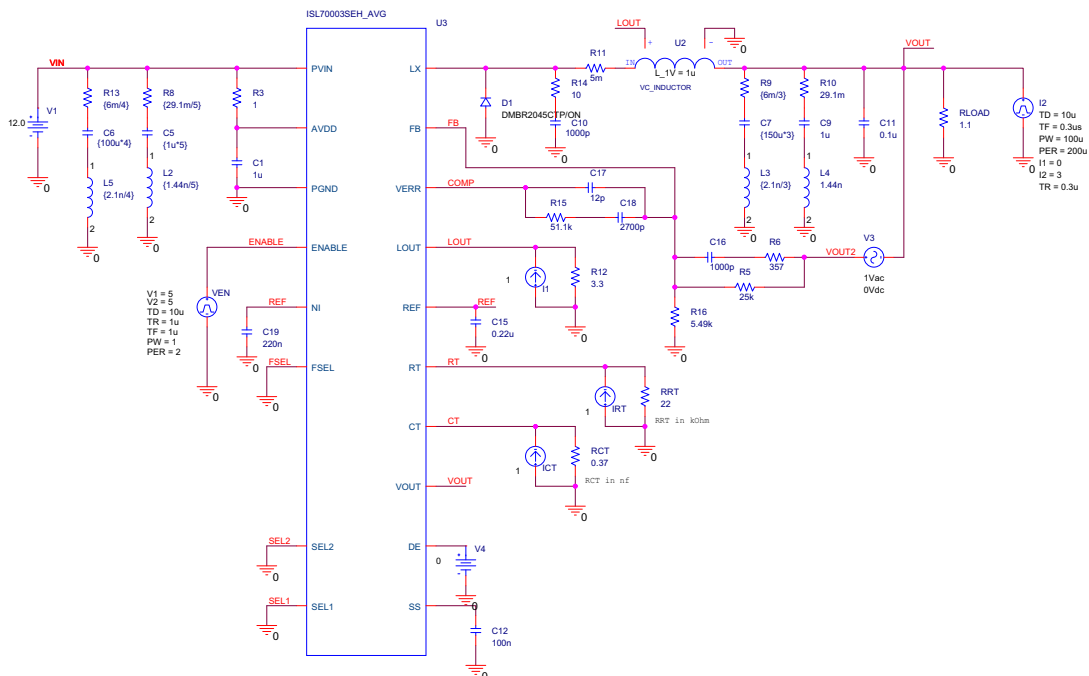


FIGURE 1. ISL70003SEH AVERAGE MODEL APPLICATION SCHEMATIC

## Pin Connections

The average model is an equation based model, which needs the operating conditions of the buck regulator in order to properly compute the response of the ISL70003SEH. In order to feed the necessary inputs, the model has been modified to accept the values for LOUT and VOUT.

### Inductor - LOUT

The model library, isl70003seh\_avg.lib, contains the sub circuit file vc\_inductor.subckt. This four terminal inductor must be used to appropriately set the output inductance value used within the model. The IN pin of the inductor must be connected to the LX pin of the ISL70003\_AVG model and the OUT pin connects to the output capacitors. A series resistor may be added in line with any of these pins to mimic the DCR of the inductor. The "+" pin should connect the LOUT pin of the ISL70003\_AVG model and the "-" pin connects to ground, see [Figure 2](#).

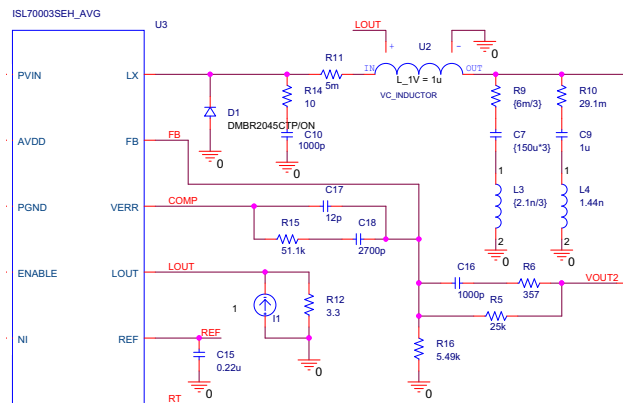


FIGURE 2. VC\_INDUCTOR.SUBCKT CONNECTION WITH DCR

To set the output inductor value, a voltage source must be added to the LOUT pin of the ISL70003\_AVG model. This voltage is then converted to an inductance value by the equation within the vc\_inductor.subckt. The equation is  $L_{1V} = 1\mu$ , which translates to 1V is equal to  $1\mu\text{H}$  of inductance. As an example, a 3.3V voltage source connected to the LOUT pin would equal to  $3.3\mu\text{H}$  of the output inductance. In [Figure 1](#), a DC current source and resistor  $R_{12}$  are used to create the voltage on the LOUT pin. This allows the user to easily analyze the effects of the inductor's tolerance by setting  $R_{12}$  as a parameter and performing a parametric sweep simulation.

## Output Voltage - VOUT

Another pin added to the ISL7003SEH\_AVG model is the VOUT pin. This pin is used to sense the output voltage of the regulator and pass the information down into model to compute the operating point. VOUT must be connected to the output voltage of the regulator for the model to work properly.

### Sawtooth Ramp - RT/CT

On the ISL70003SEH the RT/CT pin is connected to a resistor and capacitor, which generates the sawtooth ramp that is the input to the comparator that creates the PWM pulse train driving the LX node. In the model, this pin is broken up into two pins (RT and CT) in order to accurately model the feed-forward affect of the regulator. A voltage source is needed at these two pins to set the value for RT and CT. For the RT pin, 1V is equivalent to a resistor of  $1\text{k}\Omega$  and for the CT pin, 1V is equivalent to a capacitor of  $1\text{nF}$ . [Figure 3](#) demonstrates the connection to the RT and CT pins. Note that a current source and resistor are used to generate the voltage on these pins. This allows for easy parametric sweep analysis as PSPICE does not allow tolerances on fixed DC voltage sources.

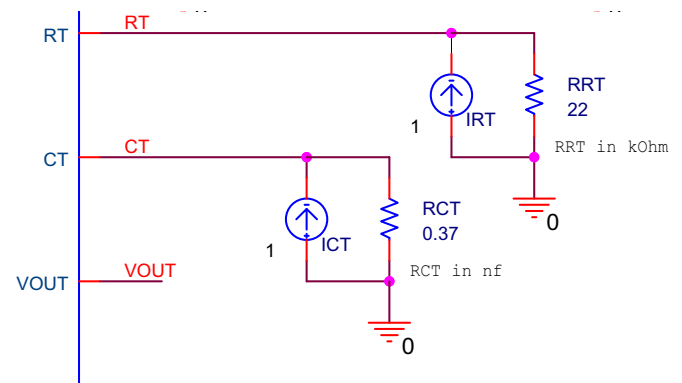


FIGURE 3. RT AND CT PIN CONNECTION

# Simulation Performance Curves

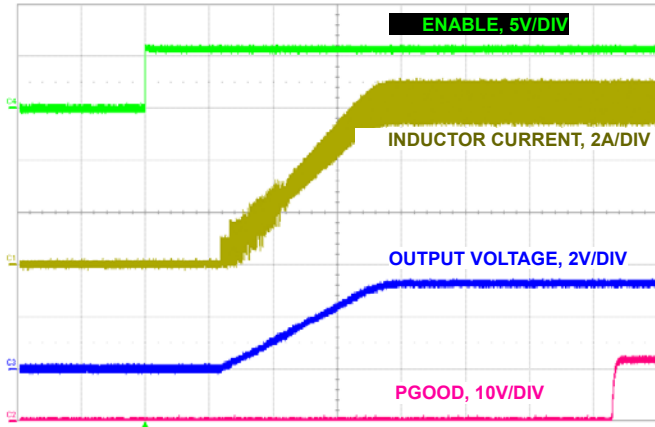


FIGURE 4. CHARACTERIZED SOFT-START WITH 6A LOAD

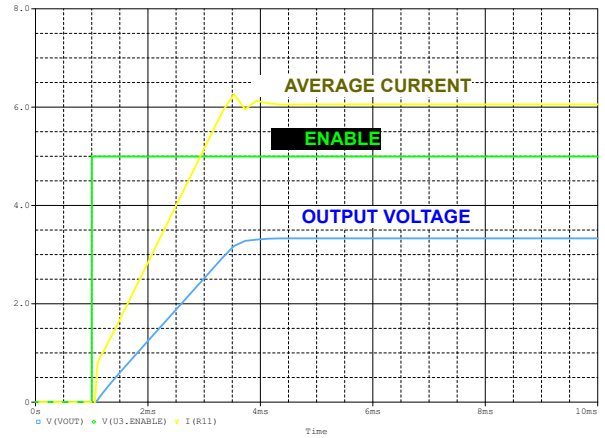


FIGURE 5. SIMULATED SOFT-START WITH 6A LOAD

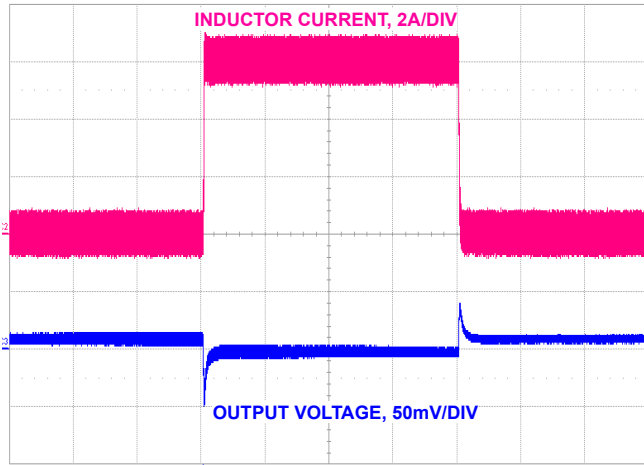


FIGURE 6. CHARACTERIZED 6A LOAD TRANSIENT RESPONSE

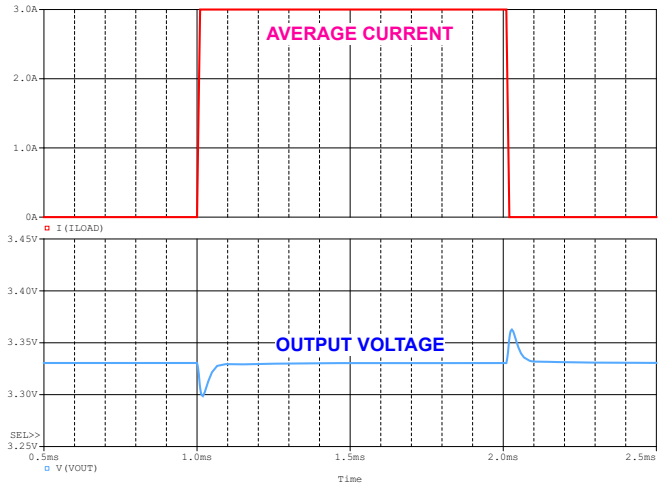


FIGURE 7. SIMULATED 6A LOAD TRANSIENT RESPONSE

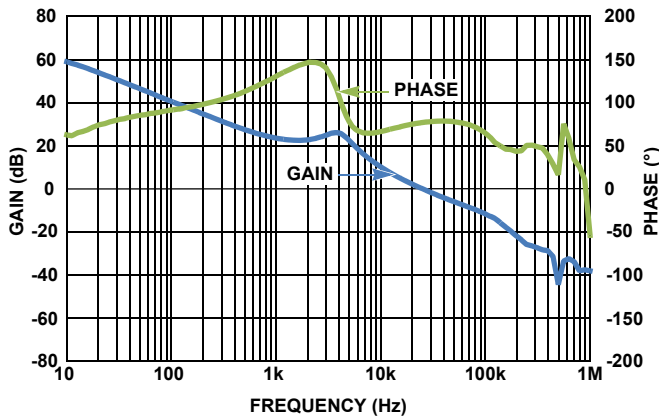


FIGURE 8. CHARACTERIZED LOOP RESPONSE

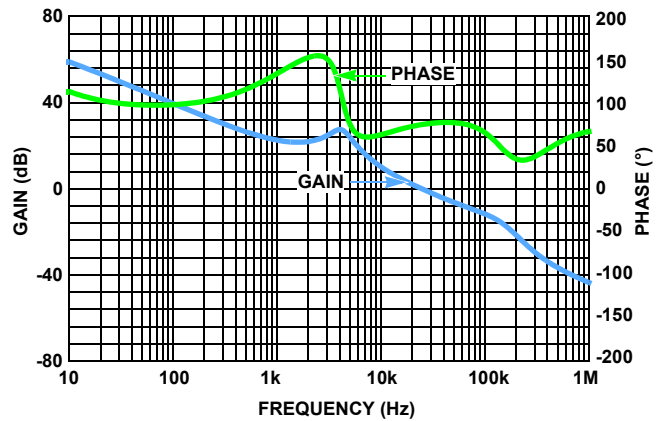


FIGURE 9. SIMULATED LOOP RESPONSE

## Notice

1. Descriptions of circuits, software and other related information in this document are provided only to illustrate the operation of semiconductor products and application examples. You are fully responsible for the incorporation or any other use of the circuits, software, and information in the design of your product or system. Renesas Electronics disclaims any and all liability for any losses and damages incurred by you or third parties arising from the use of these circuits, software, or information.
2. Renesas Electronics hereby expressly disclaims any warranties against and liability for infringement or any other claims involving patents, copyrights, or other intellectual property rights of third parties, by or arising from the use of Renesas Electronics products or technical information described in this document, including but not limited to, the product data, drawings, charts, programs, algorithms, and application examples.
3. No license, express, implied or otherwise, is granted hereby under any patents, copyrights or other intellectual property rights of Renesas Electronics or others.
4. You shall not alter, modify, copy, or reverse engineer any Renesas Electronics product, whether in whole or in part. Renesas Electronics disclaims any and all liability for any losses or damages incurred by you or third parties arising from such alteration, modification, copying or reverse engineering.
5. Renesas Electronics products are classified according to the following two quality grades: "Standard" and "High Quality". The intended applications for each Renesas Electronics product depends on the product's quality grade, as indicated below.  
"Standard": Computers; office equipment; communications equipment; test and measurement equipment; audio and visual equipment; home electronic appliances; machine tools; personal electronic equipment; industrial robots; etc.  
"High Quality": Transportation equipment (automobiles, trains, ships, etc.); traffic control (traffic lights); large-scale communication equipment; key financial terminal systems; safety control equipment; etc.  
Unless expressly designated as a high reliability product or a product for harsh environments in a Renesas Electronics data sheet or other Renesas Electronics document, Renesas Electronics products are not intended or authorized for use in products or systems that may pose a direct threat to human life or bodily injury (artificial life support devices or systems; surgical implantations; etc.), or may cause serious property damage (space system; undersea repeaters; nuclear power control systems; aircraft control systems; key plant systems; military equipment; etc.). Renesas Electronics disclaims any and all liability for any damages or losses incurred by you or any third parties arising from the use of any Renesas Electronics product that is inconsistent with any Renesas Electronics data sheet, user's manual or other Renesas Electronics document.
6. When using Renesas Electronics products, refer to the latest product information (data sheets, user's manuals, application notes, "General Notes for Handling and Using Semiconductor Devices" in the reliability handbook, etc.), and ensure that usage conditions are within the ranges specified by Renesas Electronics with respect to maximum ratings, operating power supply voltage range, heat dissipation characteristics, installation, etc. Renesas Electronics disclaims any and all liability for any malfunctions, failure or accident arising out of the use of Renesas Electronics products outside of such specified ranges.
7. Although Renesas Electronics endeavors to improve the quality and reliability of Renesas Electronics products, semiconductor products have specific characteristics, such as the occurrence of failure at a certain rate and malfunctions under certain use conditions. Unless designated as a high reliability product or a product for harsh environments in a Renesas Electronics data sheet or other Renesas Electronics document, Renesas Electronics products are not subject to radiation resistance design. You are responsible for implementing safety measures to guard against the possibility of bodily injury, injury or damage caused by fire, and/or danger to the public in the event of a failure or malfunction of Renesas Electronics products, such as safety design for hardware and software, including but not limited to redundancy, fire control and malfunction prevention, appropriate treatment for aging degradation or any other appropriate measures. Because the evaluation of microcomputer software alone is very difficult and impractical, you are responsible for evaluating the safety of the final products or systems manufactured by you.
8. Please contact a Renesas Electronics sales office for details as to environmental matters such as the environmental compatibility of each Renesas Electronics product. You are responsible for carefully and sufficiently investigating applicable laws and regulations that regulate the inclusion or use of controlled substances, including without limitation, the EU RoHS Directive, and using Renesas Electronics products in compliance with all these applicable laws and regulations. Renesas Electronics disclaims any and all liability for damages or losses occurring as a result of your noncompliance with applicable laws and regulations.
9. Renesas Electronics products and technologies shall not be used for or incorporated into any products or systems whose manufacture, use, or sale is prohibited under any applicable domestic or foreign laws or regulations. You shall comply with any applicable export control laws and regulations promulgated and administered by the governments of any countries asserting jurisdiction over the parties or transactions.
10. It is the responsibility of the buyer or distributor of Renesas Electronics products, or any other party who distributes, disposes of, or otherwise sells or transfers the product to a third party, to notify such third party in advance of the contents and conditions set forth in this document.
11. This document shall not be reprinted, reproduced or duplicated in any form, in whole or in part, without prior written consent of Renesas Electronics.
12. Please contact a Renesas Electronics sales office if you have any questions regarding the information contained in this document or Renesas Electronics products.  
(Note 1) "Renesas Electronics" as used in this document means Renesas Electronics Corporation and also includes its directly or indirectly controlled subsidiaries.  
(Note 2) "Renesas Electronics product(s)" means any product developed or manufactured by or for Renesas Electronics.

(Rev.4.0-1 November 2017)



### SALES OFFICES

Renesas Electronics Corporation

<http://www.renesas.com>

Refer to "<http://www.renesas.com/>" for the latest and detailed information.

**Renesas Electronics America Inc.**  
1001 Murphy Ranch Road, Milpitas, CA 95035, U.S.A.  
Tel: +1-408-432-8888, Fax: +1-408-434-5351

**Renesas Electronics Canada Limited**  
9251 Yonge Street, Suite 8309 Richmond Hill, Ontario Canada L4C 9T3  
Tel: +1-905-237-2004

**Renesas Electronics Europe Limited**  
Dukes Meadow, Millboard Road, Bourne End, Buckinghamshire, SL8 5FH, U.K.  
Tel: +44-1628-651-700, Fax: +44-1628-651-804

**Renesas Electronics Europe GmbH**  
Arcadiastrasse 10, 40472 Düsseldorf, Germany  
Tel: +49-211-6503-0, Fax: +49-211-6503-1327

**Renesas Electronics (China) Co., Ltd.**  
Room 1709 Quantum Plaza, No.27 ZhichunLu, Haidian District, Beijing, 100191 P. R. China  
Tel: +86-10-8235-1155, Fax: +86-10-8235-7679

**Renesas Electronics (Shanghai) Co., Ltd.**  
Unit 301, Tower A, Central Towers, 555 Langao Road, Putuo District, Shanghai, 200333 P. R. China  
Tel: +86-21-2226-0888, Fax: +86-21-2226-0999

**Renesas Electronics Hong Kong Limited**  
Unit 1601-1611, 16/F., Tower 2, Grand Century Place, 193 Prince Edward Road West, Mongkok, Kowloon, Hong Kong  
Tel: +852-2265-6688, Fax: +852-2886-9022

**Renesas Electronics Taiwan Co., Ltd.**  
13F, No. 363, Fu Shing North Road, Taipei 10543, Taiwan  
Tel: +886-2-8175-9600, Fax: +886-2-8175-9670

**Renesas Electronics Singapore Pte. Ltd.**  
80 Bendemeer Road, Unit #06-02 Hyflux Innovation Centre, Singapore 339949  
Tel: +65-6213-0200, Fax: +65-6213-0300

**Renesas Electronics Malaysia Sdn.Bhd.**  
Unit 1207, Block B, Menara Amcorp, Amcorp Trade Centre, No. 18, Jln Persiaran Barat, 46050 Petaling Jaya, Selangor Darul Ehsan, Malaysia  
Tel: +60-3-7955-9390, Fax: +60-3-7955-9510

**Renesas Electronics India Pvt. Ltd.**  
No.777C, 100 Feet Road, HAL 2nd Stage, Indiranagar, Bangalore 560 038, India  
Tel: +91-80-67208700, Fax: +91-80-67208777

**Renesas Electronics Korea Co., Ltd.**  
17F, KAMCO Yangjae Tower, 262, Gangnam-daero, Gangnam-gu, Seoul, 06265 Korea  
Tel: +82-2-558-3737, Fax: +82-2-558-5338