

Advanced Mixed-Signal-Approach for Modern HVAC Systems

Introduction: The increasing complexity of modern HVAC-Control-Systems (Heating, Ventilating, Air-conditioning), requires more and more the capability of precise and quick System-Calibration during production. The following article will demonstrate a cost effective **Advanced Mixed-Signal Approach**.

The General HVAC Concept

The amount of analog inputs that need to be sensed by a modern HVAC feedback control system usually will include **Heater, AC, Inside Air, Outside Air and multiple Seat Temperature Inputs**. However, other criteria such as **Sunlight-Intensity** as well as the **Inside Humidity** will be additional parameters based on which the HVAC will be controlling the compartment's climate as well. This sensor matrix leads to the following generic block diagram:

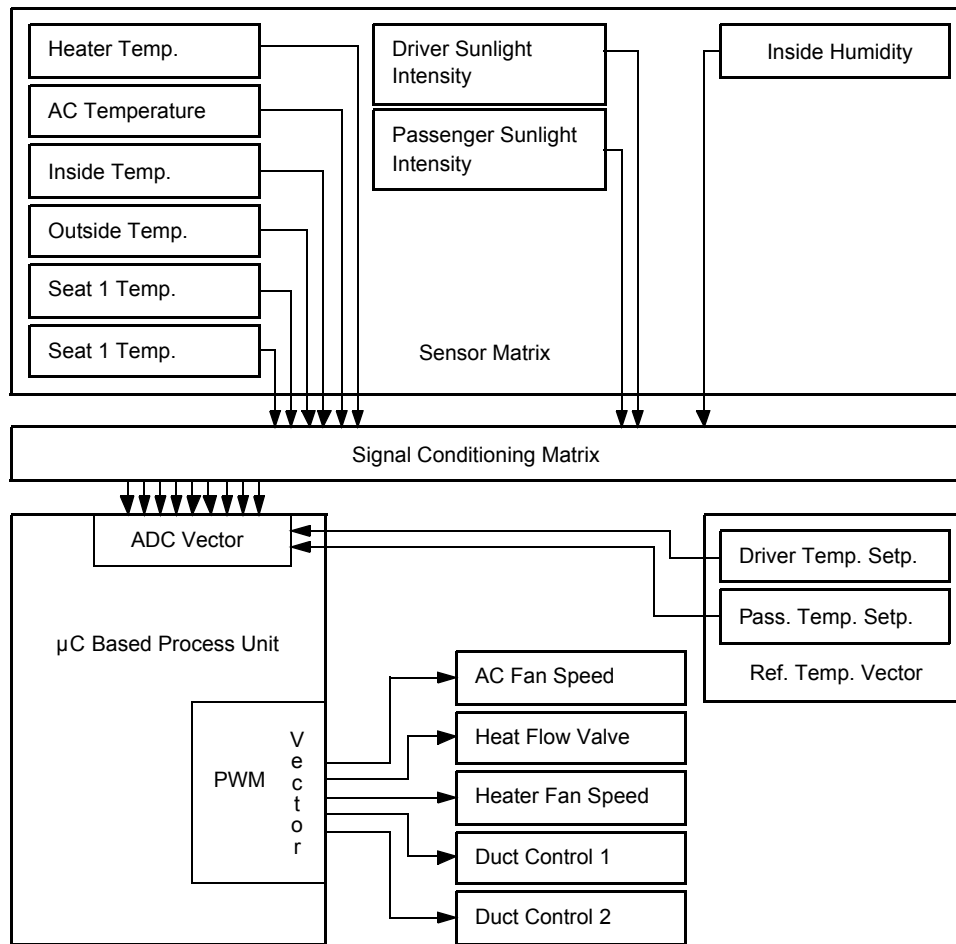


FIGURE 1. HVAC BLOCK DIAGRAM

Modern HVAC-Control-Systems need to sense several Analog Parameters in order to achieve a high level of passenger comfort

As pointed out in the above Block Diagram, the average compartment temperature is not any longer the **only physical** quantity to be monitored, but also **humidity** as well as the **sunlight intensity**. In case of this last one, what usually is being measured will be the **local light intensity** generated by the sun and therefore the amount of IR-Energy (e.g. **heat**) locally provided. This becomes especially an issue, when the individual comfort of driver and passengers deviate from each other depending whom is seated in the shadow or in the sun. Based on this difference of heat, the duct controls for driver and passenger need to be individually controlled.

On the other hand humidity becomes especially a key parameter in terms of safety when the passenger compartment air is almost saturated and it might condense at the inner surface of the windscreen.

The HVAC's target will therefore be to cool down the compartment air **and** to make sure to condense the moisture **inside** of the AC **before** being supplied to the compartment.

Based on the above comments, figure 1 can be transformed into the following feedback control system block diagram: (Figure 2).

The System Level Challenge

With the above comments it becomes evident, that the whole Sensor Matrix needs to be calibrated properly in order to ensure a high level of comfort for any individual passenger. This will either mean to perform an **analog** signal conditioning of all matrix values (e.g. high precision) before providing them to the MCU or leave the sensor's outputs as they are and

perform a digital signal conditioning (e.g. high SW overhead). However, due to this high level of **complexity** as well as due to the **thermal behavior** of the Sensor Matrix itself, at least some of the Sensor Vector Outputs need to experience analog signal conditioning.

This indicates the following are needed as a minimum to make sure that:

- The complete **Temperature Sensor Vector** shows the same absolute values for a given reference temperature (e.g. **rel. temp. offset = 0!**)
- The **Photo Detector Vector** provides the same values for a determined light intensity (e.g. **relative sunlight intensity offset = 0!**) and that
- The **Humidity Sensor** shows a specific wanted value for a given moisture level (e.g. **absol. humidity offset = 0!**)

It is evident that the challenge will therefore be to perform the calibration of the **complete sensor matrix** within a **reasonable time**, no matter whether this is done in the analog or in the digital domain. The following concept will be based on a mixed-signal-approach that is meant to deal with the following targets:

- Implementation of a **high precision analog signal conditioning** solution that will keep the error vector generated by the sensor matrix (noise, offset, non-linearity, etc.) within an acceptable tolerance.
- Introduction of **programmability** in order to keep the required time for a whole calibration cycle (e.g. costs) as low as possible.

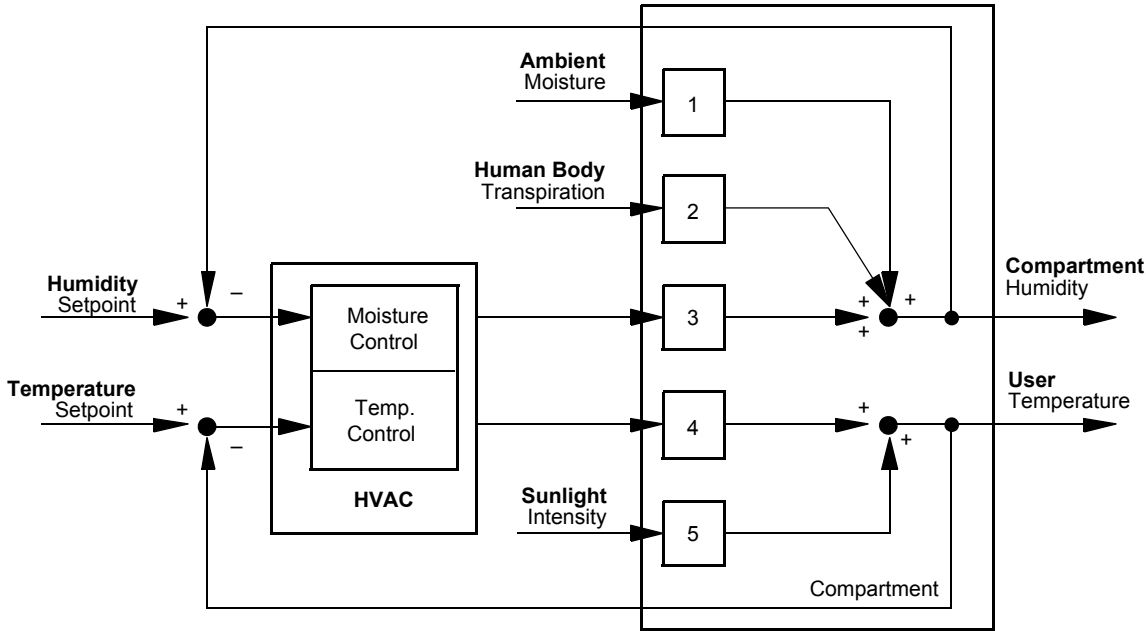


FIGURE 2. HVAC FEEDBACK CONTROL SYSTEM

While Moisture and Temperature are the Physical Quantities that need to be dynamically controlled, the Sunlight Intensity becomes a **Distortion Parameter** within the Temperature Closed Loop that will be **additionally monitored**.

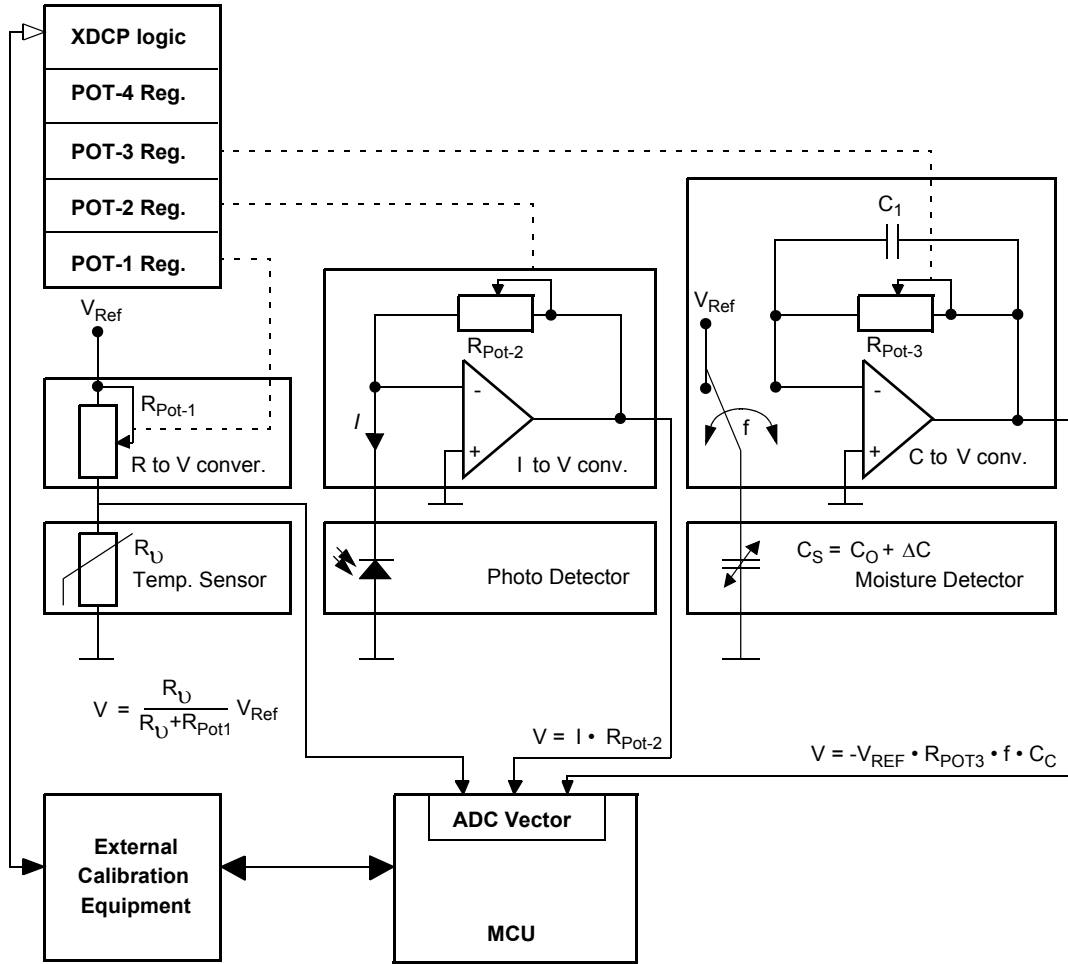


FIGURE 3. MIXED SIGNAL APPROACH FOR A GENERIC HVAC SYSTEM

Analog Signals of Temperature, Light and Moisture Detectors are conditioned in the analog domain, while their calibration will be MCU supported.

The first XDCP (Intersil Digitally Controlled Potentiometer) **Pot-1** acts as a resistor-to-voltage converter within a voltage divider circuit. Its output might be passed through an additional amplifier circuit, which will require another variable resistor in order to tune the gain.

The second XDCP **Pot-2** acts as a current-to-voltage converter in combination with an operational amplifier circuit. Using a DC-Voltage-source between the photodiode and ground might expand the bandwidth of this circuit.

The last circuit with the moisture sensitivity sensor is based on the so-called **Switched-Capacitor-Technique**. In that case “**f**” represents the frequency, which the switch will be driven with. This might either be generated by a switch-mode logic or directly coming from the MCU. C_C represents an average value between C_S and C_1 . As the moisture to be sensed starts to change, the capacitor’s dielectric constant and therefore its capacitance will change as well. Based on the very well known effect “ $C_S = Q/V$ ”, **Pot-3** will act – similar as Pot-2 – within the amplifier circuit as a Capacitance to Voltage converter.

The Benefits

Although the above circuit had been built up with standard blocks that need further accommodation within a real HVAC system, it evidently points out the necessity of **Relative-Offset** compensation when talking about a specific Sensor-Vector. Each sensor bears – depending on the way it is being used – an Absolute and a Relative Offset. The above used Photo Detector might, for example, exhibit an absolute offset if used (not in the above circuit) with an additional voltage source. However, if the number of photo detectors within a matrix becomes bigger than one, each light sensor will also exhibit an additional relative offset as compared to the other once. In such a case the main concern will be at least to reduce the relative offset within the analog domain, before the individual vector values are being applied to the ADC-Vector.

Since these principles are applicable to all other sensor vectors (in this case the temp. and moisture sensor vector), it is very clear that a pure analog signal conditioning approach will require an extensive amount of time for the complete system’s

calibration. On the other hand, a pure digital approach will most probably require the use of:

- Additional digital peripherals like an extensive memory array (in order to store all sensor characteristic data)
- A bigger and faster MCU (in order to administrate all activities in the fastest possible way)
- A DSP (in order to calculate all required values)

This amount of overhead might not be justified in terms of the return on investment within these types of applications. Using this advanced mixed-signal approach will help to keep the direct (high-end components, SW) and indirect costs (system calibration, assembly) at an acceptable level. With the above-presented advanced mixed-signal solution, all sensor vectors can be tuned to a predetermined value **at a high precision analog level** through a serial interface in an **automated way**.

The Intersil Approach

The key to successful cost reduction will be the use of Intersil's XDCPs. For the above circuit two quad XDCPs and one single XDPC will be enough to cover all variable analog parameters. The above mentioned application could be built up with two **X9259-XDCPs** (= 2 x 4 x 256 Steps/Pot) and one **X9279-XDCP** (= 1 x 256 Steps/Pot). Both are fully I²C-addressable (400 kHz), and include an additional on-chip E²PROM register set.

Since Intersil's XDCPs will automatically recall during power-up the stored wiper positions in these registers, there will be no further need for digital communication between any XDPC and a MCU, as soon as the calibration had been successfully completed. Cost reduction will therefore be achieved by eliminating any manual adjustment performed up-to now and by keeping the costs for additional peripheral devices within a reasonable range, with the highest possible level of analog accuracy.

Notice

1. Descriptions of circuits, software and other related information in this document are provided only to illustrate the operation of semiconductor products and application examples. You are fully responsible for the incorporation or any other use of the circuits, software, and information in the design of your product or system. Renesas Electronics disclaims any and all liability for any losses and damages incurred by you or third parties arising from the use of these circuits, software, or information.
2. Renesas Electronics hereby expressly disclaims any warranties against and liability for infringement or any other claims involving patents, copyrights, or other intellectual property rights of third parties, by or arising from the use of Renesas Electronics products or technical information described in this document, including but not limited to, the product data, drawings, charts, programs, algorithms, and application examples.
3. No license, express, implied or otherwise, is granted hereby under any patents, copyrights or other intellectual property rights of Renesas Electronics or others.
4. You shall not alter, modify, copy, or reverse engineer any Renesas Electronics product, whether in whole or in part. Renesas Electronics disclaims any and all liability for any losses or damages incurred by you or third parties arising from such alteration, modification, copying or reverse engineering.
5. Renesas Electronics products are classified according to the following two quality grades: "Standard" and "High Quality". The intended applications for each Renesas Electronics product depends on the product's quality grade, as indicated below.
"Standard": Computers; office equipment; communications equipment; test and measurement equipment; audio and visual equipment; home electronic appliances; machine tools; personal electronic equipment; industrial robots; etc.
"High Quality": Transportation equipment (automobiles, trains, ships, etc.); traffic control (traffic lights); large-scale communication equipment; key financial terminal systems; safety control equipment; etc.
Unless expressly designated as a high reliability product or a product for harsh environments in a Renesas Electronics data sheet or other Renesas Electronics document, Renesas Electronics products are not intended or authorized for use in products or systems that may pose a direct threat to human life or bodily injury (artificial life support devices or systems; surgical implantations; etc.), or may cause serious property damage (space system; undersea repeaters; nuclear power control systems; aircraft control systems; key plant systems; military equipment; etc.). Renesas Electronics disclaims any and all liability for any damages or losses incurred by you or any third parties arising from the use of any Renesas Electronics product that is inconsistent with any Renesas Electronics data sheet, user's manual or other Renesas Electronics document.
6. When using Renesas Electronics products, refer to the latest product information (data sheets, user's manuals, application notes, "General Notes for Handling and Using Semiconductor Devices" in the reliability handbook, etc.), and ensure that usage conditions are within the ranges specified by Renesas Electronics with respect to maximum ratings, operating power supply voltage range, heat dissipation characteristics, installation, etc. Renesas Electronics disclaims any and all liability for any malfunctions, failure or accident arising out of the use of Renesas Electronics products outside of such specified ranges.
7. Although Renesas Electronics endeavors to improve the quality and reliability of Renesas Electronics products, semiconductor products have specific characteristics, such as the occurrence of failure at a certain rate and malfunctions under certain use conditions. Unless designated as a high reliability product or a product for harsh environments in a Renesas Electronics data sheet or other Renesas Electronics document, Renesas Electronics products are not subject to radiation resistance design. You are responsible for implementing safety measures to guard against the possibility of bodily injury, injury or damage caused by fire, and/or danger to the public in the event of a failure or malfunction of Renesas Electronics products, such as safety design for hardware and software, including but not limited to redundancy, fire control and malfunction prevention, appropriate treatment for aging degradation or any other appropriate measures. Because the evaluation of microcomputer software alone is very difficult and impractical, you are responsible for evaluating the safety of the final products or systems manufactured by you.
8. Please contact a Renesas Electronics sales office for details as to environmental matters such as the environmental compatibility of each Renesas Electronics product. You are responsible for carefully and sufficiently investigating applicable laws and regulations that regulate the inclusion or use of controlled substances, including without limitation, the EU RoHS Directive, and using Renesas Electronics products in compliance with all these applicable laws and regulations. Renesas Electronics disclaims any and all liability for damages or losses occurring as a result of your noncompliance with applicable laws and regulations.
9. Renesas Electronics products and technologies shall not be used for or incorporated into any products or systems whose manufacture, use, or sale is prohibited under any applicable domestic or foreign laws or regulations. You shall comply with any applicable export control laws and regulations promulgated and administered by the governments of any countries asserting jurisdiction over the parties or transactions.
10. It is the responsibility of the buyer or distributor of Renesas Electronics products, or any other party who distributes, disposes of, or otherwise sells or transfers the product to a third party, to notify such third party in advance of the contents and conditions set forth in this document.
11. This document shall not be reprinted, reproduced or duplicated in any form, in whole or in part, without prior written consent of Renesas Electronics.
12. Please contact a Renesas Electronics sales office if you have any questions regarding the information contained in this document or Renesas Electronics products.
(Note 1) "Renesas Electronics" as used in this document means Renesas Electronics Corporation and also includes its directly or indirectly controlled subsidiaries.
(Note 2) "Renesas Electronics product(s)" means any product developed or manufactured by or for Renesas Electronics.

(Rev.4.0-1 November 2017)



SALES OFFICES

Renesas Electronics Corporation

<http://www.renesas.com>

Refer to "<http://www.renesas.com/>" for the latest and detailed information.

Renesas Electronics America Inc.
1001 Murphy Ranch Road, Milpitas, CA 95035, U.S.A.
Tel: +1-408-432-8888, Fax: +1-408-434-5351

Renesas Electronics Canada Limited
9251 Yonge Street, Suite 8309 Richmond Hill, Ontario Canada L4C 9T3
Tel: +1-905-237-2004

Renesas Electronics Europe Limited
Dukes Meadow, Millboard Road, Bourne End, Buckinghamshire, SL8 5FH, U.K
Tel: +44-1628-651-700, Fax: +44-1628-651-804

Renesas Electronics Europe GmbH
Arcadiastrasse 10, 40472 Düsseldorf, Germany
Tel: +49-211-6503-0, Fax: +49-211-6503-1327

Renesas Electronics (China) Co., Ltd.
Room 1709 Quantum Plaza, No.27 ZhichunLu, Haidian District, Beijing, 100191 P. R. China
Tel: +86-10-8235-1155, Fax: +86-10-8235-7679

Renesas Electronics (Shanghai) Co., Ltd.
Unit 301, Tower A, Central Towers, 555 Langao Road, Putuo District, Shanghai, 200333 P. R. China
Tel: +86-21-2226-0888, Fax: +86-21-2226-0999

Renesas Electronics Hong Kong Limited
Unit 1601-1611, 16/F., Tower 2, Grand Century Place, 193 Prince Edward Road West, Mongkok, Kowloon, Hong Kong
Tel: +852-2265-6688, Fax: +852-2886-9022

Renesas Electronics Taiwan Co., Ltd.
13F, No. 363, Fu Shing North Road, Taipei 10543, Taiwan
Tel: +886-2-8175-9600, Fax: +886-2-8175-9670

Renesas Electronics Singapore Pte. Ltd.
80 Bendemeer Road, Unit #06-02 Hyflux Innovation Centre, Singapore 339949
Tel: +65-6213-0200, Fax: +65-6213-0300

Renesas Electronics Malaysia Sdn.Bhd.
Unit 1207, Block B, Menara Amcorp, Amcorp Trade Centre, No. 18, Jln Persiaran Barat, 46050 Petaling Jaya, Selangor Darul Ehsan, Malaysia
Tel: +60-3-7955-9390, Fax: +60-3-7955-9510

Renesas Electronics India Pvt. Ltd.
No.777C, 100 Feet Road, HAL 2nd Stage, Indiranagar, Bangalore 560 038, India
Tel: +91-80-67208700, Fax: +91-80-67208777

Renesas Electronics Korea Co., Ltd.
17F, KAMCO Yangjae Tower, 262, Gangnam-daero, Gangnam-gu, Seoul, 06265 Korea
Tel: +82-2-558-3737, Fax: +82-2-558-5338