

FIGURE 1. VOLTAGE FEEDBACK AMPLIFIER

Introduction

The minimum feature size of the MOS transistor has been greatly reduced since its invention just a few decades ago. Reductions in gate oxide thickness, channel length and width have been responsible for a revolutionary reduction in overall circuit size and power consumption. As the gate oxide thickness decreases, the maximum allowable power supply voltage decreases channel length and width reductions provide smaller and faster device performance. These device enhancements have afforded the development of high frequency CMOS rail-to-rail Input/Output amplifiers in answer to the modern system designers, increasing demand for analog circuits capable of operation at the same low supply voltage as their digital counterparts.

This Application Note addresses the important issues uniquely related to the new generation of CMOS rail-to-rail amplifiers, beginning with a general discussion and description of classic voltage feedback and current feedback amplifier circuit topologies and the most common causes of feedback amplifier oscillation. The CMOS rail-to-rail amplifier circuit is divided into 4 basic blocks for analysis and discussion; input, intermediate gain, output and feedback network stages. The frequency dependent gain and phase shift of each stage will be presented, after which a complete system simulation of all 4 basic circuit blocks will be presented and discussed. The second section of this Application Note will present and discuss the mechanism, trade-offs and benefits of 3 practical solutions to the amplifier oscillation issue.

Voltage Feedback Amplifier

Figure 1 shows a simplified schematic of the EL5157, a very popular high bandwidth voltage feedback amplifier. A classic differential input stage drives the folded cascode second stage, which converts the differential voltage of the input stage into a current at the high impedance gain node where it is realized as the high voltage gain of the amplifier. Essentially, the output impedance of the second stage current source becoming an output signal at the high impedance node multiplies any current difference occurring in the signal-path transistors. The output stage is a push-pull class AB buffer and simply buffers the high voltage gain to the single ended output of the amplifier.

Output Inductance

An inductor is an electrical component with frequency dependent impedance characteristics; an inductor exhibits low impedance at low frequencies increasing to higher impedance at higher frequencies. While the “ideal” operational amplifier output impedance characteristic is zero, the output impedance of “real” amplifiers is inductive, and, like the inductor, increases with increasing frequency. The output impedance of the EL5157 is shown in Figure 2. A common challenge in applications using operational amplifiers is driving a capacitive load. It is a challenge because the inductive output of the op amp in conjunction with the capacitive load creates an LC resonant tank topology where the capacitive load reactance in conjunction

with the inductive drive impedance results in extra phase lag when feedback is closed around the loop. Decreasing phase margin introduces the possibility of amplifier oscillation. When oscillating, the amplifier becomes very hot and can self-destruct. There are a couple of very well-known solutions to this challenge.

The simplest solution is the addition of a resistor in series with the output to force the feedback to come from the amplifier's direct output while isolating the reactive load. The trade-off of this method is the sacrifice of a small amount of the output voltage swing across the load.

Another straight forward solution is the application of a "snubber network". The snubber is a resistor and capacitor placed in parallel with the capacitive load providing resistive impedance across the load to diminish the output phase shift, providing additional stability.

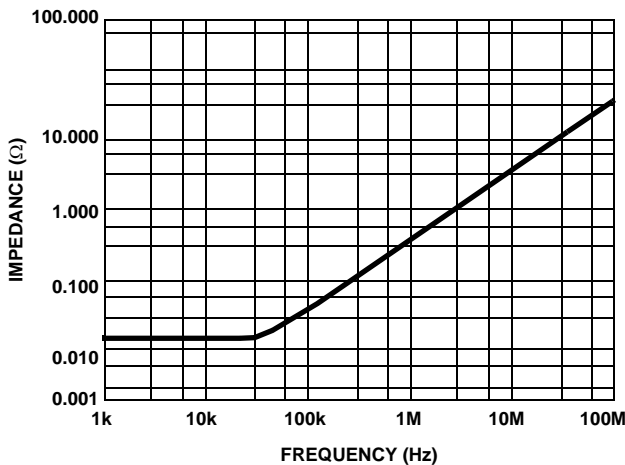


FIGURE 2. EL5157 OUTPUT IMPEDANCE

Current Feedback Amplifier

While current mode feedback operational amplifiers have been around for a long time, their high slew rate, high bandwidth and low distortion is responsible for their current popularity with ADSL systems and HDTV application designers.

Figure 3 shows a simplified drawing of a current mode feedback amplifier (CFA). The positive input is high impedance and buffered directly to the negative input through transistors Q₆, Q₇, Q₁₀ and Q₁₁. It is this very low impedance of the negative input stage that differentiates CFA and voltage mode feedback topologies and provides the CFA with unique advantages. Q₇ and Q₁₁ drive the current mirrors in the signal path of the high impedance node at the base of Q₈ and Q₁₂. These current mirrors supply current on demand to the high impedance node from the power supply providing the CFA with an extremely high slew rate. The voltage level at this high impedance node is buffered to the output by emitter followers Q₉ and Q₁₃. Feedback connected from the output to the negative input forces the negative input current to zero. A feedback resistor or resistor divider connected from the output to the negative input converts the error voltage (voltage difference between V_{OUT} and V_{IN}.) into an error current. The amount of feedback is determined by the feedback resistor value. Every current feedback amplifier specifies an optimal feedback resistor value for highest bandwidth while maintaining stable operation. If a feedback resistor that is smaller than the specified resistor is used, oscillation becomes a possibility. The CFA is also called a transimpedance amplifier because any change in the negative input current results in change in the output voltage.

CMOS Rail-to-Rail Input/Output Amplifier

The simplified schematic of a CMOS rail-to-rail I/O amplifier is depicted in Figure 4. It consists of 3 stages; rail-to-rail input stage, intermediate gain stage and rail-to-rail output stage. The input stage is differential voltage input and differential current output. Its bandwidth extends to over 320MHz. The majority of the phase shift occurs over 100MHz beyond the bandwidth of the amplifier, translating into generous phase margin. The gate capacitance of the differential input stage, MOS transistors and package lead capacitance combine for 2.5pF of amplifier input capacitance, whereas the dominant pole of this topology is set by internal compensation capacitors C₁ and C₂. This stage converts differential current into differential voltage at the output, therefore yielding a differential voltage input and single ended output. To simplify analysis, one assumes the input stage is a differential voltage buffer with unity gain and the voltage gain of the gain stage is 50dB with the dominant pole occurring at 11kHz. The output stage is rail-to-rail topology utilizing transistors connected in common source configuration. Unlike source follower buffer output stages,

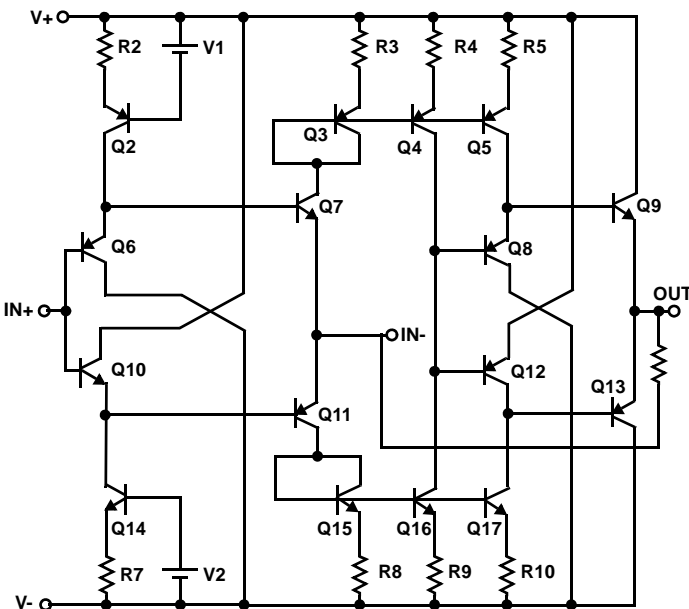


FIGURE 3. CURRENT FEEDBACK AMPLIFIER SIMPLIFIED

the large gain of the common source output stage changes with the output-loading resistor while the bandwidth changes with the output loading resistor and load capacitance. The complete amplifier open loop frequency response shown in Figure 5 is a combination of input, gain and output frequency responses. The 150pF loading capacitance reduces the bandwidth of the output stage resulting in an overall system bandwidth decrease and phase margin reduction of 17°, which is a marginally stable condition. When in unity gain configuration with V_{OUT} and V_{IN-} directly shorted (buffer configuration), the amplifier can drive 150pF and 200Ω load while remaining stable. The trouble occurs when a resistor is placed in the feedback path.

R_F is the feedback resistor; R_G is the gain resistor. If one selects reasonable component values ($R_F = 3k\Omega$ and $R_G = 8.3k\Omega$), then the feedback network combined with the 2.5pF capacitor at the negative input forms a low pass network from the amplifier output to the negative input. The frequency response of this feedback network shows -45° phase shift at 30MHz. The frequency response of the complete system, including the feedback network, is shown in Figure 6. The feedback network reduces the overall system gain slightly because of the extra pole that is introduced. The most negative impact of this additional pole is that it reduces the phase by a significant amount. Under 150pF and 200Ω loading conditions, a system with a $R_F = 3k\Omega$, $R_G = 8.3k\Omega$ feedback network will have a 11.5MHz gain bandwidth product and a 0° phase margin, causing the system to oscillate.

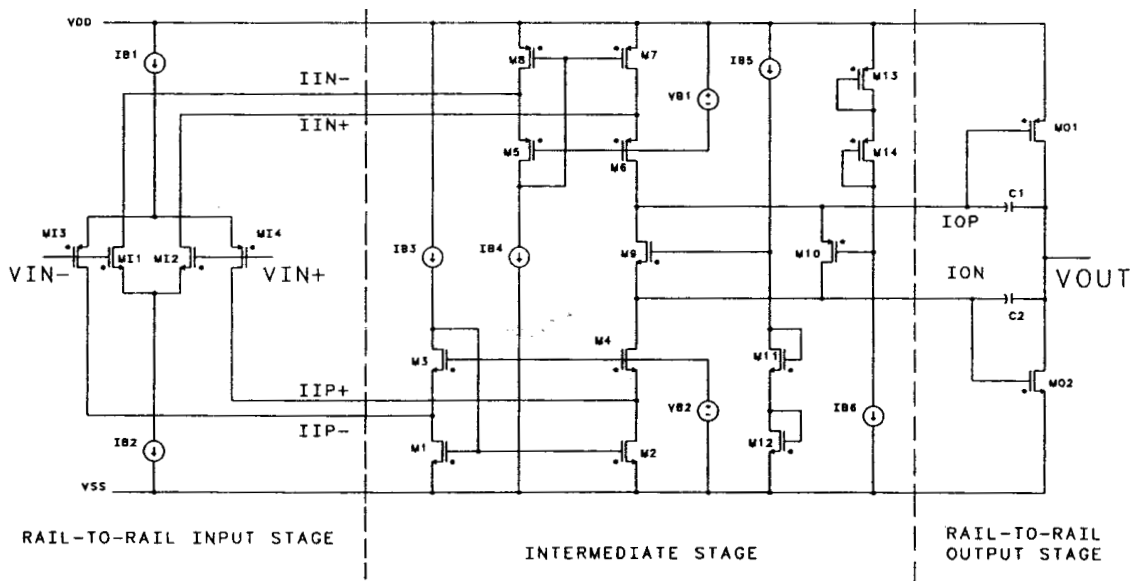
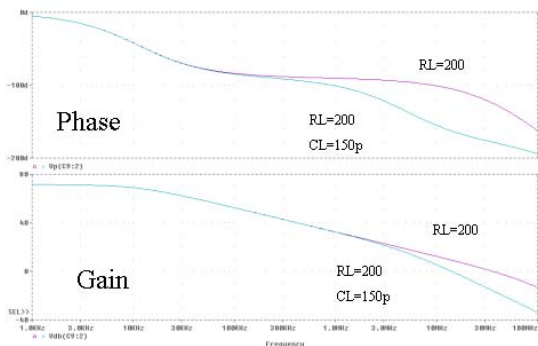
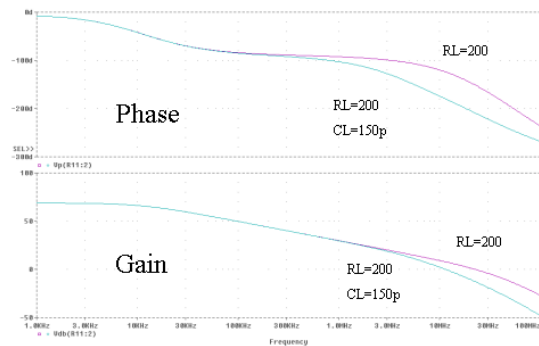


FIGURE 4. SIMPLIFIED SCHEMATIC OF CMOS RAIL-TO-RAIL I/O AMPLIFIER



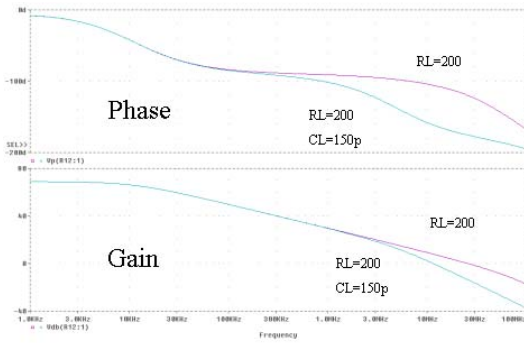
Rload	Cload	GBWP	Phase Margin
200 ohm	No	35MHz	56 deg
200 ohm	150pF	14MHz	17 deg

FIGURE 5. CMOS RAIL-TO-RAIL AMPLIFIER OPEN LOOP RESPONSE



Rload	Cload	GBWP	Phase Margin
200 ohm	No	22.5MHz	30 deg
200 ohm	150pF	11.5MHz	0 deg

FIGURE 6. COMPLETE LOOP FREQUENCY RESPONSE WITH $R_F = 3k\Omega$ AND $R_G = 8.3k\Omega$ FEEDBACK NETWORK



$R_F = 3K$
 $R_G = 8.3K$
 $C_{in} = 2.5p$
 $C_{comp} = 5p$

Load	Load	GBWP	Phase Margin
200 ohm	No	25.7MHz	60 deg
200 ohm	150pF	11.5MHz	19 deg

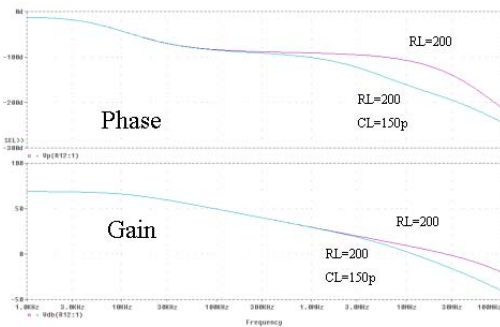
FIGURE 7. COMPLETE LOOP FREQUENCY RESPONSE WITH $C_{COMP} = 5pF$

Reducing the Feedback Resistor Value to Minimize the Impact of C_{IN}

The phase shift and the loss of phase margin is caused by the action of the R_F - R_G - C_{IN} low pass filter. Reducing the R_F and R_G values will shift this low pass filter pole to a higher frequency (>30MHz). In the previous example, as the R_F and R_G values decrease 3x, the pole moves from 30MHz to around 90MHz. Figure 7 shows the complete system frequency response with R_F and R_G values which are 3x smaller. This is a very nice solution because the gain bandwidth product changes very little while phase margin improves significantly. Under a 200Ω and 150pF condition, the phase margin increases from 0° to 14°. The system is now stable. The minor trade-off with this solution is that the amplifier now drives a 1kΩ feedback, resulting in slightly increased power dissipation.

Placing C_{COMP} in Parallel with R_F

This solution introduces a small compensation capacitor (C_{COMP}) in parallel with R_F without changing the values of R_F and R_G . The C_{COMP} capacitor introduces a phase lead to cancel out the phase lag caused by C_{IN} . The complete system frequency response with a 5pF C_{COMP} capacitor is shown in Figure 8. The gain bandwidth product changes very little, however, the phase margin improves significantly. Under a 200Ω and 150pF condition, the phase margin increases from 0° to 19°. The system is now stable with an additional C_{COMP} capacitor while maintaining minimum power consumption.



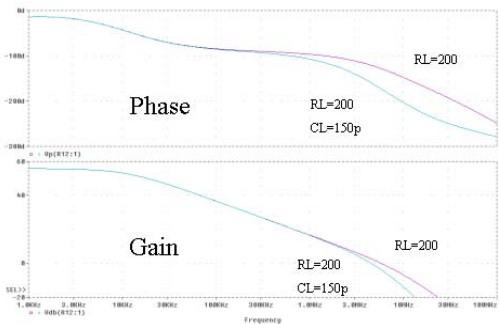
$R_F = 1K$
 $R_G = 2.77K$
 $C_{in} = 2.5p$

Load	Load	GBWP	Phase Margin
200 ohm	No	25.7MHz	47 deg
200 ohm	150pF	11.7MHz	14 deg

FIGURE 8. COMPLETE LOOP FREQUENCY RESPONSE WITH LOWER R_F AND R_G VALUES

Increasing the Closed Loop Gain

This solution utilizes a large R_F to R_G ratio, which increases the closed loop gain. For example, when $R_F = 43kΩ$ and $R_G = 8.3kΩ$, the gain and phase curves of the R_F and R_G combination show a pole at 9MHz with -16dB attenuation. The -16dB attenuation reduces the overall system gain by 16dB. The complete system frequency response with large closed loop gain is shown in Figure 9. The overall system open loop gain reduces by 16dB, decreasing from 70dB to 54dB. As a result, the gain bandwidth product decreases to around 5MHz. Therefore, the phase margin improves significantly. Under a 200Ω and 150pF condition, the phase margin increases from 0° to 20°. By sacrificing bandwidth, the system becomes stable.



$R_F = 43K$
 $R_G = 8.3K$
 $C_{in} = 2.5p$

Load	Load	GBWP	Phase Margin
200 ohm	No	5.7MHz	52.3 deg
200 ohm	150pF	4.5MHz	20 deg

FIGURE 9. COMPLETE LOOP FREQUENCY RESPONSE WITH LARGE CLOSE LOOP GAIN

Conclusion

Unlike traditional amplifiers, the common source output stage of the rail-to-rail I/O amplifier has gain and bandwidth more sensitive to resistive capacitive loading. The bandwidth variation along with the input capacitance significantly impacts amplifier stability. This Application Note has presented circuit designs of a rail-to-rail input and output CMOS amplifier with 3 possible solutions to the challenge of reducing amplifier instability. These possible solutions are:

1. Feedback resistor value reduction to minimize the impact of C_{IN} .
2. Introduction of a C_{COMP} in parallel with R_F .
3. An increase of closed loop gain.

Author Biography

Mike Wong is currently employed by Intersil Corporation where he currently holds the title of VP of Analog and Mixed Signal products. He specializes in high performance analog circuit and power management applications. Previously, Mr. Wong worked at ASTEC. Mr. Wong earned a BSEE from University of California at Davis.

Intersil Corporation reserves the right to make changes in circuit design, software and/or specifications at any time without notice. Accordingly, the reader is cautioned to verify that the Application Note or Technical Brief is current before proceeding.

For information regarding Intersil Corporation and its products, see www.intersil.com
