

Description

The following code demonstrates how Intersil's CPU Supervisors with EEPROM can be interfaced to the 68HC11 microcontroller when connected as shown in Figure 1. The circuit uses the 68HC11's built-in SPI port with the PD4/SCK pin connected to the serial clock (SCK), the PD3/MOSI pin connected to serial data in (SI), the PD2/MISO pin connected to serial data out (SO), and the PD5/PCS0/CS pin connected to chip select (\overline{CS}). The SPI interface of the CPU Supervisors operate at 2MHz, so the 68HC11 can operate the SPI port at the maximum speed. This code allows the

68HC11 to read and write data from the EEPROM and select EEPROM Block Lock configurations. It also allows the 68HC11 to change the watchdog timer settings (if available) or turn off the watchdog timer.

More Information

Additional code can be found on the Intersil WWW site at <http://www.intersil.com>.

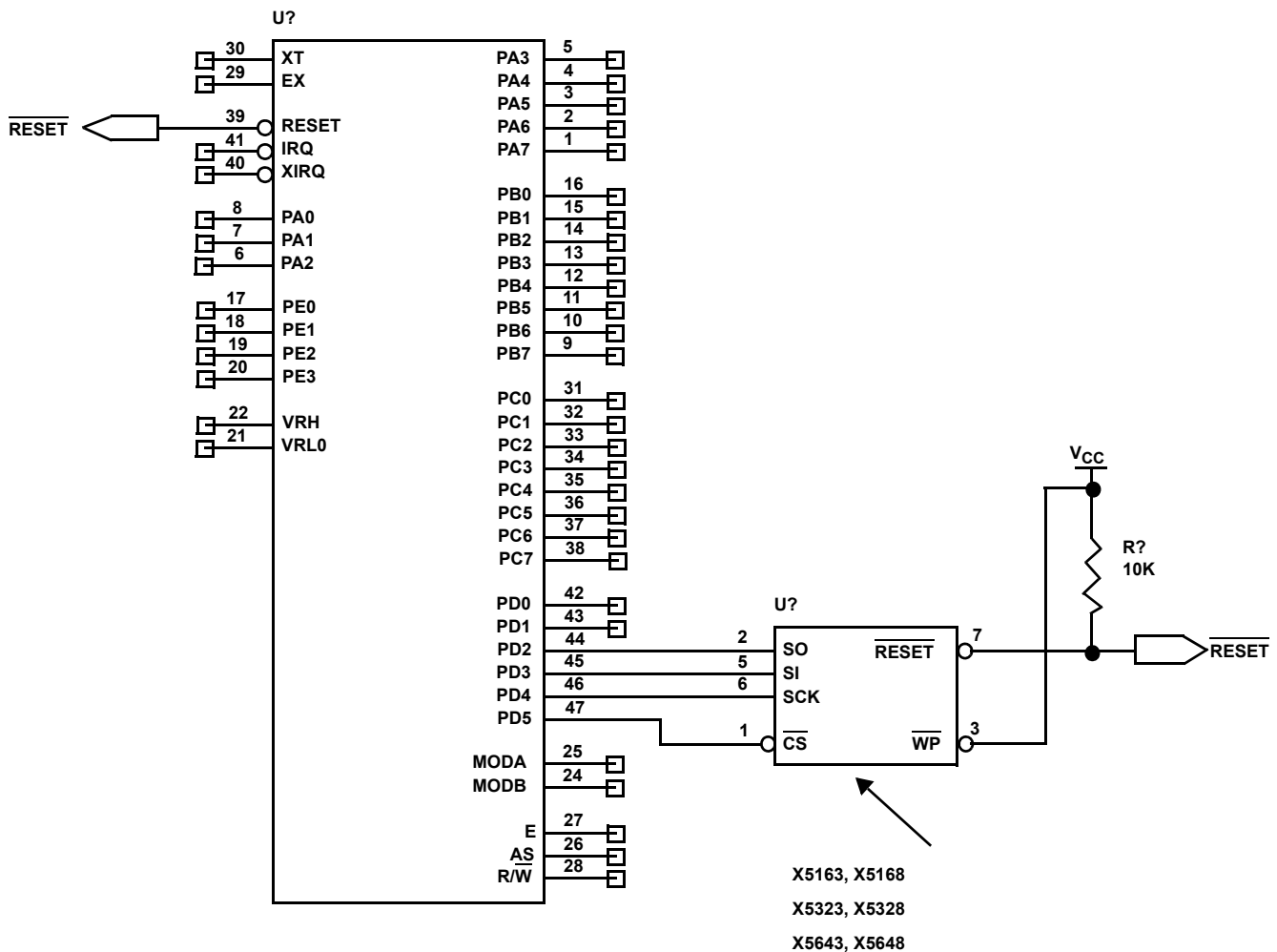


FIGURE 1. INTERFACING THE INTERSIL CPU SUPERVISORS TO THE 68HC11 MICROCONTROLLER USING THE SPI PORT

```

*****
**  DESCRIPTION:
**  The purpose of this program is to show the use of the M68HC11
**  assembly language to program the XICOR CPU Supervisor device. The "WIP"
**  status polling (ACKPOL program) is a unique feature of the SPI memories.
**  The processor interfaces the EEPROM through its Serial Peripheral
**  Interface Port (SPI). The SCK pin is connected to the serial clock (SCK),
**  MOSI to serial data in(SI), MISO to the serial data out (SO), and PCS0/CS
**  to the CS input of the EEPROM. The main section of the code calls up other
**  modules in order to demonstrate the procedure to be followed when
**  reading/writing from/to the device. Routines are provided that write and
**  read data to/from the status register, including BlockLock and Watchdog
**  Timer bits.
**
**  This code supports the following supervisory products:
**
**          X5163, X5165, X5168, X5169*
**          X5323, X5325, X5328, X5329*
**          X5643, X5645, X5648, X5649*
**
**      * These devices have no Watchdog Timer, so write '0' to the Wdx bits.
*****
* INTERNAL RAM LOCATIONS
ADDRL      EQU    $FF          MEMORY ADDRESS LOW BYTE
ADDRH      EQU    ADDRH-1     MEMORY ADDRESS HIGH BYTE
PATTERN    EQU    ADDRH-1     PATTERN REGISTER
STACK      EQU    PATTERN-1   STACK TOP
* CONSTANTS
WREN_CMD   EQU    006         WRITE ENABLE
WRITE_CMD  EQU    002         WRITE DATA TO EEPROM
READ_CMD   EQU    003         READ EEPROM DATA
WRDI_CMD   EQU    006         WRITE DISABLE
RDSR_CMD   EQU    005         READ STATUS REGISTER COMMAND
WRSR_CMD   EQU    001         WRITE STATUS REGISTER COMMAND
DUMMY      EQU    $FF        DUMMY STATUS OF MOSI PIN DURING BYTE READ
SPE_BIT    EQU    $40
SPIF_BIT   EQU    $80         BIT POSITION OF THE SPIF
CE_BIT     EQU    $20         BIT POSITION FOR PCS0/CS
* EQUATES FOR USE WITH INDEX OFFSET = $1000
PORTD      EQU    $08
DDR        EQU    $09
SPCR       EQU    $28
SPDR       EQU    $2A
SPSR       EQU    $29
BAUD       EQU    $2B
SCDAT      EQU    $2F
SCSR       EQU    $2E
SCCR2      EQU    $2D
STAT_BYTE  EQU    $00         Turn off BlockLock, Set WDT=1.4s
* ASSEMBLER REQUIREMENT- CPU TYPE
P68H11
PAGE
*      START OF USER CODE
ORG        $E000
TEST:
        lds    #STACK          * LOAD STACK POINTER
        ldx    #$1000         * SET REGISTER BASE
* INITIALIZE THE SPI
        ldaa  #$3F
        staa  DDRD,X          * PORT-D PINS ALL SET AS OUTPUTS
        ldaa  #$50
        staa  SPCR,X          * MODE = 0, CLK = 1MHZ
        ldaa  #$00
        staa  PATTERN        * DATA PATTERN TO WRITE
        ldy   #$100
        sty   ADDRH          * MEMORY ADDRESS TO WRITE

```

```

        tab          * RECALL THE DATA PATTERN
        ldy  ADDRH   * LOAD THE MEMORY ADDRESS
        jsr  wr_byte * WRITE THE BYTE
        jsr  ACK_POLL * WAIT TILL DEVICE COMPLETS INTERNAL WRITE
        jsr  rd_byte * READ THE BYTE
*
        ldab #STAT_BYTE * GET THE STATUS BYTE
        jsr  wr_status * WRITE THE STATUS
        jsr  ACK_POLL * WAIT TILL DEVICE COMPLETS INTERNAL WRITE

        jmp      *
*****
*** Name: EE_WREN
*** Description: Enable write operation to the EEPROM
*** Function: This program sends out the command to enable the writes and
***             the store operations to the EEPROM
*** Calls: None
*** Input: None
*** Output: None
*** Register Usage: B
*****
EE_wren:
        bclr  PORTD,X,#CE_BIT   * ACTIVATE CE
        ldaa  #WREN_CMD        * WRITE ENABLE COMMAND
        jsr  outbyt            * OUTPUT THE COMMAND
        bset  PORTD,X,#CE_BIT   * DEACTIVATE CE
        rts
*****
*** Name: OUTBYT
*** Description: Sends a byte to the EEPROM
*** Function: This program shifts out a byte, MSB first to the EEPROM.
*** Calls: None
*** Input: A = Byte to be sent
*** Return Value: None
*** Register Usage: None
*****
outbyt:
        staa  SPDR,X

outbyt1:
        brclr SPSR,X,#SPIF_BIT,outbyt1 *WAIT FOR LAST ONE TO COMPLETE
        rts
*****
*** Name: RD_BYTE
*** Description: Reads content of the EEPROM at a specific location.
*** Function: This program sends out the command to read the content of a memory
***             location specified in the (E) register.
*** Calls: EE_read_cmd, outbyt
*** Input: Y = Address of the byte
*** Output: B = READ VALUE
*** Register Usage: B
*****
rd_byte:
        bclr  PORTD,X,#CE_BIT   * ACTIVATE CE
        jsr  EE_read_cmd        * ISSUE READ COMMAND
        pshy                    * SAVE ADDR
        tsy
        ldaa  0,y              * RECALL THE MSB OF ADDRESS
        jsr  outbyt            * SEND IT TO EEPROM
        ldaa  1,y              * RECALL THE LSB OF ADDRESS
        jsr  outbyt            * SEND IT TO EEPROM
        ldaa  #DUMMY           * SHIFT IN THE DATA FROM EEPROM
        jsr  outbyt
        ldaa  SPDR,X          * LOAD RECEIVED DATA FROM SPI
        bset  PORTD,X,#CE_BIT   * DEACTIVATE CE
        puly
        rts

```

```

*****
*** Name: EE_READ_CMD
*** Description: Sends the read command to the EEPROM
*** Function: This program sends a read command to the EEPROM
*** Calls: outbyt
*** Input: E = BYTE ADDRESS
*** Return Value: A = RECEIVED BYTE
*** Register Usage: B, E, IZ
*****
EE_read_cmd:
        ldaa    #READ_CMD          * SEND READ COMMAND TO THE EEPROM
        jmp     outbyt             * SEND THE COMMAND
*****
*** Name: WR_BYTE
*** Description: Writes a byte to the EEPROM at a specific location.
*** Function: This program writes the byte in the (B) register to the EEPROM
***           location specified by the (E) register.
*** Calls: EE_wren, EE_write_cmd, outbyt
*** Input: Y = byte Address, B = Data to write
*** Output: None
*** Register Usage: A,B
*****
wr_byte:
        jsr     EE_wren             * SEND WRITE ENABLE COMMAND
        bclr   PORTD,X,#CE_BIT     * ACTIVATE CE
        jsr     EE_write_cmd        * ISSUE WRITE COMMAND
        pshy                    * SAVE ADDR
        tsy
        ldaa   0,y                 * RECALL THE MSB OF ADDRESS
        jsr   outbyt               * SEND IT TO EEPROM
        ldaa   1,y                 * RECALL THE LSB OF ADDRESS
        jsr   outbyt               * SEND IT TO EEPROM
        tba
        jsr   outbyt               * SEND IT TO EEPROM
        bset  PORTD,X,#CE_BIT     * DEACTIVATE CE
        puly                    * RECALL ADDR
        rts
*****
*** Name: EE_write_cmd
*** Description: Sends the write command to the EEPROM
*** Function: This program creates the write command sequence and transmits
***           it to the EEPROM.
*** Calls: outbyt
*** Input: Y = BYTE ADDRESS
*** Return Value: None
*** Register Usage: A
*****
EE_write_cmd:
        ldaa   #WRITE_CMD         * SEND WRITE COMMAND TO THE EEPROM
        jmp   outbyt
*****
*** Name: WR_STATUS
*** Description: Writes a byte to the CPU Supervisor status register.
*** Function: This program writes the byte in the (B) register to the status
*** register. Since the command determines the address, no address is sent.
*** The data sent controls the operation of the BlockLock, InCircuit
*** Programmable ROM and Watchdog Timer Functions (if available). The content
*** of the byte sent is:
***
***
***           MSB                               LSB
***           WPEN X  WD1  WD0 BL1  BL0  WEL  WIP
***
*** Calls: EE_wren, EE_wrsr_cmd, outbyt
*** Input: Y = byte Address, B = Data to write
*** Output: None
*** Register Usage: A,B

```

```

*****
wr_status:
    jsr    EE_wren          * SEND WRITE ENABLE COMMAND
    bclr   PORTD,X,#CE_BIT * ACTIVATE CE
    jsr    EE_wrsr_cmd     * ISSUE WRITE STATUS COMMAND
    tba    tba             * GET THE STATUS BYTE
    jsr    outbyt          * SEND IT TO EEPROM
    bset   PORTD,X,#CE_BIT * DEACTIVATE CE
    rts

*****
*** Name: EE_wrsr_cmd
*** Description: Sends the write command to the EEPROM
*** Function: This program creates the write command sequence and transmits
***           it to the EEPROM.
*** Calls: outbyt
*** Input: Y = BYTE ADDRESS
*** Return Value: None
*** Register Usage: A
*****
EE_wrsr_cmd:
    ldaa  #WRSR_CMD      * SEND WRITE COMMAND TO THE EEPROM
    jmp   outbyt

*****
*** Name: ACK_POLL
*** Description: Verifies if the EEPROM is ready and accepting commands
*** Function: This program sends the status register read command to the
***           EEPROM and returns to the caller when the WIP bit in the status
***           byte is cleared or the maximum number of retries is reached.
***           This routine can also be used to read the status of the WdX and
***           BLx bits.
*** Calls: outbyt
*** Input: None
*** Return Value: None
*** Register Usage: A,B
*****
ACK_POLL:
ackpoll:
    bclr   PORTD,X,#CE_BIT * ACTIVATE CE
    ldaa  #RDSR_CMD      * READ STATUS COMMAND
    jsr    outbyt        * SEND THE COMMAND
    ldaa  #DUMMY         * DUMMY COMMAND
    jsr    outbyt        * SEND THE COMMAND
    bset   PORTD,X,#CE_BIT * DEACTIVATE CE
    ldaa  SPDR,X        * LOAD RECEIVED DATA FROM SPI
    asra
    bcc   ackpoll
    rts

    ORG $FFFE
    FDB TEST
    END

```

Notice

1. Descriptions of circuits, software and other related information in this document are provided only to illustrate the operation of semiconductor products and application examples. You are fully responsible for the incorporation or any other use of the circuits, software, and information in the design of your product or system. Renesas Electronics disclaims any and all liability for any losses and damages incurred by you or third parties arising from the use of these circuits, software, or information.
2. Renesas Electronics hereby expressly disclaims any warranties against and liability for infringement or any other claims involving patents, copyrights, or other intellectual property rights of third parties, by or arising from the use of Renesas Electronics products or technical information described in this document, including but not limited to, the product data, drawings, charts, programs, algorithms, and application examples.
3. No license, express, implied or otherwise, is granted hereby under any patents, copyrights or other intellectual property rights of Renesas Electronics or others.
4. You shall not alter, modify, copy, or reverse engineer any Renesas Electronics product, whether in whole or in part. Renesas Electronics disclaims any and all liability for any losses or damages incurred by you or third parties arising from such alteration, modification, copying or reverse engineering.
5. Renesas Electronics products are classified according to the following two quality grades: "Standard" and "High Quality". The intended applications for each Renesas Electronics product depends on the product's quality grade, as indicated below.
"Standard": Computers; office equipment; communications equipment; test and measurement equipment; audio and visual equipment; home electronic appliances; machine tools; personal electronic equipment; industrial robots; etc.
"High Quality": Transportation equipment (automobiles, trains, ships, etc.); traffic control (traffic lights); large-scale communication equipment; key financial terminal systems; safety control equipment; etc.
Unless expressly designated as a high reliability product or a product for harsh environments in a Renesas Electronics data sheet or other Renesas Electronics document, Renesas Electronics products are not intended or authorized for use in products or systems that may pose a direct threat to human life or bodily injury (artificial life support devices or systems; surgical implantations; etc.), or may cause serious property damage (space system; undersea repeaters; nuclear power control systems; aircraft control systems; key plant systems; military equipment; etc.). Renesas Electronics disclaims any and all liability for any damages or losses incurred by you or any third parties arising from the use of any Renesas Electronics product that is inconsistent with any Renesas Electronics data sheet, user's manual or other Renesas Electronics document.
6. When using Renesas Electronics products, refer to the latest product information (data sheets, user's manuals, application notes, "General Notes for Handling and Using Semiconductor Devices" in the reliability handbook, etc.), and ensure that usage conditions are within the ranges specified by Renesas Electronics with respect to maximum ratings, operating power supply voltage range, heat dissipation characteristics, installation, etc. Renesas Electronics disclaims any and all liability for any malfunctions, failure or accident arising out of the use of Renesas Electronics products outside of such specified ranges.
7. Although Renesas Electronics endeavors to improve the quality and reliability of Renesas Electronics products, semiconductor products have specific characteristics, such as the occurrence of failure at a certain rate and malfunctions under certain use conditions. Unless designated as a high reliability product or a product for harsh environments in a Renesas Electronics data sheet or other Renesas Electronics document, Renesas Electronics products are not subject to radiation resistance design. You are responsible for implementing safety measures to guard against the possibility of bodily injury, injury or damage caused by fire, and/or danger to the public in the event of a failure or malfunction of Renesas Electronics products, such as safety design for hardware and software, including but not limited to redundancy, fire control and malfunction prevention, appropriate treatment for aging degradation or any other appropriate measures. Because the evaluation of microcomputer software alone is very difficult and impractical, you are responsible for evaluating the safety of the final products or systems manufactured by you.
8. Please contact a Renesas Electronics sales office for details as to environmental matters such as the environmental compatibility of each Renesas Electronics product. You are responsible for carefully and sufficiently investigating applicable laws and regulations that regulate the inclusion or use of controlled substances, including without limitation, the EU RoHS Directive, and using Renesas Electronics products in compliance with all these applicable laws and regulations. Renesas Electronics disclaims any and all liability for damages or losses occurring as a result of your noncompliance with applicable laws and regulations.
9. Renesas Electronics products and technologies shall not be used for or incorporated into any products or systems whose manufacture, use, or sale is prohibited under any applicable domestic or foreign laws or regulations. You shall comply with any applicable export control laws and regulations promulgated and administered by the governments of any countries asserting jurisdiction over the parties or transactions.
10. It is the responsibility of the buyer or distributor of Renesas Electronics products, or any other party who distributes, disposes of, or otherwise sells or transfers the product to a third party, to notify such third party in advance of the contents and conditions set forth in this document.
11. This document shall not be reprinted, reproduced or duplicated in any form, in whole or in part, without prior written consent of Renesas Electronics.
12. Please contact a Renesas Electronics sales office if you have any questions regarding the information contained in this document or Renesas Electronics products.
(Note 1) "Renesas Electronics" as used in this document means Renesas Electronics Corporation and also includes its directly or indirectly controlled subsidiaries.
(Note 2) "Renesas Electronics product(s)" means any product developed or manufactured by or for Renesas Electronics.

(Rev.4.0-1 November 2017)



SALES OFFICES

Renesas Electronics Corporation

<http://www.renesas.com>

Refer to "<http://www.renesas.com/>" for the latest and detailed information.

Renesas Electronics America Inc.
1001 Murphy Ranch Road, Milpitas, CA 95035, U.S.A.
Tel: +1-408-432-8888, Fax: +1-408-434-5351

Renesas Electronics Canada Limited
9251 Yonge Street, Suite 8309 Richmond Hill, Ontario Canada L4C 9T3
Tel: +1-905-237-2004

Renesas Electronics Europe Limited
Dukes Meadow, Millboard Road, Bourne End, Buckinghamshire, SL8 5FH, U.K
Tel: +44-1628-651-700, Fax: +44-1628-651-804

Renesas Electronics Europe GmbH
Arcadiastrasse 10, 40472 Düsseldorf, Germany
Tel: +49-211-6503-0, Fax: +49-211-6503-1327

Renesas Electronics (China) Co., Ltd.
Room 1709 Quantum Plaza, No.27 ZhichunLu, Haidian District, Beijing, 100191 P. R. China
Tel: +86-10-8235-1155, Fax: +86-10-8235-7679

Renesas Electronics (Shanghai) Co., Ltd.
Unit 301, Tower A, Central Towers, 555 Langao Road, Putuo District, Shanghai, 200333 P. R. China
Tel: +86-21-2226-0888, Fax: +86-21-2226-0999

Renesas Electronics Hong Kong Limited
Unit 1601-1611, 16/F., Tower 2, Grand Century Place, 193 Prince Edward Road West, Mongkok, Kowloon, Hong Kong
Tel: +852-2265-6688, Fax: +852-2886-9022

Renesas Electronics Taiwan Co., Ltd.
13F, No. 363, Fu Shing North Road, Taipei 10543, Taiwan
Tel: +886-2-8175-9600, Fax: +886-2-8175-9670

Renesas Electronics Singapore Pte. Ltd.
80 Bendemeer Road, Unit #06-02 Hyflux Innovation Centre, Singapore 339949
Tel: +65-6213-0200, Fax: +65-6213-0300

Renesas Electronics Malaysia Sdn.Bhd.
Unit 1207, Block B, Menara Amcorp, Amcorp Trade Centre, No. 18, Jln Persiaran Barat, 46050 Petaling Jaya, Selangor Darul Ehsan, Malaysia
Tel: +60-3-7955-9390, Fax: +60-3-7955-9510

Renesas Electronics India Pvt. Ltd.
No.777C, 100 Feet Road, HAL 2nd Stage, Indiranagar, Bangalore 560 038, India
Tel: +91-80-67208700, Fax: +91-80-67208777

Renesas Electronics Korea Co., Ltd.
17F, KAMCO Yangjae Tower, 262, Gangnam-daero, Gangnam-gu, Seoul, 06265 Korea
Tel: +82-2-558-3737, Fax: +82-2-558-5338