

80C286/80386 Hardware Comparison

The Intersil 80C286 static CMOS microprocessor, available with maximum operating frequencies of 16MHz and 20MHz, offers both performance and design advantages over the 80386 when operating at the same frequency. When both the 80C286 and 80386 are operated on a 16-bit data bus, which fully supports industry standard 8086/80286 code, the 80C286 has better performance, and is significantly simpler to design with than the 80386. The 80C286 also uses significantly lower power than the 80386. The 80C286 also uses significantly lower power than the 80386, leading to less expensive, more reliable overall system design (See Figure 1).

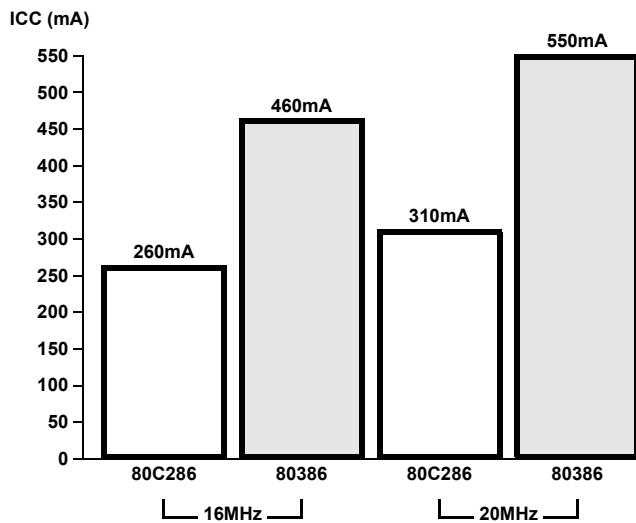


FIGURE 1. 80C286/80386 POWER CONSUMPTION COMPARISON

The following comparison highlights some of the performance advantages that exist on the 80C286:

Summary of 16-Bit Data Bus Performance

80C286

- The 80C286 already has all necessary control lines needed to implement a 16-bit data bus (Ref. section on Control Signals Required to Implement a 16-Bit Data Bus).
- The 80C286 supports a fully pipelined mode of operation for maximum system performance (Ref. section on Pipelined Operation on a 16-Bit Data Bus).
- The 80C286 remains in a pipelined mode of operation even when idle bus cycles occur (Ref. section on Idle Cycles).

- The 80C286 instruction prefetch takes one bus cycle to execute, thereby minimizing the time that the processor Execution Unit must wait should it need the bus (Ref. section on Instruction Prefetching a 16-Bit Data Bus).

80386

- The 80386 requires five additional control lines to be generated by external logic in order to implement a 16-bit data bus (Ref. section on Control Signals Required to Implement 16-Bit Data Bus).
- The 80386 does not support a fully pipelined mode of operation. Some pipelining can be achieved, but to accomplish this, external bus 'monitor' logic must be added to the system (Ref. section on Pipelined Operation on a 16-Bit Data Bus).
- The 80386's pipelining is disrupted by idle bus cycles. A non-pipelined bus cycle, usually with an additional wait state, must be executed before the 80386 can return to pipelined mode. Idle bus cycles occur an average of 9% of the time (Ref. section on Idle Cycles).
- The 80386 instruction prefetch takes two bus cycles to execute, which can cause performance degradation by forcing the Execution Unit of the processor to wait a full bus cycle for use of the bus in order to complete an instruction (Ref. section of Instruction Prefetching on a 16-Bit Data Bus).

16-Bit Data Bus Operation

This section will discuss the control signals required to implement a 16-bit data bus, as well as pipelined operation, idle cycles, and instruction prefetching on a 16-Bit Data Bus.

Control Signals Required to Implement a 16-Bit Data Bus

The 80C286 microprocessor has all the control lines needed to implement a 16-bit data bus resident on chip, no further control lines are required.

80386 SIGNALS				16-BIT BUS SIGNALS			COMMENTS
BE3#	BE2#	BE1#	BE0#	A1	BHE#	BLE# (A0)	
H*	H*	H*	H*	X	X	X	X - No Active Bytes
H	H	H	L	L	H	L	
H	H	L	H	L	L	H	
H	H	L	L	L	L	L	
H	L	H	H	H	H	L	
H*	L*	H*	L*	X	X	X	X - Not Contiguous Bytes
H	L	L	H	L	L	H	
H	L	L	L	L	L	L	
L*	H*	H*	L*	X	X	X	X - Not Contiguous Bytes
L*	H*	L*	H*	X	X	X	X - Not Contiguous Bytes
L*	H*	L*	L*	X	X	X	X - Not Contiguous Bytes
L	L	H	H	H	L	L	
L*	L*	H*	L*	X	X	X	X - Not Contiguous Bytes
L	L	L	H	L	L	H	
L	L	L	L	L	L	L	

NOTE: BLE# Asserted when D0-D7 of 16-Bit Bus is Active.
 BHE# Asserted when D8-D15 of 16-Bit Bus is Active.
 A1 Low for All Even Words; A1 High for All Odd Words.

Key: X = Don't Care
 H = High Voltage Level
 L = Low Voltage Level
 * = A Non-Occurring Pattern of Byte Enables; Either None are Asserted, or the Pattern has Byte Enables Asserted for Non-Contiguous Bytes.

FIGURE 2. A1, BLE#, AND BHE# SIGNAL GENERATION TABLE

microprocessor, it is necessary to create at least the following five additional control signals: Address Line 1 (A1), Bus Low Enable (BLE#), Bus High Enable (BHE#), Bus Size 16-Bits (BS16#), and Next Address (NA#).

The first of these signals, A1, is an additional address line required to convert the granularity of the 80386's address space from double-word size entities (32-bit) to word size entities (16-bit). The second two signals, BLE# and BHE#, primarily serve as chip selects which enable the appropriate byte or bytes onto the 16-bit data bus. These three signals are generated from the four 80386 byte enables (BE0# - BE3#) as shown in Figure 2. The logic to implement these signals is shown in Figure 3.

In addition, to these three control signals generated from 80386 signals as outputs, two input control signals to the 80386 must be generated to external logic (BS16# and NA#)

BS16# is used to inform the 80386, on a cycle-by-cycle basis that a 16-bit bus size is to be used for data transfer. NA# is used to request that the 80386 put the next cycle address on the bus early, thereby pipelining that cycle.

The 80386, therefore, requires five additional control lines, three outputs and two inputs, in order to implement a 16-bit data bus. The generation of these control lines, in turn, requires additional 'glue' logic (which also introduces additional signal propagation delay, thereby reducing address access time available to the system), and finally, there is additional bus

cycle 'monitor' logic necessary if the 16-bit data bus is to be pipelined for higher performance.

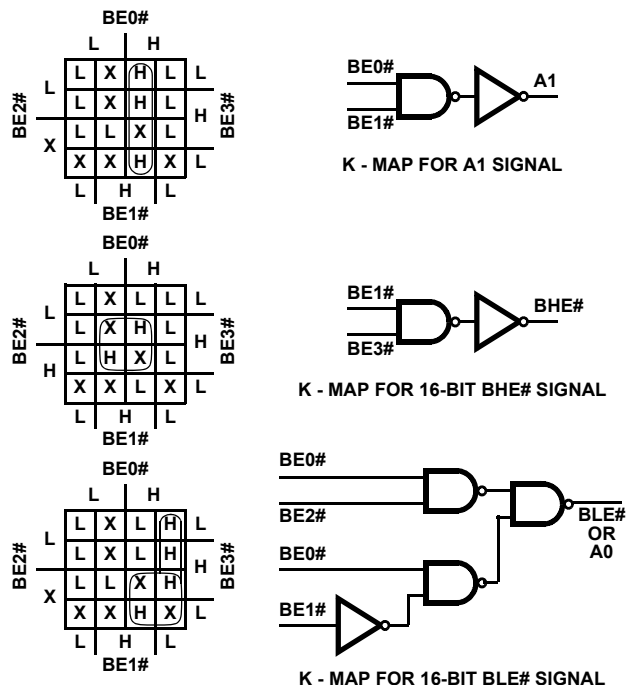


FIGURE 3. A1, BLE#, AND BHE# LOGIC

Pipelined Operation on a 16-Bit Data Bus

At a given clock frequency, pipelined address operation increases a system's performance, while simultaneously allowing relatively slower memories and I/O devices to be used. Pipelined address operation provides the system increased address access time, and increased address decoding time.

The 80C286 is optimized for, and directly supports, fully pipelined bus operations on a 16-bit data bus. In other words, the 80C286 performs all bus operations in a fully pipelined mode.

The 80386 does not support fully pipelined operation on a 16-bit data bus. In order to pipeline a bus cycle on the 80386, the Next Address (NA#) signal must be asserted to the processor. If the Next Address (NA#) signal and the Bus Size 16-Bit (BS16#) signal are both asserted in the same bus cycle, the NA# signal will not be recognized. Since, the BS16# signal must be asserted to the 80386 for many patterns of 16-bit and 8-bit transfers to take place correctly, the pipelining of transfers over a 16-bit bus is limited.

To allow pipelining of 16-bit data, external logic must be implemented to monitor the type of bus cycle taking place, decide if the cycle can be pipelined, and, if so, negate the BS16# signal to the 80386 and assert the NA# signal. Pipelining is possible only if the bus cycle is one of the following three types:

- (1) A read operand cycle using only the lower half of the data bus.
- (2) A write operand cycle using only the lower half of the data bus.
- (3) A write operand cycle using only the upper half of the data bus.

The 80386 will not allow 16-bit pipelining of read or write cycles that have byte alignments that do not conform to one of the previously mentioned three types.

The 80C286, then, fully supports address pipelining, yielding the highest possible system performance, while using relatively lower performance (and therefore cheaper) memories and peripherals. The 80386, however, does not support fully pipelined 16-bit bus operation, and, to support even partial pipelining, requires external bus 'monitor' logic.

Idle Cycles

Another factor to consider when evaluating 80C286 and 80386 performance is the effect of idle cycles on pipelined operation. Calculations have shown that, on average, bus idle cycles occur in the system approximately 9% of the time. The effect of idle cycles on pipelining is quite different on the 80C286 than on the 80386.

The 80C286 pipelined operation is not affected by idle cycles. When an idle cycle or cycles occur in a stream of pipelined bus cycles, the 80C286 returns to pipelining bus cycles immediately after the last idle cycle. In this way, each device on the bus (e.g. memory, peripheral) maintains a fixed timing associated with that device, and therefore always uses the minimum number of wait states required for that device.

On the other hand, the 80386 pipelined operation is disrupted by idle cycles. With the 80386, an idle cycle or cycles occurring

in a pipelined stream of bus cycles breaks the pipelining operation. Once an idle cycle has occurred, a non-pipelined bus cycle must always be executed prior to resuming pipelining. Since a non-pipelined bus cycle will have different timing than pipelined bus cycle (even to the same device), an additional wait state must be added to this bus cycle. This not only degrades performance, but requires additional external logic to differentiate between a pipelined bus cycle access, and a non-pipelined bus cycle access, event to the same device with the same address.

From the preceding, it can be seen that **when executing 16-bit code, the 80C286 has a 9% performance increase over the 80386, due to the manner in which each processor handles idle cycles alone.** Note, that with the 80386, a pipelined stream of bus cycles will always be disrupted when an idle cycle occurs, whether using a 16-bit data bus or a 32-bit data bus. In either case, a non-pipelined bus cycle must be executed prior to resuming pipelined operation.

Instruction Prefetching on a 16-Bit Data Bus

One final factor needs to be considered in the evaluation of 80C286 and 80386 performance on a 16-bit data bus; the effect that prefetching instructions has on instruction execution time. Prefetching of instructions is done by the processor Bus Unit on both the 80C286 and 80386. The prefetch is done when the bus would otherwise be idle for the upcoming cycle, and the prefetch queue is not full.

The 80C286 does word size (16-bit) prefetching of instructions, and therefore completes its prefetch activities in one bus cycle. This minimizes the waiting period to gain access to the bus by other processor entities, such as the Execution Unit.

The 80386 does doubleword (32-bit) prefetching of instructions, even on a 16-bit bus. This means that once a prefetch has begun execution, two bus cycles are required to complete the prefetch. If, for instance, the processor, Execution Unit requires the bus for a data fetch or write in order to complete an executing instruction, it must wait for the two bus cycles of prefetch to complete before it can access the bus. This can substantially degrade instruction execution time.

32-Bit Data Bus Operation

This section discusses operating the 80386 on a 32-bit bus in order to overcome some of the handicaps it suffers on a 16-bit bus. In addition, several advantages and disadvantages associated with the 80386 on a 32-bit bus are considered.

Hardware Advantages of the 80386 on a 32-Bit Data Bus

There are several advantages to operating the 80386 on a 32-bit data bus as opposed to a 16-bit data bus. Some of the control lines that were required for a 16-bit data bus are eliminated (A1, BLE#, BHE#, and BS16#). It is possible to come closer to a fully pipelined mode of operation, although idle cycles will still disrupt the pipelining 9% of the time. Finally, prefetching on a 32-bit bus executes in one bus cycle instead of two. Offsetting these advantages, however are several major disadvantages.

Hardware Disadvantages of the 80386 on a 32-bit Data Bus

When using a full 32-bit data bus, the chip complexity of a

80386 based system is increased over a 16-bit system. Twice as many transceivers (four instead of two) are required. In addition, in order to accommodate the additional 16 data lines of the 32-bit bus, twice as many memory devices are typically required with the 32-bit system as compared to a 16-bit system. This amounts to an increase in DRAM, alone, of from 18 devices in a typical 16-bit system to 36 devices in a typical 32-bit system.

The 16 additional data lines of the 32-bit bus increase the EMI problems inherent in the system. The additional coupling and crosstalk between data lines must be taken into consideration when laying out the system PC board.

There is significant increase in the amount of board space used as result of the additional chips required to implement a 32-bit bus, as well as the 16 additional data lines. This results in a larger, more complex (and more expensive) PC board that with a 16-bit system, often requiring an increase in the number of board layers.

Reference

- [1] "80386 Hardware Reference Manual", Intel Corporation, 1987.

Notice

1. Descriptions of circuits, software and other related information in this document are provided only to illustrate the operation of semiconductor products and application examples. You are fully responsible for the incorporation or any other use of the circuits, software, and information in the design of your product or system. Renesas Electronics disclaims any and all liability for any losses and damages incurred by you or third parties arising from the use of these circuits, software, or information.
2. Renesas Electronics hereby expressly disclaims any warranties against and liability for infringement or any other claims involving patents, copyrights, or other intellectual property rights of third parties, by or arising from the use of Renesas Electronics products or technical information described in this document, including but not limited to, the product data, drawings, charts, programs, algorithms, and application examples.
3. No license, express, implied or otherwise, is granted hereby under any patents, copyrights or other intellectual property rights of Renesas Electronics or others.
4. You shall not alter, modify, copy, or reverse engineer any Renesas Electronics product, whether in whole or in part. Renesas Electronics disclaims any and all liability for any losses or damages incurred by you or third parties arising from such alteration, modification, copying or reverse engineering.
5. Renesas Electronics products are classified according to the following two quality grades: "Standard" and "High Quality". The intended applications for each Renesas Electronics product depends on the product's quality grade, as indicated below.
"Standard": Computers; office equipment; communications equipment; test and measurement equipment; audio and visual equipment; home electronic appliances; machine tools; personal electronic equipment; industrial robots; etc.
"High Quality": Transportation equipment (automobiles, trains, ships, etc.); traffic control (traffic lights); large-scale communication equipment; key financial terminal systems; safety control equipment; etc.
Unless expressly designated as a high reliability product or a product for harsh environments in a Renesas Electronics data sheet or other Renesas Electronics document, Renesas Electronics products are not intended or authorized for use in products or systems that may pose a direct threat to human life or bodily injury (artificial life support devices or systems; surgical implantations; etc.), or may cause serious property damage (space system; undersea repeaters; nuclear power control systems; aircraft control systems; key plant systems; military equipment; etc.). Renesas Electronics disclaims any and all liability for any damages or losses incurred by you or any third parties arising from the use of any Renesas Electronics product that is inconsistent with any Renesas Electronics data sheet, user's manual or other Renesas Electronics document.
6. When using Renesas Electronics products, refer to the latest product information (data sheets, user's manuals, application notes, "General Notes for Handling and Using Semiconductor Devices" in the reliability handbook, etc.), and ensure that usage conditions are within the ranges specified by Renesas Electronics with respect to maximum ratings, operating power supply voltage range, heat dissipation characteristics, installation, etc. Renesas Electronics disclaims any and all liability for any malfunctions, failure or accident arising out of the use of Renesas Electronics products outside of such specified ranges.
7. Although Renesas Electronics endeavors to improve the quality and reliability of Renesas Electronics products, semiconductor products have specific characteristics, such as the occurrence of failure at a certain rate and malfunctions under certain use conditions. Unless designated as a high reliability product or a product for harsh environments in a Renesas Electronics data sheet or other Renesas Electronics document, Renesas Electronics products are not subject to radiation resistance design. You are responsible for implementing safety measures to guard against the possibility of bodily injury, injury or damage caused by fire, and/or danger to the public in the event of a failure or malfunction of Renesas Electronics products, such as safety design for hardware and software, including but not limited to redundancy, fire control and malfunction prevention, appropriate treatment for aging degradation or any other appropriate measures. Because the evaluation of microcomputer software alone is very difficult and impractical, you are responsible for evaluating the safety of the final products or systems manufactured by you.
8. Please contact a Renesas Electronics sales office for details as to environmental matters such as the environmental compatibility of each Renesas Electronics product. You are responsible for carefully and sufficiently investigating applicable laws and regulations that regulate the inclusion or use of controlled substances, including without limitation, the EU RoHS Directive, and using Renesas Electronics products in compliance with all these applicable laws and regulations. Renesas Electronics disclaims any and all liability for damages or losses occurring as a result of your noncompliance with applicable laws and regulations.
9. Renesas Electronics products and technologies shall not be used for or incorporated into any products or systems whose manufacture, use, or sale is prohibited under any applicable domestic or foreign laws or regulations. You shall comply with any applicable export control laws and regulations promulgated and administered by the governments of any countries asserting jurisdiction over the parties or transactions.
10. It is the responsibility of the buyer or distributor of Renesas Electronics products, or any other party who distributes, disposes of, or otherwise sells or transfers the product to a third party, to notify such third party in advance of the contents and conditions set forth in this document.
11. This document shall not be reprinted, reproduced or duplicated in any form, in whole or in part, without prior written consent of Renesas Electronics.
12. Please contact a Renesas Electronics sales office if you have any questions regarding the information contained in this document or Renesas Electronics products.
(Note 1) "Renesas Electronics" as used in this document means Renesas Electronics Corporation and also includes its directly or indirectly controlled subsidiaries.
(Note 2) "Renesas Electronics product(s)" means any product developed or manufactured by or for Renesas Electronics.

(Rev.4.0-1 November 2017)



SALES OFFICES

Renesas Electronics Corporation

<http://www.renesas.com>

Refer to "<http://www.renesas.com/>" for the latest and detailed information.

Renesas Electronics America Inc.
1001 Murphy Ranch Road, Milpitas, CA 95035, U.S.A.
Tel: +1-408-432-8888, Fax: +1-408-434-5351

Renesas Electronics Canada Limited
9251 Yonge Street, Suite 8309 Richmond Hill, Ontario Canada L4C 9T3
Tel: +1-905-237-2004

Renesas Electronics Europe Limited
Dukes Meadow, Millboard Road, Bourne End, Buckinghamshire, SL8 5FH, U.K
Tel: +44-1628-651-700, Fax: +44-1628-651-804

Renesas Electronics Europe GmbH
Arcadiastrasse 10, 40472 Düsseldorf, Germany
Tel: +49-211-6503-0, Fax: +49-211-6503-1327

Renesas Electronics (China) Co., Ltd.
Room 1709 Quantum Plaza, No.27 ZhichunLu, Haidian District, Beijing, 100191 P. R. China
Tel: +86-10-8235-1155, Fax: +86-10-8235-7679

Renesas Electronics (Shanghai) Co., Ltd.
Unit 301, Tower A, Central Towers, 555 Langao Road, Putuo District, Shanghai, 200333 P. R. China
Tel: +86-21-2226-0888, Fax: +86-21-2226-0999

Renesas Electronics Hong Kong Limited
Unit 1601-1611, 16/F., Tower 2, Grand Century Place, 193 Prince Edward Road West, Mongkok, Kowloon, Hong Kong
Tel: +852-2265-6688, Fax: +852-2886-9022

Renesas Electronics Taiwan Co., Ltd.
13F, No. 363, Fu Shing North Road, Taipei 10543, Taiwan
Tel: +886-2-8175-9600, Fax: +886-2-8175-9670

Renesas Electronics Singapore Pte. Ltd.
80 Bendemeer Road, Unit #06-02 Hyflux Innovation Centre, Singapore 339949
Tel: +65-6213-0200, Fax: +65-6213-0300

Renesas Electronics Malaysia Sdn.Bhd.
Unit 1207, Block B, Menara Amcorp, Amcorp Trade Centre, No. 18, Jln Persiaran Barat, 46050 Petaling Jaya, Selangor Darul Ehsan, Malaysia
Tel: +60-3-7955-9390, Fax: +60-3-7955-9510

Renesas Electronics India Pvt. Ltd.
No.777C, 100 Feet Road, HAL 2nd Stage, Indiranagar, Bangalore 560 038, India
Tel: +91-80-67208700, Fax: +91-80-67208777

Renesas Electronics Korea Co., Ltd.
17F, KAMCO Yangjae Tower, 262, Gangnam-daero, Gangnam-gu, Seoul, 06265 Korea
Tel: +82-2-558-3737, Fax: +82-2-558-5338