

Building a Battery Operated Auto Ranging DVM with the ICL7106

Introduction

In the field of DVM design, three areas are being addressed with vigor: size, power dissipation, and novelty. The handheld portable multimeter has gained in popularity since low power dissipation devices enabled battery operation, LSI A/D converters reduced IC count, and novelties such as conductance, automatic range scaling, and calculating were included to entice the user.

This application note describes a technique for auto-ranging a battery operated DVM suitable for panel meter applications. Also, circuit ideas will be presented for conductance and resistance measurement, 9V battery and 5V supply operations, and current measurement.

Auto Ranging Circuitry

The control signals necessary for auto-ranging are over-range, under-range, and clock. The over-range and under-range inputs control the direction of a scale shift, becoming active at the completion of an invalid conversion and remaining active until a valid conversion occurs. The clock input controls the timing of a scale shift. This signal should occur only once per conversion cycle, during a time window which will not upset an ongoing conversion and must be disabled after valid conversions.

In the circuit of Figure 1, inverted over-range ($\overline{O/R}$) and under-range ($\overline{U/R}$) are generated by detecting the display reading. The ICL7106 turns the most significant digit on and blanks the rest to indicate an over-range. An under-range occurs if the display reads less than 0100. R_1C_1 and R_2C_2 are required to deglitch $\overline{O/R}$ and $\overline{U/R}$.

The next step in the logic disables $\overline{O/R}$ and $\overline{U/R}$ prior to shifting into nonexistent ranges. $\overline{O/R}$ is disabled when in the 200V range, while $\overline{U/R}$ is disabled when in the 200mV range.

The next level of gating disables the clock if the conditions are as described above and a valid conversion state exists. Clock is enabled only when a range shift is called for and there exists a valid range to shift into.

The CD4029 is a four bit up/down counter, used as a register to hold the present state and as a counter to shift the scale as directed by the control inputs. The CD4028 is a BCD to decimal decoder interfacing the CD4029 and ladder switches. An additional exclusive OR gate package is added to drive the appropriate decimal point.

Input Divider Network

A simplified drawing of the divider network is shown in Figure 2. This configuration was chosen for simplicity and implementation using analog switches. The low leakage ID101s are used for input protection, and the second set of switches to IN LO reduces the net error due to switch resistance. This can be seen calculating IN HI and IN LO voltages for the two equivalent circuits.

For equivalent circuit A,

$$V_{MEAS} = V_{IN HI} = \left(\frac{R_S + R/K}{R_S + R + R/K} \right) V_{IN} \quad (EQ. 1)$$

where R_S = switch resistance, R = input resistance ($1M\Omega$), and $1 + K$ is the desired divider ratio.

Ideally $V_{IN HI}$ should be

$$V_{IDEAL} = \left(\frac{R/K}{R/K + R} \right) V_{IN} = \left(\frac{1}{1 + K} \right) V_{IN} \quad (EQ. 2)$$

Therefore the percent error is:

$$\left[\frac{Ideal - Actual}{Ideal} \right] 100, \quad (EQ. 3)$$

$$\text{or } \left(1 - (1 + K) \frac{R_S + R/K}{R_S + R + R/K} \right) 100 \quad (EQ. 4)$$

The worst case error occurs at $(1 + K) = 1000$. For this example, the error due to a $1k\Omega$ switch resistance is 99.7%.

IN HI for equivalent circuit B is the same as Equation 1.

However, IN LO for circuit B is:

$$\left(\frac{R_S}{R_S + R + R/K} \right) V_{IN}, \quad (EQ. 5)$$

and combining Equations (1) and (5)

$$V_{MEAS} = V_{IN HI} - V_{IN LO} = \left(\frac{R/K}{R_S + R + R/K} \right) V_{IN} \quad (EQ. 6)$$

The percent error is equal to:

$$\left(1 - (1 + K) \frac{R/K}{R_S + R + R/K} \right) 100 \quad (EQ. 7)$$

Using the same values for R_S , $(1 + K)$, and R , the worst case error is 0.1%. This error can be further improved if lower $r_{DS(ON)}$ switches are used. From the results calculated above, the worst case conversion error due to switch resistance will be one count of the least significant digit for a full scale input, and a slight adjustment to R itself will correct the remaining error on all scales.

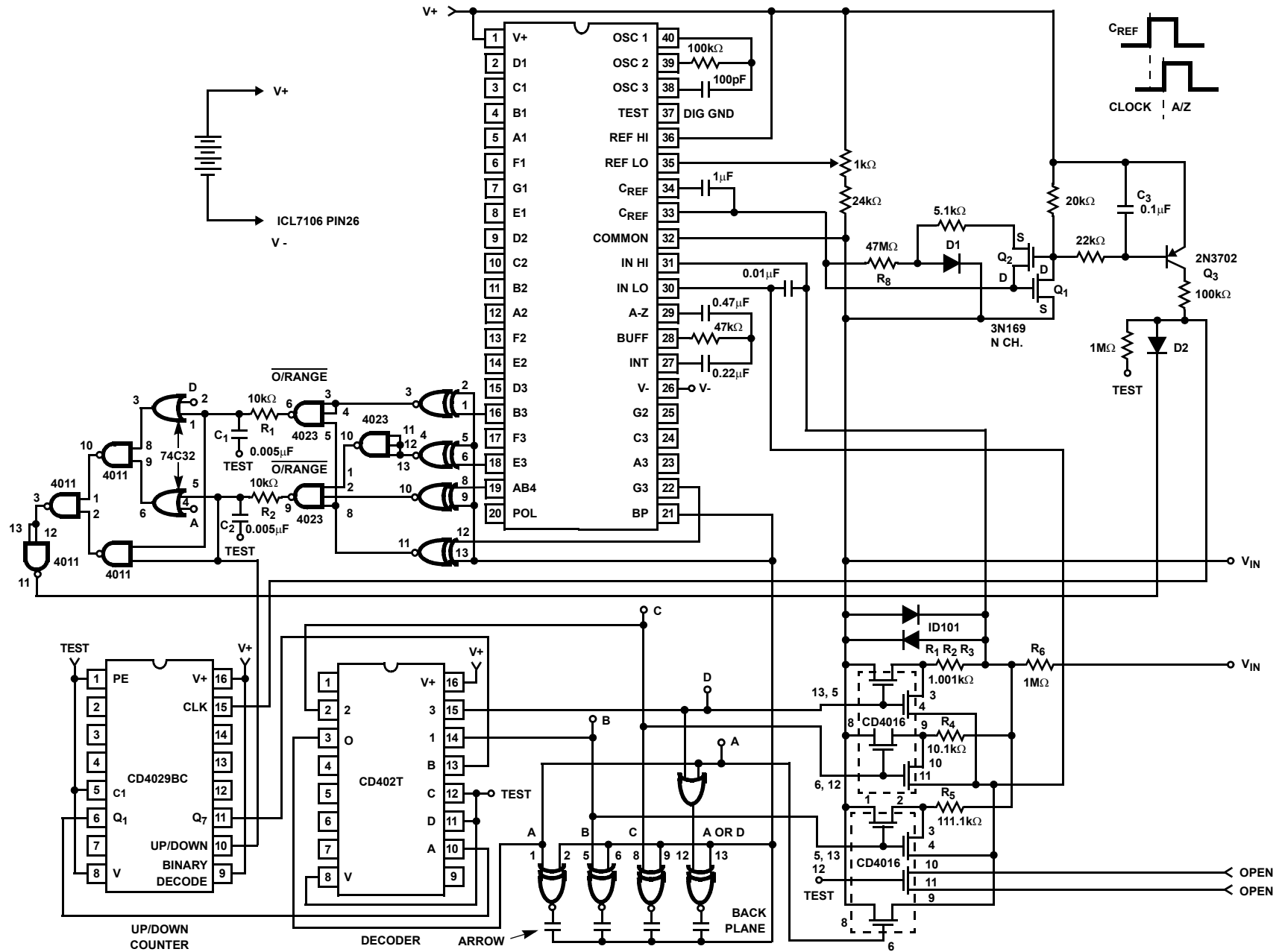


FIGURE 1. AUTO RANGING CIRCUITRY

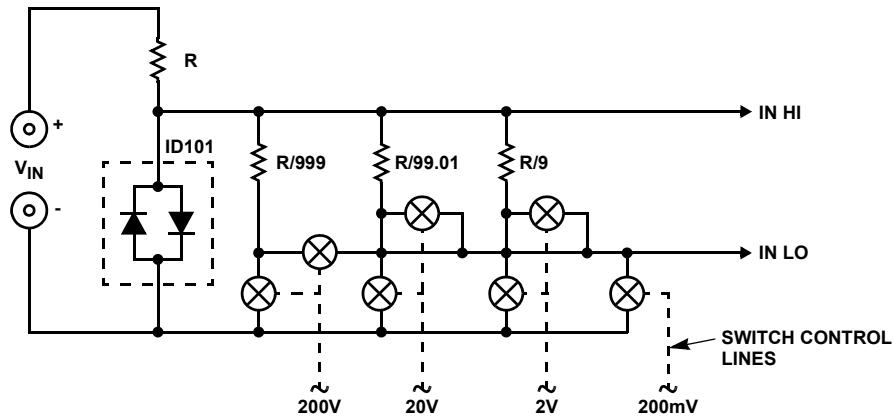


FIGURE 2A.

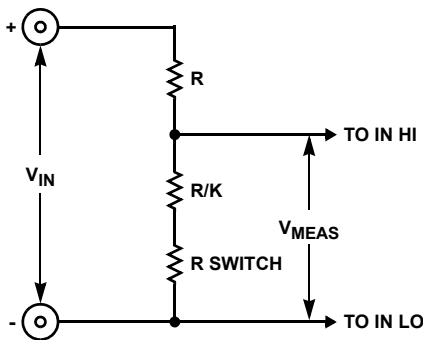


FIGURE 2B. EQUIVALENT CIRCUIT A
(SWITCHES TO IN LO REMOVED)

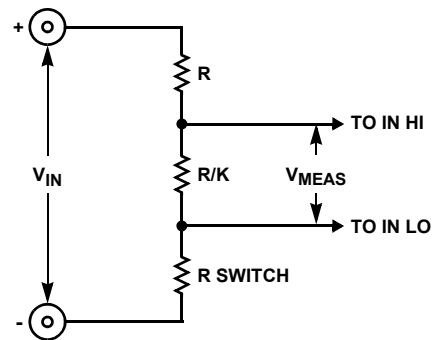


FIGURE 2C. EQUIVALENT CIRCUIT B
(SWITCHES TO IN LO INCLUDED)

FIGURE 2. INPUT DIVIDER NETWORK

Ranging Clock Circuit

Two N-Channel MOSFETs, a PNP transistor and a handful of passive components combine to generate the clock signal used to gate the auto-ranging logic. A closer look at the inner workings of the ICL7106 will help clarify the discussion of this circuit. The analog section of the ICL7106 is shown in Figure 3.

It can be shown that C_{REF} low (pin 33 of ICL7106) will sit at $-V_{REF}$ for DE+ and at common for DE-, with DE+ designating the deintegrate phase for a positive input signal and DE- referring to a negative input signal. During the auto-zero phase, C_{REF} low is tied to an external reference through pin 35, which in Figure 1 is V_{REF} below the positive supply. The net result is that C_{REF} low is above COMMON during auto-zero, is left to float during signal integrate, and is at or below COMMON during deintegrate. R_8 and D_1 are added externally to pull C_{REF} to COMMON during integrate, with Q_2 and R_1 included to speed this action. The signal at C_{REF} low is now a square wave that is high during auto-zero and low at all other times. Q_1 and Q_3 amplify and level shift this waveform for logic level compatibility. This clock signal is gated through D_2 and controls the timing of the auto-ranging circuitry. C_3 is added to

delay the clock, eliminating disparity with $\overline{O/R}$ and $\overline{U/R}$ (see Figure 4 for timing diagram).

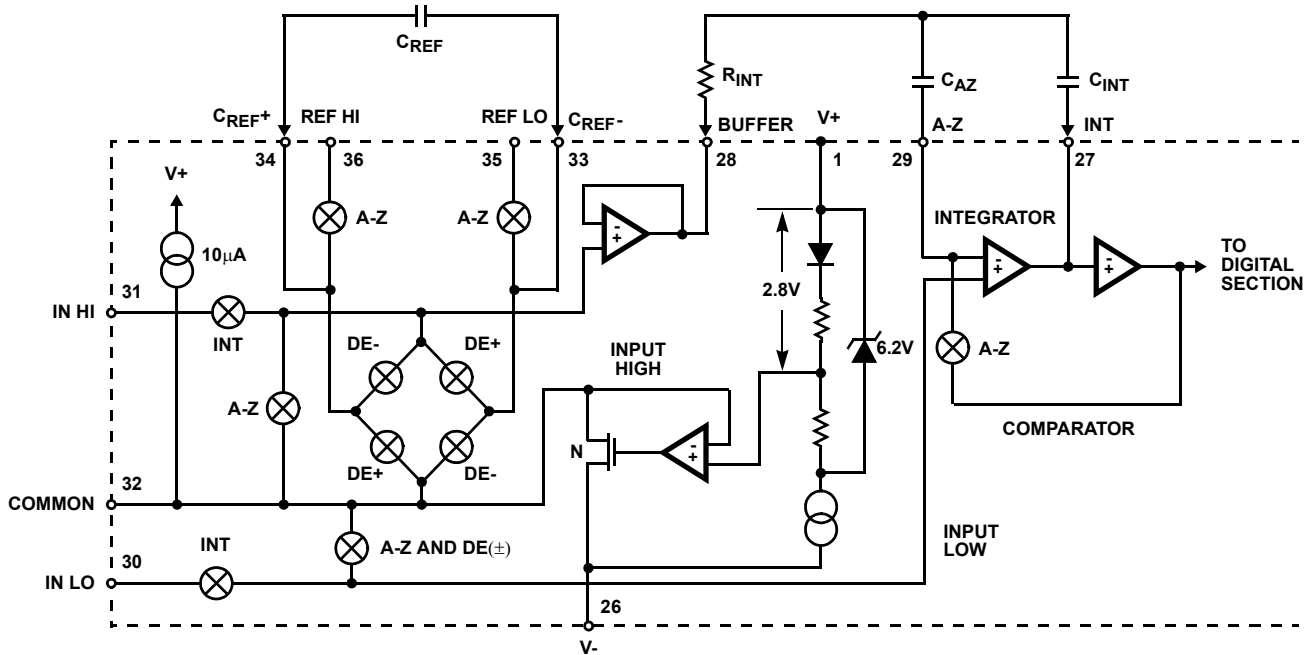


FIGURE 3. ANALOG SECTION OF ICL7106

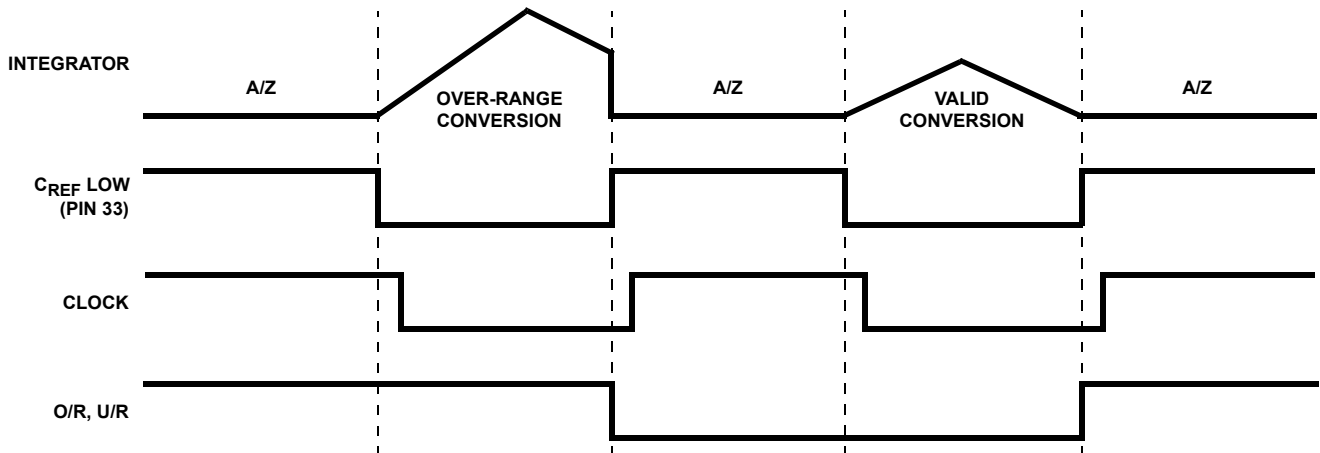


FIGURE 4. TIMING DIAGRAM

Supply Requirements

The circuit of Figure 1 operates on a standard 9V transistor battery. CMOS logic and a CMOS A/D converter (ICL7106) are used to extend battery life; the approximate power drain for this circuit is 8mW. The circuit in Figure 5 can also be added to detect low supply voltage.

The circuit of Figure 6 can be used to generate $\pm 5V$ from a single 5V supply. The ICL7660 is a voltage converter which takes a 5V input and produces a -5V output. With respect to common mode signals, the circuit of Figure 1 will have infinite common mode handling capability if operated from a floating 9V battery. However, if powered by a fixed supply such as in Figure 6, the common mode capability of the converter will be

limited to approximately $\pm 2V$, if COMMON is disconnected from $-V_{IN}$.

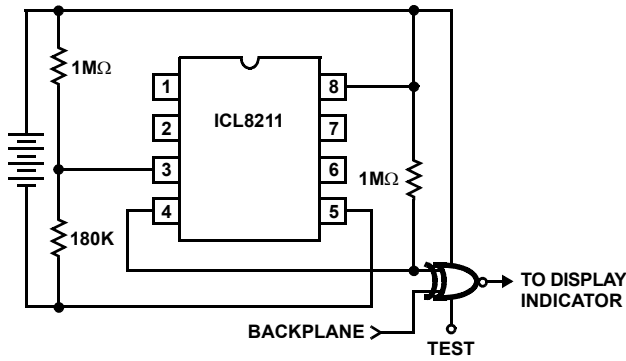


FIGURE 5. LOW VOLTAGE DETECTOR

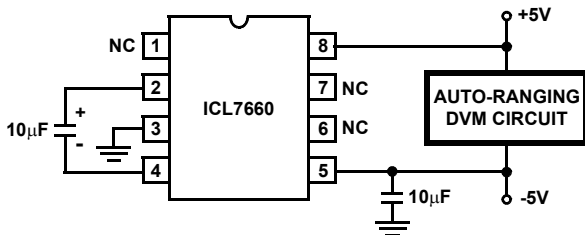


FIGURE 6. GENERATING ±5V FROM +5V

Resistance, Transconductance and Current Circuits

The purpose of this section is to show the simplicity of measuring transconductance ($1/R$) and resistance with the ICL7106. The circuit of Figure 7 requires only one precision resistor per decade range of interest. The conversion output is described by the formula:

$$\left(\frac{R_X}{R_{STD}} \right) 1000 \quad (\text{EQ. 8})$$

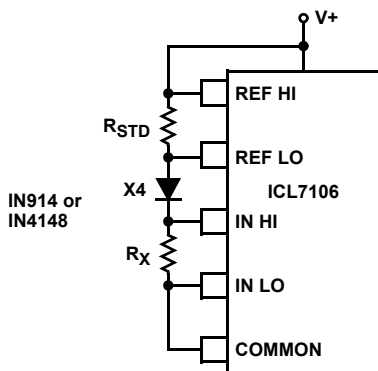


FIGURE 7. TRANSCONDUCTANCE AND RESISTANCE MEASUREMENT

For transconductance measurement, merely switch R_{STD} and R_X . This scheme makes the measurement of large resistors, in conductance form, convenient and easy. This is also convenient for leakage measurements.

A simple current meter can be built using the circuit of Figure 8. The low leakage of the ICL7106 ($10\text{pA}/\text{max}$) makes possible the measurement of currents in the mid pico-Amp range. However, the switch leakage current will limit the accuracy of the resistor network and may degrade converter resolution.

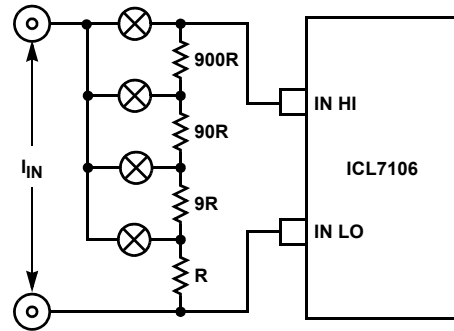


FIGURE 8. CURRENT METER

Using the ICL7126 and ICL7107

With a few modifications, the circuit of Figure 1 can easily be adapted for use with either the low power ICL7126 or the ICL7107. Using the ICL7126 simply requires a change in the values of the integrating and auto-zero components. Refer to the ICL7126 data sheet for details.

The ICL7107 is an LED version of the ICL7106, and is a bit trickier to use in this application. First the over-range/under-range logic must be changed slightly. Simply replace the quad exclusive-NOR with an LM339; connect the outputs, as before, to the CD4023 triple 3-input NAND. Second, the ICL7107 requires +5V and -5V rather than the +9V battery used in Figure 1. If battery operation is desired, the negative supply can be derived from 4 Ni-Cad cells in series and an ICL7660 (see Figure 9). Note that both supplies float with respect to the input terminals. (Logic supplies are $V+$ and DIG. GND.)

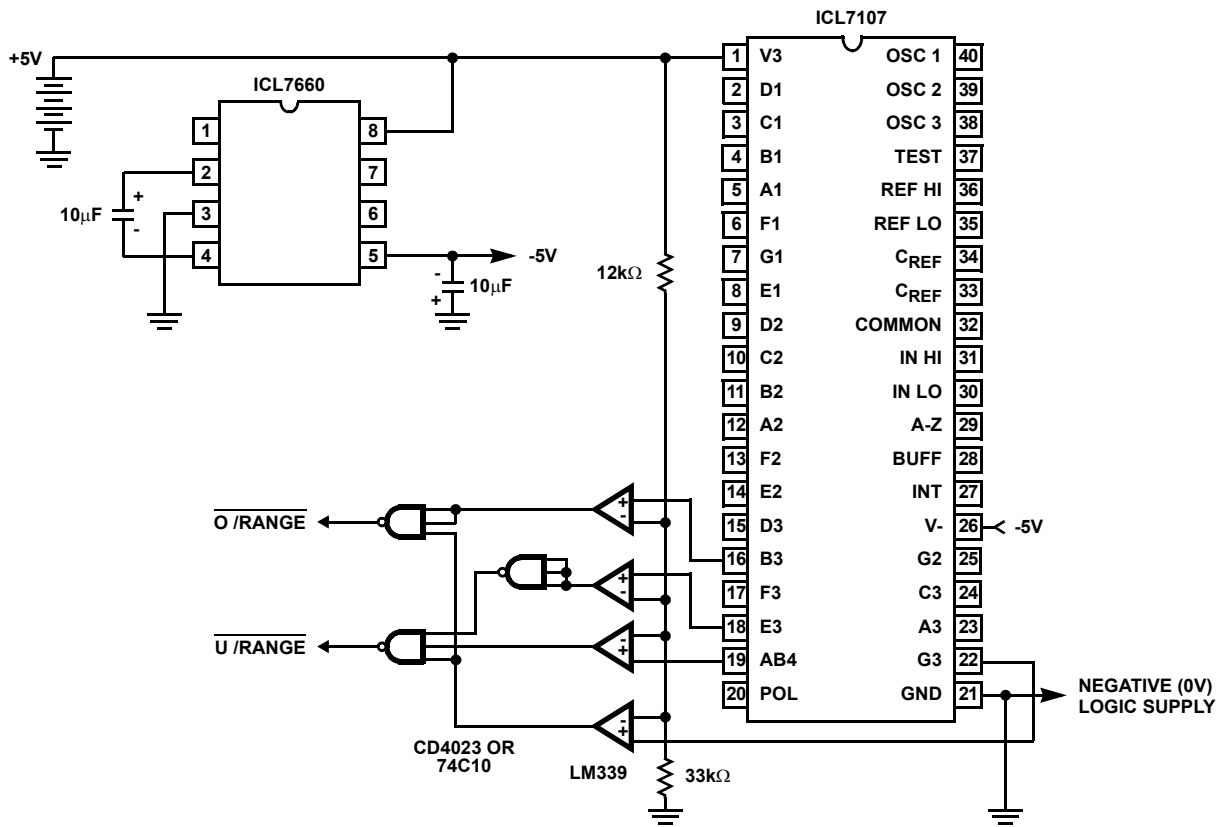


FIGURE 9. CIRCUIT FOR DEVELOPING UNDERANGE AND OVERRANGE SIGNALS FROM ICL7107 OUTPUTS. THE LM339 IS REQUIRED TO ENSURE LOGIC COMPATIBILITY WITH HEAVY DISPLAY LOADING

Notice

1. Descriptions of circuits, software and other related information in this document are provided only to illustrate the operation of semiconductor products and application examples. You are fully responsible for the incorporation or any other use of the circuits, software, and information in the design of your product or system. Renesas Electronics disclaims any and all liability for any losses and damages incurred by you or third parties arising from the use of these circuits, software, or information.
2. Renesas Electronics hereby expressly disclaims any warranties against and liability for infringement or any other claims involving patents, copyrights, or other intellectual property rights of third parties, by or arising from the use of Renesas Electronics products or technical information described in this document, including but not limited to, the product data, drawings, charts, programs, algorithms, and application examples.
3. No license, express, implied or otherwise, is granted hereby under any patents, copyrights or other intellectual property rights of Renesas Electronics or others.
4. You shall not alter, modify, copy, or reverse engineer any Renesas Electronics product, whether in whole or in part. Renesas Electronics disclaims any and all liability for any losses or damages incurred by you or third parties arising from such alteration, modification, copying or reverse engineering.
5. Renesas Electronics products are classified according to the following two quality grades: "Standard" and "High Quality". The intended applications for each Renesas Electronics product depends on the product's quality grade, as indicated below.
"Standard": Computers; office equipment; communications equipment; test and measurement equipment; audio and visual equipment; home electronic appliances; machine tools; personal electronic equipment; industrial robots; etc.
"High Quality": Transportation equipment (automobiles, trains, ships, etc.); traffic control (traffic lights); large-scale communication equipment; key financial terminal systems; safety control equipment; etc.
Unless expressly designated as a high reliability product or a product for harsh environments in a Renesas Electronics data sheet or other Renesas Electronics document, Renesas Electronics products are not intended or authorized for use in products or systems that may pose a direct threat to human life or bodily injury (artificial life support devices or systems; surgical implantations; etc.), or may cause serious property damage (space system; undersea repeaters; nuclear power control systems; aircraft control systems; key plant systems; military equipment; etc.). Renesas Electronics disclaims any and all liability for any damages or losses incurred by you or any third parties arising from the use of any Renesas Electronics product that is inconsistent with any Renesas Electronics data sheet, user's manual or other Renesas Electronics document.
6. When using Renesas Electronics products, refer to the latest product information (data sheets, user's manuals, application notes, "General Notes for Handling and Using Semiconductor Devices" in the reliability handbook, etc.), and ensure that usage conditions are within the ranges specified by Renesas Electronics with respect to maximum ratings, operating power supply voltage range, heat dissipation characteristics, installation, etc. Renesas Electronics disclaims any and all liability for any malfunctions, failure or accident arising out of the use of Renesas Electronics products outside of such specified ranges.
7. Although Renesas Electronics endeavors to improve the quality and reliability of Renesas Electronics products, semiconductor products have specific characteristics, such as the occurrence of failure at a certain rate and malfunctions under certain use conditions. Unless designated as a high reliability product or a product for harsh environments in a Renesas Electronics data sheet or other Renesas Electronics document, Renesas Electronics products are not subject to radiation resistance design. You are responsible for implementing safety measures to guard against the possibility of bodily injury, injury or damage caused by fire, and/or danger to the public in the event of a failure or malfunction of Renesas Electronics products, such as safety design for hardware and software, including but not limited to redundancy, fire control and malfunction prevention, appropriate treatment for aging degradation or any other appropriate measures. Because the evaluation of microcomputer software alone is very difficult and impractical, you are responsible for evaluating the safety of the final products or systems manufactured by you.
8. Please contact a Renesas Electronics sales office for details as to environmental matters such as the environmental compatibility of each Renesas Electronics product. You are responsible for carefully and sufficiently investigating applicable laws and regulations that regulate the inclusion or use of controlled substances, including without limitation, the EU RoHS Directive, and using Renesas Electronics products in compliance with all these applicable laws and regulations. Renesas Electronics disclaims any and all liability for damages or losses occurring as a result of your noncompliance with applicable laws and regulations.
9. Renesas Electronics products and technologies shall not be used for or incorporated into any products or systems whose manufacture, use, or sale is prohibited under any applicable domestic or foreign laws or regulations. You shall comply with any applicable export control laws and regulations promulgated and administered by the governments of any countries asserting jurisdiction over the parties or transactions.
10. It is the responsibility of the buyer or distributor of Renesas Electronics products, or any other party who distributes, disposes of, or otherwise sells or transfers the product to a third party, to notify such third party in advance of the contents and conditions set forth in this document.
11. This document shall not be reprinted, reproduced or duplicated in any form, in whole or in part, without prior written consent of Renesas Electronics.
12. Please contact a Renesas Electronics sales office if you have any questions regarding the information contained in this document or Renesas Electronics products.
(Note 1) "Renesas Electronics" as used in this document means Renesas Electronics Corporation and also includes its directly or indirectly controlled subsidiaries.
(Note 2) "Renesas Electronics product(s)" means any product developed or manufactured by or for Renesas Electronics.

(Rev.4.0-1 November 2017)



SALES OFFICES

Renesas Electronics Corporation

<http://www.renesas.com>

Refer to "<http://www.renesas.com/>" for the latest and detailed information.

Renesas Electronics America Inc.
1001 Murphy Ranch Road, Milpitas, CA 95035, U.S.A.
Tel: +1-408-432-8888, Fax: +1-408-434-5351

Renesas Electronics Canada Limited
9251 Yonge Street, Suite 8309 Richmond Hill, Ontario Canada L4C 9T3
Tel: +1-905-237-2004

Renesas Electronics Europe Limited
Dukes Meadow, Millboard Road, Bourne End, Buckinghamshire, SL8 5FH, U.K
Tel: +44-1628-651-700, Fax: +44-1628-651-804

Renesas Electronics Europe GmbH
Arcadiastrasse 10, 40472 Düsseldorf, Germany
Tel: +49-211-6503-0, Fax: +49-211-6503-1327

Renesas Electronics (China) Co., Ltd.
Room 1709 Quantum Plaza, No.27 ZhichunLu, Haidian District, Beijing, 100191 P. R. China
Tel: +86-10-8235-1155, Fax: +86-10-8235-7679

Renesas Electronics (Shanghai) Co., Ltd.
Unit 301, Tower A, Central Towers, 555 Langao Road, Putuo District, Shanghai, 200333 P. R. China
Tel: +86-21-2226-0888, Fax: +86-21-2226-0999

Renesas Electronics Hong Kong Limited
Unit 1601-1611, 16/F., Tower 2, Grand Century Place, 193 Prince Edward Road West, Mongkok, Kowloon, Hong Kong
Tel: +852-2265-6688, Fax: +852-2886-9022

Renesas Electronics Taiwan Co., Ltd.
13F, No. 363, Fu Shing North Road, Taipei 10543, Taiwan
Tel: +886-2-8175-9600, Fax: +886-2-8175-9670

Renesas Electronics Singapore Pte. Ltd.
80 Bendemeer Road, Unit #06-02 Hyflux Innovation Centre, Singapore 339949
Tel: +65-6213-0200, Fax: +65-6213-0300

Renesas Electronics Malaysia Sdn.Bhd.
Unit 1207, Block B, Menara Amcorp, Amcorp Trade Centre, No. 18, Jln Persiaran Barat, 46050 Petaling Jaya, Selangor Darul Ehsan, Malaysia
Tel: +60-3-7955-9390, Fax: +60-3-7955-9510

Renesas Electronics India Pvt. Ltd.
No.777C, 100 Feet Road, HAL 2nd Stage, Indiranagar, Bangalore 560 038, India
Tel: +91-80-67208700, Fax: +91-80-67208777

Renesas Electronics Korea Co., Ltd.
17F, KAMCO Yangjae Tower, 262, Gangnam-daero, Gangnam-gu, Seoul, 06265 Korea
Tel: +82-2-558-3737, Fax: +82-2-558-5338