

Notes

By Imran Hoda

Revision History

November 20, 2001: Initial publication.

December 18, 2001: Added RC32351.

Introduction

This application note describes the interfacing requirements between the RC32355/RC32351 and the Micrel KS8993 3-port & Micrel KS8995E 5-port switches. Information on Micrel/Kendin products can be found at:

<http://www.kendin.com/products2.html>

The RC32355/RC32351 is an integrated processor that combines a MIPS32 instruction set (ISA) CPU core with a number of on-chip peripherals, to enable direct connection to boot memory, main memory, IO, Utopia 1 & 2 compliant peripherals, USB, TDM, and MII compliant components. The RC32355/RC32351 also includes system logic for DMA, reset, interrupts, timers and dual UARTs.

The single Ethernet MAC with MII interface contained within the RC32355/RC32351 is generally adequate for most systems. However, occasionally a need arises for a second or third Ethernet port in a specific application. One example is connecting more than one PC to a SOHO router or gateway. In cases where this is required, an integrated Ethernet switch often provides an optimal solution. Since these devices integrate the necessary auxiliary MACs with the Ethernet PHYs, one of these devices can be used to replace the single Ethernet PHY normally used with the RC32355/RC32351 without substantially increasing the final component count in the resulting system.

RC32355/RC32351 to Micrel KS8993/995E Interfacing Requirements

The RC32355/RC32351 is connected to an Ethernet PHY through a MII (Media Independent Interface) port. The KS8993 contains three 10/100 physical layer transceivers and three MAC (Media Access Control) units with an integrated layer-2 switch. This device can be used as a three-port switch with the third port decoupled from the physical port. In this mode access to the third MAC is provided using a reverse MII interface so that an external MAC, like the one located in the RC32355/RC32351, can be connected directly. The KS8995E is identical to the KS8993E except that it has five ports rather than three.

The net result of connecting the KS8993 to the RC32355/RC32351 is dual Ethernet interfaces (see Figure 1). The effect of the KS8995E is similar, but it results in a quad Ethernet interface (see Figure 2).

Notes

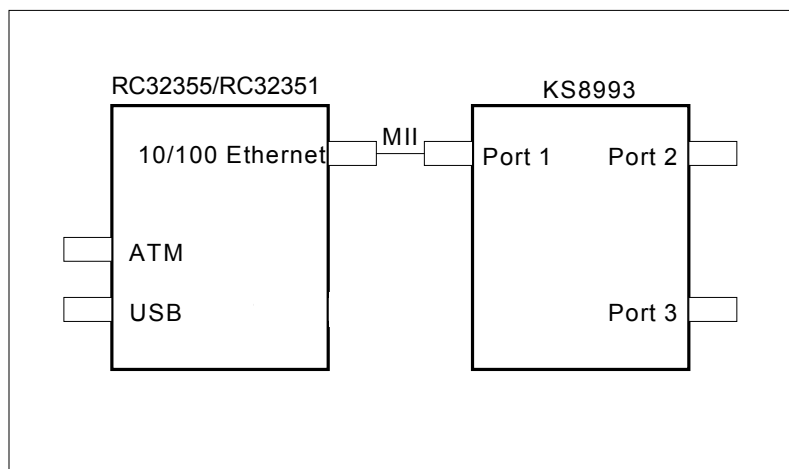


Figure 1 RC32355/RC32351 to KS8993 Block Diagram

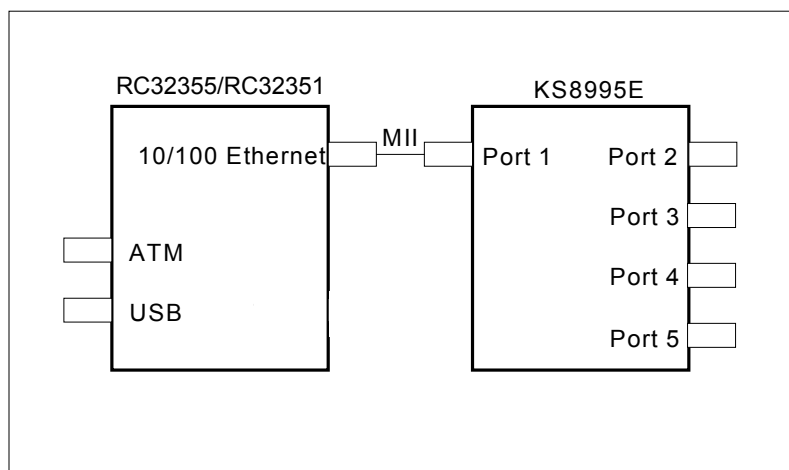


Figure 2 RC32355/RC32351 to KS8995E Block Diagram

RC32355/RC32351 to KS8993/995E Hardware Connections

Figure 3 is a schematic showing the connection between the RC32355/RC32351 and the KS8993. The KS8993 does not implement an MII management interface. Both the KS8993 and KS8995E are completely configured via pin strapping. The critical strapping for the KS8993 is shown in Figure 3. The KS8993 is strapped into reverse MII mode via the MIIS1 and MIIS0 pins.

Figure 4 shows the connections for the KS8995E. The KS8995E does not need special configuration to get it in reverse mode. There are a variety of other strapping options for the device. These options affect the behavior of the PHYs and need to be configured differently for different systems. Accordingly, strapping options are not shown in either Figure 3 or Figure 4. Reference circuits are provided in the KS8993/995E data sheets for Pull Up/Down and Float information.

Notes

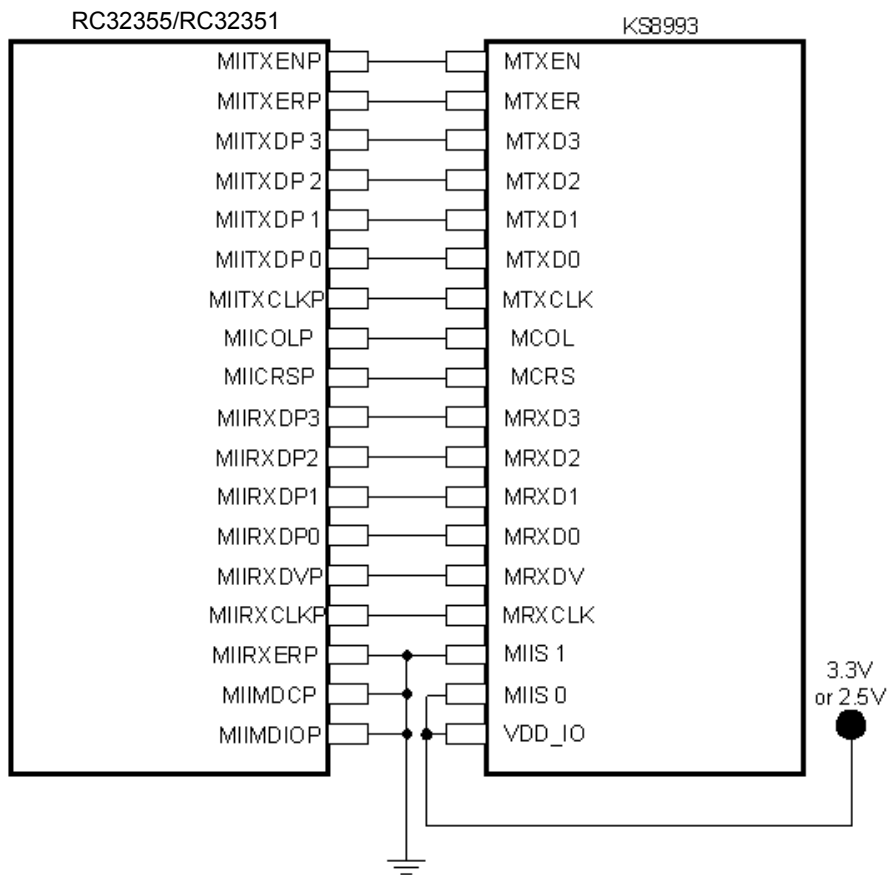


Figure 3 Hardware Connections Between RC32355/RC32351 and KS8993

Notes

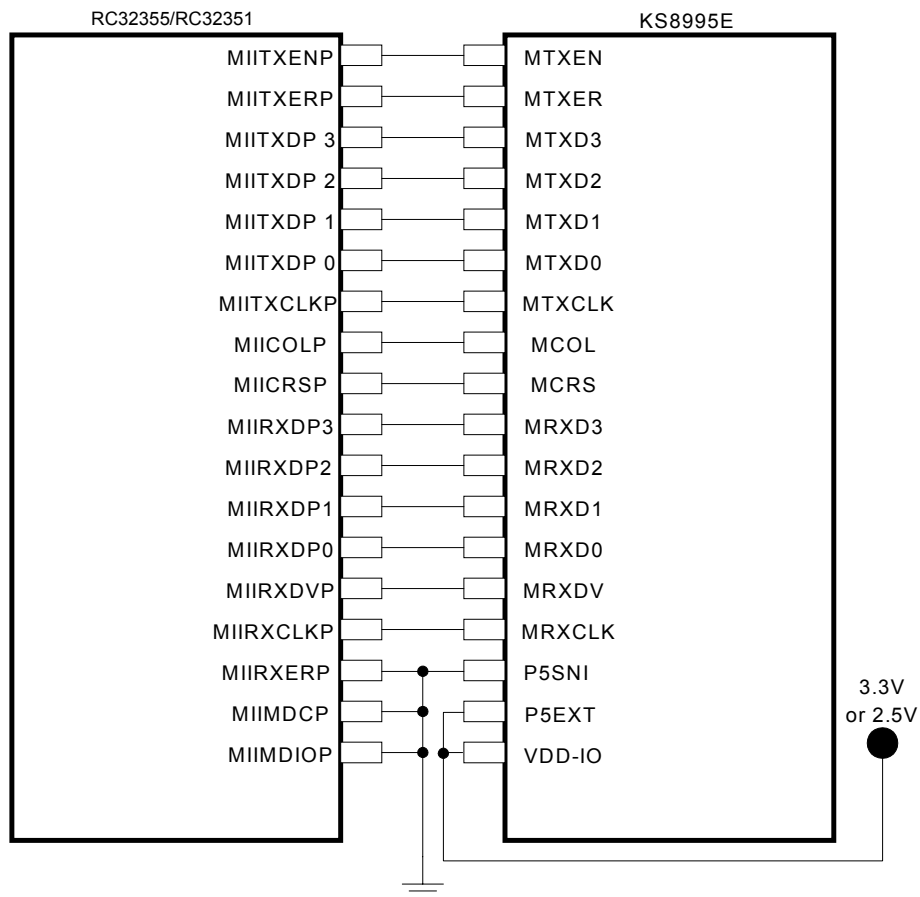


Figure 4 Hardware Connections Between RC32355/RC32351 and KS8995E

RC32355/RC32351 to KS8993/995E Software Requirements

Because the KS8993 and KS8995E devices do not require configuration information to be sent via the management interface, there are no special software requirements associated with using these devices.

IMPORTANT NOTICE AND DISCLAIMER

RENESAS ELECTRONICS CORPORATION AND ITS SUBSIDIARIES (“RENESAS”) PROVIDES TECHNICAL SPECIFICATIONS AND RELIABILITY DATA (INCLUDING DATASHEETS), DESIGN RESOURCES (INCLUDING REFERENCE DESIGNS), APPLICATION OR OTHER DESIGN ADVICE, WEB TOOLS, SAFETY INFORMATION, AND OTHER RESOURCES “AS IS” AND WITH ALL FAULTS, AND DISCLAIMS ALL WARRANTIES, EXPRESS OR IMPLIED, INCLUDING, WITHOUT LIMITATION, ANY IMPLIED WARRANTIES OF MERCHANTABILITY, FITNESS FOR A PARTICULAR PURPOSE, OR NON-INFRINGEMENT OF THIRD-PARTY INTELLECTUAL PROPERTY RIGHTS.

These resources are intended for developers who are designing with Renesas products. You are solely responsible for (1) selecting the appropriate products for your application, (2) designing, validating, and testing your application, and (3) ensuring your application meets applicable standards, and any other safety, security, or other requirements. These resources are subject to change without notice. Renesas grants you permission to use these resources only to develop an application that uses Renesas products. Other reproduction or use of these resources is strictly prohibited. No license is granted to any other Renesas intellectual property or to any third-party intellectual property. Renesas disclaims responsibility for, and you will fully indemnify Renesas and its representatives against, any claims, damages, costs, losses, or liabilities arising from your use of these resources. Renesas' products are provided only subject to Renesas' Terms and Conditions of Sale or other applicable terms agreed to in writing. No use of any Renesas resources expands or otherwise alters any applicable warranties or warranty disclaimers for these products.

(Disclaimer Rev.1.01 Jan 2024)

Corporate Headquarters

TOYOSU FORESIA, 3-2-24 Toyosu,
Koto-ku, Tokyo 135-0061, Japan
www.renesas.com

Trademarks

Renesas and the Renesas logo are trademarks of Renesas Electronics Corporation. All trademarks and registered trademarks are the property of their respective owners.

Contact Information

For further information on a product, technology, the most up-to-date version of a document, or your nearest sales office, please visit www.renesas.com/contact-us/.