

S3A1 Microcontroller Group

User's Manual

Renesas Synergy™ Platform

Synergy Microcontrollers

S3 Series

All information contained in these materials, including products and product specifications, represents information on the product at the time of publication and is subject to change by Renesas Electronics Corp. without notice. Please review the latest information published by Renesas Electronics Corp. through various means, including the Renesas Electronics Corp. website (<http://www.renesas.com>).

Notice

1. Descriptions of circuits, software and other related information in this document are provided only to illustrate the operation of semiconductor products and application examples. You are fully responsible for the incorporation or any other use of the circuits, software, and information in the design of your product or system. Renesas Electronics disclaims any and all liability for any losses and damages incurred by you or third parties arising from the use of these circuits, software, or information.
2. Renesas Electronics hereby expressly disclaims any warranties against and liability for infringement or any other claims involving patents, copyrights, or other intellectual property rights of third parties, by or arising from the use of Renesas Electronics products or technical information described in this document, including but not limited to, the product data, drawings, charts, programs, algorithms, and application examples.
3. No license, express, implied or otherwise, is granted hereby under any patents, copyrights or other intellectual property rights of Renesas Electronics or others.
4. You shall be responsible for determining what licenses are required from any third parties, and obtaining such licenses for the lawful import, export, manufacture, sales, utilization, distribution or other disposal of any products incorporating Renesas Electronics products, if required.
5. You shall not alter, modify, copy, or reverse engineer any Renesas Electronics product, whether in whole or in part. Renesas Electronics disclaims any and all liability for any losses or damages incurred by you or third parties arising from such alteration, modification, copying or reverse engineering.
6. Renesas Electronics products are classified according to the following two quality grades: "Standard" and "High Quality". The intended applications for each Renesas Electronics product depends on the product's quality grade, as indicated below.

"Standard": Computers; office equipment; communications equipment; test and measurement equipment; audio and visual equipment; home electronic appliances; machine tools; personal electronic equipment; industrial robots; etc.

"High Quality": Transportation equipment (automobiles, trains, ships, etc.); traffic control (traffic lights); large-scale communication equipment; key financial terminal systems; safety control equipment; etc.

Unless expressly designated as a high reliability product or a product for harsh environments in a Renesas Electronics data sheet or other Renesas Electronics document, Renesas Electronics products are not intended or authorized for use in products or systems that may pose a direct threat to human life or bodily injury (artificial life support devices or systems; surgical implantations; etc.), or may cause serious property damage (space system; undersea repeaters; nuclear power control systems; aircraft control systems; key plant systems; military equipment; etc.). Renesas Electronics disclaims any and all liability for any damages or losses incurred by you or any third parties arising from the use of any Renesas Electronics product that is inconsistent with any Renesas Electronics data sheet, user's manual or other Renesas Electronics document.

7. No semiconductor product is absolutely secure. Notwithstanding any security measures or features that may be implemented in Renesas Electronics hardware or software products, Renesas Electronics shall have absolutely no liability arising out of any vulnerability or security breach, including but not limited to any unauthorized access to or use of a Renesas Electronics product or a system that uses a Renesas Electronics product. RENESAS ELECTRONICS DOES NOT WARRANT OR GUARANTEE THAT RENESAS ELECTRONICS PRODUCTS, OR ANY SYSTEMS CREATED USING RENESAS ELECTRONICS PRODUCTS WILL BE INVULNERABLE OR FREE FROM CORRUPTION, ATTACK, VIRUSES, INTERFERENCE, HACKING, DATA LOSS OR THEFT, OR OTHER SECURITY INTRUSION ("Vulnerability Issues"). RENESAS ELECTRONICS DISCLAIMS ANY AND ALL RESPONSIBILITY OR LIABILITY ARISING FROM OR RELATED TO ANY VULNERABILITY ISSUES. FURTHERMORE, TO THE EXTENT PERMITTED BY APPLICABLE LAW, RENESAS ELECTRONICS DISCLAIMS ANY AND ALL WARRANTIES, EXPRESS OR IMPLIED, WITH RESPECT TO THIS DOCUMENT AND ANY RELATED OR ACCOMPANYING SOFTWARE OR HARDWARE, INCLUDING BUT NOT LIMITED TO THE IMPLIED WARRANTIES OF MERCHANTABILITY, OR FITNESS FOR A PARTICULAR PURPOSE.
8. When using Renesas Electronics products, refer to the latest product information (data sheets, user's manuals, application notes, "General Notes for Handling and Using Semiconductor Devices" in the reliability handbook, etc.), and ensure that usage conditions are within the ranges specified by Renesas Electronics with respect to maximum ratings, operating power supply voltage range, heat dissipation characteristics, installation, etc. Renesas Electronics disclaims any and all liability for any malfunctions, failure or accident arising out of the use of Renesas Electronics products outside of such specified ranges.
9. Although Renesas Electronics endeavors to improve the quality and reliability of Renesas Electronics products, semiconductor products have specific characteristics, such as the occurrence of failure at a certain rate and malfunctions under certain use conditions. Unless designated as a high reliability product or a product for harsh environments in a Renesas Electronics data sheet or other Renesas Electronics document, Renesas Electronics products are not subject to radiation resistance design. You are responsible for implementing safety measures to guard against the possibility of bodily injury, injury or damage caused by fire, and/or danger to the public in the event of a failure or malfunction of Renesas Electronics products, such as safety design for hardware and software, including but not limited to redundancy, fire control and malfunction prevention, appropriate treatment for aging degradation or any other appropriate measures. Because the evaluation of microcomputer software alone is very difficult and impractical, you are responsible for evaluating the safety of the final products or systems manufactured by you.
10. Please contact a Renesas Electronics sales office for details as to environmental matters such as the environmental compatibility of each Renesas Electronics product. You are responsible for carefully and sufficiently investigating applicable laws and regulations that regulate the inclusion or use of controlled substances, including without limitation, the EU RoHS Directive, and using Renesas Electronics products in compliance with all these applicable laws and regulations. Renesas Electronics disclaims any and all liability for damages or losses occurring as a result of your noncompliance with applicable laws and regulations.
11. Renesas Electronics products and technologies shall not be used for or incorporated into any products or systems whose manufacture, use, or sale is prohibited under any applicable domestic or foreign laws or regulations. You shall comply with any applicable export control laws and regulations promulgated and administered by the governments of any countries asserting jurisdiction over the parties or transactions.
12. It is the responsibility of the buyer or distributor of Renesas Electronics products, or any other party who distributes, disposes of, or otherwise sells or transfers the product to a third party, to notify such third party in advance of the contents and conditions set forth in this document.
13. This document shall not be reprinted, reproduced or duplicated in any form, in whole or in part, without prior written consent of Renesas Electronics.
14. Please contact a Renesas Electronics sales office if you have any questions regarding the information contained in this document or Renesas Electronics products.

(Note1) "Renesas Electronics" as used in this document means Renesas Electronics Corporation and also includes its directly or indirectly controlled subsidiaries.

(Note2) "Renesas Electronics product(s)" means any product developed or manufactured by or for Renesas Electronics.

(Rev.5.0-1 October 2020)

Corporate Headquarters

TOYOSU FORESIA, 3-2-24 Toyosu,
Koto-ku, Tokyo 135-0061, Japan
www.renesas.com

Trademarks

Renesas and the Renesas logo are trademarks of Renesas Electronics Corporation. All trademarks and registered trademarks are the property of their respective owners.

Contact Information

For further information on a product, technology, the most up-to-date version of a document, or your nearest sales office, please visit:
www.renesas.com/contact/

General Precautions

1. Precaution against Electrostatic Discharge (ESD)

A strong electrical field, when exposed to a CMOS device, can cause destruction of the gate oxide and ultimately degrade the device operation. Steps must be taken to stop the generation of static electricity as much as possible, and quickly dissipate it when it occurs. Environmental control must be adequate. When it is dry, a humidifier should be used. This is recommended to avoid using insulators that can easily build up static electricity. Semiconductor devices must be stored and transported in an anti-static container, static shielding bag or conductive material. All test and measurement tools including work benches and floors must be grounded. The operator must also be grounded using a wrist strap. Semiconductor devices must not be touched with bare hands. Similar precautions must be taken for printed circuit boards with mounted semiconductor devices.

2. Processing at power-on

The state of the product is undefined at the time when power is supplied. The states of internal circuits in the LSI are indeterminate and the states of register settings and pins are undefined at the time when power is supplied. In a finished product where the reset signal is applied to the external reset pin, the states of pins are not guaranteed from the time when power is supplied until the reset process is completed. In a similar way, the states of pins in a product that is reset by an on-chip power-on reset function are not guaranteed from the time when power is supplied until the power reaches the level at which resetting is specified.

3. Input of signal during power-off state

Do not input signals or an I/O pull-up power supply while the device is powered off. The current injection that results from input of such a signal or I/O pull-up power supply may cause malfunction and the abnormal current that passes in the device at this time may cause degradation of internal elements. Follow the guideline for input signal during power-off state as described in your product documentation.

4. Handling of unused pins

Handle unused pins in accordance with the directions given under handling of unused pins in the manual. The input pins of CMOS products are generally in the high-impedance state. In operation with an unused pin in the open-circuit state, extra electromagnetic noise is induced in the vicinity of the LSI, an associated shoot-through current flows internally, and malfunctions occur due to the false recognition of the pin state as an input signal become possible.

5. Clock signals

After applying a reset, only release the reset line after the operating clock signal becomes stable. When switching the clock signal during program execution, wait until the target clock signal is stabilized. When the clock signal is generated with an external resonator or from an external oscillator during a reset, ensure that the reset line is only released after full stabilization of the clock signal. Additionally, when switching to a clock signal produced with an external resonator or by an external oscillator while program execution is in progress, wait until the target clock signal is stable.

6. Voltage application waveform at input pin

Waveform distortion due to input noise or a reflected wave may cause malfunction. If the input of the CMOS device stays in the area between V_{IL} (Max.) and V_{IH} (Min.) due to noise, for example, the device may malfunction. Take care to prevent chattering noise from entering the device when the input level is fixed, and also in the transition period when the input level passes through the area between V_{IL} (Max.) and V_{IH} (Min.).

7. Prohibition of access to reserved addresses

Access to reserved addresses is prohibited. The reserved addresses are provided for possible future expansion of functions. Do not access these addresses as the correct operation of the LSI is not guaranteed.

8. Differences between products

Before changing from one product to another, for example to a product with a different part number, confirm that the change will not lead to problems. The characteristics of a microprocessing unit or microcontroller unit products in the same group but having a different part number might differ in terms of internal memory capacity, layout pattern, and other factors, which can affect the ranges of electrical characteristics, such as characteristic values, operating margins, immunity to noise, and amount of radiated noise. When changing to a product with a different part number, implement a system-evaluation test for the given product.

Preface

1. About this Document

This manual describes the functions and electrical characteristics of the Renesas Synergy™ Microcontroller.

This manual is generally organized into an overview of the product, descriptions of the CPU, system control functions, peripheral functions, electrical characteristics, and usage notes. This manual describes the product specification of the microcontroller (MCU) superset. Depending on your product, some pins, registers, or functions might not exist. Address space that store unavailable registers are reserved.

2. Audience

This manual is written for system designers who are designing and programming applications using the Renesas Synergy Microcontroller. The user is expected to have basic knowledge of electrical circuits, logic circuits, and the MCU.

3. Renesas Publications

Renesas provides the following documents for the Renesas Synergy Microcontroller. Before using any of these documents, visit renesas.com/docs for the most up-to-date version of the document.

Component	Document type	Description
Microcontrollers	Datasheet	Features, overview, and electrical characteristics of the MCU
	User's Manual: Microcontrollers	MCU specifications such as pin assignments, memory maps, peripheral functions, electrical characteristics, timing diagrams, and operation descriptions
	Application Notes	Technical notes, board design guidelines, and software migration information
	Technical Update (TU)	Preliminary reports on product specifications such as restriction and errata
Software	Datasheet	Functional descriptions and specific performance data for software modules that are included in Renesas Synergy Software Package (SSP)
	User's Manual: Software	API reference including SSP architecture and programming information
	Application Notes	Project files, guidelines for software programming, and application examples to develop embedded software applications
Tools & Kits, Solutions	User's Manual: Development Tools	User's manual and quick start guide for developing embedded software applications with Development Kit (DK), Starter Kit (SK), Promotion Kit (PK), Target Board Kit (TB), Product Examples (PE), and Application Examples (AE)
	User's Manual: Software	
	Quick Start Guide	
	Application Notes	Project files, guidelines for software programming, and application examples to develop embedded software applications

4. Numbering Notation

The following numbering notation is used throughout this manual:

Example	Description
011b	Binary number. For example, the binary equivalent of the number 3 is 011b.
1Fh	Hexadecimal number. For example, the hexadecimal equivalent of the number 31 is described 1Fh. In some cases, a hexadecimal number is shown with the prefix 0x, based on C/C++ formatting.
1234	Decimal number. Decimal numbers are generally shown without a suffix.

5. Typographic Notation

The following typographic notation is used throughout this manual:

Example	Description
ICU.NMICR.NMIMD	Periods separate a function module symbol (ICU), register symbol (NMICR), and bit field symbol (NMIMD)
ICU.NMICR	A period separates a function module symbol (ICU) and register symbol (NMICR)
NMICR.NMIMD	A period separates a register symbol (NMICR) and bit field symbol (NMIMD)
NFCLKSEL[1:0]	In a register bit name, the bit range enclosed in square brackets indicates the number of bits in the field at this location. In this example, NFCLKSEL[1:0] represents a 2-bit field at the specified location in the NMI Pin Interrupt Control Register (NMICR).

6. Unit Prefix

The following unit prefixes are sometimes misleading. Those unit prefixes are described throughout this manual with the following meaning:

Prefix	Description
b	Bit
B	Byte. This unit prefix is generally used for memory specification of the MCU and address space.
k	$1000 = 10^3$. k is also used to denote 1024 (2^{10}) but this unit prefix is used to denote 1000 (10^3) throughout this manual.
K	$1024 = 2^{10}$. This unit prefix is used to denote 1024 (2^{10}) not 1000 (10^3) throughout this manual.

7. Special Terms

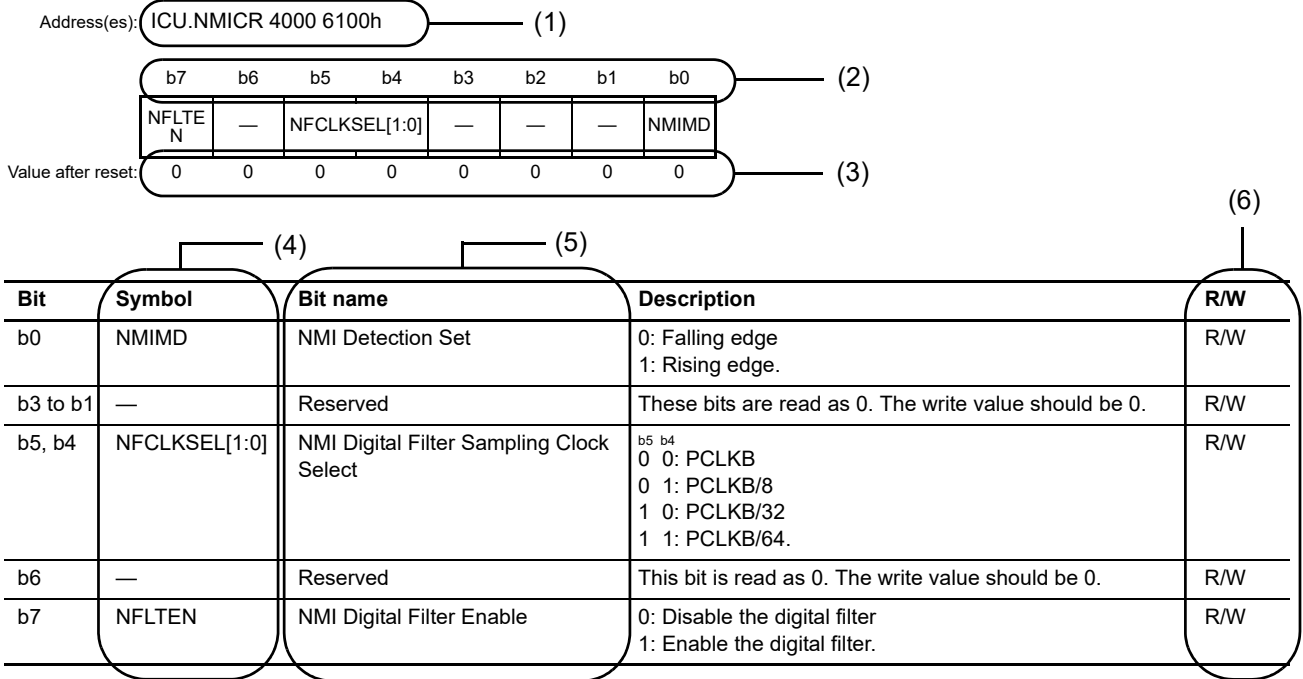
The following terms have special meanings:

Term	Description
NC	Not connected pin. NC means the pin is not connected to the MCU.
Hi-Z	High impedance

8. Register Description

Each register description includes both a register diagram that shows the bit assignments and a register bit table that describes the content of each bit. The example of symbols used in these tables are described in the sections that follow. The following is an example of a register description and associated bit field definition.

X.X.X NMI Pin Interrupt Control Register (NMICR)



(1) Function module symbol, register symbol, and address assignment

Function module symbol, register symbol, and address assignment of this register are generally expressed. ICU.NMICR 4000 6100h means NMI Pin Interrupt Control Register (NMICR) of Interrupt Controller Unit (ICU) is assigned to address 4000 6100h.

(2) Bit number

This number indicates the bit number. These bits are shown in order from b31 to b0 for a 32-bit register, from b15 to b0 for a 16-bit register, and from b7 to b0 for an 8-bit register.

(3) Value after reset

This symbol or number indicates the value of each bit after a reset. The value is shown in binary unless specified otherwise.

0: Indicates that the value is 0 after a reset.

1: Indicates that the value is 1 after a reset.

x: Indicates that the value is undefined after a reset.

(4) Bit symbol

Bit symbol indicates the short name of the bit field. Reserved bit is expressed with a —.

(5) Bit name

Bit name indicates the full name of the bit field.

(6) R/W

The R/W column indicates access type: whether the bit field is read or write.

R/W: The bit field is read and write.

R/(W): The bit field is read and write. But writing to this bit field has some limitations. For details on the limitations, see the description or notes of respective registers.

R: The bit field is read-only. Writing to this bit field has no effect.

W: The bit field is write-only. The read value is undefined.

9. Abbreviations

Abbreviations used in this manual are shown in the following table:

Abbreviation	Description
AES	Advanced Encryption Standard
AHB	Advanced High-Performance Bus
AHB-AP	AHB Access Port
APB	Advanced Peripheral Bus
ARC	Alleged RC
ATB	Advanced Trace Bus
BCD	Binary Coded Decimal
BSDL	Boundary Scan Description Language
DES	Data Encryption Standard
DSA	Digital Signature Algorithm
ECC	Elliptic Curve Cryptography
ETB	Embedded Trace Buffer
ETM	Embedded Trace Macrocell
FLL	Frequency Locked Loop
FPU	Floating-Point Unit
GSM	Global System for Mobile communications
HMI	Human Machine Interface
IrDA	Infrared Data Association
LSB	Least Significant Bit
MSB	Most Significant Bit
NVIC	Nested Vector Interrupt Controller
PC	Program Counter
PFS	Port Function Select
PLL	Phase Locked Loop
POR	Power-On Reset
PWM	Pulse Width Modulation
RSA	Rivest Shamir Adleman
SHA	Secure Hash Algorithm
S/H	Sample and Hold
SP	Stack Pointer
SWD	Serial Wire Debug
SW-DP	Serial Wire-Debug Port
TRNG	True Random Number Generator
UART	Universal Asynchronous Receiver/Transmitter

10. Proprietary Notice

All text, graphics, photographs, trademarks, logos, artwork and computer code, collectively known as content, contained in this document is owned, controlled or licensed by or to Renesas, and is protected by trade dress, copyright, patent and trademark laws, and other intellectual property rights and unfair competition laws. Except as expressly provided herein, no part of this document or content may be copied, reproduced, republished, posted, publicly displayed, encoded, translated, transmitted or distributed in any other medium for publication or distribution or for any commercial enterprise, without prior written consent from Renesas.

Arm® and Cortex® are registered trademarks of Arm Limited. CoreSight™ is a trademark of Arm Limited.

CoreMark® is a registered trademark of the Embedded Microprocessor Benchmark Consortium.

Magic Packet™ is a trademark of Advanced Micro Devices, Inc.

SuperFlash® is a registered trademark of Silicon Storage Technology, Inc. in several countries including the United States and Japan.

Other brands and names mentioned in this document may be the trademarks or registered trademarks of their respective holders.

11. Website and Support

Visit the following vanity URLs to learn about key elements of the Synergy Platform, download components and related documentation, and get support.

Synergy Software	renesassynergy.com/software
Synergy Software Package	renesassynergy.com/ssp
Software add-ons	renesassynergy.com/addons
Software glossary	renesassynergy.com/softwareglossary
Development tools	renesassynergy.com/tools
Synergy Hardware	renesassynergy.com/hardware
Microcontrollers	renesassynergy.com/mcus
MCU glossary	renesassynergy.com/mcuglossary
Parametric search	renesassynergy.com/parametric
Kits	renesassynergy.com/kits
Synergy Solutions Gallery	renesassynergy.com/solutionsgallery
Partner projects	renesassynergy.com/partnerprojects
Application projects	renesassynergy.com/applicationprojects
Self-service support resources:	
Documentation	renesassynergy.com/docs
Knowledgebase	renesassynergy.com/knowledgebase
Forums	renesassynergy.com/forum
Training	renesassynergy.com/training
Videos	renesassynergy.com/videos
Chat and web ticket	renesassynergy.com/support

12. Feedback on the Product

If you have any comments or suggestions about this product, go to renesassynergy.com/support.

13. Feedback on Content

If you have any comments on the document such as general suggestions for improvements, go to renesassynergy.com/support, and provide:

- The title of the Renesas Synergy document
- The document number
- If applicable, the page number(s) to which your comments refer
- A detailed explanation of your comments.

Contents

Features	49
1. Overview	50
1.1 Function Outline	50
1.2 Block Diagram	57
1.3 Part Numbering	58
1.4 Function Comparison	60
1.5 Pin Functions	61
1.6 Pin Assignments	65
1.7 Pin Lists	72
2. CPU	77
2.1 Overview	77
2.1.1 CPU	77
2.1.2 Debug	77
2.1.3 Operating Frequency	78
2.2 MCU Implementation Options	79
2.3 Trace Interface	79
2.4 JTAG/SWD Interface	80
2.5 Debug Mode	80
2.5.1 Debug Mode Definition	80
2.5.2 Debug Mode Effects	80
2.6 Programmers Model	82
2.6.1 Address Spaces	82
2.6.2 Cortex-M4 Peripheral Address Map	82
2.6.3 CoreSight ROM Table	83
2.6.4 DBGREG Module	84
2.6.5 OCDREG Module	87
2.7 CoreSight ATB Funnel	89
2.8 Flash Patch and Break Unit	90
2.9 SysTick System Timer	90
2.10 CoreSight Time Stamp Generator	90
2.11 OCD Emulator Connection	90
2.11.1 DBGEN	90
2.11.2 Unlock ID Code	90
2.11.3 Restrictions on Connecting an OCD Emulator	91
2.11.4 Restrictions on Disconnecting an OCD Emulator	92
2.12 References	93
3. Operating Modes	94
3.1 Overview	94
3.2 Operating Mode Details	94

3.2.1	Single-Chip Mode	94
3.2.2	SCI Boot Mode	94
3.2.3	USB Boot Mode	94
3.3	Operating Mode Transitions	94
3.3.1	Operating Mode Transitions as Determined by the Mode-Setting Pin	94
4.	Address Space	95
4.1	Overview	95
4.2	External Address Space	96
5.	Memory Mirror Function (MMF)	97
5.1	Overview	97
5.2	Register Descriptions	97
5.2.1	MemMirror Special Function Register (MMSFR)	97
5.2.2	MemMirror Enable Register (MMEN)	98
5.3	Operation	98
5.3.1	MMF Operation	98
5.3.2	Setting Example	101
6.	Resets	102
6.1	Overview	102
6.2	Register Descriptions	106
6.2.1	Reset Status Register 0 (RSTSR0)	106
6.2.2	Reset Status Register 1 (RSTSR1)	107
6.2.3	Reset Status Register 2 (RSTSR2)	109
6.3	Operation	110
6.3.1	RES Pin Reset	110
6.3.2	Power-On Reset	110
6.3.3	Voltage Monitor Reset	111
6.3.4	Independent Watchdog Timer Reset	112
6.3.5	Watchdog Timer Reset	112
6.3.6	Software Reset	112
6.3.7	Determination of Cold/Warm Start	112
6.3.8	Determination of Reset Generation Source	113
7.	Option-Setting Memory	114
7.1	Overview	114
7.2	Register Descriptions	114
7.2.1	Option Function Select Register 0 (OFS0)	114
7.2.2	Option Function Select Register 1 (OFS1)	118
7.2.3	MPU Registers	119
7.2.4	Access Window Setting Control Register (AWSC)	120
7.2.5	Access Window Setting Register (AWS)	120
7.2.6	OCD/Serial Programmer ID Setting Register (OSIS)	122
7.3	Setting Option-Setting Memory	123

7.3.1	Allocation of Data in Option-Setting Memory	123
7.3.2	Setting Data for Programming Option-Setting Memory	123
7.4	Usage Note	123
7.4.1	Data for Programming Reserved Areas and Reserved Bits in the Option-Setting Memory	123
8.	Low Voltage Detection (LVD)	124
8.1	Overview	124
8.2	Register Descriptions	126
8.2.1	Voltage Monitor 1 Circuit Control Register 1 (LVD1CR1)	126
8.2.2	Voltage Monitor 1 Circuit Status Register (LVD1SR)	126
8.2.3	Voltage Monitor 2 Circuit Control Register 1 (LVD2CR1)	127
8.2.4	Voltage Monitor 2 Circuit Status Register (LVD2SR)	127
8.2.5	Voltage Monitor Circuit Control Register (LVCMPCR)	128
8.2.6	Voltage Detection Level Select Register (LVDLVLR)	129
8.2.7	Voltage Monitor 1 Circuit Control Register 0 (LVD1CR0)	129
8.2.8	Voltage Monitor 2 Circuit Control Register 0 (LVD2CR0)	131
8.3	VCC Input Voltage Monitor	132
8.3.1	Monitoring V_{det0}	132
8.3.2	Monitoring V_{det1}	132
8.3.3	Monitoring V_{det2}	132
8.4	Reset from Voltage Monitor 0	133
8.5	Interrupt and Reset from Voltage Monitor 1	133
8.6	Interrupt and Reset from Voltage Monitor 2	135
8.7	Event Link Output	137
8.7.1	Interrupt Handling and Event Linking	137
9.	Clock Generation Circuit	139
9.1	Overview	139
9.2	Register Descriptions	142
9.2.1	System Clock Division Control Register (SCKDIVCR)	142
9.2.2	System Clock Source Control Register (SCKSCR)	144
9.2.3	PLL Clock Control Register 2 (PLLCCR2)	145
9.2.4	PLL Control Register (PLLCR)	145
9.2.5	External Bus Clock Control Register (BCKCR)	146
9.2.6	Memory Wait Cycle Control Register (MEMWAIT)	147
9.2.7	Main Clock Oscillator Control Register (MOSCCR)	149
9.2.8	Sub-Clock Oscillator Control Register (SOSCCR)	150
9.2.9	Low-Speed On-Chip Oscillator Control Register (LOCOCR)	151
9.2.10	High-Speed On-Chip Oscillator Control Register (HOCOCR)	152
9.2.11	Middle-Speed On-Chip Oscillator Control Register (MOCOCR)	153
9.2.12	Oscillation Stabilization Flag Register (OSCSF)	153
9.2.13	Oscillation Stop Detection Control Register (OSTDCR)	155

9.2.14	Oscillation Stop Detection Status Register (OSTDSR)	156
9.2.15	Main Clock Oscillator Wait Control Register (MOSCWTCR)	157
9.2.16	High-Speed On-Chip Oscillator Wait Control Register (HOCOWTCR)	158
9.2.17	Main Clock Oscillator Mode Oscillation Control Register (MOMCR)	159
9.2.18	Sub-Clock Oscillator Mode Control Register (SOMCR)	159
9.2.19	Segment LCD Source Clock Control Register (SLCDSCKCR)	160
9.2.20	Clock Out Control Register (CKOCR)	161
9.2.21	External Bus Clock Output Control Register (EBCKOCR)	162
9.2.22	LOCO User Trimming Control Register (LOCOUTCR)	162
9.2.23	MOCO User Trimming Control Register (MOCOUTCR)	163
9.2.24	HOCO User Trimming Control Register (HOCOUTCR)	163
9.2.25	Trace Clock Control Register (TRCKCR)	164
9.2.26	USB Clock Control Register (USBCKCR)	164
9.3	Main Clock Oscillator	165
9.3.1	Connecting a Crystal Resonator	165
9.3.2	External Clock Input	165
9.3.3	Notes on External Clock Input	165
9.4	Sub-Clock Oscillator	166
9.4.1	Connecting a 32.768-kHz Crystal Resonator	166
9.5	Oscillation Stop Detection Function	166
9.5.1	Oscillation Stop Detection and Operation after Detection	166
9.5.2	Oscillation Stop Detection Interrupts	168
9.6	PLL Circuit	168
9.7	Internal Clock	168
9.7.1	System Clock (ICLK)	169
9.7.2	Peripheral Module Clock (PCLKA, PCLKB, PCLKC, PCLKD)	170
9.7.3	Flash Interface Clock (FCLK)	170
9.7.4	External Bus Clock (BCLK)	170
9.7.5	USB Clock (UCLK)	171
9.7.6	CAN Clock (CANMCLK)	171
9.7.7	CAC Clock (CACCLK)	171
9.7.8	RTC-Dedicated Clock (RTCSCLK, RTCLCLK)	171
9.7.9	IWDT-Dedicated Clock (IWDTCLK)	171
9.7.10	AGT-Dedicated Clock (AGTSCLK, AGTLCLK)	171
9.7.11	SysTick Timer-Dedicated Clock (SYSTICCLK)	172
9.7.12	Segment LCDC Source Clock (LCDSRCCLK)	172
9.7.13	Clock/Buzzer Output Clock (CLKOUT)	172
9.7.14	JTAG Clock (JTAGTCK)	172
9.8	Usage Notes	172
9.8.1	Notes on Clock Generation Circuit	172
9.8.2	Notes on Resonator	172

9.8.3	Notes on Board Design	173
9.8.4	Notes on Resonator Connect Pin	173
10.	Clock Frequency Accuracy Measurement Circuit (CAC)	174
10.1	Overview	174
10.2	Register Descriptions	175
10.2.1	CAC Control Register 0 (CACR0)	175
10.2.2	CAC Control Register 1 (CACR1)	176
10.2.3	CAC Control Register 2 (CACR2)	177
10.2.4	CAC Interrupt Control Register (CAICR)	178
10.2.5	CAC Status Register (CASTR)	179
10.2.6	CAC Upper-Limit Value Setting Register (CAULVR)	180
10.2.7	CAC Lower-Limit Value Setting Register (CALLVR)	180
10.2.8	CAC Counter Buffer Register (CACNTBR)	180
10.3	Operation	181
10.3.1	Measuring Clock Frequency	181
10.3.2	Digital Filtering of Signals on CACREF Pin	182
10.4	Interrupt Requests	182
10.5	Usage Note	182
10.5.1	Module-Stop Function Setting	182
11.	Low Power Modes	183
11.1	Overview	183
11.2	Register Descriptions	186
11.2.1	Standby Control Register (SBYCR)	186
11.2.2	Module Stop Control Register A (MSTPCRA)	187
11.2.3	Module Stop Control Register B (MSTPCRB)	188
11.2.4	Module Stop Control Register C (MSTPCRC)	189
11.2.5	Module Stop Control Register D (MSTPCRD)	190
11.2.6	Operating Power Control Register (OPCCR)	191
11.2.7	Sub Operating Power Control Register (SOPCCR)	192
11.2.8	Snooze Control Register (SNZCR)	193
11.2.9	Snooze End Control Register (SNZEDCR)	193
11.2.10	Snooze Request Control Register (SNZREQCR)	195
11.2.11	Flash Operation Control Register (FLSTOP)	197
11.2.12	Power Save Memory Control Register (PSMCR)	198
11.2.13	System Control OCD Control Register (SYOCDCR)	198
11.3	Reducing Power Consumption by Switching Clock Signals	199
11.4	Module-Stop Function	199
11.5	Function for Lower Operating Power Consumption	199
11.5.1	Setting Operating Power Control Mode	199
11.5.2	Operating Range	201
11.6	Sleep Mode	204

11.6.1	Transition to Sleep Mode	204
11.6.2	Canceling Sleep Mode	204
11.7	Software Standby Mode	205
11.7.1	Transition to Software Standby Mode	205
11.7.2	Canceling Software Standby Mode	205
11.7.3	Example of Software Standby Mode Application	206
11.8	Snooze Mode	207
11.8.1	Transition to Snooze Mode	207
11.8.2	Canceling Snooze Mode	208
11.8.3	Returning to Software Standby Mode	208
11.8.4	Snooze Operation Example	210
11.9	Usage Notes	213
11.9.1	Register Access	213
11.9.2	I/O Port States	214
11.9.3	Module-Stop State of DMAC and DTC	215
11.9.4	Internal Interrupt Sources	215
11.9.5	Transition to Low Power Modes	215
11.9.6	Timing of WFI Instruction	215
11.9.7	Writing WDT/IWDT Registers by DMAC or DTC in Sleep Mode or Snooze Mode ...	215
11.9.8	Oscillators in Snooze Mode	215
11.9.9	Snooze Mode Entry by RXD0 Falling Edge	215
11.9.10	Using SCI0 in Snooze Mode	215
11.9.11	Conditions of A/D Conversion Start in Snooze Mode	216
11.9.12	Conditions of CTSU in Snooze Mode	216
11.9.13	ELC Event in Snooze Mode	216
11.9.14	Module-Stop Function for ADC140	216
11.9.15	Module-Stop Function for an Unused Circuit	216
12.	Battery Backup Function	217
12.1	Overview	217
12.1.1	Features of Battery Backup Function	217
12.1.2	Battery Power Supply Switch	217
12.1.3	VBATT Pin Low Voltage Detection	217
12.1.4	VBATT_R Low Voltage Detection	217
12.1.5	Backup Registers	217
12.1.6	VBATT Wakeup Control Function	218
12.1.7	Time Capture Pin Detection	218
12.2	Register Descriptions	220
12.2.1	VBATT Control Register 1 (VBTCR1)	220
12.2.2	VBATT Control Register 2 (VBTCR2)	221
12.2.3	VBATT Status Register (VBTSR)	222
12.2.4	VBATT Comparator Control Register (VBTCMPCR)	223

12.2.5	VBATT Pin Low Voltage Detect Interrupt Control Register (VBTLVDICR)	223
12.2.6	VBATT Backup Register (VBTBKRn) (n = 0 to 511)	223
12.2.7	VBATT Wakeup Control Register (VBTWCTLR)	224
12.2.8	VBATT Wakeup I/O 0 Output Trigger Select Register (VBTWCH0OTSR)	224
12.2.9	VBATT Wakeup I/O 1 Output Trigger Select Register (VBTWCH1OTSR)	225
12.2.10	VBATT Wakeup I/O 2 Output Trigger Select Register (VBTWCH2OTSR)	226
12.2.11	VBATT Input Control Register (VBTICTLR)	226
12.2.12	VBATT Output Control Register (VBTOCTLR)	227
12.2.13	VBATT Wakeup Trigger Source Enable Register (VBTWTER)	228
12.2.14	VBATT Wakeup Trigger Source Edge Register (VBTWEGR)	228
12.2.15	VBATT Wakeup Trigger Source Flag Register (VBTWFR)	229
12.2.16	Backup Register Access Control Register (BKRACR)	230
12.3	Operation	231
12.3.1	Battery Backup Function	231
12.3.2	VBATT Battery Power Supply Switch Usage	233
12.3.3	VBATT Pin Low Voltage Detection Procedures	233
12.3.4	VBATT Backup Register Usage	234
12.3.5	VBATT Wakeup Control Function Usage	235
12.4	Usage Notes	237
13.	Register Write Protection	238
13.1	Overview	238
13.2	Register Descriptions	238
13.2.1	Protect Register (PRCR)	238
14.	Interrupt Controller Unit (ICU)	239
14.1	Overview	239
14.2	Register Descriptions	241
14.2.1	IRQ Control Register i (IRQCRi) (i = 0 to 15)	241
14.2.2	Non-Maskable Interrupt Status Register (NMISR)	242
14.2.3	Non-Maskable Interrupt Enable Register (NMIER)	245
14.2.4	Non-Maskable Interrupt Status Clear Register (NMICLR)	246
14.2.5	NMI Pin Interrupt Control Register (NMICR)	248
14.2.6	ICU Event Link Setting Register n (IELSRn)	249
14.2.7	DMAC Event Link Setting Register n (DELSRn)	250
14.2.8	SYS Event Link Setting Register (SELSR0)	251
14.2.9	Wake Up Interrupt Enable Register (WUPEN)	251
14.3	Vector Table	254
14.3.1	Interrupt Vector Table	254
14.3.2	Event Number	256
14.4	Interrupt Operation	262
14.4.1	Detecting Interrupts	262
14.4.2	Selecting Interrupt Request Destinations	263

14.4.3	Digital Filter	264
14.4.4	External Pin Interrupts	265
14.5	Non-maskable Interrupt Operation	266
14.6	Return from Low Power Mode	266
14.6.1	Return from Sleep Mode	266
14.6.2	Return from Software Standby Mode	267
14.6.3	Return from Snooze Mode	267
14.7	Using the WFI Instruction with Non-maskable Interrupts	267
14.8	Reference	267
15.	Buses	268
15.1	Overview	268
15.2	Description of Buses	269
15.2.1	Main Buses	269
15.2.2	Slave Interface	269
15.2.3	External Bus	269
15.2.4	Parallel Operation	271
15.2.5	Bus Settings	271
15.2.6	Restrictions	271
15.3	Register Descriptions	272
15.3.1	CSn Control Register (CSnCR) (n = 0 to 3)	272
15.3.2	CSn Recovery Cycle Register (CSnREC) (n = 0 to 3)	273
15.3.3	CS Recovery Cycle Insertion Enable Register (CSRECEN)	274
15.3.4	CSn Mode Register (CSnMOD) (n = 0 to 3)	276
15.3.5	CSn Wait Control Register 1 (CSnWCR1) (n = 0 to 3)	277
15.3.6	CSn Wait Control Register 2 (CSnWCR2) (n = 0 to 3)	279
15.3.7	Master Bus Control Register (BUSMCNT<master>)	282
15.3.8	Slave Bus Control Register (BUSSCNT<slave>)	283
15.3.9	Bus Error Address Register (BUSnERRADD) (n = 1 to 4)	284
15.3.10	Bus Error Status Register (BUSnERRSTAT) (n = 1 to 4)	284
15.4	Endianness and Data Alignment	286
15.4.1	Data Alignment Control for the CS Areas	286
15.5	Operation of CS Area Controller	289
15.5.1	Separate Bus	289
15.5.2	Address/Data Multiplexed Bus	299
15.5.3	External Wait Function	301
15.5.4	Insertion of Recovery Cycles	304
15.5.5	No Access State	308
15.5.6	Write Buffer Function (External Bus)	308
15.5.7	Constraints	308
15.6	Bus Error Monitoring Section	310
15.6.1	Error Type that Occurs by Bus	310

15.6.2	Operation when a Bus Error Occurs	310
15.6.3	Conditions Leading to Illegal Address Access Errors	310
15.6.4	Timeout	311
15.7	Usage Notes	311
15.7.1	Notes on using Flash Cache	311
15.7.2	Precaution regarding interrupt during successive bus access	311
15.8	References	313
16.	Memory Protection Unit (MPU)	314
16.1	Overview	314
16.2	CPU Stack Pointer Monitor	314
16.2.1	Protection of Registers	316
16.2.2	Overflow/Underflow Error	316
16.2.3	Register Descriptions	317
16.3	Arm MPU	322
16.4	Bus Master MPU	322
16.4.1	Register Descriptions	324
16.4.2	Operation	329
16.5	Bus Slave MPU	331
16.5.1	Register Descriptions	332
16.5.2	Functions	341
16.6	Security MPU	341
16.6.1	Register Descriptions (Option-Setting Memory)	342
16.6.2	Memory Protection	348
16.6.3	Notes on Debug	349
16.7	References	349
17.	DMA Controller (DMAC)	350
17.1	Overview	350
17.2	Register Descriptions	352
17.2.1	DMA Source Address Register (DMSAR)	352
17.2.2	DMA Destination Address Register (DMDAR)	352
17.2.3	DMA Transfer Count Register (DMCRA)	353
17.2.4	DMA Block Transfer Count Register (DMCRB)	354
17.2.5	DMA Transfer Mode Register (DMTMD)	354
17.2.6	DMA Interrupt Setting Register (DMINT)	355
17.2.7	DMA Address Mode Register (DMAMD)	356
17.2.8	DMA Offset Register (DMOFR)	358
17.2.9	DMA Transfer Enable Register (DMCNT)	358
17.2.10	DMA Software Start Register (DMREQ)	359
17.2.11	DMA Status Register (DMSTS)	360
17.2.12	DMAC Module Activation Register (DMAST)	361
17.3	Operation	362

17.3.1	Transfer Mode	362
17.3.2	Extended Repeat Area Function	365
17.3.3	Address Update Function Using Offset	366
17.3.4	Activation Sources	370
17.3.5	Operation Timing	370
17.3.6	Execution Cycles of DMAC	371
17.3.7	Activating DMAC	372
17.3.8	Starting DMA Transfer	373
17.3.9	Registers during DMA Transfer	373
17.3.10	Channel Priority	374
17.4	Ending DMA Transfer	374
17.4.1	Transfer End by Completion of Specified Total Number of Transfer Operations	374
17.4.2	Transfer End by Repeat Size End Interrupt	374
17.4.3	Transfer End by Interrupt on Extended Repeat Area Overflow	375
17.4.4	Precautions for the End of DMA Transfer	375
17.5	Interrupts	375
17.6	Event Link	376
17.7	Low Power Consumption Function	376
17.8	Usage Notes	377
17.8.1	DMA Transfer to External Devices	377
17.8.2	Access to Registers during DMA Transfer	377
17.8.3	DMA Transfer to Reserved Areas	377
17.8.4	Setting the DMAC Event Link Setting Register of the Interrupt Controller Unit (ICU.DELSRn)	377
17.8.5	Suspending or Restarting DMA Activation	377
18.	Data Transfer Controller (DTC)	378
18.1	Overview	378
18.2	Register Descriptions	380
18.2.1	DTC Mode Register A (MRA)	380
18.2.2	DTC Mode Register B (MRB)	381
18.2.3	DTC Transfer Source Register (SAR)	382
18.2.4	DTC Transfer Destination Register (DAR)	382
18.2.5	DTC Transfer Count Register A (CRA)	383
18.2.6	DTC Transfer Count Register B (CRB)	384
18.2.7	DTC Control Register (DTCCR)	384
18.2.8	DTC Vector Base Register (DTCVBR)	385
18.2.9	DTC Module Start Register (DTCST)	385
18.2.10	DTC Status Register (DTCSTS)	386
18.3	Activation Sources	386
18.3.1	Allocating Transfer Information and DTC Vector Table	387
18.4	Operation	388
18.4.1	Transfer Information Read Skip Function	390

18.4.2	Transfer Information Write-Back Skip Function	390
18.4.3	Normal Transfer Mode	391
18.4.4	Repeat Transfer Mode	392
18.4.5	Block Transfer Mode	393
18.4.6	Chain Transfer	394
18.4.7	Operation Timing	395
18.4.8	Execution Cycles of DTC	397
18.4.9	DTC Bus Mastership Release Timing	397
18.5	DTC Setting Procedure	397
18.6	Examples of DTC Usage	399
18.6.1	Normal Transfer	399
18.6.2	Chain Transfer	399
18.6.3	Chain Transfer When Counter = 0	401
18.7	Interrupt Sources	402
18.8	Event Link	402
18.9	Snooze Control Interface	402
18.10	Module-Stop Function	403
18.11	Usage Notes	403
18.11.1	Transfer Information Start Address	403
19.	Event Link Controller (ELC)	404
19.1	Overview	404
19.2	Register Descriptions	404
19.2.1	Event Link Controller Register (ELCR)	404
19.2.2	Event Link Software Event Generation Register n (ELSEGRn) (n = 0, 1)	405
19.2.3	Event Link Setting Register n (ELSRn) (n = 0 to 9, 12, 14 to 18)	405
19.3	Operation	411
19.3.1	Relation between Interrupt Handling and Event Linking	411
19.3.2	Linking Events	411
19.3.3	Example of Procedure for Linking Events	411
19.4	Usage Notes	411
19.4.1	Linking DMAC or DTC Transfer End Signals as Events	411
19.4.2	Setting Clocks	411
19.4.3	Module-Stop Function Setting	412
19.4.4	ELC Delay Time	412
20.	I/O Ports	413
20.1	Overview	413
20.2	Register Descriptions	415
20.2.1	Port Control Register 1 (PCNTR1/PODR/PDR)	415
20.2.2	Port Control Register 2 (PCNTR2/EIDR/PIDR)	416
20.2.3	Port Control Register 3 (PCNTR3/PORR/POSR)	417
20.2.4	Port Control Register 4 (PCNTR4/EORR/EOSR)	418

20.2.5	Port mn Pin Function Select Register (PmnPFS/PmnPFS_HA/PmnPFS_BY) (m = 0 to 9; n = 00 to 15)	419
20.2.6	Write-Protect Register (PWPR)	421
20.3	Operation	422
20.3.1	General I/O Ports	422
20.3.2	Port Function Select	422
20.3.3	Port Group Function for ELC	423
20.4	Handling of Unused Pins	424
20.5	Usage Notes	425
20.5.1	Procedure for Specifying the Pin Functions	425
20.5.2	Procedure for Using Port Group Input	425
20.5.3	Port Output Data Register (PODR) Summary	425
20.5.4	Notes on Using of Analog Functions	425
20.5.5	I/O Buffer Specification	425
20.5.6	Selecting USB_DP and USB_DM Pins	426
20.5.7	Pull-up/Pull-down Setting for P914 and P915 using USBFS/GPIO Function	426
20.6	Peripheral Select Settings for each Product	426
21.	Key Interrupt Function (KINT)	439
21.1	Overview	439
21.2	Register Descriptions	441
21.2.1	Key Return Control Register (KRCTL)	441
21.2.2	Key Return Flag Register (KRF)	441
21.2.3	Key Return Mode Register (KRM)	441
21.3	Operation	442
21.3.1	When Not Using Key Interrupt Flag (KRMD = 0)	442
21.3.2	Operation When Using Key Interrupt Flag (KRMD = 1)	443
21.4	Usage Notes	444
22.	Port Output Enable for GPT (POEG)	445
22.1	Overview	445
22.2	Register Descriptions	447
22.2.1	POEG Group n Setting Register (POEGGn) (n = A, B)	447
22.3	Output-Disable Control Operation	448
22.3.1	Pin Input Level Detection Operation	448
22.3.2	Output-Disable Request from GPT	449
22.3.3	Output-Disable Control on Detection of Stopped Oscillation	449
22.3.4	Output-Disable Control Using Registers	449
22.3.5	Release from Output-Disable	449
22.4	Interrupt Sources	449
22.5	External Trigger Output to GPT	450
22.6	Usage Notes	450
22.6.1	Transition to Software Standby Mode	450
22.6.2	Specifying Pins Associated with GPT	450

23.	General PWM Timer (GPT)	451
23.1	Overview	451
23.2	Register Descriptions	455
23.2.1	General PWM Timer Write-Protection Register (GTWP)	456
23.2.2	General PWM Timer Software Start Register (GTSTR)	456
23.2.3	General PWM Timer Software Stop Register (GTSTP)	457
23.2.4	General PWM Timer Software Clear Register (GTCLR)	457
23.2.5	General PWM Timer Start Source Select Register (GTSSR)	458
23.2.6	General PWM Timer Stop Source Select Register (GTPSR)	460
23.2.7	General PWM Timer Clear Source Select Register (GTCSR)	463
23.2.8	General PWM Timer Up Count Source Select Register (GTUPSR)	465
23.2.9	General PWM Timer Down Count Source Select Register (GTDNSR)	468
23.2.10	General PWM Timer Input Capture Source Select Register A (GTICASR)	470
23.2.11	General PWM Timer Input Capture Source Select Register B (GTICBSR)	473
23.2.12	General PWM Timer Control Register (GTCR)	475
23.2.13	General PWM Timer Count Direction and Duty Setting Register (GTUDDTYC)	477
23.2.14	General PWM Timer I/O Control Register (GTIOR)	479
23.2.15	General PWM Timer Interrupt Output Setting Register (GTINTAD)	483
23.2.16	General PWM Timer Status Register (GTST)	484
23.2.17	General PWM Timer Buffer Enable Register (GTBER)	487
23.2.18	General PWM Timer Counter (GTCNT)	488
23.2.19	General PWM Timer Compare Capture Register n (GTCCRn) (n = A to F)	489
23.2.20	General PWM Timer Cycle Setting Register (GTPR)	489
23.2.21	General PWM Timer Cycle Setting Buffer Register (GTPBR)	490
23.2.22	General PWM Timer Dead Time Control Register (GTDTCR)	490
23.2.23	General PWM Timer Dead Time Value Register U (GTDVU)	491
23.2.24	Output Phase Switching Control Register (OPSCR)	491
23.3	Operation	493
23.3.1	Basic Operation	493
23.3.2	Buffer Operation	504
23.3.3	PWM Output Operating Mode	511
23.3.4	Automatic Dead Time Setting Function	524
23.3.5	Count Direction Changing Function	528
23.3.6	Function of Output Duty 0% and 100%	529
23.3.7	Hardware Count Start/Count Stop and Clear Operation	530
23.3.8	Synchronized Operation	538
23.3.9	PWM Output Operation Examples	542
23.3.10	Phase Counting Function	548
23.3.11	Output Phase Switching (GPT_OPS)	558
23.4	Interrupt Sources	565
23.4.1	Interrupt Sources	565

23.4.2	DMAC/DTC Activation	569
23.5	Operations Linked by ELC	569
23.5.1	Event Signal Output to ELC	569
23.5.2	Event Signal Inputs from ELC	569
23.6	Noise Filter Function	569
23.7	Protection Function	570
23.7.1	Write-Protection for Registers	570
23.7.2	Disabling of Buffer Operation	570
23.7.3	GTIOC Pin Output Negate Control	571
23.8	Initialization Method of Output Pins	572
23.8.1	Pin Settings after Reset	572
23.8.2	Pin Initialization Due to Error during Operation	572
23.9	Usage Notes	573
23.9.1	Module-Stop Function Setting	573
23.9.2	Settings of GTCCR _n during Compare Match Operation (n = A to F)	573
23.9.3	Setting the Range for the GTCNT Counter	574
23.9.4	GTCNT Counter Start/Stop	574
23.9.5	Priority Order of Each Event	574
24.	Low Power Asynchronous General Purpose Timer (AGT)	575
24.1	Overview	575
24.2	Register Descriptions	577
24.2.1	AGT Counter Register (AGT)	577
24.2.2	AGT Compare Match A Register (AGTCMA)	577
24.2.3	AGT Compare Match B Register (AGTCMB)	578
24.2.4	AGT Control Register (AGTCR)	578
24.2.5	AGT Mode Register 1 (AGTMR1)	580
24.2.6	AGT Mode Register 2 (AGTMR2)	581
24.2.7	AGT I/O Control Register (AGTIOC)	582
24.2.8	AGT Event Pin Select Register (AGTISR)	583
24.2.9	AGT Compare Match Function Select Register (AGTCMSR)	583
24.2.10	AGT Pin Select Register (AGTIOSEL)	584
24.3	Operation	585
24.3.1	Reload Register and Counter Rewrite Operation	585
24.3.2	Reload Register and Compare Register A/B Rewrite Operation	587
24.3.3	Timer Mode	588
24.3.4	Pulse Output Mode	589
24.3.5	Event Counter Mode	590
24.3.6	Pulse Width Measurement Mode	591
24.3.7	Pulse Period Measurement Mode	592
24.3.8	Compare Match Function	593
24.3.9	Output Settings for Each Mode	594

24.3.10	Standby Mode	595
24.3.11	Interrupt Sources	596
24.3.12	Event Signal Output to ELC	596
24.4	Usage Notes	596
24.4.1	Count Operation Start and Stop Control	596
24.4.2	Access to Counter Register	597
24.4.3	When Changing Mode	597
24.4.4	Digital Filter	597
24.4.5	How to Calculate Event Number, Pulse Width, and Pulse Period	597
24.4.6	When Count is Forcibly Stopped by TSTOP bit	597
24.4.7	When Selecting AGT0 Underflow as the Count Source	598
24.4.8	Reset of I/O Register	598
24.4.9	When Selecting PCLKB, PCLKB/8, or PCLKB/2 as the Count Source	598
24.4.10	When Selecting AGTLCLK or AGTSCLK as the Count Source	598
24.4.11	When Switching Source Clock	598
25.	Realtime Clock (RTC)	599
25.1	Overview	599
25.2	Register Descriptions	601
25.2.1	64-Hz Counter (R64CNT)	601
25.2.2	Second Counter (RSECCNT)/Binary Counter 0 (BCNT0)	602
25.2.3	Minute Counter (RMINCNT)/Binary Counter 1 (BCNT1)	603
25.2.4	Hour Counter (RHRCNT)/Binary Counter 2 (BCNT2)	604
25.2.5	Day-of-Week Counter (RWKCNT)/Binary Counter 3 (BCNT3)	605
25.2.6	Day Counter (RDAYCNT)	606
25.2.7	Month Counter (RMONCNT)	606
25.2.8	Year Counter (RYRCNT)	607
25.2.9	Second Alarm Register (RSECAR)/Binary Counter 0 Alarm Register (BCNT0AR) ..	607
25.2.10	Minute Alarm Register (RMINAR)/Binary Counter 1 Alarm Register (BCNT1AR)	608
25.2.11	Hour Alarm Register (RHRAR)/Binary Counter 2 Alarm Register (BCNT2AR)	609
25.2.12	Day-of-Week Alarm Register (RWKAR)/Binary Counter 3 Alarm Register (BCNT3AR)	610
25.2.13	Date Alarm Register (RDAYAR)/Binary Counter 0 Alarm Enable Register (BCNT0AER)	611
25.2.14	Month Alarm Register (RMONAR)/Binary Counter 1 Alarm Enable Register (BCNT1AER)	612
25.2.15	Year Alarm Register (RYRAR)/Binary Counter 2 Alarm Enable Register (BCNT2AER)	613
25.2.16	Year Alarm Enable Register (RYRAREN)/Binary Counter 3 Alarm Enable Register (BCNT3AER)	614
25.2.17	RTC Control Register 1 (RCR1)	615
25.2.18	RTC Control Register 2 (RCR2)	616
25.2.19	RTC Control Register 4 (RCR4)	619

25.2.20	Frequency Register (RFRH/RFRL)	620
25.2.21	Time Error Adjustment Register (RADJ)	621
25.2.22	Time Capture Control Register y (RTCCRy) (y = 0 to 2)	621
25.2.23	Second Capture Register y (RSECCPy) (y = 0 to 2)/BCNT0 Capture Register y (BCNT0CPy) (y = 0 to 2)	623
25.2.24	Minute Capture Register y (RMINCPy) (y = 0 to 2)/BCNT1 Capture Register y (BCNT1CPy) (y = 0 to 2)	624
25.2.25	Hour Capture Register y (RHRCPy) (y = 0 to 2)/BCNT2 Capture Register y (BCNT2CPy) (y = 0 to 2)	625
25.2.26	Date Capture Register y (RDAYCPy) (y = 0 to 2)/BCNT3 Capture Register y (BCNT3CPy) (y = 0 to 2)	626
25.2.27	Month Capture Register y (RMONCPy) (y = 0 to 2)	627
25.3	Operation	627
25.3.1	Outline of Initial Settings of Registers after Power On	627
25.3.2	Clock and Count Mode Setting Procedure	628
25.3.3	Setting the Time	629
25.3.4	30-Second Adjustment	629
25.3.5	Reading 64-Hz Counter and Time	630
25.3.6	Alarm Function	631
25.3.7	Procedure for Disabling Alarm Interrupt	632
25.3.8	Time Error Adjustment Function	632
25.4	Interrupt Sources	635
25.5	Event Link Output	636
25.5.1	Interrupt Handling and Event Linking	637
25.6	Usage Notes	638
25.6.1	Register Writing during Counting	638
25.6.2	Use of Periodic Interrupts	638
25.6.3	RTCOUNT (1-Hz/64-Hz) Clock Output	639
25.6.4	Transitions to Low Power Modes after Setting Registers	639
25.6.5	Notes on Writing to and Reading from Registers	639
25.6.6	Changing the Count Mode	639
25.6.7	Initialization Procedure When the Realtime Clock is not to be Used	639
25.6.8	When Switching Source Clock	640
26.	Watchdog Timer (WDT)	641
26.1	Overview	641
26.2	Register Descriptions	642
26.2.1	WDT Refresh Register (WDTRR)	642
26.2.2	WDT Control Register (WDTCR)	642
26.2.3	WDT Status Register (WDTSR)	645
26.2.4	WDT Reset Control Register (WDTRCR)	646
26.2.5	WDT Count Stop Control Register (WDTCSYR)	646
26.2.6	Option Function Select Register 0 (OFS0)	646

26.3	Operation	647
26.3.1	Count Operation in Each Start Mode	647
26.3.2	Controlling Writes to the WDTCSR, WDTRCR, and WDTCSR Registers	651
26.3.3	Refresh Operation	651
26.3.4	Reset Output	652
26.3.5	Interrupt Sources	652
26.3.6	Reading the Down-Counter Value	653
26.3.7	Association between Option Function Select Register 0 (OFS0) and WDT Registers	653
26.4	Link Operation by ELC	654
26.5	Usage Notes	654
26.5.1	ICU Event Link Setting Register n (IELSRn) Setting	654
27.	Independent Watchdog Timer (IWDT)	655
27.1	Overview	655
27.2	Register Descriptions	656
27.2.1	IWDT Refresh Register (IWDTRR)	656
27.2.2	IWDT Status Register (IWDTSR)	657
27.2.3	Option Function Select Register 0 (OFS0)	658
27.3	Operation	660
27.3.1	Auto-Start Mode	660
27.3.2	Refresh Operation	661
27.3.3	Status Flags	662
27.3.4	Reset Output	663
27.3.5	Interrupt Sources	663
27.3.6	Reading the Down-counter Value	663
27.4	Output to the ELC	663
27.5	Usage Notes	664
27.5.1	Refresh Operations	664
27.5.2	Clock Division Ratio Setting	664
28.	USB 2.0 Full-Speed Module (USBFS)	665
28.1	Overview	665
28.2	Register Descriptions	667
28.2.1	System Configuration Control Register (SYSCFG)	667
28.2.2	System Configuration Status Register 0 (SYSSTS0)	669
28.2.3	Device State Control Register 0 (DVSTCTR0)	670
28.2.4	CFIFO Port Register (CFIFO/CFIFOL) D0FIFO Port Register (D0FIFO/D0FIFOL) D1FIFO Port Register (D1FIFO/D1FIFOL)	672
28.2.5	CFIFO Port Select Register (CFIFOSEL) D0FIFO Port Select Register (D0FIFOSEL) D1FIFO Port Select Register (D1FIFOSEL)	674

28.2.6	CFIFO Port Control Register (CFIFOCTR) D0FIFO Port Control Register (D0FIFOCTR) D1FIFO Port Control Register (D1FIFOCTR)	678
28.2.7	Interrupt Enable Register 0 (INTENB0)	680
28.2.8	Interrupt Enable Register 1 (INTENB1)	681
28.2.9	BRDY Interrupt Enable Register (BRDYENB)	682
28.2.10	NRDY Interrupt Enable Register (NRDYENB)	683
28.2.11	BEMP Interrupt Enable Register (BEMPENB)	684
28.2.12	SOF Output Configuration Register (SOFCFG)	685
28.2.13	Interrupt Status Register 0 (INTSTS0)	685
28.2.14	Interrupt Status Register 1 (INTSTS1)	688
28.2.15	BRDY Interrupt Status Register (BRDYSTS)	690
28.2.16	NRDY Interrupt Status Register (NRDYSTS)	691
28.2.17	BEMP Interrupt Status Register (BEMPSTS)	692
28.2.18	Frame Number Register (FRMNUM)	693
28.2.19	USB Request Type Register (USBREQ)	694
28.2.20	USB Request Value Register (USBVAL)	695
28.2.21	USB Request Index Register (USBINDX)	695
28.2.22	USB Request Length Register (USBLENG)	696
28.2.23	DCP Configuration Register (DCPCFG)	696
28.2.24	DCP Maximum Packet Size Register (DCPMAXP)	697
28.2.25	DCP Control Register (DCPCTR)	698
28.2.26	Pipe Window Select Register (PIPESEL)	701
28.2.27	Pipe Configuration Register (PIPECFG)	702
28.2.28	Pipe Maximum Packet Size Register (PIPEMAXP)	704
28.2.29	Pipe Cycle Control Register (PIPEPERI)	705
28.2.30	PIPE _n Control Registers (PIPE _n CTR) (n = 1 to 9)	706
28.2.31	PIPE _n Transaction Counter Enable Register (PIPE _n TRE) (n = 1 to 5)	712
28.2.32	PIPE _n Transaction Counter Register (PIPE _n TRN) (n = 1 to 5)	713
28.2.33	Device Address n Configuration Register (DEVADD _n) (n = 0 to 5)	714
28.2.34	USB Module Control Register (USBMC)	715
28.2.35	BC Control Register 0 (USBBCCTRL0)	715
28.3	Operation	717
28.3.1	System Control	717
28.3.2	Interrupts	725
28.3.3	Interrupt Descriptions	728
28.3.4	Pipe Control	737
28.3.5	FIFO Buffer Memory	742
28.3.6	FIFO Buffer Clearing	743
28.3.7	FIFO Port Functions	743
28.3.8	DMA Transfers (D0FIFO and D1FIFO Ports)	744
28.3.9	Control Transfers Using DCP	745

28.3.10	Bulk Transfers (Pipes 1 to 5)	746
28.3.11	Interrupt Transfers (Pipes 6 to 9)	747
28.3.12	Isochronous Transfers (Pipes 1 and 2)	747
28.3.13	SOF Interpolation Function	754
28.3.14	Pipe Schedule	755
28.3.15	Battery Charging Detection Processing	756
28.4	Usage Notes	760
28.4.1	Settings for the Module-Stop State	760
28.4.2	Clearing the Interrupt Status Register on Exiting Software Standby Mode	760
28.4.3	Clearing the Interrupt Status Register after Setting Up the Port Function	760
29.	Serial Communications Interface (SCI)	761
29.1	Overview	761
29.2	Register Descriptions	765
29.2.1	Receive Shift Register (RSR)	765
29.2.2	Receive Data Register (RDR)	765
29.2.3	Receive 9-bit Data Register (RDRHL)	765
29.2.4	Receive FIFO Data Register H, L, HL (FRDRH, FRDRL, FRDRHL)	766
29.2.5	Transmit Data Register (TDR)	767
29.2.6	Transmit 9-Bit Data Register (TDRHL)	767
29.2.7	Transmit FIFO Data Register H, L, HL (FTDRH, FTDRL, FTDRHL)	768
29.2.8	Transmit Shift Register (TSR)	769
29.2.9	Serial Mode Register (SMR) for Non-Smart Card Interface Mode (SCMR.SMIF = 0)	769
29.2.10	Serial Mode Register for Smart Card Interface Mode (SMR_SMCI) (SCMR.SMIF = 1)	771
29.2.11	Serial Control Register (SCR) for Non-Smart Card Interface Mode (SCMR.SMIF = 0)	772
29.2.12	Serial Control Register for Smart Card Interface Mode (SCR_SMCI) (SCMR.SMIF = 1)	774
29.2.13	Serial Status Register (SSR) for Non-Smart Card Interface and Non-FIFO Mode (SCMR.SMIF = 0 and FCR.FM = 0)	775
29.2.14	Serial Status Register for Non-Smart Card Interface and FIFO Mode (SSR_FIFO) (SCMR.SMIF = 0 and FCR.FM = 1)	778
29.2.15	Serial Status Register for Smart Card Interface Mode (SSR_SMCI) (SCMR.SMIF = 1)	781
29.2.16	Smart Card Mode Register (SCMR)	783
29.2.17	Bit Rate Register (BRR)	784
29.2.18	Modulation Duty Register (MDDR)	792
29.2.19	Serial Extended Mode Register (SEMR)	794
29.2.20	Noise Filter Setting Register (SNFR)	795
29.2.21	I ² C Mode Register 1 (SIMR1)	796
29.2.22	I ² C Mode Register 2 (SIMR2)	797
29.2.23	I ² C Mode Register 3 (SIMR3)	798

29.2.24	I ² C Status Register (SISR)	799
29.2.25	SPI Mode Register (SPMR)	800
29.2.26	FIFO Control Register (FCR)	802
29.2.27	FIFO Data Count Register (FDR)	803
29.2.28	Line Status Register (LSR)	804
29.2.29	Compare Match Data Register (CDR)	805
29.2.30	Data Compare Match Control Register (DCCR)	805
29.2.31	Serial Port Register (SPTR)	807
29.3	Operation in Asynchronous Mode	807
29.3.1	Serial Data Transfer Format	808
29.3.2	Receive Data Sampling Timing and Reception Margin in Asynchronous Mode	810
29.3.3	Clock	811
29.3.4	Double-Speed Operation and Frequency of 6 Times the Bit Rate	811
29.3.5	CTS and RTS Functions	811
29.3.6	Address Match (Receive Data Match Detection) Function	812
29.3.7	SCI Initialization in Asynchronous Mode	815
29.3.8	Serial Data Transmission in Asynchronous Mode	817
29.3.9	Serial Data Reception in Asynchronous Mode	823
29.4	Multi-Processor Communications Function	830
29.4.1	Multi-Processor Serial Data Transmission	832
29.4.2	Multi-Processor Serial Data Reception	834
29.5	Operation in Clock Synchronous Mode	839
29.5.1	Clock	839
29.5.2	CTS and RTS Functions	840
29.5.3	SCI Initialization in Clock Synchronous Mode	841
29.5.4	Serial Data Transmission in Clock Synchronous Mode	843
29.5.5	Serial Data Reception in Clock Synchronous Mode	846
29.5.6	Simultaneous Serial Data Transmission and Reception in Clock Synchronous Mode	851
29.6	Operation in Smart Card Interface Mode	853
29.6.1	Example Connection	853
29.6.2	Data Format (Except in Block Transfer Mode)	853
29.6.3	Block Transfer Mode	854
29.6.4	Receive Data Sampling Timing and Reception Margin	856
29.6.5	SCI Initialization	857
29.6.6	Serial Data Transmission (Except in Block Transfer Mode)	858
29.6.7	Serial Data Reception (Except in Block Transfer Mode)	860
29.6.8	Clock Output Control	862
29.7	Operation in Simple IIC Mode	863
29.7.1	Generation of Start, Restart, and Stop Conditions	864
29.7.2	Clock Synchronization	865

29.7.3	SDA Output Delay	866
29.7.4	SCI Initialization in Simple IIC Mode	867
29.7.5	Operation in Master Transmission in Simple IIC Mode	868
29.7.6	Master Reception in Simple IIC Mode	870
29.8	Operation in Simple SPI Mode	872
29.8.1	States of Pins in Master and Slave Modes	873
29.8.2	SS Function in Master Mode	873
29.8.3	SS Function in Slave Mode	873
29.8.4	Relationship between Clock and Transmit/Receive Data	874
29.8.5	SCI Initialization in Simple SPI Mode	874
29.8.6	Transmission and Reception of Serial Data in Simple SPI Mode	874
29.9	Bit Rate Modulation Function	875
29.10	Interrupt Sources	875
29.10.1	Buffer Operations for SCIn_TXI and SCIn_RXI Interrupts (non-FIFO selected)	875
29.10.2	Buffer Operation for SCIn_TXI and SCIn_RXI Interrupts (FIFO selected)	875
29.10.3	Interrupts in Asynchronous, Clock Synchronous, and Simple SPI Modes	876
29.10.4	Interrupts in Smart Card Interface Mode	877
29.10.5	Interrupts in Simple IIC Mode	878
29.11	Event Linking	878
29.12	Address Mismatch Event Output (SCI0_DCUF)	879
29.13	Noise Cancellation Function	880
29.14	Usage Notes	881
29.14.1	Settings for the Module-Stop Function	881
29.14.2	SCI Operations during Low Power State	881
29.14.3	Break Detection and Processing	885
29.14.4	Mark State and Production of Breaks	885
29.14.5	Receive Error Flags and Transmit Operation in Clock Synchronous Mode and Simple SPI Mode	885
29.14.6	Restrictions on Clock Synchronous Transmission in Clock Synchronous Mode and Simple SPI Mode	885
29.14.7	Restrictions on Using DMAC or DTC	886
29.14.8	Notes on Starting Transfer	887
29.14.9	External Clock Input in Clock Synchronous Mode and Simple SPI Mode	887
29.14.10	Limitations to Simple SPI Mode	887
30.	I ² C Bus Interface (IIC)	889
30.1	Overview	889
30.2	Register Descriptions	892
30.2.1	I ² C Bus Control Register 1 (ICCR1)	892
30.2.2	I ² C Bus Control Register 2 (ICCR2)	894
30.2.3	I ² C Bus Mode Register 1 (ICMR1)	897
30.2.4	I ² C Bus Mode Register 2 (ICMR2)	898
30.2.5	I ² C Bus Mode Register 3 (ICMR3)	899

30.2.6	I ² C Bus Function Enable Register (ICFER)	901
30.2.7	I ² C Bus Status Enable Register (ICSER)	903
30.2.8	I ² C Bus Interrupt Enable Register (ICIER)	904
30.2.9	I ² C Bus Status Register 1 (ICSR1)	905
30.2.10	I ² C Bus Status Register 2 (ICSR2)	907
30.2.11	I ² C Bus Wakeup Unit Register (ICWUR)	911
30.2.12	I ² C Bus Wakeup Unit Register 2 (ICWUR2)	912
30.2.13	Slave Address Register Ly (SARLy) (y = 0 to 2)	913
30.2.14	Slave Address Register Uy (SARUy) (y = 0 to 2)	914
30.2.15	I ² C Bus Bit Rate Low-Level Register (ICBRL)	914
30.2.16	I ² C Bus Bit Rate High-Level Register (ICBRH)	915
30.2.17	I ² C Bus Transmit Data Register (ICDRT)	916
30.2.18	I ² C Bus Receive Data Register (ICDRR)	916
30.2.19	I ² C Bus Shift Register (ICDRS)	916
30.3	Operation	917
30.3.1	Communication Data Format	917
30.3.2	Initial Settings	918
30.3.3	Master Transmit Operation	919
30.3.4	Master Receive Operation	923
30.3.5	Slave Transmit Operation	927
30.3.6	Slave Receive Operation	930
30.4	SCL Synchronization Circuit	932
30.5	SDA Output Delay Function	933
30.6	Digital Noise Filter Circuits	934
30.7	Address Match Detection	935
30.7.1	Slave-Address Match Detection	935
30.7.2	Detection of General Call Address	937
30.7.3	Device ID Address Detection	937
30.7.4	Host Address Detection	939
30.8	Wakeup Function	939
30.8.1	Normal Wakeup Mode 1	940
30.8.2	Normal Wakeup Mode 2	943
30.8.3	Command Recovery Mode and EEP Response Mode (Special Wakeup Modes)	945
30.8.4	Precautions for WFI Instruction Execution	948
30.9	Automatic Low-Hold Function for SCL	949
30.9.1	Function to Prevent Wrong Transmission of Transmit Data	949
30.9.2	NACK Reception Transfer Suspension Function	949
30.9.3	Function to Prevent Failure to Receive Data	950
30.10	Arbitration-Lost Detection Functions	952
30.10.1	Master Arbitration-Lost Detection (MALE Bit)	952
30.10.2	Function to Detect Loss of Arbitration during NACK Transmission (NALE Bit)	954

30.10.3	Slave Arbitration-Lost Detection (SALE Bit)	955
30.11	Start, Restart, and Stop Condition Issuing Function	955
30.11.1	Issuing a Start Condition	955
30.11.2	Issuing a Restart Condition	956
30.11.3	Issuing a Stop Condition	958
30.12	Bus Hanging	958
30.12.1	Timeout Function	959
30.12.2	Extra SCL Clock Cycle Output Function	960
30.12.3	IIC Reset and Internal Reset	960
30.13	SMBus Operation	961
30.13.1	SMBus Timeout Measurement	961
30.13.2	Packet Error Code (PEC)	962
30.13.3	SMBus Host Notification Protocol (Notify ARP Master Command)	962
30.14	Interrupt Sources	963
30.14.1	Buffer Operation for IICn_TXI and IICn_RXI Interrupts	963
30.15	Register States When Issuing Each Condition	964
30.16	Output to the Event Link Controller (ELC)	965
30.16.1	Interrupt Handling and Event Linking	965
30.17	Usage Notes	965
30.17.1	Settings for the Module-Stop Function	965
30.17.2	Notes on Starting Transfer	965
31.	Controller Area Network (CAN) Module	966
31.1	Overview	966
31.2	Register Descriptions	968
31.2.1	Control Register (CTRL)	968
31.2.2	Bit Configuration Register (BCR)	971
31.2.3	Mask Register k (MKRk) (k = 0 to 7)	973
31.2.4	FIFO Received ID Compare Registers 0 and 1 (FIDCR0 and FIDCR1)	974
31.2.5	Mask Invalid Register (MKIVLR)	975
31.2.6	Mailbox Register j (MBj_ID, MBj_DL, MBj_Dm, MBj_TS) (j = 0 to 31, m = 0 to 7)	975
31.2.7	Mailbox Interrupt Enable Register (MIER)	979
31.2.8	Mailbox Interrupt Enable Register for FIFO Mailbox Mode (MIER_FIFO)	980
31.2.9	Message Control Registers for Transmit (MCTL_TXj) (j = 0 to 31)	981
31.2.10	Message Control Register for Receive (MCTL_RXj) (j = 0 to 31)	983
31.2.11	Receive FIFO Control Register (RFCR)	985
31.2.12	Receive FIFO Pointer Control Register (RFPCR)	987
31.2.13	Transmit FIFO Control Register (TFCR)	987
31.2.14	Transmit FIFO Pointer Control Register (TFPCR)	989
31.2.15	Status Register (STR)	990
31.2.16	Mailbox Search Mode Register (MSMR)	992
31.2.17	Mailbox Search Status Register (MSSR)	992

31.2.18	Channel Search Support Register (CSSR)	993
31.2.19	Acceptance Filter Support Register (AFSR)	995
31.2.20	Error Interrupt Enable Register (EIER)	996
31.2.21	Error Interrupt Factor Judge Register (EIFR)	997
31.2.22	Receive Error Count Register (RECR)	999
31.2.23	Transmit Error Count Register (TECR)	999
31.2.24	Error Code Store Register (ECSR)	999
31.2.25	Time Stamp Register (TSR)	1001
31.2.26	Test Control Register (TCR)	1001
31.3	Modes of Operation	1003
31.3.1	CAN Reset Mode	1004
31.3.2	CAN Halt Mode	1005
31.3.3	CAN Sleep Mode	1005
31.3.4	CAN Operation Mode (Excluding Bus-Off State)	1006
31.3.5	CAN Operation Mode (Bus-Off State)	1007
31.4	Data Transfer Rate Configuration	1008
31.4.1	Clock Setting	1008
31.4.2	Bit Timing Setting	1008
31.4.3	Data Transfer Rate	1009
31.5	Mailbox and Mask Register Structure	1010
31.6	Acceptance Filtering and Masking Functions	1011
31.7	Reception and Transmission	1013
31.7.1	Reception	1014
31.7.2	Transmission	1016
31.8	Interrupts	1017
31.9	Usage Notes	1018
31.9.1	Settings for the Module-Stop Function	1018
31.9.2	Settings for the Operating Clock	1018
32.	Serial Peripheral Interface (SPI)	1019
32.1	Overview	1019
32.2	Register Descriptions	1022
32.2.1	SPI Control Register (SPCR)	1022
32.2.2	SPI Slave Select Polarity Register (SSLP)	1024
32.2.3	SPI Pin Control Register (SPPCR)	1024
32.2.4	SPI Status Register (SPSR)	1025
32.2.5	SPI Data Register (SPDR/SPDR_HA)	1028
32.2.6	SPI Sequence Control Register (SPSCR)	1031
32.2.7	SPI Sequence Status Register (SPSSR)	1032
32.2.8	SPI Bit Rate Register (SPBR)	1033
32.2.9	SPI Data Control Register (SPDCR)	1034
32.2.10	SPI Clock Delay Register (SPCKD)	1036

32.2.11	SPI Slave Select Negation Delay Register (SSLND)	1036
32.2.12	SPI Next-Access Delay Register (SPND)	1037
32.2.13	SPI Control Register 2 (SPCR2)	1037
32.2.14	SPI Command Registers (SPCMDm) (m =0 to 7 for SPI0; m = 0 for SPI1)	1039
32.3	Operation	1042
32.3.1	Overview of SPI Operations	1042
32.3.2	Controlling SPI Pins	1043
32.3.3	SPI System Configuration Examples	1044
32.3.4	Data Format	1050
32.3.5	Transfer Formats	1059
32.3.6	Data Transfer Modes	1061
32.3.7	Transmit Buffer Empty and Receive Buffer Full Interrupts	1063
32.3.8	Error Detection	1065
32.3.9	Initializing the SPI	1069
32.3.10	SPI Operation	1070
32.3.11	Clock Synchronous Operation	1085
32.3.12	Loopback Mode	1091
32.3.13	Self-Diagnosis of Parity Bit Function	1092
32.3.14	Interrupt Sources	1093
32.4	Event Link Controller (ELC) Event Output	1094
32.4.1	Receive Buffer Full Event Output	1094
32.4.2	Transmit Buffer Empty Event Output	1094
32.4.3	Mode-Fault, Underrun, Overrun, or Parity Error Event Output	1094
32.4.4	SPI Idle Event Output	1094
32.4.5	Transmission-Completed Event Output	1095
32.5	Usage Notes	1095
32.5.1	Settings for the Module-Stop Function	1095
32.5.2	Restriction on Low Power Function	1095
32.5.3	Restrictions on Starting Transfer	1095
32.5.4	Restrictions on Mode-Fault, Underrun, Overrun or Parity Error Event Output	1095
32.5.5	Restrictions on SPRF/SPTEF Flags	1095
33.	Quad Serial Peripheral Interface (QSPI)	1096
33.1	Overview	1096
33.2	Register Descriptions	1097
33.2.1	Transfer Mode Control Register (SFMSMD)	1097
33.2.2	Chip Selection Control Register (FMSSC)	1098
33.2.3	Clock Control Register (SFMSKC)	1099
33.2.4	Status Register (SFMSST)	1100
33.2.5	Communication Port Register (SFMCOM)	1101
33.2.6	Communication Mode Control Register (SFMCMD)	1101
33.2.7	Communication Status Register (SFMCSST)	1102

33.2.8	Instruction Code Register (SFMSIC)	1102
33.2.9	Address Mode Control Register (SFMSAC)	1103
33.2.10	Dummy Cycle Control Register (SFMSDC)	1104
33.2.11	SPI Protocol Control Register (SFMSPC)	1105
33.2.12	Port Control Register (SFMPMD)	1105
33.2.13	External QSPI Address Register (SFMCNT1)	1106
33.3	Memory Map	1106
33.3.1	Internal Bus Space	1106
33.3.2	Address Width of the SPI Space and SPI Bus	1107
33.4	SPI Bus	1108
33.4.1	SPI Protocol	1108
33.4.2	SPI Mode	1110
33.5	SPI Bus Timing Adjustment	1111
33.5.1	SPI Bus Reference Cycles	1111
33.5.2	QSPCLK Signal Duty Ratio	1112
33.5.3	Minimum High-Level Width of QSSL Signal	1112
33.5.4	QSSL Signal Setup Time	1113
33.5.5	QSSL Signal Hold Time	1113
33.5.6	Hold Time of the Serial Data Output Enable	1114
33.5.7	Setup Time of Serial Data Output	1114
33.5.8	Hold Time for Serial Data Output	1115
33.5.9	Serial Data Receiving Latency	1115
33.6	SPI Instruction Set Used for Flash Access	1116
33.6.1	Types of SPI Instructions that are Automatically Generated	1116
33.6.2	Standard Read Instruction	1117
33.6.3	Fast Read Instruction	1118
33.6.4	Fast Read Dual Output Instruction	1119
33.6.5	Fast Read Dual I/O Instruction	1120
33.6.6	Fast Read Quad Output Instruction	1121
33.6.7	Fast Read Quad I/O Instruction	1122
33.6.8	Enter 4-byte Mode Instruction	1123
33.6.9	Exit 4-byte Mode Instruction	1123
33.6.10	Write Enable Instruction	1123
33.7	SPI Bus Cycle Arrangement	1124
33.7.1	Flash Read Based on Individual Conversion	1124
33.7.2	Flash Read Using Prefetch Function	1124
33.7.3	Halt of Prefetching	1125
33.7.4	Direct Specification of Prefetch Destination	1125
33.7.5	Prefetch State Polling	1125
33.7.6	Flash Read Using the SPI Bus Cycle Extension Function	1126
33.8	XIP Control	1126

33.8.1	Setting the XIP Mode	1127
33.8.2	Releasing the XIP Mode	1127
33.9	QIO2 and QIO3 Pin States	1127
33.10	Direct Communication Mode	1128
33.10.1	About Direct Communication	1128
33.10.2	Using Direct Communication Mode	1128
33.10.3	Generating the SPI Bus Cycle during Direct Communication	1128
33.11	Operation	1130
33.11.1	Procedure for Modifying Settings in Multiple Control Registers	1130
33.12	Interrupt	1130
33.13	Usage Note	1130
33.13.1	Setting for the Module-Stop State	1130
34.	Cyclic Redundancy Check (CRC) Calculator	1131
34.1	Overview	1131
34.2	Register Descriptions	1132
34.2.1	CRC Control Register 0 (CRCCR0)	1132
34.2.2	CRC Control Register 1 (CRCCR1)	1133
34.2.3	CRC Data Input Register (CRCDIR/CRCDIR_BY)	1133
34.2.4	CRC Data Output Register (CRCDOR/CRCDOR_HA/CRCDOR_BY)	1134
34.2.5	Snoop Address Register (CRCSAR)	1134
34.3	Operation	1135
34.3.1	Basic Operation	1135
34.3.2	CRC Snoop	1137
34.4	Usage Notes	1137
34.4.1	Settings for the Module-Stop State	1137
34.4.2	Notes on Transmission	1137
35.	Serial Sound Interface Enhanced (SSIE)	1138
35.1	Overview	1138
35.2	SSIE Specifications	1138
35.3	Register Descriptions	1142
35.3.1	Control Register (SSICR)	1142
35.3.2	Status Register (SSISR)	1150
35.3.3	FIFO Control Register (SSIFCR)	1160
35.3.4	FIFO Status Register (SSIFSR)	1166
35.3.5	Transmit FIFO Data Register (SSIFTDR)	1169
35.3.6	Receive FIFO Data Register (SSIFRDR)	1171
35.3.7	TDM Mode Register (SSITDMR)	1172
35.3.8	Status Control Register (SSISCR)	1176
35.4	Communication Formats	1177
35.4.1	I ² S Format	1178
35.4.2	Monaural Format	1178

35.5	Communication Modes	1180
35.5.1	Slave Mode Communication	1180
35.5.2	Master Mode Communication	1180
35.5.3	Transmission	1180
35.5.4	Reception	1181
35.5.5	Transmission and Reception	1181
35.6	Operation	1181
35.6.1	Idle State	1181
35.6.2	Communication States	1183
35.7	Communication Operation	1186
35.7.1	Start Communication	1187
35.7.2	Transmission	1188
35.7.3	Reception	1189
35.7.4	Transmission and Reception	1189
35.7.5	Halt Communication	1190
35.7.6	Error Handling	1191
35.7.7	Resume Communication	1192
35.8	Interrupts	1193
35.8.1	SSIE0_SSIF Interrupt	1193
35.8.2	SSIE0_SSITXI Interrupt (Full-duplex communication)	1194
35.8.3	SSIE0_SSIRXI Interrupt (Full-duplex communication)	1194
35.9	Software Resets	1195
35.9.1	Software Reset Procedure	1195
35.10	Notes	1196
35.10.1	Notes on Slave Mode Communication	1196
35.10.2	Notes on Master Mode Communication	1196
35.10.3	Notes on Communication Flow	1197
35.10.4	Write Access Restriction	1198
36.	SD/MMC Host Interface (SDHI)	1200
36.1	Overview	1200
36.2	Register Descriptions	1201
36.2.1	Command Type Register (SD_CMD)	1201
36.2.2	SD Command Argument Register (SD_ARG)	1202
36.2.3	SD Command Argument Register 1 (SD_ARG1)	1203
36.2.4	Data Stop Register (SD_STOP)	1203
36.2.5	Block Count Register (SD_SECCNT)	1204
36.2.6	SD Card Response Register 10 (SD_RSP10), SD Card Response Register 32 (SD_RSP32), SD Card Response Register 54 (SD_RSP54)	1205
36.2.7	SD Card Response Register 1 (SD_RSP1), SD Card Response Register 3 (SD_RSP3), SD Card Response Register 5 (SD_RSP5)	1205

36.2.8	SD Card Response Register 76 (SD_RSP76)	1205
36.2.9	SD Card Response Register 7 (SD_RSP7)	1206
36.2.10	SD Card Interrupt Flag Register 1 (SD_INFO1)	1207
36.2.11	SD Card Interrupt Flag Register 2 (SD_INFO2)	1210
36.2.12	SD INFO1 Interrupt Mask Register (SD_INFO1_MASK)	1214
36.2.13	SD INFO2 Interrupt Mask Register (SD_INFO2_MASK)	1215
36.2.14	SD Clock Control Register (SD_CLK_CTRL)	1216
36.2.15	Transfer Data Length Register (SD_SIZE)	1217
36.2.16	SD Card Access Control Option Register (SD_OPTION)	1217
36.2.17	SD Error Status Register 1 (SD_ERR_STS1)	1218
36.2.18	SD Error Status Register 2 (SD_ERR_STS2)	1220
36.2.19	SD Buffer Register (SD_BUF0)	1221
36.2.20	SDIO Mode Control Register (SDIO_MODE)	1221
36.2.21	SDIO Interrupt Flag Register (SDIO_INFO1)	1223
36.2.22	SDIO INFO1 Interrupt Mask Register (SDIO_INFO1_MASK)	1224
36.2.23	DMA Mode Enable Register (SD_DMAEN)	1224
36.2.24	Software Reset Register (SOFT_RST)	1225
36.2.25	SD Interface Mode Setting Register (SDIF_MODE)	1226
36.2.26	Swap Control Register (EXT_SWAP)	1226
36.3	Operation	1227
36.3.1	SD/MMC Interface	1227
36.3.2	Card Detect/Write Protect	1229
36.3.3	Interrupt Request and DMA Transfer Request	1230
36.3.4	Communication Errors and Timeouts	1232
36.3.5	Command without Data Transfer (SD/MMC)	1233
36.3.6	Single Block Read (SD/MMC)	1235
36.3.7	Single Block Write (SD/MMC)	1237
36.3.8	Multiple Block Read (SD/MMC)	1239
36.3.9	Multiple Block Write (SD/MMC Using Internal Timer)	1241
36.3.10	Multiple Block Write (MMC using external timer)	1243
36.3.11	IO_RW_DIRECT Command (SD: CMD52)	1245
36.3.12	IO_RW_EXTENDED Command (SD: CMD53/Multiple Block Read)	1246
36.3.13	IO_RW_EXTENDED Command (SD: CMD53/Multiple Block Write)	1248
36.3.14	DMA Transfer (SD/MMC)	1250
36.3.15	Example of SD_CMD Register Setting	1251
36.4	Usage Notes	1254
36.4.1	SD_BUF Illegal Write Access (SD/MMC)	1254
36.4.2	Block Number Constraint for Multiple Block Read (SD)	1254
36.4.3	Automatic Control of SD/MMC Clock Output (SD/MMC)	1254
36.4.4	Control of the C52PUB Setting for Multiple Block Write (SD)	1255
36.4.5	Notes on SD_CLK_CTRL Register Settings (SD/MMC)	1255

36.4.6	Specification Limitations	1255
36.4.7	STP Bit Setting during Multiple Block Read (SD/MMC)	1255
36.4.8	Register Setting Notes	1255
37.	Boundary Scan	1256
37.1	Overview	1256
37.2	Register Descriptions	1257
37.2.1	Instruction Register (JTIR)	1257
37.2.2	ID Code Register (JTIDR)	1258
37.2.3	Bypass Register (JTBPR)	1258
37.2.4	Boundary Scan Register (JTBSR)	1258
37.3	Operations	1259
37.3.1	TAP Controller	1259
37.3.2	Commands	1259
37.4	Usage Notes	1260
38.	14-Bit A/D Converter (ADC14)	1261
38.1	Overview	1261
38.2	Register Descriptions	1264
38.2.1	A/D Data Registers y (ADDRy), A/D Data Duplexing Register (ADDBLDR), A/D Data Duplexing Register A (ADDBLDRA), A/D Data Duplexing Register B (ADDBLDRB), A/D Temperature Sensor Data Register (ADTSDR), A/D Internal Reference Voltage Data Register (ADOCDR)	1264
38.2.2	A/D Self-Diagnosis Data Register (ADRD)	1268
38.2.3	A/D Control Register (ADCSR)	1270
38.2.4	A/D Channel Select Register A0 (ADANSA0)	1273
38.2.5	A/D Channel Select Register A1 (ADANSA1)	1274
38.2.6	A/D Channel Select Register B0 (ADANSB0)	1274
38.2.7	A/D Channel Select Register B1 (ADANSB1)	1275
38.2.8	A/D-Converted Value Addition/Average Channel Select Register 0 (ADADS0)	1275
38.2.9	A/D-Converted Value Addition/Average Channel Select Register 1 (ADADS1)	1276
38.2.10	A/D-Converted Value Addition/Average Count Select Register (ADADC)	1277
38.2.11	A/D Control Extended Register (ADCER)	1278
38.2.12	A/D Conversion Start Trigger Select Register (ADSTRGR)	1279
38.2.13	A/D Conversion Extended Input Control Register (ADEXICR)	1280
38.2.14	A/D Sampling State Register n (ADSSTRn) (n = 00 to 15, L, T, O)	1282
38.2.15	A/D Disconnection Detection Control Register (ADDISCR)	1283
38.2.16	A/D Group Scan Priority Control Register (ADGSPCR)	1284
38.2.17	A/D Compare Function Control Register (ADCMPCR)	1285
38.2.18	A/D Compare Function Window A Channel Select Register 0 (ADCMPANSR0)	1286
38.2.19	A/D Compare Function Window A Channel Select Register 1 (ADCMPANSR1)	1287
38.2.20	A/D Compare Function Window A Extended Input Select Register (ADCMPANSER)	1287

38.2.21	A/D Compare Function Window A Comparison Condition Setting Register 0 (ADCMPLR0)	1288
38.2.22	A/D Compare Function Window A Comparison Condition Setting Register 1 (ADCMPLR1)	1289
38.2.23	A/D Compare Function Window A Extended Input Comparison Condition Setting Register (ADCMPLER)	1289
38.2.24	A/D Compare Function Window A Lower-Side Level Setting Register (ADCMPDR0), A/D Compare Function Window A Upper-Side Level Setting Register (ADCMPDR1), A/D Compare Function Window B Lower-Side Level Setting Register (ADWINLLB), A/D Compare Function Window B Upper-Side Level Setting Register (ADWINULB)	1290
38.2.25	A/D Compare Function Window A Channel Status Register 0 (ADCMPSR0)	1292
38.2.26	A/D Compare Function Window A Channel Status Register1 (ADCMPSR1)	1292
38.2.27	A/D Compare Function Window A Extended Input Channel Status Register (ADCMPSER)	1293
38.2.28	A/D Compare Function Window B Channel Select Register (ADCMPBNSR)	1294
38.2.29	A/D Compare Function Window B Status Register (ADCMPBSR)	1295
38.2.30	A/D Compare Function Window A/B Status Monitor Register (ADWINMON)	1296
38.2.31	A/D High-Potential/Low-Potential Reference Voltage Control Register (ADHVREFCNT)	1297
38.3	Operation	1298
38.3.1	Scanning Operation	1298
38.3.2	Single Scan Mode	1299
38.3.3	Continuous Scan Mode	1303
38.3.4	Group Scan Mode	1305
38.3.5	Compare Function for Window A and Window B	1314
38.3.6	Analog Input Sampling and Scan Conversion Time	1318
38.3.7	Usage Example of A/D Data Register Automatic Clearing Function	1320
38.3.8	A/D-Converted Value Addition/Average Mode	1320
38.3.9	Disconnection Detection Assist Function	1321
38.3.10	Starting A/D Conversion with an Asynchronous Trigger	1322
38.3.11	Starting A/D Conversion with a Synchronous Trigger from Peripheral Module	1323
38.4	Interrupt Sources and DTC or DMAC Transfer Requests	1323
38.4.1	Interrupt Requests	1323
38.5	Event Link Function	1324
38.5.1	Event Output to the ELC	1324
38.5.2	ADC14 Operation through an Event from the ELC	1324
38.6	Selecting Reference Voltage	1324
38.7	A/D Conversion Procedure when Selecting Internal Reference Voltage as High-Potential Reference Voltage	1324
38.8	Usage Notes	1325
38.8.1	Notes on Reading Data Registers	1325
38.8.2	Notes on Stopping A/D Conversion	1325
38.8.3	A/D Conversion Restarting Timing and Termination Timing	1326

38.8.4	Restrictions on Scan End Interrupt Handling	1326
38.8.5	Module-Stop Function Settings	1326
38.8.6	Restrictions on Entering Low-Power States	1327
38.8.7	Error in Absolute Accuracy when Disconnection Detection Assistance is in Use ...	1327
38.8.8	ADHSC Bit Rewriting Procedure	1327
38.8.9	Notes on Operating Modes and Status Bits	1327
38.8.10	Notes on Board Design	1327
38.8.11	Notes on Noise Reduction	1327
38.8.12	Port Settings when Using the 14-bit A/D Converter Input	1328
38.8.13	Relationship between ADC14, OPAMP, and ACMPLP	1328
38.8.14	Notes on Canceling Software Standby Mode	1328
39.	12-Bit D/A Converter (DAC12)	1329
39.1	Overview	1329
39.2	Register Descriptions	1330
39.2.1	D/A Data Register 0 (DADR0)	1330
39.2.2	D/A Control Register (DACR)	1330
39.2.3	DADR0 Format Select Register (DADPR)	1331
39.2.4	D/A A/D Synchronous Start Control Register (DAADSCR)	1331
39.2.5	D/A VREF Control Register (DAVREFCR)	1332
39.3	Operation	1332
39.3.1	Reducing Interference between D/A and A/D Conversion	1333
39.3.2	Notes on Using the Internal Reference Voltage as the Reference Voltage	1335
39.4	Event Link Operation Setting Procedure	1335
39.5	Usage Notes on Event Link Operation	1335
39.6	Usage Notes	1336
39.6.1	Module-Stop Function Settings	1336
39.6.2	DAC12 Operation in Module-Stop State	1336
39.6.3	DAC12 Operation in Software Standby Mode	1336
39.6.4	Restriction on Usage when Interference Reduction between D/A and A/D Conversion is Enabled	1336
40.	Temperature Sensor (TSN)	1337
40.1	Overview	1337
40.2	Register Descriptions	1337
40.2.1	Temperature Sensor Calibration Data Register H (TSCDRH)	1337
40.2.2	Temperature Sensor Calibration Data Register L (TSCDRL)	1338
40.3	Using the Temperature Sensor	1338
40.3.1	Preparation for Using Temperature Sensor	1338
40.3.2	Procedure for Using the Temperature Sensor	1339
41.	Operational Amplifier (OPAMP)	1340
41.1	Overview	1340
41.2	Register Descriptions	1341

41.2.1	Operational Amplifier Mode Control Register (AMPMC)	1341
41.2.2	Operational Amplifier Trigger Mode Control Register (AMPTRM)	1341
41.2.3	Operational Amplifier Activation Trigger Select Register (AMPTRS)	1342
41.2.4	Operational Amplifier Control Register (AMPC)	1342
41.2.5	Operational Amplifier Monitor Register (AMPMON)	1343
41.3	Operation	1344
41.3.1	State Transitions	1344
41.3.2	Operational Amplifier Control Operation	1345
41.4	Software Trigger Mode	1349
41.5	Activation Trigger Mode	1350
41.6	Activation and A/D Trigger Mode	1351
41.7	Usage Notes	1351
42.	Low Power Analog Comparator (ACMPLP)	1352
42.1	Overview	1352
42.2	Register Descriptions	1355
42.2.1	ACMPLP Mode Setting Register (COMPMDR)	1355
42.2.2	ACMPLP Filter Control Register (COMPFIR)	1356
42.2.3	ACMPLP Output Control Register (COMPOCR)	1356
42.2.4	Comparator Input Select Register (COMPSEL0)	1357
42.2.5	Comparator Reference Voltage Select Register (COMPSEL1)	1357
42.3	Operation	1358
42.4	Noise Filter	1360
42.5	ACMPLP Interrupts	1361
42.6	ELC Event Output	1361
42.7	Interrupt Handling and ELC Linking	1361
42.8	Comparator Pin Output	1361
42.9	Usage Notes	1362
42.9.1	Module-Stop Function Settings	1362
42.9.2	Relationship with A/D Converter	1362
43.	8-Bit D/A Converter (DAC8)	1363
43.1	Overview	1363
43.2	Register Descriptions	1363
43.2.1	D/A Conversion Value Setting Register n (DACSn) (n = 0, 1)	1363
43.2.2	D/A Converter Mode Register (DAM)	1364
43.3	Operation	1364
43.4	Usage Notes	1365
43.4.1	Module-Stop State	1365
43.4.2	Operation of the 8-bit D/A Converter in Module-Stop State	1365
43.4.3	8-bit D/A Converter in Software Standby Mode Operation	1365
43.4.4	When Not Using the D/A Converter	1365

44.	Capacitive Touch Sensing Unit (CTSUS)	1366
44.1	Overview	1366
44.2	Register Descriptions	1368
44.2.1	CTSUS Control Register 0 (CTSUCR0)	1368
44.2.2	CTSUS Control Register 1 (CTSUCR1)	1370
44.2.3	CTSUS Synchronous Noise Reduction Setting Register (CTSUSDPRS)	1371
44.2.4	CTSUS Sensor Stabilization Wait Control Register (CTSUSST)	1372
44.2.5	CTSUS Measurement Channel Register 0 (CTSUSMCH0)	1373
44.2.6	CTSUS Measurement Channel Register 1 (CTSUSMCH1)	1375
44.2.7	CTSUS Channel Enable Control Register 0 (CTSUSCHAC0)	1376
44.2.8	CTSUS Channel Enable Control Register 1 (CTSUSCHAC1)	1376
44.2.9	CTSUS Channel Enable Control Register 2 (CTSUSCHAC2)	1377
44.2.10	CTSUS Channel Enable Control Register 3 (CTSUSCHAC3)	1377
44.2.11	CTSUS Channel Enable Control Register 4 (CTSUSCHAC4)	1378
44.2.12	CTSUS Channel Transmit/Receive Control Register 0 (CTSUSCHTRC0)	1378
44.2.13	CTSUS Channel Transmit/Receive Control Register 1 (CTSUSCHTRC1)	1379
44.2.14	CTSUS Channel Transmit/Receive Control Register 2 (CTSUSCHTRC2)	1379
44.2.15	CTSUS Channel Transmit/Receive Control Register 3 (CTSUSCHTRC3)	1380
44.2.16	CTSUS Channel Transmit/Receive Control Register 4 (CTSUSCHTRC4)	1380
44.2.17	CTSUS High-Pass Noise Reduction Control Register (CTSUSDCLKC)	1381
44.2.18	CTSUS Status Register (CTSUST)	1381
44.2.19	CTSUS High-Pass Noise Reduction Spectrum Diffusion Control Register (CTSUSSSC)	1383
44.2.20	CTSUS Sensor Offset Register 0 (CTSUSO0)	1384
44.2.21	CTSUS Sensor Offset Register 1 (CTSUSO1)	1384
44.2.22	CTSUS Sensor Counter (CTSUSC)	1386
44.2.23	CTSUS Reference Counter (CTSURC)	1386
44.2.24	CTSUS Error Status Register (CTSUERRS)	1387
44.3	Operation	1387
44.3.1	Principles of Measurement Operation	1387
44.3.2	Measurement Modes	1389
44.3.3	Parameters Common to Multiple Modes	1398
44.4	Usage Notes	1400
44.4.1	Measurement Result Data (CTSUSC and CTSURC Counters)	1400
44.4.2	Constraints on Software Trigger	1400
44.4.3	Constraints on External Trigger	1401
44.4.4	Constraints on Forced Stops	1401
44.4.5	TSCAP Pin	1401
44.4.6	Constraints on Measurement Operation (CTSUCR0.CTUSSTRT Bit = 1)	1401
45.	Data Operation Circuit (DOC)	1402
45.1	Overview	1402

45.2	Register Descriptions	1403
45.2.1	DOC Control Register (DOCR)	1403
45.2.2	DOC Data Input Register (DODIR)	1404
45.2.3	DOC Data Setting Register (DODSR)	1404
45.3	Operation	1404
45.3.1	Data Comparison Mode	1404
45.3.2	Data Addition Mode	1405
45.3.3	Data Subtraction Mode	1405
45.4	Interrupt Request and Output to the Event Link Controller (ELC)	1406
45.5	Usage Notes	1406
45.5.1	Settings for the Module-Stop State	1406
46.	SRAM	1407
46.1	Overview	1407
46.2	Register Descriptions	1407
46.2.1	SRAM Parity Error Operation After Detection Register (PARIOAD)	1407
46.2.2	SRAM Protection Register (SRAMPRCR)	1408
46.2.3	ECC Operating Mode Control Register (ECCMODE)	1408
46.2.4	ECC 2-Bit Error Status Register (ECC2STS)	1409
46.2.5	ECC 1-Bit Error Information Update Enable Register (ECC1STSEN)	1409
46.2.6	ECC 1-Bit Error Status Register (ECC1STS)	1410
46.2.7	ECC Protection Register (ECCPRCR)	1410
46.2.8	ECC Protection Register 2 (ECCPRCR2)	1411
46.2.9	ECC Test Control Register (ECCETST)	1411
46.2.10	SRAM ECC Error Operation After Detection Register (ECCOAD)	1412
46.3	Operation	1412
46.3.1	Low Power Consumption Function	1412
46.3.2	ECC Function	1413
46.3.3	ECC Error Generation	1413
46.3.4	ECC Decoder Testing	1414
46.3.5	Parity Calculation Function	1415
46.3.6	SRAM Error Sources	1416
46.3.7	Access Cycle	1416
46.4	Usage Notes	1417
46.4.1	Instruction Fetch from SRAM Area	1417
46.4.2	Store Buffer of SRAM	1417
47.	Flash Memory	1418
47.1	Overview	1418
47.2	Memory Structure	1419
47.3	Flash Cache	1420
47.3.1	Overview	1420
47.4	Register Descriptions	1421

47.4.1	Flash Cache Enable Register (FCACHEE)	1421
47.4.2	Flash Cache Invalidate Register (FCACHEIV)	1421
47.4.3	Data Flash Control Resister (DFLCTL)	1422
47.5	Operation	1422
47.5.1	Notice to Use Flash Cache	1422
47.6	Operating Modes Associated with the Flash Memory	1423
47.6.1	ID Code Protection	1423
47.7	Overview of Functions	1424
47.7.1	Configuration Area Bit Map	1426
47.7.2	Startup Area Select	1426
47.7.3	Protection by Access Window	1427
47.8	Programming Commands	1428
47.9	Suspend Operation	1428
47.10	Protection	1428
47.11	Serial Programming Mode	1428
47.11.1	SCI Boot Mode	1429
47.11.2	USB Boot Mode	1429
47.12	Using a Serial Programmer	1430
47.12.1	Serial Programming	1430
47.12.2	Programming Environment	1430
47.13	Self-Programming	1431
47.13.1	Overview	1431
47.13.2	Background Operation	1431
47.14	Reading the Flash Memory	1431
47.14.1	Reading the Code Flash Memory	1431
47.14.2	Reading the Data Flash Memory	1431
47.15	Usage Notes	1432
47.15.1	Erase Suspended Area	1432
47.15.2	Suspension by Erase Suspend Commands	1432
47.15.3	Constraints on Additional Writes	1432
47.15.4	Reset during Programming and Erasure	1432
47.15.5	Non-maskable Interrupt Disabled during Programming and Erasure	1432
47.15.6	Location of Interrupt Vectors during Programming and Erasure	1432
47.15.7	Programming and Erasure in Low-Speed Operating Mode	1432
47.15.8	Abnormal Termination during Programming and Erasure	1432
47.15.9	Actions Prohibited during Programming and Erasure	1432
48.	Segment LCD Controller (SLCDC)	1433
48.1	Overview	1433
48.2	Register Descriptions	1438
48.2.1	LCD Mode Register 0 (LCDM0)	1438
48.2.2	LCD Mode Register 1 (LCDM1)	1439

48.2.3	LCD Clock Control Register 0 (LCDC0)	1440
48.2.4	LCD Boost Level Control Register (VLCD)	1441
48.3	LCD Display Data Registers	1442
48.4	Selection of LCD Display Data Register	1445
48.4.1	A-Pattern Area and B-pattern Area Data Display	1445
48.4.2	Blinking Display (Alternately Displaying A-Pattern and B-Pattern Area Data)	1445
48.5	Setting LCD Controller/Driver	1447
48.6	Operation Stop Procedure	1450
48.7	Supplying LCD Drive Voltages VL1, VL2, VL3, and VL4	1451
48.7.1	External Resistance Division Method	1451
48.7.2	Internal Voltage Boosting Method	1453
48.7.3	Capacitor Split Method	1454
48.8	Common and Segment Signals	1455
48.9	Display Modes	1462
48.9.1	Static Display Example	1462
48.9.2	Two-Time-Slice Display Example	1464
48.9.3	Three-Time-Slice Display Example	1466
48.9.4	Four-Time-Slice Display Example	1469
48.9.5	Eight-Time-Slice Display Example	1472
49.	Secure Cryptographic Engine (SCE5)	1476
49.1	Overview	1476
49.2	Operation	1478
49.2.1	Encryption Engine	1478
49.2.2	Encryption and Decryption	1479
49.3	Usage Notes	1479
49.3.1	Software Standby Mode	1479
49.3.2	Settings for the Module-Stop Function	1479
50.	Internal Voltage Regulator	1480
50.1	Overview	1480
50.2	Operation	1480
51.	Electrical Characteristics	1481
51.1	Absolute Maximum Ratings	1482
51.2	DC Characteristics	1484
51.2.1	Tj/Ta Definition	1484
51.2.2	I/O VIH, VIL	1484
51.2.3	I/O IOH, IOL	1486
51.2.4	I/O VOH, VOL, and Other Characteristics	1488
51.2.5	I/O Pin Output Characteristics of Low Drive Capacity	1490
51.2.6	I/O Pin Output Characteristics of Middle Drive Capacity	1492
51.2.7	P408, P409 I/O Pin Output Characteristics of Middle Drive Capacity	1495
51.2.8	IIC I/O Pin Output Characteristics	1497

51.2.9	Operating and Standby Current	1498
51.2.10	VCC Rise and Fall Gradient and Ripple Frequency	1506
51.2.11	Thermal Characteristics	1506
51.3	AC Characteristics	1508
51.3.1	Frequency	1508
51.3.2	Clock Timing	1511
51.3.3	Reset Timing	1515
51.3.4	Wakeup Time	1516
51.3.5	NMI and IRQ Noise Filter	1519
51.3.6	Bus Timing	1520
51.3.7	I/O Ports, POEG, GPT, AGT, KINT, and ADC14 Trigger Timing	1527
51.3.8	CAC Timing	1528
51.3.9	SCI Timing	1529
51.3.10	SPI Timing	1535
51.3.11	QSPI Timing	1540
51.3.12	IIC Timing	1542
51.3.13	SSIE Timing	1544
51.3.14	SD/MMC Host Interface Timing	1546
51.3.15	CLKOUT Timing	1547
51.4	USB Characteristics	1548
51.4.1	USBFS Timing	1548
51.4.2	USB External Supply	1549
51.5	ADC14 Characteristics	1550
51.6	DAC12 Characteristics	1560
51.7	TSN Characteristics	1562
51.8	OSC Stop Detect Characteristics	1562
51.9	POR and LVD Characteristics	1563
51.10	VBATT Characteristics	1567
51.11	CTSU Characteristics	1569
51.12	Segment LCD Controller Characteristics	1569
51.12.1	Resistance Division Method	1569
51.12.2	Internal Voltage Boosting Method	1570
51.12.3	Capacitor Split Method	1571
51.13	Comparator Characteristics	1572
51.14	OPAMP Characteristics	1572
51.15	Flash Memory Characteristics	1573
51.15.1	Code Flash Memory Characteristics	1573
51.15.2	Data Flash Memory Characteristics	1574
51.16	Boundary Scan	1575
51.17	Joint Test Action Group (JTAG)	1576
51.17.1	Serial Wire Debug (SWD)	1578

Appendix 1. Port States in each Processing Mode	1580
Appendix 2. Package Dimensions	1586
Appendix 3. I/O Registers	1594
3.1 Peripheral Base Addresses	1594
3.2 Access Cycles	1596
3.3 Register Descriptions	1598
Revision History	1627

High efficiency 48-MHz Arm® Cortex®-M4 core, 1-MB code flash memory, 192-KB SRAM, Segment LCD Controller, Capacitive Touch Sensing Unit, USB 2.0 Full-Speed Module, 14-bit A/D Converter, 12-bit D/A Converter, security and safety features

Features

■ Arm Cortex-M4 Core with Floating Point Unit (FPU)

- Armv7E-M architecture with DSP instruction set
- Maximum operating frequency: 48 MHz
- Support for 4-GB address space
- Arm Memory Protection Unit (Arm MPU) with 8 regions
- Debug and Trace: ITM, DWT, FPB, TPIU, ETB
- CoreSight™ Debug Port: JTAG-DP and SW-DP

■ Memory

- 1-MB code flash memory
- 8-KB data flash memory (100,000 program/erase (P/E) cycles)
- 192-KB SRAM
- Flash Cache (FCACHE)
- Memory Protection Unit (MPU)
- Memory Mirror Function (MMF)
- 128-bit unique ID

■ Connectivity

- USB 2.0 Full-Speed Module (USBFS)
 - On-chip transceiver with voltage regulator
 - Compliant with USB Battery Charging Specification 1.2
- Serial Communications Interface (SCI) × 6
 - UART
 - Simple IIC
 - Simple SPI
- Serial Peripheral Interface (SPI) × 2
- I²C bus interface (IIC) × 3
- Controller Area Network (CAN) module
- Serial Sound Interface Enhanced (SSIE)
- SD/MMC Host Interface (SDHI)
- Quad Serial Peripheral Interface (QSPI)
- External address space
 - 8- or 16-bit bus space is selectable per area

■ Analog

- 14-bit A/D Converter (ADC14)
- 12-bit D/A Converter (DAC12)
- 8-bit D/A Converter (DAC8) × 2 (for ACMPLP)
- Low-Power Analog Comparator (ACMPLP) × 2
- Operational Amplifier (OPAMP) × 4
- Temperature Sensor (TSN)

■ Timers

- General PWM Timer 32-Bit (GPT32) × 4
- General PWM Timer 16-Bit (GPT16) × 6
- Low Power Asynchronous General-Purpose Timer (AGT) × 2
- Watchdog Timer (WDT)

■ Safety

- Error Correction Code (ECC) in SRAM
- SRAM parity error check
- Flash area protection
- ADC self-diagnosis function
- Clock Frequency Accuracy Measurement Circuit (CAC)
- Cyclic Redundancy Check (CRC) calculator
- Data Operation Circuit (DOC)
- Port Output Enable for GPT (POEG)
- Independent Watchdog Timer (IWDT)
- GPIO readback level detection
- Register write protection
- Main oscillator stop detection
- Illegal memory access

■ System and Power Management

- Low power modes
- Realtime Clock (RTC) with calendar and Battery Backup support
- Event Link Controller (ELC)
- DMA Controller (DMAC) × 4
- Data Transfer Controller (DTC)
- Key Interrupt Function (KINT)
- Power-on reset
- Low Voltage Detection (LVD) with voltage settings

■ Security and Encryption

- AES128/256
- GHASH
- True Random Number Generator (TRNG)

■ Human Machine Interface (HMI)

- Segment LCD Controller (SLCDC)
 - Up to 54 segments × 4 commons
 - Up to 50 segments × 8 commons
- Capacitive Touch Sensing Unit (CTSU)

■ Multiple Clock Sources

- Main clock oscillator (MOSC)
 - (1 to 20 MHz when VCC = 2.4 to 5.5 V)
 - (1 to 8 MHz when VCC = 1.8 to 2.4 V)
 - (1 to 4 MHz when VCC = 1.6 to 1.8 V)
- Sub-clock oscillator (SOSC) (32.768 kHz)
- High-speed on-chip oscillator (HOCO)
 - (24, 32, 48, 64 MHz when VCC = 2.4 to 5.5 V)
 - (24, 32, 48 MHz when VCC = 1.8 to 5.5 V)
 - (24, 32 MHz when VCC = 1.6 to 5.5 V)
- Middle-speed on-chip oscillator (MOCO) (8 MHz)
- Low-speed on-chip oscillator (LOCO) (32.768 kHz)
- IWDT-dedicated on-chip oscillator (15 kHz)
- Clock trim function for HOCO/MOCO/LOCO
- Clock out support

■ General Purpose I/O Ports

- Up to 126 input/output pins
 - Up to 3 CMOS input
 - Up to 123 CMOS input/output
 - Up to 11 input/output 5-V tolerant
 - Up to 2 high current (20 mA)

■ Operating Voltage

- VCC: 1.6 to 5.5 V

■ Operating Temperature and Packages

- Ta = -40°C to +85°C
 - 145-pin LGA (7 mm × 7 mm, 0.5 mm pitch)
 - 121-pin BGA (8 mm × 8 mm, 0.65 mm pitch)
 - 100-pin LGA (7 mm × 7 mm, 0.65 mm pitch)
- Ta = -40°C to +105°C
 - 144-pin LQFP (20 mm × 20 mm, 0.5 mm pitch)
 - 100-pin LQFP (14 mm × 14 mm, 0.5 mm pitch)
 - 64-pin LQFP (10 mm × 10 mm, 0.5 mm pitch)
 - 64-pin QFN (8 mm × 8 mm, 0.4 mm pitch)

1. Overview

The MCU integrates multiple series of software- and pin-compatible Arm®-based 32-bit cores that share a common set of Renesas peripherals to facilitate design scalability and efficient platform-based product development.

The MCU in this series incorporates a low-power, high-performance Arm Cortex®-M4 core running up to 48 MHz, with the following features:

- 1-MB code flash memory
- 192-KB SRAM
- Segment LCD Controller (SLCDC)
- Capacitive Touch Sensing Unit (CTSU)
- USB 2.0 Full-Speed Module (USBFS)
- 14-bit A/D Converter (ADC14)
- 12-bit D/A Converter (DAC12)
- Security features.

1.1 Function Outline

Table 1.1 Arm core

Feature	Functional description
Arm Cortex-M4	<ul style="list-style-type: none"> • Maximum operating frequency: up to 48 MHz • Arm Cortex-M4 <ul style="list-style-type: none"> - Revision: r0p1-01rel0 - Armv7E-M architecture profile - Single precision floating-point unit compliant with the ANSI/IEEE Std 754-2008. • Arm Memory Protection Unit (Arm MPU) <ul style="list-style-type: none"> - Armv7 Protected Memory System Architecture - 8 protected regions. • SysTick timer <ul style="list-style-type: none"> - Driven by SYSTICCLK (LOCO) or ICLK.

Table 1.2 Memory

Feature	Functional description
Code flash memory	Maximum 1-MB code flash memory. See section 47, Flash Memory .
Data flash memory	8-KB data flash memory. See section 47, Flash Memory .
Option-setting memory	The option-setting memory determines the state of the MCU after a reset. See section 7, Option-Setting Memory .
Memory Mirror Function (MMF)	The Memory Mirror Function (MMF) can be configured to mirror the target application image load address in code flash memory to the application image link address in the 23-bit unused memory space (memory mirror space addresses). Your application code is developed and linked to run from this MMF destination address. The application code does not need to know the load location where it is stored in code flash memory. See section 5, Memory Mirror Function (MMF) .
SRAM	On-chip high-speed SRAM with either parity bit or Error Correction Code (ECC). The first 16-KB in SRAM0 provides error correction capability using ECC. See section 46, SRAM .

Table 1.3 System (1 of 2)

Feature	Functional description
Operating modes	Two operating modes: <ul style="list-style-type: none"> • Single-chip mode • SCI/USB boot mode. See section 3, Operating Modes .
Resets	14 resets: <ul style="list-style-type: none"> • RES pin reset • Power-on reset • VBATT-selected voltage power-on reset • Independent watchdog timer reset • Watchdog timer reset • Voltage monitor 0 reset • Voltage monitor 1 reset • Voltage monitor 2 reset • SRAM parity error reset • SRAM ECC error reset • Bus master MPU error reset • Bus slave MPU error reset • CPU stack pointer error reset • Software reset. See section 6, Resets .
Low Voltage Detection (LVD)	Low Voltage Detection (LVD) function monitors the voltage level input to the VCC pin, and the detection level can be selected using a software program. See section 8, Low Voltage Detection (LVD) .
Clocks	<ul style="list-style-type: none"> • Main clock oscillator (MOSC) • Sub-clock oscillator (SOSC) • High-speed on-chip oscillator (HOCO) • Middle-speed on-chip oscillator (MOCO) • Low-speed on-chip oscillator (LOCO) • PLL frequency synthesizer • IWDT-dedicated on-chip oscillator • Clock out support. See section 9, Clock Generation Circuit .
Clock Frequency Accuracy Measurement Circuit (CAC)	The Clock Frequency Accuracy Measurement Circuit (CAC) counts pulses of the clock to be measured (measurement target clock) within the time generated by the clock to be used as a measurement reference (measurement reference clock), and determines the accuracy depending on whether the number of pulses is within the allowable range. When measurement is complete or the number of pulses within the time generated by the measurement reference clock is not within the allowable range, an interrupt request is generated. See section 10, Clock Frequency Accuracy Measurement Circuit (CAC) .
Interrupt Controller Unit (ICU)	The Interrupt Controller Unit (ICU) controls which event signals are linked to the NVIC/DTC module and DMAC module. The ICU also controls NMI interrupts. See section 14, Interrupt Controller Unit (ICU) .
Key Interrupt Function (KINT)	A key interrupt can be generated by setting the Key Return Mode Register (KRM) and inputting a rising or falling edge to the key interrupt input pins. See section 21, Key Interrupt Function (KINT) .
Low power modes	Power consumption can be reduced in multiple ways, such as by setting clock dividers, controlling EBCLK output, stopping modules, selecting power control mode in normal operation, and transitioning to low power modes. See section 11, Low Power Modes .
Battery backup function	A battery backup function is provided for partial powering by a battery. The battery powered area includes the RTC, SOSC, LOCO, wakeup control, backup memory, VBATT_R low voltage detection, and switches between VCC and VBATT. During normal operation, the battery powered area is powered by the main power supply, which is the VCC pin. When a VCC voltage drop is detected, the power source is switched to the dedicated battery backup power pin, the VBATT pin. When the voltage rises again, the power source is switched from the VBATT pin to the VCC pin. See section 12, Battery Backup Function .
Register write protection	The register write protection function protects important registers from being overwritten because of software errors. See section 13, Register Write Protection .

Table 1.3 System (2 of 2)

Feature	Functional description
Memory Protection Unit (MPU)	Four Memory Protection Units (MPUs) and a CPU stack pointer monitor function are provided for memory protection. See section 16, Memory Protection Unit (MPU) .
Watchdog Timer (WDT)	The Watchdog Timer (WDT) is a 14-bit down-counter. It can be used to reset the MCU when the counter underflows because the system has run out of control and is unable to refresh the WDT. In addition, a non-maskable interrupt or interrupt can be generated by an underflow. A refresh-permitted period can be set to refresh the counter and used as the condition to detect when the system runs out of control. See section 26, Watchdog Timer (WDT) .
Independent Watchdog Timer (IWDT)	The Independent Watchdog Timer (IWDT) consists of a 14-bit down-counter that must be serviced periodically to prevent counter underflow. It can be used to reset the MCU or to generate a non-maskable interrupt/interrupt for a timer underflow. Because the timer operates with an independent, dedicated clock source, it is particularly useful in returning the MCU to a known state as a fail-safe mechanism when the system runs out of control. The IWDT can be triggered automatically on a reset, underflow, refresh error, or by a refresh of the count value in the registers. See section 27, Independent Watchdog Timer (IWDT) .

Table 1.4 Event link

Feature	Functional description
Event Link Controller (ELC)	The Event Link Controller (ELC) uses the interrupt requests generated by various peripheral modules as event signals to connect them to different modules, enabling direct interaction between the modules without CPU intervention. See section 19, Event Link Controller (ELC) .

Table 1.5 Direct memory access

Feature	Functional description
Data Transfer Controller (DTC)	A Data Transfer Controller (DTC) module is provided for transferring data when activated by an interrupt request. See section 18, Data Transfer Controller (DTC) .
DMA Controller (DMAC)	A 4-channel DMA Controller (DMAC) module is provided for transferring data without the CPU. When a DMA transfer request is generated, the DMAC transfers data stored at the transfer source address to the transfer destination address. See section 17, DMA Controller (DMAC) .

Table 1.6 External bus interface

Feature	Functional description
External bus	<ul style="list-style-type: none"> • CS area: Connected to the external devices (external memory interface) • QSPI area: Connected to the QSPI (external device interface).

Table 1.7 Timers

Feature	Functional description
General PWM Timer (GPT)	The General PWM Timer (GPT) is a 32-bit timer with 4 channels and a 16-bit timer with 6 channels. PWM waveforms can be generated by controlling the up-counter, down-counter, or the up- and down-counter. In addition, PWM waveforms can be generated for controlling brushless DC motors. The GPT can also be used as a general-purpose timer. See section 23, General PWM Timer (GPT) .
Port Output Enable for GPT (POEG)	Use the Port Output Enable for GPT (POEG) function to place the General PWM Timer (GPT) output pins in the output disable state. See section 22, Port Output Enable for GPT (POEG) .
Low Power Asynchronous General Purpose Timer (AGT)	The Low Power Asynchronous General Purpose Timer (AGT) is a 16-bit timer that can be used for pulse output, external pulse width or period measurement, and counting external events. This 16-bit timer consists of a reload register and a down-counter. The reload register and the down-counter are allocated to the same address, and they can be accessed with the AGT register. See section 24, Low Power Asynchronous General Purpose Timer (AGT) .
Realtime Clock (RTC)	The Realtime Clock (RTC) has two counting modes, calendar count mode and binary count mode, that are controlled by the register settings. For calendar count mode, the RTC has a 100-year calendar from 2000 to 2099 and automatically adjusts dates for leap years. For binary count mode, the RTC counts seconds and retains the information as a serial value. Binary count mode can be used for calendars other than the Gregorian (Western) calendar. See section 25, Realtime Clock (RTC) .

Table 1.8 Communication interfaces (1 of 2)

Feature	Functional description
Serial Communications Interface (SCI)	The Serial Communications Interface (SCI) is configurable to five asynchronous and synchronous serial interfaces: <ul style="list-style-type: none"> • Asynchronous interfaces (UART and asynchronous communications interface adapter (ACIA)) • 8-bit clock synchronous interface • Simple IIC (master-only) • Simple SPI • Smart card interface. The smart card interface complies with the ISO/IEC 7816-3 standard for electronic signals and transmission protocol. SCI0 and SCI1 have FIFO buffers to enable continuous and full-duplex communication, and the data transfer speed can be configured independently using an on-chip baud rate generator. See section 29, Serial Communications Interface (SCI) .
I ² C Bus Interface (IIC)	The 3-channel I ² C Bus Interface (IIC) module conforms with and provides a subset of the NXP I ² C bus (Inter-Integrated Circuit bus) interface functions. See section 30, I²C Bus Interface (IIC) .
Serial Peripheral Interface (SPI)	Two independent Serial Peripheral Interface (SPI) channels are capable of high-speed, full-duplex synchronous serial communications with multiple processors and peripheral devices. See section 32, Serial Peripheral Interface (SPI) .
Serial Sound Interface Enhanced (SSIE)	The Serial Sound Interface Enhanced (SSIE) peripheral provides functionality to interface with digital audio devices for transmitting PCM audio data over a serial bus with the MCU. The SSIE supports an audio clock frequency of up to 25 MHz, and can be operated as a slave or master receiver, transmitter, or transceiver to suit various applications. The SSIE includes 8-stage FIFO buffers in the receiver and transmitter, and supports interrupts and DMA-driven data reception and transmission. See section 35, Serial Sound Interface Enhanced (SSIE) .
Quad Serial Peripheral Interface (QSPI)	The Quad Serial Peripheral Interface (QSPI) is a memory controller for connecting a serial ROM (nonvolatile memory such as a serial flash memory, serial EEPROM, or serial FeRAM) that has an SPI-compatible interface. See section 33, Quad Serial Peripheral Interface (QSPI) .
Controller Area Network (CAN) Module	The Controller Area Network (CAN) module provides functionality to receive and transmit data using a message-based protocol between multiple slaves and masters in electromagnetically noisy applications. The CAN module complies with the ISO 11898-1 (CAN 2.0A/CAN 2.0B) standard and supports up to 32 mailboxes, which can be configured for transmission or reception in normal mailbox and FIFO modes. Both standard (11-bit) and extended (29-bit) messaging formats are supported. See section 31, Controller Area Network (CAN) Module .

Table 1.8 Communication interfaces (2 of 2)

Feature	Functional description
USB 2.0 Full-Speed Module (USBFS)	The USB 2.0 Full-Speed Module (USBFS) can operate as a host controller or device controller. The module supports full-speed and low-speed (only for the host controller) transfer as defined in the Universal Serial Bus specification 2.0. The module has an internal USB transceiver and supports all of the transfer types defined in the Universal Serial Bus specification 2.0. The USB has buffer memory for data transfer, providing a maximum of 10 pipes. Pipes 1 to 9 can be assigned any endpoint number based on the peripheral devices used for communication or based on the user system. The MCU supports revision 1.2 of the Battery Charging specification. Because the MCU can be powered at 5 V, the USB LDO regulator provides the internal USB transceiver power supply at 3.3 V. See section 28, USB 2.0 Full-Speed Module (USBFS) .
SD/MMC Host Interface (SDHI)	The SD/MMC Host Interface (SDHI) provides the functionality needed to connect a variety of external memory cards to the MCU. The SDHI supports both 1-bit and 4-bit buses for connecting different memory cards that support SD, SDHC, and SDXC formats. When developing host devices that are compliant with the SD specifications, you must comply with the SD Host/Ancillary Product License Agreement (SD HALA). The MMC interface supports 1-bit, 4-bit, and 8-bit MMC buses that provide eMMC 4.51 (JEDEC Standard JESD 84-B451) device access. This interface also provides backward compatibility and support for high-speed SDR transfer modes. See section 36, SD/MMC Host Interface (SDHI) .

Table 1.9 Analog

Feature	Functional description
14-bit A/D Converter (ADC14)	A 14-bit successive approximation A/D converter is provided. Up to 28 analog input channels are selectable. Temperature sensor output and internal reference voltage are selectable for conversion. The A/D conversion accuracy is selectable from 12-bit and 14-bit conversion making it possible to optimize the tradeoff between speed and resolution in generating a digital value. See section 38, 14-Bit A/D Converter (ADC14) .
12-bit D/A Converter (DAC12)	The 12-bit D/A Converter (DAC12) converts data and includes an output amplifier. See section 39, 12-Bit D/A Converter (DAC12) .
8-bit D/A Converter (DAC8) (for ACMPLP)	The 8-bit D/A Converter (DAC8) converts data and does not include an output amplifier (DAC8). The DAC8 is used only as the reference voltage for ACMPLP. See section 43, 8-Bit D/A Converter (DAC8) .
Temperature Sensor (TSN)	The on-chip Temperature Sensor (TSN) determines and monitors the die temperature for reliable operation of the device. The sensor outputs a voltage directly proportional to the die temperature, and the relationship between the die temperature and the output voltage is linear. The output voltage is provided to the ADC14 for conversion and can be further used by the end application. See section 40, Temperature Sensor (TSN) .
Low-Power Analog Comparator (ACMPLP)	The Low-Power Analog Comparator (ACMPLP) compares the reference input voltage and analog input voltage. The comparison result can be read through software and also be output externally. The reference input voltage can be selected from an input to the CMPREFi (i = 0, 1) pin, an internal 8-bit D/A converter output, or the internal reference voltage (Vref) generated internally in the MCU. The ACMPLP response speed can be set before starting an operation. Setting the high-speed mode decreases the response delay time, but increases current consumption. Setting the low-speed mode increases the response delay time, but decreases current consumption. See section 42, Low Power Analog Comparator (ACMPLP) .
Operational Amplifier (OPAMP)	The Operational Amplifier (OPAMP) amplifies small analog input voltages and outputs the amplified voltages. A total of four differential operational amplifier units with two input pins and one output pin are provided. See section 41, Operational Amplifier (OPAMP) .

Table 1.10 Human machine interfaces

Feature	Functional description
Segment LCD Controller (SLCDC)	<p>The Segment LCD Controller (SLCDC) provides the following functions:</p> <ul style="list-style-type: none"> • Waveform A or B selectable • The LCD driver voltage generator can switch between an internal voltage boosting method, a capacitor split method, and an external resistance division method • Automatic output of segment and common signals based on automatic display data register read • The reference voltage generated when operating the voltage boost circuit can be selected in 16 steps (contrast adjustment) • The LCD can be made to blink. <p>See section 48, Segment LCD Controller (SLCDC).</p>
Capacitive Touch Sensing Unit (CTSU)	<p>The Capacitive Touch Sensing Unit (CTSU) measures the electrostatic capacitance of the touch sensor. Changes in the electrostatic capacitance are determined by software, which enables the CTSU to detect whether a finger is in contact with the touch sensor. The electrode surface of the touch sensor is usually enclosed within an electrical insulator so that fingers do not come into direct contact with the electrode. See section 44, Capacitive Touch Sensing Unit (CTSU).</p>

Table 1.11 Data processing

Feature	Functional description
Cyclic Redundancy Check (CRC) calculator	<p>The Cyclic Redundancy Check (CRC) calculator generates CRC codes to detect errors in the data. The bit order of CRC calculation results can be switched for LSB-first or MSB-first communication. Additionally, various CRC-generating polynomials are available. The snoop function allows monitoring reads from and writes to specific addresses. This function is useful in applications that require CRC code to be generated automatically in certain events, such as monitoring writes to the serial transmit buffer and reads from the serial receive buffer. See section 34, Cyclic Redundancy Check (CRC) Calculator.</p>
Data Operation Circuit (DOC)	<p>The Data Operation Circuit (DOC) compares, adds, and subtracts 16-bit data. See section 45, Data Operation Circuit (DOC).</p>

Table 1.12 Security

Feature	Functional description
Secure Crypto Engine 5 (SCE5)	<ul style="list-style-type: none"> • Security algorithm <ul style="list-style-type: none"> - Symmetric algorithm: AES. • Other support features <ul style="list-style-type: none"> - TRNG (True Random Number Generator) - Hash-value generation: GHASH.

Table 1.13 I/O ports

Feature	Functional description
I/O ports	<ul style="list-style-type: none"> • I/O ports for the 145-pin LGA, 144-pin LQFP <ul style="list-style-type: none"> - I/O pins: 123 - Input pins: 3 - Pull-up resistors: 121 - N-ch open-drain outputs: 105 - 5-V tolerance: 11 • I/O ports for the 121-pin BGA <ul style="list-style-type: none"> - I/O pins: 101 - Input pins: 3 - Pull-up resistors: 99 - N-ch open-drain outputs: 84 - 5-V tolerance: 11 • I/O ports for the 100-pin LGA, 100-pin LQFP <ul style="list-style-type: none"> - I/O pins: 81 - Input pins: 3 - Pull-up resistors: 79 - N-ch open-drain outputs: 64 - 5-V tolerance: 9 • I/O ports for the 64-pin LQFP, 64-pin QFN <ul style="list-style-type: none"> - I/O pins: 49 - Input pins: 3 - Pull-up resistors: 47 - N-ch open-drain outputs: 36 - 5-V tolerance: 7

1.2 Block Diagram

Figure 1.1 shows a block diagram of the MCU superset. Some individual devices within the group have a subset of the features.

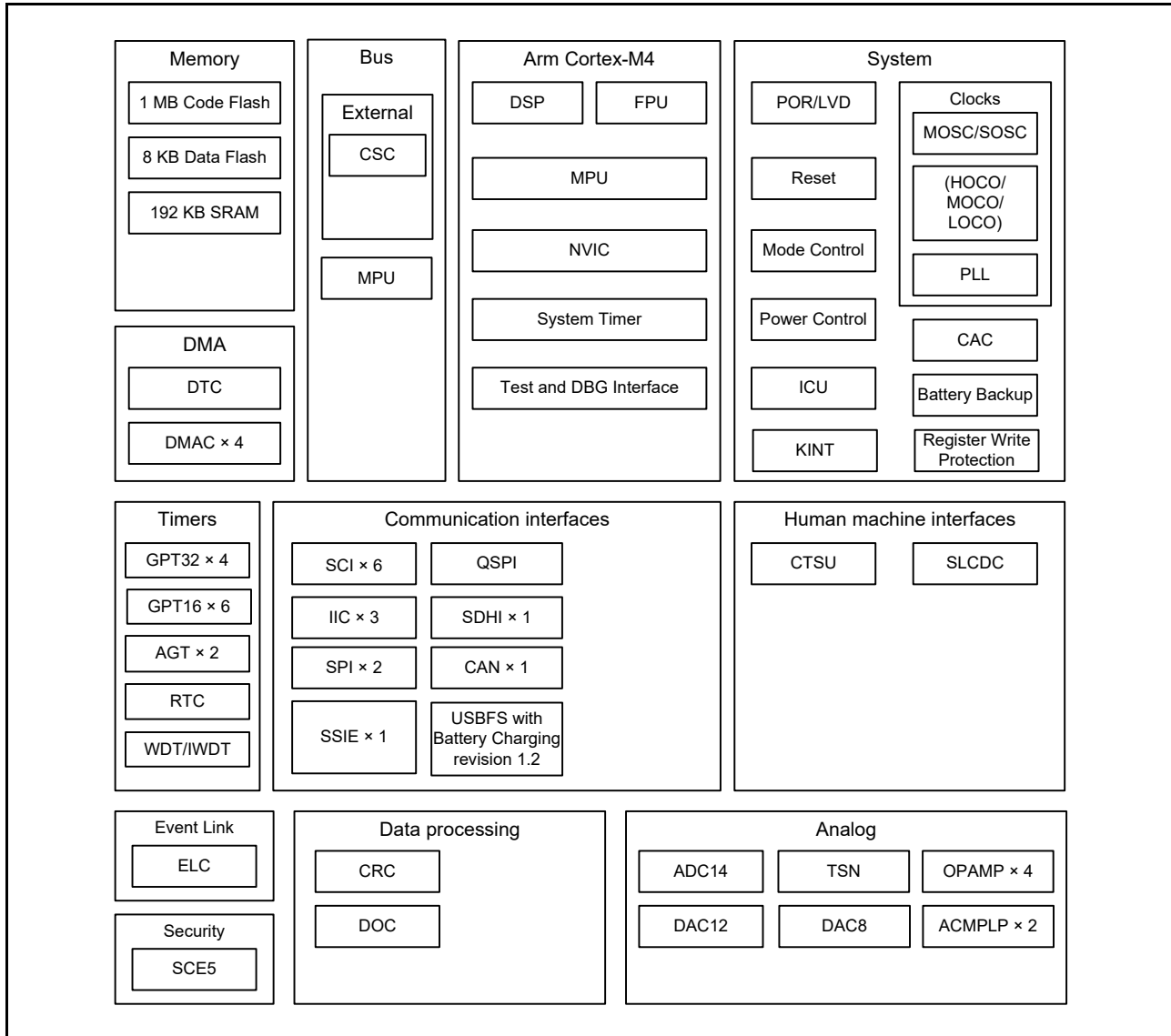


Figure 1.1 Block diagram

1.3 Part Numbering

Figure 1.2 shows the product part number information, including memory capacity, and package type. Table 1.15 shows a product list.

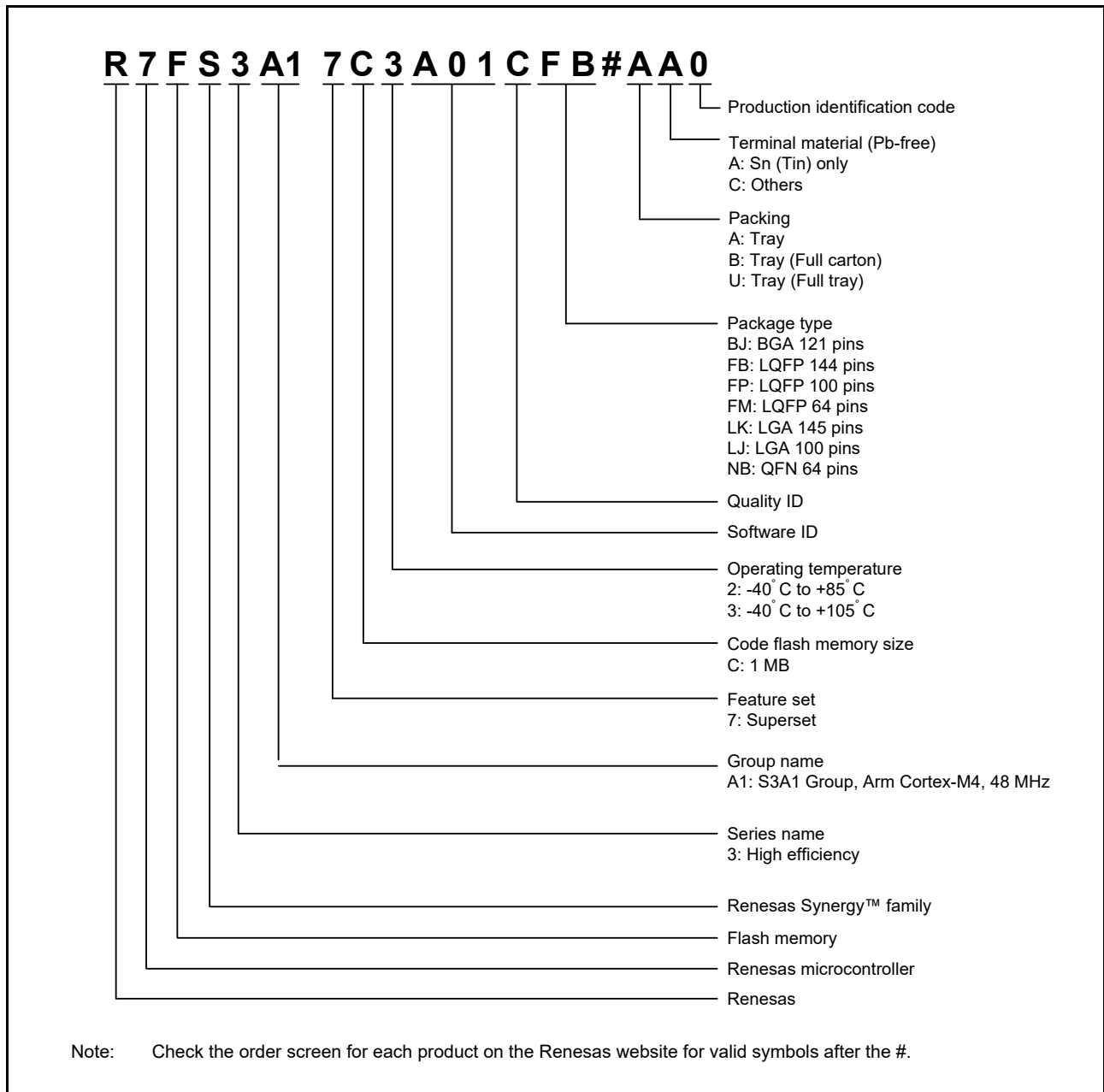


Figure 1.2 Part numbering scheme

Table 1.14 Product list

Product part number	Package code	Code flash	Data flash	SRAM	Operating temperature
R7FS3A17C2A01CLK	PTLG0145KA-A	1 MB	8 KB	192 KB	-40 to +85°C
R7FS3A17C3A01CFB	PLQP0144KA-B				-40 to +105°C
R7FS3A17C2A01CBJ	PLBG0121JA-A				-40 to +85°C
R7FS3A17C3A01CFP	PLQP0100KB-B				-40 to +105°C
R7FS3A17C2A01CLJ	PTLG0100JA-A				-40 to +85°C
R7FS3A17C3A01CFM	PLQP0064KB-C				-40 to +105°C
R7FS3A17C3A01CNB	PWQN0064LA-A				-40 to +105°C
	PWQN0064LB-B				

1.4 Function Comparison

Table 1.15 Function comparison

Part numbers	R7FS3A17C2A01CLK	R7FS3A17C3A01CFB	R7FS3A17C2A01CBJ	R7FS3A17C3A01CFP	R7FS3A17C2A01CLJ	R7FS3A17C3A01CFM/ R7FS3A17C3A01CNB	
Pin count	145	144	121	100	100	64	
Package	LGA	LQFP	BGA	LQFP	LGA	LQFP/QFN	
Code flash memory	1 MB						
Data flash memory	8 KB						
SRAM	192 KB						
	Parity	176 KB					
	ECC	16 KB					
System	CPU clock	48 MHz					
	Backup registers	512 bytes					
	ICU	Yes					
	KINT	8					
Event control	ELC	Yes					
DMA	DTC	Yes					
	DMAC	4					
Bus	External bus	16-bit bus	8-bit bus			No	
Timers	GPT32	4					
	GPT16	6					
	AGT	2					
	RTC	Yes					
	WDT/IWDT	Yes					
Communication	SCI	6					
	IIC	3		2			
	SPI	2					
	SSIE	1					No
	QSPI	1					No
	SDHI	1					No
	CAN	1					
	USBFS	Yes					
Analog	ADC14	28	26	25		18	
	DAC12	1					
	DAC8	2					
	ACMPLP	2					
	OPAMP	4					3
	TSN	Yes					
HMI	SLCDC	4 com × 54 seg or 8 com × 50 seg	4 com × 46 seg or 8 com × 42 seg	4 com × 38 seg or 8 com × 34 seg		4 com × 21 seg or 8 com × 17 seg	
	CTSU	27					24
Data processing	CRC	Yes					
	DOC	Yes					
Security	SCE5						
I/O ports	I/O pins	123	101	81		49	
	Input pins	3					
	Pull-up resistors	121	99	79		47	
	N-ch open-drain outputs	105	84	64		36	
	5-V tolerance	11	11	9		7	

1.5 Pin Functions

Table 1.16 Pin functions (1 of 4)

Function	Signal	I/O	Description
Power supply	VCC	Input	Power supply pin. Connect this pin to the system power supply. Connect it to VSS through a 0.1- μ F capacitor. The capacitor should be placed close to the pin.
	VCL	Input	Connect this pin to the VSS pin through the smoothing capacitor used to stabilize the internal power supply. Place the capacitor close to the pin.
	VSS	Input	Ground pin. Connect to the system power supply (0 V).
	VBATT	Input	Backup power supply pin
Clock	XTAL	Output	Pins for a crystal resonator. An external clock signal can be input through the EXTAL pin.
	EXTAL	Input	
	XCIN	Input	Input/output pins for the sub-clock oscillator. Connect a crystal resonator between XCOU and XCIN.
	XCOU	Output	
	EBCLK	Output	Outputs the external bus clock for external devices
	CLKOUT	Output	Clock output pin
Operating mode control	MD	Input	Pins for setting the operating mode. The signal levels on these pins must not be changed during operation mode transition on release from the reset state.
System control	RES	Input	Reset signal input pin. The MCU enters the reset state when this signal goes low.
CAC	CACREF	Input	Measurement reference clock input pin
Interrupt	NMI	Input	Non-maskable interrupt request pin
	IRQ0 to IRQ15	Input	Maskable interrupt request pins
KINT	KR00 to KR07	Input	Key interrupt input pins. A key interrupt (KINT) can be generated by inputting a falling edge to the key interrupt input pins.
On-chip debug	TMS	I/O	On-chip emulator or boundary scan pins
	TDI	Input	
	TCK	Input	
	TDO	Output	
	SWDIO	I/O	Serial wire debug data input/output pin
	SWCLK	Input	Serial wire clock pin
	SWO	Output	Serial wire trace output pin
External bus interface	RD	Output	Strobe signal indicating that reading from the external bus interface space is in progress, active-low
	WR	Output	Strobe signal indicating that writing to the external bus interface space is in progress, in 1-write strobe mode, active-low
	WR0, WR1	Output	Strobe signals indicating that either group of data bus pins (D07 to D00, D15 to D08) is valid in writing to the external bus interface space, in byte strobe mode, active-low
	BC0, BC1	Output	Strobe signals indicating that either group of data bus pins (D07 to D00, D15 to D08) is valid in access to the external bus interface space, in 1-write strobe mode, active-low
	ALE	Output	Address latch signal when address/data multiplexed bus is selected
	WAIT	Input	Input pin for wait request signals in access to the external space, active-low
	CS0 to CS3	Output	Select signals for CS areas, active-low
	A00 to A23	Output	Address bus
	D00 to D15	I/O	Data bus
Battery backup	VBATWIO0 to VBATWIO2	I/O	Output wakeup signal for the VBATT wakeup control function. External event input for the VBATT wakeup control function.

Table 1.16 Pin functions (2 of 4)

Function	Signal	I/O	Description
GPT	GTETRGA, GTETRGB	Input	External trigger input pin
	GTIOC0A to GTIOC9A, GTIOC0B to GTIOC9B	I/O	Input capture, output capture, or PWM output pin
	GTIU	Input	Hall sensor input pin U
	GTIV	Input	Hall sensor input pin V
	GTIW	Input	Hall sensor input pin W
	GTOUUP	Output	3-phase PWM output for BLDC motor control (positive U phase)
	GTOULO	Output	3-phase PWM output for BLDC motor control (negative U phase)
	GTOVUP	Output	3-phase PWM output for BLDC motor control (positive V phase)
	GTOVLO	Output	3-phase PWM output for BLDC motor control (negative V phase)
	GTOWUP	Output	3-phase PWM output for BLDC motor control (positive W phase)
	GTOWLO	Output	3-phase PWM output for BLDC motor control (negative W phase)
AGT	AGTEE0, AGTEE1	Input	External event input enable signals
	AGTIO0, AGTIO1	I/O	External event input and pulse output pins
	AGTO0, AGTO1	Output	Pulse output pins
	AGTOA0, AGTOA1	Output	Output compare match A output pins
	AGTOB0, AGTOB1	Output	Output compare match B output pins
RTC	RTCOUT	Output	Output pin for 1-Hz/64-Hz clock
	RTCIC0 to RTCIC2	Input	Time capture event input pins
SCI	SCK0 to SCK4, SCK9	I/O	Clock (clock synchronous mode) input/output pins
	RXD0 to RXD4, RXD9	Input	Received data (asynchronous mode/clock synchronous mode) input pins
	TXD0 to TXD4, TXD9	Output	Transmitted data (asynchronous mode/clock synchronous mode) output pins
	CTS0_RTS0 to CTS4_RTS4, CTS9_RTS9	I/O	Input/output pins for controlling the start of transmission and reception (asynchronous mode/clock synchronous mode), active-low
	SCL0 to SCL4, SCL9	I/O	I ² C clock (simple IIC) input/output pins
	SDA0 to SDA4, SDA9	I/O	I ² C data (simple IIC) input/output pins
	SCK0 to SCK4, SCK9	I/O	Clock (simple SPI) input/output pins
	MISO0 to MISO4, MISO9	I/O	Slave transmission of data (simple SPI) input/output pins
	MOSI0 to MOSI4, MOSI9	I/O	Master transmission of data (simple SPI) input/output pins
	SS0 to SS4, SS9	Input	Slave-select input pins (simple SPI), active-low
IIC	SCL0 to SCL2	I/O	Clock input/output pins
	SDA0 to SDA2	I/O	Data input/output pins
SSIE	SSIBCK0	I/O	SSIE serial bit clock pin
	SSILRCK0/SSIFS0	I/O	Word select pins
	SSITXD0	Output	Serial data output pin
	SSIRXD0	Input	Serial data input pin
	AUDIO_CLK	Input	External clock pin for audio (input oversampling clock)

Table 1.16 Pin functions (3 of 4)

Function	Signal	I/O	Description
SPI	RSPCKA, RSPCKB	I/O	Clock input/output pin
	MOSIA, MOSIB	I/O	Input/output pins for data output from the master
	MISOA, MISOB	I/O	Input/output pins for data output from the slave
	SSLA0, SSLB0	I/O	Input/output pins for slave selection
	SSLA1, SSLA2, SSLA3, SSLB1, SSLB2, SSLB3	Output	Output pins for slave selection
QSPI	QSPCLK	Output	QSPI clock output pin
	QSSL	Output	QSPI slave output pin
	QIO0	I/O	Master transmit data/Data 0
	QIO1	I/O	Master input data/Data 1
	QIO2, QIO3	I/O	Data 2, Data 3
CAN	CRX0	Input	Receive data
	CTX0	Output	Transmit data
USBFS	VSS_USB	Input	Ground pin
	VCC_USB_LDO	Input	Power supply pin for USB LDO regulator
	VCC_USB	I/O	Input: Power supply pin for USB transceiver. Output: USB LDO regulator output pin. This pin should be connected to an external capacitor.
	USB_DP	I/O	D+ I/O pin of the USB on-chip transceiver. This pin should be connected to the D+ pin of the USB bus.
	USB_DM	I/O	D- I/O pin of the USB on-chip transceiver. This pin should be connected to the D- pin of the USB bus.
	USB_VBUS	Input	USB cable connection monitor pin. This pin should be connected to VBUS on the USB bus. The VBUS pin status (connected or disconnected) can be detected when the USB module is operating as a device controller.
	USB_EXICEN	Output	Low power control signal for external power supply (OTG) chip
	USB_VBUSEN	Output	VBUS (5 V) supply enable signal for external power supply chip
	USB_OVRCURA, USB_OVRCURB	Input	Connect the external overcurrent detection signals to these pins. Connect the VBUS comparator signals to these pins when the OTG power supply chip is connected.
	USB_ID	Input	Connect the MicroAB connector ID input signal to this pin during operation in OTG mode
SDHI	SD0CLK	Output	SD clock output pin
	SD0CMD	I/O	SD command output, response input signal pin
	SD0DAT0 to SD0DAT7	I/O	SD data bus pins
	SD0CD	Input	SD card detection pin
	SD0WP	Input	SD write-protect signal
Analog power supply	AVCC0	Input	Analog voltage supply pin
	AVSS0	Input	Analog voltage supply ground pin
	VREFH0	Input	Analog reference voltage supply pin
	VREFL0	Input	Reference power supply ground pin
	VREFH	Input	Analog reference voltage supply pin for D/A converter
	VREFL	Input	Analog reference ground pin for D/A converter
ADC14	AN000 to AN027	Input	Input pins for the analog signals to be processed by the A/D converter
	ADTRG0	Input	Input pins for the external trigger signals that start the A/D conversion, active-low
DAC12	DA0	Output	Output pins for the analog signals to be processed by the D/A converter
Comparator output	VCOUT	Output	Comparator output pin
ACMPLP	CMPREF0, CMPREF1	Input	Reference voltage input pins
	CMPIN0, CMPIN1	Input	Analog voltage input pins

Table 1.16 Pin functions (4 of 4)

Function	Signal	I/O	Description
OPAMP	AMP0+ to AMP3+	Input	Analog voltage input pins
	AMP0- to AMP3-	Input	Analog voltage input pins
	AMP0O to AMP3O	Output	Analog voltage output pins
CTSUC	TS00 to TS13, TS17 to TS22, TS27 to TS31, TS34, TS35	Input	Capacitive touch detection pins (touch pins)
	TSCAP	-	Secondary power supply pin for the touch driver
I/O ports	P000 to P015	I/O	General-purpose input/output pins
	P100 to P115	I/O	General-purpose input/output pins
	P200	Input	General-purpose input pin
	P201 to P206, P212, P213	I/O	General-purpose input/output pins
	P214, P215	Input	General-purpose input pins
	P300 to P315	I/O	General-purpose input/output pins
	P400 to P415	I/O	General-purpose input/output pins
	P500 to P507, P511, P512	I/O	General-purpose input/output pins
	P600 to P606, P608 to P614	I/O	General-purpose input/output pins
	P700 to P705, P708 to P713	I/O	General-purpose input/output pins
	P800 to P809	I/O	General-purpose input/output pins
	P900 to P902, P914, P915	I/O	General-purpose input/output pins
	SLCDC	VL1, VL2, VL3, VL4	I/O
CAPH, CAPL		I/O	Capacitor connection pin for the LCD controller/driver
COM0 to COM7		Output	Common signal output pins for the LCD controller/driver
SEG00 to SEG53		Output	Segment signal output pins for the LCD controller/driver

1.6 Pin Assignments

Figure 1.3 to Figure 1.9 show the pin assignments.

R7FS3A17C2A01CLK															
	A	B	C	D	E	F	G	H	J	K	L	M	N		
13	P407	P409	P412	P708	P711	VCC	P212 /EXTAL	P215 /XCIN	VCL	P702	P405	P402	P400	13	
12	P915/ USB_DM	P914/ USB_DP	P410	P414	P710	VSS	P213 /XTAL	P214 /XCOUT	VBATT	P701	P404	P511	VCC	12	
11	VCC_ USB	VSS_ USB	VCC_ USB_LDO	P411	P415	P712	P705	P704	P703	P403	P401	P512	VSS	11	
10	P205	P206	P204	P408	P413	P709	P713	P700	P406	P003	P000	P002	P001	10	
9	P203	P313	P202	P314						P004	P006	P009	P008	9	
8	P900	P901	P200	P315						P005	AVSS0	P011 /VREFL0	P010 /VREFH0	8	
7	VSS	P902	RES	P310						P007	AVCC0	P013 /VREFL	P012 /VREFH	7	
6	VCC	P201/MD	P312	P305						P505	P506	P015	P014	6	
5	P309	P311	P308	P303	NC						P503	P504	VSS	VCC	5
4	P307	P306	P304	P109/TDO /SWO	P114	P608	P604	P600	P105	P500	P502	P501	P507	4	
3	P808	P809	P301	P112	P115	P610	P614	P603	P107	P106	P104	P803	P802	3	
2	P302	P300/TCK /SWCLK	P111	P806	P609	P612	VSS	P605	P601	P805	P800	P101	P801	2	
1	P108/TMS /SWDIO	P110/TDI	P113	P807	P611	P613	VCC	P606	P602	P804	P103	P102	P100	1	
	A	B	C	D	E	F	G	H	J	K	L	M	N		

Figure 1.3 Pin assignment for 145-pin LGA (top view)

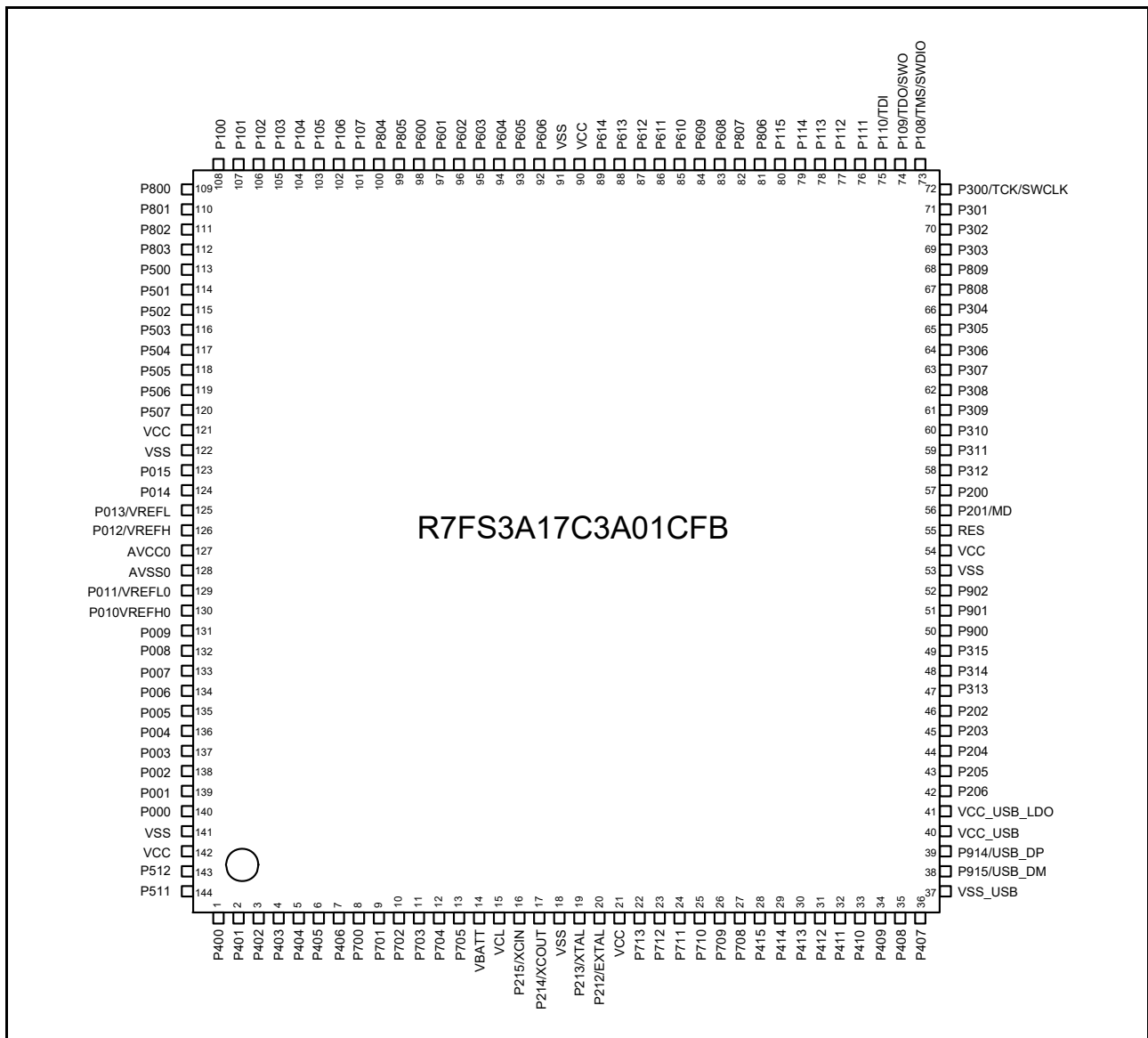


Figure 1.4 Pin assignment for 144-pin LQFP (top view)

R7FS3A17C2A01CBJ

	A	B	C	D	E	F	G	H	J	K	L	
11	P407	P408	P411	P414	P212/ EXTAL	P215/ XCIN	VCL	P406	P403	P401	P400	11
10	P915/ USB_DM	P914/ USB_DP	P410	P415	P213/ XTAL	P214/ XCOUT	VBATT	P405	P402	P511	P512	10
9	VCC_ USB	VSS_ USB	P409	P412	P708	VCC	VSS	P404	P002	P001	P000	9
8	P205	VCC_ USB_ LDO	P206	P204	P413	P710	P702	P006	P004	P003	P005	8
7	P203	P202	P313	P314	P315	P709	P701	P007	AVSS0	P011/ VREFL0	P010/ VREFH0	7
6	VSS	VCC	RES	P201/MD	P200	NC	P700	P008	AVCC0	P013/ VREFL	P012/ VREFH	6
5	P308	P309	P307	P302	P304	P612	P601	P506	P505	P015	P014	5
4	P305	P306	P808	P114	P611	P603	P600	P504	P503	VSS	VCC	4
3	P809	P303	P110/TDI	P111	P609	P604	P106	P104	P502	P500	P501	3
2	P301	P108/ TMS/ SWDIO	P113	P608	P613	P605	P602	P105	P102	P801	P800	2
1	P300/ TCK/ SWCLK	P109/ TDO/ SWO	P112	P115	P610	VCC	VSS	P107	P103	P101	P100	1
	A	B	C	D	E	F	G	H	J	K	L	

Figure 1.5 Pin assignment for 121-pin BGA (top view)

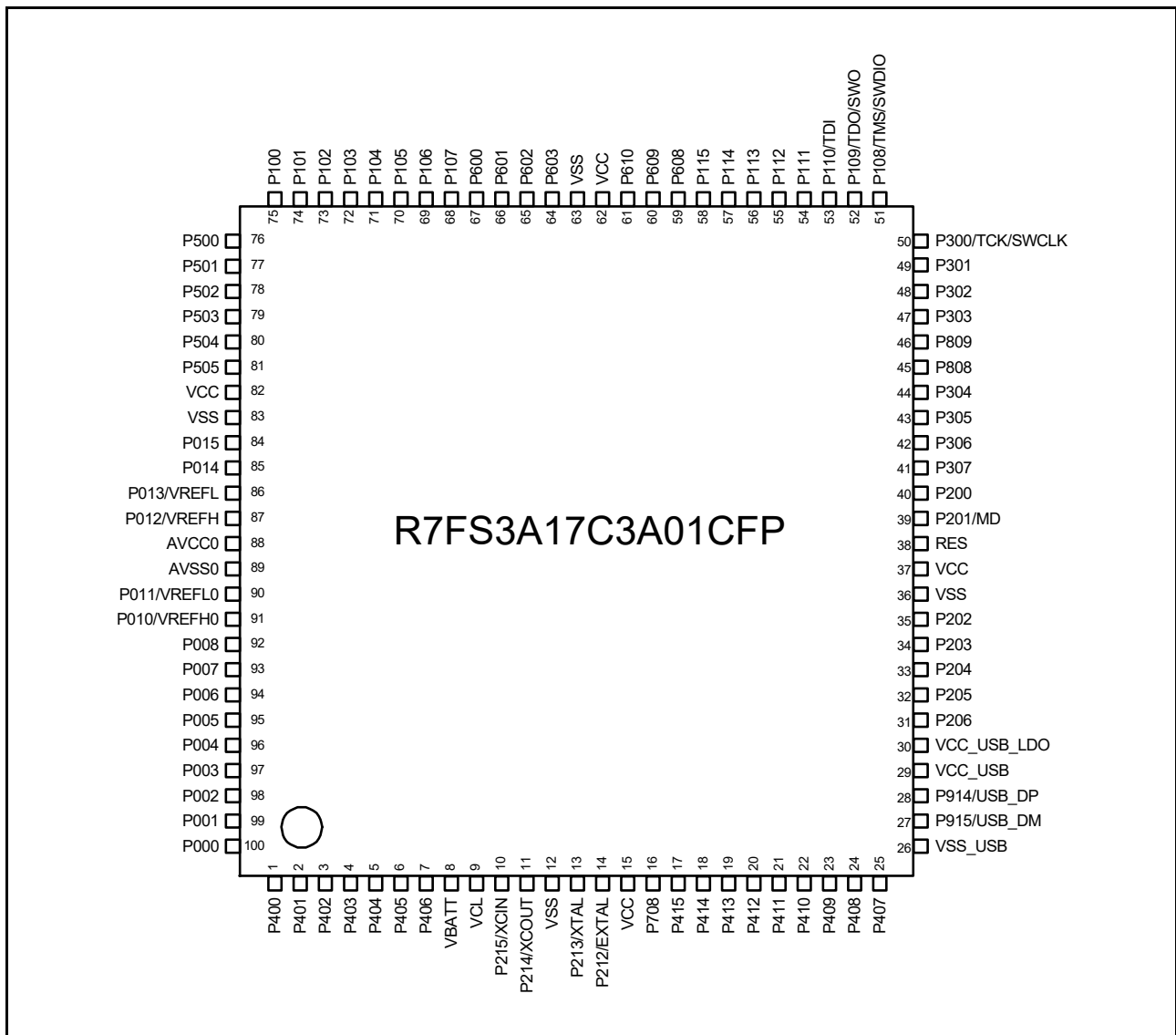


Figure 1.6 Pin assignment for 100-pin LQFP (top view)

R7FS3A17C2A01CLJ

	A	B	C	D	E	F	G	H	J	K	
10	P407	P409	P412	VCC	P212/ EXTAL	P215/ XCIN	VCL	P403	P400	P000	10
9	P915/ USB_DM	P914/ USB_DP	P413	VSS	P213/ XTAL	P214/ XCOUT	VBATT	P405	P401	P001	9
8	VCC_ USB	VSS_ USB	VCC_US B_LDO	P411	P415	P708	P404	P003	P004	P002	8
7	P205	P204	P206	P408	P414	P406	P006	P007	P008	P005	7
6	VSS	VCC	P202	P203	P410	P402	P505	AVSS0	P011/ VREFL0	P010/ VREFH0	6
5	P200	P201/MD	P307	RES	P113	P600	P504	AVCC0	P013/ VREFL	P012/ VREFH	5
4	P305	P304	P808	P306	P115	P601	P503	P100	P015	P014	4
3	P809	P303	P110/TDI	P111	P609	P602	P107	P103	VSS	VCC	3
2	P300/ TCK/ SWCLK	P302	P301	P114	P610	P603	P106	P101	P501	P502	2
1	P108/ TMS/ SWDIO	P109/ TDO/ SWO	P112	P608	VCC	VSS	P105	P104	P102	P500	1
	A	B	C	D	E	F	G	H	J	K	

Figure 1.7 Pin assignment for 100-pin LGA (top view)

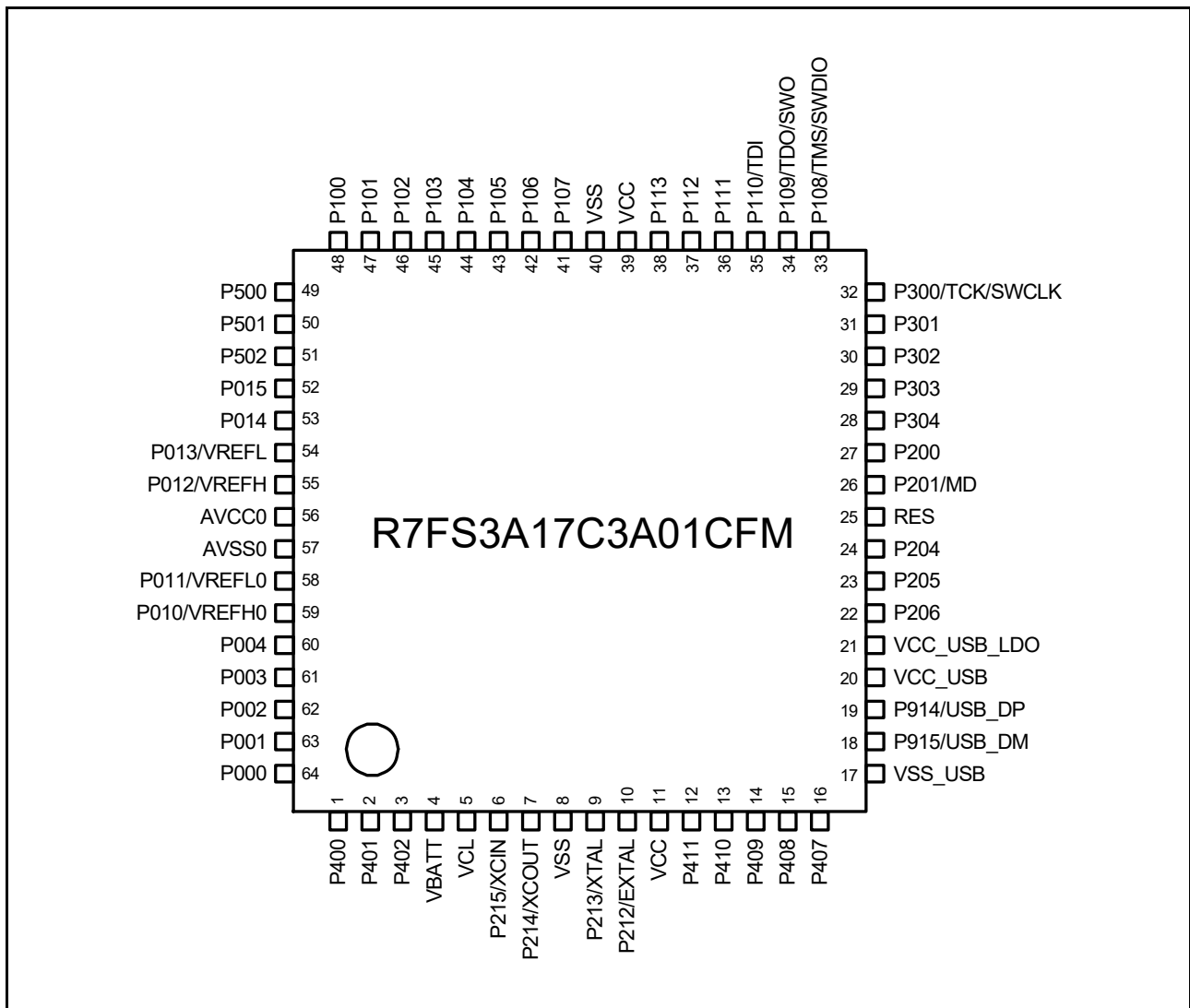


Figure 1.8 Pin assignment for 64-pin LQFP (top view)

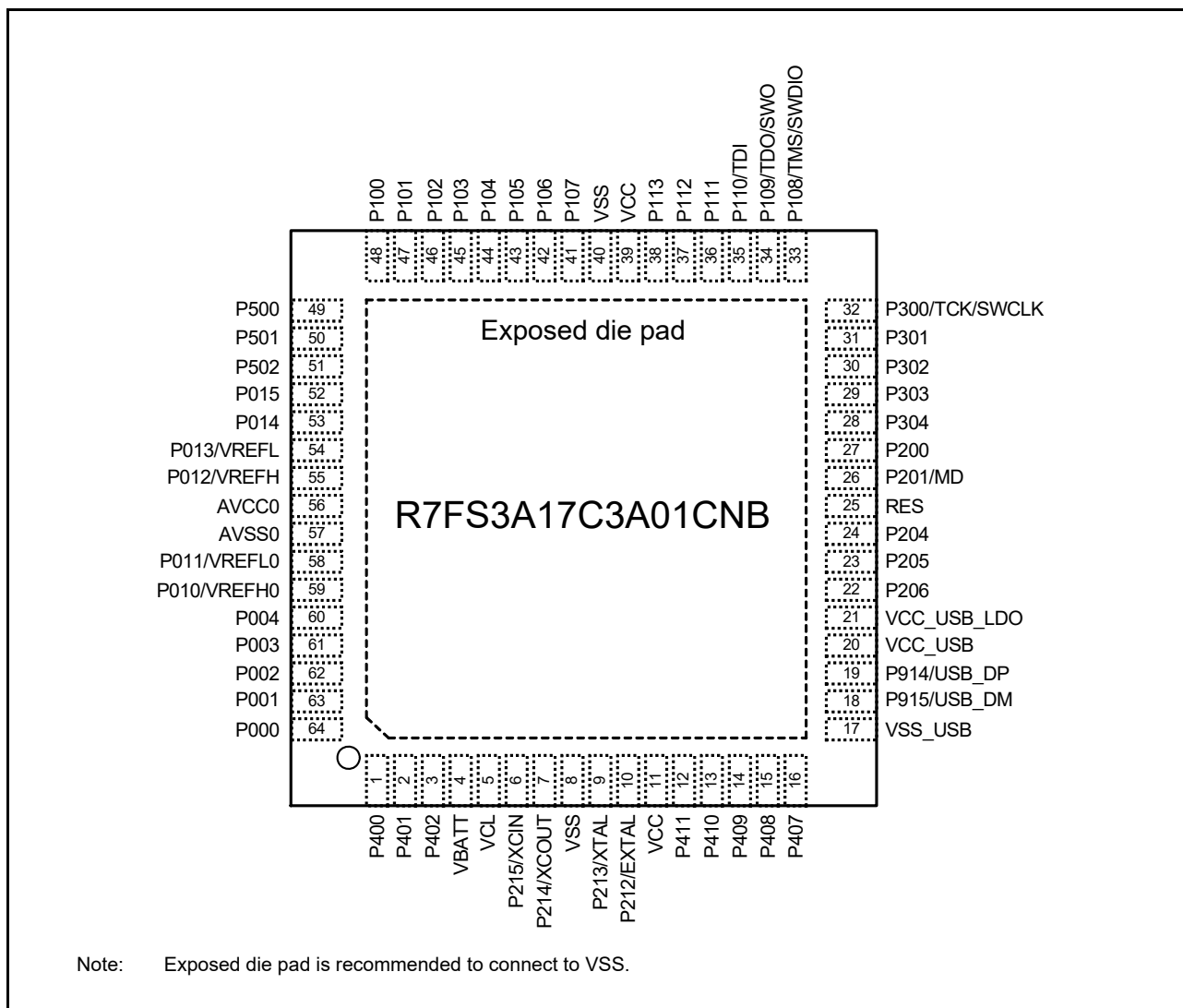


Figure 1.9 Pin assignment for 64-pin QFN (top view)

1.7 Pin Lists

Pin number							Power, System, Clock, Debug, CAC, VBATT	Interrupt	I/O port	External bus	Timers				Communication interfaces						Analog			HMI		
Package	Pin	Symbol	IO	IO	IO	AGT					GPT_OPS, POEG	GPT	RTC	USBFS, CAN	SCI	IIC	SPI/QSPI	SSIE	SDHI	ADC14	DAC12, OPAMP	ACMPLP	SLCDC	CTSU		
N13	1	LQFP144	L11	1	J10	1	CACREF	IRQ0	P400	-	AGTIO1	-	GTIOC6A	-	-	SCK1 SCK4	SCL0	-	AUDIO_C LK	-	-	-	-	-	SEG4	TS20
L11	2	K11	2	J9	2	2	-	IRQ5	P401	-	GTETRGA	-	GTIOC6B	-	CTX0	TXD1/ MOSI1 /SDA1 CTS4/ RTS4/ SS4	SDA0	-	-	-	-	-	-	-	SEG5	TS19
M13	3	J10	3	F6	3	3	VBATWIO0	IRQ4	P402	-	AGTIO0/ AGTIO1	-	-	RTCIC0	CRX0	RXD1/ MISO1 /SCL1	-	-	-	-	-	-	-	-	SEG6	TS18
K11	4	J11	4	H10	-	-	VBATWIO1	-	P403	-	AGTIO0/ AGTIO1	-	GTIOC3A	RTCIC1	-	CTS1_ RTS1/ SS1	-	-	SSIBCK0	-	-	-	-	-	-	TS17
L12	5	H9	5	G8	-	-	VBATWIO2	-	P404	-	-	-	GTIOC3B	RTCIC2	-	-	-	-	SSLRCK0 /SSIFS0	-	-	-	-	-	-	-
L13	6	H10	6	H9	-	-	-	-	P405	-	-	-	GTIOC1A	-	-	-	-	-	SSITXD0	-	-	-	-	-	-	-
J10	7	H11	7	F7	-	-	-	-	P406	-	-	-	GTIOC1B	-	-	-	-	SSLA3	SSIRXD0	-	-	-	-	-	-	-
H10	8	G6	-	-	-	-	-	-	P700	-	-	-	GTIOC5A	-	-	-	-	MISOA	-	-	-	-	-	-	-	-
K12	9	G7	-	-	-	-	-	-	P701	-	-	-	GTIOC5B	-	-	-	-	MOSIA	-	-	-	-	-	-	-	-
K13	10	G8	-	-	-	-	-	-	P702	-	-	-	GTIOC6A	-	-	-	-	RSPCKA	-	-	-	-	-	-	-	-
J11	11	-	-	-	-	-	-	-	P703	-	-	-	GTIOC6B	-	-	-	-	SSLA0	-	-	-	-	-	VCOU	-	-
H11	12	-	-	-	-	-	-	-	P704	-	AGTO0	-	-	-	-	-	-	SSLA1	-	-	-	-	-	-	-	-
G11	13	-	-	-	-	-	-	-	P705	-	AGTIO0	-	-	-	-	-	-	SSLA2	-	-	-	-	-	-	-	-
J12	14	G10	8	G9	4	4	VBATT	-	-	-	-	-	-	-	-	-	-	-	-	-	-	-	-	-	-	-
J13	15	G11	9	G10	5	5	VCL	-	-	-	-	-	-	-	-	-	-	-	-	-	-	-	-	-	-	-
H13	16	F11	10	F10	6	6	XCIN	-	P215	-	-	-	-	-	-	-	-	-	-	-	-	-	-	-	-	-
H12	17	F10	11	F9	7	7	XCOUT	-	P214	-	-	-	-	-	-	-	-	-	-	-	-	-	-	-	-	-
F12	18	G9	12	D9	8	8	VSS	-	-	-	-	-	-	-	-	-	-	-	-	-	-	-	-	-	-	-
G12	19	E10	13	E9	9	9	XTAL	IRQ2	P213	-	GTETRGA	GTIOC0A	-	-	TXD1/ MOSI1 /SDA1	-	-	-	-	-	-	-	-	-	-	-
G13	20	E11	14	E10	10	10	EXTAL	IRQ3	P212	-	AGTEE1	GTETRGB	GTIOC0B	-	-	RXD1/ MISO1 /SCL1	-	-	-	-	-	-	-	-	-	-
F13	21	F9	15	D10	11	11	VCC	-	-	-	-	-	-	-	-	-	-	-	-	-	-	-	-	-	-	-
G10	22	-	-	-	-	-	-	-	P713	-	AGTOA0	-	GTIOC2A	-	-	-	-	-	-	-	-	-	-	-	-	-
F11	23	-	-	-	-	-	-	-	P712	-	AGTOB0	-	GTIOC2B	-	-	-	-	-	-	-	-	-	-	-	-	-
E13	24	-	-	-	-	-	-	-	P711	-	AGTEE0	-	-	-	CTS1_ RTS1/ SS1	-	-	-	-	-	-	-	-	-	-	-
E12	25	F8	-	-	-	-	-	-	P710	A17	-	-	-	-	SCK1	-	-	-	-	-	-	-	-	-	-	-
F10	26	F7	-	-	-	-	-	IRQ10	P709	-	-	-	-	TXD1/ MOSI1 /SDA1	-	-	-	-	-	-	-	-	-	-	-	-
D13	27	E9	16	F8	-	-	-	IRQ11	P708	-	-	-	-	RXD1/ MISO1 /SCL1	-	-	SSLA3	-	-	-	-	-	-	-	-	
E11	28	D10	17	E8	-	-	-	IRQ8	P415	-	-	-	GTIOC0A	-	-	-	SSLA2	-	SD0CD	-	-	-	-	-	-	-
D12	29	D11	18	E7	-	-	-	IRQ9	P414	-	-	-	GTIOC0B	-	-	-	SSLA1	-	SD0WP	-	-	-	-	-	-	-
E10	30	E8	19	C9	-	-	-	-	P413	-	GTOUUP	-	-	-	CTS0_ RTS0/ SS0	-	SSLA0	-	SD0CLK	-	-	-	-	-	-	-
C13	31	D9	20	C10	-	-	-	-	P412	-	GTOULO	-	-	-	SCK0	-	RSPCKA	-	SD0CMD	-	-	-	-	-	-	-

Pin number												Timers				Communication interfaces							Analog			HMI											
												AGT	GPT_OPS, POEG	GPT	RTC	USBFs, CAN	SCI	IIC	SPI/QSPI	SSIE	SDHI	ADC14	DAC12, OPAMP	ACMPLP	SLCDC	CTSU											
D11	32	C11	21	D8	12	12	-	IRQ4	P411	-	-	AGTOA1	GTOVUP	GTIOC9A	-	-	-	-	-	-	-	-	-	-	-	-	TXD0/ MOSI0 /SDA0 CTS3/ RTS3/ SS3	-	-	-	-	-	-	SEG7	TS7		
C12	33	C10	22	E6	13	13	-	IRQ5	P410	-	-	AGTOB1	GTOVLO	GTIOC9B	-	-	-	-	-	-	-	-	-	-	-	-	SCK3 RXD0/ MISO0 /SCL0	-	-	-	-	-	-	SEG8	TS6		
B13	34	C9	23	B10	14	14	-	IRQ6	P409	-	-	-	GTOVUP	GTIOC5A	-	-	-	-	-	-	-	-	-	-	-	-	USB EXIC EN	TXD3/ MOSI3 /SDA3	-	-	-	-	-	-	SEG9	TS5	
D10	35	B11	24	D7	15	15	-	IRQ7	P408	-	-	-	GTOVLO	GTIOC5B	-	-	-	-	-	-	-	-	-	-	-	-	USB ID	CTS1/ RTS1/ SS1 RXD3/ MISO3 /SCL3	SCL0	-	-	-	-	-	-	SEG10	TS4
A13	36	A11	25	A10	16	16	-	-	P407	-	-	AGTIO0	-	-	-	RTCCOUT	USB VBUS	CTS4/ RTS4/ SS4	SDA0	SSLB3	-	-	-	-	-	-	-	ADTR G0	-	-	-	-	-	-	SEG11	TS3	
B11	37	B9	26	B8	17	17	VSS_USB	-	-	-	-	-	-	-	-	-	-	-	-	-	-	-	-	-	-	-	-	-	-	-	-	-	-	-	-	-	
A12	38	A10	27	A9	18	18	-	-	P915	-	-	-	-	-	-	-	USB DM	-	-	-	-	-	-	-	-	-	-	-	-	-	-	-	-	-	-	-	
B12	39	B10	28	B9	19	19	-	-	P914	-	-	-	-	-	-	-	USB DP	-	-	-	-	-	-	-	-	-	-	-	-	-	-	-	-	-	-	-	
A11	40	A9	29	A8	20	20	VCC_USB	-	-	-	-	-	-	-	-	-	-	-	-	-	-	-	-	-	-	-	-	-	-	-	-	-	-	-	-	-	
C11	41	B8	30	C8	21	21	VCC_USB _LDO	-	-	-	-	-	-	-	-	-	-	-	-	-	-	-	-	-	-	-	-	-	-	-	-	-	-	-	-	-	
B10	42	C8	31	C7	22	22	-	IRQ0	P206	WAI T	-	AGTIO1	GTIU	-	-	-	USB VBUS EN	RXD4/ MISO4 /SCL4	SDA1	SSLB1	-	-	-	-	-	-	-	SD0DAT2	-	-	-	-	-	-	SEG12	TS1	
A10	43	A8	32	A7	23	23	CLKOUT	IRQ1	P205	A16	AGTIO1	GTIV	GTIOC4A	-	-	-	USB OVR CUR A	TXD4/ MOSI4 /SDA4 CTS9/ RTS9/ SS9	SCL1	SSLB0	-	-	-	-	-	SD0DAT3	-	-	-	-	-	-	SEG20	TSCAP			
C10	44	D8	33	B7	24	24	CACREF	-	P204	A18	AGTIO1	GTIW	GTIOC4B	-	-	-	USB OVR CUR B	SCK4 SCK9	SCL0	RSPCKB	-	-	-	-	-	SD0DAT4	-	-	-	-	-	-	-	SEG23	TS0		
A9	45	A7	34	D6	-	-	-	IRQ2	P203	A19	-	-	GTIOC5A	-	-	-	-	-	-	-	-	-	-	-	-	-	CTS2/ RTS2/ SS2 TXD9/ MOSI9 /SDA9	-	-	-	-	-	-	SEG22	TSCAP		
C9	46	B7	35	C6	-	-	-	IRQ3	P202	WR1 /BC1	-	-	GTIOC5B	-	-	-	-	-	-	-	-	-	-	-	-	-	SCK2 RXD9/ MISO9 /SCL9	-	-	-	-	-	-	SEG21	-		
B9	47	C7	-	-	-	-	-	-	P313	A20	-	-	-	-	-	-	-	-	-	-	-	-	-	-	-	-	-	SD0DAT7	-	-	-	-	-	-	-		
D9	48	D7	-	-	-	-	-	-	P314	A21	-	-	-	-	-	-	-	-	-	-	-	-	-	-	-	-	-	-	-	-	-	-	-	-	-	-	
D8	49	E7	-	-	-	-	-	-	P315	A22	-	-	-	-	-	-	-	-	-	-	-	-	-	-	-	-	-	RXD4/ MISO4 /SCL4	-	-	-	-	-	-	-	-	
A8	50	-	-	-	-	-	-	-	P900	A23	-	-	-	-	-	-	-	-	-	-	-	-	-	-	-	-	-	TXD4/ MOSI4 /SDA4	-	-	-	-	-	-	-	-	
B8	51	-	-	-	-	-	-	-	P901	-	AGTIO1	-	-	-	-	-	-	-	-	-	-	-	-	-	-	-	-	SCK4	-	-	-	-	-	-	-	-	
B7	52	-	-	-	-	-	-	-	P902	-	AGTIO1	-	-	-	-	-	-	-	-	-	-	-	-	-	-	-	-	CTS4/ RTS4/ SS4	-	-	-	-	-	-	-	-	
A7	53	A6	36	A6	-	-	VSS	-	-	-	-	-	-	-	-	-	-	-	-	-	-	-	-	-	-	-	-	-	-	-	-	-	-	-	-	-	
A6	54	B6	37	B6	-	-	VCC	-	-	-	-	-	-	-	-	-	-	-	-	-	-	-	-	-	-	-	-	-	-	-	-	-	-	-	-	-	
C7	55	C6	38	D5	25	25	RES	-	-	-	-	-	-	-	-	-	-	-	-	-	-	-	-	-	-	-	-	-	-	-	-	-	-	-	-	-	
B6	56	D6	39	B5	26	26	MD	-	P201	-	-	-	-	-	-	-	-	-	-	-	-	-	-	-	-	-	-	-	-	-	-	-	-	-	-	-	

Pin number												Timers				Communication interfaces						Analog			HMI										
Pin	Package	Pin	Package	Pin	Package	Pin	Package	Pin	Package	Pin	Package	Pin	Package	Pin	Package	Pin	Package	Pin	Package	Pin	Package	Pin	Package	Pin	Package	Pin	Package	Pin	Package	Pin	Package	Pin	Package		
1	2	3	4	5	6	7	8	9	10	11	12	13	14	15	16	17	18	19	20	21	22	23	24	25	26	27	28	29	30	31	32	33	34		
LA145	LQFP144	BGA121	LQFP100	LGA100	LQFP64	QFN64	Power, System, Clock, Debug, CAC, VBATT	Interrupt	I/O port	External bus	AGT	GPT_OPS, POEG	GPT	RTC	USBFS, CAN	SCI	IIC	SPI/QSPI	SSIE	SDHI	ADC14	DAC12, OPAMP	ACMPLP	SLCDC	CTSU										
C8	57	E6	40	A5	27	27		NMI	P200																										
C6	58								P312	CS3	AGTOA1																								
B5	59								P311	CS2	AGTOB1																								
D7	60								P310	A15	AGTEE1																								
A5	61	B5							P309	A14																									
C5	62	A5							P308	A13																									
A4	63	C5	41	C5					P307	A12																									
B4	64	B4	42	D4					P306	A11																									
D6	65	A4	43	A4				IRQ8	P305	A10																									
C4	66	E5	44	B4	28	28		IRQ9	P304	A09			GTIOC7A																						
A3	67	C4	45	C4					P808																										
B3	68	A3	46	A3					P809																										
D5	69	B3	47	B3	29	29			P303	A08			GTIOC7B																						
A2	70	D5	48	B2	30	30		IRQ5	P302	A07		GTOUUP	GTIOC4A																						
C3	71	A2	49	C2	31	31		IRQ6	P301	A06	AGTIO0	GTOULO	GTIOC4B																						
B2	72	A1	50	A2	32	32			P300			GTOUUP	GTIOC0A																						
A1	73	B2	51	A1	33	33			P108			GTOULO	GTIOC0B																						
D4	74	B1	52	B1	34	34			P109			GTOVUP	GTIOC1A																						
B1	75	C3	53	C3	35	35		TDI	IRQ3	P110			GTOVLO	GTIOC1B																					
C2	76	D3	54	D3	36	36			IRQ4	P111	A05		GTIOC3A																						
D3	77	C1	55	C1	37	37			P112	A04			GTIOC3B																						
C1	78	C2	56	E5	38	38			P113	A03			GTIOC2A																						
E4	79	D4	57	D2					P114	A02			GTIOC2B																						
E3	80	D1	58	E4					P115	A01			GTIOC4A																						
D2	81								P806																										
D1	82								P807																										
F4	83	D2	59	D1					P608	A00/ BC0			GTIOC4B																						
E2	84	E3	60	E3					P609	CS1			GTIOC5A																						
F3	85	E1	61	E2					P610	CS0			GTIOC5B																						

Pin number										Power, System, Clock, Debug, CAC, VBATT	Interrupt	I/O port	External bus	Timers				Communication interfaces					Analog		HMI	
LGA145	LQFP144	BGA121	LQFP100	LGA100	LQFP64	QFN64	AGT	GPT_OPS, POEG	GPT					RTC	USBFs, CAN	SCI	IIC	SPI/QSPI	SSIE	SDHI	ADC14	DAC12, OPAMP	ACMPLP	SLCDC	CTSU	
E1	86	E4	-	-	-	-	-	-	-	-	P611	-	-	-	-	-	-	-	-	-	-	SEG31	-			
F2	87	F5	-	-	-	-	-	-	-	-	P612	D08	-	-	-	-	-	-	-	-	-	SEG32	-			
F1	88	E2	-	-	-	-	-	-	-	-	P613	D09	-	-	-	-	-	-	-	-	-	SEG33	-			
G3	89	-	-	-	-	-	-	-	-	-	P614	D10	-	-	-	-	-	-	-	-	-	SEG34	-			
G1	90	F1	62	E1	39	39	VCC	-	-	-	-	-	-	-	-	-	-	-	-	-	-	-	-			
G2	91	G1	63	F1	40	40	VSS	-	-	-	-	-	-	-	-	-	-	-	-	-	-	-	-			
H1	92	-	-	-	-	-	-	-	-	-	P606	-	-	-	-	-	-	-	-	-	-	SEG35	-			
H2	93	F2	-	-	-	-	-	-	-	-	P605	D11	-	GTIOC8A	-	-	-	-	-	-	-	SEG36	-			
G4	94	F3	-	-	-	-	-	-	-	-	P604	D12	-	GTIOC8B	-	-	-	-	-	-	-	SEG37	-			
H3	95	F4	64	F2	-	-	-	-	-	-	P603	D13	-	GTIOC7A	-	-	CTS9/ RTS9/ SS9	SD0DAT4	-	-	-	SEG38	-			
J1	96	G2	65	F3	-	-	-	-	-	-	P602	EBC LK	-	GTIOC7B	-	-	TXD9/ MISO9 /SDA9	SD0DAT5	-	-	-	SEG39	-			
J2	97	G5	66	F4	-	-	-	-	-	-	P601	WR/ WR0	-	GTIOC6A	-	-	RXD9/ MISO9 /SCL9	SD0DAT6	-	-	-	SEG40	-			
H4	98	G4	67	F5	-	-	-	-	-	-	P600	RD	-	GTIOC6B	-	-	SCK9	SD0DAT7	-	-	-	SEG41	-			
K2	99	-	-	-	-	-	-	-	-	-	P805	-	-	GTIOC9A	-	-	-	-	-	-	-	SEG42	-			
K1	100	-	-	-	-	-	-	-	-	-	P804	-	-	GTIOC9B	-	-	-	-	-	-	-	SEG43	-			
J3	101	H1	68	G3	41	41	-	KR07	P107	D07	-	-	GTIOC8A	-	-	-	-	-	-	-	COM3	-	-			
K3	102	G3	69	G2	42	42	-	KR06	P106	D06	-	-	GTIOC8B	-	-	SSLA3	-	-	-	-	COM2	-	-			
J4	103	H2	70	G1	43	43	-	KR05/ IRQ0	P105	D05	-	GTETPGA	GTIOC1A	-	-	SSLA2	-	-	-	-	COM1	TS34	-			
L3	104	H3	71	H1	44	44	-	KR04/ IRQ1	P104	D04	-	GTETRGA	GTIOC1B	-	-	RXD0/ MISO0 /SCL0	SSLA1	-	-	-	COM0	TS13	-			
L1	105	J1	72	H3	45	45	-	KR03	P103	D03	-	GTOWUP	GTIOC2A	-	CTX0	CTS0/ RTS0/ SS0	SSLA0	-	AN019	-	CMPRE F1	VL4	-			
M1	106	J2	73	J1	46	46	-	KR02	P102	D02	AGT00	GTOWLO	GTIOC2B	-	CRX0	SCK0/ TXD2/ MOSI2 /SDA2	RSPCKA	-	AN020/ ADTR G0	-	CMPIN1	VL3	-			
M2	107	K1	74	H2	47	47	-	KR01/ IRQ1	P101	D01	AGTEE0	GTETRGA	GTIOC5A	-	-	TXD0/ MOSI0 /SDA0 CTS1/ RTS1/ SS1	SDA1	MOSIA	-	AN021	-	CMPRE F0	VL2	-		
N1	108	L1	75	H4	48	48	-	KR00/ IRQ2	P100	D00	AGTIO0	GTETRGA	GTIOC5B	-	-	RXD0/ MISO0 /SCL0 SCK1	SCL1	MISOA	-	AN022	-	CMPIN0	VL1	-		
L2	109	L2	-	-	-	-	-	-	P800	D14	-	-	-	-	-	-	-	-	-	-	-	SEG44	-			
N2	110	K2	-	-	-	-	-	-	P801	D15	-	-	-	-	-	-	-	-	-	-	-	SEG45	-			
N3	111	-	-	-	-	-	-	-	P802	-	-	-	-	-	-	-	-	-	-	-	-	SEG46	-			
M3	112	-	-	-	-	-	-	-	P803	-	-	-	-	-	-	-	-	-	-	-	-	SEG47	-			
K4	113	K3	76	K1	49	49	-	-	P500	-	AGTOA0	GTIU	GTIOC2A	-	USB VBUS EN	-	-	QSPCLK	-	AN016	-	CMPRE F1	SEG48	-		
M4	114	L3	77	J2	50	50	-	IRQ11	P501	-	AGTOB0	GTIV	GTIOC2B	-	USB OVR CUR A	TXD3/ MOSI3 /SDA3	-	QSSL	-	AN017	-	CMPIN1	SEG49			
L4	115	J3	78	K2	51	51	-	IRQ12	P502	-	-	GTIW	GTIOC3B	-	USB OVR CUR B	RXD3/ MISO3 /SCL3	-	QIO0	-	AN018	-	CMPRE F0	SEG50			

Pin number								Timers				Communication interfaces						Analog			HMI	
Package	Pin	Symbol	Symbol	Symbol	Symbol	Symbol	Symbol	AGT	GPT_OPS, POEG	GPT	RTC	USB_EXIC EN	SCI	IIC	SPI/QSPI	SSIE	SDHI	ADC14	DAC12, OPAMP	ACMPLP	SLCDC	CTSU
LGA145	116	J4	79	G4	-	-	-	-	-	-	-	USB_EXIC EN	CTS2/RTS2/SS2/SCK3	-	-	-	-	AN023	-	CMPIN0	SEG51	-
LQFP144	117	H4	80	G5	-	-	-	-	-	-	-	USB_ID	SCK2/CTS3/RTS3/SS3	-	-	-	-	AN024	-	-	-	-
BGA121	118	J5	81	G6	-	-	-	-	-	-	-	-	-	-	-	-	-	-	-	-	-	-
LQFP100	119	H5	-	-	-	-	-	-	-	-	-	-	RXD2/MISO2/SCL2	-	-	-	-	AN025	-	-	-	-
LGA100	120	-	-	-	-	-	-	-	-	-	-	-	-	-	-	-	-	AN026	-	-	-	-
LQFP64	121	L4	82	K3	-	-	VCC	-	-	-	-	-	-	-	-	-	-	-	-	-	-	-
QFN64	122	K4	83	J3	-	-	VSS	-	-	-	-	-	-	-	-	-	-	-	-	-	-	-
-	123	K5	84	J4	52	52	-	-	-	-	-	-	-	-	-	-	-	AN010	-	-	-	TS28
-	124	L5	85	K4	53	53	-	-	-	-	-	-	-	-	-	-	-	AN009	DA0	-	-	-
-	125	K6	86	J5	54	54	VREFL	-	-	-	-	-	-	-	-	-	-	AN008	AMP1+	-	-	-
-	126	L6	87	K5	55	55	VREFH	-	-	-	-	-	-	-	-	-	-	AN007	AMP1-	-	-	-
-	127	J6	88	H5	56	56	AVCC0	-	-	-	-	-	-	-	-	-	-	-	-	-	-	-
-	128	J7	89	H6	57	57	AVSS0	-	-	-	-	-	-	-	-	-	-	-	-	-	-	-
-	129	K7	90	J6	58	58	VREFL0	-	-	-	-	-	-	-	-	-	-	AN006	AMP2+	-	-	TS31
-	130	L7	91	K6	59	59	VREFH0	-	-	-	-	-	-	-	-	-	-	AN005	AMP2-	-	-	TS30
-	131	-	-	-	-	-	-	-	-	-	-	-	-	-	-	-	-	AN015	-	-	-	-
-	132	H6	92	J7	-	-	-	-	-	-	-	-	-	-	-	-	-	AN014	-	-	-	-
-	133	H7	93	H7	-	-	-	-	-	-	-	-	-	-	-	-	-	AN013	AMP30	-	-	-
-	134	H8	94	G7	-	-	-	-	-	-	-	-	-	-	-	-	-	AN012	AMP3-	-	-	-
-	135	L8	95	K7	-	-	-	-	-	-	-	-	-	-	-	-	-	AN011	AMP3+	-	-	-
-	136	J8	96	J8	60	60	-	-	-	-	-	-	-	-	-	-	-	AN004	AMP20	-	-	-
-	137	K8	97	H8	61	61	-	-	-	-	-	-	-	-	-	-	-	AN003	AMP10	-	-	-
M10	138	J9	98	K8	62	62	-	-	-	-	-	-	-	-	-	-	-	AN002	AMP00	-	-	-
-	139	K9	99	K9	63	63	-	-	-	-	-	-	-	-	-	-	-	AN001	AMP0-	-	-	TS22
-	140	L9	100	K10	64	64	-	-	-	-	-	-	-	-	-	-	-	AN000	AMP0+	-	-	TS21
-	141	-	-	-	-	-	VSS	-	-	-	-	-	-	-	-	-	-	-	-	-	-	-
-	142	-	-	-	-	-	VCC	-	-	-	-	-	-	-	-	-	-	-	-	-	-	-
M11	143	L10	-	-	-	-	-	-	-	-	GTIOC0A	CTX0	TXD4/MOSI4/SDA4	SCL2	-	-	-	-	-	-	-	-
M12	144	K10	-	-	-	-	-	-	-	-	GTIOC0B	CRX0	RXD4/MISO4/SCL4	SDA2	-	-	-	-	-	-	-	-
E5	-	F6	-	-	-	-	NC	-	-	-	-	-	-	-	-	-	-	-	-	-	-	-

2. CPU

The MCU is based on the Arm® Cortex®-M4 core.

2.1 Overview

2.1.1 CPU

- Arm Cortex-M4
 - Revision: r0p1-01rel0
 - Armv7E-M architecture profile
 - Single precision floating-point unit compliant with the ANSI/IEEE Std 754-2008.
- Memory Protection Unit (MPU)
 - Armv7 Protected Memory System Architecture
 - 8 protected regions.
- SysTick timer
 - Driven by SYSTICCLK (LOCO) or ICLK.

See [reference 1.](#) and [reference 2.](#) in [section 2.12](#) for details.

2.1.2 Debug

- Arm CoreSight™ ETM™-M4
 - Revision: r0p1-00rel0
 - Arm ETM Architecture version 3.5.
- CoreSight Instrumentation Trace Macrocell (ITM)
- Data Watchpoint and Trace Unit (DWT)
 - 4 comparators for watchpoints and triggers.
- Flash Patch and Breakpoint Unit (FPB)
 - Flash Patch (Remap) function is unavailable, only Breakpoint function is available
 - 6 instruction comparators
 - 2 literal comparators.
- CoreSight Time Stamp Generator (TSG)
 - Time stamp for ETM and ITM
 - Driven by CPU clock.
- Debug Register Module (DBGREG)
 - Reset control
 - Halt control.
- CoreSight Debug Access Port (DAP)
 - JTAG Debug Port (JTAG-DP)
 - Serial Wire Debug Port (SW-DP).
- Cortex-M4 Trace Port Interface Unit (TPIU)
 - Serial Wire Output (SWO).
- CoreSight Embedded Trace Buffer (ETB)
 - CoreSight Trace Memory Controller with ETB configuration
 - Buffer size: 1 KB.

See [reference 1.](#) and [reference 2.](#) in [section 2.12](#) for details.

2.1.3 Operating Frequency

The operating frequencies for the MCU are as follows:

- CPU: maximum 48 MHz
- Serial Write Output (SWO) trace interface: maximum 12.5 MHz
- Joint Test Action Group (JTAG) interface: maximum 12.5 MHz
- Serial Wire Debug (SWD) interface: maximum 12.5 MHz.

Figure 2.1 shows the block diagram of the Cortex-M4 CPU.

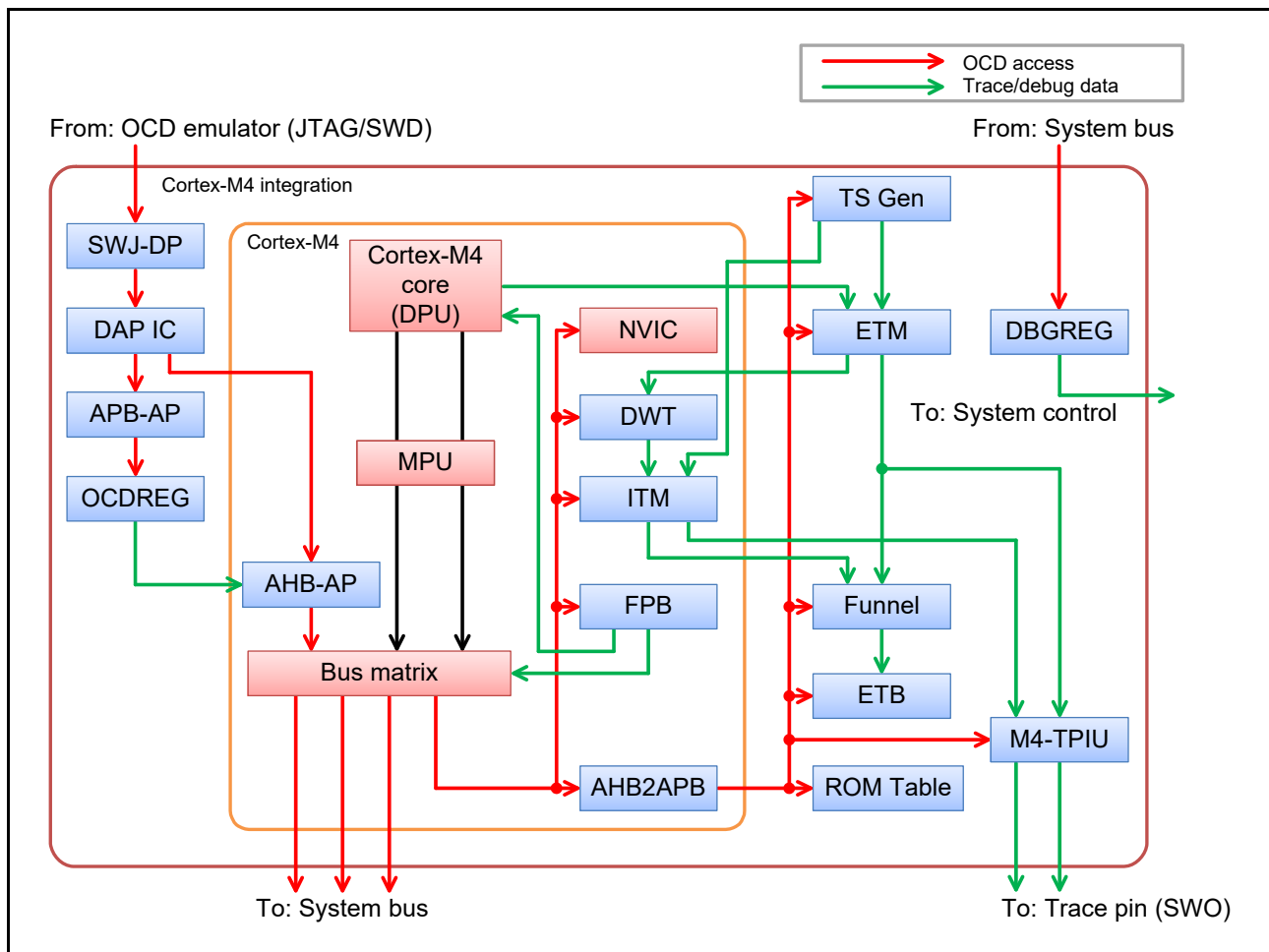


Figure 2.1 Cortex-M4 CPU block diagram

2.2 MCU Implementation Options

Table 2.1 shows the implementation options for the MCU and is based on the configurable options in [reference 2](#).

Table 2.1 Implementation options

Option	Implementation
MPU	Included, 8 protected regions
FPB	Flash Patch (Remap) function is unavailable, only Breakpoint function is available
DWT	Included
ITM	Included
ETM	Included
AHB-AP	Included
HTM interface	Not included
TPIU	Included (only Serial Wire Output)
WIC	Not included The ICU can wake up the CPU instead of the Wakeup Interrupt Controller (WIC). For more details, see section 14, Interrupt Controller Unit (ICU) .
Debug Port	SWJ-DP
FPU	Included
Number of interrupts	64
Number of priority bits	4 bits (16 levels)
Endianness	Little-endian
Time Stamp Generator	Included
ETB	Included
Sleep mode power saving	Sleep mode and other low power modes are supported. For details, see section 11, Low Power Modes . SCB.SCR.SLEEPDEEP is ignored.
Memory features	Cacheable attribute is utilized in the MCU. See section 15, Buses for more details.
SysTick Timer	SYST_CALIB = 4000 0147h Bit [31] = 0 Reference clock provided Bit [30] = 1 TERMS value is inexact Bits [29:24] = 00h Reserved Bits [23:0] = 000147h TERM: (32768 × 10 ms) - 1/32.768 kHz = 326.66 decimal = 327 with skew = 000147h
Event input/output	Not implemented
System reset request output	The SYSRESETREQ bit in the Application Interrupt and Reset Control Register causes a CPU reset
Auxiliary fault inputs, AUXFAULT	Not implemented

2.3 Trace Interface

A Serial Wire Output (SWO) provides trace output. [Table 2.2](#) shows the MCU pin for the trace function. This pin is multiplexed with other functions.

Table 2.2 Trace function pin

Name	I/O	Width	Function	When not in use
TDO/SWO	Output	1 bit	Serial wire output multiplexed with JTAG TDO pin	Open

2.4 JTAG/SWD Interface

Table 2.3 shows the JTAG/Serial Wire Data (SWD) pins.

Table 2.3 JTAG/SWD pins

Name	I/O	P/N	Width	Function	When not in use
TCK/SWCLK	Input	Positive	1 bit	JTAG clock pin/SWD clock pin	Pull-up
TMS/SWDIO	I/O	Negative	1 bit	JTAG TMS pin/SWD I/O pin	Pull-up
TDI	Input	Positive	1 bit	JTAG TDI pin	Pull-up
TDO/SWO	Output	Negative	1 bit	JTAG TDO pin multiplexed with SWO pin	Open

2.5 Debug Mode

2.5.1 Debug Mode Definition

In single chip mode, the debugger connection state is defined as OCD (On-Chip Debugger) mode, and the non-connected debugger state is defined as User mode. Table 2.4 shows the CPU debug modes and usage conditions.

Table 2.4 CPU debug mode and conditions

Conditions		Mode	
OCD connect	JTAG/SWD authentication	Debug mode	Debug authentication
Not connected	-	User mode	Disabled
Connected	Failed	User mode	Disabled
Connected	Passed	OCD mode	Enabled

Note 1. OCD connect is determined by the CDBGPWRUPREQ bit output in the SWJ-DP register. The bit can only be written by the OCD. However, the level of the bit can be confirmed by reading the DBGSTR.CDBGPWRUPREQ bit.

Note 2. Debug authentication is defined by the Armv7-M architecture. Enabled means that both invasive and non-invasive CPU debugging are permitted. Disabled means that both are not permitted.

2.5.2 Debug Mode Effects

This section describes the effects of debug mode, which occur both internally and externally to the CPU.

2.5.2.1 Low power mode

All CoreSight debug components can store register settings even when the CPU enters Software Standby mode or Snooze mode. However, AHB-AP cannot respond to On-Chip Debug (OCD) access in these low power modes. The OCD must wait for cancellation of the low power mode to access the CoreSight debug components. To request low power mode cancellation, the OCD can set the DBIRQ bit in the MCUCTRL register. See section 2.6.5.3, [MCU Control Register \(MCUCTRL\)](#) for details.

2.5.2.2 Reset

In OCD mode, some resets depend on the CPU status and the DBGSTOPCR setting.

Table 2.5 Reset or interrupt and mode setting (1 of 2)

Reset or interrupt name	Control in On-Chip Debug (OCD) mode	
	OCD break mode	OCD run mode
RES pin reset	Same as user mode	
Power-on reset	Same as user mode	
Independent watchdog timer reset or interrupt	Does not occur*1	Depends on DBGSTOPCR setting*2
Watchdog timer reset or interrupt	Does not occur*1	Depends on DBGSTOPCR setting*2
Voltage monitor 0 reset	Depends on DBGSTOPCR setting*3	
Voltage monitor 1 reset or interrupt	Depends on DBGSTOPCR setting*3	

Table 2.5 Reset or interrupt and mode setting (2 of 2)

Reset or interrupt name	Control in On-Chip Debug (OCD) mode	
	OCD break mode	OCD run mode
Voltage monitor 2 reset or interrupt	Depends on DBGSTOPPCR setting*3	
SRAM parity error reset or interrupt	Depends on DBGSTOPPCR setting*3	
SRAM ECC error reset or interrupt	Depends on DBGSTOPPCR setting*3	
MPU bus master reset or interrupt	Same as user mode	
MPU bus slave reset or interrupt	Same as user mode	
Stack pointer error reset or interrupt	Same as user mode	
Software reset	Same as user mode	

Note: In OCD break mode, the CPU is halted. In OCD run mode, the CPU is in OCD mode and the CPU is not halted.

Note 1. The IWDT and WDT always stop in this mode.

Note 2. The IWDT and WDT operation depends on the DBGSTOPPCR setting.

Note 3. Reset or interrupt masking depends on the DBGSTOPPCR setting.

2.6 Programmers Model

2.6.1 Address Spaces

The MCU debug system includes two CoreSight Access Ports (AP):

- AHB-AP, which is connected to the CPU bus matrix and has the same access to the system address space as the CPU
- APB-AP, which has a dedicated address space (OCD address space) and is connected to the OCD register.

Figure 2.2 shows a block diagram of the AP connection and address spaces.

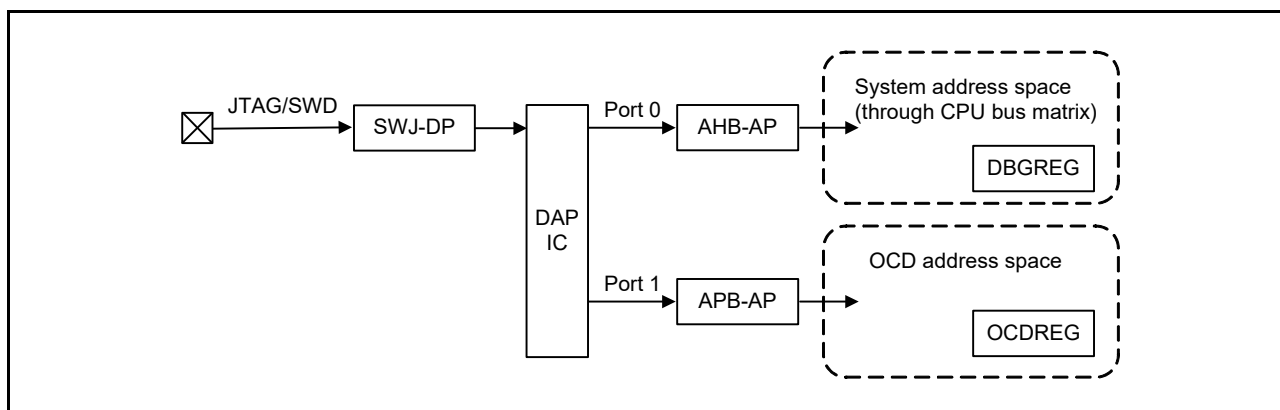


Figure 2.2 JTAG/SWD authentication block diagram

For debugging purposes, there are two register modules, DBGREG and OCDREG. DBGREG is located in the system address space and can be accessed from the OCD emulator, the CPU, and other bus masters in the MCU. OCDREG is located in the OCD address space and can be accessed only from the OCD tool. The CPU and other bus masters cannot access the OCD registers.

2.6.2 Cortex-M4 Peripheral Address Map

In the system address space, the Cortex-M4 core has a Private Peripheral Bus (PPB) that can only be accessed from the CPU and OCD emulator. The PPB is expanded from the Cortex-M4 original implementation for the MCU. Table 2.6 shows the address map of the MCU.

Table 2.6 Cortex-M4 peripheral address map

Component name	Start address	End address	Note
ITM	E000 0000h	E000 0FFFh	See reference 2 .
DWT	E000 1000h	E000 1FFFh	See reference 2 .
FPB	E000 2000h	E000 2FFFh	See reference 2 .
SCS	E000 E000h	E000 EFFFh	See reference 2 .
TPIU	E004 0000h	E004 0FFFh	See reference 2 .
ETM	E004 1000h	E004 1FFFh	See reference 5 .
ATB funnel	E004 2000h	E004 2FFFh	See section 2.7 and reference 4 .
ETB	E004 3000h	E004 3FFFh	See reference 6 .
Time Stamp Generator	E004 4000h	E004 4FFFh	See section 2.10 and reference 4 .
ROM Table	E00F F000h	E00F FFFFh	See section 2.6.3 and reference 7 .

2.6.3 CoreSight ROM Table

The MCU contains one CoreSight ROM Table, which lists all components implemented in the user area.

2.6.3.1 ROM entries

[Table 2.7](#) shows the ROM entries in the CoreSight ROM table. The OCD emulator can use the ROM entries to determine which components are implemented in a system. See [reference 7](#). for details.

Table 2.7 CoreSight ROM Table

#	Address	Access size	R/W	Value	Target module
0	E00F F000h	32 bits	R	FFF0F003	SCS
1	E00F F004h	32 bits	R	FFF02003	DWT
2	E00F F008h	32 bits	R	FFF03003	FPB
3	E00F F00Ch	32 bits	R	FFF01003	ITM
4	E00F F010h	32 bits	R	FFF41003	TPIU
5	E00F F014h	32 bits	R	FFF42003	ETM
6	E00F F018h	32 bits	R	FFF43003	Funnel
7	E00F F01Ch	32 bits	R	FFF44003	ETB
8	E00F F020h	32 bits	R	FFF45003	TSG
9	E00F F024h	32 bits	R	00000000	(End of entries)

2.6.3.2 CoreSight component registers

The CoreSight ROM Table lists the CoreSight component registers defined in the Arm CoreSight architecture.

[Table 2.8](#) lists these registers. See [reference 7](#). for details on each register.

Table 2.8 CoreSight component registers in the CoreSight ROM Table

Name	Address	Access size	R/W	Initial value
DEVTYPE	E00F FFCCh	32 bits	R	0000_0001h
PID4	E00F FFD0h	32 bits	R	0000_0004h
PID5	E00F FFD4h	32 bits	R	0000_0000h
PID6	E00F FFD8h	32 bits	R	0000_0000h
PID7	E00F FFDCh	32 bits	R	0000_0000h
PID0	E00F FFE0h	32 bits	R	0000_001Dh
PID1	E00F FFE4h	32 bits	R	0000_0030h
PID2	E00F FFE8h	32 bits	R	0000_000Ah
PID3	E00F FFECh	32 bits	R	0000_0000h
CID0	E00F FFF0h	32 bits	R	0000_000Dh
CID1	E00F FFF4h	32 bits	R	0000_0010h
CID2	E00F FFF8h	32 bits	R	0000_0005h
CID3	E00F FFFCh	32 bits	R	0000_00B1h

2.6.4 DBGREG Module

The DBGREG module controls the debug functionalities and is implemented as a CoreSight-compliant component. Table 2.9 shows the DBGREG registers other than the CoreSight component registers.

Table 2.9 Non-CoreSight DBGREG registers

Name	DAP port	Address	Access size	R/W
Debug Status Register	DBGSTR	Port 0 4001 B000h	32 bits	R
Debug Stop Control Register	DBGSTOPCR	Port 0 4001 B010h	32 bits	R/W
Trace Control Register	TRACECTR	Port 0 4001 B020h	32 bits	R/W

2.6.4.1 Debug Status Register (DBGSTR)

Address(es): [DBG.DBGSTR 4001 B000h](#)

	b31	b30	b29	b28	b27	b26	b25	b24	b23	b22	b21	b20	b19	b18	b17	b16
	—	—	CDBGPWRUPACK	CDBGPWRUPREQ	—	—	—	—	—	—	—	—	—	—	—	—
Value after reset:	0	0	0	0	0	0	0	0	0	0	0	0	0	0	0	0
	b15	b14	b13	b12	b11	b10	b9	b8	b7	b6	b5	b4	b3	b2	b1	b0
	—	—	—	—	—	—	—	—	—	—	—	—	—	—	—	—
Value after reset:	0	0	0	0	0	0	0	0	0	0	0	0	0	0	0	0

Bit	Symbol	Bit name	Description	R/W
b27 to b0	—	Reserved	These bits are read as 0	R
b28	CDBGPWRUPREQ	Debug power-up request	0: OCD is not requesting debug power up 1: OCD is requesting debug power up.	R
b29	CDBGPWRUPACK	Debug power-up acknowledge	0: Debug power-up request is not acknowledged 1: Debug power-up request is acknowledged.	R
b31, b30	—	Reserved	These bits are read as 0	R

2.6.4.2 Debug Stop Control Register (DBGSTOPCR)

Address(es): [DBG.DBGSTOPCR 4001 B010h](#)

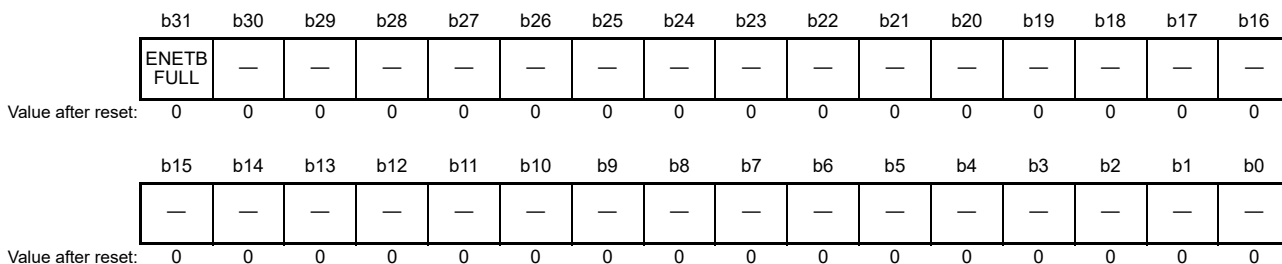
	b31	b30	b29	b28	b27	b26	b25	b24	b23	b22	b21	b20	b19	b18	b17	b16
	—	—	—	—	—	—	DBGST OP_RE CCR	DBGST OP_RP ER	—	—	—	—	—	DBGSTOP_LVD[2:0]		
Value after reset:	0	0	0	0	0	0	0	0	0	0	0	0	0	0	0	0
	b15	b14	b13	b12	b11	b10	b9	b8	b7	b6	b5	b4	b3	b2	b1	b0
	—	—	—	—	—	—	—	—	—	—	—	—	—	—	DBGST OP_W DT	DBGST OP_IW DT
Value after reset:	0	0	0	0	0	0	0	0	0	0	0	0	0	0	1	1

Bit	Symbol	Bit name	Description	R/W
b0	DBGSTOP_IWDT	Mask bit for IWDT reset/interrupt in the OCD run mode	In the OCD break mode, the reset/interrupt is masked and IWDT counter is stopped, regardless of this bit value. 0: Enable IWDT reset or interrupt 1: Mask IWDT reset or interrupt and stop IWDT count when CPU is in OCD break mode.	R/W
b1	DBGSTOP_WDT	Mask bit for WDT reset/interrupt in the OCD run mode	In the OCD break mode, the reset/interrupt is masked and WDT counter is stopped, regardless of this bit value. 0: Enable WDT reset or interrupt 1: Mask WDT reset or interrupt and stop WDT count when CPU is in OCD break mode.	R/W
b15 to b2	—	Reserved	These bits are read as 0. The write value should be 0.	R/W
b16	DBGSTOP_LVD[2:0]	Mask bit for LVD0 reset	0: Enable LVD0 reset 1: Mask LVD0 reset.	R/W
b17		Mask bit for LVD1 reset or interrupt	0: Enable LVD1 reset or interrupt 1: Mask LVD1 reset or interrupt.	R/W
b18		Mask bit for LVD2 reset or interrupt	0: Enable LVD2 reset or interrupt 1: Mask LVD2 reset or interrupt.	R/W
b23 to b19	—	Reserved	These bits are read as 0. The write value should be 0.	R/W
b24	DBGSTOP_RPER	Mask bit for SRAM parity error reset or interrupt	0: Enable SRAM parity error reset or interrupt 1: Mask SRAM parity error reset or interrupt.	R/W
b25	DBGSTOP_RECCE	Mask bit for SRAM ECC error reset or interrupt	0: Enable SRAM ECC error reset or interrupt 1: Mask SRAM ECC error reset or interrupt.	R/W
b31 to b26	—	Reserved	These bits are read as 0. The write value should be 0.	R/W

The Debug Stop Control Register (DBGSTOPCR) controls the functional stop in OCD mode. All bits in the register are regarded as 0 when the MCU is not in OCD mode.

2.6.4.3 Trace Control Register (TRACECTR)

Address(es): `DBG.TRACECTR 4001 B020h`



Bit	Symbol	Bit name	Description	R/W
b30 to b0	—	Reserved	These bits are read as 0. The write value should be 0.	R/W
b31	ENETBFULL	Enable bit for halt request on ETB full	0: ETB full does not cause a CPU halt 1: ETB full causes a CPU halt.	R/W

2.6.4.4 DBGREG CoreSight component registers

The DBGREG module provides the CoreSight component registers defined in the Arm CoreSight architecture. [Table 2.10](#) lists these registers. See [reference 7](#). for details on each register.

Table 2.10 DBGREG CoreSight component registers

Name	Address	Access size	R/W	Initial value
PID4	4001 BFD0h	32 bits	R	0000_0004h
PID5	4001 BFD4h	32 bits	R	0000_0000h
PID6	4001 BFD8h	32 bits	R	0000_0000h
PID7	4001 BFDCh	32 bits	R	0000_0000h
PID0	4001 BFE0h	32 bits	R	0000_0005h
PID1	4001 BFE4h	32 bits	R	0000_0030h
PID2	4001 BFE8h	32 bits	R	0000_001Ah
PID3	4001 BFEC h	32 bits	R	0000_0000h
CID0	4001 BFF0h	32 bits	R	0000_000Dh
CID1	4001 BFF4h	32 bits	R	0000_00F0h
CID2	4001 BFF8h	32 bits	R	0000_0005h
CID3	4001 BFFCh	32 bits	R	0000_00B1h

2.6.5 OCDREG Module

The OCDREG module controls the On-Chip Debug (OCD) emulator functionalities and is implemented as a CoreSight-compliant component. [Table 2.11](#) shows the OCDREG registers.

Table 2.11 OCDREG registers

Name	DAP port	Address	Access size	R/W
ID Authentication Code Register 0	IAUTH0	Port 1 8000 0000h	32 bits	W
ID Authentication Code Register 1	IAUTH1	Port 1 8000 0100h	32 bits	W
ID Authentication Code Register 2	IAUTH2	Port 1 8000 0200h	32 bits	W
ID Authentication Code Register 3	IAUTH3	Port 1 8000 0300h	32 bits	W
MCU Status Register	MCUSTAT	Port 1 8000 0400h	32 bits	R
MCU Control Register	MCUCTRL	Port 1 8000 0410h	32 bits	R/W

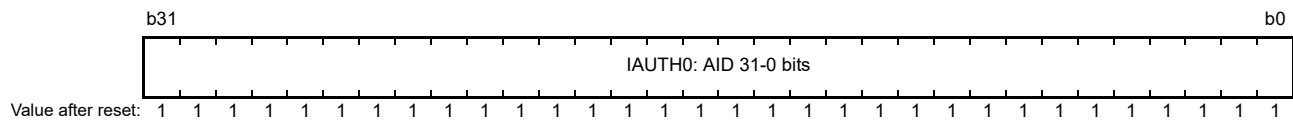
Note: OCDREG is located in the dedicated OCD address space. This address map is independent from the system address map.

2.6.5.1 ID Authentication Code Register (IAUTH0 to 3)

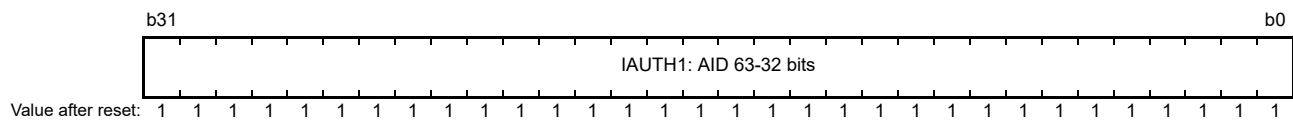
Four authentication registers are provided for writing the 128-bit key. These registers must be written in sequential order from IAUTH0 to IAUTH3. If the set of register writes is not compliant with this order, the result is unpredictable.

Only 32-bit writes are permitted. The initial value of the registers is all 1s. This means that JTAG/SWD access is initially permitted when the ID code in the OSIS register has the initial value. See [section 2.11.2, Unlock ID Code](#).

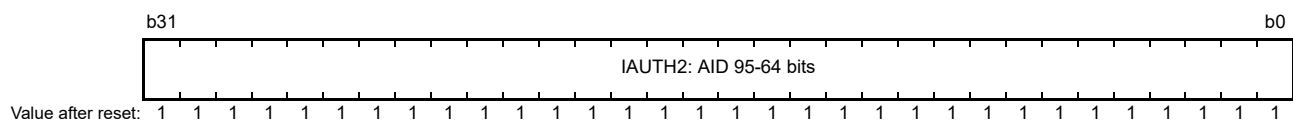
Address(es): [IAUTH0 8000 0000h](#)



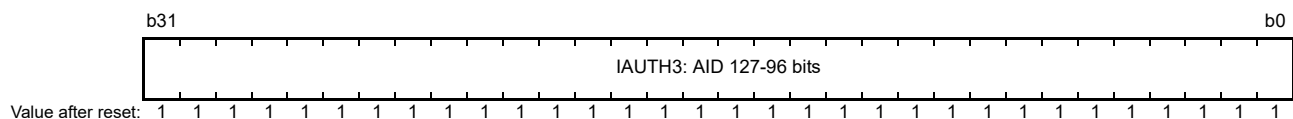
Address(es): [IAUTH1 8000 0100h](#)



Address(es): [IAUTH2 8000 0200h](#)



Address(es): [IAUTH3 8000 0300h](#)



2.6.5.2 MCU Status Register (MCUSTAT)

Address(es): MCUSTAT 8000 0400h

	b31	b30	b29	b28	b27	b26	b25	b24	b23	b22	b21	b20	b19	b18	b17	b16	
	—	—	—	—	—	—	—	—	—	—	—	—	—	—	—	—	
Value after reset:	0	0	0	0	0	0	0	0	0	0	0	0	0	0	0	0	
	b15	b14	b13	b12	b11	b10	b9	b8	b7	b6	b5	b4	b3	b2	b1	b0	
	—	—	—	—	—	—	—	—	—	—	—	—	—	CPUSTOPCLK	CPUSLEEP	AUTH	
Value after reset:	0	0	0	0	0	0	0	0	0	0	0	0	0	0	1/0*1	1/0*1	0

Bit	Symbol	Bit name	Description	R/W
b0	AUTH	Authentication Status	0: Authentication failed 1: Authentication succeeded.	R
b1	CPUSLEEP	-	0: CPU is not in Sleep mode 1: CPU is in Sleep mode.	R
b2	CPUSTOPCLK	-	0: CPU clock is not stopped, indicating that the MCU is in Normal mode or Sleep mode 1: CPU clock is stopped, indicating that the MCU is in Snooze mode or Software Standby mode.	R
b31 to b3	—	Reserved	These bits are read as 0	R

Note 1. Depends on the MCU status.

2.6.5.3 MCU Control Register (MCUCTRL)

Address(es): MCUCTRL 8000 0410h

	b31	b30	b29	b28	b27	b26	b25	b24	b23	b22	b21	b20	b19	b18	b17	b16
	—	—	—	—	—	—	—	—	—	—	—	—	—	—	—	—
Value after reset:	0	0	0	0	0	0	0	0	0	0	0	0	0	0	0	0
	b15	b14	b13	b12	b11	b10	b9	b8	b7	b6	b5	b4	b3	b2	b1	b0
	—	—	—	—	—	—	—	DBIRQ	—	—	—	—	—	—	—	EDBGRQ
Value after reset:	0	0	0	0	0	0	0	0	0	0	0	0	0	0	0	0

Bit	Symbol	Bit name	Description	R/W
b0	EDBGRQ	External Debug Request	Writing 1 to the bit causes a CPU halt or debug monitor exception. 0: Debug event not requested 1: Debug event requested. When the EDBGRQ bit is set to 0 or the CPU is halted, the EDBGRQ bit is cleared.	R/W
b7 to b1	—	Reserved	These bits are read as 0. The write value should be 0.	R/W
b8	DBIRQ	Debug Interrupt Request	Writing 1 to the bit wakes up the MCU from low power mode. 0: Debug interrupt not requested 1: Debug interrupt requested. The condition can be cleared by writing 0 to the DBIRQ bit.	R/W
b31 to b9	—	Reserved	These bits are read as 0. The write value should be 0.	R/W

Note: Set DBIRQ and EDBGRQ to the same value.

2.6.5.4 OCDREG CoreSight component registers

The OCDREG module provides the CoreSight component registers defined in the Arm CoreSight architecture. [Table 2.12](#) lists these registers. See [reference 7](#). for details on each register.

Table 2.12 OCDREG CoreSight component registers

Name	Address	Access size	R/W	Initial value
PID4	8000 0FD0h	32 bits	R	0000_0004h
PID5	8000 0FD4h	32 bits	R	0000_0000h
PID6	8000 0FD8h	32 bits	R	0000_0000h
PID7	8000 0FDCh	32 bits	R	0000_0000h
PID0	8000 0FE0h	32 bits	R	0000_0004h
PID1	8000 0FE4h	32 bits	R	0000_0030h
PID2	8000 0FE8h	32 bits	R	0000_000Ah
PID3	8000 0FECh	32 bits	R	0000_0000h
CID0	8000 0FF0h	32 bits	R	0000_000Dh
CID1	8000 0FF4h	32 bits	R	0000_00F0h
CID2	8000 0FF8h	32 bits	R	0000_0005h
CID3	8000 0FFCh	32 bits	R	0000_00B1h

2.7 CoreSight ATB Funnel

There is one CoreSight ATB funnel in the MCU. The funnel has two ATB slaves and one ATB master, and it selects the debug trace source from ETM and ITM to ETB. [Figure 2.3](#) shows the CoreSight ATB connection in the MCU.

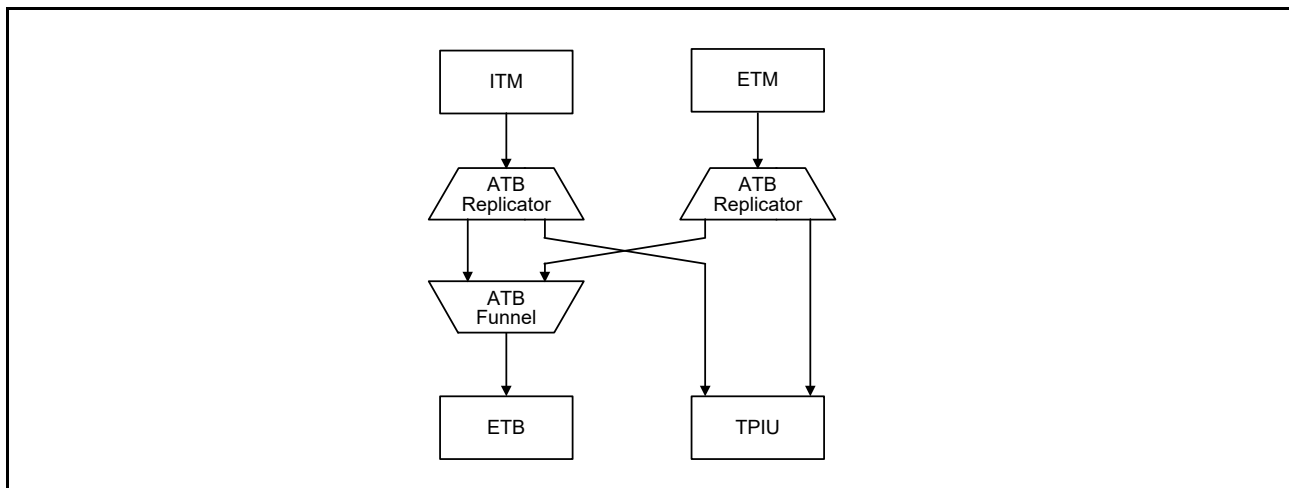


Figure 2.3 CoreSight ATB connection

[Table 2.13](#) shows the ATB slave connection for the funnel.

Table 2.13 ATB slave connection

ATB slave number	Connected trace source
#0	ITM
#1	ETM

See [reference 4](#). for details on ATB and funnel.

2.8 Flash Patch and Break Unit

The MCU has a flash patch and break unit. Breakpoint function is available, but flash patch (Remap) function is unavailable. Therefore, do not set the REPLACE bits [31:30] in the FP_COMPn register to 0. Bit [28] of FP_REMAP register is always set to 1. When writing to this register, write 1 to bit [28]. When reading this register, bit [28] is always read as 1. See [reference 1](#) for details.

2.9 SysTick System Timer

The SysTick system timer provides a simple 24-bit down counter. The reference clock for the timer can be selected as the CPU clock (ICLK) or SysTick Timer clock (SYSTICCLK). See [section 9, Clock Generation Circuit](#) and [reference 1](#).^{*1} for details.

Note 1. In [reference 1](#), the clock names are as follows:

The IMPLEMENTATION DEFINED external reference clock is SYSTICCLK (LOCO).

The processor clock is ICLK.

2.10 CoreSight Time Stamp Generator

A CoreSight Time Stamp Generator provides a CPU clock-based timestamp to ITM and ETM. The 48 LSB bits of the 64-bit counter are used for the two components. See [reference 4](#) for details.

2.11 OCD Emulator Connection

A JTAG/SWD authentication mechanism checks access permission for debug and MCU resources. To obtain full debug functionality, a pass result of the authentication mechanism is required. [Figure 2.4](#) shows a block diagram of the authentication mechanism.

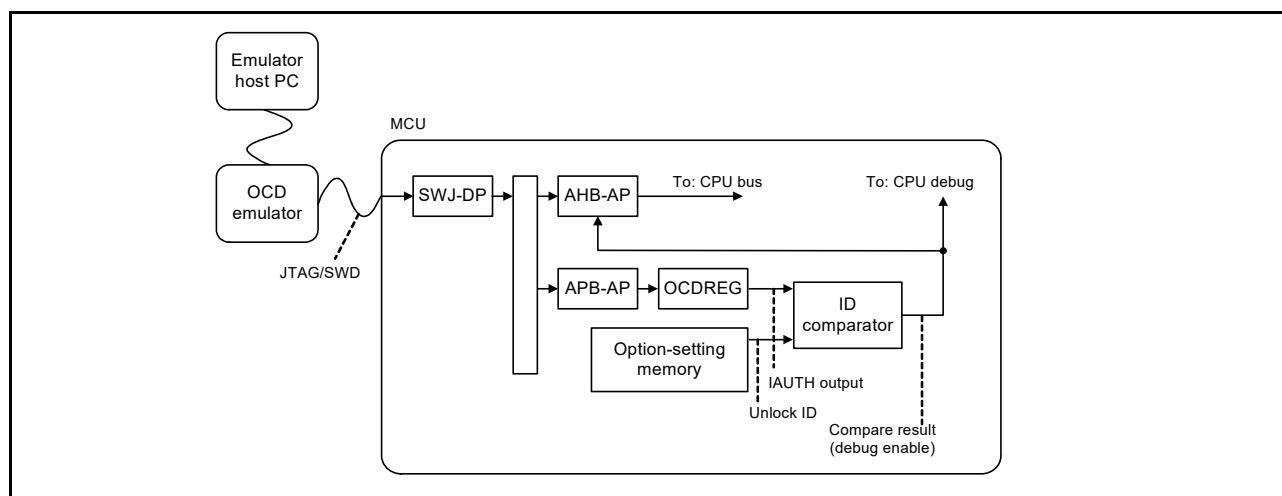


Figure 2.4 Authentication mechanism block diagram

An ID comparator is available in the MCU for authentication. The comparator compares the 128-bit IAUTH output from OCDREG and the 128-bit unlock ID code from the option-setting memory. When the two outputs are identical, the CPU debug functions and system bus access from the OCD emulator are permitted.

2.11.1 DBGEN

After the OCD emulator gets access permission, the OCD emulator must set the DBGEN bit in the System Control OCD Control Register (SYOCD CR). In addition, the OCD emulator must clear the DBGEN bit before disconnecting it. See [section 11, Low Power Modes](#) for details.

2.11.2 Unlock ID Code

The unlock ID code is used for checking permissions for debug and access to on-chip resources. If the unlock ID code matches the 128-bit data written in the ID Authentication Registers 0 to 3, the JTAG/SWD debugger obtains access permission. Unlock ID code is written in the OCD/Serial Programmer ID Setting Register (OSIS) in the option-setting memory. The initial value of the unlock ID code is all 1s (FFFFFFFF_FFFFFFFF_FFFFFFFF_FFFFFFFFh). See [section 7, Option-Setting Memory](#) for details.

2.11.3 Restrictions on Connecting an OCD Emulator

This section describes the restrictions on emulator access.

2.11.3.1 Starting connection while in low power mode

When starting a JTAG/SWD connection from an OCD emulator, the MCU must be in Normal or Sleep mode. If the MCU is in Software Standby or Snooze mode, the OCD emulator can cause the MCU to hang.

2.11.3.2 Changing low power mode while in OCD mode

When the MCU is in OCD mode, the low power mode can be changed. However, system bus access from AHB-AP is prohibited in Software Standby or Snooze mode. Only SWJ-DP, APB-AP, and OCDREG can be accessed from the OCD emulator in these modes. [Table 2.14](#) shows the restrictions.

Table 2.14 Restrictions by mode

Active mode	Start OCD emulator connection	Change low power mode	Access AHB-AP and system bus	Access APB-AP and OCDREG
Normal	Yes	Yes	Yes	Yes
Sleep	Yes	Yes	Yes	Yes
Software Standby	No	Yes	No	Yes
Snooze	No	Yes	No	Yes

If system bus access is required in Software Standby or Snooze mode, set the MCUCTRL.DBIRQ bit in OCDREG to wake up the MCU from the low power modes. Simultaneously, using the MCUCTRL.EDBGRQ bit in OCDREG, the OCD emulator can wake up the MCU without starting CPU execution by using a CPU break.

2.11.3.3 Modifying the unlock ID code in OSIS

After modifying the unlock ID code in OSIS, the OCD emulator must reset the MCU by asserting the RES pin or setting the SYSRESETREQ bit of the Application Interrupt and Reset Control Register in the system control block to 1. The modified unlock ID code is reflected after reset.

2.11.3.4 Connecting sequence and JTAG/SWD authentication

Because the OCD emulator is protected by the JTAG/SWD authentication mechanism, the OCD might be required to input the ID code to the authentication registers. The OSIS value in the option-setting memory determines whether the code is required. After negation of the reset, a 44 μ s wait time is required before comparing the OSIS value at cold start.

(1) When MSB of OSIS bit [127] = 0

An emulator connection will be refused when OSIS bit [127] is set as 0 however the ALERASE command will be accepted. When the ALERASE command is executed, the User memory region and Option memory region are erased. The OSIS register value is also erased, so that the emulator can be connected again.

When OSIS bit [127] = 0, disabling acceptance of the ALERASE command needs some additional settings as below.

User can select between two equivalent workarounds.

A) Setting SECMPUAC (when boot swap is set, the address of SECMPAC shifts by 2000h.)

- Please set data as 0xFEFF at SECMPUAC
- Please set 0xFFFF_FFFC at SECMPUPCS0 and set 0xFFFF_FFFF at SECMPUPCE0.

Or

B) Setting AWSC

- Please set AWSC bit [14] = 0.

AWSC bit [14] cannot be changed to 1 once it is set to 0. After clearing the AWSC bit, the access window and startup area selection options are permanently fixed and cannot be used again. In this case, the self-programming is prohibited because the startup area cannot be exchanged.

(2) When OSIS is all 1s (default)

OCD authentication is not required and the OCD can use the AHB-AP without authentication.

1. Connect the OCD emulator to the MCU through the JTAG or SWD interface.
2. Set up SWJ-DP to access the DAP bus. In the setup, the OCD emulator must assert the CDBGPWRUPREQ bit in the SWJ-DP Control Status Register, then wait until CDBGPWRUPACK in the same register is asserted.
3. Set up the AHB-AP to access the system address space. The AHB-AP is connected to DAP bus port 0.
4. Start accessing the CPU debug resources using the AHB-AP.

(3) When OSIS[127:126] is 10b

OCD authentication is required and the OCD must write the unlock ID code to the IAUTH registers 0 to 3 in OCDREG before using the AHB-AP.

1. Connect the OCD debugger to the MCU through the JTAG or SWD interface.
2. Set up SWJ-DP to access the DAP bus. In the setup, the OCD emulator must assert CDBGPWRUPREQ in SWJ-DP Control Status Register, then wait until CDBGPWRUPACK in the same register is asserted.
3. Set up APB-AP to access OCDREG. The APB-AP is connected to the DAP bus port 1.
4. Write the 128-bit ID code to IAUTH registers 0 to 3 in OCDREG using APB-AP.
5. If the 128-bit ID code matches the OSIS value, the AHB-AP is authorized to issue an AHB transaction. The authorization result can be confirmed in the AUTH bit in the MCUSTAT Register or the DbgStatus bit in the AHB-AP Control Status Word Register.
 - When the DbgStatus bit is 1, the 128-bit ID code is a match with the OSIS value. AHB transfers are permitted.
 - When the DbgStatus bit is 0, the 128-bit ID code is not a match with the OSIS value. AHB transfers are not permitted.
6. Set up the AHB-AP to access the system address space. The AHB-AP is connected to the DAP bus port 0.
7. Start accessing the CPU debug resources using the AHB-AP.

(4) When OSIS[127:126] is 11b

OCD authentication is required and the OCD must write the unlock ID code to IAUTH registers 0 to 3 in OCDREG. The connection sequence is the same as when OSIS[127:126] is 10b, except for the “ALeRASE” capability.

When IAUTH registers 0 to 3 are written with “ALeRASE” in ASCII code (414C_6552_4153_45FF_FFFF_FFFF_FFFF_FFFFh), contents of the code flash, data flash, and configuration area are erased immediately. See [section 47, Flash Memory](#) for details.

The ALeRASE sequence is as follows:

1. Connect the OCD debugger to the MCU through the JTAG or SWD interface.
2. Set up the SWJ-DP to access the DAP bus. In the setup, the OCD emulator must assert CDBGPWRUPREQ in the SWJ-DP Control Status Register, then wait until CDBGPWRUPACK in the same register is asserted.
3. Set up the APB-AP to access OCDREG. This APB-AP is connected to the DAP bus port 1.
4. Write the 128-bit ID code to IAUTH registers 0 to 3 in the OCDREG using APB-AP.
5. If the 128-bit ID code is “ALeRASE” in ASCII code, contents of the code flash, data flash, and configuration area are erased. Thereafter, the MCU transitions to Sleep mode.

2.11.4 Restrictions on Disconnecting an OCD Emulator

After disconnecting an OCD emulator, a device can't fully transfer to Software Standby mode.

On this situation, power consumption doesn't decrease as expected, because some low-consumption features don't work.

2.12 References

1. *ARM®v7-M Architecture Reference Manual* (ARM DDI 0403D).
2. *ARM® Cortex®-M4 Processor Technical Reference Manual* (ARM DDI 0439D).
3. *ARM® Cortex®-M4 Devices Generic User Guide* (ARM DUI 0553A).
4. *ARM® CoreSight™ SoC-400 Technical Reference Manual* (ARM DDI 0480F).
5. *ARM® CoreSight™ ETM-M4 Technical Reference Manual* (ARM DDI 0440C).
6. *ARM® CoreSight™ Trace Memory Controller Technical Reference Manual* (ARM DDI 0461B).
7. *ARM® CoreSight™ Architecture Specification* (ARM IHI 0029D).

3. Operating Modes

3.1 Overview

Table 3.1 shows the selection of operating modes by the mode-setting pin. For details, see [section 3.2, Operating Mode Details](#). Operation starts when the on-chip flash memory is enabled, regardless of the mode in which operation started.

Table 3.1 Selection of operating modes by the mode-setting pin

Mode-setting pin	Operating mode	On-chip flash memory
MD		
1	Single-chip mode	Enable
0	SCI/USB boot mode	Enable

3.2 Operating Mode Details

3.2.1 Single-Chip Mode

In single-chip mode, all I/O pins are available for use as input or output ports, inputs or outputs for peripheral functions, or as interrupt inputs. When a reset is released while the MD pin is high, the MCU starts in single-chip mode and the on-chip flash is enabled.

3.2.2 SCI Boot Mode

In this mode, the on-chip flash memory programming routine (SCI boot program), stored in a dedicated area within the MCU, is used. The on-chip flash, including the code flash memory and data flash memory, can be modified from outside the MCU by using a Serial Communication Interface (SCI). For details, see [section 47, Flash Memory](#). The MCU starts up in SCI boot mode if the MD pin is held low on release from the reset state.

3.2.3 USB Boot Mode

In this mode, the on-chip flash memory programming routine (USB boot program), stored in the boot area within the MCU, is used. The on-chip flash, including the code flash memory and data flash memory, can be modified from outside the MCU by using the USB. For details, see [section 47, Flash Memory](#). The MCU starts in USB boot mode if the MD pin is held low on release from the reset state.

3.3 Operating Mode Transitions

3.3.1 Operating Mode Transitions as Determined by the Mode-Setting Pin

Figure 3.1 shows operating mode transitions determined by the MD pin settings.

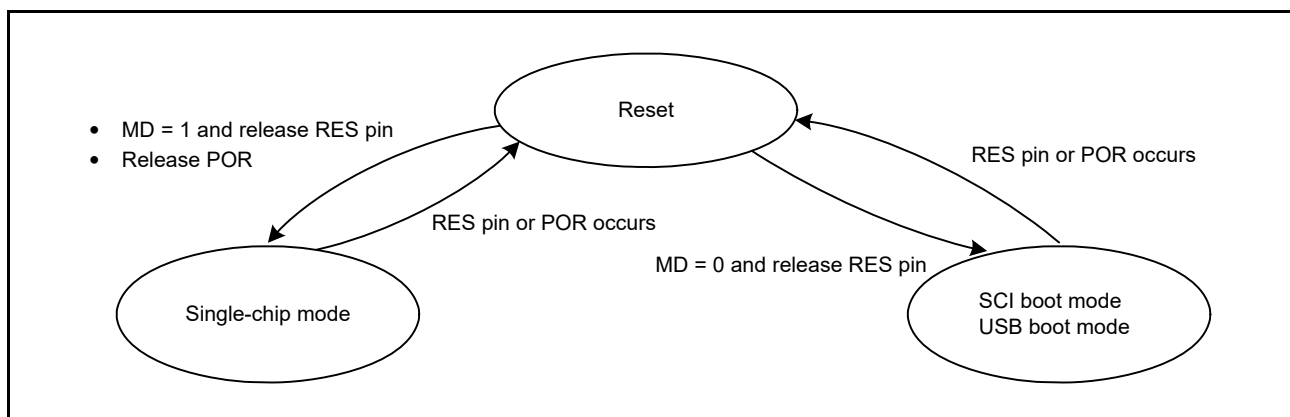


Figure 3.1 Mode-setting pin level and operating mode

4. Address Space

4.1 Overview

The MCU supports a 4-GB linear address space ranging from 0000 0000h to FFFF FFFFh, that can contain both programs and data. [Figure 4.1](#) shows the memory map.

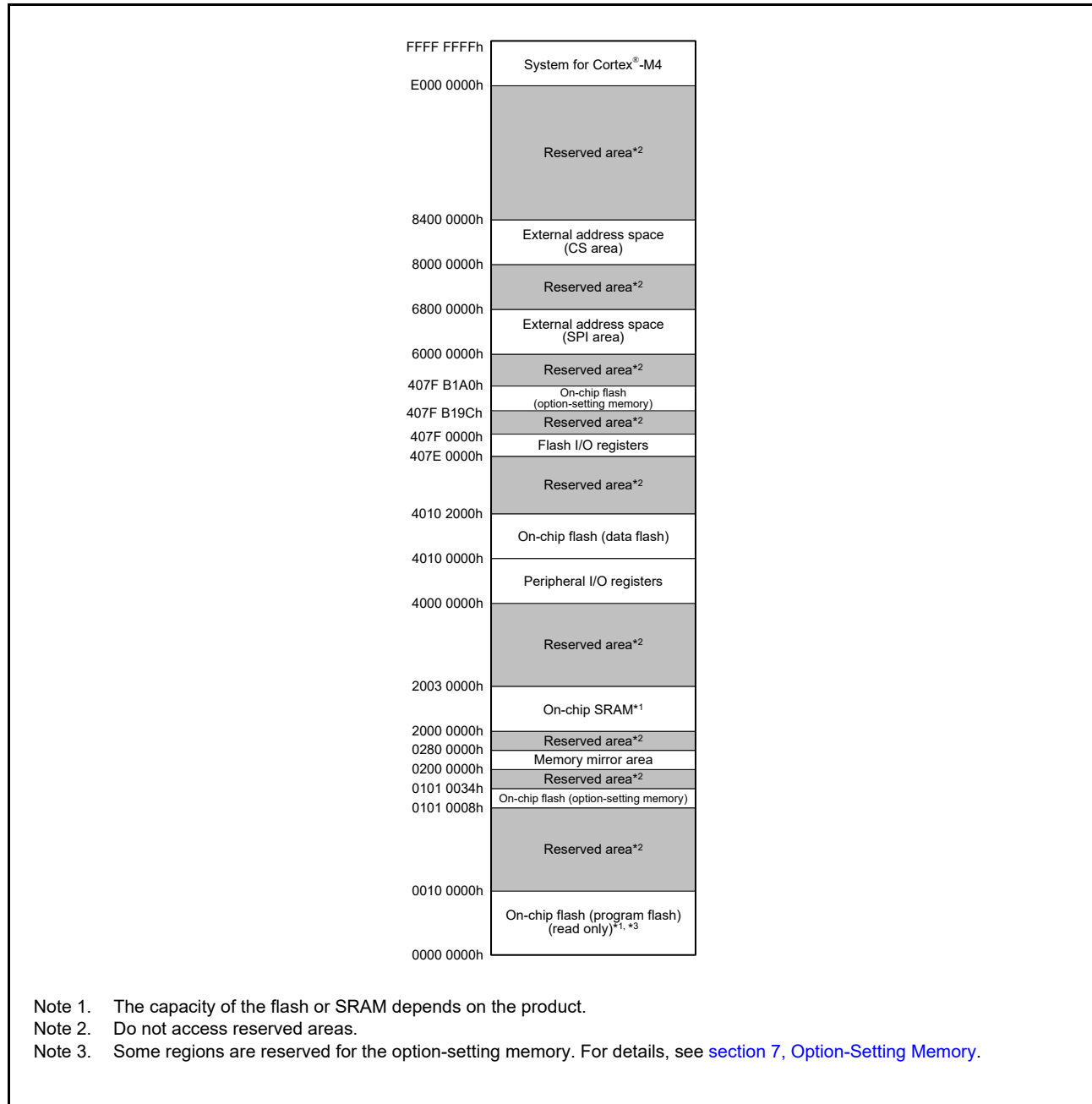


Figure 4.1 Memory map

4.2 External Address Space

The external address space is divided into CS areas (CS0 to CS3) and SPI area. The four CS areas (CS0 to CS3) each corresponds to the CSn signal output from a CSn (n = 0 to 3) pin. The SPI area is divided into two areas, the QSPI I/O registers, and external SPI device space.

Figure 4.2 shows the address ranges associated with the individual CS areas (CS0 to CS3) and SPI area.

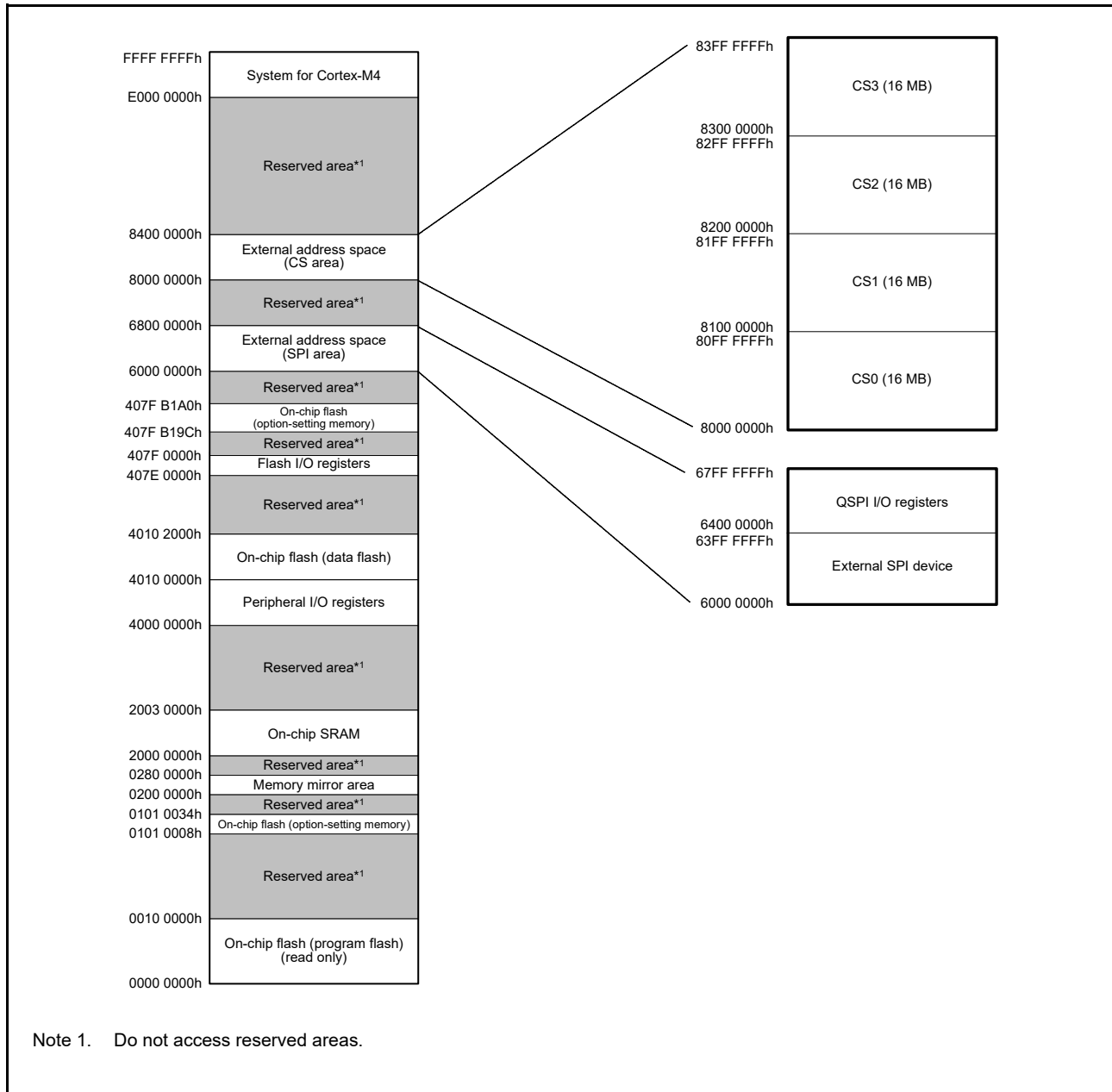


Figure 4.2 Association between external address spaces and CS areas

5. Memory Mirror Function (MMF)

5.1 Overview

The MCU provides a Memory Mirror Function (MMF). You can configure the MMF to map an application image load address in the code flash memory to the application image link address in the unused 23-bit memory mirror space addresses. Your application code must be developed and linked to run from this MMF destination address. The application code is not required to know the load location where it is stored in the code flash memory.

Table 5.1 lists the MMF specifications.

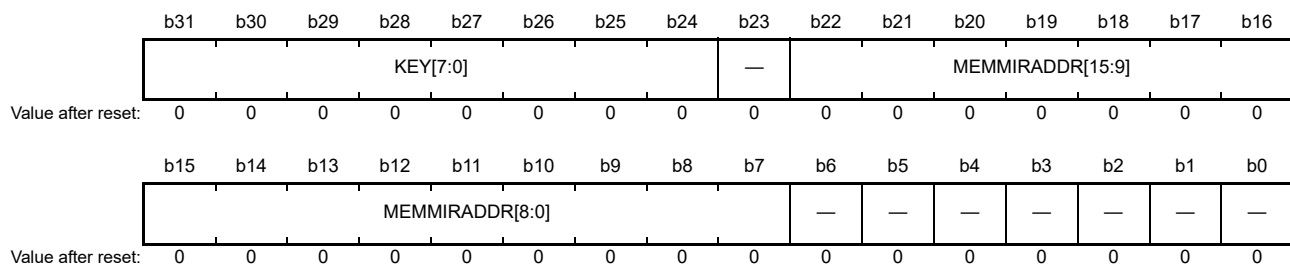
Table 5.1 MMF specifications

Parameter	Description
Memory mirror space	8 MB (0200 0000h to 027F FFFFh)
Memory mirror boundary	128 bytes

5.2 Register Descriptions

5.2.1 MemMirror Special Function Register (MMSFR)

Address(es): [MMF.MMSFR 4000 1000h](#)



Bits	Symbol	Bit name	Description	R/W
b6 to b0	—	Reserved	These bits are read as 0. The write value should be 0.	R/W
b22 to b7	MEMMIRADDR[15:0]	Memory Mirror Address	0000h to FFFFh (8 MB)	R/W
b23	—	Reserved	This bit is read as 0. The write value should be 0.	R/W
b31 to b24	KEY[7:0]	MMSFR Key Code	These bits enable or disable rewriting of the MEMMIRADDR bits	R/W

MEMMIRADDR[15:0] bits (Memory Mirror Address)

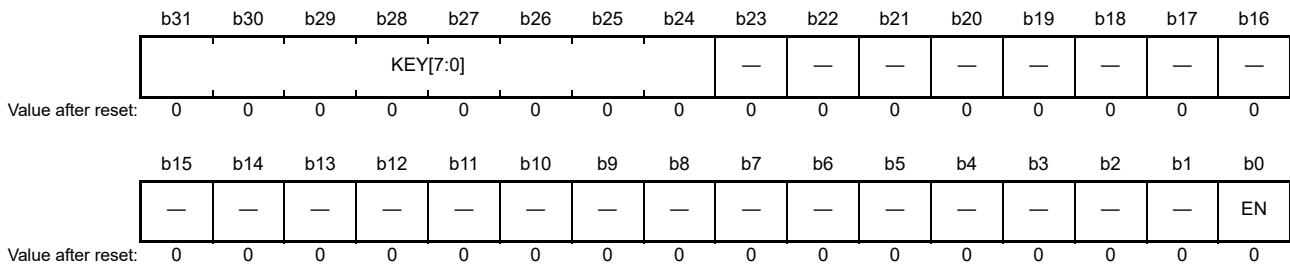
The MEMMIRADDR[15:0] bits specify bits [22:7] of the memory mirror address. They define where the start address of the memory mirror space addresses (0200 0000h) is linked to. Writing to these bits is enabled only when this register is accessed in 32-bit units and the value DBh is written to the KEY[7:0] bits.

KEY[7:0] bits (MMSFR Key Code)

The KEY[7:0] bits enable or disable rewriting of the MEMMIRADDR[15:0] bits. Data written to the KEY[7:0] bits is not saved. These bits are read as 0. The KEY code and MEMMIRADDR[15:0] bits must be written in the same cycle.

5.2.2 MemMirror Enable Register (MMEN)

Address(es): MMF.MMEN 4000 1004h



Bits	Symbol	Bit name	Description	R/W
b0	EN	Memory Mirror Function Enable	0: Disable MMF 1: Enable MMF.	R/W
b23 to b1	—	Reserved	These bits are read as 0. The write value should be 0.	R/W
b31 to b24	KEY[7:0]	MMEN Key Code	These bits enable or disable rewriting of the EN bit	R/W

EN bit (Memory Mirror Function Enable)

Writing to the EN bit is enabled only when the MemMirror Enable register is accessed in 32-bit units and the value DBh is written to the KEY[7:0] bits.

KEY[7:0] bits (MMEN Key Code)

The KEY[7:0] bits enable or disable rewriting of the EN bit. Data written to the KEY[7:0] bits is not saved. These bits are read as 0. The KEY code and the EN bit must be written in the same cycle.

5.3 Operation

5.3.1 MMF Operation

The MMF links the memory mirror space (0200 0000h to 027F FFFFh) to the code flash area. If MMEN.EN = 1, the CPU can access code flash using both normal addresses (starting at 0000 0000h) and memory mirror space addresses (starting at 0200 0000h). Figure 5.1 shows an overview of the MMF. The MMSFR.MEMMIRADDR[15:0] bits specify where the starting address of the memory mirror space addresses (0200 0000h) is linked to. Figure 5.2, Figure 5.3, and Figure 5.4 show the MMF operation. Figure 5.5 shows the setting procedure of the MMF.

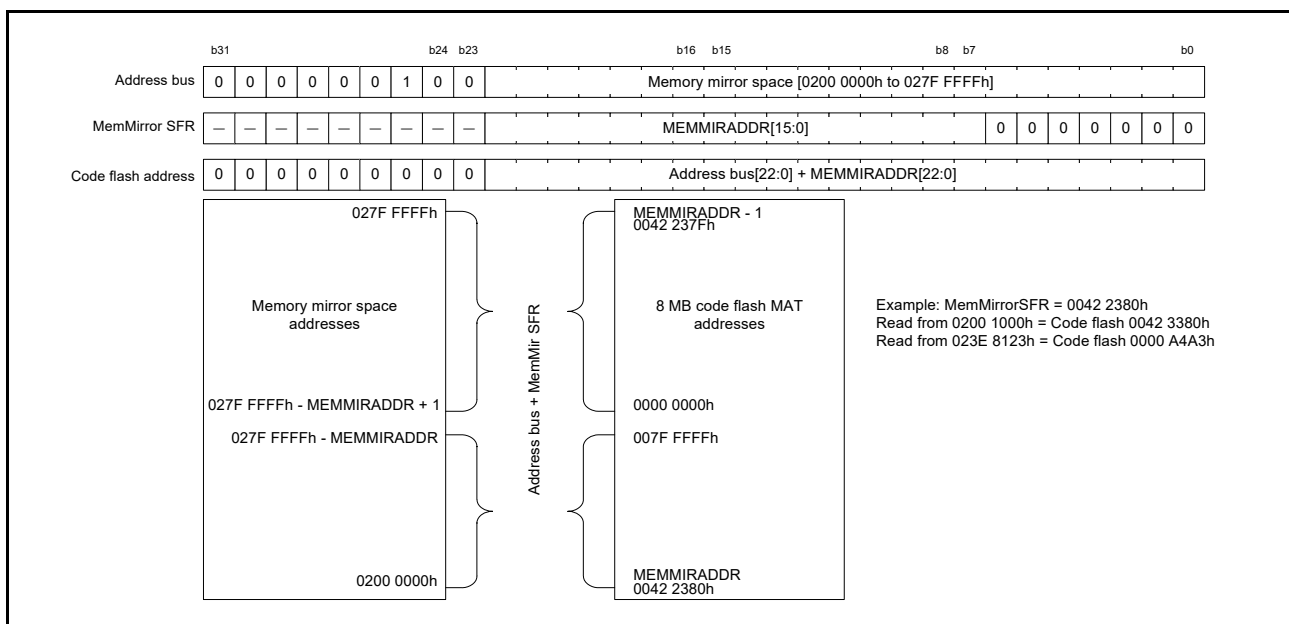


Figure 5.1 MMF operation

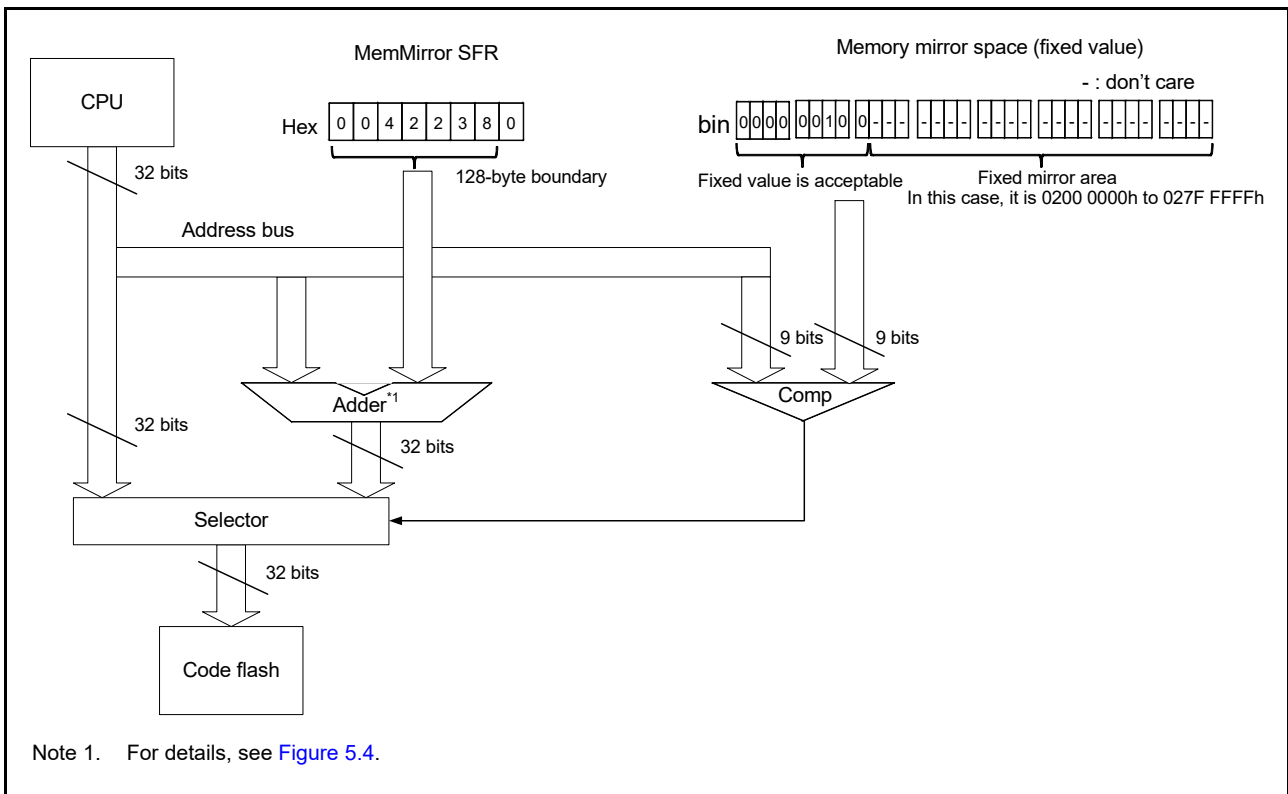


Figure 5.2 MMF block diagram

Figure 5.3 shows the addresses handled by each module. The Arm® MPU uses the original address of the CPU. The Security MPU and code flash memory each use an address after conversion through the Memory Mirror Function.

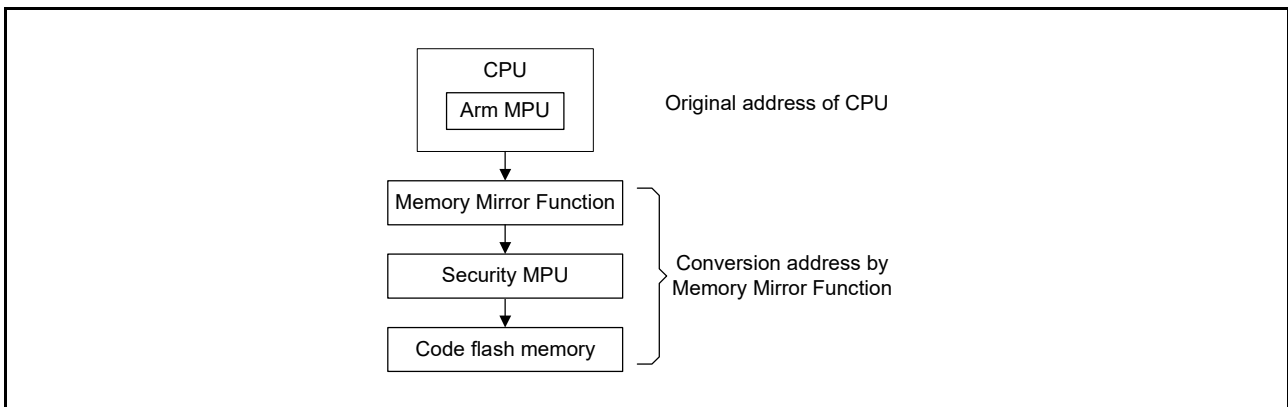


Figure 5.3 MMF address handling

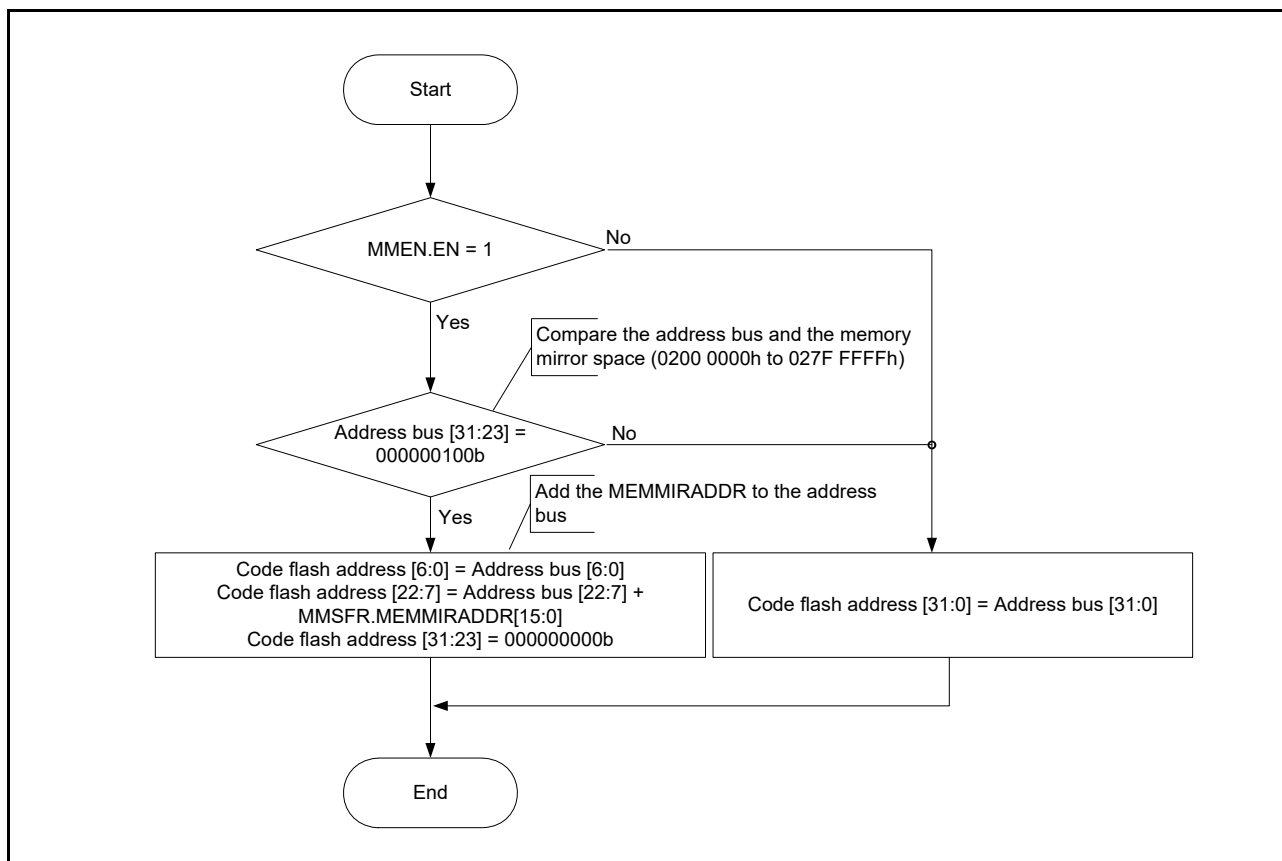


Figure 5.4 MMF operation flow

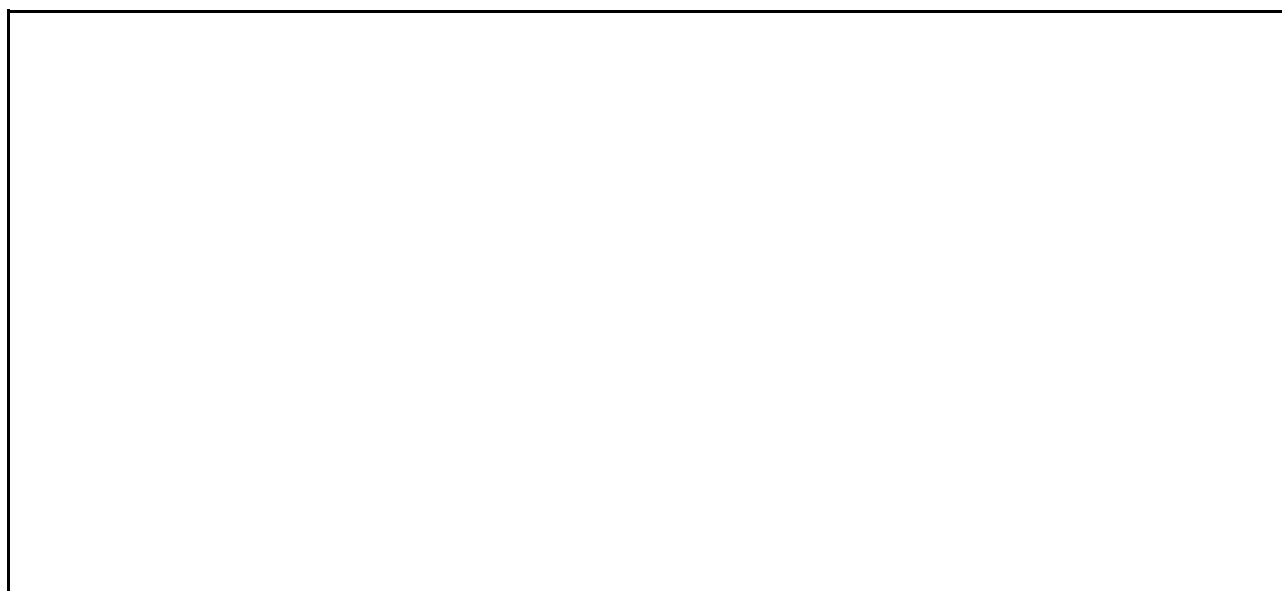


Figure 5.5 MMF setup flow

5.3.2 Setting Example

The target application code on the code flash can be accessed from the address of 0200 0000h on the memory mirror space by setting up the code flash starting address in MMSFR.MEMMIRADDR[15:0] and setting MMEN.EN to 1.

Figure 5.6 shows an example of how to use the MMF.

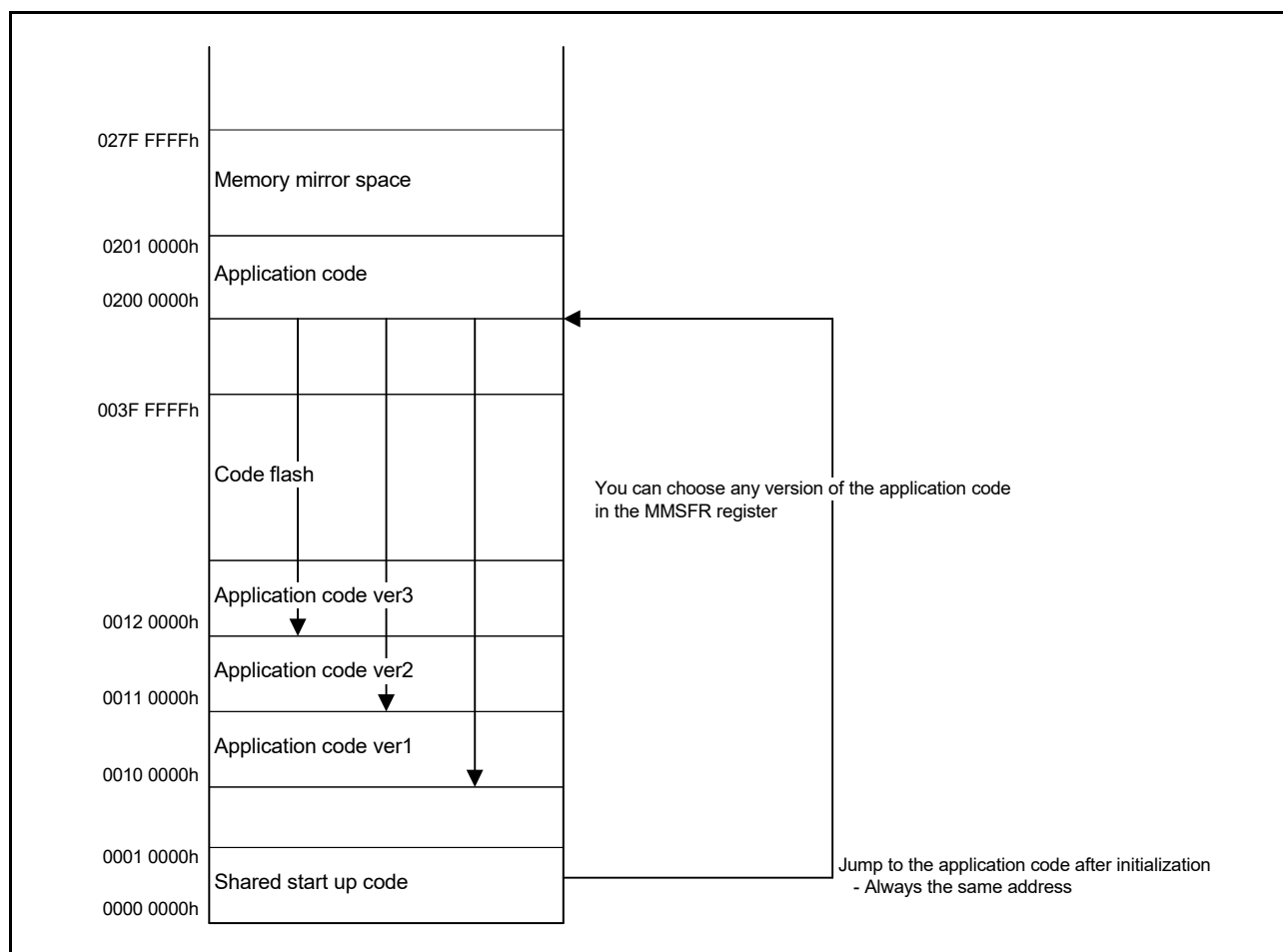


Figure 5.6 MMF setting example

Set the MMSFR register to DB10_0000h to use the application code ver1.

Set the MMSFR register to DB11_0000h to use the application code ver2.

Set the MMSFR register to DB12_0000h to use the application code ver3.

6. Resets

6.1 Overview

The MCU provides 14 resets:

- RES pin reset
- Power-on reset
- VBATT-selected voltage power-on reset
- Independent watchdog timer reset
- Watchdog timer reset
- Voltage monitor 0 reset
- Voltage monitor 1 reset
- Voltage monitor 2 reset
- SRAM parity error reset
- SRAM ECC error reset
- Bus master MPU error reset
- Bus slave MPU error reset
- CPU stack pointer error reset
- Software reset.

Table 6.1 lists the reset names and sources.

Table 6.1 Reset names and sources

Reset name	Source
RES pin reset	Voltage input to the RES pin is driven low
Power-on reset	VCC rise (voltage detection: V_{POR}) ^{*1}
VBATT-selected voltage power-on reset	VCC fall (voltage detection: $V_{DETBATT}$) ^{*1}
Independent watchdog timer reset	IWDT underflow or refresh error
Watchdog timer reset	WDT underflow or refresh error
Voltage monitor 0 reset	VCC fall (voltage detection: V_{det0}) ^{*1}
Voltage monitor 1 reset	VCC fall (voltage detection: V_{det1}) ^{*1}
Voltage monitor 2 reset	VCC fall (voltage detection: V_{det2}) ^{*1}
SRAM parity error reset	SRAM parity error detection
SRAM ECC error reset	SRAM ECC error detection
Bus master MPU error reset	Bus master MPU error detection
Bus slave MPU error reset	Bus slave MPU error detection
CPU stack pointer error reset	CPU stack pointer error detection
Software reset	Register setting (use the Arm [®] software reset bit, AIRCR.SYSRESETREQ)

Note 1. For details on the voltages to be monitored (V_{POR} , V_{det0} , V_{det1} , V_{det2} , and $V_{DETBATT}$), see [section 8, Low Voltage Detection \(LVD\)](#), [section 12., Battery Backup Function](#), and [section 51, Electrical Characteristics](#).

The internal state and pins are initialized by a reset. [Table 6.2](#) and [Table 6.3](#) list the targets initialized by resets.

Table 6.2 Reset detect flags initialized by each reset source

Flags to be initialized	Reset source							
	RES pin reset	Power-on reset	Voltage monitor 0 reset	Independent watchdog timer reset	Watchdog timer reset	Voltage monitor 1 reset	Voltage monitor 2 reset	Software reset
Power-On Reset Detect Flag (RSTSR0.PORF)	✓	×	×	×	×	×	×	×
Voltage Monitor 0 Reset Detect Flag (RSTSR0.LVD0RF)	✓	✓	×	×	×	×	×	×
Independent Watchdog Timer Reset Detect Flag (RSTSR1.IWDTRF)	✓	✓	✓	×	×	×	×	×
Watchdog Timer Reset Detect Flag (RSTSR1.WDTRF)	✓	✓	✓	×	×	×	×	×
Voltage Monitor 1 Reset Detect Flag (RSTSR0.LVD1RF)	✓	✓	✓	×	×	×	×	×
Voltage Monitor 2 Reset Detect Flag (RSTSR0.LVD2RF)	✓	✓	✓	×	×	×	×	×
Software Reset Detect Flag (RSTSR1.SWRF)	✓	✓	✓	×	×	×	×	×
SRAM Parity Error Reset Detect Flag (RSTSR1.RPERF)	✓	✓	✓	×	×	×	×	×
SRAM ECC Error Reset Detect Flag (RSTSR1.REERF)	✓	✓	✓	×	×	×	×	×
Bus Slave MPU Error Reset Detect Flag (RSTSR1.BUSSRF)	✓	✓	✓	×	×	×	×	×
Bus Master MPU Error Reset Detect Flag (RSTSR1.BUSMRF)	✓	✓	✓	×	×	×	×	×
Stack Pointer Error Reset Detect Flag (RSTSR1.SPERF)	✓	✓	✓	×	×	×	×	×
Cold Start/Warm Start Determination Flag (RSTSR2.CWSF)	×	✓	×	×	×	×	×	×

Flags to be initialized	Reset source					
	SRAM parity error reset	SRAM ECC error reset	Bus master MPU error reset	Bus slave MPU error reset	CPU stack pointer error reset	VBATT_POR*1
Power-On Reset Detect Flag (RSTSR0.PORF)	×	×	×	×	×	×
Voltage Monitor 0 Reset Detect Flag (RSTSR0.LVD0RF)	×	×	×	×	×	×
Independent Watchdog Timer Reset Detect Flag (RSTSR1.IWDTRF)	×	×	×	×	×	×
Watchdog Timer Reset Detect Flag (RSTSR1.WDTRF)	×	×	×	×	×	×
Voltage Monitor 1 Reset Detect Flag (RSTSR0.LVD1RF)	×	×	×	×	×	×
Voltage Monitor 2 Reset Detect Flag (RSTSR0.LVD2RF)	×	×	×	×	×	×
Software Reset Detect Flag (RSTSR1.SWRF)	×	×	×	×	×	×
SRAM Parity Error Reset Detect Flag (RSTSR1.RPERF)	×	×	×	×	×	×
SRAM ECC Error Reset Detect Flag (RSTSR1.REERF)	×	×	×	×	×	×
Bus Slave MPU Error Reset Detect Flag (RSTSR1.BUSSRF)	×	×	×	×	×	×
Bus Master MPU Error Reset Detect Flag (RSTSR1.BUSMRF)	×	×	×	×	×	×
CPU Stack Pointer Error Reset Detect Flag (RSTSR1.SPERF)	×	×	×	×	×	×
Cold Start/Warm Start Determination Flag (RSTSR2.CWSF)	×	×	×	×	×	×

✓: Initialized to 0

×: Not initialized

Note 1. For VBATT_POR details, see [section 12, Battery Backup Function](#).

Table 6.3 Module-related registers initialized by each reset source

Registers to be initialized		Reset source							
		RES pin reset	Power-on reset	Voltage monitor 0 reset	Independent watchdog timer reset	Watchdog timer reset	Voltage monitor 1 reset	Voltage monitor 2 reset	Software reset
Watchdog timer registers	WDTRR, WDTCLR, WDTSR, WDTRCR, WDTCSSTPR	✓	✓	✓	✓	✓	✓	✓	✓
Voltage monitor function 1 registers	LVD1CR0, LVCMPCLR.LVD1E, LVDLVL.R.LVD1LVL	✓	✓	✓	✓	✓	x	x	x
	LVD1CR1/LVD1SR	✓	✓	✓	✓	✓	x	x	x
Voltage monitor function 2 registers	LVD2CR0, LVCMPCLR.LVD2E, LVDLVL.R.LVD2LVL	✓	✓	✓	✓	✓	x	x	x
	LVD2CR1/LVD2SR	✓	✓	✓	✓	✓	x	x	x
SOSC registers	SOSCCR	x	x	x	x	x	x	x	x
	SOMCR	x	x	x	x	x	x	x	x
LOCO registers	LOCOCR	x	x	x	x	x	x	x	x
	LOCOUTCR	x	x	x	x	x	x	x	x
MOSC register	MOMCR	✓	✓	✓	✓	✓	✓	✓	✓
Realtime clock*2 register		x	x	x	x	x	x	x	x
AGT register		x	✓	✓	x	x	✓	✓	x
MPU register		✓	✓	✓	✓	✓	✓	✓	✓
Pin state (except XCIN/XCOUT pin)		✓	✓	✓	✓	✓	✓	✓	✓
Pin state (XCIN/XCOUT pin)		x	x	x	x	x	x	x	x
Battery backup registers	VBTCR1	x	✓	x	x	x	x	x	x
	VBTCR2, VBTSR, VBTCMPCLR, VBTLVDICR, VBTWCTLR, VBTWCH0OTSR, VBTWCH1OTSR, VBTWCH2OTSR, VBTICTLR, VBTOCTLR, VBTWTER, VBTWEGR, VBTWFR	x	x	x	x	x	x	x	x
	VBTBKRn (n = 0 to 511)	x	x	x	x	x	x	x	x
Registers other than those shown, CPU, and internal state		✓	✓	✓	✓	✓	✓	✓	✓

Registers to be initialized		Reset source					
		SRAM parity error reset	SRAM ECC error reset	Bus master MPU error reset	Bus slave MPU error reset	Stack pointer error reset	VBATT_POR*3
Watchdog timer registers	WDTRR, WDTCLR, WDTSR, WDTRCR, WDTCSSTPR	✓	✓	✓	✓	✓	x
Voltage monitor function 1 registers	LVD1CR0, LVCMPCLR.LVD1E, LVDLVL.R.LVD1LVL	x	x	x	x	x	x
	LVD1CR1/LVD1SR	x	x	x	x	x	x
Voltage monitor function 2 registers	LVD2CR0, LVCMPCLR.LVD2E, LVDLVL.R.LVD2LVL	x	x	x	x	x	x
	LVD2CR1/LVD2SR	x	x	x	x	x	x
SOSC registers	SOSCCR	x	x	x	x	x	✓*1
	SOMCR	x	x	x	x	x	✓
LOCO registers	LOCOCR	x	x	x	x	x	✓
	LOCOUTCR	x	x	x	x	x	✓
MOSC register	MOMCR	✓	✓	✓	✓	✓	x
Realtime clock*2 register		x	x	x	x	x	x
AGT register		x	x	x	x	x	x
MPU register		✓	✓	x	x	x	x
Pin state (except XCIN/XCOUT pin)		✓	✓	✓	✓	✓	x
Pin state (XCIN/XCOUT pin)		x	x	x	x	x	✓
Battery backup registers	VBTCR1	x	x	x	x	x	x
	VBTCR2, VBTSR, VBTCMPCLR, VBTLVDICR, VBTWCTLR, VBTWCH0OTSR, VBTWCH1OTSR, VBTWCH2OTSR, VBTICTLR, VBTOCTLR, VBTWTER, VBTWEGR, VBTWFR	x	x	x	x	x	✓
	VBTBKRn (n = 0 to 511)	x	x	x	x	x	x

Registers to be initialized	Reset source					
	SRAM parity error reset	SRAM ECC error reset	Bus master MPU error reset	Bus slave MPU error reset	Stack pointer error reset	VBATT_POR* ³
Registers other than the above, CPU, and internal state	✓	✓	✓	✓	✓	x

✓: Initialized

x: Not initialized

Note 1. For the initial value of each register, see [section 9, Clock Generation Circuit](#).

Note 2. The RTC has a software reset. RCR1.RTCOS, CIE and RCR2.RTCOE, ADJ30, RESET bits are initialized by all types of resets. For details on the target bits, see [section 25, Realtime Clock \(RTC\)](#).

Note 3. For VBATT_POR details, see [section 12, Battery Backup Function](#).

RTC is not initialized by any reset source. SOSC and LOCO can be selected as the clock sources of RTC and AGT. [Table 6.4](#) and [Table 6.5](#) show the states of SOSC and LOCO when a reset occurs.

Table 6.4 States of SOSC when a reset occurs

State		Reset source	
		VBATT_POR	Other
SOSC	Enable or disable	Initialized to disable	Continue with the state that was selected before the reset occurred
	Drive capability	Initialized to Normal mode	Continue with the state that was selected before the reset occurred
	XCIN/XCOUT	Initialized to general-purpose input pins	Continue with the state that was selected before the reset occurred

Table 6.5 States of LOCO when a reset occurs

State		Reset source	
		VBATT_POR	Other
LOCO	Enable or disable	Initialized to enable	Continue with the state that was selected before the reset occurred
	Oscillation accuracy	Initialized to accuracy before trimming by LOCOUTCR (accuracy: ±15%)	Continue with the accuracy that was trimmed by LOCOUTCR

When a reset is canceled, reset exception handling starts.

[Table 6.6](#) lists the pin related to the reset function.

Table 6.6 Reset I/O pin

Pin name	I/O	Function
RES	Input	Reset pin

6.2 Register Descriptions

6.2.1 Reset Status Register 0 (RSTSR0)

Address(es): SYSTEM.RSTSR0 4001 E410h

	b7	b6	b5	b4	b3	b2	b1	b0
	—	—	—	—	LVD2R F	LVD1R F	LVD0R F	PORF
Value after reset:	0	0	0	0	x*1	x*1	x*1	x*1

x: Undefined

Bit	Symbol	Bit name	Description	R/W
b0	PORF	Power-On Reset Detect Flag	0: Power-on reset not detected 1: Power-on reset detected.	R(/W)*2
b1	LVD0RF	Voltage Monitor 0 Reset Detect Flag	0: Voltage monitor 0 reset not detected 1: Voltage monitor 0 reset detected.	R(/W)*2
b2	LVD1RF	Voltage Monitor 1 Reset Detect Flag	0: Voltage monitor 1 reset not detected 1: Voltage monitor 1 reset detected.	R(/W)*2
b3	LVD2RF	Voltage Monitor 2 Reset Detect Flag	0: Voltage monitor 2 reset not detected 1: Voltage monitor 2 reset detected.	R(/W)*2
b7 to b4	—	Reserved	These bits are read as 0. The write value should be 0.	R/W

Note 1. The value after reset depends on the reset source.

Note 2. Only 0 can be written to clear the flag. The flag must be cleared by writing 0 after 1 is read.

PORF flag (Power-On Reset Detect Flag)

The PORF flag indicates that a power-on reset occurred.

[Setting condition]

- When a power-on reset occurs.

[Clearing conditions]

- When a reset listed in Table 6.2 occurs
- When 1 is read from and then 0 is written to PORF.

LVD0RF flag (Voltage Monitor 0 Reset Detect Flag)

The LVD0RF flag indicates that the VCC voltage fell below V_{det0} .

[Setting condition]

- When a voltage monitor 0 reset occurs.

[Clearing conditions]

- When a reset listed in Table 6.2 occurs
- When 1 is read from and then 0 is written to LVD0RF.

LVD1RF flag (Voltage Monitor 1 Reset Detect Flag)

The LVD1RF flag indicates that the VCC voltage fell below V_{det1} .

[Setting condition]

- When a voltage monitor 1 reset occurs.

[Clearing conditions]

- When a reset listed in Table 6.2 occurs
- When 1 is read from and then 0 is written to LVD1RF.

LVD2RF flag (Voltage Monitor 2 Reset Detect Flag)

The LVD2RF flag indicates that the VCC voltage fell below V_{det2} .

[Setting condition]

- When a voltage monitor 2 reset occurs.

[Clearing conditions]

- When a reset listed in [Table 6.2](#) occurs
- When 1 is read from and then 0 is written to LVD2RF.

6.2.2 Reset Status Register 1 (RSTSR1)

Address(es): [SYSTEM.RSTSR1 4001 E0C0h](#)

	b15	b14	b13	b12	b11	b10	b9	b8	b7	b6	b5	b4	b3	b2	b1	b0
	—	—	—	SPERF	BUSMRF	BUSSRF	REERF	RPERF	—	—	—	—	—	SWRF	WDTRF	IWDTRF
Value after reset:	0	0	0	x*1	x*1	x*1	x*1	x*1	0	0	0	0	0	x*1	x*1	x*1

x: Undefined

Bit	Symbol	Bit name	Description	R/W
b0	IWDTRF	Independent Watchdog Timer Reset Detect Flag	0: Independent watchdog timer reset not detected 1: Independent watchdog timer reset detected.	R/(W)*2
b1	WDTRF	Watchdog Timer Reset Detect Flag	0: Watchdog timer reset not detected 1: Watchdog timer reset detected.	R/(W)*2
b2	SWRF	Software Reset Detect Flag	0: Software reset not detected 1: Software reset detected.	R/(W)*2
b7 to b3	—	Reserved	These bits are read as 0. The write value should be 0.	R/W
b8	RPERF	SRAM Parity Error Reset Detect Flag	0: SRAM parity error reset not detected 1: SRAM parity error reset detected.	R/(W)*2
b9	REERF	SRAM ECC Error Reset Detect Flag	0: SRAM ECC error reset not detected 1: SRAM ECC error reset detected.	R/(W)*2
b10	BUSSRF	Bus Slave MPU Error Reset Detect Flag	0: Bus slave MPU error reset not detected 1: Bus slave MPU error reset detected.	R/(W)*2
b11	BUSMRF	Bus Master MPU Error Reset Detect Flag	0: Bus master MPU error reset not detected 1: Bus master MPU error reset detected.	R/(W)*2
b12	SPERF	SP Error Reset Detect Flag	0: SP error reset not detected 1: SP error reset detected.	R/(W)*2
b15 to b13	—	Reserved	These bits are read as 0. The write value should be 0.	R/W

Note 1. The value after reset depends on the reset source.

Note 2. Only 0 can be written to clear the flag. The flag must be cleared by writing 0 after 1 is read.

IWDTRF flag (Independent Watchdog Timer Reset Detect Flag)

The IWDTRF flag indicates that an independent watchdog timer reset occurred.

[Setting condition]

- When an independent watchdog timer reset occurs.

[Clearing conditions]

- When a reset listed in [Table 6.2](#) occurs
- When 1 is read from and then 0 is written to IWDTRF.

WDTRF flag (Watchdog Timer Reset Detect Flag)

The WDTRF flag indicates that a watchdog timer reset occurred.

[Setting condition]

- When a watchdog timer reset occurs.

[Clearing conditions]

- When a reset listed in [Table 6.2](#) occurs
- When 1 is read from and then 0 is written to WDTRF.

SWRF flag (Software Reset Detect Flag)

The SWRF flag indicates that a software reset occurred.

[Setting condition]

- When a software reset occurs.

[Clearing conditions]

- When a reset listed in [Table 6.2](#) occurs
- When 1 is read from and then 0 is written to SWRF.

RPERF flag (SRAM Parity Error Reset Detect Flag)

The RPERF flag indicates that an SRAM parity error reset occurred.

[Setting condition]

- When an SRAM parity error reset occurs.

[Clearing conditions]

- When a reset listed in [Table 6.2](#) occurs
- When 1 is read from and then 0 is written to RPERF.

REERF flag (SRAM ECC Error Reset Detect Flag)

The REERF flag indicates that an SRAM ECC error reset occurred.

[Setting condition]

- When an SRAM ECC error reset occurs.

[Clearing conditions]

- When a reset listed in [Table 6.2](#) occurs
- When 1 is read from and then 0 is written to REERF.

BUSSRF flag (Bus Slave MPU Error Reset Detect Flag)

The BUSSRF flag indicates that a bus slave MPU error reset occurred.

[Setting condition]

- When a bus slave MPU error reset occurs.

[Clearing conditions]

- When a reset listed in [Table 6.2](#) occurs
- When 1 is read from and then 0 is written to BUSSRF.

BUSMRF flag (Bus Master MPU Error Reset Detect Flag)

The BUSMRF flag indicates that a bus master MPU error reset occurred.

[Setting condition]

- When a bus master MPU error reset occurs.

[Clearing conditions]

- When a reset listed in [Table 6.2](#) occurs
- When 1 is read from and then 0 is written to BUSMRF.

SPERF flag (SP Error Reset Detect Flag)

The SPERF flag indicates that a stack pointer error reset occurred.

[Setting condition]

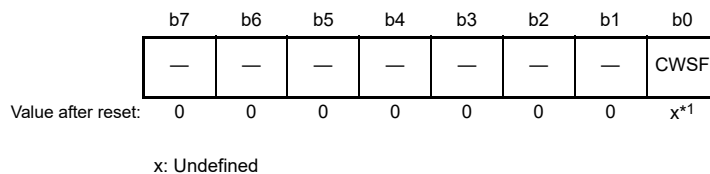
- When a stack pointer error reset occurs.

[Clearing conditions]

- When a reset listed in [Table 6.2](#) occurs
- When 1 is read from and then 0 is written to SPERF.

6.2.3 Reset Status Register 2 (RSTSR2)

Address(es): [SYSTEM.RSTSR2 4001 E411h](#)



Bit	Symbol	Bit name	Description	R/W
b0	CWSF	Cold/Warm Start Determination Flag	0: Cold start 1: Warm start.	R/(W)*2
b7 to b1	—	Reserved	These bits are read as 0. The write value should be 0.	R/W

Note 1. The value after reset depends on the reset source.

Note 2. Only 1 can be written to set the flag.

RSTSR2 determines whether a power-on reset caused the reset processing (cold start) or a reset signal input during operation caused the reset processing (warm start).

CWSF flag (Cold/Warm Start Determination Flag)

The CWSF flag indicates the type of reset processing, either cold start or warm start. The CWSF flag is initialized by a power-on reset. It is not initialized by a reset signal generated by the RES pin.

[Setting condition]

- When 1 is written by software. Writing 0 to CWSF does not set it to 0.

[Clearing condition]

- When a reset listed in [Table 6.2](#) occurs.

6.3 Operation

6.3.1 RES Pin Reset

The RES pin generates this reset. When the RES pin is driven low, all the processing in progress is aborted and the MCU enters a reset state. For a successful MCU reset, the RES pin must be held low for the power supply stabilization time specified at power-on.

When the RES pin is driven high from low, the internal reset is canceled after the post-RES cancellation wait time (t_{RESWT}) elapses. The CPU then starts the reset exception handling.

For details, see [section 51, Electrical Characteristics](#).

6.3.2 Power-On Reset

The power-on reset (POR) is an internal reset generated by the power-on reset circuit. If the RES pin is in a high-level state when power is supplied, a power-on reset is generated. After VCC exceeds V_{POR} and the specified power-on reset time elapses, the internal reset is canceled and the CPU starts the reset exception handling. The power-on reset time is the stabilization period for the external power supply and the MCU circuit. After a power-on reset is generated, the PORF flag in the RSTSR0 is set to 1. The PORF flag is initialized by the RES pin reset.

The voltage monitor 0 reset is an internal reset generated by the voltage monitor circuit. If the Voltage Detection 0 Circuit Start (LVDAS) bit in Option Function Select Register 1 (OFS1) is 0 (voltage monitor 0 reset is enabled after a reset) and VCC falls below V_{det0} , the RSTSR0.LVD0RF flag is set to 1 and the voltage detection circuit generates voltage monitor 0 reset. Clear the OFS1.LVDAS bit to 0 if the voltage monitor 0 reset is to be used.

After VCC exceeds V_{det0} and the voltage monitor 0 reset time (t_{LVD0}) elapses, the internal reset is canceled and the CPU starts the reset exception handling. The V_{det0} voltage detection level can be changed by the setting in the VDSEL1[2:0] bits in Option Function Select Register 1 (OFS1).

Figure 6.1 shows an example of operations during a power-on reset and voltage monitor 0 reset.

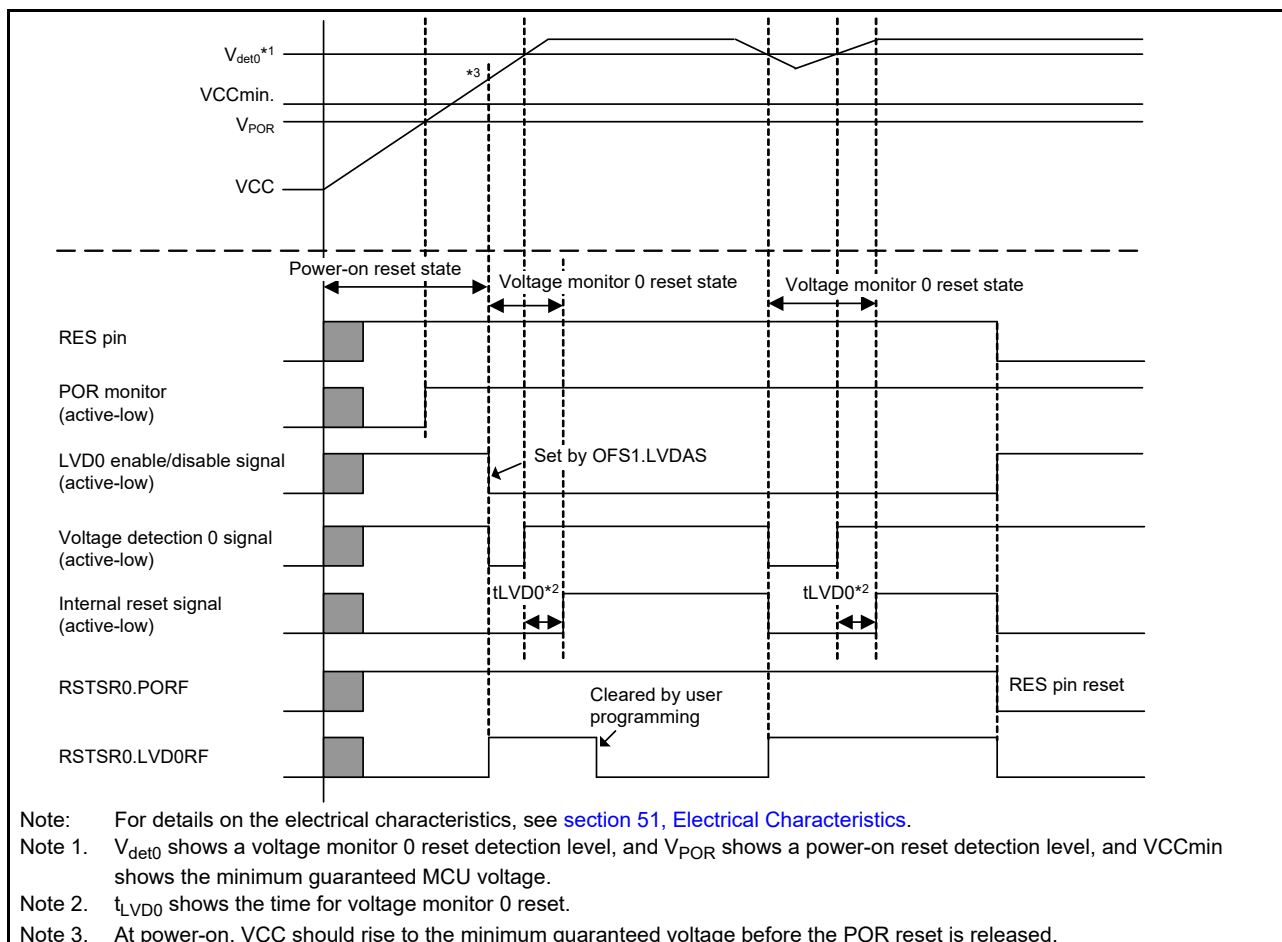


Figure 6.1 Example of operations during power-on reset and voltage monitor 0 reset

6.3.3 Voltage Monitor Reset

The voltage monitor 0 reset is an internal reset generated by the voltage monitor circuit. If the Voltage Detection 0 Circuit Start (LVDAS) bit in Option Function Select register 1 (OFS1) is 0 (voltage monitor 0 reset is enabled after a reset) and VCC falls below V_{det0} , the RSTSR0.LVD0RF flag sets to 1 and the voltage detection circuit generates a voltage monitor 0 reset. Clear the OFS1.LVDAS bit to 0 if the voltage monitor 0 reset is to be used. After VCC exceeds V_{det0} and the voltage monitor 0 reset time (t_{LVD0}) elapses, the internal reset is canceled and the CPU starts reset exception handling.

When the Voltage Monitor 1 Interrupt/Reset Enable bit (RIE) is set to 1 (enabling generation of a reset or interrupt by the voltage detection circuit) and the Voltage Monitor 1 Circuit Mode Select bit (LVD1CR0.RI) is set to 1 (selecting generation of a reset in response to detection of a low voltage) in the Voltage Monitor 1 Circuit Control Register 0 (LVD1CR0), the RSTSR0.LVD1RF flag is set to 1 and the voltage detection circuit generates a voltage monitor 1 reset if VCC falls to or below V_{det1} .

Likewise, when the Voltage Monitor 2 Interrupt/Reset Enable bit (RIE) is set to 1 (enabling generation of a reset or interrupt by the voltage detection circuit) and the Voltage Monitor 2 Circuit Mode Select bit (LVD2CR0.RI) is set to 1 (selecting generation of a reset in response to detection of a low voltage) in Voltage Monitor 2 Circuit Control Register 0 (LVD2CR0), the RSTSR0.LVD2RF flag is set to 1 and the voltage detection circuit generates a voltage monitor 2 reset if VCC falls to or below V_{det2} .

Similarly, timing for release from the voltage monitor 1 reset state is selectable in the Voltage Monitor 1 Reset Negate Select bit (RN) in the LVD1CR0. When the LVD1CR0.RN bit is 0 and VCC falls to or below V_{det1} , the CPU is released from the internal reset state and starts reset exception handling when the LVD1 reset time (t_{LVD1}) elapses after VCC rises above V_{det1} . When the LVD1CR0.RN bit is 1 and VCC falls to or below V_{det1} , the CPU is released from the internal reset state and starts reset exception handling when the LVD1 reset time (t_{LVD1}) elapses.

Likewise, timing for release from the voltage monitor 2 reset state is selectable in the Voltage Monitor 2 Reset Negate Select bit (RN) in the LVD2CR0 register. Detection levels V_{det1} and V_{det2} can be changed in the Voltage Detection Level Select Register (LVDLVLR).

Figure 6.2 shows an example of operations during voltage monitor 1 and 2 resets. For details on the voltage monitor 1 reset and voltage monitor 2 reset, see [section 8, Low Voltage Detection \(LVD\)](#).

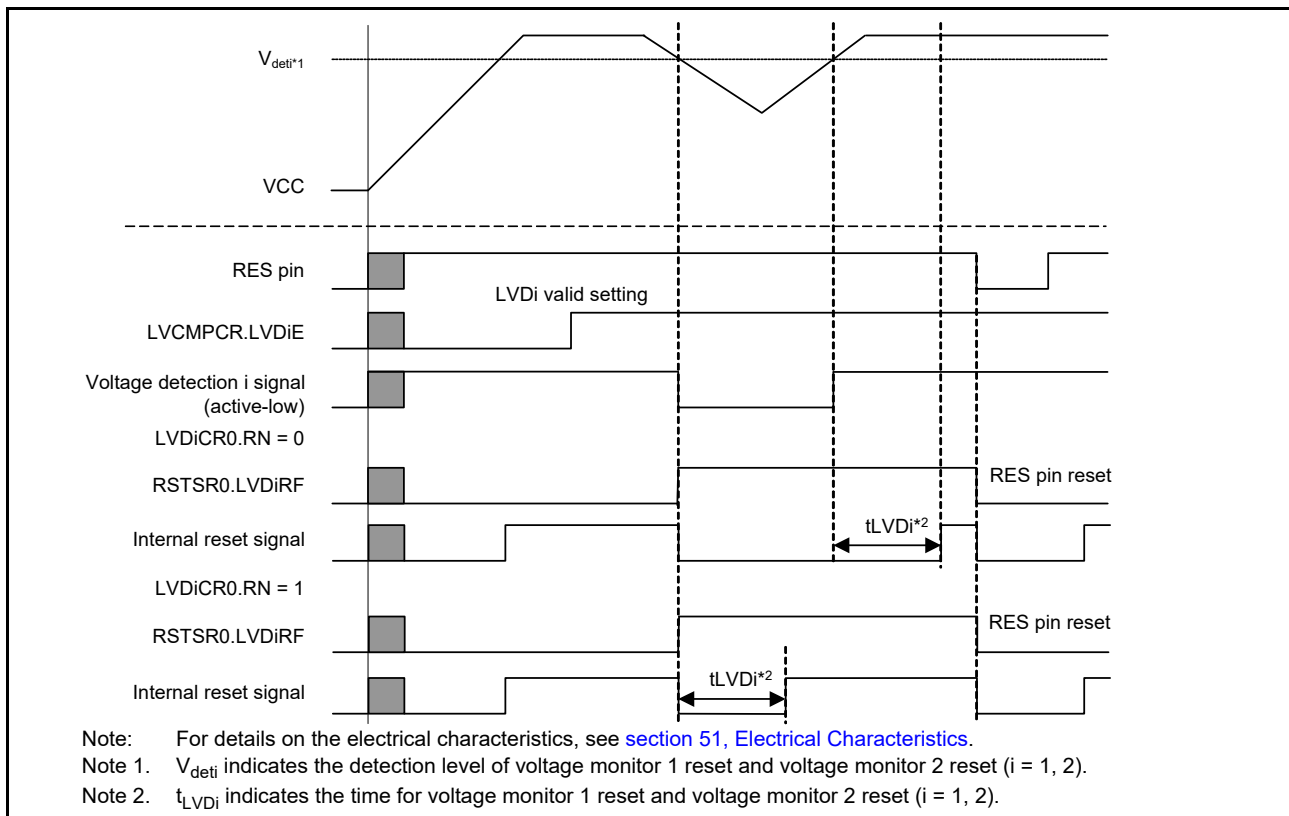


Figure 6.2 Example of operations during voltage monitor 1 and voltage monitor 2 resets

6.3.4 Independent Watchdog Timer Reset

The independent watchdog timer reset is an internal reset generated from the Independent Watchdog Timer (IWDT). Output of the reset from IWDT can be selected in the Option Function Select Register 0 (OFS0).

When output of the IWDT reset is selected, the reset is generated if the IWDT underflows, or if data is written when refresh operation is disabled. When the internal reset time (t_{RESW2}) elapses after the independent watchdog timer reset is generated, the internal reset is canceled and the CPU starts the reset exception handling.

For details on the independent watchdog timer reset, see [section 27, Independent Watchdog Timer \(IWDT\)](#).

6.3.5 Watchdog Timer Reset

The watchdog timer reset is an internal reset generated from the Watchdog Timer (WDT). Output of the WDT reset can be selected in the WDT Reset Control Register (WDTRCR) or Option Function Select Register 0 (OFS0).

When output of the watchdog timer reset is selected, the reset is generated if the WDT underflows, or if data is written when refresh operation is disabled. When the internal reset time (t_{RESW2}) elapses after the watchdog timer reset is generated, the internal reset is canceled and the CPU starts the reset exception handling.

For details on the watchdog timer reset, see [section 26, Watchdog Timer \(WDT\)](#).

6.3.6 Software Reset

The software reset is an internal reset generated by a software setting of the SYSRESETREQ bit in the AIRCR register in the Arm core. When the SYSRESETREQ bit is set to 1, a software reset is generated. When the internal reset time (t_{RESW2}) elapses after the software reset is generated, the internal reset is canceled and the CPU starts the reset exception handling.

For details on the SYSRESETREQ bit, see the *ARM® Cortex®-M4 Technical Reference Manual*.

6.3.7 Determination of Cold/Warm Start

Read the CWSF flag in RSTSR2 to determine the cause of reset processing. This flag indicates whether a power-on reset caused the reset processing (cold start) or a reset signal input during operation caused the reset processing (warm start).

The CWSF flag is set to 0 when a power-on reset occurs (cold start). Otherwise, the flag is not set to 0. The flag is set to 1 when 1 is written to it through software. It is not set to 0 even on writing 0 to it.

[Figure 6.3](#) shows an example of a cold/warm start determination operation.

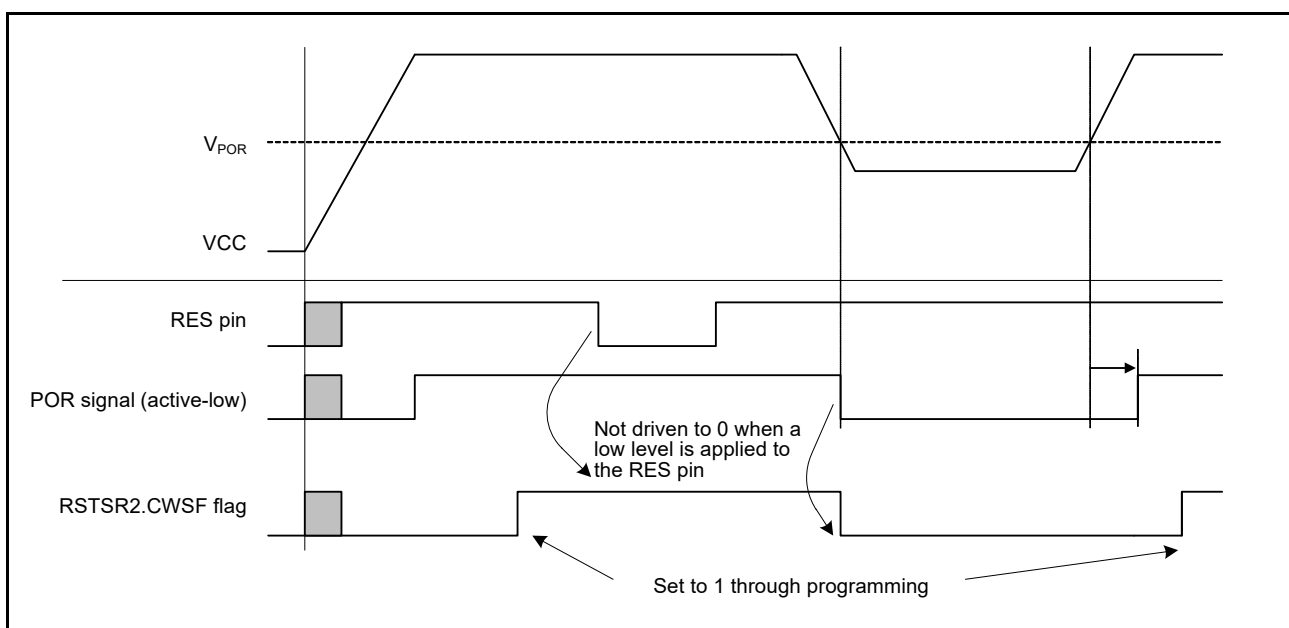


Figure 6.3 Example of a cold/warm start determination operation

6.3.8 Determination of Reset Generation Source

Read RSTSR0 and RSTSR1 to determine which reset executes the reset exception handling. Figure 6.4 shows an example flow to identify a reset generation source. The reset flag must be written with 0 after the reset flag is read as 1.

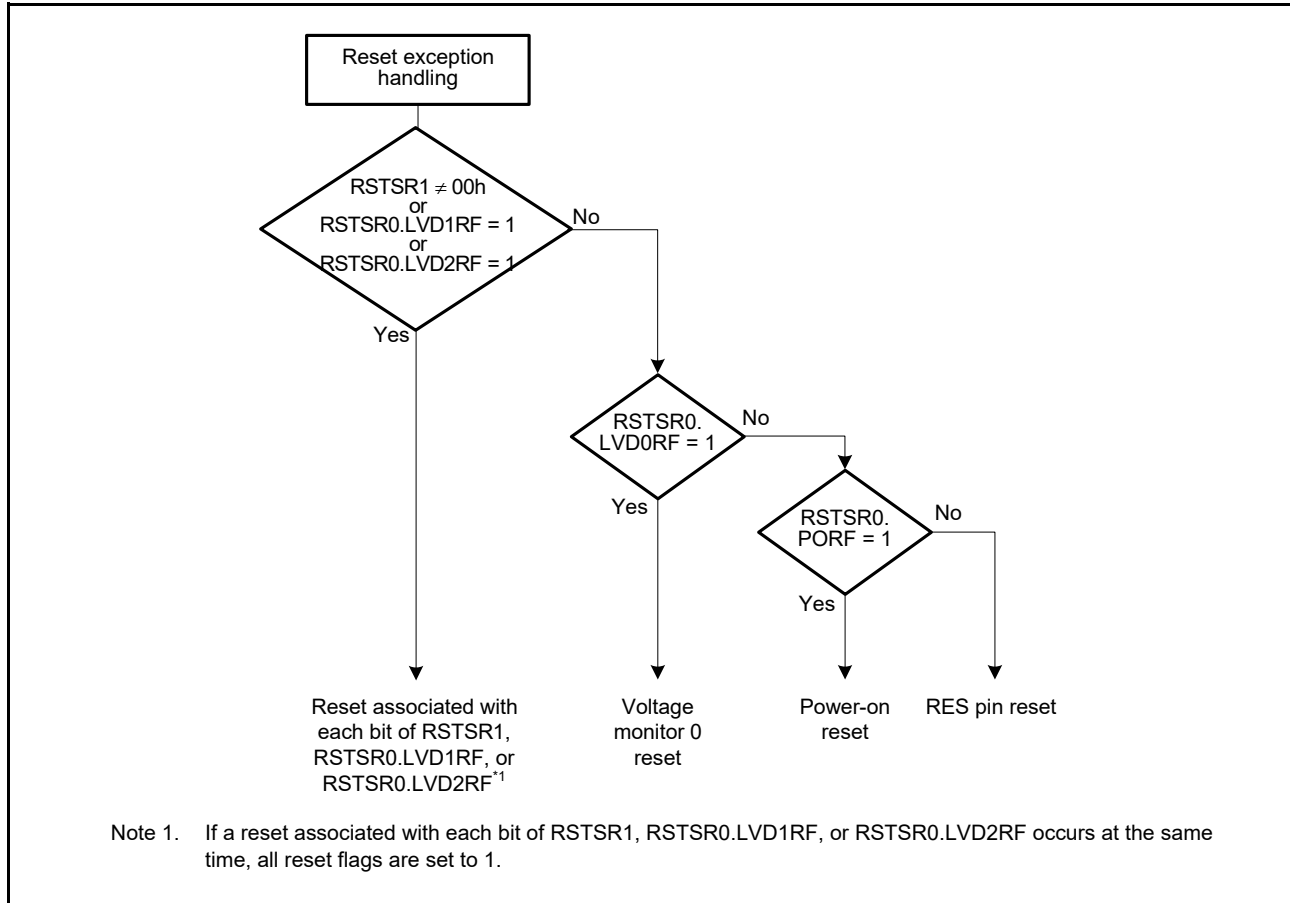


Figure 6.4 Example of reset generation source determination flow

7. Option-Setting Memory

7.1 Overview

The option-setting memory determines the state of the MCU after a reset. The option-setting memory is allocated to the configuration setting area and the program flash area of the flash memory. The available methods of setting are different for the two areas. Figure 7.1 shows the option-setting memory area.

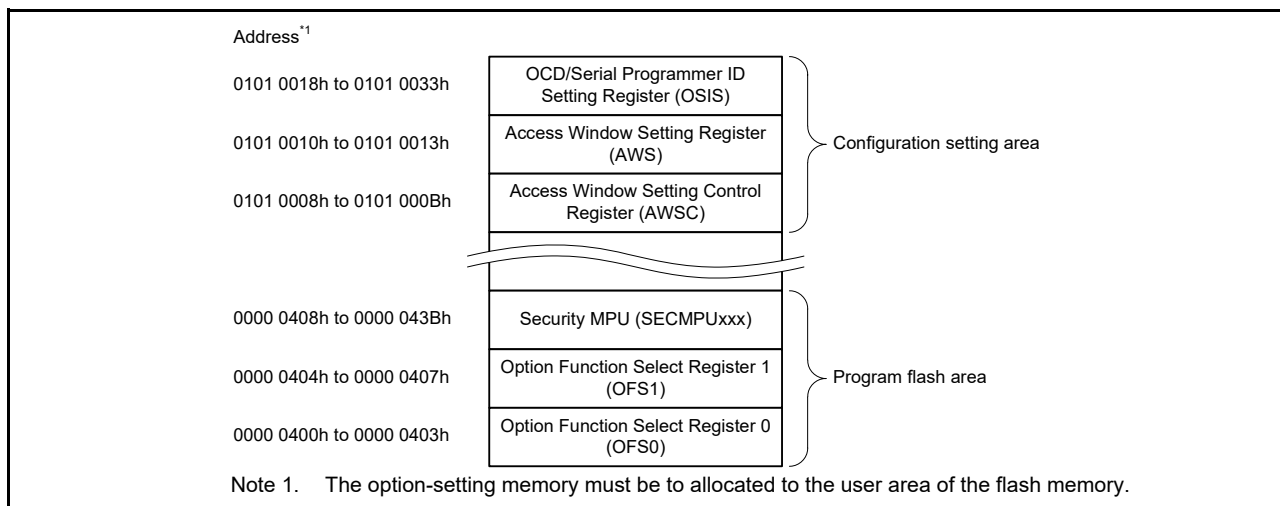


Figure 7.1 Option-setting memory area

7.2 Register Descriptions

7.2.1 Option Function Select Register 0 (OFS0)

Address(es): OFS0 0000 0400h

b31	b30	b29	b28	b27	b26	b25	b24	b23	b22	b21	b20	b19	b18	b17	b16
—	WDTST PCTL	—	WDTRS TIRQS	WDTRPSS[1:0]	WDTRPES[1:0]	WDTCKS[3:0]			WDTTOS[1:0]	WDTST RT	—		—		

Value after reset: The value set by the user*1

b15	b14	b13	b12	b11	b10	b9	b8	b7	b6	b5	b4	b3	b2	b1	b0
—	IWDTST TPCTL	—	IWDTSTIRQS	IWDRPSS[1:0]	IWDRPES[1:0]	IWDTCKS[3:0]			IWDTTOS[1:0]	IWDTST TRT	—		—		

Value after reset: The value set by the user*1

Bit	Symbol	Bit name	Description	R/W
b0	—	Reserved	When read, this bit returns the written value. The write value should be 1.	R
b1	IWDTSTRT	IWDT Start Mode Select	0: Automatically activate IWDT after a reset (auto-start mode) 1: Disable IWDT.	R
b3, b2	IWDTTOS[1:0]	IWDT Timeout Period Select	b3 b2 0 0: 128 cycles (007Fh) 0 1: 512 cycles (01FFh) 1 0: 1024 cycles (03FFh) 1 1: 2048 cycles (07FFh).	R
b7 to b4	IWDTCKS[3:0]	IWDT-Dedicated Clock Frequency Division Ratio Select	b7 b4 0 0 0 0: × 1 0 0 1 0: × 1/16 0 0 1 1: × 1/32 0 1 0 0: × 1/64 1 1 1 1: × 1/128 0 1 0 1: × 1/256. Other settings are prohibited.	R

Bit	Symbol	Bit name	Description	R/W
b9, b8	IWDRPES[1:0]	IWDT Window End Position Select	b9 b8 0 0: 75% 0 1: 50% 1 0: 25% 1 1: 0% (no window end position setting).	R
b11, b10	IWDRPSS[1:0]	IWDT Window Start Position Select	b11 b10 0 0: 25% 0 1: 50% 1 0: 75% 1 1: 100% (no window start position setting).	R
b12	IWDRSTIRQS	IWDT Reset Interrupt Request Select	0: Interrupt 1: Reset.	R
b13	—	Reserved	When read, this bit returns the written value. The write value should be 1.	R
b14	IWDTSTPCTL	IWDT Stop Control	0: Continue counting 1: Stop counting when in Sleep mode, Snooze mode, or Software Standby mode.	R
b16, b15	—	Reserved	When read, these bits return the written value. The write value should be 1.	R
b17	WDTSTRT	WDT Start Mode Select	0: Automatically activate WDT after a reset (auto-start mode) 1: Stop WDT after a reset (register-start mode).	R
b19, b18	WDTTOPS[1:0]	WDT Timeout Period Select	b19 b18 0 0: 1024 cycles (03FFh) 0 1: 4096 cycles (0FFFh) 1 0: 8192 cycles (1FFFh) 1 1: 16384 cycles (3FFFh).	R
b23 to b20	WDTCKS[3:0]	WDT Clock Frequency Division Ratio Select	b23 b20 0 0 0 1: PCLKB divided by 4 0 1 0 0: PCLKB divided by 64 1 1 1 1: PCLKB divided by 128 0 1 1 0: PCLKB divided by 512 0 1 1 1: PCLKB divided by 2048 1 0 0 0: PCLKB divided by 8192. Other settings are prohibited.	R
b25, b24	WDRPES[1:0]	WDT Window End Position Select	b25 b24 0 0: 75% 0 1: 50% 1 0: 25% 1 1: 0% (No window end position setting).	R
b27, b26	WDRPSS[1:0]	WDT Window Start Position Select	b27 b26 0 0: 25% 0 1: 50% 1 0: 75% 1 1: 100% (No window start position setting).	R
b28	WDRSTIRQS	WDT Reset Interrupt Request Select	WDT Behavior Select: 0: Interrupt 1: Reset.	R
b29	—	Reserved	When read, this bit returns the written value. The write value should be 1.	R
b30	WDTSTPCTL	WDT Stop Control	0: Continue counting 1: Stop counting when entering Sleep mode.	R
b31	—	Reserved	When read, this bit returns the written value. The write value should be 1.	R

Note 1. The value in a blank product is FFFF_FFFFh. It is set to the value written by your application.

IWDTSTRT bit (IWDT Start Mode Select)

The IWDTSTRT bit selects the mode in which the IWDT is activated after a reset (stopped state or activated state).

IWDTTOPS[1:0] bits (IWDT Timeout Period Select)

The IWDTTOPS[1:0] bits select the timeout period, that is, the time it takes for the down counter to underflow, as 128, 512, 1,024, or 2,048 cycles of the frequency-divided clock set in the IWDTCKS[3:0] bits. The number of clock cycles that the IWDT takes to underflow after a refresh operation is determined by the combination of the IWDTCKS[3:0] and IWDTTOPS[1:0] bits.

See [section 27, Independent Watchdog Timer \(IWDT\)](#) for details.

IWDTCKS[3:0] bits (IWDT-Dedicated Clock Frequency Division Ratio Select)

The IWDTCKS[3:0] bits select the division ratio of the prescaler for dividing the frequency of the clock for the IWDT as 1/1, 1/16, 1/32, 1/64, 1/128, or 1/256. Using this setting combined with the IWDTTOPS[1:0] bit setting, the IWDT counting period can be set from 128 to 524,288 IWDT clock cycles.

See [section 27, Independent Watchdog Timer \(IWDT\)](#) for details.

IWDRPES[1:0] bits (IWDT Window End Position Select)

The IWDRPES[1:0] bits select the position where the window for the down counter ends as 0%, 25%, 50%, or 75% of the count value. The value of the window end position must be smaller than the value of the window start position. Otherwise, only the value for the window start position is valid.

The counter values associated with the settings for the start and end positions of the window in the IWDRPSS[1:0] and IWDRPES[1:0] bits vary depending on the setting in the IWDTTOPS[1:0] bits.

See [section 27, Independent Watchdog Timer \(IWDT\)](#) for details.

IWDRPSS[1:0] bits (IWDT Window Start Position Select)

The IWDRPSS[1:0] bits select the position where the window for the down counter starts as 25%, 50%, 75%, or 100% of the counted value. The point at which counting starts is 100% and the point at which an underflow occurs is 0%. The interval between the window start and end positions becomes the period in which a refresh is possible. Refresh is not possible outside this period.

See [section 27, Independent Watchdog Timer \(IWDT\)](#) for details.

IWDRSTIRQS bit (IWDT Reset Interrupt Request Select)

The IWDRSTIRQS bit selects the operation on an underflow of the down counter or generation of a refresh error. The operation is selectable to an independent watchdog timer reset, a non-maskable interrupt request, or an interrupt request.

See [section 27, Independent Watchdog Timer \(IWDT\)](#) for details.

IWDTSTPCTL bit (IWDT Stop Control)

The IWDTSTPCTL bit selects whether to stop counting when entering Sleep mode, Snooze mode, or Software Standby mode. See [section 27, Independent Watchdog Timer \(IWDT\)](#) for details.

WDTSTRT bit (WDT Start Mode Select)

The WDTSTRT bit selects the mode in which the WDT is activated after a reset (stopped state or activated in auto-start mode). When WDT is activated in auto-start mode, the OFS0 register setting for the WDT is valid.

WDTTOPS[1:0] bits (WDT Timeout Period Select)

The WDTTOPS[1:0] bits specify the timeout period, the time it takes for the down counter to underflow, as 1,024, 4,096, 8,192, or 16,384 cycles of the frequency-divided clock set in the WDTCKS[3:0] bits. The number of PCLKB cycles that the counter takes to underflow after a refresh operation is determined by a combination of the WDTCKS[3:0] and WDTTOPS[1:0] bits.

See [section 26, Watchdog Timer \(WDT\)](#) for details.

WDTCKS[3:0] bits (WDT Clock Frequency Division Ratio Select)

The WDTCKS[3:0] bits select the division ratio of the prescaler for dividing the PCLKB frequency as 1/4, 1/64, 1/128,

1/512, 1/2,048, or 1/8,192. Using this setting combined with the WDTTOPS[1:0] bit setting, the WDT counting period can be set from 4,096 to 134,217,728 PCLKB cycles.

See [section 26, Watchdog Timer \(WDT\)](#) for details.

WDTRPES[1:0] bits (WDT Window End Position Select)

The WDTRPES[1:0] bits select the position of the end of the window for the down counter as 0%, 25%, 50%, or 75% of the counted value. The value of the window end position must be smaller than the value of the window start position. Otherwise, only the value for the window start position is valid.

The counter values associated with the settings for the start and end positions of the window, in the WDTRPSS[1:0] and WDTRPES[1:0] bits, vary with the setting in the WDTTOPS[1:0] bits.

See [section 26, Watchdog Timer \(WDT\)](#) for details.

WDTRPSS[1:0] bits (WDT Window Start Position Select)

The WDTRPSS[1:0] bits select the position where the window for the down counter starts as 25%, 50%, 75%, or 100% of the counted value. The point at which counting starts is 100% and the point at which an underflow occurs is 0%. The interval between the window start and end positions becomes the period in which a refresh is possible. However, refresh is not possible outside this period.

See [section 26, Watchdog Timer \(WDT\)](#) for details.

WDRSTIRQS bit (WDT Reset Interrupt Request Select)

The WDRSTIRQS bit selects the operation on an underflow of the down counter or generation of a refresh error. The operation is selectable to a watchdog timer reset, a non-maskable interrupt request, or an interrupt request.

See [section 26, Watchdog Timer \(WDT\)](#) for details.

WDTSTPCTL bit (WDT Stop Control)

The WDTSTPCTL bit specifies whether to stop counting when entering Sleep mode.

See [section 26, Watchdog Timer \(WDT\)](#) for details.

7.2.2 Option Function Select Register 1 (OFS1)

Address(es): OFS1 0000 0404h

b31	b30	b29	b28	b27	b26	b25	b24	b23	b22	b21	b20	b19	b18	b17	b16
—	—	—	—	—	—	—	—	—	—	—	—	—	—	—	—

Value after reset: The value set by the user*1

b15	b14	b13	b12	b11	b10	b9	b8	b7	b6	b5	b4	b3	b2	b1	b0
—	HOCOFRQ1[2:0]		—	—	—	HOCOEN	—	—	VDSEL1[2:0]		LVDAS	—	—	—	—

Value after reset: The value set by the user*1

Bit	Symbol	Bit name	Description	R/W
b1, b0	—	Reserved	When read, these bits return the written value. The write value should be 1.	R
b2	LVDAS	Voltage Detection 0 Circuit Start	0: Enable voltage monitor 0 reset after a reset 1: Disable voltage monitor 0 reset after a reset.	R
b5 to b3	VDSEL1[2:0]	Voltage Detection 0 Level Select	b5 b3 0 0 0: Selects 3.84 V 0 0 1: Selects 2.82 V 0 1 0: Selects 2.51 V 0 1 1: Selects 1.90 V 1 0 0: Selects 1.70 V. Other settings are prohibited.	R
b7, b6	—	Reserved	When read, these bits return the written value. The write value should be 1.	R
b8	HOCOEN	HOCO Oscillation Enable	0: Enable HOCO oscillation after a reset 1: Disable HOCO oscillation after a reset.	R
b11 to b9	—	Reserved	When read, these bits return the written value. The write value should be 1.	R
b14 to b12	HOCOFRQ1[2:0]	HOCO Frequency Setting 1	b14 b12 0 0 0: 24 MHz 0 1 0: 32 MHz 1 0 0: 48 MHz 1 0 1: 64 MHz. Other settings are prohibited.	R
b31 to b15	—	Reserved	When read, these bits return the written value. The write value should be 1.	R

Note 1. The value in the blank product is FFFF_FFFFh. It is set to the value written by your application.

LVDAS bit (Voltage Detection 0 Circuit Start)

The LVDAS bit selects whether the voltage monitor 0 reset is enabled or disabled after a reset.

VDSEL1[2:0] bits (Voltage Detection 0 Level Select)

The VDSEL1[2:0] bits select the voltage detection level of the voltage detection 0 circuit.

HOCOEN bit (HOCO Oscillation Enable)

The HOCOEN bit selects whether the HOCO oscillation is enabled or disabled after a reset. Setting this bit to 0 allows the HOCO oscillation to start before the CPU starts operation, which reduces the wait time for oscillation stabilization.

Note: When the HOCOEN bit is set to 0, the system clock source is not switched to HOCO. The system clock source is only switched to HOCO by setting the Clock Source Select bits (SCKSCR.CKSEL[2:0]). To use the HOCO clock, set the OFS1.HOCOFRQ1[2:0] bits to an optimum value.

After a reset release, operation is in the low-voltage mode, and so HOCOEN.HCSTP must be immediately set to 0.

HOCOFRQ1[2:0] bits (HOCO Frequency Setting 1)

The HOCOFRQ1[2:0] bits select the HOCO frequency after a reset as 24, 32, 48, or 64 MHz.

7.2.3 MPU Registers

Table 7.1 shows the registers related to the MPU function. See [section 16, Memory Protection Unit \(MPU\)](#) for details.

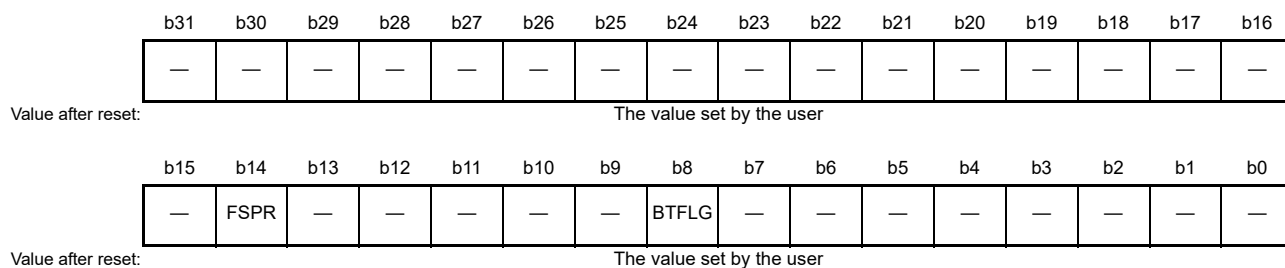
The security MPU is disabled on erasure of the flash memory. If incorrect data is written to an MPU register, the MCU might fail to operate. See [section 16, Memory Protection Unit \(MPU\)](#) to set the proper data.

Table 7.1 MPU registers

Register name	Symbol	Function	Address	Size (byte)
Security MPU Program Counter Start Address Register 0	SECMPUPCS0	Specifies the security fetch region of code flash or SRAM	0000 0408h	4
Security MPU Program Counter End Address Register 0	SECMPUPCE0	Specifies the security fetch region of code flash or SRAM	0000 040Ch	4
Security MPU Program Counter Start Address Register 1	SECMPUPCS1	Specifies the security fetch region of code flash or SRAM	0000 0410h	4
Security MPU Program Counter End Address Register 1	SECMPUPCE1	Specifies the security fetch region of code flash or SRAM	0000 0414h	4
Security MPU Region 0 Start Address Register	SECMPUS0	Specifies the secure program and code flash data	0000 0418h	4
Security MPU Region 0 End Address Register	SECMPUE0	Specifies the secure program and code flash data	0000 041Ch	4
Security MPU Region 1 Start Address Register	SECMPUS1	Specifies the secure data of SRAM	0000 0420h	4
Security MPU Region 1 End Address Register	SECMPUE1	Specifies the secure data of SRAM	0000 0424h	4
Security MPU Region 2 Start Address Register	SECMPUS2	Specifies the secure data of security functions	0000 0428h	4
Security MPU Region 2 End Address Register	SECMPUE2	Specifies the secure data of security functions	0000 042Ch	4
Security MPU Region 3 Start Address Register	SECMPUS3	Specifies the secure data of security functions	0000 0430h	4
Security MPU Region 3 End Address Register	SECMPUE3	Specifies the secure data of security functions	0000 0434h	4
Security MPU Access Control Register	SECMPUAC	Specifies the security enabled/disabled region	0000 0438h	4

7.2.4 Access Window Setting Control Register (AWSC)

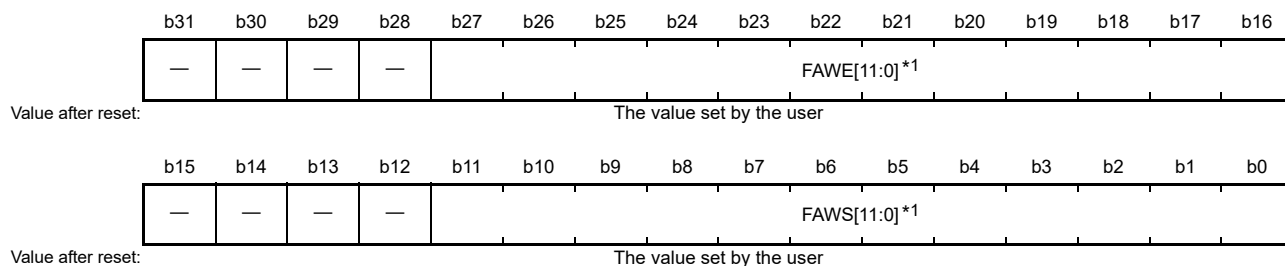
Address(es): AWSC 0101 0008h



Bit	Symbol	Bit name	Description	R/W
b7 to b0	—	Reserved	When read, these bits return the written value. The write value should be 1.	R
b8	BTFLG	Startup Area Select Flag	This bit specifies whether the address of the startup area is exchanged for the boot swap function. 0: The first 8-KB area (0000 0000h to 0000 1FFFh) and second 8-KB area (0000 2000h to 0000 3FFFh) are exchanged 1: The first 8-KB area (0000 0000h to 0000 1FFFh) and second 8-KB area (0000 2000h to 0000 3FFFh) are not exchanged.	R
b13 to b9	—	Reserved	When read, these bits return the value written by the user. The write value should be 1.	R
b14	FSPR	Protection of Access Window and Startup Area Select Function	This bit controls the programming of the write/erase protection for the access window, the Startup Area Select Flag (BTFLG), and the temporary boot swap control. If this bit is set to 0, it cannot be changed to 1. 0: Executing the configuration setting command for programming the access window (FAWE[11:0], FAWS[11:0]) and the Startup Area Select Flag (BTFLG) is invalid. 1: Executing the configuration setting command for programming the access window (FAWE[11:0], FAWS[11:0]) and the Startup Area Select Flag (BTFLG) is valid.	R
b31 to b15	—	Reserved	When read, these bits return the written value. The write value should be 1.	R

7.2.5 Access Window Setting Register (AWS)

Address(es): AWS 0101 0010h



Bit	Symbol	Bit name	Description	R/W
b11 to b0	FAWS[11:0]	Access Window Start Block Address*1	These bits specify the start block address for the access window. They do not represent the block number of the access window. The access window is only valid in the program flash area. The block address specifies the first address of the block and consists of the address bits [21:10].	R

Bit	Symbol	Bit name	Description	R/W
b15 to b12	—	Reserved	When read, these bits return the written value. The write value should be 1.	R
b27 to b16	FAWE[11:0]	Access Window End Block Address*1	These bits specify the end block address for the access window. They do not represent the block number of the access window. The access window is only valid in the program flash area. The end block address for the access window is the next block to the acceptable programming and erasure region defined by the access window. The block address specifies the first address of the block and consists of the address bits [21:10].	R
b31 to b28	—	Reserved	When read, these bits return the written value. The write value should be 1.	R

Note 1. The write value should be 0 for FAWE[0] and FAWS[0].

Issuing the program or erase command to an area outside the access window causes a command-locked state. The access window is only valid in the program flash area. The access window provides protection in self-programming mode, serial programming mode, and on-chip debug mode. The access window can be locked by the FSPR bit.

The access window is specified in both the FAWS[11:0] and FAWE[11:0] bits.

The settings for the bits are as follows:

- FAWE[11:0] = FAWS[11:0]: The P/E command is allowed to execute in the full program flash area
- FAWE[11:0] > FAWS[11:0]: The P/E command is only allowed to execute in the window from the block pointed to by the FAWS[11:0] bits to the block one lower than the block pointed to by the FAWE[11:0] bits
- FAWE[11:0] < FAWS[11:0]: The P/E command is not allowed to execute in the program flash area.

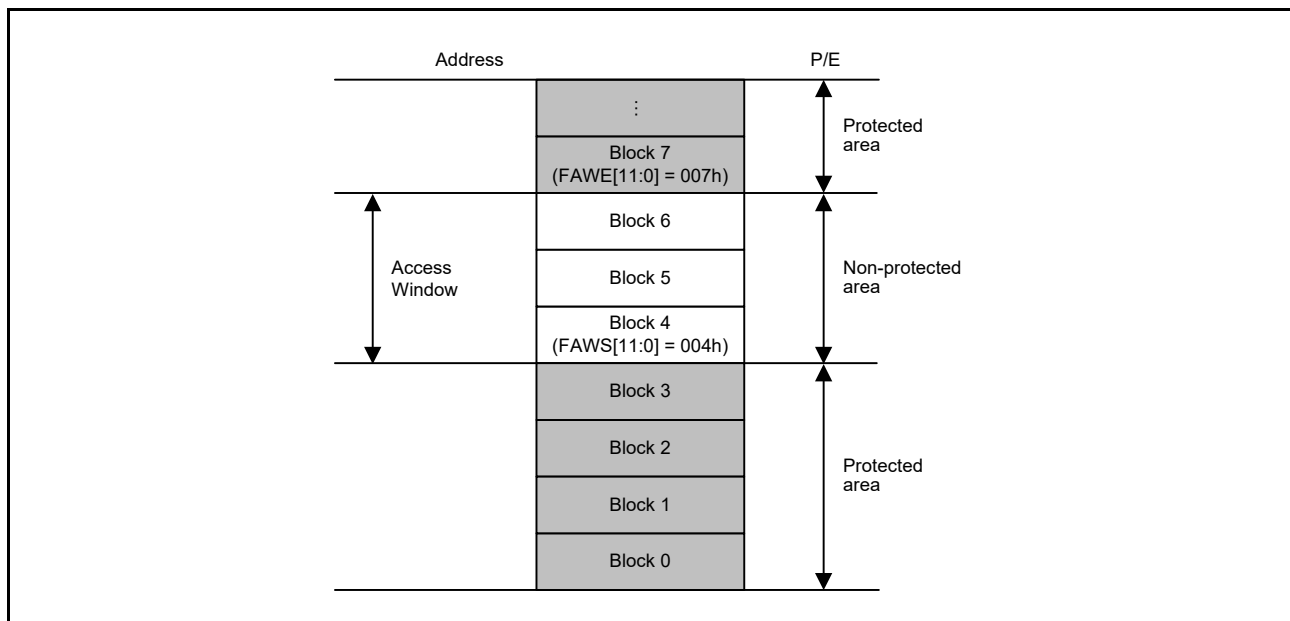
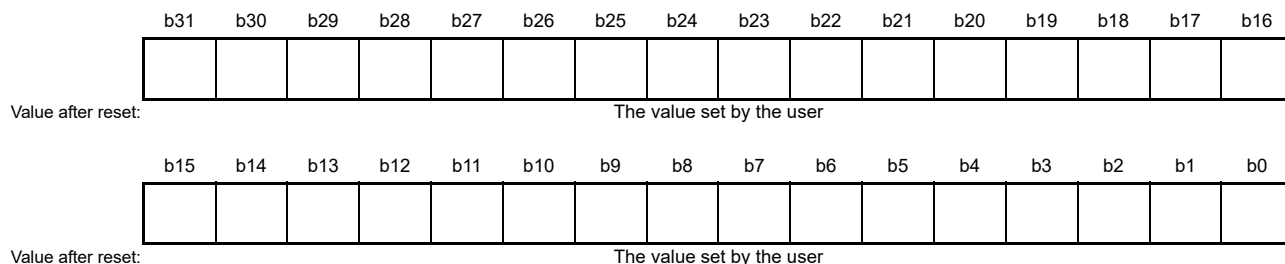


Figure 7.2 Access window overview

7.2.6 OCD/Serial Programmer ID Setting Register (OSIS)

The OSIS register stores the ID for ID code protection of the OCD/serial programmer. When connecting the OCD/serial programmer, write values so that the MCU can determine whether to permit the connection. Use this register to check whether a code transmitted from the OCD/serial programmer matches the ID code in the option-setting memory. When the ID codes match, connection with the OCD/serial programmer is permitted. When the ID codes do not match, connection with the OCD/serial programmer is not possible. The OSIS register must be set in 32-bit units.

Address(es): OSIS 0101 0018h, OSIS 0101 0020h, OSIS 0101 0028h, OSIS 0101 0030h



These fields store the ID for use in ID authentication for the OCD/serial programmer.

ID code bits [127] and [126] determine whether the ID code protection is enabled, and the method of authentication to use with the host. Table 7.2 shows how the ID code determines the method of authentication.

Setting bit [127] to 0 prevents Renesas from accessing the test mode. Therefore, Renesas cannot perform failure analysis unless provided with the ID code.

Table 7.2 Specifications for ID code protection

Operating mode on boot up	ID code	State of protection	Operations on connection to programmer or on-chip debugger
Serial programming mode (SCI/USB boot mode)	FFh, ..., FFh (all bytes are FFh)	Protection disabled	The ID code is not checked, the ID code always matches, and the connection to the serial programmer or on-chip debugger is permitted.
On-chip debug mode (JTAG/SWD boot mode)	Bit [127] = 1, bit [126] = 1, and at least one of the 16 bytes is not FFh	Protection enabled	Matching ID code indicates that authentication is complete and connection to the serial programmer or the on-chip debugger is permitted. Mismatching ID code indicates transition to the ID code protection wait state. When the ID code sent from the serial programmer or the on-chip debugger is ALeRASE in ASCII code (0x414C_6552_4153_45FF_FFFF_FFFF_FFFF_FFFF), the content of the user flash area is erased and all bits in the OSIS register are 1. However, when the AWSC.FSPR bit is 0 or security MPU is enabled, the content of the user flash area is not erased.
	Bit [127] = 1 and bit [126] = 0	Protection enabled	Matching ID code indicates that authentication is complete and connection to the serial programmer or the on-chip debugger is permitted. Mismatching ID code indicates transition to the ID code protection wait state.
	Bit [127] = 0	Protection enabled	The ID code is not checked, the ID code is always mismatching, the connection to the serial programmer or the on-chip debugger is prohibited. When the ID code sent from the on-chip debugger is ALeRASE in ASCII code (0x414C_6552_4153_45FF_FFFF_FFFF_FFFF_FFFF), the content of the user flash area is erased and all bits in the OSIS register are 1. However, when the AWSC.FSPR bit is 0 or security MPU is enabled, the content of the user flash area is not erased.

7.3 Setting Option-Setting Memory

7.3.1 Allocation of Data in Option-Setting Memory

Programming data is allocated to the addresses in the option-setting memory shown in [Figure 7.1](#). The allocated data is used by tools such as a flash programming software or an on-chip debugger.

Note: Programming formats vary depending on the compiler. See the compiler manual for details.

7.3.2 Setting Data for Programming Option-Setting Memory

Allocating data according to the procedure described in [section 7.3.1, Allocation of Data in Option-Setting Memory](#), alone does not actually write the data to the option-setting memory. You must also follow one of the actions described in this section.

(1) Changing the option-setting memory by self-programming

Use the programming command to write data to the program flash area. Use the configuration setting command to write data to the option-setting memory in the configuration setting area. In addition, use the startup area select function to safely update the boot program that includes the option-setting memory.

See [section 47, Flash Memory](#) for details on the programming command, the configuration setting command, and the startup area select function.

(2) Debugging through an OCD or programming by a flash writer

This procedure depends on the tool in use, so see the tool manual for details.

The MCU provides two setting procedures as follows:

- Read the data allocated as described in [section 7.3.1, Allocation of Data in Option-Setting Memory](#), from an object file or Motorola S-format file generated by the compiler, and write the data to the MCU
- Use the GUI interface of the tool to program the same data allocated as described in [section 7.3.1, Allocation of Data in Option-Setting Memory](#).

7.4 Usage Note

7.4.1 Data for Programming Reserved Areas and Reserved Bits in the Option-Setting Memory

When reserved areas and reserved bits in the option-setting memory are available for programming, write 1 to all bits in the reserved areas and all reserved bits. If 0 is written to these bits, normal operation cannot be guaranteed.

8. Low Voltage Detection (LVD)

8.1 Overview

The Low Voltage Detection (LVD) module monitors the voltage level input to the VCC pin, and the detection level can be selected using a software program. The LVD module consists of three separate voltage level detectors, 0, 1, and 2, which measure the voltage level input to the VCC pin. LVD voltage detection registers allow your application to configure the detection of VCC changes at various voltage thresholds.

Each voltage level detector has a voltage monitor associated with it, called voltage monitor 0, 1, and 2. Voltage monitor registers configure the LVD to trigger an interrupt, event link output, or reset when the thresholds are crossed.

[Table 8.1](#) lists the LVD specifications. [Figure 8.1](#) shows a block diagram of voltage detectors 0, 1, and 2, [Figure 8.2](#) shows a block diagram of the voltage monitor 1 interrupt/reset circuit, and [Figure 8.3](#) shows a block diagram of the voltage monitor 2 interrupt/reset circuit.

Table 8.1 LVD specifications

Item		Voltage monitor 0	Voltage monitor 1	Voltage monitor 2
VCC monitoring	Monitored voltage	V_{det0}	V_{det1}	V_{det2}
	Detected event	Voltage falls below V_{det0}	Voltage rises or falls past V_{det1}	Voltage rises or falls past V_{det2}
	Detected voltage	Selectable from five different levels in the OFS1.VDSEL1[2:0] bits	Selectable from 16 different levels in the LVDLVLR.LVD1LVL[4:0] bits	Selectable from four different levels in the LVDLVLR.LVD2LVL[2:0] bits
	Monitor flag	None	LVD1SR.MON flag: Monitors whether voltage is higher or lower than V_{det1}	LVD2SR.MON flag: Monitors whether voltage is higher or lower than V_{det2}
Process on voltage detection	Reset	Voltage monitor 0 reset Reset when $V_{det0} > VCC$ CPU restart after specified time with $VCC > V_{det0}$	Voltage monitor 1 reset Reset when $V_{det1} > VCC$ CPU restart timing selectable: after specified time with $VCC > V_{det1}$ or $V_{det1} > VCC$	Voltage monitor 2 reset Reset when $V_{det2} > VCC$ CPU restart timing selectable: after specified time with $VCC > V_{det2}$ or $V_{det2} > VCC$
	Interrupt	No interrupt	Voltage monitor 1 interrupt	Voltage monitor 2 interrupt
			Non-maskable interrupt or maskable interrupt selectable	Non-maskable interrupt or maskable interrupt selectable
		Interrupt request issued when $V_{det1} > VCC$ or $VCC > V_{det1}$	Interrupt request issued when $V_{det2} > VCC$ or $VCC > V_{det2}$	
Event linking	None	Available Output of event signals on detection of V_{det1} crossings	Available Output of event signals on detection of V_{det2} crossings	

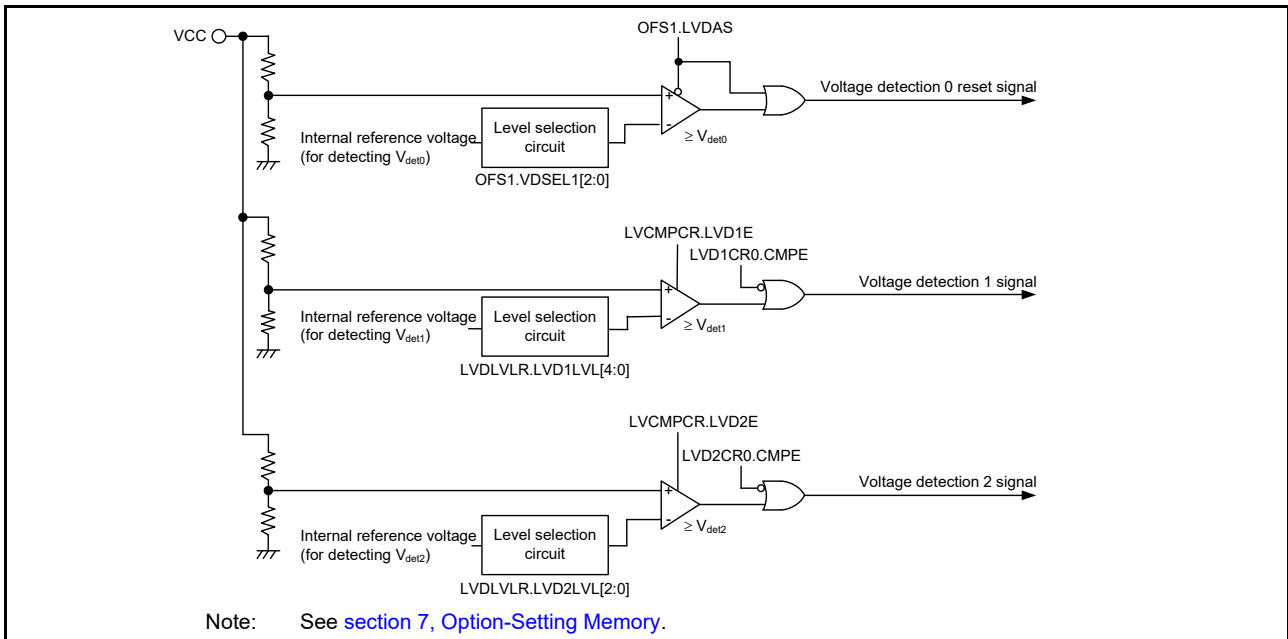


Figure 8.1 Voltage detection 0, 1, and 2 block diagram

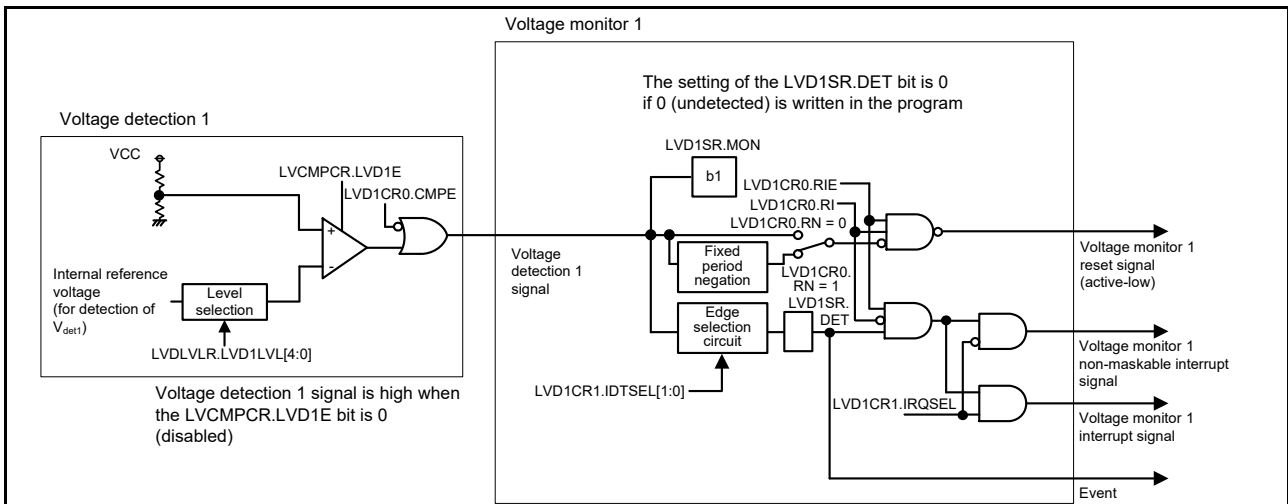


Figure 8.2 Voltage monitor 1 interrupt/reset circuit block diagram

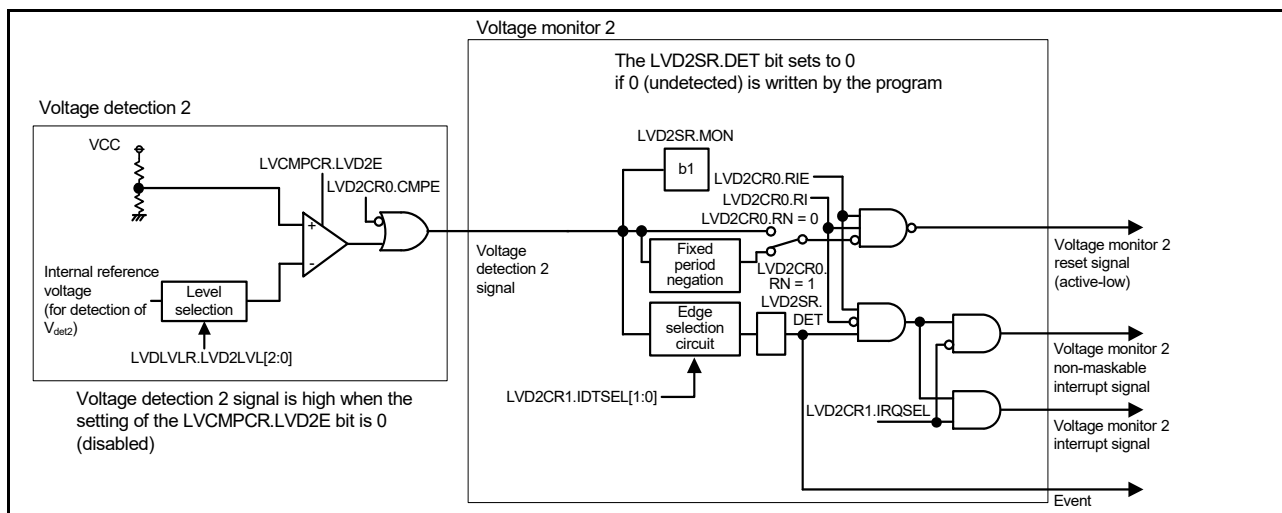


Figure 8.3 Voltage monitor 2 interrupt/reset circuit block diagram

8.2 Register Descriptions

8.2.1 Voltage Monitor 1 Circuit Control Register 1 (LVD1CR1)

Address(es): SYSTEM.LVD1CR1 4001 E0E0h

b7	b6	b5	b4	b3	b2	b1	b0
—	—	—	—	—	IRQSEL	IDTSEL[1:0]	

Value after reset: 0 0 0 0 0 0 0 1

Bit	Symbol	Bit name	Description	R/W
b1, b0	IDTSEL[1:0]	Voltage Monitor 1 Interrupt Generation Condition Select	b1 b0 0 0: When $V_{CC} \geq V_{det1}$ (rise) is detected 0 1: When $V_{CC} < V_{det1}$ (fall) is detected 1 0: When fall and rise are detected 1 1: Setting prohibited.	R/W
b2	IRQSEL	Voltage Monitor 1 Interrupt Type Select	0: Non-maskable interrupt 1: Maskable interrupt*1.	R/W
b7 to b3	—	Reserved	These bits are read as 0. The write value should be 0.	R/W

Note: Set the PRCR.PRC3 bit to 1 (write enabled) before rewriting this register.

Note 1. When enabling maskable interrupts, do not change the NMIER.LVD1EN bit value in the ICU from the reset state.

8.2.2 Voltage Monitor 1 Circuit Status Register (LVD1SR)

Address(es): SYSTEM.LVD1SR 4001 E0E1h

b7	b6	b5	b4	b3	b2	b1	b0
—	—	—	—	—	—	MON	DET

Value after reset: 0 0 0 0 0 0 1 0

Bit	Symbol	Bit name	Description	R/W
b0	DET	Voltage Monitor 1 Voltage Change Detection Flag	0: Not detected 1: V_{det1} passage detected.	R/(W) *1

Bit	Symbol	Bit name	Description	R/W
b1	MON	Voltage Monitor 1 Signal Monitor Flag	0: $V_{CC} < V_{det1}$ 1: $V_{CC} \geq V_{det1}$ or MON is disabled.	R
b7 to b2	—	Reserved	These bits are read as 0. The write value should be 0.	R/W

Note: Set the PRCR.PRC3 bit to 1 (write enabled) before rewriting this register.

Note 1. Only 0 can be written to this bit. After writing 0 to this bit, 2 system clock cycles are required for the bit to be read as 0.

DET flag (Voltage Monitor 1 Voltage Change Detection Flag)

The DET flag is enabled when the LVCMPER.LVD1E bit is 1 (voltage detection 1 circuit enabled) and the LVD1CR0.CMPE bit is 1 (voltage monitor 1 circuit comparison result output enabled).

Set the DET flag to 0 after LVD1CR0.RIE is set to 0 (disabled). LVD1CR0.RIE can be set to 1 (enabled) after 2 or more PCLKB cycles elapse.

A longer PCLKB wait time might be required, depending on the number of PCLKB cycles required to read a specific I/O register.

MON flag (Voltage Monitor 1 Signal Monitor Flag)

The MON flag is enabled when the LVCMPER.LVD1E bit is 1 (voltage detection 1 circuit enabled) and the LVD1CR0.CMPE bit is 1 (voltage monitor 1 circuit comparison result output enabled).

8.2.3 Voltage Monitor 2 Circuit Control Register 1 (LVD2CR1)

Address(es): SYSTEM.LVD2CR1 4001 E0E2h

b7	b6	b5	b4	b3	b2	b1	b0
—	—	—	—	—	IRQSEL	IDTSEL[1:0]	

Value after reset: 0 0 0 0 0 0 0 1

Bit	Symbol	Bit name	Description	R/W
b1, b0	IDTSEL[1:0]	Voltage Monitor 2 Interrupt Generation Condition Select	b1 b0 0 0: When $V_{CC} \geq V_{det2}$ (rise) is detected 0 1: When $V_{CC} < V_{det2}$ (fall) is detected 1 0: When fall and rise are detected 1 1: Setting prohibited.	R/W
b2	IRQSEL	Voltage Monitor 2 Interrupt Type Select	0: Non-maskable interrupt 1: Maskable interrupt*1.	R/W
b7 to b3	—	Reserved	These bits are read as 0. The write value should be 0.	R/W

Note: Set the PRCR.PRC3 bit to 1 (write enabled) before rewriting this register.

Note 1. When enabling maskable interrupts, do not change the value of the NMIER.LVD2EN bit in the ICU from the reset state.

8.2.4 Voltage Monitor 2 Circuit Status Register (LVD2SR)

Address(es): SYSTEM.LVD2SR 4001 E0E3h

b7	b6	b5	b4	b3	b2	b1	b0
—	—	—	—	—	—	MON	DET

Value after reset: 0 0 0 0 0 0 1 0

Bit	Symbol	Bit name	Description	R/W
b0	DET	Voltage Monitor 2 Voltage Change Detection Flag	0: Not detected 1: V_{det2} passage detected.	R/W*1

Bit	Symbol	Bit name	Description	R/W
b1	MON	Voltage Monitor 2 Signal Monitor Flag	0: $V_{CC} < V_{det2}$ 1: $V_{CC} \geq V_{det2}$ or MON is disabled.	R
b7 to b2	—	Reserved	These bits are read as 0. The write value should be 0.	R/W

Note: Set the PRCR.PRC3 bit to 1 (write enabled) before rewriting this register.

Note 1. Only 0 can be written to this bit. After writing 0 to this bit, it takes 2 system clock cycles for the bit to be read as 0.

DET flag (Voltage Monitor 2 Voltage Change Detection Flag)

The DET flag is enabled when the LVCMPCR.LVD2E bit is 1 (voltage detection 2 circuit enabled) and the LVD2CR0.CMPE bit is 1 (voltage monitor 2 circuit comparison result output enabled).

Set the DET flag to 0 after LVD2CR0.RIE is set to 0 (disabled). LVD2CR0.RIE can be set to 1 (enabled) after 2 or more PCLKB cycles elapse.

A longer PCLKB wait time might be required, depending on the number of PCLKB cycles required to read a given I/O register.

MON flag (Voltage Monitor 2 Signal Monitor Flag)

The MON flag is enabled when the LVCMPCR.LVD2E bit is 1 (voltage detection 2 circuit enabled) and the LVD2CR0.CMPE bit is 1 (voltage monitor 2 circuit comparison result output enabled).

8.2.5 Voltage Monitor Circuit Control Register (LVCMPCR)

Address(es): SYSTEM.LVCMPCR 4001 E417h

b7	b6	b5	b4	b3	b2	b1	b0
—	LVD2E	LVD1E	—	—	—	—	—

Value after reset: 0 0 0 0 0 0 0 0

Bit	Symbol	Bit name	Description	R/W
b4 to b0	—	Reserved	These bits are read as 0. The write value should be 0.	R/W
b5	LVD1E	Voltage Detection 1 Enable	0: Disable voltage detection 1 circuit 1: Enable voltage detection 1 circuit.	R/W
b6	LVD2E	Voltage Detection 2 Enable	0: Disable voltage detection 2 circuit 1: Enable voltage detection 2 circuit.	R/W
b7	—	Reserved	This bit is read as 0. The write value should be 0.	R/W

Note: Set the PRCR.PRC3 bit to 1 (write enabled) before rewriting this register.

LVD1E bit (Voltage Detection 1 Enable)

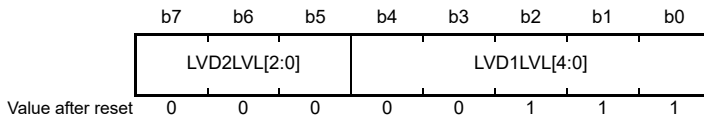
When using voltage detection 1 interrupt/reset or the LVD1SR.MON bit, set the LVD1E bit to 1. The voltage detection 1 circuit starts when $t_{d(E-A)}$ elapses after the LVD1E bit value is changed from 0 to 1.

LVD2E bit (Voltage Detection 2 Enable)

When using voltage detection 2 interrupt/reset or the LVD2SR.MON bit, set the LVD2E bit to 1. The voltage detection 2 circuit starts when $t_{d(E-A)}$ elapses after the LVD2E bit value is changed from 0 to 1.

8.2.6 Voltage Detection Level Select Register (LVDLVL[R])

Address(es): [SYSTEM.LVDLVL\[R\] 4001 E418h](#)



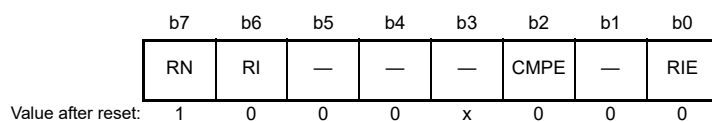
Bit	Symbol	Bit name	Description	R/W
b4 to b0	LVD1LVL[4:0]	Voltage Detection 1 Level Select (standard voltage during fall in voltage)	b4 b3 b2 b1 b0 0 0 0 0 0: 4.29 V (V_{det1_0}) 0 0 0 0 1: 4.14 V (V_{det1_1}) 0 0 0 1 0: 4.02 V (V_{det1_2}) 0 0 0 1 1: 3.84 V (V_{det1_3}) 0 0 1 0 0: 3.10 V (V_{det1_4}) 0 0 1 0 1: 3.00 V (V_{det1_5}) 0 0 1 1 0: 2.90 V (V_{det1_6}) 0 0 1 1 1: 2.79 V (V_{det1_7}) 0 1 0 0 0: 2.68 V (V_{det1_8}) 0 1 0 0 1: 2.58 V (V_{det1_9}) 0 1 0 1 0: 2.48 V (V_{det1_A}) 0 1 0 1 1: 2.20 V (V_{det1_B}) 0 1 1 0 0: 1.96 V (V_{det1_C}) 0 1 1 0 1: 1.86 V (V_{det1_D}) 0 1 1 1 0: 1.75 V (V_{det1_E}) 0 1 1 1 1: 1.65 V (V_{det1_F}). Other settings are prohibited.	R/W
b7 to b5	LVD2LVL[2:0]	Voltage Detection 2 Level Select (standard voltage during fall in voltage)	b7 b6 b5 0 0 0: 4.29 V (V_{det2_0}) 0 0 1: 4.14 V (V_{det2_1}) 0 1 0: 4.02 V (V_{det2_2}) 0 1 1: 3.84 V (V_{det2_3}) 1 0 0: Setting prohibited 1 0 1: Setting prohibited 1 1 0: Setting prohibited 1 1 1: Setting prohibited.	R/W

Note: Set the PRCR.PRC3 bit to 1 (write enabled) before rewriting this register.

The contents of the LVDLVL[R] register can only be changed if the LVCMP[R].LVD1E and LVCMP[R].LVD2E bits (voltage detection n circuit disable, n = 1, 2) are both 0. Do not set the LVD detectors 1 and 2 to the same voltage detection level.

8.2.7 Voltage Monitor 1 Circuit Control Register 0 (LVD1CR0)

Address(es): [SYSTEM.LVD1CR0 4001 E41Ah](#)



x: Undefined

Bit	Symbol	Bit name	Description	R/W
b0	RIE	Voltage Monitor 1 Interrupt/Reset Enable	0: Disable 1: Enable.	R/W
b1	—	Reserved	The read value is 0. The write value should be 0.	R/W
b2	CMPE	Voltage Monitor 1 Circuit Comparison Result Output Enable	0: Disable voltage monitor 1 circuit comparison result output 1: Enable voltage monitor 1 circuit comparison result output.	R/W

Bit	Symbol	Bit name	Description	R/W
b3	—	Reserved	The read value is undefined. The write value should be 1.	R/W
b5, b4	—	Reserved	These bits are read as 0. The write value should be 0.	R/W
b6	RI	Voltage Monitor 1 Circuit Mode Select	0: Generate voltage monitor 1 interrupt on V_{det1} passage 1: Enable voltage monitor 1 reset when the voltage falls to and below V_{det1} .	R/W
b7	RN	Voltage Monitor 1 Reset Negate Select	0: Negate after a stabilization time (t_{LVD1}) when $VCC > V_{det1}$ is detected 1: Negate after a stabilization time (t_{LVD1}) on assertion of the LVD1 reset.	R/W

Note: Set the PRCR.PRC3 bit to 1 (write enabled) before rewriting this register.

RIE bit (Voltage Monitor 1 Interrupt/Reset Enable)

The RIE bit enables or disables the voltage monitor 1 interrupt/reset. Set this bit to ensure that neither a voltage monitor 1 interrupt nor a voltage monitor 1 reset is generated during programming or erasure of the flash memory.

RN bit (Voltage Monitor 1 Reset Negate Select)

If the RN bit is to be set to 1 (negation follows a stabilization time after assertion of the LVD1 reset signal), set the MOCO.CR.MCSTP bit to 0 (the MOCO operates). In addition, for a transition to Software Standby mode, the only possible value for the RN bit is 0 (negation follows a stabilization time after $VCC > V_{det1}$ is detected). Do not set the RN bit to 1 (negation follows a stabilization time after assertion of the LVD1 reset signal) when this is the case.

8.2.8 Voltage Monitor 2 Circuit Control Register 0 (LVD2CR0)

Address(es): SYSTEM.LVD2CR0 4001 E41Bh

	b7	b6	b5	b4	b3	b2	b1	b0
	RN	RI	—	—	—	CMPE	—	RIE
Value after reset:	1	0	0	0	x	0	0	0

x: Undefined

Bit	Symbol	Bit Name	Description	R/W
b0	RIE	Voltage Monitor 2 Interrupt/Reset Enable	0: Disable 1: Enable.	R/W
b1	—	Reserved	The read value is 0. The write value should be 0.	R/W
b2	CMPE	Voltage Monitor 2 Circuit Comparison Result Output Enable	0: Disable voltage monitor 2 circuit comparison result output 1: Enable voltage monitor 2 circuit comparison result output.	R/W
b3	—	Reserved	The read value is undefined. The write value should be 1.	R/W
b5, b4	—	Reserved	These bits are read as 0. The write value should be 0.	R/W
b6	RI	Voltage Monitor 2 Circuit Mode Select	0: Generate voltage monitor 2 interrupt on V_{det2} passage 1: Enable voltage monitor 2 reset when the voltage falls to or below V_{det2} .	R/W
b7	RN	Voltage Monitor 2 Reset Negate Select	0: Negate after stabilization time (t_{LVD2}) when $VCC > V_{det2}$ is detected 1: Negate after stabilization time (t_{LVD2}) on assertion of the LVD2 reset.	R/W

Note: Set the PRCR.PRC3 bit to 1 (write enabled) before rewriting this register.

RIE bit (Voltage Monitor 2 Interrupt/Reset Enable)

The RIE bit enables or disables the voltage monitor 2 interrupt/reset. Set this bit to ensure that neither a voltage monitor 2 interrupt nor a voltage monitor 2 reset is generated during programming or erasure of the flash memory.

RN bit (Voltage Monitor 2 Reset Negate Select)

If the RN bit is to be set to 1 (negation follows a stabilization time after the assertion of the LVD2 reset signal), set the MOCOCCR.MCSTP bit to 0 (the MOCO operates). Additionally, for a transition to Software Standby mode, the only possible value for the RN bit is 0 (negation follows a stabilization time after $VCC > V_{det2}$ is detected). Do not set the RN bit to 1 (negation follows a stabilization time after the assertion of the LVD2 reset signal) when this is the case.

8.3 VCC Input Voltage Monitor

8.3.1 Monitoring V_{det0}

The comparison results from voltage monitor 0 are not available for reading.

8.3.2 Monitoring V_{det1}

Table 8.2 shows the procedure to set up monitoring against V_{det1} . After the settings are complete, the comparison results from voltage monitor 1 can be monitored using the LVD1SR.MON flag.

Table 8.2 Procedure to set up monitoring against V_{det1}

Step	Monitoring the comparison results from voltage monitor 1	
Setting the voltage detection 1 circuit	1	Set LVCMPCR.LVD1E = 0 to disable voltage detection 1 before writing to the LVDLVLR register.
	2	Select the detection voltage in the LVDLVLR.LVD1LVL[4:0] bits.
	3	Set LVCMPCR.LVD1E = 1 to enable the voltage detection 1 circuit.
	4	Wait for at least $t_{d(E-A)}$ for LVD operation stabilization after LVD is enabled.
Enabling output	5	Set LVD1CR0.CMPE = 1 to enable output of the comparison results from voltage monitor 1.

8.3.3 Monitoring V_{det2}

Table 8.3 shows the procedure to set up monitoring against V_{det2} . After the settings are complete, the comparison results from voltage monitor 2 can be monitored using the LVD2SR.MON flag.

Table 8.3 Procedure to set up monitoring against V_{det2}

Step	Monitoring the comparison results from voltage monitor 2	
Setting the voltage detection 2 circuit	1	Set LVCMPCR.LVD2E = 0 to disable voltage detection 2 before writing to the LVDLVLR register.
	2	Select the detection voltage in the LVDLVLR.LVD2LVL[2:0] bits.
	3	Set LVCMPCR.LVD2E = 1 to enable the voltage detection 2 circuit.
	4	Wait for at least $t_{d(E-A)}$ for LVD operation stabilization after LVD is enabled.
Enabling output	5	Set LVD2CR0.CMPE = 1 to enable output of the comparison results from voltage monitor 2.

8.4 Reset from Voltage Monitor 0

When using the reset from voltage monitor 0, clear the OFS1.LVDAS bit to 0 to enable the voltage monitor 0 reset after a reset. However, at boot mode, the reset from voltage monitor 0 is disabled regardless of the value of the OFS1.LVDAS bit. [Figure 8.4](#) shows an example operation of a voltage monitor 0 reset.

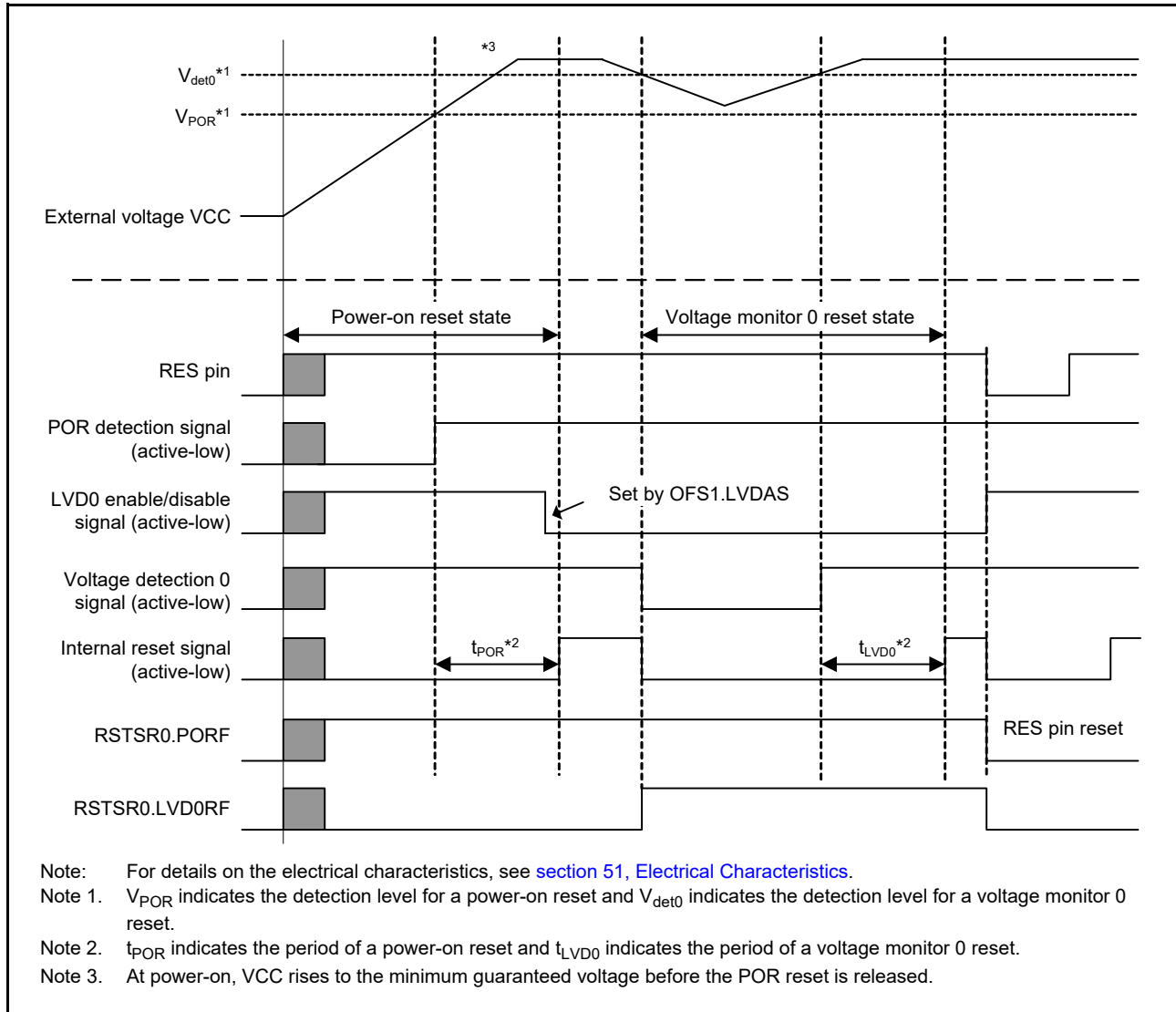


Figure 8.4 Example of voltage monitor 0 reset operation

8.5 Interrupt and Reset from Voltage Monitor 1

An interrupt or reset can be generated in response to the comparison results from the voltage monitor 1 circuit.

[Table 8.4](#) shows the procedure for setting bits related to the voltage monitor 1 interrupt/reset so that voltage monitoring occurs. [Table 8.5](#) shows the procedure for setting bits related to the voltage monitor 1 interrupt/reset so that voltage monitoring stops. [Figure 8.5](#) shows an example of operations for a voltage monitor 1 interrupt. For the operation of the voltage monitor 1 reset, see [Figure 6.2](#) in [section 6, Resets](#).

When using the voltage monitor 1 circuit in Software Standby mode, set up the circuit using the following procedures.

(1) Setting in Software Standby mode

- When $VCC > V_{det1}$ is detected, negate the voltage monitor 1 reset signal ($LVD1CR0.RN = 0$) following a stabilization time.

Table 8.4 Procedure for setting bits related to the voltage monitor 1 interrupt and voltage monitor 1 reset so that the voltage monitor operates

Step	Voltage monitor 1 interrupt (voltage monitor 1 ELC event output)	Voltage monitor 1 reset
Setting the voltage detection 1 circuit	1	Set LVCMPCR.LVD1E = 0 to disable voltage detection 1 before writing to the LVDLVLR register.
	2	Select the detection voltage by setting the LVDLVLR.LVD1LVL[4:0] bits.
	3	Set LVCMPCR.LVD1E = 1 to enable the voltage detection 1 circuit.
	4	Wait for at least $t_{d(E-A)}$ for LVD operation stabilization after LVD is enabled.*1
Setting the voltage monitor 1 interrupt or reset	5	Set LVD1CR0.RI = 0 to select the voltage monitor 1 interrupt. <ul style="list-style-type: none"> • Set LVD1CR0.RI = 1 to select the voltage monitor 1 reset • Select the type of the reset negation by setting the LVD1CR0.RN bit.
	6	<ul style="list-style-type: none"> • Select the timing of interrupt requests by setting the LVD1CR1.IDTSEL[1:0] bits • Select the type of interrupt by setting the LVD1CR1.IRQSEL bit. -
Enabling output	7	Set LVD1SR.DET = 0.
	8	Set LVD1CR0.RIE = 1 to enable the voltage monitor 1 interrupt or reset.*2
	9	Set LVD1CR0.CMPE = 1 to enable output of the comparison results from voltage monitor 1.

Note 1. Steps 5 to 8 can be performed during the wait time of step 4. For details on $t_{d(E-A)}$, see [section 51, Electrical Characteristics](#).

Note 2. Step 8 is not required if only the ELC event signal is to be output.

Table 8.5 Procedure for setting bits related to the voltage monitor 1 interrupt and voltage monitor 1 reset so that the voltage monitor stops

Step	Voltage monitor 1 interrupt (voltage monitor 1 ELC event output), voltage monitor 1 reset	
Stopping the enabling of output	1	Set LVD1CR0.CMPE = 0 to disable output of the comparison results from voltage monitor 1.
	2	Set LVD1CR0.RIE = 0 to disable the voltage monitor 1 interrupt or reset.*1
Stopping the voltage detection 1 circuit	3	Set LVCMPCR.LVD1E = 0 to disable the voltage detection 1 circuit.

Note 1. Step 2 is not required if only the ELC event signal is to be output.

If the voltage monitor 1 interrupt or voltage monitor 1 reset setting is to be made again after it is used and stopped once, skip the following steps in the procedures for stopping and setting, depending on the conditions:

- Setting or stopping the voltage detection 1 circuit is not required if the settings for the voltage detection 1 circuit do not change
- Setting the voltage monitor 1 interrupt or reset is not required if the settings for the voltage monitor 1 interrupt or voltage monitor 1 reset do not change.

Figure 8.5 shows an example of the voltage monitor 1 interrupt operation.

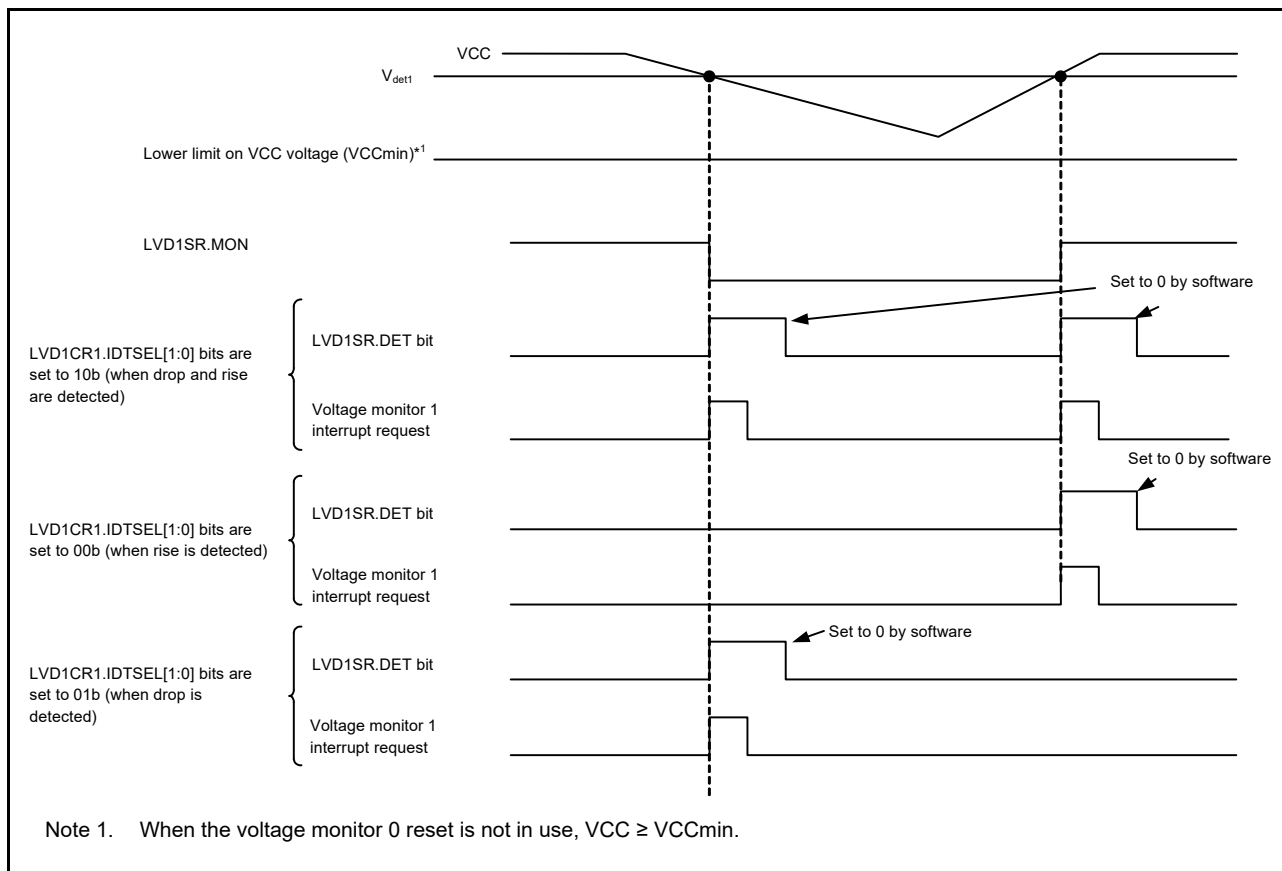


Figure 8.5 Voltage monitor 1 interrupt operation example

8.6 Interrupt and Reset from Voltage Monitor 2

An interrupt or reset can be generated in response to the comparison results from the voltage monitor 2 circuit.

Table 8.6 shows the procedures for setting bits related to the voltage monitor 2 interrupt and voltage monitor 2 reset so that the voltage monitor operates. Table 8.7 shows the procedure for setting bits related to the voltage monitor 2 interrupt and voltage monitor 2 reset so that the voltage monitor stops. Figure 8.6 shows an example of operation of the voltage monitor 2 interrupt. For the operation of the voltage monitor 2 reset, see Figure 6.2 in section 6, Resets.

When using the voltage monitor 2 circuit in Software Standby, set up the circuit using the following procedures:

(1) Setting in Software Standby mode

- When $VCC > V_{det2}$ is detected, clear the LVDD2CR0.RN bit (LVD2CR0.RN = 0) following a stabilization time.

Table 8.6 Procedure for setting bits related to voltage monitor 2 interrupt and voltage monitor 2 reset so that voltage monitor operates (1 of 2)

Step	Voltage monitor 2 interrupt (voltage monitor 2 ELC event output)	Voltage monitor 2 reset
Setting the voltage detection 2 circuit	1	Set LVCMPPCR.LVD2E = 0 to disable voltage detection 2 before writing to the LVDLVLRL register.
	2	Select the detection voltage in the LVDLVLRL.LVD2LVL[2:0] bits.
	3	Set LVCMPPCR.LVD2E = 1 to enable the voltage detection 2 circuit.
	4	Wait for at least $t_{d(E-A)}$ for the LVD operation stabilization after LVD is enabled.*1

Table 8.6 Procedure for setting bits related to voltage monitor 2 interrupt and voltage monitor 2 reset so that voltage monitor operates (2 of 2)

Step		Voltage monitor 2 interrupt (voltage monitor 2 ELC event output)	Voltage monitor 2 reset
Setting the voltage monitor 2 interrupt or reset	5	Set LVD2CR0.RI = 0 to select the voltage monitor 2 interrupt.	<ul style="list-style-type: none"> Set LVD2CR0.RI = 1 to select the voltage monitor 2 reset Select the type of the reset negation by setting the LVD2CR0.RN bit.
	6	<ul style="list-style-type: none"> Select the timing of interrupt requests by setting the LVD2CR1.IDTSEL[1:0] bits Select the type of interrupt by setting the LVD2CR1.IRQSEL bit. 	-
Enabling output	7	Set LVD2SR.DET = 0.	
	8	Set LVD2CR0.RIE = 1 to enable the voltage monitor 2 interrupt or reset.*2	
	9	Set LVD2CR0.CMPE = 1 to enable output of the comparison results from voltage monitor 2.	

Note 1. Steps 5 to 8 can be performed during the wait time of step 4. For details on $t_{d(E-A)}$, see [section 51, Electrical Characteristics](#).

Note 2. Step 8 is not required if only the ELC event signal is to be output.

Table 8.7 Procedure for setting bits related to voltage monitor 2 interrupt and voltage monitor 2 reset so that voltage monitor stops

Step		Voltage monitor 2 interrupt (voltage monitor 2 ELC event output), voltage monitor 2 reset
Stopping the enabling of output	1	Set LVD2CR0.CMPE = 0 to disable output of the comparison results from voltage monitor 2.
	2	Set LVD2CR0.RIE = 0 to disable the voltage monitor 2 interrupt or reset*1.
Stopping the voltage detection 2 circuit	3	Set LVCMPCR.LVD2E = 0 to disable the voltage detection 2 circuit.

Note 1. Step 2 is not required if only the ELC event signal is to be output.

If the voltage monitor 2 interrupt or reset setting is to be made again after it is used and stopped once, skip the following steps in the procedures for stopping and setting, depending on the conditions:

- Setting or stopping the voltage detection 2 circuit is not required if the settings for the voltage detection 2 circuit do not change
- Setting the voltage monitor 2 interrupt or reset is not required if the settings do not change.

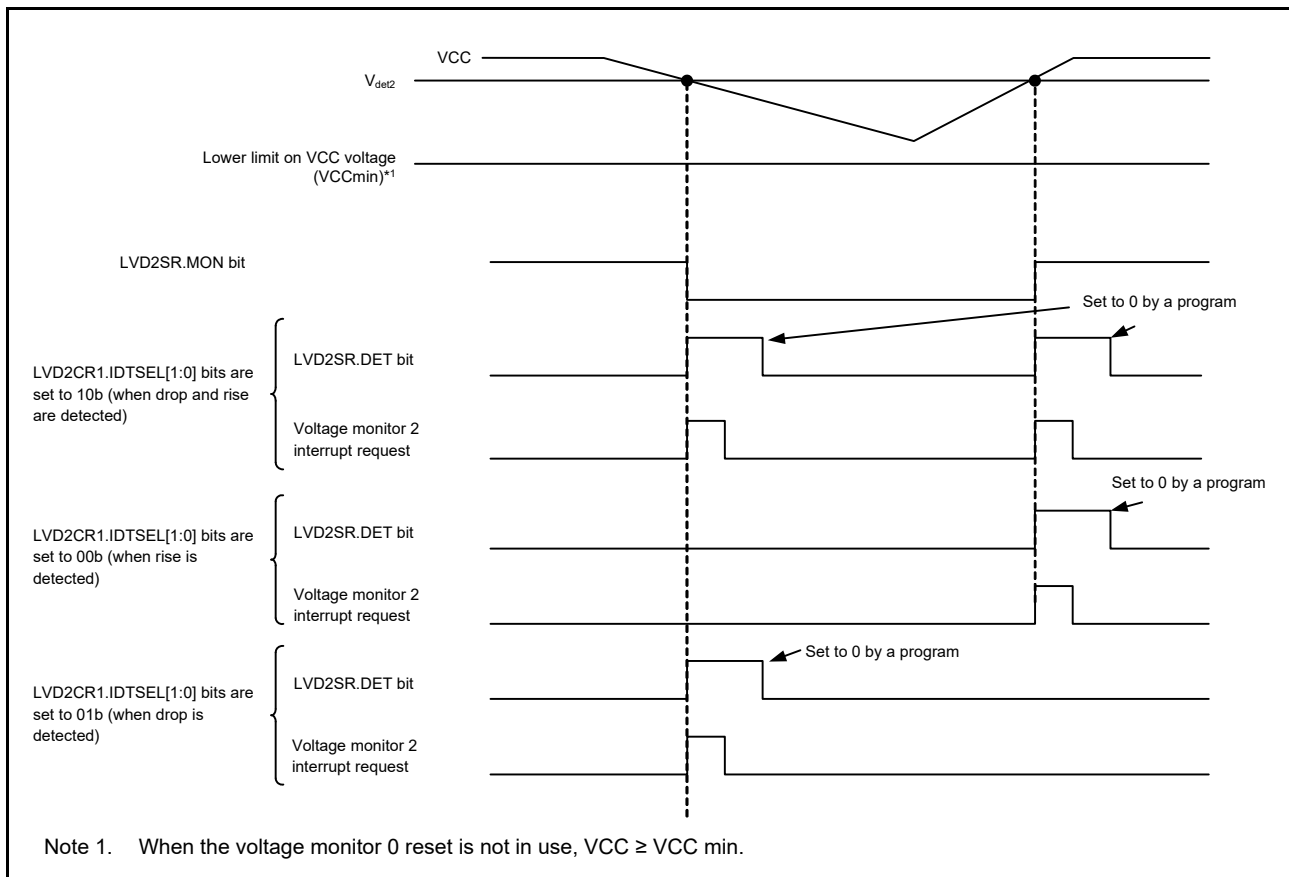


Figure 8.6 Example of voltage monitor 2 interrupt operation

8.7 Event Link Output

The LVD can output the event signals to the Event Link Controller (ELC).

(1) V_{det1} Crossing Detection Event

The LVD outputs the event signal when it detects that the voltage has passed the V_{det1} voltage while both the voltage detection 1 circuit and the voltage monitor 1 circuit comparison result output are enabled.

(2) V_{det2} Crossing Detection Event

The LVD outputs the event signal when it detects that the voltage has passed the V_{det2} voltage while both the voltage detection 2 circuit and the voltage monitor 2 circuit comparison result output are enabled.

When enabling the event link output function of the LVD, you must enable the LVD before enabling the LVD event link function of the ELC. To stop the event link output function of the LVD, you must stop the LVD before disabling the LVD event link function of the ELC.

8.7.1 Interrupt Handling and Event Linking

The LVD provides bits to individually enable or disable the voltage monitor 1 and 2 interrupts. When an interrupt source is generated and the interrupt is enabled by the interrupt enable bit, the interrupt signal (LVD1CR0.RIE or LVD2CR0.RIE) is output to the CPU.

In contrast, as soon as an interrupt source is generated, the event link signal is output as the event signal to the other module through the ELC, regardless of the state of the interrupt enable bit.

It is possible to output voltage monitor 1 and 2 interrupts in Software Standby mode. The event signals for the ELC in Software Standby mode are output as follows:

- When a V_{det1} or V_{det2} passage event is detected in Software Standby mode, event signals are not generated for the

ELC because the clock is not supplied in Software Standby mode. Because the V_{det1} or V_{det2} passage detection flags are saved, when the clock supply resumes after returning from Software Standby mode, the event signals for the ELC are output based on the state of the V_{det1} or V_{det2} detection flags.

9. Clock Generation Circuit

9.1 Overview

The MCU incorporates a clock generation circuit.

Table 9.1 and Table 9.2 list the clock generation circuit specifications. Figure 9.1 shows a block diagram, and Table 9.3 lists the I/O pins.

Table 9.1 Clock generation circuit specifications for the clock sources

Clock source	Description	Specification
Main clock oscillator (MOSC)	Resonator frequency	1 MHz to 20 MHz*1
	External clock input frequency	Up to 20 MHz*1
	External resonator or additional circuit: ceramic resonator, crystal	Available
	Connection pins: EXTAL, XTAL	
	Drive capability switching	
	Oscillation stop detection function	
Sub-clock oscillator (SOSC)	Resonator frequency	32.768 kHz
	External resonator or additional circuit: crystal resonator	Available
	Connection pins: XCIN, XCOU	
	Drive capability switching	
PLL circuit	Input clock source	MOSC
	Input frequency	4 MHz to 12.5 MHz
	Frequency multiplication ratio	Selectable from 8 to 31 (1 step) (multiplication frequency is up to 64 MHz)
	Output pulse frequency division ratio	Selectable from 2 and 4
	PLL output frequency	24 MHz to 64 MHz (output frequency division ratio: 2) 24 MHz to 32 MHz (output frequency division ratio: 4)
High-speed on-chip oscillator (HOCO)	Oscillation frequency	24/32/48/64 MHz
	User trimming	Available
Middle-speed on-chip oscillator (MOCO)	Oscillation frequency	8 MHz
	User trimming	Available
Low-speed on-chip oscillator (LOCO)	Oscillation frequency	32.768 kHz
	User trimming	Available
IWDI-dedicated on-chip oscillator (IWDILOCO)	Oscillation frequency	15 kHz
	User trimming	Not available
External clock input for JTAG (TCK)	Input clock frequency	Up to 12.5 MHz
External clock input for SWD (SWCLK)	Input clock frequency	Up to 12.5 MHz

Note 1. The frequency depends on the supply voltage. See the table of Clock timing in the Electrical Characteristics chapter for more information.

Table 9.2 Clock generation circuit specifications for the internal clocks

Clock	Clock source	Clock supply	Specification
System clock (ICLK)	MOSC/SOSC/HOCO/ MOCO/ LOCO/PLL	CPU, DTC, DMAC, Flash, SRAM	Up to 48 MHz Division ratios: 1/2/4/8/16/32/64
Peripheral module clock A (PCLKA)	MOSC/SOSC/HOCO/ MOCO/LOCO/PLL	Peripheral module (QSPI, SPI, SCI, SCE5, SDHI, CRC, GPT bus-clock)	Up to 48 MHz Division ratios: 1/2/4/8/16/32/64
Peripheral module clock B (PCLKB)	MOSC/SOSC/HOCO/ MOCO/LOCO/PLL	Peripheral module (DAC12, IIC, SSIE, DOC, CAC, CAN, AGT, POEG, CTSU, ELC, I/O ports, RTC, WDT, IWDT, ADC14, KINT, USBFS, ACMPLP, and SLCDC)	Up to 32 MHz Division ratios: 1/2/4/8/16/32/64
Peripheral module clock C (PCLKC)	MOSC/SOSC/HOCO/ MOCO/LOCO/PLL	Peripheral module (ADC14 conversion clock)	Up to 64 MHz Division ratios: 1/2/4/8/16/32/64
Peripheral module clock D (PCLKD)	MOSC/SOSC/HOCO/ MOCO/LOCO/PLL	Peripheral module (GPT count clock)	Up to 64 MHz Division ratios: 1/2/4/8/16/32/64
Flash interface clock (FCLK)	MOSC/SOSC/HOCO/ MOCO/LOCO/PLL	Flash interface	1 MHz to 32 MHz (P/E) Up to 32 MHz (Read) Division ratios: 1/2/4/8/16/32/64
External bus clock (BCLK)	MOSC/SOSC/HOCO/ MOCO/LOCO/PLL	External bus	Up to 24 MHz Division ratios: 1/2/4/8/16/32/64
EBCLK pin output (EBCLK)	BCLK or 1/2 BCLK	EBCLK pin	Up to 12 MHz Division ratios: 1 or 2
USB clock (UCLK)	HOCO*/1/PLL	USBFS	48 MHz
CAN clock (CANMCLK)	MOSC	CAN	1 MHz to 20 MHz
Segment LCD clock (LCDSRCCLK)	MOSC/SOSC/HOCO/ MOCO/LOCO	SLCDC	Up to 64 MHz
AGT clock (AGTSCLK/AGTLCLK)	SOSC/LOCO	AGT	32.768 kHz
CAC main clock (CACMCLK)	MOSC	CAC	Up to 20 MHz
CAC sub-clock (CACSCLK)	SOSC	CAC	32.768 kHz
CAC LOCO clock (CACLCLK)	LOCO	CAC	32.768 kHz
CAC MOCO clock (CACMOCLK)	MOCO	CAC	8 MHz
CAC HOCO clock (CACHCLK)	HOCO	CAC	24/32/48/64 MHz
CAC IWDTLOCO clock (CACILCLK)	IWDTLOCO	CAC	15 kHz
RTC clock (RTCSCLK/RTCLCLK)	SOSC/LOCO	RTC	32.768 kHz
IWDT clock (IWDTCLK)	IWDTLOCO	IWDT	15 kHz
SysTick timer clock (SYSTICCLK)	LOCO	SysTick Timer	32.768 kHz
JTAG clock (JTAGTCK)	TCK pin	JTAG	Up to 12.5 MHz
Clock/buzzer output (CLKOUT)	MOSC/SOSC/LOCO/ MOCO/HOCO	CLKOUT pin	Up to 16 MHz Division ratios: 1/2/4/8/16/32/64/128
Serial wire clock (SWCLK)	SWCLK pin	OCD	Up to 12.5 MHz
Trace clock (TRCLK)	MOSC/SOSC/HOCO/ MOCO/LOCO/PLL	CPU-OCD	Up to 48 MHz Division ratios: 1/2/4

Note: Restrictions on setting the clock frequency: $ICLK \geq PCLKA \geq PCLKB$, $PCLKD \geq PCLKA \geq PCLKB$, $ICLK \geq FCLK$, $ICLK \geq BCLK$
Restrictions on the clock frequency ratio: (N: integer, and up to 64)
 $ICLK:FCLK = N:1$, $ICLK:BCLK = N:1$, $ICLK:PCLKA = N:1$, $ICLK:PCLKB = N:1$
 $ICLK:PCLKC = N:1$ or $1:N$, $ICLK:PCLKD = N:1$ or $1:N$
 $PCLKB:PCLKC = 1:1$ or $1:2$ or $1:4$ or $2:1$ or $4:1$ or $8:1$.

Note: The minimum FCLK frequency is 1 MHz in Programming/Erase (P/E) mode.

Note 1. Only when USBFS is used as the device controller.

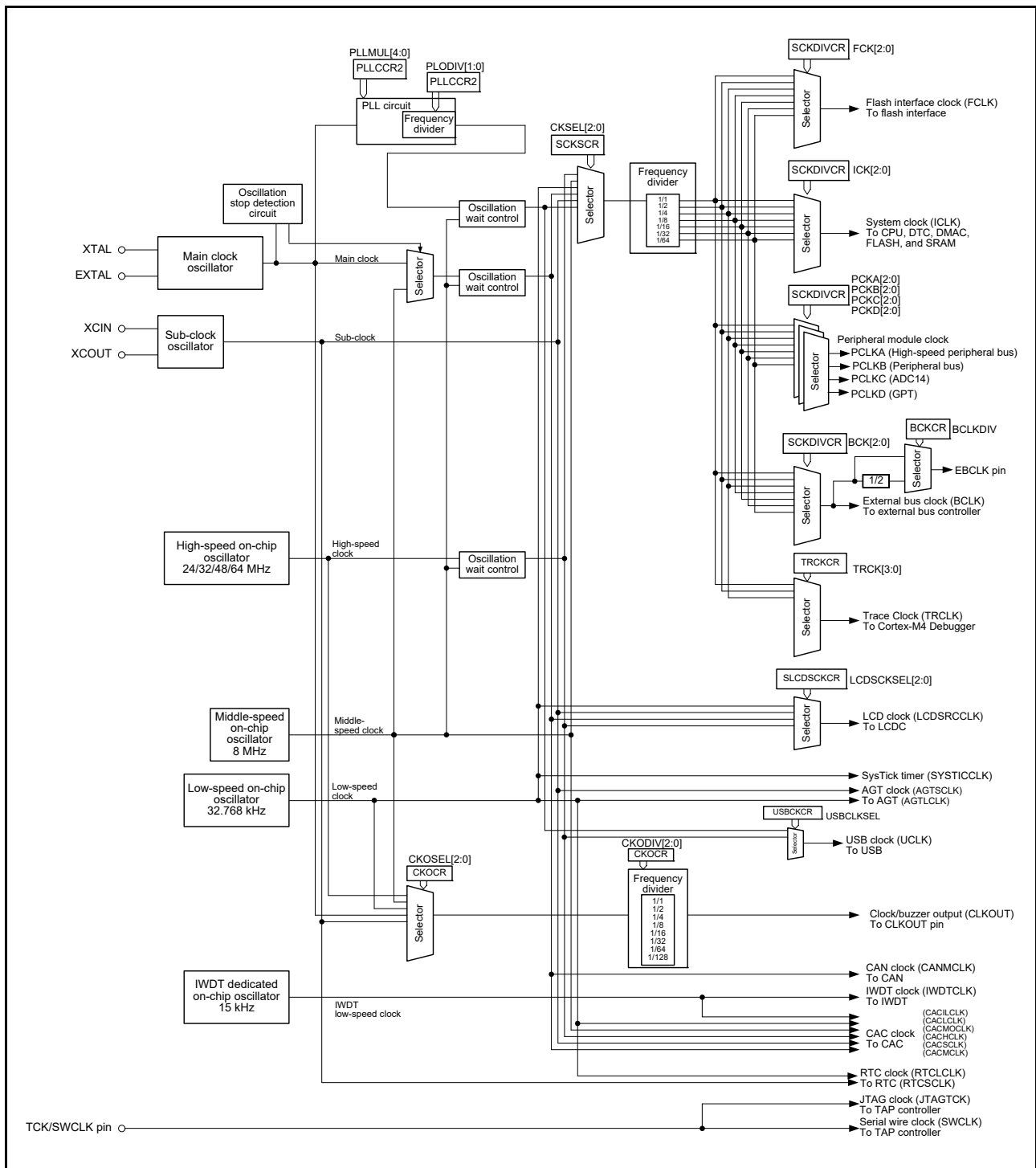


Figure 9.1 Clock generation circuit block diagram

Table 9.3 lists the input and output pins of the clock generation circuit.

Table 9.3 Clock generation circuit input/output pins

Pin name	I/O	Description
XTAL	Output	These pins are used to connect a crystal resonator. The EXTAL pin can also be used to input an external clock. For details, see section 9.3.2, External Clock Input .
EXTAL	Input	
XCIN	Input	These pins are used to connect to a 32.768 kHz crystal resonator
XCOU	Output	
TCK/SWCLK	Input	This pin is used to input the clock for the JTAG
EBCLK	Output	This pin is used to supply external devices with the external bus clock (EBCLK)
CLKOUT	Output	This pin is used to output the CLKOUT/BUZZER clock

9.2 Register Descriptions

9.2.1 System Clock Division Control Register (SCKDIVCR)

Address(es): SYSTEM.SCKDIVCR 4001 E020h

Bit	Symbol	Bit name	Description	R/W
b31	—	Reserved	Value after reset: 0	0
b30	—	Reserved		
b29	FCK[2:0]	Peripheral Module Clock F (PCLKF) Select*4	Value after reset: 1	1
b28	—	Reserved		
b27	—	Reserved	Value after reset: 0	0
b26	—	Reserved		
b25	ICK[2:0]	Peripheral Module Clock I (PCLKI) Select*4	Value after reset: 1	1
b24	—	Reserved		
b23	—	Reserved	Value after reset: 0	0
b22	—	Reserved		
b21	—	Reserved	Value after reset: 0	0
b20	—	Reserved		
b19	—	Reserved	Value after reset: 0	0
b18	—	Reserved		
b17	BCK[2:0]	Peripheral Module Clock B (PCLKB) Select*4	Value after reset: 1	1
b16	—	Reserved		
b15	—	Reserved	Value after reset: 0	0
b14	—	Reserved		
b13	PCKA[2:0]	Peripheral Module Clock A (PCLKA) Select*4	Value after reset: 1	1
b12	—	Reserved		
b11	—	Reserved	Value after reset: 0	0
b10	—	Reserved		
b9	—	Reserved	Value after reset: 1	1
b8	—	Reserved		
b7	—	Reserved	Value after reset: 0	0
b6	—	Reserved		
b5	PCKC[2:0]	Peripheral Module Clock C (PCLKC) Select*4	Value after reset: 1	1
b4	—	Reserved		
b3	—	Reserved	Value after reset: 0	0
b2	—	Reserved		
b1	PCKD[2:0]	Peripheral Module Clock D (PCLKD) Select*4	Value after reset: 1	1
b0	—	Reserved		

Bit	Symbol	Bit name	Description	R/W
b2 to b0	PCKD[2:0]	Peripheral Module Clock D (PCLKD) Select*4	b2 b0 0 0 0: × 1/1 0 0 1: × 1/2 0 1 0: × 1/4 0 1 1: × 1/8 1 0 0: × 1/16 1 0 1: × 1/32 1 1 0: × 1/64. Other settings are prohibited.	R/W
b3	—	Reserved	This bit is read as 0. The write value should be 0.	R/W
b6 to b4	PCKC[2:0]	Peripheral Module Clock C (PCLKC) Select*4	b6 b4 0 0 0: × 1/1 0 0 1: × 1/2 0 1 0: × 1/4 0 1 1: × 1/8 1 0 0: × 1/16 1 0 1: × 1/32 1 1 0: × 1/64. Other settings are prohibited.	R/W
b7	—	Reserved	This bit is read as 0. The write value should be 0.	R/W
b10 to b8	PCKB[2:0]	Peripheral Module Clock B (PCLKB) Select*3	b10 b8 0 0 0: × 1/1 0 0 1: × 1/2 0 1 0: × 1/4 0 1 1: × 1/8 1 0 0: × 1/16 1 0 1: × 1/32 1 1 0: × 1/64. Other settings are prohibited.	R/W

Bit	Symbol	Bit name	Description	R/W
b11	—	Reserved	This bit is read as 0. The write value should be 0.	R/W
b14 to b12	PCKA[2:0]	Peripheral Module Clock A (PCLKA) Select*3	b14 b12 0 0 0: × 1/1 0 0 1: × 1/2 0 1 0: × 1/4 0 1 1: × 1/8 1 0 0: × 1/16 1 0 1: × 1/32 1 1 0: × 1/64. Other settings are prohibited.	R/W
b15	—	Reserved	This bit is read as 0. The write value should be 0.	R/W
b18 to b16	BCK[2:0]	External Bus Clock (BCLK) Select*2	b18 b16 0 0 0: × 1/1 0 0 1: × 1/2 0 1 0: × 1/4 0 1 1: × 1/8 1 0 0: × 1/16 1 0 1: × 1/32 1 1 0: × 1/64. Other settings are prohibited.	R/W
b23 to b19	—	Reserved	These bits are read as 0. The write value should be 0.	R/W
b26 to b24	ICK[2:0]	System Clock (ICK) Select*1, *2, *3, *4, *5	b26 b24 0 0 0: × 1/1 0 0 1: × 1/2 0 1 0: × 1/4 0 1 1: × 1/8 1 0 0: × 1/16 1 0 1: × 1/32 1 1 0: × 1/64. Other settings are prohibited.	R/W
b27	—	Reserved	This bit is read as 0. The write value should be 0.	R/W
b30 to b28	FCK[2:0]	Flash Interface Clock (FCLK) Select*1	b30 b28 0 0 0: × 1/1 0 0 1: × 1/2 0 1 0: × 1/4 0 1 1: × 1/8 1 0 0: × 1/16 1 0 1: × 1/32 1 1 0: × 1/64. Other settings are prohibited.	R/W
b31	—	Reserved	This bit is read as 0. The write value should be 0.	R/W

- Note 1. The following association is required between the frequencies of the system clock (ICK) and the flash interface clock (FCLK):
 ICLK:FCLK = N:1 (N: integer)
 If a setting is made where ICLK < FCLK, then that setting is ignored.
- Note 2. The following association is required between the frequencies of the system clock (ICK) and the external bus clock (BCLK):
 ICLK:BCLK = N:1 (N: integer)
 If a setting is made where ICLK < BCLK, then that setting is ignored.
- Note 3. The following association is required between the frequencies of the system clock (ICK) and the peripheral module clocks (PCLKA, PCLKB): ICLK:PCLKA = N:1, ICLK:PCLKB = N:1 (N: integer)
 If a setting is made where ICLK < PCLKA or ICLK < PCLKB, then that setting is ignored.
- Note 4. The following association is required between the frequencies of the system clock (ICK) and the peripheral module clocks (PCLKC, PCLKD): ICLK:PCLKC, PCLKD = N:1 or 1:N (N: integer)
- Note 5. Selecting division by 1 to ICLK is prohibited when SCKSCR.CKSEL[2:0] bits select the system clock source that is faster than 32 MHz and MEMWAIT.MEMWAIT = 0.

The SCKDIVCR register selects the frequencies of the system clock (ICK), the peripheral module clock (PCLKA, PCLKB, PCLKC, PCLKD), the flash interface clock (FCLK), and the external bus clock (BCLK).

PCKD[2:0] bits (Peripheral Module Clock D (PCLKD) Select)

The PCKD[2:0] bits select the frequency of peripheral module clock D (PCLKD).

PCKC[2:0] bits (Peripheral Module Clock C (PCLKC) Select)

The PCKC[2:0] bits select the frequency of peripheral module clock C (PCLKC).

PCKB[2:0] bits (Peripheral Module Clock B (PCLKB) Select)

The PCKB[2:0] bits select the frequency of peripheral module clock B (PCLKB).

PCKA[2:0] bits (Peripheral Module Clock A (PCLKA) Select)

The PCKA[2:0] bits select the frequency of peripheral module clock A (PCLKA).

BCK[2:0] bits (External Bus Clock (BCLK) Select)

The BCK[2:0] bits select the frequency of the external bus clock (BCLK).

ICK[2:0] bits (System Clock (ICK) Select*1, *2, *3, *4, *5)

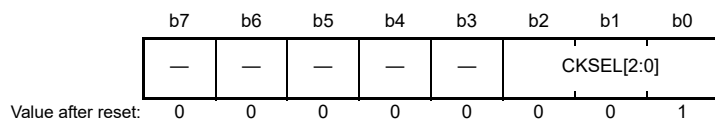
The ICK[2:0] bits select the frequency of the system clock for the CPU, DMAC, and DTC.

FCK[2:0] bits (Flash Interface Clock (FCLK) Select)

The FCK[2:0] bits select the frequency of the flash interface clock (FCLK).

9.2.2 System Clock Source Control Register (SCKSCR)

Address(es): SYSTEM.SCKSCR 4001 E026h



Bit	Symbol	Bit name	Description	R/W
b2 to b0	CKSEL[2:0]	Clock Source Select*1	b2 b0 0 0 0: HOCO 0 0 1: MOCO 0 1 0: LOCO 0 1 1: Main clock oscillator (MOSC) 1 0 0: Sub-clock oscillator (SOSC) 1 0 1: PLL. Other settings are prohibited.	R/W
b7 to b3	—	Reserved	These bits are read as 0. The write value should be 0.	R/W

Note 1. Selecting a system clock source that is faster than 32 MHz (system clock source > 32 MHz) is prohibited when the SCKDIVCR.ICK[2:0] bits select division by 1 and MEMWAIT.MEMWAIT = 0.

The SCKSCR register selects the clock source for the system clock.

CKSEL[2:0] bits (Clock Source Select)

The CKSEL[2:0] bits select the clock source for the following modules:

- System clock (ICK)
- Peripheral module clocks (PCLKA, PCLKB, PCLKC, and PCLKD)
- Flash interface clock (FCLK)
- External bus clock (BCLK).

The bits select from one of the following sources:

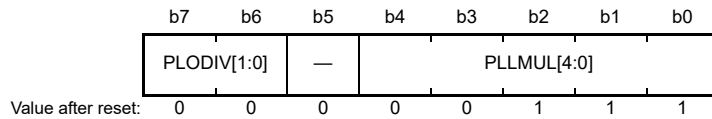
- Low-speed on-chip oscillator (LOCO)
- Middle-speed on-chip oscillator (MOCO)
- High-speed on-chip oscillator (HOCO)
- Main clock oscillator (MOSC)
- Sub-clock oscillator (SOSC)
- PLL circuit.

The clock sources should be switched when there are no occurring internal asynchronous interrupt.

Transitions to clock sources that are not in operation are prohibited.

9.2.3 PLL Clock Control Register 2 (PLLCCR2)

Address(es): SYSTEM.PLLCCR2 4001 E02Bh



Bit	Symbol	Bit name	Description	R/W
b4 to b0	PLLMUL[4:0]	PLL Frequency Multiplication Factor Select*1	b4 b0 0 0 1 1 1: × 8 0 1 0 0 0: × 9 0 1 0 0 1: × 10 ... 1 1 1 0 1: × 30 1 1 1 1 0: × 31 Other settings are prohibited.	R/W
b5	—	Reserved	This bit is read as 0. The write value should be 0.	R/W
b7, b6	PLODIV[1:0]	PLL Output Frequency Division Ratio Select*1	b7 b6 0 0: Reserved 0 1: /2 1 0: /4 Other settings are prohibited.	R/W

Note 1. PLLMUL[4:0] and PLODIV[1:0] must be set so that the frequency of the PLL output signal is within the range shown in Table 9.1.

The PLLCCR2 register sets the operation of the PLL circuit. Writing to the PLLCCR2 is prohibited when the PLLCR.PLLSTP bit is 0, that is, when the PLL is operating.

PLLMUL[4:0] bits (PLL Frequency Multiplication Factor Select)

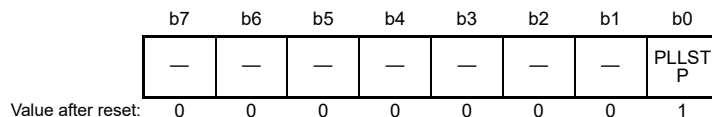
The PLLMUL[4:0] bits select the frequency multiplication factor of the PLL circuit.

PLODIV[1:0] bits (PLL Output Frequency Division Ratio Select)

The PLODIV[1:0] bits select the frequency division ratio of the PLL output.

9.2.4 PLL Control Register (PLLCR)

Address(es): SYSTEM.PLLCR 4001 E02Ah



Bit	Symbol	Bit name	Description	R/W
b0	PLLSTP	PLL Stop Control	0: PLL is operating*1 1: PLL is stopped.	R/W
b7 to b1	—	Reserved	These bits are read as 0. The write value should be 0.	R/W

Note 1. When operating the PLL, VCC must be more than 2.4 V ($VCC \geq 2.4$ V), and operation power control mode must be set to High-speed mode or Middle-speed mode.

The PLLCR register controls the operation of the PLL circuit.

PLLSTP bit (PLL Stop Control)

The PLLSTP bit starts or stops the PLL circuit.

After setting the PLLSTP bit to 0, confirm that the OSCSF.PLLSF bit is set to 1 before using the PLL clock. A fixed stabilization wait is required after setting the PLL to start operation. A fixed wait for the oscillations to stop is also required after stopping the PLL operation.

The following restrictions apply when starting and stopping the PLL operation:

- After stopping the PLL, confirm that the OSCSF.PLLSF bit is 0 before restarting the PLL
- Confirm that the PLL is in operation and that the OSCSF.PLLSF bit is 1 before stopping the PLL
- Regardless of whether the PLL clock is selected as the system clock, after setting the PLL to start operation, confirm that the OSCSF.PLLSF is set to 1 before executing a WFI instruction to place the MCU in Software Standby mode
- When a transition to Software Standby mode is to follow the setting to stop the PLL, confirm that the OSCSF.PLLSF bit is set to 0 before executing the WFI instruction.

Writing 1 to PLLSTP is prohibited under the following condition:

- SCKSCR.CKSEL[2:0] = 101b (system clock source = PLL).

Make sure that the following conditions apply before writing 0 to PLLSTP:

- OSCSF.MOSCSF bit is 1
- At least 4 μ s has elapsed after PLLSTP is set to 1 (PLL is stopped)
- At least 1 μ s has elapsed after PLLMUL[4:0] bits are set (to select the PLL frequency multiplication).

9.2.5 External Bus Clock Control Register (BCKCR)

Address(es): SYSTEM.BCKCR 4001 E030h

	b7	b6	b5	b4	b3	b2	b1	b0
	—	—	—	—	—	—	—	BCLKDIV
Value after reset:	0	0	0	0	0	0	0	0

Bit	Symbol	Bit name	Description	R/W
b0	BCLKDIV	EBCLK Pin Output Select	0: BCLK 1: BCLK/2.	R/W
b7 to b1	—	Reserved	These bits are read as 0. The write value should be 0.	R/W

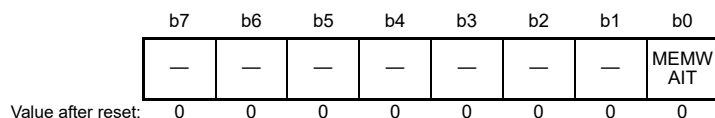
The BCKCR register controls the external bus clock pin.

BCLKDIV bit (EBCLK Pin Output Select)

The BCLKDIV bit selects the clock signal for output from the EBCLK pin. The selected signal can be either the BCLK clock with frequency selected in the BCK[2:0] bits in SCKDIVCR, or the BCLK clock divided by 2.

9.2.6 Memory Wait Cycle Control Register (MEMWAIT)

Address(es): SYSTEM.MEMWAIT 4001 E031h



Bit	Symbol	Bit name	Description	R/W
b0	MEMWAIT	Memory Wait Cycle Select	0: No wait 1: Wait.	R/W
b7 to b1	—	Reserved	These bits are read as 0. The write value should be 0.	R/W

Note: Writing 0 to the MEMWAIT bit is prohibited when SCKDIVCR.ICLK selects division by 1 and the SCKSCR.CKSEL[2:0] bits select the system clock source that is faster than 32 MHz (ICLK > 32 MHz).

The MEMWAIT register controls the wait cycle of flash read access.

MEMWAIT bit (Memory Wait Cycle Select)

The MEMWAIT bit selects the wait cycle of flash read access. The wait cycle of flash access is set to no wait (MEMWAIT = 0) after a reset is released.

Before writing to the MEMWAIT bit, check the ICLK frequency and operation power control mode. The following restrictions apply when setting the ICLK and operation power control mode, and the MEMWAIT bit:

- When setting the ICLK to faster than 32 MHz (ICLK > 32 MHz), set MEMWAIT to 1 while ICLK is 32 MHz or less (ICLK ≤ 32 MHz) and the operation power control mode is High-speed mode (OPCCR.OPCM[1:0] = 00b). Setting MEMWAIT to 1 is prohibited in operation modes other than High-speed mode. Setting the ICLK faster than 32 MHz is prohibited while MEMWAIT = 0.
- When setting the ICLK from 32 MHz or faster (ICLK > 32 MHz) to 32 MHz or less (ICLK ≤ 32 MHz), the ICLK frequency must be set to 32 MHz or less while MEMWAIT = 1. Setting MEMWAIT to 0 is prohibited while ICLK is faster than 32 MHz. Setting MEMWAIT to 1 is prohibited in operation modes other than High-speed mode. MEMWAIT can be set to 0 while the ICLK frequency is 32 MHz or less and operation power control mode is High-speed mode (OPCCR.OPCM[1:0] = 00b).

Table 9.4 MEMWAIT bit setting

MEMWAIT bit	MCU operation power control		
	Mode, except High-speed mode	High-speed mode	
		ICLK ≤ 32 MHz	ICLK > 32 MHz
0	✓	✓	×
1	×	✓	✓

✓: Setting is possible.

×: Setting is not possible.

Figure 9.2 shows an example flow when setting the ICLK faster than 32 MHz.

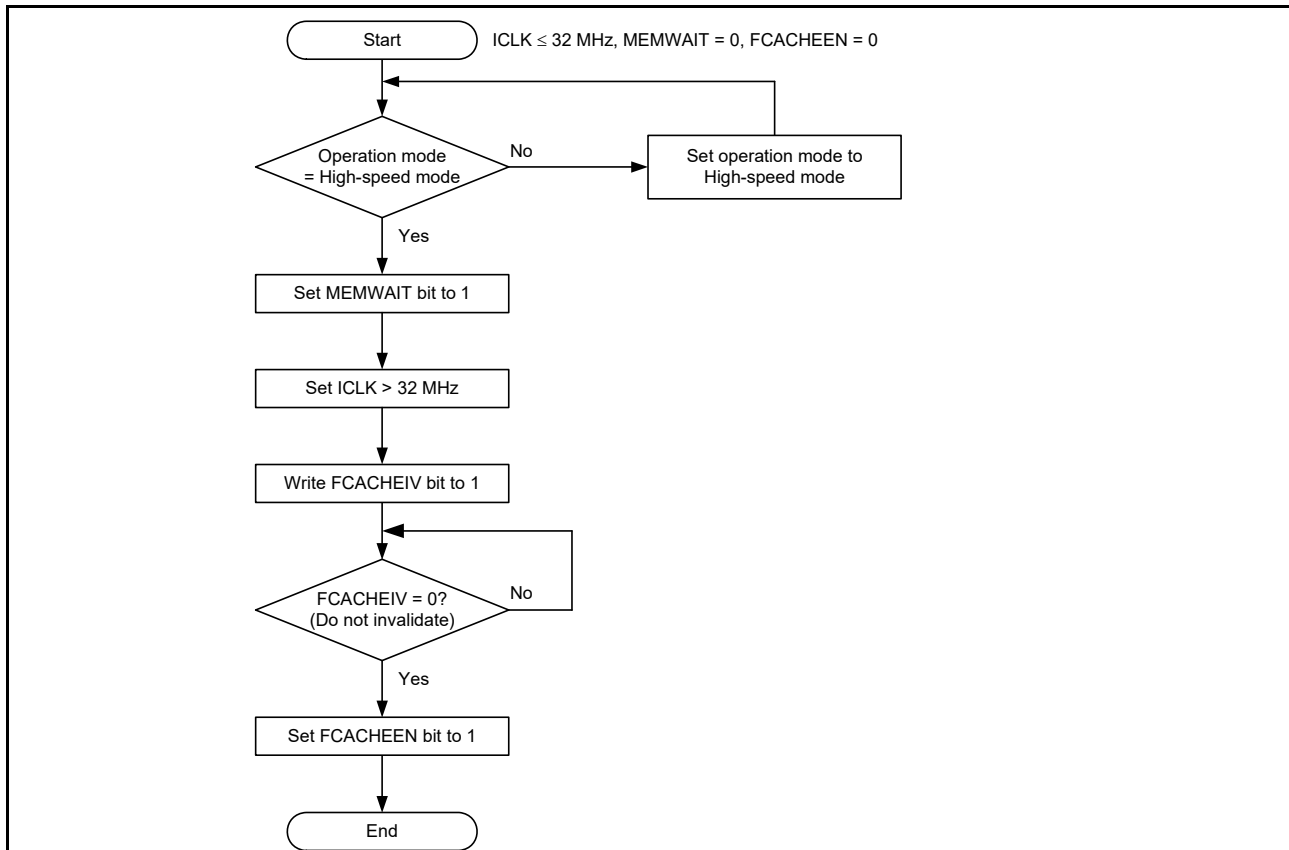


Figure 9.2 When setting the ICLK > 32 MHz

Figure 9.3 shows an example of setting the ICLK to less than or equal to 32 MHz when ICLK is greater than 32 MHz.

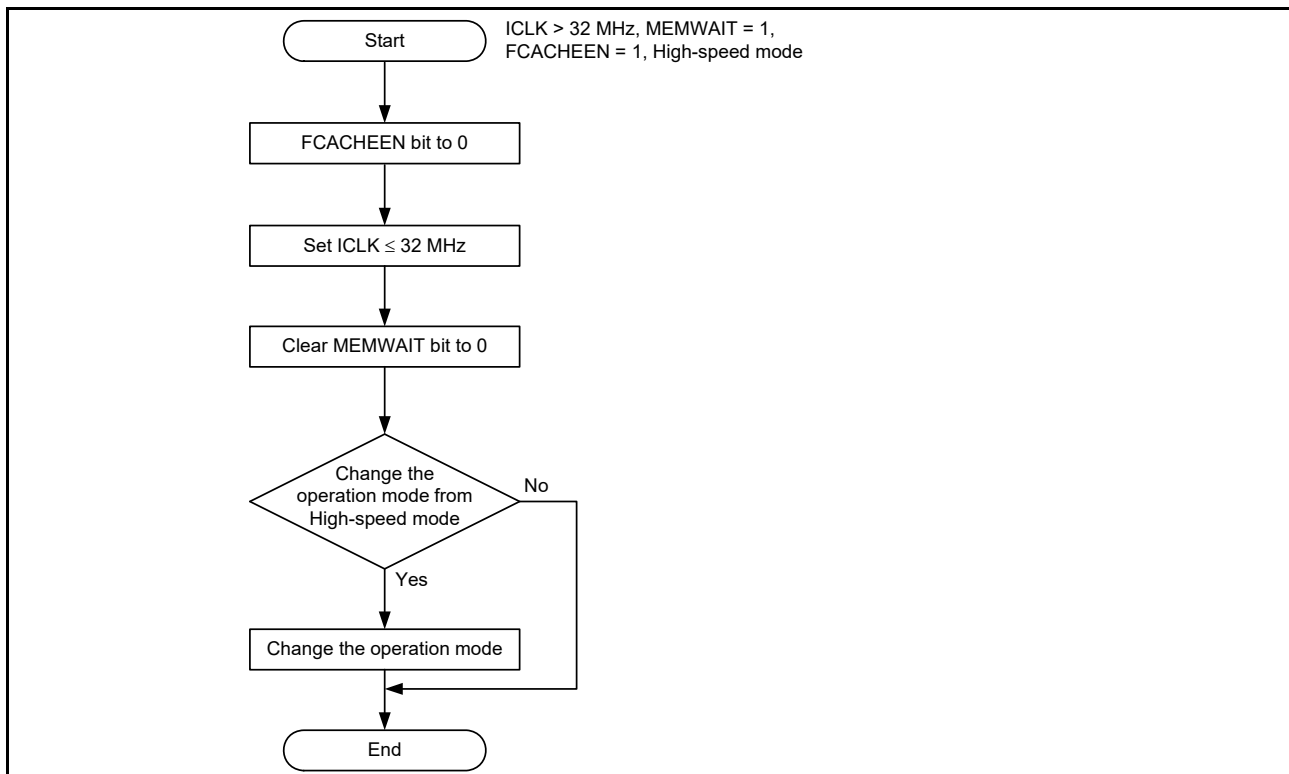
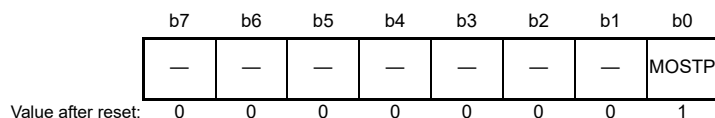


Figure 9.3 When setting the ICLK ≤ 32 MHz when ICLK > 32 MHz

9.2.7 Main Clock Oscillator Control Register (MOSCCR)

Address(es): SYSTEM.MOSCCR 4001 E032h



Bit	Symbol	Bit name	Description	R/W
b0	MOSTP	Main Clock Oscillator Stop	0: Main clock oscillator is operating*1 1: Main clock oscillator is stopped.	R/W
b7 to b1	—	Reserved	These bits are read as 0. The write value should be 0.	R/W

Note 1. MOMCR register must be set before setting MOSTP to 0.

The MOSCCR register controls the main clock oscillator.

MOSTP bit (Main Clock Oscillator Stop)

The MOSTP bit starts or stops the main clock oscillator.

The main clock oscillator can be started by setting the MOSTP bit to operate. When changing the value of the MOSTP bit, execute subsequent instructions only after reading the bit to check that its value is updated.

When using the main clock, the Main Clock Oscillator Mode Oscillation Control Register (MOMCR) and the Main Clock Oscillator Wait Control Register (MOSCWTCR) must be set before setting the MOSTP bit to 0. When the MOSCCR.MOSTP bit setting is modified for the main clock to run, only use the main clock after confirming that the OSCSF.MOSCSF bit is set to 1.

A fixed time is required for the oscillation to become stable after setting the main clock oscillator. A fixed time is also required for the oscillation to stop after stopping the main clock oscillator.

The following restrictions apply when starting and stopping operation:

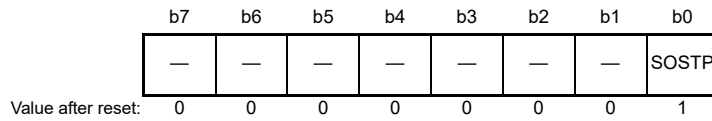
- After stopping the main clock oscillator, confirm that the OSCSF.MOSCSF bit is 0 before restarting the main clock oscillator
- Confirm that the main clock oscillator is operating and that the OSCSF.MOSCSF bit is 1 before stopping the main clock oscillator
- Regardless of whether the main clock oscillator is selected as the system clock, confirm that the OSCSF.MOSCSF bit is set to 1 before executing a WFI instruction to place the MCU in Software Standby mode
- When a transition to Software Standby mode is to follow the setting to stop the main clock oscillator, confirm that the OSCSF.MOSCSF bit is set to 0 before executing the WFI instruction.

Writing 1 to MOSTP is prohibited under the following conditions:

- SCKSCR.CKSEL[2:0] = 011b (system clock source = MOSC)
- SCKSCR.CKSEL[2:0] = 101b (system clock source = PLL)
- PLLCR.PLLSTP = 0 (PLL operates).

9.2.8 Sub-Clock Oscillator Control Register (SOSCCR)

Address(es): [SYSTEM.SOSCCR 4001 E480h](#)



Bit	Symbol	Bit name	Description	R/W
b0	SOSTP	Sub-Clock Oscillator Stop	0: Sub-clock oscillator is operating*1, *2 1: Sub-clock oscillator is stopped.	R/W
b7 to b1	—	Reserved	These bits are read as 0. The write value should be 0.	R/W

Note 1. The SOMCR register must be set before setting SOSTP to 0.

Note 2. The VBTCR1.BPWSWSTP bit must be set before setting the SOSC to operate when the VBATT function is not used. See [section 12, Battery Backup Function](#) for details on the VBTCR1.BPWSWSTP.

The SOSCCR register controls the sub-clock oscillator.

SOSTP bit (Sub-Clock Oscillator Stop)

The SOSTP bit starts or stops the sub-clock oscillator.

When changing the value of the SOSTP bit, execute subsequent instructions after reading the bit and checking that its value is updated. Use the SOSTP bit when the sub-clock is used as the source for a peripheral module such as the RTC.

When using the sub-clock oscillator, set the Sub-Clock Oscillator Mode Control Register (SOMCR) before setting SOSTP to 0. After setting SOSTP to 0, use the sub-clock oscillator only after the sub-clock oscillation stabilization time (t_{SUBOSC}) elapses. A fixed stabilization wait time is required for oscillation to become stable after selecting the sub-clock operation with the SOSTP bit. A fixed time is also required for oscillation to actually stop after setting the SOSTP bit.

The following restrictions apply when starting and stopping operation:

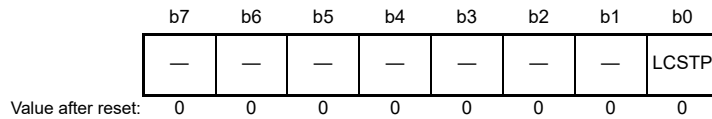
- When restarting the sub-clock oscillator after it stops, allow a period of at least 5 SOSC clock cycles for it to remain stopped
- Confirm that the sub-clock oscillator is stable when stopping the sub-clock oscillator
- Regardless of whether the sub-clock oscillator is selected as the system clock, ensure that the sub-clock oscillator oscillation is stable before executing a WFI instruction to place the MCU in Software Standby mode
- When a transition to Software Standby mode is to follow the setting to stop the sub-clock oscillator, wait for at least 3 SOSC clock cycles after setting the sub-clock oscillator to stop, before executing the WFI instruction.

Writing 1 to SOSTP is prohibited under the following condition:

- $SCKSCR.CKSEL[2:0] = 100b$ (system clock source = SOSC).

9.2.9 Low-Speed On-Chip Oscillator Control Register (LOCOCR)

Address(es): [SYSTEM.LOCOCR 4001 E490h](#)



Bit	Symbol	Bit name	Description	R/W
b0	LCSTP	LOCO Stop	0: Operate the LOCO clock*1 1: Stop the LOCO clock.	R/W
b7 to b1	—	Reserved	These bits are read as 0. The write value should be 0.	R/W

Note 1. The VBTCCR1.BPWSWSTP bit must be set before setting the LOCO to operate, when VBATT function is not used. See [section 12, Battery Backup Function](#), for details on VBTCCR1.BPWSWSTP.

The LOCOCR register controls the LOCO clock.

LCSTP bit (LOCO Stop)

The LCSTP bit starts or stops the LOCO clock.

After setting the LCSTP bit to start the LOCO clock, only use the clock after the LOCO clock-oscillation stabilization waiting time (t_{LOCO}) elapses. A fixed stabilization wait time is required after setting the LOCO clock to start operation. A fixed wait time for oscillation to stop is also required.

The following restrictions apply when starting and stopping operation:

- After stopping the LOCO clock, allow a stop interval of at least 5 LOCO clock cycles before restarting it
- Confirm that LOCO oscillation is stable before stopping the LOCO clock
- Regardless of whether the LOCO clock is selected as the system clock, confirm that LOCO oscillation is stable before executing a WFI instruction to place the MCU in Software Standby mode
- When a transition to Software Standby mode is to follow the setting to stop the LOCO clock, wait for at least 3 LOCO cycles before executing the WFI instruction.

Writing 1 to LCSTP is prohibited under the following condition:

- SCKSCR.CKSEL[2:0] = 010b (system clock source = LOCO).

9.2.10 High-Speed On-Chip Oscillator Control Register (HOCOOCR)

Address(es): SYSTEM.HOCOOCR 4001 E036h



Bit	Symbol	Bit name	Description	R/W
b0	HCSTP	HOCO Stop	0: Operate the HOCO clock*2, *3 1: Stop the HOCO clock.	R/W
b7 to b1	—	Reserved	These bits are read as 0. The write value should be 0.	R/W

Note: Writing to OPCCR.OPCM[1:0] is prohibited while HOCOOCR.HCSTP = 0 and OSCSF.HOCOSF = 0 (HOCO is in stabilization wait counting).

Note: Writing to HCSTP is prohibited while OPCCR.OPCMTSF = 1 or SOPCCR.SOPCMTSF = 1 (during transition of operating power control mode) or FLSTOP.CFLSTOPF = 1 (during transition of flash).

Note 1. The HCSTP bit value after a reset is 0 when the OFS1.HOCOEN bit is 0. It is 1 when the OFS1.HOCOEN bit is 1.

Note 2. If the operating frequency of HOCO is 48 MHz, VCC must be more than 1.8 V ($VCC \geq 1.8$ V) when operating the HOCO. If the operating frequency of HOCO is 64 MHz, VCC must be more than 2.4 V ($VCC \geq 2.4$ V) when operating the HOCO.

Note 3. When using the HOCO (HCSTP = 0), you must set the OFS1.HOCOFREQ[2:0] bits to an optimum value. During low-voltage mode, HOCOOCR.HCSTP must always be 0.

The HOCOOCR register controls the HOCO clock.

HCSTP bit (HOCO Stop)

The HCSTP bit starts or stops the HOCO clock. For the HOCO clock to operate, the High-Speed On-Chip Oscillator Wait Control Register (HOCOWTCR) must also be set.

After setting the HCSTP bit to 0 to start the HOCO clock, confirm that the OSCSF.HOCOSF is set to 1 before using the clock. When OFS1.HOCOEN is set to 0, confirm that the OSCSF.HOCOSF is set to 1 before using the HOCO clock. A fixed stabilization wait time is required after setting the HOCO clock to start operation. A fixed wait time for oscillation to stop is also required.

The following limitations apply when starting and stopping operation:

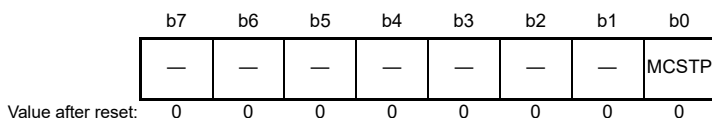
- After stopping the HOCO clock, confirm that the OSCSF.HOCOSF bit is 0 before restarting the HOCO clock
- Confirm that the HOCO clock operates and that the OSCSF.HOCOSF bit is 1 before stopping the HOCO clock
- Regardless of whether the HOCO clock is selected as the system clock, confirm that the OSCSF.HOCOSF bit is set to 1 before executing a WFI instruction to place the MCU in Software Standby while HOCOOCR.HCSTP bit is 0
- When a transition to Software Standby mode is to follow the setting of the HOCO clock to stop, confirm that the OSCSF.HOCOSF bit is set to 0, before executing the WFI instruction.

Writing 1 to HCSTP is prohibited under the following condition:

- SCKSCR.CKSEL[2:0] = 000b (system clock source = HOCO).

9.2.11 Middle-Speed On-Chip Oscillator Control Register (MOCOOCR)

Address(es): SYSTEM.MOCOOCR 4001 E038h



Bit	Symbol	Bit name	Description	R/W
b0	MCSTP	MOCO Stop	0: Operate the MOCO clock 1: Stop the MOCO clock.	R/W
b7 to b1	—	Reserved	These bits are read as 0. The write value should be 0.	R/W

The MOCOOCR register controls the MOCO clock.

MCSTP bit (MOCO Stop)

The MCSTP bit starts or stops the MOCO clock.

After setting MCSTP to 0, use the MOCO clock only after the MOCO clock oscillation stabilization time (t_{MOCO}) elapses. A fixed stabilization wait time is required after setting MCSTP to 0. A fixed stabilization wait time is also required for oscillation to stop after setting MCSTP to 1.

The following restrictions apply when starting and stopping the MOCO clock:

- After stopping the MOCO clock, allow a stop interval of at least 5 MOCO clock cycles before restarting it
- Confirm that MOCO oscillation is stable before stopping the MOCO clock
- Regardless of whether the MOCO is selected as the system clock, confirm that MOCO oscillation is stable before executing a WFI instruction to place the MCU in Software Standby mode
- When a transition to Software Standby mode is to follow the setting to stop the MOCO clock, wait for at least 3 MOCO clock cycles before executing the WFI instruction.

Writing 1 to MCSTP is prohibited under the following condition:

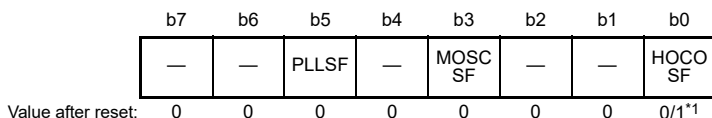
- SCKSCR.CKSEL[2:0] = 001b (system clock source = MOCO).

Writing 1 to the MCSTP bit (stopping the MOCO) is prohibited if oscillation stop detection is enabled in the Oscillation Stop Detection Enable bit (OSTDCR.OSTDE) in the Oscillation Stop Detection Control Register.

Because the MOCO clock is used to measure the waiting time for other oscillators, the MOCO clock continues to oscillate while measuring this time, regardless of the setting of MOCOOCR.MCSTP. The MOCO clock may be unintentionally supplied even when the MCSTP is set to stop.

9.2.12 Oscillation Stabilization Flag Register (OSCSF)

Address(es): SYSTEM.OSCSF 4001 E03Ch



Bit	Symbol	Bit name	Description	R/W
b0	HOCOSF	HOCO Clock Oscillation Stabilization Flag	0: The HOCO clock is stopped or is not stable yet 1: The HOCO clock is stable, so is available for use as the system clock.	R

Bit	Symbol	Bit name	Description	R/W
b2, b1	—	Reserved	These bits are read as 0.	R
b3	MOSCSF	Main Clock Oscillation Stabilization Flag	0: The main clock oscillation is stopped (MOSTP = 1) or is not stable yet ² 1: The main clock oscillator is stable, so is available for use as the system clock.	R
b4	—	Reserved	This bit is read as 0	R
b5	PLLSF	PLL Clock Oscillation Stabilization Flag	0: The PLL clock is stopped or oscillation of the PLL clock is not stable yet 1: The PLL clock is stable, so is available for use as the system clock.	R
b7, b6	—	Reserved	These bits are read as 0	R

Note 1. The value after reset depends on the OFS1.HOCOEN bit setting. When OFS1.HOCOEN = 1, the value after reset of HOCOSF bit is 0.

When OFS1.HOCOEN = 0, the HOCOSF value becomes 0 after reset is released, and the HOCOSF value becomes 1 after the HOCO oscillation stabilization wait time elapses.

Note 2. An appropriate value is set in the Wait Control register for the given oscillator. If the wait time is not sufficient, the oscillation stabilization flag is set to 1 and supply of the clock signal to the internal circuits starts before oscillation is stable.

The OSCSF register contains flags to indicate the operating status of the counters in the oscillation stabilization wait circuits for the individual oscillators.

After the oscillation starts, the counters measure the wait time until each oscillator output clock is supplied to the internal circuits. An overflow of a counter indicates the start of the clock supply from the corresponding oscillator to the internal circuits.

HOCOSF flag (HOCO Clock Oscillation Stabilization Flag)

The HOCOSF flag indicates the operating state of the counter that measures the wait time for the High-speed Clock Oscillator (HOCO).

When OFS1.HOCOEN is set to 0, confirm that the OSCSF.HOCOSF is set to 1 before using the HOCO clock.

[Setting condition]

- After the HOCO clock stops and the HOCOCR.HCSTP bit is set to 0, the high-speed clock supply in the MCU starts after the middle-speed clock cycles set in the HOCOWTCR.HSTS[2:0] bits elapse.

[Clearing condition]

- When the high-speed clock oscillator is operating, it is deactivated when the HOCOCR.HCSTP bit is set to 1.

MOSCSF flag (Main Clock Oscillation Stabilization Flag)

The MOSCSF flag indicates the operating state of the counter that measures the wait time for the main clock oscillator.

[Setting condition]

- After the main clock oscillator stops and the MOSCCR.MOSTP bit is set to 0, supply of the main clock in the MCU starts after the number of middle-speed clock cycles associated with the setting in the MOSCWTCR.MSTS[3:0] bits elapse.

[Clearing condition]

- When the main clock oscillator is operating, it is deactivated when the MOSCCR.MOSTP bit is set to 1.

PLLSF flag (PLL Clock Oscillation Stabilization Flag)

The PLLSF flag indicates the operating state of the counter that measures the wait time of the PLL.

[Setting condition]

- After the PLL stops and the PLLCR.PLLSTP bit is set to 0, supply of the PLL clock in the MCU starts after 370 cycles of the middle-speed clock are counted. If PLL clock source oscillation is not stable when the PLLSTP bit is set to 0, counting of the middle-speed clock cycles continues after the PLL clock source oscillation is stabilized.

[Clearing condition]

- When the PLL operates, it is deactivated when the PLLCR.PLLSTP bit is set to 1.

9.2.13 Oscillation Stop Detection Control Register (OSTDCR)

Address(es): SYSTEM.OSTDCR 4001 E040h

	b7	b6	b5	b4	b3	b2	b1	b0
	OSTDE	—	—	—	—	—	—	OSTDIE
Value after reset:	0	0	0	0	0	0	0	0

Bit	Symbol	Bit name	Description	R/W
b0	OSTDIE	Oscillation Stop Detection Interrupt Enable	0: Disable oscillation stop detection interrupt (do not notify the POEG) 1: Enable oscillation stop detection interrupt (notify the POEG).	R/W
b6 to b1	—	Reserved	These bits are read as 0. The write value should be 0.	R/W
b7	OSTDE	Oscillation Stop Detection Function Enable	0: Disable the oscillation stop detection function 1: Enable the oscillation stop detection function.	R/W

The OSTDCR register controls the oscillation stop detection function.

OSTDIE bit (Oscillation Stop Detection Interrupt Enable)

The OSTDIE bit enables the oscillation stop detection function interrupt. This bit also controls whether the POEG is notified about the oscillation stop detection.

If the Oscillation Stop Detection Flag in the Oscillation Stop Detection Status Register (OSTDSR.OSTDF) requires clearing, set the OSTDIE bit to 0 before OSTDF is set to 0. Wait for at least 2 PCLKB cycles before setting the OSTDIE bit to 1. Depending on the number of cycles required to read a given I/O register, a wait time longer than 2 PCLKB cycles might be required.

OSTDE bit (Oscillation Stop Detection Function Enable)

The OSTDE bit enables the oscillation stop detection function. When the OSTDE bit is 1 (oscillation stop detection function enabled), the MOCO Stop bit (MOCO.CR.MCSTP) is set to 0 and the MOCO operation starts. The MOCO cannot be stopped when the oscillation stop detection function is enabled. Writing 1 to the MOCO.CR.MCSTP bit (MOCO stopped) is invalid.

When the Oscillation Stop Detection Flag in the Oscillation Stop Detection Status Register (OSTDSR.OSTDF) is 1 (main clock oscillation stop detected), writing 0 to the OSTDE bit is invalid.

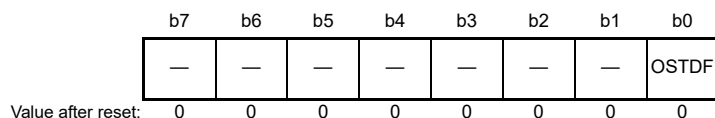
The OSTDE bit must be set to 0 before transitioning to Software Standby mode. To transition to Software Standby mode, first set the OSTDE bit to 0, then execute the WFI instruction.

The following restrictions apply when using the oscillation stop detection function:

- In low-speed mode, selecting division by 1, 2, 4, 8 for ICLK, FCLK, BCLK, PCLKA, PCLKB, PCLKC, PCLKD is prohibited
- In low-voltage mode, selecting division by 1, 2 for ICLK, FCLK, BCLK, PCLKA, PCLKB, PCLKC, PCLKD is prohibited.

9.2.14 Oscillation Stop Detection Status Register (OSTDSR)

Address(es): SYSTEM.OSTDSR 4001 E041h



Bit	Symbol	Bit name	Description	R/W
b0	OSTDF	Oscillation Stop Detection Flag	0: Main clock oscillation stop not detected 1: Main clock oscillation stop detected.	R/(W)*1
b7 to b1	—	Reserved	These bits are read as 0. The write value should be 0.	R/W

Note 1. This bit can only be set to 0.

The OSTDSR register indicates the stop detection status of the main clock oscillator.

OSTDF flag (Oscillation Stop Detection Flag)

The OSTDF flag indicates the main clock oscillator status. When this flag is 1, it indicates that the main clock oscillation stop was detected. After this stop is detected, the OSTDF flag is not set to 0 even when the main clock oscillation is restarted. The OSTDF flag is set to 0 by writing 0 after reading it as 1.

At least 3 ICLK cycles of wait time are required between writing 0 to OSTDF and reading it as 0. If the OSTDF flag is set to 0 when the main clock oscillation is stopped, the OSTDF flag becomes 0 and then returns to 1.

OSTDSR.OSTDF cannot be set to 0 under the following conditions:

- SCKSCR.CKSEL[2:0] = 011b (system clock source = MOSC).

The OSTDF flag must be set to 0 after switching the clock source to sources other than the main clock oscillator and PLL.

[Setting condition]

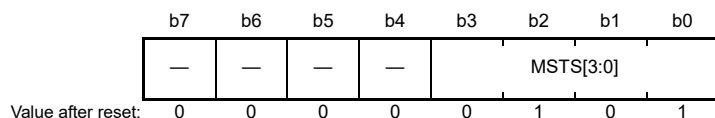
- The main clock oscillation is stopped when OSTDCR.OSTDE is 1 (oscillation stop detection function enabled).

[Clearing condition]

- 1 is read and then 0 is written when the SCKSCR.CKSEL[2:0] bits are neither 011b (system clock is MOSC) nor 101b (system clock is PLL).

9.2.15 Main Clock Oscillator Wait Control Register (MOSCWTCR)

Address(es): SYSTEM.MOSCWTCR 4001 E0A2h



Bit	Symbol	Bit name	Description	R/W
b3 to b0	MSTS[3:0]	Main Clock Oscillator Wait Time Setting	b3 b0 0 0 0 0: Wait time = 2 cycles (0.25 μs) 0 0 0 1: Wait time = 1024 cycles (128 μs) 0 0 1 0: Wait time = 2048 cycles (256 μs) 0 0 1 1: Wait time = 4096 cycles (512 μs) 0 1 0 0: Wait time = 8192 cycles (1024 μs) 0 1 0 1: Wait time = 16384 cycles (2048 μs) (value after reset) 0 1 1 0: Wait time = 32768 cycles (4096 μs) 0 1 1 1: Wait time = 65536 cycles (8192 μs) 1 0 0 0: Wait time = 131072 cycles (16384 μs) 1 0 0 1: Wait time = 262144 cycles (32768 μs). Other settings are prohibited. Wait time is calculated at MOCO = 8 MHz (typically 0.125 μs).	R/W
b7 to b4	—	Reserved	These bits are read as 0. The write value should be 0.	R/W

MSTS[3:0] bits (Main Clock Oscillator Wait Time Setting)

The MSTS[3:0] bits specify the oscillation stabilization wait time for the main clock oscillator.

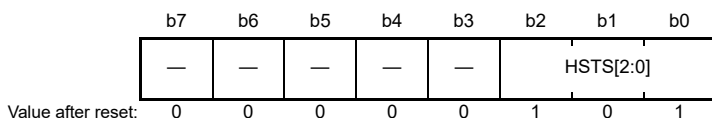
Set the main clock oscillation stabilization time to a period longer than or equal to the stabilization time recommended by the oscillator manufacturer. When the main clock is input externally, set these bits to 0000b because the oscillation stabilization time is not required.

The wait time set in the MSTS[3:0] bits is counted using the MOCO clock. The MOCO automatically oscillates when necessary, regardless of the value of the MOCOCR.MCSTP bit. After the set wait time elapses, supply of the main clock starts internally in the MCU, and the OSCSF.MOSCSF flag becomes 1. If the set wait time is short, supply of the main clock starts before oscillation of the clock becomes stable.

Only rewrite the MOSCWTCR register when the MOSCCR.MOSTP bit is 1 and the OSCSF.MOSCSF flag is 0. Do not rewrite this register under any other conditions.

9.2.16 High-Speed On-Chip Oscillator Wait Control Register (HOCOWTCR)

Address(es): SYSTEM.HOCOWTCR 4001 E0A5h



Bit	Symbol	Bit name	Description	R/W
b2 to b0	HSTS[2:0]	HOCO Wait Time Setting	<div style="display: flex; justify-content: space-between; font-size: small;"> b2 b0 </div> <div style="display: flex; justify-content: space-between; font-size: x-small;"> 1 0 1: </div> <ul style="list-style-type: none"> Wait time is 245 cycles (29.13 μs) When HOCO operating frequency is 24 MHz or 32 MHz, and the operation power control mode is other than low-voltage mode. Wait time is 287 cycles (35.875 μs) (value after reset) when HOCO operating frequency is 48 MHz and operation power control mode is other than low-voltage mode. Wait time is 679 cycles (84.88 μs) (value after reset) when operation power control mode is low-voltage mode. <div style="display: flex; justify-content: space-between; font-size: x-small;"> 1 1 0: </div> <ul style="list-style-type: none"> Wait time is 541 cycles (67.63 μs) when HOCO operating frequency is 64 MHz. <p style="font-size: x-small;">Other settings are prohibited. Wait time calculated at MOCO is 8 MHz (typically 0.125 μs).</p>	R/W
b7 to b3	—	Reserved	These bits are read as 0. The write value should be 0.	R/W

HOCOWTCR controls the wait time until output of the signal from the high-speed clock oscillator to the internal circuits starts. Values can only be written to HOCOWTCR when the HOCOCR.HCSTP bit is 1 or the OSCSF.HOCOSF flag is 1. Do not write to HOCOWTCR under any other conditions.

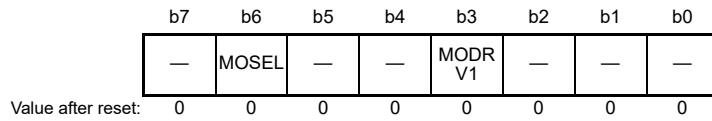
HSTS[2:0] bits (HOCO Wait Time Setting)

The oscillation stabilization wait circuit measures the wait time and controls the clock supply in the MCU. When the high speed clock oscillator starts, the oscillation stabilization wait circuit starts counting cycles of the middle-speed clock set in the HOCOWTCR register. The MCU clock supply is disabled until counting of the set number of cycles is complete. After counting completes, supply of the clock signal in the MCU starts and the OSCSF.HOCOSF flag is set to 1.

The oscillation stabilization wait circuit continues to count the middle-speed clock cycles regardless of the MOCOCR.MCSTP bit setting. Hardware automatically controls the running and stopping of the middle-speed oscillator for wait time measurement.

9.2.17 Main Clock Oscillator Mode Oscillation Control Register (MOMCR)

Address(es): SYSTEM.MOMCR 4001 E413h



Bit	Symbol	Bit name	Description	R/W
b2 to b0	—	Reserved	These bits are read as 0. The write value should be 0.	R/W
b3	MODRV1	Main Clock Oscillator Drive Capability 1 Switching	0: 10 MHz to 20 MHz 1: 1 MHz to 10 MHz.	R/W
b5, b4	—	Reserved	These bits are read as 0. The write value should be 0.	R/W
b6	MOSEL	Main Clock Oscillator Switching	0: Resonator 1: External clock input.	R/W
b7	—	Reserved	This bit is read as 0. The write value should be 0.	R/W

Note: The EXTAL/XTAL pin is also used as a port. In the initial setting state, the pin is set as a port.

Note: The MOSCCR.MOSTP bit must be 1 (MOSC is stopped) before modifying this register.

MODRV1 bit (Main Clock Oscillator Drive Capability 1 Switching)

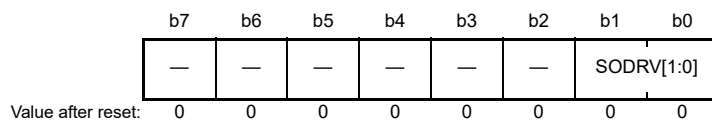
The MODRV1 bit switches the drive capability of the main clock oscillator.

MOSEL bit (Main Clock Oscillator Switching)

The MOSEL bit switches the source for the main clock oscillator.

9.2.18 Sub-Clock Oscillator Mode Control Register (SOMCR)

Address(es): SYSTEM.SOMCR 4001 E481h



Bit	Symbol	Bit name	Description	R/W
b1, b0	SODRV[1:0]	Sub-Clock Oscillator Drive Capability Switching	b1 b0 0 0: Normal mode 0 1: Low power mode 1 1 0: Low power mode 2 1 1: Low power mode 3.	R/W
b7 to b2	—	Reserved	These bits are read as 0. The write value should be 0.	R/W

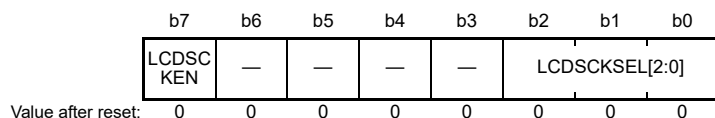
This register must be modified when SOSCCR.SOSTP is 1 (SOSC is stopped).

SODRV[1:0] bits (Sub-Clock Oscillator Drive Capability Switching)

The SODRV[1:0] bits switch the drive capability of the sub-clock oscillator.

9.2.19 Segment LCD Source Clock Control Register (SLCDSCKCR)

Address(es): SYSTEM.SLCDSCKCR 4001 E050h



Bit	Symbol	Bit name	Description	R/W
b2 to b0	LCDSCKSEL[2:0]	LCD Source Clock (LCDSRCCLK) Select	b2 b0 0 0 0: LOCO 0 0 1: SOSC 0 1 0: MOSC 1 0 0: HOCO. Other settings are prohibited.	R/W
b6 to b3	—	Reserved	These bits are read as 0. The write value should be 0.	R/W
b7	LCDSCKEN	LCD Source Clock Out Enable	0: LCD source clock out disabled 1: LCD source clock out enabled.	R/W

Setting the LCDSCKEN bit and LCDSCKSEL[2:0] bits at the same time is prohibited.

LCDSCKSEL[2:0] bits (LCD Source Clock (LCDSRCCLK) Select)

The LCDSCKSEL[2:0] bits select the LOCO, SOSC, MOSC, or HOCO clock as the LCD clock source. Clear the LCDSCKEN bit to 0 when changing the LCD source clock.

When changing these bits, use the following steps:

1. Set LCDSCKEN to 0 (LCD source clock out is disabled).
2. Wait for 3 LCD source clock cycles and 2 ICLK cycles before the change.
3. Write the changed value to LCDSCKSEL[2:0] bits.
4. Read LCDSCKSEL[2:0] bits to confirm that the LCDSCKSEL[2:0] bits are changed.

LCDSCKEN bit (LCD Source Clock Out Enable)

The LCDSCKEN bit enables output of the LCD source clock to LCD module.

When this bit is set to 1, the selected clock is output. When changing this bit, confirm that the LCD source clock selected by the LCDSCKSEL[2:0] bits is stable. When transitioning to Software Standby mode after changing this bit, use the following steps:

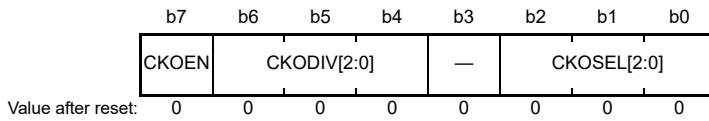
1. Change this bit.
2. Wait for at least 2 cycles of the source clock selected in the LCDSCKSEL[2:0] bits.
3. Execute the WFI instruction.

When stopping the source clock selected in the LCDSCKSEL[2:0] bits after clearing this bit to 0, use the following steps:

1. Clear this bit to 0 (LCD source clock output is disabled).
2. Wait for at least 2 cycles of the source clock selected by the LCDSCKSEL[2:0] bits.
3. Stop the source clock selected by the LCDSCKSEL[2:0] bits.

9.2.20 Clock Out Control Register (CKOCR)

Address(es): SYSTEM.CKOCR 4001 E03Eh



Bit	Symbol	Bit name	Description	R/W
b2 to b0	CKOSEL[2:0]	Clock Out Source Select	b2 b0 0 0 0: HOCO 0 0 1: MOCO 0 1 0: LOCO 0 1 1: MOSC 1 0 0: SOSC. Other settings are prohibited.	R/W
b3	—	Reserved	This bit is read as 0. The write value should be 0.	R/W
b6 to b4	CKODIV[2:0]	Clock Out Input Frequency Division Select	b6 b4 0 0 0: ×1 0 0 1: /2 0 1 0: /4 0 1 1: /8 1 0 0: /16 1 0 1: /32 1 1 0: /64 1 1 1: /128.	R/W
b7	CKOEN	Clock Out Enable	0: Disable clock out 1: Enable clock out.	R/W

CKOSEL[2:0] bits (Clock Out Source Select)

The CKOSEL[2:0] bits select the HOCO, MOCO, LOCO, MOSC, or SOSC clock as the source clock to be output from the CLKOUT pin.

When changing the CLKOUT source clock, set the CKOEN bit to 0.

CKODIV[2:0] bits (Clock Out Input Frequency Division Select)

The CKODIV[2:0] bits select the clock division ratio.

When changing the division ratio, set the CKOEN bit to 0. The division ratio of the output clock frequency must be set to a value no higher than the characteristics of the CLKOUT pin output frequency. See [section 51, Electrical Characteristics](#) for details on the CLKOUT pin characteristics.

CKOEN bit (Clock Out Enable)

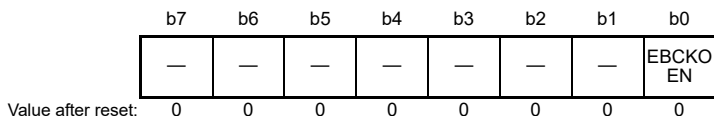
The CKOEN bit enables output from the CLKOUT pin.

When this bit is set to 1, the selected clock is output. When this bit is set to 0, low is output. When changing this bit, confirm that the clock source selected in the CKOSEL[2:0] bits is stable. Otherwise, a glitch might be generated in the output.

Clear this bit before entering Software Standby mode if the selected clock source is stopped in that mode.

9.2.21 External Bus Clock Output Control Register (EBCKOCR)

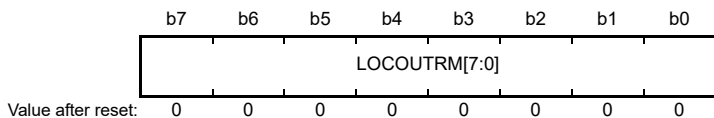
Address(es): SYSTEM.EBCKOCR 4001 E052h



Bit	Symbol	Bit name	Description	R/W
b0	EBCKOEN	EBCLK Pin Output Control	0: EBCLK pin output is disabled (fixed high) 1: EBCLK pin output is enabled.	R/W
b7 to b1	—	Reserved	These bits are read as 0. The write value should be 0.	R/W

9.2.22 LOCO User Trimming Control Register (LOCOUTCR)

Address(es): SYSTEM.LOCOUTCR 4001 E492h



Bit	Symbol	Bit name	Description	R/W
b7 to b0	LOCOUTRM[7:0]	LOCO User Trimming	b7 b0 1 0 0 0 0 0 0 0: -128 1 0 0 0 0 0 0 1: -127 1 0 0 0 0 0 1 0: -126 ... 1 1 1 1 1 1 1 1: -1 0 0 0 0 0 0 0 0: Center Code 0 0 0 0 0 0 0 1: +1 ... 0 1 1 1 1 1 0 1: +125 0 1 1 1 1 1 1 0: +126 0 1 1 1 1 1 1 1: +127.	R/W

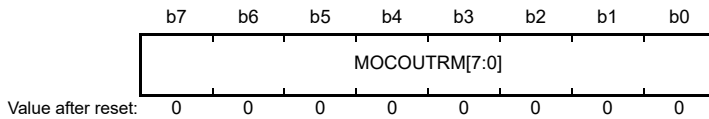
These bits are added to the original LOCO trimming bits.

MCU operation is not guaranteed when LOCOUTCR is set to a value that causes the LOCO frequency to be outside of the specification range.

When LOCOUTCR is modified, the frequency stabilization time required corresponds to the frequency stabilization time at the start of the MCU operation. When the ratio of the LOCO clock frequency and the other oscillation frequency is an integer value, changing the LOCOUTCR value is prohibited.

9.2.23 MOCO User Trimming Control Register (MOCOUTCR)

Address(es): SYSTEM.MOCOUTCR 4001 E061h



Bit	Symbol	Bit name	Description	R/W
b7 to b0	MOCOUTRM[7:0]	MOCO User Trimming	b7 b0 1 0 0 0 0 0 0 0: -128 1 0 0 0 0 0 0 1: -127 1 0 0 0 0 0 1 0: -126 ... 1 1 1 1 1 1 1 1: -1 0 0 0 0 0 0 0 0: Center Code 0 0 0 0 0 0 0 1: +1 ... 0 1 1 1 1 1 0 1: +125 0 1 1 1 1 1 1 0: +126 0 1 1 1 1 1 1 1: +127. These bits are added to the original MOCO trimming bits.	R/W

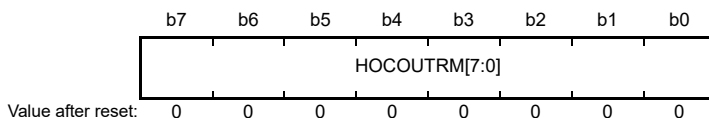
MCU operation is not guaranteed when MOCOUTCR is set to a value that causes the MOCO frequency to be outside of the specification range.

When MOCOUTCR is modified, the frequency stabilization wait time corresponds to the time when it is stabilized at the start of the MCU operation.

When the ratio of the MOCO frequency to the other oscillation frequency is an integer value, changing the MOCOUTCR value is prohibited.

9.2.24 HOCO User Trimming Control Register (HOCOUTCR)

Address(es): SYSTEM.HOCOUTCR 4001 E062h

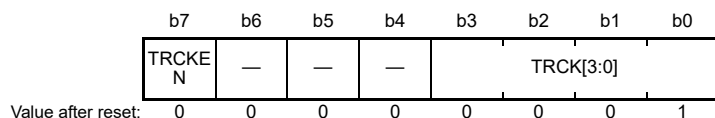


Bit	Symbol	Bit name	Description	R/W
b7 to b0	HOCOUTRM[7:0]	HOCO User Trimming	b7 b0 1 0 0 0 0 0 0 0: -128 1 0 0 0 0 0 0 1: -127 1 0 0 0 0 0 1 0: -126 ... 1 1 1 1 1 1 1 1: -1 0 0 0 0 0 0 0 0: Center Code 0 0 0 0 0 0 0 1: +1 ... 0 1 1 1 1 1 0 1: +125 0 1 1 1 1 1 1 0: +126 0 1 1 1 1 1 1 1: +127. These bits are added to the original HOCO trimming bits.	R/W

MCU operation is not guaranteed when HOCOUTCR is set to a value that causes the HOCO frequency to be outside of the specification range. When HOCOUTCR is modified, the frequency stabilization wait time corresponds to the time when it is stabilized at the start of the MCU operation. When USBCKCR.USBCLKSEL = 1, writing any other value except 00h to HOCOUTCR is prohibited.

9.2.25 Trace Clock Control Register (TRCKCR)

Address(es): [SYSTEM.TRCKCR 4001 E03Fh](#)



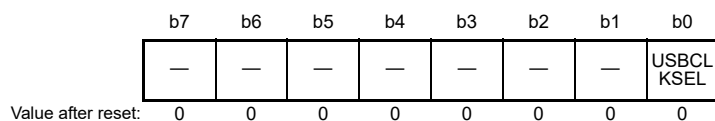
Bit	Symbol	Bit name	Description	R/W
b3 to b0	TRCK[3:0]	Trace Clock Operation Frequency Select	b3 b0 0 0 0 0: /1 0 0 0 1: /2 (value after reset) 0 0 1 0: /4. Other settings are prohibited.	R/W
b6 to b4	—	Reserved	These bits are read as 0. The write value should be 0.	R/W
b7	TRCKEN	Trace Clock Operating Enable	0: Disable operation 1: Enable operation.	R/W

Note: The TRCKCR register can be initialized by all resets except VBATT_POR.

The Trace Clock Control Register controls the switching of the trace clock. Set TRCKEN to 0 before changing the TRCLK frequency.

9.2.26 USB Clock Control Register (USBCKCR)

Address(es): [SYSTEM.USBCKCR 4001 E0D0h](#)



Bit	Symbol	Bit name	Description	R/W
b0	USBCLKSEL	USB Clock Source Select	0: PLL (value after reset) 1: HOCO.	R/W
b7 to b1	—	Reserved	These bits are read as 0. The write value should be 0.	R/W

[USBCLKSEL bit \(USB Clock Source Select\)](#)

The USBCLKSEL bit selects the source of the USB clock (UCLK).

- Rewrite the USBCKCR register while the SYSCFG.SCKE bit is 0
- The USBCKCR.USBCLKSEL bit can only be set to 1 when USBFS is used as the device controller. Set the USBCKSR.USBCLKSEL bit to 0 to use the host controller and the On-The-Go (OTG) function.
- The user trimming function cannot be used when the USBCKCR.USBCLKSEL bit is 1. To use the HOCO user trimming function, set the bits HOCOUTCR.HOCOUTRM[7:0] to 00h.

9.3 Main Clock Oscillator

To supply the clock signal to the main clock oscillator, use one of the following ways:

- Connect an oscillator
- Connect the input of an external clock signal.

9.3.1 Connecting a Crystal Resonator

Figure 9.4 shows an example of connecting a crystal resonator.

A damping resistor (R_d) can be added, if required. Because the resistor values vary according to the resonator and the oscillation drive capability, use values recommended by the resonator manufacturer. If the manufacturer recommends the use of an external feedback resistor (R_f), insert an R_f between EXTAL and XTAL by following the instructions.

When connecting a resonator to supply the clock, the frequency of the resonator must be in the frequency range of the resonator for the main clock oscillator as described in Table 9.1.

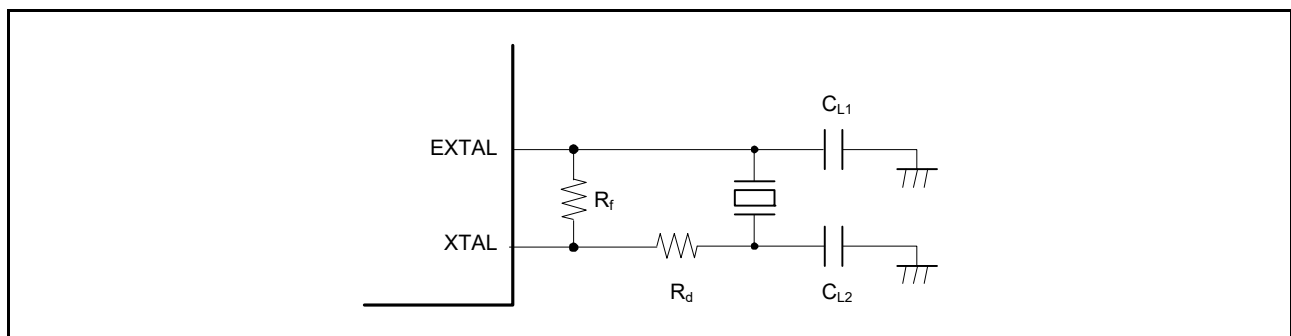


Figure 9.4 Example of crystal resonator connection

9.3.2 External Clock Input

Figure 9.5 shows an example for connecting an external clock input. To operate the oscillator with an external clock signal, set the MOMCR.MOSEL bit to 1. The XTAL pin goes to high impedance.



Figure 9.5 Equivalent circuit for external clock

9.3.3 Notes on External Clock Input

The frequency of the external clock input can only be changed when the main clock oscillator is stopped. Do not change the frequency of the external clock input when the setting of the Main Clock Oscillator Stop bit (MOSCCR.MOSTP) is 0.

9.4 Sub-Clock Oscillator

The only way of supplying a clock signal to the sub-clock oscillator is by connecting a crystal oscillator.

9.4.1 Connecting a 32.768-kHz Crystal Resonator

To supply a clock to the sub-clock oscillator, connect a 32.768-kHz crystal resonator, as shown in [Figure 9.6](#).

A damping resistor (R_d) can be added, if necessary. Because the resistor values vary according to the resonator and the oscillation drive capability, use values recommended by the resonator manufacturer. If the resonator manufacturer recommends the use of an external feedback resistor (R_f), insert an R_f between XCIN and XCOU by following the instructions. When connecting a resonator to supply the clock, the frequency of the resonator must be in the frequency range of the resonator for the sub-clock oscillator, as described in [Table 9.1](#).

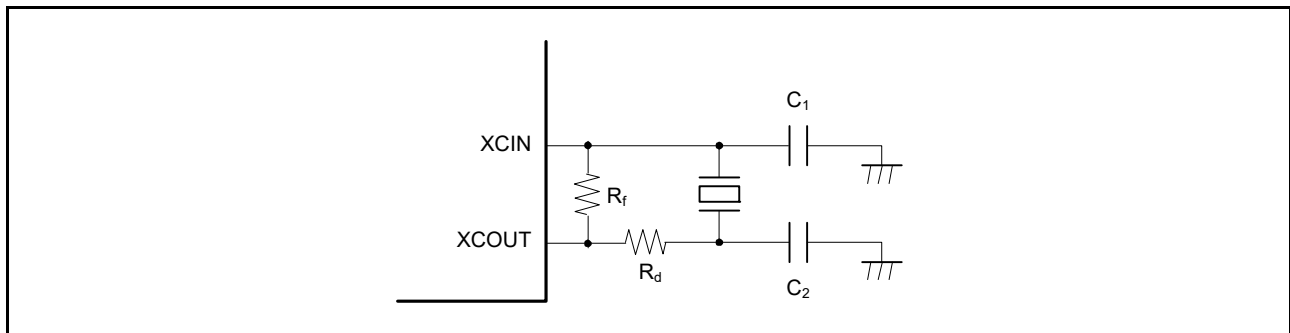


Figure 9.6 Connection example of 32.768-kHz crystal resonator

9.5 Oscillation Stop Detection Function

9.5.1 Oscillation Stop Detection and Operation after Detection

The oscillation stop detection function detects the main clock oscillator stop.

When oscillation stop is detected, the system clock switches as follows:

- If an oscillation stop is detected with $SCKSCR.CKSEL[2:0] = 011b$ (system clock source = MOSC), the system clock source switches to the MOCO clock
- If an oscillation stop is detected with $SCKSCR.CKSEL[2:0] = 101b$ (system clock source = PLL), the PLL clock remains the system clock source. The frequency becomes a free-running oscillation frequency and the setting of $SCKSCR.CKSEL[2:0]$ is unchanged.

An oscillation stop detection interrupt request can be generated when an oscillation stop is detected. In addition, the General PWM Timer (GPT) output can be forced to a high-impedance state on detection.

The main clock oscillation stop is detected when the input clock remains at 0 or 1 for a certain period, for example, when a malfunction occurs in the main clock oscillator. See [section 51, Electrical Characteristics](#).

Switching between the main clock and MOCO clock or between the PLL clock and PLL free-running clock is controlled by the Oscillation Stop Detection Flag (OSTDSR.OSTDF).

OSTDF controls the switched clock as follows:

- $SCKSCR.CKSEL[2:0] = 011b$ (system clock source = MOSC):
When OSTDF changes from 0 to 1, the clock source switches to MOCO clock.
When OSTDF changes from 1 to 0, the clock source switches to MOSC again.
- $SCKSCR.CKSEL[2:0] = 101b$ (system clock source = PLL):
When OSTDF changes from 0 to 1, the clock source switches to the PLL free-running oscillation clock.
When OSTDF changes from 1 to 0, the clock source switches to PLL again.

To switch the clock source to the main clock or PLL clock again after the oscillation stop detection, set the $CKSEL[2:0]$ bits to a clock source other than the main clock or PLL clock, and clear the OSTDF flag to 0. Also, check that the OSTDF flag is not 1, then set the $CKSEL[2:0]$ bits to the main clock or PLL clock after the specified oscillation stabilization time elapses.

After a reset is released, the main clock oscillator stops and the oscillation stop detection function is disabled. To enable the oscillation stop detection function, activate the main clock oscillator and write 1 to the Oscillation Stop Detection Function Enable bit (OSTDCR.OSTDE) after a specified oscillation stabilization time elapses.

The oscillation stop detection function detects when the main clock is stopped by an external cause. Therefore, the oscillation stop detection function must be disabled before the main clock oscillator is stopped by software or a transition is made to Software Standby mode.

The oscillation stop detection function switches the following clocks to the MOCO clock (when system clock is MOSC):

- All clocks that can be selected as the MOSC or PLL except CLKOUT
- The system clock (ICLK) frequency during the MOCO (when system clock is MOSC) or PLL free-running (when system clock is PLL) operation is specified in the MOCO oscillation frequency and the division ratio set in the System Clock Select bits (SCKDIVCR.ICK[2:0]).

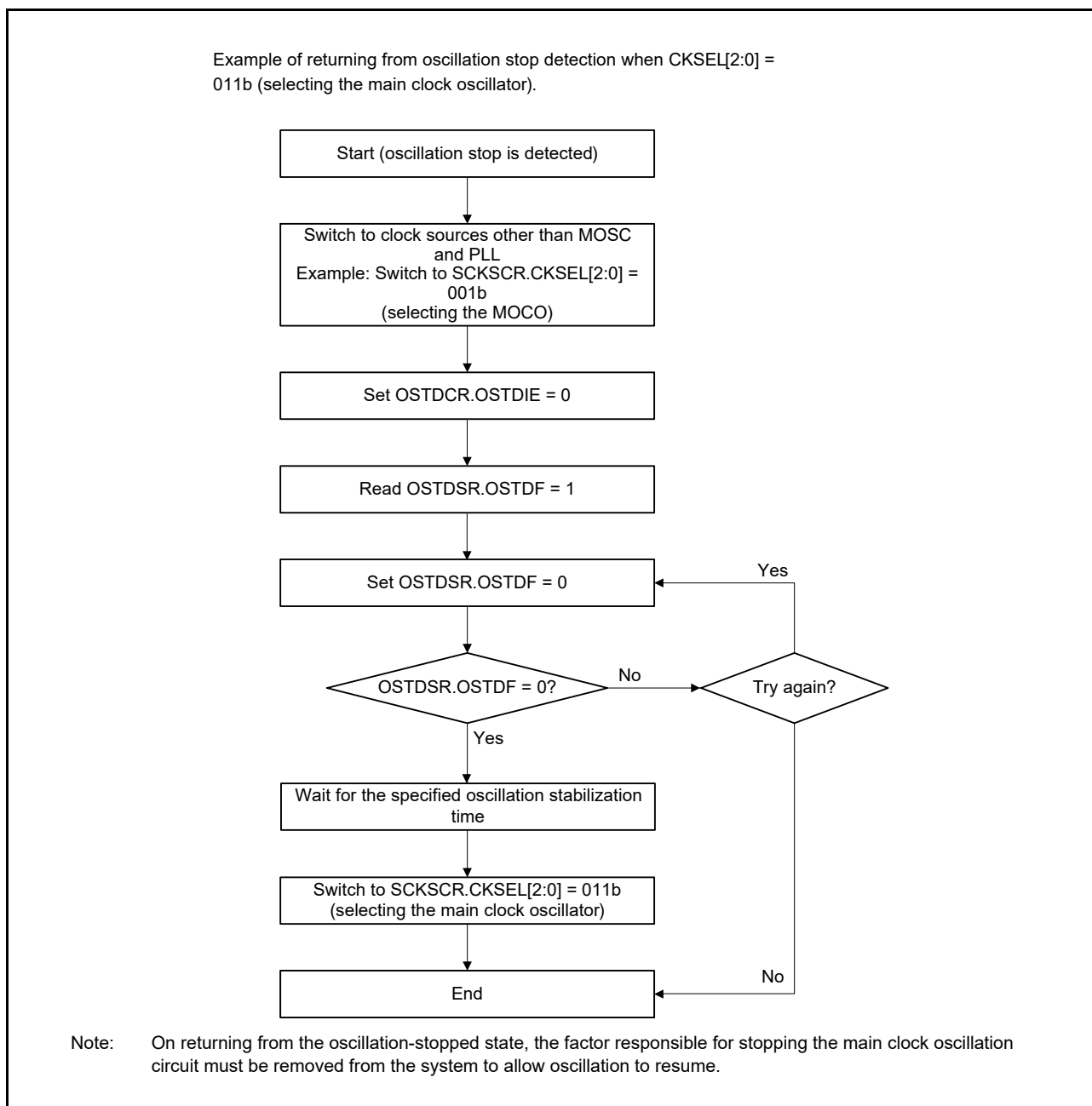


Figure 9.7 Flow of recovery on detection of oscillator stop

9.5.2 Oscillation Stop Detection Interrupts

An oscillation stop detection interrupt (MOSC_STOP) is generated when the Oscillation Stop Detection Flag (OSTDSR.OSTDF) is 1 and the Oscillation Stop Detection Interrupt Enable bit in the Oscillation Stop Detection Control Register (OSTDCR.OSTDIE) is 1 (enabling interrupt generation on oscillation stop detection). The Port Output Enable for GPT (POEG) is notified of the main clock oscillator stop. On receiving the notification, the POEG sets the Oscillation Stop Detection Flag in the POEG Group n Setting Register (POEGGn.OSTPF) to 1 (n = A, B).

After the oscillation stop is detected, wait at least 10 PCLKB cycles before writing to the POEGGn.OSTPF flag. When the OSTDSR.OSTDF flag requires clearing, do so after clearing the Oscillation Stop Detection Interrupt Enable bit in the Oscillation Stop Detection Control Register (OSTDCR.OSTDIE). Wait at least 2 PCLKB clock cycles before setting the OSTDCR.OSTDIE bit to 1 again. A longer PCLKB wait time might be required, depending on the number of cycles required to read out a given I/O register.

The oscillation stop detection interrupt is a non-maskable interrupt. Because non-maskable interrupts are disabled in the initial state after a reset release, enable the non-maskable interrupts through software before using the oscillation stop detection interrupts. For details, see [section 14, Interrupt Controller Unit \(ICU\)](#).

9.6 PLL Circuit

The PLL circuit has a function to multiply the frequency from the oscillator.

9.7 Internal Clock

Clock sources for the internal clock signals include:

- Main clock oscillator
- Sub-clock oscillator
- HOCO clock
- MOCO clock
- LOCO clock
- PLL clock
- Dedicated clock for the IWDT
- External clock for JTAG.

The following internal clocks are produced from these sources:

- Operating clock for the CPU, DMAC, DTC, flash memory, and SRAM — system clock (ICLK)
- Operating clocks for peripheral modules — PCLKA, PCLKB, PCLKC, and PCLKD
- Operating clock for the flash interface— FCLK
- Clock for the external bus controller and external pin output — EBCLK
- Operating clock for the USBFS — UCLK
- Operating clock for the CAN — CANMCLK
- Operating clocks for the CAC — CACCLK
- Operating clock for the RTC LOCO clock — RTCLCLK
- Operating clock for the RTC sub-clock — RTCSCLK
- Operating clock for the IWDT — IWDTCLK
- Operating clock for the AGT LOCO clock — AGTLCLK
- Operating clock for the AGT sub-clock — AGTSCLK
- Operating clock for the SysTick timer — SYSTICCLK
- Source clock for the SLCDC — LCDSRCCLK
- Clock for external pin output — CLKOUT
- Operating clock for the JTAG — JTAGTCK.

For details on the registers used to set the frequencies of the internal clocks, see [section 9.7.1, System Clock \(ICLK\)](#) to [section 9.7.14, JTAG Clock \(JTAGTCK\)](#).

If the value of any of these bits is changed, subsequent operation is at a frequency determined by the new value.

9.7.1 System Clock (ICLK)

The system clock, ICLK, is the operating clock for the CPU, DMAC, DTC, flash memory, and SRAM.

The ICLK frequency is specified in the following bits:

- ICK[2:0] bits in SCKDIVCR
- CKSEL[2:0] bits in SCKSCR
- PLLMUL[4:0] and PLODIV[1:0] bits in PLLCCR2
- HOCOFRQ1[2:0] bits in OFS1.

When the ICLK clock source is switched, the duration of the ICLK clock cycle becomes longer during the clock source transition period. See [Figure 9.8](#) and [Figure 9.9](#).

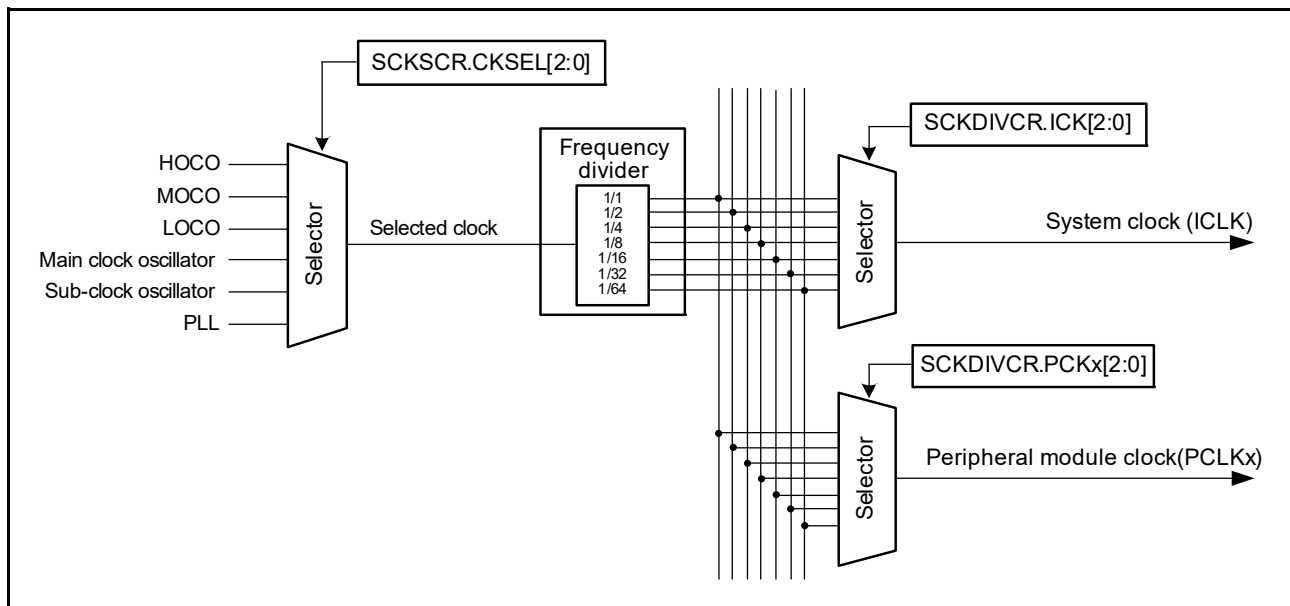


Figure 9.8 Clock source selector block diagram

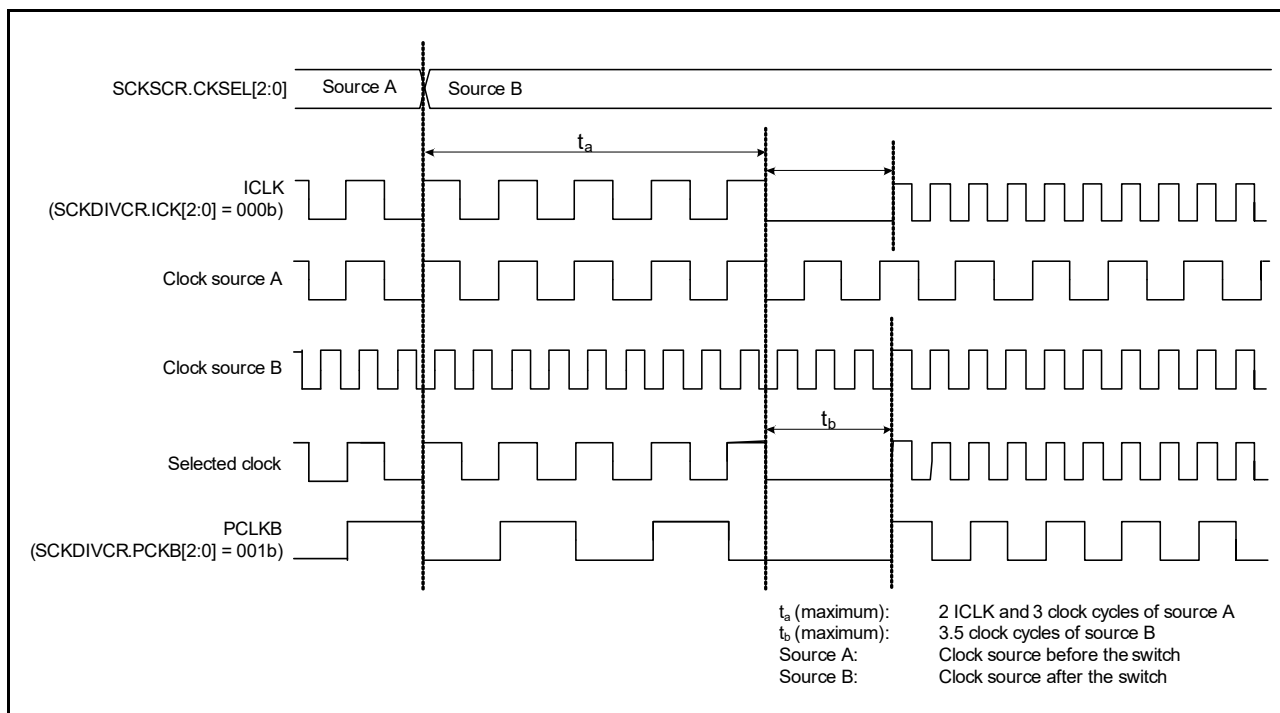


Figure 9.9 Clock source switching timing diagram

9.7.2 Peripheral Module Clock (PCLKA, PCLKB, PCLKC, PCLKD)

The peripheral module clocks, PCLKA, PCLKB, PCLKC, and PCLKD, are the operating clocks for the peripheral modules.

The frequency of the given clock is specified in the following bits:

- PCKA[2:0], PCKB[2:0], PCKC[2:0], and PCKD[2:0] bits in SCKDIVCR
- CKSEL[2:0] bits in SCKSCR
- PLLMUL[4:0] and PLODIV[1:0] bits in PLLCCR2
- HOCOFRQ1[2:0] bits in OFS1.

When the clock source of the peripheral module clock is switched, the duration of the peripheral module clock cycle becomes longer during the clock source transition period. See [Figure 9.8](#) and [Figure 9.9](#).

9.7.3 Flash Interface Clock (FCLK)

The flash interface clock, FCLK, is the operating clock for the flash memory interface. In addition to reading from the data flash, FCLK is used for the programming and erasure of the code flash and data flash.

The FCLK frequency is specified in the following bits:

- FCK[2:0] bits in SCKDIVCR
- CKSEL[2:0] bits in SCKSCR
- PLLMUL[4:0] and PLODIV[1:0] bits in PLLCCR2
- HOCOFRQ1[2:0] bits in OFS1.

9.7.4 External Bus Clock (BCLK)

The external bus clock, BCLK, is the operating clock for the external bus controller. It is also output externally from the EBCLK pin for the external connection bus.

BCLK can be output from the EBCLK pin by setting the EBCKOCR.EBCKOEN bit to 1 and setting the PmnPFS.PSEL[4:0] bits to 01011b. Modification of the PmnPFS.PSEL[4:0] bits to 01011b must always be performed

when the EBCKOCR.EBCKOEN bit is 0. When the BCKCR.BCLKDIV bit is set to 1, BCLK clock divided by 2 is output from the EBCLK pin.

The BCLK frequency is specified in the following bits:

- BCK[2:0] bits in SCKDIVCR
- CKSEL[2:0] bits in SCKSCR
- PLLMUL[4:0] and PLODIV[1:0] bits in PLLCCR2
- HOCOFRQ1[2:0] bits in OFS1.

A frequency higher than the system clock ICLK, should not be set for the BCLK.

9.7.5 USB Clock (UCLK)

The USB clock, UCLK, is the operating clock for the USBFS module. A 48-MHz clock must be supplied to the USBFS module. When the USBFS module is used, the setting must be 48 MHz for the UCLK clock.

The UCLK frequency is specified in the following bits:

- CKSEL[2:0] bits in the SCKSCR
- PLLMUL[4:0] and PLODIV[1:0] bits in PLLCCR2
- HOCOFRQ1[2:0] bits in OFS1.

9.7.6 CAN Clock (CANMCLK)

The CAN clock, CANMCLK, is the operating clock for the CAN module. CANMCLK is generated by the main clock oscillator.

9.7.7 CAC Clock (CACCLK)

The CAC clock, CACCLK, is the operating clock for the CAC.

CACCLK is generated by the following:

- Main clock oscillator
- Sub-clock oscillator
- High-speed clock oscillator
- Middle-speed clock oscillator
- Low-speed on-chip oscillator
- IWDT-dedicated on-chip oscillator.

9.7.8 RTC-Dedicated Clock (RTCSCLK, RTCLCLK)

The RTC-dedicated clocks, RTCSCLK and RTCLCLK, are the operating clocks for the RTC.

RTCSCLK is generated by the sub-clock oscillator, and RTCLCLK is generated by the LOCO clock.

9.7.9 IWDT-Dedicated Clock (IWDTCLK)

The IWDT-dedicated clock, IWDTCLK, is the operating clock for the IWDT.

IWDTCLK is internally generated by the IWDT-dedicated on-chip oscillator.

9.7.10 AGT-Dedicated Clock (AGTSCLK, AGTLCLK)

The AGT-dedicated clocks, AGTSCLK and AGTLCLK, are the operating clocks for the AGT.

AGTSCLK is generated by the sub-clock oscillator, and AGTLCLK is generated by the LOCO clock.

9.7.11 SysTick Timer-Dedicated Clock (SYSTICCLK)

The SysTick timer-dedicated clock, SYSTICCLK, is the operating clock for the SysTick timer.

SYSTICCLK is generated by the LOCO clock.

9.7.12 Segment LCD Source Clock (LCDSRCCLK)

The Segment LCD source clock, LCDSRCCLK, is the operating clock for the SLCDC.

The LCDSRCCLK is specified by the LCDSCKSEL[2:0] bits in SLCDSCCKCR.

LCDSRCCLK is output when SLCDSCCKCR.LCDSCKEN is set to 1. When changing the value of SLCDSCCKCR.LCDSCSEL[2:0], make sure that the value of SLCDSCCKCR.LCDSCKEN is 0.

9.7.13 Clock/Buzzer Output Clock (CLKOUT)

The CLKOUT is output externally from the CLKOUT pin, for the clock or buzzer output.

CLKOUT is output to the CLKOUT pin when CKOCR.CKOEN is set to 1. Only change the value of CKODIV[2:0] or CKOSEL[2:0] bits in CKOCR when CKOCR.CKOEN is 0.

The CLKOUT clock frequency is specified in the following bits:

- CKODIV[2:0] or CKOSEL[2:0] in CKOCR
- PLLMUL[4:0] and PLODIV[1:0] bits in PLLCCR2
- HOCOFrq1[2:0] bits in OFS1.

9.7.14 JTAG Clock (JTAGTCK)

The JTAG-dedicated clock, JTAGTCK, is the operating clock for the JTAG.

JTAGTCK is generated by the external clock for JTAG (TCK).

9.8 Usage Notes

9.8.1 Notes on Clock Generation Circuit

The frequencies of the system clock (ICLK), peripheral module clock (PCLKA to PCLKD), flash interface clock (FCLK), and the external bus clock (BCLK) supplied to each module change according to the settings of SCKDIVCR. Each frequency must meet the following conditions:

- Select each frequency that is within the operation-guaranteed range of the clock cycle time (t_{cyc}) specified in the AC electrical characteristics. See [section 51, Electrical Characteristics](#).
- The frequencies must not exceed the ranges listed in [Table 9.2](#)
- The peripheral modules operate on PCLKB and PCLKA. The operating speed of modules such as the timer and SCI varies before and after the frequency is changed.
- The system clock (ICLK), peripheral module clock (PCLKA to PCLKD), flash interface clock (FCLK), and external bus clock (BCLK) must be set according to [Table 9.2](#).

Do not change the clock frequency during external bus access. In addition, when external bus access starts after a change to the clock frequency, confirm that the frequency changes are complete before accessing the bus.

To ensure correct processing after the clock frequency changes, first modify the relevant clock control register to change the frequency, then read the value from the register, and finally perform the subsequent processing.

9.8.2 Notes on Resonator

Because various resonator characteristics relate closely to your board design, adequate evaluation is required before use. See the resonator connection example in [Figure 9.6](#). The circuit constants for the resonator depend on the resonator to be used and the stray capacitance of the mounting circuit. Therefore, consult the resonator manufacturer when determining the circuit constants. The voltage to be applied between the resonator pins must be within the absolute maximum rating.

9.8.3 Notes on Board Design

When using a crystal resonator, place the resonator and its load capacitors as close to the XTAL and EXTAL pins as possible. Other signal lines should be routed away from the oscillation circuit, as shown in Figure 9.10, to prevent electromagnetic induction from interfering with correct oscillation.

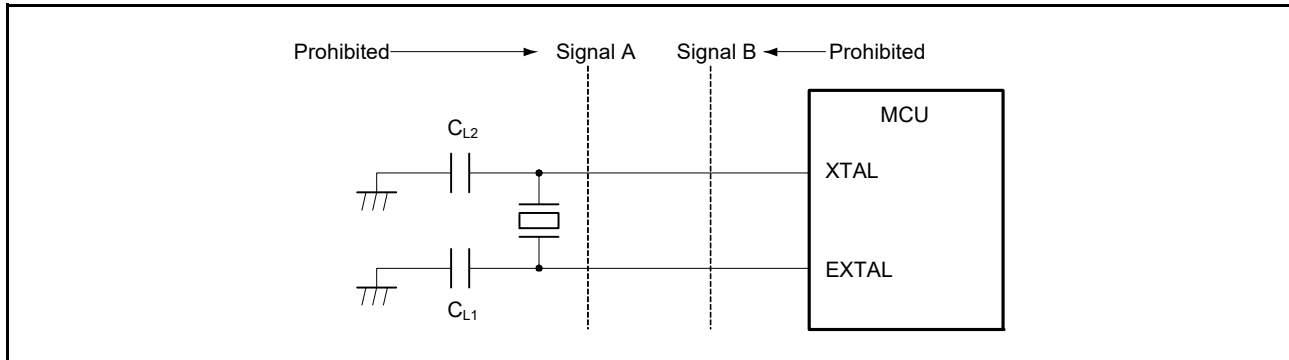


Figure 9.10 Signal routing in board design for oscillation circuit (applies to the sub-clock oscillator for the main clock oscillator)

9.8.4 Notes on Resonator Connect Pin

When the main clock is not used, the EXTAL and XTAL pins can be used as general ports, P212 and P213. When these pins are used as general ports, the main clock must be stopped by setting MOSCCR.MOSTP to 1.

10. Clock Frequency Accuracy Measurement Circuit (CAC)

10.1 Overview

The Clock Frequency Accuracy Measurement Circuit (CAC) counts pulses of the clock to be measured (measurement target clock) within the time generated by the clock to be used as a measurement reference (measurement reference clock). It determines the accuracy depending on whether the number of pulses is within the allowable range.

When measurement is completed or the number of pulses within the time generated by the measurement reference clock is not within the allowable range, an interrupt request is generated.

[Table 10.1](#) lists the CAC specifications, [Figure 10.1](#) shows the block diagram, and [Table 10.2](#) shows the I/O pins.

Table 10.1 CAC specifications

Item	Description
Measurement target clocks	Frequency can be measured for: <ul style="list-style-type: none"> • Main clock oscillator • Sub-clock oscillator • HOCO clock • MOCO clock • LOCO clock • IWDTCCLK clock • Peripheral module clock B (PCLKB).
Measurement reference clocks	Frequency can be referenced to: <ul style="list-style-type: none"> • External clock input to the CACREF pin • Main clock oscillator • Sub-clock oscillator • HOCO clock • MOCO clock • LOCO clock • IWDTCCLK clock • Peripheral module clock B (PCLKB).
Selectable function	Digital filter
Interrupt sources	<ul style="list-style-type: none"> • Measurement end • Frequency error • Overflow.
Module-stop function	Module-stop state can be set to reduce power consumption

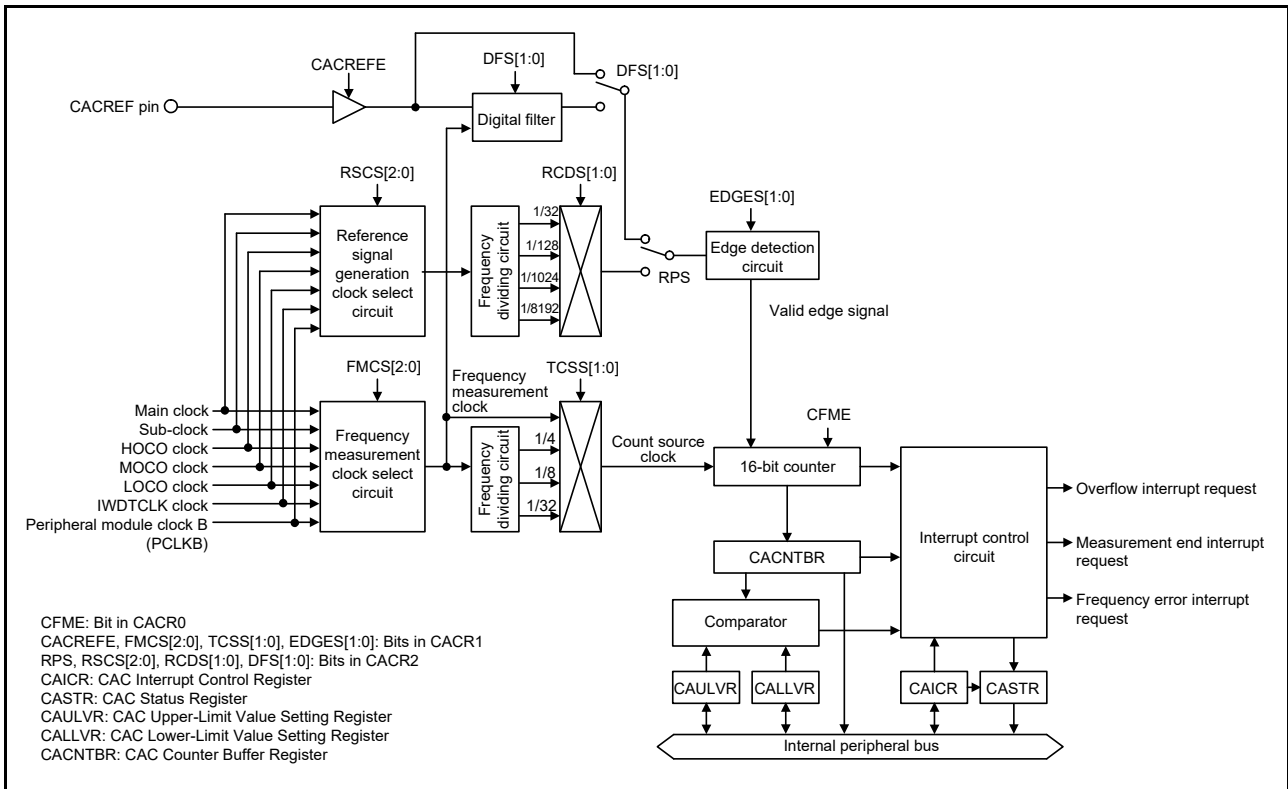


Figure 10.1 CAC block diagram

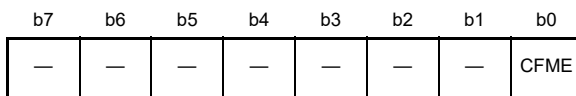
Table 10.2 CAC pin configuration

Pin name	I/O	Function
CACREF	Input	Measurement reference clock input pin

10.2 Register Descriptions

10.2.1 CAC Control Register 0 (CACR0)

Address(es): CAC.CACR0 4004 4600h



Value after reset: 0 0 0 0 0 0 0 0

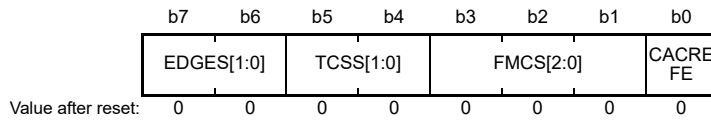
Bit	Symbol	Bit name	Description	R/W
b0	CFME	Clock Frequency Measurement Enable	0: Disable 1: Enable.	R/W
b7 to b1	—	Reserved	These bits are read as 0. The write value should be 0.	R/W

CFME bit (Clock Frequency Measurement Enable)

The CFME bit enables or disables the clock frequency measurement. Read the CFME bit to confirm that the bit value has changed. Additional write accesses are ignored before the change is complete.

10.2.2 CAC Control Register 1 (CACR1)

Address(es): CAC.CACR1 4004 4601h



Bit	Symbol	Bit name	Description	R/W
b0	CACREFE	CACREF Pin Input Enable	0: Disable 1: Enable.	R/W
b3 to b1	FMCS[2:0]	Measurement Target Clock Select	b3 b1 0 0 0: Main clock oscillator 0 0 1: Sub-clock oscillator 0 1 0: HOCO clock 0 1 1: MOCO clock 1 0 0: LOCO clock 1 0 1: Peripheral module clock (PCLKB) 1 1 0: IWDTCCLK clock 1 1 1: Setting prohibited.	R/W
b5, b4	TCSS[1:0]	Measurement Target Clock Frequency Division Ratio Select	b5 b4 0 0: No division 0 1: ×1/4 clock 1 0: ×1/8 clock 1 1: ×1/32 clock.	R/W
b7, b6	EDGES[1:0]	Valid Edge Select	b7 b6 0 0: Rising edge 0 1: Falling edge 1 0: Both rising and falling edges 1 1: Setting prohibited.	R/W

Note: Set the CACR1 register when the CACR0.CFME bit is 0.

CACREFE bit (CACREF Pin Input Enable)

The CACREFE bit enables or disables the CACREF pin input.

FMCS[2:0] bits (Measurement Target Clock Select)

The FMCS[2:0] bits select the measurement target clock whose frequency is to be measured.

TCSS[1:0] bits (Measurement Target Clock Frequency Division Ratio Select)

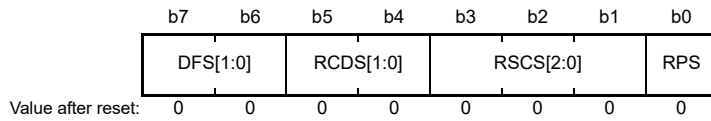
The TCSS[1:0] bits select the division ratio of the measurement target clock.

EDGES[1:0] bits (Valid Edge Select)

The EDGES[1:0] bits select the valid edge for the reference signal.

10.2.3 CAC Control Register 2 (CACR2)

Address(es): CAC.CACR2 4004 4602h



Bit	Symbol	Bit name	Description	R/W																											
b0	RPS	Reference Signal Select	0: CACREF pin input 1: Internal clock (internally generated signal).	R/W																											
b3 to b1	RSCS[2:0]	Measurement Reference Clock Select	<table style="font-size: small; border: none;"> <tr> <td>b3</td> <td>b1</td> <td></td> </tr> <tr> <td>0</td> <td>0</td> <td>0: Main clock oscillator</td> </tr> <tr> <td>0</td> <td>1</td> <td>1: Sub-clock oscillator</td> </tr> <tr> <td>0</td> <td>1</td> <td>0: HOCO clock</td> </tr> <tr> <td>0</td> <td>1</td> <td>1: MOCO clock</td> </tr> <tr> <td>1</td> <td>0</td> <td>0: LOCO clock</td> </tr> <tr> <td>1</td> <td>0</td> <td>1: Peripheral module clock (PCLKB)</td> </tr> <tr> <td>1</td> <td>1</td> <td>0: IWDTCCLK clock</td> </tr> <tr> <td>1</td> <td>1</td> <td>1: Setting prohibited.</td> </tr> </table>	b3	b1		0	0	0: Main clock oscillator	0	1	1: Sub-clock oscillator	0	1	0: HOCO clock	0	1	1: MOCO clock	1	0	0: LOCO clock	1	0	1: Peripheral module clock (PCLKB)	1	1	0: IWDTCCLK clock	1	1	1: Setting prohibited.	R/W
b3	b1																														
0	0	0: Main clock oscillator																													
0	1	1: Sub-clock oscillator																													
0	1	0: HOCO clock																													
0	1	1: MOCO clock																													
1	0	0: LOCO clock																													
1	0	1: Peripheral module clock (PCLKB)																													
1	1	0: IWDTCCLK clock																													
1	1	1: Setting prohibited.																													
b5, b4	RCDS[1:0]	Measurement Reference Clock Frequency Division Ratio Select	<table style="font-size: small; border: none;"> <tr> <td>b5</td> <td>b4</td> <td></td> </tr> <tr> <td>0</td> <td>0</td> <td>×1/32 clock</td> </tr> <tr> <td>0</td> <td>1</td> <td>×1/128 clock</td> </tr> <tr> <td>1</td> <td>0</td> <td>×1/1024 clock</td> </tr> <tr> <td>1</td> <td>1</td> <td>×1/8192 clock.</td> </tr> </table>	b5	b4		0	0	×1/32 clock	0	1	×1/128 clock	1	0	×1/1024 clock	1	1	×1/8192 clock.	R/W												
b5	b4																														
0	0	×1/32 clock																													
0	1	×1/128 clock																													
1	0	×1/1024 clock																													
1	1	×1/8192 clock.																													
b7, b6	DFS[1:0]	Digital Filter Select	<table style="font-size: small; border: none;"> <tr> <td>b7</td> <td>b6</td> <td></td> </tr> <tr> <td>0</td> <td>0</td> <td>Disable digital filtering</td> </tr> <tr> <td>0</td> <td>1</td> <td>Use sampling clock for the digital filter as the frequency measuring clock</td> </tr> <tr> <td>1</td> <td>0</td> <td>Use sampling clock for the digital filter as the frequency measuring clock divided by 4</td> </tr> <tr> <td>1</td> <td>1</td> <td>Use sampling clock for the digital filter as the frequency measuring clock divided by 16.</td> </tr> </table>	b7	b6		0	0	Disable digital filtering	0	1	Use sampling clock for the digital filter as the frequency measuring clock	1	0	Use sampling clock for the digital filter as the frequency measuring clock divided by 4	1	1	Use sampling clock for the digital filter as the frequency measuring clock divided by 16.	R/W												
b7	b6																														
0	0	Disable digital filtering																													
0	1	Use sampling clock for the digital filter as the frequency measuring clock																													
1	0	Use sampling clock for the digital filter as the frequency measuring clock divided by 4																													
1	1	Use sampling clock for the digital filter as the frequency measuring clock divided by 16.																													

Note: Set the CACR2 register when the CACR0.CFME bit is 0.

RPS bit (Reference Signal Select)

The RPS bit selects whether to use the CACREF pin input or an internal clock (internally generated signal) as the reference signal.

RSCS[2:0] bits (Measurement Reference Clock Select)

The RSCS[2:0] bits select the reference clock for measurement.

RCDS[1:0] bits (Measurement Reference Clock Frequency Division Ratio Select)

The RCDS[1:0] bits select the division ratio of the reference clock when an internal reference clock is selected (RPS = 1). When RPS = 0 (CACREF pin is used as the reference clock source), the reference clock is not divided.

DFS[1:0] bits (Digital Filter Select)

The DFS[1:0] bits enable or disable the digital filter and select its sampling clock.

10.2.4 CAC Interrupt Control Register (CAICR)

Address(es): CAC.CAICR 4004 4603h

	b7	b6	b5	b4	b3	b2	b1	b0
	—	OVFFC L	MENDF CL	FERRF CL	—	OVFIE	MENDI E	FERRI E
Value after reset:	0	0	0	0	0	0	0	0

Bit	Symbol	Bit name	Description	R/W
b0	FERRIE	Frequency Error Interrupt Request Enable	0: Disable frequency error interrupt request 1: Enable frequency error interrupt request.	R/W
b1	MENDIE	Measurement End Interrupt Request Enable	0: Disable measurement end interrupt request 1: Enable measurement end interrupt request.	R/W
b2	OVFIE	Overflow Interrupt Request Enable	0: Disable overflow interrupt request 1: Enable overflow interrupt request.	R/W
b3	—	Reserved	This bit is read as 0. The write value should be 0.	R/W
b4	FERRFCL	FERRF Clear	When 1 is written to this bit, the FERRF flag is cleared. This bit is read as 0.	R/W
b5	MENDFCL	MENDF Clear	When 1 is written to this bit, the MENDF flag is cleared. This bit is read as 0.	R/W
b6	OVFFCL	OVFF Clear	When 1 is written to this bit, the OVFF flag is cleared. This bit is read as 0.	R/W
b7	—	Reserved	This bit is read as 0. The write value should be 0.	R/W

FERRIE bit (Frequency Error Interrupt Request Enable)

The FERRIE bit enables or disables the frequency error interrupt request.

MENDIE bit (Measurement End Interrupt Request Enable)

The MENDIE bit enables or disables the measurement end interrupt request.

OVFIE bit (Overflow Interrupt Request Enable)

The OVFIE bit enables or disables the overflow interrupt request.

FERRFCL bit (FERRF Clear)

Setting the FERRFCL bit to 1 clears the FERRF flag.

MENDFCL bit (MENDF Clear)

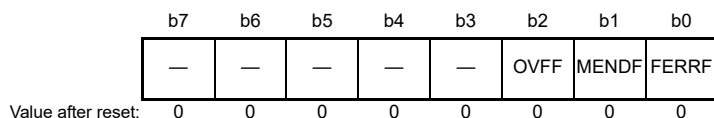
Setting the MENDFCL bit to 1 clears the MENDF flag.

OVFFCL bit (OVFF Clear)

Setting the OVFFCL bit to 1 clears the OVFF flag.

10.2.5 CAC Status Register (CASTR)

Address(es): CAC.CASTR 4004 4604h



Bit	Symbol	Bit name	Description	R/W
b0	FERRF	Frequency Error Flag	0: Clock frequency is within the allowable range 1: Clock frequency has deviated beyond the allowable range (frequency error).	R
b1	MENDF	Measurement End Flag	0: Measurement is in progress 1: Measurement ended.	R
b2	OVFF	Overflow Flag	0: The counter has not overflowed 1: The counter overflowed.	R
b7 to b3	—	Reserved	These bits are read as 0	R

FERRF flag (Frequency Error Flag)

The FERRF flag indicates a deviation of the clock frequency from the set value (frequency error).

[Setting condition]

- The clock frequency is outside the allowable range defined in the CAULVR and CALLVR registers.

[Clearing condition]

- 1 is written to the FERRFCL bit.

MENDF flag (Measurement End Flag)

The MENDF flag indicates the end of measurement.

[Setting condition]

- Measurement ends.

[Clearing condition]

- 1 is written to the MENDFCL bit.

OVFF flag (Overflow Flag)

The OVFF flag indicates that the counter overflowed.

[Setting condition]

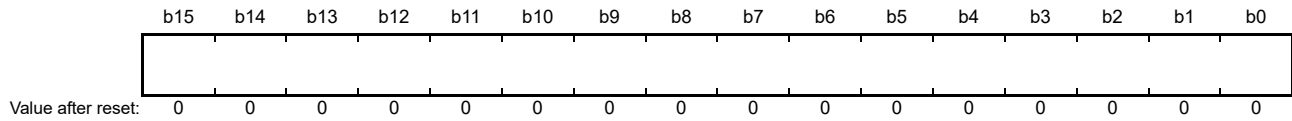
- The counter overflows.

[Clearing condition]

- 1 is written to the OVFFCL bit.

10.2.6 CAC Upper-Limit Value Setting Register (CAULVR)

Address(es): CAC.CAULVR 4004 4606h

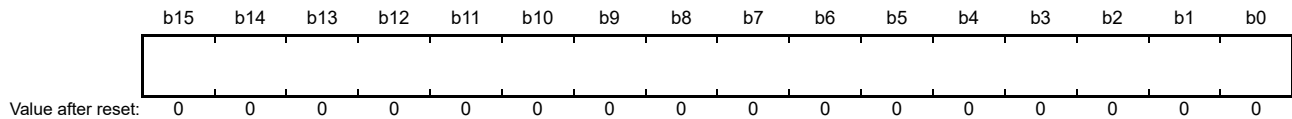


CAULVR is a 16-bit read/write register that specifies the upper value of the allowable range. When the counter value rises above the value specified in this register, a frequency error is detected. Write to this register when the CACR0.CFME bit is 0.

The counter value stored in CACNTBR can vary depending on the difference between the phases of the digital filter and edge-detection circuit, and the signal on the CACREF pin. Ensure that this setting allows an adequate margin.

10.2.7 CAC Lower-Limit Value Setting Register (CALLVR)

Address(es): CAC.CALLVR 4004 4608h

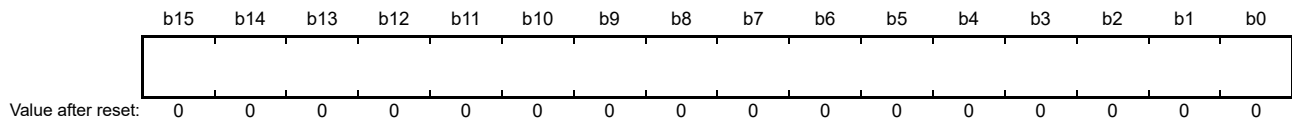


CALLVR is a 16-bit read/write register that specifies the lower value of the allowable range. When the counter value falls below the value specified in this register, a frequency error is detected. Write to this register when the CACR0.CFME bit is 0.

The counter value stored in CACNTBR can vary depending on the difference between the phases of the digital filter and edge-detection circuit, and the signal on the CACREF pin. Ensure that this setting allows an adequate margin.

10.2.8 CAC Counter Buffer Register (CACNTBR)

Address(es): CAC.CACNTBR 4004 460Ah



CACNTBR is a 16-bit read-only register that stores the measurement result.

10.3 Operation

10.3.1 Measuring Clock Frequency

The CAC measures the clock frequency using the CACREF pin input or the internal clock as a reference. [Figure 10.2](#) shows an operating example of the CAC.

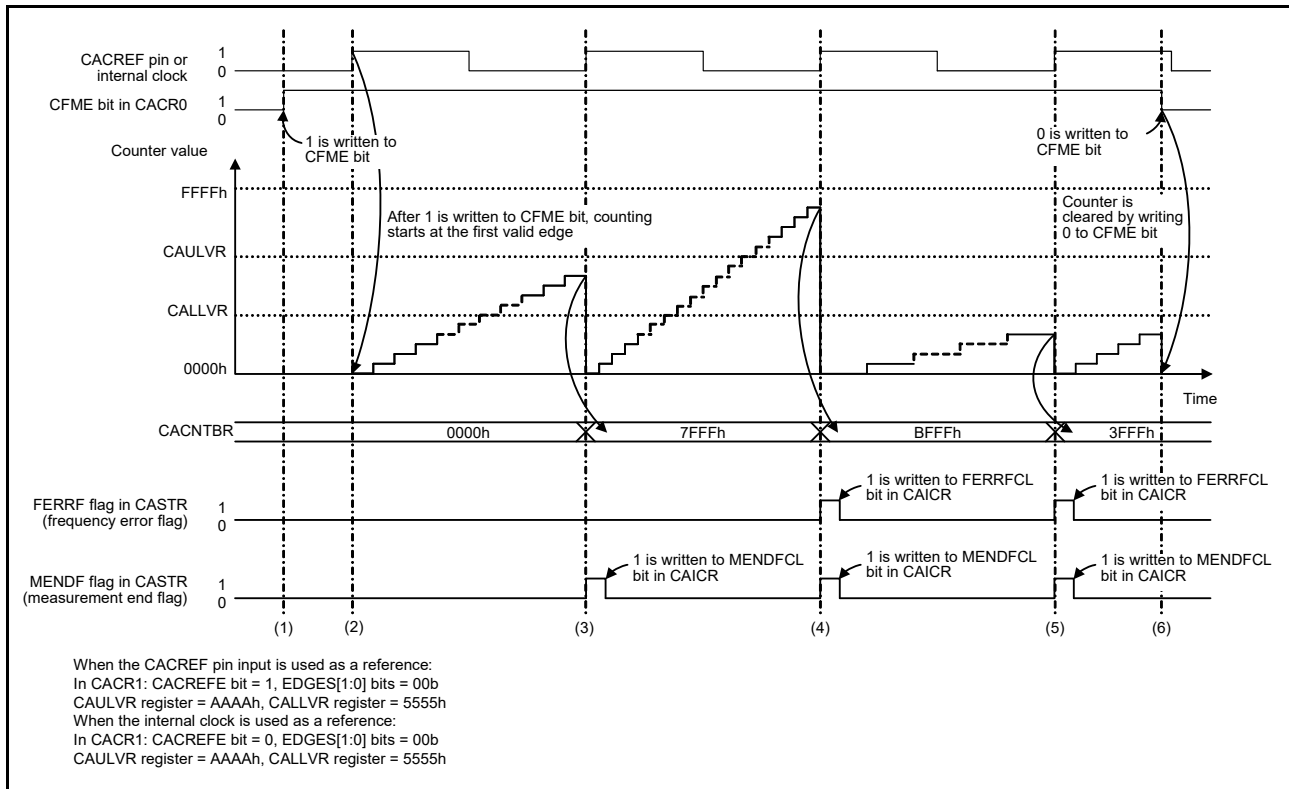


Figure 10.2 CAC operating example

1. Before writing 1 to CACR0.CFME, set CACR1 and CACR2 to define the measurement target clock and measurement reference clock. Writing 1 to the CACR0.CFME bit enables clock frequency measurement.
2. The timer starts counting up if the valid edge selected in the CACR1.EDGES[1:0] bits is input from the measurement reference clock. The valid edge is a rising edge (CACR1.EDGES[1:0] = 00b) as shown in [Figure 10.2](#).
3. When the next valid edge is input, the counter value is transferred to CACNTBR and compared with the values in CAULVR and CALLVR. If both $CACNTBR \leq CAULVR$ and $CACNTBR \geq CALLVR$ are true, only the MENDF flag in CASTR is set to 1 because the clock frequency is correct. If the MENDIE bit in CAICR is 1, a measurement end interrupt is generated.
4. When the next valid edge is input, the counter value is transferred to CACNTBR and compared with the values in CAULVR and CALLVR. If $CACNTBR > CAULVR$, the FERRF flag in CASTR is set to 1, because the clock frequency is erroneous. If the FERRIE bit in CAICR is 1, a frequency error interrupt is generated. The MENDF flag in CASTR is set to 1 at the end of measurement. If the MENDIE bit in CAICR is 1, a measurement end interrupt is generated.
5. When the next valid edge is input, the counter value is transferred to CACNTBR and compared with the values in CAULVR and CALLVR. If $CACNTBR < CALLVR$, the FERRF flag in CASTR is set to 1 because the clock frequency is erroneous. If the FERRIE bit in CAICR is 1, a frequency error interrupt is generated. The MENDF flag in CASTR is set to 1 at the end of measurement. If the MENDIE bit in CAICR is 1, a measurement end interrupt is generated.
6. When the CFME bit in CACR0 is 1, the counter value is transferred to CACNTBR and compared with the values in CAULVR and CALLVR every time a valid edge is input. When the CFME bit is set to 0 in CACR0, the counter is cleared and stops counting up.

10.3.2 Digital Filtering of Signals on CACREF Pin

The CACREF pin has a digital filter, and levels on CACREF pin are transmitted to the internal circuitry after three consecutive matches in the selected sampling interval. The same level continues to be transmitted internally until the level on the pin has three consecutive matches again. Enabling or disabling of the digital filter and its sampling clock are selectable.

The counter value transferred in CACNTBR might be in error by up to 1 cycle of the sampling clock because of the difference between the phases of the digital filter and the signal input to the CACREF pin. When a frequency dividing clock is selected as a count source clock, the counter value error is obtained using the following formula:

Counter value error = (1 cycle of the count source clock) / (1 cycle of the sampling clock)

10.4 Interrupt Requests

The CAC generates three types of interrupt requests:

- Frequency error interrupt
- Measurement end interrupt
- Overflow interrupt.

When an interrupt source is generated, the associated status flag becomes 1. [Table 10.3](#) provides information on the CAC interrupt requests.

Table 10.3 CAC interrupt requests

Interrupt request	Interrupt enable bit	Status flag	Interrupt source
Frequency error interrupt	CAICR.FERRIE	CASTR.FERRF	The result of comparing CACNTBR with CAULVR and CALLVR is either CACNTBR > CAULVR or CACNTBR < CALLVR
Measurement end interrupt	CAICR.MENDIE	CASTR.MENDF	<ul style="list-style-type: none"> • Valid edge is input from the CACREF pin or internal clock • Measurement end interrupt does not occur at the first valid edge after writing 1 to the CACR0.CFME bit.
Overflow interrupt	CAICR.OVFIE	CASTR.OVFF	The counter overflows

10.5 Usage Note

10.5.1 Module-Stop Function Setting

The CAC operation can be disabled or enabled with the Module Stop Control Register C (MSTPCRC). The CAC module is initially stopped after reset. Releasing the module-stop state enables access to the registers. See [section 11, Low Power Modes](#) for details.

11. Low Power Modes

11.1 Overview

The MCU provides several functions for reducing power consumption, such as setting clock dividers, controlling EBCLK output, stopping modules, selecting power control mode in normal mode, and transitioning to low power modes.

[Table 11.1](#) lists the specifications of the low power mode functions. [Table 11.2](#) lists the conditions to transition to low power modes, the states of the CPU and peripheral modules, and the method for canceling each mode. After a reset, the MCU enters the program execution state, but only the DMAC, DTC, and SRAM operate.

Table 11.1 Specifications of low power mode functions

Parameter	Specification
Reducing power consumption by switching clock signals	The frequency division ratio can be selected independently for the system clock (ICLK), peripheral module clock (PCLKA, PCLKB, PCLKC, PCLKD), external bus clock (BCLK), and flash interface clock (FCLK)*1
EBCLK output control	Selectable to BCLK output or high-level output
Module-stop	Peripheral module functions can be stopped independently
Low power modes	<ul style="list-style-type: none"> • Sleep mode • Software Standby mode • Snooze mode.
Power control modes	Power consumption can be reduced in Normal, Sleep, and Snooze modes by selecting an appropriate operating power control mode according to the operating frequency and voltage. Five operating power control modes are available: <ul style="list-style-type: none"> • High-speed mode • Middle-speed mode • Low-speed mode • Low-voltage mode • Subosc-speed mode.

Note 1. For details, see [section 9, Clock Generation Circuit](#).

Table 11.2 Operating conditions of each low power mode (1 of 2)

Parameter	Sleep mode	Software Standby mode	Snooze mode*1
Transition condition	WFI instruction while SBYCR.SSBY = 0	WFI instruction while SBYCR.SSBY = 1	Snooze request in Software Standby mode. SNZCR.SNZE = 1.
Canceling method	All interrupts. Any reset available in the mode.	Interrupts shown in Table 11.3 . Any reset available in the mode.	Interrupts shown in Table 11.3 . Any reset available in the mode.
State after cancellation by an interrupt	Program execution state (interrupt processing)	Program execution state (interrupt processing)	Program execution state (interrupt processing)
State after cancellation by a reset	Reset state	Reset state	Reset state
Main clock oscillator	Selectable	Stop	Selectable*2
Sub-clock oscillator	Selectable	Selectable	Selectable
High-speed on-chip oscillator	Selectable	Stop	Selectable
Middle-speed on-chip oscillator	Selectable	Stop	Selectable
Low-speed on-chip oscillator	Selectable	Selectable	Selectable
IWDT-dedicated on-chip oscillator	Selectable*4	Selectable*4	Selectable*4
PLL	Selectable	Stop	Selectable*2
Oscillation stop detection function	Selectable	Operation prohibited	Operation prohibited
Clock/buzzer output function	Selectable	Selectable*3	Selectable
External bus (EBCLK)	Selectable	Stop (Retained)	Operation prohibited
CPU	Stop (Retained)	Stop (Retained)	Stop (Retained)
SRAM (ECC SRAM included)	Selectable	Stop (Retained)	Selectable

Table 11.2 Operating conditions of each low power mode (2 of 2)

Parameter	Sleep mode	Software Standby mode	Snooze mode*1
Flash memory	Operating	Stop (Retained)	Stop (Retained)
DMA Controller (DMAC)	Selectable	Stop (Retained)	Operation prohibited
Data Transfer Controller (DTC)	Selectable	Stop (Retained)	Selectable
USB 2.0 Full-Speed Module (USBFS)	Selectable	Stop (Retained)*5	Operation prohibited*5
Watchdog Timer (WDT)	Selectable*4	Stop (Retained)	Stop (Retained)
Independent Watchdog Timer (IWDT)	Selectable*4	Selectable*4	Selectable*4
Realtime Clock (RTC)	Selectable	Selectable	Selectable
Low Power Asynchronous General Purpose Timer (AGTn, n = 0, 1)	Selectable	Selectable*6	Selectable*6
14-bit A/D Converter (ADC14)	Selectable	Stop (Retained)	Selectable*12
12-bit D/A Converter (DAC12)	Selectable	Stop (Retained)	Selectable
Capacitive Touch Sensing Unit (CTSU)	Selectable	Stop (Retained)	Selectable
Segment LCD Controller (SLCDC)	Selectable	Selectable*7	Selectable
Data Operation Circuit (DOC)	Selectable	Stop (Retained)	Selectable
Serial Communications Interface (SCI0)	Selectable	Stop (Retained)	Selectable*10
Serial Communications Interface (SCIn, n = 1 to 4, 9)	Selectable	Stop (Retained)	Operation prohibited
I ² C Bus Interface (IIC0)	Selectable	Selectable	Selectable
I ² C Bus Interface (IICn, n = 1, 2)	Selectable	Stop (Retained)	Operation prohibited
Event Link Controller (ELC)	Selectable	Stop (Retained)	Selectable*8
Low-Power Analog Comparator (ACMPLP0)	Selectable	Selectable*9	Selectable*9
Low-Power Analog Comparator (ACMPLP1)	Selectable	Selectable*9	Selectable*9
Operational Amplifier (OPAMP)	Selectable	Selectable	Selectable
NMI, IRQn (n = 0 to 15) pin interrupt	Selectable	Selectable	Selectable
Key Interrupt Function (KINT)	Selectable	Selectable	Selectable
Low Voltage Detection (LVD)	Selectable	Selectable	Selectable
Power-on reset circuit	Operating	Operating	Operating
Other peripheral modules	Selectable	Stop (Retained)	Operation prohibited
I/O ports	Operating	Retained*11	Operating

Note: Selectable means that operating or not operating can be selected in the control registers.

Stop (Retained) means that the contents of the internal registers are retained but the operations are suspended.

Operation prohibited means that the function must be stopped before entering Software Standby mode.

Note 1. All modules whose module-stop bits are 0 start as soon as PCLKs are supplied after entering Snooze mode. To avoid an increase in power consumption in Snooze mode, set the module-stop bit of modules that are not required in Snooze mode to 1 before entering Software Standby mode.

Note 2. When using SCI0 in Snooze mode, MOSCCR.MOSTP and PLLCR.PLLSTP bits must be 1.

Note 3. Stopped when the Clock Output Source Select bits (CKOCR.CKOSEL[2:0]) are set to a value other than 010b (LOCO) and 100b (SOSC).

Note 4. In IWDT-dedicated on-chip oscillator and IWDT, operating or stopping is selected by setting the IWDT Stop Control bit (IWDTSTPCTL) in Option Function Select Register 0 (OFS0) in IWDT auto-start mode. In WDT, operating or stopping is selected by setting the WDT Stop Control bit (WDTSTPCTL) in the Option Function Select Register 0 in WDT auto-start mode.

Note 5. Detection of USBFS resumption is possible.

Note 6. AGT0 operation is possible when 100b (LOCO) or 110b (SOSC) is selected in the AGT0.AGTMR1.TCK[2:0] bits. AGT1 operation is possible when 100b (LOCO), 110b (SOSC), or 101 (underflow event signal from AGT0) is selected in the AGT1.AGTMR1.TCK[2:0] bits.

Note 7. Operation is possible when 000b (LOCO) or 001b (SOSC) is selected in the SLCDSCCKR.LCDSCSEL[2:0] bits. Stopping is selected when the SLCDSCCKR.LCDSCSEL[2:0] bits are set to a value other than 000b or 001b.

Note 8. Event lists the restrictions described in [section 11.9.13, ELC Event in Snooze Mode](#).

Note 9. Only VCOOUT function is permitted. The VCOOUT pin operates when ACMPLP uses no digital filter. For details on digital filter, see [section 42, Low Power Analog Comparator \(ACMPLP\)](#).

Note 10. Serial communication of SCI0 is only in asynchronous mode.

Note 11. For the address bus and bus control signals (CS0 to CS3, RD, WR0 to WR1, WR, BC0 to BC1, and ALE), keeping the output state or changing to the high-impedance state can be selected in the SBYCR.OPE bit.

Note 12. When using the ADC14 in Snooze mode, the ADCMPCR.CMPAE and ADCMPCR.CMPBE bit must be 1.

Table 11.3 Interrupt sources to transition to Normal mode from Snooze mode and Software Standby mode

Interrupt source	Name	Software Standby mode	Snooze mode
NMI		Yes	Yes
VBATT	VBATT_LVD	Yes	Yes
Port	PORT_IRQn (n = 0 to 15)	Yes	Yes
LVD	LVD_LVD1	Yes	Yes
	LVD_LVD2	Yes	Yes
IWDT	IWDT_NMIUNDF	Yes	Yes
USBFS	USBFS_USBR	Yes	Yes
RTC	RTC_ALM	Yes	Yes
	RTC_PRD	Yes	Yes
KINT	KEY_INTKR	Yes	Yes
AGT1	AGT1_AGTI	Yes	Yes*3
	AGT1_AGTCMAI	Yes	Yes
	AGT1_AGTCMBI	Yes	Yes
ACMPLP	ACMP_LP0	Yes	Yes
IIC0	IIC0_WUI	Yes	Yes
ADC140	ADC140_WCMPPM	No	Yes with SELSR0*1, *3
	ADC140_WCMPUM	No	Yes with SELSR0*1, *3
SCI0	SCI0_AM	No	Yes with SELSR0*1, *2
	SCI0_RXI_OR_ERI	No	Yes with SELSR0*1, *2
DTC	DTC_COMPLETE	No	Yes with SELSR0*1, *3
DOC	DOC_DOPCI	No	Yes with SELSR0*1
CTSU	CTSU_CTSUFN	No	Yes with SELSR0*1

Note 1. To use the interrupt request as a trigger for exiting Snooze mode, the request must be selected in SELSR0. See [section 14, Interrupt Controller Unit \(ICU\)](#). When a trigger selected in SELSR0 occurs after executing a WFI instruction and during the transition from Normal mode to Software Standby mode, whether the request can be accepted depends on the timing of the occurrence.

Note 2. Only one of either SCI0_AM or SCI0_RXI_OR_ERI can be selected.

Note 3. The event that is enabled by SNZEDCR must not be used.

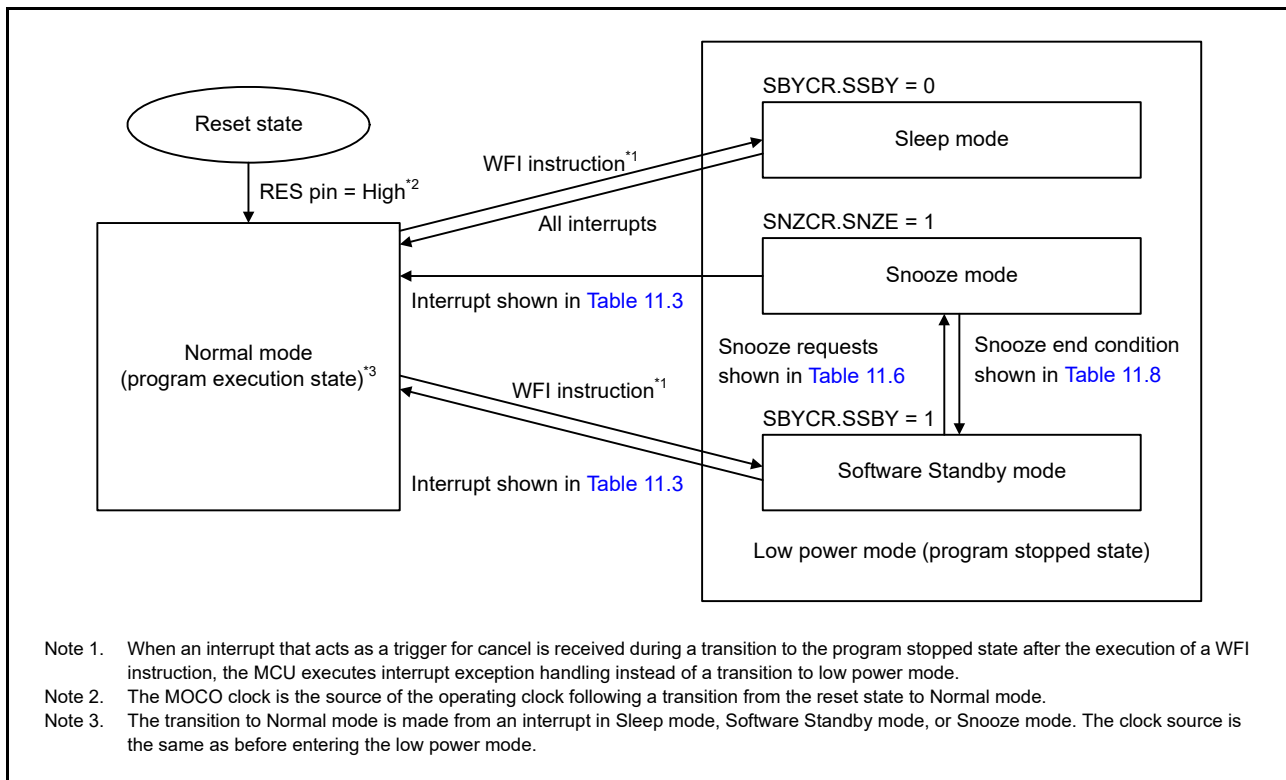


Figure 11.1 Mode transitions

11.2 Register Descriptions

11.2.1 Standby Control Register (SBYCR)

Address(es): SYSTEM.SBYCR 4001 E00Ch

	b15	b14	b13	b12	b11	b10	b9	b8	b7	b6	b5	b4	b3	b2	b1	b0
	SSBY	OPE	—	—	—	—	—	—	—	—	—	—	—	—	—	—
Value after reset:	0	1	0	0	0	0	0	0	0	0	0	0	0	0	0	0

Bit	Symbol	Bit name	Description	R/W
b13 to b0	—	Reserved	These bits are read as 0. The write value should be 0.	R/W
b14	OPE	Output Port Enable	0: In Software Standby mode, the address bus and bus control signals are set to the high-impedance state. In Snooze mode, the address bus and bus control signals are the same as before entering Software Standby mode. 1: In Software Standby mode, the address bus and bus control signals keep the output state.	R/W
b15	SSBY	Software Standby	0: Sleep mode 1: Software Standby mode.	R/W

OPE bit (Output Port Enable)

The OPE bit specifies whether to set to the high-impedance state or to retain the output of the address bus and bus control signals (CS0 to CS3, RD, WR0, WR1, WR, BC0, BC1, and ALE) in Software Standby or Snooze mode.

SSBY bit (Software Standby)

The SSBY bit specifies the transition destination after a WFI instruction is executed.

When the SSBY bit is set to 1, the MCU enters Software Standby mode after execution of a WFI instruction. When the MCU returns to Normal mode from Software Standby mode due to an interrupt, the SSBY bit remains 1. The SSBY bit can be cleared by writing 0 to it.

When the OSTDCR.OSTDE bit is 1, the setting of SSBY bit is ignored. Even if the SSBY bit is 1, the MCU enters Sleep mode on execution of a WFI instruction.

When the FENTRYR.FENTRY0 bit is 1 or the FENTRYR.FENTRYD bit is 1, the setting of SSBY bit is ignored. Even if the SSBY bit is 1, the MCU enters Sleep mode on execution of a WFI instruction.

11.2.2 Module Stop Control Register A (MSTPCRA)

Address(es): SYSTEM.MSTPCRA 4001 E01Ch

	b31	b30	b29	b28	b27	b26	b25	b24	b23	b22	b21	b20	b19	b18	b17	b16
	—	—	—	—	—	—	—	—	—	MSTPA 22	—	—	—	—	—	—
Value after reset:	1	1	1	1	1	1	1	1	1	0	1	1	1	1	1	1
	b15	b14	b13	b12	b11	b10	b9	b8	b7	b6	b5	b4	b3	b2	b1	b0
	—	—	—	—	—	—	—	—	—	MSTPA 6	—	—	—	—	MSTPA 1	MSTPA 0
Value after reset:	1	1	1	1	1	1	1	1	1	0	1	1	1	1	0	0

Bit	Symbol	Bit name	Description	R/W
b0	MSTPA0	SRAM0 Module Stop*1	Target module: SRAM0 0: Cancel the module-stop state 1: Enter the module-stop state.	R/W
b1	MSTPA1	SRAM1 Module Stop	Target module: SRAM1 0: Cancel the module-stop state 1: Enter the module-stop state.	R/W
b5 to b2	—	Reserved	These bits are read as 1. The write value should be 1.	R/W
b6	MSTPA6	ECCSRAM Module Stop*1	Target module: ECCSRAM 0: Cancel the module-stop state 1: Enter the module-stop state.	R/W
b21 to b7	—	Reserved	These bits are read as 1. The write value should be 1.	R/W
b22	MSTPA22	DMA Controller/Data Transfer Controller Module Stop*2	Target module: DMAC, DTC 0: Cancel the module-stop state 1: Enter the module-stop state.	R/W
b31 to b23	—	Reserved	These bits are read as 1. The write value should be 1.	R/W

Note 1. The MSTPA0 and MSTPA6 bit settings must be the same.

Note 2. When rewriting the MSTPA22 bit from 0 to 1, disable the DMAC and DTC before setting the MSTPA22 bit.

11.2.3 Module Stop Control Register B (MSTPCRB)

Address(es): MSTP.MSTPCRB 4004 7000h

	b31	b30	b29	b28	b27	b26	b25	b24	b23	b22	b21	b20	b19	b18	b17	b16
	MSTPB 31	MSTPB 30	MSTPB 29	MSTPB 28	MSTPB 27	—	—	—	—	MSTPB 22	—	—	MSTPB 19	MSTPB 18	—	—
Value after reset:	1	1	1	1	1	1	1	1	1	1	1	1	1	1	1	1
	b15	b14	b13	b12	b11	b10	b9	b8	b7	b6	b5	b4	b3	b2	b1	b0
	—	—	—	—	MSTPB 11	—	MSTPB 9	MSTPB 8	MSTPB 7	MSTPB 6	—	—	—	MSTPB 2	—	—
Value after reset:	1	1	1	1	1	1	1	1	1	1	1	1	1	1	1	1

Bit	Symbol	Bit name	Description	R/W
b1, b0	—	Reserved	These bits are read as 1. The write value should be 1.	R/W
b2	MSTPB2	Controller Area Network Module Stop*1	Target module: CAN0 0: Cancel the module-stop state 1: Enter the module-stop state.	R/W
b5 to b3	—	Reserved	These bits are read as 1. The write value should be 1.	R/W
b6	MSTPB6	Quad Serial Peripheral Interface Module Stop	Target Module: QSPI 0: Cancel the module-stop state 1: Enter the module-stop state.	R/W
b7	MSTPB7	I ² C Bus Interface 2 Module Stop	Target module: IIC2 0: Cancel the module-stop state 1: Enter the module-stop state.	R/W
b8	MSTPB8	I ² C Bus Interface 1 Module Stop	Target module: IIC1 0: Cancel the module-stop state 1: Enter the module-stop state.	R/W
b9	MSTPB9	I ² C Bus Interface 0 Module Stop	Target module: IIC0 0: Cancel the module-stop state 1: Enter the module-stop state.	R/W
b10	—	Reserved	This bit is read as 1. The write value should be 1.	R/W
b11	MSTPB11	Universal Serial Bus 2.0 Full-Speed Interface Module Stop*2	Target module: USBFS 0: Cancel the module-stop state 1: Enter the module-stop state.	R/W
b17 to b12	—	Reserved	These bits are read as 1. The write value should be 1.	R/W
b18	MSTPB18	Serial Peripheral Interface 1 Module Stop	Target module: SPI1 0: Cancel the module-stop state 1: Enter the module-stop state.	R/W
b19	MSTPB19	Serial Peripheral Interface 0 Module Stop	Target module: SPI0 0: Cancel the module-stop state 1: Enter the module-stop state.	R/W
b21, b20	—	Reserved	These bits are read as 1. The write value should be 1.	R/W
b22	MSTPB22	Serial Communication Interface 9 Module Stop	Target module: SCI9 0: Cancel the module-stop state 1: Enter the module-stop state.	R/W
b26 to b23	—	Reserved	These bits are read as 1. The write value should be 1.	R/W
b27	MSTPB27	Serial Communication Interface 4 Module Stop	Target module: SCI4 0: Cancel the module-stop state 1: Enter the module-stop state.	R/W
b28	MSTPB28	Serial Communication Interface 3 Module Stop	Target module: SCI3 0: Cancel the module-stop state 1: Enter the module-stop state.	R/W

Bit	Symbol	Bit name	Description	R/W
b29	MSTPB29	Serial Communication Interface 2 Module Stop	Target module: SCI2 0: Cancel the module-stop state 1: Enter the module-stop state.	R/W
b30	MSTPB30	Serial Communication Interface 1 Module Stop	Target module: SCI1 0: Cancel the module-stop state 1: Enter the module-stop state.	R/W
b31	MSTPB31	Serial Communication Interface 0 Module Stop	Target module: SCI0 0: Cancel the module-stop state 1: Enter the module-stop state.	R/W

Note 1. The MSTPB2 bit must be written while the oscillation of the clock controlled by this bit is stable. To enter Software Standby mode after writing to this bit, wait for 2 CAN clock (CANMCLK) cycles after writing, then execute a WFI instruction.

Note 2. To enter Software Standby mode after writing to the MSTPB11 bit, wait for 2 USB clock (UCLK) cycles after writing, then execute a WFI instruction.

11.2.4 Module Stop Control Register C (MSTPCRC)

Address(es): MSTP.MSTPCRC 4004 7004h

	b31	b30	b29	b28	b27	b26	b25	b24	b23	b22	b21	b20	b19	b18	b17	b16
	MSTPC31	—	—	—	—	—	—	—	—	—	—	—	—	—	—	—
Value after reset:	1	1	1	1	1	1	1	1	1	1	1	1	1	1	1	1
	b15	b14	b13	b12	b11	b10	b9	b8	b7	b6	b5	b4	b3	b2	b1	b0
	—	MSTPC14	MSTPC13	MSTPC12	—	—	—	MSTPC8	—	—	—	MSTPC4	MSTPC3	—	MSTPC1	MSTPC0
Value after reset:	1	1	1	1	1	1	1	1	1	1	1	1	1	1	1	1

Bit	Symbol	Bit name	Description	R/W
b0	MSTPC0	Clock Frequency Accuracy Measurement Circuit Module Stop*1	Target module: CAC 0: Cancel the module-stop state 1: Enter the module-stop state.	R/W
b1	MSTPC1	Cyclic Redundancy Check Calculator Module Stop	Target module: CRC 0: Cancel the module-stop state 1: Enter the module-stop state.	R/W
b2	—	Reserved	This bit is read as 1. The write value should be 1.	R/W
b3	MSTPC3	Capacitive Touch Sensing Unit Module Stop	Target module: CTSU 0: Cancel the module-stop state 1: Enter the module-stop state.	R/W
b4	MSTPC4	Segment LCD Controller Module Stop	Target module: SLDC 0: Cancel the module-stop state 1: Enter the module-stop state.	R/W
b7 to b5	—	Reserved	These bits are read as 1. The write value should be 1.	R/W
b8	MSTPC8	Serial Sound Interface Enhanced Module Stop	Target module: SSIE0 0: Cancel the module-stop state 1: Enter the module-stop state.	R/W
b11 to b9	—	Reserved	These bits are read as 1. The write value should be 1.	R/W
b12	MSTPC12	Secure Digital Host Interface/Multi Media Card Interface Module Stop	Target module: SDHI/MMC 0: Cancel the module-stop state 1: Enter the module-stop state.	R/W
b13	MSTPC13	Data Operation Circuit Module Stop	Target module: DOC 0: Cancel the module-stop state 1: Enter the module-stop state.	R/W
b14	MSTPC14	Event Link Controller Module Stop	Target module: ELC 0: Cancel the module-stop state 1: Enter the module-stop state.	R/W

Bit	Symbol	Bit name	Description	R/W
b30 to b15	—	Reserved	These bits are read as 1. The write value should be 1.	R/W
b31	MSTPC31	SCE5 Module Stop*2	Target module: SCE5 0: Cancel the module-stop state 1: Enter the module-stop state.	R/W

Note 1. The MSTPC0 bit must be written while the oscillation of the clock to be controlled by this bit is stable. To enter Software Standby mode after writing to this bit, wait for 2 cycles of the slowest clock from the clocks output by the oscillators, then execute a WFI instruction.

Note 2. Set the MSTPC31 bit to 0 at the beginning of the program, to initialize an unused circuit, even if the SCE5 is not used in this MCU. See section 11.9.15, [Module-Stop Function for an Unused Circuit](#).

11.2.5 Module Stop Control Register D (MSTPCRD)

Address(es): **MSTP.MSTPCRD 4004 7008h**

	b31	b30	b29	b28	b27	b26	b25	b24	b23	b22	b21	b20	b19	b18	b17	b16
	MSTPD ₃₁	—	MSTPD ₂₉	—	—	—	—	—	—	—	—	MSTPD ₂₀	MSTPD ₁₉	—	—	MSTPD ₁₆
Value after reset:	1	1	1	1	1	1	1	1	1	1	1	1	1	1	1	1
	b15	b14	b13	b12	b11	b10	b9	b8	b7	b6	b5	b4	b3	b2	b1	b0
	—	MSTPD ₁₄	—	—	—	—	—	—	—	MSTPD ₆	MSTPD ₅	—	MSTPD ₃	MSTPD ₂	—	—
Value after reset:	1	1	1	1	1	1	1	1	1	1	1	1	1	1	1	1

Bit	Symbol	Bit name	Description	R/W
b1, b0	—	Reserved	These bits are read as 1. The write value should be 1.	R/W
b2	MSTPD2	Low Power Asynchronous General Purpose Timer 1 Module Stop*1	Target module: AGT1 0: Cancel the module-stop state 1: Enter the module-stop state.	R/W
b3	MSTPD3	Low Power Asynchronous General Purpose Timer 0 Module Stop*2	Target module: AGT0 0: Cancel the module-stop state 1: Enter the module-stop state.	R/W
b4	—	Reserved	This bit is read as 1. The write value should be 1.	R/W
b5	MSTPD5	General PWM Timer 323 to 320 Module Stop	Target module: GPT323 to GPT320 0: Cancel the module-stop state 1: Enter the module-stop state.	R/W
b6	MSTPD6	General PWM Timer 169 to 164 Module Stop	Target module: GPT169 to GPT164 0: Cancel the module-stop state 1: Enter the module-stop state.	R/W
b13 to b7	—	Reserved	These bits are read as 1. The write value should be 1.	R/W
b14	MSTPD14	Port Output Enable for GPT Module Stop	Target module: POEG 0: Cancel the module-stop state 1: Enter the module-stop state.	R/W
b15	—	Reserved	This bit is read as 1. The write value should be 1.	R/W
b16	MSTPD16	14-Bit A/D Converter Module Stop	Target module: ADC140 0: Cancel the module-stop state 1: Enter the module-stop state.	R/W
b18, b17	—	Reserved	These bits are read as 1. The write value should be 1.	R/W
b19	MSTPD19	8-Bit D/A Converter Module Stop*3	Target module: DAC8 0: Cancel the module-stop state 1: Enter the module-stop state.	R/W
b20	MSTPD20	12-Bit D/A Converter Module Stop	Target module: DAC12 0: Cancel the module-stop state 1: Enter the module-stop state.	R/W
b28 to b21	—	Reserved	These bits are read as 1. The write value should be 1.	R/W

Bit	Symbol	Bit name	Description	R/W
b29	MSTPD29	Low-Power Analog Comparator Module Stop	Target module: ACMLP 0: Cancel the module-stop state 1: Enter the module-stop state.	R/W
b30	—	Reserved	This bit is read as 1. The write value should be 1.	R/W
b31	MSTPD31	Operational Amplifier Module Stop	Target module: OPAMP 0: Cancel the module-stop state 1: Enter the module-stop state.	R/W

Note 1. When the count source is sub-clock oscillator or LOCO, AGT1 counting does not stop even if MSTPD2 is set to 1. If the count source is the sub-clock oscillator or LOCO, this bit must be set to 1 except when accessing the AGT1 registers.

Note 2. When the count source is sub-clock oscillator or LOCO, AGT0 counting does not stop even if MSTPD3 is set to 1. If the count source is the sub-clock oscillator or LOCO, this bit must be set to 1 except when accessing the AGT0 registers.

Note 3. When using the 8-bit D/A converter (MSTPD19 = 0), set the MSTPD29 bit in ACMLP to 0.

11.2.6 Operating Power Control Register (OPCCR)

Address(es): [SYSTEM.OPCCR 4001 E0A0h](#)

	b7	b6	b5	b4	b3	b2	b1	b0
	—	—	—	OPCM TSF	—	—	OPCM[1:0]	—
Value after reset:	0	0	0	0	0	0	1	0

Bit	Symbol	Bit name	Description	R/W
b1, b0	OPCM[1:0]	Operating Power Control Mode Select	b1 b0 0 0: High-speed mode 0 1: Middle-speed mode 1 0: Low-voltage mode*1 1 1: Low-speed mode.	R/W
b3, b2	—	Reserved	These bits are read as 0. The write value should be 0.	R/W
b4	OPCMTSF	Operating Power Control Mode Transition Status Flag	0: Transition complete 1: Transition in progress.	R
b7 to b5	—	Reserved	These bits are read as 0. The write value should be 0.	R/W

Note 1. HOCOCCR.HCSTP must always be 0.

The OPCCR register is used to reduce power consumption in Normal mode, Sleep mode, and Snooze mode. Power consumption can be reduced according to the operating frequency and operating voltage used by the OPCCR setting. For the procedure to change the operating power control modes, see [section 11.5, Function for Lower Operating Power Consumption](#).

OPCM[1:0] bits (Operating Power Control Mode Select)

The OPCM[1:0] bits select the operating power control mode in Normal mode, Sleep mode, and Snooze mode.

[Table 11.4](#) shows the relationship between the operating power control modes, and the OPCM[1:0], SOPCM bit settings.

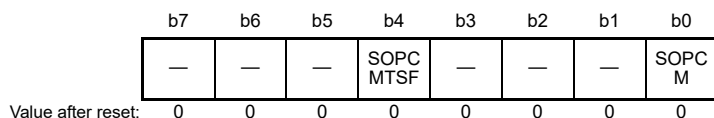
Writing to OPCCR.OPCM[1:0] is prohibited while HOCOCCR.HCSTP and OSCSF.HOCOSF are 0 as the oscillation of the HOCO clock is not stable yet.

OPCMTSF flag (Operating Power Control Mode Transition Status Flag)

The OPCMTSF flag indicates the switching control state when the operating power control mode is switched. This flag sets to 1 when the OPCM[1:0] bits are written, and 0 when mode transition completes. Read this flag to confirm that it is 0 before proceeding.

11.2.7 Sub Operating Power Control Register (SOPCCR)

Address(es): [SYSTEM.SOPCCR 4001 E0AAh](#)



Bit	Symbol	Bit name	Description	R/W
b0	SOPCM	Sub Operating Power Control Mode Select	0: Not Subosc-speed mode 1: Subosc-speed mode.	R/W
b3 to b1	—	Reserved	These bits are read as 0. The write value should be 0.	R/W
b4	SOPCMTSF	Sub Operating Power Control Mode Transition Status Flag	0: Transition completed 1: Transition in progress.	R
b7 to b5	—	Reserved	These bits are read as 0. The write value should be 0.	R/W

The SOPCCR register is used to reduce power consumption in Normal mode, Sleep mode, and Snooze mode by initiating the entry to and exit from Subosc-speed mode. Subosc-speed mode is available only when using the sub-clock oscillator or LOCO without dividing the frequency.

The flash cache function should be disabled by setting the CACHEE.FCACHEEN bit to 0 before switching the operating power control mode. For details, see [section 47., Flash Memory](#).

For the procedure to change operating power control modes, see [section 11.5, Function for Lower Operating Power Consumption](#).

SOPCM bit (Sub Operating Power Control Mode Select)

The SOPCM bit selects the operating power control mode in Normal mode, Sleep mode, and Snooze mode. Setting this bit to 1 allows transition to Subosc-speed mode. Setting this bit to 0 allows a return to the operating mode (set in OPCCR.OPCM[1:0]) before the transition to Subosc-speed mode.

[Table 11.4](#) shows the relationship between the operating power control modes, and the OPCM[1:0], SOPCM bit settings.

SOPCMTSF flag (Sub Operating Power Control Mode Transition Status Flag)

The SOPCMTSF flag indicates the switching control state when the operating power control mode is switched from or to Subosc-speed mode. This flag sets to 1 when the SOPCM bit is written, and 0 when mode transition completes. Read this flag to confirm that it is 0 before proceeding.

[Table 11.4](#) shows the operating power control modes.

Table 11.4 Relationship between operating power control modes, and OPCM[1:0], SOPCM bits

Operating power control mode	OPCM[1:0] bits	SOPCM bit	Power consumption
High-speed mode	00b	0	High ↓ Low
Middle-speed mode	01b	0	
Low-voltage mode	10b	0	
Low-speed mode	11b	0	
Subosc-speed mode	xxb	1	

11.2.8 Snooze Control Register (SNZCR)

Address(es): SYSTEM.SNZCR 4001 E092h

	b7	b6	b5	b4	b3	b2	b1	b0
	SNZE	—	—	—	—	—	SNZDTCEN	RXDREQEN
Value after reset:	0	0	0	0	0	0	0	0

Bit	Symbol	Bit name	Description	R/W
b0	RXDREQEN	RXD0 Snooze Request Enable	0: Ignore RXD0 falling edge in Software Standby mode 1: Detect RXD0 falling edge in Software Standby mode.	R/W
b1	SNZDTCEN	DTC Enable in Snooze Mode	0: Disable DTC operation in Snooze mode 1: Enable DTC operation in Snooze mode.	R/W
b6 to b2	—	Reserved	These bits are read as 0. The write value should be 0.	R/W
b7	SNZE	Snooze Mode Enable	0: Disable Snooze mode 1: Enable Snooze mode.	R/W

RXDREQEN bit (RXD0 Snooze Request Enable)

The RXDREQEN bit specifies whether to detect a falling edge of the RXD0 pin in Software Standby mode. This bit is only available when SCIO operates in asynchronous mode. To detect a falling edge of the RXD0 pin, set this bit before entering Software Standby mode. When this bit is set to 1, a falling edge of the RXD0 pin in Software Standby mode causes the MCU to enter Snooze mode.

SNZDTCEN bit (DTC Enable in Snooze Mode)

The SNZDTCEN bit specifies whether to use the DTC and SRAM in Snooze mode. To use the DTC and SRAM in Snooze mode, set this bit to 1 before entering Software Standby mode. When this bit is set to 1, the DTC can be activated by setting IELSRn (ICU Event Link Setting Register n).

SNZE bit (Snooze Mode Enable)

The SNZE bit enables or disables a transition from Software Standby mode to Snooze mode. To use Snooze mode, set this bit to 1 before entering Software Standby mode. When this bit is set to 1, a trigger as shown in Table 11.6 in Software Standby mode causes the MCU to enter Snooze mode. After the MCU transitions from Software Standby mode or Snooze mode to Normal mode, clear the SNZE bit once, then set it before re-entering Software Standby mode. For details, see section 11.8, Snooze Mode.

11.2.9 Snooze End Control Register (SNZEDCR)

Address(es): SYSTEM.SNZEDCR 4001 E094h

	b7	b6	b5	b4	b3	b2	b1	b0
	SCI0UMTED	—	—	AD0UMTED	AD0MA TED	DTCNZ RED	DTCZRED	AGTUN FED
Value after reset:	0	0	0	0	0	0	0	0

Bit	Symbol	Bit name	Description	R/W
b0	AGTUNFED	AGT1 Underflow Snooze End Enable	0: Disable the Snooze end request 1: Enable the Snooze end request.	R/W
b1	DTCZRED	Last DTC Transmission Completion Snooze End Enable	0: Disable the Snooze end request 1: Enable the Snooze end request.	R/W
b2	DTCNZRED	Not Last DTC Transmission Completion Snooze End Enable	0: Disable the Snooze end request 1: Enable the Snooze end request.	R/W

Bit	Symbol	Bit name	Description	R/W
b3	AD0MATED	ADC140 Compare Match Snooze End Enable	0: Disable the Snooze end request 1: Enable the Snooze end request.	R/W
b4	AD0UMTED	ADC140 Compare Mismatch Snooze End Enable	0: Disable the Snooze end request 1: Enable the Snooze end request.	R/W
b6, b5	—	Reserved	These bits are read as 0. The write value should be 0.	R/W
b7	SCI0UMTED	SCI0 Address Mismatch Snooze End Enable	0: Disable the Snooze end request 1: Enable the Snooze end request.	R/W

To use a trigger shown in [Table 11.8](#) as a condition to switch from Snooze mode to Software Standby mode, set the associated bit in the SNZEDCR register to 1. The event that is used to return to Normal mode from Snooze mode listed in [Table 11.3](#) must not be enabled by SNZEDCR.

AGTUNFED bit (AGT1 Underflow Snooze End Enable)

The AGTUNFED bit specifies whether to enable a transition from Snooze mode to Software Standby mode by an AGT1 underflow. For details on the condition of the trigger, see [section 24, Low Power Asynchronous General Purpose Timer \(AGT\)](#).

DTCZRED bit (Last DTC Transmission Completion Snooze End Enable)

The DTCZRED bit specifies whether to enable a transition from Snooze mode to Software Standby mode by completion of the last DTC transmission, that is, CRA or CRB registers in the DTC is 0. For details on the condition of the trigger, see [section 18, Data Transfer Controller \(DTC\)](#).

DTCNZRED bit (Not Last DTC Transmission Completion Snooze End Enable)

The DTCNZRED bit specifies whether to enable a transition from Snooze mode to Software Standby mode by completion of each DTC transmission, that is, CRA or CRB registers in the DTC is not 0. For details on the condition of the trigger, see [section 18, Data Transfer Controller \(DTC\)](#).

AD0MATED bit (ADC140 Compare Match Snooze End Enable)

The AD0MATED bit specifies whether to enable a transition from Snooze mode to Software Standby mode by an ADC140 event when a conversion result matches the expected data. For details on the condition of the trigger, see [section 38, 14-Bit A/D Converter \(ADC14\)](#).

AD0UMTED bit (ADC140 Compare Mismatch Snooze End Enable)

The AD0UMTED bit specifies whether to enable a transition from Snooze mode to Software Standby mode by an ADC140 event when the conversion result does not match the expected data. For details on the condition of the trigger, see [section 38, 14-Bit A/D Converter \(ADC14\)](#).

SCI0UMTED bit (SCI0 Address Mismatch Snooze End Enable)

The SCI0UMTED bit specifies whether to enable a transition from Snooze mode to Software Standby mode by an SCI0 event when an address received in Software Standby mode does not match the expected data. For details on the condition of the trigger, see [section 29, Serial Communications Interface \(SCI\)](#). Set this bit to 1 only when SCI0 operates in asynchronous mode.

11.2.10 Snooze Request Control Register (SNZREQCR)

Address(es): SYSTEM.SNZREQCR 4001 E098h

	b31	b30	b29	b28	b27	b26	b25	b24	b23	b22	b21	b20	b19	b18	b17	b16
	—	SNZREQEN30	SNZREQEN29	SNZREQEN28	—	—	SNZREQEN25	SNZREQEN24	SNZREQEN23	—	—	—	—	—	SNZREQEN17	—
Value after reset:	0	0	0	0	0	0	0	0	0	0	0	0	0	0	0	0
	b15	b14	b13	b12	b11	b10	b9	b8	b7	b6	b5	b4	b3	b2	b1	b0
	SNZREQEN15	SNZREQEN14	SNZREQEN13	SNZREQEN12	SNZREQEN11	SNZREQEN10	SNZREQEN9	SNZREQEN8	SNZREQEN7	SNZREQEN6	SNZREQEN5	SNZREQEN4	SNZREQEN3	SNZREQEN2	SNZREQEN1	SNZREQEN0
Value after reset:	0	0	0	0	0	0	0	0	0	0	0	0	0	0	0	0

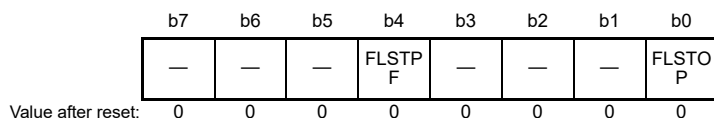
Bit	Symbol	Bit name	Description	R/W
b0	SNZREQEN0	Snooze Request Enable 0	Enable IRQ0 pin snooze request: 0: Disable the snooze request 1: Enable the snooze request.	R/W
b1	SNZREQEN1	Snooze Request Enable 1	Enable IRQ1 pin snooze request: 0: Disable the snooze request 1: Enable the snooze request.	R/W
b2	SNZREQEN2	Snooze Request Enable 2	Enable IRQ2 pin snooze request: 0: Disable the snooze request 1: Enable the snooze request.	R/W
b3	SNZREQEN3	Snooze Request Enable 3	Enable IRQ3 pin snooze request: 0: Disable the snooze request 1: Enable the snooze request.	R/W
b4	SNZREQEN4	Snooze Request Enable 4	Enable IRQ4 pin snooze request: 0: Disable the snooze request 1: Enable the snooze request.	R/W
b5	SNZREQEN5	Snooze Request Enable 5	Enable IRQ5 pin snooze request: 0: Disable the snooze request 1: Enable the snooze request.	R/W
b6	SNZREQEN6	Snooze Request Enable 6	Enable IRQ6 pin snooze request: 0: Disable the snooze request 1: Enable the snooze request.	R/W
b7	SNZREQEN7	Snooze Request Enable 7	Enable IRQ7 pin snooze request: 0: Disable the snooze request 1: Enable the snooze request.	R/W
b8	SNZREQEN8	Snooze Request Enable 8	Enable IRQ8 pin snooze request: 0: Disable the snooze request 1: Enable the snooze request.	R/W
b9	SNZREQEN9	Snooze Request Enable 9	Enable IRQ9 pin snooze request: 0: Disable the snooze request 1: Enable the snooze request.	R/W
b10	SNZREQEN10	Snooze Request Enable 10	Enable IRQ10 pin snooze request: 0: Disable the snooze request 1: Enable the snooze request.	R/W
b11	SNZREQEN11	Snooze Request Enable 11	Enable IRQ11 pin snooze request: 0: Disable the snooze request 1: Enable the snooze request.	R/W
b12	SNZREQEN12	Snooze Request Enable 12	Enable IRQ12 pin snooze request: 0: Disable the snooze request 1: Enable the snooze request.	R/W
b13	SNZREQEN13	Snooze Request Enable 13	Enable IRQ13 pin snooze request: 0: Disable the snooze request 1: Enable the snooze request.	R/W

Bit	Symbol	Bit name	Description	R/W
b14	SNZREQEN14	Snooze Request Enable 14	Enable IRQ14 pin snooze request: 0: Disable the snooze request 1: Enable the snooze request.	R/W
b15	SNZREQEN15	Snooze Request Enable 15	Enable IRQ15 pin snooze request: 0: Disable the snooze request 1: Enable the snooze request.	R/W
b16	—	Reserved	This bit is read as 0. The write value should be 0.	R/W
b17	SNZREQEN17	Snooze Request Enable 17	Enable Key Interrupt snooze request: 0: Disable the snooze request 1: Enable the snooze request.	R/W
b22 to b18	—	Reserved	These bits are read as 0. The write value should be 0.	R/W
b23	SNZREQEN23	Snooze Request Enable 23	Enable ACMPPLP0 snooze request: 0: Disable the snooze request 1: Enable the snooze request.	R/W
b24	SNZREQEN24	Snooze Request Enable 24	Enable RTC alarm snooze request: 0: Disable the snooze request 1: Enable the snooze request.	R/W
b25	SNZREQEN25	Snooze Request Enable 25	Enable RTC period snooze request: 0: Disable the snooze request 1: Enable the snooze request.	R/W
b27, b26	—	Reserved	These bits are read as 0. The write value should be 0.	R/W
b28	SNZREQEN28	Snooze Request Enable 28	Enable AGT1 underflow snooze request: 0: Disable the snooze request 1: Enable the snooze request.	R/W
b29	SNZREQEN29	Snooze Request Enable 29	Enable AGT1 compare match A snooze request: 0: Disable the snooze request 1: Enable the snooze request.	R/W
b30	SNZREQEN30	Snooze Request Enable 30	Enable AGT1 compare match B snooze request: 0: Disable the snooze request 1: Enable the snooze request.	R/W
b31	—	Reserved	This bit is read as 0. The write value should be 0.	R/W

The SNZREQCR register controls the trigger that causes the MCU to switch from Software Standby mode to Snooze mode. If a trigger is selected as a request to cancel Software Standby mode by setting the WUPEN register, see [section 14, Interrupt Controller Unit \(ICU\)](#), the MCU enters Normal mode when the trigger is generated while the associated bit of the SNZREQCR register is 1. WUPEN register settings always have a higher priority than the SNZREQCR register settings. For details, see [section 11.8, Snooze Mode](#) and [section 14, Interrupt Controller Unit \(ICU\)](#).

11.2.11 Flash Operation Control Register (FLSTOP)

Address(es): SYSTEM.FLSTOP 4001 E09Eh



Bit	Symbol	Bit name	Description	R/W
b0	FLSTOP	Selecting ON/OFF of the Flash Memory Operation	0: Code flash and data flash memory operates 1: Code flash and data flash memory stops.	R/W
b3 to b1	—	Reserved	These bits are read as 0. The write value should be 0.	R/W
b4	FLSTPF	Flash Memory Operation Status Flag	0: Transition completed 1: During transition (from the flash-stop-status to flash-operating-status or flash-operating-status to flash-stop-status).	R
b7 to b5	—	Reserved	These bits are read as 0. The write value should be 0.	R/W

FLSTOP bit (Selecting ON/OFF of the Flash Memory Operation)

The FLSTOP bit enables or disables flash memory. The FLSTOP bit must be written in a program executing in the SRAM. To use an interrupt when the FLSTOP bit is 1, be sure to place the interrupt vector in the SRAM. Set this bit to 0 when low-voltage mode is not selected.

Note: When changing the value of the FLSTOP bit from 1 to 0 to start flash memory operation, ensure that the FLSTPF flag is 0 and OSCSF.HOCOSF is 1 before restarting access to the flash memory. After that, instructions can be executed in the code flash memory.

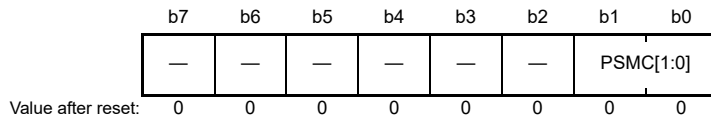
Note: Writing to FLSTOP.FLSTOP is prohibited while HOCO.CR.HCSTP and OSCSF.HOCOSF are 0 (HOCO is in stabilization wait counting).

FLSTPF flag (Flash Memory Operation Status Flag)

The FLSTPF flag indicates the status of the transition from the flash-stop-status to flash-operating-status or from the flash-operating-status to the flash-stop-status. When the transition completes, the flag is read as 0. When using flash memory again after stopping it once, make sure that the FLSTPF flag is 0 before proceeding.

11.2.12 Power Save Memory Control Register (PSMCR)

Address(es): [SYSTEM.PSMCR 4001 E09Fh](#)



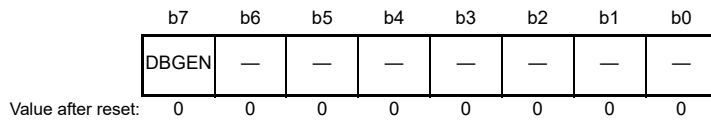
Bit	Symbol	Bit name	Description	R/W															
b1, b0	PSMC[1:0]	Power Save Memory Control	<table border="0"> <tr> <td>b1</td><td>b0</td><td></td></tr> <tr> <td>0</td><td>0</td><td>All SRAM are on in Software Standby mode</td></tr> <tr> <td>0</td><td>1</td><td>48-KB SRAM (2000 0000h to 2000 BFFFh) is on in Software Standby mode</td></tr> <tr> <td>1</td><td>0</td><td>Setting prohibited</td></tr> <tr> <td>1</td><td>1</td><td>Setting prohibited.</td></tr> </table>	b1	b0		0	0	All SRAM are on in Software Standby mode	0	1	48-KB SRAM (2000 0000h to 2000 BFFFh) is on in Software Standby mode	1	0	Setting prohibited	1	1	Setting prohibited.	R/W
b1	b0																		
0	0	All SRAM are on in Software Standby mode																	
0	1	48-KB SRAM (2000 0000h to 2000 BFFFh) is on in Software Standby mode																	
1	0	Setting prohibited																	
1	1	Setting prohibited.																	
b7 to b2	—	Reserved	These bits are read as 0. The write value should be 0.	R/W															

PSMC[1:0] bits (Power Save Memory Control)

The SRAM retention area in Software Standby mode is selected with the PSMC[1:0] bits. Supply current can be reduced by setting these bits to 01b (48-KB SRAM in Software Standby mode). A WFI instruction must be executed after setting the PSMC register.

11.2.13 System Control OCD Control Register (SYOCDRCR)

Address(es): [SYSTEM.SYOCDRCR 4001 E40Eh](#)



Bit	Symbol	Bit name	Description	R/W
b6 to b0	—	Reserved	These bits are read as 0. The write value should be 0.	R/W
b7	DBGEN	Debugger Enable	0: On-chip debugger is disabled 1: On-chip debugger is enabled. Set to 1 first in on-chip debug mode.	R/W

DBGEN bit (Debugger Enable)

The DBGEN bit enables the on-chip debug mode. This bit must be set to 1 first in the on-chip debugger mode.

[Setting condition]

- Writing 1 to the bit when the debugger is connected.

[Clearing condition]

- Power-on reset is generated
- Writing 0 to the bit.

11.3 Reducing Power Consumption by Switching Clock Signals

The clock frequency changes when the following bits are set:

- SCKDIVCR.FCK[2:0]
- ICK[2:0], BCK[2:0]
- PCKA[2:0]
- PCKB[2:0]
- PCKC[2:0]
- PCKD[2:0]

The CPU, DMAC, DTC, flash, and SRAM use the operating clock specified by the ICK[2:0] bits.

Peripheral modules use the operating clock specified in the PCKA[2:0], PCKB[2:0], PCKC[2:0], and PCKD[2:0] bits.

The flash memory interface uses the operating clock specified in the FCK[2:0] bits. The external bus uses the operating clock specified in the BCK[2:0] bits.

For details, see [section 9, Clock Generation Circuit](#).

11.4 Module-Stop Function

The module-stop function can be set for each on-chip peripheral module.

When the MSTPmi bit (m = A to D; i = 31 to 0) in MSTPCRA to MSTPCRD is set to 1, the specified module stops operating and enters the module-stop state, but the CPU continues to operate independently. Clearing the MSTPmi bit to 0 cancels the module-stop state, allowing the module to resume operation at the end of the bus cycle. The internal states of the modules are retained in the module-stop state.

After a reset is canceled, all modules other than the DMAC, DTC, and SRAMs are placed in the module-stop state. Do not access the module while the corresponding MSTPmi bit is 1, otherwise the read/write data or the operation of the module is not guaranteed. Also, do not set the MSTPmi bit to 1 while the corresponding module is accessed.

11.5 Function for Lower Operating Power Consumption

By selecting an appropriate operating power consumption control mode according to the operating frequency and operating voltage, power consumption can be reduced in Normal mode, Sleep mode, and Snooze mode.

11.5.1 Setting Operating Power Control Mode

Make sure that the operating condition such as the voltage range and the frequency range is always within the specified range before and after switching the operating power control modes. This section provides example procedures for switching operating power control modes.

[Table 11.5](#) shows the oscillators that can be used in each mode.

Table 11.5 Available oscillators in each mode

Mode	Oscillator						
	PLL*1	High-speed on-chip oscillator	Middle-speed on-chip oscillator	Low-speed on-chip oscillator	Main clock oscillator	Sub-clock oscillator	IWDT-dedicated on-chip oscillator
High-speed	Available	Available	Available	Available	Available	Available	Available
Middle-speed	Available	Available	Available	Available	Available	Available	Available
Low-voltage	N/A	Available	Available	Available	Available	Available	Available
Low-speed	N/A	Available	Available	Available	Available	Available	Available
Subosc-speed	N/A	N/A	N/A	Available	N/A	Available	Available

Note 1. The VCC range for the PLL is 2.4 to 5.5 V.

(1) Switching from a higher power mode to a lower power mode

Example 1: From High-speed mode to Low-speed mode

Operation starts in High-speed mode.

1. Disable the flash cache by resetting FCACHEE.FCACHEEN when the flash cache is cacheable in High-speed mode.
2. Change the oscillator to what is used in Low-speed mode. Set the frequency of each clock lower than or equal to the maximum operating frequency in Low-speed mode.
3. Turn off the oscillator that is not required in Low-speed mode.
4. Confirm that the OPCCR.OPCMTSF flag is 0 (indicates transition completed).
5. Set the OPCCR.OPCM bit to 11b (Low-speed mode).
6. Confirm that the OPCCR.OPCMTSF flag is 0 (indicates transition completed).
7. Perform the following steps when the flash cache is cacheable in Low-speed mode:
 - a. Invalidate the flash cache by setting FCACHEIV.FCACHEIV.
 - b. Check that FCACHEIV.FCACHEIV is 0.
 - c. Enable the flash cache by setting FCACHEE.FCACHEEN.

Operation is now in Low-speed mode.

Example 2: From High-speed mode to Subosc-speed mode

Operation starts in High-speed mode.

1. Disable the flash cache by resetting FCACHEE.FCACHEEN when the flash cache is cacheable in High-speed mode.
2. Switch the clock source to sub-clock oscillator.
3. Turn off HOCO, MOCO, MOSC, and PLL.
4. Confirm that all the clock sources other than the sub-clock oscillator are stopped.
5. Confirm that the SOPCCR.SOPCMTSF flag is 0 (indicates transition completed).
6. Set the SOPCCR.SOPCM bit to 1 (Subosc-speed mode).
7. Confirm that the SOPCCR.SOPCMTSF flag is 0 (indicates transition completed).
8. Set the following steps when the flash cache is cacheable in Subosc-speed mode:
 - a. Invalidate the flash cache by setting the FCACHEIV.FCACHEIV bit.
 - b. Check that the FCACHEIV.FCACHEIV bit is 0.
 - c. Enable the flash cache by setting the FCACHEE.FCACHEEN bit.

Operation is now in Subosc-speed mode.

(2) Switching from a lower power mode to a higher power mode

Example 1: From Subosc-speed mode to High-speed mode

Operation starts in Subosc-speed mode.

1. Disable the flash cache by resetting the FCACHEE.FCACHEEN bit when the flash cache is cacheable in Subosc-speed mode.
2. Confirm that the SOPCCR.SOPCMTSF flag is 0 (indicates transition completed).
3. Set the SOPCCR.SOPCM bit to 0 (High-speed mode).
4. Confirm that the SOPCCR.SOPCMTSF flag is 0 (indicates transition completed).
5. Turn on the oscillator needed in High-speed mode.
6. Set the frequency of each clock to lower than or equal to the maximum operating frequency for High-speed mode.

7. Set the following steps when the flash cache is cacheable in High-speed mode:
 - a. Invalidate the flash cache by setting FCACHEIV.FCACHEIV.
 - b. Check that FCACHEIV.FCACHEIV is 0.
 - c. Enable the flash cache by setting FCACHEE.FCACHEEN.

Operation is now in High-speed mode.

Example 2: From Low-speed mode to High-speed mode

Operation starts in Low-speed mode.

1. Disable the flash cache by resetting FCACHEE.FCACHEEN when the flash cache is cacheable in Low-speed mode.
2. Confirm that the OPCCR.OPCMTSF flag is 0 (indicates transition completed).
3. Set the OPCCR.OPCM bit to 00b (High-speed mode).
4. Confirm that the OPCCR.OPCMTSF flag is 0 (indicates transition completed).
5. Turn on any oscillator needed in High-speed mode.
6. Set the frequency of each clock to lower than or equal to the maximum operating frequency for High-speed mode.
7. Set the following steps when the flash cache is cacheable in High-speed mode:
 - a. Invalidate the flash cache by setting the FCACHEIV.FCACHEIV bit.
 - b. Check that the FCACHEIV.FCACHEIV is 0.
 - c. Enable the flash cache by setting FCACHEE.FCACHEEN.

Operation is now in High-speed mode.

11.5.2 Operating Range

High-speed mode

The maximum operating frequency during flash read is 48 MHz for ICLK and 32 MHz for FCLK. The operating voltage range is 2.4 to 5.5 V during flash read. However, for ICLK and FCLK, the maximum operating frequency during flash read is 16 MHz when the operating voltage is 2.4 V or larger and smaller than 2.7 V.

During flash programming and erasure, the operating frequency range is 1 to 48 MHz and the operating voltage range is 2.7 to 5.5 V. The PLL can be used when the operating voltage is 2.4 V or above.

Figure 11.2 shows the operating voltages and frequencies in High-speed mode.

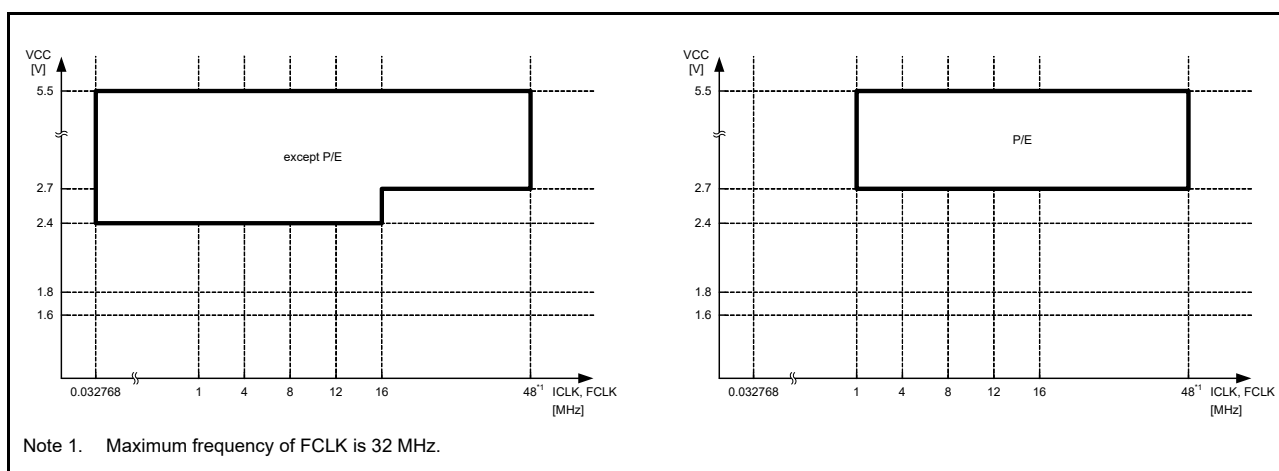


Figure 11.2 Operating voltages and frequencies in High-speed mode

Middle-speed mode

The power consumption of this mode is lower than that of High-speed mode under the same conditions.

The maximum operating frequency during flash read is 12 MHz for ICLK and FCLK. The operating voltage range is 1.8 to 5.5 V during flash read. However, for ICLK and FCLK, the maximum operating frequency during flash read is 8 MHz when the operating voltage is 1.8 V or larger and smaller than 2.4 V.

During flash programming and erasure, the operating frequency range is 1 to 12 MHz and the operating voltage range is 1.8 to 5.5 V. The maximum operating frequency during flash programming/erasure is 8 MHz when the operating voltage is 1.8 V or larger and smaller than 2.4 V. The PLL can be used when the operating voltage is 2.4 V or above.

Figure 11.3 shows the operating voltages and frequencies in Middle-speed mode.

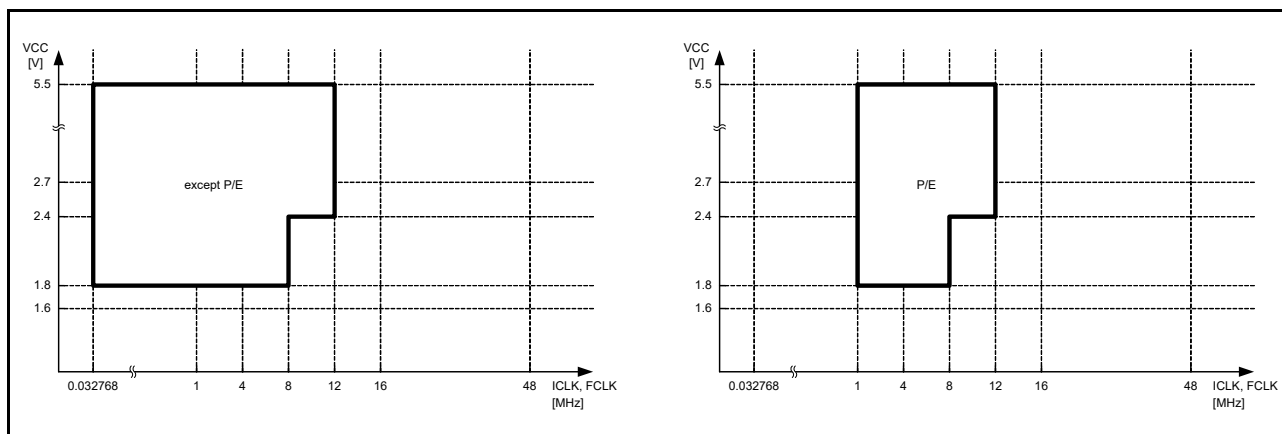


Figure 11.3 Operating voltages and frequencies in Middle-speed mode

Low-voltage mode

After a reset is canceled, operation is started from this mode. Using the PLL is prohibited.

The maximum operating frequency during flash read is 4 MHz for ICLK and FCLK. The operating voltage range is 1.6 to 5.5 V during flash read.

During flash programming and erasure, the operating frequency range is 1 to 4 MHz and the operating voltage range is 1.8 to 5.5 V. Using the PLL is prohibited.

Figure 11.4 shows the operating voltages and frequencies in low-voltage mode.

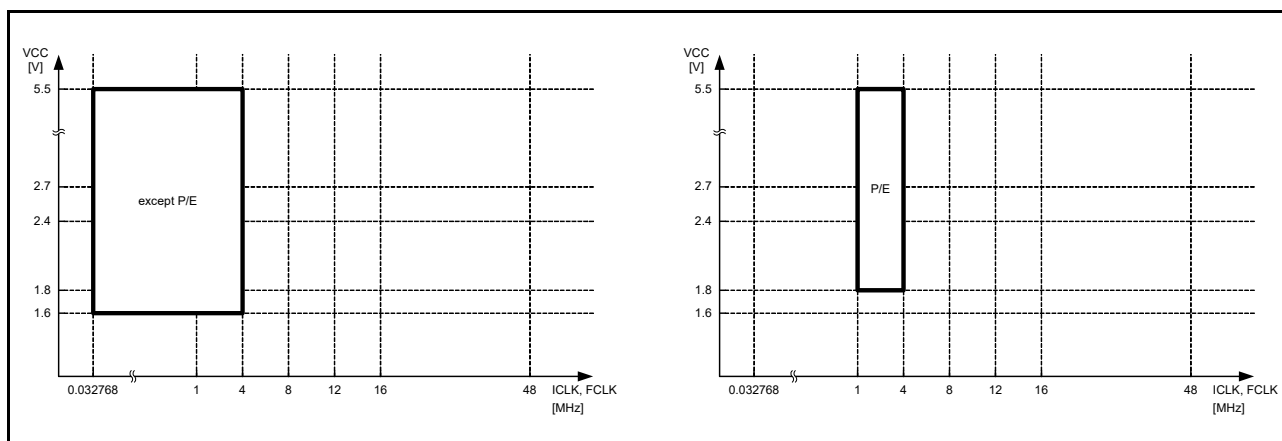


Figure 11.4 Operating voltages and frequencies in low-voltage mode

Low-speed mode

The maximum operating frequency during flash read is 1 MHz for ICLK and FCLK. The operating voltage range is 1.8 to 5.5 V during flash read.

P/E operations for flash memory are prohibited. Using the PLL is prohibited.

Figure 11.5 shows the operating voltages and frequencies in Low-speed mode.

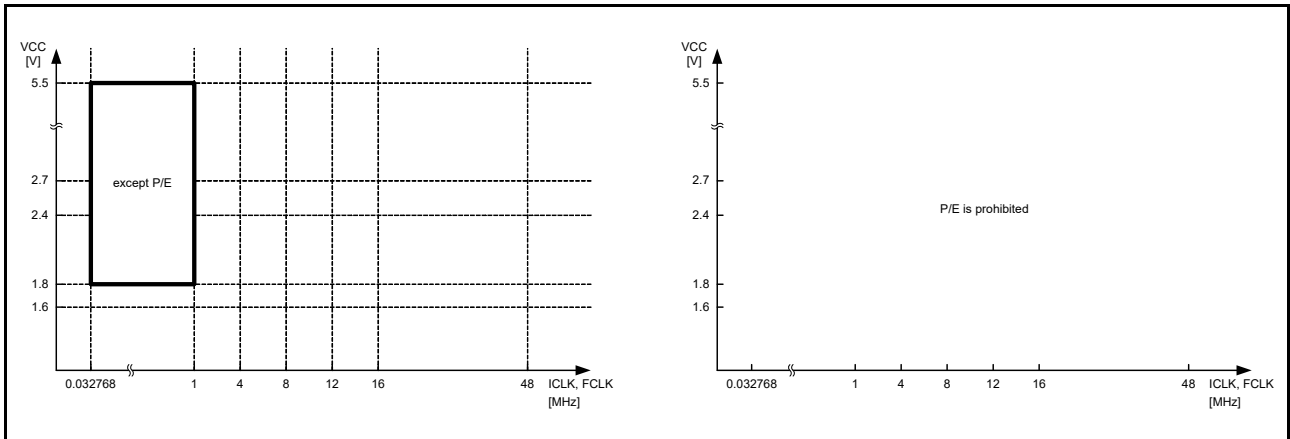


Figure 11.5 Operating voltages and frequencies in Low-speed mode

Subosc-speed mode

The maximum operating frequency during flash read is 37.6832 kHz for ICLK and FCLK. The operating voltage range is 1.8 to 5.5 V during flash read.

P/E operations for flash memory are prohibited. Using the oscillators other than the sub-clock oscillator or low-speed on-chip oscillator is prohibited.

Figure 11.6 shows the operating voltages and frequencies in Subosc-speed mode.

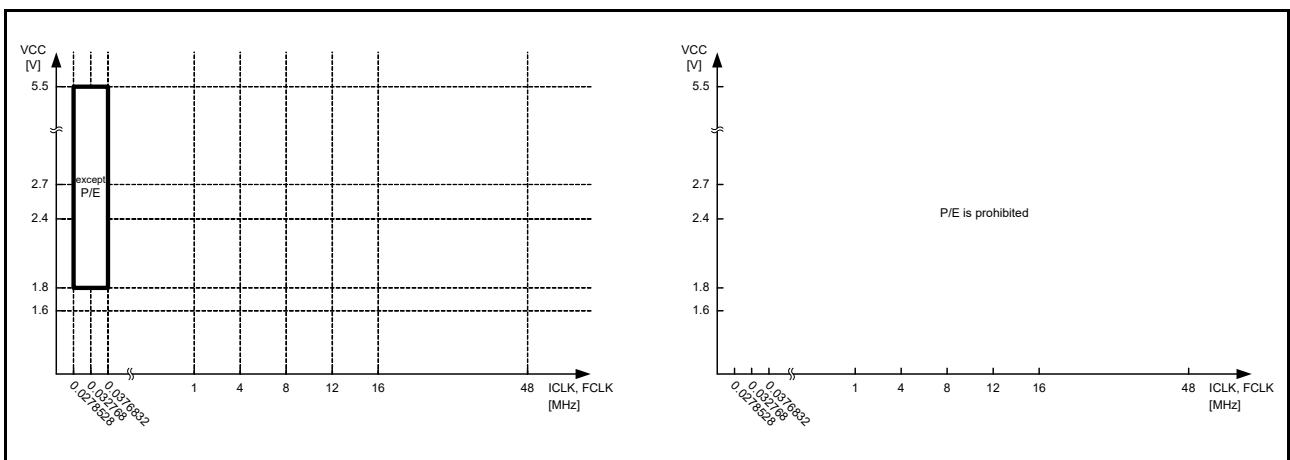


Figure 11.6 Operating voltages and frequencies in Subosc-speed mode

11.6 Sleep Mode

11.6.1 Transition to Sleep Mode

When a WFI instruction is executed while the SBYCR.SSBY bit is 0, the MCU enters Sleep mode. In this mode, the CPU stops operating but the contents of its internal registers are retained. Other peripheral functions do not stop. Available resets or interrupts in Sleep mode cause the MCU to cancel Sleep mode. All interrupt sources are available. If using an interrupt to cancel Sleep mode, you must set the associated IELSRn register before executing a WFI instruction. For details, see [section 14, Interrupt Controller Unit \(ICU\)](#).

Counting by IWDT stops when the MCU enters Sleep mode while the IWDT is in auto-start mode and the OFS0.IWDTSTPCTL bit is 1 (IWDT stops in Sleep mode, Software Standby mode or Snooze mode). Counting by IWDT continues when the MCU enters Sleep mode while the IWDT is in auto-start mode and the OFS0.IWDTSTPCTL bit is 0 (IWDT does not stop in Sleep mode, Software Standby mode, or Snooze mode).

Counting by WDT stops when the MCU enters Sleep mode while the WDT is in auto-start mode and the OFS0.WDTSTPCTL bit is 1 (WDT stops in Sleep mode). Similarly, counting by WDT stops when the MCU enters Sleep mode while the WDT is in register start mode and the WDTCSMPR.SLCSTP bit is 1 (WDT stops in Sleep mode).

Counting by WDT continues when the MCU enters Sleep mode while the WDT is in auto-start mode and the OFS0.WDTSTPCTL bit is 0 (WDT does not stop in Sleep mode). Similarly, counting by WDT continues when the MCU enters Sleep mode while the WDT is in register start mode and the WDTCSMPR.SLCSTP bit is 0 (WDT does not stop in Sleep mode).

11.6.2 Canceling Sleep Mode

Sleep mode is canceled by an interrupt such as:

- RES pin reset
- Power-on reset
- Voltage monitor reset
- SRAM parity error reset
- SRAM ECC error reset
- Bus master MPU error reset
- Bus slave MPU error reset
- Reset caused by an IWDT or a WDT underflow.

The operations are as follows:

1. Canceling by an interrupt
When an interrupt request is generated, Sleep mode is canceled and the MCU starts the interrupt handling.
2. Canceling by RES pin reset
When RES pin is driven low, the MCU enters the reset state. Make sure to keep RES pin low for the time period specified in [section 51, Electrical Characteristics](#). When RES pin is driven high after the specified time period, the CPU starts the reset exception handling.
3. Canceling by IWDT reset
Sleep mode is canceled by an internal reset generated by an IWDT underflow and the MCU starts the reset exception handling. However, IWDT stops in Sleep mode and an internal reset for canceling Sleep mode is not generated in the following conditions:
 - OFS0.IWDTSTRT = 0 and OFS0.IWDTSTPCTL = 1.
4. Canceling by WDT reset
Sleep mode is canceled by an internal reset generated by a WDT underflow and the MCU starts the reset exception handling. However, WDT stops in Sleep mode even when counting in Normal mode and an internal reset for canceling Sleep mode is not generated in the following conditions:
 - OFS0.WDTSTRT = 0 (auto-start mode) and OFS0.WDTSTPCTL = 1

- OFS0.WDTSTRT = 1 (register start mode) and WDTDCSTPR.SLCSTP = 1.

5. Canceling by other resets available in Sleep mode

Sleep mode is canceled by other resets and the MCU starts the reset exception handling.

Note: For details on proper setting of the interrupts, see [section 14, Interrupt Controller Unit \(ICU\)](#).

11.7 Software Standby Mode

11.7.1 Transition to Software Standby Mode

When a WFI instruction is executed while the SBYCR.SSBY bit is 1, the MCU enters Software Standby mode. In this mode, the CPU, most of the on-chip peripheral functions and oscillators stop. However, the contents of the CPU internal registers and SRAM data, the states of on-chip peripheral functions and the I/O ports are retained. Software Standby mode allows a significant reduction in power consumption because most of the oscillators stop in this mode. [Table 11.2](#) shows the status of each on-chip peripheral functions and oscillators. Available resets or interrupts in Software Standby mode cause the MCU to cancel Software Standby mode. See [Table 11.3](#) for available interrupt sources and [section 14.2.9, Wake Up Interrupt Enable Register \(WUPEN\)](#) for information on how to wake up the MCU from Software Standby mode. If using an interrupt to cancel Software Standby mode, you must set the associated IELSRn register before executing a WFI instruction. For details, see [section 14, Interrupt Controller Unit \(ICU\)](#).

Clear the DMAST.DMST and DTCST.DTCST bits to 0 before executing a WFI instruction, except when using the DTC in Snooze mode. If the DTC is required in Snooze mode, set the DTCST.DTCST bit to 1 before executing a WFI instruction.

Counting by IWDT stops when the MCU enters Software Standby mode while the IWDT is in auto-start mode and the OFS0.IWDTSTPCTL bit is 1 (IWDT stops in Sleep mode, Software Standby mode and Snooze mode). Counting by IWDT continues if the MCU enters Software Standby mode while the IWDT is in auto-start mode and the OFS0.IWDTSTPCTL bit is 0 (IWDT does not stop in Sleep mode, Software Standby mode, or Snooze mode).

WDT stops counting when the MCU enters Software Standby mode.

Do not enter Software Standby mode while OSTDCR.OSTDE = 1 (oscillation stop detection function is enabled). To enter Software Standby mode, execute a WFI instruction after disabling the oscillation stop detection function (OSTDCR.OSTDE = 0). If executing a WFI instruction while OSTDCR.OSTDE = 1, the MCU enters Sleep mode even when SBYCR.SSBY = 1. In addition, do not enter Software Standby mode while the flash memory performs a programming or erasing procedure. To enter Software Standby mode, execute a WFI instruction after the programming or erasing procedure completes.

11.7.2 Canceling Software Standby Mode

Software Standby mode is canceled by an interrupt such as:

- RES pin reset
- Power-on reset
- Voltage monitor reset
- Reset caused by an IWDT underflow.

The available interrupts are shown in [Table 11.3](#).

You can cancel Software Standby mode from any of the following ways:

1. Canceling by an interrupt

When an available interrupt request (for available interrupts, see [Table 11.3](#)) is generated, an oscillator that operates before the transition to Software Standby mode restarts. After all the oscillators are stabilized, the MCU returns to Normal mode from Software Standby mode and starts the interrupt handling. See [section 14.2.9, Wake Up Interrupt Enable Register \(WUPEN\)](#) for information on how to wake up the MCU from Software Standby mode.

2. Canceling by a RES pin reset

When RES pin is driven low, the MCU enters the reset state, and the oscillators whose default status is operating, start the oscillation. Be sure to keep the RES pin low for the time period specified in [section 51, Electrical Characteristics](#). When the RES pin is driven high after the specified time period, the CPU starts the reset exception handling.

3. Canceling by a power-on reset
Software Standby mode is canceled by a power-on reset and the MCU starts the reset exception handling.
4. Canceling by a voltage monitor reset
Software Standby mode is canceled by a voltage monitor reset from the voltage detection circuit and the MCU starts the reset exception handling.
5. Canceling by IWDTC reset
Software Standby mode is canceled by an internal reset generated by an IWDTC underflow and the MCU starts the reset exception handling. However, IWDTC stops in Software Standby mode and an internal reset for canceling Software Standby mode is not generated for the following condition:
 - OFS0.IWDTCSTRT = 0 and OFS0.IWDTCSTPCTL = 1.

11.7.3 Example of Software Standby Mode Application

Figure 11.7 shows an example of entry to Software Standby mode on detection of a falling edge of the IRQn pin, and exit from Software Standby mode by a rising edge of the IRQn pin.

In this example, an IRQn pin interrupt is accepted with the IRQCRi.IRQMD[1:0] bits of the ICU set to 00b (falling edge) in Normal mode, and the IRQCRi.IRQMD[1:0] bits are set to 01b (rising edge). After that, the SBYCR.SSBY bit is set to 1 and a WFI instruction is executed. As a result, entry to Software Standby mode completes and exit from Software Standby mode is initiated by a rising edge of the IRQn pin.

Setting the ICU is also required to exit Software Standby mode. For details, see [section 14, Interrupt Controller Unit \(ICU\)](#). The oscillation stabilization time in [Figure 11.7](#) is specified in [section 51, Electrical Characteristics](#).

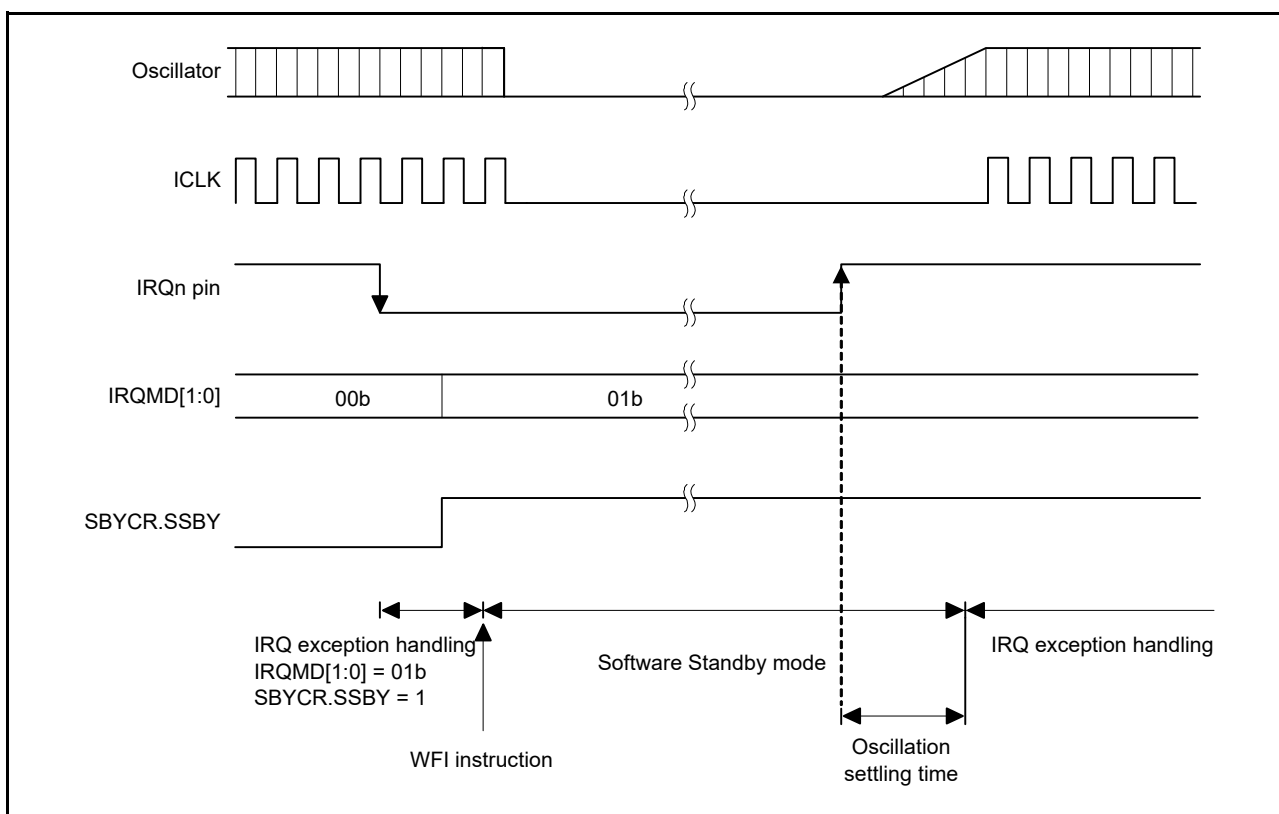


Figure 11.7 Example of Software Standby mode application

11.8 Snooze Mode

11.8.1 Transition to Snooze Mode

Figure 11.8 shows Snooze mode entry configuration. When the Snooze control circuit receives a snooze request in Software Standby mode, the MCU transitions to Snooze mode. In this mode, some peripheral modules operate without waking up the CPU. Table 11.2 shows the peripheral modules that can operate in Snooze mode. Also, the DTC operation can be selected in Snooze mode by setting the SNZCR.SNZDTCEN bit.

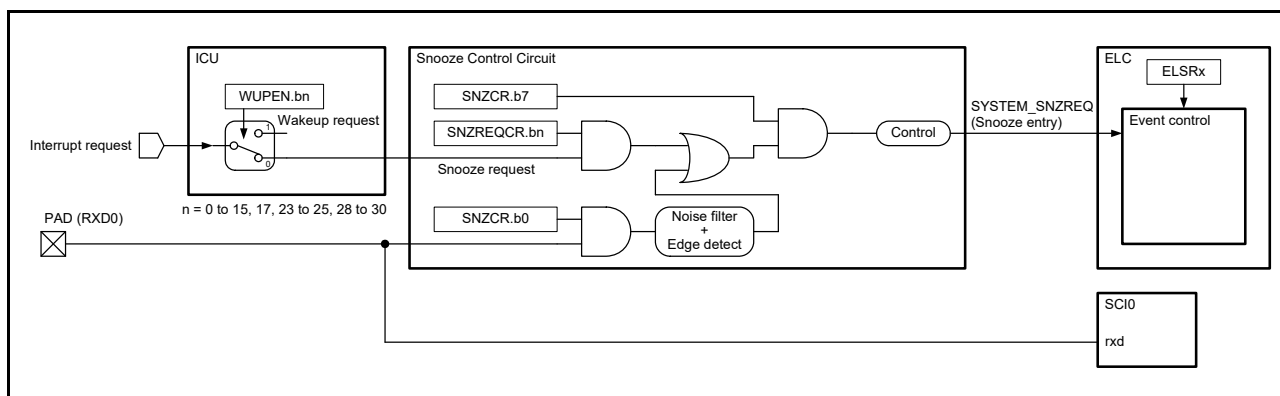


Figure 11.8 Snooze mode entry configuration

Table 11.6 shows the snooze requests that switch the MCU from Software Standby mode to Snooze mode. To use the listed snooze requests as a trigger to switch to Snooze mode, you must set the associated SNZREQENn bit of the SNZREQCR register or RXDREQEN bit of the SNZCR register before entering Software Standby mode.

Note: Do not enable multiple snooze requests at the same time.

Table 11.6 Available snooze requests to switch to Snooze mode

Snooze request	Control Register	
	Register	Bit
PORT_IRQn (n = 0 to 15)	SNZREQCR	SNZREQENn (n = 0 to 15)
KEY_INTKR	SNZREQCR	SNZREQEN17
ACMP_LP0	SNZREQCR	SNZREQEN23
RTC_ALM	SNZREQCR	SNZREQEN24
RTC_PRD	SNZREQCR	SNZREQEN25
AGT1_AGTI	SNZREQCR	SNZREQEN28
AGT1_AGTICMAI	SNZREQCR	SNZREQEN29
AGT1_AGTICMBI	SNZREQCR	SNZREQEN30
RXD0 falling edge	SNZCR	RXDREQEN*1

Note 1. RXDREQEN bit must not be set to 1 except in asynchronous mode.

11.8.2 Canceling Snooze Mode

Snooze mode is canceled by an interrupt request that is available in Software Standby mode or a reset. [Table 11.3](#) shows the requests that can be used to exit each mode. After exiting the Snooze mode, the MCU enters Normal mode and proceeds with exception processing for the given interrupt or reset. An action triggered by the interrupt requests selected in SELSR0, cancels Snooze mode. The interrupt that cancels the Snooze mode must be selected in IELSRn (n = 0 to 63) to link to the NVIC for the corresponding interrupt handling. See [section 14, Interrupt Controller Unit \(ICU\)](#) for information on SELSR0 and IELSRn registers.

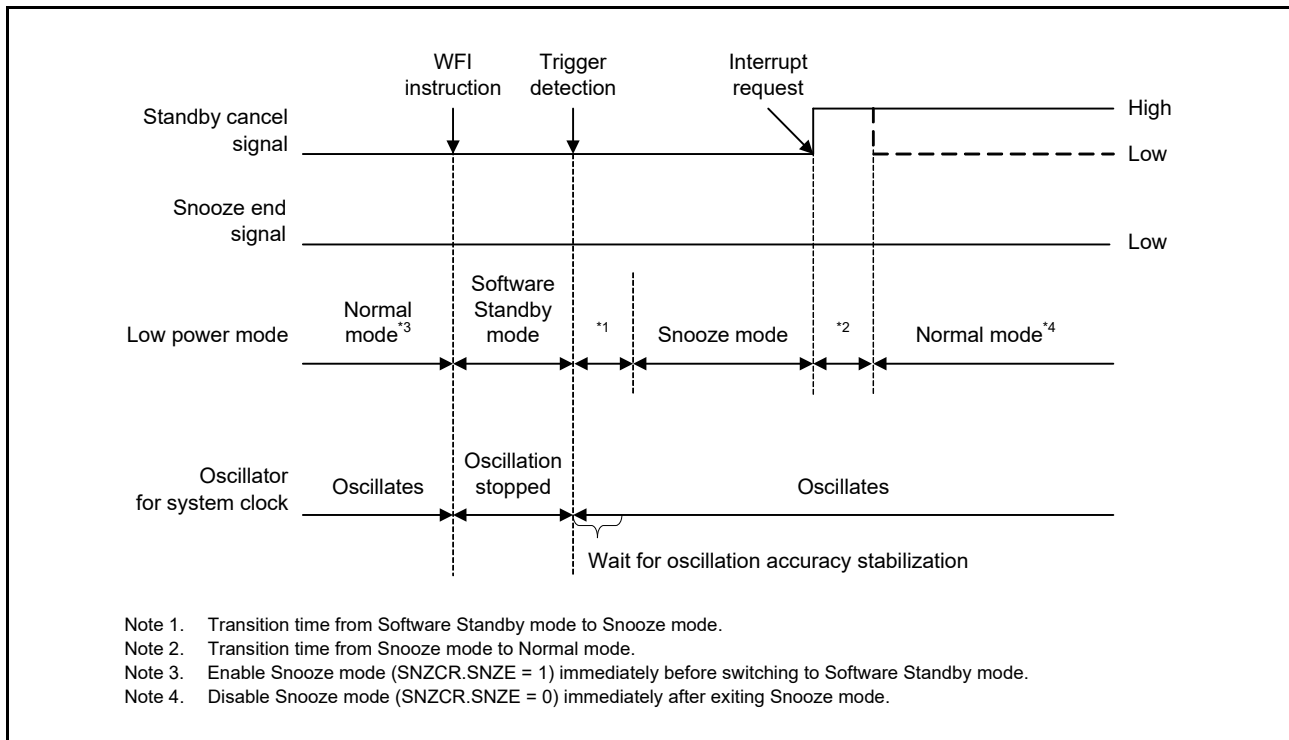


Figure 11.9 Canceling Snooze mode when an interrupt request signal is generated

11.8.3 Returning to Software Standby Mode

[Table 11.7](#) shows the snooze end requests that can be used as triggers to return to Software Standby mode. The snooze end requests are available only in Snooze mode. If the requests are generated when the MCU is not in Snooze mode, they are ignored. When multiple requests are selected, each one of the requests invokes transition to Software Standby mode from Snooze mode.

[Table 11.8](#) shows the snooze end conditions that consist of the snooze end requests and the conditions of the peripheral modules. The CTSU, SCI0, ADC140, and DTC modules can keep the MCU in Snooze mode until they complete operation. However, an AGT1 underflow as a trigger to return to Software Standby mode cancels Snooze mode without waiting for the completion of SCI0 operation.

[Figure 11.10](#) shows the timing diagram for the transition from Snooze mode to Software Standby mode. This mode transition occurs depending on which snooze end requests are set in the SNZEDCR register. A snooze request is cleared automatically after the transition to Software Standby mode.

Table 11.7 Available snooze end requests (triggers for transition to Software Standby mode) (1 of 2)

Snooze end request	Enable/disable control	
	Register	Bit
AGT1 underflow or measurement complete (AGT1_AGTI)	SNZEDCR	bit [0]
DTC transfer complete (DTC_COMPLETE)	SNZEDCR	bit [1]
DTC transfer not complete (DTC_TRANSFER)	SNZEDCR	bit [2]

Table 11.7 Available snooze end requests (triggers for transition to Software Standby mode) (2 of 2)

Snooze end request	Enable/disable control	
	Register	Bit
ADC140 window A/B compare match (ADC140_WCMPPM)	SNZEDCR	bit [3]
ADC140 window A/B compare mismatch (ADC140_WCMPUM)	SNZEDCR	bit [4]
SCI0 address mismatch (SCI0_DCUF)	SNZEDCR	bit [7]

Table 11.8 Snooze end conditions

Operating module when a snooze end request occurs	Snooze end request	
	AGT1 underflow	Other than AGT1 underflow
DTC	The MCU transitions to Software Standby mode after all of the modules listed in this table complete operation	The MCU transitions to Software Standby mode after all of the modules listed to the left of this column complete operation
ADC140		
CTSUS		
SCI0	The MCU transitions to Software Standby mode immediately after a snooze end request is generated	
All other modules	The MCU transitions to Software Standby mode immediately after a snooze end request is generated	

Note: If the DTC is used to activate the ADC140, CTSU, or SCI, the MCU transitions to Software Standby mode after a snooze end request is generated.

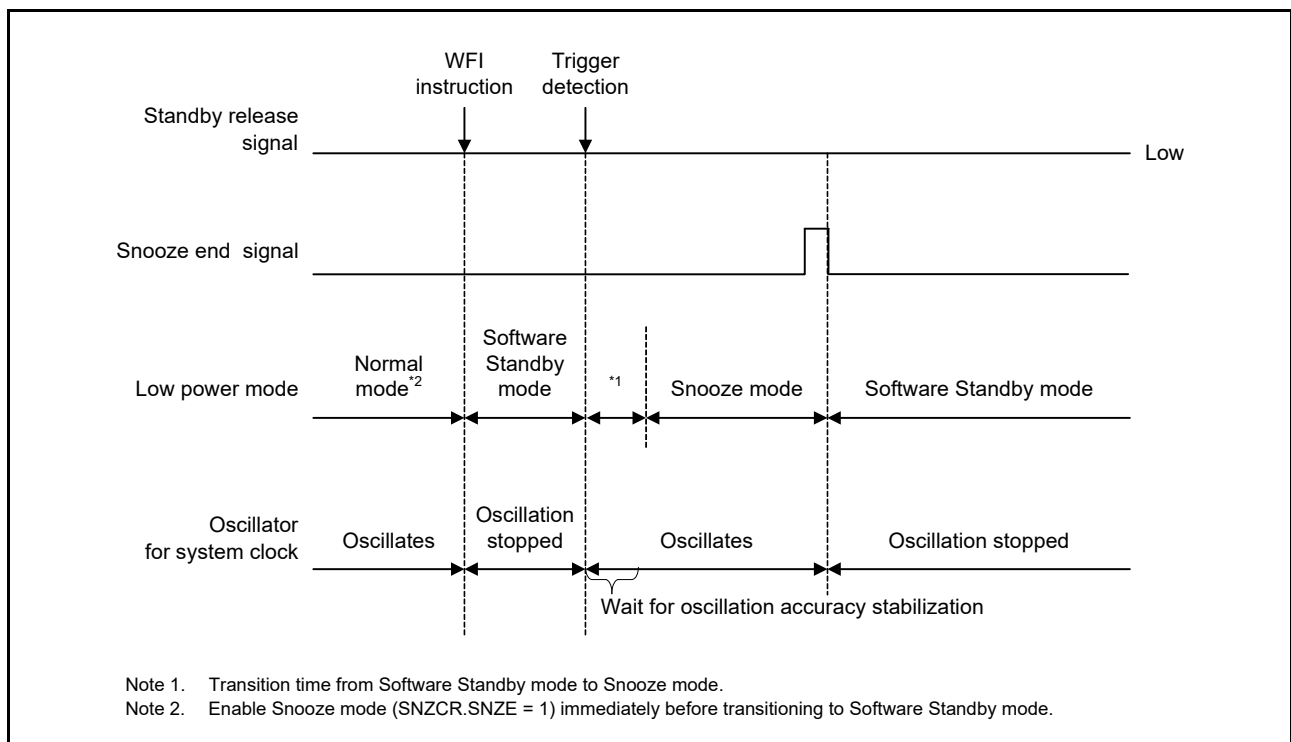


Figure 11.10 Canceling of Snooze mode when an interrupt request signal is not generated

11.8.4 Snooze Operation Example

Figure 11.11 shows an example setting for using ELC in Snooze mode.

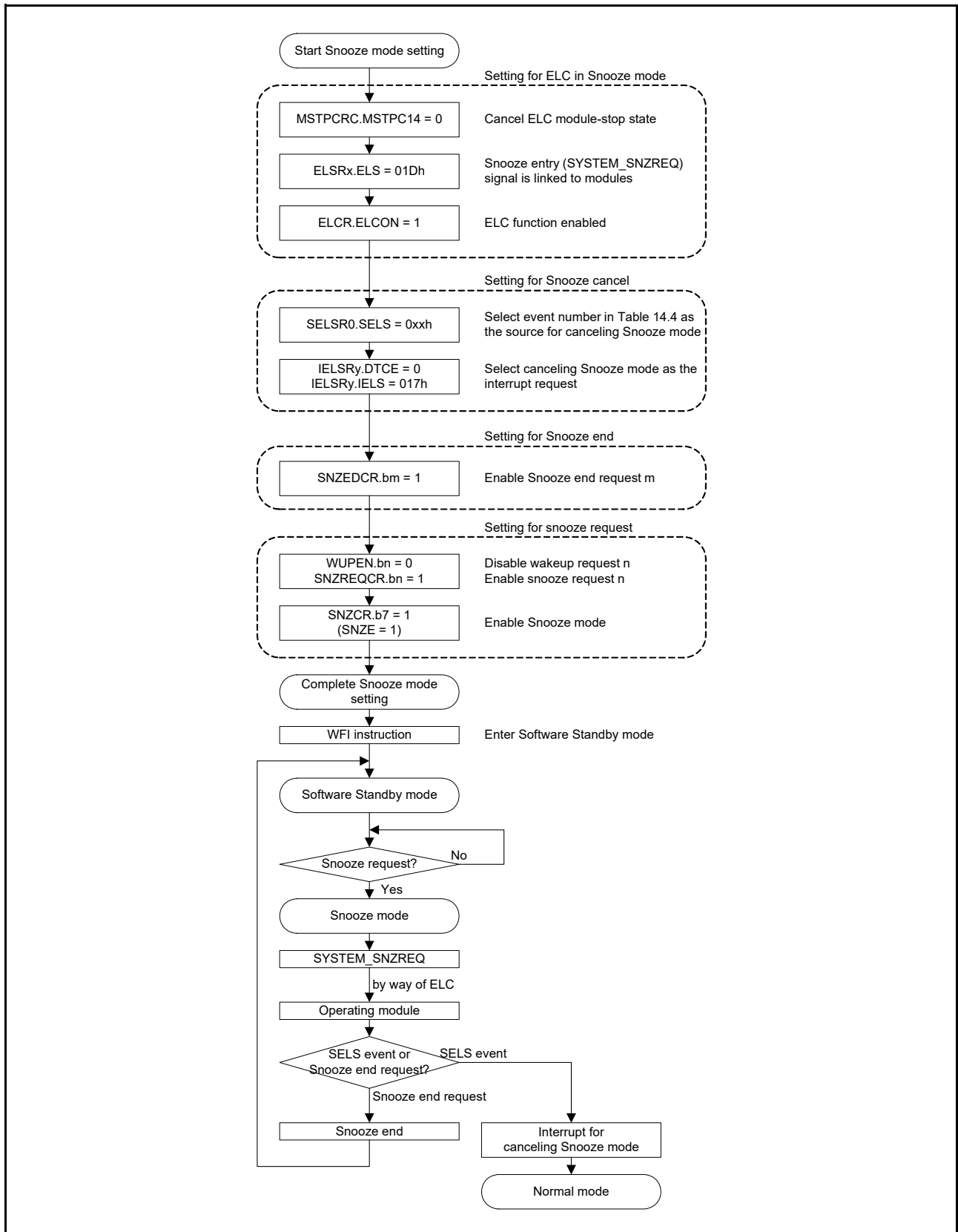


Figure 11.11 Setting example of using ELC in Snooze mode

The MCU can transmit and receive data in SCI0 asynchronous mode without CPU intervention. When using the SCI0 in Snooze mode, use one of the following operating modes:

- High-speed mode
- Middle-speed mode
- Low-speed mode.

Do not use Low-voltage mode or Subosc-speed mode.

Table 11.9 and Table 11.10 show the maximum transfer rate of SCI0 in Snooze mode.

When using SCI0 in the Snooze mode, set the following bits:

- Set BGDM to 0
- Set ABCS to 0
- Set ABCSE to 0.

See section 29, Serial Communications Interface (SCI) for details.

High-speed mode, Middle-speed mode, Low-speed mode

Table 11.9 HOCO: $\pm 1.0\%$ ($T_a = -20$ to 85°C)

(Unit: bps)

Maximum division ratio of ICLK, PCLKA, PCLKB, PCLKC, PCLKD, FCLK, BCLK, and TRCLK	HOCO frequency			
	24 MHz	32 MHz	48 MHz	64 MHz
1	9600*1	-	-	-
2	9600*2	9600*4	4800	-
4	9600*3	9600*5	4800	2400
8	4800	4800	4800	2400
16	4800	4800	4800	2400
32	2400	2400	2400	2400
64	2400	2400	2400	2400

Note 1. SCI0.SMR.CKS[1:0] = 00b, SCI0.SEMR.BRME = 1, SCI0.BRR = 3Dh, SCI0.MDDR = CEh must be used for 9600 bps.

Note 2. SCI0.SMR.CKS[1:0] = 00b, SCI0.SEMR.BRME = 1, SCI0.BRR = 1Eh, SCI0.MDDR = CEh must be used for 9600 bps.

Note 3. SCI0.SMR.CKS[1:0] = 00b, SCI0.SEMR.BRME = 1, SCI0.BRR = 0Dh, SCI0.MDDR = BAh must be used for 9600 bps.

Note 4. SCI0.SMR.CKS[1:0] = 00b, SCI0.SEMR.BRME = 1, SCI0.BRR = 32h, SCI0.MDDR = FEh must be used for 9600 bps.

Note 5. SCI0.SMR.CKS[1:0] = 00b, SCI0.SEMR.BRME = 1, SCI0.BRR = 18h, SCI0.MDDR = F9h must be used for 9600 bps.

High-speed mode, Middle-speed mode, Low-speed mode

Table 11.10 HOCO: $\pm 2.0\%$ ($T_a = -40$ to -20°C , 85 to 105°C)

(Unit: bps)

Maximum division ratio of ICLK, PCLKA, PCLKB, PCLKC, PCLKD, FCLK, BCLK, and TRCLK	HOCO frequency			
	24 MHz	32 MHz	48 MHz	64 MHz
1	2400	-	-	-
2	2400	2400	2400	-
4	2400	2400	2400	1200
8	2400	2400	2400	1200
16	2400	2400	2400	1200
32	1200	1200	1200	1200
64	1200	1200	1200	1200

Figure 11.12 shows an example setting for using the SCI0 in Snooze mode entry.

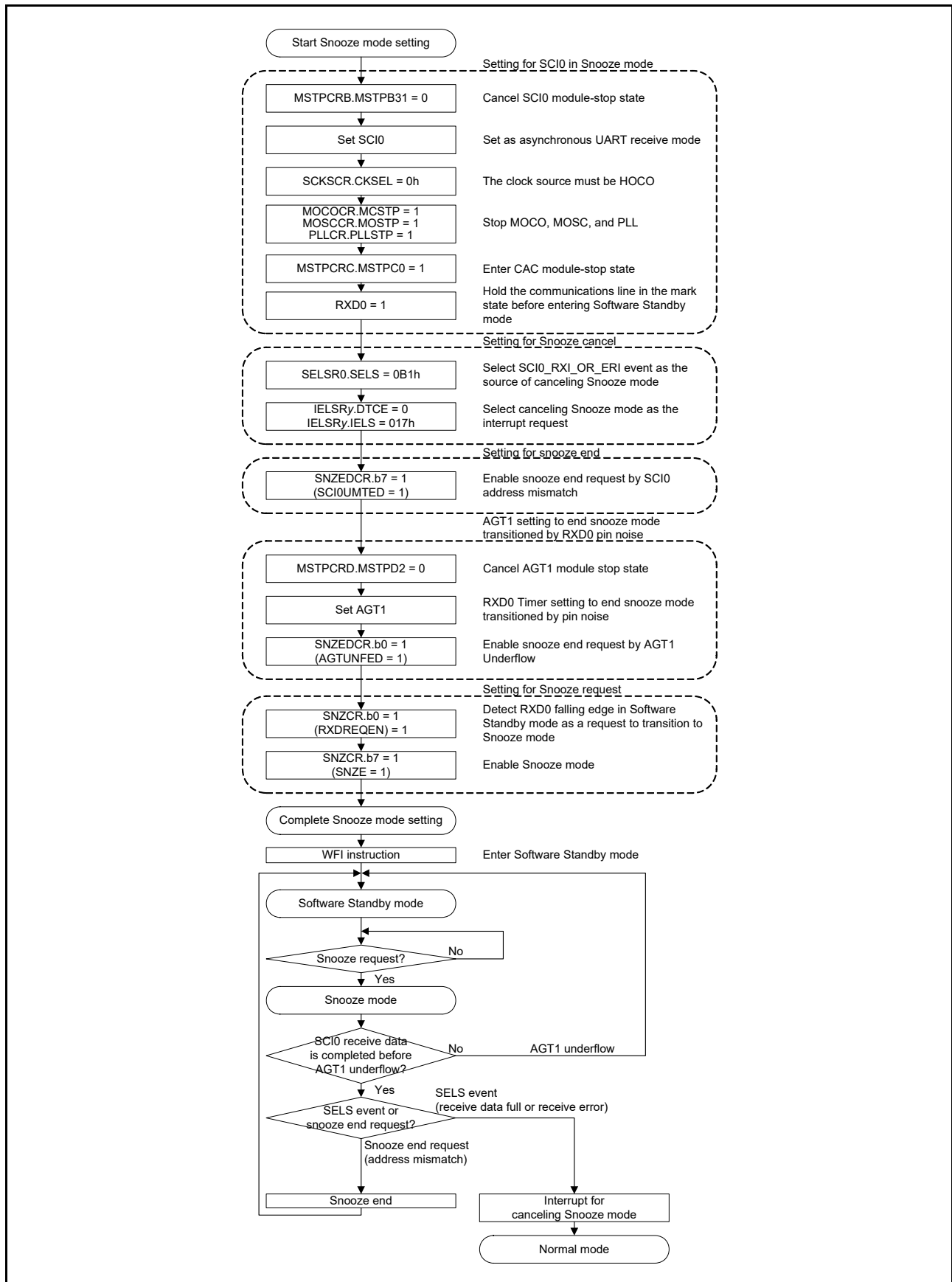


Figure 11.12 Setting example of using SCI0 in Snooze mode entry

11.9 Usage Notes

11.9.1 Register Access

(1) Invalid register write accesses during specific modes or transitions

Do not write to registers listed in this section in any of the following conditions.

[Registers]

- All registers with a peripheral name of SYSTEM.

[Conditions]

- OPCCR.OPCMTSF = 1 or SOPCCR.SOPCMTSF = 1 (during transition of the operating power control mode)
- Time period from executing a WFI instruction to returning to Normal mode
- FENTRYR.FENTRY0 = 1 or FENTRYR.FENTRYD = 1 (flash P/E mode, data flash P/E mode)
- FLSTOP.FLSTPF = 1 (during transition).

(2) Valid setting of the clock-related registers

Table 11.11 and Table 11.12 show the valid setting of the clock-related registers in each operating power control mode. Do not write any value other than the valid setting. Any other value written is ignored. Additionally, each register has certain prohibited settings under conditions other than those related to the operating power control modes. See [section 9, Clock Generation Circuit](#) for these other conditions for each register.

Table 11.11 Valid settings for clock-related registers (1)

Mode	Valid setting								
	SCKSCR. CKSEL[2:0], CKOCR. CKOSEL[2:0]	SCKDIVCR .FCK[2:0], SCKDIVCR .ICK[2:0]	SLCDSCCKR. LCDSCCKSEL[2:0]	PLLCR. PLLSTP	HOCOCCR. HCSTP	MOCOCCR. MCSTP	LOCOCCR. LCSTP	MOSCCR. MOSTP	SOSCCR.S OSTP
High-speed, Middle-speed	000b (HOCO) 001b (MOCO) 010b (LOCO) 011b (MOSC) 100b (SOSC) 101b (PLL)*1	000b (1/1) 001b (1/2) 010b (1/4) 011b (1/8) 100b (1/16) 101b (1/32) 110b (1/64)	000b (LOCO) 001b (SOSC) 010b (MOSC) 100b (HOCO)	0 (operating) 1 (stopped)	0 (operating) 1 (stopped)	0 (operating) 1 (stopped)	0 (operating) 1 (stopped)	0 (operating) 1 (stopped)	0 (operating) 1 (stopped)
Low-speed, Low-voltage	000b (HOCO) 001b (MOCO) 010b (LOCO) 011b (MOSC) 100b (SOSC)			1 (stopped)					
Subosc-speed	010b (LOCO) 100b (SOSC)	000b (1/1)	000b (LOCO) 001b (SOSC)	1 (stopped)	1 (stopped)	1 (stopped)	0 (operating) 1 (stopped)	1 (stopped)	0 (operating) 1 (stopped)

Note 1. SCKSCR.CKSEL[2:0] only.

Table 11.12 Valid setting for clock-related registers (2)

Operating oscillator	Valid setting	
	SOPCCR.SOPCM	OPCCR.OPCM[1:0]
PLL	0	00b, 01b
High-speed on-chip oscillator	0	00b, 01b, 10b, 11b
Middle-speed on-chip oscillator		
Main clock oscillator		
Low-speed on-chip oscillator	0, 1	00b, 01b, 10b, 11b
Sub-clock oscillator		
IWDT-dedicated on-chip oscillator		

(3) Invalid register write accesses in subosc-speed mode

Do not write to registers listed in this section for the following condition.

[Registers]

- SCKSCR, OPCCR.

[Condition]

- SOPCCR.SOPCM = 1 (Subosc-speed mode).

(4) Invalid register write accesses by DTC or DMAC

Do not write to the registers listed in this section using the DTC or DMAC.

[Registers]

- MSTPCRA.

(5) Invalid register write accesses in Snooze mode

Do not write to the registers listed in this section in Snooze mode. They must be set before entering Software Standby mode.

[Registers]

- SNZCR, SNZEDCR, SNZREQCR.

(6) Invalid write access to set FLSTOP.FLSTOP bit to 1

Do not set the FLSTOP.FLSTOP bit to 1 under any of the following conditions:

[Conditions]

- SOPCCR.SOPCM = 0, OPCCR.OPCM[1:0] = 00b (High-speed mode)
- SOPCCR.SOPCM = 0, OPCCR.OPCM[1:0] = 01b (Middle-speed mode)
- SOPCCR.SOPCM = 0, OPCCR.OPCM[1:0] = 11b (Low-speed mode)
- SOPCCR.SOPCM = 1 (Subosc-speed mode).

(7) Invalid write access to set MEMWAIT.MEMWAIT bit to 1

Do not set the MEMWAIT.MEMWAIT bit to 1 in any of the following conditions:

[Conditions]

- SOPCCR.SOPCM = 0, OPCCR.OPCM[1:0] = 01 (Middle-speed mode)
- SOPCCR.SOPCM = 0, OPCCR.OPCM[1:0] = 10 (Low-voltage mode)
- SOPCCR.SOPCM = 0, OPCCR.OPCM[1:0] = 11 (Low-speed mode)
- SOPCCR.SOPCM = 1 (Subosc-speed mode).

(8) Invalid write access when PRCR.PRC1 bit is 0

Do not write to the registers listed in this section when PRCR.PRC1 bit is 0.

[Registers]

- SBYCR, SNZCR, SNZEDCR, SNZREQCR, FLSTOP, PSMCR, OPCCR, SOPCCR.

11.9.2 I/O Port States

The I/O port states in Software Standby mode and Snooze mode (except when modifying in Snooze mode) are the same before entering the modes. Therefore, power consumption is not reduced while the output signals are held high.

11.9.3 Module-Stop State of DMAC and DTC

Before writing 1 to MSTPCRA.MSTPA22, set the DMAST.DMST bit of the DMAC and the DTCST.DTCST bit of the DTC to 0. For details, see [section 17, DMA Controller \(DMAC\)](#) and [section 18, Data Transfer Controller \(DTC\)](#).

11.9.4 Internal Interrupt Sources

Interrupts do not operate in the module-stop state. If the module-stop bit is set while an interrupt request is generated, a CPU interrupt source or a DMAC or DTC startup source cannot be cleared. For this reason, make sure you disable the corresponding interrupts before setting the module-stop bits.

11.9.5 Transition to Low Power Modes

Because the MCU does not support wakeup by event, do not enter low power modes (Sleep mode or Software Standby mode) by executing a WFE instruction. Also, do not set the SLEEPDEEP bit of the System Control Register in the Cortex[®]-M4 core because the MCU does not support low power modes by SLEEPDEEP.

11.9.6 Timing of WFI Instruction

It is possible for the WFI instruction to be executed before I/O register and CS area writes are complete, in which case operation might not proceed as intended. This can happen if the WFI instruction is executed immediately after a write to an I/O register or CS area. To avoid this problem, it is recommended that you read back the register and CS area that was written to confirm that the write completed. For example, reading the MSTPCRB register before executing the WFI instruction can secure the period to complete writing to the I/O register.

11.9.7 Writing WDT/IWDT Registers by DMAC or DTC in Sleep Mode or Snooze Mode

Do not write to the registers in WDT or IWDT using the DMAC or DTC while WDT or IWDT stops by entering Sleep mode or Snooze mode.

11.9.8 Oscillators in Snooze Mode

Oscillators that stop by entering Software Standby mode automatically restart when a trigger to switch to Snooze mode is generated. The MCU does not enter Snooze mode until all the oscillators stabilize. If in Snooze mode, you must disable oscillators that are not required in Snooze mode before entering Software Standby mode. Otherwise, the transition from Software Standby mode to Snooze mode takes longer.

11.9.9 Snooze Mode Entry by RXD0 Falling Edge

When the SNZCR.RXDREQEN bit is 1, noise on the RXD0 pin might cause the MCU to transition from Software Standby mode to Snooze mode. Any subsequent RXD0 data can be received in Snooze mode by a noise on the RXD0 pin. If the MCU does not receive RXD0 data after the noise, interrupts such as SCI0_ERI or SCI0_RXI and address mismatch events are not generated, and the MCU stays in Snooze mode. To avoid this, an AGT1 underflow interrupt must be used to return to Software Standby mode or Normal mode when using SCI0 in Snooze mode. However, do not use the AGT1 underflow as a source to return to Software Standby mode during an SCI communication. This causes the SCI0 to stop the operation in a half-finished state.

11.9.10 Using SCI0 in Snooze Mode

When using SCI0 in Snooze mode, a wakeup request other than an AGT1 underflow must not be used.

When using SCI0 in Snooze mode, the following conditions must be satisfied:

- The clock source must be HOCO
- MOCO, MOSC, and PLL must stop before entering Software Standby mode
- The RXD0 pin must be kept at high level before entering Software Standby mode
- A transition to Software Standby mode must not occur during an SCI communication
- The MSTPCRC.MSTPC0 bit must be 1 before entering Software Standby mode.

11.9.11 Conditions of A/D Conversion Start in Snooze Mode

The A/D converter can only be triggered by the ELC in Snooze mode. Do not use a software trigger or ADTRG0 pin.

11.9.12 Conditions of CTSU in Snooze Mode

The CTSU can only be started by the ELC in Snooze mode.

11.9.13 ELC Event in Snooze Mode

The ELC events available in Snooze mode are listed in this section. Do not use any other events. If starting peripheral modules for the first time after entering Snooze mode, the Event Link Setting Register (ELSRn) must set a Snooze mode entry event (SYSTEM_SNZREQ) as the trigger.

- Snooze mode entry (SYSTEM_SNZREQ)
- DTC transfer end (DTC_DTCEND)
- ADC140 window A/B compare match (ADC140_WCMPPM)
- ADC140 window A/B compare mismatch (ADC140_WCMPUM)
- Data operation circuit interrupt (DOC_DOPCI).

11.9.14 Module-Stop Function for ADC140

When entering Software Standby mode, it is recommended that you set the ADC140 module-stop state to reduce power consumption. In this case, the ADC140 can be available in Snooze mode by releasing the ADC140 module-stop using the DTC. Similarly, set the module-stop state using the DTC before returning to Software Standby mode from Snooze mode.

11.9.15 Module-Stop Function for an Unused Circuit

A circuit that is not used in user mode might not be reset, and might operate in an unstable state because the clocks are not supplied during an MCU reset. In this case, when the MCU transitions to Low-speed mode or Software Standby mode, the supply current could increase to a value greater than the specified value (as provided in this User's Manual), by up to 600 μ A. So, initialize the unused circuit as shown in [Figure 11.13](#).

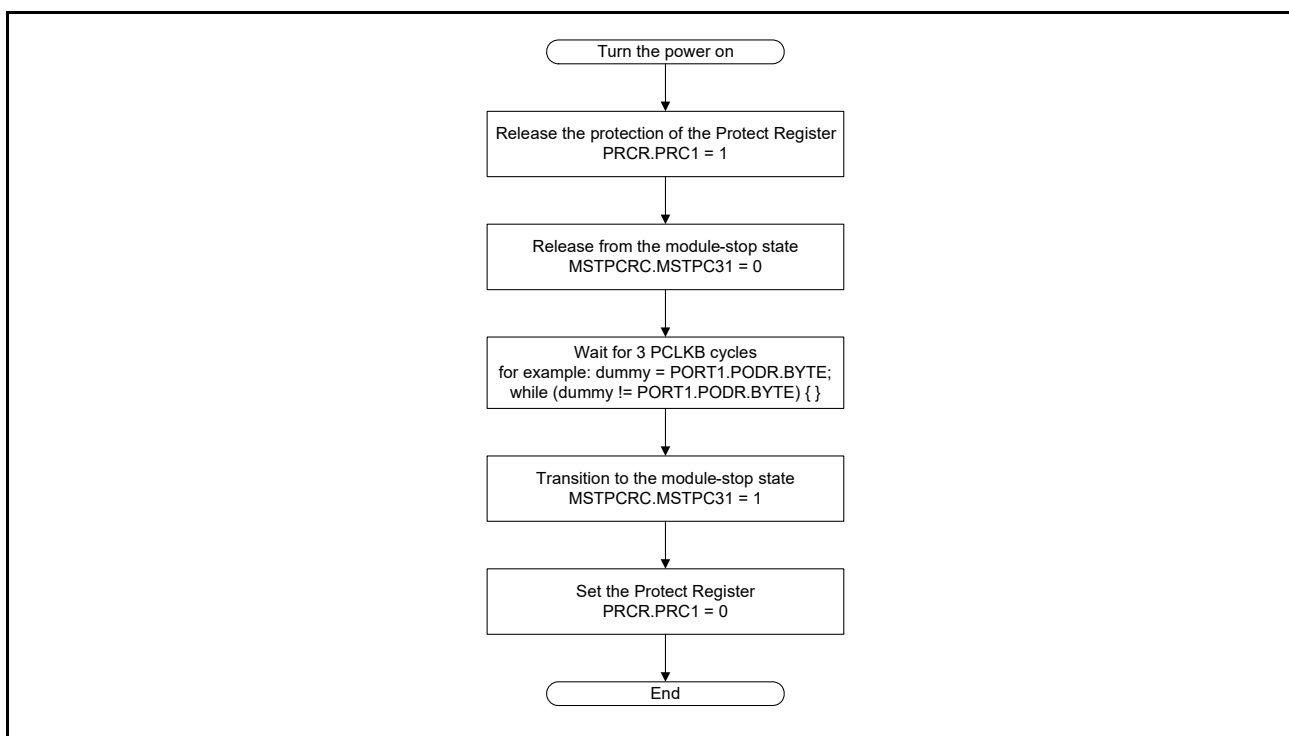


Figure 11.13 Initial setting flow example for an unused circuit

12. Battery Backup Function

12.1 Overview

The MCU provides a battery backup function that maintains partial battery powering in the event of a power loss. Switching between VCC and VBATT, the battery-powered area includes RTC, SOSC, LOCO, Wakeup Control/Backup Memory, VBATT_R Low Voltage Detection, and VBATT Low Voltage Detection.

During normal operation, the battery-powered area is powered by the main power supply, the VCC pin. When a VCC voltage drop is detected, the power source switches to the dedicated battery backup power pin, the VBATT pin. When the voltage rises again, the power source switches back from VBATT to VCC. [Table 12.1](#) lists the VBATT wakeup I/O pin configuration.

Table 12.1 VBATT wakeup I/O pin configuration

Pin Name	I/O	Function
VBATWIO _n	Input/Output	Output wakeup signal for the VBATT Wakeup Control function. External event input for the VBATT Wakeup Control function.

Note: n = 0 to 2.

12.1.1 Features of Battery Backup Function

Battery backup features include:

- Battery power supply switch
- VBATT pin low voltage detection
- VBATT_R low voltage detection
- Backup registers
- VBATT wakeup control function
- Time capture pin detection.

12.1.2 Battery Power Supply Switch

When the voltage applied to the VCC pin drops, this feature switches the power supply from the VCC pin to the VBATT pin. When the voltage rises, it switches the power supply from the VBATT pin back to the VCC pin.

The switch is controlled by the VBTCR1.BPWSWSTP bit. By default, switching is enabled. It can be disabled by setting the VBTCR1.BPWSWSTP bit to 1.

12.1.3 VBATT Pin Low Voltage Detection

The VBATT low voltage detection function supports the battery-powered area. This function monitors whether power is supplied to the VBATT pin.

It is possible to detect a low voltage condition of the power supply using a flag provided in the VBATT status register.

12.1.4 VBATT_R Low Voltage Detection

VBATT_R low voltage detection function supports the battery-powered area. This function monitors the VBATT_R voltage level. VBATT_R is the output voltage of the battery power supply switch.

This low voltage detection causes a VBATT_POR reset and initializes the battery-powered area. See details in each register description. The VBATT status register includes a flag to check for this low voltage detection.

12.1.5 Backup Registers

The battery-powered area provides 512 one-byte backup registers. These registers retain data when the battery-powered area is powered from VCC pin or VBATT pin. This memory is checked by the VBATT pin low voltage detection.

12.1.6 VBATT Wakeup Control Function

The VBATT wakeup control function is a function that can toggle the VBATWIO[2:0] pins when the RTC alarm, periodic signal, or VBATWIO_n (n = 0 to 2) input signal is asserted when VBATT_R is powered by the VBATT pin.

Note: The toggle triggered by the wakeup control function does not generate an interrupt to the ICU or a reset to the reset module. The use case of this function is that the output toggle triggers other devices on board to control the VCC power supply. For details, see [section 12.3.5, VBATT Wakeup Control Function Usage](#).

12.1.7 Time Capture Pin Detection

The RTC detects input level changes on the time capture pins, RTCIC_n (n = 0 to 2).

For the function of the RTCIC_n pins, see [section 25, Realtime Clock \(RTC\)](#). To use RTCIC_n pins, set the VBTICTLR register as described in [section 12.2, Register Descriptions](#).

Note: When the battery backup function is not used, the VBATT pin must be connected to the VCC pin.

Note: When power is turned on, power is not supplied to the RTC, the SOSC (including multiplexed port), or the LOCO before setting the VBTCR1.BPWSWSTP bit to 1. It takes the VBATT_POR reset time $t_{VBATPOR}$ as described in [section 51, Electrical Characteristics](#) to supply power to the modules after setting the VBTCR1.BPWSWSTP bit. The VBTCR1.BPWSWSTP bit must be set to 1 after a power-on reset, regardless of whether the VBATT function is used. See [section 12.2.1, VBATT Control Register 1 \(VBTCR1\)](#) for details.

Figure 12.1 shows the configuration of the battery backup function.

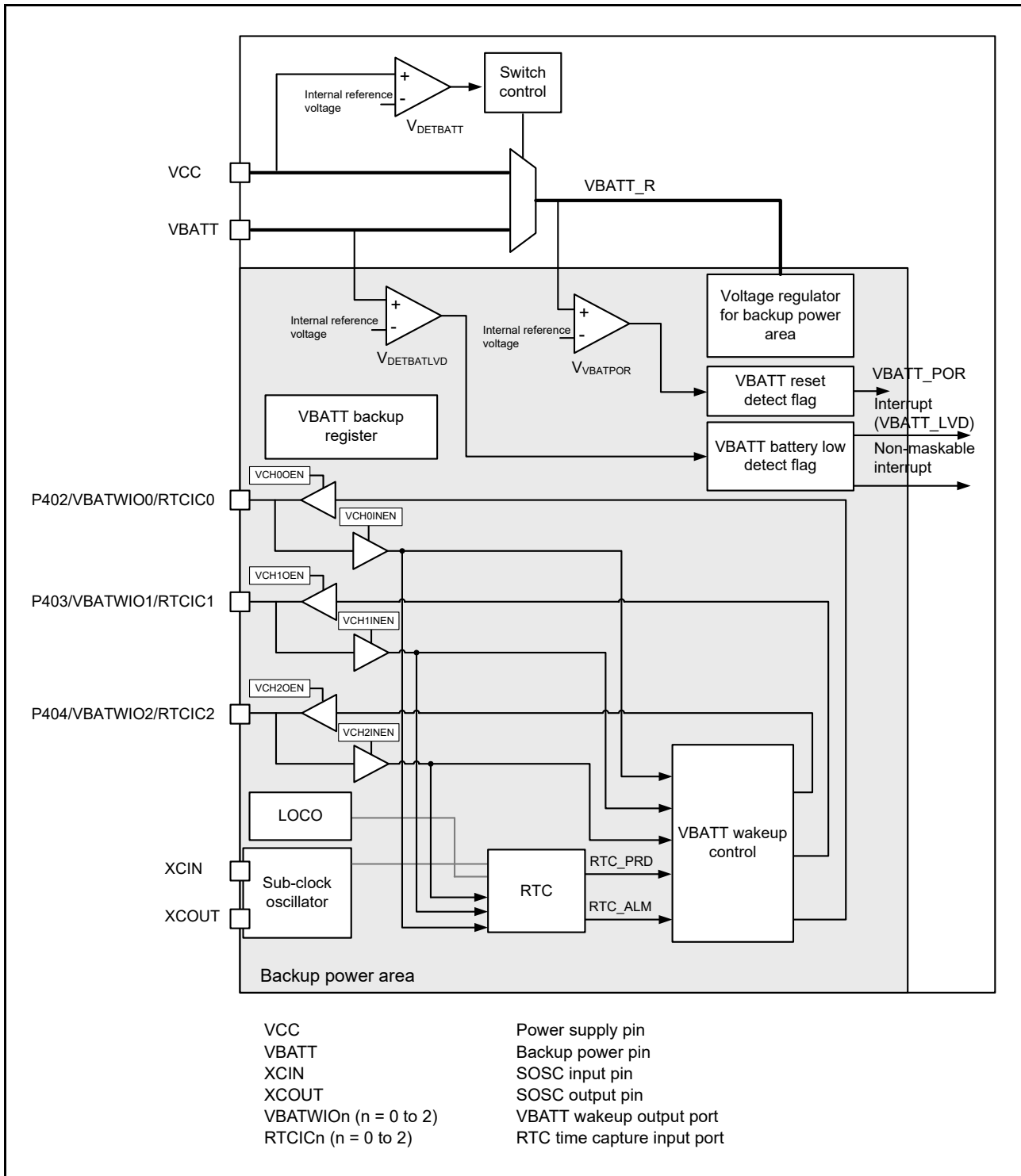
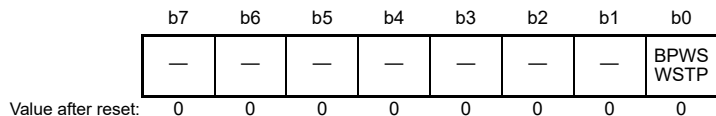


Figure 12.1 Configuration of the battery backup function

12.2 Register Descriptions

12.2.1 VBATT Control Register 1 (VBTCR1)

Address(es): SYSTEM.VBTCR1 4001 E41Fh



Bit	Symbol	Bit name	Description	R/W
b0	BPWSWSTP	Battery Power Supply Switch Stop	0: Enable battery power supply switch 1: Stop battery power supply switch.	R/W
b7 to b1	—	Reserved	These bits are read as 0. The write value should be 0.	R/W

BPWSWSTP bit (Battery Power Supply Switch Stop)

The BPWSWSTP bit can enable the battery power supply switch to switch the battery backup module supply voltage from VCC to VBATT when the voltage applied to the VCC pin drops. When stopped, the battery backup module power supply is always from VCC. To disable the battery backup function, write 1 to this bit. This bit is initialized only by a power-on reset.

Note: This bit can be set without checking the VBATSR.VBTRVLD bit status.

Note: The VBTCR1.BPWSWSTP bit must be set to 1 after a power-on reset, regardless of whether the VBATT function is used. The setting flow of the VBTCR1.BPWSWSTP bit is shown in Figure 12.2. Also, the VBTCR1.BPWSWSTP bit must be cleared after other related registers are set, when the VBATT function is used.

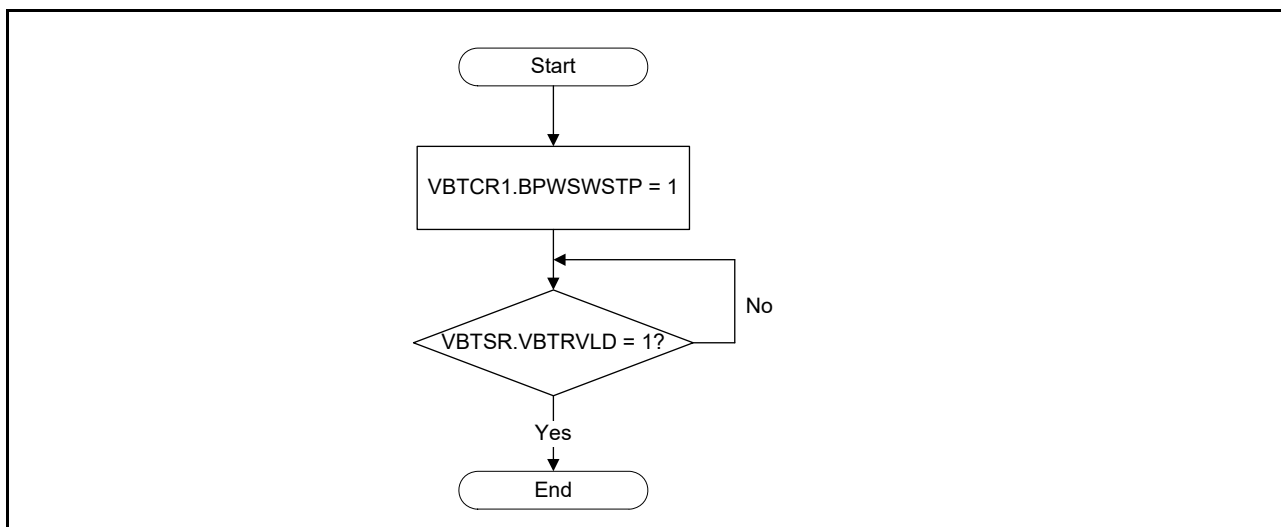


Figure 12.2 Setting flow of the VBTCR1.BPWSWSTP bit

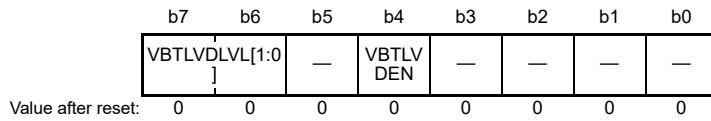
Note: In Figure 12.2, if the VBTSR.VBTRVLD bit is not 1, it takes the VBATT_POR reset time $t_{VBATPOR}$ as described in section 51, Electrical Characteristics, to exit the loop.

The following registers cannot be accessed when the VBTSR.VBTRVLD bit is 0. Other registers can be accessed regardless of this condition:

- LOCOCR, LOCOUTCR, SOSCCR, and SOMCR described in section 9, Clock Generation Circuit
- All registers described in this section except for VBTCR1 and the VBTSR.VBTRVLD bit
- All registers described in section 25, Realtime Clock (RTC).

12.2.2 VBATT Control Register 2 (VBTCR2)

Address(es): SYSTEM.VBTCR2 4001 E4B0h



Bit	Symbol	Bit name	Description	R/W
b3 to b0	—	Reserved	These bits are read as 0. The write value should be 0.	R/W
b4	VBTLVDEN	VBATT Pin Low Voltage Detect Enable	0: VBATT pin low voltage detection disabled 1: VBATT pin low voltage detection enabled.	R/W
b5	—	Reserved	This bit is read as 0. The write value should be 0.	R/W
b7, b6	VBTLVDLVL[1:0]	VBATT Pin Low Voltage Detect Level Select	b7 b6 0 0: Reserved 0 1: Setting prohibited 1 0: 2.3 V 1 1: 2.1 V.	R/W

The VBTCR2 register controls the VBATT pin low voltage detection function. VBTCR2 is reset by the VBATT_POR signal.

VBTLVDEN bit (VBATT Pin Low Voltage Detect Enable)

The VBTLVDEN bit controls the VBATT pin low voltage detection.

VBTLVDLVL[1:0] bits (VBATT Pin Low Voltage Detect Level Select)

The VBTLVDLVL[1:0] bits select the VBATT pin low voltage detection level.

12.2.3 VBATT Status Register (VBTSR)

Address(es): [SYSTEM.VBTSR 4001 E4B1h](#)

	b7	b6	b5	b4	b3	b2	b1	b0
	—	—	—	VBTRVLD	—	—	VBTBLDF	VBTRDF
Value after reset:	0	0	0	0*5	0	0	0*2	1*1

Bit	Symbol	Bit name	Description	R/W
b0	VBTRDF	VBATT_R Reset Detect Flag	0: VBATT_R voltage power-on reset not detected 1: VBATT_R selected voltage power-on reset detected.	R/(W) *3
b1	VBTLDF	VBATT Battery Low Detect Flag*4	0: VBATT pin low voltage not detected 1: VBATT pin low voltage detected.	R/(W) *3
b3, b2	—	Reserved	These bits are read as 0. The write value should be 0.	R/W
b4	VBTRVLD	VBATT_R Valid	0: VBATT_R area not valid 1: VBATT_R area valid.	R
b7 to b5	—	Reserved	These bits are read as 0. The write value should be 0.	R/W

Note 1. This flag is only set by the VBATT_POR reset.

Note 2. This flag is only reset by the VBATT_POR reset.

Note 3. Only 0 can be written after reading 1.

Note 4. This flag is only valid when VBTLVDEN is 1. If VBTLVDEN is 0, this flag is read as 0.

Note 5. Depends on the VBATT_R voltage level.

[VBTRDF flag \(VBATT_R Reset Detect Flag\)](#)

The VBTRDF flag indicates that a VBATT_R (selected voltage of VCC or VBATT) power-on reset occurs.

[Setting condition]

- When a VBATT_R voltage power-on reset occurs.

[Clearing condition]

- When VBTRDF is read as 1 and 0 is written to VBTRDF.

[VBTLDF flag \(VBATT Battery Low Detect Flag\)](#)

The VBTLDF flag indicates that a VBATT pin low voltage detection occurs.

[Setting condition]

- When VBATT pin low voltage detection occurs.

[Clearing condition]

- When VBTLDF is read as 1 and 0 is written to VBTLDF.

[VBTRVLD bit \(VBATT_R Valid\)](#)

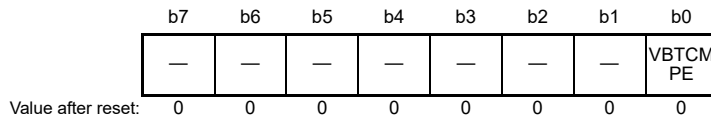
Check whether the VBATT area is valid.

The VBTRVLD bit checks whether the VBATT_R area is valid. It must confirm that the VBTRVLD bit is 1 before writing to or reading from the following registers:

- LOCOCR, LOCOUTCR, SOSCCR, and SOMCR described in [section 9, Clock Generation Circuit](#)
- All registers described in this section except for VBTCR1 and the VBTSR.VBTRVLD bit
- All registers described in [section 25, Realtime Clock \(RTC\)](#).

12.2.4 VBATT Comparator Control Register (VBTCMPCR)

Address(es): [SYSTEM.VBTCMPCR 4001 E4B2h](#)



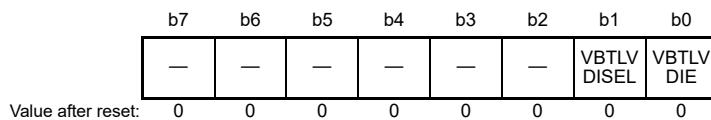
Bit	Symbol	Bit name	Description	R/W
b0	VBTCMPE	VBATT Pin Low Voltage Detect Circuit Output Enable	0: VBATT pin low voltage detect circuit output disabled 1: VBATT pin low voltage detect circuit output enabled.	R/W
b7 to b1	—	Reserved	These bits are read as 0. The write value should be 0.	R/W

VBTCMPE bit (VBATT Pin Low Voltage Detect Circuit Output Enable)

The VBTCMPE bit controls the VBATT pin low voltage detection circuit output. This bit is initialized by the VBATT_POR signal.

12.2.5 VBATT Pin Low Voltage Detect Interrupt Control Register (VBTLVDIR)

Address(es): [SYSTEM.VBTLVDIR 4001 E4B4h](#)

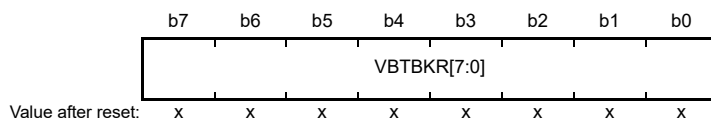


Bit	Symbol	Bit name	Description	R/W
b0	VBTLV DIE	VBATT Pin Low Voltage Detect Interrupt Enable	0: VBATT pin low voltage detection interrupt disabled 1: VBATT pin low voltage detection interrupt enabled.	R/W
b1	VBTLV DISEL	Pin Low Voltage Detect Interrupt Select	0: Non-maskable interrupt 1: Maskable interrupt.	R/W
b7 to b2	—	Reserved	These bits are read as 0. The write value should be 0.	R/W

The VBTLVDIR is reset by the VBATT_POR signal.

12.2.6 VBATT Backup Register (VBTBKRn) (n = 0 to 511)

Address(es): [SYSTEM.VBTBKR0 4001 E500h](#) to [SYSTEM.VBTBKR511 4001 E6FFh](#)



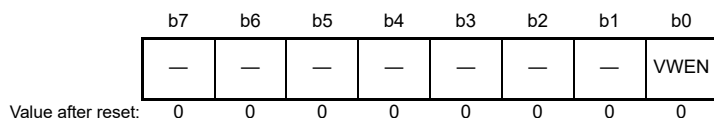
x: Undefined

VBTBKRn is an 8-bit access read/write register to store data powered by VBATT. The value of this register is saved even in VBATT mode. This register is not initialized by any reset.

Note: When accessing the VBATT Backup Register, the VCC level must be over $V_{_BKBATT}$ as described in [section 51, Electrical Characteristics](#).

12.2.7 VBATT Wakeup Control Register (VBTWCTLR)

Address(es): SYSTEM.VBTWCTLR 4001 E4B6h



Bit	Symbol	Bit name	Description	R/W
b0	VWEN	VBATT Wakeup Enable	0: Disable wakeup function 1: Enable wakeup function.	R/W
b7 to b1	—	Reserved	These bits are read as 0. The write value should be 0.	R/W

The VBTWCTLR register controls the VBATT wakeup function. VBTWCTLR is reset by the VBATT_POR signal.

VWEN bit (VBATT Wakeup Enable)

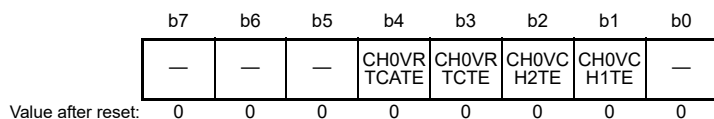
The VWEN bit enables the VBATT wakeup control function. When the VWEN bit is set to 0 and the VBTCTLR.VCHnOEN (n = 0 to 2) bit is set to 1, the VBATWIO_n (n = 0 to 2) pin output is low level. When the VWEN bit is set to 1, the output from the VBATWIO_n pin changes to the level specified by the VBTCTLR.VOUTnLSEL (n = 0 to 2) bit.

Set the VWEN bit to 1 only after setting of the following registers is complete. Set VWEN to 0 first before modifying the following registers:

- VBTWCHnOTSR
- VBTICTLR
- VBTCTLR
- VBTWTER
- VBTWEGR (n = 0 to 2).

12.2.8 VBATT Wakeup I/O 0 Output Trigger Select Register (VBTWCH0OTSR)

Address(es): SYSTEM.VBTWCH0OTSR 4001 E4B8h



Bit	Symbol	Bit name	Description	R/W
b0	—	Reserved	This bit is read as 0. The write value should be 0.	R/W
b1	CH0VCH1TE	VBATWIO0 Output VBATWIO1 Trigger Enable	0: VBATT wakeup I/O 0 output trigger by the VBATWIO1 pin disabled 1: VBATT wakeup I/O 0 output trigger by the VBATWIO1 pin enabled.	R/W
b2	CH0VCH2TE	VBATWIO0 Output VBATWIO2 Trigger Enable	0: VBATT wakeup I/O 0 output trigger by the VBATWIO2 pin disabled 1: VBATT wakeup I/O 0 output trigger by the VBATWIO2 pin enabled.	R/W
b3	CH0VRTCTE	VBATWIO0 Output RTC Periodic Signal Enable	0: VBATT wakeup I/O 0 output trigger by the RTC periodic signal disabled 1: VBATT wakeup I/O 0 output trigger by the RTC periodic signal enabled.	R/W

b4	CH0VRTCATE	VBATWIO0 Output RTC Alarm Signal Enable	0: VBATT wakeup I/O 0 output trigger by the RTC alarm signal disabled 1: VBATT wakeup I/O 0 output trigger by the RTC alarm signal enabled.	R/W
b7 to b5	—	Reserved	These bits are read as 0. The write value should be 0.	R/W

The VBTWCH0OTSR controls the VBATT wakeup I/O 0 output trigger source.

If this register bit is set to 1 and the associated wakeup trigger flag in the VBTWFR register is set, the VBATWIO0 pin outputs a signal based on the VOUT0LSEL bit in the VBTOCTLR register.

The VBTWCH0OTSR register is initialized by the VBATT_POR signal.

12.2.9 VBATT Wakeup I/O 1 Output Trigger Select Register (VBTWCH1OTSR)

Address(es): [SYSTEM.VBTWCH1OTSR 4001 E4B9h](#)

b7	b6	b5	b4	b3	b2	b1	b0
—	—	—	CH1VRTCATE	CH1VRTCTE	CH1VCH2TE	—	CH1VCH0TE
Value after reset:	0	0	0	0	0	0	0

Bit	Symbol	Bit name	Description	R/W
b0	CH1VCH0TE	VBATWIO1 Output VBATWIO0 Trigger Enable	0: VBATT wakeup I/O 1 output trigger by the VBATWIO0 pin disabled 1: VBATT wakeup I/O 1 output trigger by the VBATWIO0 pin enabled.	R/W
b1	—	Reserved	This bit is read as 0. The write value should be 0.	R/W
b2	CH1VCH2TE	VBATWIO1 Output VBATWIO2 Trigger Enable	0: VBATT wakeup I/O 1 output trigger by the VBATWIO2 pin disabled 1: VBATT wakeup I/O 1 output trigger by the VBATWIO2 pin enabled.	R/W
b3	CH1VRTCTE	VBATWIO1 Output RTC Periodic Signal Enable	0: VBATT wakeup I/O 1 output trigger by the RTC periodic signal disabled 1: VBATT wakeup I/O 1 output trigger by the RTC periodic signal enabled.	R/W
b4	CH1VRTCATE	VBATWIO1 Output RTC Alarm Signal Enable	0: VBATT wakeup I/O 1 output trigger by the RTC alarm signal disabled 1: VBATT wakeup I/O 1 output trigger by the RTC alarm signal enabled.	R/W
b7 to b5	—	Reserved	These bits are read as 0. The write value should be 0.	R/W

The VBTWCH1OTSR controls the VBATT wakeup I/O 1 output trigger source.

If this register bit is set to 1 and the associated wakeup trigger flag in the VBTWFR register is set, VBATWIO1 pin outputs a signal based on the VOUT1LSEL bit in the VBTOCTLR register.

The VBTWCH1OTSR register is initialized by the VBATT_POR signal.

12.2.10 VBATT Wakeup I/O 2 Output Trigger Select Register (VBTWCH2OTSR)

Address(es): [SYSTEM.VBTWCH2OTSR 4001 E4BAh](#)

b7	b6	b5	b4	b3	b2	b1	b0
—	—	—	CH2VRTCATE	CH2VRTCTE	—	CH2VCH1TE	CH2VCH0TE
Value after reset:	0	0	0	0	0	0	0

Bit	Symbol	Bit name	Description	R/W
b0	CH2VCH0TE	VBATWIO2 Output VBATWIO0 Trigger Enable	0: Disable VBATT wakeup I/O 2 output trigger by the VBATWIO0 pin 1: Enable VBATT wakeup I/O 2 output trigger by the VBATWIO0 pin.	R/W
b1	CH2VCH1TE	VBATWIO2 Output VBATWIO1 Trigger Enable	0: Disable VBATT wakeup I/O 2 output trigger by the VBATWIO1 pin 1: Enable VBATT wakeup I/O 2 output trigger by the VBATWIO1 pin.	R/W
b2	—	Reserved	This bit is read as 0. The write value should be 0.	R/W
b3	CH2VRTCTE	VBATWIO2 Output RTC Periodic Signal Enable	0: Disable VBATT wakeup I/O 2 output trigger by the RTC periodic signal 1: Enable VBATT wakeup I/O 2 output trigger by the RTC periodic signal.	R/W
b4	CH2VRTCATE	VBATWIO2 Output RTC Alarm Signal Enable	0: Disable VBATT wakeup I/O 2 output trigger by the RTC alarm signal 1: Enable VBATT wakeup I/O 2 output trigger by the RTC alarm signal.	R/W
b7 to b5	—	Reserved	These bits are read as 0. The write value should be 0.	R/W

The VBTWCH2OTSR controls the VBATT wakeup I/O 2 output trigger source.

When this register bit is set to 1 and the associated wakeup trigger flag in the VBTWFR register is set, VBATWIO2 pin outputs a signal based on the VOUT2LSEL bit in the VBTOCTLR register.

The VBTWCH2OTSR register is initialized by the VBATT_POR signal.

12.2.11 VBATT Input Control Register (VBTICTLR)

Address(es): [SYSTEM.VBTICTLR 4001 E4BBh](#)

b7	b6	b5	b4	b3	b2	b1	b0
—	—	—	—	—	VCH2INEN	VCH1INEN	VCH0INEN
Value after reset:	0	0	0	0	0	0	0

Bit	Symbol	Bit name	Description	R/W
b0	VCH0INEN	VBATT Wakeup I/O 0 Input Enable	0: Disable VBATWIO0, RTCIC0 inputs 1: Enable VBATWIO0, RTCIC0 inputs.	R/W
b1	VCH1INEN	VBATT Wakeup I/O 1 Input Enable	0: Disable VBATWIO1, RTCIC1 inputs 1: Enable VBATWIO1, RTCIC1 inputs.	R/W
b2	VCH2INEN	VBATT Wakeup I/O 2 Input Enable	0: Disable VBATWIO2 and RTCIC2 inputs 1: Enable VBATWIO2 and RTCIC2 inputs.	R/W
b7 to b3	—	Reserved	These bits are read as 0. The write value should be 0.	R/W

The VBTICTLR register selects the VBATT wakeup I/O pins input direction. VBTICTLR is reset by the VBATT_POR signal.

VCHnINEN bit (VBATT Wakeup I/O n Input Enable) (n = 0 to 2)

The VCHnINEN bit defines the VBATT wakeup I/O pin input enable. You must set the VBTICTLR register when using only the VBATT wakeup control function but also the time capture function of RTC (RTCICn (n = 0 to 2)). For these functions, see [section 25, Realtime Clock \(RTC\)](#).

12.2.12 VBATT Output Control Register (VBTOCTLR)

Address(es): [SYSTEM.VBTOCTLR 4001 E4BCh](#)

b7	b6	b5	b4	b3	b2	b1	b0
—	—	VOUT2LSEL	VOUT1LSEL	VOUT0LSEL	VCH2OEN	VCH1OEN	VCH0OEN
Value after reset:	0	0	0	0	0	0	0

Bit	Symbol	Bit name	Description	R/W
b0	VCH0OEN	VBATT Wakeup I/O 0 Output Enable	0: Disable VBATWIO0 output 1: Enable VBATWIO0 output.*1, *2	R/W
b1	VCH1OEN	VBATT Wakeup I/O 1 Output Enable	0: Disable VBATWIO1 output 1: Enable VBATWIO1 output.*1, *2	R/W
b2	VCH2OEN	VBATT Wakeup I/O 2 Output Enable	0: Disable VBATWIO2 output 1: Enable VBATWIO2 output.*1, *2	R/W
b3	VOUT0LSEL	VBATT Wakeup I/O 0 Output Level Selection	0: Output L before VBATT wakeup trigger 1: Output H before VBATT wakeup trigger.	R/W
b4	VOUT1LSEL	VBATT Wakeup I/O 1 Output Level Selection	0: Output L before VBATT wakeup trigger 1: Output H before VBATT wakeup trigger.	R/W
b5	VOUT2LSEL	VBATT Wakeup I/O 2 Output Level Selection	0: Output L before VBATT wakeup trigger 1: Output H before VBATT wakeup trigger.	R/W
b7, b6	—	Reserved	These bits are read as 0. The write value should be 0.	R/W

The VBTOCTLR register selects the VBATT wakeup I/O (VBATWIO_n (n = 0 to 2)) pin output direction and output level. VBTOCTLR is reset by the VBATT_POR signal.

VCHnOEN bit (VBATT Wakeup I/O n Output Enable) (n = 0 to 2)

The VCHnOEN bit defines the VBATT output enable.

Note 1. Only one of these I/O pins can be set as an output pin. Therefore, two out of the three bits must set to 0.

Note 2. When the VCH0OEN bit is set to 1, P402PFS.PMR bit must be 0.

When the VCH1OEN bit is set to 1, P403PFS.PMR bit must be 0.

When the VCH2OEN bit is set to 1, P404PFS.PMR bit must be 0.

VOUTnLSEL bit (VBATT Wakeup I/O n Output Level Selection) (n = 0 to 2)

The VOUTnLSEL bit defines the output level from the VBATT wakeup I/O n pin. When the VOUTnLSEL bit is set to 0, VBATWIO_n pin outputs low before receiving the VBATT wakeup trigger and high after receiving the VBATT wakeup trigger. When the VOUTnLSEL bit is set to 1, the VBATWIO_n pin outputs high before the VBATT wakeup trigger and low after receiving the VBATT wakeup trigger.

12.2.13 VBATT Wakeup Trigger Source Enable Register (VBTWTER)

Address(es): [SYSTEM.VBTWTER 4001 E4BDh](#)

b7	b6	b5	b4	b3	b2	b1	b0
—	—	—	VRTCA E	VRTCI E	VCH2E	VCH1E	VCH0E
Value after reset:	0	0	0	0	0	0	0

Bit	Symbol	Bit name	Description	R/W
b0	VCH0E	VBATWIO0 Pin Enable	0: Disable VBATT wakeup triggered by the VBATWIO0 pin 1: Enable VBATT wakeup triggered by the VBATWIO0 pin.	R/W
b1	VCH1E	VBATWIO1 Pin Enable	0: Disable VBATT wakeup triggered by the VBATWIO1 pin 1: Enable VBATT wakeup triggered by the VBATWIO1 pin.	R/W
b2	VCH2E	VBATWIO2 Pin Enable	0: Disable VBATT wakeup triggered by the VBATWIO2 pin 1: Enable VBATT wakeup triggered by the VBATWIO2 pin.	R/W
b3	VRTCIE	RTC Periodic Signal Enable	0: Disable VBATT wakeup triggered by RTC periodic signal 1: Enable VBATT wakeup triggered by RTC periodic signal.	R/W
b4	VRTCAE	RTC Alarm Signal Enable	0: Disable VBATT wakeup triggered by RTC alarm signal 1: Enable VBATT wakeup triggered by RTC alarm signal.	R/W
b7 to b5	—	Reserved	These bits are read as 0. The write value should be 0.	R/W

The VBTWTER register enables or disables the VBATT wakeup trigger. VBTWTER is reset by the VBATT_POR signal.

Multiple trigger source selection is possible.

12.2.14 VBATT Wakeup Trigger Source Edge Register (VBTWEGR)

Address(es): [SYSTEM.VBTWEGR 4001 E4BEh](#)

b7	b6	b5	b4	b3	b2	b1	b0
—	—	—	—	—	VCH2E G	VCH1E G	VCH0E G
Value after reset:	0	0	0	0	0	0	0

Bit	Symbol	Bit name	Description	R/W
b0	VCH0EG	VBATWIO0 Wakeup Trigger Source Edge Select	0: Wakeup trigger is generated at a falling edge 1: Wakeup trigger is generated at a rising edge.	R/W
b1	VCH1EG	VBATWIO1 Wakeup Trigger Source Edge Select	0: Wakeup trigger is generated at a falling edge 1: Wakeup trigger is generated at a rising edge.	R/W
b2	VCH2EG	VBATWIO2 Wakeup Trigger Source Edge Select	0: Wakeup trigger is generated at a falling edge 1: Wakeup trigger is generated at a rising edge.	R/W
b7 to b3	—	Reserved	These bits are read as 0. The write value should be 0.	R/W

The VBTWEGR register selects the edge of each VBATT wakeup trigger sources. The VBTWEGR register is reset by the VBATT_POR signal.

12.2.15 VBATT Wakeup Trigger Source Flag Register (VBTWFR)

Address(es): SYSTEM.VBTWFR 4001 E4BFh

b7	b6	b5	b4	b3	b2	b1	b0
—	—	—	VRTCAF	VRTCIF	VCH2F	VCH1F	VCH0F
0	0	0	0	0	0	0	0

Value after reset:

Bit	Symbol	Bit name	Description	R/W
b0	VCH0F	VBATWIO0 Wakeup Trigger Flag	0: No wakeup trigger by the VBATWIO0 pin is generated 1: A wakeup trigger by the VBATWIO0 pin is generated.	R/(W)*1
b1	VCH1F	VBATWIO1 Wakeup Trigger Flag	0: No wakeup trigger by the VBATWIO1 pin is generated 1: A wakeup trigger by the VBATWIO1 pin is generated.	R/(W)*1
b2	VCH2F	VBATWIO2 Wakeup Trigger Flag	0: No wakeup trigger by the VBATWIO2 pin is generated 1: A wakeup trigger by the VBATWIO2 pin is generated.	R/(W)*1
b3	VRTCIF	VBATT RTC-Periodic Wakeup Trigger Flag	0: No wakeup trigger by the RTC periodic signal is generated 1: A wakeup trigger by the RTC periodic signal is generated.	R/(W)*1
b4	VRTCAF	VBATT RTC-Alarm Wakeup Trigger Flag	0: No wakeup trigger by the RTC alarm signal is generated 1: A wakeup trigger by the RTC alarm signal is generated.	R/(W)*1
b7 to b5	—	Reserved	These bits are read as 0. The write value should be 0.	R/W

Note 1. Only 0 can be written to clear the flag after reading 1.

The VBTWFR register indicates the triggering factor of the VBATT wakeup control function. This register is protected by the VWEN bit (VBTWCTLR register). VBTWFR is valid 5 PCLKB cycles after writing 1 to VWEN bit enable. Similarly, disabling VBTWFR takes 5 PCLKB cycles after writing 0 to the VWEN bit.

Each flag is set to 1 when a trigger request specified by VBTWEGR is generated.

The VBTWFR register is initialized by VBATT_POR.

VCHnF flags (VBATT Wakeup I/O n Wakeup Trigger Flag) (n = 0 to 2)

The VCHnF flags indicate that a trigger request by the VBATWIO_n pin is generated.

[Setting condition]

- A trigger request by the VBATWIO_n pin specified by VBTWEGR is generated.

[Clearing condition]

- Each bit is read as 1, then written as 0.

VRTCIF flag (VBATT RTC-Periodic Wakeup Trigger Flag)

The VRTCIF flag indicates that a trigger request by the RTC periodic signal is generated.

[Setting condition]

- A trigger request by the RTC periodic signal is generated.

[Clearing condition]

- This bit is read as 1 and written as 0.

VRTCAF flag (VBATT RTC-Alarm Wakeup Trigger Flag)

The VRTCAF flag indicates that a trigger request by the RTC alarm signal is generated.

[Setting condition]

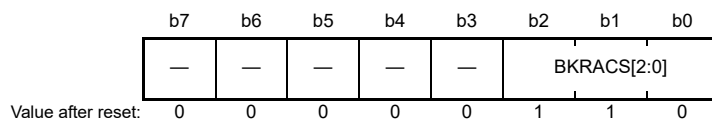
- A trigger request by the RTC alarm signal is generated.

[Clearing condition]

- This bit is read as 1 and written as 0.

12.2.16 Backup Register Access Control Register (BKRACR)

Address(es): [SYSTEM.BKRACR 4001 E0C6h](#)



Bit	Symbol	Bit name	Description	R/W
b2 to b0	BKRACS[2:0]	Backup Register Access Cycle Select	b2 b0 0 0 0: Access cycle control disable when the system clock source is SOSC or LOCO 1 1 0: Access cycle control enable. System clock source is other than SOSC or LOCO. Other settings are prohibited.	R/W
b7 to b3	—	Reserved	These bits are read as 0. The write value should be 0.	R/W

The BKRACR register controls the access cycle for the backup register to reduce power consumption. When access cycle control is enabled (110b), the access cycle for the backup register is 64 times that of when it is disabled (000b). BKRACR is initialized by all the resets except for VBATT_POR.

[Setting Procedure]

To change the system clock from other than SOSC/LOCO to SOSC/LOCO:

1. Change the SCKSCR.CKSEL[2:0] bits.
2. Change the BKRACR.BKRACS[2:0] bits to 000b.

To change the system clock from SOSC/LOCO to other than SOSC/LOCO:

1. Change the BKRACR.BKRACS[2:0] bits to 110b.
2. Change the SCKSCR.CKSEL[2:0] bits.

12.3 Operation

12.3.1 Battery Backup Function

When the voltage at the VCC pin drops, power can be supplied to the RTC, LOCO, and sub-clock oscillator from the VBATT pin. When the power supply drop from the VCC pin is detected, the connection to power is switched from the power supply to the VBATT pin. The power supply from the VCC pin resumes when the voltage at the VCC pin exceeds V_{DET_BATT} . This power supply change does not affect the RTC operation. When the voltage level at the VBATT pin voltage drops below the operation-guaranteed voltage, it is possible to monitor the VBTBLDF bit in the VBATT Status Register.

The battery backup function can be used after the voltage monitor 0 reset is enabled.

While VBATT supplies the power, the wakeup control function can toggle the output pin of VBATWIO_n (n = 0 to 2) by triggering the RTC alarm/periodic signal or by the assertion of the VBATWIO_n (n = 0 to 2) input signal.

The RTC supports time capture pin detection when the time capture pin input level changes.

The VBATT pin supplies power to the following modules:

- RTC
- Sub-clock oscillator (including XCIN and XCOU pins)
- VBATWIO_n pins (including RTCIC_n) (n = 0 to 2)
- LOCO
- VBATT Backup Register
- VBATT wakeup controller.

Table 12.2 shows the operating states in VBATT mode.

Table 12.2 Operating states in VBATT mode (1 of 2)

Operating state	VBATT mode
Transition condition	Detection of VCC voltage drop
Canceling method other than reset	Detection of VCC voltage rise
Main clock oscillator	Stopped
Sub-clock oscillator	Operation can be selected in the SOSCCR.SOSTP bit. The status of the oscillator is the same as before entering VBATT mode.
High-speed on-chip oscillator	Stopped
Middle-speed on-chip oscillator	Stopped
Low-speed on-chip oscillator	Operation or non-operation can be selected in the LOCOCR.LCSTP bit. The status of the oscillator is the same as before entering VBATT mode.
IWDT-dedicated on-chip oscillator	Stopped
PLL	Stopped
CPU	Stopped (undefined)
SRAM (ECC SRAM included)	Stopped (undefined)
VBATT Backup Register	Stopped (retained)
Flash memory	Stopped (retained)
Realtime Clock (RTC)	Selectable when the selecting clock operates as the count source
AGT _n (n = 0, 1)	Stopped (undefined)
Low Voltage Detection (LVD)	Stopped
Power-on reset circuit	Stopped
Battery backup voltage monitor	Operating
Other peripheral modules	Stopped (undefined)

Table 12.2 Operating states in VBATT mode (2 of 2)

Operating state	VBATT mode
I/O ports	<ul style="list-style-type: none"> • RTCICn ports (n = 0 to 2): Operating • Other than the specified ports: Undefined • VBATWIO n ports (n = 0 to 2): Operating.

Note: Selectable means that operation can be selected in the control register. Some modules are also controlled by the corresponding module-stop bit.
 Stopped (retained) means that the contents of the internal registers are retained but the operations are suspended.
 Stopped (undefined) means that the contents of the internal registers are undefined and power to the internal circuit is cut off.

Figure 12.3 shows the switching sequence of the battery backup function.

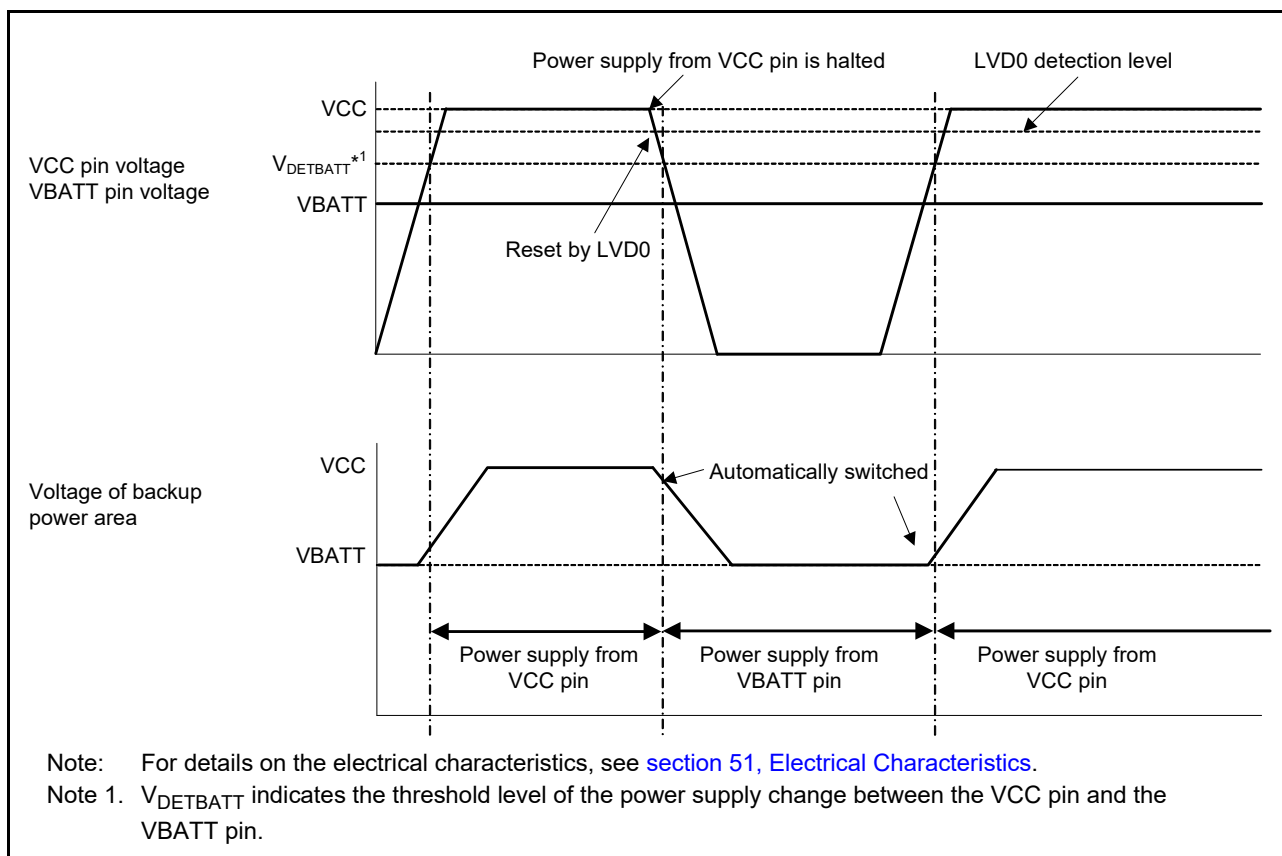


Figure 12.3 Switching sequence for the battery backup function

12.3.2 VBATT Battery Power Supply Switch Usage

The battery power supply switch can switch the power supply from the VCC pin to the VBATT pin when the voltage applied to the VCC pin drops. When the voltage rises, this switch changes the power supply from the VBATT pin to the VCC pin. The switch is controlled by the VBTCR1.BPWSWSTP bit.

The BPWSWSTP bit can enable the battery power supply switch which can switch the battery backup module supply voltage from VCC to VBATT when the VCC voltage falls. When the battery power supply switch stops, the battery backup module power supply is always from VCC. If you are not using the battery backup function, you must write 1 to this bit.

Note: You can use the battery backup function after the voltage monitor 0 reset is enabled (OFS1.LVDAS bit is 0). Voltage monitor 0 level should be higher than the V_{DET_BATT} level (OFS1.VDSEL1[2:0] bits are 000b, 001b, or 010b).

Note: This bit can be set without verifying the VBTSR.VBTRVLD bit status.

12.3.3 VBATT Pin Low Voltage Detection Procedures

The VBTSR.VBTBLDF flag and interrupt can be used to monitor the VBATT pin low voltage detection using the procedures described in this section.

The following procedure shows how to enable the VBATT pin low voltage detection:

1. Set the voltage monitor 0 reset. See [section 8, Low Voltage Detection \(LVD\)](#).
2. Set the VBTCR1.BPWSWSTP bit to 1 if this bit is being accessed for the first time after a power-on reset.
3. Wait for the VBTSR.VBTRVLD bit to be 1 and ensure that the VBTCR2.VBTLVDEN, VBTLVDICR.VBTLVDIE, and VBTCMPCR.VBTCMPE bits are 0.
4. Specify the detection voltage in the VBTCR2.VBTLVDLVL[1:0] bits (VBATT pin voltage detect level select).
5. Select the type of interrupt in the VBTLVDICR.VBTLVDISEL bit.
6. Set the VBTCR2.VBTLVDEN bit to 1 for enabling VBATT pin low voltage detection.
7. After waiting for the VBATT comparator operation stabilization time (t_{d_vbat}) as described in [section 51, Electrical Characteristics](#), set the VBTCMPCR.VBTCMPE bit to 1 for the VBATT pin voltage detect circuit to be enabled.
8. Make sure that the VBTSR.VBTBLDF flag is 0, and then set the VBTLVDICR.VBTLVDIE bit to 1 for the VBATT pin low voltage detection interrupt output to be enabled.
9. Clear the VBTCR1.BPWSWSTP bit to 0 to enable the battery power switch. See [section 12.3.2, VBATT Battery Power Supply Switch Usage](#).

When the VBATT low voltage is detected, disable the VBATT low voltage detection as shown in [Figure 12.4](#).

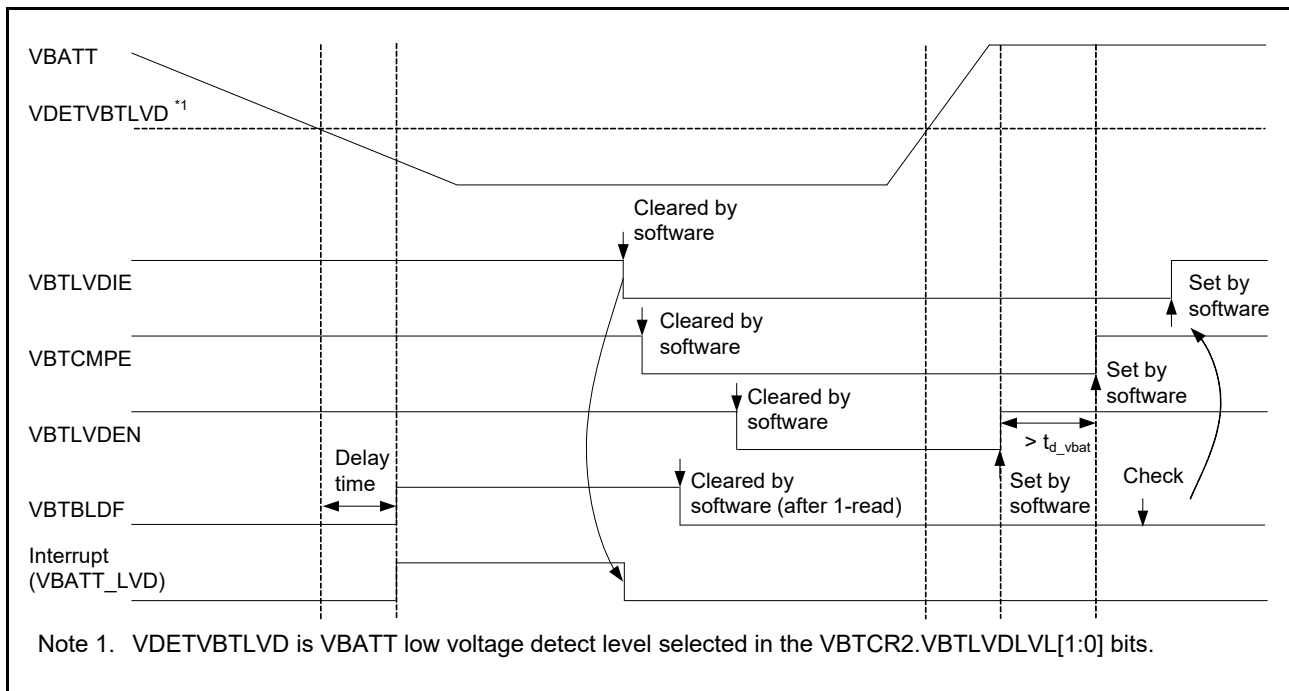


Figure 12.4 Basic operation of VBATT low voltage detection interrupt

The following procedures show how to disable the VBATT pin low voltage detection:

1. Make sure that the VBTSR.VBTRVLD bit is 1.
2. Set the VBTLVDICR.VBTLVDIE bit to 0 to disable the voltage detect interrupt.
3. Set the VBTCMPCR.VBTCMPE bit to 0 for VBATT pin voltage detect circuit output to disable.
4. Set the VBTCR2.VBTLVDEN bit to 0 to disable VBATT pin low voltage output.
5. Modify the setting of bits related to the VBATT pin low voltage detection registers other than VBTCR2.VBTLVDEN, VBTCMPCR.VBTCMPE, and VBTLVDICR.VBTLVDIE.

12.3.4 VBATT Backup Register Usage

The VBATT Backup Register (VBTBKR_n), where $n = 0$ to 511, can be used to store or restore data as described in the following procedure:

1. The VBTCR1.BPWSWSTP bit must be set to 1 if this bit is being accessed for the first time after a power-on reset.
2. Wait for the VBTSR.VBTRVLD bit to be 1.
3. VBTBKR_n, where $n = 0$ to 511 can be accessed by an 8-bit read or write operation.
4. Clear the VBTCR1.BPWSWSTP bit to 0 to enable the battery power switch. See [section 12.3.2, VBATT Battery Power Supply Switch Usage](#).

12.3.5 VBATT Wakeup Control Function Usage

The wakeup control function is a function that can toggle the output pin VBATWIO_n (n = 0 to 2) when the RTC alarm/periodic signal or VBATWIO_n (n = 0 to 2) input signal is asserted, when VBATT_R is powered by the VBATT pin.

Note: The toggle that is triggered by the wakeup control function does not generate an interrupt at the ICU or a reset at the reset module.

Figure 12.5 shows an example using the VBATT wakeup control function. This example uses the VBATWIO0 port as the wakeup output port, the RTCIC2 port as the external time capture input capture port, and the VBATWIO2 port as the external time capture input trigger port. The VBATWIO0 output toggle goes from low to high when the trigger target is asserted. Trigger source for the wakeup control function is the RTC periodic signal or the VBATWIO2 input rising edge.

Use the following steps to set the VBATT wakeup control function:

1. Set the VBTCR1.BPWSWSTP bit to 1 if this bit is being accessed for the first time after a power-on reset.
2. Wait for the VBTSR.VBTRVLD bit to be 1. Then, be sure that the VBTWCTLR.VWEN bit and the VBTSR.VBTRDF bit are 0. If these bits are not 0, set them to 0.
3. Specify the VBATWIO_n port direction in the VBTICTLR.VCH_nINEN and VBTOCTLR.VCH_nOEN bits. Set the VBTOCTLR.VOUT_nLSEL bit to 0 or 1 as the output level select (n = 0 to 2).
In this example, use the VBATWIO2/RTCIC2 port as the time capture input, the VBATWIO0 port as wakeup output port.
Set the following bits to 1:
 - VBTOCTLR.VCH0OEN
 - VBTICTLR.VCH2INEN.
 In addition, set VBTOCTLR.VOUT0LSEL to 0 as a toggle output from low to high.
4. Set the peripheral module setting as required.
In this example, specify the time capture function for time capture setting with the RTC setting. See [section 25, Realtime Clock \(RTC\)](#) for details.
5. Select the wakeup trigger source with the VBTWTER register.
In this example, set the VBTWTER.VRTCIE and VBTWTER.VCH2E bits to 1 to select the trigger source as the RTC periodic signal and VBATWIO2 input trigger.
6. Select the wakeup trigger source edge with the VBTWEGR register.
For example, set the VBTWEGR.VCH2EG bit to 1 to select the VBATWIO2 port as the rising edge trigger.
7. Select the VBATT wakeup output trigger source with the VBTWCH_nOTSR register (n = 0 to 2).
In this example, set the VBTWCH0OTSR.CH0VRTCTE and VBTWCH0OTSR.CH0VCH2TE bits to 1.
8. Set the VBTWCTLR.VWEN bit to 1 to activate the VBATT wakeup control function, then set the VBTCR1.BPWSWSTP bit to 0 to enable the battery power supply switch. After setting the VBTWCTLR.VWEN bit to 1, the VBATT wakeup control function is enabled.
9. Set the I/O registers to output 0 or 1 to the external power management IC to request stopping of the power supply. After stopping the power supply, if the RTC periodic signal or the VBATWIO2 input trigger is asserted, the VBATT wakeup trigger source flag of each event (VBTWFR.VRTCIF or VBTWFR.VCH2F) is set to 1, and the toggle output is started from low to high on the VBATWIO0 port. The MCU is then supplied power, and it starts up from a low voltage monitor 0 reset (LVD0). In this example, the external power management IC stops power supply when it detects a positive transition on the I/O port powered by the VCC pin, and starts to supply power when it detects a positive transition on the VBATWIO0 port.
The timing diagram of VBATT wakeup function is shown in [Figure 12.6](#).

The following procedures show how to set the registers after the MCU starts up as from a low voltage monitor 0 reset (LVD0) by the VBATT wakeup trigger.

1. Set the VBTCR1.BPWSWSTP bit to 1.
2. Wait for the VBTSR.VBTRVLD bit to be 1 and be sure that the VBTSR.VBTRDF bit is 0.
3. Check the VBATT wakeup trigger source by reading the VBTWFR register. In the example of [Figure 12.6](#), the VBTWFR.VRTCIF bit is set to 1.

4. Clear the corresponding bit in the VBTWFR register to 0, then the toggle output is started on the VBATWIO_n port (n = 0 to 2). In the example of Figure 12.6, it is toggled from high to low on the VBATWIO0 port.
5. Set the I/O registers for the power supply stop control signal to output 0 or 1 to the external power management IC as needed.
6. In case you want to repeat the VBATT wakeup operation, clear the VBTCCR1.BPWSWSTP bit to 0 and set the I/O registers for the power supply stop control signal to output 0 or 1 to the external power management IC so as to request stopping the power supply again.
In case you want to change the wakeup trigger conditions, clear the VBTWCTLR.VWEN bit to 0, and clear the all bits in the VBTWTER register before setting other registers associated with VBATT.

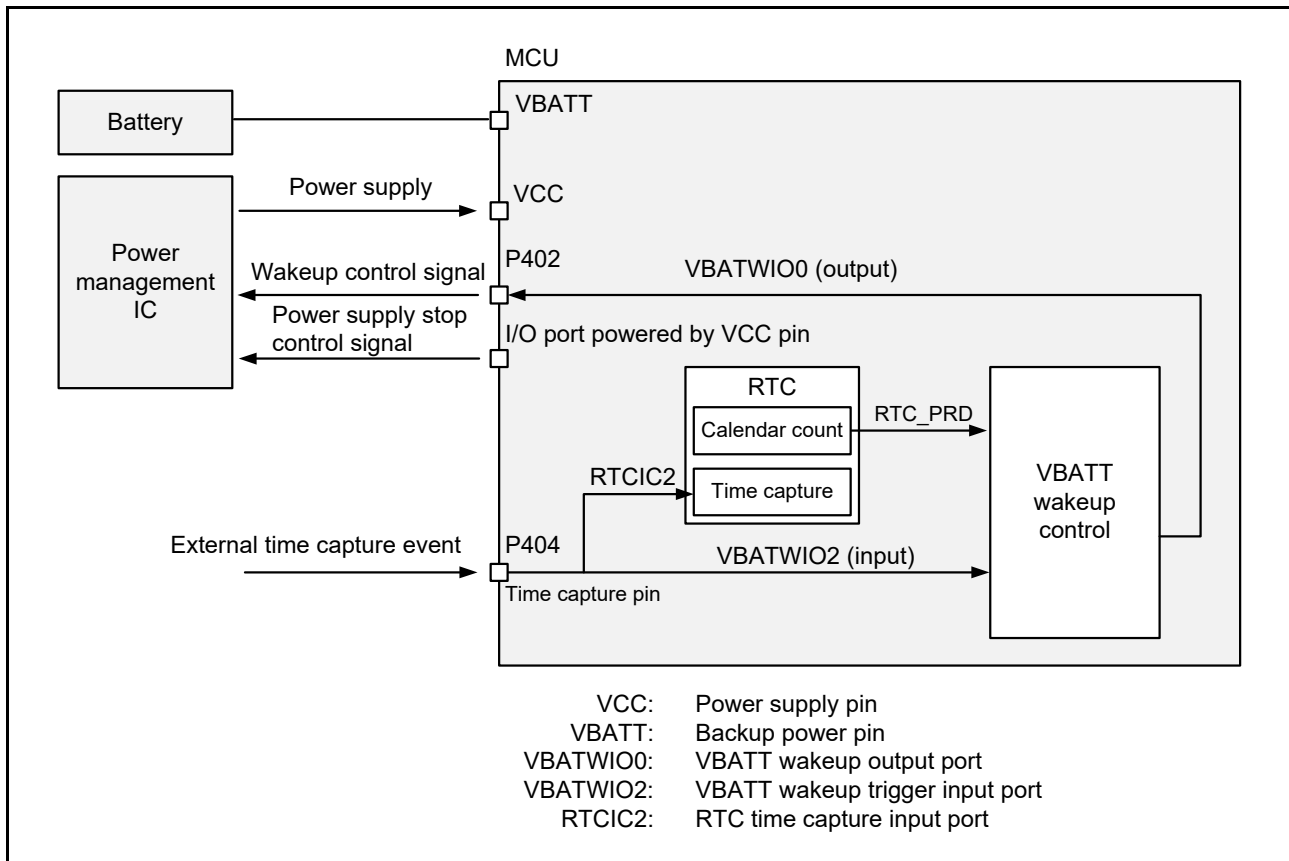


Figure 12.5 VBATT wakeup control function example application

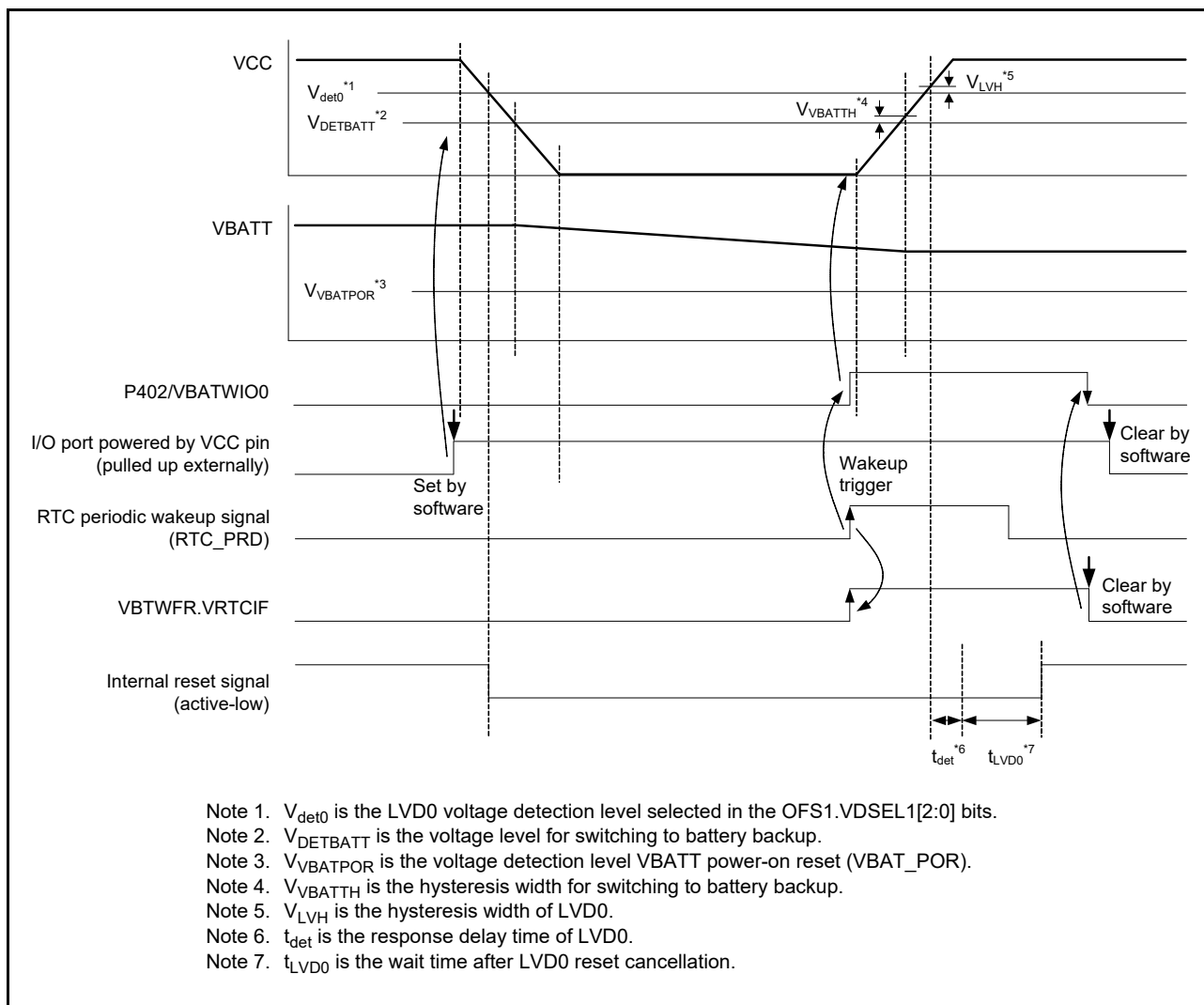


Figure 12.6 VBATT wakeup function timing diagram

12.4 Usage Notes

1. When the VBATT pin is not in use, connect the VBATT pin to the VCC pin.
2. When the voltage level on VBATT is lower than the guaranteed operation range, operation of the sub-clock oscillator and RTC cannot be guaranteed. This voltage drop can be verified in the VBTSR register.
3. If a reset is generated while writing to the registers described in this section, the register values may be lost.
4. During RTC operation powered by the VBATT pin, RTC supports the calendar/binary count operation, the alarm/periodic trigger for the VBATT wakeup function, and the time capture function.
5. The VBATT wakeup control function can be used only when VBATT_R is powered by VBATT pin.
6. The voltage level on the I/O ports powered by the VCC pin transits to high-impedance when the power supply is stopped. If these ports are used as the power supply stop control pins for the VBATT wakeup function, these ports should be pulled up or pulled down externally.

13. Register Write Protection

13.1 Overview

The register write protection function protects important registers from being overwritten because of software errors. The registers to be protected are set with the Protect Register (PRCR).

Table 13.1 lists the association between the PRCR bits and the registers to be protected.

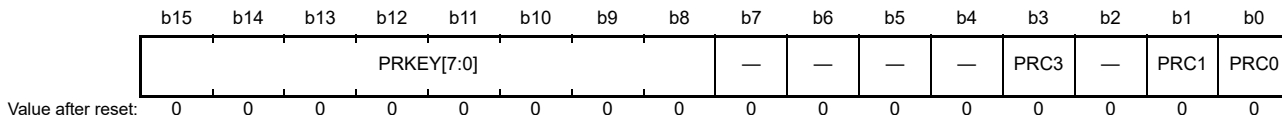
Table 13.1 Association between PRCR bits and registers to be protected

PRCR bit	Registers to be protected
PRC0	<ul style="list-style-type: none"> Registers related to the clock generation circuit: SCKDIVCR, SCKSCR, PLLCR, PLLCCR2, BCKCR, MEMWAIT, MOSCCR, HOCOCCR, MOCOCCR, CKOCR, TRCKCR, OSTDCR, OSTDSR, SLCDSCCKCR, EBCKOCR, MOCOUTCR, HOCOUTCR, MOSCWTCR, MOMCR, SOSCCR, SOMCR, LOCOCCR, LOCOUTCR, HOCOWTCR, USBCKCR
PRC1	<ul style="list-style-type: none"> Registers related to the low power modes: SBYCR, SNZCR, SNZEDCR, SNZREQCR, FLSTOP, PSMCR, OPCCR, SOPCCR, SYOCDRCR Registers related to the battery backup function: VBTCR1, VBTCR2, VBTSR, VBTCMPPCR, VBTLVDICR, VBTWCTLR, VBTWCH0OTSR, VBTWCH1OTSR, VBTWCH2OTSR, VBTICTLR, VBTOCTLR, VBTWTER, VBTWEGR, VBTWFR, VBTBKRn (n = 0 to 511), BKRACR
PRC3	<ul style="list-style-type: none"> Registers related to the LVD: LVD1CR1, LVD1SR, LVD2CR1, LVD2SR, LVCMPPCR, LVDLVLRL, LVD1CR0, LVD2CR0

13.2 Register Descriptions

13.2.1 Protect Register (PRCR)

Address(es): SYSTEM.PRCR 4001 E3FEh



Bit	Symbol	Bit name	Function	R/W
b0	PRC0	Protect Bit 0	Enables or disables writing to the registers related to the clock generation circuit: 0: Disable writes 1: Enable writes.	R/W
b1	PRC1	Protect Bit 1	Enables or disables writing to the registers related to the low power modes and the battery backup function: 0: Disable writes 1: Enable writes.	R/W
b2	—	Reserved	This bit is read as 0. The write value should be 0.	R/W
b3	PRC3	Protect Bit 3	Enables or disables writing to the registers related to the LVD: 0: Disable writes 1: Enable writes.	R/W
b7 to b4	—	Reserved	These bits are read as 0. The write value should be 0.	R/W
b15 to b8	PRKEY[7:0]	PRC Key Code	Control write access to the PRCR register. To modify the PRCR register, write A5h to the upper 8 bits and the target value to the lower 8 bits as a 16-bit unit.	W*1

Note 1. Write data is not saved. Always reads 00h.

PRCn bits (Protect Bit n) (n = 0, 1, 3)

The PRCn bits enable or disable writing to the protected registers as shown in Table 13.1. Setting the PRCn bits to 1 or 0 enables or disables writing, respectively.

14. Interrupt Controller Unit (ICU)

14.1 Overview

The Interrupt Controller Unit (ICU) controls which event signals are linked to the Nested Vector Interrupt Controller (NVIC), Data Transfer Control (DTC), and Direct Memory Access Controller (DMAC) modules. The ICU also controls non-maskable interrupts. [Table 14.1](#) lists the specifications, [Figure 14.1](#) shows a block diagram, and [Table 14.2](#) lists the I/O pins.

Table 14.1 ICU specifications

Item	Description	
Interrupts	Peripheral function interrupts <ul style="list-style-type: none"> • Interrupts from peripheral modules Number of sources: 209 	
	External pin interrupts <ul style="list-style-type: none"> • Interrupt detection on low level^{*4}, falling edge, rising edge, or rising and falling edges One of these detection methods can be set for each source. • Digital filter function supported • 16 sources, with interrupts from IRQ0 to IRQ15 pins. 	
	DTC/DMAC control	The DTC and DMAC can be activated using interrupt sources ^{*1}
	Interrupt sources for NVIC	• 64 sources
	Non-maskable interrupts ^{*2}	NMI pin interrupt <ul style="list-style-type: none"> • Interrupt from the NMI pin • Interrupt detection on falling edge or rising edge • Digital filter function supported.
Oscillation stop detection interrupt ^{*3}		Interrupt on detecting that the main oscillation has stopped
WDT underflow/refresh error ^{*3}		Interrupt on an underflow of the down-counter or occurrence of a refresh error
IWDT underflow/refresh error ^{*3}		Interrupt on an underflow of the down-counter or occurrence of a refresh error
Voltage monitor 1 interrupt ^{*3}		Voltage monitor interrupt of Low Voltage Detection Detector 1 (LVD_LVD1)
Voltage monitor 2 interrupt ^{*3}		Voltage monitor interrupt of Low Voltage Detection Detector 2 (LVD_LVD2)
VBATT interrupt		Voltage monitor interrupt of VBATT monitor
RPEST		Interrupt on SRAM parity error
RECCST		Interrupt on SRAM ECC error
BUSSST		Interrupt on MPU bus slave error
BUSMST		Interrupt on MPU bus master error
SPEST		Interrupt on CPU stack pointer monitor
Return from low power mode		<ul style="list-style-type: none"> • Sleep mode: Return is initiated by non-maskable interrupts or any other interrupt source • Software Standby mode: Return is initiated by non-maskable interrupts. Interrupt can be selected in the WUPEN register • Snooze mode: Return is initiated by non-maskable interrupts. Interrupt can be selected in the SELSR0 and WUPEN registers. See section 14.2.8, SYS Event Link Setting Register (SELSR0) and section 14.2.9, Wake Up Interrupt Enable Register (WUPEN) .

Note 1. For the DTC and DMAC activation sources, see [Table 14.4, Event table](#).

Note 2. Non-maskable interrupts can be enabled only once after a reset release.

Note 3. These non-maskable interrupts can also be used as event signals. When used as interrupts, do not change the value of the NMIER register from the reset state. To enable voltage monitor 1 and voltage monitor 2 interrupts, set the LVD1CR1.IRQSEL and LVD2CR1.IRQSEL bits to 1. To enable the VBATT monitor interrupt, set the VBTLVDICR.VBTLVDISEL bit to 1.

Note 4. Low level: Interrupt detection is not canceled if you do not clear it after a detection.

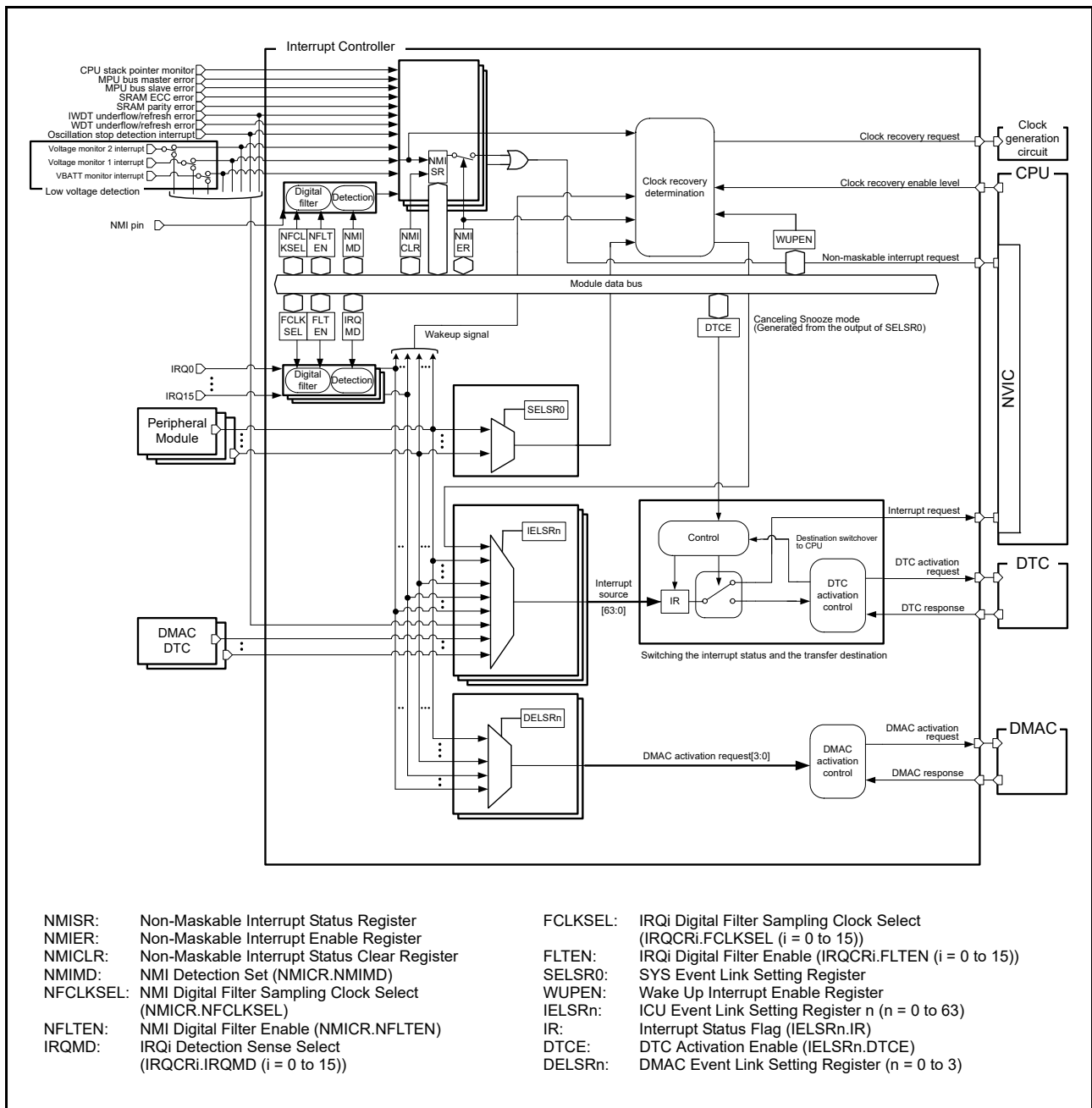


Figure 14.1 ICU block diagram

Table 14.2 lists the ICU input/output pins.

Table 14.2 ICU configuration pins

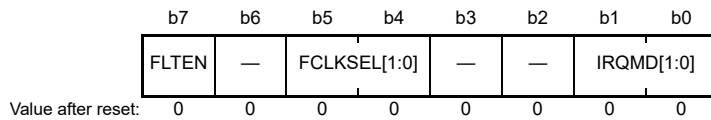
Pin name	I/O	Description
NMI	Input	Non-maskable interrupt request pin
IRQ0 to IRQ15	Input	External interrupt request pins

14.2 Register Descriptions

This chapter does not describe the Arm® NVIC internal registers. For information on these registers, see the [ARM® Cortex®-M4 Processor Technical Reference Manual \(ARM DDI 0439D\)](#).

14.2.1 IRQ Control Register i (IRQCRi) (i = 0 to 15)

Address(es): [ICU.IRQCR0 4000 6000h](#), [ICU.IRQCR1 4000 6001h](#), [ICU.IRQCR2 4000 6002h](#), [ICU.IRQCR3 4000 6003h](#),
[ICU.IRQCR4 4000 6004h](#), [ICU.IRQCR5 4000 6005h](#), [ICU.IRQCR6 4000 6006h](#), [ICU.IRQCR7 4000 6007h](#),
[ICU.IRQCR8 4000 6008h](#), [ICU.IRQCR9 4000 6009h](#), [ICU.IRQCR10 4000 600Ah](#), [ICU.IRQCR11 4000 600Bh](#),
[ICU.IRQCR12 4000 600Ch](#), [ICU.IRQCR13 4000 600Dh](#), [ICU.IRQCR14 4000 600Eh](#), [ICU.IRQCR15 4000 600Fh](#)



Bit	Symbol	Bit name	Description	R/W
b1, b0	IRQMD[1:0]	IRQi Detection Sense Select	b1 b0 0 0: Falling edge 0 1: Rising edge 1 0: Rising and falling edges 1 1: Low level.	R/W
b3, b2	—	Reserved	These bits are read as 0. The write value should be 0.	R/W
b5, b4	FCLKSEL[1:0]	IRQi Digital Filter Sampling Clock Select	b5 b4 0 0: PCLKB 0 1: PCLKB/8 1 0: PCLKB/32 1 1: PCLKB/64.	R/W
b6	—	Reserved	This bit is read as 0. The write value should be 0.	R/W
b7	FLTEN	IRQi Digital Filter Enable	0: Disable digital filter 1: Enable digital filter.	R/W

IRQCRi register changes must satisfy the following conditions:

- For a CPU interrupt or DTC trigger:
Change the IRQCRi register setting before setting the target IELSRn (n = 0 to 63).
You can change the register values only when the IELSRn.IELS[7:0] bits are 00h.
- For a DMAC trigger:
Change the IRQCRi register setting before setting the target DELSRn (n = 0 to 3).
You can change the register values only when the DELSRn.DELS[7:0] bits are 00h.
- For a wakeup enable signal:
Change the IRQCRi register setting before setting the target WUPEN.IRQWUPEN[n] (n = 0 to 15).
You can change the register values only when the target WUPEN.IRQWUPEN[n] is 0.

[IRQMD\[1:0\] bits \(IRQi Detection Sense Select\)](#)

The IRQMD[1:0] bits set the detection sensing method for the external pin interrupt sources IRQi. For setting method when using external pin interrupt, see [section 14.4.4, External Pin Interrupts](#).

[FCLKSEL\[1:0\] bits \(IRQi Digital Filter Sampling Clock Select\)](#)

The FCLKSEL[1:0] bits select the digital filter sampling clock for the external pin interrupt request IRQi, selectable to:

- PCLKB (every cycle)
- PCLKB/8 (once every 8 cycles)
- PCLKB/32 (once every 32 cycles)
- PCLKB/64 (once every 64 cycles).

For details on the digital filter, see [section 14.4.3, Digital Filter](#).

[FLTEN bit \(IRQi Digital Filter Enable\)](#)

The FLTEN bit enables the digital filter used for the IRQi external pin interrupt sources. The filter is enabled when the IRQCRi.FLTEN bit is 1, and disabled when the IRQCRi.FLTEN bit is 0. The IRQi pin level is sampled at the cycle specified in IRQCRi.FCLKSEL[1:0]. When the sampled level matches three times, the output level from the digital filter changes. For details on the digital filter, see [section 14.4.3, Digital Filter](#).

14.2.2 Non-Maskable Interrupt Status Register (NMISR)

Address(es): ICU.NMISR 4000 6140h

b15	b14	b13	b12	b11	b10	b9	b8	b7	b6	b5	b4	b3	b2	b1	b0
—	—	—	SPEST	BUSMST	BUSST	RECCST	RPEST	NMIST	OSTST	—	VBATTST	LVD2ST	LVD1ST	WDTST	IWDTST
0	0	0	0	0	0	0	0	0	0	0	0	0	0	0	0

Value after reset:

Bit	Symbol	Bit name	Description	R/W
b0	IWDTST	IWDT Underflow/Refresh Error Status Flag	0: Interrupt not requested 1: Interrupt requested.	R
b1	WDTST	WDT Underflow/Refresh Error Status Flag	0: Interrupt not requested 1: Interrupt requested.	R
b2	LVD1ST	Voltage Monitor 1 Interrupt Status Flag	0: Interrupt not requested 1: Interrupt requested.	R
b3	LVD2ST	Voltage Monitor 2 Interrupt Status Flag	0: Interrupt not requested 1: Interrupt requested.	R
b4	VBATTST	VBATT Monitor Interrupt Status Flag	0: Interrupt not requested 1: Interrupt requested.	R
b5	—	Reserved	This bit is read as 0.	R
b6	OSTST	Main Clock Oscillation Stop Detection Interrupt Status Flag	0: Interrupt not requested for main clock oscillation stop 1: Interrupt requested for main clock oscillation stop.	R
b7	NMIST	NMI Pin Interrupt Status Flag	0: NMI pin interrupt not requested 1: NMI pin interrupt requested.	R
b8	RPEST	SRAM Parity Error Interrupt Status Flag	0: Interrupt not requested 1: Interrupt requested.	R
b9	RECCST	SRAM ECC Error Interrupt Status Flag	0: Interrupt not requested 1: Interrupt requested.	R
b10	BUSST	MPU Bus Slave Error Interrupt Status Flag	0: Interrupt not requested 1: Interrupt requested.	R
b11	BUSMST	MPU Bus Master Error Interrupt Status Flag	0: Interrupt not requested 1: Interrupt requested.	R
b12	SPEST	CPU Stack Pointer Monitor Interrupt Status Flag	0: Interrupt not requested 1: Interrupt requested.	R
b15 to b13	—	Reserved	These bits are read as 0.	R

The NMISR register monitors the status of non-maskable interrupt sources. Writes to the NMISR register are ignored. The setting in the Non-Maskable Interrupt Enable Register (NMIER) does not affect the status flags in this register. Before the end of the non-maskable interrupt handler, check that all of the bits in this register are set to 0 to confirm that no other NMI requests have occurred during handler processing.

IWDTST flag (IWDT Underflow/Refresh Error Status Flag)

The IWDTST flag indicates an IWDT underflow/refresh error interrupt request. It is read-only and cleared by the NMICLR.IWDTCLR bit.

[Setting condition]

- When an IWDT underflow/refresh error interrupt occurs and this interrupt is enabled.

[Clearing condition]

- When 1 is written to the NMICLR.IWDTCLR bit.

WDTST flag (WDT Underflow/Refresh Error Status Flag)

The WDTST flag indicates a WDT underflow/refresh error interrupt request. It is read-only and cleared by the NMICLR.WDTCLR bit.

[Setting condition]

- When a WDT underflow/refresh error interrupt occurs.

[Clearing condition]

- When 1 is written to the NMICLR.WDTCLR bit.

LVD1ST flag (Voltage Monitor 1 Interrupt Status Flag)

The LVD1ST flag indicates a request for voltage monitor 1 interrupt. It is read-only and cleared by the NMICLR.LVD1CLR bit.

[Setting condition]

- When a voltage monitor 1 interrupt occurs and this interrupt is enabled.

[Clearing condition]

- When 1 is written to the NMICLR.LVD1CLR bit.

LVD2ST flag (Voltage Monitor 2 Interrupt Status Flag)

The LVD2ST flag indicates a request for voltage monitor 2 interrupt. It is read-only and cleared by the NMICLR.LVD2CLR bit.

[Setting condition]

- When a voltage monitor 2 interrupt occurs and this interrupt is enabled.

[Clearing condition]

- When 1 is written to the NMICLR.LVD2CLR bit.

VBATTST flag (VBATT Monitor Interrupt Status Flag)

The VBATTST flag indicates a VBATT monitor interrupt request. It is read-only and cleared by the NMICLR.VBATTCLR bit.

[Setting condition]

- When a VBATT monitor interrupt occurs.

[Clearing condition]

- When 1 is written to the NMICLR.VBATTCLR bit.

OSTST flag (Main Clock Oscillation Stop Detection Interrupt Status Flag)

The OSTST flag indicates a main oscillation stop detection interrupt request. It is read-only and cleared by the NMICLR.OSTCLR bit.

[Setting condition]

- When a main clock oscillation stop detection interrupt occurs.

[Clearing condition]

- When 1 is written to the NMICLR.OSTCLR bit.

NMIST flag (NMI Pin Interrupt Status Flag)

The NMIST flag indicates an NMI pin interrupt request. It is read-only and cleared by the NMICLR.NMISTCLR bit.

[Setting condition]

- When an edge specified by the NMICR.NMIMD bit is input to the NMI pin.

[Clearing condition]

- When 1 is written to the NMICLR.NMISTCLR bit.

RPEST flag (SRAM Parity Error Interrupt Status Flag)

The RPEST flag indicates an SRAM parity error interrupt request.

[Setting condition]

- When an interrupt occurs in response to an SRAM parity error.

[Clearing condition]

- When 1 is written to the NMICLR.RPECLR bit.

RECCST flag (SRAM ECC Error Interrupt Status Flag)

The RECCST flag indicates an SRAM ECC error interrupt request.

[Setting condition]

- When an interrupt occurs in response to an SRAM ECC error.

[Clearing condition]

- When 1 is written to the NMICLR.RECCCLR bit.

BUSSST flag (MPU Bus Slave Error Interrupt Status Flag)

The BUSST flag indicates a bus slave error interrupt request.

[Setting condition]

- When an interrupt occurs in response to a bus slave error.

[Clearing condition]

- When 1 is written to the NMICLR.BUSSCLR bit.

BUSMST flag (MPU Bus Master Error Interrupt Status Flag)

The BUSMST flag indicates a bus master error interrupt request.

[Setting condition]

- When an interrupt occurs in response to a bus master error.

[Clearing condition]

- When 1 is written to the NMICLR.BUSMCLR bit.

SPEST flag (CPU Stack Pointer Monitor Interrupt Status Flag)

The SPEST flag indicates a CPU stack pointer monitor interrupt request.

[Setting condition]

- When an interrupt occurs in response to a CPU stack pointer monitor.

[Clearing condition]

- When 1 is written to the NMICLR.SPECLR bit.

14.2.3 Non-Maskable Interrupt Enable Register (NMIER)

Address(es): ICU.NMIER 4000 6120h

b15	b14	b13	b12	b11	b10	b9	b8	b7	b6	b5	b4	b3	b2	b1	b0
—	—	—	SPEEN	BUSMEN	BUSSEN	RECCE N	RPEEN	NMIEN	OSTEN	—	VBATT EN	LVD2E N	LVD1E N	WDTE N	IWDTE N
0	0	0	0	0	0	0	0	0	0	0	0	0	0	0	0

Value after reset:

Bit	Symbol	Bit name	Description	R/W
b0	IWDTEN	IWDT Underflow/Refresh Error Interrupt Enable	0: Disabled 1: Enabled.	R/(W) *1, *2
b1	WDTEN	WDT Underflow/Refresh Error Interrupt Enable	0: Disabled 1: Enabled.	R/(W) *1, *2
b2	LVD1EN	Voltage Monitor 1 Interrupt Enable	0: Disabled 1: Enabled.	R/(W) *1, *2
b3	LVD2EN	Voltage Monitor 2 Interrupt Enable	0: Disabled 1: Enabled.	R/(W) *1, *2
b4	VBATTEN	VBATT Monitor Interrupt Enable	0: Disabled 1: Enabled.	R/(W) *1, *2
b5	—	Reserved	This bit is read as 0. The write value should be 0.	R/W
b6	OSTEN	Main clock Oscillation Stop Detection Interrupt Enable	0: Disabled 1: Enabled.	R/(W) *1, *2
b7	NMIEN	NMI Pin Interrupt Enable	0: Disabled 1: Enabled.	R/(W) *1
b8	RPEEN	SRAM Parity Error Interrupt Enable	0: Disabled 1: Enabled.	R/(W) *1, *2
b9	RECCEN	SRAM ECC Error Interrupt Enable	0: Disabled 1: Enabled.	R/(W) *1, *2
b10	BUSSEN	MPU Bus Slave Error Interrupt Enable	0: Disabled 1: Enabled.	R/(W) *1, *2
b11	BUSMEN	MPU Bus Master Error Interrupt Enable	0: Disabled 1: Enabled.	R/(W) *1, *2
b12	SPEEN	CPU Stack Pointer Monitor Interrupt Enable	0: Disabled 1: Enabled.	R/(W) *1, *2
b15 to b13	—	Reserved	These bits are read as 0. The write value should be 0.	R/W

Note 1. You can write 1 to this bit only after reset, and subsequent write accesses are invalid. Writing 0 to this bit is invalid.

Note 2. Do not write 1 to this bit when the source is used as an event signal.

IWDTEN bit (IWDT Underflow/Refresh Error Interrupt Enable)

The IWDTEN bit enables or disables IWDT underflow/refresh error interrupt as an NMI trigger.

WDTEN bit (WDT Underflow/Refresh Error Interrupt Enable)

The WDTEN bit enables or disables WDT underflow/refresh error interrupt as an NMI trigger.

LVD1EN bit (Voltage Monitor 1 Interrupt Enable)

The LVD1EN bit enables or disables voltage monitor 1 interrupt as an NMI trigger.

LVD2EN bit (Voltage Monitor 2 Interrupt Enable)

The LVD2EN bit enables or disables voltage monitor 2 interrupt as an NMI trigger.

VBATTEN bit (VBATT Monitor Interrupt Enable)

The VBATTEN bit enables or disables VBATT monitor interrupt as an NMI trigger.

OSTEN bit (Main clock Oscillation Stop Detection Interrupt Enable)

The OSTEN bit enables or disables main clock oscillation stop detection interrupt as an NMI trigger.

NMIEN bit (NMI Pin Interrupt Enable)

The NMIEN bit enables or disables NMI pin interrupt as an NMI trigger.

RPEEN bit (SRAM Parity Error Interrupt Enable)

The RPEEN bit enables or disables SRAM parity error interrupt as an NMI trigger.

RECCEN bit (SRAM ECC Error Interrupt Enable)

The RECCEN bit enables or disables SRAM ECC error interrupt as an NMI trigger.

BUSSEN bit (MPU Bus Slave Error Interrupt Enable)

The BUSSEN bit enables or disables bus slave error interrupt as an NMI trigger.

BUSMEN bit (MPU Bus Master Error Interrupt Enable)

The BUSMEN bit enables or disables bus master error interrupt as an NMI trigger.

SPEEN bit (CPU Stack Pointer Monitor Interrupt Enable)

The SPEEN bit enables or disables CPU stack pointer monitor interrupt as an NMI trigger.

14.2.4 Non-Maskable Interrupt Status Clear Register (NMICLR)

Address(es): ICU.NMICLR 4000 6130h

	b15	b14	b13	b12	b11	b10	b9	b8	b7	b6	b5	b4	b3	b2	b1	b0
	—	—	—	SPECL R	BUSM CLR	BUSSC LR	RECC LR	RPECL R	NMICL R	OSTCL R	—	VBATT CLR	LVD2C LR	LVD1C LR	WDTCL R	IWDTC LR
Value after reset:	0	0	0	0	0	0	0	0	0	0	0	0	0	0	0	0

Bit	Symbol	Bit name	Description	R/W
b0	IWDTCCLR	IWDT Clear	0: No effect 1: Clear the NMISR.IWDTST flag.	R/(W)*1
b1	WDTCLR	WDT Clear	0: No effect 1: Clear the NMISR.WDTST flag.	R/(W)*1
b2	LVD1CLR	LVD1 Clear	0: No effect 1: Clear the NMISR.LVD1ST flag.	R/(W)*1
b3	LVD2CLR	LVD2 Clear	0: No effect 1: Clear the NMISR.LVD2ST flag.	R/(W)*1
b4	VBATTCLR	VBATT Clear	0: No effect 1: Clear the NMISR.VBATTST flag.	R/(W)*1
b5	—	Reserved	This bit is read as 0. The write value should be 0.	R/W
b6	OSTCLR	OST Clear	0: No effect 1: Clear the NMISR.OSTST flag.	R/(W)*1
b7	NMICLR	NMI Clear	0: No effect 1: Clear the NMISR.NMIST flag.	R/(W)*1
b8	RPECLR	SRAM Parity Error Clear	0: No effect 1: Clear the NMISR.RPEST flag.	R/(W)*1
b9	RECCCLR	SRAM ECC Error Clear	0: No effect 1: Clear the NMISR.RECCST flag.	R/(W)*1
b10	BUSSCLR	Bus Slave Error Clear	0: No effect 1: Clear the NMISR.BUSSST flag.	R/(W)*1
b11	BUSMCLR	Bus Master Error Clear	0: No effect 1: Clear the NMISR.BUSMST flag.	R/(W)*1

Bit	Symbol	Bit name	Description	R/W
b12	SPECLR	CPU Stack Pointer Monitor Interrupt Clear	0: No effect. 1: Clear the NMISR.SPEST flag.	R/(W)*1
b15 to b13	—	Reserved	These bits are read as 0. The write value should be 0.	R/W

Note 1. Only 1 can be written to this bit.

IWDTCLR bit (IWDT Clear)

Writing 1 to the IWDTCLR bit clears the NMISR.IWDTST flag. The IWDTCLR bit is read as 0.

WDTCLR bit (WDT Clear)

Writing 1 to the WDTCLR bit clears the NMISR.WDTST flag. The WDTCLR bit is read as 0.

LVD1CLR bit (LVD1 Clear)

Writing 1 to the LVD1CLR bit clears the NMISR.LVD1ST flag. The LVD1CLR bit is read as 0.

LVD2CLR bit (LVD2 Clear)

Writing 1 to the LVD2CLR bit clears the NMISR.LVD2ST flag. The LVD2CLR bit is read as 0.

VBATTCLR bit (VBATT Clear)

Writing 1 to the VBATTCLR clears the NMISR.VBATTST flag. The VBATTCLR bit is read as 0.

OSTCLR bit (OST Clear)

Writing 1 to the OSTCLR bit clears the NMISR.OSTST flag. The OSTCLR bit is read as 0.

NMICLR bit (NMI Clear)

Writing 1 to the NMICLR bit clears the NMISR.NMIST flag. The NMICLR bit is read as 0.

RPECLR bit (SRAM Parity Error Clear)

Writing 1 to the RPECLR clears the NMISR.RPEST flag. The RPECLR bit is read as 0.

RECCCLR bit (SRAM ECC Error Clear)

Writing 1 to the RECCCLR bit clears the NMISR.RECCST flag. The RECCCLR bit is read as 0.

BUSSCLR bit (Bus Slave Error Clear)

Writing 1 to the BUSSCLR clears the NMISR.BUSSST flag. The BUSSCLR bit is read as 0.

BUSMCLR bit (Bus Master Error Clear)

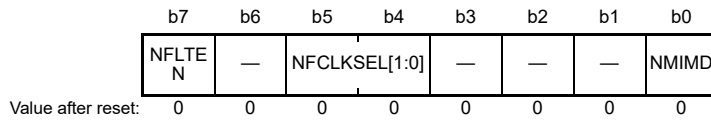
Writing 1 to the BUSMCLR bit clears the NMISR.BUSMSST flag. The BUSMCLR bit is read as 0.

SPECLR bit (CPU Stack Pointer Monitor Interrupt Clear)

Writing 1 to the SPECLR bit clears the NMISR.SPEST flag. The SPECLR bit is read as 0.

14.2.5 NMI Pin Interrupt Control Register (NMICR)

Address(es): ICU.NMICR 4000 6100h



Bit	Symbol	Bit name	Description	R/W
b0	NMIMD	NMI Detection Set	0: Falling edge 1: Rising edge.	R/W
b3 to b1	—	Reserved	These bits are read as 0. The write value should be 0.	R/W
b5, b4	NFCLKSEL[1:0]	NMI Digital Filter Sampling Clock Select	b5 b4 0 0: PCLKB 0 1: PCLKB/8 1 0: PCLKB/32 1 1: PCLKB/64.	R/W
b6	—	Reserved	This bit is read as 0. The write value should be 0.	R/W
b7	NFLTEN	NMI Digital Filter Enable	0: Disable digital filter 1: Enable digital filter.	R/W

Change the NMICR register settings before enabling NMI pin interrupt, before setting NMIER.NMIEN to 1.

NMIMD bit (NMI Detection Set)

The NMIMD bit selects the detection sensing method for the NMI pin interrupts.

NFCLKSEL[1:0] bits (NMI Digital Filter Sampling Clock Select)

The NFCLKSEL[1:0] bits select the digital filter sampling clock for NMI pin interrupts, selectable to:

- PCLKB (every cycle)
- PCLKB/8 (once every 8 cycles)
- PCLKB/32 (once every 32 cycles)
- PCLKB/64 (once every 64 cycles).

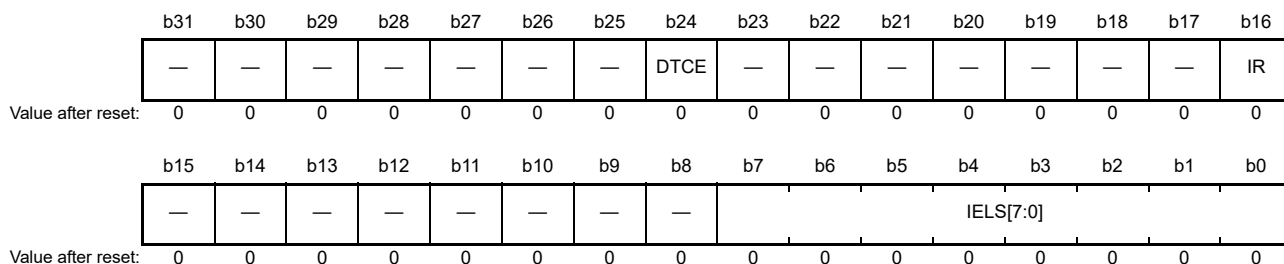
For the digital filter details, see [section 14.4.3, Digital Filter](#).

NFLTEN bit (NMI Digital Filter Enable)

The NFLTEN bit enables the digital filter used for NMI pin interrupts. The filter is enabled when NFLTEN is 1 and disabled when NFLTEN is 0. The NMI pin level is sampled at the clock cycle specified in NMICR.NFCLKSEL[1:0]. When the sampled level matches three times, the output level from the digital filter changes. For details on the digital filter, see [section 14.4.3, Digital Filter](#).

14.2.6 ICU Event Link Setting Register n (IELSRn)

Address(es): ICU.IELSR0 4000 6300h, ICU.IELSR1 4000 6304h, ICU.IELSR2 4000 6308h, ICU.IELSR3 4000 630Ch,.....
ICU.IELSR60 4000 63F0h, ICU.IELSR61 4000 63F4h, ICU.IELSR62 4000 63F8h, ICU.IELSR63 4000 63FCh



Bit	Symbol	Bit name	Description	R/W
b7 to b0	IELS[7:0]	ICU Event Link Select	b7 00000000: Disable interrupts to the associated NVIC/DTC b0 00000001 to 11011001: Event signal number to be linked. For details, see Table 14.4 .	R/W
b15 to b8	—	Reserved	These bits are read as 0. The write value should be 0.	R/W
b16	IR	Interrupt Status Flag	0: No interrupt request occurred 1: An interrupt request occurred.	R/(W) *1
b23 to b17	—	Reserved	These bits are read as 0. The write value should be 0.	R/W
b24	DTCE	DTC Activation Enable	0: Disable DTC activation 1: Enable DTC activation.	R/W
b31 to b25	—	Reserved	These bits are read as 0. The write value should be 0.	R/W

Note: This register requires halfword or word access.

Note 1. Writing 1 to the IR flag is prohibited.

The IELSRn register selects the IRQ source used by NVIC. For details, see [Table 14.4, Event table](#).

IELSRn, where n = 0 to 63, corresponds to the NVIC IRQ input source numbers 0 to 63.

IELS[7:0] bits (ICU Event Link Select)

The IELS[7:0] bits link an event signal to the associated NVIC/DTC module.

IR flag (Interrupt Status Flag)

The IR flag indicates an individual interrupt request from the event specified in IELS[7:0].

[Setting condition]

- When an interrupt request is received from the associated peripheral module or IRQi pin.

[Clearing conditions]

- When 0 is written to the flag. DTCE must be set to 0 before writing 0 to the IR flag.

To clear the IR flag:

1. Negate the input interrupt signal.
2. Read the peripheral once and wait for 2 clock cycles of the target module clock.
3. Clear the IR flag by writing 0.

DTCE bit (DTC Activation Enable)

When the DTCE bit is set to 1, the associated event is selected as the source for DTC activation.

[Setting condition]

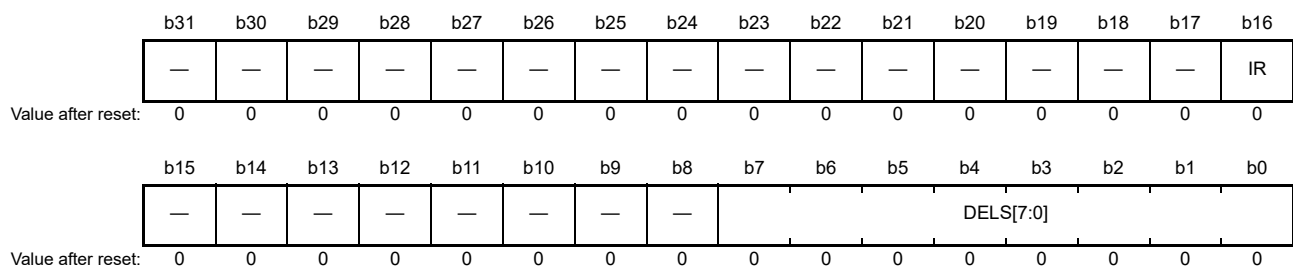
- When 1 is written to the DTCE bit.

[Clearing conditions]

- When the specified number of transfers is complete. For chain transfers, when the specified number of transfers for the last chain transfer is complete
- When 0 is written to the bit.

14.2.7 DMAC Event Link Setting Register n (DELSRn)

Address(es): [ICU.DELSR0 4000 6280h](#), [ICU.DELSR1 4000 6284h](#), [ICU.DELSR2 4000 6288h](#), [ICU.DELSR3 4000 628Ch](#)



Bit	Symbol	Bit name	Description	R/W
b7 to b0	DELS[7:0]	DMAC Event Link Select	b7 b0 00000000: Disable DMA start request to the associated DMAC module. 00000001 to 11011001: Event signal number to be linked. Other settings are prohibited. For details, see Table 14.4, Event table .	R/W
b15 to b8	—	Reserved	These bits are read as 0. The write value should be 0.	R/W
b16	IR	Interrupt Status Flag for DMAC	0: No interrupt request is generated 1: An interrupt request is generated.	R/W*1
b31 to b17	—	Reserved	These bits are read as 0. The write value should be 0.	R/W

Note: This register requires halfword or word access.

Note 1. Writing 1 to the IR flag is prohibited.

DELS[7:0] bits (DMAC Event Link Select)

The DELS[7:0] bits link an event signal for the DMAC module.

IR flag (Interrupt Status Flag for DMAC)

The IR flag indicates the status of an individual DMA transfer request. This flag corresponds to the DELS[7:0] bits of the same register.

[Setting condition]

- The flag is set to 1 when a DMA transfer request is generated from the corresponding peripheral module or IRQi pin.

[Clearing conditions]

- When 0 is written to the flag
- At the start of a DMA transfer after the DMA transfer request is issued.

14.2.8 SYS Event Link Setting Register (SELSR0)

Address(es): ICU.SELSR0 4000 6200h

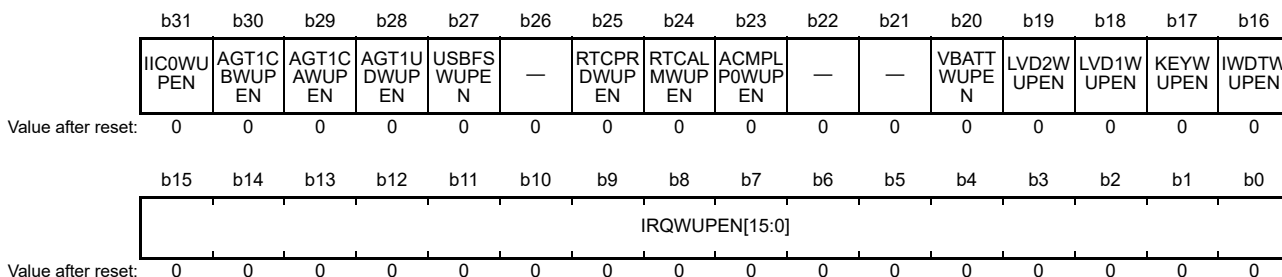


Bit	Symbol	Bit name	Description	R/W
b7 to b0	SELS[7:0]	SYS Event Link Select	b7 00000000: Disable event output to the associated low power mode module b0 00000001 to 11011001: Event signal number to be linked. Other settings are prohibited. For details, see Table 14.4, Event table .	R/W
b15 to b8	—	Reserved	These bits are read as 0. The write value should be 0.	R/W

The SELSR0 register selects the events that wake up the CPU from Snooze mode. You can only use the events listed in [Table 14.4](#) checked as “Canceling Snooze using SELSR0”. When 017h is set in IELSRn.IELS[7:0] bits, an SELSR0 event interrupt occurs.

14.2.9 Wake Up Interrupt Enable Register (WUPEN)

Address(es): ICU.WUPEN 4000 61A0h



Bit	Symbol	Bit name	Description	R/W
b15 to b0	IRQWUPEN[15:0]	IRQ Interrupt Software Standby Returns Enable	0: Disable software standby returns by IRQ interrupt 1: Enable software standby returns by IRQ interrupt.	R/W
b16	IWDTWUPEN	IWDT Interrupt Software Standby Returns Enable	0: Disable software standby returns by IWDT interrupt 1: Enable software standby returns by IWDT interrupt.	R/W
b17	KEYWUPEN	Key Interrupt Software Standby Returns Enable	0: Disable software standby returns by KEY interrupt 1: Enable software standby returns by KEY interrupt.	R/W
b18	LVD1WUPEN	LVD1 Interrupt Software Standby Returns Enable	0: Disable software standby returns by LVD1 interrupt 1: Enable software standby returns by LVD1 interrupt.	R/W
b19	LVD2WUPEN	LVD2 Interrupt Software Standby Returns Enable	0: Disable software standby returns by LVD2 interrupt 1: Enable software standby returns by LVD2 interrupt.	R/W
b20	VBATTWUPEN	VBATT Monitor Interrupt Software Standby Returns Enable	0: Disable software standby returns by VBATT monitor interrupt 1: Enable software standby returns by VBATT monitor interrupt.	R/W
b22, b21	—	Reserved	These bits are read as 0. The write value should be 0.	R/W
b23	ACMPLP0WUPEN	ACMPLP0 Interrupt Software Standby Returns Enable	0: Disable software standby returns by ACMPLP0 interrupt 1: Enable software standby returns by ACMPLP0 interrupt.	R/W

Bit	Symbol	Bit name	Description	R/W
b24	RTCALMWUPEN	RTC Alarm Interrupt Software Standby Returns Enable	0: Disable software standby returns by RTC alarm interrupt 1: Enable software standby returns by RTC alarm interrupt.	R/W
b25	RTCPRDWUPEN	RTC Period Interrupt Software Standby Returns Enable	0: Disable software standby returns by RTC period interrupt 1: Enable software standby returns by RTC period interrupt.	R/W
b26	—	Reserved	This bit is read as 0. The write value should be 0.	R/W
b27	USBFSWUPEN	USBFS Interrupt Software Standby Returns Enable	0: Disable software standby returns by USBFS interrupt 1: Enable software standby returns by USBFS interrupt.	R/W
b28	AGT1UDWUPEN	AGT1 Underflow Interrupt Software Standby Returns Enable	0: Disable software standby returns by AGT1 underflow interrupt 1: Enable software standby returns by AGT1 underflow interrupt.	R/W
b29	AGT1CAWUPEN	AGT1 Compare Match A Interrupt Software Standby Returns Enable	0: Disable software standby returns by AGT1 compare match A interrupt 1: Enable software standby returns by AGT1 compare match A interrupt.	R/W
b30	AGT1CBWUPEN	AGT1 Compare Match B Interrupt Software Standby Returns Enable	0: Disable software standby returns by AGT1 compare match B interrupt 1: Enable software standby returns by AGT1 compare match B interrupt.	R/W
b31	IIC0WUPEN	IIC0 Address Match Interrupt Software Standby Returns Enable	0: Disable software standby returns by IIC0 address match interrupt 1: Enable software standby returns by IIC0 address match interrupt.	R/W

The bits in this register control whether the associated interrupt can wake up the CPU from Software Standby mode.

[IRQWUPEN\[15:0\] bits \(IRQ Interrupt Software Standby Returns Enable\)](#)

The IRQWUPEN[15:0] bits enable the use of IRQn interrupts to cancel Software Standby mode.

[IWDTWUPEN bit \(IWDT Interrupt Software Standby Returns Enable\)](#)

The IWDTWUPEN bit enables the use of IWDT interrupts to cancel Software Standby mode.

[KEYWUPEN bit \(Key Interrupt Software Standby Returns Enable\)](#)

The KEYWUPEN bit enables the use of Key interrupts to cancel Software Standby mode.

[LVD1WUPEN bit \(LVD1 Interrupt Software Standby Returns Enable\)](#)

The LVD1WUPEN bit enables the use of LVD1 interrupts to cancel Software Standby mode.

[LVD2WUPEN bit \(LVD2 Interrupt Software Standby Returns Enable\)](#)

The LVD2WUPEN bit enables the use of LVD2 interrupts to cancel Software Standby mode.

[VBATTWUPEN bit \(VBATT Monitor Interrupt Software Standby Returns Enable\)](#)

The VBATTWUPEN bit enables the use of VBATT monitor interrupts to cancel Software Standby mode.

[ACMPLP0WUPEN bit \(ACMPLP0 Interrupt Software Standby Returns Enable\)](#)

The ACMPLP0WUPEN bit enables the use of ACMPLP0 interrupts to cancel Software Standby mode.

[RTCALMWUPEN bit \(RTC Alarm Interrupt Software Standby Returns Enable\)](#)

The RTCALMWUPEN bit enables the use of RTC alarm interrupts to cancel Software Standby mode.

[RTCPRDWUPEN bit \(RTC Period Interrupt Software Standby Returns Enable\)](#)

The RTCPRDWUPEN bit enables the use of RTC period interrupts to cancel Software Standby mode.

USBFSWUPEN bit (USBFS Interrupt Software Standby Returns Enable)

The USBFSWUPEN bit enables the use of USBFS interrupts to cancel Software Standby mode.

AGT1UDWUPEN bit (AGT1 Underflow Interrupt Software Standby Returns Enable)

The AGT1UDWUPEN bit enables the use of AGT1 underflow interrupts to cancel Software Standby mode.

AGT1CAWUPEN bit (AGT1 Compare Match A Interrupt Software Standby Returns Enable)

The AGT1CAWUPEN bit enables the use of AGT1 compare match A interrupts to cancel Software Standby mode.

AGT1CBWUPEN bit (AGT1 Compare Match B Interrupt Software Standby Returns Enable)

The AGT1CBWUPEN bit enables the use of AGT1 compare match B interrupts to cancel Software Standby mode.

IIC0WUPEN bit (IIC0 Address Match Interrupt Software Standby Returns Enable)

The IIC0WUPEN bit enables the use of IIC0 interrupts to cancel Software Standby mode.

14.3 Vector Table

The ICU detects maskable and non-maskable interrupts. Interrupt priorities are set up in the Arm NVIC. For information on these registers, see the NVIC chapter of the *ARM® Cortex®-M4 Processor Technical Reference Manual (ARM DDI 0439D)*.

14.3.1 Interrupt Vector Table

Table 14.3 describes the interrupt vector table. The interrupt vector addresses conform to the NVIC specifications.

Table 14.3 Interrupt vector table (1 of 2)

Exception number	IRQ number	Vector offset	Source	Description
0	-	000h	Arm	Initial stack pointer
1	-	004h	Arm	Initial program counter (reset vector)
2	-	008h	Arm	Non-Maskable Interrupt (NMI)
3	-	00Ch	Arm	Hard fault
4	-	010h	Arm	MemManage fault
5	-	014h	Arm	Bus fault
6	-	018h	Arm	Usage fault
7	-	01Ch	Arm	Reserved
8	-	020h	Arm	Reserved
9	-	024h	Arm	Reserved
10	-	028h	Arm	Reserved
11	-	02Ch	Arm	Supervisor Call (SVCall)
12	-	030h	Arm	Debug monitor
13	-	034h	Arm	Reserved
14	-	038h	Arm	Pendable request for system service (PendableSrvReq)
15	-	03Ch	Arm	System tick timer (SysTick)
16	0	040h	ICU.IELSR0	Event selected in the ICU.IELSR0 register
17	1	044h	ICU.IELSR1	Event selected in the ICU.IELSR1 register
18	2	048h	ICU.IELSR2	Event selected in the ICU.IELSR2 register
19	3	04Ch	ICU.IELSR3	Event selected in the ICU.IELSR3 register
20	4	050h	ICU.IELSR4	Event selected in the ICU.IELSR4 register
21	5	054h	ICU.IELSR5	Event selected in the ICU.IELSR5 register
22	6	058h	ICU.IELSR6	Event selected in the ICU.IELSR6 register
23	7	05Ch	ICU.IELSR7	Event selected in the ICU.IELSR7 register
24	8	060h	ICU.IELSR8	Event selected in the ICU.IELSR8 register
25	9	064h	ICU.IELSR9	Event selected in the ICU.IELSR9 register
26	10	068h	ICU.IELSR10	Event selected in the ICU.IELSR10 register
27	11	06Ch	ICU.IELSR11	Event selected in the ICU.IELSR11 register
28	12	070h	ICU.IELSR12	Event selected in the ICU.IELSR12 register
29	13	074h	ICU.IELSR13	Event selected in the ICU.IELSR13 register
30	14	078h	ICU.IELSR14	Event selected in the ICU.IELSR14 register
31	15	07Ch	ICU.IELSR15	Event selected in the ICU.IELSR15 register
32	16	080h	ICU.IELSR16	Event selected in the ICU.IELSR16 register
33	17	084h	ICU.IELSR17	Event selected in the ICU.IELSR17 register
34	18	088h	ICU.IELSR18	Event selected in the ICU.IELSR18 register
35	19	08Ch	ICU.IELSR19	Event selected in the ICU.IELSR19 register

Table 14.3 Interrupt vector table (2 of 2)

Exception number	IRQ number	Vector offset	Source	Description
36	20	090h	ICU.IELSR20	Event selected in the ICU.IELSR20 register
37	21	094h	ICU.IELSR21	Event selected in the ICU.IELSR21 register
38	22	098h	ICU.IELSR22	Event selected in the ICU.IELSR22 register
39	23	09Ch	ICU.IELSR23	Event selected in the ICU.IELSR23 register
40	24	0A0h	ICU.IELSR24	Event selected in the ICU.IELSR24 register
41	25	0A4h	ICU.IELSR25	Event selected in the ICU.IELSR25 register
42	26	0A8h	ICU.IELSR26	Event selected in the ICU.IELSR26 register
43	27	0ACh	ICU.IELSR27	Event selected in the ICU.IELSR27 register
44	28	0B0h	ICU.IELSR28	Event selected in the ICU.IELSR28 register
45	29	0B4h	ICU.IELSR29	Event selected in the ICU.IELSR29 register
46	30	0B8h	ICU.IELSR30	Event selected in the ICU.IELSR30 register
47	31	0BCh	ICU.IELSR31	Event selected in the ICU.IELSR31 register
48	32	0C0h	ICU.IELSR32	Event selected in the ICU.IELSR32 register
49	33	0C4h	ICU.IELSR33	Event selected in the ICU.IELSR33 register
50	34	0C8h	ICU.IELSR34	Event selected in the ICU.IELSR34 register
51	35	0CCh	ICU.IELSR35	Event selected in the ICU.IELSR35 register
52	36	0D0h	ICU.IELSR36	Event selected in the ICU.IELSR36 register
53	37	0D4h	ICU.IELSR37	Event selected in the ICU.IELSR37 register
54	38	0D8h	ICU.IELSR38	Event selected in the ICU.IELSR38 register
55	39	0DCh	ICU.IELSR39	Event selected in the ICU.IELSR39 register
56	40	0E0h	ICU.IELSR40	Event selected in the ICU.IELSR40 register
57	41	0E4h	ICU.IELSR41	Event selected in the ICU.IELSR41 register
58	42	0E8h	ICU.IELSR42	Event selected in the ICU.IELSR42 register
59	43	0ECh	ICU.IELSR43	Event selected in the ICU.IELSR43 register
60	44	0F0h	ICU.IELSR44	Event selected in the ICU.IELSR44 register
61	45	0F4h	ICU.IELSR45	Event selected in the ICU.IELSR45 register
62	46	0F8h	ICU.IELSR46	Event selected in the ICU.IELSR46 register
63	47	0FCh	ICU.IELSR47	Event selected in the ICU.IELSR47 register
64	48	100h	ICU.IELSR48	Event selected in the ICU.IELSR48 register
65	49	104h	ICU.IELSR49	Event selected in the ICU.IELSR49 register
66	50	108h	ICU.IELSR50	Event selected in the ICU.IELSR50 register
67	51	10Ch	ICU.IELSR51	Event selected in the ICU.IELSR51 register
68	52	110h	ICU.IELSR52	Event selected in the ICU.IELSR52 register
69	53	114h	ICU.IELSR53	Event selected in the ICU.IELSR53 register
70	54	118h	ICU.IELSR54	Event selected in the ICU.IELSR54 register
71	55	11Ch	ICU.IELSR55	Event selected in the ICU.IELSR55 register
72	56	120h	ICU.IELSR56	Event selected in the ICU.IELSR56 register
73	57	124h	ICU.IELSR57	Event selected in the ICU.IELSR57 register
74	58	128h	ICU.IELSR58	Event selected in the ICU.IELSR58 register
75	59	12Ch	ICU.IELSR59	Event selected in the ICU.IELSR59 register
76	60	130h	ICU.IELSR60	Event selected in the ICU.IELSR60 register
77	61	134h	ICU.IELSR61	Event selected in the ICU.IELSR61 register
78	62	138h	ICU.IELSR62	Event selected in the ICU.IELSR62 register
79	63	13Ch	ICU.IELSR63	Event selected in the ICU.IELSR63 register

14.3.2 Event Number

The following table lists heading details for [Table 14.4](#), which describes each event number.

Heading	Description
Interrupt request source	Name of the source generating the interrupt request
Name	Name of the interrupt
Form of interrupt detection (signal)	"Edge" or "level" as the method for detection of the interrupt. "✓" indicates usability as an NMI interrupt
Connect to NVIC	"✓" indicates that the interrupt can be used as a CPU interrupt (IELSRn setting)
Invoke DTC	"✓" indicates that the interrupt can be used to request DTC activation (IELSRn setting)
Invoke DMAC	"✓" indicates that the interrupt can be used to request DMAC activation (DELSRn setting)
Canceling Snooze mode	"✓" indicates that the interrupt can be used to request a return from Snooze mode using SELSR0. Otherwise, "✓" indicates that it can be used directly.
Canceling Software Standby mode	"✓" indicates that the interrupt can be used to request a return from Software Standby mode

Table 14.4 Event table (1 of 6)

Event number	Interrupt request source	Name	IELSRn		DELSRn	Canceling Snooze	Canceling Software Standby
			Connect to NVIC	Invoke DTC	Invoke DMAC		
001h	Port	PORT_IRQ0	✓	✓	✓	✓	✓
002h		PORT_IRQ1	✓	✓	✓	✓	✓
003h		PORT_IRQ2	✓	✓	✓	✓	✓
004h		PORT_IRQ3	✓	✓	✓	✓	✓
005h		PORT_IRQ4	✓	✓	✓	✓	✓
006h		PORT_IRQ5	✓	✓	✓	✓	✓
007h		PORT_IRQ6	✓	✓	✓	✓	✓
008h		PORT_IRQ7	✓	✓	✓	✓	✓
009h		PORT_IRQ8	✓	✓	✓	✓	✓
00Ah		PORT_IRQ9	✓	✓	✓	✓	✓
00Bh		PORT_IRQ10	✓	✓	✓	✓	✓
00Ch		PORT_IRQ11	✓	✓	✓	✓	✓
00Dh		PORT_IRQ12	✓	✓	✓	✓	✓
00Eh		PORT_IRQ13	✓	✓	✓	✓	✓
00Fh		PORT_IRQ14	✓	✓	✓	✓	✓
010h		PORT_IRQ15	✓	✓	✓	✓	✓
011h	DMAC0	DMAC0_INT	✓	✓	-	-	-
012h	DMAC1	DMAC1_INT	✓	✓	-	-	-
013h	DMAC2	DMAC2_INT	✓	✓	-	-	-
014h	DMAC3	DMAC3_INT	✓	✓	-	-	-
015h	DTC	DTC_COMPLETE	✓	-	-	✓*4	-
017h	ICU	ICU_SNZCANCEL	✓	-	-	✓	-
018h	FCU	FCU_FRDYI	✓	-	-	-	-
019h	LVD	LVD_LVD1	✓	-	-	✓	✓
01Ah		LVD_LVD2	✓	-	-	✓	✓
01Bh	VBATT	VBATT_LVD	✓	-	-	✓	✓
01Ch	MOSC	MOSC_STOP	✓	-	-	-	-
01Dh	Low power mode	SYSTEM_SNZREQ	-	✓	-	-	-

Table 14.4 Event table (2 of 6)

Event number	Interrupt request source	Name	IELSRn		DELSRn	Canceling Snooze	Canceling Software Standby
			Connect to NVIC	Invoke DTC	Invoke DMAC		
01Eh	AGT0	AGT0_AGTI	✓	✓	✓	-	-
01Fh		AGT0_AGTCMAI	✓	✓	✓	-	-
020h		AGT0_AGTCMBI	✓	✓	✓	-	-
021h	AGT1	AGT1_AGTI	✓	✓	✓	✓	✓
022h		AGT1_AGTCMAI	✓	✓	✓	✓	✓
023h		AGT1_AGTCMBI	✓	✓	✓	✓	✓
024h	IWDT	IWDT_NMIUNDF	✓	-	-	✓	✓
025h	WDT	WDT_NMIUNDF	✓	-	-	-	-
026h	RTC	RTC_ALM	✓	-	-	✓	✓
027h		RTC_PRD	✓	-	-	✓	✓
028h		RTC_CUP	✓	-	-	-	-
029h	ADC140	ADC140_ADI	✓	✓	✓	-	-
02Ah		ADC140_GBADI	✓	✓	✓	-	-
02Bh		ADC140_CMPAI	✓	-	-	-	-
02Ch		ADC140_CMPBI	✓	-	-	-	-
02Dh		ADC140_WCMPM	-	✓	✓	✓*4	-
02Eh		ADC140_WCMPUM	-	✓	✓	✓*4	-
02Fh		ACMPLP	ACMP_LP0	✓	-	-	✓
030h	ACMP_LP1		✓	-	-	-	-
031h	USBFS	USBFS_D0FIFO	✓	✓	✓	-	-
032h		USBFS_D1FIFO	✓	✓	✓	-	-
033h		USBFS_USBI	✓	-	-	-	-
034h		USBFS_USBR	✓	-	-	✓	✓
035h	IIC0	IIC0_RXI	✓	✓	✓	-	-
036h		IIC0_TXI	✓	✓	✓	-	-
037h		IIC0_TEI	✓	-	-	-	-
038h		IIC0_EEI	✓	-	-	-	-
039h		IIC0_WUI	✓	-	-	✓	✓
03Ah	IIC1	IIC1_RXI	✓	✓	✓	-	-
03Bh		IIC1_TXI	✓	✓	✓	-	-
03Ch		IIC1_TEI	✓	-	-	-	-
03Dh		IIC1_EEI	✓	-	-	-	-
03Eh	IIC2	IIC2_RXI	✓	✓	✓	-	-
03Fh		IIC2_TXI	✓	✓	✓	-	-
040h		IIC2_TEI	✓	-	-	-	-
041h		IIC2_EEI	✓	-	-	-	-
042h	SSIE0	SSIE0_SSITXI	✓	✓	✓	-	-
043h		SSIE0_SSIRXI	✓	✓	✓	-	-
045h		SSIE0_SSIF	✓	-	-	-	-
046h	CTSU	CTSU_CTSUWR	✓	✓	✓	-	-
047h		CTSU_CTSURD	✓	✓	✓	-	-
048h		CTSU_CTSUFN	✓	-	-	✓*4	-
049h	KINT	KEY_INTKR	✓	-	-	✓*1	✓*1
04Ah	DOC	DOC_DOPCI	✓	-	-	✓*4	-

Table 14.4 Event table (3 of 6)

Event number	Interrupt request source	Name	IELSRn		DELSRn	Canceling Snooze	Canceling Software Standby
			Connect to NVIC	Invoke DTC	Invoke DMAC		
04Bh	CAC	CAC_FERRI	✓	-	-	-	-
04Ch		CAC_MENDI	✓	-	-	-	-
04Dh		CAC_OVFI	✓	-	-	-	-
04Eh	CAN0	CAN0_ERS	✓	-	-	-	-
04Fh		CAN0_RXF	✓	-	-	-	-
050h		CAN0_TXF	✓	-	-	-	-
051h		CAN0_RXM	✓	-	-	-	-
052h		CAN0_TXM	✓	-	-	-	-
053h		I/O port	IOPORT_GROUP1	✓	✓*2	✓*2	-
054h	IOPORT_GROUP2		✓	✓*2	✓*2	-	-
055h	IOPORT_GROUP3		✓	✓*2	✓*2	-	-
056h	IOPORT_GROUP4		✓	✓*2	✓*2	-	-
057h	ELC	ELC_SWEVT0	✓*3	✓	-	-	-
058h		ELC_SWEVT1	✓*3	✓	-	-	-
059h	POEG	POEG_GROUP0	✓	-	-	-	-
05Ah		POEG_GROUP1	✓	-	-	-	-
05Bh	GPT320	GPT0_CCMPA	✓	✓	✓	-	-
05Ch		GPT0_CCMPB	✓	✓	✓	-	-
05Dh		GPT0_CMPC	✓	✓	✓	-	-
05Eh		GPT0_CMPD	✓	✓	✓	-	-
05Fh		GPT0_CMPE	✓	✓	✓	-	-
060h		GPT0_CMPF	✓	✓	✓	-	-
061h		GPT0_OVF	✓	✓	✓	-	-
062h		GPT0_UDF	✓	✓	✓	-	-
063h		GPT321	GPT1_CCMPA	✓	✓	✓	-
064h	GPT1_CCMPB		✓	✓	✓	-	-
065h	GPT1_CMPC		✓	✓	✓	-	-
066h	GPT1_CMPD		✓	✓	✓	-	-
067h	GPT1_CMPE		✓	✓	✓	-	-
068h	GPT1_CMPF		✓	✓	✓	-	-
069h	GPT1_OVF		✓	✓	✓	-	-
06Ah	GPT1_UDF		✓	✓	✓	-	-
06Bh	GPT322	GPT2_CCMPA	✓	✓	✓	-	-
06Ch		GPT2_CCMPB	✓	✓	✓	-	-
06Dh		GPT2_CMPC	✓	✓	✓	-	-
06Eh		GPT2_CMPD	✓	✓	✓	-	-
06Fh		GPT2_CMPE	✓	✓	✓	-	-
070h		GPT2_CMPF	✓	✓	✓	-	-
071h		GPT2_OVF	✓	✓	✓	-	-
072h		GPT2_UDF	✓	✓	✓	-	-

Table 14.4 Event table (4 of 6)

Event number	Interrupt request source	Name	IELSRn		DELSRn	Canceling Snooze	Canceling Software Standby
			Connect to NVIC	Invoke DTC	Invoke DMAC		
073h	GPT323	GPT3_CCMPA	✓	✓	✓	-	-
074h		GPT3_CCMPB	✓	✓	✓	-	-
075h		GPT3_CMPC	✓	✓	✓	-	-
076h		GPT3_CMPD	✓	✓	✓	-	-
077h		GPT3_CMPE	✓	✓	✓	-	-
078h		GPT3_CMPF	✓	✓	✓	-	-
079h		GPT3_OVF	✓	✓	✓	-	-
07Ah		GPT3_UDF	✓	✓	✓	-	-
07Bh		GPT164	GPT4_CCMPA	✓	✓	✓	-
07Ch	GPT4_CCMPB		✓	✓	✓	-	-
07Dh	GPT4_CMPC		✓	✓	✓	-	-
07Eh	GPT4_CMPD		✓	✓	✓	-	-
07Fh	GPT4_CMPE		✓	✓	✓	-	-
080h	GPT4_CMPF		✓	✓	✓	-	-
081h	GPT4_OVF		✓	✓	✓	-	-
082h	GPT4_UDF		✓	✓	✓	-	-
083h	GPT165		GPT5_CCMPA	✓	✓	✓	-
084h		GPT5_CCMPB	✓	✓	✓	-	-
085h		GPT5_CMPC	✓	✓	✓	-	-
086h		GPT5_CMPD	✓	✓	✓	-	-
087h		GPT5_CMPE	✓	✓	✓	-	-
088h		GPT5_CMPF	✓	✓	✓	-	-
089h		GPT5_OVF	✓	✓	✓	-	-
08Ah		GPT5_UDF	✓	✓	✓	-	-
08Bh		GPT166	GPT6_CCMPA	✓	✓	✓	-
08Ch	GPT6_CCMPB		✓	✓	✓	-	-
08Dh	GPT6_CMPC		✓	✓	✓	-	-
08Eh	GPT6_CMPD		✓	✓	✓	-	-
08Fh	GPT6_CMPE		✓	✓	✓	-	-
090h	GPT6_CMPF		✓	✓	✓	-	-
091h	GPT6_OVF		✓	✓	✓	-	-
092h	GPT6_UDF		✓	✓	✓	-	-
093h	GPT167		GPT7_CCMPA	✓	✓	✓	-
094h		GPT7_CCMPB	✓	✓	✓	-	-
095h		GPT7_CMPC	✓	✓	✓	-	-
096h		GPT7_CMPD	✓	✓	✓	-	-
097h		GPT7_CMPE	✓	✓	✓	-	-
098h		GPT7_CMPF	✓	✓	✓	-	-
099h		GPT7_OVF	✓	✓	✓	-	-
09Ah		GPT7_UDF	✓	✓	✓	-	-

Table 14.4 Event table (5 of 6)

Event number	Interrupt request source	Name	IELSRn		DELSRn	Canceling Snooze	Canceling Software Standby
			Connect to NVIC	Invoke DTC	Invoke DMAC		
09Bh	GPT168	GPT8_CCMPA	✓	✓	✓	-	-
09Ch		GPT8_CCMPB	✓	✓	✓	-	-
09Dh		GPT8_CMPC	✓	✓	✓	-	-
09Eh		GPT8_CMPD	✓	✓	✓	-	-
09Fh		GPT8_CMPE	✓	✓	✓	-	-
0A0h		GPT8_CMPF	✓	✓	✓	-	-
0A1h		GPT8_OVF	✓	✓	✓	-	-
0A2h		GPT8_UDF	✓	✓	✓	-	-
0A3h	GPT169	GPT9_CCMPA	✓	✓	✓	-	-
0A4h		GPT9_CCMPB	✓	✓	✓	-	-
0A5h		GPT9_CMPC	✓	✓	✓	-	-
0A6h		GPT9_CMPD	✓	✓	✓	-	-
0A7h		GPT9_CMPE	✓	✓	✓	-	-
0A8h		GPT9_CMPF	✓	✓	✓	-	-
0A9h		GPT9_OVF	✓	✓	✓	-	-
0AAh		GPT9_UDF	✓	✓	✓	-	-
0ABh	GPT	GPT_UVWEDGE	✓	-	-	-	-
0ACh	SCI0	SCI0_RXI	✓	✓	✓	-	-
0ADh		SCI0_TXI	✓	✓	✓	-	-
0AEh		SCI0_TEI	✓	-	-	-	-
0AFh		SCI0_ERI	✓	-	-	-	-
0B0h		SCI0_AM	✓	-	-	✓*4	-
0B1h		SCI0_RXI_OR_ERI	-	-	-	✓*4	-
0B2h	SCI1	SCI1_RXI	✓	✓	✓	-	-
0B3h		SCI1_TXI	✓	✓	✓	-	-
0B4h		SCI1_TEI	✓	-	-	-	-
0B5h		SCI1_ERI	✓	-	-	-	-
0B6h		SCI1_AM	✓	-	-	-	-
0B7h	SCI2	SCI2_RXI	✓	✓	✓	-	-
0B8h		SCI2_TXI	✓	✓	✓	-	-
0B9h		SCI2_TEI	✓	-	-	-	-
0BAh		SCI2_ERI	✓	-	-	-	-
0BBh		SCI2_AM	✓	-	-	-	-
0BCh	SCI3	SCI3_RXI	✓	✓	✓	-	-
0BDh		SCI3_TXI	✓	✓	✓	-	-
0BEh		SCI3_TEI	✓	-	-	-	-
0BFh		SCI3_ERI	✓	-	-	-	-
0C0h		SCI3_AM	✓	-	-	-	-
0C1h	SCI4	SCI4_RXI	✓	✓	✓	-	-
0C2h		SCI4_TXI	✓	✓	✓	-	-
0C3h		SCI4_TEI	✓	-	-	-	-
0C4h		SCI4_ERI	✓	-	-	-	-
0C5h		SCI4_AM	✓	-	-	-	-

Table 14.4 Event table (6 of 6)

Event number	Interrupt request source	Name	IELSRn		DELSRn	Canceling Snooze	Canceling Software Standby
			Connect to NVIC	Invoke DTC	Invoke DMAC		
0C6h	SCI9	SCI9_RXI	✓	✓	✓	-	-
0C7h		SCI9_TXI	✓	✓	✓	-	-
0C8h		SCI9_TEI	✓	-	-	-	-
0C9h		SCI9_ERI	✓	-	-	-	-
0CAh		SCI9_AM	✓	-	-	-	-
0CBh	SPI0	SPI0_SPRI	✓	✓	✓	-	-
0CCh		SPI0_SPTI	✓	✓	✓	-	-
0CDh		SPI0_SPII	✓	-	-	-	-
0CEh		SPI0_SPEI	✓	-	-	-	-
0CFh		SPI0_SPTEND	✓	-	-	-	-
0D0h	SPI1	SPI1_SPRI	✓	✓	✓	-	-
0D1h		SPI1_SPTI	✓	✓	✓	-	-
0D2h		SPI1_SPII	✓	-	-	-	-
0D3h		SPI1_SPEI	✓	-	-	-	-
0D4h		SPI1_SPTEND	✓	-	-	-	-
0D5h	QSPI	QSPI_INTR	✓	-	-	-	-
0D6h	SDHI0	SDHI_MMC0_ACCS	✓	-	-	-	-
0D7h		SDHI_MMC0_SDIO	✓	-	-	-	-
0D8h		SDHI_MMC0_CARD	✓	-	-	-	-
0D9h		SDHI_MMC0_ODMSDBREQ	-	✓	✓	-	-

- Note 1. Only supported when KRCTL.KRMD = 1.
 Note 2. Only the first edge detection is valid.
 Note 3. Only interrupts after DTC transfer are supported.
 Note 4. Using SELSR0.

14.4 Interrupt Operation

The ICU performs the following functions:

- Detecting interrupts
- Enabling and disabling interrupts
- Selecting interrupt request destinations such as CPU interrupt, DTC activation, or DMAC activation.

14.4.1 Detecting Interrupts

External pin interrupt requests are detected by either the edge or level (falling edge, rising edge, rising and falling edge, or low level) of the interrupt signal. Set the IRQMD[1:0] bits in the IRQCRi register to select the detection mode for the IRQi pins. For interrupt sources associated with peripheral modules, see [section 14.3.2, Event Number](#). Events must be accepted by the NVIC before an interrupt occurs and is accepted by the CPU.

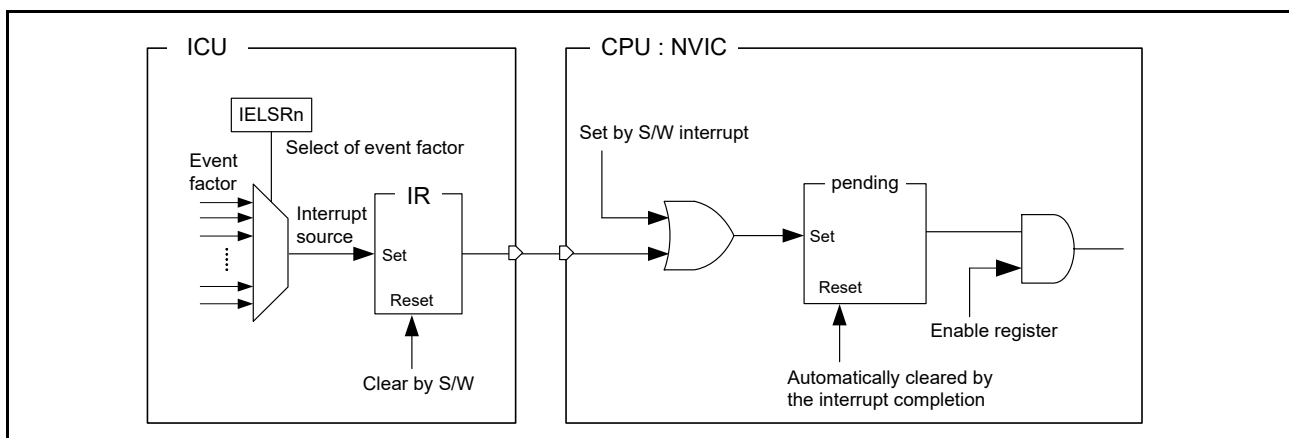


Figure 14.2 Interrupt path of the ICU, CPU: NVIC

- General operations during an interrupt
 - When a non-software interrupt occurs:
The IELSRn.IR flag and Interrupt Set/Clear-Pending Register (NVIC) are set.
 - When a software interrupt occurs:
Set the Interrupt Set-Pending Register.
 - When an interrupt is complete:
Clear the IELSRn.IR flag with software.
The Interrupt Set/Clear-Pending Register clears automatically.
- When interrupts are enabled:
 - 1) Set the Interrupt Set-Enable Register.
 - 2) Set the IELSRn.IELS[7:0] bits as interrupt source.
 - 3) Specify the operation settings for the event source.
- When interrupts are disabled:
 - 1) Disable the settings for the event source.
 - 2) Clear the IELSRn.IELS[7:0] bits (IELSRn.IELS[7:0] = 00h). Clear the IELSRn.IR flag as required.
 - 3) Clear the Interrupt Clear-Enable Register. Clear the Interrupt Clear-Pending Register as required.
- When polling for interrupts:
 - 1) Set the Interrupt Clear-Enable Register (disabling interrupts).
 - 2) Set the IELSRn.IELS[7:0] bits (selecting the source).

- 3) Specify the operation settings for the event source.
- 4) Poll the Interrupt Set-Pending Register.
- 5) When polling is no longer required, follow the procedure for clearing an interrupt when it is complete.

14.4.2 Selecting Interrupt Request Destinations

The interrupt output destination, CPU, DTC or DMAC, can be independently selected for each interrupt source. The available destinations are fixed for each interrupt, as described in [Table 14.4, Event table](#).

Note: Do not use an interrupt request destination setting that is not indicated by a ✓ in the event list ([Table 14.4](#)).

If you select the CPU or DTC in one IELSRn register, setting the same interrupt factor in any other IELSRn register is prohibited. Similarly, if you select the DMAC in one DELSRn register, setting the same interrupt factor in any other DELSRn register is prohibited.

Note: Setting the same interrupt factor for IELSRn and DELSRn is prohibited.

If the DMAC or DTC is selected as the destination for requests from an IRQi pin, be sure to set the IRQMD[1:0] bits in IRQCRi for that interrupt to select edge detection.

14.4.2.1 CPU interrupt request

When IELSRn.DTCE = 0, the event specified in the IELSRn register is output to the NVIC. Set the IELSRn.IELS[7:0] bits and IELSRn.DTCE bit to 0.

14.4.2.2 DTC activation

When IELSRn.DTCE = 1, the event specified in the IELSRn register is output to the DTC. After DTC transmission completes, the associated interrupt occurs. Use the following procedure:

1. Set the IELSRn.IELS[7:0] bits to the target event and the IELSRn.DTCE bit to 1.
2. Set the DTC module activation bit DTCST.DTCST to 1.

[Table 14.5](#) shows operation when DTC is the request destination.

Table 14.5 Operations when DTC is activated

Interrupt request destination	DISEL*1	Remaining transfer operations	Operations per request	IR*2	Interrupt request destination after transfer
DTC*3	1	≠ 0	DTC transfer → CPU interrupt	Cleared on interrupt acceptance by the CPU	DTC
		= 0	DTC transfer → CPU interrupt	Cleared on interrupt acceptance by the CPU	The IELSRn.DTCE bit is cleared and the CPU becomes the destination
	0	≠ 0	DTC transfer	Cleared at the start of DTC data transfer after reading DTC transfer data	DTC
		= 0	DTC transfer → CPU interrupt	Cleared on interrupt acceptance by the CPU	The IELSRn.DTCE bit is cleared and the CPU becomes the destination

Note 1. Set the interrupt request mode for the DTC in the DTC.MRB.DISEL bit.

Note 2. When the IELSRn.IR flag is 1, an interrupt request (DTC activation request) that occurs again is ignored.

Note 3. For chain transfers, DTC transfer continues until the last chain transfer ends. At this point, the DISEL bit state and the remaining transfer count determine whether a CPU interrupt occurs, the IELSRn.IR flag clear timing, and the interrupt request destination after transfer. See [Table 18.3, Chain transfer conditions](#) in [section 18, Data Transfer Controller \(DTC\)](#).

14.4.2.3 DMAC activation

When $IELSRn.DTCE = 0$, the event specified in the $IELSRn$ register is output to the NVIC. To set the interrupt source for DMAC, use the following procedure:

1. Set the $DELSRn.DELS[7:0]$.
2. Set the $IELSRn.IELS$ bits to the target event and the $IELSRn.DTCE$ bit to 1.
3. Set the activation source for the target DMAC channel ($DMACm.DMTMD.DCTG[1:0]$) to 01b (interrupt module detection).
4. Set the DMAC transfer enable bit for the target DMAC channel ($DMACm.DMCNT.DTE$) to 1.
5. Set the DMAC operation enable bit ($DMAST.DMST$) to 1.

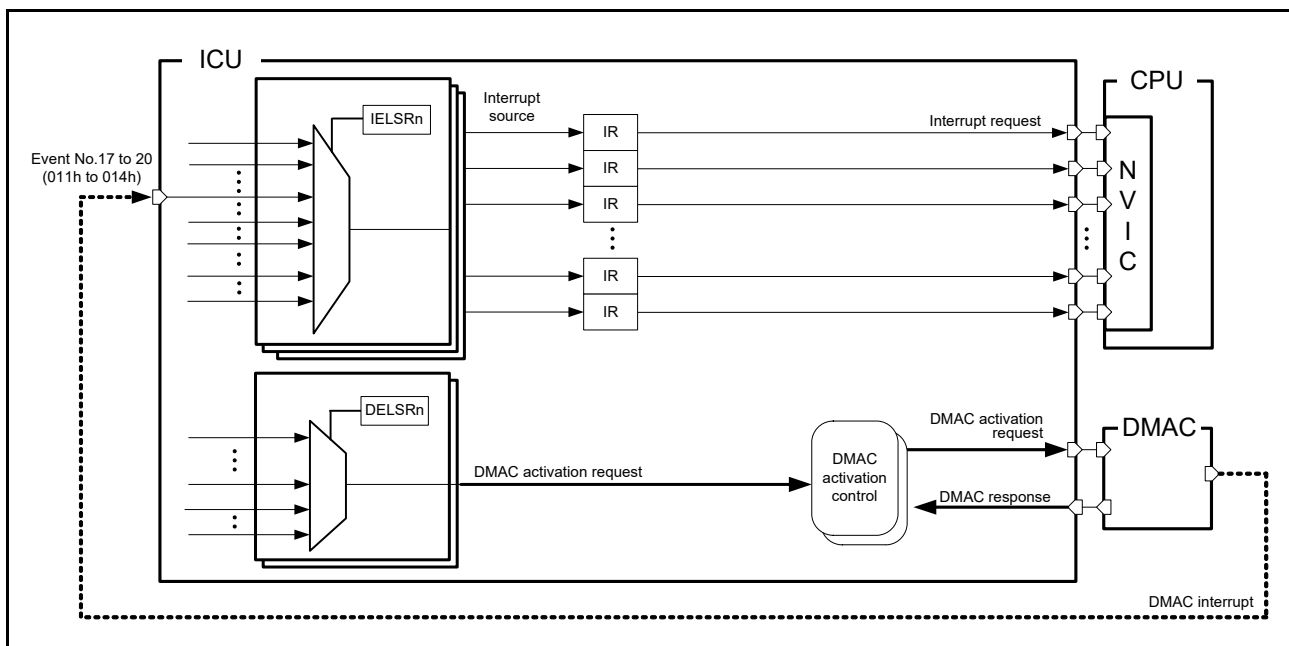


Figure 14.3 DMAC request trigger and interrupt path

14.4.3 Digital Filter

A digital filter function is provided for the external interrupt request pins ($IRQi$, $i = 0$ to 15) and NMI pin interrupt. It samples input signals on the filter PCLKB sampling clock and removes any signal with a pulse width less than 3 sampling cycles.

- To use the digital filter for a $IRQi$ pin:

- 1) Set the sampling clock cycle to PCLKB, PCLKB/8, PCLKB/32, or PCLKB/64 in the $IRQCRi.FCLKSEL[1:0]$ bits ($i = 0$ to 15).
- 2) Set the $IRQCRi.FLTEN$ bit ($i = 0$ to 15) to 1 (digital filter enabled).

- To use the digital filter for the NMI pin:

- 1) Set the sampling clock cycle to PCLKB, PCLKB/8, PCLKB/32, or PCLKB/64 in the $NMICR.NFCLKSEL[1:0]$ bits.
- 2) Set the $NMICR.NFLTEN$ bit to 1 (digital filter enabled).

Figure 14.4 shows an example of digital filter operation.

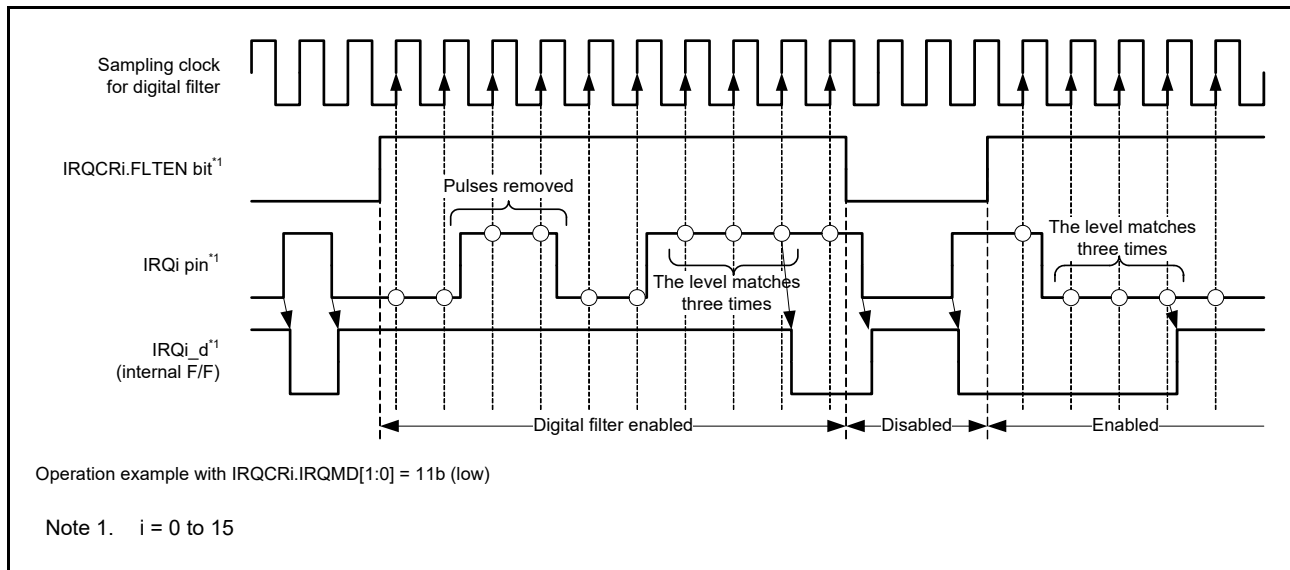


Figure 14.4 Digital filter operation example

Before entering Software Standby mode, disable the digital filters by clearing the $IRQCRi.FLTEN$ and $NMICR.NFLTEN$ bits. The ICU clock stops in Software Standby. On exiting Software Standby, the circuit detects the edge by comparing the state before standby to the state after standby release. If the input changes during Software Standby, an incorrect edge might be detected. You can enable the digital filters again after exiting Software Standby mode.

14.4.4 External Pin Interrupts

To use external pin interrupts:

1. Clear the $IRQCRi.FLTEN$ bit ($i = 0$ to 15) to 0 (digital filter disabled).
2. Set or confirm the I/O port settings.
3. Set the $IRQMD[1:0]$ bits, $FCLKSEL[1:0]$ bits and $FLTEN$ bit of $IRQCRi$ register.
4. Set the IRQ pin as follows:
 - If the IRQ pin is to be used for CPU interrupt request, set the $IELSRn.IELS[7:0]$ bits and $IELSRn.DTCE$ bit to 0
 - If the IRQ pin is to be used for DTC activation, set the $IELSRn.IELS[7:0]$ bits and $IELSRn.DTCE$ bit to 1
 - If the IRQ pin is to be used for DMAC activation, set the $DELSRn.DELS$ bits.

14.5 Non-maskable Interrupt Operation

The following sources can trigger a non-maskable interrupt:

- NMI pin interrupt
- Oscillation stop detection interrupt
- WDT underflow/refresh error interrupt
- IWDT underflow/refresh error interrupt
- Voltage monitor 1 interrupt
- Voltage monitor 2 interrupt
- VBATT monitor interrupt
- SRAM parity error interrupt
- SRAM ECC error interrupt
- MPU bus master error interrupt
- MPU bus slave error interrupt
- CPU stack pointer monitor interrupt.

Non-maskable interrupts can only be used with the CPU, not to activate the DTC or DMAC. Non-maskable interrupts take precedence over all other interrupts. The non-maskable interrupt states can be verified in the Non-Maskable Interrupt Status Register (NMISR). Confirm that all bits in the NMISR are 0 before returning from the NMI handler.

Non-maskable interrupts are disabled by default. To use non-maskable interrupts, use the following procedure.

To use the NMI pin, follow steps 1 to 3:

1. Clear the NMICR.NFLTEN bit to 0 (digital filter disabled).
2. Set the NMIMD bit, NFCLKSEL[1:0] bits, and NFLTEN bit of NMICR register.
3. Write 1 to the NMICLR.NMICLR bit to clear the NMISR.NMIST flag to 0.
4. Enable the non-maskable interrupt by writing 1 to the associated bit in the Non-Maskable Interrupt Enable Register (NMIER).

After 1 is written to the NMIER register, subsequent write access to the NMIEN bit in NMIER is ignored. An NMI interrupt cannot be disabled when enabled, except by a reset.

14.6 Return from Low Power Mode

[Table 14.4, Event table](#) lists the interrupt sources that you can use to exit Sleep or Software Standby mode. For details, see [section 11, Low Power Modes](#). Sections [14.6.1](#) to [14.6.3](#) describe how to use interrupts to return from Sleep, Software Standby, and Snooze modes.

14.6.1 Return from Sleep Mode

To return from Sleep mode in response to an interrupt:

1. Select the CPU as the interrupt request destination.
2. Enable the interrupt in the NVIC.

To return from Sleep mode in response to a non-maskable interrupt, use the NMIER register to enable the given interrupt request.

14.6.2 Return from Software Standby Mode

The ICU can return from Software Standby mode using a non-maskable interrupt or an interrupt selected in the WUPEN register. See [section 14.2.9, Wake Up Interrupt Enable Register \(WUPEN\)](#).

To return from Software Standby mode, you must:

1. Select the interrupt source that enables return from Software Standby:
 - For non-maskable interrupts, use the NMIER register to enable the target interrupt request
 - For maskable interrupts, use the WUPEN register to enable the target interrupt request.
2. Select the CPU as the interrupt request destination.
3. Enable the interrupt in the NVIC.

Interrupt requests through the IRQ pins that do not satisfy these conditions are not detected while the clock is stopped in Software Standby mode.

14.6.3 Return from Snooze Mode

The ICU can return to Normal mode from Snooze mode using the interrupts provided for this mode.

To return to Normal mode from Snooze mode:

1. Use either of the following methods to select the event that you want to trigger a return to Normal mode from Snooze mode:
 - a. Set the event that you want to trigger a return to Normal mode from Snooze mode in SELSR0.SELS and set the value 017h (ICU_SNZCANCEL) in IELSRn.IELS.
 - b. Set the event that you want to trigger a return to Normal mode from Snooze mode in IELSRn.IELS.
2. Select the CPU as the interrupt request destination.
3. Enable the interrupt in the NVIC.

Note: In Snooze mode, a clock is supplied to ICU. If an event selected in IELSRn is detected, the CPU can acknowledge the interrupt after returning to Normal mode from Software Standby mode. If an event selected in DELSRn is detected, the DMAC can acknowledge the interrupt after returning to Normal mode from Software Standby mode.

14.7 Using the WFI Instruction with Non-maskable Interrupts

Whenever a WFI instruction is executed, confirm that all status flags in the NMISR register are 0.

14.8 Reference

ARM® Cortex®-M4 Processor Technical Reference Manual (ARM DDI 0439D).

15. Buses

15.1 Overview

Table 15.1 lists the bus specifications, Figure 15.1 shows the bus configuration, and Table 15.2 lists the addresses assigned for each bus.

Table 15.1 Bus specifications

Bus Type	Description	
Main bus	ICode bus (CPU)	<ul style="list-style-type: none"> Connected to the CPU Connected to on-chip memory (code flash memory).
	DCode bus (CPU)	<ul style="list-style-type: none"> Connected to the CPU Connected to on-chip memory (code flash memory).
	System bus (CPU)	<ul style="list-style-type: none"> Connected to the CPU Connected to on-chip memory, internal peripheral bus, and external bus.
	DMA bus	<ul style="list-style-type: none"> Connected to the DMAC/DTC Connected to on-chip memory, internal peripheral bus, and external bus.
Slave interface	Memory bus 1	<ul style="list-style-type: none"> Connected to code flash memory
	Memory bus 3	<ul style="list-style-type: none"> Connected to code flash memory by DMA bus
	Memory bus 4	<ul style="list-style-type: none"> Connected to SRAM0
	Memory bus 5	<ul style="list-style-type: none"> Connected to SRAM1
	Internal peripheral bus 1	<ul style="list-style-type: none"> Connected to system control related to peripheral modules
	Internal peripheral bus 3	<ul style="list-style-type: none"> Connected to peripheral modules (CAC, ELC, I/O ports, POEG, RTC, WDT, IWD, IIC, CAN, SSIE, ADC14, DAC12, and DOC)
	Internal peripheral bus 4	<ul style="list-style-type: none"> Connected to peripheral modules (SCI, SPI, CRC, GPT, and SDHI)
	Internal peripheral bus 5	<ul style="list-style-type: none"> Connected to peripheral modules (KINT, AGT, USBFS, OPAMP, ACMPLP, DAC8, SLCDC, and CTSU)
	Internal peripheral bus 7	<ul style="list-style-type: none"> Connected to Secure IPs
	Internal peripheral bus 9	<ul style="list-style-type: none"> Connected to flash memory (in P/E)*1 and data flash memory
External bus	CS area	<ul style="list-style-type: none"> Connected to the external devices
	QSPI area	<ul style="list-style-type: none"> Connected to the external SPI devices

Note 1. P/E = Programming/Erase.

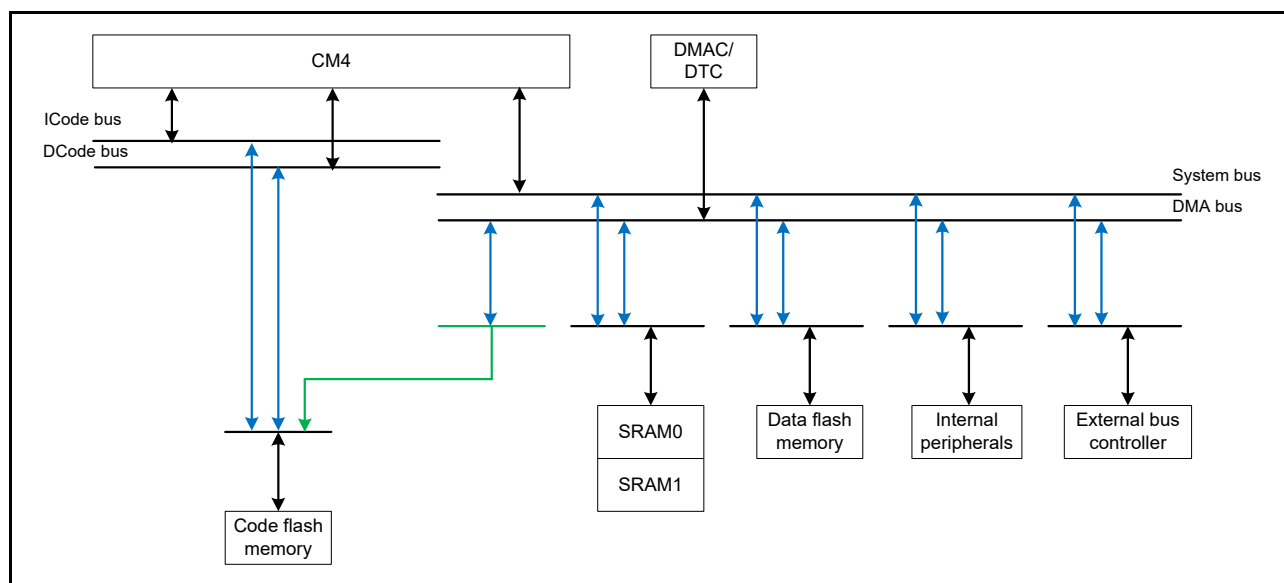


Figure 15.1 Bus configuration

Table 15.2 Addresses assigned for each bus

Address	Bus	Area
0000 0000h to 01FF FFFFh	Memory bus 1, 3	Code flash memory
2000 0000h to 2001 FFFFh	Memory bus 4	SRAM0
2002 0000h to 2002 FFFFh	Memory bus 5	SRAM1
4000 0000h to 4001 FFFFh	Internal peripheral bus 1	Peripheral I/O registers
4004 0000h to 4005 FFFFh	Internal peripheral bus 3	
4006 0000h to 4007 FFFFh	Internal peripheral bus 4	
4008 0000h to 4009 FFFFh	Internal peripheral bus 5	
400C 0000h to 400D FFFFh	Internal peripheral bus 7	Secure IPs
4010 0000h to 407F FFFFh	Internal peripheral bus 9	Flash memory (in P/E)*1 and data flash memory
6000 0000h to 67FF FFFFh	External bus	QSPI area
8000 0000h to 97FF FFFFh	External bus	CS area

Note 1. P/E = Programming/Erasure.

15.2 Description of Buses

15.2.1 Main Buses

The main bus for the CPU consists of the ICode bus, DCode bus, and system bus:

- The ICode bus and the DCode bus are connected to the code flash memory. The ICode bus is used for instruction access to the CPU and the DCode bus is used for data access to the CPU.
- The system bus is connected to SRAM0, SRAM1, the data flash memory, the internal peripheral bus, and the external bus. The system bus is used for instruction and data accesses to the CPU.

The main bus for modules other than the CPU consists of the DMA bus. The DMA bus is connected to the code flash memory, SRAM0, SRAM1, data flash memory, internal peripheral bus, and external bus.

Different master and slave transfer combinations can proceed simultaneously.

Arbitration between DMAC and DTC for the mastership of the DMA bus occurs in the DMAC and DTC. The following fixed-priority order is used:

DMAC0 > DMAC1 > DMAC2 > DMAC3 > DTC.

Only one DTC or DMAC channels that have accepted the activation requests can issue the bus mastership request. In addition, requests for bus access from masters other than the DTC are not accepted during reads of transfer control information for the DTC.

15.2.2 Slave Interface

Products using the Cortex[®]-M4 core contain ICode and DCode bus areas and a system bus area. To create the ICode and DCode bus areas, a bus matrix connects the ICode bus, the DCode bus, and the memory bus 3 from the main bus to the slave interfaces of the code flash memory. To create a system bus area, a bus matrix connects the system bus and DMA bus from the main bus to the slave interfaces of SRAM0, SRAM1, data flash memory, internal peripheral, and the external bus. For connections from the main bus to the slave interfaces, see the slave interfaces in [Table 15.1](#). For a description of the external bus, see [section 15.2.3, External Bus](#).

Arbitration between the ICode bus, DCode bus, and memory bus 3 occurs in the slave interface of the ICode and the DCode bus areas. The arbitration method is selectable from fixed priority and round-robin. For more information, see [section 15.3.8](#).

Arbitration between the system bus and DMA bus occurs in the slave interface of the system bus area. The arbitration method is selectable from fixed priority and round-robin. For more information, see [section 15.3.8](#).

Different master and slave transfer combinations can proceed simultaneously.

15.2.3 External Bus

[Table 15.3](#) lists the external bus specifications. The external bus controller arbitrates requests for bus access on the external address space from the CPU system bus and the DMA bus. The priority order can be set using the external bus priority control bits (BUSSCNT.ARBMET[1:0]). For more information, see [section 15.3.8](#). The bus system provides an external space for the QSPI. See [section 33, Quad Serial Peripheral Interface \(QSPI\)](#).

Table 15.3 External bus specifications

Item	Description
External address space	<ul style="list-style-type: none"> The external address space is divided into 4 CS areas (CS0 to CS3) for management Chip select signals can be output for each area The bus width can be set for each area: <ul style="list-style-type: none"> - Separate bus: selectable to 8-bit or 16-bit bus space - Address/data multiplexed bus: selectable to 8-bit or 16-bit bus space. Endian mode can be specified for each area.
CS area controller	<ul style="list-style-type: none"> Recovery cycles can be inserted: <ul style="list-style-type: none"> - Read recovery: up to 15 cycles - Write recovery: up to 15 cycles. Cycle wait function: wait for up to 31 cycles (for page access up to 7 cycles) Wait control can be used to set up the following: <ul style="list-style-type: none"> - Assertion and negation timing of the chip select signals (CS0 to CS3) - Assertion timing of the read signal (RD) and write signals (WR0/WR and WR1) - Timing of the data output starts and ends. Write access mode: <ul style="list-style-type: none"> - Single write strobe mode/byte strobe mode. Separate bus or address/data multiplexed bus can be set for each area.
Write buffer function	When write data from the bus master is written to the write buffer, write access by the bus master is complete
Frequency	<ul style="list-style-type: none"> The CS area controller (CSC) operates in synchronization with the external bus clock (BCLK) The frequency of the EBCLK pin output is the same as BCLK by default. Half of the BCLK clock cycle can be supplied by setting the EBCLK Pin Output Select bit, BCKCR.BCLKDIV, in the External Bus Clock Control Register. For more information, see section 9, Clock Generation Circuit.

Table 15.4 lists the input and output pins of the external bus.

Table 15.4 External pin configurations (1 of 2)

Pin name	I/O	Description
EBCLK	Output	Clock output pin
A23 to A00*1	Output	Address output pins
D15 to D00	I/O	Data input/output pins: <ul style="list-style-type: none"> D15 to D00 pins are enabled when the 16-bit bus space is specified D07 to D00 pins are enabled when the 8-bit bus space is specified.
BC0*1	Output	Strobe signal (when low) indicates that D07 to D00 are valid during access to an external address space in single write strobe mode, active-low. When the 8-bit bus space is specified, this output pin is always held low regardless of the write access mode.
BC1	Output	Strobe signal (when low) indicates that D15 to D08 are valid during access to an external address space in single write strobe mode, active-low. This pin is not used when the 8-bit bus space is specified.
CS0	Output	Chip select signal for area 0 (CS0), active-low
CS1	Output	Chip select signal for area 1 (CS1), active-low
CS2	Output	Chip select signal for area 2 (CS2), active-low
CS3	Output	Chip select signal for area 3 (CS3), active-low
RD	Output	Strobe signal that indicates that a read from an external address space (CS0 to CS3) is in progress, active-low.
WR0/WR*2	Output	WR0 signal is a strobe signal that indicates (when low) that a write to an external address space is in progress in byte strobe mode, and D07 to D00 are valid, active-low. WR signal is a strobe signal that indicates that a write to an external address space is in progress in single write strobe mode, active-low. When an 8-bit bus space is specified, this output pin is held low during a write access regardless of the write access mode.
WR1	Output	Strobe signal (when low) during a write to an external address space in byte strobe mode indicates that D15 to D08 are valid, active-low. This signal is invalid in single write strobe mode. This pin is not used when the 8-bit bus space is specified.

Table 15.4 External pin configurations (2 of 2)

Pin name	I/O	Description
ALE	Output	Address latch signal when address/data multiplexed bus is selected
WAIT	Input	Wait request signal (when low) when accessing the external address space (CS0 to CS3), active-low

Note 1. The A00 and BC0 pin functions share the same pin, and either become valid according to the area, with the function being A00 in byte strobe mode and BC0 in single write strobe mode. Setting the 8-bit external bus width is prohibited in single write strobe mode. For information on other multiplexed pin functions, see [section 20, I/O Ports](#).

Note 2. The WR0 signal and WR signal are identical. The WR0 signal is particularly referred to as WR in single write strobe mode.

15.2.4 Parallel Operation

Parallel operation is possible when different bus masters request access to different slave modules. For example, if the CPU fetches an instruction from the flash and an operand from the SRAM, the DMAC can handle transfers between a peripheral bus and the external bus at the same time.

An example of parallel operations is shown in [Figure 15.2](#). In this example, the CPU uses the instruction and operand buses for simultaneous access to the flash and SRAM, respectively. Additionally, the DMAC/DTC simultaneously use the DMA bus for access to a peripheral bus or external bus during access to the flash memory and SRAM by the CPU.

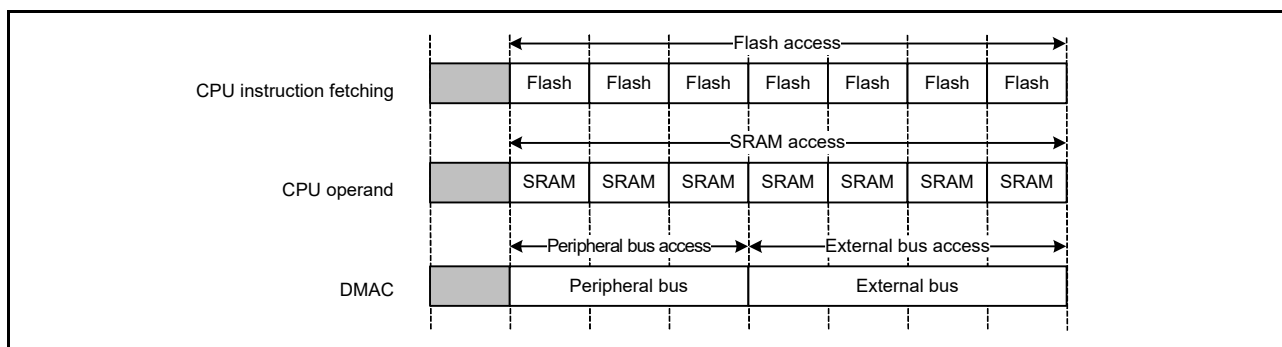


Figure 15.2 Example of parallel operations

15.2.5 Bus Settings

Set up the external bus with the following registers:

- Mode settings:
CSn Mode Register (CSnMOD), CSn Wait Control Register 1 (CSnWCR1), CSn Wait Control Register 2 (CSnWCR2), CSn Control Register (CSnCR), CSn Recovery Cycle Setting Register (CSnREC), CS Recovery Cycle Insertion Enable Register (CSRECEN), and Bus Priority Control Register (BUSSCNT)
- I/O port assignments:
PmnPFS.PMR = 1 and PmnPFS.PSEL[4:0] = 0Bh
- Frequency of the external bus clock (BCLK):
SCKDIVCR register.

See [section 20, I/O Ports](#) for information on PmnPFS and [section 9, Clock Generation Circuit](#) for information on SCKDIVCR.

15.2.6 Restrictions

(1) Restriction on endianness

Memory space must be little-endian to execute code on the Cortex-M4 core.

15.3 Register Descriptions

15.3.1 CSn Control Register (CSnCR) (n = 0 to 3)

Address(es): [BUS.CS0CR 4000 3802h](#)

b15	b14	b13	b12	b11	b10	b9	b8	b7	b6	b5	b4	b3	b2	b1	b0
—	—	—	MPXEN	—	—	—	EMOD E	—	—	BSIZE[1:0]		—	—	—	EXENB
Value after reset:															
0	0	0	0	0	0	0	0	0	0	1	0	0	0	0	1

Address(es): [BUS.CS1CR 4000 3812h](#), [BUS.CS2CR 4000 3822h](#), [BUS.CS3CR 4000 3832h](#)

b15	b14	b13	b12	b11	b10	b9	b8	b7	b6	b5	b4	b3	b2	b1	b0
—	—	—	MPXEN	—	—	—	EMOD E	—	—	BSIZE[1:0]		—	—	—	EXENB
Value after reset:															
0	0	0	0	0	0	0	0	0	0	0	0	0	0	0	0

Bit	Symbol	Bit name	Description	R/W
b0	EXENB	Operation Enable	0: Disable operation 1: Enable operation.	R/W
b3 to b1	—	Reserved	These bits are read as 0. The write value should be 0.	R/W
b5, b4	BSIZE[1:0]	External Bus Width Select	b5 b4 0 0: 16-bit bus space 0 1: Setting prohibited 1 0: 8-bit bus space 1 1: Setting prohibited.	R/W
b7, b6	—	Reserved	These bits are read as 0. The write value should be 0.	R/W
b8	EMODE	Endian Mode	0: Little endian 1: Big endian.	R/W
b11 to b9	—	Reserved	These bits are read as 0. The write value should be 0.	R/W
b12	MPXEN	Address/Data Multiplexed I/O Interface Select	0: Separate bus interface is selected for area n 1: Address/data multiplexed I/O interface is selected for area n. (n = 0 to 3)	R/W
b15 to b13	—	Reserved	These bits are read as 0. The write value should be 0.	R/W

Do not attempt to write the CSnCR register while the external bus is being accessed.

[EXENB bit \(Operation Enable\)](#)

The EXENB bit enables or disables operation of the associated CS areas. On MCU reset, operation is enabled (EXENB = 1) only for area 0. Operation in other areas is disabled (EXENB = 0). Attempts to access disabled areas have no effect.

[BSIZE\[1:0\] bits \(External Bus Width Select\)](#)

The BSIZE[1:0] bits specify the data bus width for the associated area.

[EMODE bit \(Endian Mode\)](#)

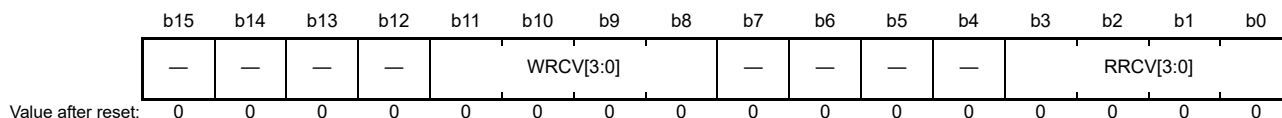
The EMODE bit specifies the endianness for the associated area. The Cortex-M4 core is fixed at little-endian order, so the instruction code can only be allocated to external spaces with little-endian specified. If an area is specified as big-endian, no instruction code can be allocated to it.

[MPXEN bit \(Address/Data Multiplexed I/O Interface Select\)](#)

The MPXEN bit specifies the separate bus interface or address/data multiplexed I/O interface of each area.

15.3.2 CSn Recovery Cycle Register (CSnREC) (n = 0 to 3)

Address(es): [BUS.CS0REC 4000 380Ah](#), [BUS.CS1REC 4000 381Ah](#), [BUS.CS2REC 4000 382Ah](#), [BUS.CS3REC 4000 383Ah](#)



Bit	Symbol	Bit name	Description	R/W
b3 to b0	RRCV[3:0]	Read Recovery	b3 b0 0 0 0 0: No recovery cycle is inserted 0 0 0 1: 1 recovery cycle is inserted 0 0 1 0: 2 recovery cycles are inserted 0 0 1 1: 3 recovery cycles are inserted 0 1 0 0: 4 recovery cycles are inserted 0 1 0 1: 5 recovery cycles are inserted 0 1 1 0: 6 recovery cycles are inserted 0 1 1 1: 7 recovery cycles are inserted 1 0 0 0: 8 recovery cycles are inserted 1 0 0 1: 9 recovery cycles are inserted 1 0 1 0: 10 recovery cycles are inserted 1 0 1 1: 11 recovery cycles are inserted 1 1 0 0: 12 recovery cycles are inserted 1 1 0 1: 13 recovery cycles are inserted 1 1 1 0: 14 recovery cycles are inserted 1 1 1 1: 15 recovery cycles are inserted.	R/W
b7 to b4	—	Reserved	These bits are read as 0. The write value should be 0.	R/W
b11 to b8	WRCV[3:0]	Write Recovery	b11 b8 0 0 0 0: No recovery cycle is inserted 0 0 0 1: 1 recovery cycle is inserted 0 0 1 0: 2 recovery cycles are inserted 0 0 1 1: 3 recovery cycles are inserted 0 1 0 0: 4 recovery cycles are inserted 0 1 0 1: 5 recovery cycles are inserted 0 1 1 0: 6 recovery cycles are inserted 0 1 1 1: 7 recovery cycles are inserted 1 0 0 0: 8 recovery cycles are inserted 1 0 0 1: 9 recovery cycles are inserted 1 0 1 0: 10 recovery cycles are inserted 1 0 1 1: 11 recovery cycles are inserted 1 1 0 0: 12 recovery cycles are inserted 1 1 0 1: 13 recovery cycles are inserted 1 1 1 0: 14 recovery cycles are inserted 1 1 1 1: 15 recovery cycles are inserted.	R/W
b15 to b12	—	Reserved	These bits are read as 0. The write value should be 0.	R/W

Do not attempt to write the CSnREC register while the external bus is being accessed.

When the preceding bus access is a separate bus access, CSnREC is valid when the recovery cycle insertion is enabled in the separate bus recovery cycle insertion enable bit (RCVEN_i (i = 0 to 7)) in CSRECEN. When the preceding bus access is an address/data multiplexed bus access, CSnREC is valid when the recovery cycle insertion is enabled with the multiplexed bus recovery cycle insertion enable bit (RCVENM_j) (j = 0 to 7)) in CSRECEN. For more information on insertion of recovery cycles, see [section 15.5.4](#).

RRCV[3:0] bits (Read Recovery)

The RRCV[3:0] bits specify the number of recovery cycles inserted after a read access on the external bus. The RRCV[3:0] bits specify each CS_n (n = 0 to 3). When recovery cycle insertion is enabled and a value other than 0000b is written to these bits, 1 to 15 recovery cycles are inserted in the following conditions:

- After a read access to the external bus, a read access is made to the external bus in the same area
- After a read access to the external bus, a read access is made to the external bus in a different area
- After a read access to the external bus, a write access is made to the external bus in the same area
- After a read access to the external bus, a write access is made to the external bus in a different area.

WRCV[3:0] bits (Write Recovery)

The WRCV[3:0] bits specify the number of recovery cycles inserted after a write access on the external bus. The WRCV[3:0] bits specify each CS_n (n = 0 to 3).

When the recovery cycle insertion is enabled and a value other than 0000b is written to these bits, 1 to 15 recovery cycles are inserted in the following conditions:

- After a write access to the external bus, a read access is made to the external bus in the same area
- After a write access to the external bus, a read access is made to the external bus in a different area
- After a write access to the external bus, a write access is made to the external bus in the same area
- After a write access to the external bus, a write access is made to the external bus in a different area.

15.3.3 CS Recovery Cycle Insertion Enable Register (CSRECEN)

Address(es): [BUS.CSRECEN 4000 3880h](#)

	b15	b14	b13	b12	b11	b10	b9	b8	b7	b6	b5	b4	b3	b2	b1	b0
	RCVEN M7	RCVEN M6	RCVEN M5	RCVEN M4	RCVEN M3	RCVEN M2	RCVEN M1	RCVEN M0	RCVEN 7	RCVEN 6	RCVEN 5	RCVEN 4	RCVEN 3	RCVEN 2	RCVEN 1	RCVEN 0
Value after reset:	0	0	1	1	1	1	1	0	0	0	1	1	1	1	1	0

Bit	Symbol	Bit name	Description	R/W
b0	RCVEN0	Separate Bus Recovery Cycle Insertion Enable 0	0: Disable 1: Enable.	R/W
b1	RCVEN1	Separate Bus Recovery Cycle Insertion Enable 1	0: Disable 1: Enable.	R/W
b2	RCVEN2	Separate Bus Recovery Cycle Insertion Enable 2	0: Disable 1: Enable.	R/W
b3	RCVEN3	Separate Bus Recovery Cycle Insertion Enable 3	0: Disable 1: Enable.	R/W
b4	RCVEN4	Separate Bus Recovery Cycle Insertion Enable 4	0: Disable 1: Enable.	R/W
b5	RCVEN5	Separate Bus Recovery Cycle Insertion Enable 5	0: Disable 1: Enable.	R/W
b6	RCVEN6	Separate Bus Recovery Cycle Insertion Enable 6	0: Disable 1: Enable.	R/W
b7	RCVEN7	Separate Bus Recovery Cycle Insertion Enable 7	0: Disable 1: Enable.	R/W
b8	RCVENM0	Multiplexed Bus Recovery Cycle Insertion Enable 0	0: Disable 1: Enable.	R/W
b9	RCVENM1	Multiplexed Bus Recovery Cycle Insertion Enable 1	0: Disable 1: Enable.	R/W
b10	RCVENM2	Multiplexed Bus Recovery Cycle Insertion Enable 2	0: Disable 1: Enable.	R/W

Bit	Symbol	Bit name	Description	R/W
b11	RCVENM3	Multiplexed Bus Recovery Cycle Insertion Enable 3	0: Disable 1: Enable.	R/W
b12	RCVENM4	Multiplexed Bus Recovery Cycle Insertion Enable 4	0: Disable 1: Enable.	R/W
b13	RCVENM5	Multiplexed Bus Recovery Cycle Insertion Enable 5	0: Disable 1: Enable.	R/W
b14	RCVENM6	Multiplexed Bus Recovery Cycle Insertion Enable 6	0: Disable 1: Enable.	R/W
b15	RCVENM7	Multiplexed Bus Recovery Cycle Insertion Enable 7	0: Disable 1: Enable.	R/W

Do not attempt to write to the CSRECEN register while the external bus is being accessed. For more information on the insertion of recovery cycles, see [section 15.5.4](#).

RCVEN_i bit (Separate Bus Recovery Cycle Insertion Enable *i*) (*i* = 0 to 7)

The RCVEN_i bit enables the insertion of read or write recovery cycles when, after a read or write access on the external bus, a read or write access is made on the external bus to the same or different area.

RCVENM_j bit (Multiplexed Bus Recovery Cycle Insertion Enable *j*) (*j* = 0 to 7)

The RCVENM_j bit enables the insertion of read or write recovery cycles when, after a read or write access on the external bus, a read or write access is made on the external bus to the same or different area.

Table 15.5 Access type association with RCVEN_i/RCVENM_j bits

Access type	External address space	Insertion of recovery cycles	Associated bits (separate/multiplexed)
Read access after read access	Same area	Recovery cycles specified in the RRCV[3:0] bits are inserted for the priority access area	RCVEN0/RCVENM0
	Different area	Recovery cycles specified in the RRCV[3:0] bits are inserted for the priority access area	RCVEN1/RCVENM1
Write access after read access	Same area	Recovery cycles specified in the RRCV[3:0] bits are inserted for the priority access area	RCVEN2/RCVENM2
	Different area	Recovery cycles specified in the RRCV[3:0] bits are inserted for the priority access area	RCVEN3/RCVENM3
Read access after write access	Same area	Recovery cycles specified in the WRCV[3:0] bits are inserted for the priority access area	RCVEN4/RCVENM4
	Different area	Recovery cycles specified in the WRCV[3:0] bits are inserted for the priority access area	RCVEN5/RCVENM5
Write access after write access	Same area	Recovery cycles specified in the WRCV[3:0] bits are inserted for the priority access area	RCVEN6/RCVENM6
	Different area	Recovery cycles specified in the WRCV[3:0] bits are inserted for the priority access area	RCVEN7/RCVENM7

15.3.4 CSn Mode Register (CSnMOD) (n = 0 to 3)

Address(es): [BUS.CS0MOD 4000 3002h](#), [BUS.CS1MOD 4000 3012h](#), [BUS.CS2MOD 4000 3022h](#), [BUS.CS3MOD 4000 3032h](#)

	b15	b14	b13	b12	b11	b10	b9	b8	b7	b6	b5	b4	b3	b2	b1	b0
	PRMOD	—	—	—	—	—	PWENB	PRENB	—	—	—	—	EWENB	—	—	WRMOD
Value after reset:	0	0	0	0	0	0	0	0	0	0	0	0	0	0	0	0

Bit	Symbol	Bit name	Description	R/W
b0	WRMOD	Write Access Mode Select	0: Byte strobe mode 1: Single write strobe mode.	R/W
b2, b1	—	Reserved	These bits are read as 0. The write value should be 0.	R/W
b3	EWENB	External Wait Enable	0: Disable 1: Enable.	R/W
b7 to b4	—	Reserved	These bits are read as 0. The write value should be 0.	R/W
b8	PRENB	Page Read Access Enable	0: Disable 1: Enable.	R/W
b9	PWENB	Page Write Access Enable	0: Disable 1: Enable.	R/W
b14 to b10	—	Reserved	These bits are read as 0. The write value should be 0.	R/W
b15	PRMOD	Page Read Access Mode Select	0: Normal access compatible mode 1: External data read continuous assertion mode.	R/W

Do not write to the CSnMOD register while access to the CSn area is in progress.

[WRMOD bit \(Write Access Mode Select\)](#)

The WRMOD bit selects a write access operating mode. Writing 0 selects the byte strobe mode where data writes are controlled by the WRn signals (n = 0 and 1) associated with the respective byte positions. Writing 1 selects the single write strobe mode where data writes are controlled by the BCn (n = 0 and 1) and the WR signals associated with the respective byte positions.

Note: Setting the external bus width to 8 bits is prohibited in single write strobe mode.

Table 15.6 Control signals for write access mode

Mode	Pin name			
Write access mode	WR1	WR0/WR	BC1	BC0
Byte strobe mode	✓	✓ (WR0)	×	×
Single write strobe mode	×	✓ (WR)	✓	✓

✓: Enabled, ×: Disabled

[EWENB bit \(External Wait Enable\)](#)

The EWENB bit enables external waits. Writing 0 disables the WAIT signal. Writing 1 selects external wait and allows the WAIT signal to control the number of waits per cycle. In this state, wait cycles are inserted when the WAIT signal is low.

[PRENB bit \(Page Read Access Enable\)](#)

The PRENB bit enables page read accesses.

Note: When the address/data multiplexed I/O interface is selected with the MPXEN bit in CSnCR, the PRENB bit should not be set to enable page read accesses. Page read accesses are not supported in the address/data multiplexed I/O interface.

PWENB bit (Page Write Access Enable)

The PWENB bit enables page write accesses.

Note: When the address/data multiplexed I/O interface is selected with the MPXEN bit in CSnCR, the PWENB bit should not be set to enable page write accesses. Page write accesses are not supported in the address/data multiplexed I/O interface.

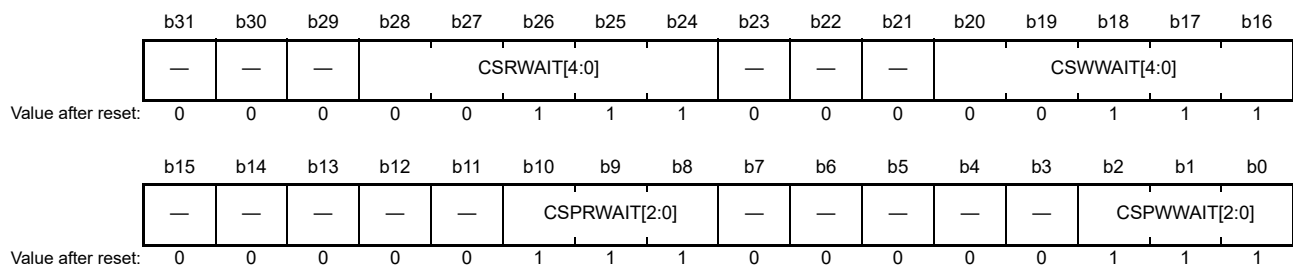
PRMOD bit (Page Read Access Mode Select)

The PRMOD bit selects the operating mode for page read accesses. Writing 0 selects normal access compatible mode where the RD signal is negated and an RD assert wait is inserted each time a unit of data is read. When there is no RD assert wait, the RD signal is negated only in the final transfer of the external bus access.

Writing 1 selects external data read continuous assertion mode, in which an RD assert wait is inserted and the RD signal is continuously asserted during the wait.

15.3.5 CSn Wait Control Register 1 (CSnWCR1) (n = 0 to 3)

Address(es): [BUS.CS0WCR1 4000 3004h](#), [BUS.CS1WCR1 4000 3014h](#), [BUS.CS2WCR1 4000 3024h](#), [BUS.CS3WCR1 4000 3034h](#)



Bit	Symbol	Bit name	Description	R/W
b2 to b0	CSPWWAIT[2:0]	Page Write Cycle Wait Select*1	b2 b0 0 0 0: No wait is inserted 0 0 1: Wait with a length of 1 clock cycle is inserted 0 1 0: Wait with a length of 2 clock cycles are inserted 0 1 1: Wait with a length of 3 clock cycles are inserted 1 0 0: Wait with a length of 4 clock cycles are inserted 1 0 1: Wait with a length of 5 clock cycles are inserted 1 1 0: Wait with a length of 6 clock cycles are inserted 1 1 1: Wait with a length of 7 clock cycles are inserted.	R/W
b7 to b3	—	Reserved	These bits are read as 0. The write value should be 0.	R/W
b10 to b8	CSPRWAIT[2:0]	Page Read Cycle Wait Select*2	b10 b8 0 0 0: No wait is inserted 0 0 1: Wait with a length of 1 clock cycle is inserted 0 1 0: Wait with a length of 2 clock cycles are inserted 0 1 1: Wait with a length of 3 clock cycles are inserted 1 0 0: Wait with a length of 4 clock cycles are inserted 1 0 1: Wait with a length of 5 clock cycles are inserted 1 1 0: Wait with a length of 6 clock cycles are inserted 1 1 1: Wait with a length of 7 clock cycles are inserted.	R/W
b15 to b11	—	Reserved	These bits are read as 0. The write value should be 0.	R/W
b20 to b16	CSWWAIT[4:0]	Normal Write Cycle Wait Select	b20 b16 0 0 0 0 0: No wait is inserted 0 0 0 0 1: Wait with a length of 1 clock cycle is inserted 0 0 0 1 0: Wait with a length of 2 clock cycles are inserted 0 0 0 1 1: Wait with a length of 3 clock cycles are inserted Set value = the n-bit number of clock cycles inserted 1 1 1 0 1: Wait with a length of 29 clock cycles are inserted 1 1 1 1 0: Wait with a length of 30 clock cycles are inserted 1 1 1 1 1: Wait with a length of 31 clock cycles are inserted.	R/W
b23 to b21	—	Reserved	These bits are read as 0. The write value should be 0.	R/W

Bit	Symbol	Bit name	Description	R/W
b28 to b24	CSRWAIT[4:0]	Normal Read Cycle Wait Select	b28 b24 0 0 0 0 0: No wait is inserted 0 0 0 0 1: Wait with a length of 1 clock cycle is inserted 0 0 0 1 0: Wait with a length of 2 clock cycles are inserted 0 0 0 1 1: Wait with a length of 3 clock cycles are inserted Set value = the n-bit number of clock cycles inserted 1 1 1 0 1: Wait with a length of 29 clock cycles are inserted 1 1 1 1 0: Wait with a length of 30 clock cycles are inserted 1 1 1 1 1: Wait with a length of 31 clock cycles are inserted.	R/W
b31 to b29	—	Reserved	These bits are read as 0. The write value should be 0.	R/W

Note 1. The CSPWAIT[2:0] value is only valid when the PWENB bit in CSnMOD is set to 1.

Note 2. The CSPRWAIT[2:0] value is only valid when the PRENB bit in CSnMOD is set to 1.

Do not attempt to write the CSnWCR1 register while the external bus is being accessed. Set each of these bits to satisfy the restrictions described in section 15.5.7 (1) [Constraints on using separate bus interface](#) or section 15.5.7 (2) [Constraints on using address/data multiplexed bus interface](#).

CSPPWAIT[2:0] bits (Page Write Cycle Wait Select)

The CSPPWAIT[2:0] bits specify the number of wait cycles to be inserted into the second and subsequent accesses during a page write cycle. The setting is enabled when the PWENB bit in CSnMOD is set to 1.

Note: The settings must satisfy $1 \leq \text{CSnWCR2.WDON}[2:0] \text{ value} \leq \text{CSnWCR2.WRON}[2:0] \text{ value} \leq \text{CSnWCR1.CSPWAIT}[2:0] \text{ value}$ and $\text{CSnWCR2.CSON}[2:0] \text{ value} \leq \text{CSnWCR2.WRON}[2:0] \text{ value} \leq \text{CSnWCR1.CSPWAIT}[2:0] \text{ value}$.

CSPRWAIT[2:0] bits (Page Read Cycle Wait Select)

The CSPRWAIT[2:0] bits specify the number of wait cycles to be inserted into the second and subsequent accesses during a page read cycle. The setting is enabled when the PRENB bit in CSnMOD is set to 1.

Note: The settings must satisfy $\text{CSnWCR2.CSON}[2:0] \text{ value} \leq \text{CSnWCR2.RDON}[2:0] \text{ value} \leq \text{CSnWCR1.CSPRWAIT}[2:0] \text{ value}$.

CSWWAIT[4:0] bits (Normal Write Cycle Wait Select)

The CSWWAIT[4:0] bits specify the number of wait cycles to be inserted into the first access during a normal write cycle or page write cycle.

Note: The settings must satisfy $1 \leq \text{CSnWCR2.WDON}[2:0] \text{ value} \leq \text{CSnWCR2.WRON}[2:0] \text{ value} \leq \text{CSnWCR1.CSWWAIT}[4:0] \text{ value}$ and $\text{CSnWCR2.CSON}[2:0] \text{ value} \leq \text{CSnWCR2.WRON}[2:0] \text{ value} \leq \text{CSnWCR1.CSWWAIT}[4:0] \text{ value}$.

CSRWAIT[4:0] bits (Normal Read Cycle Wait Select)

The CSRWAIT[4:0] bits specify the number of wait cycles to be inserted into the first access during a normal read cycle or page read cycle.

Note: The settings must satisfy $\text{CSnWCR2.CSON}[2:0] \text{ value} \leq \text{CSnWCR2.RDON}[2:0] \text{ value} \leq \text{CSnWCR1.CSRWAIT}[4:0] \text{ value}$.

15.3.6 CSn Wait Control Register 2 (CSnWCR2) (n = 0 to 3)

Address(es): [BUS.CS0WCR2 4000 3008h](#), [BUS.CS1WCR2 4000 3018h](#), [BUS.CS2WCR2 4000 3028h](#), [BUS.CS3WCR2 4000 3038h](#)

b31	b30	b29	b28	b27	b26	b25	b24	b23	b22	b21	b20	b19	b18	b17	b16
—	CSON[2:0]			—	WDON[2:0]			—	WRON[2:0]			—	RDON[2:0]		
Value after reset: 0 0 0 0 0 0 0 0 0 0 0 0 0 0 0 0															
b15	b14	b13	b12	b11	b10	b9	b8	b7	b6	b5	b4	b3	b2	b1	b0
—	—	AWAIT[1:0]		—	WDOFF[2:0]			—	CSWOFF[2:0]			—	CSROFF[2:0]		
Value after reset: 0 0 0 0 0 0 0 0 0 0 0 0 0 1 1 1															

Bit	Symbol	Bit name	Description	R/W
b2 to b0	CSROFF[2:0]	Read-Access CS Extension Cycle Select	b2 b0 0 0 0: No wait is inserted 0 0 1: Wait with a length of 1 clock cycle is inserted 0 1 0: Wait with a length of 2 clock cycles are inserted 0 1 1: Wait with a length of 3 clock cycles are inserted 1 0 0: Wait with a length of 4 clock cycles are inserted 1 0 1: Wait with a length of 5 clock cycles are inserted 1 1 0: Wait with a length of 6 clock cycles are inserted 1 1 1: Wait with a length of 7 clock cycles are inserted.	R/W
b3	—	Reserved	This bit is read as 0. The write value should be 0.	R/W
b6 to b4	CSWOFF[2:0]	Write-Access CS Extension Cycle Select	b6 b4 0 0 0: No wait is inserted 0 0 1: Wait with a length of 1 clock cycle is inserted 0 1 0: Wait with a length of 2 clock cycles are inserted 0 1 1: Wait with a length of 3 clock cycles are inserted 1 0 0: Wait with a length of 4 clock cycles are inserted 1 0 1: Wait with a length of 5 clock cycles are inserted 1 1 0: Wait with a length of 6 clock cycles are inserted 1 1 1: Wait with a length of 7 clock cycles are inserted.	R/W
b7	—	Reserved	This bit is read as 0. The write value should be 0.	R/W
b10 to b8	WDOFF[2:0]	Write Data Output Extension Cycle Select	b10 b8 0 0 0: No wait is inserted 0 0 1: Wait with a length of 1 clock cycle is inserted 0 1 0: Wait with a length of 2 clock cycles are inserted 0 1 1: Wait with a length of 3 clock cycles are inserted 1 0 0: Wait with a length of 4 clock cycles are inserted 1 0 1: Wait with a length of 5 clock cycles are inserted 1 1 0: Wait with a length of 6 clock cycles are inserted 1 1 1: Wait with a length of 7 clock cycles are inserted.	R/W
b11	—	Reserved	This bit is read as 0. The write value should be 0.	R/W
b13, b12	AWAIT[1:0]	Address Cycle Wait Select	b13 b12 0 0: Do not insert wait 0 1: Insert wait of 1 clock cycle 1 0: Insert wait of 2 clock cycles 1 1: Insert wait of 3 clock cycles.	R/W
b15, b14	—	Reserved	These bits are read as 0. The write value should be 0.	R/W
b18 to b16	RDON[2:0]	RD Assert Wait Select	b18 b16 0 0 0: No wait is inserted. 0 0 1: Wait with a length of 1 clock cycle is inserted. 0 1 0: Wait with a length of 2 clock cycles are inserted. 0 1 1: Wait with a length of 3 clock cycles are inserted. 1 0 0: Wait with a length of 4 clock cycles are inserted. 1 0 1: Wait with a length of 5 clock cycles are inserted. 1 1 0: Wait with a length of 6 clock cycles are inserted. 1 1 1: Wait with a length of 7 clock cycles are inserted.	R/W
b19	—	Reserved	This bit is read as 0. The write value should be 0.	R/W

Bit	Symbol	Bit name	Description	R/W
b22 to b20	WRON[2:0]	WR Assert Wait Select	b22 b20 0 0 0: No wait is inserted 0 0 1: Wait with a length of 1 clock cycle is inserted 0 1 0: Wait with a length of 2 clock cycles are inserted 0 1 1: Wait with a length of 3 clock cycles are inserted 1 0 0: Wait with a length of 4 clock cycles are inserted 1 0 1: Wait with a length of 5 clock cycles are inserted 1 1 0: Wait with a length of 6 clock cycles are inserted 1 1 1: Wait with a length of 7 clock cycles are inserted.	R/W
b23	—	Reserved	This bit is read as 0. The write value should be 0.	R/W
b26 to b24	WDON[2:0]	Write Data Output Wait Select	b26 b24 0 0 0: No wait is inserted 0 0 1: Wait with a length of 1 clock cycle is inserted 0 1 0: Wait with a length of 2 clock cycles are inserted 0 1 1: Wait with a length of 3 clock cycles are inserted 1 0 0: Wait with a length of 4 clock cycles are inserted 1 0 1: Wait with a length of 5 clock cycles are inserted 1 1 0: Wait with a length of 6 clock cycles are inserted 1 1 1: Wait with a length of 7 clock cycles are inserted.	R/W
b27	—	Reserved	This bit is read as 0. The write value should be 0.	R/W
b30 to b28	CSON[2:0]	CS Assert Wait Select	b30 b28 0 0 0: No wait is inserted 0 0 1: Wait with a length of 1 clock cycle is inserted 0 1 0: Wait with a length of 2 clock cycles are inserted 0 1 1: Wait with a length of 3 clock cycles are inserted 1 0 0: Wait with a length of 4 clock cycles are inserted 1 0 1: Wait with a length of 5 clock cycles are inserted 1 1 0: Wait with a length of 6 clock cycles are inserted 1 1 1: Wait with a length of 7 clock cycles are inserted.	R/W
b31	—	Reserved	This bit is read as 0. The write value should be 0.	R/W

Do not attempt to write the CSnWCR2 register while the external bus is being accessed. Set each of these bits to satisfy the restrictions described in section 15.5.7 (1), [Constraints on using separate bus interface](#) or section 15.5.7 (2) [Constraints on using address/data multiplexed bus interface](#).

CSROFF[2:0] bits (Read-Access CS Extension Cycle Select)

The CSROFF[2:0] bits specify the number of wait cycles to be inserted during the period from the end of a wait cycle (RD signal negated) until the CSn signal (n = 0 to 3) is negated in read access mode.

CSWOFF[2:0] bits (Write-Access CS Extension Cycle Select)

The CSWOFF[2:0] bits specify the number of wait cycles to be inserted during the period from the end of a wait cycle (WRn signal (n = 0 and 1) negated) until the CSn signal (n = 0 to 3) is negated in write access mode.

Note: The settings must satisfy CSnWCR2.WDOFF[2:0] value ≤ CSnWCR2.CSWOFF[2:0] value.

WDOFF[2:0] bits (Write Data Output Extension Cycle Select)

The WDOFF[2:0] bits specify the number of wait cycles to be inserted during the period from the end of a wait cycle (WRn signal (n = 0 and 1) negated) until the write data output is complete in write access mode.

Note: The settings must satisfy CSnWCR2.WDOFF[2:0] value ≤ CSnWCR2.CSWOFF[2:0] value.

AWAIT[1:0] bits (Address Cycle Wait Select)

The AWAIT[1:0] bits specify the number of wait cycles to be inserted into an address output cycle with the address/data multiplexed I/O interface.

Note: CSnWCR2.CSON[2:0] value ≤ CSnWCR2.AWAIT[1:0] value.

For read access, the settings must satisfy CSnWCR2.AWAIT[1:0] value + 2 ≤ CSnWCR2.RDON[2:0] value ≤ CSnWCR1.CSRWAIT[4:0] value.

For write access, the settings must satisfy CSnWCR2.AWAIT[1:0] value + 2 ≤ CSnWCR2.WRON[2:0] value ≤ CSnWCR1.CSWWAIT[4:0] value and CSnWCR2.AWAIT[1:0] value + 2 ≤ CSnWCR2.WDON[2:0] value ≤ CSnWCR1.CSWWAIT[4:0] value.

RDON[2:0] bits (RD Assert Wait Select)

The RDON[2:0] bits specify the number of wait cycles to be inserted before the RD signal is asserted.

- Note: For normal read access, satisfy $\text{CSnWCR2.CSON}[2:0] \text{ value} \leq \text{CSnWCR2.RDON}[2:0] \text{ value} \leq \text{CSnWCR1.CSRWAIT}[4:0] \text{ value}$.
 For page read access, the settings must satisfy $\text{CSnWCR2.CSON}[2:0] \text{ value} \leq \text{CSnWCR2.RDON}[2:0] \text{ value} \leq \text{CSnWCR1.CSPRWAIT}[2:0] \text{ value}$.
 When the address/data multiplexed I/O interface is selected, the settings must satisfy $\text{CSnWCR2.AWAIT}[1:0] \text{ value} + 2 \leq \text{CSnWCR2.RDON}[2:0] \text{ value} \leq \text{CSnWCR1.CSRWAIT}[4:0] \text{ value}$.

WRON[2:0] bits (WR Assert Wait Select)

The WRON[2:0] bits specify the number of wait cycles to be inserted before the WR_n signal (n = 0 to 1) is asserted.

- Note: For normal write access, the settings must satisfy $1 \leq \text{CSnWCR2.WDON}[2:0] \text{ value} \leq \text{CSnWCR2.WRON}[2:0] \text{ value} \leq \text{CSnWCR1.CSWWAIT}[4:0] \text{ value}$ and $\text{CSnWCR2.CSON}[2:0] \text{ value} \leq \text{CSnWCR2.WRON}[2:0] \text{ value} \leq \text{CSnWCR1.CSWWAIT}[4:0] \text{ value}$.
 For page write access, the settings must satisfy $1 \leq \text{CSnWCR2.WDON}[2:0] \text{ value} \leq \text{CSnWCR2.WRON}[2:0] \text{ value} \leq \text{CSnWCR1.CSPWAIT}[2:0] \text{ value}$ and $\text{CSnWCR2.CSON}[2:0] \text{ value} \leq \text{CSnWCR2.WRON}[2:0] \text{ value} \leq \text{CSnWCR1.CSPWAIT}[2:0] \text{ value}$.
 When the address/data multiplexed I/O interface is selected, the settings must satisfy $\text{CSnWCR2.AWAIT}[1:0] \text{ value} + 2 \leq \text{CSnWCR2.WRON}[2:0] \text{ value} \leq \text{CSnWCR1.CSWWAIT}[4:0] \text{ value}$.

WDON[2:0] bits (Write Data Output Wait Select)

The WDON[2:0] bits specify the number of wait cycles to be inserted before the write data is output.

- Note: For normal write access, the settings must satisfy $1 \leq \text{CSnWCR2.WDON}[2:0] \text{ value} \leq \text{CSnWCR2.WRON}[2:0] \text{ value} \leq \text{CSnWCR1.CSWWAIT}[4:0] \text{ value}$.
 For page write access, the settings must satisfy $1 \leq \text{CSnWCR2.WDON}[2:0] \text{ value} \leq \text{CSnWCR2.WRON}[2:0] \text{ value} \leq \text{CSnWCR1.CSPWAIT}[2:0] \text{ value}$.
 When the address/data multiplexed I/O interface is selected, the settings must satisfy $\text{CSnWCR2.AWAIT}[1:0] \text{ value} + 2 \leq \text{CSnWCR2.WDON}[2:0] \text{ value} \leq \text{CSnWCR1.CSWWAIT}[4:0] \text{ value}$.

CSON[2:0] bits (CS Assert Wait Select)

The CSON[2:0] bits specify the number of wait cycles to be inserted before the CS_n signal (n = 0 to 3) is asserted.

- Note: For normal read access, satisfy $\text{CSnWCR2.CSON}[2:0] \text{ value} \leq \text{CSnWCR2.RDON}[2:0] \text{ value} \leq \text{CSnWCR1.CSRWAIT}[4:0] \text{ value}$.
 For page read access, satisfy $\text{CSnWCR2.CSON}[2:0] \text{ value} \leq \text{CSnWCR2.RDON}[2:0] \text{ value} \leq \text{CSnWCR1.CSPRWAIT}[2:0] \text{ value}$.
 For normal write access, satisfy $\text{CSnWCR2.CSON}[2:0] \text{ value} \leq \text{CSnWCR2.WRON}[2:0] \text{ value} \leq \text{CSnWCR1.CSWWAIT}[4:0] \text{ value}$.
 For page write access, satisfy $\text{CSnWCR2.CSON}[2:0] \text{ value} \leq \text{CSnWCR2.WRON}[2:0] \text{ value} \leq \text{CSnWCR1.CSPWAIT}[2:0] \text{ value}$.
 When the address/data multiplexed I/O interface is selected, the settings must satisfy $\text{CSnWCR2.CSON}[2:0] \text{ value} \leq \text{CSnWCR2.AWAIT}[1:0] \text{ value}$.

15.3.7 Master Bus Control Register (BUSMCNT<master>)

Address(es): [BUS.BUSMCNTM4I 4000 4000h](#), [BUS.BUSMCNTM4D 4000 4004h](#), [BUS.BUSMCNTSYS 4000 4008h](#),
[BUS.BUSMCNTDMA 4000 400Ch](#)

	b15	b14	b13	b12	b11	b10	b9	b8	b7	b6	b5	b4	b3	b2	b1	b0
	IERES	—	—	—	—	—	—	—	—	—	—	—	—	—	—	—
Value after reset:	0	0	0	0	0	0	0	0	0	0	0	0	0	0	0	0

Bit	Symbol	Bit name	Description	R/W
b14 to b0	—	Reserved	These bits are read as 0. The write value should be 0.	R/W
b15	IERES	Ignore Error Responses	0: A bus error is reported 1: A bus error is not reported.	R/W

Note: Changing the reserved bit value from the initial value of 0 is prohibited. Operation during the change is not guaranteed.

IERES bit (Ignore Error Responses)

The IERES bit enables or disables the error response of the AHB-Lite protocol.

Table 15.7 lists the registers associated with each bus type.

Table 15.7 Relation between bus type and register

Bus type	Master Bus Control Register	Slave Bus Control Register	Bus Error Address Register	Bus Error Status Register
ICode bus (CPU)	BUSMCNTM4I	-	BUS1ERRADD	BUS1ERRSTAT
DCode bus (CPU)	BUSMCNTM4D	-	BUS2ERRADD	BUS2ERRSTAT
SYSTEM bus (CPU)	BUSMCNTSYS	-	BUS3ERRADD	BUS3ERRSTAT
DMA bus	BUSMCNTDMA	-	BUS4ERRADD	BUS4ERRSTAT
Memory bus 1	-	BUSSCNTFLI	-	-
Memory bus 3	-	BUSSCNTMBIU	-	-
Memory bus 4	-	BUSSCNTRAM0	-	-
Memory bus 5	-	BUSSCNTRAM1	-	-
Internal peripheral bus 1, 3, 4, 5, 7	-	BUSSCNTpNB [n = 0, 2, 3, 4, 6]	-	-
Internal peripheral bus 9	-	BUSSCNTFBU	-	-
External bus (CS area)	-	BUSSCNTEXT	-	-
External bus (QSPI area)	-	BUSSCNTEXT2	-	-

15.3.8 Slave Bus Control Register (BUSSCNT<slave>)

Address(es): [BUS.BUSSCNTFLI 4000 4100h](#), [BUS.BUSSCNTMBIU 4000 4108h](#), [BUS.BUSSCNTRAM0 4000 410Ch](#), [BUS.BUSSCNTRAM1 4000 4110h](#), [BUS.BUSSCNTP0B 4000 4114h](#), [BUS.BUSSCNTP2B 4000 4118h](#), [BUS.BUSSCNTP3B 4000 411Ch](#), [BUS.BUSSCNTP4B 4000 4120h](#), [BUS.BUSSCNTP6B 4000 4128h](#), [BUS.BUSSCNTFBU 4000 4130h](#), [BUS.BUSSCNTTEXT 4000 4134h](#), [BUS.BUSSCNTTEXT2 4000 4138h](#)

b15	b14	b13	b12	b11	b10	b9	b8	b7	b6	b5	b4	b3	b2	b1	b0
—	—	—	—	—	—	—	—	—	—	ARBMET[1:0]	—	—	—	—	—
0	0	0	0	0	0	0	0	0	0	0	0	0	0	0	0

Value after reset:

Bit	Symbol	Bit name	Description	R/W
b3 to b0	—	Reserved	These bits are read as 0. The write value should be 0.	R/W
b5, b4	ARBMET[1:0]	Arbitration Method	Specify the priority between groups: b5 b4 0 0: Fixed priority 0 1: Round-robin 1 0: Setting prohibited 1 1: Setting prohibited.	R/W
b15 to b6	—	Reserved	These bits are read as 0. The write value should be 0.	R/W

Note: Changing a reserved bit from the initial value of 0 is prohibited. Operation during the change is not guaranteed.

[ARBMET\[1:0\] bits \(Arbitration Method\)](#)

The ARBMET[1:0] bits specify the priority of each bus master. For fixed priority, see [Table 15.8](#). For round-robin, see [Table 15.9](#).

[Table 15.7](#) lists the registers associated with each bus type.

Table 15.8 Fixed priority (ARBMET[1:0] = 00b)

Slave Bus Control Register	Slave interface	Priority order
BUSSCNTFLI	Memory bus 1	Memory bus 3 > DCode bus (CPU) > ICode bus (CPU)
BUSSCNTRAM0	Memory bus 4	DMA bus > system bus (CPU)
BUSSCNTRAM1	Memory bus 5	DMA bus > system bus (CPU)
BUSSCNTPnB [n = 0, 2, 3, 4, 6]	Internal peripheral bus 1, 3, 4, 5, 7	DMA bus > system bus (CPU)
BUSSCNTFBU	Internal peripheral bus 9	DMA bus > system bus (CPU)
BUSSCNTTEXT	External bus (CS area)	DMA bus > system bus (CPU)
BUSSCNTTEXT2	External bus (QSPI area)	DMA bus > system bus (CPU)

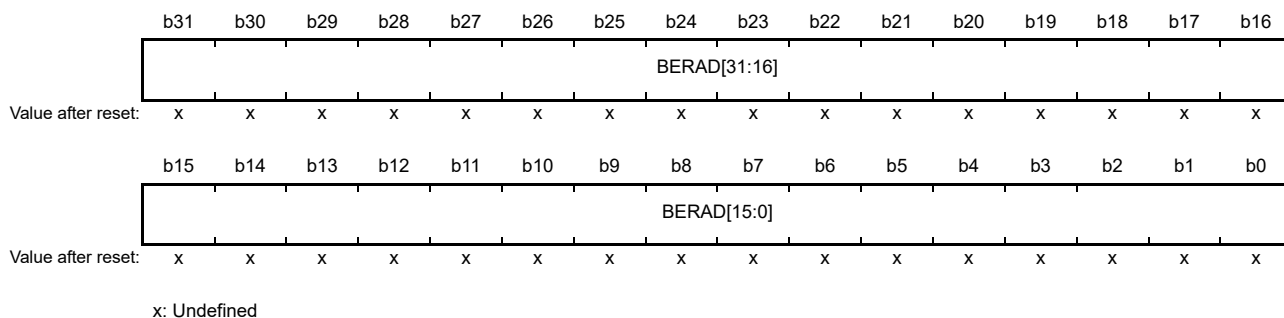
Table 15.9 Round-Robin priority (ARBMET[1:0] = 01b)

Slave Bus Control Register	Slave interface	Priority order*1
BUSSCNTFLI	Memory bus 1	Memory bus 3 ↔ DCode bus (CPU) ↔ ICode bus (CPU)
BUSSCNTRAM0	Memory bus 4	DMA bus ↔ system bus (CPU)
BUSSCNTRAM1	Memory bus 5	DMA bus ↔ system bus (CPU)
BUSSCNTPnB (n = 0, 2, 3, 4, 6)	Internal peripheral bus 1, 3, 4, 5, 7	DMA bus ↔ system bus (CPU)
BUSSCNTFBU	Internal peripheral bus 9	DMA bus ↔ system bus (CPU)
BUSSCNTTEXT	External bus (CS area)	DMA bus ↔ system bus (CPU)
BUSSCNTTEXT2	External bus (QSPI area)	DMA bus ↔ system bus (CPU)

Note 1. Round-robin priority is denoted by “↔.”

15.3.9 Bus Error Address Register (BUSnERRADD) (n = 1 to 4)

Address(es): [BUS.BUS1ERRADD 4000 4800h](#), [BUS.BUS2ERRADD 4000 4810h](#),
[BUS.BUS3ERRADD 4000 4820h](#), [BUS.BUS4ERRADD 4000 4830h](#)



Bit	Symbol	Bit name	Description	R/W
b31 to b0	BERAD[31:0]	Bus Error Address	When a bus error occurs, these bits store the error address	R

Note: This register is cleared only by resets other than MPU related resets. For more information, see [section 6, Resets](#) and [section 16, Memory Protection Unit \(MPU\)](#).

Table 15.7 lists the registers associated with each bus type.

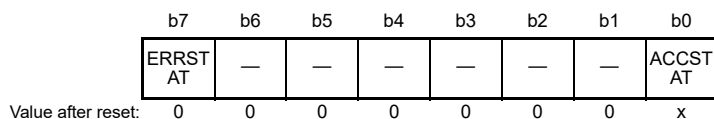
BERAD[31:0] bits (Bus Error Address)

The BERAD[31:0] bits store the accessed address when a bus error occurs. For more information, see BUSnERRSTAT.ERRSTAT and [section 15.6, Bus Error Monitoring Section](#).

A value of the BUSnERRADD.BERAD[31:0] bits (n = 1 to 4) is only valid when the BUSnERRSTAT.ERRSTAT bit (n = 1 to 4) is set to 1.

15.3.10 Bus Error Status Register (BUSnERRSTAT) (n = 1 to 4)

Address(es): [BUS.BUS1ERRSTAT 4000 4804h](#), [BUS.BUS2ERRSTAT 4000 4814h](#),
[BUS.BUS3ERRSTAT 4000 4824h](#), [BUS.BUS4ERRSTAT 4000 4834h](#)



Bit	Symbol	Bit name	Description	R/W
b0	ACCSTAT	Error Access Status	Access status when the error occurred: 1: Write access 0: Read access.	R
b6 to b1	—	Reserved	These bits are read as 0	R
b7	ERRSTAT	Bus Error Status	0: No bus error occurred 1: Bus error occurred.	R

Note: This register is cleared only by resets other than MPU-related resets. For more information, see [section 6, Resets](#) and [section 16, Memory Protection Unit \(MPU\)](#).

Table 15.7 lists the registers associated with each bus type.

ACCSTAT bit (Error Access Status)

The ACCSTAT bit indicates the access status, write access or read access, when an error occurs on the associated bus. For more information, see the BUSnERRSTAT.ERRSTAT bit and [section 15.6, Bus Error Monitoring Section](#).

The value is valid only when BUSnERRSTAT.ERRSTAT (n = 1 to 4) is set to 1.

ERRSTAT bit (Bus Error Status)

The ERRSTAT bit indicates whether a bus error occurred. When an error occurs on the associated bus, the access address and status of write or read access are stored. The BUSnERRSTAT.ERRSTAT bit (n = 1 to 4) is set to 1.

Four types of errors can occur on each bus:

- Illegal address access
- Bus master MPU error
- Bus slave MPU error
- Time out.

When detecting bus master MPU errors or bus slave MPU errors, and reset is selected in the respective OAD bit, BUSnERRSTAT.ERRSTAT (n = 1 to 4) is not set to 1 if the bus access causing the MPU error completes later than the internal reset signal being generated, which can occur depending on the wait setting.

When detecting bus master MPU errors or bus slave MPU errors, and the non-maskable interrupt selected in the respective OAD bit, BUSnERRSTAT.ERRSTAT (n = 1 to 4) is set to 1 after the bus access causing the MPU error completes.

For more information on errors that occur on each bus, see [section 15.6, Bus Error Monitoring Section](#), and [section 16, Memory Protection Unit \(MPU\)](#).

15.4 Endianness and Data Alignment

The external bus has a data alignment function to control which byte of the data bus (D15 to D08, or D07 to D00) is used when accessing the external address space (the CS area). Alignment is based on the bus specifications of the area to be accessed (8-bit or 16-bit bus space), the data size, and the endian order.

15.4.1 Data Alignment Control for the CS Areas

(1) 16-bit bus space

When a 16-bit bus space is selected in the BSIZE[1:0] bits in CSnCR, address buses A23 to A01 are enabled to output address signals in 16-bit units, and the address bus A00 is disabled (always outputting low).

When byte strobe mode is selected (WRMOD = 0 in CSnMOD), the WR0 and WR1 pins are enabled. The BC0 and BC1 pins are not used.

When single write strobe mode is selected (WRMOD = 1 in CSnMOD), only the WR0 pin is enabled, and it always outputs low during write access, regardless of the data size. The WR1 pin is invalid (always outputs high). The valid byte position is indicated by the BC0 and BC1 pins.

The valid positions of control signals and data external to the chip differ according to the endian order. See [Figure 15.3](#) and [Figure 15.4](#).

Page access can occur for accesses to data in 32-bit units. Page access can only occur when an access does not extend over a 32-bit boundary and causes no change in the BC0 and BC1 signals. The situations in which page access occurs are indicated by the letter (p) in [Figure 15.3](#) and [Figure 15.4](#).

Data size	Accessed address	Number of accesses	Bus cycle	Unit of data	Address	Data bus			
						D15	D08	D07	D00
8 bits	4n	One	First	8 bits	4n	<div style="display: flex; justify-content: space-between; align-items: center;"> WR1/BC1 WR0/BC0 </div> <div style="text-align: center; margin-bottom: 2px;">RD</div> <div style="display: flex; justify-content: space-between; align-items: center;"> 7 0 </div>			
	4n+1	One	First	8 bits	4n	<div style="display: flex; justify-content: space-between; align-items: center;"> 7 0 </div>			
	4n+2	One	First	8 bits	4n+2	<div style="display: flex; justify-content: space-between; align-items: center;"> 7 0 </div>			
	4n+3	One	First	8 bits	4n+2	<div style="display: flex; justify-content: space-between; align-items: center;"> 7 0 </div>			
16 bits	4n	One	First	16 bits	4n	<div style="display: flex; justify-content: space-between; align-items: center;"> 15 8 7 0 </div>			
	4n+2	One	First	16 bits	4n+2	<div style="display: flex; justify-content: space-between; align-items: center;"> 15 8 7 0 </div>			
32 bits	4n	Two	First	16 bits	4n	<div style="display: flex; justify-content: space-between; align-items: center;"> 15 8 7 0 </div>			
			Second	16 bits	4n+2 (p)	<div style="display: flex; justify-content: space-between; align-items: center;"> 31 24 23 16 </div>			

(p): Page access (only when page access is enabled with the PRENB and PWENB bits in CSnMOD)

Figure 15.3 Data alignment in 16-bit bus space with little-endian order

Data size	Accessed address	Number of accesses	Bus cycle	Unit of data	Address	Data bus			
						D15	D08	D07	D00
8 bits	4n	One	First	8 bits	4n	[7 0]			
	4n+1	One	First	8 bits	4n	[7 0]			
	4n+2	One	First	8 bits	4n+2	[7 0]			
	4n+3	One	First	8 bits	4n+2	[7 0]			
16 bits	4n	One	First	16 bits	4n	[15 8 7 0]			
	4n+2	One	First	16 bits	4n+2	[15 8 7 0]			
32 bits	4n	Two	First	16 bits	4n	[31 24 23 16]			
			Second	16 bits	4n+2 (p)	[15 8 7 0]			

(p): Page access (only when page access is enabled with the PRENB and PWENB bits in CSnMOD)

Figure 15.4 Data alignment in 16-bit bus space with big-endian order

(2) 8-Bit bus space

When an 8-bit bus space is selected in the BSIZE[1:0] bits in CSnCR, the address buses A23 to A00 are enabled to output address signals in byte units.

In 8-bit bus space, only the WR0 pin is valid, regardless of the write access mode, and it always outputs low during write access. The WR1 pin and the BC0 pin are not used.

The valid positions of data external to the chip are D07 to D00, and WR0 is used as the control signal, regardless of the endian mode. See [Figure 15.5](#) and [Figure 15.6](#).

Page access can occur for accesses to data in 16-bit or 32-bit units. Page access can only occur when an access does not extend over a 32-bit boundary. The situations in which page access occurs are indicated by the letter (p) in [Figure 15.5](#) and [Figure 15.6](#).

Data size	Accessed address	Number of accesses	Bus cycle	Unit of data	Address	RD			
						WR1/BC1	WR0/BC0	Data bus	
						D15	D08	D07	D00
8 bits	4n	One	First	8 bits	4n	7	0		
	4n+1	One	First	8 bits	4n+1	7	0		
	4n+2	One	First	8 bits	4n+2	7	0		
	4n+3	One	First	8 bits	4n+3	7	0		
16 bits	4n	Two	First	8 bits	4n	7	0		
			Second	8 bits	4n+1 (p)	15	8		
	4n+2	Two	First	8 bits	4n+2	7	0		
			Second	8 bits	4n+3 (p)	15	8		
32 bits	4n	Four	First	8 bits	4n	7	0		
			Second	8 bits	4n+1 (p)	15	8		
			Third	8 bits	4n+2 (p)	23	16		
			Fourth	8 bits	4n+3 (p)	31	24		

(p): Page access (only when page access is enabled with the PRENB and PWENB bits in CSnMOD)

Figure 15.5 Data alignment in 8-bit bus space with little-endian order

Data size	Access address	Number of accesses	Bus cycle	Unit of data	Address	RD			
						WR1/BC1	WR0/BC0	Data bus	
						D15	D08	D07	D00
8 bits	4n	One	First	8 bits	4n	7	0		
	4n+1	One	First	8 bits	4n+1	7	0		
	4n+2	One	First	8 bits	4n+2	7	0		
	4n+3	One	First	8 bits	4n+3	7	0		
16 bits	4n	Two	First	8 bits	4n	15	8		
			Second	8 bits	4n+1 (p)	7	0		
	4n+2	Two	First	8 bits	4n+2	15	8		
			Second	8 bits	4n+3 (p)	7	0		
32 bits	4n	Four	First	8 bits	4n	31	24		
			Second	8 bits	4n+1 (p)	23	16		
			Third	8 bits	4n+2 (p)	15	8		
			Fourth	8 bits	4n+3 (p)	7	0		

(p): Page access (only when page access is enabled with the PRENB and PWENB bits in CSnMOD)

Figure 15.6 Data alignment in 8-bit bus space with big-endian order

15.5 Operation of CS Area Controller

15.5.1 Separate Bus

This section describes the periods shown in the timing diagrams. The CS area controller (CSC) operates in synchronization with the external bus clock, BCLK. Operation cycles, such as wait cycles, specified in the CSC register, are counted on BCLK. In the following description, the frequencies of BCLK and EBCLK pin outputs are the same, unless otherwise noted. Access through the external bus starts at the same point as the output of a rising edge on the EBCLK pin. However, if the external bus clock, BCLK and the output on the EBCLK pin are at different frequencies, the wait settings can cause the start of access for the second and subsequent rounds to coincide with the falling edge of the output on the EBCLK pin. See [Figure 15.12](#) to [Figure 15.16](#). If recovery cycles are inserted for bus access, the setting for the number of recovery cycles can also cause the start of access for the second and subsequent rounds to coincide with the falling edge of the output on the EBCLK pin. See [Figure 15.34](#).

(a) Tw1 to Twn (clock cycles for waiting for a normal read cycle or normal write cycle)

The period Tw1 to Twn is the number of clock cycles from the start of access through the external bus clock to 1 cycle before the strobe signal is valid. The number of cycles is selectable from 0 to 31. Within this period, the timing of CSn, RD, and WRn assertion (placing the signals low) is determined by the respective wait settings. The wait periods are controlled by the CS assert wait select bits (CSON), the RD assert wait select bits (RDON), the WR assert wait select bits (WRON), and the write data output wait select bits (WDOFF) in the CSn Wait Control Register 2 (CSnWCR2). The number of clock cycles for each of these periods of waiting is selectable as a value from 0 to 7, counted from the start of external bus access. The selectable numbers of cycles is also within the overall number of clock cycles required for waiting to read or write.

(b) Tend (clock cycle where the strobe signal is valid)

Tend is the next clock cycle after completion of the wait period for a normal cycle of read or write or for a cycle of page reading or page writing. If the wait select bit for a normal cycle of read or write or for a cycle of page reading or page writing is 0, bus access starts on the clock cycle where the strobe signal is valid. The RD and WRn signals are negated in the next clock cycle. For a read access, the clock cycle where the strobe signal is valid is where the data to be read is sampled. If an external wait is enabled, the wait signal is sampled on the cycle where the strobe signal is valid. The bus cycle is extended if the wait signal is low. The bus cycle completes in the next clock cycle if the wait signal is high. Tend indicates the cycle where sampling of the wait signal starts.

After the first cycle where the strobe signal is valid during page access, second and subsequent page access operations (see [section \(e\), Tpw1 to TpwN \(page-read cycle wait or page-write cycle wait\)](#)) start in the next cycle, except during write access with a setting other than 0 for write-data output extension clock cycles (see [section \(d\), Tdw1 to TdwN \(clock cycles for write-data output extension\)](#)). If the setting for the RD or WR assertion wait is any value other than 0, the RD and WRn signals are negated in the next clock cycle. If the setting is 0, assertion continues. Additionally, the CSn signal continues to be asserted rather than negated.

(c) Tn1 to Tnm (clock cycles of CS extension)

For normal access, Tn1 to Tnm represent the clock cycles of the period following the cycle where the strobe signal is valid (Tend) up to negation of the CSn signal. For read or write access, the negation timing can be controlled by the read-access CS Extension Cycle Select bits (CSROFF) and the write-access CS Extension Cycle Select bits (CSWDOFF) in the CSn Wait Control Register 2 (CSnWCR2). The number of cycles is counted from the cycle following the cycle where the strobe signal is valid.

For page access, Tn1 to Tnm represent the clock cycles of the period following the last cycle where the strobe signal is valid up to negation of the CSn signal.

For write access, setting the write data output extension cycle select bits (WDOFF) controls extension of the period where the address and output data is valid.

(d) Tdw1 to TdwN (clock cycles for write-data output extension)

For write access, if the wait setting for the write-data output extension is any value other than 0, the specified clock cycles are inserted from the cycle following the cycle where the strobe signal is valid (Tend).

For normal access, this is inserted within the clock period for CS extension (see [section \(c\), Tn1 to Tnm \(clock cycles of CS extension\)](#)).

For page access, this period is inserted within the clock cycle period where the strobe signal is valid and subsequent page accesses, or within the clock cycle period for the CS extension (see [section \(c\), Tn1 to Tnm \(clock cycles of CS extension\)](#)). Valid address and data output are extended over this period, and the WRn signal is negated.

(e) Tpw1 to Tpw_n (page-read cycle wait or page-write cycle wait)

For the second and subsequent bus cycles during page access, the values for a page-read cycle wait or page-write cycle wait are used instead of the settings for a normal read or write cycle wait. The settings in the WR Assert Wait Select bits become enabled in the same way as for the first access. The RD assertion control operation depends on the page read access mode setting (the PRMOD bit in CSnMOD) as follows:

CSnMOD.PRMOD = 0: A wait for RD assertion is inserted in the same way as for the first access, and the RD signal is negated.

CSnMOD.PRMOD = 1: Although a wait for RD assertion is inserted in the same way as for normal-access compatibility mode, the RD signal continues to be asserted over this period.

(f) Tr1 to Tr_n (recovery cycles)

Recovery cycles can be inserted from the point where a bus cycle is complete (CSn signal negation). The number of recovery cycles can be controlled by setting the read recovery (RRCV) or write recovery (WRCV) bits in the CSn Recovery Cycle Register (CSnREC). Both numbers of recovery cycles are counted from the end of a bus cycle (CSn negation) and can be selected from 0 to 15 cycles. For more information, see [section 15.5.4, Insertion of Recovery Cycles](#).

(1) Normal access

When the PRENB and PWENB bits in CSnMOD are set to 0 to disable page-read and page-write access, all bus accesses take the form of normal read and write operations. Even when the PRENB and PWENB bits in CSnMOD are set to 1 to enable page read and page write access, bus access other than page access takes the form of normal read and write operations. [Figure 15.7](#) to [Figure 15.9](#) show the normal access operations.

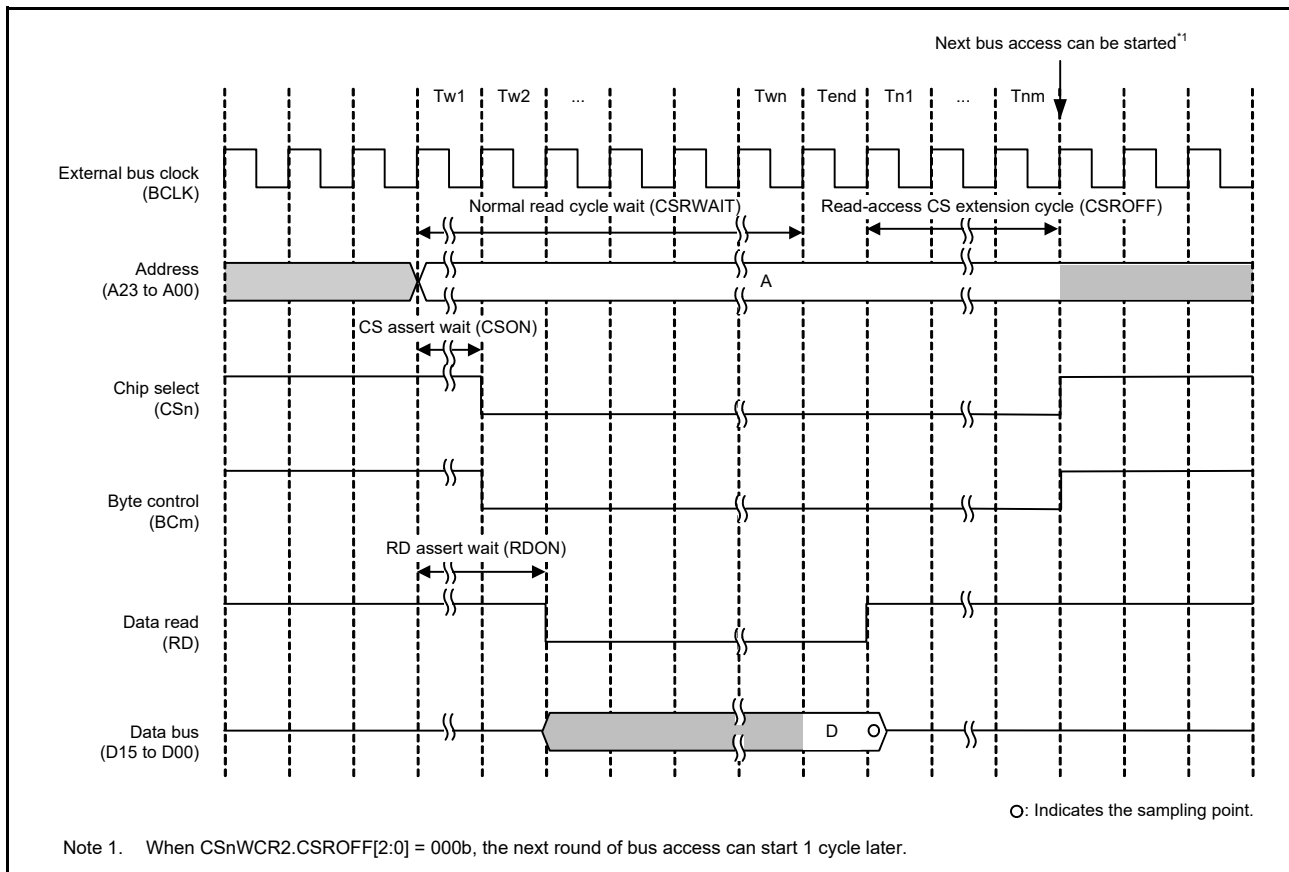


Figure 15.7 Bus timing for normal read operation (n = 0 to 3; m = 0, 1)

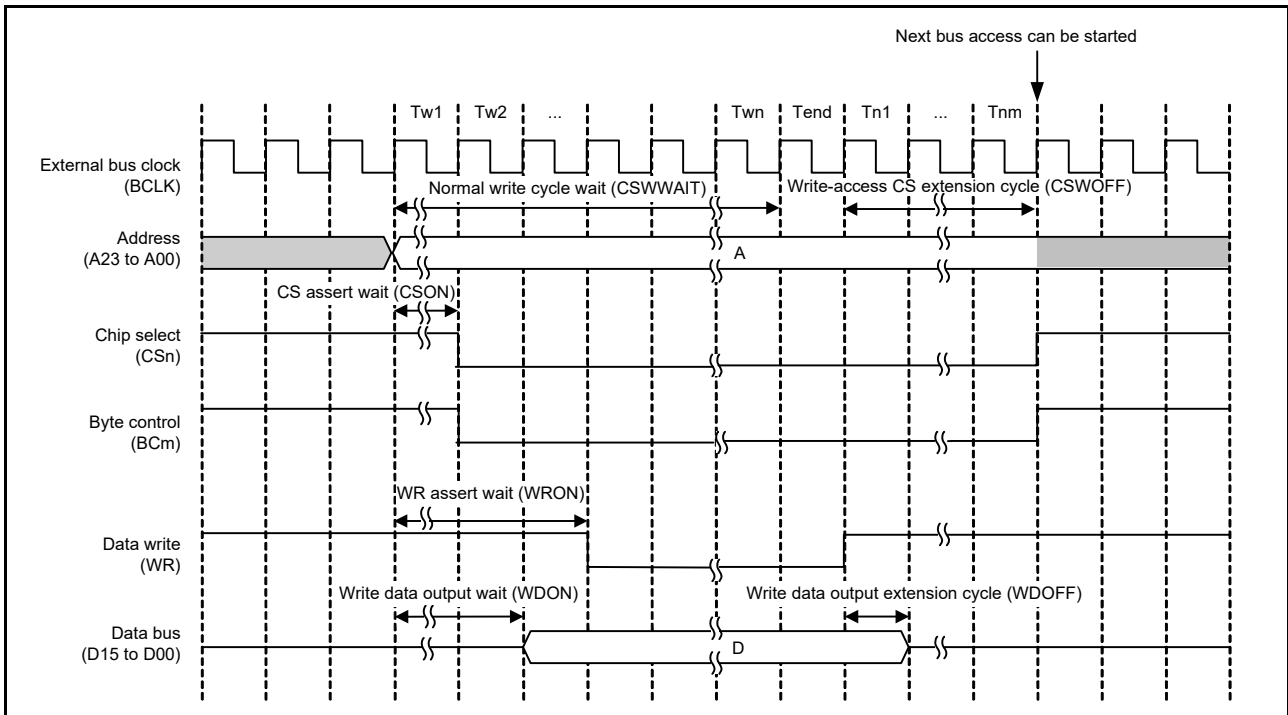


Figure 15.8 Bus timing for normal write operation in single write strobe mode (n = 0 to 3; m = 0, 1)

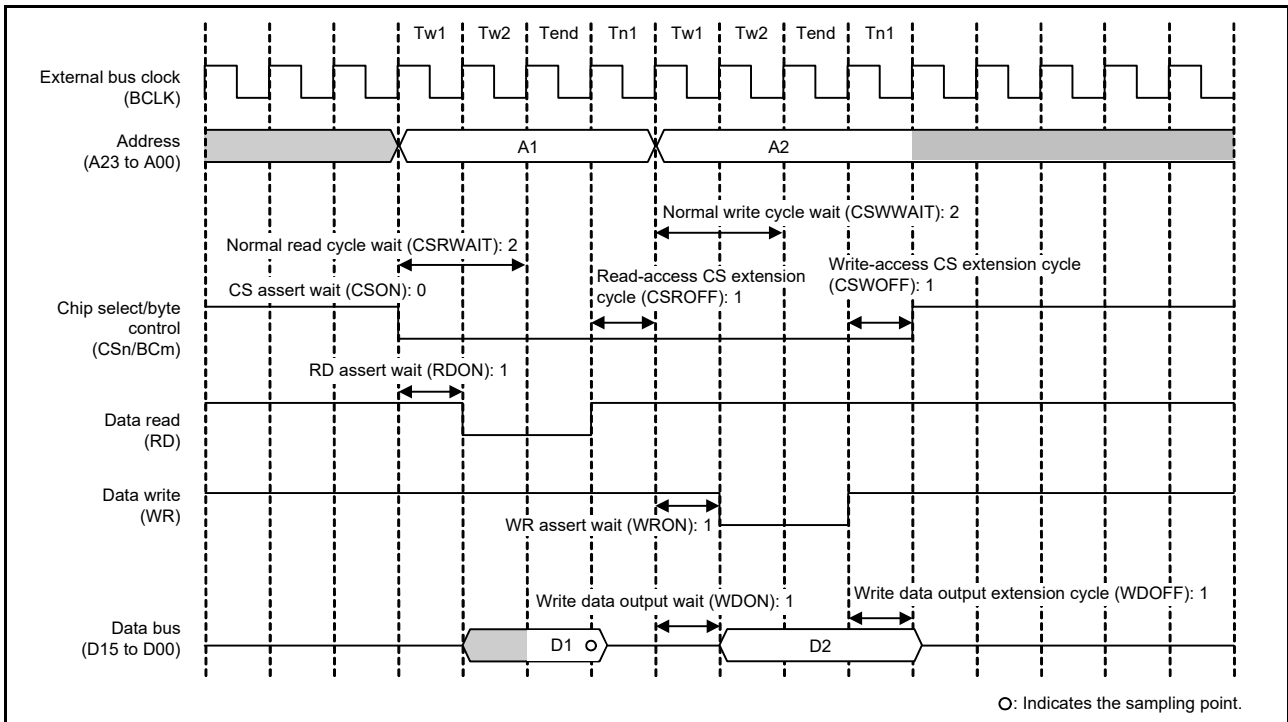


Figure 15.9 Example of normal access operation for read and write (n = 0 to 3; m = 0, 1)

When two or more rounds of external bus access are required in response to a single request for transfer from a bus master, normal access operations are repeated. See section (a), Tw1 to Twn (clock cycles for waiting for a normal read cycle or normal write cycle) to section (d), Tdw1 to Tdwn (clock cycles for write-data output extension). Figure 15.10 and Figure 15.11 show examples of operations when two rounds of bus access are generated in response to a single transfer request. If the recovery cycle insertion condition is satisfied, recovery cycles (section (f), Tr1 to Trn (recovery cycles)) are also inserted in the second and subsequent external bus accesses. See Figure 15.32.

The values in the wait control registers shown in the figures are example settings. In your application, set the register bits according to the specifications of connected devices.

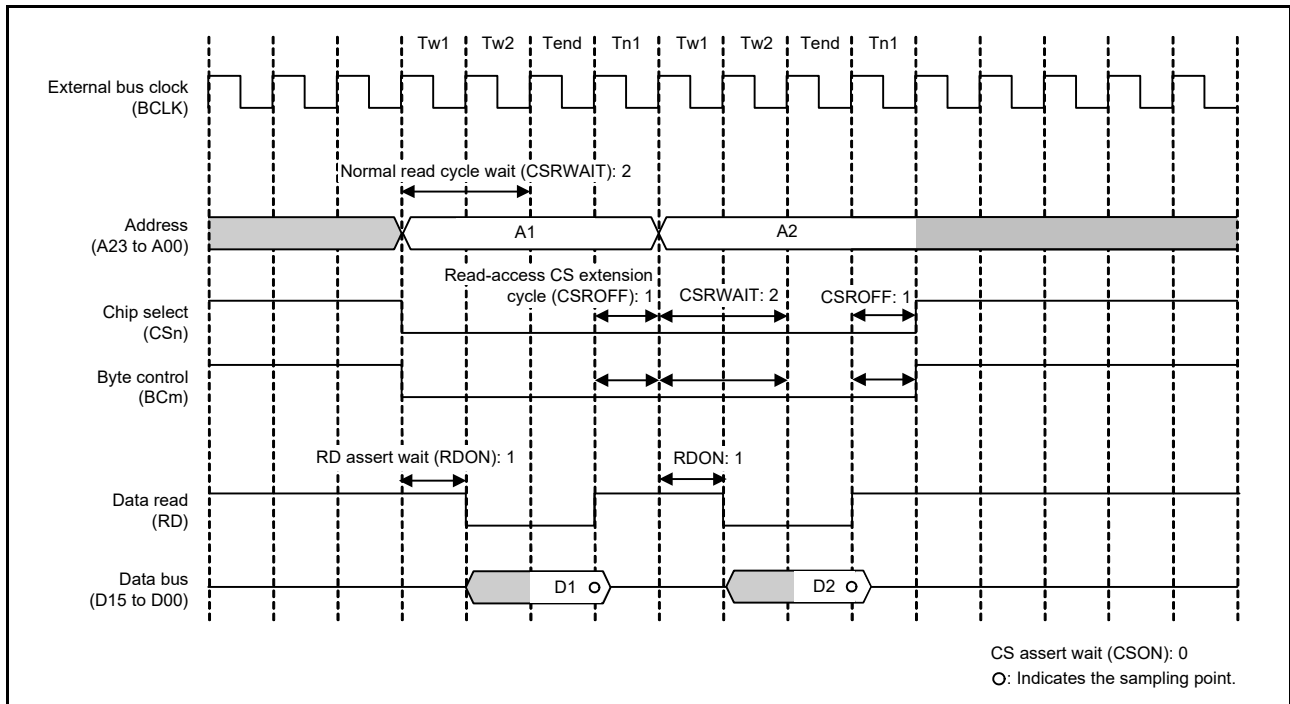


Figure 15.10 Example of normal read operation when two rounds of bus access are generated in response to a single transfer request ($n = 0$ to 3 ; $m = 0, 1$)

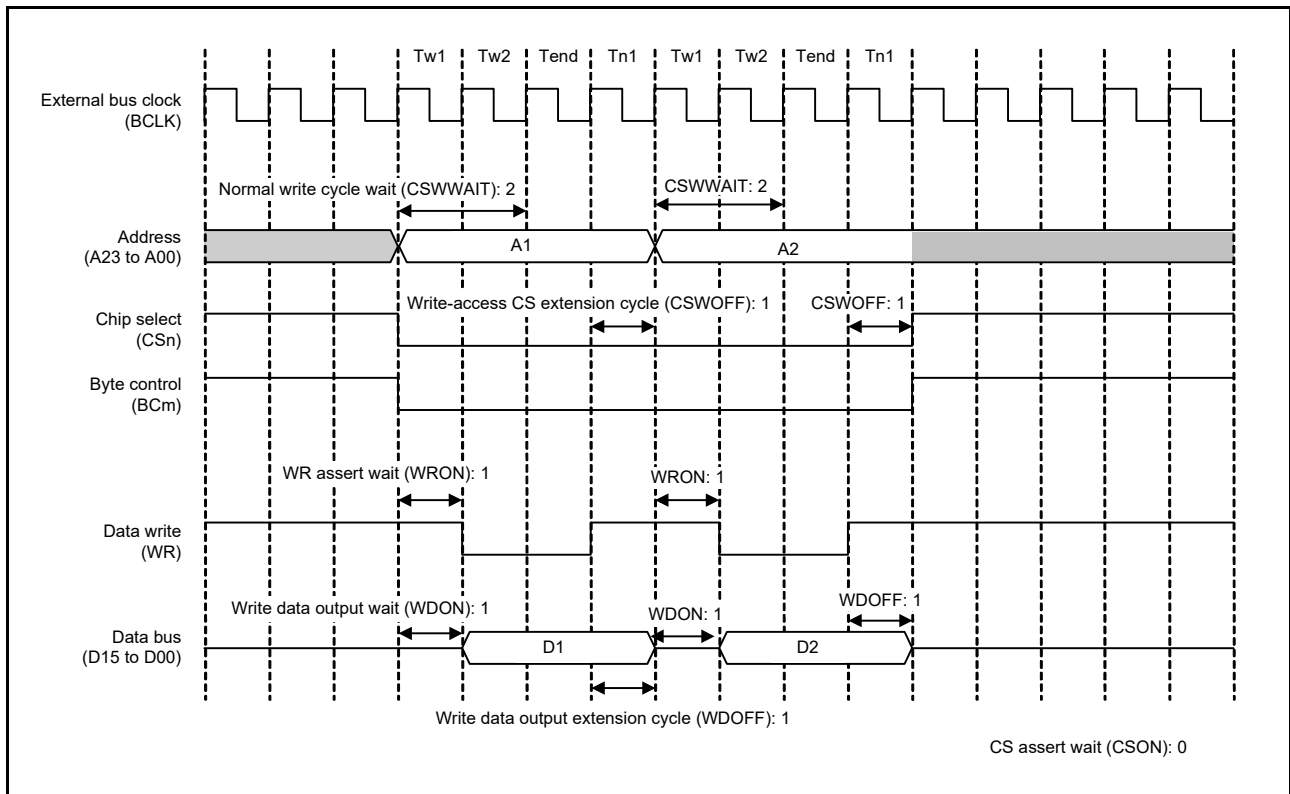


Figure 15.11 Example of normal write operation when two rounds of bus access are generated in response to a single transfer request in single write strobe mode ($n = 0$ to 3 ; $m = 0, 1$)

Figure 15.12 to Figure 15.16 show examples of normal accesses made with BCLK/2 selected in the EBCLK Pin Output Select bit.

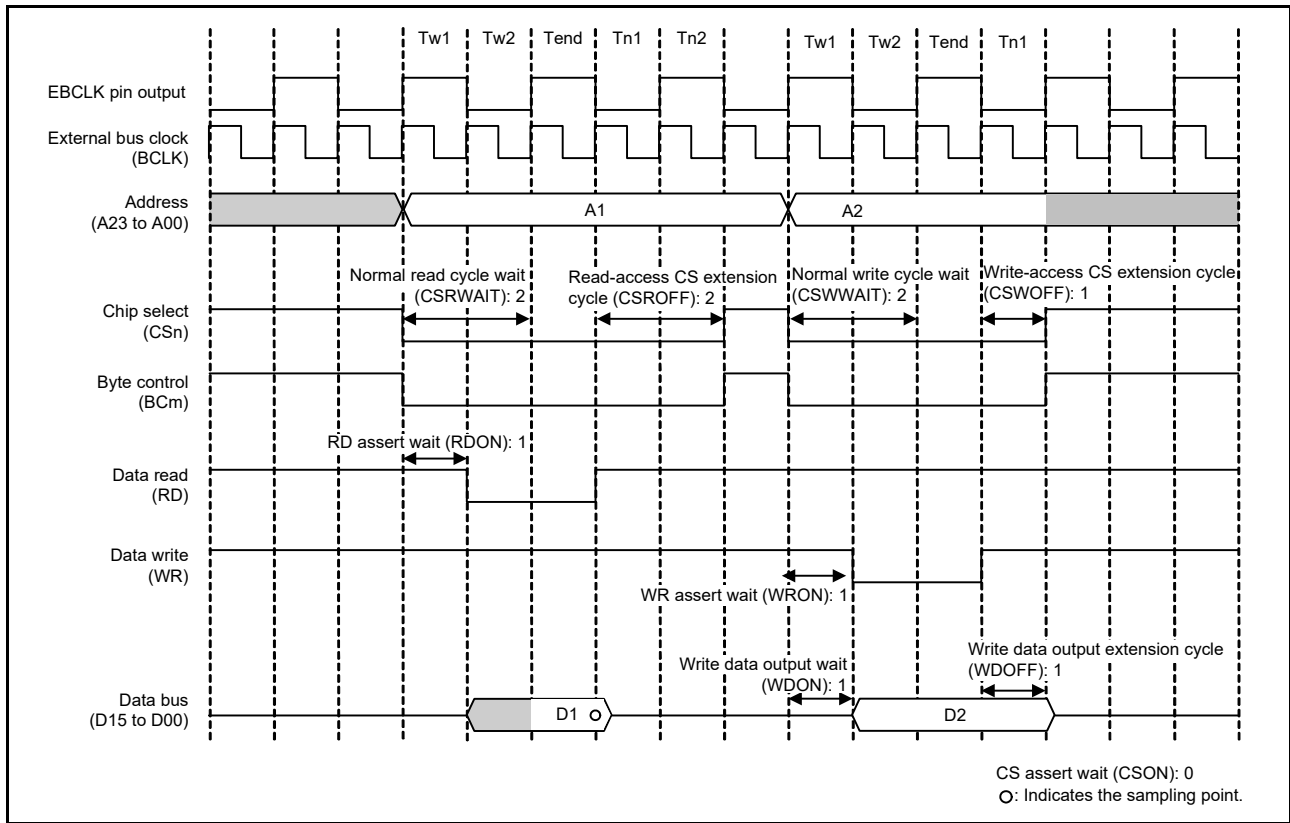


Figure 15.12 Example of normal access when BCLK/2 is selected with the EBCLK Pin Output Select bit ($n = 0$ to 3; $m = 0, 1$)

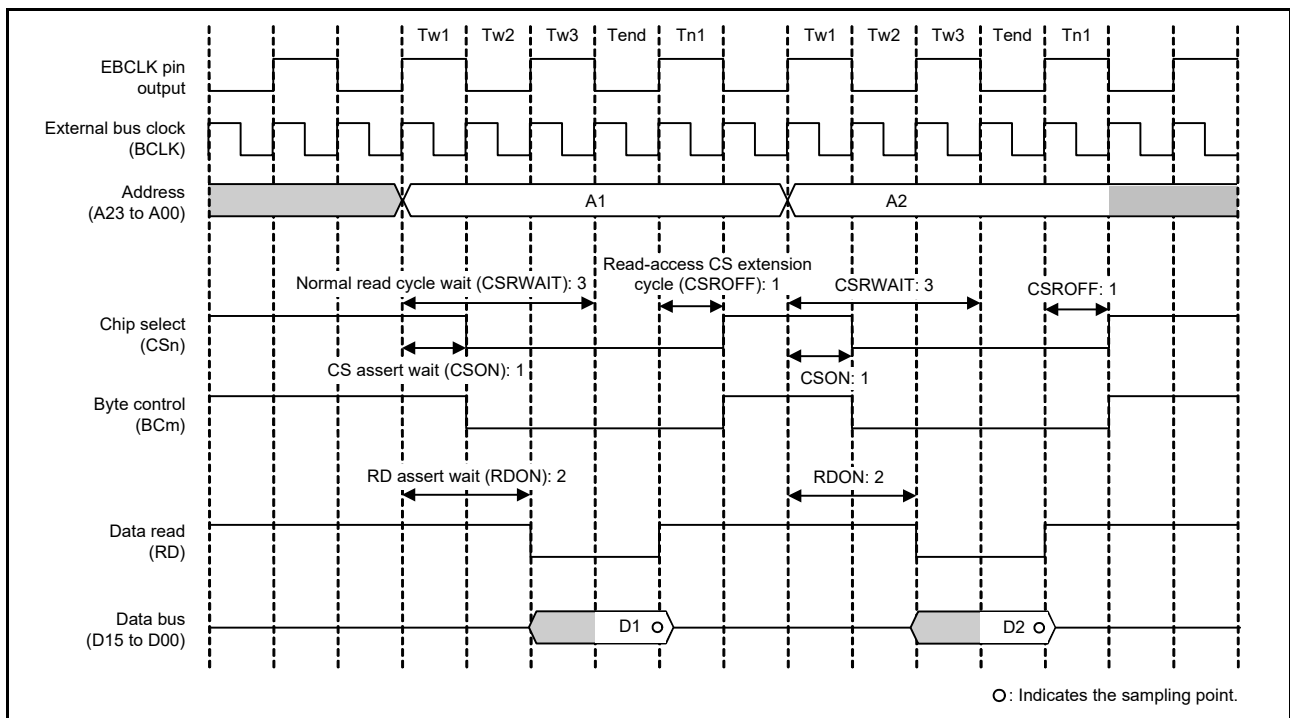


Figure 15.13 Example of normal-read operation when BCLK/2 is selected with the EBCLK pin output select bit ($n = 0$ to 3, $m = 0, 1$)

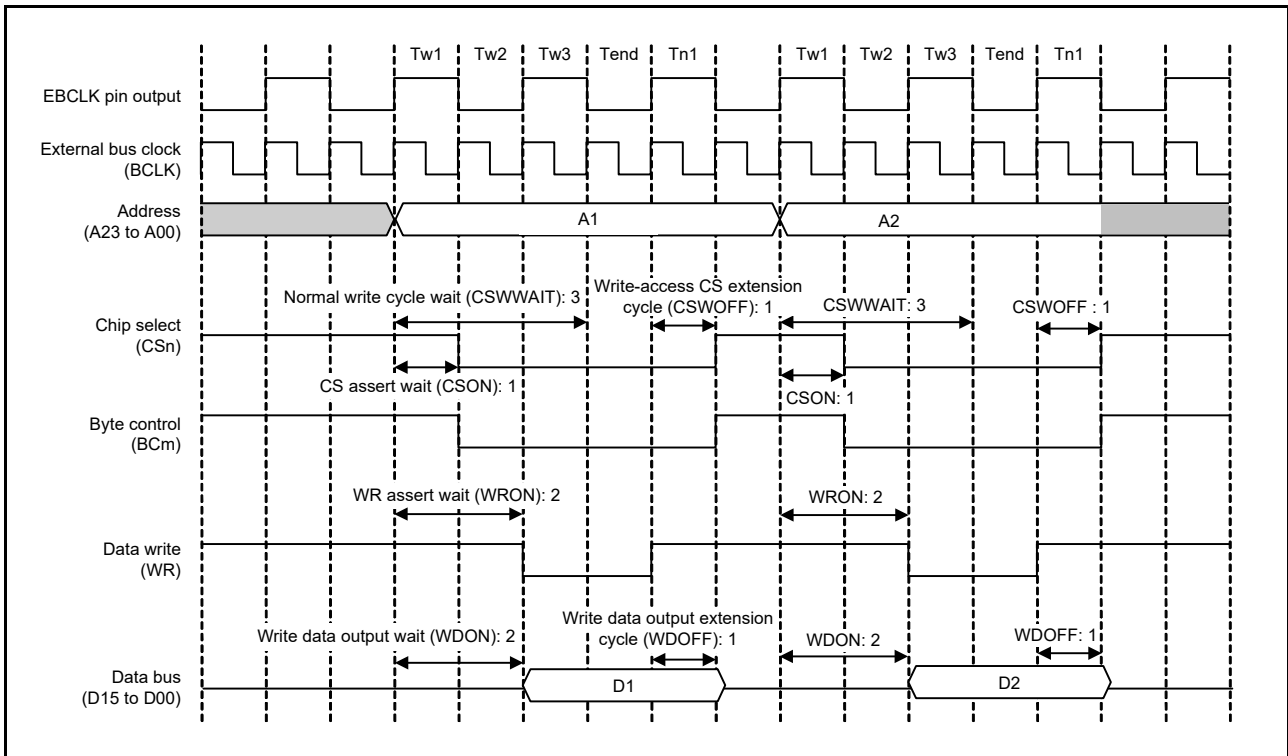


Figure 15.14 Example of normal-write operation when BCLK/2 is selected with the EBCLK pin output select bit ($n = 0$ to 3 ; $m = 0, 1$)

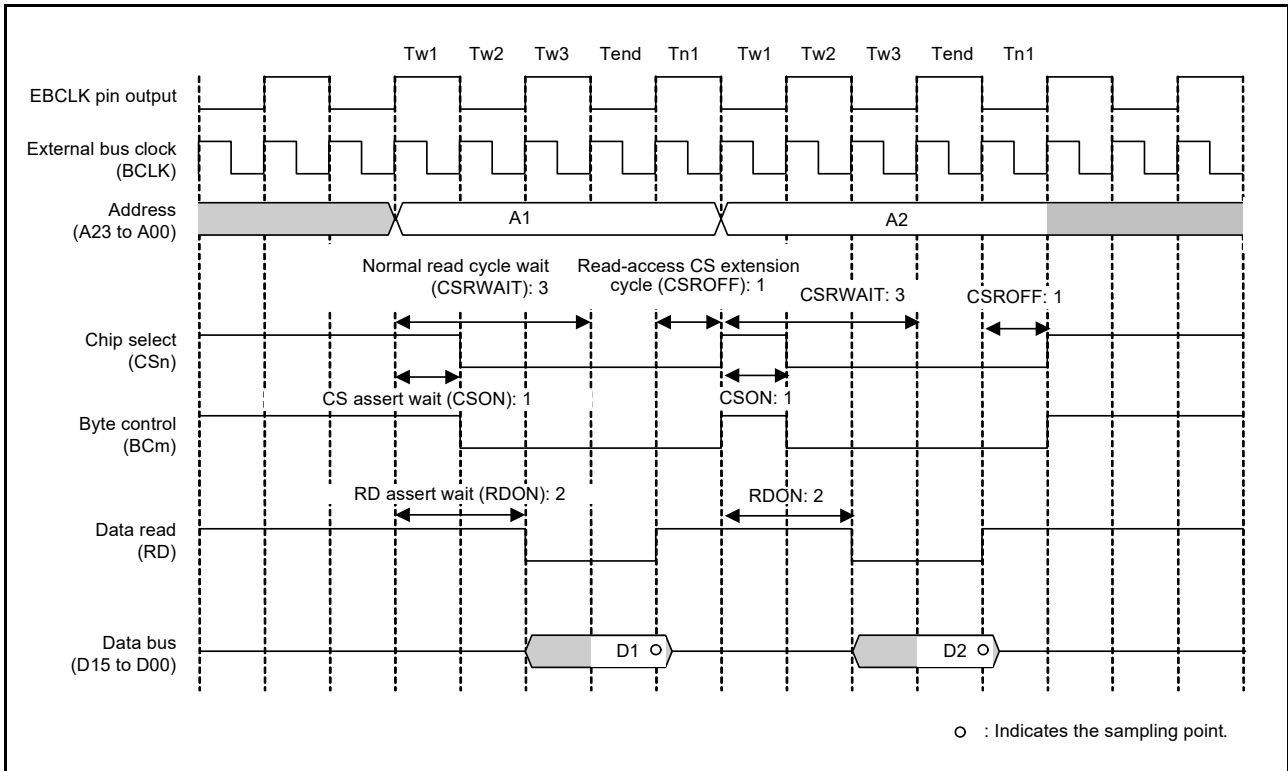


Figure 15.15 Example of normal-read operation when BCLK/2 is selected with the EBCLK pin output select bit and two rounds of bus access are generated in response to a single transfer request ($n = 0$ to 3 ; $m = 0, 1$)

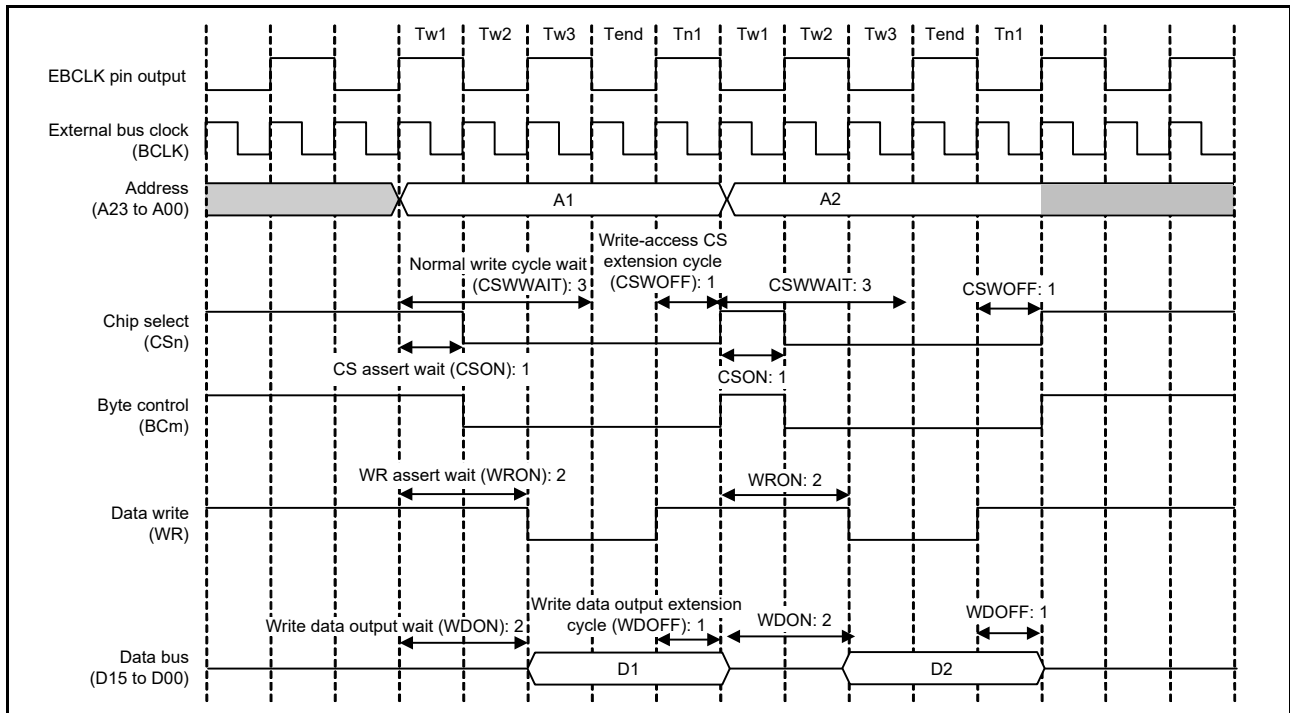


Figure 15.16 Example of normal-write operation when BCLK/2 is selected with the EBCLK pin output select bit and two rounds of bus access are generated in response to a single transfer request (n = 0 to 3; m = 0, 1)

(2) Page access

When the PRENB and PWENB bits in CSnMOD are set to 1 to enable page read and page write access, the bus access for page access operations becomes page reading and writing. Page access can only occur when two or more rounds of external bus access are required for a single transfer request from the bus master. See [Figure 15.3](#) to [Figure 15.6](#) for the conditions under which page access occurs.

Figure 15.17 and Figure 15.18 show examples of page access operations.

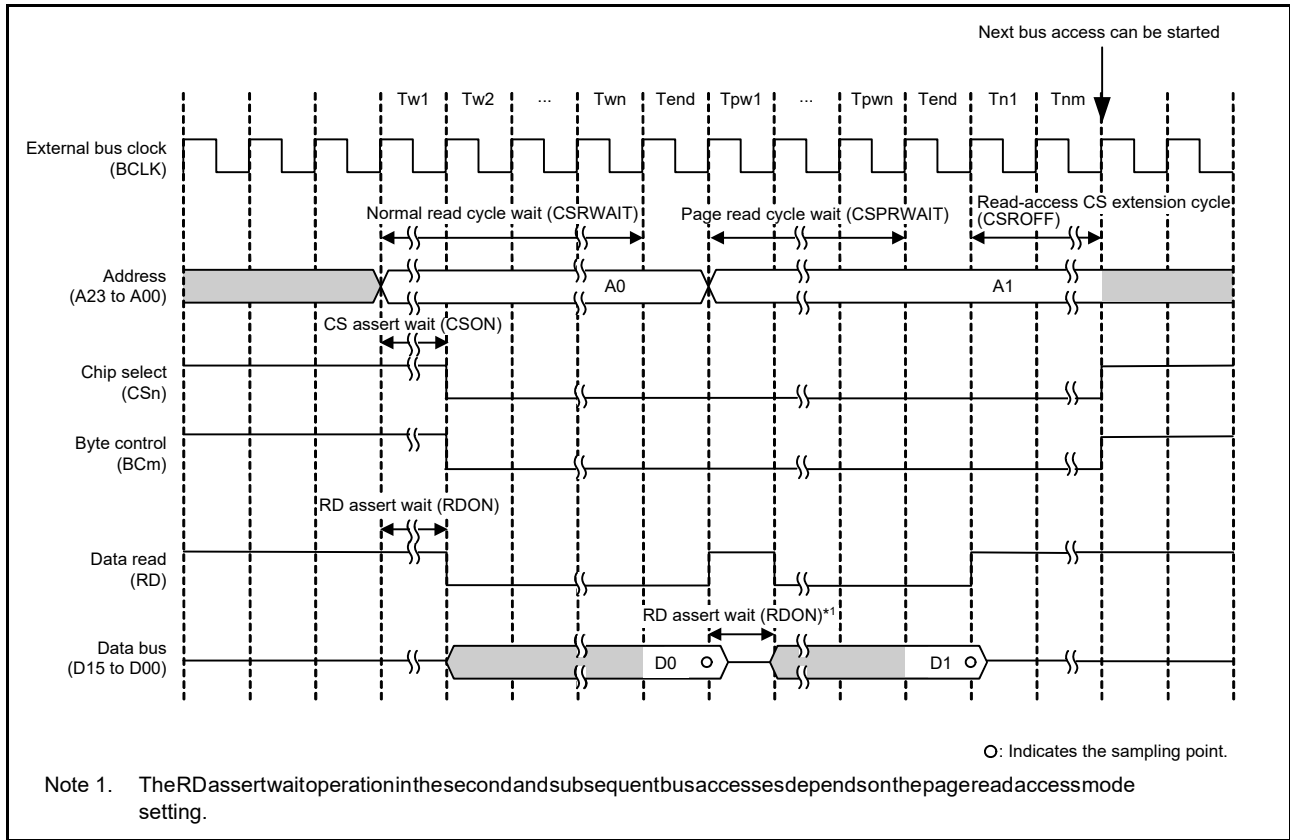


Figure 15.17 Page read access timing (n = 0 to 3; m = 0, 1)

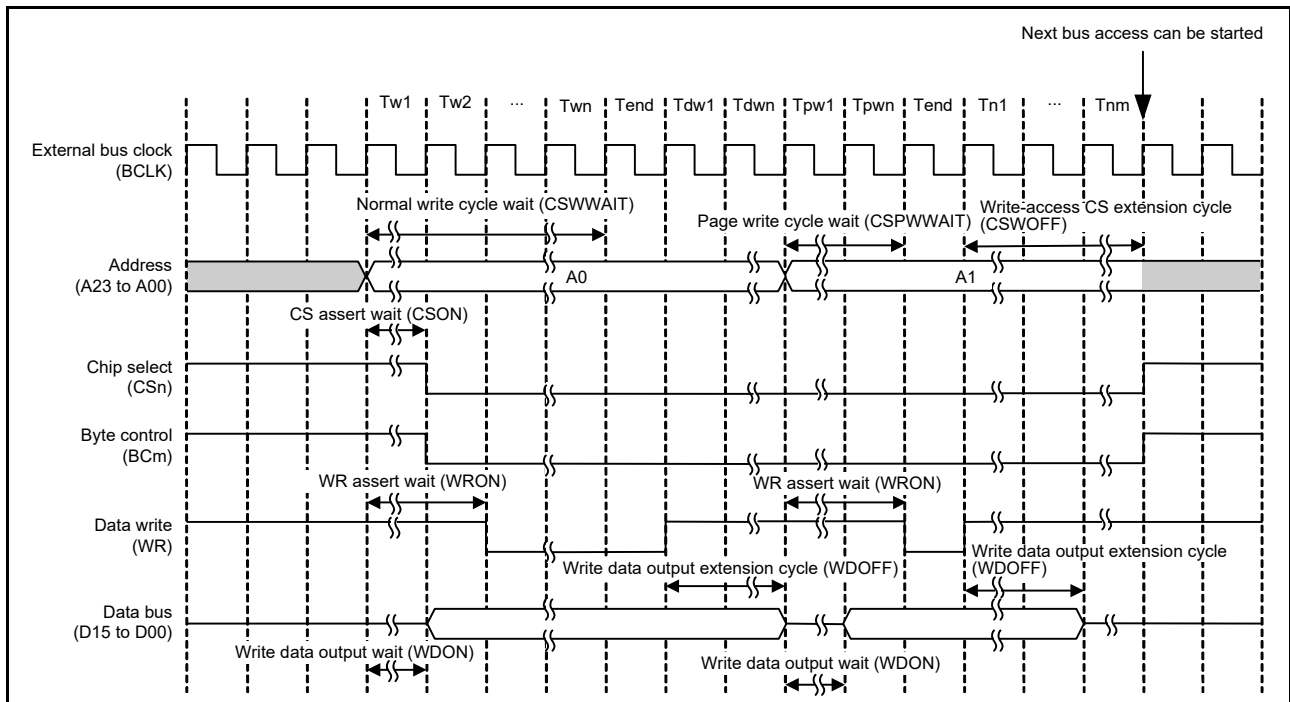


Figure 15.18 Page write access timing (n = 0 to 3; m = 0, 1)

Figure 15.19 and Figure 15.20 show examples of operations for access to a 16-bit bus space in 32 bits. The values of the wait control registers shown in the figures are example settings. In your application, set the registers according to the specifications of connected devices.

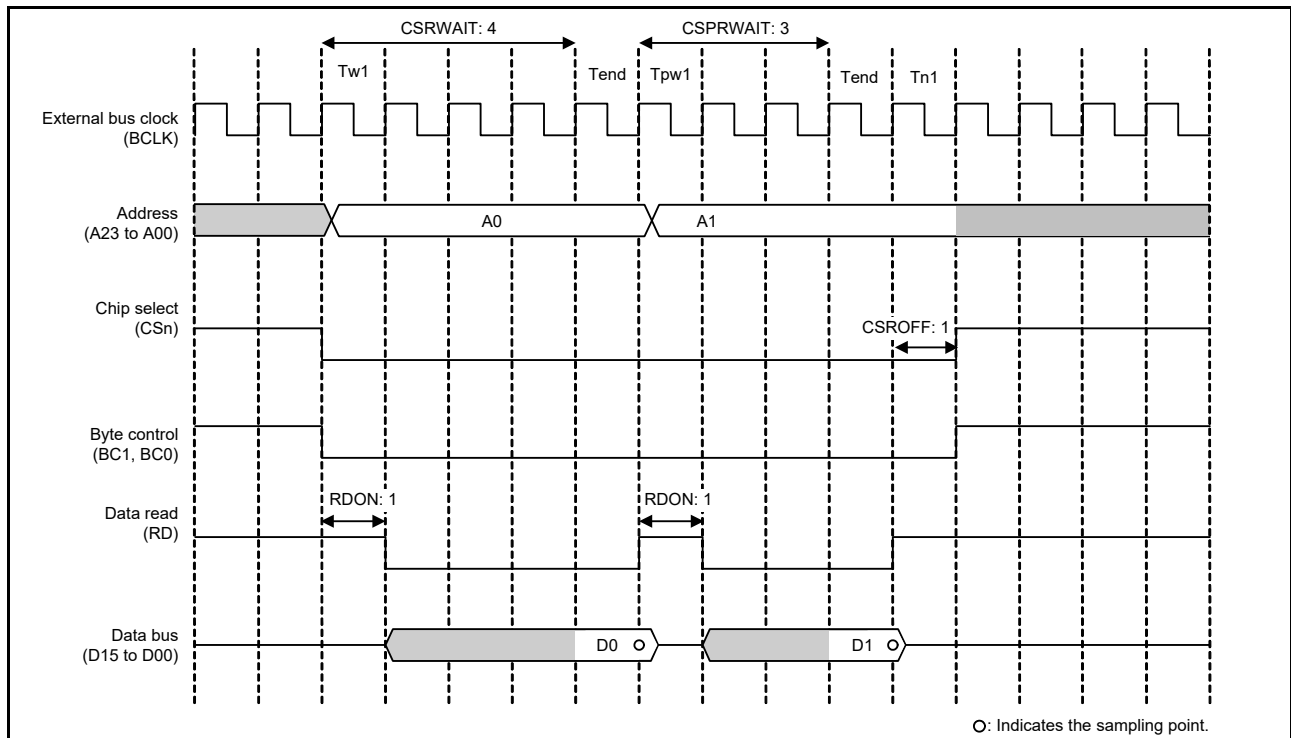


Figure 15.19 Example of page read access operation when 16-bit bus space is accessed in 32 bits (n = 0 to 3)

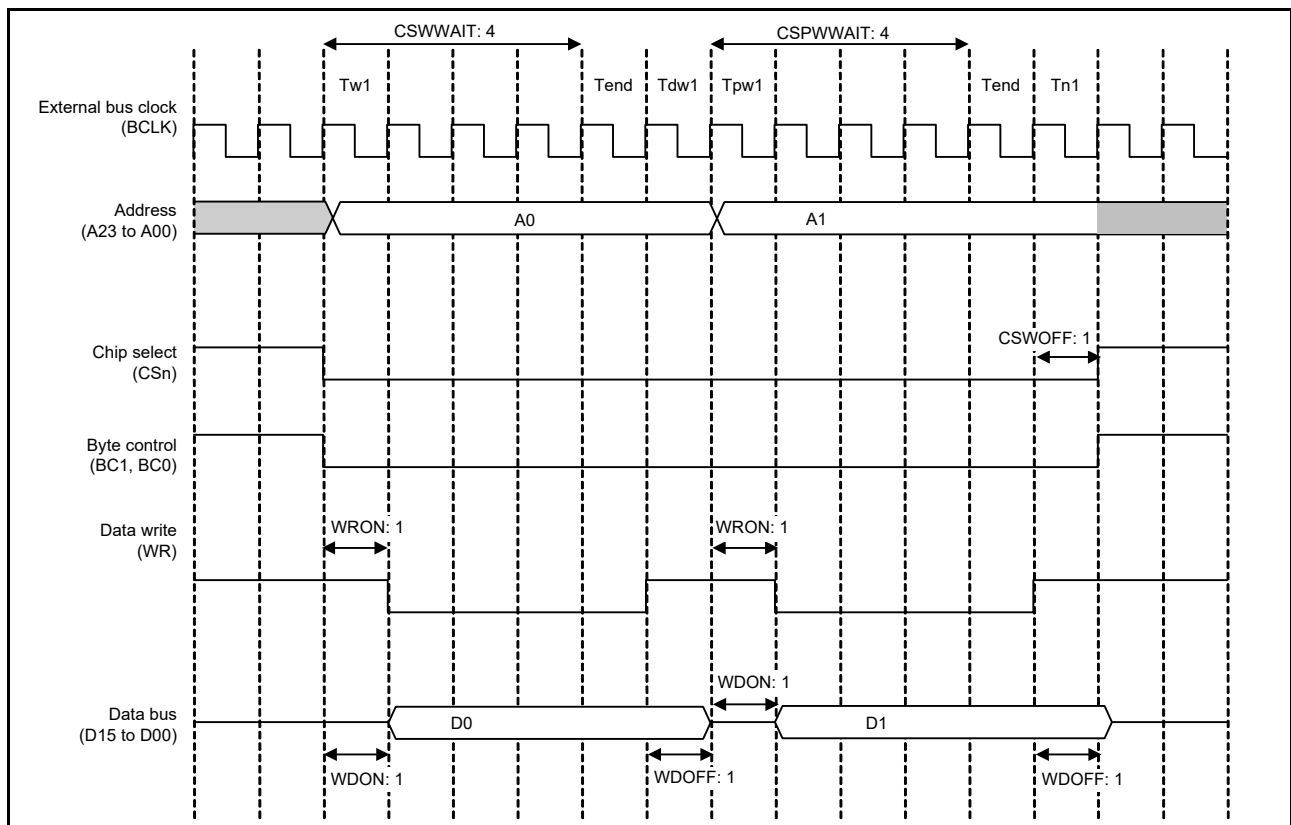


Figure 15.20 Example of page write access operation when 16-bit bus space is accessed in 32 bits, in single write strobe mode (n = 0 to 3)

Figure 15.21 and Figure 15.22 show examples of page access operations performed with the BCLK/2 selected in the EBCLK pin output select bit.

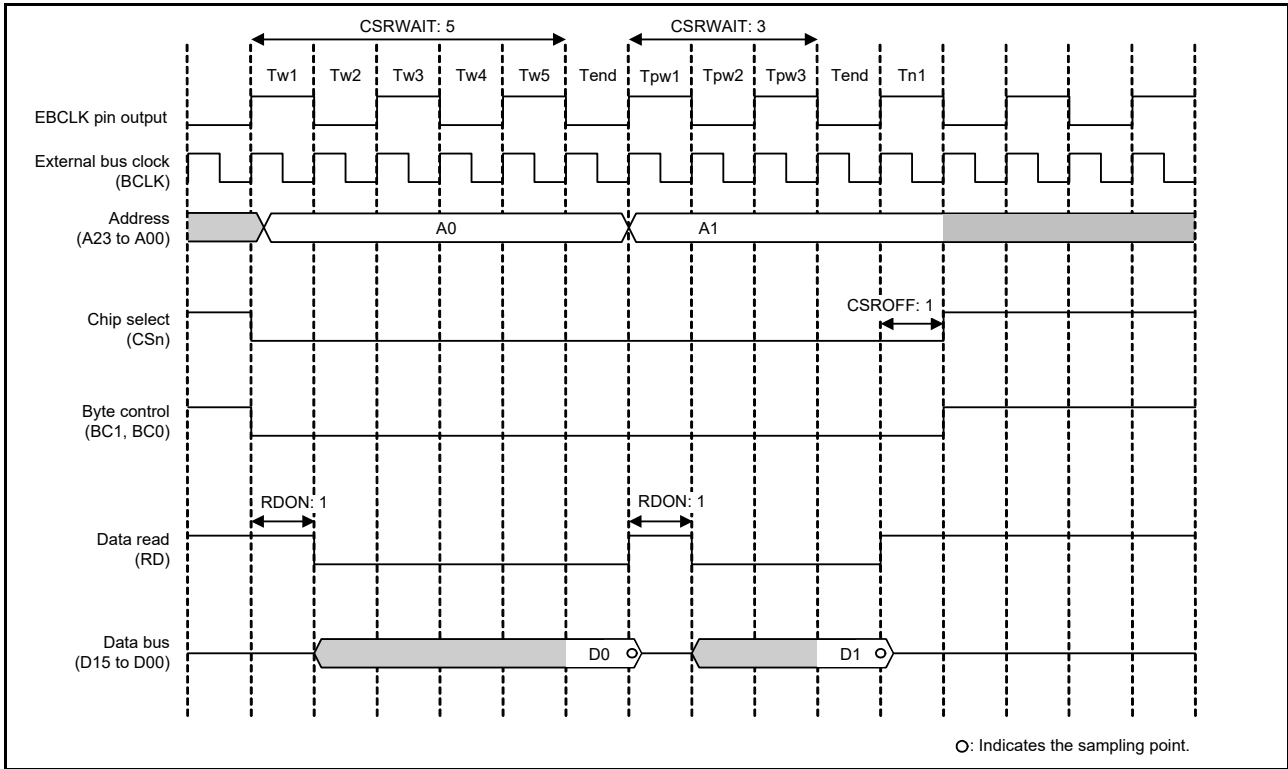


Figure 15.21 Example of page read access operation when BCLK/2 is selected with EBCLK pin output select bit, two rounds of bus access are generated in response to a single transfer request (n = 0 to 3)

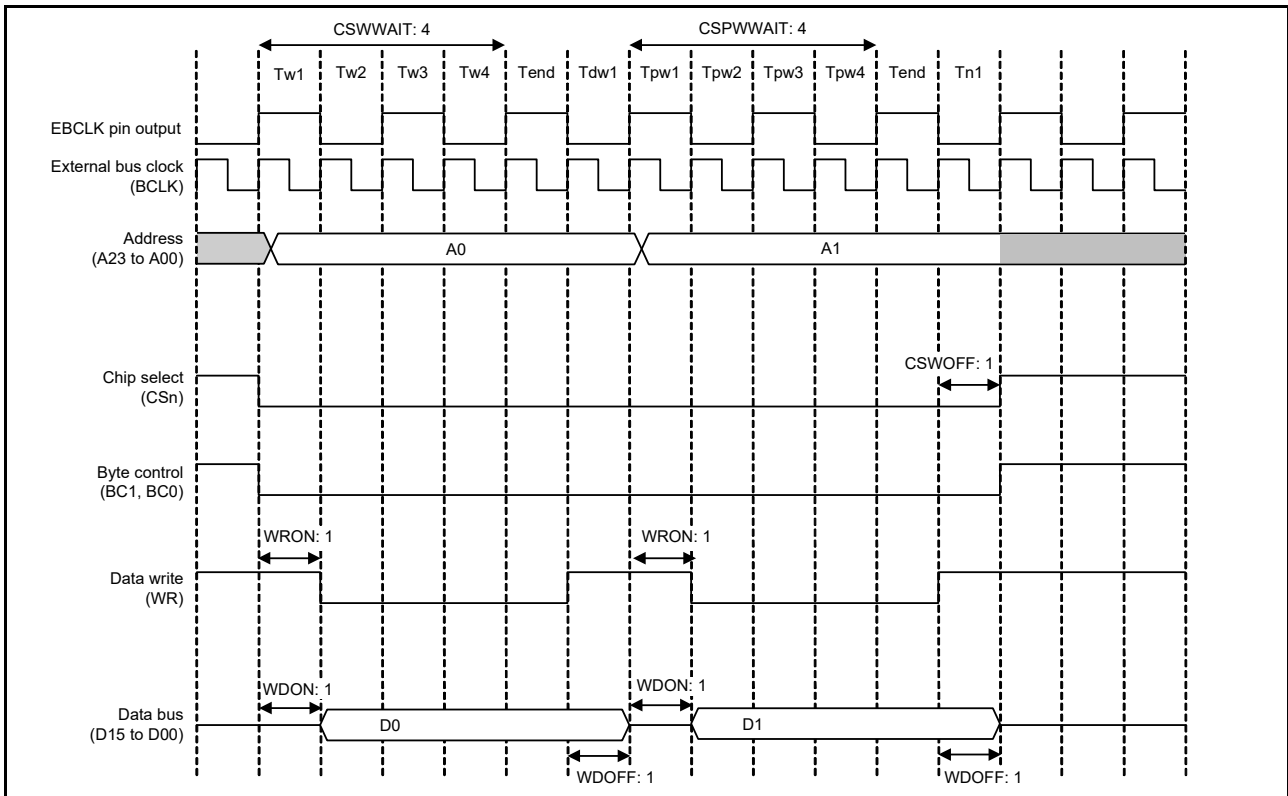


Figure 15.22 Example of page write access operation when BCLK/2 is selected with the EBCLK pin output select bit, two rounds of bus access are generated in response to a single transfer request, in single write strobe mode (n = 0 to 3)

15.5.2 Address/Data Multiplexed Bus

When the address/data Multiplexed I/O Interface Select bit (MPXEN) in CSnCR is set to 1, addresses and data can be multiplexed the input/output to/from the D15 to D00 pins in the corresponding area. Using this function enables the direct connection of this LSI to peripheral LSIs requiring address/data multiplexing. When an 8-bit width is selected using the BSIZE[1:0] bits in CSnCR, D07 to D00 are multiplexed with A07 to A00. When a 16-bit width is selected, D15 to D00 are multiplexed with A15 to A00. In the address/data multiplexed I/O space, accesses are controlled with the ALE, RD, WRn, and BCn signals.

Byte strobe mode or single-write strobe mode is selectable in the same way as for a separate bus. However, with regard to the BCn signals within the address cycle, the byte-control signal is output for the data being read or written.

During the address/data multiplexed I/O space access, after the number of wait cycles specified by the Address Cycle Wait Select bits (AWAIT[1:0]) in CSnWCR2 is inserted in the address output cycle, data access is performed.

Ta1 to Tan (Address Cycle Wait)

The period Ta1 to Tan is valid only when the address/data multiplexed I/O space is specified. This period is made up of the number of clock cycles between the start of an external bus access and 1 cycle before the address latch (ALE) signal is negated. The number of cycles are selectable within the range from zero to three. Addresses are output until the next cycle of the ALE signal negation (address cycle). The timing of the ALE signal is the same as that of CS assertion. After the address cycle, a data cycle is started. CSnWCR1 and CSnWCR2 should be set so that the address cycle and data cycle do not overlap.

Page access to the address/data multiplexed I/O space is invalid. When the PRENB or PWENB bit in CSnMOD is set to 1 to enable page-read or page-write access, these settings are ignored and normal read or write operation is performed.

Figure 15.23 to Figure 15.25 show examples of operations with the address/data multiplexed I/O interface.

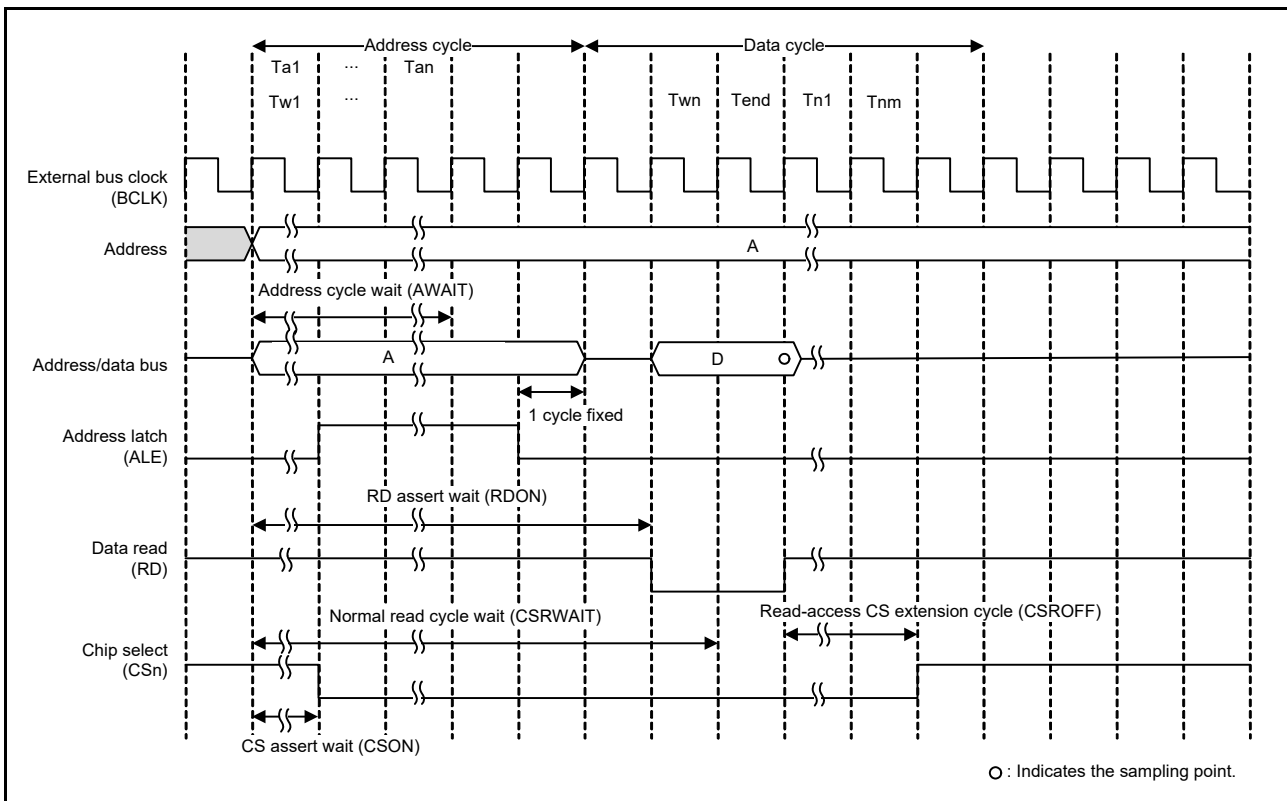


Figure 15.23 Example of read access operation with address/data multiplexed I/O interface (n = 0 to 3)

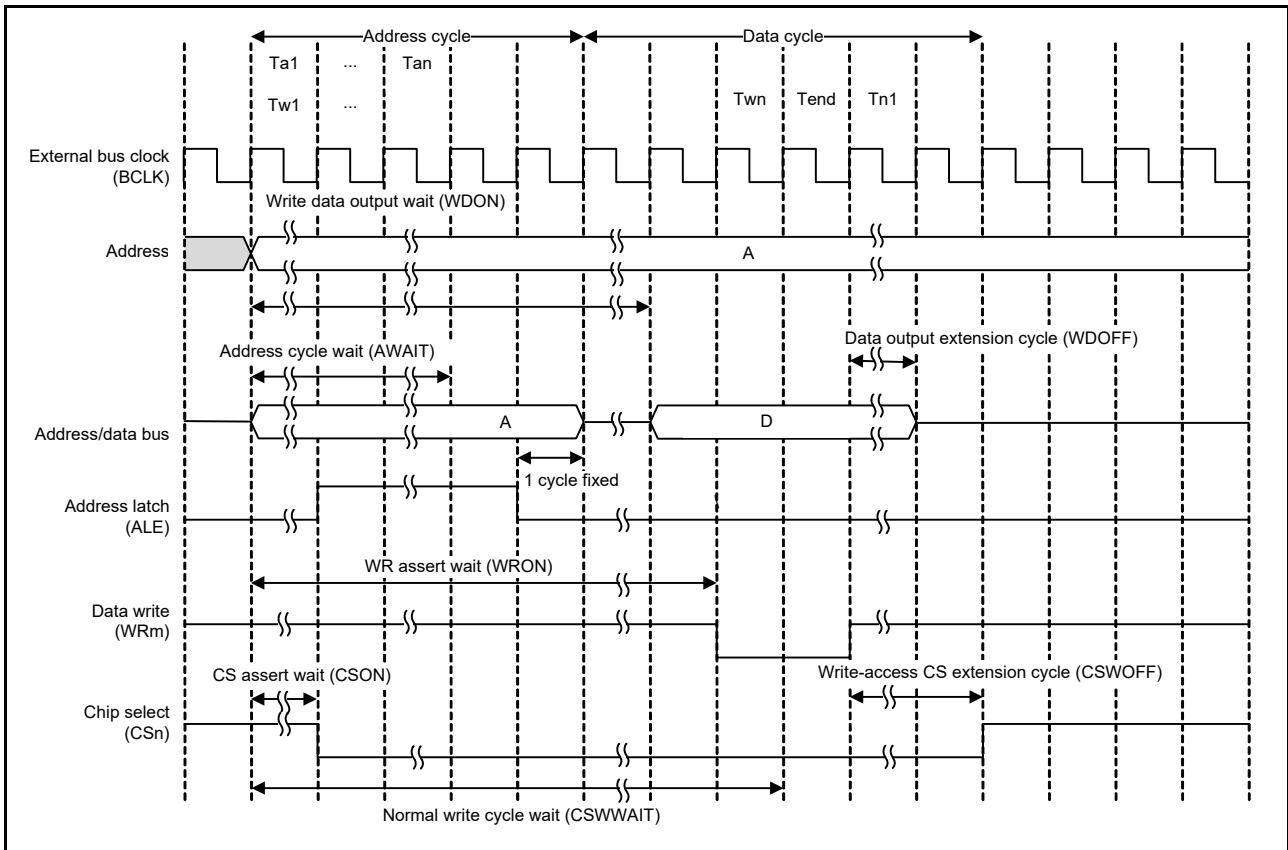


Figure 15.24 Example of write access operation with address/data multiplexed I/O interface (m = 0, 1)

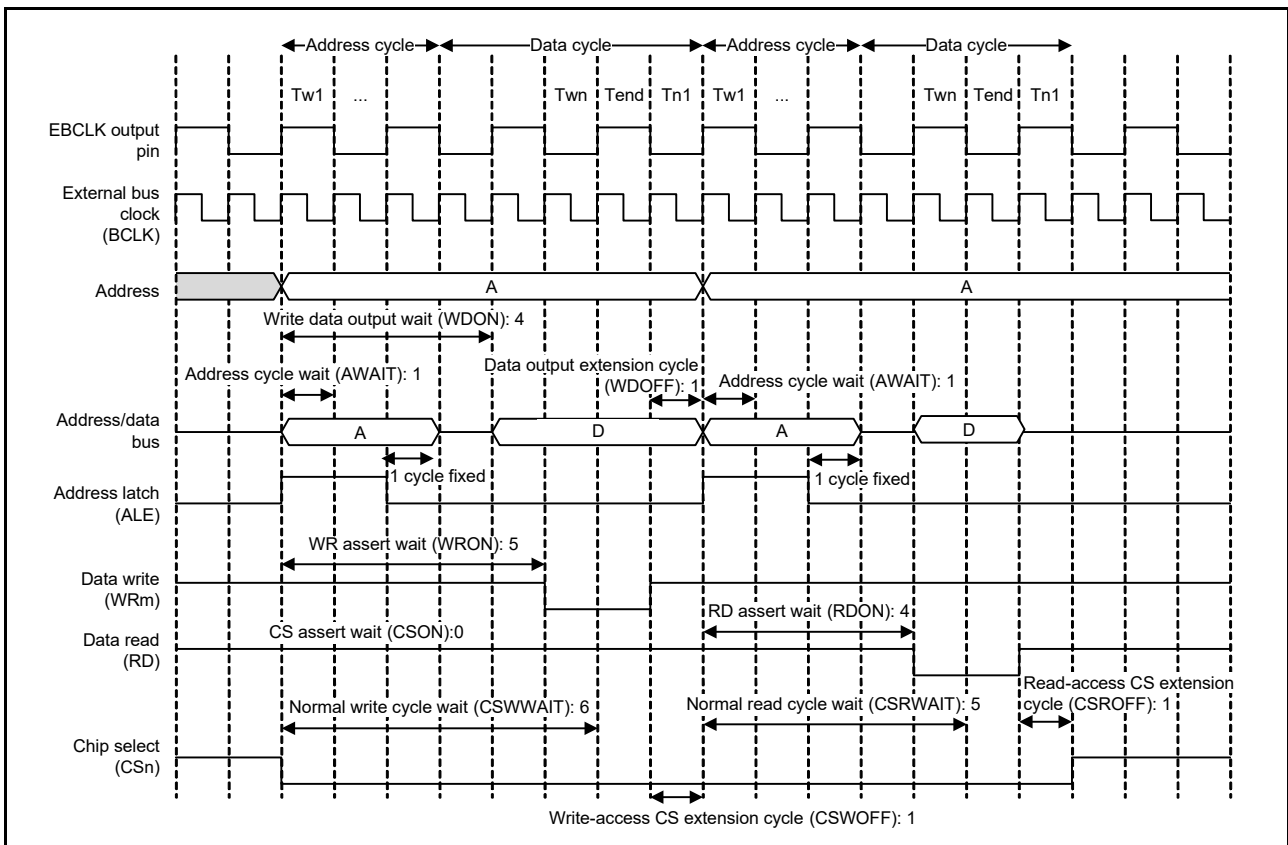


Figure 15.25 Example of bus timing with address/data multiplexed I/O interface (m = 0, 1)

15.5.3 External Wait Function

Wait cycles can be extended by the WAIT signal beyond the length of normal access cycle wait specified in the CSRWAIT[4:0] and CSWAIT[4:0] bits in CSnWCR1, and the page access cycle wait specified in the CSPRWAIT[2:0] and CSPWAIT[2:0] bits in CSnWCR1.

When external wait is enabled (EWENB bit = 1 in CSnMOD), wait cycles are inserted while the WAIT signal is held low. When external wait is disabled (EWENB bit = 0 in CSnMOD), the WAIT signal has no effect. All wait cycles specified in CSnWCR1 are inserted independently of the WAIT signal.

(1) Normal access

Sampling of the WAIT signal begins on completion of the wait cycle (Tend) specified in CSnWCR1. The bus cycle is extended while the WAIT signal is held low. The wait cycle ends (Tend) at the next cycle after the WAIT signal becomes high.

(2) Page access

The first access operation is the same as the normal access operation. Sampling of the WAIT signal begins on completion of the wait cycle (Tend) specified in the CSnWCR1 register. The bus cycle is extended while the WAIT signal is held low. The wait cycle ends (Tend) at the next cycle after the WAIT signal becomes high.

For the second and subsequent accesses, sampling of the WAIT signal begins on completion of the page access wait cycle (Tend). The page access wait cycle is extended while the WAIT signal is held low, and ends (Tend) at the next cycle after the WAIT signal goes high.

Figure 15.26 and Figure 15.29 show examples of external wait insertion timing with the separate bus interface.

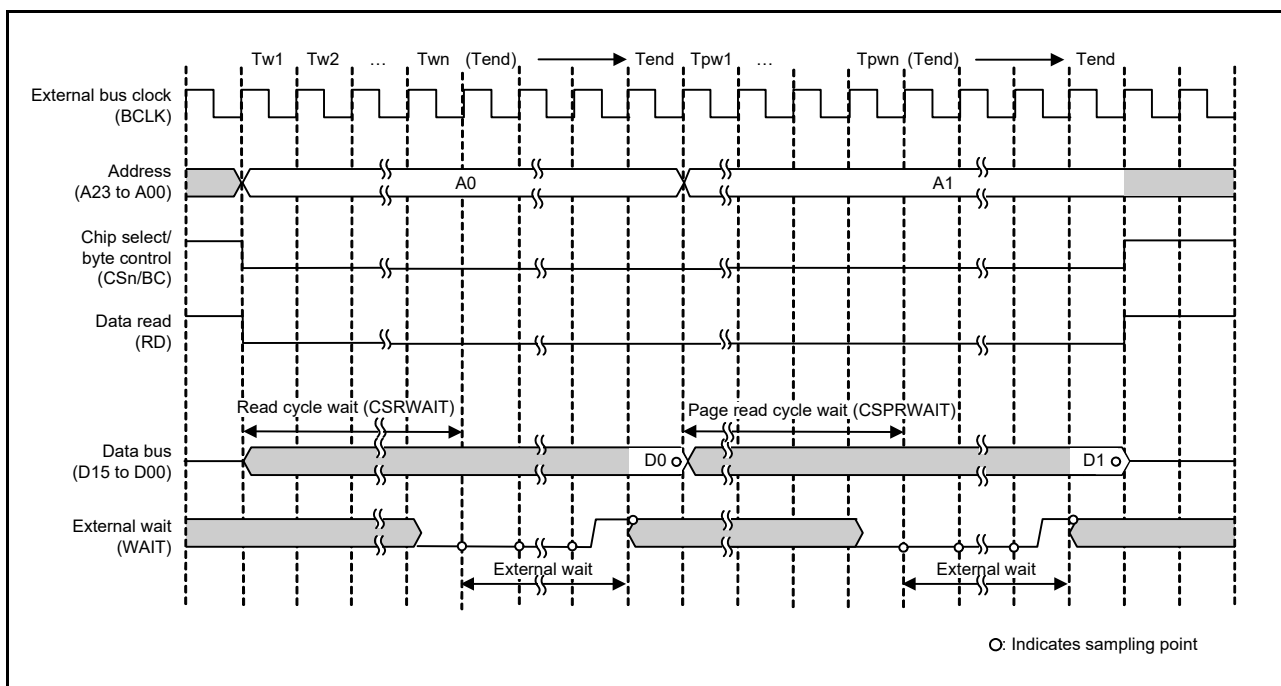


Figure 15.26 Example external wait timing for page read access to 16-bit bus space when 1/1 BCLK is selected with the EBCLK Pin Output Select bit (n = 0 to 3; m = 0, 1)

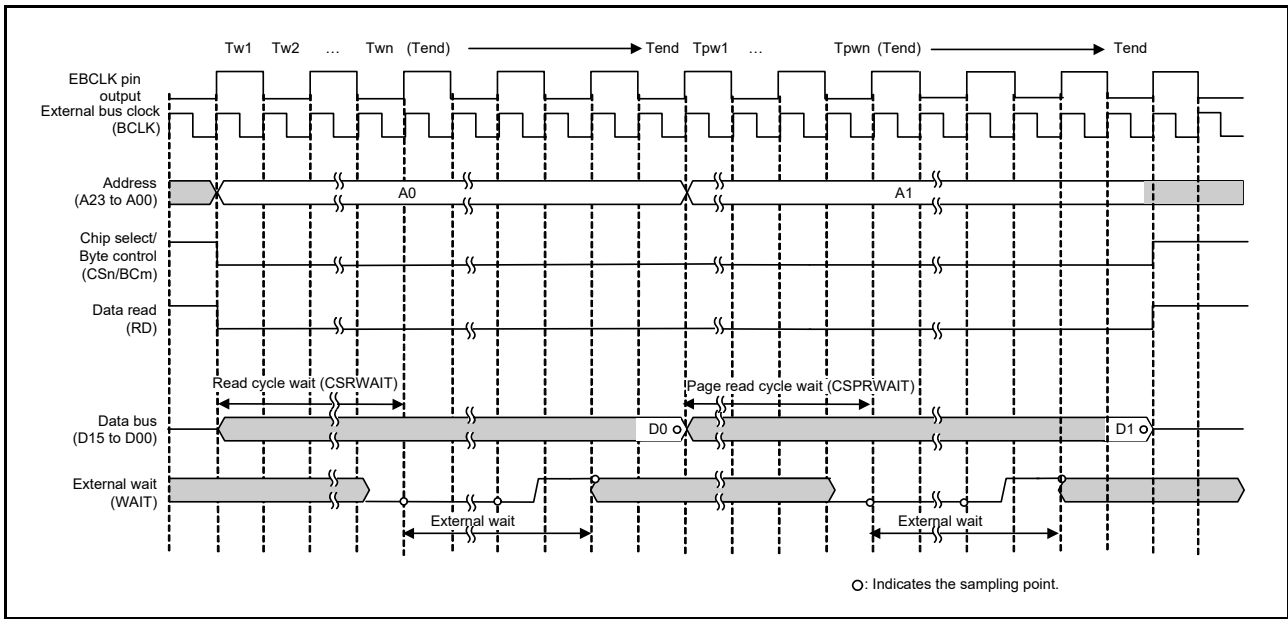


Figure 15.27 Example external wait timing for page read access to 16-bit bus space when BCLK/2 is selected with the EBCLK Pin Output Select bit ($n = 0$ to 3 ; $m = 0, 1$)

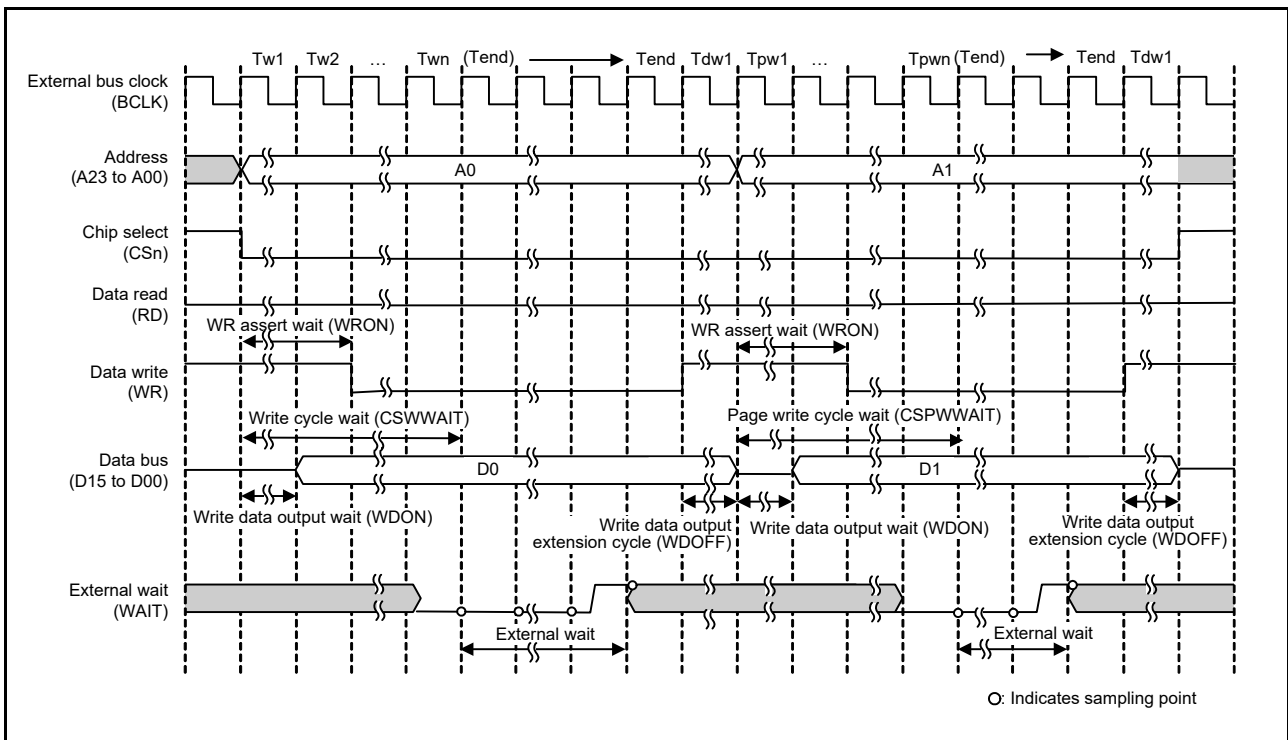


Figure 15.28 Example external wait timing for page write access to 16-bit bus space in byte strobe mode when BCLK is selected with the EBCLK pin output select bit ($n = 0$ to 3 ; $m = 0, 1$)

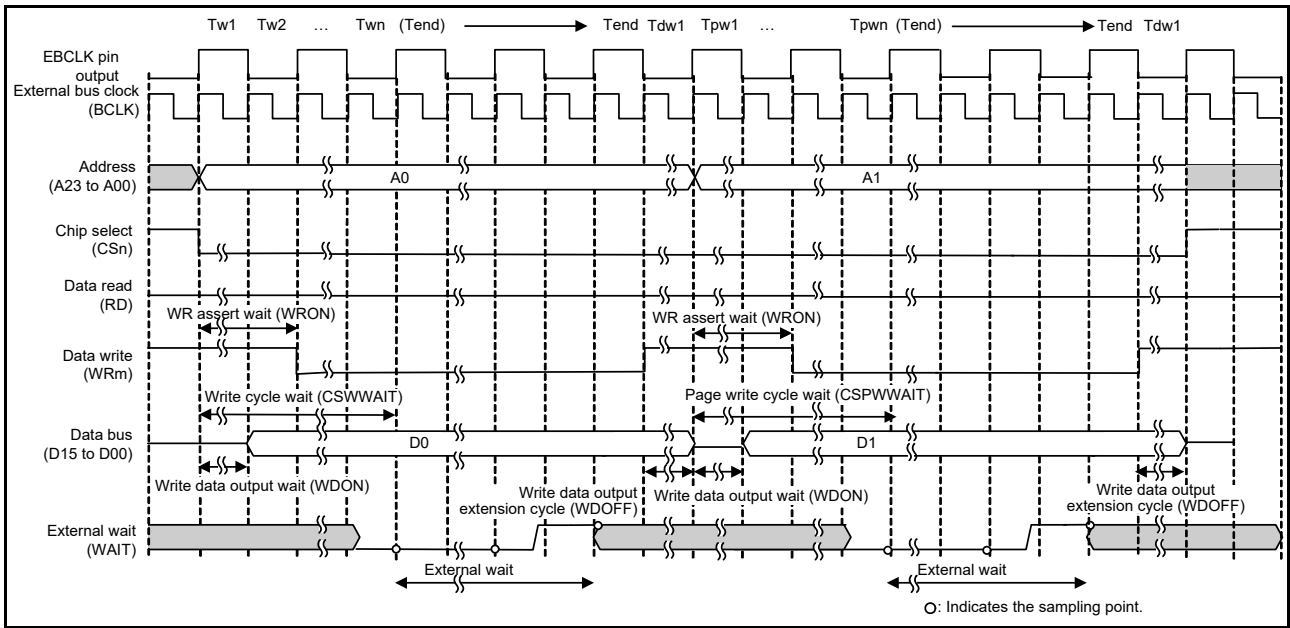


Figure 15.29 Example external wait timing for page write access to 16-bit bus space in byte strobe mode when BCLK/2 is selected with the EBCLK pin output select bit ($n = 0$ to 3 ; $m = 0, 1$)

(3) Address/data multiplexed I/O interface

In a data cycle with the address/data multiplexed I/O interface, programmed waits and pin waits using the WAIT pin can be inserted in the same way as that with the separate bus interface.

Address cycles are not affected by the wait control settings. Figure 15.30 shows an example of external wait insertion timing with the address/data multiplexed I/O interface.

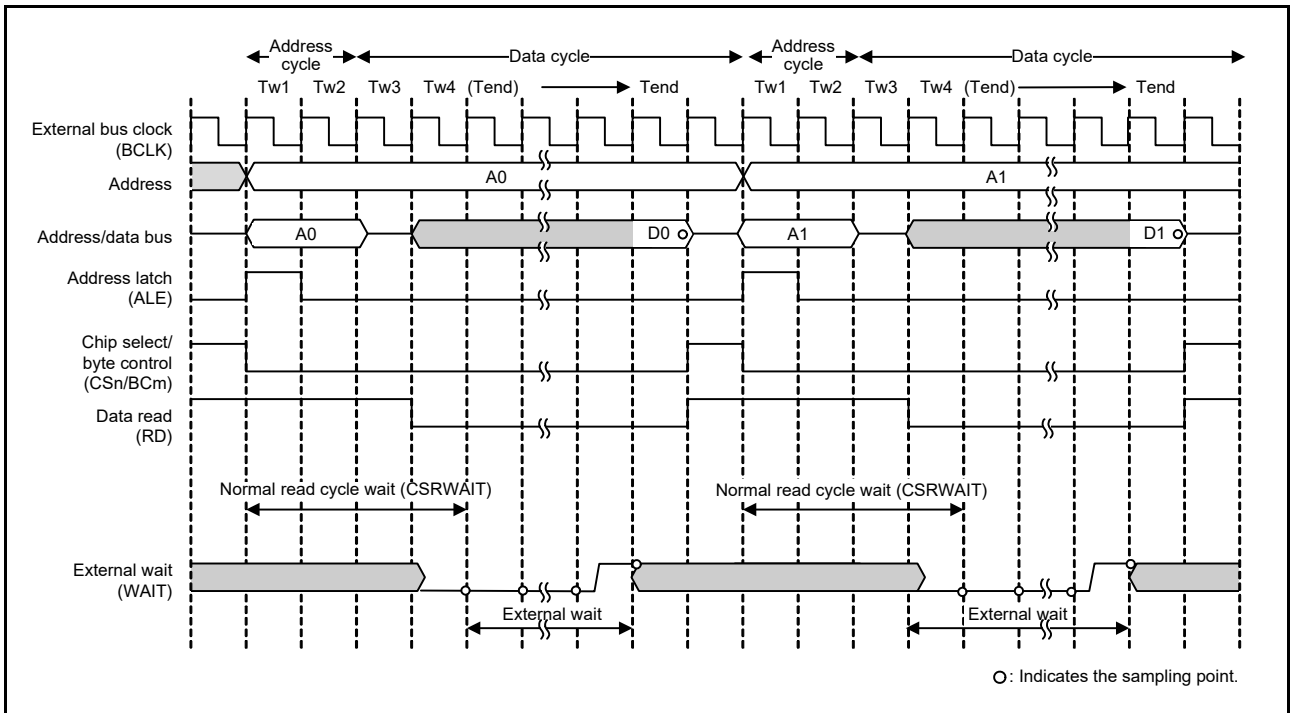


Figure 15.30 Example external wait Insertion timing with address/data multiplexed I/O interface ($m = 0, 1$)

15.5.4 Insertion of Recovery Cycles

Recovery cycles can be inserted between consecutive rounds of external bus access by setting the Recovery Cycle Insertion Enable bit in CSRECEN to 1.

The number of recovery cycles to be inserted after the read cycles and the write cycles can be independently set for each area using CSnREC. When the preceding bus cycle is a write access, the number of write recovery cycles must be set with the WRCV[3:0] bits for the associated area. When the preceding bus cycle is a read access, the number of read recovery cycles must be set with the RRCV[3:0] bits for the associated area. For example, when a CS1 read access occurs after a CS0 read access, the number of recovery cycles to be inserted between them is set in the RRCV[3:0] bits in CS0REC.

The recovery cycle insertion can be enabled or disabled with RCVENi (i = 0 to 7) in CSRECEN when the preceding bus access is a separate bus access, and with RCVENMj (j = 0 to 7) when the preceding bus access is an address/data multiplexed bus access.

Recovery cycles can be inserted on any of the following eight conditions:

- After a read access to the external bus, a read access is made to the external bus in the same area
- After a read access to the external bus, a read access is made to the external bus in a different area
- After a read access to the external bus, a write access is made to the external bus in the same area
- After a read access to the external bus, a write access is made to the external bus in a different area
- After a write access to the external bus, a read access is made to the external bus in the same area
- After a write access to the external bus, a read access is made to the external bus in a different area
- After a write access to the external bus, a write access is made to the external bus in the same area
- After a write access to the external bus, a write access is made to the external bus in a different area.

The recovery cycle starts at the end of the preceding bus cycle, for example, when the CSn signal (n = 0 to 3) is negated. A high-level period of the CSn signal is inserted for the specified recovery cycle period starting from this point.

In the fastest case, the CSn signal for the next round of bus access is asserted immediately after the end of the recovery cycles. Even if the next request for access to an external address space is generated during the recovery period, the next access over the external bus starts immediately after the end of the recovery cycles.

When two or more external bus access cycles are required for a single transfer request from a bus master, and the recovery cycle insertion condition is satisfied, recovery cycles are also inserted between these bus access cycles. However, when page read access is enabled (CSnMOD.PRENB = 1) or page write access is enabled (CSnMOD.PWENB = 1), recovery cycles are not inserted except after the last bus access cycle of the transfer, even if the recovery cycle insertion condition is satisfied. See [Figure 15.33](#).

Similarly, during normal access with page access enabled, recovery cycles are not inserted between bus access cycles but only after the last bus access cycle of the transfer. With the address/data multiplexed I/O interface, when the recovery cycle insertion condition is satisfied, recovery cycles are inserted between bus access cycles regardless of the page access enable setting.

Figure 15.31 to Figure 15.33 show examples of recovery cycle insertion with the separate bus interface.

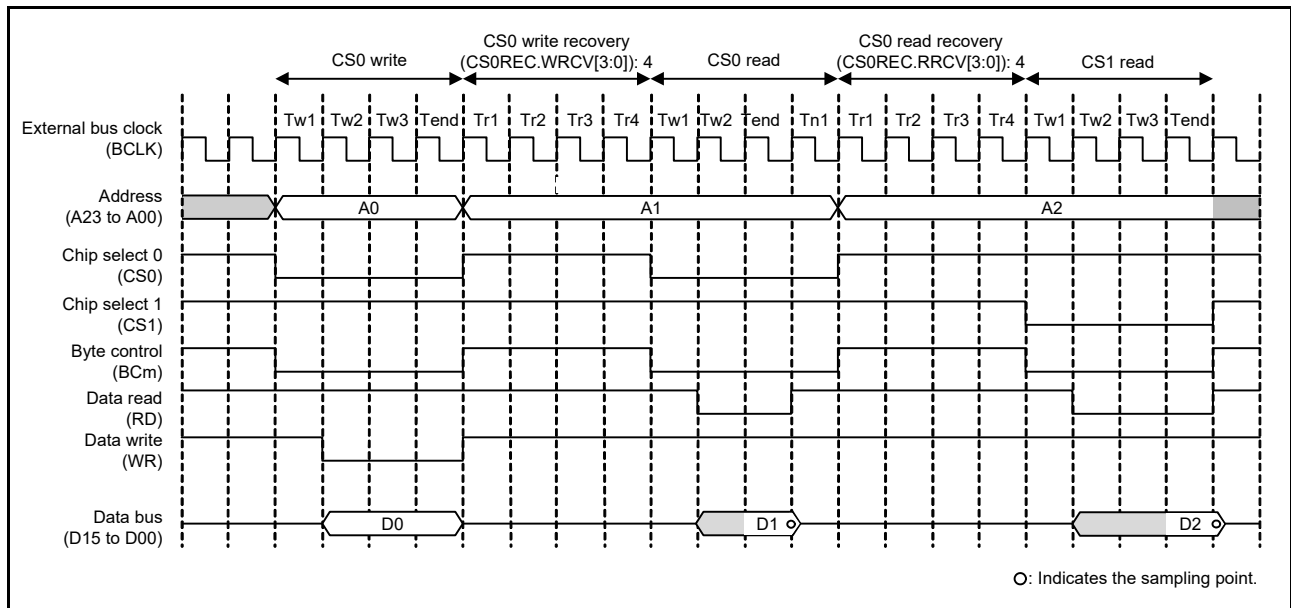


Figure 15.31 Example of recovery cycle insertion with separate bus interface (m = 0, 1)

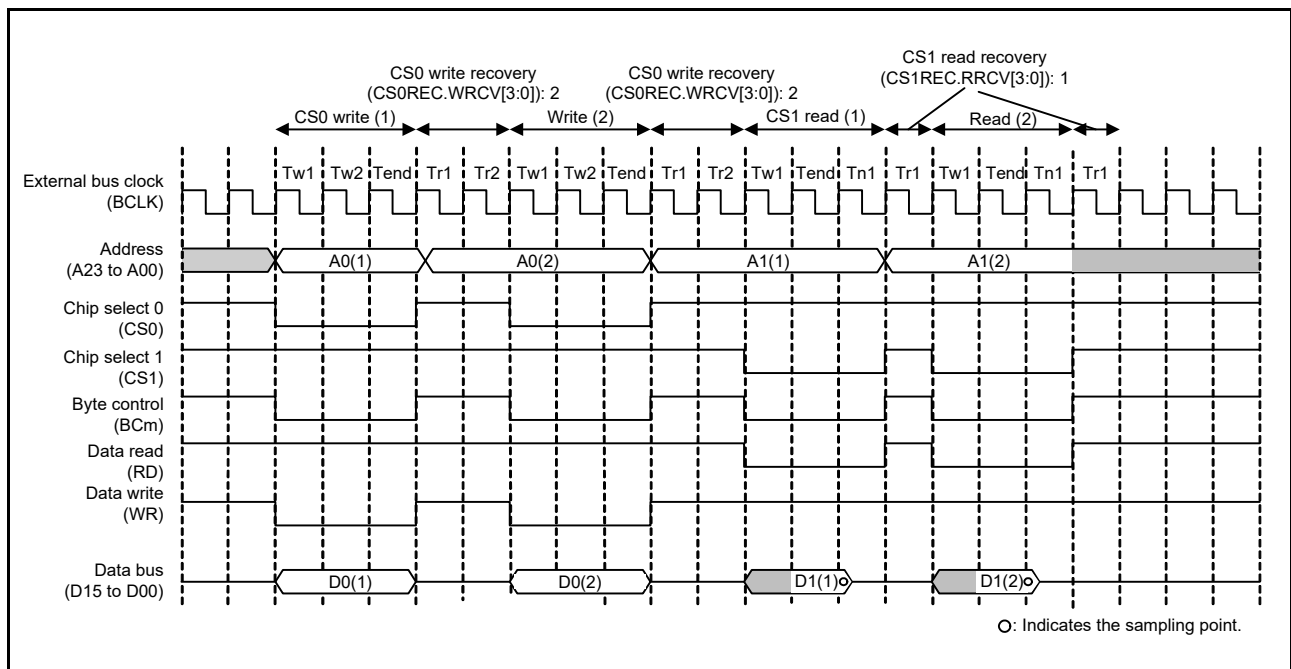


Figure 15.32 Example of recovery cycle insertion when bus access is split with separate bus interface, normal access (m = 0, 1)

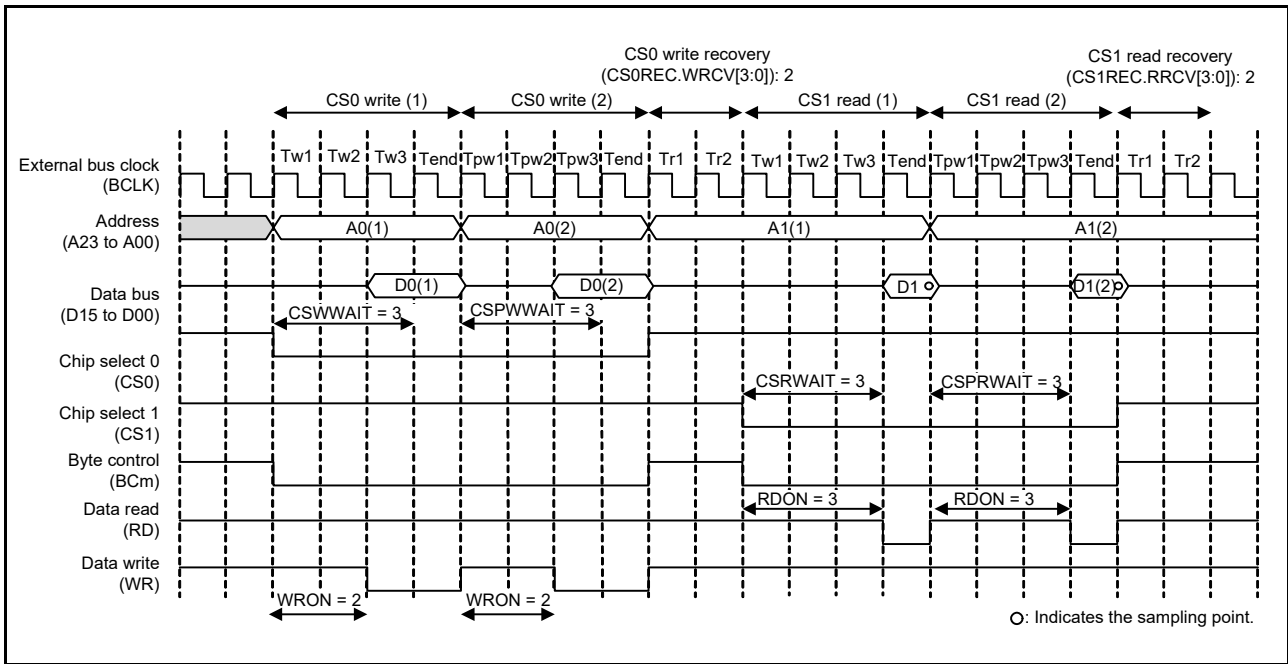


Figure 15.33 Example of recovery cycle insertion when bus access is split with separate bus interface, page access ($m = 0, 1$)

Figure 15.34 shows an example of operations when the EBCLK pin output selection bits are set for a frequency division of BCLK/2.

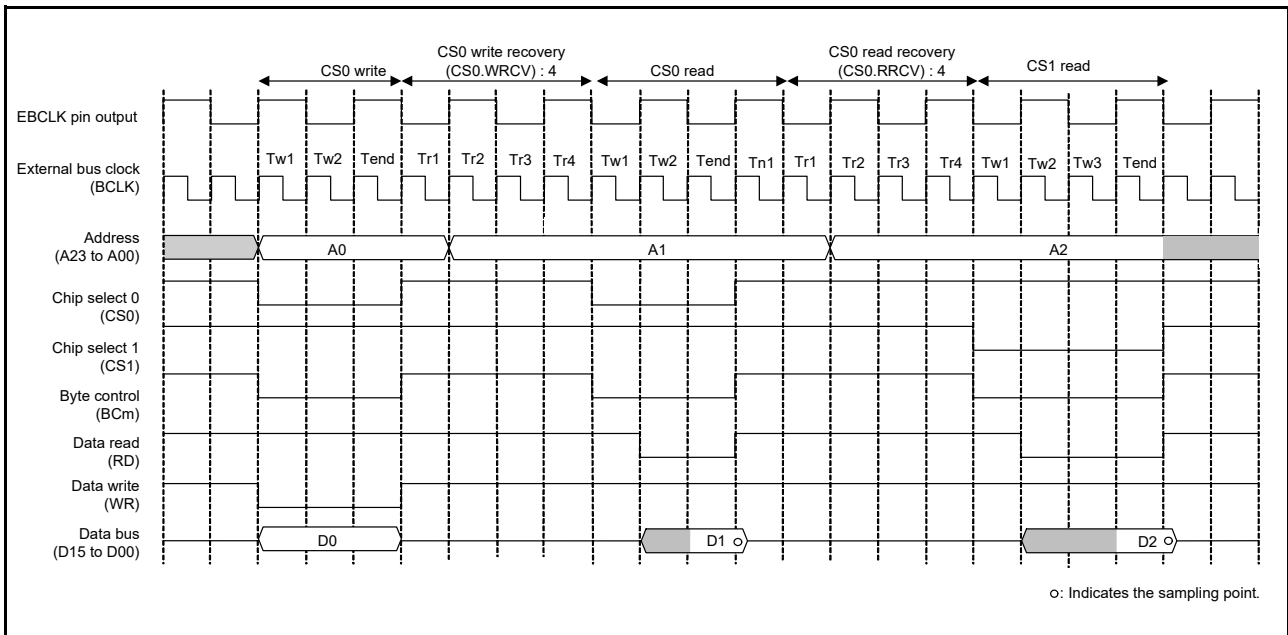


Figure 15.34 Example of operation for recovery cycles when EBCLK pin output selection bits are set for frequency division of BCLK/2 for normal access through a separate bus interface ($m = 0, 1$)

With the address/data multiplexed I/O interface, recovery cycles are inserted in the same way as with the separate bus interface.

Figure 15.35 and Figure 15.36 show an example of recovery cycle insertion with the address/data multiplexed I/O interface.

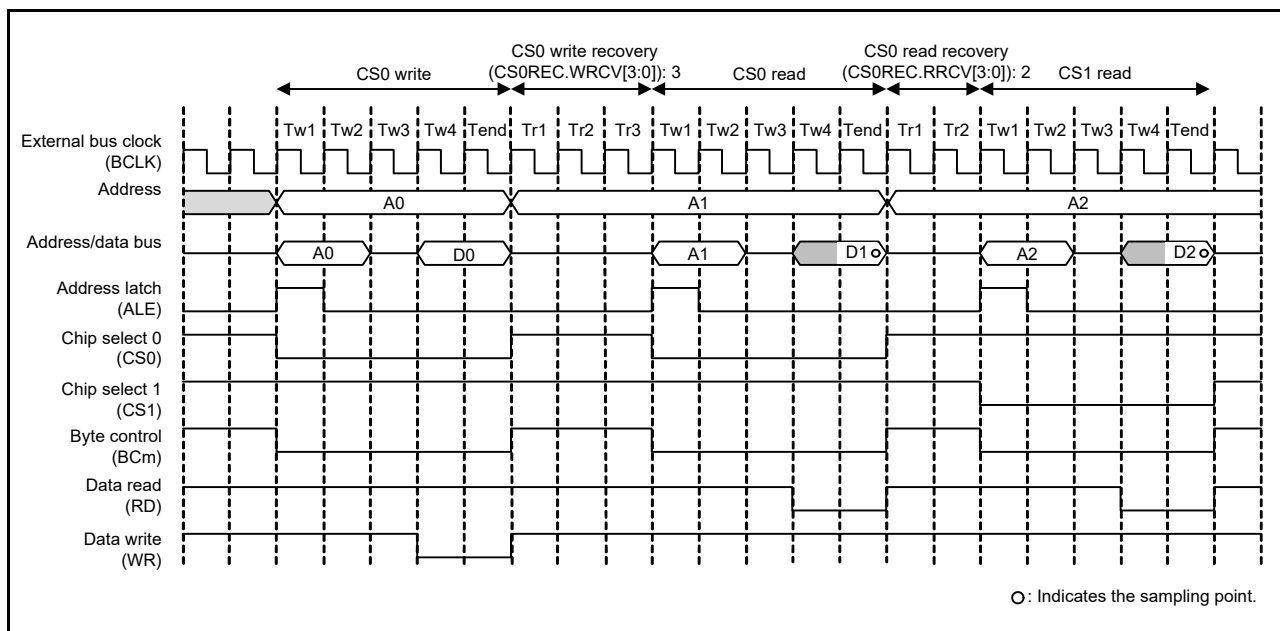


Figure 15.35 Example of recovery cycle insertion with address/data multiplexed I/O interface (m = 0, 1)

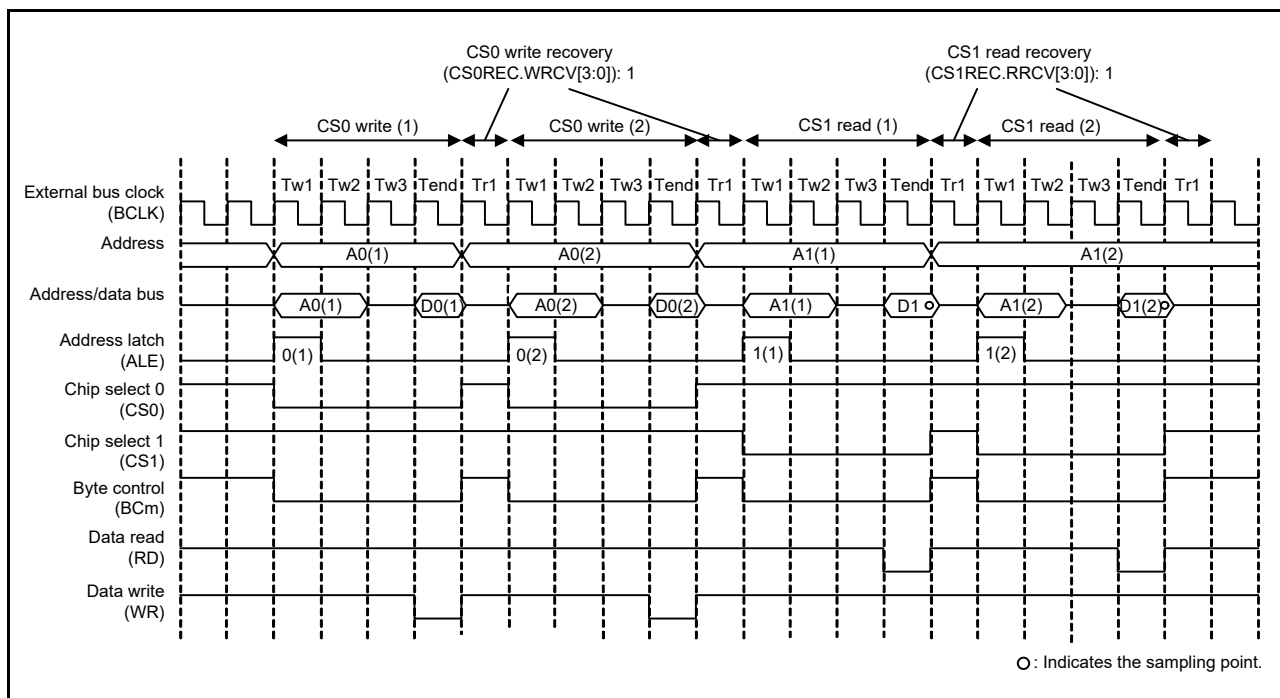


Figure 15.36 Example of recovery cycle insertion when a bus access is split with address/data multiplexed I/O interface (m = 0, 1)

15.5.5 No Access State

When no external address space is accessed, the CS_n, BC_n, WR_n, and RD_n signals are high, ALE signal is low, and D15 to D00 are in the high-impedance state.

15.5.6 Write Buffer Function (External Bus)

In write access, the main bus is released by writing data to the write buffer before the write access completes. This allows the next round of bus access to start. However, if the next access is to an external address space or to a register of the external bus controller, it is suspended until the external bus operations already in progress are complete.

Figure 15.37 shows an example of operation when the write buffer function is in use. When this function is in use, if the next operation after an external write is an internal access, the internal access is executed in parallel with the external write, for example, without waiting for completion of the latter operation.

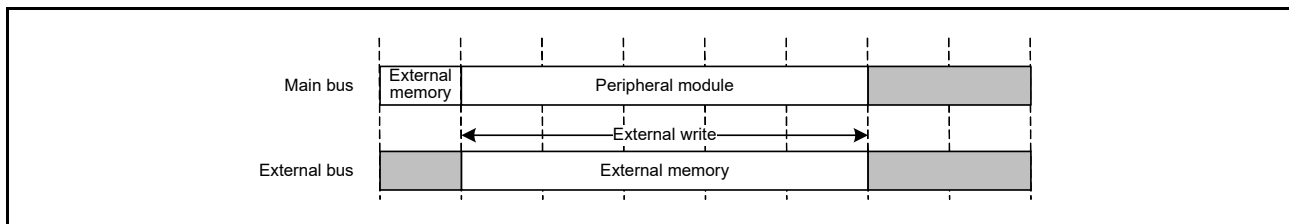


Figure 15.37 Example of operation when the write buffer function is in use

15.5.7 Constraints

(1) Constraints on using separate bus interface

Table 15.10 lists the constraints that apply to bits in the CS_n Wait Control Register 1 (CS_nWCR1) and CS_n Wait Control Register 2 (CS_nWCR2) when normal and page accesses occur.

Even if the Page Read Access Enable bit or Page Write Access Enable bit in the CS_n Mode Register is set to enable (CS_nMOD.PRENB = 1 or CS_nMOD.PWENB = 1), the first page access or access that does not fall within the scope of a page access is a normal access operation. Because of this, constraints on normal access must be satisfied.

Table 15.10 Constraints on normal access and page access

Constraints on normal access		Constraints on page access	
Reading	Writing	Reading	Writing
CS _n [2:0] ≤ CSRWAIT	1 ≤ WDON[2:0]	CS _n [2:0] ≤ CSPRWAIT	1 ≤ WDON[2:0]
RDON[2:0] ≤ CSRWAIT	CS _n [2:0] ≤ CSWWAIT	RDON[2:0] ≤ CSPRWAIT	CS _n [2:0] ≤ CSPWWAIT
CS _n [2:0] ≤ RDON	WRON[2:0] ≤ CSWWAIT	CS _n [2:0] ≤ RDON	WRON[2:0] ≤ CSPWWAIT
	WDON[2:0] ≤ CSWWAIT		WDON[2:0] ≤ CSPWWAIT
	WDOFF[2:0] ≤ CSWOFF		WDOFF[2:0] ≤ CSWOFF
	WDON[2:0] ≤ WRON		WDON[2:0] ≤ WRON
	CS _n [2:0] ≤ WRON		CS _n [2:0] ≤ WRON

Note: When two or more external bus access cycles are required for a single transfer request from a bus master, and the recovery cycle insertion condition is satisfied, with page read access enabled (CS_nMOD.PRENB = 1) or page write access enabled (CS_nMOD.PWENB = 1), recovery cycles are not inserted between bus access cycles but inserted only after the last bus access cycle of the transfer.

(2) Constraints on using address/data multiplexed bus interface

In the address/data multiplexed I/O space, page accesses are invalid. If a page access setting is specified, the setting is ignored and the normal read or write operation is performed.

Table 15.11 Constraints at the time of normal access

Constraints at the time of normal access	
Reading	Writing
$CSON[2:0] \leq CSRWAIT$	$CSON[2:0] \leq CSWWAIT$
$RDON[2:0] \leq CSRWAIT$	$WRON[2:0] \leq CSWWAIT$
$CSON[2:0] \leq RDON$	$WDON[2:0] \leq CSWWAIT$
$AWAIT[1:0] + 2 \leq RDON$	$WDOFF[2:0] \leq CSWOFF$
$CSON[2:0] \leq AWAIT$	$WDON[2:0] \leq WRON$
	$CSON[2:0] \leq WRON$
	$AWAIT[1:0] + 2 \leq WRON$
	$AWAIT[1:0] + 2 \leq WDON$
	$CSON[2:0] \leq AWAIT$

(3) Constraint on pin multiplexing between the A00 and BC0 functions

Setting the single write strobe mode is prohibited in the 8-bit bus space.

(4) Constraints when BCLK/2 is selected in the EBCLK pin output select bit

When a BCLK/2 is selected in the EBCLK Pin Output Select bit, the external bus access cycle starts on the rising edge of the EBCLK pin output. However, when two or more external bus access cycles are generated for a single transfer request from a bus master, the second or subsequent external bus access cycle can start on the falling edge of the EBCLK pin output, depending on the wait cycle settings. Use the appropriate register settings according to the specifications of connected devices. When BCLK/2 is selected in the EBCLK Pin Output Select bit, enabling an external wait ($CSnMOD.EWENB = 1$) is prohibited.

(5) Restriction on instruction code

You must fix the instruction code to the little-endian order.

15.6 Bus Error Monitoring Section

This monitoring system monitors each individual area, and whenever it detects an error, it returns the error to the requesting master IP using the AHB-Lite error response protocol.

15.6.1 Error Type that Occurs by Bus

Four types of errors can occur on each bus:

- Illegal address access
- Bus master MPU error
- Bus slave MPU error
- Timeout.

Table 15.12 lists the address ranges where access leads to illegal address access errors. However, the reserved area in the slave does not trigger an illegal address access error. For more information on bus master MPU and bus slave MPU, see section 16, Memory Protection Unit (MPU).

15.6.2 Operation when a Bus Error Occurs

When a bus error occurs, operation is not guaranteed and the error is returned to the requesting master IP. The bus errors that occur for each master are stored in the BUSnERRADD and BUSnERRSTAT registers. These registers must be cleared by reset only. For more information, see sections 15.3.9 and 15.3.10.

Note: The DMAC and DTC do not receive bus errors. If the DMAC or DTC accesses the bus, the transfer continues.

15.6.3 Conditions Leading to Illegal Address Access Errors

Table 15.12 lists the address spaces that trigger illegal address access errors for each bus.

Table 15.12 Conditions leading to illegal address access errors (1 of 2)

Address	Slave bus name	Master bus	
		CPU (Icode/Dcode/System)	DMA
0000 0000h to 01FF FFFFh	Memory bus 1 Memory bus 3	-	-
0200 0000h to 027F FFFFh	Memory mirror area	*1	E
0280 0000h to 1FFF FFFFh	Reserved	E	E
2000 0000h to 2001 FFFFh	Memory bus 4	-	-
2002 0000h to 2002 FFFFh	Memory bus 5	-	-
2003 0000h to 3FFF FFFFh	Reserved	E	E
4000 0000h to 4001 FFFFh	Peripheral bus 1	-	-
4002 0000h to 4003 FFFFh	Reserved	E	E
4004 0000h to 4005 FFFFh	Peripheral bus 3	-	-
4006 0000h to 4007 FFFFh	Peripheral bus 4	-	-
4008 0000h to 4009 FFFFh	Peripheral bus 5	-	-
400A 0000h to 400B FFFFh	Reserved	-	-
400C 0000h to 400D FFFFh	Peripheral bus 7	-	-
400E 0000h to 400F FFFFh	Reserved	E	E
4010 0000h to 407F FFFFh	Peripheral bus 9	-	-
4080 0000h to 5FFF FFFFh	Reserved	E	E
6000 0000h to 67FF FFFFh	QSPI area	-	-
6800 0000h to 7FFF FFFFh	Reserved	E	E
8000 0000h to 97FF FFFFh	CS area	-	-

Table 15.12 Conditions leading to illegal address access errors (2 of 2)

Address	Slave bus name	Master bus	
		CPU (Icode/Dcode/System)	DMA
9800 0000h to DFFF FFFFh	Reserved	E	E
E000 0000h to FFFF FFFFh	System for Cortex-M4	-	E

E indicates the path where an illegal address access error occurs.

"-" indicates the path where illegal address access error does not occur or the path where access does not occur.

Note: If MMF (Memory Mirror Function) is enabled, the access to mapped area (0200 0000h to 027F FFFFh) is switched to the user specific area (MMF output address = CPU output address + offset). The bus module does not detect whether the MMF switched the address. Therefore, if the MMF is enabled and the CPU accesses 0200 0000h, no error can occur (depends on the switched address). If the MMF is disabled and the CPU accesses 0200 0000h, the bus module can detect the error.

Note 1. The bus module does not detect whether the MMF switched the address. Therefore, if the MMF is enabled and the CPU accesses 0200 0000h, no error occurs (depends on the switched address). If the MMF is disabled and the CPU accesses 0200 0000h, the bus module can detect the error.

The bus module detects an access error resulting from access to a reserved area, such as in the case when no area is assigned to the slave.

0280 0000h to 1FFF FFFFh: access error detection.

0000 0000h to 01FF FFFFh: memory bus 1 no access error detection.

15.6.4 Timeout

For some peripheral modules, a timeout error occurs with the module-stop function. When there is no response from the slave for a certain period of time, a timeout error is detected. A timeout error is returned to the requesting master IP using the AHB-Lite error response protocol.

15.7 Usage Notes

15.7.1 Notes on using Flash Cache

When using flash cache through access from the CPU, Arm® MPU should also be set to cacheable. See references 1. and 2. for more information.

15.7.2 Precaution regarding interrupt during successive bus access

If all the conditions described below applies to your software, one of the following workarounds could be used to resolve observed unexpected software behavior.

[Condition]

All of the following conditions must be met:

- Clock frequency setting: $ICLK > PCLKx$ ($x = A, B$)
- A preceding access to the Slave interface or External bus (referred to as Access 1) is followed by a subsequent access to the same slave interface or external bus (referred to as Access 2).
- No access to other Slave interfaces and External bus between Access1 and Access2 occurs.
- An interrupt occurs on the last PCLKx cycle of Access1.

Applicable slave interfaces and external bus:

- Internal peripheral bus 3
- Internal peripheral bus 4
- Internal peripheral bus 5
- Internal peripheral bus 7

[Precaution 1]

Case 1. A wrong access to Access2 target register might occur when all issue conditions meet. For details, see [Figure 15.38](#).

- 1) When Access2 is write operation, wrong data is written to Access2 target register temporary, then a correct value is written after the CPU returning from interrupt.
- 2) If Access2 target register has FIFO or flag bit clear function, it causes unintentional value write to FIFO or unnecessary read from FIFO, or unintentional flag bit clear on the register.

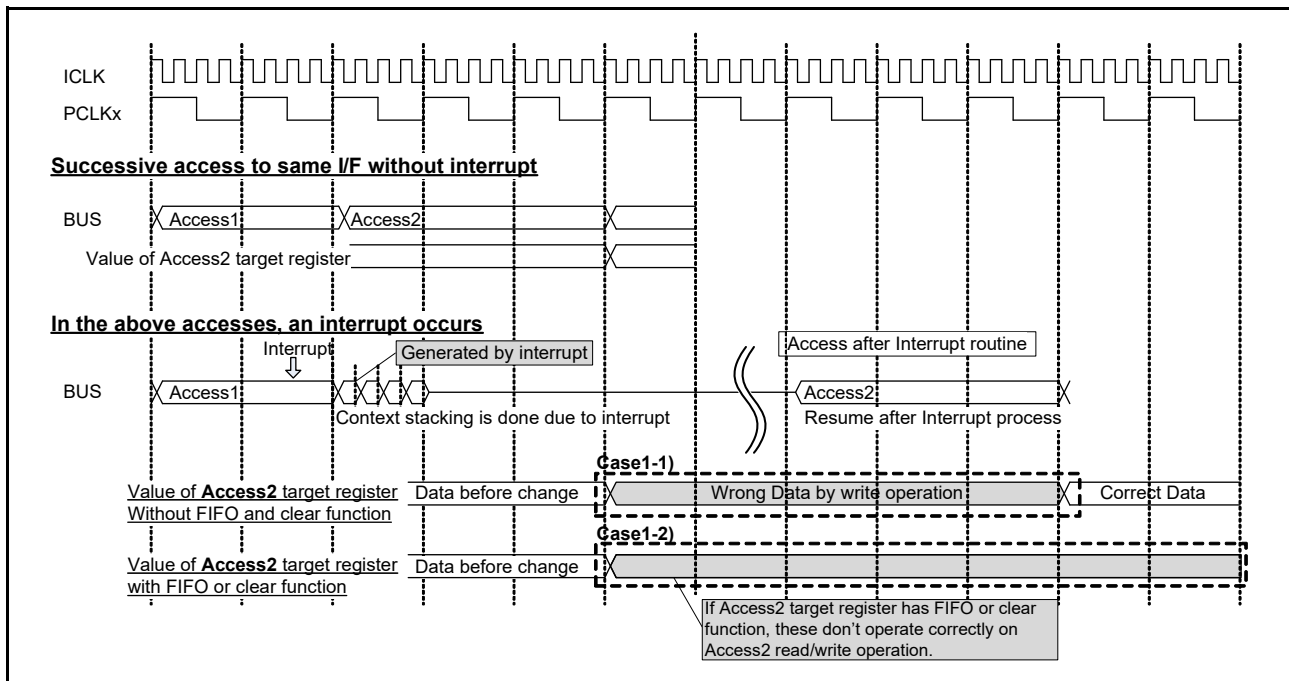


Figure 15.38 A wrong access to target register of Access2 (Case1)

[Precaution 2]

Case 2. A wrong access might occur in interrupt service routines when all issue conditions meet.

A register access to the same slave interface or external bus as Access2 in an interrupt service routine (referred to as Access3) causes an illegal operation. For details, see [Figure 15.39](#).

- 1) When Access3 is read operation, CPU might receive wrong data.
- 2) When Access3 is write operation, Access3 might not occurred in target register.
- 3) If Access3 target register has FIFO or flag bit clear function, these functions don't operated correctly.

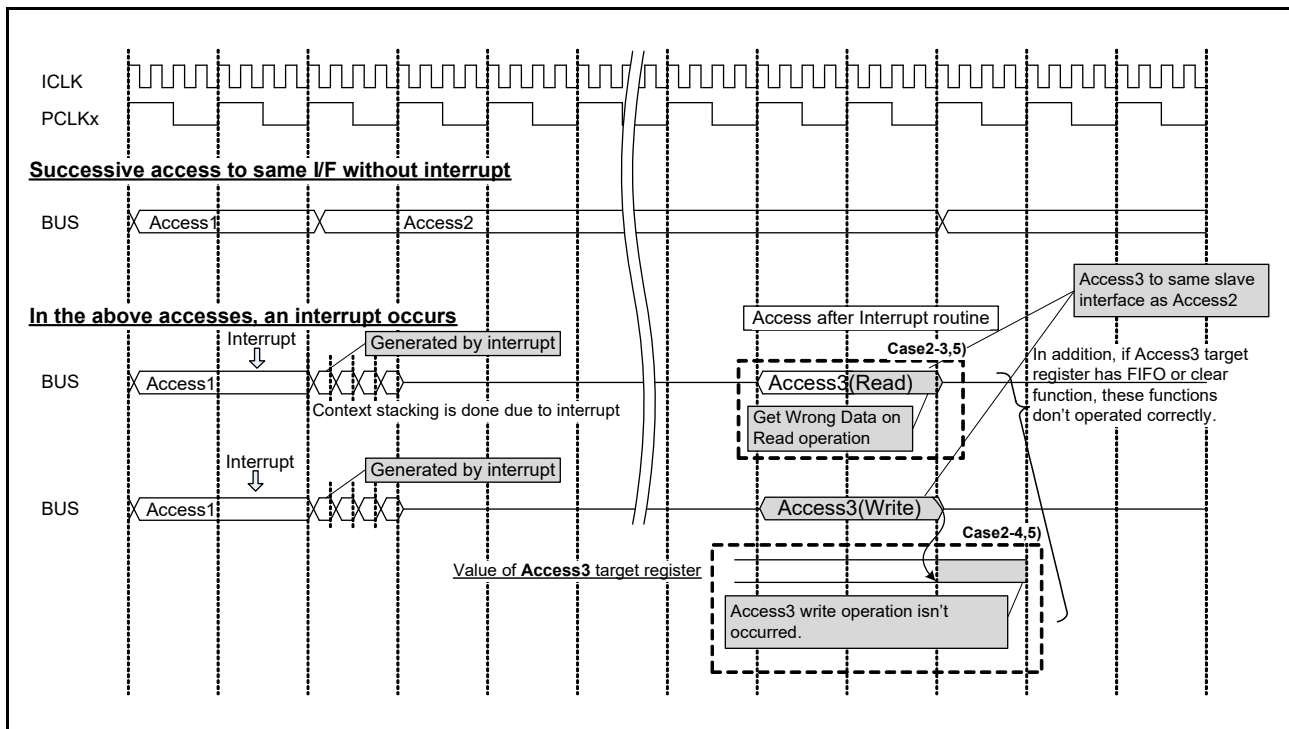


Figure 15.39 A wrong access in interrupt service routines (Case2)

[Workaround]

Apply one of the following workarounds.

- 1) In your system, set clock frequency as follows.
 $ICLK = PCLKx$ ($x = A, B$)
- 2) Identify in your code where successive Access1 and Access2 occurs relevant to the area where the unintended SW behavior was observed. Then insert DSB instruction between Access1 and Access2.
- 3) Disable Interrupts during Access1 to Access2.

Note: Either one of the workarounds above will address the issue; therefore, choosing which one to apply will depend on your system requirements and behavior.

15.8 References

1. *ARM®v7-M Architecture Reference Manual* (ARM DDI 0403D).
2. *ARM® Cortex®-M4 Devices Generic User Guide* (ARM DUI 0553A).
3. *ARM® AMBA 3 AHB-Lite Protocol v1.0 Specification* (ARM IHI 0033A).

16. Memory Protection Unit (MPU)

16.1 Overview

The MCU provides four Memory Protection Units (MPUs) and a CPU stack pointer monitor function. [Table 16.1](#) lists the supported MPU specifications, and [Table 16.2](#) shows the behavior on detection of each MPU error.

Table 16.1 MPU specifications

Classification	Module/Function	Description
Illegal memory access	Arm® Cortex®-M4 CPU	<ul style="list-style-type: none"> Arm CPU has a default memory map. If the CPU makes an illegal access, an exception interrupt occurs The MPU can change a default memory map.
	CPU stack pointer monitor	2 regions: <ul style="list-style-type: none"> Main Stack Pointer (MSP) Process Stack Pointer (PSP).
Memory protection	Arm MPU	Memory protection function for the CPU: <ul style="list-style-type: none"> 8 MPU regions with sub regions and background region.
	Bus master MPU	Memory protection function for each bus master except for the CPU: <ul style="list-style-type: none"> Bus master MPU group A: 16 regions.
	Bus slave MPU	Memory protection function for each bus slave
Security	Security MPU	Protects accesses from non-secure programs to the following secure regions: <ul style="list-style-type: none"> 2 regions (PC) 4 regions (code flash, SRAM, two secure functions).

Table 16.2 Behavior on MPU error detection

MPU type	Notification type	Bus access on error detection	Storing of error access information
CPU stack pointer monitor	Reset or non-maskable interrupt	Don't care	Not stored
Arm MPU	Hard fault	<ul style="list-style-type: none"> Does not correctly have write access Does not correctly have read access. 	Stored in the Cortex-M4 processor
Bus master MPU	Reset or non-maskable interrupt	<ul style="list-style-type: none"> Write access to the protection region Read access to the protection region. 	Stored
Bus slave MPU	<ul style="list-style-type: none"> Reset or non-maskable interrupt Hard fault 	<ul style="list-style-type: none"> Write access ignored Read access read as 0. 	Stored
Security MPU	Not notified	<ul style="list-style-type: none"> Does not correctly have write access Does not correctly have read access. 	Not stored

For information on error access for the Arm MPU, see [section 16.7](#). For information on error access for other MPUs, see [section 15.3.9, Bus Error Address Register \(BUSnERRADD\) \(n = 1 to 4\)](#) and [section 15.3.10, Bus Error Status Register \(BUSnERRSTAT\) \(n = 1 to 4\)](#) in [section 15, Buses](#).

16.2 CPU Stack Pointer Monitor

The CPU stack pointer monitor detects underflows and overflows of the stack pointer. Because the Arm CPU has two stack pointers, a Main Stack Pointer (MSP) and a Process Stack Pointer (PSP), it supports two CPU stack pointer monitors. If a stack pointer underflow or overflow is detected, the CPU stack pointer monitor generates a reset or a non-maskable interrupt. The CPU stack pointer monitor is enabled by setting the Stack Pointer Monitor Enable bit in the Stack Pointer Monitor Access Control Register (MSPMPUCTL, PSPMPUCTL) to 1.

Table 16.3 lists the specifications of the CPU stack pointer monitor. Figure 16.1 shows the CPU stack pointer monitor block diagram, and Figure 16.2 shows the register setting flow.

Table 16.3 CPU stack pointer monitor specifications

Item	Description
SRAM region	Region to be covered by memory protection
Number of regions	2 regions: <ul style="list-style-type: none"> • Main Stack Pointer (MSP) • Process Stack Pointer (PSP).
Address specification for individual regions	Region start and end addresses configurable
Stack pointer monitor enable or disable setting for individual regions	Stack pointer monitor for individual regions can be enabled or disabled
Operation on error detection	Reset or non-maskable interrupts can be generated
Register protection	Registers can be protected from illegal writes

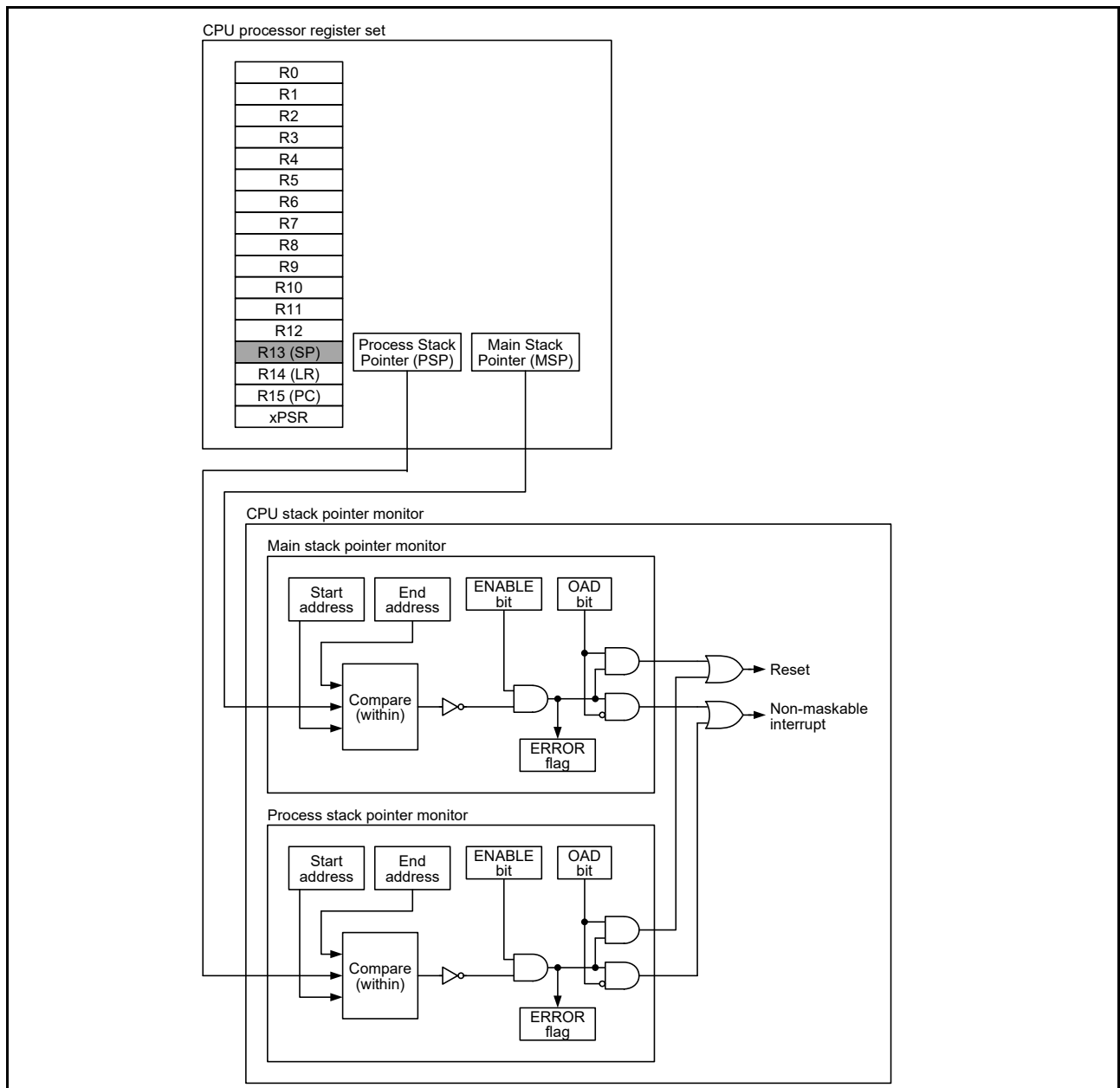


Figure 16.1 CPU stack pointer monitor block diagram

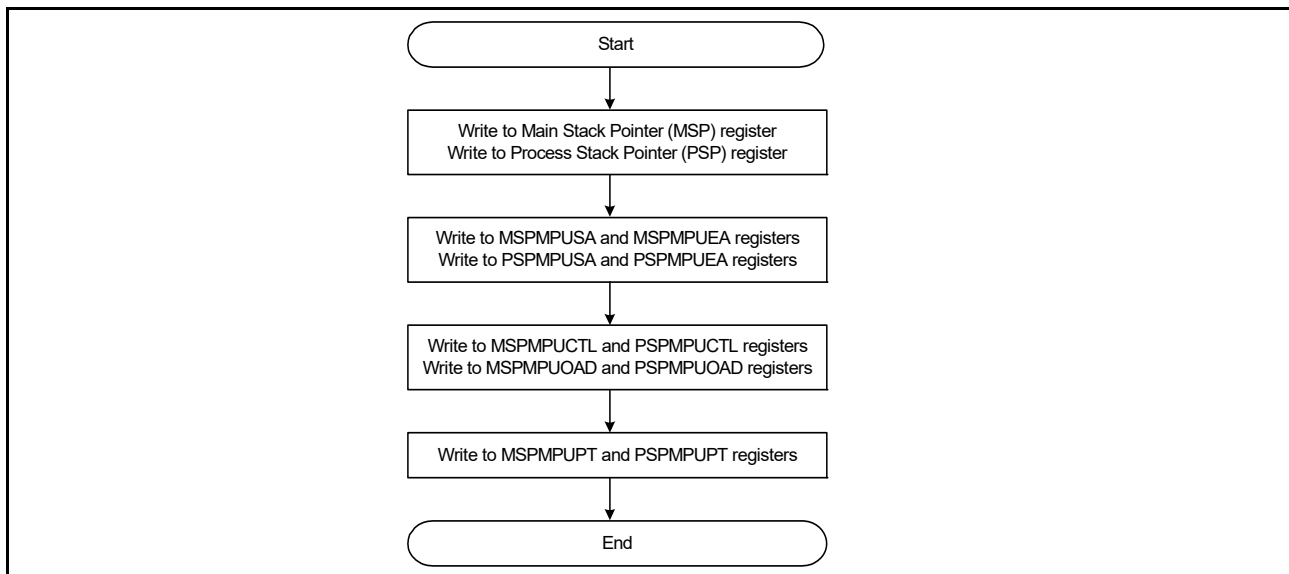


Figure 16.2 Register setting flow

16.2.1 Protection of Registers

Registers related to the CPU stack pointer monitor can be protected with the PROTECT bit.

16.2.2 Overflow/Underflow Error

If an overflow or underflow is detected, the CPU stack pointer monitor generates an overflow or underflow error. The memory protection error is selectable to a non-maskable interrupt or reset in the OAD bit setting.

The non-maskable interrupt status is indicated in ICU.NMISR.SPEST. For details, see [section 14, Interrupt Controller Unit \(ICU\)](#). The reset status is indicated in SYSTEM.RSTSR1.SPERF. For details, see [section 6, Resets](#).

When ICU.NMISR.SPEST indicates that a CPU stack pointer monitor interrupt occurred, check the ERROR bit in the MSPMPUCTL and PSPMPUCTL registers to determine whether it is a main stack pointer monitor error or a process stack pointer monitor error.

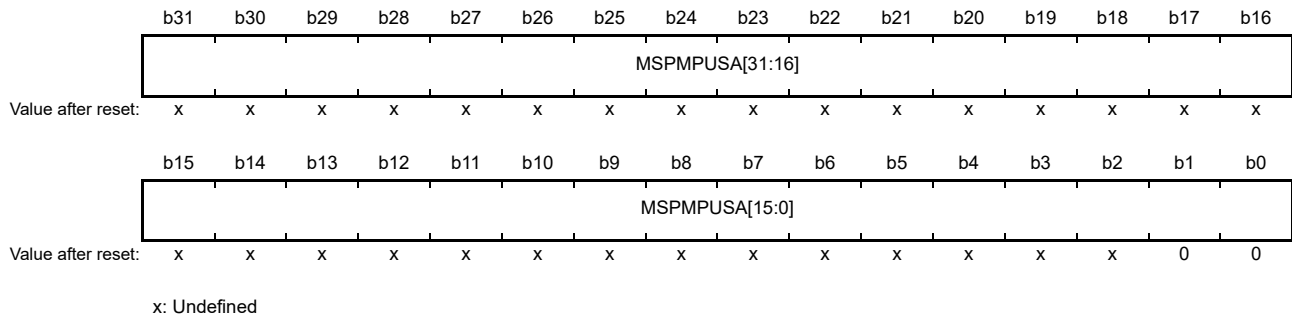
A non-maskable interrupt keeps the output when the stack pointer overflows or underflows. When a non-maskable interrupt flag is cleared, the stack pointer is set after ICU.NMICLR.SPECLR bit is 1. Then, write 0 to clear the ERROR bit in the MSPMPUCTL and PSPMPUCTL registers.

16.2.3 Register Descriptions

Note: Bus access must be stopped before writing to the MPU registers.

16.2.3.1 Main Stack Pointer (MSP) Monitor Start Address Register (MSPMPUSA)

Address(es): [SPMON.MSPMPUSA 4000 0D08h](#)

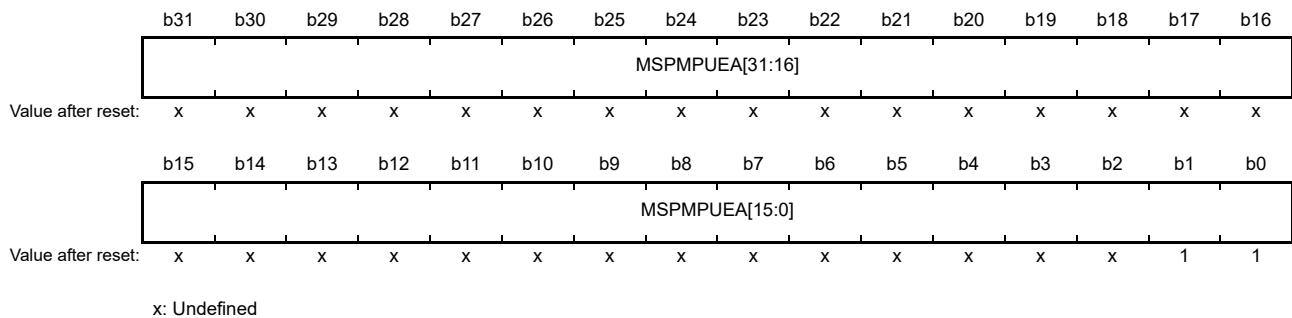


Bit	Symbol	Bit name	Description	R/W
b31 to b0	MSPMPUSA[31:0]	Region Start Address	Address where the region starts, for use in region determination. The lower 2 bits should be 0. The value range should be 2000 0000h to 200F FFFCh, excluding the reserved areas.	R/W

The [MSPMPUSA](#) and [MSPMPUEA](#) registers specify the CPU stack region in the SRAM (2000 0000h to 200F FFFFh, excluding the reserved areas). For the SRAM area to be covered, see [Figure 4.1](#) Memory map.

16.2.3.2 Main Stack Pointer (MSP) Monitor End Address Register (MSPMPUEA)

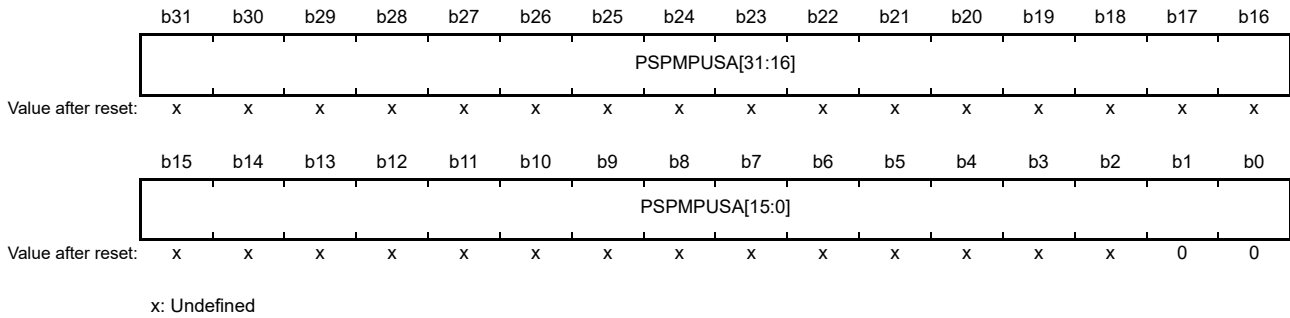
Address(es): [SPMON.MSPMPUEA 4000 0D0Ch](#)



Bit	Symbol	Bit name	Description	R/W
b31 to b0	MSPMPUEA[31:0]	Region End Address	Address where the region ends, for use in region determination. The lower 2 bits should be 1. The value range must be 2000 0003h to 200F FFFFh, excluding the reserved areas.	R/W

16.2.3.3 Process Stack Pointer (PSP) Monitor Start Address Register (PSPMPUSA)

Address(es): [SPMON.PSPMPUSA 4000 0D18h](#)

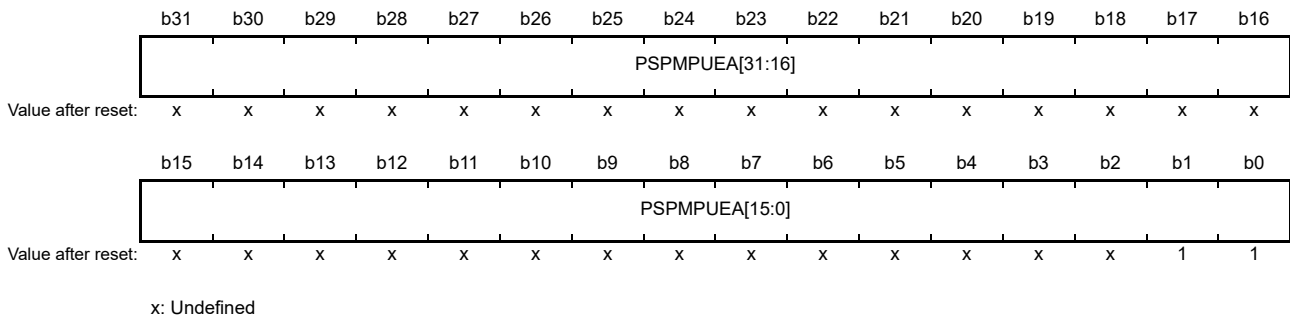


Bit	Symbol	Bit name	Description	R/W
b31 to b0	PSPMPUSA[31:0]	Region Start Address	Address where the region starts, for use in region determination. The lower 2 bits should be 0. The value range must be 2000 0000h to 200F FFFCh, excluding the reserved areas.	R/W

The [PSPMPUSA](#) and [PSPMPUEA](#) registers specify the CPU stack region in the SRAM (2000 0000h to 200F FFFFh, excluding the reserved areas). For the SRAM area to be covered, see [Figure 4.1, Memory map](#).

16.2.3.4 Process Stack Pointer (PSP) Monitor End Address Register (PSPMPUEA)

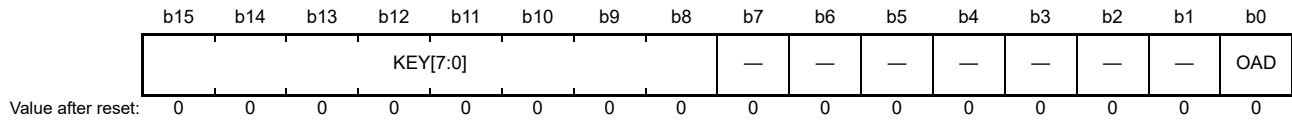
Address(es): [SPMON.PSPMPUEA 4000 0D1Ch](#)



Bit	Symbol	Bit name	Description	R/W
b31 to b0	PSPMPUEA[31:0]	Region End Address	Address where the region ends, for use in region determination. The lower 2 bits should be 1. The value range is from 2000 0003h to 200F FFFFh, excluding the reserved areas.	R/W

16.2.3.5 Stack Pointer Monitor Operation After Detection Register (MSPMPUOAD, PSPMPUOAD)

Address(es): SPMON.MSPMPUOAD 4000 0D00h, SPMON.PSPMPUOAD 4000 0D10h



Bit	Symbol	Bit name	Description	R/W
b0	OAD	Operation after Detection	0: Non-maskable interrupt 1: Reset.	R/W
b7 to b1	—	Reserved	These bits are read as 0. The write value should be 0.	R/W
b15 to b8	KEY[7:0]	Key Code	These bits enable or disable writes to the OAD bit	R/(W)*1

Note 1. Write data is not saved.

OAD bit (Operation after Detection)

The OAD bit selects a reset or a non-maskable interrupt to occur when a stack pointer underflow or overflow is detected by the CPU stack pointer monitor. The main stack pointer monitor and process stack pointer monitors each use an OAD bit to determine which signal is generated when a stack pointer underflow or overflow is detected. When writing to the OAD bit, write A5h simultaneously to the KEY[7:0] bits using halfword access.

KEY[7:0] bits (Key Code)

The KEY[7:0] bits enable or disable writes to the OAD bit. When writing to the OAD bit, write A5h simultaneously to the KEY[7:0] bits. When values other than A5h are written to the KEY[7:0] bits, the OAD bit is not updated. The KEY[7:0] bits are always read as 00h.

16.2.3.6 Stack Pointer Monitor Access Control Register (MSPMPUCTL, PSPMPUCTL)

Address(es): SPMON.MSPMPUCTL 4000 0D04h, SPMON.PSPMPUCTL 4000 0D14h

	b15	b14	b13	b12	b11	b10	b9	b8	b7	b6	b5	b4	b3	b2	b1	b0
	—	—	—	—	—	—	—	ERROR	—	—	—	—	—	—	—	ENABLE
Value after reset:	0	0	0	0	0	0	0	0/1*1	0	0	0	0	0	0	0	0

Bit	Symbol	Bit name	Description	R/W
b0	ENABLE	Stack Pointer Monitor Enable	0: Disable stack pointer monitor 1: Enable stack pointer monitor.	R/W
b7 to b1	—	Reserved	These bits are read as 0. The write value should be 0.	R/W
b8	ERROR	Stack Pointer Monitor Error Flag	0: No stack pointer overflow or underflow occurred 1: Stack pointer overflow or underflow occurred.	R/W
b15 to b9	—	Reserved	These bits are read as 0. The write value should be 0.	R/W

Note 1. The initial value depends on the reset generation source.

ENABLE bit (Stack Pointer Monitor Enable)

The ENABLE bit enables or disables the stack pointer monitor function, independently set for the main stack pointer monitor and the process stack pointer monitor.

When the MSPMPUCTL.ENABLE bit is set to 1, the following registers are available:

- MSPMPUSA
- MSPMPUEA
- MSPMPUOAD.

When the PSPMPUCTL.ENABLE bit is set to 1, the following registers are available:

- PSPMPUSA
- PSPMPUEA
- PSPMPUOAD.

ERROR bit (Stack Pointer Monitor Error Flag)

The ERROR bit indicates the state of the stack pointer monitor. Each stack point monitor has an independent ERROR bit.

[Setting condition]

- Overflow or underflow of the stack pointer.

[Clearing conditions]

- 0 is written to this bit
- A reset other than the bus master MPU error reset, bus slave MPU error reset, and stack pointer error reset.

Note: Only 0 can be written to the ERROR bit.

16.2.3.7 Stack Pointer Monitor Protection Register (MSPMPUPT, PSPMPUPT)

Address(es): `SPMON.MSPMPUPT 4000 0D06h`, `SPMON.PSPMPUPT 4000 0D16h`



Bit	Symbol	Bit name	Description	R/W
b0	PROTECT	Protection of Register	0: Stack pointer monitor register writes are permitted 1: Stack pointer monitor register writes are protected. Reads are permitted.	R/W
b7 to b1	—	Reserved	These bits are read as 0. The write value should be 0.	R/W
b15 to b8	KEY[7:0]	Key Code	These bits enable or disable writes to the PROTECT bit	R/(W)*1

Note 1. Write data is not saved.

PROTECT bit (Protection of Register)

The PROTECT bit enables or disables writes to the associated registers to be protected, independently set for the main stack pointer monitor and the process stack pointer monitor.

MSPMPUPT.PROTECT controls the following main stack pointer protection registers:

- MSPMPUCTL
- MSPMPUSA
- MSPMPUEA.

PSPMPUPT.PROTECT controls the following process stack pointer protection registers:

- PSPMPUCTL
- PSPMPUSA
- PSPMPUEA.

When writing to the PROTECT bit, simultaneously write A5h to the KEY[7:0] bits, using halfword access.

KEY[7:0] bits (Key Code)

The KEY[7:0] bits enable or disable writing to the PROTECT bit.

When writing to the PROTECT bit, simultaneously write A5h to KEY[7:0]. When values other than A5h are written to the KEY[7:0] bits, the PROTECT bit is not updated. The KEY[7:0] bits are always read as 0.

16.3 Arm MPU

The Arm MPU has eight region memory protection units and provides full support for:

- Protected regions
- Overlapping protected regions, with ascending priority:
7 = highest priority
0 = lowest priority
- Access permissions
- Exporting memory attributes to the system.

Arm MPU mismatches and permission violations invoke the programmable-priority MemManage fault (HardFault) handler. For details, see [section 16.7.2](#).

16.4 Bus Master MPU

The bus master MPU monitors the addresses accessed by the bus masters in the entire address space (0000 0000h to FFFF FFFFh). The access control information, consisting of read and write permissions, can be independently set for up to 16 regions. The bus master MPU monitors access to each region based on these settings. If access to a protected region is detected, the bus master MPU generates an internal reset or a non-maskable interrupt. For details on error access, see [15.3.9](#) and [15.3.10](#) in [section 15, Buses](#).

[Table 16.4](#) lists the specifications of the bus master MPU, and [Figure 16.3](#) shows a block diagram.

Table 16.4 Bus master MPU specifications

Specifications	Description
Protected master groups	Bus master MPU group A: DMA bus
Protected region	0000 0000h to FFFF FFFFh
Number of regions	Bus master MPU group A: 16 regions
Address specification for individual regions	Region start and end addresses configurable
Enable or disable setting for memory protection in individual regions	Settings enabled or disabled for the associated region
Access-control settings for individual regions	Permission to read and write
Operation on error detection	Reset or non-maskable interrupts
Register protection	Register can be protected from illegal writes

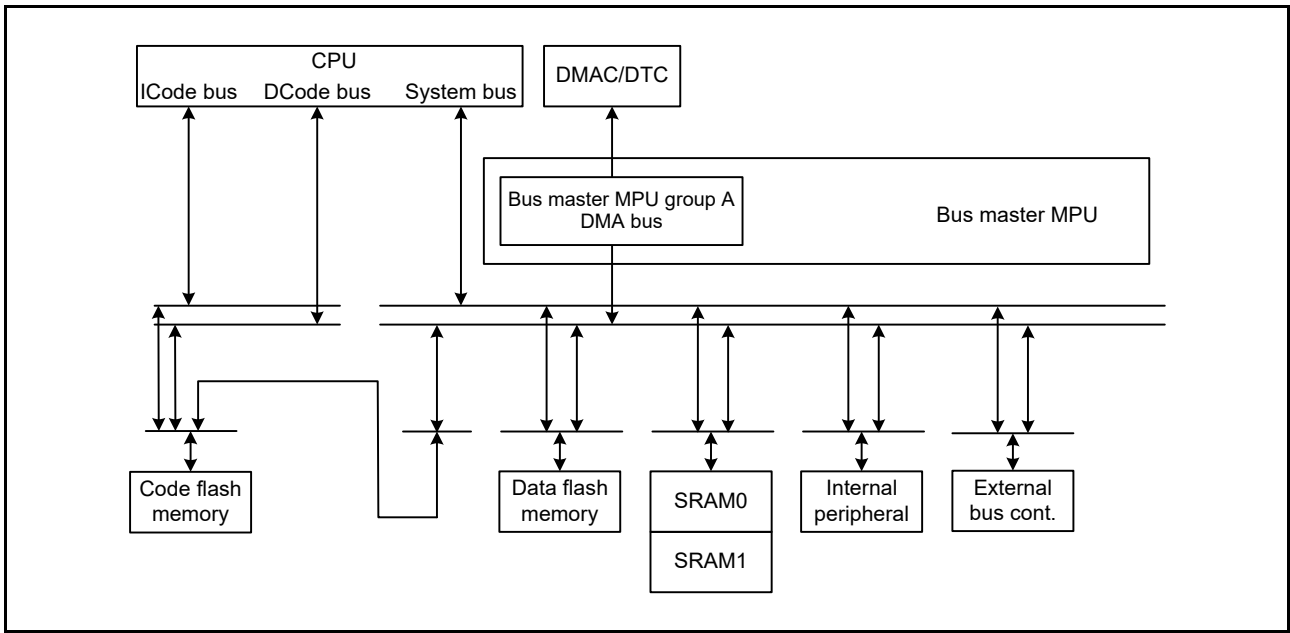


Figure 16.3 Bus master MPU block diagram

Figure 16.4 shows the bus master MPU group A.

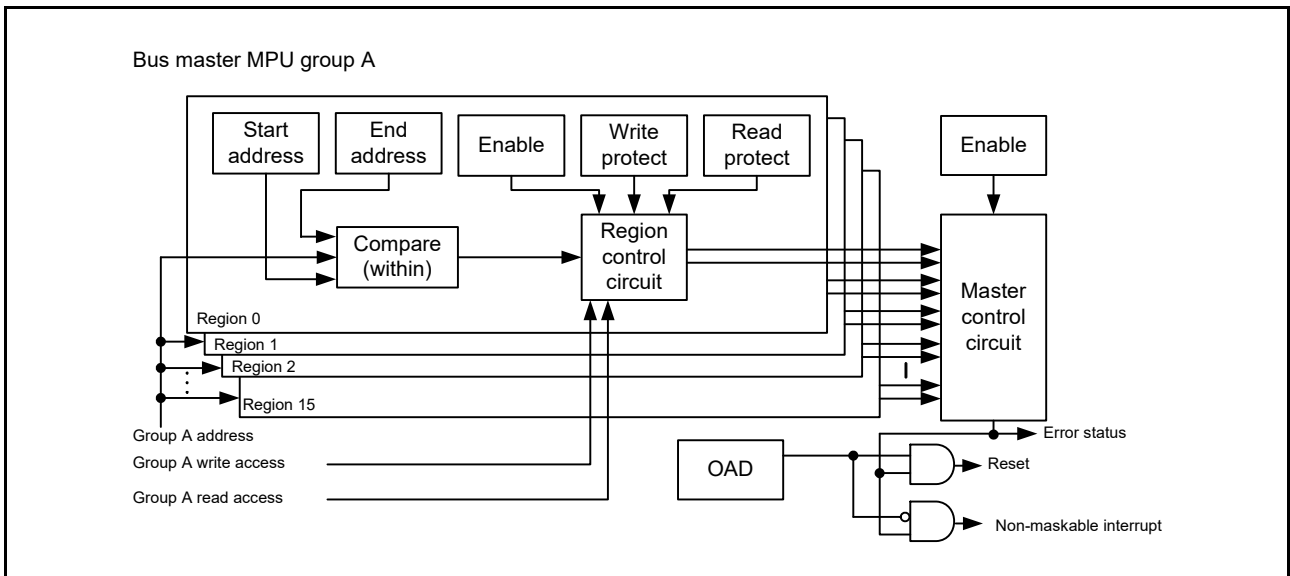


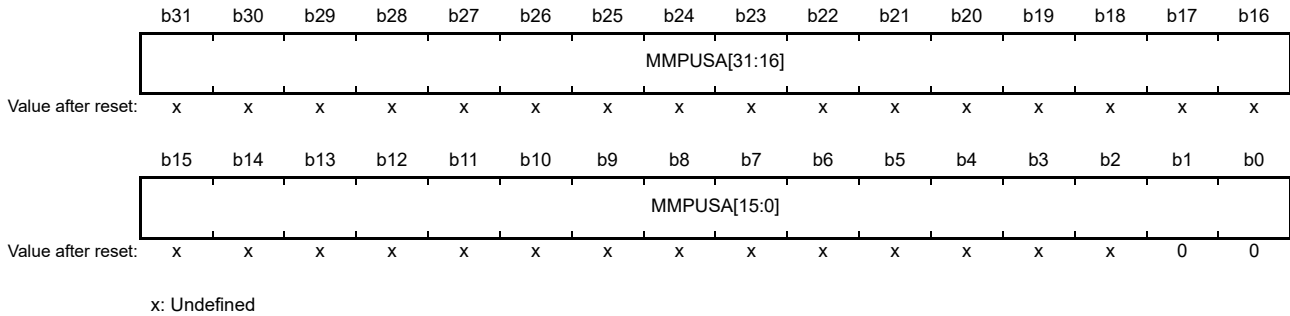
Figure 16.4 MPU bus master group A

16.4.1 Register Descriptions

Note: Bus access must be stopped before writing to MPU registers.

16.4.1.1 Group A Region n Start Address Register (MMPUSAn) (n = 0 to 15)

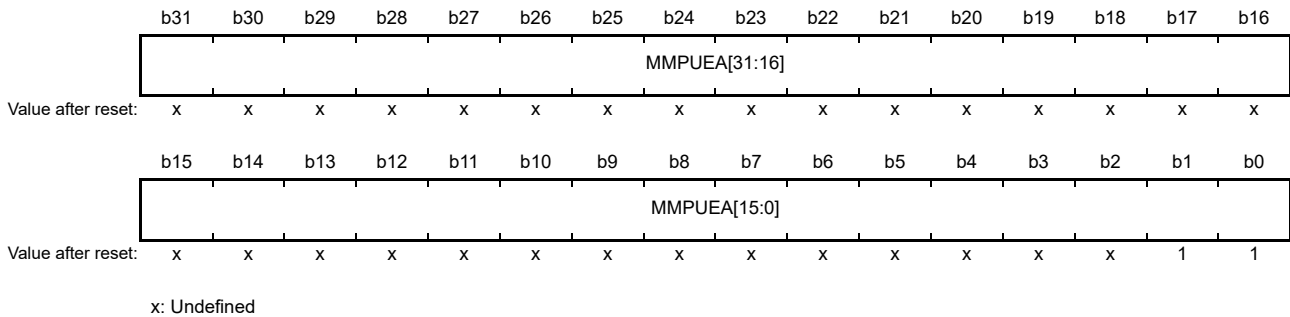
Address(es): [MMPU.MMPUSA0 4000 0204h](#), [MMPU.MMPUSA1 4000 0214h](#), [MMPU.MMPUSA2 4000 0224h](#), [MMPU.MMPUSA3 4000 0234h](#), [MMPU.MMPUSA4 4000 0244h](#), [MMPU.MMPUSA5 4000 0254h](#), [MMPU.MMPUSA6 4000 0264h](#), [MMPU.MMPUSA7 4000 0274h](#), [MMPU.MMPUSA8 4000 0284h](#), [MMPU.MMPUSA9 4000 0294h](#), [MMPU.MMPUSA10 4000 02A4h](#), [MMPU.MMPUSA11 4000 02B4h](#), [MMPU.MMPUSA12 4000 02C4h](#), [MMPU.MMPUSA13 4000 02D4h](#), [MMPU.MMPUSA14 4000 02E4h](#), [MMPU.MMPUSA15 4000 02F4h](#)



Bit	Symbol	Bit Name	Description	R/W
b31 to b0	MMPUSA[31:0]	Region Start Address	Address where the region starts, for use in region determination. The lower 2 bits should be 0.	R/W

16.4.1.2 Group A Region n End Address Register (MMPUEAn) (n = 0 to 15)

Address(es): [MMPU.MMPUEA0 4000 0208h](#), [MMPU.MMPUEA1 4000 0218h](#), [MMPU.MMPUEA2 4000 0228h](#), [MMPU.MMPUEA3 4000 0238h](#), [MMPU.MMPUEA4 4000 0248h](#), [MMPU.MMPUEA5 4000 0258h](#), [MMPU.MMPUEA6 4000 0268h](#), [MMPU.MMPUEA7 4000 0278h](#), [MMPU.MMPUEA8 4000 0288h](#), [MMPU.MMPUEA9 4000 0298h](#), [MMPU.MMPUEA10 4000 02A8h](#), [MMPU.MMPUEA11 4000 02B8h](#), [MMPU.MMPUEA12 4000 02C8h](#), [MMPU.MMPUEA13 4000 02D8h](#), [MMPU.MMPUEA14 4000 02E8h](#), [MMPU.MMPUEA15 4000 02F8h](#)



Bit	Symbol	Bit name	Description	R/W
b31 to b0	MMPUEA[31:0]	Region End Address	Address where the region ends, for use in region determination. The lower 2 bits should be 1.	R/W

16.4.1.3 Group A Region n Access Control Register (MMPUACAn) (n = 0 to 15)

Address(es): MMPU.MMPUACA0 4000 0200h, MMPU.MMPUACA1 4000 0210h, MMPU.MMPUACA2 4000 0220h, MMPU.MMPUACA3 4000 0230h, MMPU.MMPUACA4 4000 0240h, MMPU.MMPUACA5 4000 0250h, MMPU.MMPUACA6 4000 0260h, MMPU.MMPUACA7 4000 0270h, MMPU.MMPUACA8 4000 0280h, MMPU.MMPUACA9 4000 0290h, MMPU.MMPUACA10 4000 02A0h, MMPU.MMPUACA11 4000 02B0h, MMPU.MMPUACA12 4000 02C0h, MMPU.MMPUACA13 4000 02D0h, MMPU.MMPUACA14 4000 02E0h, MMPU.MMPUACA15 4000 02F0h

b15	b14	b13	b12	b11	b10	b9	b8	b7	b6	b5	b4	b3	b2	b1	b0
—	—	—	—	—	—	—	—	—	—	—	—	—	WP	RP	ENABLE
0	0	0	0	0	0	0	0	0	0	0	0	0	0	0	0

Bit	Symbol	Bit name	Description	R/W
b0	ENABLE	Region Enable	0: Group A region n unit disabled 1: Group A region n unit enabled.	R/W
b1	RP	Read Protection	0: Read access permitted 1: Read access protected.	R/W
b2	WP	Write Protection	0: Write access permitted 1: Write access protected.	R/W
b15 to b3	—	Reserved	These bits are read as 0. The write value should be 0.	R/W

The ENABLE, RP, and WP bits are individually configurable for each group A region n unit.

ENABLE bit (Region Enable)

The ENABLE bit enables or disables group A region n unit. When the ENABLE bit is set to 1, the RP bit and the WP bit can be set to permit or protect access to the region that is set in MMPUSAn and MMPUEAn. When the ENABLE bit is set to 0, no region is specified for group A region n access.

RP bit (Read Protection)

The RP bit enables or disables read protection for group A region n. The RP bit is available when the ENABLE bit is set to 1.

WP bit (Write Protection)

The WP bit enables or disables write protection for group A region n. The WP bit is available when the ENABLE bit is set to 1.

Table 16.5 Function of region control circuit (1 of 2)

MMPUACAn.ENABLE	MMPUACAn.RP	MMPUACAn.WP	Access	Region	Output of group A region n unit
0	-	-	Read	-	Outside of region
			Write	-	Outside of region

Table 16.5 Function of region control circuit (2 of 2)

MMPUACAn.ENABLE	MMPUACAn.RP	MMPUACAn.WP	Access	Region	Output of group A region n unit
1	0	0	Read	Inside	Permitted region
				Outside	Outside of region
			Write	Inside	Permitted region
				Outside	Outside of region
	0	1	Read	Inside	Permitted region
				Outside	Outside of region
			Write	Inside	Protection region
				Outside	Outside of region
	1	0	Read	Inside	Protection region
				Outside	Outside of region
			Write	Inside	Permitted region
				Outside	Outside of region
1	1	Read	Inside	Protection region	
			Outside	Outside of region	
		Write	Inside	Protection region	
			Outside	Outside of region	

n = 0 to 15

Table 16.6 Function of master control circuit

MMPUCTLA.ENABLE	Output of group A region 0 unit	Output of group A region 1 unit	Output of group A region 2 to 15 unit	Function of group A
1	Protected region	Don't care	Don't care	Generate error
1	Don't care	Protected region	Don't care	Generate error
1	Don't care	Don't care	Protected region	Generate error
1	Outside of region	Outside of region	Outside of region	Generate error
Other case				No error

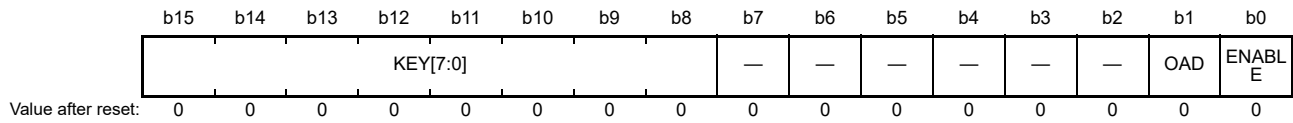
A master MPU error occurs on the following conditions:

- MMPUCTLA.ENABLE = 1, and output of one or more region n units is to a protected region
- MMPUCTLA.ENABLE = 1, and output of all region n units is outside of region.

Other cases are handled as permitted regions.

16.4.1.4 Bus Master MPU Control Register (MMPUCTLA)

Address(es): MMPU.MMPUCTLA 4000 0000h



Bit	Symbol	Bit name	Description	R/W
b0	ENABLE	Master Group Enable	0: Master group A disabled 1: Master group A enabled.	R/W
b1	OAD	Operation After Detection	0: Non-maskable interrupt 1: Reset.	R/W
b7 to b2	—	Reserved	These bits are read as 0. The write value should be 0.	R/W
b15 to b8	KEY[7:0]	Key Code	These bits enable or disable writes to the OAD and ENABLE bits	R/(W)*1

Note 1. Write data is not saved.

ENABLE bit (Master Group Enable)

The ENABLE bit enables or disables the bus master MPU function for master group A.

When this bit is set to 1, MMPUACAn is available. When this bit is set to 0, MMPUACAn is unavailable, including permission for all regions. When the ENABLE bit is set, simultaneously write A5h to KEY[7:0] using halfword access.

OAD bit (Operation After Detection)

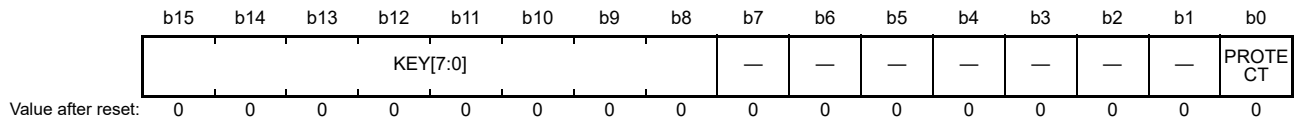
The OAD bit generates a reset or non-maskable interrupt when access to the protected region is detected by the bus master MPU. When the OAD bit is set, simultaneously write A5h to KEY[7:0] using halfword access.

KEY[7:0] bits (Key Code)

The KEY[7:0] bits enable or disable writes to the ENABLE and OAD bits. When writing to the ENABLE and OAD bits, simultaneously write A5h to KEY[7:0]. When values other than A5h are written to the KEY[7:0] bits, the ENABLE and the OAD bits are not updated. The KEY[7:0] bits are always read as 00h.

16.4.1.5 Group A Protection of Register (MMPUPTA)

Address(es): MMPU.MMPUPTA 4000 0102h



Bit	Symbol	Bit name	Description	R/W
b0	PROTECT	Protection of register	0: All bus master MPU group A register writes are permitted 1: All bus master MPU group A register writes are protected. Read access is possible.	R/W
b7 to b1	—	Reserved	These bits are read as 0. The write value should be 0.	R/W
b15 to b8	KEY[7:0]	Key Code	These bits enable or disable writes to the PROTECT bit	R/(W)*1

Note 1. Write data is not saved.

PROTECT bit (Protection of register)

The PROTECT bit enables or disables writes to the associated registers to be protected. MMPUPTA.PROTECT controls the bus master MPU group A protection registers.

The following registers are protected by MMPUPTA.PROTECT:

- MMPUSAn
- MMPUEAn
- MMPUACAn
- MMPUCTLA.

When the PROTECT bit is set, simultaneously write A5h to KEY[7:0] using halfword access.

KEY[7:0] bits (Key Code)

The KEY[7:0] bits enable or disable writing to the PROTECT bit. When writing to the PROTECT bit, simultaneously write A5h to KEY[7:0]. When values other than A5h are written to the KEY[7:0] bits, the PROTECT bit is not updated. The KEY[7:0] bits are always read as 00h.

16.4.2 Operation

16.4.2.1 Memory protection

The bus master MPU monitors memory access using control settings made individually for the access control regions. If access to a protected region is detected, the bus master MPU generates a memory protection error.

The bus master MPU can be set for up to 16 protected regions. Protected regions include those with overlapping permitted and protected regions, and those with two overlapping permitted regions.

The bus master MPU has group A. The memory protection function checks the address of the bus for the master group, and all master group accesses are protected. The bus master MPU sets the permission for all of the regions after reset. Setting MMPUCTLA.ENABLE to 1 protects all of the regions. A permitted region is set up within the protected region for each region. If access to the protected region is detected, the bus master MPU generates an error.

Figure 16.5 shows the use case of a bus master MPU.

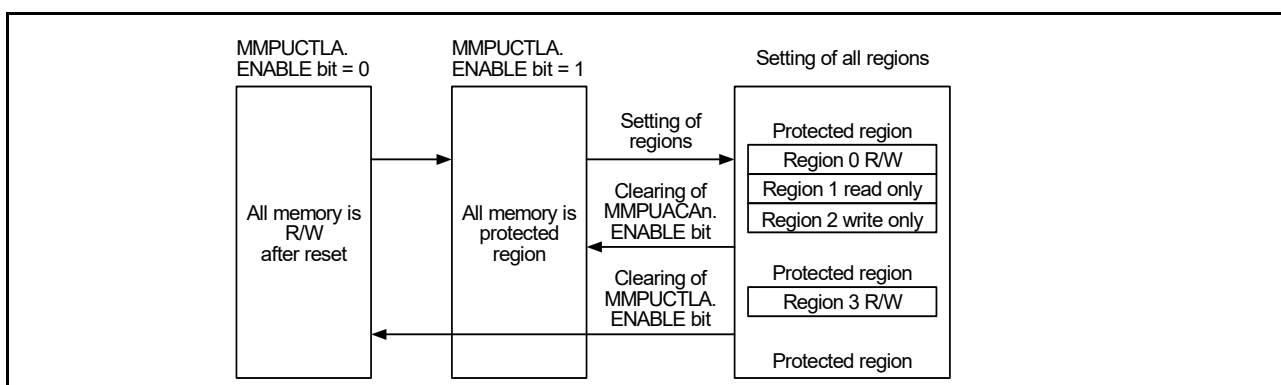


Figure 16.5 Use case of bus master MPU

Figure 16.6 shows the access permission or protection for the overlapping bus master MPU regions. Access control for the overlapping regions is as follows:

- The region is handled as a protected region when output of one or more region units is a protected region
- The region is handled as a protected region when output of all region units is outside of the regions
- Other cases are handled as permitted regions.

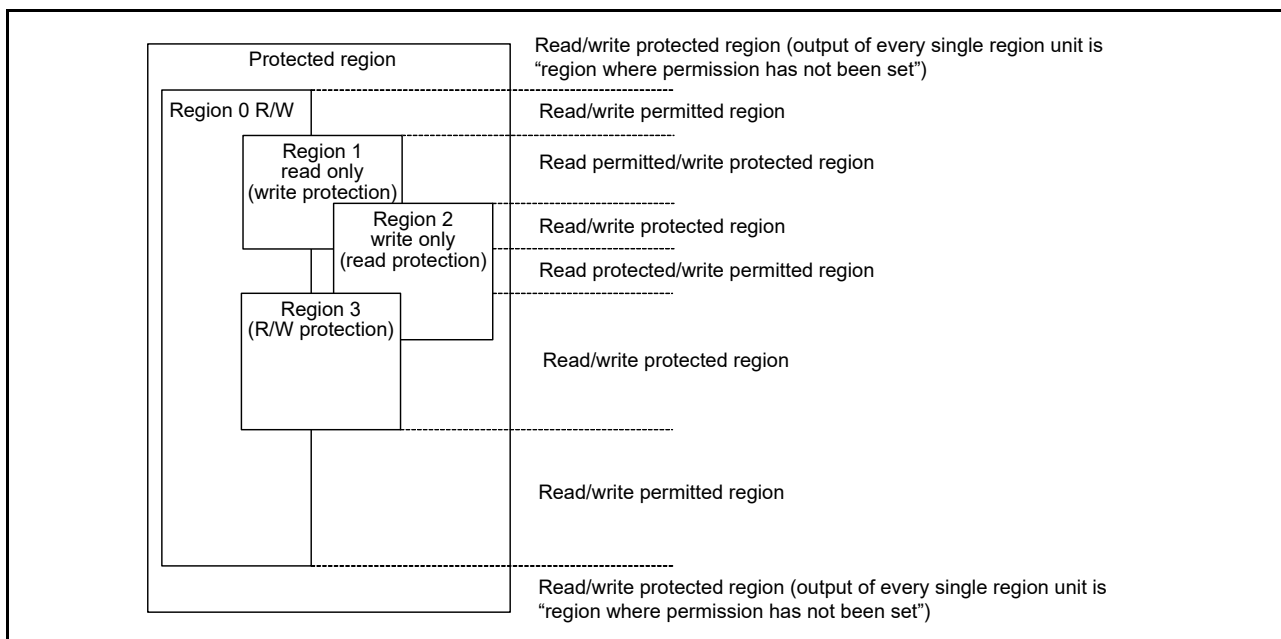


Figure 16.6 Access permission or protection by overlap of the bus master MPU regions

Figure 16.7 shows the register setting flow after reset. During this register setting, stop all the masters except the CPU.

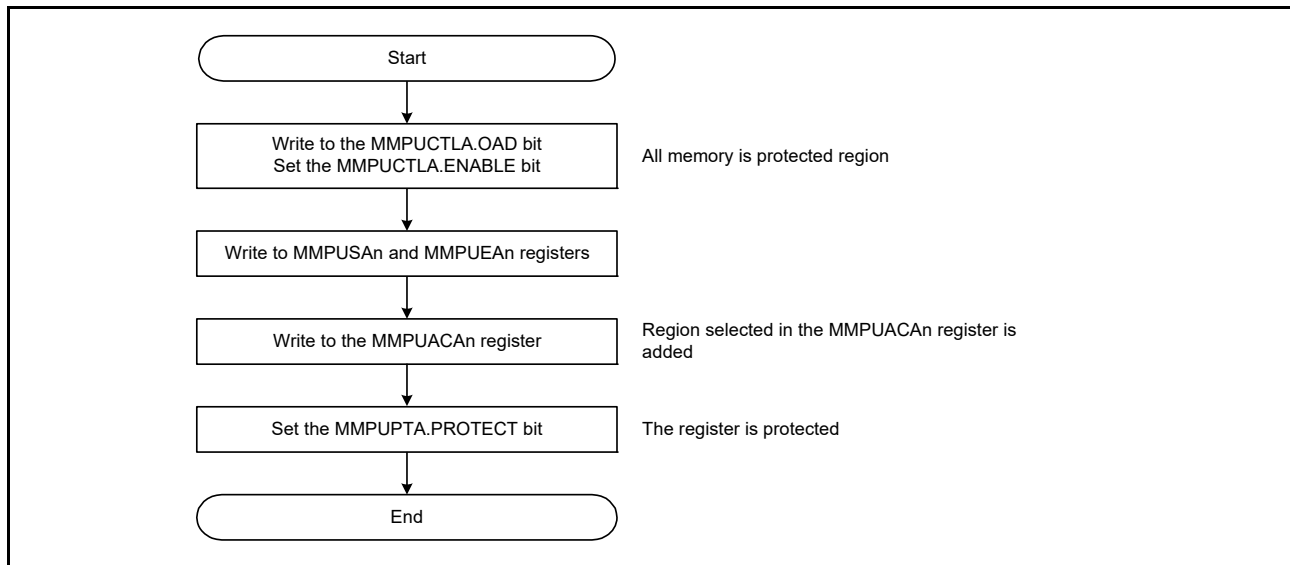


Figure 16.7 Register setting flow after reset

Figure 16.8 shows the register setting flow for adding regions. During this register setting, stop all masters except the CPU.

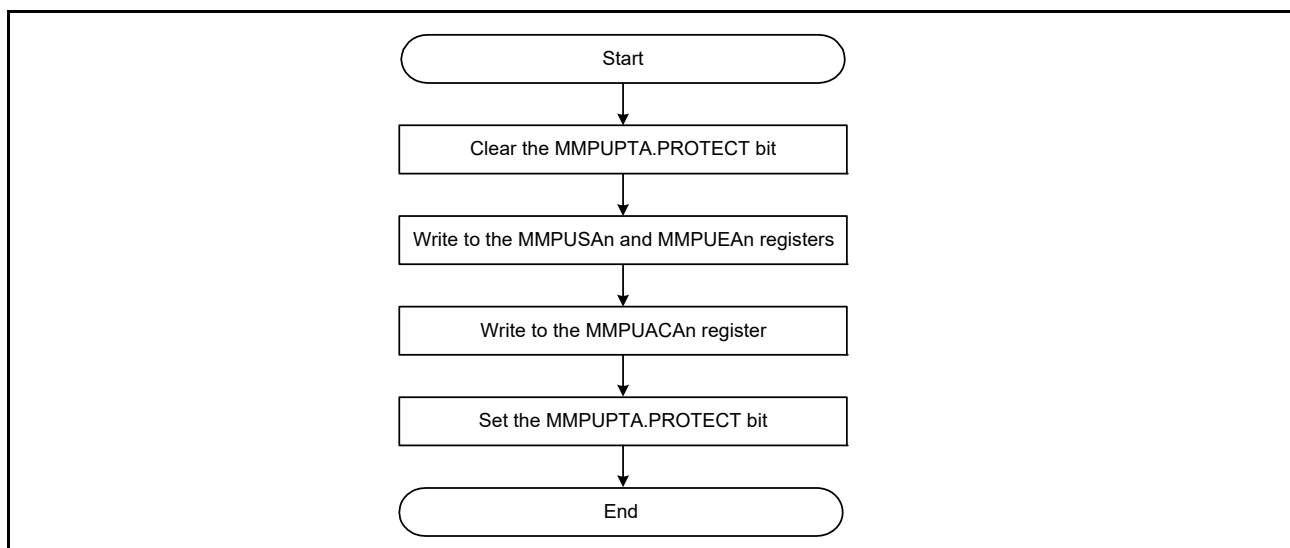


Figure 16.8 Register setting flow for region addition

16.4.2.2 Protection of registers

To protect the registers related to the bus master MPU, set the PROTECT bit in the MMPUPTA register.

16.4.2.3 Memory protection error

If access to the protected region is detected, the bus master MPU generates an error. Set the OAD bit to select whether the error is reported as a non-maskable interrupt or reset. The non-maskable interrupt status is indicated in ICU.NMISR.BUSMST. For details, see [section 14, Interrupt Controller Unit \(ICU\)](#). The reset status is indicated in SYSTEM.RSTSR1.BUSMRF. For details, see [section 6, Resets](#).

16.5 Bus Slave MPU

The bus slave MPU monitors access to the bus slave functions, such as flash or SRAM. The bus slave function can be accessed from two bus masters, the CPU, and the bus master MPU group A. The bus slave MPU has a separate protection register for each of the two bus masters, with individual access protection control, consisting of read and write permissions. If access to a protected region is detected, the bus slave MPU generates a reset or a non-maskable interrupt, and can store the bus error status, error access status, and bus error address in the I/O Registers. For details, see 15.3.9 and 15.3.10 in section 15, Buses.

Table 16.7 lists the specifications of the bus slave MPU, and Figure 16.9 shows a block diagram.

Table 16.7 Specifications of bus slave MPU

Specifications	Description
Protected bus master	Bus master MPU group A: DMA bus
Protected slave functions	Memory bus 3: Code flash memory Memory bus 4: SRAM0 Memory bus 5: SRAM1 Internal peripheral bus 1: Peripheral modules related system control Internal peripheral bus 3: CAC, ELC, I/O ports, POEG, RTC, WDT, IWDT, IIC, CAN, SSIE, ADC14, DAC12, and DOC Internal peripheral bus 4: SCI, SPI, CRC, and SDHI Internal peripheral bus 5: KINT, AGT, USBFS, DAC8, OPAMP, ACMPLP, and CTSU Internal peripheral bus 7: Secure IP (SCE5) Internal peripheral bus 9: Flash memory (in P/E) and data flash memory External bus (CS area): External devices External bus (QSPI area): External SPI devices
Access-control information settings for individual regions	Permission to read and write
Operation after detection	Reset, non-maskable interrupt, or exception
Protection of register	Register can be protected from illegal writes

The bus slave MPU is located on each bus slave side and controls the permission or protection of access from each bus master to each bus slave.

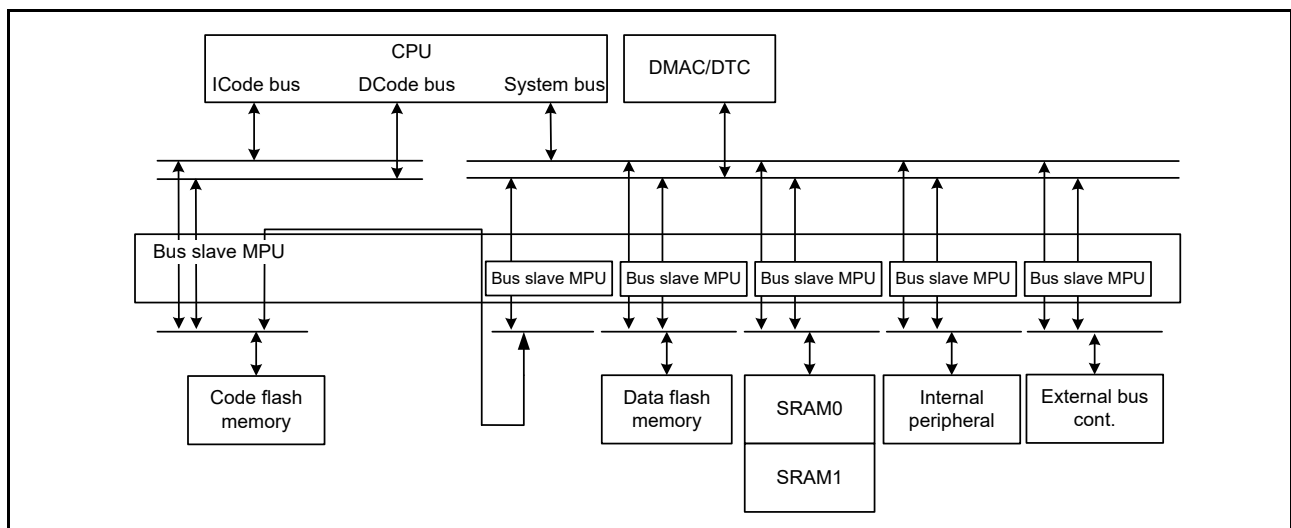


Figure 16.9 Bus slave MPU block diagram

16.5.1 Register Descriptions

Note: Bus access must be stopped before writing to MPU registers.

16.5.1.1 Access Control Register for Memory Bus 3 (SMPUMBIU)

Address(es): SMPU.SMPUMBIU 4000 0C10h

b15	b14	b13	b12	b11	b10	b9	b8	b7	b6	b5	b4	b3	b2	b1	b0
—	—	—	—	—	—	—	—	—	—	—	—	WPGR PA	RPGRP A	—	—
0	0	0	0	0	0	0	0	0	0	0	0	0	0	0	0

Value after reset:

Bit	Symbol	Bit name	Description	R/W
b1, b0	—	Reserved	These bits are read as 0. The write value should be 0.	R/W
b2	RPGRPA	Master Group A Read Protection	0: Memory protection for master group A read disabled 1: Memory protection for master group A read enabled.	R/W
b3	WPGRPA	Master Group A Write Protection	0: Memory protection for master group A write disabled 1: Memory protection for master group A write enabled.	R/W
b15 to b4	—	Reserved	These bits are read as 0. The write value should be 0.	R/W

RPGRPA bit (Master Group A Read Protection)

The RPGRPA bit enables or disables memory protection for master group A reads on memory bus 3.

WPGRPA bit (Master Group A Write Protection)

The WPGRPA bit enables or disables memory protection for master group A writes on memory bus 3.

16.5.1.2 Access Control Register for Internal Peripheral Bus 9 (SMPUFBIU)

Address(es): SMPU.SMPUFBIU 4000 0C14h

b15	b14	b13	b12	b11	b10	b9	b8	b7	b6	b5	b4	b3	b2	b1	b0
—	—	—	—	—	—	—	—	—	—	—	—	WPGR PA	RPGRP A	WPCP U	RPCPU
0	0	0	0	0	0	0	0	0	0	0	0	0	0	0	0

Value after reset:

Bit	Symbol	Bit name	Description	R/W
b0	RPCPU	CPU Read Protection	0: Memory protection for CPU read disabled 1: Memory protection for CPU read enabled.	R/W
b1	WPCPU	CPU Write Protection	0: Memory protection for CPU write disabled 1: Memory protection for CPU write enabled.	R/W
b2	RPGRPA	Master Group A Read protection	0: Memory protection for master group A read disabled 1: Memory protection for master group A read enabled.	R/W
b3	WPGRPA	Master Group A Write protection	0: Memory protection for master group A write disabled 1: Memory protection for master group A write enabled.	R/W
b15 to b4	—	Reserved	These bits are read as 0. The write value should be 0.	R/W

RPCPU bit (CPU Read Protection)

The RPCPU bit enables or disables memory protection for CPU reads on internal peripheral bus 9.

WPCPU bit (CPU Write Protection)

The WPCPU bit enables or disables memory protection for CPU writes on internal peripheral bus 9.

RPGRPA bit (Master Group A Read protection)

The RPGRPA bit enables or disables memory protection for master group A reads on internal peripheral bus 9.

WPGRPA bit (Master Group A Write protection)

The WPGRPA bit enables or disables memory protection for master group A writes on internal peripheral bus 9.

16.5.1.3 Access Control Register for Memory Bus 4 (SMPUSRAM0)

Address(es): SMPU.SMPUSRAM0 4000 0C18h

	b15	b14	b13	b12	b11	b10	b9	b8	b7	b6	b5	b4	b3	b2	b1	b0
	—	—	—	—	—	—	—	—	—	—	—	—	WPGR PA	RPGRP A	WPCP U	RPCPU
Value after reset:	0	0	0	0	0	0	0	0	0	0	0	0	0	0	0	0

Bit	Symbol	Bit name	Description	R/W
b0	RPCPU	CPU Read protection	0: CPU read memory protection disabled 1: CPU read memory protection enabled.	R/W
b1	WPCPU	CPU Write protection	0: CPU write memory protection disabled 1: CPU write memory protection enabled.	R/W
b2	RPGRPA	Master Group A Read protection	0: Master group A read memory protection disabled 1: Master group A read memory protection enabled.	R/W
b3	WPGRPA	Master Group A Write protection	0: Master group A write memory protection disabled 1: Master group A write memory protection enabled.	R/W
b15 to b4	—	Reserved	These bits are read as 0. The write value should be 0.	R/W

RPCPU bit (CPU Read protection)

The RPCPU bit enables or disables memory protection for CPU reads on memory bus 4.

WPCPU bit (CPU Write protection)

The WPCPU bit enables or disables memory protection for CPU writes on memory bus 4.

RPGRPA bit (Master Group A Read protection)

The RPGRPA bit enables or disables memory protection for master group A reads on memory bus 4.

WPGRPA bit (Master Group A Write protection)

The WPGRPA bit enables or disables memory protection for master group A writes on memory bus 4.

16.5.1.4 Access Control Register for Memory Bus 5 (SMPUSRAM1)

Address(es): SMPU.SMPUSRAM1 4000 0C1Ch

	b15	b14	b13	b12	b11	b10	b9	b8	b7	b6	b5	b4	b3	b2	b1	b0
	—	—	—	—	—	—	—	—	—	—	—	—	WPGR PA	RPGRP A	WPCP U	RPCPU
Value after reset:	0	0	0	0	0	0	0	0	0	0	0	0	0	0	0	0

Bit	Symbol	Bit name	Description	R/W
b0	RPCPU	CPU Read Protection	0: Memory protection for CPU read disabled 1: Memory protection for CPU read enabled.	R/W
b1	WPCPU	CPU Write Protection	0: Memory protection for CPU write disabled 1: Memory protection for CPU write enabled.	R/W
b2	RPGRPA	Master Group A Read Protection	0: Memory protection for master group A read disabled 1: Memory protection for master group A read enabled.	R/W
b3	WPGRPA	Master Group A Write Protection	0: Memory protection for master group A write disabled 1: Memory protection for master group A write enabled.	R/W
b15 to b4	—	Reserved	These bits are read as 0. The write value should be 0.	R/W

RPCPU bit (CPU Read Protection)

The RPCPU bit enables or disables the memory protection for CPU read memory bus 5.

WPCPU bit (CPU Write Protection)

The WPCPU bit enables or disables the memory protection for CPU write memory bus 5.

RPGRPA bit (Master Group A Read Protection)

The RPGRPA bit enables or disables the memory protection for master group A read memory bus 5.

WPGRPA bit (Master Group A Write Protection)

The WPGRPA bit enables or disables the memory protection for master group A write memory bus 5.

16.5.1.5 Access Control Register for Internal Peripheral Bus 1 (SMPUP0BIU)

Address(es): SMPU.SMPUP0BIU 4000 0C20h

	b15	b14	b13	b12	b11	b10	b9	b8	b7	b6	b5	b4	b3	b2	b1	b0
	—	—	—	—	—	—	—	—	—	—	—	—	WPGR PA	RPGRP A	WPCP U	RPCPU
Value after reset:	0	0	0	0	0	0	0	0	0	0	0	0	0	0	0	0

Bit	Symbol	Bit name	Description	R/W
b0	RPCPU	CPU Read protection	0: Memory protection for CPU read disabled 1: Memory protection for CPU read enabled.	R/W
b1	WPCPU	CPU Write protection	0: Memory protection for CPU write disabled 1: Memory protection for CPU write enabled.	R/W
b2	RPGRPA	Master Group A Read protection	0: Memory protection for master group A read disabled 1: Memory protection for master group A read enabled.	R/W
b3	WPGRPA	Master Group A Write protection	0: Memory protection for master group A write disabled 1: Memory protection for master group A write enabled.	R/W
b15 to b4	—	Reserved	These bits are read as 0. The write value should be 0.	R/W

RPCPU bit (CPU Read protection)

The RPCPU bit enables or disables memory protection for CPU reads on internal peripheral bus 1.

WPCPU bit (CPU Write protection)

The WPCPU bit enables or disables memory protection for CPU writes on internal peripheral bus 1.

RPGRPA bit (Master Group A Read protection)

The RPGRPA bit enables or disables memory protection for master group A reads on internal peripheral bus 1.

WPGRPA bit (Master Group A Write protection)

The WPGRPA bit enables or disables memory protection for master group A writes on internal peripheral bus 1.

16.5.1.6 Access Control Register for Internal Peripheral Bus 3 (SMPUP2BIU)

Address(es): SMPU.SMPUP2BIU 4000 0C24h

	b15	b14	b13	b12	b11	b10	b9	b8	b7	b6	b5	b4	b3	b2	b1	b0
	—	—	—	—	—	—	—	—	—	—	—	—	WPGR PA	RPGRP A	WPCP U	RPCPU
Value after reset:	0	0	0	0	0	0	0	0	0	0	0	0	0	0	0	0

Bit	Symbol	Bit name	Description	R/W
b0	RPCPU	CPU Read protection	0: Memory protection for CPU read disabled 1: Memory protection for CPU read enabled.	R/W
b1	WPCPU	CPU Write protection	0: Memory protection for CPU write disabled 1: Memory protection for CPU write enabled.	R/W
b2	RPGRPA	Master Group A Read protection	0: Memory protection for master group A read disabled 1: Memory protection for master group A read enabled.	R/W
b3	WPGRPA	Master Group A Write protection	0: Memory protection for master group A write disabled 1: Memory protection for master group A write enabled.	R/W
b15 to b4	—	Reserved	These bits are read as 0. The write value should be 0.	R/W

RPCPU bit (CPU Read protection)

The RPCPU bit enables or disables memory protection for CPU reads on internal peripheral bus 3, internal peripheral bus 4, and internal peripheral bus 5.

WPCPU bit (CPU Write protection)

The WPCPU bit enables or disables memory protection for CPU writes on internal peripheral bus 3, internal peripheral bus 4, and internal peripheral bus 5.

RPGRPA bit (Master Group A Read protection)

The RPGRPA bit enables or disables memory protection for master group A reads on internal peripheral bus 3, internal peripheral bus 4, and internal peripheral bus 5.

WPGRPA bit (Master Group A Write protection)

The WPGRPA bit enables or disables memory protection for master group A writes on internal peripheral bus 3, internal peripheral bus 4, and internal peripheral bus 5.

16.5.1.7 Access Control Register for Internal Peripheral Bus 7 (SMPUP6BIU)

Address(es): SMPU.SMPUP6BIU 4000 0C28h

	b15	b14	b13	b12	b11	b10	b9	b8	b7	b6	b5	b4	b3	b2	b1	b0
	—	—	—	—	—	—	—	—	—	—	—	—	WPGR PA	RPGRP A	WPCP U	RPCPU
Value after reset:	0	0	0	0	0	0	0	0	0	0	0	0	0	0	0	0

Bit	Symbol	Bit name	Description	R/W
b0	RPCPU	CPU Read protection	0: CPU read memory protection disabled 1: CPU read memory protection enabled.	R/W
b1	WPCPU	CPU Write protection	0: CPU write memory protection disabled 1: CPU write memory protection enabled.	R/W
b2	RPGRPA	Master Group A Read protection	0: Master group A read memory protection disabled 1: Master group A read memory protection enabled.	R/W
b3	WPGRPA	Master Group A Write protection	0: Master group A write memory protection disabled 1: Master group A write memory protection enabled.	R/W
b15 to b4	—	Reserved	These bits are read as 0. The write value should be 0.	R/W

RPCPU bit (CPU Read protection)

The RPCPU bit enables or disables memory protection for CPU reads on internal peripheral bus 7.

WPCPU bit (CPU Write protection)

The WPCPU bit enables or disables memory protection for CPU writes on internal peripheral bus 7.

RPGRPA bit (Master Group A Read protection)

The RPGRPA bit enables or disables memory protection for master group A reads on internal peripheral bus 7.

WPGRPA bit (Master Group A Write protection)

The WPGRPA bit enables or disables memory protection for master group A writes on internal peripheral bus 7.

16.5.1.8 Access Control Register for CS area (SMPUEXBIU)

Address(es): SMPU.SMPUEXBIU 4000 0C30h

	b15	b14	b13	b12	b11	b10	b9	b8	b7	b6	b5	b4	b3	b2	b1	b0
	—	—	—	—	—	—	—	—	—	—	—	—	WPGR PA	RPGRP A	WPCP U	RPCPU
Value after reset:	0	0	0	0	0	0	0	0	0	0	0	0	0	0	0	0

Bit	Symbol	Bit name	Description	R/W
b0	RPCPU	CPU Read protection	0: CPU read memory protection disabled 1: CPU read memory protection enabled.	R/W
b1	WPCPU	CPU Write protection	0: CPU write memory protection disabled 1: CPU write memory protection enabled.	R/W
b2	RPGRPA	Master Group A Read protection	0: Master group A read memory protection disabled 1: Master group A read memory protection enabled.	R/W
b3	WPGRPA	Master Group A Write protection	0: Master group A write memory protection disabled 1: Master group A write memory protection enabled.	R/W
b15 to b4	—	Reserved	These bits are read as 0. The write value should be 0.	R/W

RPCPU bit (CPU Read protection)

The RPCPU bit enables or disables memory protection for CPU reads in the CS area.

WPCPU bit (CPU Write protection)

The WPCPU bit enables or disables memory protection for CPU writes in the CS area.

RPGRPA bit (Master Group A Read protection)

The RPGRPA bit enables or disables memory protection for master group A reads in the CS area.

WPGRPA bit (Master Group A Write protection)

The WPGRPA bit enables or disables memory protection for master group A writes in the CS area.

16.5.1.9 Access Control Register for QSPI area (SMPUEXBIU2)

Address(es): SMPU.SMPUEXBIU2 4000 0C34h

	b15	b14	b13	b12	b11	b10	b9	b8	b7	b6	b5	b4	b3	b2	b1	b0
	—	—	—	—	—	—	—	—	—	—	—	—	WPGR PA	RPGRP A	WPCP U	RPCPU
Value after reset:	0	0	0	0	0	0	0	0	0	0	0	0	0	0	0	0

Bit	Symbol	Bit name	Description	R/W
b0	RPCPU	CPU Read protection	0: CPU read memory protection disabled 1: CPU read memory protection enabled.	R/W
b1	WPCPU	CPU Write protection	0: CPU write memory protection disabled 1: CPU write memory protection enabled.	R/W
b2	RPGRPA	Master Group A Read protection	0: Master group A read memory protection disabled 1: Master group A read memory protection enabled.	R/W
b3	WPGRPA	Master Group A Write protection	0: Master group A write memory protection disabled 1: Master group A write memory protection enabled.	R/W
b15 to b4	—	Reserved	These bits are read as 0. The write value should be 0.	R/W

RPCPU bit (CPU Read protection)

The RPCPU bit enables or disables memory protection for CPU reads in the QSPI area.

WPCPU bit (CPU Write protection)

The WPCPU bit enables or disables memory protection for CPU writes in the QSPI area.

RPGRPA bit (Master Group A Read protection)

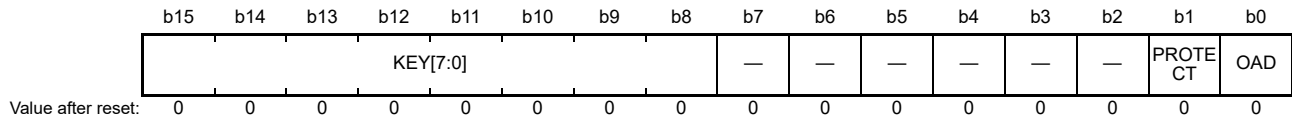
The RPGRPA bit enables or disables memory protection for master group A reads in the QSPI area.

WPGRPA bit (Master Group A Write protection)

The WPGRPA bit enables or disables memory protection for master group A writes in the QSPI area.

16.5.1.10 Slave MPU Control Register (SMPUCTL)

Address(es): SMPU.SMPUCTL 4000 0C00h



Bit	Symbol	Bit name	Description	R/W
b0	OAD	Operation after Detection	0: Non-maskable interrupt 1: Reset.	R/W
b1	PROTECT	Protection of Register	0: All bus slave register writes are permitted 1: All bus slave register writes are protected. Reads are permitted.	R/W
b7 to b2	—	Reserved	These bits are read as 0. The write value should be 0.	R/W
b15 to b8	KEY[7:0]	Key Code	These bits are used to enable or disable writes to the OAD and PROTECT bits	R/(W)*1

Note 1. Write data is not saved.

OAD bit (Operation after Detection)

The OAD bit generates either a reset or non-maskable interrupt when access to the protected region is detected by the bus slave MPU. When the OAD bit is set, simultaneously write A5h to KEY[7:0] using halfword access.

PROTECT bit (Protection of Register)

The PROTECT bit enables or disables writes to the associated registers to be protected. The following registers are protected by SMPUCTL.PROTECT:

- SMPUMBIU
- SMPUFBIU
- SMPUSRAM0
- SMPUSRAM1
- SMPUP0BIU
- SMPUP2BIU
- SMPUP6BIU
- SMPUEXBIU
- SMPUEXBIU2.

When the PROTECT bit is set, simultaneously write A5h to KEY[7:0] using halfword access.

KEY[7:0] bits (Key Code)

The KEY[7:0] bits enable or disable writing to the OAD and PROTECT bits. When writing to the OAD and PROTECT bits, simultaneously write A5h to KEY[7:0]. When values other than A5h are written to the KEY[7:0] bits, the OAD and the PROTECT bits are not updated. The KEY[7:0] bits are always read as 00h.

16.5.2 Functions

16.5.2.1 Memory protection

The bus slave MPU monitoring uses access control information that is set for the individual access control registers, whether or not access by the bus slaves violates the access control settings. If access to the protected region is detected, the bus slave MPU generates a memory protection error.

The bus slave MPU is enabled by writing 1 to the Write Protect (WPCPU or WPGRPA) bit or the Read Protect (RPCPU or RPGRPA) bit in the access control register (SMPUMBIU, SMPUFBIU, SMPUSRAM0, SMPUSRAM1, SMPUP0BIU, SMPUP2BIU, SMPUP6BIU, SMPUEXBIU, and SMPUEXBIU2).

16.5.2.2 Protection of registers

Registers related to the bus slave MPU can be protected with the PROTECT bit in the SMPUCTL register.

16.5.2.3 Memory protection error

If access to a protected region is detected, the bus slave MPU generates a memory protection error. Set the OAD bit to select whether the error is reported as a non-maskable interrupt or a reset.

The non-maskable interrupt status is indicated in ICU.NMISR.BUSSST. For details, see [section 14, Interrupt Controller Unit \(ICU\)](#). The reset status is indicated in SYSTEM.RSTSR1.BUSSRF. For details, see [section 6, Resets](#).

16.6 Security MPU

The MCU incorporates a security MPU with four secure regions that include the code flash, SRAM, and two security functions. The secure regions can be protected from non-secure program accesses. Access to a protected region from a non-secure program is not permitted.

[Table 16.8](#) lists the specifications of the security MPU and [Figure 16.10](#) shows a block diagram.

Table 16.8 Security MPU specifications

Specifications	Description
Secure regions	Code flash, SRAM, two security functions
Protected regions	0000 0000h to 00FF FFFFh (code flash memory) 1FF0 0000h to 200F FFFFh (SRAM) 400C 0000h to 400D FFFFh 4010 0000h to 407F FFFFh (secure data of security functions)
Number of regions	Program Counter: 2 regions Data Access: 4 regions
Address specification for individual regions	Setting the address where regions start and end
Enable or disable setting for memory protection in individual regions	Settings enabled or disabled for the associated region

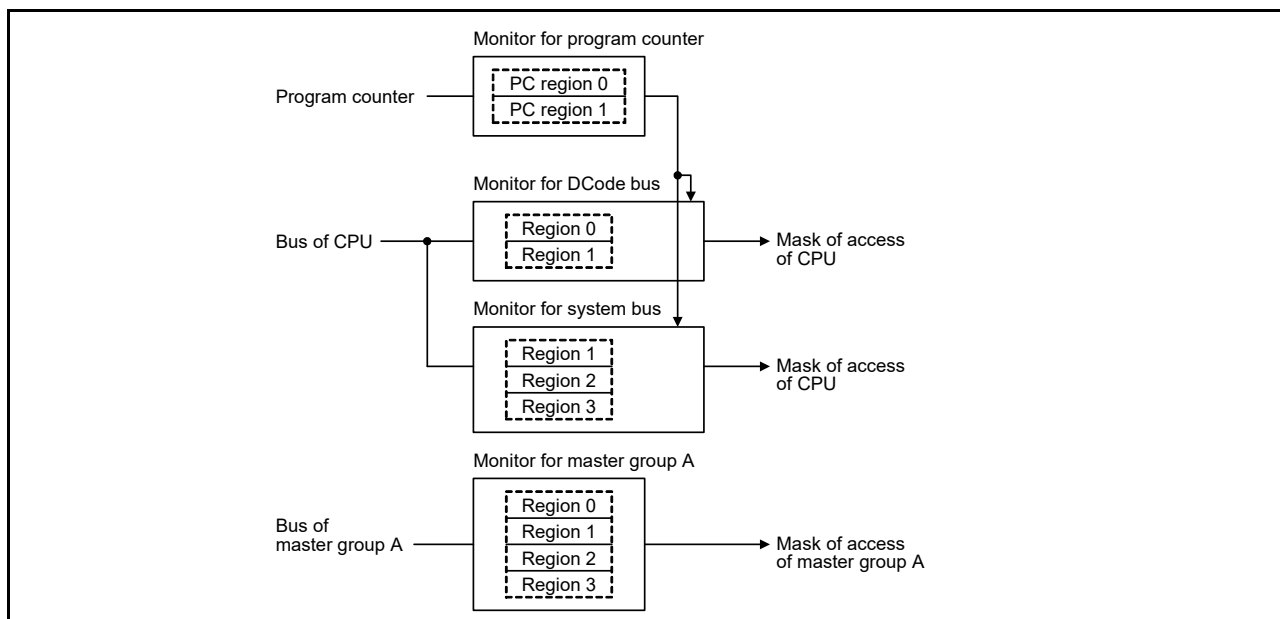


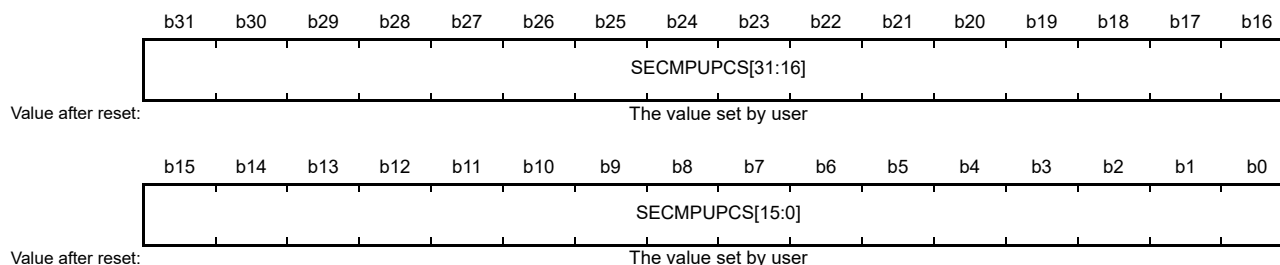
Figure 16.10 Security MPU block diagram

16.6.1 Register Descriptions (Option-Setting Memory)

All security MPU registers are option-setting memory. Option-setting memory refers to a set of registers that are available for selecting the state of the microcontroller after a reset. The option-setting memory is allocated in the flash.

16.6.1.1 Security MPU Program Counter Start Address Register (SECMUPCSn) (n = 0, 1)

Address(es): [SECMUPCS0 0000 0408h](#), [SECMUPCS1 0000 0410h](#)



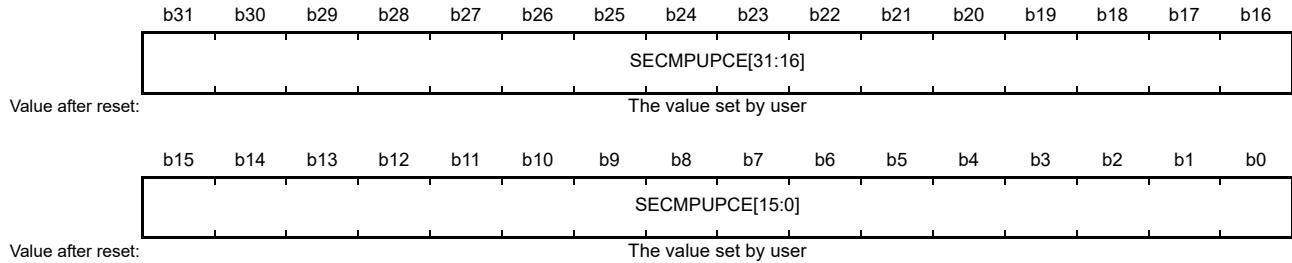
Bit	Symbol	Bit name	Description	R/W
b31 to b0	SECMUPCS[31:0]	Region Start Address	Address where the region starts, for use in region determination. The lower 2 bits are read as 0. The value range should be 0000 0000h to 00FF FFFCh and 1FF0 0000h to 200F FFFCh excluding the reserved areas. When setting this register value in the option-setting memory, the write value of the lower 2 bits should be 0.	R

The SECMUPCSn and SECMPUPCEn registers specify the security fetch region for the code flash (0000 0000h to 00FF FFFFh, excluding the reserved areas) or SRAM (1FF0 0000h to 200F FFFFh, excluding the reserved areas). The secure program is executed in the memory space defined by the SECMUPCSn and SECMPUPCEn registers and can access the secure data specified in the SECMPUSm and SECMPUEm registers (m = 0 to 3). The set up of memory mirror space (0200 0000h to 027F FFFFh) for MMF is not allowed.

An address space of greater than 12 bytes is required between the last instruction of a non-secure program and the first instruction of a secure program.

16.6.1.2 Security MPU Program Counter End Address Register (SECMPUPCE_n) (n = 0, 1)

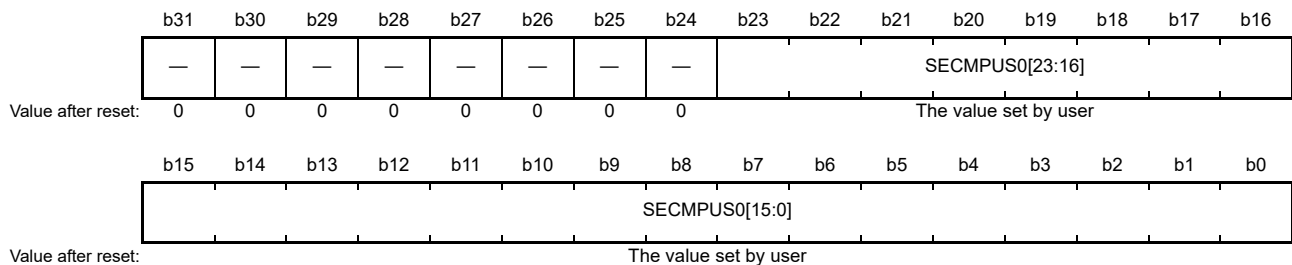
Address(es): SECMPUPCE0 0000 040Ch, SECMPUPCE1 0000 0414h



Bit	Symbol	Bit name	Description	R/W
b31 to b0	SECMPUPCE[31:0]	Region End Address	Address where the region ends, for use in region determination. The lower 2 bits are read as 1. The value range should be 0000 0003h to 00FF FFFFh and 1FF0 0003h to 200F FFFFh, excluding the reserved areas. When setting this register value in the option-setting memory, the write value of the lower 2 bits should be 1.	R

16.6.1.3 Security MPU Region 0 Start Address Register (SECMPUS0)

Address(es): SECMPUS0 0000 0418h



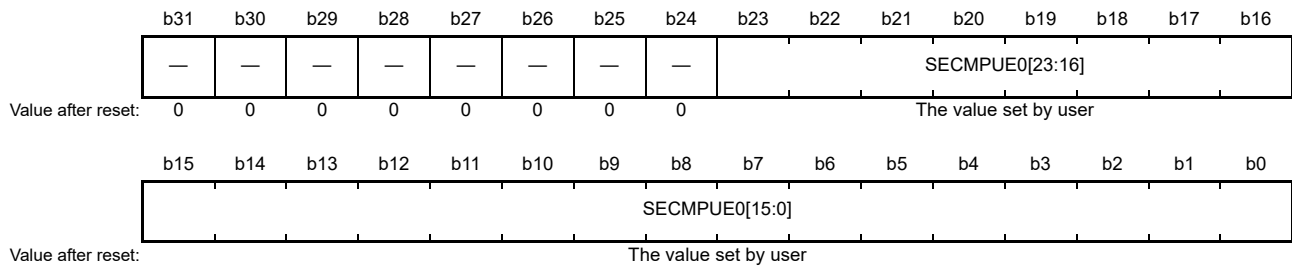
Bit	Symbol	Bit name	Description	R/W
b23 to b0	SECMPUS0[23:0]	Region Start Address	Address where the region starts, for use in region determination. The lower 2 bits are read as 0. The value range should be 0000 0000h to 00FF FFFCh excluding the reserved areas. When setting this register value in the option-setting memory, the write value of the lower 2 bits should be 0.	R
b31 to b24	—	Reserved	These bits are read as 0. When setting this register value in the option-setting memory, the write value of these bits should be 0.	R

The SECMPUS0 and SECMPUE0 registers specify the secure program and the flash data (0000 0000h to 00FF FFFFh, excluding the reserved areas). The memory space defined in the SECMPUS0 and SECMPUE0 registers can only be accessed from the secure program set up in the SECMPUPCS_n and SECMPUPCE_n registers.

Setting of the vector table area is prohibited.

16.6.1.4 Security MPU Region 0 End Address Register (SECMPUE0)

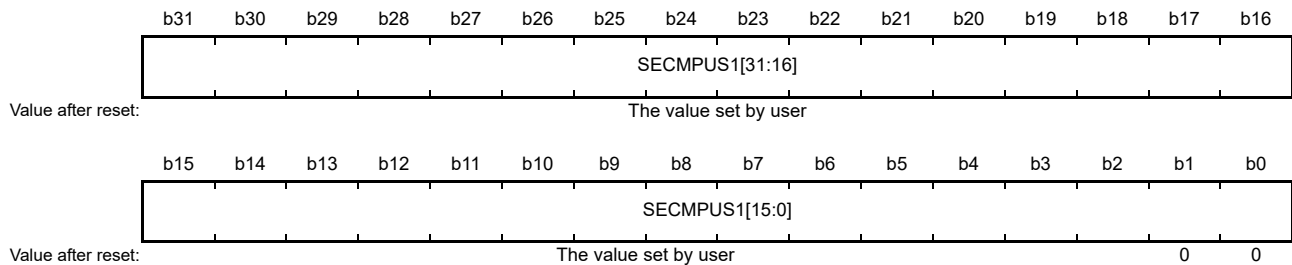
Address(es): SECMPUE0 0000 041Ch



Bit	Symbol	Bit name	Description	R/W
b23 to b0	SECMPUE0[23:0]	Region End Address	Address where the region ends, for use in region determination. The lower 2 bits are read as 1. The value range should be 0000 0003h to 00FF FFFFh, excluding the reserved areas. When setting this register value in the option-setting memory, the write value of the lower 2 bits should be 1.	R
b31 to b24	—	Reserved	These bits are read as 0. When setting this register value in the option-setting memory, the write value of these bits should be 0.	R

16.6.1.5 Security MPU Region 1 Start Address Register (SECMPUS1)

Address(es): SECMPUS1 0000 0420h



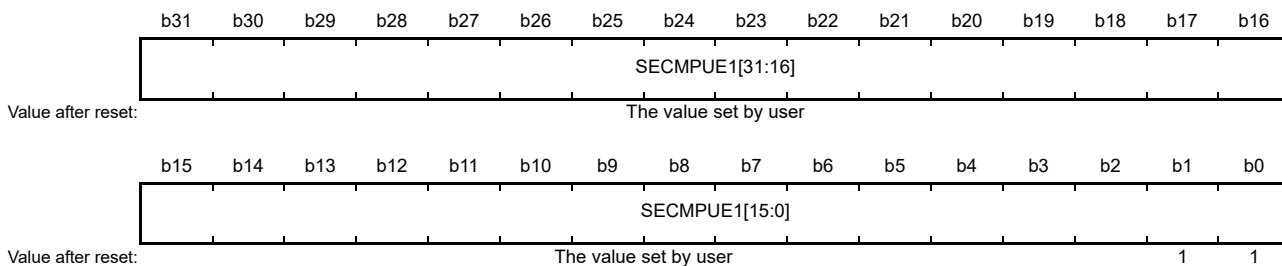
Bit	Symbol	Bit name	Description	R/W
b31 to b0	SECMPUS1[31:0]	Region Start Address	Address where the region starts, for use in region determination. The lower 2 bits are read as 0. The value range should be 1FF0 0000h to 200F FFFCh, excluding the reserved areas. When setting this register value in the option-setting memory, the write value of the lower 2 bits should be 0, and the write value of bits [31:20] should be 1FFh or 200h.	R

The SECMPUS1 and SECMPUE1 registers specify the secure data of the SRAM (1FF0 0000h to 200F FFFFh, excluding the reserved areas). The memory space defined in the SECMPUS1 and SECMPUE1 registers can only be accessed from the secure program set up in the SECMPUPCSn and SECMPUPCEn registers.

Setting of the stack area and the vector table is prohibited.

16.6.1.6 Security MPU Region 1 End Address Register (SECMPUE1)

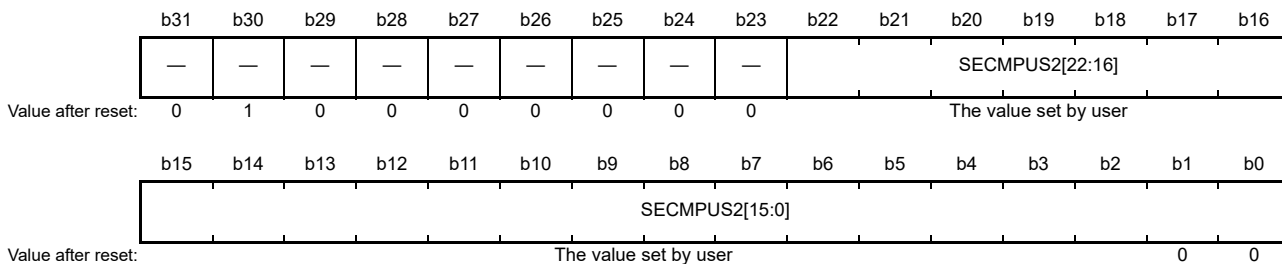
Address(es): SECMPUE1 0000 0424h



Bit	Symbol	Bit name	Description	R/W
b31 to b0	SECMPUE1[31:0]	Region End Address	Address where the region ends, for use in region determination. The lower 2 bits are read as 1. The value range should be 1FF0 0003h to 200F FFFFh, excluding the reserved areas. When setting this register value in the option-setting memory, the write value of the lower 2 bits should be 1, and the write value of bits [31:20] should be 1FFh or 200h.	R

16.6.1.7 Security MPU Region 2 Start Address Register (SECMPUS2)

Address(es): SECMPUS2 0000 0428h

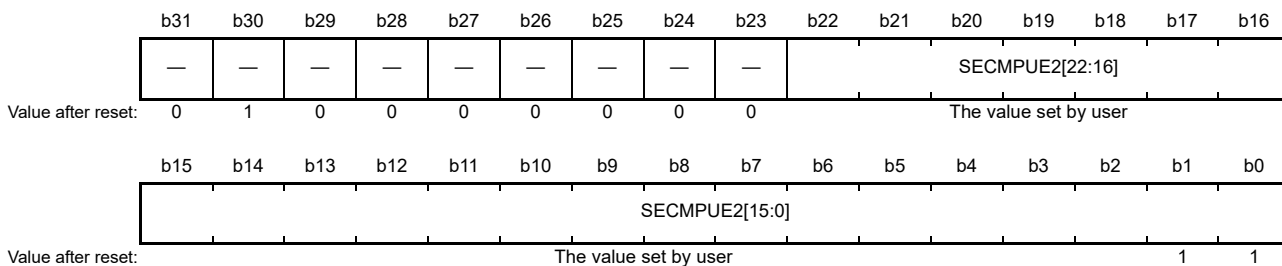


Bit	Symbol	Bit name	Description	R/W
b22 to b0	SECMPUS2[22:0]	Region Start Address	Address where the region starts, for use in region determination. The lower 2 bits are read as 0. The value range should be 400C 0000h to 400D FFFCh and 4010 0000h to 407F FFFCh. When setting this register value in the option-setting memory, the write value of the lower 2 bits should be 0.	R
b31 to b23	—	Reserved	These bits are read as 0100 0000 0b. When setting this register value in the option-setting memory, the write value of these bits should be 0100 0000 0b.	R

The SECMPUS2 and SECMPUE2 registers specify the secure data of the security functions (400C 0000 to 400D FFFFh and 4010 0000 to 407F FFFFh). The memory space defined in the SECMPUS2 and SECMPUE2 registers can only be accessed from the secure program set up in the SECMPUPCSn and SECMPUPCEn registers.

16.6.1.8 Security MPU Region 2 End Address Register (SECMPUE2)

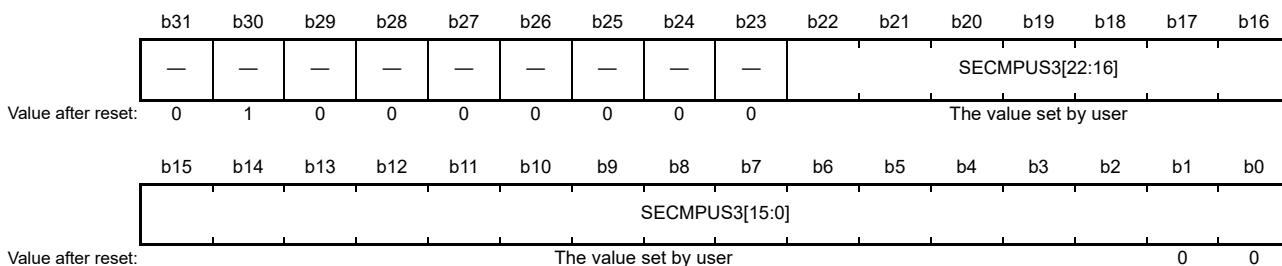
Address(es): SECMPUE2 0000 042Ch



Bit	Symbol	Bit name	Description	R/W
b22 to b0	SECMPUE2[22:0]	Region End Address	Address where the region ends, for use in region determination. The lower 2 bits are read as 1. The value range should be 400C 0003h to 400D FFFFh and 4010 0003h to 407F FFFFh. When setting this register value in the option-setting memory, the write value of the lower 2 bits should be 1.	R
b31 to b23	—	Reserved	These bits are read as 0100 0000 0b. When setting this register value in the option-setting memory, the write value of these bits should be 0100 0000 0b.	R

16.6.1.9 Security MPU Region 3 Start Address Register (SECMPUS3)

Address(es): SECMPUS3 0000 0430h

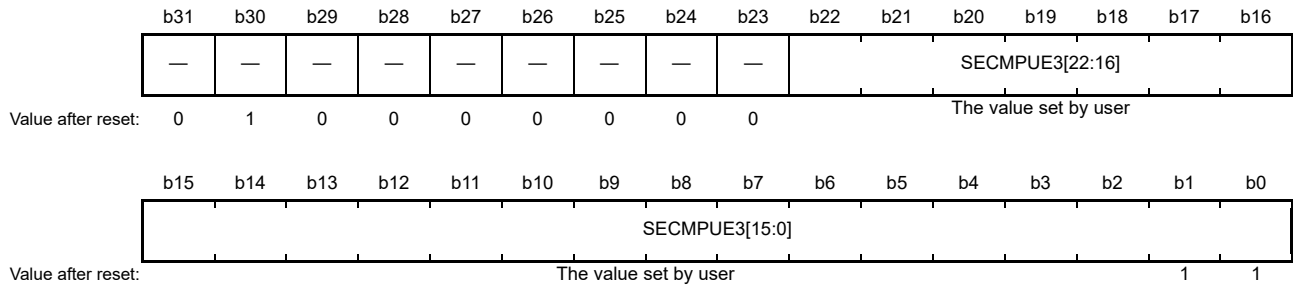


Bit	Symbol	Bit name	Description	R/W
b22 to b0	SECMPUS3[22:0]	Region Start Address	Address where the region starts, for use in region determination. The lower 2 bits are read as 0. The value range should be 400C 0000h to 400D FFFCh and 4010 0000h to 407F FFFCh. When setting this register value in the option-setting memory, the write value of the lower 2 bits should be 0.	R
b31 to b23	—	Reserved	These bits are read as 0100 0000 0b. When setting this register value in the option-setting memory, the write value of these bits should be 0100 0000 0b.	R

The SECMPUS3 and SECMPUE3 registers specify the secure data of the security functions (400C 0000h to 400D FFFFh and 4010 0000h to 407F FFFFh). The memory space defined in the SECMPUS3 and SECMPUE3 registers can only be accessed from the secure program set up in the SECMPUPCSn and SECMPUPCEn registers.

16.6.1.10 Security MPU Region 3 End Address Register (SECMPUE3)

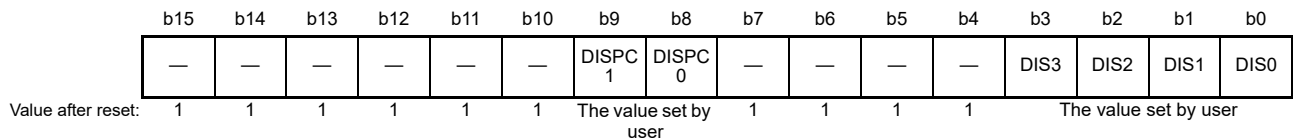
Address(es): SECMPUE3 0000 0434h



Bit	Symbol	Bit name	Description	R/W
b22 to b0	SECMPUE3[22:0]	Region End Address	Address where the region ends, for use in region determination. The lower 2 bits are read as 1. The value range should be 400C 0003h to 400D FFFFh and 4010 0003h to 407F FFFFh. When setting this register value in the option-setting memory, the write value of the lower 2 bits should be 1.	R
b31 to b23	—	Reserved	These bits are read as 0100 0000 0b. When setting this register value in the option-setting memory, the write value of these bits should be 0100 0000 0b.	R

16.6.1.11 Security MPU Access Control Register (SECMPUAC)

Address(es): SECMPUAC 0000 0438h



Bit	Symbol	Bit name	Description	R/W
b0	DIS0	Region 0 Disable	0: Security MPU region 0 enabled 1: Security MPU region 0 disabled.	R
b1	DIS1	Region 1 Disable	0: Security MPU region 1 enabled 1: Security MPU region 1 disabled.	R
b2	DIS2	Region 2 Disable	0: Security MPU region 2 enabled 1: Security MPU region 2 disabled.	R
b3	DIS3	Region 3 Disable	0: Security MPU region 3 enabled 1: Security MPU region 3 disabled.	R
b7 to b4	—	Reserved	These bits are read as 1. When setting this register value in the option-setting memory, the write value of bits [7:4] should be 1.	R
b8	DISPC0	PC Region 0 Disable	0: Security MPU PC region 0 enabled 1: Security MPU PC region 0 disabled.	R
b9	DISPC1	PC Region 1 Disable	0: Security MPU PC region 1 enabled 1: Security MPU PC region 1 disabled.	R
b15 to b10	—	Reserved	These bits are read as 1. When setting this register value in the option-setting memory, the write value of bits [15:10] should be 1.	R

Note: When flash memory is erased, the security MPU is disabled.

Note: To enable and disable the security MPU, see [section 16.6.2, Memory Protection](#).

DIS0 bit (Region 0 Disable)

The DIS0 bit enables or disables the security MPU region 0. If security MPU region 0 is enabled, the code flash region within the limits set up by SECMPUS0 and SECMPUE0 is secure data.

DIS1 bit (Region 1 Disable)

The DIS1 bit enables or disables the security MPU region 1. If security MPU region 1 is enabled, the SRAM region within the limits set up by SECMPUS1 and SECMPUE1 is secure data.

DIS2 bit (Region 2 Disable)

The DIS2 bit enables or disables the security MPU region 2. If security MPU region 2 is enabled, the secure data of the security function region within the limits set up by SECMPUS2 and SECMPUE2 is secure data.

DIS3 bit (Region 3 Disable)

The DIS3 bit enables or disables the security MPU region 3. If security MPU region 3 is enabled, the secure data of the security function region within the limits set up by SECMPUS3 and SECMPUE3 is secure data.

DISPC0 bit (PC Region 0 Disable)

The DISPC0 bit enables or disables the security MPU PC region 0. If security MPU PC region 0 is enabled, the code flash or the SRAM region within the limits set up by SECMPUPCS0 and SECMPUPCE0 contains a secure program.

DISPC1 bit (PC Region 1 Disable)

The DISPC1 bit enables or disables the security MPU PC region 1. If security MPU PC region 1 is enabled, the code flash or the SRAM region within the limits set up by SECMPUPCS1 and SECMPUPCE1 contains a secure program.

16.6.2 Memory Protection

The security MPU protects the secured regions (the code flash, the SRAM, two security functions) from being accessed by non-secure programs. If access to a protected region is detected, the access becomes invalid.

When the security MPU is enabled, DISPC0 or DISPC1 in the Security MPU Access Control Register (SECMPUAC) must be set to 0, and DIS0, DIS1, DIS2, or DIS3 in the Security MPU Access Control Register (SECMPUAC) must be set to 0. When the security MPU is disabled, all bits in DISPC0, DISPC1, DIS0, DIS1, DIS2 and DIS3 in the Security MPU Access Control Register (SECMPUAC) must be set to 1. Other settings in the Security MPU Access Control Register (SECMPUAC) are prohibited.

The security MPU provides access protection in the following conditions:

- Secure data is accessed from a non-secure program
- Secure data is accessed from other than the CPU (DMAC, DTC)
- Secure data is accessed from the debugger.

Secure data can be accessed in the following condition:

- Secure data can be accessed from a secure program.

Note:	Secure program:	Code flash or SRAM regions within the limits set up by SECMPUPCS0 and SECMPUPCE0, Code flash or SRAM regions within the limits set up by SECMPUPCS1 and SECMPUPCE1.
	Non-secure program:	All regions outside the secure program.
	Secure data:	Code flash region within the limits set up by SECMPUS0 and SECMPUE0, SRAM region within the limits set up by SECMPUS1 and SECMPUE1, security function region within the limits set up by SECMPUS2 and SECMPUE2, security function region within the limits set up by SECMPUS3 and SECMPUE3.

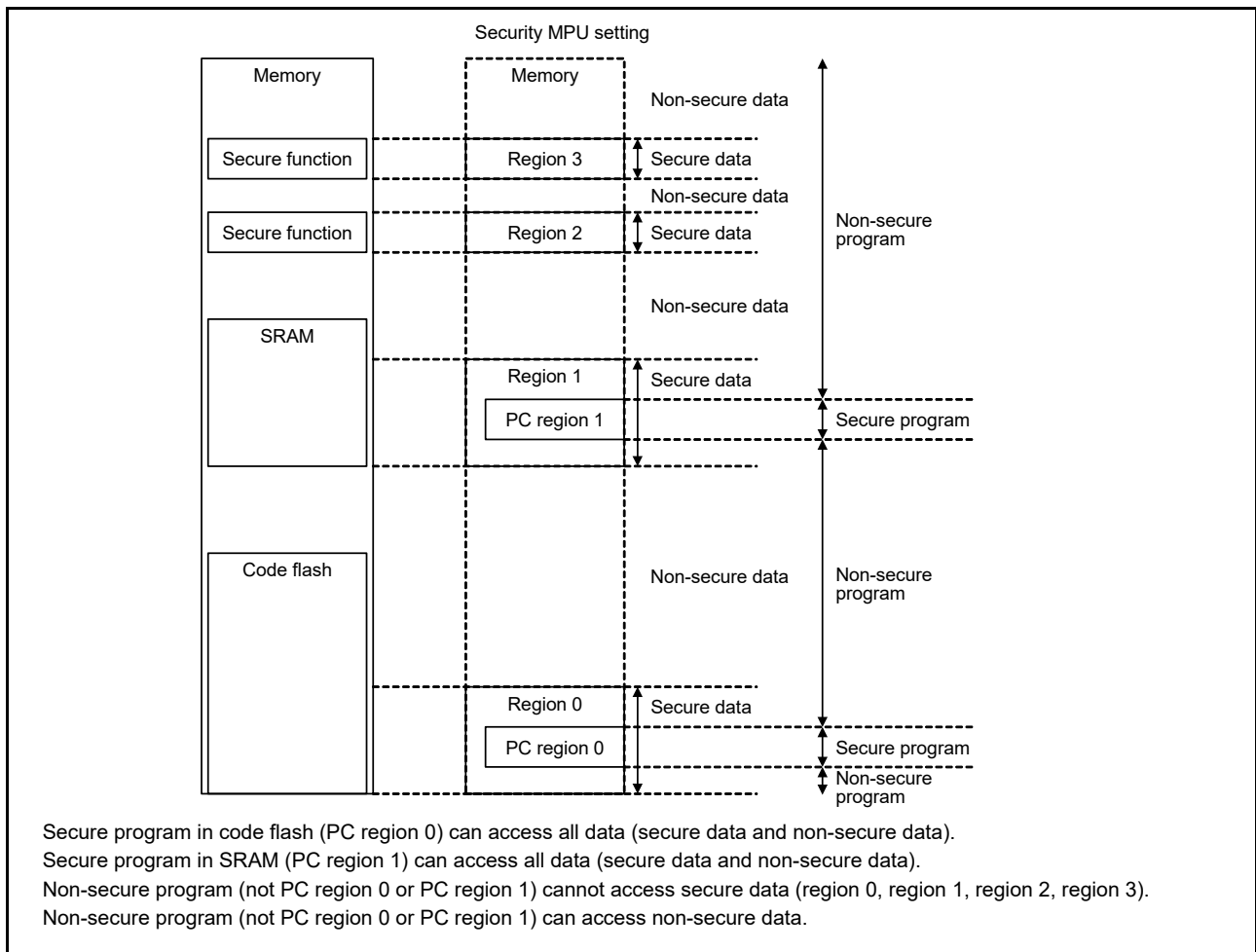


Figure 16.11 Use case of security MPU

16.6.3 Notes on Debug

The protected memory cannot be debugged if the security MPU is enabled. Disable the security MPU when debugging a secure program.

16.7 References

1. *ARM®v7-M Architecture Reference Manual* (ARM DDI 0403D)
2. *ARM® Cortex®-M4 Processor Technical Reference Manual* (ARM DDI 0439D)
3. *ARM® Cortex®-M4 Devices Generic User Guide* (ARM DUI 0553A).

17. DMA Controller (DMAC)

17.1 Overview

The MCU includes a 4-channel DMA Controller (DMAC) that can transfer data without intervention from the CPU. When a DMA transfer request is generated, the DMAC transfers data stored at the transfer source address to the transfer destination address.

[Table 17.1](#) lists the DMAC specifications and [Figure 17.1](#) shows a block diagram.

Table 17.1 DMAC specifications

Parameter		Description
Number of channels		4 channels (DMAC _m , m = 0 to 3)
Transfer space		4 GB (0000 0000h to FFFF FFFFh, excluding reserved areas)
Maximum transfer volume		64M data units (maximum number of transfers in block transfer mode: 1024 data units × 65536 blocks)
DMA activation source		Selectable for each channel: <ul style="list-style-type: none"> • Software trigger • Interrupt requests from peripheral modules or trigger from external interrupt input pins.*1
Channel priority		Channel 0 > Channel 1 > Channel 2 > Channel 3 (Channel 0: highest)
Transfer data	Single data	Bit length: 8, 16, 32 bits
	Block size	Number of data: 1 to 1024
Transfer mode	Normal transfer mode	<ul style="list-style-type: none"> • One data transfer by one DMA transfer request • Selectable free running mode (total number of data transfers is not specified).
	Repeat transfer mode	<ul style="list-style-type: none"> • One data transfer by one DMA transfer request • Program returns to the transfer start address on completion of the repeat size of data transfer specified for the transfer source or destination • Maximum settable repeat size: 1024.
	Block transfer mode	<ul style="list-style-type: none"> • One data block transfer by one DMA transfer request • Maximum settable block size: 1024 data.
Selective functions	Extended repeat area function	<ul style="list-style-type: none"> • Allows data to be transferred by repeating the address values in the specified range, with the upper bit values in the transfer address register remaining fixed • Area of 2 bytes to 128 MB individually selectable as the extended repeat area for transfer source and destination.
Interrupt request (DMAC _m _INT)	Transfer end interrupt	Generated on completion of transferring data volume specified by the transfer counter
	Transfer escape end interrupt	Generated when: <ul style="list-style-type: none"> • The repeat size of data transfer is complete • The source address of the extended repeat area overflows • The destination address of the extended repeat area overflows.
Event link activation (DMAC _m _INT)		An event link request is generated after each data transfer (for block transfer, after each block is transferred)
Module-stop function		Module-stop state can be set to reduce power consumption

Note 1. For details on DMAC activation sources, see [Table 14.3](#), Interrupt Vector Table in [section 14, Interrupt Controller Unit \(ICU\)](#).

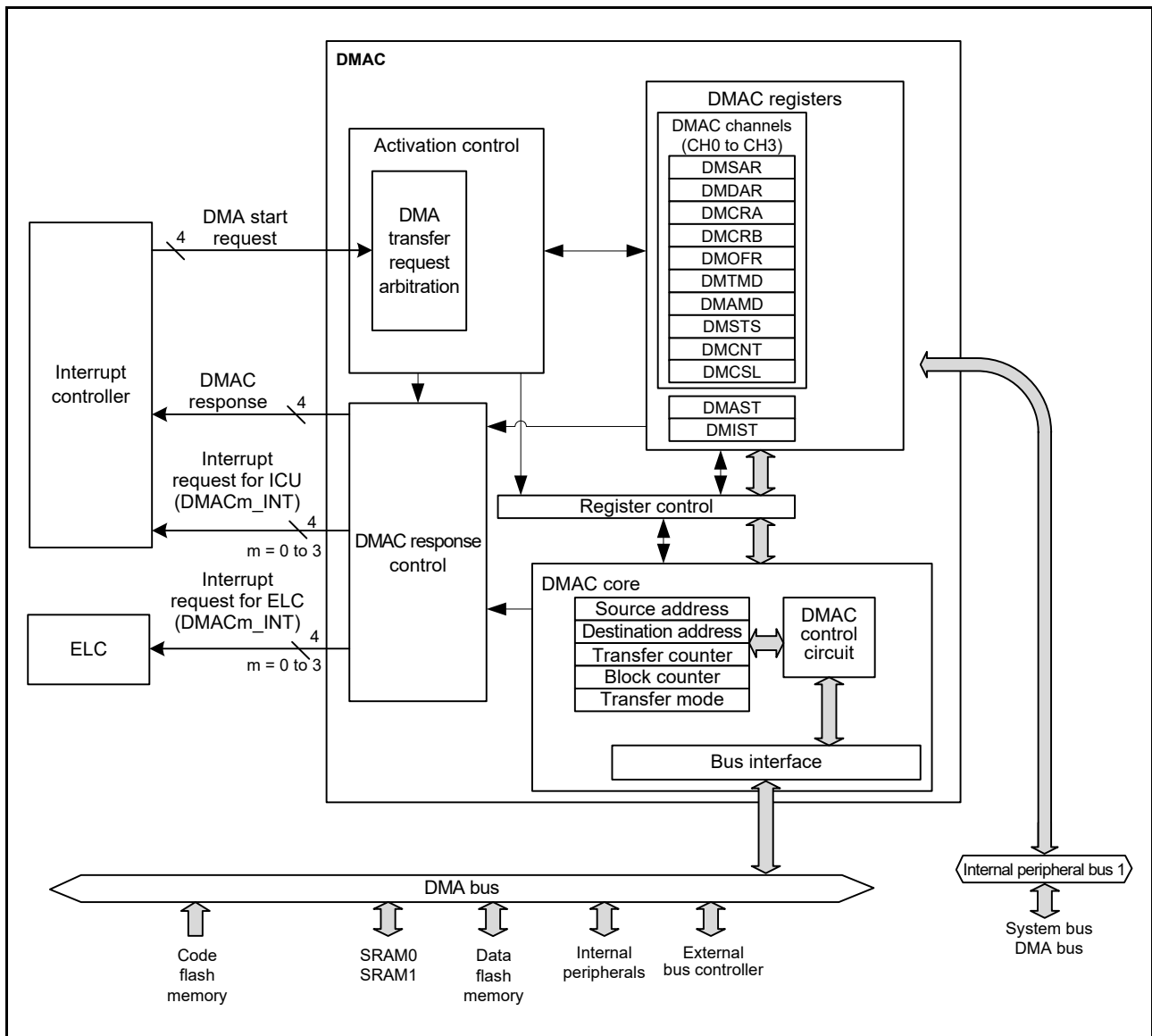
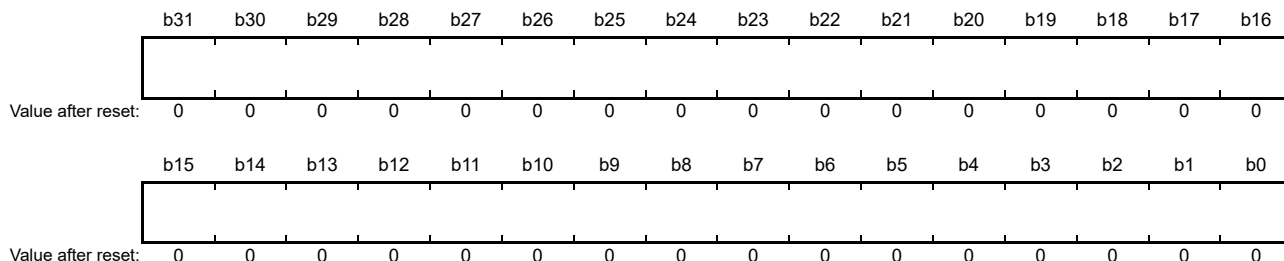


Figure 17.1 DMAC block diagram

17.2 Register Descriptions

17.2.1 DMA Source Address Register (DMSAR)

Address(es): [DMAC0.DMSAR 4000 5000h](#), [DMAC1.DMSAR 4000 5040h](#), [DMAC2.DMSAR 4000 5080h](#), [DMAC3.DMSAR 4000 50C0h](#)



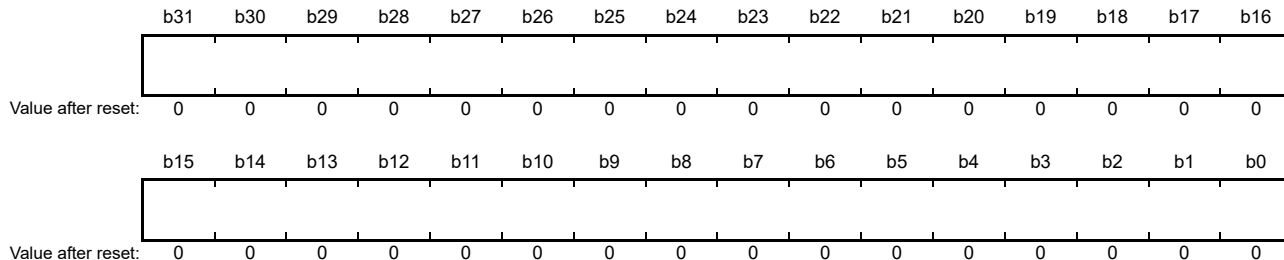
Bit	Description	Setting range	R/W
b31 to b0	Specifies the transfer source start address	0000 0000h to FFFF FFFFh (4 GB)	R/W

Set DMSAR while DMAC activation is disabled (the DMST bit in DMAST = 0) or DMA transfer is disabled (the DTE bit in DMCNT = 0).

Note: Address alignment in this register must match the transfer data size value selected in the SZ bit in DMTMD.

17.2.2 DMA Destination Address Register (DMDAR)

Address(es): [DMAC0.DMDAR 4000 5004h](#), [DMAC1.DMDAR 4000 5044h](#), [DMAC2.DMDAR 4000 5084h](#), [DMAC3.DMDAR 4000 50C4h](#)



Bit	Description	Setting range	R/W
b31 to b0	Specifies the transfer destination start address	0000 0000h to FFFF FFFFh (4 GB)	R/W

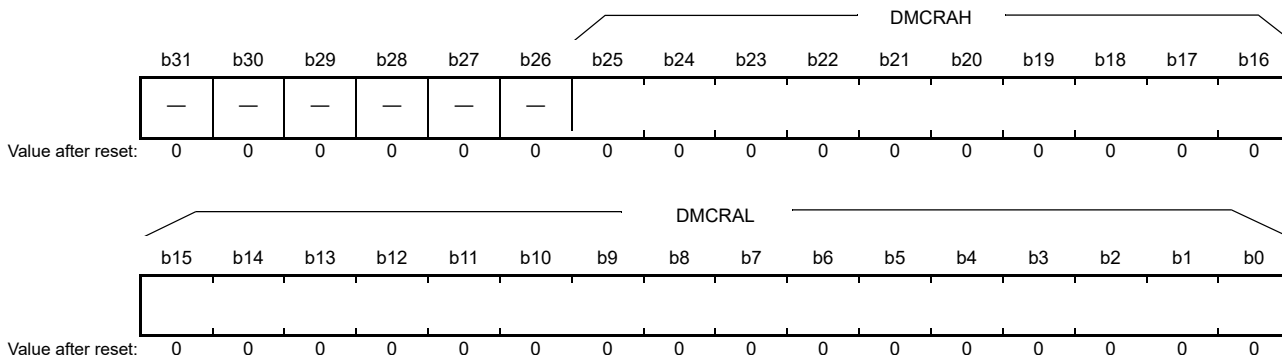
Set DMDAR while DMAC activation is disabled (the DMST bit in DMAST = 0) or DMA transfer is disabled (the DTE bit in DMCNT = 0).

Note: Address alignment in this register must match the transfer data size value selected in the SZ bit in DMTMD.

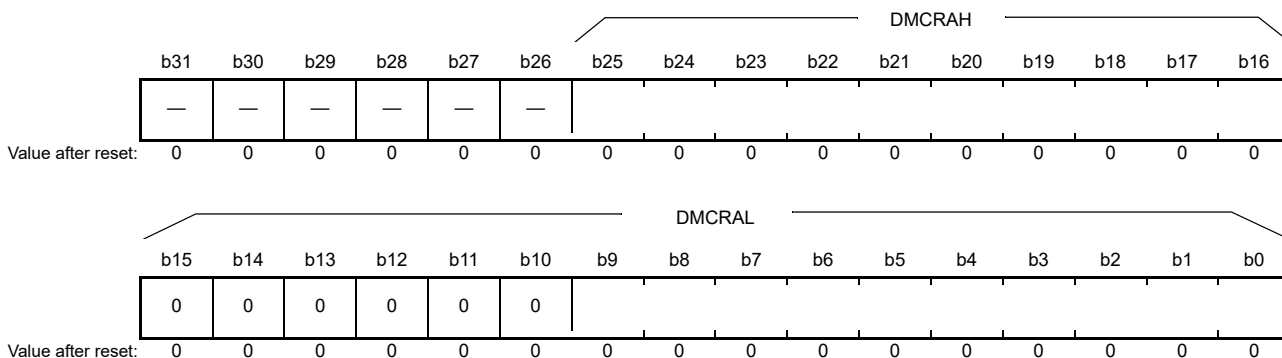
17.2.3 DMA Transfer Count Register (DMCRA)

Address(es): DMAC0.DMCRA 4000 5008h, DMAC1.DMCRA 4000 5048h, DMAC2.DMCRA 4000 5088h, DMAC3.DMCRA 4000 50C8h

- Normal transfer mode



- Repeat transfer mode, block transfer mode



Symbol	Bit name	Description	R/W
DMCRAL	Lower bits of transfer count	Specifies the number of transfer operations	R/W
DMCRAH	Upper bits of transfer count		R/W

Note: In repeat and block transfer modes, set the same value for DMCRAH and DMCRAL.

(1) Normal transfer mode (MD[1:0] bits in DMACm.DMTMD = 00b)

In normal transfer mode, DMCRAL functions as a 16-bit transfer counter. The number of transfer operations is one when the setting is 0001h, and 65535 when it is FFFFh. The value is decremented by one each time data is transferred. A setting of 0000h indicates an unspecified number of transfer operations. Data transfer is performed with the transfer counter stopped, that is, in free running mode. Do not use DMCRAH in normal transfer mode. Write 0000h to DMCRAH.

(2) Repeat transfer mode (MD[1:0] bits in DMACm.DMTMD = 01b)

In repeat transfer mode, DMCRAH specifies the repeat size and DMCRAL functions as a 10-bit transfer counter. The number of transfer operations is one when the setting is 001h, 1023 when it is 3FFh, and 1024 when it is 000h. In this mode, a value in the range of 000h to 3FFh (1 to 1024) can be set for DMCRAH and DMCRAL.

Setting bits [15:10] in DMCRAL is invalid. Write 0 to these bits. The value in DMCRAL is decremented by 1 each time data is transferred until it reaches 000h, at which time the value in DMCRAH is loaded into DMCRAL.

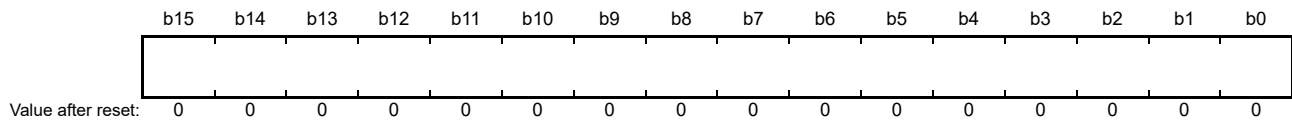
(3) Block transfer mode (MD[1:0] bits in DMACm.DMTMD = 10b)

In block transfer mode, DMCRAH specifies the block size and DMCRAL functions as a 10-bit block size counter. The block size is one when the setting is 001h, 1023 when it is 3FFh, and 1024 when it is 000h. In this mode, a value in the range of 000h to 3FFh can be set for DMCRAH and DMCRAL.

Setting bits [15:10] in DMCRAL is invalid. Write 0 to these bits. The value in DMCRAL is decremented by 1 each time data is transferred until it reaches 000h, at which time the value in DMCRAH is loaded into DMCRAL.

17.2.4 DMA Block Transfer Count Register (DMCRB)

Address(es): [DMAC0.DMCRB 4000 500Ch](#), [DMAC1.DMCRB 4000 504Ch](#), [DMAC2.DMCRB 4000 508Ch](#), [DMAC3.DMCRB 4000 50CCh](#)



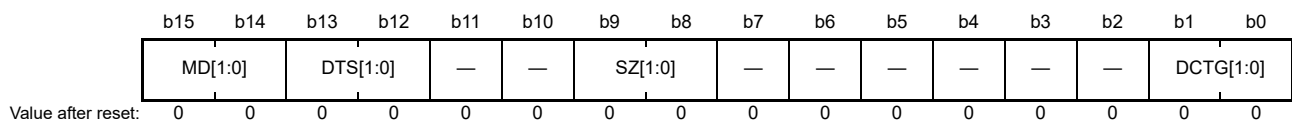
Bit	Description	Setting range	R/W
b15 to b0	Specifies the number of block transfer or repeat transfer operations	0001h to FFFFh (1 to 65535) 0000h (65536).	R/W

DMCRB specifies the number of operations in block and repeat transfer modes. The number of transfer operations is one when the setting is 0001h, 65535 when it is FFFFh, and 65536 when it is 0000h.

In repeat transfer mode, the value is decremented by one when the final data of one repeat size is transferred. In block transfer mode, the value is decremented by 1 when the final data of one block size is transferred. Do not use DMCRB in normal transfer mode as the setting is invalid.

17.2.5 DMA Transfer Mode Register (DMTMD)

Address(es): [DMAC0.DMTMD 4000 5010h](#), [DMAC1.DMTMD 4000 5050h](#), [DMAC2.DMTMD 4000 5090h](#), [DMAC3.DMTMD 4000 50D0h](#)



Bit	Symbol	Bit name	Description	R/W
b1, b0	DCTG[1:0]	Transfer Request Source Select	b1 b0 0 0: Software 0 1: Interrupts*1 from peripheral modules or external interrupt input pins 1 0: Setting prohibited 1 1: Setting prohibited.	R/W
b7 to b2	—	Reserved	These bits are read as 0. The write value should be 0.	R/W
b9, b8	SZ[1:0]	Transfer Data Size Select	b9 b8 0 0: 8 bits 0 1: 16 bits 1 0: 32 bits 1 1: Setting prohibited.	R/W
b11, b10	—	Reserved	These bits are read as 0. The write value should be 0.	R/W
b13, b12	DTS[1:0]	Repeat Area Select	b13 b12 0 0: The destination is specified as the repeat area or block area 0 1: The source is specified as the repeat area or block area 1 0: The repeat area or block area is not specified 1 1: Setting prohibited.	R/W
b15, b14	MD[1:0]	Transfer Mode Select	b15 b14 0 0: Normal transfer 0 1: Repeat transfer 1 0: Block transfer 1 1: Setting prohibited.	R/W

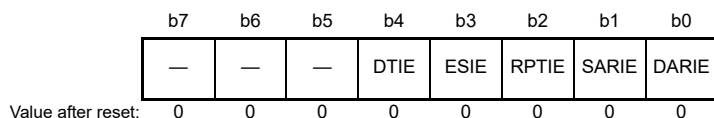
Note 1. To select the DMAC activation source, use the DELSRn registers of the ICU. For details on DMAC activation sources, see [Table 14.4, Event table](#) in [section 14, Interrupt Controller Unit \(ICU\)](#).

[DTS\[1:0\] bits \(Repeat Area Select\)](#)

The DTS[1:0] bits select either the source or destination as the repeat area in repeat transfer mode and the block area in block transfer mode. In normal transfer mode, these bit settings are invalid.

17.2.6 DMA Interrupt Setting Register (DMINT)

Address(es): [DMAC0.DMINT 4000 5013h](#), [DMAC1.DMINT 4000 5053h](#), [DMAC2.DMINT 4000 5093h](#), [DMAC3.DMINT 4000 50D3h](#)



Bit	Symbol	Bit name	Description	R/W
b0	DARIE	Destination Address Extended Repeat Area Overflow Interrupt Enable	0: Disable 1: Enable.	R/W
b1	SARIE	Source Address Extended Repeat Area Overflow Interrupt Enable	0: Disable 1: Enable.	R/W
b2	RPTIE	Repeat Size End Interrupt Enable	0: Disable 1: Enable.	R/W
b3	ESIE	Transfer Escape End Interrupt Enable	0: Disable 1: Enable.	R/W
b4	DTIE	Transfer End Interrupt Enable	0: Disable 1: Enable.	R/W
b7 to b5	—	Reserved	These bits are read as 0. The write value should be 0	R/W

[DARIE bit \(Destination Address Extended Repeat Area Overflow Interrupt Enable\)](#)

When an extended repeat area overflow occurs on the destination address when the DARIE bit is set to 1, the DTE bit in DMCNT sets to 0. At the same time, the ESIF flag in DMSTS sets to 1 to indicate an interrupt triggered by an extended repeat area overflow on the destination address.

When block transfer mode is used with the extended repeat area function, an interrupt occurs after completion of a 1-block size transfer. When the DTE bit is set to 1 in DMACm.DMCNT of the channel associated with the stopped transfer, the transfer resumes from the state it was in when the transfer stopped. When the extended repeat area is not specified for the destination address, this bit is ignored.

[SARIE bit \(Source Address Extended Repeat Area Overflow Interrupt Enable\)](#)

When an extended repeat area overflow occurs on the source address when the SARIE bit is set to 1, the DTE bit in DMCNT sets to 0. At the same time, the ESIF flag in DMSTS sets to 1 to indicate an interrupt request triggered by an extended repeat area overflow on the source address.

When block transfer mode is used with the extended repeat area function, an interrupt occurs after completion of a 1-block size transfer. When the DTE bit is set to 1 in DMACm.DMCNT of the channel associated with the stopped transfer, the transfer resumes from the state it was in when the transfer stopped. When the extended repeat area is not specified for the source address, this bit is ignored.

[RPTIE bit \(Repeat Size End Interrupt Enable\)](#)

When the RPTIE bit is set to 1 in repeat transfer mode, the DTE bit in DMCNT sets to 0 after completion of a 1-repeat size data transfer. At the same time, the ESIF flag in DMSTS sets to 1 to indicate that the repeat size end interrupt request occurred. The repeat size end interrupt request can be generated even when the DTS[1:0] bits in DMTMD are 10b (repeat area or block area is not specified).

When the RPTIE bit is set to 1 in block transfer mode, the DTE bit in DMCNT sets to 0 after completion of a 1-block data transfer in the same way as repeat transfer mode. At the same time, the ESIF flag in DMSTS sets to 1 to indicate that the repeat size end interrupt request occurred. The repeat size end interrupt request can be generated even when the DTS[1:0] bits in DMTMD are 10b (repeat area or block area is not specified).

[ESIE bit \(Transfer Escape End Interrupt Enable\)](#)

The ESIE bit enables the transfer escape end interrupt requests (repeat size end interrupt request and extended repeat area overflow interrupt request) that occur during DMA transfer. The interrupt occurs when this bit is 1 and the ESIF flag in DMSTS is set to 1. To clear the transfer escape end interrupt, clear this bit or the ESIF flag in DMSTS to 0.

DTIE bit (Transfer End Interrupt Enable)

The DTIE bit enables the transfer end interrupt request that occurs on completion of a specified number of data transfers. The interrupt occurs when this bit is 1 and the DTIF flag in DMSTS is set to 1. To clear the transfer end interrupt, clear this bit or the DTIF flag in DMSTS to 0.

17.2.7 DMA Address Mode Register (DMAMD)

Address(es): DMAC0.DMAMD 4000 5014h, DMAC1.DMAMD 4000 5054h, DMAC2.DMAMD 4000 5094h, DMAC3.DMAMD 4000 50D4h



Bit	Symbol	Bit name	Description	R/W
b4 to b0	DARA[4:0]	Destination Address Extended Repeat Area	Specifies the extended repeat area on the destination address. For details on the settings, see Table 17.2 .	R/W
b5	—	Reserved	This bit is read as 0. The write value should be 0.	R/W
b7, b6	DM[1:0]	Destination Address Update Mode	b7 b6 0 0: Destination address is fixed 0 1: Offset addition 1 0: Destination address is incremented 1 1: Destination address is decremented.	R/W
b12 to b8	SARA[4:0]	Source Address Extended Repeat Area	Specifies the extended repeat area on the source address. For details on the settings, see Table 17.2 .	R/W
b13	—	Reserved	This bit is read as 0. The write value should be 0.	R/W
b15, b14	SM[1:0]	Source Address Update Mode	b15 b14 0 0: Source address is fixed 0 1: Offset addition 1 0: Source address is incremented 1 1: Source address is decremented.	R/W

DARA[4:0] bits (Destination Address Extended Repeat Area)

The DARA[4:0] bits specify the extended repeat area on the destination address. The extended repeat area function is realized through an update of the specified lower address bits with the remaining upper address bits fixed. The size of the extended repeat area can be any power of two between 2 bytes and 128 MB. The start address of the extended repeat area is set when the lower address overflows the extended repeat area on an address increment. Similarly, the end address of the extended repeat area is set when the lower address underflows the extended repeat area on an address decrement.

Do not specify the extended repeat area on the destination address when a repeat area or block area is specified as the transfer destination. When repeat or block transfer is selected, and when DMACm.DMTMD.DTS[1:0] = 00b (the transfer destination is specified as the repeat or block area), write 00000b in the DARA[4:0] bits.

To request an interrupt when an overflow or underflow occurs in the extended repeat area, set the DARIE bit in DMINT to 1. [Table 17.2](#) lists the extended repeat areas associated with each setting.

DM[1:0] bits (Destination Address Update Mode)

The DM[1:0] bits select the update mode for the destination address as follows:

- When increment is selected and the SZ[1:0] bits in DMTMD are set to 00b, 01b, and 10b, the destination address is incremented by 1, 2, and 4, respectively
- When decrement is selected and the SZ[1:0] bits in DMTMD are set to 00b, 01b, and 10b, the destination address is decremented by 1, 2, and 4, respectively
- When offset addition is selected, the offset specified in the DMACm.DMOFR register is added to the address.

SARA[4:0] bits (Source Address Extended Repeat Area)

The SARA[4:0] bits specify the extended repeat area on the source address. The extended repeat area function is realized through an update of the specified lower address bits with the remaining upper address bits fixed. The size of the

extended repeat area can be any power of two between 2 bytes and 128 MB. The start address of the extended repeat area is set when the lower address overflows the extended repeat area on an address increment. Similarly, the end address of the extended repeat area is set when the lower address underflows the extended repeat area on an address decrement.

Do not specify the extended repeat area on the source address when the repeat or block area is specified as a transfer source. When repeat or block transfer is selected, and when $DMACm.DMTMD.DTS[1:0] = 01b$ (the transfer source is specified as the repeat area or block area), write 00000b in the $SARA[4:0]$ bits.

To request an interrupt when an overflow or underflow occurs in the extended repeat area, set the SARIE bit in DMINT to 1. Table 17.2 lists the extended repeat areas associated with each setting.

SM[1:0] (Source Address Update Mode)

The SM[1:0] bits select the update mode for the source address:

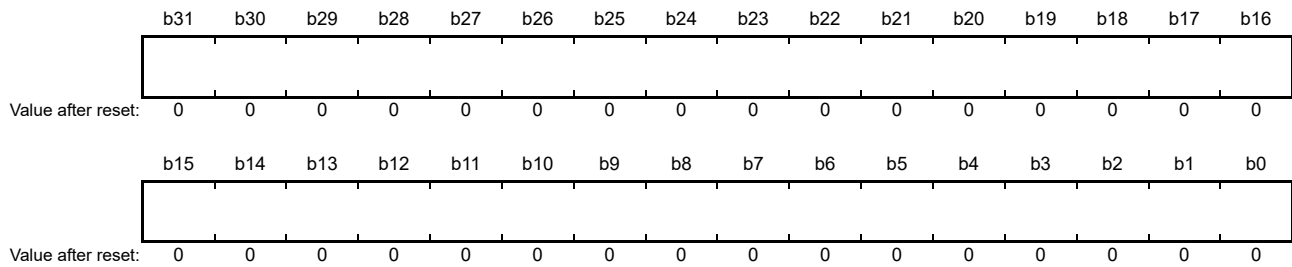
- When increment is selected and the SZ[1:0] bits in DMTMD are set to 00b, 01b, and 10b, the source address is incremented by 1, 2, and 4, respectively
- When decrement is selected and the SZ[1:0] bits in DMTMD are set to 00b, 01b, and 10b, the source address is decremented by 1, 2, and 4, respectively
- When offset addition is selected, the offset specified in the DMACm.DMOFR register is added to the address.

Table 17.2 SARA[4:0] or DARA[4:0] settings and corresponding repeat areas

SARA[4:0] or DARA[4:0]	Extended repeat area
00000b	Not specified
00001b	2 bytes specified as extended repeat area by the lower 1 bit of the address
00010b	4 bytes specified as extended repeat area by the lower 2 bits of the address
00011b	8 bytes specified as extended repeat area by the lower 3 bits of the address
00100b	16 bytes specified as extended repeat area by the lower 4 bits of the address
00101b	32 bytes specified as extended repeat area by the lower 5 bits of the address
00110b	64 bytes specified as extended repeat area by the lower 6 bits of the address
00111b	128 bytes specified as extended repeat area by the lower 7 bits of the address
01000b	256 bytes specified as extended repeat area by the lower 8 bits of the address
01001b	512 bytes specified as extended repeat area by the lower 9 bits of the address
01010b	1 KB specified as extended repeat area by the lower 10 bits of the address
01011b	2 KB specified as extended repeat area by the lower 11 bits of the address
01100b	4 KB specified as extended repeat area by the lower 12 bits of the address
01101b	8 KB specified as extended repeat area by the lower 13 bits of the address
01110b	16 KB specified as extended repeat area by the lower 14 bits of the address
01111b	32 KB specified as extended repeat area by the lower 15 bits of the address
10000b	64 KB specified as extended repeat area by the lower 16 bits of the address
10001b	128 KB specified as extended repeat area by the lower 17 bits of the address
10010b	256 KB specified as extended repeat area by the lower 18 bits of the address
10011b	512 KB specified as extended repeat area by the lower 19 bits of the address
10100b	1 MB specified as extended repeat area by the lower 20 bits of the address
10101b	2 MB specified as extended repeat area by the lower 21 bits of the address
10110b	4 MB specified as extended repeat area by the lower 22 bits of the address
10111b	8 MB specified as extended repeat area by the lower 23 bits of the address
11000b	16 MB specified as extended repeat area by the lower 24 bits of the address
11001b	32 MB specified as extended repeat area by the lower 25 bits of the address
11010b	64 MB specified as extended repeat area by the lower 26 bits of the address
11011b	128 MB specified as extended repeat area by the lower 27 bits of the address
11100b to 11111b	Setting prohibited

17.2.8 DMA Offset Register (DMOFR)

Address(es): [DMAC0.DMOFR 4000 5018h](#), [DMAC1.DMOFR 4000 5058h](#), [DMAC2.DMOFR 4000 5098h](#), [DMAC3.DMOFR 4000 50D8h](#)

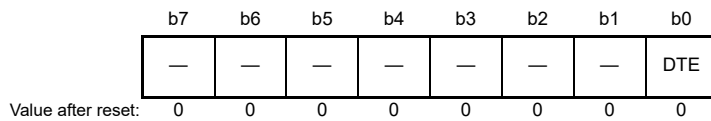


Bit	Description	Setting range	R/W
b31 to b0	Specifies the offset when offset addition is selected as the address update mode for transfer source or destination	0000 0000h to 00FF FFFFh (0 byte to (16 MB – 1 byte)) FF00 0000h to FFFF FFFFh (-16 MB to -1 byte)	R/W

Only write to this register while the DMAC operation is stopped or DMA transfer is disabled, but not during data transfer. Setting bits [31:25] is invalid. The value in bit [24] is extended to bits [31:25]. Reading DMOFR returns the extended value.

17.2.9 DMA Transfer Enable Register (DMCNT)

Address(es): [DMAC0.DMCNT 4000 501Ch](#), [DMAC1.DMCNT 4000 505Ch](#), [DMAC2.DMCNT 4000 509Ch](#), [DMAC3.DMCNT 4000 50DCh](#)



Bit	Symbol	Bit name	Description	R/W
b0	DTE	DMA Transfer Enable	0: Disable 1: Enable.	R/W
b7 to b1	—	Reserved	These bits are read as 0. The write value should be 0.	R/W

DTE bit (DMA Transfer Enable)

The DTE bit enables DMA transfer. To enable DMA transfer, set the DMST bit in DMAST to 1 to enable DMAC activation, and then set the DTE bit to 1 to enable DMA transfer for the associated channel.

[Setting condition]

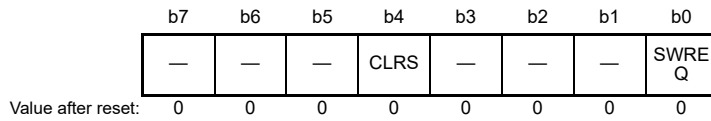
- When 1 is written to this bit.

[Clearing conditions]

- When 0 is written to this bit
- When the specified total volume of data transfer is complete
- When DMA transfer is stopped by a repeat size end interrupt
- When DMA transfer is stopped by an extended repeat area overflow interrupt.

17.2.10 DMA Software Start Register (DMREQ)

Address(es): DMAC0.DMREQ 4000 501Dh, DMAC1.DMREQ 4000 505Dh, DMAC2.DMREQ 4000 509Dh, DMAC3.DMREQ 4000 50DDh



Bit	Symbol	Bit name	Description	R/W
b0	SWREQ	DMA Software Start	0: DMA transfer is not requested 1: DMA transfer is requested.	R/W
b3 to b1	—	Reserved	These bits are read as 0. The write value should be 0.	R/W
b4	CLRS	DMA Software Start Bit Auto Clear Select	0: SWREQ bit is cleared after DMA transfer is started by software 1: SWREQ bit is not cleared after DMA transfer is started by software.	R/W
b7 to b5	—	Reserved	These bits are read as 0. The write value should be 0.	R/W

SWREQ bit (DMA Software Start)

Writing 1 to the SWREQ bit generates a DMA transfer request. After the DMA transfer starts, SWREQ sets to 0 if the CLRS bit is set to 0. SWREQ does not set to 0 if the CLRS bit is 1. The DMA transfer request can be issued again after the transfer is complete.

Note: Setting this bit is valid and DMA transfer by software is enabled only when the DCTG[1:0] bits in DMTMD are set to 00b, specifying software as the DMA activation source. Setting this bit is invalid when the DCTG[1:0] bits in DMTMD are set to any value other than 00b.

To start DMA transfer through software with the CLRS bit set to 0, ensure that the SWREQ bit is 0, and then write 1 to the SWREQ bit.

[Setting condition]

- When 1 is written to this bit.

[Clearing conditions]

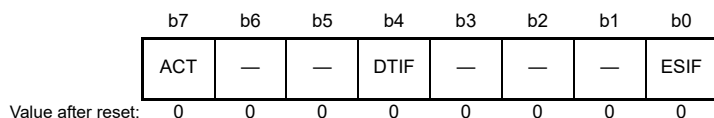
- When a DMA transfer request through software is accepted and DMA transfer is started with the CLRS bit set to 0 (the SWREQ bit is cleared after DMA transfer is started through software)
- When 0 is written to this bit.

CLRS bit (DMA Software Start Bit Auto Clear Select)

When an SWREQ setting of 1 triggers a transfer request, the CLRS bit specifies whether to clear the SWREQ bit to 0 after the DMA transfer starts. When the CLRS bit is set to 0, SWREQ sets to 0 after the DMA transfer starts. When the CLRS bit is set to 1, SWREQ does not set to 0. The DMA transfer request can be issued again after the transfer is complete.

17.2.11 DMA Status Register (DMSTS)

Address(es): [DMAC0.DMSTS 4000 501Eh](#), [DMAC1.DMSTS 4000 505Eh](#), [DMAC2.DMSTS 4000 509Eh](#), [DMAC3.DMSTS 4000 50DEh](#)



Bit	Symbol	Bit name	Description	R/W
b0	ESIF	Transfer Escape End Interrupt Flag	0: No interrupt occurred 1: Interrupt occurred.	R/W*1
b3 to b1	—	Reserved	These bits are read as 0. Writing to these bits has no effect.	R/W
b4	DTIF	Transfer End Interrupt Flag	0: No interrupt occurred 1: Interrupt occurred.	R/W*1
b6, b5	—	Reserved	These bits are read as 0. Writing to these bits has no effect.	R/W
b7	ACT	DMA Active Flag	0: DMAC operation suspended 1: DMAC operating.	R

Note 1. Only 0 can be written to clear the flag.

ESIF flag (Transfer Escape End Interrupt Flag)

The ESIF flag indicates that a transfer escape end interrupt occurred.

[Setting conditions]

- In repeat transfer mode, when one repeat size data transfer completes with the RPTIE bit in DMINT set to 1
- In block transfer mode, when one block data transfer completes with the RPTIE bit in DMINT set to 1
- When an extended repeat area overflow on the source address occurs with the SARIE bit in DMINT set to 1, and the SARA[4:0] bits in DMAMD set to any value other than 00000b (extended repeat area is specified on the transfer source address)
- When an extended repeat area overflow on the destination address occurs with the DARIE bit in DMINT set to 1 and the DARA[4:0] bits in DMAMD set to any value other than 00000b (extended repeat area is specified on the transfer destination address).

[Clearing conditions]

- When 0 is written to this flag
- When 1 is written to the DTE bit in DMCNT.

DTIF flag (Transfer End Interrupt Flag)

The DTIF flag indicates that a transfer end interrupt occurred.

[Setting conditions]

- In normal transfer mode, when the specified number of unit transfers completes (DMCRAL value becomes 0 on completion of transfer)
- In repeat transfer mode, when the specified number of repeat transfer operations completes (DMCRB value becomes 0 on completion of transfer)
- In block transfer mode, when the specified number of blocks is transferred (DMCRB value becomes 0 on completion of transfer).

[Clearing conditions]

- When 0 is written to this flag
- When 1 is written to the DTE bit in DMCNT.

ACT flag (DMA Active Flag)

The ACT flag indicates whether the DMAC is in the idle or active state.

[Setting condition]

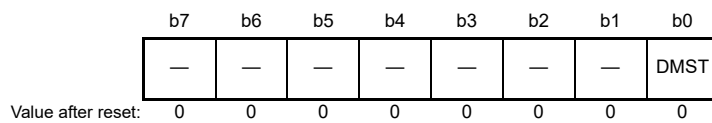
- When the DMAC starts a data transfer.

[Clearing condition]

- When the data transfer in response to one transfer request completes.

17.2.12 DMAC Module Activation Register (DMAST)

Address(es): DMA.DMAST 4000 5200h



Bit	Symbol	Bit name	Description	R/W
b0	DMST	DMAC Operation Enable	0: Disable 1: Enable.	R/W
b7 to b1	—	Reserved	These bits are read as 0. The write value should be 0.	R/W

DMST bit (DMAC Operation Enable)

Setting the DMST bit to 1 enables DMAC activation for all channels. When the DMST bit is set to 1 (DMAC activation is enabled), and 1 is written to the DMACm.DMCNT.DTE bit (DMA transfer is enabled) for multiple channels, all of the associated channels can be placed in the transfer request ready state at the same time.

When the DMST bit sets to 0 during DMA transfer, the DMA transfer is suspended after the current data transfer associated with a single transfer request is complete. To resume the DMA transfer, set the DMST bit to 1 again.

[Setting condition]

- When 1 is written to this bit.

[Clearing condition]

- When 0 is written to this bit.

17.3 Operation

17.3.1 Transfer Mode

(1) Normal transfer mode

In normal transfer mode, one data unit is transferred for one transfer request. You can specify the number of transfer operations, up to a maximum of 65535, in DMACm.DMCRAL. When these bits are set to 0000h, no number of operations is specified and data transfer is performed with the transfer counter stopped (free running mode). A transfer end interrupt request can be generated after completion of the specified number of transfer operations, except when in free running mode. Setting DMACm.DMCRB is invalid in normal transfer mode.

Table 17.3 summarizes the register update operation in normal transfer mode.

Table 17.3 Register update operation in normal transfer mode

Register	Function	Update operation after completion of a transfer for one transfer request
DMACm.DMSAR	Transfer source address	Increment, decrement, fixed, or offset addition
DMACm.DMDAR	Transfer destination address	Increment, decrement, fixed, or offset addition
DMACm.DMCRAL	Transfer count	Decrement by 1 or not updated (in free running mode)
DMACm.DMCRAH	-	Not updated (not used in normal transfer mode)
DMACm.DMCRB	-	Not updated (not used in normal transfer mode)

Figure 17.2 shows the operation in normal transfer mode.

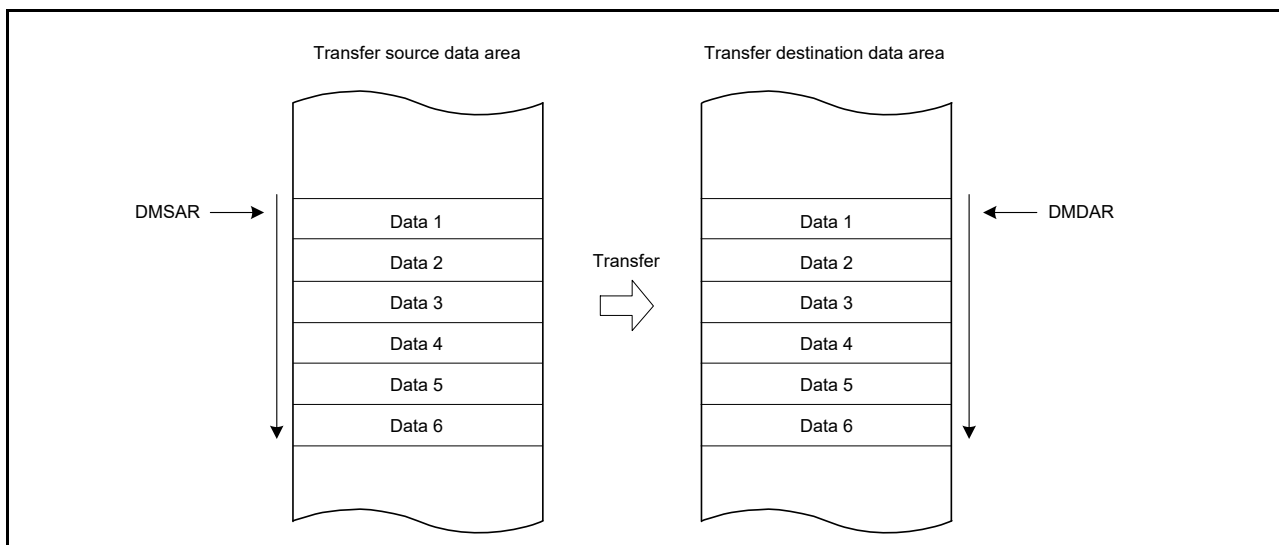


Figure 17.2 Operation in normal transfer mode

(2) Repeat transfer mode

In repeat transfer mode, one data unit is transferred for one transfer request.

The repeat transfer size, up to a maximum of 1K data units, is set in DMACm.DMCRA. The number of repeat transfers, up to a maximum number of 64K, is set in DMACm.DMCRB. The total data transfer size can be set to a maximum of 64M data units (1K data units × 64K repeat transfers).

You can specify either the transfer source or destination as a repeat area. When transfer of the repeat size data is complete, the address of the specified repeat area (DMSAR or DMDAR in DMACm) returns to the transfer start address. In this mode, when all data of the specified repeat size is transferred, the DMA transfer can be stopped and a repeat size end interrupt can be requested. To resume DMA transfer, write 1 to the DTE bit in DMACm.DMCNT during repeat size end interrupt handling.

A transfer end interrupt request can be generated after completion of the specified number of repeat transfers.

Table 17.4 summarizes the register update operation in repeat transfer mode, and Figure 17.3 shows the operation in repeat transfer mode.

Table 17.4 Register update operation in repeat transfer mode

Register	Function	Update operation after completion of a transfer for one transfer request	
		When DMACm.DMCRAL is not 1	When DMACm.DMCRAL is 1 (transfer of the last repeat size data unit)
DMACm.DMSAR	Transfer source address	Increment/decrement/offset addition	<ul style="list-style-type: none"> DMACm.DMTMD.DTS[1:0] = 00b Increment, decrement, fixed, or offset addition DMACm.DMTMD.DTS[1:0] = 01b Initial value of DMACm.DMSAR DMACm.DMTMD.DTS[1:0] = 10b Increment, decrement, fixed, or offset addition.
DMACm.DMDAR	Transfer destination address	Increment/decrement/offset addition	<ul style="list-style-type: none"> DMACm.DMTMD.DTS[1:0] = 00b Initial value of DMACm.DMDAR DMACm.DMTMD.DTS[1:0] = 01b Increment, decrement, fixed, offset addition DMACm.DMTMD.DTS[1:0] = 10b Increment, decrement, fixed, or offset addition.
DMACm.DMCRAH	Repeat size	Not updated	Not updated
DMACm.DMCRAL	Transfer count	Decrement by 1	DMACm.DMCRAH
DMACm.DMCRB	Count of repeat transfer operations	Not updated	Decrement by 1

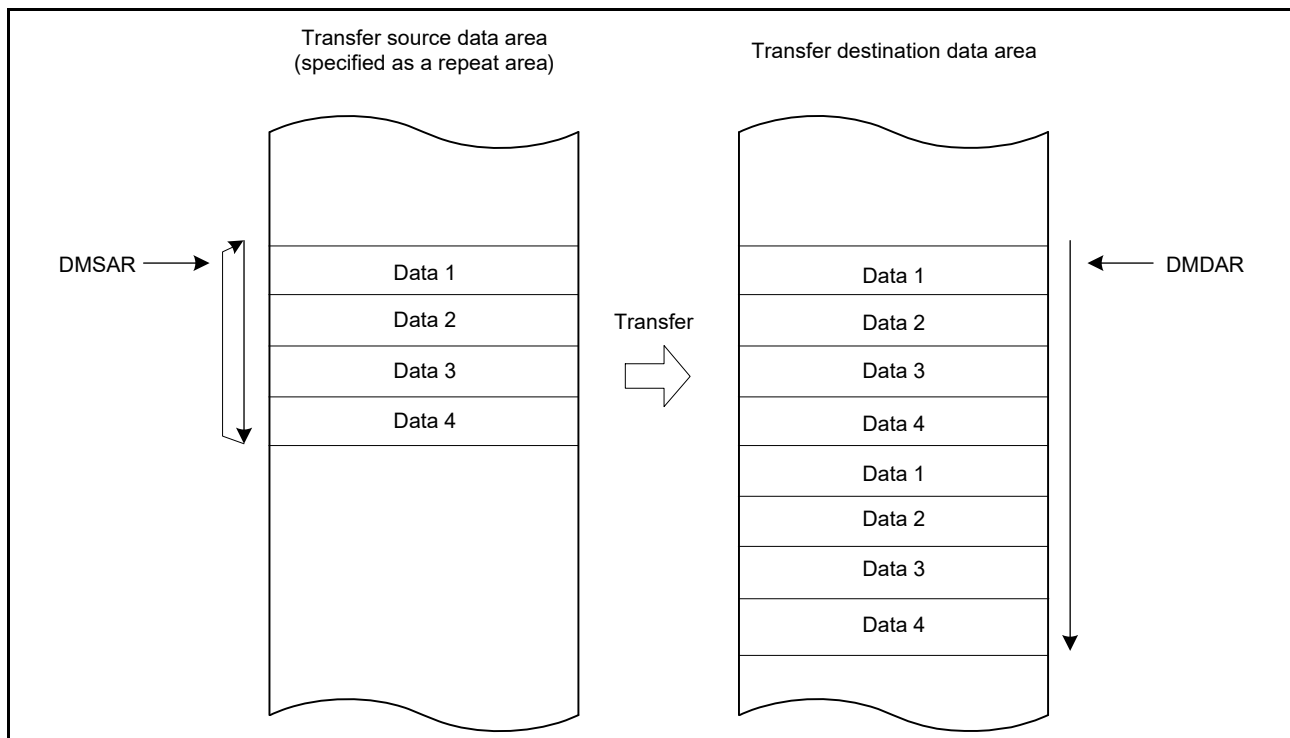


Figure 17.3 Operation in repeat transfer mode

(3) Block transfer mode

In block transfer mode, a single data block is transferred for one transfer request. The block transfer size, up to a maximum of 1K data units, is set in DMACm.DMCRA. The number of block transfers, up to a maximum of 64K, is set in DMACm.DMCRB. A total data transfer size up to a maximum of 64M data units (1K data units × 64K block transfers) can be set.

You can specify either the transfer source or destination as a block area. When transfer of a single data block is complete, the address of the specified block area (DMSAR or DMDAR in DMACm) returns to the transfer start address. In this mode, when all data in a single block is transferred, you can stop DMA transfer and request a repeat size end interrupt. To resume DMA transfer, write 1 to the DTE bit in DMACm.DMCNT during repeat size end interrupt handling.

A transfer end interrupt request can be generated after completion of the specified number of block transfers. Table 17.5 summarizes the register update operation in block transfer mode, and Figure 17.4 shows the operation in block transfer mode.

Table 17.5 Register update operation in block transfer mode

Register	Function	Update operation after completion of single-block transfer for one transfer request
DMACm.DMSAR	Transfer source address	<ul style="list-style-type: none"> DMACm.DMTMD.DTS[1:0] = 00b Increment, decrement, fixed, or offset addition DMACm.DMTMD.DTS[1:0] = 01b Initial value of DMACm.DMSAR DMACm.DMTMD.DTS[1:0] = 10b Increment, decrement, fixed, or offset addition.
DMACm.DMDAR	Transfer destination address	<ul style="list-style-type: none"> DMACm.DMTMD.DTS[1:0] = 00b Initial value of DMACm.DMDAR DMACm.DMTMD.DTS[1:0] = 01b Increment, decrement, fixed, or offset addition DMACm.DMTMD.DTS[1:0] = 10b Increment, decrement, fixed, or offset addition.
DMACm.DMCRAH	Block size	Not updated
DMACm.DMCRAL	Transfer count	DMACm.DMCRAH
DMACm.DMCRB	Count of block transfer operations	Decremented by 1

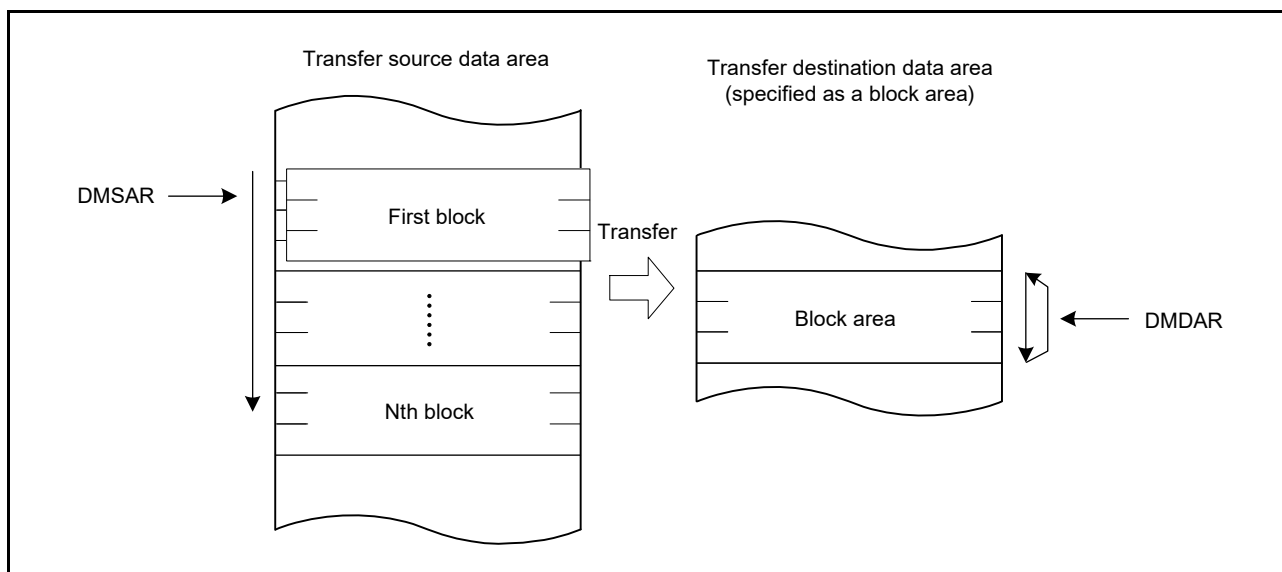


Figure 17.4 Operation in block transfer mode

17.3.2 Extended Repeat Area Function

The DMAC supports extended repeat areas on the transfer source and destination addresses, specified separately in the DMA Source Address Register (DMSAR) and DMA Destination Address Register (DMDAR) of DMACm. When this function is set, the address registers repeatedly indicate the addresses of the specified extended repeat areas. The extended repeat area on the source address is specified in the SARA[4:0] bits in DMACm.DMAMD.

The extended repeat area on the destination address is specified in the DARA[4:0] bits in DMACm.DMAMD. You can specify different sizes for the source and destination. However, you must not specify a transfer source or destination that is set as the repeat or block area as the extended repeat area.

When the address register value reaches the end address of the extended repeat area and the extended repeat area overflows, DMA transfer is stopped and an extended repeat area overflow interrupt can be requested. When an overflow occurs in the extended repeat area on the transfer source while the SARIE bit in DMACm.DMINT is set to 1, the ESIF flag in DMACm.DMSTS is set to 1 and the DTE bit in DMACm.DMCNT sets to 0 to stop DMA transfer. At this point, if the ESIE bit in DMACm.DMINT is set to 1, an interrupt by an extended repeat area overflow is requested. When the DARIE bit in DMINT of DMACm is set to 1, the destination address register becomes a target for the function. To resume DMA transfer, write 1 to the DTE bit in DMACm.DMCNT during interrupt handling.

Figure 17.5 shows an example of the extended repeat area operation.

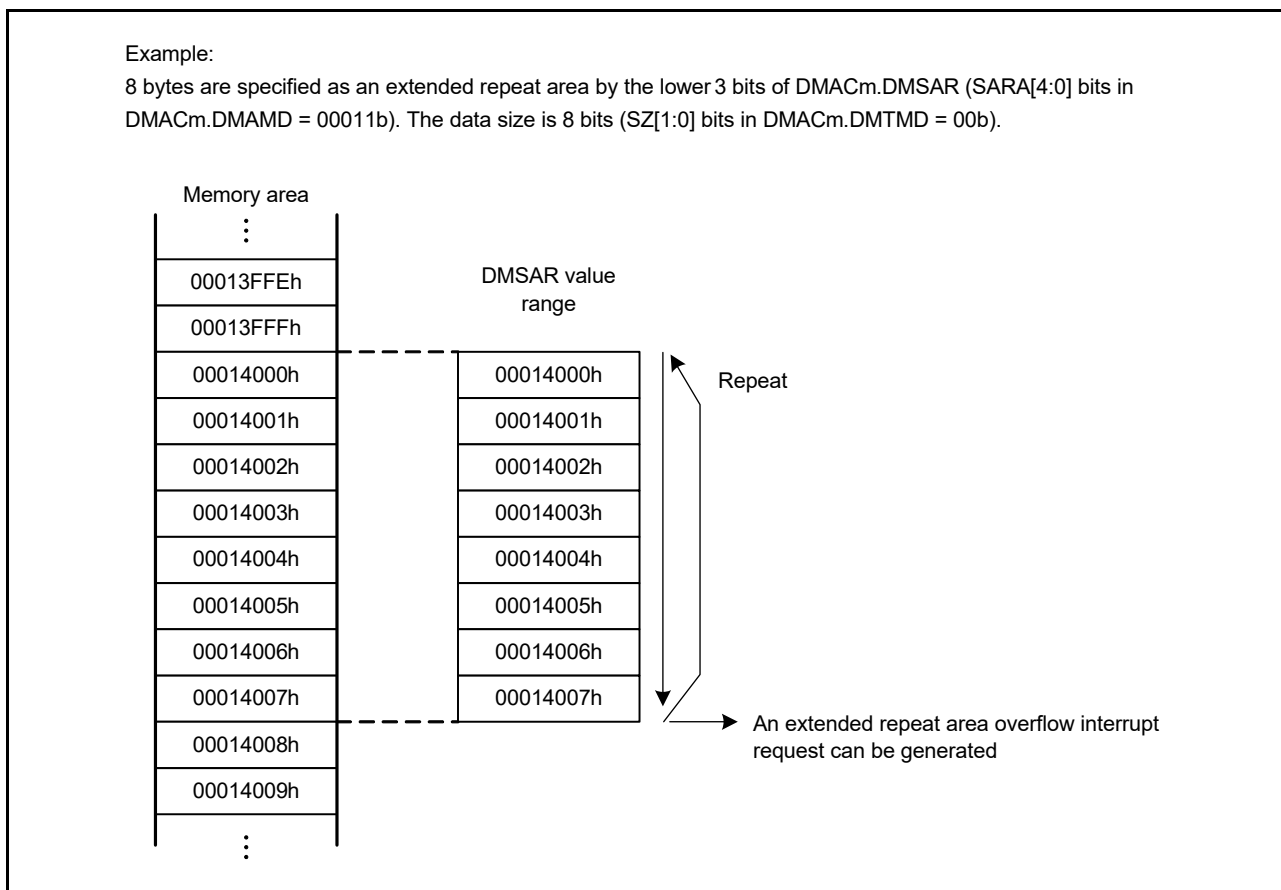


Figure 17.5 Example of extended repeat area operation

When using extended repeat area overflow interrupts in block transfer mode, consider the following points:

- When a transfer is stopped by an extended repeat area overflow interrupt, the address register must be set so that the block size is a power of 2 or the block size boundary is aligned with the extended repeat area boundary. When an overflow on the extended repeat area occurs during a transfer of one block, the overflow interrupt is suspended until transfer of the block is complete, and the transfer overruns.

Figure 17.6 shows an example of using the extended repeat area function in block transfer mode.

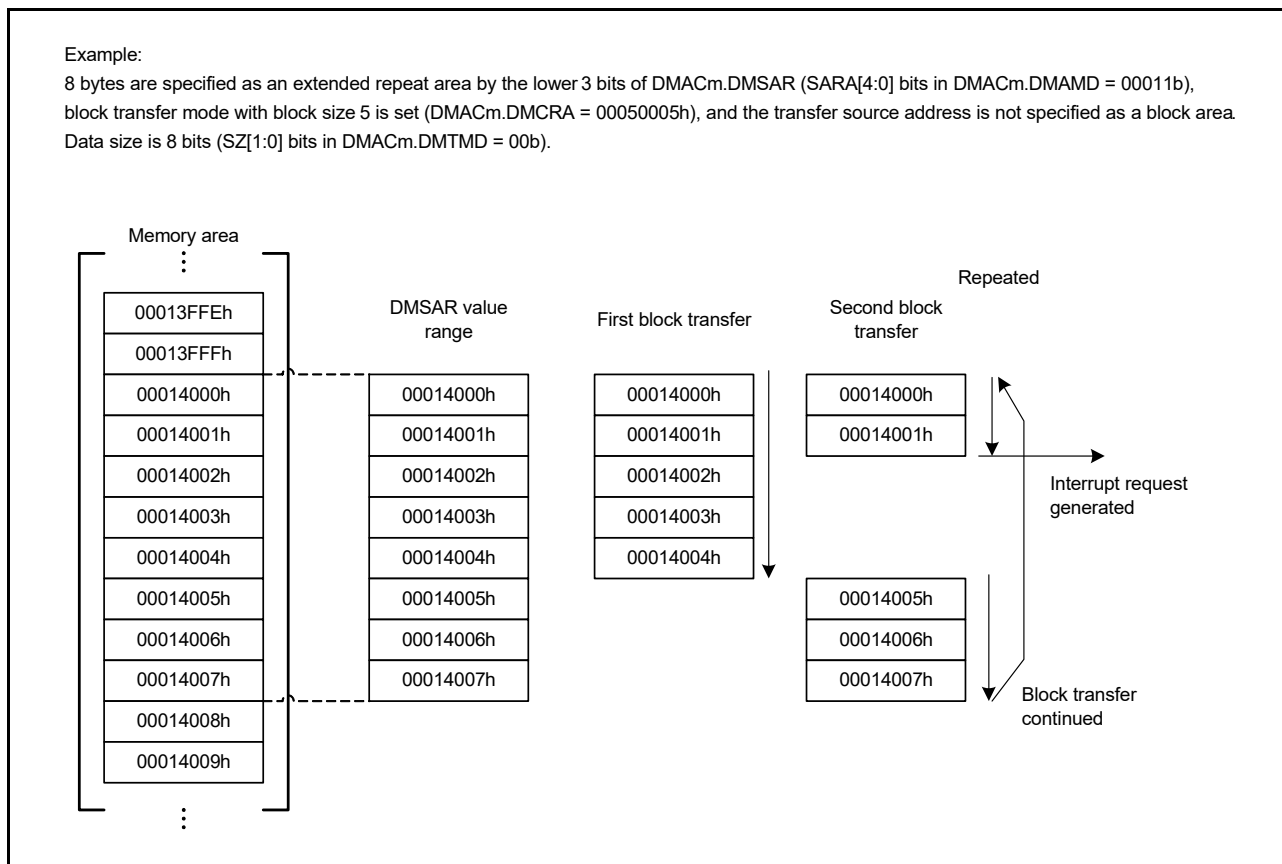


Figure 17.6 Example of extended repeat area function in block transfer mode

17.3.3 Address Update Function Using Offset

The source and destination addresses can be updated by fixing, incrementing, decrementing, or adding an offset. When offset addition is selected, the offset specified in the DMA Offset Register (DMACm.DMOFR) is added to the address every time the DMAC performs one data transfer. This function performs a data transfer when addresses are allocated to separated areas. You can also subtract an offset by setting a negative value in DMACm.DMOFR. The negative value must be in two's complement.

Table 17.6 shows the address update method in each address update mode.

Table 17.6 Address update method in each address update mode

Address update mode	Settings of DMACm.DMAMD.SM[1:0] and DMACm.DMAMD.DM[1:0] for address update modes	Address update method for different SZ[1:0] settings in DMACm.DMTMD		
		SZ[1:0] = 00b	SZ[1:0] = 01b	SZ[1:0] = 10b
Address fixed	00b	Fixed		
Offset addition	01b	+DMACm.DMOFR*1		
Increment	10b	+1	+2	+4
Decrement	11b	-1	-2	-4

Note 1. When setting a negative value in the DMA Offset Register, the value must be in two's complement, obtained by the following formula:
 Two's complement of a negative offset value = $\sim(\text{offset}) + 1$ (\sim : bit inversion)

(1) Basic transfer using offset addition

Figure 17.7 shows an example of address updating using offset addition.

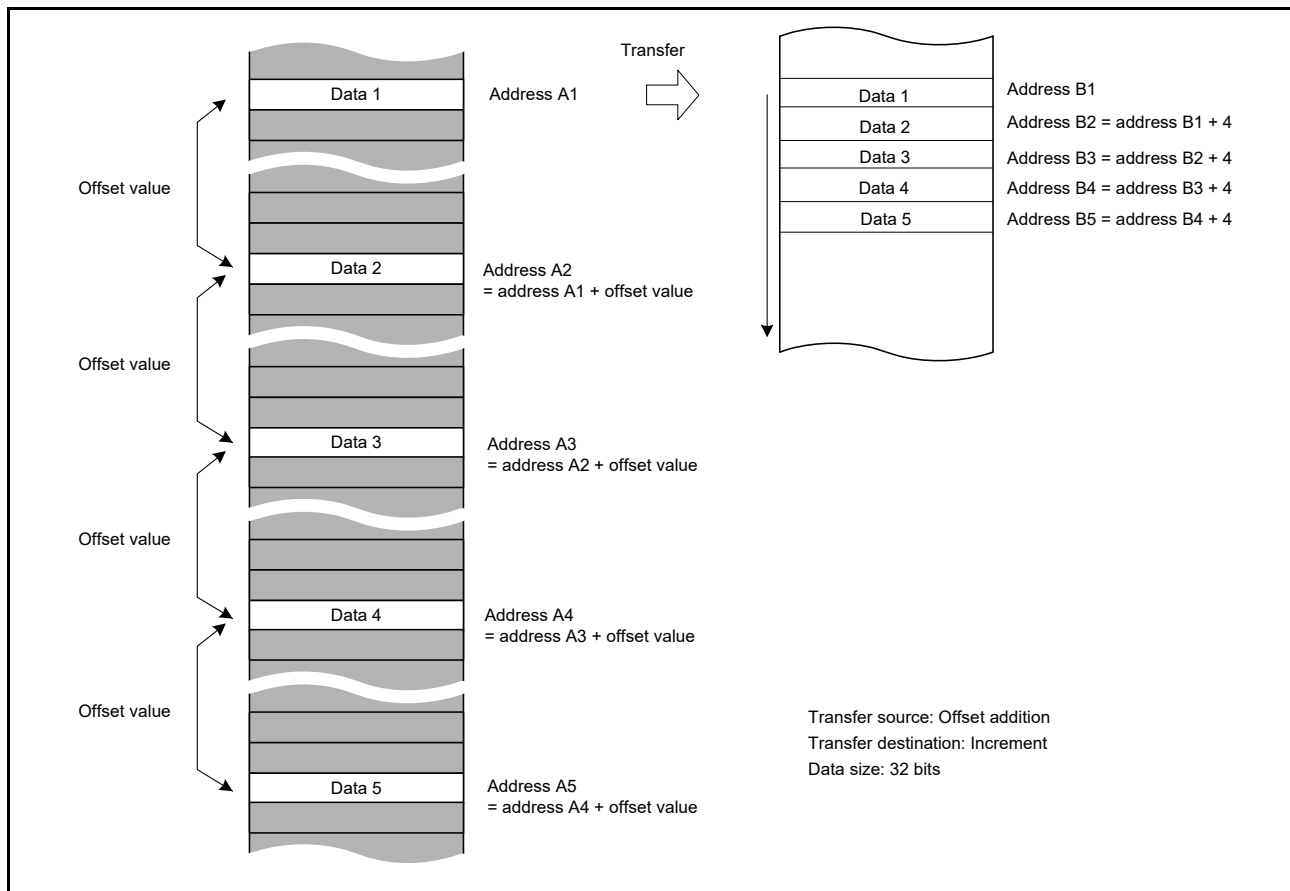


Figure 17.7 Example of address updating through offset addition

In Figure 17.7:

- The transfer data is 32 bits long
- Offset addition is set as the transfer source address update mode
- Increment is set as the transfer destination address update mode.

The second and subsequent data units are each read from the source address obtained by adding the offset value to the previous address. The data read from the addresses at the specified intervals is written to continuous locations on the destination.

(2) Example of XY conversion using offset addition

Figure 17.8 shows the XY conversion using offset addition in repeat transfer mode. The settings are as follows:

- DMAC0.DMAMD — Transfer source address update mode: offset addition
- DMAC0.DMAMD — Transfer destination address update mode: destination address is incremented
- DMAC0.DMTMD — Transfer data size select: 32 bits
- DMAC0.DMTMD — Transfer mode select: repeat transfer
- DMAC0.DMTMD — Repeat area select: the source is specified as the repeat area
- DMAC0.DMOFR — Offset address: 10h
- DMAC0.DMCRA — Repeat size: 4h
- DMAC0.DMINT — The repeat size end interrupt is enabled.

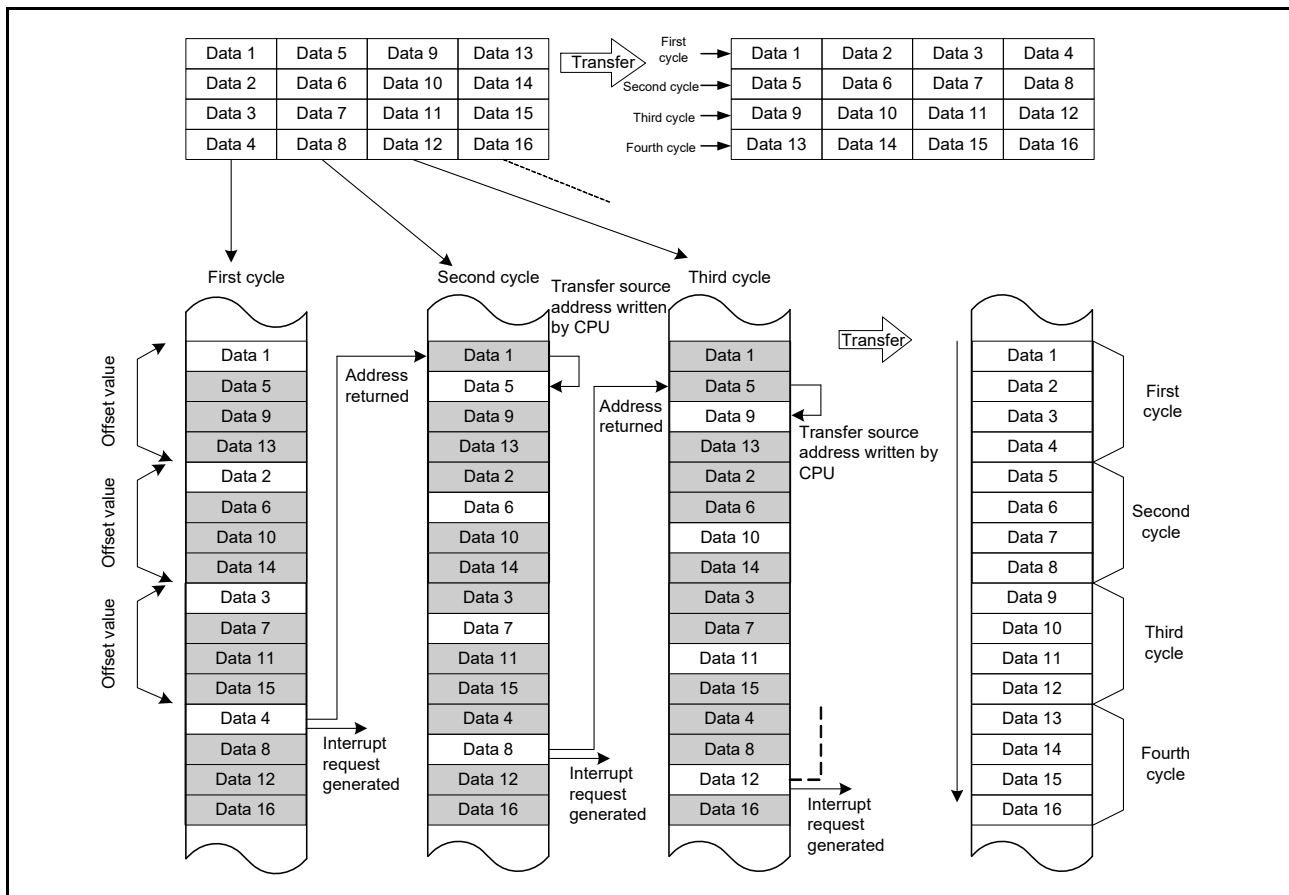


Figure 17.8 XY conversion operation using offset addition in repeat transfer mode

When a transfer starts, the offset value is added to the transfer source address every time data is transferred. The transfer data is written to continuous destination addresses. When data 4 is transferred:

- The repeat size of the transfers is complete
- The transfer source address returns to the transfer start address (the address of data 1 on the transfer source)
- A repeat size end interrupt is requested.

During the time this interrupt pauses the transfer, perform the following:

- DMAC0.DMSAR — Rewrite the DMA transfer source address to the address of data 5 (in this example, the data 1 address + 4)
- DMAC0.DMCNT — Set the DTE bit to 1.

The DMA transfer resumes from the state when the DMA transfer was stopped. The same operations are repeated until the transfer source data is transposed to the destination area (XY conversion).

Figure 17.9 shows a flow of the XY conversion.

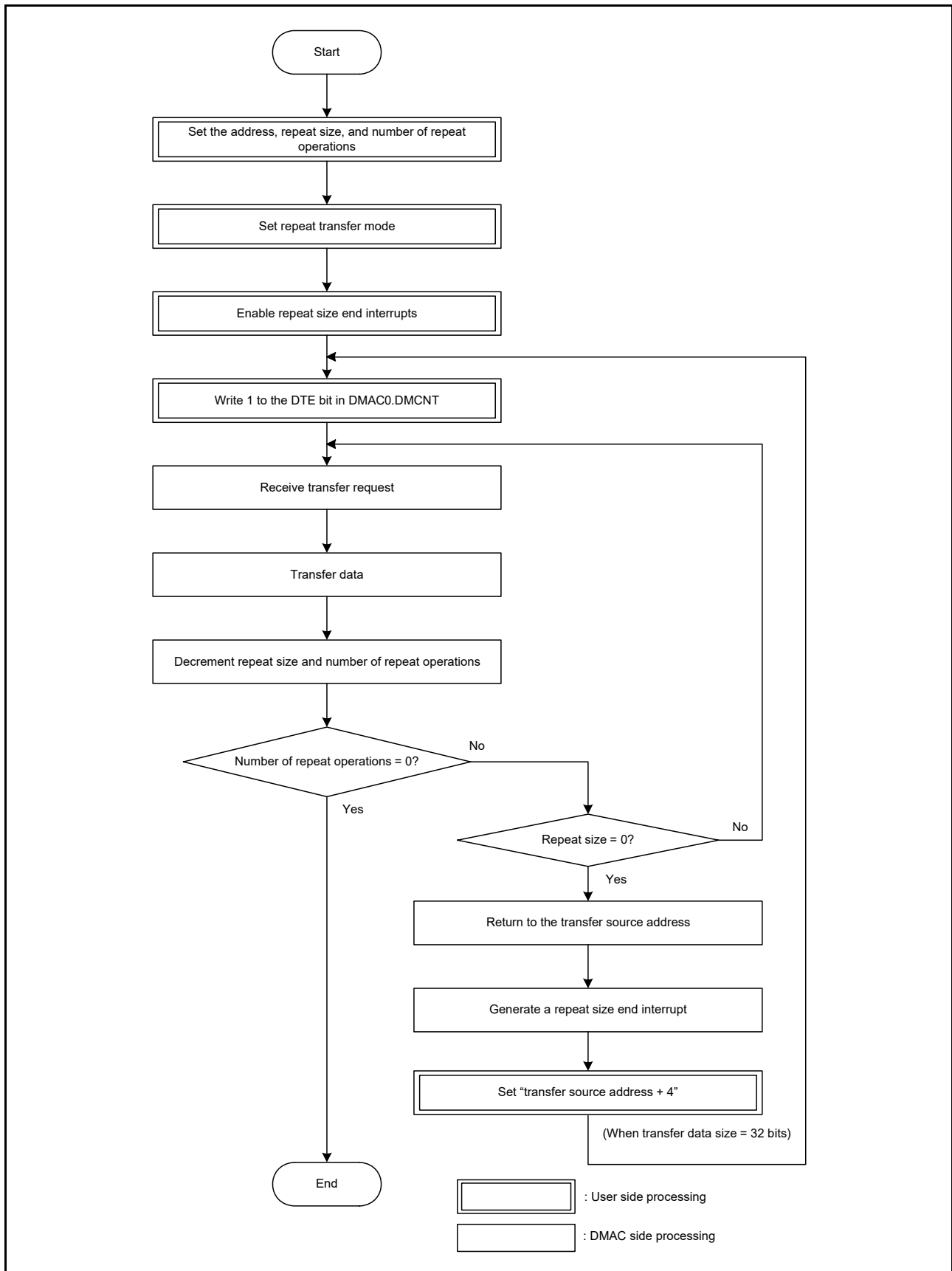


Figure 17.9 XY conversion flow using offset addition in repeat transfer mode

17.3.4 Activation Sources

Software, the interrupt requests from the peripheral modules, and external interrupt requests can all be specified as DMAC activation sources. Set the DCTG[1:0] bits in DMACm.DMTMD to select the activation source.

(1) DMAC activation through software

To start DMA transfer through software:

1. Set the DCTG[1:0] bits in DMACm.DMTMD to 00b.
2. Set the DTE bit in DMACm.DMCNT to 1 (enable DMA transfer).
3. Set the DMST bit in DMAST to 1 (enable DMAC activation).
4. Set the SWREQ bit in DMACm.DMREQ to 1 (request DMA).

When the DMAC is activated by software while the CLRS bit in DMACm.DMREQ is 0, the SWREQ bit in DMACm.DMREQ sets to 0 after data transfer starts in response to a DMA transfer request.

When the DMAC is activated by software while the CLRS bit is 1, SWREQ does not set to 0 after data transfer starts. A DMA transfer request is issued again after completion of a transfer.

(2) DMAC activation through interrupt requests from on-chip peripheral modules or external interrupt requests

You can specify interrupt requests from on-chip peripheral modules and external interrupt requests as DMAC activation sources. The activation source can be individually selected for each channel in ICU.DELSRn.DELS[7:0] (n = 0 to 3).

To start DMAC transfer through an interrupt request from an on-chip peripheral module or an external interrupt request:

1. Set the DCTG[1:0] bits in DMACm.DMTMD to 01b (select interrupts from the peripheral modules and the external interrupt pins).
2. Set the DTE bit in DMACm.DMCNT to 1 (enable DMA transfer).
3. Set ICU.DELSRn.DSEL to the event number (select the DMAC event link).
4. Set the DMST bit in DMAST to 1 (enable DMAC activation).

For interrupt requests specified as DMAC activation sources, see [Table 14.3, Interrupt vector table](#) in [section 14, Interrupt Controller Unit \(ICU\)](#).

17.3.5 Operation Timing

The following timing diagrams show the minimum number of execution cycles.

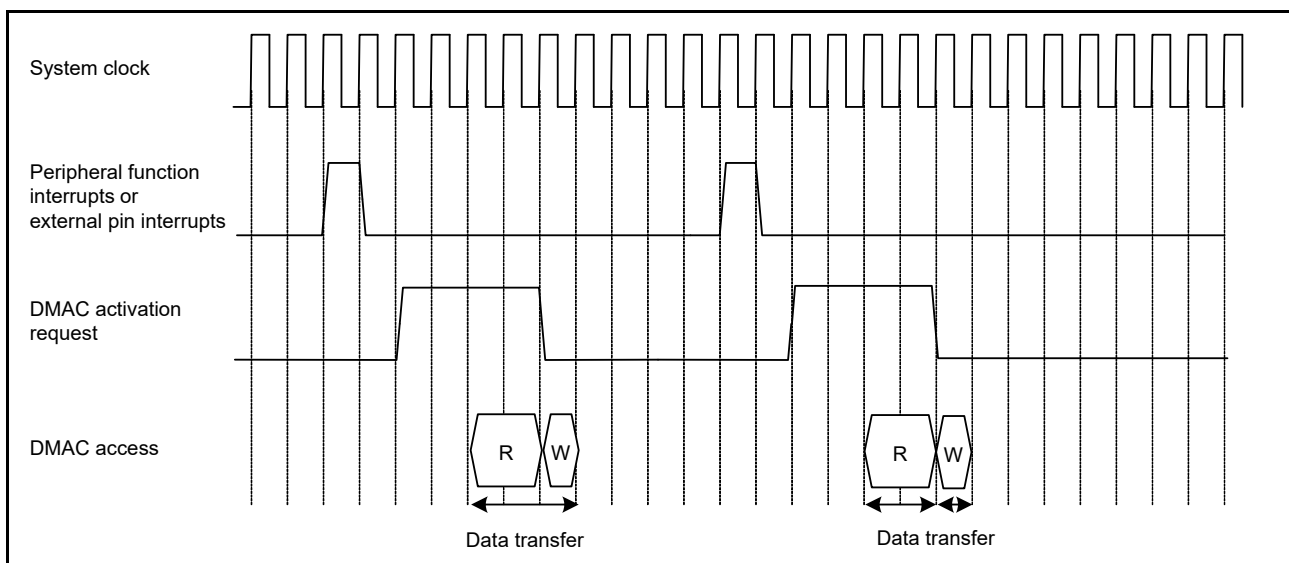


Figure 17.10 DMAC operation timing example 1 with DMA activation by interrupt from peripheral module or external interrupt input pin, in normal transfer mode or repeat transfer mode

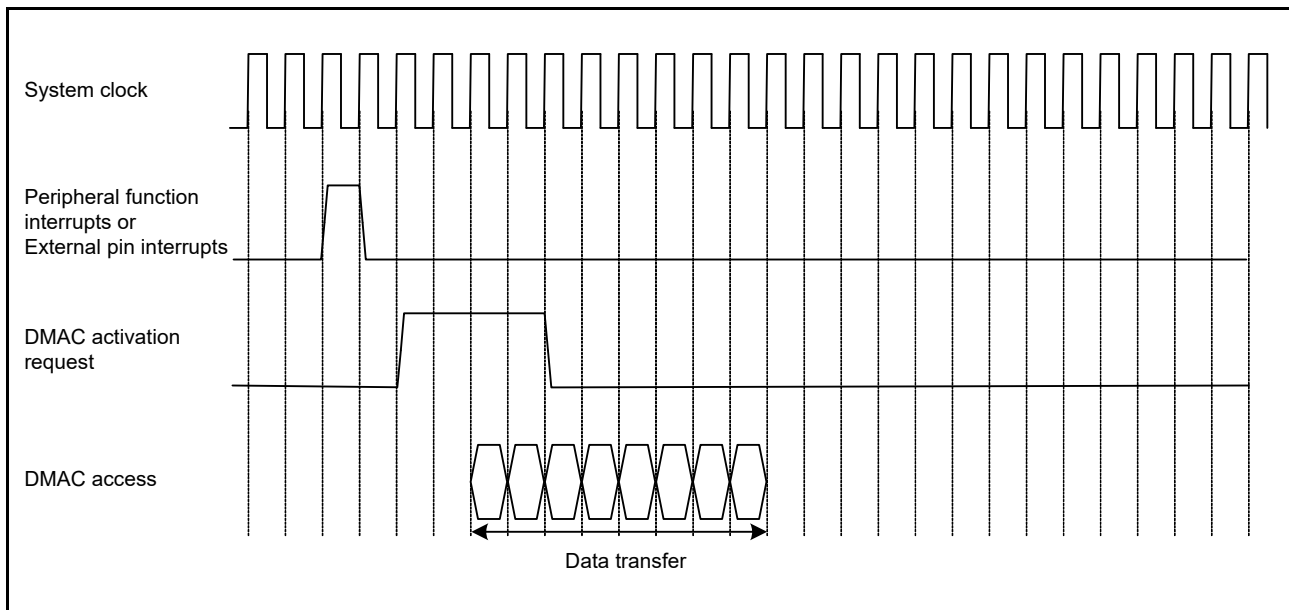


Figure 17.11 DMAC operation timing example 2 with DMA activation by interrupt from peripheral module or external interrupt input pin, in block transfer mode with block size = 4

17.3.6 Execution Cycles of DMAC

Table 17.7 lists the execution cycles in one DMAC data transfer operation.

Table 17.7 DMAC execution cycles

Transfer mode	Data transfer (read)	Data transfer (write)
Normal	Cr+1	Cw
Repeat	Cr+1	Cw
Block*1	P × Cr	P × Cw

Note: P = Block size (DMCRAH register setting).
 Cr = Read destination access cycle.
 Cw = Data write destination access cycle.

Note 1. This is the case when the block size is 2 or more. When the block size is 1, normal transfer cycle applies.

Cr and Cw depend on the access destination. For the number of cycles for each access destination, see [section 46, SRAM](#), [section 47, Flash Memory](#), and [section 15, Buses](#). The frequency ratio of the system clock and the peripheral clock is also taken into consideration.

The unit for +1 in the data transfer (read) column is 1 system clock cycle, ICLK. For the operation example, see [section 17.3.5, Operation Timing](#).

The DMAC response time is the time from when the DMAC activation source is detected until the DMAC transfer starts. [Table 17.7](#) does not include the time until the DMAC data transfer starts after the DMAC activation source becomes active.

17.3.7 Activating DMAC

Figure 17.12 shows the register setting procedure.

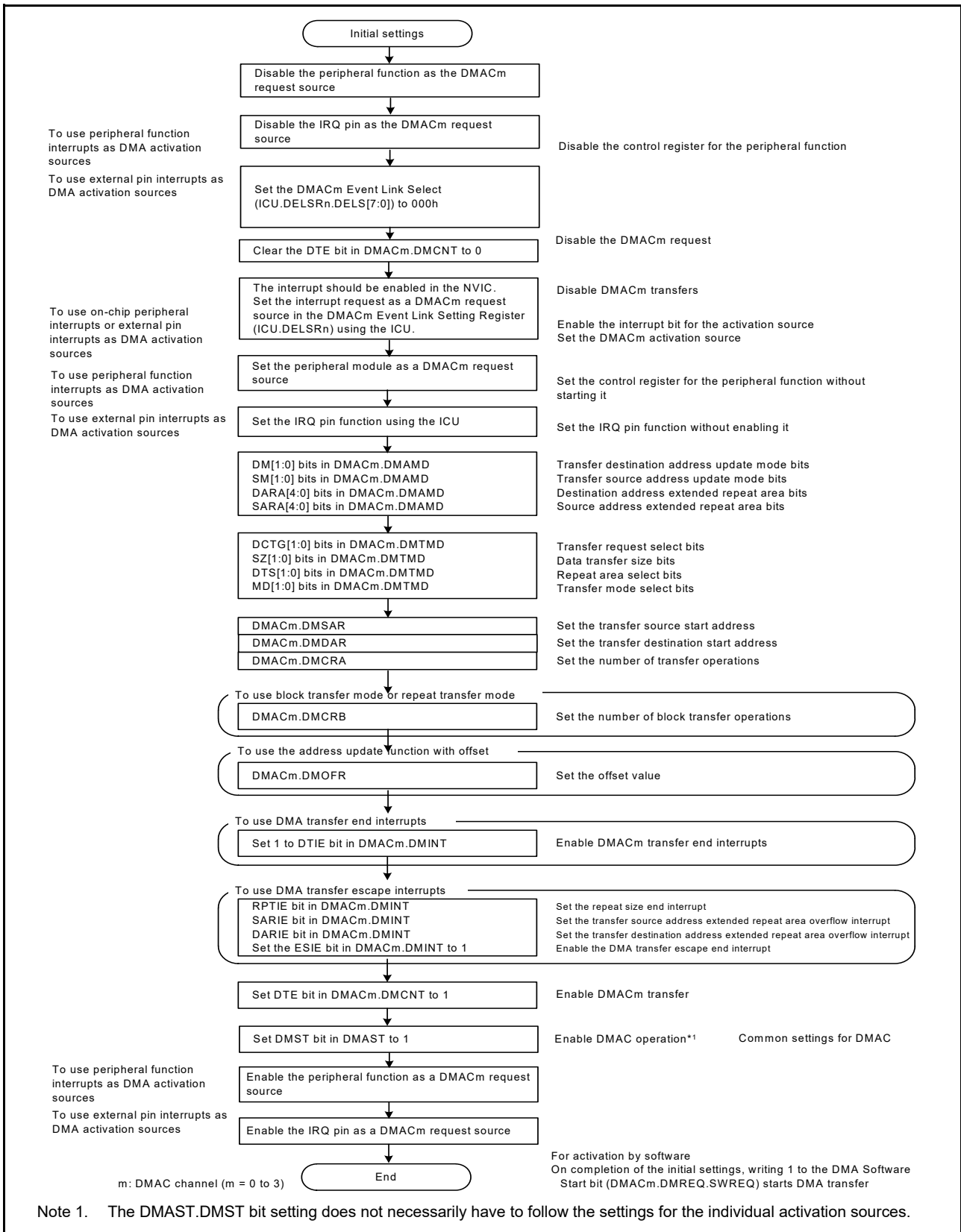


Figure 17.12 Register setting procedure

17.3.8 Starting DMA Transfer

To enable a DMA transfer of channel *m*, set the DTE bit in DMACm.DMCNT to 1 (DMA transfer enabled) and set the DMST bit in DMAST to 1 (DMAC start enabled). New activation requests are not accepted during the transfer of another DMAC channel or DTC. When the proceeding transfer is complete, channel arbitration selects the DMA transfer request of the highest priority channel, and DMA transfer of that channel starts. When DMA transfer starts, the ACT flag in DMACm.DMSTS sets to 1 (the DMAC is in the active state).

17.3.9 Registers during DMA Transfer

The DMAC registers are updated by a DMA transfer. The value to be updated changes according to the other settings and the transfer state. The registers to be updated are DMSAR, DMDAR, DMCRA, DMCRB, DMCNT, and DMACm.DMSTS, described in the following sections. For details on register update operation in each transfer mode, see [Table 17.3](#) to [Table 17.5](#).

(1) DMA Source Address Register (DMACm.DMSAR)

After the data for one transfer request is transferred, the contents of DMSAR are updated to the address to be accessed by the next transfer request.

(2) DMA Destination Address Register (DMACm.DMDAR)

After the data for one transfer request is transferred, the contents of DMDAR are updated to the address to be accessed by the next transfer request.

(3) DMA Transfer Count Register (DMACm.DMCRA)

After the data for one transfer request is transferred, the count value is updated. The update operation depends on the transfer mode selected.

(4) DMA Block Transfer Count Register (DMACm.DMCRB)

After the data for one transfer request is transferred, the count value is updated. The update operation depends on the transfer mode selected.

(5) DMA Transfer Enable bit (DMACm.DMCNT.DTE)

The DMACm.DMCNT.DTE bit enables or disables data transfer through register write access. It is automatically set to 0 by the DMAC based on the DMA transfer state.

The conditions for clearing this bit by the DMAC are as follows:

- When the specified total volume of data transfer is complete
- When DMA transfer is stopped by a repeat size end interrupt
- When DMA transfer is stopped by an extended repeat area overflow interrupt.

Writing to the registers for channels whose associated DMACm.DMCNT.DTE bit is set to 1 is prohibited except for DMACm.DMCNT. Writes are only possible after the bit sets to 0.

(6) DMA Active Flag (DMACm.DMSTS.ACT)

The ACT flag in DMSTS of DMACm indicates whether the DMACm is in the idle or active state. This flag sets to 1 when the DMAC starts data transfer, and sets to 0 when data transfer for one transfer request is complete. Even when DMA transfer is stopped by write of 0 to the DTE bit in DMACm.DMCNT, this flag remains 1 until DMA transfer is complete.

(7) Transfer End Interrupt Flag (DMACm.DMSTS.DTIF)

The DTIF flag in DMACm.DMSTS sets to 1 after DMA transfer of the total transfer size is complete. When both this flag and the DTIE bit in DMACm.DMINT are 1, a transfer end interrupt is requested. This flag sets to 1 when the DMA transfer bus cycle is complete and the ACT flag in DMACm.DMSTS sets to 0, indicating the DMA transfer end. The flag automatically sets to 0 when the DTE bit in DMACm.DMCNT is set to 1 during interrupt handling.

(8) Transfer Escape End Interrupt Flag (DMACm.DMSTS.ESIF)

The ESIF flag in DMACm.DMSTS sets to 1 when a repeat size end interrupt or extended repeat area overflow interrupt is requested. When this bit and the ESIE bit in DMACm.DMINT are 1, a transfer escape end interrupt is requested. This flag sets to 1 when the bus cycle of the DMA transfer that caused the interrupt request is complete and the ACT flag in DMACm.DMSTS sets to 0, indicating the DMA transfer end. The flag automatically sets to 0 when the DTE bit in DMACm.DMCNT is set to 1 during interrupt handling.

You must set the interrupt control register before sending an interrupt request from the DMAC to the CPU or the DTC. For more information, see [section 14, Interrupt Controller Unit \(ICU\)](#).

17.3.10 Channel Priority

When multiple DMA transfer requests occur, the DMAC determines the priority of channels that have DMA transfer requests.

The priority is fixed as channel 0 > channel 1 > channel 2 > channel 3 (channel 0 is the highest).

When a DMA transfer request occurs during data transfer, channel arbitration starts after the final data unit is transferred, and DMA transfer of the highest-priority channel starts.

17.4 Ending DMA Transfer

The operation for ending a DMA transfer depends on the transfer end conditions. When a DMA transfer ends, the DTE bit in DMCNT and the ACT flag in DMACm.DMSTS change from 1 to 0.

17.4.1 Transfer End by Completion of Specified Total Number of Transfer Operations

(1) In normal transfer mode (DMACm.DMTMD.MD[1:0] = 00b)

When the DMACm.DMCRAL value changes from 1 to 0, DMA transfer ends on the associated channel, the DTE bit in DMACm.DMCNT sets to 0, and the DTIF flag in DMACm.DMSTS sets to 1. If the DTIE bit in DMACm.DMINT is 1 at this time, a transfer end interrupt request is sent to the CPU or the DTC.

(2) In repeat transfer mode (DMACm.DMTMD.MD[1:0] = 01b)

When DMACm.DMCRB changes from 1 to 0, DMA transfer ends on the associated channel, the DTE bit in DMACm.DMCNT sets to 0, and the DTIF flag in DMACm.DMSTS sets to 1. If the DTIE bit in DMACm.DMINT is 1 at this time, an interrupt request is sent to the CPU or the DTC.

(3) In block transfer mode (DMACm.DMTMD.MD[1:0] = 10b)

When DMACm.DMCRB changes from 1 to 0, DMA transfer ends on the associated channel, the DTE bit in DMACm.DMCNT sets to 0, and the DTIF flag in DMACm.DMSTS sets to 1. If the DTIE bit in DMACm.DMINT is 1 at this time, an interrupt request is sent to the CPU or the DTC.

You must set the interrupt control register before sending an interrupt request from the DMAC to the CPU or the DTC. For more information, see [section 14, Interrupt Controller Unit \(ICU\)](#).

17.4.2 Transfer End by Repeat Size End Interrupt

In repeat transfer mode, if the RPTIE bit in DMACm.DMINT is 1, a repeat size end interrupt is requested when transfer of a single repeat size of data is complete. The DTE bit in DMACm.DMCNT sets to 0 and the ESIF flag in DMACm.DMSTS sets to 1. If the ESIE bit in DMACm.DMINT is 1 at this time, an interrupt request is sent to the CPU or the DTC. To resume the transfer, write 1 to the DTE bit in DMACm.DMCNT.

A repeat size end interrupt can also be requested in block transfer mode. When transfer of a single block size of data is complete, the interrupt is requested in the same way as in repeat transfer mode.

You must set the interrupt control register before sending an interrupt request from the DMAC to the CPU or the DTC. For more information, see [section 14, Interrupt Controller Unit \(ICU\)](#).

17.4.3 Transfer End by Interrupt on Extended Repeat Area Overflow

When an overflow on the extended repeat area occurs while the extended repeat area is specified and the SARIE or DARIE bit in DMACm.DMINT is 1, an extended repeat area overflow interrupt is requested. The DMA transfer is terminated, the DTE bit in DMACm.DMCNT sets to 0, and the ESIF flag in DMACm.DMSTS sets to 1. If the ESIE bit in DMACm.DMINT is 1 at this time, an interrupt request is sent to the CPU or the DTC.

If this interrupt is requested during a read cycle, the subsequent write cycle is performed. In block transfer mode, if the interrupt is requested during a 1-block transfer, the remaining data in the block is transferred before transfer stops.

Before sending an interrupt request from the DMAC to the CPU or the DTC, the interrupt control register must be set. For more information, see [section 14, Interrupt Controller Unit \(ICU\)](#).

17.4.4 Precautions for the End of DMA Transfer

A DMA activation request source might occur in the next request after a DMA transfer completes. If this happens, the DMA transfer starts and the DMA activation request is held in DMAC. To prevent this, stop the DMA activation requests by setting the DELSRn.DELS[7:0] bits in the ICU to 0.

When a DMA activation request occurs after the last round of the DMA transfer is generated, clear the DMA activation request by setting the ICU.DELSRm.IR bit to 0.

17.5 Interrupts

Each DMAC channel can output an interrupt request (DMACm_INT) to the CPU or DTC after transfer for one request is complete. When the transfer destination is the external bus, an interrupt request is generated after completion of a data write to the write buffer, and not to the actual transfer destination.

[Table 17.8](#) lists the interrupt sources and their associated status flags and enable bits. [Figure 17.13](#) shows the schematic logic diagram of the interrupt outputs (DMAC0 to DMAC3). [Figure 17.14](#) shows the DMAC interrupt handling routine for resuming and terminating DMA transfers.

Table 17.8 Association between interrupt sources, interrupt status flags, and interrupt enable bits

Interrupt sources	Interrupt enable bits	Interrupt status flags	Request output enable bits
Transfer end	-	DMACm.DMSTS.DTIF	DMACm.DMINT.DTIE
Escape transfer end	Repeat size end	DMACm.DMINT.RPTIE	DMACm.DMINT.ESIE
	Source address extended repeat area overflow	DMACm.DMINT.SARIE	
	Destination address extended repeat area overflow	DMACm.DMINT.DARIE	

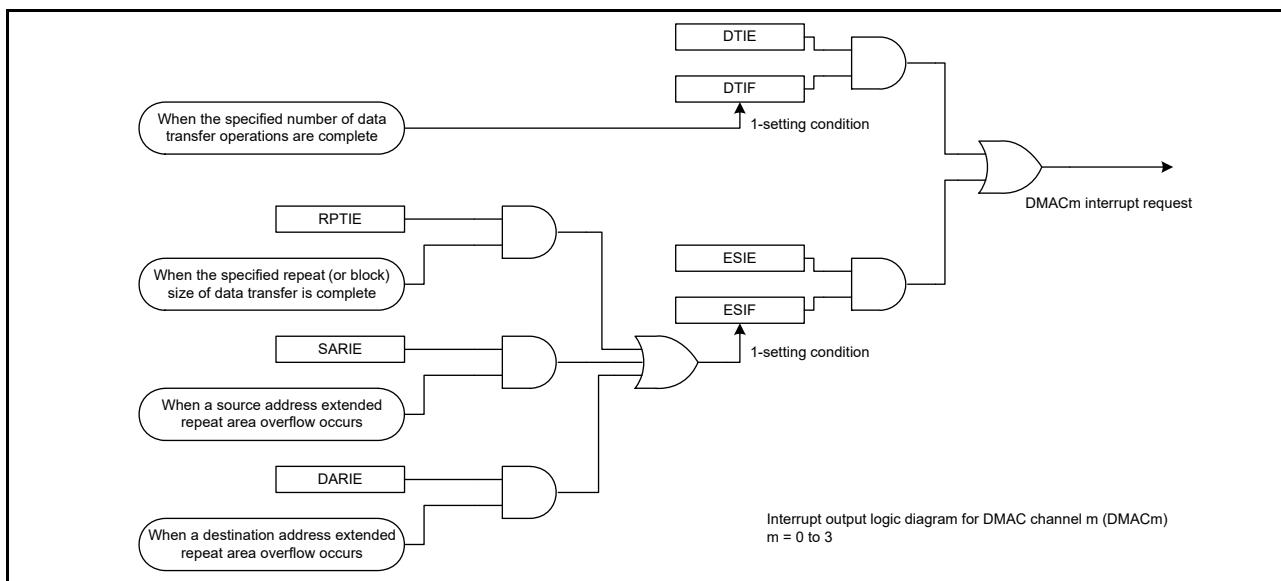


Figure 17.13 Schematic logic diagram of interrupt outputs for DMAC0 to DMAC3

Different procedures are used for canceling an interrupt to restart a DMA transfer in the following cases:

- When terminating a DMA transfer
- When continuing a DMA transfer.

(1) When terminating a DMA transfer

Write 0 to the DTIF flag in DMACm.DMSTS to clear a transfer end interrupt, and to the ESIF flag in DMACm.DMSTS to clear a repeat size interrupt or an extended repeat area overflow interrupt. DMACm remains in the stopped state. When starting another DMA transfer, set the appropriate registers and set the DTE bit in DMACm.DMCNT to 1 (DMA transfer enabled).

(2) When continuing a DMA transfer

Write 1 to the DTE bit in DMACm.DMCNT. The ESIF flag in DMSTS of DMACm automatically sets to 0 (interrupt source cleared), and the DMA transfer resumes.

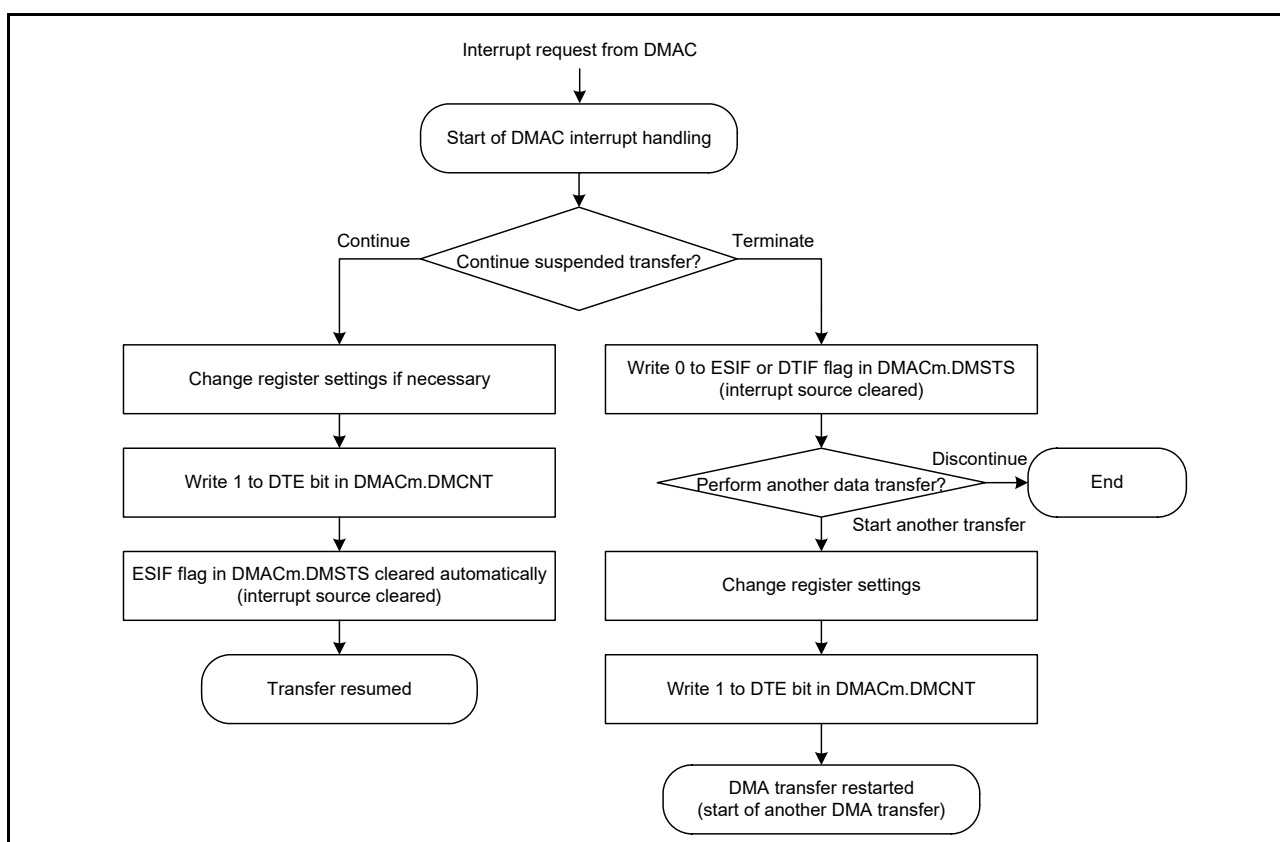


Figure 17.14 DMAC interrupt handling routine to resume or terminate a DMA transfer

17.6 Event Link

Each DMAC channel outputs an event link request signal (DMACm_INT) every time it completes a data transfer, or a block transfer in block transfer mode. When the transfer destination is the external bus, the signal is generated when writing to the write buffer is accepted. For more information, see [section 19, Event Link Controller \(ELC\)](#).

17.7 Low Power Consumption Function

Before entering the module-stop state or Software Standby mode, you must first clear the DMST bit in DMAST to 0 (DMAC suspended), and use the settings in the sections that follow.

(1) Module-stop function

Writing 1 to the MSTPA22 bit in MSTPCRA enables the module-stop function of the DMAC. If a DMA transfer is in progress when 1 is written to the MSTPA22 bit, the transition to the module-stop state continues after DMA transfer

ends. Access to the DMAC registers is prohibited while the MSTPA22 bit is 1. Writing 0 to the MSTPA22 bit releases the DMAC from the module-stop state.

(2) Software Standby mode

Use the settings described in [section 11.7.1, Transition to Software Standby Mode](#).

If DMA transfer operations are in progress when the WFI instruction is executed, the DMA transfer completes before the transition to Software Standby mode.

(3) Notes on low power consumption function

For information on the WFI instruction and register settings, see [section 11.9.6, Timing of WFI Instruction](#).

To perform DMA transfer after returning from low power consumption mode, set the DMST bit in DMAST to 1 again. To use a request that is generated in Software Standby mode as an interrupt request to the CPU but not as a DMAC startup request, specify the CPU as the interrupt request destination, as described in [section 14.4.2, Selecting Interrupt Request Destinations](#), and then execute the WFI instruction.

17.8 Usage Notes

17.8.1 DMA Transfer to External Devices

In a DMA transfer to an external device, the ACT flag in DMACm.DMSTS must be set to 0 (DMAC transfer suspended) from the beginning of the final data write to the end of the external bus access.

17.8.2 Access to Registers during DMA Transfer

Do not write to the following registers of DMACm while the ACT flag in DMSTS of the associated channel is set to 1 (DMAC active state) or the DTE bit in DMCNT of the associated channel is set to 1 (DMA transfer enabled):

- DMSAR
- DMDAR
- DMCRA
- DMCRB
- DMTMD
- DMINT
- DMAMD
- DMOFR.

17.8.3 DMA Transfer to Reserved Areas

DMA transfer to reserved areas is prohibited. If such an access is made, transfer results are not guaranteed. For details on reserved areas, see [section 4, Address Space](#).

17.8.4 Setting the DMAC Event Link Setting Register of the Interrupt Controller Unit (ICU.DELSRn)

Before setting the DMAC Event Link Setting Register (ICU.DELSRn), make sure that the DMA Transfer Enable bit (DMACm.DMCNT.DTE) is set to 0, disabling DMA transfer. Additionally, ensure that the DTC Activation Enable bit (ICU.IELSRn.DTCE) associated with the event number set in the ICU.DELSRn register is not set to 1. For details on ICU.IELSRn.DTCE and ICU.DELSRn, see [section 14, Interrupt Controller Unit \(ICU\)](#).

17.8.5 Suspending or Restarting DMA Activation

To suspend a DMA activation request, write 0 to the DMAC Event Link Select (ICU.DELSRn.DELS[7:0]) bit. To restart the DMA transfer, write the event number to the ICU.DELSRn.DELS[7:0] bit with the settings shown in [section 17.3.7, Activating DMAC](#).

18. Data Transfer Controller (DTC)

18.1 Overview

The Data Transfer Controller (DTC) performs data transfers when activated by an interrupt request. [Table 18.1](#) lists the DTC specifications, and [Figure 18.1](#) shows a block diagram.

Table 18.1 DTC specifications

Item	Description
Transfer modes	<ul style="list-style-type: none"> • Normal transfer mode A single activation leads to a single data transfer. • Repeat transfer mode A single activation leads to a single data transfer. The transfer address returns to the start address after the number of data transfers reaches the specified repeat size. The maximum number of repeat transfers is 256 and the maximum data transfer size is 256 × 32 bits (1024 bytes). • Block transfer mode A single activation leads to the transfer of a single block. The maximum block size is 256 × 32 bits = 1024 bytes.
Transfer channel	<ul style="list-style-type: none"> • Channel transfer can be associated with the interrupt source (transferred by a DTC activation request from the ICU) • Multiple data units can be transferred on a single activation source (chain transfer) • Chain transfers are selectable to either execute when the counter is 0, or always execute.
Transfer space	<ul style="list-style-type: none"> • 4 GB area from 0000 0000h to FFFF FFFFh, excluding reserved areas
Data transfer units	<ul style="list-style-type: none"> • Single data unit: 1 byte (8 bits), 1 halfword (16 bits), 1 word (32 bits) • Single block size: 1 to 256 data units
CPU interrupt source	<ul style="list-style-type: none"> • An interrupt request can be generated to the CPU on a DTC activation interrupt • An interrupt request can be generated to the CPU after a single data transfer • An interrupt request can be generated to the CPU after a data transfer of a specified volume.
Event link function	An event link request is generated after one data transfer (for block, after one block transfer)
Read skip	Read of transfer information can be skipped
Write-back skip	When the transfer source or destination address is specified as fixed, write-back of transfer information can be skipped
Module-stop function	Module-stop state can be set to reduce power consumption

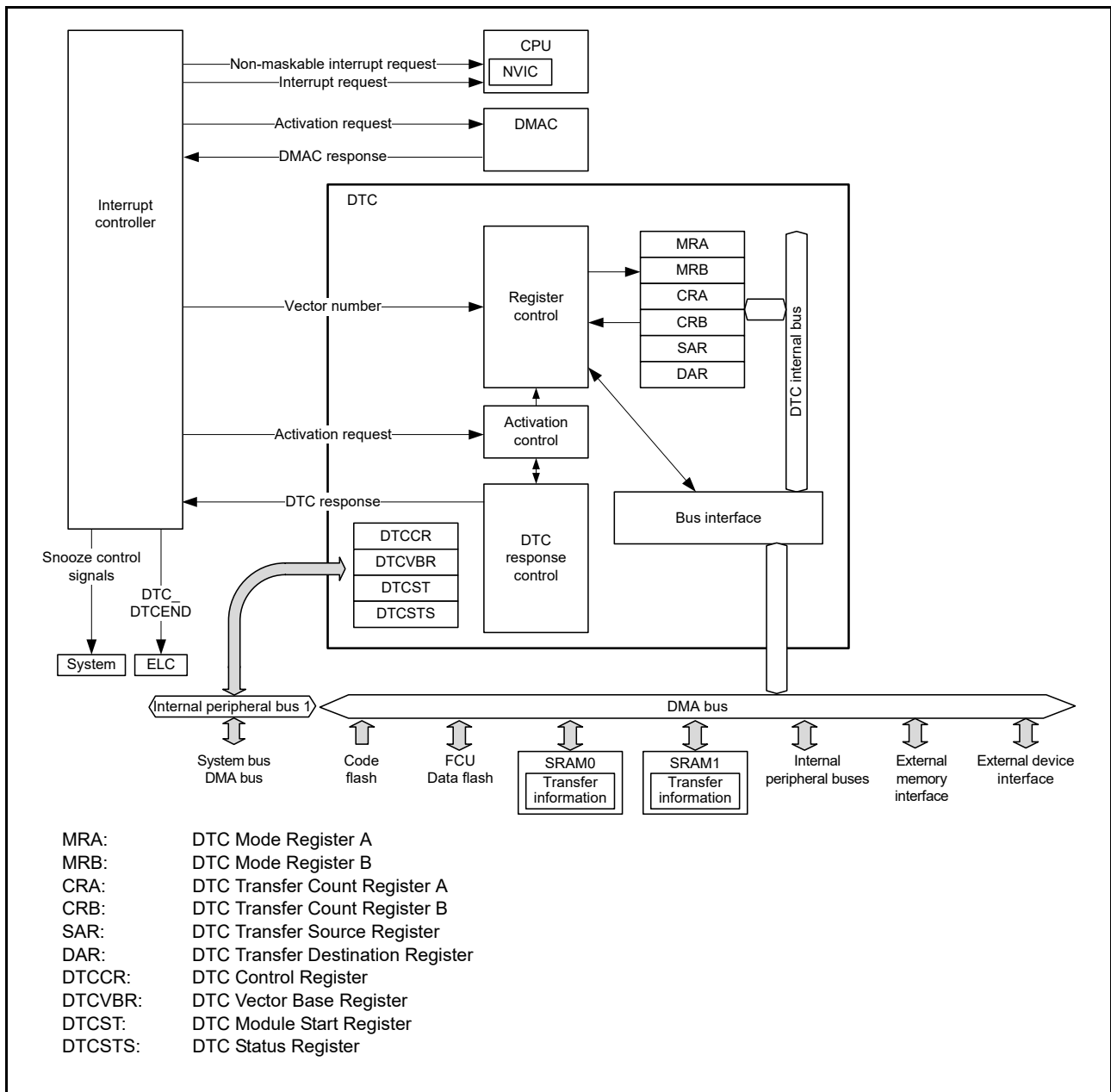


Figure 18.1 DTC block diagram

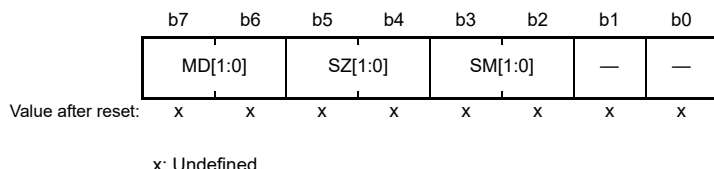
See [section 14.1, Overview](#) in [section 14, Interrupt Controller Unit \(ICU\)](#) for the connections between the DTC and NVIC (in the CPU).

18.2 Register Descriptions

MRA, MRB, SAR, DAR, CRA, and CRB are all DTC internal registers that cannot be directly accessed from the CPU. Values to be set in these DTC internal registers are placed in the SRAM area as transfer information. When an activation request is generated, the DTC reads the transfer information from the SRAM area and sets it in its internal registers. After the data transfer ends, the internal register contents are written back to the SRAM area as transfer information.

18.2.1 DTC Mode Register A (MRA)

Address(es): (inaccessible directly from the CPU. See section 18.3.1)

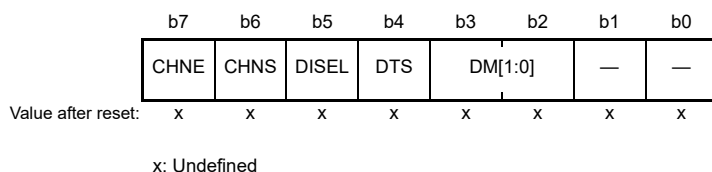


Bit	Symbol	Bit name	Description	R/W
b1, b0	—	Reserved	These bits are read as undefined. The write value should be 0.	—
b3, b2	SM[1:0]	Transfer Source Address Addressing Mode	b3 b2 0 0: Address in the SAR register is fixed. (write-back to SAR is skipped.) 0 1: Address in the SAR register is fixed. (write-back to SAR is skipped.) 1 0: SAR value is incremented after data transfer: +1 when SZ[1:0] bits = 00b +2 when SZ[1:0] bits = 01b +4 when SZ[1:0] bits = 10b. 1 1: SAR value is decremented after data transfer: -1 when SZ[1:0] bits = 00b -2 when SZ[1:0] bits = 01b -4 when SZ[1:0] bits = 10b.	—
b5, b4	SZ[1:0]	DTC Data Transfer Size	b5 b4 0 0: Byte (8-bit) transfer 0 1: Halfword (16-bit) transfer 1 0: Word (32-bit) transfer 1 1: Setting prohibited.	—
b7, b6	MD[1:0]	DTC Transfer Mode Select	b7 b6 0 0: Normal transfer mode 0 1: Repeat transfer mode 1 0: Block transfer mode 1 1: Setting prohibited.	—

The MRA cannot be accessed directly from the CPU. However, the CPU can access the SRAM area (transfer information (n) start address + 03h) and the DTC automatically transfers the MRA transfer information to and from the MRA register. See [section 18.3.1, Allocating Transfer Information and DTC Vector Table](#).

18.2.2 DTC Mode Register B (MRB)

Address(es): (inaccessible directly from the CPU. See section 18.3.1)



Bit	Symbol	Bit name	Description	R/W
b1, b0	—	Reserved	These bits are read as undefined. The write value should be 0.	—
b3, b2	DM[1:0]	Transfer Destination Address Addressing Mode	b3 b2 0 0: Address in the DAR register is fixed (write-back to DAR is skipped) 0 1: Address in the DAR register is fixed (write-back to DAR is skipped) 1 0: DAR value is incremented after data transfer: +1 when MRA.SZ[1:0] bits = 00b +2 when SZ[1:0] bits = 01b +4 when SZ[1:0] bits = 10b. 1 1: DAR value is decremented after data transfer: -1 when MRA.SZ[1:0] bits = 00b -2 when SZ[1:0] bits = 01b -4 when SZ[1:0] bits = 10b.	—
b4	DTS	DTC Transfer Mode Select	0: Select transfer destination as repeat or block area 1: Select transfer source as repeat or block area.	—
b5	DISEL	DTC Interrupt Select	0: Generate an interrupt request to the CPU when specified data transfer is complete 1: Generate an interrupt request to the CPU each time DTC data transfer is performed.	—
b6	CHNS	DTC Chain Transfer Select	0: Select continuous chain transfer 1: Select chain transfer to occur only when the transfer counter is changed from 1 to 0 or 1 to CRAH.	—
b7	CHNE	DTC Chain Transfer Enable	0: Disable chain transfer 1: Enable chain transfer.	—

The MRB register cannot be accessed directly from the CPU. However, the CPU can access the SRAM area (transfer information (n) start address + 02h) and the DTC automatically transfers the MRB transfer information to and from the MRB register. See [section 18.3.1, Allocating Transfer Information and DTC Vector Table](#).

DTS bit (DTC Transfer Mode Select)

The DTS bit selects either the transfer source or transfer destination as the repeat area or block area in repeat or block transfer mode.

CHNS bit (DTC Chain Transfer Select)

The CHNS bit selects the chain transfer condition. When the CHNE bit is 0, the CHNS setting is ignored. For details on the conditions for chain transfer, see [Table 18.3, Chain transfer conditions](#).

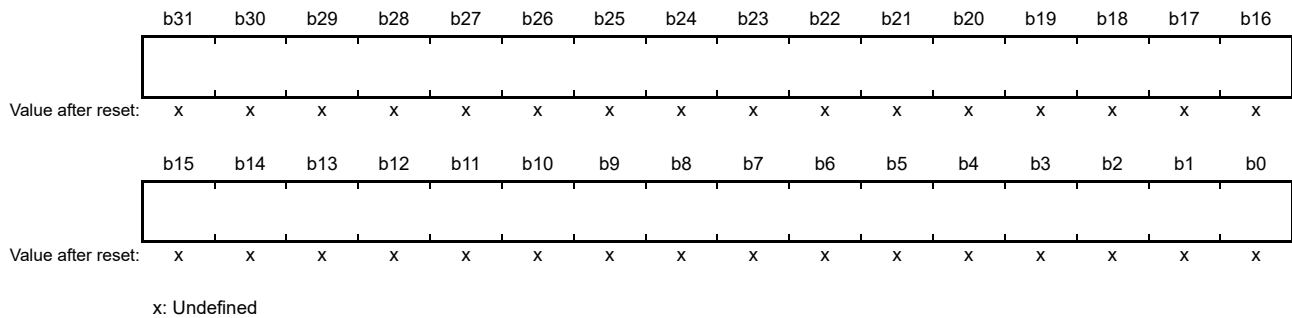
When the next transfer is a chain transfer, completion of the specified number of transfers is not determined, the activation source flag is not cleared, and an interrupt request to the CPU is not generated.

CHNE bit (DTC Chain Transfer Enable)

The CHNE bit enables chain transfer. The chain transfer condition is selected in the CHNS bit. For details, see [section 18.4.6, Chain Transfer](#).

18.2.3 DTC Transfer Source Register (SAR)

Address(es): (inaccessible directly from the CPU. See section 18.3.1)

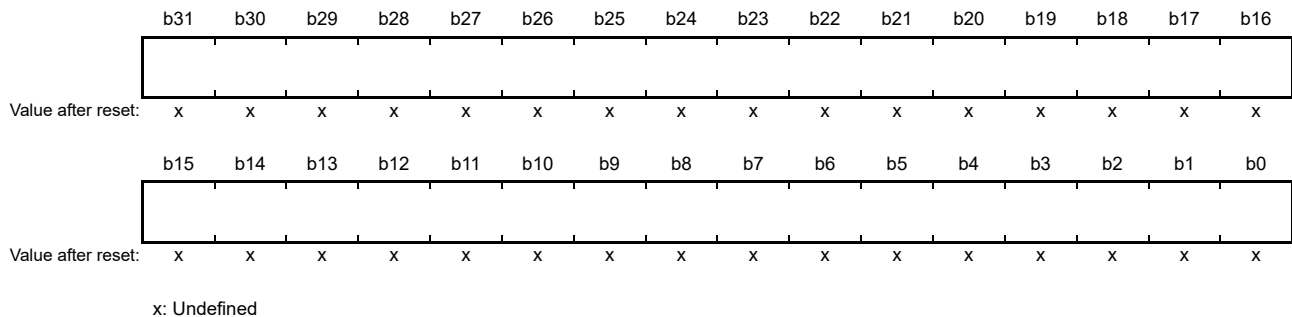


The SAR sets the transfer source start address. SAR cannot be accessed directly from the CPU. However, the CPU can access the SRAM area (transfer information (n) start address + 04h) and the DTC automatically transfers the SAR transfer information to and from the SAR register. See [section 18.3.1, Allocating Transfer Information and DTC Vector Table](#).

Note: Misalignment is prohibited for DTC transfers.
Bit [0] must be 0 when MRA.SZ[1:0] = 01b. Bits [1] and [0] must be 0 when MRA.SZ[1:0] = 10b.

18.2.4 DTC Transfer Destination Register (DAR)

Address(es): (inaccessible directly from the CPU. See section 18.3.1)



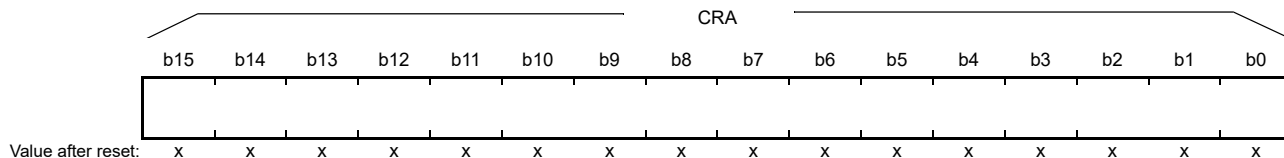
The DAR register sets the transfer destination start address. It cannot be accessed directly from the CPU. However, CPU can access the SRAM area (transfer information (n) start address + 08h) and the DTC automatically transfers the transfer information to and from the DAR register. See [section 18.3.1, Allocating Transfer Information and DTC Vector Table](#).

Note: Misalignment is prohibited for DTC transfers. Bit [0] must be 0 when MRA.SZ[1:0] = 01b. Bits [1] and [0] must be 0 when MRA.SZ[1:0] = 10b.

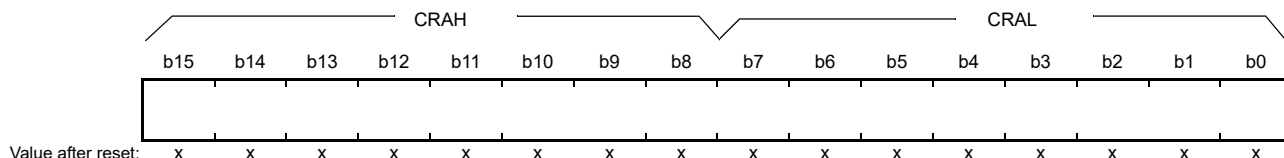
18.2.5 DTC Transfer Count Register A (CRA)

Address(es): (inaccessible directly from the CPU. See section 18.3.1)

- Normal transfer mode



- Repeat transfer mode/block transfer mode



x: Undefined

Symbol	Register name	Description	R/W
CRAL	Transfer Counter A Lower Register	Sets the transfer count	—
CRAH	Transfer Counter A Upper Register		—

Note: The function depends on the transfer mode.

Note: Set CRAH and CRAL to the same value in repeat transfer mode and block transfer mode.

The CRA register cannot be accessed directly from the CPU. However, the CPU can access the SRAM area (transfer information (n) start address + 0Eh) and the DTC automatically transfers the transfer information to and from the CRA register. See [section 18.3.1, Allocating Transfer Information and DTC Vector Table](#).

(1) Normal transfer mode (MRA.MD[1:0] bits = 00b)

In normal transfer mode, CRA functions as a 16-bit transfer counter. The transfer count is 1, 65,535, and 65,536 when the set value is 0001h, FFFFh, and 0000h, respectively. The CRA value is decremented (-1) on each data transfer.

(2) Repeat transfer mode (MRA.MD[1:0] bits = 01b)

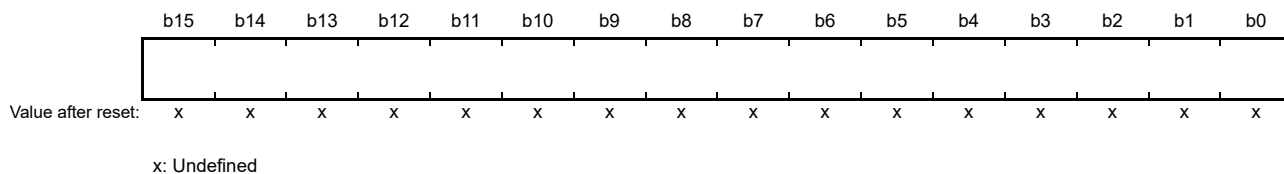
In repeat transfer mode, the CRAH register holds the transfer count and the CRAL register functions as an 8-bit transfer counter. The transfer count is 1, 255, and 256 when the set value is 01h, FFh, and 00h, respectively. The CRAL value is decremented (-1) on each data transfer. When it reaches 00h, the CRAH value is transferred to CRAL.

(3) Block transfer mode (MRA.MD[1:0] bits = 10b)

In block transfer mode, the CRAH register holds the block size and the CRAL register functions as an 8-bit block size counter. The transfer count is 1, 255, and 256 when the set value is 01h, FFh, and 00h, respectively. The CRAL value is decremented (-1) at each data transfer. When it reaches 00h, the CRAH value is transferred to CRAL.

18.2.6 DTC Transfer Count Register B (CRB)

Address(es): (inaccessible directly from the CPU. See section 18.3.1)

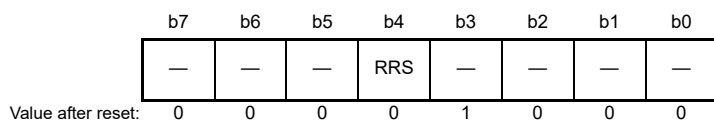


The CRB register sets the block transfer count for block transfer mode. The transfer count is 1, 65,535, and 65,536 when the set value is 0001h, FFFFh, and 0000h, respectively. The CRB value is decremented (-1) when the final data of a single block size is transferred. When normal transfer mode or repeat transfer mode is selected, this register is not used and the set value is ignored.

The CRB register cannot be accessed directly from the CPU. However, the CPU can access the SRAM area (transfer information (n) start address + 0Ch) and the DTC automatically transfers the transfer information to and from the CRB register. See [section 18.3.1, Allocating Transfer Information and DTC Vector Table](#).

18.2.7 DTC Control Register (DTCCR)

Address(es): [DTC.DTCCR 4000 5400h](#)



Bit	Symbol	Bit name	Description	R/W
b2 to b0	—	Reserved	These bits are read as 0. The write value should be 0.	R/W
b3	—	Reserved	This bit is read as 1. The write value should be 1.	R/W
b4	RRS	DTC Transfer Information Read Skip Enable	0: Transfer information read is not skipped 1: Transfer information read is skipped when vector numbers match.	R/W
b7 to b5	—	Reserved	These bits are read as 0. The write value should be 0.	R/W

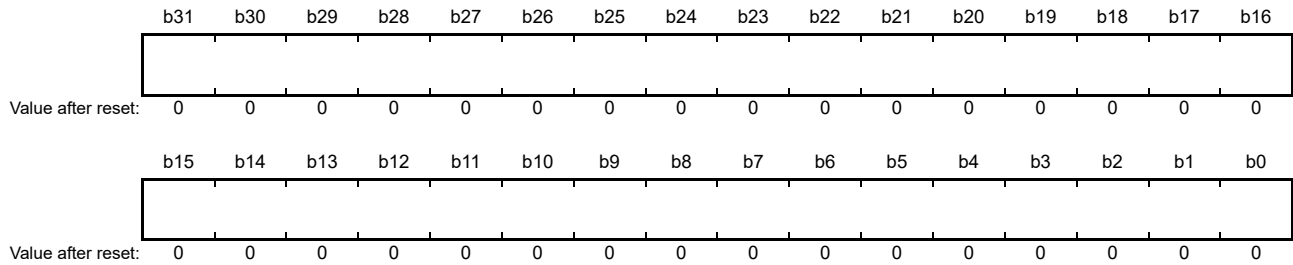
[RRS bit \(DTC Transfer Information Read Skip Enable\)](#)

The RRS bit enables skipping of transfer information reads when vector numbers match. The DTC vector number is compared with the vector number in the previous activation process. When these vector numbers match and the RRS bit is set to 1, the DTC data transfer is performed without reading the transfer information. However, when the previous transfer is a chain transfer, the transfer information is read regardless of the RRS bit.

When the transfer counter (CRA register) becomes 0 during the previous normal transfer and when the transfer counter (CRB register) becomes 0 during the previous block transfer, the transfer information is read regardless of the RRS bit value.

18.2.8 DTC Vector Base Register (DTCVBR)

Address(es): [DTC.DTCVBR 4000 5404h](#)

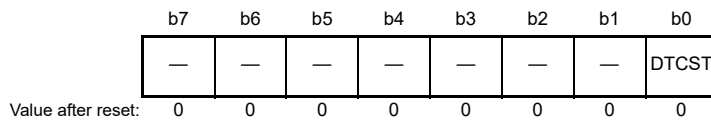


Bit	Bit name	Description	R/W
b31 to b0	DTC Vector Base Address	Sets the DTC vector base address. The lower 10 bits should be 0.	R/W

The DTCVBR register sets the base address for calculating the DTC vector table address, which can be set in the range of 0000 0000h to FFFF FFFFh (4 GB) in 1-KB units.

18.2.9 DTC Module Start Register (DTCST)

Address(es): [DTC.DTCST 4000 540Ch](#)



Bit	Symbol	Bit name	Description	R/W
b0	DTCST	DTC Module Start	0: Stop DTC module 1: Start DTC module.	R/W
b7 to b1	—	Reserved	These bits are read as 0. The write value should be 0.	R/W

DTCST bit (DTC Module Start)

Set the DTCST bit to 1 to enable the DTC to accept transfer requests. When the DTCST bit is set to 0, transfer requests are no longer accepted. If this bit is set to 0 during a data transfer, the accepted transfer request is active until processing is complete.

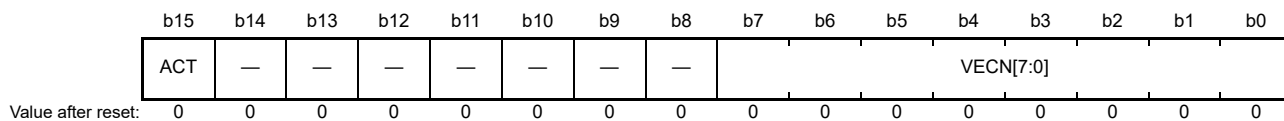
DTCST must be set to 0 before transitioning to any one of the following state or mode:

- Module-stop state
- Software Standby mode without Snooze mode transition.

For details on these transitions, see [section 18.10, Module-Stop Function](#), and [section 11, Low Power Modes](#).

18.2.10 DTC Status Register (DTCSTS)

Address(es): [DTC.DTCSTS 4000 540Eh](#)



Bit	Symbol	Bit name	Description	R/W
b7 to b0	VECN[7:0]	DTC-Activating Vector Number Monitoring	These bits indicate the vector number for the activation source when a DTC transfer is in progress. The value is valid only if a DTC transfer is in progress (ACT flag is 1).	R
b14 to b8	—	Reserved	These bits are read as 0	R
b15	ACT	DTC Active Flag	0: DTC transfer operation is not in progress 1: DTC transfer operation is in progress.	R

[VECN\[7:0\] bits \(DTC-Activating Vector Number Monitoring\)](#)

While transfer by the DTC is in progress, the VECN[7:0] bits indicate the vector number associated with the activation source for the transfer. The value read from the VECN[7:0] bits is valid if the ACT flag is 1, indicating that a DTC transfer is in progress, and invalid if the ACT flag is 0, indicating that no current DTC transfer is in progress.

[ACT flag \(DTC Active Flag\)](#)

The ACT flag indicates the state of the DTC transfer operation.

[Setting condition]

- When the DTC is activated by a transfer request.

[Clearing condition]

- When transfer by the DTC, in response to a transfer request, is complete.

18.3 Activation Sources

The DTC is activated by an interrupt request. Setting the ICU.IELSRn.DTCE bit to 1 enables activation of the DTC by the associated interrupt. The selector output n number set in ICU.IELSRn is defined as the interrupt vector number, where $n = 0$ to 63. For an enabled interrupt, the specific DTC interrupt source associated with each interrupt vector number n is selected in ICU.IELSRn.IELS[7:0], where $n = 0$ to 63, as listed in [Table 14.4, Event table in section 14, Interrupt Controller Unit \(ICU\)](#). For activation by software, see [section 19.2.2, Event Link Software Event Generation Register \$n\$ \(ELSEGRn\) \(\$n = 0, 1\$ \)](#).

The interrupt vector number is equivalent to the DTC vector table number. After the DTC accepted an activation request, it does not accept another activation request until transfer for that single request is complete, regardless of the priority of the requests. When multiple activation requests are generated during a DMAC or DTC transfer, a highest priority request is accepted on completion of the transfer. When multiple activation requests are generated while the DTC Module Start bit (DTCST.DTCST) is 0, the DTC accepts the highest priority request when DTCST.DTCST is subsequently set to 1. The smaller interrupt vector number has higher priority.

The DTC performs the following operations at the start of a single data transfer or for a chain transfer, after the last of the consecutive transfers:

- On completion of a specified round of data transfer, the ICU.IELSRn.DTCE bit is set to 0 and an interrupt request is sent to the CPU
- If the MRB.DISEL bit is 1, an interrupt request is sent to the CPU on completion of a data transfer
- For other transfers, the ICU.IELSRn.IR bit of the activation source is set to 0 at the start of the data transfer.

18.3.1 Allocating Transfer Information and DTC Vector Table

The DTC reads the start address of the transfer information associated with each activation source from the vector table and reads the transfer information starting at that address.

The vector table must be located so that the lower 10 bits of the base address (start address) are 0. Use the DTC Vector Base Register (DTCVBR) to set the base address of the DTC vector table. Transfer information is allocated in the SRAM area. In the SRAM area, the start address of the transfer information (n) with vector number n must be 4n added to the base address in the vector table.

Figure 18.2 shows the relationship between the DTC vector table and transfer information. Figure 18.3 shows the allocation of transfer information in the SRAM area.

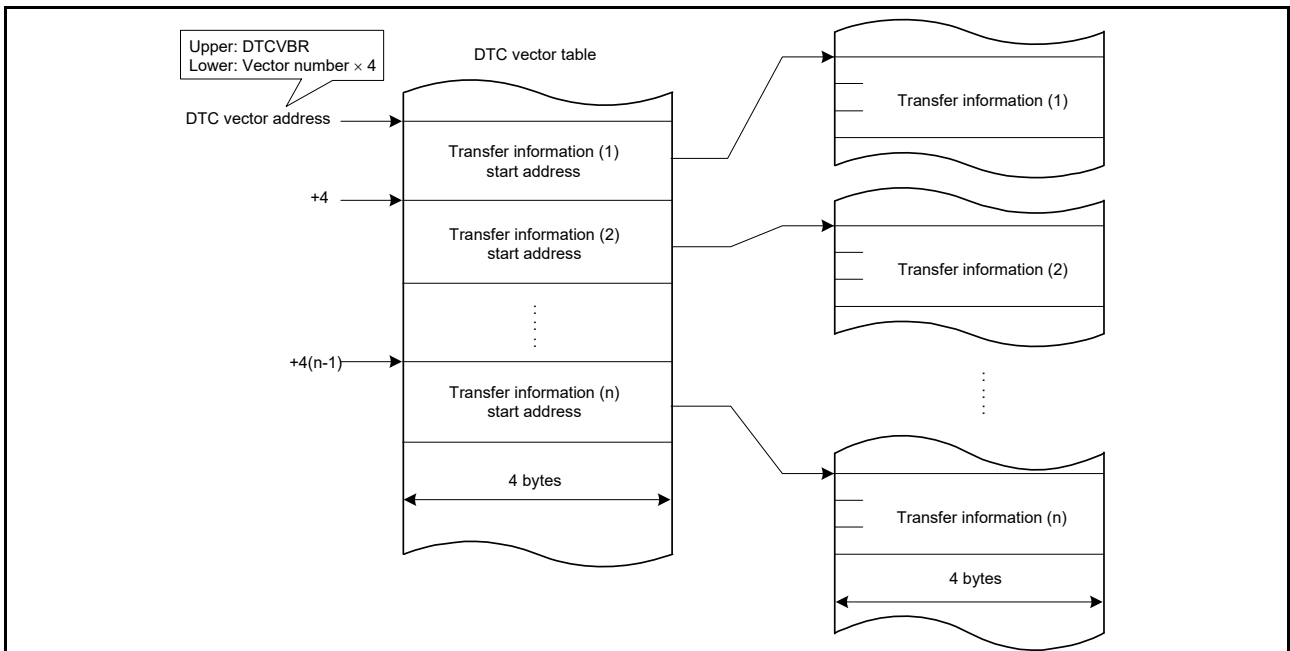


Figure 18.2 DTC vector table and transfer information

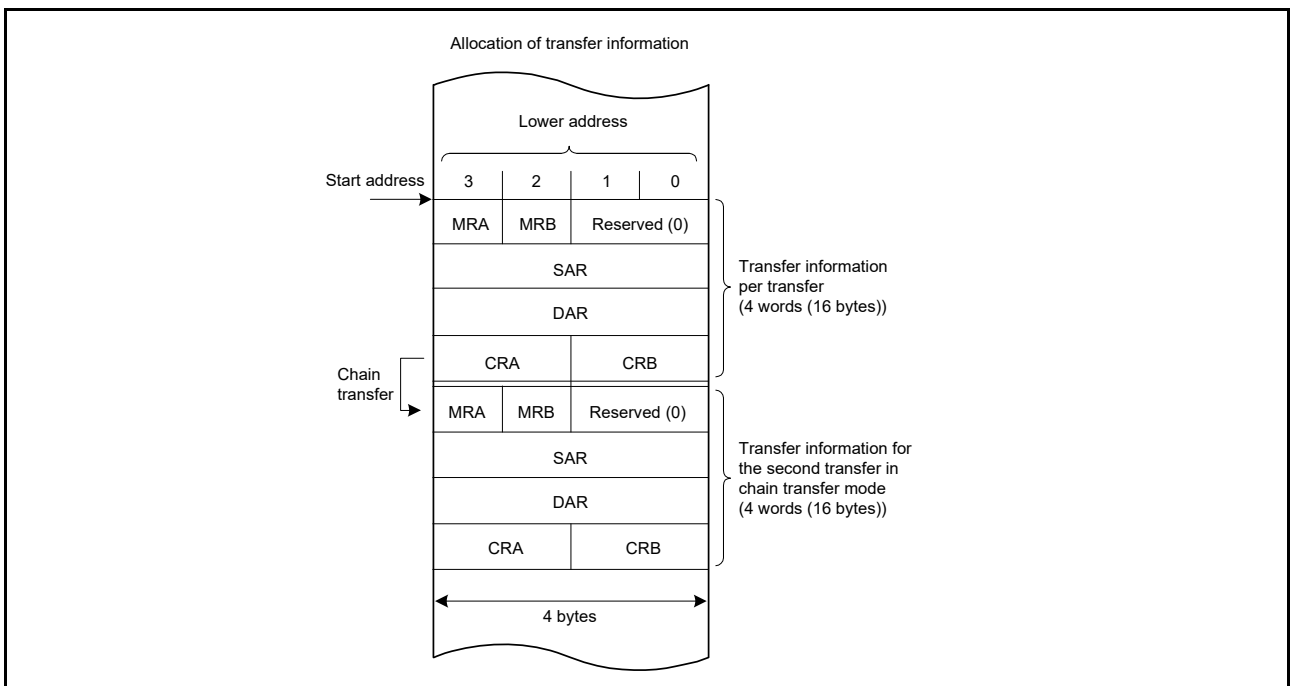


Figure 18.3 Allocation of transfer information in the SRAM area

18.4 Operation

The DTC transfers data according to the transfer information. Storage of the transfer information in the SRAM area is required before a DTC operation. When the DTC is activated, it reads the DTC vector associated with the vector number. The DTC then reads the transfer information from the transfer information store address referenced by the DTC vector and transfers the data. After the data transfer, the DTC writes back the transfer information. Storing the transfer information in the SRAM area allows the data transfer of any number of channels.

The transfer modes include:

- Normal transfer mode
- Repeat transfer mode
- Block transfer mode.

The DTC specifies a transfer source address in the SAR register and a transfer destination address in the DAR register. The values of these registers are incremented, decremented, or address-fixed independently after the data transfer.

Table 18.2 describes the DTC transfer modes.

Table 18.2 DTC transfer modes

Transfer mode	Data size transferred on single transfer request	Increment or decrement of memory address	Settable transfer count
Normal transfer mode	1 byte (8 bit), 1 halfword (16 bit), or 1 word (32 bit)	Incremented or decremented by 1, 2, or 4 or address fixed	1 to 65,536
Repeat transfer mode*1	1 byte (8 bit), 1 halfword (16 bit), or 1 word (32 bit)	Incremented or decremented by 1, 2, or 4 or address fixed	1 to 256*3
Block transfer mode*2	Block size specified in CRAH (1 to 256 bytes, 1 to 256 halfwords (2 to 512 bytes), or 1 to 256 words (4 to 1024 bytes))	Incremented or decremented by 1, 2, or 4 or address fixed	1 to 65,536

Note 1. Set the transfer source or transfer destination as the repeat area.

Note 2. Set the transfer source or transfer destination as the block area.

Note 3. After a data transfer of the specified count, the initial state is restored and operation restarts.

Setting the MRB.CHNE bit to 1 allows multiple transfers or chain transfer on a single activation source. It also enables a chain transfer when the specified data transfer is complete.

Figure 18.4 shows the operation flow of the DTC. Table 18.3 lists the chain transfer conditions. The combination of control information for the second and subsequent transfers are omitted in this table.

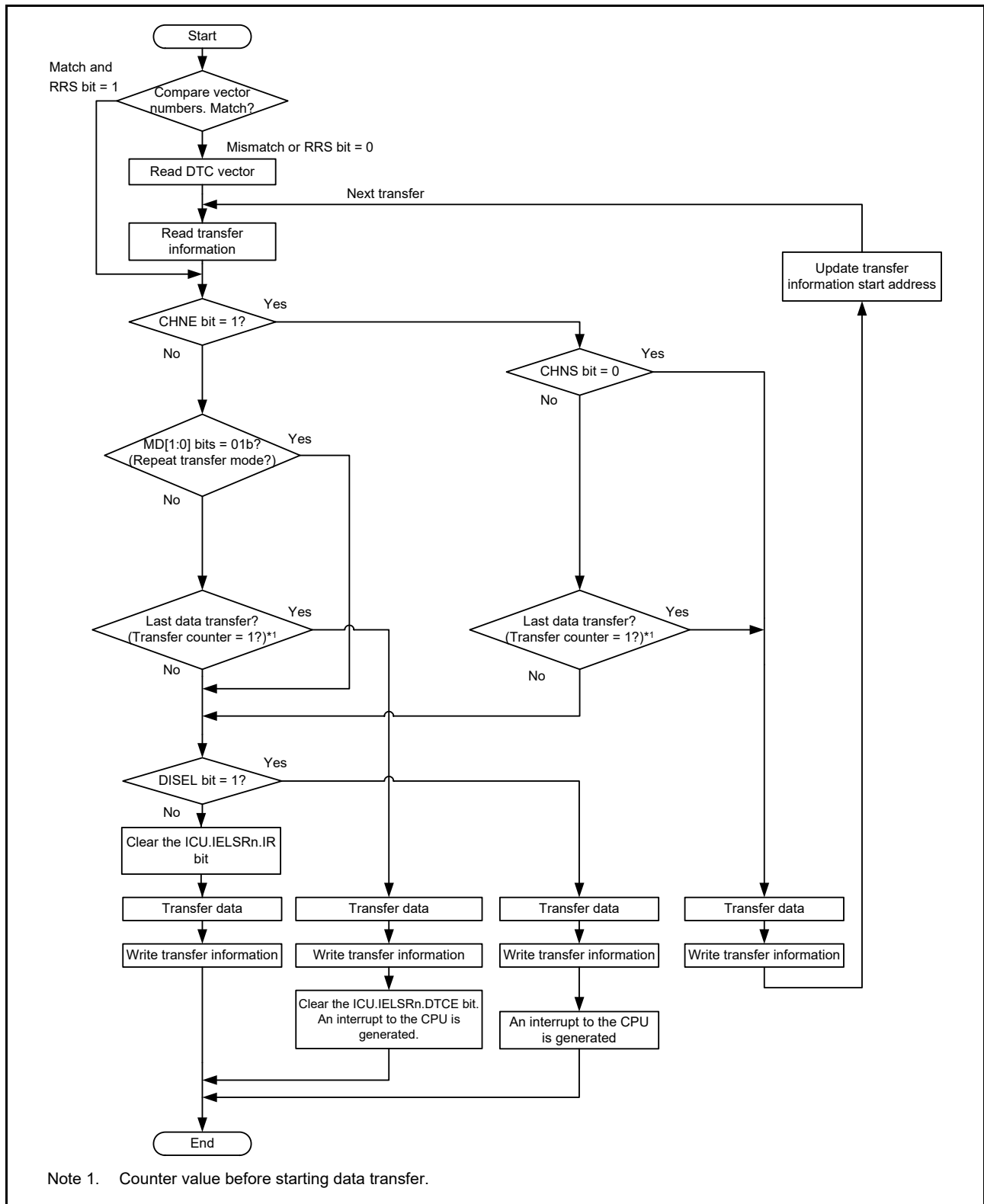


Figure 18.4 DTC operation flow

Table 18.3 Chain transfer conditions

First transfer				Second transfer*3				DTC transfer
CHNE bit	CHNS bit	DISEL bit	Transfer counter*1, *2	CHNE bit	CHNS bit	DISEL bit	Transfer counter*1, *2	
0	-	0	Other than (1 → 0)	-	-	-	-	Ends after the first transfer
0	-	0	(1 → 0)	-	-	-	-	Ends after the first transfer with an interrupt request to the CPU
0	-	1	-	-	-	-	-	
1	0	-	-	0	-	0	Other than (1 → 0)	Ends after the second transfer
				0	-	0	(1 → 0)	Ends after the second transfer with an interrupt request to the CPU
				0	-	1	-	
1	1	0	Other than (1 → *)	-	-	-	-	Ends after the first transfer
1	1	-	(1 → *)	0	-	0	Other than (1 → 0)	Ends after the second transfer
				0	-	0	(1 → 0)	Ends after the second transfer with an interrupt request to the CPU
				0	-	1	-	
1	1	1	Other than (1 → *)	-	-	-	-	Ends after the first transfer with an interrupt request to the CPU

Note 1. The transfer counter used depends on the transfer modes as follows:

Normal transfer mode — CRA register
Repeat transfer mode — CRAL register
Block transfer mode — CRB register

Note 2. On completion of a data transfer, the counters operate as follows:

1 → 0 in normal and block transfer modes
1 → CRAH in repeat transfer mode
(1 → *) in the table indicates both of these two operations, depending on the mode.

Note 3. Chain transfer can be selected for the second or subsequent transfers. The conditions for the combination of the second transfer and CHNE bit = 1 is omitted.

18.4.1 Transfer Information Read Skip Function

Reading of vector addresses and transfer information can be skipped by setting the DTCCR.RRS bit. When a DTC activation request is generated, the current DTC vector number is compared to the DTC vector number in the previous activation process. When these vector numbers match and the RRS bit is set to 1, the DTC data transfer is performed without reading the vector address and transfer information. However, when the previous transfer is a chain transfer, the vector address and transfer information are read. Additionally, when the transfer counter (CRA register) becomes 0 during the previous normal transfer, or when the transfer counter (CRB register) becomes 0 during the previous block transfer, transfer information is read regardless of the RRS bit. Figure 18.12 shows an example of a transfer information read skip.

To update the vector table and transfer information, set the RRS bit to 0, update the vector table and transfer information, and then set the RRS bit to 1. The stored vector number is discarded by setting the RRS bit to 0. The updated DTC vector table and transfer information are read in the next activation process.

18.4.2 Transfer Information Write-Back Skip Function

When the MRA.SM[1:0] bits or the MRB.DM[1:0] bits are set to address fixed, a part of the transfer information is not written back. Table 18.4 lists the transfer information write-back skip conditions and the associated registers. The CRA and CRB registers are written back, and the write-back of the MRA and MRB registers is skipped.

Table 18.4 Transfer information write-back skip conditions and applicable registers

MRA.SM[1:0] bits		MRB.DM[1:0] bits		SAR register	DAR register
b3	b2	b3	b2		
0	0	0	0	Skip	Skip
0	0	0	1		
0	1	0	0		
0	1	0	1		
0	0	1	0	Skip	Write-back
0	0	1	1		
0	1	1	0		
0	1	1	1		
1	0	0	0	Write-back	Skip
1	0	0	1		
1	1	0	0		
1	1	0	1		
1	0	1	0	Write-back	Write-back
1	0	1	1		
1	1	1	0		
1	1	1	1		

18.4.3 Normal Transfer Mode

The normal transfer mode allows a 1-byte (8-bit), 1-halfword (16-bit), 1-word (32-bit) data transfer on a single activation source. The transfer count can be set from 1 to 65,536. Transfer source and transfer destination addresses can be independently set to increment, decrement, or remain fixed. This mode enables an interrupt request to the CPU to be generated at the end of a specified-count transfer.

[Table 18.5](#) lists register functions in normal transfer mode, and [Figure 18.5](#) shows the memory map of normal transfer mode.

Table 18.5 Register functions in normal transfer mode

Register	Description	Value written back by writing transfer information
SAR	Transfer source address	Increment, decrement, or fixed*1
DAR	Transfer destination address	Increment, decrement, or fixed*1
CRA	Transfer counter A	CRA - 1
CRB	Transfer counter B	Not updated

Note 1. Write-back operation is skipped in address-fixed mode.

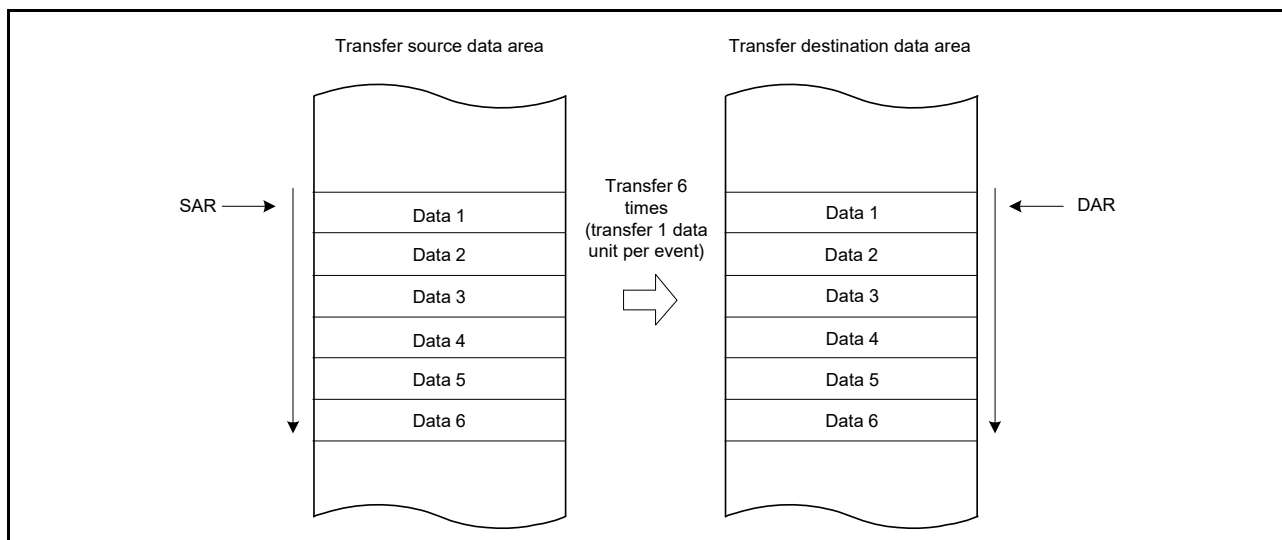


Figure 18.5 Memory map of normal transfer mode (MRA.SM[1:0] = 10b, MRB.DM[1:0] = 10b, CRA = 0006h)

18.4.4 Repeat Transfer Mode

Repeat transfer mode allows a 1-byte (8-bit), 1-halfword (16-bit), or 1-word (32-bit) data transfer on a single activation source. Transfer source or transfer destination for the repeat area must be specified in the MRB.DTS bit. The transfer count can be set from 1 to 256. When the specified-count transfer is complete, the initial value of the address register specified in the repeat area is restored, the initial value of the transfer counter is restored, and transfer is repeated. The other address register is incremented or decremented continuously or remains unchanged.

When the transfer counter CRAL decrements to 00h in repeat transfer mode, the CRAL value is updated to the value set in the CRAH register. As a result, the transfer counter does not become 00h, which disables interrupt requests to the CPU when the MRB.DISEL bit is set to 0. An interrupt request to the CPU is generated when the specified data transfer is complete.

Table 18.6 lists the register functions in repeat transfer mode, and Figure 18.6 shows the memory map of repeat transfer mode.

Table 18.6 Register functions in repeat transfer mode

Register	Description	Value written back by writing transfer information	
		When CRAL is not 1	When CRAL is 1
SAR	Transfer source address	Increment, decrement, or fixed*1	<ul style="list-style-type: none"> When the MRB.DTS bit is 0 Increment, decrement, or fixed*1 When the MRB.DTS bit is 1 SAR register initial value
DAR	Transfer destination address	Increment, decrement, or fixed*1	<ul style="list-style-type: none"> When the MRB.DTS bit is 0 DAR register initial value When the MRB.DTS bit is 1 Increment, decrement, or fixed*1
CRAH	Retains transfer counter	CRAH	CRAH
CRAL	Transfer counter A	CRAL - 1	CRAH
CRB	Transfer counter B	Not updated	Not updated

Note 1. Write-back is skipped in address-fixed mode.

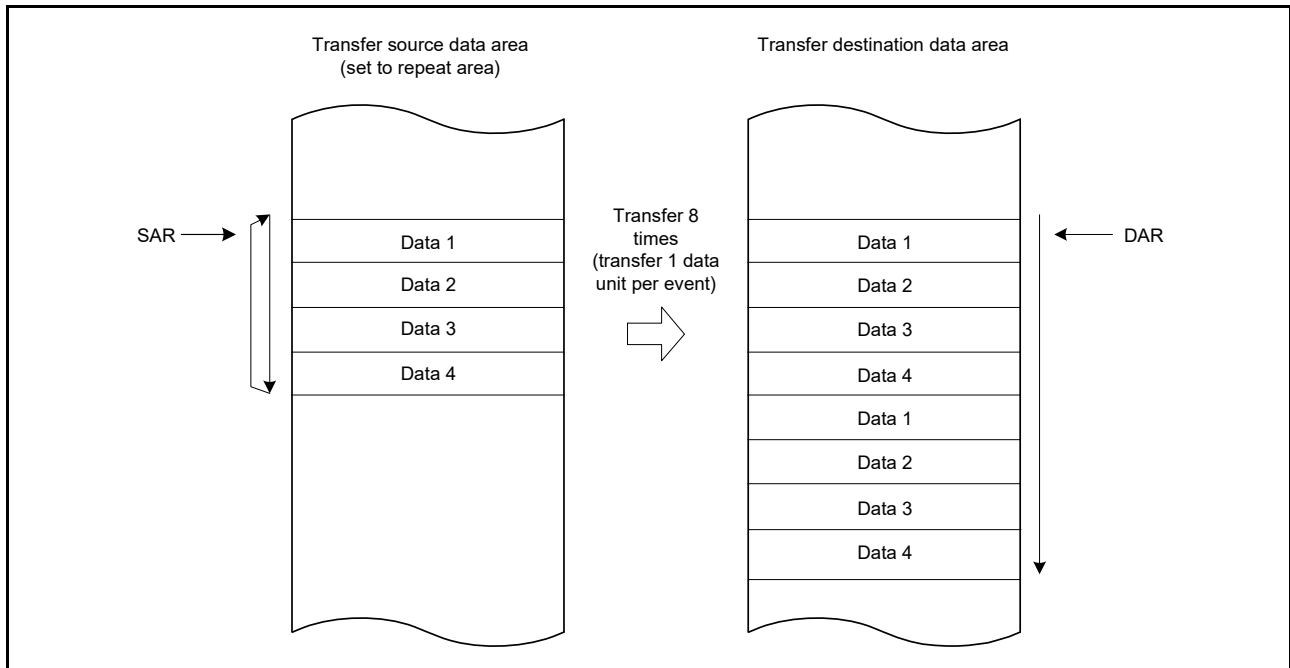


Figure 18.6 Memory map of repeat transfer mode when transfer source is a repeat area (MRA.SM[1:0] = 10b, MRB.DM[1:0] = 10b, CRAH = 04h)

18.4.5 Block Transfer Mode

This mode allows single-block data transfer on a single activation source. Transfer source or transfer destination for the block area must be specified in the MRB.DTS bit. The block size can be set from 1 to 256 bytes, 1 to 256 halfwords (2 to 512 bytes), or 1 to 256 words (4 to 1024 bytes). When transfer of the specified block completes, the initial values of the block size counter CRAL and the address register (the SAR register when the MRB.DTS bit is 1 or the DAR register when the DTS bit is 0) specified in the block area are restored. The other address register is incremented or decremented continuously or remains unchanged.

The transfer count (block count) can be set from 1 to 65,536. This mode enables an interrupt request to the CPU to be generated at the end of the specified-count block transfer.

Table 18.7 lists register functions in block transfer mode, and Figure 18.7 shows the memory map of block transfer mode.

Table 18.7 Register functions in block transfer mode

Register	Description	Value written back by writing transfer information
SAR	Transfer source address	<ul style="list-style-type: none"> When MRB.DTS bit is 0 Increment, decrement, or fixed*1 When MRB.DTS bit is 1 SAR register initial value
DAR	Transfer destination address	<ul style="list-style-type: none"> When MRB.DTS bit is 0 DAR register initial value When MRB.DTS bit is 1 Increment, decrement, or fixed*1
CRAH	Retains block size	CRAH
CRAL	Block size counter	CRAH
CRB	Block transfer counter	CRB - 1

Note 1. Write-back is skipped in address-fixed mode.

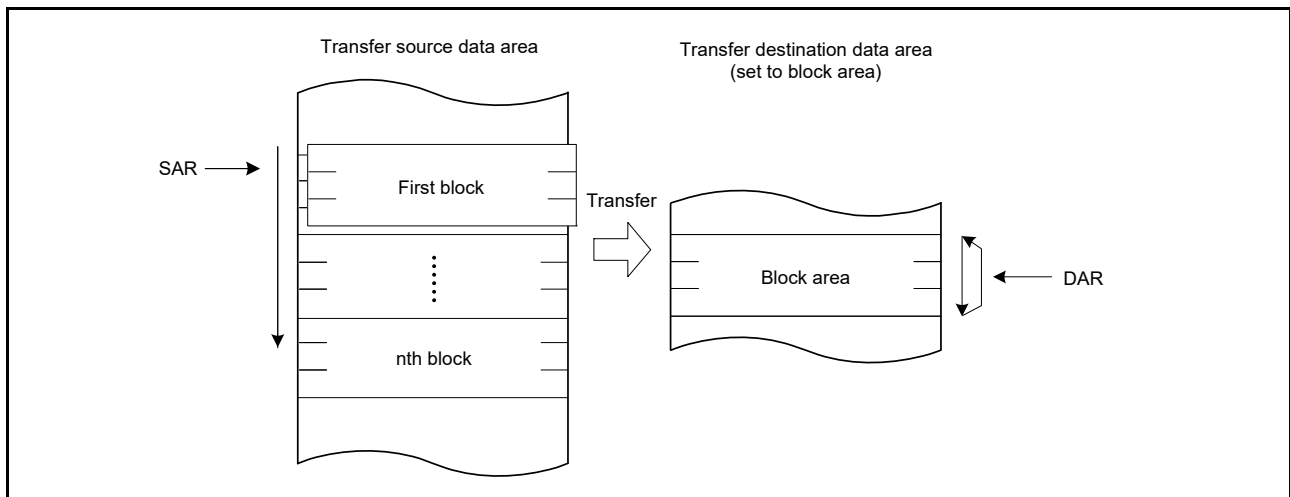


Figure 18.7 Memory map of block transfer mode

18.4.6 Chain Transfer

Setting the MRB.CHNE bit to 1 allows chain transfer to be performed continuously on a single activation source. If MRB.CHNE is set to 1 and CHNS to 0, an interrupt request to the CPU is not generated on completion of the specified number of rounds of transfer or by setting the MRB.DISEL bit to 1. An interrupt request is sent to the CPU each time DTC data transfer is performed. Data transfer has no effect on the ICU.IELSRn.IR bit of the activation source.

The SAR, DAR, CRA, CRB, MRA, and MRB registers can be set independently of each other to define data transfer. [Figure 18.8](#) shows a chain transfer operation.

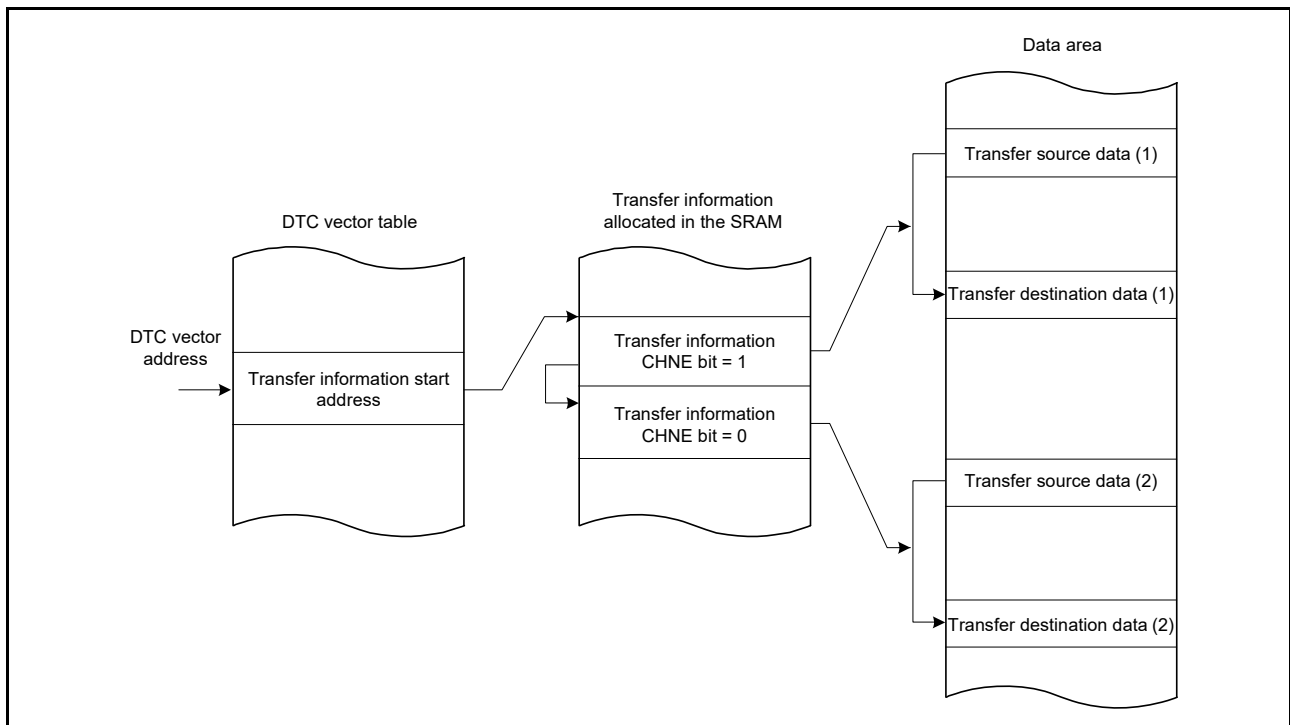


Figure 18.8 Chain transfer operation

Writing 1 to the MRB.CHNE and CHNS bits enables chain transfer to be performed only after completion of the specified data transfer. In repeat transfer mode, chain transfer is performed after completion of the specified data transfer. For details on chain transfer conditions, see [Table 18.3, Chain transfer conditions](#).

18.4.7 Operation Timing

Figure 18.9 to Figure 18.12 are timing diagrams that show the minimum number of execution cycles.

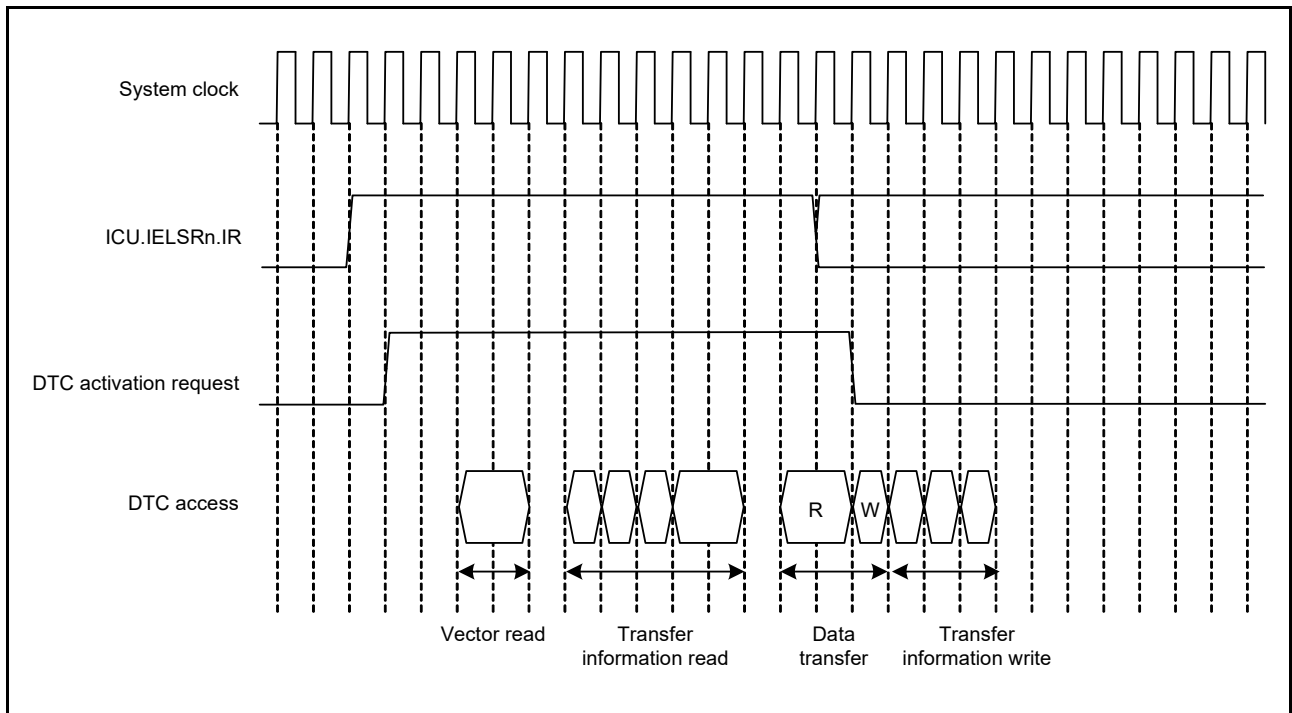


Figure 18.9 Example 1 of DTC operation timing in normal transfer mode and repeat transfer mode

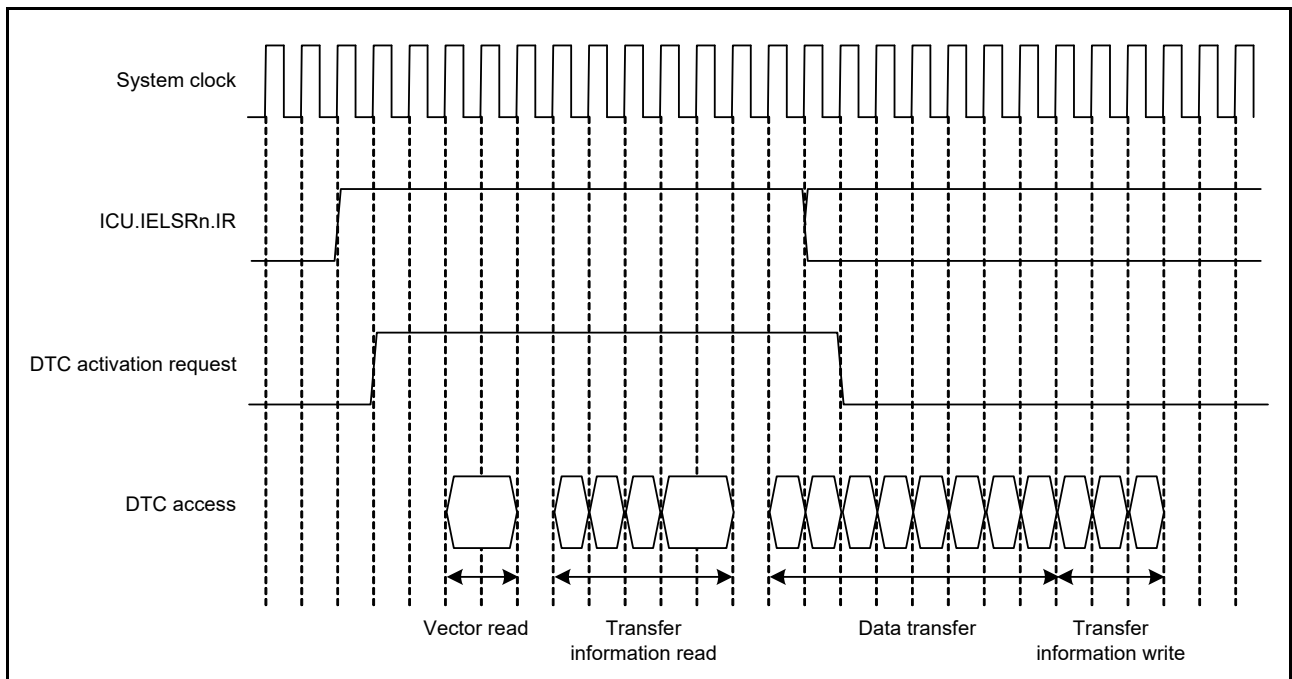


Figure 18.10 Example 2 of DTC operation timing in block transfer mode when block size = 4

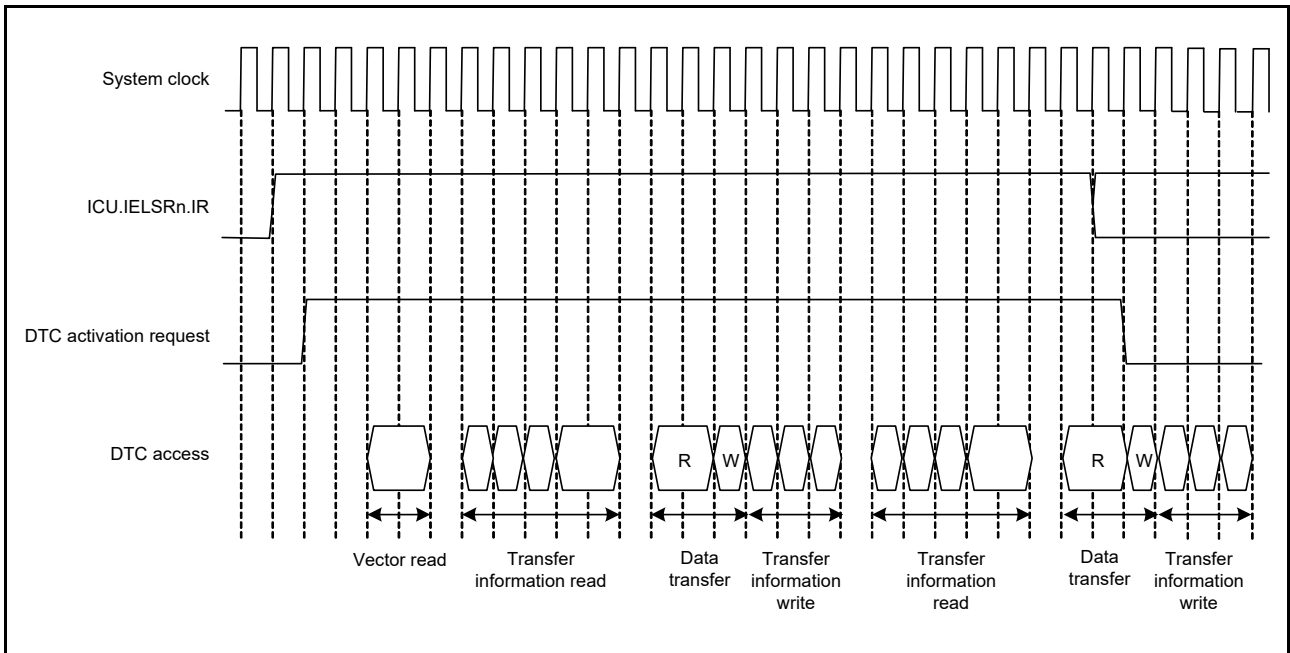


Figure 18.11 Example 3 of DTC operation timing for chain transfer

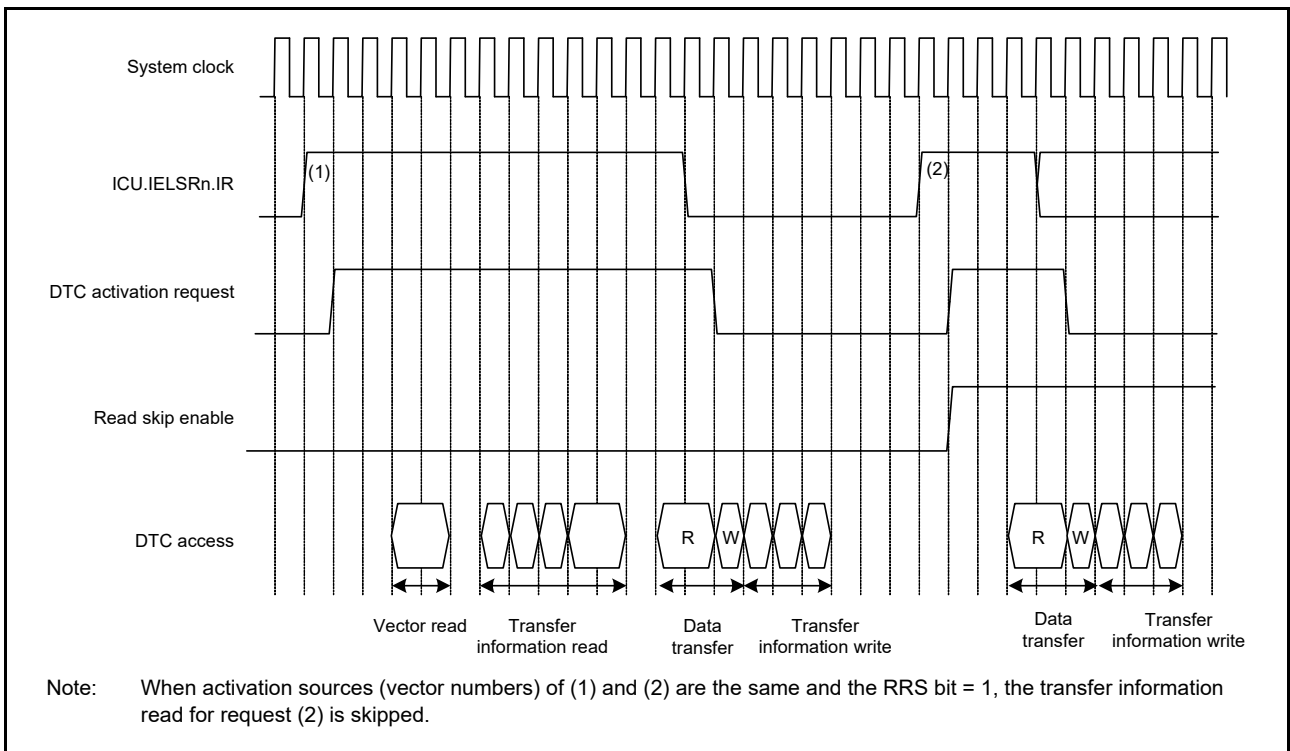


Figure 18.12 Example of operation when transfer information read is skipped, with the vector, transfer information, transfer destination data on the SRAM, and the transfer source data on the peripheral module

18.4.8 Execution Cycles of DTC

Table 18.8 lists the execution cycles of single data transfer of the DTC.

For the order of the execution states, see [section 18.4.7, Operation Timing](#).

Table 18.8 Execution cycles of DTC

Transfer mode	Vector read		Transfer information read		Transfer information write			Data transfer		Internal operation	
								Read	Write		
Normal	$C_v + 1$	0^{*1}	$4 \times C_i + 1$	0^{*1}	$3 \times C_i + 1^{*2}$	$2 \times C_i + 1^{*3}$	C_i^{*4}	$C_r + 1$	$C_w + 1$	2	0^{*1}
Repeat								$C_r + 1$	$C_w + 1$		
Block ^{*5}								$P \times C_r$	$P \times C_w$		

Note 1. When transfer information read is skipped.

Note 2. When neither SAR nor DAR is set to address-fixed mode.

Note 3. When SAR or DAR is set to address-fixed mode.

Note 4. When SAR and DAR are set to address-fixed mode.

Note 5. When the block size is 2 or more. If the block size is 1, the cycle number for normal transfer is applied.

P: Block size (initial settings of CRAH and CRAL)

C_v : Cycles for access to vector transfer information storage destination

C_i : Cycles for access to transfer information storage destination address

C_r : Cycles for access to data read destination

C_w : Cycles for access to data write destination

The unit is system clocks (ICLK) for + 1 in the Vector read, Transfer information read, and Data transfer read columns and 2 in the Internal operation column.

C_v , C_i , C_r , and C_w vary depending on the corresponding access destination. For the number of cycles for respective access destinations, see [section 46, SRAM](#), [section 47, Flash Memory](#), and [section 15, Buses](#).

The frequency ratio of the system clock and peripheral clock is also taken into consideration.

The DTC response time is the time from when the DTC activation source is detected until DTC transfer starts.

This table does not include the time until DTC data transfer starts after the DTC activation source becomes active.

18.4.9 DTC Bus Mastership Release Timing

The DTC does not release the bus mastership during transfer information reads. Before the transfer information is read or written, the bus is arbitrated according to the priority determined by the bus master arbitrator. For bus arbitration, see [section 15, Buses](#).

18.5 DTC Setting Procedure

Before using the DTC, set the DTC Vector Base Register (DTCVBR). [Figure 18.13](#) shows the procedure for setting the DTC.

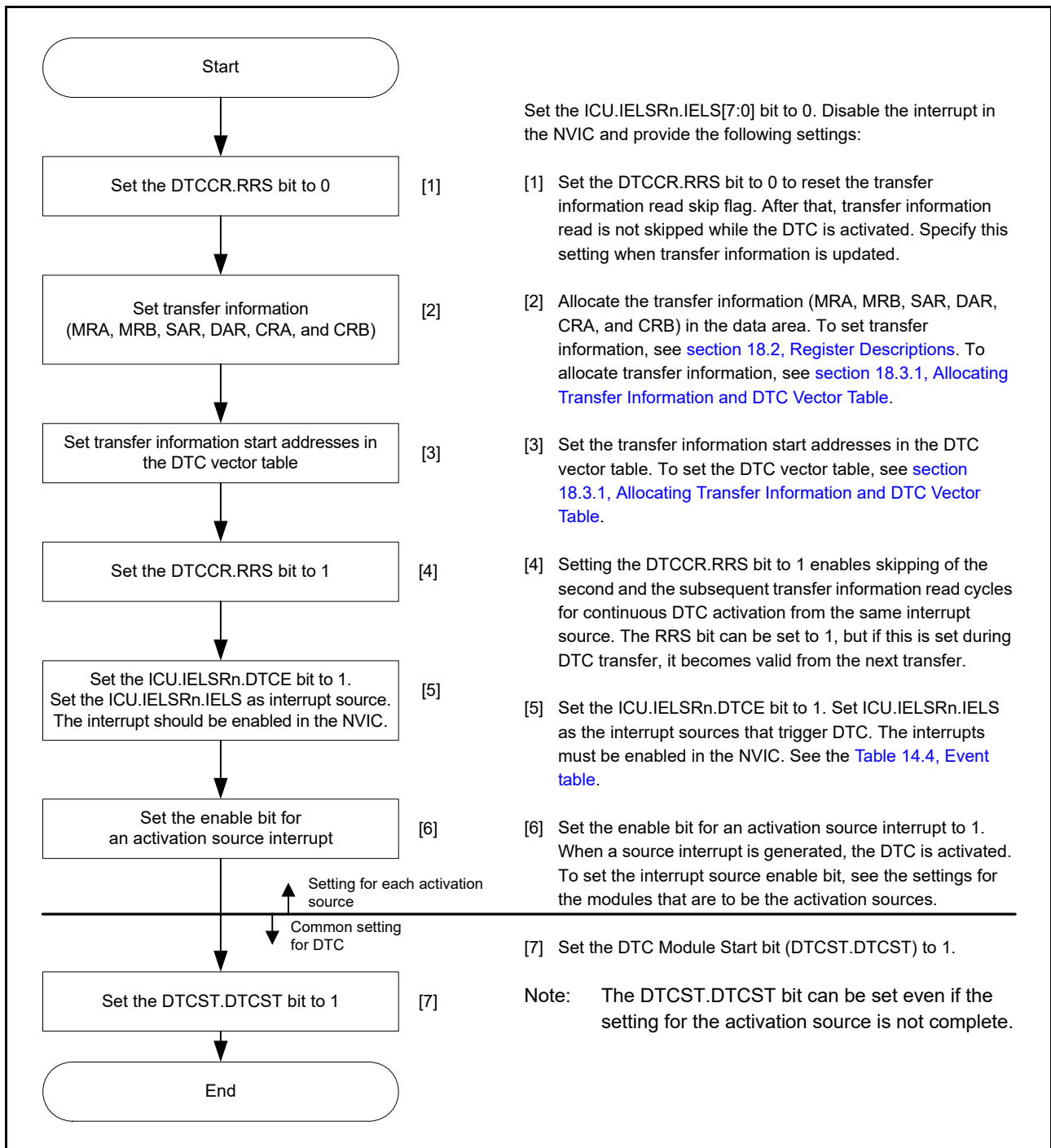


Figure 18.13 DTC setting procedure

18.6 Examples of DTC Usage

18.6.1 Normal Transfer

This section provides an example of DTC usage and its application when receiving 128 bytes of data from an SCI.

(1) Transfer information settings

In the MRA register, select a fixed source address (MRA.SM[1:0] bits = 00b), normal transfer mode (MRA.MD[1:0] bits = 00b), and byte-sized transfer (MRA.SZ[1:0] bits = 00b). In the MRB register, specify incrementation of the destination address (MRB.DM[1:0] bits = 10b) and single data transfer by a single interrupt (MRB.CHNE bit = 0 and MRB.DISEL bit = 0). The MRB.DTS bit can be set to any value. Set the RDR register address of the SCI in the SAR register, the start address of the SRAM area for data storage in the DAR register, and 128 (0080h) in the CRA register. The CRB register can be set to any value.

(2) DTC vector table settings

The start address of the transfer information for the RXI interrupt is set in the vector table for the DTC.

(3) ICU settings and DTC module activation

Set the ICU.IELSRn.DTCE bit to 1 and set ICU.IELSRn.IELS as the SCI interrupt. The interrupt must be enabled in the NVIC. Set the DTCST.DTCST bit to 1.

(4) SCI settings

Enable the RXI interrupt by setting the SCR.RIE bit in the SCI to 1. If a reception error occurs during the SCI receive operation, reception stops. To manage this, use settings that allows the CPU to accept receive error interrupts.

(5) DTC transfer

Every time a reception of 1 byte by the SCI completes, an RXI interrupt is generated to activate the DTC. The DTC transfers the received byte from the RDR of the SCI to the SRAM, after which the DAR register is incremented and the CRA register is decremented.

(6) Interrupt handling

After 128 rounds of data transfer are complete and the value in the CRA register becomes 0, an RXI interrupt request is generated for the CPU. Complete the process in the handling routine for this interrupt.

18.6.2 Chain Transfer

This section provides an example of chain transfer by the DTC and describes its use in the output of pulses by the General PWM Timer (GPT). You can use chain transfers to transfer PWM timer compare data and change the period of the PWM timer for the GPT.

For the first of the chain transfers, normal transfer mode is specified for transfer to the GPTm.GTCCRC register (m = 320 to 323, 164 to 169). For the second transfer, normal transfer mode is specified for transfer to the GPTm.GTCCRE register (m = 320 to 323, 164 to 169). For the third transfer, normal transfer mode is specified for transfer to the GPTm.GTPBR register (m = 320 to 323, 164 to 169). This is because clearing of the activation source and generation of an interrupt on completion of the specified number of transfers are restricted to the third of the chain transfers, that is, transfer while MRB.CHNE bit = 0.

The following example shows how to use the counter overflow interrupt with a GPT320.GTPR register as an activating source for the DTC.

(1) First transfer information setting

Set up transfer to the GPT320.GTCCRC register:

1. In the MRA register, select incrementation of the source address (MRA.SM[1:0] bits = 10b).
2. Set the transfer to normal transfer mode (MRA.MD[1:0] bits = 00b) and word-sized transfer (MRA.SZ[1:0] bits = 10b).
3. In the MRB register, select the destination address as fixed (MRB.DM[1:0] bits = 00b) and set up chain transfer (MRB.CHNE bit = 1 and MRB.CHNS bit = 0).

4. Set the SAR to the first address of the data table.
5. Set the DAR register to the address of the GPT320.GTCCRC register.
6. Set the CRAH and CRAL registers to the size of the data table. The CRB register can be set to any value.

(2) Second transfer information setting

Set up transfer to the GPT320.GTCCRE register:

1. In the MRA register, select incrementation of the source address (MRA.SM[1:0] bits = 10b).
2. Set the transfer to normal transfer mode (MRA.MD[1:0] bits = 00b) and word-sized transfer (MRA.SZ[1:0] bits = 10b).
3. In the MRB register, select the destination address as fixed (MRB.DM[1:0] bits = 00b) and set up chain transfer (MRB.CHNE bit = 1 and MRB.CHNS bit = 0).
4. Set the SAR register to the first address of the data table.
5. Set the DAR register to the address of the GPT320.GTCCRE register.
6. Set the CRAH and CRAL registers to the size of the data table. The CRB register can be set to any value.

(3) Third transfer information set

Set up transfer to the GPT320.GTPBR register:

1. In the MRA register, select incrementation of the source address (MRA.SM[1:0] bits = 10b).
2. Set the transfer to normal transfer mode (MRA.MD[1:0] bits = 00b) and word-sized transfer (MRA.SZ[1:0] bits = 10b).
3. In the MRB register, select the destination address as fixed (MRB.DM[1:0] bits = 00b) and set up single data transfer per interrupt (MRB.CHNE bit = 0, MRB.DISEL bit = 0). The MRB.DTS bit can be set to any value.
4. Set the SAR register to the first address of the data table.
5. Set the DAR register to the address of the GPT320.GTPBR register.
6. Set the CRA register to the size of the data table. The CRB register can be set to any value.

(4) Transfer information assignment

Place the transfer information for use in the transfer to the GPT320.GTPBR immediately after the transfer control information for use in the GPT320.GTCCRC and GPT320.GTCCRE registers.

(5) DTC vector table

In the DTC vector table, set the address where the transfer control information for use in transfer to the GPT320.GTCCRC and GPT320.GTCCRE registers starts.

(6) ICU setting and DTC module activation

1. Set the ICU.IELSRn.DTCE bit associated with the GPT320 counter overflow interrupt.
2. Set the ICU.IELSRn.IELS[7:0] to 97 (61h) for the GPT320 counter overflow.
3. Set the DTCST.DTCST bit to 1.

(7) GPT settings

1. Set the GPT320.GTIOR register so that the GTCCRA and GTCCRB registers operate as output compare registers.
2. Set the default PWM timer compare values in the GPT320.GTCCRA and GPT320.GTCCRB registers and the next PWM timer compare values in the GPT320.GTCCRC and GPT320.GTCCRE registers.
3. Set the default PWM timer period values in the GPT320.GTPR register and the next PWM timer period values in the GPT320.GTPBR register.
4. Set 1 to the output bit in PmnPFS.PDR, and set 00011b to the Peripheral Select bits in PmnPFS.PSEL[4:0].

(8) GPT activation

Set the GPT320.GTSTR.CSTRT bits to 1 to start the GPT320.GTCNT counter.

(9) DTC transfer

Every time a GPT320 counter overflow is generated with the GPT320.GTPR register, the next PWM timer compare values are transferred to the GPT320.GTCCRC and GPT320.GTCCRE registers. The setting for the next PWM timer period is transferred to the GPT320.GTPBR register.

(10) Interrupt handling

After the specified rounds of data transfer are complete, for example when the value in the CRA register for GPT transfer becomes 0, a GPT320 counter overflow interrupt request is issued for the CPU. Complete the process for this interrupt in the handling routine.

18.6.3 Chain Transfer When Counter = 0

The second data transfer is performed only when the transfer counter is set to 0 in the first data transfer, and the first data transfer information is repeatedly changed in the second transfer. Chain transfer enables transfers to be repeated 256 times or more.

The following procedure shows an example of configuring a 128-KB input buffer, where the input buffer is set so that its lower address starts with 0000h. [Figure 18.14](#) shows a chain transfer when the counter = 0.

1. Set the normal transfer mode to input data for the first data transfer. Set the following:
 - a. Transfer source address = fixed.
 - b. CRA register = 0000h (65,536) times.
 - c. MRB.CHNE bit = 1 (chain transfer is enabled).
 - d. MRB.CHNS bit = 1 (chain transfer is performed only when the transfer counter is 0).
 - e. MRB.DISEL bit = 0 (an interrupt request to the CPU is generated when the specified data transfer completes).
2. Prepare the upper 8-bit address of the start address at every 65,536 times of the transfer destination address for the first data transfer in a different area such as the flash. For example, when setting the input buffer to 20 0000h to 21 FFFFh, prepare 21h and 20h.
3. For the second data transfer:
 - a. Set the repeat transfer mode (with the source as the repeat area) to reset the transfer destination address of the first data transfer.
 - b. Specify the upper 8 bits of the DAR register in the first transfer information area for the transfer destination.
 - c. Set the MRB.CHNE bit = 0 (chain transfer is disabled).
 - d. Set the MRB.DISEL bit = 0 (an interrupt request to the CPU is generated when the specified data transfer completes).
 - e. When setting the input buffer to 20 0000h to 21 FFFFh, also set the transfer counter to 2.
4. The first data transfer is performed by an interrupt 65,536 times. When the transfer counter of the first data transfer becomes 0, the second data transfer starts. Set the upper 8 bits of the transfer source address of the first data transfer to 21h. The lower 16 bits of the transfer destination address and the transfer counter of the first data transfer have become 0000h.
5. In succession, the first data transfer is performed by an interrupt 65,536 times as specified for the first data transfer. When the transfer counter of the first data transfer becomes 0, the second data transfer starts. Set the upper 8 bits of the transfer source address of the first data transfer to 20h. The lower 16 bits of the transfer destination address and the transfer counter of the first data transfer have become 0000h.
6. Steps 4 and 5 are repeated indefinitely. Because the second data transfer is in repeat transfer mode, no interrupt request to the CPU is generated.

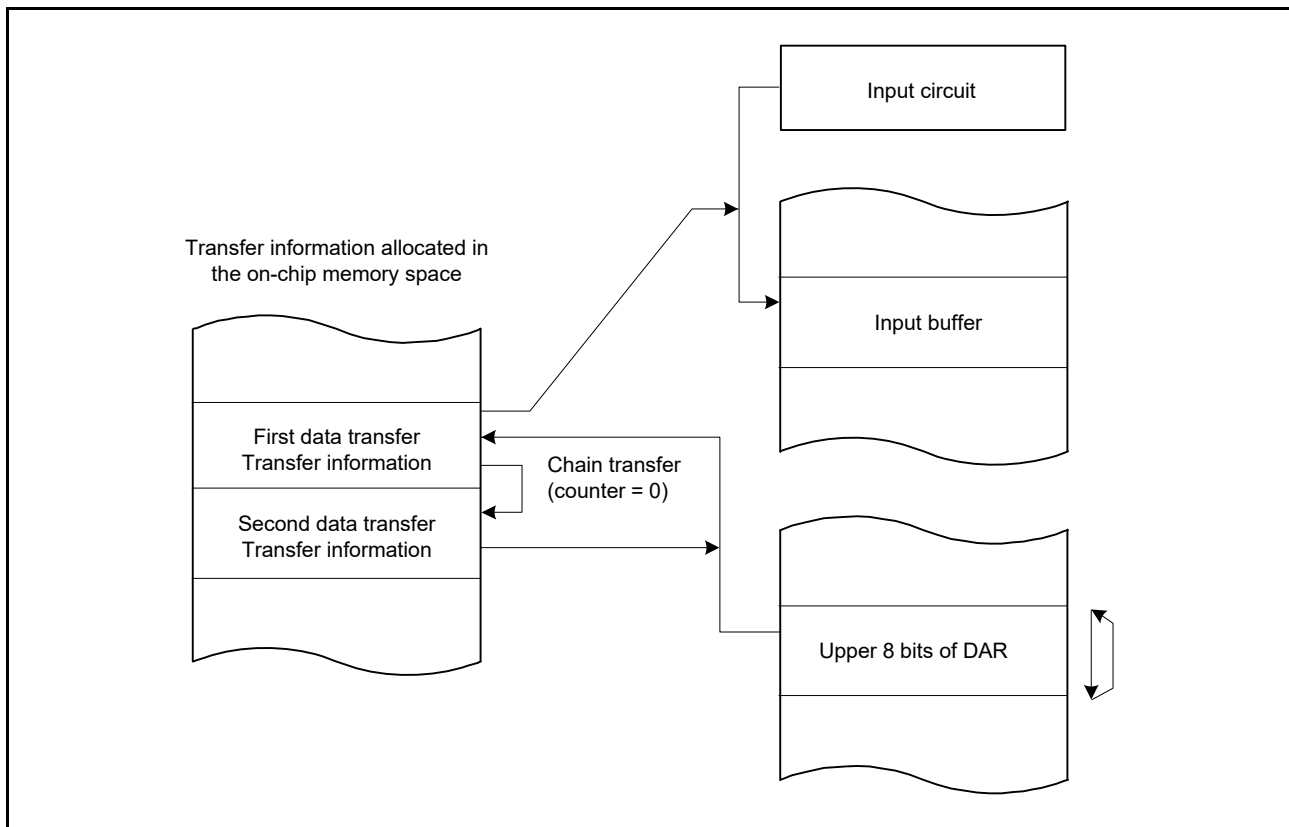


Figure 18.14 Chain transfer when counter = 0

18.7 Interrupt Sources

When the DTC finishes data transfer of the specified count or when data transfer with the MRB.DISEL bit set to 1 is complete, a DTC activation source generates an interrupt to the CPU. Interrupts to the CPU are controlled according to the settings in the NVIC and ICU.IELSRn.IELS[7:0]. See [section 14, Interrupt Controller Unit \(ICU\)](#).

The DTC prioritizes activation sources by granting the smaller interrupt vector numbers higher priority. The priority of interrupts to the CPU is determined by the NVIC priority.

18.8 Event Link

The DTC is capable of producing an event link request on completion of one transfer request. When the destination for the transfer is an external bus, the event link request is issued after completion of writing to the write buffer rather than after completion of writing to the actual transfer destination.

18.9 Snooze Control Interface

To return to Software Standby mode from Snooze mode through the DTC, set SYSTEM.SNZEDCR.DTCZRED or SYSTEM.SNZEDCR.DTCNZRED to 1. See [section 11.8.3, Returning to Software Standby Mode](#).

SYSTEM.SNZEDCR.DTCZRED enables or disables a Snooze end request on completion of the last DTC transmission, detected on DTC transmission completion when CRA and CRB are 0.

SYSTEM.SNZEDCR.DTCNZRED enables or disables a Snooze end request on a not last DTC transmission completion, detected on DTC transmission completion when CRA and CRB are not 0.

18.10 Module-Stop Function

Before transitioning to the module-stop function, Software Standby mode without Snooze mode transition, set the DTCST.DTCST bit to 0, and then perform the operations described in the following sections. The DTC is available in Snooze mode by setting SYSTEM.SNZCR.SNZDTCEN to 1. See [section 11, Low Power Modes](#).

(1) Module-stop function

Writing 1 to the MSTPCRA.MSTPA22 bit enables the module-stop function of the DTC. If the DTC transfer is in progress at the time 1 is written to the MSTPCRA.MSTPA22 bit, the transition to the module-stop state proceeds after DTC transfer ends. While the MSTPCRA.MSTPA22 bit is 1, accessing the DTC registers is prohibited.

Writing 0 to the MSTPCRA.MSTPA22 bit releases the DTC from the module-stop state.

(2) Software Standby mode

Use the settings described in [section 11.7.1, Transition to Software Standby Mode](#).

If DTC transfer operations are in progress when the WFI instruction is executed, the transition to Software Standby mode follows the completion of the DTC transfer.

When the Snooze control circuit receives a Snooze request in Software Standby mode, the MCU transfers to Snooze mode. See [section 11.8.1, Transition to Snooze Mode](#). DTC operation in Snooze mode can be selected in the SYSTEM.SNZCR.SNZDTCEN bit. If DTC operation is enabled in Snooze mode, before transitioning to Software Standby mode, set the DTCST.DTCST bit to 1. To return to Software Standby mode through the DTC, set the SYSTEM.SNZEDCR.DTCZRED or SYSTEM.SNZEDCR.DTCNZRED to 1. See [section 11.8.3, Returning to Software Standby Mode](#). The DTC activation request from the ICU is stopped during Software Standby mode but not during Snooze mode.

(3) Notes on module-stop function

For the WFI instruction and the register setting procedure, see [section 11, Low Power Modes](#).

To perform a DTC transfer after returning from a low power mode without Snooze mode transition, set the DTCST.DTCST bit to 1 again.

To use a request that is generated in Software Standby mode as an interrupt request to the CPU but not as a DTC activation request, specify the CPU as the interrupt request destination as described in [section 14.4.2, Selecting Interrupt Request Destinations](#), and then execute a WFI instruction. If DTC operation is enabled in Snooze mode, do not use the module-stop function of the DTC.

18.11 Usage Notes

18.11.1 Transfer Information Start Address

You must set multiples of 4 for the transfer information start addresses in the vector table. Otherwise, such addresses are accessed with their lowest 2 bits regarded as 00b.

19. Event Link Controller (ELC)

19.1 Overview

The Event Link Controller (ELC) uses the event requests generated by various peripheral modules as source signals to connect them to different modules, allowing direct link between the modules without CPU intervention.

Table 19.1 lists the ELC specifications and Figure 19.1 shows a block diagram.

Table 19.1 ELC specifications

Item	Description
Event link function	179 types of event signals can be directly connected to modules. The ELC can generate an ELC event signal, and events that activate the DTC.
Module-stop function	Module-stop state can be set to reduce power consumption

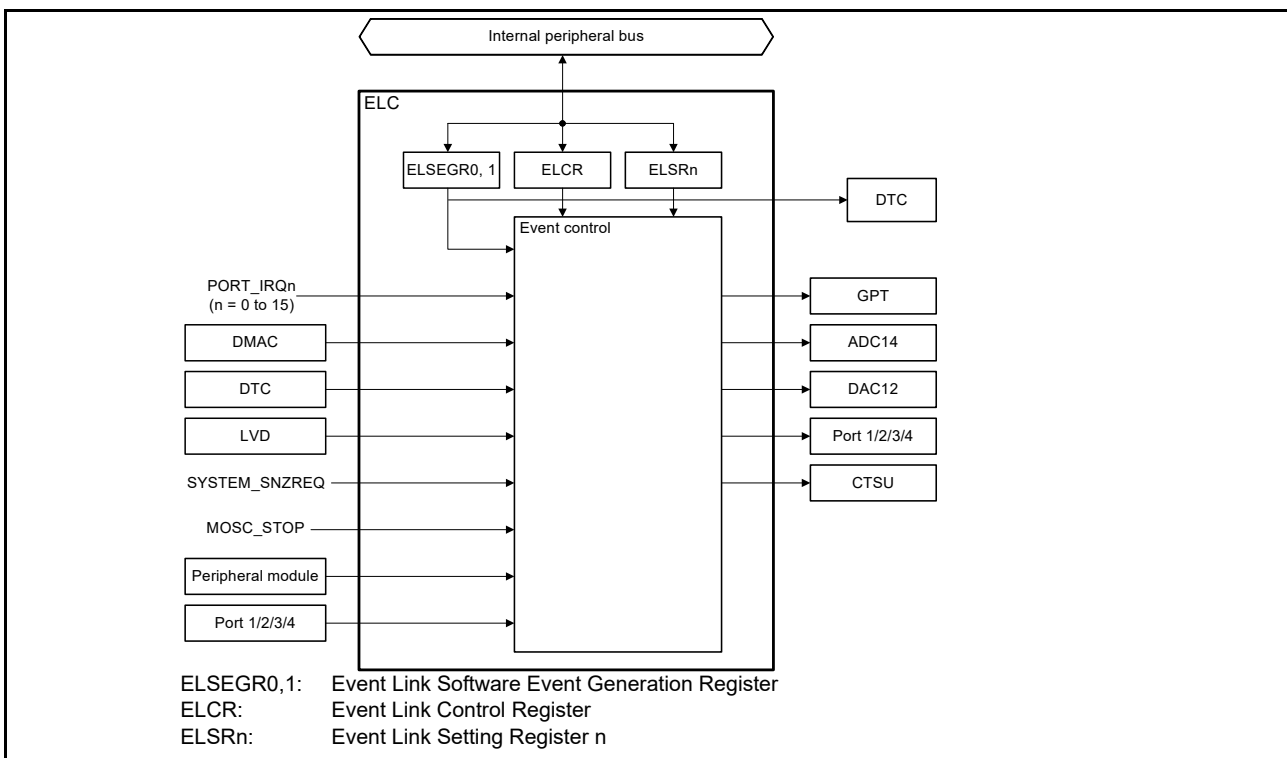


Figure 19.1 ELC block diagram (n = 0 to 9, 12, 14 to 18)

19.2 Register Descriptions

19.2.1 Event Link Controller Register (ELCR)

Address(es): [ELC.ELCR 4004 1000h](#)

b7	b6	b5	b4	b3	b2	b1	b0
ELCON	—	—	—	—	—	—	—

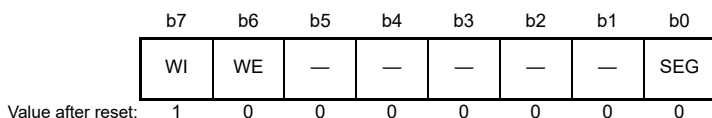
Value after reset: 0 0 0 0 0 0 0 0

Bit	Symbol	Bit name	Description	R/W
b6 to b0	—	Reserved	These bits are read as 0. The write value should be 0.	R/W
b7	ELCON	All Event Link Enable	0: Disable ELC function 1: Enable ELC function.	R/W

The ELCR register controls the ELC operation.

19.2.2 Event Link Software Event Generation Register n (ELSEGRn) (n = 0, 1)

Address(es): [ELC.ELSEGR0 4004 1002h](#), [ELC.ELSEGR1 4004 1004h](#)



Bit	Symbol	Bit name	Description	R/W
b0	SEG	Software Event Generation	0: Normal operation 1: Software event is generated.	W
b5 to b1	—	Reserved	These bits are read as 0. The write value should be 0.	R/W
b6	WE	SEG Bit Write Enable	0: Disable write to SEG bit 1: Enable write to SEG bit.	R/W
b7	WI	ELSEGR Register Write Disable	0: Enable write to ELSEGR register 1: Disable write to ELSEGR register.	W

SEG bit (Software Event Generation)

When 1 is written to the SEG bit while the WE bit is 1, a software event is generated. This bit is read as 0. Even when 1 is written to this bit, data is not stored. The WE bit must be set to 1 before writing to this bit.

A software event can trigger a linked DTC event.

WE bit (SEG Bit Write Enable)

The SEG bit can only be written to when the WE bit is 1. Clear the WI bit to 0 before writing to this bit.

[Setting condition]

- If 1 is written to this bit while the WI bit is 0, this bit becomes 1.

[Clearing condition]

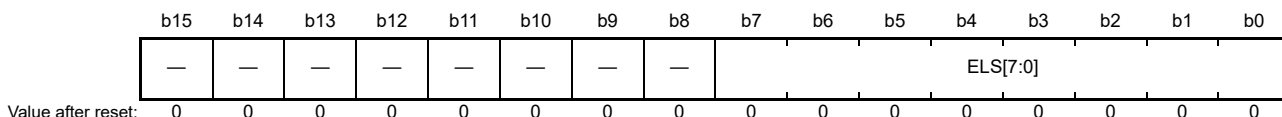
- If 0 is written to this bit while the WI bit is 0, this bit becomes 0.

WI bit (ELSEGR Register Write Disable)

The ELSEGR register can only be written to when the write value to the WI bit is 0. This bit is read as 1. Before setting the WE or SEG bit, the WI bit must be set to 0.

19.2.3 Event Link Setting Register n (ELSRn) (n = 0 to 9, 12, 14 to 18)

Address(es): [ELC.ELSR0 4004 1010h](#), [ELC.ELSR1 4004 1014h](#), [ELC.ELSR2 4004 1018h](#), [ELC.ELSR3 4004 101Ch](#), [ELC.ELSR4 4004 1020h](#), [ELC.ELSR5 4004 1024h](#), [ELC.ELSR6 4004 1028h](#), [ELC.ELSR7 4004 102Ch](#), [ELC.ELSR8 4004 1030h](#), [ELC.ELSR9 4004 1034h](#), [ELC.ELSR12 4004 1040h](#), [ELC.ELSR14 4004 1048h](#), [ELC.ELSR15 4004 104Ch](#), [ELC.ELSR16 4004 1050h](#), [ELC.ELSR17 4004 1054h](#), [ELC.ELSR18 4004 1058h](#)



Bit	Symbol	Bit name	Description	R/W
b7 to b0	ELS[7:0]	Event Link Select	b7 b0 00000000: Event output disabled for the associated peripheral module 00000001 to 11010100: Number setting for the event signal to be linked. Other settings are prohibited.	R/W

Bit	Symbol	Bit name	Description	R/W
b15 to b8	—	Reserved	These bits are read as 0. The write value should be 0.	R/W

The ELSRn register specifies an event signal to be linked to each peripheral module. Table 19.2 shows the association between the ELSRn registers and the peripheral modules. Table 19.3 shows the association between the event signal names set in the ELSRn registers and the signal numbers.

Table 19.2 Association between the ELSRn registers and peripheral functions

Register name	Peripheral function (module)	Event name
ELSR0	GPT (A)	ELC_GPTA
ELSR1	GPT (B)	ELC_GPTB
ELSR2	GPT (C)	ELC_GPTC
ELSR3	GPT (D)	ELC_GPTD
ELSR4	GPT (E)	ELC_GPTE
ELSR5	GPT (F)	ELC_GPTF
ELSR6	GPT (G)	ELC_GPTG
ELSR7	GPT (H)	ELC_GPTH
ELSR8	ADC14A	ELC_AD00
ELSR9	ADC14B	ELC_AD01
ELSR12	DAC12	ELC_DA0
ELSR14	PORT 1	ELC_PORT1
ELSR15	PORT 2	ELC_PORT2
ELSR16	PORT 3	ELC_PORT3
ELSR17	PORT 4	ELC_PORT4
ELSR18	CTSU	ELC_CTSU

Table 19.3 Association between event signal names set in ELSRn.ELS bits and signal numbers (1 of 5)

Event number	Interrupt request source	Name	Description
001h	Port	PORT_IRQ0*1	External pin interrupt 0
002h		PORT_IRQ1*1	External pin interrupt 1
003h		PORT_IRQ2*1	External pin interrupt 2
004h		PORT_IRQ3*1	External pin interrupt 3
005h		PORT_IRQ4*1	External pin interrupt 4
006h		PORT_IRQ5*1	External pin interrupt 5
007h		PORT_IRQ6*1	External pin interrupt 6
008h		PORT_IRQ7*1	External pin interrupt 7
009h		PORT_IRQ8*1	External pin interrupt 8
00Ah		PORT_IRQ9*1	External pin interrupt 9
00Bh		PORT_IRQ10*1	External pin interrupt 10
00Ch		PORT_IRQ11*1	External pin interrupt 11
00Dh		PORT_IRQ12*1	External pin interrupt 12
00Eh		PORT_IRQ13*1	External pin interrupt 13
00Fh		PORT_IRQ14*1	External pin interrupt 14
010h	PORT_IRQ15*1	External pin interrupt 15	
011h	DMAC0	DMAC0_INT	DMAC transfer end 0
012h	DMAC1	DMAC1_INT	DMAC transfer end 1
013h	DMAC2	DMAC2_INT	DMAC transfer end 2
014h	DMAC3	DMAC3_INT	DMAC transfer end 3

Table 19.3 Association between event signal names set in ELSRn.ELS bits and signal numbers (2 of 5)

Event number	Interrupt request source	Name	Description
016h	DTC	DTC_DTCEND*3	DTC transfer end
019h	LVD	LVD_LVD1	Voltage monitor 1 interrupt
01Ah		LVD_LVD2	Voltage monitor 2 interrupt
01Ch	MOSC	MOSC_STOP	Main clock oscillation stop
01Dh	Low power mode	SYSTEM_SNZREQ*2, *3	Snooze entry
01Eh	AGT0	AGT0_AGTI	AGT interrupt
01Fh		AGT0_AGTCMAI	Compare match A
020h		AGT0_AGTCMBI	Compare match B
021h	AGT1	AGT1_AGTI	AGT interrupt
022h		AGT1_AGTCMAI	Compare match A
023h		AGT1_AGTCMBI	Compare match B
024h	IWDT	IWDT_NMIUNDF	IWDT underflow
025h	WDT	WDT_NMIUNDF	WDT underflow
027h	RTC	RTC_PRD	Periodic interrupt
029h	ADC140	ADC140_ADI	A/D scan end interrupt
02Dh		ADC140_WCMPPM*3	Compare match
02Eh		ADC140_WCMPUM*3	Compare mismatch
02Fh	ACMPLP	ACMP_LP0	Low-power analog comparator interrupt 0
030h		ACMP_LP1	Low-power analog comparator interrupt 1
035h	IIC0	IIC0_RXI	Receive data full
036h		IIC0_TXI	Transmit data empty
037h		IIC0_TEI	Transmit end
038h		IIC0_EEI	Transfer error
03Ah	IIC1	IIC1_RXI	Receive data full
03Bh		IIC1_TXI	Transmit data empty
03Ch		IIC1_TEI	Transmit end
03Dh		IIC1_EEI	Transfer error
03Eh	IIC2	IIC2_RXI	Receive data full
03Fh		IIC2_TXI	Transmit data empty
040h		IIC2_TEI	Transmit end
041h		IIC2_EEI	Transfer error
04Ah	DOC	DOC_DOPCI*3	Data operation circuit interrupt
053h	I/O port	IOPORT_GROUP1	Port 1 event
054h		IOPORT_GROUP2	Port 2 event
055h		IOPORT_GROUP3	Port 3 event
056h		IOPORT_GROUP4	Port 4 event
057h	ELC	ELC_SWEVT0	Software event 0
058h		ELC_SWEVT1	Software event 1

Table 19.3 Association between event signal names set in ELSRn.ELS bits and signal numbers (3 of 5)

Event number	Interrupt request source	Name	Description
05Bh	GPT320	GPT0_CCMPA	Compare match A
05Ch		GPT0_CCMPB	Compare match B
05Dh		GPT0_CMPC	Compare match C
05Eh		GPT0_CMPD	Compare match D
05Fh		GPT0_CMPE	Compare match E
060h		GPT0_CMPF	Compare match F
061h		GPT0_OVF	Overflow
062h		GPT0_UDF	Underflow
063h	GPT321	GPT1_CCMPA	Compare match A
064h		GPT1_CCMPB	Compare match B
065h		GPT1_CMPC	Compare match C
066h		GPT1_CMPD	Compare match D
067h		GPT1_CMPE	Compare match E
068h		GPT1_CMPF	Compare match F
069h		GPT1_OVF	Overflow
06Ah		GPT1_UDF	Underflow
06Bh	GPT322	GPT2_CCMPA	Compare match A
06Ch		GPT2_CCMPB	Compare match B
06Dh		GPT2_CMPC	Compare match C
06Eh		GPT2_CMPD	Compare match D
06Fh		GPT2_CMPE	Compare match E
070h		GPT2_CMPF	Compare match F
071h		GPT2_OVF	Overflow
072h		GPT2_UDF	Underflow
073h	GPT323	GPT3_CCMPA	Compare match A
074h		GPT3_CCMPB	Compare match B
075h		GPT3_CMPC	Compare match C
076h		GPT3_CMPD	Compare match D
077h		GPT3_CMPE	Compare match E
078h		GPT3_CMPF	Compare match F
079h		GPT3_OVF	Overflow
07Ah		GPT3_UDF	Underflow
07Bh	GPT164	GPT4_CCMPA	Compare match A
07Ch		GPT4_CCMPB	Compare match B
07Dh		GPT4_CMPC	Compare match C
07Eh		GPT4_CMPD	Compare match D
07Fh		GPT4_CMPE	Compare match E
080h		GPT4_CMPF	Compare match F
081h		GPT4_OVF	Overflow
082h		GPT4_UDF	Underflow

Table 19.3 Association between event signal names set in ELSRn.ELS bits and signal numbers (4 of 5)

Event number	Interrupt request source	Name	Description
083h	GPT165	GPT5_CCMPA	Compare match A
084h		GPT5_CCMPB	Compare match B
085h		GPT5_CMPC	Compare match C
086h		GPT5_CMPD	Compare match D
087h		GPT5_CMPE	Compare match E
088h		GPT5_CMPF	Compare match F
089h		GPT5_OVF	Overflow
08Ah		GPT5_UDF	Underflow
08Bh	GPT166	GPT6_CCMPA	Compare match A
08Ch		GPT6_CCMPB	Compare match B
08Dh		GPT6_CMPC	Compare match C
08Eh		GPT6_CMPD	Compare match D
08Fh		GPT6_CMPE	Compare match E
090h		GPT6_CMPF	Compare match F
091h		GPT6_OVF	Overflow
092h		GPT6_UDF	Underflow
093h	GPT167	GPT7_CCMPA	Compare match A
094h		GPT7_CCMPB	Compare match B
095h		GPT7_CMPC	Compare match C
096h		GPT7_CMPD	Compare match D
097h		GPT7_CMPE	Compare match E
098h		GPT7_CMPF	Compare match F
099h		GPT7_OVF	Overflow
09Ah		GPT7_UDF	Underflow
09Bh	GPT168	GPT8_CCMPA	Compare match A
09Ch		GPT8_CCMPB	Compare match B
09Dh		GPT8_CMPC	Compare match C
09Eh		GPT8_CMPD	Compare match D
09Fh		GPT8_CMPE	Compare match E
0A0h		GPT8_CMPF	Compare match F
0A1h		GPT8_OVF	Overflow
0A2h		GPT8_UDF	Underflow
0A3h	GPT169	GPT9_CCMPA	Compare match A
0A4h		GPT9_CCMPB	Compare match B
0A5h		GPT9_CMPC	Compare match C
0A6h		GPT9_CMPD	Compare match D
0A7h		GPT9_CMPE	Compare match E
0A8h		GPT9_CMPF	Compare match F
0A9h		GPT9_OVF	Overflow
0AAh		GPT9_UDF	Underflow
0ABh	GPT	GPT_UVWEDGE	UVW edge event

Table 19.3 Association between event signal names set in ELSRn.ELS bits and signal numbers (5 of 5)

Event number	Interrupt request source	Name	Description
0ACh	SCI0	SCI0_RXI*4	Receive data full
0ADh		SCI0_TXI*4	Transmit data empty
0AEh		SCI0_TEI	Transmit end
0AFh		SCI0_ERI*4	Receive error
0B0h		SCI0_AM	Address match event
0B2h	SCI1	SCI1_RXI*4	Receive data full
0B3h		SCI1_TXI*4	Transmit data empty
0B4h		SCI1_TEI	Transmit end
0B5h		SCI1_ERI*4	Receive error
0B6h		SCI1_AM	Address match event
0B7h	SCI2	SCI2_RXI*4	Receive data full
0B8h		SCI2_TXI*4	Transmit data empty
0B9h		SCI2_TEI	Transmit end
0BAh		SCI2_ERI*4	Receive error
0BBh		SCI2_AM	Address match event
0BCh	SCI3	SCI3_RXI*4	Receive data full
0BDh		SCI3_TXI*4	Transmit data empty
0BEh		SCI3_TEI	Transmit end
0BFh		SCI3_ERI*4	Receive error
0C0h		SCI3_AM	Address match event
0C1h	SCI4	SCI4_RXI*4	Receive data full
0C2h		SCI4_TXI*4	Transmit data empty
0C3h		SCI4_TEI	Transmit end
0C4h		SCI4_ERI*4	Receive error
0C5h		SCI4_AM	Address match event
0C6h	SCI9	SCI9_RXI*4	Receive data full
0C7h		SCI9_TXI*4	Transmit data empty
0C8h		SCI9_TEI	Transmit end
0C9h		SCI9_ERI*4	Receive error
0CAh		SCI9_AM	Address match event
0CBh	SPI0	SPI0_SPRI	Receive buffer full
0CCh		SPI0_SPTI	Transmit buffer empty
0CDh		SPI0_SPII	Idle
0CEh		SPI0_SPEI	Error
0CFh		SPI0_SPTEND	Transmission completed event
0D0h	SPI1	SPI1_SPRI	Receive buffer full
0D1h		SPI1_SPTI	Transmit buffer empty
0D2h		SPI1_SPII	Idle
0D3h		SPI1_SPEI	Error
0D4h		SPI1_SPTEND	Transmission completed event

Note 1. Only pulse (edge detection) is supported.

Note 2. ELSR8, 9, and ELSR14 to ELSR18 can select this event.

Note 3. This event can occur in Snooze mode.

Note 4. This event is not supported in FIFO mode.

19.3 Operation

19.3.1 Relation between Interrupt Handling and Event Linking

Event number for an event link is the same as that for the associated interrupt source. For information on generating event signals, see the explanation in the chapter for each event source module.

19.3.2 Linking Events

When an event occurs and that event is already set as a trigger in the Event Link Setting Register (ELSRn), the associated module is activated. The operation of the module must be set up in advance. [Table 19.4](#) lists the operations of modules when an event occurs.

Table 19.4 Module operations when event occurs

Module	Operations when event occurs
GPT	<ul style="list-style-type: none"> • Start counting • Stop counting • Clear counting • Up counting • Down counting • Input capture.
ADC14	Starts A/D conversion
DAC12	Starts D/A conversion
I/O ports	<ul style="list-style-type: none"> • Change pin output based on the EORR (reset) or EOSR (set) • Latch pin state to EIDR • The following ports can be used for the ELC: <ul style="list-style-type: none"> PORT 1 PORT 2 PORT 3 PORT 4.
CTSU	Starts measurement operation
DTC	Starts DTC data transfer

19.3.3 Example of Procedure for Linking Events

To link events:

1. Set the operation of the module for which an event is to be linked.
2. Set the appropriate ELSRn register for the module to be linked.
3. Set the ELCR.ELCON bit to 1 to enable linkage of all events.
4. Configure the module from which an event is output and activate the module. The link between the two modules is now active.
5. To stop event linkage of modules individually, set 00000000b in the ELSRn.ELS[7:0] bits associated with the modules. To stop linkage of all events, set the ELCR.ELCON bit to 0.

If the event link output from the RTC is to be used, set the ELC after the RTC is set, for example, for initialization and time setting. Unintended events can be generated if the RTC settings are made after the ELC settings.

19.4 Usage Notes

19.4.1 Linking DMAC or DTC Transfer End Signals as Events

When linking the DMAC or DTC transfer end signals as events, do not set the same peripheral module as the DMAC or DTC transfer destination and event link destination. If set, the peripheral module might be started before DMAC or DTC transfer to the peripheral module is complete.

19.4.2 Setting Clocks

To link events, you must enable the ELC and the related modules. The modules cannot operate if the related modules are in the module-stop state or in low power modes in which the module is stopped (Software Standby mode). Some modules can perform in Snooze mode. For more information, see [Table 19.3](#) and [section 11, Low Power Modes](#).

19.4.3 Module-Stop Function Setting

ELC operation can be enabled or disabled using the Module Stop Control Register C (MSTPCRC). After a reset, the ELC is disabled because it is in the module-stop state. The ELCON bit must be set to 0 before disabling ELC operation using the Module Stop Control Register. For more information, see [section 11, Low Power Modes](#).

19.4.4 ELC Delay Time

As shown in [Figure 19.2](#), module A accesses the module B through ELC. There is a delay time in the ELC module between module A and module B, called the ELC delay time. The ELC delay time is shown in [Table 19.5](#).

If the clock domains on both module A and B are same, the delay time is 0. But, if the clock domains on modules A and B are different, ELC module has some delay. The time delay is defined by the slower clock frequency among module A and module B clocks.

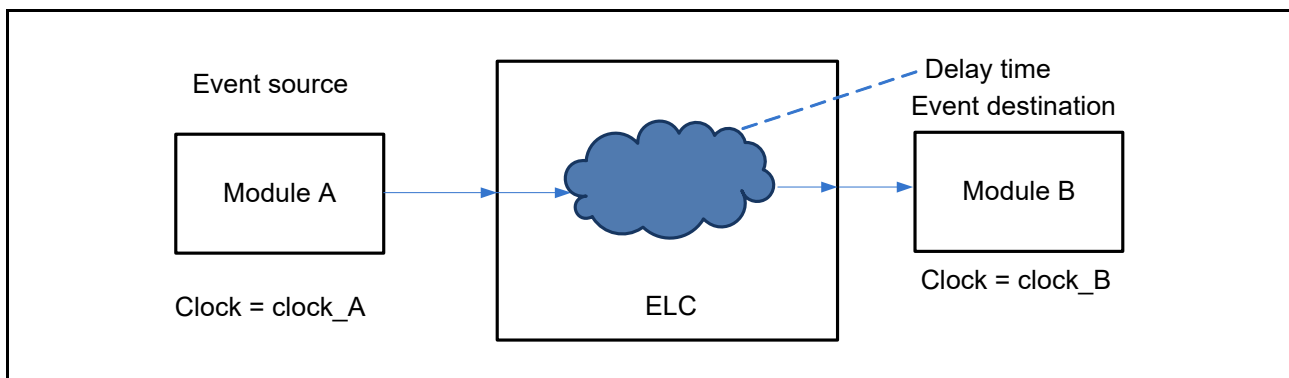


Figure 19.2 ELC delay time

Table 19.5 ELC delay time

Clock domain	Clock frequency	ELC delay time
Clock_A = Clock_B	Clock_A = Clock_B	0 cycles
Clock_A ≠ Clock_B	Clock_A = Clock_B	1 cycle to 2 cycles
	Clock_A > Clock_B	1 cycle to 2 cycles of B
	Clock_A < Clock_B	1 cycle to 2 cycles of A

20. I/O Ports

20.1 Overview

The I/O port pins operate as general I/O port pins, I/O pins for peripheral modules, interrupt input pins, analog I/O, port group function for ELC, or bus control pins. All pins operate as input pins immediately after a reset, and pin functions are switched by register settings. The I/O ports and peripherals for each pin are specified in the associated registers. [Figure 20.1](#) shows a connection diagram for the I/O port registers. The configuration of the I/O ports differs depending on the package. [Table 20.1](#) shows the I/O port specifications, and [Table 20.2](#) lists the port functions.

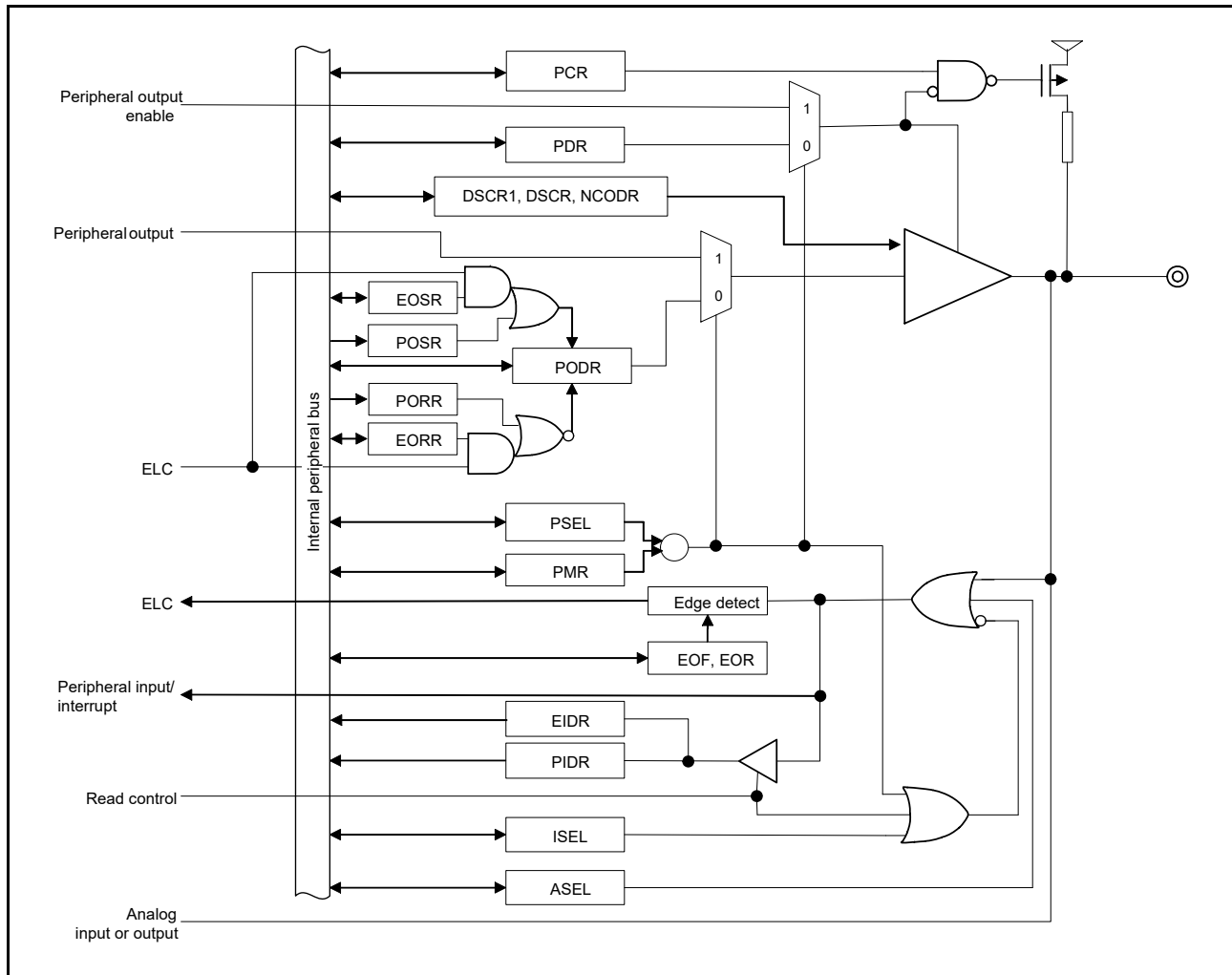


Figure 20.1 I/O port registers connection diagram

Note: [Figure 20.1](#) shows a basic port configuration. The configuration differs depending on the ports.

Table 20.1 I/O port specifications

Port	Package		Package		Package		Package	
	144 pins, 145 pins	Number of pins	121 pins	Number of pins	100 pins	Number of pins	64 pins	Number of pins
PORT0	P000 to P015	16	P000 to P008, P010 to P015	15	P000 to P008, P010 to P015	15	P000 to P004, P010 to P015	11
PORT1	P100 to P115	16	P100 to P115	16	P100 to P115	16	P100 to P113	14
PORT2	P200 to P206, P212 to P215	11	P200 to P206, P212 to P215	11	P200 to P206, P212 to P215	11	P200, P201, P204 to P206, P212 to P215	9
PORT3	P300 to P315	16	P300 to P309, P313 to P315	13	P300 to P307	8	P300 to P304	5
PORT4	P400 to P415	16	P400 to P415	16	P400 to P415	16	P400 to P402, P407 to P411	8
PORT5	P500 to P507, P511, P512	10	P500 to P506, P511, P512	9	P500 to P505	6	P500 to P502	3
PORT6	P600 to P606, P608 to P614	14	P600 to P605, P608 to P613	12	P600 to P603, P608 to P610	7	N/A	0
PORT7	P700 to P705, P708 to P713	12	P700 to P702, P708 to P710	6	P708	1	N/A	0
PORT8	P800 to P809	10	P800, P801, P808, P809	4	P808, P809	2	N/A	0
PORT9	P900 to P902, P914, P915	5	P914, P915	2	P914, P915	2	P914, P915	2
	Total pins	126	Total pins	104	Total pins	84	Total pins	52

Table 20.2 I/O port functions

Port	Port name	Input pull-up	Open-drain output	Drive capacity switching	5V tolerant
PORT0	P000 to P015	✓	—	Low/Middle	—
PORT1	P100 to P115	✓	✓	Low/Middle	—
PORT2	P200, P214, P215	—	—	—	—
	P201 to P204	✓	✓	Low/Middle	—
	P205, P206	✓	✓	Low/Middle	✓
	P212, P213	✓	✓	—	—
PORT3	P300 to P315	✓	✓	Low/Middle	—
PORT4	P400 to P404, P407	✓	✓	Low/Middle	✓
	P405, P406, P409 to P415	✓	✓	Low/Middle	—
	P408	✓	✓	Low/Middle/Middle(IIC)	✓
PORT5	P500 to P507	✓	✓	Low/Middle	—
	P511, P512	✓	✓	Low/Middle	✓
PORT6	P600 to P606, P608 to P614	✓	✓	Low/Middle	—
PORT7	P700 to P706, P708 to P713	✓	✓	Low/Middle	—
PORT8	P800 to P809	✓	✓	Low/Middle	—
PORT9	P900 to P902	✓	✓	Low/Middle	—
	P914, P915	—	—	—	—

✓: Available

—: Setting prohibited

20.2 Register Descriptions

20.2.1 Port Control Register 1 (PCNTR1/PODR/PDR)

Address(es): PORT0.PCNTR1 4004 0000h, PORT1.PCNTR1 4004 0020h, PORT2.PCNTR1 4004 0040h, PORT3.PCNTR1 4004 0060h, PORT4.PCNTR1 4004 0080h, PORT5.PCNTR1 4004 00A0h, PORT6.PCNTR1 4004 00C0h, PORT7.PCNTR1 4004 00E0h, PORT8.PCNTR1 4004 0100h, PORT9.PCNTR1 4004 0120h,

PORT0.PODR 4004 0000h, PORT1.PODR 4004 0020h, PORT2.PODR 4004 0040h, PORT3.PODR 4004 0060h, PORT4.PODR 4004 0080h, PORT5.PODR 4004 00A0h, PORT6.PODR 4004 00C0h, PORT7.PODR 4004 00E0h, PORT8.PODR 4004 0100h, PORT9.PODR 4004 0120h,

PORT0.PDR 4004 0002h, PORT1.PDR 4004 0022h, PORT2.PDR 4004 0042h, PORT3.PDR 4004 0062h, PORT4.PDR 4004 0082h, PORT5.PDR 4004 00A2h, PORT6.PDR 4004 00C2h, PORT7.PDR 4004 00E2h, PORT8.PDR 4004 0102h, PORT9.PDR 4004 0122h

	b31	b30	b29	b28	b27	b26	b25	b24	b23	b22	b21	b20	b19	b18	b17	b16
	PODR	PODR	PODR	PODR	PODR	PODR	PODR	PODR	PODR	PODR	PODR	PODR	PODR	PODR	PODR	PODR
	15	14	13	12	11	10	09	08	07	06	05	04	03	02	01	00
Value after reset:	0	0	0	0	0	0	0	0	0	0	0	0	0	0	0	0

	b15	b14	b13	b12	b11	b10	b9	b8	b7	b6	b5	b4	b3	b2	b1	b0
	PDR15	PDR14	PDR13	PDR12	PDR11	PDR10	PDR09	PDR08	PDR07	PDR06	PDR05	PDR04	PDR03	PDR02	PDR01	PDR00
Value after reset:	0	0	0	0	0	0	0	0	0	0	0	0	0	0	0	0

Bit	Symbol	Bit name	Description	R/W
b15 to b0	PDRn	Pmn Direction	0: Input (functions as an input pin) 1: Output (functions as an output pin).	R/W
b31 to b16	PODRn	Pmn Output Data	0: Low output 1: High output.	R/W

m = 0 to 9
n = 00 to 15

The Port Control Register 1 (PCNTR1/PODR/PDR) is a 32-bit and 16-bit read/write register that controls port direction and port output data.

PCNTR1 specifies the port direction and output data, and is accessed in 32-bit units. PODR (bits [31:16] in PCNTR1) and PDR (bits [15:0] in PCNTR1) respectively, are accessed in 16-bit units.

PDRn bits (Pmn Direction)

The PDRn bits select the input or output direction for individual pins on the associated port when the pins are configured as general I/O pins. Each pin on port m is associated with a PORTm.PCNTR1.PDRn bit. The I/O direction can be specified in 1-bit units. The bits associated with non-existent pins are reserved. Reserved bits are read as 0. The write value should be 0. P200, P214, and P215 are input only, so PORT2.PCNTR1.PDR00, PORT2.PCNTR1.PDR14, and PORT2.PCNTR1.PDR15 are reserved. The PDRn bits in the PORTm.PCNTR1 register serve the same function as the PDR bit in the PFS.PmnPFS register.

PODRn bits (Pmn Output Data)

The PODRn bits hold data to be output from the general I/O pins. The bits associated with non-existent port m are reserved. Write 0 to these bits. The bits associated with non-existent pins are reserved. P200, P214, P215 are input only, so PORT2.PCNTR1.PODR00, PORT2.PCNTR1.PODR14, and PORT2.PCNTR1.PODR15 bits are reserved. A reserved bit is read as 0. The write value should be 0. The PODRn bits in the PORTm.PCNTR1 register serve the same function as the PODR bit in the PFS.PmnPFS register.

20.2.2 Port Control Register 2 (PCNTR2/EIDR/PIDR)

Address(es): PORT0.PCNTR2 4004 0004h, PORT1.PCNTR2 4004 0024h, PORT2.PCNTR2 4004 0044h, PORT3.PCNTR2 4004 0064h, PORT4.PCNTR2 4004 0084h, PORT5.PCNTR2 4004 00A4h, PORT6.PCNTR2 4004 00C4h, PORT7.PCNTR2 4004 00E4h, PORT8.PCNTR2 4004 0104h, PORT9.PCNTR2 4004 0124h,

PORT1.EIDR 4004 0024h, PORT2.EIDR 4004 0044h, PORT3.EIDR 4004 0064h, PORT4.EIDR 4004 0084h,

PORT0.PIDR 4004 0006h, PORT1.PIDR 4004 0026h, PORT2.PIDR 4004 0046h, PORT3.PIDR 4004 0066h, PORT4.PIDR 4004 0086h, PORT5.PIDR 4004 00A6h, PORT6.PIDR 4004 00C6h, PORT7.PIDR 4004 00E6h, PORT8.PIDR 4004 0106h, PORT9.PIDR 4004 0126h

	b31	b30	b29	b28	b27	b26	b25	b24	b23	b22	b21	b20	b19	b18	b17	b16
	EIDR15	EIDR14	EIDR13	EIDR12	EIDR11	EIDR10	EIDR09	EIDR08	EIDR07	EIDR06	EIDR05	EIDR04	EIDR03	EIDR02	EIDR01	EIDR00
Value after reset:	0	0	0	0	0	0	0	0	0	0	0	0	0	0	0	0
	b15	b14	b13	b12	b11	b10	b9	b8	b7	b6	b5	b4	b3	b2	b1	b0
	PIDR15	PIDR14	PIDR13	PIDR12	PIDR11	PIDR10	PIDR09	PIDR08	PIDR07	PIDR06	PIDR05	PIDR04	PIDR03	PIDR02	PIDR01	PIDR00
Value after reset:	x	x	x	x	x	x	x	x	x	x	x	x	x	x	x	x

x: Undefined

Bit	Symbol	Bit name	Description	R/W
b15 to b0	PIDRn	Pmn State	0: Low level 1: High level.	R
b31 to b16	EIDRn	Port Event Input Data*1	When the ELC_PORTx occurs: 0: Low input 1: High input.	R

m = 0 to 9

n = 00 to 15

x = 1 to 4

Note 1. Supported for PORT1 to PORT4.

The Port Control Register 2 (PCNTR2/EIDR/PIDR) allows read access to the Pmn state and the port event input data by 32-bit and 16-bit access.

The PCNTR2 specifies the Pmn state and the port event input data, and is accessed in 32-bit units. The EIDRn (bits [31:16] in PCNTR2) and PIDRn (bits [15:0] in PCNTR2) respectively, are accessed in 16-bit units. Bits associated with non-existent pins are reserved. Reserved bits are read as undefined.

PIDRn bits (Pmn State)

PIDRn reflects the individual pin states of the port, regardless of the values set in PmnPFS.PMR and PORTm.PCNTR1.PDRn. The PIDRn bit in the PORTm.PCNTR2 register serves the same function as the PIDR bit in the PFS.PmnPFS register.

A pin state cannot be reflected in PIDRn when one of the following functions is enabled:

- Main clock oscillator (MOSC)
- Sub-clock oscillator (SOSC)
- CS area controller (CSC)
- Analog function (ASEL = 1)
- Capacitive Touch Sensing Unit (CTSUS)
- Segment LCD Controller (SLCDC)
- USB 2.0 Full-Speed Module (USBFS).

EIDRn bits (Port Event Input Data)

EIDRn latches a pin state when an ELC_PORTx signal occurs. Pin states can only be input to EIDRn when

PmnPFS.PMR = 0 and PORTm.PCNTR1.PDRn = 0. When PmnPFS.ASEL is set to 1, the associated pin state is not reflected in EIDRn.

20.2.3 Port Control Register 3 (PCNTR3/PORR/POSR)

Address(es): PORT0.PCNTR3 4004 0008h, PORT1.PCNTR3 4004 0028h, PORT2.PCNTR3 4004 0048h, PORT3.PCNTR3 4004 0068h, PORT4.PCNTR3 4004 0088h, PORT5.PCNTR3 4004 00A8h, PORT6.PCNTR3 4004 00C8h, PORT7.PCNTR3 4004 00E8h, PORT8.PCNTR3 4004 0108h, PORT9.PCNTR3 4004 0128h,

PORT0.PORR 4004 0008h, PORT1.PORR 4004 0028h, PORT2.PORR 4004 0048h, PORT3.PORR 4004 0068h, PORT4.PORR 4004 0088h, PORT5.PORR 4004 00A8h, PORT6.PORR 4004 00C8h, PORT7.PORR 4004 00E8h, PORT8.PORR 4004 0108h, PORT9.PORR 4004 0128h,

PORT0.POSR 4004 000Ah, PORT1.POSR 4004 002Ah, PORT2.POSR 4004 004Ah, PORT3.POSR 4004 006Ah, PORT4.POSR 4004 008Ah, PORT5.POSR 4004 00AAh, PORT6.POSR 4004 00CAh, PORT7.POSR 4004 00EAh, PORT8.POSR 4004 010Ah, PORT9.POSR 4004 012Ah

	b31	b30	b29	b28	b27	b26	b25	b24	b23	b22	b21	b20	b19	b18	b17	b16
	PORR 15	PORR 14	PORR 13	PORR 12	PORR 11	PORR 10	PORR 09	PORR 08	PORR 07	PORR 06	PORR 05	PORR 04	PORR 03	PORR 02	PORR 01	PORR 00
Value after reset:	0	0	0	0	0	0	0	0	0	0	0	0	0	0	0	0
	b15	b14	b13	b12	b11	b10	b9	b8	b7	b6	b5	b4	b3	b2	b1	b0
	POSR 15	POSR 14	POSR 13	POSR 12	POSR 11	POSR 10	POSR 09	POSR 08	POSR 07	POSR 06	POSR 05	POSR 04	POSR 03	POSR 02	POSR 01	POSR 00
Value after reset:	0	0	0	0	0	0	0	0	0	0	0	0	0	0	0	0

Bit	Symbol	Bit name	Description	R/W
b15 to b0	POSRn	Pmn Output Set	0: No affect to output 1: High output.	W
b31 to b16	PORRn	Pmn Output Reset	0: No affect to output 1: Low output.	W

m = 0 to 9
n = 00 to 15

Note: When EORRn or EOSRn is set, writing is prohibited to PODRn, PORRn, and POSRn.
Note: PORRn and POSRn should not be set at the same time.

The Port Control Register 3 (PCNTR3/PORR/POSR) is a 32-bit and 16-bit write register that controls the setting or resetting of the port output data.

The PCNTR3 controls the setting or resetting of the port output data, which is set by 32-bit units.

The PORR (bits [31:16] in PCNTR3) and POSR (bits [15:0] in PCNTR3) respectively, are accessed in 16-bit units.

POSRn bits (Pmn Output Set)

POSR changes PODR when set by a software write. For example, for P100, when PORT1.POSR00 = 1, PORT1.PODR00 outputs 1. Bits associated with non-existent pins are reserved. The write value must always be 0. P200, P214, and P215 are input only, so PORT2.PCNTR3.POSR00, PORT2.PCNTR3.POSR14, and PORT2.PCNTR3.POSR15 are reserved.

PORRn bits (Pmn Output Reset)

PORR changes PODR when reset by a software write. For example, for P100, when PORT1.PORR00 = 1, PORT1.PODR00 outputs 0. Bits associated with non-existent pins are reserved. The write value should always be 0. P200, P214, and P215 are input only, so PORT2.PCNTR3.PORR00, PORT2.PCNTR3.PORR14, and PORT2.PCNTR3.PORR15 are reserved.

20.2.4 Port Control Register 4 (PCNTR4/EORR/EOSR)

Address(es): PORT1.PCNTR4 4004 002Ch, PORT2.PCNTR4 4004 004Ch, PORT3.PCNTR4 4004 006Ch, PORT4.PCNTR4 4004 008Ch,

PORT1.EORR 4004 002Ch, PORT2.EORR 4004 004Ch, PORT3.EORR 4004 006Ch, PORT4.EORR 4004 008Ch,

PORT1.EOSR 4004 002Eh, PORT2.EOSR 4004 004Eh, PORT3.EOSR 4004 006Eh, PORT4.EOSR 4004 008Eh

	b31	b30	b29	b28	b27	b26	b25	b24	b23	b22	b21	b20	b19	b18	b17	b16
	EORR	EORR	EORR	EORR	EORR	EORR	EORR	EORR	EORR	EORR	EORR	EORR	EORR	EORR	EORR	EORR
	15	14	13	12	11	10	09	08	07	06	05	04	03	02	01	00
Value after reset:	0	0	0	0	0	0	0	0	0	0	0	0	0	0	0	0

	b15	b14	b13	b12	b11	b10	b9	b8	b7	b6	b5	b4	b3	b2	b1	b0
	EOSR	EOSR	EOSR	EOSR	EOSR	EOSR	EOSR	EOSR	EOSR	EOSR	EOSR	EOSR	EOSR	EOSR	EOSR	EOSR
	15	14	13	12	11	10	09	08	07	06	05	04	03	02	01	00
Value after reset:	0	0	0	0	0	0	0	0	0	0	0	0	0	0	0	0

Bit	Symbol	Bit name	Description	R/W
b15 to b0	EOSRn	Pmn Event Output Set	When the ELC_PORTx occurs: 0: No affect on output 1: High output.	R/W
b31 to b16	EORRn	Pmn Event Output Reset	When the ELC_PORTx occurs: 0: No affect on output 1: Low output.	R/W

m = 1 to 4

n = 00 to 15

x = 1 to 4

Note: When EORRn or EOSRn is set, writing is prohibited to PODRn, PORRn, and POSRn.

Note: EORRn and EOSRn should not be set at the same time.

The Port Control Register 4 is a 32-bit and 16-bit read/write register that controls the setting or resetting of the port output data by an event input from the ELC.

The PCNTR4 controls the setting or resetting of the port output data by an event input from the ELC, which is set by 32-bit units.

The EORR (bits [31:16] in PCNTR4) and EOSR (bits [15:0] in PCNTR4) are accessed in 16-bit units.

EOSRn bits (Pmn Event Output Set)

EOSR changes PODR when set because an ELC_PORTx signal occurs. For example, for P100, if PORT1.EOSR00 is set to 1 when ELC_PORTx occurs, PORT1.PODR00 outputs 1. Bits associated with non-existent pins are reserved. The write value must always be 0. P200, P214, and P215 are input only, so PORT2.PCNTR3.EOSR00, PORT2.PCNTR3.EOSR14, and PORT2.PCNTR3.EOSR15 are reserved.

EORRn bits (Pmn Event Output Reset)

EORR changes PODR when reset because an ELC_PORTx signal occurs. For example, for P100 if PORT1.EORR00 is set to 1 when ELC_PORTx occurs, PORT1.PODR00 outputs 0. Bits associated with non-existent pins are reserved. The write value must always be 0. P200, P214, and P215 are input only, so PORT2.PCNTR4.EORR00, PORT2.PCNTR4.EORR14, and PORT2.PCNTR4.EORR15 bits are reserved.

20.2.5 Port mn Pin Function Select Register (PmnPFS/PmnPFS_HA/PmnPFS_BY) (m = 0 to 9; n = 00 to 15)

Address(es): PFS.P000PFS 4004 0800h to PFS.P015PFS 4004 083Ch, PFS.P100PFS 4004 0840h to PFS.P115PFS 4004 087Ch, PFS.P200PFS 4004 0880h to PFS.P206PFS 4004 0898h, PFS.P212PFS 4004 08B0h to PFS.P215PFS 4004 08BCh, PFS.P300PFS_HA 4004 08C0h to PFS.P315PFS_HA 4004 08FCh, PFS.P400PFS 4004 0900h to PFS.P415PFS 4004 093Ch, PFS.P500PFS 4004 0940h to PFS.P507PFS 4004 095Ch, PFS.P511PFS 4004 096Ch, PFS.P512PFS 4004 0970h, PFS.P600PFS 4004 0980h to PFS.P606PFS 4004 0998h, PFS.P608PFS 4004 09A0h to PFS.P614PFS 4004 09B8h, PFS.P700PFS 4004 09C0h to PFS.P705PFS 4004 09D4h, PFS.P708PFS 4004 09E0h to PFS.P713PFS 4004 09F4h, PFS.P800PFS 4004 0A00h to PFS.P809PFS 4004 0A24h, PFS.P900PFS 4004 0A40h to PFS.P902PFS 4004 0A48h, PFS.P914PFS 4004 0A78h, PFS.P915PFS 4004 0A7Ch,

PFS.P000PFS_HA 4004 0802h to PFS.P015PFS_HA 4004 083Eh, PFS.P100PFS_HA 4004 0842h to PFS.P115PFS_HA 4004 087Eh, PFS.P200PFS_HA 4004 0882h to PFS.P206PFS_HA 4004 089Ah, PFS.P212PFS_HA 4004 08B2h to PFS.P215PFS_HA 4004 08BEh, PFS.P300PFS_HA 4004 08C2h to PFS.P315PFS_HA 4004 08FEh, PFS.P400PFS_HA 4004 0902h to PFS.P415PFS_HA 4004 093Eh, PFS.P500PFS_HA 4004 0942h to PFS.P507PFS_HA 4004 095Eh, PFS.P511PFS_HA 4004 096Eh, PFS.P512PFS_HA 4004 0972h, PFS.P600PFS_HA 4004 0982h to PFS.P606PFS_HA 4004 099Ah, PFS.P608PFS_HA 4004 09A2h to PFS.P614PFS_HA 4004 09BAh, PFS.P700PFS_HA 4004 09C2h to PFS.P705PFS_HA 4004 09D6h, PFS.P708PFS_HA 4004 09E2h to PFS.P713PFS_HA 4004 09F6h, PFS.P800PFS_HA 4004 0A02h to PFS.P809PFS_HA 4004 0A26h, PFS.P900PFS_HA 4004 0A42h to PFS.P902PFS_HA 4004 0A4Ah, PFS.P914PFS_HA 4004 0A7Ah, PFS.P915PFS_HA 4004 0A7Eh,

PFS.P000PFS_BY 4004 0803h to PFS.P015PFS_BY 4004 083Fh, PFS.P100PFS_BY 4004 0843h to PFS.P115PFS_BY 4004 087Fh, PFS.P200PFS_BY 4004 0883h to PFS.P206PFS_BY 4004 089Bh, PFS.P212PFS_BY 4004 08B3h to PFS.P215PFS_BY 4004 08BFh, PFS.P300PFS_BY 4004 08C3h to PFS.P315PFS_BY 4004 08FFh, PFS.P400PFS_BY 4004 0903h to PFS.P415PFS_BY 4004 093Fh, PFS.P500PFS_BY 4004 0943h to PFS.P507PFS_BY 4004 095Fh, PFS.P511PFS_BY 4004 096Fh to PFS.P512PFS_BY 4004 0973h, PFS.P600PFS_BY 4004 0983h to PFS.P606PFS_BY 4004 099Bh, PFS.P608PFS_BY 4004 09A3h to PFS.P614PFS_BY 4004 09BBh, PFS.P700PFS_BY 4004 09C3h to PFS.P705PFS_BY 4004 09D7h, PFS.P708PFS_BY 4004 09E3h to PFS.P713PFS_BY 4004 09F7h, PFS.P800PFS_BY 4004 0A03h to PFS.P809PFS_BY 4004 0A27h, PFS.P900PFS_BY 4004 0A43h to PFS.P902PFS_BY 4004 0A4Bh, PFS.P914PFS_BY 4004 0A7Bh to PFS.P915PFS_BY 4004 0A7Fh

b31	b30	b29	b28	b27	b26	b25	b24	b23	b22	b21	b20	b19	b18	b17	b16	
—	—	—	PSEL[4:0]				—	—	—	—	—	—	—	—	—	PMR
Value after reset:															0*2	
b15	b14	b13	b12	b11	b10	b9	b8	b7	b6	b5	b4	b3	b2	b1	b0	
ASEL	ISEL	EOF	EOR	DSCR1	DSCR	—	—	—	NCODR	—	PCR	—	PDR	PIDR	PODR	
Value after reset:															0	

x: Undefined

Bit	Symbol	Bit name	Description	R/W
b0	PODR	Port Output Data	0: Low output 1: High output.	R/W
b1	PIDR	Pmn State	0: Low level 1: High level.	R
b2	PDR	Port Direction	0: Input (functions as an input pin) 1: Output (functions as an output pin).	R/W
b3	—	Reserved	This bit is read as 0. The write value should be 0.	R/W
b4	PCR	Pull-up Control	0: Disables input pull-up 1: Enables input pull-up	R/W
b5	—	Reserved	This bit is read as 0. The write value should be 0.	R/W
b6	NCODR	N-Channel Open Drain Control	0: CMOS output 1: NMOS open-drain output.	R/W
b9 to b7	—	Reserved	These bits are read as 0. The write value should be 0.	R/W
b11, b10	DSCR1 *3/ DSCR	Port Drive Capability	<P408> b11 b10 0 0: Low drive 0 1: Middle drive 1 0: Middle drive for IIC Fast-mode 1 1: Setting prohibited. <Other than P408> b10 0: Low drive 1: Middle drive.	R/W

Bit	Symbol	Bit name	Description	R/W
b13, b12	EOF/EOR	Event on Falling/Event on Rising*1	b13 b12 0 0: Don't care 0 1: Detect rising edge 1 0: Detect falling edge 1 1: Detect both edges.	R/W
b14	ISEL	IRQ Input Enable	0: Do not use as an IRQn input pin 1: Use as an IRQn input pin.	R/W
b15	ASEL	Analog Input Enable	0: Do not use as an analog pin 1: Use as an analog pin.	R/W
b16	PMR	Port Mode Control	0: Use as a general I/O pin 1: Use as an I/O port for peripheral functions.	R/W
b23 to b17	—	Reserved	These bits are read as 0. The write value should be 0.	R/W
b28 to b24	PSEL[4:0]	Peripheral Select	Select the peripheral function. For individual pin functions, see the associated tables in this chapter.	R/W
b31 to b29	—	Reserved	These bits are read as 0. The write value should be 0.	R/W

Note 1. Supported for PORT1 to PORT4.

Note 2. The initial value of P108, P109, P110, P201, P300, P914 and P915 is not 0000_0000h.

P108 is 0001_0010h, P109 is 0001_0000h, P110 is 0001_0010h, P201 is 0000_0010h, P300 is 0001_0010h, P914 is 0001_0000h, and P915 is 0001_0000h.

The Port mn Pin Function Select Register (PmnPFS) selects the pin function.

Note 3. P408 only has DSCR1 bit.

The Port mn Pin Function Select register (PmnPFS/PmnPFS_HA/PmnPFS_BY) is a 32-, 16-, and 8-bit read/write control register. PmnPFS controls the selection of the port mn function, which is set in 32-bit units. PmnPFS_HA (bits [15:0] in PmnPFS) is accessed in 16-bit units. PmnPFS_BY (bits [7:0]) is accessed in 8-bit units.

PODR bit (Port Output Data), PIDR bit (Pmn State), PDR bit (Port Direction)

The PDR/PIDR/PODR bits serve the same function as the PCNTR. When these bits are read, the PCNTR value is read.

PCR bit (Pull-up Control)

The PCR bit enables or disables an input pull-up resistor on the individual port pins. When a pin is in the input state with the associated bit in PmnPFS.PCR set to 1, the pull-up resistor connected to the pin is enabled. When a pin is set as an external bus pin, a general port output pin, or a peripheral function output pin, the pull-up resistor for the pin is disabled regardless of the PCR setting. The pull-up resistor is also disabled in the reset state. Bits associated with non-existent pins are reserved. Reserved bits are read as 0. The write value should be 0.

NCODR bit (N-Channel Open Drain Control)

The NCODR bit specifies the output type for the port pins. Bits associated with non-existent pins are reserved. Reserved bits are read as 0. The write value should be 0.

DSCR1/DSCR bits (Port Drive Capability)

The DSCR1 and DSCR bits switch the drive capacity of the port. If the drive capacity of a pin is fixed, the associated bit is read/write, but the drive capacity cannot be changed. Bits associated with non-existent pins are reserved. Reserved bits are read as 0. The write value should be 0.

EOF/EOR bits (Event on Falling/Event on Rising)

The EOR and EOF bits select the edge detection method for the port group input signal. These bits support rising, falling, or both edge detections. When the EOR/EOF bits are set to 01b, 10b, or 11b, the input enable of the I/O cell is asserted. Following that, the event pulse is input from the external pin, and GPIO outputs the event pulse to the ELC. Bits associated with non-existent pins are reserved. Reserved bits are read as 0. The write value should be 0.

ISEL bit (IRQ Input Enable)

The ISEL bit specifies IRQ input pins. This setting can be used in combination with the peripheral functions, although an IRQn (external pin interrupt) of the same number must only be enabled for one pin.

ASEL bit (Analog Input Enable)

The ASEL bit specifies analog pins. When a pin is set to analog pin by this bit:

1. Specify it as a general I/O port in the Port Mode Control bit (PmnPFS.PMR).
2. Disable the pull-up resistor with the Pull-up Control bit (PmnPFS.PCR).
3. Specify input in the Port Direction bit (PmnPFS.PDR). The pin state cannot be read at this point. The PmnPFS register is protected by the Write-Protect Register (PWPR). Release write-protect before modifying the register.

The ISEL bit for an unspecified IRQn is reserved. The ASEL bit for an unspecified analog input/output is reserved.

PMR bit (Port Mode Control)

The PMR bit specifies the port pin function. Bits associated with non-existent pins are reserved. Reserved bits are read as 0. The write value should be 0.

PSEL[4:0] bits (Peripheral Select)

The PSEL[4:0] bits assign the peripheral function. For details on the peripheral settings for each product, see [section 20.6, Peripheral Select Settings for each Product](#).

20.2.6 Write-Protect Register (PWPR)

Address(es): [PMISC.PWPR 4004 0D03h](#)

b7	b6	b5	b4	b3	b2	b1	b0
B0WI	PFSWE	—	—	—	—	—	—

Value after reset: 1 0 0 0 0 0 0 0

Bit	Symbol	Bit name	Description	R/W
b5 to b0	—	Reserved	These bits are read as 0. The write value should be 0.	R/W
b6	PFSWE	PmnPFS Register Write Enable	0: Writing to the PmnPFS register is disabled 1: Writing to the PmnPFS register is enabled.	R/W
b7	B0WI	PFSWE Bit Write Disable	0: Writing to the PFSWE bit is enabled 1: Writing to the PFSWE bit is disabled.	R/W

PFSWE bit (PmnPFS Register Write Enable)

Writing to the PmnPFS register is enabled only when the PFSWE bit is set to 1. You must first write 0 to the B0WI bit before setting PFSWE to 1.

B0WI bit (PFSWE Bit Write Disable)

Writing to the PFSWE bit is enabled only when the B0WI bit is set to 0.

20.3 Operation

20.3.1 General I/O Ports

All pins except P108, P109, P110, P300, P914, and P915 operate as general I/O ports after reset. General I/O ports are organized as 16 bits per port and can be accessed by port with the Port Control Registers (PCNTRn, where n = 1 to 4), or by individual pins with the Pin Function Select Registers. For details on these registers, see [section 20.2, Register Descriptions](#).

Each port has the following bits:

- Port Direction bit (PDR), which selects input or output direction
- Port Output Data bit (PODR), which holds data for output
- Port Input Data bit (PIDR), which indicates the pin states
- Event Input Data bit (EIDR), which indicates the pin state when an ELC_PORT1, 2, 3, or 4 signal occurs
- Port Output Set bit (POSR), which indicates the output value when a software write occurs
- Port Output Reset bit (PORR), which indicates the output value when a software write occurs
- Event Output Set bit (EOSR), which indicates the output value when an ELC_PORT1, 2, 3, or 4 signal occurs
- Event Output Reset bit (EORR), which indicates the output value when the ELC_PORT1, 2, 3, or 4 signal occurs.

20.3.2 Port Function Select

The following port functions are available for configuring each pin:

- I/O configuration — CMOS output or NMOS open-drain output, pull-up control, and drive strength
- General I/O — Port direction, output data setting, and reading input data
- Alternate functions — Configured function mapping to the pin.

Each pin is associated with a Pin Function Select Register (PmnPFS), which includes the associated PODR, PIDR, and PDR bits. In addition, the PmnPFS register includes the following:

- PCR: Pull-up resistor control bit that turns the input pull-up MOS on or off
- NCODR: N-channel open-drain control bit that selects the output type for each pin
- DSCR1, DSCR: Drive capacity control bits that select the drive capacity
- EOR: Event on rising bit used to detect rising edges on the port input
- EOF: Event on falling bit used to detect falling edges on the port input
- ISEL: IRQ input enable bit to specify an IRQ input pin
- ASEL: Analog input enable bit to specify an analog pin
- PMR: Port mode bit to specify the pin function of each port
- PSEL: Port function select bits to select the associated peripheral function.

These configurations can be made by a single-register access to the Pin Function Select Register. For details, see [section 20, Port mn Pin Function Select Register \(PmnPFS/PmnPFS_HA/PmnPFS_BY\) \(m = 0 to 9; n = 00 to 15\)](#).

20.3.3 Port Group Function for ELC

In the MCU, PORT1 to PORT4 are assigned for the port group function.

20.3.3.1 Behavior when ELC_PORT1, 2, 3, or 4 is input from ELC

The MCU supports two functions when an ELC_PORT1, 2, 3, or 4 signal comes from the ELC.

(1) Input to EIDR

For the GPI function (PDR = 0 and PMR = 0 in the PmnPFS register), when an ELC_PORT1, 2, 3, or 4 signal comes from the ELC, the input enable of the I/O cell is asserted, and then the data from the external pins are read into the EIDR bit.

For the GPO function (PDR = 1) or the peripheral mode (PMR = 1), 0 is input into the EIDR bit from the external pins.

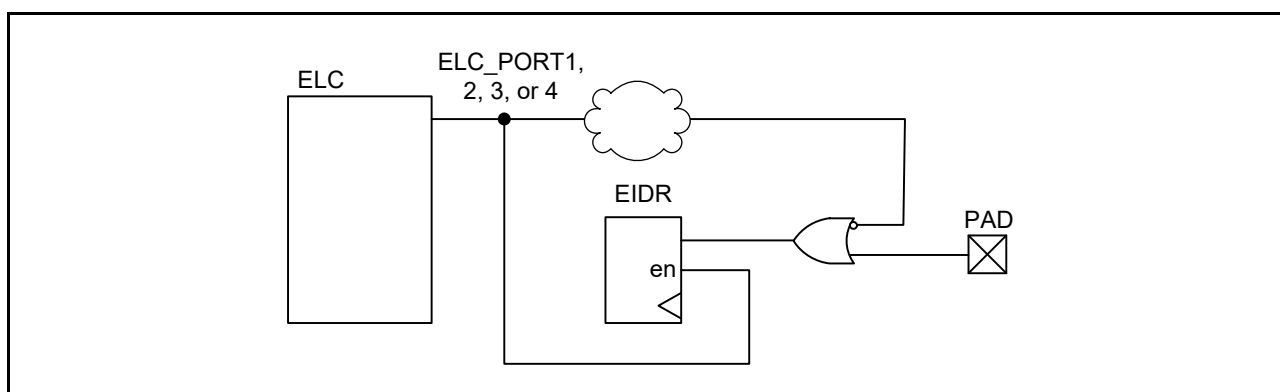


Figure 20.2 Event ports input data

(2) Output from PODR by EOSR/EORR

When an ELC_PORT1, 2, 3, or 4 signal occurs, the data is output from the PODR to the external pin based on the EOSR/EORR bit settings as follows:

- If EOSR is set to 1, when an ELC_PORT1, 2, 3, or 4 signal occurs, the PODR register outputs 1 to the external pin. Otherwise, when EOSR = 0, the PODR value is kept
- If 1 is set for the EORR register, when the ELC_PORT1, 2, 3, or 4 occurs, the PODR register outputs 0 to the external pin. Otherwise, when EORR = 0, the PODR value is kept.

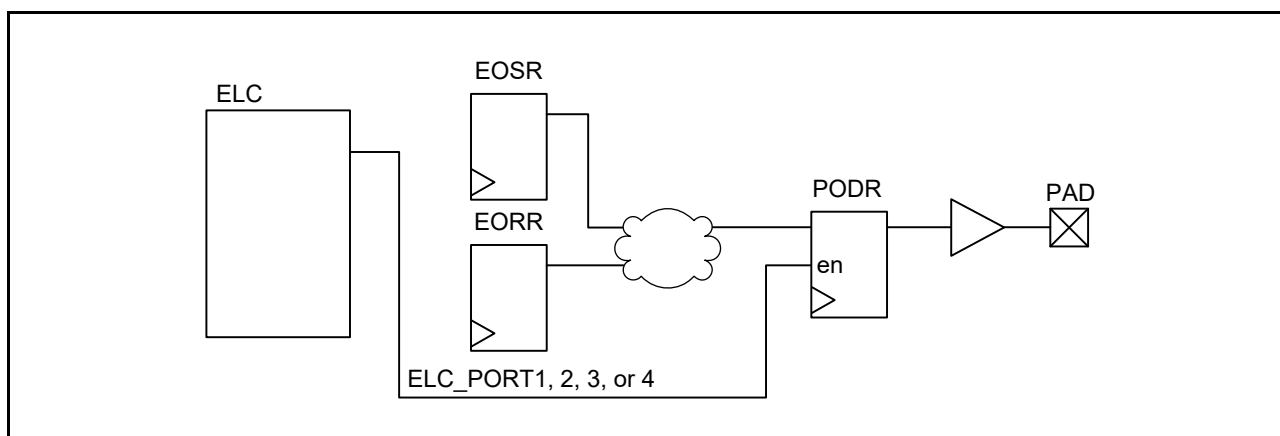


Figure 20.3 Event ports output data

20.3.3.2 Behavior when event pulse is output to ELC

To output the event pulse from the external pins to the ELC, set the EOR/EOF bit in the PmnPFS register. For details, see [section 20.2.5, Port mn Pin Function Select Register \(PmnPFS/PmnPFS_HA/PmnPFS_BY\) \(m = 0 to 9; n = 00 to 15\)](#). When the EOR/EOF bits are set, the input enable of the I/O cell is asserted.

Data of the external pin is the input. For example, for PORT1, when the data is input from P100 to P115, the data of those 16 pins is organized by OR logic. This data is formed into a one-shot pulse that goes to the ELC. The operation of PORT2 to PORT4 is the same.

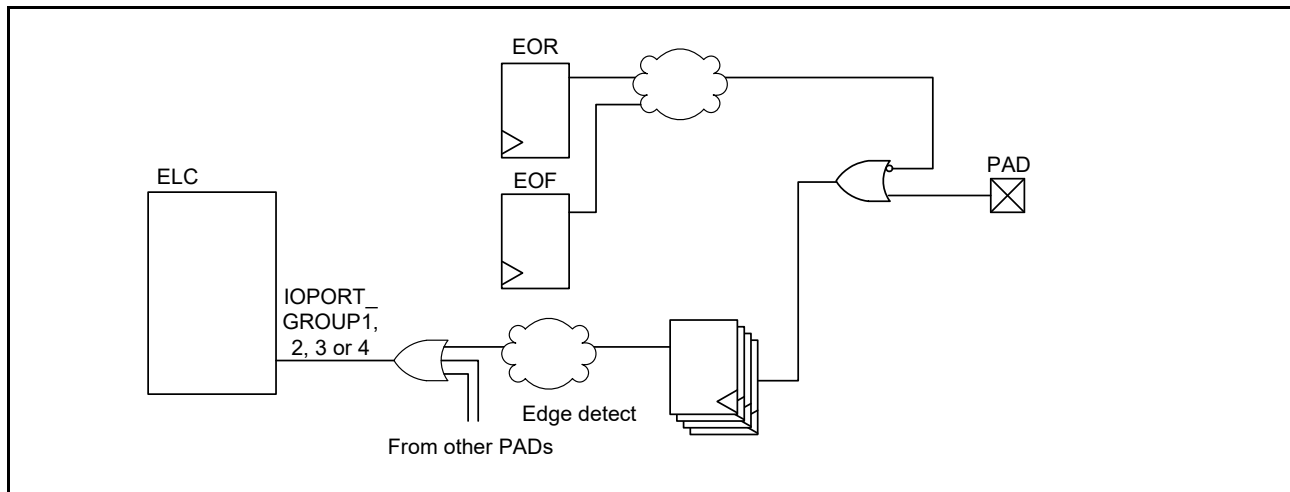


Figure 20.4 Generation of event pulse

20.4 Handling of Unused Pins

[Table 20.3, Handling of unused pins](#) shows how to handle unused pins.

Table 20.3 Handling of unused pins

Pin Name	Description
P201/MD	Use as a mode pin
RES	Connect to VCC through a resistor (pulling up)
USB_DP, USB_DM	When both P914PFS.PMR and P915PFS.PMR bits are set to 1, keep these pins open. When P914PFS.PMR or P915PFS.PMR bit is set to 0, configure it in the same way as port 1 to 9.
P200/NMI	Connect to VCC through a resistor (pulling up)
P212/EXTAL	When the main clock oscillator is not used, set the MOSCCR.MOSTP bit to 1 (general port P212). When this pin is not used as port P212, configure it in the same way as ports 1 to 9.
P213/XTAL	When the main clock oscillator is not used, set the MOSCCR.MOSTP bit to 1 (general port P213). When this pin is not used as port P213, configure it in the same way as ports 1 to 9. When the external clock is input to the EXTAL pin, leave this pin open.
P215/XCIN	When the sub-clock oscillator is not used, set the SOSCCR.SOSTP bit to 1 (general port P215). When this pin is not used as port P215, configure it in the same way as ports 1 to 9.
P214/XCOUT	When the sub-clock oscillator is not used, set the SOSCCR.SOSTP bit to 1 (general port P214). When this pin is not used as port P214, configure it in the same way as ports 1 to 9.
P000 to P015	If the direction setting is for input (PCNTR1.PDRn = 0), connect the associated pin to AVCC0 (pulled up) through a resistor or to AVSS0 (pulled down) through a resistor.*1
P1x to P9x other than P200, P201 and P212 to P215	If the direction setting is for input (PCNTR1.PDRn = 0), connect the associated pin to VCC (pulled up) through a resistor or to VSS (pulled down) through a resistor.*1,*2 If the direction setting is for output (PCNTR1.PDRn = 1), release the pin.*1,*3

Note 1. Clear the PmnPFS.PMR bit, the PmnPFS.ISEL bit, PmnPFS.PCR, and the PmnPFS.ASEL bit to 0.

Note 2. P108, P110, P300 are recommended to pull up VCC (pulled up) through a resistor, because these pins are input pull-up enabled from initial value (PmnPFS.PCR=1).

Note 3. P109 is recommended to be set as an output (PCNTR1.PDRn = 1) as this pin is output from the initial value.

20.5 Usage Notes

20.5.1 Procedure for Specifying the Pin Functions

To specify the input/output pin functions:

1. Clear the B0WI bit in the PWPR register. This enables writing to the PFSWE bit in the PWPR register.
2. Set 1 to the PFSWE bit in the PWPR register. This enables writing to the PmnPFS register.
3. Clear the Port Mode Control bit (PMR) for the target pin to select the general I/O port.
4. Specify the input/output function for the pin through the PSEL[4:0] bit settings in the PmnPFS register.
5. Set the PMR to 1 as required to switch to the selected input/output function for the pin.
6. Clear the PFSWE bit in the PWPR register. This disables writing to the PmnPFS register.
7. Set 1 to the B0WI bit in the PWPR register. This disables writing to the PFSWE bit in the PWPR register.

20.5.2 Procedure for Using Port Group Input

To use the port group input (PORT1 to PORT4):

1. Set the ELSRx.ELS[7:0] bits to 0000_0000b to ignore unexpected pulses. For more information, see [section 19, Event Link Controller \(ELC\)](#).
2. Set the EOF/EOR bit of the PmnPFS register to specify the rising, falling, or both edge detections.
3. Execute a dummy read or wait for a short time, for example 100 ns. Ignoring of unexpected pulses depends on the initial value of the external pin.
4. Set the ELSRx.ELS[8:0] bits to enable the event signals.

20.5.3 Port Output Data Register (PODR) Summary

This register outputs data as follows:

1. Output 0 if PCNTR4.EORR is set to 1 when an ELC_PORT1, 2, 3, or 4 signal occurs.
2. Output 1 if the PCNTR4.EOSR is set to 1 when the ELC_PORT1, 2, 3, or 4 occurs from the ELC.
3. Output 0 if PCNTR3.PORR is set to 1.
4. Output 1 if PCNTR3.POSR is set to 1.
5. Output 0 or 1 because PCNTR1.PODR is set.
6. Output 0 or 1 because PmnPFS.PODR is set.

Numbers in this list correspond to the priority for writing to the PODR. For example, if **1.** and number **3.** from the list occur at the same time, the higher priority number **1.** is executed.

20.5.4 Notes on Using of Analog Functions

To use an analog function, set the associated bits in both the Port Mode Control bit (PMR) and Port Direction bit (PDR) to 0 so that the pin acts as a general input port. Next, set the Analog Input Enable bit in the Port mn Pin Function Select Register (PmnPFS.ASEL) to 1.

20.5.5 I/O Buffer Specification

In case the P402, P403, and P404 pins are configured as outputs or inputs with the internal pull-up resistor, set the VBTCR1.BPWSWSTP bit to 1 before setting the I/O registers regardless of whether or not the battery backup function is used. This setting is needed only one time after a power-on reset. Clear the VBTCR1.BPWSWSTP bit to 0 again after setting registers associated with the battery backup function, when using the battery backup function. The setting flow of the VBTCR1.BPWSWSTP bit is shown in [Figure 12.2](#).

The P402, P403, and P404 pins can be used as the RTC input pins RTCICn, where n = 0 to 2. When these input pins are enabled by the VBTICTLR register, the output function of these pins is forced to disable. Therefore, the VBTICTLR register must be set to 0 to use the port function.

Note: The VBTICTLR register is not initialized on reset. For more details, see [section 12, Battery Backup Function](#).

20.5.6 Selecting USB_DP and USB_DM Pins

USB_DP and USB_DM pins are shared with P914 and P915 pins, respectively. USB_DP and P914 pins can be set using the PFS.P914PFS.PMR bit, and USB_DM and P915 pins can be set using the PFS.P915PFS.PMR bit. Table 20.4 shows the setting values of bits PFS.P914PFS.PMR and PFS.P915PFS.PMR with each selected pin.

Table 20.4 Selecting the USB/PORT pins

PMR bit settings		Pins selected	
P914PFS.PMR bit	P915PFS.PMR bit	P914/USB_DP pin	P915/USB_DM pin
0	0	P914	P915
0	1	P914	P915
1	0	P914	P915
1	1	USB_DP	USB_DM

Note: When using P914/USB_DP and P915/USB_DM as GPIO pins (P914 and P915), use the USB registers with their initial values.

Note: When using P914/USB_DP and P915/USB_DM as USB pins (USB_DP and USB_DM), use the GPIO registers for P914 and P915 with their initial values.

Note: When using P914/USB_DP and P915/USB_DM as GPIO pins or USB pins, set these pins only after a reset.

20.5.7 Pull-up/Pull-down Setting for P914 and P915 using USBFS/GPIO Function

When P914 and P915 are used as GPIO pins, their operation is affected by the pull-up/pull-down function of the USBFS registers.

Therefore, before using the GPIO function, disable the pull-up and pull-down control of the USBFS registers using the SYSCFG.DMRPU, SYSCFG.DPRPU, and SYSCFG.DRPD bits.

20.6 Peripheral Select Settings for each Product

This section provides details on the Pin Function Select configuration by the PmnPFS register. Assigning the same function to two or more pins simultaneously is prohibited.

Table 20.5 Register settings for input/output pin function (PORT0)

PSEL[4:0] bit settings	Function	Pin							
		P000	P001	P002	P003	P004	P005	P006	P007
00000b (value after reset)	Hi-Z/JTAG/SWD	Hi-Z							
01100b	CTSU	TS21	TS22	—	—	—	—	—	—
ASEL bit		AN000/AMP0+	AN001/AMP0-	AN002/AMP00	AN003/AMP10	AN004/AMP20	AN011/AMP3+	AN012/AMP3-	AN013/AMP30
ISEL bit		IRQ6	IRQ7	IRQ2	—	IRQ3	IRQ10	IRQ11	—
PCR bit		✓	✓	✓	✓	✓	✓	✓	✓
DSCR bit		L/M	L/M	L/M	L/M	L/M	L/M	L/M	L/M
145-pin product, 144-pin product		✓	✓	✓	✓	✓	✓	✓	✓
121-pin product		✓	✓	✓	✓	✓	✓	✓	✓
100-pin product		✓	✓	✓	✓	✓	✓	✓	✓
64-pin product		✓	✓	✓	✓	✓	—	—	—

PSEL[4:0] bit settings	Function	Pin							
		P008	P009	P010	P011	P012	P013	P014	P015
00000b (value after reset)	Hi-Z/JTAG/SWD	Hi-Z							
01100b	CTSU	—	—	TS30	TS31	—	—	—	TS28
ASEL bit		AN014	AN015	AN005/VREFH0/AMP2-	AN006/VREFL0/AMP2+	AN007/VREFH/AMP1-	AN008/VREFL/AMP1+	AN009/DA0	AN010
ISEL bit		IRQ12	IRQ13	IRQ14	IRQ15	—	—	—	IRQ7
PCR bit		✓	✓	✓	✓	✓	✓	✓	✓

PSEL[4:0] bit settings	Function	Pin							
		P008	P009	P010	P011	P012	P013	P014	P015
DSCR bit		L/M	L/M	L/M	L/M	L/M	L/M	L/M	L/M
145-pin product, 144-pin product		✓	✓	✓	✓	✓	✓	✓	✓
121-pin product		✓	—	✓	✓	✓	✓	✓	✓
100-pin product		✓	—	✓	✓	✓	✓	✓	✓
64-pin product		—	—	✓	✓	✓	✓	✓	✓

✓: Available

—: Setting prohibited

Table 20.6 Register settings for input/output pin function (PORT1) (1)

PSEL[4:0] bit settings	Function	Pin							
		P100	P101	P102	P103	P104	P105	P106	P107
00000b (value after reset)	Hi-Z/JTAG/SWD	Hi-Z							
00001b	AGT	AGTIO0	AGTEE0	AGTO0	—	—	—	—	—
00010b	GPT	GTETRGA	GTETRGB	GTOWLO	GTOWUP	GTETRGA	GTETRGA	—	—
00011b	GPT	GTIOC5B	GTIOC5A	GTIOC2B	GTIOC2A	GTIOC1B	GTIOC1A	GTIOC8B	GTIOC8A
00100b	SCI	RXD0/MISO0/SCL0	TXD0/MOSI0/SDA0	SCK0	CTS0_RTS0/SS0	RXD0/MISO0/SCL0	—	—	—
00101b	SCI	SCK1	CTS1_RTS1/SS1	TXD2/MOSI2/SDA2	—	—	—	—	—
00110b	SPI	MISOA	MOSIA	RSPCKA	SSLA0	SSLA1	SSLA2	SSLA3	—
00111b	IIC	SCL1	SDA1	—	—	—	—	—	—
01000b	KINT	KR00	KR01	KR02	KR03	KR04	KR05	KR06	KR07
01001b	CLKOUT/ACMPLP/RTC	—	—	—	—	—	—	—	—
01010b	CAC/ADC14	—	—	ADTRG0	—	—	—	—	—
01011b	BUS	D00	D01	D02	D03	D04	D05	D06	D07
01100b	CTSUS	—	—	—	—	TS13	TS34	—	—
01101b	SLCDC	VL1	VL2	VL3	VL4	COM0	COM1	COM2	COM3
10000h	CAN	—	—	CRX0	CTX0	—	—	—	—
10010b	SSIE	—	—	—	—	—	—	—	—
ASEL bit		AN022/CMPIN0	AN021/CMPREF0	AN020/CMPIN1	AN019/CMPREF1	—	—	—	—
ISEL bit		IRQ2	IRQ1	—	—	IRQ1	IRQ0	—	—
NCODR bit		✓	✓	✓	✓	✓	✓	✓	✓
PCR bit		✓	✓	✓	✓	✓	✓	✓	✓
DSCR bit		L/M	L/M	L/M	L/M	L/M	L/M	L/M	L/M
145-pin product, 144-pin product		✓	✓	✓	✓	✓	✓	✓	✓
121-pin product		✓	✓	✓	✓	✓	✓	✓	✓
100-pin product		✓	✓	✓	✓	✓	✓	✓	✓
64-pin product		✓	✓	✓	✓	✓	✓	✓	✓

✓: Available

—: Setting prohibited

Table 20.7 Register settings for input/output pin function (PORT1) (2)

PSEL[4:0] bit settings	Function	Pin							
		P108	P109	P110	P111	P112	P113	P114	P115
00000b (value after reset)	Hi-Z/JTAG/SWD	TMS/SWDIO	TDO/TRACESWO	TDI	Hi-Z				
00001b	AGT	—	—	—	—	—	—	—	—
00010b	GPT	GTOULO	GTOVUP	GTOVLO	—	—	—	—	—
00011b	GPT	GTIOC0B	GTIOC1A	GTIOC1B	GTIOC3A	GTIOC3B	GTIOC2A	GTIOC2B	GTIOC4A
00100b	SCI	—	SCK1	CTS2_RTS2/SS2	SCK2	TXD2/MOSI2/SDA2	RXD2/MISO2/SCL2	—	—
00101b	SCI	CTS9_RTS9/SS9	TXD9/MOSI9/SDA9	RXD9/MISO9/SCL9	SCK9	SCK1	—	—	—
00110b	SPI	SSLB0	MOSIB	MISOB	RSPCKB	SSLB0	—	—	—
00111b	IIC	—	—	—	—	—	—	—	—
01000b	KINT	—	—	—	—	—	—	—	—
01001b	CLKOUT/ACMPLP/RTC	—	CLKOUT	VCOUT	—	—	—	—	—
01010b	CAC/ADC14	—	—	—	—	—	—	—	—
01011b	BUS	—	—	—	A05	A04	A03	A02	A01
01100b	CTSUS	—	TS10	—	TS12	TSCAP	TS27	TS29	TS35
01101b	SLCDC	—	SEG52	SEG53	CAPH	CAPL	SEG00/COM4	SEG24	SEG25
10000b	CAN	—	CTX0	CRX0	—	—	—	—	—
10010b	SSIE	—	—	—	—	SSIBCK0	SSILRCK0/SSIFS0	SSIRXD0	SSITXD0
ASEL bit		—	—	—	—	—	—	—	—
ISEL bit		—	—	IRQ3	IRQ4	—	—	—	—
NCODR bit		✓	✓	✓	✓	✓	✓	✓	✓
PCR bit		✓	✓	✓	✓	✓	✓	✓	✓
DSCR bit		L/M	L/M	L/M	L/M	L/M	L/M	L/M	L/M
145-pin product, 144-pin product		✓	✓	✓	✓	✓	✓	✓	✓
121-pin product		✓	✓	✓	✓	✓	✓	✓	✓
100-pin product		✓	✓	✓	✓	✓	✓	✓	✓
64-pin product		✓	✓	✓	✓	✓	✓	—	—

✓: Available

—: Setting prohibited

Table 20.8 Register settings for input/output pin function (PORT2) (1)

PSEL[4:0] bit settings	Function	Pin						
		P200*1	P201	P202	P203	P204	P205	P206
00000b (value after reset)	Hi-Z/JTAG/SWD	Hi-Z						
00001b	AGT	—	—	—	—	AGTIO1	AGTO1	—
00010b	GPT	—	—	—	—	GTIW	GTIV	GTIU
00011b	GPT	—	—	GTIOC5B	GTIOC5A	GTIOC4B	GTIOC4A	—
00100b	SCI	—	—	SCK2	CTS2_RTS2/SS2	SCK4	TXD4/MOSI4/SDA4	RXD4/MISO4/SCL4
00101b	SCI	—	—	RXD9/MISO9/SCL9	TXD9/MOSI9/SDA9	SCK9	CTS9_RTS9/SS9	—
00110b	SPI	—	—	MISOB	MOSIB	RSPCKB	SSLB0	SSLB1
00111b	IIC	—	—	—	—	SCL0	SCL1	SDA1
01001b	CLKOUT/ ACMPLP/RTC	—	—	—	—	—	CLKOUT	—
01010b	CAC/ADC14	—	—	—	—	CACREF	—	—
01011b	BUS	—	—	WR1/BC1	A19	A18	A16	WAIT
01100b	CTSUS	—	—	—	TSCAP	TS00	TSCAP	TS01
01101b	SLCDC	—	—	SEG21	SEG22	SEG23	SEG20	SEG12
10011b	USBFS	—	—	—	—	USB_OVRCUR B	USB_OVRCUR A	USB_VBUSEN
10101b	SDHI	—	—	SD0DAT6	SD0DAT5	SD0DAT4	SD0DAT3	SD0DAT2
ISEL bit		—	—	IRQ3	IRQ2	—	IRQ1	IRQ0
NCODR bit		—	✓	✓	✓	✓	✓	✓
PCR bit		—	✓	✓	✓	✓	✓	✓
DSCR bit		—	L/M	L/M	L/M	L/M	L/M	L/M
145-pin product, 144-pin product		✓	✓	✓	✓	✓	✓	✓
121-pin product		✓	✓	✓	✓	✓	✓	✓
100-pin product		✓	✓	✓	✓	✓	✓	✓
64-pin product		✓	✓	—	—	✓	✓	✓

✓: Available

—: Setting prohibited

Note 1. When using NMI pin interrupt, Port related registers setting are not required.

Table 20.9 Register settings for input/output pin function (PORT2) (2)

PSEL[4:0] bit settings	Function	Pin			
		P212	P213	P214	P215
00000b (value after reset)	Hi-Z/JTAG/SWD	Hi-Z			
00001b	AGT	AGTEE1	—	—	—
00010b	GPT	GTETRGB	GTETRGA	—	—
00011b	GPT	GTIOC0B	GTIOC0A	—	—
00100b	SCI	—	—	—	—
00101b	SCI	RXD1/MISO1/ SCL1	TXD1/MOSI1/ SDA1	—	—
00110b	SPI	—	—	—	—
00111b	IIC	—	—	—	—
01001b	CLKOUT/ ACMPLP/ RTC	—	—	—	—
01010b	CAC/ADC14	—	—	—	—
01011b	BUS	—	—	—	—
01100b	CTSUS	—	—	—	—
01101b	SLCDC	—	—	—	—
10011b	USBFS	—	—	—	—
10101b	SDHI	—	—	—	—
ISEL bit		IRQ3	IRQ2	—	—
NCODR bit		✓	✓	—	—
PCR bit		✓	✓	—	—
DSCR bit		—	—	—	—
145-pin product, 144-pin product		✓	✓	✓	✓
121-pin product		✓	✓	✓	✓
100-pin product		✓	✓	✓	✓
64-pin product		✓	✓	✓	✓

✓: Available

—: Setting prohibited

Table 20.10 Register settings for input/output pin function (PORT3)

PSEL[4:0] bit settings	Function	Pin							
		P300	P301	P302	P303	P304	P305	P306	P307
00000b (value after reset)	Hi-Z/JTAG/SWD	TCK/SWCLK	Hi-Z						
00001b	AGT	—	AGTIO0	—	—	—	—	—	—
00010b	GPT	GTOUUP	GTOULO	GTOUUP	—	—	—	—	—
00011b	GPT	GTIOC0A	GTIOC4B	GTIOC4A	GTIOC7B	GTIOC7A	—	—	—
00100b	SCI	—	RXD2/MISO2/ SCL2	TXD2/MOSI2/ SDA2	—	—	—	—	—
00101b	SCI	—	CTS9_RTS9/ SS9	—	—	—	—	—	—
00110b	SPI	SSLB1	SSLB2	SSLB3	—	—	—	—	—
01010b	CAC/ADC14	—	—	—	—	—	—	—	—
01011b	BUS	—	A06	A07	A08	A09	A10	A11	A12
01100b	CTSUS	—	TS09	TS08	TS02	TS11	—	—	—
01101b	SLCDC	—	SEG01/COM5	SEG02/COM6	SEG03/COM7	SEG17	SEG16	SEG15	SEG14
10001b	QSPI	—	—	—	—	—	QSPCLK	QSSL	QIO0
10101b	SDHI	—	—	—	SD0DAT0	SD0WP	SD0CD	—	—
ISEL bit		—	IRQ6	IRQ5	—	IRQ9	IRQ8	—	—
NCODR bit		✓	✓	✓	✓	✓	✓	✓	✓
PCR bit		✓	✓	✓	✓	✓	✓	✓	✓
DSCR bit		L/M	L/M	L/M	L/M	L/M	L/M	L/M	L/M
145-pin product, 144-pin product		✓	✓	✓	✓	✓	✓	✓	✓
121-pin product		✓	✓	✓	✓	✓	✓	✓	✓
100-pin product		✓	✓	✓	✓	✓	✓	✓	✓
64-pin product		✓	✓	✓	✓	✓	—	—	—

PSEL[4:0] bit settings	Function	Pin							
		P308	P309	P310	P311	P312	P313	P314	P315
00000b (value after reset)	Hi-Z/JTAG/SWD	Hi-Z							
00001b	AGT	—	—	AGTEE1	AGTOB1	AGTOA1	—	—	—
00010b	GPT	—	—	—	—	—	—	—	—
00011b	GPT	—	—	—	—	—	—	—	—
00100b	SCI	—	—	—	—	—	—	—	RXD4/MISO4/ SCL4
00101b	SCI	—	RXD3/MISO3/ SCL3	TXD3/MOSI3/ SDA3	SCK3	CTS3_RTS3/ SS3	—	—	—
00110b	SPI	—	—	—	—	—	—	—	—
01010b	CAC/ADC14	—	—	—	—	—	—	ADTRG0	—
01011b	BUS	A13	A14	A15	CS2	CS3	A20	A21	A22
01100b	CTSUS	—	—	—	—	—	—	—	—
01101b	SLCDC	SEG13	—	—	—	—	—	—	—
10001b	QSPI	QIO1	QIO2	QIO3	—	—	—	—	—
10101b	SDHI	—	—	—	—	—	SD0DAT7	—	—
ISEL bit		—	—	—	—	—	—	—	—
NCODR bit		✓	✓	✓	✓	✓	✓	✓	✓
PCR bit		✓	✓	✓	✓	✓	✓	✓	✓
DSCR bit		L/M	L/M	L/M	L/M	L/M	L/M	L/M	L/M
145-pin product, 144-pin product		✓	✓	✓	✓	✓	✓	✓	✓
121-pin product		✓	✓	—	—	—	✓	✓	✓
100-pin product		—	—	—	—	—	—	—	—
64-pin product		—	—	—	—	—	—	—	—

✓: Available

—: Setting prohibited

Table 20.11 Register settings for input/output pin function (PORT4) (1)

PSEL[4:0] bit settings	Function	Pin							
		P400	P401	P402	P403	P404	P405	P406	P407
00000b (value after reset)	Hi-Z/JTAG/SWD	Hi-Z							
00001b	AGT	AGTIO1	—	AGTIO0*2/ AGTIO1*2	AGTIO0*2/ AGTIO1*2	—	—	—	AGTIO0
00010b	GPT	—	GTETRGA	—	—	—	—	—	—
00011b	GPT	GTIOC6A	GTIOC6B	—	GTIOC3A	GTIOC3B	GTIOC1A	GTIOC1B	—
00100b	SCI	SCK4	CTS4_RTS4/ SS4	—	—	—	—	—	CTS4_RTS4/ SS4
00101b	SCI	SCK1	TXD1/MOSI1/ SDA1	RXD1/MISO1/ SCL1	CTS1_RTS1/ SS1	—	—	—	—
00110b	SPI	—	—	—	—	—	—	SSLA3	SSLB3
00111b	IIC	SCL0	SDA0	—	—	—	—	—	SDA0
01001b	CLKOUT/ ACMPLP/RTC	—	—	—	—	—	—	—	RTCOUT
01010b	CAC/ADC14	CACREF	—	—	—	—	—	—	ADTRG0
01100b	CTSU	TS20	TS19	TS18	TS17	—	—	—	TS03
01101b	SLCDC	SEG04	SEG05	SEG06	—	—	—	—	SEG11
10000b	CAN	—	CTX0	CRX0	—	—	—	—	—
10010b	SSIE	AUDIO_CLK	—	—	SSIBCK0	SSILRCK0/ SSIFS0	SSITXD0	SSIRXD0	—
10011b	USBFS	—	—	—	—	—	—	—	USB_VBUS
10101b	SDHI	—	—	—	—	—	—	—	—
Don't care	—	—	—	RTCIC0*1	RTCIC1*1	RTCIC2*1	—	—	—
ISEL bit	—	IRQ0	IRQ5	IRQ4	—	—	—	—	—
NCODR bit	—	✓	✓	✓	✓	✓	✓	✓	✓
PCR bit	—	✓	✓	✓	✓	✓	✓	✓	✓
DSCR bit	—	L/M	L/M	L/M	L/M	L/M	L/M	L/M	L/M
145-pin product, 144-pin product	—	✓	✓	✓	✓	✓	✓	✓	✓
121-pin product	—	✓	✓	✓	✓	✓	✓	✓	✓
100-pin product	—	✓	✓	✓	✓	✓	✓	✓	✓
64-pin product	—	✓	✓	✓	—	—	—	—	✓

✓: Available

—: Setting prohibited

Note 1. To use this pin function, set the corresponding pin as general input (set the PmnPFS.PDR and PmnPFS.PMR bits to 0).

Note 2. To use this pin function, set the PmnPFS.PSEL[4:0] bits and the AGTIOSEL.SEL[1:0] bits (described in [section 24, AGT Pin Select Register \(AGTIOSEL\)](#)).

Table 20.12 Register settings for input/output pin function (PORT4) (2)

PSEL[4:0] bit settings	Function	Pin							
		P408	P409	P410	P411	P412	P413	P414	P415
00000b (value after reset)	Hi-Z/JTAG/SWD	Hi-Z							
00001b	AGT	—	—	AGTOB1	AGTOA1	—	—	—	—
00010b	GPT	GTOWLO	GTOWUP	GTOVLO	GTOVUP	GTOULO	GTOUUP	—	—
00011b	GPT	GTIOC5B	GTIOC5A	GTIOC9B	GTIOC9A	—	—	GTIOC0B	GTIOC0A
00100b	SCI	CTS1_RTS1/SS1	—	RXD0/MISO0/SCL0	TXD0/MOSI0/SDA0	SCK0	CTS0_RTS0/SS0	—	—
00101b	SCI	RXD3/MISO3/SCL3	TXD3/MOSI3/SDA3	SCK3	CTS3_RTS3/SS3	—	—	—	—
00110b	SPI	—	—	MISOA	MOSIA	RSPCKA	SSLA0	SSLA1	SSLA2
00111b	IIC	SCL0	—	—	—	—	—	—	—
01001b	CLKOUT/ACMPLP/RTC	—	—	—	—	—	—	—	—
01010b	CAC/ADC14	—	—	—	—	—	—	—	—
01100b	CTSU	TS04	TS05	TS06	TS07	—	—	—	—
01101b	SLCDC	SEG10	SEG09	SEG08	SEG07	—	—	—	—
10000b	CAN	—	—	—	—	—	—	—	—
10010b	SSIE	—	—	—	—	—	—	—	—
10011b	USBFS	USB_ID	USB_EXICEN	—	—	—	—	—	—
10101b	SDHI	—	—	SD0DAT1	SD0DAT0	SD0CMD	SD0CLK	SD0WP	SD0CD
Don't care		—	—	—	—	—	—	—	—
ISEL bit		IRQ7	IRQ6	IRQ5	IRQ4	—	—	IRQ9	IRQ8
NCODR bit		✓	✓	✓	✓	✓	✓	✓	✓
PCR bit		✓	✓	✓	✓	✓	✓	✓	✓
DSCR bit		L/M/M(IIC)	L/M	L/M	L/M	L/M	L/M	L/M	L/M
145-pin product, 144-pin product		✓	✓	✓	✓	✓	✓	✓	✓
121-pin product		✓	✓	✓	✓	✓	✓	✓	✓
100-pin product		✓	✓	✓	✓	✓	✓	✓	✓
64-pin product		✓	✓	✓	✓	—	—	—	—

✓: Available

—: Setting prohibited

Note: To use this pin function, set the corresponding pin as general input (set the PmnPFS.PDR and PmnPFS.PMR bits to 0).

Note: To use this pin function, set the PmnPFS.PSEL[4:0] bits and the AGTIOSEL.SEL[1:0] bits (described in [section 24, AGT Pin Select Register \(AGTIOSEL\)](#)).

Table 20.13 Register settings for input/output pin function (PORT5)

PSEL[4:0] bit settings	Function	Pin							
		P500	P501	P502	P503	P504	P505	P506	P507
00000b (value after reset)	Hi-Z/JTAG/SWD	Hi-Z							
00001b	AGT	AGTOA0	AGTOB0	—	—	—	—	—	—
00010b	GPT	GTIU	GTIV	GTIW	GTETRGA	GTETRGB	—	—	—
00011b	GPT	GTIOC2A	GTIOC2B	GTIOC3B	—	—	—	—	—
00100b	SCI	—	—	—	CTS2_RTS2/SS2	SCK2	RXD2/MISO2/SCL2	TXD2/MOSI2/SDA2	—
00101h	SCI	—	TXD3/MOSI3/SDA3	RXD3/MISO3/SCL3	SCK3	CTS3_RTS3/SS3	—	—	—
00111b	IIC	—	—	—	—	—	—	—	—
01011b	BUS	—	—	—	—	ALE	—	—	—
01101b	SLCDC	SEG48	SEG49	SEG50	SEG51	—	—	—	—
10000b	CAN	—	—	—	—	—	—	—	—
10001b	QSPI	QSPCLK	QSSL	QIO0	QIO1	QIO2	QIO3	—	—
10011b	USBFS	USB_VBUSEN	USB_OVRCURA	USB_OVRCURB	USB_EXICEN	USB_ID	—	—	—
ASEL bit		AN016/CMPREF1	AN017/CMPIN1	AN018/CMPREF0	AN023/CMPIN0	AN024	AN025	AN026	AN027
ISEL bit		—	IRQ11	IRQ12	—	—	IRQ14	IRQ15	—
NCODR bit		✓	✓	✓	✓	✓	✓	✓	✓
PCR bit		✓	✓	✓	✓	✓	✓	✓	✓
DSCR bit		L/M	L/M	L/M	L/M	L/M	L/M	L/M	L/M
145-pin product, 144-pin product		✓	✓	✓	✓	✓	✓	✓	✓
121-pin product		✓	✓	✓	✓	✓	✓	✓	—
100-pin product		✓	✓	✓	✓	✓	✓	—	—
64-pin product		✓	✓	✓	—	—	—	—	—

PSEL[4:0] bit settings	Function	Pin	
		P511	P512
00000b (value after reset)	Hi-Z/JTAG/SWD	Hi-Z	
00001b	AGT	—	—
00010b	GPT	—	—
00011b	GPT	GTIOC0B	GTIOC0A
00100b	SCI	RXD4/MISO4/SCL4	TXD4/MOSI4/SDA4
00101h	SCI	—	—
00111b	IIC	SDA2	SCL2
01011b	BUS	—	—
01101b	SLCDC	—	—
10000b	CAN	CRX0	CTX0
10001b	QSPI	—	—
10011b	USBFS	—	—
ASEL bit		—	—
ISEL bit		IRQ15	IRQ14
NCODR bit		✓	✓
PCR bit		✓	✓
DSCR bit		L/M	L/M
145-pin product, 144-pin product		✓	✓
121-pin product		✓	✓
100-pin product		—	—
64-pin product		—	—

✓: Available
 —: Setting prohibited

Table 20.14 Register settings for input/output pin function (PORT6)

PSEL[4:0] bit settings	Function	Pin						
		P600	P601	P602	P603	P604	P605	P606
00000b (value after reset)	Hi-Z/JTAG/SWD	Hi-Z						
00011b	GPT	GTIOC6B	GTIOC6A	GTIOC7B	GTIOC7A	GTIOC8B	GTIOC8A	—
00101b	SCI	SCK9	RXD9/MISO9/ SCL9	TXD9/MOSI9/ SDA9	CTS9_RTS9/ SS9	—	—	—
01001b	CLKOUT/ ACMPLP/RTC	—	—	—	—	—	—	RTCOUT
01011b	BUS	RD	WR/WR0	BCLK	D13	D12	D11	—
01101b	SLCDC	SEG41	SEG40	SEG39	SEG38	SEG37	SEG36	SEG35
10101b	SDHI	SD0DAT7	SD0DAT6	SD0DAT5	SD0DAT4	—	—	—
NCODR bit		✓	✓	✓	✓	✓	✓	✓
PCR bit		✓	✓	✓	✓	✓	✓	✓
DSCR bit		L/M	L/M	L/M	L/M	L/M	L/M	L/M
145-pin product, 144-pin product		✓	✓	✓	✓	✓	✓	✓
121-pin product		✓	✓	✓	✓	✓	✓	—
100-pin product		✓	✓	✓	✓	—	—	—
64-pin product		—	—	—	—	—	—	—

PSEL[4:0] bit settings	Function	Pin						
		P608	P609	P610	P611	P612	P613	P614
00000b (value after reset)	Hi-Z/JTAG/SWD	Hi-Z						
00011b	GPT	GTIOC4B	GTIOC5A	GTIOC5B	—	—	—	—
00101b	SCI	—	—	—	—	—	—	—
01001b	CLKOUT/ ACMPLP/RTC	—	—	—	—	—	—	—
01011b	BUS	A00/BC0	CS1	CS0	—	D08	D09	D10
01101b	SLCDC	SEG28	SEG29	SEG30	SEG31	SEG32	SEG33	SEG34
10101b	SDHI	SD0DAT1	SD0DAT2	SD0DAT3	—	—	—	—
NCODR bit		✓	✓	✓	✓	✓	✓	✓
PCR bit		✓	✓	✓	✓	✓	✓	✓
DSCR bit		L/M	L/M	L/M	L/M	L/M	L/M	L/M
145-pin product, 144-pin product		✓	✓	✓	✓	✓	✓	✓
121-pin product		✓	✓	✓	✓	✓	✓	—
100-pin product		✓	✓	✓	—	—	—	—
64-pin product		—	—	—	—	—	—	—

✓: Available

—: Setting prohibited

Table 20.15 Register settings for input/output pin function (PORT7)

PSEL[4:0] bit settings	Function	Pin					
		P700	P701	P702	P703	P704	P705
0000b (value after reset)	Hi-Z/JTAG/SWD	Hi-Z					
0001b	AGT	—	—	—	—	AGT00	AGTIO0
0011b	GPT	GTIOC5A	GTIOC5B	GTIOC6A	GTIOC6B	—	—
0101b	SCI	—	—	—	—	—	—
0110b	SPI	MISOA	MOSIA	RSPCKA	SSLA0	SSLA1	SSLA2
01001b	CLKOUT/ ACMPLP/RTC	—	—	—	VCOUT	—	—
01011b	BUS	—	—	—	—	—	—
ISEL bit		—	—	—	—	—	—
NCODR bit		✓	✓	✓	✓	✓	✓
PCR bit		✓	✓	✓	✓	✓	✓
DSCR bit		L/M	L/M	L/M	L/M	L/M	L/M
145-pin product, 144-pin product		✓	✓	✓	✓	✓	✓
121-pin product		✓	✓	✓	—	—	—
100-pin product		—	—	—	—	—	—
64-pin product		—	—	—	—	—	—

PSEL[4:0] bit settings	Function	Pin					
		P708	P709	P710	P711	P712	P713
0000b (value after reset)	Hi-Z/JTAG/SWD	Hi-Z					
0001b	AGT	—	—	—	AGTEE0	AGTOB0	AGTOA0
0011b	GPT	—	—	—	—	GTIOC2B	GTIOC2A
0101b	SCI	RXD1/MISO1/ SCL1	TXD1/MOSI1/ SDA1	SCK1	CTS1_RTS1/ SS1	—	—
0110b	SPI	SSLA3	—	—	—	—	—
01001b	CLKOUT/ ACMPLP/RTC	—	—	—	—	—	—
01011b	BUS	—	—	A17	—	—	—
ISEL bit		IRQ11	IRQ10	—	—	—	—
NCODR bit		✓	✓	✓	✓	✓	✓
PCR bit		✓	✓	✓	✓	✓	✓
DSCR bit		L/M	L/M	L/M	L/M	L/M	L/M
145-pin product, 144-pin product		✓	✓	✓	✓	✓	✓
121-pin product		✓	✓	✓	—	—	—
100-pin product		✓	—	—	—	—	—
64-pin product		—	—	—	—	—	—

✓: Available

—: Setting prohibited

Table 20.16 Register settings for input/output pin function (PORT8)

PSEL[4:0] bit settings	Function	Pin							
		P800	P801	P802	P803	P804	P805	P806	P807
00000b (value after reset)	Hi-Z/JTAG/SWD	Hi-Z							
00011b	GPT	—	—	—	—	GTIOC9B	GTIOC9A	—	—
01011b	BUS	D14	D15	—	—	—	—	—	—
01101b	SLCDC	SEG44	SEG45	SEG46	SEG47	SEG43	SEG42	SEG26	SEG27
10101b	SDHI	—	—	—	—	—	—	—	—
NCODR bit		✓	✓	✓	✓	✓	✓	✓	✓
PCR bit		✓	✓	✓	✓	✓	✓	✓	✓
DSCR bit		L/M	L/M	L/M	L/M	L/M	L/M	L/M	L/M
145-pin product, 144-pin product		✓	✓	✓	✓	✓	✓	✓	✓
121-pin product		✓	✓	—	—	—	—	—	—
100-pin product		—	—	—	—	—	—	—	—
64-pin product		—	—	—	—	—	—	—	—

PSEL[4:0] bit settings	Function	Pin	
		P808	P809
00000b (value after reset)	Hi-Z/JTAG/SWD	Hi-Z	
00011b	GPT	—	—
01011b	BUS	—	—
01101b	SLCDC	SEG18	SEG19
10101b	SDHI	SD0CLK	SD0CMD
NCODR bit		✓	✓
PCR bit		✓	✓
DSCR bit		L/M	L/M
145-pin product, 144-pin product		✓	✓
121-pin product		✓	✓
100-pin product		✓	✓
64-pin product		—	—

✓: Available

—: Setting prohibited

Table 20.17 Register settings for input/output pin function (PORT9)

PSEL[4:0] bit settings	Function	Pin		
		P900	P901	P902
00000b (value after reset)	Hi-Z/JTAG/SWD	Hi-Z		
00001b	AGT	—	AGTIO1	AGTO1
00100b	SCI	TXD4/MOSI4/SDA4	SCK4	CTS4_RTS4/SS4
01011b	BUS	A23	—	—
Don't care		—	—	—
NCODR bit		✓	✓	✓
PCR bit		✓	✓	✓
DSCR bit		L/M	L/M	L/M
145-pin product, 144-pin product		✓	✓	✓
121-pin product		—	—	—
100-pin product		—	—	—
64-pin product		—	—	—

PSEL[4:0] bit settings	Function	Pin	
		P914	P915
00000b (value after reset)	Hi-Z/JTAG/SWD	Hi-Z	
00001b	AGT	—	—
00100b	SCI	—	—
01011b	BUS	—	—
Don't care		(USB_DP)	(USB_DM)
NCODR bit		—	—
PCR bit		—	—
DSCR bit		—	—
145-pin product, 144-pin product		✓	✓
121-pin product		✓	✓
100-pin product		✓	✓
64-pin product		✓	✓

✓: Available
 —: Setting prohibited

21. Key Interrupt Function (KINT)

21.1 Overview

A key interrupt (KEY_INTKR) can be generated by setting the Key Return Mode Register (KRM) and inputting a rising or falling edge to the key interrupt input pins, KR00 to KR07. [Table 21.1](#) shows the assignment for key interrupt detection, [Table 21.2](#) shows the function configuration, and [Figure 21.1](#) shows a block diagram.

Table 21.1 Assignment of key interrupt detection pins

Flag	Description
KRM0	Controls KR00 signal in 1-bit units
KRM1	Controls KR01 signal in 1-bit units
KRM2	Controls KR02 signal in 1-bit units
KRM3	Controls KR03 signal in 1-bit units
KRM4	Controls KR04 signal in 1-bit units
KRM5	Controls KR05 signal in 1-bit units
KRM6	Controls KR06 signal in 1-bit units
KRM7	Controls KR07 signal in 1-bit units

Table 21.2 Configuration of Key Interrupt Function (KINT)

Item	Configuration
Input	KR00 to KR07
Control registers	Key Return Control Register (KRCTL) Key Return Mode Register (KRM) Key Return Flag Register (KRF)

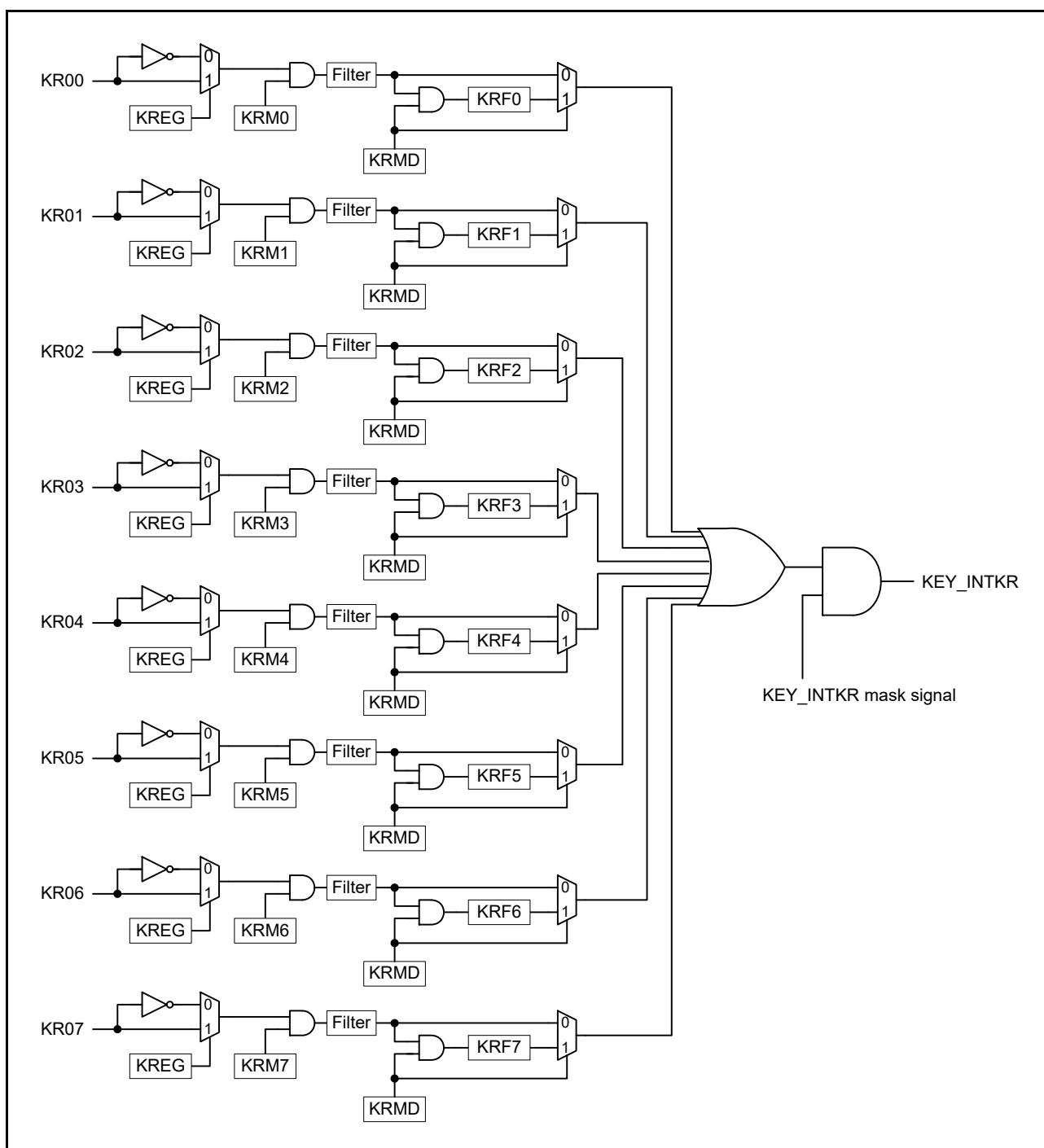


Figure 21.1 Key interrupt function block diagram

In [Figure 21.1](#), all key return factors are merged by an OR gate, and the key interrupt (KEY_INTKR) is the output of AND gate to mask the merged key return factor by the KEY_INTKR mask signal. When using KRFn (KRMD = 1), the KEY_INTKR mask signal is used as the output mask that is asserted by the clearing KRFn.

21.2 Register Descriptions

21.2.1 Key Return Control Register (KRCTL)

Address(es): [KINT.KRCTL 4008 0000h](#)

b7	b6	b5	b4	b3	b2	b1	b0
KRMD	—	—	—	—	—	—	KREG

Value after reset: 0 0 0 0 0 0 0 0

Bit	Symbol	Bit name	Description	R/W
b0	KREG	Detection Edge Selection (KR00 to KR07)	0: Falling edge 1: Rising edge.	R/W
b6 to b1	—	Reserved	These bits are read as 0. The write value should be 0.	R/W
b7	KRMD	Usage of Key Interrupt Flags (KRF0 to KRF7)	0: Do not use key interrupt flags 1: Use key interrupt flags.	R/W

The KRCTL controls the usage of the key interrupt flags, KRF0 to KRF7, and sets the detection edge.

21.2.2 Key Return Flag Register (KRF)

Address(es): [KINT.KRF 4008 0004h](#)

b7	b6	b5	b4	b3	b2	b1	b0
KRF7	KRF6	KRF5	KRF4	KRF3	KRF2	KRF1	KRF0

Value after reset: 0 0 0 0 0 0 0 0

Bit	Symbol	Bit name	Description	R/W
b7 to b0	KRFn	Key Interrupt Flag n	0: No key interrupt detected 1: Key interrupt detected.	R/W

n = 0 to 7

Note: When KRMD = 0, setting the KRFn bit to 1 is prohibited.

When the KRFn bit is set to 1, the KRFn value does not change.

To clear the KRFn bit, confirm that the target bit is 1 before writing 0 to the bit, then write 1 to the other bits.

The KRF controls the key interrupt flags, KRF0 to KRF7.

21.2.3 Key Return Mode Register (KRM)

Address(es): [KINT.KRM 4008 0008h](#)

b7	b6	b5	b4	b3	b2	b1	b0
KRM7	KRM6	KRM5	KRM4	KRM3	KRM2	KRM1	KRM0

Value after reset: 0 0 0 0 0 0 0 0

Bit	Symbol	Bit name	Description	R/W
b7 to b0	KRMn	Key Interrupt Mode Control n	0: No key interrupt signal detected 1: Key interrupt signal detected.	R/W

n = 0 to 7

Note: The on-chip pull-up resistors can be applied by setting the associated key interrupt input pin in the pull-up resistor. For details, see [section 20, I/O Ports](#).
 Key interrupts can be assigned in the PmnPFS.PSEL bits. For more information, see [section 20, I/O Ports](#).
 An interrupt is generated when the target bit in the KRM is set while a low level (KREG is set to 0) or a high level (KREG is set to 1) is being input to the key interrupt input pin. To ignore this interrupt, set the KRM after disabling the interrupt handling.

The KRM sets the key interrupt mode.

21.3 Operation

21.3.1 When Not Using Key Interrupt Flag (KRMD = 0)

A key interrupt (KEY_INTKR) is generated when the valid edge specified in the KREG bit is input to a key interrupt pin, KR00 to KR07. To identify the channel to which the valid edge is input, read the port register and check the port level after the key interrupt (KEY_INTKR) is generated.

The KEY_INTKR signal changes based on the input level of the key interrupt input pin, KR00 to KR07.

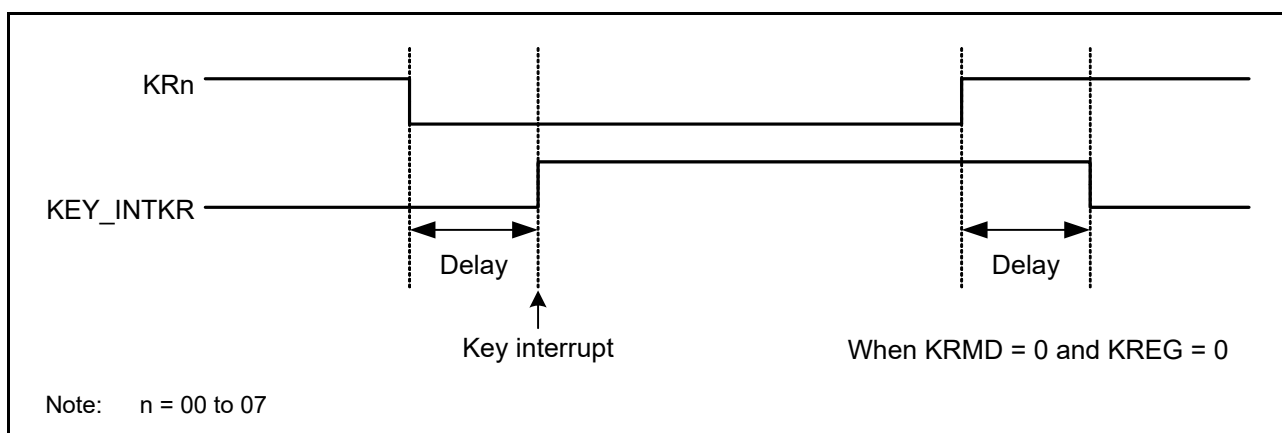


Figure 21.2 Operation of KEY_INTKR signal when key interrupt is input to a single channel

Figure 21.3 shows the operation when a valid edge is input to multiple key interrupt input pins. The KEY_INTKR signal is set while a low level is being input to one pin, when KREG is set to 0. Therefore, even if a falling edge is input to another pin in this period, a key interrupt (KEY_INTKR) is not generated again. See [1] in Figure 21.3.

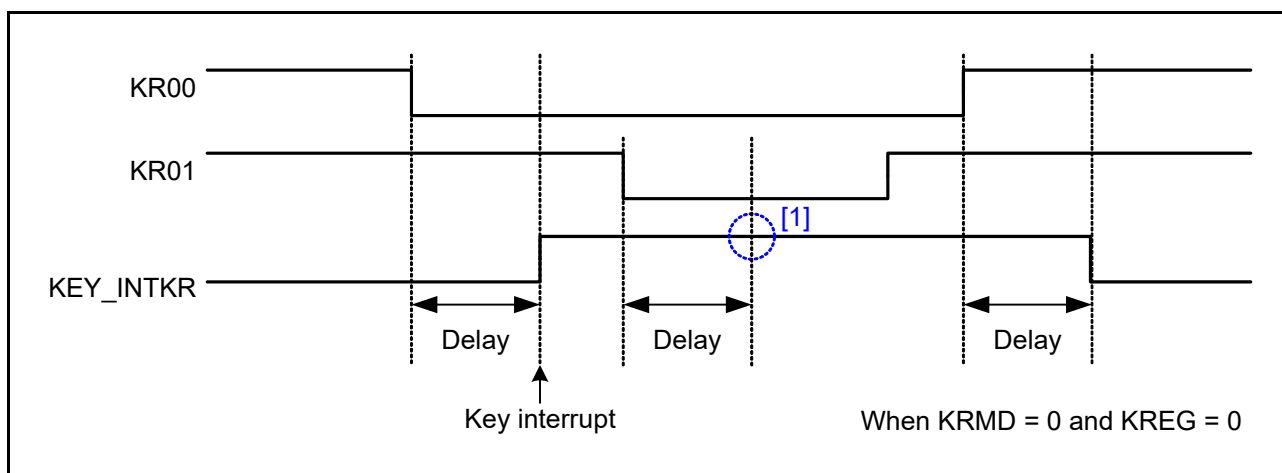


Figure 21.3 Operation of KEY_INTKR signal when key interrupts are input to multiple channels

21.3.2 Operation When Using Key Interrupt Flag (KRMD = 1)

A key interrupt (KEY_INTKR) is generated when the valid edge specified in the KREG bit is input to a key interrupt pin, KR00 to KR07. To identify the channels to which the valid edge is input, read the Key Return Flag Register (KRF) after the key interrupt (KEY_INTKR) is generated. If the KRMD bit is set to 1, clear the KEY_INTKR signal by clearing the associated bit in the KRF.

As [Figure 21.4](#) shows, only one interrupt is generated each time a falling edge is input to one channel, that is, when KREG = 0, regardless of whether the KRFn bit is cleared before or after a rising edge is input.

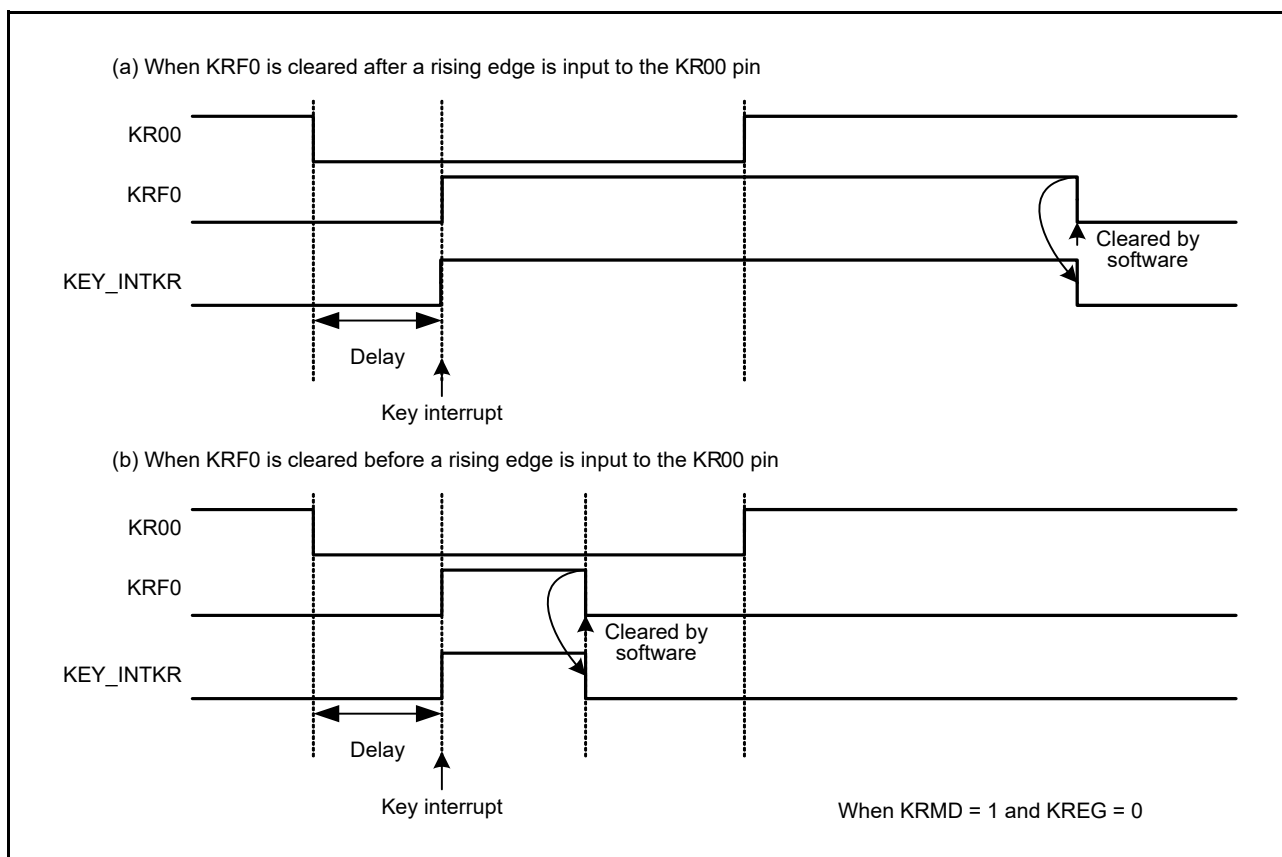


Figure 21.4 Basic operation of KEY_INTKR signal when key interrupt flag is used

The operation when a valid edge is input to multiple key interrupt input pins is shown in [Figure 21.5](#). A falling edge is also input to the KR01 and KR05 pins after a falling edge is input to the KR00 pin, when KREG = 0. The KRF1 bit is set when the KRF0 bit is cleared. The KEY_INTKR signal is negated 1 PCLKB clock cycle, after the KRF0 bit is cleared. See [1] in [Figure 21.5](#). Also, after a falling edge is input to the KR05 pin, the KRF5 bit is set. See [2] in the figure when the KRF1 bit is cleared. The KEY_INTKR signal is negated 1 PCLKB clock cycle, after the KRF1 bit is cleared. See [3] in the figure. It is therefore possible to generate a key interrupt when a valid edge is input to multiple channels.

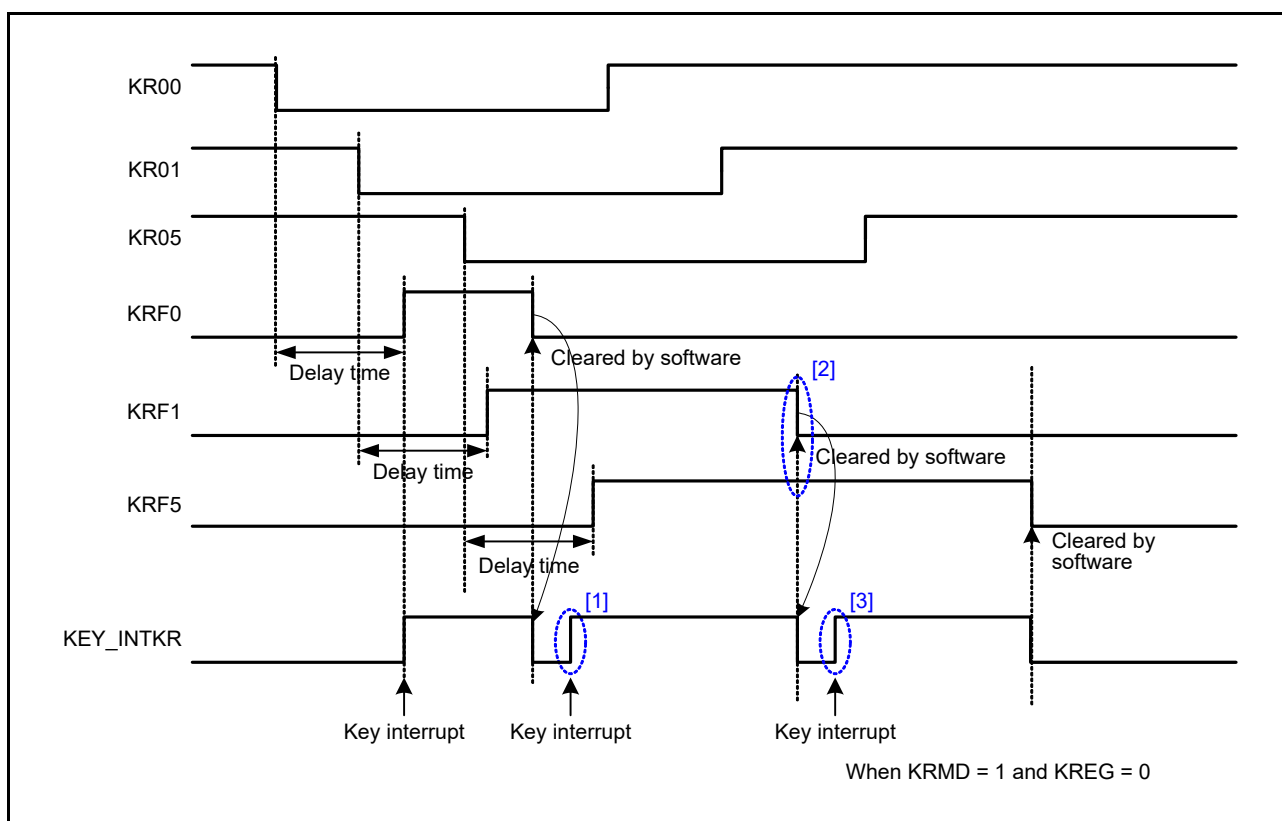


Figure 21.5 Operation of KEY_INTKR signal when key interrupts are input to multiple channels

21.4 Usage Notes

- If KEY_INTKR is used as the snooze request, the KRMD bit must be set to 0
- If KEY_INTKR is used as the interrupt source for returning to Normal mode from Snooze mode and Software Standby mode, the KRMD bit must be set to 1
- When the Key Interrupt function (KINT) is assigned to a pin, this pin input is always enabled in Software Standby mode, and if this pin level changes, the associated KRFn flag can be set. Therefore, a key interrupt might occur on canceling Software Standby mode.

To ignore changes to the key interrupt pin during a Software Standby, clear the associated KRM bit before entering Software Standby mode. After canceling Software Standby mode, you must clear KRFn before the associated KRM bit can be set.

22. Port Output Enable for GPT (POEG)

Use the Port Output Enable (POEG) function to place the General PWM Timer (GPT) output pins in the output-disable state in one of the following ways:

- Input level detection of the GTETRGN (n = A, B) pins
- Output-disable request from the GPT
- Comparator interrupt request detection
- Oscillation stop detection of the clock generation circuit
- Register settings.

The GTETRGN (n = A, B) pins can also be used as GPT external trigger input pins.

22.1 Overview

Table 22.1 lists the POEG specifications, Figure 22.1 shows a block diagram, and Table 22.2 lists the input pins.

Table 22.1 POEG specifications

Item	Description
Output-disable control through input level detection	The GPT output pins can be disabled when a GTETRGN rising edge or high level is sampled after polarity and filter selection
Output-disable request from the GPT	When the GTIOCA pin and the GTIOCB pin are driven to an active level simultaneously, the GPT generates an output-disable request to the POEG. Through reception of these requests, the POEG can control whether the GTIOCA and GTIOCB pins are output-disabled.
Output-disable control through oscillation stop detection	The GPT output pins can be disabled when oscillation of the clock generation circuit stops
Output-disable control by software (registers)	The GPT output pins can be disabled by modifying the register settings
Interrupts	<ul style="list-style-type: none"> • Allows output-disable control by the input level detection • Allows output-disable requests from GPT.
External trigger output function to the GPT (count start, count stop, count clear, up-count, down-count, or input capture function)	The GTETRGN signals can be output to the GPT after polarity and filter selection
Noise filtering	<ul style="list-style-type: none"> • Three times sampling for every PCLKB/1, PCLKB/8, PCLKB/32, or PCLKB/128 can be set for any of the input pins GTETRGN • Positive or negative polarity can be selected for any of the input pins, GTETRGN • The signal state after polarity and filter selection can be monitored.

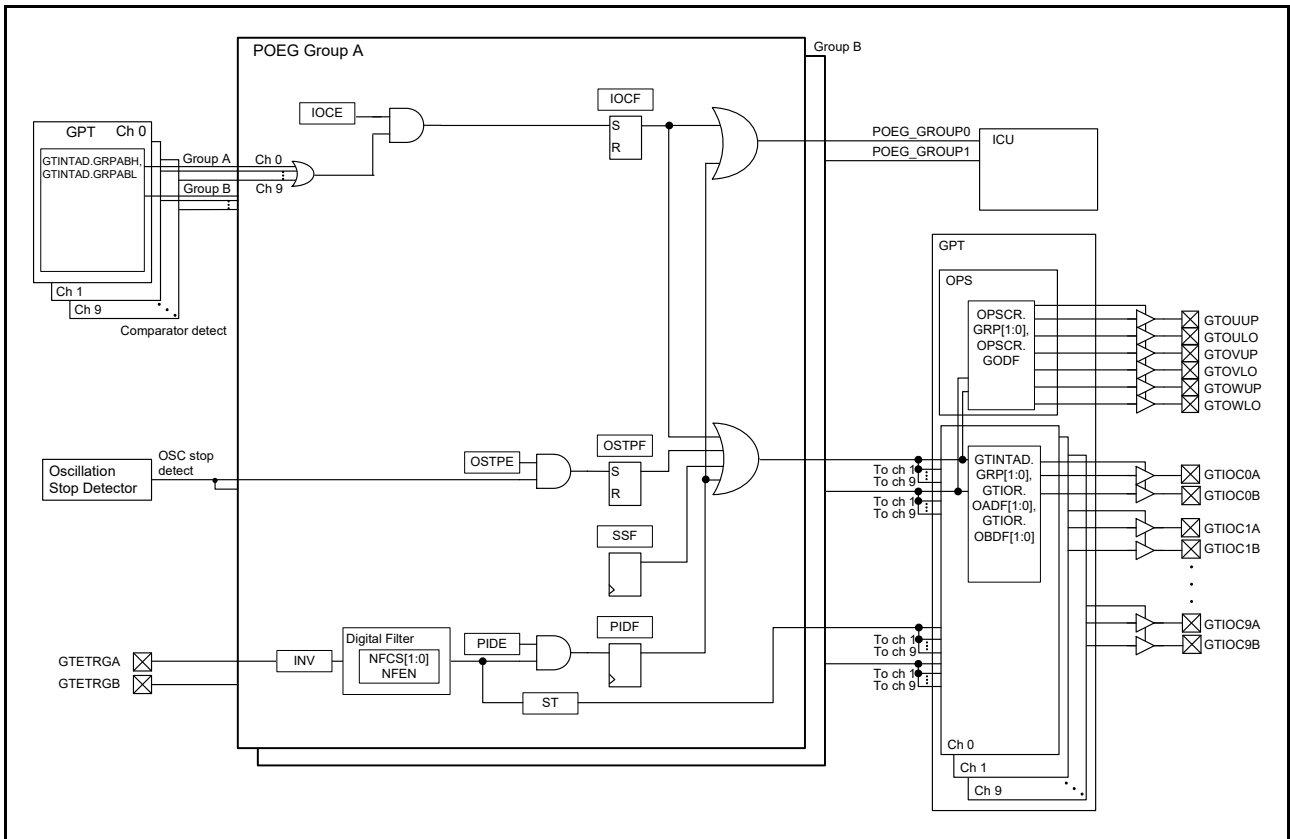


Figure 22.1 POEG block diagram

Table 22.2 POEG input pins

Pin Name	I/O	Description
GTETRGA	Input	GPT output pin output-disable request signal and GPT external trigger input pin A
GTETRGB	Input	GPT output pin output-disable request signal and GPT external trigger input pin B

22.2 Register Descriptions

22.2.1 POEG Group n Setting Register (POEGGn) (n = A, B)

Address(es): POEG.POEGGA 4004 2000h, POEG.POEGGB 4004 2100h

b31	b30	b29	b28	b27	b26	b25	b24	b23	b22	b21	b20	b19	b18	b17	b16
NFCS[1:0]		NFEN	INV	—	—	—	—	—	—	—	—	—	—	—	ST
Value after reset: 0 0 0 0 0 0 0 0 0 0 0 0 0 0 0 0															
b15	b14	b13	b12	b11	b10	b9	b8	b7	b6	b5	b4	b3	b2	b1	b0
—	—	—	—	—	—	—	—	—	OSTPE	IOCE	PIDE	SSF	OSTPF	IOCF	PIDF
Value after reset: 0 0 0 0 0 0 0 0 0 0 0 0 0 0 0 0															

Bit	Symbol	Bit name	Description	R/W
b0	PIDF	Port Input Detection Flag	0: No output-disable request from the GTETRn pin occurred 1: Output-disable request from the GTETRn pin occurred.	R/W ^{*1}
b1	IOCF	Output-disable Request Detection Flag from GPT	0: No output-disable request from the GPT disable request occurred 1: Output-disable request from the GPT disable request occurred.	R/W ^{*1}
b2	OSTPF	Oscillation Stop Detection Flag	0: No output-disable request from oscillation stop detection occurred 1: Output-disable request from oscillation stop detection occurred.	R/W ^{*1}
b3	SSF	Software Stop Flag	0: No output-disable request from software occurred 1: Output-disable request from software occurred.	R/W
b4	PIDE	Port Input Detection Enable	0: Disable output-disable request from the GTETRn pins 1: Enable output-disable request from the GTETRn pins.	R/W ^{*2}
b5	IOCE	Output-disable Request Enable from GPT	0: Disable output-disable request from the GPT disable request 1: Enable output-disable request from the GPT disable request.	R/W ^{*2}
b6	OSTPE	Oscillation Stop Detection Enable	0: Disable output-disable request from the oscillation stop detection 1: Enable output-disable request from the oscillation stop detection.	R/W ^{*2}
b15 to b7	—	Reserved	These bits are read as 0. The write value should be 0.	R/W
b16	ST	GTETRn Input Status Flag	0: GTETRn input after filtering is 0 1: GTETRn input after filtering is 1.	R
b27 to b17	—	Reserved	These bits are read as 0. The write value should be 0.	R/W
b28	INV	GTETRn Input Reverse	0: GTETRn input as-is 1: GTETRn input reversed.	R/W
b29	NFEN	Noise Filter Enable	0: Disable noise filtering 1: Enable noise filtering.	R/W
b31, b30	NFCS[1:0]	Noise Filter Clock Select	b31 b30 0 0: GTETRn pin input level sampled three times every PCLKB 0 1: GTETRn pin input level sampled three times every PCLKB/8 1 0: GTETRn pin input level sampled three times every PCLKB/32 1 1: GTETRn pin input level sampled three times every PCLKB/128.	R/W

Note 1. Only 0 can be written to clear the flag.

Note 2. Can be modified only once after a reset.

The POEGGA to POEGGD registers control the output-disable state of the GPT pin output, interrupts, and the external trigger input to GPT. In the descriptions, POEGGn represents all the POEGGA to POEGGD registers.

22.3 Output-Disable Control Operation

If any of the following conditions is satisfied, the GTIOCxA, GTIOCxB, and the 3-phase PWM output for BLDC motor control pins can be set to output-disable:

- Input level or edge detection of the GTETRn pins
When POEGn.PIDE is 1, the POEGn.PIDF flag is set to 1.
- Output-disable request from the GPT
When POEGn.IOCE is 1, the POEGn.IOCF flag is set to 1 if the disable request enabled in the GTINTAD.GRPABH, or GTINTAD.GRPABL applies to the group selected in the GPT registers GTINTAD.GRP[1:0] and OPSCR.GRP[1:0].
- Oscillation stop detection for the clock generation circuit
When POEGn.OSTPE is 1, the POEGn.OSTPF flag is set to 1.
- SSF bit setting
When POEGn.SSF is set to 1, the GPT and PWM output is disabled.

The output-disable state is controlled in the GPT. The output-disable of the GTIOCxA and GTIOCxB pins is set in the GTINTAD.GRP[1:0], GTIOR.OADF[1:0], and GTIOR.OBDF[1:0] bits in the GPT. The output-disable of the 3-phase PWM output for the BLDC motor control pins is set in the OPSCR.GRP[1:0] and OPSCR.GODF bits in GPT_OPS.

22.3.1 Pin Input Level Detection Operation

If the input conditions set by POEGn.PIDE, POEGn.NFCS[1:0], POEGn.NFEN, and POEGn.INV occur on the GTETRn pins, the GPT output pins are output-disabled.

22.3.1.1 Digital filter

Figure 22.2 shows high-level detection by the digital filter. When a high level associated with the POEGn.INV polarity setting is detected three times consecutively with the sampling clock selected in POEGn.NFCS[1:0] and POEGn.NFEN, the detected level is recognized as high, and the GPT output pins are output-disabled. If even one low level is detected during this interval, the detected level is not recognized as high. In addition, in an interval where the sampling clock is not being output, changes of the levels on the GTETRn pins are ignored.

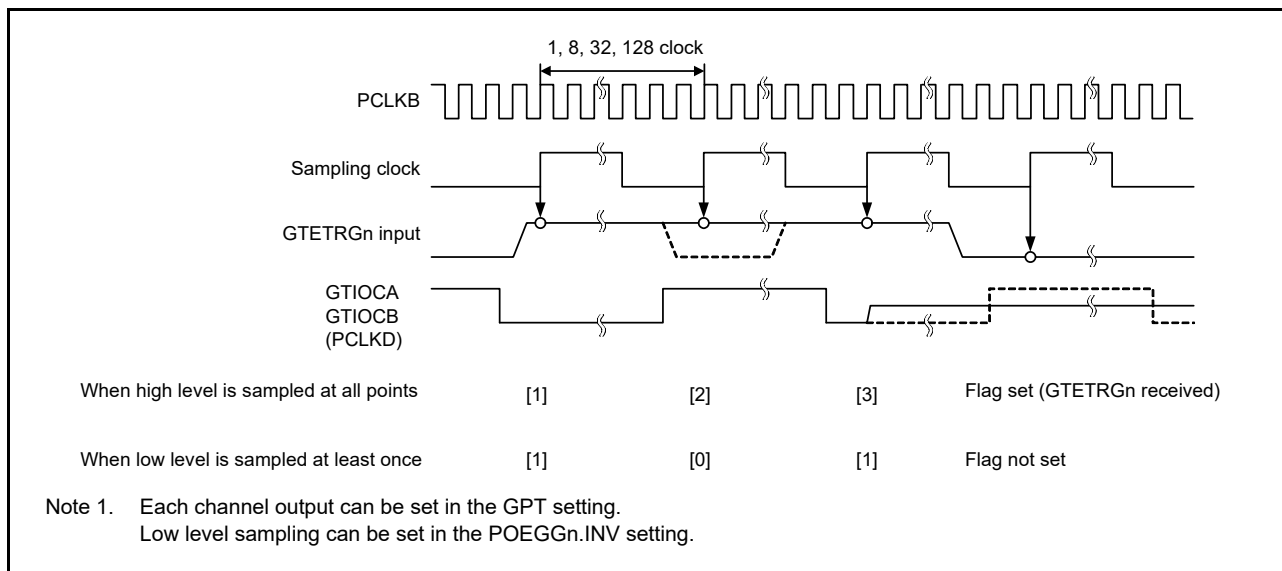


Figure 22.2 Example of digital filter operation

22.3.2 Output-Disable Request from GPT

For details on the operation, see [section 23.7.3, GTIOC Pin Output Negate Control](#) in chapter 23. [General PWM Timer \(GPT\)](#).

22.3.3 Output-Disable Control on Detection of Stopped Oscillation

When the oscillation stop detection function in the clock generation circuit detects stopped oscillation while POEGGn.OSTPE is 1, the GPT output pins are output-disabled for each group.

22.3.4 Output-Disable Control Using Registers

The GPT output pins can be directly controlled by writing to the Software Stop Flag, POEGGn.SSF.

22.3.5 Release from Output-Disable

To release the GPT output pins in the output-disable state, either return them to their initial state with a reset or clear all of the following:

- POEGGn.PIDF flag
- POEGGn.IOCF flag
- POEGGn.OSTPF flag
- POEGGn.SSF flag.

Writing 0 to the POEGGn.PIDF flag is ignored (the flag is not cleared) if the external input pins, GTETRn, are not disabled and the POEGGn.ST bit is not set to 0.

Writing 0 to the POEGGn.IOCF flag is valid (the flag is cleared) only if all of the GTST.OABHF, and GTST.OABLF flags in GPT are set to 0.

Writing 0 to the POEGGn.OSTPF flag is ignored (the flag is not cleared) if the OSTDSR.OSTDF flag in the clock generation circuit is not set to 0. In addition, when the flag set and release occur at the same time, the flag set takes precedence.

[Figure 22.3](#) shows the released timing for output-disable. The output-disable is released at the beginning of the next count cycle of the GPT after the flag is cleared.

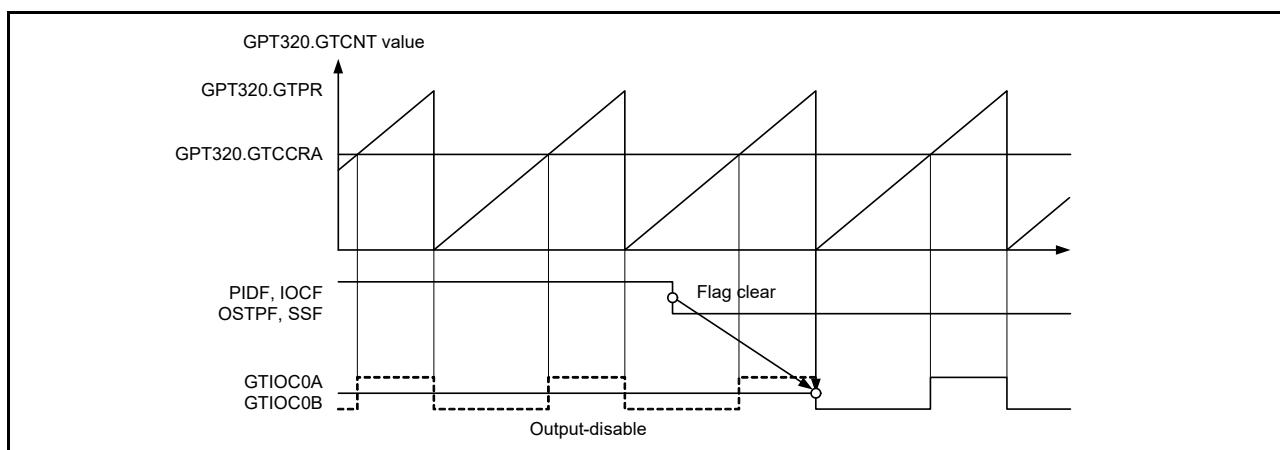


Figure 22.3 Output-disable release timing for the GPT pin outputs

22.4 Interrupt Sources

The POEG generates an interrupt request when triggered by these sources:

- Output-disable control by the input level detection
- Output-disable request from GPT

[Table 22.3](#) lists the conditions for interrupt requests.

Table 22.3 Interrupt sources and conditions

Interrupt source	Symbol	Associated flag	Trigger conditions
POEG group A interrupt	POEG_GROUP0	POEGGA.IOCF	An output-disable request from a GPT disable request occurred
		POEGGA.PIDF	An output-disable request from the GTETRGA pin occurred
POEG group B interrupt	POEG_GROUP1	POEGGB.IOCF	An output-disable request from a GPT disable request occurred
		POEGGB.PIDF	An output-disable request from the GTETRGB pin occurred

22.5 External Trigger Output to GPT

The POEG outputs the GTETR_{Gn} signals as the GPT operation trigger signal for the following:

- Count start
- Count stop
- Count clear
- Up-count
- Down-count
- Input capture.

For the POEGG.INV polarity setting signal, when the same level is input three times continuously with the sampling clock selected in the POEGGn.NFCS[1:0] and POEGGn.NFEN, that value is output. Set the control registers the same as for the input level detection operation described in [section 22.3.1, Pin Input Level Detection Operation](#). The state after filtering can be monitored in POEGGn.ST.

Figure 22.4 shows the output timing of an external trigger to the GPT.

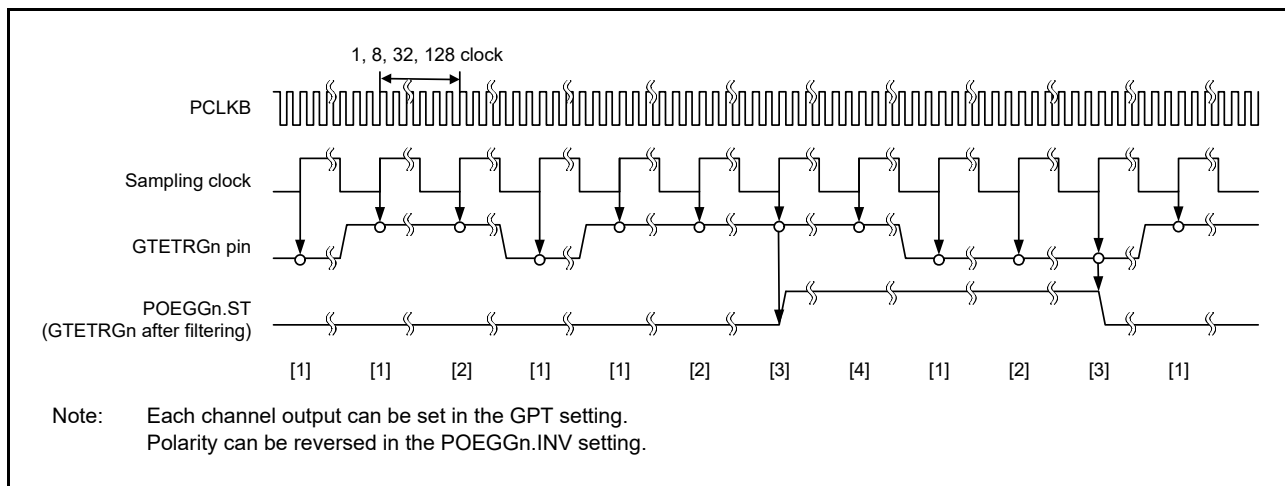


Figure 22.4 Output timing of external trigger to GPT

22.6 Usage Notes

22.6.1 Transition to Software Standby Mode

When using the POEG, do not invoke Software Standby mode. In this mode, the POEG stops and therefore output-disable of the pins cannot be controlled.

22.6.2 Specifying Pins Associated with GPT

The POEG controls output-disable only when a pin is associated with the GPT in the PmnPFS.PMR and PmnPFS.PSEL settings. When the pin is specified as a general I/O pin, the POEG does not perform output-disable control.

23. General PWM Timer (GPT)

23.1 Overview

The General PWM Timer (GPT) is a 32-bit timer with four GPT32 channels, and a 16-bit timer with six GPT16 channels. PWM waveforms can be generated by controlling the up-counter, down-counter, or the up- and down-counter. In addition, PWM waveforms can be generated for controlling brushless DC motors. The GPT can also be used as a general-purpose timer.

Table 23.1 lists the GPT specifications, Table 23.2 shows the GPT functions, Figure 23.1 shows a block diagram, and Table 23.3 lists the I/O pins.

Table 23.1 GPT specifications

Item	Description
Functions	<ul style="list-style-type: none"> • 32 bits × 4 channels • 16 bits × 6 channels • Up-counting or down-counting (saw waves) or up/down-counting (triangle waves) for each counter • Clock sources independently selectable for each channel • Two I/O pins per channel • Two output compare/input capture registers per channel • For the two output compare/input capture registers of each channel, four registers are provided as buffer registers and are capable of operating as comparison registers when buffering is not in use • In output compare operation, buffer switching can be at crests or troughs, enabling the generation of laterally asymmetric PWM waveforms • Registers for setting up frame cycles in each channel with capability for generating interrupts at overflow or underflow • Generation of dead times in PWM operation • Synchronous starting, stopping and clearing counters for arbitrary channels • Starting, stopping, clearing and up/down counters in response to a maximum of eight ELC events • Starting, stopping, clearing and up/down counters in response to input level comparison • Starting, clearing, stopping and up/down counters in response to a maximum of four external triggers • Output pin disable function by detected short-circuits between output pins • PWM waveform for controlling brushless DC motors can be generated • Compare match A to F event, overflow/underflow event, and input UVW edge event can be output to the ELC • Enables the noise filter for input capture and input UVW • Bus clock: PCLKA • Core clock: PCLKD • Frequency ratio: PCLKA:PCLKD = 1:N (N = 1/2/4/8/16/32/64).

Table 23.2 GPT functions

Item	GPT32, GPT16	
Count clock	PCLKD PCLKD/4 PCLKD/16 PCLKD/64 PCLKD/256 PCLKD/1024	
Output compare/input capture registers (GTCCR)	GTCCRA GTCCRB	
Compare/buffer registers	GTCCRC GTCCRD GTCCRE GTCCRF	
Cycle setting register	GTPR	
Cycle setting buffer registers	GTPBR	
I/O pins	GTIOCA GTIOCB	
External trigger input pin*1	GTETRGA GTETRGB	
Counter clear sources	GTPR register compare match, input capture, input pin status, ELC event input, and GTETRn (n = A, B) pin input	
Compare match output	Low output	Available
	High output	Available
	Toggle output	Available
Input capture function	Available	
Automatic addition of dead time	Available (no dead time buffer)	
PWM mode	Available	
Phase count function	Available	
Buffer operation	Double buffer	
One-shot operation	Available	
DTC activation	All the interrupt sources	
Brushless DC motor control function	Available	
Interrupt sources	8 sources: <ul style="list-style-type: none"> • GTCCRA compare match/input capture (GPTn_CCMPA) • GTCCRB compare match/input capture (GPTn_CCMPB) • GTCCRC compare match (GPTn_CMPC) • GTCCRD compare match (GPTn_CMPD) • GTCCRE compare match (GPTn_CMPE) • GTCCRF compare match (GPTn_CMPF) • GTCNT overflow (GTPR compare match) (GPTn_OVF) • GTCNT underflow (GPTn_UDF). Note: n = 0 to 9	
Event linking (ELC) function	Available	
Noise filtering function	Available	

Note 1. GTETRn connects to GPT through the POEG module. Therefore, in order to use the GPT function, the POEG clock needs to be supplied by clearing the MSTPD14 bit.

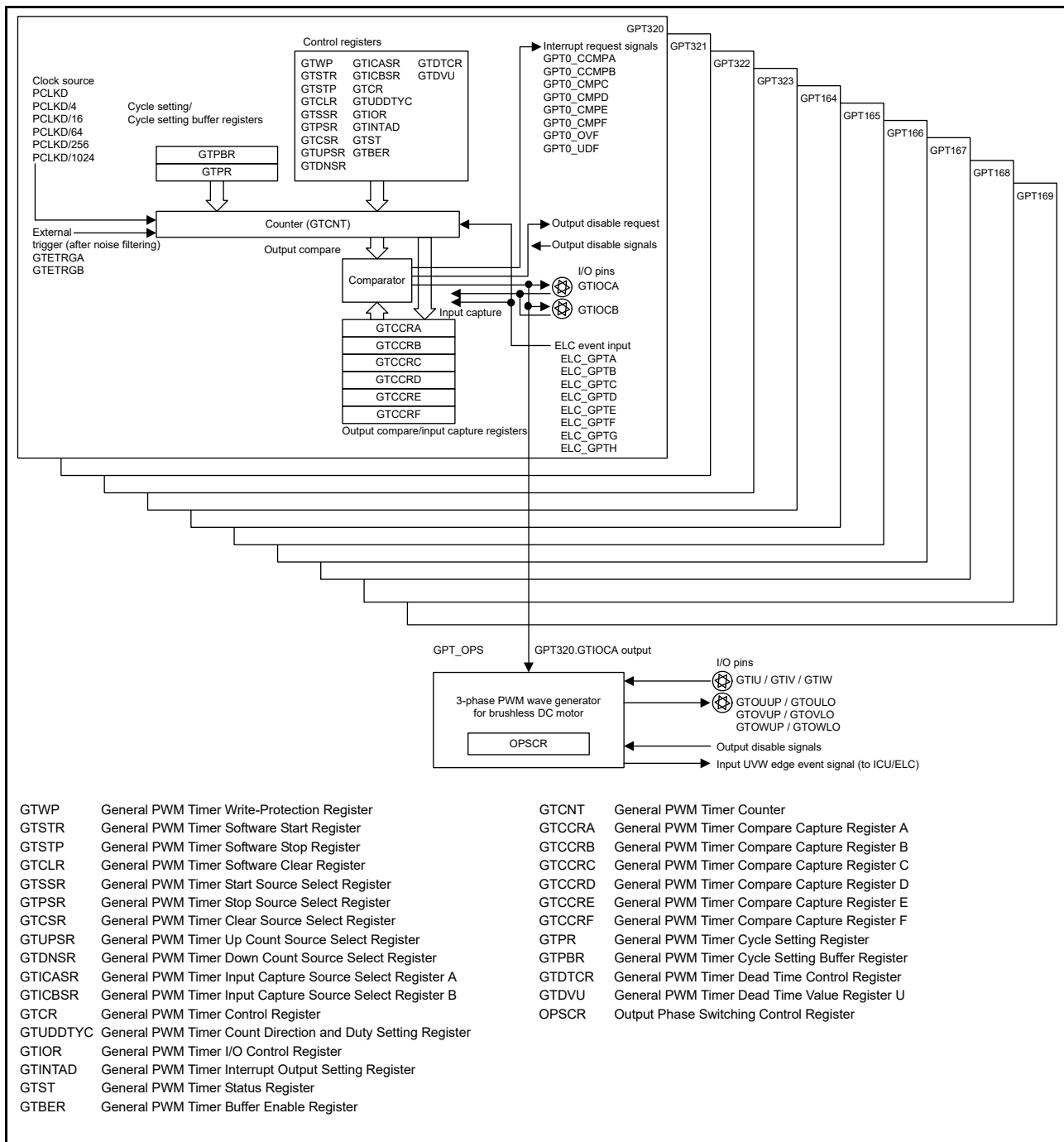


Figure 23.1 GPT block diagram

Figure 23.2 shows an example using multiple GPTs.

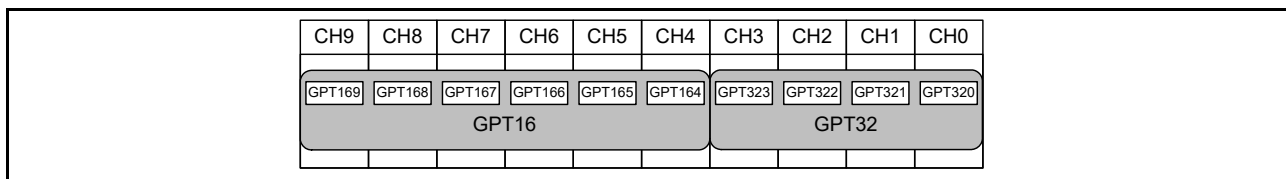


Figure 23.2 Correspondence between GPT channels and module names

Table 23.3 GPT I/O pins

Channel	Pin name	I/O	Function
Shared	GTETRGA	Input	External trigger input pin A (after noise filtering)
	GTETRGB	Input	External trigger input pin B (after noise filtering)
GPT320	GTIOC0A	I/O	GTCCRA register input capture input/output compare output/PWM output pin
	GTIOC0B	I/O	GTCCRB register input capture input/output compare output/PWM output pin
GPT321	GTIOC1A	I/O	GTCCRA register input capture input/output compare output/PWM output pin
	GTIOC1B	I/O	GTCCRB register input capture input/output compare output/PWM output pin
GPT322	GTIOC2A	I/O	GTCCRA register input capture input/output compare output/PWM output pin
	GTIOC2B	I/O	GTCCRB register input capture input/output compare output/PWM output pin
GPT323	GTIOC3A	I/O	GTCCRA register input capture input/output compare output/PWM output pin
	GTIOC3B	I/O	GTCCRB register input capture input/output compare output/PWM output pin
GPT164	GTIOC4A	I/O	GTCCRA register input capture input/output compare output/PWM output pin
	GTIOC4B	I/O	GTCCRB register input capture input/output compare output/PWM output pin
GPT165	GTIOC5A	I/O	GTCCRA register input capture input/output compare output/PWM output pin
	GTIOC5B	I/O	GTCCRB register input capture input/output compare output/PWM output pin
GPT166	GTIOC6A	I/O	GTCCRA register input capture input/output compare output/PWM output pin
	GTIOC6B	I/O	GTCCRB register input capture input/output compare output/PWM output pin
GPT167	GTIOC7A	I/O	GTCCRA register input capture input/output compare output/PWM output pin
	GTIOC7B	I/O	GTCCRB register input capture input/output compare output/PWM output pin
GPT168	GTIOC8A	I/O	GTCCRA register input capture input/output compare output/PWM output pin
	GTIOC8B	I/O	GTCCRB register input capture input/output compare output/PWM output pin
GPT169	GTIOC9A	I/O	GTCCRA register input capture input/output compare output/PWM output pin
	GTIOC9B	I/O	GTCCRB register input capture input/output compare output/PWM output pin
GPT_OPS	GTIU	Input	Hall sensor input pin U
	GTIV	Input	Hall sensor input pin V
	GTIW	Input	Hall sensor input pin W
	GTOUUP	Output	3-phase PWM output for BLDC motor control (positive U-phase)
	GTOULO	Output	3-phase PWM output for BLDC motor control (negative U-phase)
	GTOVUP	Output	3-phase PWM output for BLDC motor control (positive V-phase)
	GTOVLO	Output	3-phase PWM output for BLDC motor control (negative V-phase)
	GTOUUP	Output	3-phase PWM output for BLDC motor control (positive W-phase)
GTOUUP	Output	3-phase PWM output for BLDC motor control (negative W-phase)	

23.2 Register Descriptions

Table 23.4 lists the registers in the GPT.

Table 23.4 GPT registers

Module symbol	Register name	Register symbol	Reset value	Address	Access size
GPT32m*1 GPT16m*2	General PWM Timer Write Protection Register	GTWP	00000000h	4007 8000h + 0100h × m	32
	General PWM Timer Software Start Register	GTSTR	00000000h	4007 8004h + 0100h × m	32
	General PWM Timer Software Stop Register	GTSTP	FFFFFFFFh	4007 8008h + 0100h × m	32
	General PWM Timer Software Clear Register	GTCLR	00000000h	4007 800Ch + 0100h × m	32
	General PWM Timer Start Source Select Register	GTSSR	00000000h	4007 8010h + 0100h × m	32
	General PWM Timer Stop Source Select Register	GTPSR	00000000h	4007 8014h + 0100h × m	32
	General PWM Timer Clear Source Select Register	GTCSR	00000000h	4007 8018h + 0100h × m	32
	General PWM Timer Up Count Source Select Register	GTUPSR	00000000h	4007 801Ch + 0100h × m	32
	General PWM Timer Down Count Source Select Register	GTDNSR	00000000h	4007 8020h + 0100h × m	32
	General PWM Timer Input Capture Source Select Register A	GTICASR	00000000h	4007 8024h + 0100h × m	32
	General PWM Timer Input Capture Source Select Register B	GTICBSR	00000000h	4007 8028h + 0100h × m	32
	General PWM Timer Control Register	GTCR	00000000h	4007 802Ch + 0100h × m	32
	General PWM Timer Count Direction and Duty Setting Register	GTUDDTYC	00000001h	4007 8030h + 0100h × m	32
	General PWM Timer I/O Control Register	GTIOR	00000000h	4007 8034h + 0100h × m	32
	General PWM Timer Interrupt Output Setting Register	GTINTAD	00000000h	4007 8038h + 0100h × m	32
	General PWM Timer Status Register	GTST	00008000h	4007 803Ch + 0100h × m	32
	General PWM Timer Buffer Enable Register	GTBER	00000000h	4007 8040h + 0100h × m	32
	General PWM Timer Counter	GTCNT	00000000h	4007 8048h + 0100h × m	32
	General PWM Timer Compare Capture Register A	GTCCRA	FFFFFFFFh*3	4007 804Ch + 0100h × m	32
	General PWM Timer Compare Capture Register B	GTCCRB	FFFFFFFFh*3	4007 8050h + 0100h × m	32
	General PWM Timer Compare Capture Register C	GTCCRC	FFFFFFFFh*3	4007 8054h + 0100h × m	32
	General PWM Timer Compare Capture Register E	GTCCRE	FFFFFFFFh*3	4007 8058h + 0100h × m	32
	General PWM Timer Compare Capture Register D	GTCCRD	FFFFFFFFh*3	4007 805Ch + 0100h × m	32
General PWM Timer Compare Capture Register F	GTCCRF	FFFFFFFFh*3	4007 8060h + 0100h × m	32	
General PWM Timer Cycle Setting Register	GTPR	FFFFFFFFh*3	4007 8064h + 0100h × m	32	
General PWM Timer Cycle Setting Buffer Register	GTPBR	FFFFFFFFh*3	4007 8068h + 0100h × m	32	
General PWM Timer Dead Time Control Register	GTDTCR	00000000h	4007 8088h + 0100h × m	32	
General PWM Timer Dead Time Value Register U	GTDVU	FFFFFFFFh*3	4007 808Ch + 0100h × m	32	
GPT_OPS	Output Phase Switching Control Register	OPSCR	00000000h	4007 8FF0h	32

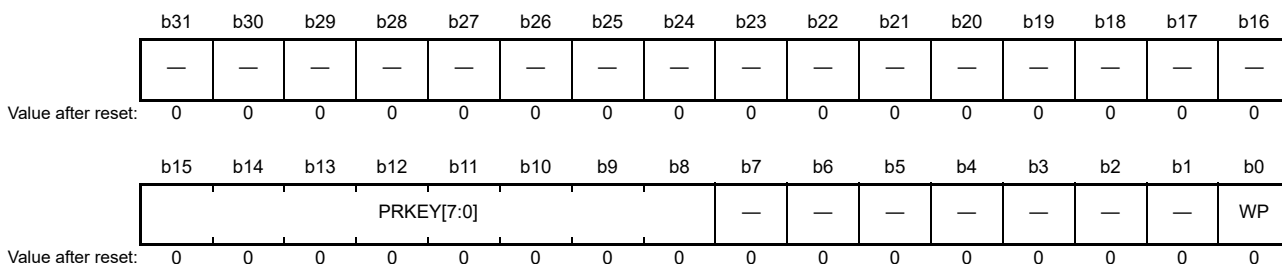
Note 1. GPT32m (m = 0 to 3)

Note 2. GPT16m (m = 4 to 9)

Note 3. The reset value of GPT16m is 0000FFFFh.

23.2.1 General PWM Timer Write-Protection Register (GTWP)

Address(es): GPT32m.GTWP 4007 8000h + 0100h × m (m = 0 to 3),
GPT16m.GTWP 4007 8000h + 0100h × m (m = 4 to 9)



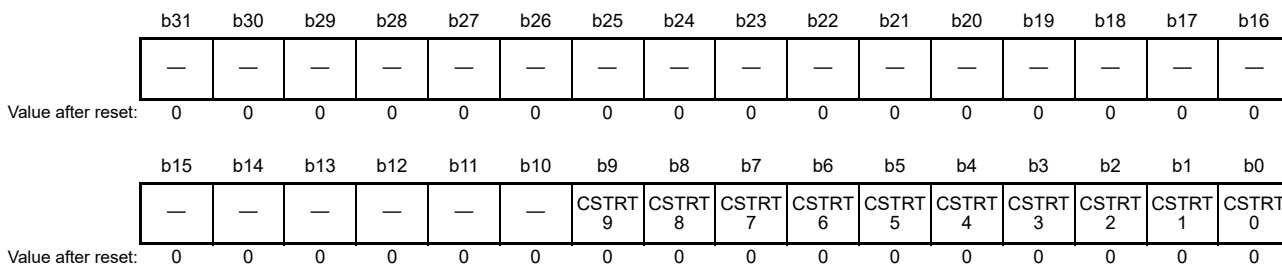
Bit	Symbol	Bit name	Description	R/W
b0	WP	Register Write Disable	0: Write to the register enabled 1: Write to the register disabled.	R/W
b7 to b1	—	Reserved	These bits are read as 0. The write value should be 0.	R/W
b15 to b8	PRKEY[7:0]	GTWP Key Code	When A5h is written to these bits, the WP bits write is permitted. These bits are read as 0.	R/W
b31 to b16	—	Reserved	These bits are read as 0. The write value should be 0.	R/W

The GTWP enables or disables writing to registers to prevent accidental modification. The following is a list of write enabled or disabled registers:

GTSSR, GTPSR, GTCNR, GTUPSR, GTDNSR, GTICASR, GTICBSR, GTCR, GTUDDTYC, GTIOR, GTINTAD, GTST, GTBER, GTCNT, GTCCRA, GTCCRB, GTCCRC, GTCCRD, GTCCRE, GTCCRF, GTPR, GTPBR, GTDTCR, GTDVU.

23.2.2 General PWM Timer Software Start Register (GTSTR)

Address(es): GPT32m.GTSTR 4007 8004h + 0100h × m (m = 0 to 3),
GPT16m.GTSTR 4007 8004h + 0100h × m (m = 4 to 9)



The GTSTR starts the GTCNT counter operation for each channel n, where n = 0 to 9.

The GTSTR bit number represents the channel number. The GTSTR register is shared by all of the channels. The GTCNT counter starts for the channel associated with the GTSTR bit where 1 is written. Writing 0 has no effect on the status of the GTCNT counter and the value of the GTSTR register. For the association between GTSTR bit number and channel number, see [Figure 23.2](#).

CSTRTn bit (Channel n GTCNT Count Start) (n = 0 to 9)

The CSTRTn bit starts channel n of the GTCNT counter operation. Writing to the GTSTR.CSTRTn bit has no effect unless GPTm.GTSSR.CSTRTn bit is set to 1 (n = 0 to 9, m = 320 to 323, 164 to 169).

The read data shows the counter status of each channel (GTCR.CST bit). Zero means the counter is stopped and 1 means the counter is running.

23.2.3 General PWM Timer Software Stop Register (GTSTP)

Address(es): GPT32m.GTSTP 4007 8008h + 0100h × m (m = 0 to 3),
GPT16m.GTSTP 4007 8008h + 0100h × m (m = 4 to 9)

	b31	b30	b29	b28	b27	b26	b25	b24	b23	b22	b21	b20	b19	b18	b17	b16
	—	—	—	—	—	—	—	—	—	—	—	—	—	—	—	—
Value after reset:	1	1	1	1	1	1	1	1	1	1	1	1	1	1	1	1
	b15	b14	b13	b12	b11	b10	b9	b8	b7	b6	b5	b4	b3	b2	b1	b0
	—	—	—	—	—	—	CSTOP ₉	CSTOP ₈	CSTOP ₇	CSTOP ₆	CSTOP ₅	CSTOP ₄	CSTOP ₃	CSTOP ₂	CSTOP ₁	CSTOP ₀
Value after reset:	1	1	1	1	1	1	1	1	1	1	1	1	1	1	1	1

The GTSTP stops the GTCNT counter operation for each channel n, where n = 0 to 9.

The GTSTP bit number represents the channel number. Each channel of the GTSTP register is shared by all the channels. The GTCNT counter stops for the channel associated with the GTSTP bit number where 1 is written. Writing 0 has no effect on the status of the GTCNT counter and the value of GTSTP register.

For the association between the GTSTP bit number and a channel number, see [Figure 23.2](#).

CSTOPx bit (Channel n GTCNT Count Stop) (n = 0 to 9)

The CSTOPx bit stops channel n GTCNT counter operation. Writing to the GTSTP.CSTOPn bit has no effect unless the GPT32m.GTPSR.CSTOPn bit is set to 1 (n = 0 to 9, m = 0 to 9). The read data shows the counter status of each channel (invert of GTCR.CST bit). Zero means the counter is running and 1 means the counter stops.

23.2.4 General PWM Timer Software Clear Register (GTCLR)

Address(es): GPT32m.GTCLR 4007 800Ch + 0100h × m (m = 0 to 3),
GPT16m.GTCLR 4007 800Ch + 0100h × m (m = 4 to 9)

	b31	b30	b29	b28	b27	b26	b25	b24	b23	b22	b21	b20	b19	b18	b17	b16
	—	—	—	—	—	—	—	—	—	—	—	—	—	—	—	—
Value after reset:	0	0	0	0	0	0	0	0	0	0	0	0	0	0	0	0
	b15	b14	b13	b12	b11	b10	b9	b8	b7	b6	b5	b4	b3	b2	b1	b0
	—	—	—	—	—	—	CCLR ₉	CCLR ₈	CCLR ₇	CCLR ₆	CCLR ₅	CCLR ₄	CCLR ₃	CCLR ₂	CCLR ₁	CCLR ₀
Value after reset:	0	0	0	0	0	0	0	0	0	0	0	0	0	0	0	0

The GTCLR is a write-only register that clears the GTCNT counter operation for each channel x, where x = 0 to 9.

The GTCLR bit number represents the channel number. Each channel of the GTCLR register is shared by all the channels. The GTCNT counter is cleared for the channel associated with the GTCLR bit number where 1 is written. Writing 0 has no effect on the status of the GTCNT counter. For the association between the GTCLR bit number and a channel number, see [Figure 23.2](#).

CCLRn bit (Channel n GTCNT Count Clear) (n = 0 to 9)

Channel n of the GTCNT counter value is cleared on writing 1 to the CCLRn bit. This bit is read as 0.

23.2.5 General PWM Timer Start Source Select Register (GTSSR)

Address(es): GPT32m.GTSSR 4007 8010h + 0100h × m (m = 0 to 3),
GPT16m.GTSSR 4007 8010h + 0100h × m (m = 4 to 9)

	b31	b30	b29	b28	b27	b26	b25	b24	b23	b22	b21	b20	b19	b18	b17	b16
	CSTRT	—	—	—	—	—	—	—	SSELC H	SSELC G	SSELC F	SSELC E	SSELC D	SSELC C	SSELC B	SSELC A
Value after reset:	0	0	0	0	0	0	0	0	0	0	0	0	0	0	0	0
	b15	b14	b13	b12	b11	b10	b9	b8	b7	b6	b5	b4	b3	b2	b1	b0
	SSCBF AH	SSCBF AL	SSCBR AH	SSCBR AL	SSCAF BH	SSCAF BL	SSCAR BH	SSCAR BL	—	—	—	—	SSGTR GBF	SSGTR GBR	SSGTR GAF	SSGTR GAR
Value after reset:	0	0	0	0	0	0	0	0	0	0	0	0	0	0	0	0

Bit	Symbol	Bit name	Description	R/W
b0	SSGTRGAR	GTETRGA Pin Rising Input Source Counter Start Enable	0: Counter start disabled on the rising edge of GTETRGA input 1: Counter start enabled on the rising edge of GTETRGA input.	R/W
b1	SSGTRGAF	GTETRGA Pin Falling Input Source Counter Start Enable	0: Counter start disabled on the falling edge of GTETRGA input 1: Counter start enabled on the falling edge of GTETRGA input.	R/W
b2	SSGTRGBR	GTETRGB Pin Rising Input Source Counter Start Enable	0: Counter start disabled on the rising edge of GTETRGB input 1: Counter start enabled on the rising edge of GTETRGB input.	R/W
b3	SSGTRGBF	GTETRGB Pin Falling Input Source Counter Start Enable	0: Counter start disabled on the falling edge of GTETRGB input 1: Counter start enabled on the falling edge of GTETRGB input.	R/W
b7 to b4	—	Reserved	These bits are read as 0. The write value should be 0.	R/W
b8	SSCARBL	GTIOCA Pin Rising Input during GTIOCB Value Low Source Counter Start Enable	0: Counter start disabled on the rising edge of GTIOCA input when GTIOCB input is 0 1: Counter start enabled on the rising edge of GTIOCA input when GTIOCB input is 0.	R/W
b9	SSCARBH	GTIOCA Pin Rising Input during GTIOCB Value High Source Counter Start Enable	0: Counter start disabled on the rising edge of GTIOCA input when GTIOCB input is 1 1: Counter start enabled on the rising edge of GTIOCA input when GTIOCB input is 1.	R/W
b10	SSCAFBL	GTIOCA Pin Falling Input during GTIOCB Value Low Source Counter Start Enable	0: Counter start disabled on the falling edge of GTIOCA input when GTIOCB input is 0 1: Counter start enabled on the falling edge of GTIOCA input when GTIOCB input is 0.	R/W
b11	SSCAFBH	GTIOCA Pin Falling Input during GTIOCB Value High Source Counter Start Enable	0: Counter start disabled on the falling edge of GTIOCA input when GTIOCB input is 1 1: Counter start enabled on the falling edge of GTIOCA input when GTIOCB input is 1.	R/W
b12	SSCBRAL	GTIOCB Pin Rising Input during GTIOCA Value Low Source Counter Start Enable	0: Counter start disabled on the rising edge of GTIOCB input when GTIOCA input is 0 1: Counter start enabled on the rising edge of GTIOCB input when GTIOCA input is 0.	R/W
b13	SSCBRAH	GTIOCB Pin Rising Input during GTIOCA Value High Source Counter Start Enable	0: Counter start disabled on the rising edge of GTIOCB input when GTIOCA input is 1 1: Counter start enabled on the rising edge of GTIOCB input when GTIOCA input is 1.	R/W

Bit	Symbol	Bit name	Description	R/W
b14	SSCBFAL	GTIOCB Pin Falling Input during GTIOCA Value Low Source Counter Start Enable	0: Counter start disabled on the falling edge of GTIOCB input when GTIOCA input is 0 1: Counter start enabled on the falling edge of GTIOCB input when GTIOCA input is 0.	R/W
b15	SSCBFAH	GTIOCB Pin Falling Input during GTIOCA Value High Source Counter Start Enable	0: Counter start disabled on the falling edge of GTIOCB input when GTIOCA input is 1 1: Counter start enabled on the falling edge of GTIOCB input when GTIOCA input is 1.	R/W
b16	SSELCA	ELC_GPTA Event Source Counter Start Enable	0: Counter start disabled at the ELC_GPTA input 1: Counter start enabled at the ELC_GPTA input.	R/W
b17	SSELCB	ELC_GPTB Event Source Counter Start Enable	0: Counter start disabled at the ELC_GPTB input 1: Counter start enabled at the ELC_GPTB input.	R/W
b18	SSELCC	ELC_GPTC Event Source Counter Start Enable	0: Counter start disabled at the ELC_GPTC input 1: Counter start enabled at the ELC_GPTC input.	R/W
b19	SSELCD	ELC_GPTD Event Source Counter Start Enable	0: Counter start disabled at the ELC_GPTD input 1: Counter start enabled at the ELC_GPTD input.	R/W
b20	SSELCE	ELC_GPTE Event Source Counter Start Enable	0: Counter start disabled at the ELC_GPTE input 1: Counter start enabled at the ELC_GPTE input.	R/W
b21	SSELCF	ELC_GPTF Event Source Counter Start Enable	0: Counter start disabled at the ELC_GPTF input 1: Counter start enabled at the ELC_GPTF input.	R/W
b22	SSELCG	ELC_GPTG Event Source Counter Start Enable	0: Counter start disabled at the ELC_GPTG input 1: Counter start enabled at the ELC_GPTG input.	R/W
b23	SSELCH	ELC_GPTH Event Source Counter Start Enable	0: Counter start disabled at the ELC_GPTH input 1: Counter start enabled at the ELC_GPTH input.	R/W
b30 to b24	—	Reserved	These bits are read as 0. The write value should be 0.	R/W
b31	CSTRT	Software Source Counter Start Enable	0: Counter start disabled by the GTSTR register 1: Counter start enabled by the GTSTR register.	R/W

The GTSSR sets the source to start the GTCNT counter.

SSGTRGAR bit (GTETRGA Pin Rising Input Source Counter Start Enable)

The SSGTRGAR bit enables or disables the GTCNT counter start on the rising edge of GTETRGA pin input.

SSGTRGAF bit (GTETRGA Pin Falling Input Source Counter Start Enable)

The SSGTRGAF bit enables or disables the GTCNT counter start on the falling edge of GTETRGA pin input.

SSGTRGBR bit (GTETRGB Pin Rising Input Source Counter Start Enable)

The SSGTRGBR bit enables or disables the GTCNT counter start on the rising edge of GTETRGB pin input.

SSGTRGBF bit (GTETRGB Pin Falling Input Source Counter Start Enable)

The SSGTRGBF bit enables or disables the GTCNT counter start on the falling edge of GTETRGB pin input.

SSCARBL bit (GTIOCA Pin Rising Input during GTIOCB Value Low Source Counter Start Enable)

The SSCARBL bit enables or disables the GTCNT counter start on the rising edge of GTIOCA pin input, when GTIOCB input is 0.

SSCARBH bit (GTIOCA Pin Rising Input during GTIOCB Value High Source Counter Start Enable)

The SSCARBH bit enables or disables the GTCNT counter start on the rising edge of GTIOCA pin input, when GTIOCB input is 1.

SSCAFBL bit (GTIOCA Pin Falling Input during GTIOCB Value Low Source Counter Start Enable)

The SSCAFBL bit enables or disables the GTCNT counter start on the falling edge of GTIOCA pin input, when GTIOCB input is 0.

SSCAFBH bit (GTIOCA Pin Falling Input during GTIOCB Value High Source Counter Start Enable)

The SSCAFBH bit enables or disables the GTCNT counter start on the falling edge of GTIOCA pin input, when GTIOCB input is 1.

SSCBRAL bit (GTIOCB Pin Rising Input during GTIOCA Value Low Source Counter Start Enable)

The SSCBRAL bit enables or disables the GTCNT counter start on the rising edge of GTIOCB pin input, when GTIOCA input is 0.

SSCBRAH bit (GTIOCB Pin Rising Input during GTIOCA Value High Source Counter Start Enable)

The SSCBRAH bit enables or disables the GTCNT counter start on the rising edge of GTIOCB pin input, when GTIOCA input is 1.

SSCBFAL bit (GTIOCB Pin Falling Input during GTIOCA Value Low Source Counter Start Enable)

The SSCBFAL bit enables or disables the GTCNT counter start on the falling edge of GTIOCB pin input, when GTIOCA input is 0.

SSCBFAH bit (GTIOCB Pin Falling Input during GTIOCA Value High Source Counter Start Enable)

The SSCBFAH bit enables or disables the GTCNT counter start on the falling edge of GTIOCB pin input, when GTIOCA input is 1.

SSELCm bit (ELC_GPTm Event Source Counter Start Enable) (m = A to H)

The SSELCm bit enables or disables the GTCNT counter start at the ELC_GPTm event input.

CSTRT bit (Software Source Counter Start Enable)

The CSTRT bit enables or disables the GTCNT counter start by GTSTR register.

23.2.6 General PWM Timer Stop Source Select Register (GTPSR)

Address(es): GPT32m.GTPSR 4007 8014h + 0100h × m (m = 0 to 3),
GPT16m.GTPSR 4007 8014h + 0100h × m (m = 4 to 9)

b31	b30	b29	b28	b27	b26	b25	b24	b23	b22	b21	b20	b19	b18	b17	b16
CSTOP	—	—	—	—	—	—	—	PSELCH	PSELG	PSELC	PSELE	PSELCD	PSELC	PSELB	PSELA
Value after reset: 0 0 0 0 0 0 0 0 0 0 0 0 0 0 0 0															
b15	b14	b13	b12	b11	b10	b9	b8	b7	b6	b5	b4	b3	b2	b1	b0
PSCBF	PSCBF	PSCBR	PSCBR	PSCAF	PSCAF	PSCAR	PSCAR	—	—	—	—	PSGTR	PSGTR	PSGTR	PSGTR
AH	AL	AH	AL	BH	BL	BH	BL					GBF	GBR	GAF	GAR
Value after reset: 0 0 0 0 0 0 0 0 0 0 0 0 0 0 0 0															

Bit	Symbol	Bit name	Description	R/W
b0	PSGTRGAR	GTETRGA Pin Rising Input Source Counter Stop Enable	0: Counter stop disabled on the rising edge of GTETRGA input 1: Counter stop enabled on the rising edge of GTETRGA input.	R/W
b1	PSGTRGAF	GTETRGA Pin Falling Input Source Counter Stop Enable	0: Counter stop disabled on the falling edge of GTETRGA input 1: Counter stop enabled on the falling edge of GTETRGA input.	R/W
b2	PSGTRGBR	GTETRGB Pin Rising Input Source Counter Stop Enable	0: Counter stop disabled on the rising edge of GTETRGB input 1: Counter stop enabled on the rising edge of GTETRGB input.	R/W
b3	PSGTRGBF	GTETRGB Pin Falling Input Source Counter Stop Enable	0: Counter stop disabled on the falling edge of GTETRGB input 1: Counter stop enabled on the falling edge of GTETRGB input.	R/W
b7 to b4	—	Reserved	These bits are read as 0. The write value should be 0.	R/W

Bit	Symbol	Bit name	Description	R/W
b8	PSCARBL	GTIOCA Pin Rising Input during GTIOCB Value Low Source Counter Stop Enable	0: Counter stop disabled on the rising edge of GTIOCA input when GTIOCB input is 0 1: Counter stop enabled on the rising edge of GTIOCA input when GTIOCB input is 0.	R/W
b9	PSCARBH	GTIOCA Pin Rising Input during GTIOCB Value High Source Counter Stop Enable	0: Counter stop disabled on the rising edge of GTIOCA input when GTIOCB input is 1 1: Counter stop enabled on the rising edge of GTIOCA input when GTIOCB input is 1.	R/W
b10	PSCAFBL	GTIOCA Pin Falling Input during GTIOCB Value Low Source Counter Stop Enable	0: Counter stop disabled on the falling edge of GTIOCA input when GTIOCB input is 0 1: Counter stop enabled on the falling edge of GTIOCA input when GTIOCB input is 0.	R/W
b11	PSCAFBH	GTIOCA Pin Falling Input during GTIOCB Value High Source Counter Stop Enable	0: Counter stop disabled on the falling edge of GTIOCA input when GTIOCB input is 1 1: Counter stop enabled on the falling edge of GTIOCA input when GTIOCB input is 1.	R/W
b12	PSCBRAL	GTIOCB Pin Rising Input during GTIOCA Value Low Source Counter Stop Enable	0: Counter stop disabled on the rising edge of GTIOCB input when GTIOCA input is 0 1: Counter stop enabled on the rising edge of GTIOCB input when GTIOCA input is 0.	R/W
b13	PSCBRAH	GTIOCB Pin Rising Input during GTIOCA Value High Source Counter Stop Enable	0: Counter stop disabled on the rising edge of GTIOCB input when GTIOCA input is 1 1: Counter stop enabled on the rising edge of GTIOCB input when GTIOCA input is 1.	R/W
b14	PSCBFAL	GTIOCB Pin Falling Input during GTIOCA Value Low Source Counter Stop Enable	0: Counter stop disabled on the falling edge of GTIOCB input when GTIOCA input is 0 1: Counter stop enabled on the falling edge of GTIOCB input when GTIOCA input is 0.	R/W
b15	PSCBFAH	GTIOCB Pin Falling Input during GTIOCA Value High Source Counter Stop Enable	0: Counter stop disabled on the falling edge of GTIOCB input when GTIOCA input is 1 1: Counter stop enabled on the falling edge of GTIOCB input when GTIOCA input is 1.	R/W
b16	PSELCA	ELC_GPTA Event Source Counter Stop Enable	0: Counter stop disabled at the ELC_GPTA event input 1: Counter stop enabled at the ELC_GPTA event input.	R/W
b17	PSELCB	ELC_GPTB Event Source Counter Stop Enable	0: Counter stop disabled at the ELC_GPTB event input 1: Counter stop enabled at the ELC_GPTB event input.	R/W
b18	PSELCC	ELC_GPTC Event Source Counter Stop Enable	0: Counter stop disabled at the ELC_GPTC event input 1: Counter stop enabled at the ELC_GPTC event input.	R/W
b19	PSELCD	ELC_GPTD Event Source Counter Stop Enable	0: Counter stop disabled at the ELC_GPTD event input 1: Counter stop enabled at the ELC_GPTD event input.	R/W
b20	PSELCE	ELC_GPTE Event Source Counter Stop Enable	0: Counter stop disabled at the ELC_GPTE event input 1: Counter stop enabled at the ELC_GPTE event input.	R/W
b21	PSELCF	ELC_GPTF Event Source Counter Stop Enable	0: Counter stop disabled at the ELC_GPTF event input 1: Counter stop enabled at the ELC_GPTF event input.	R/W
b22	PSELCG	ELC_GPTG Event Source Counter Stop Enable	0: Counter stop disabled at the ELC_GPTG event input 1: Counter stop enabled at the ELC_GPTG event input.	R/W
b23	PSELCH	ELC_GPTH Event Source Counter Stop Enable	0: Counter stop disabled at the ELC_GPTH event input 1: Counter stop enabled at the ELC_GPTH event input.	R/W
b30 to b24	—	Reserved	These bits are read as 0. The write value should be 0.	R/W
b31	CSTOP	Software Source Counter Stop Enable	0: Counter stop disabled by the GTSTP register 1: Counter stop enabled by the GTSTP register.	R/W

GTPSR sets the source to stop the GTCNT counter.

PSGTRGAR bit (GTETRGA Pin Rising Input Source Counter Stop Enable)

The PSGTRGAR bit enables or disables the GTCNT counter stop on the rising edge of the GTETRGA pin input.

PSGTRGAF bit (GTETRGA Pin Falling Input Source Counter Stop Enable)

The PSGTRGAF bit enables or disables the GTCNT counter stop on the falling edge of the GTETRGA pin input.

PSGTRGBR bit (GTETRGB Pin Rising Input Source Counter Stop Enable)

The PSGTRGBR bit enables or disables the GTCNT counter stop on the rising edge of the GTETRGB pin input.

PSGTRGBF bit (GTETRGB Pin Falling Input Source Counter Stop Enable)

The PSGTRGBF bit enables or disables the GTCNT counter stop on the falling edge of the GTETRGB pin input.

PSCARBL bit (GTIOCA Pin Rising Input during GTIOCB Value Low Source Counter Stop Enable)

The PSCARBL bit enables or disables the GTCNT counter stop on the rising edge of the GTIOCA pin input, when GTIOCB input is 0.

PSCARBH bit (GTIOCA Pin Rising Input during GTIOCB Value High Source Counter Stop Enable)

The PSCARBH bit enables or disables the GTCNT counter stop on the rising edge of the GTIOCA pin input, when GTIOCB input is 1.

PSCAFBL bit (GTIOCA Pin Falling Input during GTIOCB Value Low Source Counter Stop Enable)

The PSCAFBL bit enables or disables the GTCNT counter stop on the falling edge of the GTIOCA pin input, when GTIOCB input is 0.

PSCAFBH bit (GTIOCA Pin Falling Input during GTIOCB Value High Source Counter Stop Enable)

The PSCAFBH bit enables or disables the GTCNT counter stop on the falling edge of the GTIOCA pin input, when GTIOCB input is 1.

PSCBRAL bit (GTIOCB Pin Rising Input during GTIOCA Value Low Source Counter Stop Enable)

The PSCBRAL bit enables or disables the GTCNT counter stop on the rising edge of the GTIOCB pin input, when GTIOCA input is 0.

PSCBRAH bit (GTIOCB Pin Rising Input during GTIOCA Value High Source Counter Stop Enable)

The PSCBRAH bit enables or disables the GTCNT counter stop on the rising edge of the GTIOCB pin input, when GTIOCA input is 1.

PSCBFAL bit (GTIOCB Pin Falling Input during GTIOCA Value Low Source Counter Stop Enable)

The PSCBFAL bit enables or disables the GTCNT counter stop on the falling edge of the GTIOCB pin input, when GTIOCA input is 0.

PSCBFAH bit (GTIOCB Pin Falling Input during GTIOCA Value High Source Counter Stop Enable)

The PSCBFAH bit enables or disables the GTCNT counter stop on the falling edge of the GTIOCB pin input, when GTIOCA input is 1.

PSELCm bit (ELC_GPTm Event Source Counter Stop Enable) (m = A to H)

The PSELCm bit enables or disables the GTCNT counter stop at the ELC_GPTm event input.

CSTOP bit (Software Source Counter Stop Enable)

The CSTOP bit enables or disables the GTCNT counter stop by the GTSTP register.

23.2.7 General PWM Timer Clear Source Select Register (GTCSR)

Address(es): GPT32m.GTCSR 4007 8018h + 0100h × m (m = 0 to 3),
GPT16m.GTCSR 4007 8018h + 0100h × m (m = 4 to 9)

	b31	b30	b29	b28	b27	b26	b25	b24	b23	b22	b21	b20	b19	b18	b17	b16
	CCLR	—	—	—	—	—	—	—	CSELC H	CSELC G	CSELC F	CSELC E	CSELC D	CSELC C	CSELC B	CSELC A
Value after reset:	0	0	0	0	0	0	0	0	0	0	0	0	0	0	0	0
	b15	b14	b13	b12	b11	b10	b9	b8	b7	b6	b5	b4	b3	b2	b1	b0
	CSCBF AH	CSCBF AL	CSCBR AH	CSCBR AL	CSCAF BH	CSCAF BL	CSCAR BH	CSCAR BL	—	—	—	—	CSGTR GBF	CSGTR GBR	CSGTR GAF	CSGTR GAR
Value after reset:	0	0	0	0	0	0	0	0	0	0	0	0	0	0	0	0

Bit	Symbol	Bit name	Description	R/W
b0	CSGTRGAR	GTETRGA Pin Rising Input Source Counter Clear Enable	0: Counter clear disabled on the rising edge of the GTETRGA input 1: Counter clear enabled on the rising edge of the GTETRGA input.	R/W
b1	CSGTRGAF	GTETRGA Pin Falling Input Source Counter Clear Enable	0: Counter clear disabled on the falling edge of the GTETRGA input 1: Counter clear enabled on the falling edge of the GTETRGA input.	R/W
b2	CSGTRGBR	GTETRGB Pin Rising Input Source Counter Clear Enable	0: Counter clear disabled on the rising edge of the GTETRGB input 1: Counter clear enabled on the rising edge of the GTETRGB input.	R/W
b3	CSGTRGBF	GTETRGB Pin Falling Input Source Counter Clear Enable	0: Counter clear disabled on the falling edge of the GTETRGB input 1: Counter clear enabled on the falling edge of the GTETRGB input.	R/W
b7 to b4	—	Reserved	These bits are read as 0. The write value should be 0.	R/W
b8	CSCARBL	GTIOCA Pin Rising Input during GTIOCB Value Low Source Counter Clear Enable	0: Counter clear disabled on the rising edge of the GTIOCA input when GTIOCB input is 0 1: Counter clear enabled on the rising edge of the GTIOCA input when GTIOCB input is 0.	R/W
b9	CSCARBH	GTIOCA Pin Rising Input during GTIOCB Value High Source Counter Clear Enable	0: Counter clear disabled on the rising edge of the GTIOCA input when GTIOCB input is 1 1: Counter clear enabled on the rising edge of the GTIOCA input when GTIOCB input is 1.	R/W
b10	CSCAFBL	GTIOCA Pin Falling Input during GTIOCB Value Low Source Counter Clear Enable	0: Counter clear disabled on the falling edge of the GTIOCA input when GTIOCB input is 0 1: Counter clear enabled on the falling edge of the GTIOCA input when GTIOCB input is 0.	R/W
b11	CSCAFBH	GTIOCA Pin Falling Input during GTIOCB Value High Source Counter Clear Enable	0: Counter clear disabled on the falling edge of the GTIOCA input when GTIOCB input is 1 1: Counter clear enabled on the falling edge of the GTIOCA input when GTIOCB input is 1.	R/W
b12	CSCBRAL	GTIOCB Pin Rising Input during GTIOCA Value Low Source Counter Clear Enable	0: Counter clear disabled on the rising edge of the GTIOCB input when GTIOCA input is 0 1: Counter clear enabled on the rising edge of the GTIOCB input when GTIOCA input is 0.	R/W
b13	CSCBRAH	GTIOCB Pin Rising Input during GTIOCA Value High Source Counter Clear Enable	0: Counter clear disabled on the rising edge of the GTIOCB input when GTIOCA input is 1 1: Counter clear enabled on the rising edge of the GTIOCB input when GTIOCA input is 1.	R/W

Bit	Symbol	Bit name	Description	R/W
b14	CSCBFAL	GTIOCB Pin Falling Input during GTIOCA Value Low Source Counter Clear Enable	0: Counter clear disabled on the falling edge of the GTIOCB input when GTIOCA input is 0 1: Counter clear enabled on the falling edge of the GTIOCB input when GTIOCA input is 0.	R/W
b15	CSCBFAH	GTIOCB Pin Falling Input during GTIOCA Value High Source Counter Clear Enable	0: Counter clear disabled on the falling edge of the GTIOCB input when GTIOCA input is 1 1: Counter clear enabled on the falling edge of the GTIOCB input when GTIOCA input is 1.	R/W
b16	CSELCA	ELC_GPTA Event Source Counter Clear Enable	0: Counter clear disabled at the ELC_GPTA input 1: Counter clear enabled at the ELC_GPTA input.	R/W
b17	CSELCB	ELC_GPTB Event Source Counter Clear Enable	0: Counter clear disabled at the ELC_GPTB input 1: Counter clear enabled at the ELC_GPTB input.	R/W
b18	CSELCC	ELC_GPTC Event Source Counter Clear Enable	0: Counter clear disabled at the ELC_GPTC input 1: Counter clear enabled at the ELC_GPTC input.	R/W
b19	CSELCD	ELC_GPTD Event Source Counter Clear Enable	0: Counter clear disabled at the ELC_GPTD input 1: Counter clear enabled at the ELC_GPTD input.	R/W
b20	CSELCE	ELC_GPTE Event Source Counter Clear Enable	0: Counter clear disabled at the ELC_GPTE input 1: Counter clear enabled at the ELC_GPTE input.	R/W
b21	CSELCF	ELC_GPTF Event Source Counter Clear Enable	0: Counter clear disabled at the ELC_GPTF input 1: Counter clear enabled at the ELC_GPTF input.	R/W
b22	CSELCG	ELC_GPTG Event Source Counter Clear Enable	0: Counter clear disabled at the ELC_GPTG input 1: Counter clear enabled at the ELC_GPTG input.	R/W
b23	CSELCH	ELC_GPTH Event Source Counter Clear Enable	0: Counter clear disabled at the ELC_GPTH input 1: Counter clear enabled at the ELC_GPTH input.	R/W
b30 to b24	—	Reserved	These bits are read as 0. The write value should be 0.	R/W
b31	CCLR	Software Source Counter Clear Enable	0: Counter clear disabled by the GTCLR register 1: Counter clear enabled by the GTCLR register.	R/W

The GTCSCR sets the source to clear the GTCNT counter.

CSGTRGAR bit (GTETRGA Pin Rising Input Source Counter Clear Enable)

The CSGTRGAR bit enables or disables the GTCNT counter clear on the rising edge of the GTETRGA pin input.

CSGTRGAF bit (GTETRGA Pin Falling Input Source Counter Clear Enable)

The CSGTRGAF bit enables or disables the GTCNT counter clear on the falling edge of the GTETRGA pin input.

CSGTRGBR bit (GTETRGB Pin Rising Input Source Counter Clear Enable)

The CSGTRGBR bit enables or disables the GTCNT counter clear on the rising edge of the GTETRGB pin input.

CSGTRGBF bit (GTETRGB Pin Falling Input Source Counter Clear Enable)

The CSGTRGBF bit enables or disables the GTCNT counter clear on the falling edge of the GTETRGB pin input.

CSCARBL bit (GTIOCA Pin Rising Input during GTIOCB Value Low Source Counter Clear Enable)

The CSCARBL bit enables or disables the GTCNT counter clear on the rising edge of the GTIOCA pin input, when GTIOCB input is 0.

CSCARBH bit (GTIOCA Pin Rising Input during GTIOCB Value High Source Counter Clear Enable)

The CSCARBH bit enables or disables the GTCNT counter clear on the rising edge of the GTIOCA pin input, when the GTIOCB input is 1.

CSCAFBL bit (GTIOCA Pin Falling Input during GTIOCB Value Low Source Counter Clear Enable)

The CSCAFBL bit enables or disables the GTCNT counter clear on the falling edge of the GTIOCA pin input, when the GTIOCB input is 0.

CSCAFBH bit (GTIOCA Pin Falling Input during GTIOCB Value High Source Counter Clear Enable)

The CSCAFBH bit enables or disables the GTCNT counter clear on the falling edge of the GTIOCA pin input, when the GTIOCB input is 1.

CSCBRAL bit (GTIOCB Pin Rising Input during GTIOCA Value Low Source Counter Clear Enable)

The CSCBRAL bit enables or disables the GTCNT counter clear on the rising edge of the GTIOCB pin input, when the GTIOCA input is 0.

CSCBRAH bit (GTIOCB Pin Rising Input during GTIOCA Value High Source Counter Clear Enable)

The CSCBRAH bit enables or disables the GTCNT counter clear on the rising edge of the GTIOCB pin input, when the GTIOCA input is 1.

CSCBFAL bit (GTIOCB Pin Falling Input during GTIOCA Value Low Source Counter Clear Enable)

The CSCBFAL bit enables or disables the GTCNT counter clear on the falling edge of the GTIOCB pin input, when the GTIOCA input is 0.

CSCBFAH bit (GTIOCB Pin Falling Input during GTIOCA Value High Source Counter Clear Enable)

The CSCBFAH bit enables or disables the GTCNT counter clear on the falling edge of the GTIOCB pin input, when the GTIOCA input is 1.

CSELCm bit (ELC_GPTm Event Source Counter Clear Enable) (m = A to H)

The CSELCm bit enables or disables the GTCNT counter clear at the ELC_GPTm event input.

CCLR bit (Software Source Counter Clear Enable)

The CCLR bit enables or disables the GTCNT counter clear by the GTCLR register.

23.2.8 General PWM Timer Up Count Source Select Register (GTUPSR)

Address(es): GPT32m.GTUPSR 4007 801Ch + 0100h × m (m = 0 to 3),
GPT16m.GTUPSR 4007 801Ch + 0100h × m (m = 4 to 9)

	b31	b30	b29	b28	b27	b26	b25	b24	b23	b22	b21	b20	b19	b18	b17	b16
	—	—	—	—	—	—	—	—	USELC H	USELC G	USELC F	USELC E	USELC D	USELC C	USELC B	USELC A
Value after reset:	0	0	0	0	0	0	0	0	0	0	0	0	0	0	0	0
	b15	b14	b13	b12	b11	b10	b9	b8	b7	b6	b5	b4	b3	b2	b1	b0
	USCBF AH	USCBF AL	USCBR AH	USCBR AL	USCAF BH	USCAF BL	USCAR BH	USCAR BL	—	—	—	—	USGTR GBF	USGTR GBR	USGTR GAF	USGTR GAR
Value after reset:	0	0	0	0	0	0	0	0	0	0	0	0	0	0	0	0

Bit	Symbol	Bit name	Description	R/W
b0	USGTRGAR	GTETRGA Pin Rising Input Source Counter Count Up Enable	0: Counter count up disabled on the rising edge of the GTETRGA input 1: Counter count up enabled on the rising edge of the GTETRGA input.	R/W
b1	USGTRGAF	GTETRGA Pin Falling Input Source Counter Count Up Enable	0: Counter count up disabled on the falling edge of the GTETRGA input 1: Counter count up enabled on the falling edge of the GTETRGA input.	R/W
b2	USGTRGBR	GTETRGB Pin Rising Input Source Counter Count Up Enable	0: Counter count up disabled on the rising edge of the GTETRGB input 1: Counter count up enabled on the rising edge of the GTETRGB input.	R/W

Bit	Symbol	Bit name	Description	R/W
b3	USGTRGBF	GTETRGB Pin Falling Input Source Counter Count Up Enable	0: Counter count up disabled on the falling edge of the GTETRGB input 1: Counter count up enabled on the falling edge of the GTETRGB input.	R/W
b7 to b4	—	Reserved	These bits are read as 0. The write value should be 0.	R/W
b8	USCARBL	GTIOCA Pin Rising Input during GTIOCB Value Low Source Counter Count Up Enable	0: Counter count up disabled on the rising edge of the GTIOCA input when the GTIOCB input is 0 1: Counter count up enabled on the rising edge of the GTIOCA input when the GTIOCB input is 0.	R/W
b9	USCARBH	GTIOCA Pin Rising Input during GTIOCB Value High Source Counter Count Up Enable	0: Counter count up disabled on the rising edge of the GTIOCA input when the GTIOCB input is 1 1: Counter count up enabled on the rising edge of the GTIOCA input when the GTIOCB input is 1.	R/W
b10	USCAFBL	GTIOCA Pin Falling Input during GTIOCB Value Low Source Counter Count Up Enable	0: Counter count up disabled on the falling edge of the GTIOCA input when the GTIOCB input is 0 1: Counter count up enabled on the falling edge of the GTIOCA input when the GTIOCB input is 0.	R/W
b11	USCAFBH	GTIOCA Pin Falling Input during GTIOCB Value High Source Counter Count Up Enable	0: Counter count up disabled on the falling edge of the GTIOCA input when the GTIOCB input is 1 1: Counter count up enabled on the falling edge of the GTIOCA input when the GTIOCB input is 1.	R/W
b12	USCBRAL	GTIOCB Pin Rising Input during GTIOCA Value Low Source Counter Count Up Enable	0: Counter count up disabled on the rising edge of the GTIOCB input when the GTIOCA input is 0 1: Counter count up enabled on the rising edge of the GTIOCB input when the GTIOCA input is 0.	R/W
b13	USCBRAH	GTIOCB Pin Rising Input during GTIOCA Value High Source Counter Count Up Enable	0: Counter count up disabled on the rising edge of the GTIOCB input when the GTIOCA input is 1 1: Counter count up enabled on the rising edge of the GTIOCB input when the GTIOCA input is 1.	R/W
b14	USCBFAL	GTIOCB Pin Falling Input during GTIOCA Value Low Source Counter Count Up Enable	0: Counter count up disabled on the falling edge of the GTIOCB input when the GTIOCA input is 0 1: Counter count up enabled on the falling edge of the GTIOCB input when the GTIOCA input is 0.	R/W
b15	USCBFAH	GTIOCB Pin Falling Input during GTIOCA Value High Source Counter Count Up Enable	0: Counter count up disabled on the falling edge of the GTIOCB input when the GTIOCA input is 1 1: Counter count up enabled on the falling edge of the GTIOCB input when the GTIOCA input is 1.	R/W
b16	USELCA	ELC_GPTA Event Source Counter Count Up Enable	0: Counter count up disabled at the ELC_GPTA input 1: Counter count up enabled at the ELC_GPTA input.	R/W
b17	USELCB	ELC_GPTB Event Source Counter Count Up Enable	0: Counter count up disabled at the ELC_GPTB input 1: Counter count up enabled at the ELC_GPTB input.	R/W
b18	USELCC	ELC_GPTC Event Source Counter Count Up Enable	0: Counter count up disabled at the ELC_GPTC input 1: Counter count up enabled at the ELC_GPTC input.	R/W
b19	USELCD	ELC_GPTD Event Source Counter Count Up Enable	0: Counter count up disabled at the ELC_GPTD input 1: Counter count up enabled at the ELC_GPTD input.	R/W
b20	USELCE	ELC_GPTE Event Source Counter Count Up Enable	0: Counter count up disabled at the ELC_GPTE input 1: Counter count up enabled at the ELC_GPTE input.	R/W
b21	USELCF	ELC_GPTF Event Source Counter Count Up Enable	0: Counter count up disabled at the ELC_GPTF input 1: Counter count up is enabled at the ELC_GPTF input	R/W
b22	USELCG	ELC_GPTG Event Source Counter Count Up Enable	0: Counter count up disabled at the ELC_GPTG input 1: Counter count up is enabled at the ELC_GPTG input	R/W
b23	USELCH	ELC_GPTH Event Source Counter Count Up Enable	0: Counter count up disabled at the ELC_GPTH input 1: Counter count up enabled at the ELC_GPTH input	R/W
b31 to b24	—	Reserved	These bits are read as 0. The write value should be 0.	R/W

The GTUPSR sets the source to count up the GTCNT counter.

When at least one bit in the GTUPSR register is set to 1, the GTCNT counter is counted up by the source that is set to 1 in this register, but the GTCNT counter set by GTCR.TPCS does not perform the count.

USGTRGAR bit (GTETRGA Pin Rising Input Source Counter Count Up Enable)

The USGTRGAR bit enables or disables the GTCNT counter count up on the rising edge of the GTETRGA pin input.

USGTRGAF bit (GTETRGA Pin Falling Input Source Counter Count Up Enable)

The USGTRGAF bit enables or disables the GTCNT counter count up on the falling edge of the GTETRGA pin input.

USGTRGBR bit (GTETRGB Pin Rising Input Source Counter Count Up Enable)

The USGTRGBR bit enables or disables the GTCNT counter count up on the rising edge of the GTETRGB pin input.

USGTRGBF bit (GTETRGB Pin Falling Input Source Counter Count Up Enable)

The USGTRGBF bit enables or disables the GTCNT counter count up on the falling edge of the GTETRGB pin input.

USCARBL bit (GTIOCA Pin Rising Input during GTIOCB Value Low Source Counter Count Up Enable)

The USCARBL bit enables or disables the GTCNT counter count up on the rising edge of the GTIOCA pin input, when the GTIOCB input is 0.

USCARBH bit (GTIOCA Pin Rising Input during GTIOCB Value High Source Counter Count Up Enable)

The USCARBH bit enables or disables the GTCNT counter count up on the rising edge of the GTIOCA pin input, when the GTIOCB input is 1.

USCAFBL bit (GTIOCA Pin Falling Input during GTIOCB Value Low Source Counter Count Up Enable)

The USCAFBL bit enables or disables the GTCNT counter count up on the falling edge of the GTIOCA pin input, when the GTIOCB input is 0.

USCAFBH bit (GTIOCA Pin Falling Input during GTIOCB Value High Source Counter Count Up Enable)

The USCAFBH bit enables or disables GTCNT counter count up on the falling edge of the GTIOCA pin input, when the GTIOCB input is 1.

USCBRAL bit (GTIOCB Pin Rising Input during GTIOCA Value Low Source Counter Count Up Enable)

The USCBRAL bit enables or disables the GTCNT counter count up on the rising edge of the GTIOCB pin input, when the GTIOCA input is 0.

USCBRAH bit (GTIOCB Pin Rising Input during GTIOCA Value High Source Counter Count Up Enable)

The USCBRAH bit enables or disables the GTCNT counter count up on the rising edge of the GTIOCB pin input, when the GTIOCA input is 1.

USCBFAL bit (GTIOCB Pin Falling Input during GTIOCA Value Low Source Counter Count Up Enable)

The USCBFAL bit enables or disables the GTCNT counter count up on the falling edge of the GTIOCB pin input, when the GTIOCA input is 0.

USCBFAH bit (GTIOCB Pin Falling Input during GTIOCA Value High Source Counter Count Up Enable)

The USCBFAH bit enables or disables the GTCNT counter count up on the falling edge of the GTIOCB pin input, when the GTIOCA input is 1.

USELCm bit (ELC_GPTm Event Source Counter Count Up Enable) (m = A to H)

The USELCm bit enables or disables the GTCNT counter count up at the ELC_GPTm event input.

23.2.9 General PWM Timer Down Count Source Select Register (GTDNSR)

Address(es): GPT32m.GTDNSR 4007 8020h + 0100h × m (m = 0 to 3),
GPT16m.GTDNSR 4007 8020h + 0100h × m (m = 4 to 9)

	b31	b30	b29	b28	b27	b26	b25	b24	b23	b22	b21	b20	b19	b18	b17	b16
	—	—	—	—	—	—	—	—	DSELC H	DSELC G	DSELC F	DSELC E	DSELC D	DSELC C	DSELC B	DSELC A
Value after reset:	0	0	0	0	0	0	0	0	0	0	0	0	0	0	0	0
	b15	b14	b13	b12	b11	b10	b9	b8	b7	b6	b5	b4	b3	b2	b1	b0
	DSCBF AH	DSCBF AL	DSCBR AH	DSCBR AL	DSCAF BH	DSCAF BL	DSCAR BH	DSCAR BL	—	—	—	—	DSGTR GBF	DSGTR GBR	DSGTR GAF	DSGTR GAR
Value after reset:	0	0	0	0	0	0	0	0	0	0	0	0	0	0	0	0

Bit	Symbol	Bit name	Description	R/W
b0	DSGTRGAR	GTETRGA Pin Rising Input Source Counter Count Down Enable	0: Counter count down disabled on the rising edge of the GTETRGA input 1: Counter count down enabled on the rising edge of GTETRGA input.	R/W
b1	DSGTRGAF	GTETRGA Pin Falling Input Source Counter Count Down Enable	0: Counter count down disabled on the falling edge of the GTETRGA input 1: Counter count down enabled on the falling edge of GTETRGA input.	R/W
b2	DSGTRGBR	GTETRGB Pin Rising Input Source Counter Count Down Enable	0: Counter count down disabled on the rising edge of the GTETRGB input 1: Counter count down enabled on the rising edge of GTETRGB input.	R/W
b3	DSGTRGBF	GTETRGB Pin Falling Input Source Counter Count Down Enable	0: Counter count down disabled on the falling edge of the GTETRGB input 1: Counter count down enabled on the falling edge of the GTETRGB input.	R/W
b7 to b4	—	Reserved	These bits are read as 0. The write value should be 0.	R/W
b8	DSCARBL	GTIOCA Pin Rising Input during GTIOCB Value Low Source Counter Count Down Enable	0: Counter count down disabled on the rising edge of the GTIOCA input when the GTIOCB input is 0 1: Counter count down enabled on the rising edge of the GTIOCA input when the GTIOCB input is 0.	R/W
b9	DSCARBH	GTIOCA Pin Rising Input during GTIOCB Value High Source Counter Count Down Enable	0: Counter count down disabled on the rising edge of the GTIOCA input when the GTIOCB input is 1 1: Counter count down enabled on the rising edge of the GTIOCA input when the GTIOCB input is 1.	R/W
b10	DSCAFBL	GTIOCA Pin Falling Input during GTIOCB Value Low Source Counter Count Down Enable	0: Counter count down disabled on the falling edge of the GTIOCA input when the GTIOCB input is 0 1: Counter count down enabled on the falling edge of GTIOCA input when GTIOCB input is 0.	R/W
b11	DSCAFBH	GTIOCA Pin Falling Input during GTIOCB Value High Source Counter Count Down Enable	0: Counter count down disabled on the falling edge of the GTIOCA input when the GTIOCB input is 1 1: Counter count down enabled on the falling edge of the GTIOCA input when the GTIOCB input is 1.	R/W
b12	DSCBRAL	GTIOCB Pin Rising Input during GTIOCA Value Low Source Counter Count Down Enable	0: Counter count down disabled on the rising edge of the GTIOCB input when the GTIOCA input is 0 1: Counter count down enabled on the rising edge of the GTIOCB input when the GTIOCA input is 0.	R/W
b13	DSCBRAH	GTIOCB Pin Rising Input during GTIOCA Value High Source Counter Count Down Enable	0: Counter count down disabled on the rising edge of the GTIOCB input when the GTIOCA input is 1 1: Counter count down enabled on the rising edge of the GTIOCB input when the GTIOCA input is 1.	R/W

Bit	Symbol	Bit name	Description	R/W
b14	DSCBFAL	GTIOCB Pin Falling Input during GTIOCA Value Low Source Counter Count Down Enable	0: Counter count down disabled on the falling edge of the GTIOCB input when the GTIOCA input is 0 1: Counter count down enabled on the falling edge of the GTIOCB input when the GTIOCA input is 0.	R/W
b15	DSCBFAH	GTIOCB Pin Falling Input during GTIOCA Value High Source Counter Count Down Enable	0: Counter count down disabled on the falling edge of the GTIOCB input when the GTIOCA input is 1 1: Counter count down enabled on the falling edge of the GTIOCB input when the GTIOCA input is 1.	R/W
b16	DSELCA	ELC_GPTA Event Source Counter Count Down Enable	0: Counter count down disabled at the ELC_GPTA input 1: Counter count down enabled at the ELC_GPTA input.	R/W
b17	DSELCB	ELC_GPTB Event Source Counter Count Down Enable	0: Counter count down disabled at the ELC_GPTB input 1: Counter count down enabled at the ELC_GPTB input.	R/W
b18	DSELCC	ELC_GPTC Event Source Counter Count Down Enable	0: Counter count down disabled at the ELC_GPTC input 1: Counter count down enabled at the ELC_GPTC input.	R/W
b19	DSELCD	ELC_GPTD Event Source Counter Count Down Enable	0: Counter count down disabled at the ELC_GPTD input 1: Counter count down enabled at the ELC_GPTD input.	R/W
b20	DSELCE	ELC_GPTE Event Source Counter Count Down Enable	0: Counter count down disabled at the ELC_GPTE input 1: Counter count down enabled at the ELC_GPTE input.	R/W
b21	DSELCF	ELC_GPTF Event Source Counter Count Down Enable	0: Counter count down disabled at the ELC_GPTF input 1: Counter count down enabled at the ELC_GPTF input.	R/W
b22	DSELCG	ELC_GPTG Event Source Counter Count Down Enable	0: Counter count down disabled at the ELC_GPTG input 1: Counter count down enabled at the ELC_GPTG input.	R/W
b23	DSELCH	ELC_GPTH Event Source Counter Count Down Enable	0: Counter count down disabled at the ELC_GPTH input 1: Counter count down enabled at the ELC_GPTH input.	R/W
b31 to b24	—	Reserved	These bits are read as 0. The write value should be 0.	R/W

The GTDNSR sets the source to count down the GTCNT counter.

When at least one bit in the GTDNSR register is set to 1, the GTCNT counter is counted down by the source that is set to 1 in this register, but the GTCNT counter set by GTCR.TPCS does not perform the count.

DSGTRGAR bit (GTETRGA Pin Rising Input Source Counter Count Down Enable)

The DSGTRGAR bit enables or disables the GTCNT counter count down on the rising edge of the GTETRGA pin input.

DSGTRGAF bit (GTETRGA Pin Falling Input Source Counter Count Down Enable)

The DSGTRGAF bit enables or disables the GTCNT counter count down on the falling edge of the GTETRGA pin input.

DSGTRGBR bit (GTETRGB Pin Rising Input Source Counter Count Down Enable)

The DSGTRGBR bit enables or disables the GTCNT counter count down on the rising edge of the GTETRGB pin input.

DSGTRGBF bit (GTETRGB Pin Falling Input Source Counter Count Down Enable)

The DSGTRGBF bit enables or disables the GTCNT counter count down on the falling edge of the GTETRGB pin input.

DSCARBL bit (GTIOCA Pin Rising Input during GTIOCB Value Low Source Counter Count Down Enable)

The DSCARBL bit enables or disables the GTCNT counter count down on the rising edge of the GTIOCA pin input, when GTIOCB input is 0.

DSCARBH bit (GTIOCA Pin Rising Input during GTIOCB Value High Source Counter Count Down Enable)

The DSCARBH bit enables or disables the GTCNT counter count down on the rising edge of the GTIOCA pin input, when GTIOCB input is 1.

DSCAFBL bit (GTIOCA Pin Falling Input during GTIOCB Value Low Source Counter Count Down Enable)

The DSCAFBL bit enables or disables the GTCNT counter count down on the falling edge of the GTIOCA pin input, when GTIOCB input is 0.

DSCAFBH bit (GTIOCA Pin Falling Input during GTIOCB Value High Source Counter Count Down Enable)

The DSCAFBH bit enables or disables the GTCNT counter count down on the falling edge of the GTIOCA pin input, when the GTIOCB input is 1.

DSCBRAL bit (GTIOCB Pin Rising Input during GTIOCA Value Low Source Counter Count Down Enable)

The DSCBRAL bit enables or disables the GTCNT counter count down on the rising edge of the GTIOCB pin input, when the GTIOCA input is 0.

DSCBRAH bit (GTIOCB Pin Rising Input during GTIOCA Value High Source Counter Count Down Enable)

The DSCBRAH bit enables or disables the GTCNT counter count down on the rising edge of the GTIOCB pin input, when the GTIOCA input is 1.

DSCBFAL bit (GTIOCB Pin Falling Input during GTIOCA Value Low Source Counter Count Down Enable)

The DSCBFAL bit enables or disables the GTCNT counter count down on the falling edge of the GTIOCB pin input, when the GTIOCA input is 0.

DSCBFAH bit (GTIOCB Pin Falling Input during GTIOCA Value High Source Counter Count Down Enable)

The DSCBFAH bit enables or disables the GTCNT counter count down on the falling edge of the GTIOCB pin input, when the GTIOCA input is 1.

DSELCm bit (ELC_GPTm Event Source Counter Count Down Enable) (m = A to H)

The DSELCm bit enables or disables the GTCNT counter count down at the ELC_GPTm event input.

23.2.10 General PWM Timer Input Capture Source Select Register A (GTICASR)

Address(es): GPT32m.GTICASR 4007 8024h + 0100h × m (m = 0 to 3),
GPT16m.GTICASR 4007 8024h + 0100h × m (m = 4 to 9)

b31	b30	b29	b28	b27	b26	b25	b24	b23	b22	b21	b20	b19	b18	b17	b16
—	—	—	—	—	—	—	—	ASELC H	ASELC G	ASELC F	ASELC E	ASELC D	ASELC C	ASELC B	ASELC A
Value after reset: 0 0 0 0 0 0 0 0 0 0 0 0 0 0 0 0															
b15	b14	b13	b12	b11	b10	b9	b8	b7	b6	b5	b4	b3	b2	b1	b0
ASCBF AH	ASCBF AL	ASCBR AH	ASCBR AL	ASCAF BH	ASCAF BL	ASCAR BH	ASCAR BL	—	—	—	—	ASGTR GBF	ASGTR GBR	ASGTR GAF	ASGTR GAR
Value after reset: 0 0 0 0 0 0 0 0 0 0 0 0 0 0 0 0															

Bit	Symbol	Bit name	Description	R/W
b0	ASGTRGAR	GTETRGA Pin Rising Input Source GTCCRA Input Capture Enable	0: GTCCRA input capture disabled on the rising edge of the GTETRGA input 1: GTCCRA input capture enabled on the rising edge of the GTETRGA input.	R/W
b1	ASGTRGAF	GTETRGA Pin Falling Input Source GTCCRA Input Capture Enable	0: GTCCRA input capture disabled on the falling edge of the GTETRGA input 1: GTCCRA input capture enabled on the falling edge of the GTETRGA input.	R/W
b2	ASGTRGBR	GTETRGB Pin Rising Input Source GTCCRA Input Capture Enable	0: GTCCRA input capture disabled on the rising edge of the GTETRGB input 1: GTCCRA input capture enabled on the rising edge of the GTETRGB input.	R/W

Bit	Symbol	Bit name	Description	R/W
b3	ASGTRGBF	GTETRGB Pin Falling Input Source GTCCRA Input Capture Enable	0: GTCCRA input capture disabled on the falling edge of the GTETRGB input 1: GTCCRA input capture enabled on the falling edge of the GTETRGB input.	R/W
b7 to b4	—	Reserved	These bits are read as 0. The write value should be 0.	R/W
b8	ASCARBL	GTIOCA Pin Rising Input during GTIOCB Value Low Source GTCCRA Input Capture Enable	0: GTCCRA input capture disabled on the rising edge of the GTIOCA input when the GTIOCB input is 0 1: GTCCRA input capture enabled on the rising edge of the GTIOCA input when the GTIOCB input is 0.	R/W
b9	ASCARBH	GTIOCA Pin Rising Input during GTIOCB Value High Source GTCCRA Input Capture Enable	0: GTCCRA input capture disabled on the rising edge of the GTIOCA input when the GTIOCB input is 1 1: GTCCRA input capture enabled on the rising edge of the GTIOCA input when the GTIOCB input is 1.	R/W
b10	ASCAFBL	GTIOCA Pin Falling Input during GTIOCB Value Low Source GTCCRA Input Capture Enable	0: GTCCRA input capture disabled on the falling edge of the GTIOCA input when the GTIOCB input is 0 1: GTCCRA input capture enabled on the falling edge of the GTIOCA input when the GTIOCB input is 0.	R/W
b11	ASCAFBH	GTIOCA Pin Falling Input during GTIOCB Value High Source GTCCRA Input Capture Enable	0: GTCCRA input capture disabled on the falling edge of the GTIOCA input when the GTIOCB input is 1 1: GTCCRA input capture enabled on the falling edge of the GTIOCA input when the GTIOCB input is 1.	R/W
b12	ASCBRAL	GTIOCB Pin Rising Input during GTIOCA Value Low Source GTCCRA Input Capture Enable	0: GTCCRA input capture disabled on the rising edge of the GTIOCB input when the GTIOCA input is 0 1: GTCCRA input capture enabled on the rising edge of the GTIOCB input when the GTIOCA input is 0.	R/W
b13	ASCBRAH	GTIOCB Pin Rising Input during GTIOCA Value High Source GTCCRA Input Capture Enable	0: GTCCRA input capture disabled on the rising edge of the GTIOCB input when the GTIOCA input is 1 1: GTCCRA input capture enabled on the rising edge of the GTIOCB input when the GTIOCA input is 1.	R/W
b14	ASCBFAL	GTIOCB Pin Falling Input during GTIOCA Value Low Source GTCCRA Input Capture Enable	0: GTCCRA input capture disabled on the falling edge of the GTIOCB input when the GTIOCA input is 0 1: GTCCRA input capture enabled on the falling edge of the GTIOCB input when the GTIOCA input is 0.	R/W
b15	ASCBFAH	GTIOCB Pin Falling Input during GTIOCA Value High Source GTCCRA Input Capture Enable	0: GTCCRA input capture disabled on the falling edge of the GTIOCB input when the GTIOCA input is 1 1: GTCCRA input capture enabled on the falling edge of the GTIOCB input when the GTIOCA input is 1.	R/W
b16	ASELCA	ELC_GPTA Event Source GTCCRA Input Capture Enable	0: GTCCRA input capture disabled at the ELC_GPTA input 1: GTCCRA input capture enabled at the ELC_GPTA input.	R/W
b17	ASELCB	ELC_GPTB Event Source GTCCRA Input Capture Enable	0: GTCCRA input capture disabled at the ELC_GPTB input 1: GTCCRA input capture enabled at the ELC_GPTB input.	R/W
b18	ASELCC	ELC_GPTC Event Source GTCCRA Input Capture Enable	0: GTCCRA input capture disabled at the ELC_GPTC input 1: GTCCRA input capture enabled at the ELC_GPTC input.	R/W
b19	ASELCD	ELC_GPTD Event Source GTCCRA Input Capture Enable	0: GTCCRA input capture disabled at the ELC_GPTD input 1: GTCCRA input capture enabled at the ELC_GPTD input.	R/W
b20	ASELCE	ELC_GPTE Event Source GTCCRA Input Capture Enable	0: GTCCRA input capture disabled at the ELC_GPTE input 1: GTCCRA input capture enabled at the ELC_GPTE input.	R/W
b21	ASELCF	ELC_GPTF Event Source GTCCRA Input Capture Enable	0: GTCCRA input capture disabled at the ELC_GPTF input 1: GTCCRA input capture enabled at the ELC_GPTF input.	R/W
b22	ASELCG	ELC_GPTG Event Source GTCCRA Input Capture Enable	0: GTCCRA input capture disabled at the ELC_GPTG input 1: GTCCRA input capture enabled at the ELC_GPTG input.	R/W
b23	ASELCH	ELC_GPTH Event Source GTCCRA Input Capture Enable	0: GTCCRA input capture disabled at the ELC_GPTH input 1: GTCCRA input capture enabled at the ELC_GPTH input.	R/W
b31 to b24	—	Reserved	These bits are read as 0. The write value should be 0.	R/W

GTICASR sets the source of input capture for GTCCRA.

ASGTRGAR bit (GTETRGA Pin Rising Input Source GTCCRA Input Capture Enable)

The ASGTRGAR bit enables or disables input capture for GTCCRA on the rising edge of the GTETRGA pin input.

ASGTRGAF bit (GTETRGA Pin Falling Input Source GTCCRA Input Capture Enable)

The ASGTRGAF bit enables or disables input capture for GTCCRA on the falling edge of the GTETRGA pin input.

ASGTRGBR bit (GTETRGB Pin Rising Input Source GTCCRA Input Capture Enable)

The ASGTRGBR bit enables or disables input capture for GTCCRA on the rising edge of the GTETRGB pin input.

ASGTRGBF bit (GTETRGB Pin Falling Input Source GTCCRA Input Capture Enable)

The ASGTRGBF bit enables or disables input capture for GTCCRA on the falling edge of the GTETRGB pin input.

ASCARBL bit (GTIOCA Pin Rising Input during GTIOCB Value Low Source GTCCRA Input Capture Enable)

The ASCARBL bit enables or disables input capture for GTCCRA on the rising edge of GTIOCA pin input, when the GTIOCB input is 0.

ASCARBH bit (GTIOCA Pin Rising Input during GTIOCB Value High Source GTCCRA Input Capture Enable)

The ASCARBH bit enables or disables input capture for GTCCRA on the rising edge of GTIOCA pin input, when the GTIOCB input is 1.

ASCAFBL bit (GTIOCA Pin Falling Input during GTIOCB Value Low Source GTCCRA Input Capture Enable)

The ASCAFBL bit enables or disables input capture for GTCCRA on the falling edge of GTIOCA pin input, when the GTIOCB input is 0.

ASCAFBH bit (GTIOCA Pin Falling Input during GTIOCB Value High Source GTCCRA Input Capture Enable)

The ASCAFBH bit enables or disables input capture for GTCCRA on the falling edge of the GTIOCA pin input, when the GTIOCB input is 1.

ASCBRAL bit (GTIOCB Pin Rising Input during GTIOCA Value Low Source GTCCRA Input Capture Enable)

The ASCBRAL bit enables or disables input capture for GTCCRA on the rising edge of the GTIOCB pin input, when the GTIOCA input is 0.

ASCBRAH bit (GTIOCB Pin Rising Input during GTIOCA Value High Source GTCCRA Input Capture Enable)

The ASCBRAH bit enables or disables input capture for GTCCRA on the rising edge of the GTIOCB pin input, when the GTIOCA input is 1.

ASCBFAL bit (GTIOCB Pin Falling Input during GTIOCA Value Low Source GTCCRA Input Capture Enable)

The ASCBFAL bit enables or disables input capture for GTCCRA on the falling edge of the GTIOCB pin input, when the GTIOCA input is 0.

ASCBFAH bit (GTIOCB Pin Falling Input during GTIOCA Value High Source GTCCRA Input Capture Enable)

The ASCBFAH bit enables or disables input capture for GTCCRA on the falling edge of the GTIOCB pin input, when the GTIOCA input is 1.

ASELCm bit (ELC_GPTm Event Source Counter GTCCRA Input Capture Enable) (m = A to H)

The ASELCm bit enables or disables input capture for GTCCRA at the ELC_GPTm event input.

23.2.11 General PWM Timer Input Capture Source Select Register B (GTICBSR)

Address(es): GPT32m.GTICBSR 4007 8028h + 0100h × m (m = 0 to 3),
GPT16m.GTICBSR 4007 8028h + 0100h × m (m = 4 to 9)

b31	b30	b29	b28	b27	b26	b25	b24	b23	b22	b21	b20	b19	b18	b17	b16
—	—	—	—	—	—	—	—	BSELC H	BSELC G	BSELC F	BSELC E	BSELC D	BSELC C	BSELC B	BSELC A
Value after reset: 0 0 0 0 0 0 0 0 0 0 0 0 0 0 0 0															
b15	b14	b13	b12	b11	b10	b9	b8	b7	b6	b5	b4	b3	b2	b1	b0
BSCBF AH	BSCBF AL	BSCBR AH	BSCBR AL	BSCAF BH	BSCAF BL	BSCAR BH	BSCAR BL	—	—	—	—	BSGTR GBF	BSGTR GBR	BSGTR GAF	BSGTR GAR
Value after reset: 0 0 0 0 0 0 0 0 0 0 0 0 0 0 0 0															

Bit	Symbol	Bit name	Description	R/W
b0	BSGTRGAR	GTETRGA Pin Rising Input Source GTCCRB Input Capture Enable	0: GTCCRB input capture disabled on the rising edge of the GTETRGA input 1: GTCCRB input capture enabled on the rising edge of the GTETRGA input.	R/W
b1	BSGTRGAF	GTETRGA Pin Falling Input Source GTCCRB Input Capture Enable	0: GTCCRB input capture disabled on the falling edge of the GTETRGA input 1: GTCCRB input capture enabled on the falling edge of the GTETRGA input.	R/W
b2	BSGTRGBR	GTETRGB Pin Rising Input Source GTCCRB Input Capture Enable	0: GTCCRB input capture disabled on the rising edge of the GTETRGB input 1: GTCCRB input capture enabled on the rising edge of the GTETRGB input.	R/W
b3	BSGTRGBF	GTETRGB Pin Falling Input Source GTCCRB Input Capture Enable	0: GTCCRB input capture disabled on the falling edge of the GTETRGB input 1: GTCCRB input capture enabled on the falling edge of the GTETRGB input.	R/W
b7 to b4	—	Reserved	These bits are read as 0. The write value should be 0.	R/W
b8	BSCARBL	GTIOCA Pin Rising Input during GTIOCB Value Low Source GTCCRB Input Capture Enable	0: GTCCRB input capture disabled on the rising edge of the GTIOCA input when the GTIOCB input is 0 1: GTCCRB input capture enabled on the rising edge of the GTIOCA input when the GTIOCB input is 0.	R/W
b9	BSCARBH	GTIOCA Pin Rising Input during GTIOCB Value High Source GTCCRB Input Capture Enable	0: GTCCRB input capture disabled on the rising edge of the GTIOCA input when the GTIOCB input is 1 1: GTCCRB input capture enabled on the rising edge of the GTIOCA input when the GTIOCB input is 1.	R/W
b10	BSCAFBL	GTIOCA Pin Falling Input during GTIOCB Value Low Source GTCCRB Input Capture Enable	0: GTCCRB input capture disabled on the falling edge of the GTIOCA input when the GTIOCB input is 0 1: GTCCRB input capture enabled on the falling edge of the GTIOCA input when the GTIOCB input is 0.	R/W
b11	BSCAFBH	GTIOCA Pin Falling Input during GTIOCB Value High Source GTCCRB Input Capture Enable	0: GTCCRB input capture disabled on the falling edge of the GTIOCA input when the GTIOCB input is 1 1: GTCCRB input capture enabled on the falling edge of the GTIOCA input when the GTIOCB input is 1.	R/W
b12	BSCBRAL	GTIOCB Pin Rising Input during GTIOCA Value Low Source GTCCRB Input Capture Enable	0: GTCCRB input capture disabled on the rising edge of the GTIOCB input when the GTIOCA input is 0 1: GTCCRB input capture enabled on the rising edge of the GTIOCB input when the GTIOCA input is 0.	R/W
b13	BSCBRAH	GTIOCB Pin Rising Input during GTIOCA Value High Source GTCCRB Input Capture Enable	0: GTCCRB input capture disabled on the rising edge of the GTIOCB input when the GTIOCA input is 1 1: GTCCRB input capture enabled on the rising edge of the GTIOCB input when the GTIOCA input is 1.	R/W

Bit	Symbol	Bit name	Description	R/W
b14	BSCBFAL	GTIOCB Pin Falling Input during GTIOCA Value Low Source GTCCRB Input Capture Enable	0: GTCCRB input capture disabled on the falling edge of the GTIOCB input when the GTIOCA input is 0 1: GTCCRB input capture enabled on the falling edge of the GTIOCB input when the GTIOCA input is 0.	R/W
b15	BSCBFAH	GTIOCB Pin Falling Input during GTIOCA Value High Source GTCCRB Input Capture Enable	0: GTCCRB input capture disabled on the falling edge of the GTIOCB input when the GTIOCA input is 1 1: GTCCRB input capture enabled on the falling edge of the GTIOCB input when the GTIOCA input is 1.	R/W
b16	BSELCA	ELC_GPTA Event Source GTCCRB Input Capture Enable	0: GTCCRB input capture disabled at the ELC_GPTA input 1: GTCCRB input capture enabled at the ELC_GPTA input.	R/W
b17	BSELCB	ELC_GPTB Event Source GTCCRB Input Capture Enable	0: GTCCRB input capture disabled at the ELC_GPTB input 1: GTCCRB input capture enabled at the ELC_GPTB input.	R/W
b18	BSELCC	ELC_GPTC Event Source GTCCRB Input Capture Enable	0: GTCCRB input capture disabled at the ELC_GPTC input 1: GTCCRB input capture enabled at the ELC_GPTC input.	R/W
b19	BSELCD	ELC_GPTD Event Source GTCCRB Input Capture Enable	0: GTCCRB input capture disabled at the ELC_GPTD input 1: GTCCRB input capture enabled at the ELC_GPTD input.	R/W
b20	BSELCE	ELC_GPTE Event Source GTCCRB Input Capture Enable	0: GTCCRB input capture disabled at the ELC_GPTE input 1: GTCCRB input capture enabled at the ELC_GPTE input.	R/W
b21	BSELCF	ELC_GPTF Event Source GTCCRB Input Capture Enable	0: GTCCRB input capture disabled at the ELC_GPTF input 1: GTCCRB input capture enabled at the ELC_GPTF input.	R/W
b22	BSELCG	ELC_GPTG Event Source GTCCRB Input Capture Enable	0: GTCCRB input capture disabled at the ELC_GPTG input 1: GTCCRB input capture enabled at the ELC_GPTG input.	R/W
b23	BSELCH	ELC_GPTH Event Source GTCCRB Input Capture Enable	0: GTCCRB input capture disabled at the ELC_GPTH input 1: GTCCRB input capture enabled at the ELC_GPTH input.	R/W
b31 to b24	—	Reserved	These bits are read as 0. The write value should be 0.	R/W

GTICBSR sets the source of the input capture for GTCCRB.

BSGTRGAR bit (GTETRGA Pin Rising Input Source GTCCRB Input Capture Enable)

The BSGTRGAR bit enables or disables the input capture for GTCCRB on the rising edge of the GTETRGA pin input.

BSGTRGAF bit (GTETRGA Pin Falling Input Source GTCCRB Input Capture Enable)

The BSGTRGAF bit enables or disables the input capture for GTCCRB on the falling edge of the GTETRGA pin input.

BSGTRGBR bit (GTETRGB Pin Rising Input Source GTCCRB Input Capture Enable)

The BSGTRGBR bit enables or disables the input capture for GTCCRB on the rising edge of the GTETRGB pin input.

BSGTRGBF bit (GTETRGB Pin Falling Input Source GTCCRB Input Capture Enable)

The BSGTRGBF bit enables or disables the input capture for the GTCCRB on the falling edge of the GTETRGB pin input.

BSCARBL bit (GTIOCA Pin Rising Input during GTIOCB Value Low Source GTCCRB Input Capture Enable)

The BSCARBL bit enables or disables the input capture for the GTCCRB on the rising edge of the GTIOCA pin input, when the GTIOCB input is 0.

BSCARBH bit (GTIOCA Pin Rising Input during GTIOCB Value High Source GTCCRB Input Capture Enable)

The BSCARBH bit enables or disables the input capture for the GTCCRB on the rising edge of the GTIOCA pin input, when the GTIOCB input is 1.

BSCAFBL bit (GTIOCA Pin Falling Input during GTIOCB Value Low Source GTCCRB Input Capture Enable)

The BSCAFBL bit enables or disables the input capture for the GTCCRB on the falling edge of the GTIOCA pin input, when the GTIOCB input is 0.

BSCAFBH bit (GTIOCA Pin Falling Input during GTIOCB Value High Source GTCCRB Input Capture Enable)

The BSCAFBH bit enables or disables the input capture for the GTCCRB on the falling edge of the GTIOCA pin input, when the GTIOCB input is 1.

BSCBRAL bit (GTIOCB Pin Rising Input during GTIOCA Value Low Source GTCCRB Input Capture Enable)

The BSCBRAL bit enables or disables the input capture for the GTCCRB on the rising edge of the GTIOCB pin input, when the GTIOCA input is 0.

BSCBRAH bit (GTIOCB Pin Rising Input during GTIOCA Value High Source GTCCRB Input Capture Enable)

The BSCBRAH bit enables or disables the input capture for the GTCCRB on the rising edge of the GTIOCB pin input, when the GTIOCA input is 1.

BSCBFAL bit (GTIOCB Pin Falling Input during GTIOCA Value Low Source GTCCRB Input Capture Enable)

The BSCBFAL bit enables or disables the input capture for the GTCCRB on the falling edge of the GTIOCB pin input, when the GTIOCA input is 0.

BSCBFAH bit (GTIOCB Pin Falling Input during GTIOCA Value High Source GTCCRB Input Capture Enable)

The BSCBFAH bit enables or disables the input capture for the GTCCRB on the falling edge of the GTIOCB pin input, when the GTIOCA input is 1.

BSELCm bit (ELC_GPTm Event Source Counter GTCCRB Input Capture Enable) (m = A to H)

The BSELCm bit enables or disables the input capture for the GTCCRB at the ELC_GPTm event input.

23.2.12 General PWM Timer Control Register (GTCR)

Address(es): GPT32m.GTCR 4007 802Ch + 0100h × m (m = 0 to 3),
GPT16m.GTCR 4007 802Ch + 0100h × m (m = 4 to 9)

b31	b30	b29	b28	b27	b26	b25	b24	b23	b22	b21	b20	b19	b18	b17	b16
—	—	—	—	—	TPCS[2:0]			—	—	—	—	—	MD[2:0]		
Value after reset: 0 0 0 0 0 0 0 0 0 0 0 0 0 0 0 0															
b15	b14	b13	b12	b11	b10	b9	b8	b7	b6	b5	b4	b3	b2	b1	b0
—	—	—	—	—	—	—	—	—	—	—	—	—	—	—	CST
Value after reset: 0 0 0 0 0 0 0 0 0 0 0 0 0 0 0 0															

Bit	Symbol	Bit name	Description	R/W
b0	CST	Count Start	0: Count operation is stopped 1: Count operation is performed.	R/W
b15 to b1	—	Reserved	These bits are read as 0. The write value should be 0.	R/W

Bit	Symbol	Bit name	Description	R/W
b18 to b16	MD[2:0]	Mode Select	b18 b16 0 0 0: Saw-wave PWM mode (single buffer or double buffer possible) 0 0 1: Saw-wave one-shot pulse mode (fixed buffer operation) 0 1 0: Setting prohibited 0 1 1: Setting prohibited 1 0 0: Triangle-wave PWM mode 1 (32-bit transfer at trough) (single buffer or double buffer possible) 1 0 1: Triangle-wave PWM mode 2 (32-bit transfer at crest and trough) (single buffer or double buffer possible) 1 1 0: Triangle-wave PWM mode 3 (64-bit transfer at trough) (fixed buffer operation) 1 1 1: Setting prohibited.	R/W
b23 to b19	—	Reserved	These bits are read as 0. The write value should be 0.	R/W
b26 to b24	TPCS[2:0]	Timer Prescaler Select	b26 b24 0 0 0: PCLKD/1 0 0 1: PCLKD/4 0 1 0: PCLKD/16 0 1 1: PCLKD/64 1 0 0: PCLKD/256 1 0 1: PCLKD/1024.	R/W
b31 to b27	—	Reserved	These bits are read as 0. The write value should be 0.	R/W

The GTCR controls the GTCNT.

CST bit (Count Start)

The CST bit controls the GTCNT counter start and stop.

[Setting conditions]

- The GTSTR value where the channel number associated with the bit number is set to 1 with the GTSSR.CSTRT bit at 1
- The ELC event input or the GTIOCA/GTIOCB/GTETRn port input that are enabled by GTSSR for the starting counter source, occurs
- 1 is written by software directly.

[Clearing conditions]

- The GTSTP value where the channel number associated with the bit number is set to 1 with the GTPSR.CSTOP bit at 1
- The ELC event input or the GTIOCA/GTIOCB/GTETRn port input that are enabled by GTPSR for the stopping counter source, occurs
- 0 is written by software directly.

MD[2:0] bits (Mode Select)

The MD[2:0] bits select the GPT operating mode. The MD[2:0] bits must be set while the GTCNT operation is stopped.

TPCS[2:0] bits (Timer Prescaler Select)

The TPCS[2:0] bits select the clock for GTCNT. A clock prescaler can be selected independently for each channel. The TPCS[2:0] bits must be set while the GTCNT operation is stopped.

23.2.13 General PWM Timer Count Direction and Duty Setting Register (GTUDDTYC)

Address(es): GPT32m.GTUDDTYC 4007 8030h + 0100h × m (m = 0 to 3),
GPT16m.GTUDDTYC 4007 8030h + 0100h × m (m = 4 to 9)

b31	b30	b29	b28	b27	b26	b25	b24	b23	b22	b21	b20	b19	b18	b17	b16
—	—	—	—	OBDTYR	OBDTYF	OBDTY[1:0]	—	—	—	—	OADTYR	OADTYF	OADTY[1:0]	—	—
Value after reset:	0	0	0	0	0	0	0	0	0	0	0	0	0	0	0
b15	b14	b13	b12	b11	b10	b9	b8	b7	b6	b5	b4	b3	b2	b1	b0
—	—	—	—	—	—	—	—	—	—	—	—	—	—	UDF	UD
Value after reset:	0	0	0	0	0	0	0	0	0	0	0	0	0	0	1

Bit	Symbol	Bit name	Description	R/W
b0	UD	Count Direction Setting	0: GTCNT counts down 1: GTCNT counts up.	R/W
b1	UDF	Forcible Count Direction Setting	0: Not forcibly set 1: Forcibly set.	R/W
b15 to b2	—	Reserved	These bits are read as 0. The write value should be 0.	R/W
b17, 16	OADTY[1:0]	GTIOCA Output Duty Setting	b17 b16 0 x: GTIOCA pin duty depends on compare match 1 0: GTIOCA pin duty 0% 1 1: GTIOCA pin duty 100%.	R/W
b18	OADTYF	Forcible GTIOCA Output Duty Setting	0: Not forcibly set 1: Forcibly set.	R/W
b19	OADTYR	GTIOCA Output Value Selecting after Releasing 0% or 100% Duty Setting	0: Apply output value set in 0% or 100% duty to GTIOA[3:2] function after releasing 0% or 100% duty setting. 1: Apply masked compare match output value to GTIOA[3:2] function after releasing 0% or 100% duty setting.	R/W
b23 to b20	—	Reserved	These bits are read as 0. The write value should be 0.	R/W
b25, b24	OBDTY[1:0]	GTIOCB Output Duty Setting	b25 b24 0 x: GTIOCB pin duty depends on compare match 1 0: GTIOCB pin duty 0% 1 1: GTIOCB pin duty 100%.	R/W
b26	OBDTYF	Forcible GTIOCB Output Duty Setting	0: Not forcibly set 1: Forcibly set.	R/W
b27	OBDTYR	GTIOCB Output Value Selecting after Releasing 0% or 100% Duty Setting	0: Apply output value set in 0% or 100% duty to GTIOB[3:2] function after releasing 0% or 100% duty setting 1: Apply masked compare match output value to GTIOB[3:2] function after releasing 0% or 100% duty setting.	R/W
b31 to b28	—	Reserved	These bits are read as 0. The write value should be 0.	R/W

x: Don't care

The GTUDDTYC sets the direction in which GTCNT counts (up-counting or down-counting), and sets the duty of the GTIOCA/GTIOCB pin output.

Count direction:

- In saw-wave mode

When the UD value is set to 0 during up-counting, the count direction changes at an overflow (the timing synchronous with count clock after the GTCNT value becomes the GTPR value). When the UD value is set to 1 during down-counting, the count direction changes at an underflow (the timing synchronous with count clock after GTCNT value becomes 0).

When the UD value changes from 1 to 0 with the UDF bit at 0 and while counting stops, the counter starts up-counting and the count direction changes at an overflow (the timing synchronous with count clock after GTCNT value becomes GTPR value). When the UD value changes from 0 to 1 with the UDF bit at 0 and while counting stops, the counter starts down-counting and the count direction changes at an underflow (the timing synchronous with count clock after the GTCNT value becomes 0).

When the UDF bit is set to 1 while counting stops, the UD bit value is reflected in the count direction when counting starts.

Count direction:

- In triangle-wave mode

When the UD value changes during counting, the count direction does not change. When the UD value changes while the UDF bit is 0 and counting stops, the change is not reflected in the count direction when counting starts.

When the UDF bit is set to 1 while counting stops, the UD value is reflected in the count direction when counting starts.

UD bit (Count Direction Setting)

The UD bit sets the count direction (up-counting or down-counting) for GTCNT.

UDF bit (Forcible Count Direction Setting)

The UDF bit forcibly sets the count direction when GTCNT starts operation as the UD value. Only write 0 to this bit during counter operation. When 1 is written to this bit while counting stops, return this bit to 0 before counting starts.

Output duty

- In saw-wave mode

When the OADTY/OBDTY value changes during up-counting, the duty is reflected at an overflow ($GTCNT = GTPR$). When the OADTY/OBDTY value changes during down-counting, the duty is reflected at an underflow ($GTCNT = 0$).

When the OADTY/OBDTY value changes with the OADTYF/OBDTYF bit at 0 and while counting stops, the output duty is not reflected at the starting counter operation. When the count direction is up, the output duty is reflected at an overflow ($GTCNT = GTPR$). When the count direction is down, the output duty is reflected at an underflow ($GTCNT = 0$). When the OADTY/OBDTY value changes with the OADTYF/OBDTYF bit at 1 and while counting stops, the output duty is reflected at the starting counter operation.

- In triangle-wave mode

When the OADTY/OBDTY value changes during counting, the duty is reflected at an underflow. When the OADTY/OBDTY value changes with the OADTYF/OBDTYF bit at 0 and while counting stops, the output duty is not reflected at the starting counter operation, however, the output duty is reflected at an underflow. When the OADTY/OBDTY value changes with the OADTYF/OBDTYF bit at 1 and while counting stops, the output duty is reflected at the starting counter operation.

OmDTY[1:0] bits (GTIOCm Output Duty Setting) (m = A, B)

The OmDTY[1:0] bits set the output duty of the GTIOCm pin to 0%, 100% or compare match control.

OmDTYF bit (Forcible GTIOCm Output Duty Setting) (m = A, B)

The OmDTYF bit forcibly sets the output duty cycle to the OmDTY setting. Set this bit to 0 during counter operation. When this bit is set to 1 while counting stops, this bit should be returned to 0 until the first period ends after the counter starts.

OmDTYR bit (GTIOCm Output Value Selecting after Releasing 0% or 100% Duty Setting) (m = A, B)

The OmDTYR bits select the value that is the object of the output retained or toggled at the cycle end, when the control changes from 0% or 100% duty setting to compare match for the GTIOCm pin and GTIOR. The GTIOM[3:2] bits are set to 00b (output retained at cycle end) or the GTIOR.GTIOM[3:2] bits are set to 11b (output toggled at cycle end).

The GPT internally continues to perform compare match operation in performing 0% or 100% duty operation. When the OmDTYR bit is set to 1, the value of the compare match at cycle end is applied to GTIOR.GTIOM[3:2].

23.2.14 General PWM Timer I/O Control Register (GTIOR)

Address(es): GPT32m.GTIOR 4007 8034h + 0100h × m (m = 0 to 3),
GPT16m.GTIOR 4007 8034h + 0100h × m (m = 4 to 9)

b31	b30	b29	b28	b27	b26	b25	b24	b23	b22	b21	b20	b19	b18	b17	b16
NFC SB[1:0]		NFBEN	—	—	OBDF[1:0]		OBE	OBHLD	OBDFL _T	—	GTIOB[4:0]				
Value after reset: 0 0 0 0 0 0 0 0 0 0 0 0 0 0 0 0															
b15	b14	b13	b12	b11	b10	b9	b8	b7	b6	b5	b4	b3	b2	b1	b0
NFC SA[1:0]		NFAEN	—	—	OADF[1:0]		OAE	OAHL D	OADFL _T	—	GTIOA[4:0]				
Value after reset: 0 0 0 0 0 0 0 0 0 0 0 0 0 0 0 0															

Bit	Symbol	Bit name	Description	R/W
b4 to b0	GTIOA[4:0]	GTIOCA Pin Function Select	See Table 23.5 .	R/W
b5	—	Reserved	This bit is read as 0. The write value should be 0.	R/W
b6	OADFLT	GTIOCA Pin Output Value Setting at the Count Stop	0: The GTIOCA pin outputs low when counting stops 1: The GTIOCA pin outputs high when counting stops.	R/W
b7	OAHL D	GTIOCA Pin Output Setting at the Start/Stop Count	0: The GTIOCA pin output level at the start or stop of counting depends on the register setting 1: The GTIOCA pin output level is retained at the start or stop of counting.	R/W
b8	OAE	GTIOCA Pin Output Enable	0: Output is disabled 1: Output is enabled.	R/W
b10, b9	OADF[1:0]	GTIOCA Pin Disable Value Setting	b10 b9 0 0: None of the below options are specified 0 1: GTIOCA pin is set to Hi-Z in response to control the output negation 1 0: Set GTIOCA pin to 0 in response to control the output negation 1 1: Set GTIOCA pin to 1 in response to control the output negation.	R/W
b12, b11	—	Reserved	These bits are read as 0. The write value should be 0.	R/W
b13	NFAEN	Noise Filter A Enable	0: The noise filter for the GTIOCA pin is disabled 1: The noise filter for the GTIOCA pin is enabled.	R/W
b15, b14	NFC SA[1:0]	Noise Filter A Sampling Clock Select	b15 b14 0 0: PCLKD/1 0 1: PCLKD/4 1 0: PCLKD/16 1 1: PCLKD/64.	R/W
b20 to b16	GTIOB[4:0]	GTIOCB Pin Function Select	See Table 23.5 .	R/W
b21	—	Reserved	This bit is read as 0. The write value should be 0.	R/W
b22	OBDFLT	GTIOCB Pin Output Value Setting at the Count Stop	0: The GTIOCB pin outputs low when counting stops 1: The GTIOCB pin outputs high when counting stops.	R/W
b23	OBHL D	GTIOCB Pin Output Setting at the Start/Stop Count	0: The GTIOCB pin output level at the start/stop of counting depends on the register setting 1: The GTIOCB pin output level is retained at the start/stop of counting.	R/W
b24	OBE	GTIOCB Pin Output Enable	0: Output is disabled 1: Output is enabled.	R/W

Bit	Symbol	Bit name	Description	R/W
b26, b25	OBDF[1:0]	GTIOCB Pin Disable Value Setting	b26 b25 0 0: None of the below options are specified 0 1: GTIOCB pin is set to Hi-Z in response to control the output negation 1 0: Set GTIOCB pin to 0 in response to control the output negation 1 1: Set GTIOCB pin to 1 in response to control the output negation.	R/W
b28, b27	—	Reserved	These bits are read as 0. The write value should be 0.	R/W
b29	NFBEN	Noise Filter B Enable	0: Noise filter for the GTIOCB pin is disabled 1: Noise filter for the GTIOCB pin is enabled.	R/W
b31, b30	NFCSB[1:0]	Noise Filter B Sampling Clock Select	b31 b30 0 0: PCLKD/1 0 1: PCLKD/4 1 0: PCLKD/16 1 1: PCLKD/64.	R/W

The GTIOR sets the functions of the GTIOCA and GTIOCB pins.

GTIOA[4:0] bits (GTIOCA Pin Function Select)

The GTIOA[4:0] bits select the GTIOCA pin function. For details, see [Table 23.5](#).

OADFLT bit (GTIOCA Pin Output Value Setting at the Count Stop)

The OADFLT bit sets whether the GTIOCA pin outputs high or low when counting stops.

OAHLD bit (GTIOCA Pin Output Setting at the Start/Stop Count)

The OAHLD bit specifies whether the GTIOCA pin output level is retained or the level at the start/stop of counting depends on the register setting.

When the OAHLD bit is set to 0:

- The value specified in bit [4] of the GTIOA[4:0] bits is output when counting starts
- The value specified in the OADFLT bit is output when counting stops
- If the OADFLT bit is modified while counting stops, the new value is immediately reflected in the output.

When the OAHLD bit is set to 1:

- The output is retained when counting starts or stops.

OAE bit (GTIOCA Pin Output Enable)

The OAE bit disables or enables the GTIOCA pin output.

When the GTCCRA register is used as the input capture register (at least one bit in the GTICASR register is set to 1), the GTIOCA pin does not output regardless of the OAE bit value.

OADF[1:0] bits (GTIOCA Pin Disable Value Setting)

The OADF[1:0] bits select the output value of the GTIOCA pin in response to a request to disable output from the POEG.

NFAEN bit (Noise Filter A Enable)

The NFAEN bit disables or enables the noise filter for input from the GTIOCA pin. Because changing the value of the bit might lead to internal generation of an unexpected edge, select the output compare function for the relevant pin in the GTIOR register before doing so.

NFCSA[1:0] bits (Noise Filter A Sampling Clock Select)

The NFCSA[1:0] bits set the sampling interval for the noise filter of the GTIOCA pin. When setting these bits, wait for 2 cycles of the selected sampling interval before setting the input capture function.

GTIOB[4:0] bits (GTIOCB Pin Function Select)

The GTIOB[4:0] bits select the GTIOCB pin function. For details, see [Table 23.5](#).

OBDFLT bit (GTIOCB Pin Output Value Setting at the Count Stop)

The OBDFLT bit sets whether the GTIOCB pin outputs high or low when counting stops.

OBHLD bit (GTIOCB Pin Output Setting at the Start/Stop Count)

The OBHLD bit specifies whether the GTIOCB pin output level is retained or the level at the start/stop of counting depends on the register setting.

When the OBHLD bit is set to 0:

- The value specified in bit [4] of the GTIOB[4:0] bits is output when counting starts
- The value specified in the OBDFLT bit is output when counting stops
- If the OBDFLT bit is modified while counting stops, the new value is immediately reflected in the output.

When the OBHLD bit is set to 1:

- The output is retained when counting starts or stops.

OBE bit (GTIOCB Pin Output Enable)

The OBE bit disables or enables the GTIOCB pin output.

When GTCCRB register is used as the input capture register (at least one bit in GTICBSR register is set to 1), the GTIOCB pin does not output regardless of the OBE bit value.

OBDF[1:0] bits (GTIOCB Pin Disable Value Setting)

The OBDF[1:0] bits select the output value of GTIOCB pin in response to a request to disable output from the POEG.

NFBEN bit (Noise Filter B Enable)

The NFBEN bit disables or enables the noise filter for input from the GTIOCB pin. Because changing the value of the bit might lead to the internal generation of an unexpected edge, select the output compare function for the relevant pin in the GTIOR register before doing so.

NFCSB[1:0] bits (Noise Filter B Sampling Clock Select)

The NFCSB[1:0] bits set the sampling interval for the noise filter of the GTIOCB pin. When setting these bits, wait for 2 cycles of the selected sampling interval before setting the input-capture function.

Table 23.5 Settings of GTIOA[4:0] and GTIOB[4:0] bits

GTIOA/GTIOB[4:0] bits					Function		
b4	b3	b2	b1	b0	b4	b3, b2*1, *2, *3	b1, b0*2
0	0	0	0	0	Initial output is low	Retain output at cycle end	Output retained at GTCCRA/GTCCRB compare match
0	0	0	0	1			Low output at GTCCRA/GTCCRB compare match
0	0	0	1	0			High output at GTCCRA/GTCCRB compare match
0	0	0	1	1			Output toggled at GTCCRA/GTCCRB compare match
0	0	1	0	0	Low output at cycle end	Low output at cycle end	Output retained at GTCCRA/GTCCRB compare match
0	0	1	0	1			Low output at GTCCRA/GTCCRB compare match
0	0	1	1	0			High output at GTCCRA/GTCCRB compare match
0	0	1	1	1			Output toggled at GTCCRA/GTCCRB compare match
0	1	0	0	0	High output at cycle end	High output at cycle end	Output retained at GTCCRA/GTCCRB compare match
0	1	0	0	1			Low output at GTCCRA/GTCCRB compare match
0	1	0	1	0			High output at GTCCRA/GTCCRB compare match
0	1	0	1	1			Output toggled at GTCCRA/GTCCRB compare match
0	1	1	0	0	Toggle output at cycle end	Toggle output at cycle end	Output retained at GTCCRA/GTCCRB compare match
0	1	1	0	1			Low output at GTCCRA/GTCCRB compare match
0	1	1	1	0			High output at GTCCRA/GTCCRB compare match
0	1	1	1	1			Output toggled at GTCCRA/GTCCRB compare match
1	0	0	0	0	Initial output is high	Retain output at cycle end	Output retained at GTCCRA/GTCCRB compare match
1	0	0	0	1			Low output at GTCCRA/GTCCRB compare match
1	0	0	1	0			High output at GTCCRA/GTCCRB compare match
1	0	0	1	1			Output toggled at GTCCRA/GTCCRB compare match
1	0	1	0	0	Low output at cycle end	Low output at cycle end	Output retained at GTCCRA/GTCCRB compare match
1	0	1	0	1			Low output at GTCCRA/GTCCRB compare match
1	0	1	1	0			High output at GTCCRA/GTCCRB compare match
1	0	1	1	1			Output toggled at GTCCRA/GTCCRB compare match
1	1	0	0	0	High output at cycle end	High output at cycle end	Output retained at GTCCRA/GTCCRB compare match
1	1	0	0	1			Low output at GTCCRA/GTCCRB compare match
1	1	0	1	0			High output at GTCCRA/GTCCRB compare match
1	1	0	1	1			Output toggled at GTCCRA/GTCCRB compare match
1	1	1	0	0	Toggle output at cycle end	Toggle output at cycle end	Output retained at GTCCRA/GTCCRB compare match
1	1	1	0	1			Low output at GTCCRA/GTCCRB compare match
1	1	1	1	0			High output at GTCCRA/GTCCRB compare match
1	1	1	1	1			Output toggled at GTCCRA/GTCCRB compare match

Note 1. The cycle end means an overflow (GTCNT changes from GTPR to 0 in up-counting) or underflow (GTCNT changes from 0 to GTPR in down-counting), or counter clearing for saw-wave mode, and means a trough (GTCNT changes from 0 to 1) for triangle-wave mode.

Note 2. When the timing of a cycle end and the timing of a GTCCRA/GTCCRB compare match are the same in a compare-match operation, the b3 and b2 settings are given priority in saw-wave PWM mode, and the b1 and b0 settings are given priority in any other mode.

Note 3. In event count operation where at least one bit in GTUPSR or GTDNSR is set to 1, the setting of b3 and b2 is ignored.

23.2.15 General PWM Timer Interrupt Output Setting Register (GTINTAD)

Address(es): GPT32m.GTINTAD 4007 8038h + 0100h × m (m = 0 to 3),
GPT16m.GTINTAD 4007 8038h + 0100h × m (m = 4 to 9)

b31	b30	b29	b28	b27	b26	b25	b24	b23	b22	b21	b20	b19	b18	b17	b16
—	GRPABL	GRPABH	—	—	—	GRP[1:0]	—	—	—	—	—	—	—	—	—
Value after reset: 0 0 0 0 0 0 0 0 0 0 0 0 0 0 0 0															
b15	b14	b13	b12	b11	b10	b9	b8	b7	b6	b5	b4	b3	b2	b1	b0
—	—	—	—	—	—	—	—	—	—	—	—	—	—	—	—
Value after reset: 0 0 0 0 0 0 0 0 0 0 0 0 0 0 0 0															

Bit	Symbol	Bit name	Description	R/W
b23 to b0	—	Reserved	These bits are read as 0. The write value should be 0.	R/W
b25, b24	GRP[1:0]	Output-Disable Source Select	b25 b24 0 0: Group A output-disable request 0 1: Group B output-disable request 1 x: Setting prohibited.	R/W
b28 to b26	—	Reserved	These bits are read as 0. The write value should be 0.	R/W
b29	GRPABH	Same Time Output Level High Disable Request Enable	0: Same time output level high disable request disabled 1: Same time output level high disable request enabled.	R/W
b30	GRPABL	Same Time Output Level Low Disable Request Enable	0: Same time output level low disable request disabled 1: Same time output level low disable request enabled.	R/W
b31	—	Reserved	This bit is read as 0. The write value should be 0.	R/W

The GTINTAD enables or disables interrupt requests and output-disable requests.

GRP[1:0] bits (Output-Disable Source Select)

The GRP[1:0] bits select the GTIOCA or GTIOCB pin output-disable sources.

The output disable request to POEG outputs to the group which is selected in the GRP[1:0] bits when same time output level high or same time output level low occurs based on each output disable request enable bit.

GTST.ODF shows the request of output-disable source group that is selected in the GRP[1:0] bits. The GRP[1:0] bits should be set when both GTIOR.OAE and GTIOR.OBE are 0.

GRPABH bit (Same Time Output Level High Disable Request Enable)

The GRPABH bit enables or disables output-disable request when the GTIOCA and GTIOCB pins output 1 at the same time.

GRPABL bit (Same Time Output Level Low Disable Request Enable)

The GRPABL bit enables or disables output-disable request when the GTIOCA and GTIOCB pins output 0 at the same time.

23.2.16 General PWM Timer Status Register (GTST)

Address(es): GPT32m.GTST 4007 803Ch + 0100h × m (m = 0 to 3),
GPT16m.GTST 4007 803Ch + 0100h × m (m = 4 to 9)

b31	b30	b29	b28	b27	b26	b25	b24	b23	b22	b21	b20	b19	b18	b17	b16
—	OABLF	OABHF	—	—	—	—	ODF	—	—	—	—	—	—	—	—
Value after reset: 0 0 0 0 0 0 0 0 0 0 0 0 0 0 0 0															
b15	b14	b13	b12	b11	b10	b9	b8	b7	b6	b5	b4	b3	b2	b1	b0
TUCF	—	—	—	—	—	—	—	TCFPU	TCFPO	TCFF	TCFE	TCFD	TCFC	TCFB	TCFA
Value after reset: 1 0 0 0 0 0 0 0 0 0 0 0 0 0 0 0															

x: Undefined

Bit	Symbol	Bit name	Description	R/W
b0	TCFA	Input Capture/Compare Match Flag A	0: No input capture/compare match of GTCCRA is generated 1: An input capture/compare match of GTCCRA is generated.	R/(W)*1
b1	TCFB	Input Capture/Compare Match Flag B	0: No input capture/compare match of GTCCRB is generated 1: An input capture/compare match of GTCCRB is generated.	R/(W)*1
b2	TCFC	Input Compare Match Flag C	0: No compare match of GTCCRC is generated 1: A compare match of GTCCRC is generated.	R/(W)*1
b3	TCFD	Input Compare Match Flag D	0: No compare match of GTCCRD is generated 1: A compare match of GTCCRD is generated.	R/(W)*1
b4	TCFE	Input Compare Match Flag E	0: No compare match of GTCCRE is generated 1: A compare match of GTCCRE is generated.	R/(W)*1
b5	TCFF	Input Compare Match Flag F	0: No compare match of GTCCRF is generated 1: A compare match of GTCCRF is generated.	R/(W)*1
b6	TCFPO	Overflow Flag	0: No overflow (crest) occurred 1: An overflow (crest) occurred.	R/(W)*1
b7	TCFPU	Underflow Flag	0: No underflow (trough) occurred 1: An underflow (trough) occurred.	R/(W)*1
b14 to b8	—	Reserved	These bits are read as 0. The write value should be 0.	R/W
b15	TUCF	Count Direction Flag	0: GTCNT counter counts downward 1: GTCNT counter counts upward.	R
b23 to b16	—	Reserved	These bits are read as 0. The write value should be 0.	R/W
b24	ODF	Output-Disable Flag	0: No output-disable request is generated 1: An output-disable request is generated.	R
b28 to b25	—	Reserved	These bits are read as 0. The write value should be 0.	R/W
b29	OABHF	Same Time Output Level High Flag	0: GTIOCA and GTIOCB pins do not output 1 at the same time 1: GTIOCA and GTIOCB pins output 1 at the same time.	R
b30	OABLF	Same Time Output Level Low Flag	0: GTIOCA and GTIOCB pins do not output 0 at the same time 1: GTIOCA and GTIOCB pins output 0 at the same time.	R
b31	—	Reserved	This bit is read as 0. The write value should be 0.	R/W

Note 1. Only 0 can be written to this bit. Do not write 1.

GTST indicates the status of the GPT.

TCFA flag (Input Capture/Compare Match Flag A)

TCFA is the status flag for the input capture or compare match of GTCCRA.

[Setting conditions]

- GTCNT = GTCCRA when the GTCCRA register functions as a compare match register
- GTCNT counter value is transferred to GTCCRA by the input capture signal when the GTCCRA register functions

as an input capture register.

[Clearing condition]

- 0 is written to this flag.

TCFB flag (Input Capture/Compare Match Flag B)

TCFB is the status flag for the input capture or compare match of GTCCRB.

[Setting conditions]

- $GTCNT = GTCCRB$, when the GTCCRB register functions as a compare match register
- GTCNT counter value is transferred to GTCCRB by the input capture signal when the GTCCRB register functions as an input capture register.

[Clearing condition]

- 0 is written to this flag.

TCFC flag (Input Compare Match Flag C)

TCFC is the status flag for the compare match of GTCCRC.

[Setting condition]

- $GTCNT = GTCCRC$.

[Clearing condition]

- 0 is written to this flag.

[Not comparing condition]

- $GTCR.MD[2:0] = 001b$ (saw-wave one-shot pulse mode)
- $GTCR.MD[2:0] = 110b$ (triangle-wave PWM mode 3)
- $GTBER.CCRA[1:0] = 01b, 10b, 11b$ (GTCCRC performs buffer operation).

TCFD flag (Input Compare Match Flag D)

TCFD is the status flag for the compare match of GTCCRD.

[Setting condition]

- $GTCNT = GTCCRD$.

[Clearing condition]

- 0 is written to this flag.

[Not comparing condition]

- $GTCR.MD[2:0] = 001b$ (saw-wave one-shot pulse mode)
- $GTCR.MD[2:0] = 110b$ (triangle-wave PWM mode 3)
- $GTBER.CCRA[1:0] = 10b, 11b$ (GTCCRD performs buffer operation).

TCFE flag (Input Compare Match Flag E)

TCFE is the status flag for the compare match of GTCCRE.

[Setting condition]

- $GTCNT = GTCCRE$.

[Clearing condition]

- 0 is written to this flag.

[Not comparing condition]

- $GTCR.MD[2:0] = 001b$ (saw-wave one-shot pulse mode)

- GTCR.MD[2:0] = 110b (triangle-wave PWM mode 3)
- GTBER.CCRB[1:0] = 01b, 10b, 11b (GTCCRE performs buffer operation).

TCFF flag (Input Compare Match Flag F)

TCFF is the status flag for the compare match of GTCCRF.

[Setting condition]

- GTCNT = GTCCRF.

[Clearing condition]

- 0 is written to this flag.

[Not comparing condition]

- GTCR.MD[2:0] = 001b (saw-wave one-shot pulse mode)
- GTCR.MD[2:0] = 110b (triangle-wave PWM mode 3)
- GTBER.CCRB[1:0] = 10b, 11b (GTCCRF performs buffer operation).

TCFPO flag (Overflow Flag)

The TCFPO flag indicates when an overflow or a crest has occurred.

[Setting conditions]

- In saw-wave mode, an overflow (GTCNT changes from GTPR to 0 in up-counting) has occurred
- In triangle-wave mode, a crest (GTCNT changes from GTPR to GTPR-1) has occurred
- In counting by hardware sources, an overflow (GTCNT changes from GTPR to 0 in up count) has occurred.

[Clearing condition]

- 0 is written to this flag.

TCFPU flag (Underflow Flag)

The TCFPU flag indicates when an underflow or a trough has occurred.

[Setting conditions]

- In saw-wave mode, an underflow (GTCNT changes from 0 to GTPR in down-counting) has occurred
- In triangle-wave mode, a trough (GTCNT changes from 0 to 1) has occurred
- In counting by hardware sources, an underflow (GTCNT changes from 0 to GTPR in down-counting) has occurred.

[Clearing condition]

- 0 is written to this flag.

TUCF flag (Count Direction Flag)

The TUCF flag indicates the count direction of GTCNT. In event count operation, this flag is set to 1 in up-counting and is set to 0 in down-counting.

ODF flag (Output-Disable Flag)

The ODF flag shows the request of the output-disable source group that is selected in the GRP[1:0] bits.

When output is disabled, an output-disable control is not released within the same cycle in which an output-disable request is negated. It is released in the next cycle.

OABHF flag (Same Time Output Level High Flag)

The OABHF flag indicates that the GTIOCA and GTIOCB pins output 1 at the same time.

When GTIOCA or GTIOCB pin outputs 0, this flag returns to 0. This flag is read only. Writing 0 to clear the flag is prohibited.

When an interrupt by the OABHF flag is enabled (GTINTAD.GRPABH = 1), the OABHF flag is output to POEG as an output-disable request.

[Setting condition]

- The GTIOCA and GTIOCB pins output 1 at the same time when both OAE and OBE bits are set to 1.

[Clearing conditions]

- The GTIOCA pin output value is different from the GTIOCB pin output value when both OAE and OBE bits are set to 1
- The GTIOCA and GTIOCB pins output 0 at the same time when both OAE and OBE bits are set to 1
- Either the OAE bit or OBE bit is set to 0.

OABLF flag (Same Time Output Level Low Flag)

The OABLF flag indicates that the GTIOCA and GTIOCB pins output 0 at the same time.

When the GTIOCA pin or GTIOCB pin outputs 1, this flag returns to 0. This flag is read only. Writing 0 to clear the flag is prohibited. When an interrupt by the OABLF flag is enabled (GTINTAD.GRPABL = 1), the OABLF flag is output to the POEG as the output-disable request.

[Setting condition]

- The GTIOCA and GTIOCB pins output 0 at the same time when both the OAE and OBE bits are set to 1.

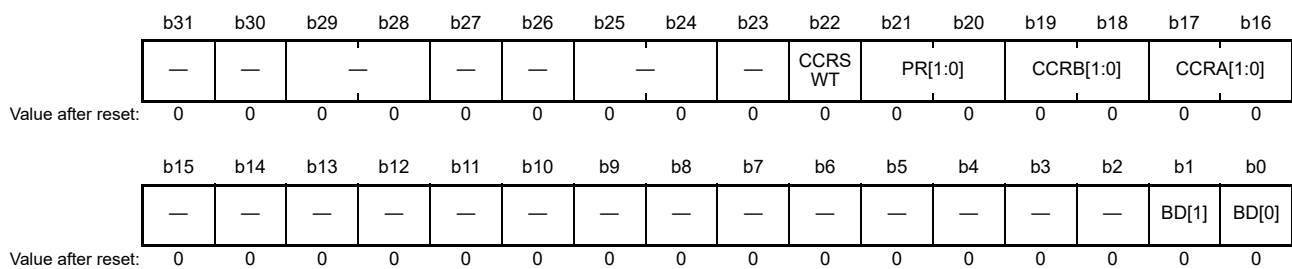
[Clearing conditions]

- The GTIOCA pin output value is different from the GTIOCB pin output value when both OAE and OBE bits are set to 1
- The GTIOCA and GTIOCB pins output 1 at the same time when both OAE and OBE bits are set to 1
- Either the OAE bit or the OBE bit is set to 0.

The compare-target signals to generate the OABHF/OABLF flag are the compare match outputs (PWM outputs) signals before they are masked by the output-disable function. When the output-disable state is active, a compare match is also performed continuously in the GPT and the OABHF/OABLF flag is updated in association with the result of the compared value.

23.2.17 General PWM Timer Buffer Enable Register (GTBER)

Address(es): GPT32m.GTBER 4007 8040h + 0100h × m (m = 0 to 3),
GPT16m.GTBER 4007 8040h + 0100h × m (m = 4 to 9)



Bit	Symbol	Bit name	Description	R/W
b0	BD[0]	GTCCR Buffer Operation Disable	0: Buffer operation is enabled	R/W
b1	BD[1]	GTPR Buffer Operation Disable	1: Buffer operation is disabled.	R/W
b15 to b2	—	Reserved	These bits are read as 0. The write value should be 0.	R/W
b17, b16	CCRA[1:0]	GTCCRA Buffer Operation	b17 b16 0 0: No buffer operation 0 1: Single buffer operation (GTCCRA ↔ GTCCRC) 1 x: Double buffer operation (GTCCRA ↔ GTCCRC ↔ GTCCRD).	R/W

Bit	Symbol	Bit name	Description	R/W
b19, b18	CCRB[1:0]	GTCCRB Buffer Operation	b19 b18 0 0: No buffer operation 0 1: Single buffer operation (GTCCRB ↔ GTCCRE) 1 x: Double buffer operation (GTCCRB ↔ GTCCRE ↔ GTCCRF).	R/W
b21, b20	PR[1:0]	GTPR Buffer Operation	b21 b20 0 0: No buffer operation 0 1: Single buffer operation (GTPBR → GTPR) 1 x: Setting prohibited.	R/W
b22	CCRSWT	GTCCRA and GTCCRB Forcible Buffer Operation	Writing 1 to this bit forces a buffer transfer of GTCCRA and GTCCRB. This bit automatically returns to 0 after 1 is written. This bit is read as 0.	R/W
b31 to b23	—	Reserved	These bits are read as 0. The write value should be 0.	R/W

The GTBER register provides settings for the buffer operation and must be set while the GTCNT operation stops.

BD[0] bit (GTCCR Buffer Operation Disable)

The BD[0] bit disables buffer operation using GTCCRA, GTCCRC, and GTCCRD combined and the buffer operation using GTCCRB, GTCCRE, and GTCCRF combined.

When GTDTCR.TDE is 1 and when BD[0] is set to 0, GTCCRB does not perform buffer operation and the GTCCRB register is automatically set to a compare match value for a negative-phase waveform with dead time.

BD[1] bit (GTPR Buffer Operation Disable)

The BD[1] bit disables buffer operation using GTPR and GTPBR combined.

CCRA[1:0] bits (GTCCRA Buffer Operation)

The CCRA[1:0] bits set buffer operation using GTCCRA, GTCCRC, and GTCCRD combined. When buffer operation is restricted by the operating mode set in GTCR, the GTCR setting is given priority.*1

CCRB[1:0] bits (GTCCRB Buffer Operation)

The CCRB[1:0] bits set buffer operation using GTCCRB, GTCCRE, and GTCCRF combined. When buffer operation is restricted by the operating mode set in GTCR, the GTCR setting is given priority.*1

PR[1:0] bits (GTPR Buffer Operation)

The PR[1:0] bits set buffer operation using GTPR and GTPBR combined.

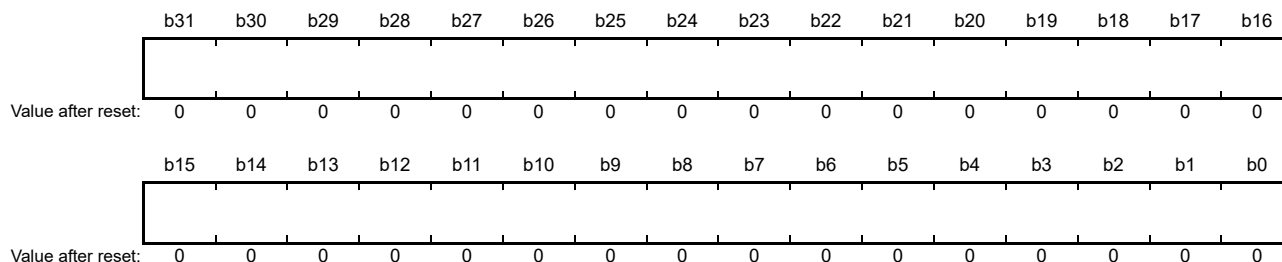
CCRSWT bit (GTCCRA and GTCCRB Forcible Buffer Operation)

Writing 1 to the CCRSWT bit forces a buffer transfer of GTCCRA and GTCCRB. This bit automatically returns to 0 after 1 is written. This bit is read as 0 and is only valid when counting is stopped with a specified compare match operation.

Note 1. The buffer operation mode is fixed in saw-wave one-shot pulse mode, or triangle-wave PWM mode 3 (64-bit transfer at trough).

23.2.18 General PWM Timer Counter (GTCNT)

Address(es): GPT32m.GTCNT 4007 8048h + 0100h × m (m = 0 to 3),
GPT16m.GTCNT 4007 8048h + 0100h × m (m = 4 to 9)

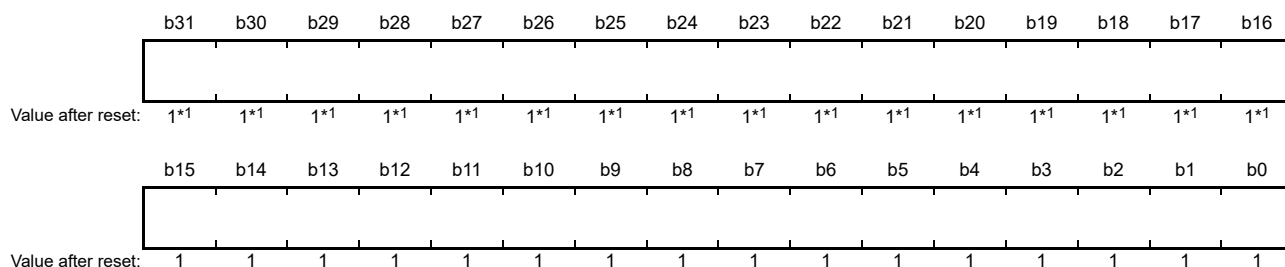


GTCNT is a 32-bit read/write counter for GPT32m (m = 0 to 3). For GPT16m (m = 4 to 9), GTCNT is a 16-bit register. GTCNT can only be written to after the counting stops. GTCNT must be accessed in 32-bit units. Access in 8-bit/16-bit units is prohibited.

For GPT16m (m = 4 to 9), the upper 16 bits for access in a 32-bit unit are always read as 0000h and writing to these bits is ignored. GTCNT must be set within the range of $0 \leq GTCNT \leq GTPR$.

23.2.19 General PWM Timer Compare Capture Register n (GTCCRn) (n = A to F)

Address(es): GPT32m.GTCCRA 4007 804Ch + 0100h × m (m = 0 to 3),
 GPT16m.GTCCRA 4007 804Ch + 0100h × m (m = 4 to 9),
 GPT32m.GTCCRB 4007 8050h + 0100h × m (m = 0 to 3),
 GPT16m.GTCCRB 4007 8050h + 0100h × m (m = 4 to 9),
 GPT32m.GTCCRC 4007 8054h + 0100h × m (m = 0 to 3),
 GPT16m.GTCCRC 4007 8054h + 0100h × m (m = 4 to 9),
 GPT32m.GTCCRD 4007 805Ch + 0100h × m (m = 0 to 3),
 GPT16m.GTCCRD 4007 805Ch + 0100h × m (m = 4 to 9),
 GPT32m.GTCCRE 4007 8058h + 0100h × m (m = 0 to 3),
 GPT16m.GTCCRE 4007 8058h + 0100h × m (m = 4 to 9),
 GPT32m.GTCCRF 4007 8060h + 0100h × m (m = 0 to 3),
 GPT16m.GTCCRF 4007 8060h + 0100h × m (m = 4 to 9)



Note 1. For GPT16m (m = 4 to 9), the value of the upper 16 bits after reset is 0000h.

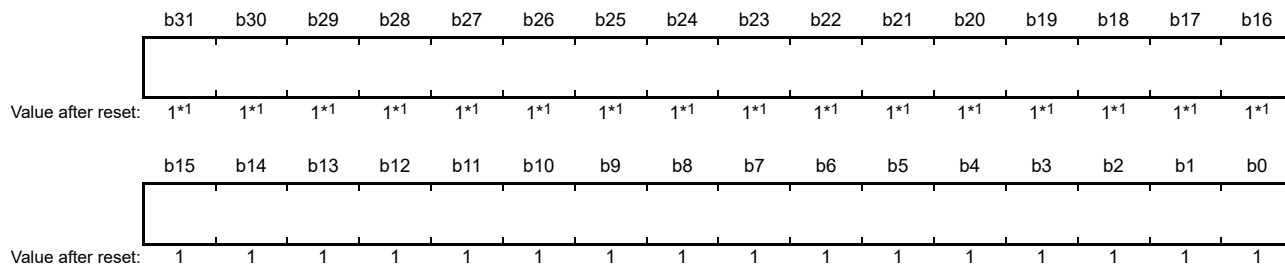
GTCCRn registers are read/write registers. The effective size of GTCCRn is the same as GTCNT (16-bit or 32-bit). If the effective size of GTCCRn is 16 bits, the upper 16 bits for access in a 32-bit unit are always read as 0000h, and writing to these bits is ignored.

GTCCRA and GTCCRB are registers used for both output compare and input capture. GTCCRC and GTCCRE are comparison match registers that can also function as buffer registers for GTCCRA and GTCCRB.

GTCCRD and GTCCRF are compare match registers that can also function as buffer registers for GTCCRC and GTCCRE (double-buffer registers for GTCCRA and GTCCRB).

23.2.20 General PWM Timer Cycle Setting Register (GTPR)

Address(es): GPT32m.GTPR 4007 8064h + 0100h × m (m = 0 to 3),
 GPT16m.GTPR 4007 8064h + 0100h × m (m = 4 to 9)



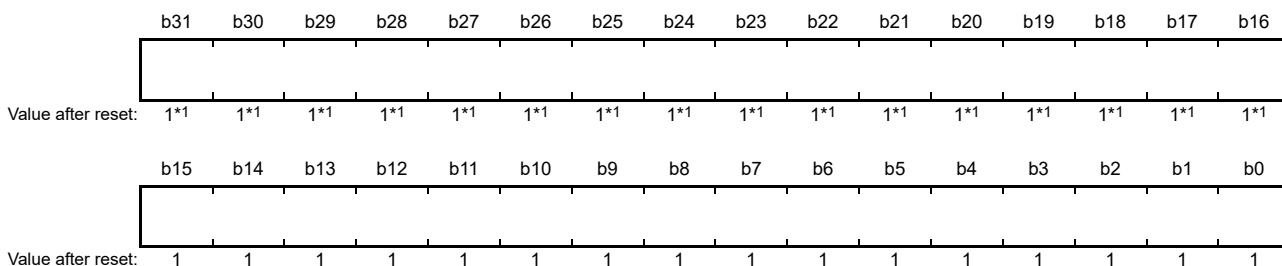
Note 1. For GPT16m (m = 4 to 9), the value of the upper 16 bits after reset is 0000h.

GTPR is a read/write register that sets the maximum count value of GTCNT. The effective size of GTPR is the same as GTCNT (16- or 32-bit). If the effective size of GTPR is 16-bit, the upper 16 bits for access in a 32-bit unit are always read as 0000h, and writing to these bits is ignored.

For saw waves, the value of (GTPR + 1) is the cycle. For triangle waves, the value of (GTPR value × 2) is the cycle.

23.2.21 General PWM Timer Cycle Setting Buffer Register (GTPBR)

Address(es): GPT32m.GTPBR 4007 8068h + 0100h × m (m = 0 to 3),
GPT16m.GTPBR 4007 8068h + 0100h × m (m = 4 to 9)

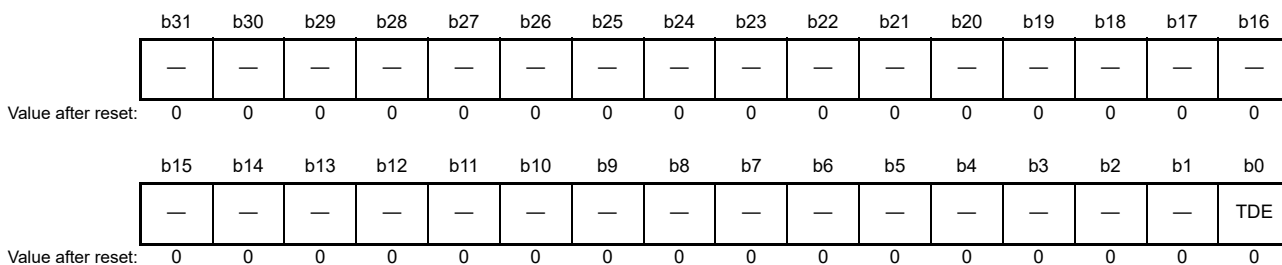


Note 1. For GPT16m (m = 4 to 9), the value of the upper 16 bits after reset is 0000h.

GTPBR is a read/write register that functions as a buffer register for GTPR. The effective size of GTPBR is the same as GTCNT (16- or 32-bit). If the effective size of GTPBR is 16-bit, the upper 16 bits for access in a 32-bit unit are always read as 0000h, and writing to these bits is ignored.

23.2.22 General PWM Timer Dead Time Control Register (GTDTCR)

Address(es): GPT32m.GTDTCR 4007 8088h + 0100h × m (m = 0 to 3),
GPT16m.GTDTCR 4007 8088h + 0100h × m (m = 4 to 9)



Bit	Symbol	Bit name	Description	R/W
b0	TDE	Negative-Phase Waveform Setting	0: GTCCRB is set without using GTDVU 1: GTDVU sets the compare match value for the negative-phase waveform with automatic dead time in GTCCRB.	R/W
b31 to b1	—	Reserved	These bits are read as 0. The write value should be 0.	R/W

GTDTCR enables automatic setting of a compare match value for negative-phase waveform with dead time. GPT has a dead time control function and the GTDVU register is used for setting dead time value.

TDE bit (Negative-Phase Waveform Setting)

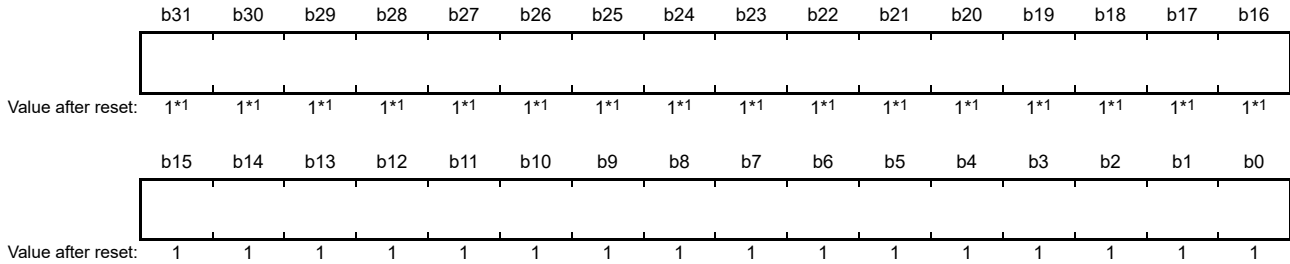
The TDE bit specifies whether to use GTDVU. When GTDVU is used, the compare match value for a negative-phase waveform with dead time obtained by the compare match value of a positive-phase waveform (GTCCRA) with dead time value (GTDVU), is automatically set in GTCCRB. The TDE bit setting is ignored in saw-wave PWM mode, and automatic setting does not take place.

The GTCCRB value is automatically set and has the following upper and lower limit values. If the obtained GTCCRB value is not within the upper or lower limit, the following limit value is set in GTCCRB.

- Triangle waves:
 - Upper limit value: GTPR - 1
 - Lower limit value: 1 in up-counting, 0 in down-counting
- Saw-wave one-shot pulse mode:
 - Upper limit value: GTPR
 - Lower limit value: 0.

23.2.23 General PWM Timer Dead Time Value Register U (GTDVU)

Address(es): GPT32m.GTDVU 4007 808Ch + 0100h x m (m = 0 to 3),
GPT16m.GTDVU 4007 808Ch + 0100h x m (m = 4 to 9)



Note 1. For GPT16m (m = 4 to 9), the value of the upper 16 bits after reset is 0000h.

GTDVU is a read/write register that sets the dead time for generating PWM waveforms with dead time. The effective size of GTDVU is the same as GTCNT (16- or 32-bit). If the effective size of GTDVU is 16-bit, the upper 16 bits for access in a 32-bit unit are always read as 0000h, and writing to these bits is ignored.

Setting a dead time value that exceeds the cycle value is prohibited. The set value can be confirmed by reading from GTCCRB. When GTDVU is used, writing to GTCCRB is prohibited. When this register is set to 0, waveforms without dead time are output.

While GPT is running, changing the GTDVU values is prohibited. To change GTDVU to a new value, stop the GPT with the CST bit in the GTCR register. GTDVU must be accessed in 32-bit units. Access in 8-bit/16-bit units is prohibited.

23.2.24 Output Phase Switching Control Register (OPSCR)

Address(es): GPT_OPS.OPSCR 4007 8FF0h



Bit	Symbol	Bit name	Description	R/W
b0	UF	Input Phase Soft Setting	These bits set the input phase from software settings.	R/W
b1	VF		Setting these bits is valid when the OPSCR.FB bit = 1.	R/W
b2	WF			R/W
b3	—	Reserved	This bit is read as 0. The write value should be 0.	R/W
b4	U	Input U-Phase Monitor	These bits monitor the state of the input phase:	R
b5	V	Input V-Phase Monitor	OPSCR.FB = 0: External input monitoring by PCLKD	R
b6	W	Input W-Phase Monitor	OPSCR.FB = 1: Software settings (UF/VF/WF)	R
b7	—	Reserved	This bit is read as 0. The write value should be 0.	R/W
b8	EN	Enable-Phase Output Control	0: Do not output (Hi-Z external pin) 1: Output.*1	R/W
b15 to b9	—	Reserved	These bits are read as 0. The write value should be 0.	R/W
b16	FB	External Feedback Signal Enable	This bit selects the input phase from software settings and external input. 0: Select the external input 1: Select the software setting (OPSCR.UF, VF, WF).	R/W

Bit	Symbol	Bit name	Description	R/W
b17	P	Positive-Phase Output (P) Control	0: Output level signal 1: Output PWM signal (PWM of GPT320).	R/W
b18	N	Negative-Phase Output (N) Control	0: Output level signal 1: Output PWM signal (PWM of GPT320).	R/W
b19	INV	Invert-Phase Output Control	0: Output positive logic (active-high) 1: Output negative logic (active-low).	R/W
b20	—	Reserved	This bit is read as 0. The write value should be 0.	R/W
b21	ALIGN	Input Phase Alignment	0: Input phase aligned to PCLKD 1: Input phase aligned PWM.	R/W
b23, b22	—	Reserved	These bits are read as 0. The write value should be 0.	R/W
b25, b24	GRP[1:0]	Output-Disabled Source Selection	b25 b24 0 0: Select Group A output disable source 0 1: Select Group B output disable source 1 x: Setting prohibited.	R/W
b26	GODF	Group Output Disable Function	0: This bit function is ignored 1: Group disable clears the OPSCR.EN bit.*1	R/W
b28, b27	—	Reserved	These bits are read as 0. The write value should be 0.	R/W
b29	NFEN	External Input Noise Filter Enable	0: Do not use a noise filter on the external input 1: Use a noise filter on the external input.	R/W
b31, b30	NFCS[1:0]	External Input Noise Filter Clock Selection	Noise filter sampling clock setting of the external input: b31 b30 0 0: PCLKD/1 0 1: PCLKD/4 1 0: PCLKD/16 1 1: PCLKD/64.	R/W

Note 1. When OPSCR.GODF = 1 and the signal value selected by the OPSCR.GRP[1:0] bit is high, the OPSCR.EN bit is set to 0.

The OPSCR register sets the output of the signal waveform required for the brushless DC motor control.

UF, VF, WF bits (Input Phase Soft Setting)

The UF, VF, WF bits set the input phase from the software settings. When OPSCR.FB bit is 1, these bits are valid. The set value of the UF/VF/WF take the place of the U/V/W external inputs.

U, V, W bits (Input Phase Monitor)

When the OPSCR.FB bit is 0, external inputs that are synchronized by PCLKD are monitored by these bits. When the OPSCR.FB bit is 1, the OPSCR.U, OPSCR.V, and OPSCR.W bits can read the OPSCR.UF, OPSCR.VF, and OPSCR.WF bits.

EN bit (Enable-Phase Output Control)

The EN bit controls the output enable signal output phase (positive phase/reverse phase).

When OPSCR.EN bit is 1, the signal waveform is output.

When OPSCR.EN bit is 0, first set OPSCR.FB, OPSCR.UF/VF/WF (software setting is selected), OPSCR.P/N, OPSCR.INV, OPSCR.ALIGN, OPSCR.RV, OPSCR.GRP[1:0], OPSCR.GODF, OPSCR.NFEN, OPSCR.NFCS[1:0]. Then, set the EN bit to 1. Also when OPSCR.GODF is 1 and the signal value selected in the OPSCR.GRP[1:0] bit is high, the OPSCR.EN bit is set to 0.

FB bit (External Feedback Signal Enable)

The FB bit selects the input phase from the software settings (OPSCR.UF, VF, WF) and external input such as a Hall element.

P bit (Positive-Phase Output (P) Control)

The P bit selects one of the level signal output or PWM signal output for the positive-phase output (GTOUUP pin, GTOVUP pin, GTOWUP pin).

N bit (Negative-Phase Output (N) Control)

The N bit selects one of the level signal output or PWM signal output for the negative-phase output (GTOULO pin, GTOVLO pin, GTOWLO pin).

INV bit (Invert-Phase Output Control)

The INV bit selects either the positive logic (active-high) output or negative logic (active-low) output for the output phase.

ALIGN bit (Input Phase Alignment)

The ALIGN bit selects the PCLKD or PWM for the sampling of the input phase (input phase is specified in the OPSCR.FB bit).

When OPSCR.ALIGN bit is 0, input phase is aligned to PCLKD.

Note: When PWM output is selected (OPSCR.P/N is 1) and the PCLKD input phase is aligned, the PWM pulse can be short-pulsed.

Note: When OPSCR.ALIGN bit is 1, input phase is aligned with PWM output.

GRP[1:0] bits (Output-Disabled Source Selection)

The GRP[1:0] bits select the output-disable source (A, B).

GODF bit (Group Output Disable Function)

When the OPSCR.GODF is 1 and the signal value selected by the OPSCR.GRP[1:0] bit is high, the OPSCR.EN bit is set to 0. When the OPSCR.GODF bit is 0, this bit is ignored.

NFEN bit (External Input Noise Filter Enable)

The NFEN bit selects the noise filter for external input. When OPSCR.NFEN bit is 0, a noise filter is not used for the external input.

Note: When this bit is switched because of an unintentional internal edge, set the OPSCR.EN bit to 0.

NFCS[1:0] bits (External Input Noise Filter Clock Selection)

The NFCS[1:0] bits select the clock for the external input noise filter. When the OPSCR.NFEN bit is 1, noise filter sampling clock setting of the external input is enabled.

1. Set the NFCS[1:0] bits.
2. Wait for 2 cycles.
3. Set the OPSCR.EN bit to 1.

23.3 Operation

23.3.1 Basic Operation

Each channel has a 32-bit timer that performs a periodic count operation using the count clock and hardware sources. The count function provides both up-counting and down-counting. The GTPR controls the count cycle. When the GTCNT counter value matches the value in GTCCRA or GTCCRB, the output from the corresponding pin GTIOCA or GTIOCB can be changed. GTCCRA or GTCCRB can be used as an input capture register with hardware resources.

GTCCRC and GTCCRD can function as buffer registers for GTCCRA. GTCCRE and GTCCRF can function as buffer registers for GTCCRB.

23.3.1.1 Counter operation

(1) Counter start and stop

The counter for each channel starts the count operation when GTCR.CST is set to 1. The GTCR.CST bit value is changed by the following sources:

- Writing to GTCR register

- Writing 1 to the bit in GTSTR associated with the GPT channel number when the GTSSR.CSTRT bit set to 1
- Writing 1 to the bit in GTSTP associated with the GPT channel number when the GTPSR.CSTOP bit set to 1
- The hardware source selected in the GTSSR register
- The hardware source selected in the GTPSR register.

(2) Periodic count operation in up-counting by count clock

The GTCNT counter in each channel starts up-counting when the associated GTCR.CST bit is set to 1 with GTUPSR and GTDNSR registers set to 0000 0000h. When the GTCNT value changes from the GTPR value to 0 (overflow), the GTST.TCFPO flag is set to 1. When GTCNT overflows, up-counting resumes from 0000 0000h.

Figure 23.3 shows an example of a periodic count operation in up-counting.

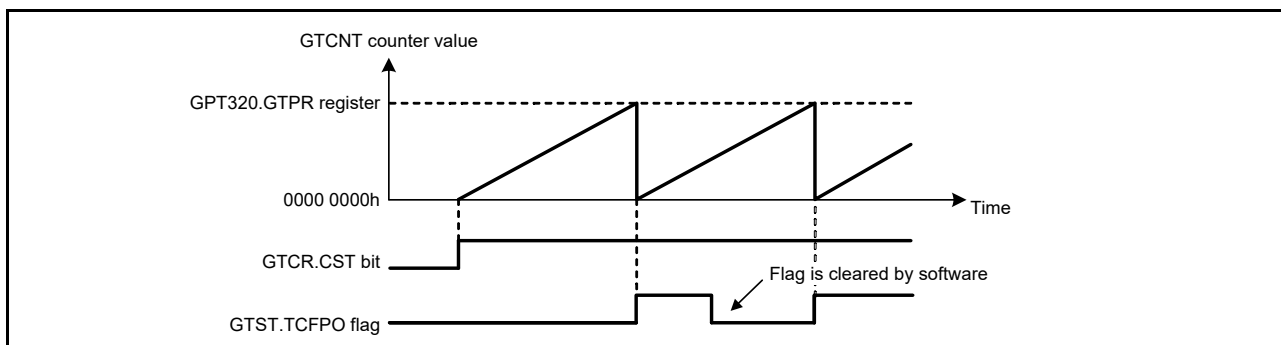


Figure 23.3 Example of periodic count operation in up-counting by the count clock

Figure 23.4 shows an example for setting periodic count operation in up-counting.

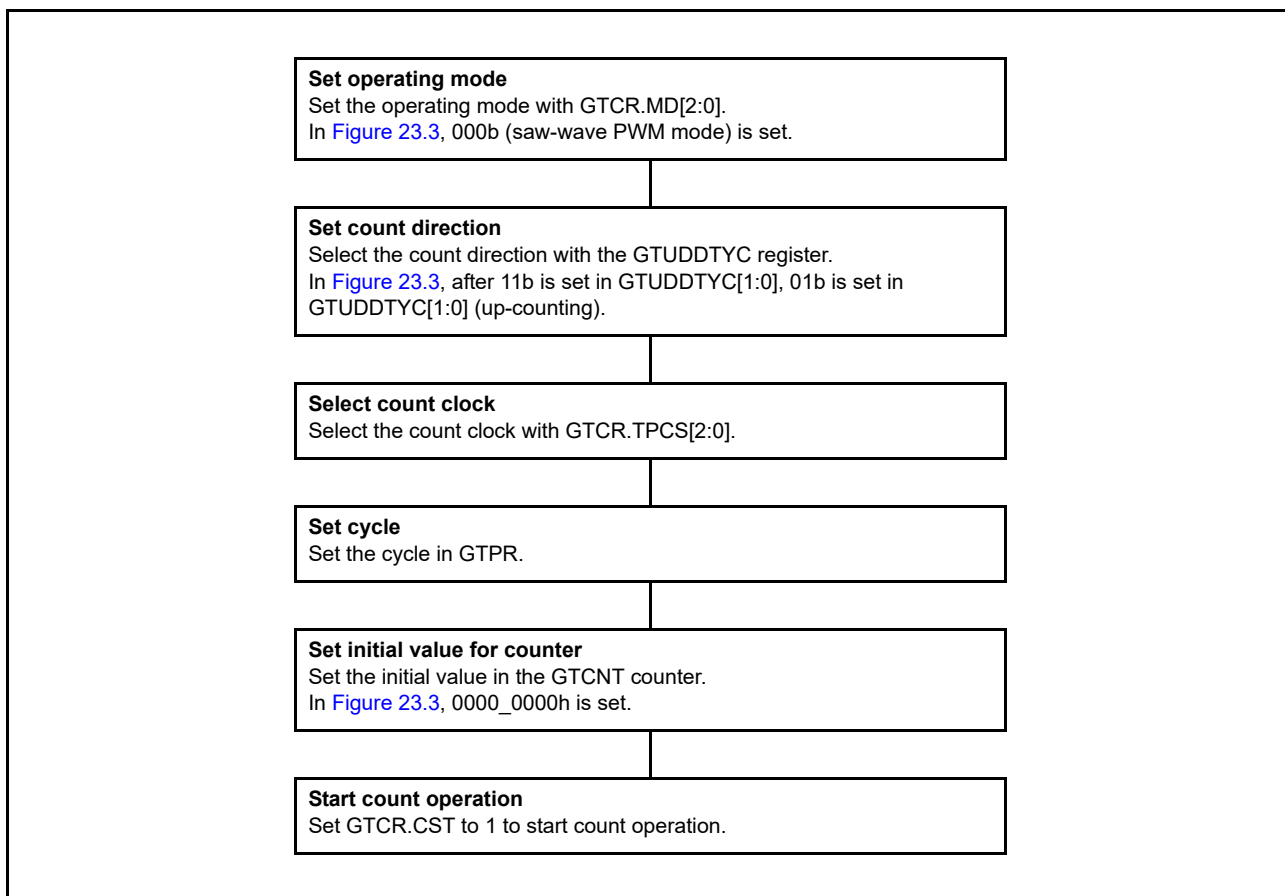


Figure 23.4 Example for setting a periodic count operation in up-counting by the count clock

(3) Periodic count operation in down-counting by count clock

The GTCNT counter in each channel can perform down-counting by setting GTUDDTYC.UD with GTUPSR and GTDNSR registers set to 0000 0000h. When GTCNT changes from 0 to the GTPR value (underflow), GTST.TCFPU is set to 1. When the GTCNT counter underflows, down-counting resumes from the GTPR value.

Figure 23.5 shows an example of periodic count operation in down-counting by the count clock.

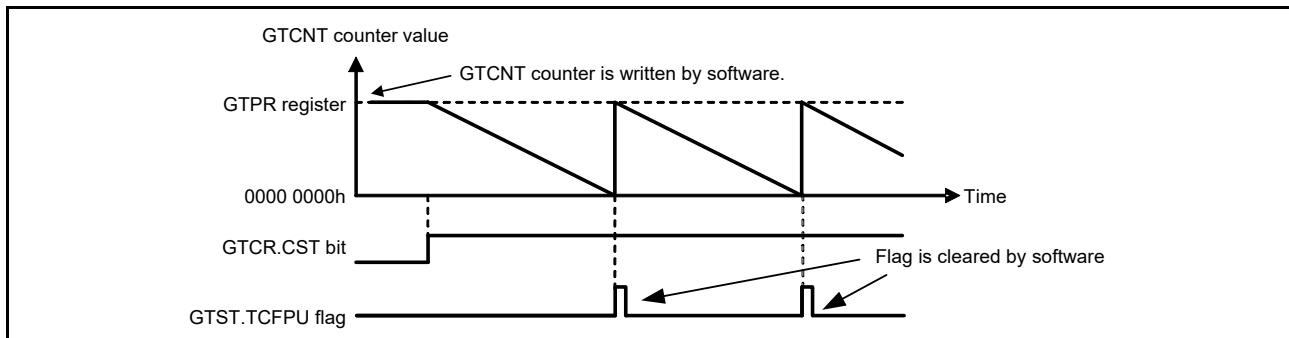


Figure 23.5 Example of periodic count operation in down-counting by the count clock

Figure 23.6 shows an example for setting periodic count operation in down-counting by the count clock.

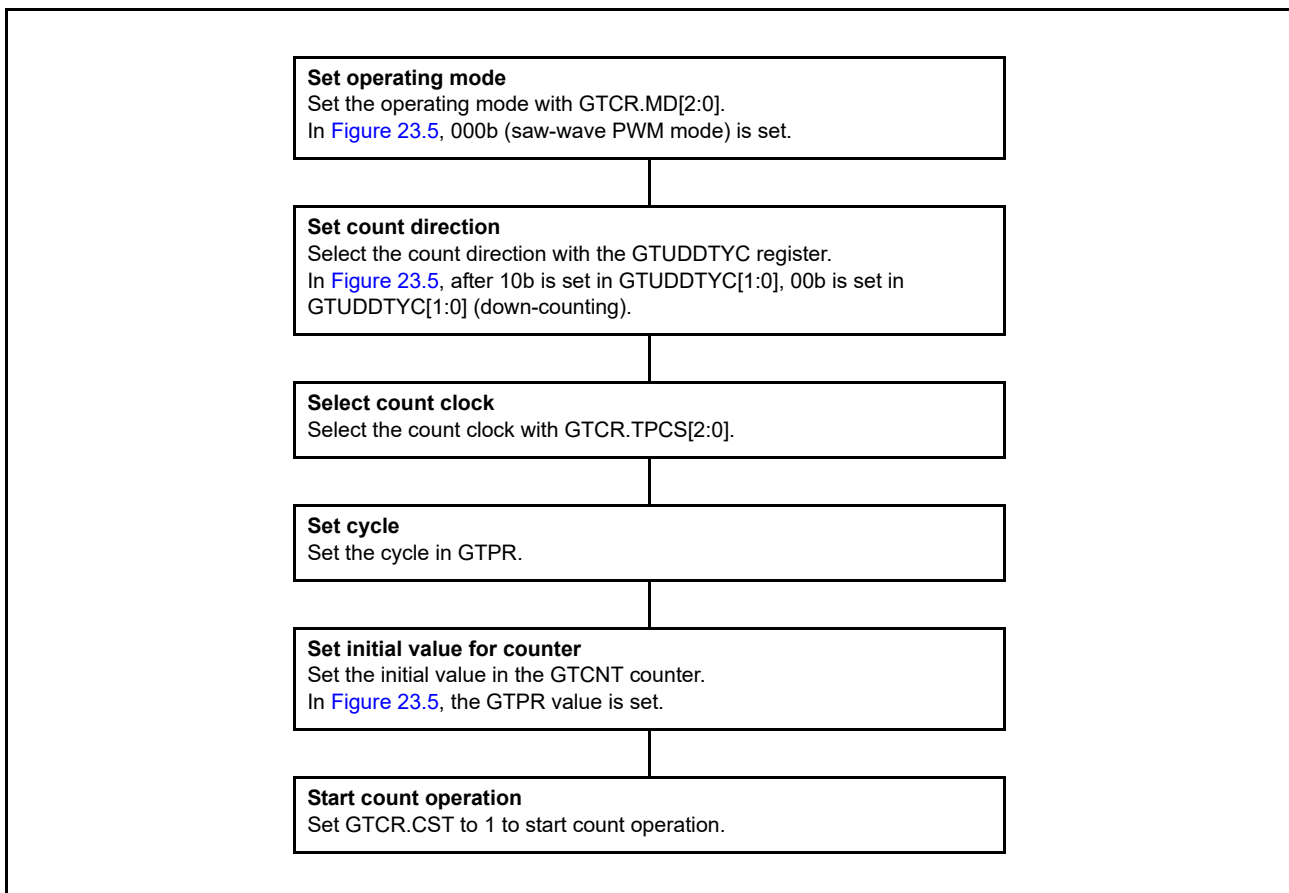


Figure 23.6 Example for setting periodic count operation in down-counting by count clock

(4) Event count operation in up-counting using hardware sources

The GTCNT counter in each channel can perform up-counting using hardware sources as set in GTUPSR.

When GTUPSR is set to enable, the count clock selected in GTCR.TPCS[2:0] and the count direction selected in GTUDDTYC.UD are ignored. If up-counting and down-counting using hardware sources occur at the same time, the GTCNT counter value does not change. The overflow behavior for up-counting using hardware sources is the same as for up-counting by the count clock.

If you are using a hardware source to count up, set the GTCR.CST bit to 1 to enable the counting operation. When GTCR.CST is set to 1, the counter cannot count up for 1 clock cycle as specified in GTCR.TPCS[2:0] because the count operation is synchronized by the count clock selected in GTCR.TPCS[2:0]. Set GTCR.TPCS[2:0] to 000b to count up with 1 PCLKD clock delay after GTCR.CST is set to 1.

Figure 23.7 shows an example of a periodic count operation in up-counting by a hardware resource (rising edge of the GTETRGA pin).

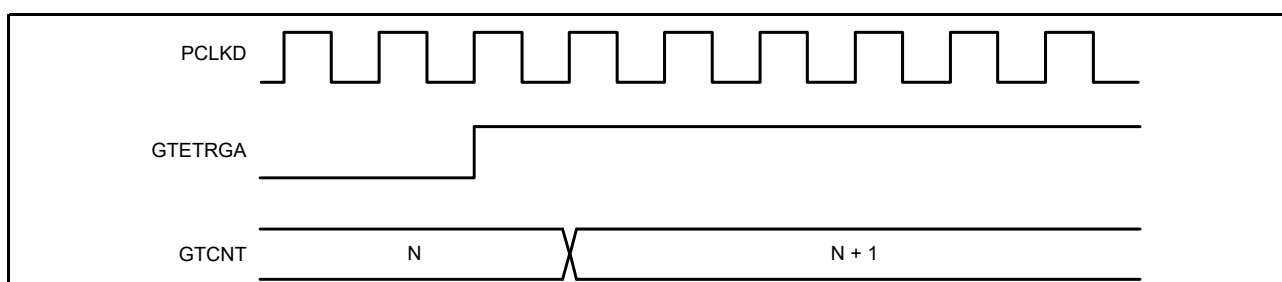


Figure 23.7 Example of periodic count operation in up-counting using hardware sources

Figure 23.8 shows an example for setting periodic count operation in down-counting by the count clock.

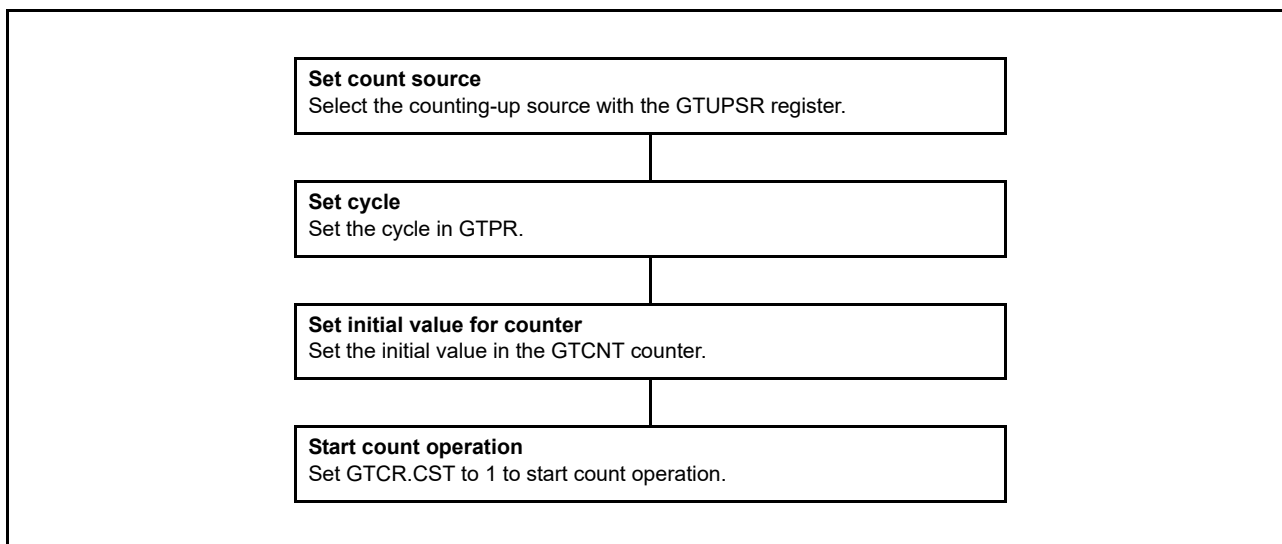


Figure 23.8 Example for setting an event count operation in up-counting using hardware sources

(5) Event count operation in down-counting using hardware sources

The GTCNT counter in each channel can perform down-counting using hardware sources set in the GTDNSR register.

When GTDNSR is set to enable, the count clock selected in GTCR.TPCS[2:0] and the count direction selected in GTUDDTYC.UD are ignored. If up-counting and down-counting using hardware sources occur at the same time, GTCNT counter value does not change. The underflow behavior for down-counting using hardware sources is the same as for down-counting by the count clock.

When GTCR.CST bit is set to 1 to count down using hardware sources, the count operation is enabled. When GTCR.CST is set to 1, the counter cannot count down for 1 clock cycle as specified in GTCR.TPCS[2:0] because the count operation is synchronized with the count clock selected in GTCR.TPCS[2:0]. Set GTCR.TPCS[2:0] to 000b to count down with a 1 PCLKD delay after GTCR.CST is set to 1.

Figure 23.9 shows an example of a periodic count operation in down-counting by a hardware resource (rising edge of the GTETRGA pin).

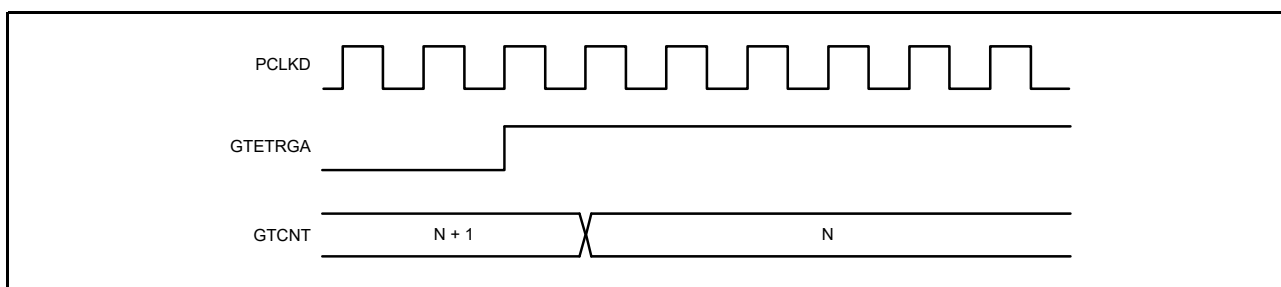


Figure 23.9 Example of event count operation in down-counting using hardware sources

Figure 23.10 shows an example for setting a periodic count operation in down-counting using a hardware resource.

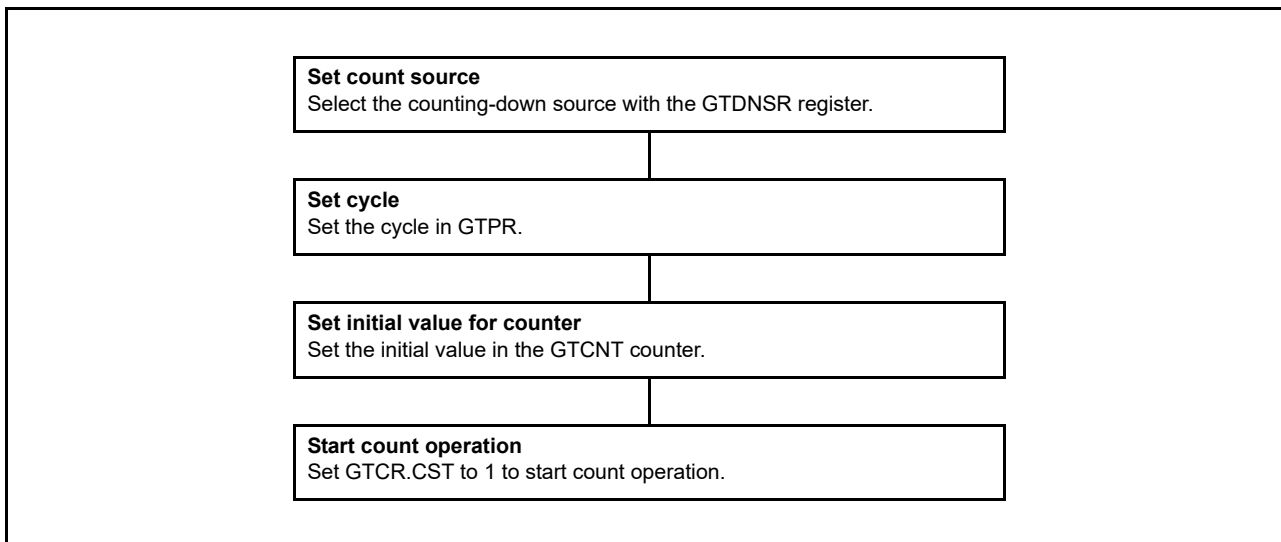


Figure 23.10 Example for setting an event count operation in down-counting using hardware sources

(6) Counter clear operation

The counter of each channel is cleared by the following sources.

- Writing 0 to GTCNT register
- Writing 1 to the bit in GTCLR associated with the GPT channel number when the GTCSR.CCLR bit set to 1
- The hardware source selected in GTCSR register.

Writing to the GTCNT register is prohibited during count operation. The GTCNT counter can be cleared both by writing 1 to the GTCLR and by the clear request of hardware sources, whether GTCNT is counting (GTCR.CST = 1) or not (GTCR.CST = 0).

For saw waves selected by setting `GTCR.MD[2:0]` and the count direction flag showing down-counting (`GTST.TUCF = 0`), the `GTCNT` register is set to the value of the `GTPR` register when writing 1 to the `GTCLR` register and when clearing by hardware sources is performed. When not in saw-wave mode and down-counting, the `GTCNT` register is set to 0 when writing 1 to the `GTCLR` register and when clearing by hardware sources is performed.

In event count operation, when at least one bit in `GTUPSR` or `GTDNSR` is set to 1, after clear sources occur, both writing to the `GTCLR` register and clearing by hardware sources are performed immediately to synchronize with `PCLKD`. If other settings are used, clear is synchronized with the counter clock selected in `GTCR.TPCS[2:0]`.

23.3.1.2 Waveform output by compare match

Compare match means that the `GTCNT` counter value matches the value of `GTCCRA` or `GTCCRB`. When a compare match occurs, the compare match flag is generated synchronously with the count clock, including the event count. At the same time the GPT can output low, high, or toggled output from the corresponding `GTIOCA` or `GTIOCB` output pin. In addition, the `GTIOCA` or `GTIOCB` pin output can be low, high, or toggled at the cycle end which is determined by `GTPR`.

The cycle end is:

- For saw waves in up-counting – when `GTCNT` changes from the `GTPR` value to 0 (overflow)
- For saw waves in down-counting – when `GTCNT` changes from 0 to the `GTPR` value (underflow)
- For saw waves – when the `GTCNT` counter is cleared
- For triangle waves – when the `GTCNT` changes from 0 to 1 (trough).

(1) Low output and high output

Figure 23.11 shows an example of low output and high output operation by a compare match of `GTCCRA` and `GTCCRB`.

In this example, the `GPT320.GTCNT` counter performs up-counting, and settings are made so that high is output from the `GTIOC0A` pin by a `GPT320.GTCCRA` compare match, and low is output from the `GTIOC0B` pin by a `GPT320.GTCCRB` compare match. The pin level does not change when the specified level and pin level match.

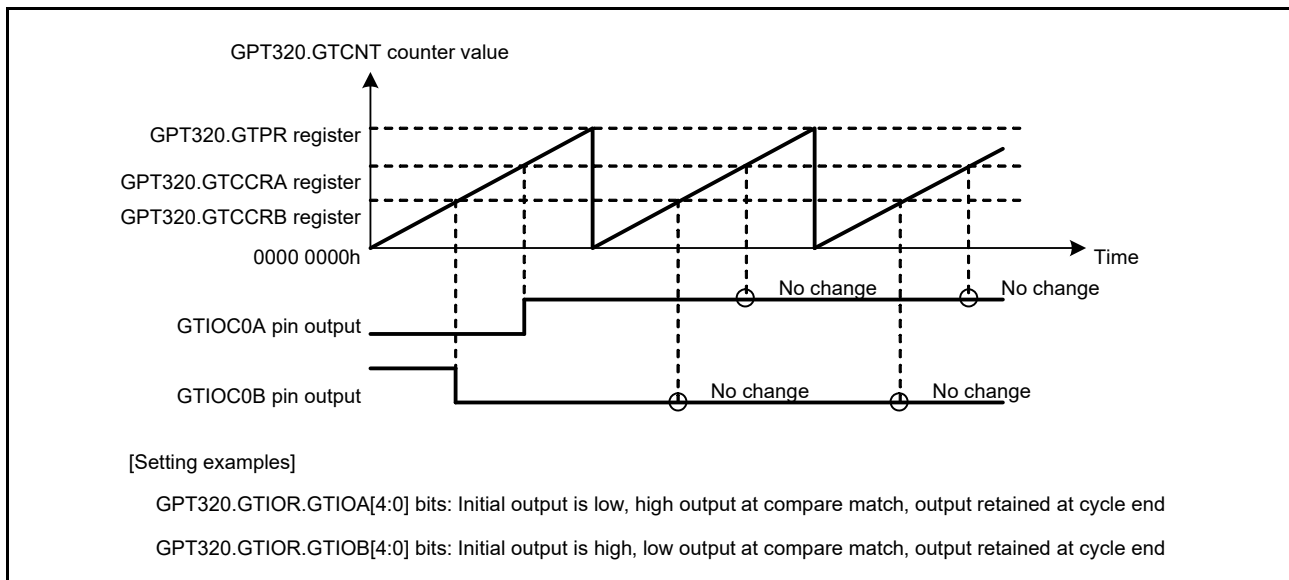


Figure 23.11 Example of low output and high output operation

Figure 23.12 shows an example for setting low output and high output operation.

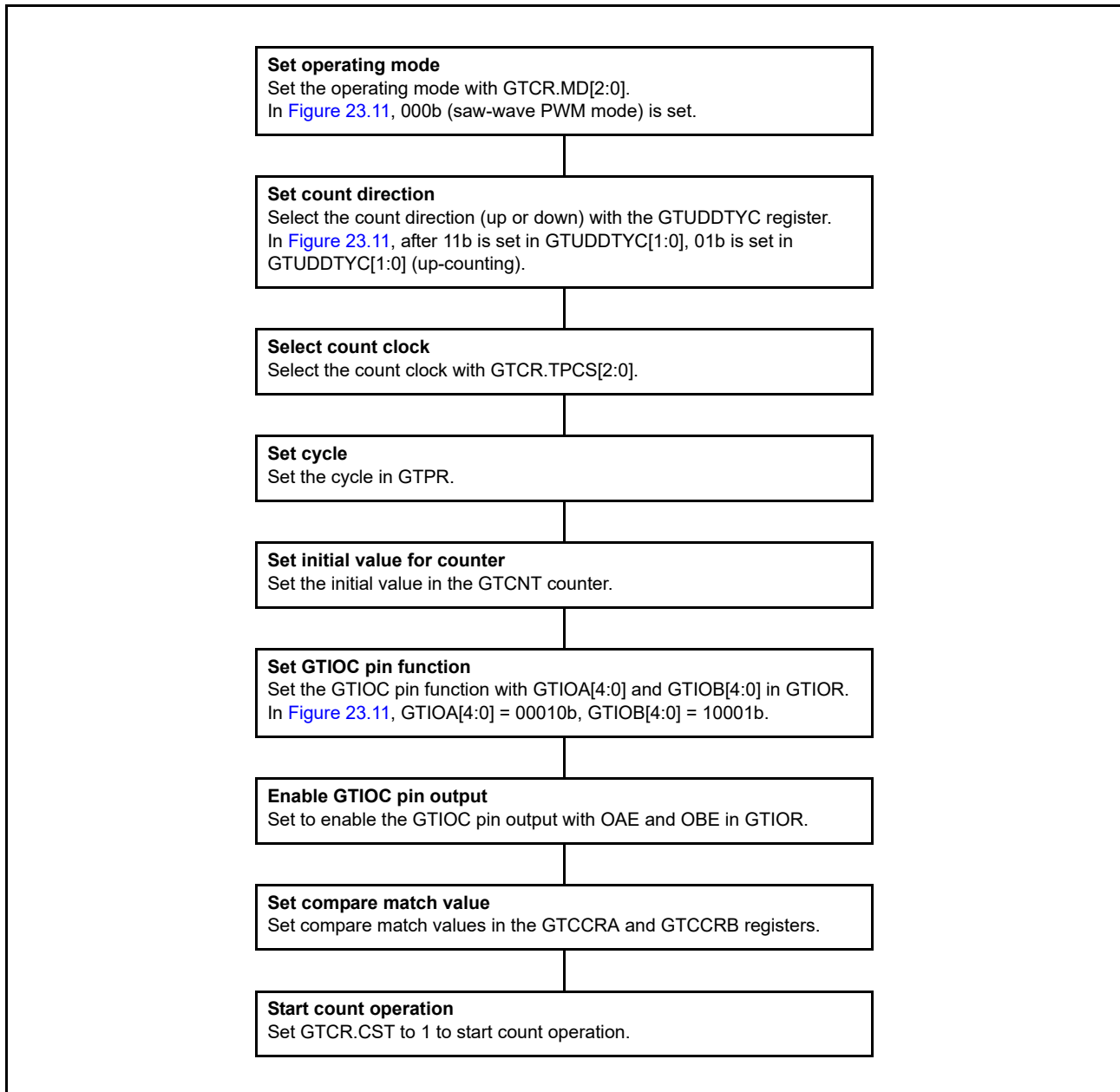


Figure 23.12 Example setting for low output and high output operation

(2) Toggled output

Figure 23.13 and Figure 23.14 show examples of toggled output operation by compare matches of GTCCRA and GTCCRB. In Figure 23.13, the GPT320.GTCNT counter performs up-counting, and settings are made so that the GTIOC0A pin output by a GPT320.GTCCRA compare match and the GTIOC0B pin output by a GPT320.GTCCRB compare match are toggled.

In Figure 23.14, the GPT320.GTCNT counter performs up-counting, and settings are made so that the GTIOC0A output is toggled by a compare match of GPT320.GTCCRA, and the GTIOC0B output is toggled at the cycle end.

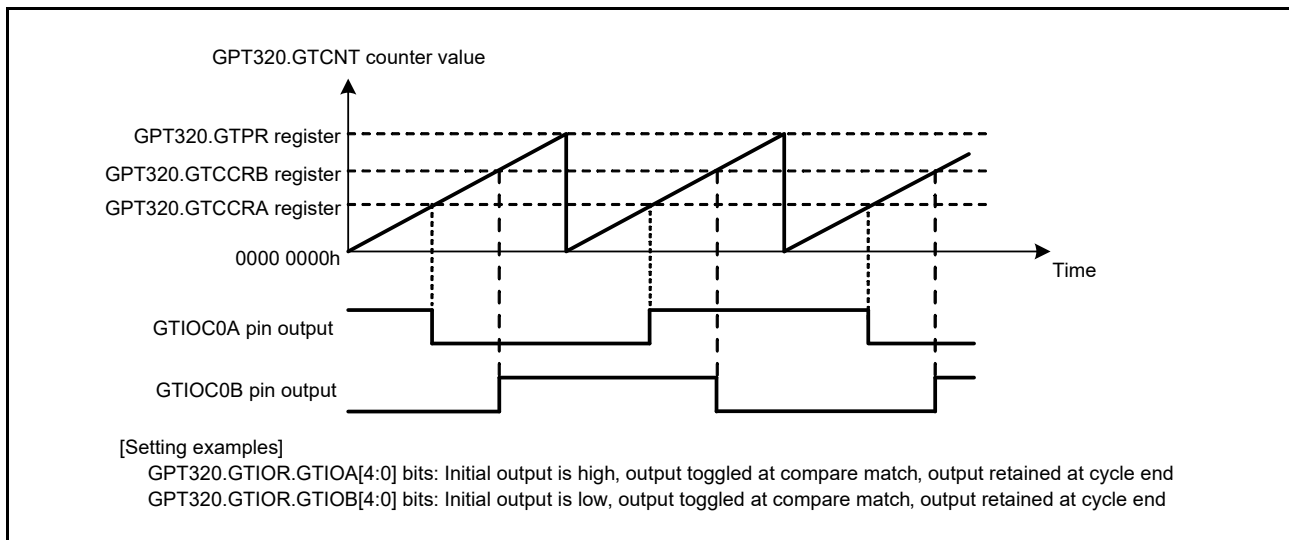


Figure 23.13 Example of toggled output operation (1)

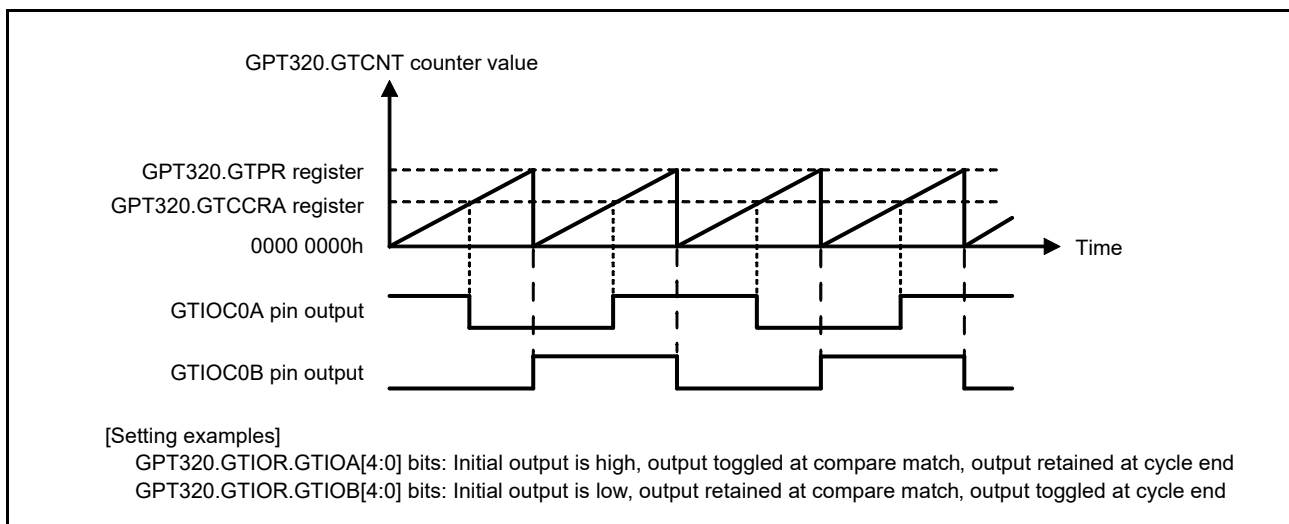


Figure 23.14 Example of toggled output operation (2)

Figure 23.15 shows an example setting for toggled output operation.

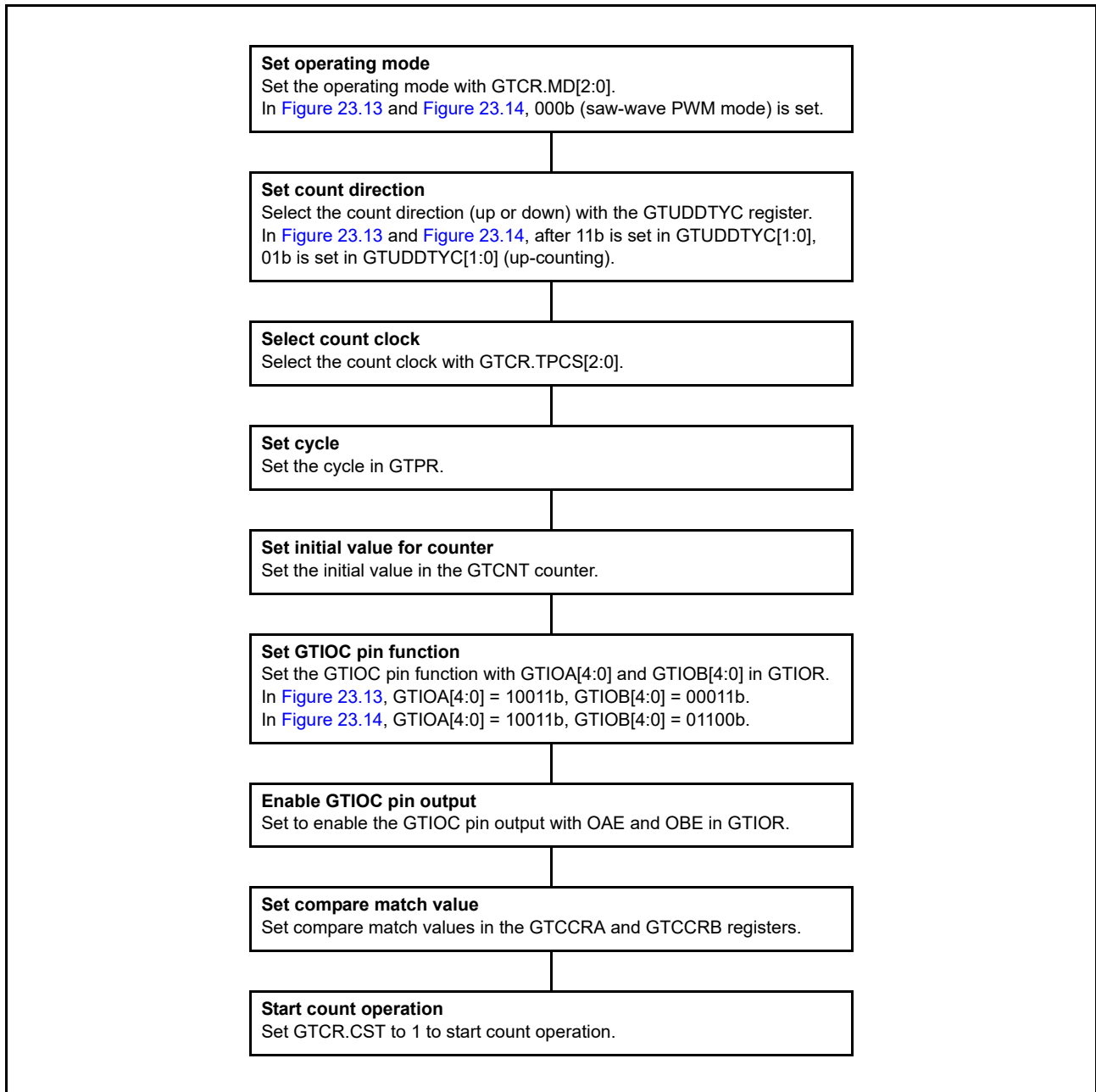


Figure 23.15 Example for setting toggled output operation

23.3.1.3 Input capture function

The GTCNT counter value can be transferred to either GTCCRA or GTCCRB on detection of the hardware source that is set in GTICASR and GTICBSR.

Figure 23.16 shows an example of the input capture function.

In this example, the GPT320.GTCNT counter performs up-counting by the count clock, and settings are made so that an input capture is performed to GTCCRA at both edges of the GTIOC0A input pin and to GTCCRB on the rising edge of the GTIOC0B input pin.

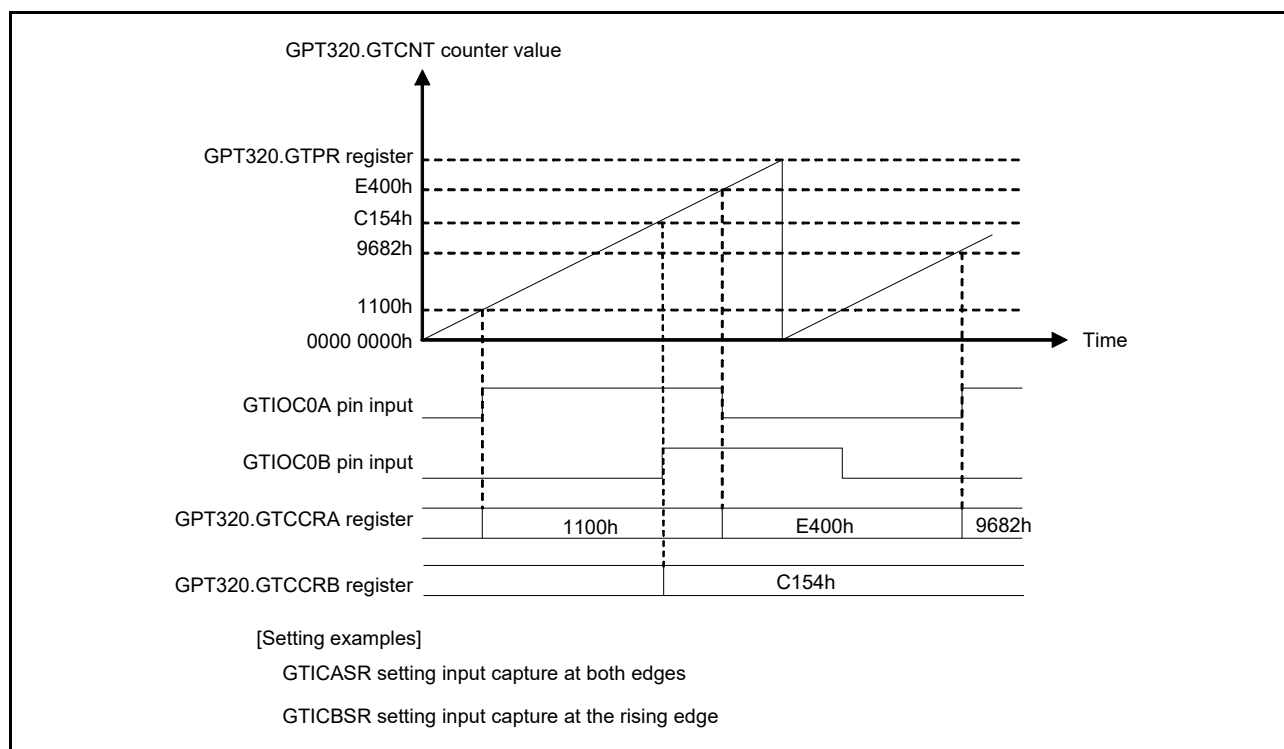


Figure 23.16 Example of input capture operation

Figure 23.17 shows an example for setting an input capture operation with count operation by the count clock.

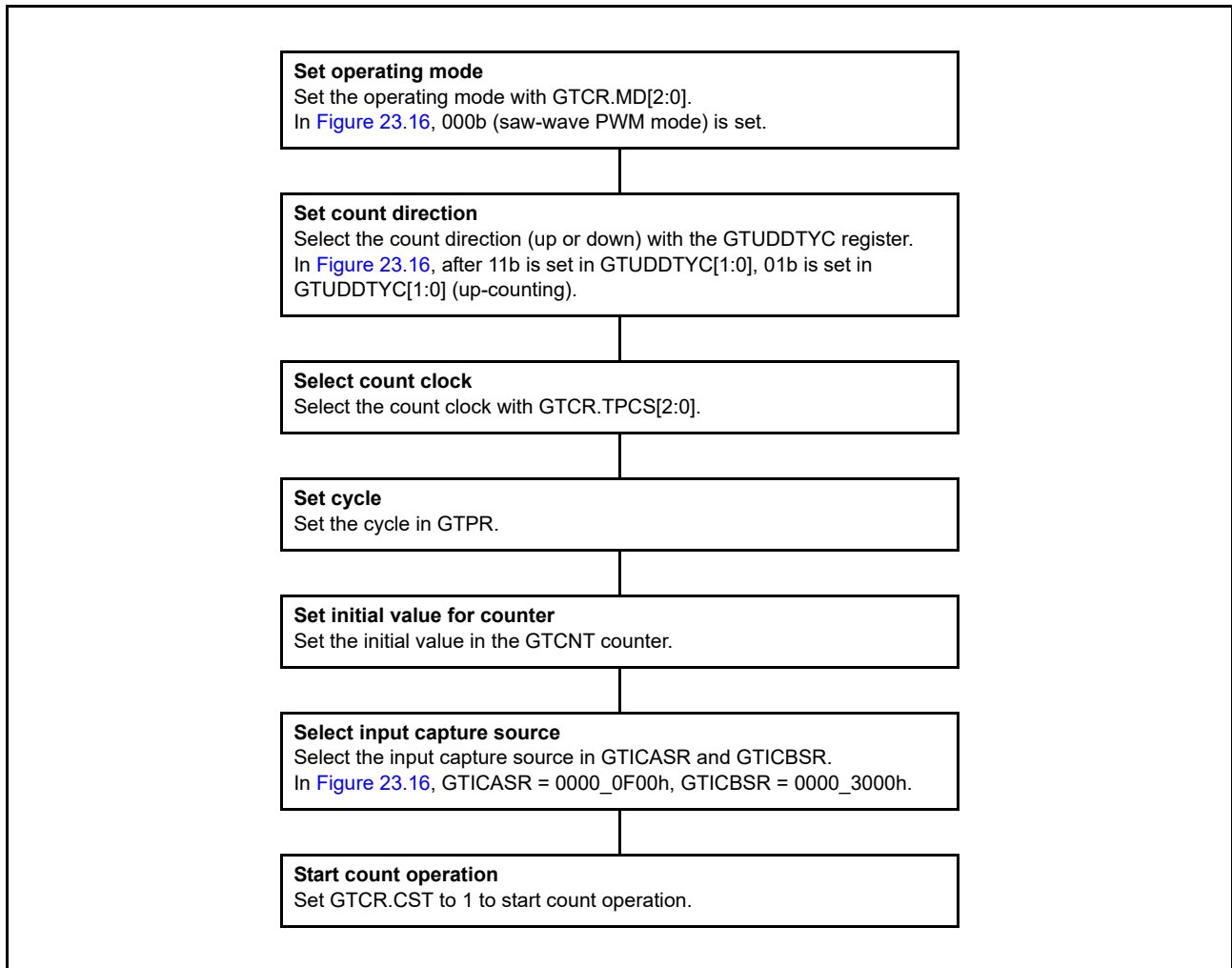


Figure 23.17 Example for setting input capture operation

23.3.2 Buffer Operation

The following buffer operations can be set with GTBER:

- GTPR and GTPBR
- GTCCRA, GTCCRC, and GTCCRD
- GTCCRB, GTCCRE, and GTCCRF.

23.3.2.1 GTPR register buffer operation

GTPBR can function as a buffer register for GTPR. The buffer transfer is performed at an overflow (during up-counting) or an underflow (during down-counting) in saw-wave mode or in event count, and at a trough in triangle-wave mode.

In saw-wave mode or in event count, the buffer transfer is performed when the following counter clear operations occur during counting:

- Clear by hardware sources (the clear source is selected in GTCSR[23:0])
- Clear by software (when GTCSR.CCLR bit is 1 and GTCLR[n] bit is set to 1, n = channel number).

Figure 23.18 to Figure 23.20 show examples of GTPR buffer operation and Figure 23.21 shows an example setting for GTPR buffer operation.

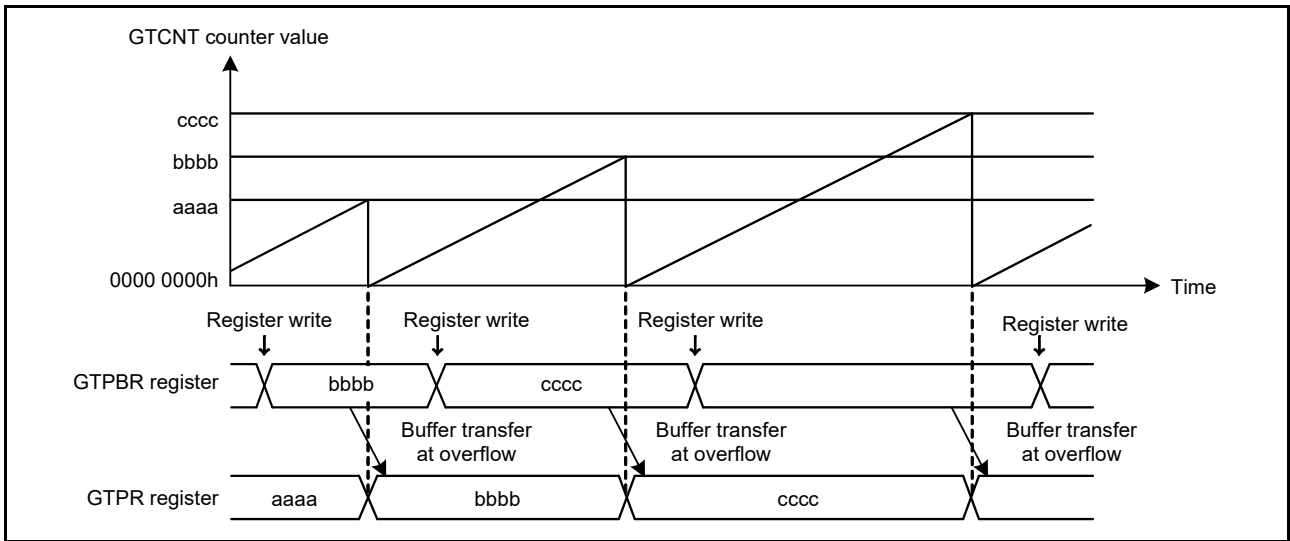


Figure 23.18 Example of GTPR buffer operation in saw waves in up-counting

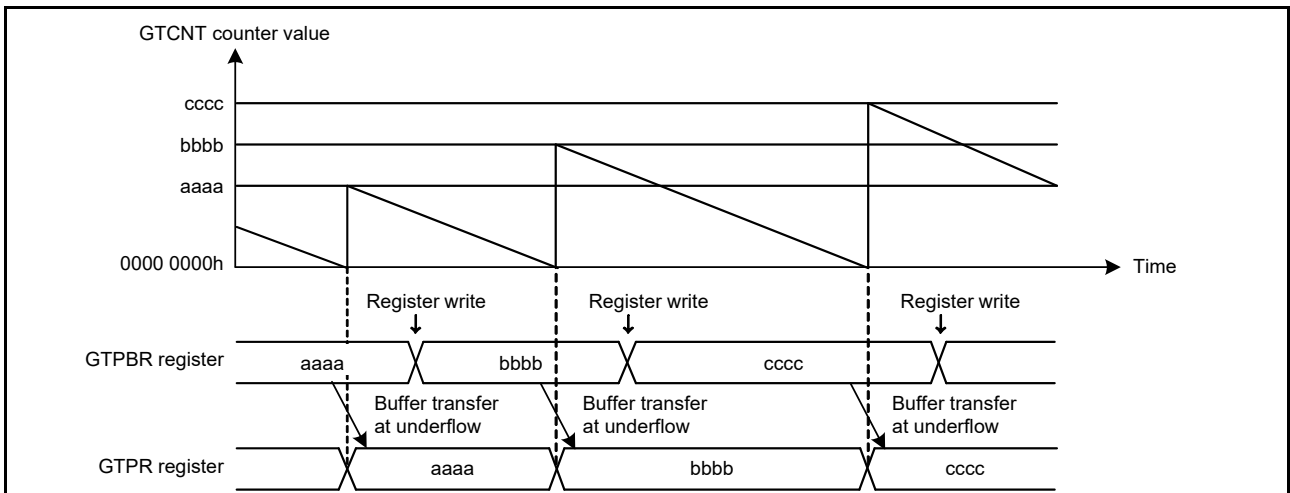


Figure 23.19 Example of GTPR buffer operation in saw waves in down-counting

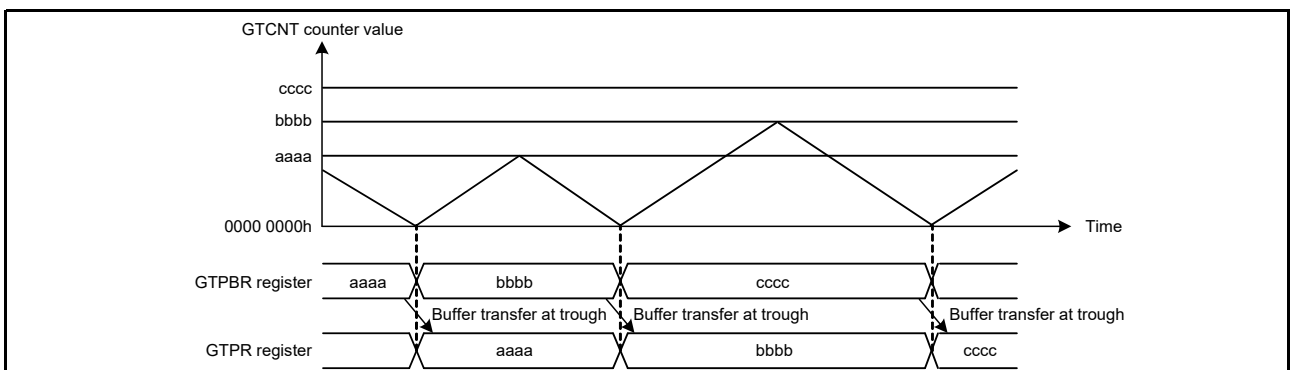


Figure 23.20 Example of GTPR buffer operation with triangle waves

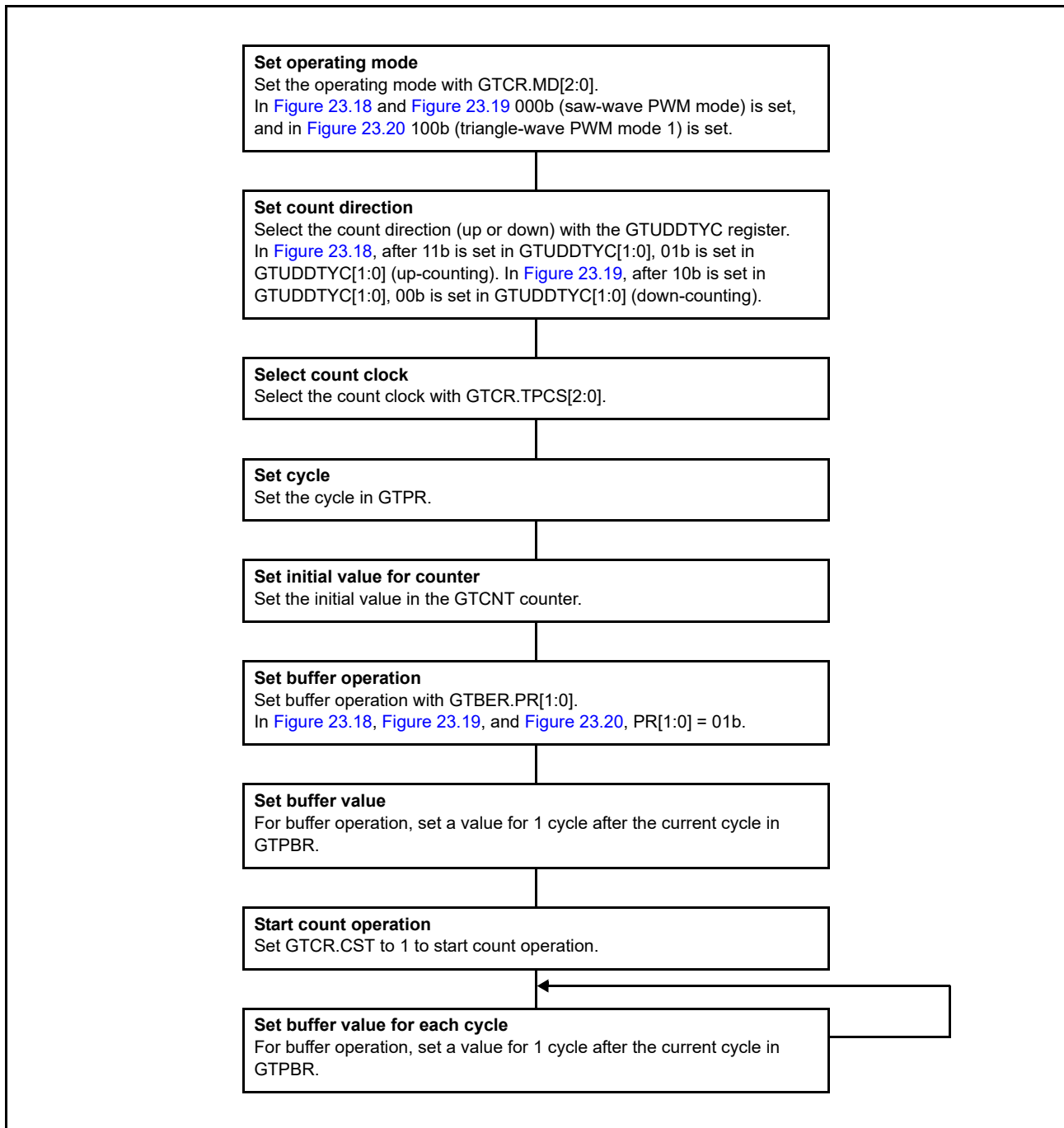


Figure 23.21 Example setting for GTPR buffer operation

23.3.2.2 Buffer operation for GTCCRA and GTCCRB

GTCCRC can function as the GTCCRA buffer register and GTCCRD can function as the GTCCRC buffer register (double-buffer register for GTCCRA). Similarly, GTCCRE can function as the GTCCRB buffer register and GTCCRF can function as the GTCCRE buffer register (double-buffer register for GTCCRB).

To set GTCCRA or GTCCRB to function as a double buffer, set GTBER.CCRA[1:0] or GTBER.CCRB[1:0] to 10b or 11b. For a single buffer operation, set GTBER.CCRA[1:0] or GTBER.CCRB[1:0] to 01b. To set GTCCRA or GTCCRB to not function as a buffer, set GTBER.CCRA[1:0] or GTBER.CCRB[1:0] to 00b.

(1) When GTCCRA or GTCCRB functions as an output compare register

Buffer transfer has the following cases:

- Buffer transfer by overflow or underflow
Buffer transfer is performed at an overflow (during up-counting) or an underflow (during down-counting) in saw-wave mode or in event count operation. In triangle-wave mode, buffer transfer is performed at a trough (triangle-wave PWM mode 1) or a crest and trough (triangle-wave PWM mode 2).
- Buffer transfer by counter clear
In saw-wave mode or in event count operation, during counting, buffer transfer (which is the same as an overflow during up-counting or an underflow during down-counting) is performed by the counter clear sources similar to the case shown in [section 23.3.2.1, GTPR register buffer operation](#). In triangle-wave mode, buffer transfer is not performed by the counter clear.
- Forcible buffer transfer
When GTBER.CCRSWT bit is set to 1 while the count operation stops, the GTCCRA and the GTCCRB register buffer transfers are performed forcibly in saw-wave mode, in event count operation and in triangle-wave mode. Additionally, buffer transfer from the GTCCRD register to temporary register A and from the GTCCRF register to temporary register B are performed in saw-wave 1 shot pulse mode or triangle-wave PWM mode 3.

[Figure 23.22](#) to [Figure 23.24](#) show examples of GTCCRA and GTCCRB buffer operation and [Figure 23.25](#) shows an example for setting GTCCRA and GTCCRB buffer operation.

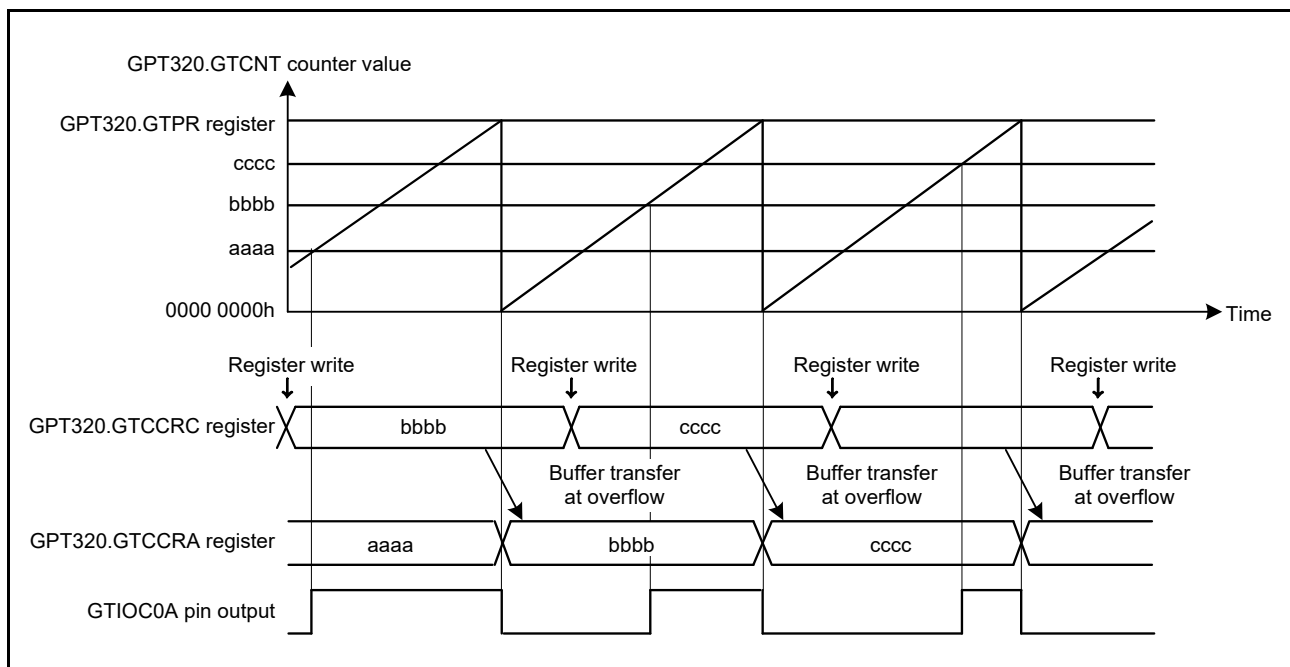


Figure 23.22 Example of GTCCRA and GTCCRB buffer operation with output compare, saw waves in up-counting, high output at GTCCRA compare match, and low output at cycle end

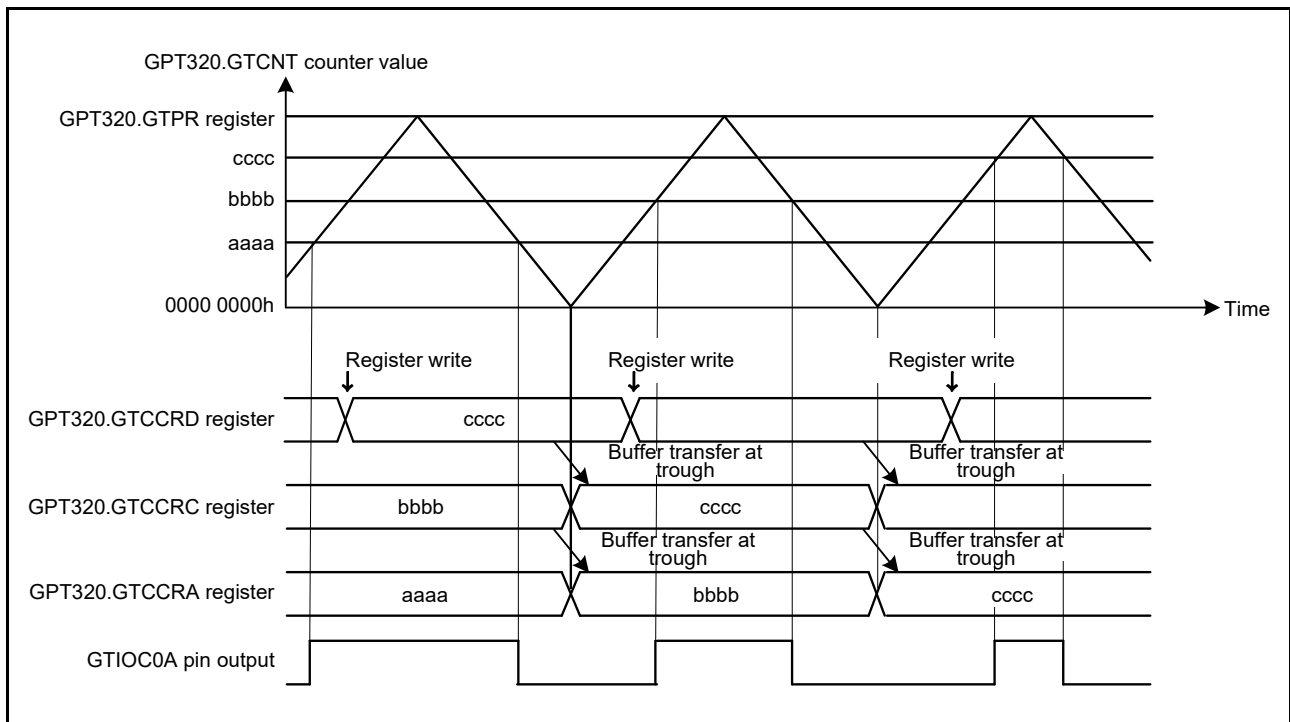


Figure 23.23 Example of GTCCRA and GTCCRB double buffer operation with output compare, triangle waves, buffer operation at trough, output toggled at GTCCRA compare match, and output retained at cycle end

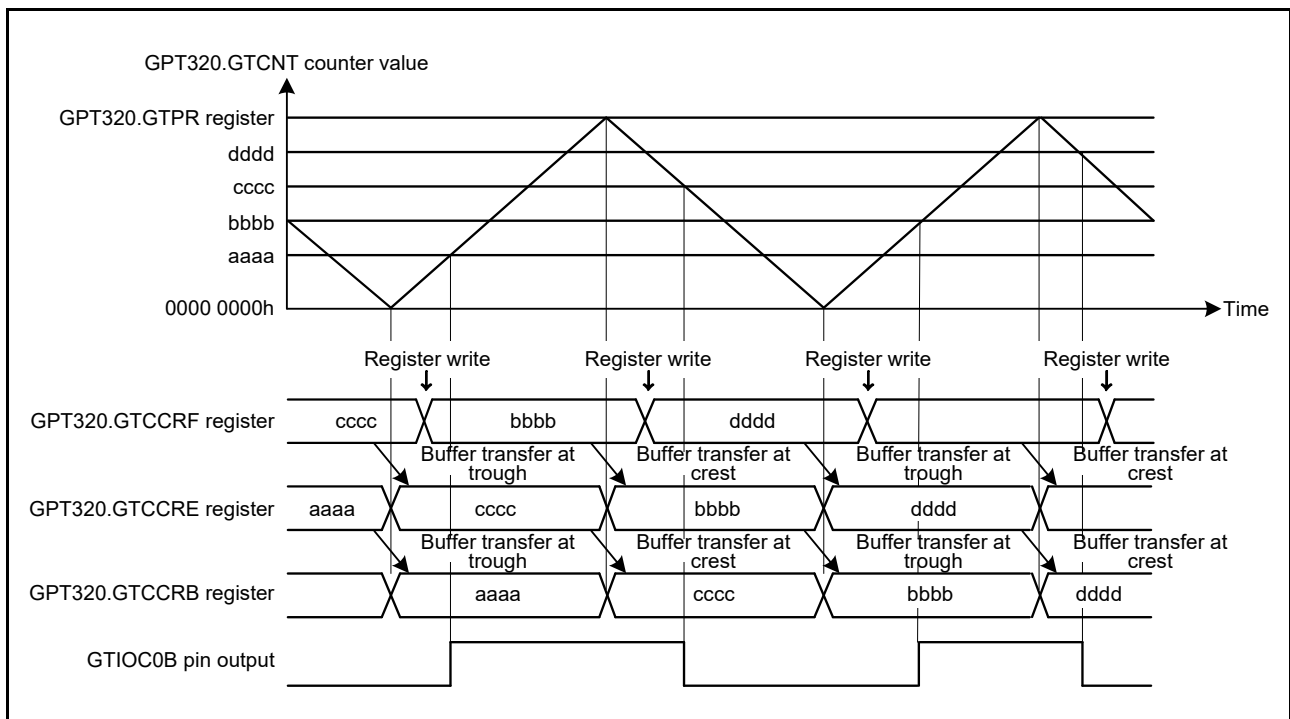


Figure 23.24 Example of GTCCRA and GTCCRB double buffer operation with output compare, triangle waves, buffer operation at both troughs and crests, output toggled at GTCCRB compare match, and output retained at cycle end

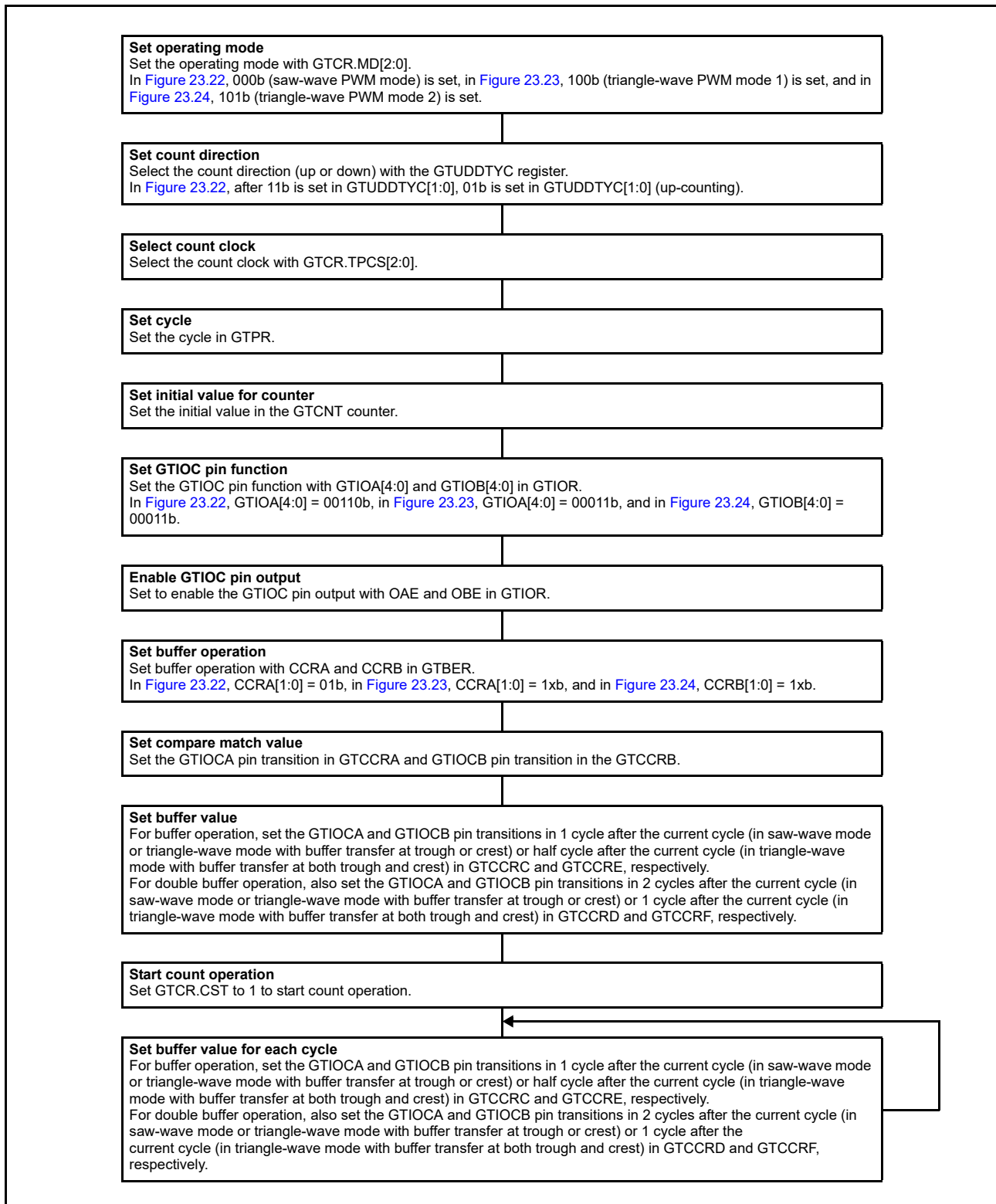


Figure 23.25 Example for setting GTCRA and GTCCRB buffer operation with output compare

(2) When GTCCRA or GTCCRB functions as an Input Capture Register

When an input capture is generated, the GTCNT counter value is transferred to GTCCRA and GTCCRB and the stored GTCCRA and GTCCRB register values are transferred to the buffer registers. In input capture operation, the buffer transfer is not performed by the counter clear.

Figure 23.26 and Figure 23.27 show examples of GTCCRA and GTCCRB buffer operation and Figure 23.28 shows an example for setting the GTCCRA and GTCCRB buffer operation.

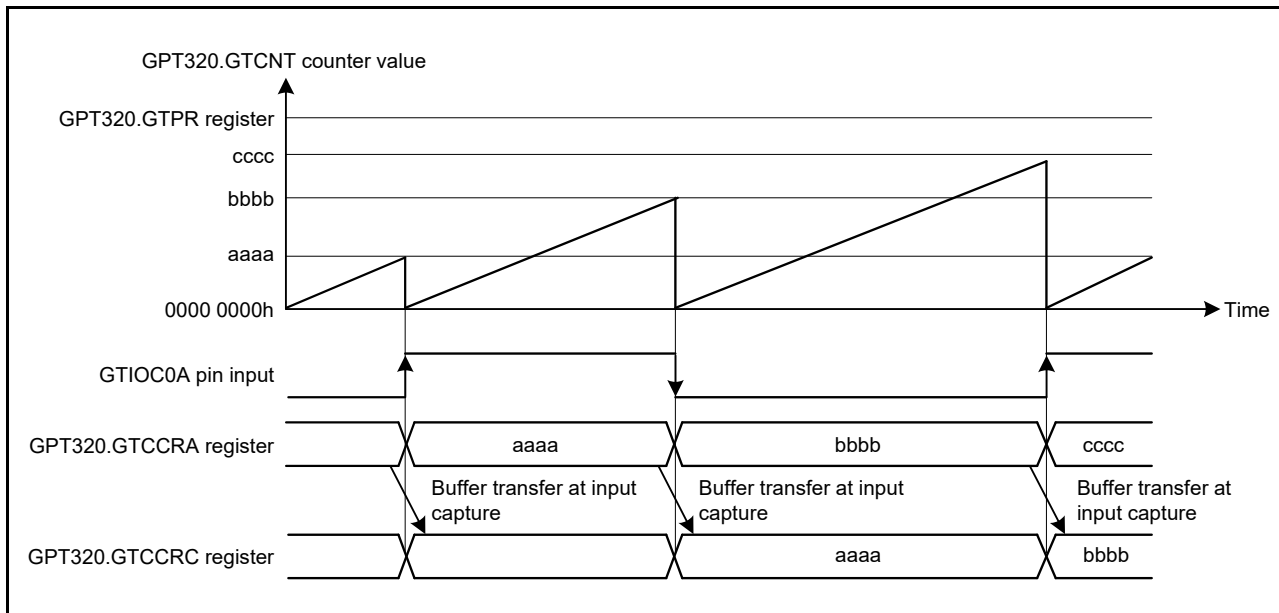


Figure 23.26 Example of GTCCRA and GTCCRB buffer operation with input capture at both edges of GTIOC0A input, saw waves in up-counting, and GTCNT counter cleared at both edges of GTIOC0A input

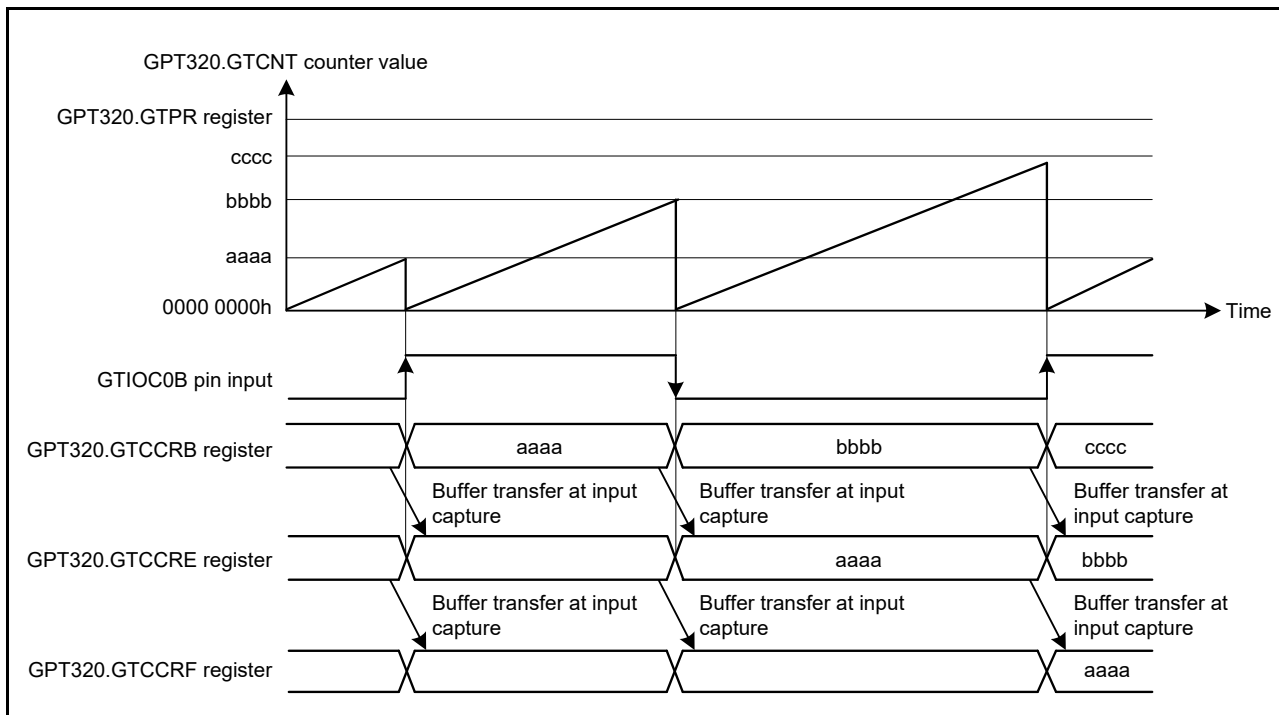


Figure 23.27 Example of GTCCRA and GTCCRB double buffer operation with input capture at both edges of GTIOC0B input, saw waves in up-counting, and GTCNT counter cleared at both edges of GTIOC0B input

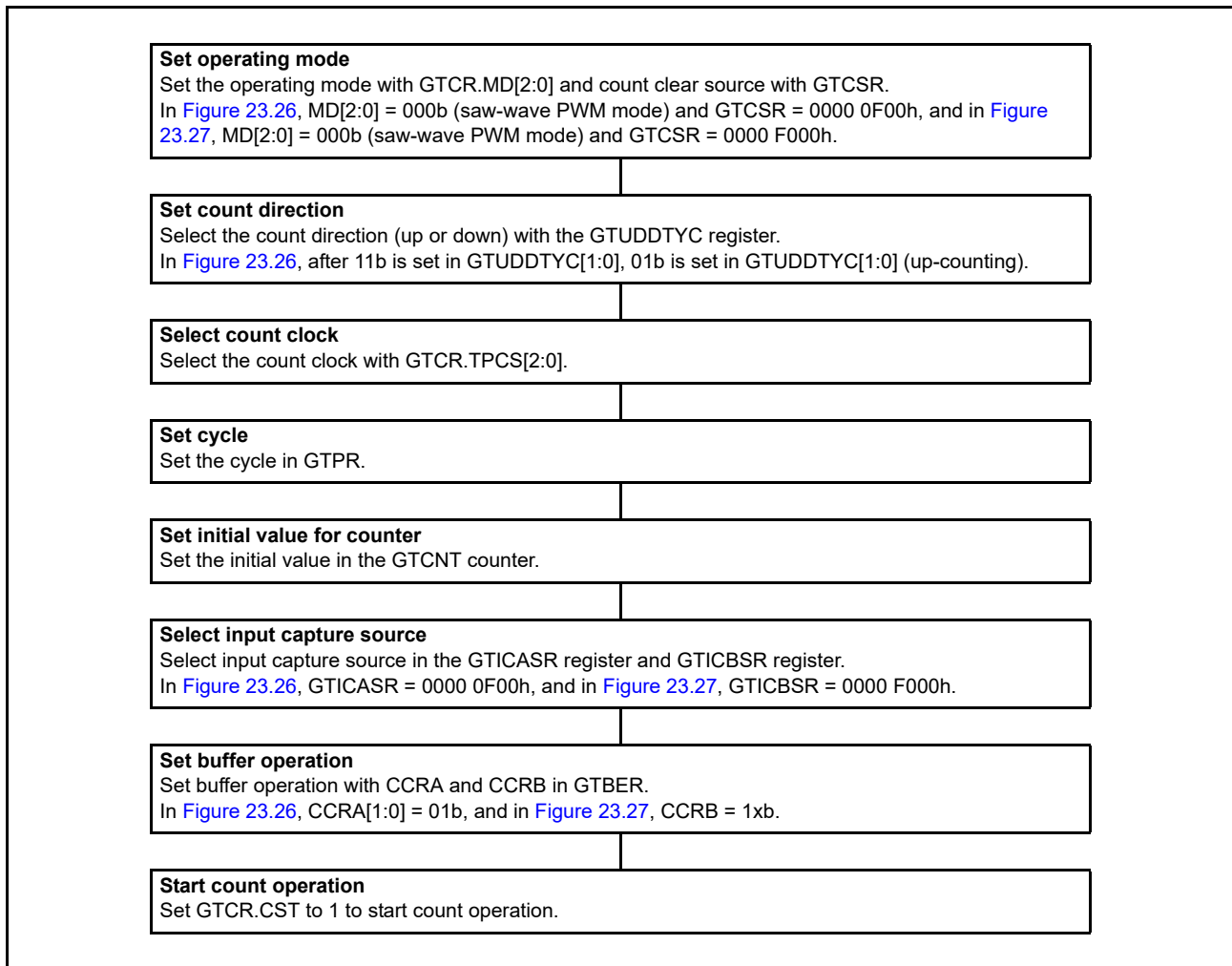


Figure 23.28 Example for setting GTCCRA and GTCCRB buffer operation with input capture

23.3.3 PWM Output Operating Mode

The GPT can output PWM waveforms to the GTIOCA or GTIOCB pin by a compare match between the GTCNT counter and GTCCRA or GTCCRB. By setting GTDTCR and GTDVU, the compare match value for a negative-phase waveform with dead time can be automatically set to GTCCRB.

23.3.3.1 Saw-wave PWM mode

In saw-wave PWM mode, GTCNT performs saw-wave (half-wave) operation by setting the cycle in GTPR. A PWM waveform is output to the GTIOCA or GTIOCB pin when a GTCCRA or GTCCRB compare match occurs. The pin output value can be selected from low output, high output, or toggle output separately for a compare match and for the cycle end according to the GTIOR setting

Figure 23.29 shows an example of saw-wave PWM mode operation, and Figure 23.30 shows an example for setting saw-wave PWM mode.

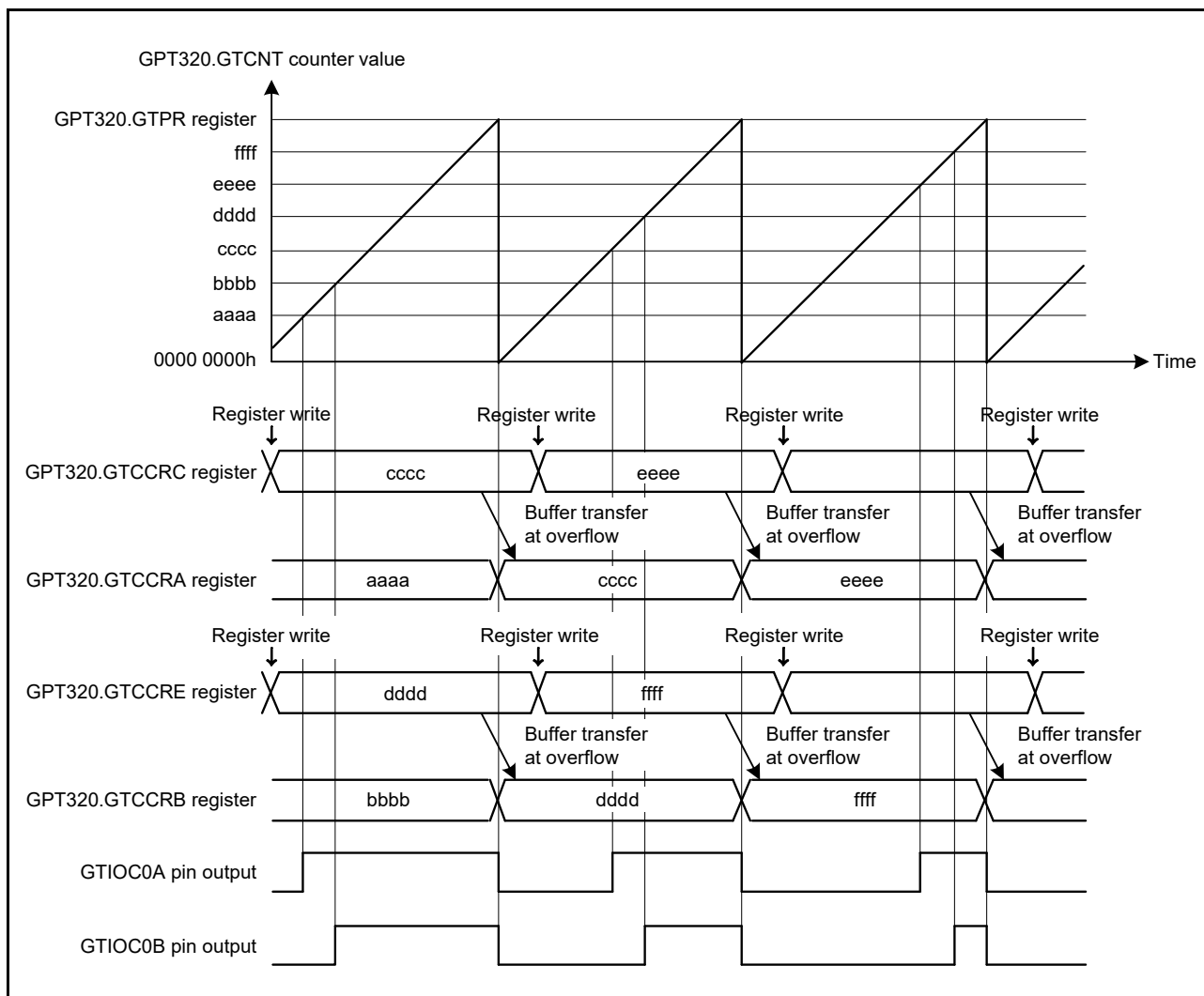


Figure 23.29 Example of saw-wave PWM mode operation with up-counting, buffer operation, high output at GTCCRA/GTCCRB compare match, and low output at cycle end

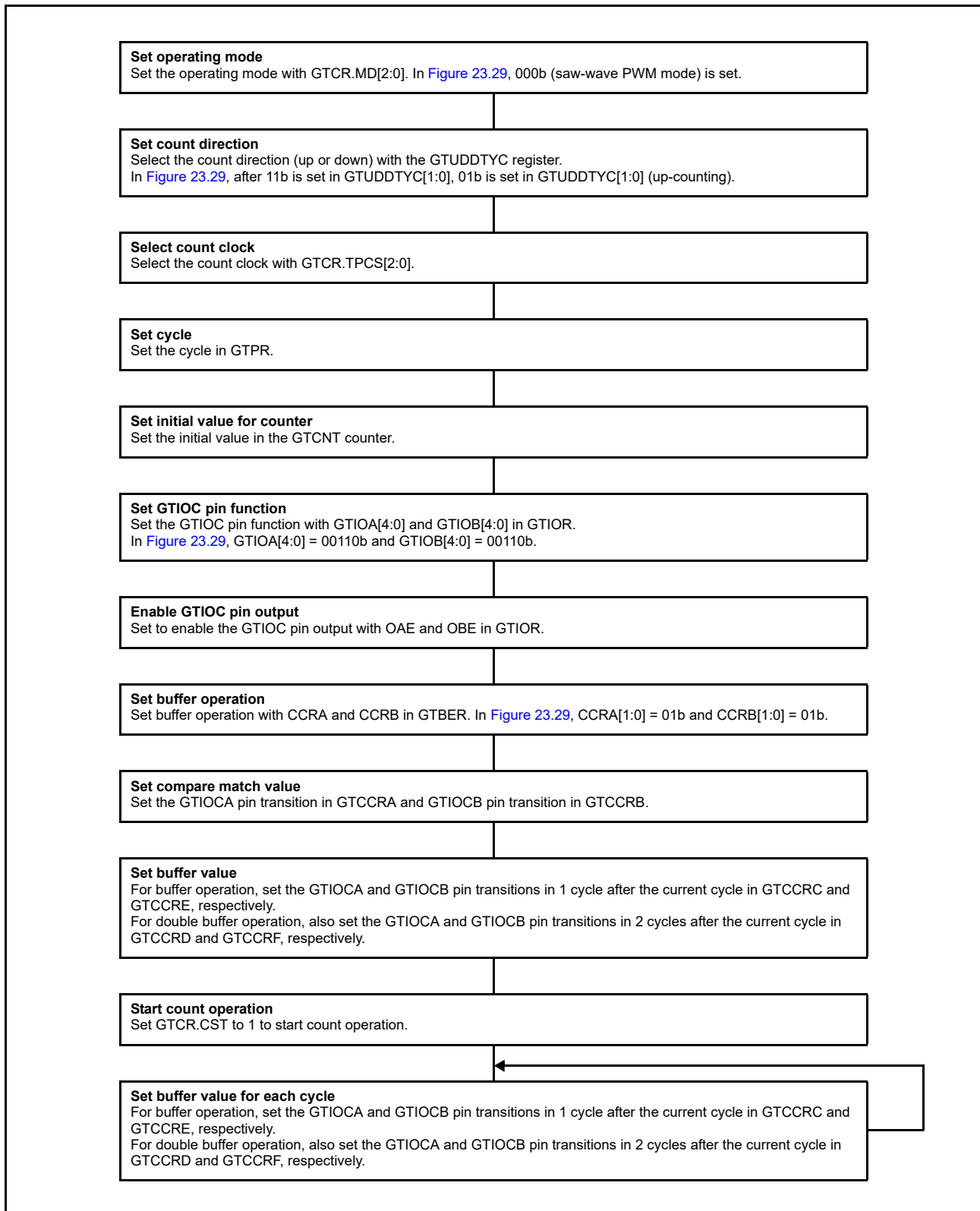


Figure 23.30 Example for setting saw-wave PWM mode

23.3.3.2 Saw-wave one-shot pulse mode

The saw-wave one-shot pulse mode is a mode in which the cycle is set in GTPR. The GTCNT counter performs saw-wave (half-wave) operation and a PWM waveform is output to the GTIOCA or GTIOCB pin at a compare match of GTCCRA or GTCCRB with buffer operation fixed.

Buffer operation in saw-wave one-shot pulse mode is different from the usual buffer operation. Buffer transfer is performed from the following:

- GTCCRC to GTCCRA at the cycle end
- GTCCRE to GTCCRB at the cycle end
- GTCCRD to temporary register A at the cycle end
- GTCCRF to temporary register B at the cycle end
- Temporary register A to GTCCRA at a GTCCRA compare match
- Temporary register B to GTCCRB at a GTCCRB compare match.

The pin output value can be selected from low output, high output, or toggle output separately for a compare match and the cycle end according to the GTIOR setting. When the GTBER.CCRSWT bit is set to 1 while the count operation stops, the buffer is transferred forcibly from the GTCCRD register to temporary register A and from the GTCCRF register to temporary register B. By setting GTDTCR and GTDVU, a compare match value for a negative-phase waveform with dead time can automatically be set to GTCCRB.

Figure 23.31 shows an example of saw-wave one-shot pulse mode operation, and Figure 23.32 shows an example for setting saw-wave one-shot pulse mode.

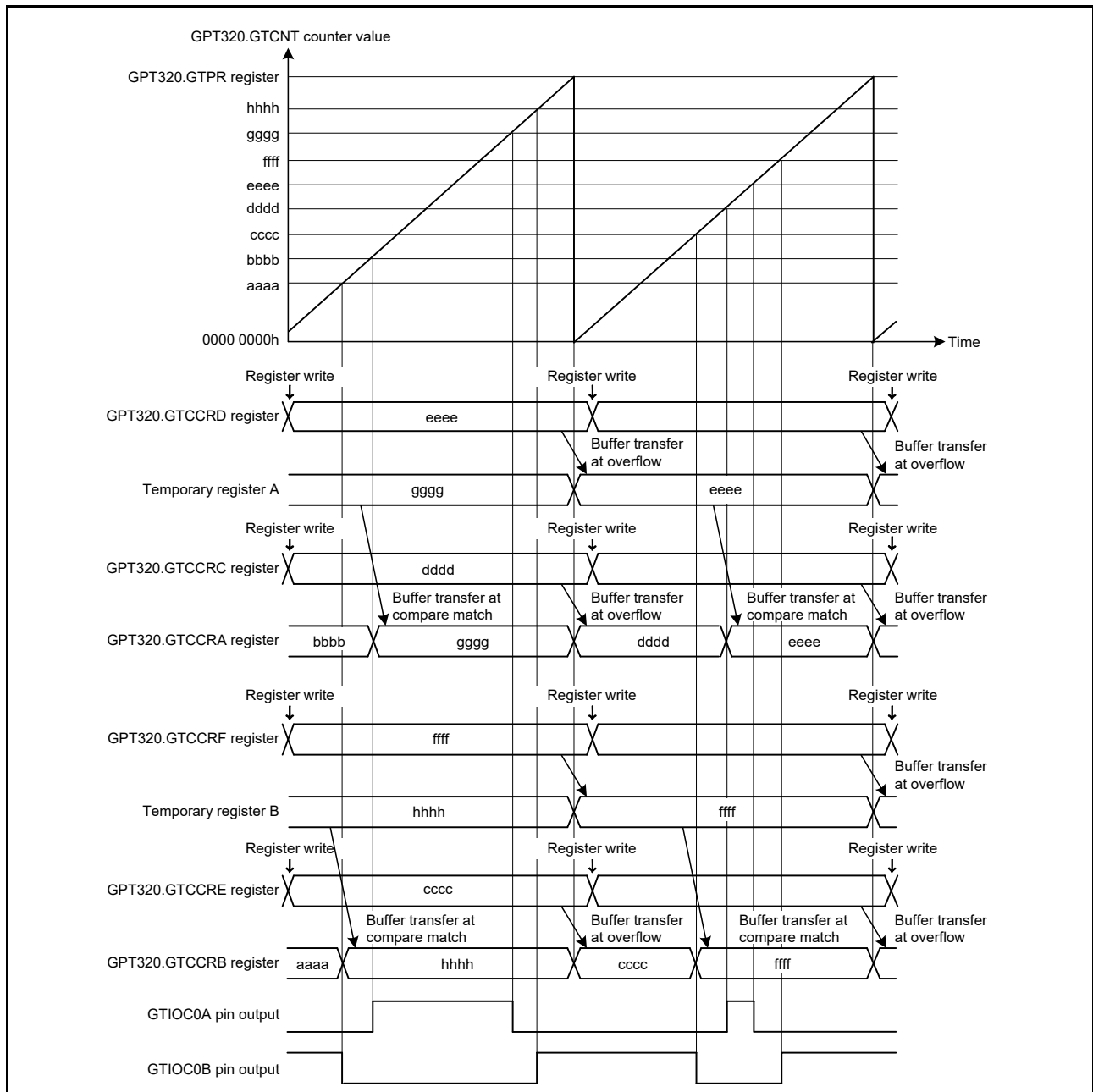


Figure 23.31 Example of saw-wave one-shot pulse mode operation with up-counting, low output from the GTIOC0A pin and high output from the GTIOC0B pin at count start, output toggled at GTCCRA/GTCCRB compare match, and output retained at cycle end

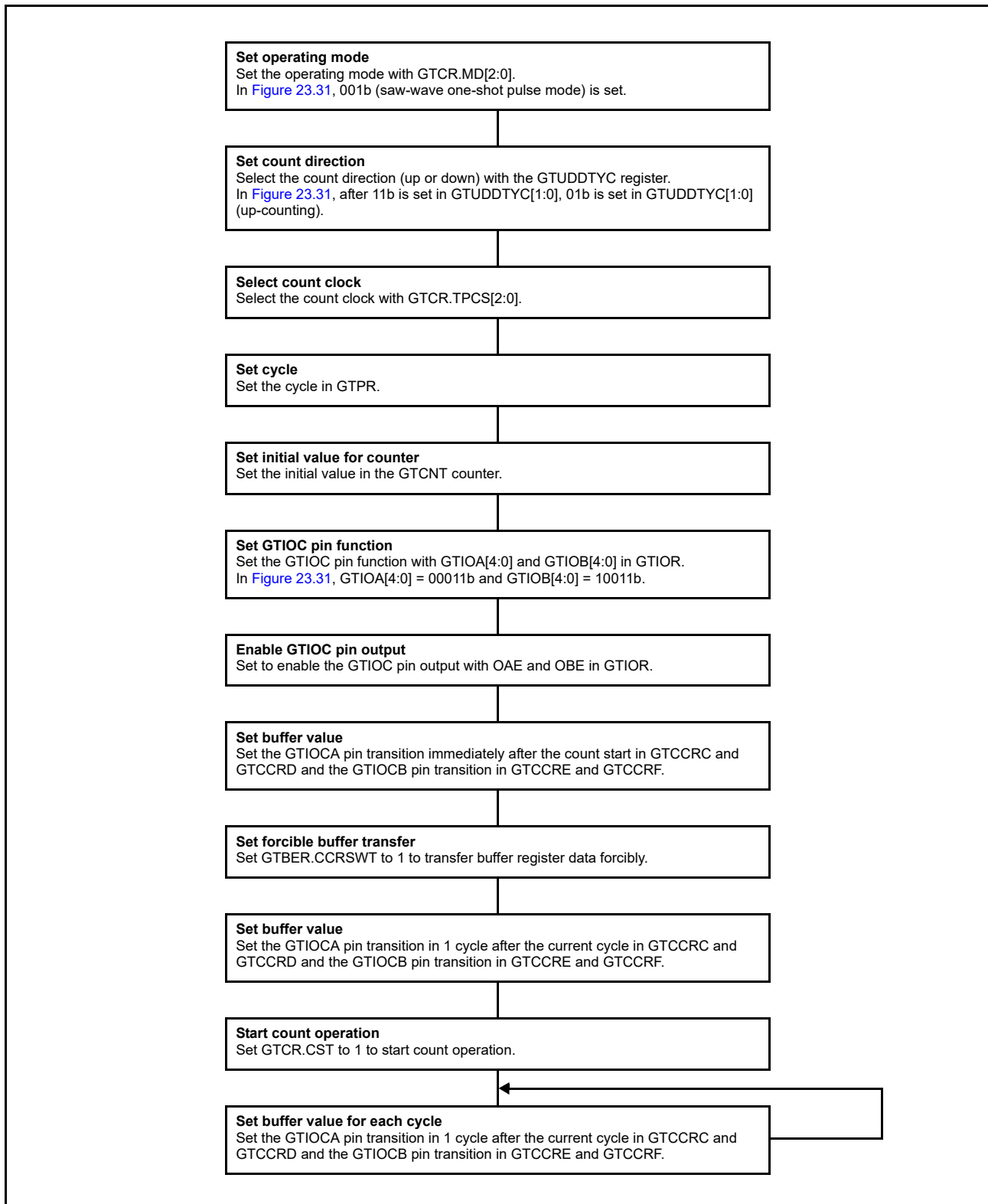


Figure 23.32 Example for setting saw-wave one-shot pulse mode

23.3.3.3 Triangle-wave PWM mode 1 (32-bit transfer at trough)

The triangle-wave PWM mode 1 is a mode in which the cycle is set in GTPR. The GTCNT counter performs triangle-wave (full-wave) operation, and a PWM waveform is output to the GTIOCA or GTIOCB pin when a GTCCRA or GTCCRB compare match occurs. Buffer transfer is performed at the trough. The pin output value can be selected from low output, high output, or toggle output separately for a compare match and for the cycle end based on the GTIOR setting.

By setting GTDTCR and GTDVU, a compare match value for a negative-phase waveform with dead time can automatically be set to GTCCRB.

Figure 23.33 shows an example of a triangle-wave PWM mode 1 operation, and Figure 23.34 shows an example setting for a triangle-wave PWM mode 1.

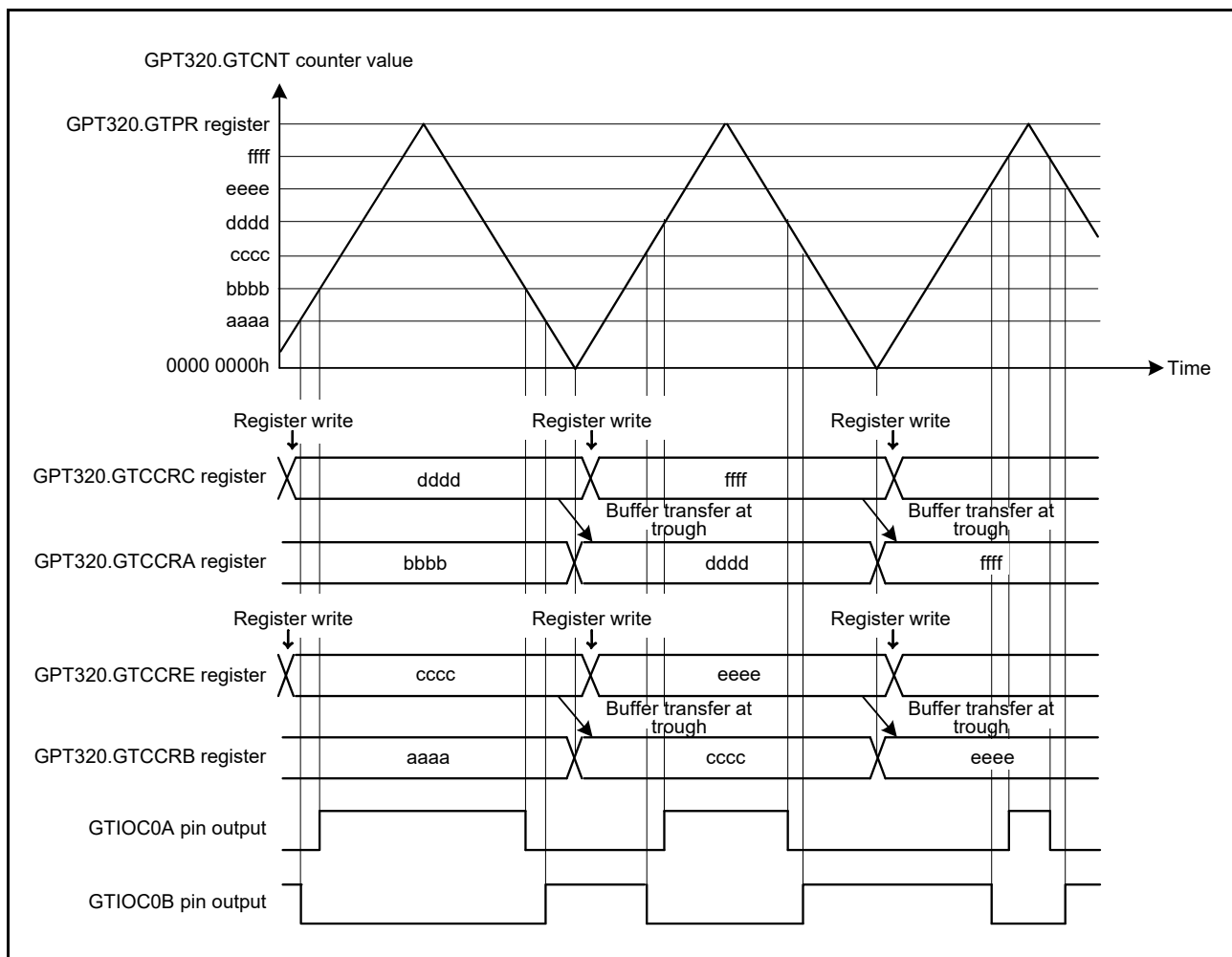


Figure 23.33 Example of triangle-wave PWM mode 1 operation with buffer operation, low output from the GTIOCA pin and high output from the GTIOCB pin at count start, output toggled at GTCCRA/GTCCRB register compare match, and output retained at cycle end

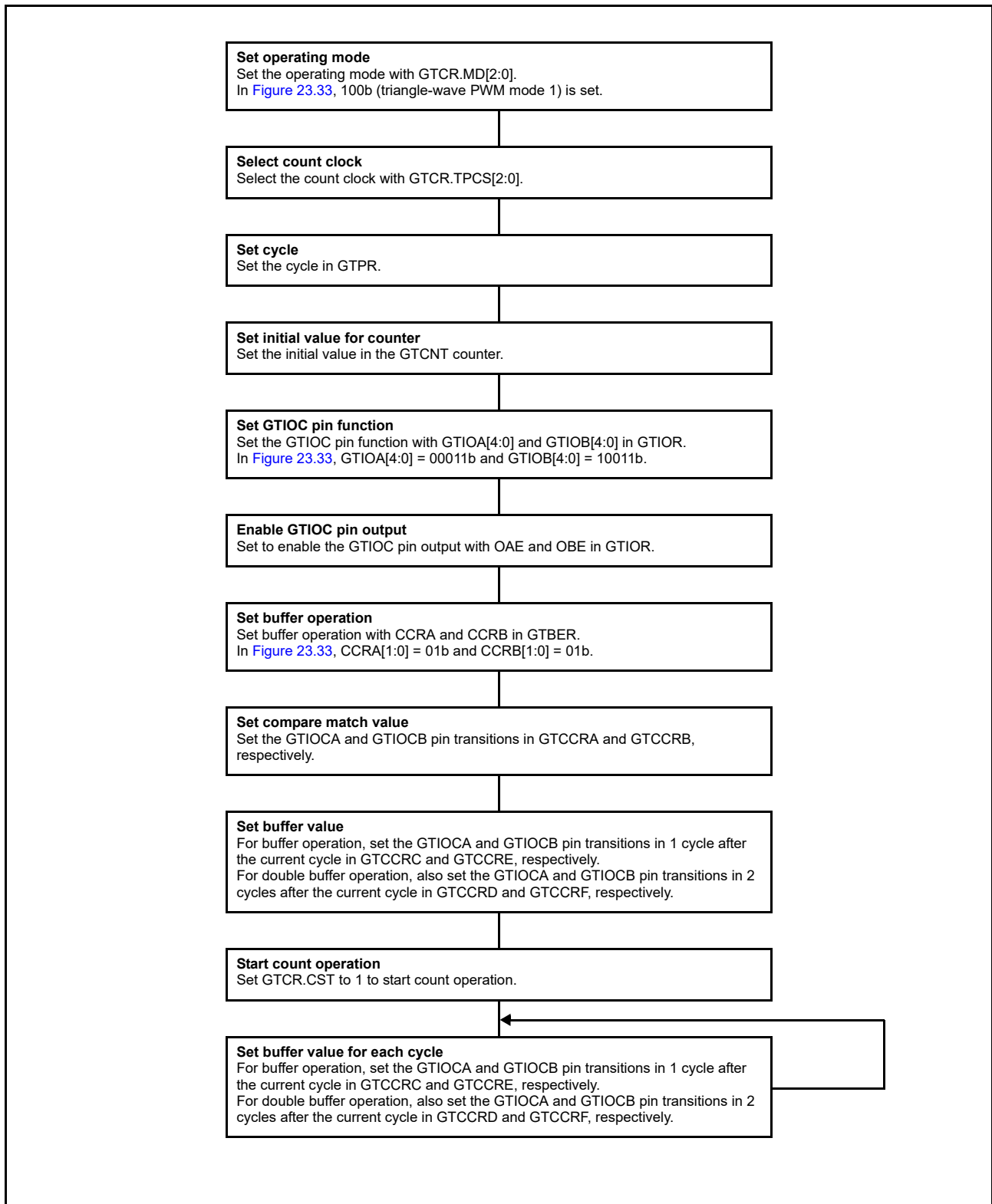


Figure 23.34 Example for setting triangle-wave PWM mode 1

23.3.3.4 Triangle-wave PWM mode 2 (32-bit transfer at crest and trough)

Similar to triangle-wave PWM mode 1, in triangle-wave PWM mode 2, the cycle is set in GTPR. The GTCNT counter performs triangle-wave (full-wave) operation, and a PWM waveform is output to the GTIOCA or GTIOCB pin when a GTCCRA or GTCCRB compare match occurs. The buffer transfer is performed at both crests and troughs. The pin output value can be selected from low output, high output, or toggle output separately for a compare match and for the cycle end according to the GTIOR setting. By setting GTDTCR and GTDVU, a compare match value for a negative-phase waveform with dead time can automatically be set to GTCCRB.

Figure 23.35 shows an example of triangle-wave PWM mode 2 operation, and Figure 23.36 shows an example for setting triangle-wave PWM mode 2.

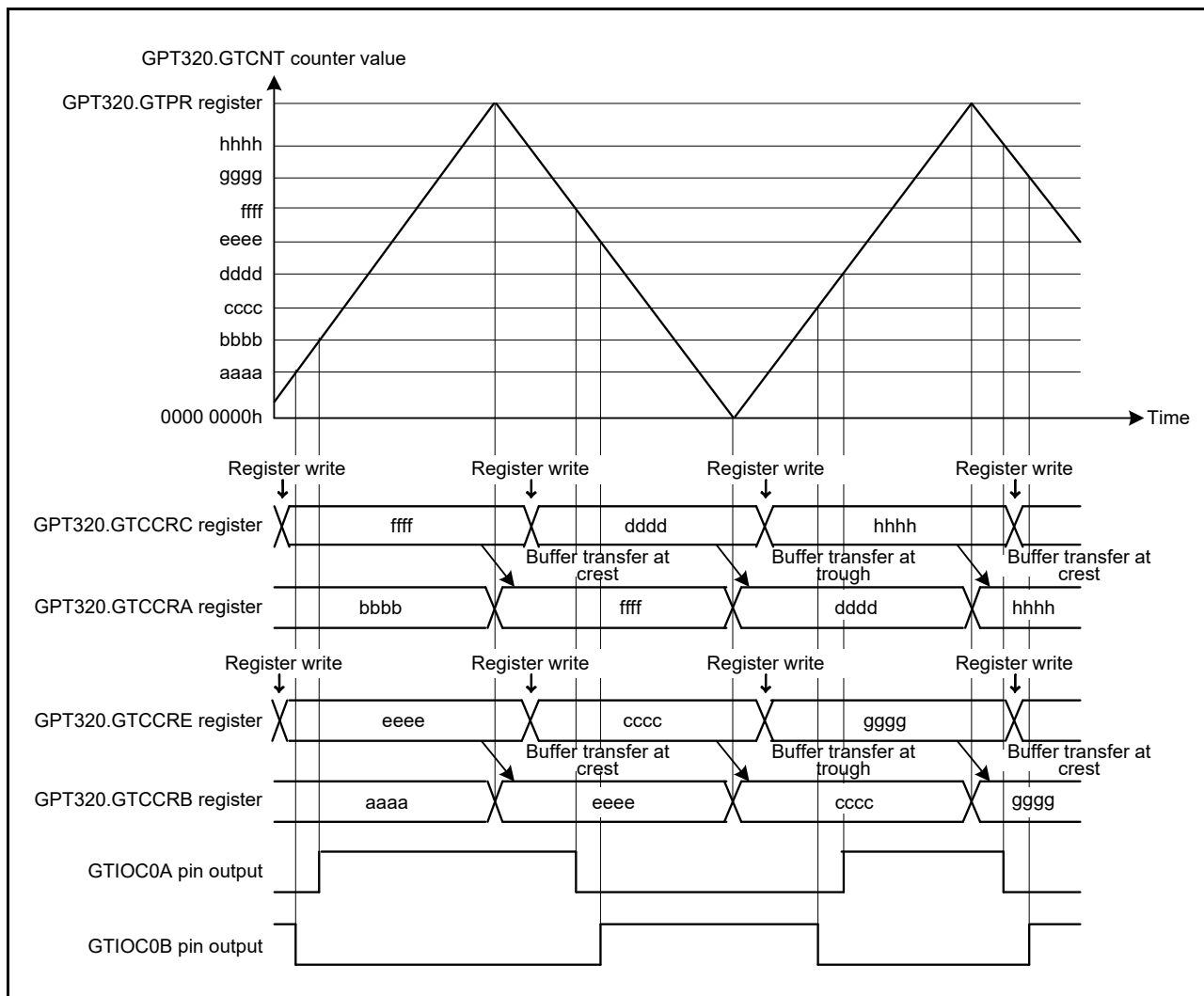


Figure 23.35 Example of triangle-wave PWM mode 2 operation with buffer operation, low output from the GTIOC0A pin and high output from the GTIOC0B pin at count start, output toggled at GTCCRA/GTCCRB compare match, and output retained at cycle end

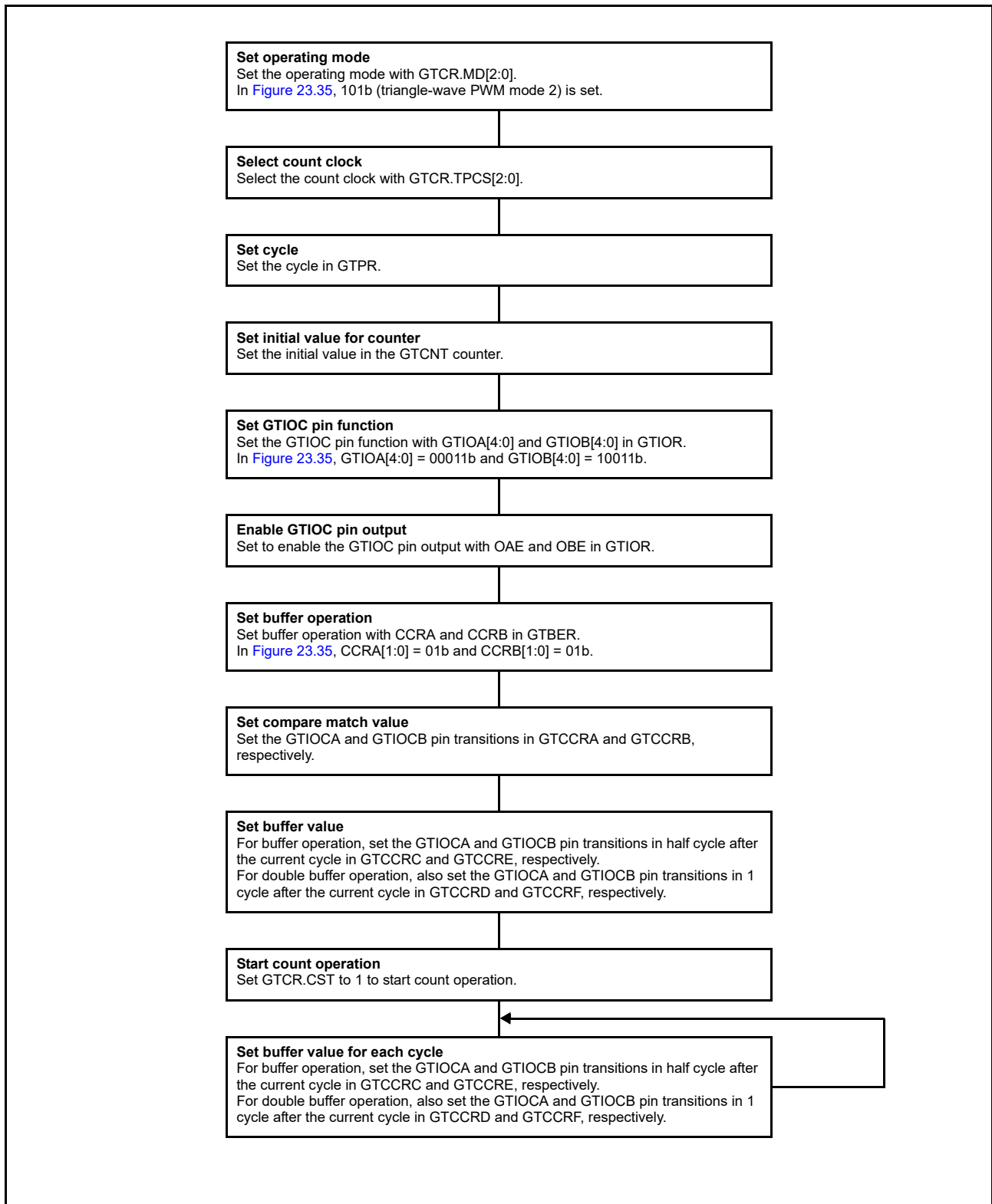


Figure 23.36 Example for setting triangle-wave PWM mode 2

23.3.3.5 Triangle-wave PWM mode 3 (64-bit transfer at trough)

The triangle-wave PWM mode 3 is a mode in which the cycle is set in GTPR. The GTCNT counter performs triangle-wave (full-wave) operation and a PWM waveform is output to the GTIOCA or GTIOCB pin at a compare match of GTCCRA or GTCCRB with buffer operation fixed. Buffer operation in triangle-wave PWM mode 3 is different from the usual buffer operation. Buffer transfer is performed from the following:

- GTCCRC to GTCCRA at the trough
- GTCCRE to GTCCRB at the trough
- GTCCRD to temporary register A at the trough
- GTCCRF to temporary register B at the trough
- Temporary register A to GTCCRA at the crest
- Temporary register B to GTCCRB at the crest.

The pin output value can be selected from low output, high output, or toggle output separately for a compare match and for the cycle end based on the GTIOR setting. By setting GTDTCR and GTDVU, a compare match value for a negative-phase waveform with dead time can automatically be set to GTCCRB.

Figure 23.37 shows an example of triangle-wave PWM mode 3 operation, and Figure 23.38 shows an example for setting triangle-wave PWM mode 3.

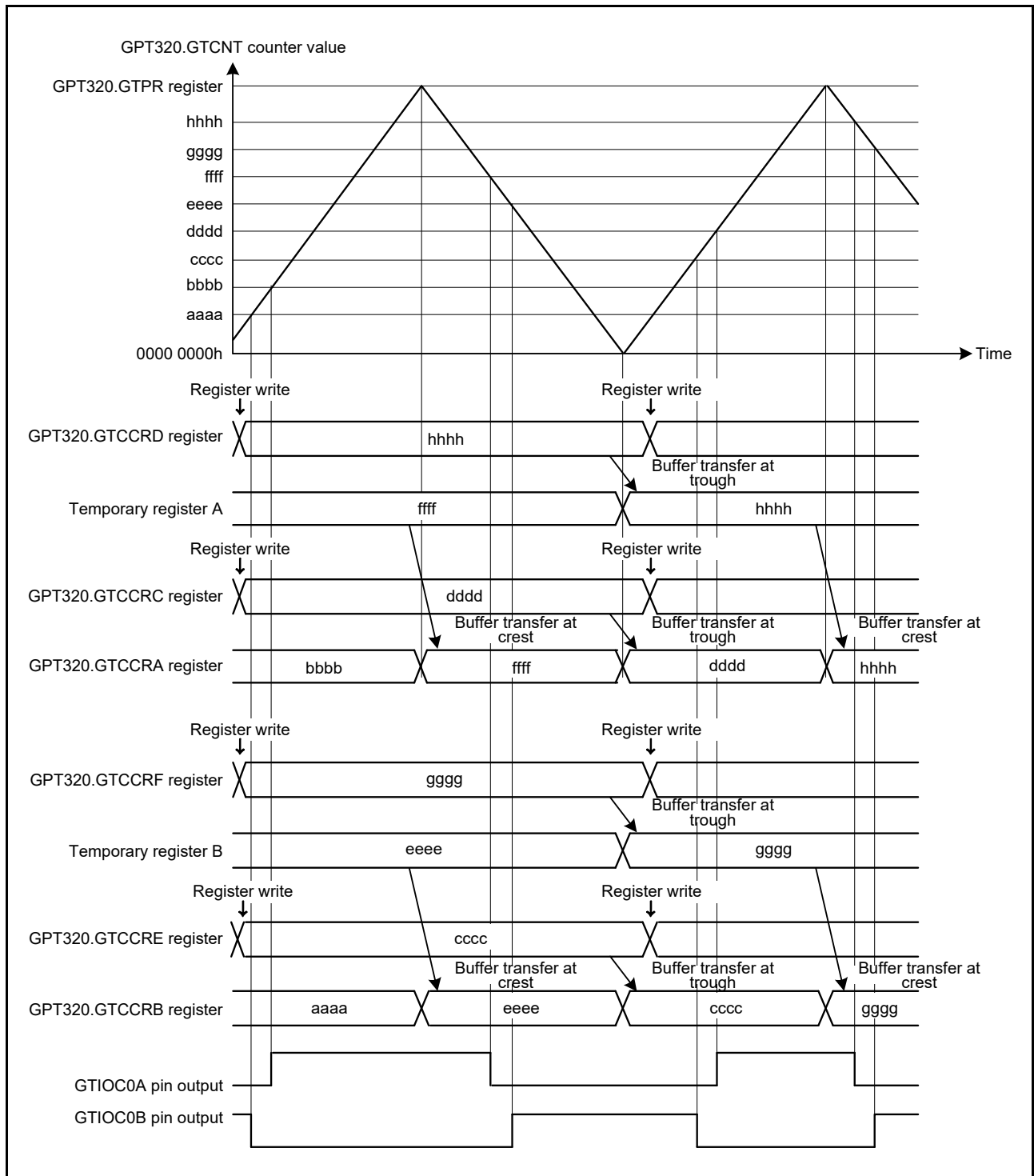


Figure 23.37 Example of triangle-wave PWM mode 3 operation with low output from the GTIOC0A pin and high output from the GTIOC0B pin at count start, output toggled at GTCCRA/GTCCRB compare match, and output retained at cycle end

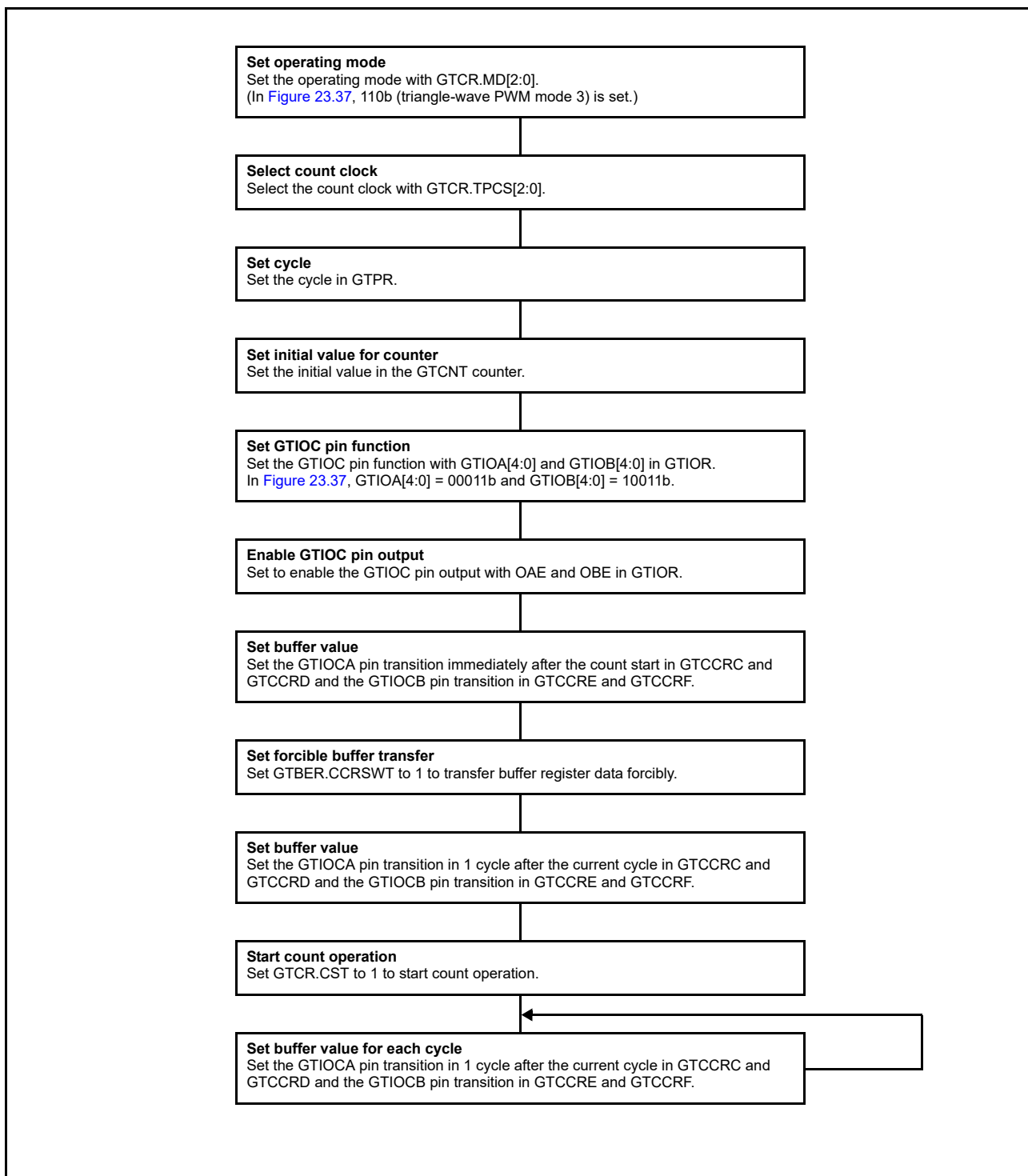


Figure 23.38 Example for setting triangle-wave PWM mode 3

23.3.4 Automatic Dead Time Setting Function

By setting GTDTCR, a compare match value for a negative waveform with dead time obtained by a compare match value for a positive waveform (GTCCRA value) and specified dead time value (GTDVU value) can automatically be set to GTCCRB. The automatic dead time setting function can be used in saw-wave one-shot pulse mode and all the triangle PWM modes.

Writing to GTCCRB is prohibited when the automatic dead time setting function is used. Dead time setting beyond the cycle is also prohibited. Values for automatic dead time setting can be read from GTCCRB. The automatic dead time value setting to GTCCRB is performed at the next count clock cycle when registers that are used for calculating the automatic dead time value are updated.

Figure 23.39 to Figure 23.42 show examples of automatic dead time setting function operation. Figure 23.43 and Figure 23.44 show the setting examples.

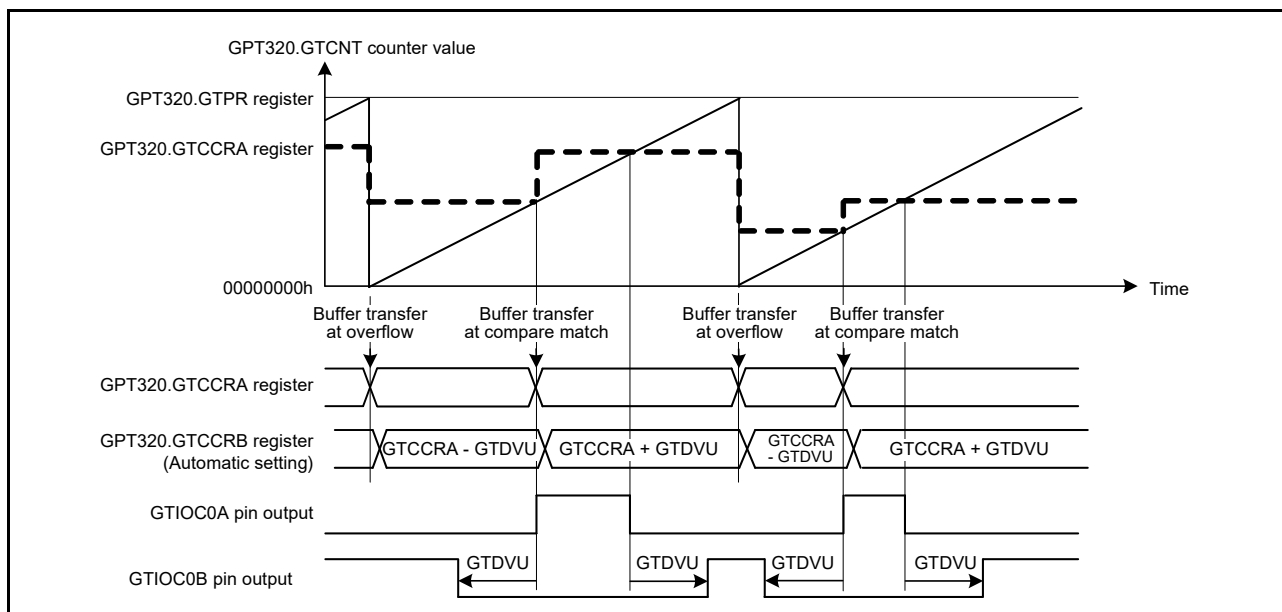


Figure 23.39 Example of automatic dead time setting function operation with saw-wave one-shot pulse mode, up-counting, and active-high

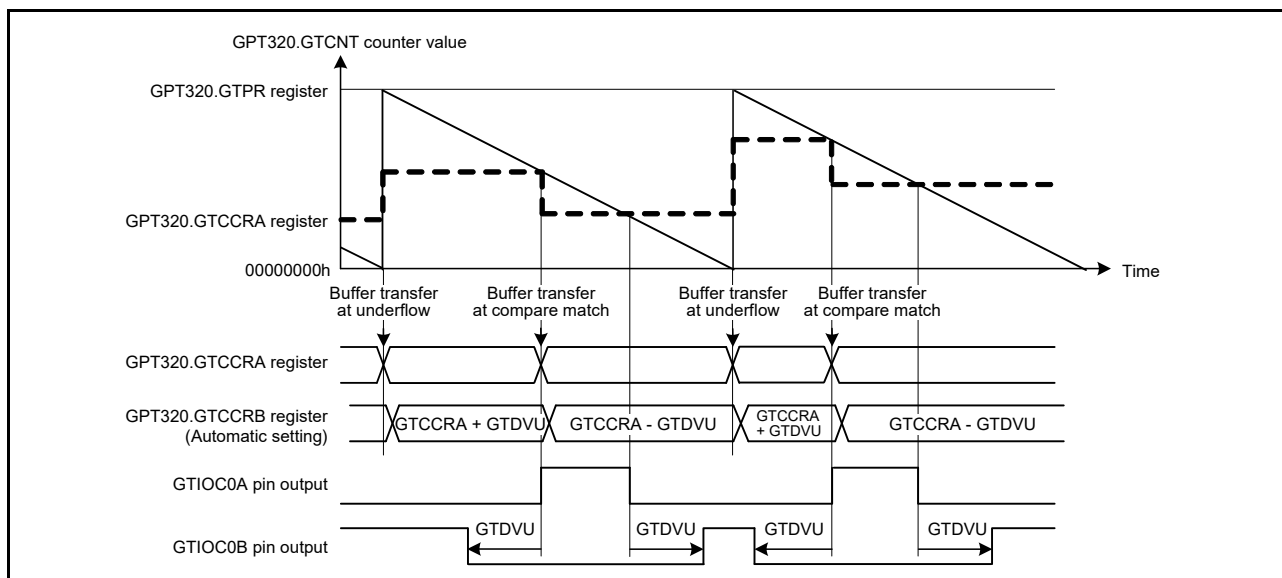


Figure 23.40 Example of automatic dead time setting function operation with saw-wave one-shot pulse mode, down-counting, and active-high

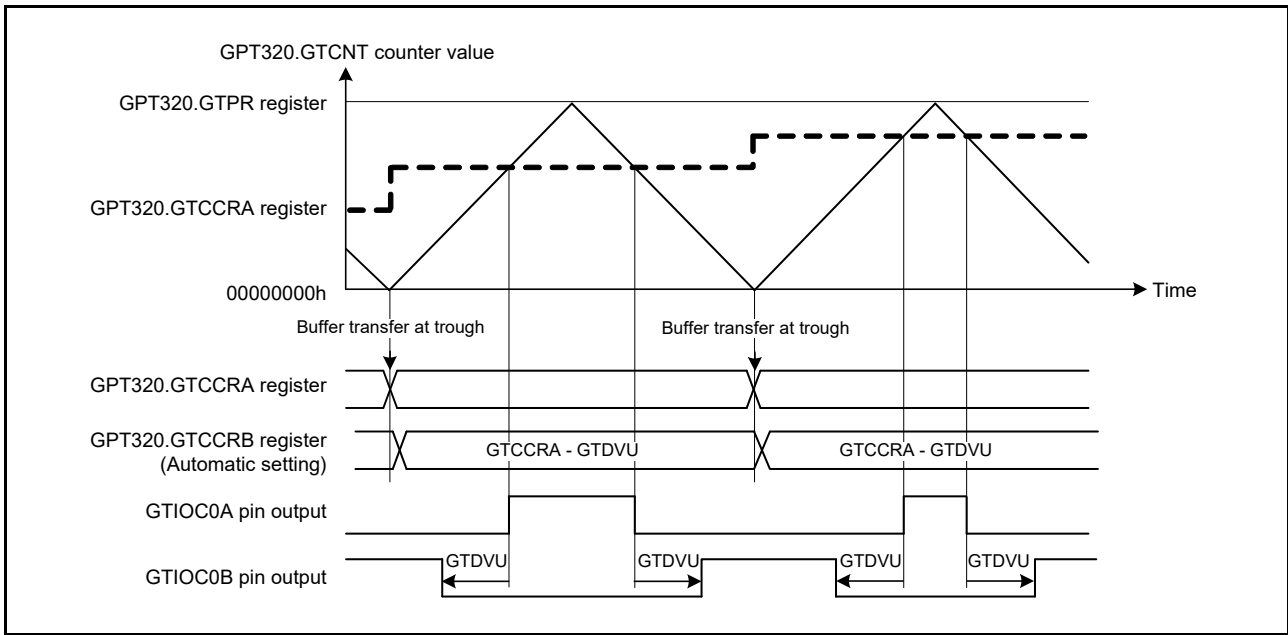


Figure 23.41 Example of automatic compare-match value setting function with dead time with triangle-wave PWM mode 1, and active-high

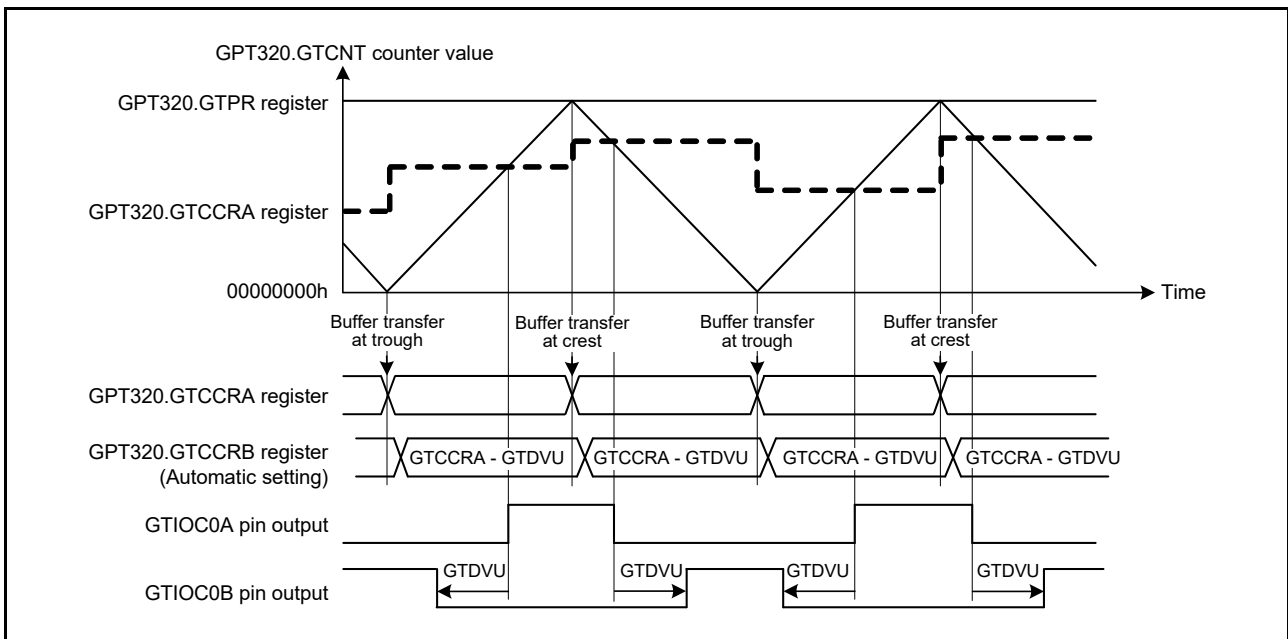


Figure 23.42 Example of automatic compare-match value setting function with dead time with triangle-wave PWM mode 2 or 3, and active-high

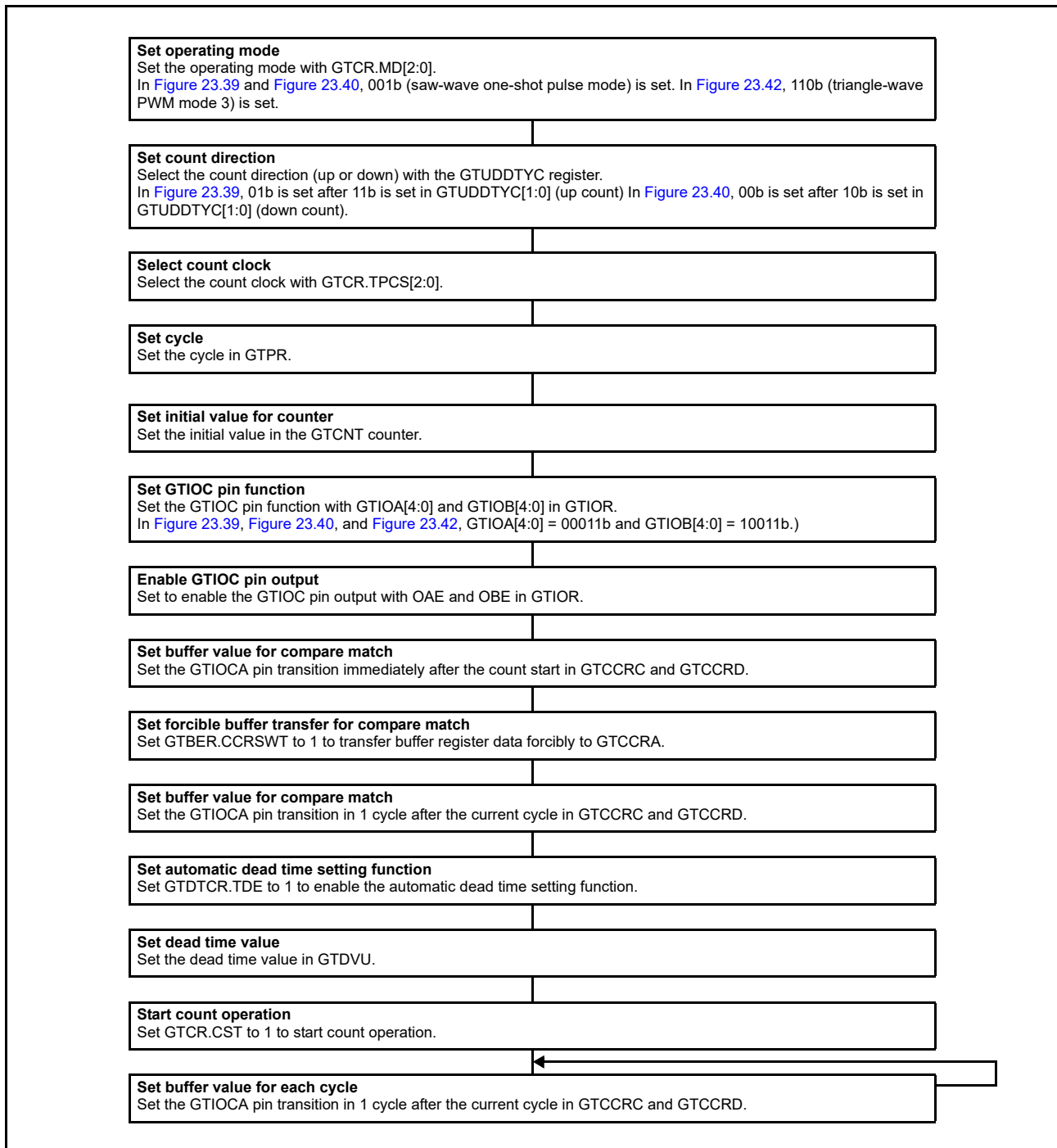


Figure 23.43 Example for setting automatic dead time setting function with saw-wave one-shot pulse mode, and triangle-wave PWM mode 3

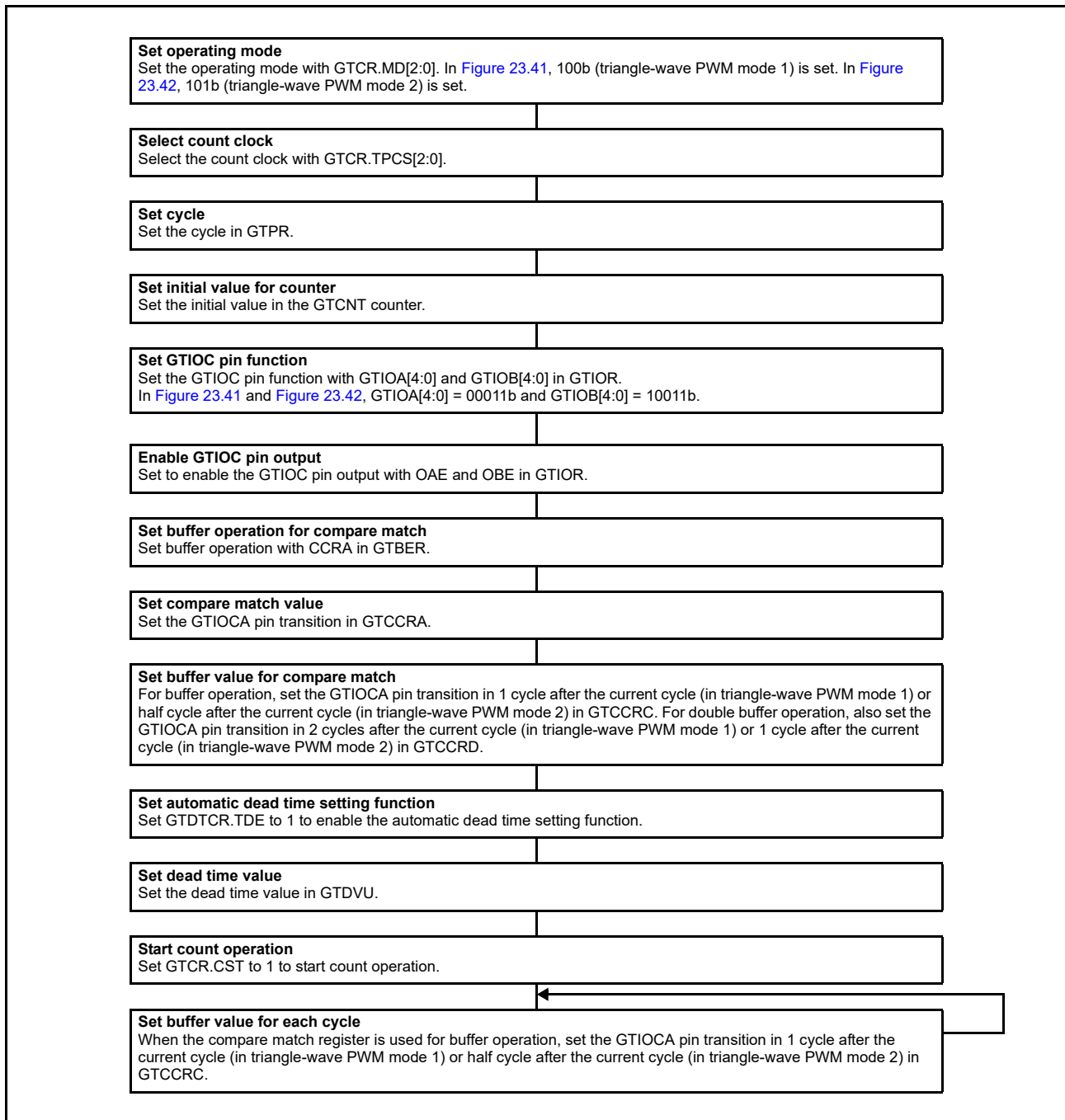


Figure 23.44 Example for setting automatic dead time setting function in triangle-wave PWM mode 1 or 2

23.3.5 Count Direction Changing Function

The count direction of the GTCNT counter can be changed by modifying the UD bit in GTUDDTYC.

In saw-wave mode, if the UD bit in GTUDDTYC is modified during count operation, the count direction is changed at an overflow (when modified during up-counting) or an underflow (when modified during down-counting). If the GTUDDTYC.UD bit is modified while the count operation stops and the GTUDDTYC.UDF bit is 0, the GTUDDTYC.UD bit modification is not reflected at the start of counting and the count direction changes at an overflow or an underflow. If the UDF bit is set to 1 while the count operation stops, the GTUDDTYC.UD bit value at that time is reflected at the start of counting.

In triangle-wave mode, the count direction does not change even though the UD bit in GTUDDTYC is modified during the count operation. Similarly, even though the GTUDDTYC.UD bit is modified while the count operation stops and GTUDDTYC.UDF bit is 0, the GTUDDTYC.UD bit value is not reflected to the count operation. If the GTUDDTYC.UDF bit is set to 1 while the count operation stops, the GTUDDTYC.UD bit value at that time is reflected at the start of counting.

If the count direction changes during a saw-wave count operation, the GTPR value after the start of up-counting is reflected in the count cycle during up-counting and the GTPR value before the start of down-counting is reflected during down-counting.

Figure 23.45 shows an example of the count direction changing function operation.

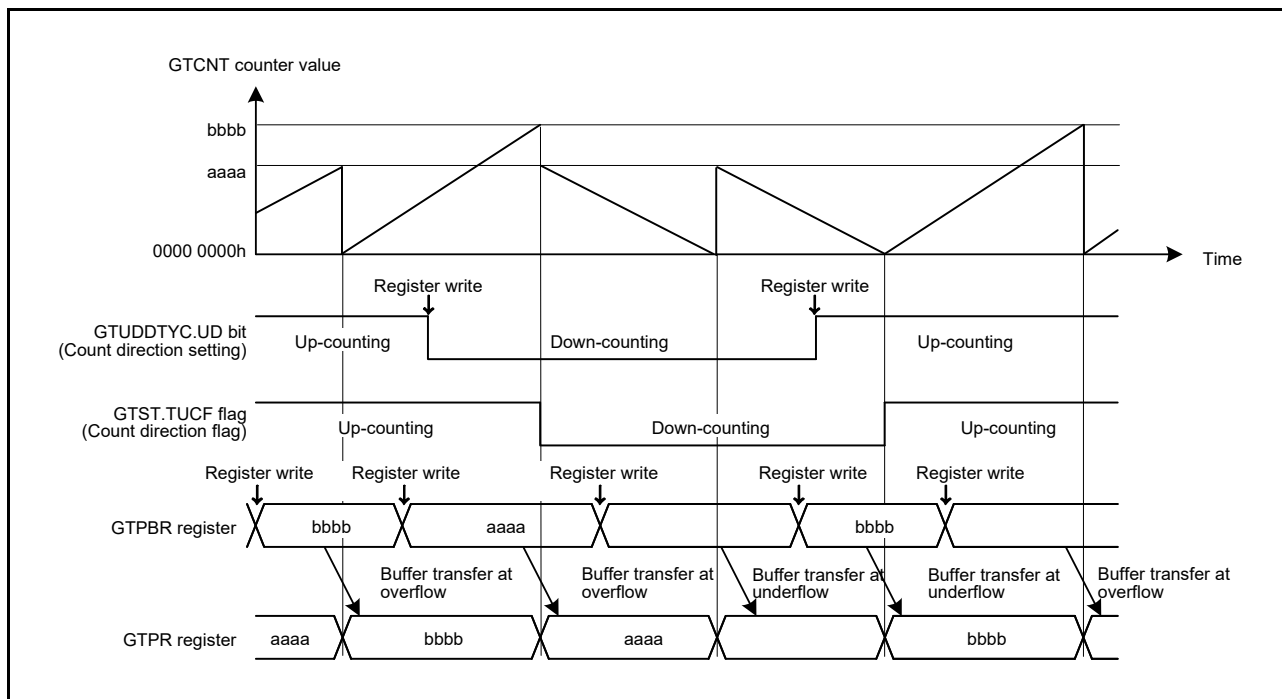


Figure 23.45 Example of a count direction changing function operation during buffer operation

23.3.6 Function of Output Duty 0% and 100%

The output duty of the GTIOCA pin and the GTIOCB pin is set to 0% or 100% by changing the GTUDDTYC.OADTY bit or GTUDDTYC.OBDTY bit.

In saw-wave mode, if the GTUDDTYC.OADTY bit or the GTUDDTYC.OBDTY bit is modified during the count operation, the output duty setting is reflected at an overflow (when modified during up-counting) or an underflow (when modified during down-counting). If the GTUDDTYC.OADTY bit or the GTUDDTYC.OBDTY bit is modified while the count operation stops and the GTUDDTYC.OADTYF or the GTUDDTYC.OBDTYF bit is 0, the output duty modification is not reflected at the start of counting. The output duty changes at an overflow or an underflow. If the GTUDDTYC.OADTYF or the GTUDDTYC.OBDTYF bit is set to 1 while the count operation stops, the GTUDDTYC.OADTY bit or the GTUDDTYC.OBDTY bit value at that time is reflected at the start of counting.

In triangle-wave mode, if the GTUDDTYC.OADTY bit or the GTUDDTYC.OBDTY bit is modified during the count operation, the output duty setting is reflected at an underflow.

If the GTUDDTYC.OADTY bit or the GTUDDTYC.OBDTY bit is modified while the count operation stops and the GTUDDTYC.OADTYF or the GTUDDTYC.OBDTYF bit is 0, the output duty modification is not reflected at the start of counting. The output duty changes at an underflow. If the GTUDDTYC.OADTY bit or the GTUDDTYC.OBDTY bit is modified while the count operation stops and the GTUDDTYC.OADTYF or the GTUDDTYC.OBDTYF bit is 1, the output duty modification is reflected at the start of counting.

In performing 0% or 100% duty operation, GPT internally continues to:

- Perform compare match operation
- Set compare match flag
- Output interrupt
- Perform buffer operation.

When the control is changed from 0% or 100% duty setting to compare match, the output value of the GTIOCA pin at cycle end is determined by GTIOR.GTIOA[3:2] and GTUDDTYC.OADTYR. The output value of GTIOCB pin at cycle end is decided by GTIOR.GTIOB[3:2] and GTUDDTYC.OBDTYR.

When GTIOR.GTIOA[3:2] and GTIOR.GTIOB[3:2] are set to 01b, the output pins output low at cycle end. When GTIOR.GTIOA[3:2] and GTIOR.GTIOB[3:2] are set to 10b, the output pins output high at cycle end.

GTUDDTYC.OADTYR selects the value that is the object of output retained/toggled at cycle end, when GTIOR.GTIOm[3:2] are set to 00b (output retained at cycle end) or when GTIOR.GTIOm[3:2] are set to 11b (output toggled at cycle end). [Table 23.6](#) shows the values of GTIOCA/GTIOCB pin output at cycle end.

Table 23.6 Output values after releasing 0% or 100% duty setting (m = A, B)

GTIOR.GTIOm[3:2]	Compare match value at cycle end masked by 0% or 100% duty setting	GTUDDTYC.OmDTYR in duty 0% setting		GTUDDTYC.OmDTYR in duty 100% setting	
		0	1	0	1
00 (output retained at cycle end)	0	0	0	1	0
	1	0	1	1	1
01 (low output at cycle end)	-	0	0	0	0
10 (high output at cycle end)	-	1	1	1	1
11 (output toggled at cycle end)	0	1	1	0	1
	1	1	0	0	0

Figure 23.46 shows an example of output duty 0% and 100% function operation.

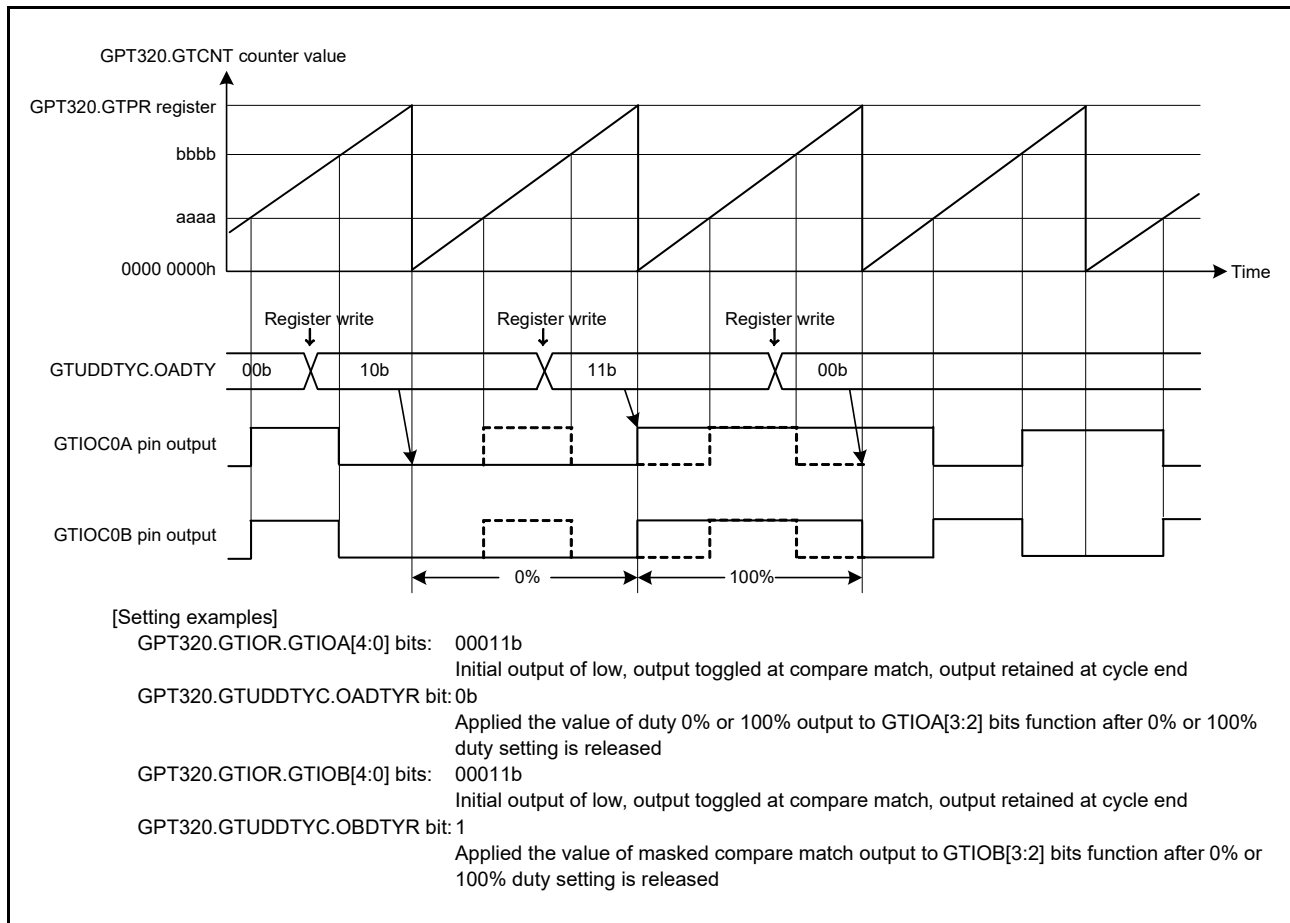


Figure 23.46 Example of output duty 0% and 100% function

23.3.7 Hardware Count Start/Count Stop and Clear Operation

The GTCNT counter can be started, stopped, or cleared by the following hardware sources:

- Output trigger input
- ELC event input
- GTIOCA/GTIOCB pin input.

23.3.7.1 Hardware start operation

The GTCNT counter can be started by selecting a hardware source using GTSSR.

Figure 23.47 shows an example of a count start operation by a hardware source. Figure 23.48 shows the setting example.

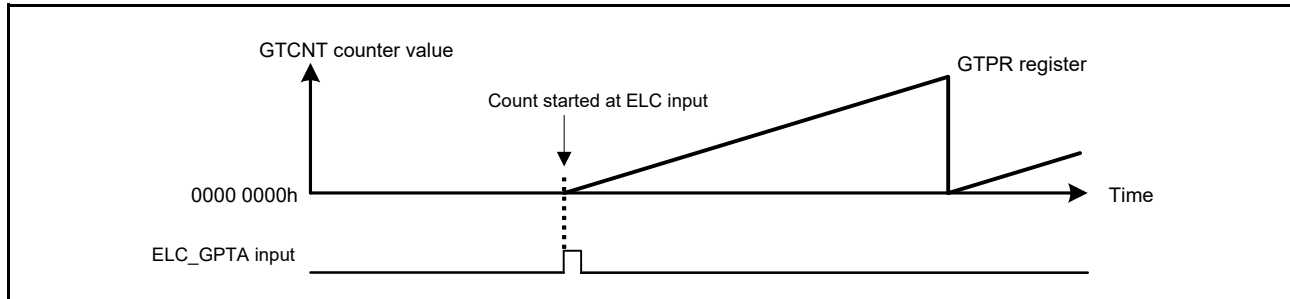


Figure 23.47 Example of count start operation by a hardware source started at the input of the signal from the ELC_GPTA event

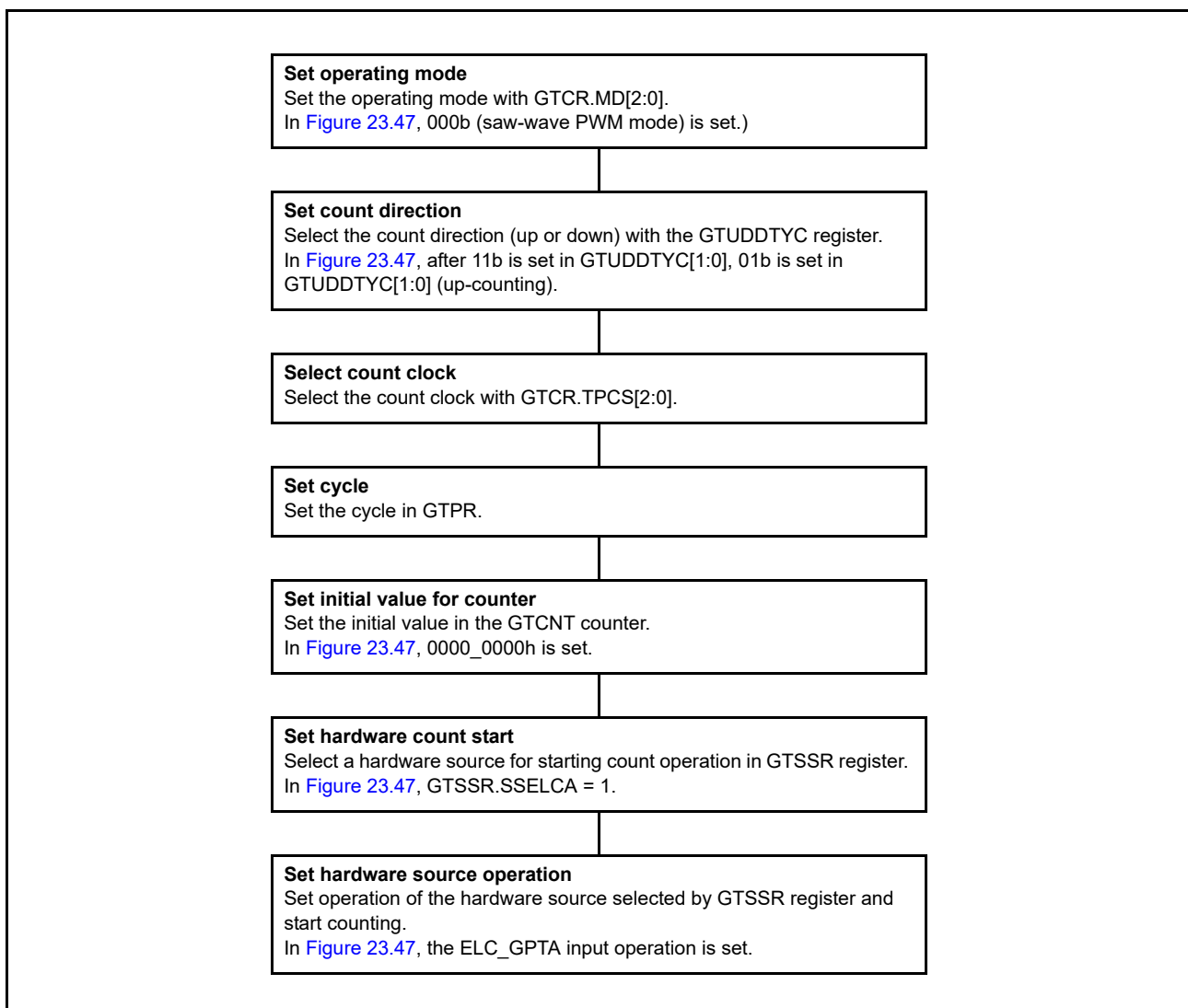


Figure 23.48 Example setting for count start operation by a hardware source

23.3.7.2 Hardware stop operation

The GTCNT counter can be stopped by selecting a hardware source using GTPSR.

Figure 23.49 shows an example of a count stop operation by a hardware source. Figure 23.50 shows the setting example. In this example, the count operation stops and restarts at the edge of the ELC event input.

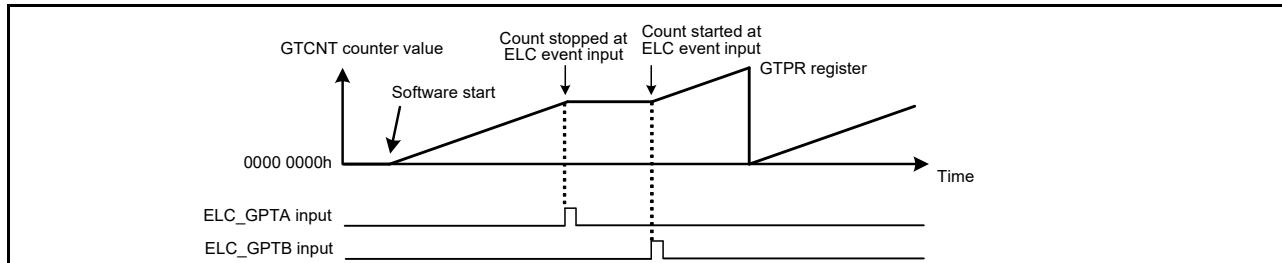


Figure 23.49 Example of count stop operation by a hardware source started by software, stopped at ELC_GPTA input, and restarted at ELC_GPTB input

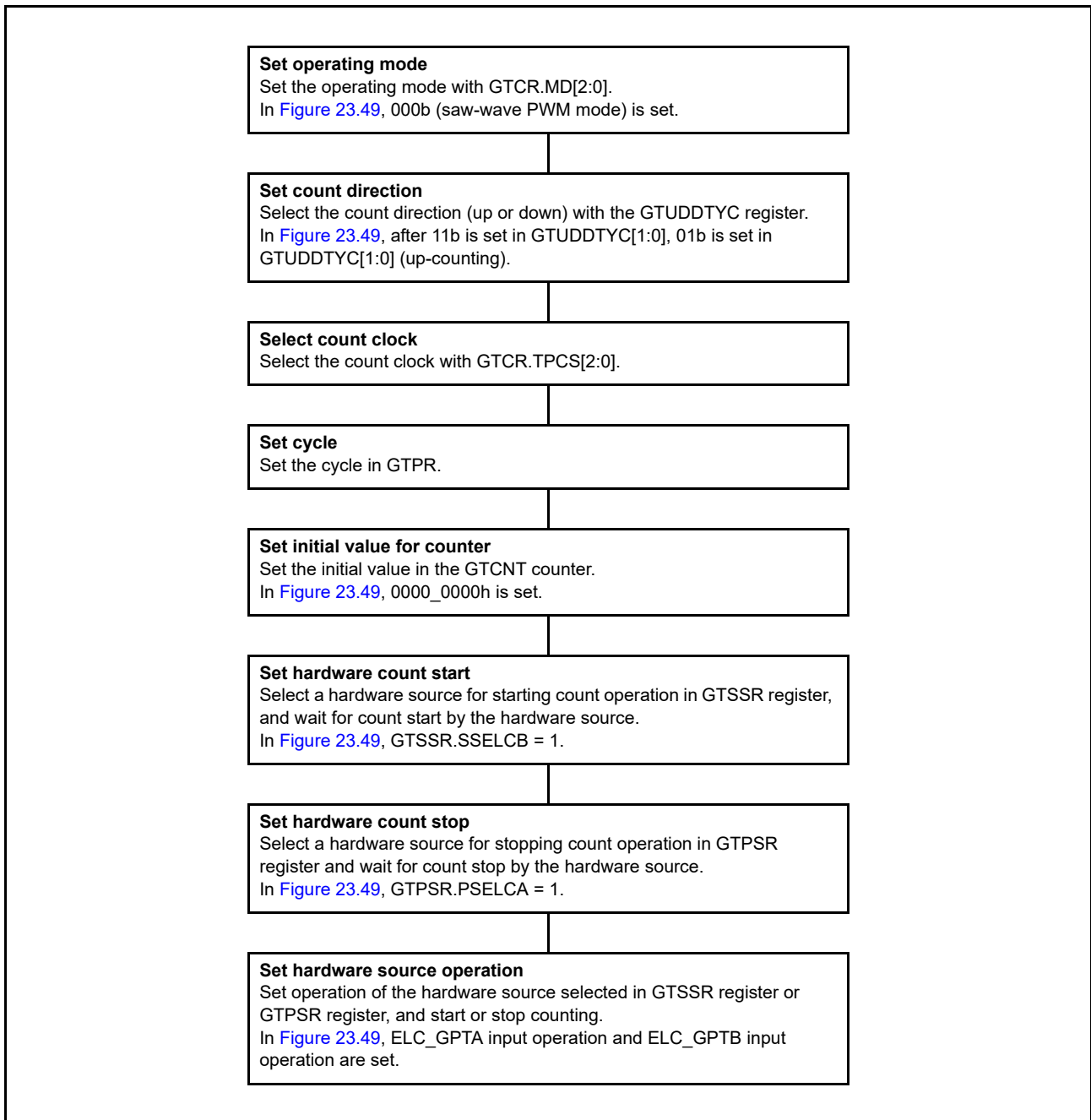


Figure 23.50 Example for setting count stop operation by a hardware source

Figure 23.51 shows an example of a count start/stop operation by a hardware source. Figure 23.52 shows the setting example. In this example, the counter operates during the high-level periods of the external trigger input GTETRGA.

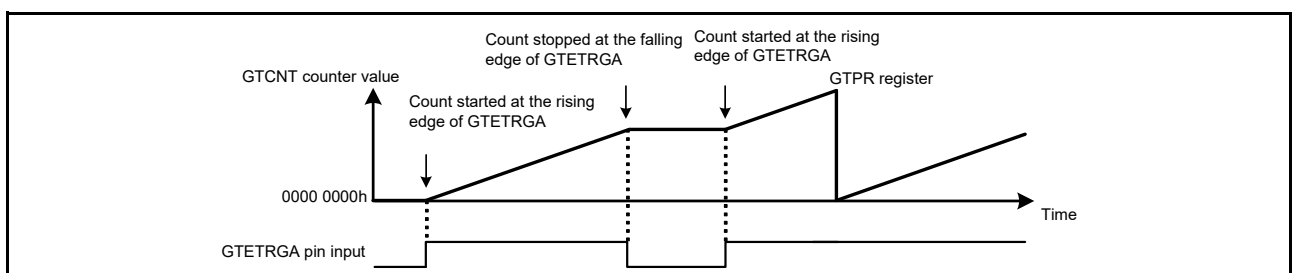


Figure 23.51 Example of count start/stop operation by hardware source started on rising edge of GTETRGA pin input, and stopped at falling edge of GTETRGA pin input

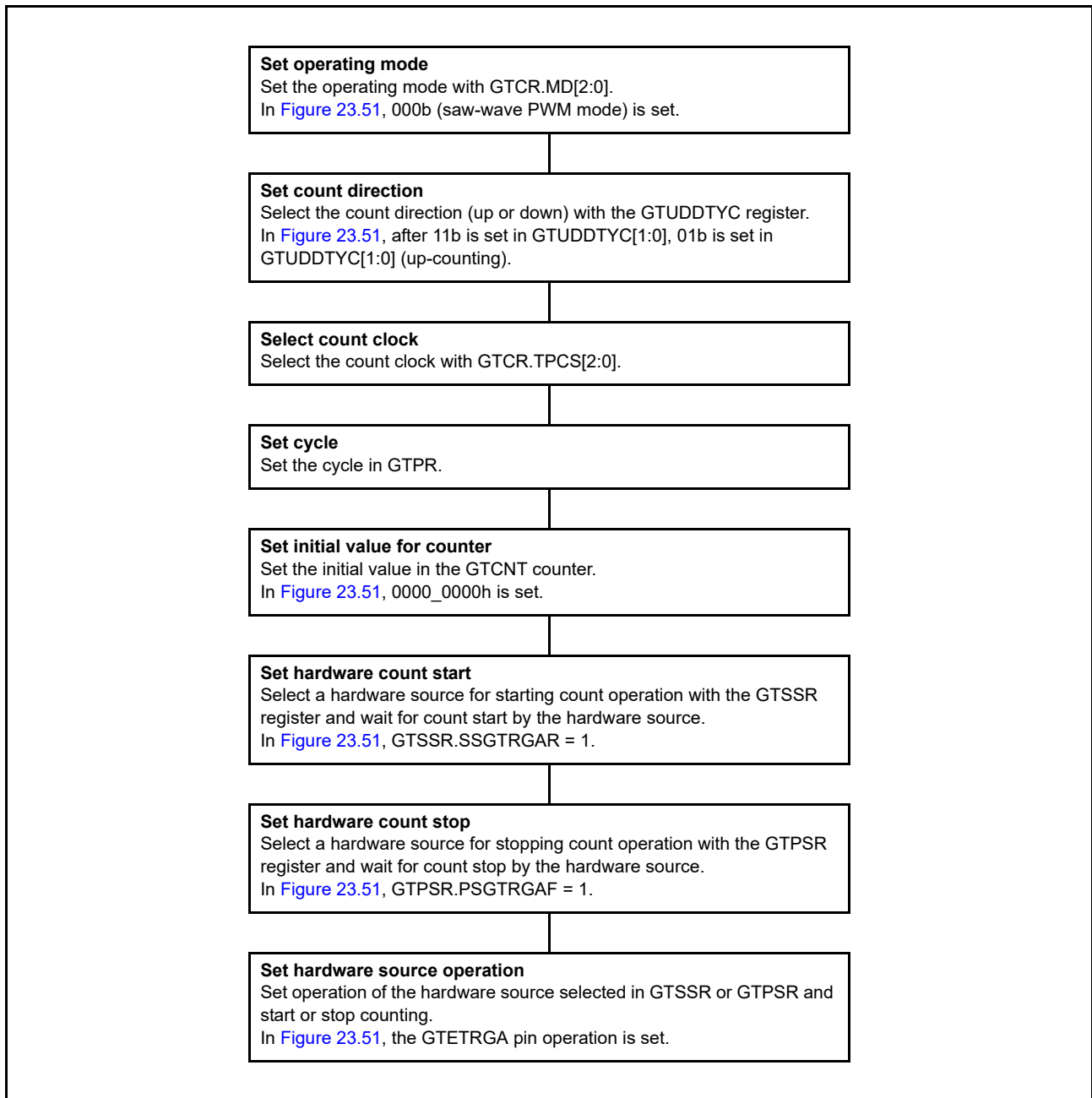


Figure 23.52 Example for setting count start/stop operation by a hardware source

23.3.7.3 Hardware clear operation

The GTCNT counter can be cleared by selecting a hardware source using GTCSR. The GPTn_OVF/GPTn_UDF (n = 0 to 9) interrupt (overflow/underflow interrupt) is not generated when the GTCNT counter is cleared by a hardware source or by software.

Figure 23.53 and Figure 23.54 show examples of the GTCNT counter clearing operation by a hardware source. Figure 23.55 shows the setting example. In this example, the GTCNT counter starts at the edge of the ELC_GPTA input, and the counter stops and clears at the edge of the ELC_GPTB input.

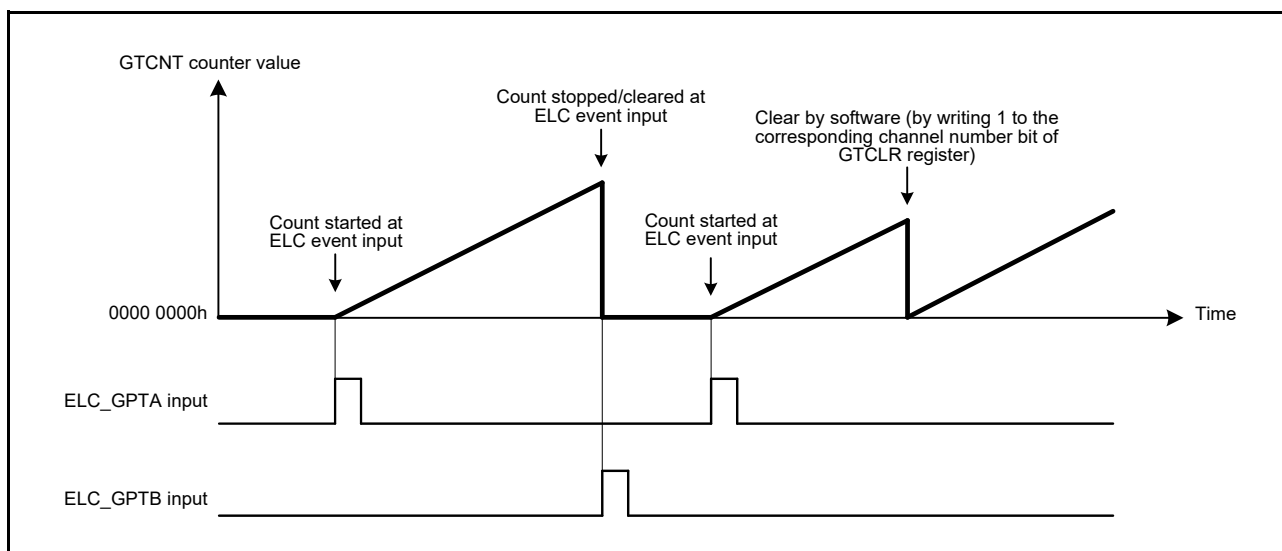


Figure 23.53 Examples of count clearing operation by hardware source with saw wave up-counting, started at ELC_GPTA input, and stopped/cleared at ELC_GPTB input

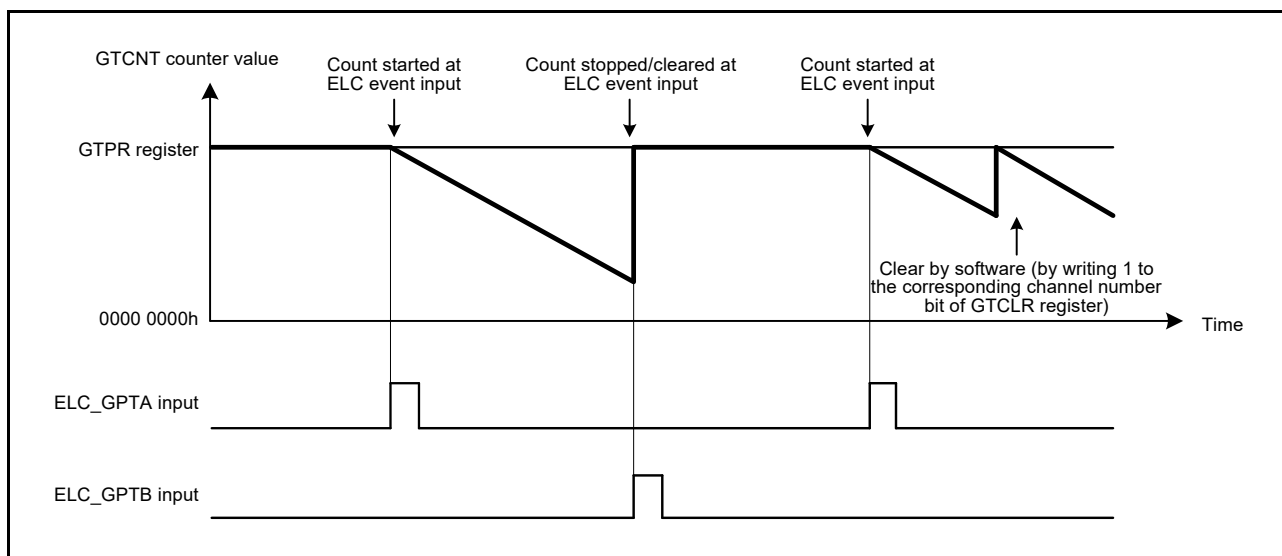


Figure 23.54 Examples of count clearing operation by hardware source with saw wave down-counting, started at ELC_GPTA input, and stopped/cleared at ELC_GPTB input

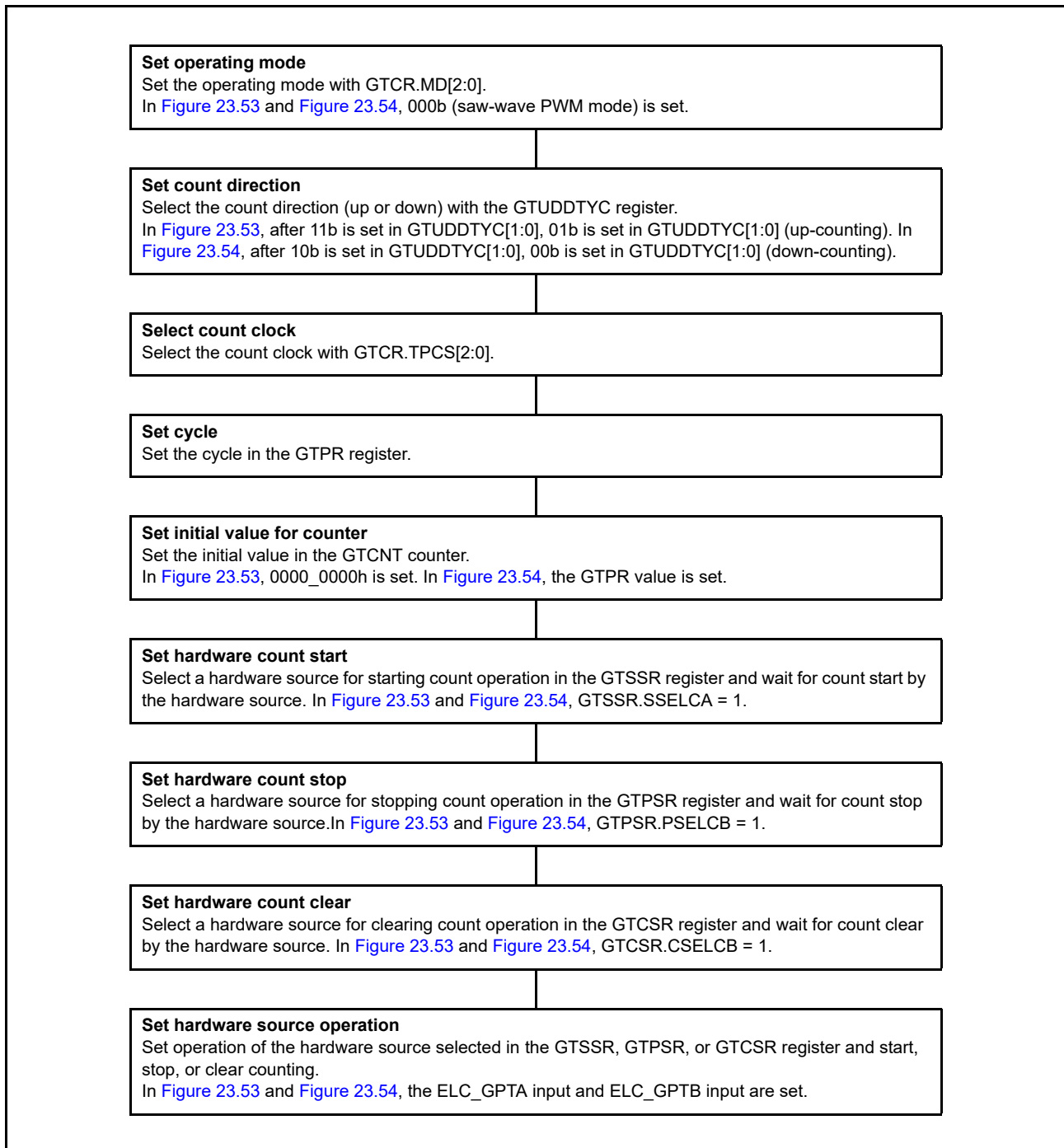


Figure 23.55 Example for setting count clearing operation by a hardware source

The GPT_n_OVF/GPT_n_UDF (n = 0 to 9) interrupt (overflow/underflow interrupt) is not generated when the counter is cleared by a hardware source or by software.

Figure 23.56 shows the relationship between the counter clearing by a hardware source and the GPTn_OVF (n = 0 to 9) interrupt.

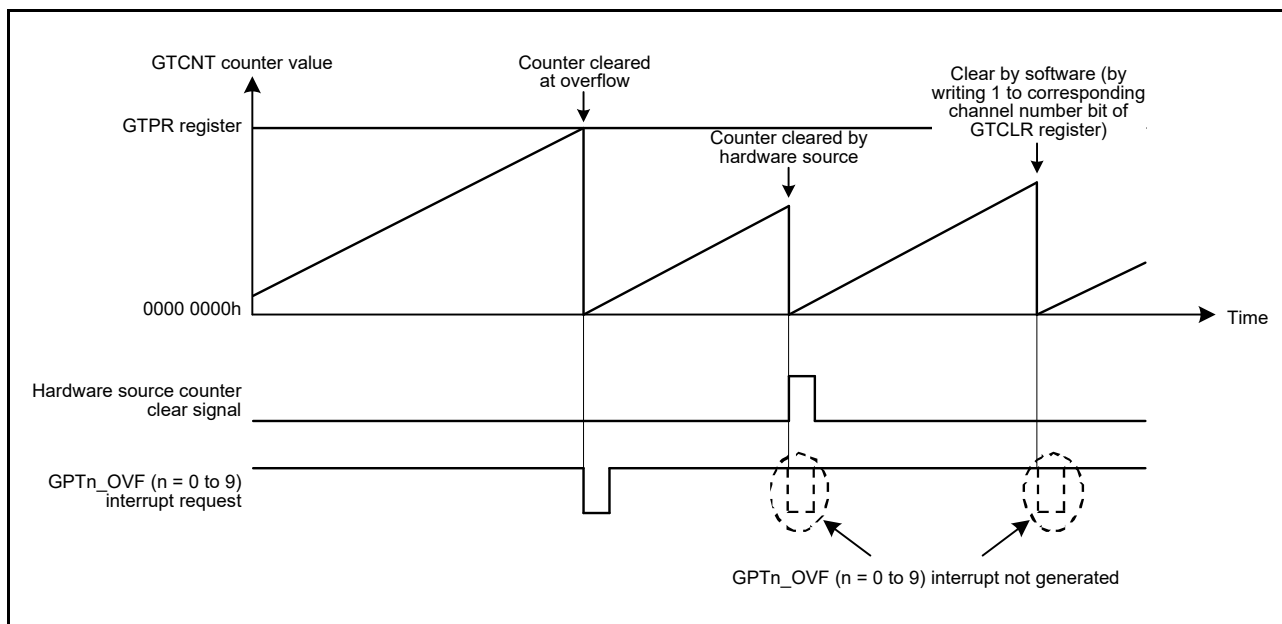


Figure 23.56 Relationship between counter clearing by hardware source and GPTn_OVF (n = 0 to 9) interrupt

23.3.8 Synchronized Operation

Synchronized operation on channels such as a synchronized start, stop, and clear operation can be performed.

23.3.8.1 Synchronized operation by software

The GTCNT counters can be started, stopped, and cleared on multiple channels by setting the associated GTSTR, GTSTP, or GTCLR bits simultaneously to 1.

Count start with a phase difference is possible by setting the initial value in the GTCNT counter and setting the associated GTSTR bits simultaneously to 1.

Figure 23.57 shows an example of a simultaneous start, stop, and clear by software. Figure 23.58 shows an example of a phase start operation by software.

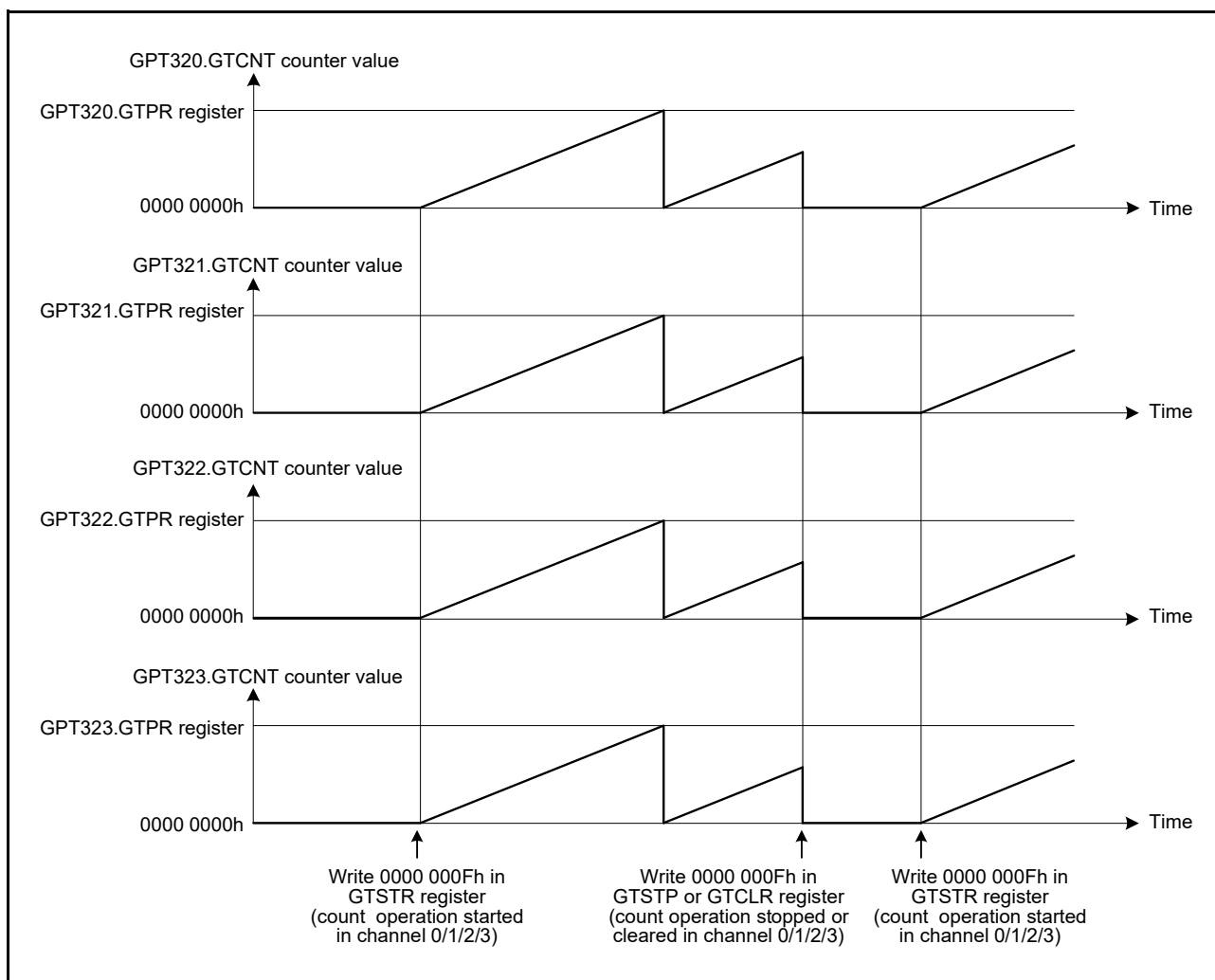


Figure 23.57 Example of a simultaneous start, stop, and clear by software with the same count cycle (GTPR register value)

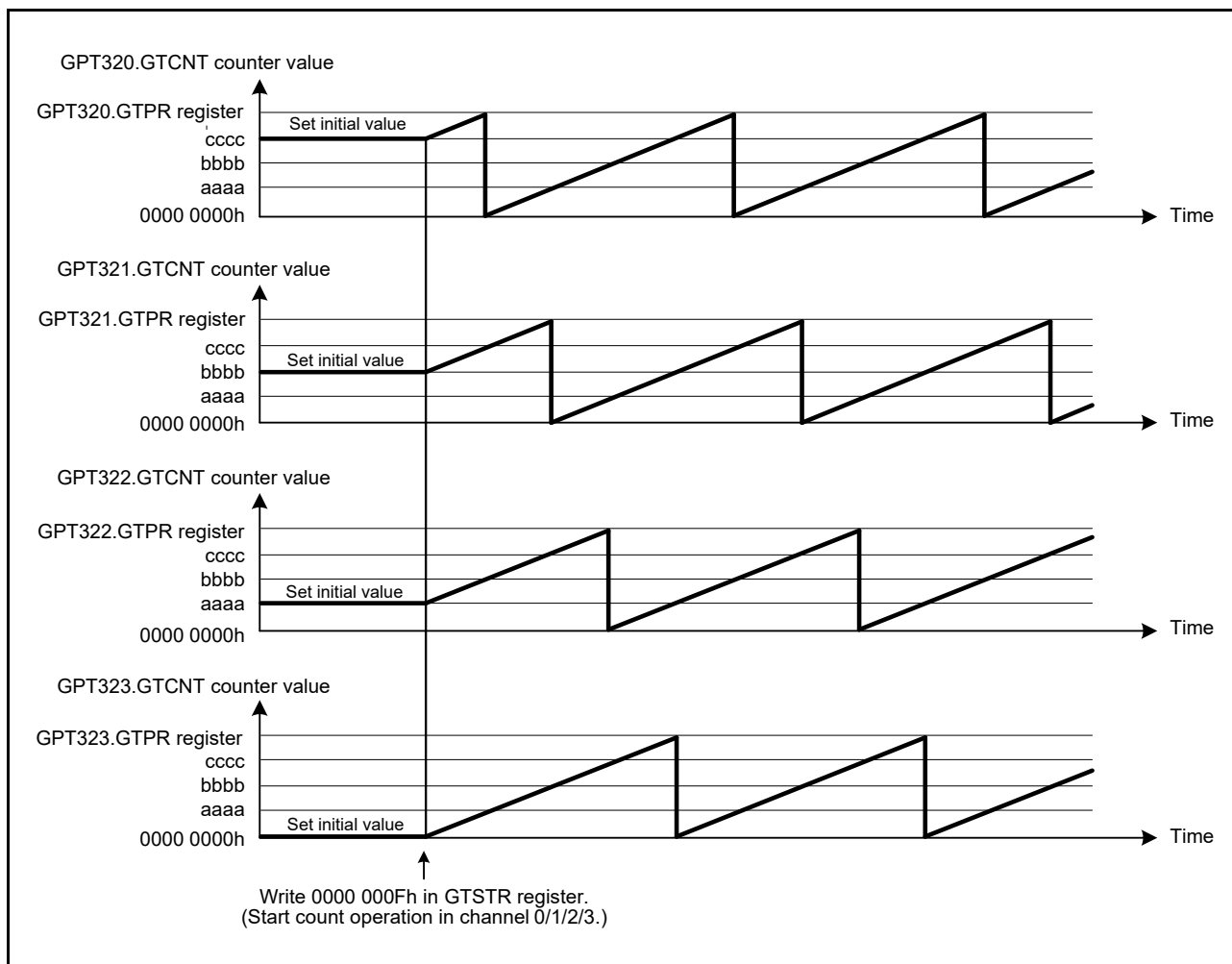


Figure 23.58 Example of software phase start with the same count cycle (GTPR register value)

23.3.8.2 Synchronized operation by hardware

The GTCNT counters can be started simultaneously by the following hardware sources:

- External trigger input
- ELC event input.

Figure 23.59 shows an example of a simultaneous start, stop, and clear operation by a hardware source. Figure 23.60 shows the setting example.

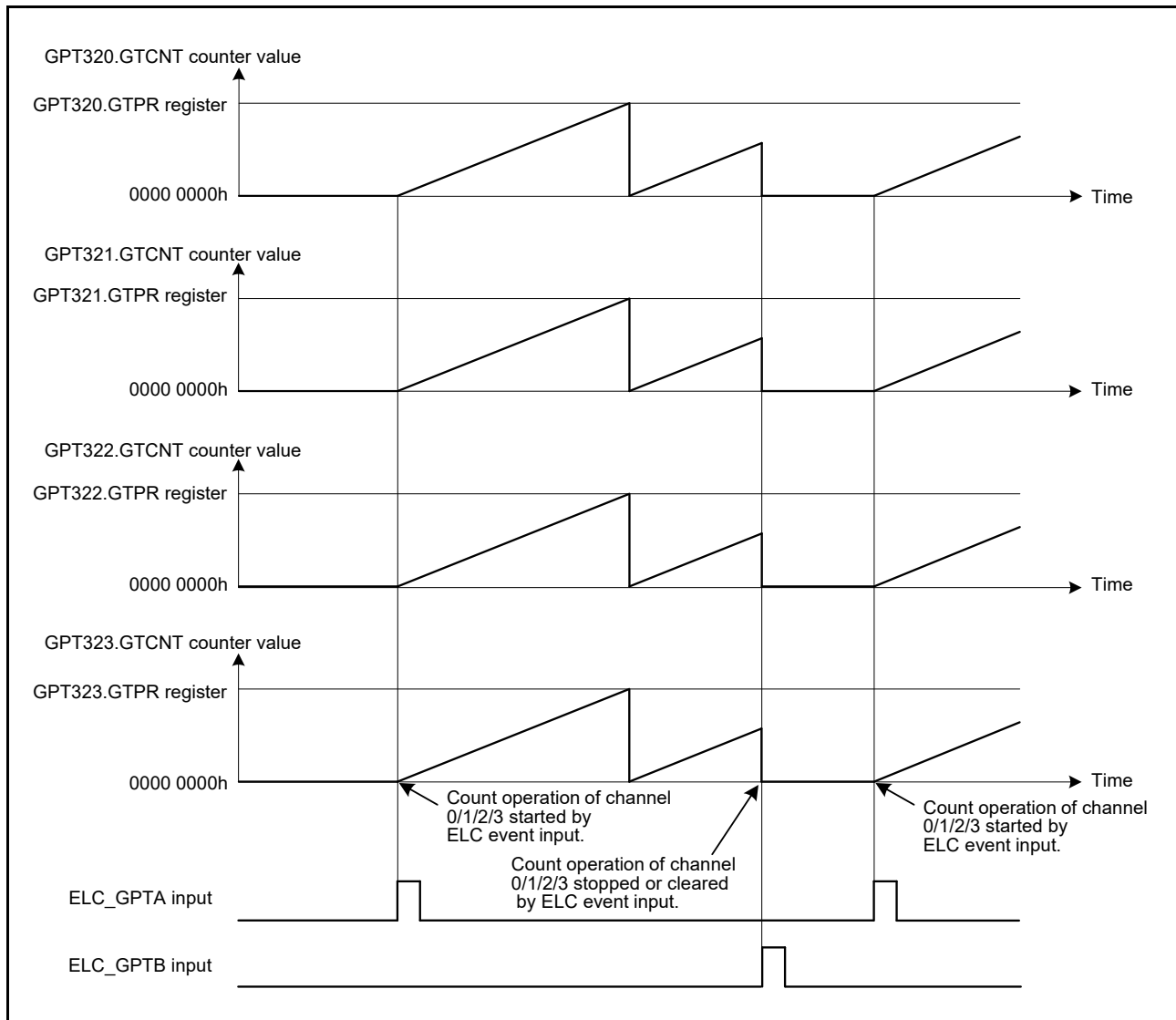


Figure 23.59 Example of a simultaneous start, stop, and clear by a hardware source with the same count cycle (GTPR register value)

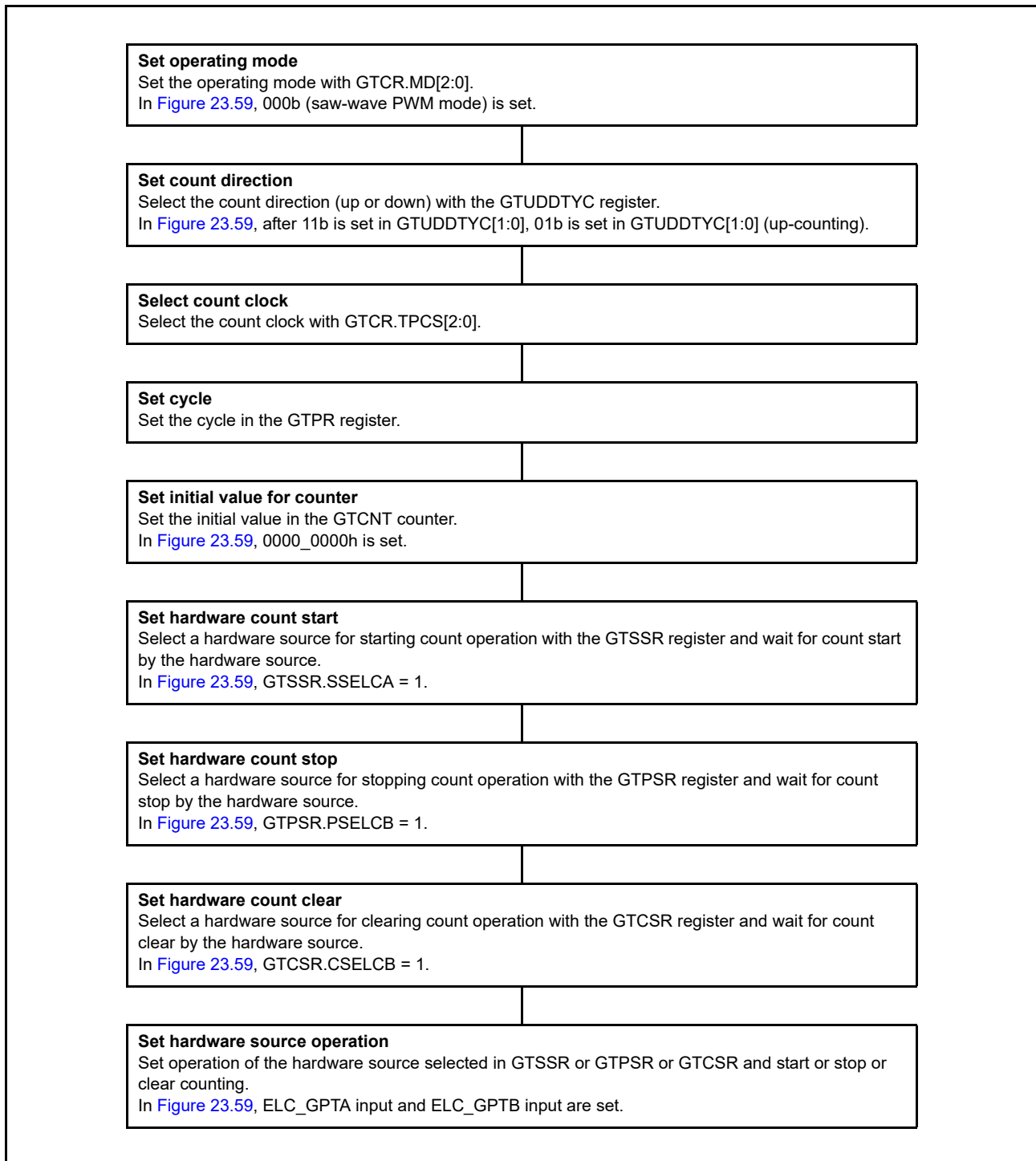


Figure 23.60 Example setting for simultaneous start by a hardware source

23.3.9 PWM Output Operation Examples

(1) Synchronized PWM output

The GPT outputs 20 phases of linked PWM waveforms for a maximum of 10 channels by multiple GPTs.

Figure 23.61 shows an example in which four channels perform synchronized operation in saw-wave PWM mode and eight phases of PWM waveforms are output. The GTIOCA is set so that it outputs low as the initial value, high at a GTCCRA compare match, and low at the cycle end. The GTIOCB is set so that it outputs low as the initial value, high at a GTCCRB compare match, and low at the cycle end.

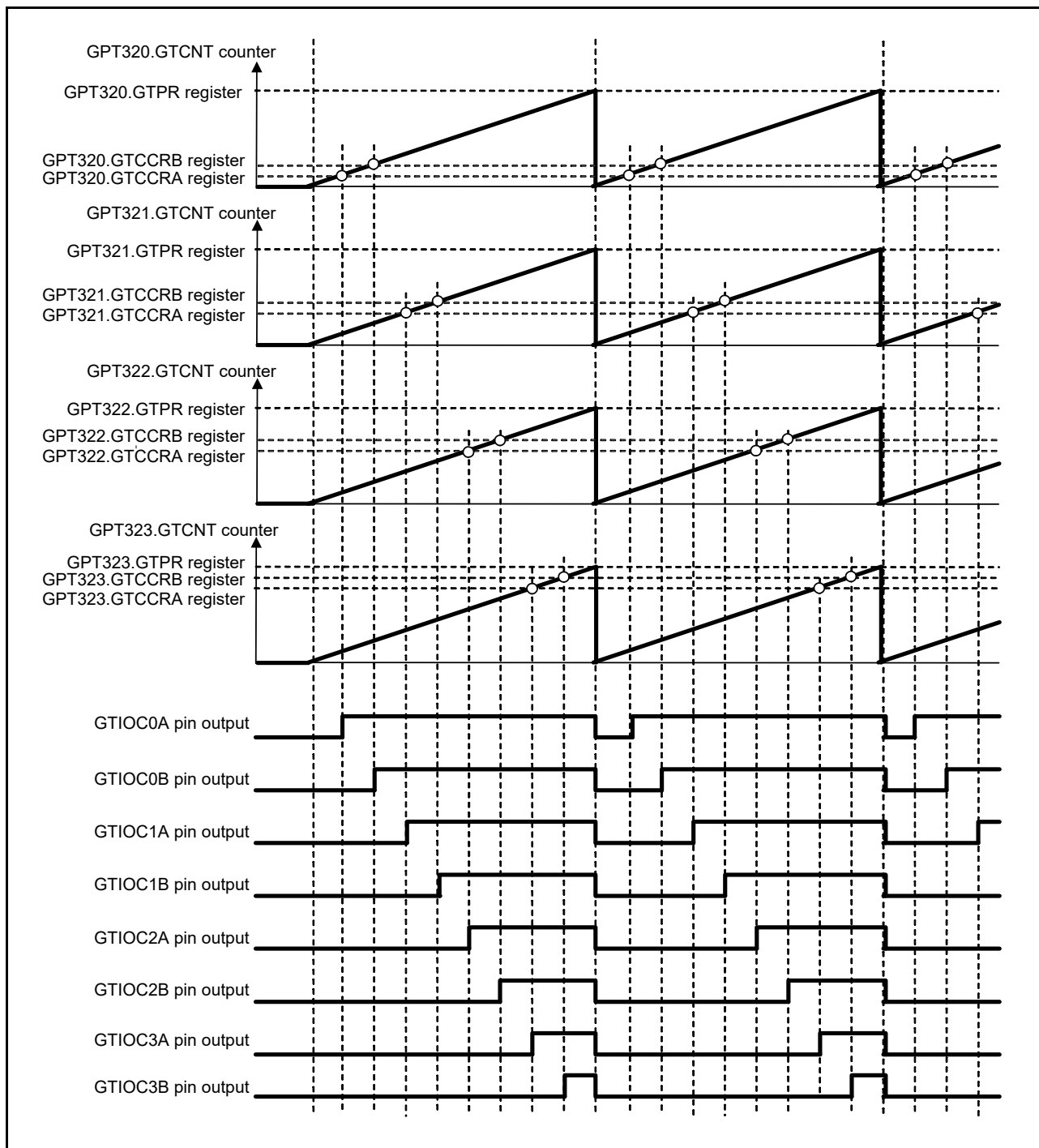


Figure 23.61 Example of synchronized PWM output

(2) 3-phase saw-wave complementary PWM output

Figure 23.62 shows an example in which three channels perform synchronized operation in saw-wave PWM mode and 3-phase complementary PWM waveforms are output. The GTIOCA pin is set so that it outputs low as the initial value, high at a GTCCRA compare match, and low at the cycle end. The GTIOCB pin is set so that it outputs high as the initial value, low at a GTCCRB compare match, and high at the cycle end.

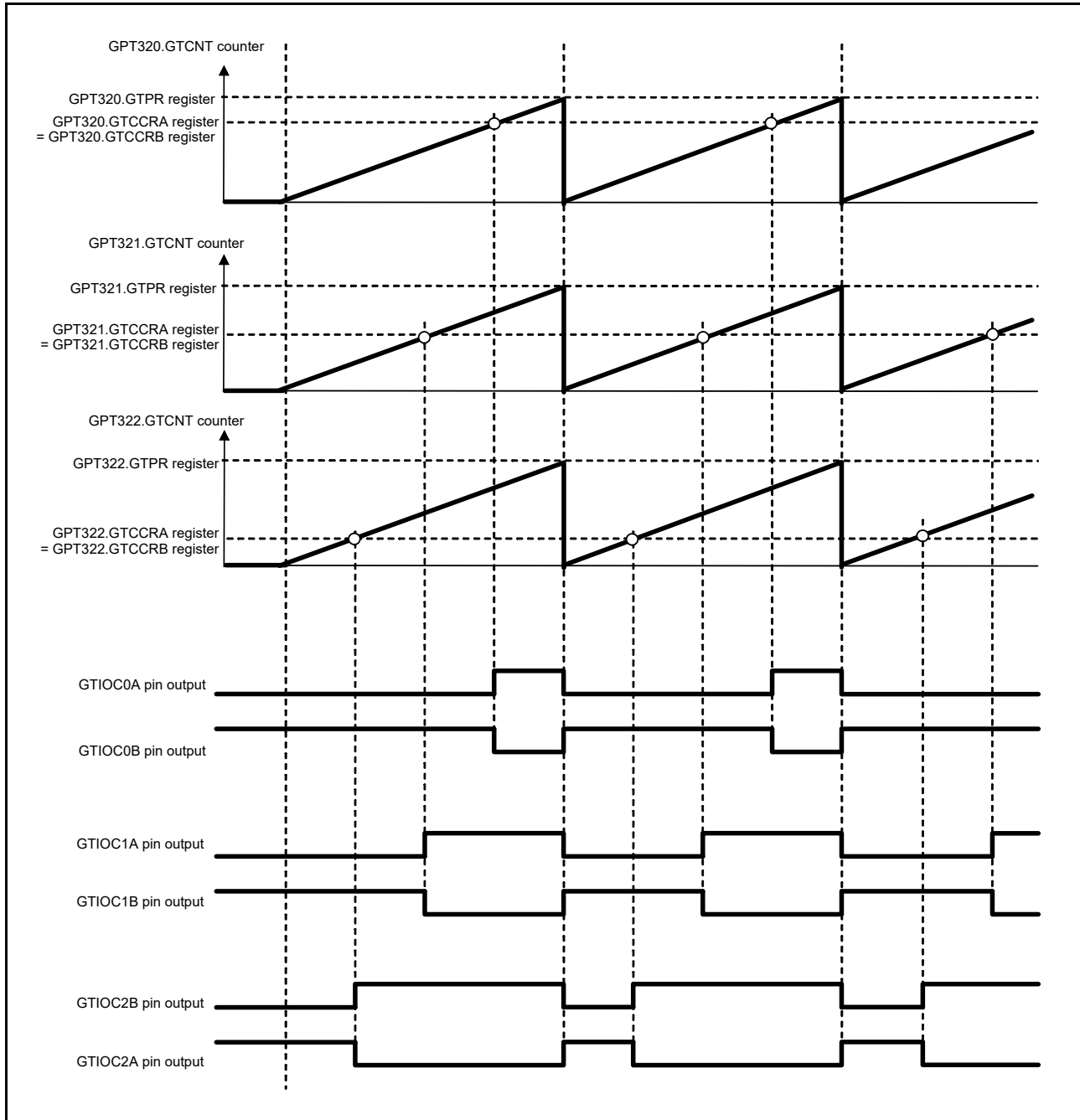


Figure 23.62 Example of 3-phase saw-wave complementary PWM output

(3) 3-phase saw-wave complementary PWM output with automatic dead time setting

Figure 23.63 shows an example in which three channels perform synchronized operation in saw-wave one-shot pulse mode with automatic dead time setting and 3-phase complementary PWM waveforms are output. The GTIOCA pin is set so that it outputs low as the initial value, toggles the output at a GTCCRA compare match, and retains the output at the cycle end. The GTIOCB pin is set so that it outputs high as the initial value, toggles the output at a GTCCRB compare match, and retains the output at the cycle end.

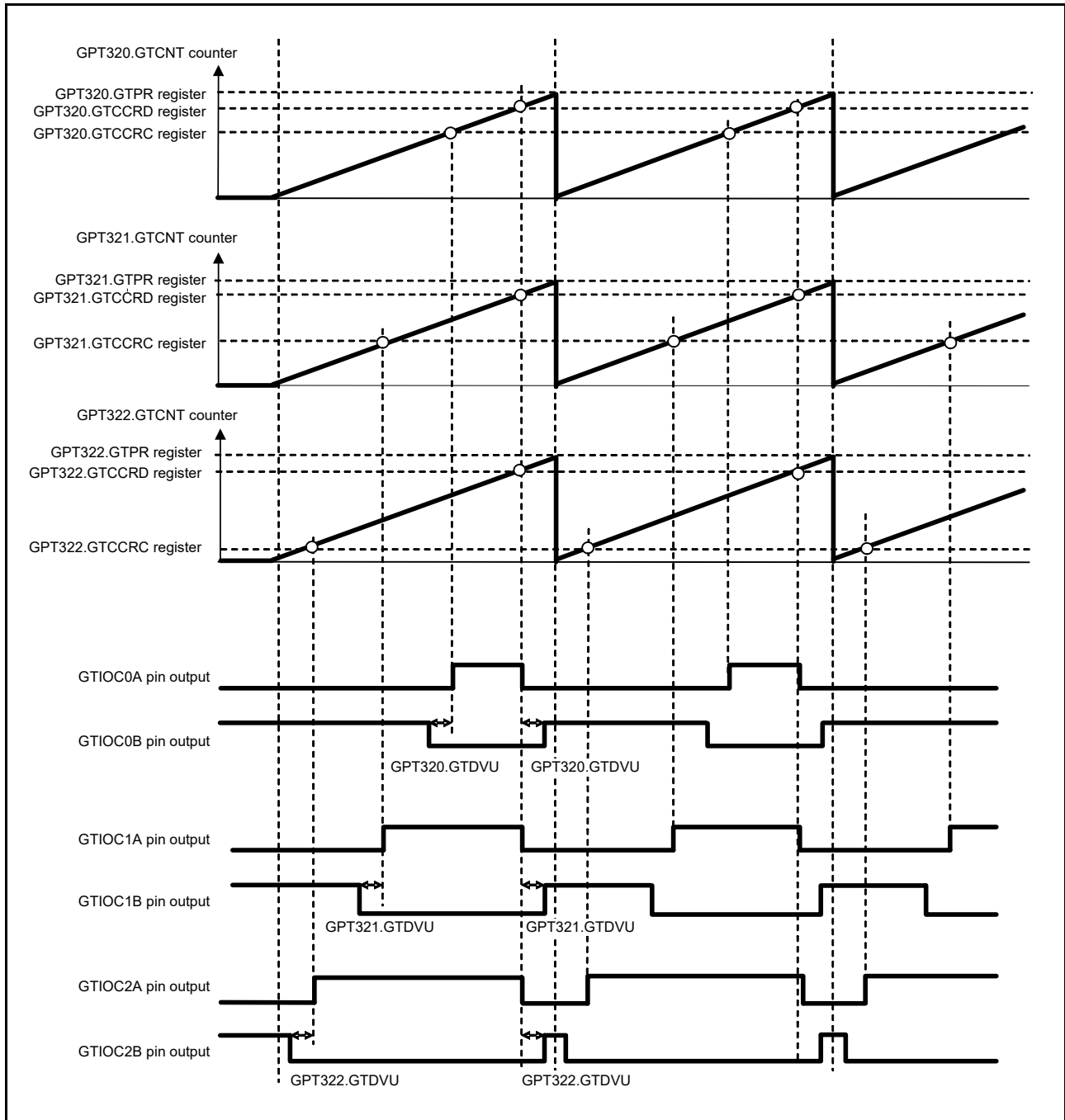


Figure 23.63 Example of 3-phase saw-wave complementary PWM output with automatic dead time setting

(4) 3-phase triangle-wave complementary PWM output

Figure 23.64 shows an example in which three channels perform synchronized operation in triangle-wave PWM mode 1 and 3-phase complementary PWM waveforms are output. The GTIOC0A pin is set so that it outputs low as the initial value, toggles the output at a GTCCRA compare match, and retains the output at the cycle end. The GTIOC0B pin is set so that it outputs high as the initial value, toggles the output at a GTCCRB compare match, and retains the output at the cycle end.

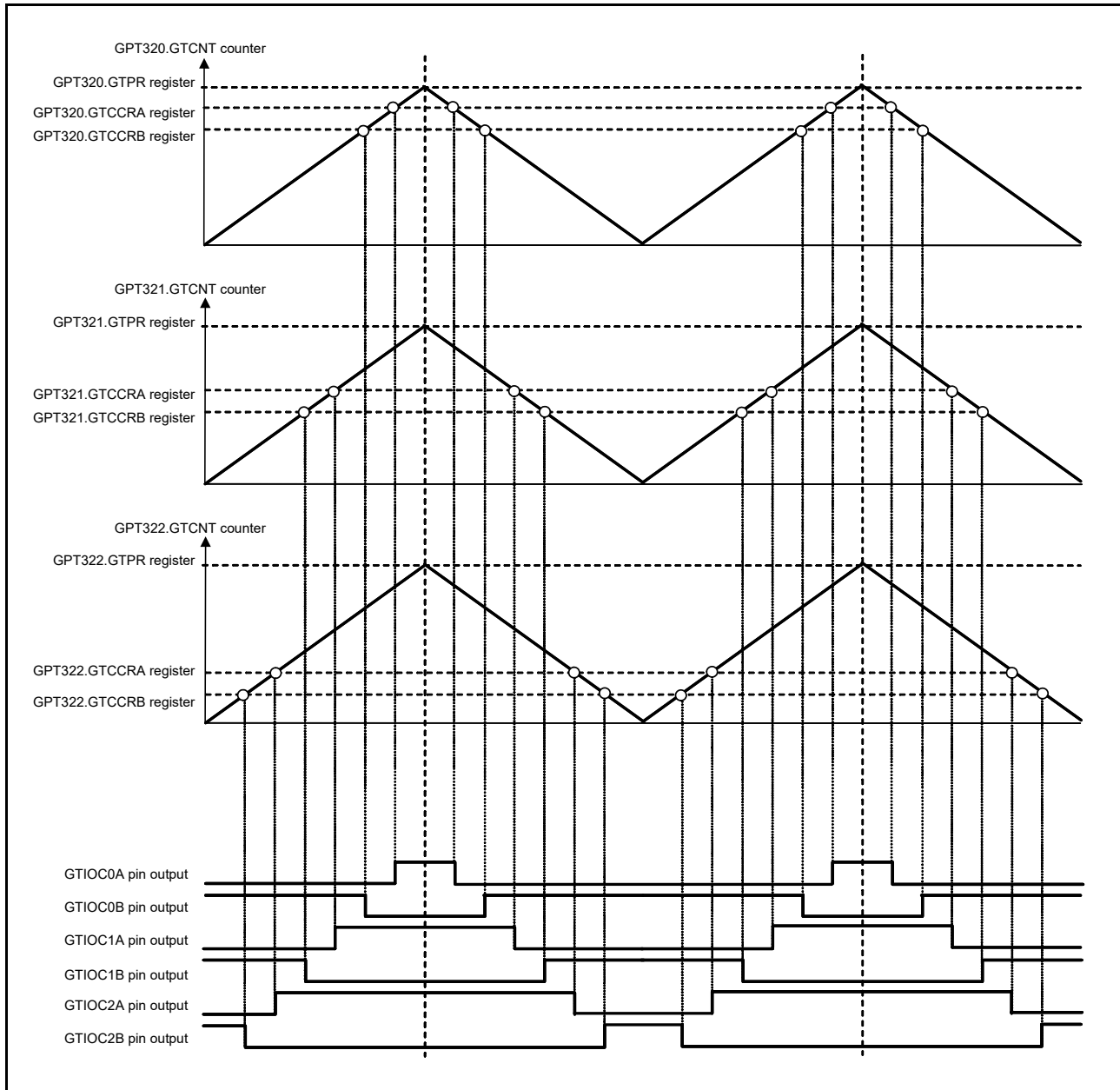


Figure 23.64 Example of 3-phase triangle-wave complementary PWM output

(5) 3-phase triangle-wave complementary PWM output with automatic dead time setting

Figure 23.65 shows an example in which three channels perform synchronized operation in triangle-wave PWM mode 1 with automatic dead time setting and 3-phase complementary PWM waveforms are output. The GTIOCA pin is set so that it outputs low as the initial value, toggles the output at a GTCCRA compare match, and retains the output at the cycle end. The GTIOCB pin is set so that it outputs high as the initial value, toggles the output at a GTCCRB compare match, and retains the output at the cycle end.

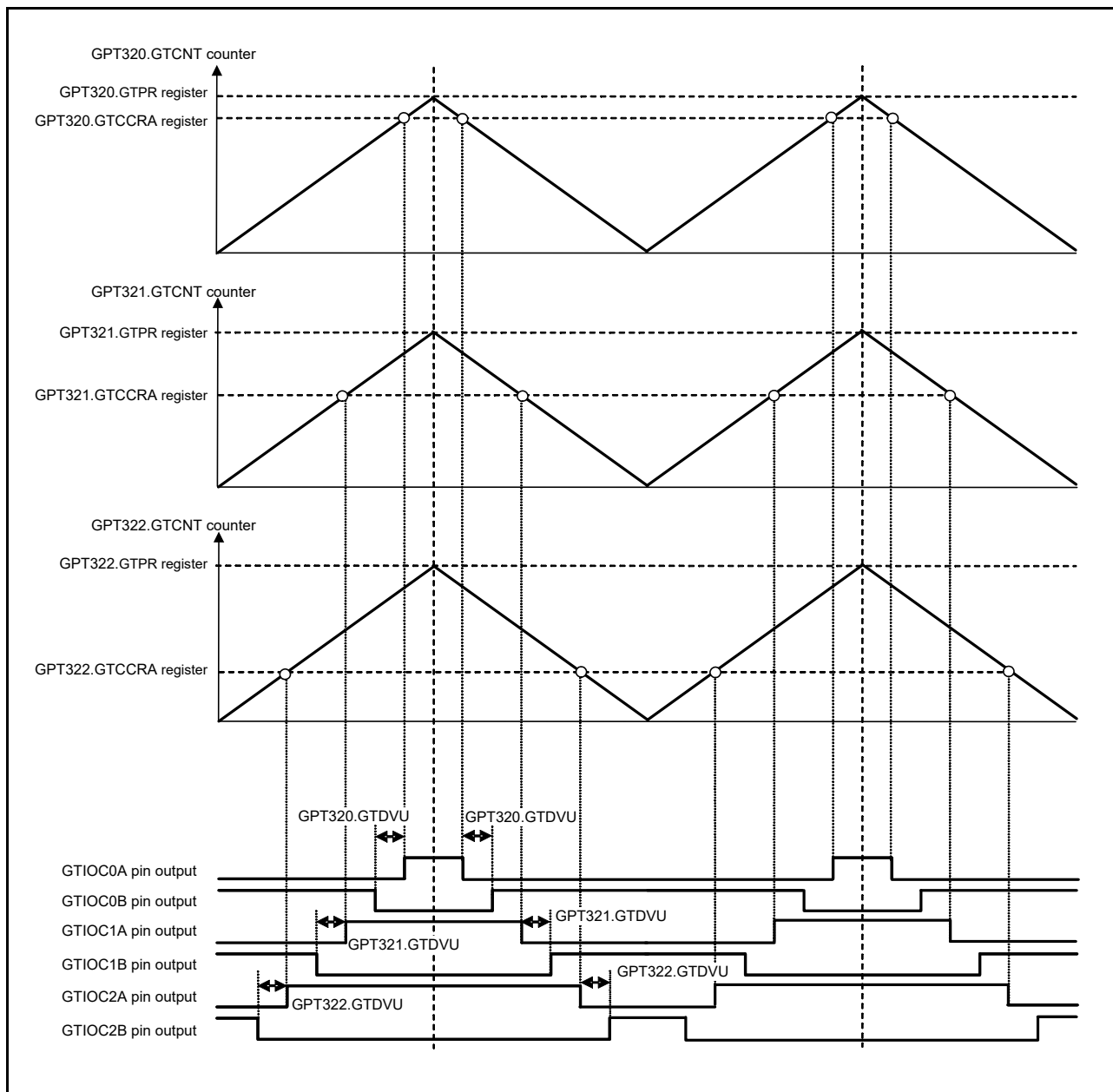


Figure 23.65 Example of 3-phase triangle-wave complementary PWM output with automatic dead time setting

(6) 3-phase asymmetric triangle-wave complementary PWM output with automatic dead time setting

Figure 23.66 shows an example in which three channels perform synchronized operation in triangle-wave PWM mode 3 with automatic dead time setting and 3-phase complementary PWM waveforms are output. The GTIOCA is set so that it outputs low as the initial value, toggles the output at a GTCCRA compare match, and retains the output at the cycle end. The GTIOCB is set so that it outputs high as the initial value, toggles the output at a GTCCRB compare match, and retains the output at the cycle end.

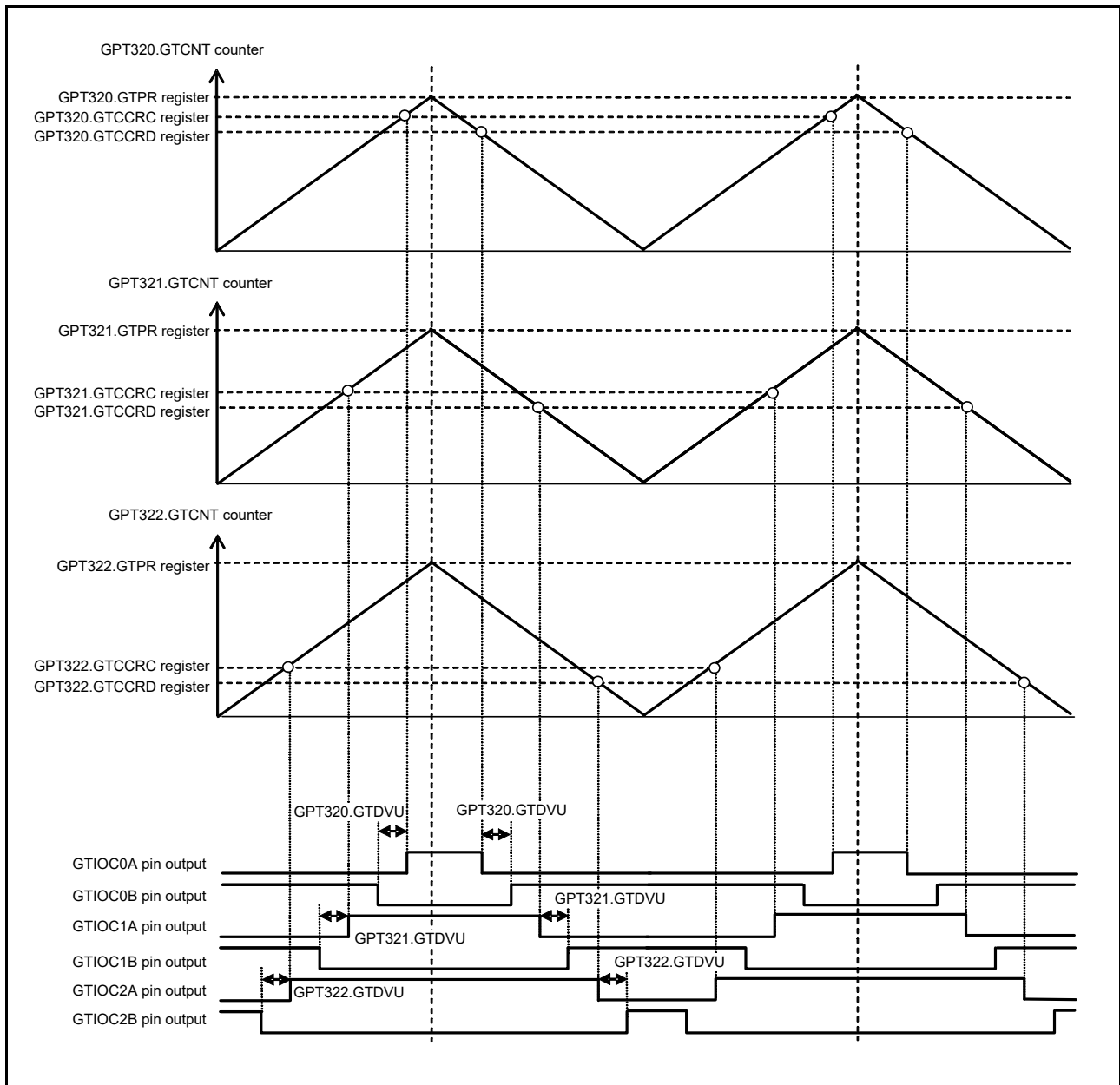


Figure 23.66 Example of 3-phase asymmetric triangle-wave complementary PWM output with automatic dead time setting

23.3.10 Phase Counting Function

The phase difference between the GTIOCA and GTIOCB pin inputs is detected and the associated GTCNT counts up or counts down. The detectable phase difference is available in any combination with the relationship between the edge and the level of GTIOCA and GTIOCB pin inputs being set in the GTUPSR and GTDNSR registers. For details on count operation, see [section 23.3.1.1, Counter operation](#).

[Figure 23.67](#) to [Figure 23.76](#) show phase counting modes 1 to 5. [Table 23.7](#) to [Table 23.16](#) show conditions of up-counting or down-counting and list settings for the GTUPSR and GTDNSR registers.

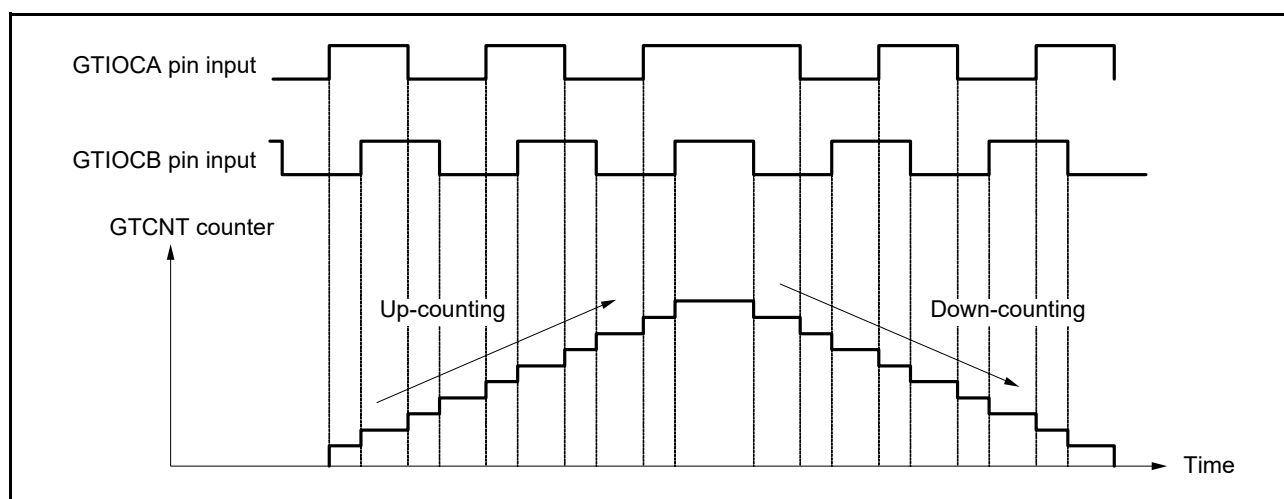


Figure 23.67 Example of phase counting mode 1

Table 23.7 Conditions of up-counting/down-counting in phase counting mode 1

GTIOCA pin input	GTIOCB pin input	Operation	Register setting
High		Up-counting	GTUPSR = 0000 6900h GTDNSR = 0000 9600h
Low			
	Low	Down-counting	
	High		
High		Down-counting	
Low			
	High		
	Low		

: Rising edge
 : Falling edge

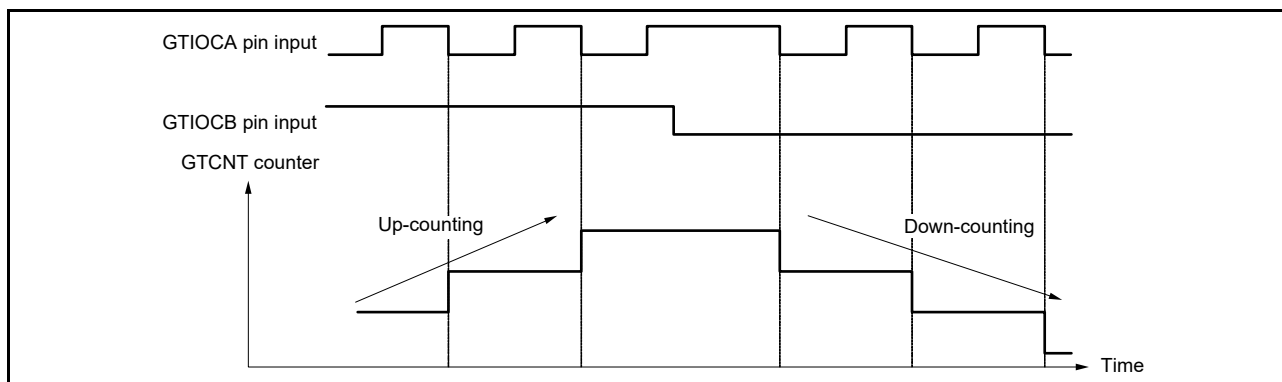


Figure 23.68 Example of phase counting mode 2 (A)

Table 23.8 Conditions of up-counting/down-counting in phase counting mode 2 (A)

GTIOCA pin input	GTIOCB pin input	Operation	Register setting
High		Don't care	GTUPSR = 0000 0800h GTDNSR = 0000 0400h
Low		Don't care	
	Low	Up-counting	
	High		
High		Don't care	
Low		Don't care	
	High	Down-counting	
	Low		

: Rising edge
 : Falling edge

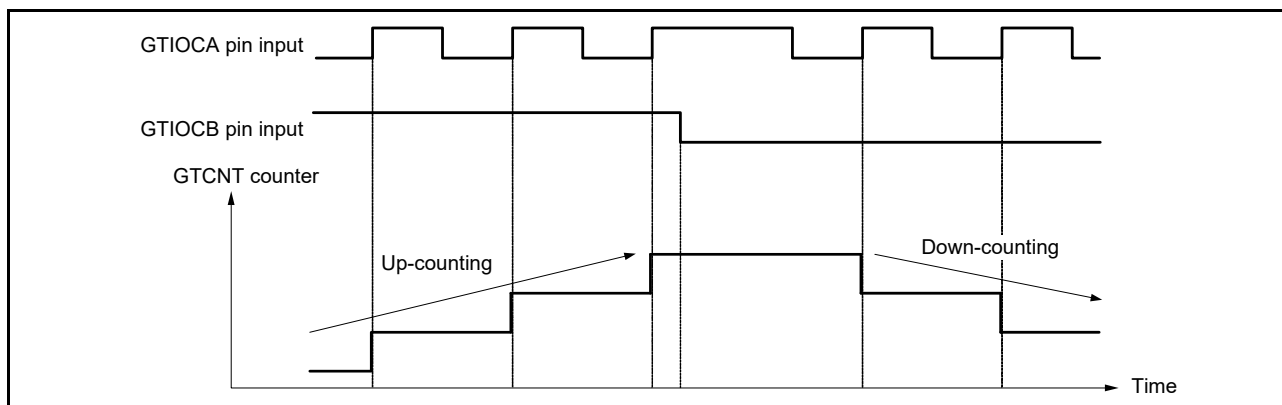


Figure 23.69 Example of phase counting mode 2 (B)

Table 23.9 Conditions of up-counting/down-counting in phase counting mode 2 (B)

GTIOCA pin input	GTIOCB pin input	Operation	Register setting
High		Don't care	GTUPSR = 0000 0200h GTDNSR = 0000 0100h
Low		Don't care	
	Low	Down-counting	
	High	Don't care	
High		Don't care	
Low		Up-counting	
	High	Up-counting	
	Low	Don't care	

: Rising edge
 : Falling edge

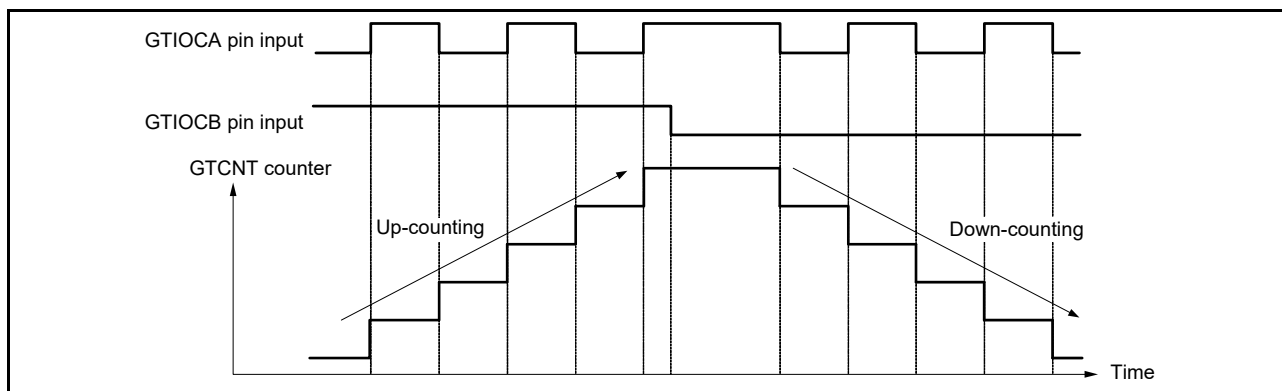


Figure 23.70 Example of phase counting mode 2 (C)

Table 23.10 Conditions of up-counting/down-counting in phase counting mode 2 (C)

GTIOCA pin input	GTIOCB pin input	Operation	Register setting
High		Don't care	GTUPSR = 0000 0A00h GTDNSR = 0000 0500h
Low		Don't care	
	Low	Down-counting	
	High	Up-counting	
High		Don't care	
Low		Don't care	
	High	Up-counting	
	Low	Down-counting	

: Rising edge
 : Falling edge

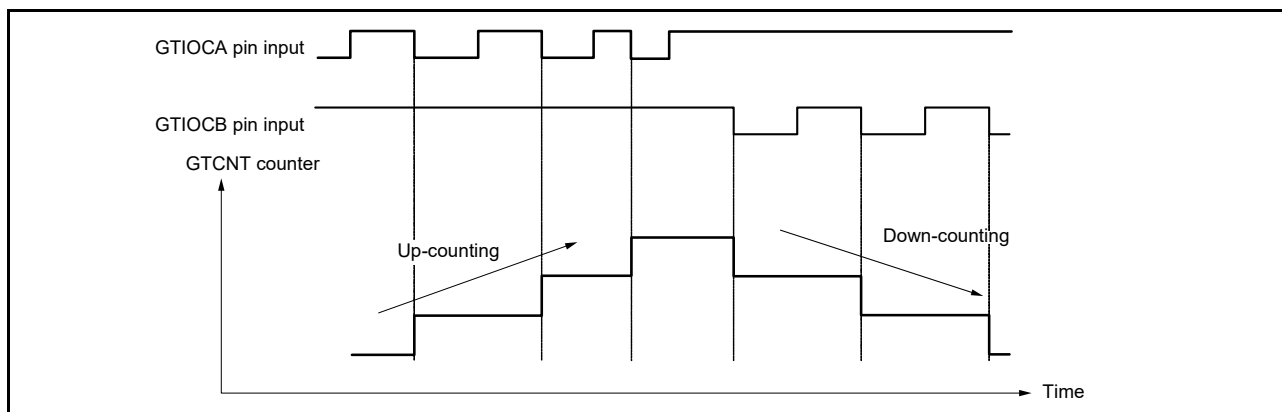


Figure 23.71 Example of phase counting mode 3 (A)

Table 23.11 Conditions of up-counting/down-counting in phase counting mode 3 (A)

GTIOCA pin input	GTIOCB pin input	Operation	Register setting
High		Don't care	GTUPSR = 0000 0800h GTDNSR = 0000 8000h
Low			
	Low	Up-counting	
	High	Down-counting	
High		Down-counting	
Low		Don't care	
	High		
	Low		

: Rising edge
 : Falling edge

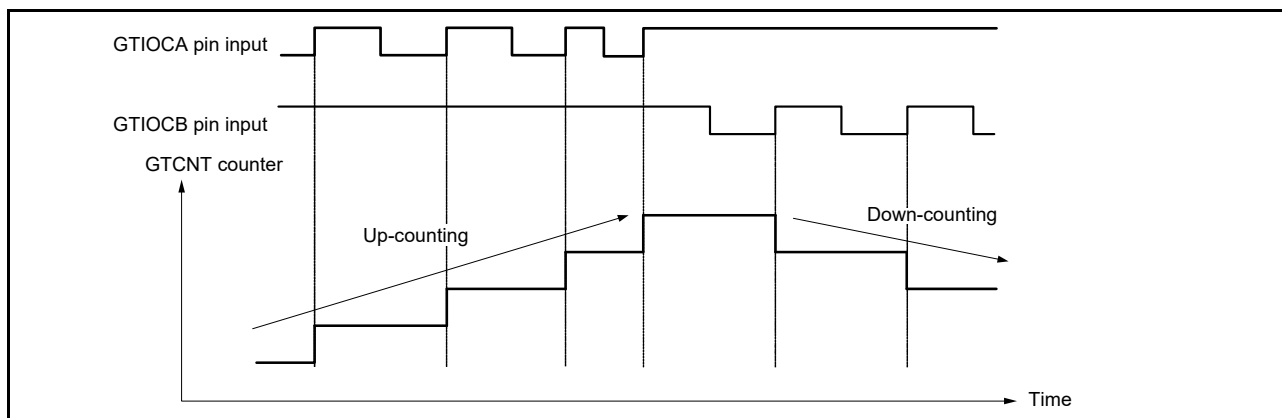


Figure 23.72 Example of phase counting mode 3 (B)

Table 23.12 Conditions of up-counting/down-counting in phase counting mode 3 (B)

GTIOCA pin input	GTIOCB pin input	Operation	Register setting
High		Down-counting	GTUPSR = 0000 0200h GTDNSR = 0000 2000h
Low		Don't care	
	Low	Up-counting	
	High		
High		Down-counting	
Low			
	High	Up-counting	
	Low	Don't care	

: Rising edge
 : Falling edge

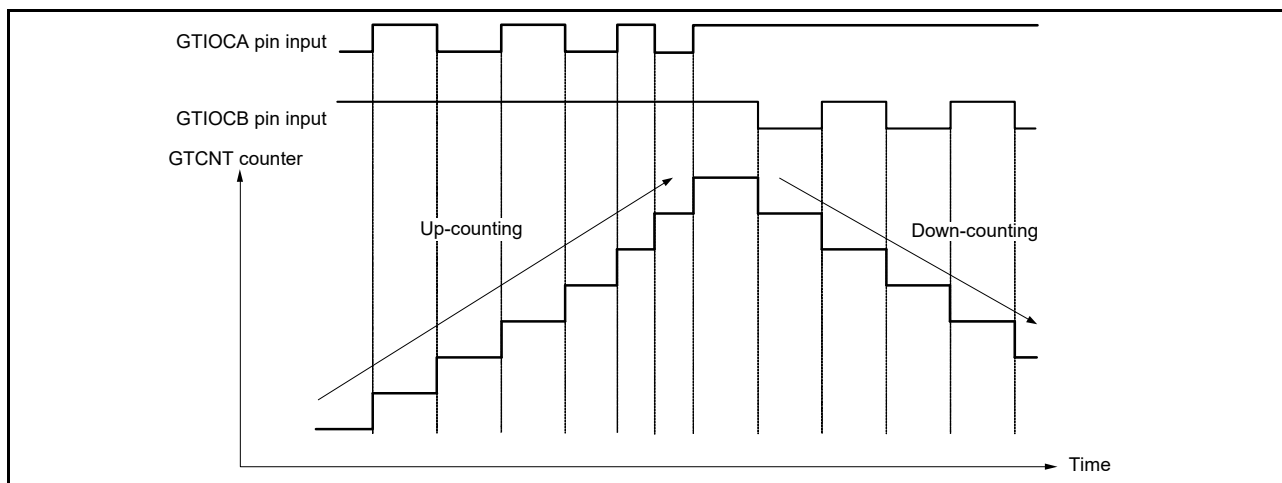


Figure 23.73 Example of phase counting mode 3 (C)

Table 23.13 Conditions of up-counting/down-counting in phase counting mode 3 (C)

GTIOCA pin input	GTIOCB pin input	Operation	Register setting
High		Down-counting	GTUPSR = 0000 0A00h GTDNSR = 0000 A000h
Low		Don't care	
	Low		
	High	Up-counting	
High		Down-counting	
Low		Don't care	
	High	Up-counting	
	Low	Don't care	

: Rising edge
 : Falling edge

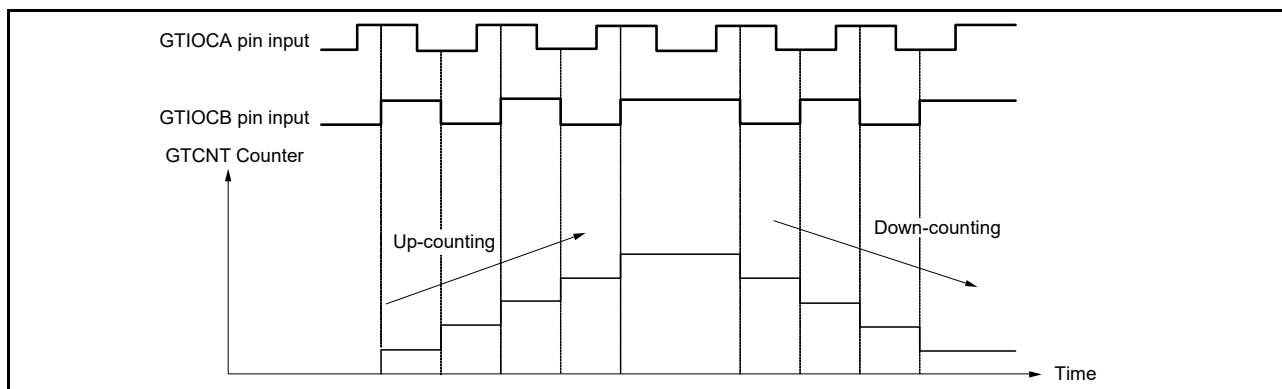


Figure 23.74 Example of phase counting mode 4

Table 23.14 Conditions of up-counting/down-counting in phase counting mode 4

GTIOCA pin input	GTIOCB pin input	Operation	Register setting
High		Up-counting	GTUPSR = 0000 6000h GTDNSR = 0000 9000h
Low			
	Low	Don't care	
	High		
High		Down-counting	
Low			
	High	Don't care	
	Low		

: Rising edge
 : Falling edge

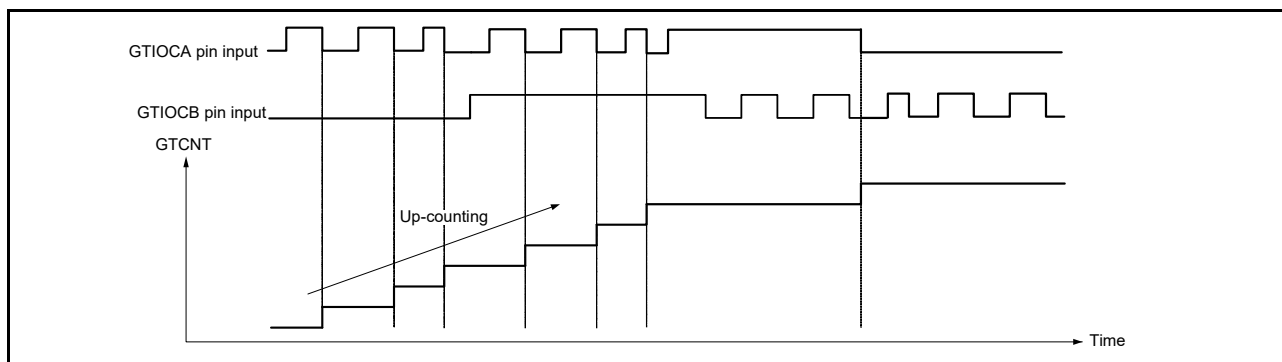


Figure 23.75 Example of phase counting mode 5 (A)

Table 23.15 Conditions of up-counting/down-counting in phase counting mode 5 (A)

GTIOCA pin input	GTIOCB pin input	Operation	Register setting
High		Don't care	GTUPSR = 0000 0C00h GTDNSR = 0000 0000h
Low		Don't care	
	Low	Up-counting	
	High	Up-counting	
High		Don't care	
Low		Don't care	
	High	Up-counting	
	Low	Up-counting	

: Rising edge
 : Falling edge

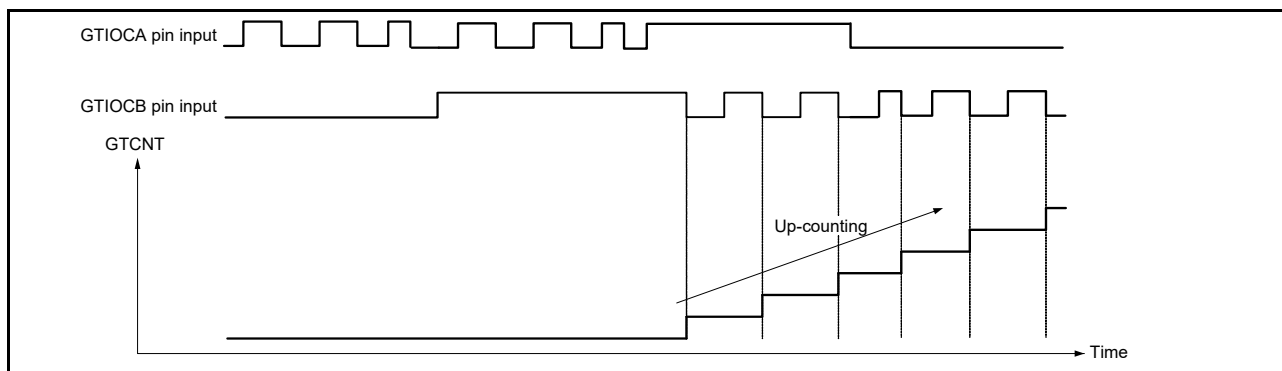


Figure 23.76 Example of phase counting mode 5 (B)

Table 23.16 Conditions of up-counting/down-counting in phase counting mode 5 (B)

GTIOCA pin input	GTIOCB pin input	Operation	Register setting
High		Don't care	GTUPSR = 0000 C000h GTDNSR = 0000 0000h
Low		Up-counting	
	Low	Don't care	
	High	Up-counting	
High		Up-counting	
Low		Don't care	
	High		
	Low		

: Rising edge
 : Falling edge

23.3.11 Output Phase Switching (GPT_OPS)

GPT_OPS provides a function for easy control of brushless DC motor operation using the Output Phase Switching Control Register (OPSCR).

GPT_OPS outputs a PWM signal to be used for chopper control or level signal for each phase (U-positive phase/negative phase, V-positive phase/negative phase, W-positive phase/negative phase) of the 6-phase motor control. This function uses a soft setting value (OPSCR.UF, VF, WF) set by software or the external signals detected by the Hall element, a PWM waveform of GPT320.GTIOCA.

Figure 23.77 shows the GPT_OPS control flow conceptual diagram.

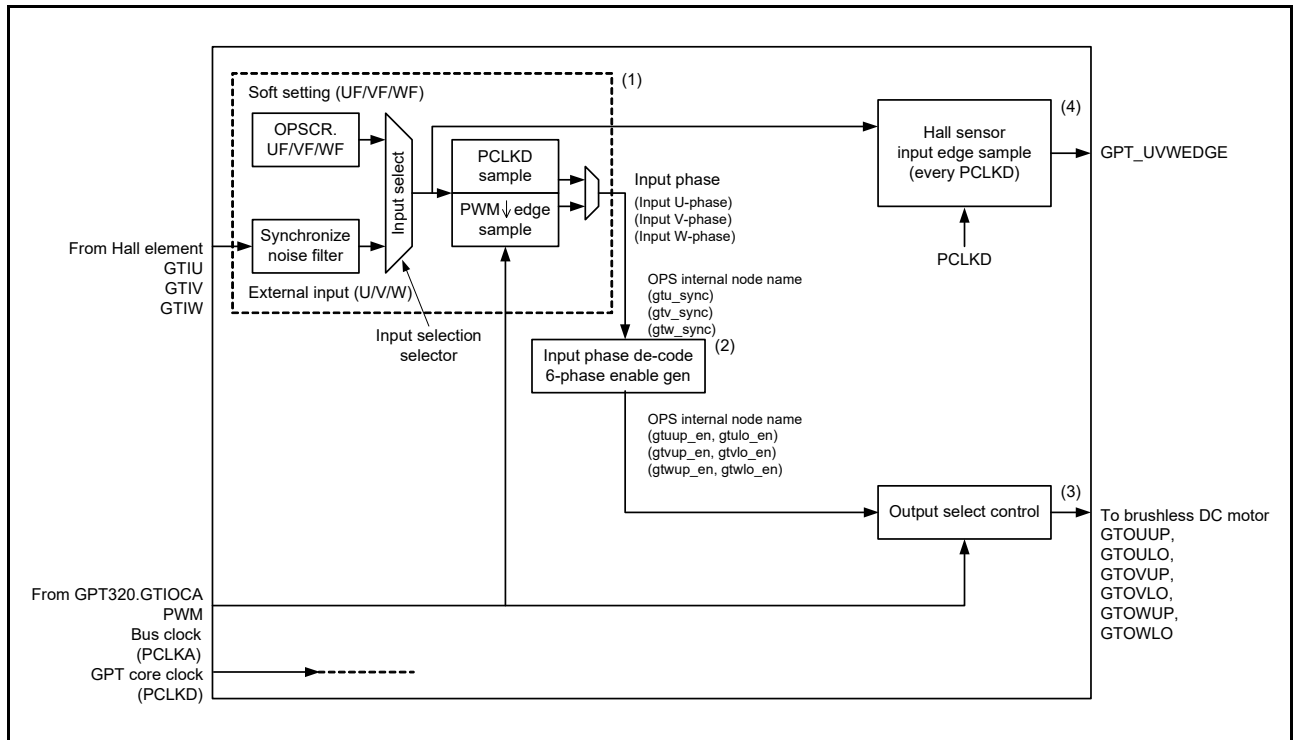


Figure 23.77 GPT_OPS control flow conceptual diagram

Figure 23.78 shows a 6-phase level signals output example of a GPT_ OPS operation.

The GPT_UVWEDGE signal in Figure 23.78 is the Hall sensor input edge that outputs to the ELC.

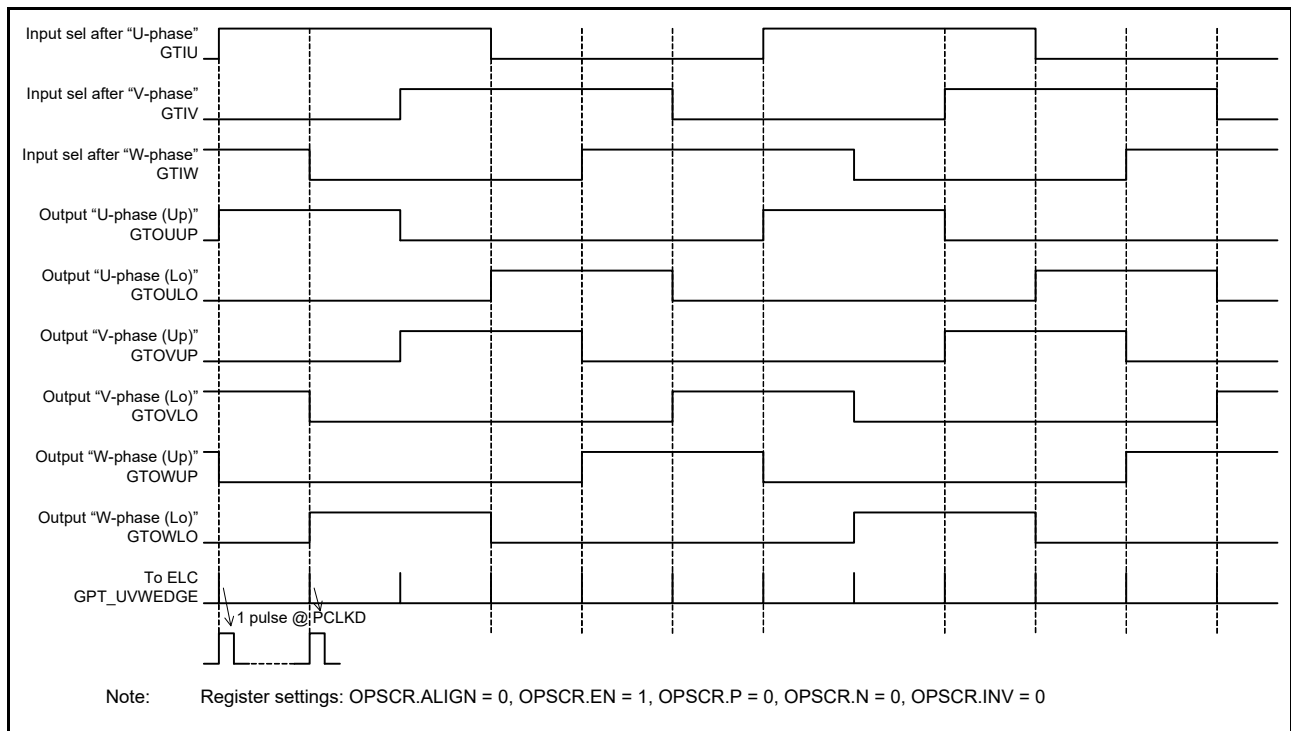


Figure 23.78 6-phase level output operation example

Figure 23.79 shows a 6-phase PWM output example of a GPT_ OPS operation (chopper control).

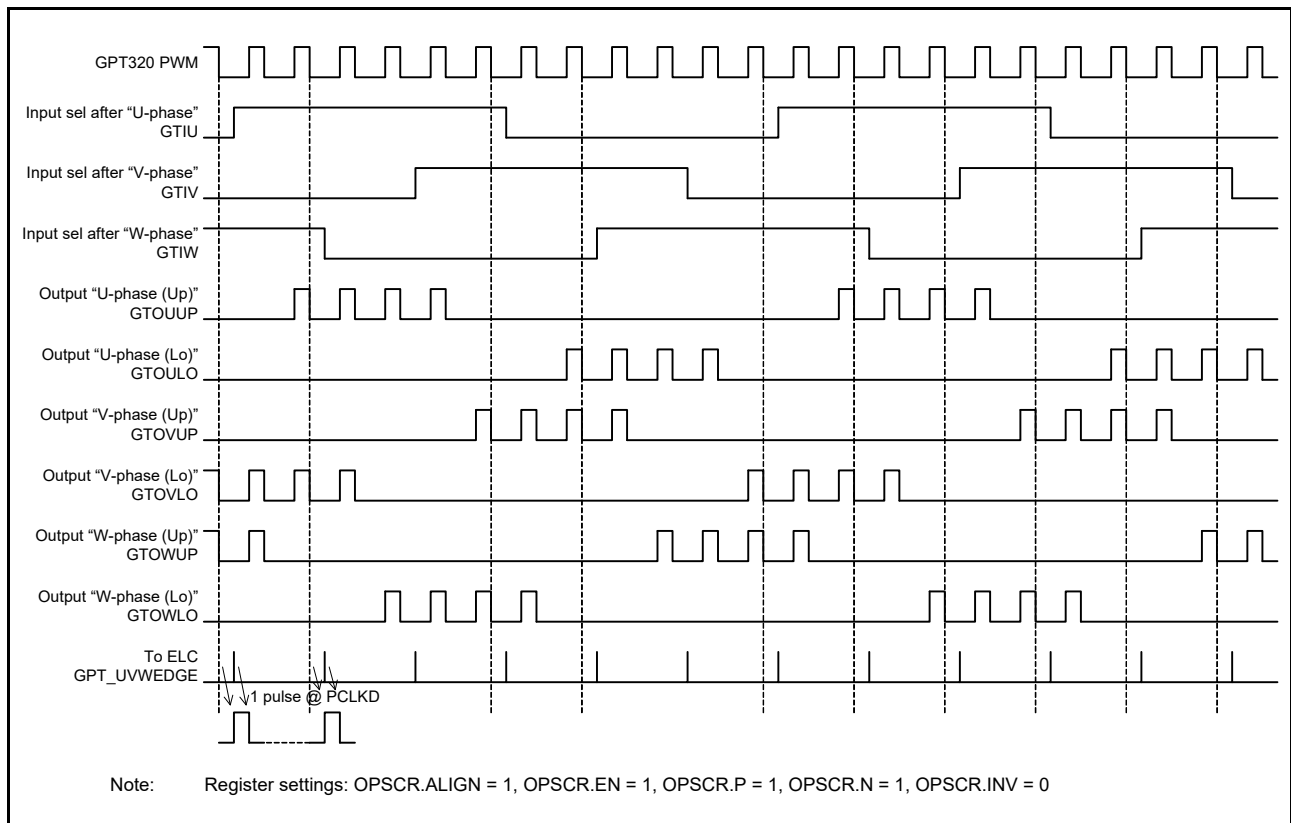


Figure 23.79 6-phase PWM output operation example with chopper control

Figure 23.80 shows an example of output disable control (6-phase PWM output operation).

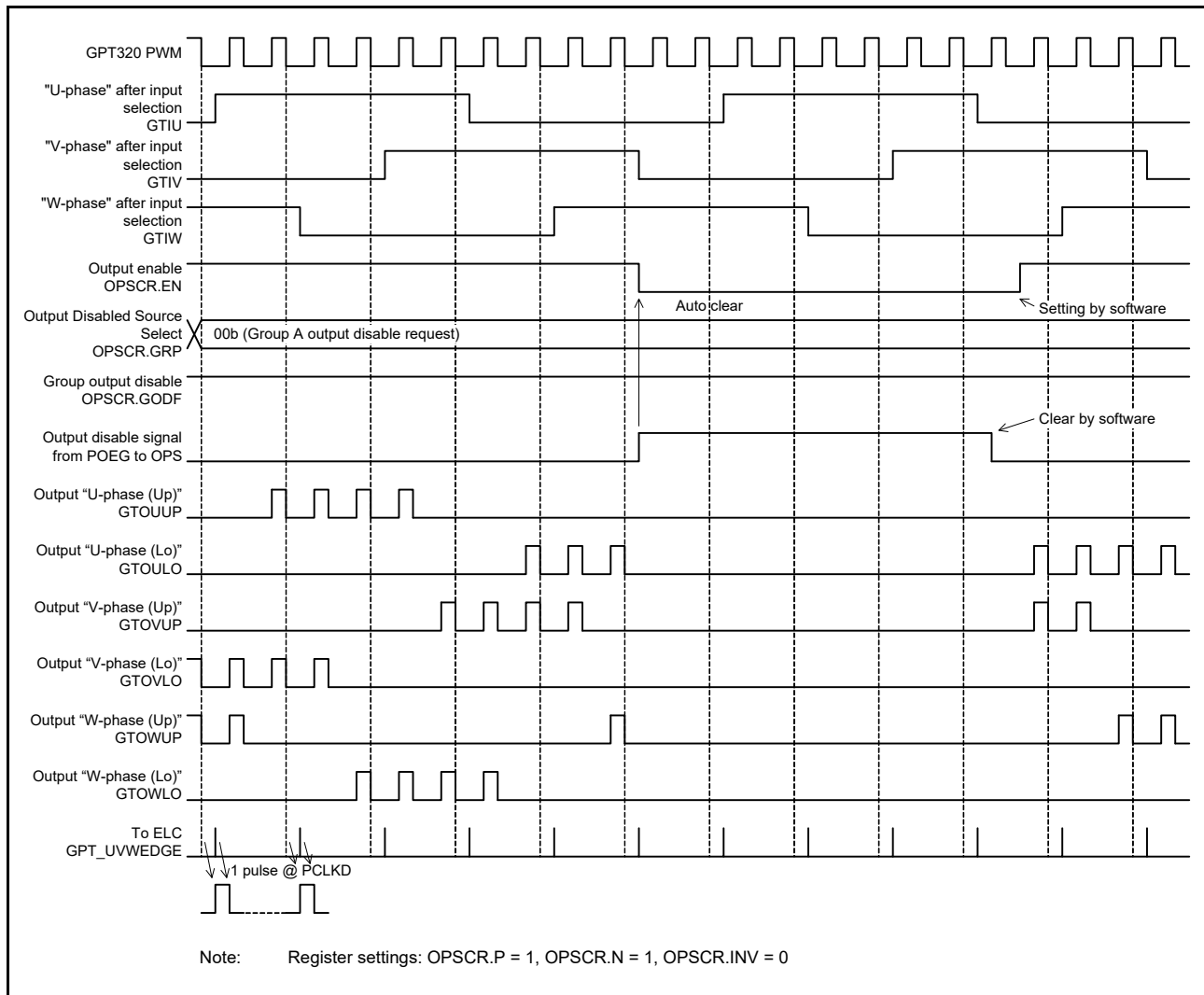


Figure 23.80 Example of group output disable control operation

23.3.11.1 Input selection and synchronization of external input signal

In the GPT_ OPS control flow conceptual diagram shown in Figure 23.77, (1) is a selection of input phase from software settings and external input by the OPSCR.FB bit.

When OPSCR.FB bit = 0, select the external input. Enable the input signal after synchronization with the GPT clock (PCLKD). After carrying out noise filtering (optional), set the external input to the input phase of PWM (PWM of GPT320.GTIOCA) using falling edge sampling with OPSCR.ALIGN bit = 1.

When OPSCR.FB bit = 1, select the soft setting (OPSCR.UF, VF, WF) with the value of the input phase of PWM (PWM of GPT320.GTIOCA) using falling edge sampling with OPSCR.ALIGN bit = 1.

When OPSCR.ALIGN bit = 0, GPT_ OPS operates with the input phase of PCLKD synchronization with either OPSCR.FB bit = 0 or OPSCR.FB bit = 1. However, in some situations, the PWM pulse width of the output U/V/W phases (PWM output mode) of switch timing (just before/just after) is shortened.

Table 23.17 shows the input selection process and setting of associated OPSCR bits.

Table 23.17 Input selection processing method

OPSCR register		Selection of input phase sampling method (U/V/W-phase)	Synchronization input/output selection process (GPT_OPS internal node name)
FB bit	ALIGN bit		
0	1	External Input at PWM Falling Edge Sampling (PCLKD Sync + falling edge sample)	Input Phase Input U-Phase (gtu_sync) Input V-Phase (gtv_sync) Input W-Phase (gtw_sync)
	0	External Input at PCLKD Synchronization Output (PCLKD Sync + Through mode)	
1	1	Software Settings at PWM Falling Edge Sampling (OPSCR.UF, VF, WF of falling edge sample)	
	0	Software Setting Value Selection (= OPSCR.UF/VF/WF value) (= PCLKD synchronization)	

23.3.11.2 Input sampling

The OPSCR.U, V, W bits indicate the PCLKD sampling results of the input selected by the OPSCR.FB bit.

When OPSCR.FB bit = 0 and after synchronization with the GPT clock (PCLKD) and noise filtering (optional), OPSCR.U, V, W bits indicate the sampling results of the external input. When OPSCR.FB bit = 1, OPSCR.U, V, W bits have the value (OPSCR.UF, VF, WF) of the soft setting.

23.3.11.3 Input phase decode

In the GPT_OPS control flow conceptual diagram shown in Figure 23.77, (2) enables the 6-phase signals by decoding the input phase selected by the OPSCR.FB bit. The 6-phase enable signal is used for the internal processing of GPT_OPS.

Table 23.18 shows the decode table of the input phase.

Table 23.18 Decode table of input phase

Input phase (U/V/W) (GPT_OPS internal node name)			6-phase enable {U/V/W (Up/Lo)} by decoding input phase (GPT_OPS internal node name)					
Input U-phase	Input V-phase	Input W-phase	U-phase (Up)	U-phase (Lo)	V-phase (Up)	V-phase (Lo)	W-phase (Up)	W-phase (Lo)
(gtu_sync)	(gtv_sync)	(gtw_sync)	(gtuup_en)	(gtulo_en)	(gtvup_en)	(gtvlo_en)	(gtwup_en)	(gtwlo_en)
1	0	1	1	0	0	1	0	0
1	0	0	1	0	0	0	0	1
1	1	0	0	0	1	0	0	1
0	1	0	0	1	1	0	0	0
0	1	1	0	1	0	0	1	0
0	0	1	0	0	0	1	1	0
0	0	0	0	0	0	0	0	0
1	1	1	0	0	0	0	0	0

23.3.11.4 Output selection control

In the GPT_OPS control flow conceptual diagram in Figure 23.77, (3) represents the selection of the output waveform by setting the OPSCR register bit.

For output selection, the following bits are relevant:

- The OPSCR.EN bit controls whether to output the 6-phase output, or to stop
- The OPSCR.P and OPSCR.N bits can choose from the level signal or PWM signal (chopper output) for the output phase
- The polarity of the output phase can be set to positive logic or negative logic by the OPSCR.INV bit.

Table 23.19 and Table 23.20 show the output selection control method using the OPSCR register bit.

Table 23.19 Output selection control method (positive phase)

Enable-phase output control	Positive-phase output (P) control	Invert-phase output control	Output port name (positive phase = up) (output selection internal node allocation)	
OPSCR.EN bit	OPSCR.P bit	OPSCR.INV bit	GTOUUP GTOVUP GTOWUP	Mode
0	x	x	0	Output Stop (External pin: Hi-Z) GPT_OPS → 0 output
1	0	0	Level signal (gtuup_en) (gtvup_en) (gtwup_en)	Level Output Mode (Positive phase) (Positive logic)
1	0	1	Level signal (~gtuup_en) (~gtvup_en) (~gtwup_en)	Level Output Mode (Positive phase) (Negative logic)
1	1	0	PWM signal (PWM & gtuup_en) (PWM & gtvup_en) (PWM & gtwup_en)	PWM Output Mode (Positive phase) (Positive logic)
1	1	1	PWM signal (~(PWM & gtuup_en)) (~(PWM & gtvup_en)) (~(PWM & gtwup_en))	PWM Output Mode (Positive phase) (Negative logic)

Table 23.20 Output selection control method (negative phase)

Enable-phase output control	Negative-phase output (N) control	Invert-phase output control	Output port name (negative phase = Lo) (output selection internal node allocation)	
OPSCR.EN bit	OPSCR.N bit	OPSCR.INV bit	GTOULO GTOVLO GTOWLO	Mode
0	x	x	0	Output Stop (External pin: Hi-Z) GPT_OPS → 0 output
1	0	0	Level signal (gtulo_en) (gtvlo_en) (gtwlo_en)	Level Output Mode (Negative phase) (Positive logic)
1	0	1	Level signal (~gtulo_en) (~gtvlo_en) (~gtwlo_en)	Level Output Mode (Negative phase) (Negative logic)
1	1	0	PWM signal (PWM & gtulo_en) (PWM & gtvlo_en) (PWM & gtwlo_en)	PWM Output Mode (Negative phase) (Positive logic)
1	1	1	PWM signal (~(PWM & gtulo_en)) (~(PWM & gtvlo_en)) (~(PWM & gtwlo_en))	PWM Output Mode (Negative phase) (Negative logic)

23.3.11.5 Output selection control (group output disable function)

When OPSCR.GODF = 1 and the signal value selected in the OPSCR.GRP[1:0] bit is high (output disable request), the GPT_OPS output pins are changed to Hi-Z asynchronously and the OPSCR.EN bit is set to 0 by the output disable request signal synchronized with PCLKD. For the return, set the OPSCR.EN = 1 after clearing the output disable request with software.

The timing of OPSCR.EN bit set to 0 is 3 PCLKD cycles after generating the output disable request. To perform output disable control reliably, allow at least 4 PCLKD cycles after generating the output disable request (by clearing the output disable request flag in POEG) until the output disable request is terminated. For an example of the operation of group output disable control, see [Figure 23.80](#).

23.3.11.6 Event Link Controller (ELC) output

In the GPT_OPS control flow conceptual diagram shown in [Figure 23.77](#), (4) outputs the Hall sensor input signal edge to the ELC.

The Hall sensor input edge signal is the logical OR of the rising and falling edge signals of each U-phase/V-phase/W-phase of input sampled at PCLKD. That is, if the high period of each of the U-phase/V-phase/W-phase input is short in duration, the Hall sensor edge input signal is not output at that time.

When OPSCR.FB bit = 0, the Hall sensor input edge signal is the logical OR of the edge signals of the external input phase sampled at PCLKD. When OPSCR.FB bit = 1, the Hall sensor input edge signal is the logical OR of the edge of the soft setting (OPSCR.UF, VF, WF) sampled at PCLKD.

See [Figure 23.78](#) to [Figure 23.80](#) for examples of the output signal to the ELC.

23.3.11.7 GPT_OPS start operation setting flow

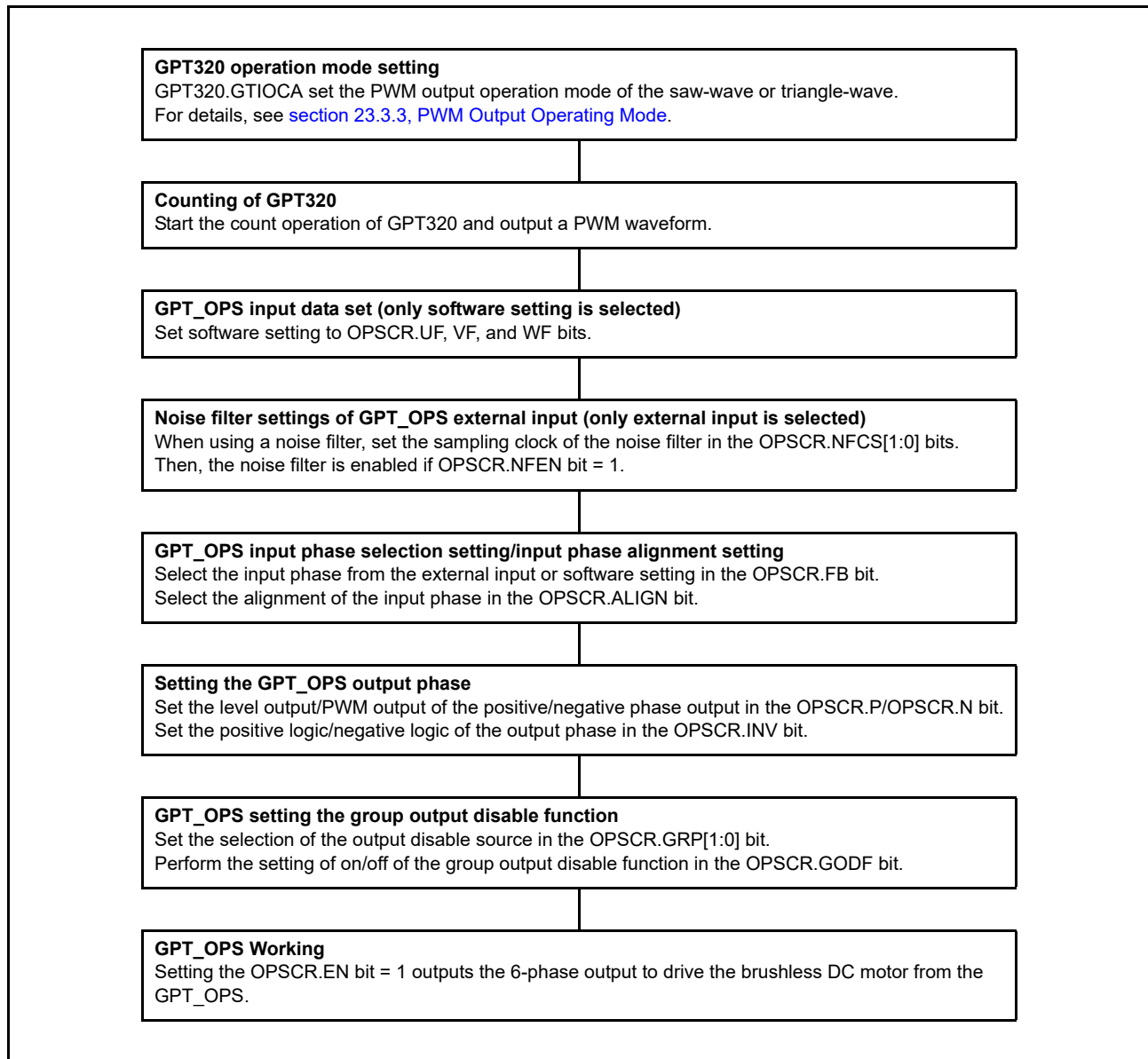


Figure 23.81 Example for setting of GPT_OPS start operation

23.4 Interrupt Sources

23.4.1 Interrupt Sources

The GPT provides the following interrupt sources:

- GTCCR input capture/compare match
- GTCNT counter overflow (GTPR compare match)/underflow.

Each interrupt source has its own status flag. When an interrupt source signal is generated, the associated status flag in GTST is set to 1. The associated status flag in GTST can be cleared by writing 0. If flag set and flag clear occur at the same time, flag clear takes priority over flag set. These flags are automatically updated by the internal state. [Table 23.21](#) lists the GPT interrupt sources.

Table 23.21 Interrupt sources (1 of 3)

Channel	Name	Interrupt source	Interrupt flag	DMAC/DTC activation
0	GPT0_CCMPA	GPT320.GTCCRA input capture/compare match	TCFA	Possible
	GPT0_CCMPB	GPT320.GTCCRB input capture/compare match	TCFB	Possible
	GPT0_CMPC	GPT320.GTCCRC compare match	TCFC	Possible
	GPT0_CMPD	GPT320.GTCCRD compare match	TCFD	Possible
	GPT0_CMPE	GPT320.GTCCRE compare match	TCFE	Possible
	GPT0_CMPF	GPT320.GTCCRF compare match	TCFF	Possible
	GPT0_OVF	GPT320.GTCNT overflow (GPT320.GTPR compare match)	TCFPO	Possible
	GPT0_UDF	GPT320.GTCNT underflow	TCFPU	Possible
1	GPT1_CCMPA	GPT321.GTCCRA input capture/compare match	TCFA	Possible
	GPT1_CCMPB	GPT321.GTCCRB input capture/compare match	TCFB	Possible
	GPT1_CMPC	GPT321.GTCCRC compare match	TCFC	Possible
	GPT1_CMPD	GPT321.GTCCRD compare match	TCFD	Possible
	GPT1_CMPE	GPT321.GTCCRE compare match	TCFE	Possible
	GPT1_CMPF	GPT321.GTCCRF compare match	TCFF	Possible
	GPT1_OVF	GPT321.GTCNT overflow (GPT321.GTPR compare match)	TCFPO	Possible
	GPT1_UDF	GPT321.GTCNT underflow	TCFPU	Possible
2	GPT2_CCMPA	GPT322.GTCCRA input capture/compare match	TCFA	Possible
	GPT2_CCMPB	GPT322.GTCCRB input capture/compare match	TCFB	Possible
	GPT2_CMPC	GPT322.GTCCRC compare match	TCFC	Possible
	GPT2_CMPD	GPT322.GTCCRD compare match	TCFD	Possible
	GPT2_CMPE	GPT322.GTCCRE compare match	TCFE	Possible
	GPT2_CMPF	GPT322.GTCCRF compare match	TCFF	Possible
	GPT2_OVF	GPT322.GTCNT overflow (GPT322.GTPR compare match)	TCFPO	Possible
	GPT2_UDF	GPT322.GTCNT underflow	TCFPU	Possible
3	GPT3_CCMPA	GPT323.GTCCRA input capture/compare match	TCFA	Possible
	GPT3_CCMPB	GPT323.GTCCRB input capture/compare match	TCFB	Possible
	GPT3_CMPC	GPT323.GTCCRC compare match	TCFC	Possible
	GPT3_CMPD	GPT323.GTCCRD compare match	TCFD	Possible
	GPT3_CMPE	GPT323.GTCCRE compare match	TCFE	Possible
	GPT3_CMPF	GPT323.GTCCRF compare match	TCFF	Possible
	GPT3_OVF	GPT323.GTCNT overflow (GPT323.GTPR compare match)	TCFPO	Possible
	GPT3_UDF	GPT323.GTCNT underflow	TCFPU	Possible

Table 23.21 Interrupt sources (2 of 3)

Channel	Name	Interrupt source	Interrupt flag	DMAC/DTC activation
4	GPT4_CCMPA	GPT164.GTCCRA input capture/compare match	TCFA	Possible
	GPT4_CCMPB	GPT164.GTCCRB input capture/compare match	TCFB	Possible
	GPT4_CMPC	GPT164.GTCCRC compare match	TCFC	Possible
	GPT4_CMPD	GPT164.GTCCRD compare match	TCFD	Possible
	GPT4_CMPE	GPT164.GTCCRE compare match	TCFE	Possible
	GPT4_CMPF	GPT164.GTCCRF compare match	TCFF	Possible
	GPT4_OVF	GPT164.GTCNT overflow (GPT164.GTPR compare match)	TCFPO	Possible
	GPT4_UDF	GPT164.GTCNT underflow	TCFPU	Possible
5	GPT5_CCMPA	GPT165.GTCCRA input capture/compare match	TCFA	Possible
	GPT5_CCMPB	GPT165.GTCCRB input capture/compare match	TCFB	Possible
	GPT5_CMPC	GPT165.GTCCRC compare match	TCFC	Possible
	GPT5_CMPD	GPT165.GTCCRD compare match	TCFD	Possible
	GPT5_CMPE	GPT165.GTCCRE compare match	TCFE	Possible
	GPT5_CMPF	GPT165.GTCCRF compare match	TCFF	Possible
	GPT5_OVF	GPT165.GTCNT overflow (GPT165.GTPR compare match)	TCFPO	Possible
	GPT5_UDF	GPT165.GTCNT underflow	TCFPU	Possible
6	GPT6_CCMPA	GPT166.GTCCRA input capture/compare match	TCFA	Possible
	GPT6_CCMPB	GPT166.GTCCRB input capture/compare match	TCFB	Possible
	GPT6_CMPC	GPT166.GTCCRC compare match	TCFC	Possible
	GPT6_CMPD	GPT166.GTCCRD compare match	TCFD	Possible
	GPT6_CMPE	GPT166.GTCCRE compare match	TCFE	Possible
	GPT6_CMPF	GPT166.GTCCRF compare match	TCFF	Possible
	GPT6_OVF	GPT166.GTCNT overflow (GPT166.GTPR compare match)	TCFPO	Possible
	GPT6_UDF	GPT166.GTCNT underflow	TCFPU	Possible
7	GPT7_CCMPA	GPT167.GTCCRA input capture/compare match	TCFA	Possible
	GPT7_CCMPB	GPT167.GTCCRB input capture/compare match	TCFB	Possible
	GPT7_CMPC	GPT167.GTCCRC compare match	TCFC	Possible
	GPT7_CMPD	GPT167.GTCCRD compare match	TCFD	Possible
	GPT7_CMPE	GPT167.GTCCRE compare match	TCFE	Possible
	GPT7_CMPF	GPT167.GTCCRF compare match	TCFF	Possible
	GPT7_OVF	GPT167.GTCNT overflow (GPT167.GTPR compare match)	TCFPO	Possible
	GPT7_UDF	GPT167.GTCNT underflow	TCFPU	Possible
8	GPT8_CCMPA	GPT168.GTCCRA input capture/compare match	TCFA	Possible
	GPT8_CCMPB	GPT168.GTCCRB input capture/compare match	TCFB	Possible
	GPT8_CMPC	GPT168.GTCCRC compare match	TCFC	Possible
	GPT8_CMPD	GPT168.GTCCRD compare match	TCFD	Possible
	GPT8_CMPE	GPT168.GTCCRE compare match	TCFE	Possible
	GPT8_CMPF	GPT168.GTCCRF compare match	TCFF	Possible
	GPT8_OVF	GPT168.GTCNT overflow (GPT168.GTPR compare match)	TCFPO	Possible
	GPT8_UDF	GPT168.GTCNT underflow	TCFPU	Possible

Table 23.21 Interrupt sources (3 of 3)

Channel	Name	Interrupt source	Interrupt flag	DMAC/DTC activation
9	GPT9_CCMPA	GPT169.GTCCRA input capture/compare match	TCFA	Possible
	GPT9_CCMPB	GPT169.GTCCRB input capture/compare match	TCFB	Possible
	GPT9_CMPC	GPT169.GTCCRC compare match	TCFC	Possible
	GPT9_CMPD	GPT169.GTCCRD compare match	TCFD	Possible
	GPT9_CMPE	GPT169.GTCCRE compare match	TCFE	Possible
	GPT9_CMPF	GPT169.GTCCRF compare match	TCFF	Possible
	GPT9_OVF	GPT169.GTCNT overflow (GPT169.GTPR compare match)	TCFPO	Possible
	GPT9_UDF	GPT169.GTCNT underflow	TCFPU	Possible

(1) GPTn_CCMPA interrupt (n = 0 to 9)

An interrupt request is generated under the following conditions:

- When the GTCCRA register functions as a compare match register, the GTCNT counter value matches with the GTCCRA register
- When the GTCCRA register functions as an input capture register, the input-capture signal causes transfer of the GTCNT counter value to the GTCCRA register.

(2) GPTn_CCMPB interrupt (n = 0 to 9)

An interrupt request is generated under the following conditions:

- When the GTCCRB register functions as a compare match register, the GTCNT counter value matches with the GTCCRB register
- When the GTCCRB register functions as an input capture register, the input-capture signal causes transfer of the GTCNT counter value to the GTCCRB register.

(3) GPTn_CMPC interrupt (n = 0 to 9)

An interrupt request is generated under the following condition:

- When the GTCCRC register functions as a compare match register, the GTCNT counter value matches with the GTCCRC register.

A compare match is not performed and an interrupt is not requested under the following conditions:

- GTCR.MD[2:0] = 001b (saw-wave one-shot pulse mode)
- GTCR.MD[2:0] = 110b (triangle-wave PWM mode 3)
- GTBER.CCRA[1:0] = 01b, 10b, 11b (buffer operation with the GTCCRC register).

(4) GPTn_CMPD interrupt (n = 0 to 9)

An interrupt request is generated under the following condition:

- When the GTCCRD register functions as a compare match register, the GTCNT counter value matches with the GTCCRD register.

A compare match is not performed and an interrupt is not requested under the following conditions:

- GTCR.MD[2:0] = 001b (saw-wave one-shot pulse mode)
- GTCR.MD[2:0] = 110b (triangle-wave PWM mode 3)
- GTBER.CCRA[1:0] = 10b, 11b (buffer operation with the GTCCRD register).

(5) GPTn_CMPE interrupt (n = 0 to 9)

An interrupt request is generated under the following condition:

- When the GTCCRE register functions as a compare match register, the GTCNT counter value matches with the GTCCRE register.

A compare match is not performed and an interrupt is not requested under the following conditions:

- GTCR.MD[2:0] = 001b (saw-wave one-shot pulse mode)
- GTCR.MD[2:0] = 110b (triangle-wave PWM mode 3)
- GTBER.CCRB[1:0] = 01b, 10b, 11b (buffer operation with the GTCCRE register).

(6) GPTn_CMPF interrupt (n = 0 to 9)

An interrupt request is generated under the following condition:

- When the GTCCRF register functions as a compare match register, the GTCNT counter value matches with the GTCCRF register.

A compare match is not performed and an interrupt is not requested under the following conditions:

- GTCR.MD[2:0] = 001b (saw-wave one-shot pulse mode)
- GTCR.MD[2:0] = 110b (triangle-wave PWM mode 3)
- GTBER.CCRB[1:0] = 10b, 11b (buffer operation with the GTCCRF register).

(7) GPTn_OVF interrupt (n = 0 to 9)

An interrupt request is generated under the following conditions:

- In saw-wave mode, interrupt requests are enabled at overflows (when the GTCNT counter value changes from GTPR to 0 during up-counting)
- In triangle-wave mode, interrupt requests are enabled at crests (GTCNT changes from GTPR to GTPR-1)
- In counting by hardware sources, overflow (GTCNT changes from GTPR to 0 in up count) has occurred.

(8) GPTn_UDF interrupt (n = 0 to 9)

An interrupt request is generated under the following conditions:

- In saw-wave mode, interrupt requests are enabled at underflows (when the GTCNT counter value changes from 0 to GTPR during down-counting)
- In triangle-wave mode, interrupt requests are enabled at troughs (GTCNT changes from 0 to 1)
- In counting by hardware sources, underflow (GTCNT changes from 0 to GTPR in down count) has occurred.

Table 23.22 Interrupt signals and interrupt status flags

Interrupt signal	Interrupt status flag
GPTn_UDF	GTST[7] (TCFPU)
GPTn_OVF	GTST[6] (TCFPO)
GPTn_CMPF	GTST[5] (TCFF)
GPTn_CMPE	GTST[4] (TCFE)
GPTn_CMPD	GTST[3] (TCFD)
GPTn_CMPC	GTST[2] (TCFC)
GPTn_CCMPB	GTST[1] (TCFB)
GPTn_CCMPA	GTST[0] (TCFA)

Note: n = 0 to 9

23.4.2 DMAC/DTC Activation

The DMAC and DTC can be activated by the interrupt in each channel. For details, see [section 14, Interrupt Controller Unit \(ICU\)](#), [section 17, DMA Controller \(DMAC\)](#), and [section 18, Data Transfer Controller \(DTC\)](#).

23.5 Operations Linked by ELC

23.5.1 Event Signal Output to ELC

GPT is capable of operation linked with another module set in advance when its interrupt request signal is used as an event signal by the Event Link Controller (ELC).

The GPT has the following ELC event signals:

- Generation of compare match A interrupt (GPTn_CCMPA)
- Generation of compare match B interrupt (GPTn_CCMPB)
- Generation of compare match C interrupt (GPTn_CMPC)
- Generation of compare match D interrupt (GPTn_CMPD)
- Generation of compare match E interrupt (GPTn_CMPE)
- Generation of compare match F interrupt (GPTn_CMPF)
- Generation of overflow interrupt (GPTn_OVF)
- Generation of underflow interrupt (GPTn_UDF).

Note: n = 0 to 9

23.5.2 Event Signal Inputs from ELC

The GPT can perform the following operations in response to a maximum of eight events from the ELC:

- Start counting, stop counting, clear counting
- Up-counting, down counting
- Input capture.

See [section 23.3, Operation](#) for details on hardware resources.

23.6 Noise Filter Function

Each pin for use in input capture and Hall sensor input to the GPT is equipped with a noise filter. The noise filter samples input signals at the sampling clock and removes the pulses whose length is less than 3 sampling cycles.

The noise filter functionality includes enabling and disabling the noise filter for each pin and setting of the sampling clock for each channel.

[Figure 23.82](#) shows the timing of noise filtering.

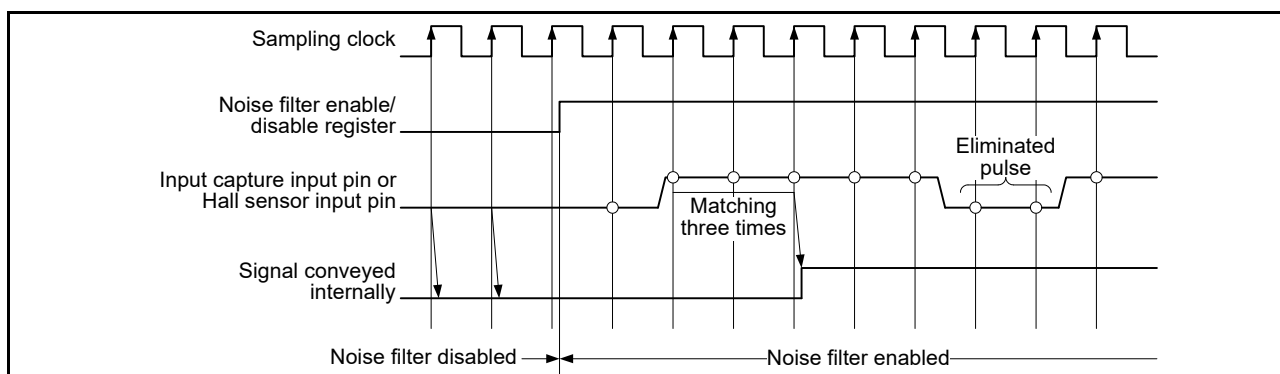


Figure 23.82 Timing of noise filtering

If noise filtering is enabled, the input capture operation or hall sensor input operation is performed on the edges of the noise filtered signal after a delay of a minimum sampling interval $\times 2 + PCLKD$. This is caused by the noise filtering for the input capture input or hall sensor input operation.

23.7 Protection Function

23.7.1 Write-Protection for Registers

To prevent registers from being accidentally modified, registers can be write-protected in channel units by setting GTWP.WP.

Write-protection can be set for the following registers:

GTSSR, GTPSR, GTCSR, GTUPSR, GTDNSR, GTICASR, GTICBSR, GTCR, GTUDDTYC, GTIOR, GTINTAD, GTST, GTBER, GTCNT, GTCCRA, GTCCRB, GTCCRC, GTCCRD, GTCCRE, GTCCRF, GTPR, GTPBR, GTDTCR, GTDVU.

23.7.2 Disabling of Buffer Operation

If the timing of the buffer register write is delayed relative to the timing for the buffer transfer, buffer operation can be suspended with the GTBER.BD setting. Buffer transfer can be temporarily disabled even though a buffer transfer condition is generated during a buffer register write. This can be done by setting the associated GTBER.BD bit to 1 (buffer operation disabled) before buffer register write and clearing the bit to 0 (buffer operation enabled) after completion of writing to all buffer registers.

Figure 23.83 shows an example of operation for disabling buffer operation.

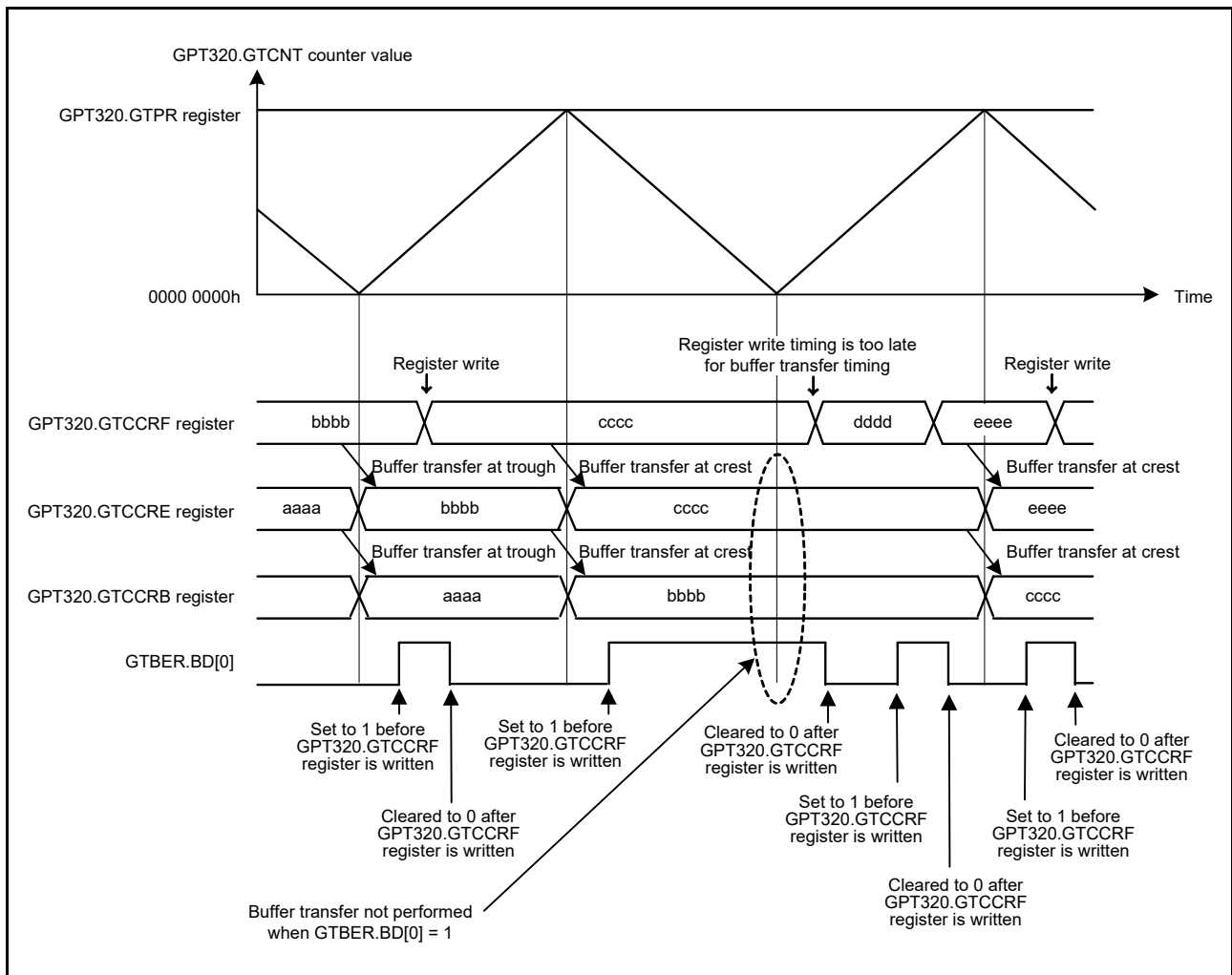


Figure 23.83 Example of operation for disabling buffer operation with triangle waves, double buffer operation, buffer transfer at both troughs and crests

23.7.3 GTIOC Pin Output Negate Control

For protection from system failure, the output disable control that changes the GTIOC pin output value forcibly is provided for GTIOC pin output by the request of output disable from POEG.

When the GTIOCA pin output value is the same as the GTIOCB pin output value, output protection is required. GPT detects this condition and generates output disable requests to POEG based on the settings in the output disable request permission bits, such as GTINTAD.GRPABH, GTINTAD.GRPABL. When the POEG receives output disable requests from each channel and calculates external input using an OR operation, the POEG generates output disable requests to GPT.

One output disable signal (representing the shared output disable request signal of the GTIOCA pin and the GTIOCB pin) out of four output disable requests generated by the POEG is selected by setting GTINTAD.GRP[1:0]. The status of the selected disable output request is monitored by reading the GTST.ODF bit. The output level during output disable is set based on the GTIOR.OADF[1:0] setting for the GTIOCA pin and the GTIOR.OBDF[1:0] setting for the GTIOCB pin.

The change to the output disable state is performed asynchronously by generating the output disable request from the POEG. The release of the output disable state is performed at end of cycle by terminating the output disable request. The timing of release of the output disable state is a minimum of 3 PCLKD cycles after terminating the output disable request. To perform output disable control reliably, allow at least 4 PCLKD cycles after generating the output disable request (by clearing the output disable request flag in POEG) until the output disable request is terminated.

When event count is performed or when the output disable state should be released immediately without waiting for the end of cycle, GTIOR.OADF[1:0] should be set to 00b (for GTIOCA pin) or GTIOR.OBDF[1:0] should be set to 00b (for GTIOCB pin).

Figure 23.84 shows an example of the GTIOC pin output disable control operation.

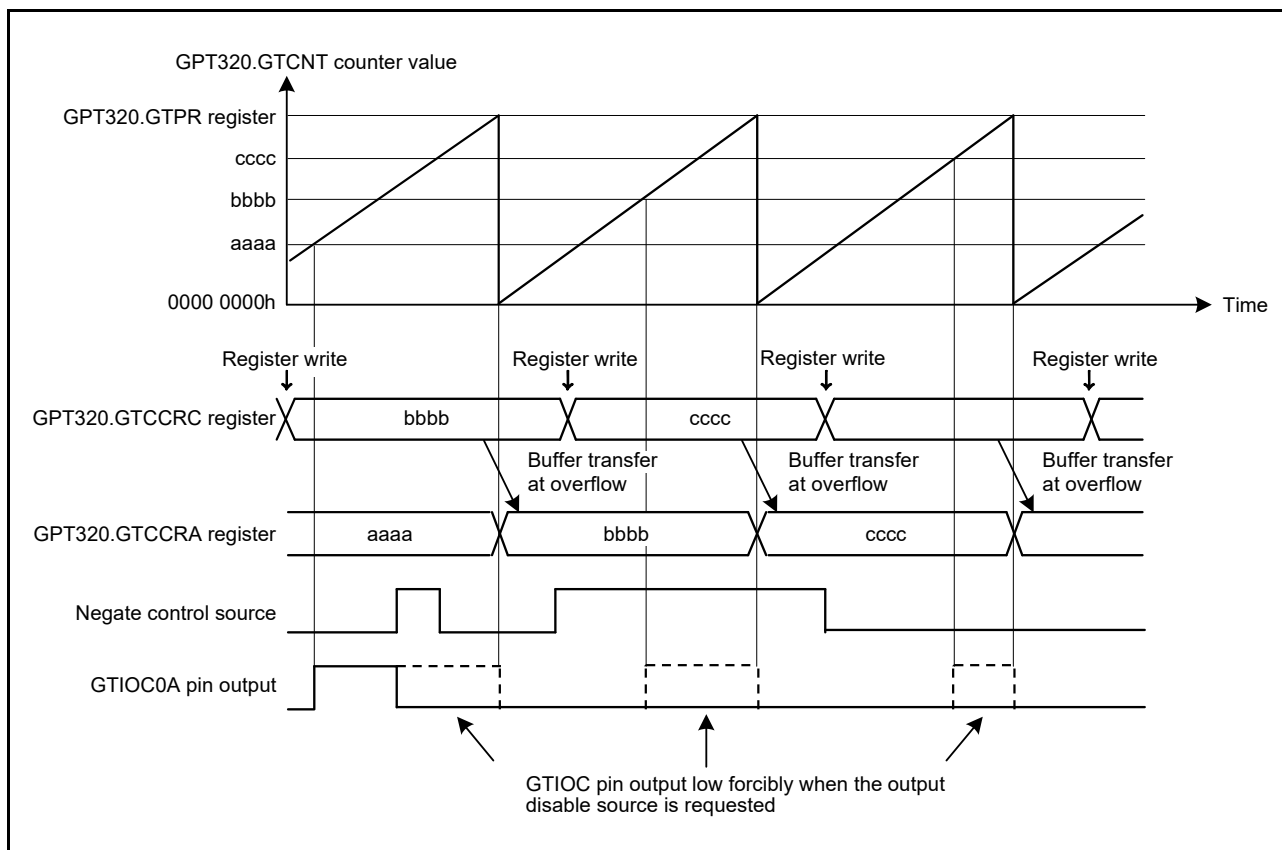


Figure 23.84 Example of GTIOC pin output disable control operation in saw-wave up-counting, buffer operation, active level 1, high output at GTCCRA compare match, low output at cycle end, and low output at output disable

23.8 Initialization Method of Output Pins

23.8.1 Pin Settings after Reset

The GPT registers are initialized at reset. Start counting after selecting the port pin function by PmnPFS register, setting GTIOR.OAE and GTIOR.OBE bits, and outputting the GPT function to external pins.

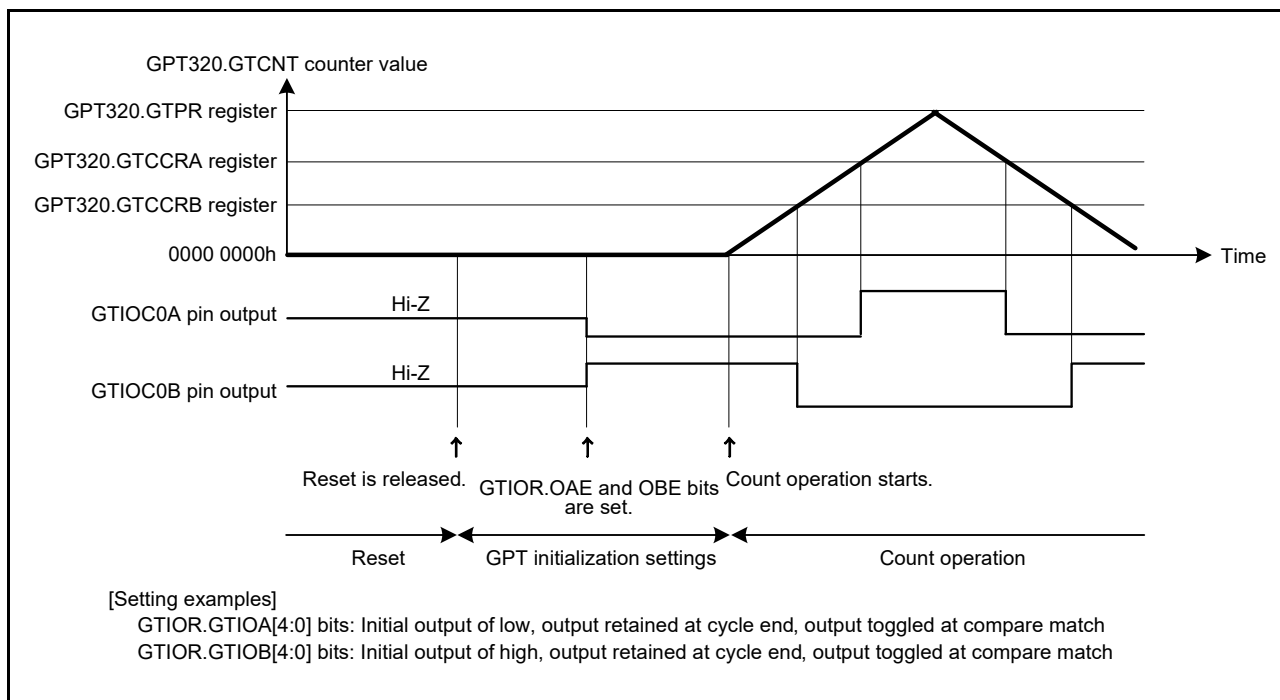


Figure 23.85 Example of pin settings after reset

23.8.2 Pin Initialization Due to Error during Operation

If an error occurs during GPT operation, the following four types of pin processing can be performed before pin initialization:

- Set the OAHLD and OBHLD bits in GTIOR to 1 and retain the outputs at count stop
- Set the OAHLD and OBHLD bits in GTIOR to 0, specify arbitrary output values at OADFLT and OBDFLT in GTIOR, and output the arbitrary values at count stop
- Set the pin to output an arbitrary value as a general output port by setting the PDR, PODR, and PmnPFS registers of the I/O port in advance. Set the OAE and OBE bits in GTIOR to 0, and the control bit associated with the pin in the PmnPFS.PMR to 0 to allow arbitrary values to be output from the pin set as a general output port when an error occurs.
- Drive the output to a high impedance state using the POEG function.

When the automatic dead time setting is made, clear the GTDTCR.TDE bit to 0 after counting stops. When counting stops, only the values of registers that are changed by a GPT external source change. If counting resumes, operation continues from where it stopped. If counting stops, registers should be initialized before counting starts.

23.9 Usage Notes

23.9.1 Module-Stop Function Setting

Operation of the GPT can be disabled or enabled by the Module Stop Control Register. The initial setting is for operation of the GPT to be stopped. Register access is enabled by clearing the module-stop state. For details, see [section 11, Low Power Modes](#).

23.9.2 Settings of GTCCRn during Compare Match Operation (n = A to F)

(1) When automatic dead time setting is made in triangle-wave PWM mode

The GTCCRA register must satisfy the following conditions: $GTDVU < GTCCRA$ and $0 < GTCCRA < GTPR$.

(2) When automatic dead time setting is not made in triangle-wave PWM mode

The GTCCRA register must be set within the range of $0 < GTCCRA < GTPR$. If $GTCCRA = 0$ or $GTCCRA = GTPR$ is set, a compare match occurs within the cycle only when $GTCCRA = 0$ or $GTCCRA = GTPR$ is satisfied. When $GTCCRA > GTPR$, no compare match occurs.

Similarly, GTCCRB should be set within the range of $0 < GTCCRB < GTPR$. If $GTCCRB = 0$ or $GTCCRB = GTPR$ is set, a compare match occurs within the cycle only when $GTCCRB = 0$ or $GTCCRB = GTPR$ is satisfied. When $GTCCRB > GTPR$, no compare match occurs.

(3) When automatic dead time setting is made in saw-wave one-shot pulse mode

The GTCCRC and GTCCRD registers must be set to satisfy the following restrictions. If the restrictions are not satisfied, correct output waveforms with secured dead time may not be obtained.

- In up-counting: $GTCCRC < GTCCRD$, $GTCCRC > GTDVU$, $GTCCRD < GTPR - GTDVU$
- In down-counting: $GTCCRC > GTCCRD$, $GTCCRC < GTPR - GTDVU$, $GTCCRD > GTDVU$.

(4) When automatic dead time setting is not made in saw-wave one-shot pulse mode

The GTCCRC and GTCCRD registers must be set to satisfy the following restrictions. If the restrictions are not satisfied, two compare matches do not occur and pulse output cannot be performed.

- In up-counting: $0 < GTCCRC < GTCCRD < GTPR$
- In down-counting: $GTPR > GTCCRC > GTCCRD > 0$.

Similarly, GTCCRE and GTCCRF must be set to satisfy the following restrictions. If the restrictions are not satisfied, two compare matches do not occur and pulse output cannot be performed.

- In up-counting: $0 < GTCCRE < GTCCRF < GTPR$
- In down-counting: $GTPR > GTCCRE > GTCCRF > 0$.

(5) In saw-wave PWM mode

The GTCCRA register must be set with the range of $0 < GTCCRA < GTPR$. If $GTCCRA = 0$ or $GTCCRA = GTPR$ is set, a compare match occurs within the cycle only when $GTCCRA = 0$ or $GTCCRA = GTPR$ is satisfied. If $GTCCRA > GTPR$ is set, no compare match occurs.

Similarly, GTCCRB must be set with the range of $0 < GTCCRB < GTPR$. If $GTCCRB = 0$ or $GTCCRB = GTPR$ is set, a compare match occurs within the cycle only when $GTCCRB = 0$ or $GTCCRB = GTPR$ is satisfied. If $GTCCRB > GTPR$ is set, no compare match occurs.

23.9.3 Setting the Range for the GTCNT Counter

The GTCNT counter register must be set with the range of $0 \leq \text{GTCNT} \leq \text{GTPR}$.

23.9.4 GTCNT Counter Start/Stop

The control timing of starting and stopping the GTCNT counter by the GTCR.CST bit synchronizes the count clock that is selected in GTCR.TPCS[2:0]. When GTCR.CST is updated, the GTCNT counter starts/stops after a count clock that is selected in GTCR.TPCS[2:0]. Therefore, an event generated before the GTCNT counter actually starts is ignored, resulting in cases where an event is accepted or an interrupt occurs after GTCR.CST is set to 0.

23.9.5 Priority Order of Each Event

(1) GTCNT register

Table 23.23 shows a priority order of events updating GTCNT register.

Table 23.23 Priority order of sources updating GTCNT

Source updating GTCNT	Priority order
Writing by CPU (writing to GTCNT/GTCLR)	High ↑ Low
Clear by hardware sources set in GTCSSR	
Count up or down by hardware sources set in GTUPSR/GTDNSR	
Count operation	

If up-counting and down-counting by hardware sources occur at the same time, the GTCNT counter value does not change. When there is a conflict between updating the GTCNT register and reading by the CPU, pre-update data is read.

(2) GTCR.CST bit

When there is a conflict between starting/stopping by hardware sources set in the GTSSR/GTPSR registers and writing by the CPU (writing to GTCR/GTSTR/GTSTP registers), writing by CPU has a priority over starting/stopping by hardware sources.

When there is a conflict between starting by hardware sources set in the GTSSR register and stopping by hardware sources set in GTPSR register, the GTCR.CST bit value does not change. When there is a conflict between updating the GTCR.CST bit and reading by the CPU, pre-update data is read.

(3) GTCCRn registers (n = A to F)

When there is a conflict between input capture/buffer transfer operation and writing to GTCCRn registers, writing to GTCCRn registers has a priority over input capture/buffer transfer operation. When there is a conflict between input capture and writing to the counter register by the CPU or updating the counter register by hardware sources, the pre-update counter value is captured. When there is a conflict between updating the GTCCRn registers and reading by the CPU, pre-update data is read.

(4) GTPR registers

When there is a conflict between buffer transfer operation and writing to the GTPR register, writing to GTPR register has a priority over buffer transfer operation. When there is a conflict between updating GTPR register and reading by the CPU, pre-update data is read.

24. Low Power Asynchronous General Purpose Timer (AGT)

24.1 Overview

The Low Power Asynchronous General Purpose Timer (AGT) is a 16-bit timer that can be used for pulse output, external pulse width or period measurement, and counting external events.

This 16-bit timer consists of a reload register and a down counter. The reload register and the down counter are allocated in the same address, and they can be accessed with the AGT register.

Table 24.1 lists the AGT specifications, Figure 24.1 shows the AGT block diagram, and Table 24.2 lists the AGT I/O pins.

Table 24.1 AGT specifications

Parameter		Description
Operating modes	Timer mode	The count source is counted
	Pulse output mode	The count source is counted and the output is inverted at each timer underflow
	Event counter mode	An external event is counted
	Pulse width measurement mode	An external pulse width is measured
	Pulse period measurement mode	An external pulse period is measured
Count source (operating clock)*2		PCLKB, PCLKB/2, PCLKB/8, AGTLCLK/d, AGTSCLK/d, or underflow signal of AGT0*1 selectable (d = 1, 2, 4, 8, 16, 32, 64, or 128)
Interrupt/Event link function (output)		<ul style="list-style-type: none"> • Underflow event signal or measurement complete event signal <ul style="list-style-type: none"> – When the counter underflows – When the measurement of the active width of the external input (AGTIO_n) is complete in pulse width measurement mode – When the set edge of the external input (AGTIO_n) is input in pulse period measurement mode. • Compare match A event signal <ul style="list-style-type: none"> – When the values of AGT and AGTCMA matched (compare match A function enabled) • Compare match B event signal <ul style="list-style-type: none"> – When the values of AGT and AGTCMB matched (compare match B function enabled) • Recovery from Software Standby mode can be performed with AGT1_AGTI, AGT1_AGTCMAI, or AGT1_AGTCMBI.
Selectable functions		<ul style="list-style-type: none"> • Compare match function <ul style="list-style-type: none"> One or two of the compare match A register and compare match B register is selectable.

Note 1. AGT0 cannot use it. AGT1 connects directly with the underflow event signal from the AGT0 timer.

Note 2. Satisfy the frequency of the peripheral module clock (PCLKB) \geq the frequency of the count source clock.

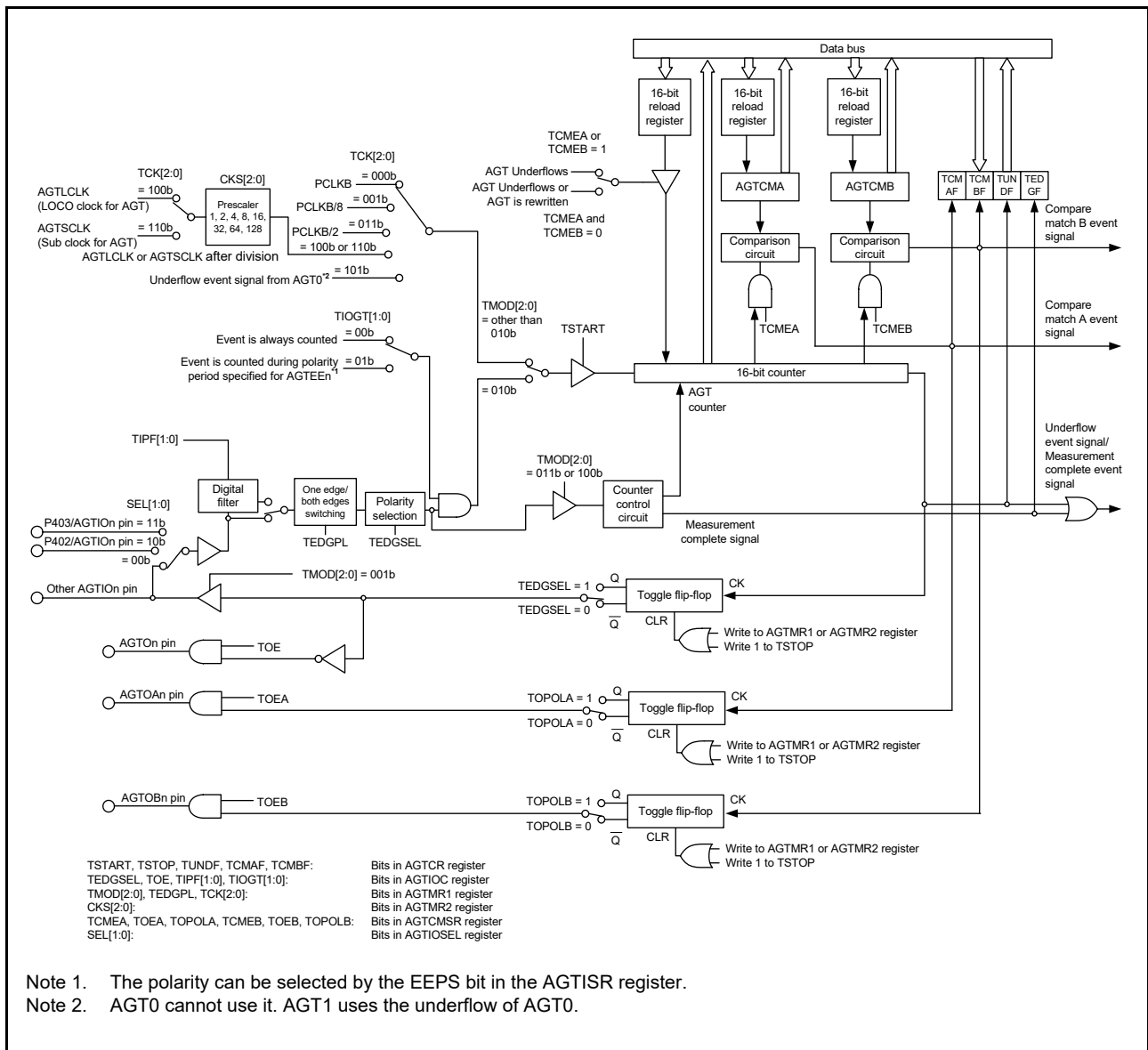


Figure 24.1 AGT block diagram

Table 24.2 AGT I/O pins

Pin name	I/O	Function
AGTEEn	Input	External event input for AGT
AGTIO ⁿ *1	Input*1/output	External event input and pulse output for AGT
AGTOn	Output	Pulse output for AGT
AGTOAn	Output	Output compare match A output for AGT
AGTOBn	Output	Output compare match B output for AGT

Note: Channel number (n = 0, 1)

Note 1. When AGTIOⁿ are assigned P402 and P403, AGTIOⁿ can only be used as input.

24.2 Register Descriptions

24.2.1 AGT Counter Register (AGT)

Address(es): [AGT0.AGT 4008 4000h](#), [AGT1.AGT 4008 4100h](#)



Bit	Description	Setting Range	R/W
b15 to b0	16-bit counter and reload register *1, *2	0000h to FFFFh	R/W

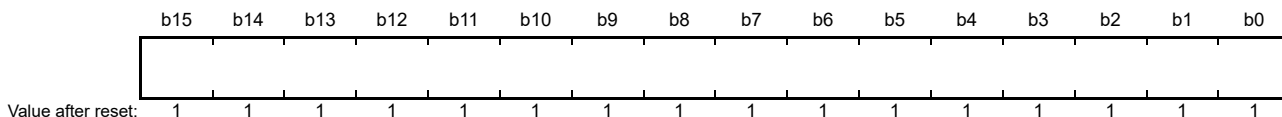
- Note 1. When 1 is written to the TSTOP bit in the AGTCR register, the 16-bit counter is forcibly stopped and set to FFFFh.
- Note 2. When the TCK[2:0] bit setting in the AGTMR1 register is a value other than 001b (PCLKB/8) or 011b (PCLKB/2), if the AGT register is set to 0000h, a request signal to the ICU, the DTC and the ELC are generated once immediately after the count starts. The AGTOn and AGTIO output is toggled.
- When the AGT register is set to 0000h in event counter mode, regardless of the value of TCK[2:0] bits, a request signal to the ICU, the DTC and the ELC is generated once immediately after the count starts.
- In addition, the AGTOn output toggles even during a period other than the specified count period. When the AGT register is set to 0001h or more, a request signal is generated each time AGT underflows.

AGT is a 16-bit register. The write value is written to the reload register and the read value is read from the counter.

The states of the reload register and the counter change according to the TSTART bit in the AGTCR register and the TCMEA/TCMEB bit in the AGTCMSR register. For details, see [section 24.3.1, Reload Register and Counter Rewrite Operation](#). The AGT register can be set with a 16-bit memory manipulation instruction.

24.2.2 AGT Compare Match A Register (AGTCMA)

Address(es): [AGT0.AGTCMA 4008 4002h](#), [AGT1.AGTCMA 4008 4102h](#)



Bit	Description	Setting range	R/W
b15 to b0	16-bit compare match A data is stored*1	0000h to FFFFh	R/W

- Note 1. Set the AGTCMA register to FFFFh when compare match A is not to be used.

The AGTCMA register is a read/write register to set a value for compare match with the AGT counter. The states of the reload register and the compare register A change according to the TSTART bit in the AGTCR register. For details, see [section 24.3.2, Reload Register and Compare Register A/B Rewrite Operation](#). The AGTCMA register can be set by a 16-bit memory manipulation instruction.

24.2.3 AGT Compare Match B Register (AGTCMB)

Address(es): AGT0.AGTCMB 4008 4004h, AGT1.AGTCMB 4008 4104h



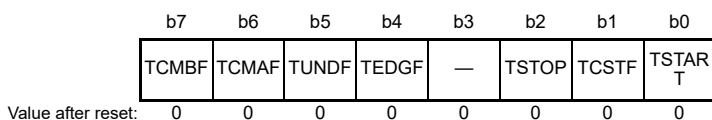
Bit	Description	Setting range	R/W
b15 to b0	16-bit compare match B data is stored*1	0000h to FFFFh	R/W

Note 1. Set the AGTCMB register to FFFFh when compare match B is not used.

The AGTCMB register is a read/write register to set a value for compare match with the AGT counter. The states of the reload register and the compare register B change according to the TSTART bit in the AGTCR register. For details, see [section 24.3.2, Reload Register and Compare Register A/B Rewrite Operation](#). The AGTCMB register can be set by a 16-bit memory manipulation instruction.

24.2.4 AGT Control Register (AGTCR)

Address(es): AGT0.AGTCR 4008 4008h, AGT1.AGTCR 4008 4108h



Bit	Symbol	Bit name	Description	R/W
b0	TSTART	AGT Count Start*2	0: Count stops 1: Count starts.	R/W
b1	TCSTF	AGT Count Status Flag*2	0: Count stops 1: Count in progress.	R
b2	TSTOP	AGT Count Forced Stop*1	0: Writing is invalid 1: The count is forcibly stopped.	W
b3	—	Reserved	The read value is 0. The write value should be 0.	R/W
b4	TEDGF	Active Edge Judgment Flag	0: No active edge received 1: Active edge received.	R/(W)*3
b5	TUNDF	Underflow Flag	0: No underflow 1: Underflow.	R/(W)*3
b6	TCMAF	Compare Match A Flag	0: No match 1: Match.	R/(W)*3
b7	TCMBF	Compare Match B Flag	0: No match 1: Match.	R/(W)*3

Note 1. When 1 (count is forcibly stopped) is written to the TSTOP bit, the TSTART and TCSTF bits are initialized at the same time. The pulse output level is also initialized. The read value is 0.

Note 2. For information on using TSTART and TCSTF bits, see [section 24.4.1, Count Operation Start and Stop Control](#).

Note 3. Only 0 can be written to clear the flag.

TSTART bit (AGT Count Start)

The count operation is started by writing 1 to the TSTART bit and stopped by writing 0. When this bit is set to 1, the TCSTF bit is set to 1 (count in progress) in synchronization with the count source. Also, after 0 is written to the TSTART bit, the TCSTF bit is set to 0 (count stops) in synchronization with the count source. For details, see [section 24.4.1, Count Operation Start and Stop Control](#).

TCSTF bit (AGT Count Status Flag)

[Setting condition]

- When 1 is written to the TSTART bit (the TCSTF bit is set to 1 in synchronization with the count source).

[Clearing conditions]

- When 0 is written to the TSTART bit (the TCSTF bit is set to 0 in synchronization with the count source)
- When 1 is written to the TSTOP bit.

TSTOP bit (AGT Count Forced Stop)

When 1 is written to this bit, the count is forcibly stopped. The read value is 0.

TEDGF bit (Active Edge Judgment Flag)

The TEDGF bit indicates that an active edge was detected.

[Setting condition]

- When the measurement of the active width of the external input (AGTIOn) is complete in pulse width measurement mode
- When the set edge of the external input (AGTIOn) is input in pulse period measurement mode.

[Clearing condition]

- When 0 is written to this bit by software.

TUNDF bit (Underflow Flag)

The TUNDF bit indicates that the counter underflowed.

[Setting condition]

- When the counter underflows.

[Clearing condition]

- When 0 is written to this flag by software.

TCMAF bit (Compare Match A Flag)

The TCMAF bit indicates that compare match A was detected.

[Setting condition]

- When the value in the AGT register matches the value in the AGTCMA register.

[Clearing condition]

- When 0 is written to this bit by software.

TCMBF bit (Compare Match B Flag)

The TCMBF bit indicates that compare match B was detected.

[Setting condition]

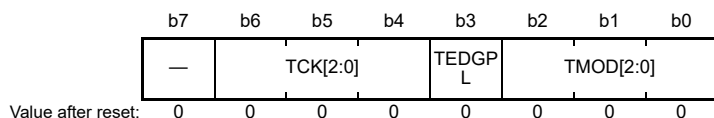
- When the value in the AGT register matches the value in the AGTCMB register.

[Clearing condition]

- When 0 is written to this bit by software.

24.2.5 AGT Mode Register 1 (AGTMR1)

Address(es): AGT0.AGTMR1 4008 4009h, AGT1.AGTMR1 4008 4109h



Bit	Symbol	Bit name	Description	R/W
b2 to b0	TMOD[2:0]	Operating mode*3	b2 b0 0 0 0: Timer mode 0 0 1: Pulse output mode 0 1 0: Event counter mode 0 1 1: Pulse width measurement mode 1 0 0: Pulse period measurement mode. Other settings are prohibited.	R/W
b3	TEDGPL	Edge polarity*4	0: Single-edge 1: Both-edge.	R/W
b6 to b4	TCK[2:0]	Count source*1, *2, *5	b6 b4 0 0 0: PCLKB 0 0 1: PCLKB/8 0 1 1: PCLKB/2 1 0 0: Divided clock AGTLCLK specified by CKS[2:0] bits in the AGTMR2 register 1 0 1: Underflow event signal from AGT0*6 1 1 0: Divided clock AGTSCLK specified by CKS[2:0] bits in the AGTMR2 register. Other settings are prohibited.	R/W
b7	—	Reserved	The read value is 0. The write value should be 0.	R/W

Note: Write access to the AGTMR1 register initializes the output from the AGTOn, AGTIO_n, AGTOAn and AGTOB_n pins of the AGT (n = 0, 1). For details on the output level at initialization, see the description of [section 24.2.7, AGT I/O Control Register \(AGTIOC\)](#).

Note 1. When event counter mode is selected, the external input (AGTIO_n) is selected as the count source regardless of the setting of TCK[2:0] bits.

Note 2. Do not switch count sources during count operation. Only switch count sources when both the TSTART and TCSTF bits in the AGTCR register are set to 0 (count stops).

Note 3. The operating mode can only be changed when the count is stopped while both the TSTART and TCSTF bits in the AGTCR register are set to 0 (count stops). Do not change the operating mode during count operation.

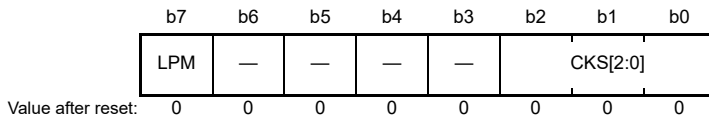
Note 4. The TEDGPL bit is enabled only in event counter mode.

Note 5. To run AGT in Software Standby mode or Snooze mode, select AGTLCLK or AGTSCLK.

Note 6. AGT0 cannot use AGT0 underflow (setting prohibited). AGT1 uses the AGT0 underflow.

24.2.6 AGT Mode Register 2 (AGTMR2)

Address(es): AGT0.AGTMR2 4008 400Ah, AGT1.AGTMR2 4008 410Ah



Bit	Symbol	Bit name	Description	R/W																																				
b2 to b0	CKS[2:0]	AGTLCLK/AGTSCCLK count source clock frequency division ratio *1, *2, *3	<table style="border: none; width: 100%;"> <tr> <td style="width: 10%;">b2</td> <td style="width: 10%;">b1</td> <td style="width: 10%;">b0</td> <td></td> </tr> <tr> <td>0</td> <td>0</td> <td>0</td> <td>1/1</td> </tr> <tr> <td>0</td> <td>0</td> <td>1</td> <td>1/2</td> </tr> <tr> <td>0</td> <td>1</td> <td>0</td> <td>1/4</td> </tr> <tr> <td>0</td> <td>1</td> <td>1</td> <td>1/8</td> </tr> <tr> <td>1</td> <td>0</td> <td>0</td> <td>1/16</td> </tr> <tr> <td>1</td> <td>0</td> <td>1</td> <td>1/32</td> </tr> <tr> <td>1</td> <td>1</td> <td>0</td> <td>1/64</td> </tr> <tr> <td>1</td> <td>1</td> <td>1</td> <td>1/128.</td> </tr> </table>	b2	b1	b0		0	0	0	1/1	0	0	1	1/2	0	1	0	1/4	0	1	1	1/8	1	0	0	1/16	1	0	1	1/32	1	1	0	1/64	1	1	1	1/128.	R/W
b2	b1	b0																																						
0	0	0	1/1																																					
0	0	1	1/2																																					
0	1	0	1/4																																					
0	1	1	1/8																																					
1	0	0	1/16																																					
1	0	1	1/32																																					
1	1	0	1/64																																					
1	1	1	1/128.																																					
b6 to b3	—	Reserved	These bits are read as 0. The write value should be 0.	R/W																																				
b7	LPM	Low Power Mode	0: Normal mode 1: Low power mode.	R/W																																				

Note 1. Do not rewrite to the CKS[2:0] bit during count operation. Only rewrite to CKS[2:0] when both the TSTART and TCSTF bits in the AGTCR register are set to 0 (count stops).

Note 2. When the count source is AGTLCLK or AGTSCCLK, CKS[2:0] switch is valid.

Note 3. Do not switch the TCK[2:0] bits in the AGTMR1 register when CKS[2:0] are not 000b. Switch the TCK[2:0] bits in the AGTMR1 register after CKS[2:0] are set to 000b, and wait for 1 cycle of the count source.

LPM bit (Low Power Mode)

The LPM bit sets the low power operation, which impacts access to certain AGT registers. Set this bit to 1 to operate in low power. When this bit is 1, access to the following registers is prohibited:

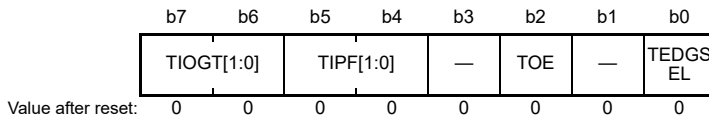
- AGT/AGTCMA/AGTCMB/AGTCR.

After this bit is switched from 1 to 0, the first access to the register is constrained as follows:

- AGT — Read AGT register twice. Only the second reading of data is valid.
- AGT, AGTCMA, AGTCMB, and AGTCR— Allow at least 2 cycles of the count source clock when writing to the register.

24.2.7 AGT I/O Control Register (AGTIOC)

Address(es): AGT0.AGTIOC 4008 400Ch, AGT1.AGTIOC 4008 410Ch



Bit	Symbol	Bit name	Description	R/W
b0	TEDGSEL	I/O polarity switch	Function varies depending on the operating mode (see Table 24.3 and Table 24.4). The TEDGSEL bit switches the AGTOn output polarity and the AGTIO input/output edge and polarity. In pulse output mode, it only controls the polarity of the AGTOn output and AGTIO input. AGTOn output and AGTIO input are initialized when the AGTMR1 register is written and the TSTOP bit in the AGTCR register is written with 1.	R/W
b1	—	Reserved	This bit is read as 0. The write value should be 0.	R/W
b2	TOE	AGTOn output enable	0: AGTOn output disabled 1: AGTOn output enabled.	R/W
b3	—	Reserved	This bit is read as 0. The write value should be 0.	R/W
b5, b4	TIPF[1:0]	Input filter *3	b5 b4 0 0: No filter 0 1: Filter sampled at PCLKB 1 0: Filter sampled at PCLKB/8 1 1: Filter sampled at PCLKB/32. These bits specify the sampling frequency of the filter for the AGTIO input. If the input to the AGTIO pin is sampled and the value matches three successive times, that value is taken as the input value.	R/W
b7, b6	TIOGT[1:0]	Count control *1, *2	b7 b6 0 0: Event is always counted 0 1: Event is counted during polarity period specified for AGTEEn. Other settings are prohibited.	R/W

Note 1. When AGTEEn pin is used, the polarity to count an event can be selected with the EEPS bit in the AGTISR register.

Note 2. TIOGT[1:0] bits are enabled only in event counter mode.

Note 3. When event counter mode operation is performed during Software Standby mode, the digital filter function cannot be used.

Table 24.3 AGTIO input/output edge and polarity switching

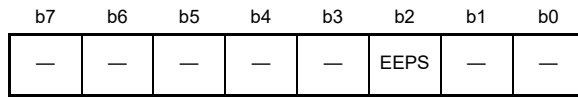
Operating mode	Function
Timer mode	Not used
Pulse output mode	0: Output is started at high (initialization level: high) 1: Output is started at low (initialization level: low).
Event counter mode	0: Count on rising edge 1: Count on falling edge.
Pulse width measurement mode	0: Low-level width is measured 1: High-level width is measured.
Pulse period measurement mode	0: Measure from one rising edge to the next rising edge 1: Measure from one falling edge to the next falling edge.

Table 24.4 AGTOn output polarity switching

Operating mode	Function
All modes	0: Output is started at low (initialization level: low) 1: Output is started at high (initialization level: high).

24.2.8 AGT Event Pin Select Register (AGTISR)

Address(es): AGT0.AGTISR 4008 400Dh, AGT1.AGTISR 4008 410Dh

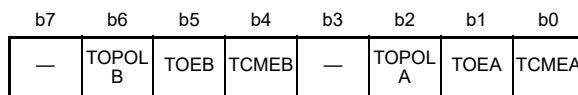


Value after reset: 0 0 0 0 0 0 0 0

Bit	Symbol	Bit name	Description	R/W
b1, b0	—	Reserved	These bits are read as 0. The write value should be 0.	R/W
b2	EEPS	AGTEEn Polarity Selection	0: An event is counted during the low-level period 1: An event is counted during the high-level period.	R/W
b7 to b3	—	Reserved	These bits are read as 0. The write value should be 0.	R/W

24.2.9 AGT Compare Match Function Select Register (AGTCMSR)

Address(es): AGT0.AGTCMSR 4008 400Eh, AGT1.AGTCMSR 4008 410Eh



Value after reset: 0 0 0 0 0 0 0 0

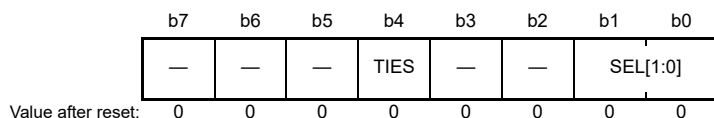
Bit	Symbol	Bit name	Description	R/W
b0	TCMEA	Compare Match A Register Enable *1, *2	0: Disable compare match A register 1: Enable compare match A register.	R/W
b1	TOEA	AGTOAn Output Enable *1, *2	0: AGTOAn output disabled 1: AGTOAn output enabled.	R/W
b2	TOPOLA	AGTOAn Polarity Select *1, *2	0: AGTOAn output is started at low 1: AGTOAn output is started at high.	R/W
b3	—	Reserved	This bit is read as 0. The write value should be 0.	R/W
b4	TCMEB	Compare Match B Register Enable *1, *2	0: Disable compare match B register 1: Enable compare match B register.	R/W
b5	TOEB	AGTOBn Output Enable *1, *2	0: AGTOBn output disabled 1: AGTOBn output enabled.	R/W
b6	TOPOLB	AGTOBn Polarity Select *1, *2	0: AGTOBn output is started at low 1: AGTOBn output is started at high.	R/W
b7	—	Reserved	This bit is read as 0. The write value should be 0.	R/W

Note 1. Do not rewrite the AGTCMSR register during a count operation. Only rewrite the AGTCMSR register when both the TSTART and TCSTF bits in the AGTCR register are set to 0 (count stops).

Note 2. Do not set to 1 when in pulse width measurement mode or pulse period measurement mode.

24.2.10 AGT Pin Select Register (AGTIOSEL)

Address(es): AGT0.AGTIOSEL 4008 400Fh, AGT1.AGTIOSEL 4008 410Fh



Bit	Symbol	Bit name	Description	R/W
b1, b0	SEL[1:0]	AGTIO pin Select*1	b1 b0 0 0: Select the AGTIO pin except for the following pins 0 1: Setting prohibited 1 0: Select the P402/AGTIO pin. P402/AGTIO pin is input only. It is not possible to output 1 1: Select the P403/AGTIO pin. P403/AGTIO pin is input only. It is not possible to output.	R/W
b3, b2	—	Reserved	These bits are read as 0. The write value should be 0.	R/W
b4	TIES	AGTIO Input Enable	0: External event input is disabled during Software Standby mode 1: External event input is enabled during Software Standby mode.	R/W
b7 to b5	—	Reserved	These bits are read as 0. The write value should be 0.	R/W

Note 1. You must set the Pin Function Select Register. See [section 20, I/O Ports](#).

The AGTIOSEL register sets the AGTIO pin when using the AGTIO in Software Standby mode. The AGTIOSEL register can be set with an 8-bit memory manipulation instruction.

[SEL\[1:0\] bits \(AGTIO Pin Select\)](#)

The SEL[1:0] bits select the AGTIO pin function.

[TIES bit \(AGTIO Input Enable\)](#)

The TIES bit enables or disables an external event input.

24.3 Operation

24.3.1 Reload Register and Counter Rewrite Operation

Regardless of the operating mode, the timing of the rewrite operation to the reload register and the counter differs depending on the value of the TSTART bit in the AGTCR register and of the TCMEA or TCMEB bit in the AGTCMSR register. When the TSTART bit is 0 (count stops), the count value is directly written to the reload register and the counter. When the TSTART bit is 1 (count starts) and the TCMEA bit and TCMEB bit are 0 (compare match A/B registers are invalid), the value is written to the reload register in synchronization with the count source, and then to the counter in synchronization with the next count source. When the TSTART bit is 1 (count starts) and the TCMEA bit or TCMEB bit is 1 (compare match A register or compare match B register is valid), the value is written to the reload register in synchronization with the count source, and then to the counter in synchronization with the underflow of the counter.

Figure 24.2 and Figure 24.3 show the timing of rewrite operation with TSTART bit value and TCMEA or TCMEB bit value.

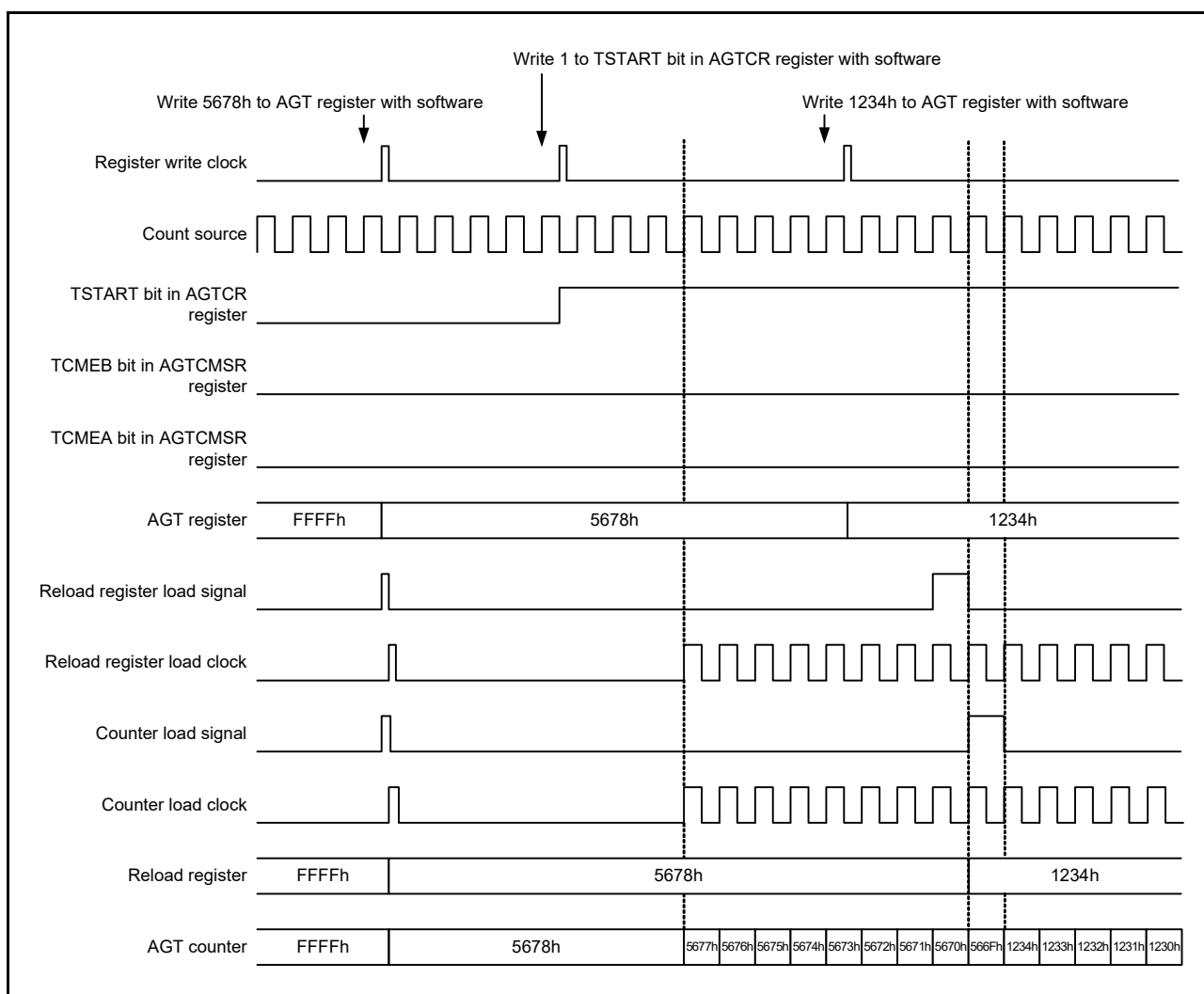


Figure 24.2 Timing of rewrite operation with TSTART, TCMEA and TCMEB bit values when compare match A register and compare match B register are invalid

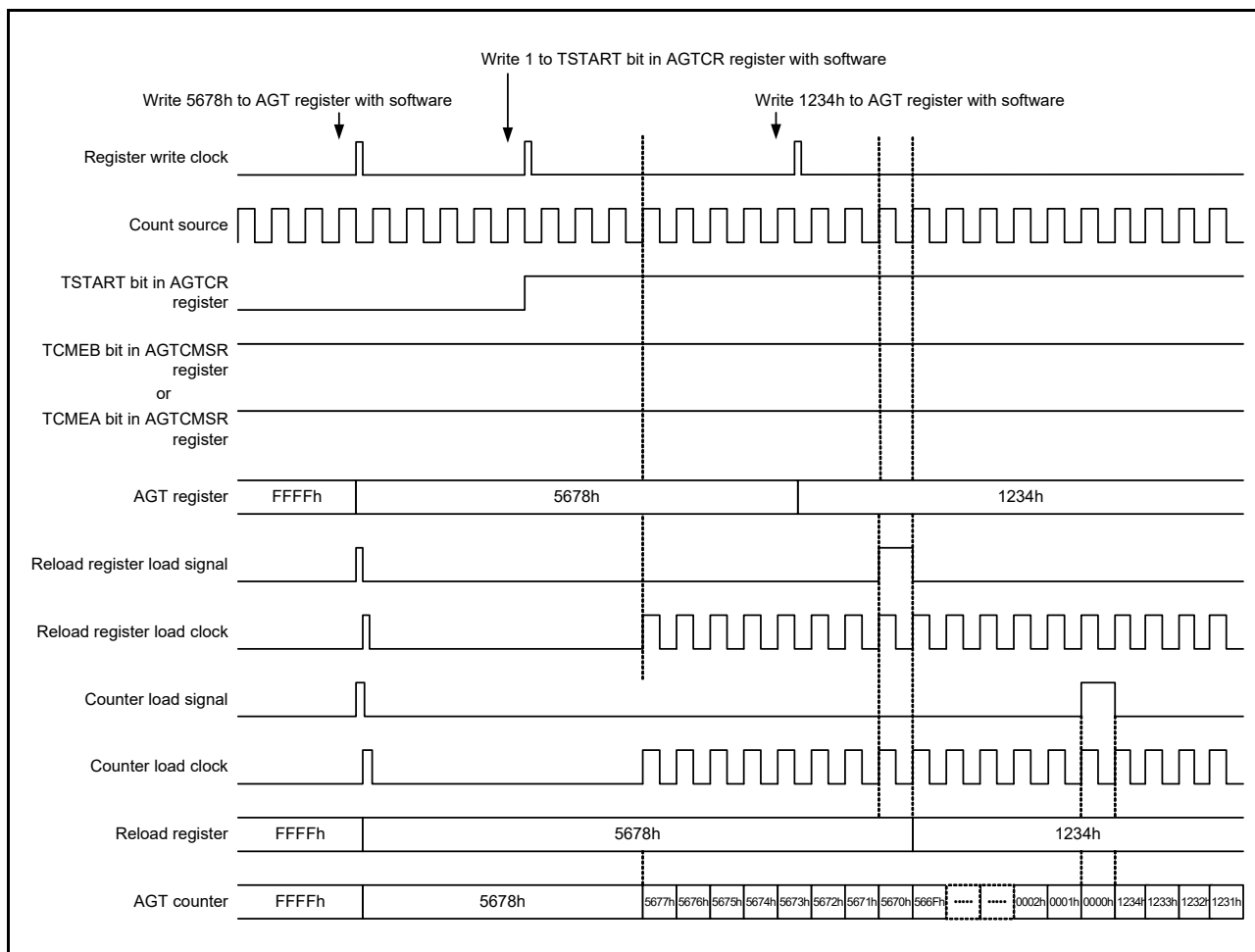


Figure 24.3 Timing of rewrite operation with TSTART bit value and TCMEA or TCMEB bit value when compare match A register or compare match B register is valid

24.3.2 Reload Register and Compare Register A/B Rewrite Operation

Regardless of the operating mode, the timing of the rewrite operation to compare register A/B depends on the value in the TSTART bit in the AGTCR register. When the TSTART bit is 0 (count stops), the count value is directly written to the reload register and compare register A/B. When the TSTART bit is 1 (count starts), the value is written to the reload register in synchronization with the count source, and then to the compare register in synchronization with the underflow of the counter.

Figure 24.4 shows the timing of the rewrite operation with TSTART bit value for compare register A. Compare register B has the same timing as compare register A.

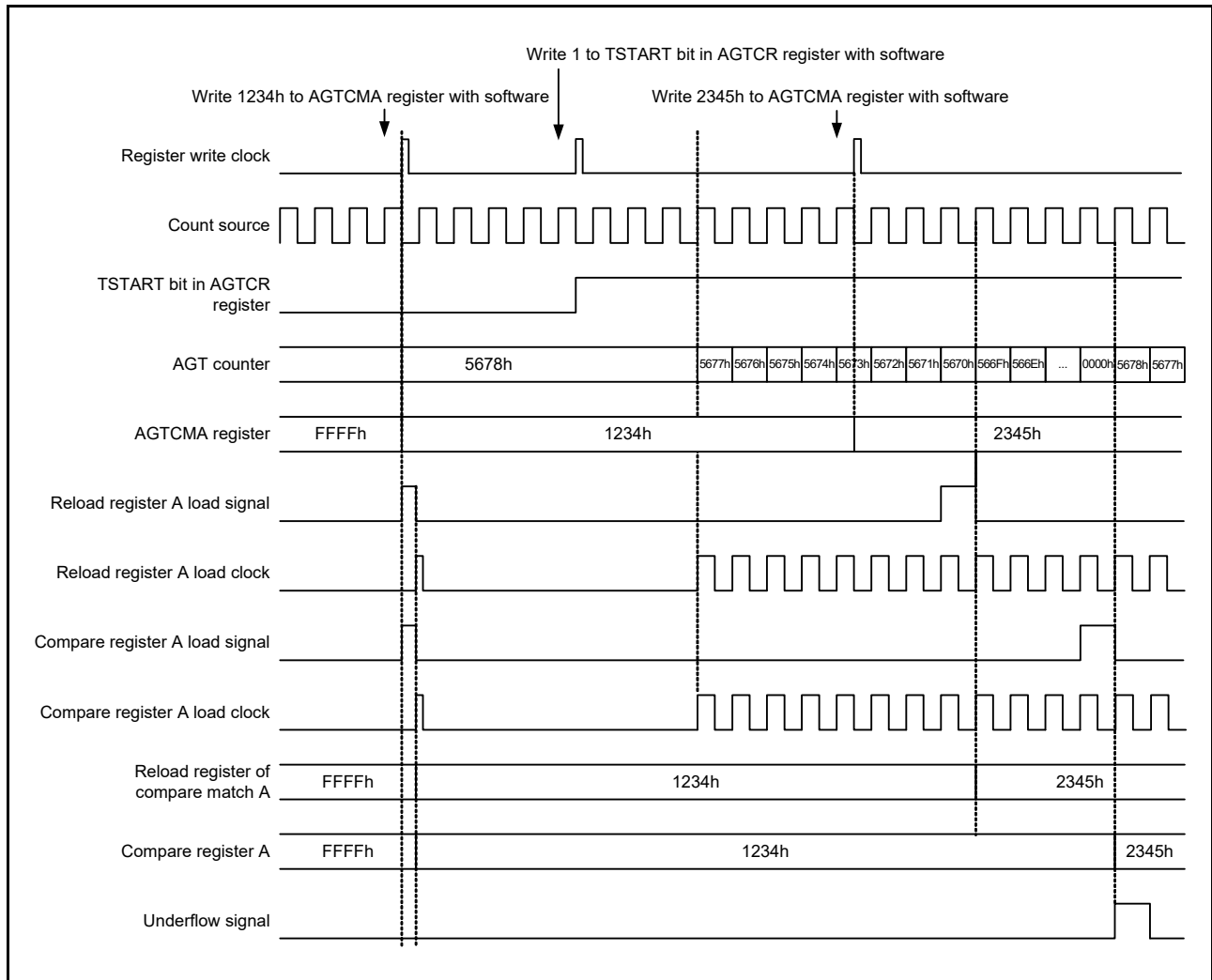


Figure 24.4 Timing of rewrite operation with the TSTART bit value for compare register A

24.3.3 Timer Mode

In this mode, the AGT counter is decremented by the count source selected with TCK[2:0] bits in the AGTMR1 register. In timer mode, the count value is decremented by 1 on each rising edge of the count source. When the count value reaches 0000h and the next count source is input, an underflow occurs and an interrupt request is generated.

Figure 24.5 shows the operation example in timer mode.

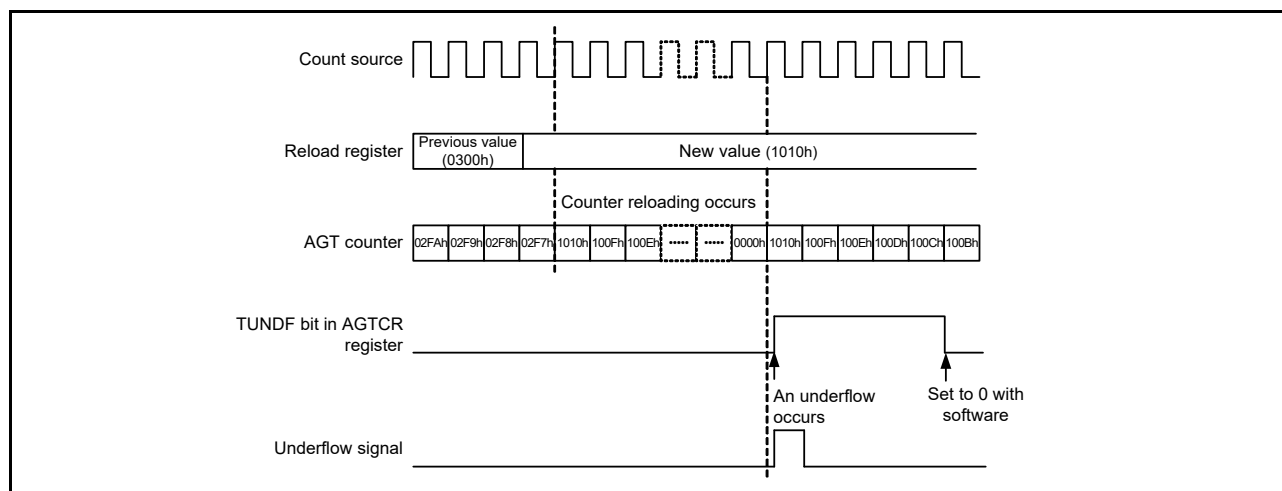


Figure 24.5 Operation example in timer mode

24.3.4 Pulse Output Mode

In this mode, the counter is decremented by the count source selected with the TCK[2:0] bits in the AGTMR1 register, and the output level of the AGTIO_n and AGTO_n pins is inverted each time an underflow occurs.

In pulse output mode, the count value is decremented by 1 on each rising edge of the count source. When the count value reaches 0000h and the next count source is input, an underflow occurs and an interrupt request is generated. In addition, a pulse can be output from the AGTIO_n and AGTO_n pins. The output level is inverted each time an underflow occurs. The pulse output from the AGTO_n pin can be stopped with the TOE bit in the AGTIOC register. The output level can be selected with the TEDGSEL bit in the AGTIOC register.

Figure 24.6 shows the operation example in pulse output mode.

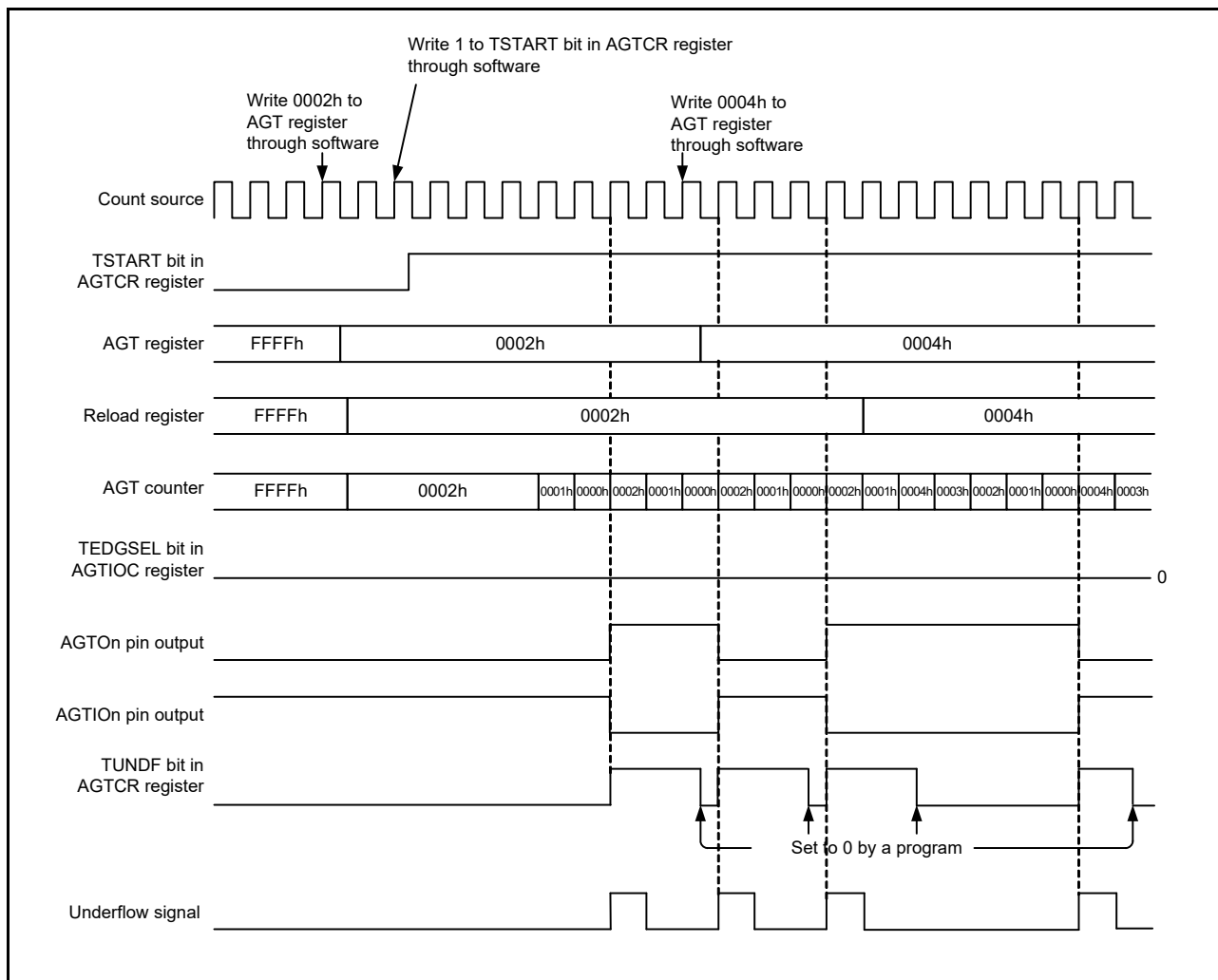


Figure 24.6 Operation example in pulse output mode

24.3.5 Event Counter Mode

In this mode, the counter is decremented by an external event signal input to the AGTIO pin. Various periods for counting events can be set with the TIOGT[1:0] bits in the AGTIOC and AGTISR registers. In addition, the filter function for the AGTIO pin input can be specified with the TIPF[1:0] bits in the AGTIOC register. The output from the AGTIO pin can be toggled even in event counter mode.

Figure 24.7 shows the operation example in event counter mode.

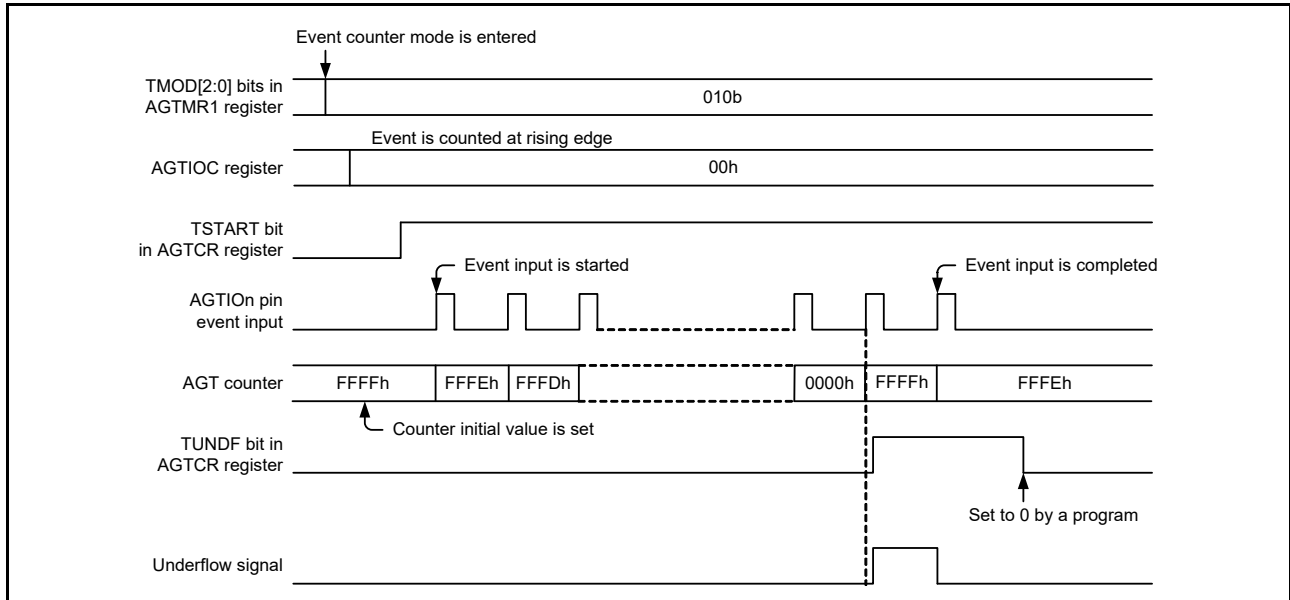


Figure 24.7 Operation example 1 in event counter mode

Figure 24.8 shows an operation example for counting during the specified period in event counter mode (TIOGT[1:0] bits in the AGTIOC register are set to 01b).

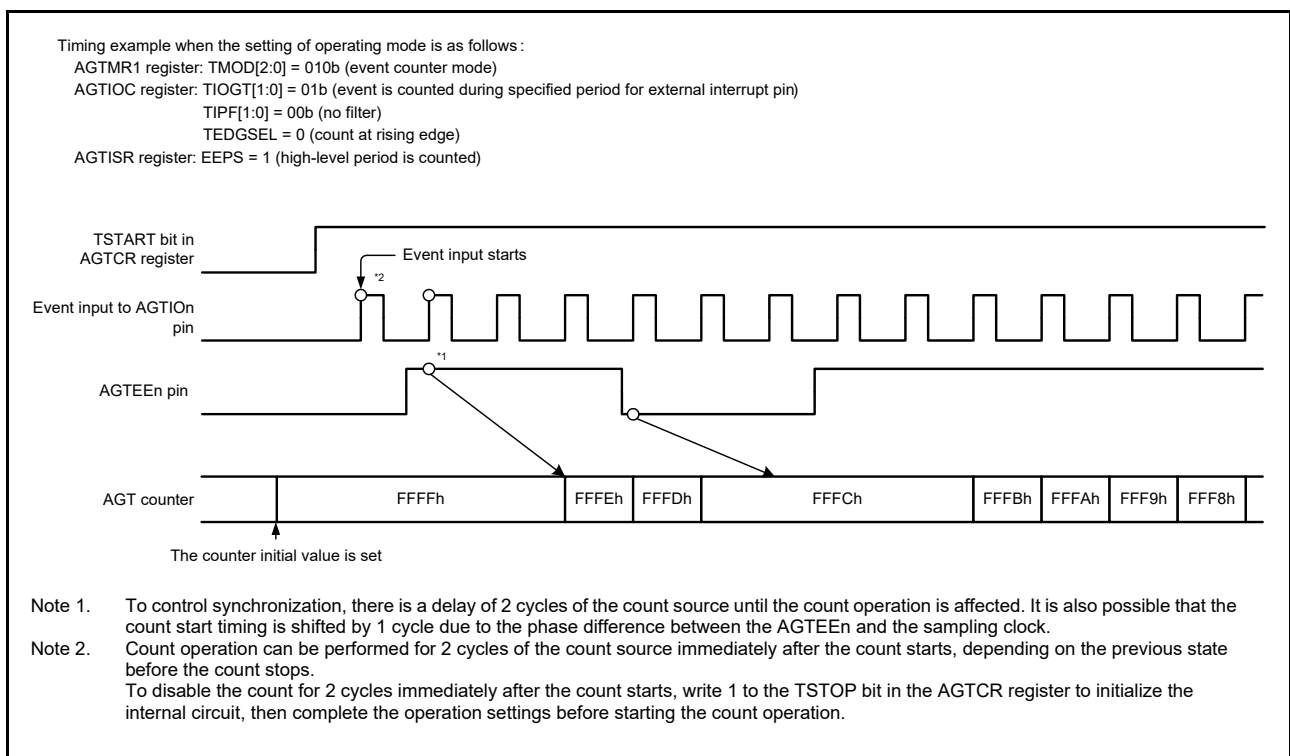


Figure 24.8 Operation example 2 in event counter mode

24.3.6 Pulse Width Measurement Mode

In this mode, the pulse width of an external signal input to the AGTIO pin is measured.

When the level specified by the TEDGSEL bit in the AGTIOC register is input to the AGTIO pin, the counter is decremented by the count source selected by TCK[2:0] bits in the AGTMR1 register. When the specified level on the AGTIO pin ends, the counter is stopped, the TEDGF bit in the AGTCR register is set to 1 (active edge received), and an interrupt request is generated. The measurement of pulse width data is performed by reading the count value while the counter is stopped. Also, when the counter underflows during measurement, the TUNDF bit in the AGTCR register is set to 1 and an interrupt request is generated.

Figure 24.9 shows the operation example in pulse width measurement mode.

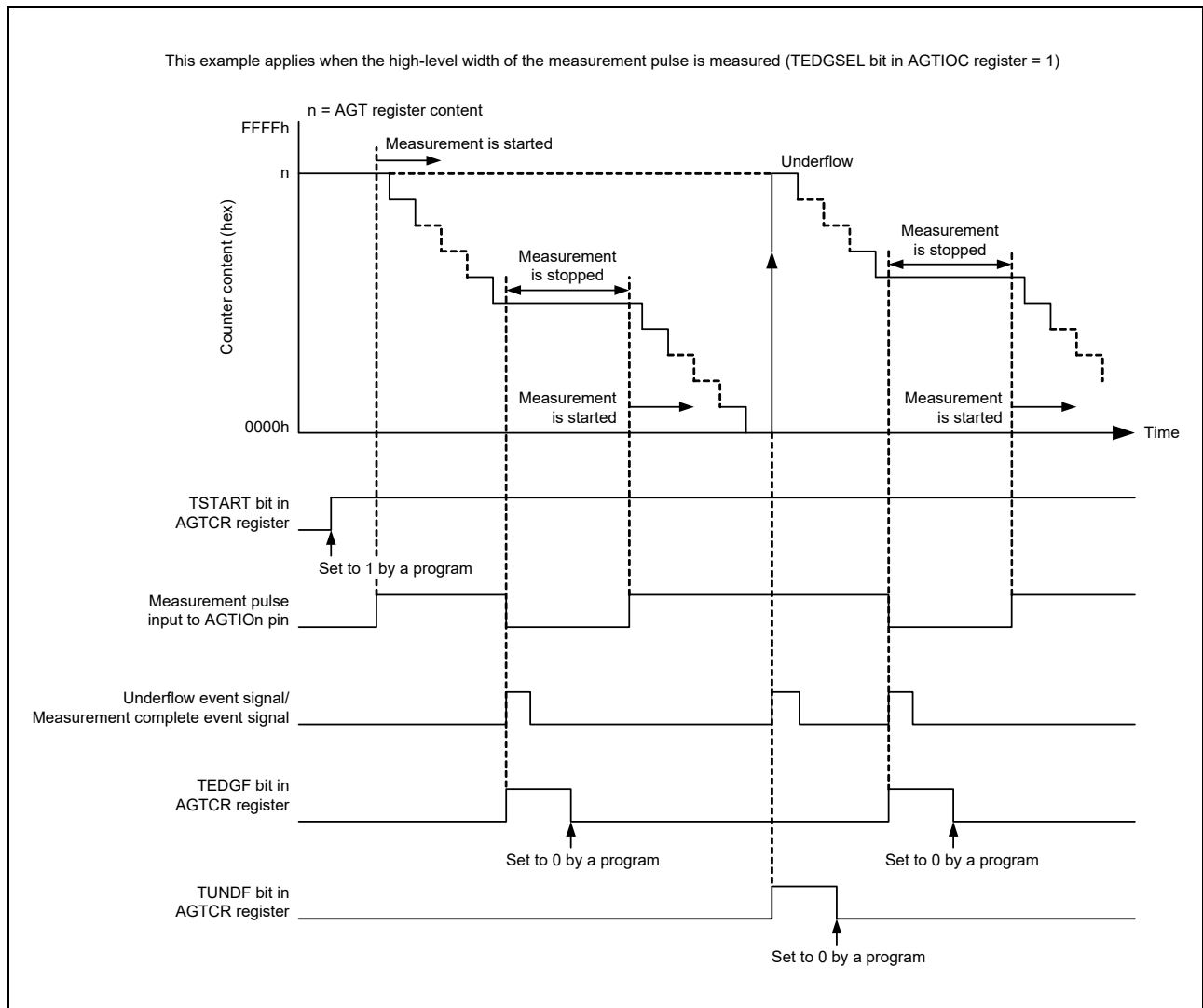


Figure 24.9 Operation example in pulse width measurement mode

24.3.7 Pulse Period Measurement Mode

In this mode, the pulse period of an external signal input to the AGTIO pin is measured. The counter is decremented by the count source selected by the TCK[2:0] bits in the AGTMR1 register. When a pulse with the period specified by the TEDGSEL bit in the AGTIOC register is input to the AGTIO pin, the count value is transferred to the read-out buffer on the rising edge of the count source. The value in the reload register is loaded to the counter at the next rising edge. Simultaneously, the TEDGF bit in the AGTCR register is set to 1 (active edge received) and an interrupt request is generated. The read-out buffer (AGT register) is read at this time and the difference from the reload value (see section 24.4.5, How to Calculate Event Number, Pulse Width, and Pulse Period) is the period data of the input pulse. The period data is retained until the read-out buffer is read. When the counter underflows, the TUNDF bit in the AGTCR register is set to 1 and an interrupt request is generated.

Figure 24.10 shows the operation example in pulse period measurement mode.

Only input pulses with a period longer than twice the period of the count source are measured. Also, the low-level and high-level widths must both be longer than the period of the count source. If a pulse period shorter than these conditions is input, the input might be ignored.

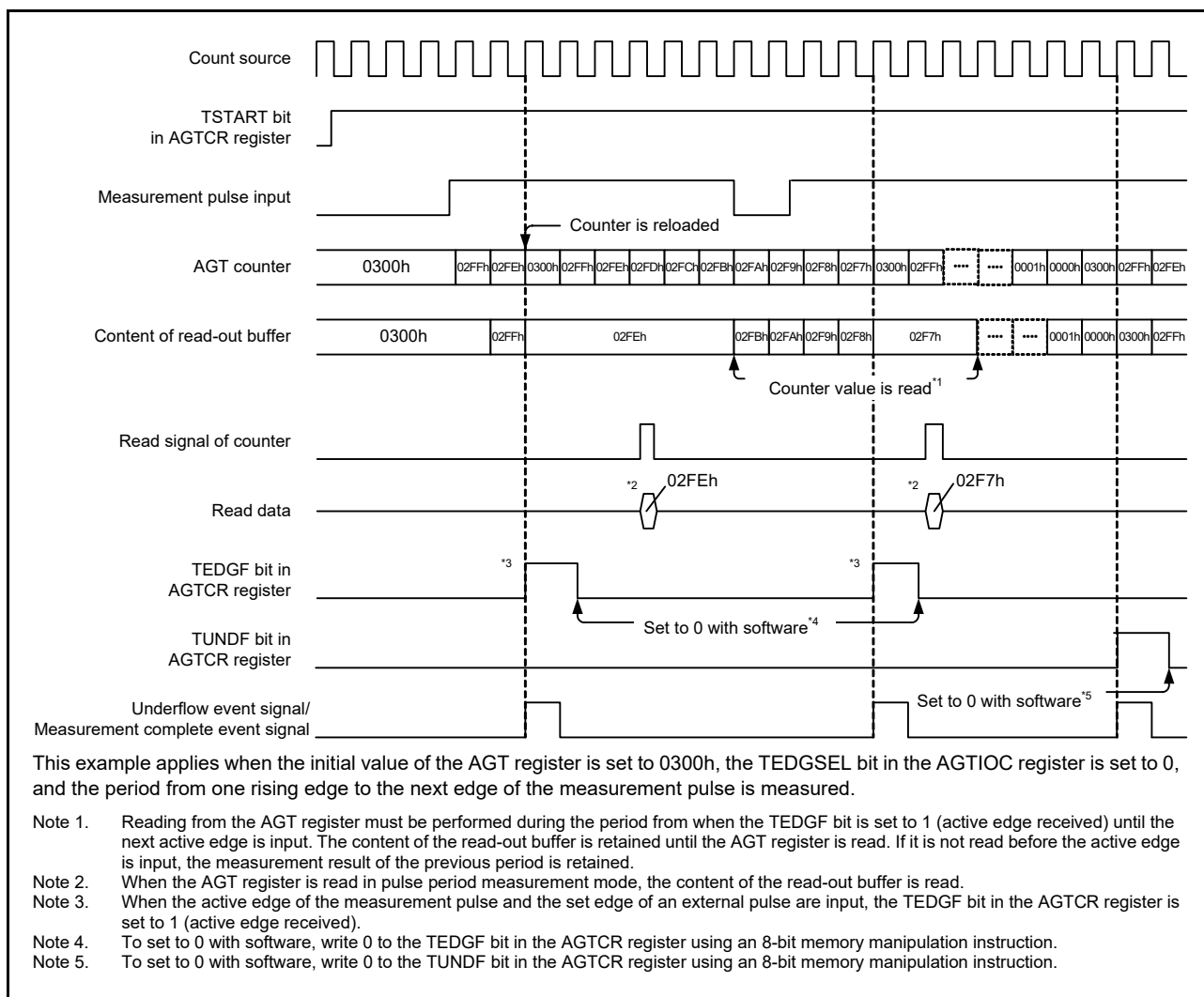


Figure 24.10 Operation example in pulse period measurement mode

24.3.8 Compare Match Function

The compare match function detects matches (compare match) between the content of the AGTCMA or AGTCMB register and the content of the AGT register. This function is enabled when the TCMEA bit or the TCMEB bit in the AGTCMSR register is 1 (compare match A register or compare match B register is valid). The counter is decremented by the count source selected with the TCK[2:0] bits in the AGTMR1 register, and when the values of AGT and AGTCMA or AGTCMB match, the TCMAF/TCMBF bit in the AGTCR register is set to 1 (match), and an interrupt request is generated.

When the compare match function is enabled, the timing of the rewrite operation to the reload register and the counter differs. See [section 24.3.1, Reload Register and Counter Rewrite Operation](#) for details. In addition, the output level of the AGTOAn and AGTOBn pins is inverted by the match and by the underflow. The output level can be selected with the TOPOLA or the TOPOLB bit in the AGTCMSR register.

Figure 24.11 shows the operation example in compare match mode.

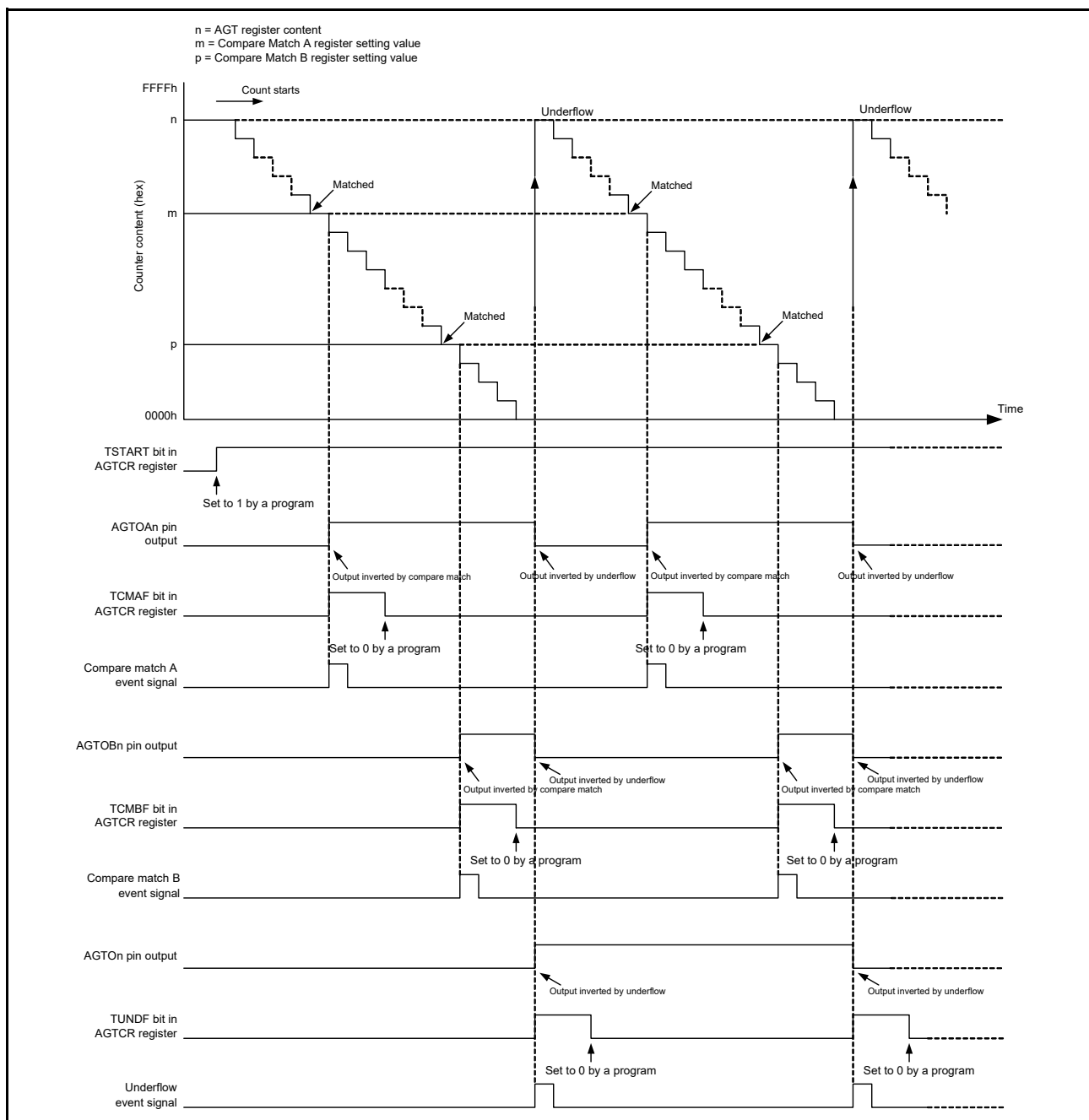


Figure 24.11 Operation example in compare match mode (TOPOLA = 0, TOPOLB = 0)

24.3.9 Output Settings for Each Mode

Table 24.5 to Table 24.8 list the states of pins AGTOn, AGTIOAn, AGTOAn, and AGTOBn in each mode.

Table 24.5 AGTOn pin setting

Operating mode	AGTIOC register		AGTOn pin output
	TOE bit	TEDGSEL bit	
All modes	1	1	Inverted output
		0	Normal output
	0	0 or 1	Output disabled

Table 24.6 AGTIOAn pin setting

Operating mode	AGTIOC register		AGTIOAn pin I/O
	TEDGSEL bit		
Timer mode	0 or 1		Input (not used)
Pulse output mode	1		Normal output
	0		Inverted output
Event counter mode	0 or 1		Input
Pulse width measurement mode			
Pulse period measurement mode			

Table 24.7 AGTOAn pin setting

Operating mode	AGTCMSR register		AGTOAn pin output
	TOEA bit	TOPOLA bit	
Timer mode	1	1	Inverted output
		0	Normal output
	0	0 or 1	Output disabled (not used)
Pulse output mode	1	1	Inverted output
		0	Normal output
	0	0 or 1	Output disabled (not used)
Event counter mode	1	1	Inverted output
		0	Normal output
	0	0 or 1	Output disabled (not used)
Pulse width measurement mode	0	0	Prohibited
Pulse period measurement mode			

Table 24.8 AGTOBn pin setting (1 of 2)

Operating mode	AGTCMSR register		AGTOBn pin output
	TOEB bit	TOPOLB bit	
Timer mode	1	1	Inverted output
		0	Normal output
	0	0 or 1	Output disabled (not used)
Pulse output mode	1	1	Inverted output
		0	Normal output
	0	0 or 1	Output disabled (not used)

Table 24.8 AGTOBn pin setting (2 of 2)

Operating mode	AGTCMSR register		AGTOBn pin output
	TOEB bit	TOPOLB bit	
Event counter mode	1	1	Inverted output
		0	Normal output
	0	0 or 1	Output disabled (Not used)
Pulse width measurement mode	0	0	Prohibited
Pulse period measurement mode			

24.3.10 Standby Mode

The AGT can operate in Software Standby mode. Set it to Software Standby mode with count operation start (TSTART = 1, TCSTF = 1).

Table 24.9 and Table 24.10 show the settings that can be used in Software Standby mode.

Table 24.9 Usable settings in Software Standby mode (AGT0)

Operating mode	TCK[2:0] bits of AGTMR1 register	Operating clock	Resurgence factor of CPU
Timer mode	100b or 110b	AGTLCLK or AGTSCLK	–
Pulse output mode	100b or 110b	AGTLCLK or AGTSCLK	–
Event counter mode	– (invalid)	AGTIO _n	–
Pulse width measurement mode	100b or 110b	AGTLCLK or AGTSCLK	–
Pulse period measurement mode	100b or 110b	AGTLCLK or AGTSCLK	–

Table 24.10 Usable settings in Software Standby mode (AGT1)

Operating mode	TCK[2:0] bits of AGTMR1 register	Operating clock	Resurgence factor of CPU
Timer mode	100b or 110b or 101b ^{*1}	AGTLCLK or AGTSCLK or AGT0 underflow	<ul style="list-style-type: none"> • Underflow • Compare match A/B
Pulse output mode	100b or 110b or 101b ^{*1}	AGTLCLK or AGTSCLK or AGT0 underflow	<ul style="list-style-type: none"> • Underflow • Compare match A/B
Event counter mode	– (Invalid)	AGTIO _n	<ul style="list-style-type: none"> • Underflow • Compare match A/B
Pulse width measurement mode	100b or 110b or 101b ^{*1}	AGTLCLK or AGTSCLK or AGT0 underflow	<ul style="list-style-type: none"> • Underflow • Active edge
Pulse period measurement mode	100b or 110b or 101b ^{*1}	AGTLCLK or AGTSCLK or AGT0 underflow	<ul style="list-style-type: none"> • Underflow • Active edge

Note: Release of Software Standby mode is only for AGT1.

Note 1. Only when AGT0 operates in Table 24.9.

24.3.11 Interrupt Sources

The AGT has three interrupt sources described in [Table 24.11](#).

Table 24.11 AGT interrupt sources

Name	Interrupt source	DMAC/DTC activation
AGTn_AGTI	<ul style="list-style-type: none"> When the counter underflows When measurement of the active width of the external input (AGTIO_n) is complete in pulse width measurement mode When the set edge of the external input (AGTIO_n) is input in pulse period measurement mode. 	Possible
AGTn_AGTCMAI	When the values of AGT and AGTCMA match	Possible
AGTn_AGTCMBI	When the values of AGT and AGTCMB match	Possible

Note: Channel number (n = 0, 1)

24.3.12 Event Signal Output to ELC

The AGT uses the Event Link Controller (ELC) to perform a link operation to a specified module using the interrupt request signal as the event signal. The AGT outputs compare match A, compare match B, and underflow/measurement complete signals as event signals. For details, see [section 19, Event Link Controller \(ELC\)](#).

24.4 Usage Notes

24.4.1 Count Operation Start and Stop Control

- When the operating mode is set to other than the event counter mode, or the count source is set to other than AGT0 underflow (TCK[2:0] = 101b):
 - After 1 (count starts) is written to the TSTART bit in the AGTCR register while the count is stopped, the TCSTF bit in the AGTCR register remains 0 (count stops) for 3 cycles of the count source. Do not access the registers associated with AGT*1 other than the TCSTF bit until this bit is set to 1 (count in progress).
 - After 0 (count stops) is written to the TSTART bit during a count operation, the TCSTF bit remains 1 for 3 cycles of the count source. When the TCSTF bit is set to 0, the count stops. Do not access the registers associated with AGT*1 other than the TCSTF bit until this bit is set to 0.
 - Clear the interrupt register before changing the TSTART bit from 0 to 1. See [section 14, Interrupt Controller Unit \(ICU\)](#) for details.

Note 1. Registers associated with AGT— AGT, AGTCMA, AGTCMB, AGTCR, AGTMR1, AGTMR2, AGTIOC, AGTISR and AGTCMSR

- When event counter mode is set or the count source is set to AGT0 underflow (TCK[2:0] = 101b):
 - After 1 (count starts) is written to the TSTART bit in the AGTCR register while the count is stopped, the TCSTF bit in the AGTCR register remains 0 (count stops) for 2 cycles of the PCLKB. Do not access the registers associated with AGT*1 other than the TCSTF bit until this bit is set to 1 (count in progress).
 - After 0 (count stops) is written to the TSTART bit during a count operation, the TCSTF bit remains 1 for 2 cycles of the PCLKB. When the TCSTF bit is set to 0, the count is stopped. Do not access the registers associated with AGT*1 other than the TCSTF bit until this bit is set to 0.
 - Clear the interrupt register before changing the TSTART bit from 0 to 1. See [section 14, Interrupt Controller Unit \(ICU\)](#) for details.

Note 1. Registers associated with AGT— AGT, AGTCMA, AGTCMB, AGTCR, AGTMR1, AGTMR2, AGTIOC, AGTISR and AGTCMSR

24.4.2 Access to Counter Register

When the TSTART and TCSTF bits in the AGTCR register are both 1 (count starts), allow at least 3 cycles of the count source clock between writes when writing to the AGT register successively.

24.4.3 When Changing Mode

The registers associated with AGT operating mode (AGTMR1, AGTMR2, AGTIOC, AGTISR and AGTCMSR) can be changed only when the count is stopped with both the TSTART and TCSTF bits set to 0 (count stops). Do not change these registers during count operation.

When the registers associated with AGT operating mode are changed, the values of TEDGF, TUNDF, TCMAF, and TCMBF bits are undefined. Before starting the count, write 0 to the following bits:

- TEDGF (no active edge received)
- TUNDF (no underflow)
- TCMAF (no match)
- TCMBF (no match).

24.4.4 Digital Filter

When using the digital filter, do not start the timer operation for 5 cycles of the digital filter clock after setting TIPF[1:0] bits and when the TEDGSEL bit in the AGTIOC register changes.

24.4.5 How to Calculate Event Number, Pulse Width, and Pulse Period

- In event counter mode, event number is expressed mathematically as follows:
Event number = initial value of counter [AGT register] - counter value of active event end
- In pulse width measurement mode, pulse width is expressed mathematically as follows:
Pulse width = counter value of stopping measurement - counter value of next stopping measurement
- In pulse period measurement mode, input pulse period is expressed mathematically as follows:
Period of input pulse = (initial value of counter [AGT register] - reading value of the read-out buffer) + 1.

24.4.6 When Count is Forcibly Stopped by TSTOP bit

After the counter is forcibly stopped by the TSTOP bit in the AGTCR register, do not access the following I/O registers for 1 cycle of the count source:

- AGT
- AGTCMA
- AGTCMB
- AGTCR
- AGTMR1
- AGTMR2.

24.4.7 When Selecting AGT0 Underflow as the Count Source

Operate the AGT according to the procedures described in this section when selecting the underflow signal of AGT as the count source.

(1) Procedure for starting operation

1. Set AGT0 and AGT1.
2. Start the count operation of AGT1.
3. Start the count operation of AGT0.

(2) Procedure for stopping operation

1. Stop the count operation of AGT0.
2. Stop the count operation of AGT1.
3. Stop the count source clock of AGT1 (write 000b in AGT1.AGTMR1.TCK[2:0] bits).

24.4.8 Reset of I/O Register

The I/O register of AGT is not initialized by different types of resets. For details, see [section 6, Resets](#).

24.4.9 When Selecting PCLKB, PCLKB/8, or PCLKB/2 as the Count Source

When a reset is generated, the operation of AGT cannot be guaranteed. Set the registers associated with AGT again.

24.4.10 When Selecting AGTLCLK or AGTSCLK as the Count Source

The MSTPD2 bit in the MSTPCRD register must be set to 1 except when accessing the AGT1 registers. The MSTPD3 bit in MSTPCRD register must be set to 1 except when accessing the AGT0 registers. When a reset occurs while MSTPD2 or MSTPD3 bit is 0, the operation of AGT1 or AGT0 cannot be guaranteed. Set the registers associated with AGT again.

24.4.11 When Switching Source Clock

When switching a clock source by changing SCKSCR.CKSEL[2:0], the clock output from the selector stops for 4 cycles of the switched clock. Therefore, when using the AGTIO_n, AGTEEn, or both input as external event input, the clock source should not be switched. If switching the clock source while using the external event input, extend the input pulse width by 4 clock cycles of the switched source clock cycles.

25. Realtime Clock (RTC)

25.1 Overview

The RTC has two counting modes, calendar count mode and binary count mode, that are used by switching register settings. For calendar count mode, the RTC has a 100 year calendar from 2000 to 2099 and automatically adjusts dates for leap years. For binary count mode, the RTC counts seconds and retains the information as a serial value. Binary count mode can be used for calendars other than the Gregorian (Western) calendar.

The sub-clock oscillator or LOCO can be selected as the count source of the time counters. The RTC uses a 128-Hz clock acquired by dividing the count source by a prescaler. Year, month, date, day-of-week, a.m./p.m. (in 12-hour mode), hour, minute, second, or 32-bit binary is counted by 1/128 second.

Note: Regardless of the use of VBATT function, set the VBTCR1.BPWSWSTP bit to 1 before the accessing the RTC registers after cold start. For details, see [Figure 12.2, Setting flow of the VBTCR1.BPWSWSTP bit](#), in [section 12, Battery Backup Function](#).

[Table 25.1](#) lists the RTC specification, [Figure 25.1](#) shows a block diagram, and [Table 25.2](#) lists the I/O pins.

Table 25.1 RTC specifications

Item	Description
Count mode	Calendar count mode/binary count mode
Count source*1	Sub-clock oscillator (XCIN) or LOCO
Clock and calendar functions	<ul style="list-style-type: none"> Calendar count mode <ul style="list-style-type: none"> Year, month, date, day of week, hour, minute, second are counted, BCD display 12 hours/24 hours mode switching function 30 seconds adjustment function (a number less than 30 is rounded down to 00 seconds, and 30 seconds or more are rounded up to 1 minute) Automatic adjustment function for leap years Binary count mode <ul style="list-style-type: none"> Count seconds in 32 bits, binary display Common to both modes <ul style="list-style-type: none"> Start/stop function The sub-second digit is displayed in binary units (1 Hz, 2 Hz, 4 Hz, 8 Hz, 16 Hz, 32 Hz, or 64 Hz). Clock error correction function Clock (1 Hz/64 Hz) output.
Interrupts	<ul style="list-style-type: none"> Alarm interrupt (RTC_ALM) <ul style="list-style-type: none"> As an alarm interrupt condition, selectable for comparison with the following: <ul style="list-style-type: none"> Calendar count mode: Year, month, date, day-of-week, hour, minute, or second can be selected Binary count mode: Each bit of the 32-bit binary counter Periodic interrupt (RTC_PRD) <ul style="list-style-type: none"> 2 seconds, 1 second, 1/2 second, 1/4 second, 1/8 second, 1/16 second, 1/32 second, 1/64 second, 1/128 second, or 1/256 second can be selected as an interrupt period Carry interrupt (RTC_CUP) <ul style="list-style-type: none"> An interrupt is generated at either of the following conditions: <ul style="list-style-type: none"> - When a carry from the 64-Hz counter to the second counter is generated - When the 64-Hz counter is changed and the R64CNT register is read at the same time. Recovery from Software Standby mode can be performed by an alarm interrupt or periodic interrupt.
Time capture function	<ul style="list-style-type: none"> Times can be captured when the edge of the time capture event input pin is detected. For every event input, month, date, hour, minute, and second are captured or the 32-bit binary counter value is captured.
Event link function	Periodic event output (RTC_PRD)

Note 1. The frequency of the peripheral module clock (PCLKB) \geq the frequency of the count source clock.

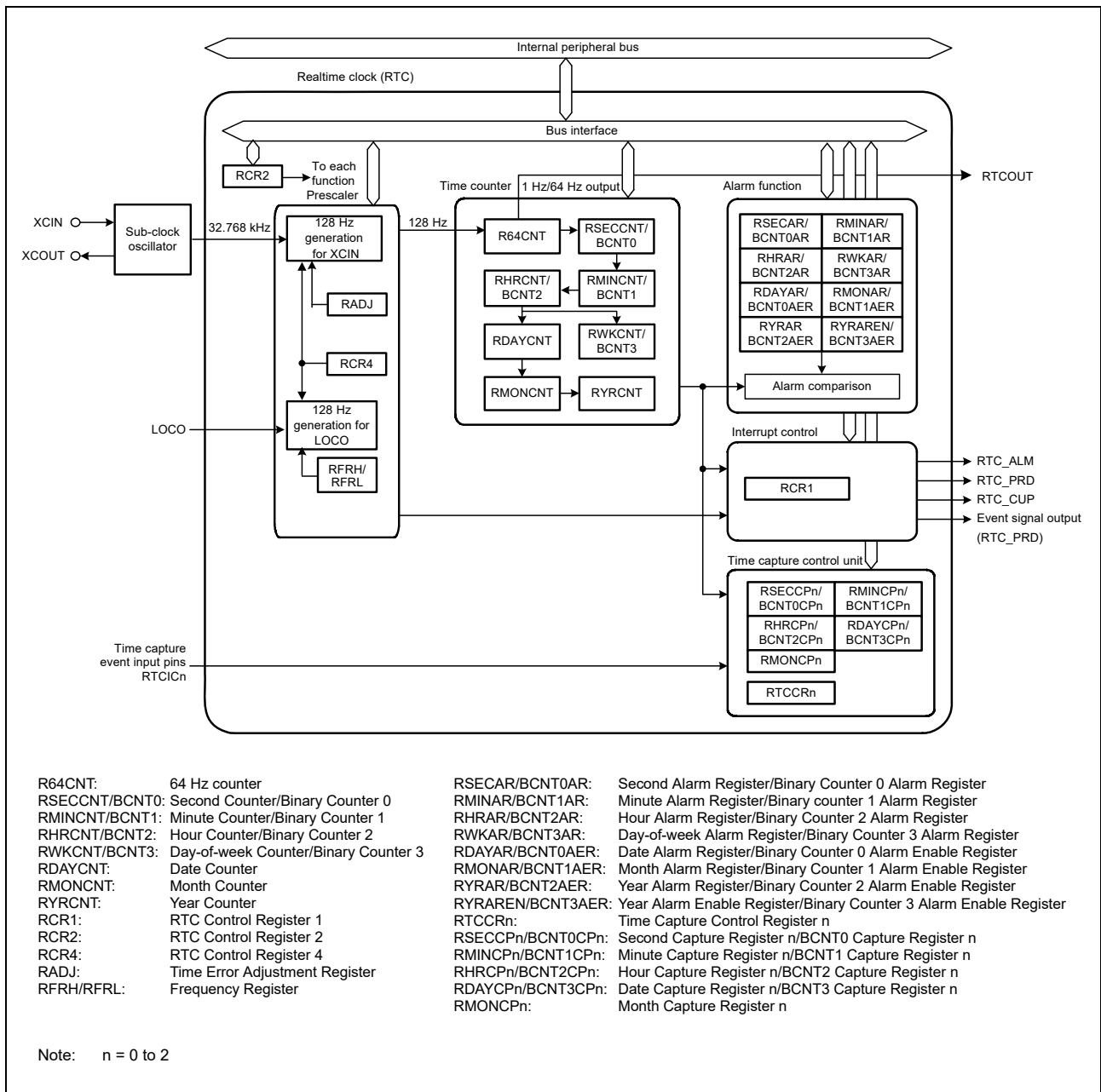


Figure 25.1 RTC block diagram

Table 25.2 RTC I/O pins

Pin name	I/O	Function
XCIN	Input	Connect a 32.768-kHz crystal to these pins
XCOU	Output	
RTCOUT	Output	This pin is used to output a 1-Hz/64-Hz waveform
RTCIC0	Input	Time capture event input pins
RTCIC1	Input	
RTCIC2	Input	

25.2 Register Descriptions

Write or read from the RTC registers in [section 25.6.5, Notes on Writing to and Reading from Registers](#).

If the value in an RTC register after a reset is given as x (undefined bits) in the list, it is not initialized by a reset. When RTC enters the reset state or a low power consumption state during counting operations, for example while the RCR2.START bit is 1, the year, month, day of the week, date, hours, minutes, seconds, and 64-Hz counters continue to operate.

Note: A reset generated while writing to a register might destroy the register value. In addition, do not allow the MCU to enter Software Standby mode immediately after setting any of these registers. For details, see [section 25.6.4, Transitions to Low Power Modes after Setting Registers](#).

25.2.1 64-Hz Counter (R64CNT)

Address(es): [RTC.R64CNT 4004 4000h](#)

	b7	b6	b5	b4	b3	b2	b1	b0
	—	F1HZ	F2HZ	F4HZ	F8HZ	F16HZ	F32HZ	F64HZ
Value after reset:	0	x	x	x	x	x	x	x

x: Undefined

Bit	Symbol	Bit name	Description	R/W
b0	F64HZ	64 Hz	Indicates the state between 1 Hz and 64 Hz of the sub-second digit	R
b1	F32HZ	32 Hz		R
b2	F16HZ	16 Hz		R
b3	F8HZ	8 Hz		R
b4	F4HZ	4 Hz		R
b5	F2HZ	2 Hz		R
b6	F1HZ	1 Hz		R
b7	—	Reserved	This bit is read as 0	R

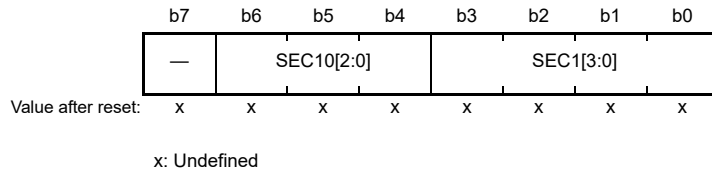
The R64CNT counter is used in both calendar count mode and in binary count mode. The 64-Hz counter (R64CNT) generates the period for a second by counting up periods of the 128-Hz clock. The state in the sub-second range can be confirmed by reading this counter.

This counter is set to 00h by an RTC software reset or an execution of a 30-second adjustment. To read this counter, follow the procedure in [section 25.3.5, Reading 64-Hz Counter and Time](#).

25.2.2 Second Counter (RSECCNT)/Binary Counter 0 (BCNT0)

(1) In calendar count mode

Address(es): [RTC.RSECCNT 4004 4002h](#)



Bit	Symbol	Bit name	Description	R/W
b3 to b0	SEC1[3:0]	1-Second Count	Counts from 0 to 9 every second. When a carry is generated, 1 is added to the tens place.	R/W
b6 to b4	SEC10[2:0]	10-Second Count	Counts from 0 to 5 for 60-second counting	R/W
b7	—	Reserved	Set this bit to 0. It is read as the set value.	R/W

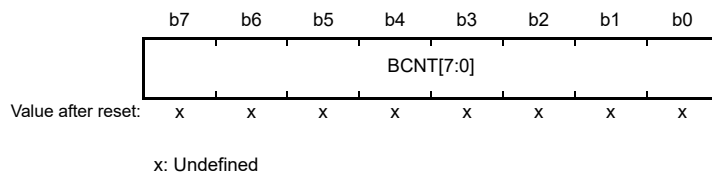
The RSECCNT counter sets and counts the BCD-coded second value. It counts the carries generated once per second in the 64-Hz counter.

The setting range is decimal 00 to 59. The RTC does not operate normally if any other value is set. Before writing to this register, be sure to stop the count operation using the START bit in RCR2.

To read this counter, follow the procedure in [section 25.3.5, Reading 64-Hz Counter and Time](#).

(2) In binary count mode

Address(es): [RTC.BCNT0 4004 4002h](#)

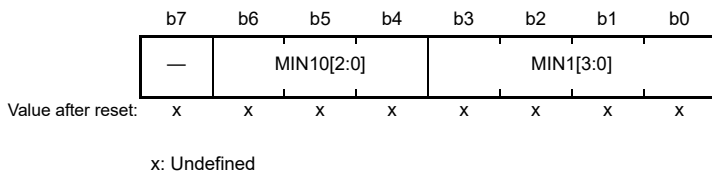


BCNT0 is a read/write 32-bit binary counter b7 to b0. The 32-bit binary counter performs count operation by a carry generated for each second of the 64-Hz counter. Before writing to this register, be sure to stop the count operation using the START bit in RCR2. To read this counter, follow the procedure in [section 25.3.5, Reading 64-Hz Counter and Time](#).

25.2.3 Minute Counter (RMINCNT)/Binary Counter 1 (BCNT1)

(1) In calendar count mode

Address(es): [RTC.RMINCNT 4004 4004h](#)



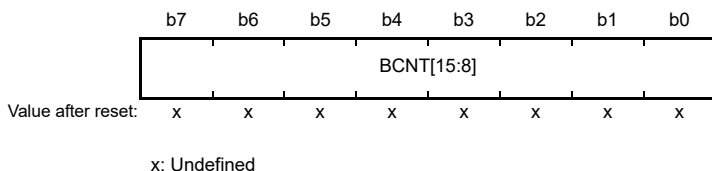
Bit	Symbol	Bit name	Description	R/W
b3 to b0	MIN1[3:0]	1-Minute Count	Counts from 0 to 9 every minute. When a carry is generated, 1 is added to the tens place.	R/W
b6 to b4	MIN10[2:0]	10-Minute Count	Counts from 0 to 5 for 60-minute counting	R/W
b7	—	Reserved	Set this bit to 0. It is read as the set value.	R/W

The RMINCNT counter sets and counts the BCD-coded minute value. It counts carries generated once per minute in the second counter.

A value from 00 through 59 (in BCD) can be specified. If a value outside of this range is specified, the RTC does not operate correctly. Before writing to this register, be sure to stop the count operation using the START bit in RCR2. To read this counter, follow the procedure in [section 25.3.5, Reading 64-Hz Counter and Time](#).

(2) In binary count mode

Address(es): [RTC.BCNT1 4004 4004h](#)

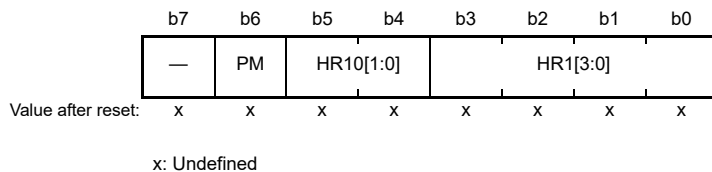


The BCNT1 counter is a read/write 32-bit binary counter b15 to b8. The 32-bit binary counter performs count operation by a carry generated for each second of the 64-Hz counter. Before writing to this register, be sure to stop the count operation using the START bit in RCR2. To read this counter, follow the procedure in [section 25.3.5, Reading 64-Hz Counter and Time](#).

25.2.4 Hour Counter (RHCNT)/Binary Counter 2 (BCNT2)

(1) In calendar count mode

Address(es): [RTC.RHCNT 4004 4006h](#)



Bit	Symbol	Bit name	Description	R/W
b3 to b0	HR1[3:0]	1-Hour Count	Counts from 0 to 9 once every hour. When a carry is generated, 1 is added to the tens place.	R/W
b5, b4	HR10[1:0]	10-Hour Count	Counts from 0 to 2 once per carry from the ones place.	R/W
b6	PM	PM	Time counter setting for AM/PM. 0: AM 1: PM.	R/W
b7	—	Reserved	Set this bit to 0. It is read as the set value.	R/W

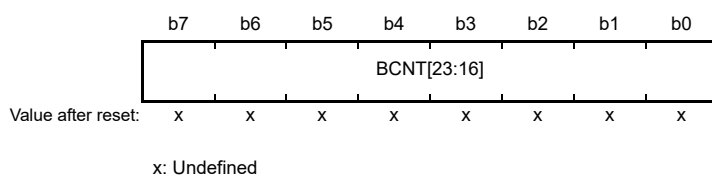
The RHCNT counter sets and counts the BCD-coded hour value. It counts carries generated once every hour in the minute counter. The specifiable time differs according to the setting in the hours mode bit (RCR2.HR24):

- When the RCR2.HR24 bit is 0 – from 00 to 11 (in BCD)
- When the RCR2.HR24 bit is 1 – from 00 to 23 (in BCD).

If a value outside of this range is specified, the RTC does not operate correctly. Before writing to this register, be sure to stop the count operation using the START bit in RCR2. The PM bit is only enabled when the RCR2.HR24 bit is 0. Otherwise, the setting in the PM bit has no effect. To read this counter, follow the procedure in [section 25.3.5, Reading 64-Hz Counter and Time](#).

(2) In binary count mode

Address(es): [RTC.BCNT2 4004 4006h](#)

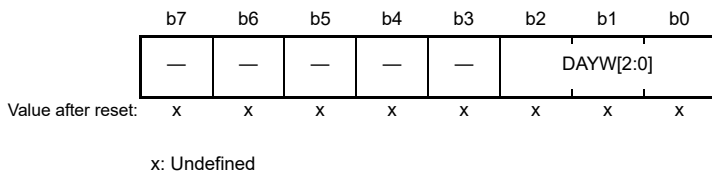


The BCNT2 counter is a read/write 32-bit binary counter b23 to b16. The 32-bit binary counter performs count operation by a carry generated for each second of the 64-Hz counter. Before writing to this register, be sure to stop the count operation using the START bit in RCR2. To read this counter, follow the procedure in [section 25.3.5, Reading 64-Hz Counter and Time](#).

25.2.5 Day-of-Week Counter (RWKCNT)/Binary Counter 3 (BCNT3)

(1) In calendar count mode

Address(es): [RTC.RWKCNT 4004 4008h](#)

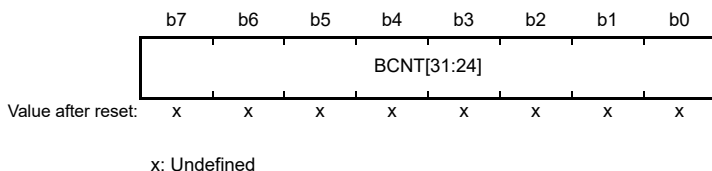


Bit	Symbol	Bit name	Description	R/W
b2 to b0	DAYW[2:0]	Day-of-Week Counting	b2 b0 0 0 0: Sunday 0 0 1: Monday 0 1 0: Tuesday 0 1 1: Wednesday 1 0 0: Thursday 1 0 1: Friday 1 1 0: Saturday 1 1 1: Setting prohibited.	R/W
b7 to b3	—	Reserved	Set these bits to 0. They are read as the set value.	R/W

The RWKCNT counter sets and counts in the coded day-of-week value. It counts the carries generated once per day in the hour counter. A value from 0 through 6 can be specified. If a value outside of this range is specified, the RTC does not operate correctly. Before writing to this register, be sure to stop the count operation using the START bit in RCR2. To read this counter, follow the procedure in [section 25.3.5, Reading 64-Hz Counter and Time](#).

(2) In binary count mode

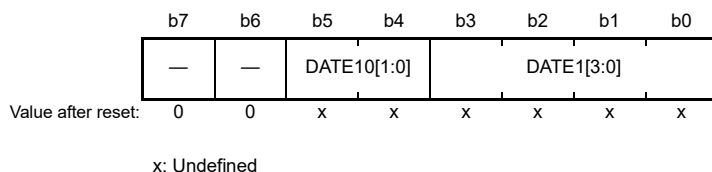
Address(es): [RTC.BCNT3 4004 4008h](#)



BCNT3 is a read/write 32-bit binary counter b31 to b24 that performs count operation by a carry generated for each second of the 64-Hz counter. Before writing to this register, be sure to stop the count operation using the START bit in RCR2. To read this counter, follow the procedure in [section 25.3.5, Reading 64-Hz Counter and Time](#).

25.2.6 Day Counter (RDAYCNT)

Address(es): RTC.RDAYCNT 4004 400Ah



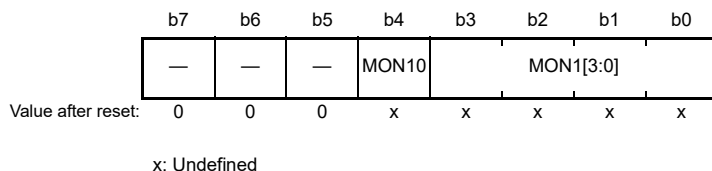
Bit	Symbol	Bit name	Description	R/W
b3 to b0	DATE1[3:0]	1-Day Count	Counts from 0 to 9 once per day. When a carry is generated, 1 is added to the tens place.	R/W
b5, b4	DATE10[1:0]	10-Day Count	Counts from 0 to 3 once per carry from the ones place	R/W
b7, b6	—	Reserved	These bits are read as 0. The write value should be 0.	R/W

The RDAYCNT counter is used in calendar count mode to set and count the BCD-coded date value. It counts carries generated once per day in the hour counter. The count operation depends on the month and whether the year is a leap year. Leap years are determined according to whether the year counter (RYRCNT) value is divisible by 400, 100, and 4.

A value from 01 through 31 (in BCD) can be specified. If a value outside of this range is specified, the RTC does not operate correctly. When specifying a value, the range of specifiable days depends on the month and whether the year is a leap year. Before writing to this register, be sure to stop the count operation using the START bit in RCR2. To read this counter, follow the procedure in [section 25.3.5, Reading 64-Hz Counter and Time](#).

25.2.7 Month Counter (RMONCNT)

Address(es): RTC.RMONCNT 4004 400Ch



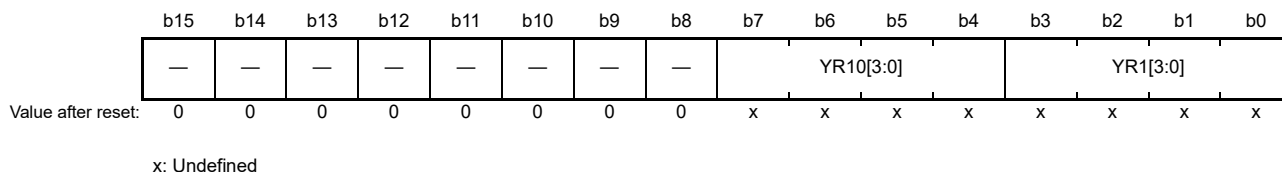
Bit	Symbol	Bit name	Description	R/W
b3 to b0	MON1[3:0]	1-Month Count	Counts from 0 to 9 once per month. When a carry is generated, 1 is added to the tens place	R/W
b4	MON10	10-Month Count	Counts from 0 to 1 once per carry from the ones place	R/W
b7 to b5	—	Reserved	These bits are read as 0. The write value should be 0.	R/W

The RMONCNT counter is used in calendar count mode to set and count the BCD-coded month value. It counts carries generated once per month in the date counter.

A value from 01 through 12 (in BCD) can be specified. If a value outside of this range is specified, the RTC does not operate correctly. Before writing to this register, be sure to stop the count operation using the START bit in RCR2. To read this counter, follow the procedure in [section 25.3.5, Reading 64-Hz Counter and Time](#).

25.2.8 Year Counter (RYRCNT)

Address(es): RTC.RYRCNT 4004 400Eh



Bit	Symbol	Bit name	Description	R/W
b3 to b0	YR1[3:0]	1-Year Count	Counts from 0 to 9 once per year. When a carry is generated, 1 is added to the tens place.	R/W
b7 to b4	YR10[3:0]	10-Year Count	Counts from 0 to 9 once per carry from ones place. When a carry is generated in the tens place, 1 is added to the hundreds place.	R/W
b15 to b8	—	Reserved	These bits are read as 0. The write value should be 0.	R/W

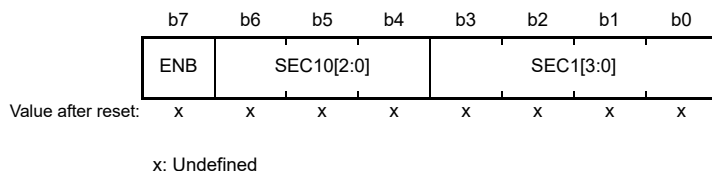
The RYRCNT counter is used in calendar count mode to set and count the BCD-coded year value. It counts carries generated once per year in the month counter.

A value from 00 through 99 (in BCD) can be specified. If a value outside of this range is specified, the RTC does not operate correctly. Before writing to this register, be sure to stop the count operation using the START bit in RCR2. To read this counter, follow the procedure in [section 25.3.5, Reading 64-Hz Counter and Time](#).

25.2.9 Second Alarm Register (RSECAR)/Binary Counter 0 Alarm Register (BCNT0AR)

(1) In calendar count mode

Address(es): RTC.RSECAR 4004 4010h



Bit	Symbol	Bit name	Description	R/W
b3 to b0	SEC1[3:0]	1 Second	Value for the ones place of seconds	R/W
b6 to b4	SEC10[2:0]	10 Seconds	Value for the tens place of seconds	R/W
b7	ENB	ENB	0: The register value is not compared with the RSECCNT counter value 1: The register value is compared with the RSECCNT counter value.	R/W

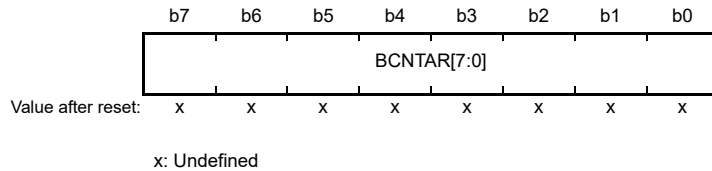
RSECAR is an alarm register associated with the BCD-coded second counter RSECCNT. When the ENB bit is set to 1, the RSECAR value is compared with the RSECCNT value. From the following alarm registers, only those selected with the ENB bits set to 1 are compared with the associated counters:

- RSECAR
- RMINAR
- RHRAR
- RWKAR
- RDAYAR
- RMONAR
- RYRAREN.

When all the respective values match, the IR flag associated with the RTC_ALM interrupt is set to 1. The RSECAR values from 00 through 59 (in BCD) can be specified. If a value outside of this range is specified, the RTC does not operate correctly. This register is set to 00h by an RTC software reset.

(2) In binary count mode

Address(es): [RTC.BCNT0AR 4004 4010h](#)

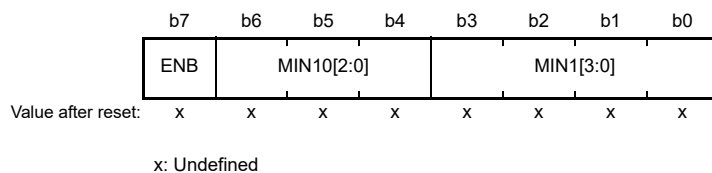


BCNT0AR is a read/write alarm register associated with the 32-bit binary counter b7 to b0. This register is set to 00h by an RTC software reset.

25.2.10 Minute Alarm Register (RMINAR)/Binary Counter 1 Alarm Register (BCNT1AR)

(1) In calendar count mode

Address(es): [RTC.RMINAR 4004 4012h](#)



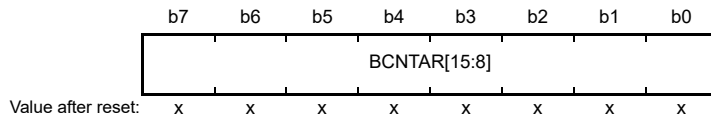
Bit	Symbol	Bit name	Description	R/W
b3 to b0	MIN1[3:0]	1 Minute	Value for the ones place of minutes	R/W
b6 to b4	MIN10[2:0]	10 Minutes	Value for the tens place of minutes	R/W
b7	ENB	ENB	0: The register value is not compared with the RMINCNT counter value 1: The register value is compared with the RMINCNT counter value.	R/W

RMINAR is an alarm register associated with the BCD-coded minute counter RMINCNT. When the ENB bit is set to 1, the RMINAR value is compared with the RMINCNT value. From the following alarm registers, only those selected with the ENB bits set to 1 are compared with the associated counters:

- RSECAR
- RMINAR
- RHRAR
- RWKAR
- RDAYAR
- RMONAR
- RYRAREN.

When all the respective values match, the IR flag associated with the RTC_ALM interrupt is set to 1. The RMINAR values from 00 through 59 (in BCD) can be specified. If a value outside of this range is specified, the RTC does not operate correctly. This register is set to 00h by an RTC software reset.

(2) In binary count mode

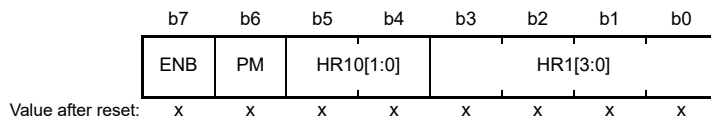
Address(es): [RTC.BCNT1AR 4004 4012h](#)

x: Undefined

BCNT1AR is a read/write alarm register associated with the 32-bit binary counter from b15 to b8. This register is set to 00h by an RTC software reset.

25.2.11 Hour Alarm Register (RHRAR)/Binary Counter 2 Alarm Register (BCNT2AR)

(1) In calendar count mode

Address(es): [RTC.RHRAR 4004 4014h](#)

x: Undefined

Bit	Symbol	Bit name	Description	R/W
b3 to b0	HR1[3:0]	1 Hour	Value for the ones place of hours	R/W
b5, b4	HR10[1:0]	10 Hours	Value for the tens place of hours	R/W
b6	PM	PM	Time Alarm Setting for AM/PM: 0: AM 1: PM.	R/W
b7	ENB	ENB	0: The register value is not compared with the RHRCNT counter value 1: The register value is compared with the RHRCNT counter value.	R/W

RHRAR is an alarm register associated with the BCD-coded hour counter RHRCNT. When the ENB bit is set to 1, the RHRAR value is compared with the RHRCNT value. From the following alarm registers, only those selected with the ENB bits set to 1 are compared with the associated counters:

- RSECAR
- RMINAR
- RHRAR
- RWKAR
- RDAYAR
- RMONAR
- RYRAREN.

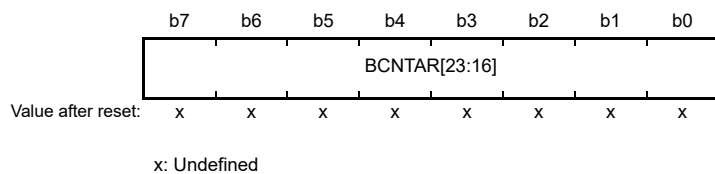
When all the respective values match, the IR flag associated with the RTC_ALM interrupt is set to 1. The specifiable time differs according to the setting in the hours mode bit (RCR2.HR24):

- When the RCR2.HR24 bit is 0 – From 00 to 11 (in BCD)
- When the RCR2.HR24 bit is 1 – From 00 to 23 (in BCD).

If a value outside of this range is specified, the RTC does not operate correctly. When the RCR2.HR24 bit is 0, be sure to set the PM bit. When the RCR2.HR24 bit is 1, the setting in the PM bit has no effect. This register is set to 00h by an RTC software reset.

(2) In binary count mode

Address(es): [RTC.BCNT2AR 4004 4014h](#)

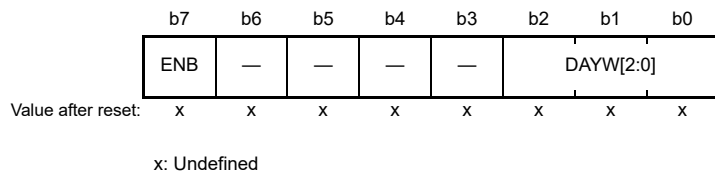


BCNT2AR is a read/write alarm register associated with the 32-bit binary counter b23 to b16. This register is set to 00h by an RTC software reset.

25.2.12 [Day-of-Week Alarm Register \(RWKAR\)/Binary Counter 3 Alarm Register \(BCNT3AR\)](#)

(1) In calendar count mode

Address(es): [RTC.RWKAR 4004 4016h](#)



Bit	Symbol	Bit name	Description	R/W
b2 to b0	DAYW[2:0]	Day-of-Week Setting	b2 b0 0 0 0: Sunday 0 0 1: Monday 0 1 0: Tuesday 0 1 1: Wednesday 1 0 0: Thursday 1 0 1: Friday 1 1 0: Saturday 1 1 1: Setting prohibited.	R/W
b6 to b3	—	Reserved	Set these bits to 0. They are read as the set value.	R/W
b7	ENB	ENB	0: The register value is not compared with the RWKCNT counter value 1: The register value is compared with the RWKCNT counter value.	R/W

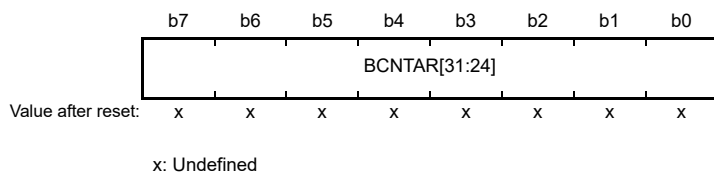
RWKAR is an alarm register associated with the coded day-of-week counter RWKCNT. When the ENB bit is set to 1, the RWKAR value is compared with the RWKCNT value. From the following alarm registers, only those selected with the ENB bits set to 1 are compared with the corresponding counters:

- RSECAR
- RMINAR
- RHRAR
- RWKAR
- RDAYAR
- RMONAR
- RYRAREN.

When all the respective values all match, the IR flag associated with the RTC_ALM interrupt is set to 1. The RWKAR values from 0 through 6 (in BCD) can be specified. If a value outside of this range is specified, the RTC does not operate correctly. This register is set to 00h by an RTC software reset.

(2) In binary count mode

Address(es): [RTC.BCNT3AR 4004 4016h](#)

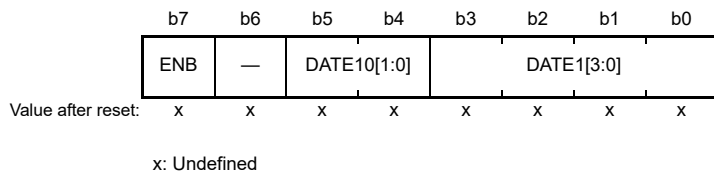


BCNT3AR is a read/write alarm register associated with the 32-bit binary counter b31 to b24. This register is set to 00h by an RTC software reset.

25.2.13 [Date Alarm Register \(RDAYAR\)/Binary Counter 0 Alarm Enable Register \(BCNT0AER\)](#)

(1) In calendar count mode

Address(es): [RTC.RDAYAR 4004 4018h](#)



Bit	Symbol	Bit name	Description	R/W
b3 to b0	DATE1[3:0]	1 Day	Value for the ones place of days	R/W
b5, b4	DATE10[1:0]	10 Days	Value for the tens place of days	R/W
b6	—	Reserved	Set this bit to 0. It is read as the set value.	R/W
b7	ENB	ENB	0: The register value is not compared with the RDAYCNT counter value 1: The register value is compared with the RDAYCNT counter value.	R/W

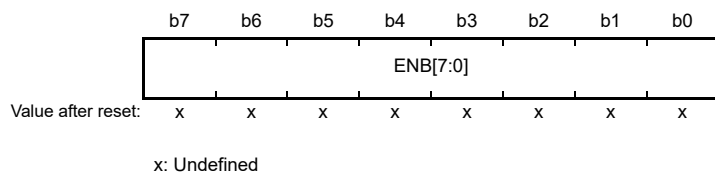
RDAYAR is an alarm register associated with the BCD-coded date counter RDAYCNT. When the ENB bit is set to 1, the RDAYAR value is compared with the RDAYCNT value. From the following alarm registers, only those selected with the ENB bits set to 1 are compared with the corresponding counters:

- RSECAR
- RMINAR
- RHRAR
- RWKAR
- RDAYAR
- RMONAR
- RYRAREN.

When all the respective values match, the IR flag associated with the RTC_ALM interrupt is set to 1. The RDAYAR values from 01 through 31 (in BCD) can be specified. If a value outside of this range is specified, the RTC does not operate correctly. This register is set to 00h by an RTC software reset.

(2) In binary count mode

Address(es): [RTC.BCNT0AER 4004 4018h](#)

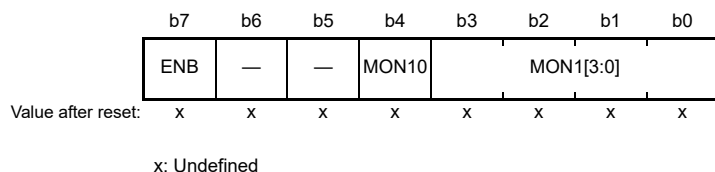


BCNT0AER is a read/write register to set the alarm enable associated with the 32-bit binary counter b7 to b0. The binary counter (BCNT[31:0]) associated with the ENB[31:0] bits that are set to 1 is compared with the binary alarm register (BCNTAR[31:0]), and when all match, the IR flag associated with the RTC_ALM interrupt becomes 1. This register is set to 00h by an RTC software reset.

25.2.14 [Month Alarm Register \(RMONAR\)/Binary Counter 1 Alarm Enable Register \(BCNT1AER\)](#)

(1) In calendar count mode

Address(es): [RTC.RMONAR 4004 401Ah](#)



Bit	Symbol	Bit name	Description	R/W
b3 to b0	MON1[3:0]	1 Month	Value for the ones place of months	R/W
b4	MON10	10 Months	Value for the tens place of months	R/W
b6, b5	—	Reserved	Set these bits to 0. They are read as the set value.	R/W
b7	ENB	ENB	0: The register value is not compared with the RMONCNT counter value 1: The register value is compared with the RMONCNT counter value.	R/W

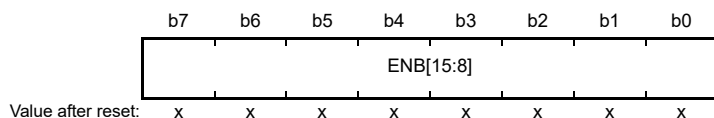
RMONAR is an alarm register associated with the BCD-coded month counter RMONCNT. When the ENB bit is set to 1, the RMONAR value is compared with the RMONCNT value. From the following alarm registers, only those selected with the ENB bits set to 1 are compared with the associated counters:

- RSECAR
- RMINAR
- RHRAR
- RWKAR
- RDAYAR
- RMONAR
- RYRAREN.

When all the respective values match, the IR flag associated with the RTC_ALM interrupt is set to 1. The RMONAR values from 01 through 12 (in BCD) can be specified. If a value outside of this range is specified, the RTC does not operate correctly. This register is set to 00h by an RTC software reset.

(2) In binary count mode

Address(es): [RTC.BCNT1AER 4004 401Ah](#)



x: Undefined

BCNT1AER is a read/write register for setting the alarm enable associated with the 32-bit binary counter b15 to b8. The binary counter (BCNT[31:0]) associated with the ENB[31:0] bits that are set to 1 is compared with the binary alarm register (BCNTAR[31:0]), and when all match, the IR flag associated with the RTC_ALM interrupt sets to 1. This register is set to 00h by an RTC software reset.

25.2.15 Year Alarm Register (RYRAR)/Binary Counter 2 Alarm Enable Register (BCNT2AER)

(1) In calendar count mode

Address(es): [RTC.RYRAR 4004 401Ch](#)



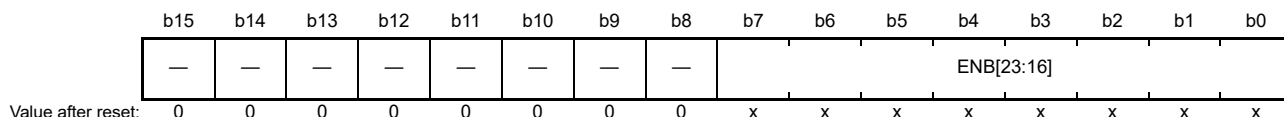
x: Undefined

Bit	Symbol	Bit name	Description	R/W
b3 to b0	YR1[3:0]	1 Year	Value for the ones place of years	R/W
b7 to b4	YR10[3:0]	10 Years	Value for the tens place of years	R/W
b15 to b8	—	Reserved	These bits are read as 0. The write value should be 0.	R/W

RYRAR is an alarm register associated with the BCD-coded year counter RYRCNT. The RYRAR values from 00 through 99 (in BCD) can be specified. If a value outside of this range is specified, the RTC does not operate correctly. This register is set to 0000h by an RTC software reset.

(2) In binary count mode

Address(es): [RTC.BCNT2AER 4004 401Ch](#)



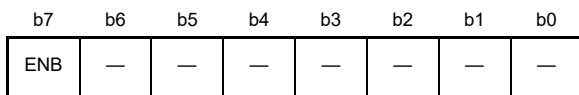
x: Undefined

BCNT2AER is a read/write register for setting the alarm enable associated with the 32-bit binary counter b23 to b16. The binary counter (BCNT[31:0]) associated with the ENB[31:0] bits that are set to 1 is compared with the binary alarm register (BCNTAR[31:0]), and when all match, the IR flag associated with the RTC_ALM interrupt sets to 1. This register is set to 0000h by an RTC software reset.

25.2.16 Year Alarm Enable Register (RYRAREN)/Binary Counter 3 Alarm Enable Register (BCNT3AER)

(1) In calendar count mode

Address(es): [RTC.RYRAREN 4004 401Eh](#)



Value after reset: x x x x x x x x

x: Undefined

Bit	Symbol	Bit name	Description	R/W
b6 to b0	—	Reserved	Set these bits to 0. They are read as the set value.	R/W
b7	ENB	ENB	0: The register value is not compared with the RYRCNT counter value 1: The register value is compared with the RYRCNT counter value.	R/W

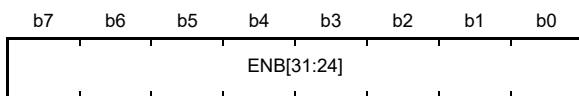
When the ENB bit in RYRAREN is set to 1, the RYRAR value is compared with the RYRCNT value. From the following alarm registers, only those selected with the ENB bits set to 1 are compared with the associated counters:

- RSECAR
- RMINAR
- RHRAR
- RWKAR
- RDAYAR
- RMONAR
- RYRAREN.

When all the respective values match, the IR flag associated with the RTC_ALM interrupt is set to 1. This register is set to 00h by an RTC software reset.

(2) In binary count mode

Address(es): [RTC.BCNT3AER 4004 401Eh](#)



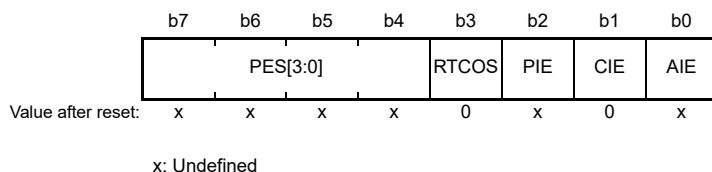
Value after reset: x x x x x x x x

x: Undefined

BCNT3AER is a read/write register for setting the alarm enable associated with the 32-bit binary counter b31 to b24. The binary counter (BCNT[31:0]) associated with the ENB[31:0] bits that are set to 1 is compared with the binary alarm register (BCNTAR[31:0]), and when all match, the IR flag associated with the RTC_ALM interrupt is set to 1. This register is set to 00h by an RTC software reset.

25.2.17 RTC Control Register 1 (RCR1)

Address(es): RTC.RCR1 4004 4022h



Bit	Symbol	Bit name	Description	R/W																																				
b0	AIE	Alarm Interrupt Enable	0: An alarm interrupt request is disabled 1: An alarm interrupt request is enabled.	R/W																																				
b1	CIE	Carry Interrupt Enable	0: A carry interrupt request is disabled 1: A carry interrupt request is enabled.	R/W																																				
b2	PIE	Periodic Interrupt Enable	0: A periodic interrupt request is disabled 1: A periodic interrupt request is enabled.	R/W																																				
b3	RTCOS	RTCOUT Output Select	0: RTCOUT outputs 1 Hz 1: RTCOUT outputs 64 Hz.	R/W																																				
b7 to b4	PES[3:0]	Periodic Interrupt Select	<table style="font-size: small; border: none;"> <tr> <td style="text-align: right;">b7</td> <td style="text-align: right;">b4</td> <td></td> </tr> <tr> <td>0 1 1 0</td> <td>0</td> <td>: A periodic interrupt is generated every 1/256 second*1</td> </tr> <tr> <td>0 1 1 1</td> <td>1</td> <td>: A periodic interrupt is generated every 1/128 second</td> </tr> <tr> <td>1 0 0 0</td> <td>0</td> <td>: A periodic interrupt is generated every 1/64 second</td> </tr> <tr> <td>1 0 0 1</td> <td>1</td> <td>: A periodic interrupt is generated every 1/32 second</td> </tr> <tr> <td>1 0 1 0</td> <td>0</td> <td>: A periodic interrupt is generated every 1/16 second</td> </tr> <tr> <td>1 0 1 1</td> <td>1</td> <td>: A periodic interrupt is generated every 1/8 second</td> </tr> <tr> <td>1 1 0 0</td> <td>0</td> <td>: A periodic interrupt is generated every 1/4 second</td> </tr> <tr> <td>1 1 0 1</td> <td>1</td> <td>: A periodic interrupt is generated every 1/2 second</td> </tr> <tr> <td>1 1 1 0</td> <td>0</td> <td>: A periodic interrupt is generated every 1 second</td> </tr> <tr> <td>1 1 1 1</td> <td>1</td> <td>: A periodic interrupt is generated every 2 seconds.</td> </tr> <tr> <td colspan="3">Other settings: No periodic interrupts are generated.</td> </tr> </table>	b7	b4		0 1 1 0	0	: A periodic interrupt is generated every 1/256 second*1	0 1 1 1	1	: A periodic interrupt is generated every 1/128 second	1 0 0 0	0	: A periodic interrupt is generated every 1/64 second	1 0 0 1	1	: A periodic interrupt is generated every 1/32 second	1 0 1 0	0	: A periodic interrupt is generated every 1/16 second	1 0 1 1	1	: A periodic interrupt is generated every 1/8 second	1 1 0 0	0	: A periodic interrupt is generated every 1/4 second	1 1 0 1	1	: A periodic interrupt is generated every 1/2 second	1 1 1 0	0	: A periodic interrupt is generated every 1 second	1 1 1 1	1	: A periodic interrupt is generated every 2 seconds.	Other settings: No periodic interrupts are generated.			R/W
b7	b4																																							
0 1 1 0	0	: A periodic interrupt is generated every 1/256 second*1																																						
0 1 1 1	1	: A periodic interrupt is generated every 1/128 second																																						
1 0 0 0	0	: A periodic interrupt is generated every 1/64 second																																						
1 0 0 1	1	: A periodic interrupt is generated every 1/32 second																																						
1 0 1 0	0	: A periodic interrupt is generated every 1/16 second																																						
1 0 1 1	1	: A periodic interrupt is generated every 1/8 second																																						
1 1 0 0	0	: A periodic interrupt is generated every 1/4 second																																						
1 1 0 1	1	: A periodic interrupt is generated every 1/2 second																																						
1 1 1 0	0	: A periodic interrupt is generated every 1 second																																						
1 1 1 1	1	: A periodic interrupt is generated every 2 seconds.																																						
Other settings: No periodic interrupts are generated.																																								

Note 1. When LOCO is selected (RCR4.RCKSEL = 1) while PES[3:0] = 0110b, a periodic interrupt is generated every 1/128 second.

The RCR1 register is used in both calendar count mode and in binary count mode. Bits AIE, PIE, and PES[3:0] are updated synchronously with the count source. When the RCR1 register is modified, check that all the bits are updated before proceeding.

AIE bit (Alarm Interrupt Enable)

The AIE bit enables or disables alarm interrupt requests.

CIE bit (Carry Interrupt Enable)

The CIE bit enables and disables interrupt requests when a carry to the RSECCNT/BCNT0 register occurs, or when a carry to the 64-Hz counter (R64CNT) occurs while reading the 64-Hz counter.

PIE bit (Periodic Interrupt Enable)

The PIE bit enables or disabled a periodic interrupt.

RTCOS bit (RTCOUT Output Select)

The RTCOS bit selects the RTCOUT output period. The RTCOS bit must be rewritten while the count operation is stopped (the RCR2.START bit is 0) and the RTCOUT output is disabled (the RCR2.RTCOE bit is 0). When the RTCOUT is output to an external pin, the RCR2.RTCOE bit must be enabled. For details on controlling I/O ports, see [section 20.5.1, Procedure for Specifying the Pin Functions](#).

PES[3:0] bits (Periodic Interrupt Select)

The PES[3:0] bits specify the period for the periodic interrupt. A periodic interrupt is generated with the period specified by these bits.

25.2.18 RTC Control Register 2 (RCR2)

(1) In calendar count mode

Address(es): RTC.RCR2 4004 4024h

	b7	b6	b5	b4	b3	b2	b1	b0
	CNTM D	HR24	AADJP	AADJE	RTCOE	ADJ30	RESET	START
Value after reset:	x	x	x	x	0	0	0	x

x: Undefined

Bit	Symbol	Bit name	Description	R/W
b0	START	Start	0: Prescaler and time counter are stopped 1: Prescaler and time counter operate normally.	R/W
b1	RESET	RTC Software Reset	<ul style="list-style-type: none"> In writing <ul style="list-style-type: none"> 0: Writing is invalid 1: The prescaler and the target registers for RTC software reset *1 are initialized. In reading <ul style="list-style-type: none"> 0: In normal time operation, or an RTC software reset has completed 1: During an RTC software reset. 	R/W
b2	ADJ30	30-Second Adjustment	<ul style="list-style-type: none"> In writing <ul style="list-style-type: none"> 0: Writing is invalid 1: 30-second adjustment is executed. In reading <ul style="list-style-type: none"> 0: In normal time operation, or 30-second adjustment has completed 1: During 30-second adjustment. 	R/W
b3	RTCOE	RTCOUNT Output Enable	0: RTCOUNT output disabled 1: RTCOUNT output enabled.	R/W
b4	AADJE	Automatic Adjustment Enable*2	0: Automatic adjustment is disabled 1: Automatic adjustment is enabled.	R/W
b5	AADJP	Automatic Adjustment Period Select*2	0: The RADJ.ADJ[5:0] setting value is adjusted from the count value of the prescaler every minute 1: The RADJ.ADJ[5:0] setting value is adjusted from the count value of the prescaler every 10 seconds.	R/W
b6	HR24	Hours Mode	0: RTC operates in 12-hour mode 1: RTC operates in 24-hour mode.	R/W
b7	CNTMD	Count Mode Select	0: Calendar count mode 1: Binary count mode.	R/W

Note 1. R64CNT, RSECAR/BCNT0AR, RMINAR/BCNT1AR, RHRAR/BCNT2AR, RWKAR/BCNT3AR, RDAYAR/BCNT0AER, RMONAR/BCNT1AER, RYRAR/BCNT2AER, RYRAREN/BCNT3AER, RADJ, RTCCRy, RSECCPy/BCNT0CPy, RMINCPy/BCNT1CPy, RHRCPy/BCNT2CPy, RDAYCPy/BCNT3CPy, RMONCPy, RCR2.ADJ30, RCR2.AADJE, RCR2.AADJP.

Note 2. When LOCO is selected, the setting of this bit is disabled.

The RCR2 register is related to hours mode, automatic adjustment function, enabling RTCOUNT output, 30-second adjustment, RTC software reset, and controlling count operation.

START bit (Start)

The START bit stops or restarts the prescaler or time counter operation.

The START bit is updated in synchronization with the next cycle of the count source. When the START bit is modified, check that the bit is updated before proceeding.

RESET bit (RTC Software Reset)

The RESET bit initializes the prescaler and registers to be reset by RTC software.

When 1 is written to the RESET bit, initialization starts in synchronization with the count source. When the initialization is completed, the RESET bit is automatically set to 0. Check that this bit is set to 0 before proceeding.

ADJ30 bit (30-Second Adjustment)

The ADJ30 bit is for 30-second adjustment.

When 1 is written to the ADJ30 bit, the RSECCNT value of 30 seconds or less is rounded down to 00 second and the value of 30 seconds or more is rounded up to 1 minute.

The 30-second adjustment is performed in synchronization with the count source. When 1 is written to this bit, the ADJ30 bit is automatically set to 0 after the 30-second adjustment is completed. If 1 is written to the ADJ30 bit, check that the bit is set to 0 before proceeding. When the 30-second adjustment is performed, the prescaler and R64CNT are also reset. The ADJ30 bit is set to 0 by an RTC software reset.

RTCOE bit (RTCOUT Output Enable)

The RTCOE bit enables output of a 1-Hz/64-Hz clock signal from the RTCOUT pin.

Use the START bit to stop counting before changing the value of the RTCOE bit. Do not stop counting (write 0 to the START bit) and change the value of the RTCOE bit at the same time.

When RTCOUT is to be output from an external pin, enable the RTCOE bit and set up the port control for the pin.

AADJE bit (Automatic Adjustment Enable)

The AADJE bit controls (enables or disables) automatic adjustment.

Set the plus–minus bits (RADJ.PMADJ[1:0]) to 00b (adjustment is not performed) before changing the value of the AADJE bit.

The AADJE bit is set to 0 by an RTC software reset.

AADJP bit (Automatic Adjustment Period Select)

The AADJP bit selects the automatic-adjustment period.

Set the plus–minus bits (RADJ.PMADJ[1:0]) to 00b (adjustment is not performed) before changing the value of the AADJP bit.

The AADJP bit is set to 0 by an RTC software reset.

HR24 bit (Hours Mode)

The HR24 bit specifies whether the RTC operates in 12- or 24-hour mode.

Use the START bit to stop counting before changing the value of the HR24 bit. Do not stop counting (write 0 to the START bit) and change the value of the HR24 bit at the same time.

CNTMD bit (Count Mode Select)

The CNTMD bit specifies whether the RTC count mode operates in calendar count mode or in binary count mode.

When setting the count mode, execute an RTC software reset and start again from the initial settings. This bit is updated synchronously with the count source, and its value is fixed before the RTC software reset is complete.

For details on initial settings, see [section 25.3.1, Outline of Initial Settings of Registers after Power On](#).

(2) In binary count mode

Address(es): RTC.RCR2 4004 4024h

	b7	b6	b5	b4	b3	b2	b1	b0
	CNTMD	—	AADJP	AADJE	RTCOE	—	RESET	START
Value after reset:	x	x	x	x	0	0	0	x

x: Undefined

Bit	Symbol	Bit name	Description	R/W
b0	START	Start	0: The 32-bit binary counter, 64-Hz counter, and prescaler are stopped 1: The 32-bit binary counter, 64-Hz counter, and prescaler are in normal operation.	R/W
b1	RESET	RTC Software Reset	<ul style="list-style-type: none"> In writing <ul style="list-style-type: none"> 0: Writing is invalid 1: The prescaler and the target registers for RTC software reset*1 are initialized. In reading <ul style="list-style-type: none"> 0: In normal time operation, or an RTC software reset has completed 1: During an RTC software reset. 	R/W
b2	—	Reserved	This bit is read as 0. The write value should be 0.	R/W
b3	RTCOE	RTCOUT Output Enable	0: RTCOUT output disabled 1: RTCOUT output enabled.	R/W
b4	AADJE	Automatic Adjustment Enable*2	0: Automatic adjustment is disabled 1: Automatic adjustment is enabled.	R/W
b5	AADJP	Automatic Adjustment Period Select*2	0: Add or subtract the RADJ.ADJ[5:0] bits from the prescaler count value every 32 seconds 1: Add or subtract the RADJ.ADJ[5:0] bits from the prescaler count value every 8 seconds	R/W
b6	—	Reserved	This bit is undefined. The write value should be 0.	R/W
b7	CNTMD	Count Mode Select	0: Calendar count mode 1: Binary count mode.	R/W

Note 1. R64CNT, RSECAR/BCNT0AR, RMINAR/BCNT1AR, RHRAR/BCNT2AR, RWKAR/BCNT3AR, RDAYAR/BCNT0AER, RMONAR/BCNT1AER, RYRAR/BCNT2AER, RYRAREN/BCNT3AER, RADJ, RTCCRY, RSECCPY/BCNT0CPY, RMINCPY/BCNT1CPY, RHRCPPY/BCNT2CPY, RDAYCPY/BCNT3CPY, RMONCPY, RCR2.ADJ30, RCR2.AADJE, RCR2.AADJP.

Note 2. When LOCO is selected, the setting of this bit is disabled.

START bit (Start)

The START bit stops or restarts the prescaler or counter (clock) operation.

The START bit is updated in synchronization with the count source. When the START bit is modified, check that the bit is updated before proceeding.

RESET bit (RTC Software Reset)

The RESET bit initializes the prescaler and registers to be reset by RTC software.

When 1 is written to the RESET bit, initialization starts in synchronization with the count source. When the initialization is completed, the RESET bit is automatically set to 0. When 1 is written to the RESET bit, check that the bit is set to 0 before proceeding.

RTCOE bit (RTCOUT Output Enable)

The RTCOE bit enables output of a 1-Hz/64-Hz clock signal from the RTCOUT pin.

Use the START bit to stop counting before changing the value of the RTCOE bit. Do not stop counting (write 0 to the START bit) and change the value of the RTCOE bit at the same time. When an RTCOUT signal is to be output from an external pin, enable the port control in addition to setting this bit.

AADJE bit (Automatic Adjustment Enable)

The AADJE bit controls (enables or disables) automatic adjustment.

Set the plus–minus bits (RADJ.PMADJ[1:0]) to 00b (adjustment is not performed) before changing the value of the AADJE bit. The AADJE bit is set to 0 by an RTC software reset.

AADJP bit (Automatic Adjustment Period Select)

The AADJP bit selects the automatic-adjustment period.

Correction period can be selected from 32 second units or 8 second units in binary count mode.

Set the plus–minus bits (RADJ.PMADJ[1:0]) to 00b (adjustment is not performed) before changing the value of the AADJP bit. The AADJP bit is set to 0 by an RTC software reset.

CNTMD bit (Count Mode Select)

The CNTMD bit specifies whether the RTC count mode operates in calendar count mode or in binary count mode.

When setting the count mode, execute an RTC software reset and start again from the initial settings. This bit is updated synchronously with the count source, and its value is fixed before the RTC software reset is complete.

For details on initial settings, see [section 25.3.1, Outline of Initial Settings of Registers after Power On](#).

25.2.19 RTC Control Register 4 (RCR4)

Address(es): [RTC.RCR4 4004 4028h](#)

	b7	b6	b5	b4	b3	b2	b1	b0
	—	—	—	—	—	—	—	RCKSEL
Value after reset:	0	0	0	0	0	0	0	x

x: Undefined

Bit	Symbol	Bit name	Description	R/W
b0	RCKSEL	Count Source Select	0: Sub-clock oscillator is selected 1: LOCO is selected.	R/W
b7 to b1	—	Reserved	These bits are read as 0. The write value should be 0.	R/W

The RCR4 register selects the count source and is used in both calendar count mode and binary count mode.

When the RCKSEL bit is set to 0, the time is counted with the sub-clock oscillator. When the bit is set to 1, the time is counted with LOCO.

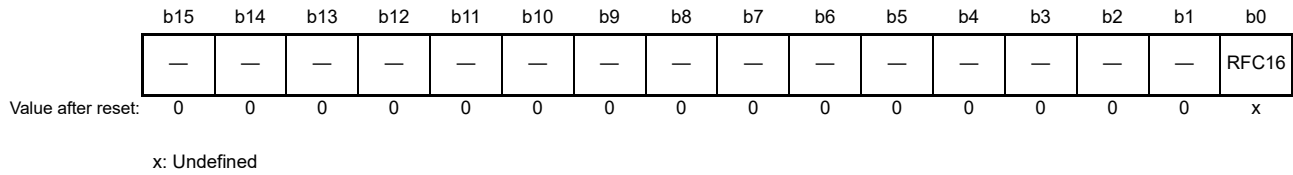
RCKSEL bit (Count Source Select)

The RCKSEL bit selects the count source from the sub-clock and LOCO.

The count source must be selected only once before specifying the initial settings of the RTC registers at power-on.

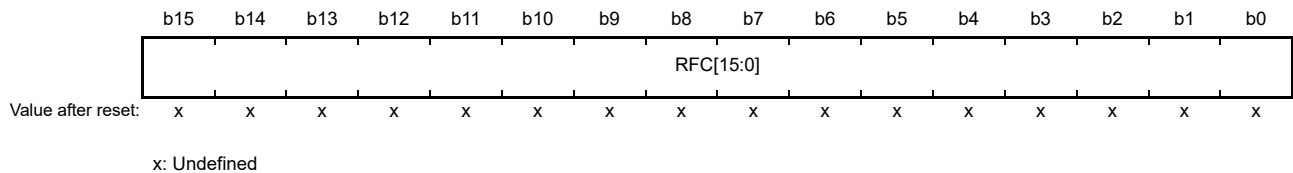
25.2.20 Frequency Register (RFRH/RFRL)

Address(es): RTC.RFRH 4004 402Ah



Bit	Symbol	Bit name	Description	R/W
b0	RFC16	Reserved	Write 0 before writing to the RFRL register after a cold start	R/W
b15 to b1	—	Reserved	These bits are read as 0. The write value should be 0.	R/W

Address(es): RTC.RFRL 4004 402Ch



Bit	Symbol	Bit name	Description	R/W
b15 to b0	RFC[15:0]	Frequency Comparison Value	Write 00FFh to this register when using the LOCO	R/W

RFRL is a register for controlling the prescaler when LOCO is selected.

The RTC time counter operates on a 128-Hz clock signal as the base clock. Therefore, when LOCO is selected, LOCO is divided by the prescaler to generate a 128-Hz clock signal. Set the frequency comparison value in the RFC[15:0] bits to generate a 128-Hz clock from the LOCO frequency. Before writing to RFC[15:0] after a cold start, write 0000h to the RFRH.

A value from 0007h through 01FFh can be specified as the frequency comparison value. If a value outside of this range is specified, the RTC does not operate correctly. Before writing to this register, be sure to stop the count operation through the setting of the START bit in RCR2. The operating frequency of the peripheral module clock and the LOCO should be such that the peripheral module clock is greater than or equal to the LOCO.

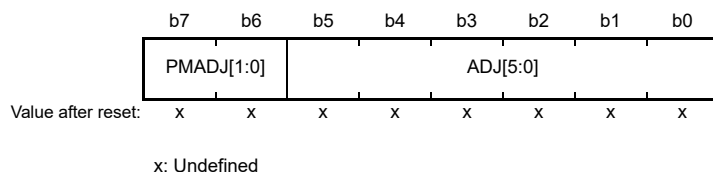
Calculation method of frequency comparison value:

$$\text{RFC}[15:0] = (\text{LOCO clock frequency}) / 128 - 1$$

When the LOCO frequency is 32.768 kHz, the RFRL register should be set to 00FFh.

25.2.21 Time Error Adjustment Register (RADJ)

Address(es): RTC.RADJ 4004 402Eh



Bit	Symbol	Bit name	Description	R/W
b5 to b0	ADJ[5:0]	Adjustment Value	These bits specify the adjustment value from the prescaler	R/W
b7, b6	PMADJ[1:0]	Plus-Minus	b7 b6 0 0: Adjustment is not performed 0 1: Adjustment is performed by the addition to the prescaler 1 0: Adjustment is performed by the subtraction from the prescaler 1 1: Setting prohibited.	R/W

Adjustment is performed by the addition to or subtraction from the prescaler. If the automatic adjustment enable (RCR2.AADJE) bit is 0, adjustment is performed when writing to the RADJ. If the RCR2.AADJE bit is 1, adjustment is performed in the interval specified by the automatic adjustment period select (RCR2.AADJP) bit.

The current adjustment by software (disabling automatic adjustment) might be invalid if the following adjustment value is specified within 320 cycles of the count source after the register setting. To perform adjustment consecutively, wait for 320 cycles or more of the count source after the register setting, then specify the next adjustment value.

RADJ is updated in synchronization with the count source. When RADJ is modified, check that all the bits are updated before continuing with further processing. This register is set to 00h by an RTC software reset. The setting of this register is enabled only when the sub-clock oscillator is selected. When LOCO is selected, adjustment is not performed.

ADJ[5:0] bits (Adjustment Value)

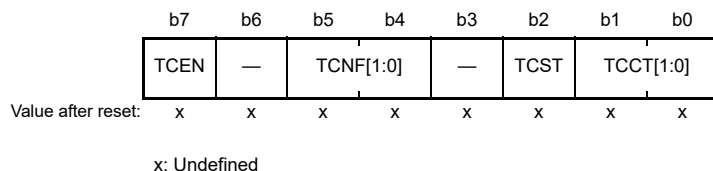
The ADJ[5:0] bits specify the adjustment value (the number of sub-clock cycles) from the prescaler.

PMADJ[1:0] bits (Plus-Minus)

The PMADJ[1:0] bits select whether the clock is set ahead or back depending on the error-adjustment value set in the ADJ[5:0] bits.

25.2.22 Time Capture Control Register y (RTCCRy) (y = 0 to 2)

Address(es): RTC.RTCCR0 4004 4040h, RTC.RTCCR1 4004 4042h, RTC.RTCCR2 4004 4044h



Bit	Symbol	Bit name	Description	R/W
b1, b0	TCCT[1:0]	Time Capture Control	b1 b0 0 0: No event is detected 0 1: Rising edge is detected 1 0: Falling edge is detected 1 1: Both edges are detected.	R/W
b2	TCST	Time Capture Status	0: No event is detected 1: An event is detected.*1	R/W
b3	—	Reserved	This bit is read as 0. The write value should be 0.	R/W

Bit	Symbol	Bit name	Description	R/W
b5, b4	TCNF[1:0]	Time Capture Noise Filter Control	b5 b4 0 0: Noise filter is off 0 1: Setting prohibited 1 0: Noise filter is on (count source) 1 1: Noise filter is on (count source by divided by 32).	R/W
b6	—	Reserved	This bit is read as 0. The write value should be 0.	R/W
b7	TCEN	Time Capture Event Input Pin Enable	0: The RTCICn (n = 0 to 2) pin is disabled as the time capture event input 1: The RTCICn (n = 0 to 2) pin is enabled as the time capture event input.	R/W

Note 1. Indicates that an event has been detected. Writing 1 to this bit has no effect. Writing 0 sets this bit to 0.

The RTCCRy register is used both in calendar count mode and in binary count mode. RTCCR0, RTCCR1, and RTCCR2 control the RTCIC0, RTCIC1, and RTCIC2 pins, respectively.

RTCCRy is updated in synchronization with the count source. When RTCCRy is modified, check that all the bits except for the TCST bit are updated before continuing with further processing. This register is set to 00h by an RTC software reset. When RTCICn is used as the time capture pin, VBTICTLR.VCHnIEN (n = 0 to 2) must be set to 1. For more information, see [section 12, Battery Backup Function](#).

TCCT[1:0] bits (Time Capture Control)

The TCCT[1:0] bits control the edge detection of the time capture event input pins, RTCIC0, RTCIC1, and RTCIC2. The detection edge is selectable. The TCCT[1:0] bits must be set while the VBTICTLR.VCHnIEN bit is 1.

TCST bit (Time Capture Status)

The TCST bit indicates that an event of the time capture event input pins, RTCIC0, RTCIC1, and RTCIC2, has been detected. When the TCST bit is 0, no event is detected. When the TCST bit is 1, this bit indicates that an event of the associated pin has been detected and the capture register is valid. When multiple events are detected, the capture time for the first event is retained.

If an event is detected while the count operation stops, that is, the RCR2.START bit is 0, the captured value is not guaranteed. In this case, set the TCST bit to 0 to delete the captured value. Writing 0 sets the TCST bit to 0. Writing any other value other than 0 has no effect.

Set the TCST bit while the TCCT[1:0] bits are 00b (no event is detected). The TCST bit is set to 0 in synchronization with the count source. When the TCST bit is set to 0, check that the bit is updated before continuing with further processing.

TCNF[1:0] bits (Time Capture Noise Filter Control)

The TCNF[1:0] bits control the noise filter of the time capture event input pins (RTCIC0, RTCIC1, and RTCIC2).

When the noise filter is on, the count source divided by 1 or divided by 32 is selectable. In this case, when the input level on the time capture event input pin matches three consecutive times at the set sampling period, the input level is determined.

Set the TCNF[1:0] bits while the TCCT[1:0] bits are 00b (no event is detected). When the noise filter is used, set the TCNF[1:0] bits, wait for 3 cycles of the specified sampling period, then set the TCCT[1:0] bits. Set the TCNF[1:0] bits when the VBTICTLR.VCHnIEN bit is 1.

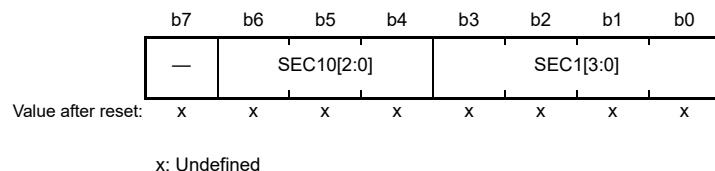
TCEN bit (Time Capture Event Input Pin Enable)

The TCEN bit enables or disables the time capture event input pins (RTCIC0, RTCIC1, and RTCIC2). When the functions of the time capture event input pins (RTCIC0, RTCIC1, and RTCIC2) are multiplexed, set VBTICTLR first. If the TCEN bit is set to 0, set also the TCCT[1:0] bits to 00b.

25.2.23 Second Capture Register y (RSECCPy) (y = 0 to 2)/BCNT0 Capture Register y (BCNT0CPy) (y = 0 to 2)

(1) In calendar count mode

Address(es): [RTC.RSECCP0 4004 4052h](#), [RTC.RSECCP1 4004 4062h](#), [RTC.RSECCP2 4004 4072h](#)



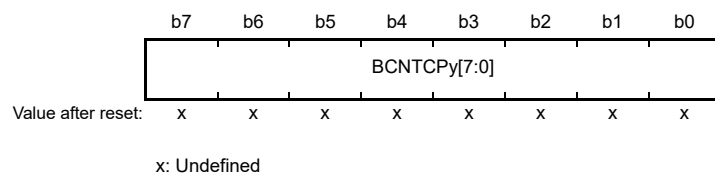
Bit	Symbol	Bit name	Description	R/W
b3 to b0	SEC1[3:0]	1-Second Capture	Capture value for the ones place of seconds	R
b6 to b4	SEC10[2:0]	10-Second Capture	Capture value for the tens place of seconds	R
b7	—	Reserved	This bit is read as 0 after an RTC software reset	R

RSECCPy is a read-only register that captures the RSECCNT value when a time capture event is detected.

The event detection times detected by the RTCIC0, RTCIC1, and RTCIC2 pins are stored in the RSECCP0, RSECCP1, and RSECCP2 registers, respectively. This register is set to 00h by an RTC software reset. Before reading from this register, be sure to stop the time capture event detection using the RTCCRY.TCCT[1:0] bits.

(2) In binary count mode

Address(es): [RTC.BCNT0CP0 4004 4052h](#), [RTC.BCNT0CP1 4004 4062h](#), [RTC.BCNT0CP2 4004 4072h](#)

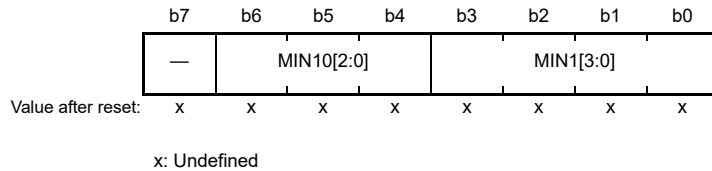


BCNT0CPy is a read-only register that captures the BCNT0 value when a time capture event is detected. The event detection times detected by the RTCIC0, RTCIC1, and RTCIC2 pins are stored in the BCNT0CP0, BCNT0CP1, and BCNT0CP2 registers, respectively. This register is set to 00h by an RTC software reset. Before reading from this register, be sure to stop the time capture event detection using the RTCCRY.TCCT[1:0] bits.

25.2.24 Minute Capture Register y (RMINCPy) (y = 0 to 2)/BCNT1 Capture Register y (BCNT1CPy) (y = 0 to 2)

(1) In calendar count mode

Address(es): [RTC.RMINCP0 4004 4054h](#), [RTC.RMINCP1 4004 4064h](#), [RTC.RMINCP2 4004 4074h](#)



Bit	Symbol	Bit name	Description	R/W
b3 to b0	MIN1[3:0]	1-Minute Capture	Capture value for the ones place of minutes	R
b6 to b4	MIN10[2:0]	10-Minute Capture	Capture value for the tens place of minutes	R
b7	—	Reserved	This bit is read as 0 after an RTC software reset	R

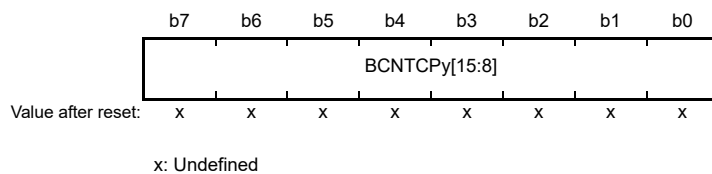
RMINCPy is a read-only register that captures the RMINCNT value when a time capture event is detected.

The event detection times detected by the RTCIC0, RTCIC1, and RTCIC2 pins are stored in the RMINCP0, RMINCP1, and RMINCP2 registers, respectively.

This register is set to 00h by an RTC software reset. Before reading from this register, be sure to stop the time capture event detection using the RTCCRy.TCCT[1:0] bits.

(2) In binary count mode

Address(es): [RTC.BCNT1CP0 4004 4054h](#), [RTC.BCNT1CP1 4004 4064h](#), [RTC.BCNT1CP2 4004 4074h](#)



BCNT1CPy is a read-only register that captures the BCNT1 value when a time capture event is detected.

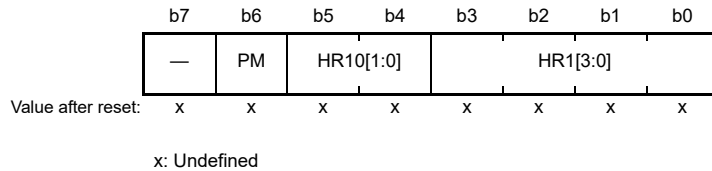
The event detection times detected by the RTCIC0, RTCIC1, and RTCIC2 pins are stored in the BCNT1CP0, BCNT1CP1, and BCNT1CP2 registers, respectively.

This register is set to 00h by an RTC software reset. Before reading from this register, be sure to stop the time capture event detection using the RTCCRy.TCCT[1:0] bits.

25.2.25 Hour Capture Register y (RHRCPy) (y = 0 to 2)/BCNT2 Capture Register y (BCNT2CPy) (y = 0 to 2)

(1) In calendar count mode

Address(es): [RTC.RHRCP0 4004 4056h](#), [RTC.RHRCP1 4004 4066h](#), [RTC.RHRCP2 4004 4076h](#)



Bit	Symbol	Bit name	Description	R/W
b3 to b0	HR1[3:0]	1-Hour Capture	Capture value for the ones place of hours	R
b5, b4	HR10[1:0]	10-Hour Capture	Capture value for the tens place of hours	R
b6	PM	PM	0: AM 1: PM.	R
b7	—	Reserved	This bit is read as 0 after an RTC software reset	R

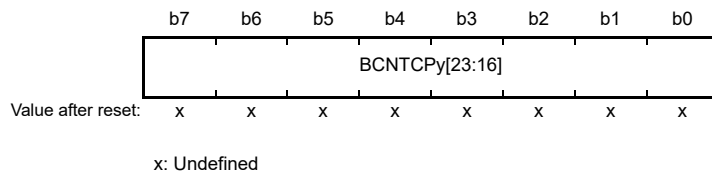
RHRCPy is a read-only register that captures the RHRCNT value when a time capture event is detected.

The event detection times detected by the RTCIC0, RTCIC1, and RTCIC2 pins are stored in the RHRCP0, RHRCP1, and RHRCP2 registers, respectively. The PM bit is only enabled when the RCR2.HR24 bit is 0 (in 12-hour mode).

This register is set to 00h by an RTC software reset. Before reading from this register, be sure to stop the time capture event detection using the RTCCRy.TCCT[1:0] bits.

(2) In binary count mode

Address(es): [RTC.BCNT2CP0 4004 4056h](#), [RTC.BCNT2CP1 4004 4066h](#), [RTC.BCNT2CP2 4004 4076h](#)



BCNT2CPy is a read-only register that captures the BCNT2 value when a time capture event is detected.

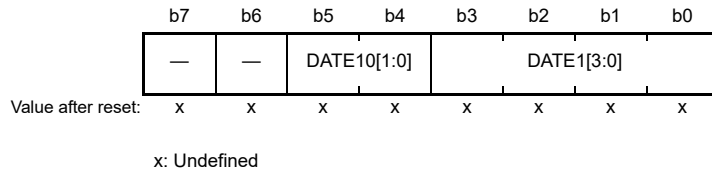
The event detection times detected by the RTCIC0, RTCIC1, and RTCIC2 pins are stored in the BCNT2CP0, BCNT2CP1, and BCNT2CP2 registers, respectively.

This register is set to 00h by an RTC software reset. Before reading from this register, be sure to stop the time capture event detection using the RTCCRy.TCCT[1:0] bits.

25.2.26 Date Capture Register y (RDAYCPy) (y = 0 to 2)/BCNT3 Capture Register y (BCNT3CPy) (y = 0 to 2)

(1) In calendar count mode

Address(es): [RTC.RDAYCP0 4004 405Ah](#), [RTC.RDAYCP1 4004 406Ah](#), [RTC.RDAYCP2 4004 407Ah](#)



Bit	Symbol	Bit name	Description	R/W
b3 to b0	DATE1[3:0]	1-Day Capture	Capture value for the ones place of days	R
b5, b4	DATE10[1:0]	10-Day Capture	Capture value for the tens place of days	R
b7, b6	—	Reserved	These bits are read as 0 after an RTC software reset	R

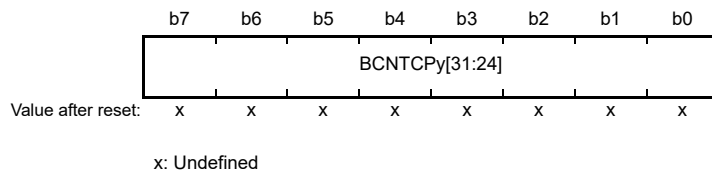
RDAYCPy is a read-only register that captures the RDAYCNT value when a time capture event is detected.

The event detection times detected by the RTCIC0, RTCIC1, and RTCIC2 pins are stored in the RDAYCP0, RDAYCP1, and RDAYCP2 registers, respectively.

This register is set to 00h by an RTC software reset. Before reading from this register, be sure to stop the time capture event detection using the RTCCRy.TCCT[1:0] bits.

(2) In binary count mode

Address(es): [RTC.BCNT3CP0 4004 405Ah](#), [RTC.BCNT3CP1 4004 406Ah](#), [RTC.BCNT3CP2 4004 407Ah](#)



BCNT3CPy is a read-only register that captures the BCNT3 value when a time capture event is detected.

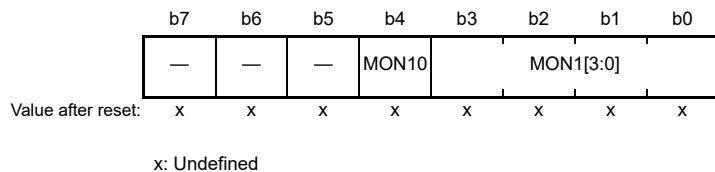
The event detection times detected by the RTCTC0, RTCTC1, and RTCTC2 pins are stored in the BCNT3CP0, BCNT3CP1, and BCNT3CP2 registers, respectively.

This register is set to 00h by an RTC software reset. Before reading from this register, be sure to stop the time capture event detection using the RTCCRy.TCCT[1:0] bits.

25.2.27 Month Capture Register y (RMONCPy) (y = 0 to 2)

(1) In calendar count mode

Address(es): [RTC.RMONCP0 4004 405Ch](#), [RTC.RMONCP1 4004 406Ch](#), [RTC.RMONCP2 4004 407Ch](#)



Bit	Symbol	Bit name	Description	R/W
b3 to b0	MON1[3:0]	1-Month Capture	Capture value for the ones place of months	R
b4	MON10	10-Month Capture	Capture value for the tens place of months	R
b7 to b5	—	Reserved	These bits are read as 0	R

RMONCPy is a read-only register that captures the RMONCNT value when a time capture event is detected.

The event detection times detected by the RTCIC0, RTCIC1, and RTCIC2 pins are stored in the RMONCP0, RMONCP1, and RMONCP2 registers, respectively.

This register is set to 00h by an RTC software reset. Before reading from this register, be sure to stop the time capture event detection using the RTCCRY.TCCT[1:0] bits.

25.3 Operation

25.3.1 Outline of Initial Settings of Registers after Power On

After the power is turned on, perform the initial settings for the clock setting, count mode setting, time error adjustment, time setting, alarm, interrupt, and time capture control register.

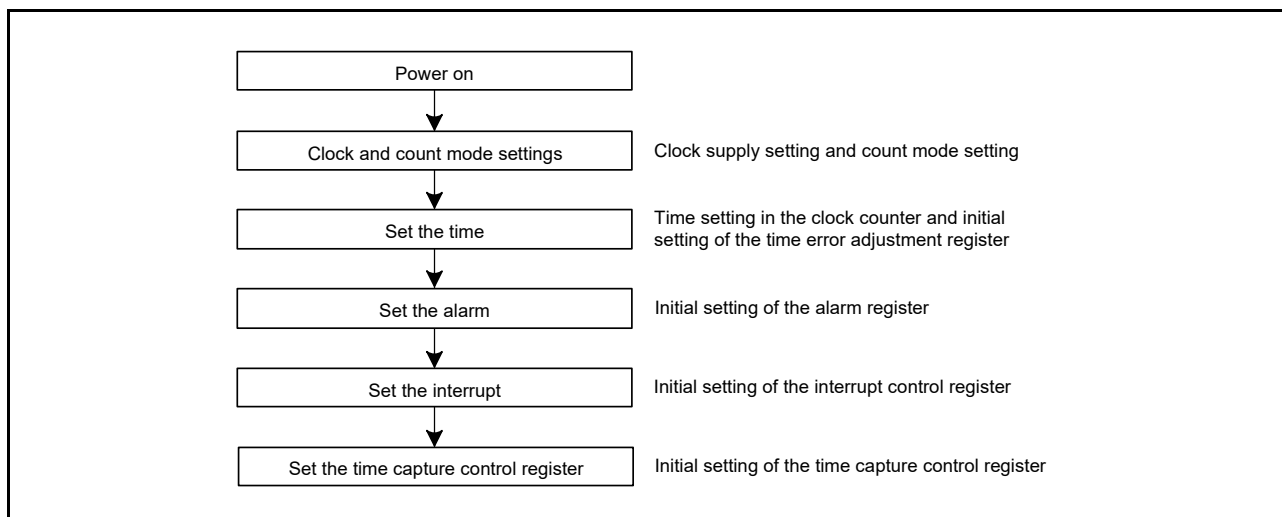


Figure 25.2 Outline of initial settings after a power on

25.3.2 Clock and Count Mode Setting Procedure

Figure 25.3 shows how to set the clock and the count mode.

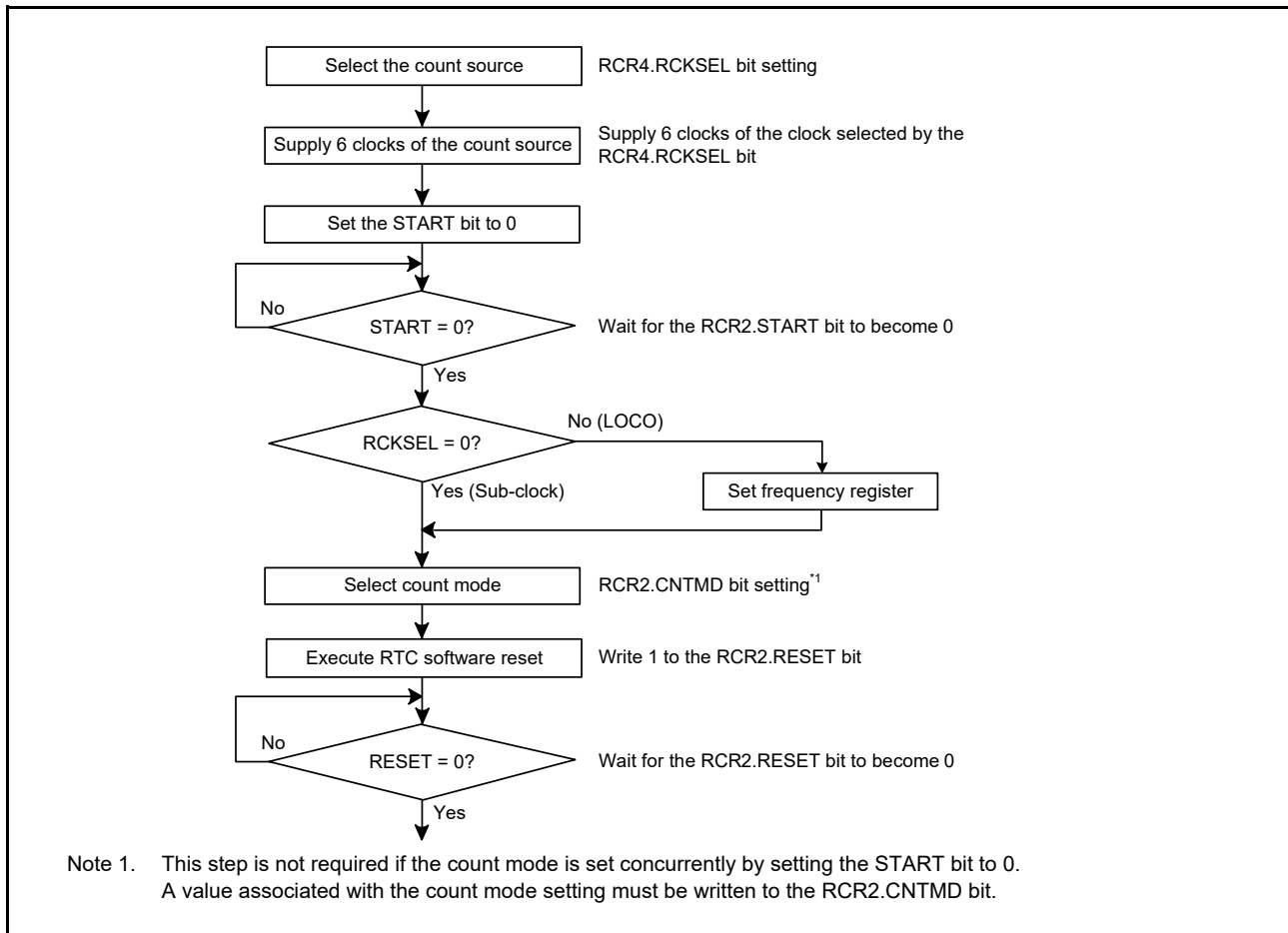


Figure 25.3 Clock and count mode setting procedure

25.3.3 Setting the Time

Figure 25.4 shows how to set the time.

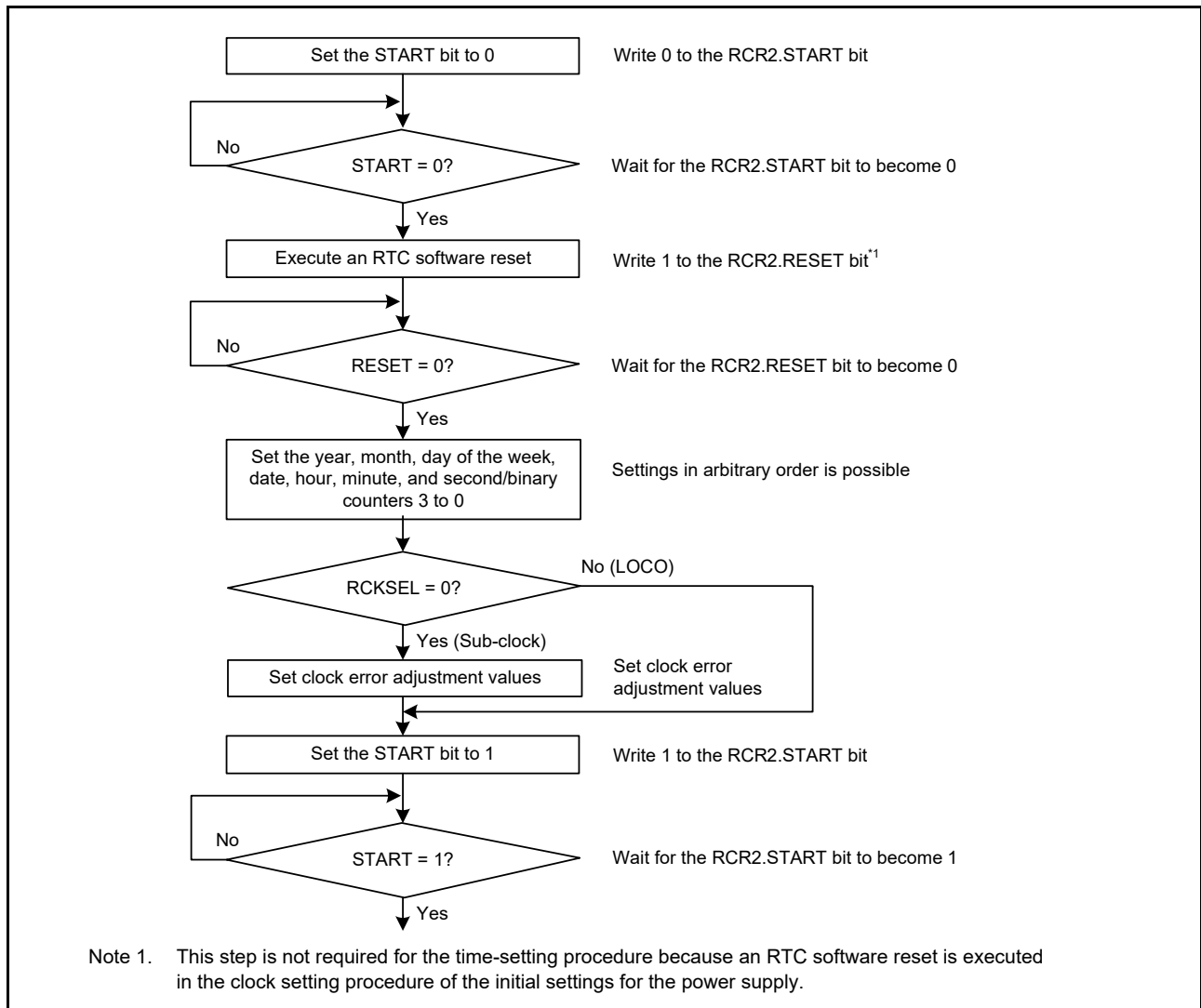


Figure 25.4 Setting the time

25.3.4 30-Second Adjustment

Figure 25.5 shows how to execute a 30-second adjustment.

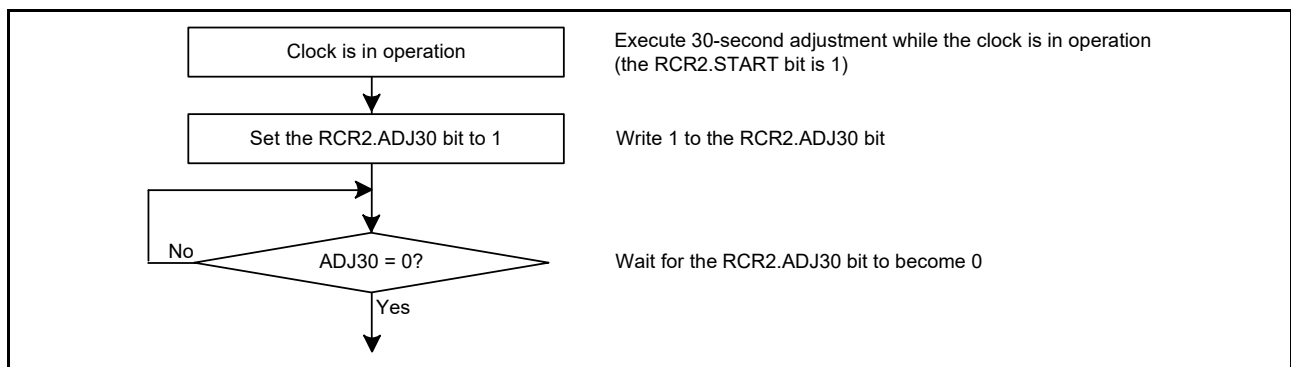


Figure 25.5 30-second adjustment

25.3.5 Reading 64-Hz Counter and Time

Figure 25.6 shows how to read a 64-Hz counter and time.

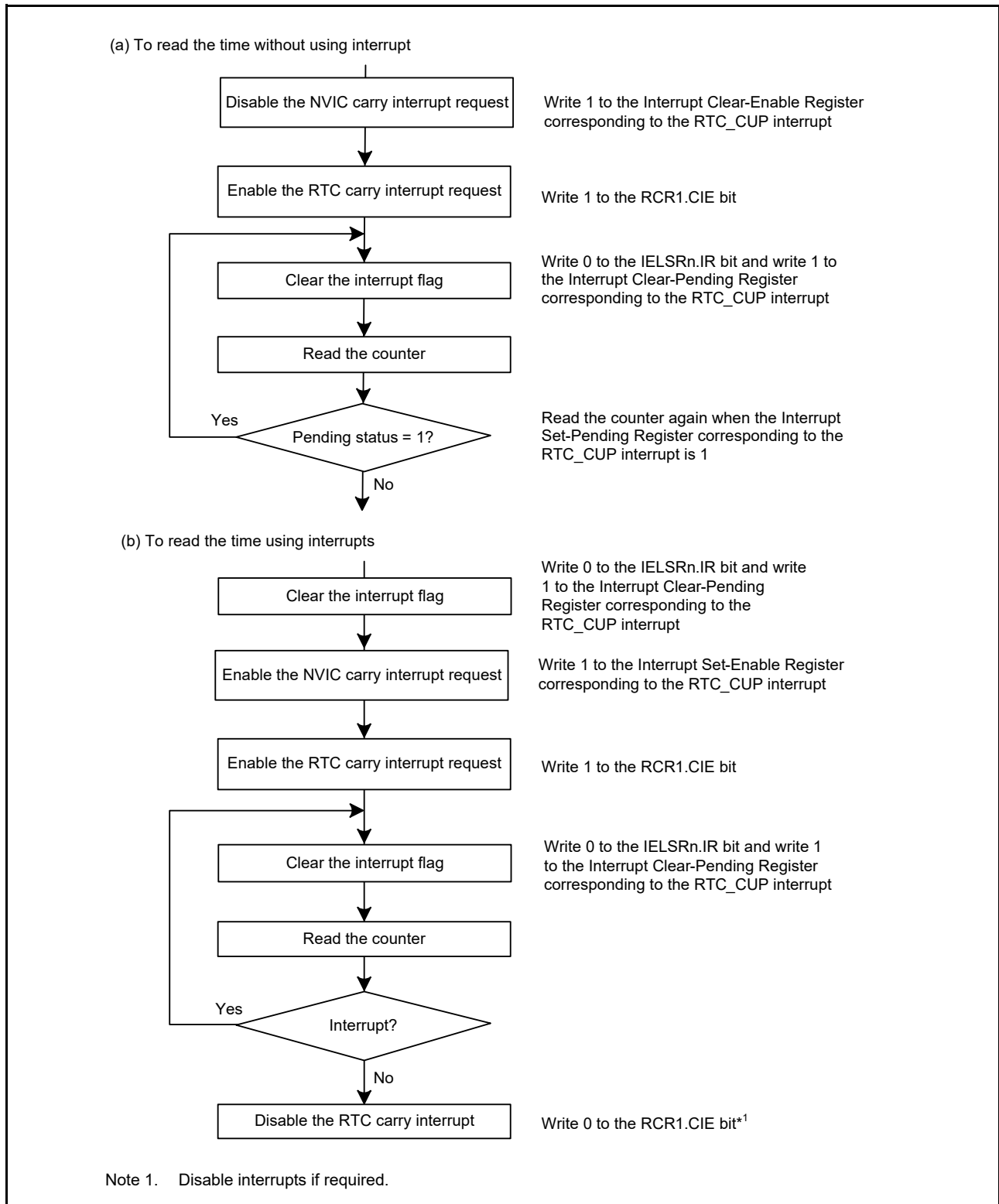


Figure 25.6 Reading time

If a carry occurs while the 64-Hz counter and time are read, the correct time is not obtained, therefore they must be read again. The procedure for reading the time without using interrupts is shown in (a) in Figure 25.6, and the procedure using carry interrupts is shown in (b). To keep the program simple, method (a) should be used in most cases.

25.3.6 Alarm Function

Figure 25.7 shows how to use the alarm function.

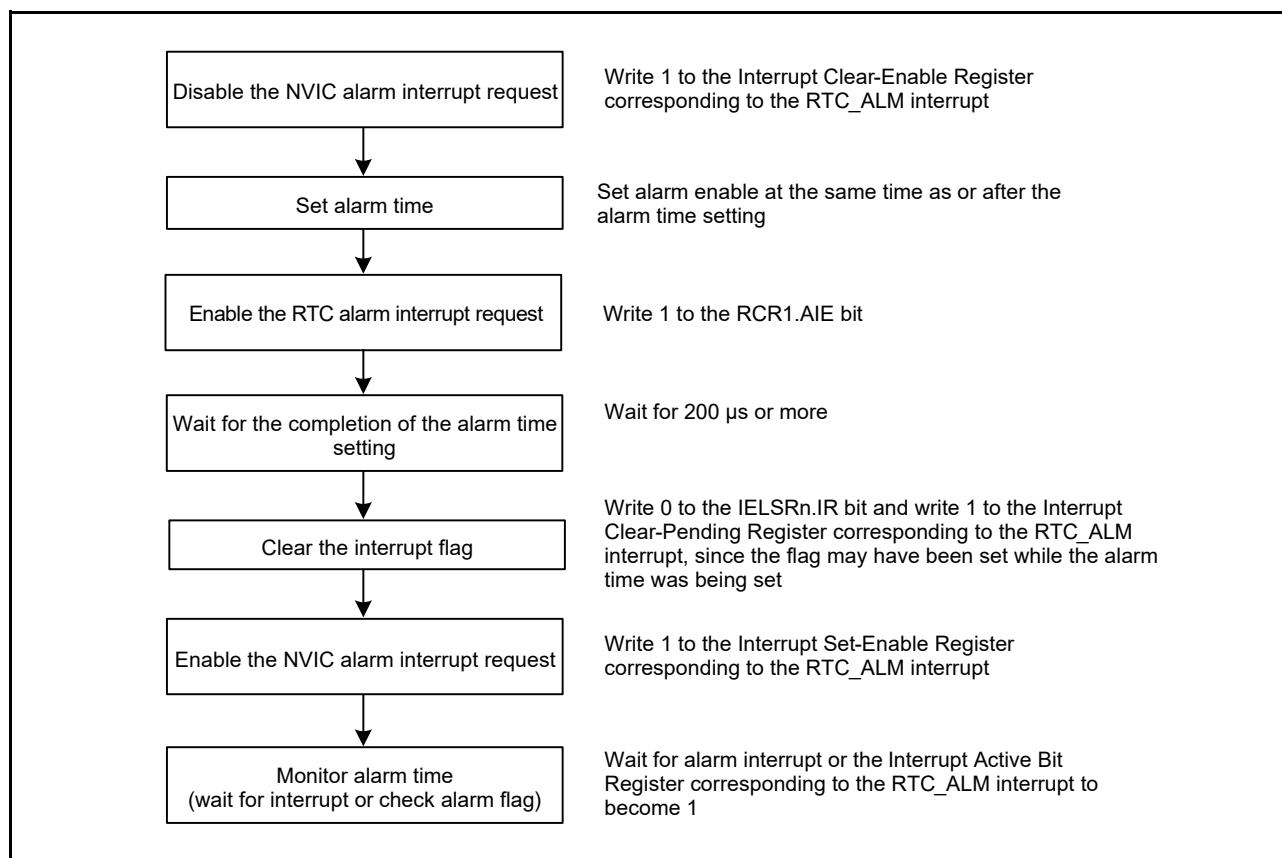


Figure 25.7 Using the alarm function

In calendar count mode, an alarm can be generated by any one of year, month, date, day-of-week, hour, minute or second, or any combination of those. Write 1 to the ENB bit in the alarm registers involved in the alarm setting, and set the alarm time in the lower bits. Write 0 to the ENB bit in registers not involved in the alarm setting.

In binary count mode, an alarm can be generated in any bit combination of 32 bits. Write 1 to the ENB bit of the alarm enable register associated with the target bit of the alarm, and set the alarm time in the alarm register. For bits that are not the target of the alarm, write 0 to the ENB bit of the alarm enable register.

When the counter and the alarm time match, the IELSRn.IR bit and Interrupt Set-Pending/Clear-Pending Register associated with the RTC_ALM interrupt is set to 1. Alarm detection can be confirmed by reading the Interrupt Set-Pending Register associated with the RTC_ALM interrupt, but an interrupt should be used in most cases. If 1 is set in the Interrupt Set-Enable Register associated with the RTC_ALM interrupt, an alarm interrupt is generated in the event of the alarm, enabling the alarm to be detected.

Writing 0 sets the IELSRn.IR bit associated with the RTC_ALM interrupt to 0. If interrupt is enabled, the Interrupt Set-Pending/Clear-Pending Register and Interrupt Active Bit Register associated with the RTC_ALM interrupt is cleared automatically after exiting the interrupt handler. Otherwise, write 1 to the Interrupt Clear-Pending Register associated with the RTC_ALM interrupt to clear it.

When the counter and the alarm time match in a low power state, the MCU returns from the low power state.

25.3.7 Procedure for Disabling Alarm Interrupt

Figure 25.8 shows the procedure for disabling the enabled alarm interrupt request.

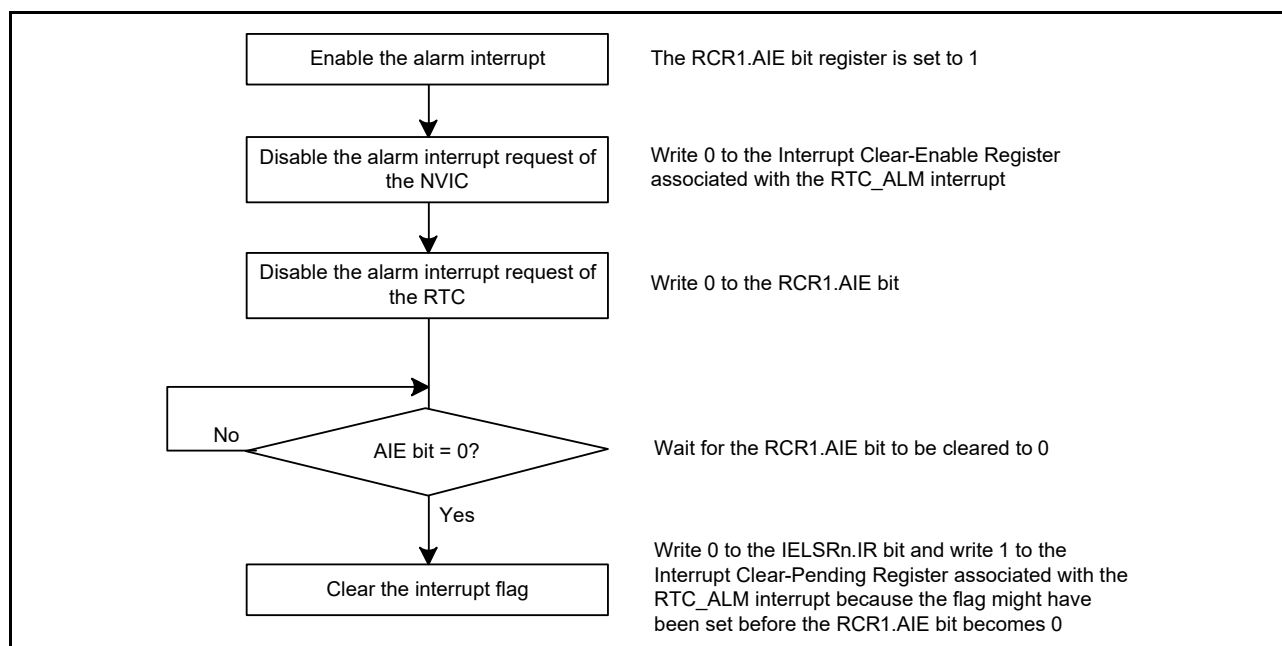


Figure 25.8 Procedure for disabling alarm interrupt request

25.3.8 Time Error Adjustment Function

The time error adjustment function is used to correct errors, running fast or slow, in the time due to variation in the precision of oscillation of the sub-clock. Because 32,768 cycles of the sub-clock constitute 1 second of operation when the sub-clock is selected, the clock runs fast if the sub-clock frequency is high and slow if the sub-clock frequency is low. There time error adjustment functions include:

- Automatic adjustment
- Adjustment by software.

Use the RCR2.AADJE bit to select automatic adjustment or adjustment by software.

25.3.8.1 Automatic adjustment

Enable automatic adjustment by setting the RCR2.AADJE bit to 1. Automatic adjustment is the addition or subtraction of the value counted by the prescaler to or from the value in the RADJ register every time the adjustment period selected by the RCR2.AADJP bit elapses.

(1) Example 1: Sub-clock running at 32.769 kHz

(a) Adjustment procedure

When the sub-clock oscillator is running at 32.769 kHz, 1 second elapses every 32,769 clock cycles. The RTC is meant to run at 32,768 clock cycles, so the clock runs fast by 1 clock cycle every second. The time on the clock is fast by 60 clock cycles per minute, so adjustment can take the form of setting the clock back by 60 cycles every minute.

Register settings (when RCR2.CNTMD = 0):

- RCR2.AADJP = 0 (adjustment every minute)
- RADJ.PMADJ[1:0] = 10b (adjustment is performed by the subtraction from the prescaler)
- RADJ.ADJ[5:0] = 60 (3Ch).

(2) Example 2: Sub-clock running at 32.766 kHz

(a) Adjustment procedure

When the sub-clock is running at 32.766 kHz, 1 second elapses every 32766 clock cycles. The RTC is meant to run at 32768 clock cycles, so the clock runs slow by 2 clock cycles every second. The time on the clock is slow by 20 clock cycles every 10 seconds, so adjustment can take the form of setting the clock forward by 20 cycles every 10 seconds.

Register settings (when RCR2.CNTMD = 0):

- RCR2.AADJP = 1 (adjustment every 10 seconds)
- RADJ.PMADJ[1:0] = 01b (adjustment is performed by the addition to the prescaler)
- RADJ.ADJ[5:0] = 20 (14h).

(3) Example 3: Sub-clock running at 32.764 kHz

(a) Adjustment procedure

At 32.764 kHz, 1 second elapses on 32,764 clock cycles. Because the RTC operates for 32,768 clock cycles as 1 second, the clock is delayed for 4 clock cycles per second. In 8 seconds, the delay is 32 clock cycles, therefore correction can be made by advancing the clock for 32 clock cycles every 8 seconds.

Register settings when the RCR2.CNTMD bit is 1:

- RCR2.AADJP = 1 (adjustment every 8 seconds)
- RADJ.PMADJ[1:0] = 01b (adjustment is performed by the addition to the prescaler)
- RADJ.ADJ[5:0] = 32 (20h).

25.3.8.2 Adjustment by software

Enable adjustment by software by setting the RCR2.AADJE bit to 0. Adjustment by software is the addition or subtraction of the value counted by the prescaler to or from the value in the RADJ register on execution of a write instruction to the RADJ register.

(1) Example 1: Sub-clock running at 32.769 kHz

(a) Adjustment procedure

When the sub-clock is running at 32.769 kHz, 1 second elapses every 32,769 clock cycles. The RTC is meant to run at 32,768 clock cycles, so the clock runs fast by 1 clock cycle every second. The time on the clock is fast by 1 clock cycle per second, so adjustment can take the form of setting the clock back by 1 cycle every second.

(b) Register settings

- RADJ.PMADJ[1:0] = 10b (adjustment is performed by subtraction from the prescaler)
- RADJ.ADJ[5:0] = 1 (01h)
This is written to the RADJ register once per 1-second interrupt.

25.3.8.3 Procedure for changing the mode of adjustment

When changing the mode of adjustment, change the value of the AADJE bit in RCR2 after setting the RADJ.PMADJ[1:0] bits to 00b (adjustment is not performed).

To change adjustment by software to automatic adjustment:

1. Set the RADJ.PMADJ[1:0] bits to 00b (adjustment is not performed).
2. Set the RCR2.AADJE bit to 1 (automatic adjustment is enabled).
3. Use the RCR2.AADJP bit to select the period of adjustment.
4. In RADJ, set the PMADJ[1:0] bits for addition or subtraction and the ADJ[5:0] bits to the value for use in time error adjustment.

To change automatic adjustment to adjustment by software:

1. Set the RADJ.PMADJ[1:0] bits to 00b (adjustment is not performed).
2. Set the RCR2.AADJE bit to 0 (adjustment by software is enabled).
3. Proceed with the adjustment by setting the RADJ.PMADJ[1:0] bits for addition or subtraction and the RADJ.ADJ[5:0] bits to the value for use in time error adjustment at the target time. After that, the time is adjusted every time a value is written to the RADJ register.

25.3.8.4 Procedure for stopping adjustment

Stop the adjustment by setting the RADJ.PMADJ[1:0] bits to 00b (adjustment is not performed).

25.3.8.5 Capturing the time

The RTC is capable of storing the month, date, hour, minute and second/binary counters 3 to 0 by detecting an edge of a signal on a time capture event input pin.

A noise filter can also be used on a time capture event input pin. If the noise filter is enabled, the TCST bit is set to 1 when the input level on the pin matches three times.

The noise filter can be switched on or off for each of the time capture event input pins. VBTICTLR.VCHnIEN (n = 0 to 2) should be set to 1 to enable the RTCICn input. Operation when the noise filter is off is shown in [Figure 25.9](#) and operation when the noise filter is on is shown in [Figure 25.10](#).

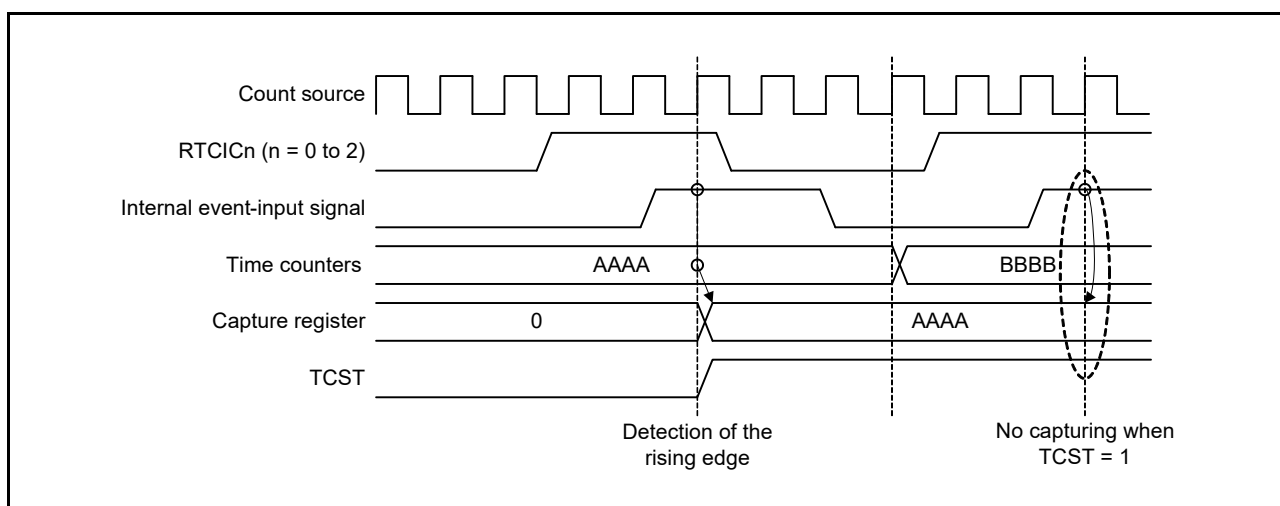


Figure 25.9 Timing of a time capture operation with the filter off

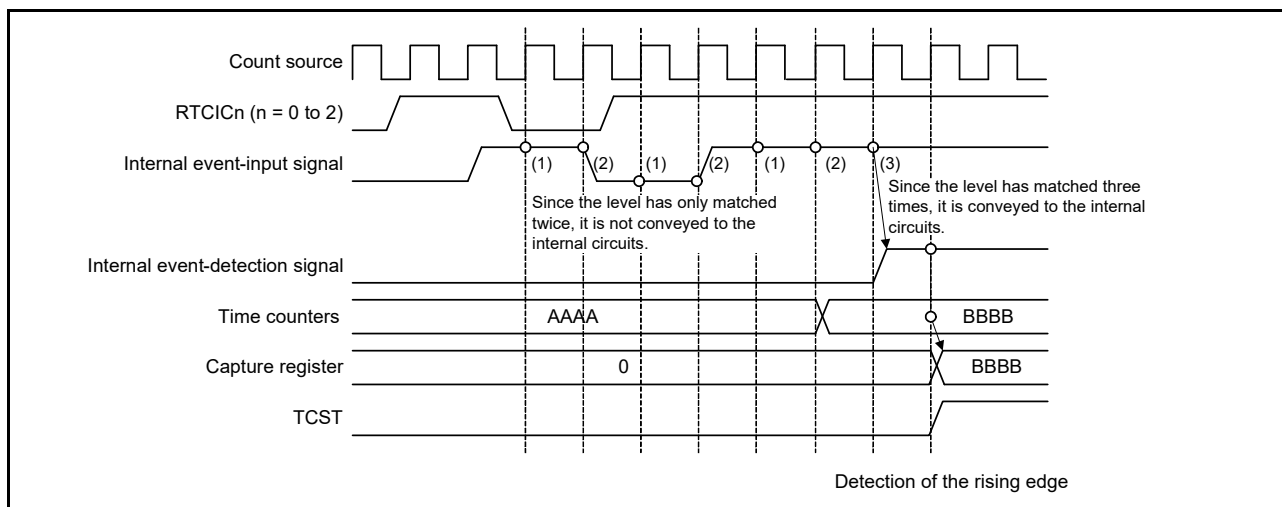


Figure 25.10 Timing of a time capture operation with the filter on

25.4 Interrupt Sources

The RTC has three interrupt sources and are listed in [Table 25.3](#).

Table 25.3 RTC Interrupt sources

Name	Interrupt sources
RTC_ALM	Alarm interrupt
RTC_PRD	Periodic interrupt
RTC_CUP	Carry interrupt

(1) Alarm interrupt (RTC_ALM)

This interrupt is generated based on the result of comparison between the alarm registers and realtime clock counters. For details, see [section 25.3.6, Alarm Function](#).

Because there is a possibility that the interrupt flag might be set to 1 when the settings of the alarm registers match the clock counters, wait for the alarm time settings to be confirmed and clear the IELSRn.IR bit and the interrupt Set-Pending Register associated with the RTC_ALM interrupt to 0 again after modifying values of the alarm registers. After the interrupt flag for the alarm interrupt is set to 1 and the state is returned to mismatching of the alarm registers and clock counters, the flag does not set again until there is a further match or the values of the alarm registers are modified again.

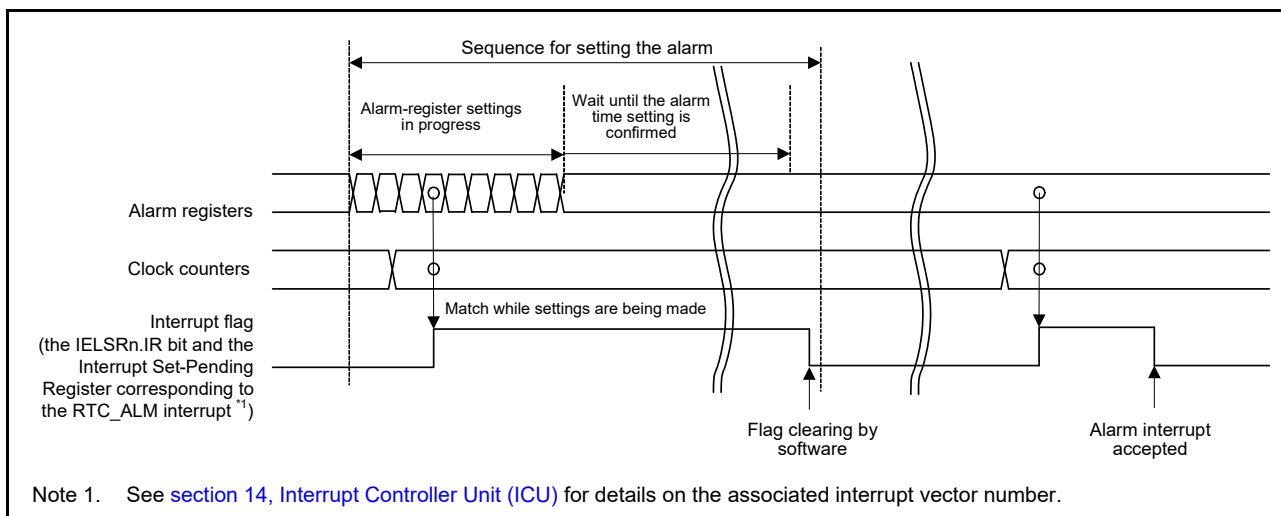


Figure 25.11 Timing diagram for the alarm interrupt (RTC_ALM)

(2) Periodic interrupt (RTC_PRD)

This interrupt is generated at intervals of 2 seconds, 1 second, 1/2 second, 1/4 second, 1/8 second, 1/16 second, 1/32 second, 1/64 second, 1/128 second, or 1/256 second. The interrupt interval can be selected through the RCR1.PES[3:0] bits.

(3) Carry interrupt (RTC_CUP)

This interrupt is generated when a carry to the second counter/binary counter 0 occurred or a carry to the R64CNT counter occurred during read access to the 64-Hz counter.

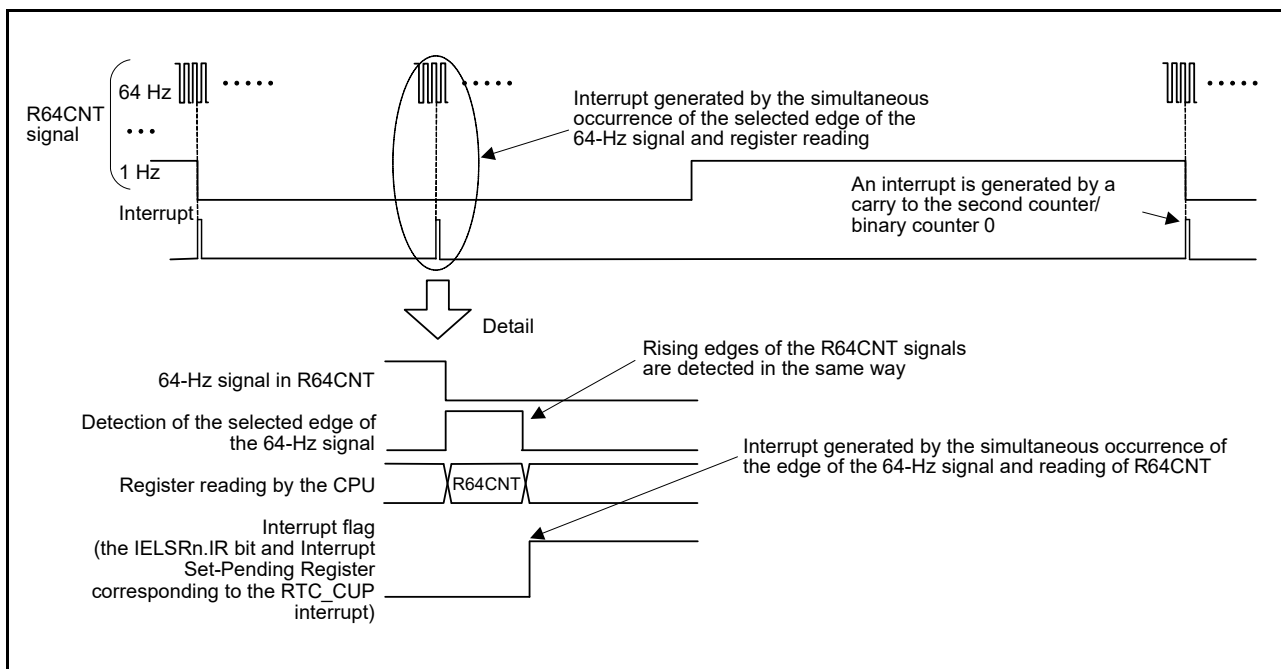


Figure 25.12 Carry interrupt (RTC_CUP) timing diagram

25.5 Event Link Output

The RTC generates periodic event output (RTC_PRD) event signals for the Event Link Controller (ELC), and these can be used to initiate operations by other modules selected in advance.

The periodic event signal is output at the interval selected from 1/256, 1/128, 1/64, 1/32, 1/16, 1/8, 1/4, 1/2, 1, and 2 seconds by setting the RCR1.PES[3:0] bits. The event generation period immediately after the event generation is

selected is not guaranteed.

Note: If event linking from the RTC is used, only set the ELC after setting the RTC, for example initialization and time settings. Setting the RTC after the ELC can lead to output of unexpected event signals.

25.5.1 Interrupt Handling and Event Linking

The RTC has a bit to enable or disable periodic interrupts. An interrupt request signal is output to the CPU when an interrupt source is generated while the corresponding enable bit is enabled.

In contrast, an event link output signal is sent to other modules as an event signal through the ELC when an interrupt source is generated, regardless of the setting of the associated interrupt enable bit.

Note: Although alarm and periodic interrupts can still be output during Software Standby mode, the periodic event signals for the ELC are not output.

25.6 Usage Notes

25.6.1 Register Writing during Counting

The following registers must not be written to during counting, that is, while the RCR2.START bit = 1.

- RSECCNT/BCNT0
- RMINCNT/BCNT1
- RHRCNT/BCNT2
- RDAYCNT
- RWKCNT/BCNT3
- RMONCNT
- RYRCNT
- RCR1.RTCOS
- RCR2.RTCOE
- RCR2.HR24
- RFRL.

The counter must be stopped before writing to any of the these registers.

25.6.2 Use of Periodic Interrupts

The procedure for using periodic interrupts is shown in [Figure 25.13](#).

The generation and period of the periodic interrupt can be changed by setting the RCR1.PES[3:0] bits. However, because the prescaler R64CNT and RSECCNT/BCNT0 are used to generate interrupts, the interrupt period is not guaranteed immediately after setting the RCR1.PES[3:0] bits. In addition, any of the following can affect the interrupt period:

- Stopping/restarting or resetting counter operation
- Reset by RTC software
- 30-second adjustment by changing the RCR2 value.

When the time error adjustment function is used, the interrupt generation period after adjustment is added or subtracted based on the adjustment value.

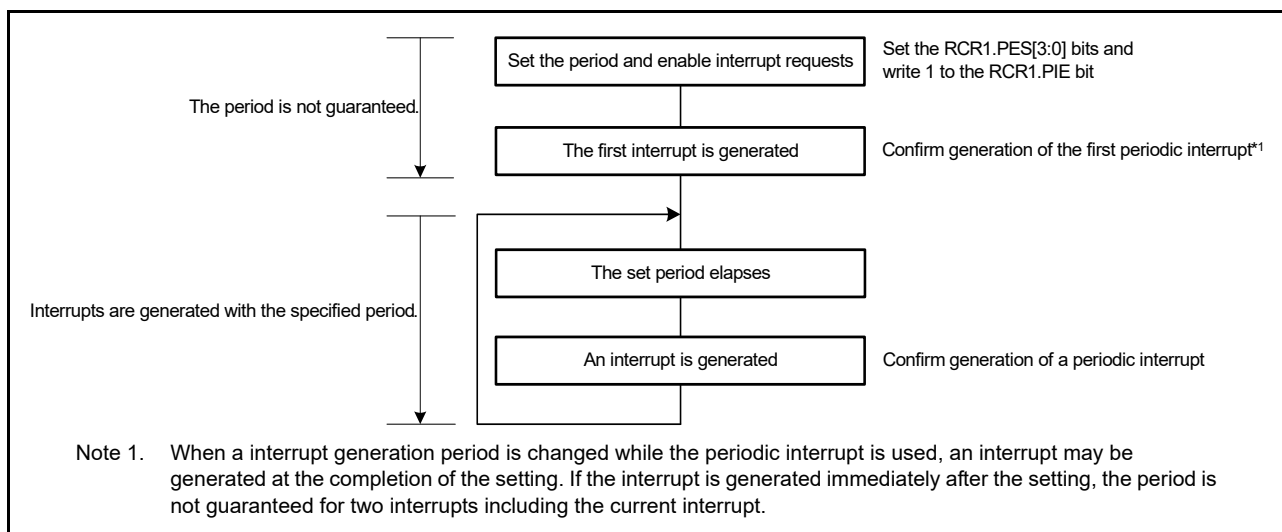


Figure 25.13 Using the periodic interrupt function

25.6.3 RTCOUT (1-Hz/64-Hz) Clock Output

Stopping/restarting or resetting counter operation, reset by RTC software, and the 30-second adjustment by changing the RCR2 value affects the period of RTCOUT (1-Hz/64-Hz) output. When the time error adjustment function is used, the period of RTCOUT (1-Hz/64-Hz) output after adjustment is added or subtracted according to the adjustment value.

25.6.4 Transitions to Low Power Modes after Setting Registers

A transition to a low power state (Software Standby mode or battery backup) during writing to an RTC register might corrupt the value of the register. After setting the register, confirm that the setting is in place before initiating a transition to a low power state.

25.6.5 Notes on Writing to and Reading from Registers

- When reading a counter register such as the second counter after having written to the counter register, follow the procedure in [section 25.3.5, Reading 64-Hz Counter and Time](#)
- The value written to the count registers, alarm registers, year alarm enable register, bits RCR2.AADJE, AADJP, and HR24, RCR4 register, or frequency register is reflected when four read operations are performed after writing
- The values written to the RCR1.CIE, RCR1.RTCOS, and RCR2.RTCOE bits can be read immediately after writing
- To read the value from the timer counter after return from a reset, period in Software Standby mode, or the battery backup state, wait for 1/128 second while the clock is operating (RCR2.START bit = 1)
- After a reset is generated, write to the RTC register after 6 cycles of the count source clock elapse.

25.6.6 Changing the Count Mode

When changing the count mode (calendar/binary), set the RCR2.START bit to 0, stop the counting operation, then restart it from the initial setting. For details on the initial setting, see [section 25.3.1, Outline of Initial Settings of Registers after Power On](#).

25.6.7 Initialization Procedure When the Realtime Clock is not to be Used

Registers in the RTC are not initialized by a reset. Depending on the initial state, the generation of an unintentional interrupt request or operation of the counter might lead to increased power consumption.

For applications that do not require a realtime clock, initialize the registers by following the initialization procedure shown in [Figure 25.14](#).

Alternatively, when the sub-clock is not used as the system clock or realtime clock, the counter can be stopped by writing 0 (sub-clock oscillator is selected) to the RCR4.RCKSEL bit and stopping the sub-clock oscillator. To stop the sub-clock oscillator, write 1 to the SOSCCR.SOSTP bit. For details on the setting of the SOSCCR.SOSTP bit, see [section 9, Clock Generation Circuit](#).

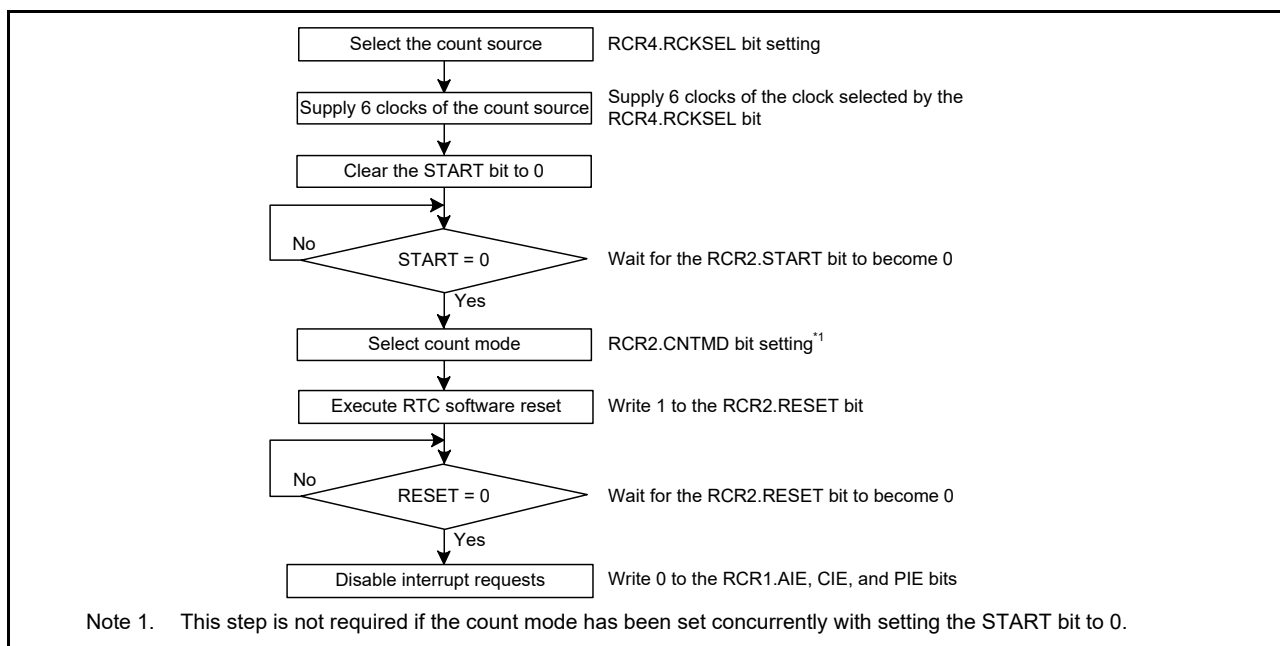


Figure 25.14 Initialization procedure

25.6.8 When Switching Source Clock

When switching a clock source by changing SCKSCR.CKSEL[2:0], the clock output from the selector stops for 4 cycles of the switched clock. If the RTC periodical interrupt or RTC periodical event output was generated at this time, the interrupt or event is invalid.

26. Watchdog Timer (WDT)

26.1 Overview

The Watchdog Timer (WDT) is a 14-bit down-counter and can be used to reset the MCU when the counter underflows because the system has run out of control and is unable to refresh the WDT. In addition, the WDT can be used to generate a non-maskable interrupt or an underflow interrupt. The refresh-permitted period can be set to refresh the counter and to detect when the system runs out of control. [Table 26.1](#) lists the WDT specifications and [Figure 26.1](#) shows a block diagram.

Table 26.1 WDT specifications

Item	Specifications
Count source	Peripheral clock (PCLKB)
Clock division ratio	Divide by 4, 64, 128, 512, 2,048, or 8,192
Counter operation	Counting down using a 14-bit down-counter
Conditions for starting the counter	<ul style="list-style-type: none"> Auto-start mode: Counting automatically starts after a reset or after an underflow or refresh error occurs Register start mode: Counting is started with a refresh by writing to the WDTRR register.
Conditions for stopping the counter	<ul style="list-style-type: none"> Reset (the down-counter and other registers return to their initial values) A counter underflows or a refresh error is generated.
Window function	Window start and end positions can be specified (refresh-permitted and refresh-prohibited periods)
Watchdog timer Reset sources	<ul style="list-style-type: none"> Down-counter underflows Refreshing outside the refresh-permitted period (refresh error).
Non-maskable interrupt/interrupt sources	<ul style="list-style-type: none"> Down-counter underflows Refreshing outside the refresh-permitted period (refresh error).
Reading the counter value	The down-counter value can be read by the WDTSR register
Event link function (output)	<ul style="list-style-type: none"> Down-counter underflow event output Refresh error event output.
Output signal (internal signal)	<ul style="list-style-type: none"> Reset output Interrupt request output Sleep mode count stop control output.

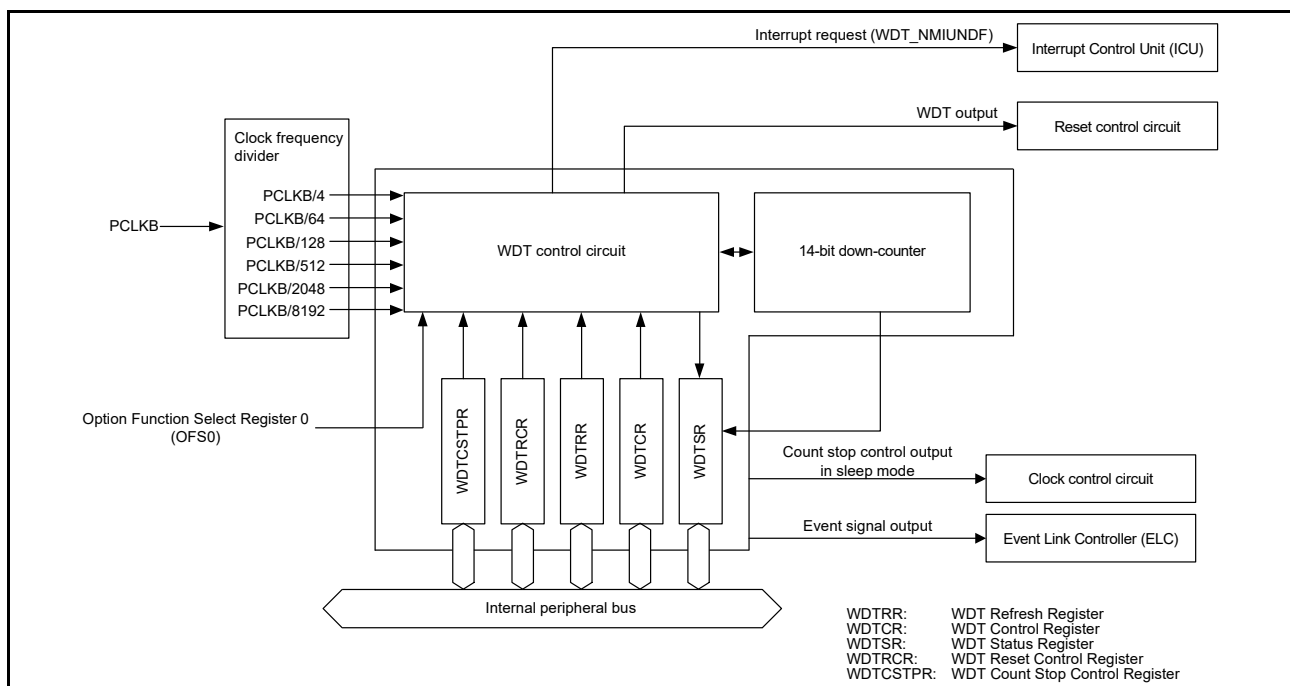


Figure 26.1 WDT block diagram

26.2 Register Descriptions

26.2.1 WDT Refresh Register (WDTRR)

Address(es): [WDT.WDTRR 4004 4200h](#)



Bit	Description	R/W
b7 to b0	The down-counter is refreshed by writing 00h and then writing FFh to this register	R/W

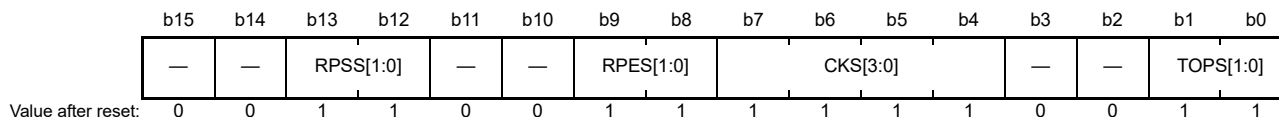
The WDTRR register refreshes the down-counter of the WDT.

The down-counter of the WDT is refreshed by writing 00h and then writing FFh to WDTRR (refresh operation) within the refresh-permitted period. After the down-counter is refreshed, it starts counting down from the value selected by setting the WDT Timeout Period Select bits (OFS0.WDTPS[1:0]) in the Option Function Select Register 0 in auto-start mode. In register start mode, counting down starts from the value selected by setting the Timeout Period Select bits (WDTCR.TOPS[1:0]) in the WDT Control Register.

When 00h is written, the read value is 00h. When a value other than 00h is written, the read value is FFh. For details on the refresh operation, see [section 26.3.3, Refresh Operation](#).

26.2.2 WDT Control Register (WDTCR)

Address(es): [WDT.WDTCR 4004 4202h](#)



Bit	Symbol	Bit name	Description	R/W
b1, b0	TOPS[1:0]	Timeout Period Selection	b1 b0 0 0: 1024 cycles (03FFh) 0 1: 4096 cycles (0FFFh) 1 0: 8192 cycles (1FFFh) 1 1: 16384 cycles (3FFFh).	R/W
b3, b2	—	Reserved	These bits are read as 0 and cannot be modified.	R/W
b7 to b4	CKS[3:0]	Clock Division Ratio Selection	b7 b4 0 0 0 1: PCLKB/4 0 1 0 0: PCLKB/64 1 1 1 1: PCLKB/128 0 1 1 0: PCLKB/512 0 1 1 1: PCLKB/2048 1 0 0 0: PCLKB/8192. Other settings are prohibited.	R/W
b9, b8	RPES[1:0]	Window End Position Selection	b9 b8 0 0: 75% 0 1: 50% 1 0: 25% 1 1: 0% (window end position is not specified).	R/W
b11, b10	—	Reserved	These bits are read as 0 and cannot be modified.	R/W

Bit	Symbol	Bit name	Description	R/W
b13, b12	RPSS[1:0]	Window Start Position Selection	b13 b12 0 0: 25% 0 1: 50% 1 0: 75% 1 1: 100% (window start position is not specified).	R/W
b15, b14	—	Reserved	These bits are read as 0 and cannot be modified.	R/W

There are some restrictions in writing to the WDTCR register. For details, see [section 26.3.2, Controlling Writes to the WDTCR, WDTRCR, and WDTCSTPR Registers](#).

In auto-start mode, the settings in the WDTCR register are disabled, and the settings in the Option Function Select Register 0 (OFS0) are enabled. The settings for the WDTCR register can also be made for the OFS0 register. For details, see [section 26.3.7, Association between Option Function Select Register 0 \(OFS0\) and WDT Registers](#).

TOPS[1:0] bits (Timeout Period Selection)

The TOPS[1:0] bits select the timeout period (the period until the down-counter underflows) from 1024, 4096, 8192, and 16384 cycles, taking the divided clock specified by the CKS[3:0] bits as 1 cycle.

After the down-counter is refreshed, the combination of the CKS[3:0] and TOPS[1:0] bits determines the number of PCLKB cycles until the counter underflows.

[Table 26.2](#) lists the relationship between the CKS[3:0] and TOPS[1:0] bit settings, the timeout period, and the number of PCLKB cycles.

Table 26.2 Timeout period settings

CKS[3:0] bits				TOPS[1:0] bits		Clock division ratio	Timeout period (number of cycles)	PCLKB clock cycles
b7	b6	b5	b4	b1	b0			
0	0	0	1	0	0	PCLKB/4	1,024	4,096
				0	1		4,096	16,384
				1	0		8,192	32,768
				1	1		16,384	65,536
0	1	0	0	0	0	PCLKB/64	1,024	65,536
				0	1		4,096	262,144
				1	0		8,192	524,288
				1	1		16,384	1,048,576
1	1	1	1	0	0	PCLKB/128	1,024	131,072
				0	1		4,096	524,288
				1	0		8,192	1,048,576
				1	1		16,384	2,097,152
0	1	1	0	0	0	PCLKB/512	1,024	524,288
				0	1		4,096	2,097,152
				1	0		8,192	4,194,304
				1	1		16,384	8,388,608
0	1	1	1	0	0	PCLKB/2048	1,024	2,097,152
				0	1		4,096	8,388,608
				1	0		8,192	16,777,216
				1	1		16,384	33,554,432
1	0	0	0	0	0	PCLKB/8192	1,024	8,388,608
				0	1		4,096	33,554,432
				1	0		8,192	67,108,864
				1	1		16,384	134,217,728

CKS[3:0] bits (Clock Division Ratio Selection)

The CKS[3:0] bits specify the division ratio of the clock used for the down-counter. The division ratio can be selected from the peripheral clock (PCLKB) divided by 4, 64, 128, 512, 2,048, and 8,192. Combined with the TOPS[1:0] bit setting, a count period between 4,096 and 134,217,728 cycles of the PCLKB clock can be selected for the WDT.

RPES[1:0] bits (Window End Position Selection)

The RPES[1:0] bits specify the window end position that indicates the refresh-permitted period. 75%, 50%, 25%, or 0% of the timeout period can be selected for the window end position. The selected window end position should be a value less than the value for the window start position (window start position > window end position). If the window end position is set to a value greater than or equal to the window start position, the window start position setting is enabled and the window end position is set to 0%.

RPSS[1:0] bits (Window Start Position Selection)

The RPSS[1:0] bits specify the window start position that indicates the refresh-permitted period. 100%, 75%, 50%, or 25% of the timeout period can be selected for the window end position. The window start position should be set to a value greater than the value for the window end position. If the window start position is set to a value less than or equal to the window end position, the window start position setting is enable and the window end position is set to 0%.

Table 26.3 lists the counter values for the window start and end positions and Figure 26.2 shows the refresh-permitted period set in the RPSS[1:0], RPES[1:0], and TOPS[1:0] bits.

Table 26.3 Relationship between timeout period and window start and end counter values

TOPS[1:0] bits		Timeout period		Window start and end counter value			
		Cycles	Counter value	100%	75%	50%	25%
0	0	1024	03FFh	03FFh	02FFh	01FFh	00FFh
0	1	4096	0FFFh	0FFFh	0BFFh	07FFh	03FFh
1	0	8192	1FFFh	1FFFh	17FFh	0FFFh	07FFh
1	1	16384	3FFFh	3FFFh	2FFFh	1FFFh	0FFFh

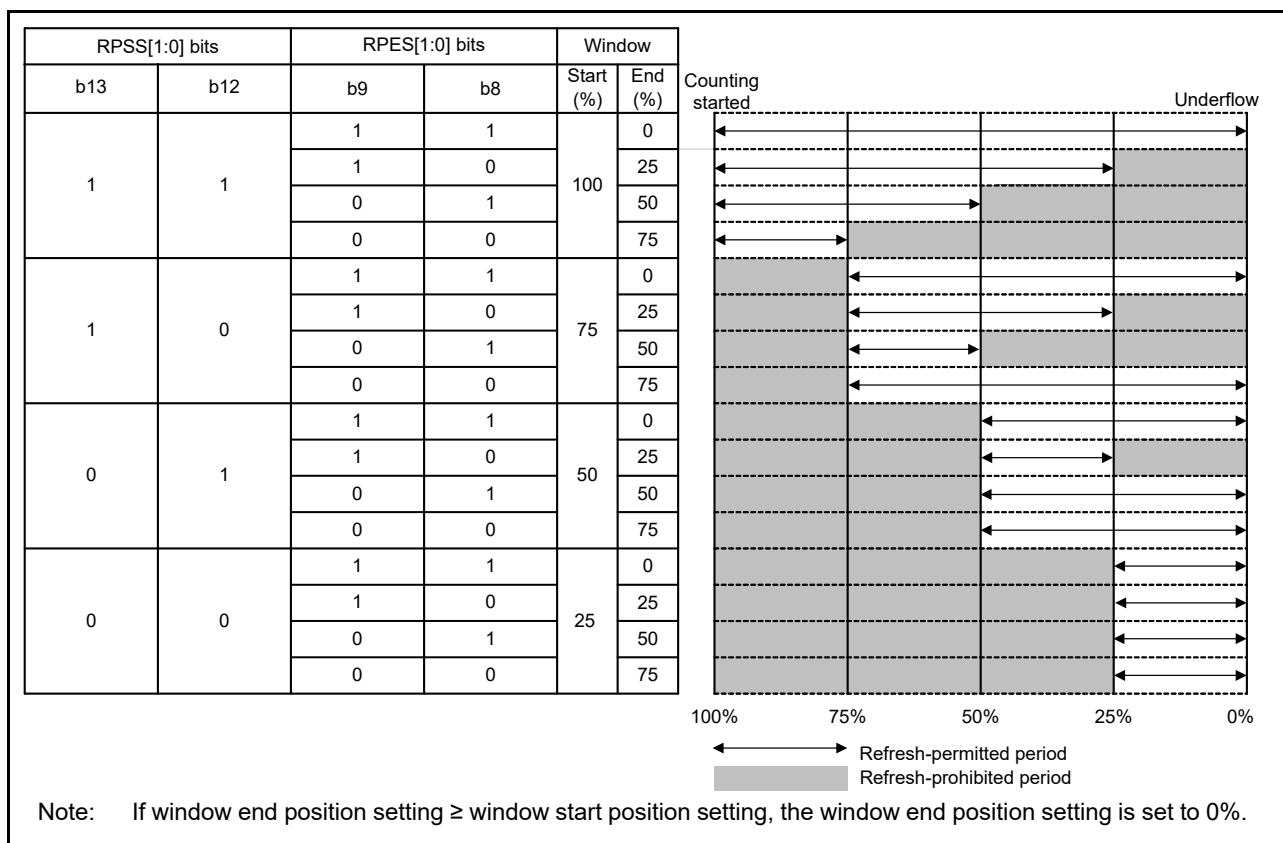


Figure 26.2 RPSS[1:0] and RPES[1:0] bit settings and refresh-permitted period

26.2.3 WDT Status Register (WDTSR)

Address(es): [WDT.WDTSR 4004 4204h](#)



Bit	Symbol	Bit Name	Description	R/W
b13 to b0	CNTVAL[13:0]	Down-Counter Value	Value counted by the down-counter	R
b14	UNDF	Underflow Flag	0: No underflow occurred 1: Underflow occurred.	R/(W) *1
b15	REFEF	Refresh Error Flag	0: No refresh error occurred 1: Refresh error occurred.	R/(W) *1

Note 1. Only 0 can be written to clear the flag.

[CNTVAL\[13:0\] bits \(Down-Counter Value\)](#)

Read the CNTVAL[13:0] bits to confirm the value of the down-counter. The read value might differ from the actual count by a value of one count.

[UNDF flag \(Underflow Flag\)](#)

Read the UNDF flag to confirm whether an underflow occurred in the down-counter. The value 1 indicates that the down-counter underflowed. Write 0 to the UNDF flag to set the value to 0. Writing 1 has no effect.

Clearing of the UNDF flag takes (N+1) PCLKB cycles. In addition, clearing of the flag is ignored for (N+1) PCLKB cycles after an underflow. N is specified in the WDTCR.CKS[3:0] bits as follows:

- When WDTCR.CKS[3:0] = 0001b, N = 4
- When WDTCR.CKS[3:0] = 0100b, N = 64
- When WDTCR.CKS[3:0] = 1111b, N = 128
- When WDTCR.CKS[3:0] = 0110b, N = 512
- When WDTCR.CKS[3:0] = 0111b, N = 2,048
- When WDTCR.CKS[3:0] = 1000b, N = 8,192.

[REFEF flag \(Refresh Error Flag\)](#)

Read the REFEF flag to confirm whether a refresh error occurred. The value 1 indicates that a refresh error occurred. Write 0 to the REFEF flag to set the value to 0. Writing 1 has no effect.

Clearing of the REFEF flag takes (N+1) PCLKB cycles. In addition, clearing of the flag is ignored for (N+1) PCLKB cycles after a refresh error. N is specified in the WDTCR.CKS[3:0] bits as follows:

- When WDTCR.CKS[3:0] = 0001b, N = 4
- When WDTCR.CKS[3:0] = 0100b, N = 64
- When WDTCR.CKS[3:0] = 1111b, N = 128
- When WDTCR.CKS[3:0] = 0110b, N = 512
- When WDTCR.CKS[3:0] = 0111b, N = 2,048
- When WDTCR.CKS[3:0] = 1000b, N = 8,192.

26.2.4 WDT Reset Control Register (WDTRCR)

Address(es): [WDT.WDTRCR 4004 4206h](#)

	b7	b6	b5	b4	b3	b2	b1	b0
	RSTIR QS	—	—	—	—	—	—	—
Value after reset:	1	0	0	0	0	0	0	0

Bit	Symbol	Bit Name	Description	R/W
b6 to b0	—	Reserved	These bits are read as 0 and cannot be modified	R/W
b7	RSTIRQS	Reset Interrupt Request Selection	WDT behavior selection 0: Interrupt 1: Reset.	R/W

There are some restrictions with writing to the WDTRCR register. For details, see [section 26.3.2, Controlling Writes to the WDT, WDTRCR, and WDTCSSTPR Registers](#).

In auto-start mode, the WDTRCR register settings are disabled, and the settings in the Option Function Select Register 0 (OFS0) are enabled. The settings for the WDTRCR register can also be made for the OFS0 register. For details, see [section 26.3.7, Association between Option Function Select Register 0 \(OFS0\) and WDT Registers](#).

26.2.5 WDT Count Stop Control Register (WDTCSSTPR)

Address(es): [WDT.WDTCSSTPR 4004 4208h](#)

	b7	b6	b5	b4	b3	b2	b1	b0
	SLCST P	—	—	—	—	—	—	—
Value after reset:	1	0	0	0	0	0	0	0

Bit	Symbol	Bit name	Description	R/W
b6 to b0	—	Reserved	These bits are read as 0 and cannot be modified	R/W
b7	SLCSTP	Sleep-Mode Count Stop Control	0: Count stop is disabled 1: Count is stopped when transition to Sleep mode.	R/W

The WDTCSSTPR register controls whether to stop the WDT counter in Sleep mode. There are some restrictions with writing to the WDTCSSTPR register. For details, see [section 26.3.2, Controlling Writes to the WDT, WDTRCR, and WDTCSSTPR Registers](#).

In auto-start mode, the WDTCSSTPR register settings are disabled, and the settings in the Option Function Select Register 0 (OFS0) are enabled. The settings for the WDTCSSTPR register can also be made for the OFS0 register. For details, see [section 26.3.7, Association between Option Function Select Register 0 \(OFS0\) and WDT Registers](#).

SLCSTP bit (Sleep-Mode Count Stop Control)

The SLCSTP bit selects whether to stop counting when transition to Sleep mode.

26.2.6 Option Function Select Register 0 (OFS0)

For details on the OFS0 register, see [section 26.3.7, Association between Option Function Select Register 0 \(OFS0\) and WDT Registers](#).

26.3 Operation

26.3.1 Count Operation in Each Start Mode

The WDT has two start modes:

- Auto-start mode, in which counting automatically starts after release from the reset state
- Register start mode, in which counting starts with a refresh by writing to the register.

In auto-start mode, counting automatically starts after release from the reset state in accordance with the settings in the Option Function Select Register 0 (OFS0) in the flash.

In register start mode, counting start with a refresh by writing to the register after the respective registers are set after release from the reset state.

Select auto-start mode or register start mode by setting the WDT Start Mode Select bit (OFS0.WDTSTRT) in the OFS0 register. When the auto-start mode is selected, the settings in the WDT Control Register (WDTCR), WDT Reset Control Register (WDTRCR), and WDT Count Stop Control Register (WDTCSSTPR) are disabled while the settings in the OFS0 register are enabled.

When the register start mode is selected, the setting for the OFS0 register is disabled while the settings for the WDT Control Register (WDTCR), WDT Reset Control Register (WDTRCR), and WDT Count Stop Control Register (WDTCSSTPR) are enabled.

26.3.1.1 Register start mode

When the WDT Start Mode Select bit (OFS0.WDTSTRT) is 1, register start mode is selected, the OFS0 register setting is invalid, and the WDT control register (WDTCR), WDT Reset Control Register (WDTRCR), and WDT Count Stop Control Register (WDTCSSTPR) are enabled.

After the reset state is released, set the following:

- Clock division ratio in the WDTCR register
- Window start and end positions in the WDTCR register
- Timeout period in the WDTCR register
- Reset output or interrupt request output in the WDTRCR register
- Counter stop control during transitions to Sleep mode in the WDTCSSTPR register.

The WDT refresh register (WDTRR) refreshes the down counter.

As a result, the downcount starts at the value set by the timeout period selection bit (WDTCR.TOPS [1:0]).

After that, as long as the program continues normal operation and the counter is refreshed within the refresh-permitted period, the value in the counter is reset each time the counter is refreshed and down-counting continues. The WDT does not output the reset signal or non-maskable interrupt request/interrupt request as long as the counting continues.

However, if the down-counter underflows because the down-counter cannot be refreshed because of a program runaway, or if a refresh error occurs because the counter was refreshed outside the refresh-permitted period, the WDT outputs the reset signal or non-maskable interrupt request/interrupt request (WDT_NMIUNDF). Reset output or interrupt request output can be selected in the WDT Reset Interrupt Request Select bit (WDTRCR.RSTIRQS). The interrupt enable that initiates NMI can be selected with the WDT Underflow/Refresh Error Interrupt Enable bit (NMIER.WDTEN).

Figure 26.3 shows an example of operation under the following conditions:

- Register start mode (OFS0.WDTSTRT = 1)
- Reset output is enabled (WDTRCR.RSTIRQS = 1)
- The window start position is 75% (WDTCR.RPSS[1:0] = 10b)
- The window end position is 25% (WDTCR.RPES[1:0] = 10b).

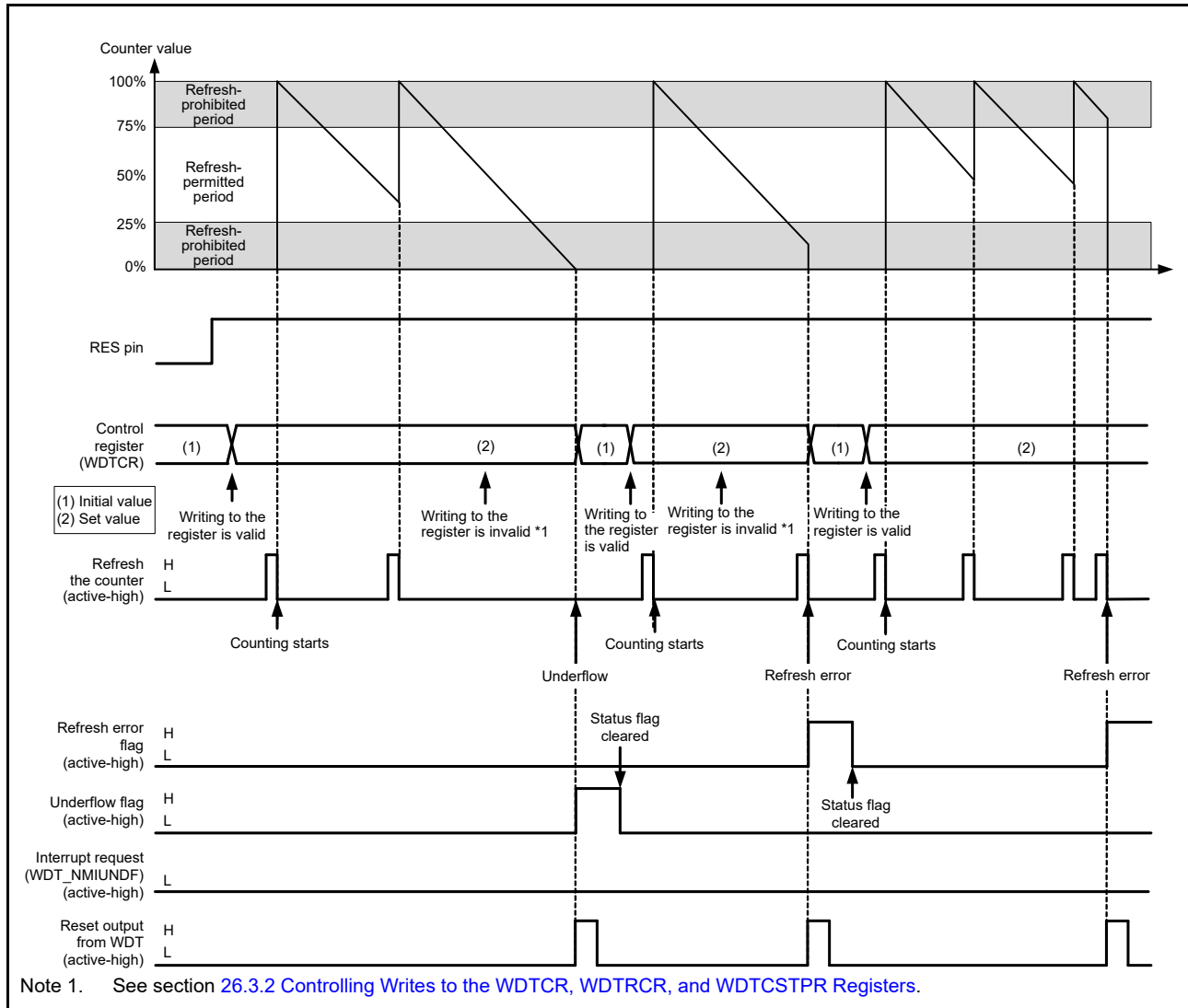


Figure 26.3 Operation example in register start mode

26.3.1.2 Auto-start mode

When the WDT Start Mode Select bit (OFS0.WDTSTRT) in the Option Function Select Register 0 (OFS0) is 0, auto-start mode is selected. The WDT Control Register (WDTCR), WDT Reset Control Register (WDTRCR), and WDT Count Stop Control Register (WDTCSSTPR) are disabled while the settings in the OFS0 register are enabled.

Within the reset state, the following values in the Option Function Select Register 0 (OFS0) are set in the WDT registers:

- Clock division ratio
- Window start and end positions
- Timeout period
- Reset output or interrupt request
- Counter control stop at transition to Sleep mode.

When the reset state is released, the down-counter automatically starts counting down from the value set by the WDT timeout period select bits (OFS0.WDTTOPS[1:0]).

After that, as long as the program continues normal operation and the counter is refreshed within the refresh-permitted period, the value in the counter is reset each time the counter is refreshed and down-counting continues. The WDT does not output the reset signal or non-maskable interrupt request/interrupt request as long as the counting continues. However, if the down-counter underflows because the down-counter cannot be refreshed because of a program runaway, or if a refresh error occurs because the counter was refreshed outside the refresh-permitted period, the WDT outputs the reset signal or non-maskable interrupt request/interrupt request (WDT_NMIUNDF).

After the reset signal or non-maskable interrupt request/interrupt request is generated, the counter reloads the timeout period after counting for 1 cycle. The value of the timeout period is set in the down-counter and counting restarts.

Reset output or interrupt request output can be selected in the WDT Reset Interrupt Request Select bit (OFS0.WDTRSTIRQS). The interrupt enable that initiates NMI can be selected with the WDT Underflow/Refresh Error Interrupt Enable bit (NMIER.WDTEN).

Figure 26.4 shows an example of operation (non-maskable interrupt) under the following conditions:

- Auto start mode (OFS0.WDTSTRT = 0)
- WDT behavior selection: interrupt (OFS0.WDTRSTIRQS = 0)
- Non-maskable Interrupt: WDT Underflow/Refresh Error Interrupt Enable (NMIER.WDTEN = 1)
- The window start position is 75% (OFS0.WDTRPSS[1:0] = 10b)
- The window end position is 25% (OFS0.WDTRPES[1:0] = 10b).

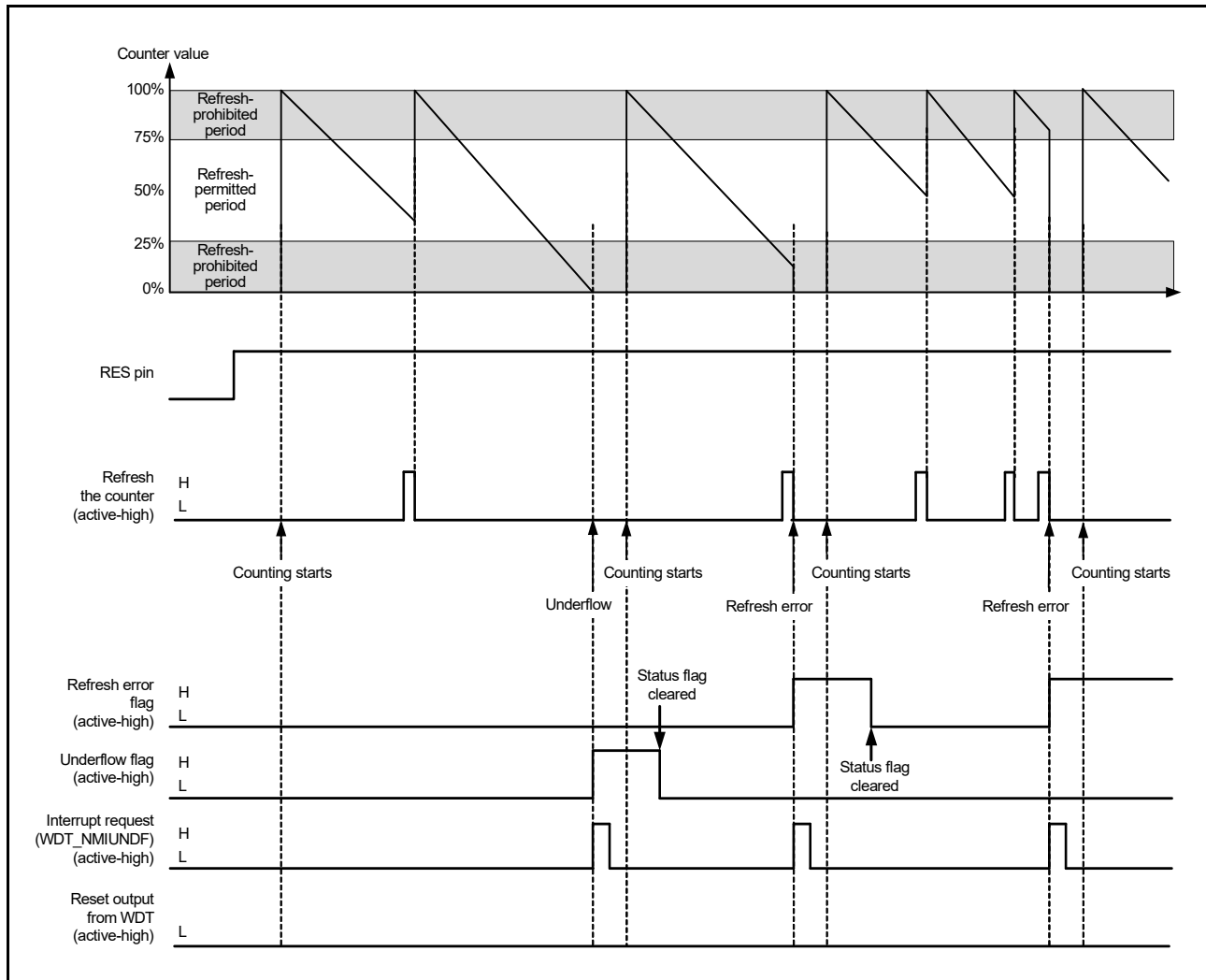


Figure 26.4 Operation example in auto-start mode

26.3.2 Controlling Writes to the WDTCR, WDTRCR, and WDTCSSTPR Registers

Writing to the WDT Control Register (WDTCR), WDT Reset Control Register (WDTRCR), or WDT Count Stop Control Register (WDTCSSTPR) is possible between the release from the reset state and the first refresh operation.

After a refresh, (counting starts) or writing to WDTCR, WDTRCR or WDTCSSTPR, the protection signal in the WDT becomes 1 to protect WDTCR, WDTRCR and WDTCSSTPR against subsequent writing attempts. This protection is released by a reset source of the WDT. With other reset sources, the protection is not released.

Figure 26.5 shows control waveforms produced in response to writing to the WDTCR.

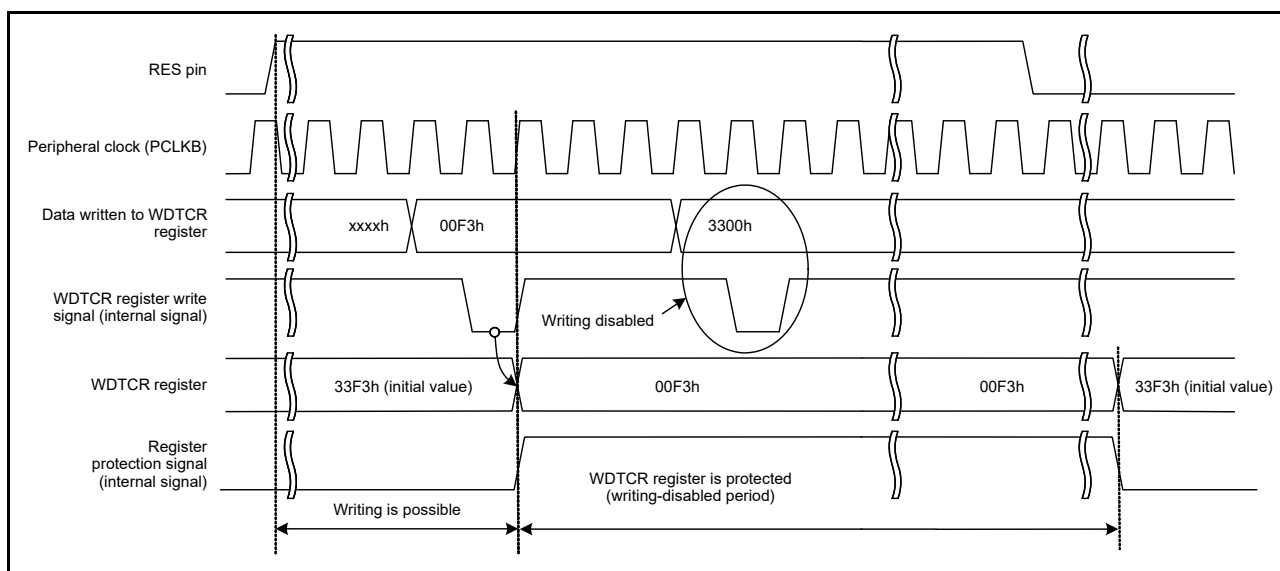


Figure 26.5 Control waveforms produced in response to writing to WDTCR register

26.3.3 Refresh Operation

The down-counter is refreshed by writing the values 00h and then FFh to the WDT Refresh Register (WDTRR). If a value other than FFh is written after 00h, the down-counter is not refreshed. After an invalid value is written, correct refreshing resumes by writing to 00h and then FFh to the WDTRR register.

When a register other than WDTRR is accessed or WDTRR is read between writing 00h and writing FFh to WDTRR, correct refreshing is performed.

Writing to refresh the counter must be performed within the refresh-permitted period and whether this is done is determined by writing FFh. For this reason, correct refreshing is performed even when 00h is written outside the refresh-permitted period.

[Example sequences of writing that are valid when refreshing the counter]

- 00h → FFh
- 00h ((n-1)th time) → 00h (nth time) → FFh
- 00h → access to another register or read from WDTRR → FFh.

[Example sequences of writing that are not valid when refreshing the counter]

- 23h (a value other than 00h) → FFh
- 00h → 54h (a value other than FFh)
- 00h → AAh (00h and a value other than FFh) → FFh.

After FFh is written to the WDT Refresh Register (WDTRR), refreshing the down-counter requires up to 4 cycles of the signal for counting. To meet this requirement, complete writing FFh to the WDTRR 4 cycle counts before the down-counter underflows.

Figure 26.6 shows the WDT refresh-operation waveforms when the clock division ratio = PCLKB/64.

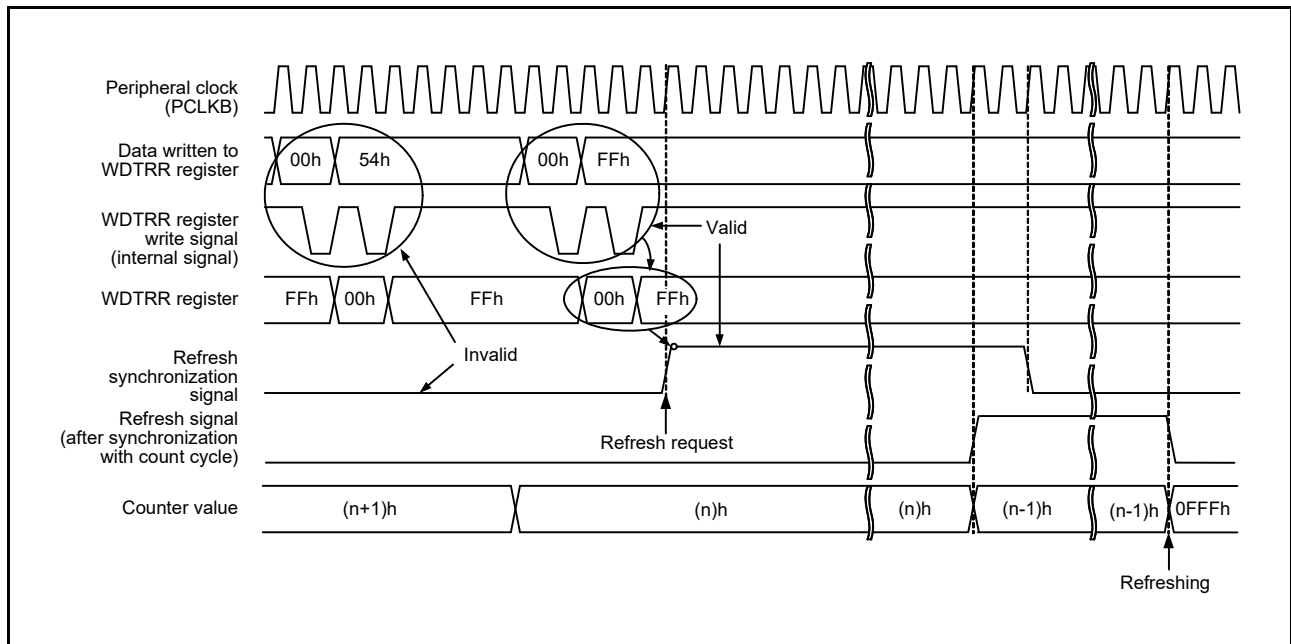


Figure 26.6 WDT refresh operation waveforms (WDTCR.CKS[3:0] = 0100b, WDTCR.TOPS[1:0] = 01b)

26.3.4 Reset Output

When the Reset Interrupt Selection bit (WDTRCR.RSTIRQS) is set to 1 in register start mode or when the WDT Reset Interrupt Request Select bit (OFS0.WDTRSTIRQS) in the Option Function Select Register 0 (OFS0) is set to 1 in auto-start mode, a reset signal is output for 1 cycle count when an underflow in the down-counter or a refresh error occurs.

In register start mode, the down-counter is initialized (all bits set to 0) and stopped in that state after output of a reset signal. After the reset state is released and the program restarts, the counter is set up and counting down starts again with a refresh. In auto-start mode, counting down automatically starts after the reset state is released.

26.3.5 Interrupt Sources

When the Reset Interrupt Selection bit (WDTRCR.RSTIRQS) is set to 0 in register start mode or when the WDT Reset Interrupt Request Select bit (OFS0.WDTRSTIRQS) in the Option Function Select Register 0 (OFS0) is set to 0 in auto-start mode, an interrupt (WDT_NMIUNDF) signal is generated when an underflow in the counter or a refresh error occurs. This interrupt can be used as a non-maskable interrupt or an interrupt. For details, see [section 14, Interrupt Controller Unit \(ICU\)](#).

Table 26.4 WDT interrupt sources

Name	Interrupt source	DTC activation
WDT_NMIUNDF	<ul style="list-style-type: none"> Down-counter underflow Refresh error. 	Not possible

26.3.6 Reading the Down-Counter Value

The WDT stores the counter value in the down-counter value (WDTSR.CNTVAL[13:0]) bits in the WDT Status Register. Therefore, the counter value can be checked with these bits.

Figure 26.7 shows the processing for reading the WDT down-counter value when the clock division ratio = PCLKB/64.

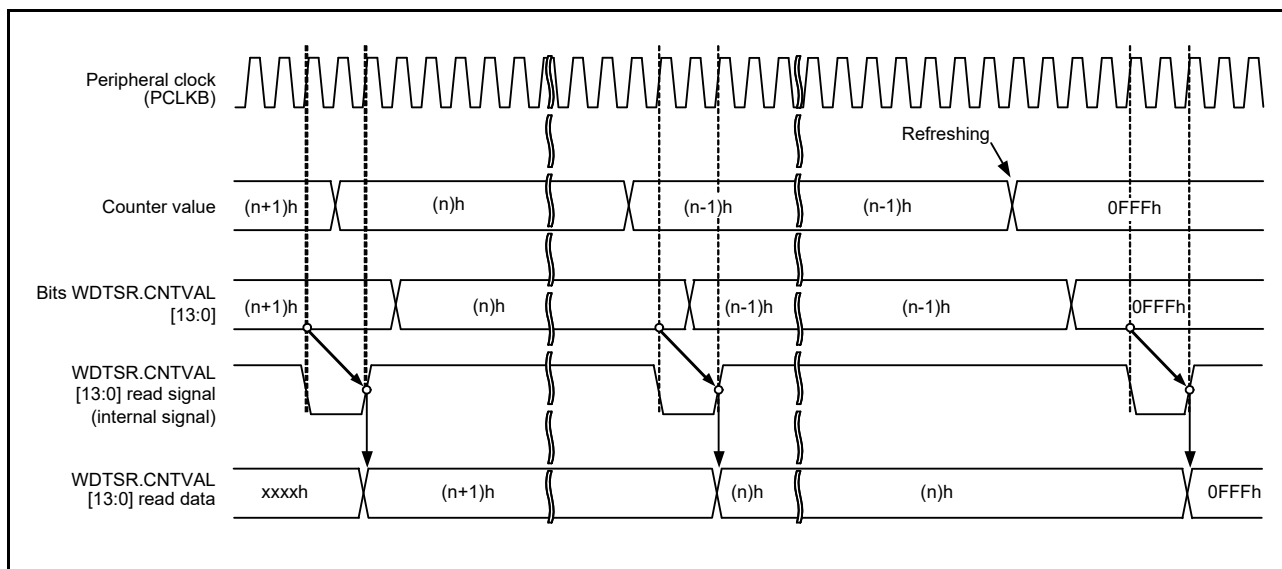


Figure 26.7 Processing for reading WDT down-counter value when WDTCR.CKS[3:0] = 0100b, WDTCR.TOPS[1:0] = 01b

26.3.7 Association between Option Function Select Register 0 (OFS0) and WDT Registers

Table 26.5 lists the association between the Option Function Select Register 0 (OFS0) used in auto-start mode and the registers used in register start mode.

Do not change the OFS0 register setting during WDT operation. For details on the Option Function Select Register 0 (OFS0), see section 7.2.1, Option Function Select Register 0 (OFS0).

Table 26.5 Association between Option Function Select Register 0 (OFS0) and WDT Registers

Control target	Function	OFS0 register (enabled in auto-start mode) OFS0.WDTSTRT = 0	WDT registers (enabled in register start mode) OFS0.WDTSTRT = 1
Down-counter	Timeout period selection	OFS0.WDTPSS[1:0]	WDTCR.TOPS[1:0]
	Clock division ratio selection	OFS0.WDTCKS[3:0]	WDTCR.CKS[3:0]
	Window start position selection	OFS0.WDTRPSS[1:0]	WDTCR.RPSS[1:0]
	Window end position selection	OFS0.WDTRPES[1:0]	WDTCR.RPES[1:0]
Reset output or interrupt request output	Reset interrupt request selection	OFS0.WDTRSTIRQS	WDTRCR.RSTIRQS
Count stop	Sleep-mode count stop control	OFS0.WDTSTPCTL	WDTCSR.SLCSTP

26.4 Link Operation by ELC

The WDT is capable of a link operation for the previously specified module when interrupt request signal is used as an event signal by the ELC. The event signal is output by the counter underflow and refresh error.

An event signal is output regardless of the setting in the Reset Interrupt Request Selection bit (WDTRCR.RSTIRQS) in register start mode or auto-start mode. An event signal can also be output when the next interrupt source is generated and while the Refresh Error Flag (WDTSR.REFEF) or Underflow Flag (WDTSR.UNDFE) is 1. For details, see [section 19, Event Link Controller \(ELC\)](#).

26.5 Usage Notes

26.5.1 ICU Event Link Setting Register n (IELSRn) Setting

Setting 25h to the ICU Event Link Setting Register n (IELSRn.IELS[7:0]) is prohibited when enabling the WDT reset assertion (OFS0.WDTRSTIRQS = 1 or WDTRCR.RSTIRQS = 1) or when enabling the event link operation (25h is set to ELSRm.ELS[7:0]).

27. Independent Watchdog Timer (IWDT)

27.1 Overview

The Independent Watchdog Timer (IWDT) consists of a 14-bit down counter that must be serviced periodically to prevent counter underflow. It can be used to reset the MCU or to generate a non-maskable interrupt/interrupt on a timer underflow. Because the timer operates using an independent, dedicated clock source, it is particularly useful in returning the MCU to a known state as a failsafe mechanism when the system runs out of control. The Watchdog Timer can be triggered automatically by a reset, underflow, refresh error, or a refresh of the count value in the registers.

The functions of the IWDT are different from those of the WDT in the following respects:

- The divided IWDT-dedicated clock (IWDTCLK) is used as the count source (not affected by the PCLKB)
- IWDT does not support the register start mode
- When transitioning to low power mode, the OFS0.IWDTSTPCTL bit can be used to select whether to stop the counter or not.

Table 27.1 lists the IWDT specifications and Figure 27.1 shows a block diagram.

Table 27.1 IWDT specifications

Item	Description
Count source*1	IWDT-dedicated clock (IWDTCLK)
Clock division ratio	Division by 1, 16, 32, 64, 128, or 256
Counter operation	Counting down using a 14-bit down-counter
Condition for starting the counter	<ul style="list-style-type: none"> • Counting automatically starts after a reset
Conditions for stopping the counter	<ul style="list-style-type: none"> • Reset (the down-counter and other registers return to their initial values) • A counter underflows or a refresh error is generated. Counting restarts automatically.
Window function	Window start and end positions can be specified (refresh-permitted and refresh-prohibited periods)
Reset output sources	<ul style="list-style-type: none"> • Down-counter underflows • Refreshing outside the refresh-permitted period (refresh error).
Non-maskable interrupt/interrupt sources	<ul style="list-style-type: none"> • Down-counter underflows • Refreshing outside the refresh-permitted period (refresh error).
Reading the counter value	The down-counter value can be read by the IWDTSR register
Event link function (output)	<ul style="list-style-type: none"> • Down-counter underflow event output • Refresh error event output.
Output signal (internal signal)	<ul style="list-style-type: none"> • Reset output • Interrupt request output • Sleep-mode count stop control output.
Auto-start mode	Configurable to the following triggers: <ul style="list-style-type: none"> • Clock frequency division ratio after a reset (OFS0.IWDTCKS[3:0] bits) • Timeout period of the Independent Watchdog Timer (OFS0.IWDTTOPS[1:0] bits) • Window start position in the Independent Watchdog Timer (OFS0.IWDRPSS[1:0] bits) • Window end position in the Independent Watchdog Timer (OFS0.IWDRPES[1:0] bits) • Reset output or interrupt request output (OFS0.IWDRSTIRQS bit) • Down-count stop function at transition to Sleep mode, Software Standby mode, or Snooze mode (OFS0.IWDTSTPCTL bit).

Note 1. This must satisfy the frequency of the peripheral module clock (PCLKB) $\geq 4 \times$ (the frequency of the count clock source after division).

To use the IWDT, supply the IWDT-dedicated clock (IWDTCLK). The bus interface and registers operate with PCLKB, and the 14-bit counter and control circuits operate with IWDTCLK.

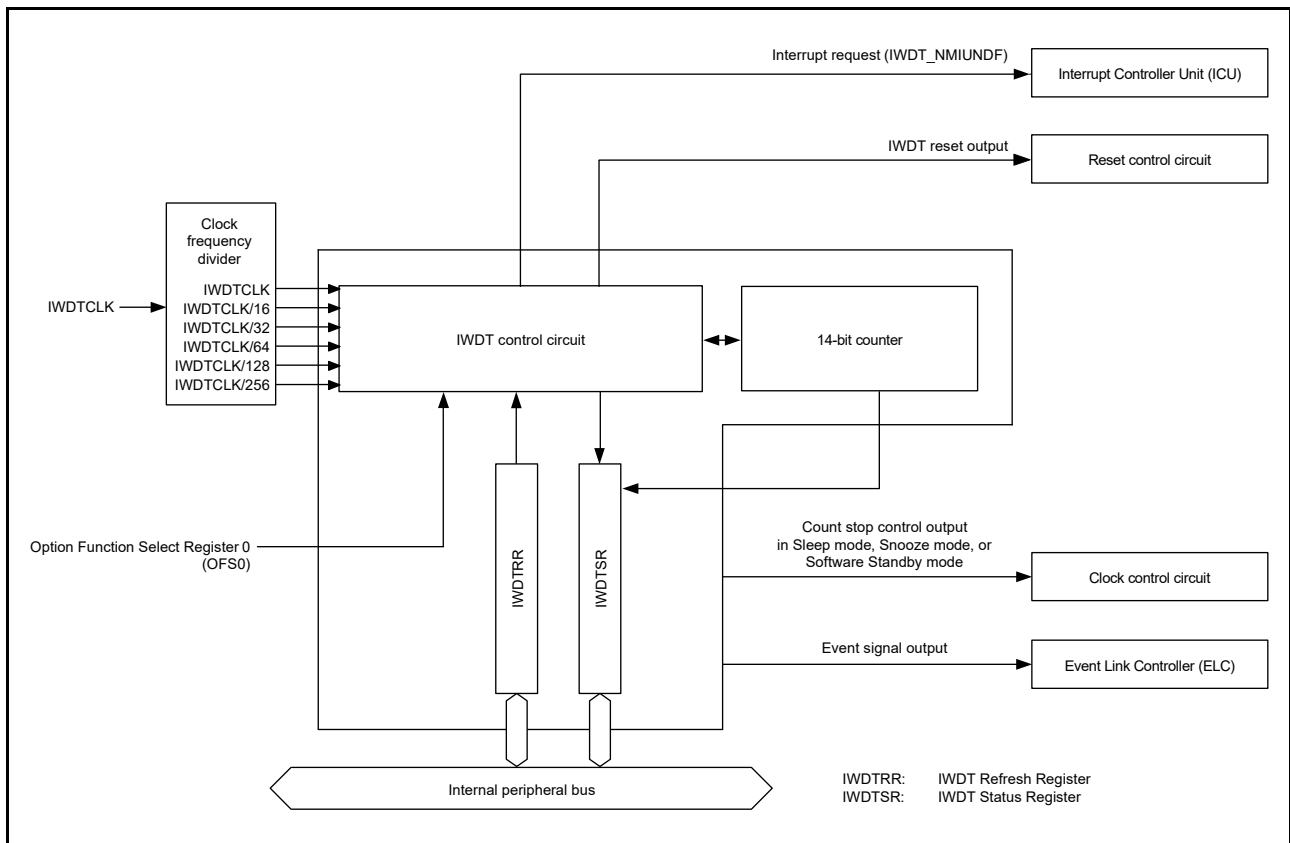


Figure 27.1 IWDT block diagram

27.2 Register Descriptions

27.2.1 IWDT Refresh Register (IWDTRR)

Address(es): [IWDTRR 4004 4400h](#)



Bit	Description	R/W
b7 to b0	The counter is refreshed by writing 00h and then writing FFh to this register	R/W

The IWDTRR register refreshes the down-counter of the IWDT. The down-counter of the IWDT is refreshed by writing 00h and then writing FFh to IWDTRR (refresh operation) within the refresh-permitted period. After the down-counter is refreshed, it starts counting down from the value selected in the IWDT Timeout Period Select bits (OFS0.IWDTTOPS[1:0]) in the Option Function Select Register 0 (OFS0).

When 00h is written, the read value is 00h. When a value other than 00h is written, the read value is FFh. For details on the refresh operation, see [section 27.3.2, Refresh Operation](#).

27.2.2 IWDT Status Register (IWDTSR)

Address(es): IWDT.IWDTSR 4004 4404h



Bit	Symbol	Bit name	Description	R/W
b13 to b0	CNTVAL[13:0]	Counter Value	Value counted by the down-counter	R
b14	UNDFE	Underflow Flag	0: No underflow occurred 1: Underflow occurred.	R/(W)*1
b15	REFEF	Refresh Error Flag	0: No refresh error occurred 1: Refresh error occurred.	R/(W)*1

Note 1. Only 0 can be written to clear the flag.

CNTVAL[13:0] bits (Counter Value)

Read the CNTVAL[13:0] bits to confirm the value of the down-counter. The read value might differ from the actual count by 1.

UNDFE flag (Underflow Flag)

Read the UNDFE flag to confirm whether an underflow occurred in the down-counter. The value 1 indicates that the down-counter underflowed. Write 0 to the UNDFE flag to set the value to 0. Writing 1 has no effect.

Clearing of the UNDFE flag takes (N+2) IWDTCLK cycles and 2 PCLKB cycles. In addition, clearing of the flag is ignored for (N+2) IWDTCLK cycles after an underflow. N is specified in the IWDTCKS[3:0] bits as follows:

- When IWDTCKS[3:0] = 0000b, N = 1
- When IWDTCKS[3:0] = 0010b, N = 16
- When IWDTCKS[3:0] = 0011b, N = 32
- When IWDTCKS[3:0] = 0100b, N = 64
- When IWDTCKS[3:0] = 1111b, N = 128
- When IWDTCKS[3:0] = 0101b, N = 256

REFEF flag (Refresh Error Flag)

Read the REFEF flag to confirm whether a refresh error occurred. The value 1 indicates that a refresh error occurred. Write 0 to the REFEF flag to set the value to 0. Writing 1 has no effect.

Clearing of the REFEF flag takes (N+2) IWDTCLK cycles and 2 PCLKB cycles. In addition, clearing of the flag is ignored for (N+2) IWDTCLK cycles after a refresh error. N is specified in the IWDTCKS[3:0] bits as follows:

- When IWDTCKS[3:0] = 0000b, N = 1
- When IWDTCKS[3:0] = 0010b, N = 16
- When IWDTCKS[3:0] = 0011b, N = 32
- When IWDTCKS[3:0] = 0100b, N = 64
- When IWDTCKS[3:0] = 1111b, N = 128
- When IWDTCKS[3:0] = 0101b, N = 256.

27.2.3 Option Function Select Register 0 (OFS0)

For information on the Option Function Select Register 0 (OFS0), see [section 7.2.1, Option Function Select Register 0 \(OFS0\)](#).

IWDTTOPS[1:0] bits (IWDT Timeout Period Select)

The IWDTTOPS[1:0] bits select the timeout period, that is, the period until the down-counter underflows, from 128, 512, 1,024, or 2,048 cycles, taking the divided clock specified by the IWDTCKS[3:0] bits as 1 cycle.

After the down-counter is refreshed, the combination of the IWDTCKS[3:0] and IWDTTOPS[1:0] bits determines the time, that is, the number of IWDTCLK cycles until the counter underflows. [Table 27.2](#) lists the relationship between the IWDTCKS[3:0] and IWDTTOPS[1:0] bit setting, the timeout period, and the number of IWDTCLK cycles.

Table 27.2 Timeout period settings

IWDTCKS[3:0] bits				IWDTTOPS[1:0] bits		Clock division ratio	Timeout period (number of cycles)	IWDTCLK cycles
b7	b6	b5	b4	b1	b0			
0	0	0	0	0	0	IWDTCLK	128	128
				0	1		512	512
				1	0		1,024	1,024
				1	1		2,048	2,048
0	0	1	0	0	0	IWDTCLK/16	128	2,048
				0	1		512	8,192
				1	0		1,024	16,384
				1	1		2,048	32,768
0	0	1	1	0	0	IWDTCLK/32	128	4,096
				0	1		512	16,384
				1	0		1,024	32,768
				1	1		2,048	65,536
0	1	0	0	0	0	IWDTCLK/64	128	8,192
				0	1		512	32,768
				1	0		1,024	65,536
				1	1		2,048	131,072
1	1	1	1	0	0	IWDTCLK/128	128	16,384
				0	1		512	65,536
				1	0		1,024	131,072
				1	1		2,048	262,144
0	1	0	1	0	0	IWDTCLK/256	128	32,768
				0	1		512	131,072
				1	0		1,024	262,144
				1	1		2,048	524,288

IWDTCKS[3:0] bits (IWDT-Dedicated Clock Frequency Division Ratio Select)

The IWDTCKS[3:0] bits specify the division ratio of the clock used for the down-counter. The division ratio can be selected from the IWDT-dedicated clock (IWDTCLK) divided by 1, 16, 32, 64, 128, and 256. Combination with the IWDTTOPS[1:0] bit setting, a count period between 128 and 524,288 cycles of the IWDTCLK clock can be selected for the IWDT.

IWDTRPES[1:0] bits (IWDT Window End Position Select)

The IWDTRPES[1:0] bits specify the window end position that indicates the refresh-permitted period. 75%, 50%, 25%, or 0% of the timeout period can be selected for the window end position. The selected window end position should be a value smaller than the window start position. If the window start position is set to a value less than or equal to the window end position, the window start position setting is enable and the window end position is set to 0%.

IWDTRPSS[1:0] bits (IWDT Window Start Position Select)

The IWDTRPSS[1:0] bits specify the window start position that indicates the refresh-permitted period. 100%, 75%, 50%, or 25% of the timeout period can be selected for the window start position. The window start position should be a value greater than the window end position. If the window start position is smaller than or equal to the window end position, the window end position is set to 0%.

Table 27.3 lists the counter values for the window start and end positions, and Figure 27.2 shows the refresh-permitted period set in the IWDTRPSS[1:0], IWDTRPES[1:0], and IWDTTOPS[1:0] bits.

Table 27.3 Relationship between timeout period and window start and end counter values

IWDTTOPS[1:0] bits		Timeout period Cycles	Counter value	Window start and end counter value			
b1	b0			100%	75%	50%	25%
0	0	128	007Fh	007Fh	005Fh	003Fh	001Fh
0	1	512	01FFh	01FFh	017Fh	00FFh	007Fh
1	0	1,024	03FFh	03FFh	02FFh	01FFh	00FFh
1	1	2,048	07FFh	07FFh	05FFh	03FFh	01FFh

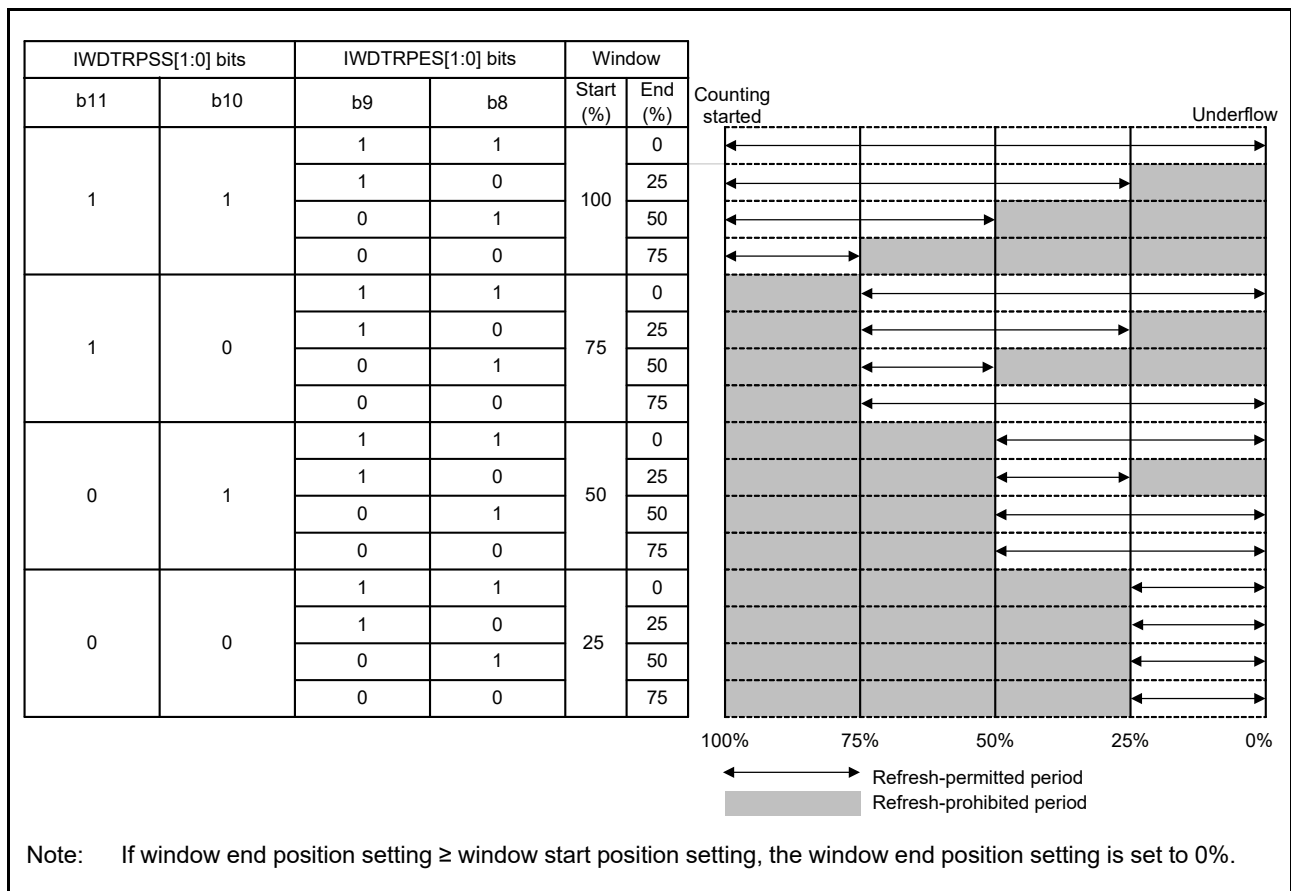


Figure 27.2 IWDTRPSS[1:0] and [IWDTRPES[1:0] bit settings and refresh-permitted period

IWDTRSTIRQS bit (IWDT Reset Interrupt Request Select)

The IWDTRSTIRQS bit specifies the behavior when an underflow or a refresh error occurred. Set this bit to 1 to select reset output. Set this bit to 0 to select interrupt.

IWDTSTPCTL bit (IWDT Stop Control)

The IWDTSTPCTL bit selects whether the stop counting at a transition to Sleep mode, Snooze mode, or Software Standby mode.

27.3 Operation

27.3.1 Auto-Start Mode

When the IWDT Start Mode Select bit (OFS0.IWDTSTRT) in the Option Function Select Register 0 is 0, auto-start mode is selected, otherwise IWDT is disabled.

Within the reset state, the following values in the Option Function Select Register 0 (OFS0) are set in the IWDT registers:

- Clock division ratio
- Window start and end positions
- Timeout period
- Reset output or interrupt request
- Counter stop control at transitions to low power mode.

When the reset state is released, the counter automatically starts counting down from the value selected by the IWDT Timeout Period Select bits (OFS0.IWDTTOPS[1:0]).

After that, as long as the program continues normal operation and the counter is refreshed within the refresh-permitted period, the value in the counter is reset each time the counter is refreshed and down-counting continues. The IWDT does not output the reset signal or non-maskable interrupt request/interrupt request as long as the counting continues. However, if the down-counter underflows because the down-counter cannot be refreshed because of a program runaway, or if a refresh error occurs because the counter was refreshed outside the refresh-permitted period, the IWDT outputs the reset signal or non-maskable interrupt request/interrupt request (IWDT_NMIUNDF).

After the reset signal or non-maskable interrupt request/interrupt request is generated, the counter reloads the timeout period after counting for 1 cycle. The value of the timeout period is set in the down-counter and counting restarts.

Reset output or interrupt request output can be selected in the IWDT Reset Interrupt Request Select bit (OFS0.IWDRSTIRQS). The interrupt enable that initiates NMI can be selected with the IWDT Underflow/Refresh Error Interrupt Enable bit (NMIER.IWDTEN).

Figure 27.3 shows an example of operation under the following conditions:

- Auto-start mode (OFS0.IWDTSTRT = 0)
- IWDT behavior selection: interrupt (OFS0.IWDRSTIRQS = 0)
- Non-maskable Interrupt: IWDT Underflow/Refresh Error Interrupt Enable (NMIER.IWDTEN = 1)
- The window start position is 75% (OFS0.IWDRPSS[1:0] = 10b)
- The window end position is 25% (OFS0.IWDRPES[1:0] = 10b).

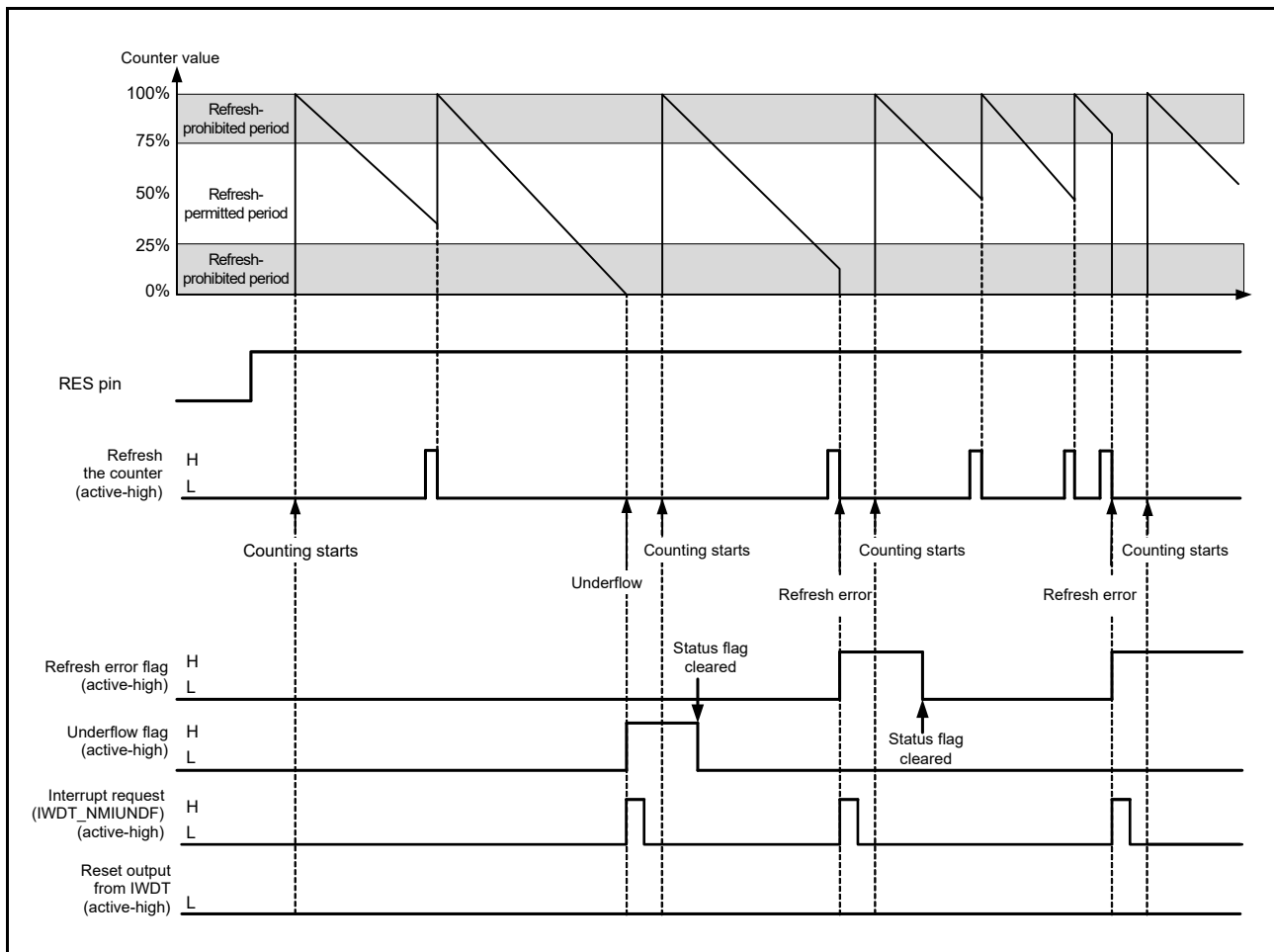


Figure 27.3 Operation example in auto-start mode

27.3.2 Refresh Operation

The down-counter is refreshed by writing the values 00h and then FFh to the IWDT Refresh Register (IWDTRR). If a value other than FFh is written after 00h, the down-counter is not refreshed. If an invalid value is written, correct refreshing resumes on writing 00h and then FFh to the IWDT Refresh Register (IWDTRR) again.

When writing is done in the order of 00h (first time) → 00h (second time), and if FFh is written after that, the writing order 00h → FFh is satisfied. Writing 00h ((n-1)th time) → 00h (nth time) → FFh is valid, and the correct refresh is done. When the first value written before 00h is not 00h, correct refreshing is performed if the operation contains the write sequence 00h → FFh. Correct refreshing is also performed regardless of whether a register other than IWDTRR is accessed or IWDTRR is read between writing 00h and writing FFh to IWDTRR.

[Example sequences of writing that are valid for refreshing the counter]

- 00h → FFh
- 00h ((n-1)th time) → 00h (nth time) → FFh
- 00h → access to another register or read from IWDTRR → FFh.

[Example sequences of writing that are not valid for refreshing the counter]

- 23h (a value other than 00h) → FFh
- 00h → 54h (a value other than FFh)
- 00h → AAh (00h and a value other than FFh) → FFh.

When 00h is written to IWDTRR outside the refresh-permitted period, if FFh is written to IWDTRR in the refresh-permitted period, the writing sequence is valid and refreshing is done.

After FFh is written to the IWDTRR register, refreshing the counter requires up to 4 cycles of the signal for counting (the IWDT-Dedicated Clock Frequency Division Ratio Select bits (OFS0.IWDTCKS[3:0]) determine how many cycles of the IWDT-dedicated clock (IWDTCLK) make up 1 cycle for counting). To meet this requirement, complete writing FFh to the IWDTRR 4 count cycles before the end of the refresh-permitted period or a counter underflow. The value of the counter can be checked in the counter bits (IWDTSR.CNTVAL[13:0]).

[Sample refreshing timings]

- When the window start position is set to 01FFh, even if 00h is written to IWDTRR before 01FFh is reached (0202h, for example), refreshing occurs if FFh is written to IWDTRR after the value of the IWDTSR.CNTVAL[13:0] bits reaches 01FFh.
- When the window end position is set to 01FFh, refreshing occurs if 0203h (4 count cycles before 01FFh) or a greater value is read from the IWDTSR.CNTVAL[13:0] bits immediately after writing 00h → FFh to IWDTRR.
- When the refresh-permitted period continues until count 0000h, refreshing can be performed immediately before an underflow. In this case, if 0003h (4 count cycles before an underflow) or a greater value is read from the IWDTSR.CNTVAL[13:0] bits immediately after writing 00h → FFh to IWDTRR, no underflow occurs and refreshing is performed.

Figure 27.4 shows the IWDT refresh-operation waveforms when PCLKB > IWDTCLK and the clock division ratio is IWDTCLK.

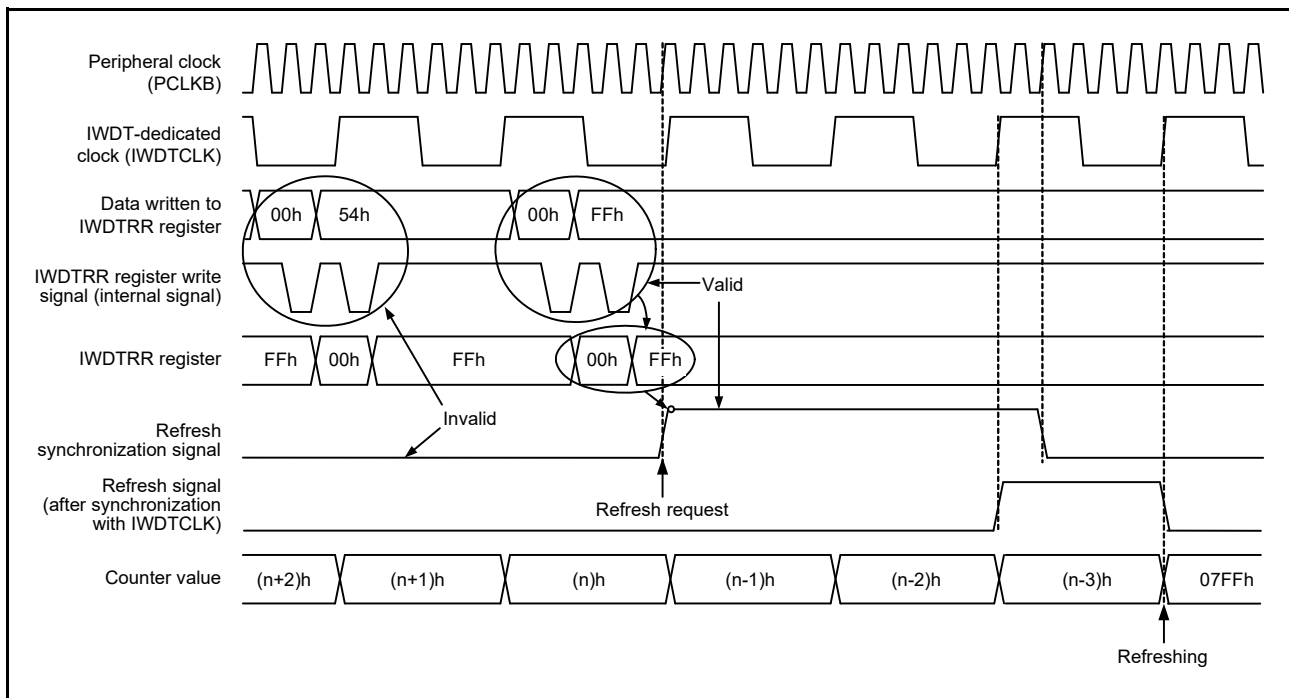


Figure 27.4 IWDT refresh operation waveforms when OFS0.IWDTCKS[3:0] = 0000b, OFS0.IWDTTOPS[1:0] = 11b

27.3.3 Status Flags

The refresh error (IWDTSR.REFEF) and underflow (IWDTSR.UNDF) flags retain the source of the reset signal output from the IWDT or the source of the interrupt request from the IWDT. Therefore, after a release from the reset state or interrupt request generation, read the IWDTSR.REFEF and UNDF flags to check for the reset or interrupt source. For each flag, writing 0 clears the bit and writing 1 has no effect.

Leaving the status flags unchanged does not affect operation. If the flags are not cleared at the next reset or interrupt request from the IWDT, the earlier reset or interrupt source is cleared and the new reset or interrupt source is written. After 0 is written to each flag, up to 3 IWDTCLK cycles and 2 PCLKB cycles are required before the value is reflected.

27.3.4 Reset Output

When the IWDT Reset Interrupt Request Select bit (OFS0.IWDRSTIRQS) in the Option Function Select Register 0 (OFS0) is set to 1, a reset signal is output when an underflow in the counter or a refresh error occurs. Counting down automatically starts after the reset output.

27.3.5 Interrupt Sources

When the IWDT Reset Interrupt Request Select bit (OFS0.IWDRSTIRQS) in the Option Function Select Register 0 (OFS0) is set to 0, an interrupt (IWDT_NMIUNDF) signal is generated when an underflow in the counter or a refresh error occurs. This interrupt can be used as a non-maskable interrupt or an interrupt. For details, see [section 14, Interrupt Controller Unit \(ICU\)](#).

Table 27.4 IWDT interrupt source

Name	Interrupt source	DTC activation
IWDT_NMIUNDF	<ul style="list-style-type: none"> Down-counter underflow Refresh error 	Not possible

27.3.6 Reading the Down-counter Value

As the counter in IWDT-dedicated clock (IWDTCLK), the counter value cannot be read directly. The IWDT synchronizes the counter value with the peripheral clock (PCLKB) and stores it in the down-counter value bits (IWDTSR.CNTVAL[13:0]) of the IWDT Status register. Therefore, the counter value can be checked indirectly through the IWDTSR.CNTVAL[13:0] bits.

Reading the counter value requires multiple PCLKB clock cycles (up to 4 clock cycles), and the read counter value might differ from the actual counter value by a value of one count.

[Figure 27.5](#) shows the processing for reading the IWDT counter value when $PCLKB > IWDTCLK$ and the clock division ratio is IWDTCLK.

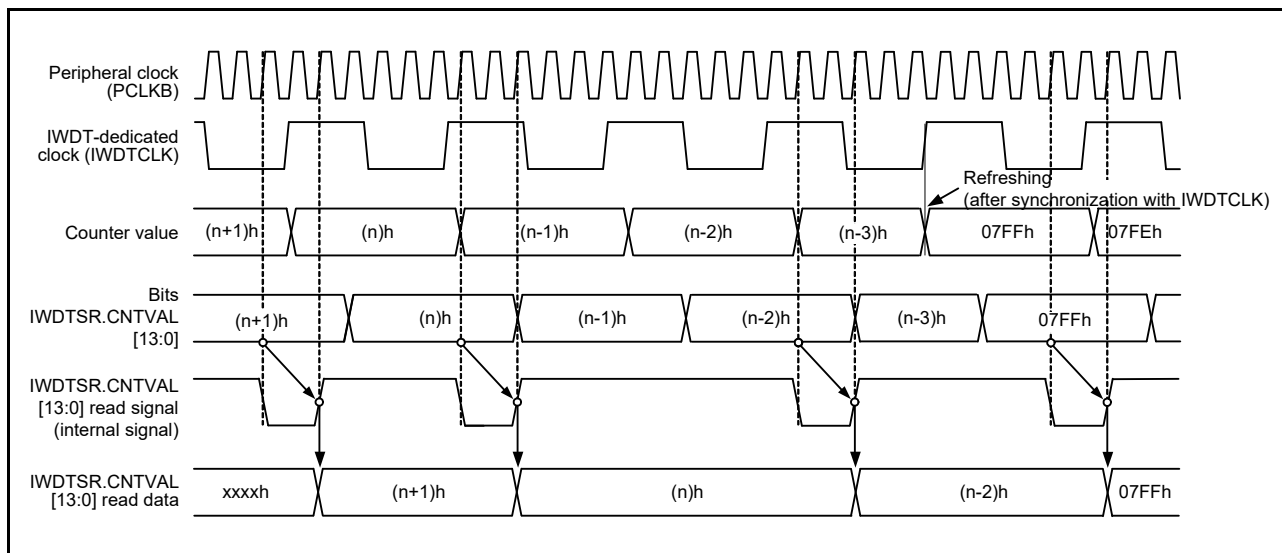


Figure 27.5 Processing for reading IWDT counter value when OFS0.IWDTCKS[3:0] = 0000b, OFS0.IWDTTOPS[1:0] = 11b

27.4 Output to the ELC

The IWDT is capable of link operation for a specified module when the interrupt request signal is used as an event signal by the Event Link Controller (ELC). The event signal is output by the counter underflow and refresh error.

An event signal is output regardless of the setting in the OFS0.WDTRSTIRQS bit. An event signal can also be output when the next interrupt source is generated while the Refresh Error flag (IWDTSR.REFEF) or Underflow Flag (IWDTSR.UNDF) is 1. For details, see [section 19, Event Link Controller \(ELC\)](#).

27.5 Usage Notes

27.5.1 Refresh Operations

While configuring the refresh time, consider variations in the range of errors due to the accuracy of PCLKB and IWDTCLK, and set values to ensure that refreshing is possible.

27.5.2 Clock Division Ratio Setting

Satisfy the following required frequency of the peripheral module clock (PCLKB):

$PCLKB \geq 4 \times$ (the frequency of the count clock source after division).

28. USB 2.0 Full-Speed Module (USBFS)

28.1 Overview

The MCU provides a USB 2.0 Full-Speed module (USBFS) that operates as a host or device controller compliant with the Universal Serial Bus (USB) specification revision 2.0. The host controller supports USB 2.0 full-speed and low-speed transfers, and the device controller supports USB 2.0 full-speed transfers. The USBFS has an internal USB transceiver and supports all of the transfer types defined in the USB 2.0 specification.

The USBFS has FIFO buffer for data transfers, providing a maximum of 10 pipes. Any endpoint number can be assigned to pipes 1 to 9, based on the peripheral devices or the communication requirements for your system.

The MCU supports revision 1.2 of the Battery Charging Specification. Because the MCU can be powered at 5 V, the USB LDO regulator provides the internal USB transceiver power supply at 3.3 V.

[Table 28.1](#) lists the USBFS specifications, [Figure 28.1](#) shows a block diagram, and [Table 28.2](#) lists the I/O pins.

Table 28.1 USBFS specifications

Item	Specifications
Features	<ul style="list-style-type: none"> • USB Device Controller (UDC) and USB 2.0 transceiver supporting host controller, device controller, and On-The-Go (OTG) functions (one channel) • Host and device controller can be switched by software • Self-power or bus power mode selectable • Revision 1.2 of Battery Charging Specification is supported • The USB LDO regulator is used to power the internal USB transceiver. <hr/> Host controller features: <ul style="list-style-type: none"> • Full-speed transfer (12 Mbps) and low-speed transfer (1.5 Mbps) • Automatic scheduling for SOF and packet transmissions • Programmable intervals for isochronous and interrupt transfers <hr/> Device controller features: <ul style="list-style-type: none"> • Full-speed transfer (12 Mbps) and low-speed transfer (1.5 Mbps) • Control transfer stage control function • Device state control function • Auto response function for SET_ADDRESS request • SOF interpolation.
Communication data transfer type	<ul style="list-style-type: none"> • Control transfer • Bulk transfer • Interrupt transfer • Isochronous transfer.
Pipe configuration	<ul style="list-style-type: none"> • FIFO buffer for USB communication • Up to 10 pipes selectable, including the default control pipe • Pipes 1 to 9 assignable to any endpoint number. <hr/> Transfer conditions specifiable for each pipe: <ul style="list-style-type: none"> • Pipe 0: Control transfer with 64-byte single buffer • Pipes 1 and 2: Selectable to bulk transfer with 64-byte double buffer or isochronous transfer with 256-byte double buffer • Pipes 3 to 5: Bulk transfer with 64-byte double buffer • Pipes 6 to 9: Interrupt transfer with 64-byte single buffer.
Others	<ul style="list-style-type: none"> • Reception end function using transaction count • Function that changes the BRDY interrupt event notification timing (BFRE) • Automatic clearing of the FIFO buffer after the data for the pipe specified in the DnFIFO port (n = 0, 1) is read (DCLRM) • NAK setting function for response PID generated on transfer end (SHTNAK) • On-chip pull-up and pull-down resistors for USB_DP/USB_DM • HOCO clock that can be used as USB clock.
Module-stop function	Module-stop state can be set to reduce power consumption

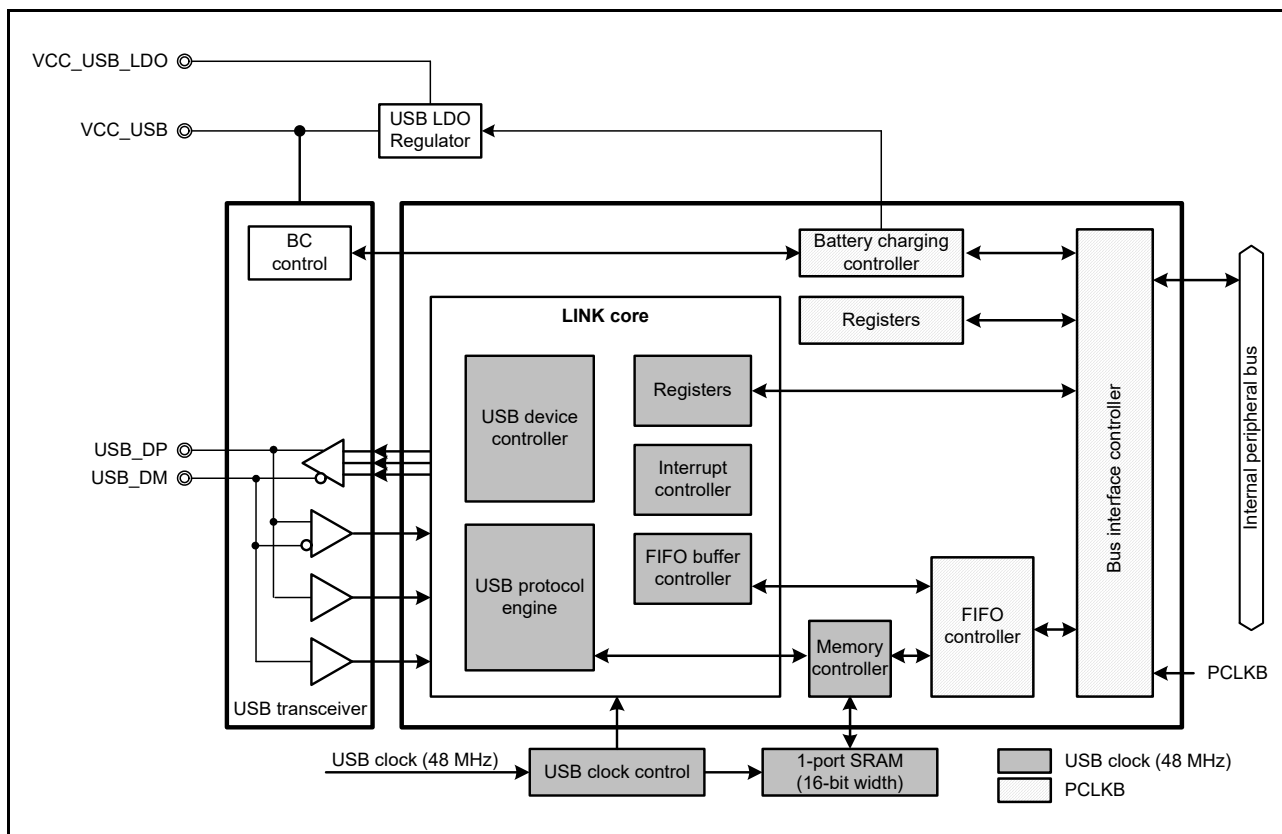


Figure 28.1 USBFS block diagram

Table 28.2 lists the I/O pins of the USBFS.

Table 28.2 USBFS pin configuration

Port	Pin name	I/O	Function
USBFS	USB_DP	I/O	D+ I/O pin for the on-chip USB transceiver. Must be connected to the D+ data line of the USB bus.
	USB_DM	I/O	D- I/O pin for the on-chip USB transceiver. Must be connected to the D- data line of the USB bus.
	USB_VBUS	Input	USB cable connection monitor pin. Must be connected to VBUS signal on the USB bus. VBUS pin status (connected or disconnected) can be detected when the USBFS is a device controller.*1
	USB_EXICEN	Output	Low-power control signal for the OTG power supply IC
	USB_VBUSEN	Output	VBUS (5 V) enable signal for the external power supply IC
	USB_OVRCURA USB_OVRCURB	Input	Overcurrent pins for USBFS. Must be connected to external overcurrent detection signals. When the OTG power supply chip is connected, must be connected to the VBUS comparator signals.
	USB_ID	Input	Must be connected to MicroAB connector ID input signal in OTG mode
Common	VCC_USB	I/O	Input: Power supply for USB transceiver. Output: USB LDO regulator output pin. This pin should be connected to an external capacitor.
	VCC_USB_LDO	Input	Power supply pin for USB LDO regulator
	VSS_USB	Input	USB ground pin

Note 1. P407 is 5-V tolerant.

28.2 Register Descriptions

28.2.1 System Configuration Control Register (SYSCFG)

Address(es): `USBFS.SYSCFG 4009 0000h`

	b15	b14	b13	b12	b11	b10	b9	b8	b7	b6	b5	b4	b3	b2	b1	b0
	—	—	—	—	—	SCKE	—	CNEN	—	DCFM	DRPD	DPRPU	DMRPU	—	—	USBE
Value after reset:	0	0	0	0	0	0	0	0	0	0	0	0	0	0	0	0

Bit	Symbol	Bit name	Description	R/W
b0	USBE	USBFS Operation Enable	0: Disabled 1: Enabled.	R/W
b2, b1	—	Reserved	These bits are read as 0. The write value should be 0.	R/W
b3	DMRPU	D- Line Resistor Control*1	0: Line pull-up disabled 1: Line pull-up enabled.	R/W
b4	DPRPU	D+ Line Resistor Control*1	0: Line pull-up disabled 1: Line pull-up enabled.	R/W
b5	DRPD	D+/D- Line Resistor Control	0: Line pull-down disabled 1: Line pull-down enabled.	R/W
b6	DCFM	Controller Function Select	0: Device controller selected 1: Host controller selected.	R/W
b7	—	Reserved	This bit is read as 0. The write value should be 0.	R/W
b8	CNEN	CNEN Single-ended Receiver Enable	0: Single-ended receiver disabled 1: Single-ended receiver enabled.	R/W
b9	—	Reserved	This bit is read as 0. The write value should be 0.	R/W
b10	SCKE	USB Clock Enable*2	0: Clock supply to the USBFS stopped 1: Clock supply to the USBFS enabled.	R/W
b15 to b11	—	Reserved	These bits are read as 0. The write value should be 0.	R/W

Note 1. Do not enable the DMRPU and DPRPU bits at the same time.

Note 2. After writing 1 to the SCKE bit, read it to confirm that it is set to 1.

USBE bit (USBFS Operation Enable)

The USBE bit enables or disables operation of the USBFS.

Changing the USBE bit from 1 to 0 initializes the bits listed in [Table 28.3](#). Only change this bit while the SCKE bit is 1. In host controller mode, this bit must be set to 1 after setting the DRPD bit to 1, eliminating `SYSSTS0.LNST[1:0]` bit chattering, and confirming that the USB bus state is stable.

Table 28.3 Registers initialized by writing 0 to SYSCFG.USBE bit

Selected function	Register	Bit	Remarks
Device controller	SYSSTS0	LNST[1:0]	Value is saved in host controller mode
	DVSTCTR0	RHST[2:0]	-
	INTSTS0	DVSQ[2:0]	Value is saved in host controller mode
	USBREQ	BREQUEST[7:0], BMREQUESTTYPE[7:0]	Value is saved in host controller mode
	USBVAL	WVALUE[15:0]	Value is saved in host controller mode
	USBINDX	WINDEX[15:0]	Value is saved in host controller mode
	USBLENG	WLENTUH[15:0]	Value is saved in host controller mode
Host controller	DVSTCTR0	RHST[2:0]	-
	FRMNUM	FRNM[10:0]	Value is saved in device controller mode

DMRPU bit (D- Line Resistor Control*1)

The DMRPU bit enables or disables pulling up the D- line in device controller mode.

When the DMRPU bit is set to 1 in device controller mode, the USBFS pulls up the D- line to notify the USB host that it attached as a low-speed device. Changing the DMRPU bit from 1 to 0 releases the pull-up, thereby notifying the USB host that it detached.

Set this bit to 0 in host controller mode.

DPRPU bit (D+ Line Resistor Control*1)

The DPRPU bit enables or disables pulling up the D+ line in device controller mode.

When the DPRPU bit is set to 1 in device controller mode, the USBFS pulls up the D+ line to notify the USB host that it attached. Changing the DPRPU bit from 1 to 0 releases the pull-up, thereby notifying the USB host that it detached.

Set this bit to 0 in host controller mode.

DRPD bit (D+/D- Line Resistor Control)

The DRPD bit enables or disables pulling down D+ and D- lines in host controller mode.

Set this bit to 1 in host controller mode and to 0 in device controller mode.

DCFM bit (Controller Function Select)

The DCFM bit selects the host or device function of the USBFS.

Only change this bit when the DMRPU, DPRPU, and DRPD bits are 0.

CNEN bit (CNEN Single-ended Receiver Enable)

Setting the CNEN bit to 1 enables the single-ended receiver and sets the LNST bit to monitor the status of D+ and D- lines.

The CNEN bit is used when the USBFS operates as a portable device for battery charging.

SCKE bit (USB Clock Enable*2)

The SCKE bit stops or enables supplying 48-MHz clock supply to the USB.

When this bit is 0, only SYSCFG can be read from and written to. No other USB-related registers can be read from or written to.

28.2.2 System Configuration Status Register 0 (SYSSTS0)

Address(es): USBFS.SYSSTS0 4009 0004h

	b15	b14	b13	b12	b11	b10	b9	b8	b7	b6	b5	b4	b3	b2	b1	b0
	OVCMON[1:0]		—	—	—	—	—	—	—	HTACT	—	—	—	IDMON	LNST[1:0]	
Value after reset:	0 ^{*1}	0 ^{*1}	0	0	0	0	0	0	0	0	0	0	0	0 ^{*1}	0	0

Bit	Symbol	Bit name	Description	R/W
b1, b0	LNST[1:0]	USB Data Line Status Monitor	Indicates the status of the USB data lines. See Table 28.4 .	R
b2	IDMON	External ID0 Input Pin Monitor	0: USB_ID pin is low 1: USB_ID pin is high.	R
b5 to b3	—	Reserved	These bits are read as 0	R
b6	HTACT	USB Host Sequencer Status Monitor	0: Host sequencer completely stopped 1: Host sequencer not completely stopped.	R
b13 to b7	—	Reserved	These bits are read as 0	R
b15, b14	OVCMON[1:0]	External USB_OVRCURA/ USB_OVRCURB Input Pin Monitor	OVCMON[1] bit indicates the USB_OVRCURA pin status. OVCMON[0] bit indicates the USB_OVRCURB pin status.	R

Note 1. Depends on the status of the USB_OVRCURA/USB_OVRCURB and USB_ID pins.

LNST[1:0] bits (USB Data Line Status Monitor)

The LNST[1:0] bits indicate the state of the USB data lines, D+ and D-. For details, see [Table 28.4](#).

In device controller mode, read the LNST[1:0] bits after connection processing (SYSCFG.DPRPU bit = 1) or after enabling pull-down of the lines (SYSCFG.DRPD bit = 1) in host controller mode.

HTACT bit (USB Host Sequencer Status Monitor)

The HTACT bit is 0 when the host sequencer of the USBFS is completely stopped.

In host controller mode, check that the HTACT bit is 0 before setting the DVSTCTR0.UACT bit to 0 to place the USBFS in a suspended state or setting the SCKE bit to 0 to stop the clock supply during communication.

OVCMON[1:0] bits (External USB_OVRCURA/ USB_OVRCURB Input Pin Monitor)

The OCVMON[1:0] bits indicate the status of the overcurrent signals from an external power supply IC.

Table 28.4 Status of USB data bus lines (D+ Line, D- Line)

LNST[1:0] bits	During full-speed operation	During low-speed operation
00b	SE0	SE0
01b	J-State	K-State
10b	K-State	J-State
11b	SE1	SE1

28.2.3 Device State Control Register 0 (DVSTCTR0)

Address(es): USBFS.DVSTCTR0 4009 0008h

b15	b14	b13	b12	b11	b10	b9	b8	b7	b6	b5	b4	b3	b2	b1	b0
—	—	—	—	HNPBTOA	EXICEN	VBUSEN	WKUP	RWUPE	USBRST	RESUME	UACT	—	RHST[2:0]		
Value after reset:															
0	0	0	0	0	0	0	0	0	0	0	0	0	0	0	0

Bit	Symbol	Bit name	Description	R/W
b2 to b0	RHST[2:0]	USB Bus Reset Status	<ul style="list-style-type: none"> In host controller mode: <ul style="list-style-type: none"> b2 b0 0 0 0: Communication speed indeterminate (powered state or no connection) 1 x x: USB bus reset in progress 0 0 1: Low-speed connection 0 1 0: Full-speed connection. In device controller mode: <ul style="list-style-type: none"> b2 b0 0 0 0: Communication speed indeterminate 0 0 1: USB bus reset in progress or low-speed connection 0 1 0: USB bus reset in progress or full-speed connection. 	R
b3	—	Reserved	This bit is read as 0. The write value should be 0.	R/W
b4	UACT	USB Bus Enable	0: Downstream port disabled (SOF transmission disabled) 1: Downstream port enabled (SOF transmission enabled).	R/W
b5	RESUME	Resume Output	0: Resume signal not output 1: Resume signal output.	R/W
b6	USBRST	USB Bus Reset Output	0: USB bus reset signal not output 1: USB bus reset signal output.	R/W
b7	RWUPE	Wakeup Detection Enable	0: Downstream port wakeup disabled 1: Downstream port wakeup enabled.	R/W
b8	WKUP	Wakeup Output	0: Remote wakeup signal not output 1: Remote wakeup signal output.	R/W
b9	VBUSEN	USB_VBUSEN Output Pin Control	0: External USB_VBUSEN pin outputs low 1: External USB_VBUSEN pin outputs high.	R/W
b10	EXICEN	USB_EXICEN Output Pin Control	0: External USB_EXICEN pin outputs low 1: External USB_EXICEN pin outputs high.	R/W
b11	HNPBTOA	Host Negotiation Protocol (HNP) Control	This bit is used when switching from device B to device A in OTG mode. If the HNPBTOA bit is 1, the internal function control remains in the suspended state until the HNP processing ends even if SYSCFG.DPRPU = 0 or SYSCFG.DCFM = 1.	R/W
b15 to b12	—	Reserved	These bits are read as 0. The write value should be 0.	R/W

x: Don't care

RHST[2:0] bits (USB Bus Reset Status)

The RHST[2:0] bits indicate the status of the USB bus reset.

In host controller mode, writing 1 to the USBRST bit causes the RHST[2:0] bits to set to 100b. When 0 is written to the USBRST bit and the USBFS ends the SE0 state, the RHST[2:0] bits update to a new value.

In device controller mode, if the USBFS detects a USB bus reset, the RHST[2:0] bits are set to 010b if the DPRPU bit is 1 or 001b if the DMRPU is 1, and a DVST interrupt is generated.

UACT bit (USB Bus Enable)

When set to 1 in host controller mode, the UACT bit enables USB bus operation by controlling SOF packet transmission to the USB bus in addition to data and reception. The USBFS starts SOF packet output within one frame period after this bit is set to 1. When UACT is set to 0, the USB enters the idle state after the SOF packet output.

With this bit set to 0, the USB enters an idle state after outputting SOF packets.

The USB sets the UACT bit to 0 on any of the following conditions:

- A DTCH interrupt is detected during communication (when UACT = 1)
- An EOFERR interrupt is detected during communication (when UACT = 1).

Always write 1 to the UACT bit at the end of the USB bus reset processing (writing 0 to the USBRST bit) or at the end of resume processing from the suspended state (writing 0 to the RESUME bit).

In device controller mode, always set this bit to 0.

RESUME bit (Resume Output)

The RESUME bit controls the resume signal output in host controller mode.

When this bit is set to 1, the USBFS drives the USB port to the K-state and outputs the resume signal. The USBFS sets the bit to 1 on detection of a remote wakeup signal while the RWUPE bit is 1 and in the USB suspended state.

The USBFS continues outputting the K-state while the RESUME bit is 1, until the bit is set to 0 by software. The RESUME bit must be 1 (resume period) for the time defined in the USB 2.0 specification. Only set this bit to 1 while the interface is in the suspended state. Write 1 to the UACT bit simultaneously with the end of the resume processing (writing 0 to the RESUME bit).

Always set this bit to 0 in device controller mode.

USBRST bit (USB Bus Reset Output)

The USBRST bit controls the output of the USB bus reset signal in host controller mode. When this bit is set to 1, the USBFS drives the USB port to the SE0 state to reset the USB bus. The USBFS continues outputting SE0 while the USBRST bit is 1, until the bit is cleared to 0 by software. The USBRST bit must be 1 (USB bus reset period) for the time defined in the USB 2.0 specification.

Writing 1 to this bit during communication (UACT bit = 1) or during resume processing (RESUME bit = 1) prevents the USBFS from starting USB bus reset processing until both the UACT and RESUME bits become 0. Write 1 to the UACT bit simultaneously with the end of the USB bus reset processing (writing 0 to the USBRST bit).

Always set this bit to 0 in device controller mode.

RWUPE bit (Wakeup Detection Enable)

The RWUPE bit enables or disables remote wakeup signals (resume signals) from downstream peripheral devices in host controller mode. When this bit is set to 1, the USBFS detects a remote wakeup signal (K-state for 2.5 μ s) from a downstream peripheral device, and it performs resume processing, driving the K-state.

When this bit set to 0, the USBFS ignores remote wakeup signals (K-states) from peripheral devices connected to the USB port. Do not stop the internal clock while the RWUPE bit is 1, even in the suspended state (SYSCFG.SCKE bit must be set to 1). Always set this bit to 0 in device controller mode.

WKUP bit (Wakeup Output)

The WKUP bit enables or disables remote wakeup signals (resume signals) to the USB bus in device controller mode.

The USBFS controls the output timing of the remote wakeup signals. When this bit is set to 1, the USBFS clears it to 0 after outputting the K-state for 10 ms. The USB 2.0 specification specifies that the USB bus idle state must be kept for 5 ms or longer before a remote wakeup signal is sent. If the USB writes 1 to this bit immediately after detecting the suspended state, the K-state is output after 2 ms.

Only write 1 to this bit when the device is in the suspended state (INTSTS0.DVSQ[2:0] bits = 1xxb) and the USB host enables the remote wakeup signal. Do not stop the internal clock while this bit is 1, even in the suspended state (SYSCFG.SCKE bit is 1). Set this bit to 0 in host controller mode.

HNPBTOA bit (Host Negotiation Protocol (HNP) Control)

The HNPBTOA bit is used when switching from device B to device A while in OTG mode.

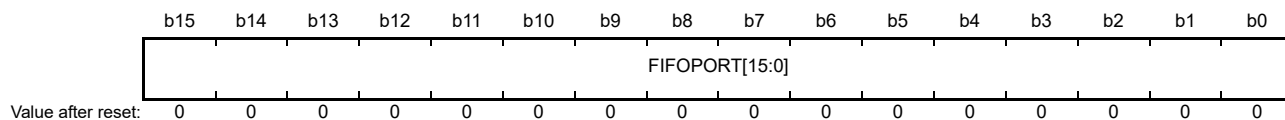
If the HNPBTOA bit is 1, the internal function control maintains the suspended state until the HNP processing ends, even if the SYSCFG.DPRPU bit is 0 or the SYSCFG.DCFM bit is set to 1. Resume (RESM) interrupts are not generated even if the falling edge of the D+ signal is detected.

The HNP processing ends when a host attach event is detected, because of a pull-up by the initiating party, or the HNPBTOA bit is set to 0 by software because the HNP processing times out.

28.2.4 CFIFO Port Register (CFIFO/CFIFOL)
 D0FIFO Port Register (D0FIFO/D0FIFOL)
 D1FIFO Port Register (D1FIFO/D1FIFOL)

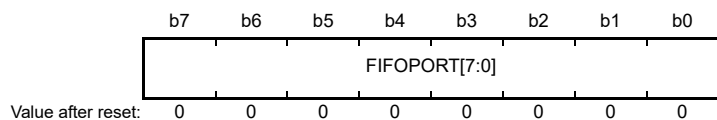
(1) When the MBW bit is 1

Address(es): [USBFS.CFIFO 4009 0014h](#), [USBFS.D0FIFO 4009 0018h](#), [USBFS.D1FIFO 4009 001Ch](#)



(2) When the MBW bit is 0

Address(es): [USBFS.CFIFOL 4009 0014h](#), [USBFS.D0FIFOL 4009 0018h](#), [USBFS.D1FIFOL 4009 001Ch](#)



Bit	Symbol	Bit name	Description	R/W
b15 to b0	FIFOPORT[15:0]*1	FIFO Port	Read receive data from the FIFO buffer or write transmit data to the FIFO buffer by accessing these bits	R/W

Note 1. The valid bits depend on the MBW settings (CFIFOSEL.MBW, D0FIFOSEL.MBW, and D1FIFOSEL.MBW) and BIGEND settings (CFIFOSEL.BIGEND, D0FIFOSEL.BIGEND, and D1FIFOSEL.BIGEND) in the associated port select register. See [Table 28.5](#) and [Table 28.6](#).

Three FIFO ports are available:

- CFIFO
- D0FIFO
- D1FIFO.

Each FIFO port is configured with:

- A port register (CFIFO, D0FIFO, or D1FIFO) that handles reading of data from the FIFO buffer and writing of data to the FIFO buffer
- A port select register (CFIFOSEL, D0FIFOSEL, or D1FIFOSEL) that selects the pipe assigned to the FIFO port
- A port control register (CFIFOCTR, D0FIFOCTR, or D1FIFOCTR).

Each FIFO port has the following restrictions:

- Access to the FIFO buffer for DCP control transfers is through the CFIFO port
- Access to the FIFO buffer for DMA or DTC transfers is through the D0FIFO or D1FIFO port
- The D0FIFO and D1FIFO ports can also be accessed by the CPU
- When using functions specific to the FIFO port, such as the DMA or DTC transfer function, the pipe number selected in the CURPIPE[3:0] bits of the Port Select Register cannot be changed
- Registers configuring a FIFO port do not affect other FIFO ports
- The same pipe must not be assigned to two or more FIFO ports
- There are two FIFO buffer states, one giving access rights to the CPU and the other to the serial interface engine (SIE). When the SIE has access rights, the FIFO buffer cannot be accessed by the CPU.

FIFOPORT[15:0] bits (FIFO Port)

When the FIFOPORT bit is accessed, the USBFS reads the received data from the FIFO buffer or writes the transmission data to the FIFO buffer. The FIFO port register can be accessed only when the FRDY bit in the associated port control register (CFIFOCTR, D0FIFOCTR, or D1FIFOCTR) is 1.

The valid bits in the FIFO port register depend on the MBW and BIGEND settings in the port select register (CFIFOSEL, D0FIFOSEL, or D1FIFOSEL). See [Table 28.5](#) and [Table 28.6](#).

Table 28.5 Endian operation in 16-bit access

CFIFOSEL.BIGEND bit D0FIFOSEL.BIGEND bit D1FIFOSEL.BIGEND bit	Bits [15:8]	Bits [7:0]
0	N + 1 data	N + 0 data
1	N + 0 data	N + 1 data

Table 28.6 Endian operation in 8-bit access

CFIFOSEL.BIGEND bit D0FIFOSEL.BIGEND bit D1FIFOSEL.BIGEND bit	Bits [15:8]	Bits [7:0]
0	Access prohibited*1	N + 0 data
1	Access prohibited*1	N + 0 data

Note 1. Writing to or reading from these areas is not allowed.

28.2.5 CFIFO Port Select Register (CFIFOSEL) D0FIFO Port Select Register (D0FIFOSEL) D1FIFO Port Select Register (D1FIFOSEL)

CFIFOSEL

Address(es): USBFS.CFIFOSEL 4009 0020h

	b15	b14	b13	b12	b11	b10	b9	b8	b7	b6	b5	b4	b3	b2	b1	b0
	RCNT	REW	—	—	—	MBW	—	BIGEND	—	—	ISEL	—	CURPIPE[3:0]			
Value after reset:	0	0	0	0	0	0	0	0	0	0	0	0	0	0	0	0

Bit	Symbol	Bit name	Description	R/W
b3 to b0	CURPIPE[3:0]	CFIFO Port Access Pipe Specification	b3 b0 0 0 0 0: No pipe specification 0 0 0 1: Pipe 1 0 0 1 0: Pipe 2 0 0 1 1: Pipe 3 0 1 0 0: Pipe 4 0 1 0 1: Pipe 5 0 1 1 0: Pipe 6 0 1 1 1: Pipe 7 1 0 0 0: Pipe 8 1 0 0 1: Pipe 9. Other settings are prohibited.	R/W
b4	—	Reserved	This bit is read as 0. The write value should be 0.	R/W
b5	ISEL	CFIFO Port Access Direction When DCP is Selected	0: Reading from the buffer memory is selected 1: Writing to the buffer memory is selected.	R/W
b7, b6	—	Reserved	These bits are read as 0. The write value should be 0.	R/W
b8	BIGEND	CFIFO Port Endian Control	0: Little endian 1: Big endian.	R/W
b9	—	Reserved	This bit is read as 0. The write value should be 0.	R/W
b10	MBW	CFIFO Port Access Bit Width	0: 8-bit width 1: 16-bit width.	R/W
b13 to b11	—	Reserved	These bits are read as 0. The write value should be 0.	R/W
b14	REW	Buffer Pointer Rewind	0: The buffer pointer is not rewind 1: The buffer pointer is rewind.	R/W ^{*1}
b15	RCNT	Read Count Mode	0: The DTLN[8:0] bits (CFIFOCTR.DTLN[8:0], D0FIFOCTR.DTLN[8:0], D1FIFOCTR.DTLN[8:0]) are cleared when all receive data is read from the CFIFO. In double buffer mode, the DTLN[8:0] bit value is cleared when all data is read from only a single plane. 1: The DTLN[8:0] bits decrement each time the receive data is read from the CFIFO.	R/W

Note 1. Only 0 can be read.

Do not specify the same pipe number in the CURPIPE[3:0] bits in the CFIFOSEL, D0FIFOSEL, and D1FIFOSEL registers. When the CURPIPE[3:0] bits in the D0FIFOSEL and D1FIFOSEL registers are set to 0000b, no pipe is selected.

Do not change the pipe number while DMA or DTC transfer is enabled.

CURPIPE[3:0] bits (CFIFO Port Access Pipe Specification)

The CURPIPE[3:0] bits specify the pipe number used to read or write data through the CFIFO port. After writing to these bits, read them to check that the written value agrees with the read value before proceeding to the next process.

Do not set the same pipe number to the CURPIPE[3:0] bits in CFIFOSEL, D0FIFOSEL, and D1FIFOSEL.

During FIFO buffer access, the current pipe specification is maintained until the access is complete, even if software attempts to change the CURPIPE[3:0] setting. Access continues after the current value is written back to the CURPIPE[3:0] bits.

ISEL bit (CFIFO Port Access Direction When DCP is Selected)

After writing a new value to the ISEL bit with the DCP as the selected pipe, read this bit to check that the written value agrees with the read value before proceeding to the next process. Set the ISEL bit and the CURPIPE[3:0] bits simultaneously.

MBW bit (CFIFO Port Access Bit Width)

The MBW bit specifies the bit width for accessing the CFIFO port.

When the selected pipe is receiving, set the CURPIPE[3:0] bits and MBW bits simultaneously. After a write to these bits starts a data read from the FIFO buffer, do not change the bits until all of the data is read. When you read the FIFO buffer, read with the access size that is set in the MBW bit.

When the selected pipe is transmitting, the bit width cannot be changed from 8-bit width to 16-bit width while data is being written to the buffer memory.

An odd number of bytes can also be written through byte-access control even when 16-bit width is selected.

REW bit (Buffer Pointer Rewind)

The REW bit specifies whether to rewind the buffer pointer.

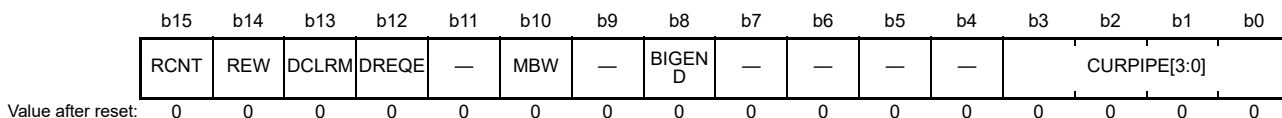
When the selected pipe is receiving, setting this bit to 1 while the FIFO buffer is being read allows re-reading of the FIFO buffer from the first data. In double buffering, this setting enables re-reading of the currently-read FIFO buffer plane from the first entry.

Do not set this bit to 1 while simultaneously changing the CURPIPE[3:0] bits. Before setting the REW bit to 1, be sure to check that the FRDY bit is 1.

To rewrite to the FIFO buffer from the first data for the transmitting pipe, use the BCLR bit.

D0FIFOSEL, D1FIFOSEL

Address(es): USBFS.D0FIFOSEL 4009 0028h, USBFS.D1FIFOSEL 4009 002Ch



Bit	Symbol	Bit name	Description	R/W
b3 to b0	CURPIPE [3:0]	FIFO Port Access Pipe Specification	b3 b0 0 0 0 0: No pipe specification 0 0 0 1: Pipe 1 0 0 1 0: Pipe 2 0 0 1 1: Pipe 3 0 1 0 0: Pipe 4 0 1 0 1: Pipe 5 0 1 1 0: Pipe 6 0 1 1 1: Pipe 7 1 0 0 0: Pipe 8 1 0 0 1: Pipe 9. Other settings are prohibited.	R/W
b7 to b4	—	Reserved	These bits are read as 0. The write value should be 0.	R/W
b8	BIGEND	FIFO Port Endian Control	0: Little endian 1: Big endian.	R/W
b9	—	Reserved	This bit is read as 0. The write value should be 0.	R/W
b10	MBW	FIFO Port Access Bit Width	0: 8-bit width 1: 16-bit width.	R/W
b11	—	Reserved	This bit is read as 0. The write value should be 0.	R/W
b12	DREQE	DMA/DTC Transfer Request Enable	0: DMA/DTC transfer request is disabled 1: DMA/DTC transfer request is enabled.	R/W
b13	DCLRM	Auto Buffer Memory Clear Mode Accessed after Specified Pipe Data is Read	0: Auto buffer clear mode is disabled 1: Auto buffer clear mode is enabled.	R/W
b14	REW	Buffer Pointer Rewind	0: The buffer pointer is not rewind 1: The buffer pointer is rewind.	R/W*1
b15	RCNT	Read Count Mode	0: DTLN[8:0] bits (CFIFOCTR.DTLN[8:0], D0FIFOCTR.DTLN[8:0], D1FIFOCTR.DTLN[8:0]) cleared when all receive data is read from DnFIFO. In double buffer mode, the DTLN bit Value is cleared when all data is read from only a single plane. 1: DTLN[8:0] bits decrement each time receive data is read from DnFIFO. n = 0, 1	R/W

Note 1. Only 0 can be read.

The same pipe must not be specified in the CURPIPE[3:0] bits in the CFIFOSEL, D0FIFOSEL, and D1FIFOSEL registers. When the CURPIPE[3:0] bits in the D0FIFOSEL and D1FIFOSEL registers are set to 0000b, no pipe is selected. The pipe number must not be changed while DMA or DTC transfer is enabled.

CURPIPE[3:0] bits (FIFO Port Access Pipe Specification)

The CURPIPE[3:0] bits specify the pipe number used to read or write data through the D0FIFO port or D1FIFO port. After writing to these bits, read them to check that the written value agrees with the read value before proceeding to the next process. Do not set the same pipe number to the CURPIPE[3:0] bits in CFIFOSEL, D0FIFOSEL, and D1FIFOSEL.

During FIFO buffer access, the current pipe specification is maintained until the access is complete, even if software attempts to change the CURPIPE[3:0] setting. Access continues after the current value is written back to the CURPIPE[3:0] bits.

MBW bit (FIFO Port Access Bit Width)

The MBW bit specifies the bit width for accessing the D0FIFO port or D1FIFO port.

When the selected pipe is receiving, after a write to these bits starts a data read from the FIFO buffer, do not change the bits until all of the data is read. When you read the FIFO buffer, read with the access size which is set in MBW bit. Set the CURPIPE[3:0] bits and the MBW bit simultaneously.

When the selected pipe is transmitting, the bit width cannot be changed from 8-bit width to 16-bit width while data is being written to the FIFO memory.

An odd number of bytes can also be written through byte-access control even when 16-bit width is selected.

DREQE bit (DMA/DTC Transfer Request Enable)

The DREQE bit enables or disables issuing of DMA or DTC transfer requests. To enable DMA or DTC transfer requests, set this bit to 1 after setting the CURPIPE[3:0] bits. To change the CURPIPE[3:0] setting, first set this bit to 0.

DCLRM bit (Auto Buffer Memory Clear Mode Accessed after Specified Pipe Data is Read)

The DCLRM bit enables or disables automatic FIFO buffer clearing after data in the selected pipe is read.

When this bit is set to 1, on receiving a zero-length packet while the FIFO buffer assigned to the selected pipe is empty, or when reading of a received short packet is complete while the PIPECFG.BFRE bit is 1, the USBFS sets the BCLR bit in the FIFO Port Control Register to 1.

When using the USBFS with the SOFCFG.BRDYM bit set to 1, set this bit to 0.

REW bit (Buffer Pointer Rewind)

The REW bit specifies whether to rewind the buffer pointer.

When the selected pipe is receiving, setting this bit to 1 while the FIFO buffer is being read allows re-reading of the FIFO buffer from the first data. In double buffering, this setting enables re-reading of the currently-read FIFO buffer plane from the first entry.

Do not set this bit to 1 while simultaneously changing the CURPIPE[3:0] bits. Before setting this bit to 1, always check that the FRDY bit is 1.

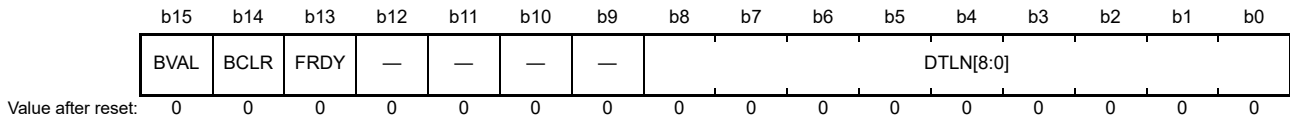
To rewrite to the FIFO buffer from the first data for the transmitting pipe, use the BCLR bit.

RCNT bit (Read Count Mode)

The RCNT bit specifies the read mode for the value in the CFIFOCTR.DTLN bit. When accessing DnFIFO with the PIPECFG.BFRE bit set to 1, set the RCNT bit to 0.

28.2.6 CFIFO Port Control Register (CFIFOCTR) D0FIFO Port Control Register (D0FIFOCTR) D1FIFO Port Control Register (D1FIFOCTR)

Address(es): USBFS.CFIFOCTR 4009 0022h, USBFS.D0FIFOCTR 4009 002Ah, USBFS.D1FIFOCTR 4009 002Eh



Bit	Symbol	Bit name	Description	R/W
b8 to b0	DTLN[8:0]	Receive Data Length	Indicates the receive data length. The meaning of the values differs depending on the RCNT bit setting in the port select register. For details, see the description of the DTLN[8:0] bits.	R
b12 to b9	—	Reserved	These bits are read as 0. The write value should be 0.	R/W
b13	FRDY	FIFO Port Ready	0: FIFO port access disabled 1: FIFO port access enabled.	R
b14	BCLR	CPU Buffer Clear	0: Does not operate 1: FIFO buffer cleared on the CPU side.	R/W*1
b15	BVAL	Buffer Memory Valid Flag	0: Invalid 1: Writing ended.	R/W

Note 1. Only 0 can be read.

The CFIFOCTR, D0FIFOCTR, and D1FIFOCTR registers correspond to the CFIFO, D0FIFO, and D1FIFO buffers.

[DTLN\[8:0\] bits \(Receive Data Length\)](#)

The DTLN[8:0] bits indicate the length of the receive data.

While the FIFO buffer is being read, the DTLN[8:0] bits indicate different values depending on the DnFIFOSEL.RCNT bit (n = 0, 1), as follows:

- **RCNT = 0**
The USBFS sets the DTLN[8:0] bits to indicate the length of the receive data until the CPU or DMA/DTC has read all of the received data from a single FIFO buffer plane.
While the PIPECFG.BFRE bit = 1, the USB retains the length of the receive data until the BCLR bit is set to 1, even after all the data is read.
- **RCNT = 1**
The USBFS decrements the value indicated by the DTLN[8:0] bits each time data is read from the FIFO buffer. The value is decremented by 1 when the MBW bit is 0, and by 2 when the MBW bit is 1.
The USBFS sets these bits to 0 when all the data is read from one FIFO buffer plane. In double buffer mode, if data is received in one FIFO buffer plane before all the data is read from the other plane, the USBFS sets these bits to indicate the length of the receive data in the former plane when all of the data is read from the latter plane.

[FRDY bit \(FIFO Port Ready\)](#)

The FRDY bit indicates whether the FIFO port can be accessed by the CPU or DMA/DTC.

In the following cases, the USBFS sets the FRDY bit to 1 but data cannot be read through the FIFO port because there is no data to be read:

- A zero-length packet is received when the FIFO buffer assigned to the selected pipe is empty
- A short packet is received and the data is completely read while the PIPECFG.BFRE bit = 1.

In these cases, set the BCLR bit to 1 to clear the FIFO buffer, and enable transmission and reception of the next data.

BCLR bit (CPU Buffer Clear)

Set the BCLR bit to 1 to clear the FIFO buffer on the CPU side for the selected pipe.

When double buffer mode is set for the FIFO buffer assigned to the selected pipe, the USBFS clears only one plane of the FIFO buffer even when both planes are read-enabled.

When the DCP is the selected pipe, setting the BCLR bit to 1 allows the USBFS to clear the FIFO buffer regardless of whether the CPU or SIE has access rights. To clear the buffer when the SIE has access rights, set the DCPCTR.PID[1:0] bits to 00b (NAK response) before setting the BCLR bit to 1.

When the selected pipe is transmitting, if 1 is written to the BVAL flag and the BCLR bit simultaneously, the USBFS clears the data that is already written, enabling transmission of a zero-length packet.

When the selected pipe is not the DCP, only write 1 to the BCLR bit while the FRDY bit in the FIFO Port Control Register is 1 (set by the USBFS).

BVAL flag (Buffer Memory Valid Flag)

Set the BVAL flag to 1 when data is completely written to the FIFO buffer on the CPU side for the pipe selected in CURPIPE[3:0].

When the selected pipe is transmitting, set this flag to 1 in the following cases:

- To transmit a short packet, set this flag to 1 after data is written
- To transmit a zero-length packet, set this flag to 1 before data is written to the FIFO buffer.

The USBFS switches the FIFO buffer from the CPU to the SIE, enabling transmission.

When data of the maximum packet size is written for the pipe in continuous transfer mode, the USBFS sets the BVAL flag to 1 and switches the FIFO buffer from the CPU to the SIE, enabling transmission.

Only write 1 to the BVAL flag while the FRDY bit is 1 (set by the USBFS). When the selected pipe is receiving, do not set the BVAL flag to 1.

28.2.7 Interrupt Enable Register 0 (INTENB0)

Address(es): USBFS.INTENB0 4009 0030h

	b15	b14	b13	b12	b11	b10	b9	b8	b7	b6	b5	b4	b3	b2	b1	b0
	VBSE	RSME	SOFE	DVSE	CTRE	BEMPE	NRDYE	BRDYE	—	—	—	—	—	—	—	—
Value after reset:	0	0	0	0	0	0	0	0	0	0	0	0	0	0	0	0

Bit	Symbol	Bit name	Description	R/W
b7 to b0	—	Reserved	These bits are read as 0. The write value should be 0.	R/W
b8	BRDYE	Buffer Ready Interrupt Enable	0: Interrupt output disabled 1: Interrupt output enabled.	R/W
b9	NRDYE	Buffer Not Ready Response Interrupt Enable	0: Interrupt output disabled 1: Interrupt output enabled.	R/W
b10	BEMPE	Buffer Empty Interrupt Enable	0: Interrupt output disabled 1: Interrupt output enabled.	R/W
b11	CTRE	Control Transfer Stage Transition Interrupt Enable*1	0: Interrupt output disabled 1: Interrupt output enabled.	R/W
b12	DVSE	Device State Transition Interrupt Enable*1	0: Interrupt output disabled 1: Interrupt output enabled.	R/W
b13	SOFE	Frame Number Update Interrupt Enable	0: Interrupt output disabled 1: Interrupt output enabled.	R/W
b14	RSME	Resume Interrupt Enable*1	0: Interrupt output disabled 1: Interrupt output enabled.	R/W
b15	VBSE	VBUS Interrupt Enable	0: Interrupt output disabled 1: Interrupt output enabled.	R/W

Note 1. The RSME, DVSE, and CTRE bits can only be set to 1 in device controller mode. Do not set these bits to 1 in host controller mode.

When a status flag in the INTSTS0 register sets to 1 and the associated interrupt request enable bit setting in the INTENB0 register is 1, the USBFS issues a USBFS interrupt request.

Regardless of the INTENB0 register setting, the status flag in the INTSTS0 register sets to 1 in response to a state change that satisfies the associated condition.

When an interrupt request enable bit in the INTENB0 register is switched from 0 to 1 while the associated status flag in the INTSTS0 register is set to 1, a USBFS interrupt is requested.

28.2.8 Interrupt Enable Register 1 (INTENB1)

Address(es): USBFS.INTENB1 4009 0032h

	b15	b14	b13	b12	b11	b10	b9	b8	b7	b6	b5	b4	b3	b2	b1	b0
	OVRCRE	BCHGE	—	DTCHE	ATTCH E	—	—	—	—	EOFERRE	SIGNE	SACKE	—	—	—	PDDETINTE0
Value after reset:	0	0	0	0	0	0	0	0	0	0	0	0	0	0	0	0

Bit	Symbol	Bit name	Description	R/W
b0	PDDETINTE0	PDDETINT0 Detection Interrupt Enable	0: Interrupt output disabled 1: Interrupt output enabled.	R/W
b3 to b1	—	Reserved	These bits are read as 0. The write value should be 0.	R/W
b4	SACKE	Setup Transaction Normal Response Interrupt Enable	0: Interrupt output disabled 1: Interrupt output enabled.	R/W
b5	SIGNE	Setup Transaction Error Interrupt Enable	0: Interrupt output disabled 1: Interrupt output enabled.	R/W
b6	EOFERRE	EOF Error Detection Interrupt Enable	0: Interrupt output disabled 1: Interrupt output enabled.	R/W
b10 to b7	—	Reserved	These bits are read as 0. The write value should be 0.	R/W
b11	ATTCHE	Connection Detection Interrupt Enable	0: Interrupt output disabled 1: Interrupt output enabled.	R/W
b12	DTCHE	Disconnection Detection Interrupt Enable	0: Interrupt output disabled 1: Interrupt output enabled.	R/W
b13	—	Reserved	This bit is read as 0. The write value should be 0.	R/W
b14	BCHGE	USB Bus Change Interrupt Enable	0: Interrupt output disabled 1: Interrupt output enabled.	R/W
b15	OVRCRE	Overcurrent Input Change Interrupt Enable	0: Interrupt output disabled 1: Interrupt output enabled.	R/W

Note: The bits in INTENB1 can only be set to 1 in host controller mode. Do not set these bits to 1 in device controller mode.

INTENB1 specifies the interrupt masks in host controller mode and for the setup transaction.

When a status flag in the INTSTS1 register sets to 1 and the associated interrupt request enable bit setting in the INTENB1 register is 1, the USBFS issues a USBFS interrupt request.

Regardless of the INTENB1 register setting, the status flag in the INTSTS1 register sets to 1 in response to a state change that satisfies the associated condition.

When an interrupt request enable bit in the INTENB1 register is switched from 0 to 1 while the associated status flag in the INTSTS1 register is set to 1, a USBFS interrupt is requested.

Do not enable interrupts in device controller mode.

28.2.9 BRDY Interrupt Enable Register (BRDYENB)

Address(es): [USBFS.BRDYENB 4009 0036h](#)

	b15	b14	b13	b12	b11	b10	b9	b8	b7	b6	b5	b4	b3	b2	b1	b0
	—	—	—	—	—	—	PIPE9B RDYE	PIPE8B RDYE	PIPE7B RDYE	PIPE6B RDYE	PIPE5B RDYE	PIPE4B RDYE	PIPE3B RDYE	PIPE2B RDYE	PIPE1B RDYE	PIPE0B RDYE
Value after reset:	0	0	0	0	0	0	0	0	0	0	0	0	0	0	0	0

Bit	Symbol	Bit name	Description	R/W
b0	PIPE0BRDYE	BRDY Interrupt Enable for Pipe 0	0: Interrupt output disabled 1: Interrupt output enabled.	R/W
b1	PIPE1BRDYE	BRDY Interrupt Enable for Pipe 1	0: Interrupt output disabled 1: Interrupt output enabled.	R/W
b2	PIPE2BRDYE	BRDY Interrupt Enable for Pipe 2	0: Interrupt output disabled 1: Interrupt output enabled.	R/W
b3	PIPE3BRDYE	BRDY Interrupt Enable for Pipe 3	0: Interrupt output disabled 1: Interrupt output enabled.	R/W
b4	PIPE4BRDYE	BRDY Interrupt Enable for Pipe 4	0: Interrupt output disabled 1: Interrupt output enabled.	R/W
b5	PIPE5BRDYE	BRDY Interrupt Enable for Pipe 5	0: Interrupt output disabled 1: Interrupt output enabled.	R/W
b6	PIPE6BRDYE	BRDY Interrupt Enable for Pipe 6	0: Interrupt output disabled 1: Interrupt output enabled.	R/W
b7	PIPE7BRDYE	BRDY Interrupt Enable for Pipe 7	0: Interrupt output disabled 1: Interrupt output enabled.	R/W
b8	PIPE8BRDYE	BRDY Interrupt Enable for Pipe 8	0: Interrupt output disabled 1: Interrupt output enabled.	R/W
b9	PIPE9BRDYE	BRDY Interrupt Enable for Pipe 9	0: Interrupt output disabled 1: Interrupt output enabled.	R/W
b15 to b10	—	Reserved	These bits are read as 0. The write value should be 0.	R/W

The BRDYENB register enables or disables the INTSTS0.BRDY bit to be set to 1 when the BRDY interrupt is detected for each pipe.

When a status flag in the BRDYSTS register sets to 1 and the associated PIPE n BRDYE bit ($n = 0$ to 9) setting in the BRDYENB register is 1, the INTSTS0.BRDY flag sets to 1. In this case, if the BRDYE bit in INTENB0 is 1, the USBFS generates a BRDY interrupt request. While at least one PIPE n BRDYE bit indicates 1, the USBFS generates the BRDY interrupt request when the associated interrupt request enable bit in the BRDYENB register is changed from 0 to 1 by software.

28.2.10 NRDY Interrupt Enable Register (NRDYENB)

Address(es): USBFS.NRDYENB 4009 0038h

	b15	b14	b13	b12	b11	b10	b9	b8	b7	b6	b5	b4	b3	b2	b1	b0
	—	—	—	—	—	—	PIPE9NRDYE	PIPE8NRDYE	PIPE7NRDYE	PIPE6NRDYE	PIPE5NRDYE	PIPE4NRDYE	PIPE3NRDYE	PIPE2NRDYE	PIPE1NRDYE	PIPE0NRDYE
Value after reset:	0	0	0	0	0	0	0	0	0	0	0	0	0	0	0	0

Bit	Symbol	Bit name	Description	R/W
b0	PIPE0NRDYE	NRDY Interrupt Enable for Pipe 0	0: Interrupt output disabled 1: Interrupt output enabled.	R/W
b1	PIPE1NRDYE	NRDY Interrupt Enable for Pipe 1	0: Interrupt output disabled 1: Interrupt output enabled.	R/W
b2	PIPE2NRDYE	NRDY Interrupt Enable for Pipe 2	0: Interrupt output disabled 1: Interrupt output enabled.	R/W
b3	PIPE3NRDYE	NRDY Interrupt Enable for Pipe 3	0: Interrupt output disabled 1: Interrupt output enabled.	R/W
b4	PIPE4NRDYE	NRDY Interrupt Enable for Pipe 4	0: Interrupt output disabled 1: Interrupt output enabled.	R/W
b5	PIPE5NRDYE	NRDY Interrupt Enable for Pipe 5	0: Interrupt output disabled 1: Interrupt output enabled.	R/W
b6	PIPE6NRDYE	NRDY Interrupt Enable for Pipe 6	0: Interrupt output disabled 1: Interrupt output enabled.	R/W
b7	PIPE7NRDYE	NRDY Interrupt Enable for Pipe 7	0: Interrupt output disabled 1: Interrupt output enabled.	R/W
b8	PIPE8NRDYE	NRDY Interrupt Enable for Pipe 8	0: Interrupt output disabled 1: Interrupt output enabled.	R/W
b9	PIPE9NRDYE	NRDY Interrupt Enable for Pipe 9	0: Interrupt output disabled 1: Interrupt output enabled.	R/W
b15 to b10	—	Reserved	These bits are read as 0. The write value should be 0.	R/W

NRDYENB enables or disables the INTSTS0.NRDY bit to be set to 1 when the NRDY interrupt is detected for each pipe.

When a status flag in the NRDYSTS register sets to 1 and the associated PIPE n NRDYE ($n = 0$ to 9) bit setting in the NRDYENB register is 1, the INTSTS0.NRDY flag sets to 1. In this case, if the NRDYE bit in INTENB0 is 1, the USBFS generates a NRDY interrupt request. While at least one PIPE n NRDYE bit indicates 1, the USBFS generates the NRDY interrupt request when the associated interrupt request enable bit in the NRDYENB register is changed from 0 to 1 by software.

28.2.11 BEMP Interrupt Enable Register (BEMPENB)

Address(es): USBFS.BEMPENB 4009 003Ah

	b15	b14	b13	b12	b11	b10	b9	b8	b7	b6	b5	b4	b3	b2	b1	b0
	—	—	—	—	—	—	PIPE9B EMPE	PIPE8B EMPE	PIPE7B EMPE	PIPE6B EMPE	PIPE5B EMPE	PIPE4B EMPE	PIPE3B EMPE	PIPE2B EMPE	PIPE1B EMPE	PIPE0B EMPE
Value after reset:	0	0	0	0	0	0	0	0	0	0	0	0	0	0	0	0

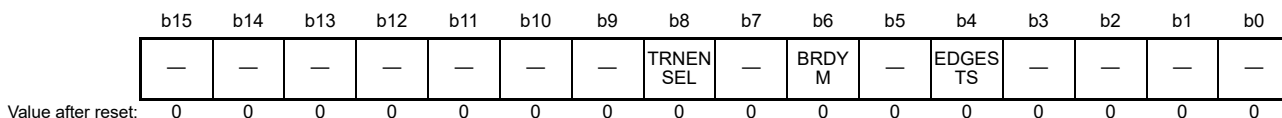
Bit	Symbol	Bit name	Description	R/W
b0	PIPE0BEMPE	BEMP Interrupt Enable for Pipe 0	0: Interrupt output disabled 1: Interrupt output enabled.	R/W
b1	PIPE1BEMPE	BEMP Interrupt Enable for Pipe 1	0: Interrupt output disabled 1: Interrupt output enabled.	R/W
b2	PIPE2BEMPE	BEMP Interrupt Enable for Pipe 2	0: Interrupt output disabled 1: Interrupt output enabled.	R/W
b3	PIPE3BEMPE	BEMP Interrupt Enable for Pipe 3	0: Interrupt output disabled 1: Interrupt output enabled.	R/W
b4	PIPE4BEMPE	BEMP Interrupt Enable for Pipe 4	0: Interrupt output disabled 1: Interrupt output enabled.	R/W
b5	PIPE5BEMPE	BEMP Interrupt Enable for Pipe 5	0: Interrupt output disabled 1: Interrupt output enabled.	R/W
b6	PIPE6BEMPE	BEMP Interrupt Enable for Pipe 6	0: Interrupt output disabled 1: Interrupt output enabled.	R/W
b7	PIPE7BEMPE	BEMP Interrupt Enable for Pipe 7	0: Interrupt output disabled 1: Interrupt output enabled.	R/W
b8	PIPE8BEMPE	BEMP Interrupt Enable for Pipe 8	0: Interrupt output disabled 1: Interrupt output enabled.	R/W
b9	PIPE9BEMPE	BEMP Interrupt Enable for Pipe 9	0: Interrupt output disabled 1: Interrupt output enabled.	R/W
b15 to b10	—	Reserved	These bits are read as 0. The write value should be 0.	R/W

The BEMPENB register enables or disables the INTSTS0.BEMP bit to be set to 1 when the BEMP interrupt is detected for each pipe.

When a status flag in the BEMPSTS register sets to 1 and the associated PIPE_nBEMPE (n = 0 to 9) bit setting in the BEMPENB register is 1, the INTSTS0.BEMP flag sets to 1. In this case, if the BEMPE bit in INTENB0 is 1, the USBFS generates a BEMP interrupt request. While at least one PIPE_nBEMPE bit indicates 1, the USBFS generates the BEMP interrupt request when the associated interrupt request enable bit in the BEMPENB register is changed from 0 to 1 by software.

28.2.12 SOF Output Configuration Register (SOFCFG)

Address(es): USBFS.SOFCFG 4009 003Ch



Bit	Symbol	Bit name	Description	R/W
b3 to b0	—	Reserved	These bits are read as 0. The write value should be 0.	R/W
b4	EDGESTS	Edge Interrupt Output Status Monitor*1	Indicates 1 during the edge processing of an edge interrupt output signal	R
b5	—	Reserved	This bit is read as 0. The write value should be 0.	R/W
b6	BRDYM	BRDY Interrupt Status Clear Timing	0: BRDY flag cleared by software 1: BRDY flag cleared by the USBFS through a data read from the FIFO buffer or data write to the FIFO buffer.	R/W
b7	—	Reserved	This bit is read as 0. The write value should be 0.	R/W
b8	TRNENSEL	Transaction-Enabled Time Select*1	0: Not low-speed communication 1: Low-speed communication.	R/W
b15 to b9	—	Reserved	These bits are read as 0. The write value should be 0.	R/W

Note 1. Confirm that these bits are 0 before stopping the clock supply to the USBFS.

EDGESTS bit (Edge Interrupt Output Status Monitor)

The EDGESTS bit indicates 1 during the edge processing of an edge interrupt output signal. Confirm that this bit is 0 before stopping the clock supply to the USBFS.

BRDYM bit (BRDY Interrupt Status Clear Timing)

The BRDYM bit specifies how the BRDY interrupt status flags for the pipes are cleared.

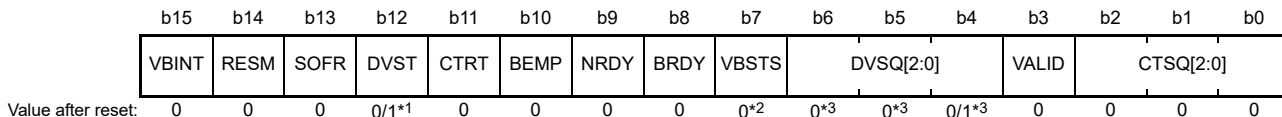
TRNENSEL bit (Transaction-Enabled Time Select)

When the USB port is in use for full- or low-speed communications, the TRNENSEL bit specifies the timing with which the USBFS issues tokens in a frame (transaction-enabled time).

Set this bit to 1 when a low-speed device is connected. The bit is only valid in host controller mode. Set this bit to 0 in device controller mode.

28.2.13 Interrupt Status Register 0 (INTSTS0)

Address(es): USBFS.INTSTS0 4009 0040h



Bit	Symbol	Bit name	Description	R/W
b2 to b0	CTSQ[2:0]	Control Transfer Stage	b2 b0 0 0 0: Idle or setup stage 0 0 1: Control read data stage 0 1 0: Control read status stage 0 1 1: Control write data stage 1 0 0: Control write status stage 1 0 1: Control write (no data) status stage 1 1 0: Control transfer sequence error.	R

Bit	Symbol	Bit name	Description	R/W
b3	VALID	USB Request Reception	0: Setup packet is not received 1: Setup packet is received.	R/W ^{*4}
b6 to b4	DVSQ[2:0]	Device State	b6 b4 0 0 0: Powered state 0 0 1: Default state 0 1 0: Address state 0 1 1: Configured state 1 x x: Suspended state.	R
b7	VBSTS	VBUS Input Status	0: USB_VBUS pin is low 1: USB_VBUS pin is high.	R
b8	BRDY	Buffer Ready Interrupt Status	0: BRDY interrupts are not generated 1: BRDY interrupts are generated.	R
b9	NRDY	Buffer Not Ready Interrupt Status	0: NRDY interrupts are not generated 1: NRDY interrupts are generated.	R
b10	BEMP	Buffer Empty Interrupt Status	0: BEMP interrupts are not generated 1: BEMP interrupts are generated.	R
b11	CTRTR	Control Transfer Stage Transition Interrupt Status ^{*5}	0: Control transfer stage transition interrupts are not generated 1: Control transfer stage transition interrupts are generated.	R/W ^{*4}
b12	DVST	Device State Transition Interrupt Status ^{*5}	0: Device state transition interrupts are not generated 1: Device state transition interrupts are generated.	R/W ^{*4}
b13	SOFR	Frame Number Refresh Interrupt Status	0: SOF interrupts are not generated 1: SOF interrupts are generated.	R/W ^{*4}
b14	RESM	Resume Interrupt Status ^{*5, *6}	0: Resume interrupts are not generated 1: Resume interrupts are generated.	R/W ^{*4}
b15	VBINT	VBUS Interrupt Status ^{*6}	0: VBUS interrupts are not generated 1: VBUS interrupts are generated.	R/W ^{*4}

x: Don't care

Note 1. The value is 0 when the MCU is reset and 1 after a USB bus reset.

Note 2. The value is 1 when the USB_VBUS pin is high and 0 when the USB_VBUS pin is low.

Note 3. The value is 000b when the MCU is reset and 001b after a USB bus reset.

Note 4. To clear the VBINT, RESM, SOFR, DVST, CTRTR, or VALID bits, write 0 only to the bits to be cleared. Write 1 to the other bits. Do not write 0 to the status bits indicating 0.

Note 5. The status of the RESM, DVST, and CTRTR bits are changed only in device controller mode. Set the associated interrupt enable bits to 0 (disabled) in host controller mode.

Note 6. The USBFS detects a change in the status indicated by the VBINT and RESM bits even while the clock supply is stopped (SYSCFG.SCKE bit = 0), and it requests the interrupt when the associated interrupt request bit is 1. Enable the clock supply before clearing the status by software.

CTSQ[2:0] bits (Control Transfer Stage)

In host controller mode, the read value of the CTSQ[2:0] bits is invalid.

VALID bit (USB Request Reception)

In host controller mode, the read value of the VALID bit is invalid.

DVSQ[2:0] bits (Device State)

The DVSQ[2:0] bits are initialized by a USB bus reset. In host controller mode, the read value is invalid.

BRDY bit (Buffer Ready Interrupt Status)

The BRDY bit indicates the BRDY interrupt status.

The USBFS sets the BRDY bit to 1 when it detects a BRDY interrupt status (PIPE_nBRDY = 1, n = 0 to 9) on at least one pipe for which BRDY interrupts are enabled (BRDYENB.PIPE_nBRDYE = 1).

For the conditions that cause the PIPE_nBRDY status to be asserted, see [section 28.3.3.1, BRDY interrupt](#).

The USBFS sets the BRDY bit to 0 when software writes 0 to all the PIPE_nBRDY bits associated with the PIPE_nBRDYE bits that are set to 1. Writing 0 to the BRDY bit in software does not clear the bit.

NRDY bit (Buffer Not Ready Interrupt Status)

The NRDY bit indicates the NRDY interrupt status.

The USBFS sets the NRDY bit to 1 when it detects a NRDY interrupt status ($\text{PIPE}n\text{NRDY} = 1, n = 0 \text{ to } 9$) on at least one pipe for which NRDY interrupts are enabled ($\text{NRDYENB.PIPEnNRDYE} = 1$).

For the conditions that cause the $\text{PIPE}n\text{NRDY}$ status to be asserted, see [section 28.3.3.2, NRDY interrupt](#).

The USBFS sets the NRDY bit to 0 when software writes 0 to all the $\text{PIPE}n\text{NRDY}$ bits associated with the $\text{PIPE}n\text{NRDYE}$ bits that are set to 1. Writing 0 to the NRDY bit in software does not clear the bit.

BEMP bit (Buffer Empty Interrupt Status)

The BEMP bit indicates the BEMP interrupt status.

The USBFS sets the BEMP bit to 1 when it detects a BEMP interrupt status ($\text{PIPE}n\text{BEMP} = 1, n = 0 \text{ to } 9$) on at least one pipe for which BEMP interrupts are enabled ($\text{BEMPENB.PIPEnBEMPE} = 1$).

For the conditions that cause the $\text{PIPE}n\text{BEMP}$ status to be asserted, see [section 28.3.3.3, BEMP interrupt](#).

The USBFS sets the BEMP bit to 0 when software writes 0 to all of the $\text{PIPE}n\text{BEMP}$ bits associated with the $\text{PIPE}n\text{BEMPE}$ bits that are set to 1. Writing 0 to the BEMP bit in software does not clear the bit.

CTRT bit (Control Transfer Stage Transition Interrupt Status)

In device controller mode, the USBFS updates the value of the $\text{CTSQ}[2:0]$ bits and sets the CTRT bit to 1 on detecting a transition in the control transfer stage. When a control transfer stage transition interrupt is generated, clear the CTRT bit before the USBFS detects the next control transfer stage transition.

Values read from the CTRT bit in host controller mode are invalid.

DVST bit (Device State Transition Interrupt Status)

In device controller mode, the USBFS updates the value of the $\text{DVSQ}[2:0]$ bits and sets the DVST bit to 1 on detecting a change in the device state. When a device state transition interrupt is generated, clear the DVST bit before the USBFS detects the next device state transition.

Values read from the DVST bit in host controller mode are invalid.

SOFR bit (Frame Number Refresh Interrupt Status)

In host controller mode, the USBFS sets the SOFR bit to 1 on updating the frame number when the DVSTCTR0.UACT bit has been set to 1 by software. An SOFR interrupt is detected every 1 ms.

In device controller mode, the USBFS sets the SOFR bit to 1 on updating the frame number. A frame number refresh interrupt is detected every 1 ms.

The USBFS can detect an SOFR interrupt through the internal interpolation function even when a corrupted SOF packet is received from the USB host.

RESM bit (Resume Interrupt Status)

In device controller mode, the USBFS sets the RESM bit to 1 on detecting the falling edge of the signal on the USB_DP pin in the suspended state ($\text{DVSQ}[2:0] = 1\text{xxb}$). Values read from the RESM bit in host controller mode are invalid.

VBINT bit (VBUS Interrupt Status)

The USBFS sets the VBINT bit to 1 on detecting a level change (high to low or low to high) in the USB_VBUS pin input value. The USBFS sets the VBSTS bit to indicate the USB_VBUS pin input value. When a VBUS interrupt is generated, eliminate transient elements by reading the VBSTS flag at least three times through software processing and check that the values read are the same.

28.2.14 Interrupt Status Register 1 (INTSTS1)

Address(es): USBFS.INTSTS1 4009 0042h

	b15	b14	b13	b12	b11	b10	b9	b8	b7	b6	b5	b4	b3	b2	b1	b0
	OVRCR	BCHG	—	DTCH	ATTCH	—	—	—	—	EOFERR	SIGN	SACK	—	—	—	PDDDETINT0
Value after reset:	0	0	0	0	0	0	0	0	0	0	0	0	0	0	0	0

Bit	Symbol	Bit name	Description	R/W
b0	PDDDETINT0	PDDDET0 Detection Interrupt Status	0: PDDDET0 detection interrupts are not generated 1: PDDDET0 detection interrupts are generated.	R/W *1
b3 to b1	—	Reserved	These bits are read as 0. The write value should be 0.	R/W
b4	SACK	Setup Transaction Normal Response Interrupt Status	0: SACK interrupts are not generated 1: SACK interrupts are generated.	R/W *1
b5	SIGN	Setup Transaction Error Interrupt Status	0: SIGN interrupts are not generated 1: SIGN interrupts are generated.	R/W *1
b6	EOFERR	EOF Error Detection Interrupt Status	0: EOFERR interrupts are not generated 1: EOFERR interrupts are generated.	R/W *1
b10 to b7	—	Reserved	These bits are read as 0. The write value should be 0.	R/W
b11	ATTCH	ATTCH Interrupt Status	0: ATTCH interrupts are not generated 1: ATTCH interrupts are generated.	R/W *1
b12	DTCH	USB Disconnection Detection Interrupt Status	0: DTCH interrupts are not generated. 1: DTCH interrupts are generated.	R/W *1
b13	—	Reserved	This bit is read as 0. The write value should be 0.	R/W
b14	BCHG	USB Bus Change Interrupt Status*2	0: BCHG interrupts are not generated 1: BCHG interrupts are generated.	R/W *1
b15	OVRCCR	Overcurrent Input Change Interrupt Status*2	0: OVRCCR interrupts are not generated 1: OVRCCR interrupts are generated.	R/W *1

Note 1. To clear the bits in INTSTS1, write 0 only to the bits to be cleared. Write 1 to the other bits.

Note 2. The USBFS detects a change in the status in the OVRCCR or BCHG bit even when the clock supply is stopped (SYSCFG.SCKE = 0), and it requests the interrupt when the associated interrupt request bit is 1. Enable the clock supply (SYSCFG.SCKE = 1) before clearing the status through software. No other interrupts can be detected while the clock supply is stopped (SYSCFG.SCKE bit = 0).

INTSTS1 is used to confirm the status of each interrupt in host controller mode. Only enable the status change interrupts indicated in the bits in INTSTS1 in host controller mode.

PDDDETINT0 bit (PDDDET0 Detection Interrupt Status)

The PDDDETINT0 bit indicates the status of the portable device detection interrupt in host controller mode. This bit is set to 1 when the USBFS detects a level change (high to low or low to high) in the input value to the VDPDET pin of the USB physical layer transceiver (PHY). The USBFS sets the PDDDETSTS0 bit to indicate the VDPDET input value. When the PDDDETINT interrupt is generated, eliminate transient elements by reading the PDDDETSTS0 bit at least three times through software processing and check that the values read are the same.

SACK bit (Setup Transaction Normal Response Interrupt Status)

The SACK bit indicates the status of the setup transaction normal response interrupt in host controller mode.

The USBFS detects the SACK interrupt and sets this bit to 1 when an ACK response is returned from the peripheral device during the setup transactions issued by the USBFS. If the associated interrupt enable bit is set to 1 by software, the USBFS generates the interrupt.

Values read from the SACK bit in device controller mode are invalid.

SIGN bit (Setup Transaction Error Interrupt Status)

The SIGN bit indicates the status of the setup transaction error interrupt in host controller mode.

The USBFS detects the SIGN interrupt and sets this bit to 1 when an ACK response is not returned from the peripheral device three consecutive times during the setup transactions issued by the USBFS. If the associated interrupt enable bit is set to 1 by software, the USBFS generates the interrupt.

The USBFS detects the SIGN interrupt when any of the following response conditions occur for three consecutive setup transactions:

- Timeout is detected by the USBFS when the peripheral device has returned no response
- A corrupted ACK packet is received
- A handshake other than ACK (NAK, NYET, or STALL) is received.

Values read from the SIGN bit in device controller mode are invalid.

EOFERR bit (EOF Error Detection Interrupt Status)

The EOFERR bit indicates the status of the EOFERR interrupt in host controller mode.

The USBFS detects the EOFERR interrupt and sets this bit to 1 on detecting that communication did not complete at the EOF2 timing defined in the USB 2.0 specification. If the associated interrupt enable bit is set to 1 by software, the USBFS generates the interrupt.

After detecting the EOFERR interrupt, the USBFS controls the hardware as follows, regardless of the associated interrupt enable bit setting:

- Sets the DVSTCTR0.UACT bit for the port in which the EOFERR interrupt was detected to 0
- Puts the port in which the EOFERR interrupt occurred into the idle state.

Software must terminate all pipes in which communications are currently being carried out and re-enumerate the USB port. Values read from the EOFERR bit in device controller mode are invalid.

ATTCH bit (ATTCH Interrupt Status)

The ATTCH bit indicates the status of USB attach detection interrupts in host controller mode.

The USBFS detects the ATTCH interrupt and sets this bit to 1 on detecting a J- or K-state on the full- or low-speed signal level for 2.5 μ s. If the associated interrupt enable bit is set to 1 by software, the USBFS generates the interrupt.

The USBFS detects the ATTCH interrupt on any of the following conditions:

- K-state, SE0, or SE1 changes to J-state, and J-state continues for 2.5 μ s
- J-state, SE0, or SE1 changes to K-state, and K-state continues for 2.5 μ s.

Values read from the ATTCH bit in device controller mode are invalid.

DTCH bit (USB Disconnection Detection Interrupt Status)

The DTCH bit indicates the status of USB disconnection detection interrupts in host controller mode.

The USBFS detects the DTCH interrupt and sets this bit to 1 on detecting a USB bus detach event. If the associated interrupt enable bit is set to 1 by software, the USBFS generates the interrupt.

The USBFS detects bus detach events based on the USB 2.0 specification.

After detecting the DTCH interrupt, the USBFS controls hardware as follows, regardless of the associated interrupt enable bit setting:

- Sets the DVSTCTR0.UACT bit for the port in which the DTCH interrupt was detected to 0
- Puts the port in which the DTCH interrupt occurred into the idle state.

Software must terminate all pipes in which communications are currently being carried out and invoke the wait state for attaching to the USB port (waiting for ATTCH interrupt generation).

Values read from the DTCH flag in device controller mode are invalid.

BCHG bit (USB Bus Change Interrupt Status)

The BCHG bit indicates the status of USB bus change interrupts in host controller mode.

The USBFS detects the BCHG interrupt and sets this bit to 1 when a change in the full-speed or low-speed signal level occurs on the USB port. This includes any change from J-state, K-state, or SE0 to J-state, K-state, or SE0. If the associated interrupt enable bit is set to 1 by software, the USBFS generates the interrupt.

The USBFS sets the LNST[1:0] bits to indicate the current input state of the USB port. When a BCHG interrupt is generated, eliminate transient elements by repeat reading the LNST[1:0] bits through software until the same value is read at least three times.

Change in the USB bus state can be detected while the internal clock is stopped.

Values read from the BCHG flag in device controller mode are invalid.

OVRCCR bit (Overcurrent Input Change Interrupt Status)

The OVRCCR bit indicates the status of the USB_OVRCURA and USB_OVRCURB input pin change interrupts.

The USBFS detects the OVRCCR interrupt and sets this bit to 1 when a change (high to low or low to high) occurs in at least one of the input values to the USB_OVRCURA and USB_OVRCURB pins. If the associated interrupt enable bit is set to 1 by software, the USBFS generates the interrupt.

28.2.15 BRDY Interrupt Status Register (BRDYSTS)

Address(es): USBFS.BRDYSTS 4009 0046h

	b15	b14	b13	b12	b11	b10	b9	b8	b7	b6	b5	b4	b3	b2	b1	b0
	—	—	—	—	—	—	PIPE9B RDY	PIPE8B RDY	PIPE7B RDY	PIPE6B RDY	PIPE5B RDY	PIPE4B RDY	PIPE3B RDY	PIPE2B RDY	PIPE1B RDY	PIPE0B RDY
Value after reset:	0	0	0	0	0	0	0	0	0	0	0	0	0	0	0	0

Bit	Symbol	Bit name	Description	R/W
b0	PIPE0BRDY	BRDY Interrupt Status for Pipe 0*2	0: Interrupts are not generated 1: Interrupts are generated.	R/W *1
b1	PIPE1BRDY	BRDY Interrupt Status for Pipe 1*2	0: Interrupts are not generated 1: Interrupts are generated.	R/W *1
b2	PIPE2BRDY	BRDY Interrupt Status for Pipe 2*2	0: Interrupts are not generated 1: Interrupts are generated.	R/W *1
b3	PIPE3BRDY	BRDY Interrupt Status for Pipe 3*2	0: Interrupts are not generated 1: Interrupts are generated.	R/W *1
b4	PIPE4BRDY	BRDY Interrupt Status for Pipe 4*2	0: Interrupts are not generated 1: Interrupts are generated.	R/W *1
b5	PIPE5BRDY	BRDY Interrupt Status for Pipe 5*2	0: Interrupts are not generated 1: Interrupts are generated.	R/W *1
b6	PIPE6BRDY	BRDY Interrupt Status for Pipe 6*2	0: Interrupts are not generated 1: Interrupts are generated.	R/W *1
b7	PIPE7BRDY	BRDY Interrupt Status for Pipe 7*2	0: Interrupts are not generated 1: Interrupts are generated.	R/W *1
b8	PIPE8BRDY	BRDY Interrupt Status for Pipe 8*2	0: Interrupts are not generated 1: Interrupts are generated.	R/W *1
b9	PIPE9BRDY	BRDY Interrupt Status for Pipe 9*2	0: Interrupts are not generated 1: Interrupts are generated.	R/W *1
b15 to b10	—	Reserved	These bits are read as 0. The write value should be 0.	R/W

Note 1. When the SOFCFG.BRDYM bit is set to 0, to clear the status indicated in the bits in BRDYSTS, write 0 only to the bits to be cleared. Write 1 to the other bits.

Note 2. When the SOFCFG.BRDYM bit is set to 0, clear the BRDY interrupts before accessing the FIFO.

28.2.16 NRDY Interrupt Status Register (NRDYSTS)

Address(es): USBFS.NRDYSTS 4009 0048h

	b15	b14	b13	b12	b11	b10	b9	b8	b7	b6	b5	b4	b3	b2	b1	b0
	—	—	—	—	—	—	PIPE9NRDY	PIPE8NRDY	PIPE7NRDY	PIPE6NRDY	PIPE5NRDY	PIPE4NRDY	PIPE3NRDY	PIPE2NRDY	PIPE1NRDY	PIPE0NRDY
Value after reset:	0	0	0	0	0	0	0	0	0	0	0	0	0	0	0	0

Bit	Symbol	Bit name	Description	R/W
b0	PIPE0NRDY	NRDY Interrupt Status for Pipe 0	0: Interrupts are not generated 1: Interrupts are generated.	R/W *1
b1	PIPE1NRDY	NRDY Interrupt Status for Pipe 1	0: Interrupts are not generated 1: Interrupts are generated.	R/W *1
b2	PIPE2NRDY	NRDY Interrupt Status for Pipe 2	0: Interrupts are not generated 1: Interrupts are generated.	R/W *1
b3	PIPE3NRDY	NRDY Interrupt Status for Pipe 3	0: Interrupts are not generated 1: Interrupts are generated.	R/W *1
b4	PIPE4NRDY	NRDY Interrupt Status for Pipe 4	0: Interrupts are not generated 1: Interrupts are generated.	R/W *1
b5	PIPE5NRDY	NRDY Interrupt Status for Pipe 5	0: Interrupts are not generated 1: Interrupts are generated.	R/W *1
b6	PIPE6NRDY	NRDY Interrupt Status for Pipe 6	0: Interrupts are not generated 1: Interrupts are generated.	R/W *1
b7	PIPE7NRDY	NRDY Interrupt Status for Pipe 7	0: Interrupts are not generated 1: Interrupts are generated.	R/W *1
b8	PIPE8NRDY	NRDY Interrupt Status for Pipe 8	0: Interrupts are not generated 1: Interrupts are generated.	R/W *1
b9	PIPE9NRDY	NRDY Interrupt Status for Pipe 9	0: Interrupts are not generated 1: Interrupts are generated.	R/W *1
b15 to b10	—	Reserved	These bits are read as 0. The write value should be 0.	R/W

Note 1. To clear the status indicated in the bits in NRDYSTS, write 0 only to the bits to be cleared. Write 1 to the other bits.

28.2.17 BEMP Interrupt Status Register (BEMPSTS)

Address(es): [USBFS.BEMPSTS 4009 004Ah](#)

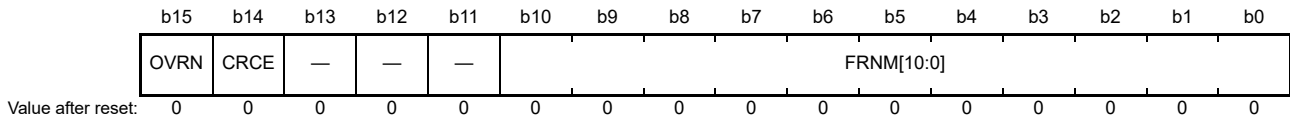
	b15	b14	b13	b12	b11	b10	b9	b8	b7	b6	b5	b4	b3	b2	b1	b0
	—	—	—	—	—	—	PIPE9B EMP	PIPE8B EMP	PIPE7B EMP	PIPE6B EMP	PIPE5B EMP	PIPE4B EMP	PIPE3B EMP	PIPE2B EMP	PIPE1B EMP	PIPE0B EMP
Value after reset:	0	0	0	0	0	0	0	0	0	0	0	0	0	0	0	0

Bit	Symbol	Bit name	Description	R/W
b0	PIPE0BEMP	BEMP Interrupt Status for Pipe 0	0: Interrupts are not generated 1: Interrupts are generated.	R/W *1
b1	PIPE1BEMP	BEMP Interrupt Status for Pipe 1	0: Interrupts are not generated 1: Interrupts are generated.	R/W *1
b2	PIPE2BEMP	BEMP Interrupt Status for Pipe 2	0: Interrupts are not generated 1: Interrupts are generated.	R/W *1
b3	PIPE3BEMP	BEMP Interrupt Status for Pipe 3	0: Interrupts are not generated 1: Interrupts are generated.	R/W *1
b4	PIPE4BEMP	BEMP Interrupt Status for Pipe 4	0: Interrupts are not generated 1: Interrupts are generated.	R/W *1
b5	PIPE5BEMP	BEMP Interrupt Status for Pipe 5	0: Interrupts are not generated 1: Interrupts are generated.	R/W *1
b6	PIPE6BEMP	BEMP Interrupt Status for Pipe 6	0: Interrupts are not generated 1: Interrupts are generated.	R/W *1
b7	PIPE7BEMP	BEMP Interrupt Status for Pipe 7	0: Interrupts are not generated 1: Interrupts are generated.	R/W *1
b8	PIPE8BEMP	BEMP Interrupt Status for Pipe 8	0: Interrupts are not generated 1: Interrupts are generated.	R/W *1
b9	PIPE9BEMP	BEMP Interrupt Status for Pipe 9	0: Interrupts are not generated 1: Interrupts are generated.	R/W *1
b15 to b10	—	Reserved	These bits are read as 0. The write value should be 0.	R/W

Note 1. To clear the status indicated by the bits in BEMPSTS, write 0 only to the bits to be cleared. Write 1 to the other bits.

28.2.18 Frame Number Register (FRMNUM)

Address(es): USBFS.FRNUM 4009 004Ch



Bit	Symbol	Bit name	Description	R/W
b10 to b0	FRNM[10:0]	Frame Number	Latest frame number	R
b13 to b11	—	Reserved	These bits are read as 0. The write value should be 0.	R/W
b14	CRCE	Receive Data Error	0: No error 1: An error occurred	R/W*1
b15	OVRN	Overrun/Underrun Detection Status	0: No error 1: An error occurred	R/W*1

Note 1. To clear the status, write 0 only to the bits to be cleared. Write 1 to the other bits.

FRNM[10:0] bits (Frame Number)

The USBFS sets the FRNM[10:0] bits to indicate the latest frame number, which is updated every 1 ms, when an SOF packet is issued or received.

CRCE bit (Receive Data Error)

The CRCE bit is set to 1 when a CRC error or bit stuffing error occurs during isochronous transfer. On detecting a CRC error in host controller mode, the USBFS generates an internal NRDY interrupt.

To clear the CRCE bit, write 0 to it while writing 1 to the other bits in the FRMNUM register.

OVRN bit (Overrun/Underrun Detection Status)

The OVRN bit is set to 1 when an overrun or underrun error occurs during isochronous transfer. To clear the bit, write 0 to it while writing 1 to the other bits in the FRMNUM register.

In host controller mode, the OVRN bit is set to 1 on any of the following conditions:

- For a transmitting isochronous pipe, the time to issue an OUT token comes before all of the transmit data is written to the FIFO buffer
- For a receiving isochronous pipe, the time to issue an IN token comes when no FIFO buffer planes are empty.

In device controller mode, the OVRN bit is set to 1 on any of the following conditions:

- For a transmitting isochronous pipe, the IN token is received before all of the transmit data is written to the FIFO buffer
- For a receiving isochronous pipe, the OUT token is received when no FIFO buffer planes are empty.

28.2.19 USB Request Type Register (USBREQ)

Address(es): USBFS.USBREQ 4009 0054h



Bit	Symbol	Bit name	Description	R/W
b7 to b0	BMREQUESTTYPE[7:0]	Request Type	USB request bmRequestType value	R/W *1
b15 to b8	BREQUEST[7:0]	Request	USB request bRequest value	R/W *1

Note 1. In device controller mode, these bits are readable, but writing to them has no effect. In host controller mode, these bits are read/write.

USBREQ stores setup requests for control transfers.

In device controller mode, the USBREQ stores the received bRequest and bmRequestType values. In host controller mode, it sets the bRequest and bmRequestType values to be transmitted.

USBREQ is initialized by a USB bus reset.

BMREQUESTTYPE[7:0] bits (Request Type)

The BMREQUESTTYPE[7:0] bits hold the bmRequestType value of USB requests.

- In host controller mode:
Set these bits to the value of the USB request data in transmission setup transactions. Do not change the value of the bits while the DCPCTR.SUREQ bit is 1.
- In device controller mode:
These bits indicate the value of the USB request data in reception setup transactions. Writing to the bits has no effect.

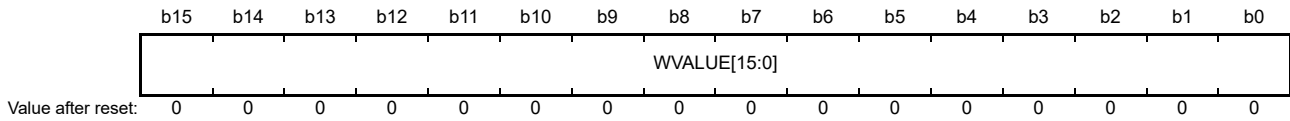
BREQUEST[7:0] bits (Request)

The BREQUEST[7:0] bits store bRequest value of the USB request.

- In host controller mode:
Set these bits to the value of the USB request data in setup transmission transactions. Do not change the value of the bits while the DCPCTR.SUREQ bit is 1.
- In device controller mode:
These bits indicate the value of the USB request data in reception setup transactions. Writing to the bits has no effect.

28.2.20 USB Request Value Register (USBVAL)

Address(es): [USBFS.USBVAL 4009 0056h](#)



Bit	Symbol	Bit name	Description	R/W
b15 to b0	WVALUE[15:0]	Value	These bits store the USB request wValue value	R/W *1

Note 1. In device controller mode, these bits are readable, but writing to them has no effect. In host controller mode, these bits are both read/write.

In device controller mode, USBVAL stores the received wValue value. In host controller mode, it sets to the wValue value to be transmitted is set.

USBVAL is initialized by a USB bus reset.

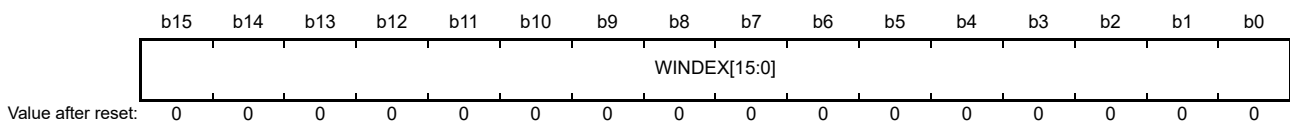
[WVALUE\[15:0\] bits \(Value\)](#)

The WVALUE[15:0] bits store wValue value of the USB request.

- In host controller mode:
Set these bits to the value of the wValue field in USB requests of transmission setup transactions. Do not change the value of the bits while the DCPCTR.SUREQ bit is 1.
- In device controller mode:
These bits indicate the wValue value of USB requests in reception setup transactions. Writing to the bits has no effect.

28.2.21 USB Request Index Register (USBINDX)

Address(es): [USBFS.USBINDX 4009 0058h](#)



Bit	Symbol	Bit name	Description	R/W
b15 to b0	WINDEX[15:0]	Index	These bits store the USB request wIndex value	R/W *1

Note 1. In device controller mode, these bits are readable, but writing to them has no effect. In host controller mode, these bits are both read/write.

USBINDX stores setup requests for control transfers. In device controller mode, it stores the received wIndex value. In host controller mode, it sets to the wIndex value to be transmitted.

USBINDX is initialized by a USB bus reset.

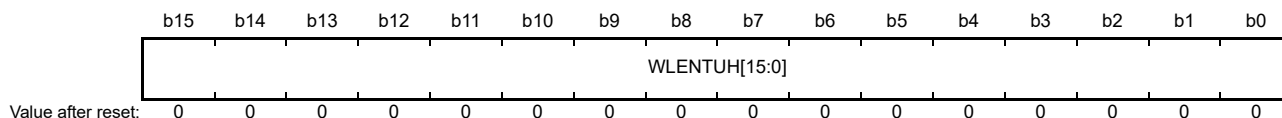
[WINDEX\[15:0\] bits \(Index\)](#)

The WINDEX[15:0] bits hold the value of a USB request.

- In host controller mode:
Set these bits to the wIndex value in USB requests in transmission setup transactions. Do not change the value of the bits while the DCPCTR.SUREQ bit is 1.
- In device controller mode:
These bits indicate the wIndex value in USB requests received in reception setup transactions. Writing to the bits has no effect.

28.2.22 USB Request Length Register (USBLENG)

Address(es): USBFS.USBLENG 4009 005Ah



Bit	Symbol	Bit name	Description	R/W
b15 to b0	WLENTUH[15:0]	Length	These bits store the USB request wLength value	R/W*1

Note 1. In device controller mode, these bits are readable, but writing to them has no effect. In host controller mode, these bits are both read/write.

USBLENG stores setup requests for control transfers. When the device controller is selected, the value of wLength that is received is stored. In host controller mode, the value of wLength to be transmitted is set. USBLENG is initialized by a USB bus reset.

WLENTUH[15:0] bits (Length)

The WLENTUH[15:0] bits hold the wLength value of a USB request.

- In host controller mode:
Set these bits to the wLength value in USB requests in transmission setup transactions. Do not change the value of the bits while the DCPCTR.SUREQ bit is 1.
- In device controller mode:
These bits indicate the wLength value in USB requests received in reception setup transactions. Writing to the bits has no effect.

28.2.23 DCP Configuration Register (DCPCFG)

Address(es): USBFS.DCPCFG 4009 005Ch



Bit	Symbol	Bit name	Description	R/W
b3 to b0	—	Reserved	These bits are read as 0. The write value should be 0.	R/W
b4	DIR	Transfer Direction*1	0: Data receiving direction 1: Data transmitting direction.	R/W
b6, b5	—	Reserved	These bits are read as 0. The write value should be 0.	R/W
b7	SHTNAK	Pipe Disabled at End of Transfer*1	0: Pipe kept open at the end of transfer 1: Pipe disabled at the end of transfer.	R/W
b15 to b8	—	Reserved	These bits are read as 0. The write value should be 0.	R/W

Note 1. Only set this bit while the PID is NAK. Before setting this bit, check that the DCPCTR.PBUSY bit is 0, and then change the DCPCTR.PID[1:0] bits for the DCP from BUF to NAK. If the PID[1:0] bits are changed to NAK by the USBFS, checking the PBUSY bit through software is not necessary.

DIR bit (Transfer Direction)

In host controller mode, the DIR bit sets the transfer direction of the data stage and status stage for control transfers. In device controller mode, set the DIR bit to 0.

SHTNAK bit (Pipe Disabled at End of Transfer)

The SHTNAK bit specifies whether to change PID to NAK on transfer end when the selected pipe is receiving. It is only valid when the selected pipe is receiving. When the SHTNAK bit is 1, the USBFS changes the DCPCTR.PID[1:0] bits for the DCP to NAK on determining that a transfer has ended. The USBFS determines transfer end on the following condition:

- A short packet, including a zero-length packet, is successfully received.

28.2.24 DCP Maximum Packet Size Register (DCPMAXP)

Address(es): USBFS.DCPMAXP 4009 005Eh



Bit	Symbol	Bit name	Description	R/W
b6 to b0	MXPS[6:0]	Maximum Packet Size*1	These bits set the maximum amount of data (maximum packet size) in payloads for the DCP. <div style="font-family: monospace; font-size: small;"> b6 b0 0 0 0 1 0 0 0: 8 bytes 0 0 1 0 0 0 0: 16 bytes 0 0 1 1 0 0 0: 24 bytes 0 1 0 0 0 0 0: 32 bytes 0 1 0 1 0 0 0: 40 bytes 0 1 1 0 0 0 0: 48 bytes 0 1 1 1 0 0 0: 56 bytes 1 0 0 0 0 0 0: 64 bytes 1 0 0 1 0 0 0: 72 bytes 1 0 1 0 0 0 0: 80 bytes 1 0 1 1 0 0 0: 88 bytes 1 1 0 0 0 0 0: 96 bytes 1 1 0 1 0 0 0: 104 bytes 1 1 1 0 0 0 0: 112 bytes 1 1 1 1 0 0 0: 120 bytes Other settings are prohibited. </div>	R/W
b11 to b7	—	Reserved	These bits are read as 0. The write value should be 0.	R/W
b15 to b12	DEVSEL[3:0]	Device Select*2	<div style="font-family: monospace; font-size: small;"> b15 b12 0 0 0 0: Address 0000 0 0 0 1: Address 0001 0 0 1 0: Address 0010 0 0 1 1: Address 0011 0 1 0 0: Address 0100 0 1 0 1: Address 0101 Other settings are prohibited. </div>	R/W

- Note 1. Only set the MXPS[6:0] bits while PID is NAK. Before setting these bits, check that the DCPCTR.PBUSY bit is 0, and then change the DCPCTR.PID[1:0] bits for the DCP from BUF to NAK. If the PID[1:0] bits are changed to NAK by the USBFS, checking the PBUSY bit through software is not necessary. After the MXPS[6:0] bits are set and the DCP is set to the CURPIPE[3:0] bits in a port select register, clear the buffer by setting the BCLR bit the port control register to 1.
- Note 2. Only set the DEVSEL[3:0] bits while PID is NAK and the DCPCTR.SUREQ bit is 0. Before setting these bits, check that the DCPCTR.PBUSY bit is 0, and then change the DCPCTR.PID[1:0] bits for the DCP from BUF to NAK. If the PID[1:0] bits are changed to NAK by the USBFS, checking the PBUSY bit through software is not necessary.

MXPS[6:0] bits (Maximum Packet Size)

The MXPS[6:0] bits specify the maximum data payload (maximum packet size) for the DCP. The initial value is 40h (64 bytes). Set the bits to a USB 2.0-compliant value. Do not write to the FIFO buffer or set PID = BUF while MXPS[6:0] is set to 00h.

DEVSEL[3:0] bits (Device Select)

In host controller mode, the DEVSEL[3:0] bits specify the address of the target peripheral device for a control transfer. Set up the device address in the associated DEVADD_n (n = 0 to 5) register first, and then set these bits to the corresponding value. To set the DEVSEL[3:0] bits to 0010b, for example, first set the address in the DEVADD₂ register.

In device controller mode, set these bits to 0000b.

28.2.25 DCP Control Register (DCPCTR)

Address(es): USBFS.DCPCTR 4009 0060h

b15	b14	b13	b12	b11	b10	b9	b8	b7	b6	b5	b4	b3	b2	b1	b0
BSTS	SUREQ	—	—	SUREQ CLR	—	—	SQCLR	SQSET	SQMON	PBUSY	—	—	CCPL	PID[1:0]	
Value after reset:															
0	0	0	0	0	0	0	0	0	1	0	0	0	0	0	0

Bit	Symbol	Bit name	Description	R/W
b1, b0	PID[1:0]	Response PID	b1 b0 0 0: NAK response 0 1: BUF response (depending on the buffer state) 1 0: STALL response 1 1: STALL response.	R/W
b2	CCPL	Control Transfer End Enable	0: Invalid 1: Control transfer completion enabled.	R/W
b4, b3	—	Reserved	These bits are read as 0. The write value should be 0.	R/W
b5	PBUSY	Pipe Busy	0: DCP not used for the transaction 1: DCP in used for the transaction.	R
b6	SQMON	Sequence Toggle Bit Monitor	0: DATA0 1: DATA1.	R
b7	SQSET	Sequence Toggle Bit Set* ²	Sets the sequence toggle bit in DCP transfers: 0: Invalid (writing 0 has no effect) 1: Set the expected value for the next transaction to DATA1.	R/W* ¹
b8	SQCLR	Sequence Toggle Bit Clear* ²	Clears the sequence toggle bit in DCP transfers: 0: Invalid (writing 0 has no effect) 1: Clear the expected value for the next transaction to DATA0.	R/W* ¹
b10, b9	—	Reserved	These bits are read as 0. The write value should be 0.	R/W
b11	SUREQCLR	SUREQ Bit Clear	Clears the SUREQ bit in host controller mode: 0: Invalid (writing 0 has no effect) 1: Clear SUREQ to 0.	R/W* ¹
b13, b12	—	Reserved	These bits are read as 0. The write value should be 0.	R/W
b14	SUREQ	Setup Token Transmission	Sets up token transmission in host controller mode: 0: Invalid (writing 0 has no effect) 1: Transmit setup packet.	R/W
b15	BSTS	Buffer Status	0: Buffer access disabled 1: Buffer access enabled.	R

Note 1. This bit is read as 0.

Note 2. Only set the SQSET and SQCLR bits to 1 while PID is NAK. Before setting these bits, check that the PBUSY bit is 0, and then change the PID[1:0] bits for the DCP from BUF to NAK. If the PID[1:0] bits are changed to NAK by the USBFS, checking the PBUSY bit through software is not necessary.

PID[1:0] bits (Response PID)

The PID[1:0] bits control the USB response type during control transfers.

In host controller mode, to change the PID[1:0] setting from NAK to BUF:

- When the transmitting direction is set:
 - a. Write all of the transmit data to the FIFO buffer while the DVSTCTR0.UACT bit is 1 and PID is NAK.
 - b. Set PID[1:0] bits to 01b (BUF).
The USBFS then executes the OUT transaction.
- When the receiving direction is set:

- a. Check that the FIFO buffer is empty (or empty the buffer) while the DVSTCTR0.UACT bit is 1 and PID is NAK.
- Set PID[1:0] bits to 01b (BUF).
The USBFS then executes the IN transaction.

The USBFS changes the PID[1:0] setting as follows:

- When the PID[1:0] bits are set to BUF (01b) by software and the USBFS has received data exceeding MaxPacketSize, the USBFS sets the PID[1:0] to STALL (11b)
- When a reception error, such as a CRC error, is detected three times consecutively, the USBFS sets the PID[1:0] bits to NAK (00b)
- On receiving the STALL handshake, the USBFS sets PID[1:0] to STALL (11b).

In device controller mode, the USBFS changes the PID[1:0] setting as follows:

- On receiving a setup packet, the USBFS sets PID[1:0] to NAK (00b). The USBFS then sets the INTSTS0.VALID flag to 1, and the PID[1:0] setting cannot be changed until software clears the VALID flag to 0.
- When the PID[1:0] bits are set to BUF (01b) by software and the USBFS has received data exceeding MaxPacketSize, the USBFS sets PID[1:0] to STALL (11b)
- On detecting a control transfer sequence error, the USBFS sets PID[1:0] to STALL (1xb)
- On detecting a USBFS bus reset, the USBFS sets PID[1:0] to NAK.

The USBFS does not check the PID[1:0] setting while processing a SET_ADDRESS request. The PID[1:0] bits are initialized by a USB bus reset.

CCPL bit (Control Transfer End Enable)

In device controller mode, setting the CCPL bit to 1 enables the status stage of the control transfer to be completed. When the bit is set to 1 by software while the associated PID[1:0] bits are set to BUF, the USBFS completes the control transfer status stage.

During control read transfers, the USBFS transmits the ACK handshake in response to the OUT transaction from the USB host. During control write or no-data control transfers, it transmits the zero-length packet in response to the IN transaction from the USB host. On detecting a SET_ADDRESS request, the USBFS operates in auto response mode from the setup stage up to status stage completion regardless of the CCPL bit setting.

The USBFS changes the CCPL bit from 1 to 0 on receiving a new setup packet. Software cannot write 1 to the bit while the INTSTS0.VALID bit is 1. The bit is initialized by a USB bus reset.

In host controller mode, always write 0 to the CCPL bit.

PBUSY bit (Pipe Busy)

The PBUSY bit indicates whether DCP is used for the transaction when USBFS changes the PID[1:0] bits from BUF to NAK. The USBFS changes the PBUSY bit from 0 to 1 on start of a USBFS transaction for the selected pipe. It changes the PBUSY bit from 1 to 0 on completion of one transaction.

After PID is set to NAK by software, the value in the PBUSY bit indicates whether changes to pipe settings can proceed.

For details, see [section 28.3.4.1, Pipe control register switching procedures](#).

SQMON bit (Sequence Toggle Bit Monitor)

The SQMON bit indicates the expected value of the sequence toggle bit for the next transaction during a DCP transfer.

The USBFS toggles the bit on normal completion of the transaction. It does not toggle the bit, however, when a DATA-PID mismatch occurs during a transfer in the receiving direction.

In device controller mode, the USBFS sets the SQMON bit to 1 (specifies DATA1 as the expected value) on successful reception of the setup packet. In device controller mode, the USBFS does not reference this bit during IN or OUT transactions at the status stage, and it does not toggle the bit on normal completion.

SQSET bit (Sequence Toggle Bit Set)

The SQSET bit specifies DATA1 as the expected value of the sequence toggle bit for the next transaction during a DCP transfer.

Do not set the SQCLR and SQSET bits to 1 simultaneously.

SQCLR bit (Sequence Toggle Bit Clear)

The SQCLR bit specifies DATA0 as the expected value of the sequence toggle bit for the next transaction during a DCP transfer. It is read as 0.

Do not set the SQCLR and SQSET bits to 1 simultaneously.

SUREQCLR bit (SUREQ Bit Clear)

In host controller mode, setting the SUREQCLR bit to 1 clears the SUREQ bit to 0. The bit is read as 0.

If transfer stops while the SUREQ bit is set to 1 in a setup transaction, set the SUREQCLR bit to 1 by software. This is not required at the end of a normal setup transaction, because the USBFS automatically clears the SUREQ bit to 0.

Only control the SUREQ bit through the SUREQCLR bit while the DVSTCTR0.UACT bit is 0. When UACT is 0, communication is halted or no transfer is occurring because a bus disconnection was detected.

In device controller mode, always write 0 to this bit.

SUREQ bit (Setup Token Transmission)

In host controller mode, setting the SUREQ bit to 1 triggers the USBFS to transmit the setup packet. After completing the setup transaction process, the USBFS generates either the SACK or SIGN interrupt and clears the SUREQ bit to 0. The USBFS also clears the SUREQ bit to 0 when software sets the SUREQCLR bit to 1.

Before setting the SUREQ bit to 1, set the DCPMAXP.DEVSEL[3:0] bits, USBREQ, USBVAL, USBINDX, and USBLENG appropriately to transmit the target USB request in the setup transaction. Also check that the PID[1:0] bits for the DCP are set to NAK. After setting the SUREQ bit to 1, do not change the DCPMAXP.DEVSEL[3:0] bits, USBREQ, USBVAL, USBINDX, or USBLENG until the setup transaction is complete (SUREQ bit = 1). Write 1 to the SUREQ bit only when transmitting the setup token. Otherwise, write 0.

In device controller mode, always write 0 to this bit.

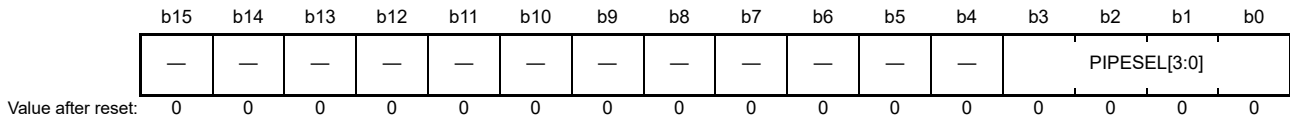
BSTS bit (Buffer Status)

The BSTS bit indicates the status of access to the DCP FIFO buffer. The meaning of this bit varies as follows depending on the CFIFOSEL.ISEL setting:

- When ISEL = 0, the bit indicates whether receive data can be read from the buffer
- When ISEL = 1, the bit indicates whether transmit data can be written to the buffer.

28.2.26 Pipe Window Select Register (PIPESEL)

Address(es): USBFS.PIPESEL 4009 0064h



Bit	Symbol	Bit name	Description	R/W																																				
b3 to b0	PIPESEL[3:0]	Pipe Window Select	<table style="width: 100%; border: none;"> <tr> <td style="width: 10%; text-align: right;">b3</td><td style="width: 10%; text-align: left;">b0</td><td></td></tr> <tr> <td>0 0 0</td><td>0</td><td>No pipe selected</td></tr> <tr> <td>0 0 0</td><td>1</td><td>Pipe 1</td></tr> <tr> <td>0 0 1</td><td>0</td><td>Pipe 2</td></tr> <tr> <td>0 0 1</td><td>1</td><td>Pipe 3</td></tr> <tr> <td>0 1 0</td><td>0</td><td>Pipe 4</td></tr> <tr> <td>0 1 0</td><td>1</td><td>Pipe 5</td></tr> <tr> <td>0 1 1</td><td>0</td><td>Pipe 6</td></tr> <tr> <td>0 1 1</td><td>1</td><td>Pipe 7</td></tr> <tr> <td>1 0 0</td><td>0</td><td>Pipe 8</td></tr> <tr> <td>1 0 0</td><td>1</td><td>Pipe 9.</td></tr> <tr> <td colspan="3">Other settings are prohibited.</td></tr> </table>	b3	b0		0 0 0	0	No pipe selected	0 0 0	1	Pipe 1	0 0 1	0	Pipe 2	0 0 1	1	Pipe 3	0 1 0	0	Pipe 4	0 1 0	1	Pipe 5	0 1 1	0	Pipe 6	0 1 1	1	Pipe 7	1 0 0	0	Pipe 8	1 0 0	1	Pipe 9.	Other settings are prohibited.			R/W
b3	b0																																							
0 0 0	0	No pipe selected																																						
0 0 0	1	Pipe 1																																						
0 0 1	0	Pipe 2																																						
0 0 1	1	Pipe 3																																						
0 1 0	0	Pipe 4																																						
0 1 0	1	Pipe 5																																						
0 1 1	0	Pipe 6																																						
0 1 1	1	Pipe 7																																						
1 0 0	0	Pipe 8																																						
1 0 0	1	Pipe 9.																																						
Other settings are prohibited.																																								
b15 to b4	—	Reserved	These bits are read as 0. The write value should be 0.	R/W																																				

Set pipes 1 to 9 using the PIPESEL, PIPECFG, PIPEMAXP, PIPEPERI, PIPE_nCTR, PIPE_nTRE, and PIPE_nTRN registers (n = 0 to 9).

After selecting the pipe in the PIPESEL register, pipe functions must be set in the associated PIPECFG, PIPEMAXP, and PIPEPERI registers. PIPE_nCTR, PIPE_nTRE, and PIPE_nTRN can be set independently of the pipe selection in this register.

PIPESEL[3:0] bits (Pipe Window Select)

The PIPESEL[3:0] bits select the pipe number associated with the PIPECFG, PIPEMAXP, and PIPEPERI registers used for data writing and reading. Selecting a pipe number in the PIPESEL[3:0] bits allows writing to and reading from PIPECFG, PIPEMAXP, and PIPEPERI associated with the selected pipe number.

When PIPESEL[3:0] = 0000b, 0 is read from all of the bits in PIPECFG, PIPEMAXP, and PIPEPERI. Writing to these bits is invalid.

28.2.27 Pipe Configuration Register (PIPECFG)

Address(es): USBFS.PIPECFG 4009 0068h

b15	b14	b13	b12	b11	b10	b9	b8	b7	b6	b5	b4	b3	b2	b1	b0
TYPE[1:0]		—	—	—	BFRE	DBLB	—	SHTNAK	—	—	DIR	EPNUM[3:0]			
Value after reset: 0 0 0 0 0 0 0 0 0 0 0 0 0 0 0 0															

Bit	Symbol	Bit name	Description	R/W
b3 to b0	EPNUM[3:0]	Endpoint Number* ¹	Specifies the endpoint number for the selected pipe. Setting 0000b indicates that the pipe is not used.	R/W
b4	DIR	Transfer Direction* ^{2, *3}	0: Receiving direction 1: Transmitting direction.	R/W
b6, b5	—	Reserved	These bits are read as 0. The write value should be 0.	R/W
b7	SHTNAK	Pipe Disabled at End of Transfer* ¹	0: Continue pipe operation after transfer ends 1: Disable pipe operation after transfer ends.	R/W
b8	—	Reserved	This bit is read as 0. The write value should be 0.	R/W
b9	DBLB	Double Buffer Mode* ^{2, *3}	0: Single buffer 1: Double buffer.	R/W
b10	BFRE	BRDY Interrupt Operation Specification* ^{2, *3}	0: BRDY interrupt generated on transmitting or receiving data 1: BRDY interrupt generated on completion of reading data.	R/W
b13 to b11	—	Reserved	These bits are read as 0. The write value should be 0.	R/W
b15, b14	TYPE[1:0]	Transfer Type* ¹	<ul style="list-style-type: none"> • Pipes 1 and 2 b15 b14 0 0: Pipe not used 0 1: Bulk transfer 1 0: Setting prohibited 1 1: Isochronous transfer. • Pipes 3 to 5 b15 b14 0 0: Pipe not used 0 1: Bulk transfer 1 0: Setting prohibited 1 1: Setting prohibited. • Pipes 6 to 9 b15 b14 0 0: Pipe not used 0 1: Setting prohibited 1 0: Interrupt transfer 1 1: Setting prohibited. 	R/W

Note 1. Only set the TYPE[1:0], SHTNAK, and EPNUM[3:0] bits while PID is NAK. Before setting these bits, check that the PIPEnCTR.PBUSY bit is 0, and then change the PIPEnCTR.PID[1:0] bits from 01b (BUF) to 00b (NAK). If the PID[1:0] bits are changed to 00 (NAK) by the USBFS, checking the PBUSY bit through software is not necessary.

Note 2. Only set the BFRE, DBLB, and DIR bits while PID is NAK and before the pipe is selected in the CURPIPE[3:0] bits in the port select register. Before setting these bits, check that the PIPEnCTR.PBUSY bit is 0, and then change the PIPEnCTR.PID[1:0] bits from 01b (BUF) to 00b (NAK). If the PID[1:0] bits are changed to 00 (NAK) by the USBFS, checking the PBUSY bit through software is not necessary.

Note 3. To modify the BFRE, DBLB, or DIR bits after completing USB communication on the selected pipe, in addition to the restrictions described in Note 2, write 1 and 0 to the PIPEnCTR.ACLRM bit continuously through software and clear the FIFO buffer assigned to the pipe.

PIPECFG specifies the transfer type, FIFO buffer access direction, and endpoint numbers for pipes 1 to 9. It also selects single or double buffer mode, and whether to continue or disable pipe operation at the end of transfer.

EPNUM[3:0] bits (Endpoint Number)

The EPNUM[3:0] bits specify the endpoint number for the selected pipe. Setting 0000b indicates that the pipe is not used.

Set these bits so that the combination of the DIR and EPNUM[3:0] settings is different from those for other pipes. The EPNUM[3:0] bits can be set to 0000b for all pipes.

DIR bit (Transfer Direction)

The DIR bit specifies the transfer direction for the selected pipe.

When software sets this bit to 0, the USBFS uses the selected pipe for receiving. When software sets this bit to 1, the USBFS uses the selected pipe for transmitting.

SHTNAK bit (Pipe Disabled at End of Transfer)

The SHTNAK bit specifies whether to change the PIPEnCTR.PID[1:0] bits to 00b (NAK) at the end of transfer when the selected pipe is set in the receiving direction. The bit is valid for pipes 1 to 5 in the receiving direction.

When software sets this bit to 1 for a receiving pipe, the USBFS changes the associated PIPEnCTR.PID[1:0] bits to 00b (NAK) on determining the transfer end. The USBFS determines that the transfer has ended on the following conditions:

- A short packet (including a zero-length packet) is successfully received
- The transaction counter is used and the number of packets specified for the transaction counter are successfully received.

DBLB bit (Double Buffer Mode)

The DBLB bit selects either single or double buffer mode for the FIFO buffer used by the selected pipe. The bit is valid for pipes 1 to 5.

BFRE bit (BRDY Interrupt Operation Specification)

The BFRE bit specifies the BRDY interrupt generation timing from the USBFS to the CPU for the selected pipe.

When software sets the BFRE bit to 1 and the selected pipe is in the receiving direction, the USBFS detects the transfer completion and generates the BRDY interrupt on reading the packet.

When a BRDY interrupt is generated with this setting, software must write 1 to the BCLR bit in the port control register. The FIFO buffer assigned to the selected pipe is not enabled for reception until 1 is written to the BCLR bit.

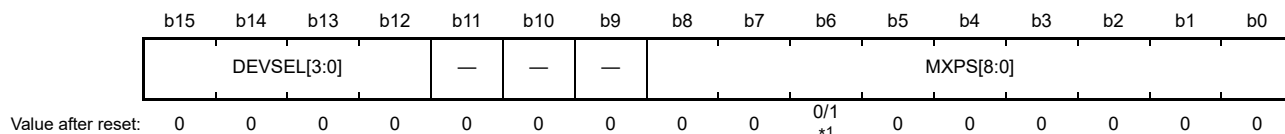
When the BFRE bit is set to 1 by software and the selected pipe is in the transmitting direction, the USBFS does not generate the BRDY interrupt. For details, see [section 28.3.3.1, BRDY interrupt](#).

TYPE[1:0] bits (Transfer Type)

The TYPE[1:0] bits specify the transfer type for the pipe selected in the PIPESEL.PIPESEL[3:0] bits. Before setting PID to BUF and starting USB communication on the selected pipe, set the TYPE[1:0] bits to a value other than 00b.

28.2.28 Pipe Maximum Packet Size Register (PIPEMAXP)

Address(es): USBFS.PIPEMAXP 4009 006Ch



Bit	Symbol	Bit name	Description	R/W																					
b8 to b0	MXPS[8:0]	Maximum Packet Size*2	<ul style="list-style-type: none"> Pipes 1 and 2: 1 byte (001h) to 256 bytes (100h) Pipes 3 to 5: 8 bytes (008h), 16 bytes (010h) 32 bytes (020h), 64 bytes (040h) Bits [8:7] and [2:0] are not supported. Pipes 6 to 9: 1 byte (001h) to 64 bytes (040h) Bits [8:7] are not supported. 	R/W																					
b11 to b9	—	Reserved	These bits are read as 0. The write value should be 0.	R/W																					
b15 to b12	DEVSEL[3:0]	Device Select*3	<table border="0"> <tr> <td>b3</td> <td>b0</td> <td></td> </tr> <tr> <td>0 0 0 0</td> <td></td> <td>: Address 0000</td> </tr> <tr> <td>0 0 0 1</td> <td></td> <td>: Address 0001</td> </tr> <tr> <td>0 0 1 0</td> <td></td> <td>: Address 0010</td> </tr> <tr> <td>0 0 1 1</td> <td></td> <td>: Address 0011</td> </tr> <tr> <td>0 1 0 0</td> <td></td> <td>: Address 0100</td> </tr> <tr> <td>0 1 0 1</td> <td></td> <td>: Address 0101.</td> </tr> </table> Other settings are prohibited.	b3	b0		0 0 0 0		: Address 0000	0 0 0 1		: Address 0001	0 0 1 0		: Address 0010	0 0 1 1		: Address 0011	0 1 0 0		: Address 0100	0 1 0 1		: Address 0101.	R/W
b3	b0																								
0 0 0 0		: Address 0000																							
0 0 0 1		: Address 0001																							
0 0 1 0		: Address 0010																							
0 0 1 1		: Address 0011																							
0 1 0 0		: Address 0100																							
0 1 0 1		: Address 0101.																							

- Note 1. The value of the MXPS[8:0] bits is 000h when no pipe is selected in the PIPESEL.PIPESEL[3:0] bits and 040h when a pipe is selected.
- Note 2. Only set the MXPS[8:0] bits while PID is NAK and before the pipe is selected in the CURPIPE[3:0] bits in the port select register. Before setting these bits, check that the PIPEnCTR.PBUSY bit is 0, and then change the PIPEnCTR.PID[1:0] bits from 01b (BUF) to 00b (NAK). If the PID[1:0] bits are changed to 00 (NAK) by the USBFS, checking the PBUSY bit through software is not necessary.
- Note 3. Only set the DEVSEL[3:0] bits while PID is NAK. Before setting these bits, check that the PIPEnCTR.PBUSY bit is 0, and then change the PIPEnCTR.PID[1:0] bits from 01b (BUF) to 00b (NAK). If the PID[1:0] bits are changed to 00 (NAK) by the USBFS, checking the PBUSY bit through software is not necessary.

PIPEMAXP specifies the maximum packet size for pipes 1 to 9.

MXPS[8:0] bits (Maximum Packet Size)

The MXPS[8:0] bits specify the maximum data payload (maximum packet size) for the selected pipe.

Set these bits to the appropriate value for each transfer type based on the USB 2.0 specification.

When MXPS[8:0] = 000h, do not write to the FIFO buffer or set PID to BUF. These writes have no effect.

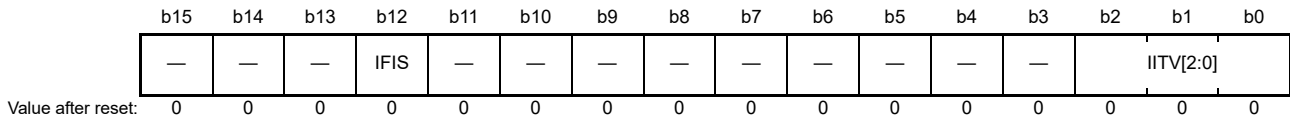
DEVSEL[3:0] bits (Device Select)

In host controller mode, the DEVSEL[3:0] bits specify the address of the target device for USB communication. Set up the device address in the associated DEVADDn (n = 0 to 5) register first, and then set these bits to the corresponding value. To set the DEVSEL[3:0] bits to 0010b, for example, first set the address in the DEVADD2 register.

In device controller mode, set these bits to 0000b.

28.2.29 Pipe Cycle Control Register (PIPEPERI)

Address(es): USBFS.PIPEPERI 4009 006Eh



Bit	Symbol	Bit name	Description	R/W
b2 to b0	IITV[2:0] *1	Interval Error Detection Interval	Specifies the interval error detection timing for the selected pipe as the n-th power of 2 of the frame timing	R/W
b11 to b3	—	Reserved	These bits are read as 0. The write value should be 0.	R/W
b12	IFIS	Isochronous IN Buffer Flush	0: The buffer is not flushed 1: The buffer is flushed.	R/W
b15 to b13	—	Reserved	These bits are read as 0. The write value should be 0.	R/W

Note 1. Only set the IITV[2:0] bits while PID is NAK. Before setting these bits, check that the PBUSY bit is 0, and then change the PID[1:0] bits from 01b (BUF) to 00b (NAK). If the PID[1:0] bits are changed to 00 (NAK) by the USBFS, checking the PBUSY bit through software is not necessary.

PIPEPERI selects whether the buffer is flushed or not when an interval error occurred during isochronous IN transfers, and sets the interval error detection interval for pipes 1 to 9.

IITV[2:0] bits (Interval Error Detection Interval)

To change the IITV[2:0] bits to another value after they are set and USB communication is performed, set the PIPEEnCTR.PID[1:0] bits to 00b (NAK) and then set the PIPEEnCTR.ACLRM bit to 1 to initialize the interval timer.

The IITV[2:0] bits are not provided for pipes 3 to 5. Write 000b to bit positions of the IITV[2:0] bits associated with pipes 3 to 5.

IFIS bit (Isochronous IN Buffer Flush)

The IFIS bit specifies whether to flush the buffer when the pipe selected in the PIPESEL.PIPESEL[3:0] bits is used for isochronous IN transfers.

In device controller mode when the selected pipe is for isochronous IN transfers, the USBFS automatically clears the FIFO buffer if the USBFS fails to receive the IN token from the USB host within the interval set in the IITV[2:0] bits in terms of frames.

When double buffering is specified (PIPECFG.DBLB = 1), the USBFS only clears the data in the previously used plane.

The USBFS clears the FIFO buffer on receiving the SOF packet immediately after the frame in which the USBFS expected to receive the IN token. Even if the SOF packet is corrupted, the FIFO buffer is cleared at the time the SOF packet is expected to be received by using the internal interpolation function.

When the host controller function is selected, set this bit to 0.

Set this bit to 0 when the selected pipe is not for isochronous transfers.

28.2.30 PIPE_n Control Registers (PIPE_nCTR) (n = 1 to 9)

PIPE_nCTR (n = 1 to 5)

Address(es): USBFS.PIPE1CTR 4009 0070h, USBFS.PIPE2CTR 4009 0072h, USBFS.PIPE3CTR 4009 0074h,
USBFS.PIPE4CTR 4009 0076h, USBFS.PIPE5CTR 4009 0078h

b15	b14	b13	b12	b11	b10	b9	b8	b7	b6	b5	b4	b3	b2	b1	b0
BSTS	INBUFM	—	—	—	ATREPM	ACLARM	SQCLR	SQSET	SQMON	PBUSY	—	—	—	PID[1:0]	
Value after reset:															
0	0	0	0	0	0	0	0	0	0	0	0	0	0	0	0

Bit	Symbol	Bit name	Description	R/W
b1, b0	PID[1:0]	Response PID	b1 b0 0 0: NAK response 0 1: BUF response (depends on the buffer state) 1 0: STALL response 1 1: STALL response.	R/W
b4 to b2	—	Reserved	These bits are read as 0. The write value should be 0.	R/W
b5	PBUSY	Pipe Busy	0: Pipe n is not in use for the transaction 1: Pipe n is in use for the transaction.	R
b6	SQMON	Sequence Toggle Bit Confirmation	0: DATA0 1: DATA1.	R
b7	SQSET	Sequence Toggle Bit Set* ²	Sets the sequence toggle bit for pipe n. 0: Invalid (writing 0 has no effect) 1: Set the expected value for the next transaction to DATA1.	R/W* ¹
b8	SQCLR	Sequence Toggle Bit Clear* ²	Clears the sequence toggle bit for pipe n. 0: Invalid (writing 0 has no effect) 1: Clear the expected value for the next transaction to DATA0.	R/W* ¹
b9	ACLARM	Auto Buffer Clear Mode* ³	0: Disabled 1: Enabled (all buffers initialized).	R/W
b10	ATREPM	Auto Response Mode* ²	0: Auto response disabled 1: Auto response enabled.	R/W
b13 to b11	—	Reserved	These bits are read as 0. The write value should be 0.	R/W
b14	INBUFM	Transmit Buffer Monitor	0: No data to be transmitted is in the FIFO buffer 1: Data to be transmitted is in the FIFO buffer.	R
b15	BSTS	Buffer Status	0: Buffer access by the CPU disabled 1: Buffer access by the CPU enabled.	R

Note 1. Only 0 can be read.

Note 2. Only set the ATREPM bit or write 1 to the SQCLR or SQSET bit while PID is NAK. Before setting these bits, check that the PBUSY bit is 0, and then change the PID[1:0] bits from 01b (BUF) to 00b (NAK). If the PID[1:0] bits are changed to 00 (NAK) by the USBFS, checking the PBUSY bit through software is not necessary.

Note 3. Only set the ACLARM bit while PID is NAK and before the pipe is selected in the CURPIPE[3:0] bits in the port select register. Before setting this bit, check that the PBUSY bit is 0, and then change the PID[1:0] bits from 01b (BUF) to 00b (NAK). If the PID[1:0] bits are changed to 00 (NAK) by the USBFS, checking the PBUSY bit through software is not necessary.

PIPE_nCTR can be set for any pipe selection in the PIPESEL register.

PID[1:0] bits (Response PID)

The PID[1:0] bits specify the response type for the next transaction on the selected pipe.

The default PID[1:0] setting is NAK. Change the PID[1:0] setting to BUF to use the associated pipe for USB transfer. Table 28.7 and Table 28.8 show the basic operations of the USBFS (when there are no errors in the communication packets) based on the PID[1:0] bit setting.

After changing the PID[1:0] setting from BUF to NAK through software during USB communication on the selected pipe, check that the PBUSY bit is 1 to determine if USB transfer on the pipe has actually entered the NAK state. If the USBFS changes the PID[1:0] bits to NAK, checking the PBUSY bit through software is not necessary.

The USBFS changes the PIPEnCTR.PID[1:0] setting in the following cases:

- The USBFS sets PID to NAK on recognizing completion of the transfer when the selected pipe is in the receiving direction and the PIPECFG.SHTNAK bit for the selected pipe is set to 1 by software
- The USBFS sets PID to STALL (11b) on receiving a data packet with a payload exceeding the maximum packet size of the selected pipe
- The USBFS sets PID to NAK on detecting a USB bus reset in device controller mode
- The USBFS sets PID to NAK on detecting a reception error, such as a CRC error, three consecutive times in host controller mode
- The USBFS sets PID to STALL (11b) on receiving the STALL handshake in host controller mode.

To specify the response type, set the PID[1:0] bits as follows:

- To transition from NAK (00b) to STALL, set 10b
- To transition from BUF (01b) to STALL, set 11b
- To transition from STALL (11b) to NAK, set 10b and then 00b
- To transition from STALL to BUF, transition to NAK and then BUF.

Table 28.7 Operation of the USBFS based on the PID[1:0] setting in host controller mode

PID[1:0] value	Transfer type	Transfer direction (DIR bit)	USBFS operation
00b (NAK)	Does not depend on the setting	Does not depend on the setting	Does not issue tokens
01b (BUF)	Bulk or interrupt	Does not depend on the setting	Issues tokens when the DVSTCTR0.UACT bit is 1 and the FIFO buffer associated with the selected pipe is ready for transmission and reception. Does not issue tokens when the DVSTCTR0.UACT bit is 0 or the FIFO buffer associated with the selected pipe is not ready for transmission or reception.
	Isochronous	Does not depend on the setting	Issues tokens regardless of the status of the FIFO buffer associated with the selected pipe
10b (STALL) or 11b (STALL)	Does not depend on the setting	Does not depend on the setting	Does not issue tokens

Table 28.8 Operation of the USBFS based on the PID[1:0] setting in device controller mode (1 of 2)

PID[1:0] value	Transfer type	Transfer direction (DIR bit)	USBFS operation
00b (NAK)	Bulk or interrupt	Does not depend on the setting	Returns NAK in response to the token from the USB host
	Isochronous	Does not depend on the setting	Returns nothing in response to the token from the USB host

Table 28.8 Operation of the USBFS based on the PID[1:0] setting in device controller mode (2 of 2)

PID[1:0] value	Transfer type	Transfer direction (DIR bit)	USBFS operation
01b (BUF)	Bulk	Receiving direction (DIR = 0)	Receives data and returns ACK in response to the OUT token from the USB host if the FIFO buffer associated with the selected pipe is ready for reception
	Interrupt	Receiving direction (DIR = 0)	Receives data and returns ACK in response to the OUT token from the USB host if the FIFO buffer associated with the selected pipe is ready for reception
	Bulk or interrupt	Transmitting direction (DIR = 1)	Transmits data in response to the token from the USB host if the FIFO buffer associated with the selected pipe is ready for transmission. Otherwise, returns NAK.
	Isochronous	Receiving direction (DIR = 0)	Receives data in response to the OUT token from the USB host if the FIFO buffer associated with the selected pipe is ready for reception. Otherwise, discards the data.
	Isochronous	Transmitting direction (DIR = 1)	Transmits data in response to the token from the USB host if the associated FIFO buffer is ready for transmission. Otherwise, transmits a zero-length packet.
10b (STALL) or 11b (STALL)	Bulk or interrupt	Does not depend on the setting	Returns STALL in response to the token from the USB host
	Isochronous	Does not depend on the setting	Returns nothing in response to the token from the USB host

PBUSY bit (Pipe Busy)

The PBUSY bit indicates whether the selected pipe is being used for the current transaction.

The USBFS changes the PBUSY bit from 0 to 1 on start of the USB transaction for the selected pipe, and changes the PBUSY bit from 1 to 0 on completion of one transaction.

Reading the PBUSY bit by software after PID is set to NAK allows you to check whether changing the pipe setting is possible. For details, see [section 28.3.4.1, Pipe control register switching procedures](#).

SQMON bit (Sequence Toggle Bit Confirmation)

The SQMON bit indicates the expected value of the sequence toggle bit for the next transaction of the selected pipe.

When the selected pipe is not the isochronous transfer type, the USBFS toggles the SQMON bit on successful completion of the transaction. However, the USBFS does not toggle the SQMON flag when a DATA-PID mismatch occurs during transfer in the receiving direction.

SQSET bit (Sequence Toggle Bit Set)

Setting the SQSET bit to 1 through software causes the USBFS to set DATA1 as the expected value of the sequence toggle bit for the next transaction on the selected pipe. The USBFS clears the SQSET bit to 0.

SQCLR bit (Sequence Toggle Bit Clear)

Setting the SQCLR bit to 1 through software causes the USBFS to clear the expected value of the sequence toggle bit for the next transaction on the selected pipe to DATA0. The USBFS clears the SQCLR bit to 0.

ACLRM bit (Auto Buffer Clear Mode)

The ACLRM bit enables or disables auto buffer clear mode for the selected pipe. To completely clear the data in the FIFO buffer allocated to the selected pipe, write 1 and then 0 to the ACLRM bit continuously.

Table 28.9 shows the data cleared by writing 1 and 0 to the ACLRM bit continuously and the cases in which this processing is required.

Table 28.9 Data cleared by the USBFS when ACLRM = 1

Number	Data cleared by setting the ACLRM bit	Situations requiring data clear
1	All data in the FIFO buffer allocated to the selected pipe (two FIFO buffers in double buffer mode)	When initializing the selected pipe
2	Interval count value when the selected pipe is the isochronous transfer type	When resetting the interval count value
3	Internal flags related to the PIPECFG.BFRE bit	When changing the PIPECFG.BFRE setting
4	FIFO buffer toggle control	When changing the PIPECFG.DBLB setting
5	Internal flags related to the transaction count	When forcing the transaction count function to terminate

ATREPM bit (Auto Response Mode)

The ATREPM bit enables or disables auto response mode for the selected pipe.

This bit can be set to 1 in device controller mode when the selected pipe is the bulk transfer type. When the bit is set to 1, the USBFS responds to the token from the USB host as follows:

- When the selected pipe is set for bulk IN transfers (PIPECFG.TYPE[1:0] = 01b and PIPECFG.DIR = 1):
 - a. When the ATREPM bit = 1 and PID = BUF, the USBFS transmits a zero-length packet in response to the IN token.
 - b. The USBFS updates the sequence toggle bit (DATA-PID) each time the USBFS receives ACK from the USB host. In a single transaction, the IN token is received, a zero-length packet is transmitted, and then ACK is received. The USBFS does not generate the BRDY or BEMP interrupt.
- When the selected pipe is set for bulk OUT transfers (PIPECFG.TYPE[1:0] = 01b and PIPECFG.DIR = 0):

When the ATREPM bit = 1 and PID = BUF, the USBFS returns NAK in response to the OUT token and generates an NRDY interrupt.

For USB communication in auto response mode, set the ATREPM bit to 1 while the FIFO buffer is empty. Do not write to the FIFO buffer during USB communication in auto response mode. When the selected pipe uses isochronous transfer, always set this bit to 0.

In host controller mode, always set the ATREPM bit to 0.

INBUFM bit (Transmit Buffer Monitor)

The INBUFM bit indicates the FIFO buffer status for the selected pipe in the transmitting direction.

When the selected pipe is set in the transmitting direction (PIPECFG.DIR = 1), the USBFS sets this bit to 1 when the CPU or DMA/DTC completes writing data to at least one FIFO buffer plane.

The USBFS sets this bit to 0 when the USBFS completes transmitting the data from the FIFO buffer plane to which all the data is written. In double buffer mode (PIPECFG.DBLB = 1), the USBFS sets the INBUFM bit to 0 when the USBFS completes transmitting the data from the two FIFO buffer planes before the CPU or DMA/DTC completes writing data to one FIFO buffer plane.

The INBUFM bit indicates the same value as the BSTS bit when the selected pipe is in the receiving direction (PIPECFG.DIR = 0).

BSTS bit (Buffer Status)

The BSTS bit indicates the FIFO buffer status for the selected pipe.

The meaning of the BSTS bit depends on the PIPECFG.DIR, PIPECFG.BFRE, and DnFIFOSEL.DCLRM settings, as shown in Table 28.10.

Table 28.10 BSTS bit operation

DIR value	BFRE value	DCLRM value	BSTS bit function
0	0	0	Sets to 1 when receive data can be read from the FIFO buffer, and sets to 0 on completion of data read
		1	Setting prohibited
	1	0	Sets to 1 when receive data can be read from the FIFO buffer, and sets to 0 when software sets the BCLR bit in the Port Control Register to 1 after the data read is complete
		1	Sets to 1 when receive data can be read from the FIFO buffer, and sets to 0 on completion of data read
1	0	0	Sets to 1 when transmit data can be written to the FIFO buffer, and sets to 0 on completion of data write
		1	Setting prohibited
	1	0	Setting prohibited
		1	Setting prohibited

PIPEnCTR (n = 6 to 9)

Address(es): USBFS.PIPE6CTR 4009 007Ah, USBFS.PIPE7CTR 4009 007Ch, USBFS.PIPE8CTR 4009 007Eh, USBFS.PIPE9CTR 4009 0080h

b15	b14	b13	b12	b11	b10	b9	b8	b7	b6	b5	b4	b3	b2	b1	b0
BSTS	—	—	—	—	—	ACLRM	SQCLR	SQSET	SQMON	PBUSY	—	—	—	PID[1:0]	
Value after reset:															
0	0	0	0	0	0	0	0	0	0	0	0	0	0	0	0

Bit	Symbol	Bit name	Description	R/W
b1, b0	PID[1:0]	Response PID	b1 b0 0 0: NAK response 0 1: BUF response (depends on the buffer state) 1 0: STALL response 1 1: STALL response.	R/W
b4 to b2	—	Reserved	These bits are read as 0. The write value should be 0.	R/W
b5	PBUSY	Pipe Busy	0: Pipe n is not in use for the transaction 1: Pipe n is in use for the transaction.	R
b6	SQMON	Sequence Toggle Bit Confirmation	0: DATA0 1: DATA1.	R
b7	SQSET	Sequence Toggle Bit Set*2	Sets the sequence toggle bit for pipe n: 0: Invalid (writing 0 has no effect) 1: Set the expected value for the next transaction to DATA1. This bit is read as 0.	R/W*1
b8	SQCLR	Sequence Toggle Bit Clear*2	Clears the sequence toggle bit for pipe n: 0: Invalid (writing 0 has no effect) 1: Clear the expected value for the next transaction to DATA0. This bit is read as 0.	R/W*1
b9	ACLRM	Auto Buffer Clear Mode*2, *3	0: Disabled 1: Enabled (all buffers are initialized).	R/W
b14 to b10	—	Reserved	These bits are read as 0. The write value should be 0.	R/W
b15	BSTS	Buffer Status	0: Buffer access disabled 1: Buffer access enabled.	R

- Note 1. Only 0 can be read. Only 1 can be written.
- Note 2. Only write 1 to the SQCLR or SQSET bit while PID is NAK. Before setting these bits, check that the PBUSY bit is 0, and then change the PID[1:0] bits from 01b (BUF) to 00b (NAK). If the PID[1:0] bits are changed to 00 (NAK) by the USBFS, checking the PBUSY bit through software is not necessary.
- Note 3. Only set the ACLRM bit while PID is NAK and before the pipe is selected in the CURPIPE[3:0] bits in the port select register.

Before setting this bits, check that the PIPEnCTR.PBUSY bit is 0, and then change the PIPEnCTR.PID[1:0] bits from 01b (BUF) to 00b (NAK). If the PID[1:0] bits are changed to 00 (NAK) by the USBFS, checking the PBUSY bit through software is not necessary.

PID[1:0] bits (Response PID)

The PID[1:0] bits specify the response type for the next transaction of the selected pipe.

The default PID[1:0] setting is NAK. Change the PID[1:0] setting to BUF to use the associated pipe for USB transfer. Table 28.7 and Table 28.7 show the basic operation (when there are no errors in the transmitted and received packets) of the USB depending on the PID[1:0] setting.

After changing the PID[1:0] setting from BUF to NAK through software during USB communication on the selected pipe, check that the PBUSY bit is 1 to determine if USB transfer on the selected pipe has actually entered the NAK state. If the USBFS changes the PID[1:0] bits to NAK, checking the PBUSY bit through software is not necessary.

The USBFS changes the PIPEnCTR.PID[1:0] setting in the following cases:

- The USBFS sets PID to STALL (11b) on receiving a data packet with a payload exceeding the maximum packet size of the selected pipe
- The USBFS sets PID to NAK on detecting a USB bus reset in device controller mode
- The USBFS sets PID to NAK on detecting a reception error, such as a CRC error, three consecutive times in host controller mode
- The USBFS sets PID to STALL (11b) on receiving the STALL handshake in host controller mode.

To specify each response type, set the PID[1:0] bits as follows:

- To transition from NAK (00b) to STALL, set 10b
- To transition from BUF (01b) to STALL, set 11b
- To transition from STALL (11b) to NAK, set 10b and then 00b
- To transition from STALL to BUF, set 00b (NAK) and then 01b (BUF).

PBUSY bit (Pipe Busy)

The PBUSY bit indicates whether the selected pipe is being used for the current transaction.

The USBFS changes the PBUSY bit from 0 to 1 on start of the USB transaction for the selected pipe, and changes the PBUSY bit from 1 to 0 on completion of one transaction.

Reading the PBUSY bit by software after PID is set to NAK allows you to check whether changing the pipe setting is possible.

SQMON bit (Sequence Toggle Bit Confirmation)

The SQMON flag indicates the expected value of the sequence toggle bit for the next transaction of the selected pipe.

The USBFS toggles the SQMON flag on successful completion of the transaction. However, the USBFS does not toggle the SQMON bit when a DATA-PID mismatch occurs during transfer in the receiving direction.

SQSET bit (Sequence Toggle Bit Set)

Setting the SQSET bit to 1 through software causes the USBFS to set DATA1 as the expected value of the sequence toggle bit for the next transaction on the selected pipe. The USBFS sets the SQSET bit to 0.

SQCLR bit (Sequence Toggle Bit Clear)

Setting the SQCLR bit to 1 through software causes the USBFS to clear the expected value of the sequence toggle bit for the next transaction on the selected pipe to DATA0. The USBFS sets the SQCLR bit to 0.

ACLRM bit (Auto Buffer Clear Mode)

The ACLRM bit enables or disables auto buffer clear mode for the selected pipe. To completely clear the data in the FIFO buffer allocated to the selected pipe, write 1 and then 0 to the ACLRM bit continuously.

Table 28.11 shows the data cleared by writing 1 and 0 continuously to the ACLRM bit and the cases in which this processing is required.

Table 28.11 Data cleared by USBFS when ACLRM = 1

Number	Data cleared by setting the ACLRM bit	Situations requiring data clear
1	All data in the FIFO buffer allocated to the selected pipe	When initializing the selected pipe
2	The interval count value when the selected pipe is for interrupt transfer and the host controller is selected	When resetting the interval count value
3	Internal flags related to the PIPECFG.BFRE bit	When changing the PIPECFG.BFRE setting
4	Internal flags related to the transaction count	When forcing the transaction count function to terminate

BSTS bit (Buffer Status)

The BSTS bit indicates the FIFO buffer status for the selected pipe.

The meaning of the BSTS bit depends on the PIPECFG.DIR, PIPECFG.BFRE, and DnFIFOSEL.DCLRM settings, as shown in Table 28.10.

28.2.31 PIPE_n Transaction Counter Enable Register (PIPE_nTRE) (n = 1 to 5)

Address(es): USBFS.PIPE1TRE 4009 0090h, USBFS.PIPE2TRE 4009 0094h, USBFS.PIPE3TRE 4009 0098h,
USBFS.PIPE4TRE 4009 009Ch, USBFS.PIPE5TRE 4009 00A0h

	b15	b14	b13	b12	b11	b10	b9	b8	b7	b6	b5	b4	b3	b2	b1	b0
	—	—	—	—	—	—	TRENB	TRCLR	—	—	—	—	—	—	—	—
Value after reset:	0	0	0	0	0	0	0	0	0	0	0	0	0	0	0	0

Bit	Symbol	Bit name	Description	R/W
b7 to b0	—	Reserved	These bits are read as 0. The write value should be 0.	R/W
b8	TRCLR	Transaction Counter Clear	0: Invalid (writing 0 has no effect) 1: Clear the current counter value.	R/W
b9	TRENB	Transaction Counter Enable	0: Transaction counter disabled 1: Transaction counter enabled.	R/W
b15 to b10	—	Reserved	These bits are read as 0. The write value should be 0.	R/W

Note: Set each bit in PIPE_nTRE while PID is NAK. Before setting these bits after changing the PIPE_nCTR.PID[1:0] bits for the selected pipe from BUF to NAK, check that the PIPE_nCTR.PBUSY bit is 0. However, if the PID[1:0] bits are changed to NAK by the USBFS, checking the PBUSY bit through software is not necessary.

TRCLR bit (Transaction Counter Clear)

When the TRCLR bit sets to 1, the USBFS clears the current value of the transaction counter associated with the selected pipe and then sets the TRCLR bit to 0.

TRENB bit (Transaction Counter Enable)

The TRENB bit enables or disables the transaction counter.

For receiving pipes, setting the TRENB bit to 1 after setting the total number of the packets to be received in the PIPE_nTRN.TRNCNT[15:0] bits through software allows the USBFS to control hardware on having received the number of packets equal to the TRNCNT[15:0] setting, as follows:

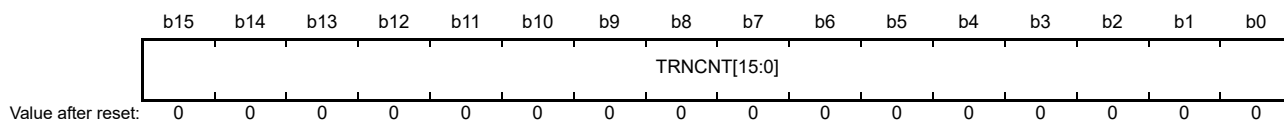
- When the PIPECFG.SHTNAK bit is 1, the USBFS changes the PID bits to NAK for the associated pipe on having received the number of packets equal to the TRNCNT[15:0] setting
- When the PIPECFG.BFRE bit is 1, the USBFS asserts the BRDY interrupt on having received the number of packets equal to the TRNCNT[15:0] setting and then reading the last received data.

For transmitting pipes, set the TRENB bit to 0.

When the transaction counter is not used, set this bit to 0. When the transaction counter is used, set the TRNCNT[15:0] bits before setting this bit to 1. Set this bit to 1 before receiving the first packet to be counted by the transaction counter.

28.2.32 PIPE_n Transaction Counter Register (PIPE_nTRN) (n = 1 to 5)

Address(es): [USBFS.PIPE1TRN 4009 0092h](#), [USBFS.PIPE2TRN 4009 0096h](#), [USBFS.PIPE3TRN 4009 009Ah](#),
[USBFS.PIPE4TRN 4009 009Eh](#), [USBFS.PIPE5TRN 4009 00A2h](#)



Bit	Symbol	Bit name	Description	R/W
b15 to b0	TRNCNT[15:0]	Transaction Counter	When written to, this bit specifies the total packets (number of transactions) to be received by the selected pipe. When read from, with PIPE _n TRE.TRENB at 0, this bit indicates the specified number of transactions. When PIPE _n TRE.TRENB is 1, this bit indicates the current transaction count.	R/W

The PIPE_nTRN registers retain their current setting during a USB bus reset.

[TRNCNT\[15:0\] bits \(Transaction Counter\)](#)

The USBFS increments the value of the TRNCNT[15:0] bits by 1 when all of the following conditions are satisfied on receiving the packet:

- The PIPE_nTRE.TRENB bit = 1
- (TRNCNT[15:0] set value \neq current counter value + 1) on receiving the packet
- The payload of the received packet agrees with the PIPEMAXP.MXPS[8:0] setting.

The USBFS clears the value of the TRNCNT[15:0] bits to 0 when any of the following conditions are satisfied:

All of the following conditions are satisfied:

- The PIPE_nTRE.TRENB bit = 1
- (TRNCNT[15:0] set value = current counter value + 1) on receiving the packet
- The payload of the received packet agrees with the PIPEMAXP.MXPS[8:0] setting.

Both of the following conditions are satisfied:

- The PIPE_nTRE.TRENB bit = 1
- The USBFS received a short packet.

Both of the following conditions are satisfied:

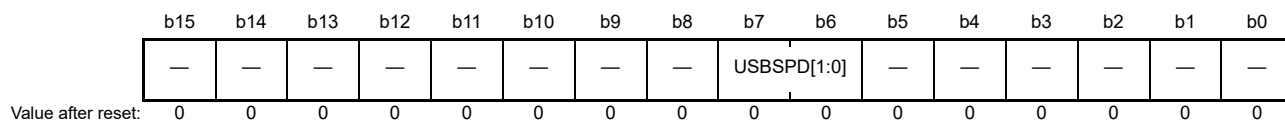
- The PIPE_nTRE.TRENB bit = 1
- The PIPE_nTRE.TRCLR bit is set to 1 by software.

For transmitting pipes, set the TRNCNT[15:0] bits to 0. When the transaction counter is not used, set the TRNCNT[15:0] bits to 0.

Setting the number of transactions to be transferred to the TRNCNT[15:0] bits is only enabled when the PIPE_nTRE.TRENB bit is 0. To set the number of transactions to be transferred, set the TRCLR bit to 1 to clear the current counter value before setting the PIPE_nTRE.TRENB bit to 1.

28.2.33 Device Address n Configuration Register (DEVADDn) (n = 0 to 5)

Address(es): [USBFS.DEVADD0 4009 00D0h](#), [USBFS.DEVADD1 4009 00D2h](#), [USBFS.DEVADD2 4009 00D4h](#),
[USBFS.DEVADD3 4009 00D6h](#), [USBFS.DEVADD4 4009 00D8h](#), [USBFS.DEVADD5 4009 00DAh](#)



Bit	Symbol	Bit name	Description	R/W
b5 to b0	—	Reserved	These bits are read as 0. The write value should be 0.	R/W
b7, b6	USBSPD[1:0]	Transfer Speed of Communication Target Device	b7 b6 0 0: DEVADDn not used 0 1: Low-speed 1 0: Full-speed 1 1: Setting prohibited.	R/W
b15 to b8	—	Reserved	These bits are read as 0. The write value should be 0.	R/W

The DEVADDn register specifies the transfer speed of the peripheral device that is the communication target for pipes 0 to 9.

In host controller mode, set all DEVADDn bits before starting communication with any pipes. Only change the bits in DEVADDn when no valid pipes are using the bit settings. A valid pipe is defined as one that satisfies both of the following conditions:

- DEVADDn is selected in the DEVSEL[3:0] bits
- The PID[1:0] bits are set to BUF for the selected pipe, or the selected pipe is the DCP with the DCPCTR.SUREQ bit set to 1.

In device controller mode, set all bits in this register to 0.

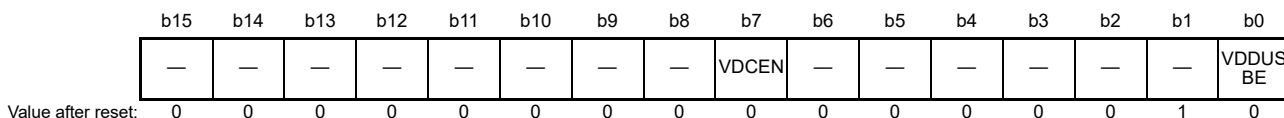
[USBSPD\[1:0\] bits \(Transfer Speed of Communication Target Device\)](#)

The USBSPD[1:0] bits specify the USB transfer speed of the target peripheral device.

In host controller mode, the USBFS generates packets based on the USBSPD[1:0] setting. In device controller mode, set these bits to 00b.

28.2.34 USB Module Control Register (USBMC)

Address(es): USBFS.USBMC 4009 00CCh



Bit	Symbol	Bit name	Description	R/W
b0	VDDUSBE	USB Reference Power Supply Circuit On/Off Control	0: USB reference power supply circuit off 1: USB reference power supply circuit on.	R/W
b1	—	Reserved	This bit is read as 1. The write value should be 1.	R/W
b6 to b2	—	Reserved	These bits are read as 0. The write value should be 0.	R/W
b7	VDCEN	USB Regulator On/Off Control	0: USB regulator off 1: USB regulator on.	R/W
b15 to b8	—	Reserved	These bits are read as 0. The write value should be 0.	R/W

VDDUSBE bit (USB Reference Power Supply Circuit On/Off Control)

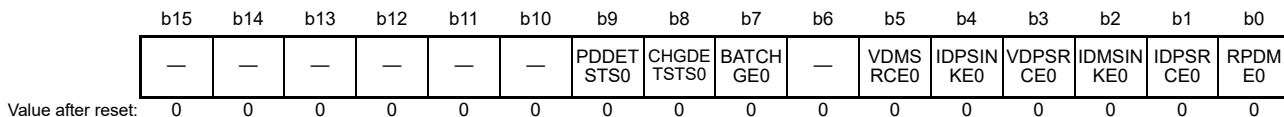
The USB reference power supply circuit generates the reference voltage for battery charging. Set this bit to 1 when using the battery charging function.

VDCEN bit (USB Regulator On/Off Control)

The VDCEN bit is used to control the USB regulator circuit. Set this bit to 1 when using the USB regulator circuit.

28.2.35 BC Control Register 0 (USBBCCTRL0)

Address(es): USBFS.USBBCCTRL0 4009 00B0h



Bit	Symbol	Bit name	Description	R/W
b0	RPDME0	D- Pin Pull-Down Control	0: Pull-down off 1: Pull-down on.	R/W
b1	IDPSRCE0	D+ Pin IDPSRC Output Control	0: Stop 1: 10 μA output.	R/W
b2	IDMSINKE0	D- Pin 0.6 V Input Detection (Comparator and Sink) Control	0: Detection off 1: Detection on (comparator and sink current on).	R/W
b3	VDPSRCE0	D+ Pin VDPSRC (0.6 V) Output Control	0: Stop 1: 0.6 V output.	R/W
b4	IDPSINKE0	D+ Pin 0.6 V Input Detection (Comparator and Sink) Control	0: Detection off 1: Detection on (comparator and sink current on).	R/W
b5	VDMSRCE0	D- Pin VDMSRC (0.6 V) Output Control	0: Stop 1: 0.6 V output.	R/W
b6	—	Reserved	This bit is read as 0. The write value should be 0.	R/W
b7	BATCHGE0	BC (Battery Charger) Function General Enable Control	0: Disabled 1: Enabled.	R/W
b8	CHGDETSTS0	D- Pin 0.6 V Input Detection Status*1	0: Not detected 1: Detected.	R

Bit	Symbol	Bit name	Description	R/W
b9	PDDTSTS0	D+ Pin 0.6 V Input Detection Status*2	0: Not detected 1: Detected.	R
b15 to b10	—	Reserved	These bits are read as 0. The write value should be 0.	R/W

Note 1. Valid when IDMSINKE0 = 1.

Note 2. Valid when IDPSINKE0 = 1.

RPDME0 bit (D- Pin Pull-Down Control)

When using the battery charging function, set the RPDME0 bit to 1 to control the pull-down resistor of the D- pin.

IDPSRCE0 bit (D+ Pin IDPSRC Output Control)

With the IDPSRCE0 bit set to 1 in device controller mode, the current output is enabled on detection of the data connection pin and the D+ pin is pulled up.

IDMSINKE0 bit (D- Pin 0.6 V Input Detection (Comparator and Sink) Control)

With the IDMSINKE0 bit set to 1 in device controller mode, the USBFS detects whether VDMSRC (0.6 V) that is output from the host to D- on primary detection is connected, or whether VDPSRC (0.6 V) that is output from the function to D+ is connected to the function of D- through the host.

VDPSRCE0 bit (D+ Pin VDPSRC (0.6 V) Output Control)

With the VDPSRCE0 bit set to 1 in device controller mode, output is enabled on primary detection and VDPSRC (0.6 V) is applied to D+.

IDPSINKE0 bit (D+ Pin 0.6 V Input Detection (Comparator and Sink) Control)

With the IDPSINKE0 bit set to 1 in device controller mode, the USBFS detects whether VDMSRC (0.6 V) that is output from the function to D- is connected to the function of D+ (DCP) through the host. In host controller mode, the USBFS detects whether VDPSRC (0.6 V) that is output from the device to D+ on primary detection is connected.

VDMSRCE0 bit (D- Pin VDMSRC (0.6 V) Output Control)

With the VDMSRCE0 bit set to 1 in device controller mode, output is enabled on secondary detection and VDMSRC (0.6 V) is applied to D-. In host controller mode, output is enabled on primary detection and VDMSRC (0.6 V) is applied to D-.

CHGDETSTS0 flag (D- Pin 0.6 V Input Detection Status)

In host controller mode, the CHGDETSTS0 flag is set to 1 if the USBFS detects whether VDMSRC (0.6 V) that is output from the host to D- on primary detection is connected, or whether VDPSRC (0.6 V) that is output from the function to D+ is connected to the function of D- through the host.

PDDTSTS0 flag (D+ Pin 0.6 V Input Detection Status)

In device controller mode, the PDDTSTS0 flag is set to 1 if the USBFS detects whether VDMSRC (0.6 V) that is output from the function to D- on secondary detection is connected to the function of D+ (DCP) through the host.

In host controller mode, this bit is set to 1 if the USBFS detects whether VDPSRC (0.6 V) that is output from the function to D+ on primary detection is connected.

28.3 Operation

28.3.1 System Control

This section describes register settings required for initializing the USBFS and controlling power consumption.

28.3.1.1 Setting data to the USB-related register

Setting the SYSCFG.USBE bit to 1 after starting the clock supply (SYSCFG.SCKE bit = 1) enables and starts USBFS operation.

28.3.1.2 Selecting the controller function

The USBFS can operate as either a host or device controller.

Use the SYSCFG.DCFM bit to select one of these USBFS functions. The DCFM bit must be changed in the initial settings immediately after a reset or in the D+ pull-up-disabled state (SYSCFG.DPRPU bit = 0) and D+ and D- pull-down-disabled state (SYSCFG.DRPD bit = 0).

28.3.1.3 Controlling the USB data bus using resistors

The USBFS provides pull-up and pull-down resistors for the D+ and D- lines. Pull these lines up or down by setting the SYSCFG.DPRPU, DMRPU, and DRPD bits.

In device controller mode, confirm that connection to the USB host is made, and then set the SYSCFG.DPRPU bit to 1 and pull up the D+ line (in full-speed communication), or set the SYSCFG.DMRPU bit to 1 and pull up the D- line (in low-speed communication).

When the SYSCFG.DPRPU (during full speed) or the SYSCFG.DMRPU (during low speed) bit is set to 0 during communication with a PC, the USBFS disables the pull-up resistor of the USB data line, thereby notifying the USB host of disconnection.

In host controller mode, set the SYSCFG.DRPD bit to 1 to pull down the D+ and D- lines.

Table 28.12 USB data bus resistor control

SYSCFG register settings			USB data bus control		
DRPD bit	DPRPU bit	DMRPU bit	D-	D+	Function
0	0	0	Open	Open	When resistors not used
0	1	0	Open	Pull-up	When operating as the device controller at full-speed
0	0	1	Pull-up	Open	When operating as the device controller at low-speed
1	0	0	Pull-down	Pull-down	When operating as a host controller
Other settings			-	-	Setting prohibited

28.3.1.4 Example of USB power supply connection

Figure 28.2 shows an example of power supply connection when the USB regulator is not used. Figure 28.3 and Figure 28.4 show examples of power supply connection when the USB regulator is used.

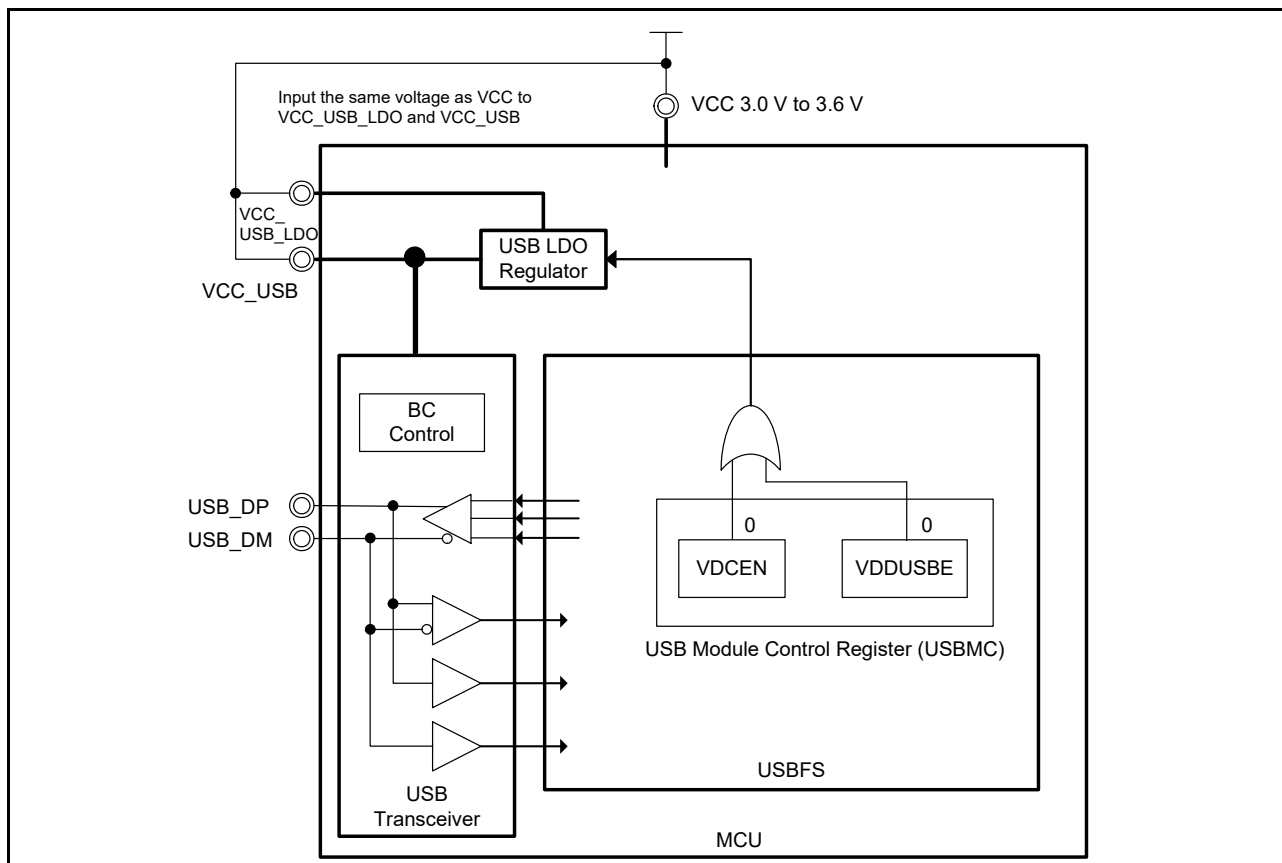


Figure 28.2 Example of power supply connection when the USB LDO regulator is not used

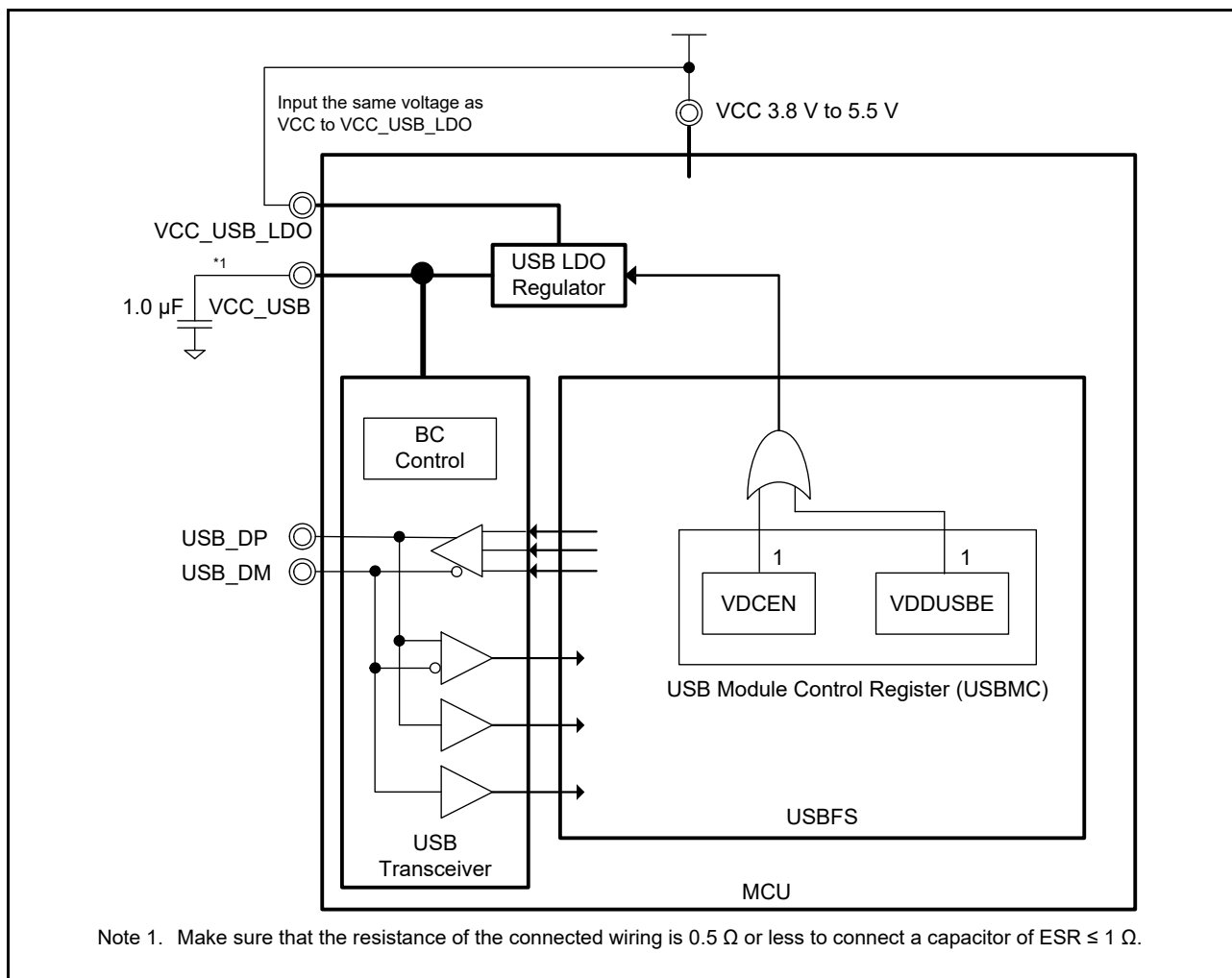


Figure 28.3 Example of power supply connection when the USB LDO regulator is used (BC used)

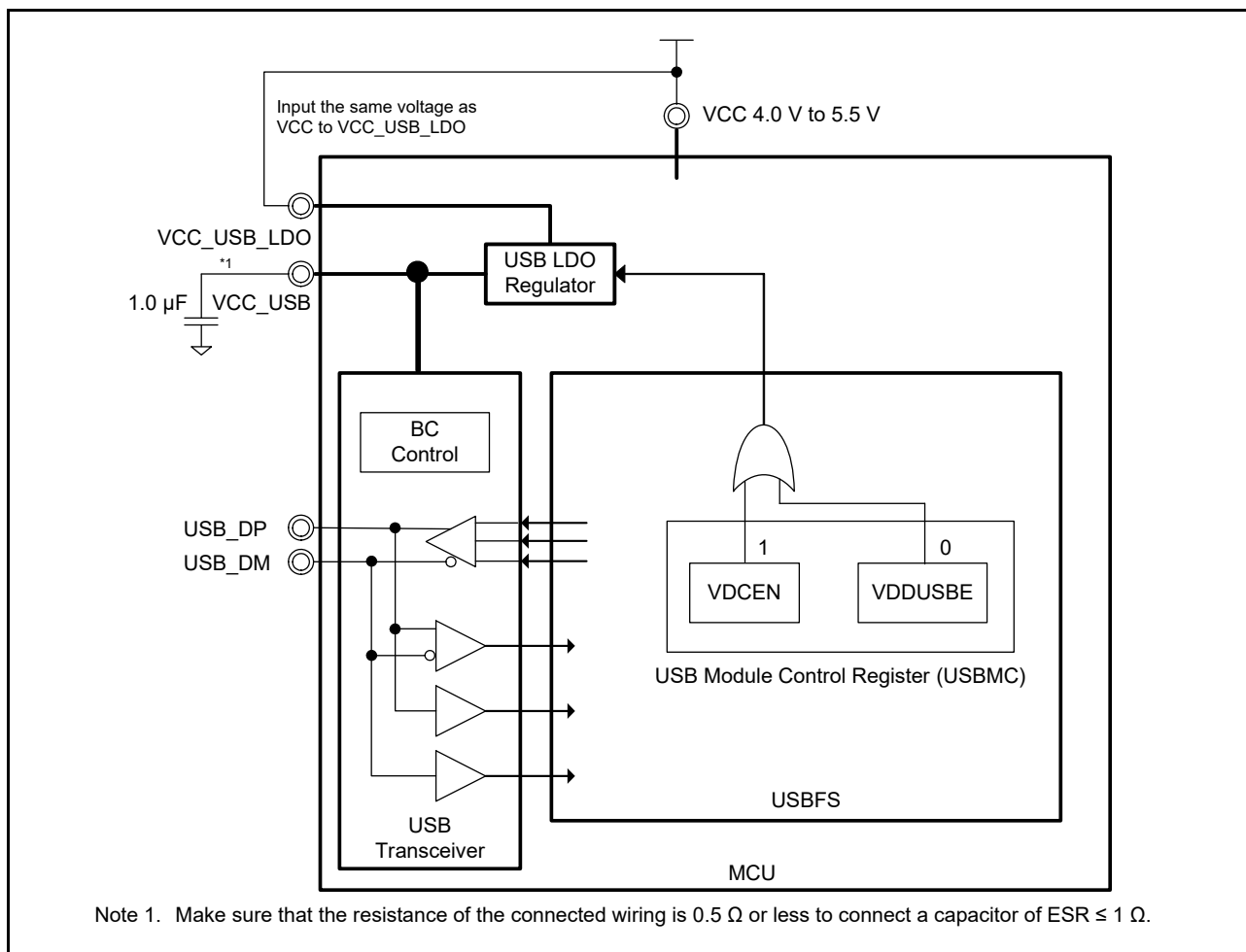


Figure 28.4 Example of power supply connection when the USB LDO regulator is used (BC not used)

28.3.1.5 Example of USB external connection circuits

The host recognizes a USB device when one of the data lines is pulled up. The MCU can use switching of the internal pull-up resistor for this. Also, bus-powered devices do not require external regulators because the MCU provides a power supply in the USB-PHY.

Figure 28.5 and Figure 28.6 show examples of external circuits for the USB connection.

Figure 28.5 shows an example of OTG connection of the USB connector in the self-powered state.

The USBFS controls the pull-up resistor of the D+ line and the pull-down resistor of D+ and D- lines. Select pull-up and pull-down for the lines in the SYSCFG.DPRPU and SYSCFG.DRPD bits. In device controller mode, the pull-up resistor of USB data line is disabled if SYSCFG.DPRPU bit is set to 0 while communicating with the USB host. The USBFS can use this to notify the USB host of a device disconnect.

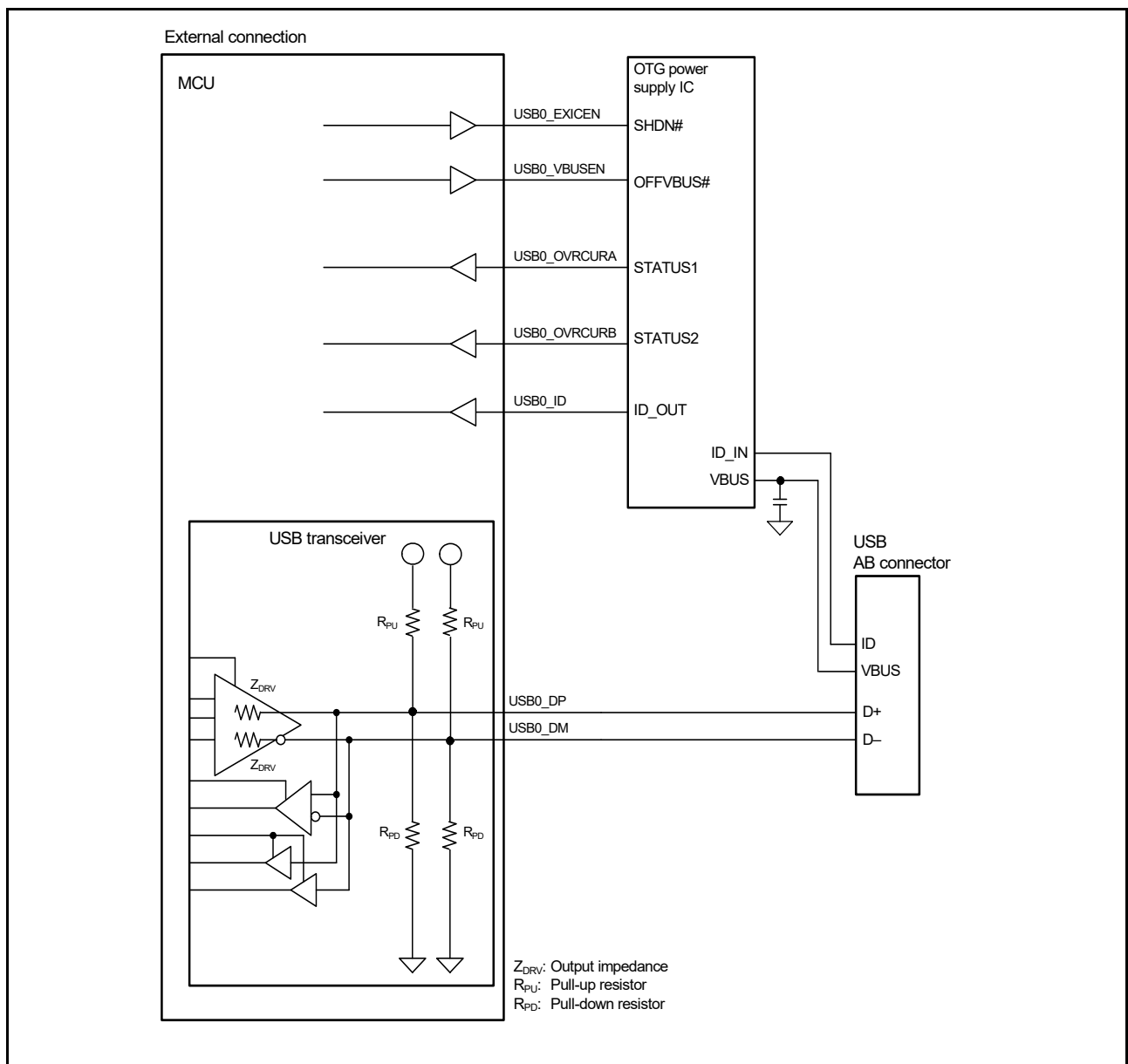


Figure 28.5 Example OTG connection in self-powered state

Figure 28.6 shows an example of functional connection of the USB connector in the self-powered state.

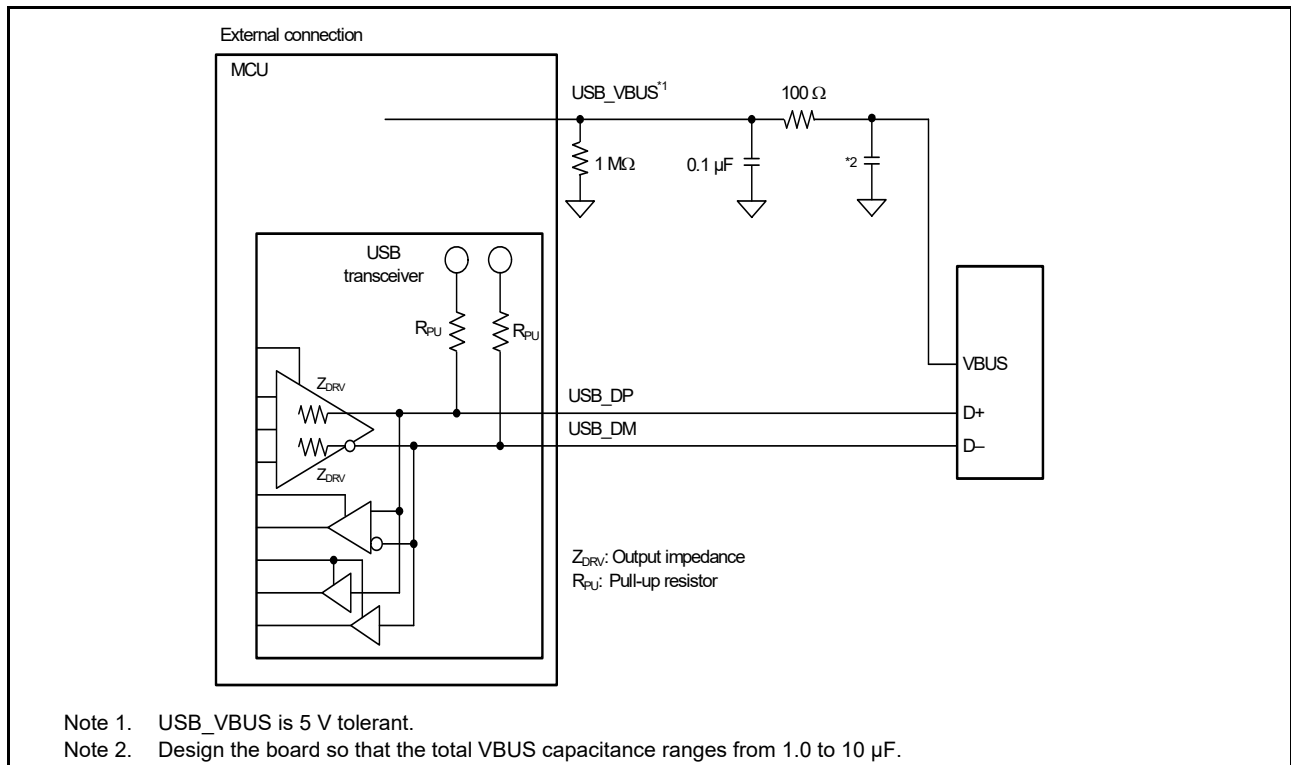


Figure 28.6 Example device connection in self-powered state

Figure 28.7 shows an example of host connection of the USB connector.

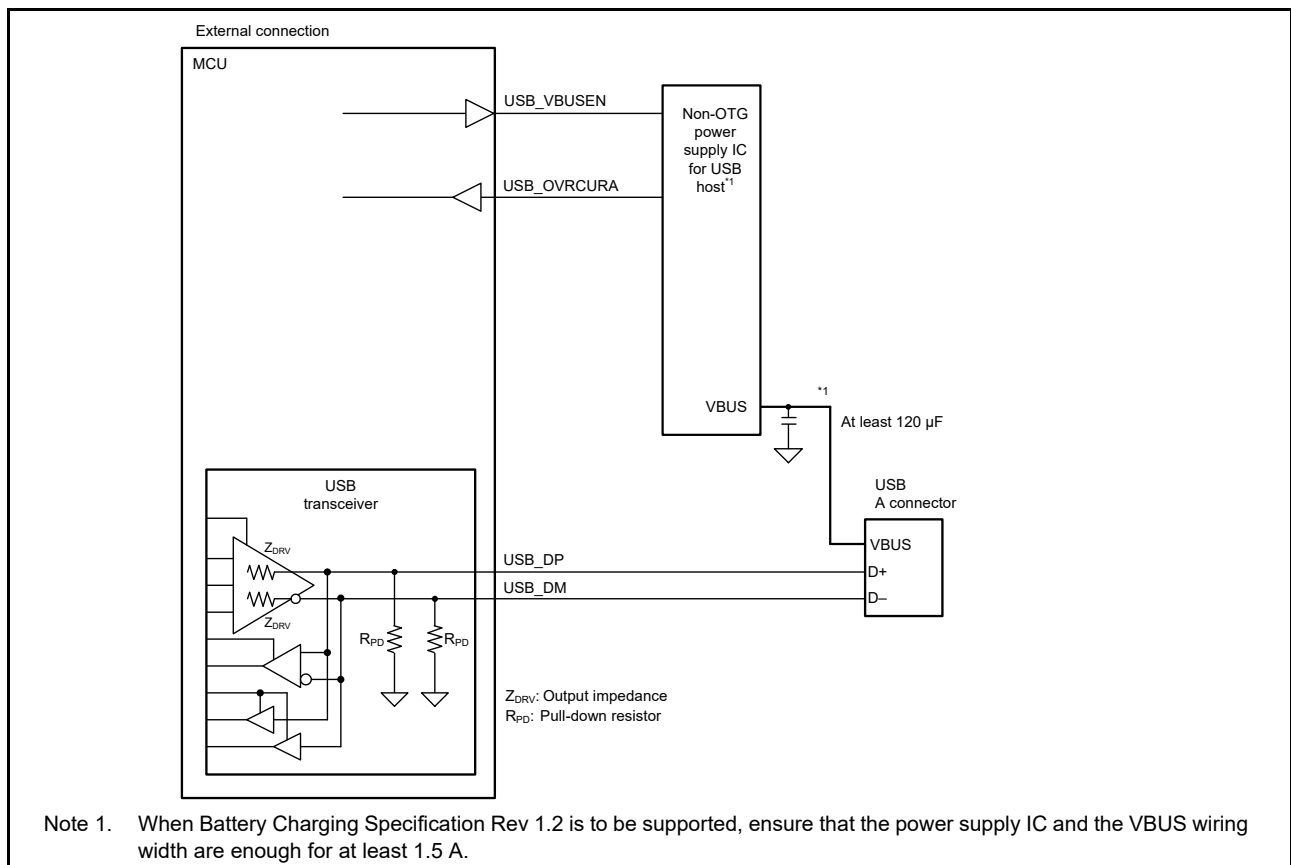


Figure 28.7 Example host connection

Figure 28.8 shows an example of functional connection of the USB connector in bus-powered state.

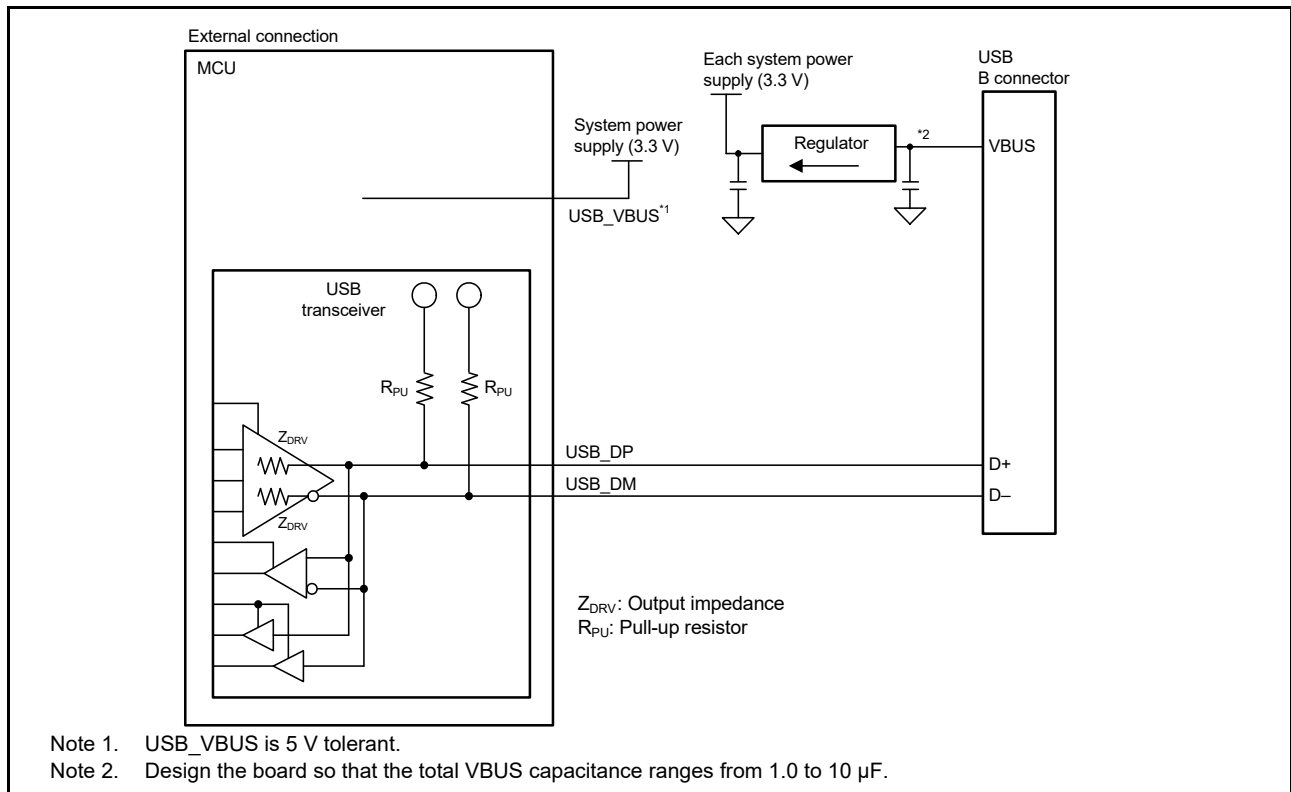


Figure 28.8 Example device connection in bus-powered state 1

Figure 28.9 shows an example of functional connection of the USB connector in bus-powered state 2.

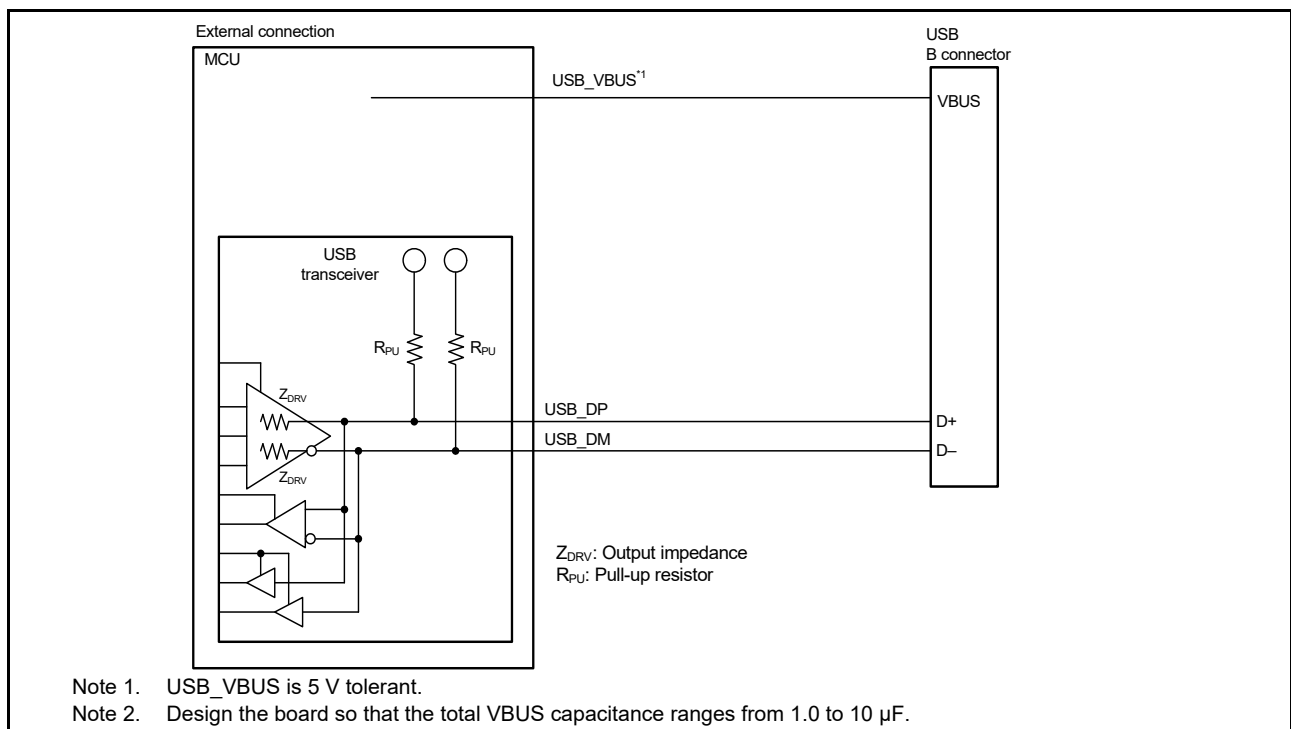


Figure 28.9 Example device connection in bus-powered state 2

The examples of external circuits given in this section are simplified circuits, and their operation in every system is not guaranteed.

Figure 28.10 shows an example of functional connection of the USB connector with Battery Charging Rev 1.2 supported.

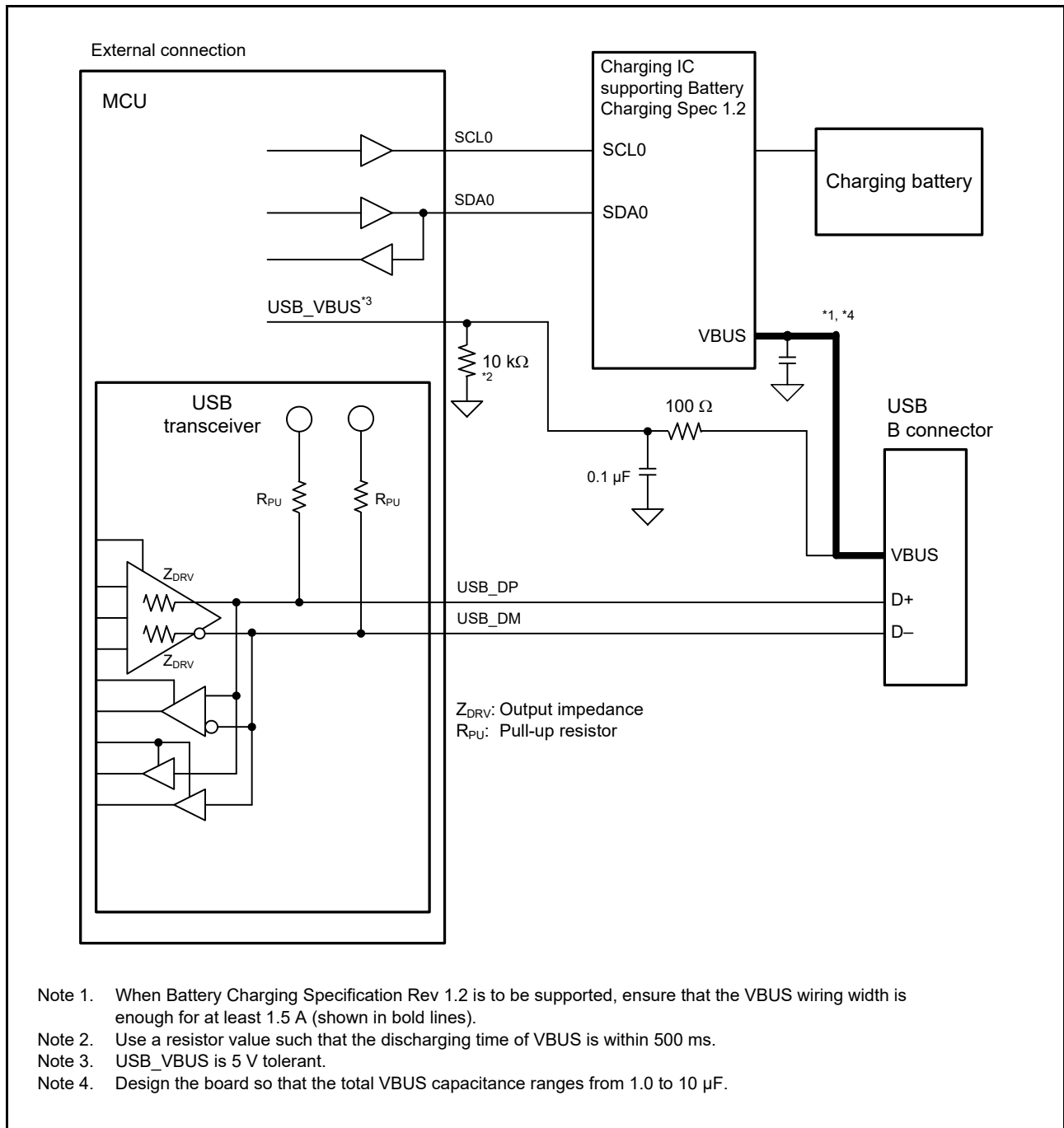


Figure 28.10 Example of functional connection with Battery Charging Specification Rev 1.2 supported

28.3.2 Interrupts

Table 28.13 lists the interrupt sources in the USBFS. When an interrupt generation condition is satisfied and the interrupt output is enabled using the associated interrupt enable register, a USBFS interrupt request is issued to the [Interrupt Controller Unit \(ICU\)](#) and an USBFS interrupt is generated.

Table 28.13 Interrupt sources (1 of 2)

Bit to be set	Name	Interrupt source	Applicable controller function	Status flag
VBINT	VBUS interrupt	<ul style="list-style-type: none"> A change in the state of the USB_VBUS input pin was detected (low to high or high to low) 	Host or device*1	INTSTS0.VBSTS
RESM	Resume interrupt	<ul style="list-style-type: none"> A change in the state of the USB bus was detected in the suspended state (J-state to K-state or J-state to SE0). 	Device	-
SOFR	Frame number update interrupt	In host controller mode: <ul style="list-style-type: none"> An SOF packet with a different frame number was transmitted. In device controller mode: <ul style="list-style-type: none"> An SOF packet with a different frame number was received. 	Host or device	-
DVST	Device state transition interrupt	One of the following device state transitions was detected: <ul style="list-style-type: none"> USB bus reset detected Suspended state detected SET_ADDRESS request received SET_CONFIGURATION request received. 	Device	INTSTS0.DVSQ[2:0]
CTRT	Control transfer stage transition interrupt	A control transfer stage transition was detected because of one of the following: <ul style="list-style-type: none"> Setup stage completed Control write transfer status stage transition occurred Control read transfer status stage transition occurred Control transfer completed Control transfer sequence error occurred. 	Device	INTSTS0.CTSQ[2:0]
BEMP	Buffer empty interrupt	<ul style="list-style-type: none"> The buffer is empty after all FIFO buffer data was transmitted A packet larger than the maximum packet size was received. 	Host or device	BEMPSTS.PIPEnBEMP
NRDY	Buffer not ready interrupt	In host controller mode: <ul style="list-style-type: none"> A STALL response was received from the peripheral device in response to the issued token The response from the peripheral device in response to the issued token was not received successfully (no response three times consecutively or packet reception error three times consecutively) An overrun or underrun error occurred during isochronous transfer In device controller mode: <ul style="list-style-type: none"> NAK was returned for an IN or OUT token while the PID[1:0] bits were set to 01b (BUF) A CRC error or bit stuffing error occurred during data reception in isochronous transfer An overrun or underrun occurred during data reception in isochronous transfer. 	Host or device	NRDYSTS.PIPEnNRDY
BRDY	Buffer ready interrupt	<ul style="list-style-type: none"> The buffer is ready (read or write state). 	Host or device	BRDYSTS.PIPEnBRDY
OVRRCR	Overcurrent input change interrupt	<ul style="list-style-type: none"> USB_OVRCURA or USB_OVRCURB input pin state change was detected (low to high or high to low). 	Host	INTSTS1.OVRRCR
BCHG	Bus change interrupt	<ul style="list-style-type: none"> USB bus state change was detected. 	Host or device	SYSSTS0.LNST[1:0]
DTCH	Disconnection detection during full-speed operation	<ul style="list-style-type: none"> Peripheral device disconnect was detected in full-speed operation. 	Host	DVSTCTR0.RHST[2:0]

Table 28.13 Interrupt sources (2 of 2)

Bit to be set	Name	Interrupt source	Applicable controller function	Status flag
ATTCH	Device connection detection	<ul style="list-style-type: none"> J-state or K-state was detected on the USB bus for 2.5 μs continuously This interrupt can be used to check whether peripheral devices are connected.	Host	-
EOFERR	EOF error detection	<ul style="list-style-type: none"> An EOF error was detected for a peripheral device. 	Host	-
SACK	Normal setup operation	<ul style="list-style-type: none"> A setup transaction normal response (ACK) was received. 	Host	-
SIGN	Setup error	<ul style="list-style-type: none"> A setup transaction error (no response or ACK packet corruption) was detected three consecutive times. 	Host	-
PDDEINT 0	Portable device detection interrupt	<ul style="list-style-type: none"> A connection of the portable device was detected. 	Host	INTSTS1.PDDETINT0

Note 1. Although this interrupt can be generated in host controller mode, it is not usually used in this mode.

Figure 28.11 shows the circuits related to the USBFS interrupts.

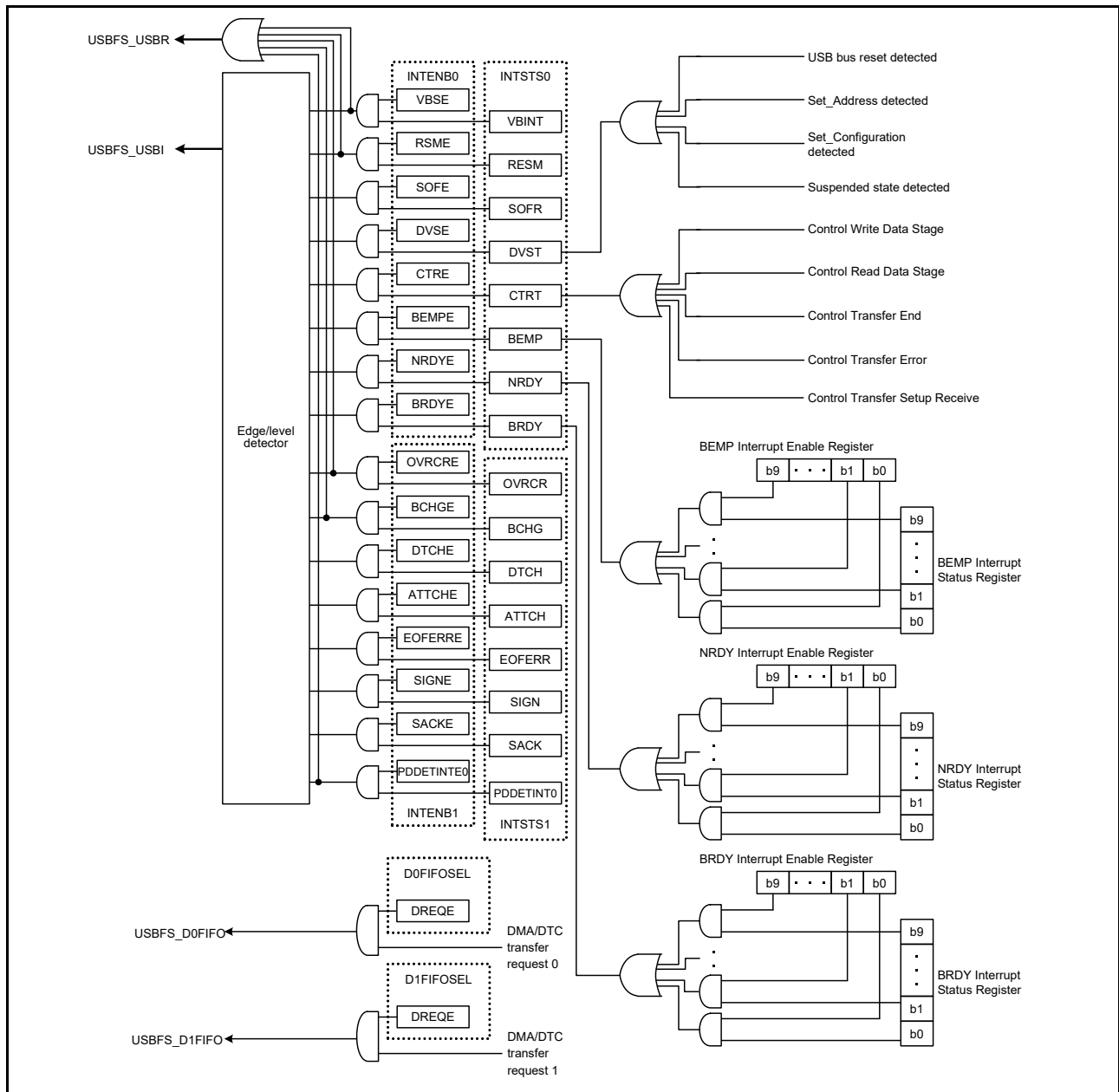


Figure 28.11 USBFS interrupt-related circuits

Table 28.14 shows the interrupts generated by the USBFS.

Table 28.14 USBFS interrupts

Interrupt name	Interrupt status flag	DTC activation	DMAC activation	Priority
D0FIFO	DMA transfer request 0	Possible	Possible	High
D1FIFO	DMA transfer request 1	Possible	Possible	↑ Low
USBFS_USBI	VBUS interrupt, resume interrupt, frame number update interrupt, device state transition interrupt, control transfer stage transition interrupt, buffer empty interrupt, buffer not ready interrupt, buffer ready interrupt, overcurrent input change interrupt, bus change interrupt, disconnection detection during full-speed operation, device connection detection, EOF error detection, normal setup operation, setup error, and portable device detection interrupt	Not possible	Not possible	
USBFS_USBR	VBUS interrupt, resume interrupt, overcurrent input change interrupt, and portable device detection interrupt	Not possible	Not possible	-

28.3.3 Interrupt Descriptions

28.3.3.1 BRDY interrupt

The BRDY interrupt is generated in both host and device controller modes. This section describes the conditions in which the USBFS sets the associated bit in BRDYSTS to 1. Under these conditions, the USBFS generates a BRDY interrupt if software has set the bit in BRDYENB associated with the given pipe to 1 and the INTENB0.BRDYE bit to 1.

The conditions for generating and clearing the BRDY interrupt depend on the SOFCFG.BRDYM and PIPECFG.BFRE settings for each pipe as follows:

(1) When SOFCFG.BRDYM = 0 and PIPECFG.BFRE = 0

With these settings, the BRDY interrupt indicates that the FIFO port is accessible.

On any of the following conditions, the USBFS generates an internal BRDY interrupt request trigger and sets the BRDYSTS.PIPEnBRDY bit associated with the selected pipe to 1.

(a) For transmitting pipes

- When the DIR bit is changed from 0 to 1 by software
- When packet transmission is complete for a pipe while write-access from the CPU to the FIFO buffer for the pipe is disabled (when the BSTS bit is read as 0)
- When one FIFO buffer is empty on completion of writing data to the other FIFO buffer in double buffer mode
- No request trigger is generated until completion of writing data to the currently-written FIFO buffer even if transmission to the other FIFO buffer is complete
- When the hardware flushes the buffer of the pipe for isochronous transfers
- When 1 is written to the PIPEnCTR.ACLRM bit, which causes the FIFO buffer to transition from the write-disabled to write-enabled state.

No request trigger is generated for the DCP, that is, during data transmission for control transfers.

(b) For receiving pipes

- When packet reception is successfully complete, enabling the FIFO buffer to be read while read-access from the CPU to the FIFO buffer for the given pipe is disabled (when the BSTS bit is read as 0). No request trigger is generated for transactions in which a DATA-PID mismatch has occurred.
- When one FIFO buffer is read-enabled on completion of reading data from the other FIFO buffer in double buffer mode. No request trigger is generated until completion of reading data from the currently-read FIFO buffer, even if reception by the other FIFO buffer is complete.

In device controller mode, the BRDY interrupt is not generated in the status stage of control transfers. The PIPEnBRDY interrupt status of the selected pipe can be set to 0 by writing 0 to the associated PIPEnBRDY bit through software. In this case, the other PIPEnBRDY bits must be set to 1.

Clear the BRDY status before accessing the FIFO buffer.

(2) When SOFCFG.BRDYM = 0 and PIPECFG.BFRE = 1

With these settings, the USBFS generates a BRDY interrupt on completion of reading all data for a single transfer using the receiving pipe, and sets the bit in BRDYSTS associated with the pipe to 1.

On any of the following conditions, the USBFS determines that the last data for a single transfer was received:

- When a short packet including a zero-length packet is received
- When the PIPEn Transaction Counter Register (PIPEnTRN) is used and the number of packets specified in the PIPEnTRN.TRNCNT[15:0] bits are completely received.

When the data is completely read after any of the above conditions is satisfied, the USBFS determines that all data for a single transfer is completely read.

When a zero-length packet is received while the FIFO buffer is empty, the USBFS determines that all data for a single transfer is completely read when the FRDY bit in the FIFO Port Control Register is 1 and the DTLN[8:0] bits are 0. In this case, to start the next transfer, write 1 to the BCLR bit in the associated port control register through software. With these settings, the USBFS does not detect a BRDY interrupt for the transmitting pipe.

The PIPEnBRDY interrupt status of a pipe can be set to 0 by writing 0 to the associated BRDYSTS.PIPEnBRDY bit through software. In this case, the other PIPEnBRDY bits must be set to 1.

In this mode, do not change the PIPECFG.BFRE bit setting until all data for a single transfer is processed. When it is required to change the PIPECFG.BFRE bit before completion of processing, all FIFO buffers for the pipe must be cleared using the PIPEnCTR.ACLRM bit.

(3) When SOFCFG.BRDYM = 1 and PIPECFG.BFRE = 0

With these settings, the BRDYSTS.PIPEnBRDY values are linked to the BSTS bit setting for each pipe. In other words, the BRDY interrupt status bits (PIPEnBRDY) are set to 1 or 0 by the USBFS depending on the FIFO buffer status.

(a) For transmitting pipes

The BRDY interrupt status bits are set to 1 when the FIFO buffer is ready for write access, and are set to 0 when it is not ready. The BRDY interrupt is not generated for the DCP in the transmitting direction even when it is ready for write access.

(b) For receiving pipes

The BRDY interrupt status bits are set to 1 when the FIFO buffer is ready for read access, and are set to 0 when all data is read (not ready for read access).

When a zero-length packet is received while the FIFO buffer is empty, the associated bit is set to 1 and the BRDY interrupt is continuously generated until software writes 1 to BCLR. With this setting, the PIPEnBRDY bit cannot be set to 0 by software.

When the SOFCFG.BRDYM bit is set to 1, set the PIPECFG.BFRE bit for all pipes to 0.

Figure 28.12 shows the timing of BRDY interrupt generation.

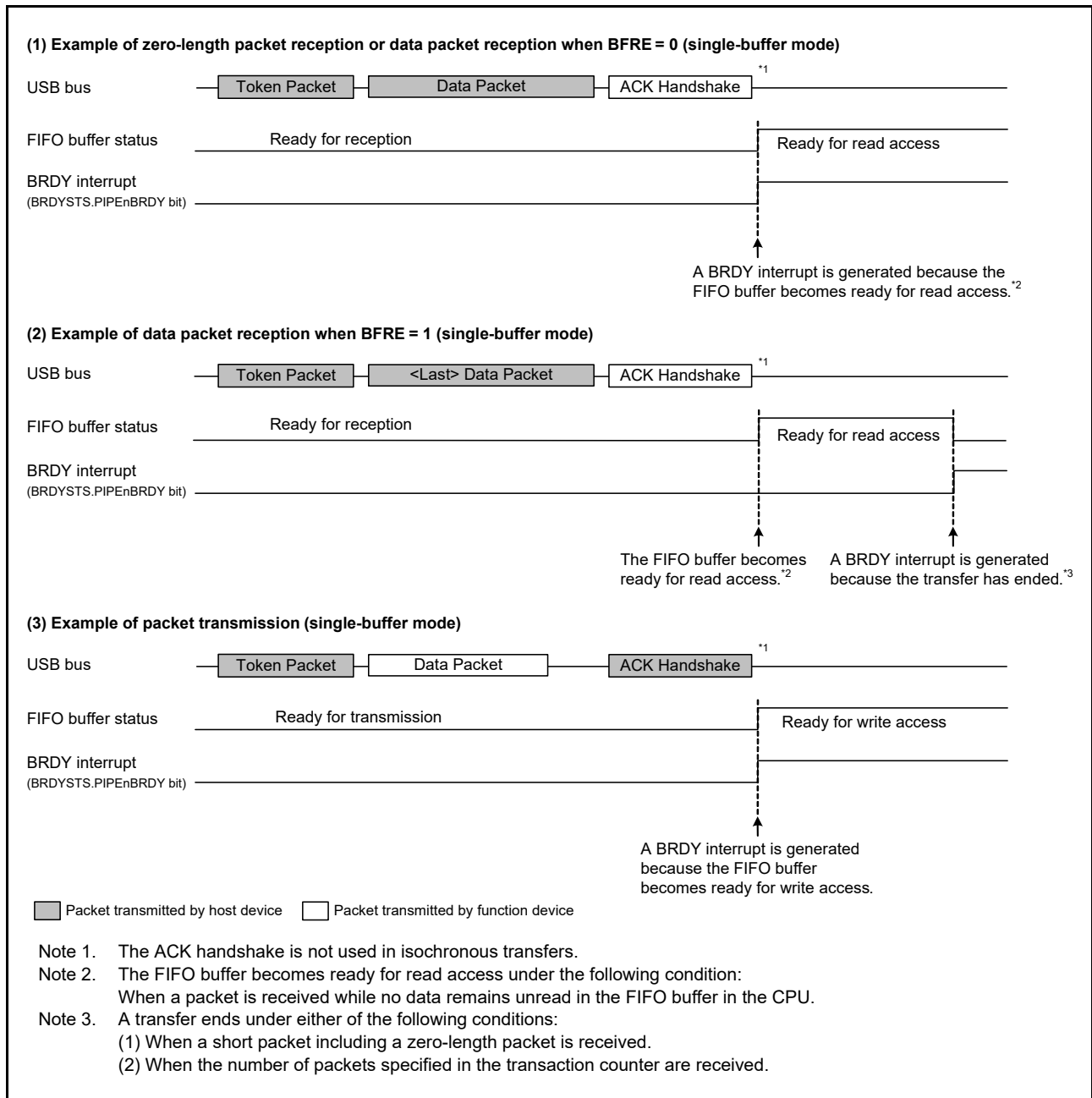


Figure 28.12 Timing of BRDY interrupt generation

The condition for clearing the INTSTS0.BRDY bit depends on the SOFCFG.BRDYM bit setting, as shown in Table 28.15.

Table 28.15 Conditions for clearing BRDY bit

BRDYM bit	Condition for clearing BRDY bit
0	When all bits in BRDYSTS are set to 0 by software
1	When the BSTS bits for all pipes become 0

28.3.3.2 NRDY interrupt

On generating an internal NRDY interrupt request for the pipe whose PID bits are set to BUF by software, the USBFS sets the associated PIPE_nNRDY bit in NRDYSTS to 1. If the associated bit in NRDYENB is set to 1 by software, the USBFS sets the INTSTS0.NRDY bit to 1 and generates a USBFS interrupt.

This section describes the conditions in which the USBFS generates the internal NRDY interrupt request for a given pipe.

The internal NRDY interrupt request is not generated during setup transaction execution in host controller mode. During setup transactions in host controller mode, the SACK or SIGN interrupt is detected.

The internal NRDY interrupt request is not generated during status stage execution of the control transfer in device controller mode.

(1) In host controller mode

(a) For transmitting pipes

On any of the following conditions, the USBFS detects an NRDY interrupt:

- For isochronous transfer pipes, when the time to issue an OUT token comes while there is no data to be transmitted in the FIFO buffer. In this case, the USBFS transmits a zero-length packet following the OUT token and sets the associated NRDYSTS.PIPE_nNRDY bit and the FRMNUM.OVRN bit to 1.
- During communications other than setup transactions on pipes not used for isochronous transfers, when any combinations of the following two cases occur three consecutive times:
 - No response is returned from the peripheral device (when timeout is detected before detection of the handshake packet from the peripheral device)
 - An error is detected in the packet from the peripheral device. In this case, the USBFS sets the associated PIPE_nNRDY bit to 1 and changes the associated PID[1:0] setting for the pipe to NAK.
- During communications other than setup transactions, when the STALL handshake is received from the peripheral device. In this case, the USBFS sets the associated PIPE_nNRDY bit to 1 and changes the PID[1:0] setting for the associated pipe to STALL (11b).

(b) For receiving pipes

- For isochronous transfer pipes, when the time to issue an IN token comes but there is no space available in the FIFO buffer. In this case, the USBFS discards the received data for the IN token and sets the PIPE_nNRDY bit associated with the pipe and the OVRN bit to 1. When a packet error is detected in the received data for the IN token, the USBFS also sets the FRMNUM.CRCE bit to 1.
- For non-isochronous transfer pipes, when any combination of the following two cases occur three consecutive times:
 - No response is returned from the peripheral device for the IN token issued by the USBFS (when timeout is detected before detection of the DATA packet from the peripheral device)
 - An error is detected in the packet from the peripheral device. In this case, the USBFS sets the associated PIPE_nNRDY bit to 1 and changes the associated PID[1:0] setting for the pipe to NAK.
- For isochronous transfer pipes, when no response is returned from the peripheral device for the IN token (when timeout is detected before detection of the DATA packet from the peripheral device) or an error is detected in the packet from the peripheral device. In this case, the USBFS sets the PIPE_nNRDY bit associated with the pipe to 1. The PID[1:0] setting for the pipe is not changed.
- For isochronous transfer pipes, when a CRC error or a bit stuffing error is detected in the received data packet. In this case, the USBFS sets the PIPE_nNRDY bit associated with the pipe and the CRCE bit to 1.
- When the STALL handshake is received. In this case, the USBFS sets the PIPE_nNRDY bit associated with the pipe to 1 and changes the PID[1:0] setting for the associated pipe to STALL.

(2) In device controller mode

(a) For transmitting pipes

- When an IN token is received while there is no data to be transmitted in the FIFO buffer. In this case, the USBFS generates a NRDY interrupt request on reception of the IN token and sets the NRDYSTS.PIPE_nNRDY bit to 1. For an isochronous transfer pipe in which an interrupt is generated, the USBFS transmits a zero-length packet and sets the FRMNUM.OVRN bit to 1.

(b) For receiving pipes

- When an OUT token is received but there is no space available in the FIFO buffer. For an isochronous transfer pipe in which an interrupt is generated, the USBFS generates a NRDY interrupt request on reception of the OUT token and sets the PIPE_nNRDY bit to 1 and OVRN bit to 1. For a non-isochronous transfer pipe in which an interrupt is generated, the USBFS generates a NRDY interrupt request when a NAK handshake is transferred after the data following the OUT token is received, and sets the PIPE_nNRDY bit to 1. The NRDY interrupt request is not generated during retransmission because of a DATA-PID mismatch. In addition, the NRDY interrupt request is not generated if an error occurs in the DATA packet.
- For isochronous transfer pipes, when a token is not received successfully within an interval frame. In this case, the USBFS generates an NRDY interrupt request when the SOF is received, and sets the PIPE_nNRDY bit to 1.

Figure 28.13 shows the timing of NRDY interrupt generation when the device controller is selected.

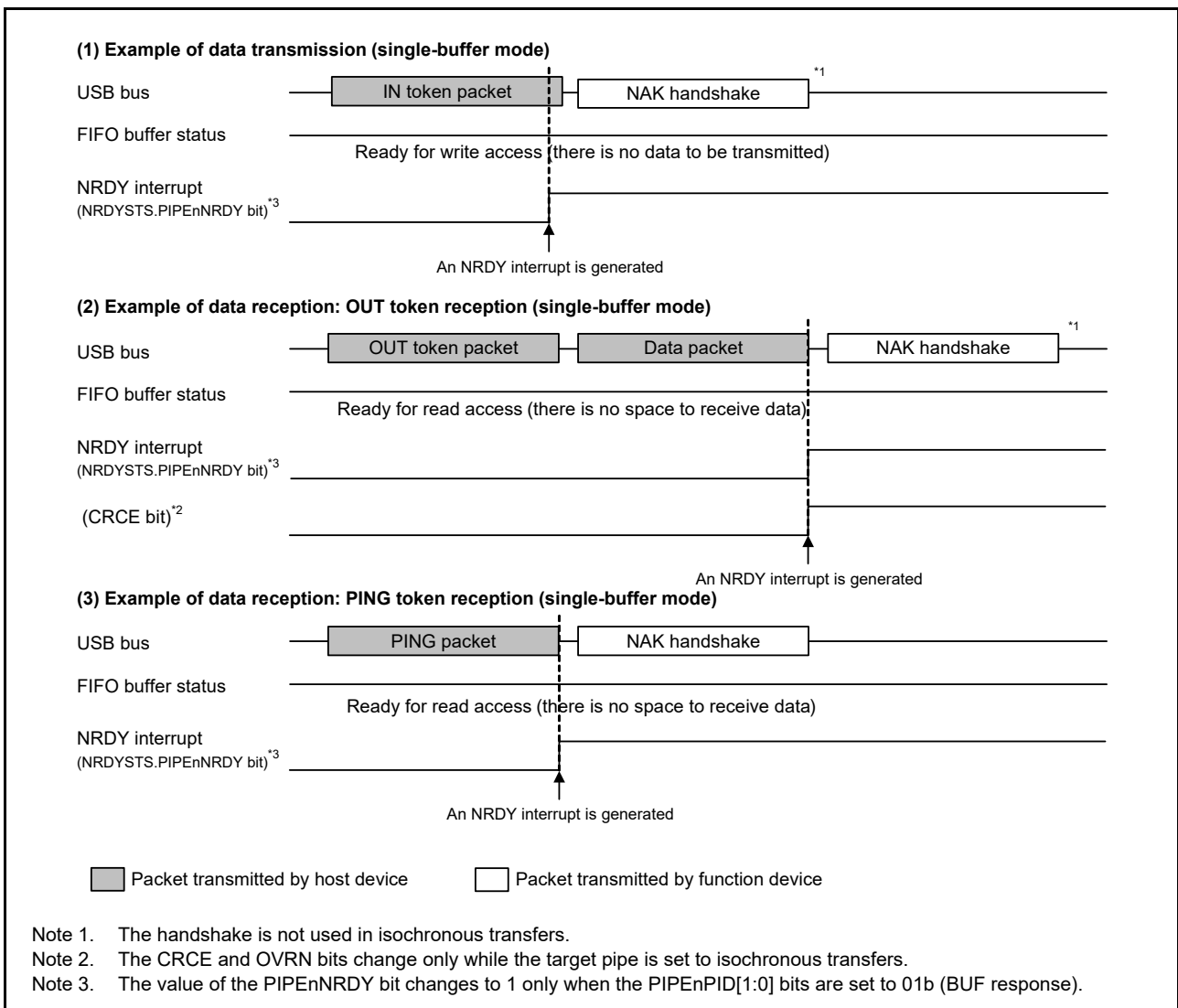


Figure 28.13 Timing of NRDY interrupt generation in device controller mode

28.3.3.3 BEMP interrupt

On detecting a BEMP interrupt for the pipe whose PID bits are set to BUF by software, the USBFS sets the associated BEMPSTS.PIPEnBEMP bit to 1. If the associated bit in BEMPENB is set to 1 by software, the USBFS sets the INTSTS0.BEMP bit to 1 and generates a USBFS interrupt. This section describes the conditions in which the USBFS generates an internal BEMP interrupt request.

(1) For transmitting pipes

When the FIFO buffer of the associated pipe is empty on completion of transmission, including zero-length packet transmission, and in single buffer mode, an internal BEMP interrupt request is generated simultaneously with the BRDY interrupt for a non-DCP pipe. The internal BEMP interrupt request is not generated on any of the following conditions:

- When the CPU or DMA/DTC has already started writing data to the FIFO buffer of the CPU on completion of transmitting data from one FIFO buffer in double buffer mode
- When the buffer is cleared (emptied) by setting the PIPEnCTR.ACLRM or the BCLR bit to 1 in the port control register
- When an IN transfer (zero-length packet transmission) is performed during the control transfer status stage in device controller mode.

(2) For receiving pipes

When a successfully-received data packet size exceeds the specified maximum packet size. In this case, the USBFS generates a BEMP interrupt request, sets the associated BEMPSTS.PIPEnBEMP bit to 1, discards the received data, and changes the associated PID[1:0] setting for the pipe to STALL (11b). The USBFS returns no response in host controller mode, and returns STALL response in device controller mode.

The internal BEMP interrupt request is not generated in any of the following conditions:

- When a CRC error or a bit stuffing error is detected in the received data
- When a setup transaction is performed:
 - Writing 0 to the BEMPSTS.PIPEnBEMP bit clears the status
 - Writing 1 to the BEMPSTS.PIPEnBEMP bit has no effect.

Figure 28.14 shows the timing of BEMP interrupt generation in device controller mode.

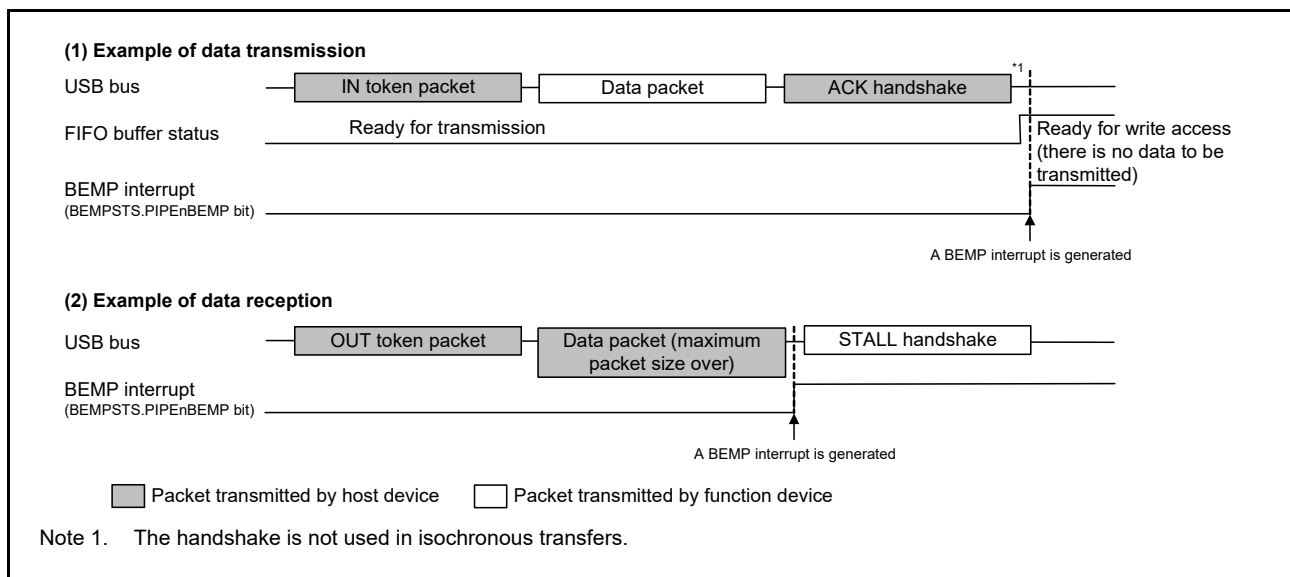


Figure 28.14 Timing of BEMP interrupt generation in device controller mode

28.3.3.4 Device state transition interrupt (device controller mode)

Figure 28.15 shows a diagram of the USBFS device state transitions. The USBFS controls device states and generates device state transition interrupts. However, recovery from the suspended state (resume signal detection) is detected by means of the resume interrupt. Device state transition interrupts can be enabled or disabled independently in INTENB0. Devices whose states have changed can be checked in the INTSTS0.DVSQ[2:0] bits.

When a transition is made to the default state, a device state transition interrupt is generated after a USB bus reset is detected.

The USBFS controls device states, and device state transition interrupts can be generated, only in device controller mode.

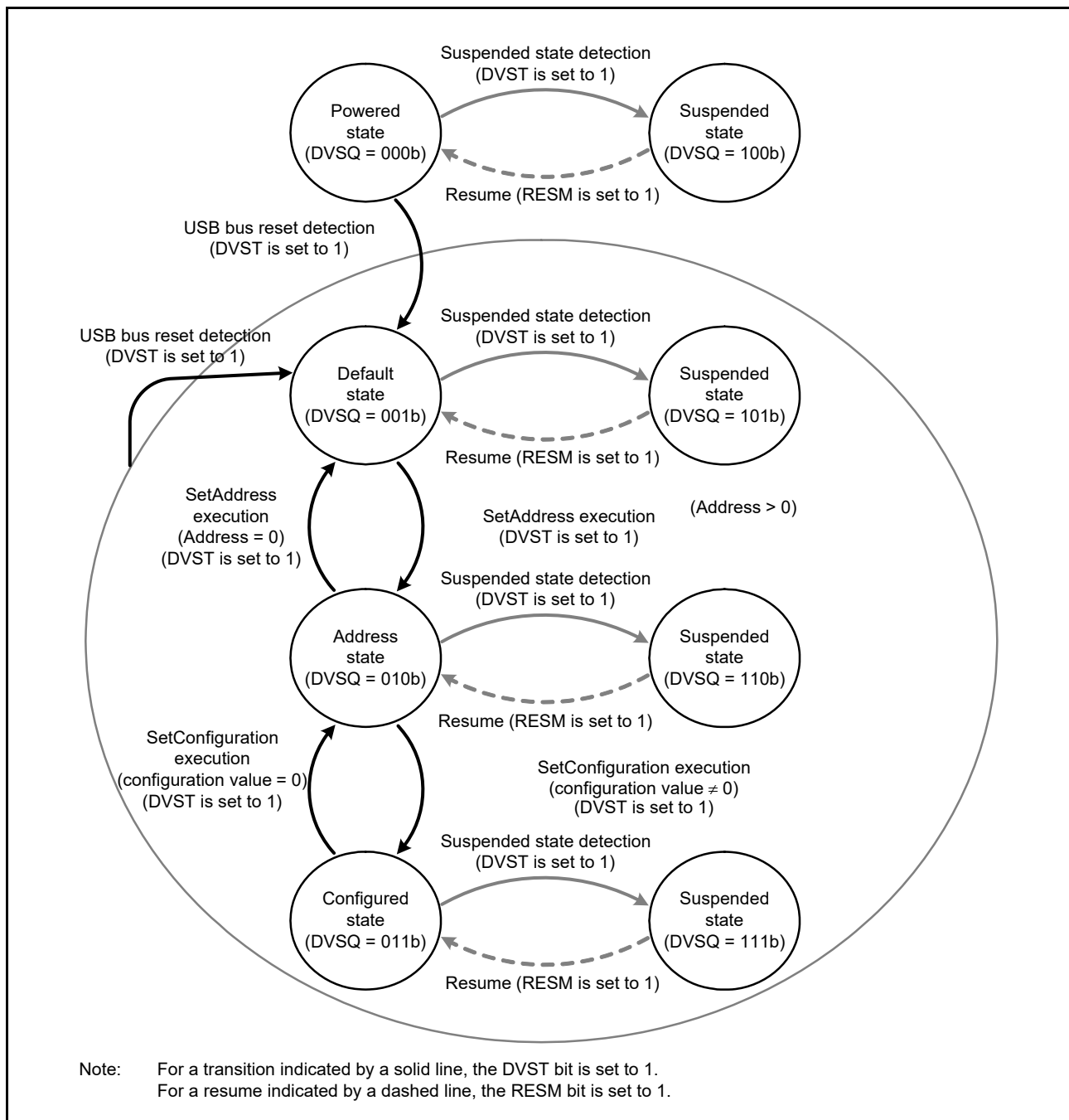


Figure 28.15 Device state transitions

28.3.3.5 Control transfer stage transition interrupt (device controller mode)

Figure 28.16 shows a diagram of the control transfer stage transitions of the USBFS. The USBFS controls the control transfer sequence and generates control transfer stage transition interrupts. Control transfer stage transition interrupts can be enabled or disabled independently in INTENB0. Transfer stages that have transitioned can be checked in the INTSTS0.CTSQ[2:0] bits.

Control transfer stage transition interrupts are generated only in device controller mode. This section describes control transfer sequence errors. If an error occurs, the DCPCTR.PID[1:0] bits are set to 1xb (STALL response).

(1) Control read transfer errors

- An OUT token is received but no data is transferred in response to the IN token at the data stage
- An IN token is received at the status stage
- A data packet with DATAPID = DATA0 is received at the status stage.

(2) Control write transfer errors

- An IN token is received but no ACK is returned in response to the OUT token at the data stage
- A data packet with DATAPID = DATA0 is received as the first data packet at the data stage
- An OUT token is received at the status stage.

(3) Control write no data transfer errors

- An OUT token is received at the status stage.

At the control write transfer data stage, if the receive data length exceeds the wLength value of the USB request, it is not recognized as a control transfer sequence error. At the control read transfer status stage, packets other than zero-length packets are received by an ACK response and the transfer ends normally.

When a CTRT interrupt occurs in response to a sequence error (INTSTS0.CTRT = 1), the CTSQ[2:0] = 110b value is saved until the CTRT bit is set to 0, clearing the interrupt status. While CTSQ[2:0] = 110b is being saved, no CTRT interrupt for ending the setup stage is generated, even if a new USB request is received. The USBFS saves the setup stage completion status, and it generates a CTRT interrupt after the interrupt status is cleared by software.

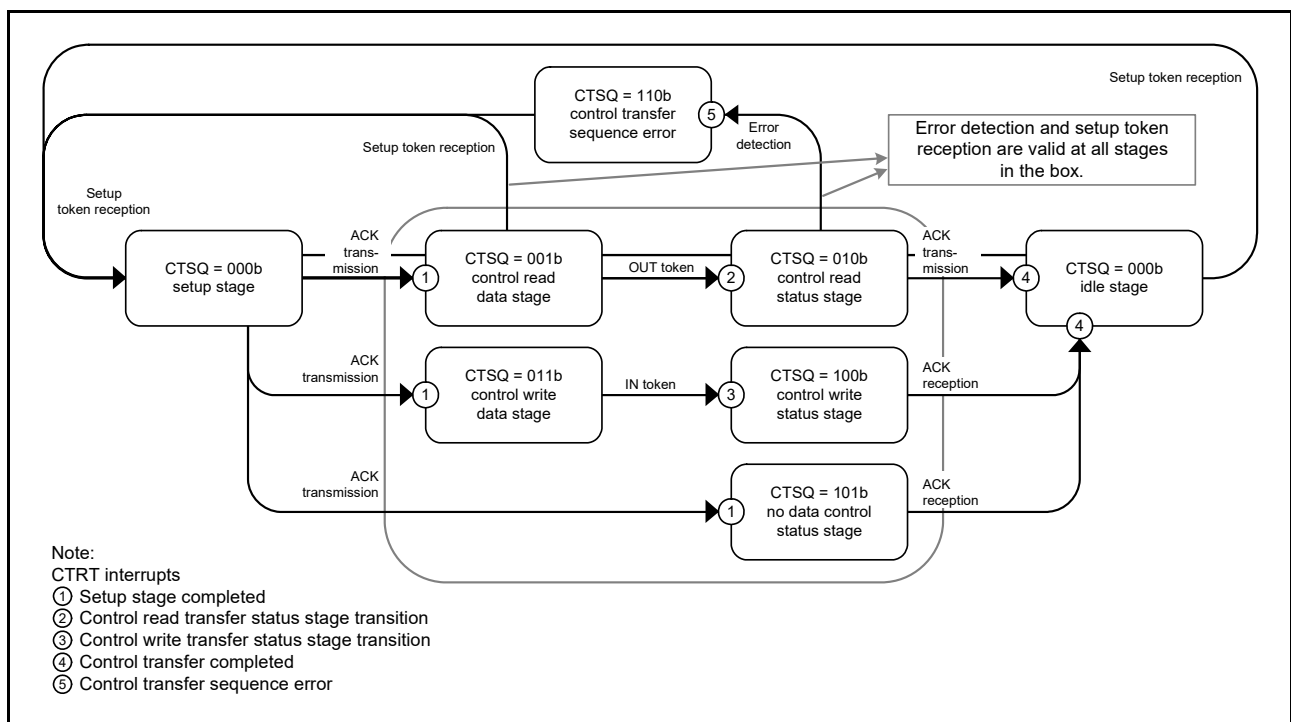


Figure 28.16 Control transfer stage transitions

28.3.3.6 Frame update interrupt

In host controller mode, an interrupt is generated when the frame number is updated.

In device controller mode, an SOFR interrupt is generated when the frame number is updated. The USBFS updates the frame number and generates an SOFR interrupt if it detects a new SOF packet during full-speed operation.

28.3.3.7 VBUS interrupt

When the USB_VBUS pin level changes, a VBUS interrupt is generated. The level of the USB_VBUS pin can be checked with the INTSTS0.VBSTS bit. Whether the host controller is connected or disconnected can be confirmed using the VBUS interrupt. If the system is activated with the host controller connected, the first VBUS interrupt is not generated, because there is no change in the USB_VBUS pin level.

28.3.3.8 Resume interrupt

In device controller mode, a resume interrupt is generated when the device state is the Suspend state and the USB bus state has changed (from J-state to K-state, or from J-state to SE0). Recovery from the Suspend state is detected by means of the resume interrupt.

In host controller mode, no resume interrupt is generated. Use the BCHG interrupt to detect a change in the USB bus state.

28.3.3.9 OVRCCR interrupt

An OVRCCR interrupt is generated when the USB_OVRCURA or USB_OVRCURB pin level has changed. The levels of the USB_OVRCURA and USB_OVRCURB pins can be checked in the SYSSTS0.OVCMON[1:0] bits. The external power supply IC can check whether overcurrent is detected using the OVRCCR interrupt.

For OTG connections, the OVRCCR interrupt allows you to check whether a change is detected in the VBUS comparator.

28.3.3.10 BCHG interrupt

A BCHG interrupt is generated when the USB bus state has changed. The BCHG interrupt can be used to detect whether a peripheral device is connected and can also be used to detect a remote wakeup in host controller mode. The BCHG interrupt is generated in both host and device controller modes.

28.3.3.11 DTCH interrupt

A DTCH interrupt is generated when a USB bus disconnect is detected in host controller mode. The USBFS detects bus disconnects in compliance with the USB 2.0 specification.

On interrupt detection, all pipes in which communications being are carried out for the relevant port must be terminated by software. The pipes enter the wait state for a bus connection to the port, waiting for an ATTCH interrupt to occur. Regardless of the value set in the associated interrupt enable bit, the USBFS hardware:

- Sets the DVSTCTR0.UACT bit for the port in which the DTCH interrupt is detected to 0
- Puts the port in which the DTCH interrupt occurred into the idle state.

28.3.3.12 SACK interrupt

A SACK interrupt is generated when an ACK response for the transmitted setup packet is received from the peripheral device in host controller mode. The SACK interrupt can be used to confirm that the setup transaction is successfully complete.

28.3.3.13 SIGN interrupt

A SIGN interrupt is generated when an ACK response for the transmitted setup packet is not correctly received from the peripheral device three consecutive times in host controller mode. The SIGN interrupt can be used to detect no ACK response transmitted from the peripheral device or the corruption of an ACK packet.

28.3.3.14 ATTCH interrupt

An ATTCH interrupt is generated when J-state or K-state of the full-speed signal level is detected on the USB port for 2.5 μ s in host controller mode. More specifically, an ATTCH interrupt is detected on any of the following conditions:

- When K-state, SE0, or SE1 changes to J-state, and J-state continues 2.5 μ s
- When J-state, SE0, or SE1 changes to K-state, and K-state continues 2.5 μ s.

28.3.3.15 EOFERR interrupt

An EOFERR interrupt occurs when the USBFS detects that communication is not complete at the EOF2 timing defined in the USB 2.0 specification.

On interrupt detection, all pipes in which communications are being carried out for the relevant port must be terminated by software, and the port must be re-enumerated. Regardless of the value set in the associated interrupt enable bit, the USBFS hardware:

- Sets the DVSTCTR0.UACT bit for the port in which the EOFERR interrupt is detected to 0
- Puts the port in which the EOFERR interrupt is generated into the idle state.

28.3.3.16 Portable device detection interrupt

A portable device detection interrupt is generated when the USBFS detects a level change (high to low or low to high) in the PDDET output from the USB-PHY. When a portable device detection interrupt is generated, use software to repeat the reading of the PDDETSTS0 bit until the same value is read three or more times to debounce the signal.

28.3.4 Pipe Control

[Table 28.16](#) lists the pipe settings for the USBFS. USB data transfer is performed through logical pipes that software associates with endpoints. The USBFS provides 10 pipes that are used for data transfer. Set up the pipes based on your system specifications.

Table 28.16 Pipe settings (1 of 2)

Register name	Bit name	Setting	Remarks
DCPCFG PIPECFG	TYPE	Transfer type	Pipes 1 to 9: Settable
	BFRE	BRDY interrupt mode	Pipes 1 to 5: Settable
	DBLB	Double buffer select	Pipes 1 to 5: Settable
	DIR	Transfer direction select	IN or OUT settable
	EPNUM	Endpoint number	Pipes 1 to 9: Settable A value other than 0000b must be set when the pipe is used.
	SHTNAK	Disabled state select for pipe when transfer ends	Pipes 1 and 2: Settable only for bulk transfers Pipes 3 to 5: Settable
DCPMAXP PIPEMAXP	DEVSEL	Device select	Referenced only in host controller mode
	MXPS	Maximum packet size	Compliant with the USB 2.0 specification
PIPEPERI	IFIS	Buffer flush	Pipes 1 and 2: Settable only for isochronous transfers Pipes 3 to 9: Setting disabled
	IITV	Interval counter	Pipes 1 and 2: Settable only for isochronous transfers Pipes 3 to 5: Setting disabled Pipes 6 to 9: Settable only in host controller mode

Table 28.16 Pipe settings (2 of 2)

Register name	Bit name	Setting	Remarks
DCPCTR PIPEnCTR	BSTS	Buffer status	For the DCP, receive buffer status and transmit buffer status are switched with the ISEL bit
	INBUFM	IN buffer monitor	Available only for pipes 1 to 5
	SUREQ	Setup request	Settable only for the DCP and controlled in host controller mode
	SUREQCLR	SUREQ clear	Settable only for the DCP and controlled in host controller mode
	ATREPM	Auto response mode	Pipes 1 to 5: Settable only in device controller mode
	ACLRM	Auto buffer clear	Pipes 1 to 9: Settable
	SQCLR	Sequence clear	Clears the data toggle bit
	SQSET	Sequence set	Sets the data toggle bit
	SQMON	Sequence monitor	Monitors the data toggle bit
	PBUSY	Pipe busy status	-
	PID	Response PID	See section 28.3.4.6, Response PID
PIPEnTRE	TRENB	Transaction counter enable	Pipes 1 to 5: Settable
	TRCLR	Current transaction counter clear	Pipes 1 to 5: Settable
PIPEnTRN	TRNCNT	Transaction counter	Pipes 1 to 5: Settable

28.3.4.1 Pipe control register switching procedures

The following bits in the pipe control registers can be changed only when USB communication is prohibited (PID = NAK).

Do not change the following registers and bits when USB communication is enabled (PID = BUF):

- Bits in DCPCFG and DCPMAXP
- SQCLR and SQSET bits in DCPCTR
- Bits in PIPECFG, PIPEMAXP, and PIPEPERI
- ATREPM, ACLRM, SQCLR, and SQSET bits in PIPEnCTR
- Bits in PIPEnTRE and PIPEnTRN.

To set these bits when USB communication is enabled (PID = BUF):

1. A request to change the bits in the pipe control register occurs.
2. Set the PID[1:0] bits associated with the pipe to NAK.
3. Wait until the associated PBUSY bit sets to 0.
4. Set the bits in the pipe control register.

The following bits in the pipe control registers can be changed only when the selected pipe information has not been set in the CURPIPE[3:0] bits in CFIFOSEL, D0FIFOSEL, and D1FIFOSEL.

Do not set the following registers when the CURPIPE[3:0] bits are set:

- Bits in DCPCFG and DCPMAXP
- Bits in PIPECFG, PIPEMAXP and PIPEPERI.

To change pipe information, you must set the CURPIPE[3:0] bits in the port select registers to a pipe other than the one to be changed. For the DCP, the buffer must be cleared using the BCLR bit in the Port Control Register after the pipe information is changed.

28.3.4.2 Transfer types

The PIPECFG.TYPE[1:0] bits specify the following transfer types for each pipe:

- DCP: No setting is required (fixed at control transfer)
- Pipes 1 and 2: Set to bulk or isochronous transfer
- Pipes 3 to 5: Set to bulk transfer
- Pipes 6 to 9: Set to interrupt transfer.

28.3.4.3 Endpoint number

The PIPECFG.EPNUM[3:0] bits are used to set the endpoint number for each pipe. The DCP is fixed at endpoint 0. The other pipes can be set from endpoint 1 to 15.

- DCP: No setting is required (fixed at endpoint 0)
- Pipes 1 to 9: Select and set the endpoint numbers from 1 to 15 so that the combination of the PIPECFG.DIR and EPNUM[3:0] bits is unique.

28.3.4.4 Maximum packet size setting

Specify the maximum packet size for each pipe in the DCPMAXP.MXPS[6:0] and PIPEMAXP.MXPS[8:0] bits. The DCP and pipes 1 to 5 can be set to any of the maximum pipe sizes defined in the USB 2.0 specification. For pipes 6 to 9, the maximum packet size is 64 bytes. Set the maximum packet size as follows before starting a transfer (PID = BUF):

- DCP: Set to 8, 16, 32, or 64
- Pipes 1 to 5: Set to 8, 16, 32, or 64 for bulk transfers
- Pipes 1 and 2: Set between 1 and 256 for isochronous transfers
- Pipes 6 to 9: Set between 1 and 64.

28.3.4.5 Transaction counter for pipes 1 to 5 in the receiving direction

When the specified number of transactions is complete in the data packet receiving direction, the USBFS recognizes that the transfer ended. Two transaction counters are provided: one is the PIPEnTRN register that specifies the number of transactions to be executed, and the other is the current counter that internally counts the number of executed transactions. If the PIPECFG.SHTNAK bit is set to 1, when the current counter value matches the specified number of transactions, the associated PIPEnCTR.PID[1:0] bits are set to NAK and the subsequent transfer is disabled. The transactions can be counted again from the beginning by initializing the current counter of the transaction counter function through the PIPEnTRE.TRCLR bit. The data read from PIPEnTRN differs depending on the PIPEnTRE.TRENB setting as follows:

- The TRENB bit = 0: Specified transaction counter value can be read
- The TRENB bit = 1: Current counter value indicating the internally counted number of executed transactions can be read.

The following restrictions apply when working with the TRCLR bit:

- If the transactions are being counted and PID = BUF, the current counter cannot be cleared
- If there is any data left in the buffer, the current counter cannot be cleared.

28.3.4.6 Response PID

Specify the response PID for each pipe in the PID[1:0] bits in DCPCTR and PIPEnCTR. This section describes the USBFS operation with different response PID settings.

(1) Software response PID settings in host controller mode

Select the response PID to specify the execution of transactions as follows:

- NAK setting: Using pipes is disabled and no transactions are executed
- BUF setting: Transactions are executed based on the FIFO buffer state:
 - OUT direction: An OUT token is issued if the FIFO buffer contains transmit data
 - IN direction: An IN token is issued if the FIFO buffer is not full and can receive data.
- STALL setting: Using pipes is disabled and no transactions are executed.

Note: Use the DCPCTR.SUREQ bit to execute setup transactions for the DCP.

(2) Software response PID settings in device controller mode

Select the response PID to respond as follows to transactions from the host:

- NAK setting: A NAK response is returned to all generated transactions
- BUF setting: A response is returned to transactions based on the FIFO buffer
- STALL setting: A STALL response is returned to all generated transactions.

Note: For setup transactions, an ACK response is always returned, regardless of the PID[1:0] bits setting, and the USB request is stored in the register.

Sections (3) and (4) describe situations in which the USBFS writes to the PID[1:0] bits because of specific transaction results.

(3) Hardware response PID settings in host controller mode

- NAK setting: PID = NAK is set in the following cases, and issuing of tokens is automatically stopped:
 - When a non-isochronous transfer is performed and an NRDY interrupt is generated.
For details, see [section 28.3.3.2, NRDY interrupt](#).
 - If a short packet is received when the PIPECFG.SHTNAK bit is set to 1 for bulk transfers
 - If transaction counting ends when the SHTNAK bit is set to 1 for bulk transfers.
- BUF setting: The USBFS does not write this setting
- STALL setting: PID = STALL is set in the following cases, and issuing of tokens is automatically stopped:
 - When STALL is received in response to a transmitted token
 - When a received data packet exceeds the maximum packet size.

(4) Hardware response PID settings in device controller mode

- NAK setting: PID = NAK is set in the following cases, and a NAK response is returned to transactions:
 - When the setup token is received normally (DCP only)
 - If transaction counting ends or a short packet is received when the PIPECFG.SHTNAK bit is set to 1 for bulk transfers.
- BUF setting: There is no BUF writing by the USBFS
- STALL setting: PID = STALL is set in the following cases, and a STALL response is returned to transactions:
 - When a received data packet exceeds the maximum packet size
 - When a control transfer sequence error is detected (DCP only).

28.3.4.7 Data PID sequence bit

The USBFS automatically toggles the sequence bit in the data PID when data is transferred successfully in the control transfer data stage, bulk transfer, and interrupt transfer. The sequence bit of the next data PID to be transmitted can be confirmed with the SQMON bit in DCPCTR and PIPEnCTR. When data is transmitted, the sequence bit toggles on ACK handshake reception. When data is received, the sequence bit toggles on ACK handshake transmission. The SQCLR and SQSET bits in DCPCTR and PIPEnCTR registers can be used to change the data PID sequence bit.

In device controller mode, when control transfers are used, the USBFS automatically sets the sequence bit for stage transitions. DATA1 is returned when the setup stage ends. The sequence bit is not referenced and PID = DATA1 is returned in the status stage. Therefore, no software settings are required. However, in host controller mode when control transfers are used, the sequence bit must be set by software for the stage transitions.

For ClearFeature requests for transmission or reception, the data PID sequence bit must be set by software in both host and device controller modes.

28.3.4.8 Response PID = NAK function

The USBFS provides a function for disabling pipe operation (PID response = NAK) when the final data packet of a transaction is received. The USBFS automatically distinguishes this based on reception of a short packet or the transaction counter. Enable this function by setting the PIPECFG.SHTNAK bit to 1.

When the double buffer mode is being used for the FIFO buffer, using this function enables reception of data packets in transfer units. If pipe operation is disabled, software must enable the pipe again (PID response = BUF).

The response PID = NAK function can be used only for bulk transfers.

28.3.4.9 Auto response mode

For bulk transfer pipes (1 to 5), when the PIPEnCTR.ATREPM bit is set to 1, a transition is made to auto response mode. During an OUT transfer (PIPECFG.DIR = 0), OUT-NAK mode is invoked, and during an IN transfer (DIR = 1), null auto response mode is invoked.

28.3.4.10 OUT-NAK mode

For bulk OUT transfer pipes, NAK is returned in response to an OUT token, and an NRDY interrupt is output when the PIPEnCTR.ATREPM bit is set to 1. To transition from normal mode to OUT-NAK mode, specify OUT-NAK mode while pipe operation is disabled (PID[1:0] = 00b for NAK response). Next, enable pipe operation (PID[1:0] = 01b for BUF response), on which OUT-NAK mode becomes valid. If an OUT token is received immediately before pipe operation is disabled, the token data is normally received, and an ACK is returned to the host.

To transition from OUT-NAK mode to normal mode, cancel OUT-NAK mode while pipe operation is disabled (NAK). Next, enable pipe operation (BUF). In normal mode, reception of OUT data is enabled.

28.3.4.11 Null auto response mode

For bulk IN transfer pipes, zero-length packets are continuously transmitted when the PIPEnCTR.ATREPM bit is set to 1.

To transition from normal mode to null auto response mode, specify null auto response mode while pipe operation is disabled (response PID = NAK). Next enable pipe operation (response PID = BUF) on which null auto response mode becomes valid. Before setting null auto response mode, check that PIPEnCTR.INBUFM = 0, because the mode can be set only when the buffer is empty. If the INBUFM bit is 1, empty the buffer using the PIPEnCTR.ACLRM bit. Do not write data from the FIFO port while a transition to null auto response mode is being made.

To transition from null auto response mode to normal mode, keep pipe operation disabled (response PID = NAK) for the period of the zero-length packet transmission (about 10 μ s) before canceling the null auto response mode. In normal mode, data can be written from the FIFO port, so packet transmission to the host is enabled by enabling pipe operation (response PID = BUF).

28.3.5 FIFO Buffer Memory

The USBFS provides a FIFO buffer for data transfers, and it manages the memory area used for each pipe. The FIFO buffer has two states depending on whether the access right is assigned to the system (CPU side) or the USBFS (SIE side).

(1) Buffer status

Table 28.17 and Table 28.18 show the buffer status in the USBFS. The FIFO buffer status can be confirmed using the DCPCTR.BSTS and PIPE_nCTR.INBUFM bits. The transfer direction for the FIFO buffer can be specified in either the PIPECFG.DIR or CFIFOSEL.ISEL bit (when DCP is selected).

The INBUFM bit is valid for pipes 0 to 5 in the transmitting direction.

When a transmitting pipe uses double buffering, software can read the BSTS bit to monitor the FIFO buffer status on the CPU side, and read the INBUFM bit to monitor the FIFO buffer status on the SIE side. When write access to the FIFO port by the CPU or DMA/DTC is slow and the buffer empty status cannot be determined using the BEMP interrupt, software can use the INBUFM bit to confirm the end of transmission.

Table 28.17 Buffer status indicated by BSTS bit

ISEL or DIR	BSTS	Buffer memory status
0 (receiving direction)	0	There is no received data, or data is being received. Reading from the FIFO port is disabled.
0 (receiving direction)	1	There is received data, or a zero-length packet is received. Reading from the FIFO port is allowed. When a zero-length packet is received, reading is not possible and the buffer must be cleared.
1 (transmitting direction)	0	The transmission is not complete. Writing to the FIFO port is disabled.
1 (transmitting direction)	1	The transmission is complete. CPU write is allowed.

Table 28.18 Buffer status indicated by INBUFM bit

DIR	INBUFM	Buffer memory status
0 (receiving direction)	Invalid	Invalid
1 (transmitting direction)	0	The transmission is complete There is no waiting data to be transmitted.
1 (transmitting direction)	1	The FIFO port has written data to the buffer. There is data to be transmitted.

28.3.6 FIFO Buffer Clearing

Table 28.19 shows the methods for clearing the FIFO buffer. The FIFO buffer can be cleared using BCLR in the port control register, DnFIFOSEL.DCLRML, or the PIPEnCTR.ACLRML bit. Single or double buffering can be selected for pipes 1 to 5 in the PIPECFG.DBLB bit.

Table 28.19 Buffer clearing methods

FIFO buffer clearing mode	Clearing FIFO buffer on the CPU side	Mode for automatically clearing the FIFO buffer after reading the specified pipe data	Auto buffer clear mode for discarding all received packets
Register used	CFIFOCTR DnFIFOCTR	DnFIFOSEL	PIPEnCTR
Bit used	BCLR	DCLRML	ACLRLM
Clearing condition	Cleared by writing 1	1: Mode valid 0: Mode invalid.	1: Mode valid 0: Mode invalid.

(1) Auto buffer clear mode function

The USBFS discards all received data packets if the PIPEnCTR.ACLRML bit is set to 1. If a correct data packet is received, the ACK response is returned to the host controller. The auto buffer clear mode function can only be set in the FIFO buffer reading direction.

Setting the ACLRLM bit to 1 and then to 0 clears the FIFO buffer of the selected pipe regardless of the access direction. An access cycle of at least 100 ns is required for the internal hardware sequence processing between ACLRLM = 1 and ACLRLM = 0.

28.3.7 FIFO Port Functions

Table 28.20 shows the settings for the FIFO port functions. In write access, writing data until the maximum packet size is reached automatically enables transmission of the data. To enable transmission before the maximum packet size is reached, set the BVAL flag in the port control register to end writing. To send a zero-length packet, use the BCLR bit to clear the buffer, and then set the BVAL flag to end writing.

In reading, reception of new packets is automatically enabled when all data is read. Data cannot be read when a zero-length packet is received (DTLN[8:0] = 0), so the buffer must be cleared with the BCLR bit. The length of the receive data can be confirmed in the DTLN[8:0] bits in the port control register.

Table 28.20 FIFO port function settings

Register name	Bit name	Description
CFIFOSEL, DnFIFOSEL (n = 0, 1)	RCNT	Selects DTLN[8:0] read mode
	REW	FIFO buffer rewind (re-read, rewrite)
	DCLRML	Automatically clears receive data for a specified pipe after the data is read (only for DnFIFO)
	DREQE	Enables DMA/DTC transfers (only for DnFIFO)
	MBW	FIFO port access bit width
	BIGEND	Selects FIFO port endian
	ISEL	FIFO port access direction (only for DCP)
CFIFOCTR, DnFIFOCTR (n = 0, 1)	CURPIPE	Selects the current pipe
	BVAL	Ends writing to the FIFO memory
	BCLR	Clears the FIFO buffer on the CPU side
	DTLN	Checks the length of receive data

(1) FIFO port selection

Table 28.21 shows the pipes that can be selected with the different FIFO ports.

The pipe to be accessed must be selected in the CURPIPE[3:0] bits in the port select register. After the pipe is selected, software must check whether the written value can be read correctly from the CURPIPE[3:0] bits. If the previous pipe number is read, it indicates that the USBFS is modifying the pipe. Next, software checks that the FRDY bit in the port control register is 1. In addition, software must specify the bus width to be accessed in the MBW bit in the port select register. The FIFO buffer access direction conforms to the PIPECFG.DIR setting. For the DCP only, the ISEL bit in the port select register determines the direction.

Table 28.21 FIFO port access by pipe

Pipe	Access method	Port that can be used
DCP	CPU access	CFIFO Port Register
Pipe 1 to Pipe 9	CPU access	<ul style="list-style-type: none"> • CFIFO Port Register • D0FIFO/D1FIFO Port Register
	DMA/DTC access	D0FIFO/D1FIFO Port Register

(2) REW bit

It is possible to temporarily stop access to the pipe currently being accessed, access a different pipe, and then continue processing for the current pipe again. The REW bit in the port select register is used for this processing.

If a pipe is selected in the CURPIPE[3:0] bits in the port select register with the REW bit set to 1, the pointer used for reading from and writing to the FIFO buffer is reset, and reading or writing can be carried out from the first byte. If a pipe is selected with 0 set for the REW bit, data can be read and written in continuation from the previous selection, without the pointer being reset.

To access the FIFO port, software must check that the FRDY bit in the port control register is 1 after selecting a pipe.

28.3.8 DMA Transfers (D0FIFO and D1FIFO Ports)

(1) Overview of DMA transfers

For pipes 1 to 9, the FIFO port can be accessed using the DMAC. When buffer access for a pipe targeted for DMA transfer is enabled, a DMA transfer request is issued.

Select the unit of transfer to the FIFO port in the DnFIFOSEL.MBW bit, and select the pipe targeted for the DMA transfer in the DnFIFOSEL.CURPIPE[3:0] bits. Do not change the selected pipe during the DMA transfer.

(2) DnFIFO auto clear mode (D0FIFO and D1FIFO port reading direction)

If 1 is set in the DnFIFOSEL.DCLRM bit, the USBFS automatically clears the FIFO buffer of the selected pipe when reading of data from the FIFO buffer is complete.

Table 28.22 shows the packet reception and FIFO buffer clearing processing by software for each of the settings. As shown in the table, the buffer clearing conditions depend on the value set in the PIPECFG.BFRE bit. Using the DnFIFOSEL.DCLRM bit eliminates the need for the buffer to be cleared by software in any situation that requires buffer clearing. This enables DMA transfers without involving software.

The DnFIFO auto clear mode can only be set in the FIFO buffer reading direction.

Table 28.22 Packet reception and FIFO buffer clearing processing by software

Buffer status when packet is received	Register setting			
	DCLRM = 0		DCLRM = 1	
	BFRE = 0	BFRE = 1	BFRE = 0	BFRE = 1
Buffer full	No clearing required	No clearing required	No clearing required	No clearing required
Zero-length packet reception	Clearing required	Clearing required	No clearing required	No clearing required
Normal short packet reception	No clearing required	Clearing required	No clearing required	No clearing required
Transaction count end	No clearing required	Clearing required	No clearing required	No clearing required

28.3.9 Control Transfers Using DCP

The Default Control Pipe (DCP) is used for data transfers in the control transfer data stage. The FIFO buffer of the DCP is a 64-byte single buffer with a fixed area for both control reads and control writes. The FIFO buffer can be accessed only through the CFIFO port.

28.3.9.1 Control transfers in host controller mode

(1) Setup stage

The USQREQ, USBVAL, USBINDX, and USBLENG registers are used to transmit USB requests for setup transactions. Writing the setup packet data to the registers and then writing 1 to the DCPCTR.SUREQ bit transmits the specified data for the setup transaction. On completion of the transaction, the SUREQ bit sets to 0. Do not change these USB request registers while SUREQ = 1.

When an attached function device is detected, software must issue the first setup transaction for the device using this sequence with the DCPMAXP.DEVSEL[3:0] bits set to 0 and the DEVADD0.USBSPD[1:0] bits set appropriately.

When an attached function device is shifted to the Address state, software must issue setup transactions using this sequence with the assigned USB address set in the DEVSEL[3:0] bits, and the bits in DEVADDn associated with the specified USB address set appropriately. For example, when PIPEMAXP.DEVSEL[3:0] = 0010b, make appropriate settings in DEVADD2. When PIPEMAXP.DEVSEL[3:0] = 0101b, make appropriate settings in DEVADD5.

When the setup transaction data is sent, an interrupt request is generated based on the response from the peripheral device (SIGN or SACK bit in INTSTS1). This interrupt request allows software to check the setup transaction result.

A DATA0 data packet (USB request) for the setup transaction is always transmitted regardless of the status of the DCPCTR.SQMON bit.

(2) Data stage

The data stage is used to transfer data using the DCP FIFO buffer.

Before accessing the DCP FIFO buffer, specify the access direction in the CFIFOSEL.ISEL bit. Specify the transfer direction in the DCPCFG.DIR bit. For the first data packet of the data stage, the data PID must be transferred as DATA1. Set data PID = DATA1 in the DCPCTR.SQSET bit and set the PID bits = BUF. Completion of data transfer is detected using the BRDY or BEMP interrupt.

For control write transfers, when the number of data bytes to be sent is an integer multiple of the maximum packet size, software must send a zero-length packet at the end.

(3) Status stage

The status stage is used for zero-length packet data transfers in the reverse direction of the data stage. As in the data stage, data is transferred using the DCP FIFO buffer. Transactions are executed using the same procedure as the data stage.

Data packets in the status stage must be transmitted and received with the data PID set to DATA1 using the DCPCTR.SQSET bit.

When a zero-length packet is received, check the receive-data length in the CFIFOCTR.DTLN[8:0] bits after a BRDY interrupt is generated, and then clear the FIFO buffer using the BCLR bit.

28.3.9.2 Control transfers in device controller mode

(1) Setup stage

The USBFS sends an ACK response to a normal setup packet for the USBFS. The USBFS operates in the setup stage as follows:

On receiving a new setup packet, the USBFS sets the following bits:

- Sets the INTSTS0.VALID bit to 1
- Sets the DCPCTR.PID[1:0] bits to NAK
- Sets the DCPCTR.CCPL bit to 0.

When the USBFS receives a data packet following a setup packet, it stores the USB request parameters in USBREQ, USBVAL, USBINDEX, and USBLENG.

Before performing the response processing for a control transfer, set the VALID flag to 0. When the VALID bit = 1, PID = BUF cannot be set, and the data stage cannot be terminated.

Using the VALID bit function, the USBFS can suspend the current request being processed when it receives a new USB request during a control transfer and return a response to the latest request.

In addition, the USBFS automatically detects the direction bit (bmRequestType bit [8]) and the request data length (wLength) in the received USB request. It distinguishes between control read transfers, control write transfers, and no-data control transfers, and it controls stage transitions. For an incorrect sequence, a sequence error occurs in the control transfer stage transition interrupt, and the interrupt is reported to software. For a diagram of the stage control by the USBFS, see [Figure 28.16](#).

(2) Data stage

The DCP must be used to execute data transfers for received USB requests. Before accessing the DCP FIFO buffer, specify the access direction in the CFIFOSEL.ISEL bit.

If the transfer data is larger than the size of the DCP FIFO buffer, execute the data transfer using the BRDY interrupt for control write transfers and the BEMP interrupt for control read transfers.

(3) Status stage

Control transfers are terminated by setting the DCPCTR.CCPL bit to 1 while the DCPCTR.PID[1:0] bits are set to BUF.

After this setting is made, the USBFS automatically executes the status stage based on the data transfer direction determined at the setup stage. The procedure is as follows:

- For control read transfers
The USBFS receives a zero-length packet from the USB host and transmits an ACK response.
- For control write transfers and no-data control transfers
The USBFS transmits a zero-length packet and receives an ACK response from the USB host.

(4) Control transfer auto response function

The USBFS automatically responds to a correct SET_ADDRESS request. If any of the following errors occur in the SET_ADDRESS request, a response from software is necessary:

- bmRequestType is not 00h: Any transfer other than a control write transfer
- wIndex is not 00h: Request error
- wLength is not 00h: Any transfer other than a no-data control transfer
- wValue is larger than 7Fh: Request error
- INTSTS0.DVSQ[2:0] are 011b (Configured state): Control transfer of a device state error.

For all requests other than the SET_ADDRESS request, a response is required from the corresponding software.

28.3.10 Bulk Transfers (Pipes 1 to 5)

The FIFO buffer usage (single/double buffer setting) is configurable for bulk transfers. The USBFS provides the following functions for bulk transfers:

- BRDY interrupt function (PIPECFG.BFRE bit). See [section 28.3.3.1, \(2\) When SOFCFG.BRDYM = 0 and PIPECFG.BFRE = 1](#).
- Transaction count function (PIPEnTRE.TRENB, TRCLR, and PIPEnTRN.TRNCNT[15:0] bits). See [section 28.3.4.5, Transaction counter for pipes 1 to 5 in the receiving direction](#).
- Response PID = NAK function (PIPECFG.SHTNAK bit). See [section 28.3.4.8, Response PID = NAK function](#).
- Auto response mode (PIPEnCTR.ATREPM bit). See [section 28.3.4.9, Auto response mode](#).

28.3.11 Interrupt Transfers (Pipes 6 to 9)

In device controller mode, the USBFS performs interrupt transfers based on the timing dictated by the host controller.

In host controller mode, software can set the timing for issuing tokens using the interval counter.

28.3.11.1 Interval counter for interrupt transfers in host controller mode

Specify the transaction interval for interrupt transfers in the PIPEPERI.IITV[2:0] bits.

(1) The USBFS issues interrupt transfer tokens based on this interval. Counter initialization

The USBFS initializes the interval counter under the following conditions:

- Power-on reset
This initializes the IITV[2:0] bits.
- FIFO buffer initialization using the PIPEnCTR.ACLRM bit:
This does not initialize the IITV[2:0] bits, but does initialize the count value. Setting the PIPEnCTR.ACLRM bit to 0 starts counting from the value set in IITV[2:0].

The interval counter is not initialized in the following case:

- USB bus reset or USB suspended:
The IITV[2:0] bits are not initialized. Setting 1 to the DVSTCTR0.UACT bit starts counting from the value saved before entering the USB bus reset state or USB suspended state.

(2) Operation when tokens cannot be transmitted or received even on token generation

No token is generated in the following cases even at token generation time. In these cases, the USBFS tries to execute the transaction in the next interval.

- When the PID is set to NAK or STALL
- When the FIFO buffer is full at token transmit time in the receiving (IN) direction
- When there is no data to be transmitted in the FIFO buffer at token transmit time in the transmitting (OUT) direction.

28.3.12 Isochronous Transfers (Pipes 1 and 2)

The USBFS provides the following functions for isochronous transfers:

- Notification of isochronous transfer error
- Interval counter specified in the PIPEPERI.IITV[2:0] bits
- Isochronous IN transfer data setup control (IDLY function)
- Isochronous IN transfer buffer flush function specified in the PIPEPERI.IFIS bit.

28.3.12.1 Error detection in isochronous transfers

The USBFS provides a function for detecting the errors described in this section, so that when errors occur in isochronous transfers, they can be controlled by software. [Table 28.23](#) and [Table 28.24](#) show the priority order for errors detected by the USBFS and the associated interrupts.

(a) PID errors

- The PID value of the received packet is invalid.

(b) CRC errors and bit stuffing errors

- A CRC error is found in a received packet or the bit stuffing is invalid.

(c) Maximum packet size exceeded

- The data size of the received packet exceeds the specified maximum packet size.

(d) Overrun and underrun errors

In host controller mode:

- The FIFO buffer is full at token transmit time in the IN (receiving) direction
- There is no data to be sent in the FIFO buffer at token transmit time in the OUT (transmitting) direction.

In device controller mode:

- There is no data to be sent in the FIFO buffer at token receive time in the IN (transmitting) direction
- The FIFO buffer is full at token receive time in the OUT (receiving) direction.

(e) Interval errors

In device controller mode, the following cases are treated as an interval error:

- Failure to receive an IN token in the interval frame during an isochronous IN transfer
- Failure to receive an OUT token in the interval frame during an isochronous OUT transfer.

Table 28.23 Error detection for token transmission and reception

Detection priority	Error	Generated interrupt and status
1	PID error	No interrupts are generated in either host or device controller mode (ignored as a corrupted packet)
2	CRC or bit stuffing error	No interrupts are generated in either host or device controller mode (ignored as a corrupted packet)
3	Overrun or underrun error	An NRDY interrupt is generated to set the FRMNUM.OVRN bit to 1 in both host and device controller modes. In device controller mode, a zero-length packet is transmitted in response to an IN token. No data packets are received in response to OUT token.
4	Interval error	An NRDY interrupt is generated in device controller mode. No interrupt is generated in host controller mode.

Table 28.24 Error detection for data packet reception

Detection priority	Error	Generated interrupt and status
1	PID error	No interrupts are generated (ignored as a corrupted packet)
2	CRC or bit stuffing error	An NRDY interrupt is generated and the FRMNUM.CRCE bit is set to 1 in both host and device controller modes
3	Maximum packet size exceeded error	A BEMP interrupt is generated and the PID[1:0] bits set to STALL in both host and device controller modes

28.3.12.2 DATA-PID

In device controller mode, the USBFS responds as follows to a received PID:

(1) IN direction

- DATA0: Transmitted as data packet PID
- DATA1: Not transmitted
- DATA2: Not transmitted
- mData: Not transmitted.

(2) OUT direction

- DATA0: Received normally as data packet PID
- DATA1: Received normally as data packet PID
- DATA2: Packets ignored
- mData: Packets ignored.

28.3.12.3 Interval counter

The isochronous transfer interval can be set in the PIPEPERI.IITV[2:0] bits. In device controller mode, the interval counter enables the functions as shown in [Table 28.25](#). In host controller mode, the USBFS generates the token issuance timing, and the interval counter operation is the same as that for interrupt transfers.

Table 28.25 Interval counter function in device controller mode

Transfer direction	Function	Conditions for detection
IN	Transmit buffer flush	Failure to receive an IN token successfully in the interval frame during an isochronous IN transfer
OUT	Notification of no reception of token	Failure to receive an OUT token successfully in the interval frame during an isochronous OUT transfer

The interval count is performed when an SOF is received or for interpolated SOFs, so the isochronism can be maintained even if an SOF is corrupt. The frame interval can be set to 2^{IITV} frames.

(1) Counter initialization in device controller mode

The USBFS initializes the interval counter under the following conditions:

- Power-on reset:
This initializes the PIPEPERI.IITV[2:0] bits.
- FIFO buffer initialization using the ACLRM bit:
This does not initialize the IITV[2:0] bits, but does initialize the count value.

After the interval counter is initialized, the interval count starts under either of the following conditions when a packet is transferred successfully:

- An SOF is received after data is transmitted in response to an IN token when PID = BUF
- An SOF is received after data is received in response to an OUT token when PID = BUF.

The interval counter is not initialized in the following conditions:

- When the PID[1:0] bits are set to NAK or STALL
This does not stop the interval timer. The USBFS attempts the transaction in the next interval.
- When the USB bus is reset or USBFS is suspended
This does not initialize the IITV[2:0] bits. When an SOF is received, the interval counter starts counting from the value set before SOF was received.

(2) Interval counting and transfer control in host controller mode

The USBFS controls the interval between token issuance operations based on the PIPEPERI.IITV[2:0] bit settings. Specifically, the USBFS issues a token for a selected pipe once every 2^{IITV} frames.

The USBFS starts counting the token issuance interval at the frame following the frame in which the PID[1:0] bits are set to BUF by software.

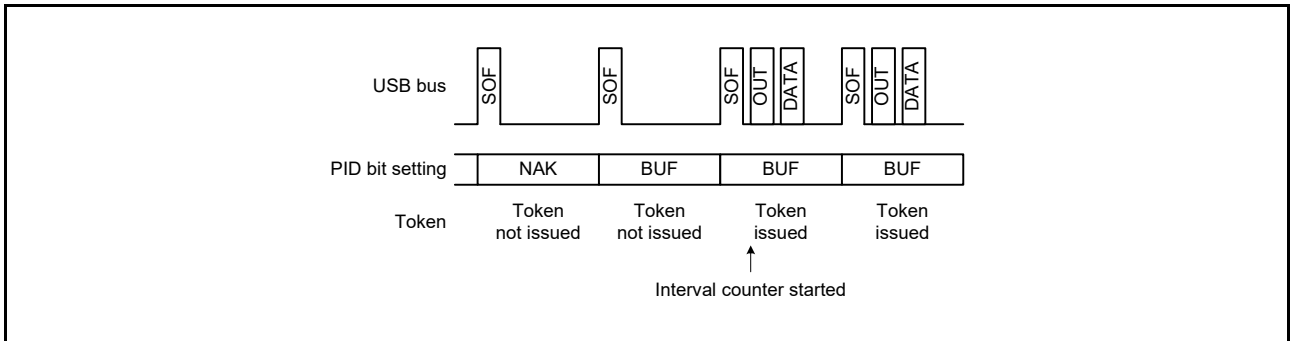


Figure 28.17 Token issuance when IITV[2:0] = 0

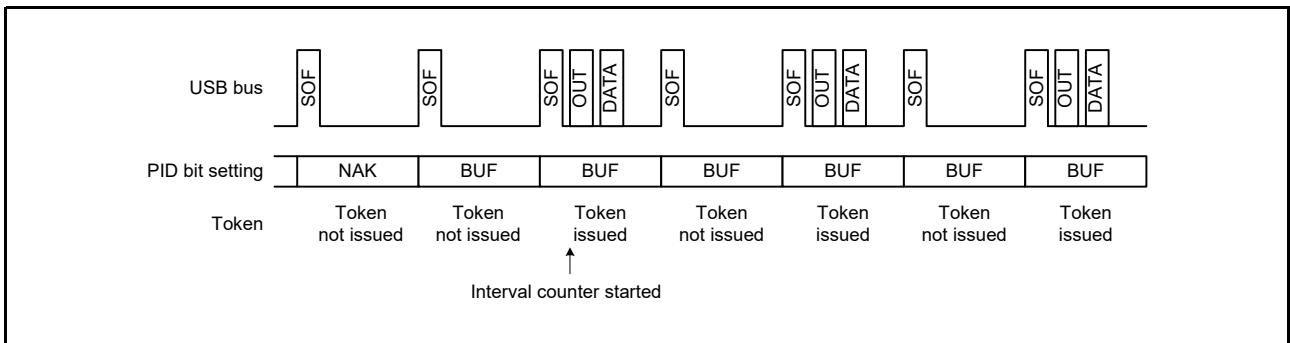


Figure 28.18 Token issuance when IITV[2:0] = 1

When the selected pipe is set for isochronous transfers, the USB carries out the following operation in addition to controlling the token issuance interval. The USB issues a token even when the NRDY interrupt generation condition is satisfied.

(a) When the selected pipe is for isochronous IN transfers

The USBFS generates an NRDY interrupt when the USBFS issues an IN token but does not receive a packet successfully from a peripheral device (no response or packet error).

The USBFS sets the FRMNUM.OVRN bit to 1, generating an NRDY interrupt, when the time to issue an IN token comes while the USBFS cannot receive data because the FIFO buffer is full, because the CPU or DMAC/DTC is too slow in reading data from the FIFO buffer.

(b) When the selected pipe is for isochronous OUT transfers

The USBFS sets the OVRN bit to 1, generating an NRDY interrupt and transmitting a zero-length packet, when the time to issue an OUT token comes while there is no data to be transmitted in the FIFO buffer, because the CPU or DMAC/DTC is too slow in writing data to the FIFO buffer.

The token issuance interval is reset on any of the following conditions:

- When the USBFS is reset through a reset pin: This initializes the IITV[2:0] bits.
- When the PIPEnCTR.ACLRM bit is set to 1 by software.

(3) Interval counting and transfer control in device controller mode

(a) When the selected pipe is for isochronous OUT transfers

The USBFS generates an NRDY interrupt when it fails to receive a data packet within the interval set in the PIPEPERI.IITV[2:0] bits.

The USBFS also generates an NRDY interrupt when it fails to receive data because of a CRC error or other errors contained in the data packet or because of FIFO buffer is full.

The NRDY interrupt is generated on SOF packet reception. Even if the SOF packet is corrupted, internal interpolation allows the interrupt to be generated when the SOF packet is received. However, when the IITV[2:0] bits are set to a value other than 0, the USBFS generates an NRDY interrupt on receiving an SOF packet for every interval after interval counting starts.

When the PID[1:0] bits are set to NAK by software after starting the interval timer, the USBFS does not generate an NRDY interrupt on receiving an SOF packet.

The timing for starting interval counting depend on the IITV[2:0] setting as follows:

- When the IITV[2:0] bits = 0:
Interval counting starts at the next frame after software changes the PID[1:0] bits of the selected pipe to BUF.

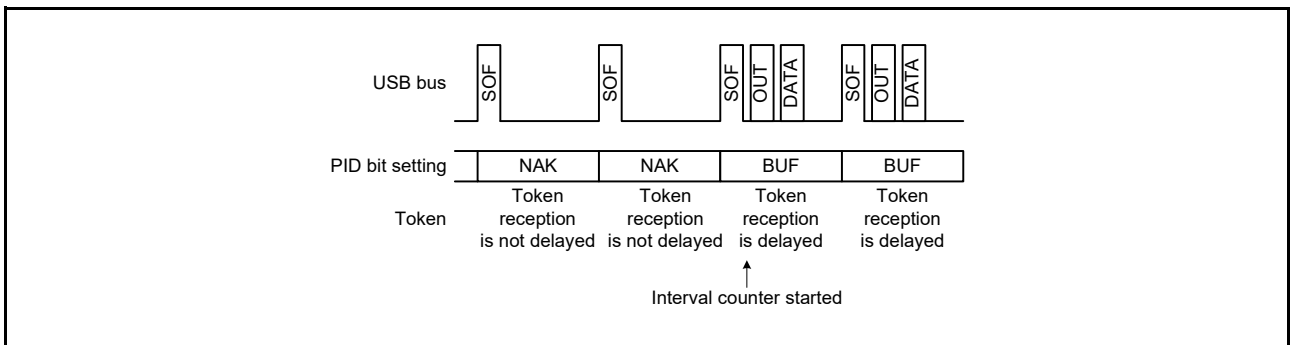


Figure 28.19 Relationship between frames and expected token reception when IITV[2:0] = 0

- When the IITV[2:0] ≠ 0: The interval counting starts on completion of successful reception of the first data packet after the PID[1:0] bits for the selected pipe are modified to BUF.

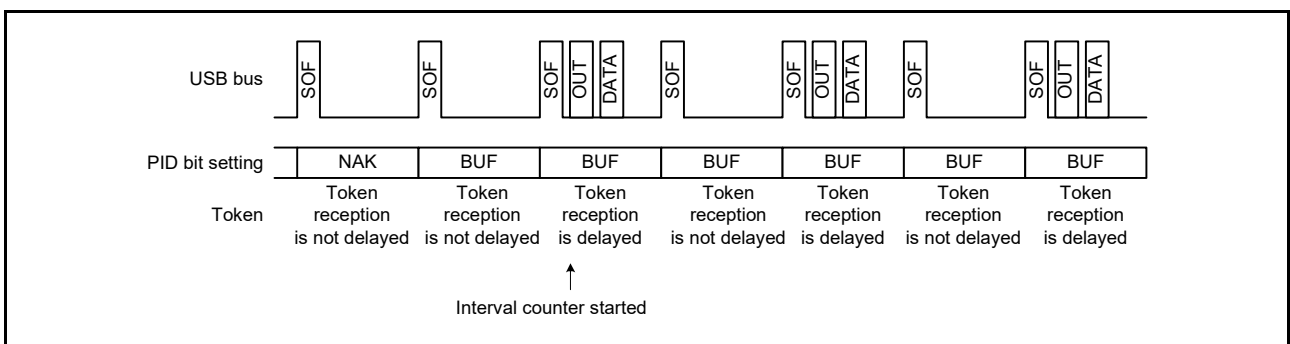


Figure 28.20 Relationship between frames and expected token reception when IITV[2:0] ≠ 0

(b) When the selected pipe is for isochronous IN transfers

The PIPEPERI.IFIS bit must be 1 for this use case. When IFIS = 0, the USBFS transmits a data packet in response to a received IN token regardless of the PIPEPERI.IITV[2:0] setting.

When IFIS is 1 and there is data to be transmitted in the FIFO buffer, the USBFS clears the FIFO buffer when it fails to receive an IN token in the frame at the interval set in the IITV[2:0] bits.

The USBFS also clears the FIFO buffer when it fails to receive an IN token successfully because of a bus error, such as a CRC error, contained in the IN token.

The FIFO buffer is cleared on SOF packet reception. Even if the SOF packet is corrupted, the internal interpolation allows the FIFO buffer to be cleared when the SOF packet is received.

The timing to start interval counting depends on the IITV[2:0] setting, as with OUT transfers.

The interval is counted on any of the following conditions in device controller mode:

- When a hardware reset is applied to the USBFS (which also sets the IITV[2:0] bits to 000b)
- When the PIPEnCTR.ACLRM bit is set to 1 by software
- When the USBFS detects a USB bus reset.

(4) Transmit data setup for isochronous transfers in device controller mode

With isochronous data transmission using the USBFS in device controller mode, after data is written to the FIFO buffer, a data packet can be transmitted in the first frame after the SOF packet is detected. This isochronous transfer transmit data setup function can identify the frame that started transmission.

When the double buffering is used, transmission is only enabled for the buffer where data writing was completed first, even after the data write to both buffers is complete. Accordingly, even if multiple IN tokens are received, only the one packet of FIFO buffer data is transmitted.

When the FIFO buffer is ready to transmit data when an IN token is received, the data is transferred and a normal response is returned. However, if the FIFO buffer cannot transmit data, a zero-length packet is transmitted and an underrun error occurs.

Figure 28.21 shows an example transmission using the isochronous transfer transmission data setup function when IITV[2:0] = 0 (every frame) is set.

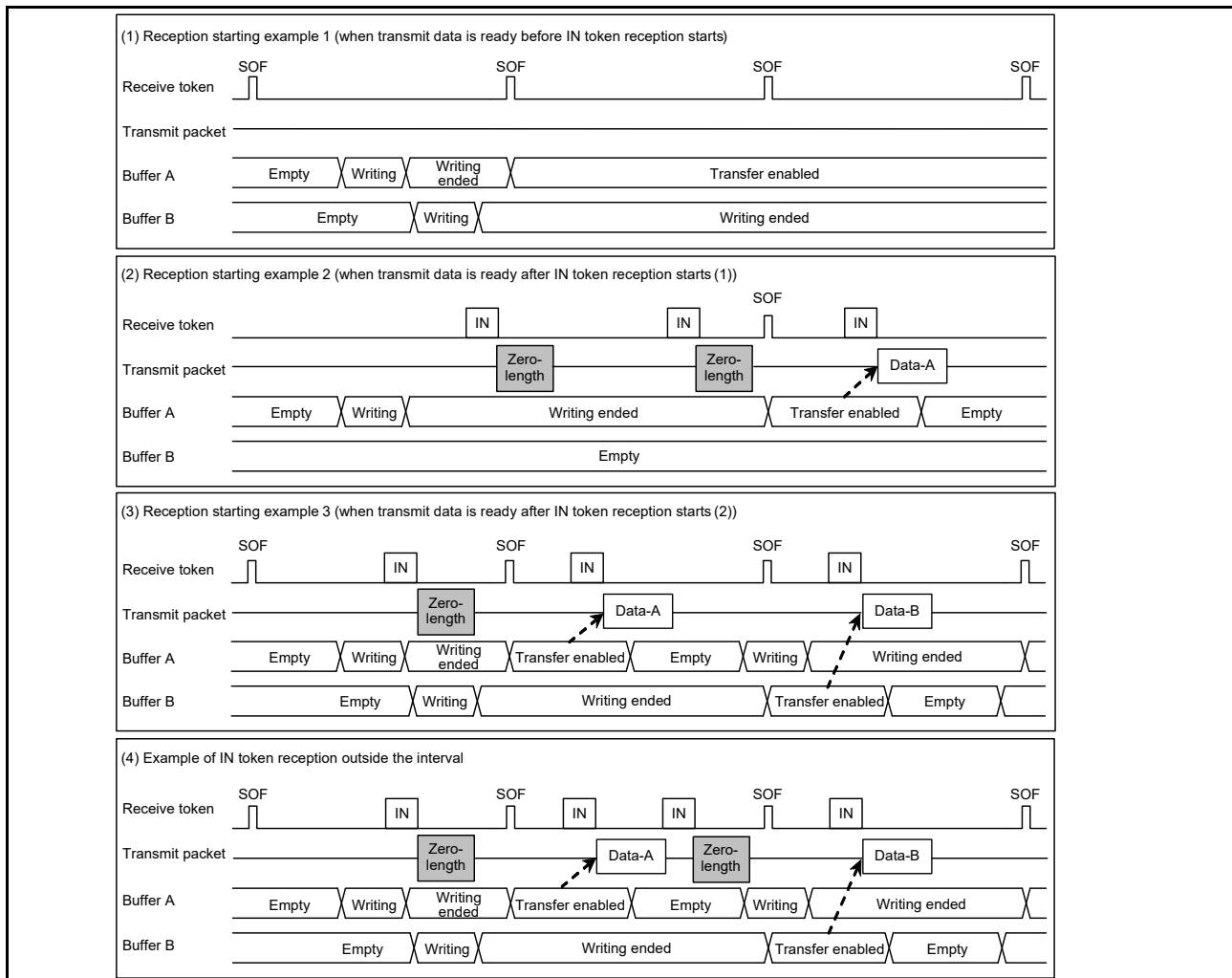


Figure 28.21 Example data setup operation

(5) Transmit buffer flush for isochronous transfers in device controller mode

In device controller mode during isochronous data transmission, if the USBFS receives an SOF packet for the next frame without receiving an IN token in the interval frame, it operates as if the IN token is corrupt and clears the buffer that is enabled for transmission, putting that buffer in the writing enabled state.

When double buffering is used and writing to both buffers is complete, the cleared FIFO buffer is assumed to be the one where the data was transmitted in the interval frame, and transmission is enabled for the FIFO buffer that was not cleared on SOF packet reception.

The timing of the buffer flush function depends on the PIPEPERI.IITV[2:0] setting as follows:

- When IITV[2:0] = 0:
The buffer flush operation starts from the first frame after the pipe is enabled
- When IITV[2:0] ≠ 0:
The buffer flush operation starts after the first normal transaction.

Figure 28.22 shows an example buffer flush. When an unanticipated token is received before the interval frame, the USBFS sends the write data or a zero-length packet as an underrun error, depending on the data setup status.

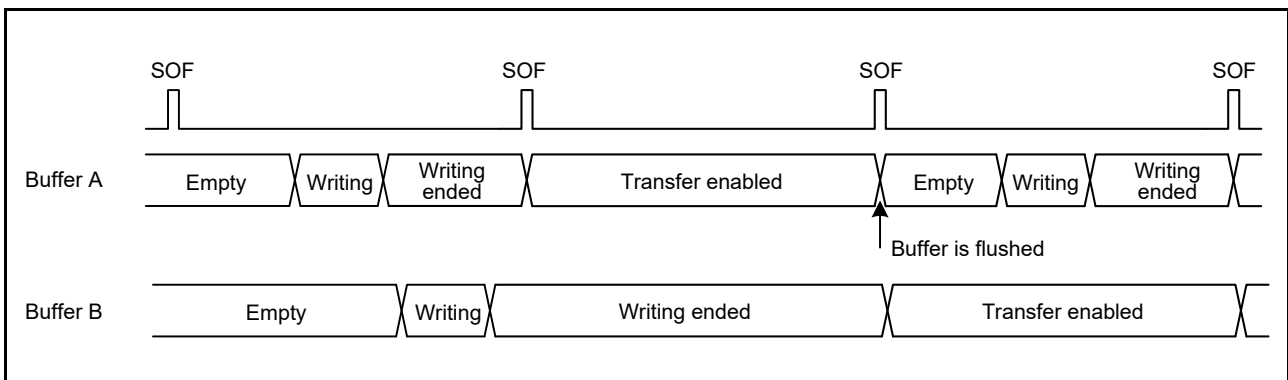


Figure 28.22 Example buffer flush operation

Figure 28.23 shows an example interval error occurrence. There are five types of interval errors, as shown in the figure. An interval error occurs at timing ① in the figure, and the buffer flush function is activated.

If an interval error occurs during an IN transfer, the buffer flush function is activated. If it occurs during an OUT transfer, an NRDY interrupt is generated. Use the FRMNUM.OVRN bit to distinguish between this and NRDY interrupts triggered by received packet errors and overrun errors.

For tokens that are shaded in the figure, responses are returned based on the FIFO buffer status.

- IN direction:
 - If the buffer is ready to transfer data, the data is transferred and a normal response is returned
 - If the buffer is not ready to transfer data, a zero-length packet is transmitted and an underrun error occurs.
- OUT direction:
 - If the buffer is ready to receive data, the data is received and a normal response is returned
 - If the buffer is not ready to receive data, the received data is discarded and an overrun error occurs.

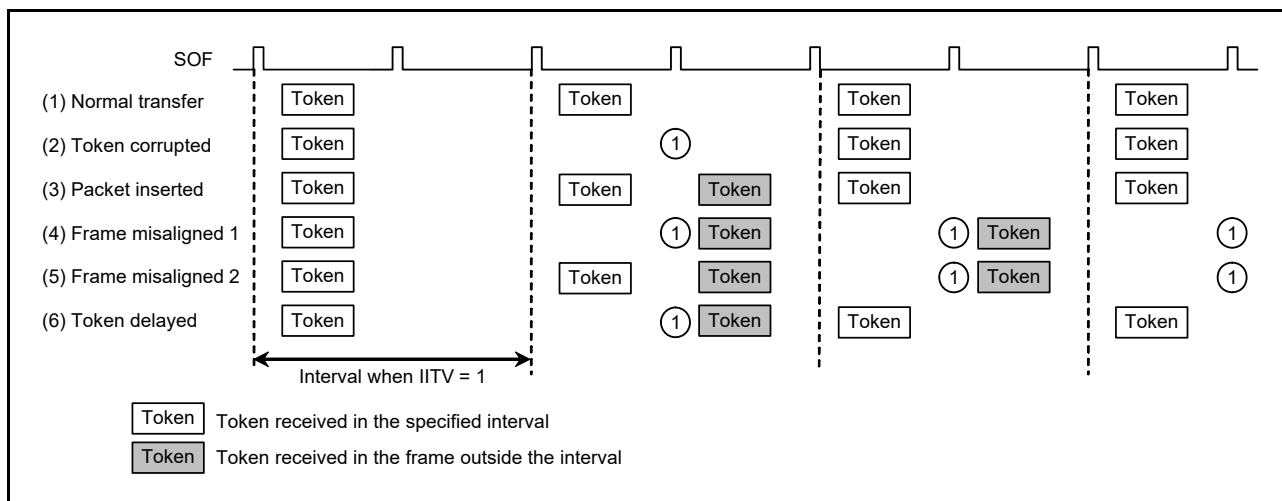


Figure 28.23 Example interval error occurrence when IITV[2:0] = 1

28.3.13 SOF Interpolation Function

In device controller mode, if packet reception is disabled at intervals of 1 ms because the SOF packet is corrupted or missing, the USBFS interpolates the SOF. SOF interpolation begins when the USBE and SCKE bits in SYSCFG are set to 1 and an SOF packet is received. The interpolation function is initialized under the following conditions:

- MCU reset
- USB bus reset
- Suspended state detection.

The SOF interpolation operates as follows:

- The interpolation function is not activated until an SOF packet is received.
- When the first SOF packet is received, interpolation is performed by counting 1 ms on the 48-MHz internal clock
- When the second and subsequent SOF packets are received, interpolation is performed at the previous reception interval
- Interpolation is not performed in the suspended state or on reception of a USB bus reset.

The USBFS supports the following functions controlled by SOF packet reception. These functions operate normally with SOF interpolation if the SOF packet is missing:

- Updating of the frame number
- SOFR interrupt timing
- Isochronous transfer interval count.

If an SOF packet is missing during full-speed operation, the FRMNUM.FRNM[10:0] bits are not updated.

28.3.14 Pipe Schedule

28.3.14.1 Conditions for generating transactions

In host controller mode and when the DVSTCTR0.UACT bit is set to 1, the USBFS generates transactions under the conditions shown in [Table 28.26](#).

Table 28.26 Conditions for generating transactions

Transaction	Conditions for generation				
	DIR	PID	IITV0	Buffer state	SUREQ
Setup	—*1	—*1	—*1	—*1	1 setting
Control transfer data stage, status stage, bulk transfer	IN	BUF	Invalid	Receive area exists	—*1
	OUT	BUF	Invalid	Transmit data exists	—*1
Interrupt transfer	IN	BUF	Valid	Receive area exists	—*1
	OUT	BUF	Valid	Transmit data exists	—*1
Isochronous transfer	IN	BUF	Valid	*2	—*1
	OUT	BUF	Valid	*3	—*1

Note 1. An em dash (—) in the table indicates that the condition is unrelated to the generating of tokens. "Valid" indicates that, for interrupt transfers and isochronous transfers, a transaction is generated only in transfer frames that are based on the interval counter. "Invalid" indicates that a transaction is generated regardless of the interval counter.

Note 2. This indicates that a transaction is generated regardless of whether there is a receive area. If there is no receive area, however, the received data is discarded.

Note 3. This indicates that a transaction is generated regardless of whether there is any data to be transmitted. If there is no data to be transmitted, however, a zero-length packet is transmitted.

28.3.14.2 Transfer schedule

This section describes the transfer scheduling within a frame of the USBFS. After the USBFS sends an SOF, the transfer is carried out in the following sequence:

1. Execution of periodic transfers:
A pipe is searched for in the order of pipe 1 → pipe 2 → pipe 6 → pipe 7 → pipe 8 → pipe 9, and then if there is a pipe for which an isochronous or interrupt transfer transaction can be generated, the transaction is generated.
2. Setup transactions for control transfers:
The DCP is checked, and if a setup transaction is possible, it is sent.
3. Execution of bulk transfers, control transfer data stages, and control transfer status stages:
A pipe is searched for in the order of DCP → pipe 1 → pipe 2 → pipe 3 → pipe 4 → pipe 5, and then if there is a pipe for which a transaction for a bulk transfer, a control transfer data stage, or a control transfer status stage can be generated, the transaction is generated.
When a transaction is generated, processing moves to the next pipe transaction regardless of whether the response from the peripheral device is ACK or NAK. If there is time for transfer within the frame, step 3 is repeated.

28.3.14.3 Enabling USB communication

Setting the DVSTCTR0.UACT bit to 1 initiates an SOF transmission, and transaction generation is enabled. Setting the UACT bit to 0 stops SOF transmission and the suspended state is invoked. If the UACT setting is changed from 1 to 0, processing stops after the next SOF is sent.

28.3.15 Battery Charging Detection Processing

It is possible to control the processing for data contact detection (D+ line contact check), primary detection (charger detection), and secondary detection (charger verification), which are defined in the battery charging specification. The following section describes the required operations for an individual function device and a host device.

28.3.15.1 Processing in device controller mode

The following processing is required when operating the USBFS as a portable device for battery charging:

1. Detect when the data lines (D+ and D-) have made contact and start the processing for primary detection.
2. After primary detection starts, wait 40 ms for masking, then check the D- voltage level to confirm the primary detection result.
3. If the charger is detected during primary detection, start secondary detection.
4. After secondary detection starts, wait 40 ms for masking, then check the D+ voltage level to confirm the secondary detection result.

For step 1, after VBUS is detected using the VBINT and VBSTS bits:

1. Wait for 300 to 900 ms, then set the VDPSRCE0 and IDMSINKE0 bits in the USBBCCTRL0 register.
2. Set the IDPSRCE0 bit.
3. After a change from high to low on the D+ line is detected using the LNST bits, clear the IDPSRCE0 bit, and set the VDPSRCE0 and IDMSINKE0 bits simultaneously*1.

For step 2, set the VDPSRCE0 and IDMSINKE0 bits and wait 40 ms, then use the CHGDETSTS0 bit to verify the primary detection result*2.

For step 3, if the CHGDETSTS0 bit is set in step 2, verify that the charger is detected, then clear the VDPSRCE0 and IDMSINKE0 bits and set the VDMSRCE0 and IDPSINKE0 bits.

For step 4, set the VDMSRCE0 and IDPSINKE0 bits and wait for 40 ms, then use the PDDETSTS0 bit to verify the secondary detection result.

Figure 28.24 shows the process flow.

Note 1. The battery charging specification describes two implementation methods for data contact detection (D+/D- line contact check). One of the methods is to detect a change to logic low due to the pull-down resistor of the host device when the D+ and D- lines have made contact with the target while the D+ line is held at logic high by applying a current of 7 to 13 μA on the D+ line. The other method is to wait for 300 to 900 ms after VBUS is detected.

Note 2. During primary detection, when the voltage on the D- line is detected to be 0.25 to 0.4 V or higher and 0.8 to 2.0 V or lower, the target device is recognized as the host device for battery charging, that is, charging the downstream port. When using a PHY in which the CHGDETSTS0 bit only indicates that the voltage on the D- line is 0.25 to 0.4 V or higher, add the processing to check that the voltage on D- line is 0.8 V to 2.0 V or lower using the LNST bits, as required.

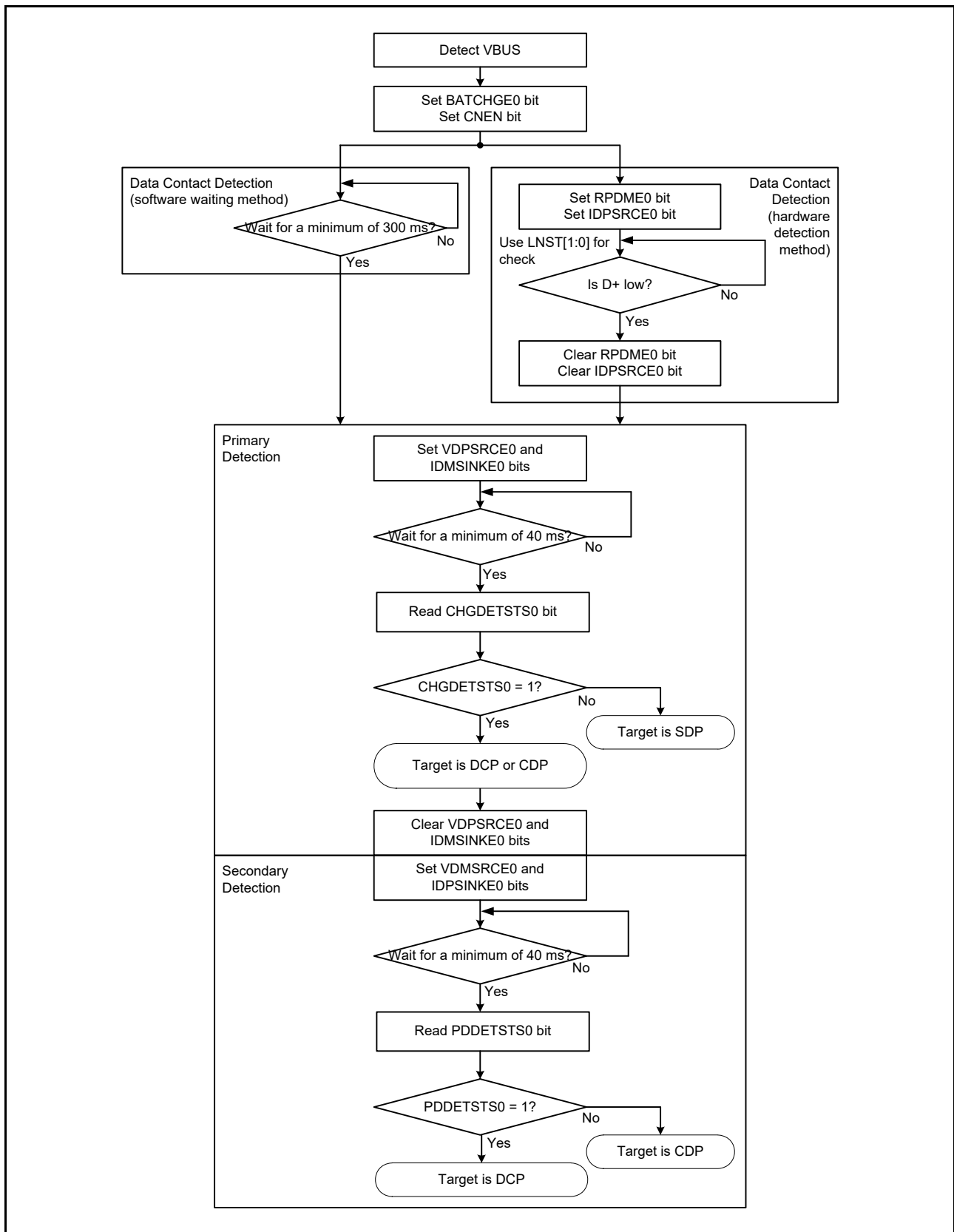


Figure 28.24 Process flow for operating as a portable device

28.3.15.2 Processing when host controller is selected

The following processing is required when operating the USBFS as a charging downstream port for battery charging:

1. Start driving the VBUS.
2. Enable the portable device detection circuit.
3. Monitor the portable device detection signal, and start driving the D- line if the detection signal is high.
4. Detect when the portable device detection signal is low and stop driving the D- line.

The following processing can also be used in associated with the battery charging specification:

- a. After disconnection is detected, start driving the D- line within 200 ms.
- b. After connection is detected, stop driving the D- line within 10 ms.

The D- line must be driven to allow the portable device to detect the primary detection described in [section 28.3.15.1, Processing in device controller mode](#). Steps 1 to 4 apply when the portable device detection function is provided by hardware. This method is to drive the D- line when the portable device is detected.

Steps a and b apply when the portable device function is not provided or available by hardware. Regardless of detection of the portable device, the D- line is driven in the disconnected state and not in the connected state. In the battery charging specification, either of these methods can be used.

For steps 3 and 4, after a change in the portable device detection signal is detected using the PDDETINT interrupt, the current signal state can be confirmed by reading the PDDETSTS0 bit. Steps a and b can be performed only in a software timer.

Figure 28.25 show the process flow for steps 1 to 4 and the process flow for steps a to b, respectively.

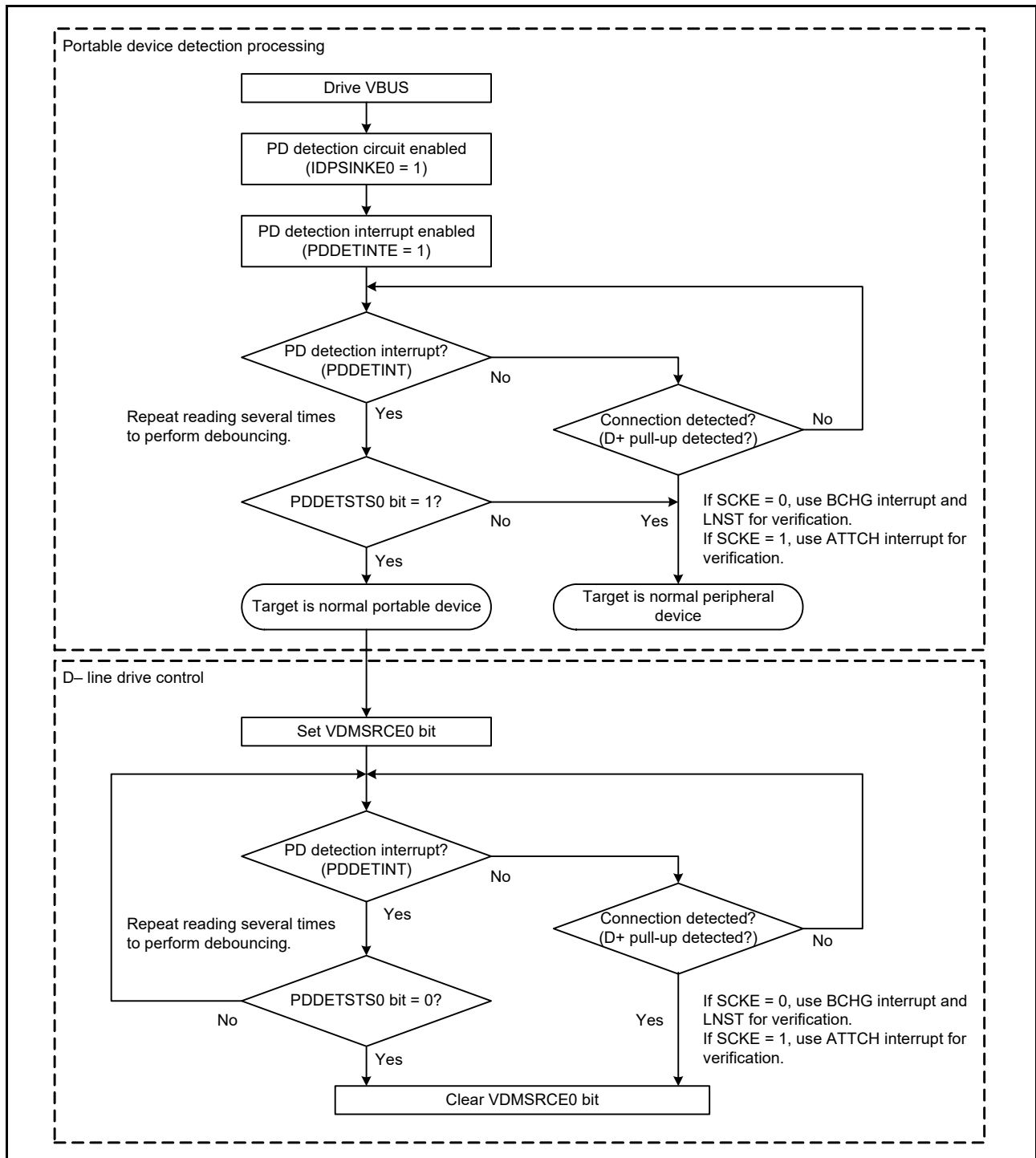


Figure 28.25 Process flow for operating as charging downstream port (steps 1 to 4)

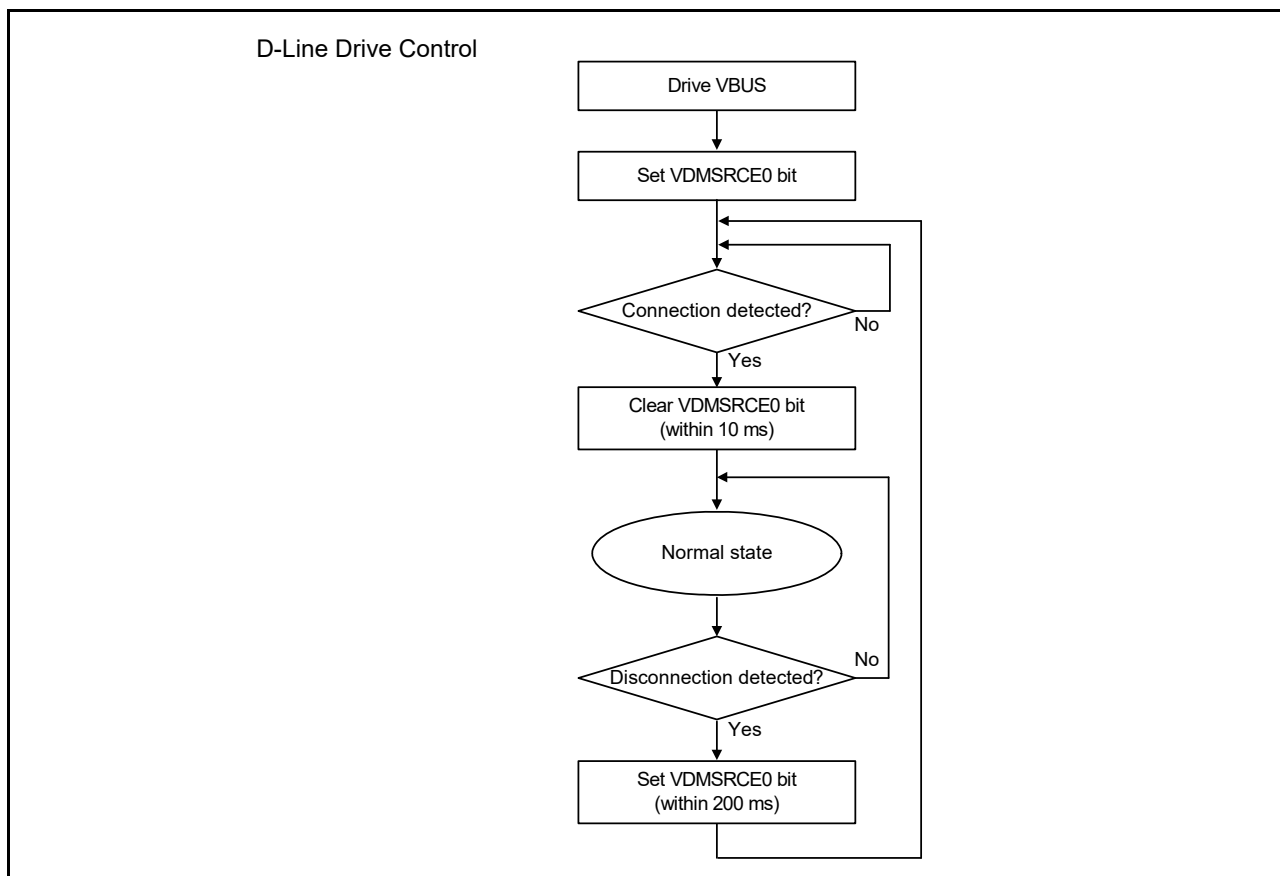


Figure 28.26 Process flow for operating as charging downstream port (steps a to b)

28.4 Usage Notes

28.4.1 Settings for the Module-Stop State

USBFS operation can be disabled or enabled using Module Stop Control Register B (MSTPCRB). The USBFS is initially stopped after reset. Releasing the module-stop state enables access to the registers. For details, see [section 11, Low Power Modes](#).

28.4.2 Clearing the Interrupt Status Register on Exiting Software Standby Mode

Because the input buffer is always enabled in Software Standby mode, an unexpected interrupt might occur under the following conditions:

- When the interrupt is enabled in Normal mode
- When the interrupt is disabled in Software Standby mode
- When the input level of the pin that cancels Software Standby is changed in Software Standby mode.

These conditions might cause the associated interrupt flag in the Interrupt Status Register to set unexpectedly. After the MCU exits Software Standby mode, the unexpected interrupt might be sent to the interrupt controller. To avoid this, always clear the INTSTS0 and INTSTS1 registers in the canceling sequence.

28.4.3 Clearing the Interrupt Status Register after Setting Up the Port Function

The input buffer is disabled before the PmnPFS.PSEL and PmnPFS.PMR ports are set up, so the internal signal is fixed high or low. The input buffer is enabled after the port is set so that the external pin state is propagated to the MCU. An unexpected interrupt might occur at this time, causing the VBINT and OVRCR bits in INTSTS0 and INTSTS1, or other interrupt status flags to set to 1. To avoid a malfunction, always clear the INTSTS0 and INTSTS1 registers after setting up the port.

29. Serial Communications Interface (SCI)

29.1 Overview

The Serial Communications Interface (SCI) is configurable to five asynchronous and synchronous serial interfaces:

- Asynchronous interfaces (UART and Asynchronous Communications Interface Adapter (ACIA))
- 8-bit clock synchronous interface
- Simple IIC (master-only)
- Simple SPI
- Smart card interface.

The smart card interface complies with the ISO/IEC 7816-3 standard for electronic signals and transmission protocol. Each SCI channel has FIFO buffers to enable continuous and full-duplex communication, and the data transfer speed can be configured independently using an on-chip baud rate generator.

[Table 29.1](#) lists the SCI specifications, [Figure 29.1](#) shows a block diagram, and [Table 29.2](#) lists the I/O pins by mode.

Note: In this section, PCLK refers to PCLKA.

Table 29.1 SCI specifications (1 of 2)

Item	Description
Serial communication modes	<ul style="list-style-type: none"> • Asynchronous • Clock synchronous • Smart card interface • Simple IIC • Simple SPI.
Transfer speed	Bit rate specifiable with the on-chip baud rate generator
Full-duplex communications	<ul style="list-style-type: none"> • Transmitter: Continuous transmission possible using double-buffering • Receiver: Continuous reception possible using double-buffering.
I/O pins	See Table 29.2
Data transfer	Selectable as LSB-first or MSB-first transfer
Interrupt sources	<ul style="list-style-type: none"> • Transmit end, transmit data empty, receive data full, receive error, receive data ready, and address match • Completion of generation of a start condition, restart condition, or stop condition (for simple IIC mode).
Module-stop function	Module-stop state can be set for each channel
Snooze end request	SCI0 address mismatch (SCI0_DCUF)

Table 29.1 SCI specifications (2 of 2)

Item	Description	
Asynchronous mode	Data length	7, 8, or 9 bits
	Transmission stop bit	1 or 2 bits
	Parity	Even parity, odd parity, or no parity
	Receive error detection	Parity, overrun, and framing errors
	Hardware flow control	Transmission and reception controllable with CTS _n _RTS _n pins
	Transmission/reception	Selectable to 1-stage register or 16-stage FIFO (only SCI0 and SCI1 support FIFO)
	Address match	Interrupt request/event output can be issued on detecting a match between the received data and the value in the compare match register
	Address mismatch (SCI0 only) receive data	Snooze end request can be issued on detecting a mismatch between the received data and the value in the compare match register
	Start-bit detection	Selectable to low level or falling edge detection
	Break detection	Breaks from framing errors detectable by reading from the SPTR register
	Clock source	Selectable to internal or external clock
	Double-speed mode	Baud rate generator double-speed mode is selectable
	Multi-processor communications function	Serial communication enabled between multiple processors
	Noise cancellation	Digital noise filters included on signal paths from RXD _n pin inputs
Clock synchronous mode	Data length	8 bits
	Receive error detection	Overrun error
	Clock source	Selectable to internal clock (master mode) or external clock (slave mode)
	Hardware flow control	Transmission and reception controllable with CTS _n _RTS _n pins
	Transmission/reception	Selectable to 1-stage register or 16-stage FIFO
Smart card interface mode	Error processing	Error signal can be automatically transmitted on detecting a parity error during reception
		Data can be automatically retransmitted on receiving an error signal during transmission
	Data type	Both direct and inverse convention supported
Simple IIC mode	Transfer format	I ² C bus format (MSB-first only)
	Operating mode	Master (single-master operation only)
	Transfer rate	Up to 400 kbps
	Noise cancellation	The signal paths from input on the SCL _n and SDA _n pins incorporate digital noise filters and provide an adjustable interval for noise cancellation
Simple SPI mode	Data length	8 bits
	Detection of errors	Overrun error
	Clock source	Selectable to internal clock (master mode) or external clock (slave mode)
	SS input pin function	High impedance state can be invoked on the output pins by driving the SS _n pin high
	Clock settings	Configurable between four clock phase and clock polarity settings
Bit rate modulation function	Error reduction through correction of outputs from the on-chip baud rate generator	
Event link function	Error event output (SCI _n _ERI)* ¹ for receive error or error signal detection	
	Receive data full event output (SCI _n _RXI)* ¹ , * ²	
	Transmit data empty event output (SCI _n _TXI)* ¹ , * ²	
	Transmit end event output (SCI _n _TEI)* ¹ , * ²	
	Address match event output (SCI _n _AM)* ¹	

Note 1. Channel number, n = 0 to 4, 9.

Note 2. Using this event link function is prohibited when FIFO operation is selected in asynchronous mode.

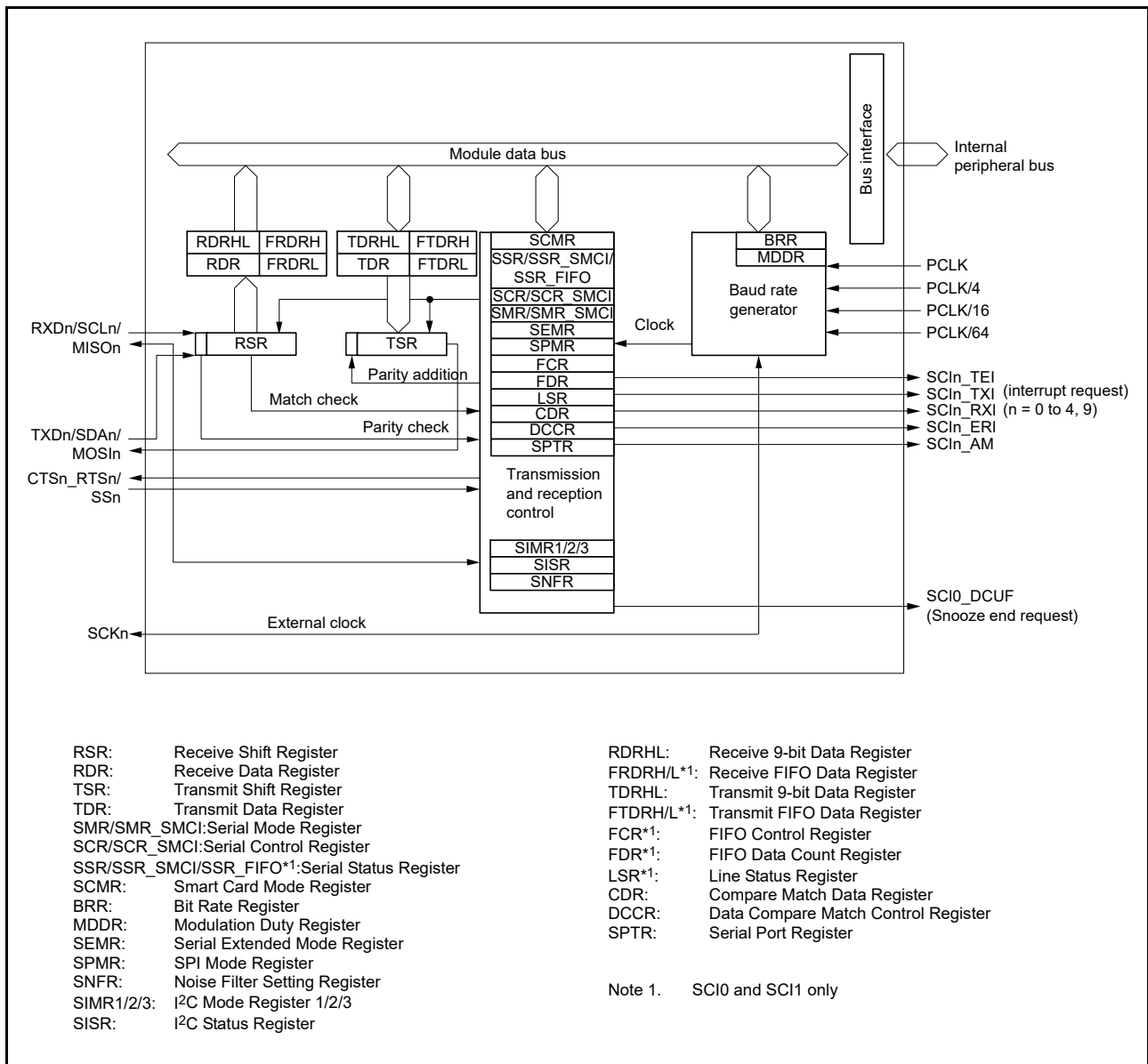


Figure 29.1 SCI block diagram

Table 29.2 SCI input/output pins

Channel	Pin name	Input/output	Function
SCI0	SCK0	Input/Output	SCI0 clock input/output
	RXD0/SCL0/ MISO0	Input/Output	SCI0 receive data input SCI0 I ² C clock input/output SCI0 slave transmit data input/output
	TXD0/SDA0/ MOSI0	Input/Output	SCI0 transmit data output SCI0 I ² C data input/output SCI0 master transmit data input/output
	SS0/CTS0_RTS0	Input/Output	SCI0 chip select input, active-low SCI0 transfer start control input/output, active-low
SCI1	SCK1	Input/Output	SCI1 clock input/output
	RXD1/SCL1/ MISO1	Input/Output	SCI1 receive data input SCI1 I ² C clock input/output SCI1 slave transmit data input/output
	TXD1/SDA1/ MOSI1	Input/Output	SCI1 transmit data output SCI1 I ² C data input/output SCI1 master transmit data input/output
	SS1/CTS1_RTS1	Input/Output	SCI1 chip select input, active-low SCI1 transfer start control input/output, active-low
SCI2	SCK2	Input/Output	SCI2 clock input/output
	RXD2/SCL2/ MISO2	Input/Output	SCI2 receive data input SCI2 I ² C clock input/output SCI2 slave transmit data input/output
	TXD2/SDA2/ MOSI2	Input/Output	SCI2 transmit data output SCI2 I ² C data input/output SCI2 master transmit data input/output
	SS2/CTS2_RTS2	Input/Output	SCI2 chip select input, active-low SCI2 transfer start control input/output, active-low
SCI3	SCK3	Input/Output	SCI3 clock input/output
	RXD3/SCL3/ MISO3	Input/Output	SCI3 receive data input SCI3 I ² C clock input/output SCI3 slave transmit data input/output
	TXD3/SDA3/ MOSI3	Input/Output	SCI3 transmit data output SCI3 I ² C data input/output SCI3 master transmit data input/output
	SS3/CTS3_RTS3	Input/Output	SCI3 chip select input, active-low SCI3 transfer start control input/output, active-low
SCI4	SCK4	Input/Output	SCI4 clock input/output
	RXD4/SCL4/ MISO4	Input/Output	SCI4 receive data input SCI4 I ² C clock input/output SCI4 slave transmit data input/output
	TXD4/SDA4/ MOSI4	Input/Output	SCI4 transmit data output SCI4 I ² C data input/output SCI4 master transmit data input/output
	SS4/CTS4_RTS4	Input/Output	SCI4 chip select input, active-low SCI4 transfer start control input/output, active-low
SCI9	SCK9	Input/Output	SCI9 clock input/output
	RXD9/SCL9/ MISO9	Input/Output	SCI9 receive data input SCI9 I ² C clock input/output SCI9 slave transmit data input/output
	TXD9/SDA9/ MOSI9	Input/Output	SCI9 transmit data output SCI9 I ² C data input/output SCI9 master transmit data input/output
	SS9/CTS9_RTS9	Input/Output	SCI9 chip select input, active-low SCI9 transfer start control input/output, active-low

29.2 Register Descriptions

29.2.1 Receive Shift Register (RSR)

RSR is a shift register that receives serial data input from the RXDn pin and converts it into parallel data. When one frame of data is received, the data is automatically transferred to the RDR register, RDRHL register, or the receive FIFO. The RSR register cannot be directly accessed by the CPU.

29.2.2 Receive Data Register (RDR)

Address(es): [SCI0.RDR 4007 0005h](#), [SCI1.RDR 4007 0025h](#), [SCI2.RDR 4007 0045h](#),
[SCI3.RDR 4007 0065h](#), [SCI4.RDR 4007 0085h](#), [SCI9.RDR 4007 0125h](#)



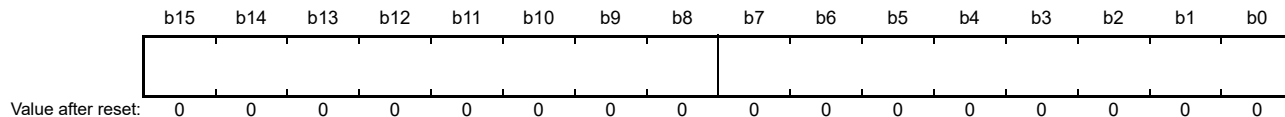
RDR is an 8-bit register that stores receive data. When one frame of serial data is received, the received serial data is transferred from RSR to RDR, and the RSR register can receive more data. Because RSR and RDR function as a double buffer, continuous receive operations can be performed.

Read the RDR register only after a receive data full interrupt (SCIn_RXI) occurs.

Note: If the next frame of data is received before the receive data is read from the RDR register, an overrun error occurs. RDR cannot be written to by the CPU.

29.2.3 Receive 9-bit Data Register (RDRHL)

Address(es): [SCI0.RDRHL 4007 0010h](#), [SCI1.RDRHL 4007 0030h](#), [SCI2.RDRHL 4007 0050h](#),
[SCI3.RDRHL 4007 0070h](#), [SCI4.RDRHL 4007 0090h](#), [SCI9.RDRHL 4007 0130h](#)



RDRHL is a 16-bit register that stores receive data. Use this register when asynchronous mode and 9-bit data length are selected.

The lower 8 bits of RDRHL are a shadow register of RDR, so access to RDRHL affects RDR. Access to RDRHL is prohibited if 7-bit or 8-bit data length is selected.

After one frame of data is received, the received data is transferred from RSR to the RDR or RDRHL register, allowing the RSR register to receive more data.

RSR and RDRHL form a double-buffered structure to enable continuous reception. RDRHL should be read only when a receive data full interrupt (SCIn_RXI) request is issued. An overrun error occurs when the next frame of data is received before the received data is read from RDRHL. The CPU cannot write to the RDRHL register.

Bits [15:9] of the RDRHL register are fixed to 0. These bits are read as 0. The write value should be 0.

29.2.4 Receive FIFO Data Register H, L, HL (FRDRH, FRDRL, FRDRHL)

Receive FIFO Data Register H (FRDRH)

Address(es): SCI0.FRDRH 4007 0010h, SCI1.FRDRH 4007 0030h

Receive FIFO Data Register L (FRDRL)

Address(es): SCI0.FRDRL 4007 0011h, SCI1.FRDRL 4007 0031h

Receive FIFO Data Register HL (FRDRHL)

Address(es): SCI0.FRDRHL 4007 0010h, SCI1.FRDRHL 4007 0030h



Bit	Symbol	Bit name	Description	R/W
b8 to b0	RDAT[8:0]	Serial Receive Data	Received serial data, valid only in asynchronous mode, including multi-processor mode or clock synchronous mode, with FIFO selected	R
b9	MPB	Multi-Processor Bit Flag	Multi-processor bit associated with serial receive data (RDAT[8:0]): 0: Data transmission cycle 1: ID transmission cycle. MPB is valid only in asynchronous mode with SMR.MP = 1, and with FIFO selected.	R
b10	DR	Receive Data Ready Flag	0: Receiving is in progress, or no received data remains in FRDRH and FRDRL after successfully completed reception 1: Next receive data is not received for a period after reception is successfully completed.	R*1
b11	PER	Parity Error Flag	0: No parity error occurred in the first data of FRDRH and FRDRL 1: A parity error occurred in the first data of FRDRH and FRDRL.	R
b12	FER	Framing Error Flag	0: No framing error occurred in the first data of FRDRH and FRDRL 1: A framing error occurred in the first data of FRDRH and FRDRL.	R
b13	ORER	Overrun Error Flag	0: No overrun error occurred 1: Overrun error occurred.	R*1
b14	RDF	Receive FIFO Data Full Flag	0: The amount of receive data written in FRDRH and FRDRL is less than the specified receive triggering number 1: The amount of receive data written in FRDRH and FRDRL is equal to or greater than the specified receive triggering number.	R*1
b15	—	Reserved	This bit is read as 0	R

Note 1. If this flag is read, it is same as a read from the SSR_FIFO register. Write 0 to the SSR_FIFO register to clear the flag.

FRDRHL is a 16-bit register that consists of the 8-bit FRDRH and FRDRL registers. FRDRH and FRDRL constitute a 16-stage FIFO register that stores serial receive data and related status information. This register is valid only in asynchronous mode, including multi-processor mode, or clock synchronous mode.

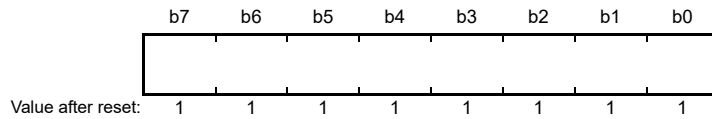
The SCI completes reception of one frame of serial data by transferring the received data from the RSR register into FRDRH and FRDRL for storage. Continuous reception is executed until 16 stages are stored. If data is read when there is no received data in FRDRH and FRDRL, the value is undefined. When FRDRH and FRDRL are full, subsequent serial receive data is lost. The CPU can read from FRDRH and FRDRL but cannot write to them.

Reading 1 from the RDF, ORER, or DR flags of the FRDRH register is the same as reading those bits in the SSR_FIFO register. When writing 0 to clear a flag in the SSR_FIFO register after reading the FRDRH register, write 0 only to the flag that is to be cleared and write 1 to the other flags. When reading both the FRDRH and FRDRL registers, read in the

order from FRDRH to FRDRL. FRDRHL can be accessed in 16-bit units.

29.2.5 Transmit Data Register (TDR)

Address(es): [SCI0.TDR 4007 0003h](#), [SCI1.TDR 4007 0023h](#), [SCI2.TDR 4007 0043h](#),
[SCI3.TDR 4007 0063h](#), [SCI4.TDR 4007 0083h](#), [SCI9.TDR 4007 0123h](#)



TDR is an 8-bit register that stores transmit data.

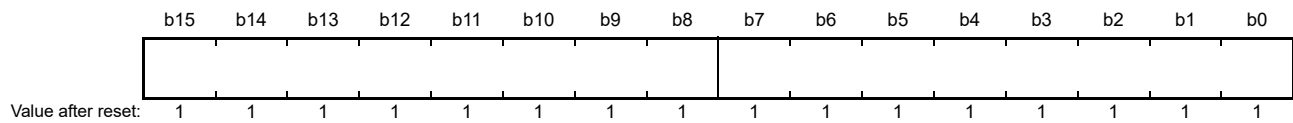
When the SCI detects that TSR is empty, it transfers the transmit data written in TDR to TSR and starts transmission.

The double-buffered structure of TDR and TSR enables continuous serial transmission. If the next transmit data is already written to TDR when one frame of data is transmitted, the SCI transfers the written data to TSR to continue transmission.

The CPU can read from or write to TDR at any time. Only write transmit data to TDR once after each instance of the transmit data empty interrupt (SCIn_TXI).

29.2.6 Transmit 9-Bit Data Register (TDRHL)

Address(es): [SCI0.TDRHL 4007 000Eh](#), [SCI1.TDRHL 4007 002Eh](#), [SCI2.TDRHL 4007 004Eh](#),
[SCI3.TDRHL 4007 006Eh](#), [SCI4.TDRHL 4007 008Eh](#), [SCI9.TDRHL 4007 012Eh](#)



TDRHL is a 16-bit register that stores transmit data. Use this register when asynchronous mode and 9-bit data length are selected.

The lower 8 bits of TDRHL are the shadow register of TDR, so access to TDRHL affects TDR. Access to the TDRHL register is prohibited if 7-bit or 8-bit data length is selected.

When empty space is detected in TSR, the transmit data stored in TDRHL is transferred to TSR and transmission starts.

TSR and TDRHL form a double-buffered structure to support continuous transmission. When the next data to be transmitted is stored in TDRHL after one frame of data is transmitted, the transmitting operation is continued by transferring the data to TSR.

The CPU can read and write to TDRHL. Bits [15:9] in TDRHL are fixed to 1. These bits are read as 1. The write value should be 1.

Write transmit data to TDRHL only when a transmit data empty interrupt (SCIn_TXI) request is issued.

29.2.7 Transmit FIFO Data Register H, L, HL (FTDRH, FTDL, FTDRHL)

Transmit FIFO Data Register H (FTDRH)

Address(es): SCI0.FTDRH 4007 000Eh, SCI1.FTDRH 4007 002Eh

Transmit FIFO Data Register L (FTDL)

Address(es): SCI0.FTDL 4007 000Fh, SCI1.FTDL 4007 002Fh

Transmit FIFO Data Register HL (FTDRHL)

Address(es): SCI0.FTDRHL 4007 000Eh, SCI1.FTDRHL 4007 002Eh



Bit	Symbol	Bit name	Description	R/W
b8 to b0	TDAT[8:0]	Serial Transmit Data	Serial transmit data, valid only in asynchronous mode, including multi-processor, or clock synchronous mode, with FIFO selected	W
b9	MPBT	Multi-Processor Transfer Bit Flag	Specifies the multi-processor bit in the transmission frame: 0: Data transmission cycle 1: ID transmission cycle. Valid only in asynchronous mode with SMR.MP = 1, with FIFO selected.	W
b15 to b10	—	Reserved	The write value should be 1	W

FTDRHL is a 16-bit register that consists of 8-bit registers, FTDRH and FTDL.

FTDRH and FTDL constitute a 16-stage FIFO register that stores data for serial transmission and a multi-processor transfer bit. This register is valid only in asynchronous mode, including multi-processor mode, or clock synchronous mode.

When the SCI detects that the Transmit Shift Register (TSR) register is empty, it transmits data written in FTDRH and FTDL to TSR and starts serial transmission. Continuous serial transmission is executed until no transmit data is left in FTDRH and FTDL. When FTDRHL is full of transmit data, no more data can be written. If writing new data is attempted, the data is ignored. The CPU can write to FTDRH and FTDL but cannot read them.

When writing to both the FTDRH and FTDL registers, write in the order from FTDRH to FTDL.

MPBT flag (Multi-Processor Transfer Bit Flag)

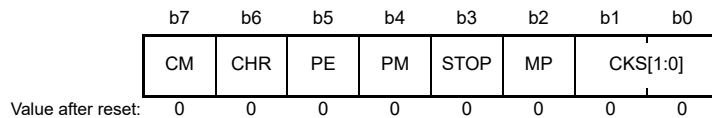
The MPBT flag specifies the value of the multi-processor bit of the transmit frame. When FCR.FM = 1, SSR.MPBT is not valid.

29.2.8 Transmit Shift Register (TSR)

TSR is a shift register that transmits serial data. To perform serial data transmission, the SCI first automatically transfers transmit data from TDR, TDRHL, or transmit FIFO to TSR, then sends the data to the TXDn pin. The CPU cannot directly access TSR.

29.2.9 Serial Mode Register (SMR) for Non-Smart Card Interface Mode (SCMR.SMIF = 0)

Address(es): [SCI0.SMR 4007 0000h](#), [SCI1.SMR 4007 0020h](#), [SCI2.SMR 4007 0040h](#),
[SCI3.SMR 4007 0060h](#), [SCI4.SMR 4007 0080h](#), [SCI9.SMR 4007 0120h](#)



Bit	Symbol	Bit name	Description	R/W
b1, b0	CKS[1:0]	Clock Select	b1 b0 0 0: PCLK clock (n = 0)*1 0 1: PCLK/4 clock (n = 1)*1 1 0: PCLK/16 clock (n = 2)*1 1 1: PCLK/64 clock (n = 3)*1.	R/W*4
b2	MP	Multi-Processor Mode	Valid only in asynchronous mode: 0: Multi-processor communications function is disabled 1: Multi-processor communications function is enabled.	R/W*4
b3	STOP	Stop Bit Length	Valid only in asynchronous mode: 0: 1 stop bit 1: 2 stop bits.	R/W*4
b4	PM	Parity Mode	Valid only when the PE bit is 1: 0: Selects even parity 1: Selects odd parity.	R/W*4
b5	PE	Parity Enable	Valid only in asynchronous mode: <ul style="list-style-type: none"> When transmitting: 0: Parity bit is not added 1: Parity bit is added. When receiving: 0: Parity bit is not checked 1: Parity bit is checked. 	R/W*4
b6	CHR	Character Length	Selects transmit/receive character length in combination with the SCMR.CHR1 bit: CHR1 CHR 0 0: Transmit/receive in 9-bit data length 0 1: Transmit/receive in 9-bit data length 1 0: Transmit/receive in 8-bit data length (initial value) 1 1: Transmit/receive in 7-bit data length*3. Valid only in asynchronous mode.*2	R/W*4
b7	CM	Communication Mode	0: Asynchronous mode or simple IIC mode 1: Clock synchronous mode or simple SPI mode.	R/W*4

Note 1. n is the decimal notation of the value of n in BRR. See [section 29.2.17, Bit Rate Register \(BRR\)](#).

Note 2. In any mode other than asynchronous mode, this bit setting is invalid and a fixed data length of 8 bits is used.

Note 3. LSB-first is fixed and the MSB (bit [7]) in TDR is not transmitted.

Note 4. Writable only when TE in SCR = 0 and RE in SCR = 0 (both serial transmission and reception are disabled).

SMR sets the communication format and clock source for the on-chip baud rate generator.

CKS[1:0] bits (Clock Select)

The CKS[1:0] bits select the clock source for the on-chip baud rate generator.

For the relationship between the settings of these bits and the baud rate, see [section 29.2.17, Bit Rate Register \(BRR\)](#).

MP bit (Multi-Processor Mode)

The MP bit disables or enables the multi-processor communications function. The settings of the PE and PM bits are invalid in multi-processor mode.

STOP bit (Stop Bit Length)

The STOP bit selects the stop bit length in transmission.

In reception, only the first stop bit is checked regardless of this bit setting. If the second stop bit is 0, it is treated as the start bit of the next transmit frame.

PM bit (Parity Mode)

The PM bit selects the parity mode (even or odd) for transmission and reception.

The PM bit setting is invalid in multi-processor mode.

PE bit (Parity Enable)

When the PE bit is set to 1, the parity bit is added to the transmit data, and the parity bit is checked at reception.

Regardless of the setting of the PE bit, the parity bit is not added or checked in multi-processor format.

CHR bit (Character Length)

The CHR bit selects the data length for transmission and reception in combination with the CHR1 bit in SCMR.

In modes other than asynchronous mode, a fixed data length of 8 bits is used.

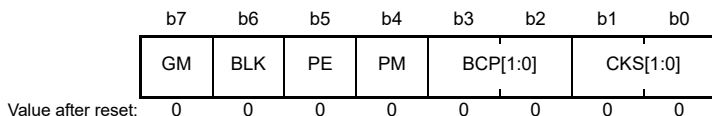
CM bit (Communication Mode)

The CM bit selects the communication mode:

- Asynchronous mode or simple IIC mode
- Clock synchronous mode or simple SPI mode.

29.2.10 Serial Mode Register for Smart Card Interface Mode (SMR_SMCI) (SCMR.SMIF = 1)

Address(es): [SCI0.SMR_SMCI 4007 0000h](#), [SCI1.SMR_SMCI 4007 0020h](#), [SCI2.SMR_SMCI 4007 0040h](#),
[SCI3.SMR_SMCI 4007 0060h](#), [SCI4.SMR_SMCI 4007 0080h](#), [SCI9.SMR_SMCI 4007 0120h](#)



Bit	Symbol	Bit name	Description	R/W
b1, b0	CKS[1:0]	Clock Select	b1 b0 0 0: PCLK clock (n = 0)*1 0 1: PCLK/4 clock (n = 1)*1 1 0: PCLK/16 clock (n = 2)*1 1 1: PCLK/64 clock (n = 3)*1.	R/W*2
b3, b2	BCP[1:0]	Base Clock Pulse	Selects the number of base clock cycles in combination with the BCP2 bit in SCMR. Table 29.3 lists the combinations of the SCMR.BCP2 and SMR.BCP[1:0] bits.	R/W*2
b4	PM	Parity Mode	Valid only when the PE bit is 1: 0: Selects even parity 1: Selects odd parity.	R/W*2
b5	PE	Parity Enable	When this bit is set to 1, a parity bit is added to transmit data, and the parity of received data is checked. Set this bit to 1 in smart card interface mode.	R/W*2
b6	BLK	Block Transfer Mode	0: Non-block transfer mode operation 1: Block transfer mode operation.	R/W*2
b7	GM	GSM Mode	0: Non-GSM mode operation 1: GSM mode operation.	R/W*2

Note 1. n is the decimal notation of the value of n in the BRR register. See [section 29.2.17, Bit Rate Register \(BRR\)](#).

Note 2. Writable only when SCR_SMCI.TE = 0 and SCR_SMCI.RE = 0 (both serial transmission and reception are disabled).

The SMR_SMCI register sets the communication format and clock source for the on-chip baud rate generator.

[CKS\[1:0\] bits \(Clock Select\)](#)

The CKS[1:0] bits select the clock source for the on-chip baud rate generator. For the relationship between the settings of these bits and the baud rate, see [section 29.2.17, Bit Rate Register \(BRR\)](#).

[BCP\[1:0\] bits \(Base Clock Pulse\)](#)

The BCP[1:0] bits select the number of base clock cycles in a 1-bit data transfer time in smart card interface mode. Set these bits in combination with the SCMR.BCP2 bit. For details, see [section 29.6.4, Receive Data Sampling Timing and Reception Margin](#).

Table 29.3 Combinations of SCMR.BCP2 bit and SMR_SMCI.BCP[1:0] bits

SCMR.BCP2 bit	SMR_SMCI.BCP[1:0] bits	Number of base clock cycles for 1-bit transfer period
0	00	93 clock cycles (S = 93)*1
0	01	128 clock cycles (S = 128)*1
0	10	186 clock cycles (S = 186)*1
0	11	512 clock cycles (S = 512)*1
1	00	32 clock cycles (S = 32)*1 (initial value)
1	01	64 clock cycles (S = 64)*1
1	10	372 clock cycles (S = 372)*1
1	11	256 clock cycles (S = 256)*1

Note 1. S indicates the value of S in the BRR register. See [section 29.2.17, Bit Rate Register \(BRR\)](#).

PM bit (Parity Mode)

The PM bit selects the parity mode for transmission and reception (even or odd). For details on the usage of this bit in smart card interface mode, see [section 29.6.2, Data Format \(Except in Block Transfer Mode\)](#).

PE bit (Parity Enable)

Set the PE bit to 1. The parity bit is added to the transmit data before transmission, and the parity bit is checked at reception.

BLK bit (Block Transfer Mode)

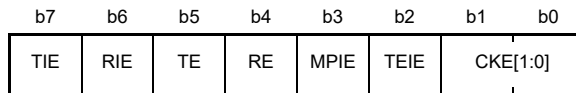
Setting the BLK bit to 1 enables the block transfer mode operation. For details, see [section 29.6.3, Block Transfer Mode](#).

GM bit (GSM Mode)

Setting the GM bit to 1 enables GSM mode operation. In GSM mode, the SSR_SMCI.TEND flag set timing is moved forward to 11.0 ETU (elementary time unit = 1-bit transfer time) from the start, and the clock output control function is enabled. For details, see [section 29.6.6, Serial Data Transmission \(Except in Block Transfer Mode\)](#) and [section 29.6.8, Clock Output Control](#).

29.2.11 Serial Control Register (SCR) for Non-Smart Card Interface Mode (SCMR.SMIF = 0)

Address(es): [SCI0.SCR 4007 0002h](#), [SCI1.SCR 4007 0022h](#), [SCI2.SCR 4007 0042h](#),
[SCI3.SCR 4007 0062h](#), [SCI4.SCR 4007 0082h](#), [SCI9.SCR 4007 0122h](#)



Value after reset: 0 0 0 0 0 0 0 0

Bit	Symbol	Bit name	Description	R/W
b1, b0	CKE[1:0]	Clock Enable	<ul style="list-style-type: none"> Asynchronous mode: <ul style="list-style-type: none"> b1 b0 0 0: On-chip baud rate generator. The SCKn pin is available for use as an I/O port according to the I/O port settings. 0 1: On-chip baud rate generator. A clock with the same frequency as the bit rate is output from the SCKn pin. 1 x: External clock. A clock with a frequency 16 times the bit rate should be input from the SCKn pin when SEMR.ABCS bit is 0. Input a clock signal with a frequency eight times the bit rate when the SEMR.ABCS bit is 1. Clock synchronous mode: <ul style="list-style-type: none"> b1 b0 0 x: Internal clock. The SCKn pin functions as the clock output pin. 1 x: External clock. The SCKn pin functions as the clock input pin. 	R/W*1
b2	TEIE	Transmit End Interrupt Enable	0: SCIn_TEI interrupt request is disabled 1: SCIn_TEI interrupt request is enabled.	R/W
b3	MPIE	Multi-Processor Interrupt Enable	Valid in asynchronous mode when SMR.MP = 1: 0: Non-multi-processor reception 1: When data with the multi-processor bit set to 0 is received, the data is not read, and setting the RDRF, ORER, and FER status flags in SSR to 1 is disabled. When data with the multi-processor bit set to 1 is received, the MPIE bit is automatically set to 0, and non-multi-processor reception is resumed.	R/W*3

Bit	Symbol	Bit name	Description	R/W
b4	RE	Receive Enable	0: Serial reception is disabled 1: Serial reception is enabled.	R/W*2
b5	TE	Transmit Enable	0: Serial transmission is disabled 1: Serial transmission is enabled.	R/W*2
b6	RIE	Receive Interrupt Enable	0: SCIn_RXI and SCIn_ERI interrupt requests are disabled 1: SCIn_RXI and SCIn_ERI interrupt requests are enabled.	R/W
b7	TIE	Transmit Interrupt Enable	0: SCIn_TXI interrupt request is disabled 1: SCIn_TXI interrupt request is enabled.	R/W

x: Don't care

Note 1. Writable only when TE = 0 and RE = 0.

Note 2. 1 can be written only when TE = 0 and RE = 0, when the SMR.CM bit is 1. After setting TE or RE to 1, only 0 can be written to TE and RE. When the SMR.CM bit is 0 and the SIMR1.IICM bit is 0, writing is enabled under any condition.

Note 3. When writing a new value to a bit other than the MPIE bit of this register during multi-processor mode (SMR.MP bit = 1), write 0 to the MPIE bit using the store instruction to avoid accidentally setting the MPIE bit to 1 by a read-modify-write operation when using a bit manipulation instruction.

The SCR register controls operation and clock source selection for transmission and reception.

CKE[1:0] bits (Clock Enable)

The CKE[1:0] bits select the clock source and the SCKn pin function.

TEIE bit (Transmit End Interrupt Enable)

The TEIE bit enables or disables an SCIn_TEI interrupt request. Set the TEIE bit to 0 to disable the interrupt request.

In simple IIC mode, SCIn_TEI is allocated to the interrupt on completion of issuing a start, restart, or stop condition (STI). In this case, the TEIE bit can be used to enable or disable the STI.

MPIE bit (Multi-Processor Interrupt Enable)

When the MPIE bit is set to 1 and data with the multi-processor bit set to 0 is received, the data is not read, and setting the status flags RDRF, RDF, ORER, and FER in SSR/SSR_FIFO to 1 is disabled. When data with the multi-processor bit set to 1 is received, the MPIE is automatically cleared to 0, and non-multi-processor reception resumes. For details, see [section 29.4, Multi-Processor Communications Function](#).

When the MPB bit in the SSR register is 0, the receive data is not transferred from the RSR to the RDR, a receive error is not detected, and setting the flags ORER and FER to 1 is disabled.

When the MPB bit is set to 1, the MPIE bit is automatically set to 0, the SCIn_RXI and SCIn_ERI interrupt requests are enabled (if the RIE bit in SCR is set to 1), and the setting of the ORER and FER flags to 1 is enabled.

Set MPIE to 0 if the multi-processor communications function is not used.

RE bit (Receive Enable)

The RE bit enables or disables serial reception. When the RE bit is set to 1, serial reception starts by detecting the start bit in asynchronous mode or the synchronous clock input in clock synchronous mode. Set the reception format in the SMR before setting the RE bit to 1.

When non-FIFO operation is selected and reception is halted by setting the RE bit to 0, the RDRF, ORER, FER, and PER flags in SSR are not affected, and the previous values are saved.

When FIFO operation is selected and reception is halted by setting the RE bit to 0, the RDF, ORER, FER, PER, and DR flags in SSR_FIFO are not affected and the previous values are saved.

TE bit (Transmit Enable)

The TE bit enables or disables serial transmission.

When the TE bit is set to 1, serial transmission starts by writing transmit data to TDR. Set the transmission format in the SMR register before setting the TE bit to 1.

RIE bit (Receive Interrupt Enable)

The RIE bit enables or disables SCIn_RXI and SCIn_ERI interrupt requests.

Set the RIE bit to 0 to disable SCIn_RXI and SCIn_ERI interrupt requests.

To cancel an SCIn_ERI interrupt request, read 1 from the ORER, FER, or PER flag in SSR/SSR_FIFO, then set the flag to 0, or set the RIE bit to 0.

TIE bit (Transmit Interrupt Enable)

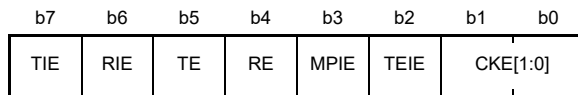
The TIE bit enables or disables SCIn_TXI interrupt requests.

SCIn_TXI interrupt requests are disabled by setting the TIE bit to 0.

Note: To switch the TIE bit value from 0 to 1 in FIFO mode, set the TIE and TE bits to 1 simultaneously or set the TIE bit to 1 when TE = 1. When TE = 0 in FIFO mode, setting the TIE bit to 1 is prohibited.

29.2.12 Serial Control Register for Smart Card Interface Mode (SCR_SMCI) (SCMR.SMIF = 1)

Address(es): SCI0.SCR_SMCI 4007 0002h, SCI1.SCR_SMCI 4007 0022h, SCI2.SCR_SMCI 4007 0042h,
SCI3.SCR_SMCI 4007 0062h, SCI4.SCR_SMCI 4007 0082h, SCI9.SCR_SMCI 4007 0122h



Value after reset: 0 0 0 0 0 0 0 0

Bit	Symbol	Bit name	Description	R/W
b1, b0	CKE[1:0]	Clock Enable	<ul style="list-style-type: none"> When GM in SMR_SMCI = 0: <ul style="list-style-type: none"> b1 b0 0 0: Output disabled. The SCKn pin is available for use as an I/O port according to the I/O port settings. 0 1: Clock output. 1 x: Setting prohibited. When GM in SMR_SMCI = 1: <ul style="list-style-type: none"> b1 b0 0 0: Output fixed low. x 1: Clock output. 1 0: Output fixed high. 	R/W*1
b2	TEIE	Transmit End Interrupt Enable	Set this bit to 0 in smart card interface mode	R/W
b3	MPIE	Multi-Processor Interrupt Enable	Set this bit to 0 in smart card interface mode	R/W
b4	RE	Receive Enable	0: Serial reception is disabled 1: Serial reception is enabled.	R/W*2
b5	TE	Transmit Enable	0: Serial transmission is disabled 1: Serial transmission is enabled.	R/W*2
b6	RIE	Receive Interrupt Enable	0: SCIn_RXI and SCIn_ERI interrupt requests are disabled 1: SCIn_RXI and SCIn_ERI interrupt requests are enabled.	R/W
b7	TIE	Transmit Interrupt Enable	0: SCIn_TXI interrupt request is disabled 1: SCIn_TXI interrupt request is enabled.	R/W

x: Don't care

Note 1. Writable only when TE = 0 and RE = 0.

Note 2. 1 can be written only when TE = 0 and RE = 0. After setting TE or RE to 1, only 0 can be written to TE and RE.

SCR_SMCI sets transmission and reception control, interrupt control, and clock source selection for transmission and reception.

For details on interrupt requests, see [section 29.10, Interrupt Sources](#).

CKE[1:0] bits (Clock Enable)

The CKE[1:0] bits control the clock output from the SCKn pin.

In GSM mode, clock output can be dynamically switched. For details, see [section 29.6.8, Clock Output Control](#).

TEIE bit (Transmit End Interrupt Enable)

Set the TEIE bit to 0 in smart card interface mode.

RE bit (Receive Enable)

The RE bit enables or disables serial reception.

When this bit is set to 1, serial reception starts by detecting the start bit. Set the reception format in the SMR_SMCI register before setting the RE bit to 1.

If reception is halted by setting the RE bit to 0, the ORER, FER, and PER flags in SSR_SMCI are not affected and the previous values are saved.

TE bit (Transmit Enable)

The TE bit enables or disables serial transmission.

Set the TE bit to 1 to start serial transmission by writing transmit data to TDR. Set the transmission format in the SMR_SMCI register before setting the TE bit to 1.

RIE bit (Receive Interrupt Enable)

The RIE bit enables or disables SCIn_RXI and SCIn_ERI interrupt requests.

Set RIE to 0 to disable SCIn_RXI and SCIn_ERI interrupt requests.

To cancel an SCIn_ERI interrupt request, read 1 from the ORER, FER, or PER flag in the SSR_SMCI register, then set the flag to 0, or set the RIE bit to 0.

TIE bit (Transmit Interrupt Enable)

The TIE bit enables or disables an SCIn_TXI interrupt request.

SCIn_TXI interrupt requests are disabled by setting the TIE bit to 0.

29.2.13 Serial Status Register (SSR) for Non-Smart Card Interface and Non-FIFO Mode (SCMR.SMIF = 0 and FCR.FM = 0)

Address(es): [SCI0.SSR 4007 0004h](#), [SCI1.SSR 4007 0024h](#), [SCI2.SSR 4007 0044h](#),
[SCI3.SSR 4007 0064h](#), [SCI4.SSR 4007 0084h](#), [SCI9.SSR 4007 0124h](#)

	b7	b6	b5	b4	b3	b2	b1	b0
	TDRE	RDRF	ORER	FER	PER	TEND	MPB	MPBT
Value after reset:	1	0	0	0	0	1	0	0

Bit	Symbol	Bit name	Description	R/W
b0	MPBT	Multi-Processor Bit Transfer	Value of the multi-processor bit in the transmission frame: 0: Data transmission cycle 1: ID transmission cycle.	R/W
b1	MPB	Multi-Processor	Value of the multi-processor bit in the reception frame: 0: Data transmission cycle 1: ID transmission cycle.	R
b2	TEND	Transmit End Flag	0: A character is being transmitted 1: Character transfer is complete.	R
b3	PER	Parity Error Flag	0: No parity error occurred 1: Parity error occurred.	R/(W)*1

Bit	Symbol	Bit name	Description	R/W
b4	FER	Framing Error Flag	0: No framing error occurred 1: Framing error occurred.	R/(W)*1
b5	ORER	Overrun Error Flag	0: No overrun error occurred 1: Overrun error occurred.	R/(W)*1
b6	RDRF	Receive Data Full Flag	0: No received data in RDR register 1: Received data in RDR register.	R/(W)*1
b7	TDRE	Transmit Data Empty Flag	0: Transmit data in TDR register 1: No transmit data in TDR register.	R/(W)*1

Note 1. Only 0 can be written to clear the flag after reading 1.

The SSR register provides the SCI status flags and transmission and reception multi-processor bits.

MPBT bit (Multi-Processor Bit Transfer)

The MPBT bit selects the multi-processor bit in the transmit frame.

MPB bit (Multi-Processor)

The MPB bit holds the value of the multi-processor bit in the reception frame. This bit does not change when the SCR.RE bit is 0.

TEND flag (Transmit End Flag)

The TEND flag indicates completion of transmission.

[Setting conditions]

- When the SCR.TE bit is set to 0 to disable serial transmission and the FCR.FM bit is set to 0 (non-FIFO selected). When the SCR.TE bit is set to 1, the TEND flag is not affected and keeps the value 1.
- When the TDR register is not updated on transmission of the tail-end bit of a character.

[Clearing conditions]

- When transmit data is written to the TDR register while the SCR.TE bit is 1
- When 0 is written to TDRE after reading TDRE = 1 while the SCR.TE bit is 1.

PER flag (Parity Error Flag)

The PER flag indicates that a parity error occurred during reception in asynchronous mode and the reception ended abnormally.

[Setting condition]

- When a parity error is detected during reception in asynchronous mode and the address match function is disabled (DCCR.DCME = 0).

Although receive data is transferred to RDR when the parity error occurs, no SCIn_RXI interrupt request occurs. When the PER flag is set to 1, the subsequent receive data is not transferred to RDR.

[Clearing condition]

- When 0 is written to PER after reading PER = 1. After writing 0 to PER, read the PER bit to check that it was actually set to 0.

When the SCR.RE is set to 0 to disable serial reception, the PER flag is not affected and keeps its previous value.

FER flag (Framing Error Flag)

The FER flag indicates that a framing error occurred during reception in asynchronous mode and the reception ended abnormally.

[Setting condition]

- When 0 is sampled as the stop bit during reception in asynchronous mode and the address match function is disabled (DCCR.DCME = 0).

In 2-stop-bit mode, only the first stop bit is checked, but the second stop bit is not checked. Although receive data is

transferred to RDR when the framing error occurs, no SCIn_RXI interrupt request occurs. Also, when the FER flag is set to 1, the subsequent receive data is not transferred to RDR.

[Clearing condition]

- When 0 is written to FER after reading FER = 1. After writing 0 to FER, read the FER bit to check that it is actually set to 0.

When the SCR.RE bit is set to 0, the FER flag is not affected and keeps its previous value.

ORER flag (Overrun Error Flag)

The ORER flag indicates that an overrun error occurred during reception and the reception ended abnormally.

[Setting condition]

- When the next data is received before the receive data that does not have a parity error and a framing error is read from RDR.

In RDR, data received prior to an overrun error occurrence is saved, but data received after the overrun error is lost. When the ORER flag is set to 1, data received is not forwarded to RDR. In clock synchronous mode, serial transmission and reception are stopped.

[Clearing condition]

- When 0 is written to ORER after reading ORER = 1. After writing 0 to ORER, read the ORER bit to check that it is actually set to 0.

When the RE bit in SCR is set to 0, the ORER flag is not affected and keeps its previous value.

RDRF flag (Receive Data Full Flag)

The RDRF flag indicates the presence of receive data in the RDR register.

[Setting condition]

- When the reception ends normally, and receive data is forwarded from the RSR register to the RDR register.

[Clearing conditions]

- When RDRF is set to 0 after 1 is read
- When data is read from the RDR register.

Note: Do not clear the RDRF flag by accessing the RDRF bit in the SSR register unless communication is aborted.

TDRE flag (Transmit Data Empty Flag)

The TDRE flag indicates the presence of transmit data in the TDR register.

[Setting conditions]

- When the SCR.TE bit is 0
- When data is transmitted from the TDR register to the TSR register.

[Clearing conditions]

- When TDRE is set to 0 after 1 is read
- When SCR.TE is 1, data is written to the TDR register.

Note: Do not clear the TDRE flag by accessing the TDRE bit in the SSR register unless communication is aborted.

29.2.14 Serial Status Register for Non-Smart Card Interface and FIFO Mode (SSR_FIFO) (SCMR.SMIF = 0 and FCR.FM = 1)

Address(es): SCI0.SSR_FIFO 4007 0004h, SCI1.SSR_FIFO 4007 0024h

b7	b6	b5	b4	b3	b2	b1	b0	
TDFE	RDF	ORER	FER	PER	TEND	—	DR	
Value after reset:	1	0	0	0	0	0	x	0

Bit	Symbol	Bit name	Description	R/W
b0	DR	Receive Data Ready Flag	0: Reception is in progress, or no received data remains in FRDRHL after reception is successfully completed (receive FIFO is empty) 1: Next receive data is not received for a period after normal reception is complete, when the amount of data stored in the FIFO is equal to or less than the receive triggering number.	R/(W)*1
b1	—	Reserved	The read value is undefined. The write value should be 1.	R/W
b2	TEND	Transmit End Flag	0: A character is being transmitted 1: Character transfer is complete.	R/(W)*1
b3	PER	Parity Error Flag	0: No parity error occurred 1: A parity error occurred.	R/(W)*1
b4	FER	Framing Error Flag	0: No framing error occurred 1: A framing error occurred.	R/(W)*1
b5	ORER	Overrun Error Flag	0: No overrun error occurred 1: An overrun error occurred.	R/(W)*1
b6	RDF	Receive FIFO Data Full Flag	0: The amount of receive data written in FRDRHL is less than the specified receive triggering number 1: The amount of receive data written in FRDRHL is equal to or greater than the specified receive triggering number.	R/(W)*1
b7	TDFE	Transmit FIFO Data Empty Flag	0: The amount of transmit data written in FTDRHL exceeds the specified transmit triggering number 1: The amount of transmit data written in FTDRHL is equal to or less than the specified transmit triggering number.	R/(W)*1

Note 1. Only 0 can be written to this bit to clear the flag after reading 1.

The SSR_FIFO register provides the SCI with FIFO mode status flags.

DR flag (Receive Data Ready Flag)

The DR flag indicates that the amount of data stored in the Receive FIFO Data Register (FRDRHL) falls below the specified receive triggering number, and that no next data is received after 15 ETUs (elementary time units) from the last stop bit in asynchronous mode. This flag bit is valid only in asynchronous mode, including multi-processor mode, when the FIFO operation is selected.

In clock synchronous mode, this flag is not set to 1.

[Setting condition]

- When FRDRHL contains less data than the specified receive triggering number, and no next data is received after 15 ETUs*1 from the last stop bit, and the SSR_FIFO.FER and SSR_FIFO.PER flags are 0.

[Clearing conditions]

- When 1 is read from DR, after all the received data is read
- When the FCR.FM bit is changed from 0 to 1.

Note 1. This is equivalent to 1.5 frames in the 8-bit format with 1 stop bit.

TEND flag (Transmit End Flag)

The TEND flag indicates that FTDRHL does not contain valid data when transmitting the last bit of a serial character, so the transmission is halted.

[Setting condition]

- When FTDRHL does not contain transmit data when the last bit of a 1-byte serial character is transmitted.

[Clearing conditions]

- When transmit data is written to FTDRHL when the SCR.TE bit is 1
- When 0 is written to TEND after 1 is read from TEND, when the SCR.TE bit is 1
- When the FCR.FM bit is changed from 0 to 1.

PER flag (Parity Error Flag)

The PER flag indicates whether there is a parity error in the data read from the FRDRHL register in asynchronous mode when the address match function is disabled (DCCR.DCME = 0).

[Setting condition]

- When data is received and a parity error is detected, when the address match function is disabled (DCCR.DCME = 0).

[Clearing condition]

- When 0 is written to PER after reading PER = 1.

The reception operation is continuous, and receive data is stored to the FRDRHL register even when a parity error occurs during reception.

When the SCR.RE bit is set to 0, the PER flag is not affected and keeps its previous value.

FER flag (Framing Error Flag)

The FER flag indicates whether there is a framing error in the data read from the FRDRHL register in asynchronous mode when the address match function is disabled (DCCR.DCME = 0).

[Setting condition]

- When 0 is sampled as the stop bit during reception and the address match function is disabled (DCCR.DCME = 0).

[Clearing condition]

- When 0 is written to FER after reading FER = 1.

The reception operation is continuous, and the receive data is stored to the FRDRHL register even when a framing error occurs during reception.

When the SCR.RE bit is set to 0, the FER flag is not affected and the previous state is kept.

ORER flag (Overrun Error Flag)

The ORER flag indicates that the receive operation stopped abnormally because an overrun error occurred.

[Setting condition]

- When the next serial reception completes while the receive FIFO is full with 16-byte receive data.

[Clearing condition]

- When 0 is written after 1 is read from ORER.

When the SCR.RE bit is set to 0, the ORER flag is not affected and keeps its previous state.

RDF flag (Receive FIFO Data Full Flag)

The RDF flag indicates that receive data is transferred to FRDRHL and the amount of data in FRDRHL is equal to or exceeds the specified receive triggering number. When RTRG is set to 0, the RDF flag is not set even when the amount of data in the receive FIFO is equal to 0.

[Setting condition]

- When the amount of receive data equal to or greater than the specified receive triggering number is stored in FRDRHL,*1 and the FIFO is not empty.

[Clearing conditions]

- When 0 is written after 1 is read from RDF
- When FRDRHL is read by the DMAC or DTC, but only when the block transfer is the last transmission
- When the setting condition and clearing condition occur at the same time. After that, when the amount of data stored in the FRDRHL register is the same as or greater than the RTRG value, RDF is set to 1 after 1 PCLK.

Note 1. Because the FRDRHL is a 16-stage FIFO register, the maximum amount of data that can be read when RDF is 1 is equivalent to the specified receive triggering number. If an attempt is made to read after all the data in FRDRHL is read, the data is undefined.

Note: Do not clear the RDF flags by accessing the RDF bit in the SSR register before reading receive data unless communication is aborted.

TDFE flag (Transmit FIFO Data Empty Flag)

The TDFE flag indicates that when data is transferred from FTDRHL into TSR, the amount of data in FTDRHL is less than the specified transmit triggering number, and writing of transmit data to FTDRHL is enabled.

[Setting conditions]

- When the TE bit in SCR is 0
- When the amount of transmit data written in FTDRHL is equal to or less than the specified transmit triggering number.*1

[Clearing conditions]

- When writing to FTDRHL is executed on the last transmission while the DTC or DMAC is activated
- When 0 is written to the TDFE bit after reading TDFE = 1.
When the setting condition and the clearing condition occur at the same time, the TDFE flag is cleared. After that, when the amount of data stored in FTDRHL register is equal to or less than the TTRG value, TDFE is set to 1 after 1 PCLK.

Note 1. Because the FTDRHL register is a 16-stage FIFO register, the maximum amount of data that can be written when the TDFE flag is set to 1 is 16 minus FDR.T[4:0]. If more data is written, data is discarded.

Note: Do not clear the TDFE flags by accessing the TDFE bit in the SSR register before writing the transmit data unless communication is aborted.

29.2.15 Serial Status Register for Smart Card Interface Mode (SSR_SMCI) (SCMR.SMIF = 1)

Address(es): SCI0.SSR_SMCI 4007 0004h, SCI1.SSR_SMCI 4007 0024h, SCI2.SSR_SMCI 4007 0044h,
SCI3.SSR_SMCI 4007 0064h, SCI4.SSR_SMCI 4007 0084h, SCI9.SSR_SMCI 4007 0124h

b7	b6	b5	b4	b3	b2	b1	b0	
TDRE	RDRF	ORER	ERS	PER	TEND	MPB	MPBT	
Value after reset:	1	0	0	0	0	1	0	0

Bit	Symbol	Bit name	Description	R/W
b0	MPBT	Multi-Processor Bit Transfer	Set this bit to 0 in smart card interface mode	R/W
b1	MPB	Multi-Processor	Set this bit to 0 in smart card interface mode	R
b2	TEND	Transmit End Flag	0: A character is being transmitted 1: Character transfer is complete.	R
b3	PER	Parity Error Flag	0: No parity error occurred 1: A parity error occurred.	R/(W)*1
b4	ERS	Error Signal Status Flag	0: Low error signal is not sampled 1: Low error signal is sampled.	R/(W)*1
b5	ORER	Overrun Error Flag	0: No overrun error occurred 1: An overrun error occurred.	R/(W)*1
b6	RDRF	Receive Data Full Flag	0: No received data in RDR 1: Received data in RDR.	R/(W)*1
b7	TDRE	Transmit Data Empty Flag	0: Transmit data in TDR 1: No transmit data in TDR.	R/(W)*1

Note 1. Only 0 can be written to clear the flag after reading 1.

The SSR_SMCI register provides SCI with smart card interface mode status flags.

TEND flag (Transmit End Flag)

With no error signal from the receiving side, the TEND flag is set to 1 when more data is ready to be transferred to the TDR register.

[Setting conditions]

- When the SCR_SMCI.TE bit = 0, to disable serial transmission. When the SCR_SMCI.TE bit changes from 0 to 1, the TEND flag is not affected and keeps the value 1.
- When a specified period elapses after the latest transmission of 1 byte, the ERS flag is 0, and the TDR register is not updated.

The set timing is determined by the following register settings:

- When SMR_SMCI.GM = 0 and SMR_SMCI.BLK = 0, 12.5 ETU after the start of transmission
- When SMR_SMCI.GM = 0 and SMR_SMCI.BLK = 1, 11.5 ETU after the start of transmission
- When SMR_SMCI.GM = 1 and SMR_SMCI.BLK = 0, 11.0 ETU after the start of transmission
- When SMR_SMCI.GM = 1 and SMR_SMCI.BLK = 1, 11.0 ETU after the start of transmission.

[Clearing conditions]

- When transmit data is written to the TDR register when the SCR_SMCI.TE bit is 1
- When 0 is written to TDRE after reading TDRE = 1, when the SCR_SMCI.TE bit is 1.

PER flag (Parity Error Flag)

The PER flag indicates that a parity error occurs during reception in asynchronous mode and the reception ended abnormally.

[Setting condition]

- When a parity error is detected during reception. Although receive data is transferred to RDR when a parity error occurs, no SCIn_RXI interrupt request occurs. When the PER flag is set to 1, the subsequent receive data is not transferred to RDR.

[Clearing condition]

- When 0 is written to the PER bit after reading PER = 1. After writing 0 to the PER bit, read the PER bit to check that it is actually set to 0.

When the RE bit in SCR_SMCI is set to 0 (serial reception is disabled), the PER flag is not affected and keeps its previous value.

ERS flag (Error Signal Status Flag)

[Setting condition]

- When a low error signal is sampled.

[Clearing condition]

- When 0 is written to ERS after reading ERS = 1.

ORER flag (Overrun Error Flag)

The ORER flag indicates that an overrun error occurred during reception and the reception ended abnormally.

[Setting condition]

- When the next data is received before receive data that does not have a parity error is read from the RDR register. In RDR, the data received before an overrun error occurred is saved, but data received after the overrun error is lost. When the ORER flag is set to 1, the received data is not forwarded to the RDR register.

[Clearing condition]

- When 0 is written to ORER after reading ORER = 1. After writing 0 to the ORER bit, read the ORER bit to check that it is actually set to 0.

When the RE bit in SCR_SMCI is set to 0, the ORER flag is not affected and keeps its previous value.

RDRF flag (Receive Data Full Flag)

The RDRF flag indicates the presence of receive data in RDR.

[Setting condition]

- When the reception ends normally, and receive data is forwarded from the RSR register to the RDR register.

[Clearing conditions]

- When 0 is written to RDRF after 1 is read
- When data is read from the RDR register.

Note: Do not clear the RDRF flags by accessing the RDRF bit in the SSR register unless communication is aborted.

TDRE flag (Transmit Data Empty Flag)

The TDRE flag indicates the presence of transmit data in the TDR register.

[Setting conditions]

- When the SCR_SMCI.TE bit is 0
- When data is transmitted from the TDR register to the TSR register.

[Clearing conditions]

- When 0 is written to TDRE after 1 is read
- When the SCR_SMCI.TE bit is 1 and data is forwarded to the TDR register.

Note: Do not clear the TDRE flags by accessing the TDRE bit in the SSR register unless communication is aborted.

29.2.16 Smart Card Mode Register (SCMR)

Address(es): [SCI0.SCMR 4007 0006h](#), [SCI1.SCMR 4007 0026h](#), [SCI2.SCMR 4007 0046h](#),
[SCI3.SCMR 4007 0066h](#), [SCI4.SCMR 4007 0086h](#), [SCI9.SCMR 4007 0126h](#)

	b7	b6	b5	b4	b3	b2	b1	b0
	BCP2	—	—	CHR1	SDIR	SINV	—	SMIF
Value after reset:	1	1	1	1	0	0	1	0

Bit	Symbol	Bit name	Description	R/W															
b0	SMIF	Smart Card Interface Mode Select	0: Non-smart card interface mode (asynchronous mode, clock synchronous mode, simple SPI mode, or simple IIC mode) 1: Smart card interface mode.	R/W*1															
b1	—	Reserved	This bit is read as 1. The write value should be 1.	R/W															
b2	SINV	Transmitted/Received Data Invert	0: TDR contents are transmitted as is. Receive data is stored as received in the RDR 1: TDR contents are inverted before being transmitted. Receive data is stored in inverted form in the RDR. This bit can be used in the following modes: <ul style="list-style-type: none"> • Smart card interface mode • Asynchronous mode including multi-processor mode • Clock synchronous mode • Simple SPI mode. Set this bit to 0 for operation in simple IIC mode.	R/W*1															
b3	SDIR	Transmitted/Received Data Transfer Direction	0: Transfer with LSB-first 1: Transfer with MSB-first. This bit can be used in the following modes: <ul style="list-style-type: none"> • Smart card interface mode • Asynchronous mode including multi-processor mode • Clock synchronous mode • Simple SPI mode. Set the SDIR bit to 1 for operation in simple IIC mode.	R/W*1															
b4	CHR1	Character Length 1	Valid only in asynchronous mode.*2 Selects the character length in combination with the CHR bit in SMR: <table border="0"> <tr> <td>CHR1</td> <td>CHR</td> <td></td> </tr> <tr> <td>0</td> <td>0</td> <td>Transmit/receive in 9-bit data length</td> </tr> <tr> <td>0</td> <td>1</td> <td>Transmit/receive in 9-bit data length</td> </tr> <tr> <td>1</td> <td>0</td> <td>Transmit/receive in 8-bit data length (initial value)</td> </tr> <tr> <td>1</td> <td>1</td> <td>Transmit/receive in 7-bit data length*3.</td> </tr> </table>	CHR1	CHR		0	0	Transmit/receive in 9-bit data length	0	1	Transmit/receive in 9-bit data length	1	0	Transmit/receive in 8-bit data length (initial value)	1	1	Transmit/receive in 7-bit data length*3.	R/W*1
CHR1	CHR																		
0	0	Transmit/receive in 9-bit data length																	
0	1	Transmit/receive in 9-bit data length																	
1	0	Transmit/receive in 8-bit data length (initial value)																	
1	1	Transmit/receive in 7-bit data length*3.																	
b6, b5	—	Reserved	These bits are read as 1. The write value should be 1.	R/W															
b7	BCP2	Base Clock Pulse 2	Selects the number of base clock cycles in combination with the SMR_SMCI.BCP[1:0] bits. Table 29.4 lists the combinations of the SCMR.BCP2 bit and SMR_SMCI.BCP[1:0] bits.	R/W*1															

Note 1. Writable only when TE and RE in SCR/SCR_SMCI are 0 (both serial transmission and reception are disabled).

Note 2. The setting is invalid and a fixed data length of 8 bits is used in modes other than asynchronous mode.

Note 3. LSB-first should be selected and the value of the MSB bit [7] in TDR cannot be transmitted.

The SCMR register selects the smart card interface and communication format.

SMIF bit (Smart Card Interface Mode Select)

Setting the SMIF bit to 1 selects the smart card interface mode. Setting it to 0 selects all the other modes as follows:

- Asynchronous mode, including multi-processor mode
- Clock synchronous mode
- Simple SPI mode
- Simple IIC mode.

SINV bit (Transmitted/Received Data Invert)

The SINV bit inverts the transmit/receive data logic level. This bit does not affect the logic level of the parity bit. To invert the parity bit, invert the PM bit in SMR or SMR_SMCI.

CHR1 bit (Character Length 1)

The CHR1 bit selects the data length of transmit/receive data in combination with the CHR bit in SMR. A fixed data length of 8 bits is used in modes other than asynchronous mode.

BCP2 bit (Base Clock Pulse 2)

The BCP2 bit selects the number of base clock cycles in a 1-bit data transfer time in smart card interface mode. Set this bit in combination with the SMR_SMCI.BCP[1:0] bits.

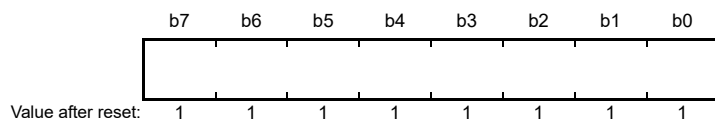
Table 29.4 Combinations of the SCMR.BCP2 and SMR_SMCI.BCP[1:0] bits

SCMR.BCP2 bit	SMR_SMCI.BCP[1:0] bits	Number of base clock cycles for 1-bit transfer period
0	00	93 clock cycles (S = 93)*1
0	01	128 clock cycles (S = 128)*1
0	10	186 clock cycles (S = 186)*1
0	11	512 clock cycles (S = 512)*1
1	00	32 clock cycles (S = 32)*1 (initial value)
1	01	64 clock cycles (S = 64)*1
1	10	372 clock cycles (S = 372)*1
1	11	256 clock cycles (S = 256)*1

Note 1. For S, see section 29.2.17, Bit Rate Register (BRR).

29.2.17 Bit Rate Register (BRR)

Address(es): SCI0.BRR 4007 0001h, SCI1.BRR 4007 0021h, SCI2.BRR 4007 0041h, SCI3.BRR 4007 0061h, SCI4.BRR 4007 0081h, SCI9.BRR 4007 0121h



BRR is an 8-bit register that adjusts the bit rate.

As each SCI channel has independent baud rate generator control, different bit rates can be set for each. Table 29.5 shows the relationship between the setting (N) and the bit rate (B) in the BRR for asynchronous mode, multi-processor transfer, clock synchronous mode, smart card interface mode, simple SPI mode, and simple IIC mode.

The initial value of BRR is FFh. BRR can be read by the CPU, but it can be written to only when the TE and RE bits in SCR/SCR_SMCI are 0.

Table 29.5 Relationship between N setting in BRR and bit rate B

Mode	SEMR settings			BRR setting	Error
	BGDM bit	ABCS bit	ABCSE bit		
Asynchronous, multi-processor transfer	0	0	0	$N = \frac{PCLK \times 10^6}{64 \times 2^{2n-1} \times B} - 1$	Error (%) = $\left\{ \frac{PCLK \times 10^6}{B \times 64 \times 2^{2n-1} \times (N + 1)} - 1 \right\} \times 100$
	1	0	0	$N = \frac{PCLK \times 10^6}{32 \times 2^{2n-1} \times B} - 1$	Error (%) = $\left\{ \frac{PCLK \times 10^6}{B \times 32 \times 2^{2n-1} \times (N + 1)} - 1 \right\} \times 100$
	0	1	0		
	1	1	0	$N = \frac{PCLK \times 10^6}{16 \times 2^{2n-1} \times B} - 1$	Error (%) = $\left\{ \frac{PCLK \times 10^6}{B \times 16 \times 2^{2n-1} \times (N + 1)} - 1 \right\} \times 100$
	Don't care	Don't care	1	$N = \frac{PCLK \times 10^6}{12 \times 2^{2n-1} \times B} - 1$	Error (%) = $\left\{ \frac{PCLK \times 10^6}{B \times 12 \times 2^{2n-1} \times (N + 1)} - 1 \right\} \times 100$
Clock synchronous, simple SPI				$N = \frac{PCLK \times 10^6}{8 \times 2^{2n-1} \times B} - 1$	
Smart card interface				$N = \frac{PCLK \times 10^6}{S \times 2^{2n+1} \times B} - 1$	Error (%) = $\left\{ \frac{PCLK \times 10^6}{B \times S \times 2^{2n+1} \times (N + 1)} - 1 \right\} \times 100$
Simple IIC*1				$N = \frac{PCLK \times 10^6}{64 \times 2^{2n-1} \times B} - 1$	

B: Bit rate (bps)

N: BRR setting for on-chip baud rate generator ($0 \leq N \leq 255$)

PCLK: Operating frequency (MHz)

n and S: Determined by the settings of the SMR/SMR_SMCI and SCMR registers as listed in [Table 29.7](#) and [Table 29.8](#).

Note 1. Adjust the bit rate so that the widths at high and low level of the SCLn output in simple IIC mode satisfy the I²C standard.

Table 29.6 Calculating widths at high and low level for SCL

Mode	SCL	Formula (result in seconds)
IIC	Width at high level (minimum value)	$(N+1) \times 4 \times 2^{2n-1} \times 7 \times \frac{1}{PCLK \times 10^6}$
	Width at low level (minimum value)	$(N+1) \times 4 \times 2^{2n-1} \times 8 \times \frac{1}{PCLK \times 10^6}$

Table 29.7 Clock source settings

SMR or SMR_SMCI.CKS[1:0] bit setting		
CKS[1:0] bits	Clock source	n
0 0	PCLK clock	0
0 1	PCLK/4 clock	1
1 0	PCLK/16 clock	2
1 1	PCLK/64 clock	3

Table 29.8 Base clock settings in smart card interface mode

SCMR.BCP2 bit setting	SMR_SMCI.BCP[1:0] bit setting	Base clock cycles for 1-bit period	S
0	0 0	93 clock cycles	93
0	0 1	128 clock cycles	128
0	1 0	186 clock cycles	186
0	1 1	512 clock cycles	512
1	0 0	32 clock cycles	32
1	0 1	64 clock cycles	64
1	1 0	372 clock cycles	372
1	1 1	256 clock cycles	256

Table 29.9 and Table 29.10 list examples of BRR (N) settings in asynchronous mode. Table 29.11 lists the maximum bit rate selectable for each operating frequency. Table 29.15 lists the examples of BRR (N) settings in smart card interface mode.

Table 29.17 lists the examples of BRR (N) settings in simple IIC mode. In smart card interface mode, the number of base clock cycles S in a 1-bit data transfer time can be selected. For details, see section 29.6.4, [Receive Data Sampling Timing and Reception Margin](#). Table 29.12 and Table 29.14 list the maximum bit rates with external clock input.

When either the Asynchronous Mode Base Clock Select (ABCS) bit or the Baud Rate Generator Double-Speed Mode Select (BGDM) bit in the Serial Extended Mode Register (SEMR) is set to 1 in asynchronous mode, the bit rate becomes twice the value listed in Table 29.16. When both of those bits are set to 1, the bit rate becomes four times the listed value.

Table 29.9 Examples of BRR settings for different bit rates in asynchronous mode (1)

Bit rate (bps)	Operating frequency PCLK (MHz)														
	8			9.8304			10			12			12.288		
	n	N	Error (%)	n	N	Error (%)	n	N	Error (%)	n	N	Error (%)	n	N	Error (%)
110	2	141	0.03	2	174	-0.26	2	177	-0.25	2	212	0.03	2	217	0.08
150	2	103	0.16	2	127	0.00	2	129	0.16	2	155	0.16	2	159	0.00
300	1	207	0.16	1	255	0.00	2	64	0.16	2	77	0.16	2	79	0.00
600	1	103	0.16	1	127	0.00	1	129	0.16	1	155	0.16	1	159	0.00
1200	0	207	0.16	0	255	0.00	1	64	0.16	1	77	0.16	1	79	0.00
2400	0	103	0.16	0	127	0.00	0	129	0.16	0	155	0.16	0	159	0.00
4800	0	51	0.16	0	63	0.00	0	64	0.16	0	77	0.16	0	79	0.00
9600	0	25	0.16	0	31	0.00	0	32	-1.36	0	38	0.16	0	39	0.00
19200	0	12	0.16	0	15	0.00	0	15	1.73	0	19	-2.34	0	19	0.00
31250	0	7	0.00	0	9	-1.70	0	9	0.00	0	11	0.00	0	11	2.40
38400	-	-	-	0	7	0.00	0	7	1.73	0	9	-2.34	0	9	0.00

Bit rate (bps)	Operating frequency PCLK (MHz)														
	14			16			17.2032			18			19.6608		
	n	N	Error (%)	n	N	Error (%)	n	N	Error (%)	n	N	Error (%)	n	N	Error (%)
110	2	248	-0.17	3	70	0.03	3	75	0.48	3	79	-0.12	3	86	0.31
150	2	181	0.16	2	207	0.16	2	223	0.00	2	233	0.16	2	255	0.00
300	2	90	0.16	2	103	0.16	2	111	0.00	2	116	0.16	2	127	0.00
600	1	181	0.16	1	207	0.16	1	223	0.00	1	233	0.16	1	255	0.00
1200	1	90	0.16	1	103	0.16	1	111	0.00	1	116	0.16	1	127	0.00
2400	0	181	0.16	0	207	0.16	0	223	0.00	0	233	0.16	0	255	0.00
4800	0	90	0.16	0	103	0.16	0	111	0.00	0	116	0.16	0	127	0.00
9600	0	45	-0.93	0	51	0.16	0	55	0.00	0	58	-0.69	0	63	0.00

Bit rate (bps)	Operating frequency PCLK (MHz)														
	14			16			17.2032			18			19.6608		
	n	N	Error (%)	n	N	Error (%)	n	N	Error (%)	n	N	Error (%)	n	N	Error (%)
19200	0	22	-0.93	0	25	0.16	0	27	0.00	0	28	1.02	0	31	0.00
31250	0	13	0.00	0	15	0.00	0	16	1.20	0	17	0.00	0	19	-1.70
38400	-	-	-	0	12	0.16	0	13	0.00	0	14	-2.34	0	15	0.00

Note: In this example, SEMR.ABCS = 0 and SEMR.ABCSE = 0 and SEMR.BGDM = 0.
 When either the ABCS or BGDM bit is set to 1, the bit rate doubles.
 When both ABCS and BGDM are set to 1, the bit rate quadruples.

Table 29.10 Examples of BRR settings for different bit rates in asynchronous mode (2)

Bit rate (bps)	Operating frequency PCLK (MHz)														
	20			25			30			33			40		
	n	N	Error (%)	n	N	Error (%)	n	N	Error (%)	n	N	Error (%)	n	N	Error (%)
110	3	88	-0.25	3	110	-0.02	3	132	0.13	3	145	0.33	3	177	-0.25
150	3	64	0.16	3	80	0.47	3	97	-0.35	3	106	0.39	3	129	0.16
300	2	129	0.16	2	162	-0.15	2	194	0.16	2	214	-0.07	3	64	0.16
600	2	64	0.16	2	80	0.47	2	97	-0.35	2	106	0.39	2	129	0.16
1,200	1	129	0.16	1	162	-0.15	1	194	0.16	1	214	-0.07	2	64	0.16
2,400	1	64	0.16	1	80	0.47	1	97	-0.35	1	106	0.39	1	129	0.16
4,800	0	129	0.16	0	162	-0.15	0	194	0.16	0	214	-0.07	1	64	0.16
9,600	0	64	0.16	0	80	0.47	0	97	-0.35	0	106	0.39	0	129	0.16
19,200	0	32	-1.36	0	40	-0.76	0	48	-0.35	0	53	-0.54	0	64	0.16
31,250	0	19	0.00	0	24	0.00	0	29	0.00	0	32	0.00	0	39	0.00
38,400	0	15	1.73	0	19	1.73	0	23	1.73	0	26	-0.54	0	32	-1.36

Note: In this example, SEMR.ABCS = 0 and SEMR.ABCSE = 0 and SEMR.BGDM = 0.
 When either the ABCS bit or BGDM bit is set to 1, the bit rate doubles.
 When both ABCS and BGDM are set to 1, the bit rate quadruples.

Table 29.11 Maximum bit rate for each operating frequency in asynchronous mode (1 of 2)

PCLK (MHz)	SEMR settings						PCLK (MHz)	SEMR settings						
	BGDM bit	ABCS bit	ABCSE bit	n	N	Maximum bit rate (bps)		BGDM bit	ABCS bit	ABCSE bit	n	N	Maximum bit rate (bps)	
8	0	0	0	0	0	0	17.2032	0	0	0	0	0	0	537600
		1	0	0	0	0			1	0	0	0	0	
	1	0	0	0	0	0		1	0	0	0	0	0	
		1	0	0	0	0			1	0	0	0	0	2150400
	Don't care	Don't care	1	0	0	1333333		Don't care	Don't care	1	0	0	2867200	
9.8304	0	0	0	0	0	0	18	0	0	0	0	0	0	562500
		1	0	0	0	0			1	0	0	0	0	
	1	0	0	0	0	0		1	0	0	0	0	0	
		1	0	0	0	0			1	0	0	0	0	2250000
	Don't care	Don't care	1	0	0	1638400		Don't care	Don't care	1	0	0	3000000	

Table 29.11 Maximum bit rate for each operating frequency in asynchronous mode (2 of 2)

PCLK (MHz)	SEMR settings					Maximum bit rate (bps)	PCLK (MHz)	SEMR settings					Maximum bit rate (bps)
	BGDM bit	ABCS bit	ABCSE bit	n	N			BGDM bit	ABCS bit	ABCSE bit	n	N	
10	0	0	0	0	0	312500	19.6608	0	0	0	0	0	614400
		1	0	0	0	625000			1	0	0	0	1228800
	1	0	0	0	0			1	0	0	0	0	
		1	0	0	0	1250000			1	0	0	0	2457600
	Don't care	Don't care	1	0	0	1666666		Don't care	Don't care	1	0	0	3276800
12	0	0	0	0	0	375000	20	0	0	0	0	0	625000
		1	0	0	0	750000			1	0	0	0	1250000
	1	0	0	0	0			1	0	0	0	0	
		1	0	0	0	1500000			1	0	0	0	2500000
	Don't care	Don't care	1	0	0	2000000		Don't care	Don't care	1	0	0	3333333
12.288	0	0	0	0	0	384000	25	0	0	0	0	0	781250
		1	0	0	0	768000			1	0	0	0	1562500
	1	0	0	0	0			1	0	0	0	0	
		1	0	0	0	1536000			1	0	0	0	3125000
	Don't care	Don't care	1	0	0	2048000		Don't care	Don't care	1	0	0	4166666
14	0	0	0	0	0	437500	30	0	0	0	0	0	937500
		1	0	0	0	875000			1	0	0	0	1875000
	1	0	0	0	0			1	0	0	0	0	
		1	0	0	0	1750000			1	0	0	0	3750000
	Don't care	Don't care	1	0	0	2333333		Don't care	Don't care	1	0	0	5000000
16	0	0	0	0	0	500000	33	0	0	0	0	0	1031250
		1	0	0	0	1000000			1	0	0	0	2062500
	1	0	0	0	0			1	0	0	0	0	
		1	0	0	0	2000000			1	0	0	0	4125000
	Don't care	Don't care	1	0	0	2666666		Don't care	Don't care	1	0	0	5500000
40	0	0	0	0	0	1250000							
		1	0	0	0	2500000							
	1	0	0	0	0								
		1	0	0	0	5000000							
	Don't care	Don't care	1	0	0	6666666							

Table 29.12 Maximum bit rate with external clock input in asynchronous mode (1 of 2)

PCLK (MHz)	External input clock (MHz)	Maximum bit rate (bps)	
		SEMR.ABCS bit = 0	SEMR.ABCS bit = 1
8	2.0000	125000	250000
9.8304	2.4576	153600	307200
10	2.5000	156250	312500
12	3.0000	187500	375000
12.288	3.0720	192000	384000

Table 29.12 Maximum bit rate with external clock input in asynchronous mode (2 of 2)

PCLK (MHz)	External input clock (MHz)	Maximum bit rate (bps)	
		SEMR.ABCS bit = 0	SEMR.ABCS bit = 1
14	3.5000	218750	437500
16	4.0000	250000	500000
17.2032	4.3008	268800	537600
18	4.5000	281250	562500
19.6608	4.9152	307200	614400
20	5.0000	312500	625000
25	6.2500	390625	781250
30	7.5000	468750	937500
33	8.2500	515625	1031250
40	10.0000	625000	1250000

Table 29.13 BRR settings for different bit rates in clock synchronous mode and simple SPI mode

Bit rate (bps)	Operating frequency PCLK (MHz)															
	8		10		16		20		25		30		33		40	
	n	N	n	N	n	N	n	N	n	N	n	N	n	N	n	N
110																
250	3	124	—	—	3	249										
500	2	249	—	—	3	124	—	—			3	233				
1 k	2	124	—	—	2	249	—	—	3	97	3	116	3	128	3	155
2.5 k	1	199	1	249	2	99	2	124	2	155	2	187	2	205	2	249
5 k	1	99	1	124	1	199	1	249	2	77	2	93	2	102	2	124
10 k	0	199	0	249	1	99	1	124	1	155	1	187	1	205	1	249
25 k	0	79	0	99	0	159	0	199	0	249	1	74	1	82	1	99
50 k	0	39	0	49	0	79	0	99	0	124	0	149	0	164	1	49
100 k	0	19	0	24	0	39	0	49	0	62	0	74	0	82	0	99
250 k	0	7	0	9	0	15	0	19	0	24	0	29	0	32	0	39
500 k	0	3	0	4	0	7	0	9	—	—	0	14	—	—	0	19
1 M	0	1			0	3	0	4	—	—	—	—	—	—	0	9
2.5 M			0	0*1			0	1	—	—	0	2	—	—	0	3
5 M							0	0*1	—	—	—	—	—	—	0	1
7.5 M											0	0*1				

Space: Setting prohibited.

—: Can be set, but an error will occur.

Note 1. Continuous transmission or reception is impossible. After transmitting or receiving one frame of data, a 1-bit period elapses before starting to transmit or receive the next frame of data. The output of the synchronization clock is stopped for a 1-bit period. Therefore, it takes 9 bits worth of time to transfer one frame (8 bits) of data, and the average transfer rate is 8/9 times the bit rate.

Table 29.14 Maximum bit rate with external clock input in clock synchronous mode and simple SPI mode (1 of 2)

PCLK (MHz)	External input clock (MHz)	Maximum bit rate (Mbps)
8	1.3333	1.3333333
10	1.6667	1.6666667
12	2.0000	2.0000000
14	2.3333	2.3333333
16	2.6667	2.6666667

Table 29.14 Maximum bit rate with external clock input in clock synchronous mode and simple SPI mode (2 of 2)

PCLK (MHz)	External input clock (MHz)	Maximum bit rate (Mbps)
18	3.0000	3.0000000
20	3.3333	3.3333333
25	4.1667	4.1666667
30	5.0000	5.0000000
33	5.5000	5.5000000
40	6.6667	6.6666667

Table 29.15 BRR settings for different bit rates in smart card interface mode, n = 0, S = 372

Bit rate (bps)	Operating frequency PCLK (MHz)											
	7.1424			10.00			10.7136			13.00		
	n	N	Error (%)	n	N	Error (%)	n	N	Error (%)	n	N	Error (%)
9,600	0	0	0.00	0	1	-30	0	1	-25	0	1	-8.99

Bit rate (bps)	Operating frequency PCLK (MHz)											
	14.2848			16.00			18.00			20.00		
	n	N	Error (%)	n	N	Error (%)	n	N	Error (%)	n	N	Error (%)
9,600	0	1	0.00	0	1	12.01	0	2	-15.99	0	2	-6.66

Bit rate (bps)	Operating frequency PCLK (MHz)											
	25.00			30.00			33.00			40.00		
	n	N	Error (%)	n	N	Error (%)	n	N	Error (%)	n	N	Error (%)
9,600	0	3	-12.49	0	3	5.01	0	4	-7.59	0	5	-6.66

Table 29.16 Maximum bit rate for each operating frequency in smart card interface mode, S = 32

PCLK (MHz)	Maximum bit rate (bps)	n	N
10.00	156250	0	0
10.7136	167400	0	0
13.00	203125	0	0
16.00	250000	0	0
18.00	281250	0	0
20.00	312500	0	0
25.00	390625	0	0
30.00	468750	0	0
33.00	515625	0	0
40.00	625000	0	0

Table 29.17 BRR settings for different bit rates in simple IIC mode (1 of 2)

Bit rate (bps)	Operating frequency PCLK (MHz)														
	8			10			16			20			25		
	n	N	Error (%)	n	N	Error (%)	n	N	Error (%)	n	N	Error (%)	n	N	Error (%)
10 k	0	24	0.0	0	30	0.8	1	12	-3.8	1	15	-2.3	1	19	-2.3
25 k	0	9	0.0	0	12	-3.8	1	4	0.0	1	5	4.2	1	7	-2.3
50 k	0	4	0.0	0	5	4.2	1	2	-16.7	1	2	4.2	1	3	-2.3
100 k ^{*1}	0	2	-16.7	0	3	-21.9	0	4	0.0	0	6	-10.7	1	1	-2.3
250 k	0	0	0.0	0	0	25	0	1	0.0	0	2	-16.7	0	2	4.2

Table 29.17 BRR settings for different bit rates in simple IIC mode (2 of 2)

Bit rate (bps)	Operating frequency PCLK (MHz)														
	8			10			16			20			25		
	n	N	Error (%)	n	N	Error (%)	n	N	Error (%)	n	N	Error (%)	n	N	Error (%)
350 k										0	1	-10.7	0	1	11.6*2
400 k*1										0	1	-21.9	0	1	-2.3*2

Bit rate (bps)	Operating frequency PCLK (MHz)								
	30			33			40		
	n	N	Error (%)	n	N	Error (%)	n	N	Error (%)
10 k	1	22	1.9	1	25	-0.8	0	124	0.0
25 k	1	8	4.2	1	9	3.1	0	49	0.0
50 k	1	4	-6.3	1	4	3.1	0	24	0.0
100 k*1	1	2	-21.9	1	2	-14.1	0	12	-3.9
250 k	0	3	-6.3	0	3	3.1	0	4	0.0
350 k	0	2	-10.7	0	2	-1.8	0	3	-10.7
400 k*1	0	2	-21.9	0	2	-14.1	0	3	-21.9

Note 1. The bit rate of 100 kbps and 400 kbps indicate the set value at which the error is on the negative side.

Note 2. The minimum value of the low width is smaller than 1.3 μ s, which is the standard value in the Fast mode.

Table 29.18 Minimum widths at high and low level for SCL at different bit rates in simple IIC mode

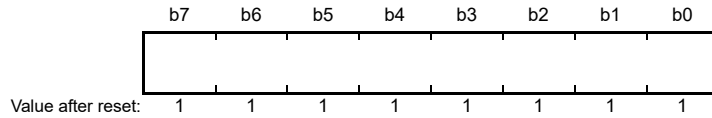
Bit rate (bps)	Operating frequency PCLK (MHz)											
	8			10			16			20		
	n	N	Min. widths at high/low level for SCL (μ s)	n	N	Min. widths at high/low level for SCL (μ s)	n	N	Min. widths at high/low level for SCL (μ s)	n	N	Min. widths at high/low level for SCL (μ s)
10 k	0	24	43.75/50.00	0	30	43.40/49.60	1	12	45.5/52.00	1	15	44.80/51.20
25 k	0	9	17.50/20.00	0	12	18.2/20.80	1	4	17.50/20.00	1	5	16.80/19.20
50 k	0	4	8.75/10.00	0	5	8.40/9.60	1	2	10.50/12.00	1	2	8.40/9.60
100 k	0	2	5.25/6.00	0	3	5.60/6.40	0	4	4.38/5.00	0	6	4.90/5.60
250 k	0	0	1.75/2.00	0	0	1.40/1.60	0	1	1.75/2.00	0	2	2.10/2.40
350 k										0	1	1.40/1.60
400 k										0	1	1.40/1.60

Bit rate (bps)	Operating frequency PCLK (MHz)											
	25			30			33			40		
	n	N	Min. widths at high/low level for SCL (μ s)	n	N	Min. widths at high/low level for SCL (μ s)	n	N	Min. widths at high/low level for SCL (μ s)	n	N	Min. widths at high/low level for SCL (μ s)
10 k	1	19	44.80/51.20	1	22	42.93/49.60	1	25	44.12/50.42	0	124	43.75/50.00
25 k	1	7	17.92/20.48	1	8	16.80/19.20	1	9	16.97/19.39	0	49	17.50/20.00
50 k	1	3	8.96/10.24	1	4	9.33/10.66	1	4	8.48/9.70	0	24	8.75/10.00
100 k	1	1	4.48/5.12	1	2	5.60/6.40	1	2	5.09/5.82	0	12	4.55/5.20
250 k	0	2	1.68/1.92	0	3	1.86/2.13	0	3	1.70/1.94	0	4	1.75/2.00
350 k	0	1	1.12/1.28*1	0	2	1.40/1.60	0	2	1.27/1.45	0	3	1.40/1.60
400 k	0	1	1.12/1.28*1	0	2	1.40/1.60	0	2	1.27/1.45	0	3	1.40/1.60

Note 1. The minimum value of the low width is smaller than 1.3 μ s, which is the standard value of the Fast mode. The setting values are the same as in Table 29.17.

29.2.18 Modulation Duty Register (MDDR)

Address(es): SCI0.MDDR 4007 0012h, SCI1.MDDR 4007 0032h, SCI2.MDDR 4007 0052h,
SCI3.MDDR 4007 0072h, SCI4.MDDR 4007 0092h, SCI9.MDDR 4007 0132h



MDDR corrects the bit rate adjusted by the BRR register.

When the BRME bit in SEMR is set to 1, the bit rate generated by the on-chip baud rate generator is evenly corrected using the settings in MDDR ($M/256$). Table 29.19 shows the relationship between the MDDR setting (M) and the bit rate (B).

The initial value of MDDR is FFh. Bit [7] in this register is fixed to 1. The CPU can read the MDDR register, but this register is only writable when the TE and RE bits in SCR/SCR_SMCI are 0.

Table 29.19 Relationship between MDDR setting (M) and bit rate (B) when bit rate modulation function is used

Mode	SEMR settings			BRR setting	Error
	BGDM bit	ABCS bit	ABCSE bit		
Asynchronous, multi-processor transfer	0	0	0	$N = \frac{PCLK \times 10^6}{64 \times 2^{2n-1} \times (256/M) \times B} - 1$	Error (%) = $\left\{ \frac{PCLK \times 10^6}{B \times 64 \times 2^{2n-1} \times (256/M) \times (N + 1)} - 1 \right\} \times 100$
	1	0	0	$N = \frac{PCLK \times 10^6}{32 \times 2^{2n-1} \times (256/M) \times B} - 1$	Error (%) = $\left\{ \frac{PCLK \times 10^6}{B \times 32 \times 2^{2n-1} \times (256/M) \times (N + 1)} - 1 \right\} \times 100$
	0	1	0		
	1	1	0	$N = \frac{PCLK \times 10^6}{16 \times 2^{2n-1} \times (256/M) \times B} - 1$	Error (%) = $\left\{ \frac{PCLK \times 10^6}{B \times 16 \times 2^{2n-1} \times (256/M) \times (N + 1)} - 1 \right\} \times 100$
	Don't care	Don't care	1	$N = \frac{PCLK \times 10^6}{12 \times 2^{2n-1} \times (256/M) \times B} - 1$	Error (%) = $\left\{ \frac{PCLK \times 10^6}{B \times 12 \times 2^{2n-1} \times (256/M) \times (N + 1)} - 1 \right\} \times 100$
Clock synchronous, simple SPI*1				$N = \frac{PCLK \times 10^6}{8 \times 2^{2n-1} \times (256/M) \times B} - 1$	-
Smart card interface				$N = \frac{PCLK \times 10^6}{S \times 2^{2n+1} \times (256/M) \times B} - 1$	Error (%) = $\left\{ \frac{PCLK \times 10^6}{B \times S \times 2^{2n+1} \times (256/M) \times (N + 1)} - 1 \right\} \times 100$
Simple IIC*2				$N = \frac{PCLK \times 10^6}{64 \times 2^{2n-1} \times (256/M) \times B} - 1$	-

B: Bit rate (bps)

M: MDDR setting ($128 \leq MDDR \leq 255$)

N: BRR setting for baud rate generator ($0 \leq N \leq 255$)

PCLK: Operating frequency (MHz)

n and S: Determined by the settings of the SMR/SMR_SMCI and SCMR registers as listed in Table 29.7 and Table 29.8. See section 29.2.17, Bit Rate Register (BRR) for details.

Note 1. Do not use this function in clock synchronous mode or in the highest speed settings in simple SPI mode (SMR.CKS[1:0] = 00b, SCR.CKE[1] = 0, and BRR = 0).

Note 2. Adjust the bit rate so that the high and low-level widths of the SCLn output in simple IIC mode satisfy the I²C standard.

Table 29.20 lists examples of N settings in BRR and M settings in MDDR in asynchronous mode.

Table 29.20 Examples of BRR and MDDR settings for different bit rates in asynchronous mode (1)

Bit rate (bps)	Operating frequency PCLK (MHz)														
	8					9.8304					10				
	n	N	M	BGDM bit	Error (%)	n	N	M	BGDM bit	Error (%)	n	N	M	BGDM bit	Error (%)
38400	0	5	236	0	0.03	0	7	(256)*1	0	0.00	0	10	173	1	-0.01
57600	0	3	236	0	0.03	0	4	240	0	0.00	0	4	236	0	0.03
115200	0	1	236	0	0.03	0	1	192	0	0.00	0	4	236	1	0.03
230400	0	0	236	0	0.03	0	0	192	0	0.00	0	1	189	1	0.14
460800	0	0	236	1	0.03	0	0	192	1	0.00	0	0	189	1	0.14

Bit rate (bps)	Operating frequency PCLK (MHz)														
	12					12.288					14				
	n	N	M	BGDM bit	Error (%)	n	N	M	BGDM bit	Error (%)	n	N	M	BGDM bit	Error (%)
38400	0	8	236	0	0.03	0	9	(256)*1	0	0.00	0	16	191	1	0.00
57600	0	5	236	0	0.03	0	4	192	0	0.00	0	13	236	1	0.03
115200	0	2	236	0	0.03	0	4	192	1	0.00	0	6	236	1	0.03
230400	0	2	236	1	0.03	0	2	230	1	-0.17	0	2	202	1	-0.11
460800	0	0	157	1	-0.18	0	0	154	1	0.26	0	0	135	1	0.14

Bit rate (bps)	Operating frequency PCLK (MHz)														
	16					17.2032					18				
	n	N	M	BGDM bit	Error (%)	n	N	M	BGDM bit	Error (%)	n	N	M	BGDM bit	Error (%)
38400	0	11	236	0	0.03	0	13	(256)*1	0	0.00	0	18	166	1	-0.01
57600	0	7	236	0	0.03	0	6	192	0	0.00	0	18	249	1	-0.01
115200	0	3	236	0	0.03	0	6	192	1	0.00	0	8	236	1	0.03
230400	0	1	236	0	0.03	0	3	219	1	-0.20	0	1	210	0	0.14
460800	0	1	236	1	0.03	0	1	219	1	-0.20	0	0	210	0	0.14

Bit rate (bps)	Operating frequency PCLK (MHz)														
	19.6608					20					25				
	n	N	M	BGDM bit	Error (%)	n	N	M	BGDM bit	Error (%)	n	N	M	BGDM bit	Error (%)
38400	0	15	(256)*1	0	0.00	0	10	173	0	-0.01	0	11	151	0	0.00
57600	0	9	240	0	0.00	0	9	236	0	0.03	0	7	151	0	0.00
115200	0	4	240	0	0.00	0	4	236	0	0.03	0	3	151	0	0.00
230400	0	1	192	0	0.00	0	4	236	1	0.03	0	1	151	0	0.00
460800	0	0	192	0	0.00	0	0	189	0	0.14	0	0	151	0	0.00

Bit rate (bps)	Operating frequency PCLK (MHz)														
	30					33					40				
	n	N	M	BGDM bit	Error (%)	n	N	M	BGDM bit	Error (%)	n	N	M	BGDM bit	Error (%)
38400	0	36	194	1	0.01	0	14	143	0	0.01	0	21	173	0	-0.01
57600	0	10	173	0	-0.01	0	9	143	0	0.01	0	38	230	1	-0.01
115200	0	10	173	1	-0.01	0	4	143	0	0.01	0	9	236	0	0.03
230400	0	6	220	1	-0.09	0	4	143	1	0.01	0	4	236	0	0.03
460800	0	3	252	1	0.14	0	1	229	0	0.10	0	4	236	1	0.03

Note 1. In this example, the ABCS and ABCSE bits in SEMR are 0.
SEMR.BRME = 0 (M = 256) disables the bit rate modulation function.

29.2.19 Serial Extended Mode Register (SEMR)

Address(es): SCI0.SEMR 4007 0007h, SCI1.SEMR 4007 0027h, SCI2.SEMR 4007 0047h, SCI3.SEMR 4007 0067h, SCI4.SEMR 4007 0087h, SCI9.SEMR 4007 0127h

b7	b6	b5	b4	b3	b2	b1	b0
RXDESEL	BGDM	NFEN	ABCS	ABCSE	BRME	—	—
Value after reset: 0	0	0	0	0	0	0	0

Bit	Symbol	Bit name	Description	R/W
b1, b0	—	Reserved	These bits are read as 0. The write value should be 0.	R/W
b2	BRME	Bit Rate Modulation Enable	0: Bit rate modulation function is disabled 1: Bit rate modulation function is enabled.	R/W ^{*1}
b3	ABCSE	Asynchronous Mode Extended Base Clock Select 1	Valid only in asynchronous mode with SCR.CKE[1] = 0: 0: Clock cycle number for 1-bit period is decided with combination of BGDM and ABCS in SEMR 1: Baud rate is 6 base clock cycles for 1-bit period.	R/W ^{*1}
b4	ABCS	Asynchronous Mode Base Clock Select	Valid only in asynchronous mode: 0: Selects 16 base clock cycles for 1-bit period 1: Selects 8 base clock cycles for 1-bit period.	R/W ^{*1}
b5	NFEN	Digital Noise Filter Function Enable	In asynchronous mode: 0: Noise cancellation function for the RXDn input signal is disabled 1: Noise cancellation function for the RXDn input signal is enabled. In simple IIC mode: 0: Noise cancellation function for the SCLn and SDAn input signals is disabled 1: Noise cancellation function for the SCLn and SDAn input signals is enabled. The NFEN bit must be 0 in all other modes.	R/W ^{*1}
b6	BGDM	Baud Rate Generator Double-Speed Mode Select	Valid only in asynchronous mode with SCR.CKE[1] = 0: 0: Baud rate generator outputs the clock with single frequency 1: Baud rate generator outputs the clock with double frequency.	R/W ^{*1}
b7	RXDESEL	Asynchronous Start Bit Edge Detection Select	Valid only in asynchronous mode: 0: A low level on the RXDn pin is detected as the start bit 1: A falling edge on the RXDn pin is detected as the start bit.	R/W ^{*1}

Note 1. Writable only when TE and RE bits in SCR/SCR_SMCI are 0 (both serial transmission and reception are disabled).

SEMR selects the clock source for a 1-bit period in asynchronous mode.

BRME bit (Bit Rate Modulation Enable)

The BRME bit enables and disables the bit rate modulation function. The bit rate generated by the on-chip baud rate generator is evenly corrected when this function is enabled.

ABCSE bit (Asynchronous Mode Extended Base Clock Select 1)

The ABCSE bit sets the pulse number for the base clock in a 1-bit period to 6, and the double-frequency clock is output from the baud rate generator. When the bit rate is set to 6 while dividing the bus clock frequency, use the ABCSE bit and set SMR.CKS[1:0] = 00b and BRR = 0. Set this bit to 0 except in asynchronous mode.

ABCS bit (Asynchronous Mode Base Clock Select)

The ABCS bit selects the clock cycles for a 1-bit period. Set this bit to 0 except in asynchronous mode.

NFEN bit (Digital Noise Filter Function Enable)

The NFEN bit enables or disables the digital noise filter function.

When the digital noise filter function is enabled:

- Noise cancellation is applied to the RXDn input signal in asynchronous mode
- Noise cancellation is applied to the SDAn and SCLn input signals in simple IIC mode.

In all other modes, set the NFEN bit to 0 to disable the digital noise filter function.

When the digital noise filter function is disabled, input signals are transferred as received.

BGDM bit (Baud Rate Generator Double-Speed Mode Select)

The BGDM bit selects the cycle of output clock for the baud rate generator to be either single or double frequency.

The BGDM bit is valid when the on-chip baud rate generator is selected as the clock source (SCR.CKE[1] = 0) in asynchronous mode (SMR.CM = 0). The base clock is generated by the clock output from the baud rate generator. When the BGDM bit is set to 1, the base clock cycle is halved and the bit rate is doubled.

Set this bit to 0 in modes other than asynchronous mode.

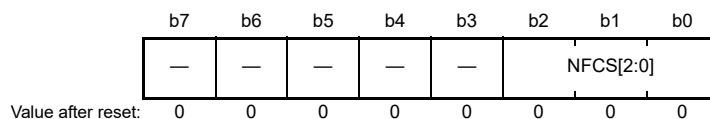
RXDESEL bit (Asynchronous Start Bit Edge Detection Select)

The RXDESEL bit selects the detection method of the start bit for reception in asynchronous mode. When a break occurs, set RXDESEL bit to 1 to stop reception, or to start reception without retaining the RXDn pin input at a high level for the period of one data frame or longer after completion of the break.

Set this bit to 0 in modes other than asynchronous mode.

29.2.20 Noise Filter Setting Register (SNFR)

Address(es): SCI0.SNFR 4007 0008h, SCI1.SNFR 4007 0028h, SCI2.SNFR 4007 0048h, SCI3.SNFR 4007 0068h, SCI4.SNFR 4007 0088h, SCI9.SNFR 4007 0128h



Bit	Symbol	Bit name	Description	R/W
b2 to b0	NFCS[2:0]	Noise Filter Clock Select	In asynchronous mode, the standard setting for the base clock is as follows: b2 b0 0 0 0: The clock signal divided by 1 is used with the noise filter. In simple IIC mode, the standard settings for the clock source of the on-chip baud rate generator selected by the SMR.CKS[1:0] bits are as follows: b2 b0 0 0 1: The clock signal divided by 1 is used with the noise filter 0 1 0: The clock signal divided by 2 is used with the noise filter 0 1 1: The clock signal divided by 4 is used with the noise filter 1 0 0: The clock signal divided by 8 is used with the noise filter. Other settings are prohibited.	R/W*1
b7 to b3	—	Reserved	These bits are read as 0. The write value should be 0.	R/W

Note 1. Writing to these bits is only possible when the RE and TE bits in SCR/SCR_SMCI are 0 (serial reception and transmission disabled).

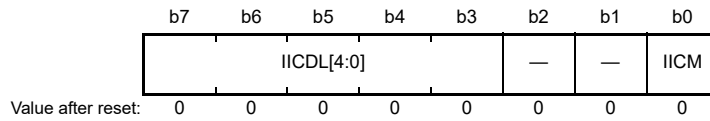
The SNFR register sets the digital noise filter clock.

NFCS[2:0] bits (Noise Filter Clock Select)

The NFCS[2:0] bits select the sampling clock for the digital noise filter. To use the noise filter in asynchronous mode, set these bits to 000b. In simple IIC mode, set the bits to a value in the range from 001b to 100b.

29.2.21 I²C Mode Register 1 (SIMR1)

Address(es): SCI0.SIMR1 4007 0009h, SCI1.SIMR1 4007 0029h, SCI2.SIMR1 4007 0049h,
SCI3.SIMR1 4007 0069h, SCI4.SIMR1 4007 0089h, SCI9.SIMR1 4007 0129h



Bit	Symbol	Bit name	Description	R/W
b0	IICM	Simple IIC Mode Select	SMIF IICM 0 0: Asynchronous mode including multi-processor mode, clock synchronous mode, or simple SPI mode 0 1: Simple IIC mode 1 0: Smart card interface mode 1 1: Setting prohibited.	R/W*1
b2, b1	—	Reserved	These bits are read as 0. The write value should be 0.	R/W
b7 to b3	IICDL[4:0]	SDA Delay Output Select	SDA signal output delay in cycles of the clock signal from the on-chip baud rate generator are as follows: b7 b3 0 0 0 0 0: No output delay 0 0 0 0 1: 0 to 1 cycle 0 0 0 1 0: 1 to 2 cycles 0 0 0 1 1: 2 to 3 cycles 0 0 1 0 0: 3 to 4 cycles 0 0 1 0 1: 4 to 5 cycles : 1 1 1 1 0: 29 to 30 cycles 1 1 1 1 1: 30 to 31 cycles.	R/W*1

Note 1. Writing to these bits is only possible when the RE and TE bits in SCR are 0 (both serial transmission and reception are disabled).

SIMR1 selects simple IIC mode and the number of delay stages for the SDA_n output.

IICM bit (Simple IIC Mode Select)

In combination with the SMIF bit in SCMR, the IICM bit selects the operating mode.

IICDL[4:0] bits (SDA Delay Output Select)

The IICDL[4:0] bits specify an output delay on the SDA_n pin relative to the falling edge of the output on the SCL_n pin.

The available delay settings range from no delay to 31 cycles, with the clock signal from the on-chip baud rate generator as the base. The signal obtained by frequency-dividing PCLK by the divisor set in SMR.CKS[1:0] is supplied as the clock signal from the on-chip baud rate generator. Set these bits to 00000b unless operation is in simple IIC mode. In simple IIC mode, set the bits to a value in the range from 00001b to 11111b.

29.2.22 I²C Mode Register 2 (SIMR2)

Address(es): SCI0.SIMR2 4007 000Ah, SCI1.SIMR2 4007 002Ah, SCI2.SIMR2 4007 004Ah, SCI3.SIMR2 4007 006Ah, SCI4.SIMR2 4007 008Ah, SCI9.SIMR2 4007 012Ah

b7	b6	b5	b4	b3	b2	b1	b0
—	—	IICACK T	—	—	—	IICCS C	IICINT M

Value after reset: 0 0 0 0 0 0 0 0

Bit	Symbol	Bit name	Description	R/W
b0	IICINTM	I ² C Interrupt Mode Select	0: Use ACK/NACK interrupts 1: Use reception and transmission interrupts.	R/W*1
b1	IICCS	Clock Synchronization	0: Do not synchronize with the clock signal 1: Synchronize with the clock signal.	R/W*1
b4 to b2	—	Reserved	These bits are read as 0. The write value should be 0.	R/W
b5	IICACKT	ACK Transmission Data	0: ACK transmission 1: NACK transmission and ACK/NACK reception.	R/W
b7, b6	—	Reserved	These bits are read as 0. The write value should be 0.	R/W

Note 1. Writing to these bits is only possible when the RE and TE bits in the SCR are 0 (serial reception and transmission disabled).

SIMR2 selects how reception and transmission are controlled in simple IIC mode.

IICINTM bit (I²C Interrupt Mode Select)

The IICINTM bit selects the sources of interrupt requests in simple IIC mode.

IICCS bit (Clock Synchronization)

Set the IICCS bit to 1 to synchronize the internally generated SCLn clock signal when the SCLn pin is driven low because of a wait inserted by another device, for example.

The SCLn clock signal is not synchronized if this bit is 0. The SCLn clock signal is generated according to the rate selected in the BRR regardless of the level input on the SCLn pin.

Set this bit to 1 except during debugging.

IICACKT bit (ACK Transmission Data)

Transmitted data contains ACK bits. Set the IICACKT bit to 1 when ACK and NACK bits are received.

29.2.23 I²C Mode Register 3 (SIMR3)

Address(es): SCI0.SIMR3 4007 000Bh, SCI1.SIMR3 4007 002Bh, SCI2.SIMR3 4007 004Bh, SCI3.SIMR3 4007 006Bh, SCI4.SIMR3 4007 008Bh, SCI9.SIMR3 4007 012Bh

b7	b6	b5	b4	b3	b2	b1	b0
IICSCLS[1:0]		IICSDAS[1:0]		IICSTIF	IICSTP REQ	IICRST AREQ	IICSTA REQ

Value after reset: 0 0 0 0 0 0 0 0

Bit	Symbol	Bit name	Description	R/W
b0	IICSTAREQ	Start Condition Generation	0: Do not generate start condition 1: Generate start condition.*1, *3, *5, *6	R/W
b1	IICRSTAREQ	Restart Condition Generation	0: Do not generate restart condition 1: Generate restart condition.*2, *3, *5, *6	R/W
b2	IICSTPREQ	Stop Condition Generation	0: Do not generate stop condition 1: Generate stop condition.*2, *3, *5, *6	R/W
b3	IICSTIF	Issuing of Start, Restart, or Stop Condition Completed Flag	0: No requests made for generating conditions, or a condition is being generated 1: Generation of start, restart, or stop condition is complete. When 0 is written to IICSTIF, it is cleared to 0.*4	R/W*4
b5, b4	IICSDAS[1:0]	SDA Output Select	b5 b4 0 0: Serial data output 0 1: Generate start, restart, or stop condition 1 0: Output low level on the SDA pin 1 1: Drive SDA pin to high-impedance state.	R/W
b7, b6	IICSCLS[1:0]	SCL Output Select	b7 b6 0 0: Serial clock output 0 1: Generate a start, restart, or stop condition 1 0: Output low level on the SCL pin 1 1: Drive SCL pin to high-impedance state.	R/W

Note 1. Only generate a start condition after checking the bus state and confirming that the bus is free.

Note 2. Generate a restart or stop condition after checking the bus state and confirming that the bus is busy.

Note 3. Do not set more than one of the IICSTAREQ, IICRSTAREQ, and IICSTPREQ bits to 1 at a given time.

Note 4. Write only 0. When 1 is written, the value is ignored.

Note 5. Execute the generation of a condition after the value of the IICSTIF flag is 0.

Note 6. Do not write 0 to this bit while it is 1. Generation of a condition is suspended by writing 0 to this bit while it is 1.

IICSTAREQ bit (Start Condition Generation)

When a start condition is to be generated, set both the IICSDAS[1:0] and IICSCLS[1:0] bits to 01b in addition to setting the IICSTAREQ bit to 1.

[Setting condition]

- When 1 is written to this bit.

[Clearing condition]

- When generation of a start condition is complete.

IICRSTAREQ bit (Restart Condition Generation)

When a restart condition is to be generated, set both the IICSDAS[1:0] and IICSCLS[1:0] bits to 01b and set the IICRSTAREQ bit to 1.

[Setting condition]

- When 1 is written to this bit.

[Clearing condition]

- When generation of a restart condition is complete.

IICSTPREQ bit (Stop Condition Generation)

When a stop condition is to be generated, set both the IICSDAS[1:0] and IICSCLS[1:0] bits to 01b and set the IICSTPREQ bit to 1.

[Setting condition]

- When 1 is written to this bit.

[Clearing condition]

- When generation of a stop condition is complete.

IICSTIF flag (Issuing of Start, Restart, or Stop Condition Completed Flag)

After generating a condition, the IICSTIF flag indicates that the generation is complete. When using the IICSTAREQ, IICRSTAREQ, or IICSTPREQ bit to cause generation of a condition, do so after setting the IICSTIF flag to 0.

When the IICSTIF flag is 1 when an interrupt request is enabled by setting the SCR.TEIE bit, an STI request is output.

[Setting condition]

- When generation of a start, restart, or stop condition completes.

If this conflicts with any of the clearing conditions for the flag, the clearing condition takes precedence.

[Clearing conditions]

- When 0 is written to this bit (then, confirm that the IICSTIF flag is 0)
- When 0 is written to the SIMR1.IICM bit (when operation is not in simple IIC mode)
- When 0 is written to the SCR.TE bit.

IICSDAS[1:0] bits (SDA Output Select)

The IICSDAS[1:0] bits control the output from the SDA_n pin. Set the IICSDAS[1:0] and IICSCLS[1:0] bits to the same value.

IICSCLS[1:0] bits (SCL Output Select)

The IICSCLS[1:0] bits control the output from the SCL_n pin. Set the IICSCLS[1:0] and IICSDAS[1:0] bits to the same value.

29.2.24 I²C Status Register (SISR)

Address(es): SCI0.SISR 4007 000Ch, SCI1.SISR 4007 002Ch, SCI2.SISR 4007 004Ch, SCI3.SISR 4007 006Ch, SCI4.SISR 4007 008Ch, SCI9.SISR 4007 012Ch

b7	b6	b5	b4	b3	b2	b1	b0
—	—	—	—	—	—	—	IICACKR

Value after reset:

0 0 x x 0 x 0 0

x: Undefined

Bit	Symbol	Bit name	Description	R/W
b0	IICACKR	ACK Reception Data Flag	0: ACK received 1: NACK received.	R
b1	—	Reserved	This bit is read as 0	R
b2	—	Reserved	The read value is undefined	R
b3	—	Reserved	This bit is read as 0	R
b5, b4	—	Reserved	The read values are undefined	R
b7, b6	—	Reserved	These bits are read as 0	R

SISR monitors the state in simple IIC mode.

IICACKR flag (ACK Reception Data Flag)

Received ACK and NACK bits can be read from the IICACKR flag. The IICACKR flag is updated on the rising edge of the SCLn clock for the received ACK/NACK bit.

29.2.25 SPI Mode Register (SPMR)

Address(es): SCI0.SPMR 4007 000Dh, SCI1.SPMR 4007 002Dh, SCI2.SPMR 4007 004Dh,
SCI3.SPMR 4007 006Dh, SCI4.SPMR 4007 008Dh, SCI9.SPMR 4007 012Dh

b7	b6	b5	b4	b3	b2	b1	b0
CKPH	CKPOL	—	MFF	—	MSS	CTSE	SSE

Value after reset: 0 0 0 0 0 0 0 0

Bit	Symbol	Bit name	Description	R/W
b0	SSE	SSn Pin Function Enable	0: Disable SSn pin function 1: Enable SSn pin function.	R/W*1
b1	CTSE	CTS Enable	0: Disable CTS function (RTS output function is enabled) 1: Enable CTS function.	R/W*1
b2	MSS	Master Slave Select	0: Transmit through the TXDn pin and receive through the RXDn pin (master mode) 1: Receive through the TXDn pin and transmit through the RXDn pin (slave mode).	R/W*1
b3	—	Reserved	This bit is read as 0. The write value should be 0.	R/W
b4	MFF	Mode Fault Flag	0: No mode fault error 1: Mode fault error.	R/W*2
b5	—	Reserved	This bit is read as 0. The write value should be 0.	R/W
b6	CKPOL	Clock Polarity Select	0: Do not invert clock polarity 1: Invert clock polarity.	R/W*1
b7	CKPH	Clock Phase Select	0: Do not delay clock 1: Delay clock.	R/W*1

Note 1. Writing to these bits is only possible when the RE and TE bits in SCR are 0 (both serial transmission and reception are disabled).

Note 2. Only 0 can be written to these bits, to clear the flag.

SPMR selects the extension settings in asynchronous and clock synchronous modes.

SSE bit (SSn Pin Function Enable)

Set the SSE bit to 1 to use the SSn pin to control transmission and reception in simple SPI mode. Set this bit to 0 in all other modes. When master mode (SCR.CKE[1:0] = 00b and MSS = 0) is selected and there is a single master, the SSn pin on the master side is not required to control reception and transmission. In such a case, set the SSE bit to 0. Do not enable both the SSE and CTSE bits as the operation is the same as that when these bits are set to 0.

CTSE bit (CTS Enable)

Set the CTSE bit to 1 if the SSn pin is to be used for inputting the CTS control signal to control transmission and reception. The RTS signal is output when this bit is set to 0. Set this bit to 0 in smart card interface mode, simple SPI mode, and simple IIC mode. Do not set both the CTSE and SSE bits to 1 as the operation is the same as that when these bits are set to 0.

MSS bit (Master Slave Select)

The MSS bit selects the master or slave operation in simple SPI mode. The functions of the TXDn and RXDn pins are reversed when the MSS bit is set to 1, so that data is received through the TXDn pin and transmitted through the RXDn pin. Set this bit to 0 in modes other than simple SPI mode.

MFF flag (Mode Fault Flag)

The MFF flag indicates mode fault errors. In a multi-master configuration, determine the mode fault error occurrence by reading this flag.

[Setting condition]

- When input on the SS_n pin is low during master operation in simple SPI mode (SSE bit = 1 and MSS bit = 0).

[Clearing condition]

- When 0 is written to the bit after it is read as 1.

CKPOL bit (Clock Polarity Select)

The CKPOL bit selects the polarity of the clock signal output through the SCK_n pin. See [Figure 29.70](#) for details.

Set the bit to 0 in modes other than simple SPI mode and clock synchronous mode.

CKPH bit (Clock Phase Select)

The CKPH bit selects the phase of the clock signal output through the SCK_n pin. See [Figure 29.70](#) for details.

Set the bit to 0 in modes other than simple SPI mode and clock synchronous mode.

29.2.26 FIFO Control Register (FCR)

Address(es): SCI0.FCR 4007 0014h, SCI1.FCR 4007 0034h



Bit	Symbol	Bit name	Description	R/W
b0	FM	FIFO Mode Select	Valid only in asynchronous mode, including multi-processor, or clock synchronous mode: 0: Non-FIFO mode. Selects TDR/RDR or TDRHL/RDRHL for communication. 1: FIFO mode. Selects FTDRHL/FRDRHL for communication.	R/W*1
b1	RFRST	Receive FIFO Data Register Reset	Valid only when FCR.FM = 1: 0: Do not reset FRDRHL 1: Reset FRDRHL.	R/W
b2	TFRST	Transmit FIFO Data Register Reset	Valid only when FCR.FM = 1: 0: Do not reset FTDRHL 1: Reset FTDRHL.	R/W
b3	DRES	Receive Data Ready Error Select	Select the interrupt request when detecting a receive data ready: 0: Receive data full interrupt (SCIn_RXI) 1: Receive error interrupt (SCIn_ERI).	R/W
b7 to b4	TTRG[3:0]	Transmit FIFO Data Trigger Number	Valid only in asynchronous mode, including multi-processor, or clock synchronous mode: 0000: Trigger number 0 : 1111: Trigger number 15.	R/W
b11 to b8	RTRG[3:0]	Receive FIFO Data Trigger Number	Valid only in asynchronous mode, including multi-processor, or clock synchronous mode: 0000: Trigger number 0 : 1111: Trigger number 15.	R/W
b15 to b12	RSTRG[3:0]	RTS Output Active Trigger Number Select	Valid only in asynchronous mode, including multi-processor, or clock synchronous mode, while FCR.FM = 1, SPMR.CTSE = 0, and SPMR.SSE = 0: 0000: Trigger number 0 : 1111: Trigger number 15.	R/W

Note 1. Writable only when TE = 0 and RE = 0.

FCR selects FIFO mode, resets FTDRHL/FRDRHL, selects the FIFO data trigger number for transmission or reception, and selects the RTS output active trigger number.

FM bit (FIFO Mode Select)

When the FM bit is set to 1, FTDRHL and FRDRHL are selected for communication. When the FM bit is set to 0, TDR and RDR, or TDRHL and RDRHL are selected for communication.

RFRST bit (Receive FIFO Data Register Reset)

When the RFRST bit is set to 1, the FRDRHL register is reset and the receive data count is reset to 0. When 1 is written to RFRST, this bit is set to 0 after 1 PCLK.

TFRST bit (Transmit FIFO Data Register Reset)

When the TFRST bit is set to 1, the FTDRHL register is reset and the transmit data count is reset to 0. When 1 is written, this bit is set to 0 after 1 PCLK.

DRES bit (Receive Data Ready Error Select)

On detecting a receive data ready error, the DRES bit selects the interrupt request from an SCIn_RXI interrupt request or an SCIn_ERI interrupt request. Set the DRES bit to 1 when starting the DMAC or DTC and reading the FRDRH and FRDRL registers.

TTRG[3:0] bits (Transmit FIFO Data Trigger Number)

The TDFE flag is set to 1 when the amount of transmit data in the Transmit FIFO Data Register (FTDRHL) is equal to or less than the specified transmit triggering number, and software can write data to FTDRHL. If SCR.TIE = 1, an SCIn_TXI interrupt request occurred.

RTRG[3:0] bits (Receive FIFO Data Trigger Number)

The RDF flag is set to 1 when the amount of receive data in the Receive FIFO Data Register (FRDRHL) is equal to or greater than the specified receive triggering number, and software can read data from FRDRHL. If SCR.RIE = 1, an SCIn_RXI interrupt request occurred.

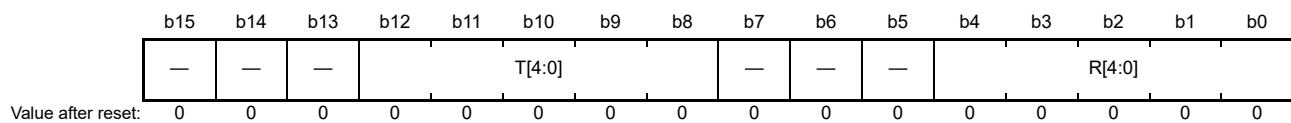
When RTRG[3:0] is set to 0, the RDF flag is not set even when the amount of data in the receive FIFO is equal to 0, and an SCIn_RXI interrupt does not occur.

RSTRG[3:0] bits (RTS Output Active Trigger Number Select)

When the amount of receive data stored in the Receive FIFO Data Register (FRDRHL) is equal to or greater than the specified receive triggering number, the RTS signal goes high. When RSTRG[3:0] is set to 0, the RTS signal does not go high even when the quantity of the data in the receive FIFO is equal to 0.

29.2.27 FIFO Data Count Register (FDR)

Address(es): SCI0.FDR 4007 0016h, SCI1.FDR 4007 0036h



Bit	Symbol	Bit name	Description	R/W
b4 to b0	R[4:0]	Receive FIFO Data Count	Indicates the amount of receive data stored in FRDRHL (valid only in asynchronous mode, including multi-processor or clock synchronous mode, when FCR.FM = 1)	R
b7 to b5	—	Reserved	These bits are read as 0	R
b12 to b8	T[4:0]	Transmit FIFO Data Count	Indicates the amount of non-transmit data stored in FTDRHL (valid only in asynchronous mode, including multi-processor or clock synchronous mode, when FCR.FM = 1)	R
b15 to b13	—	Reserved	These bits are read as 0	R

This register indicates the amount of data stored in FRDRHL/FTDRHL.

R[4:0] bits (Receive FIFO Data Count)

The R[4:0] bits indicate the amount of receive data stored in FRDRHL. 00h indicates no receive data, and 10h indicates that the maximum received data is stored in FRDRHL.

T[4:0] bits (Transmit FIFO Data Count)

The T[4:0] bits indicate the amount of non-transmitted data stored in FTDRHL. 00h indicates no transmit data, and 10h indicates that all (maximum count) of the data to be transmitted is stored in FTDRHL.

29.2.28 Line Status Register (LSR)

Address(es): SCI0.LSR 4007 0018h, SCI1.LSR 4007 0038h



Bit	Symbol	Bit name	Description	R/W
b0	ORER	Overrun Error Flag	Valid only in asynchronous mode, including multi-processor, or clock synchronous mode, with FIFO operation selected: 0: No overrun error occurred 1: Overrun error occurred.	R*1
b1	—	Reserved	This bit is read as 0	R
b6 to b2	FNUM[4:0]	Framing Error Count	Indicates the amount of data with a framing error in the receive data stored in the Receive FIFO Data Register (FRDRHL)	R
b7	—	Reserved	This bit is read as 0	R
b12 to b8	PNUM[4:0]	Parity Error Count	Indicates the amount of data with a parity error among the receive data stored in the Receive FIFO Data Register (FRDRHL)	R
b15 to b13	—	Reserved	These bits are read as 0	R

Note 1. If this flag is 1, write 0 to SSR_FIFO.ORER to clear the flag.

The LSR register indicates the status of receive error.

ORER bit (Overrun Error Flag)

The ORER bit reflects the value in SSR_FIFO.ORER.

FNUM[4:0] bits (Framing Error Count)

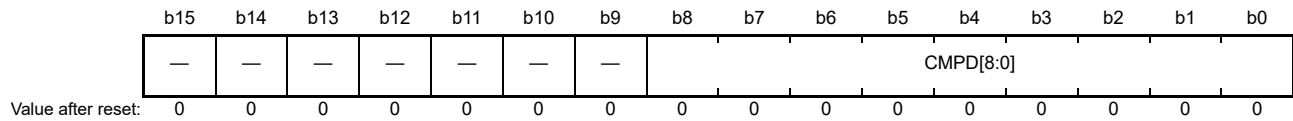
The FNUM[4:0] bit value indicates the amount of data with a framing error stored in the FRDRHL register.

PNUM[4:0] bits (Parity Error Count)

The PNUM[4:0] bit value indicates the amount of data with a parity error stored in the FRDRHL register.

29.2.29 Compare Match Data Register (CDR)

Address(es): SCI0.CDR 4007 001Ah, SCI1.CDR 4007 003Ah, SCI2.CDR 4007 005Ah, SCI3.CDR 4007 007Ah, SCI4.CDR 4007 009Ah, SCI9.CDR 4007 013Ah



Bit	Symbol	Bit name	Description	R/W
b8 to b0	CMPD[8:0]	Compare Match Data	Compare data pattern for address match wakeup function	R/W
b15 to b9	—	Reserved	These bits are read as 0. The write value should be 0.	R/W

The CDR register sets the compare data for the address match function.

CMPD[8:0] bits (Compare Match Data)

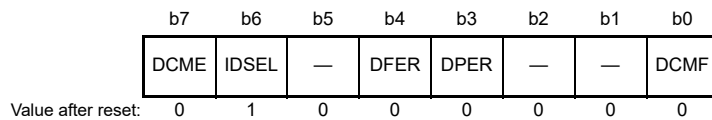
The CMPD[8:0] bits set the data to be compared to receive data for the address match function, when the address match function is enabled (DCCR.DCME = 1).

Three bit lengths are available:

- CMPD[6:0] with 7-bit length
- CMPD[7:0] with 8-bit length
- CMPD[8:0] with 9-bit length.

29.2.30 Data Compare Match Control Register (DCCR)

Address(es): SCI0.DCCR 4007 0013h, SCI1.DCCR 4007 0033h, SCI2.DCCR 4007 0053h, SCI3.DCCR 4007 0073h, SCI4.DCCR 4007 0093h, SCI9.DCCR 4007 0133h



Bit	Symbol	Bit name	Description	R/W
b0	DCMF	Data Compare Match Flag	0: Not matched 1: Matched.	R/(W)*1
b2, b1	—	Reserved	These bits are read as 0. The write value should be 0.	R/W
b3	DPER	Data Compare Match Parity Error Flag	0: No parity error occurred 1: A parity error occurred.	R/(W)*1
b4	DFER	Data Compare Match Framing Error Flag	0: No framing error occurred 1: A framing error occurred.	R/(W)*1
b5	—	Reserved	This bit is read as 0. The write value should be 0.	R/W
b6	IDSEL	ID Frame Select	Valid only in asynchronous mode, including multi-processor: 0: Always compare data regardless of the MPB bit value 1: Compare data when the MPB bit is 1 (ID frame).	R/W
b7	DCME	Data Compare Match Enable	Valid only in asynchronous mode, including multi-processor: 0: Address match function is disabled 1: Address match function is enabled.	R/W

Note 1. Only 0 can be written to clear the flag after reading 1.

DCCR controls the address match function.

DCMF flag (Data Compare Match Flag)

The DCMF flag indicates that the SCI detects a match of the comparison data (CDR.CMPD) with receive data.

[Setting condition]

- When comparison data (CDR.CMPD) matches the receive data, when DCCR.DCME = 1.

[Clearing condition]

- When 0 is written after 1 is read from DCMF.

Clearing the RE bit to 0 in the Serial Control Register (SCR) does not affect the DCMF flag, which keeps its previous value.

DPER flag (Data Compare Match Parity Error Flag)

The DPER flag indicates that a parity error occurred on address match detection (reception data match detection).

[Setting condition]

- When a parity error is detected in the frame in which an address match is detected.

[Clearing conditions]

- When 0 is written after 1 is read from DPER.

Clearing the RE bit in SCR to 0 (serial reception is disabled) does not affect the DPER flag, which keeps its previous value.

DFER flag (Data Compare Match Framing Error Flag)

The DFER flag indicates that a framing error occurred on address match detection (reception data match detection).

[Setting conditions]

- When a stop bit is 0 in the frame in which an address match is detected. When in 2-stop-bit mode, only the 1st stop bit is checked for a value of 1, and the 2nd bit is not checked.

[Clearing conditions]

- When 0 is written after 1 is read from DFER.

When the RE bit in SCR is set to 0 (serial reception is disabled), the DFER flag is not affected and keeps its previous value.

IDSEL bit (ID Frame Select)

The IDSEL bit selects whether to compare data regardless of the value of the MPB bit or to compare data only when MPB = 1 (ID frame), when the address match function is enabled.

DCME bit (Data Compare Match Enable)

The DCME bit selects whether the address match function (data compare match function) is used or not.

If SCI detects a match between the comparison data (CDR.CMPD) and receive data, DCME is cleared automatically and the SCI operates in receive mode without the data compare match function. See [section 29.3.6, Address Match \(Receive Data Match Detection\) Function](#).

The write value should be 0 for any mode other than asynchronous mode.

29.2.31 Serial Port Register (SPTR)

Address(es): [SCI0.SPTR 4007 001Ch](#), [SCI1.SPTR 4007 003Ch](#), [SCI2.SPTR 4007 005Ch](#),
[SCI3.SPTR 4007 007Ch](#), [SCI4.SPTR 4007 009Ch](#), [SCI9.SPTR 4007 013Ch](#)

b7	b6	b5	b4	b3	b2	b1	b0
—	—	—	—	—	SPB2I O	SPB2D T	RXD M O N
Value after reset:	0	0	0	0	0	1	1

Bit	Symbol	Bit name	Description	R/W
b0	RXDMON	Serial Input Data Monitor	Indicates the state of the RXDn pin: 0: RXDn pin is low 1: RXDn pin is high.	R
b1	SPB2DT	Serial Port Break Data Select	Indicates the output level of the TXDn pin when SCR.TE = 0: 0: Output low on TXDn pin 1: Output high on TXDn pin.	R/W
b2	SPB2IO	Serial Port Break I/O	Selects whether the value of SPB2DT is output to the TXDn pin: 0: Do not output value of SPB2DT bit on TXDn pin 1: Output value of SPB2DT bit on TXDn pin.	R/W
b7 to b3	—	Reserved	These bits are read as 0. The write value should be 0.	R/W

The SPTR register provides confirmation of the serial reception pin (RXDn pin) status and sets the transmission pin (TXDn pin) status. This register can only be used in asynchronous mode.

The TXDn pin status is determined by the combination of SCR.TE, SPTR.SPB2IO, and SPTR.SPB2DT bit settings, as shown in [Table 29.21](#).

Table 29.21 TXDn pin status

Value of SCR.TE	Value of SPTR.SPB2IO	Value of SPTR.SPB2DT	TXDn pin status
0	0	x	Hi-Z (initial value)
0	1	0	Low-level output
0	1	1	High-level output
1	x	x	Serial transmit data is output

x: Don't care.

Note: Use the SPTR register in asynchronous mode only. The operation of this register in any other mode is not guaranteed.

29.3 Operation in Asynchronous Mode

[Figure 29.2](#) shows the general format for asynchronous serial communications. One frame consists of a start bit (low level), transmit/receive data, a parity bit, and stop bits (high level). In asynchronous serial communications, the communications line is held in the mark state (high level) when not communicating.

The SCI monitors the communications line. When the SCI detects a low, it regards that as a start bit and starts serial communication.

Inside the SCI, the transmitter and receiver are independent units, enabling full-duplex communications. Both the transmitter and the receiver have a double-buffered structure in addition to FIFO mode, so that the data can be read or written during transmission or reception, enabling continuous data transmission and reception.

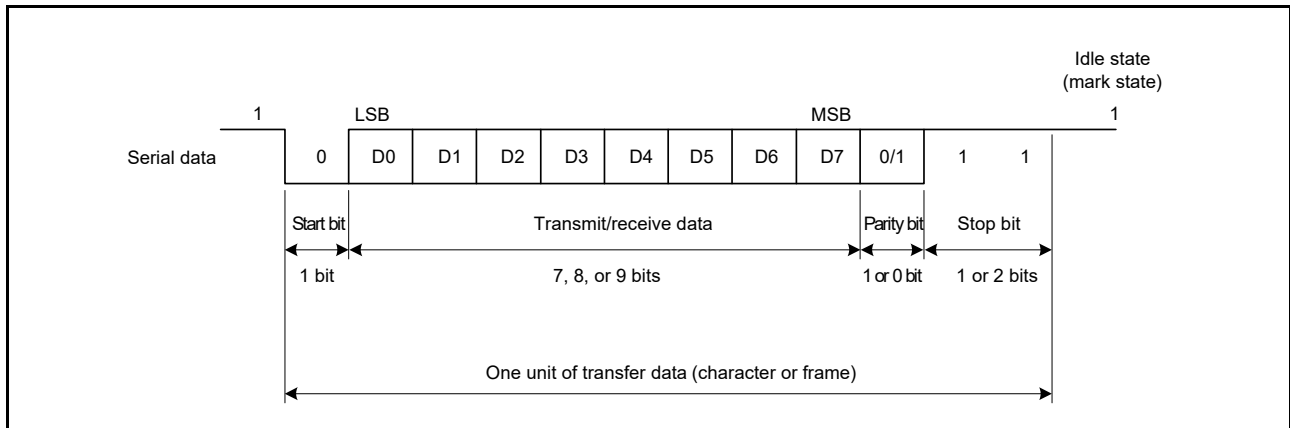


Figure 29.2 Data format in asynchronous serial communications with 8-bit data, parity bit, and 2 stop bits

29.3.1 Serial Data Transfer Format

Table 29.22 lists the serial data transfer formats that can be used in asynchronous mode. Any of the 18 transfer formats can be selected in the SMR and SCMR settings. For details on the multi-processor function, see section 29.4, Multi-Processor Communications Function.

Table 29.22 Serial transfer formats in asynchronous mode (1 of 2)

SCMR setting	SMR setting				Serial transfer format and frame length																	
	CHR1	CHR	PE	MP	STOP	1	2	3	4	5	6	7	8	9	10	11	12	13				
0	0	0	0	0	0	S	9-bit data									STOP						
0	0	0	0	0	1	S	9-bit data									STOP	STOP					
0	0	1	0	0	0	S	9-bit data									P	STOP					
0	0	1	0	0	1	S	9-bit data									P	STOP	STOP				
1	0	0	0	0	0	S	8-bit data								STOP							
1	0	0	0	0	1	S	8-bit data								STOP	STOP						
1	0	1	0	0	0	S	8-bit data								P	STOP						
1	0	1	0	0	1	S	8-bit data								P	STOP	STOP					

Table 29.22 Serial transfer formats in asynchronous mode (2 of 2)

SCMR setting	SMR setting				Serial transfer format and frame length															
	CHR1	CHR	PE	MP	STOP	1	2	3	4	5	6	7	8	9	10	11	12	13		
1	1	0	0	0		S	7-bit data							STOP						
1	1	0	0	1		S	7-bit data							STOP	P	STOP				
1	1	1	0	0		S	7-bit data							P	STOP					
1	1	1	0	1		S	7-bit data							P	STOP	STOP				
0	0	-	1	0		S	9-bit data									MPB	STOP			
0	0	-	1	1		S	9-bit data									MPB	STOP	STOP		
1	0	-	1	0		S	8-bit data								MPB	STOP				
1	0	-	1	1		S	8-bit data								MPB	STOP	STOP			
1	1	-	1	0		S	7-bit data							MPB	STOP					
1	1	-	1	1		S	7-bit data							MPB	STOP	STOP				

S: Start bit
 STOP: Stop bit
 P: Parity bit
 MPB: Multi-processor bit

29.3.2 Receive Data Sampling Timing and Reception Margin in Asynchronous Mode

In asynchronous mode, the SCI operates on a base clock with a frequency of 16 times*1 the bit rate.

In reception, the SCI samples the falling edge of the start bit using the base clock, and performs internal synchronization.

Because receive data is sampled on the rising edge of the 8th pulse*1 of the base clock, data is latched at the middle of each bit, as shown in Figure 29.3. The reception margin in asynchronous mode is determined by the following formula (1):

$$M = \left| \left(0.5 - \frac{1}{2N} \right) - (L - 0.5) F - \frac{|D - 0.5|}{N} (1 + F) \right| \times 100 [\%] \dots \text{Formula (1)}$$

M: Reception margin

N: Ratio of bit rate to clock

(N = 16 when ABCSE in SEMR = 0 and ABCS in SEMR = 0,

N = 8 when ABCS in SEMR = 1,

N = 6 when ABCSE in SEMR = 1)

D: Duty cycle of clock (D = 0.5 to 1.0)

L: Frame length (L = 9 to 13)

F: Absolute value of clock frequency deviation

Assuming values of F = 0 and D = 0.5 in formula (1), the reception margin is determined by the following formula:

$$M = \{0.5 - 1/(2 \times 16)\} \times 100 (\%) = 46.875\%$$

However, this is only the computed value. Renesas recommends that a margin of 20% to 30% should be allowed in system design.

Note 1. In this example, the ABCS bit in SEMR is 0 and ABCSE bit in SEMR is 0. When the ABCS bit is 1 and the ABCSE bit is 0, a frequency of 8 times the bit rate is used as a base clock, and receive data is sampled on the rising edge of the 4th pulse of the base clock.
When the ABCSE bit is 1, a frequency of 6 times the bit rate is used as a base clock, and the receive data is sampled on the rising edge of the 3rd pulse of the base clock.

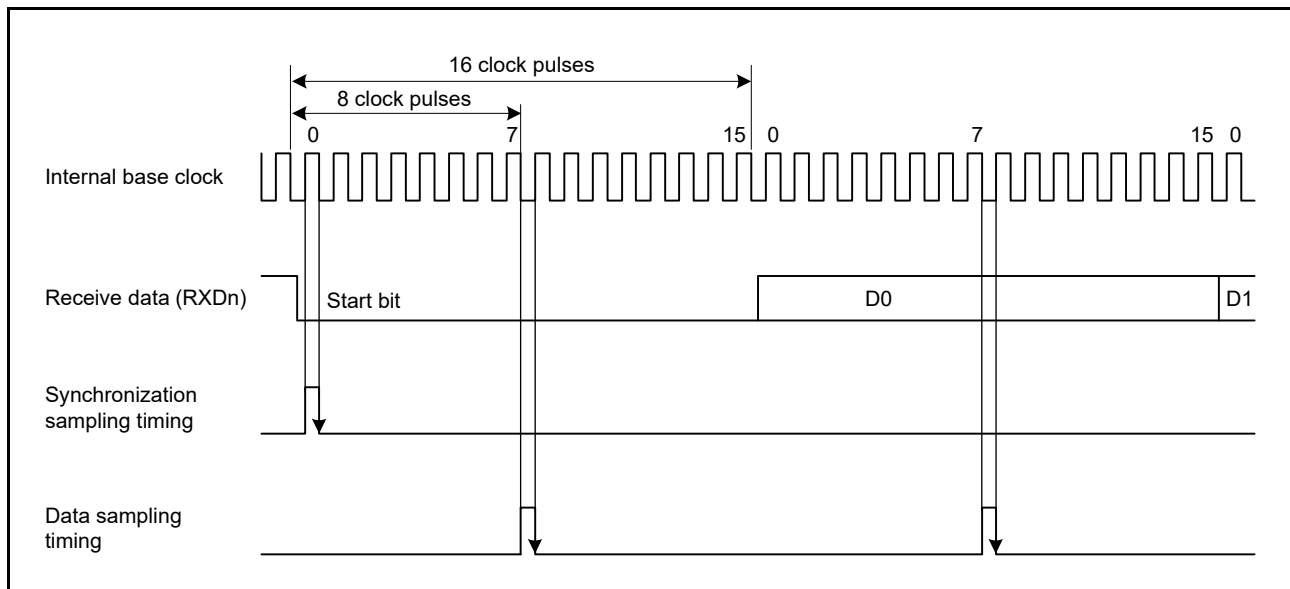


Figure 29.3 Receive data sampling timing in asynchronous mode

29.3.3 Clock

Either an internal clock generated by the on-chip baud rate generator or an external clock input to the SCKn pin can be selected as the SCI transfer clock, based on the CM setting in SMR and the CKE[1:0] setting in SCR.

When an external clock is input to the SCKn pin, the clock frequency must be 16 times the bit rate (when ABCS in SEMR = 0) or 8 times the bit rate (when ABCS in SEMR = 1).

When the SCI uses its internal clock, the clock can be output from the SCKn pin. The frequency of the clock output in this case is equal to the bit rate, and the phase is configured so that the rising edge of the clock is in the middle of the transmit data, as shown in Figure 29.4.

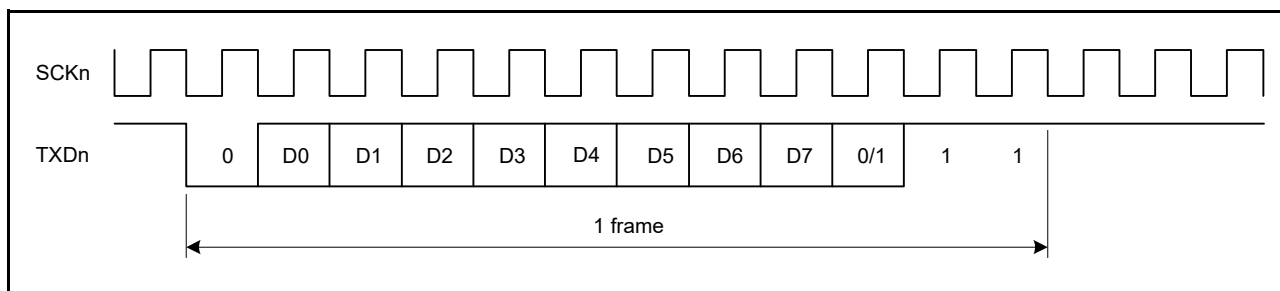


Figure 29.4 Phase relationship between output clock and transmit data in asynchronous mode when SMR.CHR = 0, PE = 1, MP = 0, and STOP = 1

29.3.4 Double-Speed Operation and Frequency of 6 Times the Bit Rate

When the ABCS bit in SEMR is set to 1 and 8 pulses of the base clock for a 1-bit period is selected, the SCI operates on the bit rate that is equal to twice when ABCS is set to 0. When the BGDM bit in SEMR is set to 1, the cycle of the base clock is half and the bit rate is double the value when BGDM is set to 0. When the CKE[1] bit in SCR is set to 0 and the on-chip baud rate generator is selected, setting the ABCS and BGDM bits to 1 allows the SCI to operate at a bit rate equal to four times the value where the ABCS and BGDM bits are set to 0. When the ABCSE bit in SEMR is set to 1, the number of basic clock pulses is 6 during a period of 1 bit, and the SCI operates at a bit rate that is equal to 16/3 times the value when SEMR.ABCS = 0, SEMR.BGDM = 0, and SMER.ABCSE = 0.

As shown by formula (1) in section 29.3.2, [Receive Data Sampling Timing and Reception Margin in Asynchronous Mode](#), the reception margin decreases when the ABCS or ABCSE in SEMR is set to 1. Therefore, if the target bit rate can be obtained with ABCS or ABCSE set to 0, it is recommended that you use the SCI with ABCS and ABCSE set to 0.

29.3.5 CTS and RTS Functions

The CTS function uses the input on the CTSn_RTSn pin in transmission control. Setting the CTSE bit in SPMR to 1 enables the CTS function. When the CTS function is enabled, driving the CTSn_RTSn pin low causes transmission to start.

Driving the CTSn_RTSn pin high while transmission is in progress does not affect transmission of the current frame.

In the RTS function that uses the output on the CTSn_RTSn pin, a low level is output when reception becomes possible. Conditions for low-level and high-level output are shown in this section.

[Conditions for low-level output]

(a) Non-FIFO selected, when all of the following conditions are satisfied

- The value of the RE bit in SCR is 1
- Reception is not in progress
- There is no received data yet to be read
- The ORER, FER, and PER flags in SSR are all 0.

(b) FIFO selected, when all of the following conditions are satisfied

- The value of the RE bit in SCR is 1
- When the amount of receive data written in FRDRHL is equal to or less than the specified receive triggering number
- The ORER flag in SSR_FIFO (ORER in the FRDRH) is 0.

[Condition for high-level output]

(a) Non-FIFO selected

- The conditions for low-level output are not satisfied.
- When reception is terminated with SCR.RE = 0 without reading the RDR register after reception is complete, RTS remains high. At this time, read the SCR register for dummy values after writing SCR.RE = 0.

(b) FIFO selected

- The conditions for low-level output are not satisfied.

29.3.6 Address Match (Receive Data Match Detection) Function

The address match function can be used only in asynchronous mode.

If the DCCR.DCME bit is set to 1*4, when one frame of data is received, the SCI compares that received data with the data set in CDR.CMPD. If the SCI detects a match between the comparison data (CDR.CMPD*3) and the received data, the SCI can issue the SCIn_RXI interrupt request.

If the SMR.MP bit is set to 0, comparison occurs only for valid data in receive format. In multi-processor mode (SMR.MP = 1), if the DCCR.IDSEL bit is set to 1, receive data where the MPB bit is 1 is subject to comparison for address match. Receive data where the MPB bit is 0 is always treated as a mismatch.

If DCCR.IDSEL is set to 0, the SCI performs address match detection regardless of the MPB bit value of the received data. Until the SCI detects a match between the comparison data (CDR.CMPD*3) and receive data, the received data is skipped (discarded), and the SCI cannot detect parity error or framing error. When the SCI detects a match, DCCR.DCME is automatically cleared, and DCCR.DCMF is set to 1.

If DCCR.IDSEL is set to 1, the SCR.MPIE bit is automatically cleared. If DCCR.IDSEL is set to 0, the value of SCR.MPIE bit is retained. If SCR.RIE is set to 1, the SCI issues an SCIn_RXI interrupt request. If the SCI detects a framing error in the receive data for which a match is detected, DCCR.DFER is set to 1, and if the SCI detects a parity error in that frame, DCCR.DPER is set to 1. The compared receive data is not stored in RDR*1, and SSR.RDRF remains at 0.*2

After the SCI detects a match, and DCCR.DCME is automatically cleared, the SCI receives the next data continuously based on the current register setting.

When the DCCR.DFER or DCCR.DPER flag is set, the address match is not performed. Before enabling the address match function, set the DCCR.DFER and DCCR.DPER flags to 0.

Examples of the address match function are shown in [Figure 29.5](#) and [Figure 29.6](#).

Note 1. When FCR.FM = 1, this refers to the FRDRHL register.

Note 2. When FCR.FM = 1, this refers to the SSR_FIFO.RDF flag.

Note 3. This comparative target can select one length of 3 types: CMPD[6:0] with 7-bit length, CMPD[7:0] with 8-bit length, or CMPD[8:0] with 9-bit length.

Note 4. Set the DCCR.DCME bit to 1 before receiving the start bit of the received frame that performs address matching.

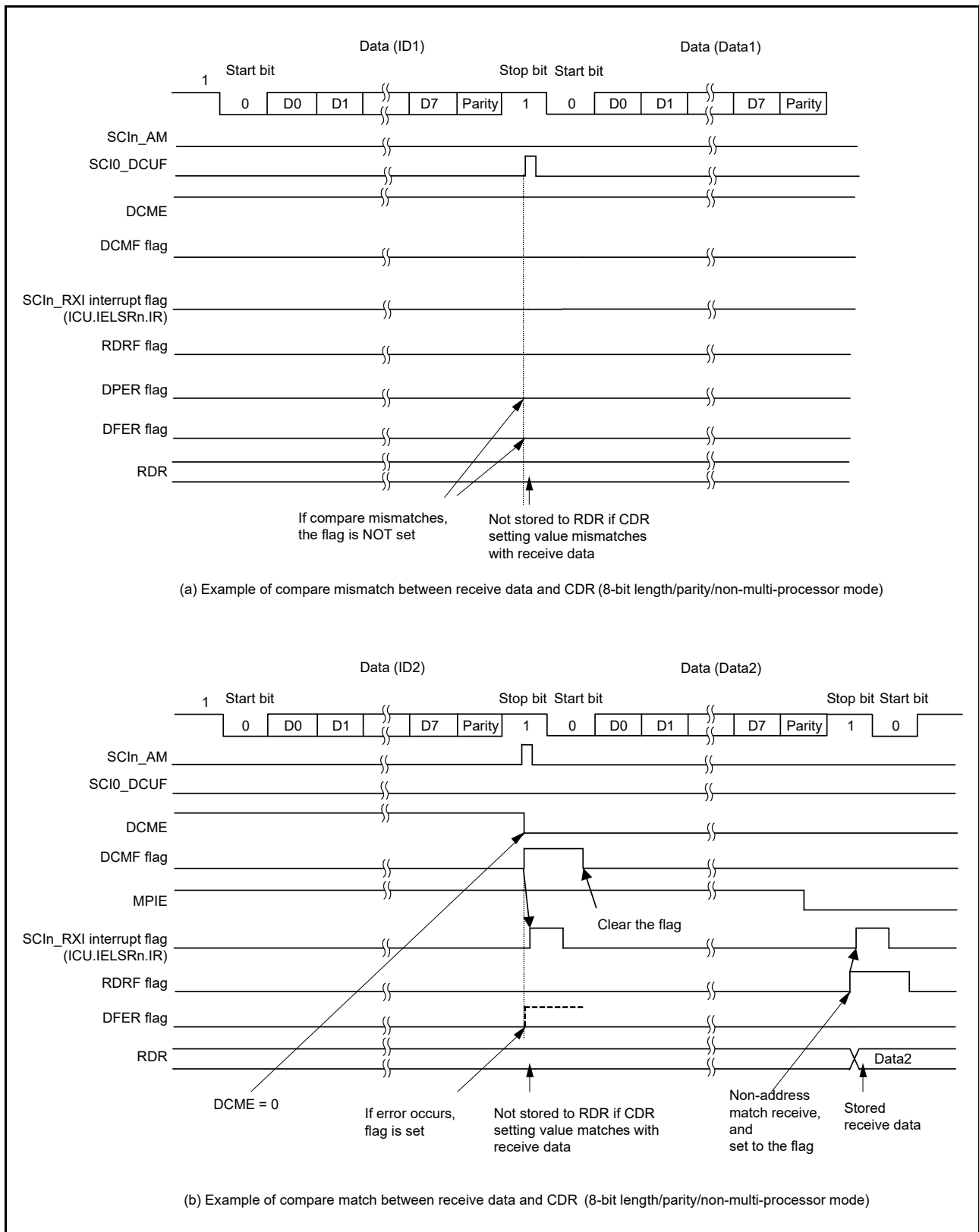


Figure 29.5 Example of address match (1) in non-multi-processor mode

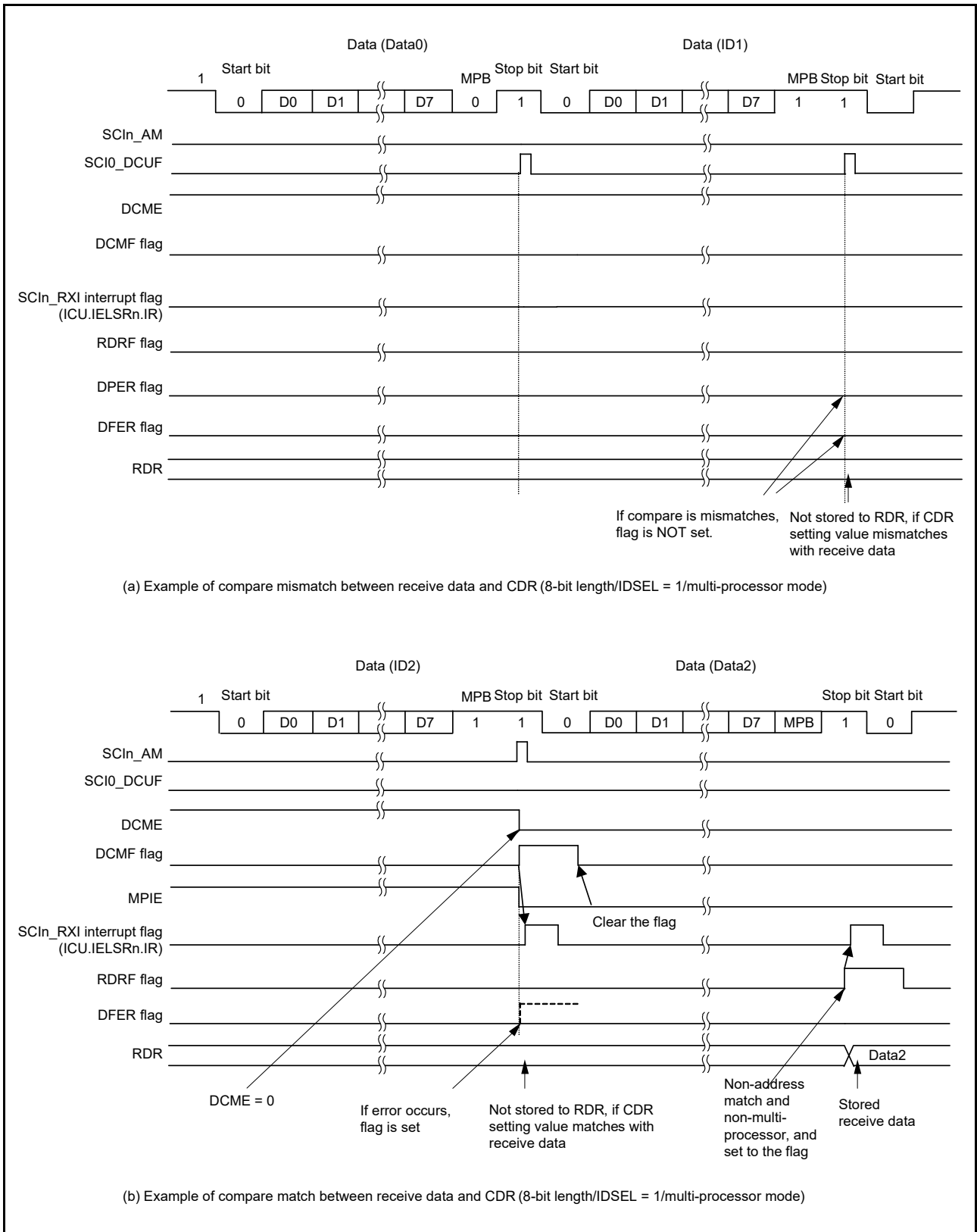


Figure 29.6 Example of address match (2) in multi-processor mode

29.3.7 SCI Initialization in Asynchronous Mode

Before transmitting and receiving data, start by writing the initial value 00h to SCR, and then continue through the SCI procedure (select non-FIFO or FIFO) shown in [Figure 29.7](#) and [Figure 29.8](#). Whenever the operating mode or transfer format is to be changed, the SCR must be initialized before the change is made.

When the external clock is used in asynchronous mode, ensure that the clock signal is supplied during initialization.

Note: When the SCR.RE bit is set to 0, the ORER, FER, RDRF, RDF, PER, and DR flags in SSR/SSR_FIFO, and RDR and RDRHL are not initialized. When the SCR.TE bit is set to 0, the TEND flag for the selected FIFO buffer is not initialized.

Note: In non-FIFO mode, switching the value of the SCR.TE bit from 1 to 0 or 0 to 1 while the SCR.TIE bit is 1 leads to the generation of an SCIn_TXI interrupt request.

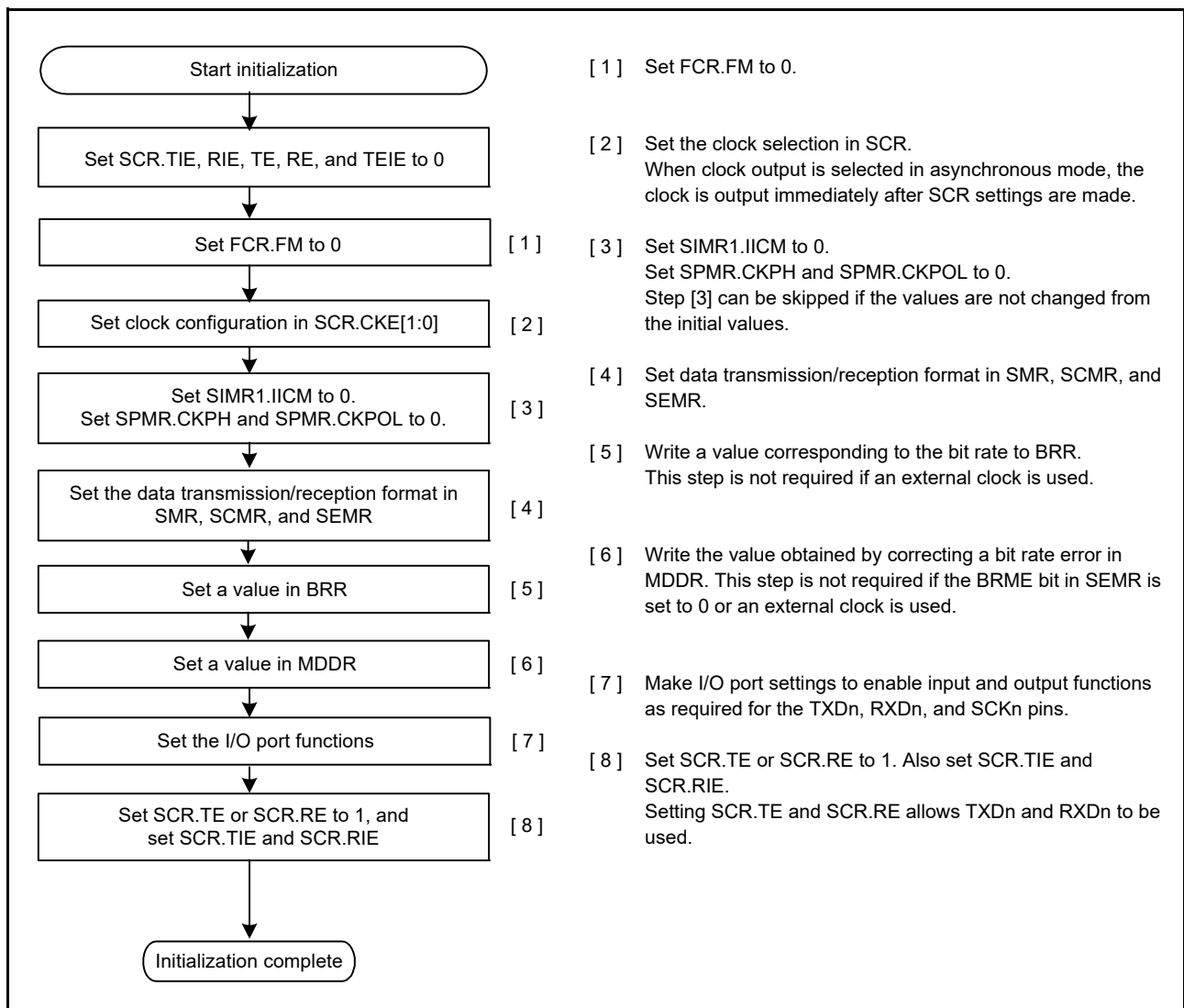


Figure 29.7 Example SCI initialization flow in asynchronous mode with non-FIFO selected

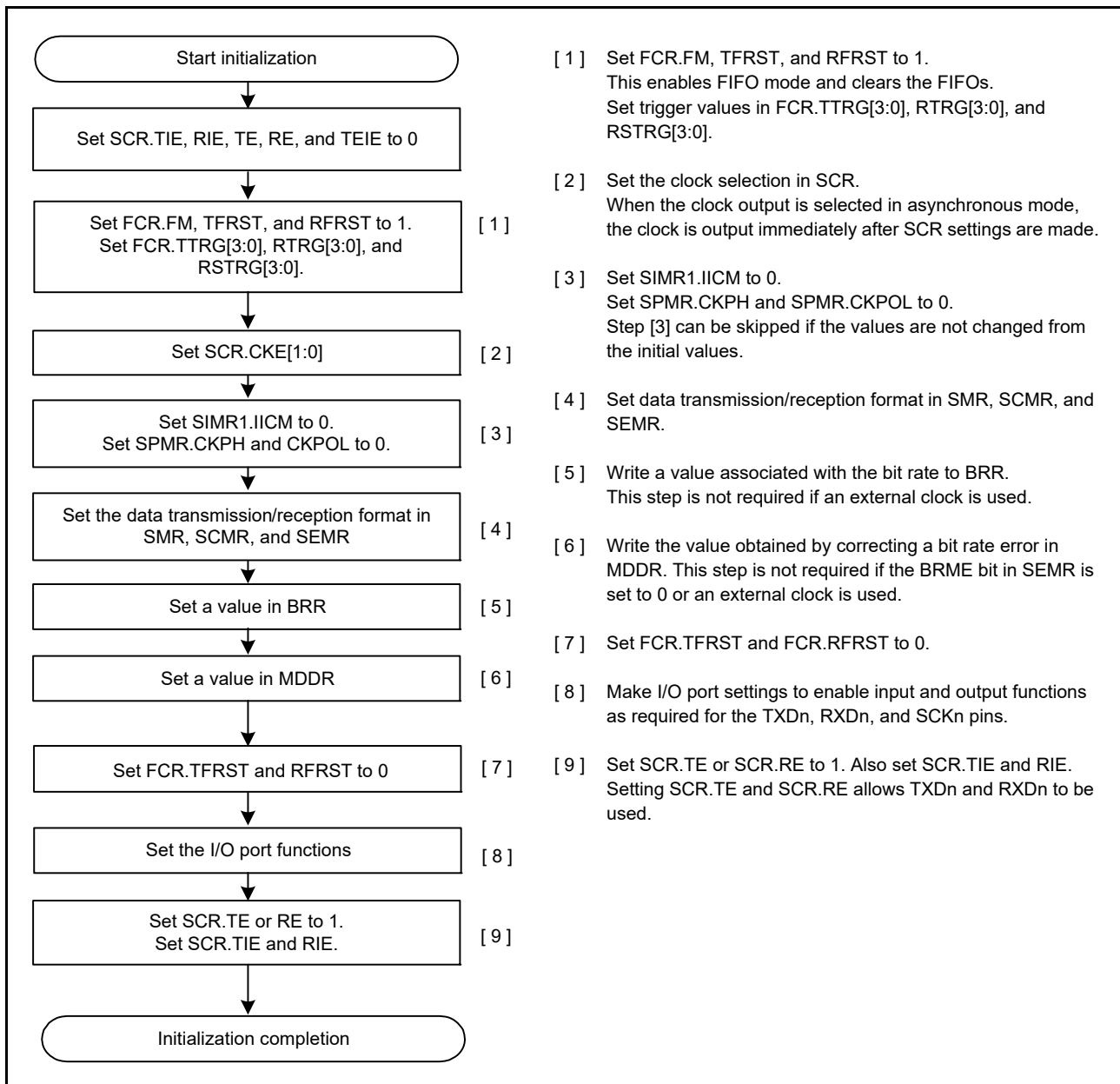


Figure 29.8 Example SCI initialization flow in synchronous mode with FIFO selected

29.3.8 Serial Data Transmission in Asynchronous Mode

(1) Non-FIFO selected

Figure 29.9, Figure 29.10, and Figure 29.11 show examples of serial transmission in asynchronous mode.

In serial transmission, the SCI operates as described in this section. When the SCR.TE bit is set to 1, the high level for one frame (preamble) is output to TXD.

1. The SCI transfers data from TDR*1 to TSR when data is written to TDR*1 in the SCIn_TXI interrupt handling routine.
The SCIn_TXI interrupt request at the beginning of transmission is generated when the TE and TIE bits in SCR are set to 1 simultaneously by a single instruction.
2. Transmission starts after the CTSE bit in SPMR is set to 0 (CTS function is disabled) or a low level on the CTSn_RTsn pin causes data transfer from TDR*1 to TSR. If the TIE bit in SCR is 1, an SCIn_TXI interrupt request is generated. Continuous transmission is possible by writing the next transmit data to TDR*1 in the SCIn_TXI interrupt handling routine before transmission of the current transmit data is complete. When SCIn_TEI interrupt requests are in use, set TIE to 0 (an SCIn_TXI interrupt request is disabled) and TEIE to 1 (an SCIn_TEI interrupt request is enabled) in the SCR register after the last of the data to be transmitted is written to the TDR*1 from the handling routine for SCIn_TXI requests.
3. Data is sent from the TXDn pin in the following order:
 - Start bit
 - Transmit data
 - Parity bit or multi-processor bit (can be omitted depending on the format)
 - Stop bit.
4. The SCI checks for an update of TDR on the output of the stop bit.
5. When TDR is updated, setting the CTSE bit in SPMR to 0 (CTS function is disabled) or a low-level input on the CTSn_RTsn pin causes the transfer of the next transmit data from TDR*1 to TSR and transmission of the stop bit, after which serial transmission of the next frame starts.
6. If TDR is not updated, the TEND flag in SSR is set to 1, the stop bit is sent, and the mark state is entered, where 1 is output. If the TEIE bit in SCR is 1, the TEND flag in SSR is set to 1 and an SCIn_TEI interrupt request is generated.

Note 1. Only write data to TDRHL when 9-bit data length is selected.

Figure 29.9, Figure 29.10, and Figure 29.11 show examples of serial transmission in asynchronous mode.

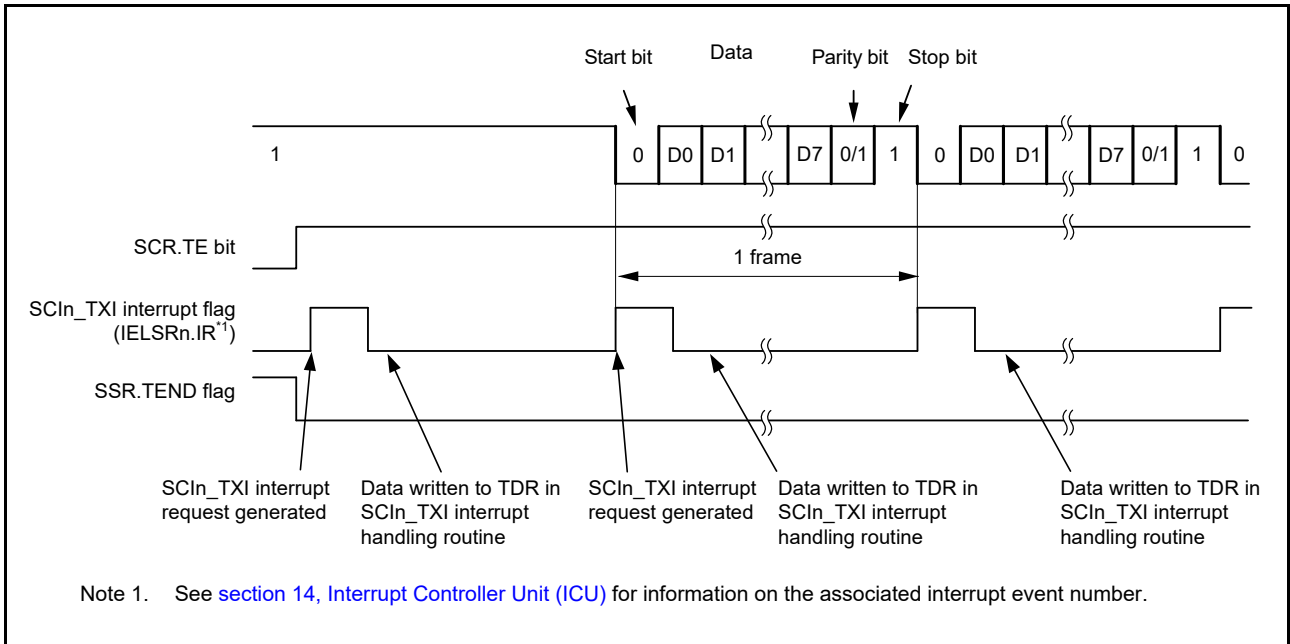


Figure 29.9 Example operation of serial transmission in asynchronous mode (1) with 8-bit data, parity bit, 1 stop bit, CTS function not used, and at the beginning of transmission

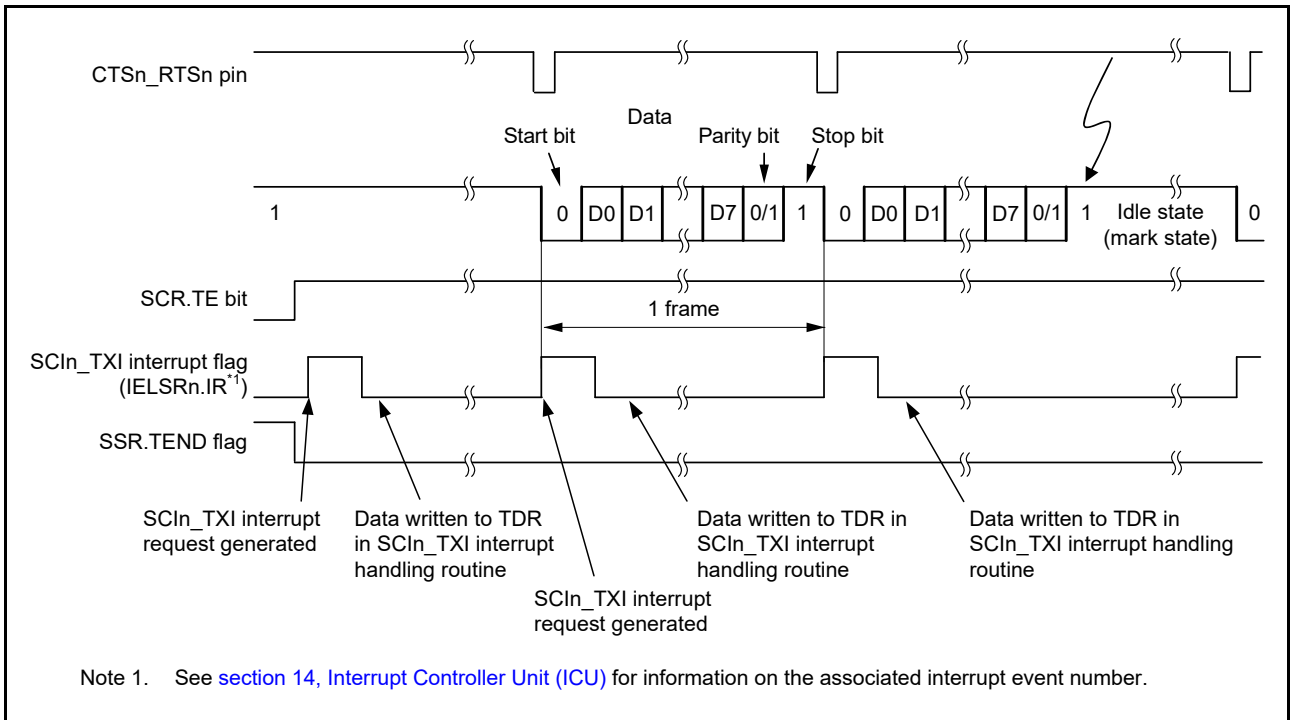


Figure 29.10 Example operation for serial transmission in asynchronous mode (2) with 8-bit data, parity bit, 1 stop bit, CTS function used, and at the beginning of transmission

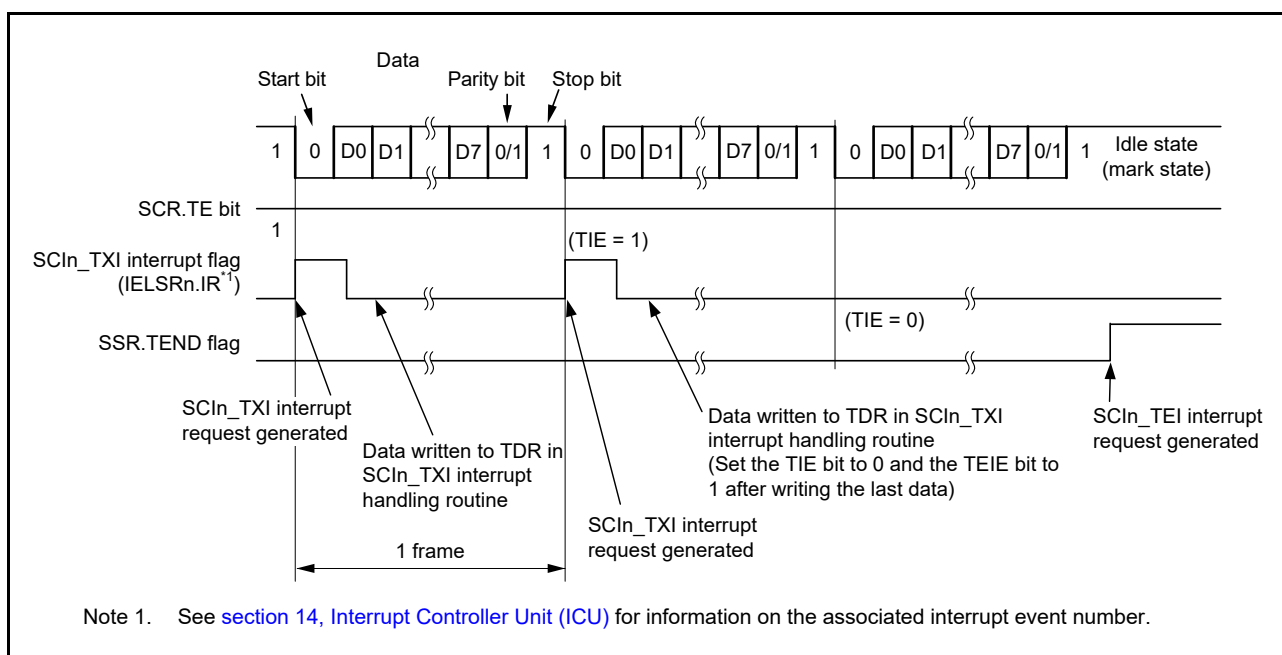


Figure 29.11 Example operation of serial transmission in asynchronous mode (3) with 8-bit data, parity bit, 1 stop bit, CTS function not used, and from the middle of transmission until transmission completion

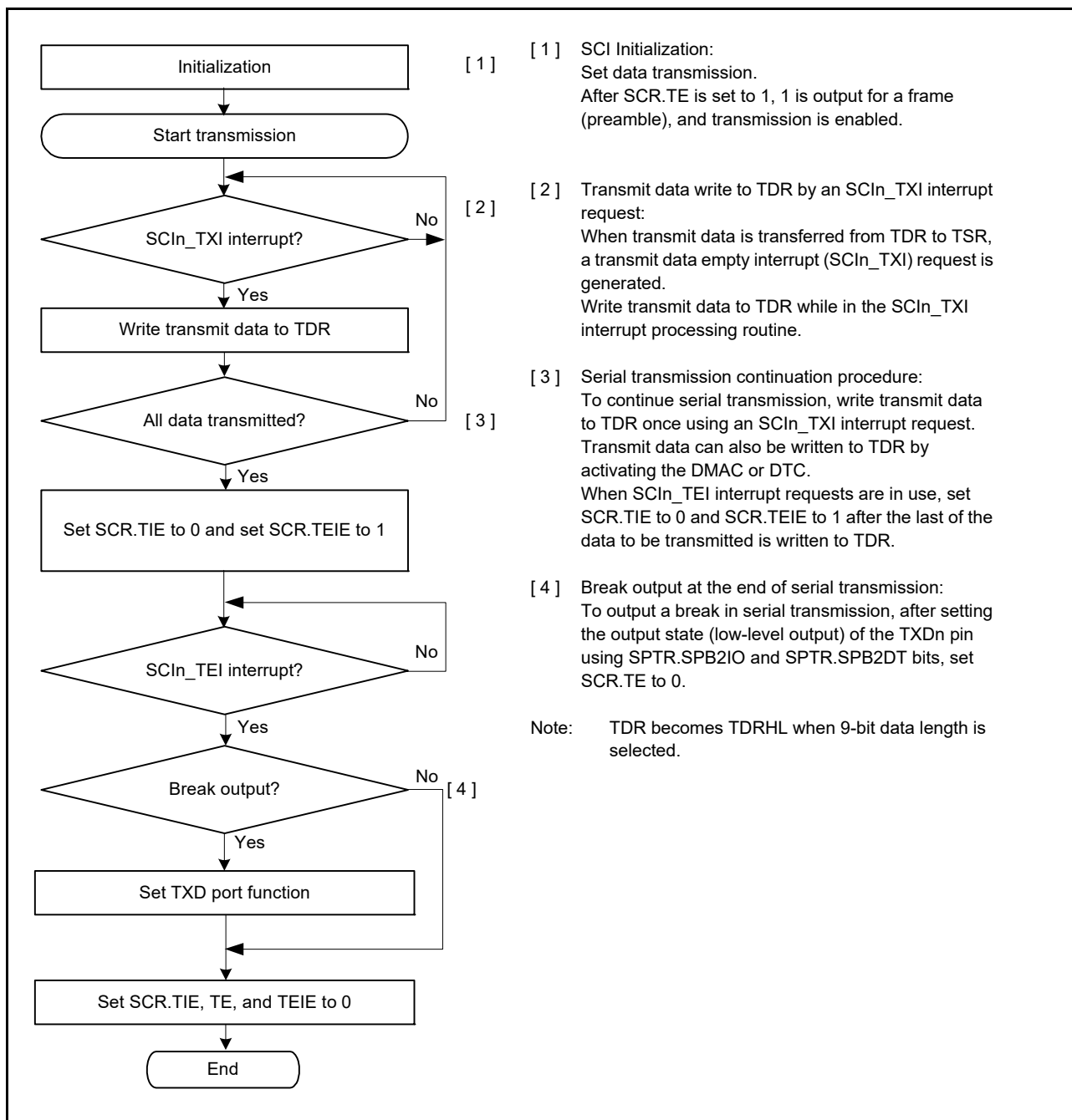


Figure 29.12 Example flow of serial transmission in asynchronous mode with non-FIFO selected

(2) FIFO selected

Figure 29.13 shows an example of a data format that is written to FTDRH and FTDRL in asynchronous mode.

Data corresponding to the data length is set to FTDRH and FTDRL. Write 0 for unused bits. Write in the order from FTDRH to FTDRL.

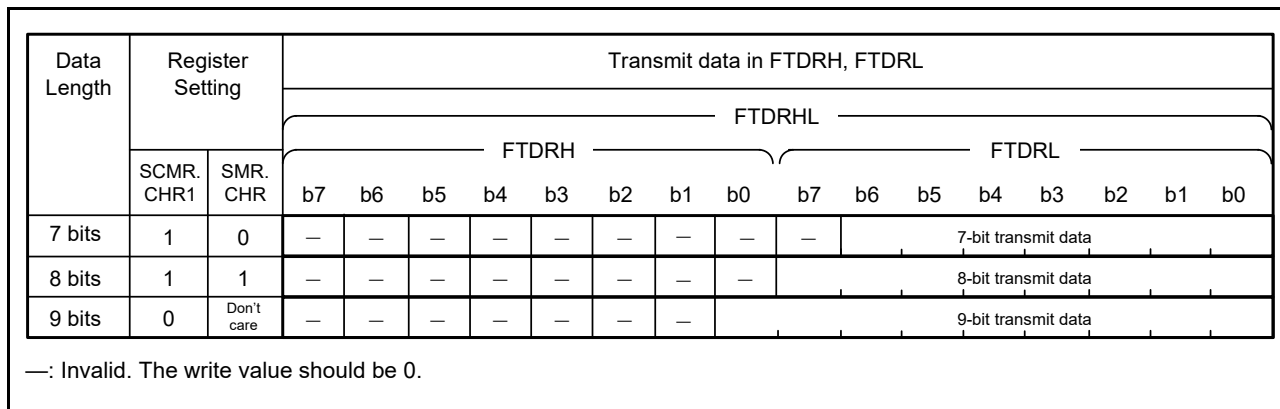


Figure 29.13 Data format written to FTDRH and FTDRL with FIFO selected

In serial transmission, the SCI operates as described in this section. When the TE bit in SCR is set to 1, the high level is output to TXD for one frame (preamble).

- The SCI transfers data from FTDRL*1 to TSR when data is written to FTDRL*1 in the SCIn_TXI interrupt handling routine. The amount of data that can be written to FTDRL is 16 minus FDR.T[4:0] bytes. The SCIn_TXI interrupt request at the beginning of transmission is generated when the TE and TIE bits in SCR are set to 1 simultaneously by a single instruction.
- Transmission starts after the CTSE bit in SPMR is set to 0 (CTS function is disabled) and a low level on the CTSn_RTsn pin causes data transfer from FTDRL*1 to TSR. When the amount of transmit data written in FTDRL is equal to or less than the specified transmit triggering number, TDFE bit in SSR_FIFO is set to 1. If the TIE bit in SCR is 1, an SCIn_TXI interrupt request is generated. Continuous transmission is possible by writing the next transmit data to FTDRL*1 in the SCIn_TXI interrupt handling routine before transmission of the current transmit data is complete. When SCIn_TEI interrupt requests are in use, set TIE to 0 (an SCIn_TXI interrupt request is disabled) and TEIE to 1 (an SCIn_TEI interrupt request is enabled) in the SCR register after the last of the data to be transmitted is written to the FTDRL*1,*2 from the handling routine for SCIn_TXI requests.
- Data is sent from the TXDn pin in the following order:
 - Start bit
 - Transmit data
 - Parity bit or multi-processor bit (may be omitted depending on the format)
 - Stop bit.
- On output of the stop bit, the SCI checks whether the non-transmitted data remains in FTDRL*3.
- When data is set to FTDRL*3, setting of CTSE to 0 (CTS function is disabled) in the SPMR register or a low-level input on the CTSn_RTsn pin causes transfer of the next transmit data from FTDRL*1 to TSR and transmission of the stop bit, after which serial transmission of the next frame starts.
- If data is not set in FTDRL*3, the TEND flag in SSR_FIFO is set to 1, the stop bit is sent, and the mark state is entered where 1 is output. If the TEIE bit in SCR is 1, the TEND flag in SSR_FIFO is set to 1 and an SCIn_TEI interrupt request is generated.

Note 1. Write data to the FTDRH and FTDRL registers when 9-bit data length is selected.

Note 2. Write data in the order from FTDRH to FTDRL when 9-bit data length is selected.

Note 3. The SCI only checks for an update to the FTDRL register and not the FTDRH register, when 9-bit data length is selected.

Figure 29.14 shows an example flow of serial transmission in asynchronous mode with FIFO selected.

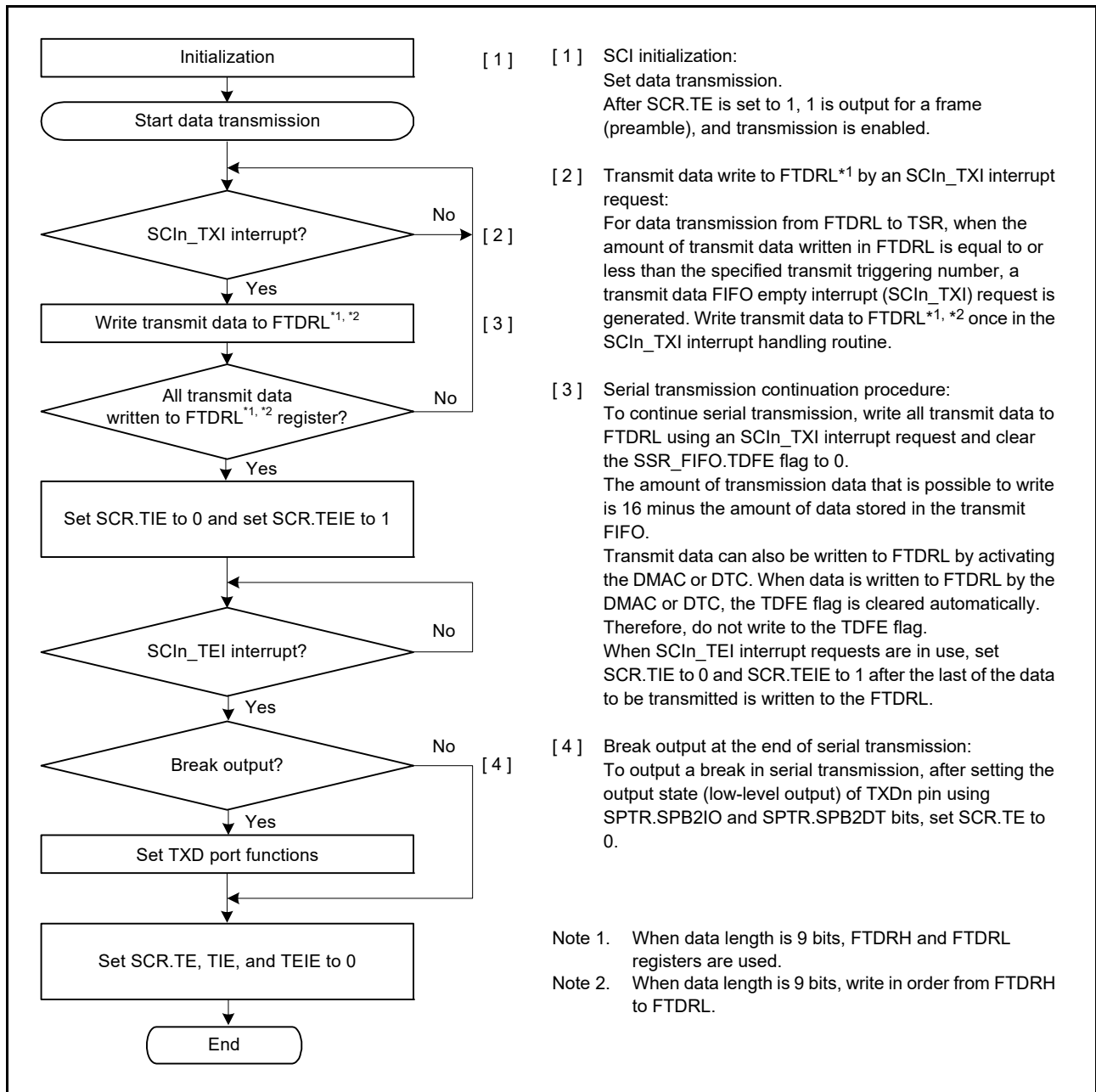


Figure 29.14 Example flow of serial transmission in asynchronous mode with FIFO selected

29.3.9 Serial Data Reception in Asynchronous Mode

(1) Non-FIFO selected

Figure 29.15 and Figure 29.16 show an example of the operation for serial data reception in asynchronous mode.

In serial data reception, the SCI operates as follows:

1. When the value of the RE bit in SCR becomes 1, the output signal on the CTSn_RTSn pin goes low.
2. When the SCI monitors the communications line and detects a start bit, it performs internal synchronization, stores receive data in RSR, and checks the parity bit and stop bit.
3. If an overrun error occurs, the ORER flag in SSR is set to 1. If the RIE bit in SCR is 1, an SCIn_ERI interrupt request is generated. Receive data is not transferred to RDR*1.
4. If a parity error is detected, the PER flag in SSR is set to 1 and receive data is transferred to RDR*1. If the RIE bit in SCR is 1, an SCIn_ERI interrupt request is generated.
5. If a framing error is detected, the FER flag in the SSR is set to 1 and receive data is transferred to RDR*1. If the RIE bit in the SCR is 1, an SCIn_ERI interrupt request is generated.
6. When reception finishes successfully, receive data is transferred to RDR*1. If the RIE bit in the SCR is 1, an SCIn_RXI interrupt request is generated. Continuous reception is enabled by reading the receive data transferred to RDR in the SCIn_RXI interrupt handling routine before reception of the next receive data completes. Reading the received data that was transferred to RDR causes the CTSn_RTSn pin to output low.

Note 1. Only read data in RDRHL when 9-bit data length is selected.

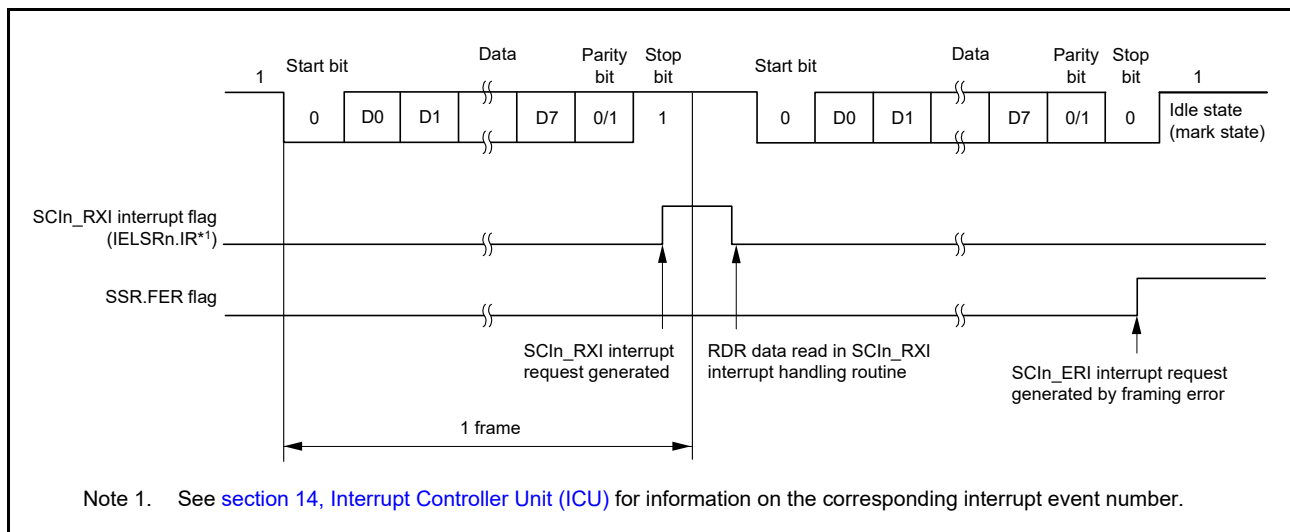


Figure 29.15 Example of SCI operation for serial reception in asynchronous mode (1) when the RTS function is not used, and with 8-bit data, parity bit, and 1 stop bit

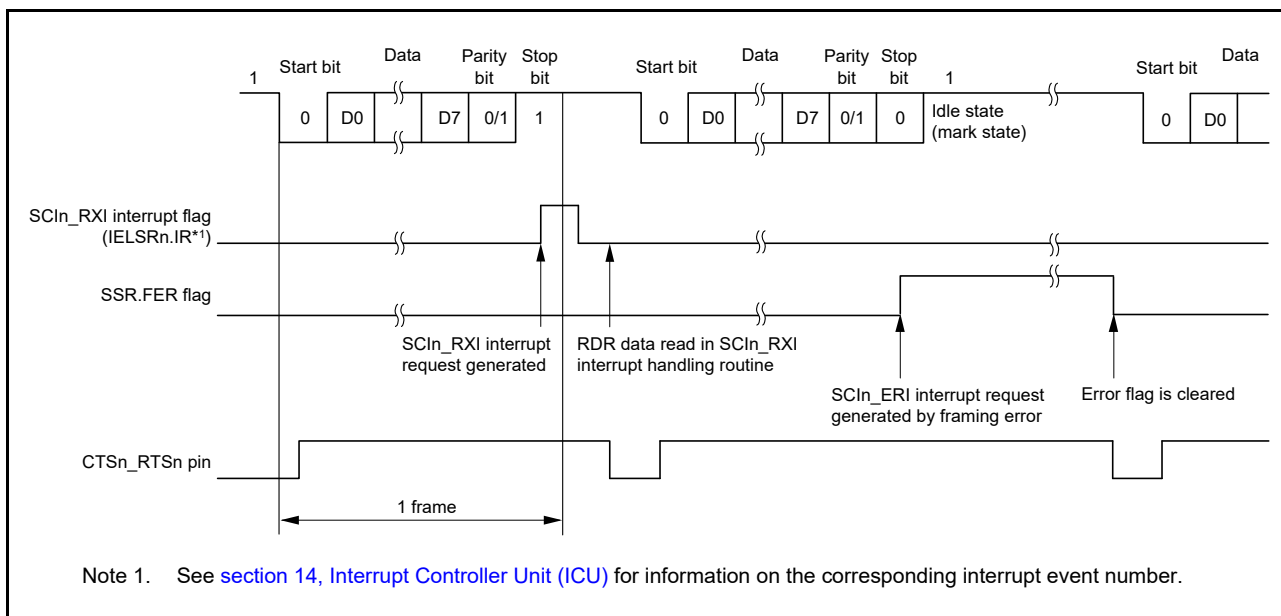


Figure 29.16 Example of SCI operation for serial reception in asynchronous mode (2) when RTS function is used, and with 8-bit data, parity bit, and 1 stop bit

Table 29.23 lists the states of the flags in the SSR register and the receive data handling when a receive error is detected.

If a receive error is detected, an SCIn_ERI interrupt request is generated but an SCIn_RXI interrupt request is not generated. Data reception cannot be resumed when the receive error flag is 1. Also, set the ORER, FER, and PER flags to 0 before resuming reception. In addition, be sure to read RDR or RDRHL during overrun error processing. When reception is forcibly terminated by setting the RE bit in SCR to 0 during operation, read RDR or RDRHL because the received data that is not read might be left in RDR or RDRHL.

Figure 29.17 and Figure 29.18 show example flows for serial data reception.

Table 29.23 Flags in SSR Status Register and receive data handling

Flags in the SSR Status Register			Received data	Receive error type
ORER	FER	PER		
1	0	0	Lost	Overrun error
0	1	0	Transferred to RDR*1	Framing error
0	0	1	Transferred to RDR*1	Parity error
1	1	0	Lost	Overrun error + framing error
1	0	1	Lost	Overrun error + parity error
0	1	1	Transferred to RDR*1	Framing error + parity error
1	1	1	Lost	Overrun error + framing error + parity error

Note 1. Only read data in the RDRHL register when 9-bit data length is selected.

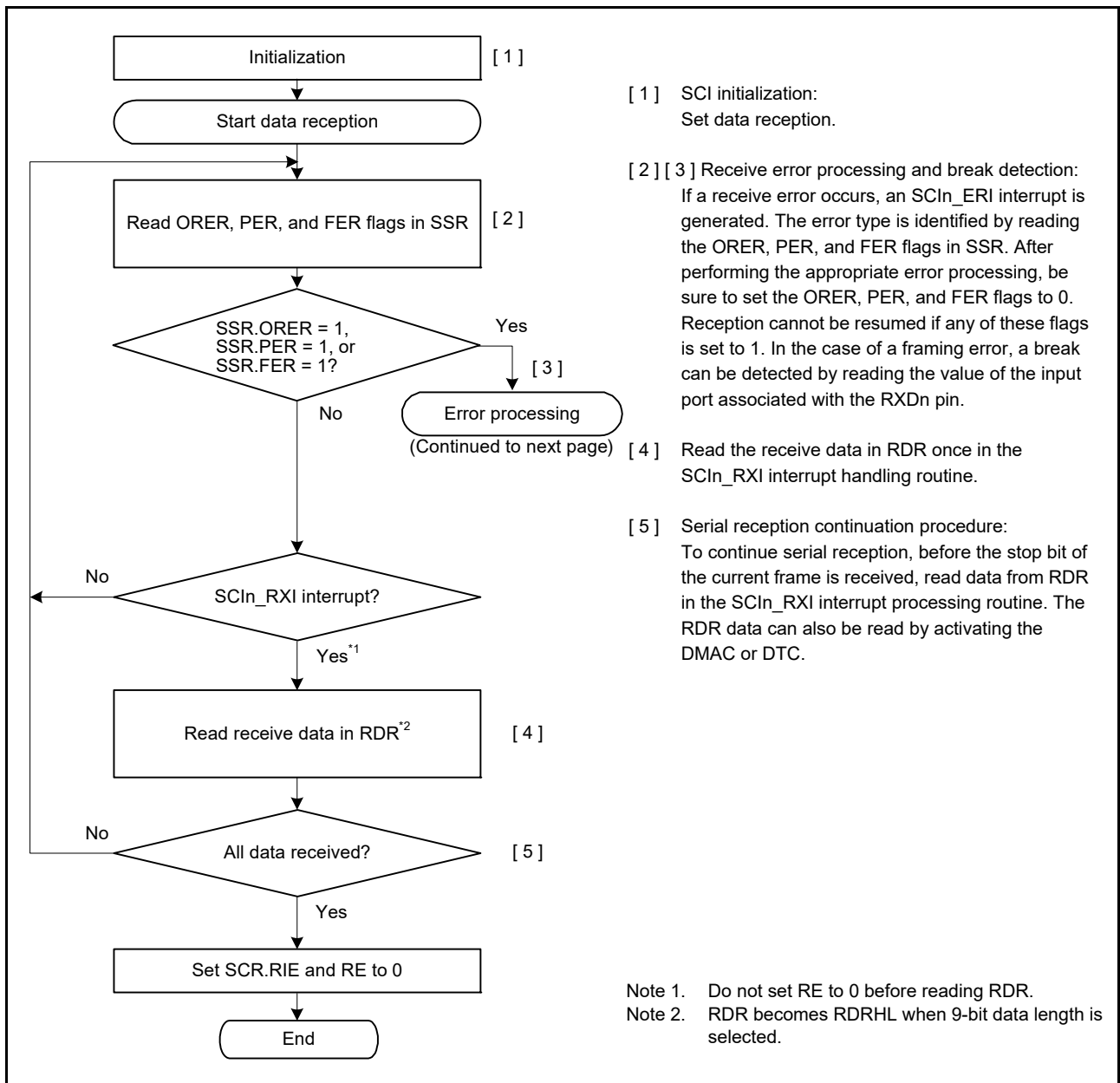


Figure 29.17 Example flow of serial reception in asynchronous mode with non-FIFO selected (1)

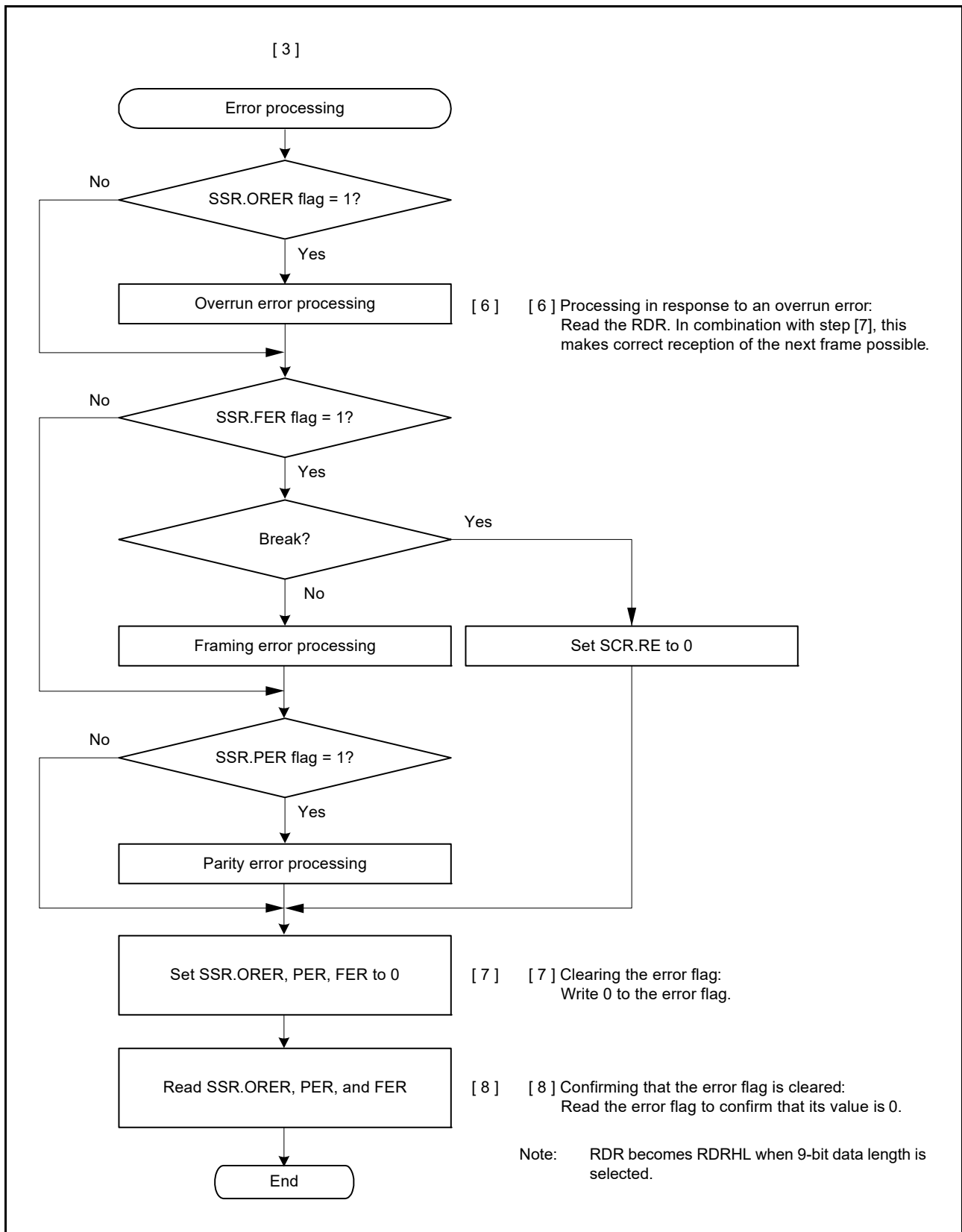


Figure 29.18 Example flow of serial reception in asynchronous mode with non-FIFO selected (2)

(2) FIFO selected

Figure 29.19 shows an example of a data format that is written to FRDRH and FRDRL in asynchronous mode.

In asynchronous mode, 0 is written to the MPB flag bit in the FRDRH register. Data that corresponds to the data length is written to FRDRH and FRDRL. Unused bits are written as 0. Read in the order from FRDRH to FRDRL. If software reads FRDRL, SCI updates FER, PER, and receive data (RDAT[8:0]) in the FRDRL register with the next data. The RDF, ORER, and DR flags in FRDRH always reflect the associated flags in the SSR_FIFO register.

Data Length	Register Setting		Receive data in FRDRH, FRDRL														
	SCMR. CHR1	SMR. CHR	FRDRH								FRDRL						
			b7	b6	b5	b4	b3	b2	b1	b0	b7	b6	b5	b4	b3	b2	b1
7 bits	1	0	—	RDF	ORER	FER	PER	DR	0	0	0	7-bit receive data					
8 bits	1	1	—	RDF	ORER	FER	PER	DR	0	0	8-bit receive data						
9 bits	0	Don't care	—	RDF	ORER	FER	PER	DR	0	9-bit receive data							

Note: 0 is always read for MPB flag (FRDRH[1]).
 When data length is 7 bits, 0 is always read for FRDRH[0] and FRDRL[7].
 When data length is 8 bits, 0 is always read for FRDRH[0].
 FRDRH[7] bit is read as an indefinite value.

Figure 29.19 Data format stored in FRDRH and FRDRL with FIFO selected

In serial data reception, the SCI operates as follows:

1. When the value of the RE bit in SCR becomes 1, the output signal on the CTS_n_RTS_n pin goes low.
2. When the SCI monitors the communications line and detects a start bit, it performs internal synchronization, stores receive data in RSR, and checks the parity bit and stop bit.
3. When the FRDRL register is full, an overrun error occurs. If an overrun error occurs, the ORER flag in SSR_FIFO is set to 1. When the RIE bit is 1, an SCIn_ERI interrupt request is generated. Receive data is not transferred to FRDRL*1.
4. If a parity error is detected, the PER flag and receive data are transferred to FRDRL*1. When the RIE bit is set to 1, an SCIn_ERI interrupt request is generated.
5. If a framing error is detected, the FER flag and receive data are transferred to FRDRL*1. When RIE is set to 1, an SCIn_ERI interrupt request is generated.
6. After a framing error is detected and when SCI detects that the continuous receive data is for one frame, reception stops.
7. When the amount of data stored in the Receive FIFO Data Register (FRDRL) falls below the specified receive triggering number, and the next data is not received after 15 ETUs from the last stop bit in asynchronous mode, the DR bit in SSR_FIFO is set to 1. When RIE is 1 and the DRES bit in FCR register is 0, SCI generates an SCIn_RXI interrupt request. When the DRES bit is 1, SCI generates an SCIn_ERI interrupt request.
8. When reception finishes successfully, receive data is transferred to FRDRL*1. RDF is set to 1 when the amount of receive data written to FRDRHL is equal to or greater than the specified receive triggering number. When the RIE is 1, an SCIn_RXI interrupt request is generated. Continuous reception is enabled by reading the receive data transferred to FRDRL*2 in the SCIn_RXI interrupt handling routine, before an overrun error occurs. If the received data that is transferred to FRDRL*3 is less than the RTS trigger number, the CTS_n_RTS_n pin outputs low.

Note 1. Only read the data in the FRDRH and FRDRL registers when 9-bit data length is selected.

Note 2. Read the data in the order from FRDRH to FRDRL when 9-bit data length is selected.

Note 3. The SCI only checks for updates to the FRDRL register and not to the FRDRH register when 9-bit data length is selected.

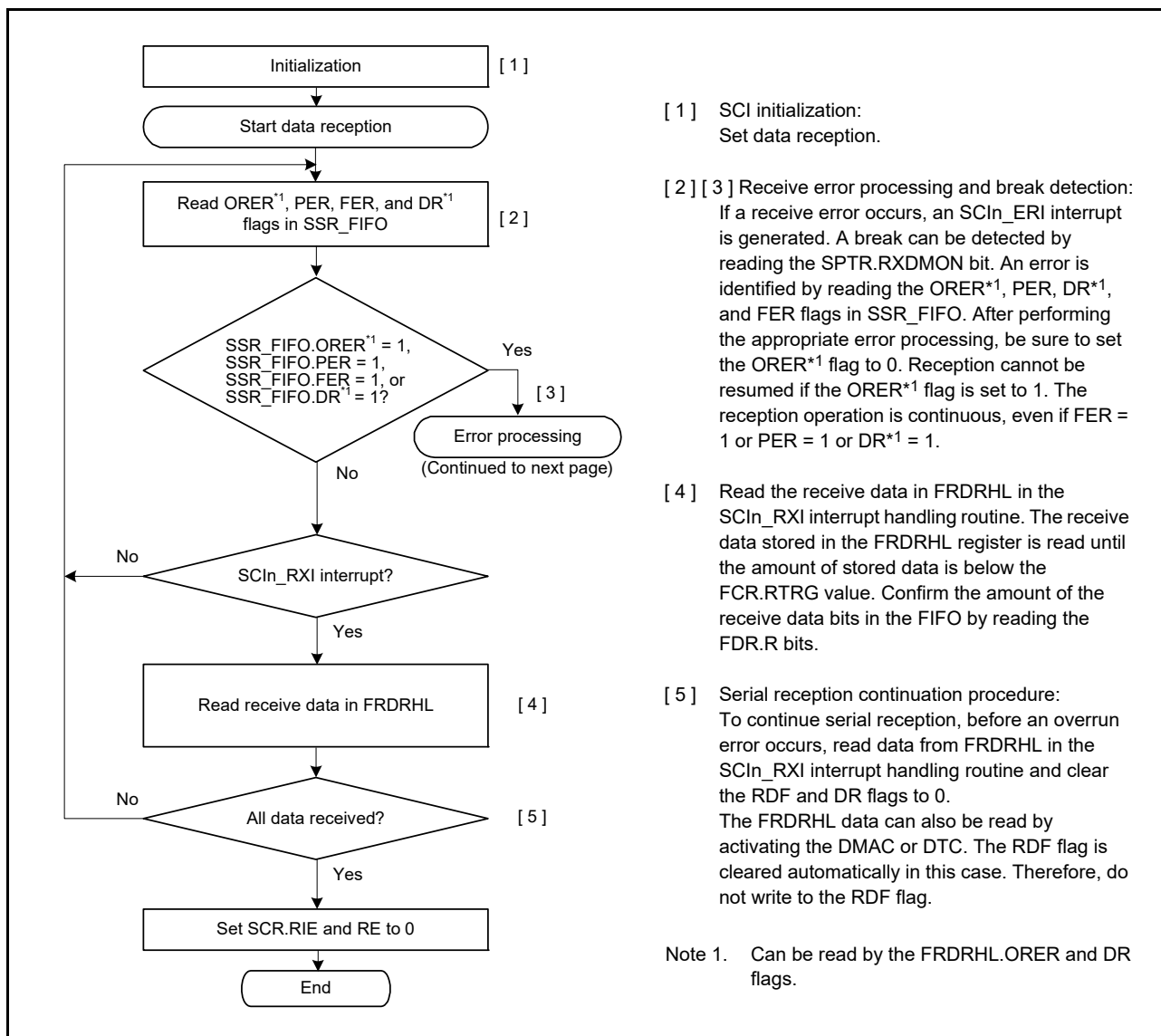


Figure 29.20 Example flow of serial reception in asynchronous mode with FIFO selected (1)

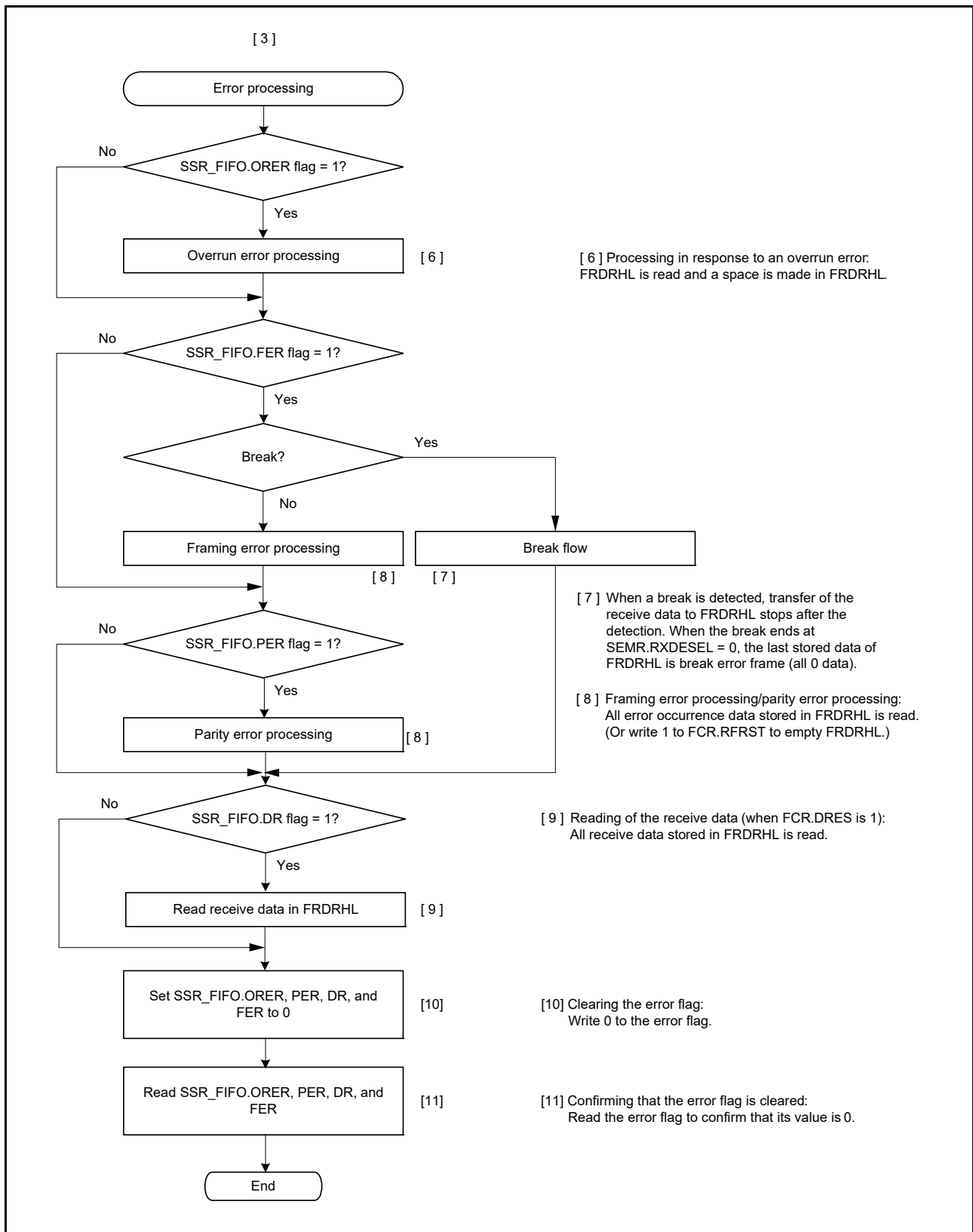


Figure 29.21 Example flow of serial reception in asynchronous mode with FIFO selected (2)

29.4 Multi-Processor Communications Function

The multi-processor communication function enables the SCI to transmit and receive data by sharing a communication line between multiple processors, using asynchronous serial communication in which the multi-processor bit is added. In multi-processor communication, a unique ID code is allocated to each receiving station. Serial communication cycles consist of an ID transmission cycle to specify the receiving station and a data transmission cycle to transmit data to the specified receiving station.

The multi-processor bit is used to distinguish between the ID transmission cycle and the data transmission cycle:

- When the multi-processor bit is set to 1, the transmission cycle is the ID transmission cycle
- When the multi-processor bit is set to 0, the transmission cycle is the data transmission cycle.

Figure 29.22 shows an example of communication between processors using a multi-processor format. First, a transmitting station transmits communication data in which the multi-processor bit set to 1 is added to the ID code of the receiving station. Next, the transmitting station transmits communication data in which the multi-processor bit set to 0 is added to the transmit data. After receiving communication data with the multi-processor bit set to 1, the receiving station compares the received ID with the ID of the receiving station itself. If the two match, the receiving station receives communication data that is subsequently transmitted. If the received ID does not match with the ID of the receiving station, the receiving station skips the communication data until it receives the data again in which the multi-processor bit is set to 1.

(1) Non-FIFO selected

To support this function, the SCI provides the MPIE bit in SCR. When MPIE is set to 1, the following operations are disabled until the reception of data in which the multi-processor bit is set to 1:

- Transfer of receive data from RSR to RDR (RDRHL when 9-bit data length is selected)
- Detection of a receive error
- Setting the respective status flags RDRF, ORER, and FER in SSR.

When the SCI receives a character in which the multi-processor bit is set to 1, the MPBT bit in SSR is set to 1 and the MPIE bit in SCR is automatically cleared, returning the SCI to a non-multi-processor reception operation. An SCIn_RXI interrupt is generated if the RIE bit in SCR is set.

When the multi-processor format is specified, the parity bit function is disabled. Apart from this, there is no difference from operation in non-multi-processor asynchronous mode. The clock used for the multi-processor communication is the same as the clock used in non-multi-processor asynchronous mode.

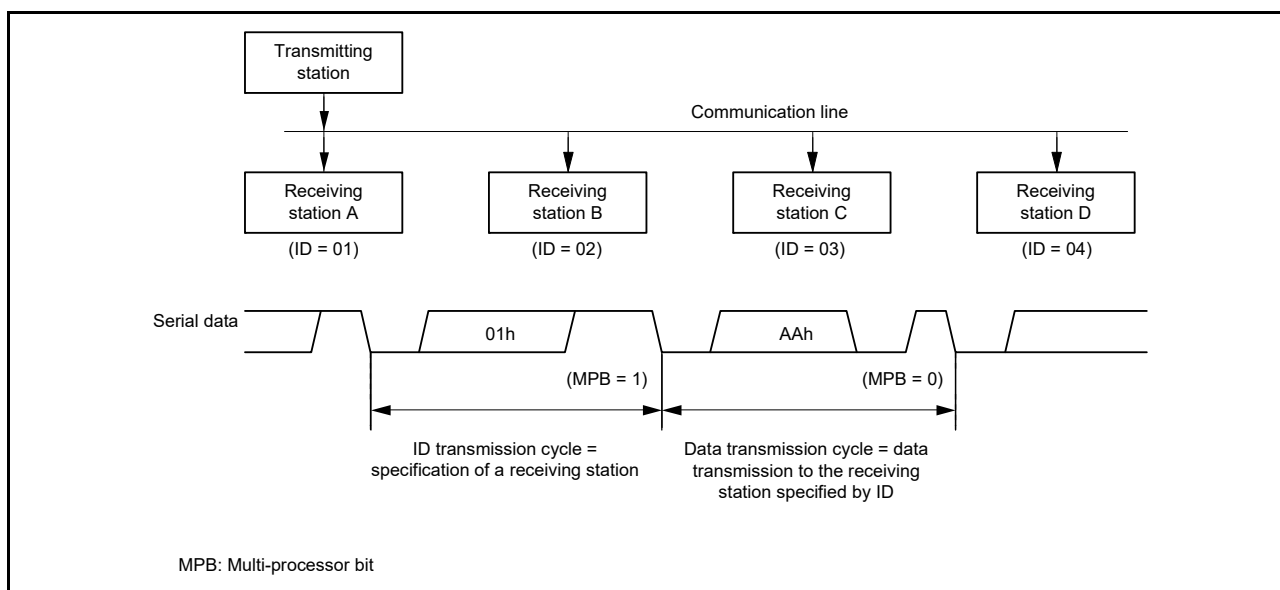


Figure 29.22 Example of communication using multi-processor format with transmission of data AAh to receiving station A

(2) FIFO selected

For data transmission, software must write data to the MPBT bit in FTDRHL register that corresponds to transmit data in the TDAT bit in FTDRHL register. For data reception, the multi-processor bit that is part of the receive data is written to the MPB bit in FRDRHL register, and receive data is written to FRDRL register.

When the MPIE bit is set to 1, the following operations are disabled until reception of data in which the multi-processor bit is set to 1:

- Transfer of receive data from RSR to FRDRHL register
- Detection of a receive error
- Break
- Setting of the respective status flags RDF, ORER, and FER in the SSR_FIFO register.

On receiving an 8-bit character in which the multi-processor bit is set to 1, the MPB bit in FRDRHL is set to 1 and receive data is written to the RDAT bit in FRDRHL. The MPIE bit in SCR is automatically cleared, therefore returning the SCI to non-multi-processor reception operation. An SCIn_RXI interrupt is generated if the RIE bit in SCR is set.

When the multi-processor format is specified, the parity bit function is disabled. Apart from this, there is no difference in operation from non-multi-processor asynchronous mode with non-FIFO selected.

29.4.1 Multi-Processor Serial Data Transmission

(1) Non-FIFO selected

Figure 29.23 shows an example flow of multi-processor data transmission. In the ID transmission cycle, the ID must be transmitted with the MPBT bit in SSR set to 1. In the data transmission cycle, the data must be transmitted with the MPBT bit set to 0. The rest of the operations are the same as in asynchronous mode.

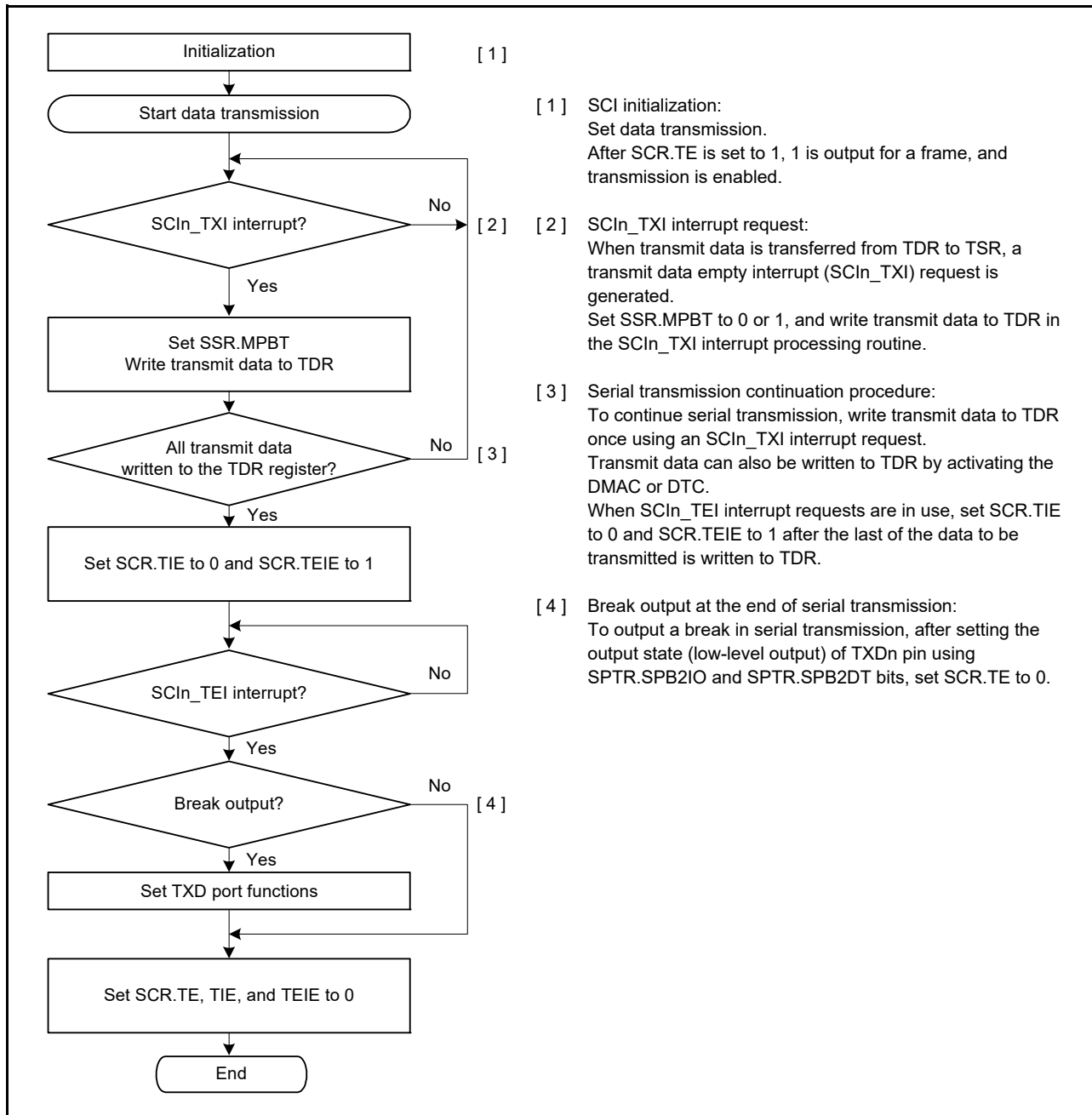


Figure 29.23 Example flow of multi-processor serial transmission with non-FIFO selected

(2) FIFO selected

Figure 29.24 shows an example of the data format that is written to FTDRH and FTDRL in multi-processor mode.

MPBT is set to 1 in FTDRH register. Data is set to FTDRH and FTDRL with the correct data length. Write 0 for unused bits. Write in the order from FTDRH to FTDRL.

Data Length	Register Setting		Transmit data in FTDRH, FTDRL															
	SCMR. CHR1	SMR. CHR	FTDRH								FTDRL							
			b7	b6	b5	b4	b3	b2	b1	b0	b7	b6	b5	b4	b3	b2	b1	b0
7 bits	1	0	—	—	—	—	—	—	MPBT	—	—	7-bit transmit data						
8 bits	1	1	—	—	—	—	—	—	MPBT	—	8-bit transmit data							
9 bits	0	Don't care	—	—	—	—	—	—	MPBT	9-bit transmit data								

—: Invalid. The write value should be 0.

Figure 29.24 Data format written to FTDRH and FTDRL in multi-processor mode with FIFO selected

Figure 29.25 shows an example flow of multi-processor data transmission with FIFO selected. In the ID transmission cycle, the ID must be transmitted with the MPBT bit in FTDRH set to 1. In the data transmission cycle, the data must be transmitted with the MPBT bit set to 0. Rest of the operations are the same as operations in asynchronous mode with non-FIFO selected.

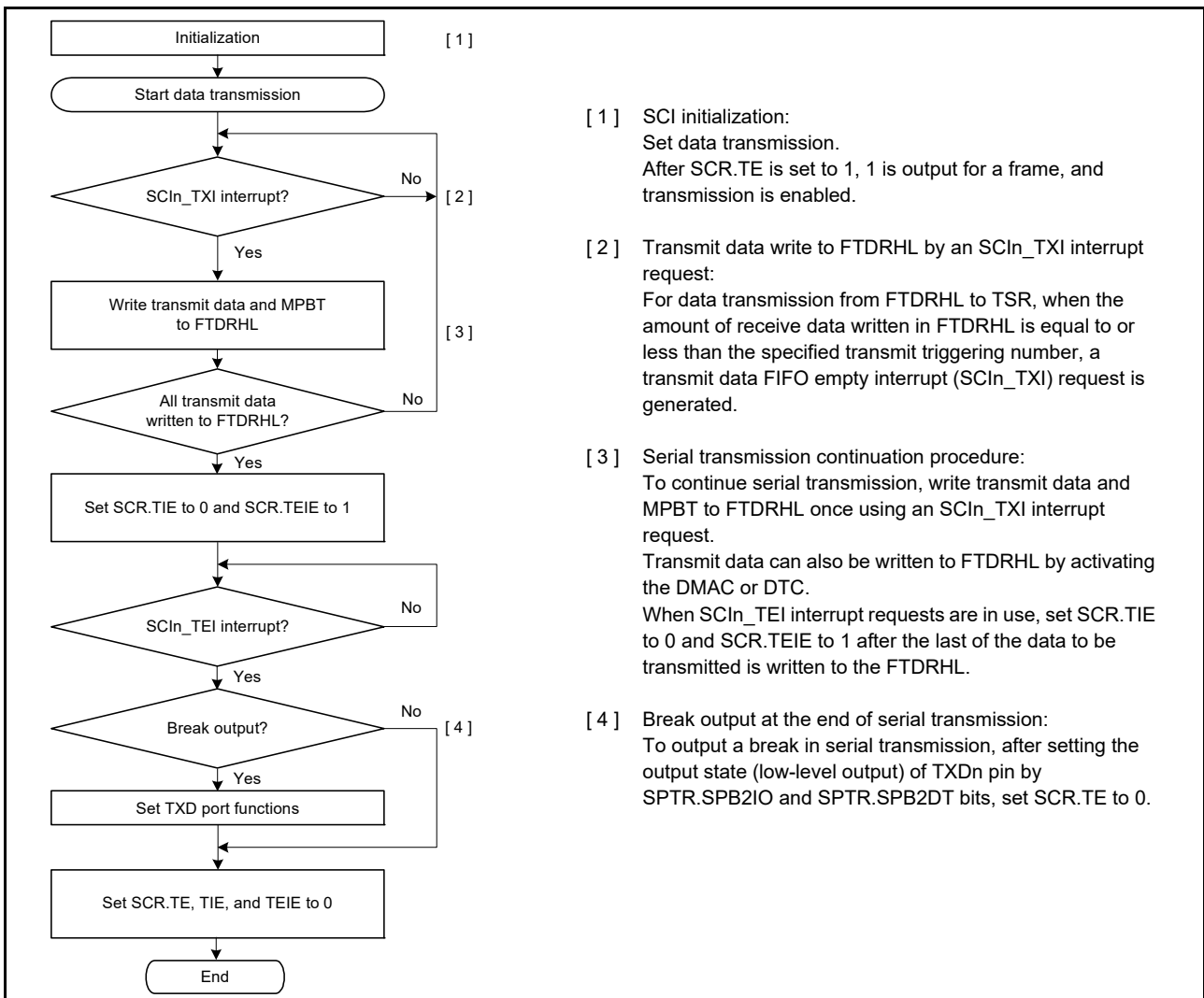


Figure 29.25 Example flow of serial transmission in multi-processor mode with FIFO selected

29.4.2 Multi-Processor Serial Data Reception

(1) Non-FIFO selected

Figure 29.26 and Figure 29.27 show example flows of multi-processor data reception. When the MPIE bit in SCR is set to 1, reading communication data is skipped until the reception of communication data in which the multi-processor bit is set to 1. When communication data in which the multi-processor bit is set to 1 is received, the received data is transferred to RDR, or RDRHL when 9-bit data length is selected, and the SCIn_RXI interrupt request is generated. The rest of the operations are the same as in asynchronous mode.

Figure 29.26 shows an example operation for data reception.

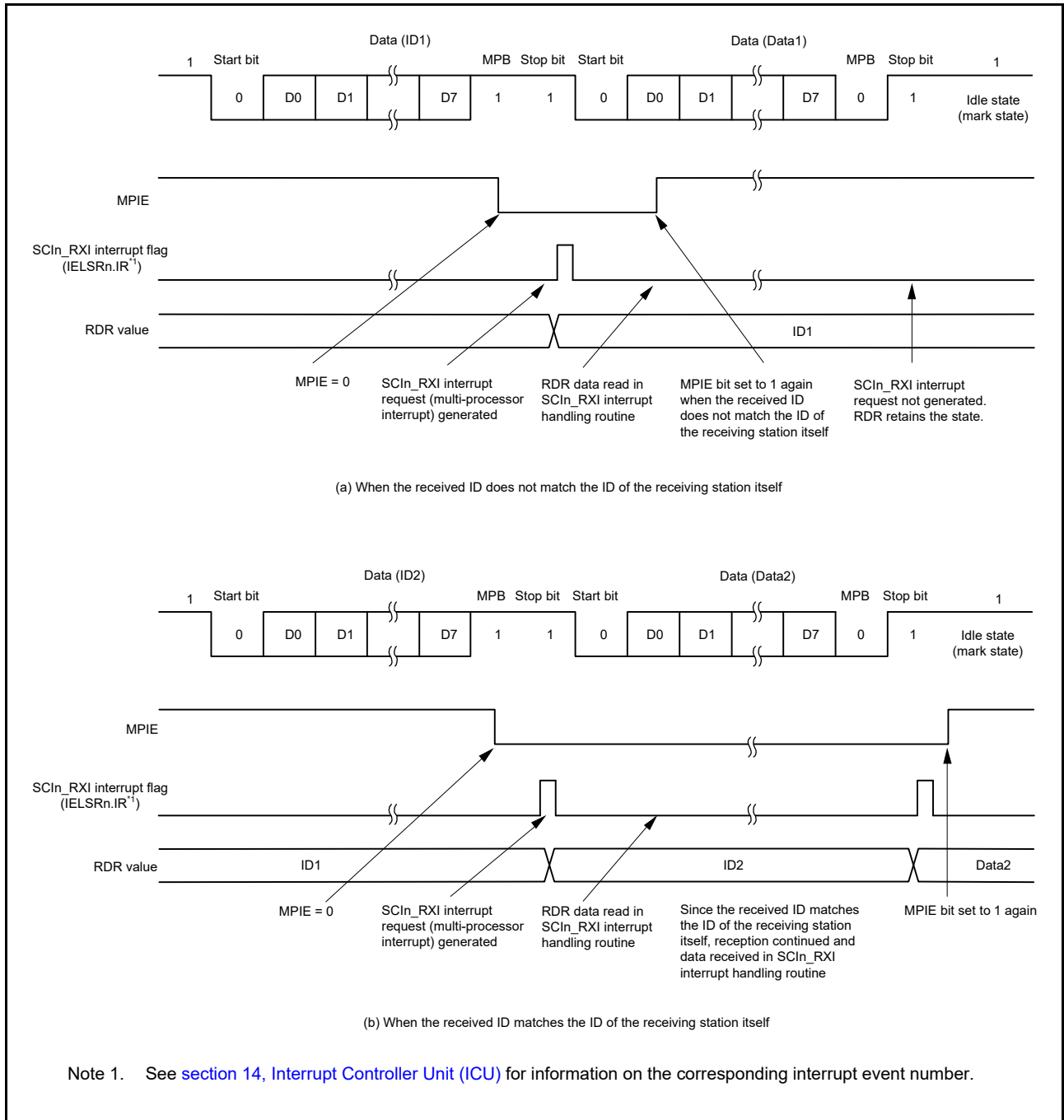


Figure 29.26 Example of SCI reception with 8-bit data, multi-processor bit, and 1 stop bit

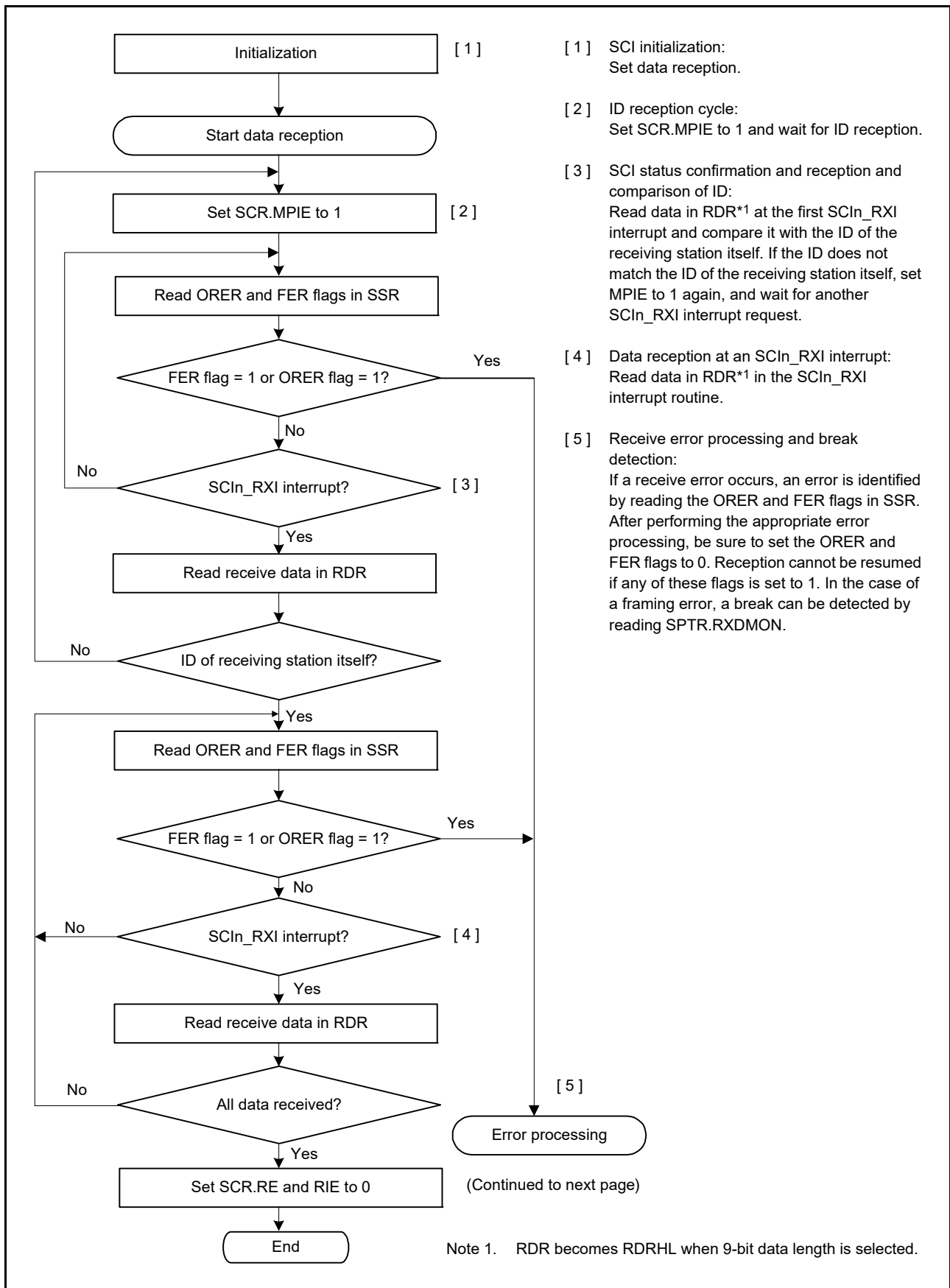


Figure 29.27 Example flow of multi-processor serial reception (1) with non-FIFO selected

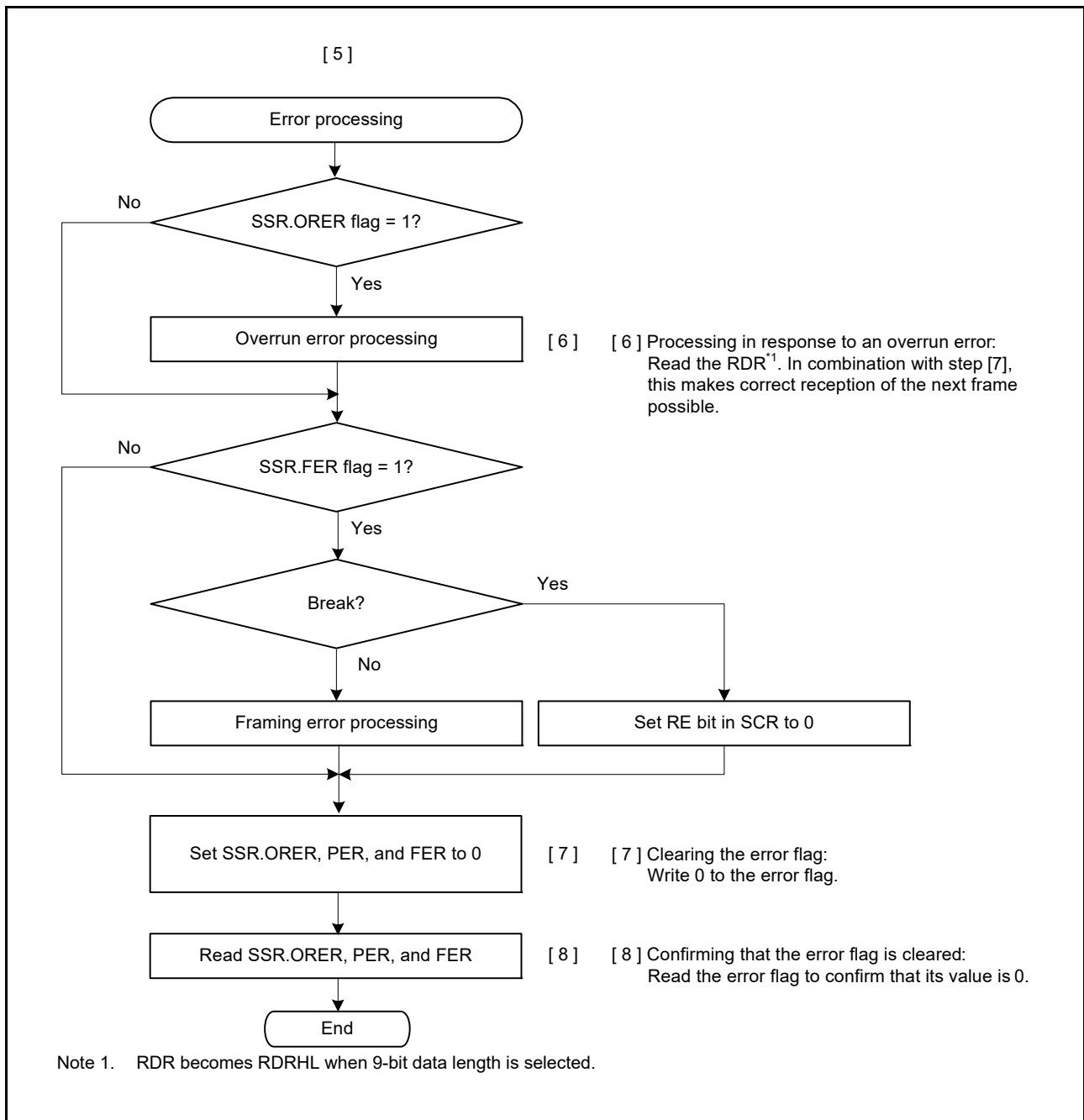


Figure 29.28 Example flow of multi-processor serial reception (2) with non-FIFO selected

(2) FIFO selected

Figure 29.29 shows an example of a data format that is written to FRDRH and FRDRL in multi-processor mode.

In multi-processor mode, the MPB value that is a part of the receive data is written to the MPB flag in FRDRH. A value of 0 is written to the PER flag in FRDRH. Data is written to FRDRH and FRDRL with the correct data length. Unused bits are written with 0. The read order is from FRDRH to FRDRL. When software reads FRDRL, the SCI updates FER, MPB, and receive data (RDAT[8:0]) in FRDRL with the next data. The RDF, ORER, and DR flags in FRDRH always reflect the associated flags in the SSR_FIFO register.

Data Length	Register Setting		Receive data in FRDRH, FRDRL														
	SCMR. CHR1	SMR. CHR	FRDRH										FRDRL				
			b7	b6	b5	b4	b3	b2	b1	b0	b7	b6	b5	b4	b3	b2	b1
7 bits	1	0	—	RDF	ORER	FER	0	DR	MPB	0	0	7-bit receive data					
8 bits	1	1	—	RDF	ORER	FER	0	DR	MPB	0	8-bit receive data						
9 bits	0	Don't care	—	RDF	ORER	FER	0	DR	MPB	9-bit receive data							

Note: When data length is 7 bits, 0 is always read for FRDRH[0] and FRDRL[7].
 When data length is 8 bits, 0 is always read for FRDRH[0].
 FRDRH[7] bit is read as an indefinite value.

Figure 29.29 Data format stored in FRDRH and FRDRL in multi-processor mode with FIFO selected

Figure 29.30 shows an example flow of multi-processor data reception with FIFO selected. When the MPIE bit in SCR is set to 1, reading communication data is skipped until the reception of communication data in which the multi-processor bit is set to 1. When communication data in which the multi-processor bit is set to 1 is received, the received data, MPB, and the associated errors are transferred to FRDRHL. The MPIE bit in SCR register is automatically cleared and non-multi-processor reception continues.

If a framing error occurs and the FER bit in SSR_FIFO is set to 1, the SCI continues data reception. The rest of the operations are the same as in asynchronous mode with non-FIFO selected.

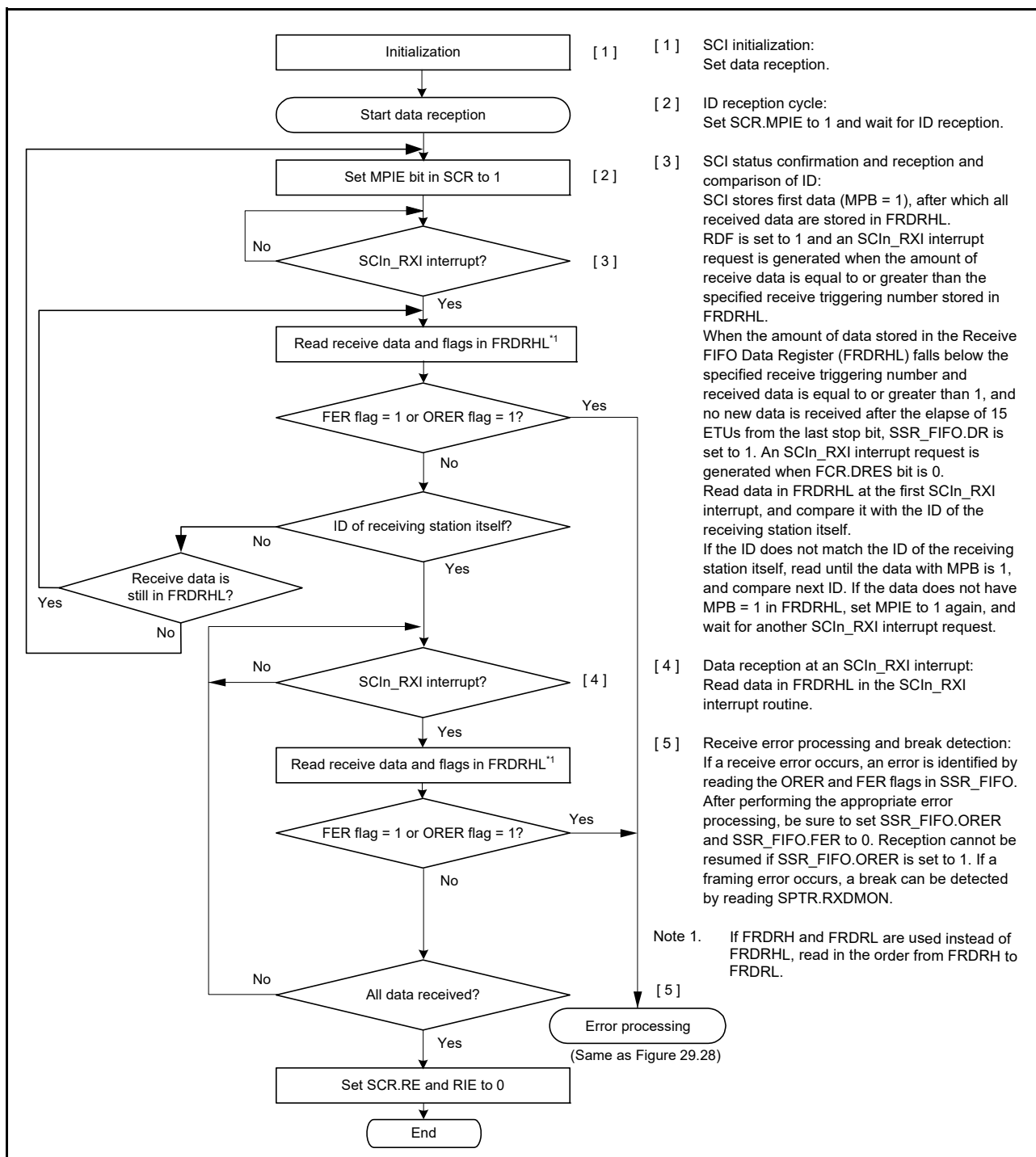


Figure 29.30 Example flow of serial reception in multi-processor mode with FIFO selected

29.5 Operation in Clock Synchronous Mode

Figure 29.31 shows the data format for clock synchronous serial data communications.

In clock synchronous mode, data is transmitted or received in synchronization with clock pulses. One character in transfer data consists of 8-bit data. In clock synchronous mode, no parity bit can be added.

In data transmission, the SCI outputs data from one falling edge of the synchronization clock to the next. In data reception, the SCI receives data in synchronization with the rising edge of the synchronization clock.

After 8-bit data is output, the transmission line holds the last bit as the output state. When the CKPH bit in SPMR register is 1 in slave mode, the SCI holds the first bit as the output state.

Within the SCI, the transmitter and receiver are independent units, enabling full-duplex communications by using a common clock. Both the transmitter and the receiver have a double-buffered structure, so that the next transmit data can be written during transmission or the previous receive data can be read during reception, enabling continuous data transfer.

However, it is not possible to perform continuous transfer in the fastest bit rate setting (BRR = 00h and SMR.CKS[1:0] = 00b). Therefore, when the FIFO is selected, this setting (BRR = 00h and SMR.CKS[1:0] = 00b) is not available.

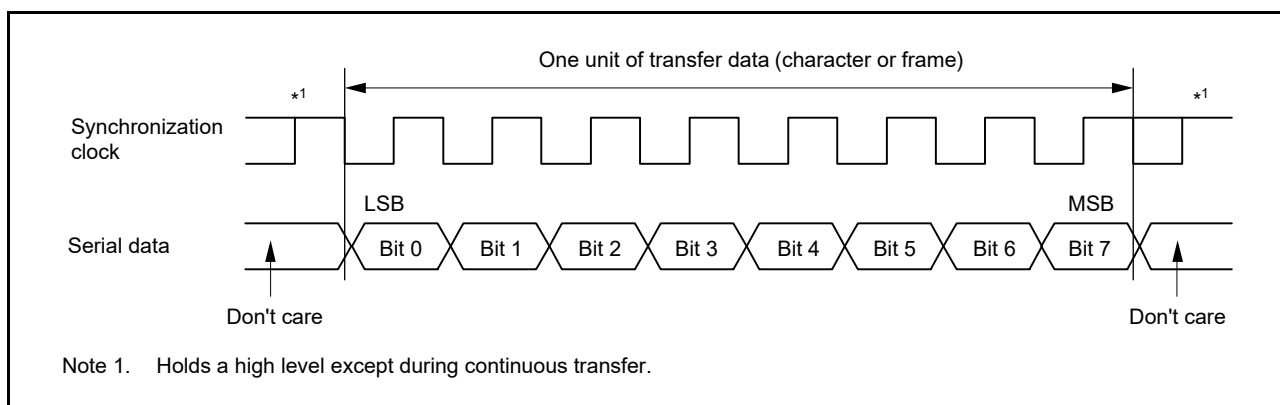


Figure 29.31 Data format in clock synchronous serial communications with LSB-first order

29.5.1 Clock

Either an internal clock generated by the on-chip baud rate generator or an external synchronization clock input at the SCKn pin can be selected based on the setting of the CKE[1:0] bits in the SCR register.

When the SCI operates on an internal clock, the synchronization clock is output from the SCKn pin. 8 synchronization clock pulses are output in the transfer of one character. When no transfer is performed, the clock is held high. However, when only data reception is performed while the CTS function is disabled, the synchronization clock output starts when the RE bit in SCR is set to 1. The synchronization clock stops when it is held high*1 and when an overrun error occurs, or when the RE bit is set to 0.

When only data reception occurs and the CTS function is enabled, the clock output does not start when the RE is set to 1 and the CTSn_RTsn input is high. The synchronization clock output starts when the RE bit is set to 1 and the CTSn_RTsn input is low. When the CTSn_RTsn input is high on completion of the frame reception, the synchronization clock output stops when it goes high. If the CTSn_RTsn input continues to be low, the synchronization clock stops when it is held high*1 and an overrun error occurs, or when the RE bit is set to 0.

Note 1. The signal is held high when SPMR.CKPH bit is 0 and SPMR.CKPOL bit is 0, or when SPMR.CKPH bit is 1 and SPMR.CKPOL bit is 1.

It is held low when SPMR.CKPH bit is 0 and SPMR.CKPOL bit is 1, or when SPMR.CKPH bit is 1 and SPMR.CKPOL bit is 0.

29.5.2 CTS and RTS Functions

In the CTS function, the CTSn_RTSn input controls the start of data reception or transmission when the clock source is the internal clock. Setting the CTSE bit in SPMR register to 1 enables the CTS function. When the CTS function is enabled, setting the CTSn_RTSn pin low causes data reception or transmission to start.

Setting the CTSn_RTSn pin high while the data transmission or reception is in progress does not affect transmission or reception of the current frame.

In the RTS function, the CTSn_RTSn output is used to request the start of data reception or transmission when the clock source is an external synchronizing clock. The CTSn_RTSn output goes low when serial communication becomes possible. Conditions for output of CTSn_RTSn low and high are as follows:

[Conditions for low output]

(a) Non-FIFO selected, when all of the following conditions are satisfied

- The value of the RE or TE bit in SCR is 1
- When serial communication is enabled
- There is no received data available to be read when SCR.RE is 1
- Data is available for transmission in TSR when SCR.TE is 1
- The SSR.ORER flag is 0.

(b) FIFO selected, when all of the following conditions are satisfied

- The value of the RE or TE bit in the SCR is 1
- When serial communication is enabled
- When the amount of receive data written in FRDRHL is less than the specified CTSn_RTSn output triggering number when SCR.RE = 1
- Data that has not been transmitted is available in FTDRHL when SCR.TE is 1 and SCR.CKE[1] is 0
- Data is available for transmission in TSR when SCR.TE is 1 and SCR.CKE[1] is 1
- The SSR_FIFO.ORER flag is 0.

[Condition for high output]

(a) Non-FIFO selected

- The conditions for low output are not satisfied.
- When reception is terminated with SCR.RE = 0 without reading the RDR register after reception is completed, RTS remains high. At this time, read the SCR register for dummy values after writing SCR.RE = 0.

(b) FIFO selected

- The conditions for low output are not satisfied.

29.5.3 SCI Initialization in Clock Synchronous Mode

Before transmitting and receiving data, start by writing the initial value 00h to SCR, then continue through the SCI initialization procedure in [section 29.5.2, CTS and RTS Functions](#). Any time the operating mode or transfer format is to be changed, SCR must be initialized before the change can be made.

Note: When the SCR.RE bit is set to 0, the ORER, FER, RDRF, RDF, PER, and DR flags in SSR/SSR_FIFO, and the RDR and RDRHL registers are not initialized. When the TE bit in the SCR register is set to 0, the TEND flag for the selected FIFO buffer is not initialized.

Note: Switching the value of the TE bit from 1 to 0 or 0 to 1 when the TIE bit is 1 generates an SCIn_TXI interrupt request.

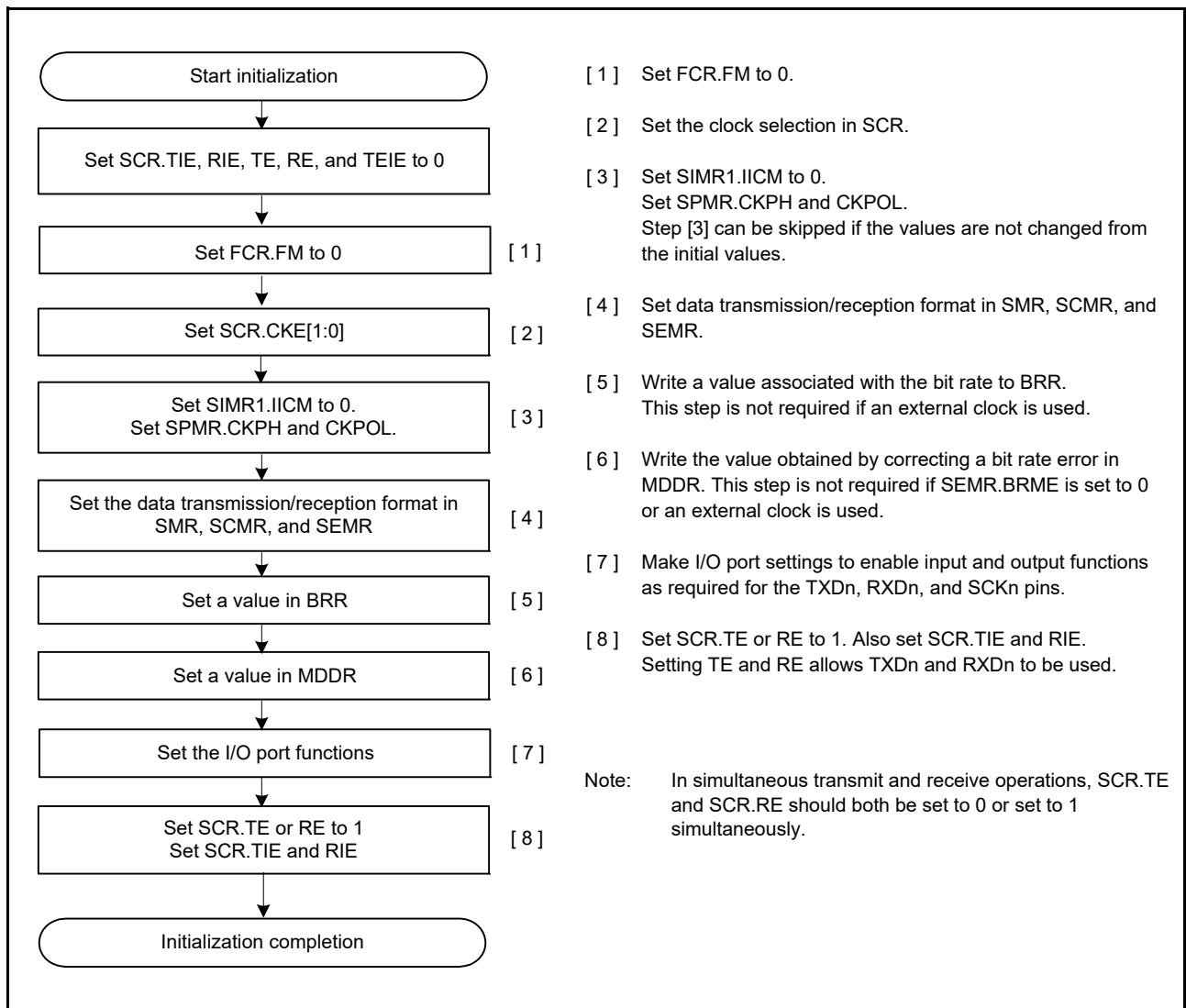


Figure 29.32 Example flow of SCI initialization in clock synchronous mode with non-FIFO selected

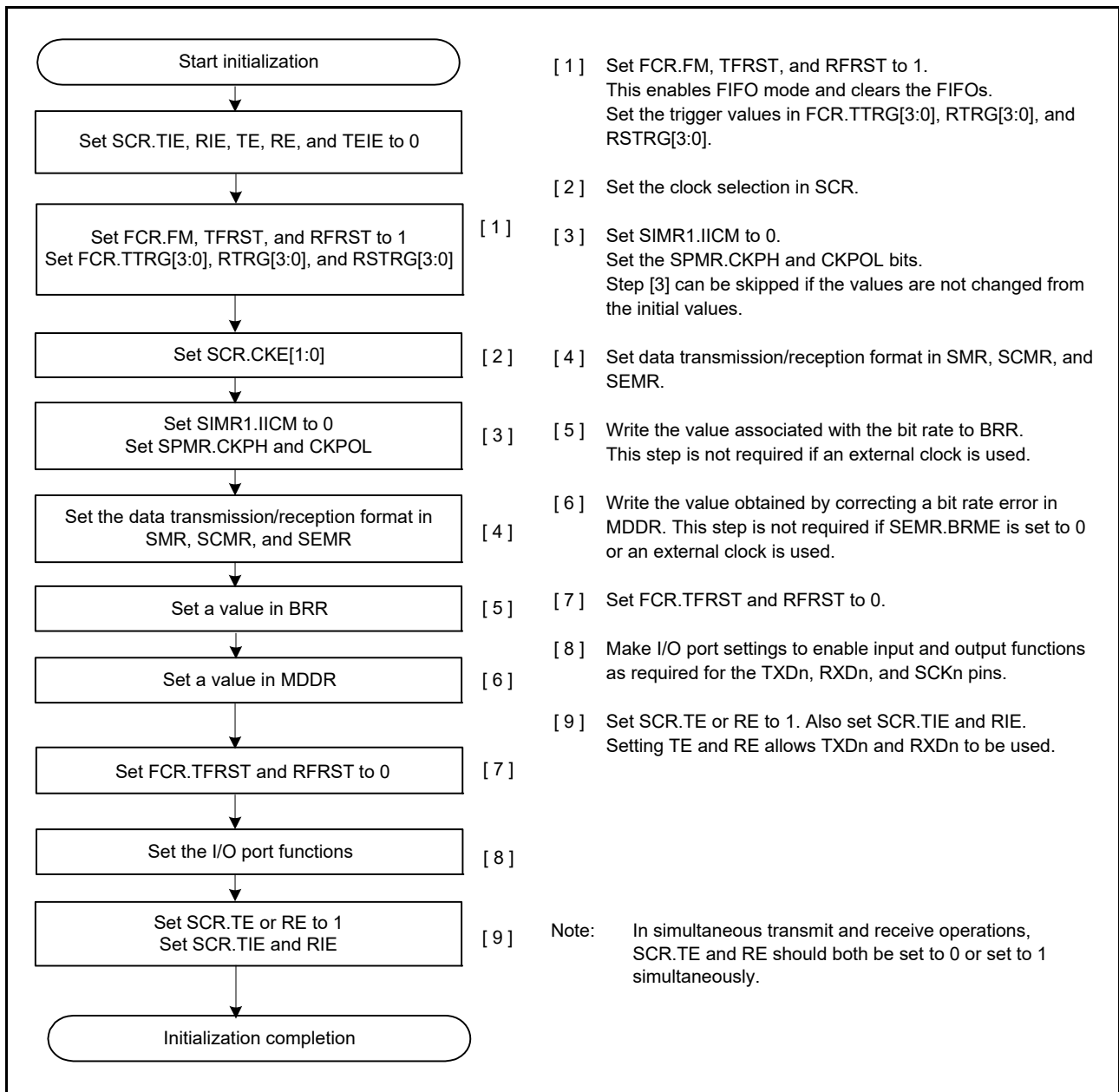


Figure 29.33 Example flow of SCI initialization in clock synchronous mode with FIFO selected

29.5.4 Serial Data Transmission in Clock Synchronous Mode

(1) Non-FIFO selected

Figure 29.34, Figure 29.35, and Figure 29.36 show examples of serial transmission in clock synchronous mode.

In serial data transmission, the SCI operates as follows:

1. The SCI transfers data from TDR to TSR when data is written to TDR in the SCIn_TXI interrupt handling routine. The SCIn_TXI interrupt request at the beginning of transmission is generated when the TE bit in SCR is set to 1 but only after SCR.TIE is also set to 1, or when SCR.TE and SCR.TIE are both set to 1 simultaneously by a single instruction.
2. After transferring data from TDR to TSR, the SCI starts transmission. When the TIE bit in SCR is set to 1, an SCIn_TXI interrupt request is generated. Continuous transmission is enabled by writing the next transmit data to TDR in the SCIn_TXI interrupt handling routine before transmission of the current transmit data finishes. When SCIn_TEI interrupt requests are in use, set the TIE bit in SCR to 0 and the TEIE bit in SCR to 1 after the last of the data to be transmitted is written to TDR.
3. 8-bit data is sent from the TXDn pin in synchronization with the output clock when the clock output mode is specified, and in synchronization with the input clock when the use of an external clock is specified. Output of the clock signal is suspended until the input signal CTSn_RTSn is low when the CTSE bit in SPMR register is 1.
4. The SCI checks for updates to TDR on output of the last bit.
5. When TDR is updated, the next transmit data is transferred from TDR to TSR, and serial transmission of the next frame starts.
6. If TDR is not updated, the TEND flag in SSR register is set to 1. The TXDn pin retains the output state of the last bit. If the TEIE bit in SCR register is 1, an SCIn_TEI interrupt request is generated and the SCKn pin is held high.

Figure 29.34, Figure 29.35, and Figure 29.36 show example flows of serial data transmission.

Transmission does not start while a receive error flag (ORER, FER, or PER in SSR) is set to 1. Be sure to set the receive error flags to 0 before starting transmission.

Note: Setting the RE bit in SCR register to 0 does not clear the receive error flags.

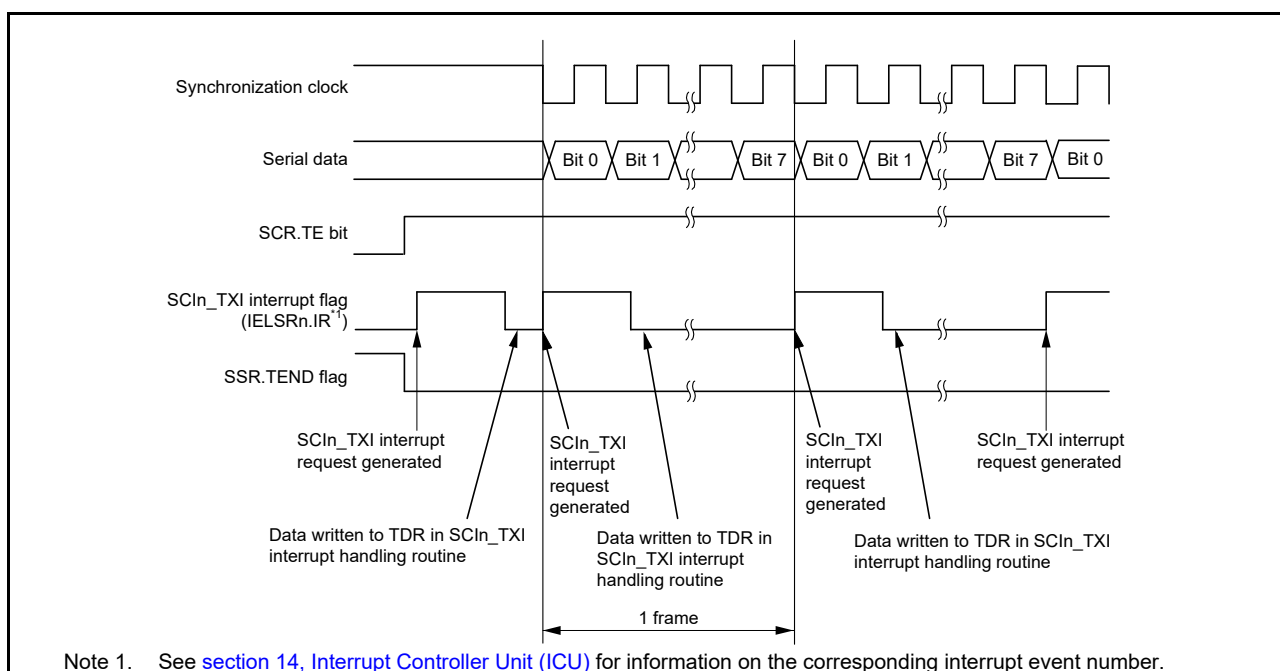


Figure 29.34 Example of serial data transmission in clock synchronous mode when the CTS function is not used at the beginning of transmission

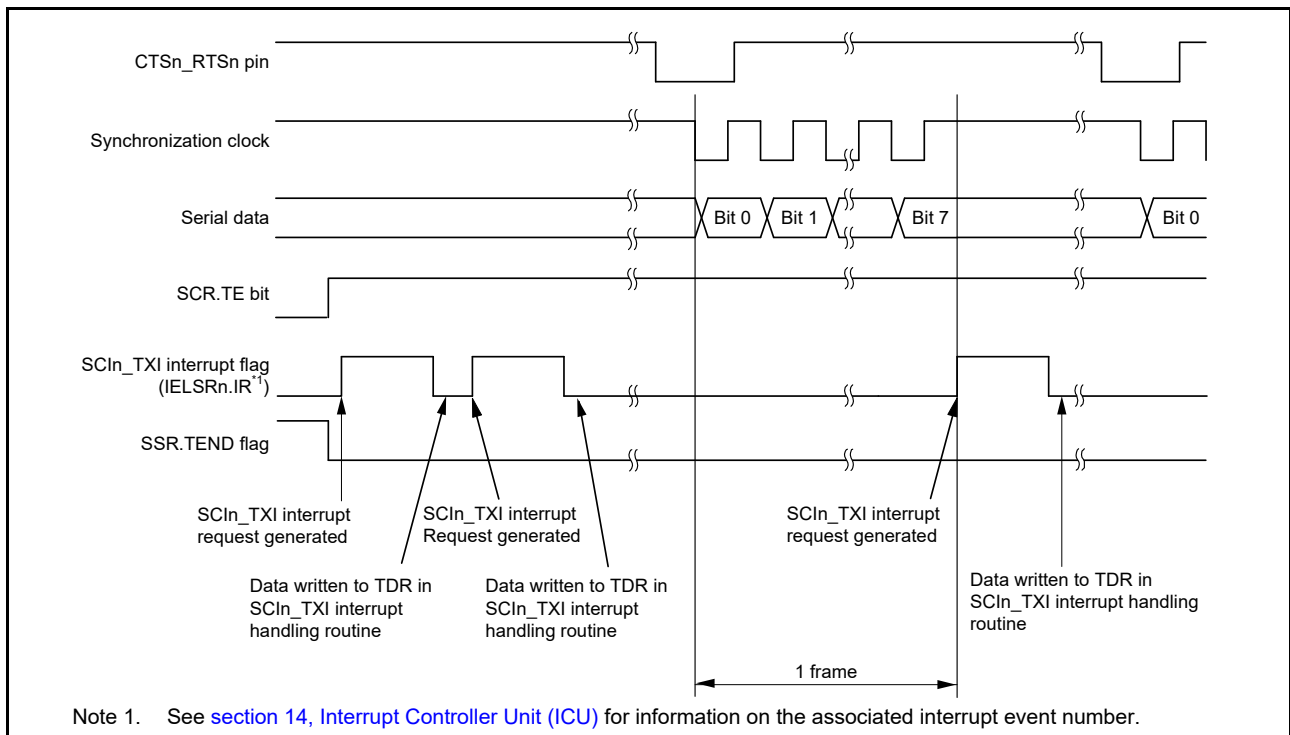


Figure 29.35 Example of serial data transmission in clock synchronous mode when the CTS function is used at the beginning of transmission

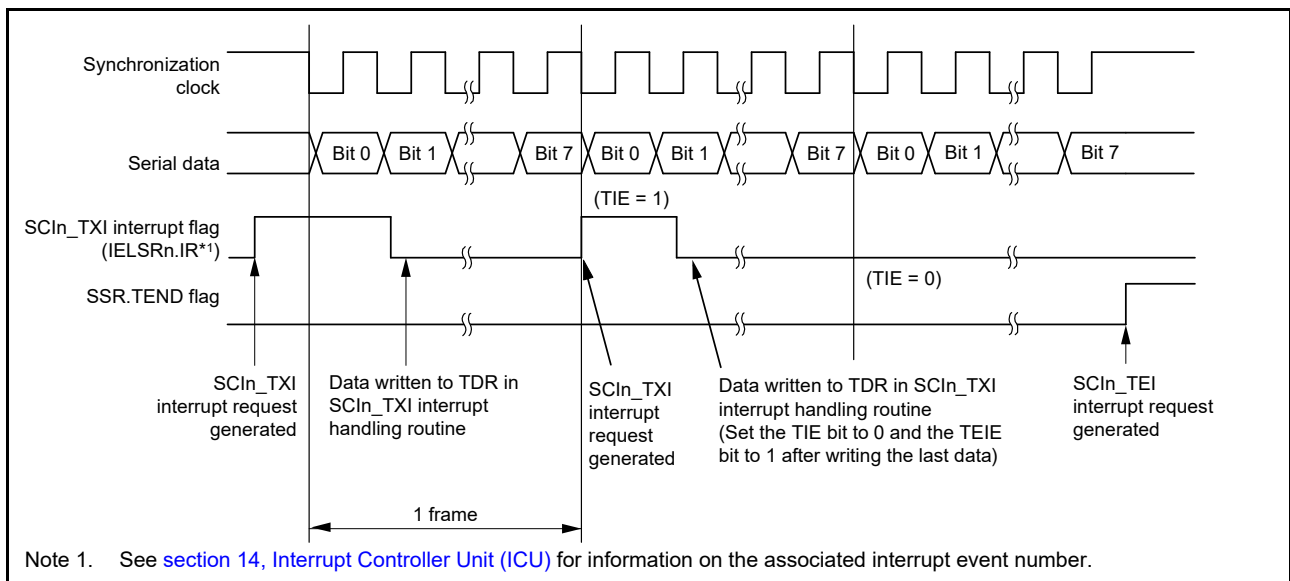


Figure 29.36 Example of serial data transmission in clock synchronous mode from the middle of transmission until transmission completion

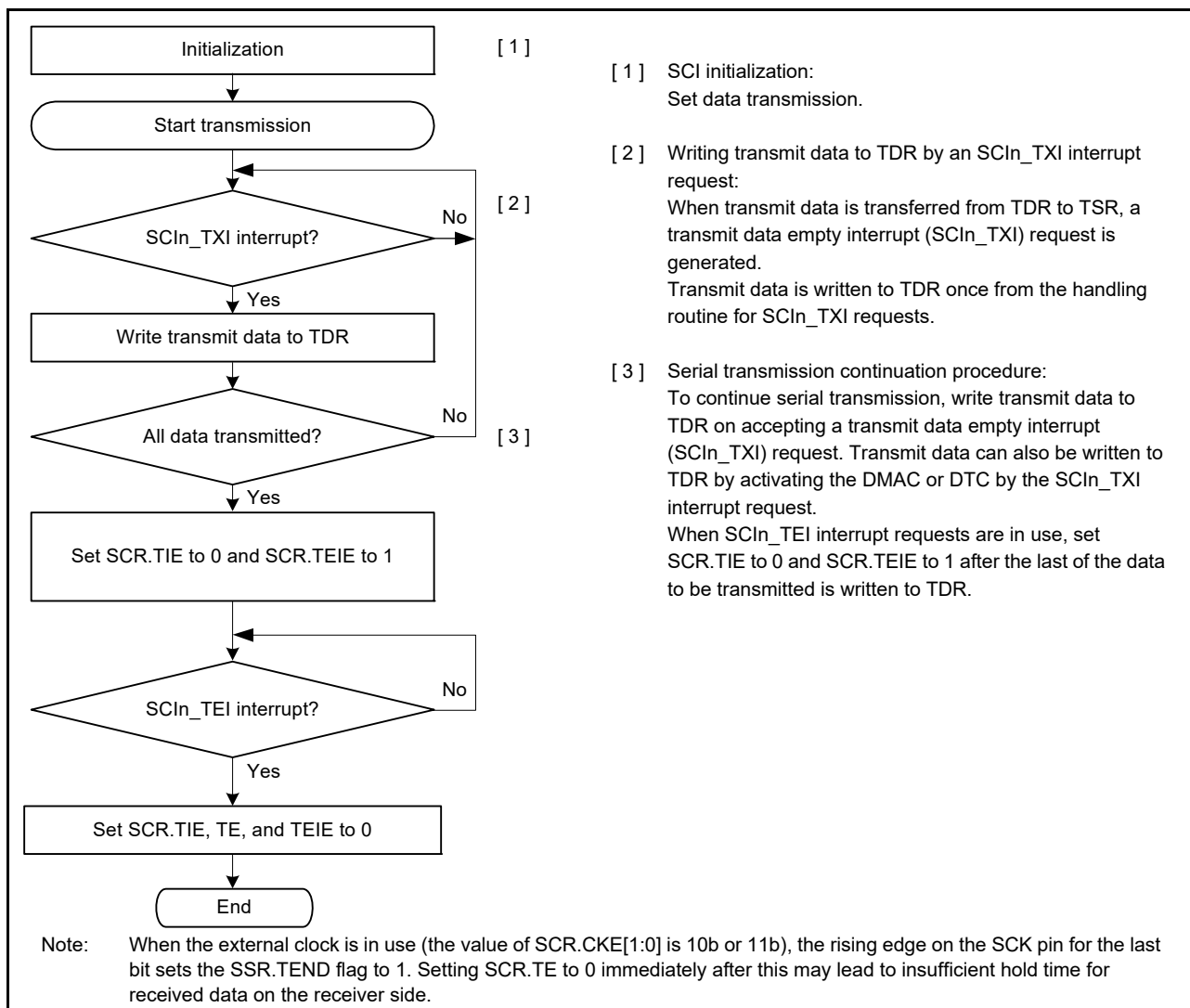


Figure 29.37 Example flow of serial transmission in clock synchronous mode with non-FIFO selected
(2) FIFO selected

Figure 29.38 shows an example of serial transmission in clock synchronous mode with FIFO selected.

In serial data transmission, the SCI operates as follows:

1. The SCI transfers data from FTDRL*1 to TSR when data is written to FTDRL*1 in the SCIn_TXI interrupt handling routine. The amount of data that can be written to FTDRL is 16 minus FDR.T[4:0] bytes. The SCIn_TXI interrupt request at the beginning of transmission is generated when SCR.TE is set to 1, but only after SCR.TIE is also set to 1, or when SCR.TE and SCR.TIE are both set to 1 simultaneously by a single instruction.
2. After transferring data from FTDRL to TSR, the SCI starts transmission. When the amount of transmit data written in FTDRL is equal to or less than the specified transmit triggering number, the TDFE flag in SSR_FIFO is set to 1. When the TIE bit in SCR is set to 1, an SCIn_TXI interrupt request is generated. Continuous transmission is enabled by writing the next transmit data to FTDRL in the SCIn_TXI interrupt handling routine before transmission of the current transmit data is complete. When SCIn_TEI interrupt requests are in use, set the TIE bit in SCR to 0 and the TEIE bit in SCR to 1 after the last of the data to be transmitted is written to FTDRL.
3. 8-bit data is sent from the TXDn pin in synchronization with the output clock when the clock output mode is specified, and in synchronization with the input clock when use of an external clock is specified. Output of the clock signal is suspended until the CTSn_RTSn input signal is low, when the CTSE bit in SPMR is 1.
4. The SCI checks whether non-transmitted data remains in FTDRL on the output of the stop bit.
5. When FTDRL is updated, the next transmit data is transferred from FTDRL to TSR and serial transmission of the next frame starts.

6. If FTDRL is not updated, the TEND flag in SSR_FIFO is set to 1. The TXDn pin keeps the output state of the last bit. If the EIE bit in SCR is 1, an SCIn_TEI interrupt request is generated and the SCKn pin is held high.

Note 1. In clock synchronous mode, FTDRH is not used.

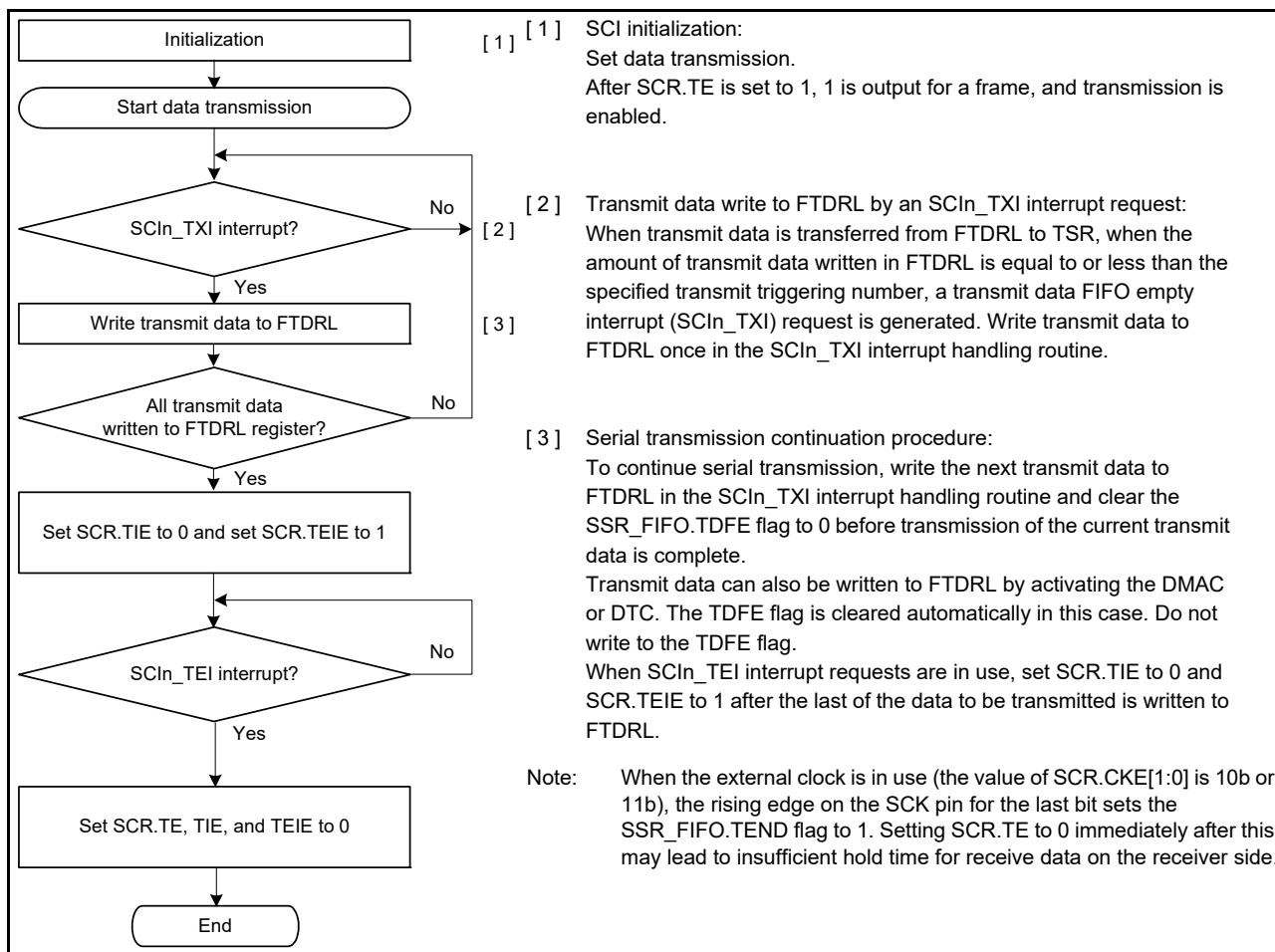


Figure 29.38 Example flow of serial transmission in clock synchronous mode with FIFO selected

29.5.5 Serial Data Reception in Clock Synchronous Mode

(1) Non-FIFO selected

Figure 29.39 and Figure 29.40 show examples of SCI operation for serial reception in clock synchronous mode.

In serial data reception, the SCI operates as follows:

1. When the value of SCR.RE becomes 1, the CTSn_RTsn pin goes low.
2. The SCI performs internal initialization and starts receiving data in synchronization with a synchronization clock input or output, and stores the receive data in RSR.
3. If an overrun error occurs, the SSR.ORER flag is set to 1. If SCR.RIE is 1, an SCIn_ERI interrupt request is generated. Receive data is not transferred to RDR.
4. When reception completes successfully, receive data is transferred to RDR. If SCR.RIE is 1, an SCIn_RXI interrupt request is generated. Continuous reception is enabled by reading the receive data transferred to RDR in the SCIn_RXI interrupt handling routine before reception of the next receive data completes. Reading the received data from RDR causes the CTSn_RTsn pin to output low.

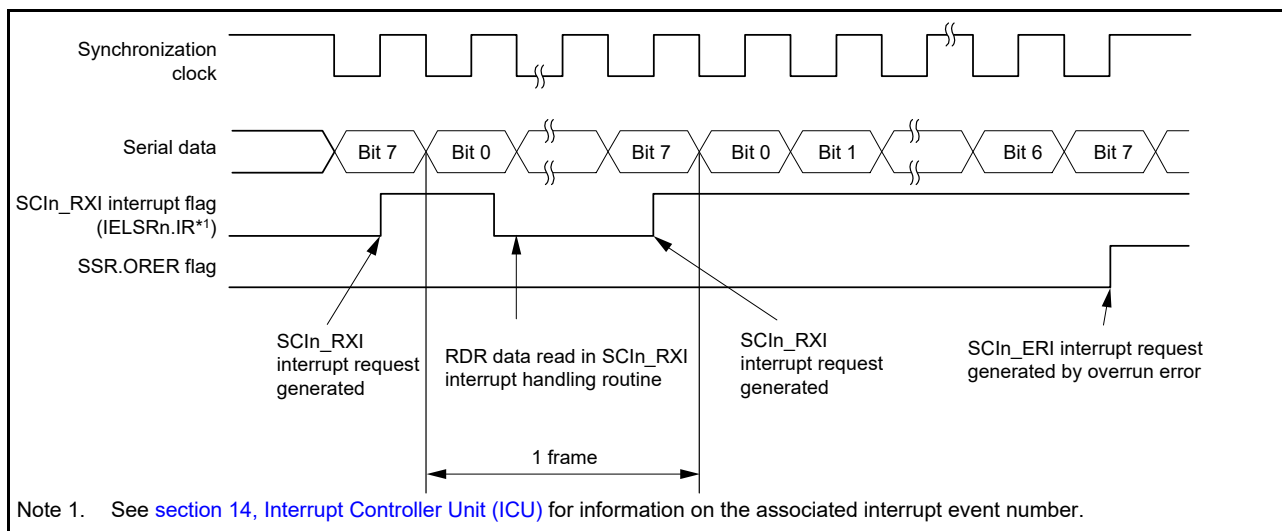


Figure 29.39 Example operation of serial reception in clock synchronous mode (1) when the RTS function is not used

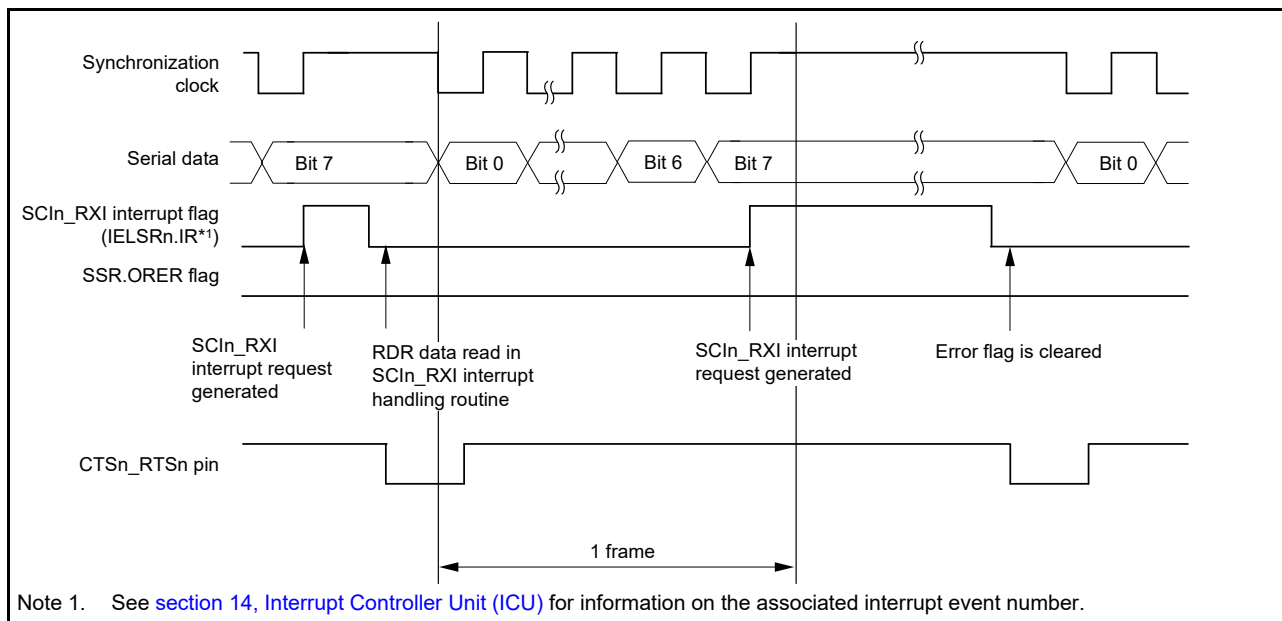


Figure 29.40 Example operation of serial reception in clock synchronous mode (2) when RTS function is used

Data transfer cannot resume while the receive error flag is 1. Therefore, clear the ORER, FER, and PER flags in SSR to 0 before resuming data reception. Additionally, be sure to read the RDR during overrun error processing. When a data reception is forcibly terminated by setting the RE bit in SCR to 0 during operation, read RDR because the received data that is not read yet might be left in the RDR.

Figure 29.41 shows an example flow of serial data reception.

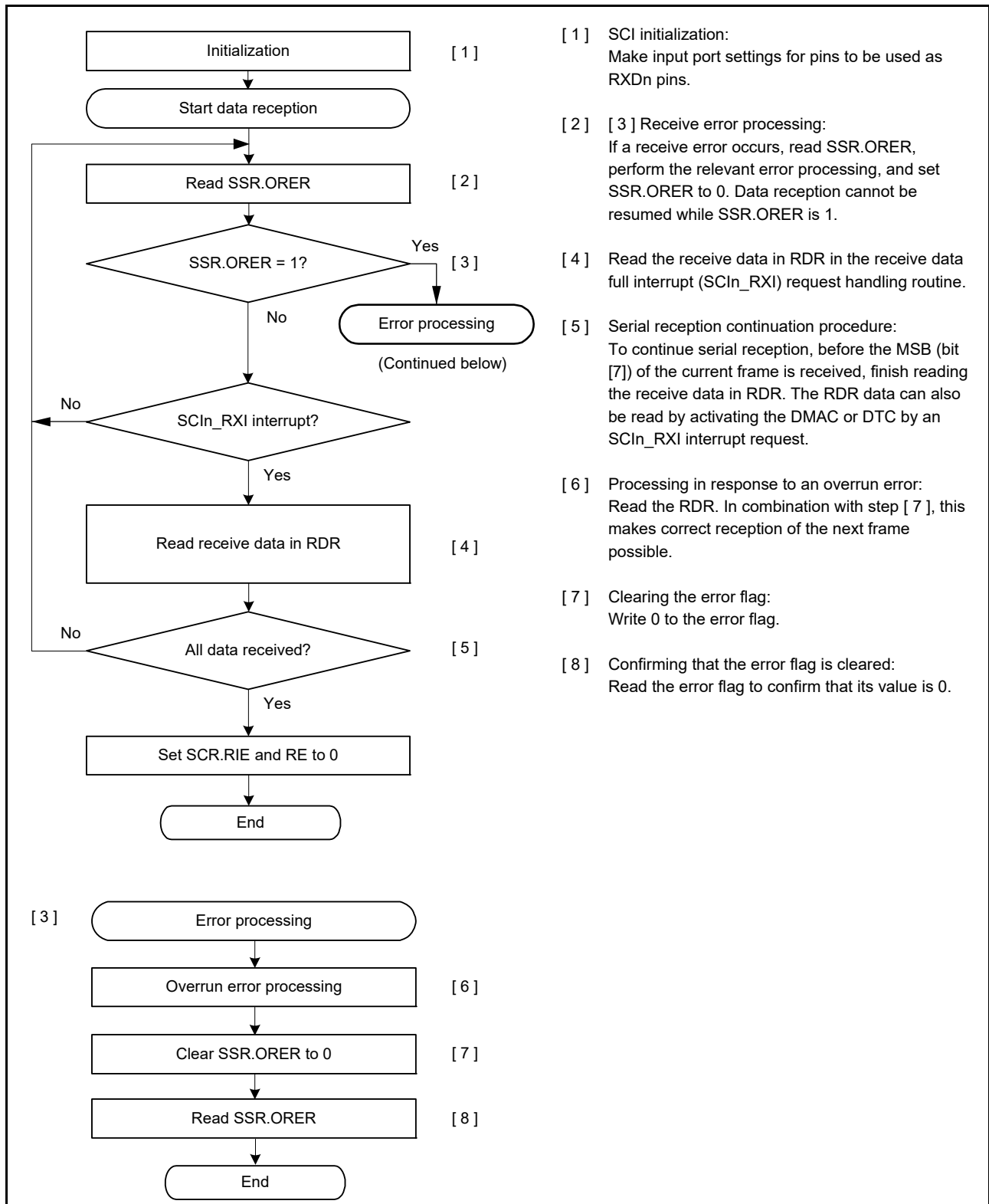


Figure 29.41 Example flow of serial reception in clock synchronous mode with non-FIFO selected

(2) FIFO selected

Figure 29.42 shows an example of serial reception in clock synchronous mode with FIFO operation selected.

In serial data reception, the SCI operates as follows:

1. When the value of SCR.RE becomes 1, the CTSn_RTSn pin goes low.
2. The SCI performs internal initialization and starts receiving data in synchronization with a synchronization clock input or output, and stores the receive data in RSR.
3. If an overrun error occurs, the ORER flag in SSR_FIFO is set to 1. If the RIE bit in SCR is 1, an SCIn_ERI interrupt request is generated. Receive data is not transferred to FRDRL*1.
4. When data reception completes successfully, the receive data is transferred to FRDRL*1. The RDF in SSR_FIFO is set to 1 when the amount of the receive data is equal to or greater than the specified receive triggering number stored in FRDRHL. If the RIE bit in SCR register is 1, an SCIn_RXI interrupt request is generated. Continuous data reception is enabled by reading the receive data transferred to FRDRL*2 in the SCIn_RXI interrupt handling routine before an overrun error occurs. If the amount of received data that has been transferred to FRDRL is less than the RTS trigger number, the CTSn_RTSn pin goes low.

Note 1. In clock synchronous mode, FRDRH is not used.

Note 2. Read data in the order from FRDRH to FRDRL when RDF and ORER are read with receive data.

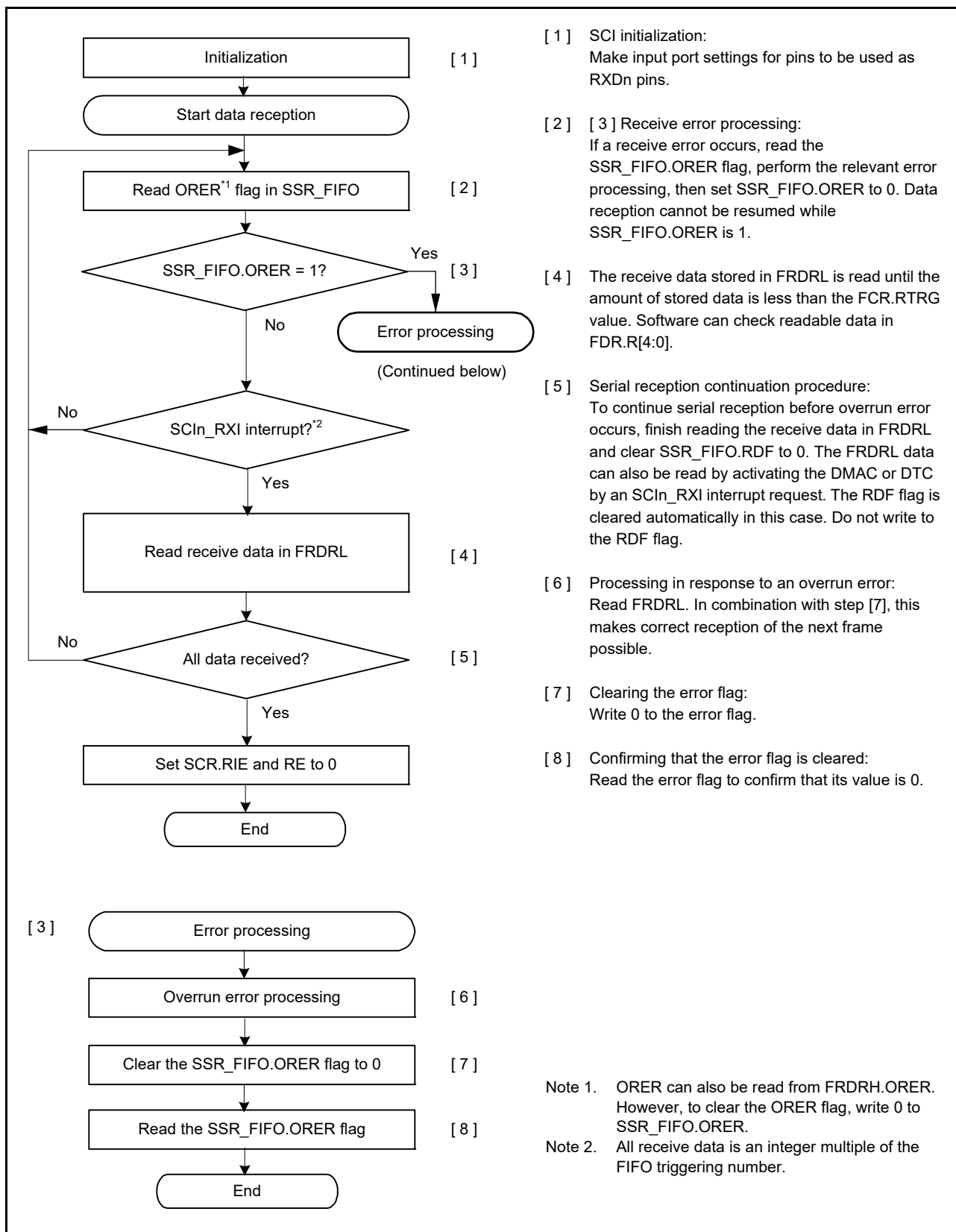


Figure 29.42 Example flow of serial reception in clock synchronous mode with FIFO selected

29.5.6 Simultaneous Serial Data Transmission and Reception in Clock Synchronous Mode

(1) Non-FIFO selected

Figure 29.43 shows an example flow of simultaneous serial transmit and receive operations in clock synchronous mode. After initializing the SCI, the following procedure should be used for simultaneous serial data transmission and receive operations.

To switch from transmit mode to simultaneous transmit and receive mode:

1. Check that the SCI completes the data transmission by verifying that the TEND flag in the SSR register is set to 1.
2. Initialize the SCR register and then set the TIE, RIE, TE, and RE bits in the SCR register to 1 simultaneously using a single instruction.

To switch from receive mode to simultaneous transmit and receive mode:

1. Check that the SCI completes the data reception.
2. Set the RIE and RE bits to 0 in the SCR register and then check that the receive error flag ORER in SSR is 0.
3. Set the TIE, RIE, TE, and RE bits in the SCR register to 1 simultaneously using a single instruction.

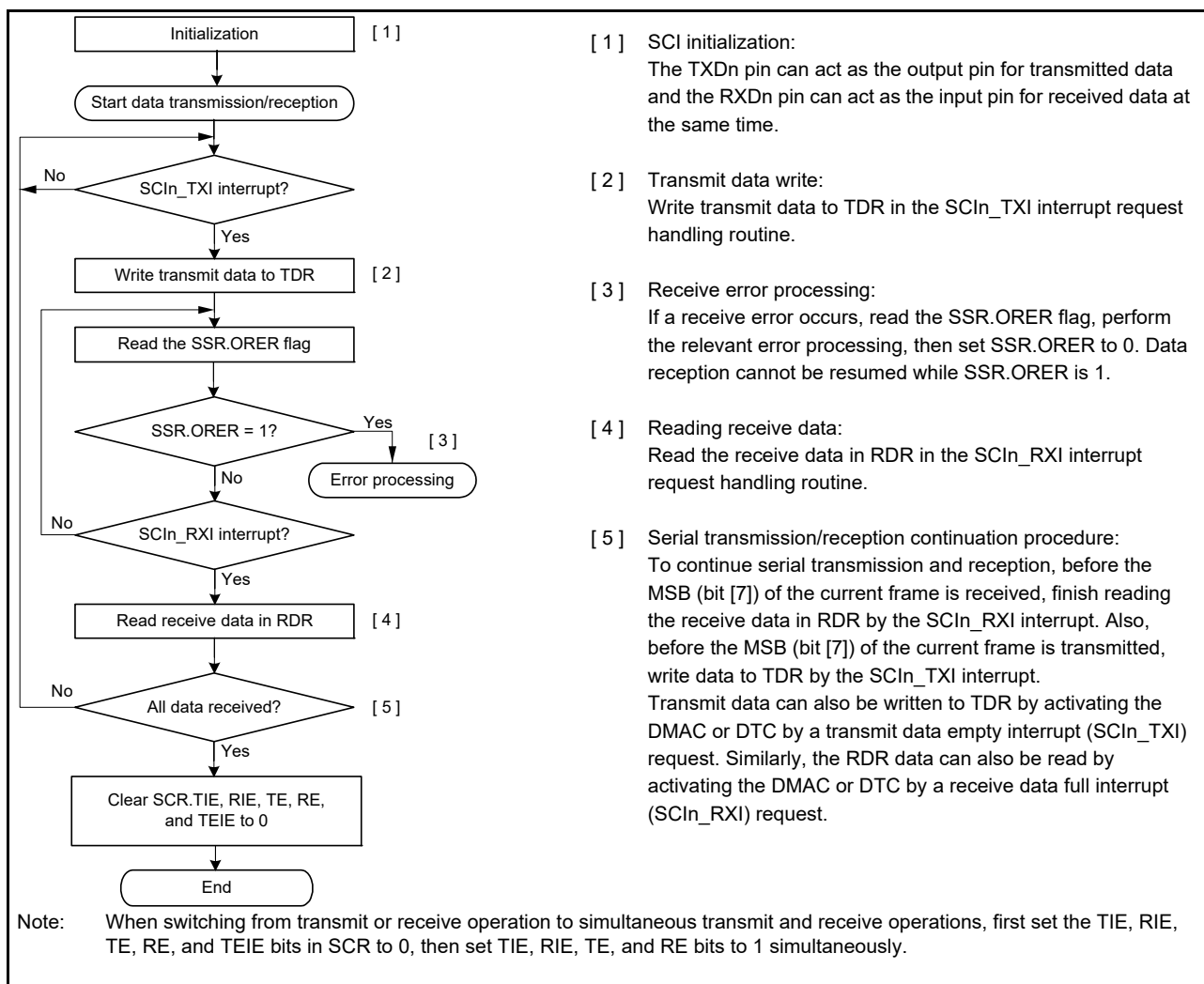


Figure 29.43 Example flow of simultaneous serial transmission and reception in clock synchronous mode with non-FIFO selected

(2) FIFO selected

Figure 29.44 shows an example flow of simultaneous serial transmit and receive operations in clock synchronous mode with FIFO selected.

After initializing the SCI, use the following procedure for simultaneous serial data transmit and receive operations.

To switch from transmit mode to simultaneous transmit and receive mode:

1. Check that the SCI completes the transmission by verifying that the TEND flag in SSR_FIFO is set to 1.
2. Initialize SCR, then set the TIE, RIE, TE, and RE bits in SCR to 1 simultaneously using a single instruction.

To switch from receive mode to simultaneous transmit and receive mode:

1. Check that the SCI completes the reception.
2. Set the RIE and RE bits in SCR to 0 and then check that the receive error flag ORER in SSR_FIFO is 0.
3. Set the TIE, RIE, TE, and RE bits in the SCR register to 1 simultaneously using a single instruction.

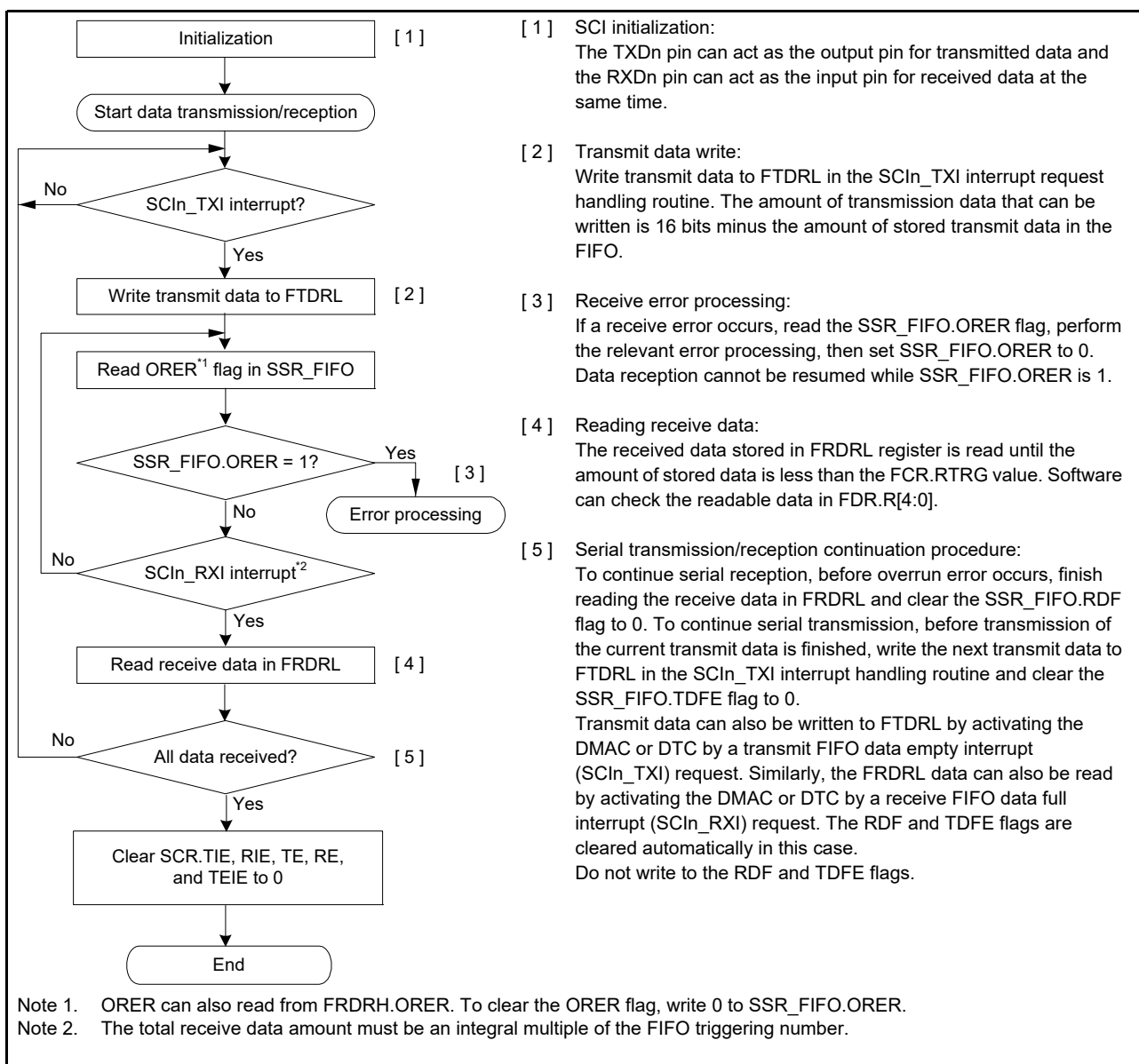


Figure 29.44 Example flow of simultaneous serial transmission and reception in clock synchronous mode with FIFO selected

29.6 Operation in Smart Card Interface Mode

The SCI supports smart card (IC card) interfaces conforming to ISO/IEC 7816-3 (standard for Identification Cards), as an extended function of the SCI.

Smart card interface mode can be selected using the appropriate register.

29.6.1 Example Connection

Figure 29.45 shows an example connection between a smart card (IC card) and the MCU.

Because the MCU communicates with an IC card using a single transmission line, interconnect the TXDn and RXDn pins and pull up the data transmission line to VCC using a resistor, as shown in Figure 29.45.

Setting the TE and RE bits in SCR_SMCI to 1 with an IC card disconnected enables closed-loop transmission or reception, allowing self-diagnosis. To supply an IC card with the clock pulses generated by the SCI, input the SCKn pin output to the CLK pin of an IC card.

An output port of the MCU can be used to output a reset signal.

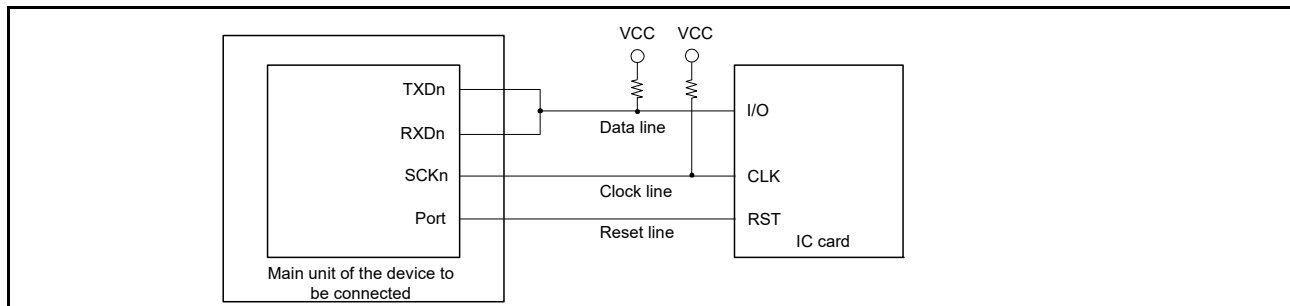


Figure 29.45 Example connection with a smart card (IC card)

29.6.2 Data Format (Except in Block Transfer Mode)

Figure 29.46 shows the data transfer formats in smart card interface mode.

The data transfer format is as follows:

- One frame consists of 8-bit data and a parity bit in asynchronous mode
- During transmission, a value of at least 2 ETUs (elementary time unit – the time required for transferring 1 bit) is set as a guard time from the end of the parity bit until the start of the next frame
- If a parity error is detected during reception, a low error signal is output for 1 ETU after a period of 10.5 ETUs elapses from the start bit
- If an error signal is sampled during transmission, the same data is automatically retransmitted after at least 2 ETUs.

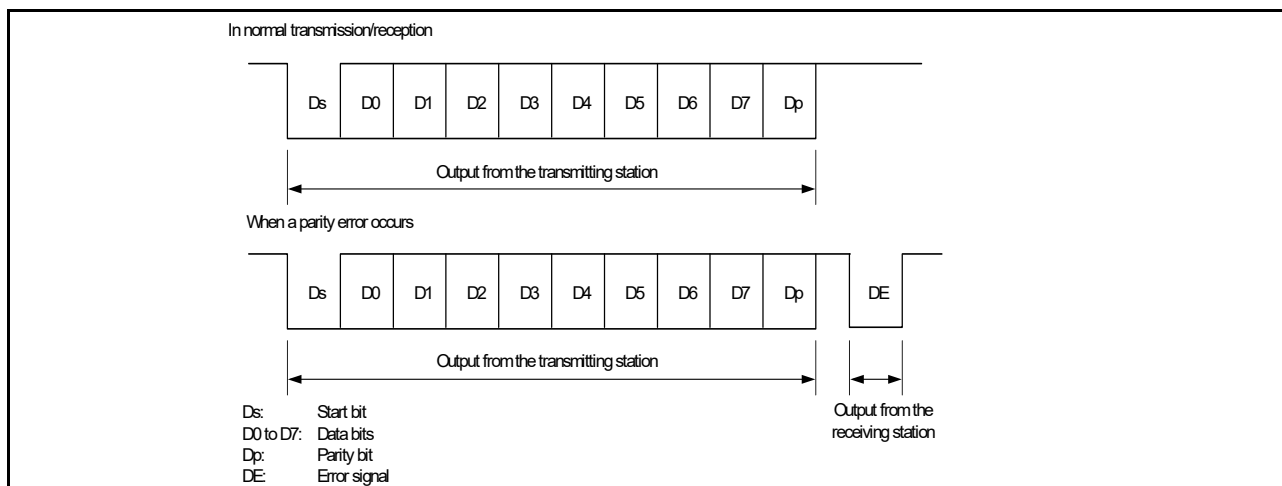


Figure 29.46 Data formats in smart card interface mode

For communication with IC cards of the direct convention type and inverse convention type, follow the procedures in this section.

(1) Direct convention type

For the direct convention type, logic levels 1 and 0 indicate the Z and A states, respectively, and data is transferred with LSB-first as the start character, as shown in Figure 29.47. Therefore, data in the start character in Figure 29.47 is 3Bh.

When using the direct convention type, write 0 to both the SDIR and SINV bits in SCMR. Write 0 to the PM bit in SMR_SMCI to use even parity, which is recommended by the smart card standard.

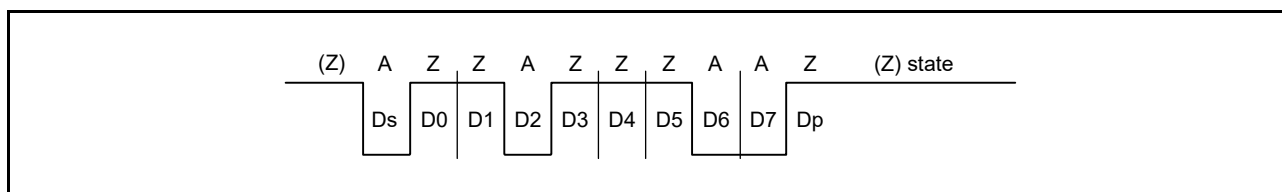


Figure 29.47 Direct convention with SDIR in SCMR = 0, SINV in SCMR = 0, and PM in SMR_SMCI = 0

(2) Inverse convention type

For the inverse convention type, logic levels 1 and 0 indicate the A and Z states respectively, and data is transferred with MSB-first as the start character, as shown in Figure 29.48. Therefore, data in the start character in Figure 29.48 is 3Fh.

When using the inverse convention type, write 1 to both the SDIR and SINV bits in SCMR. The parity bit is at logic level 0 to produce even parity, which is described by the smart card standard, and corresponds to the Z state. Because the SINV bit only inverts data bits D7 to D0, write 1 to the PM bit in SMR_SMCI to invert the parity bit for both transmission and reception.

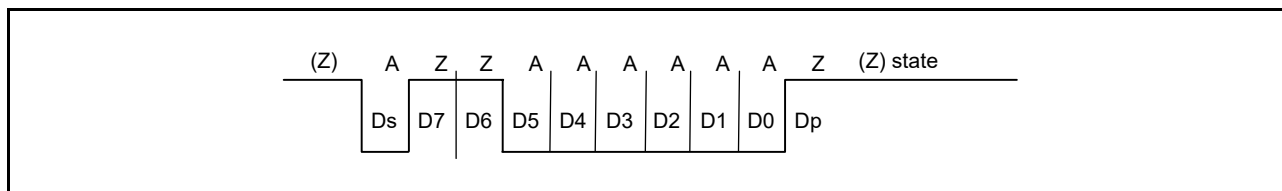


Figure 29.48 Inverse convention with SDIR in SCMR = 1, SINV in SCMR = 1, and PM in SMR_SMCI = 1

29.6.3 Block Transfer Mode

Block transfer mode differs from non-block transfer mode of the smart card interface mode as follows:

- If a parity error is detected during reception, no error signal is output. Because the PER bit in SSR_SMCI is set by

error detection, clear the PER flag before receiving the parity bit of the next frame.

- During transmission, at least 1 ETU is set as a guard time from the end of the parity bit until the start of the next frame
- Because the same data is not retransmitted, the TEND flag in SSR_SMCI is set to 11.5 ETUs after transmission starts
- In block transfer mode, the ERS flag in SSR_SMCI indicates the error signal status as in non-block transfer mode of the smart card interface mode, but the flag is read as 0 because no error signal is transferred.

29.6.4 Receive Data Sampling Timing and Reception Margin

Only the clock generated by the on-chip baud rate generator can be used as a transfer clock in smart card interface mode.

In this mode, the SCI can operate on a base clock with a frequency of 32, 64, 372, 256, 93, 128, 186, or 512 times the bit rate set up in the BCP2 bit in SCMR and the BCP[1:0] bits in SMR_SMCI.

For data reception, the falling edge of the start bit is sampled with the base clock to perform synchronization.

Receive data is sampled on the 16th, 32nd, 186th, 128th, 46th, 64th, 93rd, and 256th rising edges of the base clock so that it can be latched at the middle of each bit as shown in Figure 29.49. The reception margin is determined by the following formula:

$$M = \left| \left(0.5 - \frac{1}{2N} \right) - (L - 0.5) F - \frac{|D - 0.5|}{N} (1 + F) \right| \times 100 \text{ [%]}$$

M: Reception margin (%)

N: Ratio of bit rate to clock (N = 32, 64, 372, 256)

D: Duty cycle of clock (D = 0 to 1.0)

L: Frame length (L = 10)

F: Absolute value of clock frequency deviation

Assuming values of F = 0, D = 0.5, and N = 372 in the specified formula, the reception margin is determined using the following formula:

$$M = \{0.5 - 1/(2 \times 372)\} \times 100 \text{ [%]} = 49.866\%$$

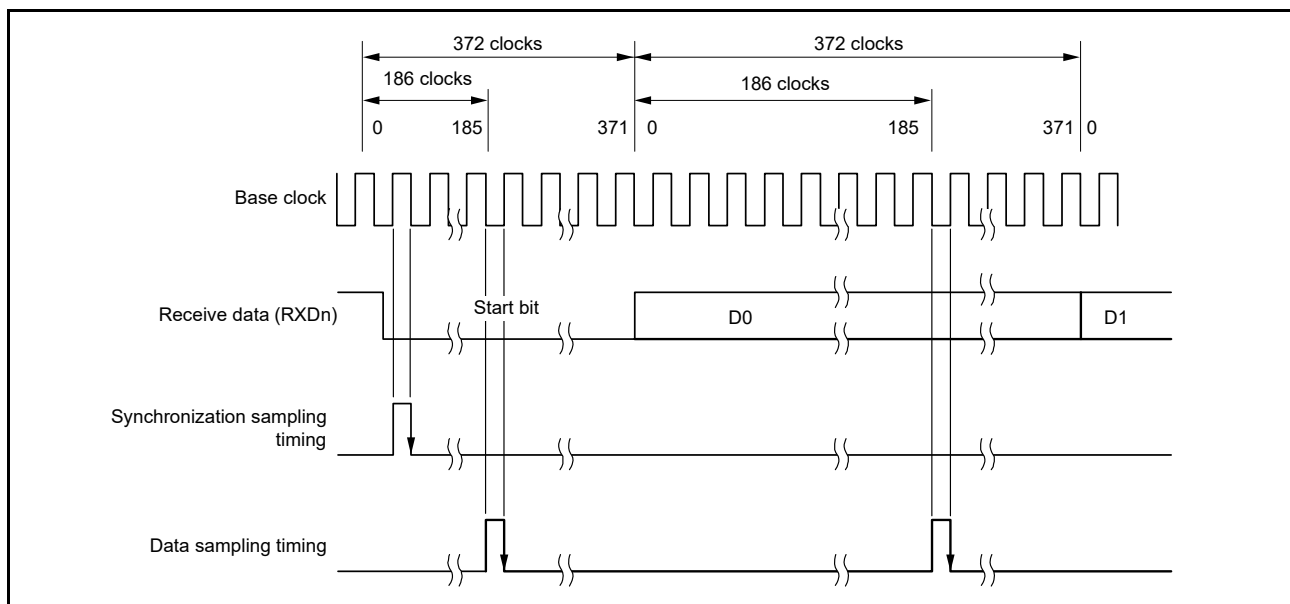


Figure 29.49 Receive data sampling timing in smart card interface mode for clock frequency 372 times the bit rate

29.6.5 SCI Initialization

Before transmitting and receiving data, write the initial value 00h to SCR_SMCI and initialize the SCI as shown in the example in Figure 29.50.

Be sure to set the initial value in the TIE, RIE, TE, RE, TEIE bits in SCR_SMCI before switching from transmission to reception mode or from reception to transmission mode. When the RE bit in SCR_SMCI is set to 0, the RDR register is not initialized.

To change from reception to transmission mode, first check that reception is complete, and then initialize the SCI. At the end of initialization, set the TE bit to 1 and the RE bit to 0 in the SCR_SMCI register. Reception completion can be verified by reading the SCIn_RXI request, or the ORER or PER flag in SSR_SMCI.

To change from transmission to reception mode, first check that transmission is complete, and then initialize the SCI. At the end of initialization, set the TE bit to 0 and the RE bit to 1 in the SCR_SMCI register. Transmission completion can be verified by reading the TEND flag in SSR_SMCI.

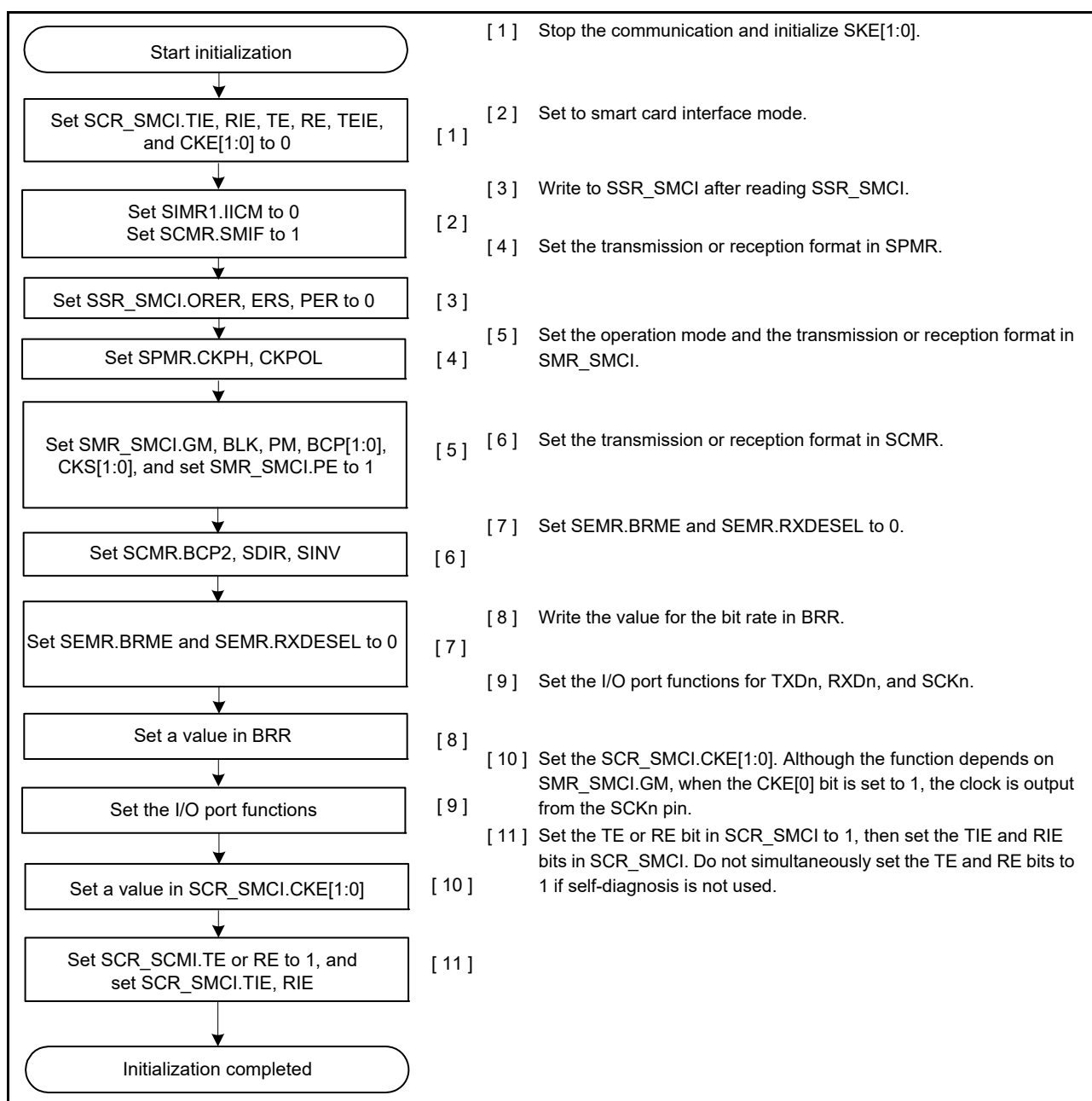


Figure 29.50 Example flow of SCI initialization in smart card interface mode

Figure 29.51 shows a timing diagram when data transmission is performed by transitioning to smart card interface mode according to the flow in Figure 29.50. Figure 29.51 shows when the GM bit in SMR_SMCI is set to 0. The timing in Figure 29.51 shows when the port is connected as SCKn and TXDn, the pins are Hi-Z because the CKE[0] bit in SCR_SMCI is 0.

Start the clock output to the SCK pin by setting the CKE[0] bit in SCR_SMCI to 1, then start data transmission by writing the transmit data after setting the TE bit in SCR_SMCI to 1. When the TE bit in SCR_SMCI changes from 0 to 1, there is a preamble period for one frame before data transmission starts. In smart card interface mode, the TXDn pin is Hi-Z when there is a preamble period. Pull-up or pull-down for the SCKn and TXDn pins is required outside the MCU.

In smart card interface mode, even when the TE and RE bits in SCR_SMCI are 0, the clock is continuously output if the clock output setting is used.

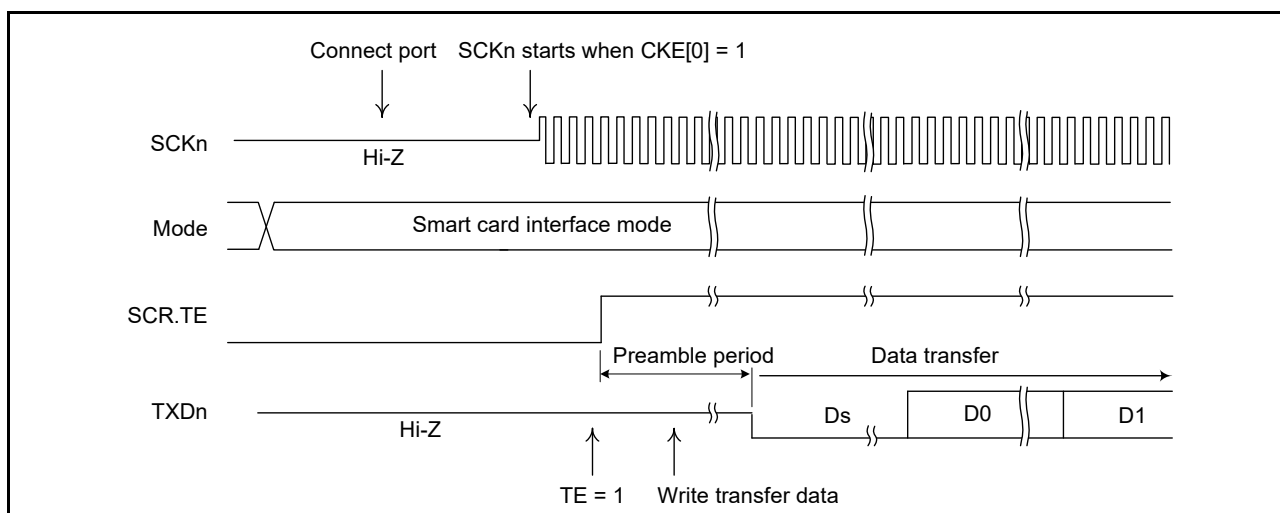


Figure 29.51 Example timing of data transmission in smart card interface mode

29.6.6 Serial Data Transmission (Except in Block Transfer Mode)

Serial data transmission in smart card interface mode (except in block transfer mode) is different from that in non-smart card interface mode, in that an error signal is sampled and data can be retransmitted in smart card mode. Figure 29.52 shows the data retransfer operation during transmission.

In Figure 29.52:

- [1] indicates when an error signal from the receiver end is sampled after 1-frame data is transmitted, the ERS flag in SSR_SMCI is set to 1. If the RIE bit is 1 in SCR_SMCI, an SCIn_ERI interrupt request is generated. Clear the ERS flag to 0 before the next parity bit is sampled.
- [2] indicates that for a frame in which an error signal is received, the TEND flag in SSR_SMCI is not set. Data is retransferred from TDR to TSR, allowing automatic data retransmission.
- [3] indicates that if no error signal is returned from the receiver, the ERS flag is not set to 1.
- [4] indicates that SCI determines that the transmission of 1-frame data, including the retransfer, is complete, and the TEND flag is set. If the TIE bit is 1 in SCR_SMCI, an SCIn_TXI interrupt request is generated. Write transmit data to TDR to start transmission of the next data.

Figure 29.54 shows an example flow of serial transmission. All the processing steps are automatically performed using an SCIn_TXI interrupt request to activate the DMAC or DTC.

When the TEND flag in SSR_SMCI is set to 1 in transmission and when the TIE bit in SCR_SMCI is 1, an SCIn_TXI interrupt request is generated.

The DMAC or DTC is activated by an SCIn_TXI interrupt request if the SCIn_TXI interrupt request is previously specified as a source of DMAC or DTC activation, allowing the transfer of transmit data. The TEND flag is automatically set to 0 when the DMAC or DTC transfers data.

If an error occurs, the SCI automatically retransmits the same data. During this retransmission, the TEND flag is kept at 0 and the DMAC or DTC is not activated. Therefore, the SCI and DMAC or DTC automatically transmit the specified number of bytes, including retransmission when an error occurs. Because the ERS flag is not automatically cleared, set the RIE bit to 1 to enable an SCI_n_ERI interrupt request generation when an error occurs, and clear the ERS flag to 0.

When transmitting or receiving data using the DMAC or DTC, always enable the DMAC or DTC before setting the SCI. For DMAC or DTC settings, see [section 17, DMA Controller \(DMAC\)](#) and [section 18, Data Transfer Controller \(DTC\)](#).

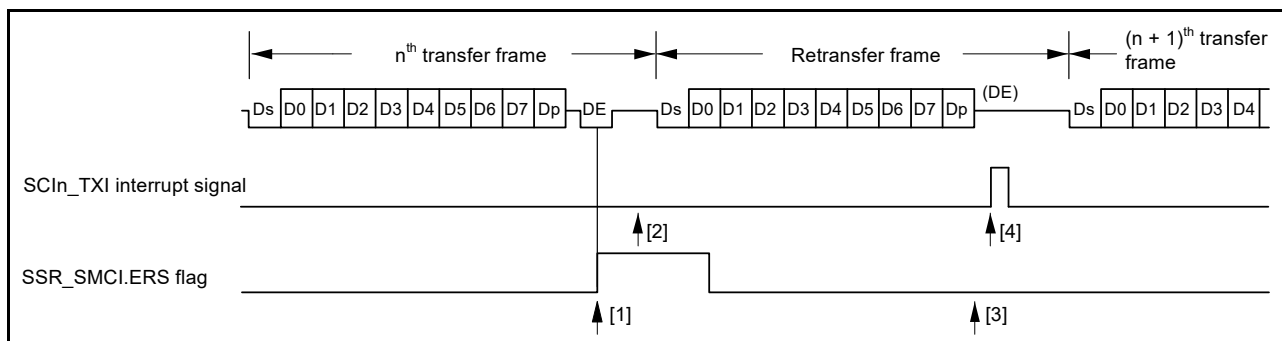


Figure 29.52 Data retransfer operation in SCI transmission mode

Note: The TEND flag in SSR_SMCI is set at different timings depending on the GM bit setting in SMR_SMCI.

[Figure 29.53](#) shows the TEND flag generation timing.

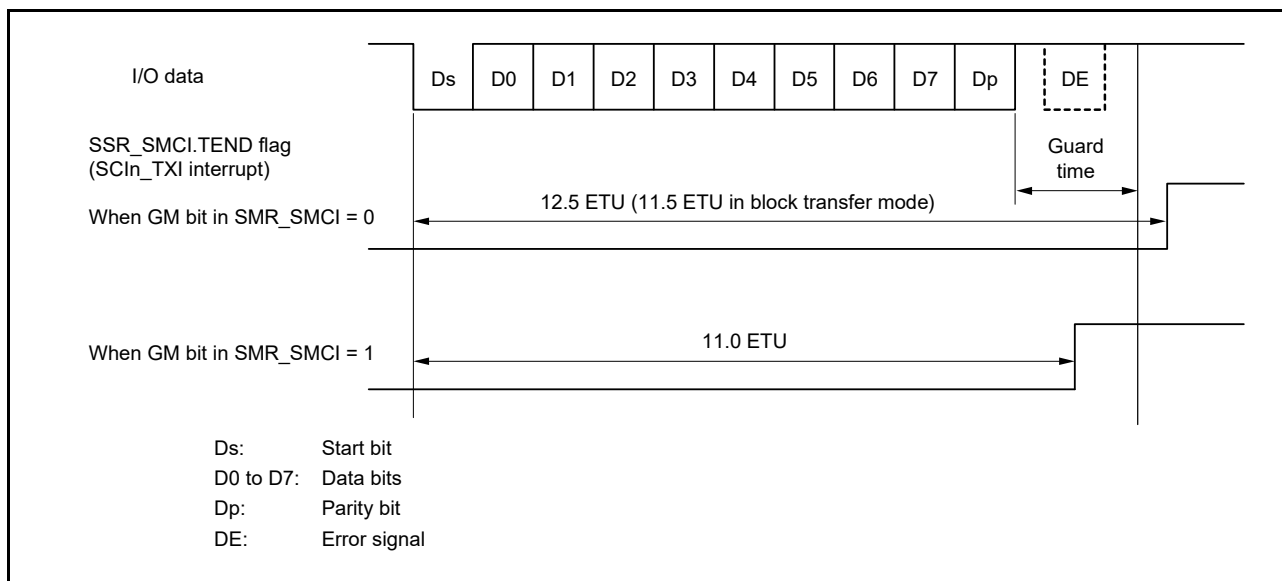


Figure 29.53 SSR.TEND flag generation timing during transmission

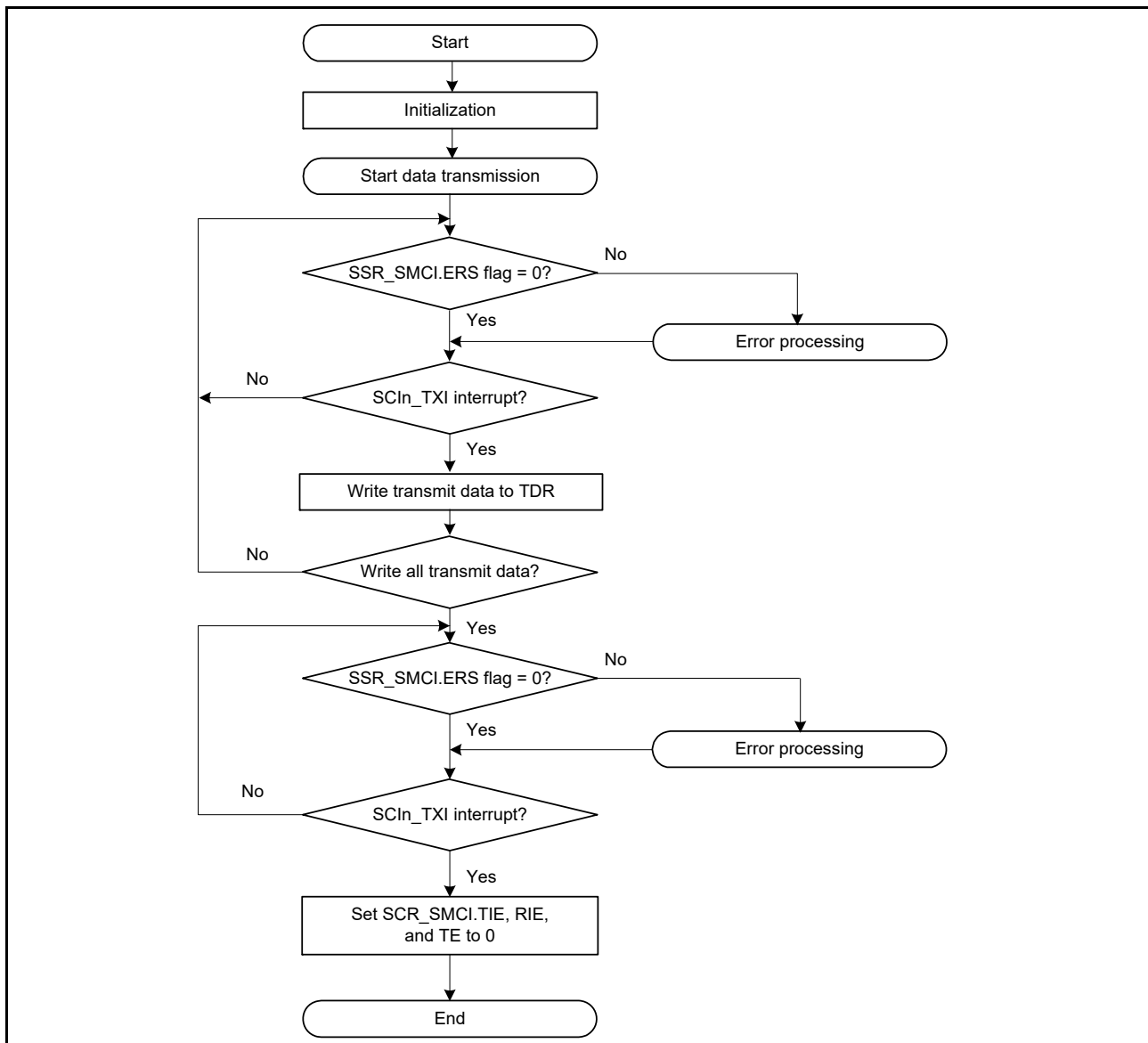


Figure 29.54 Example flow of smart card interface transmission

29.6.7 Serial Data Reception (Except in Block Transfer Mode)

Serial data reception in smart card interface mode is similar to that in non-smart card interface mode. [Figure 29.55](#) shows the data retransfer operation in reception mode.

- [1] indicates that if a parity error is detected in the receive data, the PER flag in SSR_SMCI is set to 1. When the RIE bit in SCR_SMCI is 1, an SCIn_ERI interrupt request is generated. Clear the PER flag to 0 before the next parity bit is sampled.
- [2] indicates that for a frame in which a parity error is detected, no SCIn_RXI interrupt is generated.
- [3] indicates that when no parity error is detected, the PER flag in SSR_SMCI is not set to 1.
- [4] indicates that the data is determined to be received successfully. When the RIE bit in SCR_SMCI is 1, an SCIn_RXI interrupt request is generated.

[Figure 29.56](#) shows an example flow of serial data reception. All the processing steps are automatically performed using an SCIn_RXI interrupt request to activate the DMAC or DTC.

In reception, setting the RIE bit to 1 allows an SCIn_RXI interrupt request to be generated. The DMAC or DTC is activated by an SCIn_RXI interrupt request if the SCIn_RXI interrupt request is previously specified as a source of DMAC or DTC activation, allowing the transfer of receive data.

If an error occurs during reception and either the ORER or PER flag in SSR_SMCI is set to 1, a receive error interrupt (SCIn_ERI) request is generated. Clear the error flag after the error occurrence. If an error occurs, the DMAC or DTC is not activated and receive data is skipped. Therefore, the number of bytes of receive data specified in the DMAC or DTC are transferred.

If a parity error occurs and the PER flag is set to 1 during reception, the receive data is transferred to RDR, therefore allowing the data to be read.

When a reception is forced to terminate by setting the RE bit in SCR_SMCI to 0 during operation, read the RDR register because the received data that is not yet read might be left in the RDR.

Note: For operations in block transfer mode, see [section 29.3.9, Serial Data Reception in Asynchronous Mode](#).

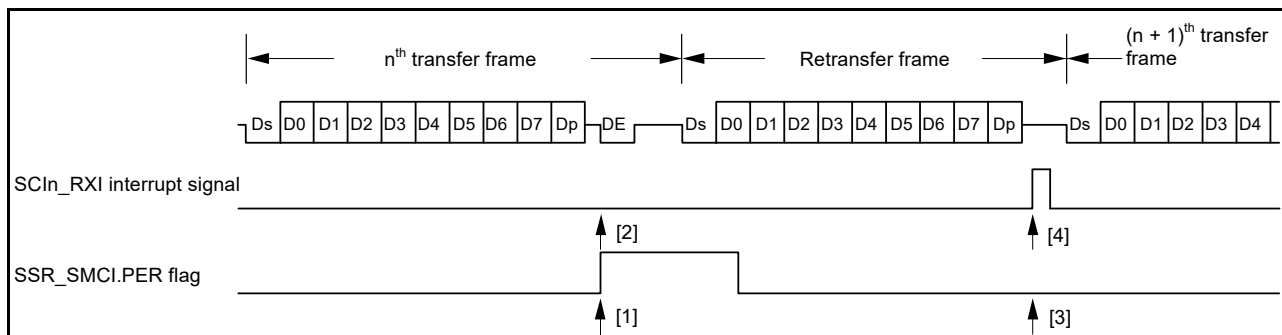


Figure 29.55 Data retransfer operation in SCI reception mode with data retransfer operation during reception

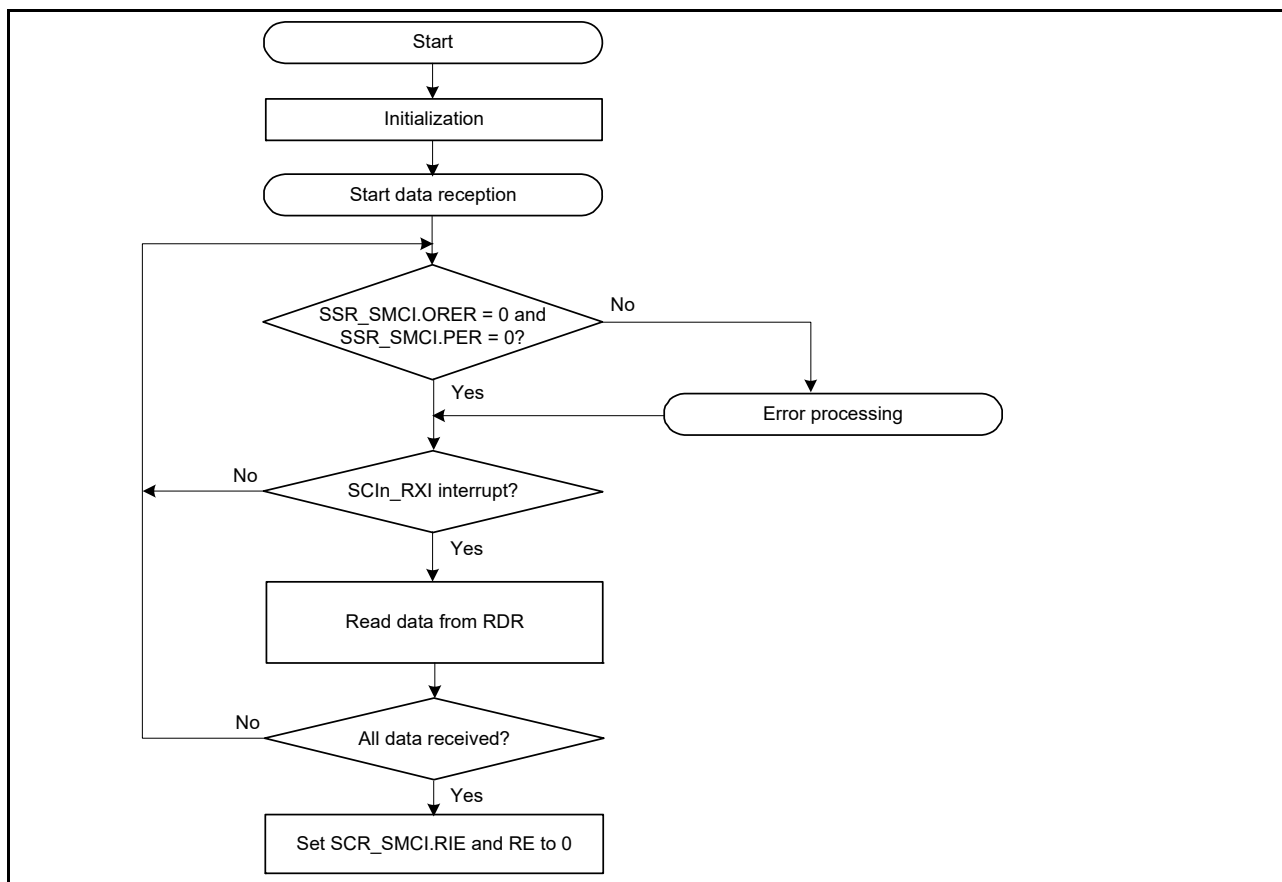


Figure 29.56 Example flow of smart card interface reception

29.6.8 Clock Output Control

When the GM bit in SMR_SMCI is set to 1, the clock output can be controlled by the CKE[1:0] bits in SCR_SMCI. For details on the CKE[1:0] bits, see [section 29.2.12, Serial Control Register for Smart Card Interface Mode \(SCR_SMCI\) \(SCMR.SMIF = 1\)](#). When setting the clock output, the base clock described in [section 29.6.4, Receive Data Sampling Timing and Reception Margin](#) is output.

[Figure 29.57](#) shows an example timing for the clock output control when the CKE[1] bit in SCR_SMCI is set to 0 and the CKE[0] bit in SCR_SMCI is controlled.

When the GM bit in SMR_SMCI is 0, output control by the CKE[0] bit in SCR_SMCI is immediately reflected in the SCK pin, so there is a possibility that pulses with an unintended width might be output from the SCK pin.

When the GM bit in SMR_SMCI is 1, the clock with the same pulse width as the base clock is output even if the CKE[0] bit in SCR_SMCI is changed.

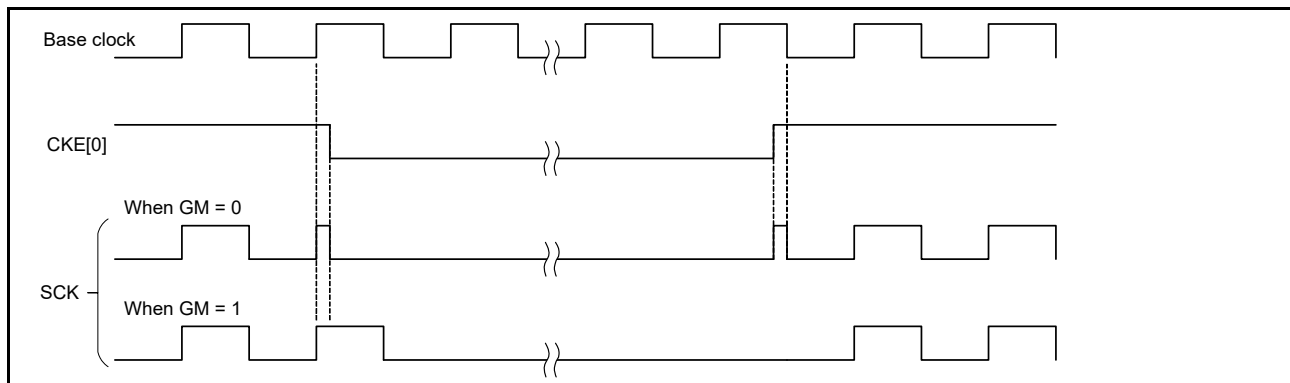


Figure 29.57 Clock output control

29.7 Operation in Simple IIC Mode

Simple IIC mode format is composed of 8 data bits and an acknowledge bit. By continuing into a slave-address frame after a start condition or restart condition, a master device can specify a slave device as a partner for communications.

The currently specified slave device remains valid until a new slave device is specified or a stop condition is satisfied. The 8 data bits in all frames are transmitted in the order from the MSB.

The I²C bus format and timing are shown in [Figure 29.58](#) and [Figure 29.59](#).

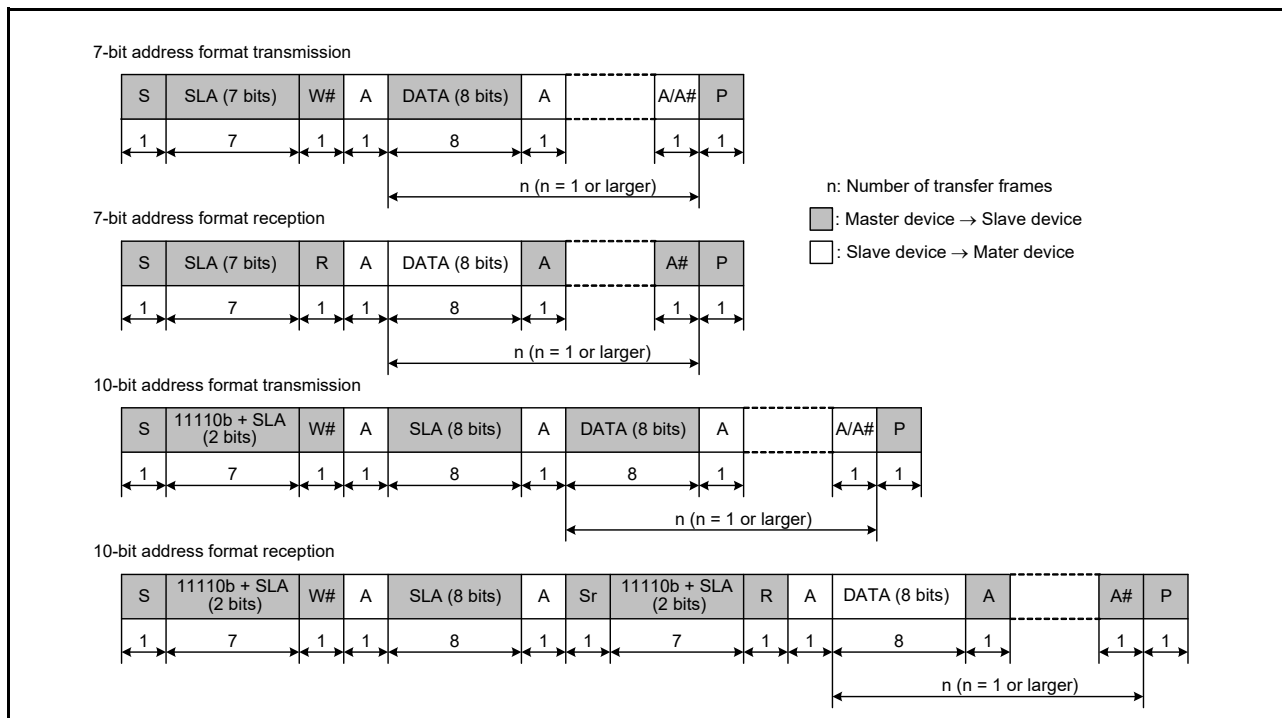


Figure 29.58 I²C bus format

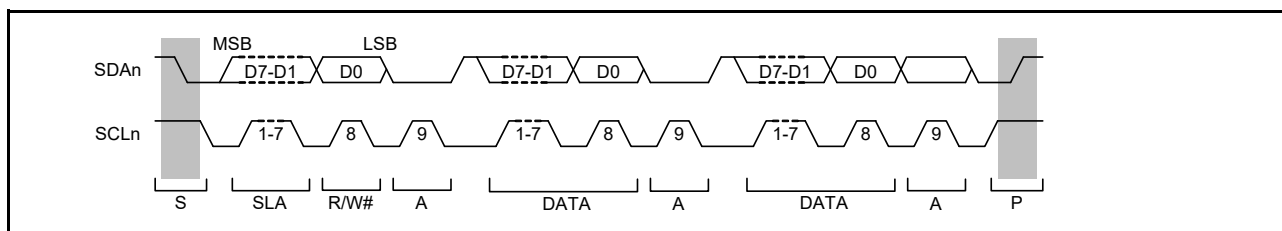


Figure 29.59 I²C bus timing when SLA is 7 bits

S: Indicates a start condition, when the master device changes the level on the SDA_n line from high to low while the SCL_n line is high.

SLA: Indicates a slave address, by which the master device selects a slave device.

R/W#: Indicates the direction of transfer (reception or transmission). The value 1 indicates transfer from the slave device to the master device and 0 indicates transfer from the master device to the slave device.

A/A#: Indicates an acknowledge bit. This is returned by the slave device for master transmission and by the master device for master reception. Return to low indicates ACK and return to high indicates NACK.

Sr: Indicates a restart condition when the master device changes the level on the SDA_n line from high to low while the SCL_n line is high and after the setup time elapses.

DATA: Indicates the data being received or transmitted.

P: Indicates a stop condition, when the master device changes the level on the SDA_n line from low to high when the SCL_n line is high.

29.7.1 Generation of Start, Restart, and Stop Conditions

Writing 1 to the IICSTAREQ bit in SIMR3 causes the generation of a start condition. The generation of a start condition proceeds through the following operations:

- The level on the SDA_n line falls (from high level to low level) and the SCL_n line is kept in the released state
- The hold time for the start condition is set as half of a bit period at the bit rate determined by the BRR setting
- The level on the SCL_n line falls (from high level to low level), the IICSTAREQ bit is set to 0, and a start-condition generated interrupt is output.

Writing 1 to the IICRSTAREQ bit in SIMR3 causes the generation of a restart condition. The generation of a restart condition proceeds through the following operations:

- The SDA_n line is released and the SCL_n line is kept at a low level
- The period at low level for the SCL_n line is set as half of a bit period at the bit rate determined by the BRR setting
- The SCL_n line is released (transition from low to high level)
- When the high level is detected on the SCL_n line, the setup time for the restart condition is set as half of a bit period at the bit rate determined by the BRR setting
- The level on the SDA_n line falls (from high level to low level)
- The hold time for the restart condition is set as half of a bit period at the bit rate determined by the BRR setting
- The level on the SCL_n line falls (from high level to low level), the IICRSTAREQ bit in SIMR3 is set to 0, and a restart-condition generated interrupt is output.

Writing 1 to the IICSTPREQ bit in SIMR3 causes the generation of a stop condition. The generation of a stop condition proceeds through the following operations:

- The level on the SDA_n line falls (from high level to low level) and the SCL_n line is kept at a low level
- The period at low level for the SCL_n line is set as half of a bit period at the bit rate determined by the BRR setting
- The SCL_n line is released (transition from low to high level)
- When a high level on the SCL_n line is detected, the setup time for the stop condition is set as half of a bit period at the bit rate determined by the BRR setting
- The SDA_n is released (transition from low to high level), the IICSTPREQ bit in SIMR3 is set to 0, and a stop-condition generated interrupt is output.

Figure 29.60 shows the timing of operations in the generation of start, restart, and stop conditions.

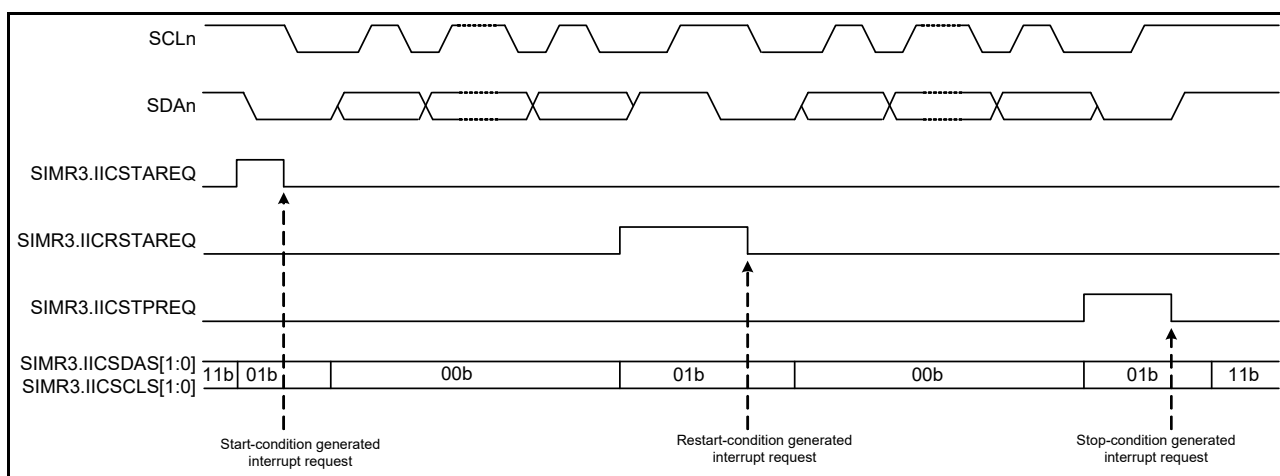


Figure 29.60 Timing of operations to generate start, restart, and stop conditions

29.7.2 Clock Synchronization

The SCLn line can be driven low if a wait is inserted by a slave device at the other side of the transfer. Setting the IICCSC bit in SIMR2 to 1 allows clock synchronization control when a difference arises between the levels of the internal SCLn clock signal and the level being input on the SCLn pin.

When the IICCSC bit is set to 1, the level of the internal SCLn clock signal changes from low to high. Counting to determine the period at high level stops while the low level is input on the SCLn pin. Counting to determine the period at high level starts after the input on the SCLn pin transitions to the high level.

The interval from the time until counting, to determine the period at high level that starts on the transition of the SCLn pin to the high level, is the total of the delay of SCLn output, delay for noise filtering of the input on the SCLn pin (2 or 3 cycles of sampling clock for the noise filter), and delay for internal processing (1 or 2 PCLK cycles). The period at high level of the internal SCLn clock is extended even if other devices do not place the low level on the SCLn line.

If the ICCSC bit in SIMR2 register is 1, synchronization is obtained for the transmission and reception of data by taking the logical AND of the input on the SCLn pin and the internal SCLn clock. If the IICCSC bit in SIMR2 is 0, synchronization with the internal SCLn clock is obtained for the transmission and reception of data.

If a slave device inserts a wait period into the interval until the transition of the internal SCLn clock signal from low to high level after a request for the generation of a start, restart, or stop condition is issued, the time until generation is prolonged by that period.

If a slave device inserts a wait period after the transition of the internal SCLn clock signal from the low to the high level, although the generation-completed interrupt is issued without stopping the waiting period, generation of the condition itself is not guaranteed. Figure 29.61 shows an example operation for synchronizing the clocks.

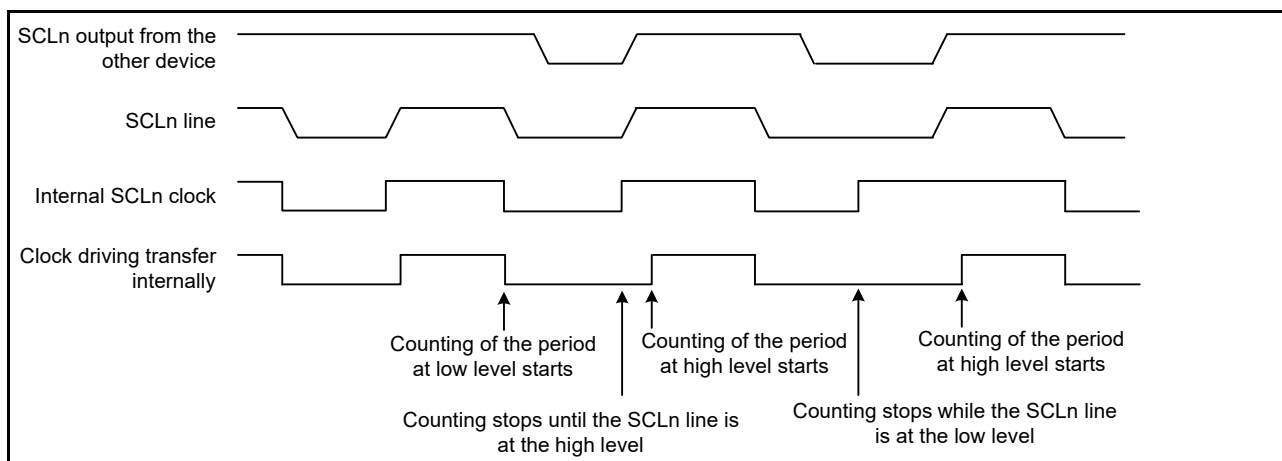


Figure 29.61 Example operation for clock synchronization

29.7.3 SDA Output Delay

The IICDL[4:0] bits in SIMR1 can be used to set a delay for output on the SDAn pin relative to the falling edges of output on the SCLn pin. Delay settings from 0 to 31 are selectable. The delay settings represent periods of the associated numbers of cycles of the clock signal from the on-chip baud rate generator (derived by frequency-dividing the base clock, PCLK, by the divisor selected in the CKS[1:0] bit in the SMR register). A delay for output on the SDAn pin applies to the start condition/restart condition/stop condition signal, 8-bit transmit data, and an acknowledge bit.

If the SDAn output delay is shorter than the time required for the level on the SCLn pin to fall, the change of the output on the SDAn pin starts while the output level on the SCLn pin is falling, creating a possibility for erroneous operation of slave devices. Ensure that the settings for the output delay on the SDAn pin specify a time period greater than the time that the output on the SCLn pin takes to fall (300 ns for IIC in Standard mode and Fast mode).

Figure 29.62 shows the timing of delays in SDAn output.

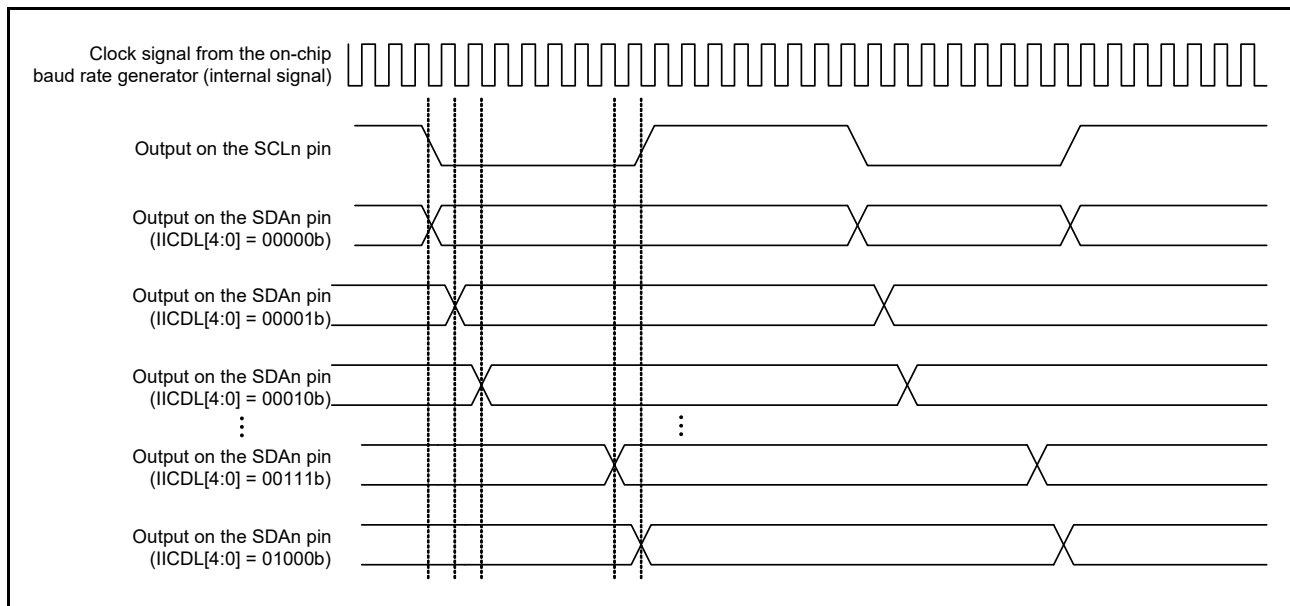


Figure 29.62 Timing of delays in SDAn output

29.7.4 SCI Initialization in Simple IIC Mode

Before transferring data, write the initial value 00h to SCR and initialize the interface as shown in the example in [Figure 29.63](#).

Before making any changes to the operating mode or transfer format, be sure to set SCR to its initial value.

In simple IIC mode, the open-drain setting for the communication ports should be made on the port side.

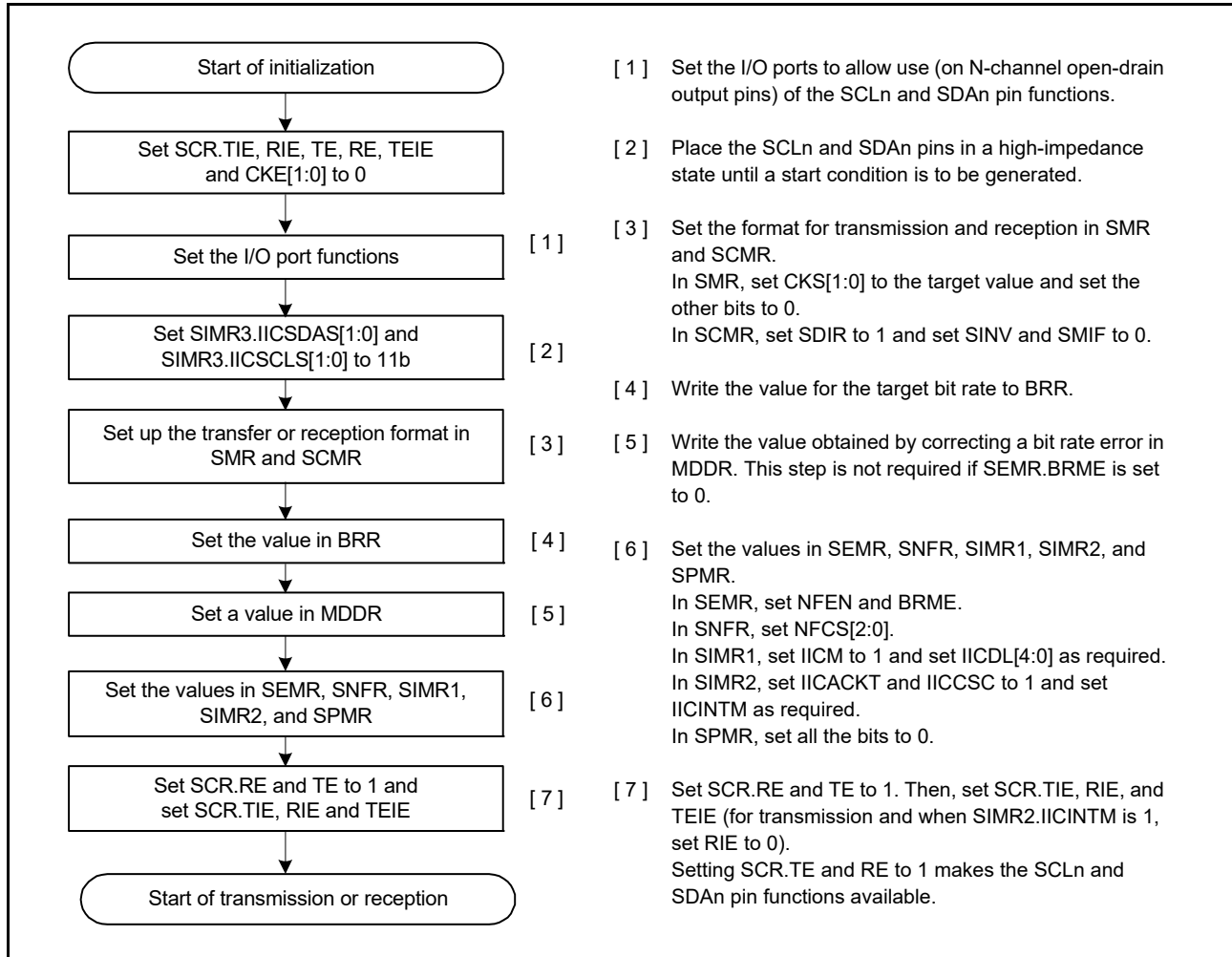


Figure 29.63 Example flow of SCI initialization in simple IIC mode

29.7.5 Operation in Master Transmission in Simple IIC Mode

Figure 29.64 and Figure 29.65 show examples of master transmission and Figure 29.66 shows an example flow of data transmission. The value of the IICINTM bit in the SIMR2 register is assumed to be 1 (use reception and transmission interrupts) and the value of the RIE bit in the SCR register is assumed to be 0 (SCIn_RXI and SCIn_ERI interrupt requests are disabled). See Table 29.28 for more information on the STI interrupt.

When 10-bit slave addresses are used, steps [3] and [4] in Figure 29.66 are repeated twice.

In simple IIC mode, the transmit data empty interrupt (SCIn_TXI) is generated when communication of one frame is complete, unlike the timing of generation of the SCIn_TXI interrupt request during clock synchronous transmission.

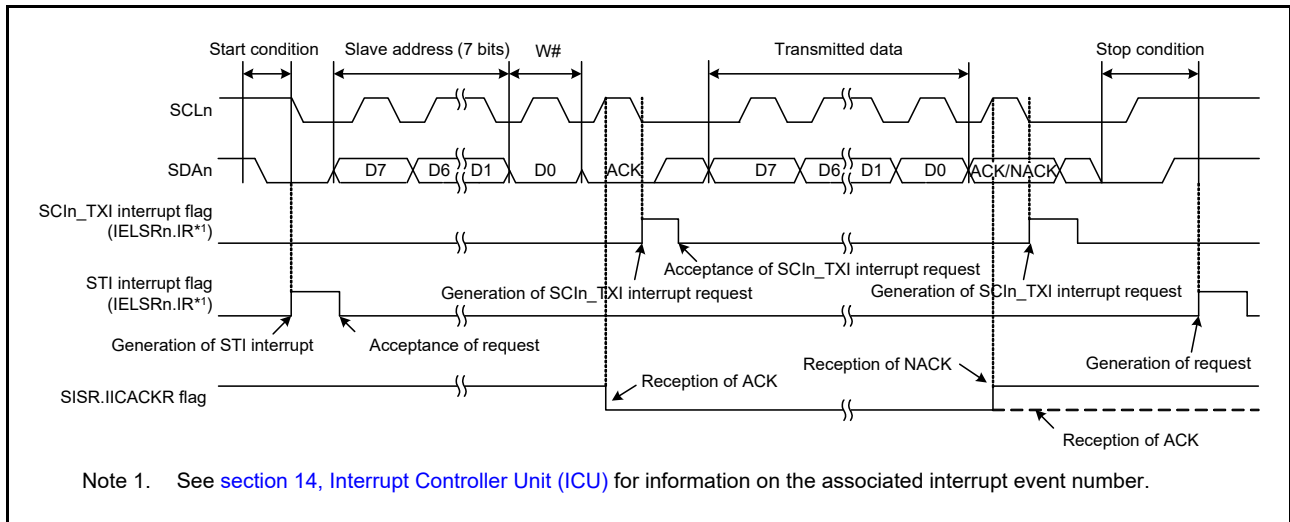


Figure 29.64 Example 1 operation for master transmission in simple IIC mode with 7-bit slave addresses, transmission interrupts, and reception interrupts

When the IICINTM bit in SIMR2 register is set to 0, using ACK/NACK interrupts during master transmission, the DMAC or DTC is activated by the ACK interrupt as the trigger and the required number of data bytes are transmitted. When a NACK is received, error processing such as transmission stop and retransmission is performed using the NACK interrupt as the trigger.

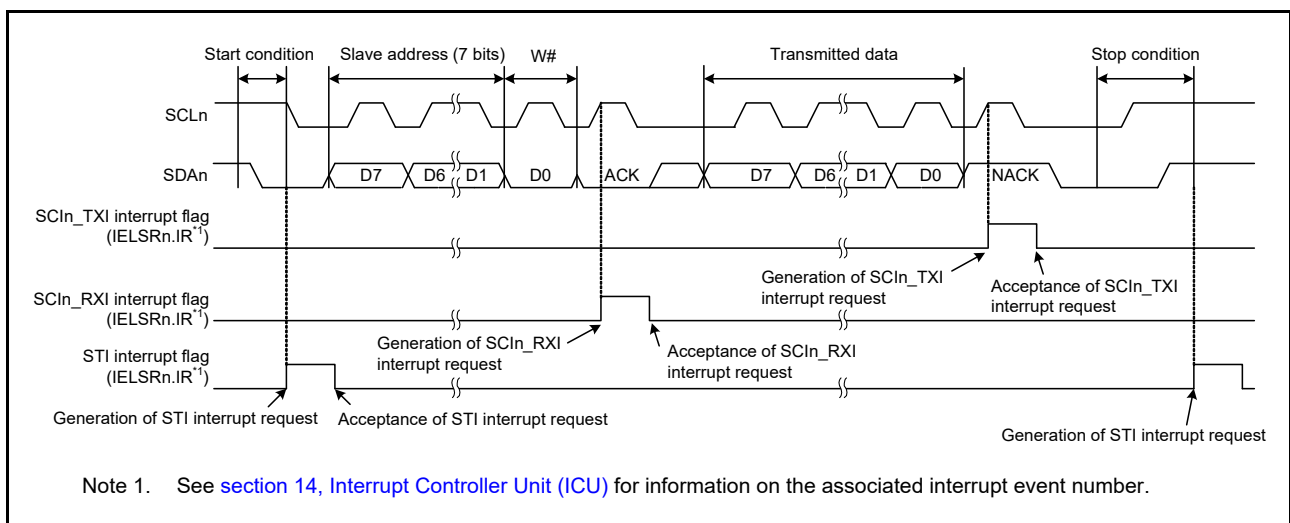


Figure 29.65 Example 2 operation for master transmission in simple IIC mode with 7-bit slave addresses, ACK interrupts, and NACK interrupts

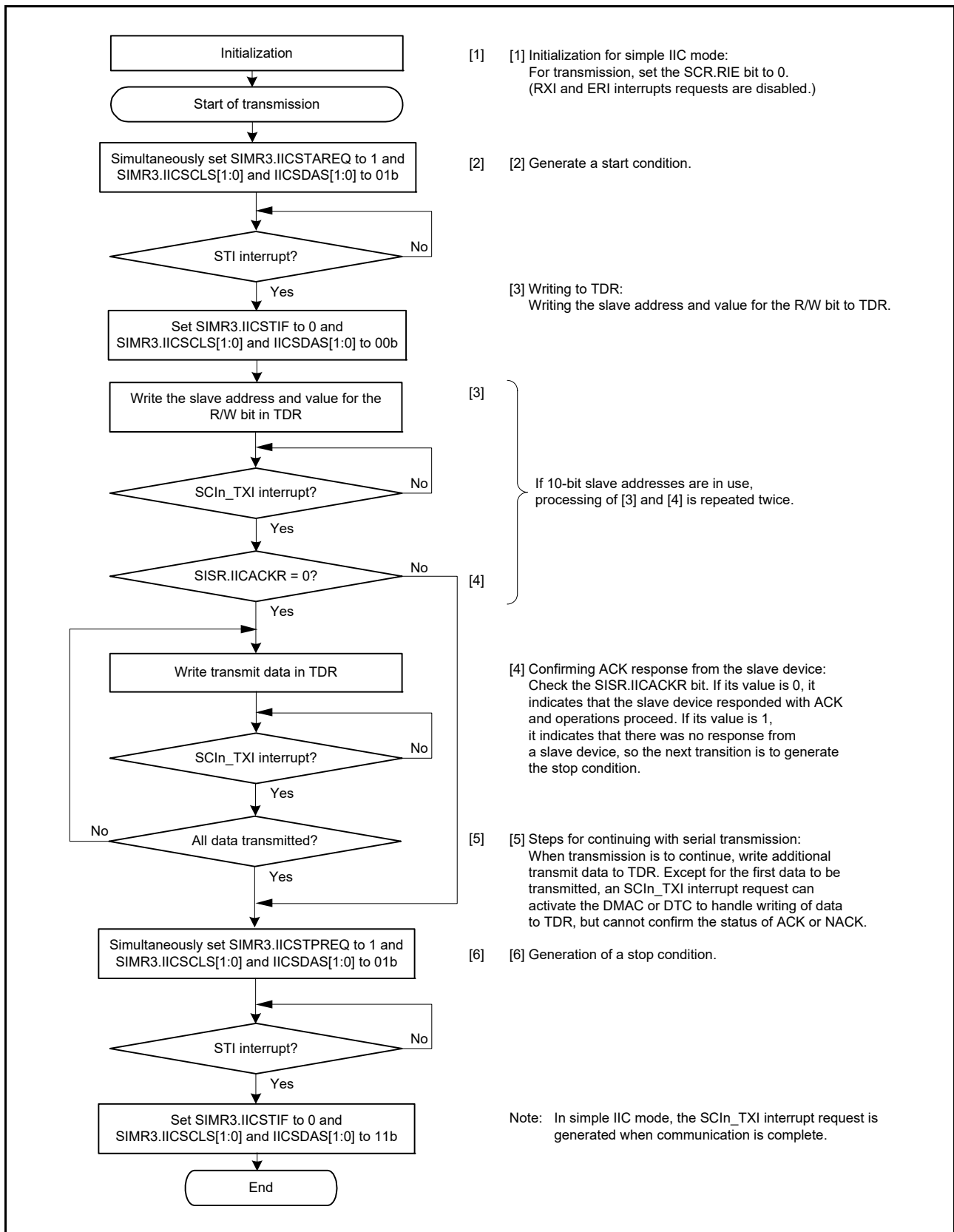


Figure 29.66 Example flow of master transmission in simple IIC mode with transmission interrupts and reception interrupts

29.7.6 Master Reception in Simple IIC Mode

Figure 29.67 shows an example of master reception operation in simple IIC mode and Figure 29.68 shows an example flow of master reception.

The value of the IICINTM bit in SIMR2 register is assumed to be 1, using reception and transmission interrupts.

In simple IIC mode, the transmit data empty interrupt (SCIn_TXI) is generated when communication of one frame is complete, unlike the SCIn_TXI interrupt request generation timing during clock synchronous transmission.

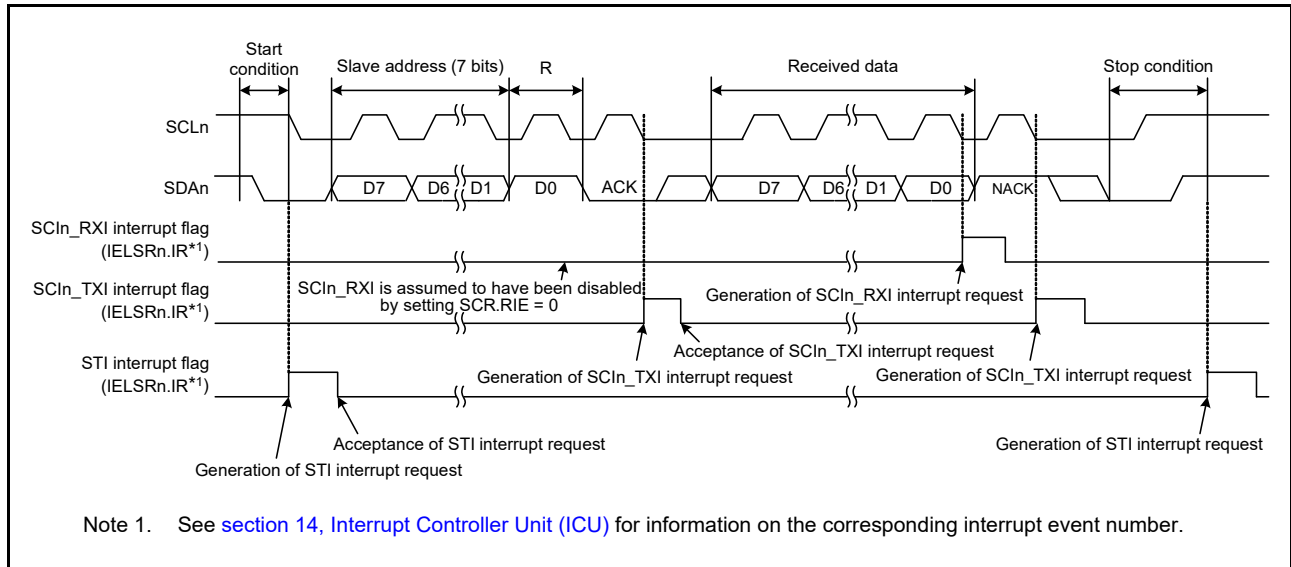


Figure 29.67 Example operation for master reception in simple IIC mode with 7-bit slave addresses, transmission interrupts, and reception interrupts

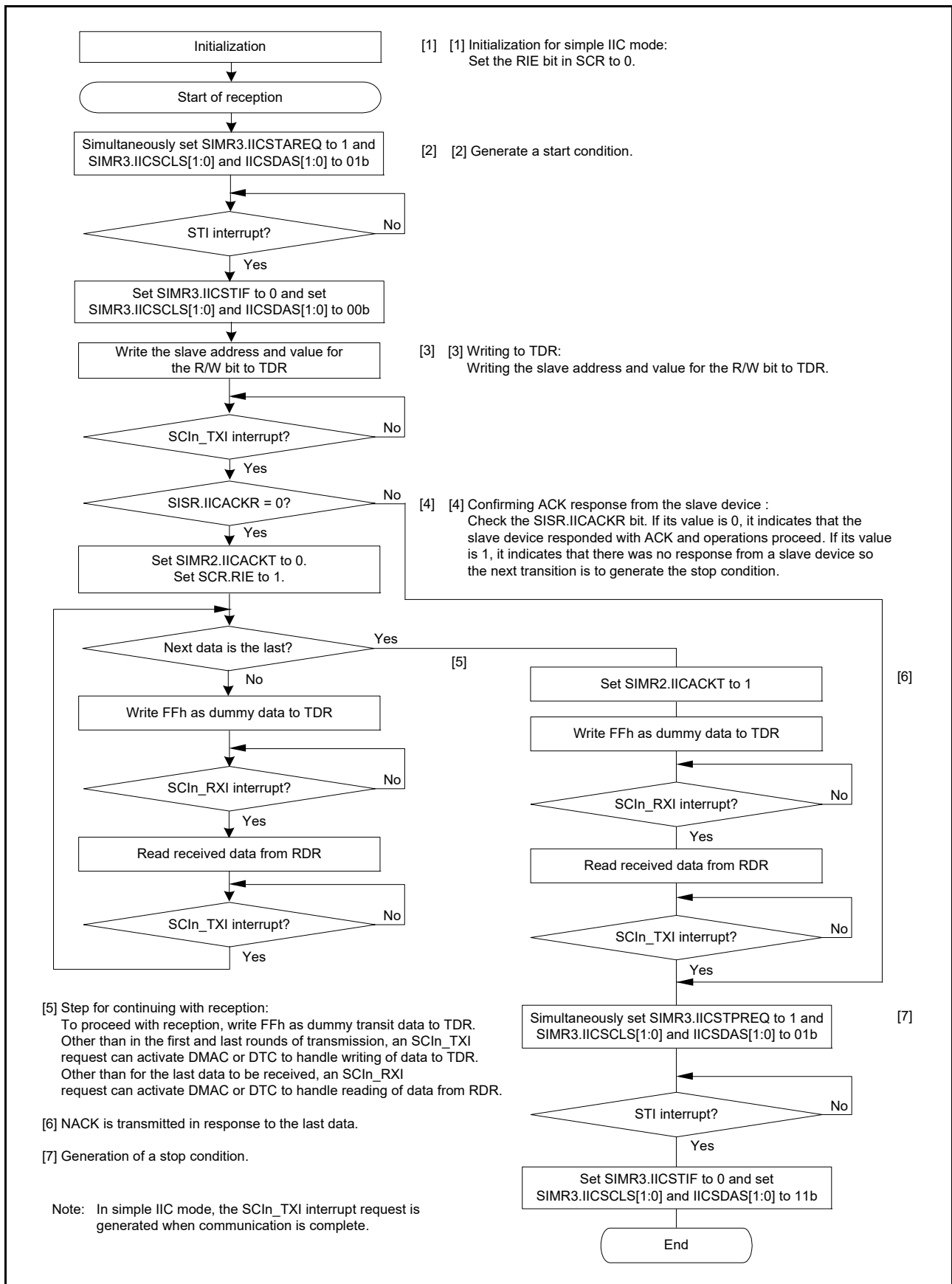


Figure 29.68 Example flow of master reception in simple IIC mode with transmission interrupts and reception interrupts

29.8 Operation in Simple SPI Mode

As an extended function, the SCI supports a simple SPI mode that handles transfer between one or multiple master devices and multiple slave devices.

To place the SCI in simple SPI mode, use the settings for clock synchronous mode (SCMR.SMIF = 0, SIMR1.IICM = 0, SMR.CM = 1) and set the SSE bit in SPMR register to 1. When the configuration only has a single master, the SSn pin function is not required to connect the device used as the master in simple SPI mode. Therefore, in this case, set the SSE bit in the SPMR register to 0.

Figure 29.69 shows an example of connections in simple SPI mode. Use a general port pin to produce the SSn output signal from the master.

In simple SPI mode, data is transferred in synchronization with clock pulses in the same way as in clock synchronous mode. One character of transfer data consists of 8 bits of data, and parity bits cannot be appended. The data can be inverted by setting the SINV bit in SCMR to 1.

Because the receiver and transmitter are independent of each other within the SCI module, full-duplex communications are possible, with a shared clock signal. Additionally, because both the transmitter and receiver have a buffered structure, it is possible to both write the next transmit data while transmission is in progress and read previously received data while reception is in progress. This enables continuous transfer.

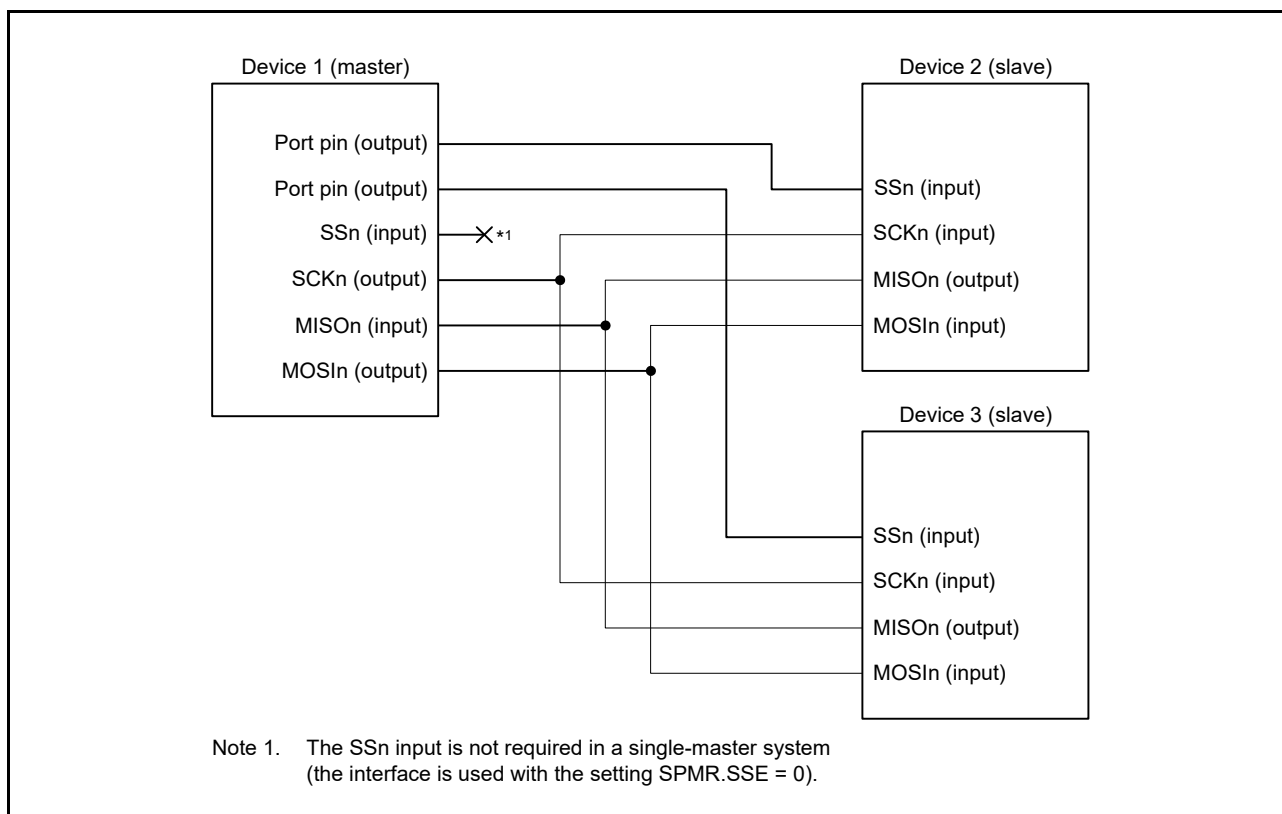


Figure 29.69 Example connections using simple SPI mode in single master mode with SPMR.SSE bit = 0

29.8.1 States of Pins in Master and Slave Modes

The direction (input or output) of pins for the simple SPI mode interface differs according to whether the device is a master (SCR.CKE[1:0] = 00b or 01b and SPMR.MSS = 0) or slave (SCR.CKE[1:0] = 10b or 11b and SPMR.MSS = 1).

Table 29.24 shows the relationship between the pin states, mode, and level on the SSn pin.

Table 29.24 Pin states by mode and input level on the SSn pin

Mode	Input on SSn pin	State of TXDn pin	State of RXDn pin	State of SCKn pin
Master mode*1	High level (transfer can proceed)	Output for data transmission*2	Input for received data	Clock output*3
	Low level (transfer cannot proceed)	High-impedance	Input for received data (but disabled)	High-impedance
Slave mode	High level (transfer cannot proceed)	Input for received data (but disabled)	High-impedance	Clock input (but disabled)
	Low level (transfer can proceed)	Input for received data	Output for data transmission	Clock input

Note 1. When there is only a single master (SPMR.SSE = 0), transfer is possible regardless of the input level on the SSn pin. This is equivalent to the input of a high level on the SSn pin. Because the SSn pin function is not required, the pin is available for other purposes.

Note 2. The MOSIn pin output is in the high-impedance state when serial transmission is disabled (SCR.TE bit = 0).

Note 3. The SCKn pin output is in a high-impedance state when serial transmission is disabled (SCR.TE and RE bits = 00b) in a multi-master configuration (SPMR.SSE = 1).

29.8.2 SS Function in Master Mode

Setting the SCR.CKE[1:0] bits to 00b and the SPMR.MSS bit to 0 selects master operation. The SSn pin is not used in single-master configurations (SPMR.SSE = 0) and so the transmission or reception can proceed regardless of the value of the SSn pin.

In a multi-master configuration (SPMR.SSE = 1), when the level on the SSn pin is high, a master device outputs clock signals from the SCKn pin before starting transmission or reception to indicate that there are no other masters or another master is performing reception or transmission. When the level on the SSn pin is low in a multi-master configuration (SPMR.SSE = 1), there are other masters, and a transmission or reception is in progress. The MOSIn output and SCKn pins are placed in a high-impedance state and starting transmission or reception is not possible. In addition, the value of the MFF bit in SPMR is 1, indicating a mode fault error. In a multi-master configuration, start the error processing by reading the MFF flag in SPMR. If a mode fault error occurs while transmission or reception is in progress, transmission or reception is not stopped, but the MOSIn and SCKn outputs are in the high-impedance state after the completion of the transfer. Use a general port pin to produce the SS output signal from the master.

29.8.3 SS Function in Slave Mode

Setting the SCR.CKE[1:0] bits to 10b and the SPMR.MSS bit to 1 selects slave operation. When the level on the SSn pin is high, the MISO output pin is in a high-impedance state and clock input through the SCKn pin is ignored. When the level on the SSn pin is low, clock input through the SCKn pin is valid and transmission or reception can proceed.

If the input on the SSn pin changes from low to high level during transmission or reception, the MISO output pin is placed in a high-impedance state. Meanwhile, the internal processing for transmission or reception continues at the rate of the clock input through the SCKn pin until processing for the character currently being transmitted or received is complete, after which it stops, and the appropriate interrupt (SCIn_TXI, SCIn_RXI, or SCIn_TEI) is generated.

29.8.4 Relationship between Clock and Transmit/Receive Data

The CKPOL and CKPH bits in SPMR can be used to set up the clock for use in transmission and reception in four different ways. The relation between the clock signal and the transmission and reception of data is shown in Figure 29.70. The relation is the same for both master and slave operation. This is the same as when the level on the SSn pin is high.

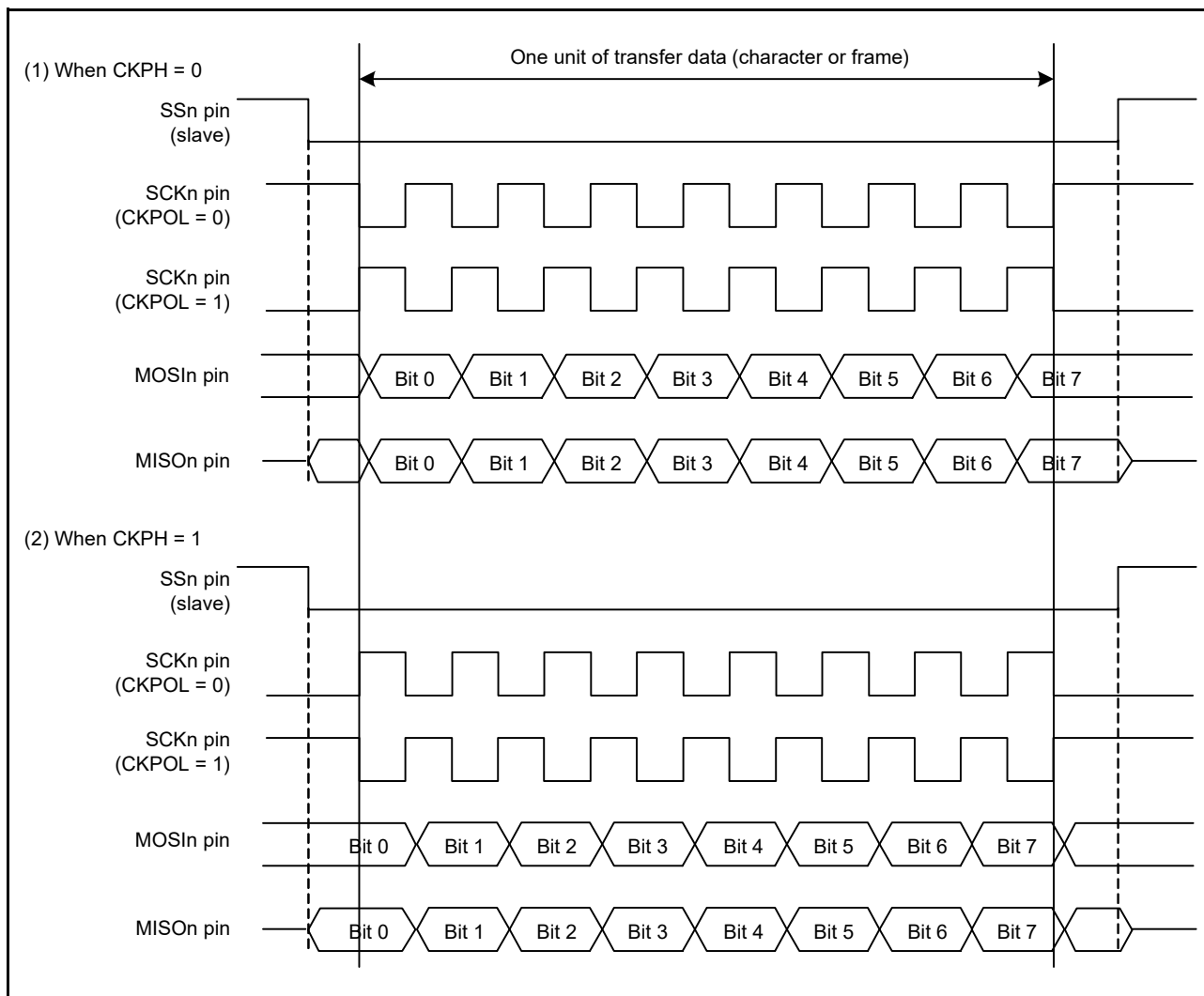


Figure 29.70 Relation between clock signal and transmit or receive data in simple SPI mode

29.8.5 SCI Initialization in Simple SPI Mode

Initialization in simple SPI mode is the same as in clock synchronous mode. See Figure 29.32 for an example initialization flow. The CKPOL and CKPH bits in SPMR must be set to ensure that the selected clock signal configuration is suitable for both master and slave devices.

Always initialize the SCR register before making any changes to the operating mode or transfer format.

Note: Only the SCR.RE bit is set to 0. The SSR.ORER, FER, PER, and RDR flags are not initialized.

Changing the value of the TE bit in the SCR register from 1 to 0 or from 0 to 1, leads to the generation of a transmit data empty interrupt (SCIn_TXI), if the TIE bit in the SCR register is 1.

29.8.6 Transmission and Reception of Serial Data in Simple SPI Mode

In master operation, ensure that the SSn pin of the slave device on the other side of the transfer is at a low level before starting the transfer and at a high level on completion of the transfer. Otherwise, the procedures are the same as in clock synchronous mode.

29.9 Bit Rate Modulation Function

Using the bit rate modulation function, the bit rate can be evenly corrected using the number specified in MDDR when PCLK is selected using the CKS[1:0] bits in SMR/SMR_SMC.

Figure 29.71 shows an example where PCLK is selected in the CKS[1:0] bits in SMR/SMR_SMC, and BRR and MDDR are set to 0 and 160 respectively in asynchronous mode. In this example, the cycle of the base clock is evenly corrected (256/160) and the bit rate is also corrected (160/256).

Note: Enabling an internal clock causes bias, and expansion and contraction are generated in the pulse width of the internal base clock.

Do not use this function in clock synchronous mode and in the highest speed settings in simple SPI mode (SMR.CKS[1:0] = 00b, SCR.CKE[1] = 0, and BRR = 0).

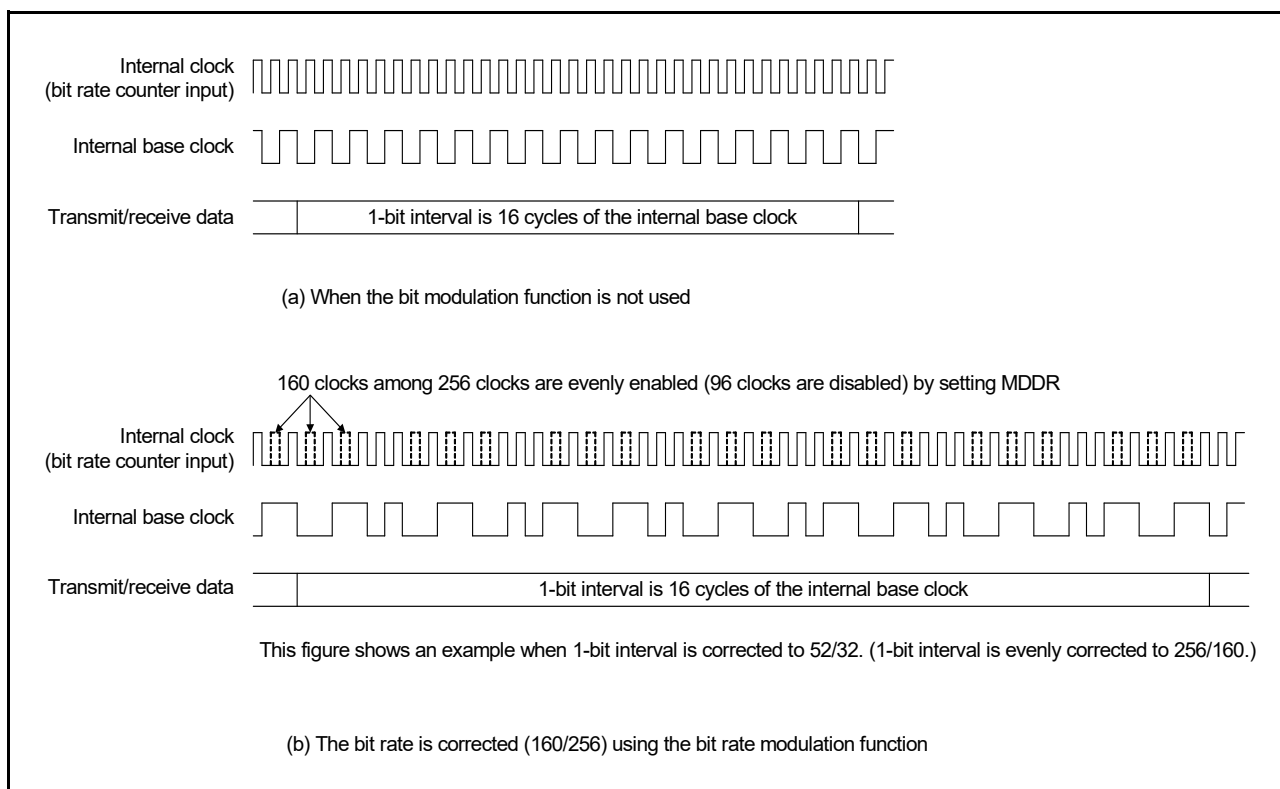


Figure 29.71 Example internal base clock using bit rate modulation function

29.10 Interrupt Sources

29.10.1 Buffer Operations for SCIn_TXI and SCIn_RXI Interrupts (non-FIFO selected)

If the conditions for SCIn_TXI and SCIn_RXI interrupts are satisfied while the interrupt status flag in the ICU is 1, the ICU does not output the interrupt request but saves it internally, with a capacity for saving one request per source.

When the interrupt status flag in the ICU becomes 0, the interrupt request retained within the ICU is output. The internally retained interrupt request is automatically discarded when the actual interrupt is output. Clearing of the associated interrupt enable bit (the TIE or RIE bit in the SCR/SCR_SMC) can also be used to discard an internally retained interrupt request.

29.10.2 Buffer Operation for SCIn_TXI and SCIn_RXI Interrupts (FIFO selected)

When an interrupt status flag in the ICU is set to 1, the SCIn_TXI and SCIn_RXI interrupts do not output interrupt requests to the ICU. When an interrupt status flag of the ICU is cleared to 0, and if the conditions for SCIn_TXI and SCIn_RXI interrupts are satisfied, an interrupt request is generated.

29.10.3 Interrupts in Asynchronous, Clock Synchronous, and Simple SPI Modes

(1) Non-FIFO selected

[Table 29.25](#) lists interrupt sources in asynchronous mode, clock synchronous mode, and simple SPI mode. A different interrupt vector can be assigned to each interrupt source. Individual interrupt sources can be enabled or disabled with the enable bits in SCR.

If the TIE bit in SCR register is 1, an SCIn_TXI interrupt request is generated when transmit data is transferred from TDR or TDRHL*1 to the TSR. An SCIn_TXI interrupt request can also be generated using a single instruction to set the TE and TIE bits to 1 in the SCR simultaneously. An SCIn_TXI interrupt request can activate the DMAC or DTC to handle data transfer.

An SCIn_TXI interrupt request is not generated by setting TE to 1 when the TIE bit is 0 or by setting TIE to 1 when TE is 1*2 in the SCR register.

When new data is not written by the time of transmission of the last bit of the current transmit data and the TEIE bit is 1 in SCR, the TEND flag in SSR sets to 1 and an SCIn_TEI interrupt request is generated. Additionally, when the TE bit is 1 in SCR, the TEND flag in SSR retains the value 1 until more transmit data are written to the TDR or TDRHL*1, and setting the TEIE bit in SCR to 1 leads to the generation of an SCIn_TEI interrupt request.

Writing data to the TDR or TDRHL*1 leads to clearing of the TEND flag in SSR and, after a certain time, discarding of the SCIn_TEI interrupt request.

If RIE is 1 in SCR, an SCIn_RXI interrupt request is generated when received data is stored in RDR. An SCIn_RXI interrupt request can activate the DMAC or DTC to handle data transfer.

Setting any of the ORER, FER, and PER flags in SSR to 1 when the RIE bit in SCR is 1 leads to the generation of an SCIn_ERI interrupt request. An SCIn_RXI interrupt request is not generated at this time. Clearing all three flags (ORER, FER, and PER) leads to discarding of the SCIn_ERI interrupt request.

(2) FIFO selected

[Table 29.26](#) lists interrupt sources in FIFO selected mode.

If the TIE bit in the SCR register is 1, an SCIn_TXI interrupt request is generated when the amount of stored data in the FTDRL register is equal to or less than the threshold value indicated in the TTRG bit in FCR register. An SCIn_TXI interrupt request can also be generated by using a single instruction to set the TE and TIE bits in SCR to 1 simultaneously or by setting SCR.TIE to 1 when SCR.TE is 1.

An SCIn_TXI interrupt request is not generated by setting the TE bit in the SCR register to 1 when TIE bit in the SCR register is 0.

If the TEIE bit in SCR register is 1 and if the next data is not written to the FTDRL register by the time the last bit of the transmit data is sent, the TEND flag in SSR_FIFO register is set to 1 and the SCIn_TEI interrupt request is generated.

If the RIE bit in the SCR register is 1, an SCIn_RXI interrupt request is generated when the amount of stored data in the FRDRL becomes equal to or greater than the threshold value indicated in the RTRG bit in the FCR register. When RTRG is 0, an SCIn_RXI interrupt does not occur even when the amount of data in the receive FIFO is equal to 0.

If the RIE bit in the SCR register is 1, when the ORER flag in the SSR_FIFO register is set to 1 or data with a framing error or a parity error is stored in the FRDRL register, an SCIn_ERI interrupt request is generated. When the amount of data stored in the FRDRL register is at or above the threshold value, an SCIn_RXI interrupt request is also generated. The SCIn_ERI interrupt request can be canceled, in which case the ORER, FER, and PER flags in the SSR_FIFO register are all cleared.

Note 1. When asynchronous mode and 9-bit data length are selected.

Note 2. To temporarily prohibit SCIn_TXI interrupts on transmission of the last of the data when a new round of transmission is to be started, after handling the transmission-completed interrupt, control activation of the interrupt using the interrupt request enable bit in the ICU rather than using the TIE bit in the SCR register. This approach can prevent the suppression of SCIn_TXI interrupt requests in the transfer of new data.

Table 29.25 SCI interrupt sources with non-FIFO selected

Name	Interrupt source	Interrupt flag	Interrupt enable	DTC activation	DMAC activation
SCIn_ERI	Receive error*1	ORER, FER, PER, DFER, DPER	RIE	Not possible	Not possible
SCIn_RXI	Receive data full	RDRF	RIE	Possible	Possible
	Address match	DCMF	RIE	Possible	Possible
SCIn_AM	Address match	DCMF	-	Possible	Possible
SCIn_TXI	Transmit data empty	TDRE	TIE	Possible	Possible
SCIn_TEI	Transmit end	TEND	TEIE	Not possible	Not possible

Note 1. The interrupt flag is only ORER when in clock synchronous and simple SPI mode.

Table 29.26 SCI interrupt sources with FIFO selected

Name	Interrupt source	Interrupt flag	Interrupt enable	DTC activation	DMAC activation
SCIn_ERI	Receive error*1	ORER, FER, PER, DFER, DPER	RIE	Not possible	Not possible
		DR (when FCR.DRES = 1)	RIE	Not possible	Not possible
SCIn_RXI	Receive data full	RDF	RIE	Possible	Possible
	Receive data ready	DR (when FCR.DRES = 0)	RIE	Possible	Possible
	Address match	DCMF	RIE	Possible	Possible
SCIn_AM	Address match	DCMF	-	Possible	Possible
SCIn_TXI	Transmit data empty	TDFE	TIE	Possible	Possible
SCIn_TEI	Transmit end	TEND	TEIE	Not possible	Not possible

Note 1. The interrupt flag is only ORER when in clock synchronous and simple SPI mode.

29.10.4 Interrupts in Smart Card Interface Mode

Table 29.27 lists the interrupt sources in smart card interface mode. A transmit end interrupt (SCIn_TEI) request and an address match (SCIn_AM) request cannot be used in this mode.

Table 29.27 SCI interrupt sources in smart card interface mode

Name	Interrupt source	Interrupt flag	Interrupt enable	DTC activation	DMAC activation
SCIn_ERI	Receive error or error signal detection	ORER, FER, ERS	RIE	Not possible	Not possible
SCIn_RXI	Receive data full	RDRF	RIE	Possible	Possible
SCIn_TXI	Transmit end	TEND	TIE	Possible	Possible

Data transmission or reception using the DMAC or DTC is also possible in smart card interface mode. In transmission, when the TEND flag in SSR_SMCI is set to 1, an SCIn_TXI interrupt request is generated. The SCIn_TXI interrupt request activates the DMAC or DTC, allowing transfer of transmit data if the SCIn_TXI request is previously specified as a source for DMAC or DTC activation. The TEND flag is automatically set to 0 when the DMAC or DTC transfers data.

If an error occurs, the SCI automatically retransmits the same data. During the retransmission, the TEND flag is kept at 0 and the DMAC or DTC is not activated. Therefore, the SCI and DMAC or DTC automatically transmit the specified number of bytes, including retransmission when an errors occur. However, the ERS flag in SSR_SMCI is not automatically cleared to 0 at error occurrence. Therefore, the ERS flag must be cleared by setting the RIE bit in SCR_SMCI to 1 to enable an SCIn_ERI interrupt request to be generated at error occurrence.

When transmitting or receiving data using the DMAC or DTC, always enable the DMAC or DTC before setting the SCI. For DMAC or DTC settings, see [section 17, DMA Controller \(DMAC\)](#) and [section 18, Data Transfer Controller \(DTC\)](#).

In reception, an SCIn_RXI interrupt request is generated when receive data is set to RDR. This SCIn_RXI interrupt request activates the DMAC or DTC, allowing transfer of receive data if the SCIn_RXI request is specified as a source of DMAC or DTC activation. If an error occurs, the error flag is set. Therefore, the DMAC or DTC is not activated and an SCIn_ERI interrupt request is issued to the CPU instead. The error flag must be cleared.

29.10.5 Interrupts in Simple IIC Mode

[Table 29.28](#) lists the interrupt sources in simple IIC mode. The STI interrupt is allocated to the transmit end interrupt (SCIn_TEI) request. The receive error interrupt (SCIn_ERI) and the address match (SCIn_AM) request cannot be used.

The DMAC or DTC can also be used to handle transfer in simple IIC mode.

When the IICINTM bit in SIMR2 register is 1:

- An SCIn_RXI request is generated on the falling edge of the SCLn signal for the 8th bit. If SCIn_RXI is previously set up as an activation source for the DMAC or DTC, the SCIn_RXI request activates the DMAC or DTC to handle transfer of the received data.
- An SCIn_TXI request is generated on the falling edge of the SCLn signal for the 9th bit (acknowledge bit). If SCIn_TXI is previously set up as an activation source for the DMAC or DTC, the SCIn_TXI request activates the DMAC or DTC to handle transfer of the transmit data.

When the IICINTM bit in SIMR2 register is 0:

- An SCIn_RXI request (ACK detection) is generated if the input on the SDAn pin is low on the rising edge of the SCLn signal for the 9th bit (acknowledge bit)
- An SCIn_TXI request (NACK detection) is generated if the input on the SDAn pin is high on the rising edge of the SCLn signal for the 9th bit (acknowledge bit)
- If SCIn_RXI was previously set up as an activation source for the DMAC or DTC, the SCIn_RXI request activates the DMAC or DTC to handle transfer of the received data.

If the DMAC or DTC is used for data transfer in reception or transmission, always set up and enable the DMAC or DTC before setting up the SCI.

When the IICSTAREQ, IICRSTAREQ, and IICSTPREQ bits in SIMR3 are used to generate a start condition, restart condition, or stop condition, the STI request is issued when generation is complete.

Table 29.28 SCI interrupt sources: simple IIC mode

Name	Interrupt source	Interrupt flag	Interrupt enable	DTC activation	DMAC activation
SCIn_RXI	Reception, ACK detection	-	RIE	Possible	Possible
SCIn_TXI	Transmission, NACK detection	-	TIE	Possible	Possible
STIn	Completion of generation of a start, restart, or stop condition	IICSTIF	TEIE	Not possible	Not possible

Note: Activation of the DTC is only possible when the SIMR2.IICINTM bit is 1 (use reception and transmission interrupts).

29.11 Event Linking

By using interrupt request signals as event signals, the SCI can provide linked operation through the Event Link Controller (ELC) for modules selected in advance.

Event signals can be output regardless of the values of the associated interrupt request enable bits.

(1) Error event output (receive error or error signal detected)

- Indicates abnormal termination because of a parity error during reception in asynchronous mode
- Indicates abnormal termination because of a framing error during reception in asynchronous mode
- Indicates abnormal termination because of an overrun error during reception

- Indicates detection of the error signal during transmission in smart card interface mode
 - Indicates that when the SSR_FIFO.FER and PER flags are 0, and receive data less than the receive FIFO data trigger number is in the receive FIFO buffer, 15 ETUs elapse when FIFO is selected and FCR.DRES is 1.
- (2) Receive data full event output
- Indicates that ACK is detected if the IICINTM bit in SIMR2 register is 0 in simple IIC mode
 - Indicates that the 8th-bit SCLn falling edge is detected if the IICINTM bit in SIMR2 register is 1 in simple IIC mode
 - When the IICINTM bit in SIMR2 register bit is 1 during master transmission in simple IIC mode, set the ELC so that receive data full events are not used.
- (a) Non-FIFO selected
- Indicates that received data is in the Receive Data Register (RDR or RDRHL).
- (b) FIFO selected
- Using this event output is prohibited.
- (3) Transmit data empty event output
- Indicates that the SCR/SCR_SMCI.TE bit changed from 0 to 1
 - Indicates that transmission is complete in smart card interface mode
 - Indicates that NACK is detected if the IICINTM bit in SIMR2 register is 0 in simple IIC mode
 - Indicates that the 9th-bit SCLn falling edge is detected if the IICINTM bit in SIMR2 register is 1 in simple IIC mode.
- (a) Non-FIFO selected
- Indicates that transmit data is transferred from the Transmit Data Register (TDR or TDRHL) to the Transmit Shift Register (TSR).
- (b) FIFO selected
- Using this event output is prohibited.
- (4) Transmit end event output
- Indicates the completion of transmission
 - Indicates that the starting condition, restart condition, or stop condition is generated in simple IIC mode.
- Note: When FIFO is selected, using this event output is prohibited.
- (5) Address match event output
- Indicates a match of the comparison data (CDR.CMPD) with one frame of receive data when DCCR.DCME is set to 1 in asynchronous mode, including multi-processor mode.

29.12 Address Mismatch Event Output (SCI0_DCUF)

SCI0_DCUF indicates the mismatch of comparison data (CDR.CMPD) with receive data, that is one frame of data that is received when DCCR.DCME is set to 1 in asynchronous mode, including multi-processor mode. This event can be used for Snooze end request only.

29.13 Noise Cancellation Function

Figure 29.72 shows the configuration of the noise filter used for noise cancellation. The noise filter consists of a 2-stage flip-flop circuit and a match detection circuit. When the input signals of the noise filter and the output signals of the 2-stage flip-flop circuits completely match, the matched level is conveyed as an internal signal. Unless a match occurs, the previous value is retained. When the same level is retained for 3 cycles or longer on the sampling clock of the noise filter, it is considered as a valid receive signal. A change in pulse for 3 cycles or shorter is considered as noise, not as a receive signal.

When SEMR.ABCS = 0 and SEMR.ABCSE = 0, the cycle is 1/16 the period of 1 transfer bit.

When SEMR.ABCS = 1 and SEMR.ABCSE = 0, the cycle is 1/8 the period of 1 transfer bit.

When SEMR.ABCSE = 1, the cycle is 1/6 the period of 1 transfer bit.

In asynchronous mode, the noise cancellation function can be applied to the receive signal input on the RXDn pin. The receive level of RXDn is sampled in the flip-flop circuit of the noise filter on the base clock of the asynchronous mode.

In simple IIC mode, this function can be used for each input on SDAn and SCLn. The sampling clock for the noise cancellation function is selected in the SNFR.NFCS bit by dividing the baud rate generator source clock by 1, 2, 4, or 8.

If the base clock is stopped with the noise filter enabled and then the base clock input is restarted again, the noise filter operation resumes from the state where the clock was stopped. When TE and RE in SCR are set to 0 during base clock input, all of the noise filter flip-flop values are initialized to 1. Accordingly, if the input data is 1 when reception operation resumes, the function determines that a level match is detected and the result is conveyed as an internal signal. When the level being input corresponds to 0, the initial output of the noise filter is retained until the level matches in 3 consecutive sampling cycles.

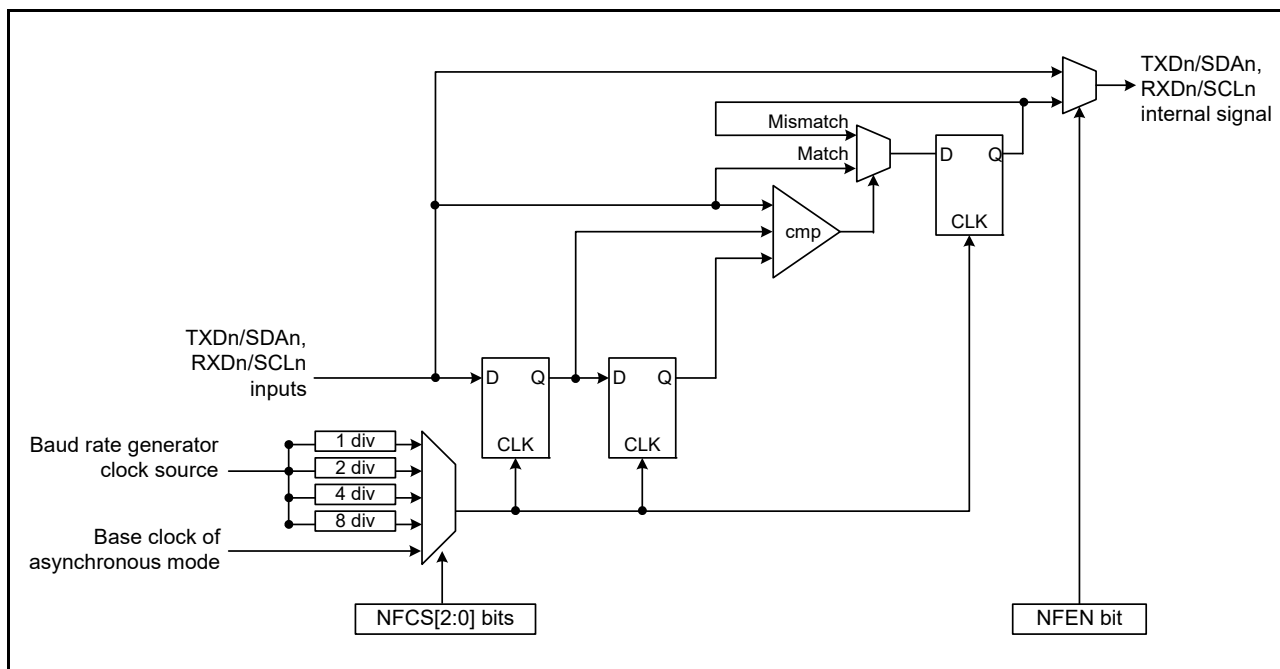


Figure 29.72 Digital noise filter circuit block diagram

29.14 Usage Notes

29.14.1 Settings for the Module-Stop Function

The Module Stop Control Register B (MSTPCRB) can enable or disable SCI operation. The SCI is initially stopped after reset. Releasing the module-stop state enables access to the registers. For details, see [section 11, Low Power Modes](#).

29.14.2 SCI Operations during Low Power State

(1) Transmission

When setting the module to the stopped state or in transition to Software Standby mode, stop operation (by setting the TIE, TE, and TEIE bits in the SCR/SCR_SMCI to 0) after switching the TXDn pin to the general I/O port pin function. When setting the I/O port as an SCI function, the SPTR register can control the state of the TXDn pin. Setting the TE bit to 0 initializes TSR. The TEND bit in the SSR/SSR_SMCI is initialized to 1 with non-FIFO selected. The value is saved with FIFO selected. Depending on the port settings and the SPTR register settings, output pins might output the level before a transition to the low power state is made after release from the module-stopped state or Software Standby mode. When transitions to these states are made during transmission, the transmitted data becomes indeterminate.

To transmit data in the same transmission mode after cancellation of the low power state:

1. Set the TE bit to 1.
2. Read SSR/SSR_FIFO/SSR_SMCI.
3. Write data to TDR sequentially to start data transmission.

To transmit data with a different transmission mode, initialize the SCI first.

[Figure 29.73](#) shows an example flow of transition to Software Standby mode during transmission. [Figure 29.74](#) and [Figure 29.75](#) show the port pin states during transition to Software Standby mode.

Before specifying the module-stop state or making a transition to Software Standby mode from the transmission mode using DTC transfer, stop the transmit operations (TE = 0). To start transmission after cancellation using the DTC, set the TE bit to 1. The SCIn_TXI interrupt flag is set to 1 and transmission starts using the DTC.

(2) Reception

(a) When address match function is not used as a wakeup condition

Before specifying the module-stop state or making a transition to Software Standby mode, stop the receive operations (RE = 0 in SCR/SCR_SMCI). If transition is made during data reception, the received data is invalid.

[Figure 29.76](#) shows an example flow of transition to Software Standby mode during reception.

(b) When address match function is used as a wakeup condition

Before specifying the module-stop state or making a transition to Software Standby mode:

1. Set the operations after cancellation of the low power state.
2. Set CDR.CMPD and DCCR.DCME = 1.
3. Set the receive operations (RE = 1 in SCR/SCR_SMCI).
4. Set the module-stop state or Software Standby mode.

When the SCI transfers to the low power mode, if the receive data pin (RXDn) is at the low level, set the RXDESEL bit in SEMR to 0. If RXDESEL is set to 1, there is a possibility that a start bit (falling edge of RXDn pin) cannot be detected on release of the low power mode.

[Figure 29.77](#) shows an example flow of transition to Software Standby mode during reception with address match.

(c) When using SCI0 in Snooze mode

When using SCI0 in Snooze mode, some restrictions, including the maximum bit rates, exist. For details, see [section 11, Low Power Modes](#).

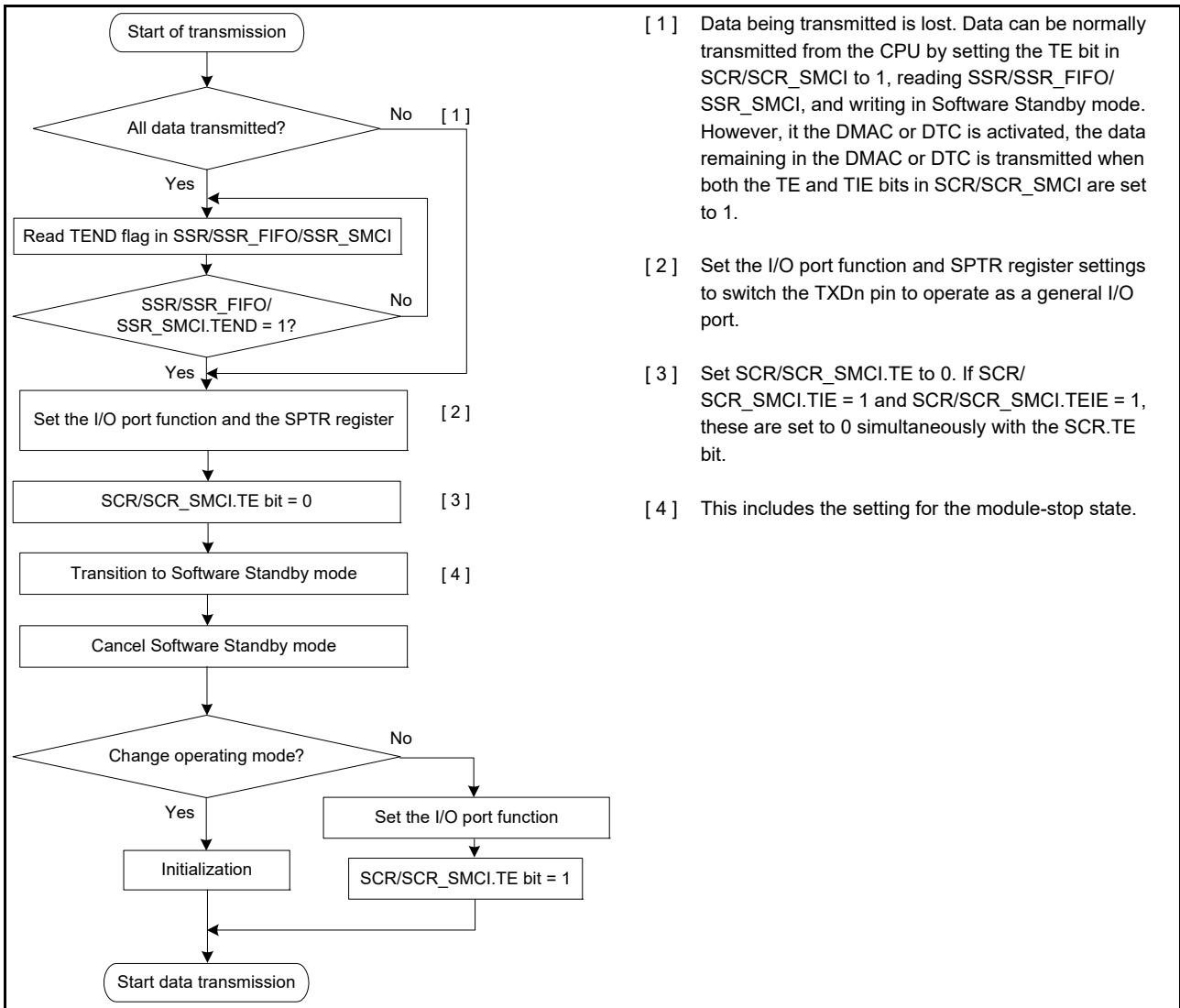


Figure 29.73 Example flow of transition to Software Standby mode during transmission

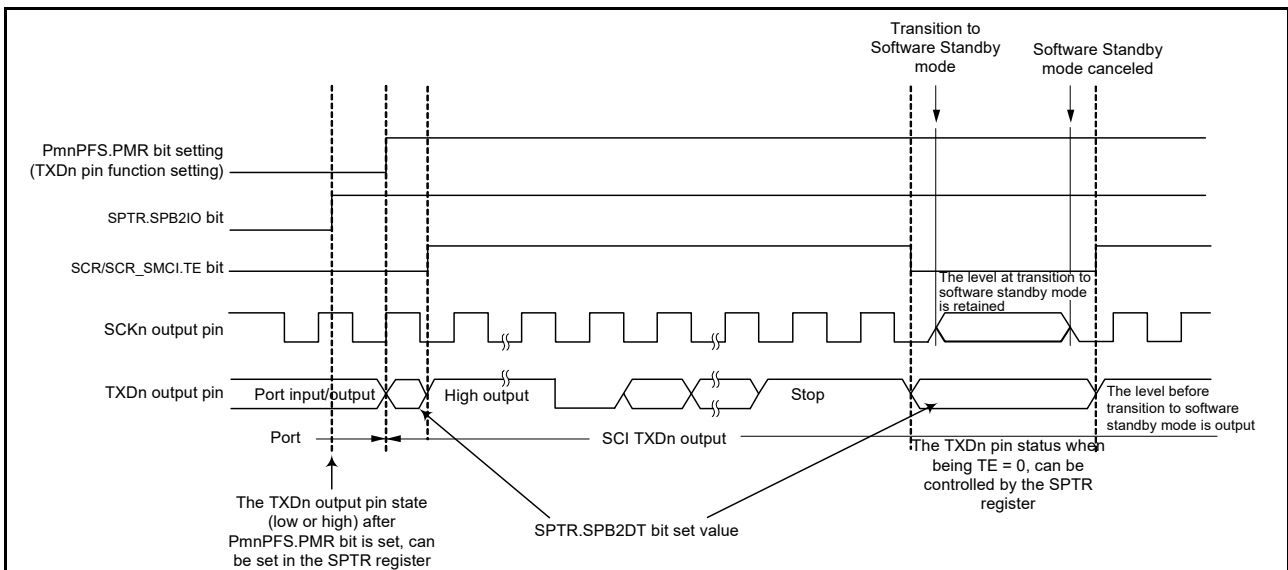


Figure 29.74 Port pin states during transition to Software Standby mode with internal clock and asynchronous transmission

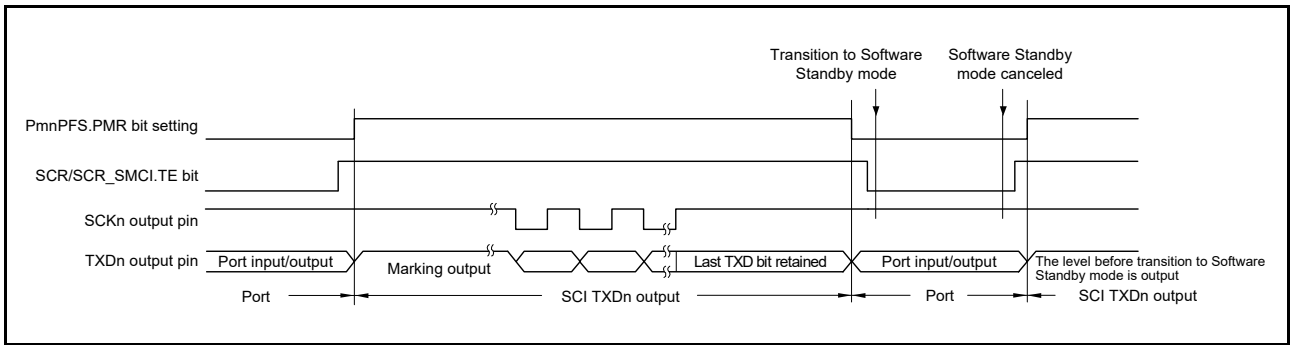


Figure 29.75 Port pin states during transition to Software Standby mode with internal clock and clock synchronous transmission

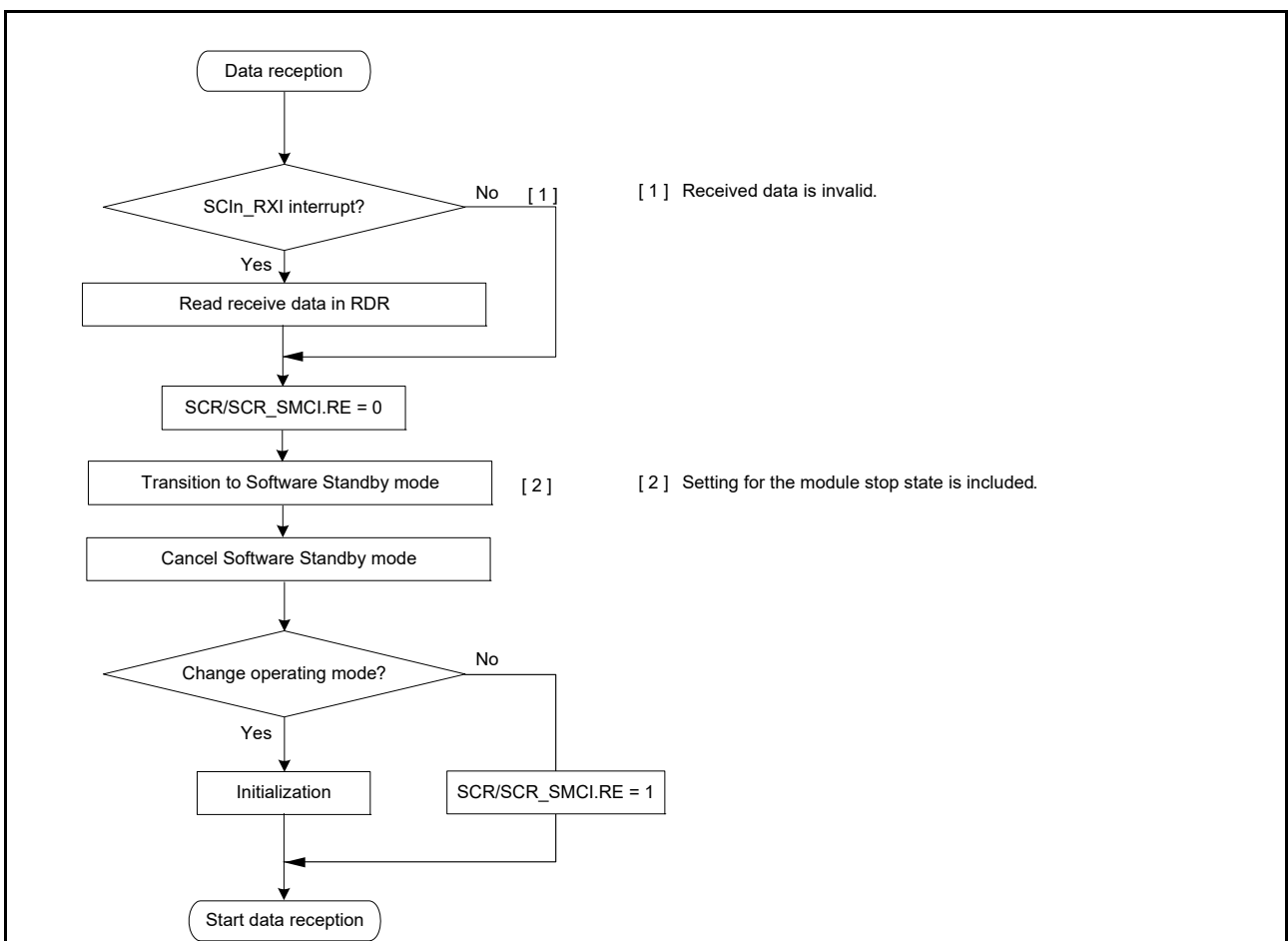


Figure 29.76 Example flow of transition to Software Standby mode during reception

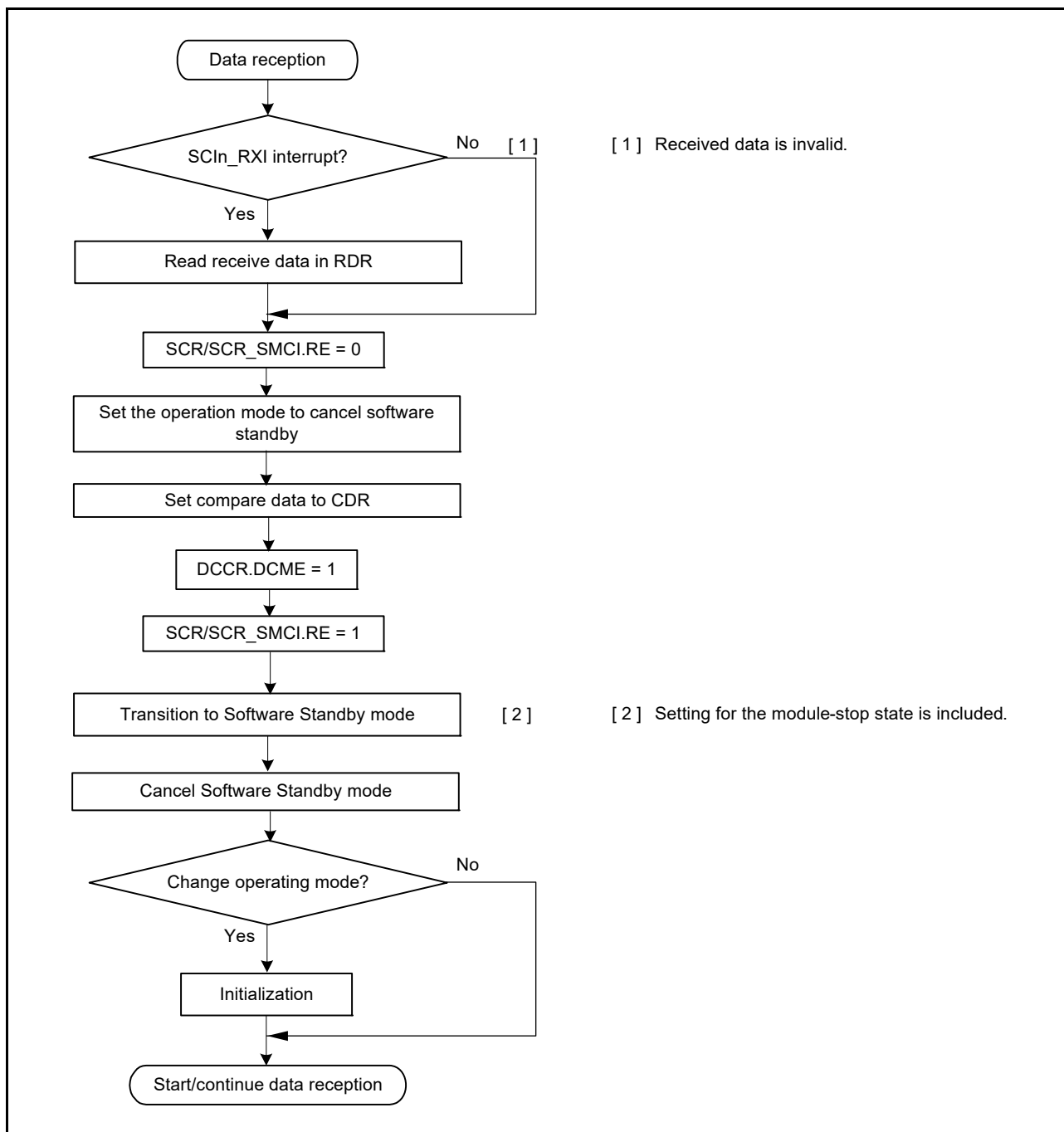


Figure 29.77 Example flow of transition to Software Standby mode during reception with address match

29.14.3 Break Detection and Processing

(1) Non-FIFO selected

When a framing error is detected, a break can be detected by reading the RXDn pin value directly. In a break, the input from the RXDn pin becomes all 0s, and the FER flag in SSR is set to 1 to indicate a framing error. The PER flag in SSR might also be set to 1 to indicate a parity error. The SCI continues the receive operation even after a break is received. Therefore, even if the FER flag is set to 0, indicating a no framing error, it is set to 1 again. When the RXDESEL bit in SEMR is 1, the SCI sets the FER flag in SSR to 1 and stops receiving operations until a start bit of the next data frame is detected. If the FER flag in SSR is 0, the FER flag in SSR retains 0 during the break.

When the RXDn pin is set to 1 and the break ends, detecting the beginning of the start bit at the first falling edge of the RXDn pin allows the SCI to start the receiving operation.

(2) FIFO selected

After a framing error is detected and when the SCI detects that continuous receive data is 0 for 1 frame, reception stops. When a framing error is detected, a break can be detected by reading the RXDMON bit value in SPTR. After the RXD signal is in the mark state and the break is finished, reception of data to FRDRHL resumes.

29.14.4 Mark State and Production of Breaks

When the TE bit is 0 in SCR/SCR_SMCI, disabling serial transmission, the state of the TXDn pin can be set using the SPB2IO bit in SPTR and the SPB2DT bit in SPTR. With this approach, a TXDn pin can be placed in the mark state to transmit a break.

Before setting the TE bit in SCR/SCR_SMCI to 1, enabling serial transmission, set the SPB2IO and SPB2DT bits to put a communication line in the mark state (the state of 1), and change the TXDn pin using I/O port function. To output a break on data transmission, after setting the TXDn pin to output 0 by setting the SPB2IO and SPB2DT bits, change the TXDn pin using the I/O port function and set the TE bit in SCR/SCR_SMCI to 0. When the TE bit in SCR/SCR_SMCI is set to 0, the transmitter is initialized regardless of the current state of transmission.

29.14.5 Receive Error Flags and Transmit Operation in Clock Synchronous Mode and Simple SPI Mode

Transmission cannot start when a receive error flag (ORER) in SSR/SSR_FIFO is set to 1, even if data is written to the TDR or FTDRHL*1 registers. Be sure to set the receive error flags to 0 before starting transmission.

Note: The receive error flags cannot be set to 0 if serial reception is disabled by setting the RE bit in SCR/SCR_SMCI to 0.

Note 1. Do not use the FTDRH register in simple SPI mode.

29.14.6 Restrictions on Clock Synchronous Transmission in Clock Synchronous Mode and Simple SPI Mode

When the external clock source is used as a synchronization clock, the following restrictions apply.

(1) Start of transmission

Wait at least the following time from writing transmit data to TDR to the start of the external clock input:

1 PCLK cycle + data output delay time for the slave + setup time for the master (tSU). See [Figure 29.78](#).

(2) Continuous transmission

Write the next transmit data to TDR or TDRHL before the falling edge of the transmit clock for bit [7]. See [Figure 29.78](#).

When updating TDR after bit [7] starts to transmit, update TDR while the synchronization clock is in the low-level period, and set the high-level width of the transmit clock (bit [7]) to 4 PCLK cycles or longer. See [Figure 29.78](#).

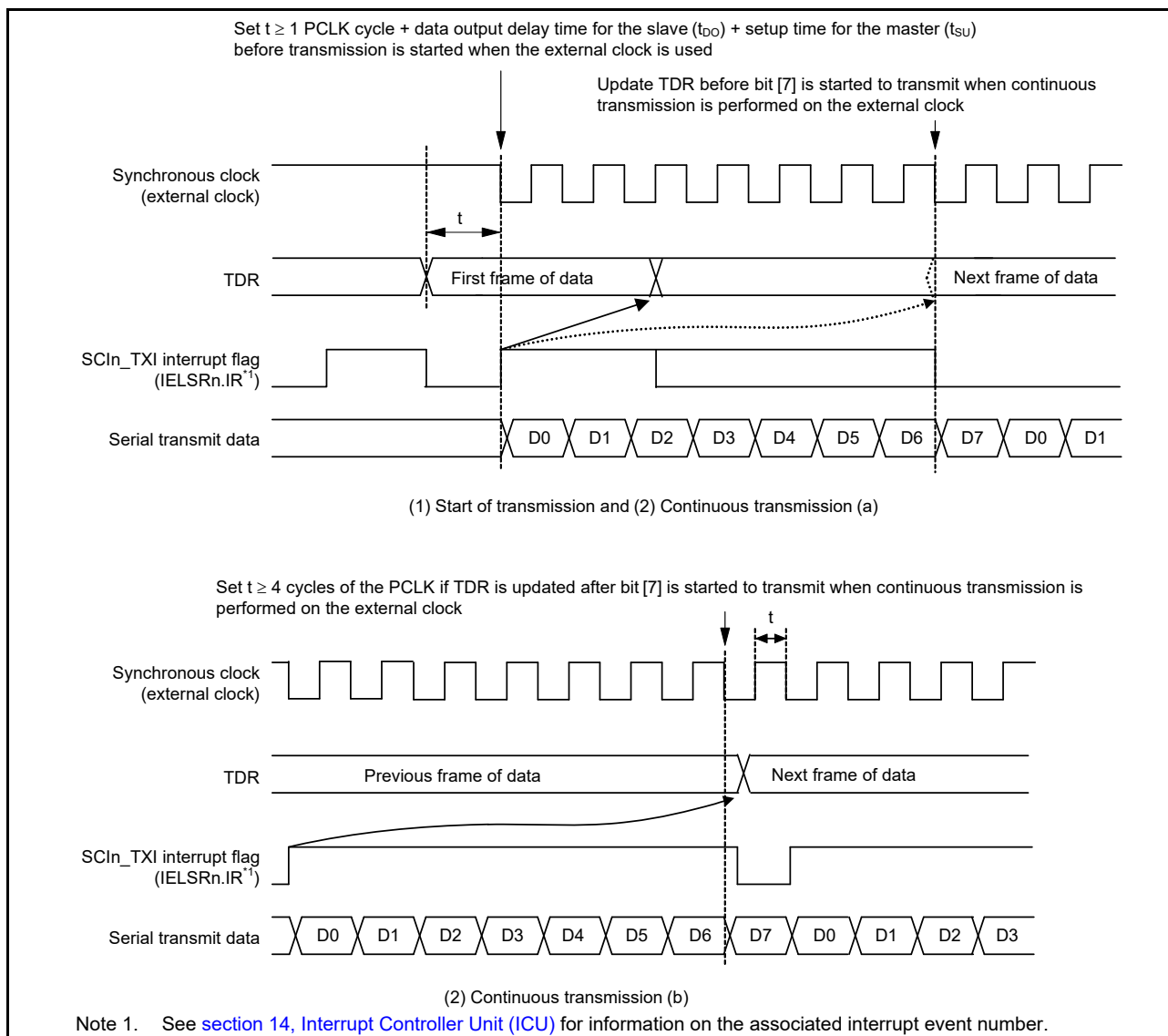


Figure 29.78 Restrictions on the use of external clock in clock synchronous transmission

29.14.7 Restrictions on Using DMAC or DTC

During transmission or reception operations using the DMAC or DTC, do not set the transfer information for the DMAC or DTC.

(1) Writing data to TDR (FTDRHL)

(a) Non-FIFO selected

Data can be written to TDR and TDRHL. However, if new data is written to TDR or TDRHL when transmit data remains in TDR or TDRHL, the previous data in TDR and TDRHL is lost because it was not transferred to TSR yet. When using DMAC or DTC, be sure to write transmit data to TDR or TDRHL in the SCIn_TXI interrupt request handling routine.

(b) FIFO selected

It is possible to write data to the FTDRH and FTDRL registers when the TE bit is 1 in SCR register. Confirm the amount of writable data using the FDR.T[4:0] bits.

(2) Reading data from RDR (FRDRHL)

When using the DMAC or DTC to read RDR and RDRHL, be sure to set the receive data full interrupt (SCIn_RXI) as the activation source of the relevant SCI channel.

29.14.8 Notes on Starting Transfer

When transfer starts after the Interrupt Status flag (IELSRn.IR flag) in the ICU is 1, follow the procedure in this section to clear interrupt requests before permitting operations (by setting the SCR/SCR_SMCI.TE or SCR/SCR_SMCI.RE bit to 1). For details on the interrupt status flag, see [section 14, Interrupt Controller Unit \(ICU\)](#).

1. Confirm that the transfer stopped (the SCR/SCR_SMCI.TE or SCR/SCR_SMCI.RE bit is 0).
2. Set the associated interrupt enable bit (SCR/SCR_SMCI.TIE or SCR/SCR_SMCI.RIE) to 0.
3. Read the associated interrupt enable bit (SCR/SCR_SMCI.TIE or SCR/SCR_SMCI.RIE bit) to check that it actually becomes 0.
4. Set the Interrupt Status flag (IELSRn.IR flag) in the ICU to 0.

29.14.9 External Clock Input in Clock Synchronous Mode and Simple SPI Mode

In clock synchronous mode and simple SPI mode, the external clock (SCKn) must be input as follows:

High-pulse period, low-pulse period = 2 PCLK cycles or more, period = 6 PCLK cycles or more.

29.14.10 Limitations to Simple SPI Mode

(1) Master mode

- Use a resistor to pull up or pull down the clock line matching the initial settings for the transfer clock set by the CKPH and CKPOL bits when the SSE bit is 1 in the SPMR register. This prevents the clock line from being placed in the high-impedance state when the TE bit is set to 0 or unexpected edges from being generated on the clock line when the TE bit is changed from 0 to 1 in the SCR register. When the SSE bit is 0 in single-master mode, pulling up or pulling down the clock line is not required because the clock line is not placed in the high-impedance state even when the TE bit is set to 0.
- For the clock delay setting (SPMR.CKPH bit is 1), the receive data full interrupt (SCIn_RXI) is generated before the final clock edge on the SCKn pin, as indicated in [Figure 29.79](#). If the TE and RE bits in the SCR become 0 before the final edge of the clock signal on the SCKn pin, the SCKn pin is placed in the high-impedance state, so the width of the last clock pulse of the transfer clock is shortened. Additionally, an SCIn_RXI interrupt might lead to the input signal on the SSn pin of a connected slave going to the high level before the final edge of the clock signal on the SCKn pin, leading to incorrect operation of the slave.
- In a multi-master configuration, the SCKn pin output goes to high-impedance while the input on the SSn pin is at the low level if a mode fault error occurs while the current character is being transferred, stopping supply of the clock signal to the connected slave. Reset the connected slave to avoid misaligned bits when transfer is restarted.

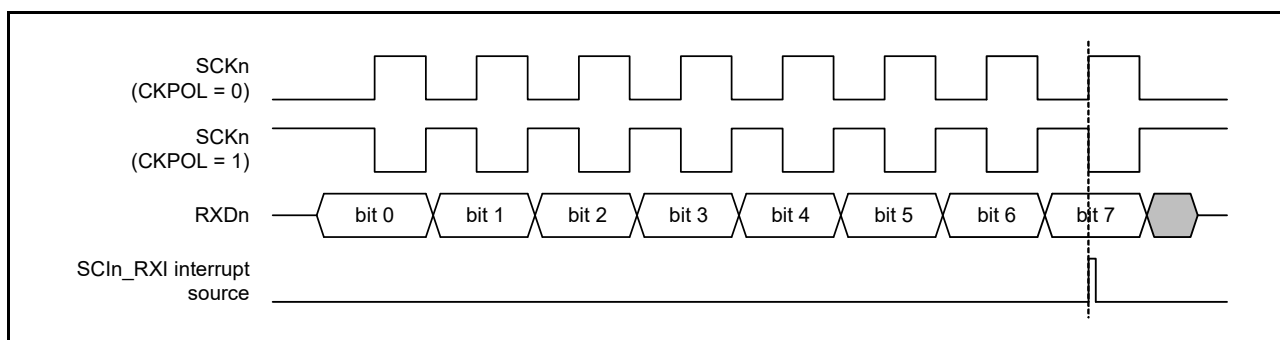


Figure 29.79 Timing of SCIn_RXI interrupt in simple SPI mode with clock delay

(2) Slave mode

- Wait at least the following time from writing transmit data in the TDR register to the start of the external clock input:
1 PCLK cycle + data output delay time for the slave (t_{DO}) + setup time for the master (t_{SU}).
Also, wait at least 5 PCLK cycles from the input of the low level on the SSn pin to the start of the external clock input.
- Provide an external clock signal to the master for the data length for transfer
- Control the input on the SSn pin before the start and after the end of data transfer
- When the input level on the SSn pin changes from low to high while a character is being transferred, set the TE and RE bits in SCR to 0 and, after restoring the settings, restart transfer of the first byte.

30. I²C Bus Interface (IIC)

30.1 Overview

The MCU has a 3-channel I²C Bus Interface (IIC) module that conforms with and provides a subset of the NXP I²C bus (Inter-Integrated Circuit bus) interface functions. [Table 30.1](#) lists the IIC specifications, [Figure 30.1](#) shows a block diagram, and [Figure 30.2](#) shows an example of I/O pin connections to external circuits, with an I²C bus configuration example. [Table 30.2](#) lists the I/O pins.

Table 30.1 IIC specifications (1 of 2)

Parameter	Description
Communications format	<ul style="list-style-type: none"> I²C bus format or SMBus format Master or slave mode selectable Automatic securing of the setup times, hold times, and bus-free times for the transfer rate.
Transfer rate	Fast-mode supported, up to 400 kbps
SCL clock	For master operation, the duty cycle of the SCL clock is selectable in the range from 4% to 96%
Issuing and detecting conditions	<ul style="list-style-type: none"> Start, restart, and stop conditions are automatically generated Start conditions, including restart conditions, and stop conditions are detectable.
Slave address	<ul style="list-style-type: none"> Configurable for up to three different slave addresses 7-bit and 10-bit address formats supported, including simultaneous use General call addresses, device ID addresses, and SMBus host addresses detectable.
Acknowledgment	<ul style="list-style-type: none"> For transmission, automatic loading of the acknowledge bit. Transfer of the next transmit data can be automatically suspended on detection of a not-acknowledge bit. For reception, automatic transmission of the acknowledge bit. If a wait between the 8th and 9th clock cycles is selected, software can control the value in the acknowledge field in response to the received value.
Wait function	During reception, the following wait periods are available by holding the SCL clock low: <ul style="list-style-type: none"> Waiting between the 8th and 9th clock cycles Waiting between the 9th clock cycle and the 1st clock cycle of the next transfer.
SDA output delay function	Output timing of transmitted data, including the acknowledge bit, can be delayed
Arbitration	<ul style="list-style-type: none"> For multi-master operation: <ul style="list-style-type: none"> SCL clock synchronization is possible when conflict occurs with the SCL signal from another master When issuing the start condition creates conflict on the bus, loss of arbitration is detected by testing for a mismatch between the internal signal for the SDA line and the level on the SDA line In master operation, loss of arbitration is detected by testing for a mismatch between the signal on the SDA line and the internal signal for the SDA line. Loss of arbitration because the start condition occurs while the bus is busy is detectable, to prevent the issuing of double start conditions Loss of arbitration is detectable on transfer of a not-acknowledge bit because the internal signal for the SDA line and the level on the SDA line do not match Loss of arbitration because a mismatch of internal and line levels for data is detectable in slave transmission.
Timeout function	Internal detection of long-interval stops of the SCL clock
Noise cancellation	<ul style="list-style-type: none"> Digital noise filters for both the SCL and SDA signals Programmable window for noise cancellation by the filters.
Interrupt sources	<ul style="list-style-type: none"> Transfer error or occurrence of events: arbitration detection, NACK, timeout, start or restart condition, or stop condition Receive data full, including matching with a slave address Transmit data empty, including matching with a slave address Transmit end.
Module-stop function	Module-stop state can be set to reduce power consumption
IIC operating modes	<ul style="list-style-type: none"> Master transmit Master receive Slave transmit Slave receive.

Table 30.1 IIC specifications (2 of 2)

Parameter	Description
Event link function (output)	<ul style="list-style-type: none"> Transfer error or occurrence of events: arbitration detection, NACK, timeout, start or restart condition, or stop condition Receive data full, including matching with a slave address Transmit data empty, including matching with a slave address Transmit end.
Wakeup function*1	<ul style="list-style-type: none"> CPU can return from Software Standby mode using a wakeup event

Note 1. This function is only supported for IIC channel, IIC0.

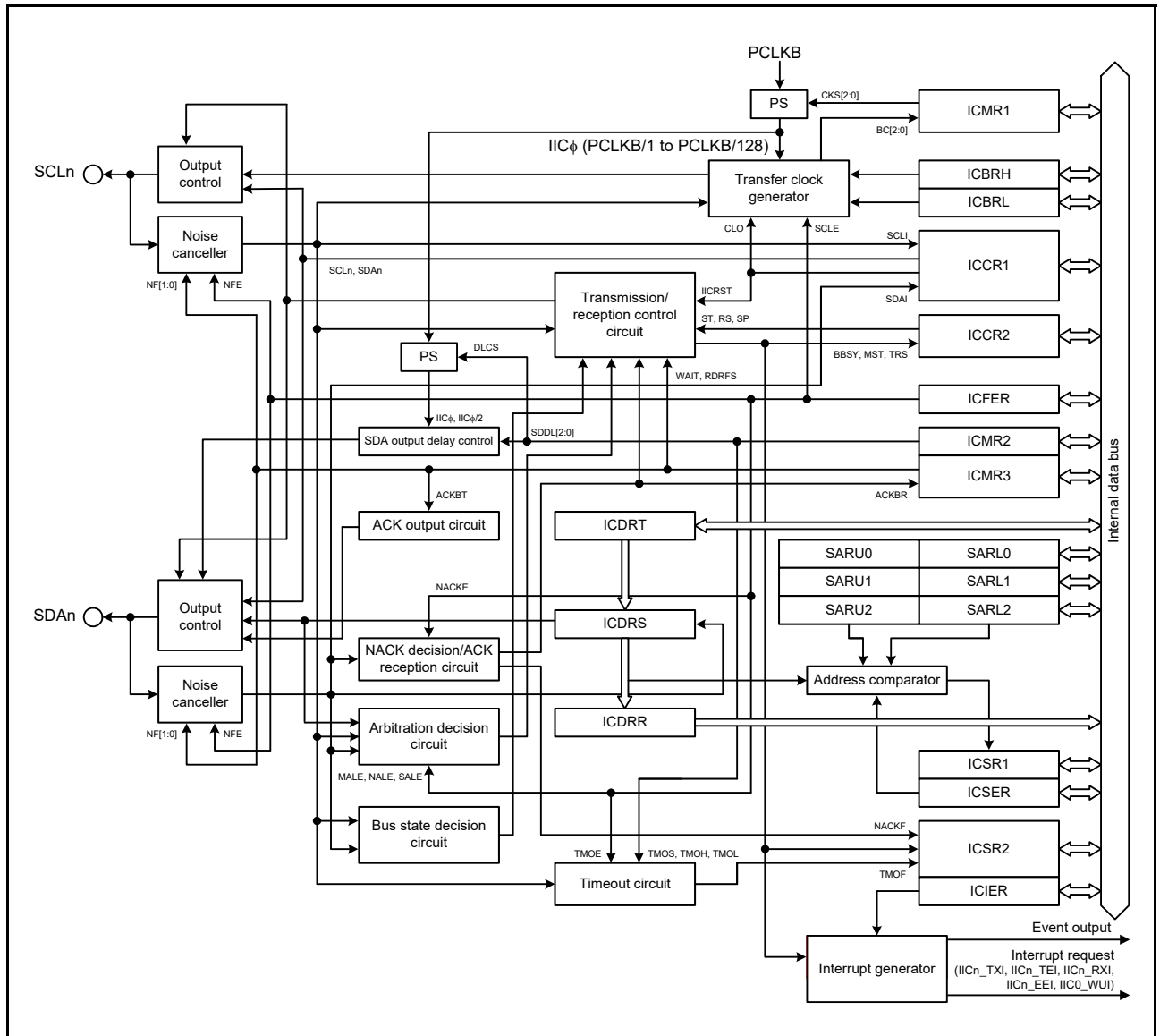


Figure 30.1 IIC block diagram

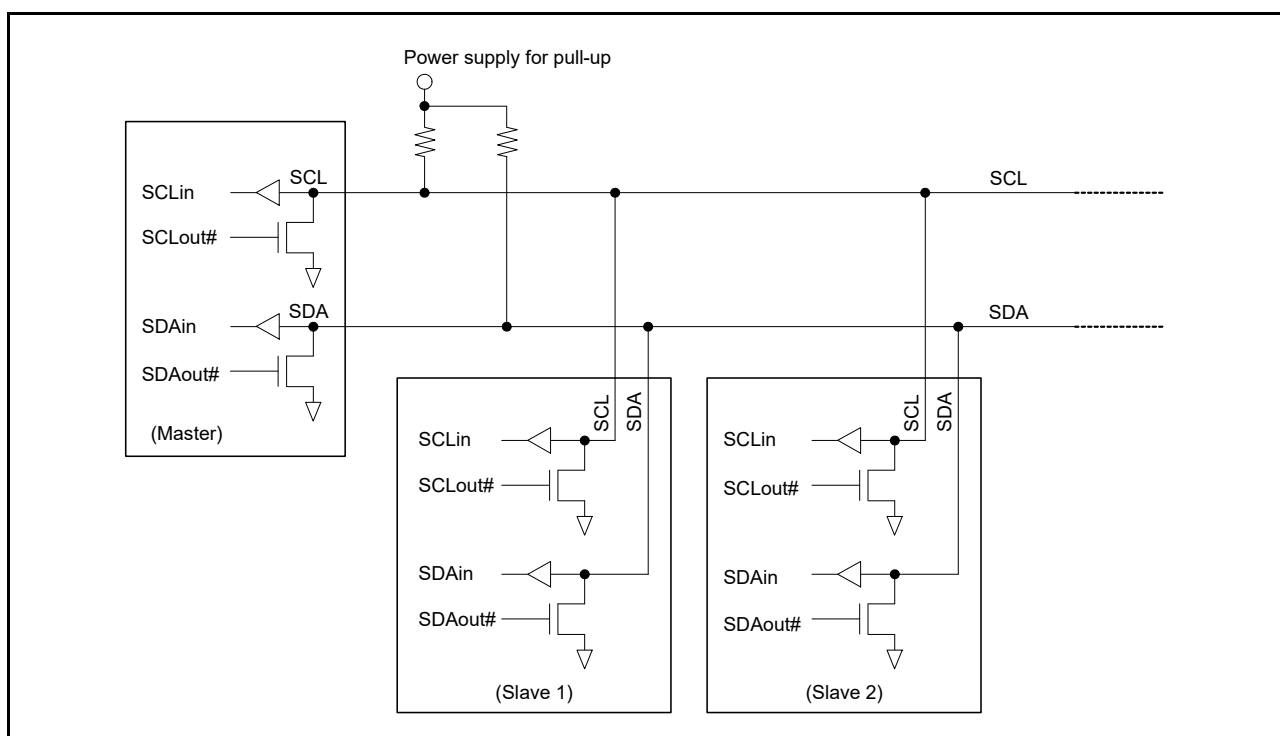


Figure 30.2 I/O pin connection to the external circuit (I²C bus configuration example)

The input level of the signals for IIC is CMOS when I²C bus is selected (ICMR3.SMBS = 0), or TTL when SMBus is selected (ICMR3.SMBS = 1).

Table 30.2 IIC I/O pins

Channel	Pin name	I/O	Function
IIC0	SCL0	I/O	IIC0 serial clock I/O pin
	SDA0	I/O	IIC0 serial data I/O pin
IIC1	SCL1	I/O	IIC1 serial clock I/O pin
	SDA1	I/O	IIC1 serial data I/O pin
IIC2	SCL2	I/O	IIC2 serial clock I/O pin
	SDA2	I/O	IIC2 serial data I/O pin

30.2 Register Descriptions

30.2.1 I²C Bus Control Register 1 (ICCR1)

Address(es): IIC0.ICCR1 4005 3000h, IIC1.ICCR1 4005 3100h, IIC2.ICCR1 4005 3200h

	b7	b6	b5	b4	b3	b2	b1	b0
	ICE	IICRST	CLO	SOWP	SCLO	SDAO	SCLI	SDAI
Value after reset:	0	0	0	1	1	1	1	1

Bit	Symbol	Bit name	Description	R/W
b0	SDAI	SDA Line Monitor	0: SDA _n line is low 1: SDA _n line is high.	R
b1	SCLI	SCL Line Monitor	0: SCL _n line is low 1: SCL _n line is high.	R
b2	SDAO	SDA Output Control/Monitor	<ul style="list-style-type: none"> Read: <ul style="list-style-type: none"> 0: IIC drives the SDA_n pin low 1: IIC releases the SDA_n pin. Write: <ul style="list-style-type: none"> 0: IIC drives SDA_n pin low 1: IIC releases SDA_n pin. 	R/W
b3	SCLO	SCL Output Control/Monitor	<ul style="list-style-type: none"> Read: <ul style="list-style-type: none"> 0: IIC drives the SCL_n pin low 1: IIC releases the SCL_n pin. Write: <ul style="list-style-type: none"> 0: IIC drives SCL_n pin low 1: IIC releases SCL_n pin. Use an external pull-up resistor to drive the signal high.	R/W
b4	SOWP	SCLO/SDAO Write Protect	0: Write enable SCLO and SDAO bits 1: Write protect SCLO and SDAO bits. This bit is read as 1.	R/W
b5	CLO	Extra SCL Clock Cycle Output	0: Do not output extra SCL clock cycle (default) 1: Output extra SCL clock cycle. This bit clears automatically after 1 clock cycle is output.	R/W
b6	IICRST	IIC Bus Interface Internal Reset	0: Release IIC reset or internal reset 1: Initiate IIC reset or internal reset. This setting clears the bit counter and the SCL _n /SDA _n output latch.	R/W
b7	ICE	IIC Bus Interface Enable	0: Disable (SCL _n and SDA _n pins in inactive state) 1: Enable (SCL _n and SDA _n pins in active state). Used in combination with the IICRST bit to select either IIC or internal reset.	R/W

SDAO bit (SDA Output Control/Monitor) and SCLO bit (SCL Output Control/Monitor)

The SDAO and SCLO bits directly control the SDA_n and SCL_n signals output from the IIC.

When writing to these bits, also write 0 to the SOWP bit. Setting these bits results in input to the IIC by the input buffer. When slave mode is selected, a start condition might be detected and the bus might be released, depending on the bit settings.

Do not rewrite these bits during a start condition, stop condition, restart condition, or during transmission, or reception. Operation after rewriting under the specified conditions is not guaranteed. When reading these bits, the state of signals output from the IIC can be read.

CLO bit (Extra SCL Clock Cycle Output)

The CLO bit allows the output of an extra SCL clock cycle for debugging or error processing.

Normally, set this bit to 0. Setting this bit to 1 in a normal communication state causes a communication error. For details on this function, see [section 30.12.2, Extra SCL Clock Cycle Output Function](#).

IICRST bit (IIC Bus Interface Internal Reset)

The IICRST bit initiates an internal state reset of the IIC.

Setting this bit to 1 initiates an IIC reset or internal reset. Whether an IIC reset or internal reset is initiated is determined by setting this bit in combination with the ICE bit. [Table 30.3](#) lists the IIC resets.

The IIC reset initializes all registers except ICCR1.ICE and ICCR1.IICRST bits and internal states of the IIC.

In addition to the internal states of the IIC, the internal reset initializes the following:

- Bit counter (ICMR1.BC[2:0] bits)
- I²C Bus Shift Register (ICDRS)
- I²C Bus Status Registers (ICSR1 and ICSR2)
- SDAO and SCLO Output Control/Monitor (ICCR1.SCLO and ICCR1.SDAO bits)
- I²C Bus Control Register 2 (except ICCR2.BBSY bit).

For the reset conditions of each register, see [section 30.15, Register States When Issuing Each Condition](#).

An internal reset initiated with the IICRST bit set to 1 during operation (with the ICE bit set to 1) resets the internal states of the IIC without initializing the port settings and the control and setting registers of the IIC. If the IIC hangs in a low-level output state, resetting the internal states cancels the low-level output state and releases the bus with the SCLn pin and SDAn pin at high impedance.

Note: If an internal reset is initiated using the IICRST bit for a bus hang-up that occurs during communication with the master device in slave mode, the slave device and the master device might enter different states, because the bit counter information differs. For this reason, do not initiate an internal reset in slave mode. Initiate recovery processing from the master device. If an internal reset is required because the IIC hangs with the SCLn line in a low-level output state in slave mode, initiate an internal reset, and then issue a restart condition from the master device or issue a stop condition and resume communication from the start condition. If communication is restarted by initiating a reset solely in the slave device without issuing a start condition or restart condition from the master device, synchronization is lost because the master and slave devices operate asynchronously.

Table 30.3 IIC resets

IICRST	ICE	State	Specifications
1	0	IIC reset	Resets all registers except ICCR1.ICE and ICCR1.IICRST bits and internal states of the IIC
	1	Internal reset	Resets the following: <ul style="list-style-type: none"> • ICMR1.BC[2:0] bits • ICSR1, ICSR2, and ICDRS registers • ICCR1.SCLO and ICCR1.SDAO bits • ICCR2 register (except ICCR2.BBSY bit) • Internal states of the IIC.

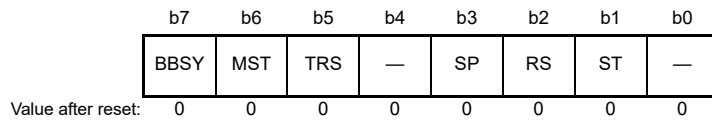
ICE bit (IIC Bus Interface Enable)

The ICE bit selects the active or inactive state of the SCLn and SDAn pins. It can also be combined with the IICRST bit to initiate one of two types of resets. See [Table 30.3](#) for the reset types.

Set the ICE bit to 1 when using the IIC. The SCLn and SDAn pins are placed in the active state when the ICE bit is set to 1. Set the ICE bit to 0 when the IIC is not used. The SCLn and SDAn pins are placed in the inactive state when the ICE bit is set to 0. Do not assign the SCLn or SDAn pin to the IIC when setting up the pin function control. Slave address comparison is performed if the pins are assigned to the IIC.

30.2.2 I²C Bus Control Register 2 (ICCR2)

Address(es): IIC0.ICCR2 4005 3001h, IIC1.ICCR2 4005 3101h, IIC2.ICCR2 4005 3201h



Bit	Symbol	Bit name	Description	R/W
b0	—	Reserved	This bit is read as 0. The write value should be 0.	R/W
b1	ST	Start Condition Issuance Request	0: Do not issue a start condition request 1: Issue a start condition request.	R/W
b2	RS	Restart Condition Issuance Request	0: Do not issue a restart condition request 1: Issue a restart condition request.	R/W
b3	SP	Stop Condition Issuance Request	0: Do not issue a stop condition request 1: Issue a stop condition request.	R/W
b4	—	Reserved	This bit is read as 0. The write value should be 0.	R/W
b5	TRS	Transmit/Receive Mode	0: Receive mode 1: Transmit mode.	R/W*1
b6	MST	Master/Slave Mode	0: Slave mode 1: Master mode.	R/W*1
b7	BBSY	Bus Busy Detection Flag	0: I ² C bus released (bus free state) 1: I ² C bus occupied (bus busy state).	R

Note 1. The MST and TRS bits can be written to when the ICMR1.MTWP bit is set to 1.

ST bit (Start Condition Issuance Request)

The ST bit requests transition to master mode and issues a start condition.

When this bit is set to 1, a start condition is issued when the BBSY flag is set to 0 (bus free state). For details on issuing a start condition, see [section 30.11, Start, Restart, and Stop Condition Issuing Function](#).

[Setting condition]

- When 1 is written to the ST bit.

[Clearing conditions]

- When 0 is written to the ST bit
- When a start condition is issued (a start condition is detected)
- When the AL (arbitration-lost) flag in ICSR2 is set to 1
- When 1 is written to the IICRST bit in ICCR1 to initiate an IIC reset or an internal reset.

Note: Set the ST bit to 1 (start condition request) when the BBSY flag is set to 0 (bus free state). Arbitration might be lost if the ST bit is set to 1 (start condition request) when the BBSY flag is 1 (bus busy state).

RS bit (Restart Condition Issuance Request)

The RS bit requests that a restart condition be issued in master mode.

When this bit is set to 1 to request a restart condition, a restart condition is issued when the BBSY flag is set to 1 (bus busy state) and the MST bit is set to 1 (master mode). For details on issuing a restart condition, see [section 30.11, Start, Restart, and Stop Condition Issuing Function](#).

[Setting condition]

- When 1 is written to the RS bit with the BBSY flag in ICCR2 set to 1.

[Clearing conditions]

- When 0 is written to the RS bit
- When a restart condition is issued (a start condition is detected)
- When the AL (arbitration-lost) flag in ICSR2 is set to 1
- When 1 is written to the IICRST bit in ICCR1 to initiate an IIC reset or an internal reset.

Note: Do not set the RS bit to 1 while issuing a stop condition.

Note: If 1 (restart condition request) is written to the RS bit in slave mode, the restart condition is not issued but the RS bit remains set to 1. If the operating mode changes to master mode without the RS bit being cleared, the restart condition might be issued.

SP bit (Stop Condition Issuance Request)

The SP bit requests that a stop condition be issued in master mode.

When this bit is set to 1, a stop condition is issued when the BBSY flag is set to 1 (bus busy state) and the MST bit is set to 1 (master mode). For details on issuing a stop condition, see [section 30.11, Start, Restart, and Stop Condition Issuing Function](#).

[Setting condition]

- When 1 is written to the SP bit with both the BBSY flag and the MST bit in ICCR2 set to 1.

[Clearing conditions]

- When 0 is written to the SP bit
- When a stop condition is issued (a stop condition is detected)
- When the AL (arbitration-lost) flag in ICSR2 is set to 1
- When a start condition and a restart condition are detected
- When 1 is written to the IICRST bit in ICCR1 to initiate an IIC reset or an internal reset.

Note: Writing to the SP bit is not possible while the BBSY flag is 0 (bus free state).

Note: Do not set the SP bit to 1 while a restart condition is being issued.

TRS bit (Transmit/Receive Mode)

The TRS bit indicates transmit or receive mode.

The IIC is in receive mode when the TRS bit is set to 0 and in transmit mode when the TRS bit is set to 1. The combination of the TRS bit and the MST bit indicates the operating mode of the IIC.

The value of the TRS bit automatically changes to 1 for transmit mode or 0 for receive mode when a start condition is issued or detected and the R/W# bit is set. Although writing to the TRS bit is possible when the MTWP bit in ICMR1 is set to 1, writing to the TRS bit is not required during normal usage.

[Setting conditions]

- When a start condition is issued normally because of a start condition request (when a start condition is detected with the ST bit set to 1)
- When a restart condition is issued normally because of a restart condition request (when a restart condition is detected with the RS bit set to 1)
- When the R/W# bit appended to the slave address is set to 0 in master mode
- When the address received in slave mode matches the address enabled in ICSE, with the R/W# bit set to 1
- When 1 is written to the TRS bit with the MTWP bit in ICMR1 set to 1.

[Clearing conditions]

- When a stop condition is detected
- When the AL (arbitration-lost) flag in ICSR2 is set to 1
- When the R/W# bit appended to the slave address is set to 1 in master mode
- In slave mode, on a match between the received address and the address enabled in ICSEI when the value of the received R/W# bit is 0, including when the received address is the general call address
- In slave mode, when a restart condition is detected (a restart condition is detected with ICCR2.BBSY = 1 and ICCR2.MST = 0)
- When 0 is written to the TRS bit with the MTWP bit in ICMR1 set to 1
- When 1 is written to the IICRST bit in ICCR1 to initiate an IIC reset or an internal reset.

MST bit (Master/Slave Mode)

The MST bit indicates master or slave mode.

The IIC is in slave mode when the MST bit is set to 0 and is in master mode when the MST bit is set to 1. The combination of the MST bit and the TRS bit indicates the operating mode of the IIC.

The value of the MST bit automatically changes to 1 for master mode or 0 for slave mode when a start condition is issued or when a stop condition is issued or detected. Although writing to the MST bit is possible when the MTWP bit in ICMR1 is set to 1, writing to the MST bit is not required during normal usage.

[Setting conditions]

- When a start condition is issued normally because of a start condition request (when a start condition is detected with the ST bit set to 1)
- When 1 is written to the MST bit with the MTWP bit in ICMR1 set to 1.

[Clearing conditions]

- When a stop condition is detected
- When the AL (arbitration-lost) flag in ICSR2 is set to 1
- When 0 is written to the MST bit with the MTWP bit in ICMR1 set to 1
- When 1 is written to the IICRST bit in ICCR1 to initiate an IIC reset or an internal reset.

BBSY flag (Bus Busy Detection Flag)

The BBSY flag indicates whether the I²C bus is occupied (bus busy state) or released (bus free state).

This flag is set to 1 when the SDAn line changes from high to low when the SCLn line is high, assuming that a start condition was issued.

This flag is set to 0 when the SDAn line changes from low to high with the SCLn line high, if the bus free time (ICBRL setting) start condition is not detected, assuming that a stop condition was issued.

[Setting condition]

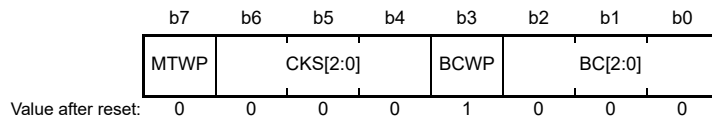
- When a start condition is detected.

[Clearing conditions]

- When the bus free time (ICBRL setting) start condition is not detected after detecting a stop condition
- When 1 is written to the IICRST bit in ICCR1 with the ICE bit in ICCR1 set to 0 (IIC reset).

30.2.3 I²C Bus Mode Register 1 (ICMR1)

Address(es): IIC0.ICMR1 4005 3002h, IIC1.ICMR1 4005 3102h, IIC2.ICMR1 4005 3202h



Bit	Symbol	Bit name	Description	R/W
b2 to b0	BC[2:0]	Bit Counter	b2 b0 0 0 0: 9 bits 0 0 1: 2 bits 0 1 0: 3 bits 0 1 1: 4 bits 1 0 0: 5 bits 1 0 1: 6 bits 1 1 0: 7 bits 1 1 1: 8 bits.	R/W*1
b3	BCWP	BC Write Protect	0: Write enable BC[2:0] bits 1: Write protect BC[2:0] bits. This bit is read as 1.	R/W*1
b6 to b4	CKS[2:0]	Internal Reference Clock Select	Select the internal reference clock source (IICΦ) for the IIC. b6 b4 0 0 0: PCLKB clock 0 0 1: PCLKB/2 clock 0 1 0: PCLKB/4 clock 0 1 1: PCLKB/8 clock 1 0 0: PCLKB/16 clock 1 0 1: PCLKB/32 clock 1 1 0: PCLKB/64 clock 1 1 1: PCLKB/128 clock.	R/W
b7	MTWP	MST/TRS Write Protect	0: Write protect MST and TRS bits in ICCR2 1: Write enable MST and TRS bits in ICCR2.	R/W

Note 1. Rewrite the BC[2:0] bits and set the BCWP bit to 0 at the same time.

BC[2:0] bits (Bit Counter)

The BC[2:0] bits function as a counter that indicates the number of bits remaining to be transferred on detection of a rising edge on the SCLn line. Although the BC[2:0] bits are read/write bits, it is not required to access these bits under normal conditions.

To write to these bits, specify the number of bits to be transferred plus one, for an additional acknowledge bit, between transferred frames when the SCLn line is at a low level.

The value in the BC[2:0] bits returns to 000b at the end of a data transfer, including the acknowledge bit, or when a start or restart condition is detected.

30.2.4 I²C Bus Mode Register 2 (ICMR2)

Address(es): IIC0.ICMR2 4005 3003h, IIC1.ICMR2 4005 3103h, IIC2.ICMR2 4005 3203h



Bit	Symbol	Bit name	Description	R/W																																																						
b0	TMOS	Timeout Detection Time Select	0: Select long mode 1: Select short mode.	R/W																																																						
b1	TMOL	Timeout L Count Control	0: Disable count while the SCLn line is low 1: Enable count while the SCLn line is low.	R/W																																																						
b2	TMOH	Timeout H Count Control	0: Disable count while the SCLn line is high 1: Enable count while the SCLn line is high.	R/W																																																						
b3	—	Reserved	This bit is read as 0. The write value should be 0.	R/W																																																						
b6 to b4	SDDL[2:0]	SDA Output Delay Counter	<ul style="list-style-type: none"> • When ICMR2.DLCS = 0 (IICΦ) <table style="margin-left: 20px; border: none;"> <tr><td style="padding-right: 5px;">b6</td><td style="padding-right: 5px;">b4</td><td></td></tr> <tr><td>0</td><td>0</td><td>0: No output delay</td></tr> <tr><td>0</td><td>0</td><td>1: 1 IICΦ cycle</td></tr> <tr><td>0</td><td>1</td><td>0: 2 IICΦ cycles</td></tr> <tr><td>0</td><td>1</td><td>1: 3 IICΦ cycles</td></tr> <tr><td>1</td><td>0</td><td>0: 4 IICΦ cycles</td></tr> <tr><td>1</td><td>0</td><td>1: 5 IICΦ cycles</td></tr> <tr><td>1</td><td>1</td><td>0: 6 IICΦ cycles</td></tr> <tr><td>1</td><td>1</td><td>1: 7 IICΦ cycles.</td></tr> </table> • When ICMR2.DLCS = 1 (IICΦ/2) <table style="margin-left: 20px; border: none;"> <tr><td style="padding-right: 5px;">b6</td><td style="padding-right: 5px;">b4</td><td></td></tr> <tr><td>0</td><td>0</td><td>0: No output delay</td></tr> <tr><td>0</td><td>0</td><td>1: 1 or 2 IICΦ cycles</td></tr> <tr><td>0</td><td>1</td><td>0: 3 or 4 IICΦ cycles</td></tr> <tr><td>0</td><td>1</td><td>1: 5 or 6 IICΦ cycles</td></tr> <tr><td>1</td><td>0</td><td>0: 7 or 8 IICΦ cycles</td></tr> <tr><td>1</td><td>0</td><td>1: 9 or 10 IICΦ cycles</td></tr> <tr><td>1</td><td>1</td><td>0: 11 or 12 IICΦ cycles</td></tr> <tr><td>1</td><td>1</td><td>1: 13 or 14 IICΦ cycles.</td></tr> </table> 	b6	b4		0	0	0: No output delay	0	0	1: 1 IICΦ cycle	0	1	0: 2 IICΦ cycles	0	1	1: 3 IICΦ cycles	1	0	0: 4 IICΦ cycles	1	0	1: 5 IICΦ cycles	1	1	0: 6 IICΦ cycles	1	1	1: 7 IICΦ cycles.	b6	b4		0	0	0: No output delay	0	0	1: 1 or 2 IICΦ cycles	0	1	0: 3 or 4 IICΦ cycles	0	1	1: 5 or 6 IICΦ cycles	1	0	0: 7 or 8 IICΦ cycles	1	0	1: 9 or 10 IICΦ cycles	1	1	0: 11 or 12 IICΦ cycles	1	1	1: 13 or 14 IICΦ cycles.	R/W
b6	b4																																																									
0	0	0: No output delay																																																								
0	0	1: 1 IICΦ cycle																																																								
0	1	0: 2 IICΦ cycles																																																								
0	1	1: 3 IICΦ cycles																																																								
1	0	0: 4 IICΦ cycles																																																								
1	0	1: 5 IICΦ cycles																																																								
1	1	0: 6 IICΦ cycles																																																								
1	1	1: 7 IICΦ cycles.																																																								
b6	b4																																																									
0	0	0: No output delay																																																								
0	0	1: 1 or 2 IICΦ cycles																																																								
0	1	0: 3 or 4 IICΦ cycles																																																								
0	1	1: 5 or 6 IICΦ cycles																																																								
1	0	0: 7 or 8 IICΦ cycles																																																								
1	0	1: 9 or 10 IICΦ cycles																																																								
1	1	0: 11 or 12 IICΦ cycles																																																								
1	1	1: 13 or 14 IICΦ cycles.																																																								
b7	DLCS	SDA Output Delay Clock Source Select	0: Internal reference clock (IICΦ) selected as the clock source for the SDA output delay counter 1: Internal reference clock divided by 2 (IICΦ/2) selected as the clock source for the SDA output delay counter.*1	R/W																																																						

Note 1. The DLCS = 1 (IICΦ/2) setting is only valid when SCL is low. When SCL is high, the DLCS = 1 setting becomes invalid and the clock source becomes the internal reference clock (IICΦ).

TMOS bit (Timeout Detection Time Select)

The TMOS bit selects long or short mode for the timeout detection time when the timeout function is enabled (ICFER.TMOE bit = 1).

When this bit is set to 0, long mode is selected. When the TMOS bit is set to 1, short mode is selected.

In long mode, the timeout detection internal counter functions as a 16-bit counter. In short mode, the counter functions as a 14-bit counter. While the SCLn line is in the state that enables this counter as specified in the TMOH and TMOL bits, the counter counts up in synchronization with the internal reference clock (IICΦ) as a count source.

For details on the timeout function, see [section 30.12.1, Timeout Function](#).

TMOL bit (Timeout L Count Control)

The TMOL bit enables or disables up-counting on the internal counter of the timeout function while the SCLn line is held low and the timeout function is enabled (ICFER.TMOE bit = 1).

TMOH bit (Timeout H Count Control)

The TMOH bit enables or disables up-counting on the internal counter of the timeout function while the SCLn line is held high and the timeout function is enabled (ICFER.TMOE bit = 1).

SDDL[2:0] bits (SDA Output Delay Counter)

The SDDL[2:0] bit can be used to delay the SDA output.

This counter works with the clock source selected in the DLCS bit. This function setting can be used for all types of SDA output, including the transmission of the acknowledge bit.

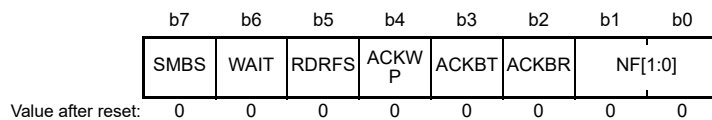
Set the SDA output delay time to meet the I²C bus standard for the data enable time/acknowledge enable time*¹, or the SMBus standard, within [data hold time (300 ns or more + the SCL clock low-level period) - the data setup time (250 ns)]. If a value outside the standard is set, communication between devices might malfunction or falsely indicate a start or stop condition, depending on the bus state.

For details on this function, see [section 30.5, SDA Output Delay Function](#).

Note 1. Data enable time/acknowledge enable time
 3450 ns for up to 100 kbps: Standard-mode (Sm)
 900 ns for up to 400 kbps: Fast-mode (Fm).

30.2.5 I²C Bus Mode Register 3 (ICMR3)

Address(es): IIC0.ICMR3 4005 3004h, IIC1.ICMR3 4005 3104h, IIC2.ICMR3 4005 3204h



Bit	Symbol	Bit name	Description	R/W
b1, b0	NF[1:0]	Noise Filter Stage Select	b1 b0 0 0: Filter out noise of up to 1 IIC ϕ cycle (single-stage filter) 0 1: Filter out noise of up to 2 IIC ϕ cycles (2-stage filter) 1 0: Filter out noise of up to 3 IIC ϕ cycles (3-stage filter) 1 1: Filter out noise of up to 4 IIC ϕ cycles (4-stage filter).	R/W
b2	ACKBR	Receive Acknowledge	0: 0 received as the acknowledge bit (ACK reception) 1: 1 received as the acknowledge bit (NACK reception).	R
b3	ACKBT	Transmit Acknowledge	0: Send 0 as the acknowledge bit (ACK transmission) 1: Send 1 as the acknowledge bit (NACK transmission).	R/W*1
b4	ACKWP	ACKBT Write Protect	0: Write protect the ACKBT bit 1: Write enable the ACKBT bit.	R/W*1
b5	RDRFS	RDRF Flag Set Timing Select	0: Set the RDRF flag on the rising edge of the 9 th SCL clock cycle. The SCLn line is not held low on the falling edge of the 8 th clock cycle. 1: Set the RDRF flag on the rising edge of the 8 th SCL clock cycle. The SCLn line is held low on the falling edge of the 8 th clock cycle. Low-hold is released by writing to ACKBT.	R/W*2
b6	WAIT	WAIT	0: No wait. SCLn is not held low during the period between 9 th clock cycle and 1 st clock cycle. 1: Wait. SCLn is held low during the period between 9 th clock cycle and 1 st clock cycle. Low-hold is released by reading ICDRR.	R/W*2
b7	SMBS	SMBus/I ² C Bus Select	0: Select I ² C bus 1: Select SMBus.	R/W

Note 1. Write to the ACKBT bit only when the ACKWP bit is already 1. If the application writes 1 to both the ACKWP and ACKBT bits at the same time, the ACKBT bit is not set to 1.

Note 2. The WAIT and RDRFS bits are valid only in receive mode (invalid in transmit mode).

NF[1:0] bits (Noise Filter Stage Select)

The NF[1:0] bits select the number of stages in the digital noise filter.

For details on the digital noise filter function, see [section 30.6, Digital Noise Filter Circuits](#).

Note: Set the noise range to be filtered out by the noise filter within a range less than the SCLn line high-level period or low-level period. If the noise range is set to a value of [SCL clock width: high-level period or low-level period, whichever is shorter] - [1.5 internal reference clock (IICΦ) cycles + analog noise filter: 120 ns (reference values)] or more, the SCL clock is regarded as noise by the noise filter function of the IIC, which might prevent the IIC from operating normally.

ACKBR bit (Receive Acknowledge)

The ACKBR bit stores the acknowledge bit information received from the receive device in transmit mode.

[Setting condition]

- When 1 is received as the acknowledge bit with the TRS bit in ICCR2 set to 1.

[Clearing conditions]

- When 0 is received as the acknowledge bit with the TRS bit in ICCR2 set to 1
- When 1 is written to the IICRST bit in ICCR1 while the ICE bit in ICCR1 is 0 (IIC reset).

ACKBT bit (Transmit Acknowledge)

The ACKBT bit sets the value of the acknowledge bit to be sent in receive mode.

[Setting condition]

- When 1 is written to this bit with the ACKWP bit set to 1.

[Clearing conditions]

- When 0 is written to this bit with the ACKWP bit set to 1
- When stop condition issuance is detected with the SP bit in ICCR2 set to 1
- When 1 is written to the IICRST bit in ICCR1 while the ICE bit in ICCR1 is 0 (IIC reset).

ACKWP bit (ACKBT Write Protect)

The ACKWP bit controls write enabling of the ACKBT bit.

RDRFS bit (RDRF Flag Set Timing Select)

The RDRFS bit selects the RDRF flag set timing in receive mode and also selects whether to hold the SCLn line low on the falling edge of the 8th SCL clock cycle.

When the RDRFS bit is 0, the SCLn line is not held low on the falling edge of the 8th SCL clock cycle, and the RDRF flag is set to 1 on the rising edge of the 9th SCL clock cycle.

When the RDRFS bit is 1, the SCLn line is held low on the falling edge of the 8th SCL clock cycle, and the RDRF flag is set to 1 on the rising edge of the 8th SCL clock cycle. The low-hold of the SCLn line is released by a write to the ACKBT bit.

After data is received with this setting, the SCLn line is automatically held low before the acknowledge bit is sent. This enables processing to send ACK (ACKBT = 0) or NACK (ACKBT = 1), based on the receive data.

WAIT bit (WAIT)

The WAIT bit controls whether to hold the period between the 9th SCL clock cycle and the 1st SCL clock cycle low until the receive data buffer (ICDRR) is completely read each time a single-byte of data is received in receive mode.

When the WAIT bit is 0, the receive operation continues without holding the period between the 9th and the 1st SCL clock cycle low. When both the RDRFS and WAIT bits are 0, continuous receive operation is enabled with the double buffer.

When the WAIT bit is 1, the SCLn line is held low from the falling edge of the 9th clock cycle until the ICDRR value is read each time a single-byte of data is received. This enables receive operation in byte units.

Note: When the WAIT bit value is to be read, be sure to first read the ICDRR.

SMBS bit (SMBus/I²C Bus Select)

Setting the SMBS bit to 1 selects the SMBus and enables the HOAE bit in IC SER.

30.2.6 I²C Bus Function Enable Register (ICFER)

Address(es): IIC0.ICFER 4005 3005h, IIC1.ICFER 4005 3105h, IIC2.ICFER 4005 3205h

	b7	b6	b5	b4	b3	b2	b1	b0
	—	SACLE	NFE	NACKE	SALE	NALE	MALE	TMOE
Value after reset:	0	1	1	1	0	0	1	0

Bit	Symbol	Bit name	Description	R/W
b0	TMOE	Timeout Function Enable	0: Timeout function disabled 1: Timeout function enabled.	R/W
b1	MALE	Master Arbitration-Lost Detection Enable	0: Master arbitration-lost detection disabled. Also disables automatic clearing of the MST and TRS bits in ICCR2 when arbitration is lost. 1: Master arbitration-lost detection enabled. Also enables automatic clearing of the MST and TRS bits in ICCR2 when arbitration is lost.	R/W
b2	NALE	NACK Transmission Arbitration-Lost Detection Enable	0: NACK transmission arbitration-lost detection disabled 1: NACK transmission arbitration-lost detection enabled.	R/W
b3	SALE	Slave Arbitration-Lost Detection Enable	0: Slave arbitration-lost detection disabled 1: Slave arbitration-lost detection enabled.	R/W
b4	NACKE	NACK Reception Transfer Suspension Enable	0: Transfer operation not suspended during NACK reception (transfer suspension disabled) 1: Transfer operation suspended during NACK reception (transfer suspension enabled).	R/W
b5	NFE	Digital Noise Filter Circuit Enable	0: No digital noise filter circuit used 1: A digital noise filter circuit used.	R/W
b6	SACLE	SCL Synchronous Circuit Enable	0: No SCL synchronous circuit used 1: An SCL synchronous circuit used.	R/W
b7	—	Reserved	This bit is read as 0. The write value should be 0.	R/W

TMOE bit (Timeout Function Enable)

The TMOE bit enables or disables the timeout function. For details on the timeout function, see [section 30.12.1, Timeout Function](#).

MALE bit (Master Arbitration-Lost Detection Enable)

The MALE bit specifies whether to use the arbitration-lost detection function in master mode. For normal operation, set this bit to 1.

NALE bit (NACK Transmission Arbitration-Lost Detection Enable)

The NALE bit specifies whether to cause loss of arbitration when ACK is detected during transmission of NACK in receive mode, for example, when slaves with the same address exist on the bus, or when two or more masters select the same slave device simultaneously with a different number of receive bytes.

SALE bit (Slave Arbitration-Lost Detection Enable)

The SALE bit specifies whether to cause loss of arbitration when a value different from the value being transmitted is detected on the bus in slave transmit mode, for example, when slaves with the same address exist on the bus, or when a mismatch with the transmit data occurs because of noise.

NACKE bit (NACK Reception Transfer Suspension Enable)

The NACKE bit specifies whether to continue or discontinue the transfer operation when NACK is received in transmit mode. For normal operation, set this bit to 1.

When NACK is received with the NACKIE bit set to 1, the next transfer operation is suspended. When the NACKIE bit is 0, the next transfer operation continues regardless of the received acknowledge content.

For details, see [section 30.9.2, NACK Reception Transfer Suspension Function](#).

SCLE bit (SCL Synchronous Circuit Enable)

The SCLE bit specifies whether to synchronize the SCL clock with the SCL input clock. For normal operation, set this bit to 1.

When the SCLE bit is set to 0 (no SCL synchronous circuit used), the IIC does not synchronize the SCL clock with the SCL input clock. With this setting, the IIC outputs the SCL clock with the transfer rate set in ICBRH and ICBRL regardless of the SCL_n line state. For this reason, if the bus load of the I²C bus line is much larger than the specification value, or if the SCL clock output overlaps in multiple masters, a short-cycle SCL clock that does not meet the specification might be output. When no SCL synchronous circuit is used, it also affects the issuing of the start, restart, and stop conditions, and the continuous output of extra SCL clock cycles.

Do not set this bit to 0 except when checking the output of the set transfer rate.

30.2.7 I²C Bus Status Enable Register (ICSER)

Address(es): IIC0.ICSER 4005 3006h, IIC1.ICSER 4005 3106h, IIC2.ICSER 4005 3206h

b7	b6	b5	b4	b3	b2	b1	b0	
HOAE	—	DIDE	—	GCAE	SAR2E	SAR1E	SAR0E	
Value after reset:	0	0	0	0	1	0	0	1

Bit	Symbol	Bit name	Description	R/W
b0	SAR0E	Slave Address Register 0 Enable	0: Slave address in SARL0 and SARU0 disabled 1: Slave address in SARL0 and SARU0 enabled.	R/W
b1	SAR1E	Slave Address Register 1 Enable	0: Slave address in SARL1 and SARU1 disabled 1: Slave address in SARL1 and SARU1 enabled.	R/W
b2	SAR2E	Slave Address Register 2 Enable	0: Slave address in SARL2 and SARU2 disabled 1: Slave address in SARL2 and SARU2 enabled.	R/W
b3	GCAE	General Call Address Enable	0: General call address detection disabled 1: General call address detection enabled.	R/W
b4	—	Reserved	This bit is read as 0. The write value should be 0.	R/W
b5	DIDE	Device ID Address Detection Enable	0: Device ID address detection disabled 1: Device ID address detection enabled.	R/W
b6	—	Reserved	This bit is read as 0. The write value should be 0.	R/W
b7	HOAE	Host Address Enable	0: Host address detection disabled 1: Host address detection enabled.	R/W

SARyE bit (Slave Address Register y Enable) (y = 0 to 2)

The SARyE bit enables or disables the received slave address and the slave address set in SARLy and SARUy.

When the SARyE bit is set to 1, the slave address set in SARLy and SARUy is enabled and is compared with the received slave address. When the SARyE bit is set to 0, the slave address set in SARLy and SARUy is disabled and is ignored even if it matches the received slave address.

GCAE bit (General Call Address Enable)

The GCAE bit specifies whether to ignore the general call address (0000 000b + 0 [W]: All 0) when it is received.

When this bit is set to 1, if the received slave address matches the general call address, the IIC recognizes the received slave address as the general call address independently of the slave addresses set in SARLy and SARUy (y = 0 to 2) and performs the data receive operation. When this bit is set to 0, the received slave address is ignored even if it matches the general call address.

DIDE bit (Device ID Address Detection Enable)

The DIDE bit specifies whether to recognize and execute the device ID address when a device ID (1111 100b) is received in the first frame after a start condition or restart condition is detected.

When the DIDE bit is set to 1, if the received first frame matches the device ID, the IIC recognizes that the device ID address was received. When the next R/W# bit is 0 (W), the IIC recognizes the second and the subsequent frames as slave addresses and continues the receive operation. When the DIDE bit is set to 0, the IIC ignores the received first frame even if it matches the device ID address, and recognizes the first frame as a normal slave address.

For details on the device ID address detection, see [section 30.7.3, Device ID Address Detection](#).

HOAE bit (Host Address Enable)

The HOAE bit specifies whether to ignore the received host address (0001 000b) when the SMBS bit in ICMR3 is 1.

When this bit is set to 1 while the SMBS bit in ICMR3 is 1, if the received slave address matches the host address, the IIC recognizes the received slave address as the host address independently of the slave addresses set in SARLy and SARUy (y = 0 to 2), and performs the receive operation. When the SMBS bit in ICMR3 or the HOAE bit is set to 0, the received slave address is ignored even if it matches the host address.

30.2.8 I²C Bus Interrupt Enable Register (ICIER)

Address(es): IIC0.ICIER 4005 3007h, IIC1.ICIER 4005 3107h, IIC2.ICIER 4005 3207h

b7	b6	b5	b4	b3	b2	b1	b0
TIE	TEIE	RIE	NAKIE	SPIE	STIE	ALIE	TMOIE
Value after reset: 0 0 0 0 0 0 0 0							

Bit	Symbol	Bit name	Description	R/W
b0	TMOIE	Timeout Interrupt Request Enable	0: Timeout interrupt (TMOIn) request disabled 1: Timeout interrupt (TMOIn) request enabled.	R/W
b1	ALIE	Arbitration-Lost Interrupt Request Enable	0: Arbitration-lost interrupt (ALIn) request disabled 1: Arbitration-lost interrupt (ALIn) request enabled.	R/W
b2	STIE	Start Condition Detection Interrupt Request Enable	0: Start condition detection interrupt (STIn) request disabled 1: Start condition detection interrupt (STIn) request enabled.	R/W
b3	SPIE	Stop Condition Detection Interrupt Request Enable	0: Stop condition detection interrupt (SPIn) request disabled 1: Stop condition detection interrupt (SPIn) request enabled.	R/W
b4	NAKIE	NACK Reception Interrupt Request Enable	0: NACK reception interrupt (NAKIn) request disabled 1: NACK reception interrupt (NAKIn) request enabled.	R/W
b5	RIE	Receive Data Full Interrupt Request Enable	0: Receive data full interrupt (IICn_RXI) request disabled 1: Receive data full interrupt (IICn_RXI) request enabled.	R/W
b6	TEIE	Transmit End Interrupt Request Enable	0: Transmit end interrupt (IICn_TEI) request disabled 1: Transmit end interrupt (IICn_TEI) request enabled.	R/W
b7	TIE	Transmit Data Empty Interrupt Request Enable	0: Transmit data empty interrupt (IICn_TXI) request disabled 1: Transmit data empty interrupt (IICn_TXI) request enabled.	R/W

TMOIE bit (Timeout Interrupt Request Enable)

The TMOIE bit enables or disables timeout interrupt (TMOIn) requests when the TMOF flag in ICSR2 is set to 1. To cancel a TMOI interrupt request, set the TMOF flag or the TMOIE bit to 0.

ALIE bit (Arbitration-Lost Interrupt Request Enable)

The ALIE bit enables or disables arbitration-lost interrupt (ALIn) requests when the AL flag in ICSR2 is set to 1. To cancel an ALI interrupt request, set the AL flag or the ALIE bit to 0.

STIE bit (Start Condition Detection Interrupt Request Enable)

The STIE bit enables or disables start condition detection interrupt (STIn) requests when the START flag in ICSR2 is set to 1. To cancel an STI interrupt request, set the START flag or the STIE bit to 0.

SPIE bit (Stop Condition Detection Interrupt Request Enable)

The SPIE bit enables or disables stop condition detection interrupt (SPIn) requests when the STOP flag in ICSR2 is set to 1. To cancel an SPI interrupt request, set the STOP flag or the SPIE bit to 0.

NAKIE bit (NACK Reception Interrupt Request Enable)

The NAKIE bit enables or disables NACK reception interrupt (NAKIn) requests when the NACKF flag in ICSR2 is set to 1. To cancel a NAKI interrupt request, set the NACKF flag or the NAKIE bit to 0.

RIE bit (Receive Data Full Interrupt Request Enable)

The RIE bit enables or disables receive data full interrupt (IICn_RXI) requests when the RDRF flag in ICSR2 is set to 1.

TEIE bit (Transmit End Interrupt Request Enable)

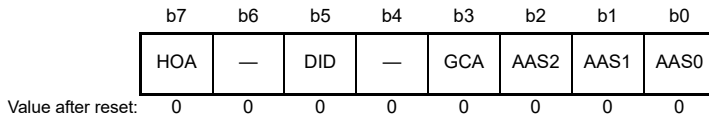
The TEIE bit enables or disables transmit end interrupt (IICn_TEI) requests when the TEND flag in ICSR2 is set to 1. To cancel an IICn_TEI interrupt request, set the TEND flag or the TEIE bit to 0.

TIE bit (Transmit Data Empty Interrupt Request Enable)

The TIE bit enables or disables transmit data empty interrupt (IICn_TXI) requests when the TDRE flag in ICSR2 is set to 1.

30.2.9 I²C Bus Status Register 1 (ICSR1)

Address(es): IIC0.ICSR1 4005 3008h, IIC1.ICSR1 4005 3108h, IIC2.ICSR1 4005 3208h



Bit	Symbol	Bit name	Description	R/W
b0	AAS0	Slave Address 0 Detection Flag	0: Slave address 0 not detected 1: Slave address 0 detected.	R/(W) *1
b1	AAS1	Slave Address 1 Detection Flag	0: Slave address 1 not detected 1: Slave address 1 detected.	R/(W) *1
b2	AAS2	Slave Address 2 Detection Flag	0: Slave address 2 not detected 1: Slave address 2 detected.	R/(W) *1
b3	GCA	General Call Address Detection Flag	0: General call address not detected 1: General call address detected.	R/(W) *1
b4	—	Reserved	This bit is read as 0. The write value should be 0.	R/W
b5	DID	Device ID Address Detection Flag	0: Device ID command not detected 1: Device ID command detected. This bit is set to 1 when the first frame received immediately after a start condition is detected matches a value of (device ID (1111 100b) + 0[W]).	R/(W) *1
b6	—	Reserved	This bit is read as 0. The write value should be 0.	R/W
b7	HOA	Host Address Detection Flag	0: Host address not detected 1: Host address detected. This bit is set to 1 when the received slave address matches the host address (0001 000b).	R/(W) *1

Note 1. Only 0 can be written to clear the flag.

AASy flag (Slave Address y Detection Flag) (y = 0 to 2)

The AASy flag indicates whether slave address y was detected.

[Setting conditions]

For 7-bit address format (SARUy.FS = 0):

- When the received slave address matches the SVA[6:0] value in SARLy, with the SARyE bit in ICSEr set to 1 (slave address y detection enabled). This flag is set to 1 on the rising edge of the 9th SCL clock cycle in the frame.

For 10-bit address format (SARUy.FS = 1):

- When the received slave address matches a value of 11110b + SVA[1:0] in SARUy and the subsequent address matches the SARLy value with the SARyE bit in ICSEr set to 1 (slave address y detection enabled). This flag is set to 1 on the rising edge of the 9th SCL clock cycle in the frame.

[Clearing conditions]

- When 0 is written to the AASy flag after reading AASy = 1
- When a stop condition is detected
- When 1 is written to the IICRST bit in ICCR1 to initiate an IIC reset or an internal reset.

For 7-bit address format (SARUy.FS = 0):

- When the received slave address does not match the SVA[6:0] value in SARLy, with the SARyE bit in ICSEr set to 1 (slave address y detection enabled). This flag is set to 0 on the rising edge of the 9th SCL clock cycle in the frame.

For 10-bit address format (SARUy.FS = 1):

- When the received slave address does not match a value of $11110b + SVA[1:0]$ in SARUy, with the SARyE bit in ICSEr set to 1 (slave address y detection enabled). This flag is set to 0 on the rising edge of the 9th SCL clock cycle in the frame.
- When the received slave address matches a value of $11110b + SVA[1:0]$ in SARUy, and the subsequent address does not match the SARLy value with the SARyE bit in ICSEr set to 1 (slave address y detection enabled). This flag is set to 0 on the rising edge of the 9th SCL clock cycle in the frame.

GCA flag (General Call Address Detection Flag)

The GCA flag indicates whether the general call address was detected.

[Setting condition]

- When the received slave address matches the general call address ($0000\ 000b + 0 [W]$), with the GCAE bit in ICSEr set to 1 (general call address detection is enabled). This flag is set to 1 on the rising edge of the 9th SCL clock cycle in the frame.

[Clearing conditions]

- When 0 is written to the GCA bit after reading GCA = 1
- When a stop condition is detected
- When the received slave address does not match the general call address ($0000\ 000b + 0 [W]$), with the GCAE bit in ICSEr set to 1 (general call address detection is enabled). This flag is set to 0 on the rising edge of the 9th SCL clock cycle in the frame.
- When 1 is written to the IICRST bit in ICCR1 to initiate an IIC reset or an internal reset.

DID flag (Device ID Address Detection Flag)

The DID flag indicates whether the device ID address was detected.

[Setting condition]

- When the first frame received immediately after a start or restart condition is detected matches a value of (device ID ($1111\ 100b$) + $0 [W]$), with the DIDE bit in ICSEr set to 1 (device ID address detection is enabled). This flag is set to 1 on the rising edge of the 9th SCL clock cycle in the frame.

[Clearing conditions]

- When 0 is written to the DID bit after reading DID = 1
- When a stop condition is detected
- When the first frame received immediately after a start condition or restart condition is detected does not match the value of device ID ($1111\ 100b$), with the DIDE bit in ICSEr set to 1 (device ID address detection is enabled). This flag is set to 0 on the rising edge of the 9th SCL clock cycle in the frame.
- When the first frame received immediately after a start condition or restart condition is detected matches a value of (device ID ($1111\ 100b$) + $0 [W]$), and the second frame does not match any slave address from 0 to 2, with the DIDE bit in ICSEr set to 1 (device ID address detection is enabled). This flag is set to 0 on the rising edge of the 9th SCL clock cycle in the frame.
- When 1 is written to the IICRST bit in ICCR1 to initiate an IIC reset or an internal reset.

HOA flag (Host Address Detection Flag)

The HOA flag indicates whether the host address was detected.

[Setting condition]

- When the received slave address matches the host address ($0001\ 000b$) with the HOAE bit in ICSEr set to 1 (host address detection is enabled). This flag is set to 1 on the rising edge of the 9th SCL clock cycle in the frame.

[Clearing conditions]

- When 0 is written to the HOA bit after reading HOA = 1
- When a stop condition is detected
- When the received slave address does not match the host address (0001 000b) with the HOAE bit in ICSESR set to 1 (host address detection is enabled). The HOA flag is set to 0 on the rising edge of the 9th SCL clock cycle in the frame.
- When 1 is written to the IICRST bit in ICCR1 to initiate an IIC reset or an internal reset.

30.2.10 I²C Bus Status Register 2 (ICSR2)

Address(es): IIC0.ICSR2 4005 3009h, IIC1.ICSR2 4005 3109h, IIC2.ICSR2 4005 3209h

	b7	b6	b5	b4	b3	b2	b1	b0
	TDRE	TEND	RDRF	NACKF	STOP	START	AL	TMOF
Value after reset:	0	0	0	0	0	0	0	0

Bit	Symbol	Bit name	Description	R/W
b0	TMOF	Timeout Detection Flag	0: Timeout not detected 1: Timeout detected.	R/(W) *1
b1	AL	Arbitration-Lost Flag	0: Arbitration not lost 1: Arbitration lost.	R/(W) *1
b2	START	Start Condition Detection Flag	0: Start condition not detected 1: Start condition detected.	R/(W) *1
b3	STOP	Stop Condition Detection Flag	0: Stop condition not detected 1: Stop condition detected.	R/(W) *1
b4	NACKF	NACK Detection Flag	0: NACK not detected 1: NACK detected.	R/(W) *1
b5	RDRF	Receive Data Full Flag	0: ICDRR contains no receive data 1: ICDRR contains receive data.	R/(W) *1
b6	TEND	Transmit End Flag	0: Data is being transmitted 1: Data transmission complete.	R/(W) *1
b7	TDRE	Transmit Data Empty Flag	0: ICDRT contains transmit data 1: ICDRT contains no transmit data.	R

Note 1. Only 0 can be written to clear the flag.

TMOF flag (Timeout Detection Flag)

The TMOF flag is set to 1 when the IIC detects a timeout after the SCLn line state remains unchanged for the set period.

[Setting condition]

- When the SCLn line state remains unchanged for the period specified in the TMOH, TMOL, and TMOS bits in ICMR2, while the TMOE bit in ICFER is 1 (the timeout function is enabled) in master mode or in slave mode, and the received slave address matches.

[Clearing conditions]

- When 0 is written to the TMOF flag after reading TMOF = 1
- When 1 is written to the IICRST bit in ICCR1 to initiate an IIC reset or an internal reset.

AL flag (Arbitration-Lost Flag)

The AL flag indicates that bus mastership is lost in arbitration because of a bus conflict or some other reason, when a start condition is issued, or an address and data are transmitted. The IIC monitors the level on the SDA_n line during transmission. If the level on the line does not match the value of the bit being output, the IIC sets the AL flag to 1 to indicate that the bus is occupied by another device. The IIC can also set the AL flag to indicate the detection of arbitration loss during NACK transmission or during data transmission.

[Setting conditions]

When master arbitration-lost detection is enabled (ICFER.MALE = 1):

- When the internal SDA output state does not match the SDAn line level on the rising edge of SCL clock, except for the ACK period during data transmission in master transmit mode
- When a start condition is detected while the ST bit in ICCR2 is 1 (start condition issue requested) or the internal SDA output state does not match the SDAn line level
- When the ST bit in ICCR2 is set to 1 (start condition issue requested), with the BBSY flag in ICCR2 set to 1.

When NACK arbitration-lost detection is enabled (ICFER.NALE = 1):

- When the internal SDA output state does not match the SDAn line level on the rising edge of SCL clock in the ACK period during NACK transmission in receive mode.

When slave arbitration-lost detection is enabled (ICFER.SALE = 1):

- When the internal SDA output state does not match the SDAn line level on the rising edge of SCL clock, except for the ACK period during data transmission in slave transmit mode.

[Clearing conditions]

- When 0 is written to the AL flag after reading AL = 1
- When 1 is written to the IICRST bit in ICCR1 to initiate an IIC reset or an internal reset.

Table 30.4 Relationship between arbitration-lost generation sources and arbitration-lost enable functions

ICFER			ICSR2	Error	Arbitration-lost generation source
MALE	NALE	SALE	AL		
1	×	×	1	Start condition issuance error	When internal SDA output state does not match the SDAn line level when a start condition is detected, while the ST bit in ICCR2 is 1
					When ST in ICCR2 is set to 1 while BBSY in ICCR2 is 1
			1	Transmit data mismatch	When transmit data including slave address does not match the bus state in master transmit mode
×	1	×	1	NACK transmission mismatch	When ACK is detected during transmission of NACK in master or slave receive mode
×	×	1	1	Transmit data mismatch	When transmit data does not match the bus state in slave transmit mode

×: Don't care

START flag (Start Condition Detection Flag)

The START flag indicates whether a start or restart condition is detected.

[Setting condition]

- When a start or restart condition is detected.

[Clearing conditions]

- When 0 is written to the START flag after reading START = 1
- When a stop condition is detected
- When 1 is written to the IICRST bit in ICCR1 to initiate an IIC reset or an internal reset.

STOP flag (Stop Condition Detection Flag)

The STOP flag indicates whether a stop condition is detected.

[Setting condition]

- When a stop condition is detected.

[Clearing conditions]

- When 0 is written to the STOP flag after reading STOP = 1
- When 1 is written to the IICRST bit in ICCR1 to initiate an IIC reset or an internal reset.

NACKF flag (NACK Detection Flag)

The NACKF flag indicates whether a NACK was detected.

[Setting condition]

- When an acknowledge is not received (NACK is received) from the receive device in transmit mode, with the NACKE bit in ICFER set to 1 (transfer suspension enabled).

[Clearing conditions]

- When 0 is written to the NACKF flag after reading NACKF = 1
- When 1 is written to the IICRST bit in ICCR1 to initiate an IIC reset or an internal reset.

Note: When the NACKF flag is set to 1, the IIC suspends data transmission or reception. Writing to ICDRT in transmit mode or reading from ICDRR in receive mode with the NACKF flag set to 1 does not enable data transmit or receive operation. To restart data transmission or reception, set the NACKF flag to 0.

RDRF flag (Receive Data Full Flag)

The RDRF flag indicates whether the IDCRR contains receive data.

[Setting conditions]

- When receive data is transferred from ICDRS to ICDRR.
The RDRF flag is set to 1 on the rising edge of the 8th or 9th SCL clock cycle (selected in the RDRFS bit in ICMR3).
- When the received slave address matches, after a start or restart condition is detected, with the TRS bit in ICCR2 set to 0.

[Clearing conditions]

- When 0 is written to the RDRF flag after reading RDRF = 1
- When data is read from ICDRR
- When 1 is written to the IICRST bit in ICCR1 to initiate an IIC reset or an internal reset.

TEND flag (Transmit End Flag)

The TEND flag indicates whether data is still being transmitted.

[Setting condition]

- On the rising edge of the 9th SCL clock cycle, while the TDRE flag is 1.

[Clearing conditions]

- When 0 is written to the TEND flag after reading TEND = 1
- When data is written to ICDRT
- When a stop condition is detected
- When 1 is written to the IICRST bit in ICCR1 to initiate an IIC reset or an internal reset.

TDRE flag (Transmit Data Empty Flag)

The TDRE flag indicates whether the ICDRT contains transmit data.

[Setting conditions]

- When data is transferred from ICDRT to ICDRS and ICDRT becomes empty
- When the TRS bit in ICCR2 is set to 1
- When the received slave address matches while the TRS bit is 1.

[Clearing conditions]

- When data is written to ICDRT
- When the TRS bit in ICCR2 is set to 0
- When 1 is written to the IICRST bit in ICCR1 to initiate an IIC reset or an internal reset.

Note: When the NACKF flag is set to 1 while the NACK bit in ICFER is 1, the IIC suspends data transmission or reception. In this case, if the TDRE flag is 0 (next transmit data written), data is transferred to the ICDRS register and the ICDRT register becomes empty on the rising edge of the 9th clock cycle, but the TDRE flag is not set to 1.

30.2.11 I²C Bus Wakeup Unit Register (ICWUR)

Address(es): IIC0.ICWUR 4005 3016h

	b7	b6	b5	b4	b3	b2	b1	b0
	WUE	WUIE	WUF	WUACK	—	—	—	WUAFA
Value after reset:	0	0	0	1	0	0	0	0

Bit	Symbol	Bit name	Description	R/W
b0	WUAFA	Wakeup Analog Filter Additional Selection	0: Do not add the wakeup analog filter 1: Add the wakeup analog filter.	R/W
b3 to b1	—	Reserved	These bits are read as 0. The write value should be 0.	R/W
b4	WUACK	ACK Bit for Wakeup Mode	Choice of four response modes in combination with IICR1.IICRST and WUACK. See Table 30.5 .	R/W
b5	WUF	Wakeup Event Occurrence Flag	0: Slave address not matching during wakeup 1: Slave address matching during wakeup.	R/W
b6	WUIE	Wakeup Interrupt Request Enable	0: Wakeup Interrupt Request (IIC0_WUI) disabled 1: Wakeup Interrupt Request (IIC0_WUI) enabled.	R/W
b7	WUE	Wakeup Function Enable	0: Wakeup function disabled 1: Wakeup function enabled.	R/W

Table 30.5 Wakeup mode

IICRST	WUACK	Operation mode	Description
0	0	Normal wakeup mode 1	ACK response at 9 th SCL and SCL low-hold after 9 th SCL
0	1	Normal wakeup mode 2	No ACK response immediately and SCL low-hold between 8 th and 9 th SCL. SCL low-hold release and ACK response on 9 th SCL.
1	0	Command recovery mode	ACK response on 9 th SCL and no SCL low-hold
1	1	EEP response mode	NACK response on 9 th SCL and no SCL low-hold

WUF flag (Wakeup Event Occurrence Flag)

The WUF flag indicates whether the slave address is matching during wakeup.

[Setting condition]

- When PCLKB is supplied after a slave-address match in the first 8th SCL low during wakeup mode.

[Clearing conditions]

- When 0 is written to the WUF bit after reading WUF = 1
- When ICE = 0 and IICRST = 1.

30.2.12 I²C Bus Wakeup Unit Register 2 (ICWUR2)

Address(es): IIC0.ICWUR2 4005 3017h

b7	b6	b5	b4	b3	b2	b1	b0
—	—	—	—	—	WUSY F	WUAS YF	WUSE N
Value after reset:	1	1	1	1	1	0	1

Bit	Symbol	Bit name	Description	R/W
b0	WUSEN	Wakeup Function Synchronous Enable	0: IIC asynchronous operation enabled 1: IIC synchronous operation enabled.	R/W
b1	WUASYF	Wakeup Function Asynchronous Operation Status Flag	0: IIC synchronous operation enabled 1: IIC asynchronous operation enabled.	R
b2	WUSYF	Wakeup Function Synchronous Operation Status Flag	0: IIC asynchronous operation enabled 1: IIC synchronous operation enabled.	R
b7 to b3	—	Reserved	These bits are read as 1. The write value should be 1.	R/W

WUSEN bit (Wakeup Function Synchronous Enable)

The WUSEN bit is used in combination with the WUASYF flag (or WUSYF flag) to switch between PCLKB synchronous and asynchronous operation, when a wakeup function is enabled (ICWUR.WUE = 1).

The PCLKB operation switches from synchronous to asynchronous operation:

- When the BBSY flag in ICCR2 is 0, if the WUASYF flag at 0 writes 0 to the WUSEN bit. The reception occurs independently of the operation of PCLKB (with PCLKB stopped) after it switches to the PCLKB asynchronous operation, on wakeup event detection.

The PCLKB operation switches from asynchronous to synchronous operation:

- When 1 is written to the WUSEN bit with the WUASYF flag at 1, when a wakeup event is detected. After writing 1, the WUASYF flag immediately becomes 0.
- When a stop condition is detected with a wakeup event undetected.

WUASYF flag (Wakeup Function Asynchronous Operation Status Flag)

The WUASYF flag can place the IIC in PCLKB asynchronous operation when wakeup function is enabled (ICWUR.WUE = 1).

[Setting condition]

- When the ICCR2.BBSY flag is 0, and the WUSEN bit is set to 0, with the ICWUR.WUE bit set to 1.

[Clearing conditions]

- When 1 is written to the WUSEN bit, after detecting a wakeup event with the ICWUR.WUE bit set to 1
- When a stop condition is detected with the WUSEN bit set to 1 before detecting the wakeup event, with WUASY flag set to 1 and ICWUR.WUE bit set to 1
- When 1 is written to the WUSEN bit with the WUASYF flag set to 1, and a wakeup event is detected with the ICWUR.WUE bit set to 1
- ICCR1.ICE = 0 and ICCRST = 1 (ICC reset)
- ICWUR.WUE = 0.

WUSYF flag (Wakeup Function Synchronous Operation Status Flag)

The WUSYF flag can place the IIC in PCLKB synchronous operation when wakeup function is enabled (ICWUR.WUE = 1). When this flag is used, the WUASYF flag is reserved.

[Setting conditions]

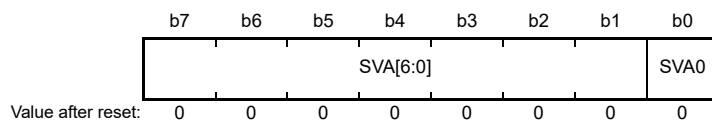
- When 1 is written to the WUSEN bit after detecting a wakeup event with the ICWUR.WUE bit set to 1 and the WUSYF flag set to 0, with the ICWUR.WUE bit set to 1
- When a stop condition is detected with the WUSEN bit set to 1, before detecting the wakeup event with the WUSYF flag set to 0, with the ICWUR.WUE bit set to 1
- ICCR1.ICE = 0 and ICCRST = 1 (ICC reset)
- ICWUR.WUE = 0.

[Clearing condition]

- When the ICCR2.BBSY flag is 0 with the ICWUR.WUE bit set to 1, after writing 0 to the WUSEN bit.

30.2.13 Slave Address Register Ly (SARLy) (y = 0 to 2)

Address(es): IIC0.SARL0 4005 300Ah, IIC1.SARL0 4005 310Ah, IIC2.SARL0 4005 320Ah,
IIC0.SARL1 4005 300Ch, IIC1.SARL1 4005 310Ch, IIC2.SARL1 4005 320Ch,
IIC0.SARL2 4005 300Eh, IIC1.SARL2 4005 310Eh, IIC2.SARL2 4005 320Eh



Bit	Symbol	Bit name	Description	R/W
b0	SVA0	10-Bit Address LSB	Slave address setting	R/W
b7 to b1	SVA[6:0]	7-Bit Address/10-Bit Address Lower Bits	Slave address setting	R/W

SVA0 bit (10-Bit Address LSB)

When the 10-bit address format is selected (SARUy.FS = 1), the SVA0 bit functions as the LSB of a 10-bit address and is combined with the SVA[6:0] bits to form the lower 8 bits of a 10-bit address.

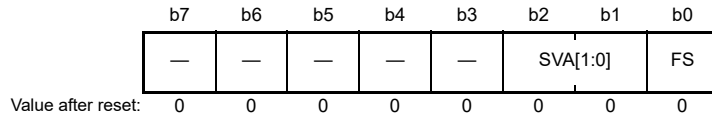
This bit is valid when the SARyE bit in ICSEr is set to 1 (SARLy and SARUy enabled) and the SARUy.FS bit is 1. When the SARUy.FS bit or SARyE bit is 0, the setting in this bit is ignored.

SVA[6:0] bits (7-Bit Address/10-Bit Address Lower Bits)

When the 7-bit address format is selected (SARUy.FS = 0), the SVA[6:0] bits function as a 7-bit address. When the 10-bit address format is selected (SARUy.FS = 1), these bits are combined with the SVA0 bit to form the lower 8 bits of a 10-bit address. While the SARyE bit in ICSEr is 0, the setting in these bits is ignored.

30.2.14 Slave Address Register Uy (SARUy) (y = 0 to 2)

Address(es): IIC0.SARU0 4005 300Bh, IIC1.SARU0 4005 310Bh, IIC2.SARU0 4005 320Bh,
IIC0.SARU1 4005 300Dh, IIC1.SARU1 4005 310Dh, IIC2.SARU1 4005 320Dh,
IIC0.SARU2 4005 300Fh, IIC1.SARU2 4005 310Fh, IIC2.SARU2 4005 320Fh



Bit	Symbol	Bit name	Description	R/W
b0	FS	7-Bit/10-Bit Address Format Select	0: Select 7-bit address format 1: Select 10-bit address format.	R/W
b2, b1	SVA[1:0]	10-Bit Address Upper Bits	Slave address setting	R/W
b7 to b3	—	Reserved	These bits are read as 0. The write value should be 0.	R/W

FS bit (7-Bit/10-Bit Address Format Select)

The FS bit selects a 7-bit or 10-bit address format for the slave address y (in SARLy and SARUy).

When the SARyE bit in ICSEr is set to 1 (SARLy and SARUy enabled) and the SARUy.FS bit is 0, the 7-bit address format is selected for slave address y, the SVA[6:0] setting in SARLy is valid, and the SVA[1:0] and SVA0 bit settings in SARLy are ignored.

When the SARyE bit in ICSEr is set to 1 (SARLy and SARUy enabled) and the SARUy.FS bit is 1, the 10-bit address format is selected for slave address y and the SVA[1:0] and SARLy settings are valid.

When the SARyE bit in ICSEr is 0 (SARLy and SARUy disabled), the SARUy.FS bit setting is invalid.

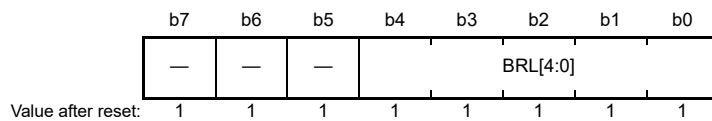
SVA[1:0] bits (10-Bit Address Upper Bits)

When the 10-bit address format is selected (FS = 1), the SVA[1:0] bits function as the upper 2 bits of a 10-bit address.

When the SARyE bit in ICSEr is set to 1 (SARLy and SARUy enabled) and the SARUy.FS bit is 1, these bits are valid. When the SARUy.FS or SARyE bit is 0, the setting in these bits is ignored.

30.2.15 I²C Bus Bit Rate Low-Level Register (ICBRL)

Address(es): IIC0.ICBRL 4005 3010h, IIC1.ICBRL 4005 3110h, IIC2.ICBRL 4005 3210h



Bit	Symbol	Bit name	Description	R/W
b4 to b0	BRL[4:0]	Bit Rate Low-Level Period	Low-level period of SCL clock	R/W
b7 to b5	—	Reserved	These bits are read as 1. The write value should be 1.	R/W

ICBRL is a 5-bit register that sets the low-level period of the SCL clock. ICBRL also works to generate the data setup time for automatic SCL low-hold operation (see [section 30.9, Automatic Low-Hold Function for SCL](#)). When the IIC is used only in slave mode, this register must be set to a value longer than the data setup time*¹. ICBRL counts the low-level period with the internal reference clock source (IICΦ) specified in the CKS[2:0] bits in ICMR1.

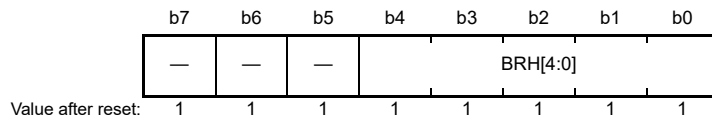
If the digital noise filter is enabled (the NFE bit in ICFER is 1), set the ICBRL register to a value at least one greater than the number of stages in the noise filter. For this number, see the description of the ICMR3.NF[1:0] bits.

Note 1. Data setup time (t_{STJ}: DAT)

- 250 ns for up to 100 kbps: Standard-mode (Sm)
- 100 ns for up to 400 kbps: Fast-mode (Fm).

30.2.16 I²C Bus Bit Rate High-Level Register (ICBRH)

Address(es): IIC0.ICBRH 4005 3011h, IIC1.ICBRH 4005 3111h, IIC2.ICBRH 4005 3211h



Bit	Symbol	Bit name	Description	R/W
b4 to b0	BRH[4:0]	Bit Rate High-Level Period	High-level period of SCL clock	R/W
b7 to b5	—	Reserved	These bits are read as 1. The write value should be 1.	R/W

ICBRH is a 5-bit register that sets the high-level period of the SCL clock. ICBRH is valid in master mode. If the IIC is used only in slave mode, no setting is required in this register.

ICBRH counts the high-level period with the internal reference clock source (IIC Φ) specified in the CKS[2:0] bits in ICMR1.

If the digital noise filter is enabled (the NFE bit in ICFER is 1), set the ICBRH register to a value at least one greater than the number of stages in the noise filter. For this number, see the description of the ICMR3.NF[1:0] bits.

The IIC transfer rate and the SCL clock duty are calculated using the following expressions (1) to (5):

- 1) ICFER.SCLE = 0
 Transfer rate = $1 / \{[(BRH + 1) + (BRL + 1)] / IIC\phi^{*1} + tr^{*2} + tf^{*2}\}$
 Duty cycle = $\{tr + [(BRH + 1) / IIC\phi]\} / \{tr + tf + [(BRH + 1) + (BRL + 1)] / IIC\phi\}$.
- 2) ICFER.SCLE = 1 and ICFER.NFE = 0 and CKS[2:0] = 000b (IIC ϕ = PCLKB)
 Transfer rate = $1 / \{[(BRH + 3) + (BRL + 3)] / IIC\phi + tr + tf\}$
 Duty cycle = $\{tr + [(BRH + 3) / IIC\phi]\} / \{tr + tf + [(BRH + 3) + (BRL + 3)] / IIC\phi\}$.
- 3) ICFER.SCLE = 1 and ICFER.NFE = 1 and CKS[2:0] = 000b (IIC ϕ = PCLKB)
 Transfer rate = $1 / \{[(BRH + 3 + nf^{*3}) + (BRL + 3 + nf)] / IIC\phi + tr + tf\}$
 Duty cycle = $\{tr + [(BRH + 3 + nf) / IIC\phi]\} / \{tr + tf + [(BRH + 3 + nf) + (BRL + 3 + nf)] / IIC\phi\}$.
- 4) ICFER.SCLE = 1 and ICFER.NFE = 0 and CKS[2:0] \neq 000b
 Transfer rate = $1 / \{[(BRH + 2) + (BRL + 2)] / IIC\phi + tr + tf\}$
 Duty cycle = $\{tr + [(BRH + 2) / IIC\phi]\} / \{tr + tf + [(BRH + 2) + (BRL + 2)] / IIC\phi\}$.
- 5) ICFER.SCLE = 1 and ICFER.NFE = 1 and CKS[2:0] \neq 000b
 Transfer rate = $1 / \{[(BRH + 2 + nf) + (BRL + 2 + nf)] / IIC\phi + tr + tf\}$
 Duty cycle = $\{tr + [(BRH + 2 + nf) / IIC\phi]\} / \{tr + tf + [(BRH + 2 + nf) + (BRL + 2 + nf)] / IIC\phi\}$.

Note 1. IIC ϕ = PCLKB \times Division ratio.

Note 2. The SCLn line rising time (tr) and SCLn line falling time [tf] depend on the total bus line capacitance (Cb) and the pull-up resistor (Rp). For details, see the I²C bus standard from NXP Semiconductors.

Note 3. nf = Number of digital noise filter stages selected in the ICMR3.NF[1:0] bits.

Table 30.6 Example of ICBRH/ICBRL settings for transfer rate when SCLE = 0

Transfer rate (kbps)	CKS[2:0]	BRH[4:0] (ICBRH)	BRL[4:0] (ICBRL)	PCLKB (MHz)	NF[1:0]	Computation expression
100	011	15 (EFh)	18 (F2h)	32	-	(1)
400	001	9 (E9h)	20 (F4h)	32	-	(1)

Table 30.7 Example of ICBRH/ICBRL settings for transfer rate when SCLE = 1 and NFE = 0 (1 of 2)

Transfer rate (kbps)	CKS[2:0]	BRH[4:0] (ICBRH)	BRL[4:0] (ICBRL)	PCLKB (MHz)	NF[1:0]	Computation expression
100	011	14 (EEh)	17 (F1h)	32	-	(4)

Table 30.7 Example of ICBRH/ICBRL settings for transfer rate when SCLE = 1 and NFE = 0 (2 of 2)

Transfer rate (kbps)	CKS[2:0]	BRH[4:0] (ICBRH)	BRL[4:0] (ICBRL)	PCLKB (MHz)	NF[1:0]	Computation expression
400	001	8 (E8h)	19 (F3h)	32	-	(4)

Table 30.8 Example of ICBRH/ICBRL settings for transfer rate when SCLE = 1 and NFE = 1

Transfer rate (kbps)	CKS[2:0]	BRH[4:0] (ICBRH)	BRL[4:0] (ICBRL)	PCLKB (MHz)	NF[1:0]	Computation expression
100	011	12 (ECh)	15 (EFh)	32	01b	(5)
400	001	6 (E6h)	17 (F1h)	32	01b	(5)

Note: SCLn line rising time (tr): ≤ 100 kbps, Sm: 1000 ns, ≤ 400 kbps, Fm: ≤ 300 ns
SCLn line falling time (tf): ≤ 400 kbps, Sm/Fm: ≤ 300 ns

30.2.17 I²C Bus Transmit Data Register (ICDRT)

Address(es): IIC0.ICDRT 4005 3012h, IIC1.ICDRT 4005 3112h, IIC2.ICDRT 4005 3212h



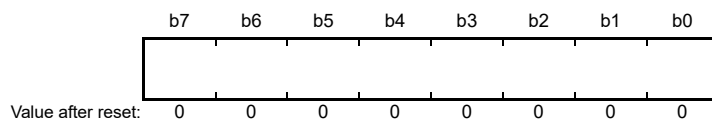
When ICDRT detects a space in the I²C Bus Shift Register (ICDRS), it transfers the transmit data that is written to ICDRT to ICDRS and starts transmitting data in transmit mode.

The double-buffer structure of ICDRT and ICDRS allows continuous transmit operation if the next transmit data is written to ICDRT while the ICDRS data is being transmitted.

ICDRT can always be read from and written to. Write transmit data to ICDRT when a transmit data empty interrupt (IICn_TXI) request is generated.

30.2.18 I²C Bus Receive Data Register (ICDRR)

Address(es): IIC0.ICDRR 4005 3013h, IIC1.ICDRR 4005 3113h, IIC2.ICDRR 4005 3213h

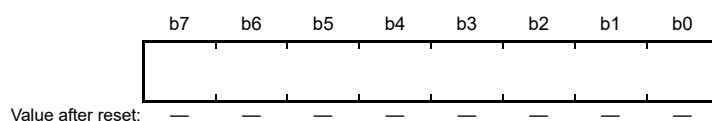


When 1 byte of data is received, the received data is transferred from the I²C bus Shift Register (ICDRS) to ICDRR to enable the next data to be received.

The double-buffer structure of ICDRS and ICDRR allows continuous receive operation if the received data is read from ICDRR while ICDRS is receiving data. ICDRR cannot be written to. Read data from ICDRR when a receive data full interrupt (IICn_RXI) request is generated.

If ICDRR receives the next receive data before the current data is read from ICDRR while the RDRF flag in ICSR2 is 1, the IIC automatically holds the SCL clock low for 1 cycle before the RDRF flag is set to 1 again.

30.2.19 I²C Bus Shift Register (ICDRS)



ICDRS is an 8-bit shift register to transmit and receive data.

During transmission, transmit data is transferred from ICDRT to ICDRS and is sent from the SDAn pin. During reception, data is transferred from ICDRS to ICDRR after 1 byte of data is received. ICDRS cannot be accessed directly.

30.3 Operation

30.3.1 Communication Data Format

The I²C bus format consists of 8-bit data and 1-bit acknowledge. The frame following a start or restart condition is an address frame that specifies a slave device with which the master device communicates. The specified slave is valid until a new slave is specified or a stop condition is issued.

Figure 30.3 shows the I²C bus format, and Figure 30.4 shows the I²C bus timing.

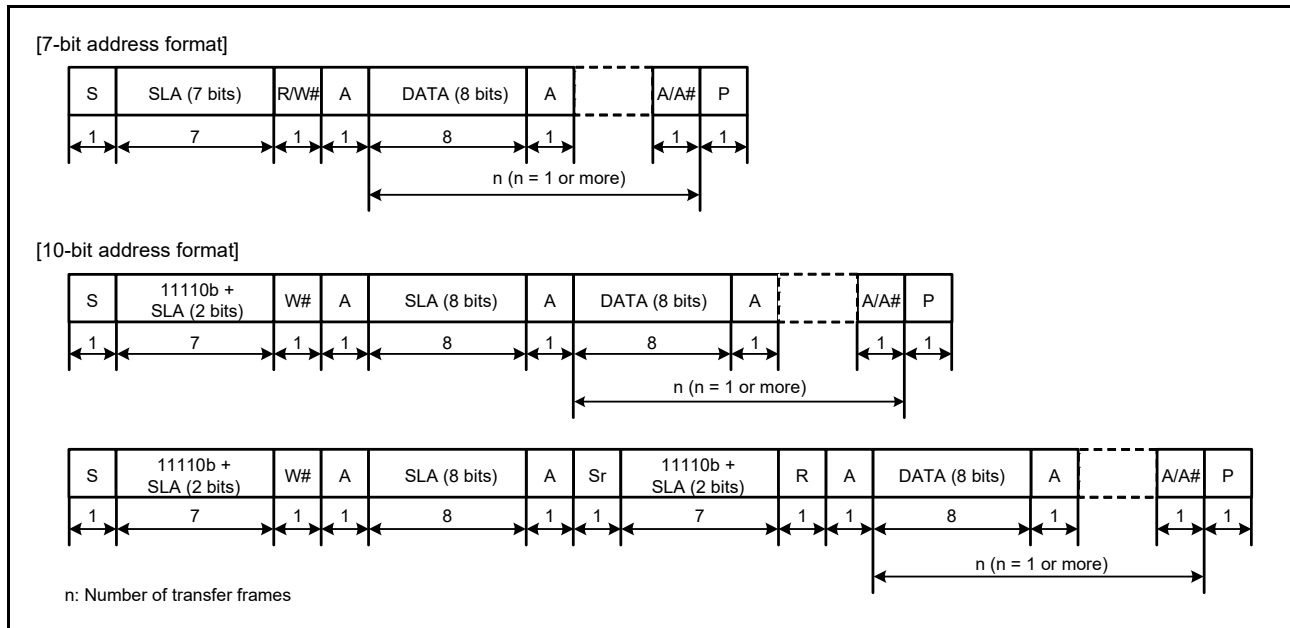


Figure 30.3 I²C bus format

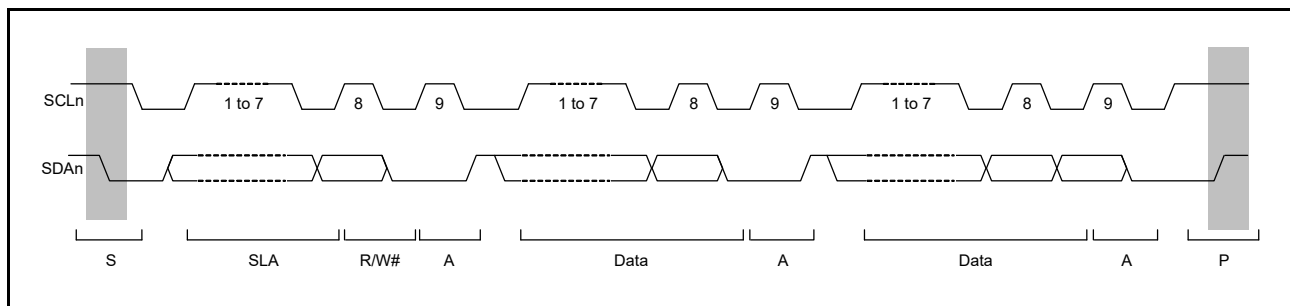


Figure 30.4 I²C bus timing with SLA = 7 bits

- S: Start condition. The master device drives the SDAn line low from high while the SCLn line is high.
- SLA: Slave address, by which the master device selects a slave device
- R/W#: Indicates the direction of data transfer: from the slave device to the master device when R/W# is 1, or from the master device to the slave device when R/W# is 0
- A: Acknowledge. The receive device drives the SDAn line low. In master transmit mode, the slave device returns acknowledge. In master receive mode, the master device returns acknowledge.
- A#: Not Acknowledge. The receive device drives the SDAn line high.
- Sr: Restart condition. The master device drives the SDAn line low from high after the setup time elapses with the SCLn line high.
- DATA: Transmitted or received data
- P: Stop condition. The master device drives the SDAn line high from low while the SCLn line is high.

30.3.2 Initial Settings

Before starting data transmission or reception, initialize the IIC using the procedure shown in [Figure 30.5](#).

1. Set the ICCR1.ICE bit to 0 to set the SCLn and SDAn pins to the inactive state.
2. Set the ICCR1.IICRST bit to 1 to initiate IIC reset.
3. Set the ICCR1.ICE bit to 1 to initiate internal reset.
4. Set the SARLy, SARUy, ICSEr, ICMR1, ICBRH, and ICBRL registers (y = 0 to 2), and set the other registers as required. For initial settings of the IIC, see [Figure 30.5](#).
5. When the required register settings are complete, set the ICCR1.IICRST bit to 0 to release the IIC reset.

Note: This procedure is not required if the IIC initialization is already complete.

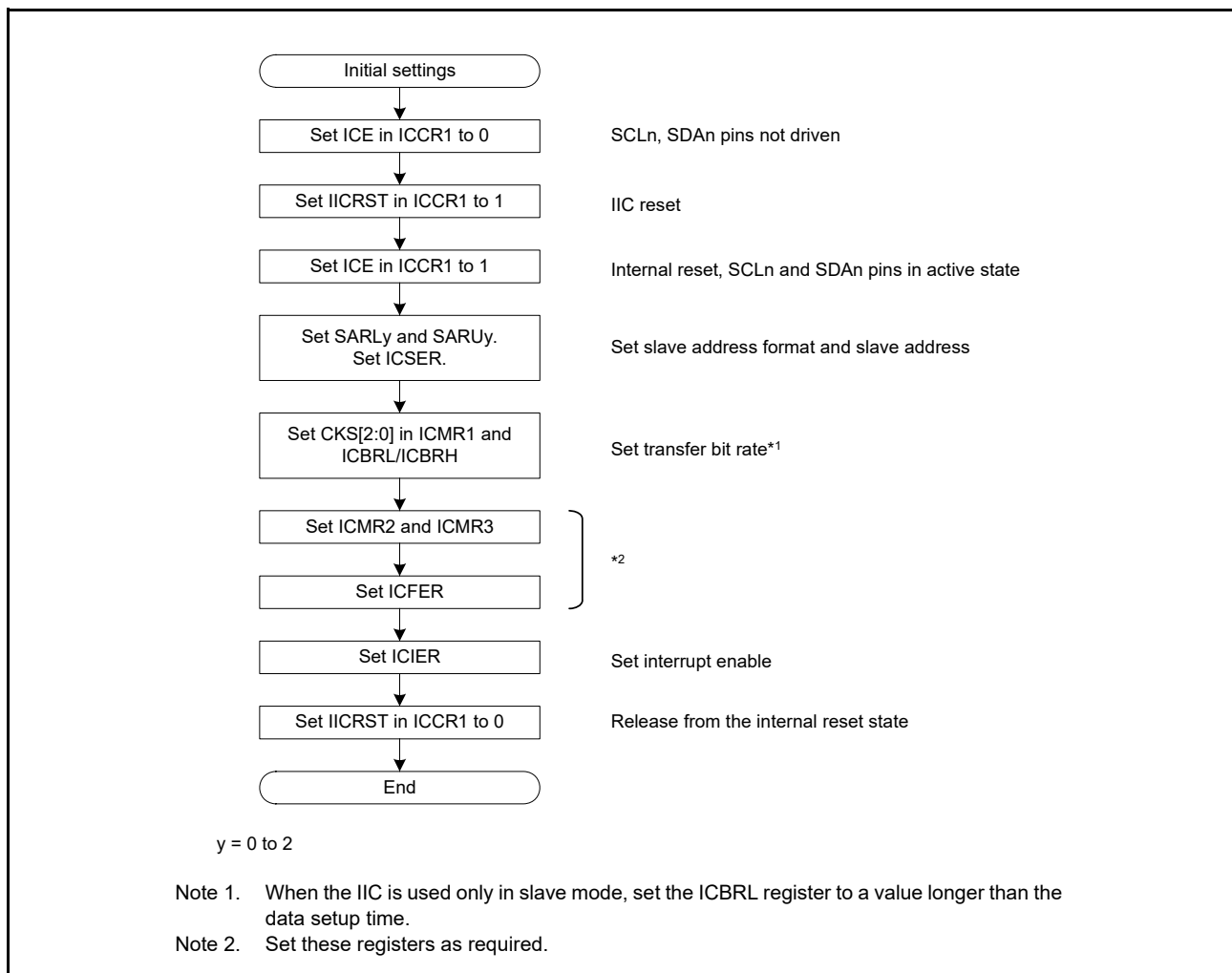


Figure 30.5 Example IIC initialization flow

30.3.3 Master Transmit Operation

In master transmit operation, the IIC outputs the SCL clock and transmit data signals as the master device, and the slave device returns acknowledgments. [Figure 30.6](#) shows an example of master transmission, and [Figure 30.7](#) to [Figure 30.9](#) show the timing of operations in master transmission.

To set up and perform master transmission:

1. Initialize the IIC using the procedure described in [section 30.3.2, Initial Settings](#).
2. Read the BBSY flag in ICCR2 to check that the bus is open, and then set the ST bit in ICCR2 to 1 (start condition request). On receiving the request, the IIC issues a start condition. At the same time, the BBSY and START flags in ICSR2 automatically set to 1, and the ST bit is automatically set to 0. If the start condition is detected and the internal levels for the SDA output state and the levels on the SDA_n line match while the ST bit is 1, the IIC recognizes that the start condition requested by the ST bit has successfully completed, and the MST and TRS bits in ICCR2 automatically set to 1, placing the IIC in master transmit mode. The TDRE flag in ICSR2 also automatically sets to 1 in response to the setting of the TRS bit to 1.
3. Check that the TDRE flag in ICSR2 is 1, and then write the value for transmission (the slave address and the R/W# bit) to ICDRT. When the transmit data is written to ICDRT, the TDRE flag is automatically set to 0, the data is transferred from ICDRT to ICDRS, and the TDRE flag again sets to 1. After the byte containing the slave address and R/W# bit is transmitted, the value of the TRS bit automatically updates to select master transmit or master receive mode based on the value of the transmitted R/W# bit. If the value of the R/W# bit is 0, the IIC continues in master transmit mode.
 If the ICSR2.NACKF flag is 1, indicating that no slave device recognized the address or there was an error in communications, write 1 to the ICCR2.SP bit to issue a stop condition.
 To transmit data with an address in the 10-bit format, start by writing 1111 0b, the 2 upper bits of the slave address, and W to ICDRT as the first address transmission. Then, as the second address transmission, write the 8 lower bits of the slave address to ICDRT.
4. After confirming that the TDRE flag in ICSR2 is 1, write the transmit data to the ICDRT register. The IIC automatically holds the SCL_n line low until the transmit data is ready or a stop condition is issued.
5. After all bytes of transmit data are written to the ICDRT register, wait until the value of the TEND flag in ICSR2 returns to 1, and then set the SP bit in ICCR2 to 1 (stop condition requested). On receiving a stop condition request, the IIC issues the stop condition. Regarding issuing a stop condition, see [section 30.11.3, Issuing a Stop Condition](#).
6. On detecting the stop condition, the IIC automatically sets the MST and TRS bits in ICCR2 to 00b and enters slave receive mode. In addition, the IIC automatically sets the TDRE and TEND flags to 0, and sets the STOP flag in ICSR2 to 1.
7. After checking that the ICSR2.STOP flag is 1, set the ICSR2.NACKF and STOP flags to 0 for the next transfer operation.

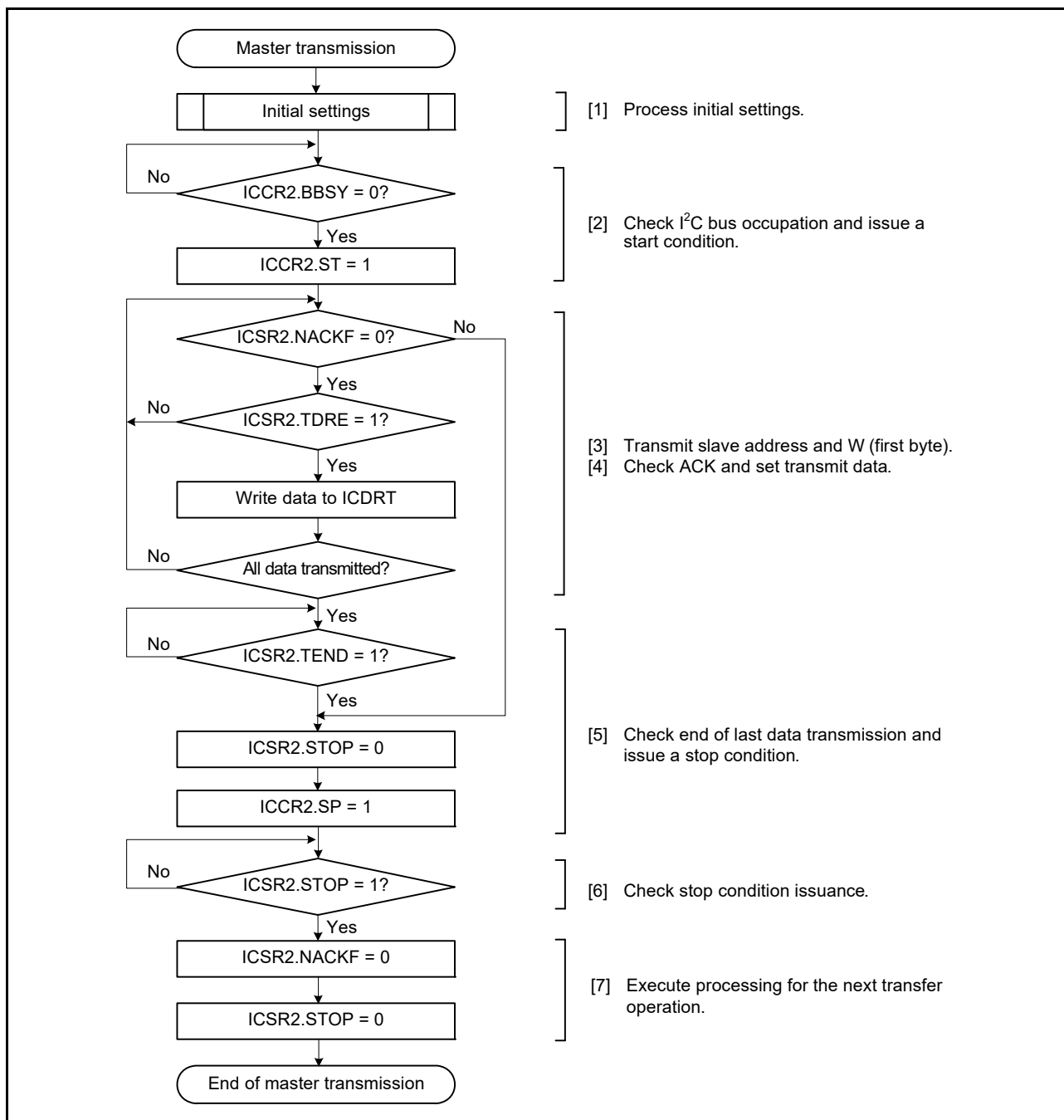


Figure 30.6 Example master transmission flow

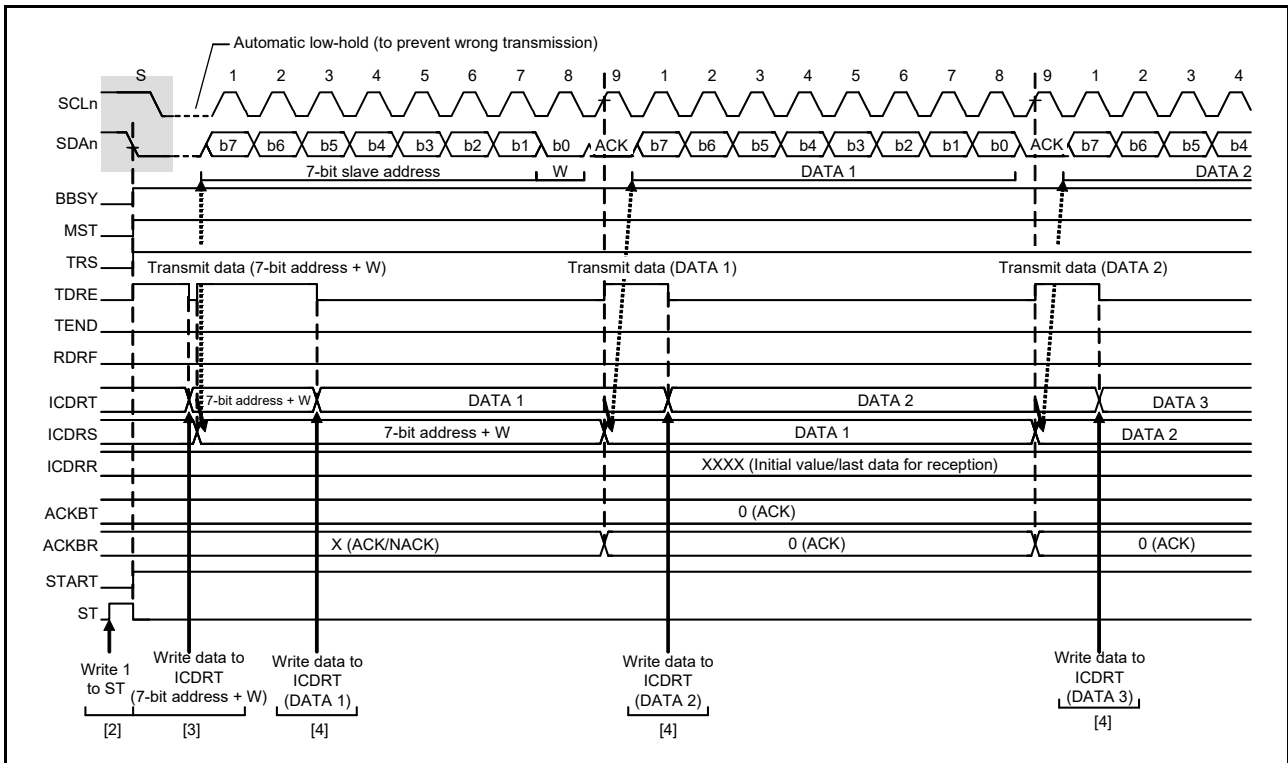


Figure 30.7 Master transmit operation timing (1) with 7-bit address format

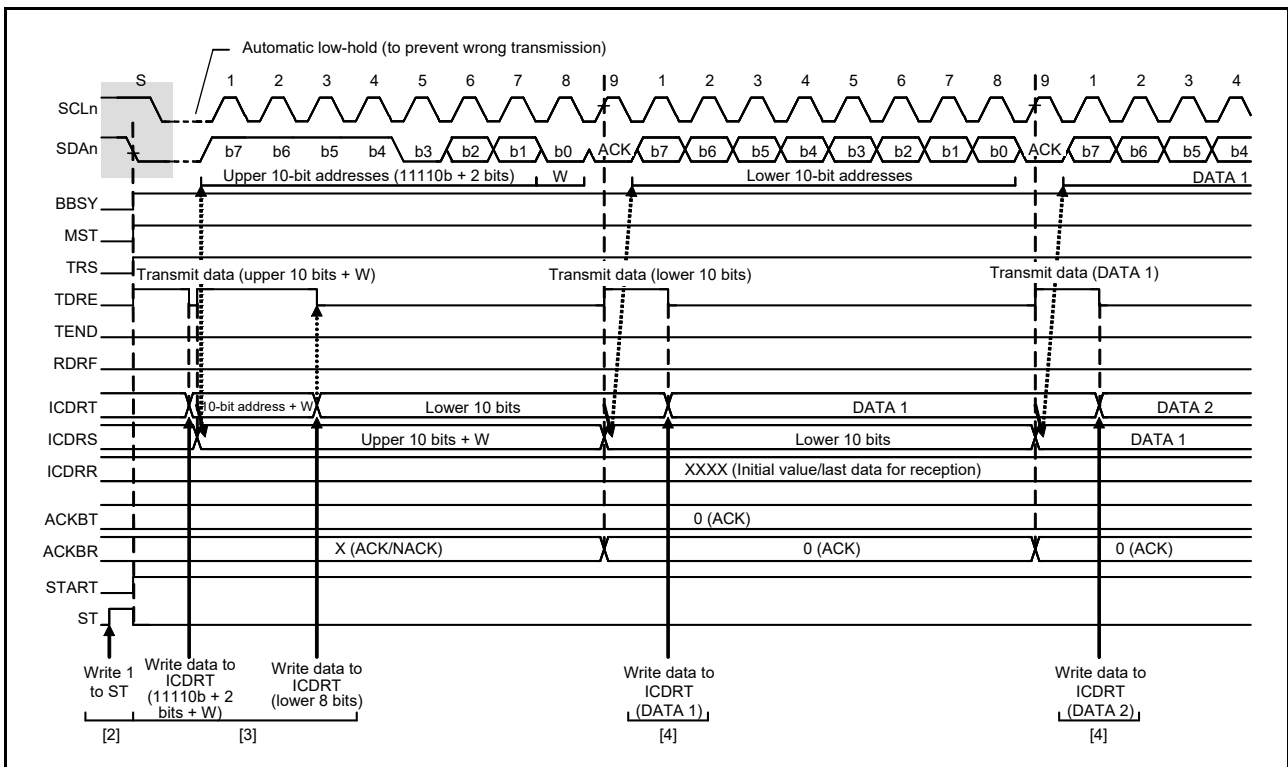


Figure 30.8 Master transmit operation timing (2) with 10-bit address format

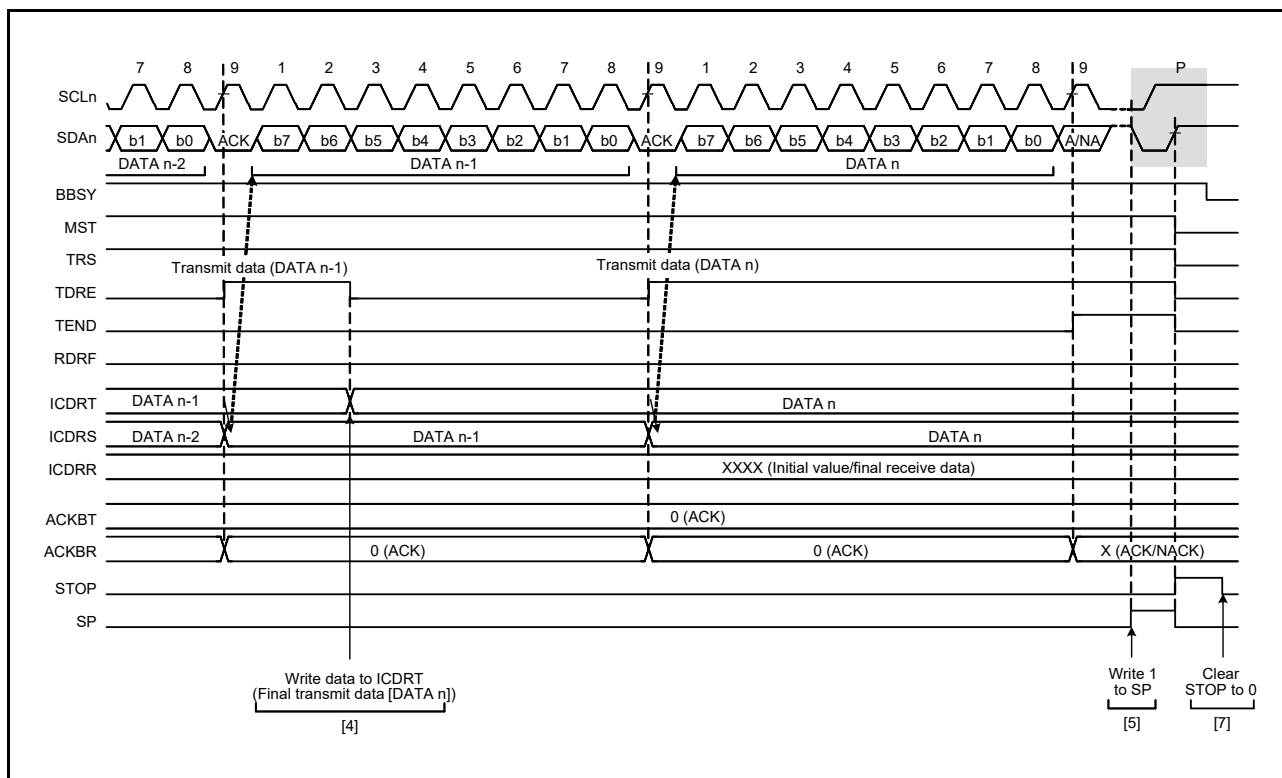


Figure 30.9 Master transmit operation timing (3)

30.3.4 Master Receive Operation

In master receive operation, the IIC as a master device outputs the SCL clock, receives data from the slave device, and returns acknowledgments. Because the IIC must start by sending a slave address to the associated slave device, the slave address phase of the procedure is performed in master transmit mode, and the subsequent steps are performed in master receive mode.

Figure 30.10 and Figure 30.11 show examples of master reception (7-bit address format), and Figure 30.12 to Figure 30.14 show the timing of operations in master reception.

To set up and perform master reception:

1. Initialize the IIC using the procedure in [section 30.3.2, Initial Settings](#).
2. Read the BBSY flag in ICCR2 to check that the bus is open, and then set the ST bit in ICCR2 to 1 to request issue of a start condition. On receiving the request, the IIC issues a start condition. When the IIC detects the start condition, the BBSY flag and the START flag in ICSR2 automatically set to 1 and the ST bit is automatically sets to 0. If the start condition is detected and the levels for the SDA output and the levels on the SDA_n line match while the ST bit is 1, the IIC recognizes that the start condition issue is successful as requested by the ST bit, and the MST and TRS bits in ICCR2 automatically set to 1, placing the IIC in master transmit mode. The TDRE flag in ICSR2 is also automatically set to 1 in response to the setting of the TRS bit to 1.
3. Check that the TDRE flag in ICSR2 is 1, and then write the value for transmission (the first byte indicates the slave address and value of the R/W# bit) to ICDRT. When the transmit data is written to ICDRT, the TDRE flag is automatically set to 0, the data is transferred from ICDRT to ICDRS, and the TDRE flag is again set to 1. When the byte containing the slave address and R/W# bit is transmitted, the value of the ICCR2.TRS bit automatically updates to select transmit or receive mode based on the value of the transmitted R/W# bit. If the value of the R/W# bit is 1, the TRS bit is set to 0 on the rising edge of the 9th cycle of the SCL clock, placing the IIC in master receive mode. The TDRE flag is set to 0 and the ICSR2.RDRF flag is automatically set to 1.
If the ICSR2.NACKF flag is 1, indicating that no slave device recognized the address or that there is an error in communications, write 1 to the ICCR2.SP bit to issue a stop condition.
For master reception from a device with a 10-bit address, start by using master transmission to issue the 10-bit address, and then issue a restart condition. After that, transmit 1111 0b, the two upper bits of the slave address, and the R bit to place the IIC in master receive mode.
4. Dummy read ICDRR after confirming that the RDRF flag in ICSR2 is 1. Doing so causes the IIC to start output of the SCL clock and start data reception.
5. After 1 byte of data is received, the RDRF flag in ICSR2 is set to 1 on the rising edge of the 8th or 9th cycle of SCL clock, as selected in the RDRFS bit in ICMR3. Reading the ICDRR register produces the received data and automatically sets the RDRF flag to 0. The value of the acknowledgment field received during the 9th cycle of the SCL clock is returned as the value set in the ICMR3.ACKBT bit. If the next byte to be received is the next-to-last byte, set the ICMR3.WAIT bit to 1 for wait insertion before reading the ICDRR register, containing the next-to-last byte. In addition to enabling NACK output, even when interrupts or other operations result in delays in setting the ICMR3.ACKBT bit to 1 (NACK) in step (6), this fixes the SCL_n line to low on the rising edge of the 9th clock cycle in reception of the last byte, which enables the issue of a stop condition.
6. When the ICMR3.RDRFS bit is 0 and the slave device must be notified that it should end transfer for data reception after transfer of the next and final byte, set the ICMR3.ACKBT bit to 1 (NACK).
7. After reading the second-to-last byte from the ICDRR register, if the value of the ICSR2.RDRF flag is 1, write 1 to the SP bit in ICCR2 (to request stop condition), and then read the last byte from ICDRR. When ICDRR is read, the IIC is released from the wait state and issues the stop condition after low-level output in the 9th clock cycle is complete or the SCL_n line is released from the low-hold state.
8. On detecting the stop condition, the IIC automatically sets the ICCR2.MST and ICCR2.TRS bits to 00b and enters slave receive mode. Additionally, detection of the stop condition sets the ICSR2.STOP flag to 1.
9. Check that the ICSR2.STOP flag is 1, and then set the ICSR2.NACKF and ICSR2.STOP flags to 0 for the next transfer operation.

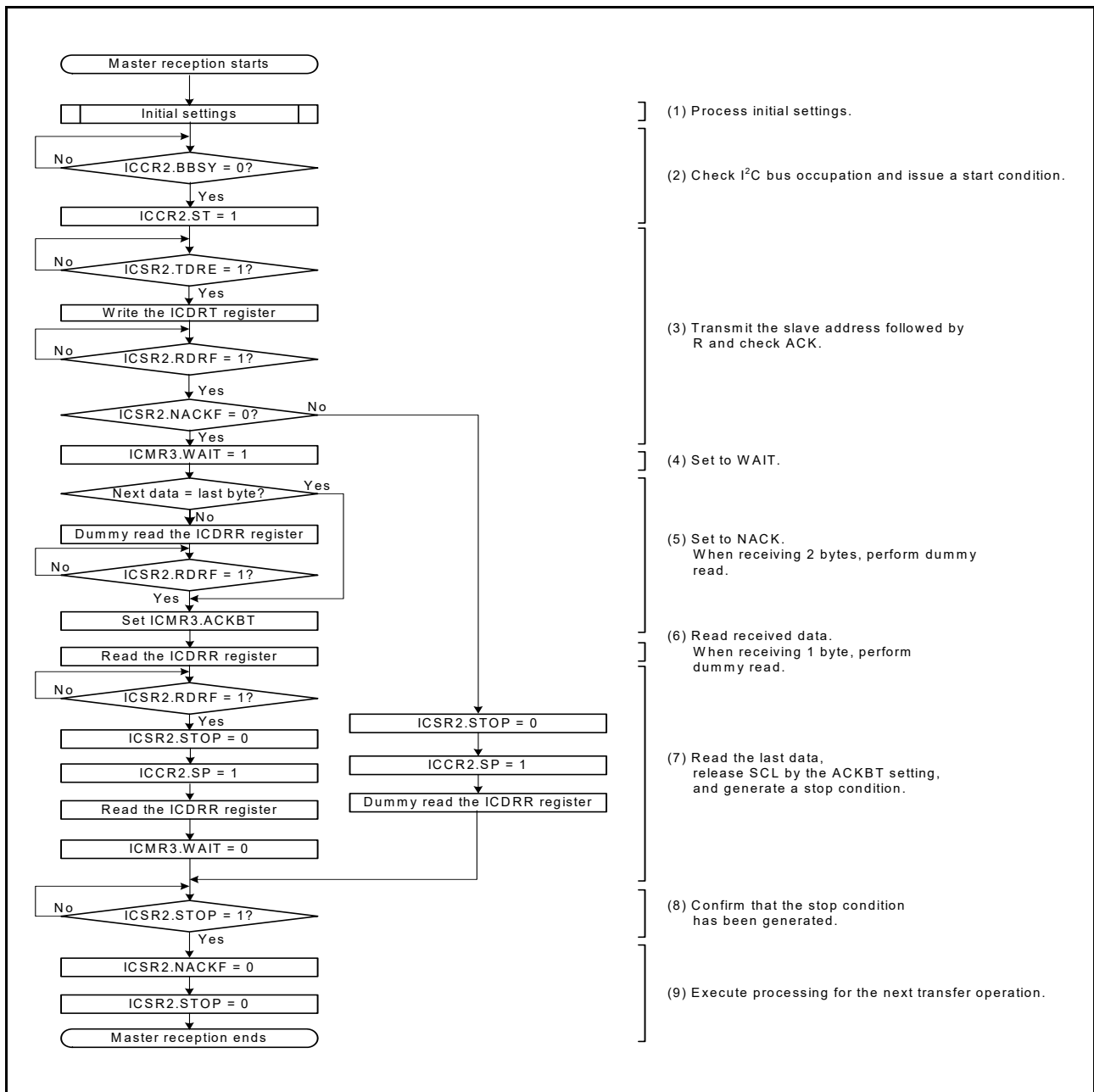


Figure 30.10 Example master reception flow with 7-bit address format and 1 or 2 bytes

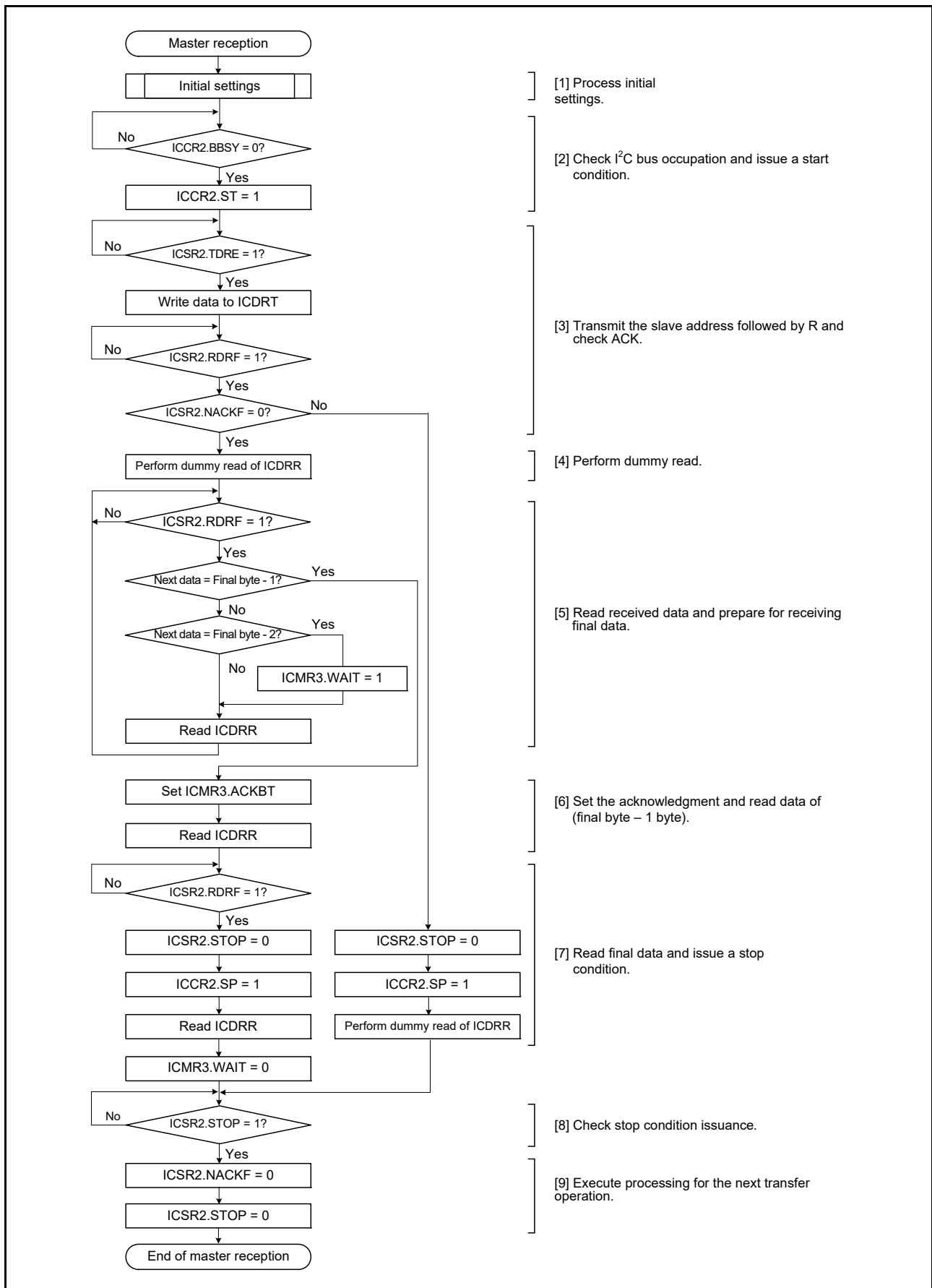


Figure 30.11 Example master reception flow with 7-bit address format and 3 or more bytes

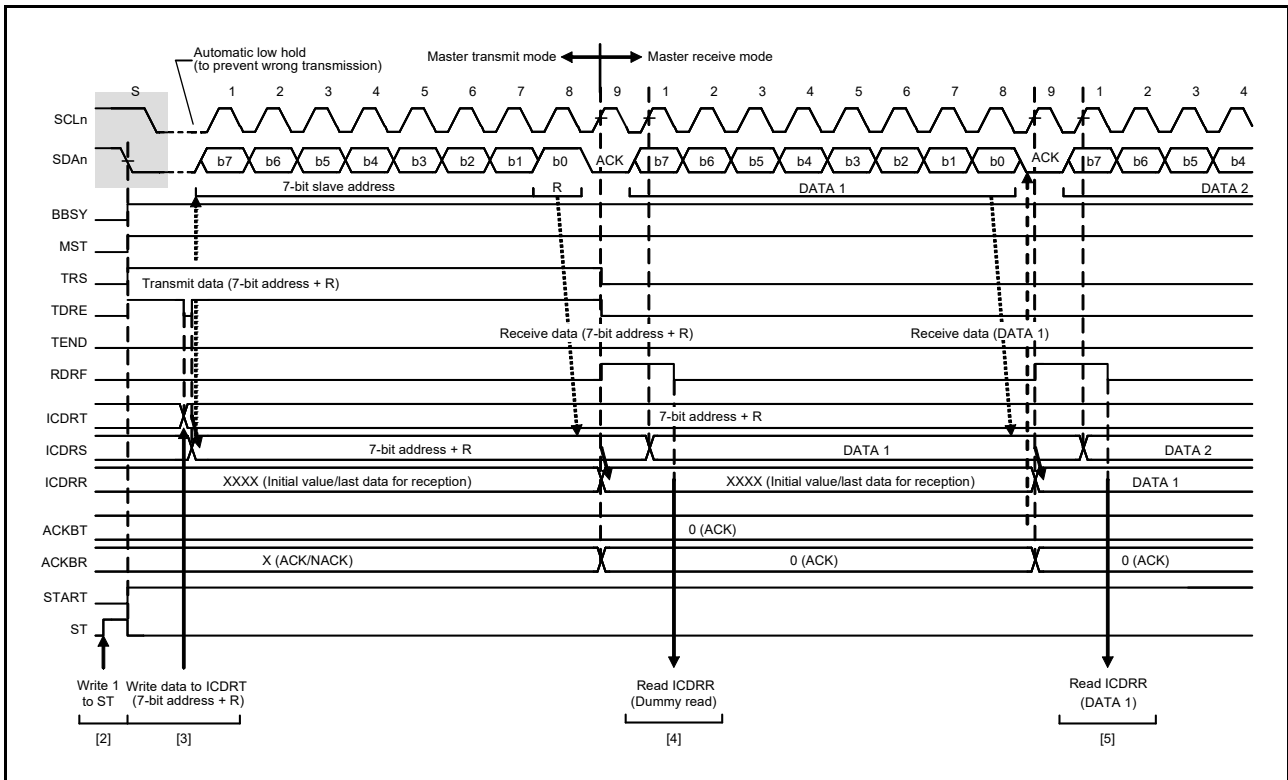


Figure 30.12 Master receive operation timing (1) with 7-bit address format, when RDRFS = 0

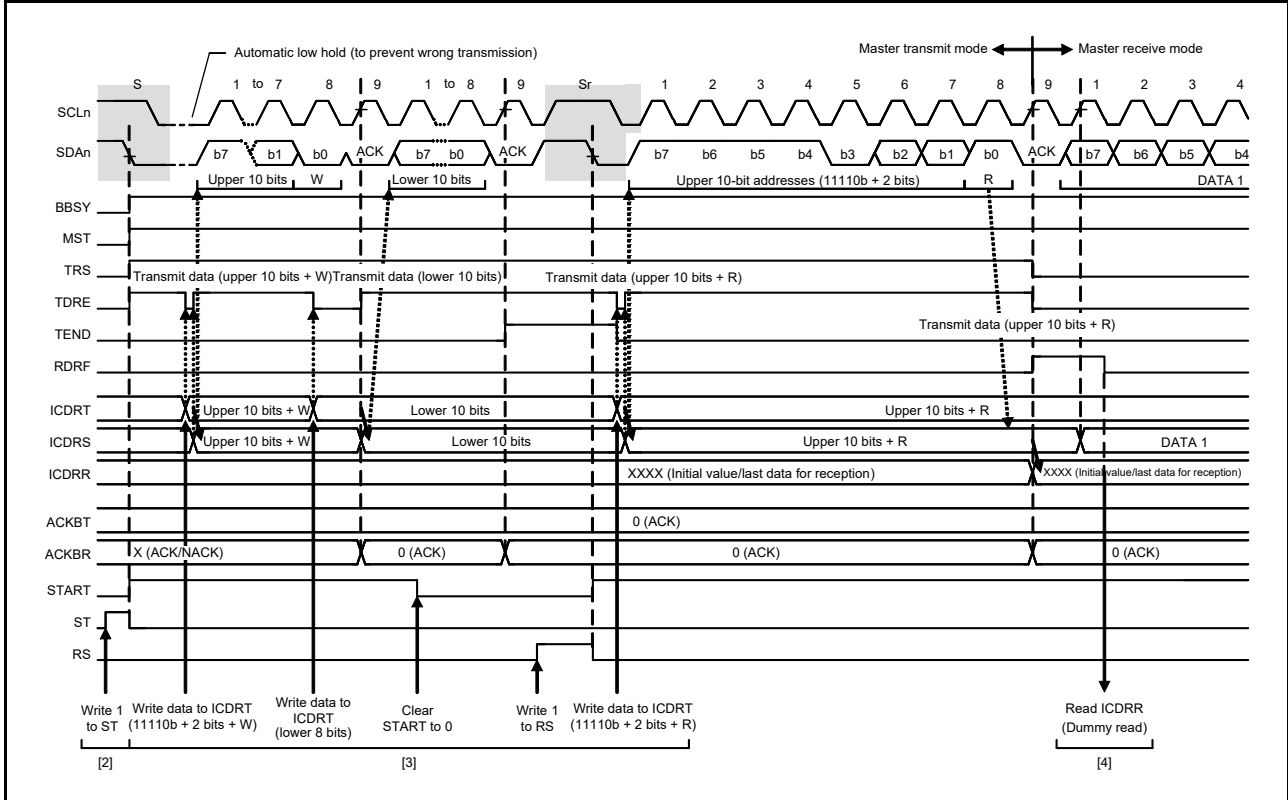


Figure 30.13 Master receive operation timing (2) with 10-bit address format, when RDRFS = 0

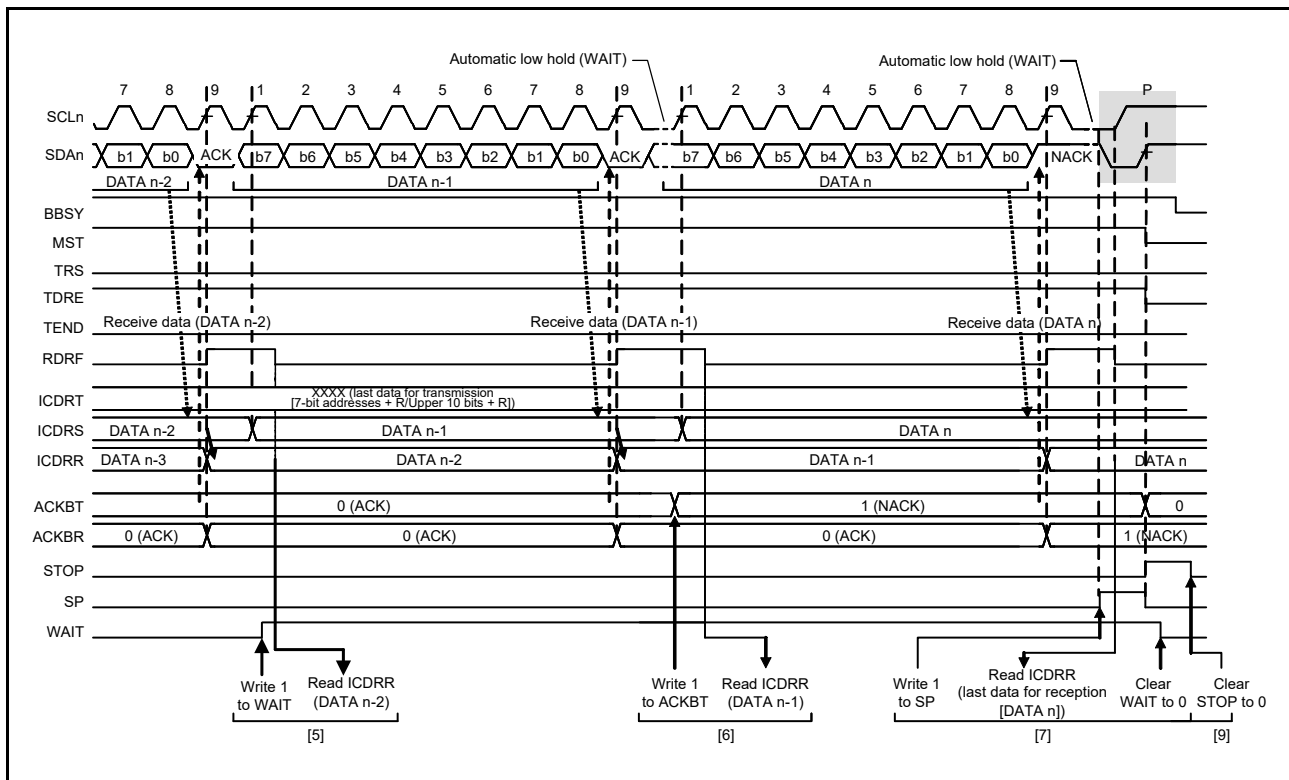


Figure 30.14 Master receive operation timing (3) when RDRFS = 0

30.3.5 Slave Transmit Operation

In slave transmit operation, the master device outputs the SCL clock, the IIC transmits data as a slave device, and the master device returns acknowledgments.

Figure 30.15 shows an example of slave transmission, and Figure 30.16 and Figure 30.17 show the operation timing in slave transmission.

To set up and perform slave transmission:

- To initialize the IIC, follow the procedure in [section 30.3.2, Initial Settings](#). After initialization, the IIC stays in the standby state until it receives a slave address that matches.
- After receiving a matching slave address, the IIC sets one of the associated bits ICSR1.HOA, GCA, and AAS_y ($y = 0$ to 2) flags to 1 on the rising edge of the 9th cycle of SCL clock and outputs the value set in the ICMR3.ACKBT bit as the acknowledge bit on the 9th cycle of SCL clock. If the value of the received R/W# bit is 1, the IIC automatically places itself in slave transmit mode by setting both the ICCR2.TRS bit and the ICSR2.TDRE flag to 1.
- Check that the ICSR2.TEND flag is 1, and write the transmit data to the ICDRT register. If the IIC receives no acknowledge from the master device (receives an NACK signal) while the ICFER.NACKF bit is 1, the IIC suspends transfer of the next data.
- Wait until the ICSR2.TEND flag is set to 1 while the ICSR2.TDRE flag is 1, after the ICSR2.NACKF flag is set to 1 or the last byte for transmission is written to the ICDRT register. When the ICSR2.NACKF flag or the TEND flag is 1, the IIC drives the SCLn line low on the 9th falling edge of SCL clock.
- When the ICSR2.NACKF flag or the ICSR2.TEND flag is 1, dummy read ICDRR to complete the processing. This releases the SCLn line.
- On detecting the stop condition, the IIC automatically sets the ICSR1.HOA, GCA, and AAS_y ($y = 0$ to 2) flags, the ICSR2.TDRE and TEND flags, and the ICCR2.TRS bit to 0, and enters slave receive mode.
- Check that the ICSR2.STOP flag is 1, and set the ICSR2.NACKF and STOP flags to 0 for the next transfer operation.

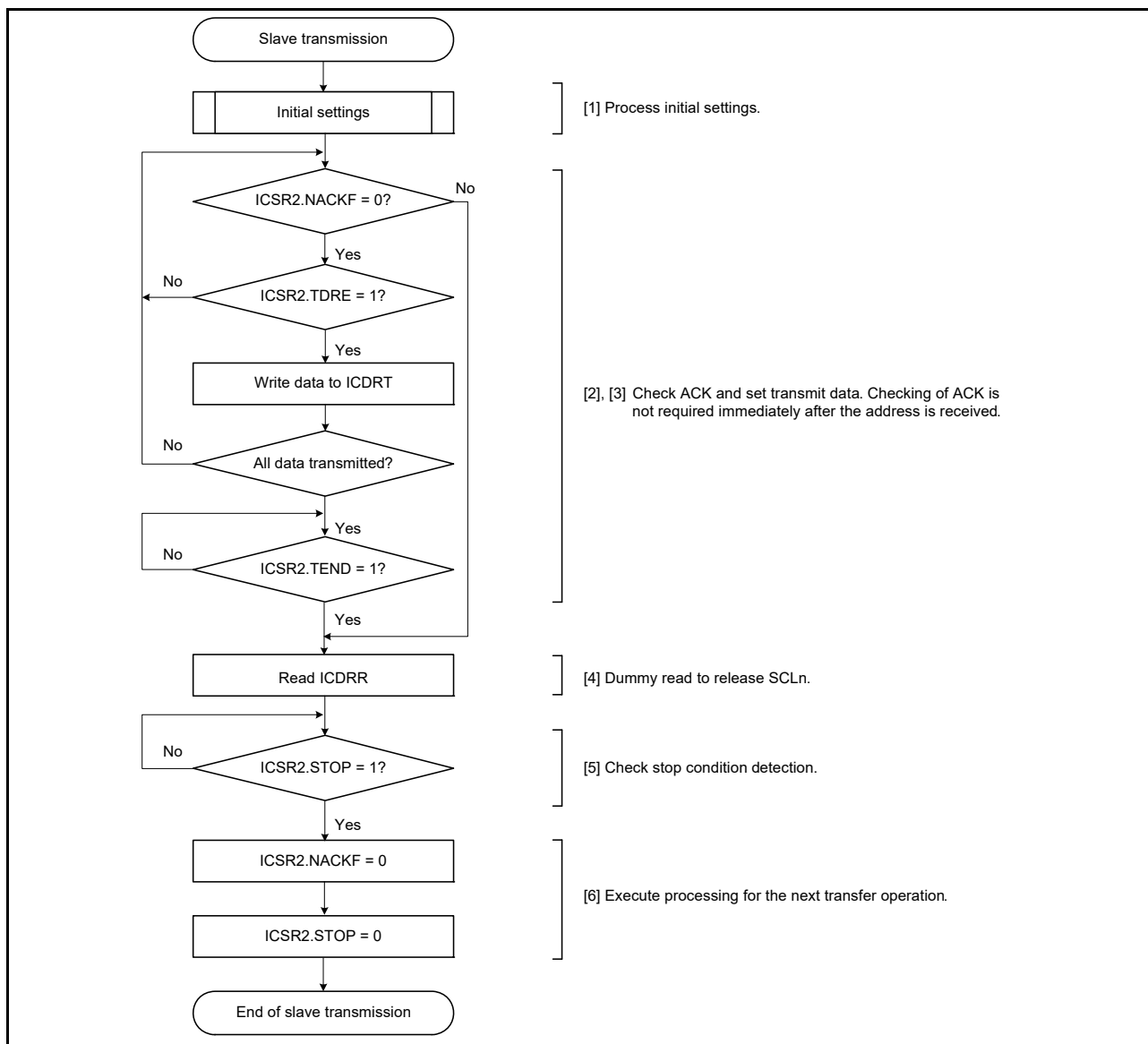


Figure 30.15 Example slave transmission flow

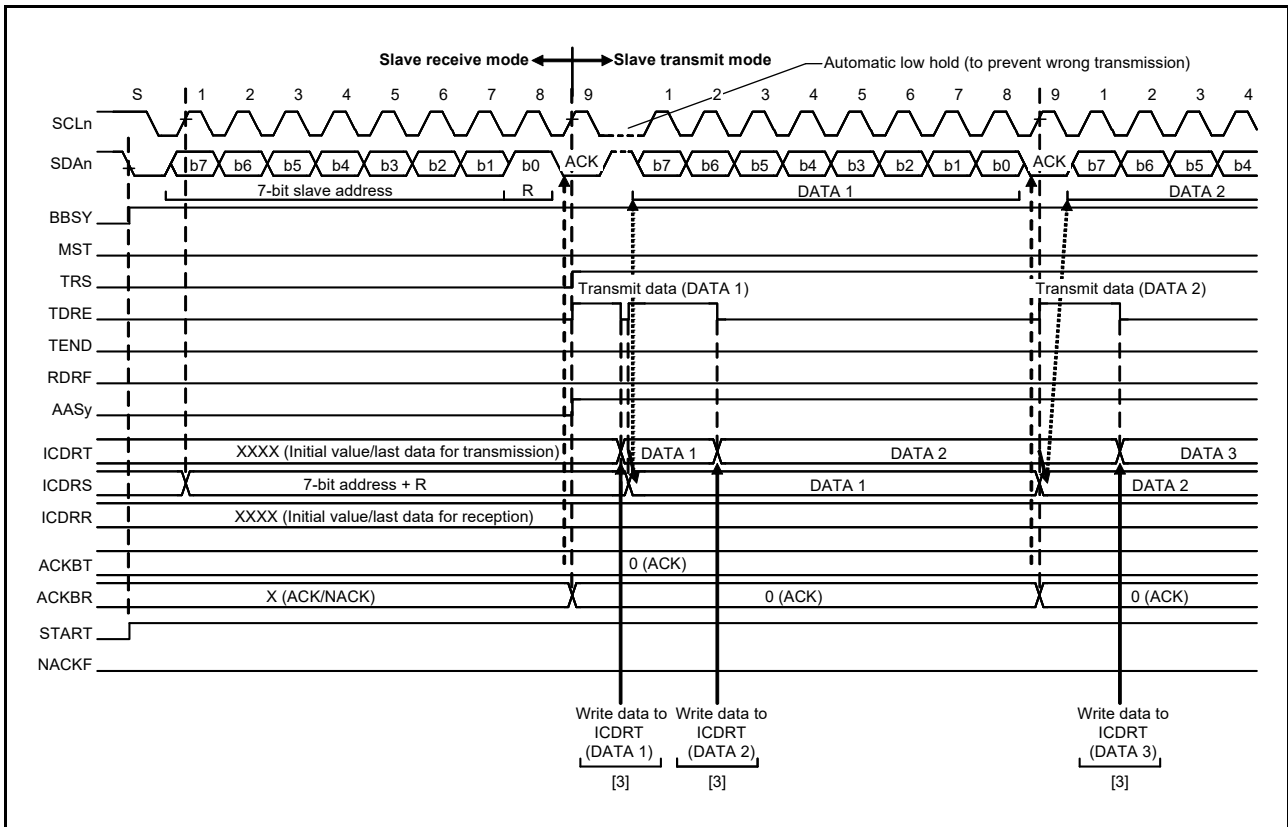


Figure 30.16 Slave transmit operation timing (1) with 7-bit address format

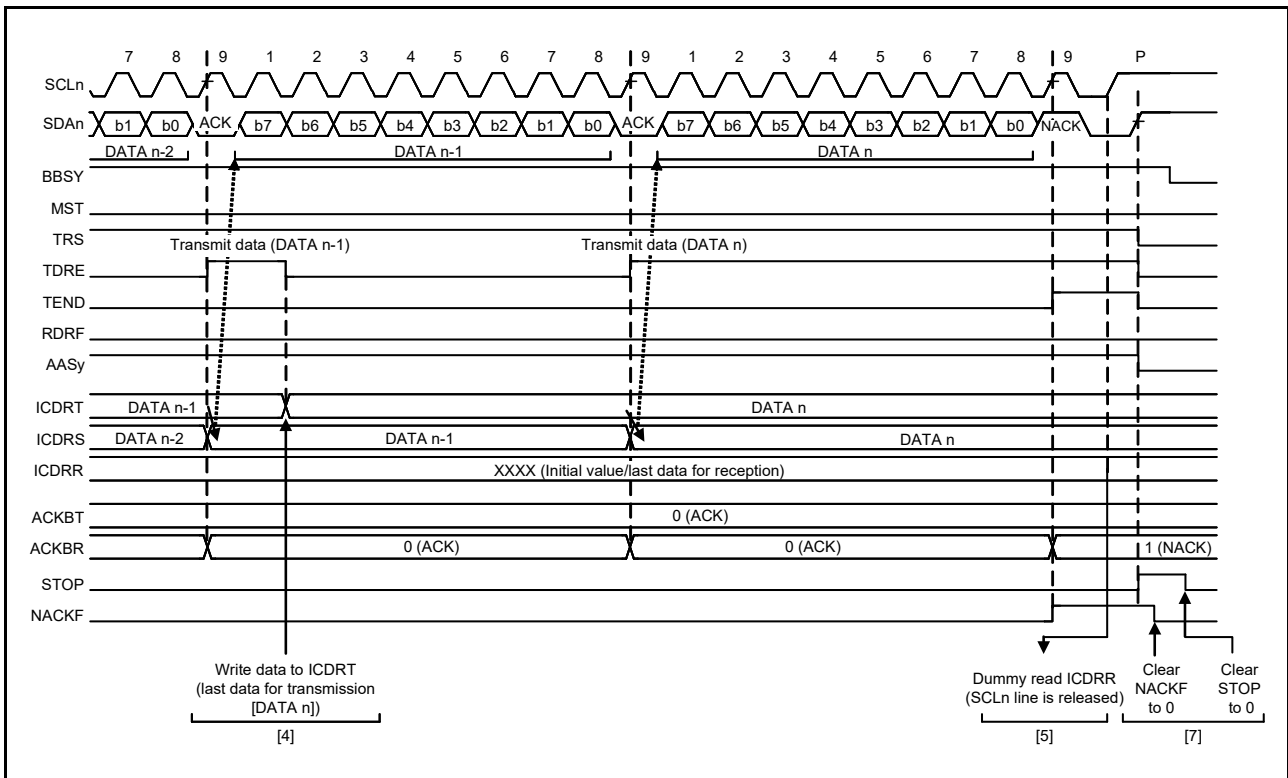


Figure 30.17 Slave transmit operation timing (2)

30.3.6 Slave Receive Operation

In a slave receive operation, the master device outputs the SCL clock and transmit data, and the IIC returns acknowledgments as a slave device.

Figure 30.18 shows an example of slave reception. Figure 30.19 and Figure 30.20 show the operation timing in slave reception.

To set up and perform slave reception:

1. To initialize the IIC, follow the procedure in [section 30.3.2, Initial Settings](#).
After initialization, the IIC stays in the standby state until it receives a slave address that matches.
2. After receiving a matching slave address, the IIC sets one of the associated ICSR1.HOA, GCA, and AASy (y = 0 to 2) flags to 1 on the rising edge of the 9th cycle of the SCL clock and outputs the value set in the ICMR3.ACKBT bit to the acknowledge bit on the 9th cycle of the SCL clock. If the value of the received R/W# bit is 0, the IIC continues to place itself in slave receive mode and sets the RDRF flag in ICSR2 to 1.
3. Check that the ICSR2.STOP flag is 0 and the ICSR2.RDRF flag is 1, and then dummy read the ICDRR register. The dummy value consists of the slave address and R/W# bit when the 7-bit address format is selected, or the lower 8 bits when the 10-bit address format is selected.
4. When ICDRR is read, the IIC automatically sets the ICSR2.RDRF flag to 0. If reading of ICDRR is delayed and the next byte is received while the RDRF flag is still set to 1, the IIC holds the SCLn line low from 1 SCL cycle before the point where RDRF must be set. In this case, reading the ICDRR register releases the SCLn line from being held low.
When the ICSR2.STOP flag is 1 and the ICSR2.RDRF flag is also 1, read the ICDRR register until all the data is completely received.
5. On detecting the stop condition, the IIC automatically clears the ICSR1.HOA, GCA, and AASy (y = 0 to 2) flags to 0.
6. Check that the ICSR2.STOP flag is 1, then set the ICSR2.STOP flag to 0 for the next transfer operation.

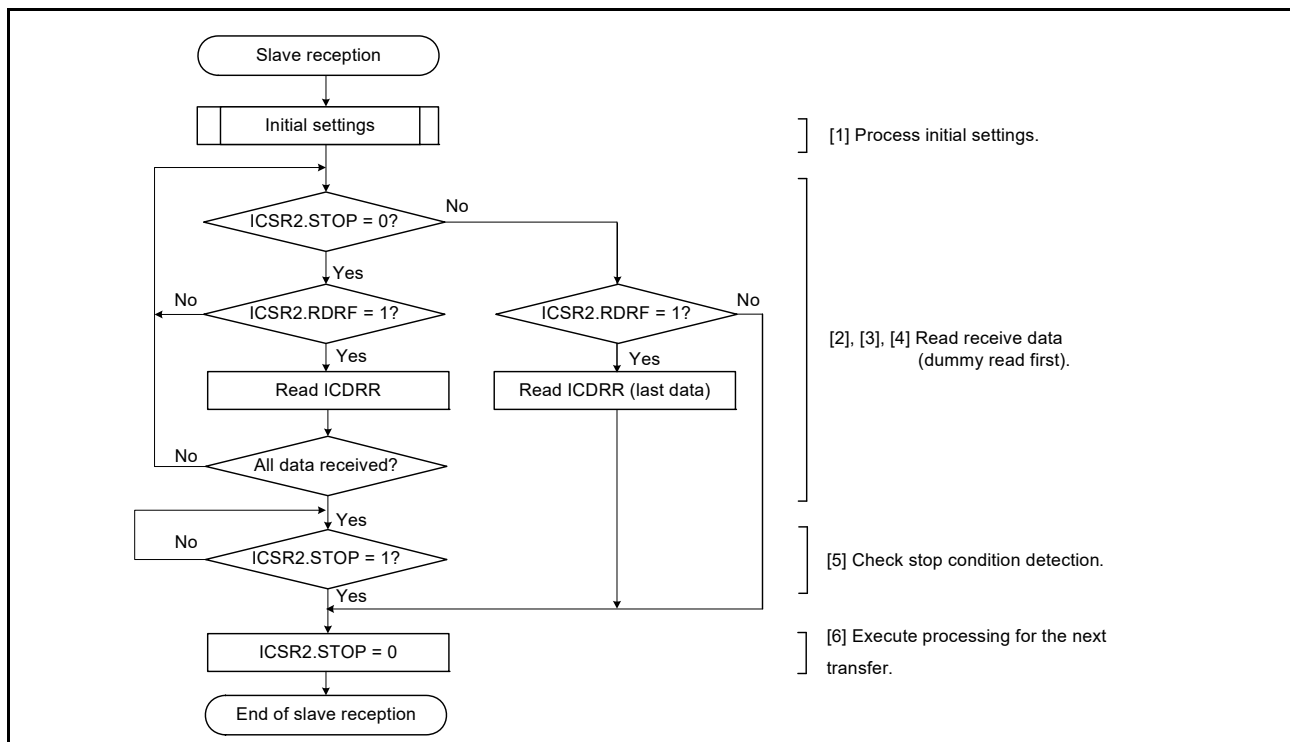


Figure 30.18 Example slave reception flow

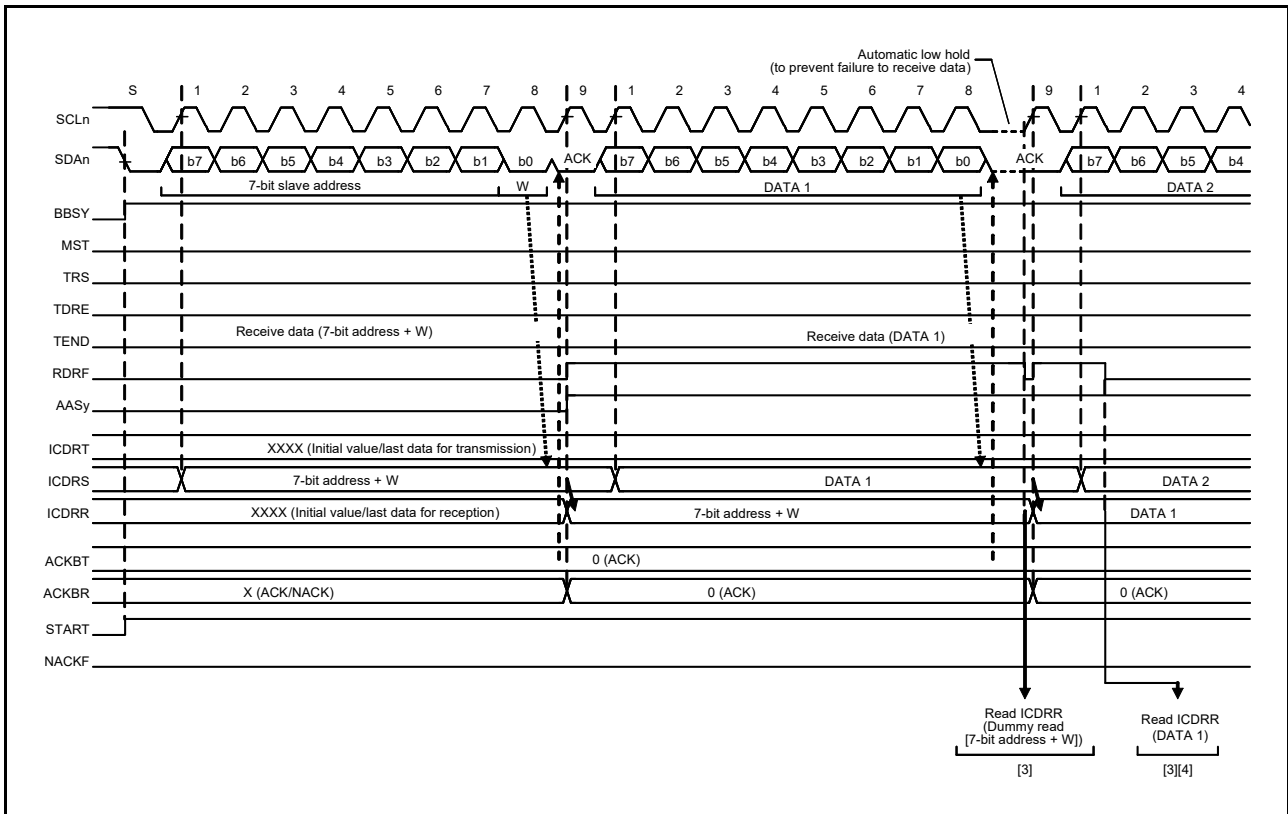


Figure 30.19 Slave receive operation timing (1) with 7-bit address format, when RDRFS = 0

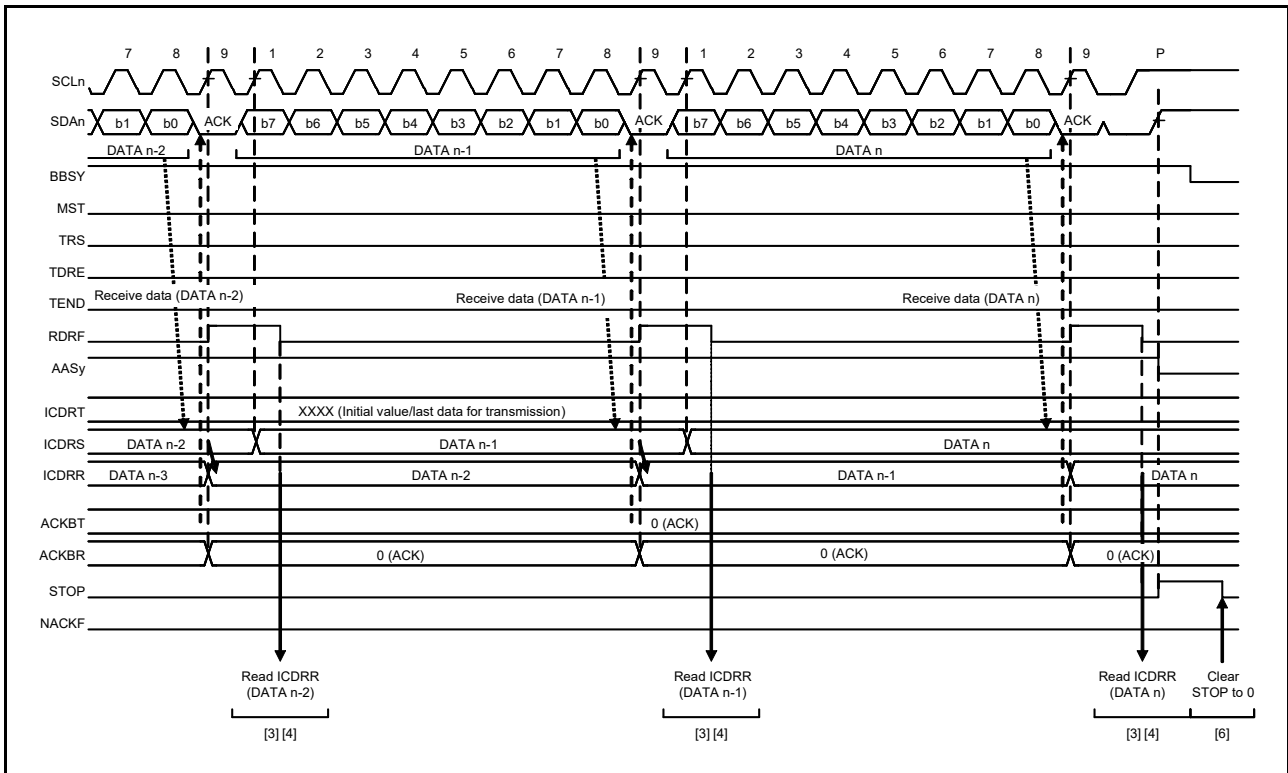


Figure 30.20 Slave receive operation timing (2) when RDRFS = 0

30.4 SCL Synchronization Circuit

For generation of the SCL clock, the IIC starts counting the value for the high-level period specified in ICBRH when it detects a rising edge on the SCLn line, and drives the SCLn line low when it completes counting. When the IIC detects the falling edge of the SCLn line, it starts counting the value for the low-level period specified in ICBRL, and then stops driving the SCLn line, releasing the line when it completes counting. The IIC repeats this process to generate the SCL clock.

If multiple master devices are connected to the I²C bus, a collision of SCL signals might arise because of contention with another master device. In such cases, the master devices must synchronize their SCL signals. Because this synchronization of SCL signals must be bit-by-bit, the IIC is equipped with an SCL synchronization circuit to obtain bit-by-bit synchronization of the SCL clock signals by monitoring the SCLn line while in master mode.

When the IIC detects a rising edge on the SCLn line and starts counting the high-level period specified in ICBRH, and the level on the SCLn line falls because an SCL signal is being generated by another master device, the IIC performs the following:

1. Stops counting when it detects the falling edge.
2. Drives the level on the SCLn line low.
3. Starts counting the low-level period specified in ICBRL.

When the IIC finishes counting the low-level period, it stops driving the SCLn line low. If the low-level period of the SCL clock signal from the other master device is longer than the low-level period set in the IIC, the low-level period of the SCL signal is extended. When the low-level period for the other master device ends, the SCL signal rises because the SCLn line is released. When the IIC finishes outputting the low-level period of the SCL clock, the SCLn line is released and the SCL clock rises. That is, when SCL signals from more than one master are contending, the high-level period of the SCL signal is synchronized with that of the clock with the narrower period, and the low-level period of the SCL signal is synchronized with that of the clock with the broader period. However, such synchronization of the SCL signal is only enabled when the SCLE bit in ICFER is set to 1.

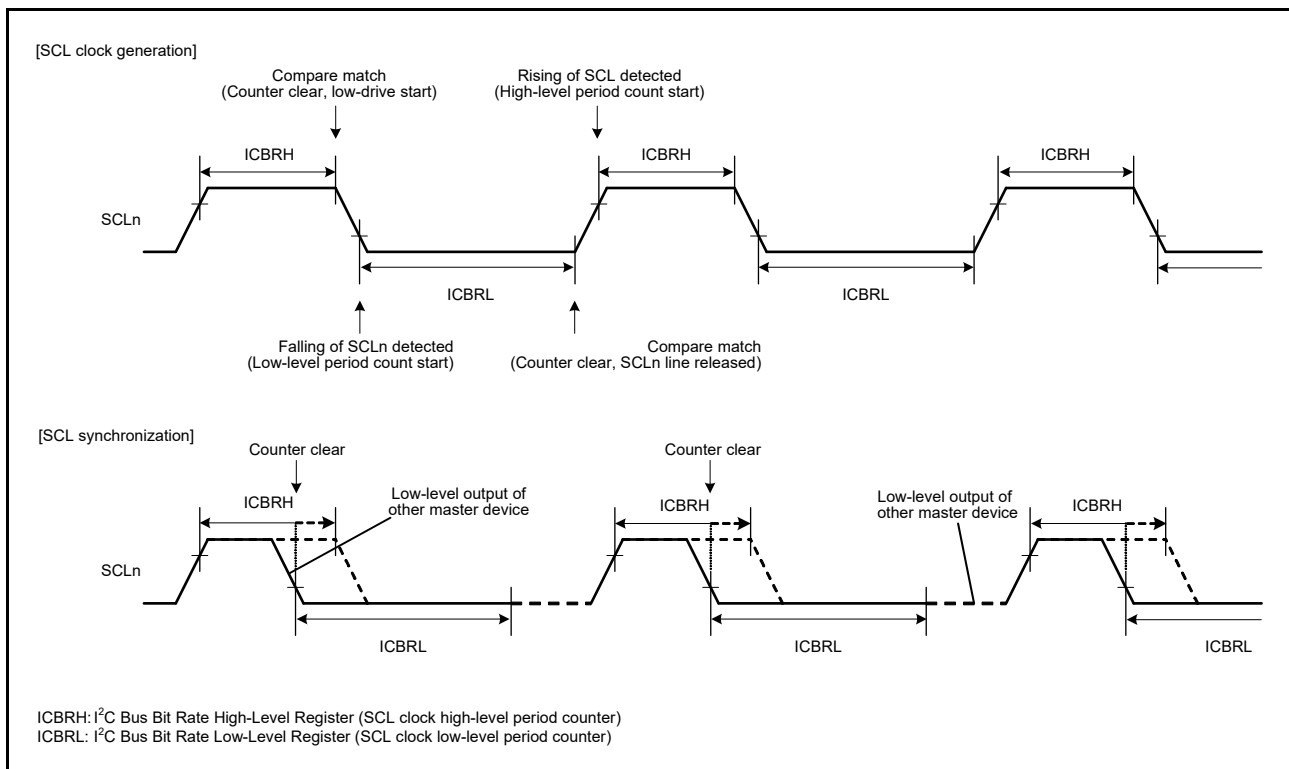


Figure 30.21 Generation and synchronization of SCL signal from IIC

30.5 SDA Output Delay Function

The IIC module provides a function for delaying output on the SDA line. The delay can be applied to all output on the SDA line, including issuing of the start, restart, and stop conditions, data, and the ACK and NACK signals.

With this function, SDA output is delayed from the detection of a falling edge of the SCL signal to ensure that the SDA signal is output within the interval during which the SCL clock is low. This approach helps prevent erroneous operation of communications devices, with the aim of satisfying the 300-ns minimum data-hold time requirement of the SMBus specification. The output delay function is enabled by setting the SDDL[2:0] bits in ICMR2 to any value other than 000b, and disabled by setting the same bits to 000b.

When the SDA output delay function is enabled, for example, the DLCS bit in ICMR2 selects the clock source for the SDA output delay counter, either as the internal base clock (IIC Φ) for the IIC module or as the internal base clock divided by two (IIC Φ /2). The counter counts the number of cycles set in the SDDL[2:0] bits in ICMR2. When the delay count is reached, the IIC module places the required output (start, restart, or stop condition, data, or an ACK or NACK signal) on the SDA line.

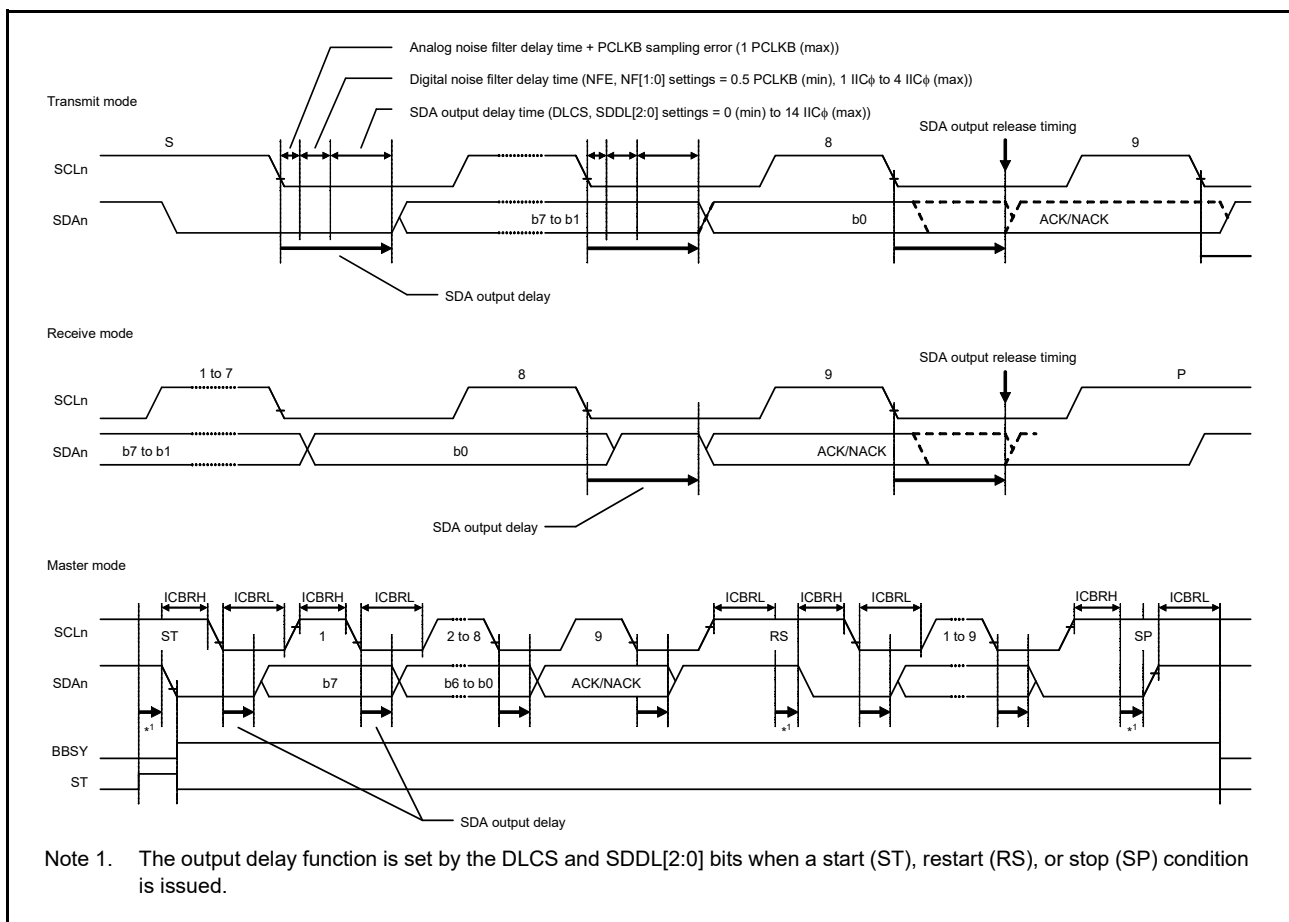


Figure 30.22 SDA output delay function

30.6 Digital Noise Filter Circuits

The internal circuitry sees the states of the SCLn and SDAn pins through analog and digital noise-filter circuits. [Figure 30.23](#) shows a block diagram of the digital noise-filter circuit.

The on-chip digital noise-filter circuit of the IIC consists of four flip-flop circuit stages connected in series, and a match-detection circuit.

The number of valid stages in the digital noise filter is selected in the NF[1:0] bits in ICMR3. The selected number of valid stages determines the noise-filtering capability as a period from 1 to 4 IIC Φ cycles.

The input signal to the SCLn pin (or SDAn pin) is sampled on falling edges of the IIC Φ signal. When the input signal level matches the output level of the number of valid flip-flop circuit stages as selected in the NF[1:0] bits in ICMR3, the signal level is seen in the subsequent stage. If the signal levels do not match, the previous value is saved.

If the ratio between the frequency of the internal operating clock (PCLKB) and the transfer rate is small, for example, for data transfer at 400 kbps with PCLKB = 4 MHz, the digital noise filter might lead to the elimination of the required signals as noise. In such cases, it is possible to disable the digital noise-filter circuit by setting the ICFER.NFE bit to 0, and use only the analog noise filter circuit.

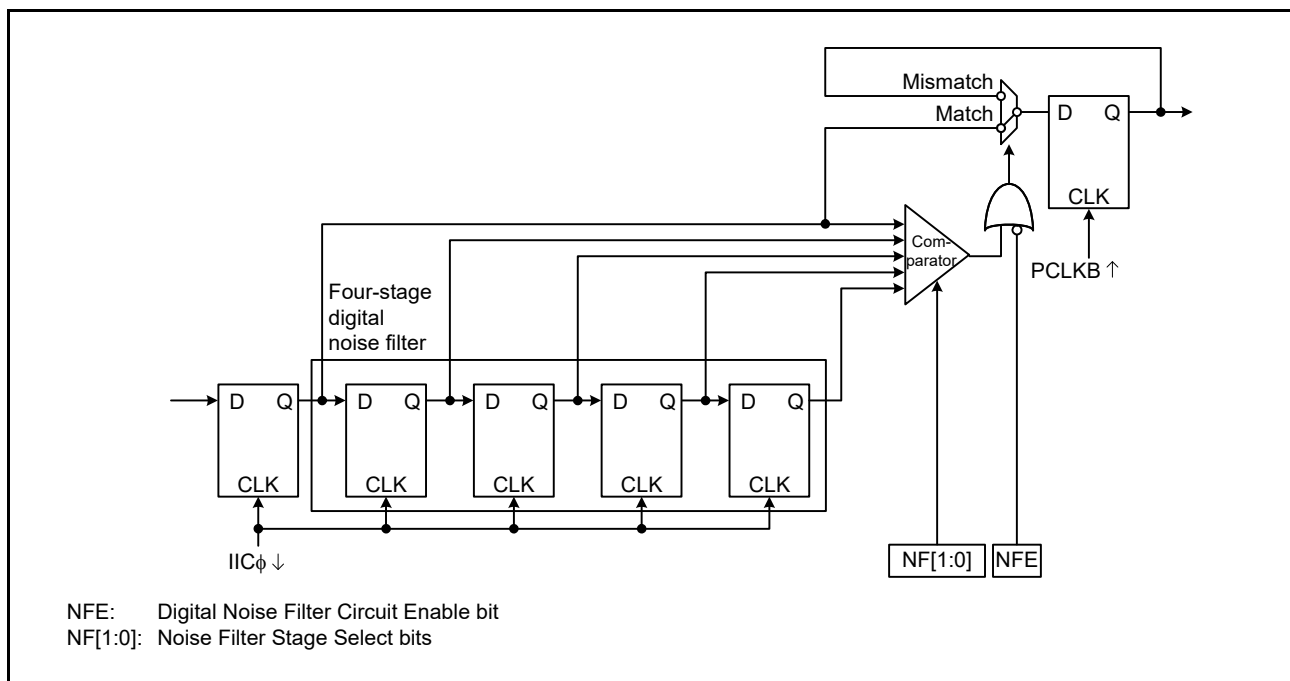


Figure 30.23 Digital noise filter circuit block diagram

30.7 Address Match Detection

The IIC can set three unique slave addresses in addition to the general call address and host address. The slave addresses can be 7-bit or 10-bit slave addresses.

30.7.1 Slave-Address Match Detection

The IIC can set three unique slave addresses and has a slave address detection function for each unique slave address. When the SARyE bit ($y = 0$ to 2) in ICSER is set to 1, the slave addresses set in SARUy and SARLy ($y = 0$ to 2) can be detected.

When the IIC detects a match of the set slave address, the associated AASy flag ($y = 0$ to 2) in ICSR1 is set to 1 on the rising edge of the 9th SCL clock cycle, and the RDRF flag in ICSR2 or the TDRE flag in ICSR2 is set to 1 by the subsequent R/W# bit. This causes a receive data full interrupt (IICn_RXI) or transmit data empty interrupt (IICn_TXI) to be generated. The AASy flag identifies which slave address is specified.

Figure 30.24 to Figure 30.26 show the AASy flag set timing in three cases.

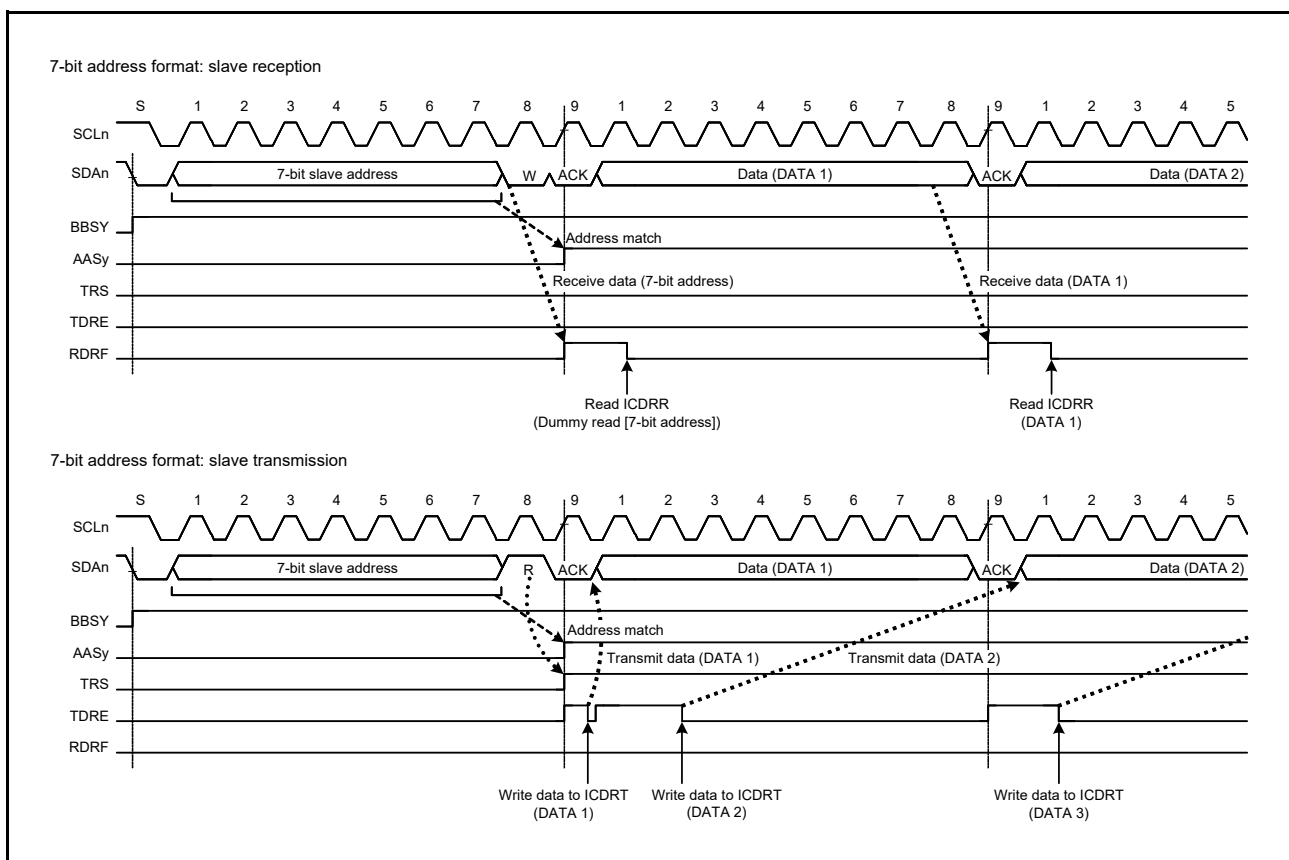


Figure 30.24 AASy flag set timing with 7-bit address format

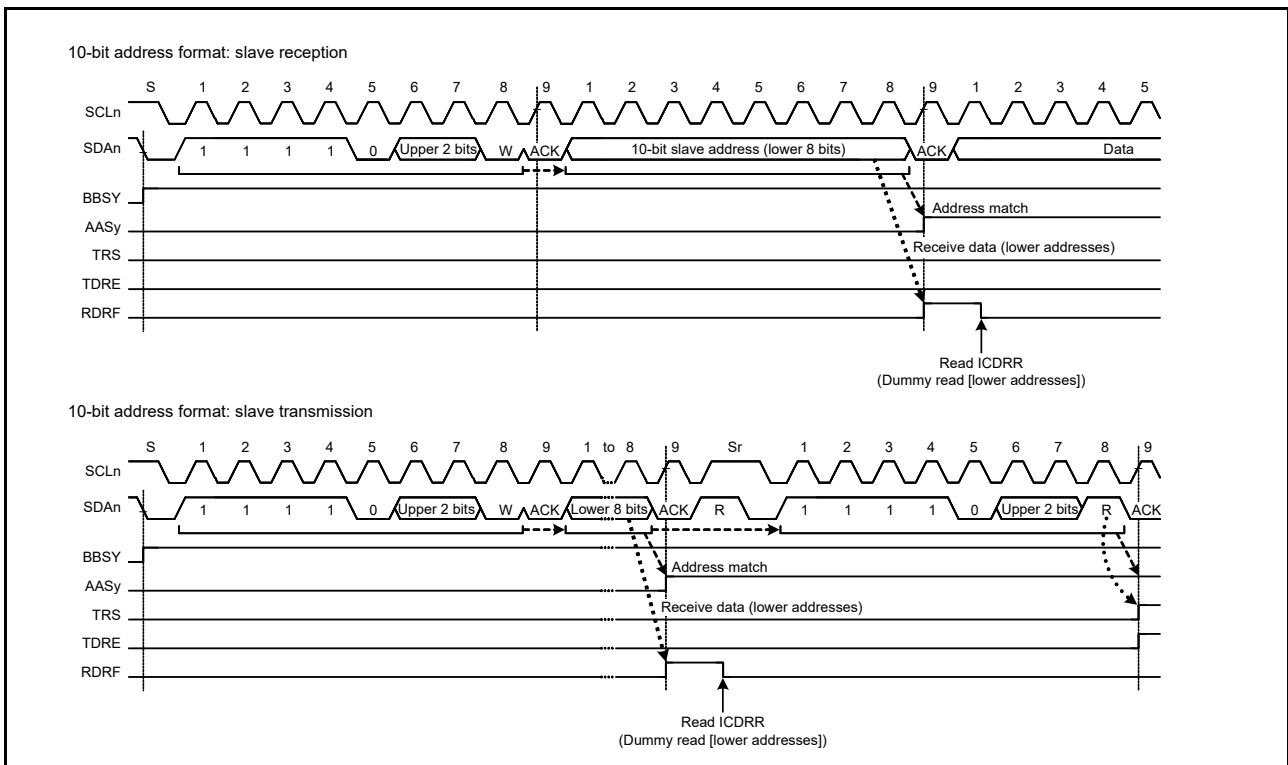


Figure 30.25 AASy flag set timing with 10-bit address format

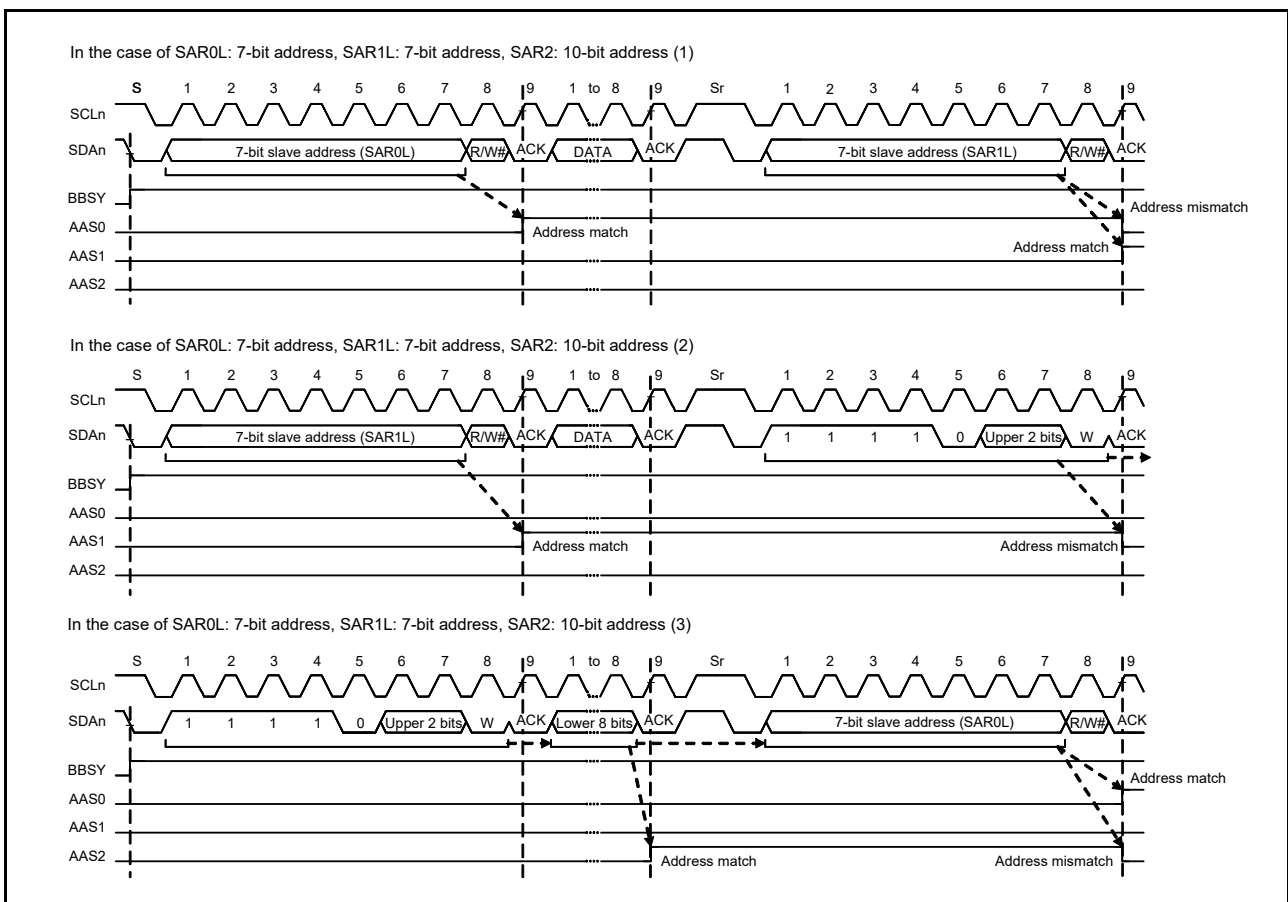


Figure 30.26 AASy flag set and clear timing with 7-bit and 10-bit address formats mixed

30.7.2 Detection of General Call Address

The IIC provides detection of the general call address (0000 000b + 0 [W]). General call address detection is enabled by setting the GCAE bit in ICSER to 1.

If the address received after a start or restart condition is issued is 0000 000b + 1[R] (start byte), the IIC recognizes this as the address of a slave device with an all-zero address, but not as the general call address.

When the IIC detects the general call address, both the GCA flag in ICSR1 and the RDRF flag in ICSR2 set to 1 on the rising edge of the 9th cycle of SCL clock. This leads to the generation of a receive data full interrupt (IICn_RXI). The value of the GCA flag can be checked to confirm that the general call address is transmitted.

Operation after detection of the general call address is the same as normal slave receive operation.

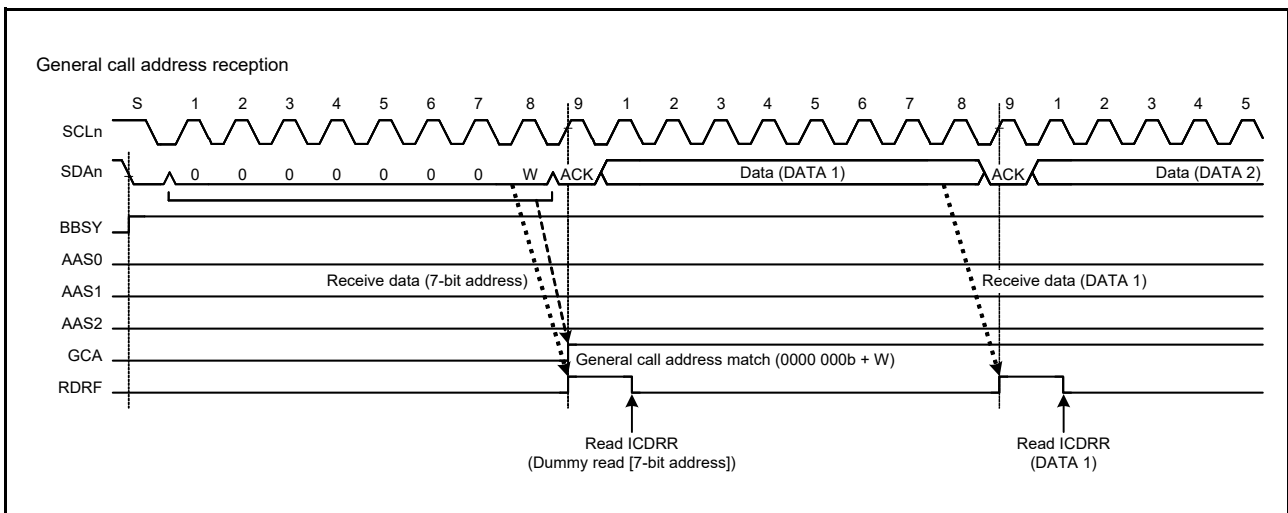


Figure 30.27 Timing of GCA flag setting during reception of general call address

30.7.3 Device ID Address Detection

The IIC module provides detection of the device ID address in compliance with the I²C bus specification, revision 03. When the IIC receives 1111 100b as the first byte after a start or restart condition is issued with the DIDE bit in ICSER set to 1, the IIC recognizes the address as a device ID, sets the DID flag in ICSR1 to 1 on the rising edge of the 9th SCL clock cycle when the subsequent R/W# bit is 0, and then compares the second and subsequent bytes with its own slave address. If the address matches the value in the slave address register, the IIC sets the associated AAS_y flag (y = 0 to 2) in ICSR1 to 1.

When the first byte received after the issue of a start or restart condition matches the device ID address (1111 100b) again and the subsequent R/W# bit is 1, the IIC does not compare the second and subsequent bytes and sets the ICSR2.TDRE flag to 1.

In the device ID address detection function, the IIC sets the DID flag to 0 if a match with the IIC slave address is not obtained or a match with the device ID address is not obtained after a match with the IIC slave address, and a restart condition is not detected. If the first byte after detection of a start or restart condition matches the device ID address (1111 100b) and the R/W# bit is 0, the IIC sets the DID flag to 1 and compares the second and subsequent bytes with the slave address of the IIC. If the R/W# bit is 1, the DID flag holds the previous value and the IIC does not compare the second and subsequent bytes. Therefore, the reception of a device ID address can be checked by reading the DID flag after confirming that TDRE = 1.

Additionally, prepare the device ID fields (3 bytes: 12 bits indicating the manufacturer + 9 bits identifying the part + 3 bits indicating the revision) that must be sent to the host after reception of a continuous device ID field as normal data for transmission. For details on the information that must be included in device ID fields, contact NXP Semiconductors.

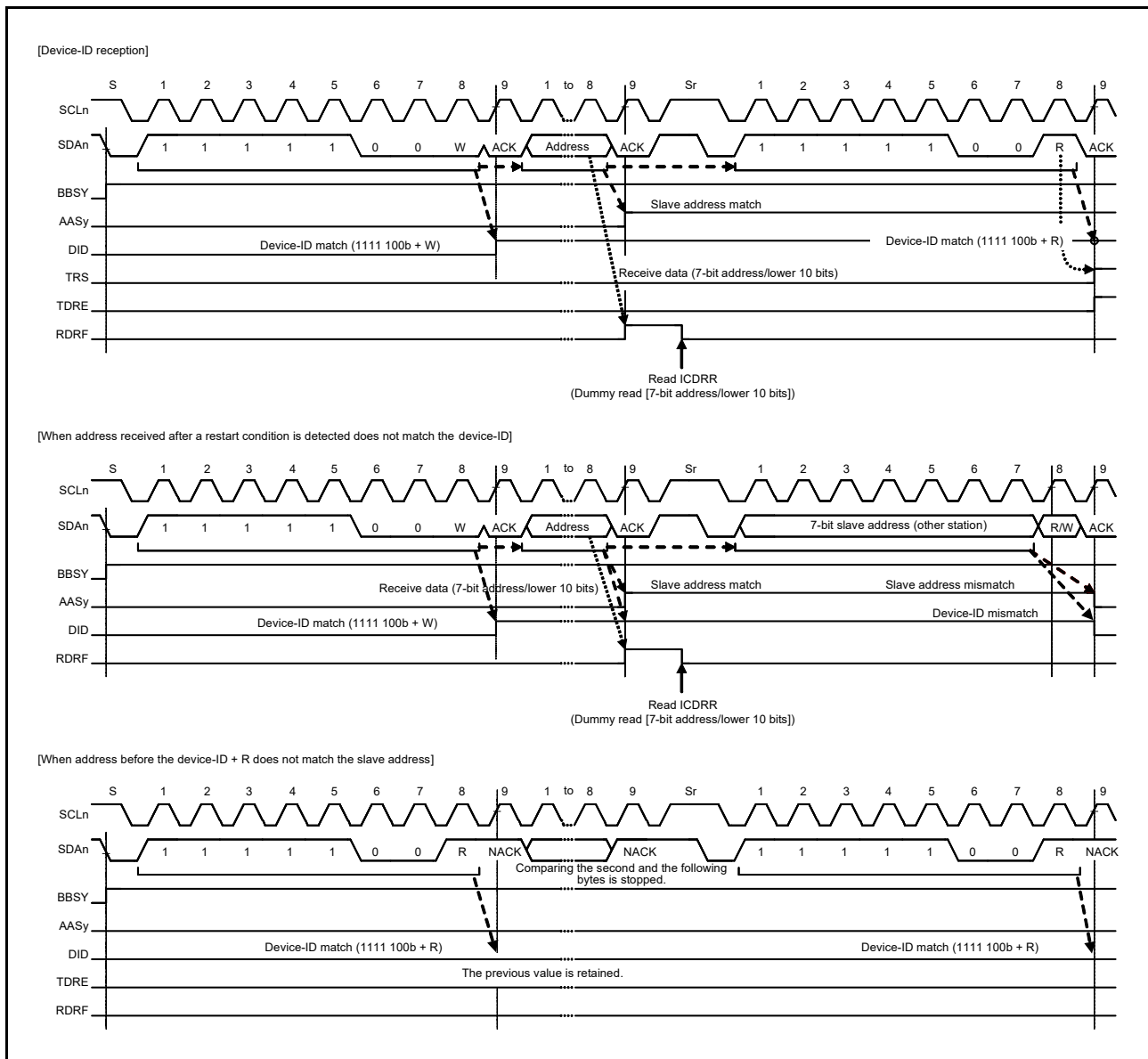


Figure 30.28 AASy/DID flag set/clear timing during reception of device ID

30.7.4 Host Address Detection

The IIC provides host address detection while the SMBus is operating. When the HOAE bit in ICSER is set to 1 while the SMBS bit in ICMR3 is 1, the IIC can detect the host address (0001 000b) in slave receive mode (ICCR2.MST and ICCR2.TRS bits = 00b).

When the IIC detects the host address, the HOA flag in the ICSR1 register is set to 1 on the rising edge of the 9th SCL clock cycle. At the same time, the RDRF flag in the ICSR2 register is set to 1 if the R/W# bit is 0. This causes a receive data full interrupt (IICn_RXI) to be generated. The HOA flag indicates that the host address was detected.

If the bit following the host address (0001 000b) is a read bit (R/W# bit = 1), the IIC can also detect the host address. After the host address is detected, the IIC operates in the same manner as in normal slave operation.

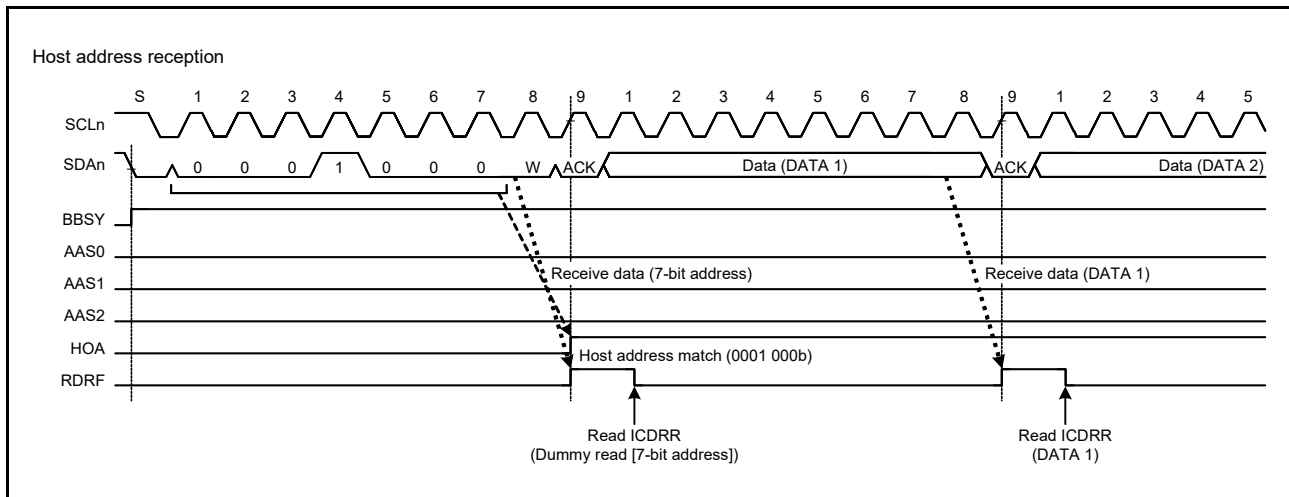


Figure 30.29 HOA flag set timing during reception of host address

30.8 Wakeup Function

The IIC provides a wakeup function that causes the MCU to transition from Software Standby mode to normal operation. The wakeup function enables the reception of data when the system clock is stopped, and generates a wakeup interrupt signal on a match of the slave address of the received data. This wakeup interrupt signal triggers the return to normal operation.

The wakeup function has four operation modes:

- Normal wakeup mode 1
- Normal wakeup mode 2
- Command recovery mode
- EEP response mode.

Table 30.9 describes the behavior in these modes.

Table 30.9 Wakeup operation modes

Operation mode	ACK response timing	ACK response before wakeup	SCL state during wakeup
Normal wakeup mode 1	Before wakeup	ACK	Fixed low
Normal wakeup mode 2	After wakeup	Before wakeup: no response After wakeup: ACK response	Fixed low
Command recovery mode	Before wakeup	ACK	Open
EEP response mode	Before wakeup	NACK	Open

Precautions on the use of the wakeup function

- Disable the wakeup function ($WUE = 0$) after a wakeup interrupt triggers the transition from Software Standby mode to normal operation
- Do not change the content of the IIC registers while $WUF = 0$, even if the wakeup interrupt recovers the system clock. Specify the register settings after confirming that $WUF = 1$.
- Set $WUE = WUIE = 1$ and $MST = TRS = 0$ (slave reception mode) before entering Software Standby mode
- Do not transition to Software Standby mode while $BBSY = 1$
- The wakeup function supports the 7-bit slave address of slave address register SARL0, the general call address, and the host address. 10-bit slave addresses, SARL1 and SARL2, are not supported.
- When the wakeup function is enabled, disable the interrupts selectable in the TIE, TEIE, RIE, NAKIE, SPIE, STIE, ALIE, and TMOIE bits in the ICIER register
- When the wakeup function is enabled, do not use the timeout function
- If the transition from Software Standby mode is triggered by an interrupt other than a wakeup interrupt, for example IRQn, the WUF flag is not set to 1.

30.8.1 Normal Wakeup Mode 1

This section describes the behavior, timing, and an example operation in normal wakeup mode 1.

In normal wakeup mode 1, a wakeup interrupt triggered by the match of the slave address initiates the transition to normal operation as follows:

- Before wakeup: ACK is sent in response to the data received with its own slave address of the IIC.
- During wakeup: ACK response is made on the 9th clock cycle of SCL, after which SCL is held low.*1
- After wakeup: Normal operation continues.

If the slave address does not match, the SCL line is not held low after the 9th clock cycle of SCL, and the slave operation continues.

Figure 30.30 shows an operation example, and Figure 30.32 shows the detailed timing.

Note 1. Between the 9th clock cycle and 1st clock cycle during wakeup, $WAIT = 1$ is invalid.

If the transition from Software Standby mode is triggered by an interrupt other than a wakeup interrupt, for example the IRQn, the WUF flag is not set to 1. Figure 30.31 shows an operation example.

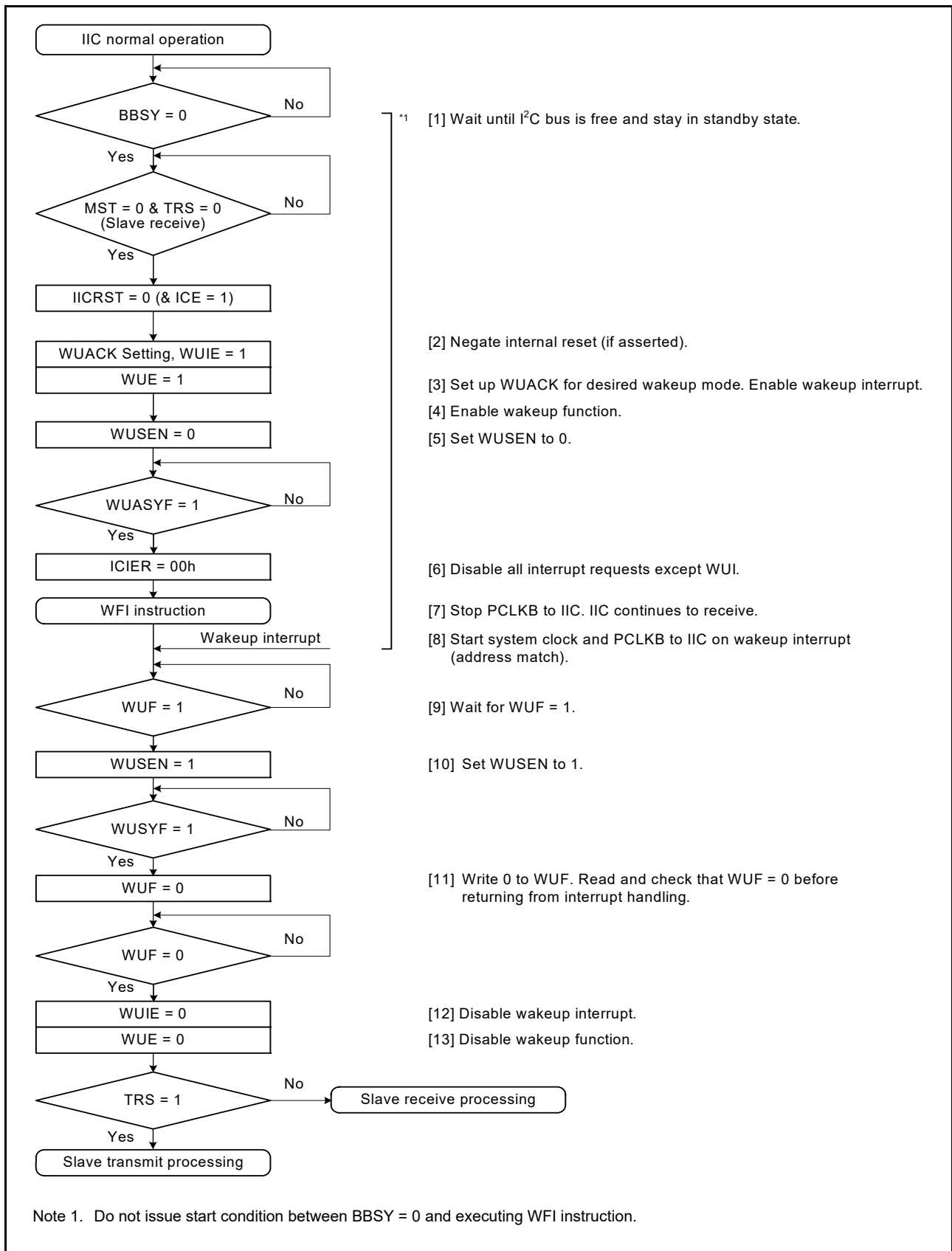


Figure 30.30 Example operation of normal wakeup mode 1 when wakeup is triggered by a wakeup interrupt on match of the slave address

Note: See [Precautions on the use of the wakeup function](#).

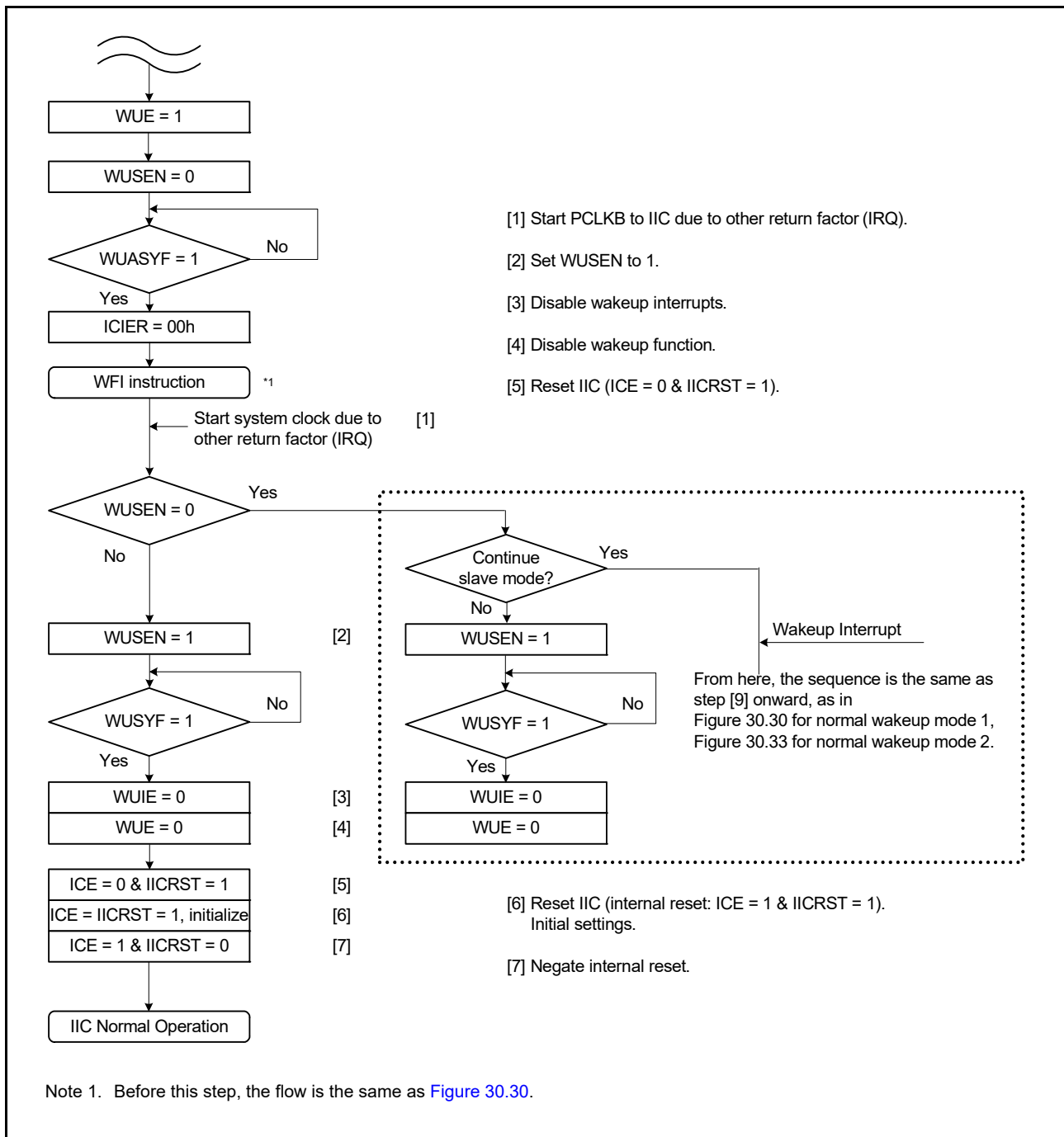


Figure 30.31 Example operation of normal wakeup modes 1 and 2 when wakeup is triggered by an interrupt other than IIC wakeup interrupt, for example, IRQn

Note: For details on the IIC initial settings, see [section 30.3.2, Initial Settings](#).

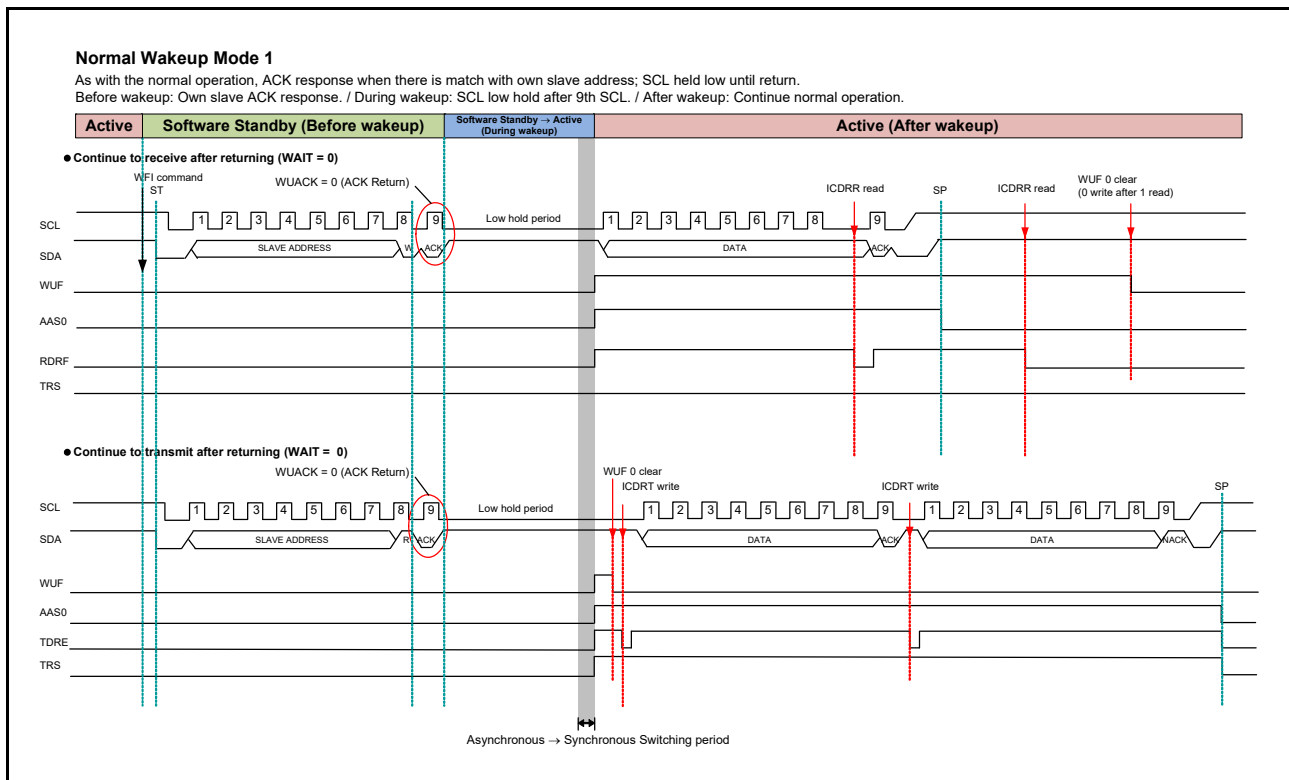


Figure 30.32 Timing of normal wakeup mode 1

30.8.2 Normal Wakeup Mode 2

This section describes the behavior, timing, and an example operation in normal wakeup mode 2.

In normal wakeup mode 2, a wakeup interrupt triggered by a match of the slave address initiates the transition to normal operation as follows:

- Before wakeup: No response to data received with its own slave address until the end of the 8th SCL cycle.
- During wakeup: SCL line held low during the 8th and 9th clock cycles.
- After wakeup: ACK returns on the 9th clock cycle of SCL and normal operation continues.

If the slave address does not match, the SCL line is not held low after the 8th SCL clock cycle, and the slave operation continues.

Figure 30.33 shows an example operation in normal wakeup mode 2 and Figure 30.34 shows the detailed timing.

If the transition from Software Standby mode is triggered by an interrupt other than a wakeup interrupt, such as the IRQ, for example, the WUF flag is not set to 1. Follow the operation shown in Figure 30.31.

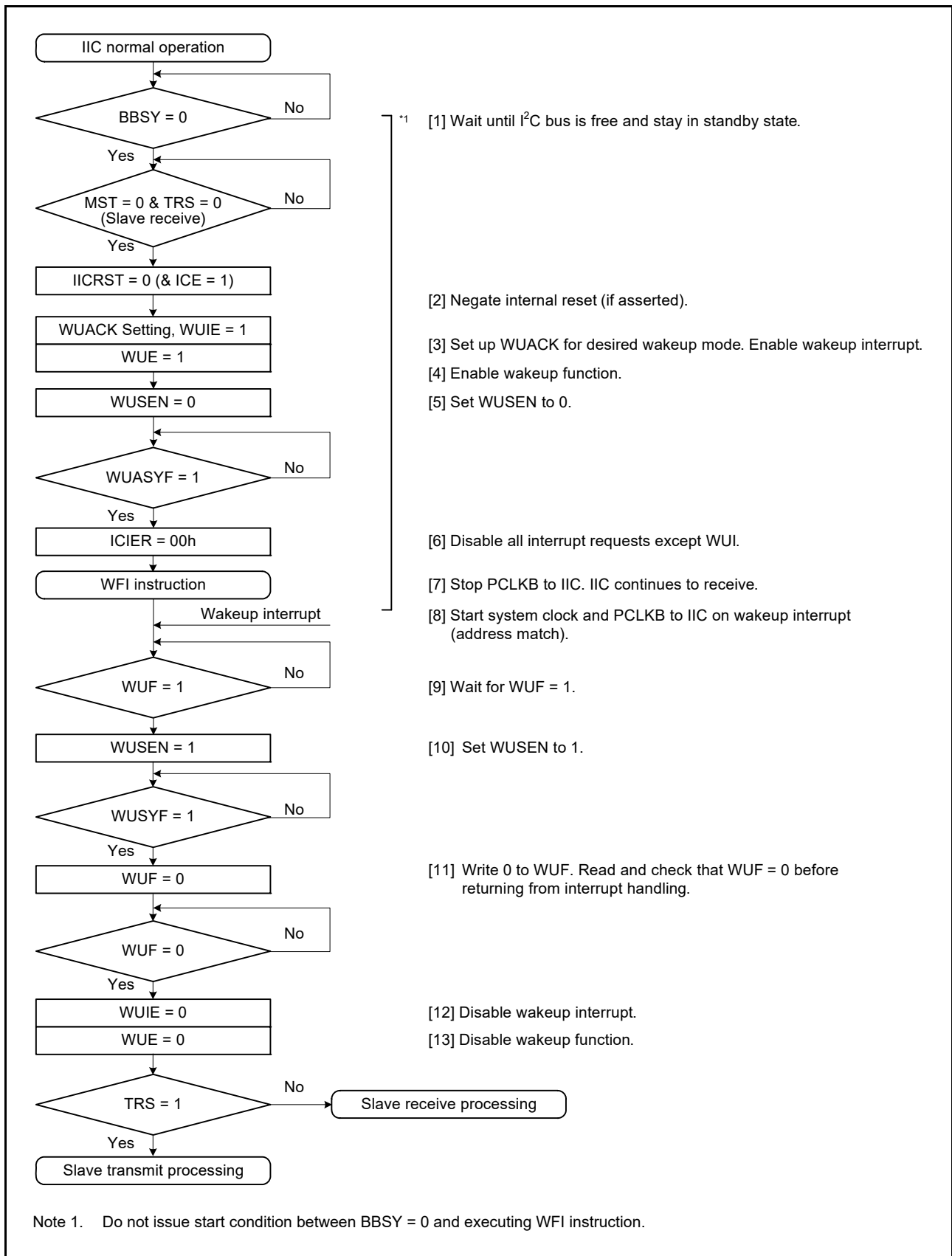


Figure 30.33 Example operation of normal wakeup mode 2 when wakeup is triggered by a wakeup interrupt on match of the slave address

Note: See [Precautions on the use of the wakeup function](#).

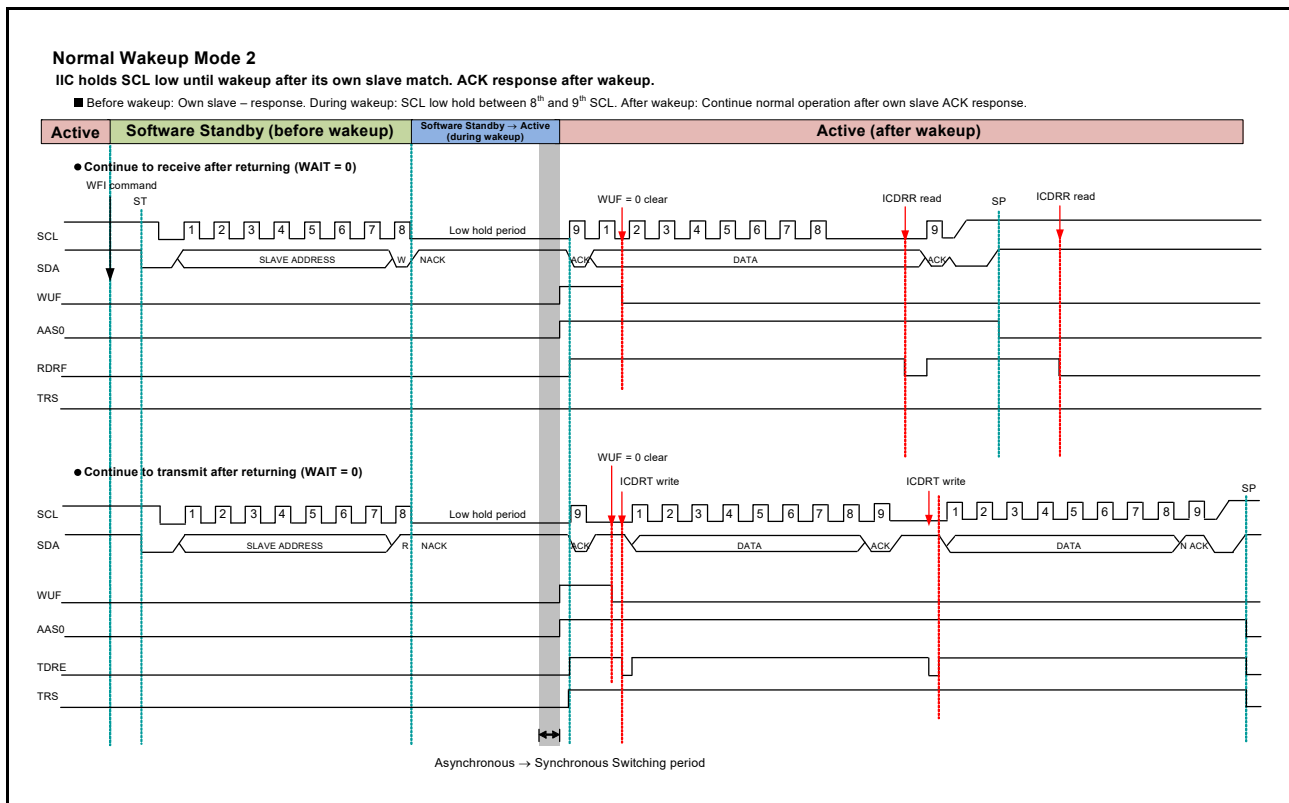


Figure 30.34 Timing of normal wakeup mode 2

30.8.3 Command Recovery Mode and EEP Response Mode (Special Wakeup Modes)

This section describes the behavior, timing, and example operations of the command recovery and EEP response modes. In the command recovery and EEP response modes, the SCL line is not held low during the wakeup period (after the rise of the 9th clock cycle of SCL). Therefore, the other IIC devices can use the I²C bus during this period.

A wakeup interrupt triggered by the match of the slave address initiates the transition to normal operation as follows:

- Before wakeup: In response to the data received with its own slave address, the IIC returns ACK (command recovery mode) or NACK (EEP response mode).
- During wakeup: The SCL line is not held low.
- After wakeup: Normal operation continues after IIC initialization.

If the slave address does not match, the slave operation continues.

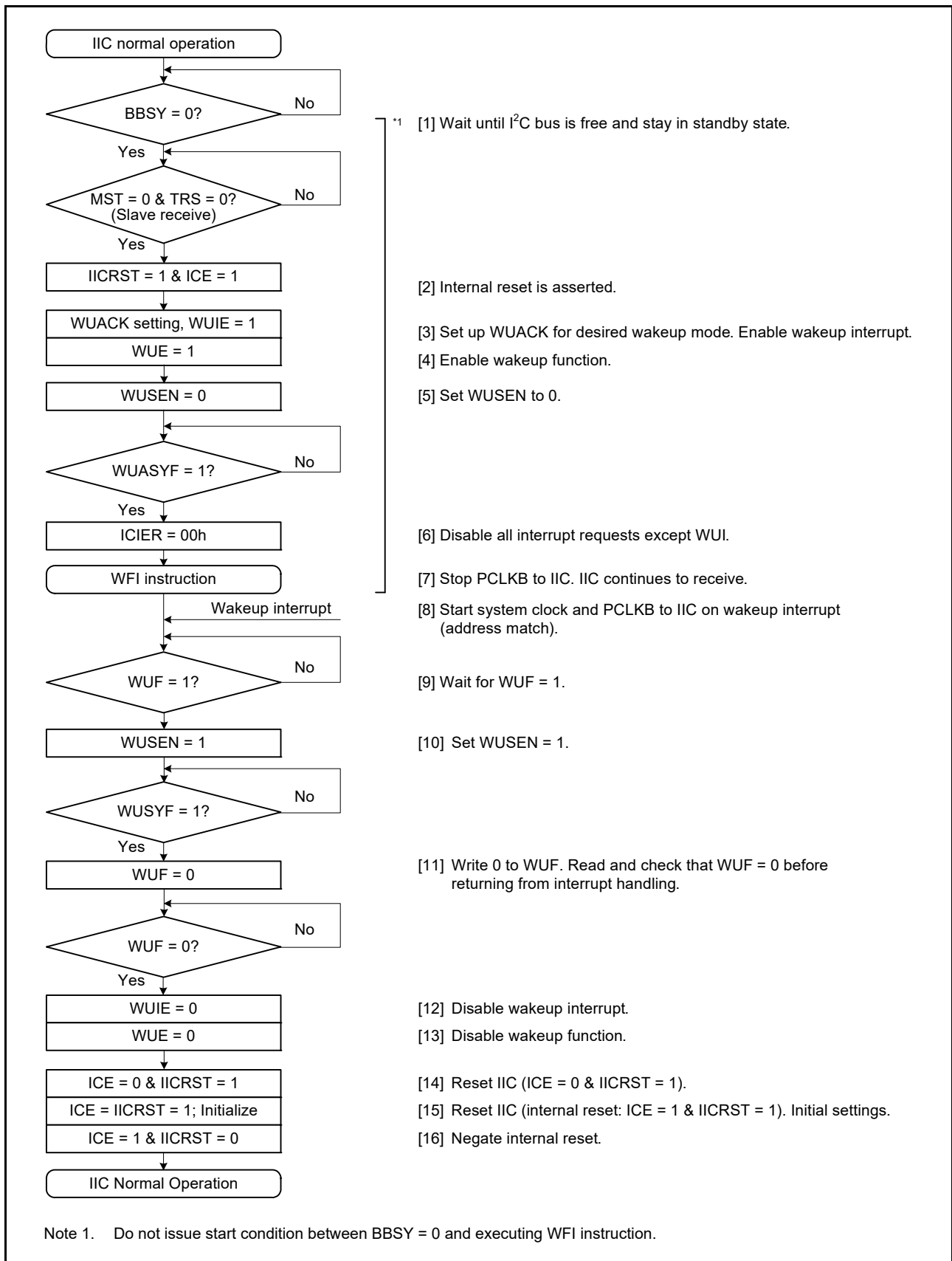
For an example operation in command recovery mode and EEP response mode, see [Figure 30.35](#).

[Figure 30.37](#) provides the detailed timing.

Note: Because the SCL line is not held low during wakeup, transmission or reception of the data that follows the slave address is not possible.

Note: The command recovery and EEP response modes are internal reset states (ICE = IICRST = 1). Therefore, the match of the slave address does not set the flags HOA, GCA, AAS0, AAS1, and AAS2 in the ICSR1 register.

If the transition from Software Standby mode is triggered by an interrupt other than a wakeup interrupt, such as the IRQn for example, the WUF flag is not set to 1. Follow the operation shown in [Figure 30.36](#).



- [1] Wait until I²C bus is free and stay in standby state.
- [2] Internal reset is asserted.
- [3] Set up WUACK for desired wakeup mode. Enable wakeup interrupt.
- [4] Enable wakeup function.
- [5] Set WUSEN to 0.
- [6] Disable all interrupt requests except WUI.
- [7] Stop PCLKB to IIC. IIC continues to receive.
- [8] Start system clock and PCLKB to IIC on wakeup interrupt (address match).
- [9] Wait for WUF = 1.
- [10] Set WUSEN = 1.
- [11] Write 0 to WUF. Read and check that WUF = 0 before returning from interrupt handling.
- [12] Disable wakeup interrupt.
- [13] Disable wakeup function.
- [14] Reset IIC (ICE = 0 & IICRST = 1).
- [15] Reset IIC (internal reset: ICE = 1 & IICRST = 1). Initial settings.
- [16] Negate internal reset.

Figure 30.35 Example operation of command recovery and EEP response modes when wakeup is triggered by a wakeup interrupt on a match of the slave address

Note: See [Precautions on the use of the wakeup function](#).

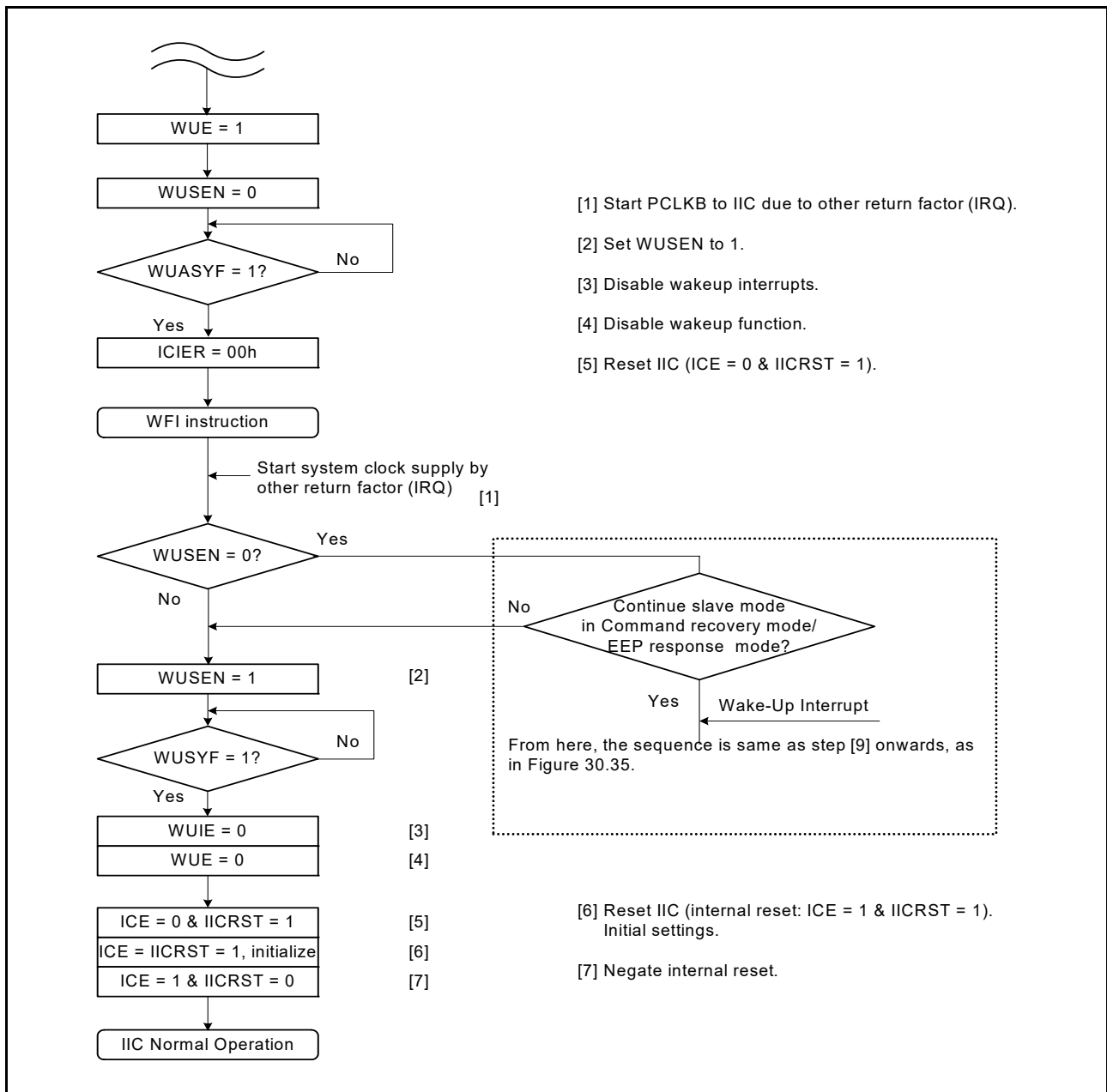


Figure 30.36 Example operation of command recovery mode and EEP response mode when wakeup is triggered by an interrupt other than IIC wakeup interrupt, for example, the IRQn

Note: For details on the IIC initial settings, see [section 30.3.2, Initial Settings](#).

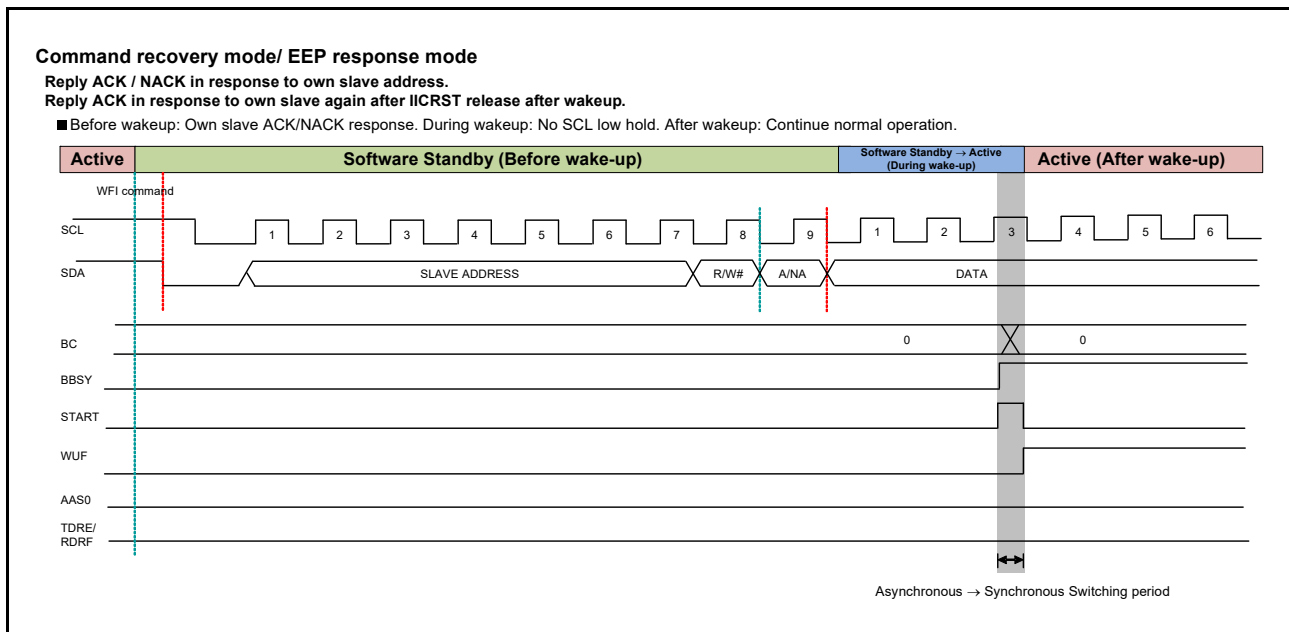


Figure 30.37 Timing of command recovery mode and EEP response mode

30.8.4 Precautions for WFI Instruction Execution

In the wakeup function examples shown in [Figure 30.30](#), [Figure 30.33](#), and [Figure 30.35](#), make sure that the start condition is not issued during the period from the setting of BBSY = 0 to the execution of the WFI instruction.

When a start condition is issued during this period, NACK is returned after the reception of the first byte of the first data block. Detection of the start or restart condition then enables the wakeup function.

30.9 Automatic Low-Hold Function for SCL

30.9.1 Function to Prevent Wrong Transmission of Transmit Data

If the I²C Bus Shift Register (ICDRS) is empty when data has not been written to the I²C Bus Transmit Data Register (ICDRT) with the IIC in transmission mode (ICCR2.TRS = 1), the SCLn line is automatically held low over the subsequent intervals. This low-hold period is extended until the transmit data is written, which prevents the unintended transmission of erroneous data.

Master transmit mode:

- Low-level interval after a start or restart condition is issued
- Low-level interval between the 9th clock cycle of one transfer and the 1st clock cycle of the next.

Slave transmit mode:

- Low-level interval between the 9th clock cycle of one transfer and the 1st clock cycle of the next.

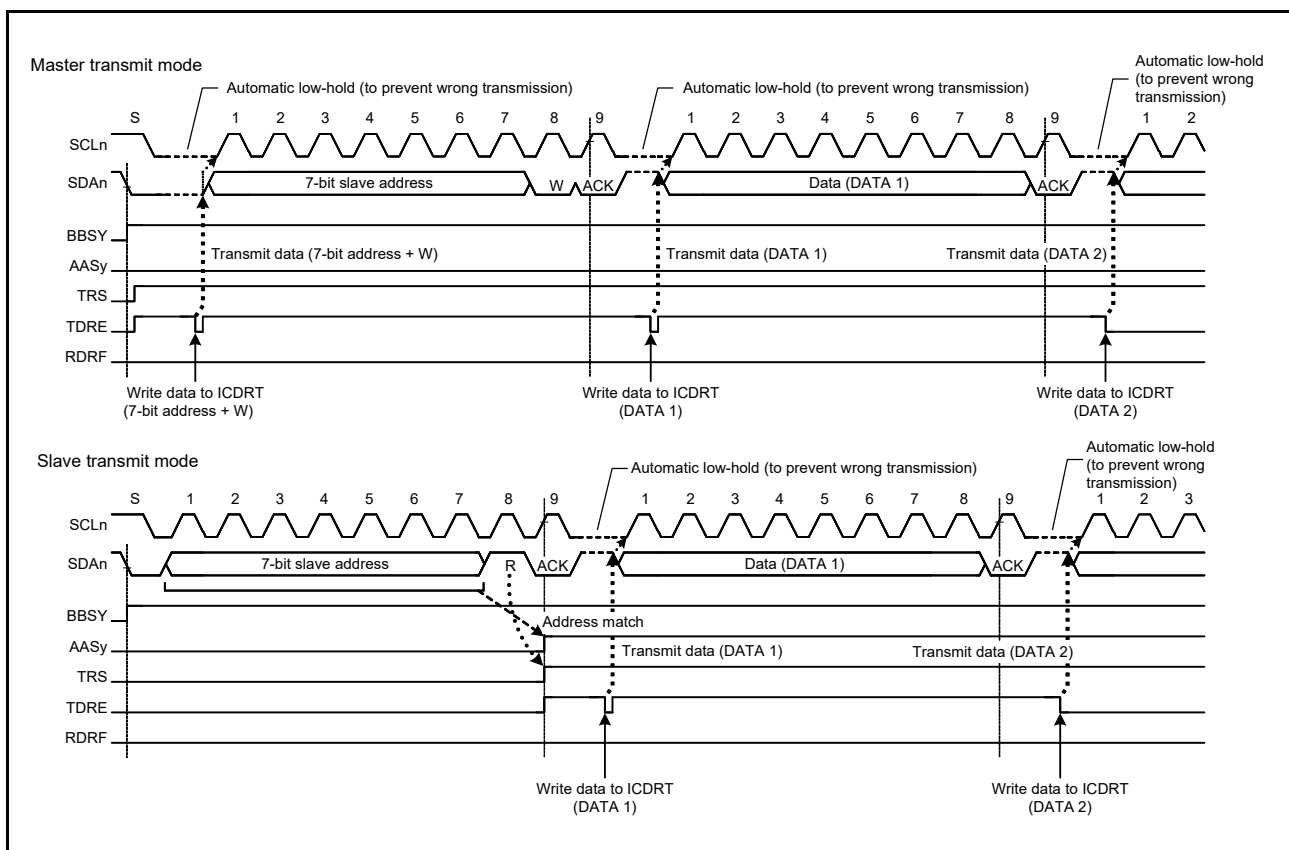


Figure 30.38 Automatic low-hold operation in transmit mode

30.9.2 NACK Reception Transfer Suspension Function

This function suspends transfer operation when NACK is received in transmit mode (the ICCR2.TRS bit is 1). This function is enabled when the NACKEN bit in ICFER is set to 1 (transfer suspension enabled). If the next transmit data is written (ICSR2.TDRE flag is 0) when the NACK is received, the next data transmission on the falling edge of the 9th SCL clock cycle is automatically suspended. This prevents the SDA_n line output level from being held low when the MSB of the next transmit data is 0.

If the transfer operation is suspended by this function (ICSR2.NACKF flag is 1), transmit and receive operations are discontinued. To restore transmit and receive operations, set the NACKF flag to 0. In master transmit mode, after a restart or stop condition is issued, set the NACKF flag to 0, and then issue a start condition again.

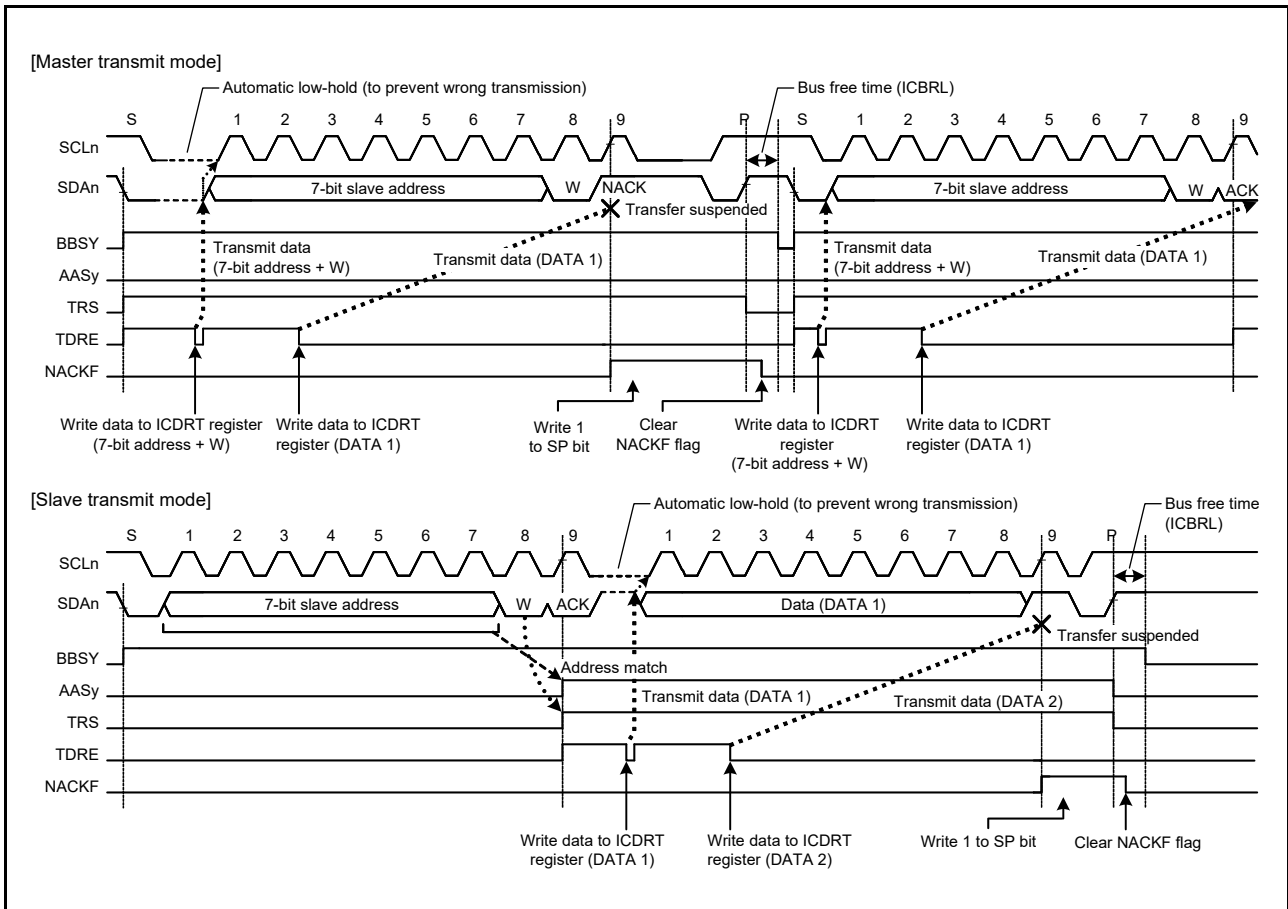


Figure 30.39 Suspension of data transfer when NACK is received, when NACKE = 1

30.9.3 Function to Prevent Failure to Receive Data

If response processing is delayed when receive data (ICDRT) read is delayed for a period of one transfer frame or more with receive data full (ICSR2.RDRF = 1) in receive mode (ICCR2.TRS = 0), the IIC holds the SCLn line low automatically immediately before the next data is received to prevent failure to receive data.

This function is also enabled even if the read processing of the final receive data is delayed and, in the meantime, the IIC slave address is designated after a stop condition is issued. This function does not interfere with other communication because the IIC does not hold the SCLn line low when a mismatch with its own slave address occurs after a stop condition is issued.

Periods in which the SCLn line is held low can be selected with a combination of the WAIT and RDRFS bits in the ICMR3 register.

(1) 1-byte receive operation and automatic low-hold function using the WAIT bit

When the WAIT bit in the ICMR3 register is set to 1, the IIC performs a 1-byte receive operation using the WAIT bit function. Additionally, when the ICMR3.RDRFS bit is 0, the IIC automatically sends the ICMR3.ACKBT bit value for the acknowledge bit in the period from the falling edge of the 8th SCL clock cycle to the falling edge of the 9th SCL clock cycle, and automatically holds the SCLn line low on the falling edge of the 9th SCL clock cycle using the WAIT bit function. This low-hold is released by reading data from the ICDRT register, which enables byte-wise receive operation.

The WAIT bit function is enabled for receive frames after a match with the IIC slave address, including the general call address and host address, is obtained in master or slave receive mode.

(2) 1-byte receive operation (ACK/NACK transmission control) and automatic low-hold function using the RDRFS bit

When the RDRFS bit in the ICMR3 register is set to 1, the IIC performs a 1-byte receive operation using the RDRFS bit function. When the RDRFS bit is set to 1, the RDRF (receive data full) flag in ICSR2 is set to 1 on the rising edge of the 8th SCL clock cycle, and the SCLn line is automatically held low on the falling edge of the 8th SCL clock cycle. This low-hold is released by writing to the ACKBT bit in ICMR3, but cannot be released by reading data from ICDRR, which enables receive operation through the ACK or NACK transmission control based on the data received in byte units.

The RDRFS bit function is enabled for receive frames after a match with the IIC slave address, including the general call address and host address, is obtained in master receive mode or slave receive mode.

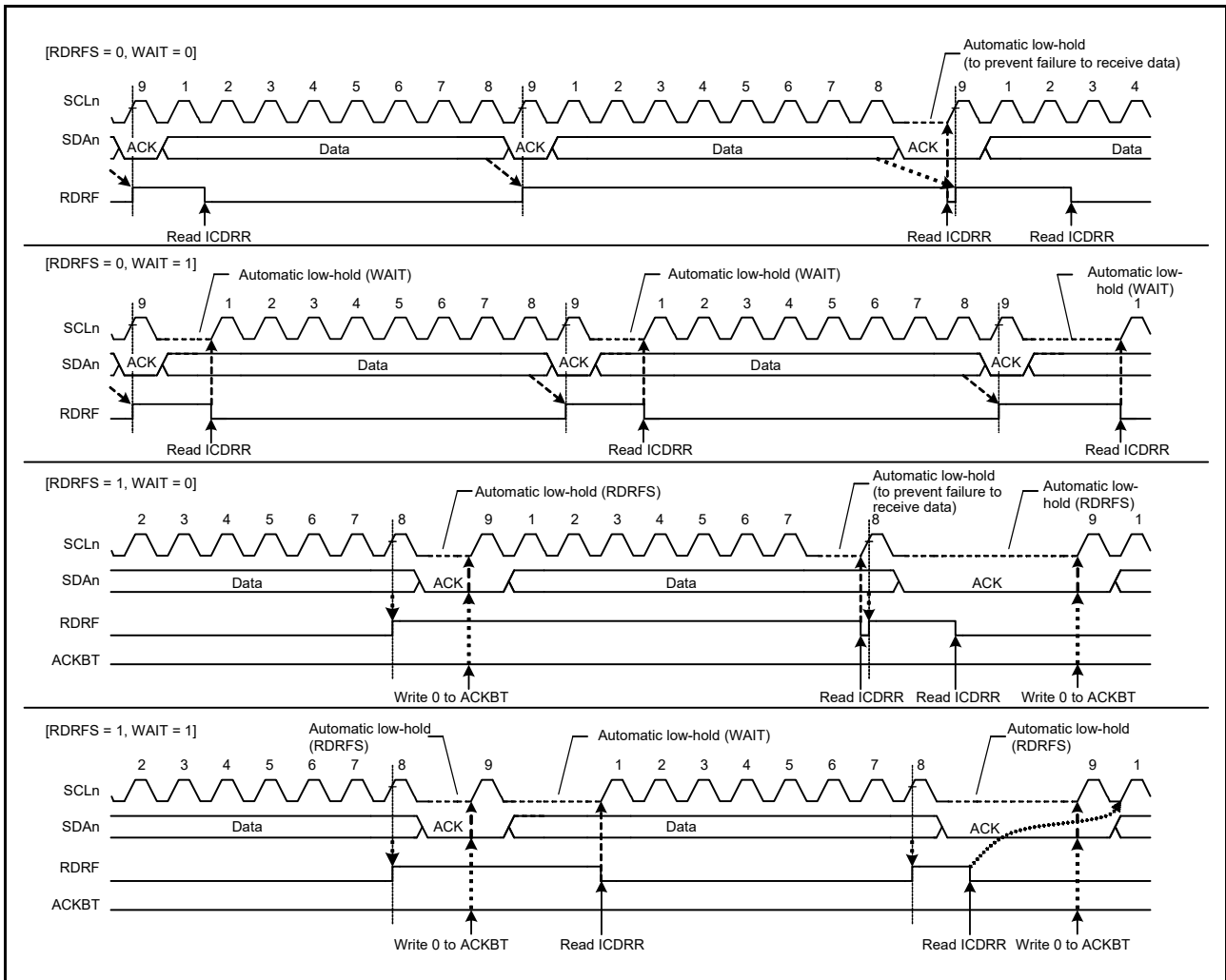


Figure 30.40 Automatic low-hold operation in receive mode using RDRFS and WAIT bits

30.10 Arbitration-Lost Detection Functions

In addition to the normal arbitration-lost detection function defined by the I²C bus standard, the IIC has functions to prevent double-issue of a start condition, detect arbitration-lost during transmission of NACK, and detect arbitration-lost in slave transmit mode.

30.10.1 Master Arbitration-Lost Detection (MALE Bit)

IIC drives the SDA_n line low to issue a start condition. However, if the SDA_n line was already driven low by another master device issuing a start condition, the IIC regards its own start condition issue as an error and considers this a loss in arbitration. Priority is given to transfer by the other master device. Similarly, if a request to issue a start condition is made by setting the ST bit in ICCR2 to 1 while the bus is busy (BBSY flag = 1 in ICCR2), the IIC regards this as a double-issuing-of-start-condition error and considers itself to have lost the arbitration. This prevents a failure of transfer resulting from a start condition issued while transfer is in progress.

When a start condition is issued successfully, if the transmit data including the address bits (internal SDA output level) and the level on the SDA_n line do not match, the IIC loses the arbitration.

After a loss in arbitration of mastership, the IIC immediately enters slave receive mode. If a slave address, including the general call address, matches its own address at this time, the IIC continues in slave operation.

A loss in arbitration of mastership is detected when the following conditions are met while the MALE bit in ICFER register is 1 (master arbitration-lost detection enabled).

[Master arbitration-lost conditions]

- Mismatching of the internal level for output on SDA and the level on the SDA_n line after a start condition was issued by setting the ST bit in ICCR2 to 1 while the ICCR2.BBSY flag is set to 0 (erroneous issuing of a start condition)
- Setting of the ICCR2.ST bit to 1 (start condition double-issue error) while the BBSY flag is 1
- When the transmit data excluding acknowledge (internal SDA output level) does not match the level on the SDA_n line in master transmit mode (MST and TRS bits = 11b in ICCR2).

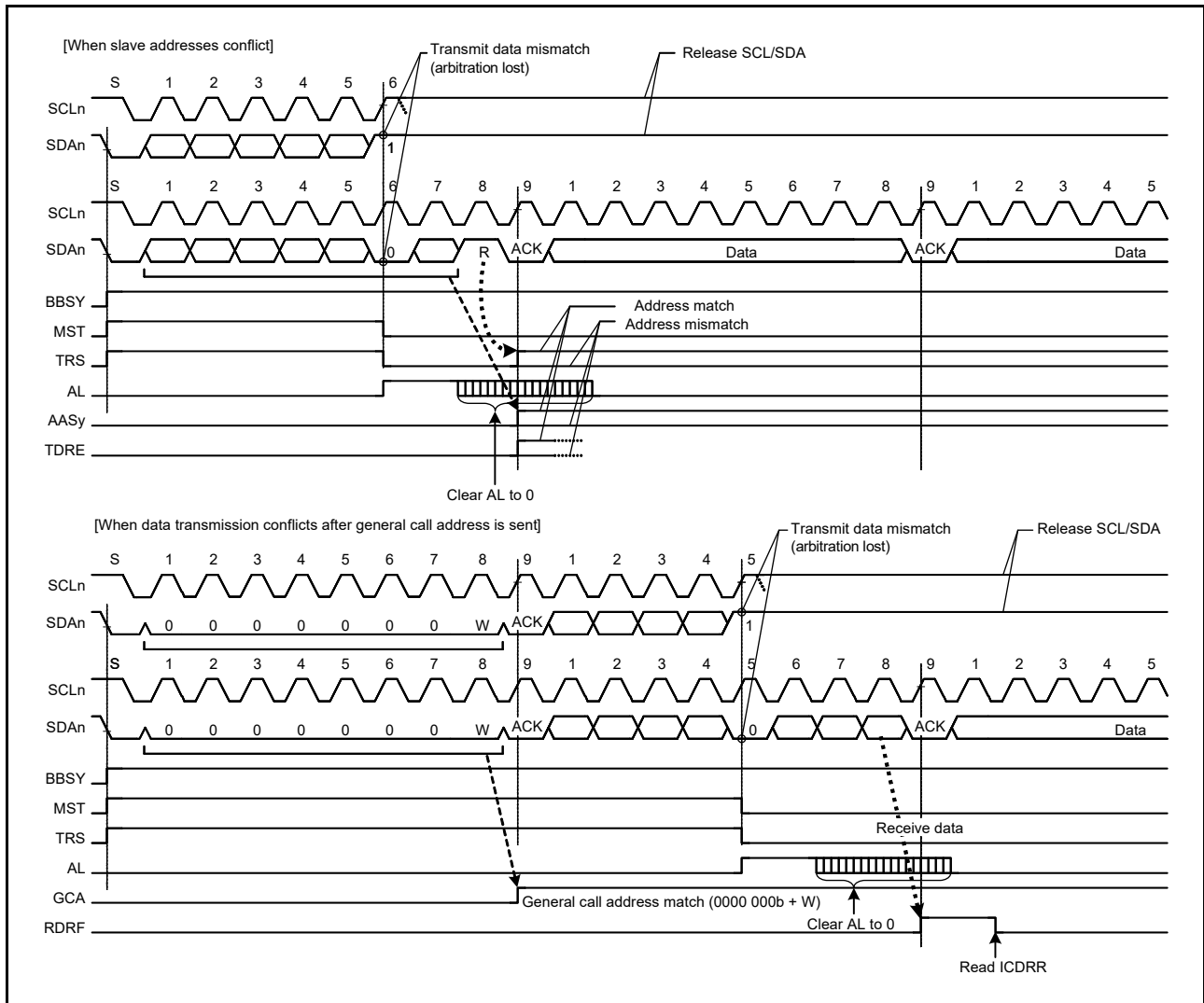


Figure 30.41 Examples of master arbitration-lost detection when MALE = 1

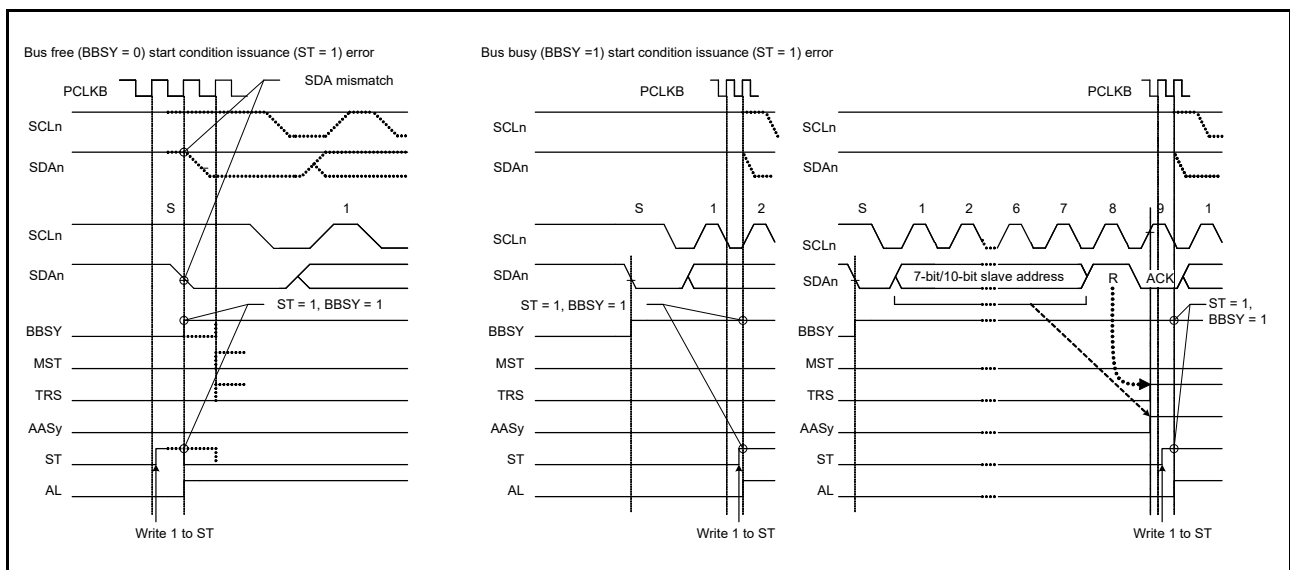


Figure 30.42 Arbitration-lost when start condition is issued when MALE = 1

30.10.2 Function to Detect Loss of Arbitration during NACK Transmission (NALE Bit)

This function causes arbitration to be lost if the internal SDA output level does not match the level on the SDA_n line during transmission of NACK in receive mode. Arbitration is lost because of a conflict between NACK and ACK transmissions when two or more master devices receive data from the same slave device simultaneously in a multi-master system. Such a conflict occurs when multiple master devices send or receive the same information through a single slave device. Figure 30.43 shows an example of arbitration-lost detection during the transmission of NACK.

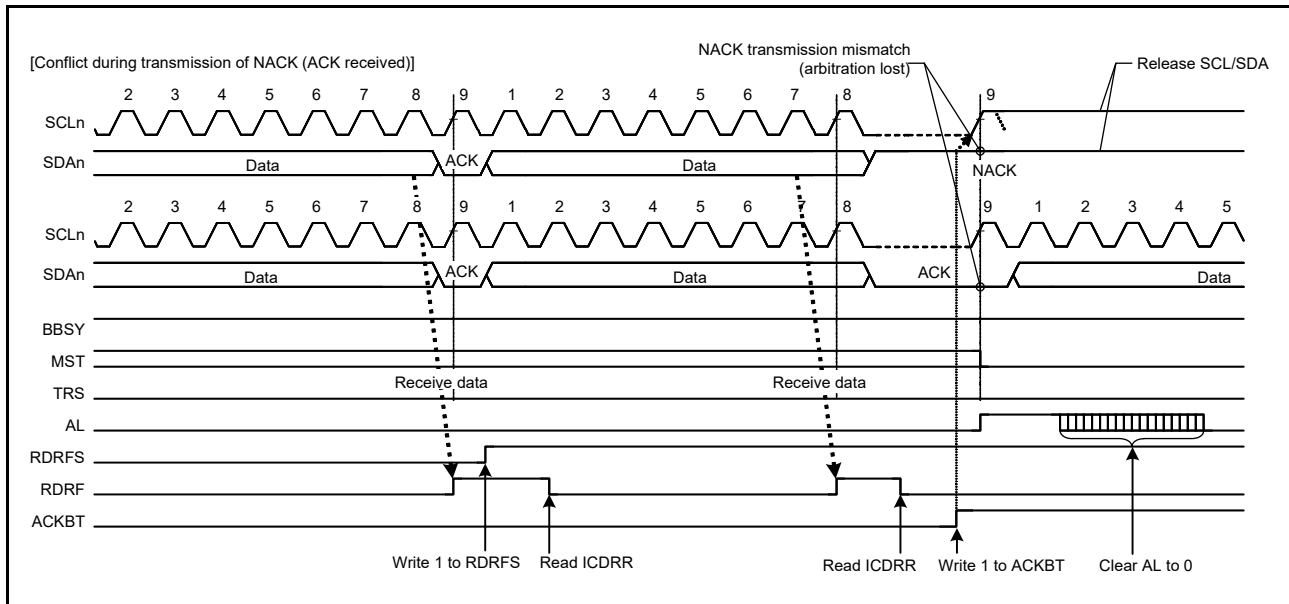


Figure 30.43 Example of arbitration-lost detection during transmission of NACK when NALE = 1

The following description explains arbitration-lost detection using an example in which two master devices (master A and master B) and a single slave device are connected through the bus. In this example, master A receives 2 bytes of data from the slave device, and master B receives 4 bytes of data from the slave device.

If master A and master B access the slave device simultaneously, because the slave address is identical, arbitration is not lost in either master A or master B during access to the slave device. Therefore, both master A and master B recognize that they have obtained the bus mastership and operate as such. Master A sends NACK when it has received 2 final bytes of data from the slave device. Meanwhile, master B sends ACK because it has not received the required 4 bytes of data.

The NACK transmission from master A and the ACK transmission from master B conflict. In general, if a conflict like this occurs, master A cannot detect the ACK transmitted by master B and issues a stop condition. The stop condition issue conflicts with the SCL clock output of master B, which disrupts communication.

When the IIC receives ACK during transmission of NACK, it detects a defeat in conflict with other master devices and causes arbitration to be lost. If arbitration is lost during transmission of NACK, IIC immediately cancels the slave match condition and enters slave receive mode. This prevents a stop condition from being issued, preventing a communication failure on the bus.

Similarly, in the ARP command processing of SMBus, the function to detect loss of arbitration during transmission of NACK is also available for eliminating the extra clock cycle processing, such as FFh transmission processing, which is required if the UDID (Unique Device Identifier) of the assigned address does not match in the Get UDID general processing after the Assign Address command.

The IIC detects arbitration-lost during transmission of NACK when the following condition is met with the NALE bit in ICFER set to 1 (arbitration-lost detection during NACK transmission enabled).

[Condition for arbitration-lost during NACK transmission]

- When the internal SDA output level does not match the SDA_n line (ACK is received) during transmission of NACK (ICMR3.ACKBT = 1).

30.10.3 Slave Arbitration-Lost Detection (SALE Bit)

This function causes arbitration to be lost if the transmit data and the level on the SDA_n line do not match in slave transmit mode. This arbitration-lost detection function is mainly used when transmitting a UDID (Unique Device Identifier) over an SMBus.

When the IIC loses slave arbitration, the IIC is immediately released from the slave-matched state and enters slave receive mode. This function can detect conflicts of data during transmission of UDIDs over an SMBus and eliminates subsequent redundant processing, or processing for the transmission of FFh.

IIC detects slave arbitration-lost when the following condition is met with the SALE bit in ICFER set to 1 (slave arbitration-lost detection enabled).

[Condition for slave arbitration-lost]

- When transmit data excluding acknowledge (internal SDA output level) does not match the SDA_n line in slave transmit mode (MST and TRS bits = 01b in ICCR2).

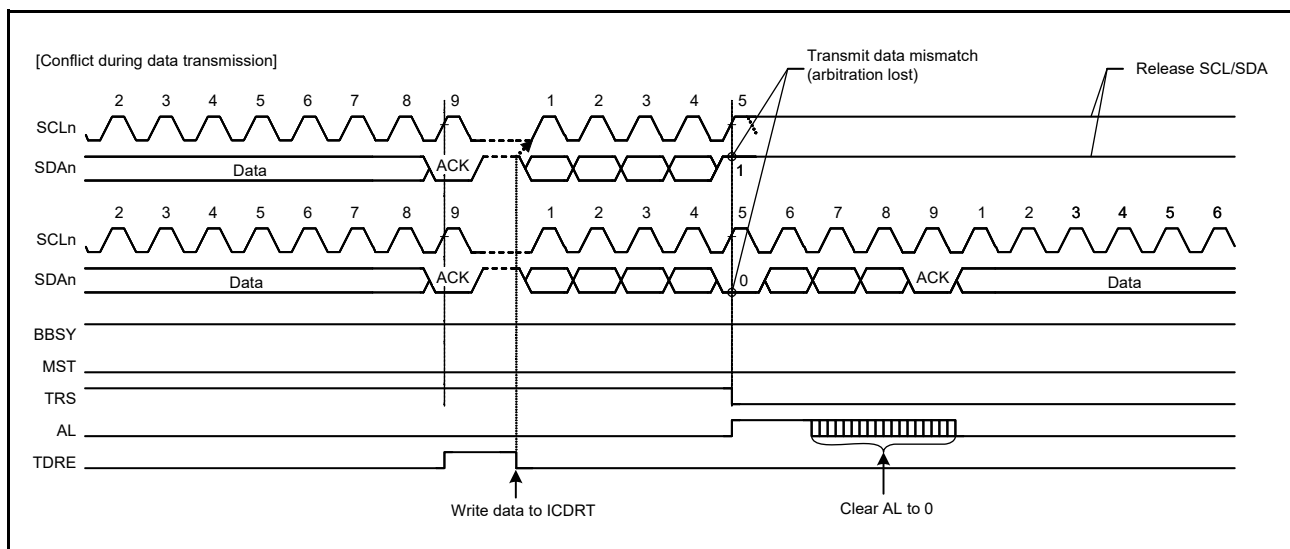


Figure 30.44 Example of slave arbitration-lost detection when SALE = 1

30.11 Start, Restart, and Stop Condition Issuing Function

30.11.1 Issuing a Start Condition

The IIC issues a start condition when the ST bit in ICCR2 is set to 1. When the ST bit is set to 1, a start condition request is made and the IIC issues a start condition when the BBSY flag in ICCR2 is 0 (bus free state). When a start condition is issued normally, the IIC automatically shifts to the master transmit mode.

To issue a start condition:

1. Drive the SDA_n line low (high level to low level).
2. Ensure that the time set in ICBRH and the start condition hold time elapse.
3. Drive the SCL_n line low (high level to low level).
4. Detect low level on the SCL_n line and ensure that the low-level period of the SCL_n line set in ICBRL elapses.

30.11.2 Issuing a Restart Condition

The IIC issues a restart condition when the RS bit in ICCR2 is set to 1.

When the RS bit is set to 1, a restart condition request is made, and the IIC issues a restart condition when the BBSY flag in ICCR2 is 1 (bus busy state) and the MST bit in ICCR2 is 1 (master mode).

To issue a restart condition:

1. Release the SDA_n line.
2. Ensure that the low-level period of the SCL_n line set in ICBRL elapses.
3. Release the SCL_n line (low level to high level).
4. Detect a high level on the SCL_n line and ensure that the time set in ICBRL and the restart condition setup time elapse.
5. Drive the SDA_n line low (high level to low level).
6. Ensure that the time set in ICBRH and the restart condition hold time elapse.
7. Drive the SCL_n line low (high level to low level).
8. Detect a low level of the SCL_n line and ensure that the low-level period of the SCL_n line set in ICBRL elapses.

Note: When issuing restart condition requests, write the slave address to ICDRT after confirming that ICCR2.RS is 0. Data written while ICCR2.RS is 1 is not forwarded because of the retransmission condition before the occurrence.

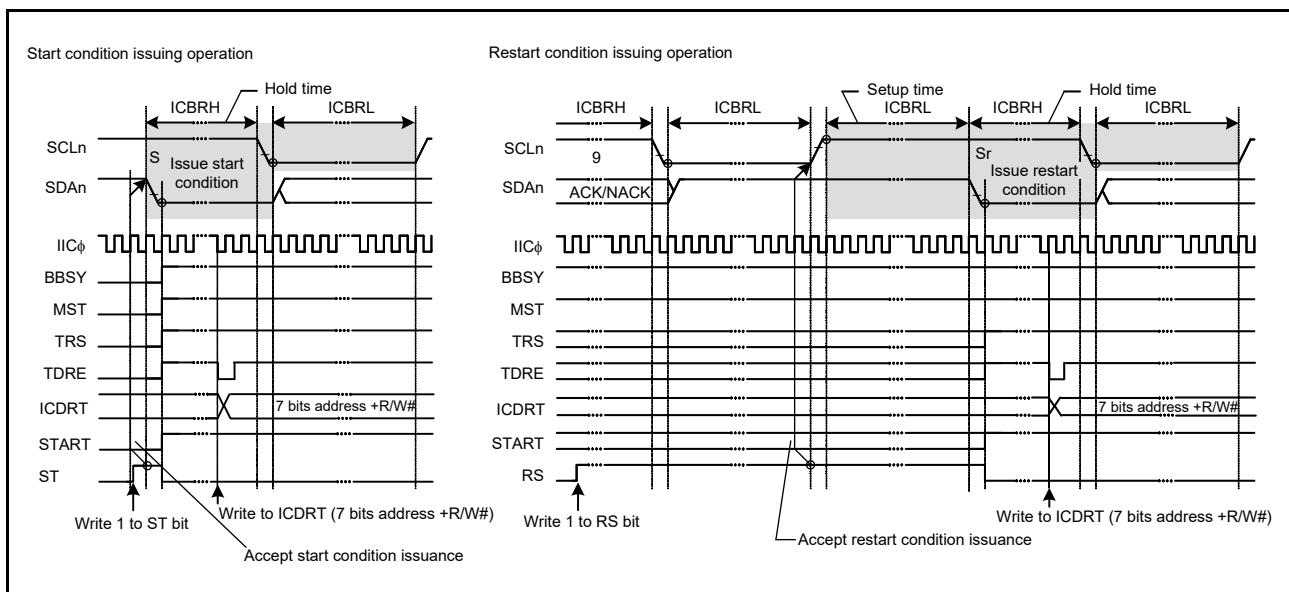


Figure 30.45 Start or restart condition issue timing using ST and RS bits

Figure 30.46 shows the operation timing when a restart condition is issued after the master transmission.

To issue a restart condition after the master transmission:

1. Initialize the IIC using the details provided in [section 30.3.2, Initial Settings](#).
2. Read the IICR2.BBSY flag to check that the bus is free, and then set the ICCR2.ST bit to 1 (start condition request). On receiving the request, the IIC issues a start condition. At the same time, the ICSR2.BBSY flag and ICSR2.START flag are automatically set to 1 and the ST bit automatically sets to 0. If the start condition is detected and the internal levels for the SDA output state and the levels on the SDA_n line match while the ST bit is 1, the IIC recognizes that a start condition is successfully issued as requested by the ST bit. The MST and TRS bits in ICCR2 automatically set to 1, placing the IIC in master transmit mode. The TDRE flag in ICSR2 also automatically sets to 1 when the TRS bit is set to 1.

3. Check that the ICSR2.TDRE flag is 1, and then write the value for transmission (the slave address and the R/W# bit) to ICDRT. After the transmit data is written to ICDRT, the TDRE flag automatically sets to 0, data is transferred from ICDRT to ICDRS, and the TDRE flag again sets to 1. After the byte containing the slave address and R/W# bit has been transmitted, the value of the TRS bit is automatically updated to select master transmit or master receive mode according to the value of the transmitted R/W# bit. If the value in the R/W# bit is 0, the IIC continues in master transmit mode. If the ICSR2.NACKF flag is 1 at this time, indicating that no slave device recognized the address or that there was an error in communications, write 1 to ICCR2.SP bit to issue a stop condition. To transmit data with an address in the 10-bit format, start by writing 1111 0b, the 2 upper bits of the slave address, and W to ICDRT as the first address transmission. Then, as the second address transmission, write the 8 lower bits of the slave address to the ICDRT register.
4. After confirming that the TDRE flag in ICSR2 is 1, write data for transmission to the ICDRT register. IIC automatically holds the SCLn line low until data for transmission is ready, and a restart or a stop condition is issued.
5. After all bytes of data for transmission are written to the ICDRT register, wait until the value of the ICSR2.TEND flag returns to 1. Then, after checking that the ICSR2.START flag is 1, set the ICSR2.START to 0.
6. Set the ICCR2.RS bit to 1 (restart condition issue request). On receiving the request, IIC issues a restart condition.
7. After checking that the ICSR2.START flag is 1, write the value for transmission (the slave address and the R/W# bit) to the ICDRT register.

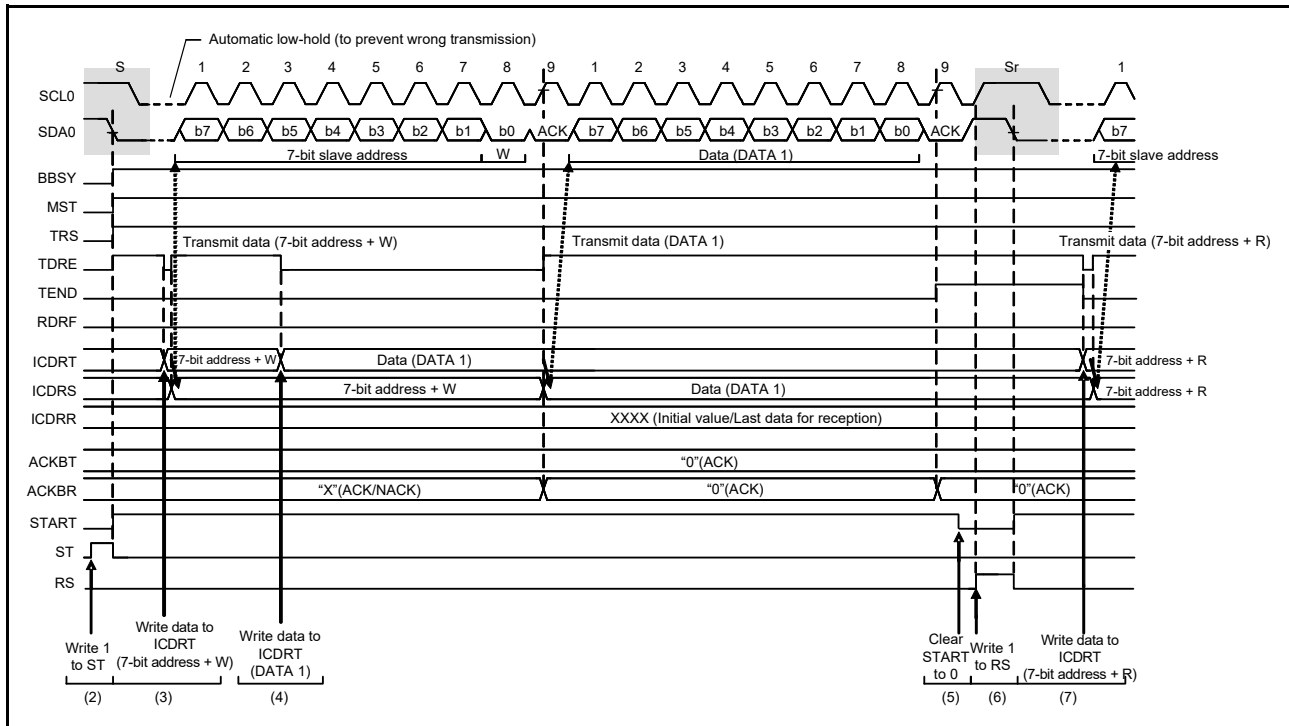


Figure 30.46 Restart condition issue timing after master transmission

30.11.3 Issuing a Stop Condition

The IIC issues a stop condition when the SP bit in ICCR2 is set to 1.

When the SP bit is set to 1, a stop condition request is made and IIC issues a stop condition when the ICCR2.BBSY flag is 1 (bus busy state) and the ICCR2.MST bit is 1 (master mode).

To issue a stop condition:

1. Drive the SDA_n line low (high level to low level).
2. Ensure that the low-level period of SCL_n line set in ICBRL elapses.
3. Release the SCL_n line (low level to high level).
4. Detect a high level on the SCL_n line and ensure that the time set in ICBRH and the stop condition setup time elapse.
5. Release the SDA_n line (low level to high level).
6. Ensure that the time set in ICBRL and the bus free time elapse.
7. Clear the BBSY flag to 0 to release the bus mastership.

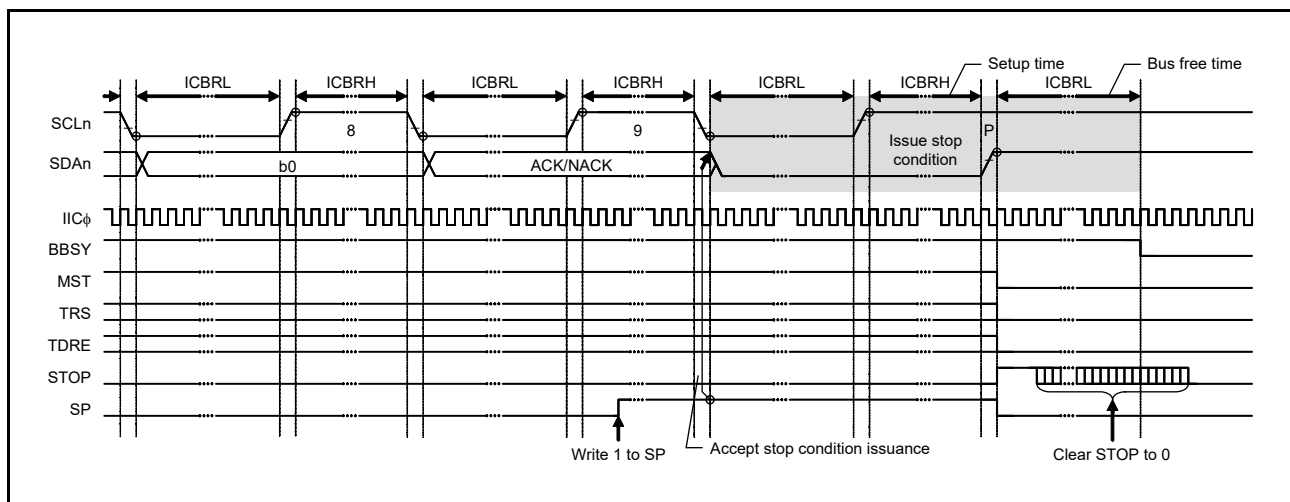


Figure 30.47 Stop condition issue timing using the SP bit

30.12 Bus Hanging

If the clock signals from the master and slave devices are out of synchronization because of noise or other factors, the I²C bus might hang with a fixed level on the SCL_n line or SDA_n line.

To manage bus hanging, the IIC has the following:

- A timeout function to detect hanging by monitoring the SCL_n line
- A function for the output of an extra SCL clock cycle to release the bus from a hung state because of clock signals being out of synchronization
- An IIC reset function
- An internal reset function.

By checking the SCLO, SDAO, SCLI, and SDAI bits in ICCR1, it is possible to determine whether the IIC or its communicating partner is placing the low level on the SCL_n or SDA_n lines.

30.12.1 Timeout Function

The timeout function can detect when the SCLn line is stuck longer than the predetermined time. IIC can detect an abnormal bus state by monitoring that the SCLn line is stuck low or high for a predetermined time.

The timeout function monitors the SCLn line state and counts the low-level period or high-level period using the internal counter. The timeout function resets the internal counter each time the SCLn line changes (rising or falling), but continues to count unless the SCLn line changes. If the internal counter overflows because no SCLn line changes, the IIC can detect the timeout and report the bus hung state.

This timeout function is enabled when the ICFER.TMOE bit is 1. It detects a hung state when the SCLn line is stuck low or high during the following conditions:

- The bus is busy (ICCR2.BBSY flag is 1) in master mode (ICCR2.MST bit is 1)
- The IIC slave address is detected (ICSR1 register is not 00h) and the bus is busy (ICCR2.BBSY flag is 1) in slave mode (ICCR2.MST bit is 0)
- The bus is free (ICCR2.BBSY flag is 0) while a start condition is requested (ICCR2.ST bit is 1).

The internal counter of the timeout function uses the internal reference clock (IIC Φ) set in the CKS[2:0] bits in ICMR1 as a count source. It functions as a 16-bit counter when long mode is selected (ICMR2.TMOS = 0) or a 14-bit counter when short mode is selected (ICMR2.TMOS = 1).

The SCLn line level (low, high, or both levels) during which this counter is activated can be selected in the TMOH and TMOL bits in ICMR2. If both TMOL and TMOH bits are set to 0, the internal counter is disabled.

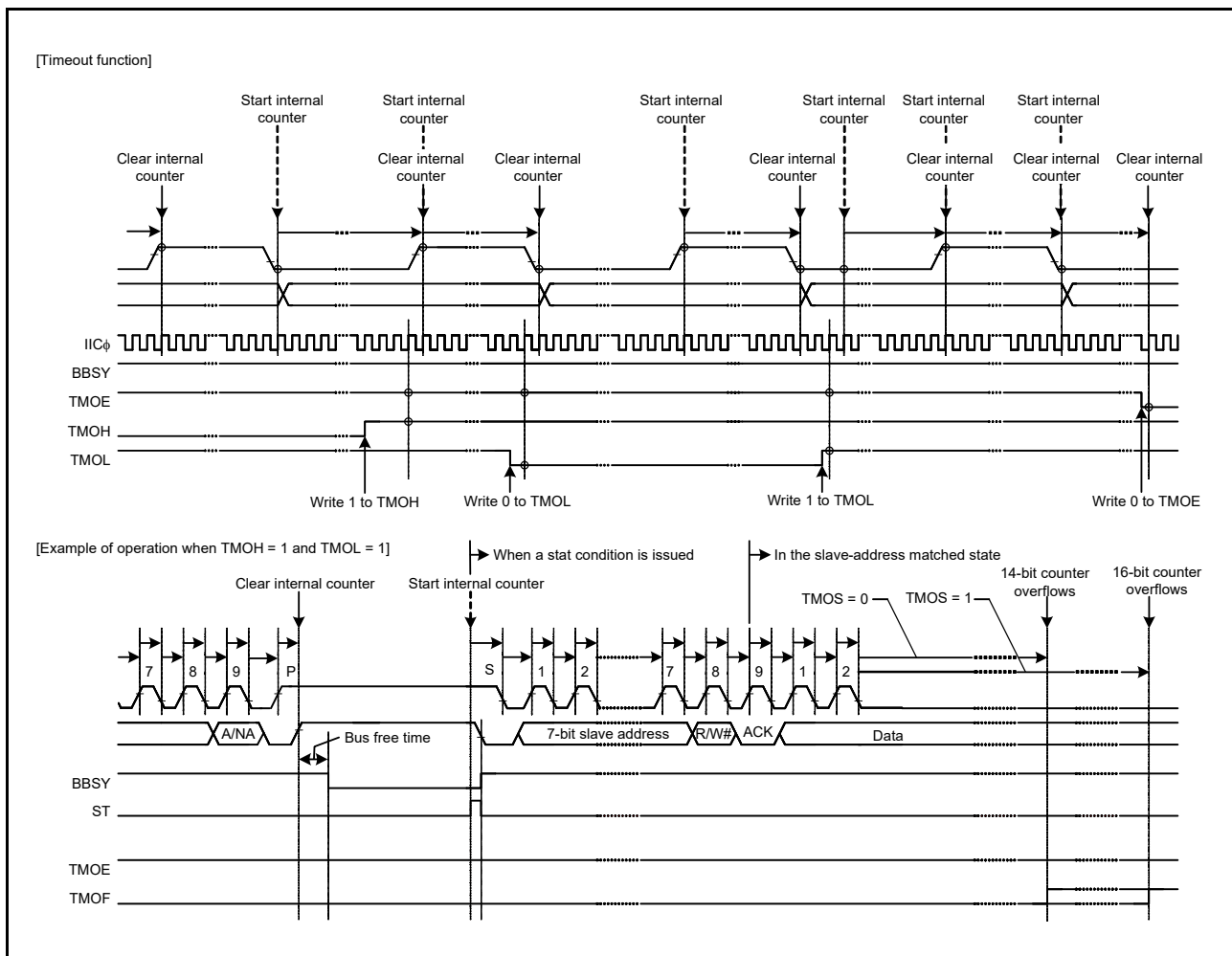


Figure 30.48 Timeout function using the TMOE, TMOS, TMOH, and TMOL bits

30.12.2 Extra SCL Clock Cycle Output Function

In master mode, this function outputs extra clock cycles to release the SDAn line of the slave device from being held low because the master is out of synchronization with the slave device.

This function uses single cycles of the SCL clock for a bus error when the IIC cannot issue a stop condition because the slave device is holding the SDAn line low. Do not use this function in normal situations. Using it when communications are proceeding correctly leads to malfunctioning.

When the CLO bit in the ICCR1 register is set to 1 in master mode, a single cycle of the SCL clock at the transfer rate specified in the ICMR1.CKS[2:0] bits, and in the ICBRH and ICBRL registers, is output as an extra clock cycle. After output of this single cycle of the SCL clock, the CLO bit is automatically set to 0. If the BBSY flag is 1, SCL terminal keeps low output, if BBSY flag is 0, SCL terminal keeps high output. Additional clock cycles can be output consecutively by writing 1 to the CLO bit with software after reading the bit as 0.

When the IIC module is in master mode and the slave device is holding the SDAn line low because synchronization with the slave device is lost because of effects like noise, the output of a stop condition is not possible. This function can be used to output extra cycles of SCL one by one to make the slave device release the SDAn line from being held low, and recover the bus from an unusable state. Release of the SDAn line by the slave device can be monitored by reading the SDAI bit in ICCR1. After confirming the release of the SDAn line by the slave device, complete communications by reissuing the stop condition.

[Output conditions for using the CLO bit in ICCR1]

- When the bus is free (ICCR2.BBSY = 0) or in master mode (ICCR2.MST = 1 and ICCR2.BBSY = 1)
- When the communication device does not hold the SCLn line low.

Figure 30.49 shows the operation timing of the extra SCL clock cycle output function (CLO bit).

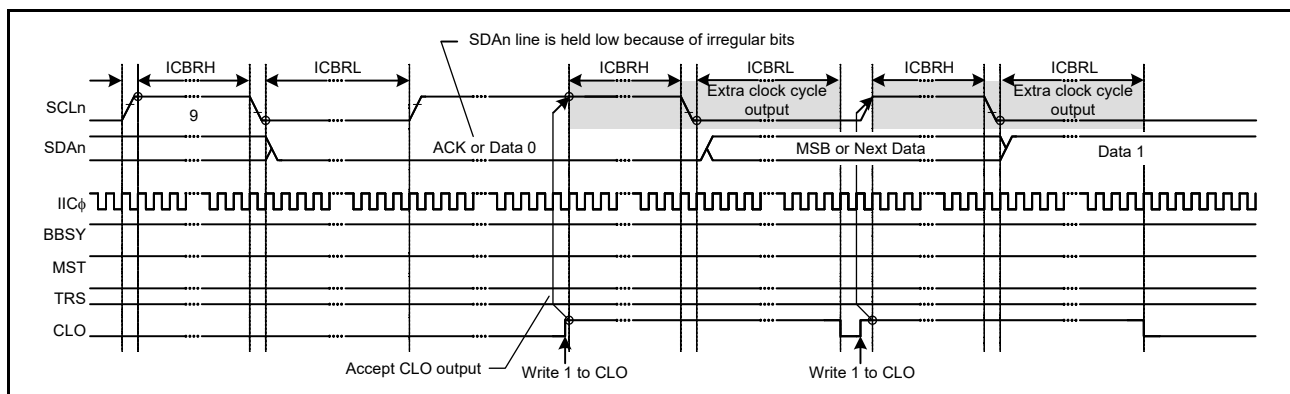


Figure 30.49 Extra SCL clock cycle output function using the CLO bit

30.12.3 IIC Reset and Internal Reset

The IIC module has two types of resets:

- IIC reset, which initializes all registers including the BBSY flag in ICCR2
- Internal reset, which releases the IIC from the slave-address matched state and initializes the internal counter while saving other settings.

After issuing a reset, always set the ICCR1.IICRST bit to 0. Both types of resets are valid for release from bus-hung states, because both restore the output state of the SCLn and SDAn pins to the high-impedance state.

Issuing a reset during slave operation might lead to a loss of synchronization between the master device clock and the slave device clock, so avoid this when possible. In addition, monitoring the bus state, such as for the presence of a start condition, is not possible during an IIC reset (ICE and IICRST bits = 01b in ICCR1).

For a detailed description of the IIC and internal resets, see [section 30.15, Register States When Issuing Each Condition](#).

30.13 SMBus Operation

The IIC supports data communication conforming to the SMBus Specification, version 2.0. To perform SMBus communication, set the SMBS bit in ICMR3 to 1. To use the transfer rate within a range of 10 kbps to 100 kbps of the SMBus standard, set the ICMR1.CKS[2:0] bits, and the ICBRH, ICBRL registers. In addition, specify the values of the ICMR2.DLCS and ICMR2.SDDL[2:0] bits to meet the data hold time specification of 300 ns or more. When the IIC is used only as a slave device, the transfer rate setting is not required, but ICBRL must be set to a value longer than the data setup time (250 ns).

For the SMBus device default address (1100 001b), use one of the slave address registers L0 to L2 (SARL0, SARL1, and SARL2), and set the associated FS bit (7-bit/10-bit address format select) in SARU_y (y = 0 to 2) to 0 (7-bit address format).

When transmitting the UDID (Unique Device Identifier), set the ICFER.SALE bit to 1 to enable the slave arbitration-lost detection function.

30.13.1 SMBus Timeout Measurement

(1) Measuring slave device timeout

The following period (timeout interval: $T_{\text{LOW:SEXT}}$) must be measured for slave devices in SMBus communication:

- From start condition to stop condition

To measure timeout for slave devices, measure the period from start condition detection to stop condition detection with the GPT using the IIC start condition detection interrupt (STIn) and stop condition detection interrupt (SPIn). The measured timeout period must be within the total clock low-level period [slave device] $T_{\text{LOW:SEXT}}$: 25 ms (maximum) of the SMBus standard.

If the time measured with the GPT exceeds the clock low-level detection timeout T_{TIMEOUT} : 25 ms (minimum) of the SMBus standard, the slave device must release the bus by writing 1 to the ICCR1.IICRST to issue an internal reset of the IIC. When an internal reset is issued, the IIC stops driving the bus for the SCL_n and SDA_n pins and makes the SCL_n/SDA_n pin output high-impedance, which releases the bus.

(2) Measuring master device timeout

The following periods (timeout interval: $T_{\text{LOW:MEXT}}$) must be measured for master devices in SMBus communication:

- From start condition to acknowledge bit
- Between acknowledge bits
- From acknowledge bit to stop condition.

To measure timeout for master devices, measure these periods with the GPT using the IIC start condition detection interrupt (STIn), stop condition detection interrupt (SPIn), transmit end interrupt (IICn_TEI) or receive data full interrupt (IICn_RXI). The measured timeout period must be within the total clock low-level extended period (master device) $T_{\text{LOW:MEXT}}$: 10 ms (maximum) of the SMBus standard, and the total of all $T_{\text{LOW:MEXT}}$ from start condition to stop condition must be within $T_{\text{LOW:SEXT}}$: 25 ms (maximum).

For the ACK receive timing (rising edge of the 9th SCL clock cycle), monitor the ICSR2.TEND flag in master transmit mode (master transmitter) and the ICSR2.RDRF flag in master receive mode (master receiver). Perform byte-wise transmit operations in master transmit mode, and hold the ICMR3.RDRFS bit at 0 until the byte immediately before reception of the final byte in master receive mode. While the RDRFS bit is 0, the RDRF flag is set to 1 on the rising edge of the 9th SCL clock cycle.

If the period measured with the GPT exceeds the total clock low-level extended period (master device) $T_{\text{LOW:MEXT}}$: 10 ms (maximum) of the SMBus standard or if the total of measured periods exceeds the clock low-level detection timeout T_{TIMEOUT} : 25 ms (minimum) of the SMBus standard, the master device must stop the transaction by issuing a stop condition. In master transmit mode, immediately stop the transmit operation (stop writing data to the ICDRT register).

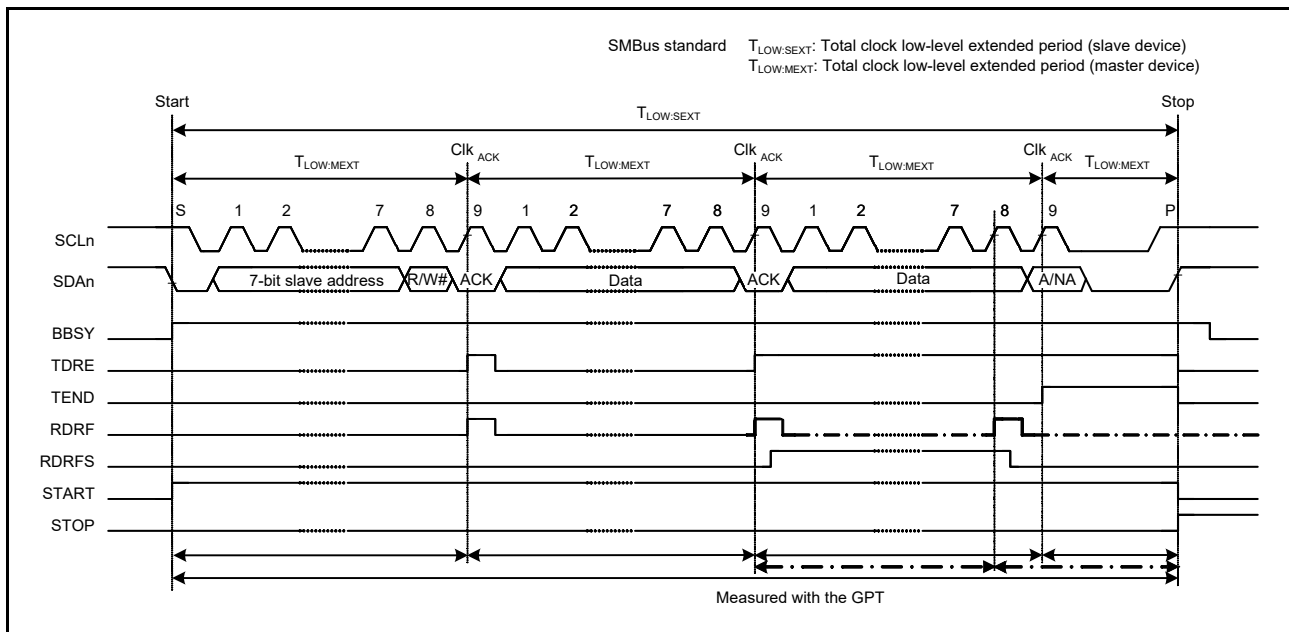


Figure 30.50 SMBus timeout measurement

30.13.2 Packet Error Code (PEC)

The MCU provides a CRC calculator that enables transmission of a packet error code (PEC) or allows checking the received data in SMBus data communication. For the CRC generating polynomials of the CRC calculator, see [section 34, Cyclic Redundancy Check \(CRC\) Calculator](#).

In master transmit mode, the PEC data can be generated by writing all transmit data to the CRC Data Input Register (CRCDIR) in the CRC calculator.

In master receive mode, the PEC data can be checked by writing all receive data to the CRCDIR register in the CRC calculator and comparing the obtained value in the CRC Data Output Register (CRCDOR) with the received PEC data.

To send ACK or NACK based on the match or mismatch result when the final byte is received as a result of the PEC code check, set the ICMR3.RDRFS to 1 before the rising edge of the 8th SCL clock cycle during reception of the final byte, and hold the SCLn line low on the falling edge of the 8th clock cycle.

30.13.3 SMBus Host Notification Protocol (Notify ARP Master Command)

In communications over an SMBus, a slave device can temporarily act as a master device to notify the SMBus host (or ARP master) of its own slave address or to request its own slave address from the SMBus host.

For a product using the MCU to operate as an SMBus host or ARP master, the host address (0001 000b) sent from the slave device must be detected as a slave address, and so the IIC has a function for detecting the host address. To detect the host address as a slave address, set the ICMR3.SMBS bit and the IC SER.HOAE bit to 1. Operation after the host address is detected is the same as normal slave operation.

30.14 Interrupt Sources

The IIC issues four types of interrupt requests:

- Transfer error or event generation (detection of arbitration-lost, NACK, timeout, start condition, or stop condition)
- Receive data full
- Transmit data empty
- Transmit end.

Table 30.10 lists details on the interrupt requests. The receive data full and transmit data empty interrupts can activate data transfer by the DTC or DMAC.

Table 30.10 Interrupt sources

Symbol	Interrupt source	Interrupt flag	DTC activation	DMAC activation	Interrupt condition
IICn_EEI* ⁵	Transfer error or event generation	AL	Not possible	Not possible	AL = 1, ALIE = 1
		NACKF			NACKF = 1, NAKIE = 1
		TMOF			TMOF = 1, TMOIE = 1
		START			START = 1, STIE = 1
		STOP			STOP = 1, SPIE = 1
IICn_RXI* ² , * ⁵	Receive data full	RDRF	Possible	Possible	RDRF = 1, RIE = 1
IICn_TXI* ¹ , * ⁵	Transmit data empty	TDRE	Possible	Possible	TDRE = 1, TIE = 1
IICn_TEI* ³ , * ⁵	Transmit end	TEND	Not possible	Not possible	TEND = 1, TEIE = 1
IIC0_WUI* ⁴	Slave address match during wakeup function	WUF	Not possible	Not possible	Slave address match Slave receive complete RWAK operation ASY0 = 1 WUIE = 1

Note: There is a delay between the execution of a write instruction for a peripheral module by the CPU and actual writing to the module. When an interrupt flag is cleared or masked, read the relevant flag again to check whether clearing or masking is complete, and then return from interrupt handling. Not doing so creates the possibility of repeated processing of the same interrupt.

Note 1. Because IICn_TXI is an edge-detected interrupt, it does not require clearing. Additionally, the ICSR2.TDRE flag (a condition for IICn_TXI) is automatically set to 0 when transmit data is written to the ICDRT register or a stop condition is detected (ICSR2.STOP = 1).

Note 2. Because IICn_RXI is an edge-detected interrupt, it does not require clearing. Additionally, the ICSR2.RDRF flag (a condition for IICn_RXI) is automatically set to 0 when data is read from ICDRR.

Note 3. When using the IICn_TEI interrupt, clear the ICSR2.TEND flag in the IICn_TEI interrupt handling. The ICSR2.TEND is automatically set to 0 when transmit data is written to ICDRT or a stop condition is detected (ICSR2.STOP = 1).

Note 4. Only channel 0 has a wakeup function, therefore IIC0_WUI is for channel 0 only.

Note 5. Channel number (n = 0 to 2).

Clear or mask each flag during interrupt handling.

30.14.1 Buffer Operation for IICn_TXI and IICn_RXI Interrupts

If the conditions for generating an IICn_TXI and IICn_RXI interrupt are satisfied while the associated IR flag is 1, the interrupt request is not output for the ICU but is saved internally. One request per source can be saved internally.

An interrupt request that is saved within the ICU is output when the value of the ICU.IELSRn.IR flag becomes 0. Internally saved interrupt requests are automatically cleared under normal usage conditions. They can also be cleared by writing 0 to the interrupt enable bit within the associated peripheral module.

30.15 Register States When Issuing Each Condition

The IIC has 2 dedicated resets, IIC reset and internal reset. [Table 30.11](#) lists the register states when issuing each condition.

Table 30.11 Register states when issuing each condition

Registers		Reset	IIC reset (ICE = 0, IICRST = 1)	Internal reset (ICE = 1, IICRST = 1)	Start or restart condition detection	Stop condition detection	
ICCR1	ICE, IICRST	Reset	Saved	Saved	Saved	Saved	
	SCLO, SDAO		Reset	Reset			
	Others			Saved			
ICCR2	BBSY	Reset	Reset	Saved	Set	Reset	
	ST, RS			Reset	Reset	Saved	
	SP					Reset	
	TRS					Set or saved	
	MST						
ICMR1	BC[2:0]	Reset	Reset	Reset	Reset	Saved	
	Others			Saved	Saved		
ICMR2		Reset	Reset	Saved	Saved	Saved	
ICMR3	ACKBIT	Reset	Reset	Saved	Saved	Reset	
	Others					Saved	
ICFER		Reset	Reset	Saved	Saved	Saved	
ICSER		Reset	Reset	Saved	Saved	Saved	
ICIER		Reset	Reset	Saved	Saved	Saved	
ICSR1		Reset	Reset	Reset	Saved	Reset	
ICSR2	TEND	Reset	Reset	Reset	Saved	Reset	
	TDRE				Set or saved		
	START				Set		
	STOP				Saved		Set
	Others				Saved		Saved
ICWUR		Reset	Reset	Saved	Saved	Saved	
ICWUR2	WUSEN	Reset	Reset	Saved	Saved	Saved	
	Others					Saved or Set or Reset	
SARL0, SARL1, SARL2 SARU0, SARU1, SARU2		Reset	Reset	Saved	Saved	Saved	
ICBRH, ICBRL		Reset	Reset	Saved	Saved	Saved	
ICDRT		Reset	Reset	Saved	Saved	Saved	
ICDRR		Reset	Reset	Saved	Saved	Saved	
ICDRS		Reset	Reset	Reset	Saved	Saved	
Timeout function		Reset	Reset	Reset	Operation	Operation	
Bus free time measurement		Reset	Reset	Operation	Operation	Operation	

30.16 Output to the Event Link Controller (ELC)

IIC0 to IIC2 modules handle the event output for the Event Link Controller (ELC) for the following sources:

(1) Transfer error event

When a transfer error event occurs, the associated event signal can be output to another module by the ELC.

(2) Receive data full

When a receive data register becomes full, the associated event signal can be output to another module by the ELC.

(3) Transmit data empty

When a transmit data register becomes empty, the associated event signal can be output to another module by the ELC.

(4) Transmit end

On completion of the transfer, the associated event signal can be output to another module by the ELC.

30.16.1 Interrupt Handling and Event Linking

Each of the IIC interrupt types (see [Table 30.10](#)) has an enable bit to control enabling and disabling of the associated interrupt signal. An interrupt request signal is output to the CPU when an interrupt source condition is satisfied while the associated enable bit is set.

The associated event link output signals are sent to other modules as event signals by the ELC when the interrupt source conditions are satisfied, regardless of the interrupt enable bit settings. For details on interrupt sources, see [Table 30.10](#).

30.17 Usage Notes

30.17.1 Settings for the Module-Stop Function

The Module Stop Control Register B (MSTPCRB) can enable or disable IIC operation. IIC is initially stopped after a reset. Releasing the module-stop state enables access to the registers.

For details on the Module Stop Control Register B, see [section 11, Low Power Modes](#).

30.17.2 Notes on Starting Transfer

If the IR flag associated with the IIC interrupt is 1 when transfer is started (ICCR1.ICE = 1), follow the procedure to clear interrupts before enabling operations. Starting transfer with the IR flag set to 1 while the ICCR1.ICE bit is 1 leads to an interrupt request being internally saved after transfer starts, and this can lead to unanticipated behavior of the IR flag.

To clear the IR flag before starting transfer operation:

1. Confirm that the ICCR1.ICE bit is 0.
2. Set the relevant interrupt enable bits, such as ICIER.TIE to 0.
3. Read the relevant interrupt enable bits, such as ICIER.TIE, and confirm that the value is 0.
4. Set the IR flag to 0.

31. Controller Area Network (CAN) Module

31.1 Overview

The Controller Area Network (CAN) module uses a message-based protocol to receive and transmit data between multiple slaves and masters in electromagnetically noisy applications. The module complies with the ISO 11898-1 (CAN 2.0A/CAN 2.0B) standard and supports up to 32 mailboxes, which can be configured for transmission or reception in normal mailbox and FIFO modes. Both standard (11-bit) and extended (29-bit) messaging formats are supported. The CAN module requires an additional external CAN transceiver.

Table 31.1 lists the CAN module specifications and Figure 31.1 shows a block diagram.

Table 31.1 CAN module specifications (1 of 2)

Item	Description
Data transfer rate	ISO11898-1 compliant for standard and extended frames
Bit rate	Programmable up to 1 Mbps (fCAN ≥ 8 MHz) fCAN: CAN clock source
Message box	32 mailboxes, with two selectable mailbox modes: <ul style="list-style-type: none"> • Normal mode: 32 mailboxes independently configurable for transmission or reception • FIFO mode: 24 mailboxes independently configurable for transmission or reception, with remaining mailboxes used for receive and transmit 4-stage FIFOs.
Reception	<ul style="list-style-type: none"> • Support for data frame and remote frame reception • Reception ID format selectable to only standard ID, only extended ID, or mixed IDs • Programmable one-shot reception function • Selectable between overwrite mode (unread message overwritten) and overrun mode (unread message saved) • Reception complete interrupt independently enabled or disabled for each mailbox.
Acceptance filter	<ul style="list-style-type: none"> • Eight acceptance masks (one mask for every four mailboxes) • Masks independently enabled or disabled for each mailbox.
Transmission	<ul style="list-style-type: none"> • Support for data frame and remote frame transmission • Transmission ID format selectable to only standard ID, only extended ID, or mixed IDs • Programmable one-shot transmission function • Broadcast messaging function • Priority mode selectable based on message ID or mailbox number • Support for transmission request abort, with abort completion confirmable in status flag • Transmission complete interrupt independently enabled or disabled for each mailbox.
Mode transition for bus-off recovery	Mode transition for the recovery from the bus-off state selectable to: <ul style="list-style-type: none"> • ISO11898-1 specification compliant • Automatic invoking of CAN halt mode on bus-off entry • Automatic invoking of CAN halt mode on bus-off end • Invoking of CAN halt mode through software • Transition to error-active state through software.
Error status monitoring	<ul style="list-style-type: none"> • Monitoring of CAN bus errors, including stuff error, form error, ACK error, 15-bit CRC error, bit error, and ACK delimiter error • Detection of transition to error states, including error-warning, error-passive, bus-off entry, and bus-off recovery • Support for reading of error counters.
Time stamping	<ul style="list-style-type: none"> • Time stamp function using a 16-bit counter • Reference clock selectable to 1-bit, 2-bit, 4-bit and 8-bit time periods.
Interrupt function	Support for five interrupt sources: <ul style="list-style-type: none"> • Reception complete • Transmission complete • Receive FIFO • Transmit FIFO • Error interrupts.
CAN sleep mode	CAN clock stopped to reduce power consumption

Table 31.1 CAN module specifications (2 of 2)

Item	Description
Software support unit	Three software support units: <ul style="list-style-type: none"> • Acceptance filter support • Mailbox search support, including receive mailbox search, transmit mailbox search, and message lost search • Channel search support.
CAN clock source	PCLKB or CANMCLK
Test mode	Three test modes available for evaluation purposes: <ul style="list-style-type: none"> • Listen-only mode • Self-test mode 0 (external loopback) • Self-test mode 1 (internal loopback).
Module-stop function	Module-stop state can be set to reduce power consumption

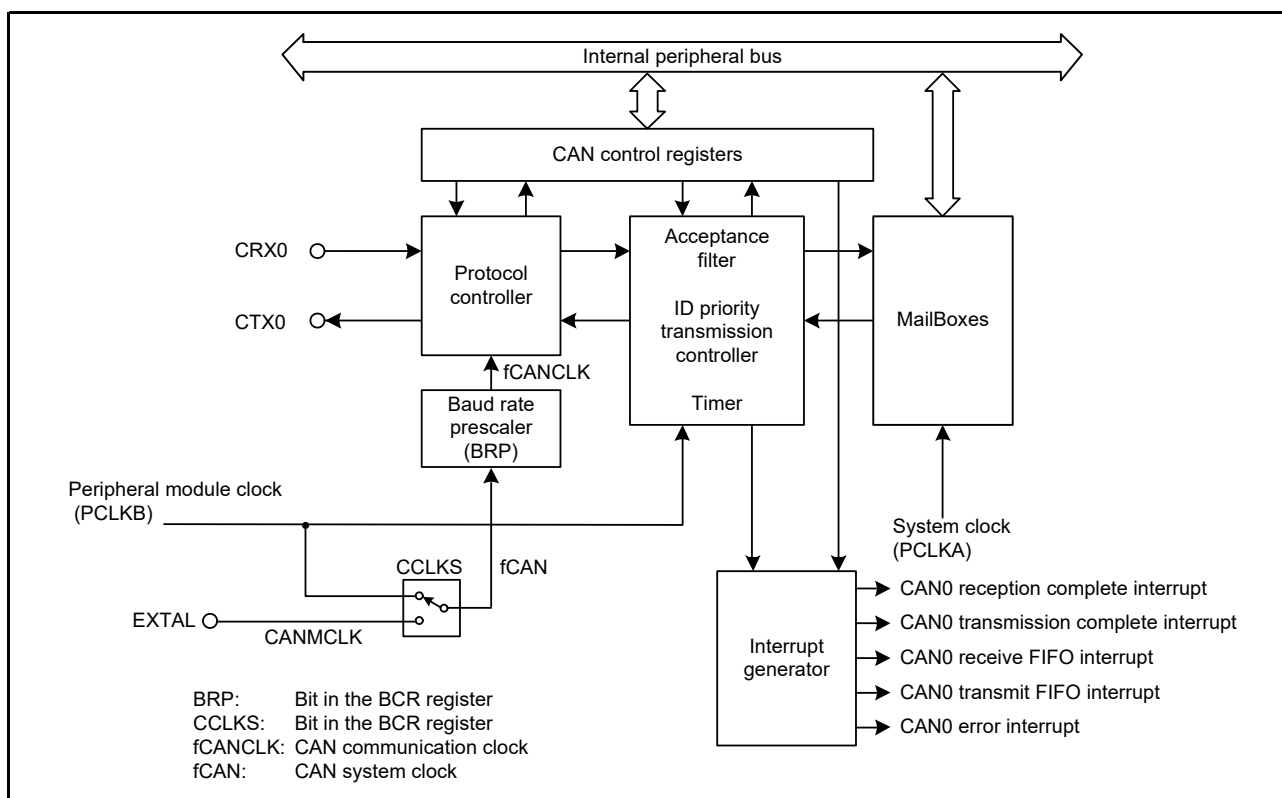


Figure 31.1 CAN module block diagram

The CAN module includes the following blocks:

- CAN input and output pins
CRX0 and CTX0
- Protocol controller
Handles CAN protocol processing such as bus arbitration, bit timing at transmission and reception, stuffing, and error handling.
- Mailboxes
Consists of 32 mailboxes, which can be configured as either transmit or receive. Each mailbox has an individual ID, data length code (DLC), a data field (8 bytes), and a time stamp.
- Acceptance filter
Performs filtering of received messages. MKR0 to MKR7 registers are used for the filtering process.
- Timer
Used for the time stamp function. The timer value when a message is stored in the mailbox is written as the time stamp value.

- Interrupt generator
Generates five types of interrupts:
 - CAN0 reception complete interrupt
 - CAN0 transmission complete interrupt
 - CAN0 receive FIFO interrupt
 - CAN0 transmit FIFO interrupt
 - CAN0 error interrupt.

Table 31.2 lists the CAN module pins. These pins are multiplexed with other signals on the MCU. For details, see section 20, I/O Ports.

Table 31.2 CAN module I/O pins

Pin name	I/O	Function
CRX0	Input	Data receive pin
CTX0	Output	Data transmit pin

31.2 Register Descriptions

31.2.1 Control Register (CTLR)

Address(es): CAN0.CTLR 4005 0840h

b15	b14	b13	b12	b11	b10	b9	b8	b7	b6	b5	b4	b3	b2	b1	b0
—	—	RBOC	BOM[1:0]	SLPM	CANM[1:0]	TSPS[1:0]	TSRC	TPM	MLM	IDFM[1:0]	MBM				
Value after reset: 0 0 0 0 0 1 0 1 0 0 0 0 0 0 0 0															

Bit	Symbol	Bit name	Description	R/W
b0	MBM	CAN Mailbox Mode Select*1	0: Normal mailbox mode 1: FIFO mailbox mode.	R/W
b2, b1	IDFM[1:0]	ID Format Mode Select *1	b2 b1 0 0: Standard ID mode All mailboxes, including FIFO mailboxes, handle only standard IDs 0 1: Extended ID mode All mailboxes, including FIFO mailboxes, handle only extended IDs 1 0: Mixed ID mode All mailboxes, including FIFO mailboxes, handle both standard IDs and extended IDs. In normal mailbox mode, use the associated IDE bit to differentiate between standard and extended IDs. In FIFO mailbox mode, the associated IDE bits are used for mailboxes 0 to 23, the IDE bits in FIDCR0 and FIDCR1 are used for the receive FIFO, and the IDE bit associated with mailbox 24 is used for the transmit FIFO. 1 1: Setting prohibited.	R/W
b3	MLM	Message Lost Mode Select*1	0: Overwrite mode 1: Overrun mode.	R/W
b4	TPM	Transmission Priority Mode Select*1	0: ID priority transmit mode 1: Mailbox number priority transmit mode.	R/W
b5	TSRC	Time Stamp Counter Reset Command*4	0: Do not reset time stamp counter 1: Reset time stamp counter.*3	R/W
b7, b6	TSPS[1:0]	Time Stamp Prescaler Select*1	b7 b6 0 0: Every 1-bit time 0 1: Every 2-bit time 1 0: Every 4-bit time 1 1: Every 8-bit time.	R/W

Bit	Symbol	Bit name	Description	R/W
b9, b8	CANM[1:0]	CAN Operating Mode Select*5	b9 b8 0 0: CAN operation mode 0 1: CAN reset mode 1 0: CAN halt mode 1 1: CAN reset mode (forced transition).	R/W
b10	SLPM	CAN Sleep Mode*5, *6	0: Exit CAN sleep mode 1: Enter CAN sleep mode.	R/W
b12, b11	BOM[1:0]	Bus-Off Recovery Mode*1	b12 b11 0 0: Normal mode (ISO11898-1 specification compliant) 0 1: Enter CAN halt mode automatically on entering bus-off state 1 0: Enter CAN halt mode automatically at the end of bus-off state 1 1: Enter CAN halt mode during bus-off recovery period through a software request.	R/W
b13	RBOC	Forcible Return from Bus-Off*2	0: No return occurred 1: Forced return from bus-off state.*3	R/W
b15, b14	—	Reserved	These bits are read as 0. The write value should be 0.	R/W

Note 1. Write to the BOM[1:0], TSPS[1:0], TPM, MLM, IDFM[1:0], and MBM bits in CAN reset mode.

Note 2. Set the RBOC bit to 1 in the bus-off state.

Note 3. This bit automatically clears to 0 after being set to 1. It should be read as 0.

Note 4. Set the TSRC bit to 1 in CAN operation mode.

Note 5. When the CANM[1:0] and SLPM bits are changed, check STR to ensure that the mode is switched. Do not change the CANM[1:0] bits or the SLPM bit until the mode is switched.

Note 6. Write to the SLPM bit in CAN reset mode or CAN halt mode. When changing the SLPM bit, write 0 or 1 only to the SLPM bit.

MBM bit (CAN Mailbox Mode Select)

When the MBM bit is 0 (normal mailbox mode), mailboxes 0 to 31 are configured as transmit or receive mailboxes.

When the MBM bit is 1 (FIFO mailbox mode) the mailboxes are configured as follows:

- Mailboxes 0 to 23 are configured as transmit or receive mailboxes
- Mailboxes 24 to 27 are configured as transmit FIFO
- Mailboxes 28 to 31 are configured as receive FIFO

Transmit data is written into mailbox 24, a window mailbox for the transmit FIFO. Receive data is read from mailbox 28, a window mailbox for the receive FIFO.

Table 31.3 lists the mailbox configuration.

IDFM[1:0] bits (ID Format Mode Select)

The IDFM[1:0] bits specify the ID format.

MLM bit (Message Lost Mode Select)

The MLM bit specifies the operation when a new message is captured in an unread mailbox. Overwrite mode or overrun mode can be selected. All mailboxes including the receive FIFO are set to either overwrite mode or overrun mode.

When the MLM bit is 0, all mailboxes are set to overwrite mode. Any new message received overwrites the pre-existing message.

When the MLM bit is 1, all mailboxes are set to overrun mode. Any new message received does not overwrite the pre-existing message, and it is discarded.

TPM bit (Transmission Priority Mode Select)

The TPM bit specifies the priority when transmitting messages.

The ID priority transmit mode or mailbox number transmit mode can be selected. All mailboxes are set for either ID priority transmission or mailbox number priority transmission.

When the TPM bit is 0, ID priority transmit mode is selected and transmission priority is arbitrated, as defined in the CAN specification (ISO11898-1). In ID priority transmit mode, mailboxes 0 to 31 (in normal mailbox mode), mailboxes 0 to 23 (in FIFO mailbox mode), and the transmit FIFO are compared for the IDs of mailboxes configured for transmission. If two or more mailbox IDs are the same, the mailbox with the smaller number has higher priority.

Only the next message to be transmitted from the transmit FIFO is included in the transmission arbitration. If a FIFO message is currently being transmitted, the next pending message within the transmit FIFO is included in the transmission arbitration.

When the TPM bit is 1, mailbox number transmit mode is selected and the transmit mailbox with the smallest mailbox number has the highest priority. In FIFO mailbox mode, the transmit FIFO has lower priority than normal mailboxes (0 to 23).

TSRC bit (Time Stamp Counter Reset Command)

The TSRC bit resets the time stamp counter. When this bit is set to 1, the TSR register is set to 0000h. This bit automatically sets to 0.

TSPS[1:0] bits (Time Stamp Prescaler Select)

The TSPS[1:0] bits select the prescaler for the time stamp. The reference clock for the time stamp can be selected to 1-bit, 2-bit, 4-bit, or 8-bit time periods.

CANM[1:0] bits (CAN Operating Mode Select)

The CANM[1:0] bits select one of the following modes for the CAN module:

- CAN operation mode
- CAN reset mode
- CAN halt mode.

The CAN sleep mode is set in the SLPM bit. For details, see [section 31.3, Modes of Operation](#).

When the CAN module enters CAN halt mode based on the BOM[1:0] bits setting, the CANM[1:0] bits are automatically set to 10b.

SLPM bit (CAN Sleep Mode)

When the SLPM bit is set to 1, the CAN module enters CAN sleep mode. When the SLPM bit is set to 0, the CAN module exits CAN sleep mode. For details, see [section 31.3, Modes of Operation](#).

BOM[1:0] bits (Bus-Off Recovery Mode)

The BOM[1:0] bits select bus-off recovery mode for the CAN module.

When the BOM[1:0] bits are 00b, the recovery from bus-off is compliant with the CAN specification (ISO11898-1). The CAN module recovers CAN communication (error-active state) after detecting 11 consecutive recessive bits 128 times. A bus-off recovery interrupt request occurs when recovering from bus-off.

When the BOM[1:0] bits are 01b and the CAN module reaches the bus-off state, the CANM[1:0] bits in the CTLR register are set to 10b to enter the CAN halt mode. No bus-off recovery interrupt request occurs when recovering from bus-off, and the TECR and RECR registers are set to 00h.

When the BOM[1:0] bits are 10b, the CANM[1:0] bits are set to 10b as soon as the CAN module reaches the bus-off state. The CAN module enters CAN halt mode after the recovery from the bus-off state, after detecting 11 consecutive recessive bits 128 times. A bus-off recovery interrupt request occurs when recovering from bus-off, and the TECR and RECR registers are set to 00h.

When the BOM[1:0] bits are 11b, the CAN module enters CAN halt mode by setting the CANM[1:0] bits to 10b while the CAN module is still in the bus-off state. No bus-off recovery interrupt request is generated when recovering from bus-off, and TECR and RECR are set to 00h. However, a bus-off recovery interrupt request is generated if the CAN module recovers from bus-off after detecting 11 consecutive recessive bits 128 times before the CANM[1:0] bits are set to 10b.

If the CPU requests an entry to the CAN reset mode at the same time as the CAN module attempts to enter CAN halt mode (at bus-off entry when the BOM[1:0] bits are 01b, or at bus-off end when the BOM[1:0] bits are 10b), then the CPU request has higher priority.

RBOC bit (Forcible Return from Bus-Off)

When the RBOC bit is set to 1 in the bus-off state, the CAN module forcibly exits the bus-off state. This bit is

automatically set to 0, and the error state changes from bus-off to error-active. When the RBOC bit is set to 1, the RECR and TECR registers are set to 00h and the BOST bit in the STR register is set to 0, indicating that the CAN module is not in bus-off state. The other registers remain unchanged even when the RBOC bit is set to 1. No bus-off recovery interrupt request is generated by this recovery from the bus-off state. Use the RBOC bit only when the BOM[1:0] bits are 00b (normal mode).

Table 31.3 Mailbox configuration

Mailbox	MBM bit = 0 (normal mailbox mode)	MBM bit = 1*1 to *5 (FIFO mailbox mode)
Mailboxes 0 to 23	Normal mailbox	Normal mailbox
Mailboxes 24 to 27		Transmit FIFO
Mailboxes 28 to 31		Receive FIFO

- Note 1. The transmit FIFO is controlled by the TFCR register. The MCTL_TXj registers associated with mailboxes 24 to 27 are disabled. MCTL_TX24 to MCTL_TX27 cannot be used by the transmit FIFO.
- Note 2. The receive FIFO is controlled by the RFCR register. The MCTL_RXj registers associated with mailboxes 28 to 31 are disabled. MCTL_RX28 to MCTL_RX31 cannot be used by the receive FIFO.
- Note 3. See the MIER_FIFO register for information on the FIFO interrupts.
- Note 4. The MKIVLR register bits associated with mailboxes 24 to 31 are disabled. Set these bits to 0.
- Note 5. The transmit and receive FIFOs can be used for both data frames and remote frames.

31.2.2 Bit Configuration Register (BCR)

Address(es): CAN0.BCR 4005 0844h



Bit	Symbol	Bit name	Description	R/W
b0	CCLKS	CAN Clock Source Selection	0: PCLKB (generated by the PLL clock) 1: CANMCLK (generated by the main clock).	R/W
b7 to b1	—	Reserved	These bits are read as 0. The write value should be 0.	R/W
b10 to b8	TSEG2[2:0]	Time Segment 2 Control	b10 b8 0 0 0: Setting prohibited 0 0 1: 2 Tq 0 1 0: 3 Tq 0 1 1: 4 Tq 1 0 0: 5 Tq 1 0 1: 6 Tq 1 1 0: 7 Tq 1 1 1: 8 Tq.	R/W
b11	—	Reserved	This bit is read as 0. The write value should be 0.	R/W
b13, b12	SJW[1:0]	Synchronization Jump Width Control	b13 b12 0 0: 1 Tq 0 1: 2 Tq 1 0: 3 Tq 1 1: 4 Tq.	R/W
b15, b14	—	Reserved	These bits are read as 0. The write value should be 0.	R/W
b25 to b16	BRP[9:0]	Baud Rate Prescaler select*1	These bits set the frequency of the CAN communication clock (fCANCLK)	R/W
b27, b26	—	Reserved	These bits are read as 0. The write value should be 0.	R/W

Bit	Symbol	Bit name	Description	R/W
b31 to b28	TSEG1[3:0]	Time Segment 1 Control	b31 b28 0 0 0 0: Setting prohibited 0 0 0 1: Setting prohibited 0 0 1 0: Setting prohibited 0 0 1 1: 4 Tq 0 1 0 0: 5 Tq 0 1 0 1: 6 Tq 0 1 1 0: 7 Tq 0 1 1 1: 8 Tq 1 0 0 0: 9 Tq 1 0 0 1: 10 Tq 1 0 1 0: 11 Tq 1 0 1 1: 12 Tq 1 1 0 0: 13 Tq 1 1 0 1: 14 Tq 1 1 1 0: 15 Tq 1 1 1 1: 16 Tq.	R/W

Tq: Time Quantum

Note 1. Do not select a value less than 1 when the SCKSCR.CKSEL[2:0] bits are 011b (selecting the main clock oscillator).

For details about setting the bit timing, see [section 31.4, Data Transfer Rate Configuration](#). Set the BCR register before entering CAN halt mode or CAN operation mode from CAN reset mode. After the setting is made once, this register can be written to in CAN reset mode or CAN halt mode. 32-bit read/write accesses must be performed carefully so as not to change bits [7:0].

CCLKS bit (CAN Clock Source Selection)

When the CCLKS bit is 0, the peripheral module clock (PCLKB) produced by the PLL frequency synthesizer is used as the CAN clock source (fCAN). When the CCLKS bit is 1, CANMCLK produced externally by the EXTAL pins is used as the CAN clock source (fCAN).

TSEG2[2:0] bits (Time Segment 2 Control)

The TSEG2[2:0] bits specify the length of the phase buffer segment 2 (PHASE_SEG2) with a Tq value. A value from 2 to 8 Tq can be set. Set a value smaller than that in the TSEG1[3:0] bits.

SJW[1:0] bits (Synchronization Jump Width Control)

The SJW[1:0] bits specify the synchronization jump width with a Tq value. A value from 1 to 4 Tq can be set. Set a value smaller than or equal to that in the TSEG2[2:0] bits.

BRP[9:0] bits (Baud Rate Prescaler select)

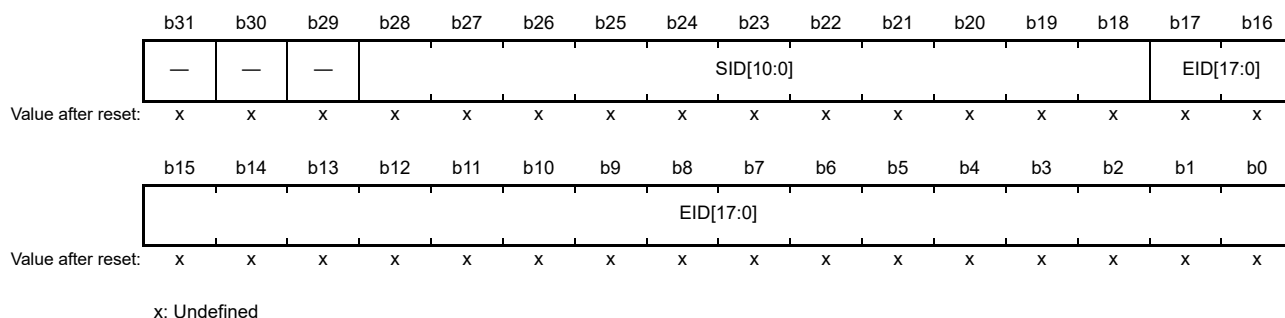
The BRP[9:0] bits set the frequency of the CAN communication clock (fCANCLK). The fCANCLK cycle is 1 Tq. If the setting is P (0 to 1023), the baud rate prescaler divides fCAN by P + 1.

TSEG1[3:0] bits (Time Segment 1 Control)

The TSEG1[3:0] bits specify the total length of the propagation time segment (PROP_SEG) and phase buffer segment 1 (PHASE_SEG1) with a time quantum (Tq) value. A value from 4 to 16 Tq can be set.

31.2.3 Mask Register k (MKRk) (k = 0 to 7)

Address(es): [CAN0.MKR0 4005 0400h](#) to [CAN0.MKR7 4005 041Ch](#)



Bit	Symbol	Bit name	Description	R/W
b17 to b0	EID[17:0]	Extended ID	0: Do not compare associated EID[17:0] bit 1: Compare associated EID[17:0] bit.	R/W
b28 to b18	SID[10:0]	Standard ID	0: Do not compare associated SID[10:0] bit 1: Compare associated SID[10:0] bit.	R/W
b31 to b29	—	Reserved	The read value is undefined. The write value should be 0.	R/W

For the mask function in FIFO mailbox mode, see [section 31.6, Acceptance Filtering and Masking Functions](#). Write to MKR0 to MKR7 registers in CAN reset mode or CAN halt mode.

[EID\[17:0\] bits \(Extended ID\)](#)

The EID[17:0] bits are the filter mask bits associated with the CAN extended ID bits. These bits are used to receive extended ID messages.

When an EID[17:0] bit is set to 0, the received ID is not compared with the associated mailbox ID. When an EID[17:0] bit is set to 1, the received ID is compared with the associated mailbox ID.

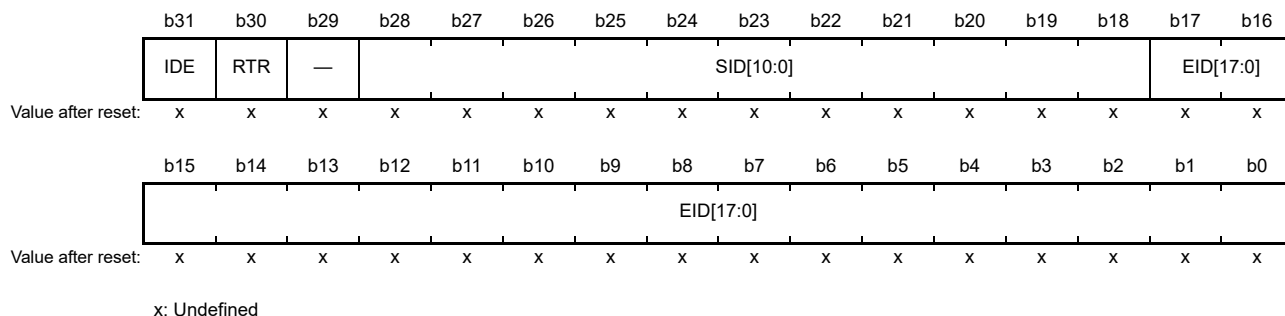
[SID\[10:0\] bits \(Standard ID\)](#)

The SID[10:0] bits are the filter mask bits associated with the CAN standard ID bits. These bits are used to receive both standard ID and extended ID messages.

When an SID[10:0] bit is set to 0, the respective received ID is not compared with the associated mailbox ID bit. When an SID[10:0] bit is set to 1, the respective received ID is compared with the associated mailbox ID.

31.2.4 FIFO Received ID Compare Registers 0 and 1 (FIDCR0 and FIDCR1)

Address(es): CAN0.FIDCR0 4005 0420h, CAN0.FIDCR1 4005 0424h



Bit	Symbol	Bit name	Description	R/W
b17 to b0	EID[17:0]	Extended ID	Extended ID of data and remote frames	R/W
b28 to b18	SID[10:0]	Standard ID	Standard ID of data and remote frames	R/W
b29	—	Reserved	The read value is undefined. The write value should be 0.	R/W
b30	RTR	Remote Transmission Request	0: Data frame 1: Remote frame.	R/W
b31	IDE	ID Extension*1	0: Standard ID 1: Extended ID.	R/W

Note 1. When the CTLR.IDFM[1:0] bits are any value other than 10b, the IDE bit should be written with 0 and is read as 0.

The FIDCR0 and FIDCR1 registers are enabled when the MBM bit in the CTLR register is set to 1 (FIFO mailbox mode). In FIFO mailbox mode, the EID[17:0], SID[10:0], RTR, and IDE bits in the mailbox 28 to mailbox 31 registers are disabled. Write to the FIDCR0 and FIDCR1 registers in CAN reset mode or CAN halt mode. For information on using the FIDCR0 and FIDCR1 registers, see [section 31.6, Acceptance Filtering and Masking Functions](#).

EID[17:0] bits (Extended ID)

The EID[17:0] bits set the extended ID of data and remote frames. These bits are used to receive extended ID messages.

SID[10:0] bits (Standard ID)

The SID[10:0] bits set the standard ID of data frames and remote frames. These bits are used to receive both standard ID and extended ID messages.

RTR bit (Remote Transmission Request)

The RTR bit sets the specified frame format of data frames or remote frames:

- When the RTR bits in both FIDCR0 and FIDCR1 registers are set to 0, only data frames are received
- When the RTR bits in both FIDCR0 and FIDCR1 registers are set to 1, only remote frames are received
- When the RTR bits in both FIDCR0 and FIDCR1 registers are set to different values, both data frames and remote frames are received.

IDE bit (ID Extension)

The IDE bit sets the ID format to standard ID or extended ID. The IDE bit is enabled when the IDFM[1:0] bits in CTLR are 10b (mixed ID mode):

- When the IDE bits in both the FIDCR0 and FIDCR1 registers are set to 0, only standard ID frames are received
- When the IDE bits in both the FIDCR0 and FIDCR1 registers are set to 1, only extended ID frames are received
- When the IDE bits in both the FIDCR0 and FIDCR1 registers are set to different values, both standard ID and extended ID frames are received.

31.2.5 Mask Invalid Register (MKIVLR)

Address(es): CAN0.MKIVLR 4005 0428h

	b31	b30	b29	b28	b27	b26	b25	b24	b23	b22	b21	b20	b19	b18	b17	b16
	MB31	MB30	MB29	MB28	MB27	MB26	MB25	MB24	MB23	MB22	MB21	MB20	MB19	MB18	MB17	MB16
Value after reset:	x	x	x	x	x	x	x	x	x	x	x	x	x	x	x	x
	b15	b14	b13	b12	b11	b10	b9	b8	b7	b6	b5	b4	b3	b2	b1	b0
	MB15	MB14	MB13	MB12	MB11	MB10	MB9	MB8	MB7	MB6	MB5	MB4	MB3	MB2	MB1	MB0
Value after reset:	x	x	x	x	x	x	x	x	x	x	x	x	x	x	x	x

x: Undefined

Bit	Symbol	Bit name	Description	R/W
b31 to b0	MB31 to MB0	Mask Invalid	0: Mask valid 1: Mask invalid.	R/W

Note 1. Set bits [31:24] to 0 in FIFO mailbox mode.

Each bit in the MKIVLR register is associated with a mailbox of the same number. Bit [0] in the MKIVLR register corresponds to mailbox 0 (MB0) and bit [31] corresponds to mailbox 31 (MB31).*1

When an MBn bit is set to 1, the associated acceptance mask register becomes invalid for the associated mailbox. When an MBn bit is set to 1, a message is received by the associated mailbox only if the receive message ID matches the mailbox ID exactly. Write to the MKIVLR register in CAN reset mode or halt mode.

31.2.6 Mailbox Register j (MBj_ID, MBj_DL, MBj_Dm, MBj_TS) (j = 0 to 31, m = 0 to 7)

Table 31.4 lists the CAN0 mailbox memory mapping, and Table 31.5 lists the CAN data frame configuration. The value of the CAN0 mailbox after reset is undefined.

Write to the MBj_ID, MBj_DL, MBj_Dm, and MBj_TS registers only when the related MCTL_TXj or MCTL_RXj (j = 0 to 31) register is 00h and the associated mailbox is not processing an abort request.

See Table 31.4 for details on register addresses.

Table 31.4 CAN0 mailbox memory mapping (1 of 2)

Address	Message content
CAN0	Memory mapping
4005 0200h + 16 × j + 0	IDE, RTR, SID10 to SID6
4005 0200h + 16 × j + 1	SID5 to SID0, EID17, EID16
4005 0200h + 16 × j + 2	EID15 to EID8
4005 0200h + 16 × j + 3	EID7 to EID0
4005 0200h + 16 × j + 4	-
4005 0200h + 16 × j + 5	Data length code (DLC[3:0])
4005 0200h + 16 × j + 6	Data byte 0
4005 0200h + 16 × j + 7	Data byte 1
4005 0200h + 16 × j + 8	Data byte 2
4005 0200h + 16 × j + 9	Data byte 3
4005 0200h + 16 × j + 10	Data byte 4
4005 0200h + 16 × j + 11	Data byte 5

Table 31.4 CAN0 mailbox memory mapping (2 of 2)

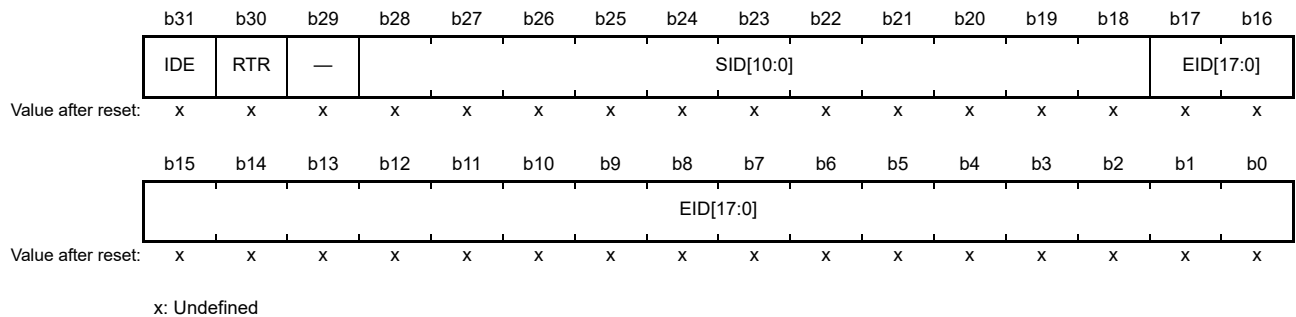
Address	Message content
CAN0	Memory mapping
4005 0200h + 16 × j + 12	Data byte 6
4005 0200h + 16 × j + 13	Data byte 7
4005 0200h + 16 × j + 14	Time stamp upper byte
4005 0200h + 16 × j + 15	Time stamp lower byte

Table 31.5 CAN data frame configuration

SID10 to SID6	SID5 to SID0	EID17 to EID16	EID15 to EID8	EID7 to EID0	DLC3 to DLC1	DATA0	DATA1	...	DATA7
---------------	--------------	----------------	---------------	--------------	--------------	-------	-------	-----	-------

The previous value of each mailbox is saved unless a new message is received.

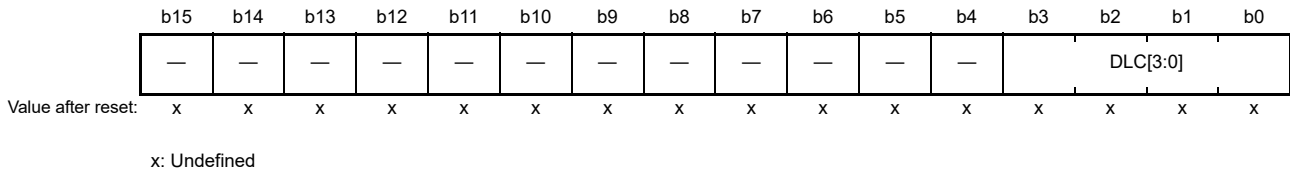
Address(es): CAN0.MB0_ID 4005 0200h to CAN0.MB31_ID 4005 03F0h



Bit	Symbol	Bit name	Description	R/W
b17 to b0	EID[17:0]	Extended ID*1	Extended ID of data and remote frames	R/W
b28 to b18	SID[10:0]	Standard ID	Standard ID of data and remote frames	R/W
b29	—	Reserved	The read value is undefined. The write value should be 0.	R/W
b30	RTR	Remote Transmission Request	0: Data frame 1: Remote frame.	R/W
b31	IDE	ID Extension*2	0: Standard ID 1: Extended ID.	R/W

Note 1. If the mailbox receives a standard ID message, the EID bits in the mailbox are undefined.
 Note 2. The IDE bit is enabled when the IDFM[1:0] bits in the CTRL register are 10b (mixed ID mode). When the IDFM[1:0] bits are any value other than 10b, the IDE bit should be written with 0 and is read as 0.

Address(es): CAN0.MB0_DL 4005 0204h to CAN0.MB31_DL 4005 03F4h

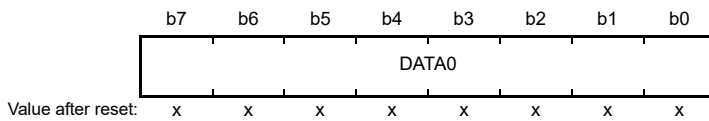


Bit	Symbol	Bit Name	Description	R/W
b3 to b0	DLC[3:0]	Data Length Code*1	b3 b0 0 0 0 0: Data length = 0 byte 0 0 0 1: Data length = 1 byte 0 0 1 0: Data length = 2 bytes 0 0 1 1: Data length = 3 bytes 0 1 0 0: Data length = 4 bytes 0 1 0 1: Data length = 5 bytes 0 1 1 0: Data length = 6 bytes 0 1 1 1: Data length = 7 bytes 1 x x x: Data length = 8 bytes.	R/W
b15 to b4	—	Reserved	The read value is undefined. The write value should be 0.	R/W

x: Don't care

Note 1. If the mailbox receives a message with data length (set in DLC[3:0]) of n bytes, where n is less than 8, the data in the DATA_n to DATA₇ registers in the mailbox is undefined. Here, DATA₀ to DATA₇ are data registers for this mailbox. For example, if data length is 6 bytes (DLC[3:0] = 6h), the data in DATA₆ and DATA₇ registers is undefined.

Address(es): CAN0.MB0_D0 4005 0206h to CAN0.MB31_D0 4005 03F6h



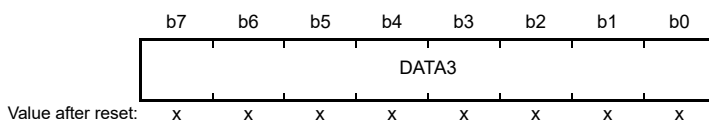
Address(es): CAN0.MB0_D1 4005 0207h to CAN0.MB31_D1 4005 03F7h



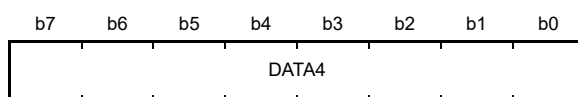
Address(es): CAN0.MB0_D2 4005 0208h to CAN0.MB31_D2 4005 03F8h



Address(es): CAN0.MB0_D3 4005 0209h to CAN0.MB31_D3 4005 03F9h

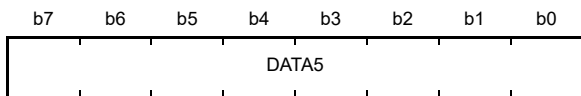


Address(es): CAN0.MB0_D4 4005 020Ah to CAN0.MB31_D4 4005 03FAh



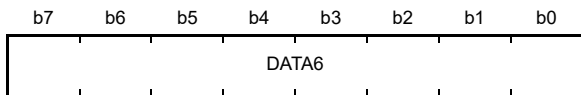
Value after reset: x x x x x x x x

Address(es): CAN0.MB0_D5 4005 020Bh to CAN0.MB31_D5 4005 03FBh



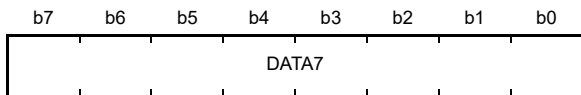
Value after reset: x x x x x x x x

Address(es): CAN0.MB0_D6 4005 020Ch to CAN0.MB31_D6 4005 03FCh



Value after reset: x x x x x x x x

Address(es): CAN0.MB0_D7 4005 020Dh to CAN0.MB31_D7 4005 03FDh



Value after reset: x x x x x x x x

x: Undefined

Bit	Symbol	Bit name	Description	R/W
b7 to b0	DATA0 to DATA7	Data Bytes 0 to 7*1, *2	DATA0 to DATA7 store the transmitted or received CAN message data. Transmission or reception starts from DATA0. The bit order on the CAN bus is MSB-first, and transmission or reception starts from bit [7].	R/W

- Note 1. If the mailbox receives a message with n bytes, where n is less than 8 bytes, the DATA_n to DATA7 values in the mailbox are undefined. For example, if the received data length is 6 bytes, the values of DATA6 and DATA7 are undefined.
- Note 2. If the mailbox receives a remote frame, the previous values of DATA0 to DATA7 in the mailbox are saved.

Address(es): CAN0.MB0_TS 4005 020Eh to CAN0.MB31_TS 4005 03FEh



Value after reset: x x x x x x x x x x x x x x x x

x: Undefined

Bit	Symbol	Bit name	Description	R/W
b7 to b0	TSL[7:0]	Time Stamp Lower Byte	The TSH[7:0] and TSL[7:0] bits store the counter value of the time stamp when received messages are stored in the mailbox.	R/W
b15 to b8	TSH[7:0]	Time Stamp Higher Byte		R/W

EID[17:0] bits (Extended ID)

The EID[17:0] bits set the extended ID for data and remote frames. These bits transmit or receive extended ID messages.

SID[10:0] bits (Standard ID)

The SID[10:0] bits set the standard ID of data and remote frames. These bits transmit or receive both standard ID and extended ID messages.

RTR bit (Remote Transmission Request)

The RTR bit sets the frame format to data frames or remote frames:

- The receive mailbox only receives frames with the format specified in the RTR bit
- The transmit mailbox only transmits frames with the format specified in the RTR bit
- The receive FIFO mailbox receives the data frame, remote frame, or both frames specified in the RTR bit in the FIDCR0 and FIDCR1 registers
- The transmit FIFO mailbox transmits the data frame or remote frame as specified in the RTR bit in the relevant transmit message.

IDE bit (ID Extension)

The IDE bit sets the ID format to standard ID or extended ID. The IDE bit is enabled when the IDFM[1:0] bits in the CTLR register are 10b (mixed ID mode):

- The receive mailbox receives only the ID format specified in the IDE bit
- The transmit mailbox transmits with the ID format specified in the IDE bit
- The receive FIFO mailbox receives messages with the standard ID and extended ID settings specified in the IDE bit in the FIDCR0 and FIDCR1 registers
- The transmit FIFO mailbox transmits messages with the standard ID or extended ID settings specified in the IDE bit in the transmit message.

DLC[3:0] bits (Data Length Code)

The DLC[3:0] bits specify the data length to be transmitted in data frames. When a remote frame is used to request data, this field specifies the requested data length.

When a data frame is received, the received data length is stored in this field. When a remote frame is received, this field stores the requested data length.

31.2.7 Mailbox Interrupt Enable Register (MIER)

Address(es): CAN0.MIER 4005 042Ch

	b31	b30	b29	b28	b27	b26	b25	b24	b23	b22	b21	b20	b19	b18	b17	b16
	MB31	MB30	MB29	MB28	MB27	MB26	MB25	MB24	MB23	MB22	MB21	MB20	MB19	MB18	MB17	MB16
Value after reset:	x	x	x	x	x	x	x	x	x	x	x	x	x	x	x	x
	b15	b14	b13	b12	b11	b10	b9	b8	b7	b6	b5	b4	b3	b2	b1	b0
	MB15	MB14	MB13	MB12	MB11	MB10	MB9	MB8	MB7	MB6	MB5	MB4	MB3	MB2	MB1	MB0
Value after reset:	x	x	x	x	x	x	x	x	x	x	x	x	x	x	x	x

x: Undefined

Bit	Symbol	Bit name	Description	R/W
b31 to b0	MB31 to MB0	Interrupt Enable	0: Disable interrupt 1: Enable Interrupt. Bit [31] is associated with mailbox 31 (MB31), and bit [0] with mailbox 0 (MB0).	R/W

The MIER register can enable interrupts for each mailbox independently. This register is available in normal mailbox mode. Do not access this register in FIFO mailbox mode.

Each bit is associated with a mailbox with the same number. These bits enable or disable transmission and reception complete interrupts for the associated mailboxes as follows:

- Bit [0] in MIER is associated with mailbox 0 (MB0)
- Bit [31] in MIER is associated with mailbox 31 (MB31).

Write to MIER only when the associated MCTL_TXj or MCTL_RXj (j = 0 to 31) register is 00h and the associated mailbox is not processing a transmission or reception abort request.

31.2.8 Mailbox Interrupt Enable Register for FIFO Mailbox Mode (MIER_FIFO)

Address(es): CAN0.MIER_FIFO 4005 042Ch

	b31	b30	b29	b28	b27	b26	b25	b24	b23	b22	b21	b20	b19	b18	b17	b16
	—	—	MB29	MB28	—	—	MB25	MB24	MB23	MB22	MB21	MB20	MB19	MB18	MB17	MB16
Value after reset:	x	x	x	x	x	x	x	x	x	x	x	x	x	x	x	x
	b15	b14	b13	b12	b11	b10	b9	b8	b7	b6	b5	b4	b3	b2	b1	b0
	MB15	MB14	MB13	MB12	MB11	MB10	MB9	MB8	MB7	MB6	MB5	MB4	MB3	MB2	MB1	MB0
Value after reset:	x	x	x	x	x	x	x	x	x	x	x	x	x	x	x	x

x: Undefined

Bit	Symbol	Bit name	Description	R/W
b23 to b0	MB23 to MB0	Interrupt Enable	0: Disable interrupt 1: Enable interrupt. Bit [23] is associated with mailbox 23 (MB23), and bit [0] is associated with mailbox 0 (MB0).	R/W
b24	MB24	Transmit FIFO Interrupt Enable	0: Disable interrupt 1: Enable interrupt.	R/W
b25	MB25	Transmit FIFO Interrupt Generation Timing Control	0: Generated every time transmission completes 1: Generated when the transmit FIFO empties on transmission completion.	R/W
b27, b26	—	Reserved	The read value is undefined. The write value should be 0.	R/W
b28	MB28	Receive FIFO Interrupt Enable	0: Disable interrupt 1: Enable interrupt.	R/W
b29	MB29	Receive FIFO Interrupt Generation Timing Control*1	0: Generated every time reception completes 1: Generated when the receive FIFO becomes a buffer warning*2 on reception completion.	R/W
b31, b30	—	Reserved	The read value is undefined. The write value should be 0.	R/W

Note 1. No interrupt request is generated when the receive FIFO becomes a buffer warning because it is full.

Note 2. Buffer warning indicates a state in which the third message is stored in the receive FIFO.

The MIER_FIFO register allows independent enabling of interrupts for each mailbox and FIFO. This register is available in FIFO mailbox mode. Do not access this register in normal mailbox mode.

MB0 to MB23 bits are associated with the mailbox with the same number. These bits enable or disable transmission and reception complete interrupts for the associated mailboxes:

- Bit [0] in MIER_FIFO is associated with mailbox 0 (MB0)
- Bit [23] in MIER_FIFO is associated with mailbox 23 (MB23).

MB24, MB25, MB28 and MB29 bits specify whether the transmit and receive FIFO interrupts are enabled or disabled, and the timing of interrupt requests.

Write to the MIER_FIFO register only when the associated MCTL_TXj or MCTL_RXj (j = 0 to 31) register is 00h and the associated mailbox does not process a transmission or reception abort request. In addition, change the bits in MIER_FIFO for the associated FIFO only when all the following conditions are true:

- The TFE bit in TFCR is 0 and the TFEST bit is 1
- The RFE bit in RFCR is 0 and the RFEST flag in RFCR is 1.

31.2.9 Message Control Registers for Transmit (MCTL_TXj) (j = 0 to 31)

- Transmit mode (when the TRMREQ bit is 1 and the RECREQ bit is 0)

Address(es): CAN0.MCTL_TX0 4005 0820h to CAN0.MCTL_TX31 4005 083Fh

	b7	b6	b5	b4	b3	b2	b1	b0
	TRMREQ	RECREQ	—	ONESHOT	—	TRMABT	TRMACTIVE	SENTDATA
Value after reset:	0	0	0	0	0	0	0	0

Bit	Symbol	Bit name	Description	R/W
b0	SENTDATA	Transmission Complete Flag*1, *2	0: Transmission not complete 1: Transmission complete.	R/W
b1	TRMACTIVE	Transmission-in-Progress Status Flag	0: Transmission pending or transmission not requested 1: Transmission in progress.	R
b2	TRMABT	Transmission Abort Complete Flag*1, *2	0: Transmission started, transmission abort failed because transmission completed, or transmission abort not requested 1: Transmission abort complete.	R/W
b3	—	Reserved	This bit is read as 0. The write value should be 0.	R/W
b4	ONESHOT	One-Shot Enable*2, *3	0: Disable one-shot transmission 1: Enable one-shot transmission.	R/W
b5	—	Reserved	This bit is read as 0. The write value should be 0.	R/W
b6	RECREQ	Receive Mailbox Request*2, *3, *4, *5	0: Do not configure for reception 1: Configure for reception.	R/W
b7	TRMREQ	Transmit Mailbox Request*2, *4	0: Do not configure for transmission 1: Configure for transmission.	R/W

Note 1. Write 0 only. Writing 1 has no effect.

Note 2. When writing to the bits in this register, write 1 to the SENTDATA and TRMABT flags if these bits are not the write target.

Note 3. To enter one-shot transmit mode, write 1 to the ONESHOT bit at the same time as setting the TRMREQ bit to 1.
To exit one-shot transmit mode, write 0 to the ONESHOT bit after the message is transmitted or aborted.

Note 4. Do not set both the RECREQ and TRMREQ bits to 1.

Note 5. When setting the RECREQ bit to 0, set the SENTDATA, TRMACTIVE, and TRMABT flags to 0 simultaneously.

The MCTL_TXj register sets the mailbox j to transmit mode or receive mode. In transmit mode, MCTL_TXj also controls and indicates the transmission status. Do not access the MCTL_TXj register if the mailbox j is in receive mode. Only write to the MCTL_TXj register in CAN operation mode or halt mode. Do not use the MCTL_TX24 to MCTL_TX31 registers in FIFO mailbox mode.

SENTDATA flag (Transmission Complete Flag*1, *2)

The SENTDATA flag is set to 1 when data transmission from the associated mailbox is complete. This flag is set to 0 through a software write. To set this flag to 0, first set the TRMREQ bit to 0. The SENTDATA and TRMREQ bits cannot be set to 0 simultaneously. To transmit a new message from the associated mailbox, set the SENTDATA flag to 0.

TRMACTIVE flag (Transmission-in-Progress Status Flag)

The TRMACTIVE flag is set to 1 when the associated mailbox of the CAN module begins to transmit a message. It is set to 0 when the CAN module loses the CAN bus arbitration, when a CAN bus error occurs, or when data transmission completes.

TRMABT flag (Transmission Abort Complete Flag*1, *2)

The TRMABT flag is set to 1 in the following cases:

- Following a transmission abort request, when the transmission abort completes before starting transmission
- Following a transmission abort request, when the CAN module detects CAN bus arbitration-lost or CAN bus error
- In one-shot transmission mode (RECREQ = 0, TRMREQ = 1, and ONESHOT = 1), when the CAN module detects CAN bus arbitration-lost or CAN bus error.

The TRMABT flag does not set to 1 when data transmission is complete. The SENTDATA flag is set to 1 and the TRMABT flag is set to 0 through a software write.

ONESHOT bit (One-Shot Enable*2, *3)

When the ONESHOT bit is set to 1 in transmit mode (RECREQ = 0 and TRMREQ = 1), the CAN module transmits a message only one time. The CAN module does not transmit the message again if a CAN bus error or CAN bus arbitration-lost occurs. When transmission is complete, the SENTDATA flag is set to 1. If transmission does not complete because of a CAN bus error or CAN bus arbitration-lost error, the TRMABT flag is set to 1. Set the ONESHOT bit to 0 after the SENTDATA or TRMABT flag is set to 1.

RECREQ bit (Receive Mailbox Request*2, *3, *4, *5)

The RECREQ bit selects the receive modes listed in [Table 31.10](#).

When the RECREQ bit is set to 1, the associated mailbox is configured for reception of a data frame or remote frame.

When the RECREQ bit is set to 0, the associated mailbox is not configured for reception of a data frame or remote frame.

Due to hardware protection, the RECREQ bit cannot be set to 0 through a software write during the following period:

- Hardware protection is started from acceptance filter processing (the beginning of the CRC field)
- Hardware protection is released:
 - For the mailbox that is specified to receive the incoming message, after the received data is stored in the mailbox or a CAN bus error occurs. This means that the maximum period of hardware protection is from the beginning of the CRC field to the end of the 7th bit of EOF.
 - For the other mailboxes, after acceptance filter processing
 - If no mailbox is specified to receive the message, after acceptance filter processing.

When setting the RECREQ bit to 1, do not set the TRMREQ bit to 1. To change the configuration of a mailbox from transmission to reception, first abort the transmission, then set the SENTDATA and TRMABT flags to 0 before changing to reception.

Note: MCTL_TXj.RECREQ is the mirror bit of MCTL_RXj.RECREQ.

TRMREQ bit (Transmit Mailbox Request*2, *4)

The TRMREQ bit selects the transmit modes listed in [Table 31.10](#).

When the TRMREQ bit is set to 1, the associated mailbox is configured for transmission of a data frame or remote frame.

When the TRMREQ bit is set to 0, the associated mailbox is not configured for transmission of a data frame or remote frame.

If the TRMREQ bit is changed from 1 to 0 to cancel the associated transmission request, either the TRMABT or SENTDATA flag is set to 1. When setting the TRMREQ bit to 1, do not set the RECREQ bit to 1. To change the configuration of a mailbox from reception to transmission, first abort the reception, then set the NEWDATA and MSGLOST flags to 0 before changing to transmission.

Note: MCTL_TXj.TRMREQ is the mirror bit of MCTL_RXj.TRMREQ.

31.2.10 Message Control Register for Receive (MCTL_RXj) (j = 0 to 31)

- Receive mode (when the TRMREQ bit is 0 and the RECREQ bit is 1)

Address(es): CAN0.MCTL_RX0 4005 0820h to CAN0.MCTL_RX31 4005 083Fh

	b7	b6	b5	b4	b3	b2	b1	b0
	TRMREQ	RECREQ	—	ONESHOT	—	MSGLOST	INVALIDATA	NEWDATA
Value after reset:	0	0	0	0	0	0	0	0

Bit	Symbol	Bit name	Description	R/W
b0	NEWDATA	Reception Complete Flag*1, *2	0: No data received, or 0 was written to the bit 1: New message is being stored or was stored in the mailbox.	R/W
b1	INVALIDATA	Reception-in-Progress Status Flag	0: Message valid 1: Message being updated.	R
b2	MSGLOST	Message Lost Flag*1, *2	0: Message not overwritten or overrun 1: Message overwritten or overrun.	R/W
b3	—	Reserved	This bit is read as 0. The write value should be 0.	R/W
b4	ONESHOT	One-Shot Enable*2, *3	0: Disable one-shot reception 1: Enable one-shot reception.	R/W
b5	—	Reserved	This bit is read as 0. The write value should be 0.	R/W
b6	RECREQ	Receive Mailbox Request*2, *3, *4, *5	0: Do not configure for reception 1: Configure for reception.	R/W
b7	TRMREQ	Transmit Mailbox Request*2, *4	0: Do not configure for transmission 1: Configure for transmission.	R/W

Note 1. Write 0 only. Writing 1 has no effect.

Note 2. When writing to bits in this register, write 1 to the NEWDATA and MSGLOST flags if these bits are not the write target.

Note 3. To enter one-shot receive mode, write 1 to the ONESHOT bit at the same time as setting the RECREQ bit to 1.
To exit one-shot receive mode, write 0 to the ONESHOT bit after writing 0 to the RECREQ bit and confirming that it is 0.

Note 4. Do not set both the RECREQ and TRMREQ bits to 1.

Note 5. When setting the RECREQ bit to 0, set MSGLOST, NEWDATA, and RECREQ to 0 simultaneously.

The MCTL_RXj register sets mailbox j to transmit mode or receive mode. In receive mode, MCTL_RXj also controls and indicates the reception status. Do not access the MCTL_RXj register if mailbox j is in transmit mode. Only write to the MCTL_RXj register in CAN operation mode or halt mode. Do not use the MCTL_RX24 to MCTL_RX31 registers in FIFO mailbox mode.

NEWDATA flag (Reception Complete Flag*1, *2)

The NEWDATA flag is set to 1 when a new message is being stored or was stored in the mailbox. Always set this bit to 1 simultaneously with the INVALIDATA flag. The NEWDATA flag is cleared to 0 through a software write. The NEWDATA flag cannot be cleared to 0 through a software write while the associated INVALIDATA flag is 1.

INVALIDATA flag (Reception-in-Progress Status Flag)

After the completion of a message reception, the INVALIDATA flag is set to 1 while the received message is updated in the associated mailbox. The INVALIDATA flag is set to 0 immediately after the message is stored. If the mailbox is read while the INVALIDATA flag is 1, the data is undefined.

MSGLOST flag (Message Lost Flag*1, *2)

The MSGLOST flag is set to 1 when the mailbox is overwritten or overrun by a new received message while the NEWDATA flag is 1. The MSGLOST flag is set to 1 at the end of the 6th bit of EOF. The MSGLOST flag is set to 0 through a software write.

In both overwrite and overrun modes, the MSGLOST flag cannot be set to 0 through a software write during the 5 PCLKB cycles following the 6th bit of EOF.

ONESHOT bit (One-Shot Enable*2, *3)

When the ONESHOT bit is set to 1 in receive mode (RECREQ = 1 and TRMREQ = 0), the mailbox receives a message only one time. The mailbox does not behave as a receive mailbox after it receives the message. The behavior of the NEWDATA and INVALIDDATA flags is the same as in normal receive mode. In one-shot receive mode, the MSGLOST flag does not set to 1. To set the ONESHOT bit to 0, first write 0 to the RECREQ bit and ensure that it is 0.

RECREQ bit (Receive Mailbox Request*2, *3, *4, *5)

The RECREQ bit selects the receive modes listed in [Table 31.10](#).

When the RECREQ bit is set to 1, the associated mailbox is configured for reception of a data frame or remote frame.

When the RECREQ bit is set to 0, the associated mailbox is not configured for reception of a data frame or remote frame.

Due to hardware protection, the RECREQ bit cannot be set to 0 through a software write during the following period:

- Hardware protection is started from the acceptance filter processing (the beginning of the CRC field)
- Hardware protection is released:
 - For the mailbox that is specified to receive the incoming message, after the received data is stored in the mailbox, or a CAN bus error occurs. The maximum period of hardware protection is from the beginning of the CRC field to the end of the 7th bit of EOF.
 - For the other mailboxes, after acceptance filter processing
 - If no mailbox is specified to receive the message, after acceptance filter processing.

When setting the RECREQ bit to 1, do not set the TRMREQ bit to 1. To change the configuration of a mailbox from transmission to reception, first abort the transmission, then set the SENTDATA and TRMABT flags to 0 before changing to reception.

Note: MCTL_RXj.RECREQ is the mirror bit of MCTL_TXj.RECREQ.

TRMREQ bit (Transmit Mailbox Request*2, *4)

The TRMREQ bit selects the transmit modes listed in [Table 31.10](#).

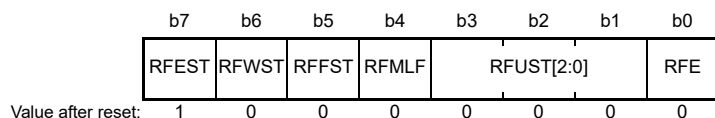
When the TRMREQ bit is set to 1, the associated mailbox is configured for transmission of a data frame or a remote frame. When the TRMREQ bit is set to 0, the associated mailbox is not configured for transmission of a data frame or remote frame.

If the TRMREQ bit is changed from 1 to 0 to cancel the associated transmission request, either the TRMABT flag or the SENTDATA flag is set to 1. When setting the TRMREQ bit to 1, do not set the RECREQ bit to 1. To change the configuration of a mailbox from reception to transmission, first abort the reception, and then set the NEWDATA and MSGLOST flags to 0 before changing to transmission.

Note: MCTL_RXj.TRMREQ is the mirror bit of MCTL_TXj.TRMREQ.

31.2.11 Receive FIFO Control Register (RFCR)

Address(es): CAN0.RFCR 4005 0848h



Bit	Symbol	Bit name	Description	R/W
b0	RFE	Receive FIFO Enable	0: Disable receive FIFO 1: Enable receive FIFO.	R/W
b3 to b1	RFUST[2:0]	Receive FIFO Unread Message Number Status	b3 b1 0 0 0: No unread message 0 0 1: 1 unread message 0 1 0: 2 unread messages 0 1 1: 3 unread messages 1 0 0: 4 unread messages 1 0 1: Reserved 1 1 0: Reserved 1 1 1: Reserved.	R
b4	RFMLF	Receive FIFO Message Lost Flag	0: Receive FIFO message not lost 1: Receive FIFO message lost.	R/W
b5	RFFST	Receive FIFO Full Status Flag	0: Receive FIFO not full 1: Receive FIFO full (4 unread messages).	R
b6	RFWST	Receive FIFO Buffer Warning Status Flag	0: Receive FIFO has no buffer warning 1: Receive FIFO has buffer warning (3 unread messages).	R
b7	RFEST	Receive FIFO Empty Status Flag	0: Unread message in receive FIFO 1: No unread message in receive FIFO.	R

Write to the RFCR register in CAN operation or halt mode.

RFE bit (Receive FIFO Enable)

When the RFE bit is set to 1, the receive FIFO is enabled. When the RFE bit is set to 0, the receive FIFO is disabled for reception and becomes empty (RFEST = 1). Write 0 to the RFE bit simultaneously with the RFMLF flag setting.

Do not set this bit to 1 in normal mailbox mode (MBM = 0). Due to hardware protection, the RFE bit cannot be set to 0 through a software write during the following period:

- Hardware protection is started from the acceptance filter processing (the beginning of the CRC field)
- Hardware protection is released:
 - If the receive FIFO is specified to receive the incoming message, after the received data is stored into the receive FIFO or a CAN bus error occurs. The maximum period of hardware protection is from the beginning of the CRC field to the end of 7th bit of EOF.
 - If the receive FIFO is not specified to receive the message, after acceptance filter processing.

RFUST[2:0] bits (Receive FIFO Unread Message Number Status)

The RFUST[2:0] bits indicate the number of unread messages in the receive FIFO. The value of the RFUST[2:0] bits is initialized to 000b when the RFE bit is set to 0.

RFMLF flag (Receive FIFO Message Lost Flag)

The RFMLF flag is set to 1 (receive FIFO message lost) when the receive FIFO receives a new message and is full. This flag is set to 1 at the end of the 6th bit of EOF.

The RFMLF flag is set to 0 through a software write. Writing 1 has no effect. In both overwrite and overrun modes, if the receive FIFO is full and determined to have received a message, the RFMLF flag cannot be set to 0 (no receive FIFO message lost) through a software write because of hardware protection during 5 PCLKB cycles following the 6th bit of EOF.

RFFST flag (Receive FIFO Full Status Flag)

The RFFST flag is set to 1 (receive FIFO is full) when the number of unread messages in the receive FIFO is 4. The RFFST flag is 0 (receive FIFO is not full) when the number of unread messages in the receive FIFO is less than 4. The RFFST flag is set to 0 when the RFE bit is 0.

RFWST flag (Receive FIFO Buffer Warning Status Flag)

The RFWST flag is set to 1 (receive FIFO buffer warning) when the number of unread messages in the receive FIFO is 3. The RFWST flag is 0 (no receive FIFO buffer warning) when the number of unread messages in the receive FIFO is less than 3 or equal to 4. The RFWST flag is set to 0 when the RFE bit is 0.

RFEST flag (Receive FIFO Empty Status Flag)

The RFEST flag is set to 1 (no unread message in receive FIFO) when the number of unread messages in the receive FIFO is 0. The RFEST flag is set to 1 when the RFE bit is set to 0. The RFEST flag is set to 0 (unread message in receive FIFO) when the number of unread messages in the receive FIFO is one or more.

Figure 31.2 shows the receive FIFO mailbox operation.

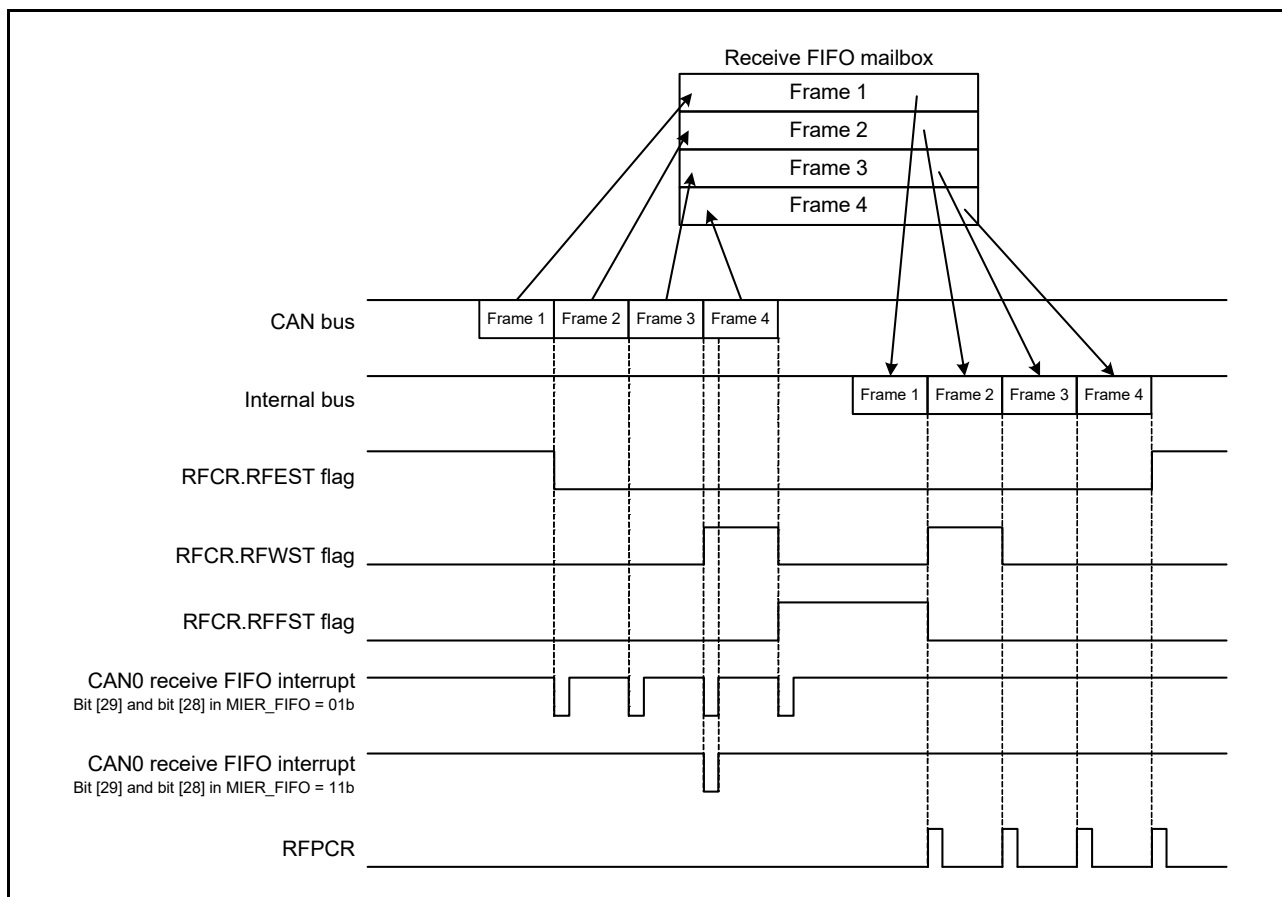
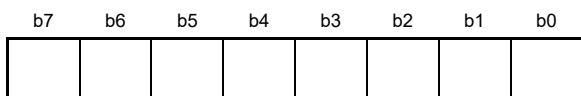


Figure 31.2 Receive FIFO mailbox operation with bit [29] and bit [28] in MIER_FIFO = 01b or 11b

31.2.12 Receive FIFO Pointer Control Register (RFPCR)

Address(es): CAN0.RFPCR 4005 0849h



Value after reset: x x x x x x x x

x: Undefined

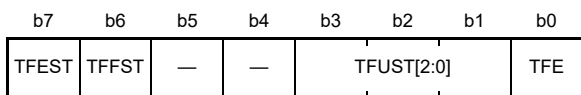
Bit	Description	R/W
b7 to b0	The CPU pointer for the receive FIFO is incremented by writing FFh to RFPCR	W

When the receive FIFO is not empty, write FFh to the RFPCR register through software to increment the CPU pointer to the next mailbox location. Do not write to the RFPCR register when the RFE bit in RFCR is 0 (receive FIFO disabled).

Both the CAN and CPU pointers are incremented when a new message is received and the RFFST flag is 1 (receive FIFO is full) in overwrite mode. When the RFMLF flag is 1 in this state, the CPU pointer does not increment on a software write to RFPCR.

31.2.13 Transmit FIFO Control Register (TFCR)

Address(es): CAN0.TFCR 4005 084Ah



Value after reset: 1 0 0 0 0 0 0 0

Bit	Symbol	Bit name	Description	R/W																											
b0	TFE	Transmit FIFO Enable	0: Disable transmit FIFO 1: Enable transmit FIFO.	R/W																											
b3 to b1	TFUST[2:0]	Transmit FIFO Unsent Message Number Status	<table style="font-size: small; border-collapse: collapse;"> <tr> <td style="padding-right: 5px;">b3</td> <td style="padding-right: 5px;">b1</td> <td></td> </tr> <tr> <td>0 0</td> <td>0</td> <td>0: 0 unsent messages</td> </tr> <tr> <td>0 0</td> <td>1</td> <td>1: 1 unsent message</td> </tr> <tr> <td>0 1</td> <td>0</td> <td>2: 2 unsent messages</td> </tr> <tr> <td>0 1</td> <td>1</td> <td>3: 3 unsent messages</td> </tr> <tr> <td>1 0</td> <td>0</td> <td>4: 4 unsent messages</td> </tr> <tr> <td>1 0</td> <td>1</td> <td>Reserved</td> </tr> <tr> <td>1 1</td> <td>0</td> <td>Reserved</td> </tr> <tr> <td>1 1</td> <td>1</td> <td>Reserved.</td> </tr> </table>	b3	b1		0 0	0	0: 0 unsent messages	0 0	1	1: 1 unsent message	0 1	0	2: 2 unsent messages	0 1	1	3: 3 unsent messages	1 0	0	4: 4 unsent messages	1 0	1	Reserved	1 1	0	Reserved	1 1	1	Reserved.	R
b3	b1																														
0 0	0	0: 0 unsent messages																													
0 0	1	1: 1 unsent message																													
0 1	0	2: 2 unsent messages																													
0 1	1	3: 3 unsent messages																													
1 0	0	4: 4 unsent messages																													
1 0	1	Reserved																													
1 1	0	Reserved																													
1 1	1	Reserved.																													
b5, b4	—	Reserved	These bits are read as 0. The write value should be 0.	R/W																											
b6	TFFST	Transmit FIFO Full Status	0: Transmit FIFO not full 1: Transmit FIFO full (4 unsent messages).	R																											
b7	TFEST	Transmit FIFO Empty Status	0: Unsent message in transmit FIFO 1: No unsent message in transmit FIFO.	R																											

Write to TFCR in CAN operation mode or halt mode.

TFE bit (Transmit FIFO Enable)

When the TFE bit is set to 1, the transmit FIFO is enabled.

When the TFE bit is set to 0, the transmit FIFO becomes empty (TFEST bit = 1), and unsent messages from the transmit FIFO are lost as follows:

- Immediately if a message from the transmit FIFO is not scheduled for the next transmission or is already in transmission
- On completion of transmission, on a CAN bus error, CAN bus arbitration-lost, or entry to CAN halt mode, if a message from the transmit FIFO is scheduled for the next transmission or is already in transmission.

Before setting the TFE bit to 1 again, ensure that the TFEST bit is set to 1. After setting the TFE bit to 1, write transmit data to mailbox 24.

Do not set the TFE bit to 1 in normal mailbox mode (MBM bit in CTRL = 0).

TFUST[2:0] bits (Transmit FIFO Unsent Message Number Status)

The TFUST[2:0] bits indicate the number of unsent messages in the transmit FIFO. These bits are set to 000b after the TFE bit is set to 0 and transmission aborts or completes.

TFFST bit (Transmit FIFO Full Status)

The TFFST bit is set to 1 (transmit FIFO is full) when the number of unsent messages in the transmit FIFO is 4. The TFFST bit is set to 0 (transmit FIFO is not full) when the number of unsent messages in the transmit FIFO is less than 4. The TFFST bit is set to 0 when transmission from the transmit FIFO is aborted.

TFEST bit (Transmit FIFO Empty Status)

The TFEST bit is set to 1 (no message in transmit FIFO) when the number of unsent messages in the transmit FIFO is 0. The TFEST bit is set to 1 when transmission from the transmit FIFO is aborted. The TFEST bit is set to 0 (message in transmit FIFO) when the number of unsent messages in the transmit FIFO is not 0.

Figure 31.3 shows the transmit FIFO mailbox operation.

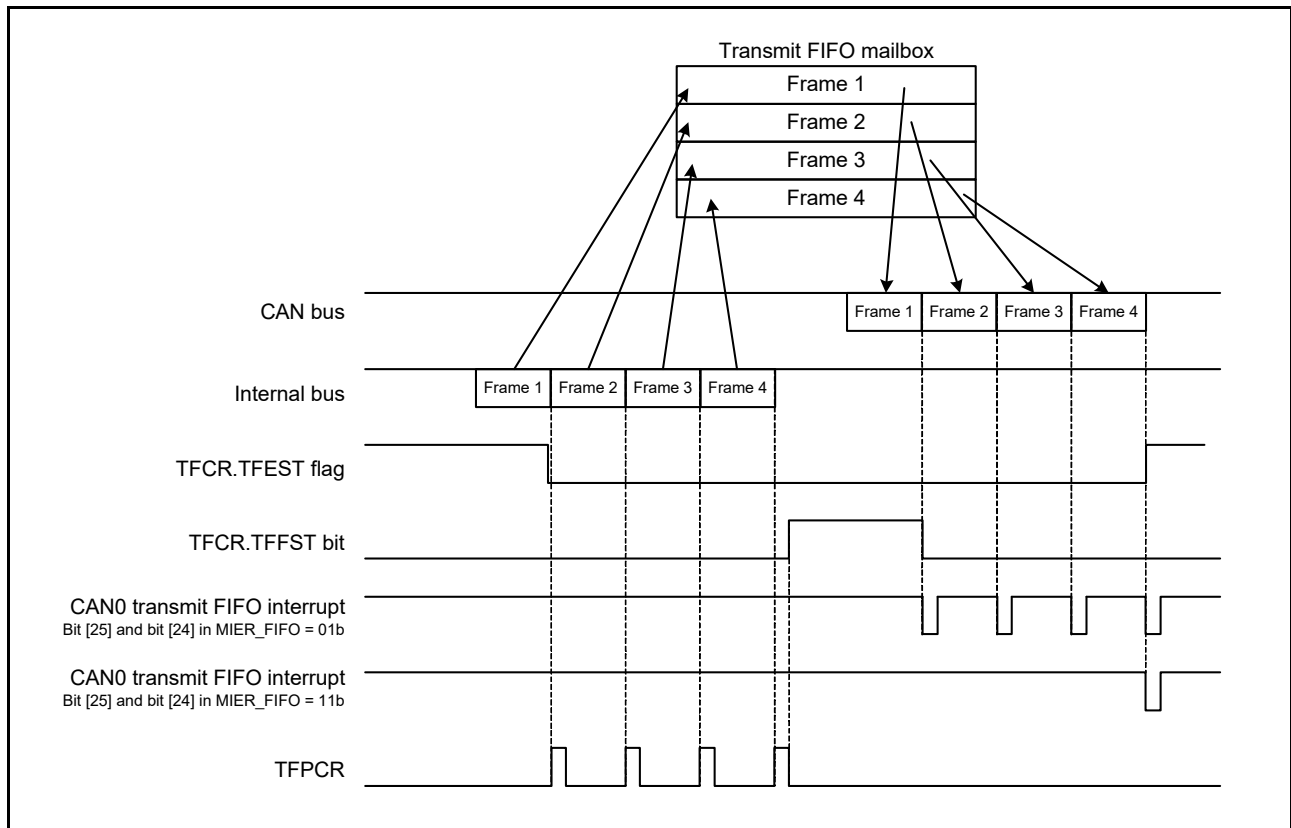
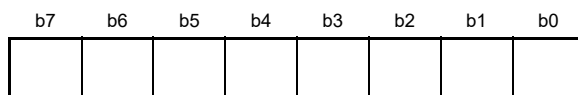


Figure 31.3 Transmit FIFO mailbox operation when bit [25] and bit [24] in MIER_FIFO = 01b or 11b

31.2.14 Transmit FIFO Pointer Control Register (TFPCR)

Address(es): CAN0.TFPCR 4005 084Bh



Value after reset: x x x x x x x x

x: Undefined

Bit	Description	R/W
b7 to b0	The CPU pointer for the transmit FIFO is incremented by writing FFh to TFPCR	W

When the transmit FIFO is not full, write FFh to the TFPCR register through software to increment the CPU pointer for the transmit FIFO to the next mailbox location.

Do not write to the TFPCR register when the TFE bit in TFCR is 0 (transmit FIFO disabled).

31.2.15 Status Register (STR)

Address(es): CAN0.STR 4005 0842h

	b15	b14	b13	b12	b11	b10	b9	b8	b7	b6	b5	b4	b3	b2	b1	b0
	—	RECST	TRMST	BOST	EPST	SLPST	HLTST	RSTST	EST	TABST	FMLST	NMLST	TFST	RFST	SDST	NDST
Value after reset:	0	0	0	0	0	1	0	1	0	0	0	0	0	0	0	0

Bit	Symbol	Bit name	Description	R/W
b0	NDST	NEWDATA Status Flag	0: No mailbox with NEWDATA = 1 1: 1 or more mailboxes with NEWDATA = 1.	R
b1	SDST	SENTDATA Status Flag	0: No mailbox with SENTDATA = 1 1: 1 or more mailboxes with SENTDATA = 1.	R
b2	RFST	Receive FIFO Status Flag	0: Receive FIFO empty 1: Message in receive FIFO.	R
b3	TFST	Transmit FIFO Status Flag	0: Transmit FIFO full 1: Transmit FIFO not full.	R
b4	NMLST	Normal Mailbox Message Lost Status Flag	0: No mailbox with MSGLOST = 1 1: 1 or more mailboxes with MSGLOST = 1.	R
b5	FMLST	FIFO Mailbox Message Lost Status Flag	0: RFMLF = 0 1: RFMLF = 1.	R
b6	TABST	Transmission Abort Status Flag	0: No mailbox with TRMABT = 1 1: 1 or more mailboxes with TRMABT = 1.	R
b7	EST	Error Status Flag	0: No error occurred 1: Error occurred.	R
b8	RSTST	CAN Reset Status Flag	0: Not in CAN reset mode 1: In CAN reset mode.	R
b9	HLTST	CAN Halt Status Flag	0: Not in CAN halt mode 1: In CAN halt mode.	R
b10	SLPST	CAN Sleep Status Flag	0: Not in CAN sleep mode 1: In CAN sleep mode.	R
b11	EPST	Error-Passive Status Flag	0: Not in error-passive state 1: In error-passive state.	R
b12	BOST	Bus-Off Status Flag	0: Not in bus-off state 1: In bus-off state.	R
b13	TRMST	Transmit Status Flag	0: Bus idle or reception in progress 1: Transmission in progress or in bus-off state.	R
b14	RECST	Receive Status Flag	0: Bus idle or transmission in progress 1: Reception in progress.	R
b15	—	Reserved	The read value is 0	R

NDST flag (NEWDATA Status Flag)

The NDST flag is set to 1 when at least one NEWDATA flag in the MCTL_RXj (j = 0 to 31) registers is 1 regardless of the value of the MIER or MIER_FIFO registers. The NDST flag is set to 0 when all the NEWDATA flags are 0.

SDST flag (SENTDATA Status Flag)

The SDST flag is set to 1 when at least one SENTDATA flag in the MCTL_TXj (j = 0 to 31) registers is 1 regardless of the value of the MIER or MIER_FIFO registers. The SDST flag is set to 0 when all the SENTDATA flags are 0.

RFST flag (Receive FIFO Status Flag)

The RFST flag is set to 1 when the receive FIFO is not empty. The RFST flag is set to 0 when the receive FIFO is empty or normal mailbox mode is selected.

TFST flag (Transmit FIFO Status Flag)

The TFST flag is set to 1 when the transmit FIFO is not full. The TFST flag is set to 0 when the transmit FIFO is full or normal mailbox mode is selected.

NMLST flag (Normal Mailbox Message Lost Status Flag)

The NMLST flag is set to 1 when at least one MSGLOST flag in MCTL_RXj (j = 0 to 31) is 1, regardless of the value of MIER or MIER_FIFO. The NMLST flag is set to 0 when all MSGLOST flags are 0.

FMLST flag (FIFO Mailbox Message Lost Status Flag)

The FMLST flag is set to 1 when the RFMLF flag in RFCR is 1, regardless of the value of MIER_FIFO. The FMLST flag is set to 0 when the RFMLF flag is 0.

TABST flag (Transmission Abort Status Flag)

The TABST flag is set to 1 when at least one TRMABT flag in the MCTL_TXj (j = 0 to 31) registers is 1, regardless of the value of the MIER or MIER_FIFO registers. The TABST flag is set to 0 when all TRMABT flags are 0.

EST flag (Error Status Flag)

The EST flag is set to 1 when at least one error is detected by the EIFR register regardless of the value of the EIER register. The EST flag is set to 0 when no error is detected by EIFR.

RSTST flag (CAN Reset Status Flag)

The RSTST flag is set to 1 when the CAN module is in CAN reset mode. The RSTST flag is 0 when the CAN module is not in CAN reset mode. The flag remains 1, even when the state changes from CAN reset to sleep mode.

HLTST flag (CAN Halt Status Flag)

The HLTST flag is set to 1 when the CAN module is in CAN halt mode. The HLTST flag is set to 0 when the CAN module is not in CAN halt mode. The flag remains 1, even when the state changes from CAN halt to sleep mode.

SLPST flag (CAN Sleep Status Flag)

The SLPST flag is set to 1 when the CAN module is in CAN sleep mode. The SLPST flag is set to 0 when the CAN module is not in CAN sleep mode.

EPST flag (Error-Passive Status Flag)

The EPST flag is set to 1 when the value in the TECR or RECR registers exceeds 127 and the CAN module is in an error-passive state ($128 \leq \text{TEC} < 256$ or $128 \leq \text{REC} < 256$). The EPST flag is set to 0 when the CAN module is not in the error-passive state.

BOST flag (Bus-Off Status Flag)

The BOST flag is set to 1 when the value in the TECR register exceeds 255 and the CAN module is in the bus-off state ($\text{TEC} \geq 256$). The BOST flag is set to 0 when the CAN module is not in the bus-off state.

TRMST flag (Transmit Status Flag)

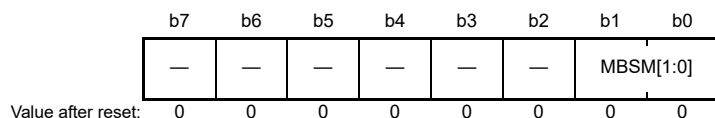
The TRMST flag is set to 1 when the CAN module performs as a transmitter node or is in the bus-off state. The TRMST flag is set to 0 when the CAN module performs as a receiver node or is in the bus-idle state.

RECST flag (Receive Status Flag)

The RECST flag is set to 1 when the CAN module performs as a receiver node. The RECST flag is set to 0 when the CAN module performs as a transmitter node or is in the bus-idle state.

31.2.16 Mailbox Search Mode Register (MSMR)

Address(es): CAN0.MSMR 4005 0853h



Bit	Symbol	Bit name	Description	R/W
b1, b0	MBSM[1:0]	Mailbox Search Mode Select	b1 b0 0 0: Receive mailbox search mode 0 1: Transmit mailbox search mode 1 0: Message lost search mode 1 1: Channel search mode.	R/W
b7 to b2	—	Reserved	These bits are read as 0. The write value should be 0.	R/W

Write to the MSMR register in CAN operation or halt mode.

MBSM[1:0] bits (Mailbox Search Mode Select)

The MBSM[1:0] bits select the search mode for the mailbox search function.

When the MBSM[1:0] bits are 00b, receive mailbox search mode is selected. In this mode, the search targets are the NEWDATA flag in the MCTL_RXj (j = 0 to 31) registers for the normal mailbox, and the RFEST flag in the RFCR register.

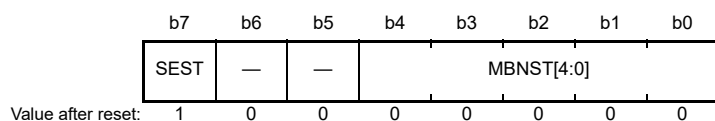
When the MBSM[1:0] bits are 01b, transmit mailbox search mode is selected. In this mode, the search target is the SENTDATA flag in the MCTL_TXj register.

When the MBSM[1:0] bits are 10b, message lost search mode is selected. In this mode, the search targets are the MSGLOST flag in the MCTL_RXj register for the normal mailbox, and the RFMLF flag in the RFCR register.

When the MBSM[1:0] bits are 11b, channel search mode is selected. In this mode, the search target is the CSSR register. See [section 31.2.18, Channel Search Support Register \(CSSR\)](#).

31.2.17 Mailbox Search Status Register (MSSR)

Address(es): CAN0.MSSR 4005 0852h



Bit	Symbol	Bit name	Description	R/W
b4 to b0	MBNST[4:0]	Search Result Mailbox Number Status	These bits output the smallest mailbox number that is found in each search mode selected in the MSMR register	R
b6, b5	—	Reserved	These bits are read as 0	R
b7	SEST	Search Result Status	0: Search result found 1: No search result.	R

MBNST[4:0] bits (Search Result Mailbox Number Status)

In all mailbox search modes, the MBNST[4:0] bits output the smallest mailbox number. In receive mailbox search mode, transmit mailbox search mode, and message lost search mode, the value of the mailbox (the search result to be output) is updated under the following conditions:

- When the associated NEWDATA, SENTDATA, or MSGLOST flag is set to 0 for a mailbox output by MBNST[4:0]

- When the associated NEWDATA, SENTDATA, or MSGLOST flag is set to 1 for a mailbox with a smaller number than that in MBNST[4:0].

If the MBSM[1:0] bits are set to 00b (receive mailbox search mode) or 10b (message lost search mode), the receive FIFO (mailbox 28) is output when it is not empty and there are no unread received messages or no lost messages in any of the normal mailboxes 0 to 23. If the MBSM[1:0] bits are set to 01b (transmit mailbox search mode), the transmit FIFO (mailbox 24) is not output. Table 31.6 shows the behavior of the MBNST[4:0] bits in FIFO mailbox mode.

In channel search mode, the MBNST[4:0] bits output the associated channel number. After the MSSR register is read by software, the next target channel number is output.

SEST bit (Search Result Status)

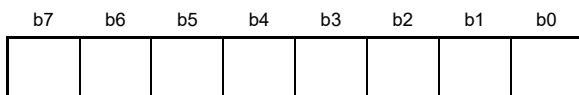
The SEST bit is set to 1 (no search result) when no associated mailbox is found after searching all the mailboxes. For example, in transmit mailbox search mode, the SEST bit is set to 1 when no SENTDATA flag is 1 for any mailbox. The SEST bit is set to 0 when at least one SENTDATA flag is 1. When the SEST bit is 1, the value of the MBNST[4:0] bits is undefined.

Table 31.6 Behavior of MBNST[4:0] bits in FIFO mailbox mode

MBSM[1:0] bits	Mailbox 24 (transmit FIFO)	Mailbox 28 (receive FIFO)
00b	Mailbox 24 is not output	Mailbox 28 is output when no MCTL_RXj.NEWDATA flag for the normal mailboxes is set to 1 (no message is being stored or was stored to the mailbox) and the receive FIFO is not empty
01b		Mailbox 28 is not output
10b		Mailbox 28 is output when no MCTL_RXj.MSGLOST flag for the normal mailboxes is set to 1 (no message is overwritten or overrun) and the RFCR.RFMLF flag is set to 1 (receive FIFO message was lost) in the receive FIFO
11b		Mailbox 28 is not output

31.2.18 Channel Search Support Register (CSSR)

Address(es): CAN0.CSSR 4005 0851h



Value after reset: x x x x x x x x

x: Undefined

Bit	Description	R/W
b7 to b0	When the value for the channel search is input, the channel number is output to the MSSR register	R/W

The bits that are set to 1 in the CSSR register are encoded by an 8/3 encoder (the LSB position has the higher priority) and output to the MBNST[4:0] bits in the MSSR register. The MSSR register outputs the updated value whenever MSSR is read by software.

Write to the CSSR register only when the MBSM[1:0] bits in the MSMR register are 11b (channel search mode). Write to the CSSR register in CAN operation mode or CAN halt mode.

Figure 31.4 shows the write and read operations of the CSSR and MSSR registers.

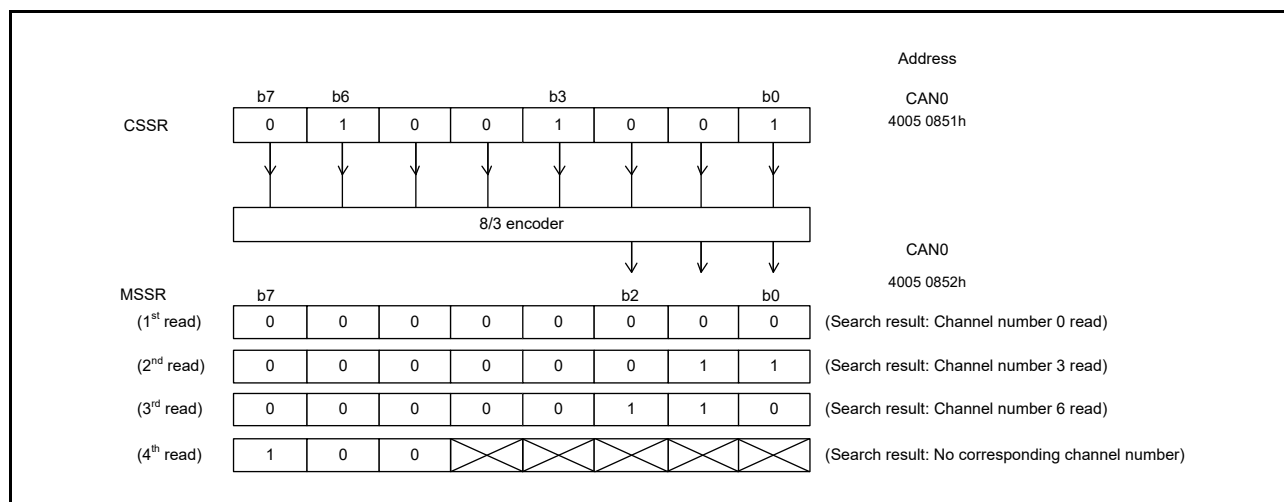
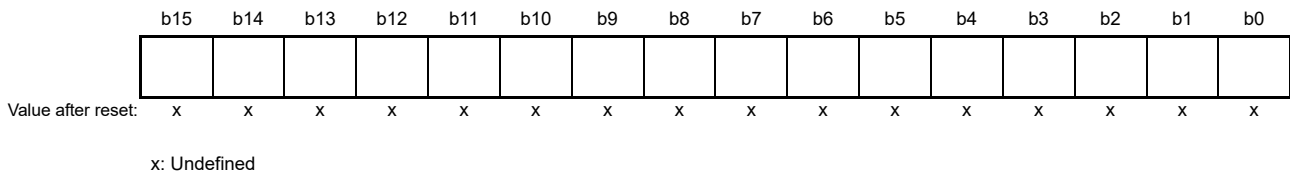


Figure 31.4 Write and read operation of CSSR and MSSR Registers

The value of the CSSR register is also updated whenever the MSSR register is read. On this read, the value prior to conversion by the 8/3 encoder can be read.

31.2.19 Acceptance Filter Support Register (AFSR)

Address(es): CAN0.AFSR 4005 0856h



Bit	Description	R/W
b15 to b0	After the standard ID of a received message is written, the value converted for data table search can be read	R/W

Note: Write to AFSR in CAN operation mode or halt mode.

The acceptance filter support unit (ASU) can be used for data table (8 bits × 256) searches. In the data table, all standard IDs that you create are set to be valid or invalid in bit units. When the AFSR register is written with data in 16-bit units including the SID[10:0] bits in the MB_j_ID (j = 0 to 31) register, in which a received standard ID is stored, a decoded row (byte offset) position and column (bit) position for data table search can be read. The ASU can be used for standard (11-bit) IDs only.

The ASU is enabled in the following cases:

- When the ID to be received cannot be masked by the acceptance filter.
For example, if the IDs to be received are 078h, 087h, and 111h.
- When there are too many IDs to receive, and the software filtering time is expected to be shortened.

Note: The AFSR register cannot be set in CAN reset mode.

Figure 31.5 shows the write and read operation in the AFSR register.

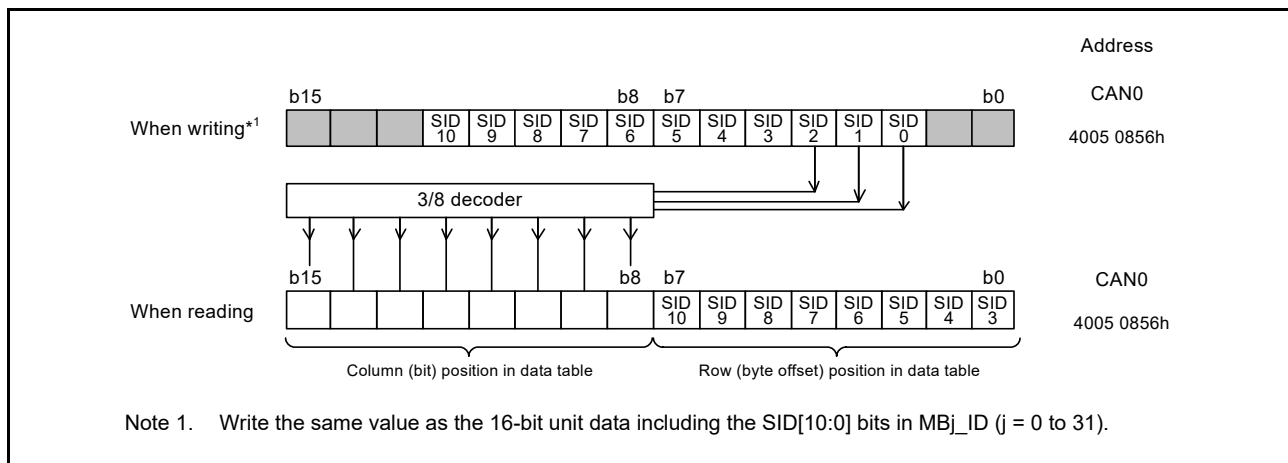


Figure 31.5 Write and read operations in the AFSR register

31.2.20 Error Interrupt Enable Register (EIER)

Address(es): CAN0.EIER 4005 084Ch

b7	b6	b5	b4	b3	b2	b1	b0
BLIE	OLIE	ORIE	BORIE	BOEIE	EPIE	EWIE	BEIE
0	0	0	0	0	0	0	0

Value after reset:

Bit	Symbol	Bit name	Description	R/W
b0	BEIE	Bus Error Interrupt Enable	0: Disable interrupt 1: Enable interrupt.	R/W
b1	EWIE	Error-Warning Interrupt Enable	0: Disable interrupt 1: Enable interrupt.	R/W
b2	EPIE	Error-Passive Interrupt Enable	0: Disable interrupt 1: Enable interrupt.	R/W
b3	BOEIE	Bus-Off Entry Interrupt Enable	0: Disable interrupt 1: Enable interrupt.	R/W
b4	BORIE	Bus-Off Recovery Interrupt Enable	0: Disable interrupt 1: Enable interrupt.	R/W
b5	ORIE	Overrun Interrupt Enable	0: Disable interrupt 1: Enable interrupt.	R/W
b6	OLIE	Overload Frame Transmit Interrupt Enable	0: Disable interrupt 1: Enable interrupt.	R/W
b7	BLIE	Bus Lock Interrupt Enable	0: Disable interrupt 1: Enable interrupt.	R/W

The EIER register independently enables or disables the error interrupt for each error interrupt source. Write to the EIER register in CAN reset mode.

BEIE bit (Bus Error Interrupt Enable)

When the BEIE bit is 0, no error interrupt request is generated even if the BEIF flag in the EIFR register is 1. When the BEIE bit is 1, an error interrupt request is generated if the BEIF flag is set to 1.

EWIE bit (Error-Warning Interrupt Enable)

When the EWIE bit is 0, no error interrupt request is generated even if the EWIF flag in the EIFR register is 1. When the EWIE bit is 1, an error interrupt request is generated if the EWIF flag is set to 1.

EPIE bit (Error-Passive Interrupt Enable)

When the EPIE bit is 0, no error interrupt request is generated even if the EPIF flag in the EIFR register is 1. When the EPIE bit is 1, an error interrupt request is generated if the EPIF flag is set to 1.

BOEIE bit (Bus-Off Entry Interrupt Enable)

When the BOEIE bit is 0, no error interrupt request is generated even if the BOEIF flag in the EIFR register is 1. When the BOEIE bit is 1, an error interrupt request is generated if the BOEIF flag is set to 1.

BORIE bit (Bus-Off Recovery Interrupt Enable)

When the BORIE bit is 0, no error interrupt request is generated even if the BORIF flag in the EIFR register is 1. When the BORIE bit is set to 1, an error interrupt request is generated if the BORIF flag is set to 1.

ORIE bit (Overrun Interrupt Enable)

When the ORIE bit is 0, no error interrupt request is generated even if the ORIF flag in the EIFR register is 1. When the ORIE bit is 1, an error interrupt request is generated if the ORIF flag is set to 1.

OLIE bit (Overload Frame Transmit Interrupt Enable)

When the OLIE bit is 0, no error interrupt request is generated even if the OLIF flag in the EIFR register is 1. When the OLIE bit is 1, an error interrupt request is generated if the OLIF flag is set to 1.

BLIE bit (Bus Lock Interrupt Enable)

When the BLIE bit is 0, no error interrupt request is generated even if the BLIF flag in the EIFR register is 1. When the BLIE bit is 1, an error interrupt request is generated if the BLIF flag is set to 1.

31.2.21 Error Interrupt Factor Judge Register (EIFR)

Address(es): CAN0.EIFR 4005 084Dh

	b7	b6	b5	b4	b3	b2	b1	b0
	BLIF	OLIF	ORIF	BORIF	BOEIF	EPIF	EWIF	BEIF
Value after reset:	0	0	0	0	0	0	0	0

Bit	Symbol	Bit name	Description	R/W
b0	BEIF	Bus Error Detect Flag	0: No bus error detected 1: Bus error detected.	R/W
b1	EWIF	Error-Warning Detect Flag	0: No error-warning detected 1: Error-warning detected.	R/W
b2	EPIF	Error-Passive Detect Flag	0: No error-passive detected 1: Error-passive detected.	R/W
b3	BOEIF	Bus-Off Entry Detect Flag	0: No bus-off entry detected 1: Bus-off entry detected.	R/W
b4	BORIF	Bus-Off Recovery Detect Flag	0: No bus-off recovery detected 1: Bus-off recovery detected.	R/W
b5	ORIF	Receive Overrun Detect Flag	0: No receive overrun detected 1: Receive overrun detected.	R/W
b6	OLIF	Overload Frame Transmission Detect Flag	0: No overload frame transmission detected 1: Overload frame transmission detected.	R/W
b7	BLIF	Bus Lock Detect Flag	0: No bus lock detected 1: Bus lock detected.	R/W

If an event associated with an EIFR flag occurs, the associated bit in EIFR is set to 1 regardless of the setting of EIER.

Clear the bits to 0 through a software write. If a bit is set to 1 at the same time that software clears it, the bit becomes 1. When setting a single bit to 0 in software, use the transfer instruction (MOV) to ensure that only the specified bit is set to 0 and the other bits are set to 1. Writing 1 has no effect on these bit values.

BEIF flag (Bus Error Detect Flag)

The BEIF flag is set to 1 when a bus error is detected.

EWIF flag (Error-Warning Detect Flag)

The EWIF flag is set to 1 when the value of the receive error counter (REC) or transmit error counter (TEC) exceeds 95. This flag is set to 1 only when the REC or TEC value initially exceeds 95. If software writes 0 to this flag while the REC or TEC value remains greater than 95, the EWIF flag is not set to 1 until REC or TEC values go below 95 and then exceeds 95 again.

EPIF flag (Error-Passive Detect Flag)

The EPIF flag is set to 1 when the CAN error state becomes error-passive, when the REC or TEC value exceeds 127. This flag is set to 1 only when the REC or TEC initially exceeds 127. If software writes 0 to this flag while the REC or TEC value remains greater than 127, the EPIF flag is not set to 1 until the REC or TEC value goes below 127 and then exceeds 127 again.

BOEIF flag (Bus-Off Entry Detect Flag)

The BOEIF flag is set to 1 when the CAN error state becomes bus-off, when the TEC value exceeds 255. This flag is also set to 1 when the BOM[1:0] bits in CTLR are 01b (automatic entry to CAN halt mode on bus-off entry) and the CAN module enters the bus-off state.

BORIF flag (Bus-Off Recovery Detect Flag)

The BORIF flag is set to 1 when the CAN module recovers from the bus-off state normally by detecting 11 consecutive recessive bits 128 times in the following conditions:

- When the BOM[1:0] bits in CTLR are 00b
- When the BOM[1:0] bits in CTLR are 10b
- When the BOM[1:0] bits in CTLR are 11b.

The BORIF flag is not set to 1 if the CAN module recovers from the bus-off state in the following conditions:

- When the CANM[1:0] bits in CTLR are set to 01b or 11b (CAN reset mode)
- When the RBOC bit in CTLR is set to 1 (forced return from bus-off)
- When the BOM[1:0] bits in CTLR are set to 01b
- When the BOM[1:0] bits in CTLR are set to 11b and the CANM[1:0] bits in CTLR are set to 10b (CAN halt mode) before normal recovery occurs.

Table 31.7 shows the behavior of the BOEIF and BORIF flags for each CTLR.BOM[1:0] bit setting.

Table 31.7 Behavior of BOEIF and BORIF flags for each CTLR.BOM[1:0] bit setting

BOM[1:0] bits	BOEIF flag	BORIF flag
00b	Set to 1 on entry to the bus-off state	Set to 1 on exit from the bus-off state
01b		Do not set to 1
10b		Set to 1 on exit from the bus-off state
11b		Set to 1 if normal bus-off recovery occurs before the CANM[1:0] bits are set to 10b (CAN halt mode)

ORIF flag (Receive Overrun Detect Flag)

The ORIF flag is set to 1 when a receive overrun occurs. This flag does not set to 1 in overwrite mode. In overwrite mode, a reception complete interrupt request is generated if an overwrite condition occurs and the ORIF flag is not set to 1.

In overrun mode with normal mailbox mode, if an overrun occurs in any of the mailboxes 0 to 31, this flag is set to 1. In overrun mode with FIFO mailbox mode, if an overrun occurs in any of the mailboxes 0 to 23, or the receive FIFO, this flag is set to 1.

OLIF flag (Overload Frame Transmission Detect Flag)

The OLIF flag is set to 1 if the transmitting condition of an overload frame is detected when the CAN module is transmitting or receiving.

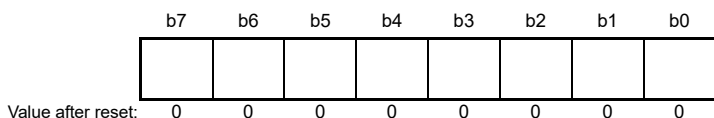
BLIF flag (Bus Lock Detect Flag)

The BLIF flag is set to 1 if 32 consecutive dominant bits are detected on the CAN bus while the CAN module is in CAN operation mode. After the BLIF flag is set to 1, 32 consecutive dominant bits are detected again under either of the following conditions:

- Recessive bits are detected after the BLIF flag changes from 0 to 1
- The CAN module enters CAN reset mode or halt mode and then enters CAN operation mode again after the BLIF flag changes from 0 to 1.

31.2.22 Receive Error Count Register (RECR)

Address(es): CAN0.RECR 4005 084Eh

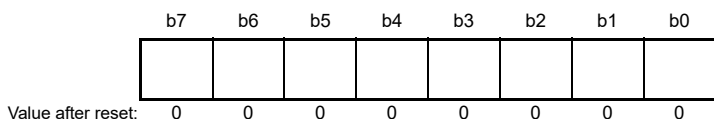


Bit	Description	R/W
b7 to b0	Receive error count function. RECR increments or decrements the counter value according to the error status of the CAN module during reception.	R

The RECR register indicates the value of the receive error counter. See the CAN specification (ISO11898-1) for information on the increment or decrement conditions of the receive error counter. The value of the RECR register in the bus-off state is undefined.

31.2.23 Transmit Error Count Register (TECR)

Address(es): CAN0.TECR 4005 084Fh

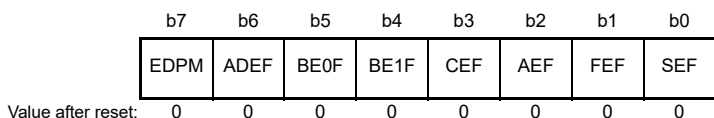


Bit	Description	R/W
b7 to b0	Transmit error count function. TECR increments or decrements the counter value based on the error status of the CAN module during transmission.	R

The TECR register indicates the value of the transmit error counter. See the CAN specification (ISO11898-1) for the increment and decrement conditions of the transmit error counter. The value of the TECR register in the bus-off state is undefined.

31.2.24 Error Code Store Register (ECSR)

Address(es): CAN0.ECSR 4005 0850h



Bit	Symbol	Bit name	Description	R/W
b0	SEF	Stuff Error Flag*1, *2	0: No stuff error detected 1: Stuff error detected.	R/W
b1	FEF	Form Error Flag*1, *2	0: No form error detected 1: Form error detected.	R/W
b2	AEF	ACK Error Flag*1, *2	0: No ACK error detected 1: ACK error detected.	R/W
b3	CEF	CRC Error Flag*1, *2	0: No CRC error detected 1: CRC error detected.	R/W

Bit	Symbol	Bit name	Description	R/W
b4	BE1F	Bit Error (recessive) Flag* ¹ , * ²	0: No bit error (recessive) detected 1: Bit error (recessive) detected.	R/W
b5	BE0F	Bit Error (dominant) Flag* ¹ , * ²	0: No bit error (dominant) detected 1: Bit error (dominant) detected.	R/W
b6	ADEF	ACK Delimiter Error Flag* ¹ , * ²	0: No ACK delimiter error detected 1: ACK delimiter error detected.	R/W
b7	EDPM	Error Display Mode Select* ³ , * ⁴	0: Output first detected error code 1: Output accumulated error code.	R/W

Note 1. Writing 1 has no effect on these bit values.

Note 2. To write 0 to the SEF, FEF, AEF, CEF, BE1F, BE0F, and ADEF bits, use the transfer (MOV) instruction to ensure that only the specified bit is set to 0 and the other bits are set to 1.

Note 3. Write to the EDPM bit in CAN reset or CAN halt mode.

Note 4. If more than one error condition is detected simultaneously, all the related bits are set to 1.

The ECSR register indicates whether an error occurs on the CAN bus. See the CAN specification (ISO11898-1) for the conditions when each error occurs.

Clear all the bits except the EDPM bit to 0 through a software write. If an ECSR bit is set to 1 at that same time that software writes 0 to it, the bit is set to 1.

SEF flag (Stuff Error Flag)

The SEF flag is set to 1 when a stuff error is detected.

FEF flag (Form Error Flag)

The FEF flag is set to 1 when a form error is detected.

AEF flag (ACK Error Flag)

The AEF flag is set to 1 when an ACK error is detected.

CEF flag (CRC Error Flag)

The CEF flag is set to 1 when a CRC error is detected.

BE1F flag (Bit Error (recessive) Flag)

The BE1F flag is set to 1 when a recessive bit error is detected.

BE0F flag (Bit Error (dominant) Flag)

The BE0F flag is set to 1 when a dominant bit error is detected.

ADEF flag (ACK Delimiter Error Flag)

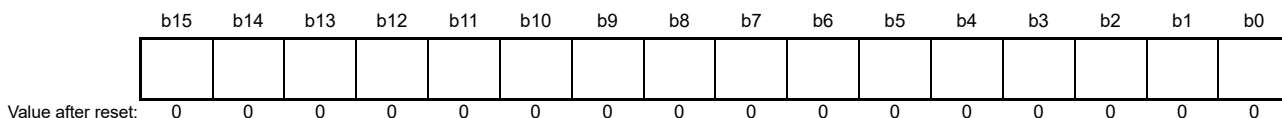
The ADEF flag is set to 1 when a form error is detected with the ACK delimiter during transmission.

EDPM bit (Error Display Mode Select)

The EDPM bit selects the output mode of ECSR. When the EDPM bit is set to 0, the ECSR register outputs the first error code. When the EDPM bit is set to 1, the ECSR register outputs the accumulated error code.

31.2.25 Time Stamp Register (TSR)

Address(es): CAN0.TSR 4005 0854h



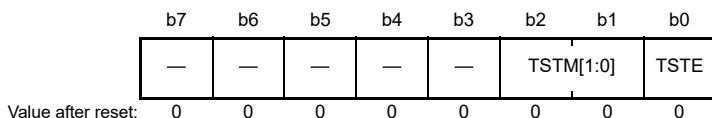
Bit	Description	R/W
b15 to b0	Free-running counter value for the time stamp function	R

Note: Read the TSR register in 16-bit units.

Reading the TSR register returns the current value of the 16-bit free-running time stamp counter. The time stamp counter reference clock is configured in the TSPS[1:0] bits in CTLR. The counter stops in CAN sleep and halt modes, and is initialized in CAN reset mode. The time stamp counter value is stored in the TSL[7:0] and TSH[7:0] bits in the MBj_TS register when a received message is stored in a receive mailbox.

31.2.26 Test Control Register (TCR)

Address(es): CAN0.TCR 4005 0858h



Bit	Symbol	Bit name	Description	R/W
b0	TSTE	CAN Test Mode Enable	0: Disable CAN test mode 1: Enable CAN test mode.	R/W
b2, b1	TSTM[1:0]	CAN Test Mode Select	b2 b1 0 0: Not CAN test mode 0 1: Listen-only mode 1 0: Self-test mode 0 (external loopback) 1 1: Self-test mode 1 (internal loopback).	R/W
b7 to b3	—	Reserved	These bits are read as 0. The write value should be 0.	R/W

The TCR register controls the CAN test mode. Write to the TCR register in CAN halt mode only.

(1) Listen-only mode

The CAN specification (ISO11898-1) recommends an optional bus monitoring mode. In listen-only mode, valid data frames and valid remote frames can be received. However, only the recessive bits can be sent on the CAN bus. The ACK bit, overload flag, and active error flag cannot be sent. Listen-only mode can be used for baud rate detection. Do not request transmission from any mailboxes in listen-only mode.

Figure 31.6 shows the connection when listen-only mode is selected.

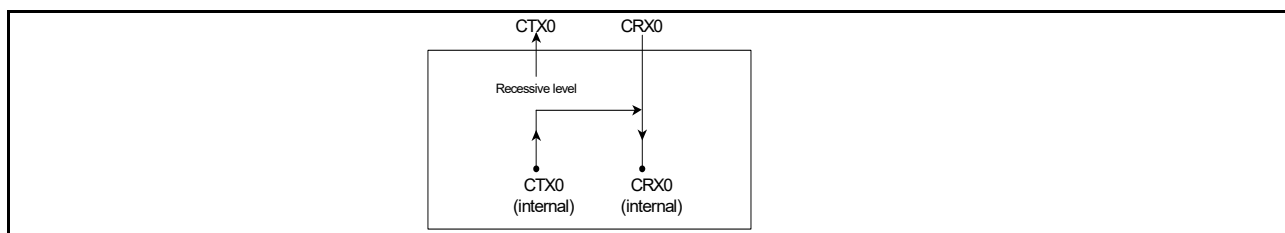


Figure 31.6 Connection when listen-only mode is selected

(2) Self-test mode 0 (external loopback)

Self-test mode 0 is provided for CAN transceiver tests. In this mode, the protocol module treats its own transmitted messages as those received by the CAN transceiver and stores them into the receive mailbox. To be independent from external stimulation, the protocol module generates the ACK bit. Connect the CTX0 and CRX0 pins to the transceiver.

Figure 31.7 shows the connection when self-test mode 0 is selected.

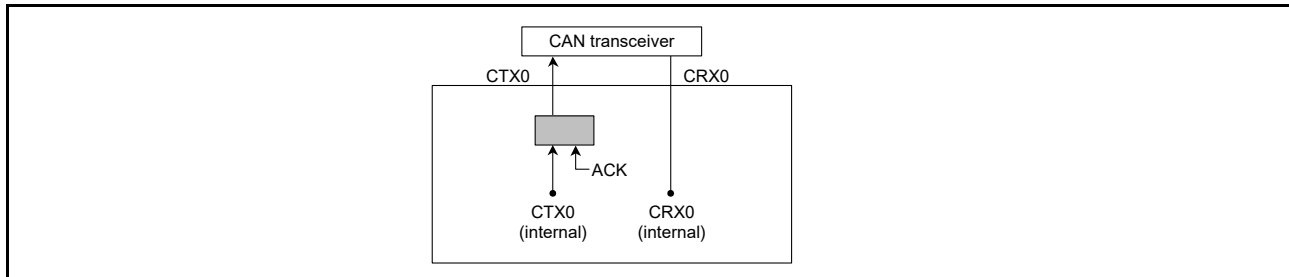


Figure 31.7 Connection when self-test mode 0 is selected

(3) Self-test mode 1 (internal loopback)

Self-test mode 1 is provided for self-test functions. In this mode, the protocol controller treats its transmitted messages as received messages and stores them into the receive mailbox. To be independent from external stimulation, the protocol controller generates the ACK bit.

In self-test mode 1, the protocol controller performs an internal feedback from the internal CTX0 pin to the internal CRX0 pin. The input value of the external CRX0 pin is ignored. The external CTX0 pin outputs only recessive bits. The CTX0 and CRX0 pins are not required to be connected to the CAN bus or any external device.

Figure 31.8 shows the connection when self-test mode 1 is selected.

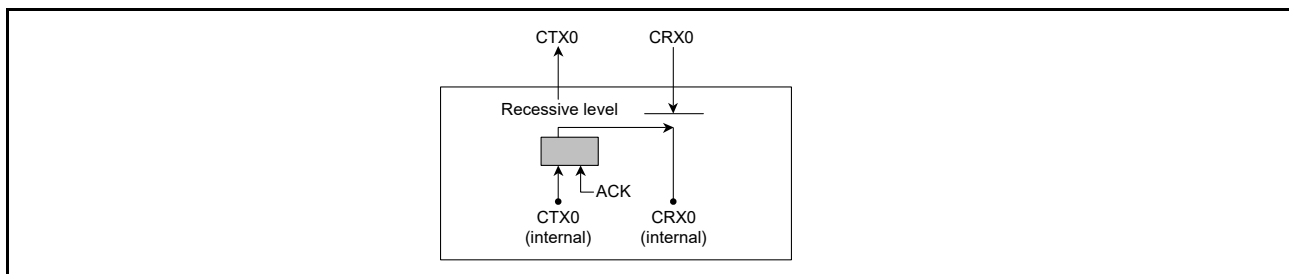


Figure 31.8 Connection when self-test mode 1 is selected

31.3 Modes of Operation

The CAN module operation modes include the following:

- CAN reset mode
- CAN halt mode
- CAN operation mode
- CAN sleep mode.

Figure 31.9 shows the transitions between different operation modes.

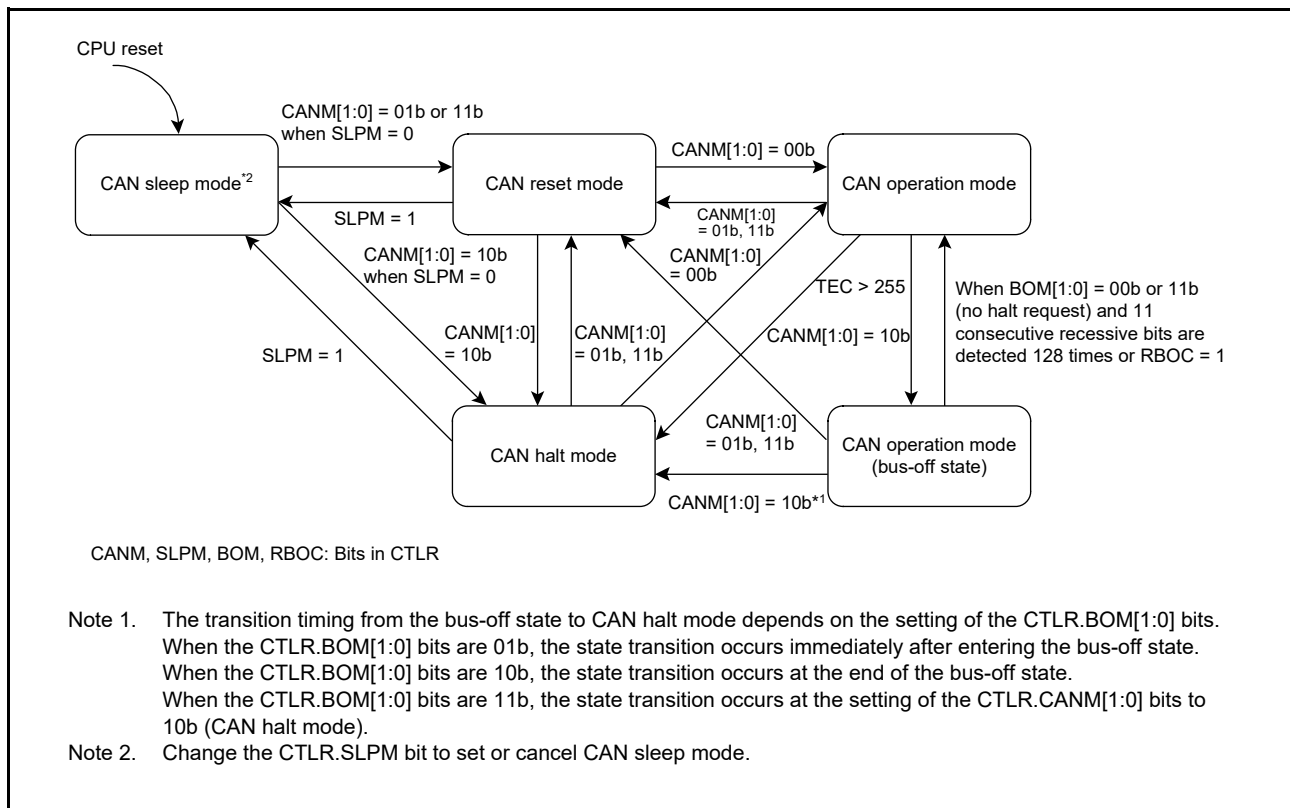


Figure 31.9 Transition between different operation modes

31.3.1 CAN Reset Mode

CAN reset mode is provided for CAN communication configuration. When the CTLR.CANM[1:0] bits are set to 01b or 11b, the CAN module enters CAN reset mode. Then, the STR.RSTST flag is set to 1. Do not change the CTLR.CANM[1:0] bits until the RSTST flag is set to 1. Set the BCR register before exiting CAN reset mode to enter any other modes.

The following registers are initialized to their reset values after entering CAN reset mode, and their initial values are retained during CAN reset mode:

- MCTL_TXj and MCTL_RXj
- STR (except for the SLPST and TFST bits)
- EIFR
- RECR
- TECR
- TSR
- MSSR
- MSMR
- RFCR
- TFCR
- TCR
- ECSR (except for the EDPM bit).

The following registers retain their previous values even after entering CAN reset mode:

- CTLR
- STR (only the SLPST and TFST bits)
- MIER and MIER_FIFO
- EIER
- BCR
- CSSR
- ECSR (only the EDPM bit)
- MBj_ID, MBj_DL, MBj_Dm, and MBj_TS
- MKRk
- FIDCR0 and FIDCR1
- MKIVLR
- AFSR
- RFPCR
- TFPCR.

31.3.2 CAN Halt Mode

CAN halt mode is used for mailbox configuration and test mode setting. When the CANM[1:0] bits in the CTLR register are set to 10b, CAN halt mode is selected and the HLTST bit in the STR register is set to 1. Do not change the CANM[1:0] bits in the CTLR register until the HLTST bit is 1. See Table 31.8 for the state transition conditions when transmitting or receiving.

All registers except for the RSTST, HLTST, and SLPST bits in the STR register remain unchanged when the CAN enters CAN halt mode.

Do not change the CTLR register (except for bits CANM[1:0] and SLPM) and the EIER register in CAN halt mode. The BCR register can be changed in CAN halt mode only when listen-only mode is selected for automatic baud rate detection.

Table 31.8 Operation in CAN reset and halt modes

Operation mode	Receiver	Transmitter	Bus-off
CAN reset mode (forced transition) CANM[1:0] = 11b	CAN module enters CAN reset mode without waiting for the end of message reception	CAN module enters CAN reset mode without waiting for the end of message transmission	CAN module enters CAN reset mode without waiting for the end of bus-off recovery
CAN reset mode CANM[1:0] = 01b	CAN module enters CAN reset mode without waiting for the end of message reception	CAN module enters CAN reset mode after waiting for the end of message transmission*1, *4	CAN module enters CAN reset mode without waiting for the end of bus-off recovery
CAN halt mode	CAN module enters CAN halt mode after waiting for the end of message reception*2, *3	CAN module enters CAN halt mode after waiting for the end of message transmission*1, *4	<ul style="list-style-type: none"> When the BOM[1:0] bits are 00b: A halt request from software is accepted only after bus-off recovery When the BOM[1:0] bits are 01b: CAN module automatically enters CAN halt mode without waiting for the end of bus-off recovery, regardless of a halt request from software When the BOM[1:0] bits are 10b: CAN module automatically enters CAN halt mode after waiting for the end of bus-off recovery, regardless of a halt request from software When the BOM[1:0] bits are 11b: CAN module enters CAN halt mode without waiting for the end of bus-off recovery, if a halt is requested by software during bus-off.

Note 1. If transmission of several messages is requested, a mode transition occurs on completion of the first transmission. If the CAN reset mode is being requested during suspend transmission, mode transition occurs when the bus is idle, the next transmission ends, or the CAN module becomes a receiver.

Note 2. If the CAN bus is locked at the dominant level, the program can detect this state by monitoring the BLIF flag in the EIFR register.

Note 3. If a CAN bus error occurs during reception after CAN halt mode is requested, the CAN module transitions to CAN halt mode.

Note 4. If a CAN bus error or arbitration-lost occurs during transmission after CAN reset mode or CAN halt mode is requested, the CAN module transitions to the requested CAN mode.

31.3.3 CAN Sleep Mode

CAN sleep mode reduces current consumption by stopping the clock supply to the CAN module. After a reset from an MCU pin or a software reset, the CAN module starts from CAN sleep mode.

When the SLPM bit in the CTLR register is set to 1, the CAN module enters CAN sleep mode and the SLPST bit in STR is set to 1. Do not change the value of the SLPM bit until the SLPST bit is 1. The other registers remain unchanged when the CAN module enters CAN sleep mode.

Write to the SLPM bit in CAN reset mode and CAN halt mode. Do not change any registers (except for the SLPM bit) during CAN sleep mode. Read operation is still allowed.

When the SLPM bit is set to 0, the CAN module is released from CAN sleep mode. When the CAN module exits CAN sleep mode, the other registers remain unchanged.

31.3.4 CAN Operation Mode (Excluding Bus-Off State)

CAN operation mode is used for CAN communication.

When the CANM[1:0] bits in the CTLR register are set to 00b, the CAN module enters CAN operation mode. The RSTST and HLTST bits in STR are set to 0. Do not change the value of the CANM[1:0] bits until the RSTST and HLTST bits are set to 0.

If 11 consecutive recessive bits are detected after entering CAN operation mode, the following occurs:

- The CAN module becomes an active node on the network, which enables transmission and reception of CAN messages
- Error monitoring of the CAN bus, such as receive and transmit error counters, is performed.

During CAN operation mode, the CAN module may be in one of the following three sub-modes, depending on the status of the CAN bus:

- Idle mode: No transmission or reception occurs
- Receive mode: A CAN message sent by another node is being received
- Transmit mode: A CAN message is being transmitted. The CAN module receives a message transmitted by the local node simultaneously when self-test mode 0 (TSTM[1:0] bits in TCR = 10b) or self-test mode 1 (TSTM[1:0] bits = 11b) is selected.

Figure 31.10 shows the sub-modes in CAN operation mode.

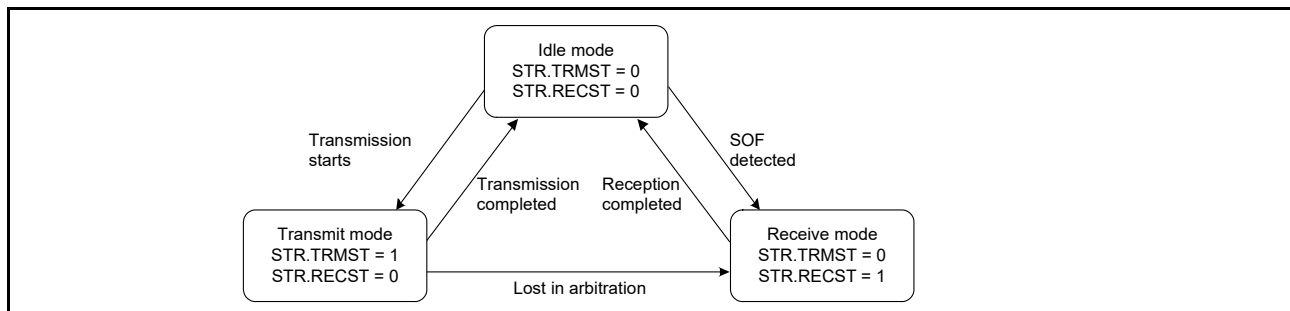


Figure 31.10 Sub-modes of CAN operation mode

31.3.5 CAN Operation Mode (Bus-Off State)

The CAN module enters the bus-off state based on the incrementing/decrementing conditions for the transmit or receive error counters as defined in the CAN specifications.

The following cases apply when the CAN module is recovering from the bus-off state. When the CAN module is in the bus-off state, the values of the CAN module registers remain unchanged, except for those in STR, EIFR, RECR, TECR, and TSR.

(1) When BOM[1:0] bits in CTLR are 00b (normal mode)

The CAN module enters the error-active state after it completes recovery from the bus-off state and CAN communication is enabled. The BORIF flag in the EIFR register is set to 1 (bus-off recovery detected) at this time.

(2) When RBOC bit in CTLR is set to 1 (forced return from bus-off)

The CAN module enters the error-active state when it is in the bus-off state and the RBOC bit is set to 1. CAN communication is enabled again after 11b consecutive recessive bits are detected. The BORIF flag does not set to 1 at this time.

(3) When BOM[1:0] bits are 01b (automatic transition to CAN halt mode on bus-off entry)

The CAN module enters CAN halt mode when it reaches the bus-off state. The BORIF flag does not set to 1 at this time.

(4) When BOM[1:0] bits are 10b (automatic transition to CAN halt mode at bus-off end)

The CAN module enters CAN halt mode when it completes the recovery from bus-off. The BORIF flag is set to 1 at this time.

(5) When BOM[1:0] bits are 11b (automatic transition to CAN halt mode through software) and CANM[1:0] bits in CTLR are set to 10b (CAN halt mode) during bus-off state

The CAN module enters CAN halt mode when it is in the bus-off state and the CANM[1:0] bits are set to 10b (CAN halt mode). The BORIF flag does not set to 1 at this time. If the CANM[1:0] bits are not set to 10b during bus-off, the same behavior as (1) applies.

31.4 Data Transfer Rate Configuration

This section describes how to configure the data transfer rate.

31.4.1 Clock Setting

The CAN module provides a CAN clock generator, as shown in [Figure 31.11](#). The CAN clock can be set by the CCLKS bit and the BRP[9:0] bits in the BCR register.

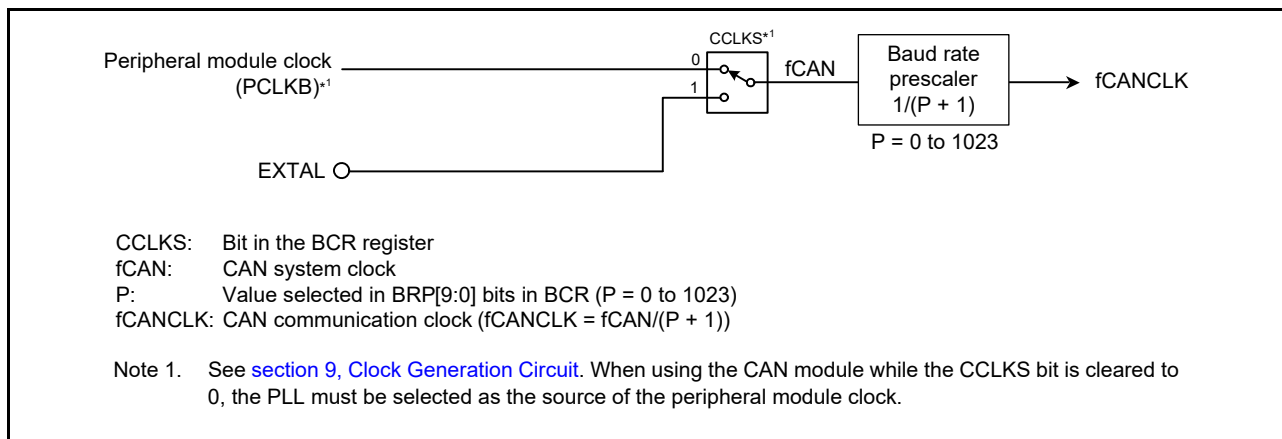


Figure 31.11 CAN clock generator block digram

31.4.2 Bit Timing Setting

The bit timing consists of three segments as shown in [Figure 31.12](#).

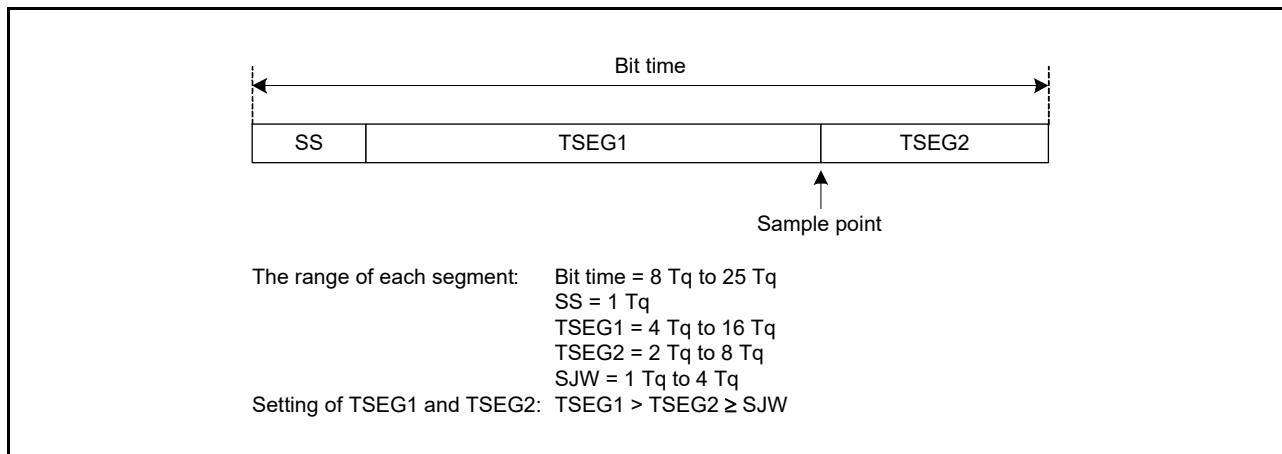


Figure 31.12 Bit timing

31.4.3 Data Transfer Rate

The data transfer rate depends on the division value of fCAN (CAN system clock), the division value of the baud rate prescaler, and the Tq count for 1 bit time.

$$\text{Data transfer rate (bps)} = \frac{\text{fCAN}}{\text{Baud rate prescaler division value}^*1 \times \text{Tq count for 1 bit time}} = \frac{\text{fCANCLK}}{\text{Tq count for 1 bit time}}$$

Note 1. Division value of baud rate prescaler = P + 1 (P: 0 to 1023), where P is the BRP[9:0] setting in the BCR register.

Table 31.9 lists data transfer rate examples.

Table 31.9 Data transfer rate examples

fCAN	32 MHz	
Data transfer rate	Tq count	P + 1
1 Mbps	8Tq	4
	16Tq	2
500 kbps	8Tq	8
	16Tq	4
250 kbps	8Tq	16
	16Tq	8
125 kbps	8Tq	32
	16Tq	16
83.3 kbps	8Tq	48
	16Tq	24
33.3 kbps	8Tq	120
	10Tq	96
	16Tq	60
	20Tq	48

31.5 Mailbox and Mask Register Structure

Figure 31.13 shows the structure of the 32 mailbox registers: MB_j_ID, MB_j_DL, MB_j_Dm, and MB_j_TS.

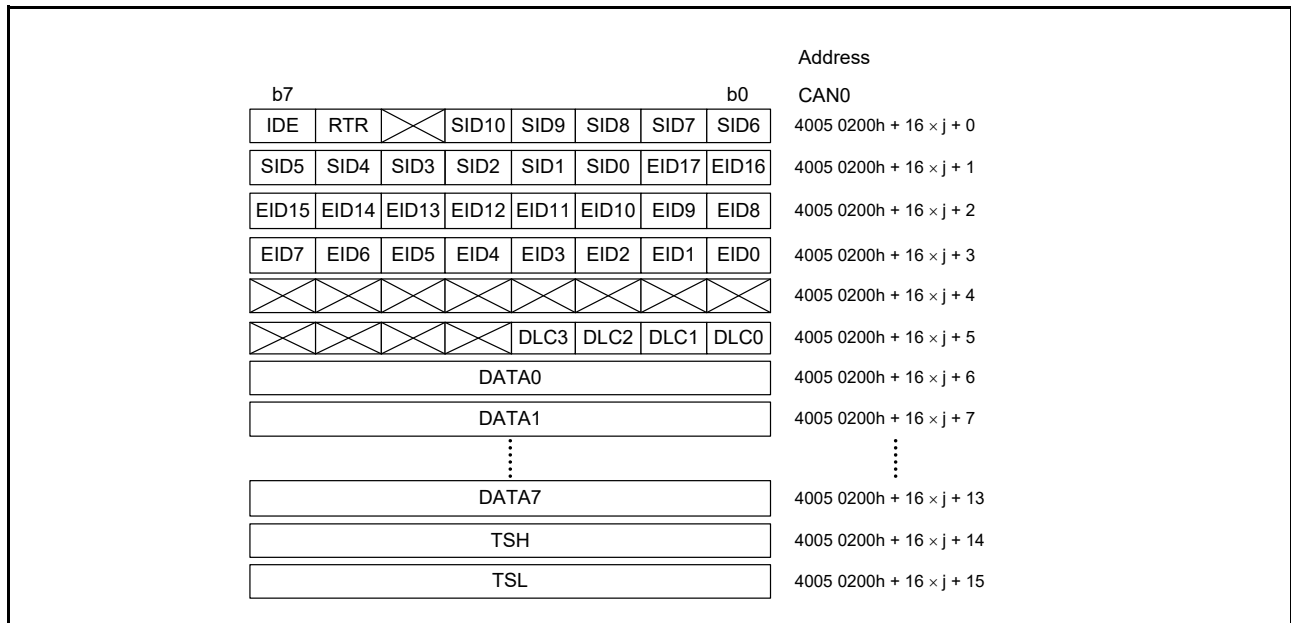


Figure 31.13 Structure of the mailbox registers (j = 0 to 31)

Figure 31.14 shows the structure of the eight mask registers, MKR_k.

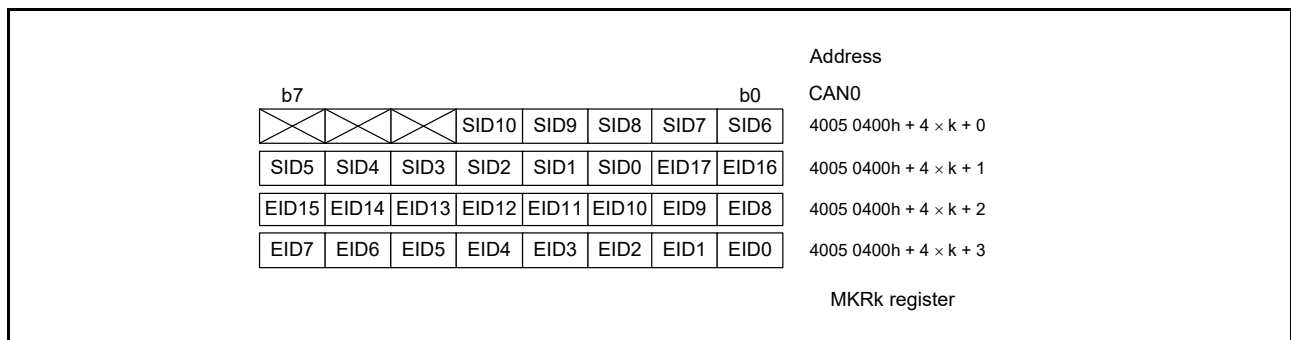


Figure 31.14 Structure of the MKR_k registers (k = 0 to 7)

Figure 31.15 shows the structure of the two FIFO received ID compare registers, FIDCR₀ and FIDCR₁.

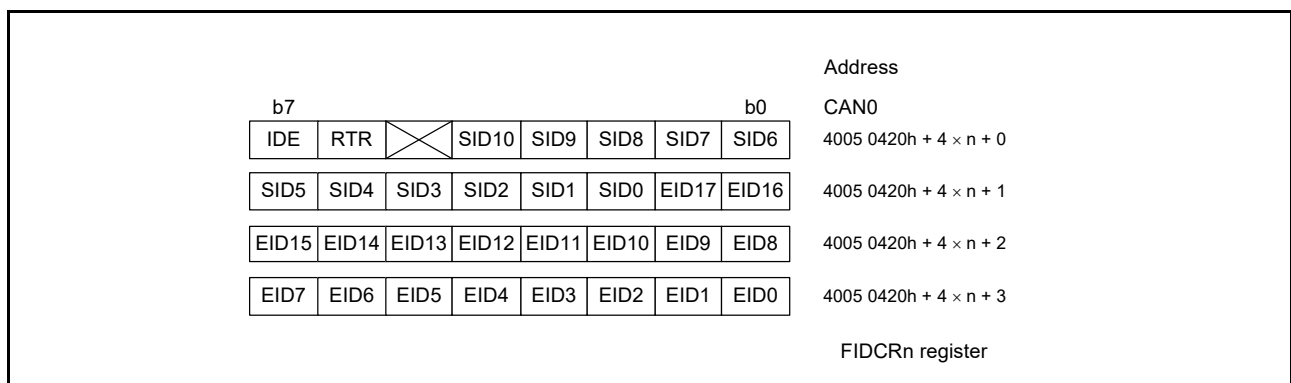


Figure 31.15 Structure of the FIDCR_n registers (n = 0, 1)

31.6 Acceptance Filtering and Masking Functions

The acceptance filtering and masking functions allow you to select and receive messages with multiple IDs for mailboxes within a specified range.

The MKRk registers can mask the standard ID and the extended ID of 29 bits:

- MKR0 is the mask register for mailboxes 0 to 3
- MKR1 is the mask register for mailboxes 4 to 7
- MKR2 is the mask register for mailboxes 8 to 11
- MKR3 is the mask register for mailboxes 12 to 15
- MKR4 is the mask register for mailboxes 16 to 19
- MKR5 is the mask register for mailboxes 20 to 23
- MKR6 is the mask register for mailboxes 24 to 27 in normal mailbox mode and receive FIFO mailboxes 28 to 31 in FIFO mailbox mode
- MKR7 is the mask register for mailboxes 28 to 31 in normal mailbox mode and receive FIFO mailboxes 28 to 31 in FIFO mailbox mode.

MKIVLR disables acceptance filtering independently for each mailbox.

The IDE bit in the MBj_ID register is valid when the IDFM[1:0] bits in the CTLR register are 10b (mixed ID mode).

The RTR bit in the MBj_ID register selects a data frame or remote frame.

In FIFO mailbox mode, the normal mailboxes 0 to 23 use an associated register from MKR0 to MKR5 for acceptance filtering. The receive FIFO mailboxes 28 to 31 use two registers, MKR6 and MKR7, for acceptance filtering. The receive FIFO also uses two registers, FIDCR0 and FIDCR1, for ID comparison. The EID[17:0], SID[10:0], RTR, and IDE bits in mailbox 28 to mailbox 31 for the receive FIFO are disabled. As acceptance filtering depends on the result of two logic OR operations, two ranges of IDs can be received into the receive FIFO. The MKIVLR register is disabled for the receive FIFO.

If different standard ID and extended ID values are set in the IDE bits in the FIDCR0 and FIDCR1 registers, both ID formats are received. If different data frame and remote frame values are set in the RTR bits in the FIDCR0 and FIDCR1 registers, both data and remote frames are received. When a combination of two ranges of IDs is not required, set the same mask value and the same ID in both the FIFO ID and mask registers.

Figure 31.16 shows the association between mask registers and mailboxes. Figure 31.17 shows acceptance filtering.

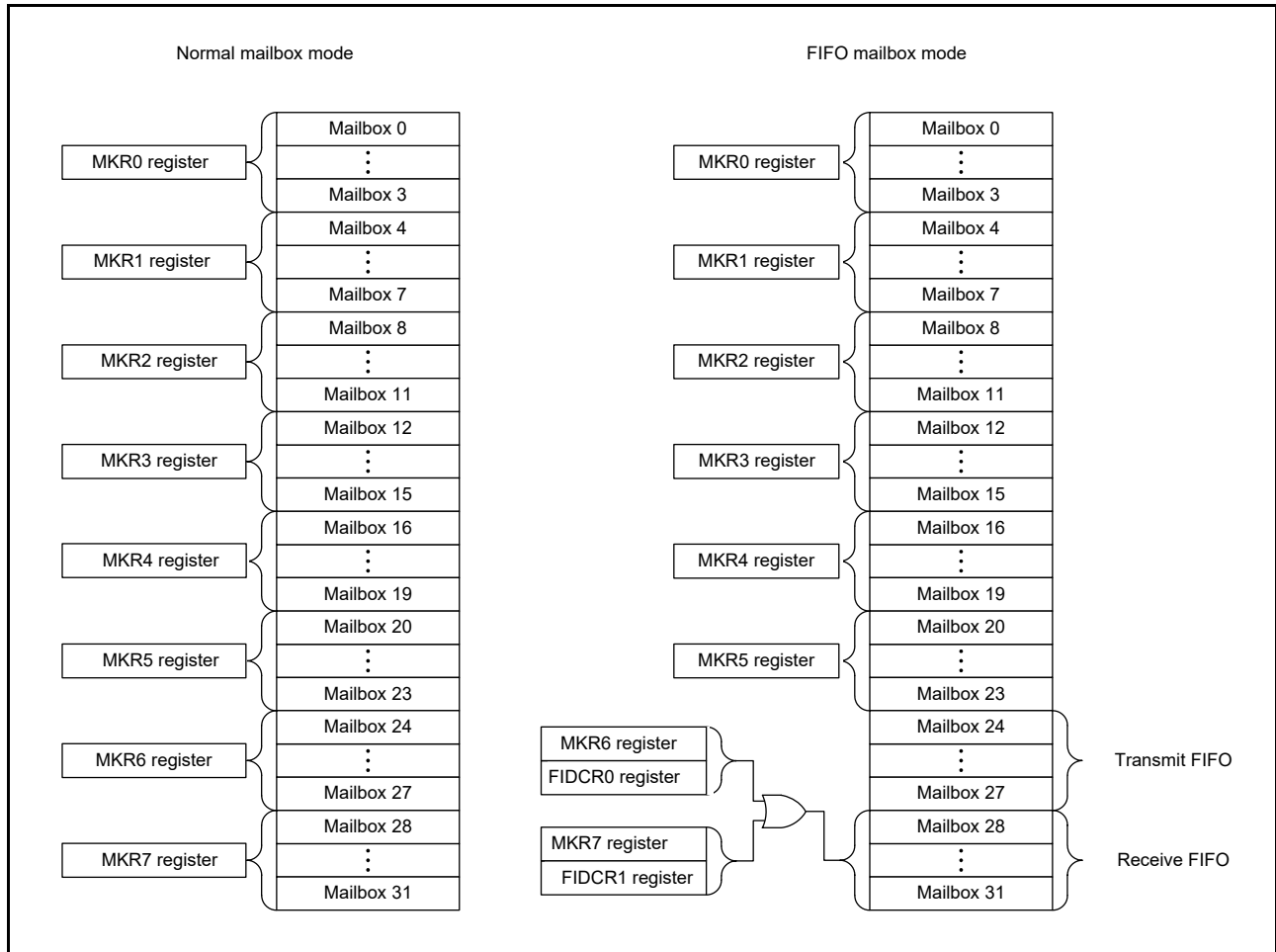


Figure 31.16 Association between mask registers and mailboxes

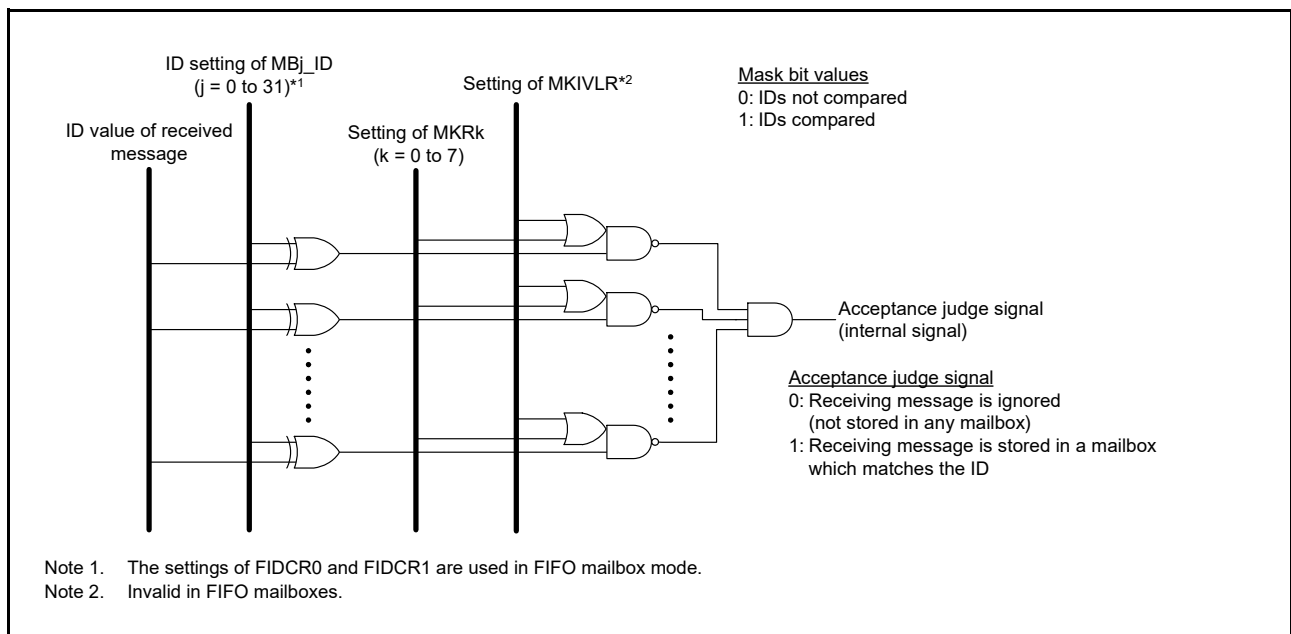


Figure 31.17 Acceptance filtering

31.7 Reception and Transmission

Table 31.10 lists the CAN communication mode settings.

Table 31.10 Settings for CAN receive and transmit modes

MCTL_TXj.TRMREQ and MCTL_RXj.TRMREQ	MCTL_TXj.RECREQ and MCTL_RXj.RECREQ	MCTL_TXj.ONESHOT and MCTL_RX.ONESHOT	Mailbox communication mode
0	0	0	Mailbox disabled or transmission being aborted
0	0	1	Can be configured only when transmission or reception from a mailbox programmed in one-shot mode is aborted
0	1	0	Configured as a receive mailbox for a data frame or remote frame
0	1	1	Configured as a one-shot receive mailbox for a data frame or remote frame
1	0	0	Configured as a transmit mailbox for a data frame or remote frame
1	0	1	Configured as a one-shot transmit mailbox for a data frame or remote frame
1	1	0	Do not set
1	1	1	Do not set

j = 0 to 31

When a mailbox is configured as a receive mailbox or a one-shot receive mailbox, the following restrictions apply:

- Before configuring a mailbox, set the MCTL_RXj register to 00h
- A received message is stored in the first mailbox that matches the condition resulting from the receive mode settings and acceptance filtering. The matching mailbox with the smaller number takes priority for storing the received message.
- In CAN operation mode, the CAN module does not receive its own transmitted data even if the ID is a match. In self-test mode, however, the CAN module receives its own transmitted data and returns ACK.

When configuring a mailbox as a transmit mailbox or a one-shot transmit mailbox, the following restriction applies:

- Before configuring a mailbox, ensure that the MCTL_TXj register is 00h and that there is no pending abort process.

31.7.1 Reception

Figure 31.18 shows an operation example of data frame reception in overwrite mode. This example shows the overwriting of the first message when the CAN module receives two consecutive CAN messages that match the receiving conditions in the MCTL_RXj (j = 0 to 31) register.

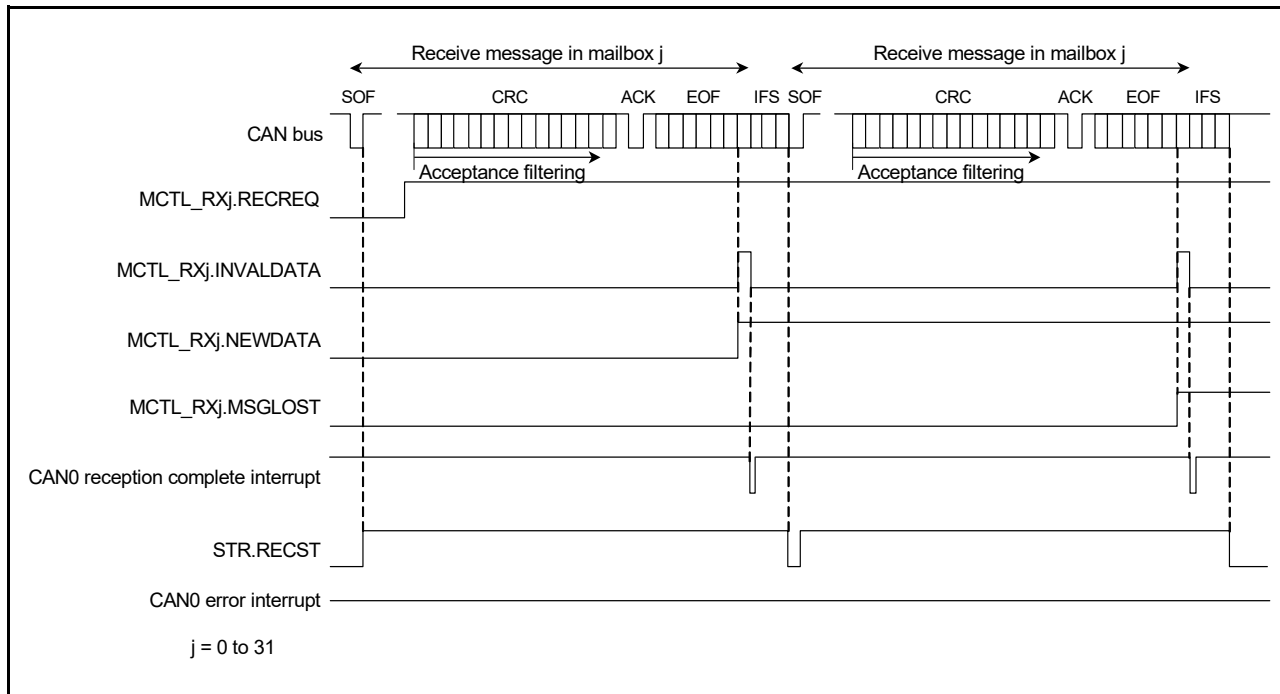


Figure 31.18 Operation example of data frame reception in overwrite mode

1. When an SOF is detected on the CAN bus, the RECST bit in the STR register is set to 1 (reception in progress) if the CAN module has no message ready to start transmission.
2. Acceptance filtering starts at the beginning of the CRC field to select the receive mailbox.
3. After a message is received, MCTL_RXj.NEWDATA for the receive mailbox is set to 1 (new message is being stored or was stored in the mailbox). The INVALIDDATA flag in the MCTL_RXj register is set to 1 (message is being updated) at the same time. The INVALIDDATA flag is set to 0 (message valid) again after the complete message is transferred to the mailbox.
4. When the interrupt enable bit in the MIER register for the receive mailbox is 1 (interrupt enabled), the INVALIDDATA flag is set to 0, triggering a CAN0 reception complete interrupt request.
5. After reading the message from the mailbox, the NEWDATA flag must be set to 0 by software.
6. In overwrite mode, if the next CAN message is received while the NEWDATA bit in MCTL_RXj is set to 1, the MSGLOST flag in MCTL_RXj is set to 1 (message was overwritten). The new received message is transferred to the mailbox. The CAN0 reception complete interrupt request is generated in the same way as in step 4.

Figure 31.19 shows an operation example of data frame reception in overrun mode. The example shows the overrunning of the second message when the CAN module receives two consecutive CAN messages that match the receiving conditions of MCTL_RXj (j = 0 to 31).

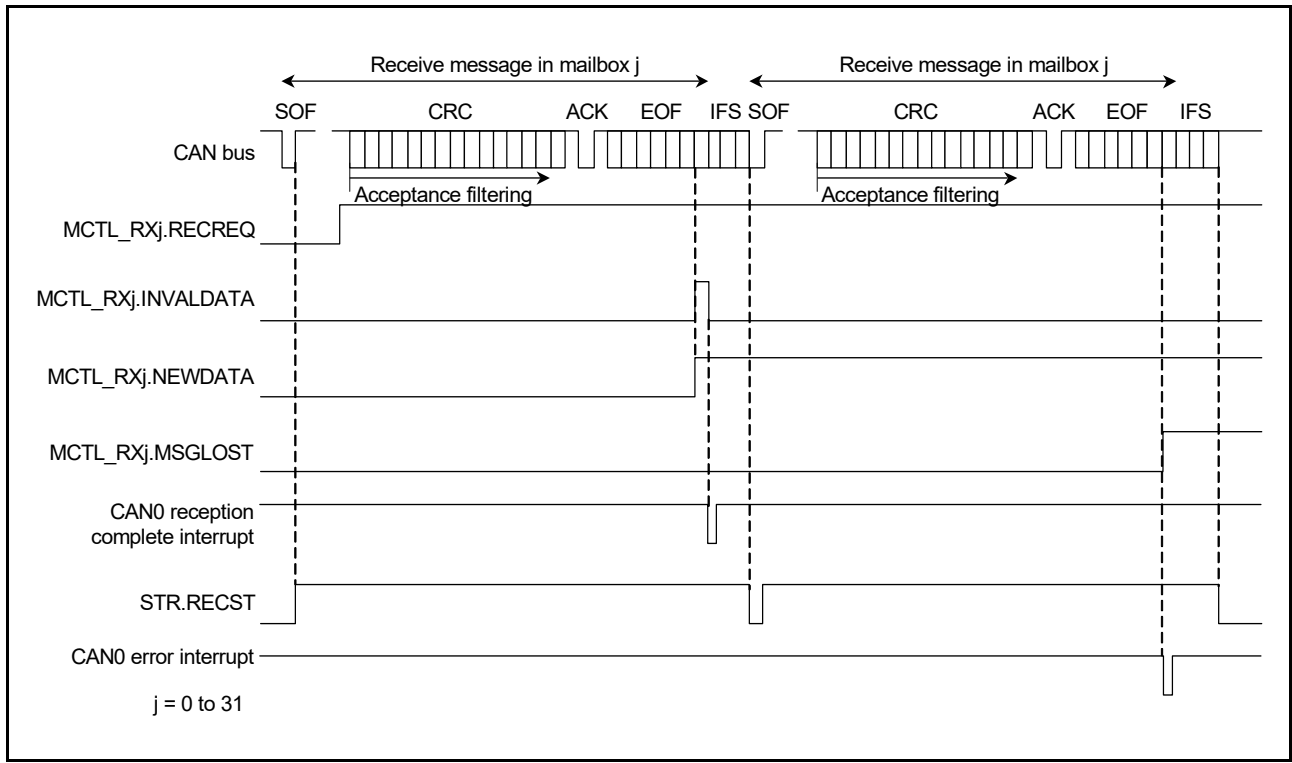


Figure 31.19 Operation example of data frame reception in overrun mode

Steps 1. to 5. are the same as in overwrite mode.

6. In overrun mode, if the next CAN message is received before the NEWDATA flag in MCTL_RXj is set to 0, the MSGLOST flag in MCTL_RXj is set to 1 (message overrun). The new received message is discarded and a CAN0 error interrupt request is generated if the associated interrupt enable bit in the EIER register is set to 1 (interrupt enabled).

31.7.2 Transmission

Figure 31.20 shows an example operation of data frame transmission.

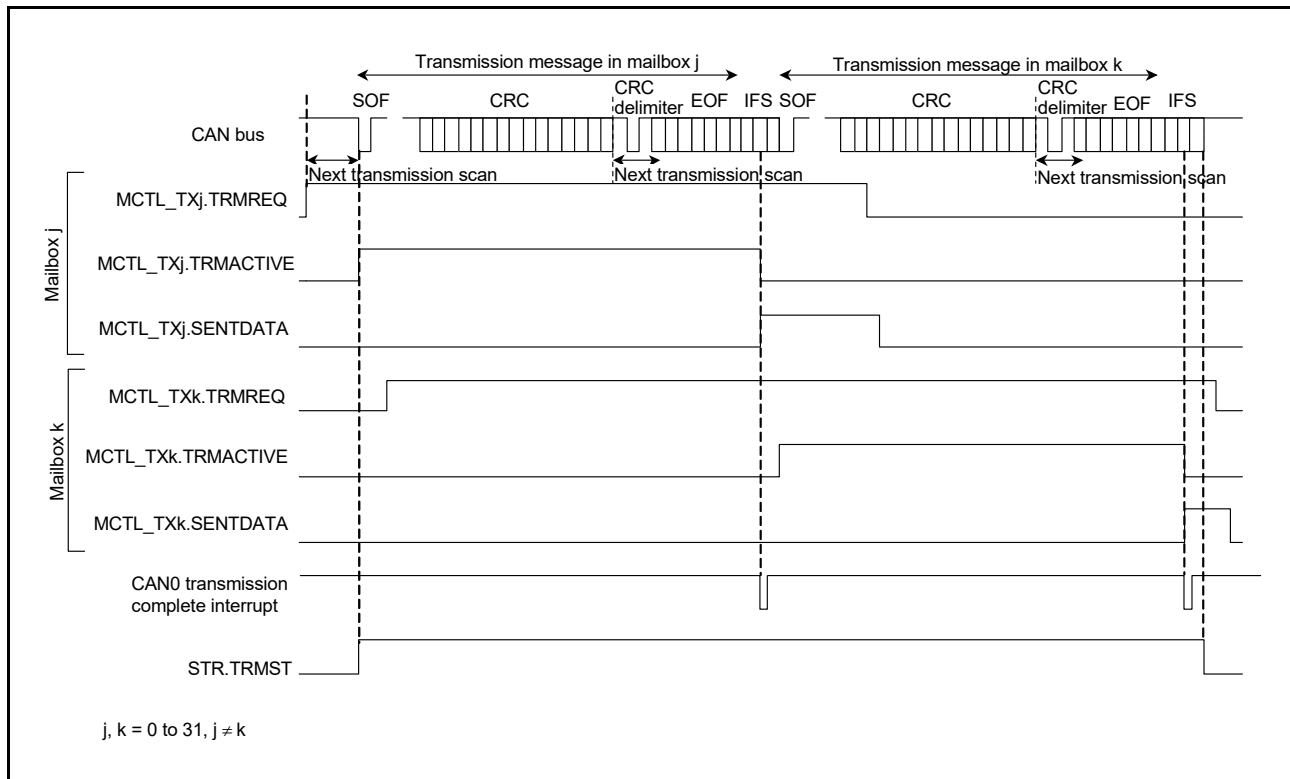


Figure 31.20 Operation example of data frame transmission

1. When a TRMREQ bit in MCTL_TXj ($j = 0$ to 31) is set to 1 (transmit mailbox) in the bus-idle state, the mailbox scanning starts to decide the highest-priority mailbox for transmission. When the transmit mailbox is determined, the TRMACTIVE flag in MCTL_TXj is set to 1 (from acceptance of transmission request to completion of transmission, or error/arbitration-lost), the TRMST bit in STR is set to 1 (transmission in progress), and the CAN module starts transmission.*1
2. If other TRMREQ bits are set, the transmission scanning starts with the CRC delimiter for the next transmission.
3. If transmission is completed without losing arbitration, the SENTDATA flag in MCTL_TXj is set to 1 (transmission complete) and the TRMACTIVE flag is set to 0 (transmission is pending or transmission is not requested). If the interrupt enable bit in the MIER register is 1 (interrupt enabled), the CAN0 transmission complete interrupt request is generated.
4. When requesting the next transmission from the same mailbox, set the SENTDATA and TRMREQ flag to 0, and then set the TRMREQ bit to 1 after checking that the SENTDATA and TRMREQ bits are set to 0.

Note 1. If arbitration is lost after the CAN module starts transmission, the TRMACTIVE flag is set to 0. Transmission scanning is performed again to search for the highest-priority transmit mailbox from the beginning of the CRC delimiter. If an error occurs either during transmission or following arbitration-lost, transmission scanning is performed again to search for the highest-priority transmit mailbox from the start of the CRC delimiter.

31.8 Interrupts

The CAN module provides the following interrupts for each channel:

- CAN0 reception complete interrupt for mailboxes 0 to 31 (CAN0_RXM)
- CAN0 transmission complete interrupt for mailboxes 0 to 31 (CAN0_TXM)
- CAN0 receive FIFO interrupt (CAN0_RXF)
- CAN0 transmit FIFO interrupt (CAN0_TXF)
- CAN0 error interrupt (CAN0_ERS).

Eight interrupt sources are available for the CAN0 error interrupts. Check the EIFR register to determine whether these sources were triggered:

- Bus error
- Error-warning
- Error-passive
- Bus-off entry
- Bus-off recovery
- Receive overrun
- Overload frame transmission
- Bus lock.

Table 31.11 lists the CAN interrupts.

Table 31.11 CAN interrupts

Module	Interrupt name	Interrupt source	Source flag
CAN0	CAN0_ERS	Bus lock detected	EIFR.BLIF
		Overload frame transmission detected	EIFR.OLIF
		Overrun detected	EIFR.ORIF
		Bus-off recovery detected	EIFR.BORIF
		Bus-off entry detected	EIFR.BOEIF
		Error-passive detected	EIFR.EPIF
		Error-warning detected	EIFR.EWIF
		Bus error detected	EIFR.BEIF
CAN0_RXF	CAN0_RXF	Receive FIFO message received (MIER_FIFO.MB29 = 0)	RFCR.RFUST[2:0]
		Receive FIFO warning (MIER_FIFO.MB29 = 1)	
CAN0_TXF	CAN0_TXF	Transmit FIFO message transmission completed (MIER_FIFO.MB25 = 0)	TFMR.TFUST[2:0]
		FIFO last message transmission completed (MIER_FIFO.MB25 = 1)	
CAN0_RXM	CAN0_RXM	Mailbox 0 to 31 message received	MCTL_RX0.NEWDATA to MCTL_RX31.NEWDATA
CAN0_TXM	CAN0_TXM	Mailbox 0 to 31 message transmission completed	MCTL_TX0.SENTDATA to MCTL_TX31.SENTDATA

31.9 Usage Notes

31.9.1 Settings for the Module-Stop Function

The Module Stop Control Register B (MSTPCR_B) can enable or disable CAN module operation. The CAN module is initially stopped after a reset. Releasing the module-stop state enables access to the registers. For details, see [section 11, Low Power Modes](#).

31.9.2 Settings for the Operating Clock

The settings for the operating clock can be made as follows:

- The following clock constraint must be satisfied for the CAN module when the CCLKS bit is 1:
 $f_{PCLKB} \geq f_{CANMCLK}$
- The source of the peripheral module clocks must be PLL for the CAN module when the CCLKS bit is 0
- The clock frequency ratio of PCLKA and PCLKB must be 2:1 when using the CAN module. Operation is not guaranteed for other settings.

32. Serial Peripheral Interface (SPI)

32.1 Overview

The MCU provides two independent channels for the Serial Peripheral Interface (SPI). The SPI channels are capable of high-speed, full-duplex synchronous serial communications with multiple processors and peripheral devices. [Table 32.1](#) lists the SPI specifications, [Figure 32.1](#) shows a block diagram, and [Table 32.2](#) lists the I/O pins.

In this section, PCLK is used to refer to PCLKA. Additionally, *n* indicates A or B, and *i* indicates 0 or 1. A lower-case letter *i* in pin and signal names indicates a value from 0 to 3, and a lower-case letter *m* in SPI Command Register *m* (SPCMD*m*) indicates a value from 0 to 7.

Table 32.1 SPI specifications (1 of 2)

Item	Description
Number of channels	Two channels
SPI transfer functions	<ul style="list-style-type: none"> Use of MOSI (master out/slave in), MISO (master in/slave out), SSL (slave select), and RSPCK (SPI clock) signals allows serial communications through SPI operation (4-wire method) or clock synchronous operation (3-wire method) Transmit-only operation available Communication mode selectable to full-duplex or transmit-only RSPCK polarity switching RSPCK phase switching.
Data format	<ul style="list-style-type: none"> MSB-first or LSB-first selectable Transfer bit length selectable to 8, 9, 10, 11, 12, 13, 14, 15, 16, 20, 24, or 32 bits SPI0: 128-bit transmit and receive buffers, with capability to transfer up to four frames in one round of transmission or reception (each frame consisting of up to 32 bits) SPI1: 32-bit transmit and receive buffers, with capability to transfer one frame in one round of transmission or reception.
Bit rate	<ul style="list-style-type: none"> In master mode, the on-chip baud rate generator generates RSPCK by frequency-dividing PCLK (the division ratio ranges from divided by 2 to divided by 4096) In slave mode, the minimum PCLK clock divided by 6 can be input as RSPCK (PCLK divided by 6 is the maximum RSPCK frequency). Width at high level: 3 PCLK cycles; width at low level: 3 PCLK cycles.
Buffer configuration	<ul style="list-style-type: none"> Double buffer configuration for the transmit and receive buffers SPI0: 128 bits for the transmit and receive buffers SPI1: 32 bits for the transmit and receive buffers.
Error detection	<ul style="list-style-type: none"> Mode-fault error detection Underrun error detection Overrun error detection*1 Parity error detection.
SSL control function	<ul style="list-style-type: none"> Four SSL pins (SSLn0 to SSLn3) for each channel In single-master mode, SSLn0 to SSLn3 pins are output In multi-master mode, SSLn0 pin for input, and SSLn1 to SSLn3 pins either for output or unused In slave mode, SSLn0 pin for input, and SSLn1 to SSLn3 pins unused Controllable delay from SSL output assertion to RSPCK operation (RSPCK delay) Range: 1 to 8 RSPCK cycles (set in RSPCK-cycle units) Controllable delay from RSPCK stop to SSL output negation (SSL negation delay) Range: 1 to 8 RSPCK cycles (set in RSPCK-cycle units) Controllable wait for next-access SSL output assertion (next-access delay) Range: 1 to 8 RSPCK cycles (set in RSPCK-cycle units) Function for changing SSL polarity.
Control in master transfer	<ul style="list-style-type: none"> Transfers of up to eight commands (for SPI0) each can be executed sequentially in looped execution For each command, the following can be set: <ul style="list-style-type: none"> SPI0: SSL signal value, bit rate, RSPCK polarity and phase, transfer data length, MSB- or LSB-first, burst, RSPCK delay, SSL negation delay, and next-access delay SPI1: SSL signal value, bit rate, RSPCK polarity/phase, transfer data length, MSB- or LSB-first, RSPCK delay, SSL negation delay, and next-access delay Transfers can be initiated by writing to the transmit buffer MOSI signal value specifiable in SSL negation RSPCK auto-stop function.

Table 32.1 SPI specifications (2 of 2)

Item	Description
Interrupt sources	<ul style="list-style-type: none"> • Receive buffer full interrupt • Transmit buffer empty interrupt • SPI error interrupt (mode-fault, overrun, parity error) • SPI idle interrupt (SPI idle) • Transmission-complete interrupt.
Event link function (output)	<p>The following events can be output to the Event Link Controller (ELC):</p> <ul style="list-style-type: none"> • Receive buffer full signal • Transmit buffer empty signal • Mode-fault, underrun, overrun, or parity error signal • SPI idle signal • Transmission-complete signal.
Other functions	<ul style="list-style-type: none"> • SPI initialization function • Loopback mode.
Module-stop function	Module-stop state can be set to reduce power consumption

Note 1. In master reception, when the RSPCK auto-stop function is enabled, an overrun error does not occur because the transfer clock is stopped on overrun error detection.

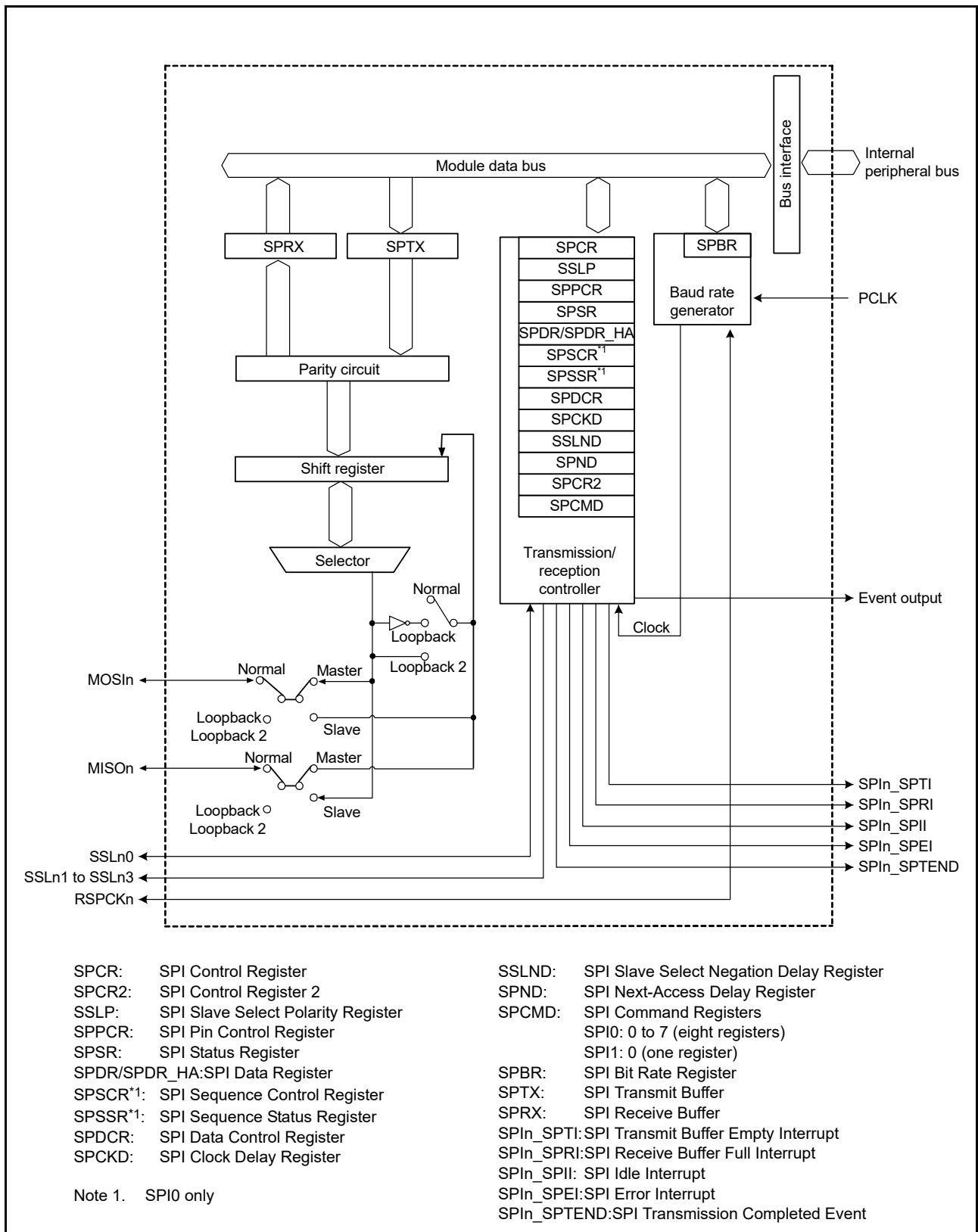


Figure 32.1 SPI block diagram

The SPI automatically switches the I/O direction of the SSLn0 pin. SSLn0 is set as an output when the SPI is a single-master and as an input when the SPI is a multi-master or a slave. The RSPCKn, MOSIn, and MISO_n pins are automatically set as inputs or outputs based on the master or slave setting and the level input on the SSLn0 pin. For details, see [section 32.3.2, Controlling SPI Pins](#).

Table 32.2 SPI I/O pins

Channel	Pin name	I/O	Function
SPI0	RSPCKA	I/O	Clock input/output
	MOSIA	I/O	Master transmit data input/output
	MISOA	I/O	Slave transmit data input/output
	SSLA0	I/O	Slave selection input/output
	SSLA1	Output	Slave selection output
	SSLA2	Output	Slave selection output
	SSLA3	Output	Slave selection output
SPI1	RSPCKB	I/O	Clock input/output
	MOSIB	I/O	Master transmit data input/output
	MISOB	I/O	Slave transmit data input/output
	SSLB0	I/O	Slave selection input/output
	SSLB1	Output	Slave selection output
	SSLB2	Output	Slave selection output
	SSLB3	Output	Slave selection output

32.2 Register Descriptions

32.2.1 SPI Control Register (SPCR)

Address(es): SPI0.SPCR 4007 2000h, SPI1.SPCR 4007 2100h

	b7	b6	b5	b4	b3	b2	b1	b0
	SPRIE	SPE	SPTIE	SPEIE	MSTR	MODFEN	TXMD	SPMS
Value after reset:	0	0	0	0	0	0	0	0

Bit	Symbol	Bit name	Description	R/W
b0	SPMS	SPI Mode Select	0: Select SPI operation (4-wire method) 1: Select clock synchronous operation (3-wire method).	R/W
b1	TXMD	Communications Operating Mode Select	0: Select full-duplex synchronous serial communications 1: Select serial communications with transmit-only.	R/W
b2	MODFEN	Mode-Fault Error Detection Enable	0: Disable detection of mode-fault errors 1: Enable detection of mode-fault errors.	R/W
b3	MSTR	SPI Master/Slave Mode Select	0: Select slave mode 1: Select master mode.	R/W
b4	SPEIE	SPI Error Interrupt Enable	0: Disable SPI error interrupt requests 1: Enable SPI error interrupt requests.	R/W
b5	SPTIE	Transmit Buffer Empty Interrupt Enable	0: Disable transmit buffer empty interrupt requests 1: Enable transmit buffer empty interrupt requests.	R/W
b6	SPE	SPI Function Enable	0: Disable SPI function 1: Enable SPI function.	R/W
b7	SPRIE	SPI Receive Buffer Full Interrupt Enable	0: Disable SPI receive buffer full interrupt requests 1: Enable SPI receive buffer full interrupt requests.	R/W

If the SPCR.MSTR, SPCR.MODFEN, or SPCR.TXMD bit is changed while the SPCR.SPE bit is 1, do not perform subsequent operations.

SPMS bit (SPI Mode Select)

The SPMS bit selects SPI operation (4-wire method) or clock synchronous operation (3-wire method).

The SSLn0 to SSLn3 pins are not used in clock synchronous operation. The RSPCKn, MOSIn, and MISO pins handle communications. For clock synchronous operation in master mode (SPCR.MSTR = 1), the SPCMDm.CPHA bit can be set to either 0 or 1. For clock synchronous operation in slave mode (SPCR.MSTR = 0), always set the CPHA bit to 1. Do not perform the operations if the CPHA bit is set to 0 for clock synchronous operation in slave mode (SPCR.MSTR = 0).

TXMD bit (Communications Operating Mode Select)

The TXMD bit selects full-duplex synchronous serial communications or transmit-only operations. When this bit is set to 1, the SPI only performs transmit operations but not receive operations (see [section 32.3.6, Data Transfer Modes](#)), and the receive buffer full interrupt requests cannot be used.

MODFEN bit (Mode-Fault Error Detection Enable)

The MODFEN bit enables or disables the detection of mode-fault errors (see [section 32.3.8, Error Detection](#)). In addition, the SPI determines the I/O direction of the SSLn0 to SSLn3 pins based on combinations of the MODFEN and MSTR bit settings (see [section 32.3.2, Controlling SPI Pins](#)).

MSTR bit (SPI Master/Slave Mode Select)

The MSTR bit selects master or slave mode for the SPI. Based on the MSTR bit settings, the SPI determines the direction of the RSPCKn, MOSIn, MISO, and SSLn0 to SSLn3 pins.

SPEIE bit (SPI Error Interrupt Enable)

The SPEIE bit enables or disables the generation of SPI error interrupt requests when one of the following occurs:

- The SPI detects a mode-fault error or underrun error and sets the SPSR.MODF flag to 1
- The SPI detects an overrun error and sets the SPSR.OVRF flag to 1
- The SPI detects a parity error and sets the SPSR.PERF flag to 1.

For details, see [section 32.3.8, Error Detection](#).

SPTIE bit (Transmit Buffer Empty Interrupt Enable)

The SPTIE bit enables or disables the generation of transmit buffer empty interrupt requests when the SPI detects that the transmit buffer is empty. To generate a transmit buffer empty interrupt request when transmission starts, set the SPE and SPTIE bits to 1 at the same time or set the SPE bit to 1 after setting the SPTIE bit to 1.

When the SPTIE bit is 1, transmit buffer interrupts are generated even when the SPI function is disabled (when the SPE bit is changed to 0).

SPE bit (SPI Function Enable)

The SPE bit enables or disables the SPI function. The SPE bit cannot be set to 1 when the SPSR.MODF flag is 1. For details, see [section 32.3.8, Error Detection](#).

Setting the SPE bit to 0 disables the SPI function and initializes a part of the module function. For details, see [section 32.3.9, Initializing the SPI](#). In addition, a transmit buffer empty interrupt request is generated when the SPE bit is changed from 0 to 1 or 1 to 0.

SPRIE bit (SPI Receive Buffer Full Interrupt Enable)

The SPRIE bit enables or disables the generation of an SPI receive buffer interrupt request when the SPI detects a receive buffer full write after completion of a serial transfer.

32.2.2 SPI Slave Select Polarity Register (SSLP)

Address(es): SPI0.SSLP 4007 2001h, SPI1.SSLP 4007 2101h

b7	b6	b5	b4	b3	b2	b1	b0
—	—	—	—	SSL3P	SSL2P	SSL1P	SSL0P
0	0	0	0	0	0	0	0

Value after reset:

Bit	Symbol	Bit name	Description	R/W
b0	SSL0P	SSL0 Signal Polarity Setting	0: Set SSL0 signal to active-low 1: Set SSL0 signal to active-high.	R/W
b1	SSL1P	SSL1 Signal Polarity Setting	0: Set SSL1 signal to active-low 1: Set SSL1 signal to active-high.	R/W
b2	SSL2P	SSL2 Signal Polarity Setting	0: Set SSL2 signal to active-low 1: Set SSL2 signal to active-high.	R/W
b3	SSL3P	SSL3 Signal Polarity Setting	0: Set SSL3 signal to active-low 1: Set SSL3 signal to active-high.	R/W
b7 to b4	—	Reserved	These bits are read as 0. The write value should be 0.	R/W

If the contents of SSLP are changed while the SPCR.SPE bit is 1, do not perform subsequent operations.

32.2.3 SPI Pin Control Register (SPPCR)

Address(es): SPI0.SPPCR 4007 2002h, SPI1.SPPCR 4007 2102h

b7	b6	b5	b4	b3	b2	b1	b0
—	—	MOIFE	MOIFV	—	—	SPLP2	SPLP
0	0	0	0	0	0	0	0

Value after reset:

Bit	Symbol	Bit name	Description	R/W
b0	SPLP	SPI Loopback	0: Normal mode 1: Loopback mode, with data inverted for transmission.	R/W
b1	SPLP2	SPI Loopback 2	0: Normal mode 1: Loopback mode, with data not inverted for transmission.	R/W
b3, b2	—	Reserved	These bits are read as 0. The write value should be 0.	R/W
b4	MOIFV	MOSI Idle Fixed Value	0: Set level output on the MOSIn pin during MOSI idling to low 1: Set level output on the MOSIn pin during MOSI idling to high.	R/W
b5	MOIFE	MOSI Idle Value Fixing Enable	0: Set MOSI output value to equal the final data from previous transfer 1: Set MOSI output value to equal the value set in the MOIFV bit.	R/W
b7, b6	—	Reserved	These bits are read as 0. The write value should be 0.	R/W

If the contents of the SPPCR register are changed while the SPCR.SPE bit is 1, do not perform subsequent operations.

SPLP bit (SPI Loopback)

The SPLP bit selects the mode of the SPI pins. When this bit is set to 1, the SPI shuts off the path between the MISO_{in} pin and the shift register if the SPCR.MSTR bit is 1, and between the MOSI_{in} pin and the shift register if the SPCR.MSTR bit is 0. The SPI then connects the input path and output path for the shift register, establishing loopback mode.

SPLP2 bit (SPI Loopback 2)

The SPLP2 bit selects the mode of the SPI pins. When this bit is set to 1, the SPI shuts off the path between the MISO_{in} pin and the shift register if the SPCR.MSTR bit is 1, and between the MOSI_{in} pin and the shift register if the SPCR.MSTR bit is 0. The SPI then connects the input path and output path for the shift register, establishing loopback mode.

MOIFV bit (MOSI Idle Fixed Value)

If the MOIFE bit is 1 in master mode, the MOIFV bit determines the MOSIn pin output value during the SSL negation period for both SPI0 and SPI1, including the SSL retention period during a burst transfer for the SPI0.

MOIFE bit (MOSI Idle Value Fixing Enable)

The MOIFE bit fixes the MOSIn output value when SPI is in master mode and in an SSL negation period for both SPI0 and SPI1, including the SSL retention period during a burst transfer for the SPI0. When the MOIFE bit is 0, the SPI outputs the last data from the previous serial transfer during the SSL negation period to the MOSIn pin. When the MOIFE bit is 1, the SPI outputs the fixed value set in the MOIFV bit to the MOSIn pin.

32.2.4 SPI Status Register (SPSR)

Address(es): SPI0.SPSR 4007 2003h, SPI1.SPSR 4007 2103h

	b7	b6	b5	b4	b3	b2	b1	b0
	SPRF	—	SPTEF	UDRF	PERF	MODF	IDLNF	OVRF
Value after reset:	0	0	1	0	0	0	0	0

Bit	Symbol	Bit name	Description	R/W
b0	OVRF	Overrun Error Flag	0: No overrun error occurred 1: Overrun error occurred.	R/(W)*1
b1	IDLNF	SPI Idle Flag	0: SPI is in idle state 1: SPI is in transfer state.	R
b2	MODF	Mode Fault Error Flag	0: No mode-fault error or underrun error occurred 1: Mode-fault error or an underrun error occurred.	R/(W)*1
b3	PERF	Parity Error Flag	0: No parity error occurred 1: Parity error occurred.	R/(W)*1
b4	UDRF	Underrun Error Flag	0: Mode-fault error occurs (MODF = 1) 1: Underrun error occurs (MODF = 1). This bit is invalid when MODF flag is 0.	R/W*1, *2
b5	SPTEF	SPI Transmit Buffer Empty Flag	0: Data is in the transmit buffer 1: No data is in the transmit buffer.	R/(W)*3
b6	—	Reserved	This bit is read as 0. The write value should be 0.	R/W
b7	SPRF	SPI Receive Buffer Full Flag	0: No valid data is in SPDR/SPDR_HA 1: Valid data is in SPDR/SPDR_HA.	R/(W)*3

Note 1. Only 0 can be written to clear the flag after reading 1.

Note 2. Clear the UDRF flag at the same time as the MODF flag.

Note 3. The write value should be 1.

OVRF flag (Overrun Error Flag)

The OVRF flag indicates the occurrence of an overrun error. In master mode (SPCR.MSTR = 1), when the RSPCK clock auto-stop function is enabled (SPCR2.SCKASE = 1), an overrun error does not occur and this flag does not set to 1. For details, see [section 32.3.8.1, Overrun errors](#).

[Setting condition]

- When the next serial transfer ends while the SPCR.TXMD bit is 0 and the receive buffer is full.

[Clearing condition]

- When 0 is written to the OVRF flag after the OVRF flag is confirmed to be 1 by a read of SPSR.

IDLNF flag (SPI Idle Flag)

The IDLNF flag indicates the transfer status of the SPI.

[Setting condition]

Master mode

- When conditions 1. and 2. in the master mode, in the clearing conditions, are not satisfied.

Slave mode

- When the SPCR.SPE bit is 1, enabling the SPI function.

[Clearing condition]

Master mode

- When condition 1. or conditions 2., 3., and 4. are satisfied for SPI0, and when condition 1. or conditions 2. and 4. are satisfied for SPI1.

1. The SPCR.SPE bit is 0, indicating that the SPI is initialized.
2. The transmit buffer (SPTX) is empty, indicating that data for the next transfer is not set.
3. The SPSSR.SPCP[2:0] bits are 000b, indicating the beginning of sequence control.
4. The SPI internal sequencer enters the idle state, indicating that operations up to the next-access delay are complete.

Slave mode

- When condition 1. is satisfied.

MODF flag (Mode Fault Error Flag)

The MODF flag indicates the occurrence of a mode-fault error or an underrun error. The UDRF flag indicates which error occurred.

[Setting conditions]

Multi-master mode

- When the input level of the SSLni pin changes to an active level while the SPCR.MSTR bit is 1 (master mode) and the SPCR.MODFEN bit is 1 (mode-fault error detection is enabled), triggering a mode-fault error.

Slave mode

- When condition 1. or 2. is satisfied.
 1. The SSLni pin is negated before the RSPCK cycle required for data transfer ends while the SPCR.MSTR bit is 0 (slave mode) and the SPCR.MODFEN bit is 1 (mode-fault error detection is enabled), triggering a mode-fault error.
 2. The serial transfer begins with the SPCR.MSTR bit set to 0 (slave mode), SPCR.SPE bit set to 1, and the transmission data not prepared, triggering an underrun error.

The active level of the SSLni signal is determined by the SSLP.SSLiP bit (SSLi signal polarity setting).

[Clearing condition]

- When 0 is written to the MODF flag after the MODF flag is confirmed to be 1 by a read of SPSR.

PERF flag (Parity Error Flag)

The PERF flag indicates the occurrence of a parity error.

[Setting condition]

- When a serial transfer ends while the SPCR.TXMD bit is 0 and the SPCR2.SPPE bit is 1, triggering a parity error.

[Clearing condition]

- When 0 is written to the PERF flag after the PERF flag is confirmed to be 1 by a read of SPSR.

UDRF flag (Underrun Error Flag)

The UDRF flag indicates the occurrence of an underrun error.

[Setting condition]

- When the serial transfer begins with the SPCR.MSTR bit set to 0 (slave mode), the SPCR.SPE bit set to 1, and the transmission data not prepared, triggering an underrun error.

[Clearing condition]

- When 0 is written to the UDRF flag after the UDRF flag is confirmed to be 1 by a read of SPSR.

SPTEF flag (SPI Transmit Buffer Empty Flag)

The SPTEF flag indicates the status of the transmit buffer for the SPI Data Register (SPDR/SPDR_HA).

[Setting conditions]

- When condition 1. or condition 2. is satisfied.
 1. The SPCR.SPE bit is 0 for SPI initialization.
 2. Transmit data is transferred from the transmit buffer to the shift register.

[Clearing condition]

- SPI0: When data written to the SPDR/SPDR_HA register equals the number of frames set in the number of frames specification bits in the SPI Data Control Register (SPDCR.SPFC[1:0]).
- SPI1: When data written is to SPDR/SPDR_HA.

Data can only be written to SPDR/SPDR_HA when the SPTEF bit is 1. If data is written to the transmit buffer of SPDR/SPDR_HA when the SPTEF bit is 0, data in the transmit buffer is not updated.

SPRF flag (SPI Receive Buffer Full Flag)

The SPRF flag indicates the status of the receive buffer for the SPI Data Register (SPDR/SPDR_HA).

[Setting conditions]

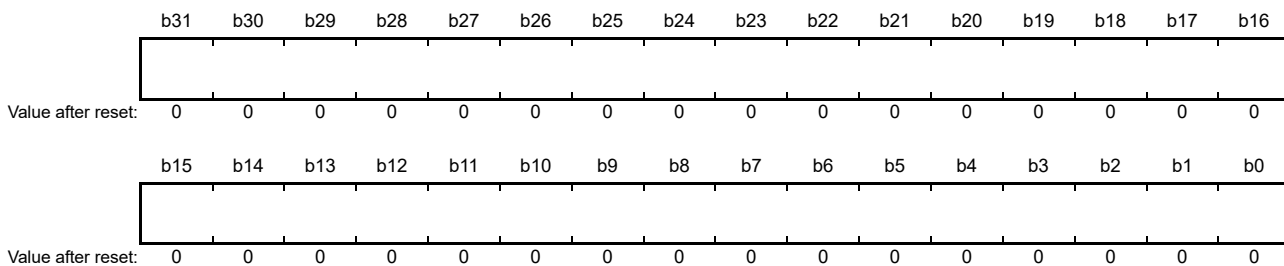
- SPI0: When receive data with the number of frames specified in the SPDCR.SPFC[1:0] bits is transferred from the shift register to SPDR/SPDR_HA, while the SPCR.TXMD bit is 0, and the SPRF flag is 0. When the OVRF flag is 1, however, this flag is not changed from 0 to 1.
- SPI1: When receive data is transferred from the shift register to SPDR/SPDR_HA, while the SPCR.TXMD bit is 0, and the SPRF flag is 0. When the OVRF flag is 1, however, this flag is not changed from 0 to 1.

[Clearing condition]

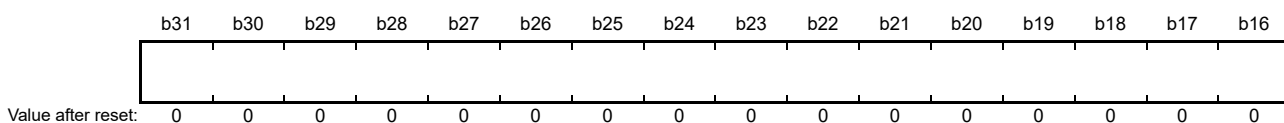
- When received data is read from SPDR/SPDR_HA.

32.2.5 SPI Data Register (SPDR/SPDR_HA)

Address(es): [SPI0.SPDR 4007 2004h](#), [SPI1.SPDR 4007 2104h](#)



Address(es): [SPI0.SPDR_HA 4007 2004h](#), [SPI1.SPDR_HA 4007 2104h](#)



The SPDR/SPDR_HA register is the interface with the buffers that hold data for transmission and reception by the SPI. When accessing this register in words (the SPLW bit is 1), access the SPDR register. When accessing it in halfwords (the SPLW bit is 0), access the SPDR_HA register. The transmit buffer (SPTX) and receive buffer (SPRX) are independent but are both mapped to SPDR/SPDR_HA. [Figure 32.2](#) and [Figure 32.3](#) show the configuration of the SPDR/SPDR_HA register for SPI0 and SPI1 channels, respectively.

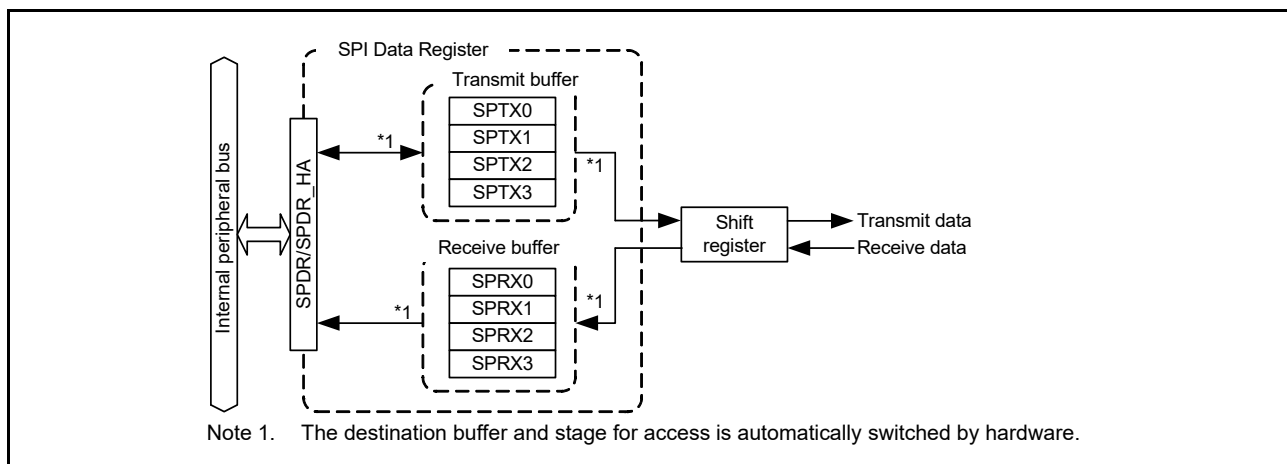


Figure 32.2 Configuration of SPDR/SPDR_HA (SPI0)

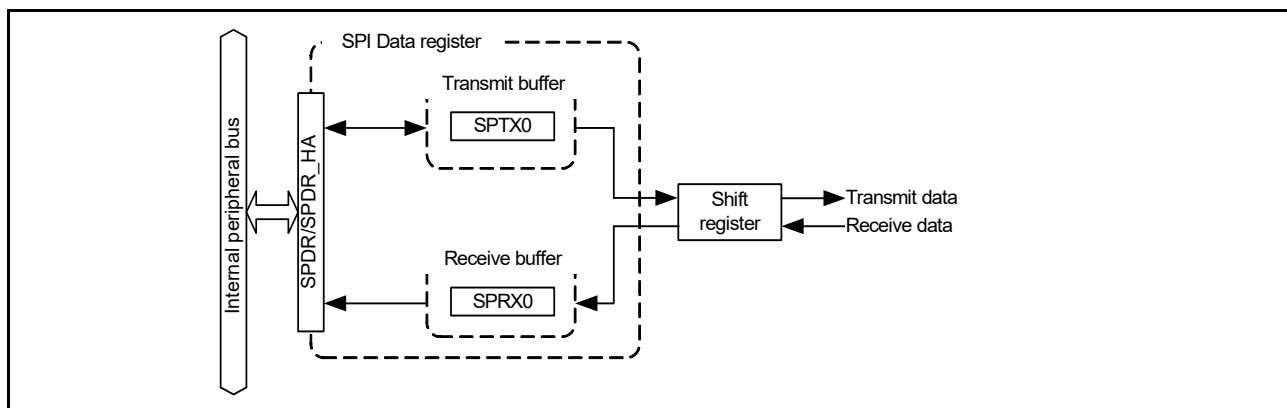


Figure 32.3 Configuration of SPDR/SPDR_HA (SPI1)

The transmit and receive buffers each have four stages for SPI0 and one stage for SPI1. The number of stages used for SPI0 is selectable in the number of frames specification bits in the SPDCR register (SPDCR.SPFC[1:0]). These stages of the buffer are all mapped to the single address of the SPDR/SPDR_HA register.

Data written to the SPDR/SPDR_HA register is written to a transmit-buffer stage (SPTXn) (n = 0 to 3 for SPI0, n = 0 for SPI1), and then transmitted from the buffer. The receive buffer holds the received data on completion of reception. The receive buffer is not updated if an overrun is generated.

If the data length is not 32 bits, the bits not referred to in SPTXn (n = 0 to 3 for SPI0, n = 0 for SPI1) are stored in the associated bits in SPRXn (n = 0 to 3 for SPI0, n = 0 for SPI1). For example, if the data length is 9 bits, the received data is stored in the SPRXn[8:0] bits and the SPTXn[31:9] bits are stored in the SPRXn[31:9] bits.

(1) Bus interface

SPDR/SPDR_HA is an interface with 32-bit wide transmit and receive buffers, each of which has four stages for SPI0 and one stage for SPI1, for a total of 32 bytes. The 32 bytes are mapped to the 4-byte address space for SPDR/SPDR_HA. The unit of access for SPDR/SPDR_HA is selected in the SPI Word Access/Halfword Access Specification bit in the SPI Data Control Register (SPDCR.SPLW).

Flush the transmission data at the LSB end of the register, and store the received data at the LSB end.

The following sections describe the operations involved in writing to and reading from the SPDR/SPDR_HA register.

(a) Writing

Data written to SPDR/SPDR_HA is written to a transmit buffer SPTXn (n = 0 to 3 for SPI0, n = 0 for SPI1). This is not affected by the value of the SPDCR.SPRDTD bit, unlike when reading from SPDR/SPDR_HA.

The transmit buffer includes a write pointer that is automatically updated to reference the next stage each time data is written to SPDR/SPDR_HA.

Figure 32.4 and Figure 32.5 show the configuration of the bus interface with the transmit buffer, for writes to SPDR/SPDR_HA, for SPI0 and SPI1 respectively.

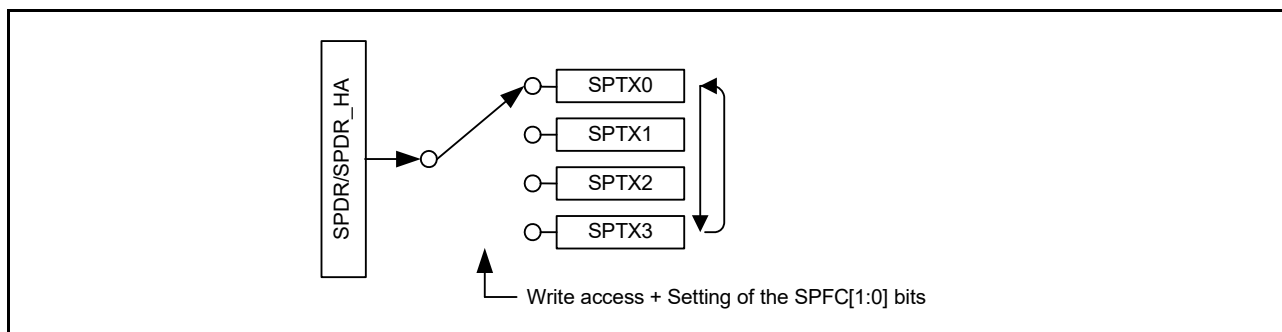


Figure 32.4 Configuration of SPDR/SPDR_HA for write access (SPI0)

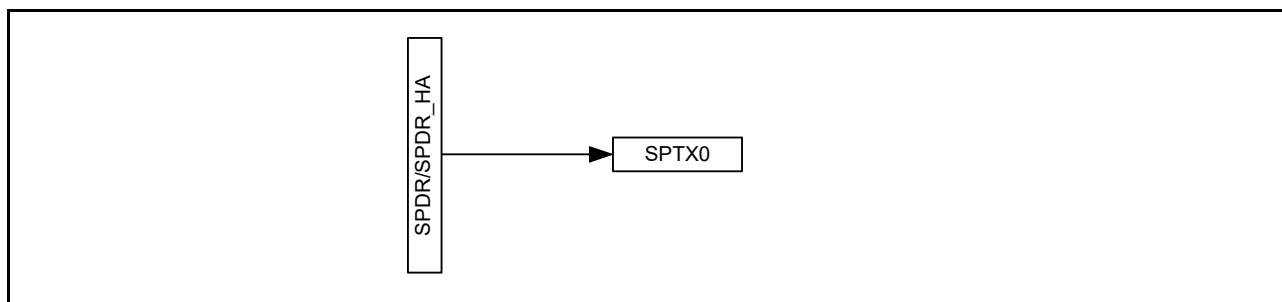


Figure 32.5 Configuration of SPDR/SPDR_HA for write access (SPI1)

For SPI0, the sequence for switching the transmit buffer write pointer changes with the setting of the number of frames specification bits in the SPDCR register (SPDCR.SPFC[1:0]).

The relationship of the SPFC[1:0] setting and the sequence of pointer switching among SPTX0 to SPTX3 is as follows:

- When the SPFC[1:0] bits are 00b: SPTX0 → SPTX0 → SPTX0 → ...
- When the SPFC[1:0] bits are 01b: SPTX0 → SPTX1 → SPTX0 → SPTX1 → ...
- When the SPFC[1:0] bits are 10b: SPTX0 → SPTX1 → SPTX2 → SPTX0 → SPTX1 → ...
- When the SPFC[1:0] bits are 11b: SPTX0 → SPTX1 → SPTX2 → SPTX3 → SPTX0 → SPTX1 → ...

When 1 is written to the SPI Function Enable bit in the SPI Control Register (SPCR.SPE) while the bit is 0, SPTX0 is the destination for the next write.

When writing to the transmit buffer SPTX_n (n = 0 to 3 for SPI0, n = 0 for SPI1) after generation of the transmit buffer empty interrupt (when SPSR.SPTEF is 1), write the number of frames set in SPFC[1:0] in the SPI Data Control Register (SPDCR). Even when the specified number of frames is written to the transmit buffer (SPTX_n), the value of the buffer is not updated after completion of the writing and before the next transmit buffer empty interrupt is generated (when SPTEF is 0).

(b) Reading

SPDR/SPDR_HA can be accessed to read the value of a receive buffer SPRX_n (n = 0 to 3 for SPI0, n = 0 for SPI1) or a transmit buffer SPTX_n (n = 0 to 3 for SPI0, n = 0 for SPI1). The setting in the SPI Receive/Transmit Data Select bit in the SPDCR register (SPDCR.SPRDTD) selects whether reading is from the receive or transmit buffer.

The sequence of reading the SPDR/SPDR_HA register is controlled by the independent receive buffer read and transmit buffer read pointers.

Figure 32.6 and Figure 32.7 show the configuration of a bus interface with the receive and transmit buffers for reading from SPDR/SPDR_HA for SPI0 and SPI1, respectively.

- SPI0

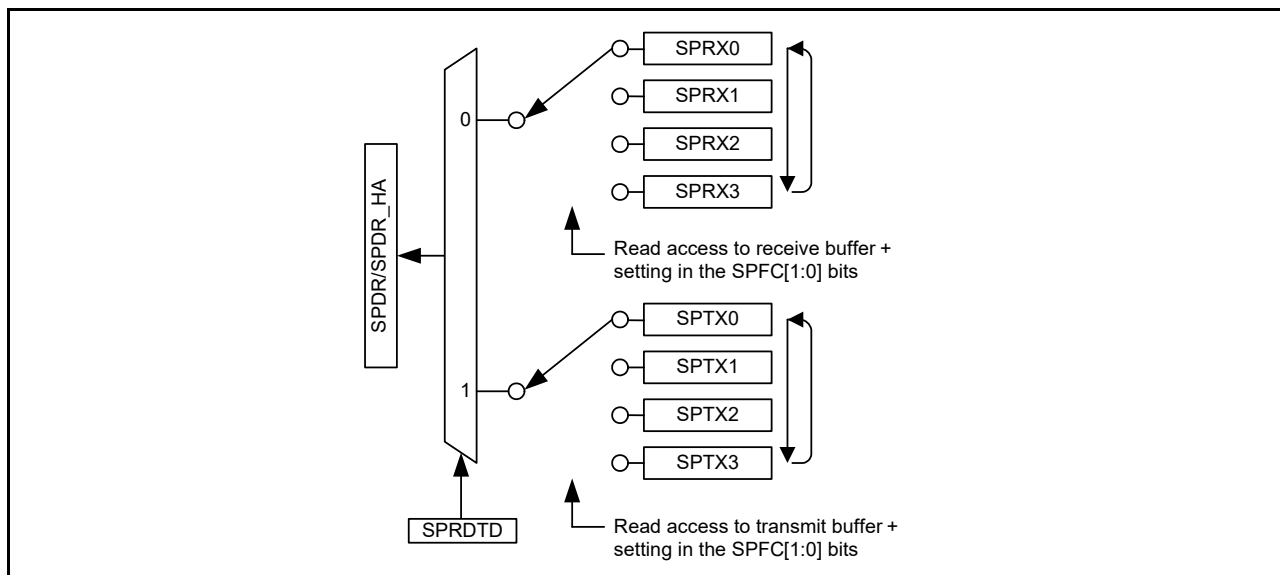


Figure 32.6 Configuration of SPDR/SPDR_HA for read access (SPI0)

Reading the receive buffer switches the receive buffer read pointer to the next buffer automatically. The switching sequence for the receive buffer read pointer is the same as that for the transmit buffer write pointer. However, when 1 is written to the SPI Function Enable bit in the SPI Control Register (SPCR.SPE) while the bit is 1, SPRX0 is referenced by the buffer read pointer for the next read.

The transmit buffer read pointer is updated when writing to SPDR/SPDR_HA, but is not updated when reading from the transmit buffer. When reading from the transmit buffer, the value most recently written to SPDR/SPDR_HA is read. However, after a transmit buffer empty interrupt is generated, and when the transmit buffer becomes full again (the

number of frames of data specified in the number of frames specification bits, SPDCR.SPFC[1:0], are written to the transmit buffer), reading from the transmit buffer returns all 0s until the next transmit buffer empty interrupt is generated.

- SPI1.

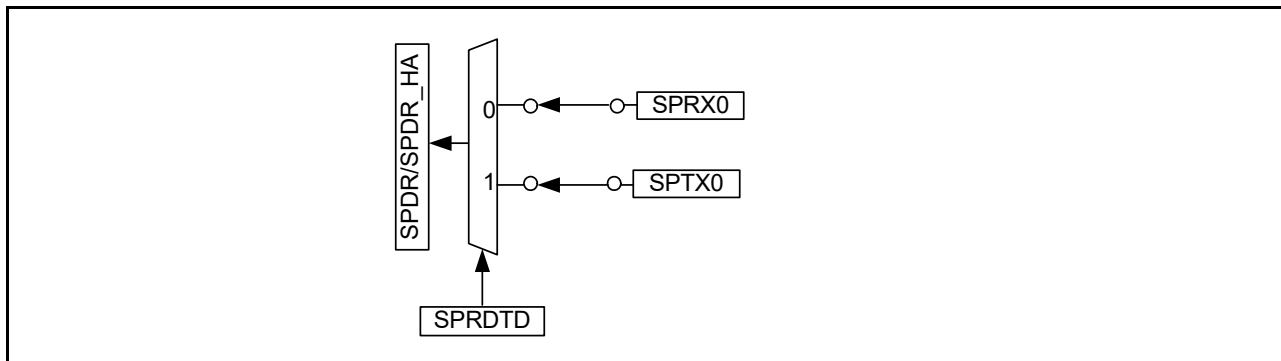
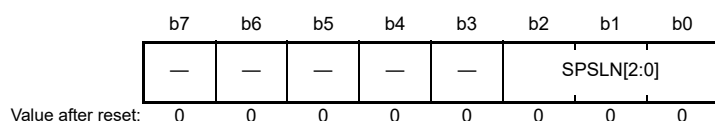


Figure 32.7 Configuration of SPDR/SPDR_HA for read access (SPI1)

The transmit buffer read pointer is updated when writing to SPDR/SPDR_HA, but is not updated when reading from the transmit buffer. When reading from the transmit buffer, the value most recently written to SPDR/SPDR_HA is read. However, after a transmit buffer empty interrupt is generated, and when the transmit buffer becomes full again, reading from the transmit buffer returns all 0s until the next transmit buffer empty interrupt is generated (when SPTEF is 0).

32.2.6 SPI Sequence Control Register (SPSCR)

Address(es): SPI0.SPSCR 4007 2008h



Bit	Symbol	Bit name	Description	R/W																																													
b2 to b0	SPSLN[2:0]	SPI Sequence Length Specification	<table border="0"> <tr> <td>b2</td> <td>b1</td> <td>b0</td> <td>Sequence Length</td> <td>Referenced SPCMD0 to SPCMD7 (Number)</td> </tr> <tr> <td>0</td> <td>0</td> <td>0</td> <td>1</td> <td>0→0→...</td> </tr> <tr> <td>0</td> <td>0</td> <td>1</td> <td>2</td> <td>0→1→0→...</td> </tr> <tr> <td>0</td> <td>1</td> <td>0</td> <td>3</td> <td>0→1→2→0→...</td> </tr> <tr> <td>0</td> <td>1</td> <td>1</td> <td>4</td> <td>0→1→2→3→0→...</td> </tr> <tr> <td>1</td> <td>0</td> <td>0</td> <td>5</td> <td>0→1→2→3→4→0→...</td> </tr> <tr> <td>1</td> <td>0</td> <td>1</td> <td>6</td> <td>0→1→2→3→4→5→0→...</td> </tr> <tr> <td>1</td> <td>1</td> <td>0</td> <td>7</td> <td>0→1→2→3→4→5→6→0→...</td> </tr> <tr> <td>1</td> <td>1</td> <td>1</td> <td>8</td> <td>0→1→2→3→4→5→6→7→0→...</td> </tr> </table> <p>The sequence length that is set in these bits determines the order in which the SPCMD0 to SPCMD7 registers are referenced. The setting defines the relationship between the sequence length and the SPCMD0 to SPCMD7 registers referenced by the SPI. In slave mode, the SPI references SPCMD0.</p>	b2	b1	b0	Sequence Length	Referenced SPCMD0 to SPCMD7 (Number)	0	0	0	1	0→0→...	0	0	1	2	0→1→0→...	0	1	0	3	0→1→2→0→...	0	1	1	4	0→1→2→3→0→...	1	0	0	5	0→1→2→3→4→0→...	1	0	1	6	0→1→2→3→4→5→0→...	1	1	0	7	0→1→2→3→4→5→6→0→...	1	1	1	8	0→1→2→3→4→5→6→7→0→...	R/W
b2	b1	b0	Sequence Length	Referenced SPCMD0 to SPCMD7 (Number)																																													
0	0	0	1	0→0→...																																													
0	0	1	2	0→1→0→...																																													
0	1	0	3	0→1→2→0→...																																													
0	1	1	4	0→1→2→3→0→...																																													
1	0	0	5	0→1→2→3→4→0→...																																													
1	0	1	6	0→1→2→3→4→5→0→...																																													
1	1	0	7	0→1→2→3→4→5→6→0→...																																													
1	1	1	8	0→1→2→3→4→5→6→7→0→...																																													
b7 to b3	—	Reserved	These bits are read as 0. The write value should be 0.	R/W																																													

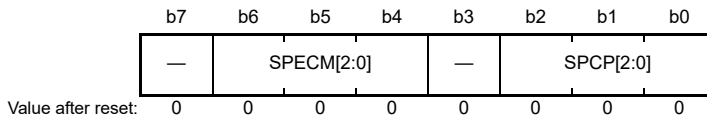
The SPSCR register specifies the sequence length when the SPI operates in master mode. When changing the SPSCR.SPSSLN[2:0] bits while both the SPCR.MSTR and SPCR.SPE bits are 1, always check that the SPSR.IDLNF flag is 0.

SPSLN[2:0] bits (SPI Sequence Length Specification)

The SPSLN[2:0] bits specify a sequence length when the SPI in master mode performs sequential operations. The SPI in master mode changes the SPCMD0 to SPCMD7 registers to be referenced, and the order in which they are referenced is based on this sequence length setting. In slave mode, SPCMD0 is referenced.

32.2.7 SPI Sequence Status Register (SPSSR)

Address(es): SPI0.SPSSR 4007 2009h



Bit	Symbol	Bit name	Description	R/W
b2 to b0	SPCP[2:0]	SPI Command Pointer	b2 b0 0 0 0: SPCMD0 0 0 1: SPCMD1 0 1 0: SPCMD2 0 1 1: SPCMD3 1 0 0: SPCMD4 1 0 1: SPCMD5 1 1 0: SPCMD6 1 1 1: SPCMD7.	R
b3	—	Reserved	This bit is read as 0	R
b6 to b4	SPECM[2:0]	SPI Error Command	b6 b4 0 0 0: SPCMD0 0 0 1: SPCMD1 0 1 0: SPCMD2 0 1 1: SPCMD3 1 0 0: SPCMD4 1 0 1: SPCMD5 1 1 0: SPCMD6 1 1 1: SPCMD7.	R
b7	—	Reserved	This bit is read as 0	R

The SPSSR register indicates the sequence control status when the SPI operates in master mode. Any writes to SPSSR are ignored.

SPCP[2:0] bits (SPI Command Pointer)

The SPCP[2:0] bits indicate the SPCMD_m register that is referenced to by the pointer during sequence control by the SPI. For the SPI sequence control, see [section 32.3.10.1, Master mode operation](#).

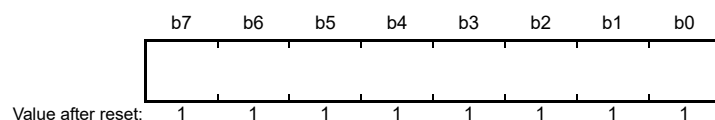
SPECM[2:0] bits (SPI Error Command)

The SPECM[2:0] bits indicate the SPCMD_m register that is specified in the SPCP[2:0] bits when an error is detected during sequence control by the SPI. The SPI updates the SPECM[2:0] bits only when an error is detected. If both the SPSR.OVRF and SPSR.MODF flags are 0 and there is no error, the values of the SPECM[2:0] bits have no meaning.

For the SPI error detection function, see [section 32.3.8, Error Detection](#). For the SPI sequence control, see [section 32.3.10.1, Master mode operation](#).

32.2.8 SPI Bit Rate Register (SPBR)

Address(es): SPI0.SPBR 4007 200Ah, SPI1.SPBR 4007 210Ah



The SPBR register sets the bit rate in master mode. If the contents of the SPBR register are changed while both the SPCR.MSTR and SPCR.SPE bits are 1, do not perform subsequent operations.

When the SPI is in slave mode, the bit rate depends on the bit rate of the input clock regardless of the settings in SPBR and the SPCMDm.BRDV[1:0] bits (bit rate division setting). Use bit rates that satisfy the electrical characteristics.

The bit rate is determined by combination of the SPBR and the BRDV[1:0] bit settings in the SPI Command Register, SPCMDm (SPCMD0 to SPCMD7 for SPI0, SPCMD0 for SPI1). The equation for calculating the bit rate is as follows:

$$\text{Bit rate} = \frac{f(\text{PCLK})}{2 \times (n + 1) \times 2^N}$$

In the equation, n denotes an SPBR setting (0, 1, 2, ..., 255), and N denotes a BRDV[1:0] setting (0, 1, 2, 3).

Table 32.3 lists examples of the relationship between the SPBR settings, the BRDV[1:0] settings, and bit rates.

Table 32.3 Relationship between SPBR settings, BRDV[1:0] settings, and bit rates

SPBR (n)	BRDV[1:0] bits (N)	Division ratio	Bit rate	
			PCLK = 32 MHz	PCLK = 48 MHz
0	0	2	16.0 Mbps	-
1	0	4	8.00 Mbps	12.0 Mbps
2	0	6	5.33 Mbps	8.00 Mbps
3	0	8	4.00 Mbps	6.00 Mbps
4	0	10	3.20 Mbps	4.80 Mbps
5	0	12	2.67 Mbps	4.00 Mbps
5	1	24	1.33 Mbps	2.00 Mbps
5	2	48	667 kbps	1.00 Mbps
5	3	96	333 kbps	500 kbps
255	3	4096	7.81 kbps	11.7 kbps

32.2.9 SPI Data Control Register (SPDCR)

Address(es): SPI0.SPDCR 4007 200Bh

	b7	b6	b5	b4	b3	b2	b1	b0
(SPI0)	—	SPBYT	SPLW	SPRDT D	—	—	SPFC[1:0]	
Value after reset:	0	0	0	0	0	0	0	0

Address(es): SPI1.SPDCR 4007 210Bh

	b7	b6	b5	b4	b3	b2	b1	b0
(SPI1)	—	SPBYT	SPLW	SPRDT D	—	—	—	—
Value after reset:	0	0	0	0	0	0	0	0

Bit	Symbol	Bit name	Description	R/W
b1, b0	SPFC[1:0]	Number of Frames Specification	<ul style="list-style-type: none"> SPI0: <ul style="list-style-type: none"> b1 b0 0 0: 1 frame 0 1: 2 frames 1 0: 3 frames 1 1: 4 frames. 	R/W
—	—	Reserved	<ul style="list-style-type: none"> SPI1: <ul style="list-style-type: none"> These bits are read as 0. The write value should be 0. 	R/W
b3, b2	—	Reserved	These bits are read as 0. The write value should be 0.	R/W
b4	SPRDTD	SPI Receive/Transmit Data Select	<ul style="list-style-type: none"> 0: Read SPDR/SPDR_HA values from the receive buffer 1: Read SPDR/SPDR_HA values from the transmit buffer, but only if the transmit buffer is empty. 	R/W
b5	SPLW	SPI Word Access/Halfword Access Specification	<ul style="list-style-type: none"> 0: Set SPDR_HA to valid for halfword access 1: Set SPDR to valid for word access. 	R/W
b6	SPBYT	SPI Byte Access Specification	<ul style="list-style-type: none"> 0: SPDR is accessed in halfword or word (SPLW is valid) 1: SPDR is accessed in byte (SPLW is invalid). 	R/W
b7	—	Reserved	This bit is read as 0. The write value should be 0.	R/W

Up to four frames for SPI0 and one frame for SPI1 can be transmitted or received in one round of transmission or reception. The amount of data in each transfer for SPI0 is controlled by the combination of the SPCMDm.SPB[3:0] bits, the SPSR.SPSTN[2:0] bits, and the SPDCR.SPFC[1:0] bits. The amount of data in each transfer for SPI1 is controlled by the combination of the SPCMD0.SPB[3:0] bits.

When changing the SPDCR.SPFC[1:0] bits while the SPCR.SPE bit is 1, always check that the SPSR.IDLNF flag is 0.

SPFC[1:0] bits (Number of Frames Specification)

The SPFC[1:0] bits specify the number of frames that can be stored in SPDR/SPDR_HA per transfer activation. Up to four frames can be transmitted or received in one round of transmission or reception.

When the number of transmission data frames specified in the SPFC[1:0] bits is written to the SPDR/SPDR_HA register, the SPI clears the SPSR.SPTEF flag to 0 and begins transmitting. After that, when the number of transmission data frames specified in the SPFC[1:0] bits is transmitted to the shift register, the SPI generates the transmit buffer empty interrupt (SPSR.SPTEF is set to 1).

When the number of data frames specified in the SPFC[1:0] bits is received, the SPI generates a receive buffer full interrupt (SPSR.SPRF is set to 1).

The SPFC[1:0] bits are reserved for SPI1.

Table 32.4 Settable combinations of the SPSLN[2:0] and SPFC[1:0] bits

Setting	SPSLN[2:0]	SPFC[1:0]	Number of frames in a single sequence	Number of frames at which transmit or receive buffer is filled
1-1	000b	00b	1	1
1-2	000b	01b	2	2
1-3	000b	10b	3	3
1-4	000b	11b	4	4
2-1	001b	01b	2	2
2-2	001b	11b	4	4
3	010b	10b	3	3
4	011b	11b	4	4
5	100b	00b	5	1
6	101b	00b	6	1
7	110b	00b	7	1
8	111b	00b	8	1

SPRDTD bit (SPI Receive/Transmit Data Select)

The SPRDTD bit selects whether the SPDR/SPDR_HA register reads values from the receive buffer or from the transmit buffer. If reading the transmit buffer, the value written to the SPDR/SPDR_HA register immediately beforehand is read. Read the transmit buffer before the writing of the number of frames set in the SPFC[1:0] bits is finished and after generation of the transmit buffer empty interrupt (SPSR.SPTEF = 1). For SPI1, read the transmit buffer after the generation of the transmit buffer empty interrupt (SPSR.SPTEF = 1).

For details, see [section 32.2.5, SPI Data Register \(SPDR/SPDR_HA\)](#).

SPLW bit (SPI Word Access/Halfword Access Specification)

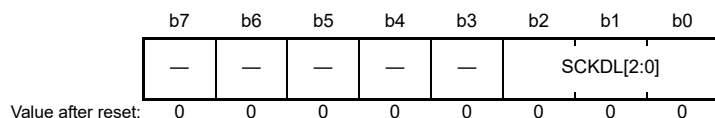
The SPLW bit specifies the access width for the SPDR register. Access to the SPDR_HA register in halfwords is valid when the SPLW bit is 0 and access to the SPDR register in words is valid when the SPLW bit is 1. Also, when this bit is 0, set the SPI Data Length Setting bits, SPCMDm.SPB[3:0], from 8 to 16 bits. Do not perform any operations when a data length of 20, 24, or 32 bits is specified.

SPBYT bit (SPI Byte Access Specification)

This bit is used to set the data width of access to the SPI Data Register (SPDR). When SPBYT = 0, use word or half word access to SPDR. When SPBYT = 1 (in that case, SPLW is invalid), use byte access to SPDR. When SPBYT = 1, set the SPI data length bits (SPB[3:0]) in the SPI Command Register n (SPCMDn) to 8 bits. If SPB[3:0] are set to 9 to 16, 20, 24, or 32 bit, subsequent operation is not guaranteed.

32.2.10 SPI Clock Delay Register (SPCKD)

Address(es): SPI0.SPCKD 4007 200Ch, SPI1.SPCKD 4007 210Ch



Bit	Symbol	Bit name	Description	R/W
b2 to b0	SCKDL[2:0]	RSPCK Delay Setting	b2 b0 0 0 0: 1 RSPCK 0 0 1: 2 RSPCK 0 1 0: 3 RSPCK 0 1 1: 4 RSPCK 1 0 0: 5 RSPCK 1 0 1: 6 RSPCK 1 1 0: 7 RSPCK 1 1 1: 8 RSPCK.	R/W
b7 to b3	—	Reserved	These bits are read as 0. The write value should be 0.	R/W

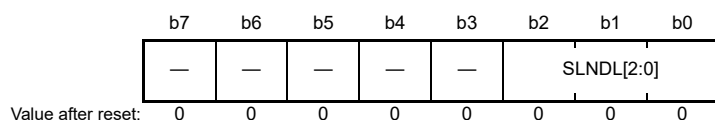
The SPCKD register specifies the RSPCK delay, the period from the beginning of SSLni signal assertion to RSPCK oscillation, when the SPCMDm.SCKDEN bit is 1. If the contents of the SPCKD register are changed while both the SPCR.MSTR and SPCR.SPE bits are 1, do not perform subsequent operations.

[SCKDL\[2:0\] bits \(RSPCK Delay Setting\)](#)

The SCKDL[2:0] bits specify an RSPCK delay value when the SPCMDm.SCKDEN bit is 1. When using the SPI in slave mode, set the SCKDL[2:0] bits to 000b.

32.2.11 SPI Slave Select Negation Delay Register (SSLND)

Address(es): SPI0.SSLND 4007 200Dh, SPI1.SSLND 4007 210Dh



Bit	Symbol	Bit name	Description	R/W
b2 to b0	SLNDL[2:0]	SSL Negation Delay Setting	b2 b0 0 0 0: 1 RSPCK 0 0 1: 2 RSPCK 0 1 0: 3 RSPCK 0 1 1: 4 RSPCK 1 0 0: 5 RSPCK 1 0 1: 6 RSPCK 1 1 0: 7 RSPCK 1 1 1: 8 RSPCK.	R/W
b7 to b3	—	Reserved	These bits are read as 0. The write value should be 0.	R/W

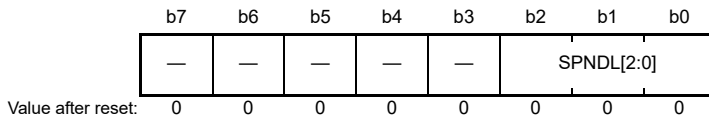
The SSLND specifies the SSL negation delay, the period (SSL negation delay) from the transmission of a final RSPCK edge to the negation of the SSLni signal during a serial transfer by the SPI in master mode. If the contents of the SSLND register are changed while both the SPCR.MSTR and SPCR.SPE bits are 1, do not perform subsequent operations.

[SLNDL\[2:0\] bits \(SSL Negation Delay Setting\)](#)

The SLNDL[2:0] bits set an SSL negation delay value when the SPI is in master mode. When using the SPI in slave mode, set the SLNDL[2:0] bits to 000b.

32.2.12 SPI Next-Access Delay Register (SPND)

Address(es): SPI0.SPND 4007 200Eh, SPI1.SPND 4007 210Eh



Bit	Symbol	Bit name	Description	R/W
b2 to b0	SPNDL[2:0]	SPI Next-Access Delay Setting	b2 b0 0 0 0: 1 RSPCK + 2 PCLK 0 0 1: 2 RSPCK + 2 PCLK 0 1 0: 3 RSPCK + 2 PCLK 0 1 1: 4 RSPCK + 2 PCLK 1 0 0: 5 RSPCK + 2 PCLK 1 0 1: 6 RSPCK + 2 PCLK 1 1 0: 7 RSPCK + 2 PCLK 1 1 1: 8 RSPCK + 2 PCLK.	R/W
b7 to b3	—	Reserved	These bits are read as 0. The write value should be 0.	R/W

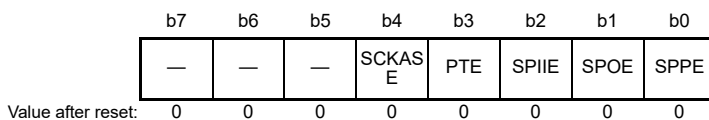
The SPND register specifies next-access delay, the non-active period of the SSLni signal after termination of a serial transfer, when the SPCMDm.SPNDEN bit is 1. If the contents of the SPND register are changed while both the SPCR.MSTR and SPCR.SPE bits are 1, do not perform subsequent operations.

SPNDL[2:0] bits (SPI Next-Access Delay Setting)

The SPNDL[2:0] bits specify a next-access delay when the SPCMDm.SPNDEN bit is 1. When using the SPI in slave mode, set the SPNDL[2:0] bits to 000b.

32.2.13 SPI Control Register 2 (SPCR2)

Address(es): SPI0.SPCR2 4007 200Fh, SPI1.SPCR2 4007 210Fh



Bit	Symbol	Bit name	Description	R/W
b0	SPPE	Parity Enable	0: Do not add parity bit to transmit data and do not check parity bit of receive data 1: When SPCR.TXMD = 0: Add parity bit to transmit data and check parity bit of receive data. When SPCR.TXMD = 1: Add parity bit to transmit data but do not check parity bit of receive data.	R/W
b1	SPOE	Parity Mode	0: Select even parity for transmission and reception 1: Select odd parity for transmission and reception.	R/W
b2	SPIIE	SPI Idle Interrupt Enable	0: Disable idle interrupt requests 1: Enable idle interrupt requests.	R/W
b3	PTE	Parity Self-Testing	0: Disable self-diagnosis function of the parity circuit 1: Enable self-diagnosis function of the parity circuit.	R/W
b4	SCKASE	RSPCK Auto-Stop Function Enable	0: Disable RSPCK auto-stop function 1: Enable RSPCK auto-stop function.	R/W
b7 to b5	—	Reserved	These bits are read as 0. The write value should be 0.	R/W

If the SPPE, SPOE, or SCKASE bit in SPCR2 is changed while the SPE bit in the SPCR register is 1, do not perform subsequent operations.

SPPE bit (Parity Enable)

The SPPE bit enables or disables the parity function.

When the SPCR.TXMD bit is 0 and the SPCR2.SPPE bit is 1, the parity bit is added to transmit data and parity checking is performed for receive data.

When the SPCR.TXMD bit is 1 and the SPCR2.SPPE bit is 1, the parity bit is added to transmit data but parity checking is not performed for receive data.

SPOE bit (Parity Mode)

The SPOE bit specifies odd or even parity.

When even parity is set, parity bit addition is performed so that the total number of bits whose value is 1 in the transmit or receive character plus the parity bit is even. Similarly, when an odd parity is set, parity bit addition is performed so that the total number of bits whose value is 1 in the transmit or receive character plus the parity bit is odd.

The SPOE bit is valid only when the SPPE bit is 1.

SPIIE bit (SPI Idle Interrupt Enable)

The SPIIE bit enables or disables the generation of SPI idle interrupt requests when an idle state is detected in the SPI and the SPSR.IDLNF flag is set to 0.

PTE bit (Parity Self-Testing)

The PTE bit enables self-diagnosis of the parity circuit in order to check whether the parity function is operating correctly.

SCKASE bit (RSPCK Auto-Stop Function Enable)

The SCKASE bit enables or disables the RSPCK auto-stop function. When this function is enabled, the RSPCK clock is stopped before an overrun error occurs, when data is received in master mode. For details, see [section 32.3.8.1, Overrun errors](#).

32.2.14 SPI Command Registers (SPCMDm) (m = 0 to 7 for SPI0; m = 0 for SPI1)

Address(es): SPI0.SPCMD0 4007 2010h, SPI0.SPCMD1 4007 2012h, SPI0.SPCMD2 4007 2014h, SPI0.SPCMD3 4007 2016h, SPI0.SPCMD4 4007 2018h, SPI0.SPCMD5 4007 201Ah, SPI0.SPCMD6 4007 201Ch, SPI0.SPCMD7 4007 201Eh

	b15	b14	b13	b12	b11	b10	b9	b8	b7	b6	b5	b4	b3	b2	b1	b0
(SPI0)	SCKDEN	SLNDE N	SPNDE N	LSBF	SPB[3:0]			SSLKP	SSLA[2:0]			BRDV[1:0]		CPOL	CPHA	
Value after reset:	0	0	0	0	0	1	1	1	0	0	0	0	1	1	0	1

Address(es): SPI1.SPCMD0 4007 2110h

	b15	b14	b13	b12	b11	b10	b9	b8	b7	b6	b5	b4	b3	b2	b1	b0
(SPI1)	SCKDEN	SLNDE N	SPNDE N	LSBF	SPB[3:0]			—	SSLA[2:0]			BRDV[1:0]		CPOL	CPHA	
Value after reset:	0	0	0	0	0	1	1	1	0	0	0	0	1	1	0	1

Bit	Symbol	Bit name	Description	R/W
b0	CPHA	RSPCK Phase Setting	0: Select data sampling on leading edge, data change on trailing edge 1: Select data change on leading edge, data sampling on trailing edge.	R/W
b1	CPOL	RSPCK Polarity Setting	0: Set RSPCK low when idle 1: Set RSPCK high when idle.	R/W
b3, b2	BRDV[1:0]	Bit Rate Division Setting	b3 b2 0 0: Select the base bit rate 0 1: Select the base bit rate divided by 2 1 0: Select the base bit rate divided by 4 1 1: Select the base bit rate divided by 8.	R/W
b6 to b4	SSLA[2:0]	SSL Signal Assertion Setting	b6 b4 0 0 0: SSL0 0 0 1: SSL1 0 1 0: SSL2 0 1 1: SSL3 1 x x: Setting prohibited x: Don't care.	R/W
b7	SSLKP	SSL Signal Level Keeping	• SPI0 0: Negate all SSL signals on completion of transfer 1: Keep the SSL signal level from the end of transfer until the beginning of the next access.	R/W
—	—	Reserved	• SPI1 This bit is read as 0. The write value should be 0.	R/W
b11 to b8	SPB[3:0]	SPI Data Length Setting	b11 b8 0100 to 0111: 8 bits 1 0 0 0: 9 bits 1 0 0 1: 10 bits 1 0 1 0: 11 bits 1 0 1 1: 12 bits 1 1 0 0: 13 bits 1 1 0 1: 14 bits 1 1 1 0: 15 bits 1 1 1 1: 16 bits 0 0 0 0: 20 bits 0 0 0 1: 24 bits 0010, 0011: 32 bits.	R/W
b12	LSBF	SPI LSB First	0: MSB first 1: LSB first.	R/W
b13	SPNDEN	SPI Next-Access Delay Enable	0: Select next-access delay of 1 RSPCK + 2 PCLK 1: Select next-access delay equal to the setting of the SPI Next-Access Delay Register (SPND).	R/W

Bit	Symbol	Bit name	Description	R/W
b14	SLNDEN	SSL Negation Delay Setting Enable	0: Select SSL negation delay of 1 RSPCK 1: Select SSL negation delay equal to the setting in the SPI Slave Select Negation Delay Register (SSLND).	R/W
b15	SCKDEN	RSPCK Delay Setting Enable	0: Select RSPCK delay of 1 RSPCK 1: Select RSPCK delay equal to the setting in the SPI Clock Delay Register (SPCKD).	R/W

- SPI0

SPI0 has eight SPI command registers, SPCMD0 to SPCMD7. The SPCMD m ($m = 0$ to 7) registers specify the transfer format for the SPI in master mode. Some of the bits in the SPCMD0 register are used to set the transfer mode for the SPI in slave mode. The SPI in master mode sequentially references the SPCMD m register based on the settings in the SPSCR.SPSSLN[2:0] bits and executes the serial transfer that is set in the referenced SPCMD m register.

Set the SPCMD m register while the transmit buffer is empty (SPSR.SPTEF is 1 and data for the next transfer is not set), and before the setting of data to be transmitted when that SPCMD m register is referenced.

The SPCMD m register referenced by the SPI in master mode can be checked with the SPSSR.SPCP[2:0] bits. If the contents of SPCMD m are changed while the SPCR.MSTR bit is 0 and the SPCR.SPE bit is 1, do not perform subsequent operations.

- SPI1

SPI1 has one SPI Command Register (SPCMD). The SPI Command Register (SPCMD) specifies the transfer format in master mode. Some of the bits in the SPCMD0 register are used to set the transfer mode for the SPI in slave mode. If the SPCMD register is rewritten while the SPE bit of the SPCR register is 1, subsequent operation cannot be guaranteed.

CPHA bit (RSPCK Phase Setting)

The CPHA bit selects the RSPCK phase of the SPI in master mode or slave mode. Data communications between SPI modules require the same RSPCK phase setting between the modules.

CPOL bit (RSPCK Polarity Setting)

The CPOL bit selects the RSPCK polarity of the SPI in master mode or slave mode. Data communications between SPI modules require the same RSPCK polarity setting between the modules.

BRDV[1:0] bits (Bit Rate Division Setting)

The BRDV[1:0] bits determine the bit rate. The bit rate is determined by combination of the settings in the BRDV[1:0] bits and the SPBR register. See [section 32.2.8, SPI Bit Rate Register \(SPBR\)](#). The SPBR settings determine the base bit rate. The BRDV[1:0] settings select a bit rate that is obtained by dividing the base bit rate by 1, 2, 4, or 8. Different BRDV[1:0] bit settings can be specified in the SPCMD m registers for SPI0. This enables execution of serial transfers at a different bit rate for each command.

SSLA[2:0] bits (SSL Signal Assertion Setting)

The SSLA[2:0] bits control the SSL n i signal assertion when the SPI performs serial transfers in master mode. When an SSL n i signal is asserted, its polarity is determined by the value set in the associated SSLP. When the SSLA[2:0] bits are set to 000b in multi-master mode, serial transfers are performed with all the SSL signals in the negated state, as the SSL n 0 pin acts as input.

When using the SPI in slave mode, set the SSLA[2:0] bits to 000b.

SSLKP bit (SSL Signal Level Keeping)

When the SPI in master mode performs a serial transfer, the SSLKP bit specifies whether the SSL n i signal level for the current command is to be kept or negated between the SSL negation timing associated with the current command and the SSL assertion timing associated with the next command.

Setting the SSLKP bit to 1 enables a burst transfer. For details, see [\(4\) Burst transfer in section 32.3.10.1, Master mode operation](#). When using the SPI in slave mode, set the SSLKP bit to 0.

The SSLKP bit is reserved for SPI1.

SPB[3:0] bits (SPI Data Length Setting)

The SPB[3:0] bits specify the transfer data length for the SPI in master or slave mode. When the SPLW bit is 0, set these bits from 8 to 16 bits.

LSBF bit (SPI LSB First)

The LSBF bit specifies the data format of the SPI in master or slave mode to MSB-first or LSB-first.

SPNDEN bit (SPI Next-Access Delay Enable)

The SPNDEN bit specifies the next-access delay, the period from the time the SPI in master mode terminates a serial transfer and sets the SSL_{ni} signal inactive until the SPI enables the SSL_{ni} signal assertion for the next access. If the SPNDEN bit is 0, the SPI sets the next-access delay to 1 RSPCK + 2 PCLK. If the SPNDEN bit is 1, the SPI inserts a next-access delay in accordance with the SPND setting.

When using the SPI in slave mode, set the SPNDEN bit to 0.

SLNDEN bit (SSL Negation Delay Setting Enable)

The SLNDEN bit specifies the SSL negation delay, the period from the time the SPI in master mode stops RSPCK oscillation until the SPI sets the SSL_{ni} signal to inactive. If the SLNDEN bit is 0, the SPI sets the SSL negation delay to 1 RSPCK. If the SLNDEN bit is 1, the SPI negates the SSL signal at an SSL negation delay determined by the SSLND setting.

When using the SPI in slave mode, set the SLNDEN bit to 0.

SCKDEN bit (RSPCK Delay Setting Enable)

The SCKDEN bit specifies the SPI clock delay, the period between when the SPI in master mode asserts the SSL_{ni} signal until the RSPCK starts oscillation. If the SCKDEN bit is 0, the SPI sets the RSPCK delay to 1 RSPCK. If the SCKDEN bit is 1, the SPI starts the oscillation of RSPCK at an RSPCK delay determined by the SPCKD setting.

When using the SPI in slave mode, set the SCKDEN bit to 0.

32.3 Operation

In this section, the serial transfer period refers to a period from the beginning of driving valid data to the fetching of the final valid data.

32.3.1 Overview of SPI Operations

The SPI is capable of synchronous serial transfers in the following modes:

- Slave mode (SPI operation)
- Single-master mode (SPI operation)
- Multi-master mode (SPI operation)
- Slave mode (clock synchronous operation)
- Master mode (clock synchronous operation).

The SPI mode can be selected using the MSTR, MODFEN, and SPMS bits in SPCR. [Table 32.5](#) lists the relationship between the SPI modes and SPCR settings, and provides a description for each mode.

Table 32.5 Relationship between SPCR settings and SPI modes (1 of 2)

Mode	Slave (SPI operation)	Single-master (SPI operation)	Multi-master (SPI operation)	Slave (clock synchronous operation)	Master (clock synchronous operation)
MSTR bit setting	0	1	1	0	1
MODFEN bit setting	0 or 1	0	1	0	0
SPMS bit setting	0	0	0	1	1
RSPCKn signal	Input	Output	Output/Hi-Z	Input	Output
MOSIn signal	Input	Output	Output/Hi-Z	Input	Output
MISO _n signal	Output/Hi-Z	Input	Input	Output	Input
SSL _{n0} signal	Input	Output	Input	Hi-Z*1	Hi-Z*1
SSL _{n1} to SSL _{n3} signals	Hi-Z*1	Output	Output/Hi-Z	Hi-Z*1	Hi-Z*1
SSL polarity change function	Supported	Supported	Supported	-	-
Transfer rate	Up to PCLK/6	Up to PCLK/2	Up to PCLK/2	Up to PCLK/6	Up to PCLK/2
Clock source	RSPCKn input	On-chip baud rate generator	On-chip baud rate generator	RSPCKn input	On-chip baud rate generator
Clock polarity	Two				
Clock phase	Two	Two	Two	One (CPHA = 1)	Two
First transfer bit	MSB/LSB				
Transfer data length	8 to 16, 20, 24, 32 bits				
Burst transfer	Supported in SPI0	Supported in SPI0	Supported in SPI0	-	-
RSPCK delay control	Not supported	Supported	Supported	Not supported	Supported
SSL negation delay control	Not supported	Supported	Supported	Not supported	Supported
Next-access delay control	Not supported	Supported	Supported	Not supported	Supported
Transfer activation method	SSL input active or RSPCK oscillation	Write to transmit buffer on generation of a transmit buffer empty interrupt request (SPTEF is 1)	Write to transmit buffer on generation of a transmit buffer empty interrupt request (SPTEF is 1)	RSPCK oscillation	Write to transmit buffer on generation of a transmit buffer empty interrupt request (SPTEF is 1)
Sequence control	Not supported	Supported in SPI0	Supported in SPI0	Not supported	Supported in SPI0

Table 32.5 Relationship between SPCR settings and SPI modes (2 of 2)

Mode	Slave (SPI operation)	Single-master (SPI operation)	Multi-master (SPI operation)	Slave (clock synchronous operation)	Master (clock synchronous operation)
Transmit buffer empty detection	Supported				
Receive buffer full detection	Supported*2				
Overrun error detection	Supported*2	Supported*2, *4	Supported*2, *4	Supported*2	Supported*2
Parity error detection	Supported*2, *3				
Mode-fault error detection	Supported (MODFEN = 1)	Not supported	Supported	Not supported	Not supported
Underrun error detection	Supported	Not supported	Not supported	Supported	Not supported

Note 1. This function is not supported in this mode.

Note 2. When the SPCR.TXMD bit is 1, detection of receiver buffer full, overrun error, and parity error is not performed.

Note 3. When the SPCR2.SPPE bit is 0, parity error detection is not performed.

Note 4. When the SPCR2.SCKASE bit is 1, overrun error detection is not performed.

32.3.2 Controlling SPI Pins

The SPI can switch pin states based on the MSTR, MODFEN, and SPMS bit settings in the SPCR register and the PmnPFS.NCODR bit for the I/O ports. Table 32.6 lists the relationship between pin states and bit settings. Setting the PmnPFS.NCODR bit for an I/O port to 0 selects the CMOS output. Setting it to 1 selects the open-drain output. The I/O port settings must follow this relationship.

Table 32.6 Relationship between pin states and bit settings

Mode	Pin	Pin state*2	
		PmnPFS.NCODR bit for I/O ports = 0	PmnPFS.NCODR bit for I/O ports = 1
Single-master mode (SPI operation) (MSTR = 1, MODFEN = 0, SPMS = 0)	RSPCKn	CMOS output	Open-drain output
	SSLn0 to SSLn3	CMOS output	Open-drain output
	MOSIn	CMOS output	Open-drain output
	MISON	Input	Input
Multi-master mode (SPI operation) (MSTR = 1, MODFEN = 1, SPMS = 0)	RSPCKn*3	CMOS output/Hi-Z	Open-drain output/Hi-Z
	SSLn0	Input	Input
	SSLn1 to SSLn3*3	CMOS output/Hi-Z	Open-drain output/Hi-Z
	MOSIn*3	CMOS output/Hi-Z	Open-drain output/Hi-Z
	MISON	Input	Input
Slave mode (SPI operation) (MSTR = 0, SPMS = 0)	RSPCKn	Input	Input
	SSLn0	Input	Input
	SSLn1 to SSLn3*5	Hi-Z*1	Hi-Z*1
	MOSIn	Input	Input
	MISON*4	CMOS output/Hi-Z	Open-drain output/Hi-Z
Master mode (Clock synchronous operation) (MSTR = 1, MODFEN = 0, SPMS = 1)	RSPCKn	CMOS output	Open-drain output
	SSLn0 to SSLn3*5	Hi-Z*1	Hi-Z*1
	MOSIn	CMOS output	Open-drain output
	MISON	Input	Input
Slave mode (Clock synchronous operation) (MSTR = 0, SPMS = 1)	RSPCKn	Input	Input
	SSLn0 to SSLn3*5	Hi-Z*1	Hi-Z*1
	MOSIn	Input	Input
	MISON	CMOS output	Open-drain output

- Note 1. This function is not supported in this mode.
 Note 2. SPI settings are not reflected in multiplexed pins for which the SPI function is not selected.
 Note 3. When SSLn0 is at the active level, the pin state is Hi-Z.
 Note 4. When SSLn0 is at the non-active level or the SPCR.SPE bit is 0, the pin state is Hi-Z.
 Note 5. These pins are available for use as I/O port pins.

The SPI in single-master or multi-master mode (SPI operation) determines MOSI signal values during the SSL negation period (including the SSL retention period during a burst transfer for SPI0) based on the MOIFE and MOIFV bit settings in SPPCR, as listed in [Table 32.7](#).

Table 32.7 MOSI signal value determination during SSL negation period

MOIFE bit	MOIFV bit	MOSIn signal value during SSL negation period
0	0, 1	Final data from previous transfer
1	0	Low
1	1	High

32.3.3 SPI System Configuration Examples

32.3.3.1 Single-master/single-slave with the MCU as master

[Figure 32.8](#) shows a single-master/single-slave SPI system configuration example where the MCU is used as a master. In the single-master/single-slave configuration, the SSLn0 to SSLn3 outputs of the MCU (master) are not used. The SSL input of the SPI slave is fixed to the low level, and the SPI slave is maintained in the selected state.*1

The MCU (master) drives the RSPCKn and MOSIn signals. The SPI slave drives the MISO signal.

- Note 1. In the transfer format used when the SPCMDm.CPHA is 0, the SSL signal cannot be fixed to an active level for some slave devices. In this case, always connect the SSLni output of the MCU to the SSL input of the slave device.

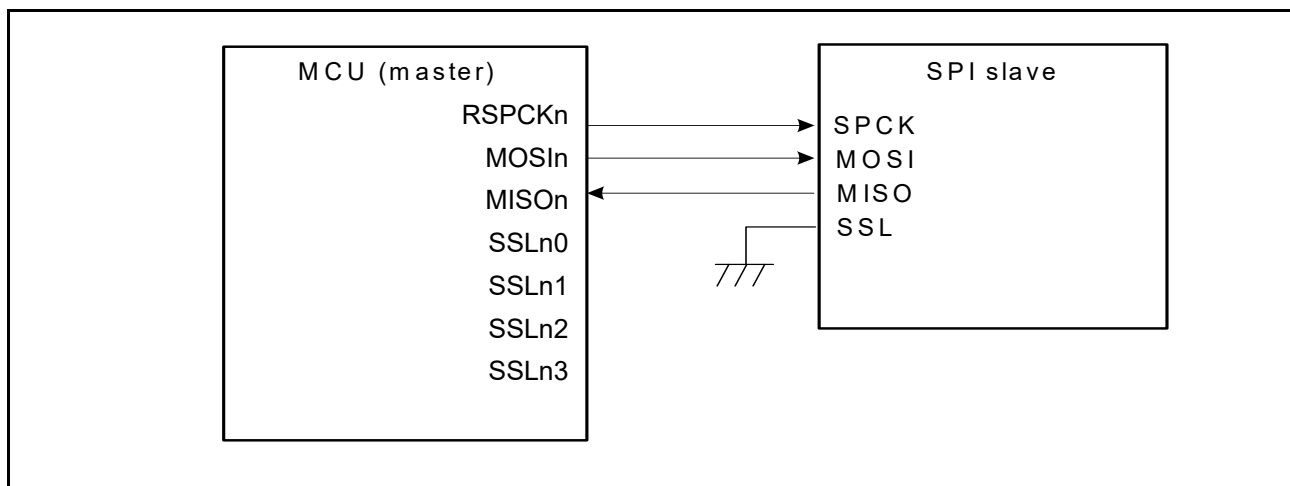


Figure 32.8 Single-master/single-slave configuration example with the MCU as the master

32.3.3.2 Single-master/single-slave with the MCU as slave

Figure 32.9 shows a single-master/single-slave SPI system configuration example where the MCU is used as a slave. When the MCU is to operate as a slave, the SSLn0 pin is used as SSL input. The SPI master drives the RSPCK and MOSI signals. The MCU (slave) drives the MISO signal.*1

In the single-slave configuration when the SPCMDm.CPHA bit is set to 1, the SSLn0 input of the MCU (slave) is fixed to the low level, and the MCU (slave) is maintained in the selected state. This enables serial transfer execution (Figure 32.10).

Note 1. When SSLn0 is at a non-active level, the pin state is Hi-Z.

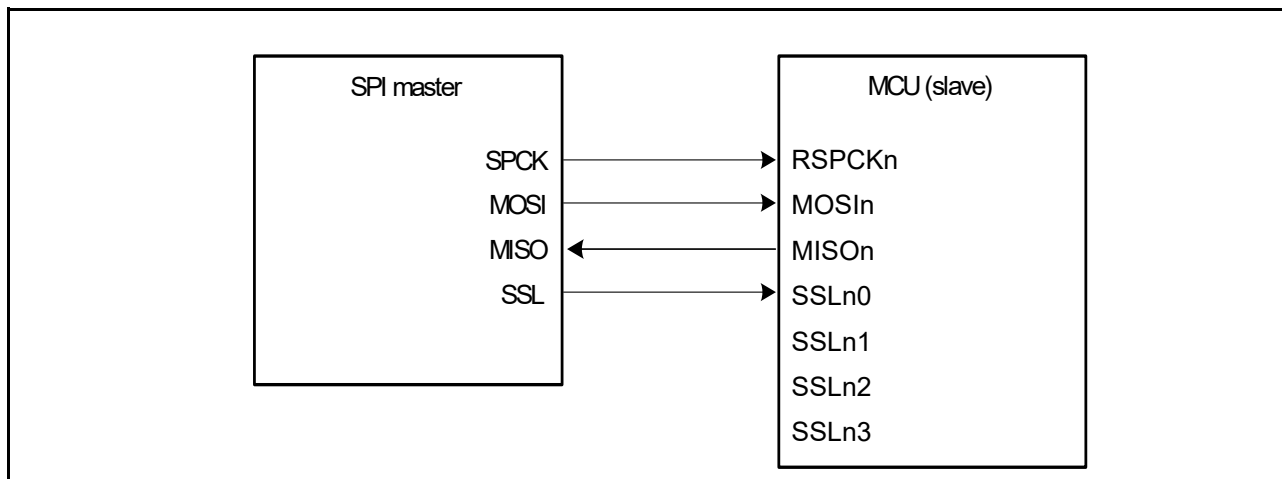


Figure 32.9 Single-master/single-slave configuration example with the MCU as a slave and CPHA = 0

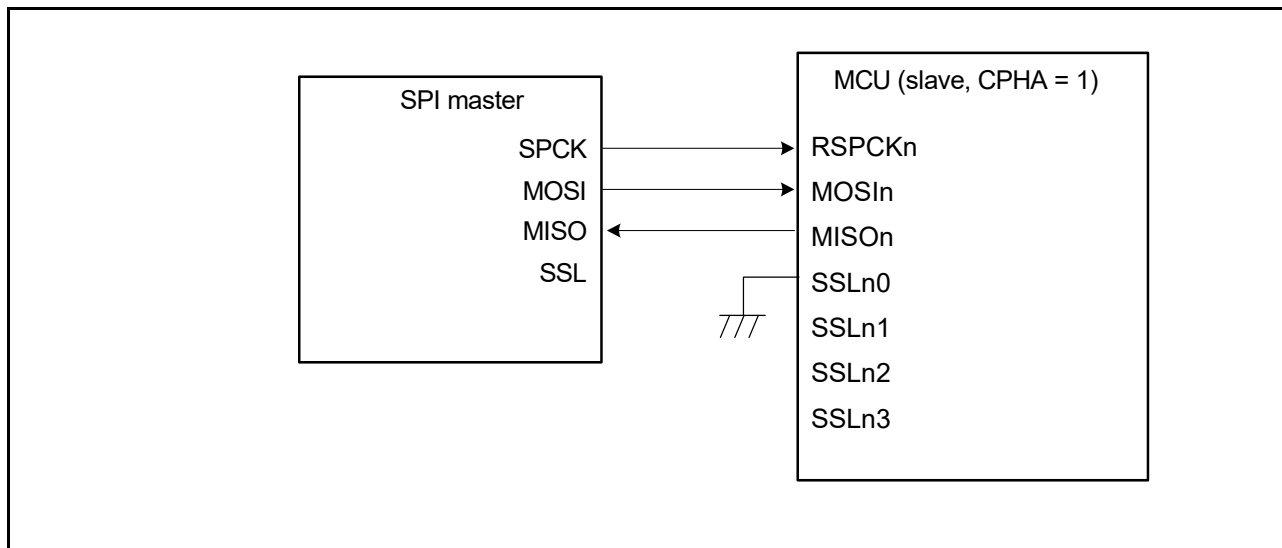


Figure 32.10 Single-master/single-slave configuration example with the MCU as a slave and CPHA = 1

32.3.3.3 Single-master/multi-slave with the MCU as master

Figure 32.11 shows a single-master/multi-slave SPI system configuration example where the MCU is a master. In this example, the SPI system includes the MCU (master) and four slaves (SPI slave 0 to SPI slave 3).

The RSPCK_n and MOSI_n outputs of the MCU (master) are connected to the RSPCK and MOSI inputs of SPI slave 0 to SPI slave 3. The MISO outputs of SPI slave 0 to SPI slave 3 are all connected to the MISO_n input of the MCU (master). The SSL_{n0} to SSL_{n3} outputs of the MCU (master) are connected to the SSL inputs of SPI slave 0 to SPI slave 3, respectively.

The MCU (master) drives the RSPCK_n, MOSI_n signals, and SSL_{n0} to SSL_{n3} pins. Among SPI slave 0 to SPI slave 3, the slave that receives low-level input into the SSL input drives the MISO signal.

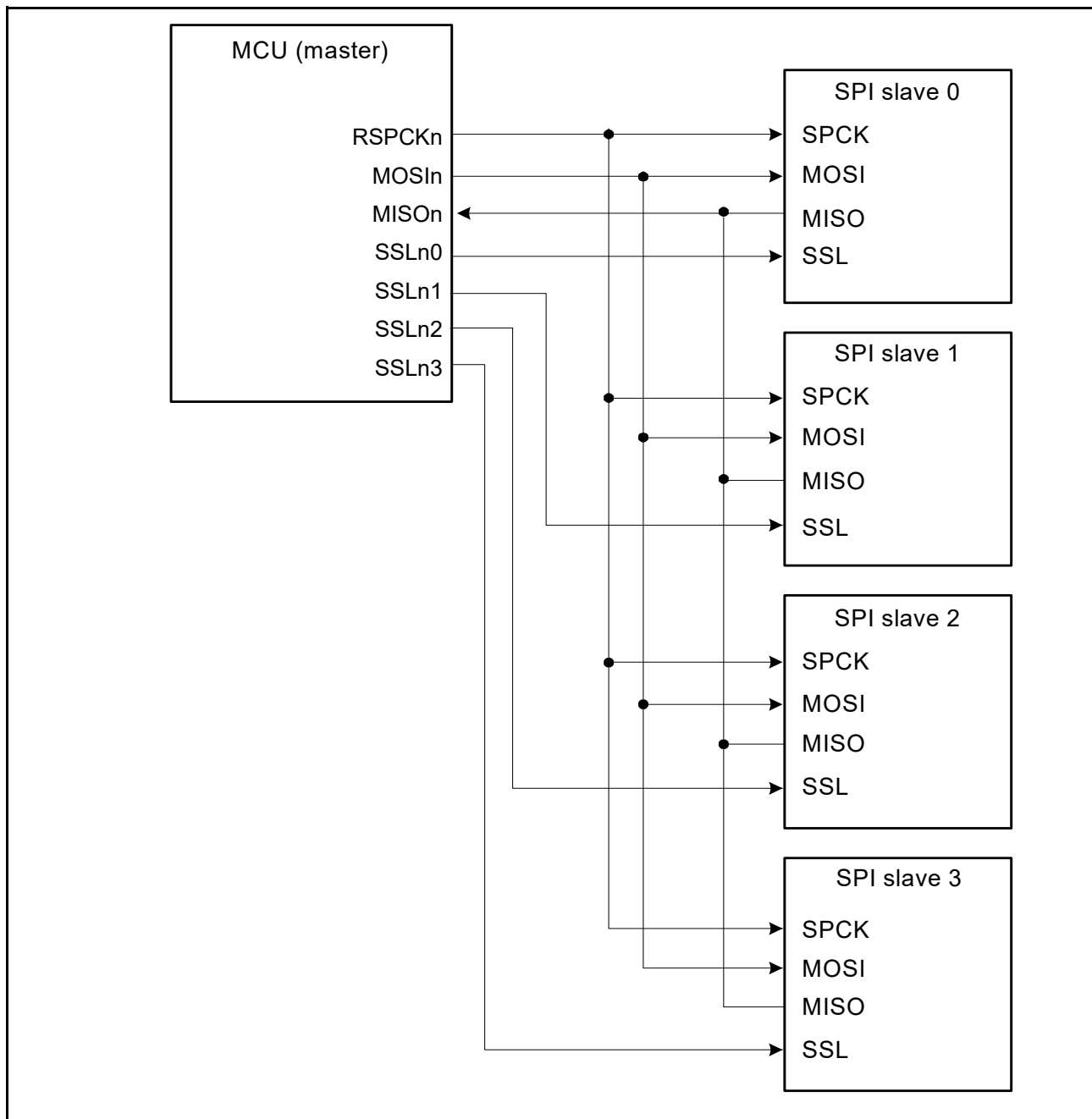


Figure 32.11 Single-master/multi-slave configuration example with the MCU as master

32.3.3.4 Single-master/multi-slave with the MCU configured as a slave

Figure 32.12 shows a single-master/multi-slave SPI system configuration example where the MCU is a slave. In this example, the SPI system includes an SPI master and two MCUs (slave X and slave Y).

The SPCK and MOSI outputs of the SPI master are connected to the RSPCKn and MOSIn inputs of the MCUs (slave X and slave Y). The MISO outputs of the MCUs (slave X and slave Y) are all connected to the MISO input of the SPI master. SSLX and SSLY outputs of the SPI master are connected to the SSLn0 inputs of the MCUs (slave X and slave Y), respectively.

The SPI master drives the SPCK, MOSI, SSLX, and SSLY signals. The MCUs (slaves X and Y) that receives low-level input into the SSLn0 input drives MISO.

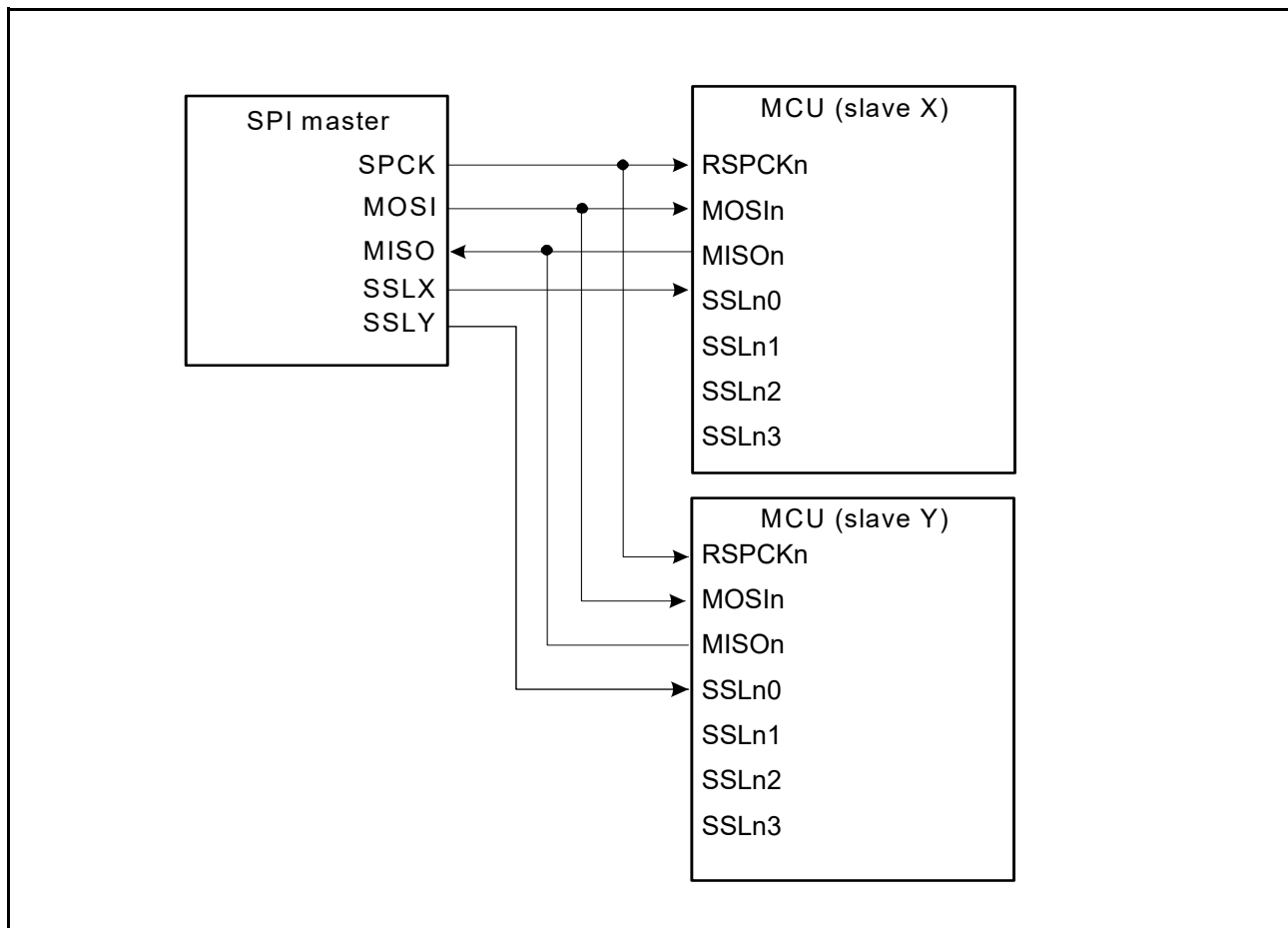


Figure 32.12 Single-master/multi-slave configuration example with the MCU as slave

32.3.3.5 Multi-master/multi-slave with the MCU as master

Figure 32.13 shows a multi-master and multi-slave SPI system configuration example where the MCU is a master. In the example shown in Figure 32.13, the SPI system comprises two MCUs (master X and master Y) and two SPI slaves (SPI slave 1 and SPI slave 2).

The RSPCKn and MOSIn outputs of the MCUs (master X and master Y) are connected to the RSPCK and MOSI inputs of SPI slaves 1 and 2. The MISO outputs of SPI slaves 1 and 2 are connected to the MISO inputs of the MCUs (master X and master Y). Any generic port Y output from the MCU (master X) is connected to the SSLn0 input of the MCU (master Y). Any generic port X output of the MCU (master Y) is connected to the SSLn0 input of the MCU (master X). The SSLn1 and SSLn2 outputs of the MCUs (master X and master Y) are connected to the SSL inputs of the SPI slaves 1 and 2. In this configuration example, because the system can be comprised solely of SSLn0 input, and SSLn1 and SSLn2 outputs for slave connections, the SSLn3 output of the MCU is not required.

The MCU drives the RSPCKn, MOSIn, SSLn1, and SSLn2 signals when the SSLn0 input level is high. When the SSLn0 input level is low, the MCU detects a mode-fault error, sets RSPCKn, MOSIn, SSLn1, and SSLn2 to Hi-Z, and releases the SPI bus directly to the other master. Of the SPI slaves 1 and 2, the slave that receives low-level input into the SSL input drives the MISO signal.

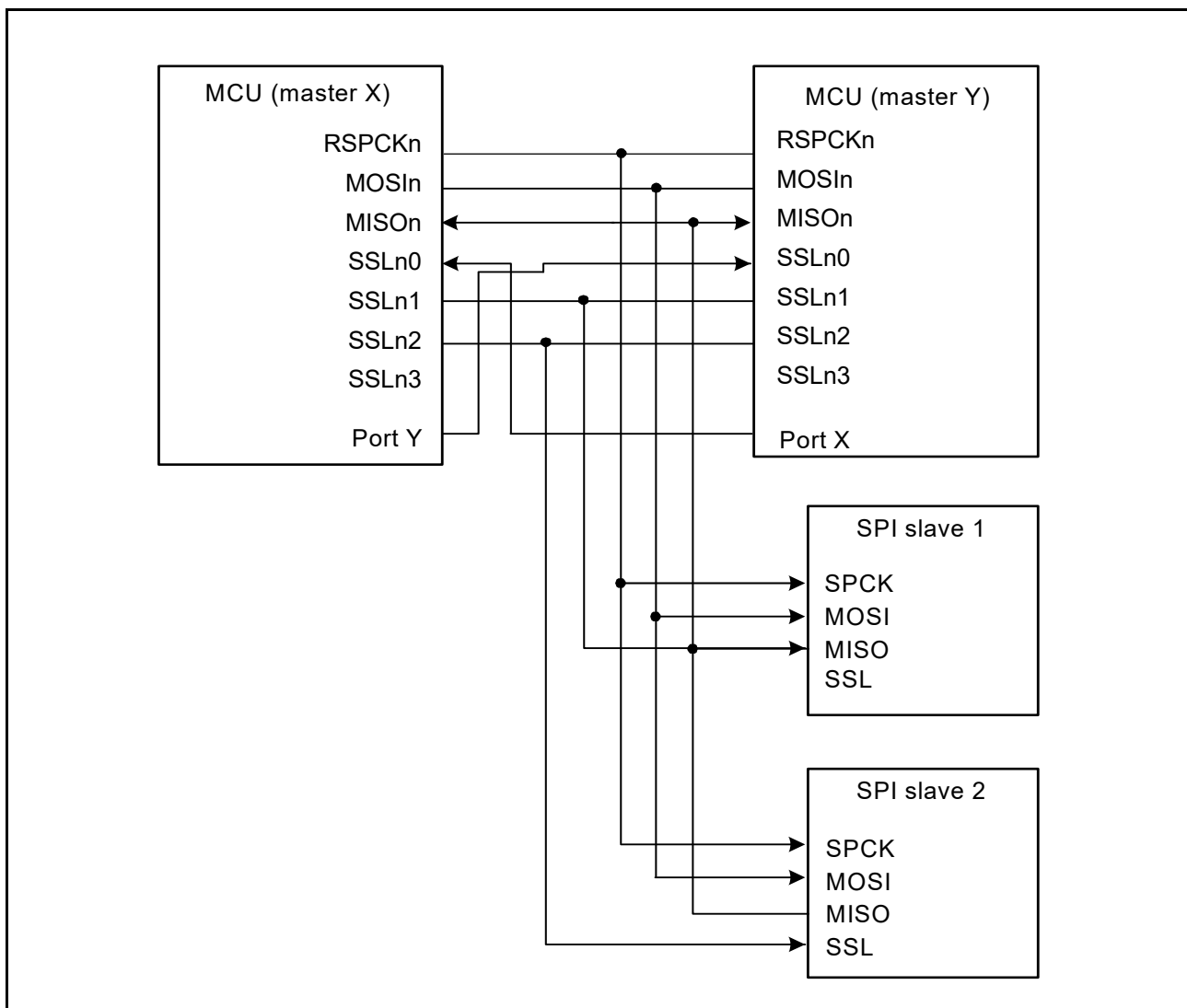


Figure 32.13 Multi-master/multi-slave configuration example with the MCU as master

32.3.3.6 Clock synchronous master/slave configuration with the MCU as master

Figure 32.14 shows a master/slave clock synchronous mode configuration where the MCU is a master. In the master and slave clock synchronous mode configuration, SSLn0 to SSLn3 of the MCU (master) are not used.

The MCU (master) drives the RSPCKn and MOSIn signals. The SPI slave drives the MISO signal.

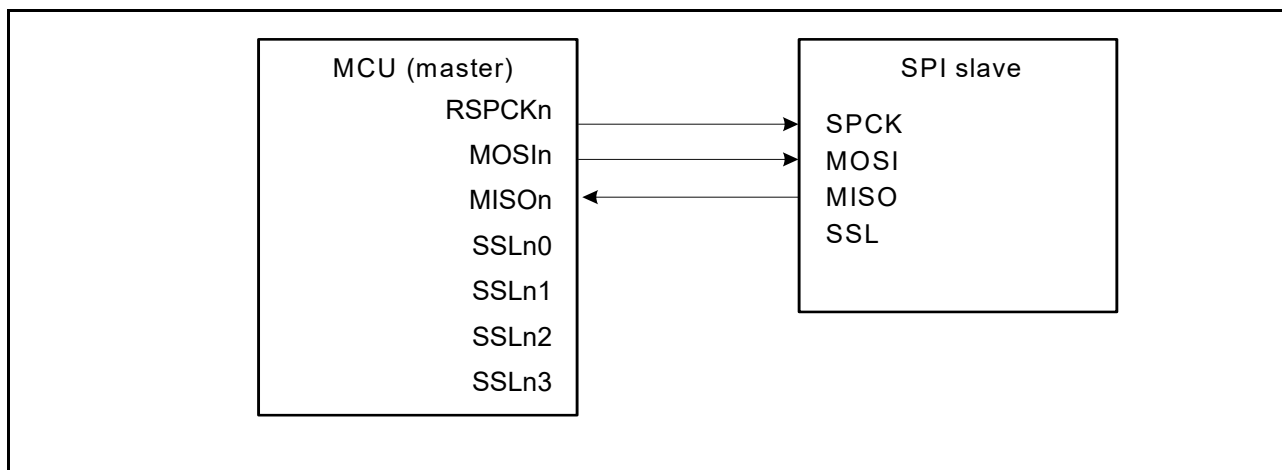


Figure 32.14 Clock synchronous master/slave configuration example with the MCU as master

32.3.3.7 Clock synchronous master/slave configuration with the MCU as slave

Figure 32.15 shows a master/slave in clock synchronous mode configuration example where the MCU is a slave. When the MCU is to operate as a slave in clock synchronous operation, the MCU (slave) drives the MISO signal and the SPI master drives the SPCK and MOSI signals. The SSLn0 to SSLn3 of the MCU (slave) are not used.

The MCU (slave) can only execute serial transfer in the single-slave configuration when the SPCMDm.CPHA is set to 1.

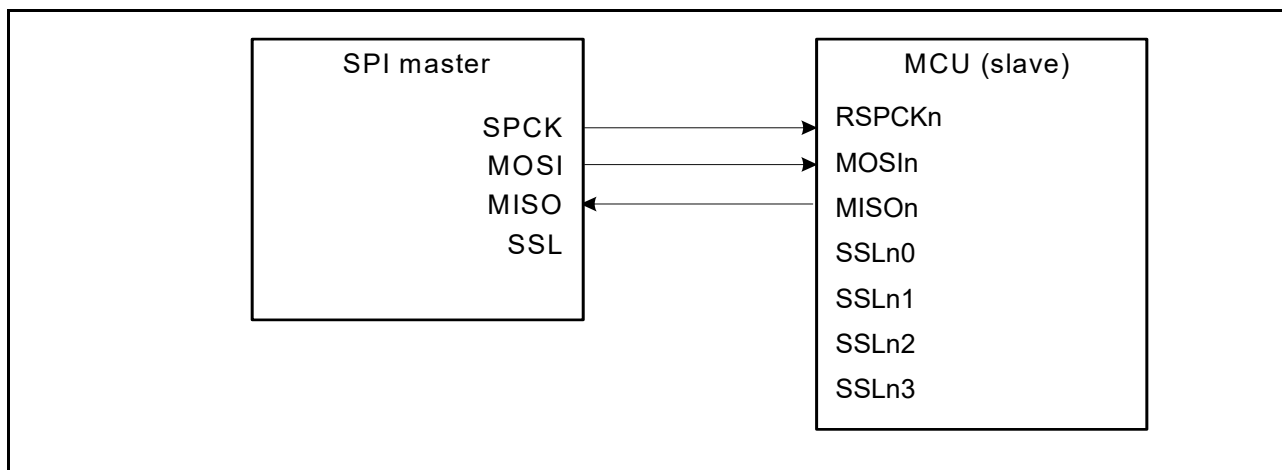


Figure 32.15 Clock synchronous master/slave configuration example with the MCU as slave and CPHA = 1

32.3.4 Data Format

The data format of the SPI depends on the settings in the SPI Command Register m (SPCMD m) ($m = 0$ to 7) and the Parity Enable bit in SPI Control Register 2 (SPCR2.SPPE). Regardless of whether the ordering is MSB- or LSB-first, the SPI treats the range from the LSB bit in the SPI Data Register (SPDR/SPDR_HA) to the bit associated with the selected data length as transfer data.

This section shows the format of one frame of data before or after transfer.

(a) With parity disabled

When parity is disabled, transmission or reception of data proceeds with the bit-length selected in the SPI Data Length Setting bits in the SPI Command Register m (SPCMD m .SPB[3:0] for SPI0, SPCMD0.SPB[3:0] for SPI1).

(b) With parity enabled

When parity is enabled, transmission or reception of data proceeds with the bit-length selected in the SPI data length setting bits in SPI Command Register m (SPCMD m .SPB[3:0] for SPI0, SPCMD0.SPB[3:0] for SPI1). In this case, however, the last bit is a parity bit.

- SPI0

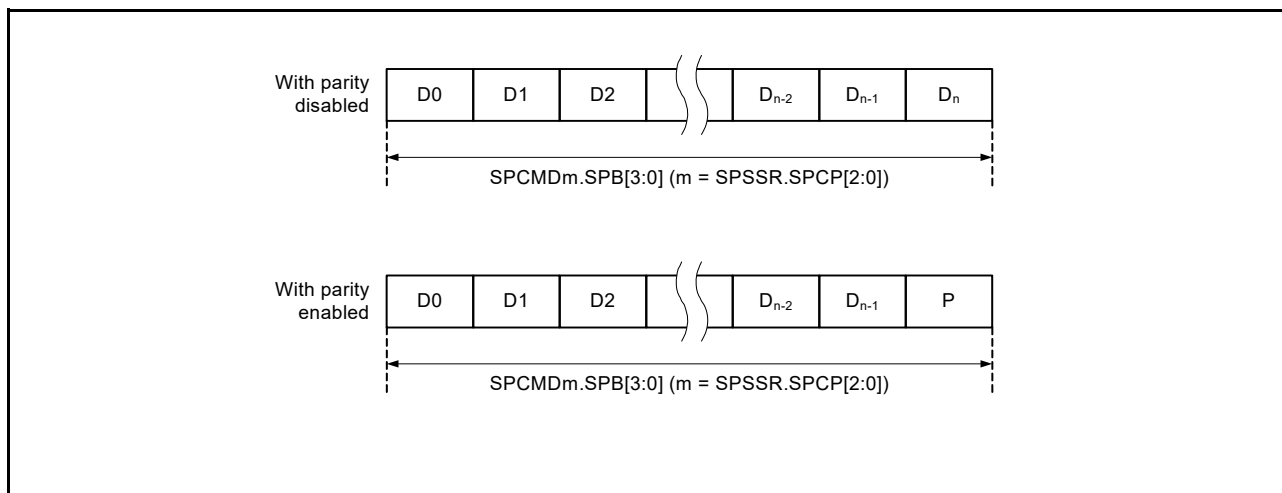


Figure 32.16 Data format with parity disabled and enabled (SPI0)

- SPI1

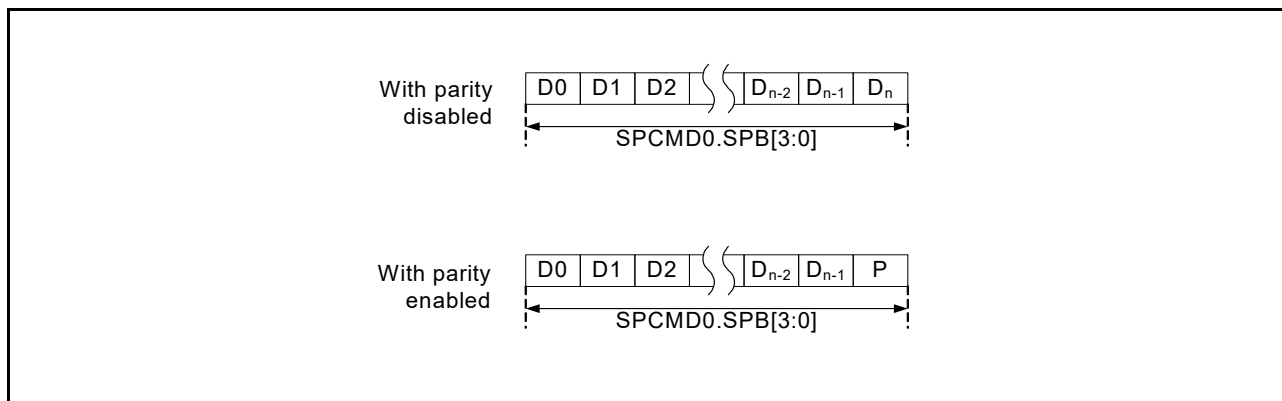


Figure 32.17 Data format with parity disabled and enabled (SPI1)

32.3.4.1 Operation when parity is disabled (SPCR2.SPPE = 0)

When parity is disabled, data for transmission is copied to the shift register with no pre-processing. This section describes the connection between the SPI Data Register (SPDR/SPDR_HA) and the shift register in terms of the combination of MSB- or LSB-first order and data length.

(1) MSB-first transfer with 32-bit data

Figure 32.18 shows the transfer operations of the SPI Data Register (SPDR) and the shift register in a transfer with parity disabled, a SPI data length of 32 bits, and MSB-first selected.

In transmission, bits T31 to T00 from the current stage of the transmit buffer are copied to the shift register. Data for transmission is shifted out from the shift register from T31 to T30, and continuing to T00 in that order.

In reception, received data is shifted in bit by bit through bit [0] of the shift register. When the R31 to R00 bits are collected after input of the required number of RSPCK cycles, the value in the shift register is copied to the receive buffer.

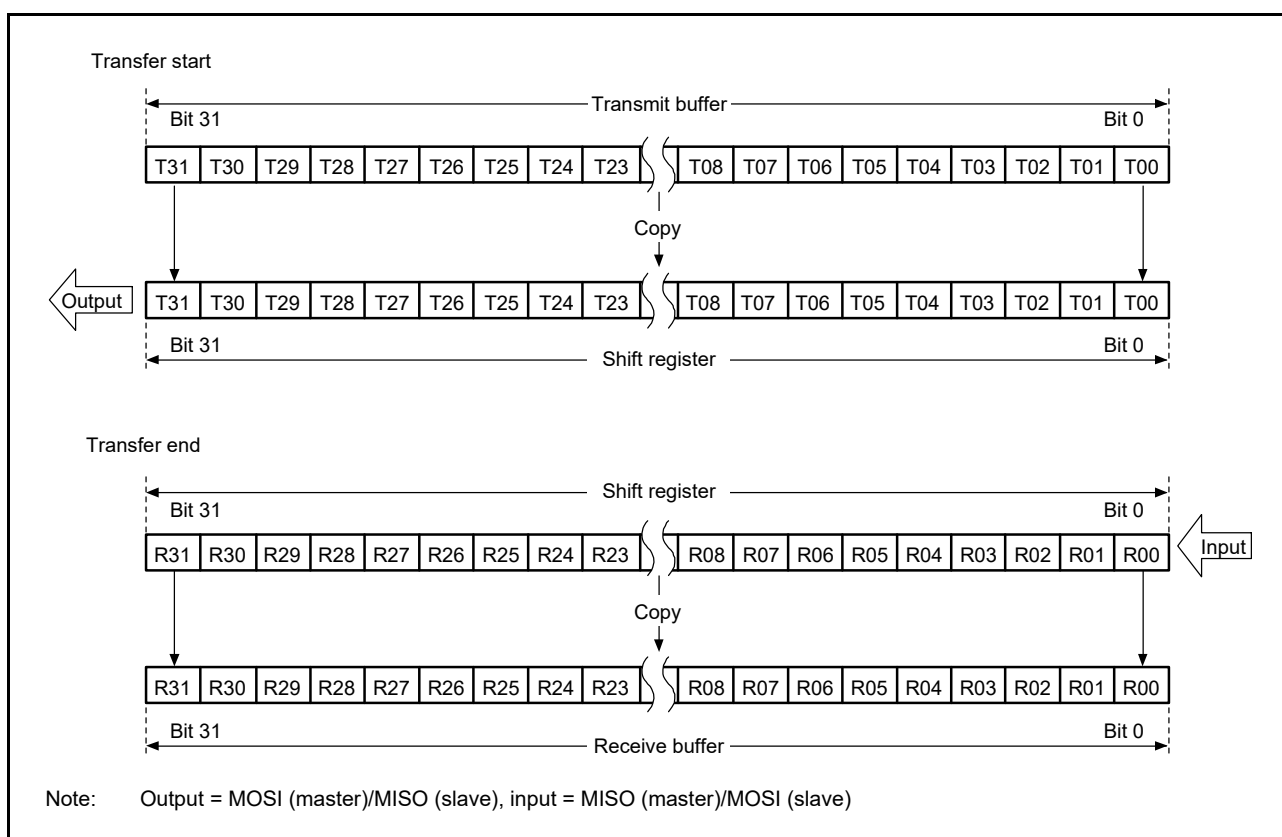


Figure 32.18 MSB-first transfer with 32-bit data and parity disabled

(2) MSB-first transfer with 24-bit data

Figure 32.19 shows the operation of the SPI Data Register (SPDR) and the shift register in a transfer with parity disabled, a SPI data length of 24 bits for an example that is not 32 bits, and MSB-first selected.

In transmission, the lower 24 bits (T23 to T00) from the current stage of the transmit buffer are copied to the shift register. Data for transmission is shifted out from the shift register from T23 to T22, continuing to T00 in that order.

In reception, received data is shifted in bit by bit through bit [0] of the shift register. When the R23 to R00 bits are collected after input of the required number of RSPCK cycles, the value in the shift register is copied to the receive buffer. The upper 8 bits of the transmit buffer are stored in the upper 8 bits of the receive buffer. Writing 0 to the T31 to T24 bits at the time of transmission leads to 0 being inserted in the upper 8 bits of the receive buffer.

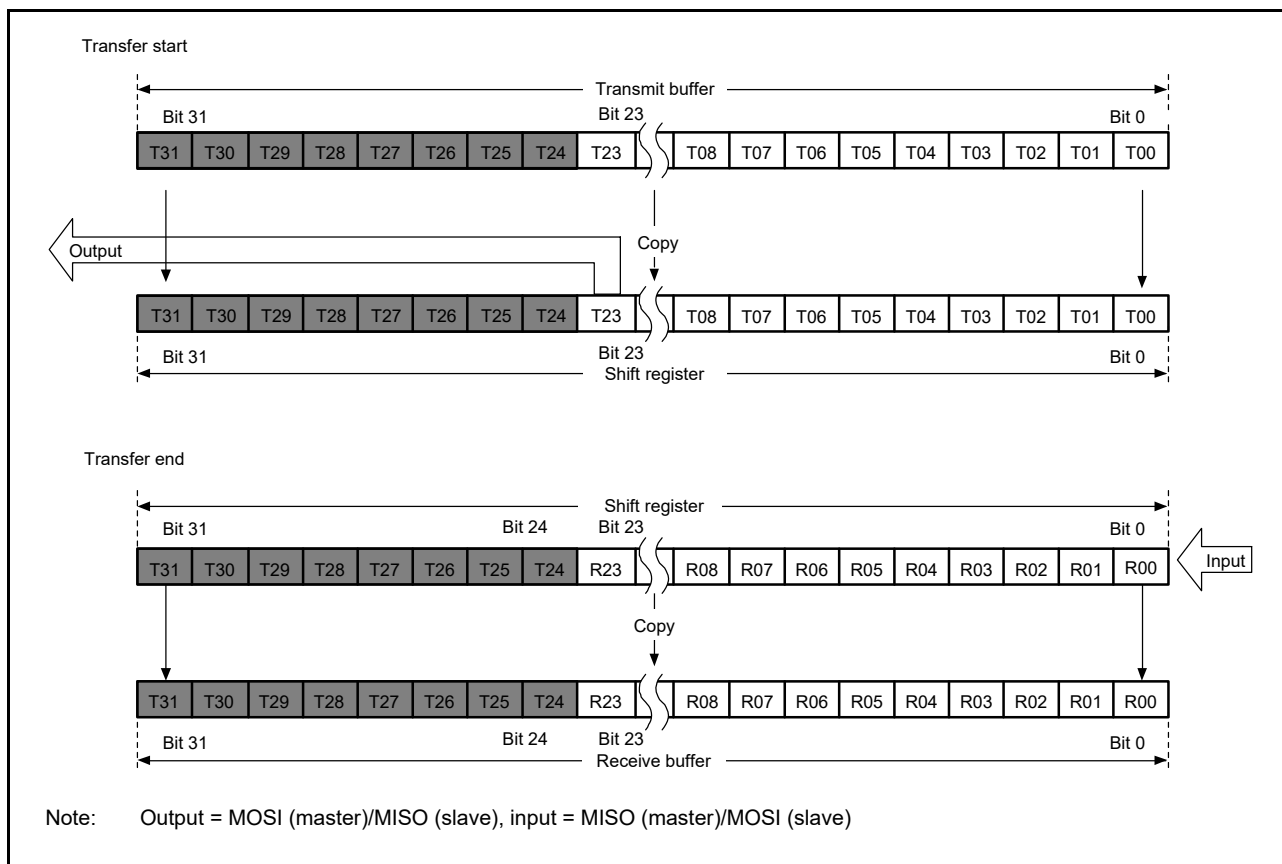


Figure 32.19 MSB-first transfer with 24-bit data and parity disabled

(3) LSB-first transfer with 32-bit data

Figure 32.20 shows the operation of the SPI Data Register (SPDR) and the shift register in a transfer with parity disabled, a SPI data length of 32 bits, and LSB-first selected.

In transmission, bits T31 to T00 from the current stage of the transmit buffer are reordered bit by bit to obtain the order T00 to T31 for copying to the shift register. Data for transmission is shifted out from the shift register from T00 to T01, and continuing to T31 in that order.

In reception, received data is shifted in bit by bit through bit [0] of the shift register. When the R00 to R31 bits are collected after input of the required number RSPCK cycles, the value in the shift register is copied to the receive buffer.

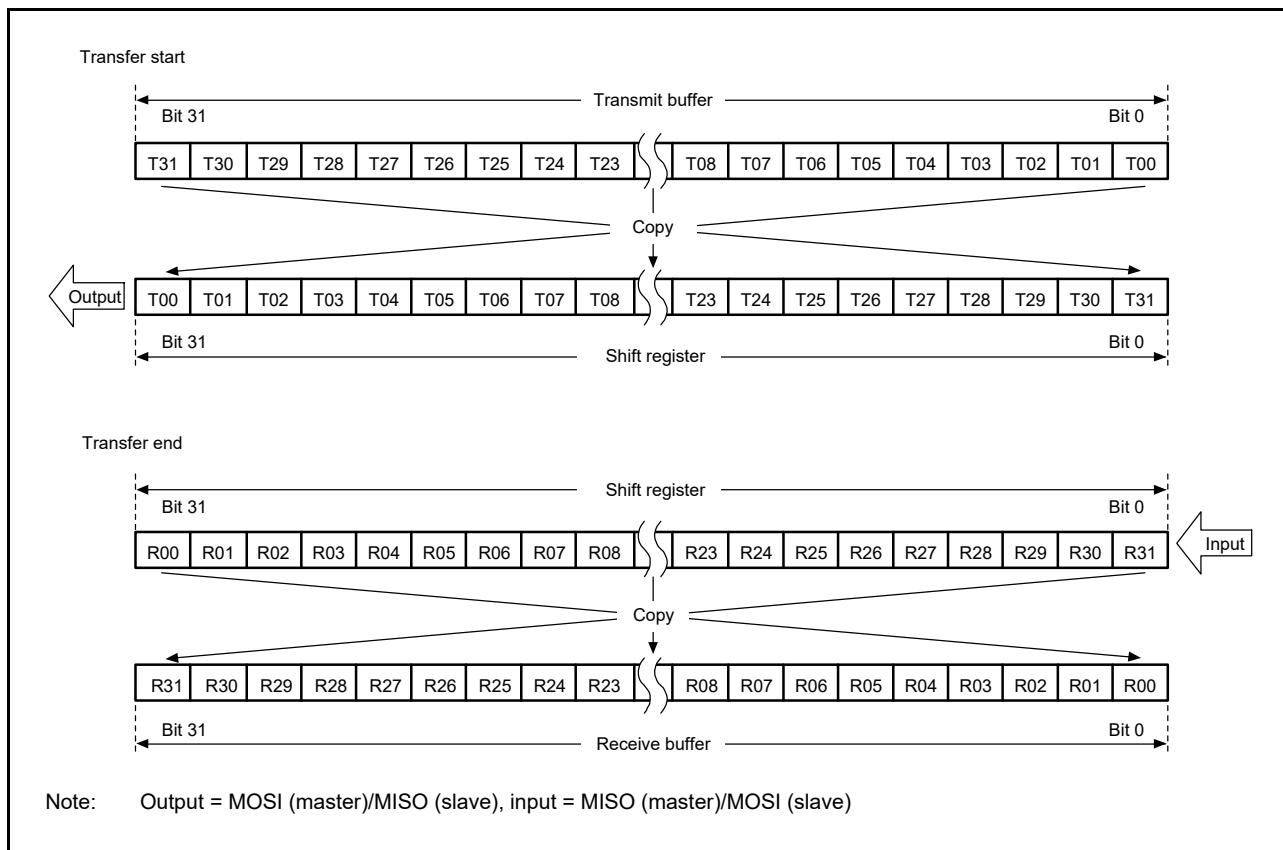


Figure 32.20 LSB-first transfer with 32-bit data and parity disabled

(4) LSB-first transfer with 24-bit data

Figure 32.21 shows the operation of the SPI Data Register (SPDR) and the shift register in a transfer with parity disabled, a SPI data length of 24 bits for an example that is not 32 bits, and LSB-first selected.

In transmission, the lower 24 bits (T23 to T00) from the current stage of the transmit buffer are reordered bit by bit to obtain the order T00 to T23 for copying to the shift register. Data for transmission is shifted out from the shift register from T00 to T01, and continuing to T23 in that order.

In reception, received data is shifted in bit by bit through bit [8] of the shift register. When the R00 to R23 bits are collected after input of the required number RSPCK cycles, the value in the shift register is copied to the receive buffer. The upper 8 bits of the transmit buffer are stored in the upper 8 bits of the receive buffer. Writing 0 to the T31 to T24 bits at the time of transmission leads to 0 being inserted in the upper 8 bits of the receive buffer.

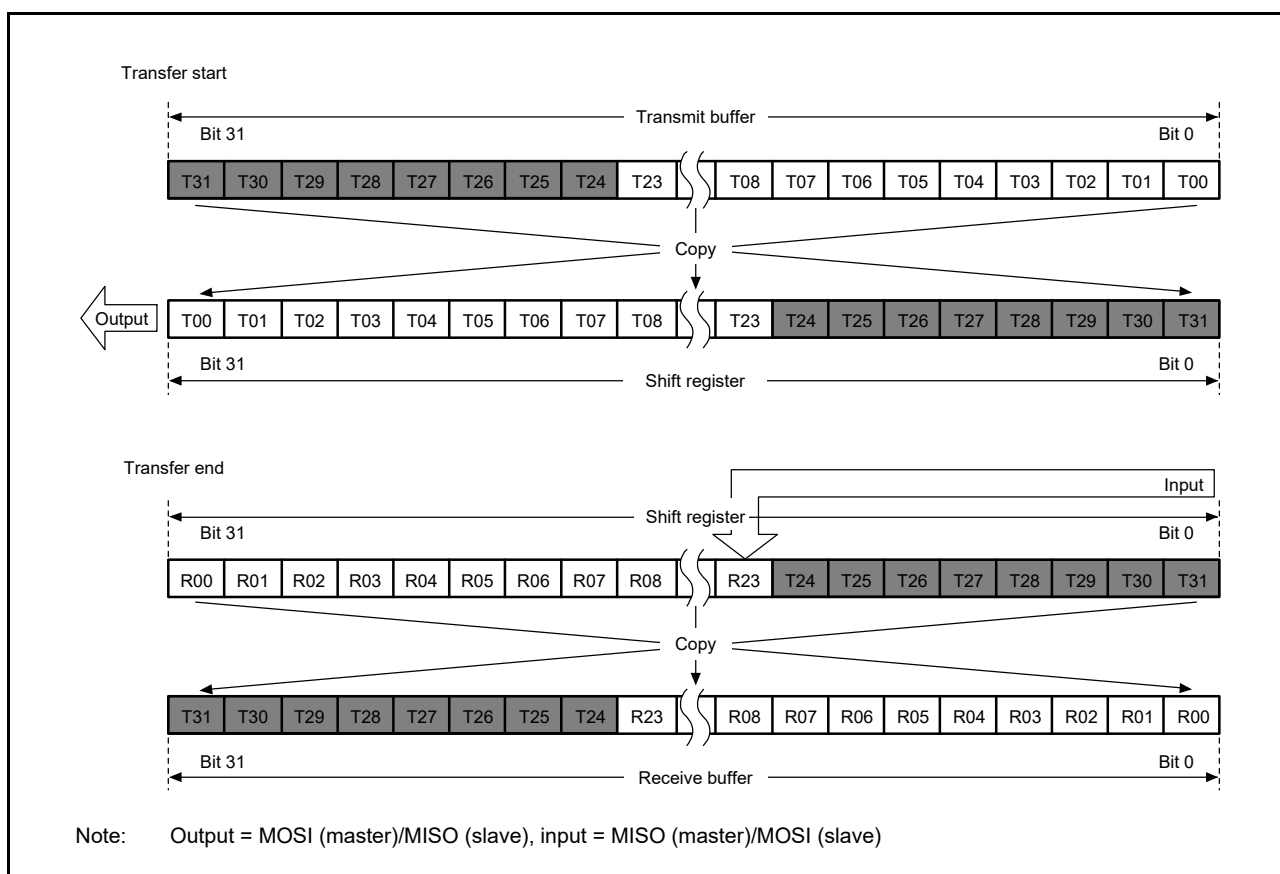


Figure 32.21 LSB-first transfer with 24-bit data and parity disabled

32.3.4.2 Operation when parity is enabled (SPCR2.SPPE = 1)

When parity is enabled, the lowest-order bit of the data for transmission becomes a parity bit. Hardware calculates the value of the parity bit.

(1) MSB-first transfer with 32-bit data

Figure 32.22 shows the operation of the SPI Data Register (SPDR) and the shift register in a transfer with parity enabled, a SPI data length of 32 bits, and MSB-first selected.

In transmission, the value of the parity bit (P) is calculated from bits T31 to T01. This replaces the final bit, T00, and the whole value is copied to the shift register. Data is transmitted in the order T31, T30, ..., T01, and P.

In reception, received data is shifted in bit by bit through bit [0] of the shift register. When the R31 to P bits are collected after input of the required number of RSPCK cycles, the value in the shift register is copied to the receive buffer. On copying of data to the shift register, the data from R31 to P is checked for parity.

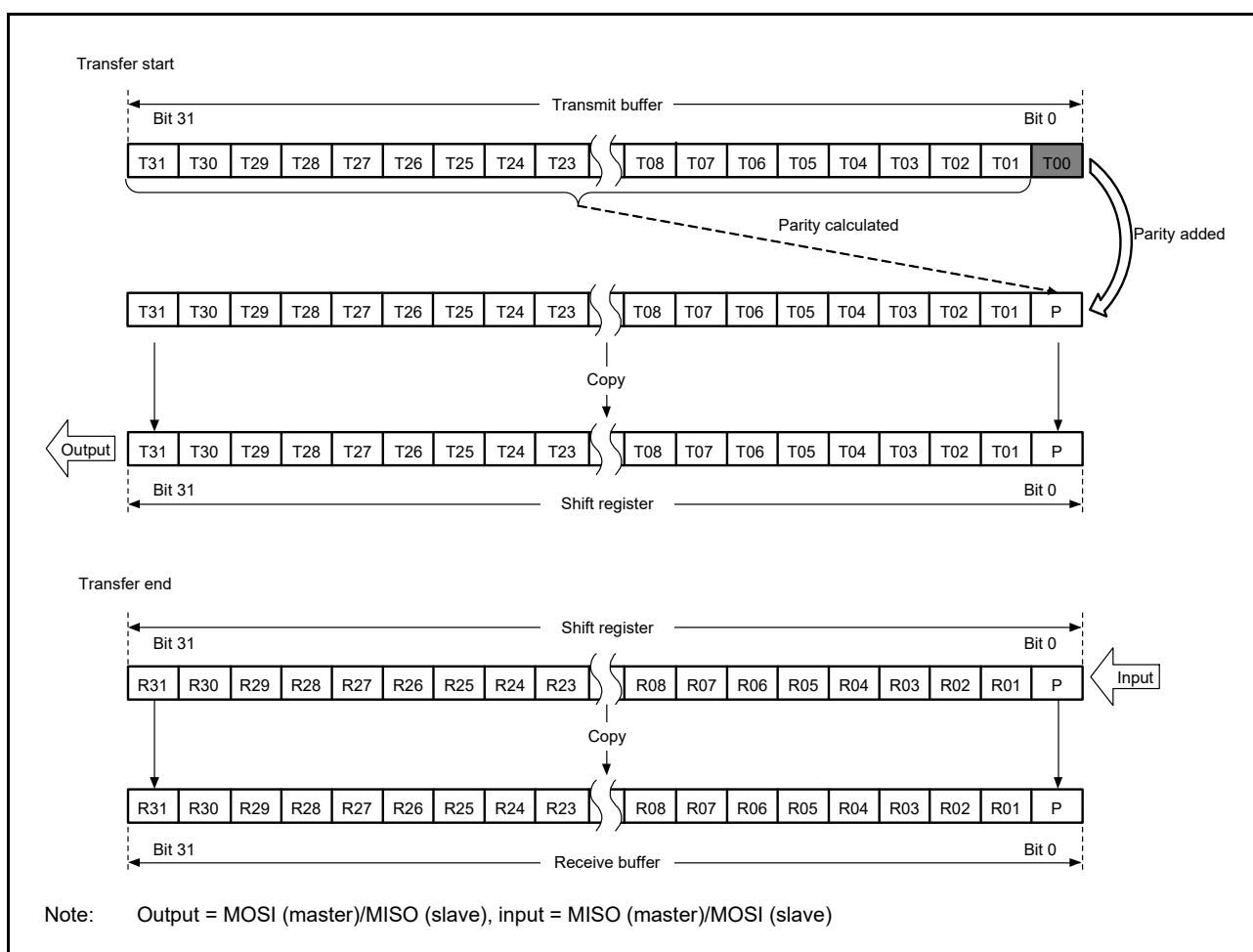


Figure 32.22 MSB-first transfer with 32-bit data and parity enabled

(2) MSB-first transfer with 24-bit data

Figure 32.23 shows the operation of the SPI Data Register (SPDR) and the shift register in a transfer with parity enabled, a SPI data length of 24 bits for an example that is not 32 bits, and MSB-first selected.

In transmission, the value of the parity bit (P) is calculated from bits T23 to T01. This replaces the final bit, T00, and the whole value is copied to the shift register. Data is transmitted in the order T23, T22, ..., T01, and P.

In reception, received data is shifted in bit by bit through bit [0] of the shift register. When the R23 to P bits are collected after input of the required number RSPCK cycles, the value in the shift register is copied to the receive buffer. After data is copied to the shift register, the data from R23 to P is checked for parity. The upper 8 bits of the transmit buffer are stored in the upper 8 bits of the receive buffer. Writing 0 to the T31 to T24 bits at the time of transmission leads to 0 being inserted in the upper 8 bits of the receive buffer.

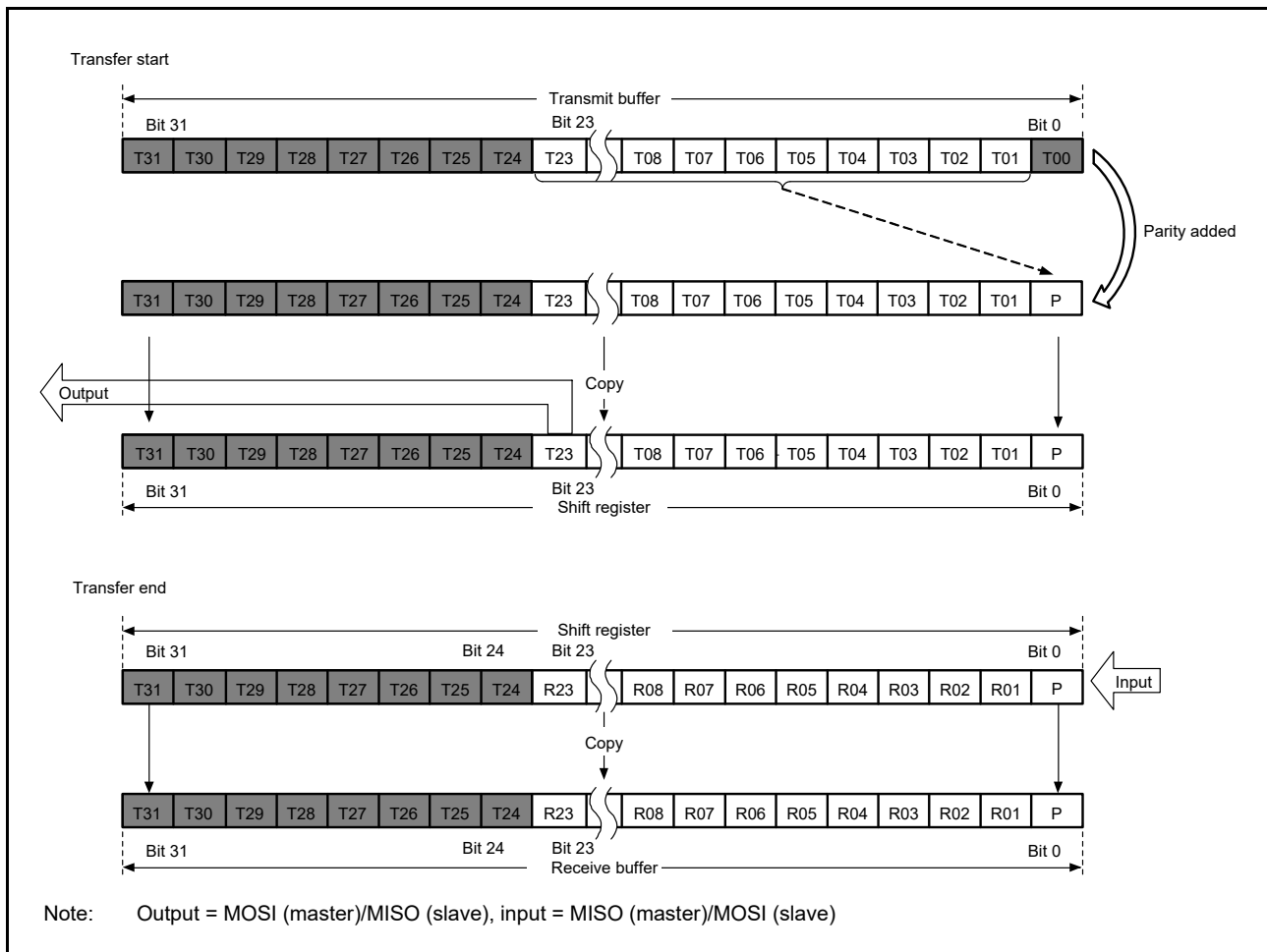


Figure 32.23 MSB-first transfer with 24-bit data and parity enabled

(3) LSB-first transfer with 32-bit data

Figure 32.24 shows the operation of the SPI Data Register (SPDR) and the shift register in a transfer with parity enabled, a SPI data length of 32 bits, and LSB-first selected.

In transmission, the value of the parity bit (P) is calculated from the T30 to T00 bits. This replaces the final bit, T31, and the whole value is copied to the shift register. Data is transmitted in the order T00, T01, ..., T30, and P.

In reception, received data is shifted in bit by bit through bit [0] of the shift register. When bits R00 to P are collected after input of the required number RSPCK cycles, the value in the shift register is copied to the receive buffer. On copying of data to the shift register, the data from R00 to P is checked for parity.

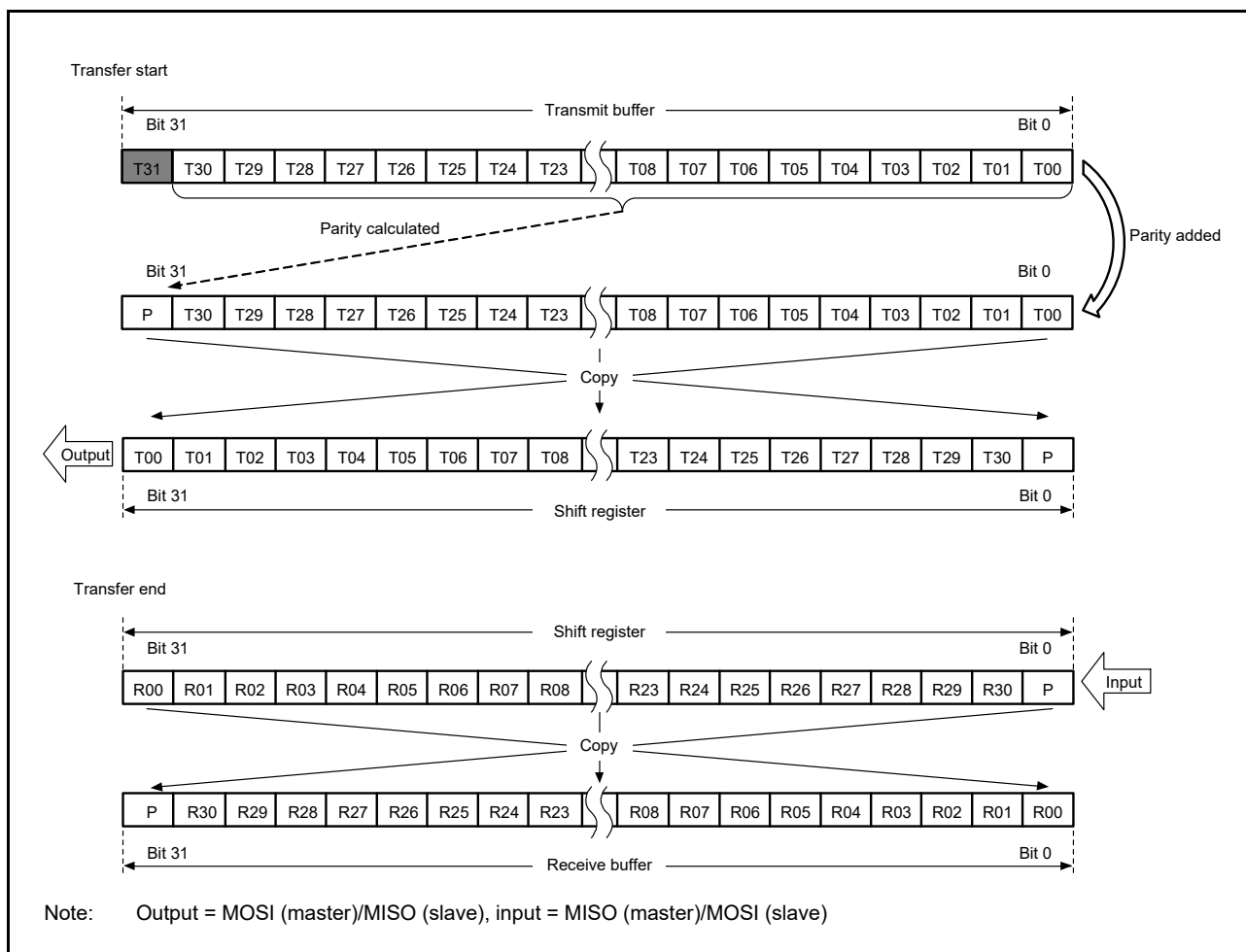


Figure 32.24 LSB-first transfer with 32-bit data and parity enabled

(4) LSB-first transfer with 24-bit data

Figure 32.25 shows the operation of the SPI Data Register (SPDR) and the shift register in a transfer with parity enabled, a SPI data length of 24 bits for an example that is not 32 bits, and LSB-first selected.

In transmission, the value of the parity bit (P) is calculated from the T22 to T00 bits. This replaces the final bit, T23, and the whole value is copied to the shift register. Data is transmitted in the order T00, T01, ..., T22, and P.

In reception, received data is shifted in bit by bit through bit [8] of the shift register. When bits R00 to P are collected after input of the required number RSPCK cycles, the value in the shift register is copied to the receive buffer. On copying of data to the shift register, the data from R00 to P is checked for parity. The upper 8 bits of the transmit buffer are stored in the upper 8 bits of the receive buffer. Writing 0 to the T31 to T24 bits at transmission leads to 0 being inserted in the upper 8 bits of the receive buffer.

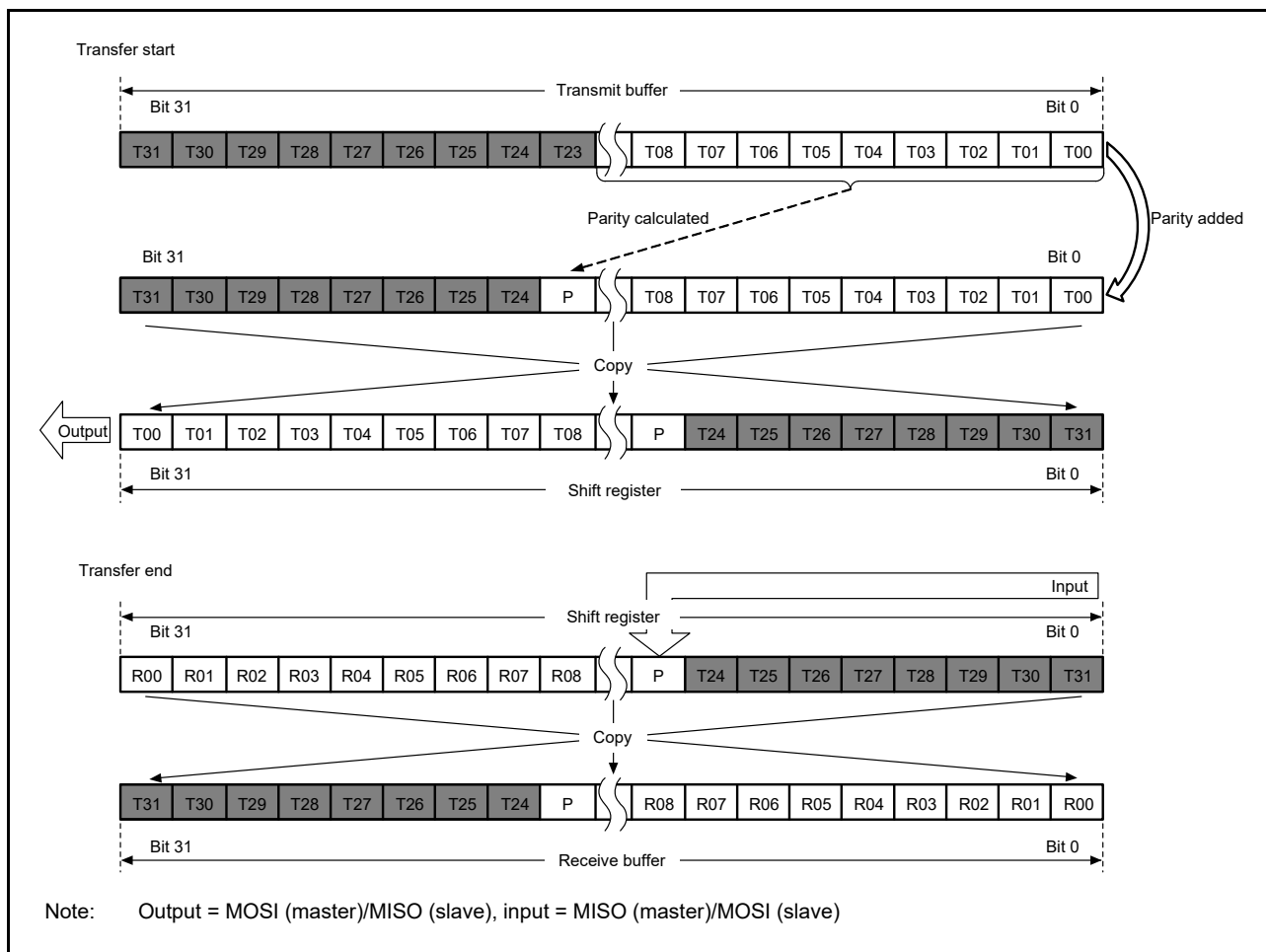


Figure 32.25 LSB-first transfer with 24-bit data and parity enabled

32.3.5 Transfer Formats

32.3.5.1 Transfer format when CPHA = 0

Figure 32.26 shows an example transfer format for the serial transfer of 8-bit data when SPCMDm.CPHA is 0. Do not perform clock synchronous operation (SPCR.SPMS = 1) when the SPI operates in slave mode (SPCR.MSTR = 0) and the CPHA bit is 0. In Figure 32.26, RSPCKn (CPOL = 0) indicates the RSPCKn signal waveform when SPCMDm.CPOL is 0, and RSPCKn (CPOL = 1) indicates the RSPCKn signal waveform when the CPOL bit is 1. The sampling timing represents the timing at which the SPI fetches serial transfer data into the shift register. The I/O directions of the signals depend on the SPI settings. For details, see section 32.3.2, Controlling SPI Pins.

When SPCMDm.CPHA is 0, the driving of valid data to the MOSIn and MISO_n signals begins at an SSLni signal assertion. The first RSPCKn signal change that occurs after the SSLni signal assertion becomes the first transfer data fetch. After this, data is sampled every 1 RSPCK cycle. The change timing for the MOSIn and MISO_n signals is 1/2 RSPCK cycles after the transfer data fetch timing. The CPOL bit setting does not affect the RSPCK signal operation timing as it only affects the signal polarity.

t1 denotes the RSPCK delay, the period from an SSLni signal assertion to RSPCKn oscillation. t2 denotes the SSL negation delay, the period from the termination of RSPCKn oscillation to an SSLni signal negation. t3 denotes the next-access delay, the period in which SSLni signal assertion is suppressed for the next transfer after the end of serial transfer. t1, t2, and t3 are controlled by a master device running on the SPI system. For a description of t1, t2, and t3 when the SPI is in master mode, see section 32.3.10.1, Master mode operation.

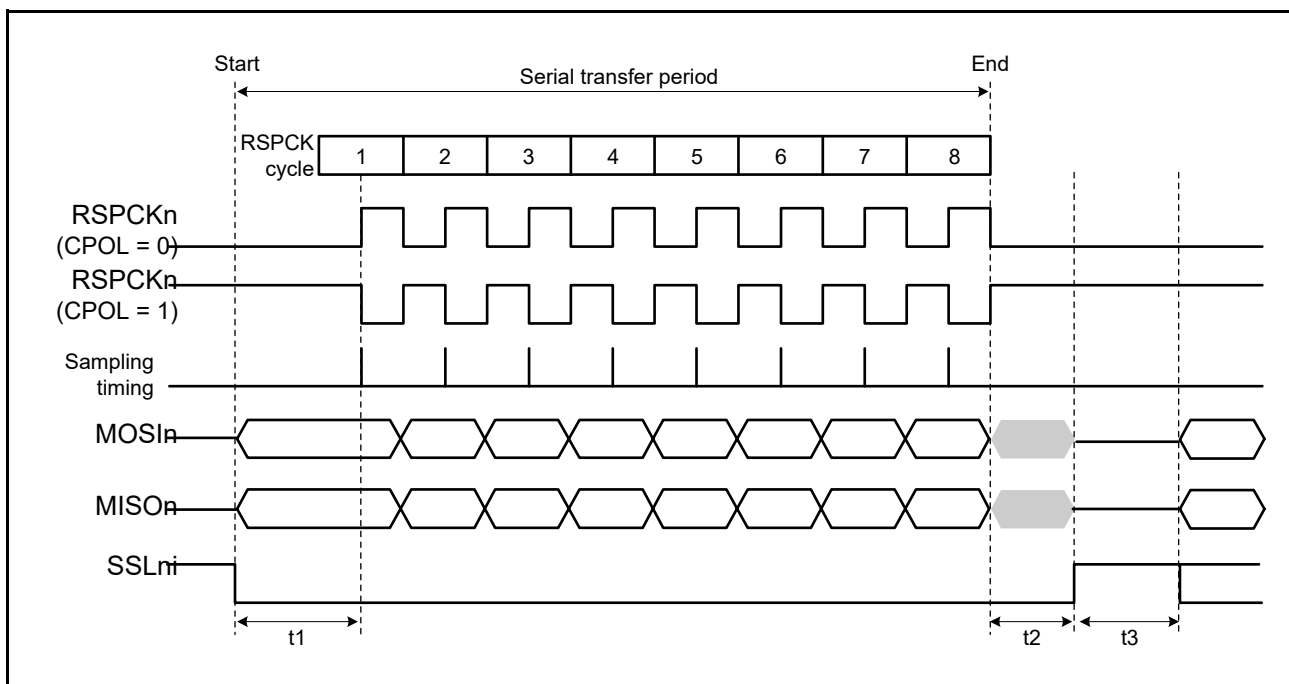


Figure 32.26 SPI transfer format when CPHA = 0

32.3.5.2 When CPHA = 1

Figure 32.27 shows an example transfer format for the serial transfer of 8-bit data when the SPCMDm.CPHA bit is 1. However, when the SPCR.SPMS bit is 1, the SSLni signals are not used, and only the three signals RSPCKn, MOSIn, and MISO_n handle communications. In Figure 32.27, RSPCK (CPOL = 0) indicates the RSPCKn signal waveform when the SPCMDm.CPOL bit is 0, and RSPCK indicates the RSPCKn signal waveform when the CPOL bit is 1. The sampling timing represents the timing at which the SPI fetches serial transfer data into the shift register. The I/O directions of the signals depend on the SPI mode (master or slave). For details, see section 32.3.2, Controlling SPI Pins.

When the SPCMDm.CPHA bit is 1, the driving of invalid data to the MISO_n signal begins at an SSLni signal assertion. The output of valid data to the MOSIn and MISO_n signals begins at the first RSPCKn signal change that occurs after the SSLni signal assertion. After this, data is updated every 1 RSPCK cycle. The transfer data fetch timing is 1/2 RSPCK cycles after the data update timing. The SPCMDm.CPOL bit setting does not affect the RSPCKn signal operation timing. It only affects the signal polarity.

t1, t2, and t3 are the same as those when CPHA = 0. For a description of t1, t2, and t3 when the MCU SPI is in master mode, see section 32.3.10.1, Master mode operation.

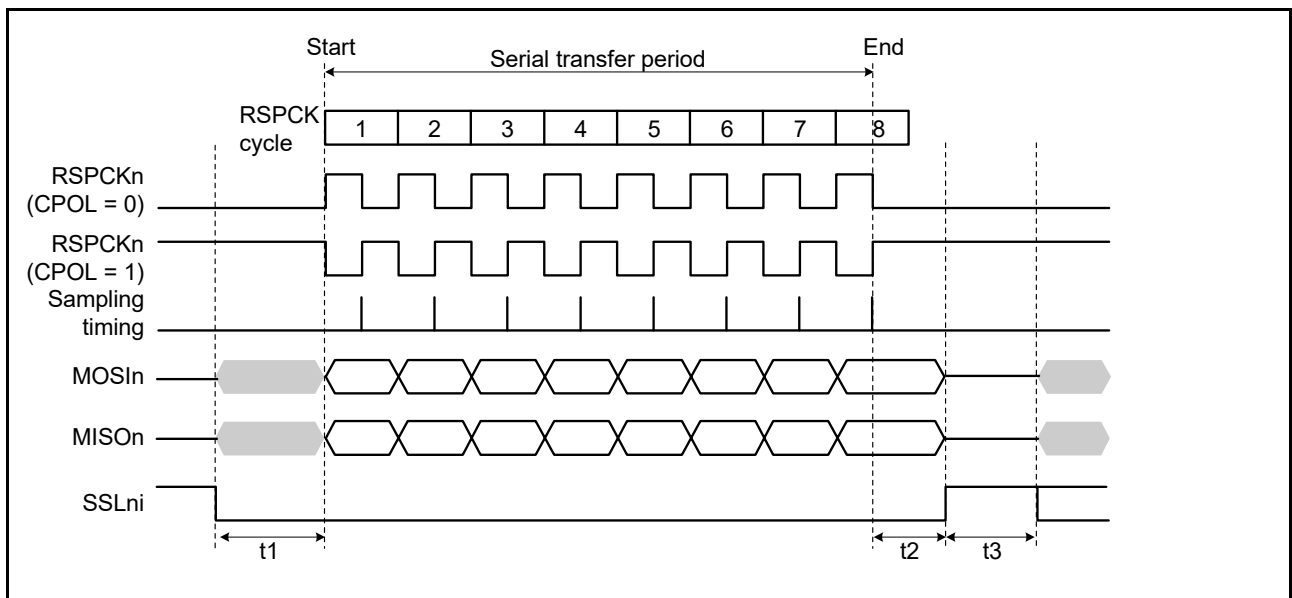


Figure 32.27 SPI transfer format when CPHA = 1

32.3.6 Data Transfer Modes

Full-duplex synchronous serial communications or transmit operations can only be selected in the Communications Operating Mode Select bit (SPCR.TXMD). The register accesses shown in [Figure 32.28](#) and [Figure 32.29](#) indicate the condition of access to the SPDR/SPDR_HA register, where W denotes a write cycle.

32.3.6.1 Full-duplex synchronous serial communications (SPCR.TXMD = 0)

[Figure 32.28](#) shows an example of operation where the Communications Operating Mode Select bit (SPCR.TXMD) is set to 0. In this example, the SPI performs an 8-bit serial transfer in which the SPDCR.SPFC[1:0] bits are 00b, the SPCMDm.CPHA bit is 1, and the SPCMDm.CPOL bit is 0 for SPI0, and in which the SPCMD0.CPHA bit is 1 and the SPCMD0.CPOL bit is 0 for SPI1. The numbers given for RSPCKn in the waveform represent the number of RSPCK cycles, such as the number of transferred bits.

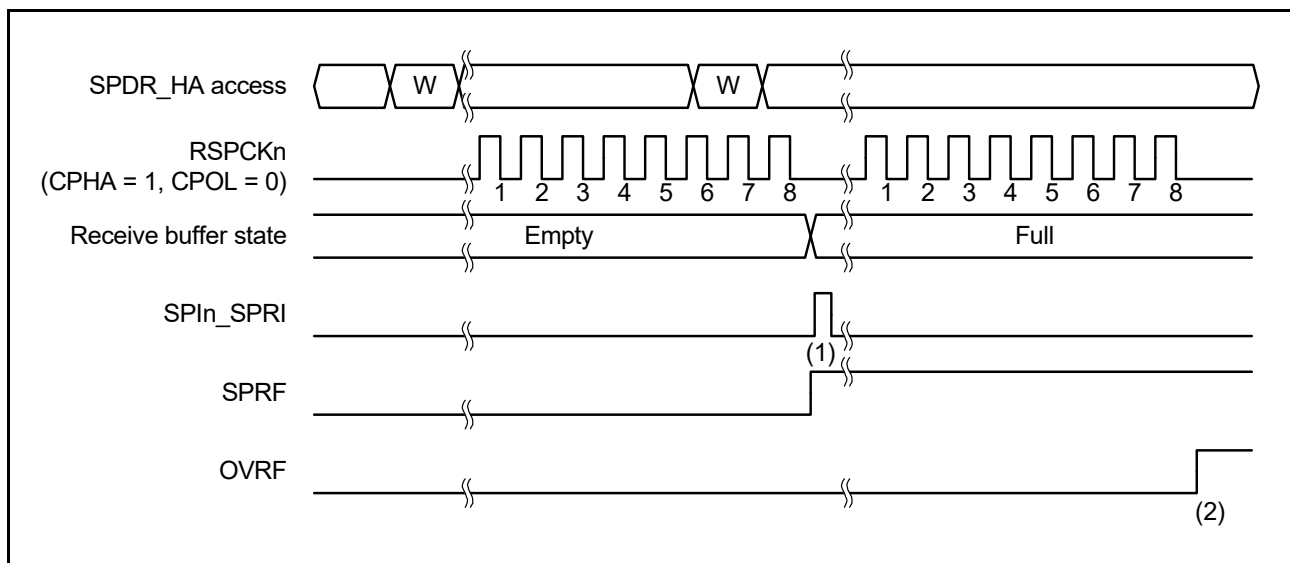


Figure 32.28 Operation example when SPCR.TXMD = 0

The operation of the flags at timings (1) and (2) in the [Figure 32.28](#) is as follows:

1. When a serial transfer ends with the SPDR_HA receive buffer empty, the SPI generates a receive buffer full interrupt request (SPIIn_SPRI), the SPI sets the SPSR.SPRF flag to 1 and copies the received data in the shift register to the receive buffer.
2. When a serial transfer ends with the receive buffer of SPDR_HA holding data that was received in the previous serial transfer, the SPI sets the SPSR.OVRF flag to 1 and discards the received data in the shift register.

32.3.6.2 Transmit only operations (SPCR.TXMD = 1)

Figure 32.29 shows an example of operation where the Communications Operating Mode Select bit (SPCR.TXMD) is set to 1. In the example, the SPI performs an 8-bit serial transfer in which the SPDCR.SPFC[1:0] bits are 00b, the SPCMDm.CPHA bit is 1, and the SPCMDm.CPOL bit is 0 for SPI0, and in which the SPCMD0.CPHA bit is 1 and the SPCMD0.CPOL bit is 0 for SPI1. The numbers given for RSPCKn in the waveform represent the number of RSPCK cycles, such as the number of transferred bits.

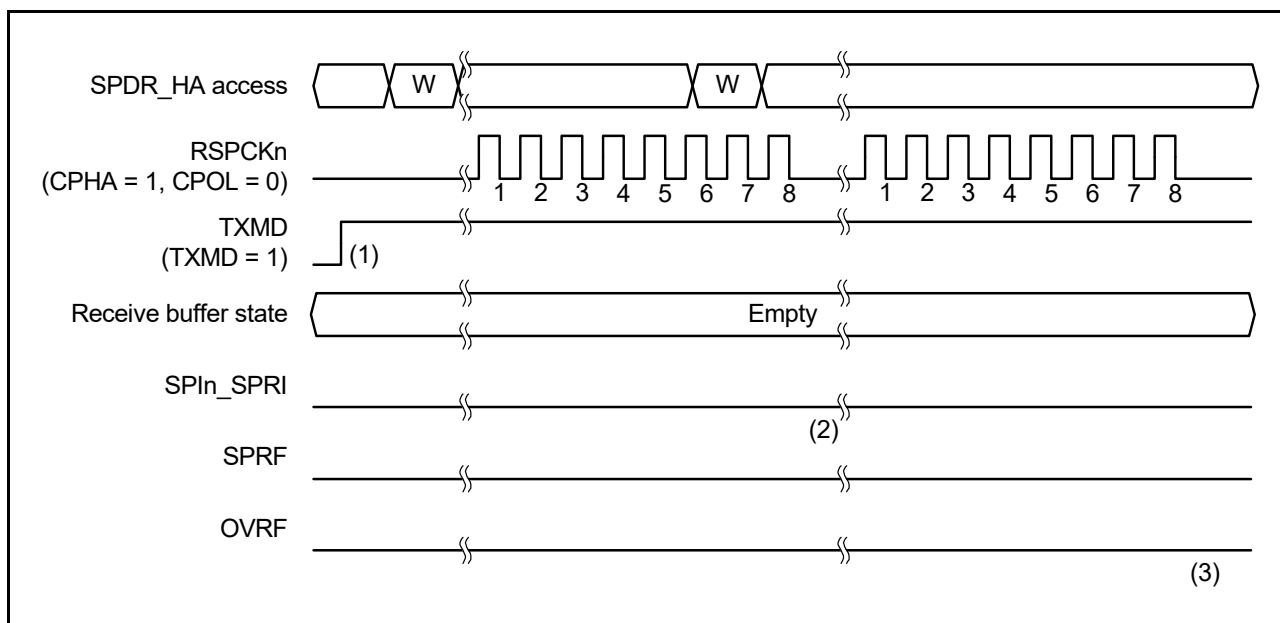


Figure 32.29 Operation example when SPCR.TXMD = 1

The operation of the flags at timings (1) to (3) in the Figure 32.29 is as follows:

1. Make sure that there is no data left in the receive buffer (SPSR.SPRF = 0) and the SPSR.OVRF flag is 0 before entering the transmit-only mode (SPCR.TXMD = 1).
2. When a serial transfer ends with the receive buffer of SPDR_HA empty, if the transmit-only mode is selected (SPCR.TXMD = 1), the SPSR.SPRF flag remains 0, and the SPI does not copy the data in the shift register to the receive buffer.
3. Because the receive buffer of SPDR_HA does not hold data that was received in the previous serial transfer, even when a serial transfer ends, the SPSR.OVRF flag remains 0, and the data in the shift register is not copied to the receive buffer.

In transmit-only mode (SPCR.TXMD = 1), the SPI transmits data but does not receive data. Therefore, the SPSR.SPRF and SPSR.OVRF flags remain 0 at timings (1) to (3).

32.3.7 Transmit Buffer Empty and Receive Buffer Full Interrupts

Figure 32.30 and Figure 32.31 show operation examples of the transmit buffer empty interrupt (SPIn_SPTI) and the receive buffer full interrupt (SPIn_SPRI). The register accesses shown in these figures indicate the conditions of access to the SPDR_HA register, where W denotes a write cycle, and R denotes a read cycle. In Figure 32.26, the SPI performs an 8-bit serial transfer when the SPCR.TXMD bit is 0, the SPDCR.SPFC[1:0] bits are 00b, the SPCMDm.CPHA bit is 0, and the SPCMDm.CPOL bit is 0 for SPI0, and in which the SPCR.TXMD bit is 0, the SPCMD0.CPHA bit is 0, and the SPCMD0.CPOL bit is 0 for SPI1.

In Figure 32.27, the SPI performs an 8-bit serial transfer when SPCR.TXMD bit is 0, the SPDCR.SPFC[1:0] bits are 00b, the SPCMDm.CPHA bit is 1, and the SPCMDm.CPOL bit is 0 for SPI0, and in which the SPCR.TXMD bit is 0, the SPCMD0.CPHA bit is 1, and the SPCMD0.CPOL bit is 0 for SPI1. The numbers for RSPCKn in the waveform represent the number of RSPCK cycles, such as the number of transferred bits.

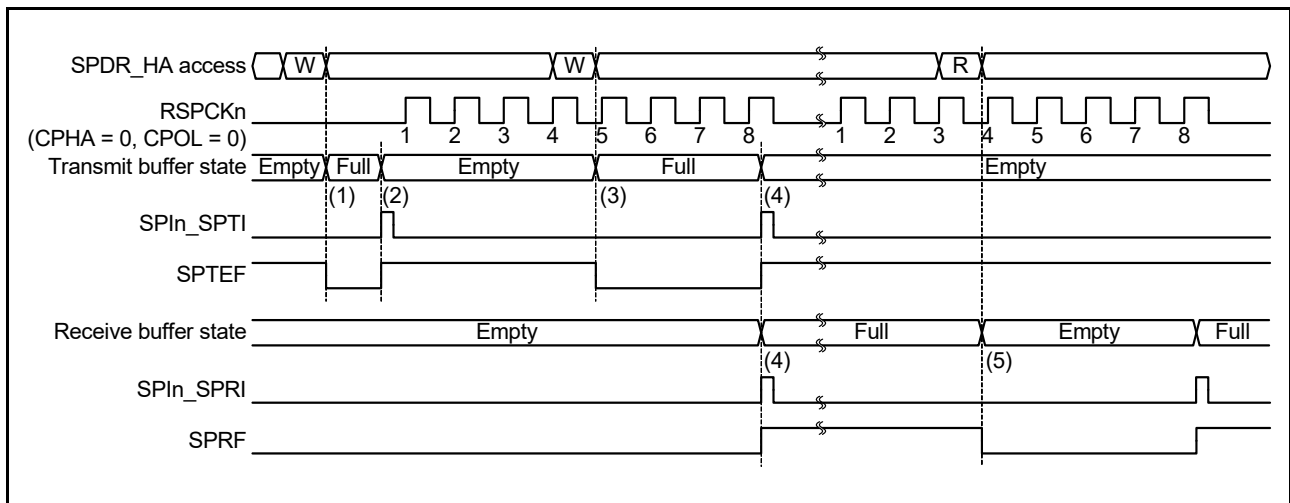


Figure 32.30 Operation example of the SPIn_SPTI and SPIn_SPRI interrupts when CPHA = 0 and CPOL = 0

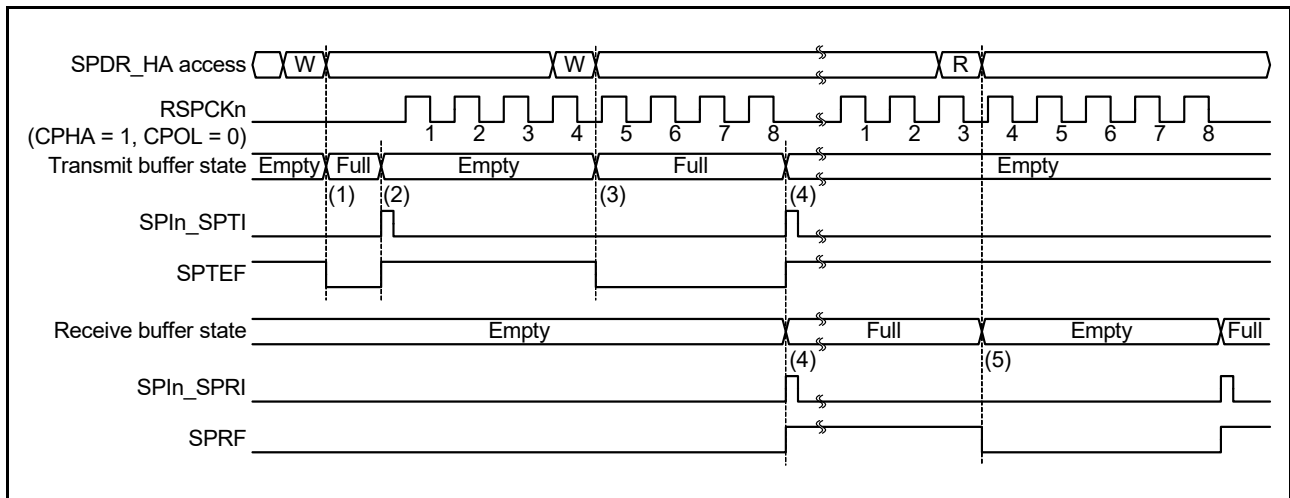


Figure 32.31 Operation example of the SPIn_SPTI and SPIn_SPRI interrupts when CPHA = 1 and CPOL = 0

The operation of the SPI at timings (1) to (5) in the figure is as follows:

1. When transmit data is written to the SPDR_HA register with the transmit buffer of SPDR_HA empty and data for the next transfer not set, the SPI writes data to the transmit buffer and clears the SPSR.SPTEF flag to 0.
2. If the shift register is empty, the SPI copies the data in the transmit buffer to the shift register, generates a transmit buffer empty interrupt request (SPIn_SPTI), and sets the SPSR.SPTEF flag to 1. How a serial transfer is started depends on the mode of the SPI. For details, see [section 32.3.10, SPI Operation](#), and [section 32.3.11, Clock Synchronous Operation](#).

3. When transmit data is written to the SPDR_HA register either by the transmit buffer empty interrupt routine, or by the processing of transmit buffer empty using the SPTEF flag, the SPI writes data to the transmit buffer and clears the SPTEF flag to 0. Because the data being transferred serially is stored in the shift register, the SPI does not copy the data in the transmit buffer to the shift register.
4. When the serial transfer ends with the receive buffer of SPDR_HA empty, the SPI copies the receive data in the shift register to the receive buffer, generates a receive buffer full interrupt request (SPIn_SPRI), and sets the SPRF flag to 1. Because the shift register is empty on completion of the serial transfer, if the transmit buffer was full before the serial transfer ended, the SPI sets the SPTEF flag to 1 and copies the data in the transmit buffer to the shift register. Even when received data is not copied from the shift register to the receive buffer in an overrun error status, on completion of the serial transfer, the SPI determines that the shift register is empty, and data transfer from the transmit buffer to the shift register is enabled.
5. When SPDR_HA is read either by the receive buffer full interrupt routine or by the processing of the receive buffer full interrupt using the SPRF flag, the receive data can be read.

If SPDR_HA is written to when the transmit buffer holds untransmitted data (SPTEF flag is 0), the SPI does not update the data in the transmit buffer. When writing to SPDR_HA, make sure to either use a transmit buffer empty interrupt request or to process a transmit buffer empty interrupt using the SPTEF flag. To use a transmit buffer empty interrupt, set the SPTIE bit in SPCR to 1. If the SPI function is disabled (the SPCR.SPE bit is 0), set the SPTIE bit to 0.

When serial transfer ends with the receive buffer full (SPRF = 1), the SPI does not copy data from the shift register to the receive buffer, and detects an overrun error (see [section 32.3.8, Error Detection](#)). To prevent a receive data overrun error, read the received data using a receive buffer full interrupt request before the next serial transfer ends. To use an SPI receive buffer full interrupt, set the SPCR.SPRIE bit to 1.

Transmission and reception interrupts or the associated IELSRj.IR flags (where j is the interrupt vector number) in the ICU can be used to confirm the states of the transmit and receive buffers. Similarly, the SPTEF and SPRF flags can be used to confirm the states of the transmit and receive buffers. See [section 14, Interrupt Controller Unit \(ICU\)](#), for the interrupt vector numbers.

32.3.8 Error Detection

In the normal SPI serial transfer, data written to the SPDR/SPDR_HA transmit buffer is transmitted, and the received data can be read from the SPDR/SPDR_HA receive buffer. If access is made to SPDR/SPDR_HA, a non-normal transfer might occur depending on the status of the transmit or receive buffer, or the status of the SPI at the beginning or end of the serial transfer.

If a non-normal transfer occurs, the SPI detects the event as an underrun error, overrun error, parity error, or mode-fault error. [Table 32.8](#) shows the relationship between a non-normal transfer operation and the SPI error detection function.

Table 32.8 Relationship between non-normal transfer operations and SPI error detection function

Operation	Occurrence condition	SPI operation	Error detection
1	SPDR/SPDR_HA is written when the transmit buffer is full	<ul style="list-style-type: none"> The contents of the transmit buffer are kept Write data is missing. 	None
2	SPDR/SPDR_HA is read when the receive buffer is empty	The contents of the receive buffer and previously received data are output	None
3	Serial transfer is started in slave mode when the SPI is not able to transmit data	<ul style="list-style-type: none"> Serial transfer is suspended Transmit or receive data is missing Driving of the MISOA output signal is stopped SPI function is disabled. 	Underrun error
4	Serial transfer terminates when the receive buffer is full	<ul style="list-style-type: none"> The contents of the receive buffer are kept Receive data is missing. 	Overrun error
5	An incorrect parity bit is received during full-duplex synchronous serial communications with the parity function enabled	The parity error flag is asserted	Parity error
6	The SSLn0 input signal is asserted when the serial transfer is idle in multi-master mode	<ul style="list-style-type: none"> Driving of the RSPCKn, MOSIn, SSLn1 to SSLn3 output signals is stopped SPI function is disabled. 	Mode-fault error
7	The SSLn0 input signal is asserted during serial transfer in multi-master mode	<ul style="list-style-type: none"> Serial transfer is suspended Transmit or receive data is missing Driving of the RSPCKn, MOSIn, SSLn1 to SSLn3 output signals is stopped SPI function is disabled. 	Mode-fault error
8	The SSLn0 input signal is negated during serial transfer in slave mode	<ul style="list-style-type: none"> Serial transfer is suspended Missing transmit/receive data Driving of the MISO output signal is stopped SPI function is disabled. 	Mode-fault error

In operation 1 described in [Table 32.8](#), the SPI does not detect an error. To prevent data omission during writes to SPDR/SPDR_HA, writes to SPDR/SPDR_HA must be executed using a transmit buffer empty interrupt request (when the SPSR.SPTEF flag is 1).

Similarly, the SPI does not detect an error in operation 2. To prevent extraneous data from being read, SPDR/SPDR_HA reads must be executed using a SPI receive buffer full interrupt request (when SPSR.SPRF flag is 1).

For information on the other errors, see the following sections:

- Underrun errors, indicated in operation 3, see [section 32.3.8.4, Underrun errors](#)
- Overrun errors, indicated in operation 4, see [section 32.3.8.1, Overrun errors](#)
- Parity errors, indicated in operation 5, see [section 32.3.8.2, Parity errors](#)
- Mode-fault errors, indicated in operations 6 to 8, see [section 32.3.8.3, Mode-fault errors](#).

For the transmit and receive interrupts, see [section 32.3.7, Transmit Buffer Empty and Receive Buffer Full Interrupts](#).

32.3.8.1 Overrun errors

If a serial transfer ends when the receive buffer of SPDR/SPDR_HA is full, the SPI detects an overrun error and sets the SPSR.OVRF flag to 1. When the OVRF flag is 1, the SPI does not copy data from the shift register to the receive buffer, so the data prior to the occurrence of the error is saved in the receive buffer. To set the OVRF flag to 0, write 0 to the OVRF flag after the CPU reads SPSR with the OVRF flag set to 1.

Figure 32.32 shows an example operation of OVRF and SPRF flags. The SPSR and SPDR_HA accesses shown in Figure 32.32 indicate the condition of accesses to the SPSR and SPDR_HA respectively, where \bar{W} denotes a write cycle, and R denotes a read cycle. In Figure 32.32, the SPI performs an 8-bit serial transfer in which the SPCMDm.CPHA bit is 1 and the SPCMDm.CPOL bit is 0. The numbers given for RSPCKn in the waveform represent the number of RSPCK cycles, such as the number of transferred bits.

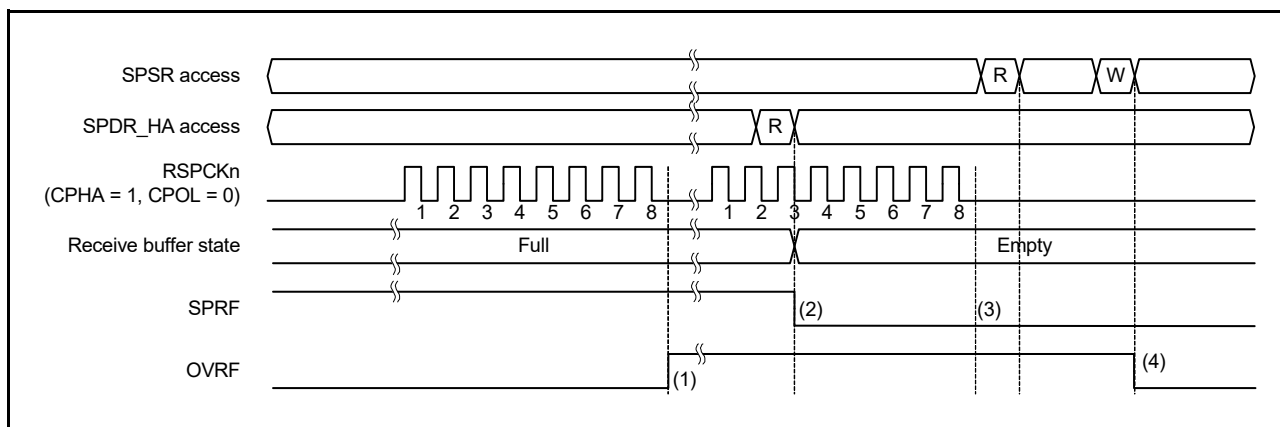


Figure 32.32 Operation example of OVRF flag and SPRF flag

The operation of the flags at the timing shown in (1) to (4) in Figure 32.32 is as follows:

1. If a serial transfer terminates with the SPRF flag set to 1 (receive buffer full), the SPI detects an overrun error and sets the OVRF flag to 1. The SPI does not copy the data in the shift register to the receive buffer. Even when the SPPE bit is 1, parity errors are not detected. In master mode for SPI0, the SPI copies the value of the SPCMDm pointer to the SPSSR.SPECM[2:0] bits.
2. When SPDR_HA is read, the SPI outputs the data in the receive buffer. The SPRF flag is then set to 0. The receive buffer becoming empty does not set the OVRF flag to 0.
3. If the serial transfer ends with the OVRF flag set to 1 (an overrun error occurs), the SPI does not copy data in the shift register to the receive buffer (the SPRF flag does not set to 1). A receive buffer full interrupt is not generated. Even when the SPPE bit is 1, parity errors are not detected. When in master mode for SPI0, the SPI does not update the SPSSR.SPECM[2:0] bits. When an overrun error occurs and the SPI does not copy the received data from the shift register to the receive buffer, on termination of the serial transfer, the SPI determines that the shift register is empty. This enables the data transfer from the transmit buffer to the shift register.
4. If 0 is written to the OVRF flag after SPSR is read when the OVRF flag is 1, the OVRF flag clears to 0.

The occurrence of an overrun can be checked either by reading SPSR or by using an SPI error interrupt and reading SPSR. When executing a serial transfer, make sure that overrun errors are detected early, for instance, by reading SPSR immediately after SPDR_HA is read. When the SPI is in master mode for SPI0, the value of the SPCMDm pointer on the error occurrence can be checked by reading the SPSSR.SPECM[2:0] bits.

If an overrun error occurs and the OVRF flag is set to 1, normal reception operations cannot be performed until the OVRF flag is cleared to 0.

When the RSPCK auto-stop function is enabled in master mode, an overrun error does not occur. Figure 32.33 and Figure 32.34 show the clock stop waveform when a serial transfer continues while the receive buffer is full in master mode.

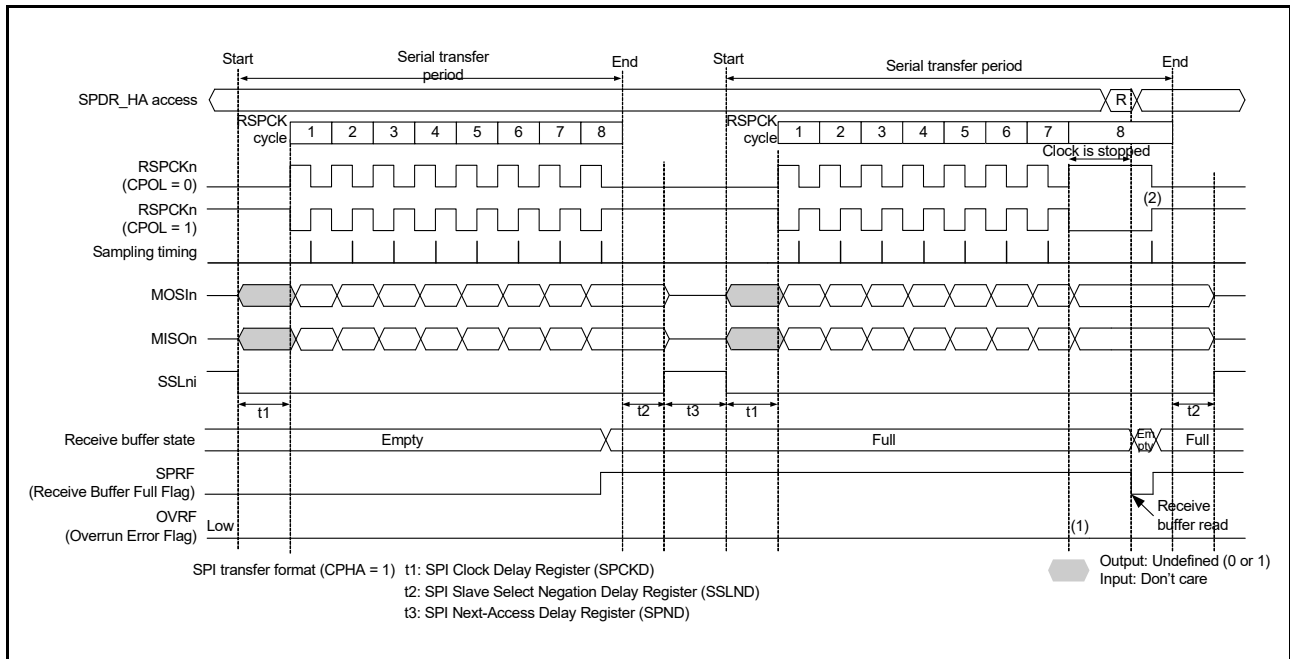


Figure 32.33 Clock stop waveform when serial transfer continues while receive buffer is full in master mode with CPHA = 1

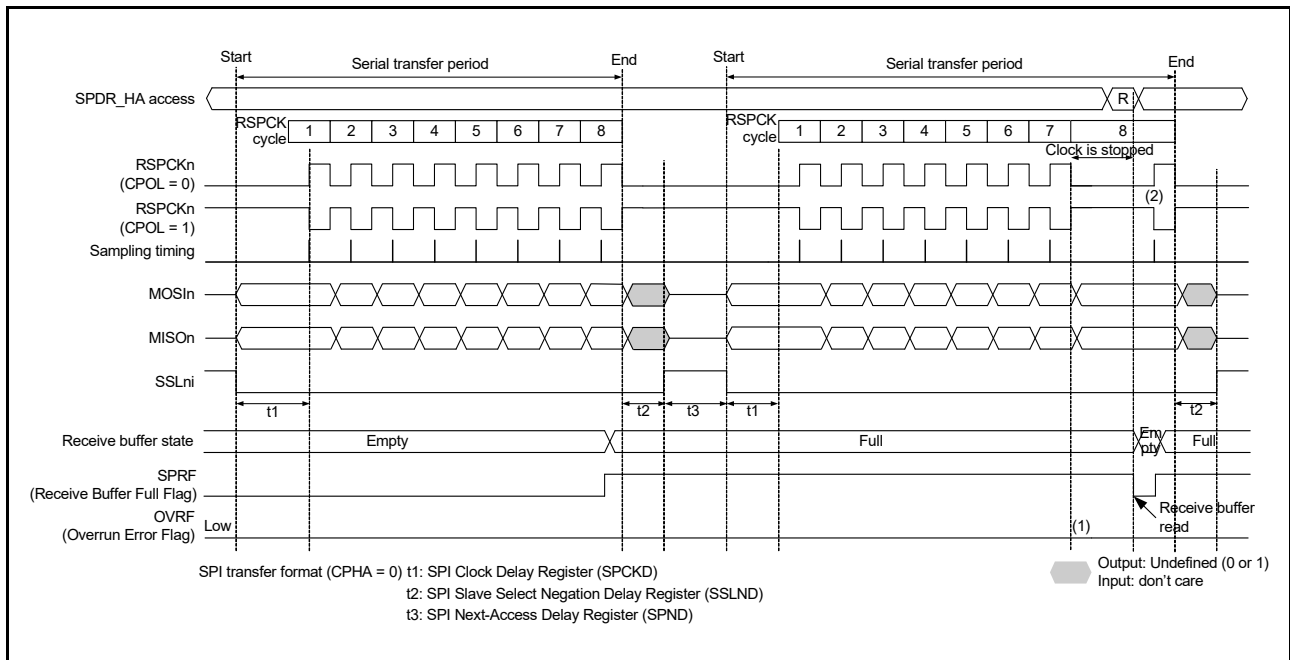


Figure 32.34 Clock stop waveform when serial transfer continues while receive buffer is full in master mode with CPHA = 0

The operation of the flags at the timings (1) and (2) in Figure 32.33 and Figure 32.34 is as follows:

1. When the receive buffer is full, an overrun error does not occur because the RSPCK clock is stopped.
2. If SPDR_HA is read while the clock is stopped, data in the receive buffer can be read. The RSPCK clock restarts after reading the receive buffer (after the SPSR.SPRF flag clears to 0).

32.3.8.2 Parity errors

If full-duplex synchronous serial communication is performed with the SPCR.TXMD bit set to 0 and the SPCR2.SPPE bit set to 1, the SPI checks for parity errors when serial transfer ends. On detecting a parity error in the received data, the SPI sets the SPSR.PERF flag to 1. Because the SPI does not copy data in the shift register to the receive buffer when the SPSR.OVRF flag is set to 1, parity error detection is not performed for the received data. To set the PERF flag to 0, write 0 to the PERF flag after the SPSR register is read with the PERF flag set to 1.

Figure 32.35 shows an example operation of the OVRF and PERF flags. In the SPSR access shown in Figure 32.35, W denotes a write cycle, and R denotes a read cycle. In this example, full-duplex synchronous serial communication is performed while the SPCR.TXMD bit is 0 and the SPCR2.SPPE bit is 1. The SPI performs an 8-bit serial transfer when the SPCMDm.CPHA bit is 1 and the SPCMDm.CPOL bit is 0. The numbers given for RSPCKn in the waveform represent the number of RSPCK cycles, such as the number of transferred bits.

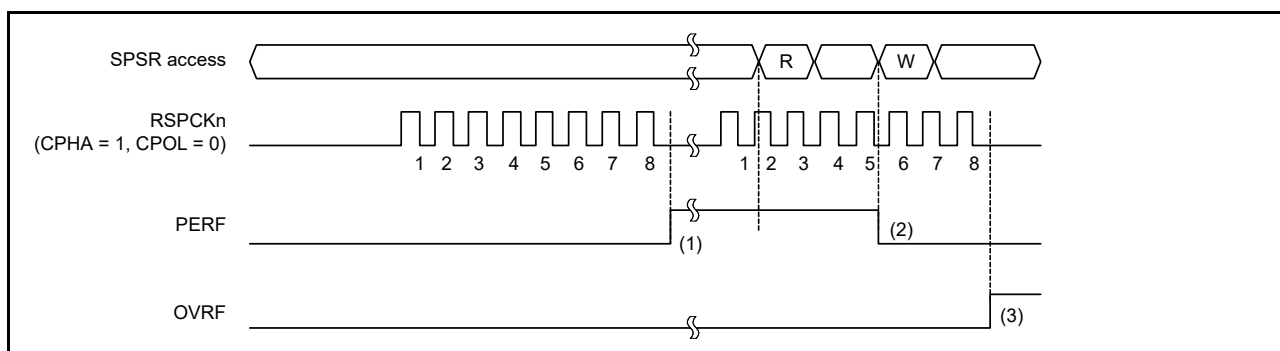


Figure 32.35 Operation example of the PERF flag

The operation of the flags at the timings (1) to (3) in Figure 32.35 is as follows:

1. If a serial transfer terminates with the SPI not detecting an overrun error, the SPI copies the data in the shift register to the receive buffer. The SPI checks the received data at this time and sets the PERF flag to 1 if a parity error is detected. In master mode for SPI0, the SPI copies the value of the SPCMDm pointer to the SPSR.SPECM[2:0] bits.
2. If 0 is written to the PERF flag after the SPSR register is read when the PERF flag is 1, the PERF flag sets to 0.
3. When the SPI detects an overrun error and serial transfer is terminated, the data in the shift register is not copied to the receive buffer. The SPI does not perform parity error detection at this time.

Parity errors can be checked for either by reading the SPSR register or using an SPI error interrupt and reading the SPSR register. When executing a serial transfer, make sure that parity errors are detected early, for instance by reading SPSR errors. When the SPI is in master mode for SPI0, the pointer value to the SPCMDm register at the error occurrence can be checked by reading the SPSR.SPECM[2:0] bits.

32.3.8.3 Mode-fault errors

The SPI operates in multi-master mode when the SPCR.MSTR bit is 1, the SPCR.SPMS bit is 0, and the SPCR.MODFEN bit is 1. If an active level is input for the SSLn0 input signal of the SPI in multi-master mode, the SPI detects a mode-fault error regardless of the status of the serial transfer, and sets the SPSR.MODF flag to 1. On detecting the mode-fault error for SPI0, the SPI copies the value of the SPCMDm pointer to the SPSR.SPECM[2:0] bits. The active level of the SSLn0 signal is determined by the SSLP.SSL0P bit.

When the MSTR bit is 0, the SPI operates in slave mode. The SPI detects a mode-fault error if the MODFEN bit of the SPI in slave mode is 1, and the SPMS bit is 0, and if the SSLn0 input signal is negated during the serial transfer period (from the time the driving of valid data is started to the time the final valid data is fetched).

On detecting a mode-fault error, the SPI stops driving of the output signals and clears the SPCR.SPE bit to 0 (see section 32.3.9, [Initializing the SPI](#)). For multi-master configuration, detection of a mode-fault error is used to stop the driving of output signals and the SPI function, which allows the master to be released.

The occurrence of a mode-fault error can be checked either by reading SPSR or by using an SPI error interrupt and reading SPSR. Detecting mode-fault errors without using the SPI error interrupt requires polling of SPSR. When using

the SPI in master mode for SPI0, the value of the SPCMDm pointer at the error occurrence can be checked by reading the SPSSR.SPECM[2:0] bits.

When the MODF flag is 1, writing 1 to the SPE bit is ignored by the SPI. To enable the SPI function after the detection of a mode-fault error, the MODF flag must be set to 0.

32.3.8.4 Underrun errors

When the serial transfer begins with the SPCR.MSTR bit set to 0 (slave mode), the SPCR.SPE bit set to 1, and the transmission data not prepared, the SPI detects an underrun error. Then, SPI sets the SPSR.MODF and SPSR.UDRF flags to 1.

On detecting an underrun error, the SPI stops driving the output signals and clears the SPCR.SPE bit to 0 (see [section 32.3.9, Initializing the SPI](#)).

The occurrence of an underrun error can be checked either by reading the SPSR register or by using an SPI error interrupt and reading the SPSR register. Detecting underrun errors without using the SPI error interrupt requires polling of SPSR.

When the MODF flag is 1, writing 1 to the SPE bit is ignored by the SPI. To enable the SPI function after the detection of an underrun error, the MODF flag must be cleared to 0.

32.3.9 Initializing the SPI

If 0 is written to the SPCR.SPE bit or if the SPI sets the SPE bit to 0 because it detected a mode-fault error or an underrun error, the SPI disables the SPI function and initializes some of the module functions. When a system reset is generated, the SPI initializes all of the module functions. This section describes initialization by clearing the SPCR.SPE bit, and by a system reset.

32.3.9.1 Initialization by clearing of the SPE bit

When the SPCR.SPE bit is set to 0, the SPI initializes by performing the following actions:

- Suspending any serial transfer that is being executed
- Stopping the driving of output signals (Hi-Z) in slave mode
- Initializing the internal state of the SPI
- Initializing the transmit buffer of the SPI (SPSR.SPTEF flag is set to 1).

Initialization by clearing of the SPE bit does not initialize the control bits of the SPI. For this reason, the SPI can be started in the same transfer mode that is in use prior to initialization when the SPE bit is set to 1 again.

The SPRF, OVRF, MODF, PERF and UDRF flags in the SPSR register are not initialized, and the SPI Sequence Status Register (SPSSR) is not initialized for SPI0. Therefore, even after the SPI is initialized, data from the receive buffer can be read to check the error status during a SPI transfer.

The transmit buffer is initialized to an empty state (SPSR.SPTEF flag is set to 1). Therefore, if the SPCR.SPTIE bit is set to 1 after SPI initialization, a transmit buffer empty interrupt is generated. When the SPI is initialized, to disable any transmit buffer empty interrupts, write 0 to the SPTIE bit simultaneously while writing 0 to the SPE bit.

32.3.9.2 Initialization by system reset

A system reset completely initializes the SPI by initializing all bits that control the SPI, the status bits, and the data registers, in addition to meeting the requirements described in [section 32.3.9.1, Initialization by clearing of the SPE bit](#).

32.3.10 SPI Operation

32.3.10.1 Master mode operation

The only difference between single-master and multi-master mode operation is the use of mode-fault error detection (see [section 32.3.8, Error Detection](#)). In single-master mode, the SPI does not detect mode-fault errors whereas in multi-master mode, it does. This section explains operations that are common to both single-master and multi-master modes.

(1) Starting serial transfer

The SPI updates the data in the transmit buffer (SPTX) when data is written to the SPI Data Register (SPDR/SPDR_HA) with the SPI transmit buffer empty, and data for the next transfer is not set (SPSR.SPTEF is 1). When the shift register is empty after the number of frames set in the SPDCR.SPFC[1:0] bits are written to the SPDR/SPDR_HA for SPI0, and the shift register is empty for SPI1, the SPI copies data from the transmit buffer to the shift register and starts serial transfer. On copying transmit data to the shift register, the SPI changes the status of the shift register to full, and on termination of serial transfer, it changes the status of the shift register to empty. The status of the shift register cannot be referenced.

The polarity of the SSLn output pins depends on the SSLP register settings. For details on the SPI transfer format, see [section 32.3.5, Transfer Formats](#).

(2) Terminating serial transfer

Regardless of the SPCMDm.CPHA bit setting, the SPI terminates a serial transfer after transmitting an RSPCKn edge associated with the final sampling timing. If free space is available in the receive buffer (SPRX) (SPSR.SPRF = 0), on termination of serial transfer, the SPI copies data from the shift register to the receive buffer of the SPDR/SPDR_HA register.

The final sampling timing varies depending on the bit length of transfer data. In master mode, the SPI data length depends on the SPCMDm.SP[B3:0] bit setting. The polarity of the SSLn output pin depends on the SSLP register settings. For details on the SPI transfer format, see [section 32.3.5, Transfer Formats](#).

(3) Sequence control

(a) SPI0

The transfer format used in master mode is determined by the SPSCR, SPCMDm, SPBR, SPCKD, SSLND, and SPND registers.

The SPSCR register determines the sequence configuration for serial transfers that the SPI executes in master mode. The following items are set in the SPCMDm register:

- SSLn pin output signal value
- MSB- or LSB-first
- Data length
- Some of the bit rate settings
- RSPCK polarity/phase
- Whether SPCKD is to be referenced
- Whether SSLND is to be referenced
- Whether SPND is to be referenced.

The SPBR register holds some of the bit rate settings, including SPCKD (SPI clock delay), SSLND (SSL negation delay), and SPND (next-access delay).

Based on the sequence length assigned in the SPSCR register, the SPI makes up a sequence comprised of a part or all of the SPCMDm register. The SPI contains a pointer to the SPCMDm register that makes up the sequence. The value of this pointer can be checked by reading the SPSSR.SPCP[2:0] bits. When the SPCR.SPE bit is set to 1 and the SPI function is enabled, the SPI loads the pointer to the commands in the SPCMD0 register, and incorporates the SPCMD0 settings into the transfer format at the beginning of serial transfer. The SPI increments the pointer each time the next-access delay period for a data transfer ends. On completion of the serial transfer that corresponds to the final command in the sequence, the SPI sets the pointer to SPCMD0 to execute the sequence repeatedly.

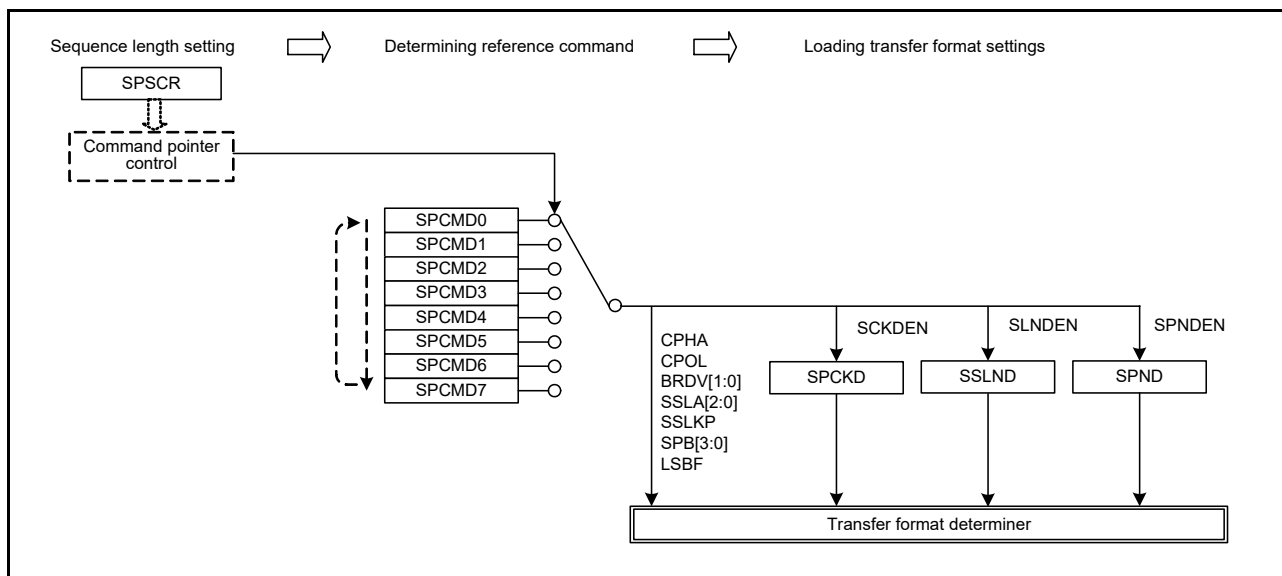


Figure 32.36 Procedure for determining serial transfer format in master mode (SPI0)

In this section, a frame is the combination of the SPDR/SPDR_HA data and the SPCMDm settings.

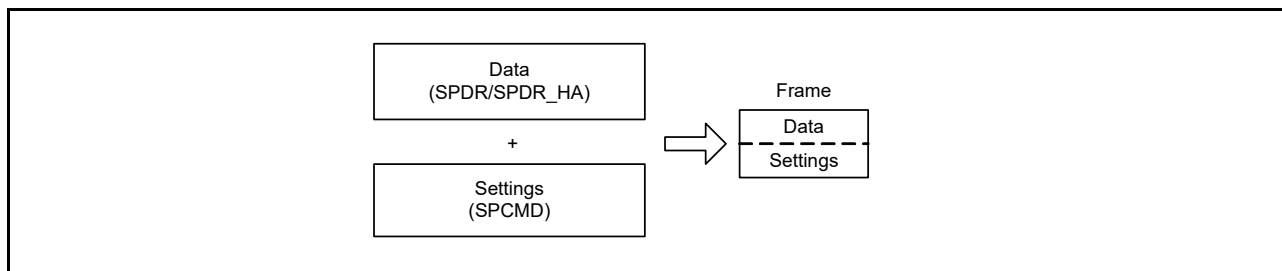


Figure 32.37 Conceptual diagram of frames (SPI0)

Figure 32.38 shows the relationship between the commands and the transmit and receive buffers in the sequence of operations specified by the settings in Table 32.4.

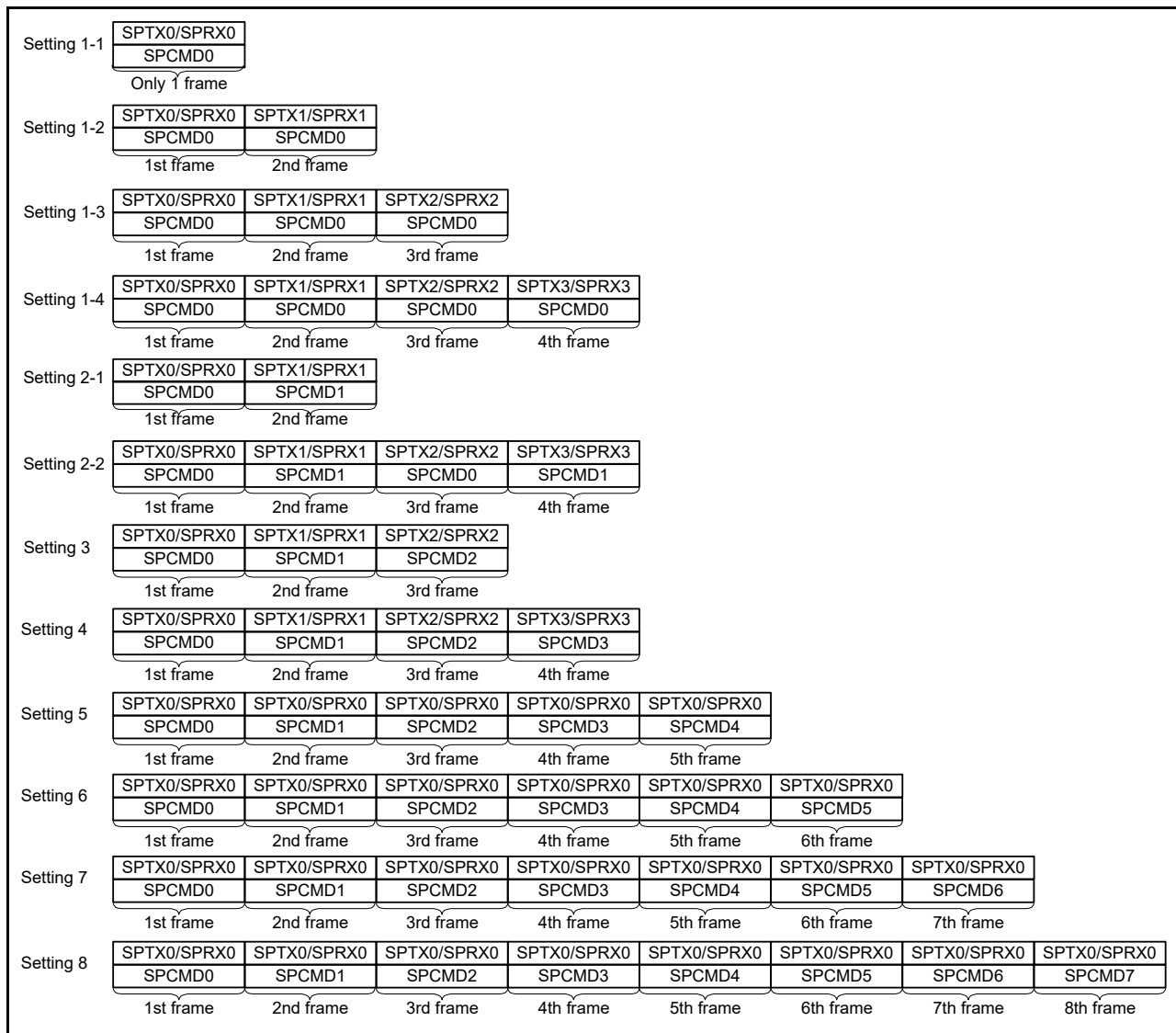


Figure 32.38 Relationship between SPI Command Register (SPCMDm) and transmit and receive buffers in sequence operations (SPI0)

(b) SPI1

The transfer format in master mode is determined by the SPSCR, SPCMD0, SPBR, SPCKD, SSLND, and SPND registers.

The SPSCR register determines the sequence configuration for serial transfers that are executed by the SPI in master mode. The following parameters set in the SPCMD0 register:

- SSLni pin output signal value
- MSB- or LSB-first
- Data length
- Some of the bit rate settings
- RSPCK polarity/phase
- Whether SPCKD is to be referenced
- Whether SSLND is to be referenced
- Whether SPND is to be referenced.

The SPBR register holds some of the bit rate settings such as the SPI clock delay value (SPCKD), the SSL negation delay (SSLND), and the next-access delay value (SPND).

When the SPI function is enabled (SPCR.SPE = 1), the SPI loads the pointer to the commands in SPCMD0 and incorporates the SPCMD0 settings into the transfer format at the beginning of serial transfer.

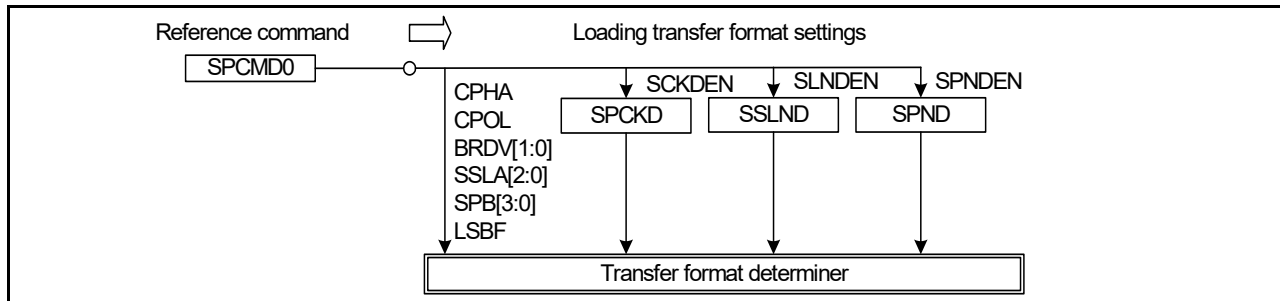


Figure 32.39 Procedure for determining form of serial transfer in master mode (SPI1)

In this section, a frame is the combination of the SPDR/SPDR_HA data and the SPCMD0 settings.

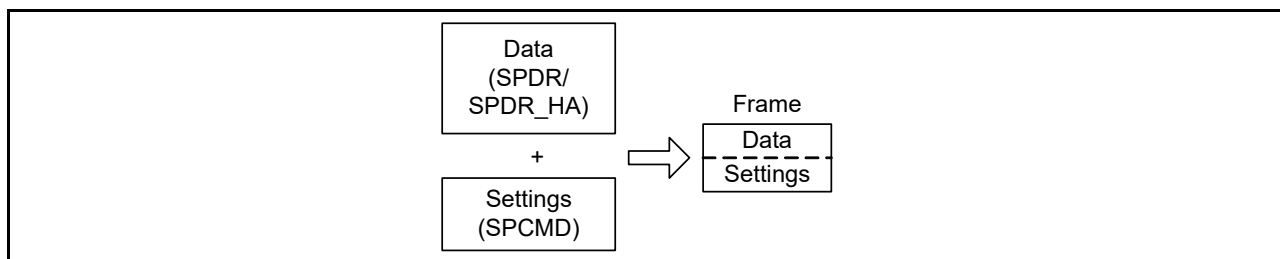


Figure 32.40 Conceptual diagram of frames (SPI1)

Figure 32.41 shows the relationship between the command and the transmit and receive buffers in the sequence of operations.

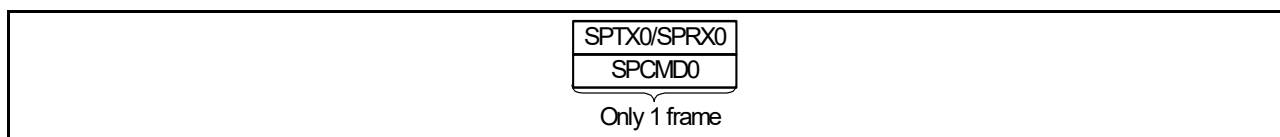


Figure 32.41 Relationship between the SPI Command Register and the transmit and receive buffers in sequence operations (SPI1)

(4) Burst transfer

- SPI0

If the SPCMDm.SSLKP bit that the SPI references during the current serial transfer is 1, the SPI maintains the SSLni signal level during the serial transfer until the beginning of the SSLni signal assertion for the next serial transfer. If the SSLni signal level for the next serial transfer is the same as the SSLni signal level for the current serial transfer, the SPI can execute continuous serial transfers while keeping the SSLni signal assertion status (burst transfer).

Figure 32.42 shows an example of an SSLni signal operation for a burst transfer that is implemented using the SPCMD0 and SPCMD1 register settings. This section explains the SPI operations (1) to (7) as shown in Figure 32.42.

Note: The polarity of the SSLni output signal depends on the SSLP register settings.

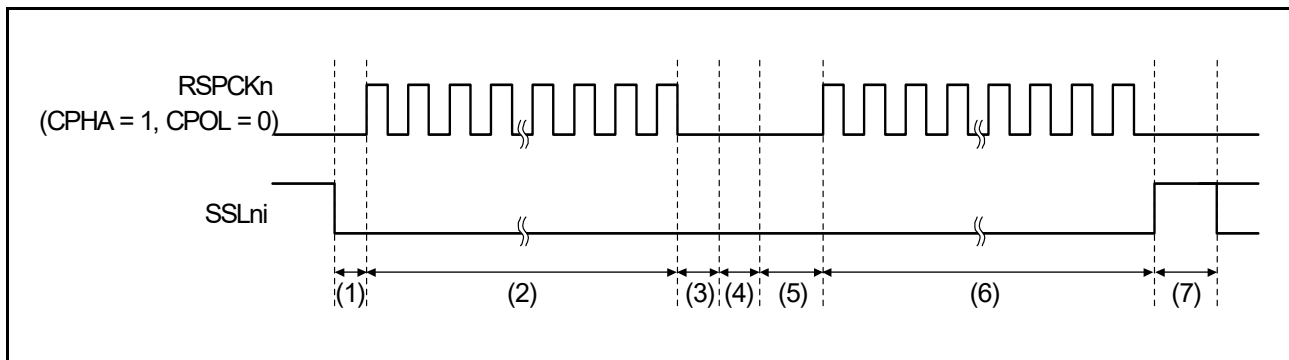


Figure 32.42 Example of burst transfer operation using the SSLKP bit (SPI0)

1. Based on the SPCMD0 settings, the SPI asserts the SSLni signal and inserts RSPCK delays.
2. The SPI executes serial transfers according to the SPCMD0 settings.
3. The SPI inserts SSL negation delays.
4. Because the SPCMD0.SSLKP bit is 1, the SPI keeps the SSLni signal value specified in SPCMD0. This period is sustained at a minimum for a period equal to the next-access delay in SPCMD0. If the shift register is empty after the minimum period has passed, this period is sustained until the transmit data is stored in the shift register for the next transfer.
5. Based on the SPCMD1 settings, the SPI asserts the SSLni signal and inserts RSPCK delays.
6. The SPI executes serial transfers according to the SPCMD1 settings.
7. Because the SPCMD1.SSLKP bit is 0, the SPI negates the SSLni signal. In addition, a next-access delay is inserted according to SPCMD1.

If the SSLni signal output settings in the SPCMDm register, where 1 is assigned to the SSLKP bit, are different from the SSLni signal output settings in the SPCMDm register to be used in the next transfer, the SPI switches the SSLni signal status to SSLni signal assertion as shown in (5) in [Figure 32.42](#). This corresponds to the command for the next transfer.

Note: If such an SSLni signal switching occurs, the slaves that drive the MISO_n signal compete, and collision of signal levels might occur.

In master mode, the SPI references the SSLni signal operation within the module when the SSLKP bit is not used. Even when the SPCMDm.CPHA bit is 0, the SPI can accurately start serial transfers using the SSLni signal assertion for the next transfer that is detected internally.

- SPI1

SPI does not support continuous serial transfer (burst transfer), keeping the SSL signal asserted. However, burst transfer can be implemented by controlling the SSL signal output in general-purpose ports.

(5) RSPCK delay (t1)

The RSPCK delay value of the SPI in master mode depends on the SPCMDm.SCKDEN bit setting and the SPCKD register setting. For SPI0, the SPI determines the SPCMDm register to be referenced by pointer control during a serial transfer, and determines an RSPCK delay using the SPCMDm.SCKDEN bit and SPCKD, as listed in [Table 32.9](#). For SPI1, the SPI determines an RSPCK delay using the SPCMD0.SCKDEN bit and SPCKD, as listed in [Table 32.9](#). For a definition of RSPCK delay, see [section 32.3.5, Transfer Formats](#).

Table 32.9 Relationship between the SCKDEN bit, SPCKD, and RSPCK delay

SPCMDm.SCKDEN bit	SPCKD.SCKDL[2:0] bits	RSPCK delay
0	000b to 111b	1 RSPCK
1	000b	1 RSPCK
	001b	2 RSPCK
	010b	3 RSPCK
	011b	4 RSPCK
	100b	5 RSPCK
	101b	6 RSPCK
	110b	7 RSPCK
	111b	8 RSPCK

(6) SSL negation delay (t2)

The SSL negation delay value of the SPI in master mode depends on the SPCMDm.SLNDEN bit setting and the SSLND register setting. For SPI0, the SPI determines the SPCMDm register to be referenced by pointer control during serial transfer, and determines an SSL negation delay using the SPCMDm.SLNDEN bit and SSLND, as listed in [Table 32.10](#). For SPI1, the SPI determines an SSL negation delay using the SPCMD0.SLNDEN bit and SSLND, as listed in [Table 32.10](#). For a definition of SSL negation delay, see [section 32.3.5, Transfer Formats](#).

Table 32.10 Relationship between the SLNDEN bit, SSLND, and SSL negation delay

SPCMDm.SLNDEN bit	SSLND.SLNDL[2:0] bits	SSL negation delay
0	000b to 111b	1 RSPCK
1	000b	1 RSPCK
	001b	2 RSPCK
	010b	3 RSPCK
	011b	4 RSPCK
	100b	5 RSPCK
	101b	6 RSPCK
	110b	7 RSPCK
	111b	8 RSPCK

(7) Next-access delay (t3)

The next-access delay value of the SPI in master mode depends on the SPCMDm.SPNDEN bit setting and the SPND setting. For SPI0, the SPI determines the SPCMDm register to be referenced by pointer control during serial transfer, and determines a next-access delay during serial transfer by using the SPCMDm.SPNDEN bit and SPND, as listed in [Table 32.11](#). For SPI1, the SPI determines a next-access delay during serial transfer using the SPCMD0.SPNDEN bit and SPND, as listed in [Table 32.11](#). For a definition of next-access delay, see [section 32.3.5, Transfer Formats](#).

Table 32.11 Relationship between SPNDEN bit, SPND, and next-access delay

SPCMDm.SPNDEN bit	SPND.SPNDL[2:0] bits	Next-access delay
0	000b to 111b	1 RSPCK + 2 PCLK
1	000b	1 RSPCK + 2 PCLK
	001b	2 RSPCK + 2 PCLK
	010b	3 RSPCK + 2 PCLK
	011b	4 RSPCK + 2 PCLK
	100b	5 RSPCK + 2 PCLK
	101b	6 RSPCK + 2 PCLK
	110b	7 RSPCK + 2 PCLK
	111b	8 RSPCK + 2 PCLK

(8) Initialization flow

Figure 32.43 shows an example of SPI initialization flow when the SPI is in master mode. For information on how to set up the ICU, DMAC, and I/O ports, see the descriptions given in the individual blocks.

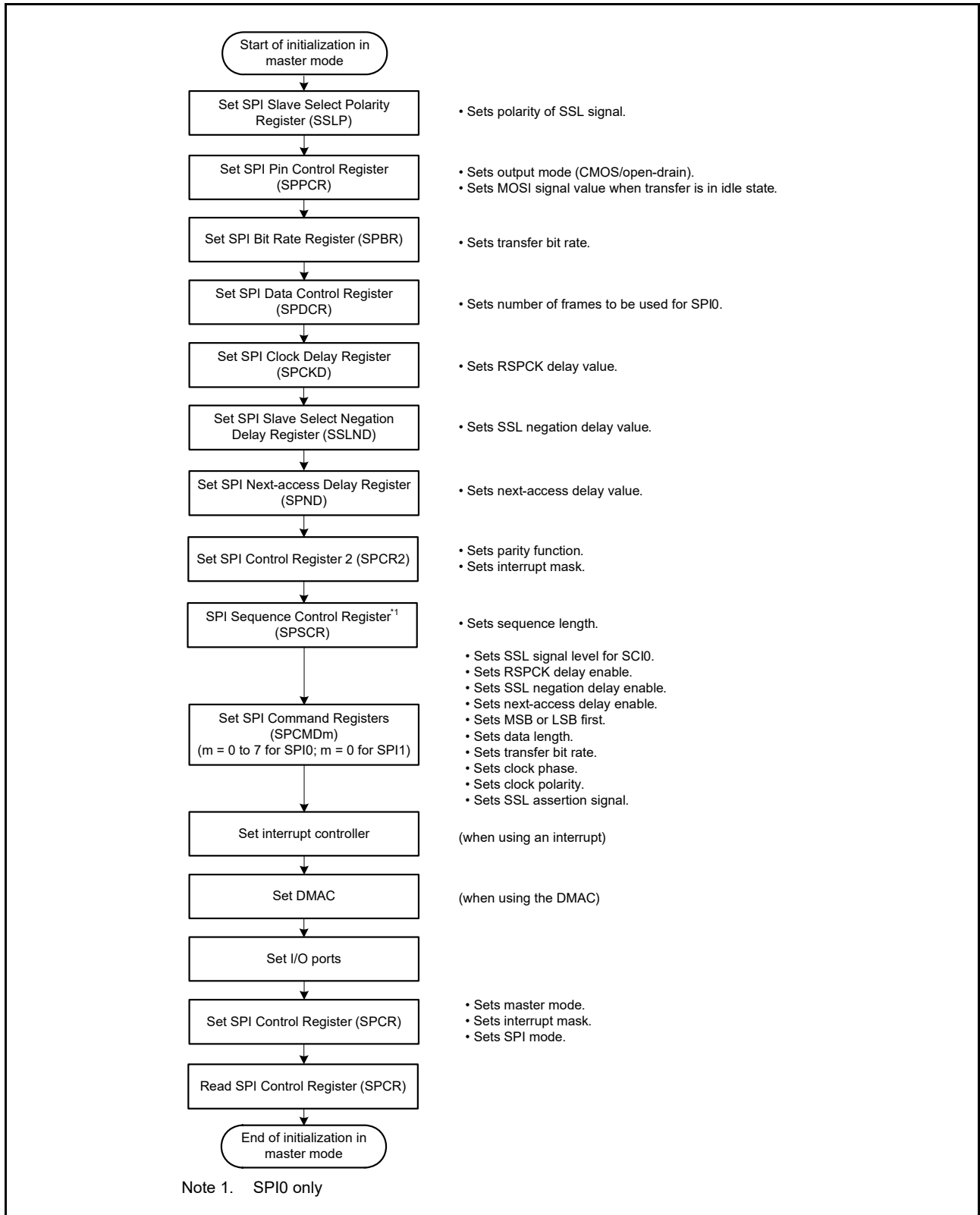


Figure 32.43 Example of initialization flow in master mode for SPI operation

(9) Software processing flow

Figure 32.44 to Figure 32.46 show examples of the software processing flow.

(a) Transmit processing flow

When transmitting data, with the SPIn_SPII interrupt enabled, the CPU is notified of the completion of data transmission after the last data write for transmission.

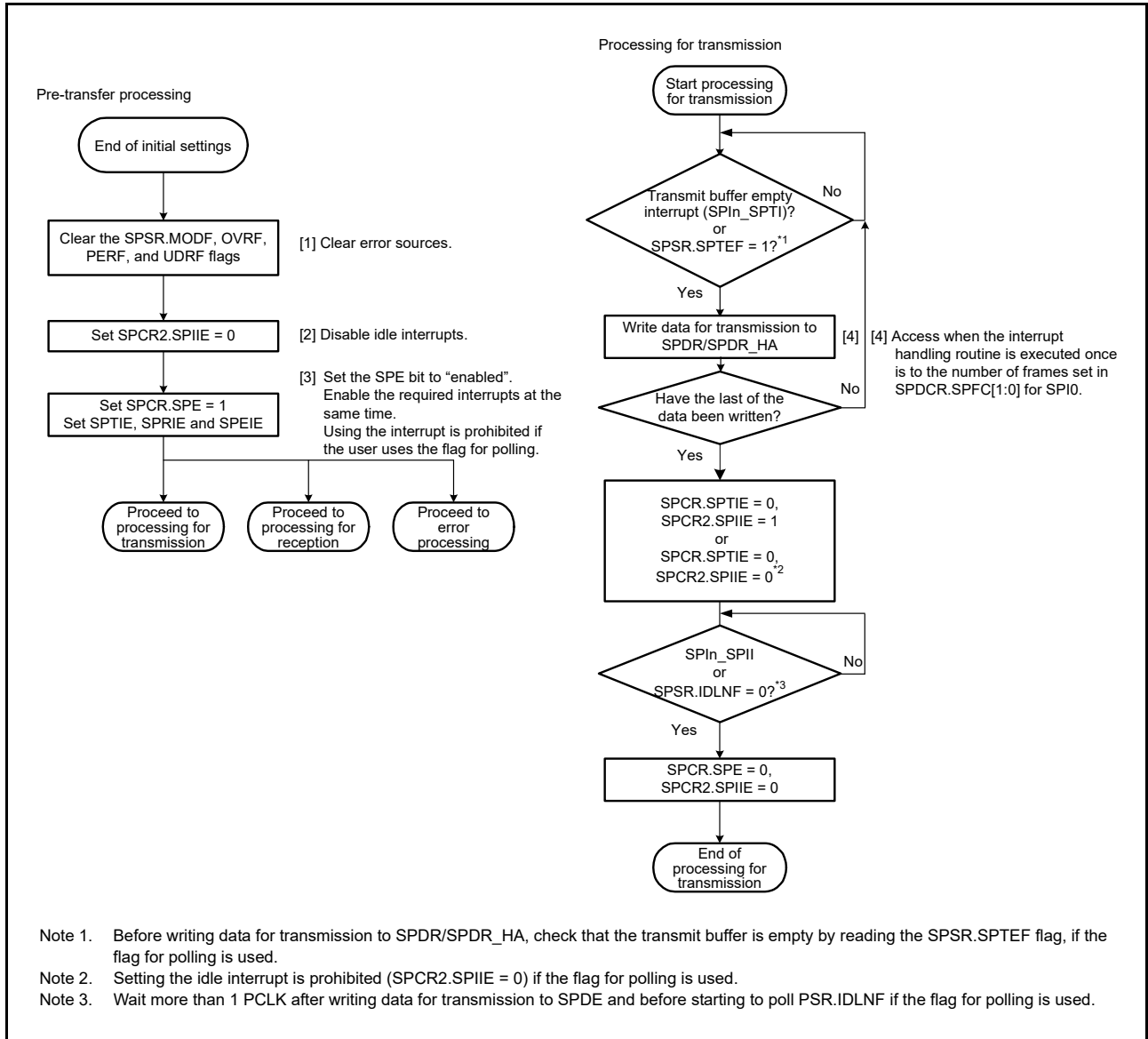


Figure 32.44 Transmission flow in master mode transmission

(b) Receive processing flow

The SPI does not handle receive-only operations, so processing for transmission is required.

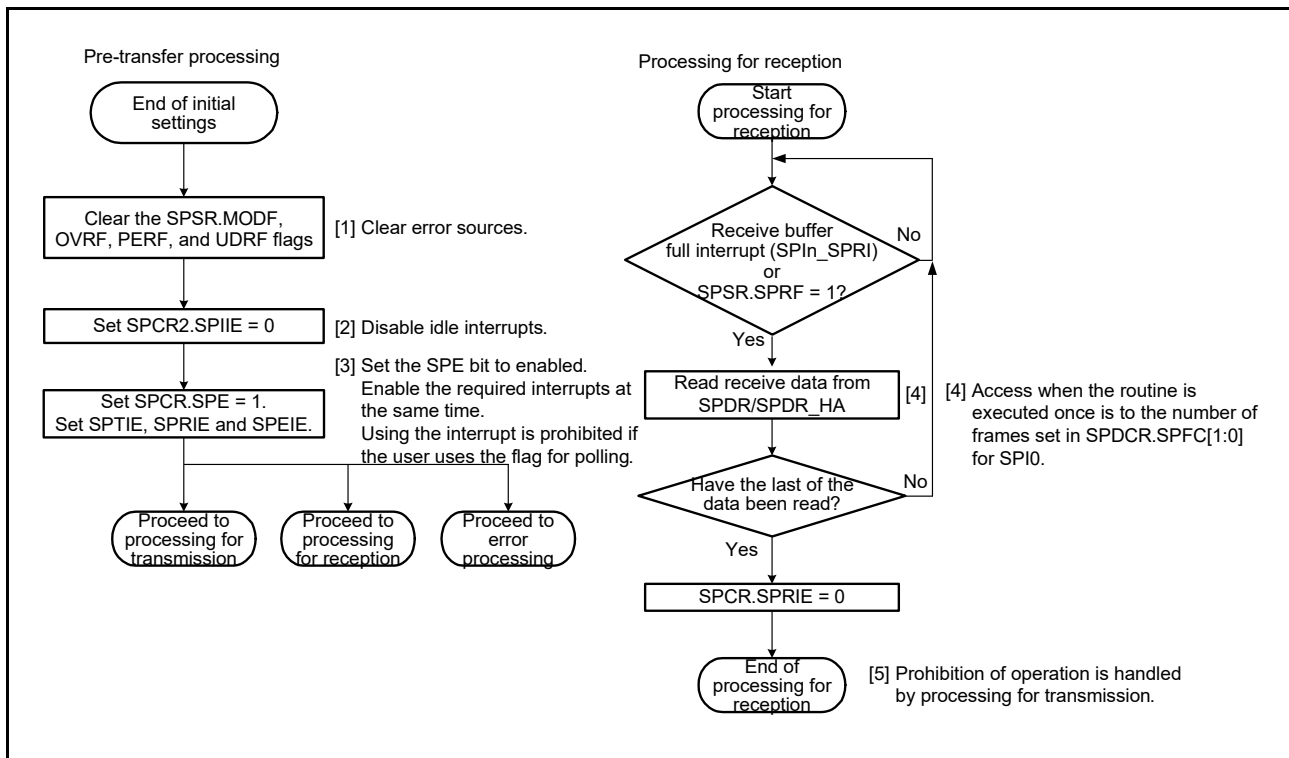


Figure 32.45 Reception flow in master mode

(c) Error processing flow

The SPI detects mode-fault errors, underrun errors, overrun errors, and parity errors. When a mode-fault error is generated, the SPCR.SPE bit is automatically cleared, stopping operations for transmission and reception. For errors from other sources, the SPCR.SPE bit is not cleared and operations for transmission and reception continue. Therefore, Renesas recommends clearing the SPCR.SPE bit to stop operations for errors other than mode-fault errors. Not doing so leads to updating of the SPSSR.SPECM[2:0] bits for SPI0.

When an error is detected by using an interrupt, clear the ICU.IELSRj.IR flag in the error processing routine. If this is not done, the ICU.IELSRj.IR flag might continue to indicate a transmit buffer empty or a receive buffer full interrupt request. If an SPIn_SPRI interrupt request is indicated, read the receive buffer and initialize the sequencer in the SPI.

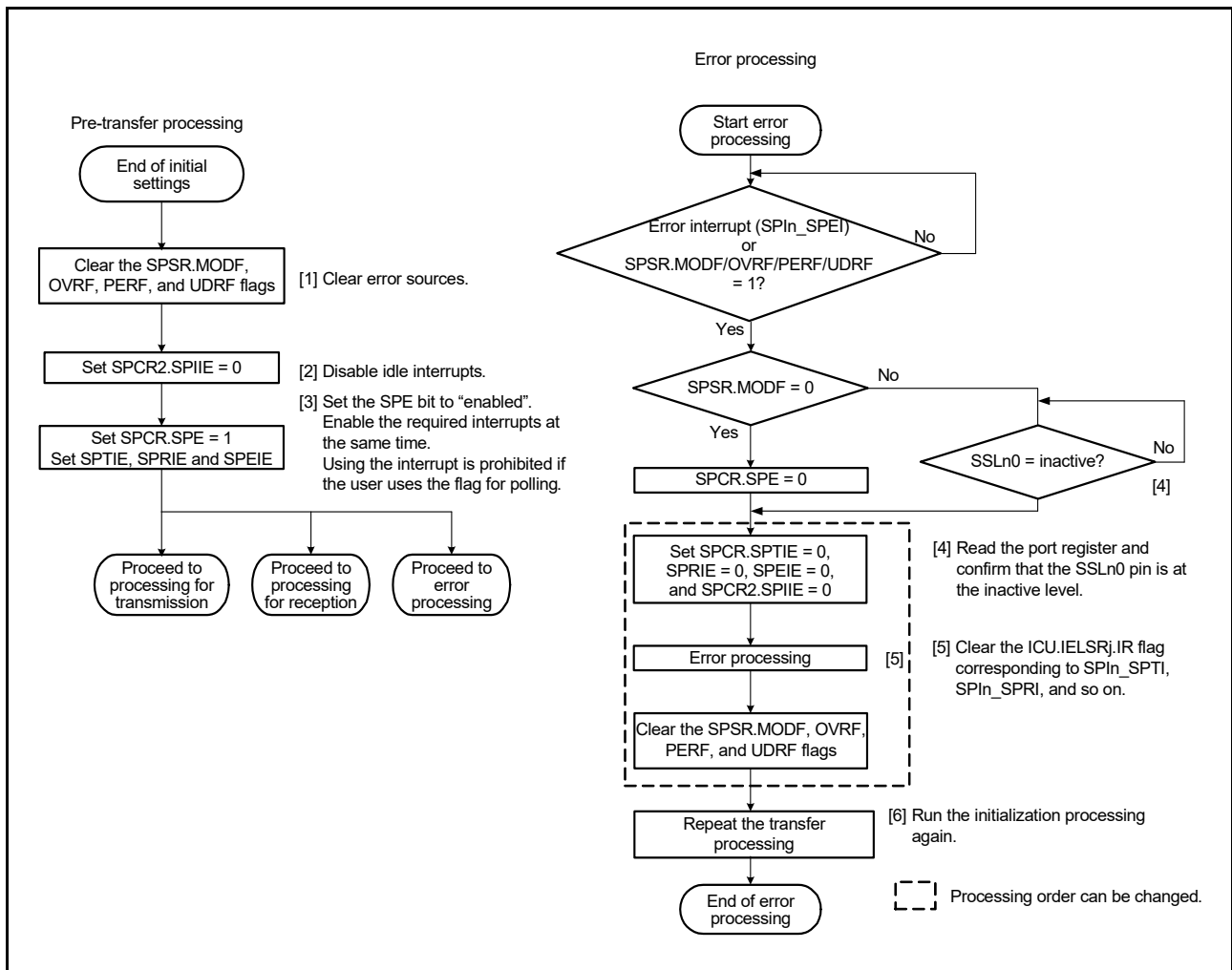


Figure 32.46 Error processing flow in master mode

32.3.10.2 Slave mode operation

(1) Starting serial transfer

When the SPCMD0.CPHA bit is 0, if the SPI detects an SSLn0 input signal assertion, it must drive valid data to the MISOn output signal. For this reason, when the CPHA bit is 0, the assertion of the SSLn0 input signal triggers the start of a serial transfer.

When the CPHA bit is 1, if the SPI detects the first RSPCKn edge in an SSLn0 signal asserted condition, it must drive valid data to the MISOn output signal. For this reason, when the CPHA bit is 1, the first RSPCKn edge in an SSLn0 signal asserted condition triggers the start of a serial transfer.

Regardless of the CPHA bit setting, the SPI drives the MISOn output signal on SSLn0 signal assertion. The data that is output by the SPI is either valid or invalid, depending on the CPHA bit setting.

The polarity of the SSLn0 input signal depends on the setting of the SSLP.SSL0P bit. For details on the SPI transfer format, see [section 32.3.5, Transfer Formats](#).

(2) Terminating serial transfer

Regardless of the SPCMD0.CPHA bit setting, the SPI terminates the serial transfer after detecting an RSPCKn edge associated with the final sampling timing. When free space is available in the receive buffer (the SPSR.SPRF flag is 0), on termination of serial transfer, the SPI copies received data from the shift register to the receive buffer of the SPDR/SPDR_HA register. On termination of a serial transfer, the SPI changes the status of the shift register to empty, regardless of the receive buffer state. A mode-fault error occurs if the SPI detects an SSLn0 input signal negation from the beginning of the serial transfer to the end of the serial transfer (see [section 32.3.8, Error Detection](#)).

The final sampling timing changes depending on the bit length of the transfer data. In slave mode, the SPI data length is determined by the SPCMD0.SPB[3:0] bit setting. The polarity of the SSLn0 input signal is determined by the SSLP.SSL0P bit setting. For details on the SPI transfer format, see [section 32.3.5, Transfer Formats](#).

(3) Notes on single-slave operations

If the SPCMD0.CPHA bit is 0, the SPI starts serial transfers when it detects the assertion edge for an SSLn0 input signal. In the configuration example shown in [Figure 32.10](#), if the SPI is in single-slave mode, the SSLn0 signal is fixed at an active state. Therefore, when the CPHA bit is set to 0, the SPI cannot correctly start a serial transfer. For the SPI to correctly execute transmit and receive operations in slave mode when the SSLn0 input signal is fixed at an active state, the CPHA bit must be set to 1. Do not fix the SSLn0 input signal if there is a requirement for setting the CPHA bit to 0.

(4) Burst transfer

If the SPCMD0.CPHA bit is 1, continuous serial transfer (burst transfer) can be executed while retaining the assertion state for the SSLn0 input signal. If the CPHA bit is 1, the serial transfer period is the period from the first RSPCKn edge to the sampling timing for the reception of the final bit in an SSLn0 signal active state. Even when the SSLn0 input signal remains at an active level, the SPI can accommodate burst transfers because it can detect the start of an access.

When the CPHA bit is 0, the second and subsequent serial transfers during burst transfer cannot be executed correctly. Burst transfer cannot be executed for SPI1.

(5) Initialization flow

Figure 32.47 shows an example of initialization flow for SPI operation where the SPI is in slave mode. For information on how to set up the ICU, DMAC, and I/O ports, see the descriptions given in the individual blocks.

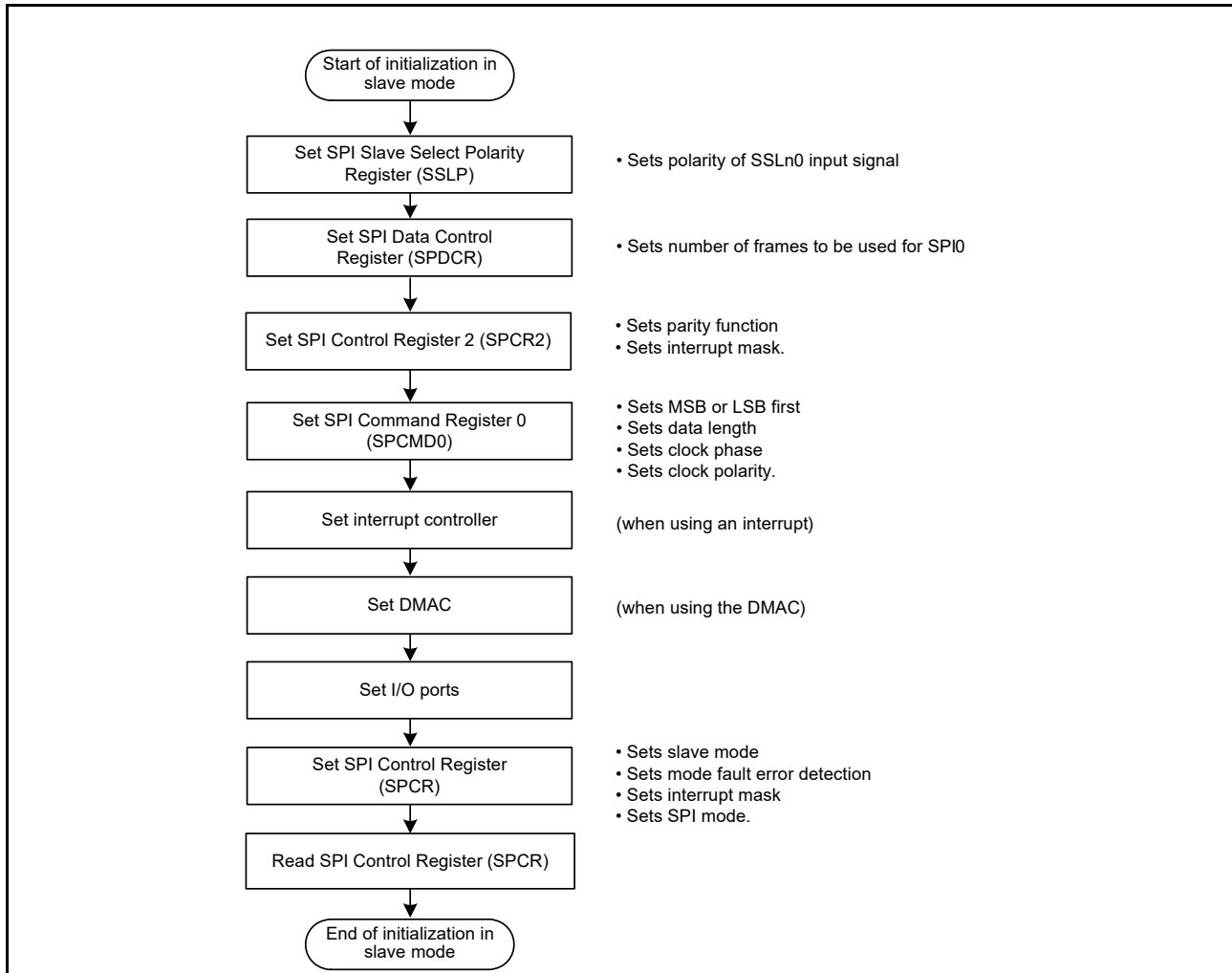


Figure 32.47 Example initialization flow in slave mode for SPI operation

(6) Software processing flow

Figure 32.48 to Figure 32.50 show examples of the software processing flow.

(a) Transmit processing flow

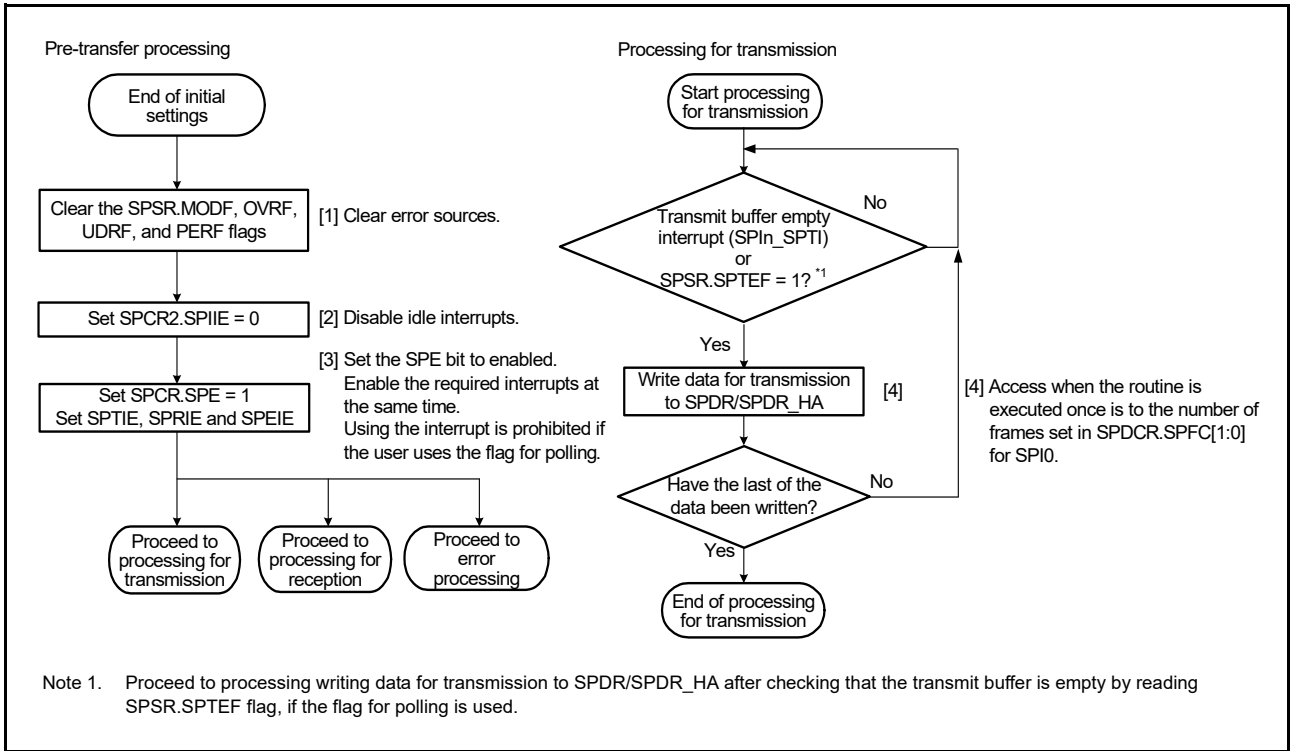


Figure 32.48 Transmission flow in slave mode

(b) Receive processing flow

The SPI does not handle receive-only operation, so processing for transmission is required.

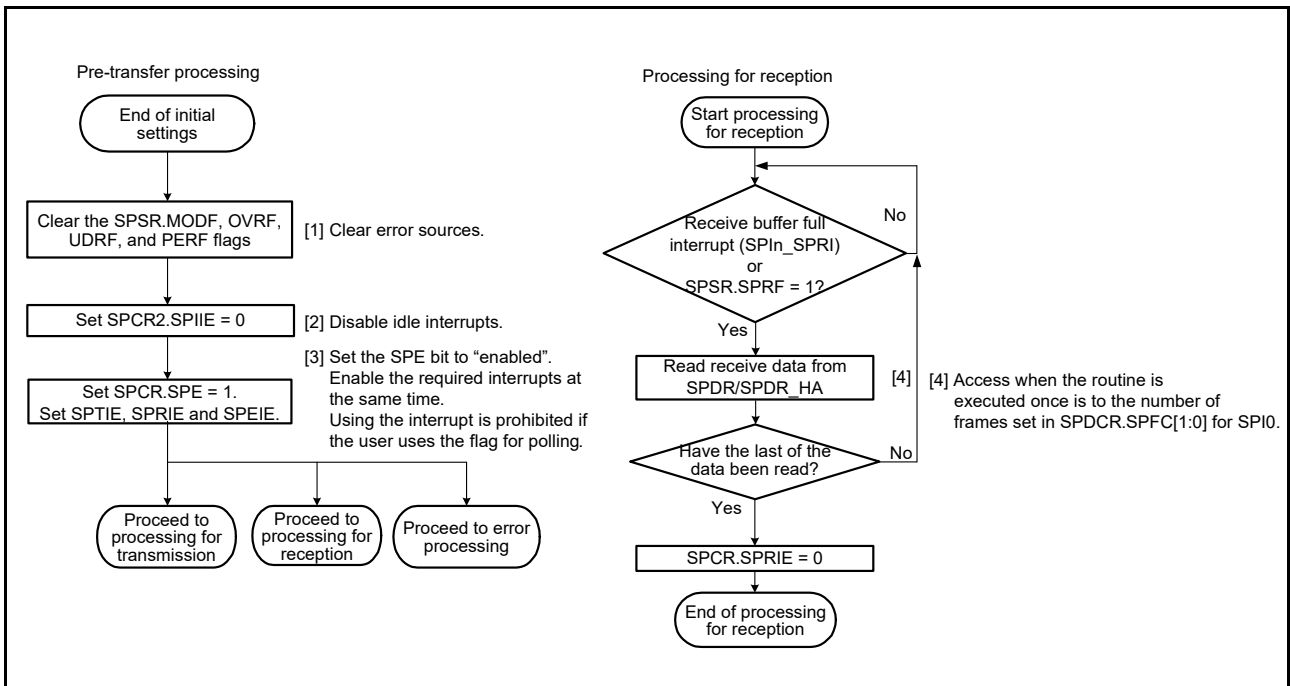


Figure 32.49 Reception flow in slave mode

(c) Error processing flow

In slave operation, even when a mode-fault error is generated, the SPSR.MODF flag can be cleared regardless of the state of the SSLn0 pin.

When an error is detected using an interrupt, clear the ICU.IELSRj.IR flag in the error processing routine. If this is not done, the ICU.IELSRj.IR flag might continue to indicate a transmit buffer empty or receive buffer full interrupt request. If a receive buffer full request is indicated, read the receive buffer and initialize the sequencer in the SPI.

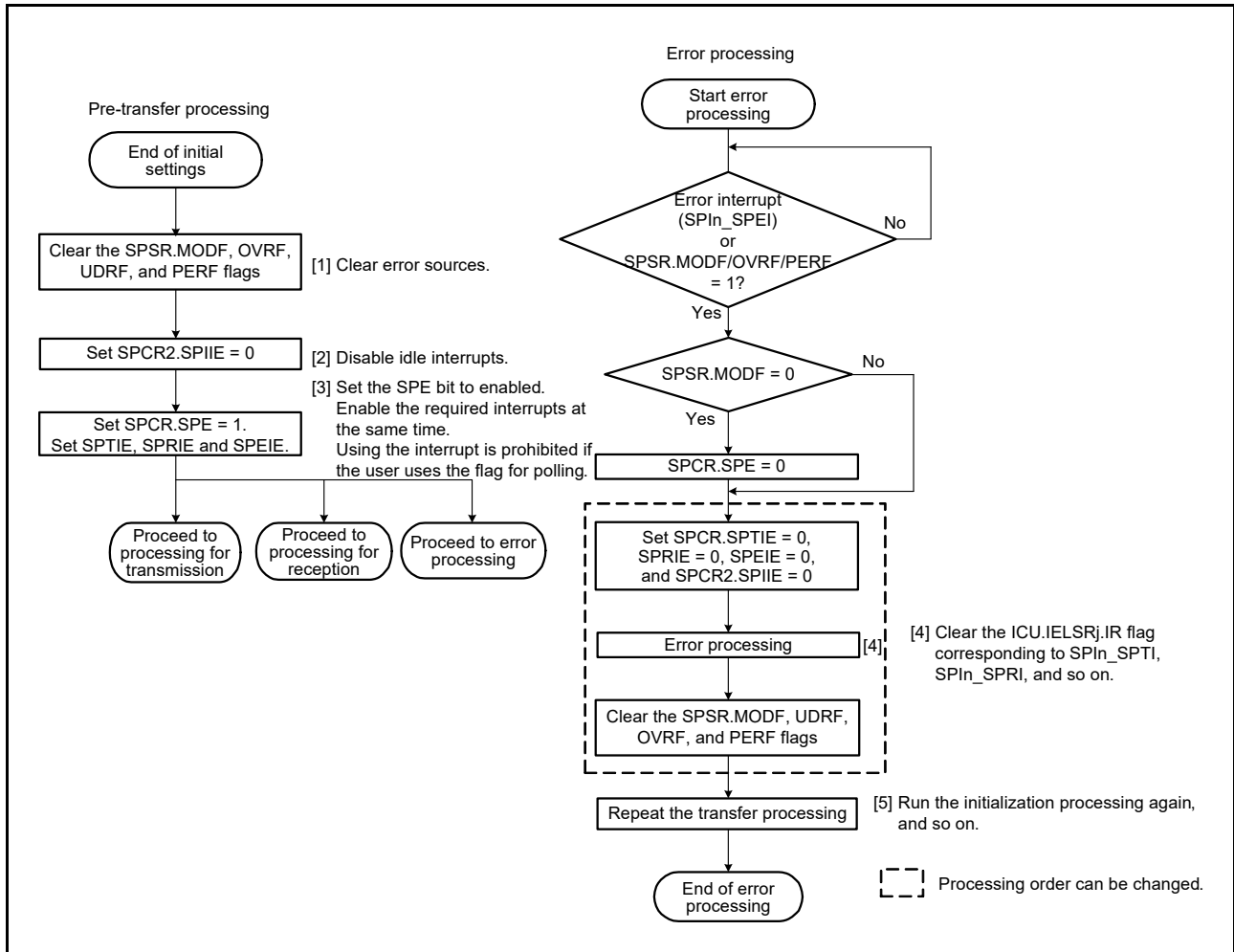


Figure 32.50 Error processing flow for slave mode

32.3.11 Clock Synchronous Operation

Setting the SPCR.SPMS bit to 1 selects clock synchronous operation of the SPI. In clock synchronous operation, the SSLn pin is not used, and the RSPCKn, MOSIn, and MISO pins handle communication. All SSLn pins are available as I/O port pins.

Although clock synchronous operation does not require the use of the SSLn pin, operation of the module is the same as in SPI operation. In both master and slave operations, communications can be performed with the same flow as in SPI operation. However, mode-fault errors are not detected because the SSLn pin is not used.

Additionally, do not perform operation if clock synchronous operation is enabled when the SPCMDm.CPHA bit is set to 0 in slave mode (SPCR.MSTR = 0).

32.3.11.1 Master mode operation

(1) Starting serial transfer

The SPI updates the data in the transmit buffer (SPTX) of SPDR/SPDR_HA when data is written to the SPDR/SPDR_HA register with the transmit buffer empty, the data for the next transfer not set, and the SPSR.SPTEF flag is 1. When the shift register is empty after the number of frames set in the SPDCR.SPFC[1:0] bits for SPI0 are written to the SPDR/SPDR_HA, the SPI copies data from the transmit buffer to the shift register and starts serial transmission. On copying transmit data to the shift register, the SPI changes the status of the shift register to full, and on termination of serial transfer, it changes the status of the shift register to empty. The status of the shift register cannot be referenced.

Transfer in clock synchronous operation is conducted without the SSLn0 output signal. For details on the SPI transfer format, see [section 32.3.5, Transfer Formats](#).

(2) Terminating serial transfer

The SPI terminates the serial transfer after transmitting an RSPCKn edge associated with the sampling timing. If free space is available in the receive buffer (SPSR.SPRF is 0), on termination of serial transfer, the SPI copies data from the shift register to the receive buffer of the SPI Data Register (SPDR/SPDR_HA).

The final sampling timing varies depending on the bit length of transfer data. In master mode, the SPI data length depends on the SPCMDm.SPB[3:0] bit setting. Transfer in clock synchronous operation is conducted without the SSLn0 output signal.

For details on the SPI transfer format, see [section 32.3.5, Transfer Formats](#).

(3) Sequence control

(a) SPI0

The transfer format in master mode is determined by the SPSCR, SPCMDm, SPBR, SPCKD, SSLND, and SPND registers. Although the SSLn signals are not output in clock synchronous operation, these settings are valid.

The SPSCR register determines the sequence configuration for serial transfers that are executed by the SPI in master mode. The following parameters are specified in SPCMDm register:

- SSLn output signal value
- MSB or LSB first
- Data length
- Some of the bit rate settings
- RSPCKn polarity and phase
- Whether SPCKD is to be referenced
- Whether SSLND is to be referenced
- Whether SPND is to be referenced.

The SPBR register holds some of the bit rate settings such as the SPCKD (SPI clock delay), SSLND (SSL negation delay), and SPND (next-access delay).

Based on the sequence length that is assigned to SPSCR, the SPI makes up a sequence comprised of a part or all of SPCMDm register. The SPI contains a pointer to the SPCMDm register that makes up the sequence. The value of this pointer can be checked by reading the SPSSR.SPCP[2:0] bits. When the SPCR.SPE bit is set to 1 and the SPI function is enabled, the SPI loads the pointer to the commands in the SPCMD0 register, and incorporates the SPCMD0 register setting into the transfer format at the beginning of the serial transfer. The SPI increments the pointer each time the next-access delay period for a data transfer ends. On completion of the serial transfer that corresponds to the final command comprising the sequence, the SPI sets the pointer to the SPCMD0 register to execute the sequence repeatedly.

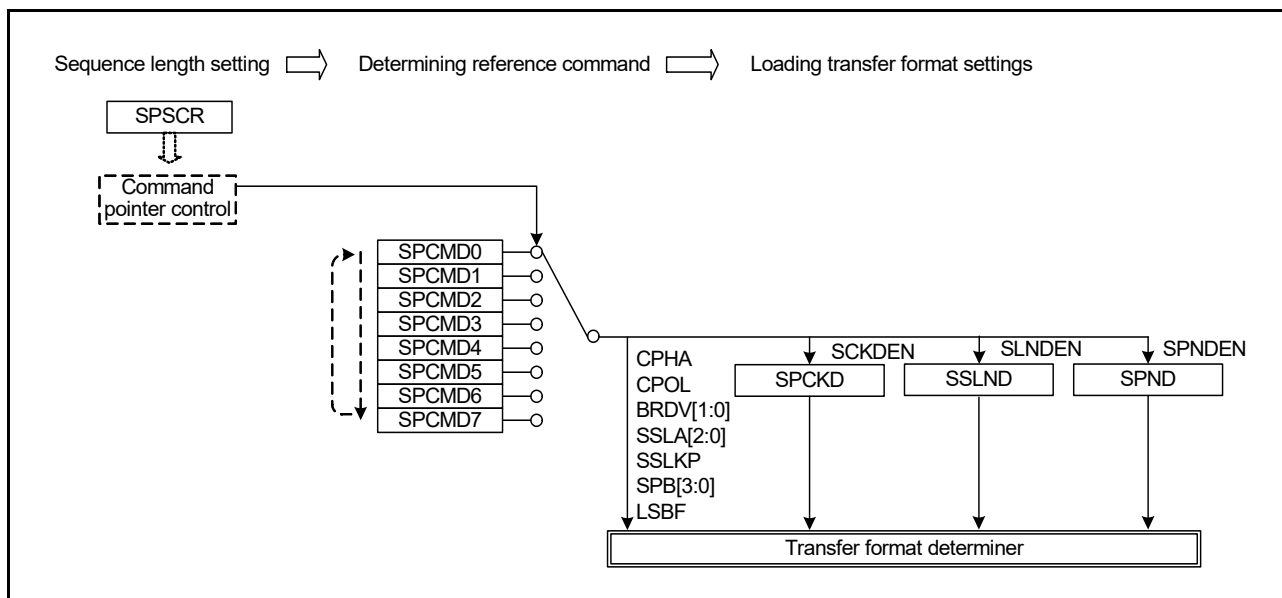


Figure 32.51 Procedure to determine the format of serial transmission in master mode (SPI0)

In this section, a frame is the combination of the SPDR/SPDR_HA data and SPCMDm settings.

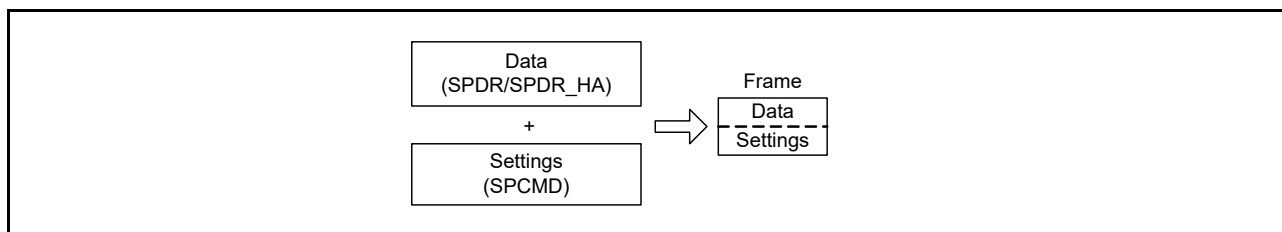


Figure 32.52 Conceptual diagram of frames (SPI0)

Figure 32.53 shows the relationship between the command and the transmit and receive buffers in the sequence of operations specified by the settings in Table 32.4.

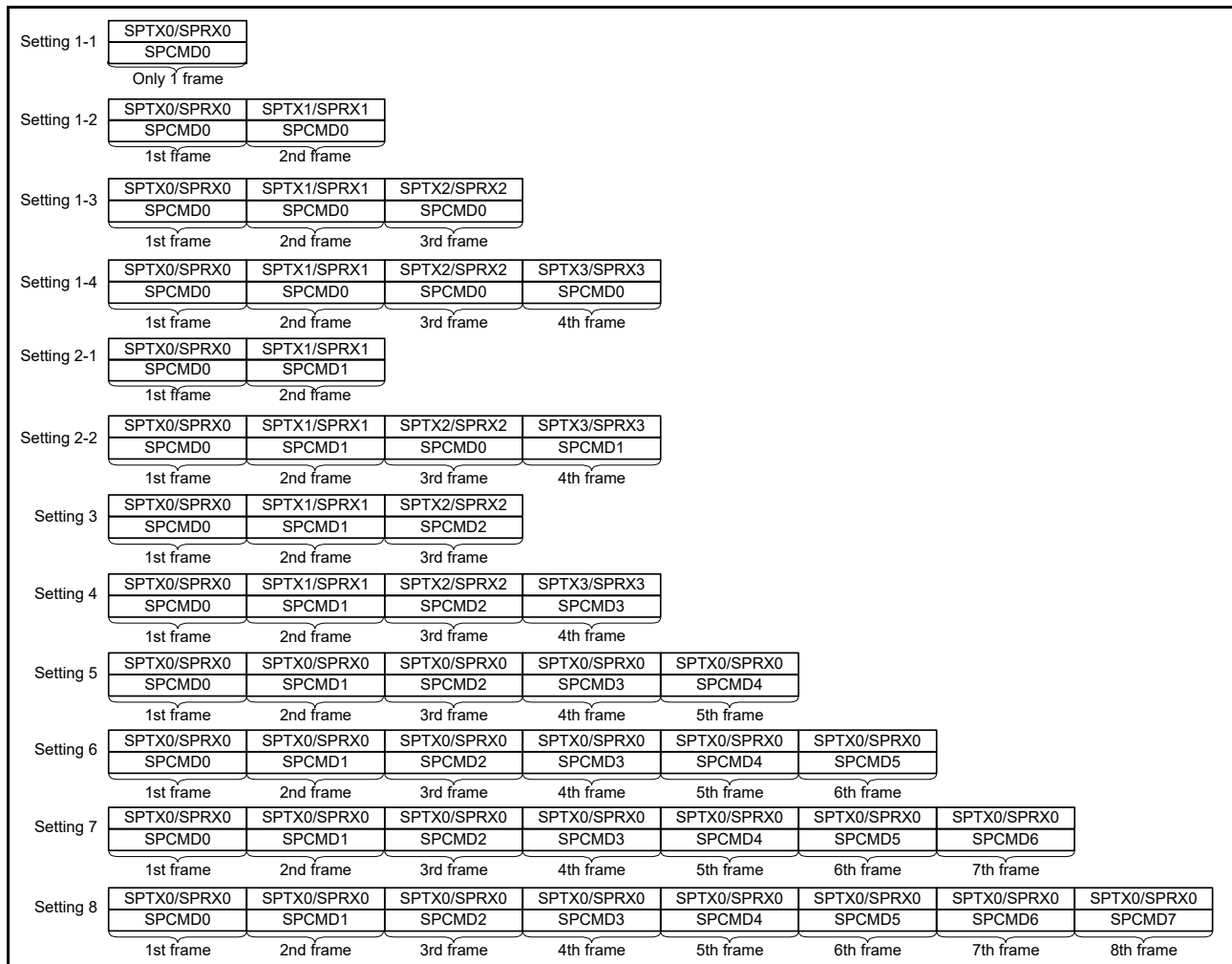


Figure 32.53 Relationship between the SPI Command Register and the transmit and receive buffers in sequence operations (SPI0)

(b) SPI1

The transfer format in master mode is determined by the SPCMD0, SPBR, SPCKD, SSLND, and SPND registers. Although the SSL_n signals are not output in clock synchronous operation, these settings are valid.

The following are set in the SPCMD0 register:

- SSL_n output signal value
- MSB-first or LSB-first
- Data length
- Some of the bit rate settings
- RSPCK_n polarity/phase
- Whether SPCKD is to be referenced
- Whether SSLND is to be referenced
- Whether SPND is to be referenced.

The SPBR register holds some of the bit rate settings such as the SPI clock delay value (SPCKD), the SSL negotiation delay (SSLND), and the next-access delay value (SPND).

When the SPCR.SPE bit is set to 1 and the SPI function is enabled, the SPI loads the pointer to the commands in SPCMD0 register, and incorporates the SPCMD0 register setting into the transfer format at the beginning of serial transfer.

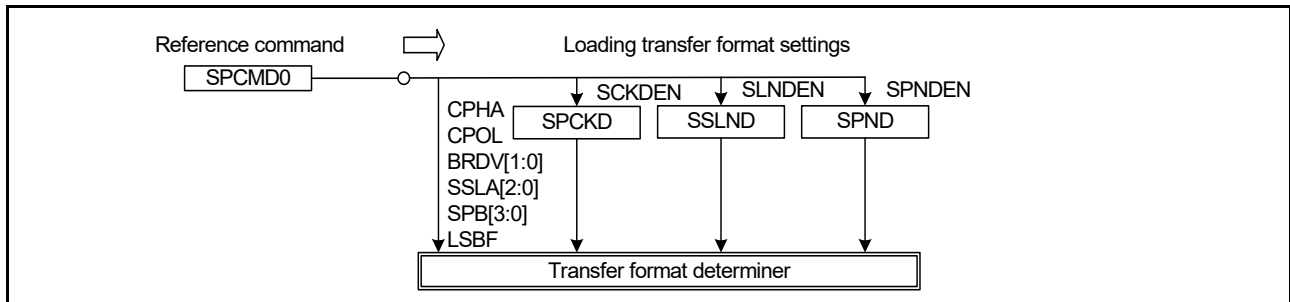


Figure 32.54 Procedure to determine the format of serial transmission in master mode (SPI1)

In this section, a frame is the combination of the SPDR/SPDR_HA data and the SPCMD0 settings.

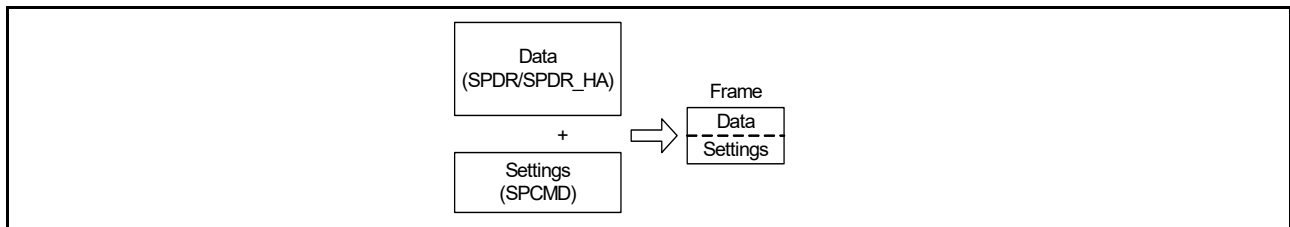


Figure 32.55 Procedure to determine the format of serial transmission in master mode (SPI1)

Figure 32.56 shows the relationship between the command and the transmit and receive buffers in the sequence of operations.

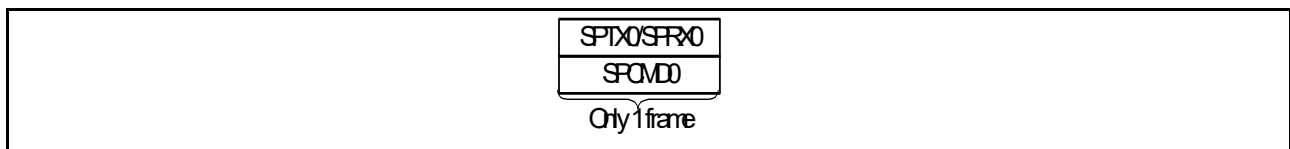


Figure 32.56 Relationship between SPI Command Register and transmit and receive buffers in sequence operations (SPI1)

(4) Initialization flow

Figure 32.57 shows an example of initialization flow for clock synchronous operation when the SPI is in master mode. For information on how to set up the Interrupt Controller Unit, DMAC, and I/O ports, see the descriptions given in the individual blocks.

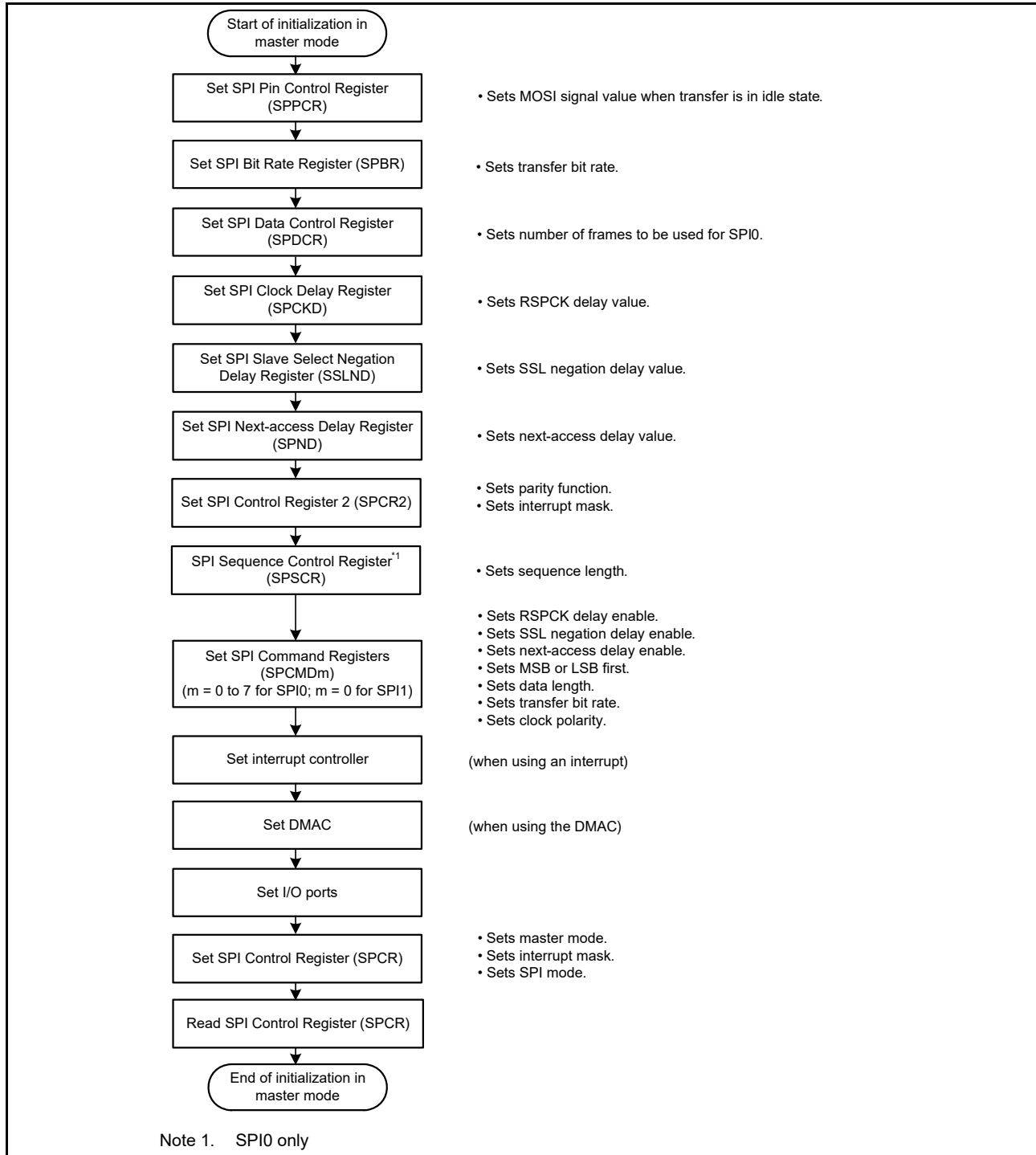


Figure 32.57 Example of initialization flow in master mode for clock synchronous operation

(5) Software processing flow

Software processing during clock synchronous master operation is the same as that for SPI master operation. For details, see section 32.3.10.1, (9) Software processing flow. Mode-fault errors do not occur in clock synchronous operation.

32.3.11.2 Slave mode operation

(1) Starting serial transfer

When the SPCR.SPMS bit is 1, the first RSPCKn edge triggers the start of a serial transfer in the SPI, and the SPI drives the MISO_n output signal.

The SSL_{n0} input signal is not used in clock synchronous operation. For details on the SPI transfer format, see [section 32.3.5, Transfer Formats](#).

(2) Terminating serial transfer

The SPI terminates the serial transfer after detecting an RSPCKn edge associated with the final sampling timing. When free space is available in the receive buffer (SPSR.SPRF is 0), on termination of serial transfer, the SPI copies the received data from the shift register to the receive buffer of the SPDR/SPDR_HA register. On termination of a serial transfer, the SPI changes the status of the shift register to empty regardless of the receive buffer.

The final sampling timing changes depending on the bit length of transfer data. In slave mode, the SPI data length is determined by the SPCMD0.SPB[3:0] bit setting. For details on the SPI transfer format, see [section 32.3.5, Transfer Formats](#).

(3) Initialization flow

[Figure 32.58](#) shows an example of initialization flow for clock synchronous operation when the SPI is used in slave mode. For information on how to set up the ICU, DMAC, and I/O ports, see the descriptions given in the individual blocks.

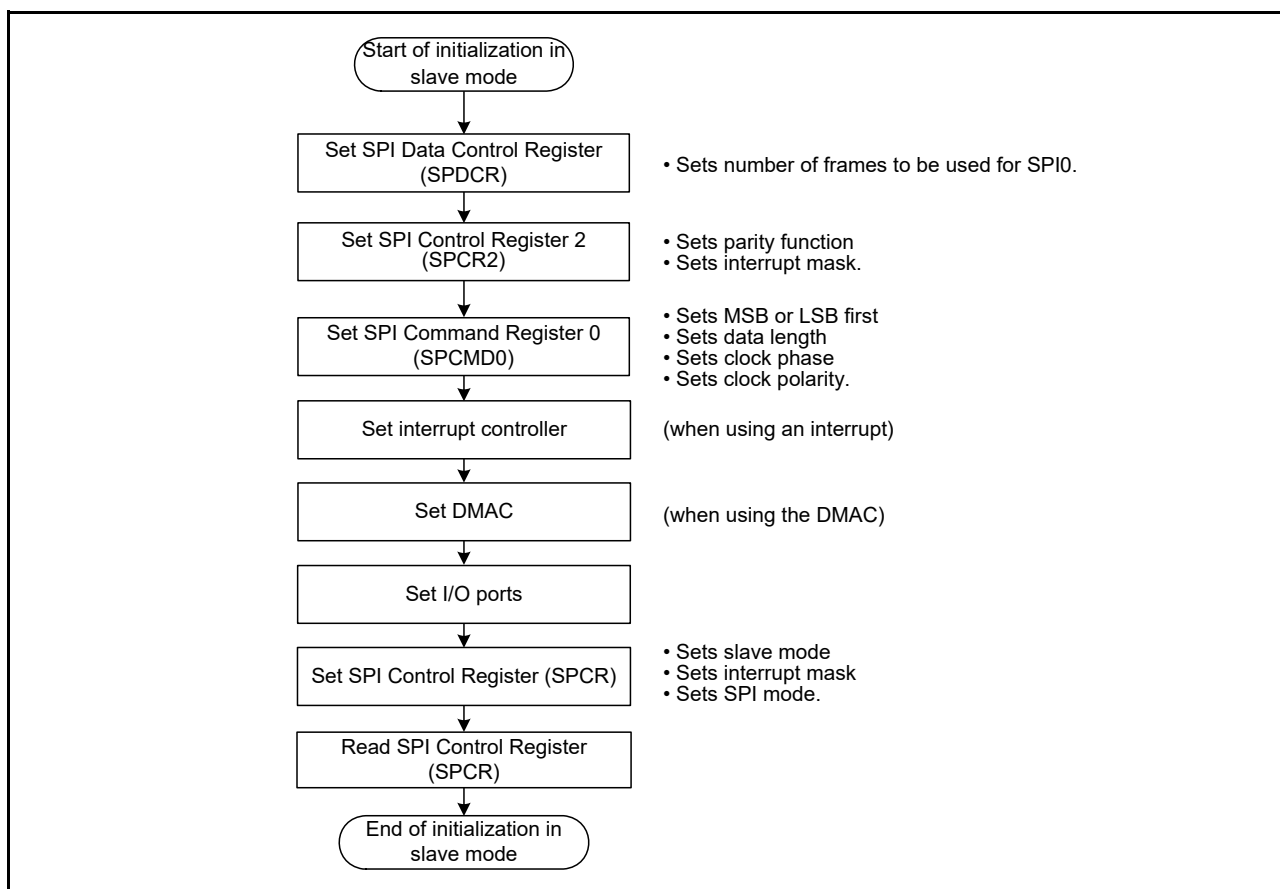


Figure 32.58 Example of initialization flow in slave mode for clock synchronous operation

(4) Software processing flow

Software processing during clock synchronous slave operation is the same as that for SPI slave operation. For details, see [section 32.3.10.2, \(6\) Software processing flow](#). Mode-fault errors do not occur in clock synchronous mode.

32.3.12 Loopback Mode

When 1 is written to the SPLP2 or SPLP bit in the SPPCR register, the SPI shuts off the path between the MISO pin and the shift register if the SPCR.MSTR bit is 1, and between the MOSI pin and the shift register if the SPCR.MSTR bit is 0, and connects the input path and output path of the shift register, establishing a loopback mode. The SPI does not shut off the path between the MOSI pin and the shift register if the SPCR.MSTR bit is 1, or between the MISO pin and the shift register if the SPCR.MSTR bit is 0. When a serial transfer is executed in loopback mode, the transmit data for the SPI or the reversed transmit data becomes the received data for the SPI.

Table 32.12 lists the relationship between the SPLP2 and SPLP bits and the received data. Figure 32.59 shows the configuration of the shift register I/O paths when the SPI in master mode is set to loopback mode (SPPCR.SPLP2 = 1, SPPCR.SPLP = 0 or 1).

Table 32.12 SPLP2 and SPLP bit settings and received data

SPPCR.SPLP2 bit	SPPCR.SPLP bit	Received data
0	0	Input data from the MOSI pin or MISO pin
0	1	Inverted transmit data
1	0	Transmit data
1	1	Transmit data

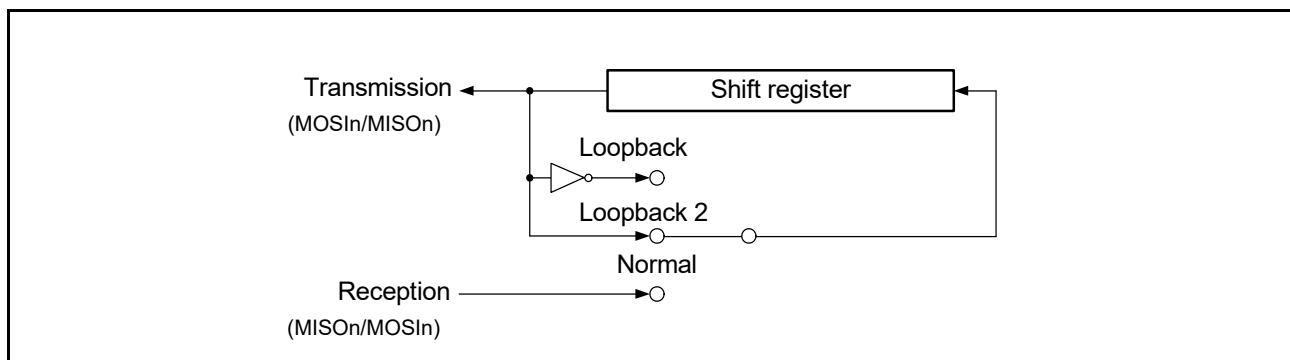


Figure 32.59 Configuration of Shift Register I/O paths in loopback mode for master mode

32.3.13 Self-Diagnosis of Parity Bit Function

The parity circuit consists of a parity bit adding unit used for transmit data and an error detecting unit used for received data. To detect defects in the parity bit adding unit and error detecting unit, the parity circuit performs self-diagnosis as shown in [Figure 32.60](#).

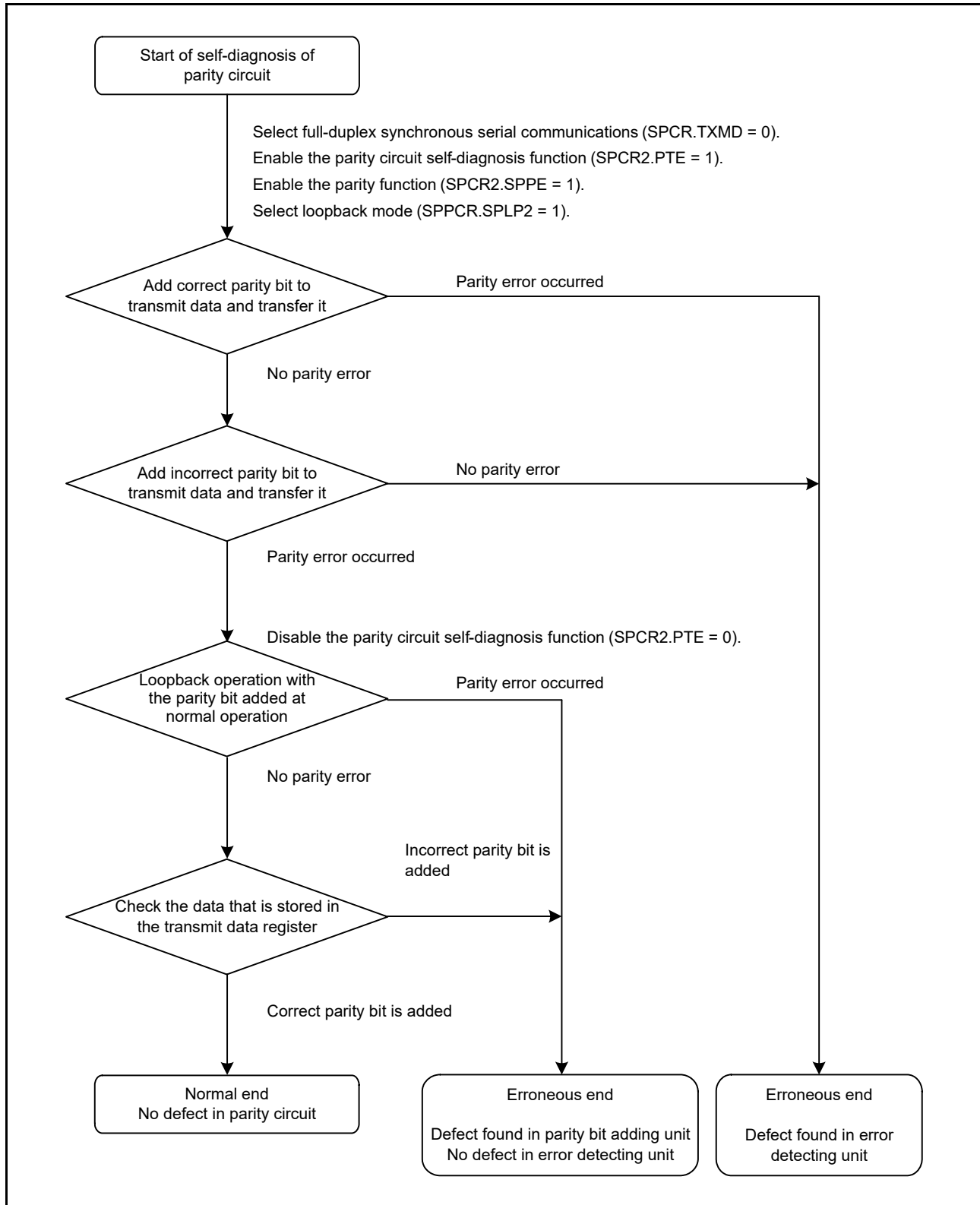


Figure 32.60 Self-diagnosis flow for parity circuit

32.3.14 Interrupt Sources

The SPI interrupt sources include:

- Receive buffer full
- Transmit buffer empty
- Transmission-complete
- Mode-fault
- Underrun
- Overrun
- Parity error
- SPI idle.

The DTC or DMAC can be activated by the receive buffer full or transmit buffer empty interrupt to perform data transfer.

Because the vector address for SPIn_SPEI is allocated to interrupt requests triggered on mode-fault, underrun, overrun, and parity errors, the actual interrupt source must be determined from the flags. Interrupt sources for the SPI are listed in [Table 32.13](#). An interrupt is generated on satisfaction of one of the interrupt conditions in [Table 32.13](#). Clear the receive buffer full and transmit buffer empty sources through a data transfer.

When using the DTC or DMAC to perform data transmission and reception, you must first set up the DTC or DMAC to be in a transfer-enabled status before setting the SPI. For information on setting up the DTC or DMAC, see [section 17, DMA Controller \(DMAC\)](#), or [section 18, Data Transfer Controller \(DTC\)](#).

If the conditions for generating a transmit buffer empty or receive buffer full interrupt occur while the ICU.IELSRj.IR flag is 1, the interrupt is not output as a request for the ICU but is retained internally (the capacity for retention is one request per source). A retained interrupt request is output when the ICU.IELSRj.IR flag clears to 0. A retained interrupt request is automatically discarded after it is output as an actual interrupt request. The interrupt enable bit (SPCR.SPTIE or SPCR.SPRIE) for an internally saved interrupt request can also be cleared to 0.

Table 32.13 SPI interrupt sources

Interrupt source	Symbol	Interrupt condition	DMAC/DTC activation
Receive buffer full	SPIn_SPRI	The receive buffer becomes full (SPSR.SPRF = 1) while the SPCR.SPRIE bit is 1	Possible
Transmit buffer empty	SPIn_SPTI	The transmit buffer becomes empty (SPSR.SPTEF = 1) while the SPCR.SPTIE bit is 1	Possible
SPI errors (mode-fault, underrun, overrun, and parity error)	SPIn_SPEI	The SPSR.MODF, OVRF, PERF, or UDRF flag is set to 1 while the SPCR.SPEIE bit is 1	Impossible
SPI idle	SPIn_SPII	The SPSR.IDLNF flag clears to 0 while the SPCR2.SPIIE bit is 1	Impossible
Transmission-complete	SPIn_SPTEND	In master mode, an interrupt is generated when the IDLNF flag (SPI idle flag) changes from 1 to 0. In slave mode, an interrupt occurs on conditions shown in Table 32.15 .	Impossible

32.4 Event Link Controller (ELC) Event Output

The Event Link Controller (ELC) is capable of producing the following event output signals:

- Receive buffer full event output
- Transmit buffer empty event output
- Mode-fault, underrun, overrun, or parity error event output
- SPI idle event output
- Transmission-complete event output.

The event link output signal is output regardless of the interrupt enable bit setting.

32.4.1 Receive Buffer Full Event Output

This event signal is output when received data is transferred from the shift register to the SPDR/SPDR_HA on completion of serial transfer.

32.4.2 Transmit Buffer Empty Event Output

This event signal is output when data for transmission is transferred from the transmit buffer to the shift register and when the value of the SPE bit changes from 0 to 1.

32.4.3 Mode-Fault, Underrun, Overrun, or Parity Error Event Output

This event signal is output when mode-fault, underrun, overrun, or parity error is detected. See [section 32.5.4, Restrictions on Mode-Fault, Underrun, Overrun or Parity Error Event Output](#) if using this event signal.

(1) Mode-fault

[Table 32.14](#) lists the conditions for occurrence of a mode-fault event.

Table 32.14 Conditions for mode-fault occurrence

Conditions	SPCR.MODFEN bit	SSLn0 pin	Remarks
<ul style="list-style-type: none"> • SPI operation (SPMS = 0) • Slave (SPCR.MSTR bit = 0) 	1	Not active	Event is output only when the pin is deactivated during transmission

(2) Underrun

This event signal is output in response to an underrun when a serial transfer starts while the transmission data not is ready, and the SPCR.MSTR bit is 0 and the SPCR.SPE bit is 1. Under these conditions, the MODF and UDRF flags are set to 1.

(3) Overrun

This event signal is output in response to an overrun when a serial transfer completes while the receive buffer contains unread data and the value of the SPCR.TXMD bit is 0. Under these conditions, the OVRF flag is set to 1.

(4) Parity error

This event signal is output in response to a parity error detected on completion of a serial transfer while the value of the TXMD bit in SPCR is 0 and the value of the SPPE bit in SPCR2 is 1.

32.4.4 SPI Idle Event Output

(1) In master mode

In master mode, an event is output when the condition for setting the IDLNF flag (SPI idle flag) to 0 is satisfied.

(2) In slave mode

In slave mode, an event is output when the SPCR.SPE bit is set to 0 (SPI is initialized).

32.4.5 Transmission-Completed Event Output

During both SPI and clock synchronous operations in master mode, an event is output when the IDLNF flag (SPI idle flag) changes from 1 to 0. [Table 32.15](#) lists the conditions for occurrence of a transmission-completed event.

Table 32.15 Conditions for generation of transmission-completed event in slave mode

Mode of operation	Transmit buffer state	Shift register state	Others
SPI operation (SPMS = 0)	Empty	Empty	Negation of SSLn0 input
Clock synchronous operation (SPMS = 1)	Empty	Empty	Edge detection of the last RSPCKn

Whether the operation is in master mode or slave mode, an event is not output if 0 is written to the SPCR.SPE bit in transmission or the SPCR.SPE bit is cleared by the mode-fault error or the underrun error.

32.5 Usage Notes

32.5.1 Settings for the Module-Stop Function

SPI operation can be enabled or disabled using the Module Stop Control Register B (MSTPCRB). The SPI is initially stopped after a reset. Releasing the module-stop state enables access to the registers. For details on the Module Stop Control Register B, see [section 11, Low Power Modes](#).

32.5.2 Restriction on Low Power Function

When using the module-stop function and entering a low power mode other than Sleep mode, set the SPCR.SPE bit to 0 before completing communication.

32.5.3 Restrictions on Starting Transfer

If the ICU.IELSRj.IR flag is 1 when transfer starts, the interrupt request is internally saved, which can lead to unanticipated behavior of the ICU.IELSRj.IR flag.

To prevent this, use the following procedure to clear interrupt requests before enabling operations (by setting the SPCR.SPE bit to 1).

1. Confirm that the transfer stopped (SPCR.SPE = 0).
2. Set the associated interrupt enable bit (SPCR.SPTIE or SPCR.SPRIE) to 0.
3. Read the associated interrupt enable bit (SPCR.SPTIE or SPCR.SPRIE) and confirm that its value is 0.
4. Set the ICU.IELSRj.IR flag to 0.

32.5.4 Restrictions on Mode-Fault, Underrun, Overrun or Parity Error Event Output

Using the mode-fault, underrun, overrun, or parity error event is prohibited if the SPI is in multi-master mode (the SPCR.SPMS bit is 0, SPCR.MSTR bit is 1, and SPCR.MODFEN bit is 1).

32.5.5 Restrictions on SPRF/SPTEF Flags

If the polling flags, SPRF and SPTEF, are used, interrupt usage is prohibited, and you must set the SPCR.SPRIE and SPCR.SPTIE bits to 0. Either the interrupts or flags can be used, but not both.

33. Quad Serial Peripheral Interface (QSPI)

33.1 Overview

The Quad Serial Peripheral Interface module (QSPI) is a memory controller for connecting a serial ROM (nonvolatile memory such as a serial flash memory, serial EEPROM, or serial FeRAM) that has an SPI-compatible interface.

Table 33.1 lists the QSPI specifications, Figure 33.1 shows a block diagram, and Table 33.2 lists the I/O pins.

Table 33.1 QSPI specifications

Item	Specification
Number of channels	1 channel
SPI	<ul style="list-style-type: none"> Support for extended SPI, dual SPI, and quad SPI protocols Configurable to SPI mode 0 and SPI mode 3 Address width selectable from 8, 16, 24, or 32 bits.
Timing adjustment function	Configurable to support a wide range of serial flash configurations
Flash read function	<ul style="list-style-type: none"> Support for the Read, Fast Read, Fast Read Dual Output, Fast Read Dual I/O, Fast Read Quad Output, and Fast Read Quad I/O instructions Substitutable instruction code Adjustable number of dummy cycles Prefetch function Polling processing SPI bus cycle extension function.
Direct communication function	Flexible support for a wide variety of serial flash instructions and functions through software control, including erase, write, ID read, and power-down control
Interrupt source	Error interrupts
Module-stop function	Module-stop state can be set to reduce power consumption

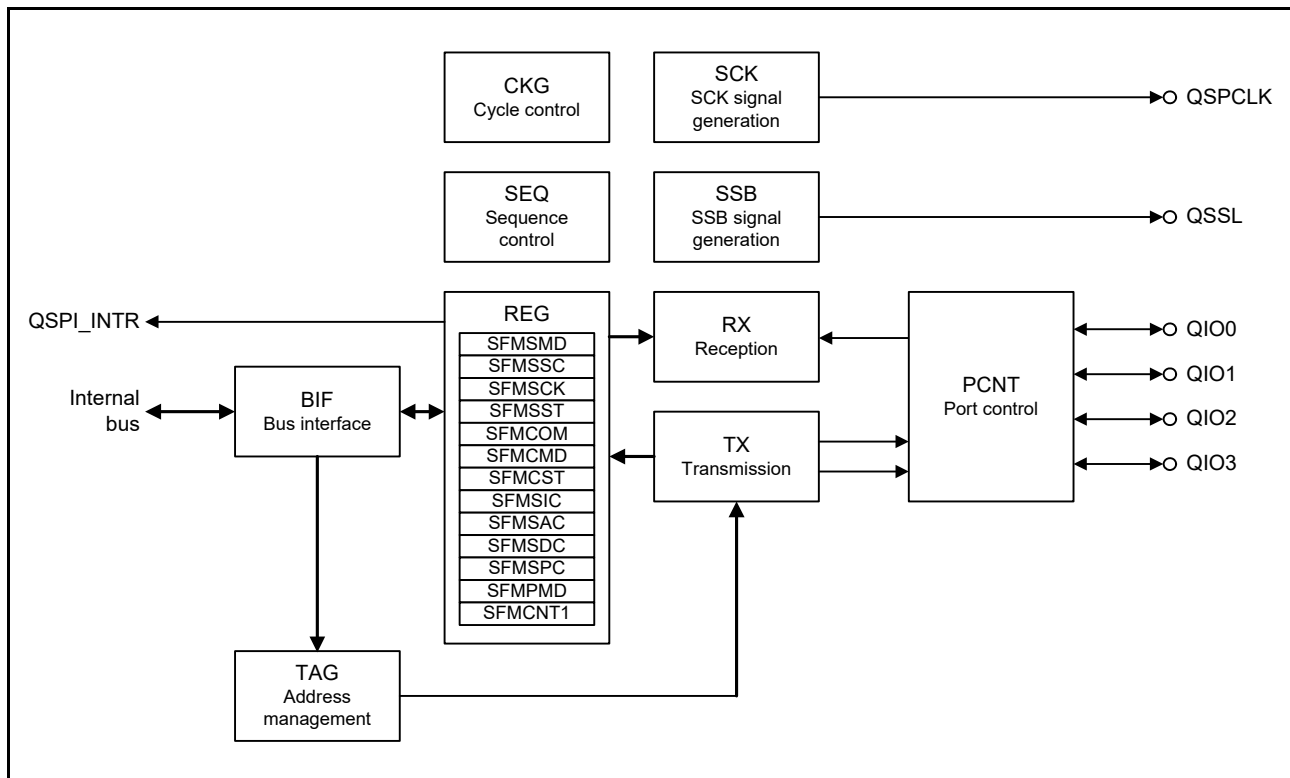


Figure 33.1 QSPI block diagram

Table 33.2 QSPI I/O pins

Pin name	I/O	Function
QSPCLK	Output	QSPI clock output pin
QSSL	Output	QSPI slave select pin
QIO0	I/O	Data 0 input/output
QIO1	I/O	Data 1 input/output
QIO2	I/O	Data 2 input/output
QIO3	I/O	Data 3 input/output

33.2 Register Descriptions

33.2.1 Transfer Mode Control Register (SFMSMD)

Address(es): QSPI.SFMSMD 6400 0000h

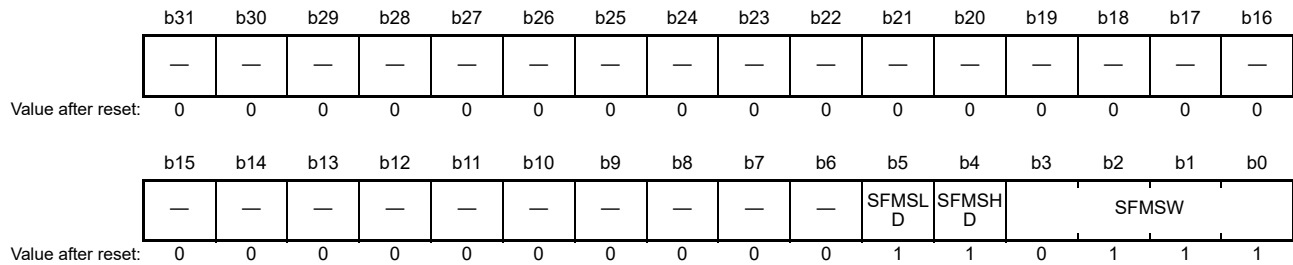
	b31	b30	b29	b28	b27	b26	b25	b24	b23	b22	b21	b20	b19	b18	b17	b16
	—	—	—	—	—	—	—	—	—	—	—	—	—	—	—	—
Value after reset:	0	0	0	0	0	0	0	0	0	0	0	0	0	0	0	0
	b15	b14	b13	b12	b11	b10	b9	b8	b7	b6	b5	b4	b3	b2	b1	b0
	SFMCCE	—	—	—	SFMOSW	SFMOHW	SFMOEX	SFMMD3	SFMPAE	SFMPFE	SFMSE[1:0]	—	—	—	SFMRM[2:0]	—
Value after reset:	0	0	0	0	0	0	0	0	0	0	0	0	0	0	0	0

Bits	Symbol	Bit name	Description	R/W
b2 to b0	SFMRM[2:0]	Serial Interface Read Mode Select	b2 b0 0 0 0: Standard Read 0 0 1: Fast Read 0 1 0: Fast Read Dual Output 0 1 1: Fast Read Dual I/O 1 0 0: Fast Read Quad Output 1 0 1: Fast Read Quad I/O 1 1 0: Setting prohibited (an unpredictable operation can result) 1 1 1: Setting prohibited (an unpredictable operation can result).	R/W
b3	—	Reserved	This bit is read as 0. The write value should be 0.	R/W
b5, b4	SFMSE[1:0]	QSSL Extension Function Select After SPI Bus Access	b5 b4 0 0: Do not extend QSSL 0 1: Extend QSSL by 33 QSPCLK 1 0: Extend QSSL by 129 QSPCLK 1 1: Extend QSSL infinitely.	R/W
b6	SFMPFE	Prefetch Function Select	0: Disable prefetch 1: Enable prefetch.	R/W
b7	SFMPAE	Function Select For Stopping Prefetch At Locations Other Than On Byte Boundaries	0: Disable function 1: Enable function.	R/W
b8	SFMMD3	SPI Mode Select	Initial value is determined by input to CFGMD3. 0: SPI mode 0 1: SPI mode 3.	R/W
b9	SFMOEX	Extension Select For I/O Buffer Output Enable Signal For The Serial Interface	0: Do not extend 1: Extend by 1 QSPCLK.	R/W

Bits	Symbol	Bit name	Description	R/W
b10	SFMOHW	Hold time adjustment for serial transmission	0: Do not extend high-level width of QSPCLK during transmission 1: Extend high-level width of QSPCLK by 1 PCLKA during transmission.	R/W
b11	SFMOSW	Setup time adjustment for serial transmission	0: Do not extend low-level width of QSPCLK during transmission. 1: Extend low-level width of QSPCLK by 1 PCLKA during transmission.	R/W
b14 to b12	—	Reserved	These bits are read as 0. The write value should be 0.	R/W
b15	SFMCCE	Read instruction code select	0: Set default instruction code set for each instruction 1: Write instruction code in the SFMSIC register.	R/W
b31 to b16	—	Reserved	These bits are read as 0. The write value should be 0.	R/W

33.2.2 Chip Selection Control Register (SFMSSC)

Address(es): QSPI.SFMSSC 6400 0004h



Bits	Symbol	Bit name	Description	R/W																																																																																					
b3 to b0	SFMSW	Minimum High-level Width Select For QSSL Signal	<table border="0"> <tr> <td>b3</td> <td>b2</td> <td>b1</td> <td>b0</td> <td></td> </tr> <tr> <td>0</td><td>0</td><td>0</td><td>0</td><td>1: QSPCLK</td> </tr> <tr> <td>0</td><td>0</td><td>0</td><td>1</td><td>2: QSPCLK</td> </tr> <tr> <td>0</td><td>0</td><td>1</td><td>0</td><td>3: QSPCLK</td> </tr> <tr> <td>0</td><td>0</td><td>1</td><td>1</td><td>4: QSPCLK</td> </tr> <tr> <td>0</td><td>1</td><td>0</td><td>0</td><td>5: QSPCLK</td> </tr> <tr> <td>0</td><td>1</td><td>0</td><td>1</td><td>6: QSPCLK</td> </tr> <tr> <td>0</td><td>1</td><td>1</td><td>0</td><td>7: QSPCLK</td> </tr> <tr> <td>0</td><td>1</td><td>1</td><td>1</td><td>8: QSPCLK</td> </tr> <tr> <td>1</td><td>0</td><td>0</td><td>0</td><td>9: QSPCLK</td> </tr> <tr> <td>1</td><td>0</td><td>0</td><td>1</td><td>10: QSPCLK</td> </tr> <tr> <td>1</td><td>0</td><td>1</td><td>0</td><td>11: QSPCLK</td> </tr> <tr> <td>1</td><td>0</td><td>1</td><td>1</td><td>12: QSPCLK</td> </tr> <tr> <td>1</td><td>1</td><td>0</td><td>0</td><td>13: QSPCLK</td> </tr> <tr> <td>1</td><td>1</td><td>0</td><td>1</td><td>14: QSPCLK</td> </tr> <tr> <td>1</td><td>1</td><td>1</td><td>0</td><td>15: QSPCLK</td> </tr> <tr> <td>1</td><td>1</td><td>1</td><td>1</td><td>16: QSPCLK</td> </tr> </table>	b3	b2	b1	b0		0	0	0	0	1: QSPCLK	0	0	0	1	2: QSPCLK	0	0	1	0	3: QSPCLK	0	0	1	1	4: QSPCLK	0	1	0	0	5: QSPCLK	0	1	0	1	6: QSPCLK	0	1	1	0	7: QSPCLK	0	1	1	1	8: QSPCLK	1	0	0	0	9: QSPCLK	1	0	0	1	10: QSPCLK	1	0	1	0	11: QSPCLK	1	0	1	1	12: QSPCLK	1	1	0	0	13: QSPCLK	1	1	0	1	14: QSPCLK	1	1	1	0	15: QSPCLK	1	1	1	1	16: QSPCLK	R/W
b3	b2	b1	b0																																																																																						
0	0	0	0	1: QSPCLK																																																																																					
0	0	0	1	2: QSPCLK																																																																																					
0	0	1	0	3: QSPCLK																																																																																					
0	0	1	1	4: QSPCLK																																																																																					
0	1	0	0	5: QSPCLK																																																																																					
0	1	0	1	6: QSPCLK																																																																																					
0	1	1	0	7: QSPCLK																																																																																					
0	1	1	1	8: QSPCLK																																																																																					
1	0	0	0	9: QSPCLK																																																																																					
1	0	0	1	10: QSPCLK																																																																																					
1	0	1	0	11: QSPCLK																																																																																					
1	0	1	1	12: QSPCLK																																																																																					
1	1	0	0	13: QSPCLK																																																																																					
1	1	0	1	14: QSPCLK																																																																																					
1	1	1	0	15: QSPCLK																																																																																					
1	1	1	1	16: QSPCLK																																																																																					
b4	SFMSHD	QSSL Signal Release Timing Select	0: Release QSSL 0.5 QSPCLK after the last rising edge of QSPCLK 1: Release QSSL 1.5 QSPCLK after the last rising edge of QSPCLK.	R/W																																																																																					
b5	SFMSLD	QSSL Signal Output Timing Select	0: Output QSSL 0.5 QSPCLK before the first rising edge of QSPCLK 1: Output QSSL 1.5 QSPCLK before the first rising edge of QSPCLK.	R/W																																																																																					
b31 to b6	—	Reserved	These bits are read as 0. The write value should be 0.	R/W																																																																																					

33.2.3 Clock Control Register (SFMSKC)

Address(es): QSPI.SFMSKC 6400 0008h

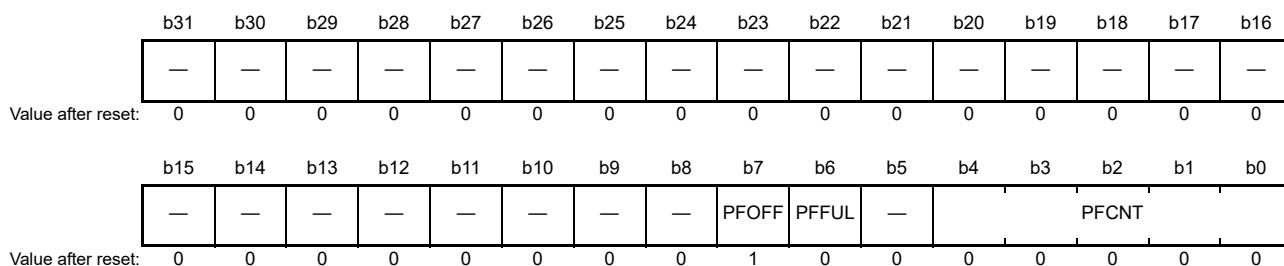
	b31	b30	b29	b28	b27	b26	b25	b24	b23	b22	b21	b20	b19	b18	b17	b16
	—	—	—	—	—	—	—	—	—	—	—	—	—	—	—	—
Value after reset:	0	0	0	0	0	0	0	0	0	0	0	0	0	0	0	0
	b15	b14	b13	b12	b11	b10	b9	b8	b7	b6	b5	b4	b3	b2	b1	b0
	—	—	—	—	—	—	—	—	—	—	SFMDTY	SFMDV				
Value after reset:	0	0	0	0	0	0	0	0	0	0	0	0	1	0	0	0

Bits	Symbol	Bit name	Description	R/W
b4 to b0	SFMDV	Serial Interface Reference Cycle Select (pay attention to the irregularity)	b4 b3 b2 b1 b0 0 0 0 0 0: 2 PCLKA 0 0 0 0 1: 3 PCLKA (multiplied by an odd number)*1 0 0 0 1 0: 4 PCLKA 0 0 0 1 1: 5 PCLKA (multiplied by an odd number)*1 0 0 1 0 0: 6 PCLKA 0 0 1 0 1: 7 PCLKA (multiplied by an odd number)*1 0 0 1 1 0: 8 PCLKA 0 0 1 1 1: 9 PCLKA (multiplied by an odd number)*1 0 1 0 0 0: 10 PCLKA 0 1 0 0 1: 11 PCLKA (multiplied by an odd number)*1 0 1 0 1 0: 12 PCLKA 0 1 0 1 1: 13 PCLKA (multiplied by an odd number)*1 0 1 1 0 0: 14 PCLKA 0 1 1 0 1: 15 PCLKA (multiplied by an odd number)*1 0 1 1 1 0: 16 PCLKA 0 1 1 1 1: 17 PCLKA (multiplied by an odd number)*1 1 0 0 0 0: 18 PCLKA 1 0 0 0 1: 20 PCLKA 1 0 0 1 0: 22 PCLKA 1 0 0 1 1: 24 PCLKA 1 0 1 0 0: 26 PCLKA 1 0 1 0 1: 28 PCLKA 1 0 1 1 0: 30 PCLKA 1 0 1 1 1: 32 PCLKA 1 1 0 0 0: 34 PCLKA 1 1 0 0 1: 36 PCLKA 1 1 0 1 0: 38 PCLKA 1 1 0 1 1: 40 PCLKA 1 1 1 0 0: 42 PCLKA 1 1 1 0 1: 44 PCLKA 1 1 1 1 0: 46 PCLKA 1 1 1 1 1: 48 PCLKA.	R/W
b5	SFMDTY	Duty Ratio Correction Function Select For The QSPCLK Signal	0: Make no correction 1: Delay the rising of the QSPCLK signal by 0.5 PCLKA cycles. Valid with PCLKA multiplied by an odd number.	R/W
b31 to b6	—	Reserved	These bits are read as 0. The write value should be 0.	R/W

Note 1. When PCLKA multiplied by an odd number is selected, the high-level width of the QSPCLK signal is longer than the low-level width by 1 PCLKA before duty ratio correction.

33.2.4 Status Register (SFMSST)

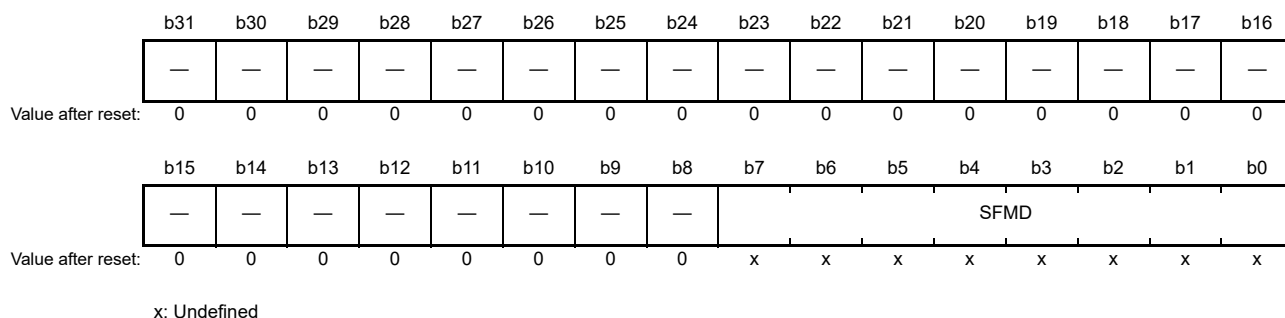
Address(es): QSPI.SFMSST 6400 000Ch



Bits	Symbol	Bit name	Description	R/W																																																																																																				
b4 to b0	PFCNT	Number Of Bytes Of Prefetched Data	<table style="font-size: small; border: none;"> <tr> <td>b4</td><td>b3</td><td>b2</td><td>b1</td><td>b0</td> </tr> <tr> <td>0</td><td>0</td><td>0</td><td>0</td><td>0</td> </tr> <tr> <td>0</td><td>0</td><td>0</td><td>0</td><td>1</td> </tr> <tr> <td>0</td><td>0</td><td>0</td><td>1</td><td>0</td> </tr> <tr> <td>0</td><td>0</td><td>0</td><td>1</td><td>1</td> </tr> <tr> <td>0</td><td>0</td><td>1</td><td>0</td><td>0</td> </tr> <tr> <td>0</td><td>0</td><td>1</td><td>0</td><td>1</td> </tr> <tr> <td>0</td><td>0</td><td>1</td><td>1</td><td>0</td> </tr> <tr> <td>0</td><td>0</td><td>1</td><td>1</td><td>1</td> </tr> <tr> <td>0</td><td>1</td><td>0</td><td>0</td><td>0</td> </tr> <tr> <td>0</td><td>1</td><td>0</td><td>0</td><td>1</td> </tr> <tr> <td>0</td><td>1</td><td>0</td><td>1</td><td>0</td> </tr> <tr> <td>0</td><td>1</td><td>0</td><td>1</td><td>1</td> </tr> <tr> <td>0</td><td>1</td><td>1</td><td>0</td><td>0</td> </tr> <tr> <td>0</td><td>1</td><td>1</td><td>0</td><td>1</td> </tr> <tr> <td>0</td><td>1</td><td>1</td><td>1</td><td>0</td> </tr> <tr> <td>0</td><td>1</td><td>1</td><td>1</td><td>1</td> </tr> <tr> <td>1</td><td>0</td><td>0</td><td>0</td><td>0</td> </tr> <tr> <td>1</td><td>0</td><td>0</td><td>0</td><td>1</td> </tr> <tr> <td>1</td><td>0</td><td>0</td><td>1</td><td>0</td> </tr> </table> Other settings are reserved.	b4	b3	b2	b1	b0	0	0	0	0	0	0	0	0	0	1	0	0	0	1	0	0	0	0	1	1	0	0	1	0	0	0	0	1	0	1	0	0	1	1	0	0	0	1	1	1	0	1	0	0	0	0	1	0	0	1	0	1	0	1	0	0	1	0	1	1	0	1	1	0	0	0	1	1	0	1	0	1	1	1	0	0	1	1	1	1	1	0	0	0	0	1	0	0	0	1	1	0	0	1	0	R
b4	b3	b2	b1	b0																																																																																																				
0	0	0	0	0																																																																																																				
0	0	0	0	1																																																																																																				
0	0	0	1	0																																																																																																				
0	0	0	1	1																																																																																																				
0	0	1	0	0																																																																																																				
0	0	1	0	1																																																																																																				
0	0	1	1	0																																																																																																				
0	0	1	1	1																																																																																																				
0	1	0	0	0																																																																																																				
0	1	0	0	1																																																																																																				
0	1	0	1	0																																																																																																				
0	1	0	1	1																																																																																																				
0	1	1	0	0																																																																																																				
0	1	1	0	1																																																																																																				
0	1	1	1	0																																																																																																				
0	1	1	1	1																																																																																																				
1	0	0	0	0																																																																																																				
1	0	0	0	1																																																																																																				
1	0	0	1	0																																																																																																				
b5	—	Reserved	This bit is read as 0	R																																																																																																				
b6	PFFUL	Prefetch Buffer State	0: Prefetch buffer has free space 1: Prefetch buffer is full.	R																																																																																																				
b7	PFOFF	Prefetch Function Operation State	0: Prefetch function operating 1: Prefetch function not enabled or not operating.	R																																																																																																				
b31 to b8	—	Reserved	These bits are read as 0	R																																																																																																				

33.2.5 Communication Port Register (SFMCOM)

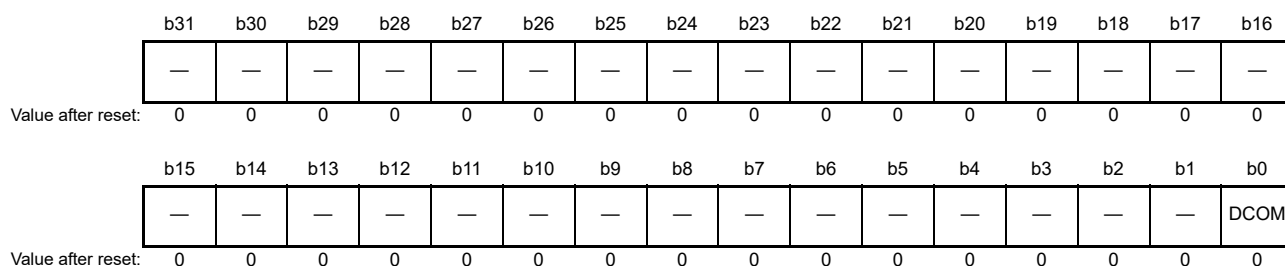
Address(es): QSPI.SFMCOM 6400 0010h



Bits	Symbol	Bit name	Description	R/W
b7 to b0	SFMD	Port Select For direct communication With The SPI Bus	Input to and output from this port is converted to an SPI bus cycle. This port is accessible in direct communication mode, when DCOM = 1. Access to this port is ignored in ROM access mode.	R/W
b 31 to b8	—	Reserved	These bits are read as 0. The write value should be 0.	R/W

33.2.6 Communication Mode Control Register (SFMCMD)

Address(es): QSPI.SFMCMD 6400 0014h



Bits	Symbol	Bit name	Description	R/W
b0	DCOM	Mode Select For Communication With The SPI Bus	0: ROM access mode 1: Direct communication mode.	R/W
b 31 to b1	—	Reserved	These bits are read as 0. The write value should be 0.	R/W

33.2.7 Communication Status Register (SFM CST)

Address(es): QSPI.SFMCST 6400 0018h

	b31	b30	b29	b28	b27	b26	b25	b24	b23	b22	b21	b20	b19	b18	b17	b16
	—	—	—	—	—	—	—	—	—	—	—	—	—	—	—	—
Value after reset:	0	0	0	0	0	0	0	0	0	0	0	0	0	0	0	0
	b15	b14	b13	b12	b11	b10	b9	b8	b7	b6	b5	b4	b3	b2	b1	b0
	—	—	—	—	—	—	—	—	EROM R	—	—	—	—	—	—	COMB SY
Value after reset:	0	0	0	0	0	0	0	0	0	0	0	0	0	0	0	0

Bits	Symbol	Bit name	Description	R/W
b0	COMBSY	SPI Bus Cycle Completion State In Direct Communication	0: No serial transfer being processed 1: Serial transfer being processed.	R
b6 to b1	—	Reserved	These bits are read as 0. The write value should be 0.	R/W
b7	EROMR	ROM Access Detection Status In Direct Communication Mode	0: ROM access not detected 1: ROM access detected.	R/(W)*1
b31 to b8	—	Reserved	These bits are read as 0. The write value should be 0.	R/W

Note 1. Only 0 can be written to this bit.

33.2.8 Instruction Code Register (SFMSIC)

Address(es): QSPI.SFMSIC 6400 0020h

	b31	b30	b29	b28	b27	b26	b25	b24	b23	b22	b21	b20	b19	b18	b17	b16	
	—	—	—	—	—	—	—	—	—	—	—	—	—	—	—	—	
Value after reset:	0	0	0	0	0	0	0	0	0	0	0	0	0	0	0	0	
	b15	b14	b13	b12	b11	b10	b9	b8	b7	b6	b5	b4	b3	b2	b1	b0	
	—	—	—	—	—	—	—	—	SFMSIC							—	—
Value after reset:	0	0	0	0	0	0	0	0	0	0	0	0	0	0	0	0	

Bits	Symbol	Bit name	Description	R/W
b7 to b0	SFMSIC	Serial Flash Instruction Code To Substitute		R/W
b31 to b8	—	Reserved	These bits are read as 0. The write value should be 0.	R/W

33.2.9 Address Mode Control Register (SFMSAC)

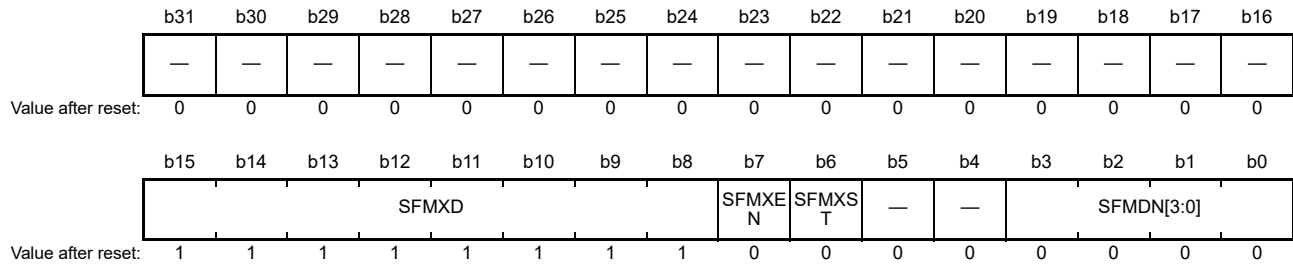
Address(es): QSPI.SFMSAC 6400 0024h

	b31	b30	b29	b28	b27	b26	b25	b24	b23	b22	b21	b20	b19	b18	b17	b16
	—	—	—	—	—	—	—	—	—	—	—	—	—	—	—	—
Value after reset:	0	0	0	0	0	0	0	0	0	0	0	0	0	0	0	0
	b15	b14	b13	b12	b11	b10	b9	b8	b7	b6	b5	b4	b3	b2	b1	b0
	—	—	—	—	—	—	—	—	—	—	—	SFM4B C	—	—	SFMAS	—
Value after reset:	0	0	0	0	0	0	0	0	0	0	0	0	0	0	1	0

Bits	Symbol	Bit name	Description	R/W
b1, b0	SFMAS	Number Of Address Bytes Select For The Serial Interface	b1 b0 0 0: 1 byte 0 1: 2 bytes 1 0: 3 bytes 1 1: 4 bytes.	R/W
b3, b2	—	Reserved	These bits are read as 0. The write value should be 0.	R/W
b4	SFM4BC	Default Instruction Code Select, When Serial Interface Address Width Is 4 Bytes	0: Do not use 4-byte address read instruction code 1: Use 4-byte address read instruction code.	R/W
b31 to b5	—	Reserved	These bits are read as 0. The write value should be 0.	R/W

33.2.10 Dummy Cycle Control Register (SFMSDC)

Address(es): QSPI.SFMSDC 6400 0028h

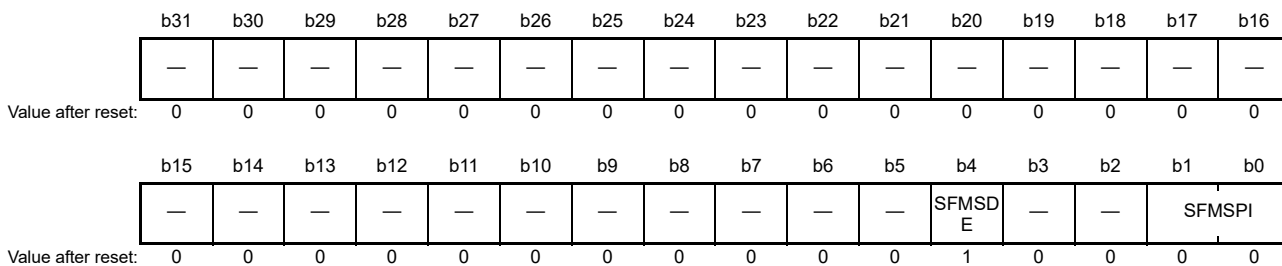


Bits	Symbol	Bit name	Description	R/W																																																																																					
b3 to b0	SFMDN[3:0]	Number Of Dummy Cycles Select For Fast Read Instructions	<table border="0"> <tr> <td>b3</td><td>b2</td><td>b1</td><td>b0</td><td>Description</td> </tr> <tr> <td>0</td><td>0</td><td>0</td><td>0</td><td>0: Default dummy cycles of each instruction: - Fast Read Quad I/O: 6 QSPCLK - Fast Read Quad Output: 8 QSPCLK - Fast Read Dual I/O: 4 QSPCLK - Fast Read Dual Output: 8 QSPCLK - Fast Read: 8 QSPCLK.</td> </tr> <tr> <td>0</td><td>0</td><td>0</td><td>1</td><td>1: 3 QSPCLK*1</td> </tr> <tr> <td>0</td><td>0</td><td>1</td><td>0</td><td>4 QSPCLK</td> </tr> <tr> <td>0</td><td>0</td><td>1</td><td>1</td><td>5 QSPCLK</td> </tr> <tr> <td>0</td><td>1</td><td>0</td><td>0</td><td>6 QSPCLK</td> </tr> <tr> <td>0</td><td>1</td><td>0</td><td>1</td><td>7 QSPCLK</td> </tr> <tr> <td>0</td><td>1</td><td>1</td><td>0</td><td>8 QSPCLK</td> </tr> <tr> <td>0</td><td>1</td><td>1</td><td>1</td><td>9 QSPCLK</td> </tr> <tr> <td>1</td><td>0</td><td>0</td><td>0</td><td>10 QSPCLK</td> </tr> <tr> <td>1</td><td>0</td><td>0</td><td>1</td><td>11 QSPCLK</td> </tr> <tr> <td>1</td><td>0</td><td>1</td><td>0</td><td>12 QSPCLK</td> </tr> <tr> <td>1</td><td>0</td><td>1</td><td>1</td><td>13 QSPCLK</td> </tr> <tr> <td>1</td><td>1</td><td>0</td><td>0</td><td>14 QSPCLK</td> </tr> <tr> <td>1</td><td>1</td><td>0</td><td>1</td><td>15 QSPCLK</td> </tr> <tr> <td>1</td><td>1</td><td>1</td><td>0</td><td>16 QSPCLK</td> </tr> <tr> <td>1</td><td>1</td><td>1</td><td>1</td><td>17 QSPCLK.</td> </tr> </table>	b3	b2	b1	b0	Description	0	0	0	0	0: Default dummy cycles of each instruction: - Fast Read Quad I/O: 6 QSPCLK - Fast Read Quad Output: 8 QSPCLK - Fast Read Dual I/O: 4 QSPCLK - Fast Read Dual Output: 8 QSPCLK - Fast Read: 8 QSPCLK.	0	0	0	1	1: 3 QSPCLK*1	0	0	1	0	4 QSPCLK	0	0	1	1	5 QSPCLK	0	1	0	0	6 QSPCLK	0	1	0	1	7 QSPCLK	0	1	1	0	8 QSPCLK	0	1	1	1	9 QSPCLK	1	0	0	0	10 QSPCLK	1	0	0	1	11 QSPCLK	1	0	1	0	12 QSPCLK	1	0	1	1	13 QSPCLK	1	1	0	0	14 QSPCLK	1	1	0	1	15 QSPCLK	1	1	1	0	16 QSPCLK	1	1	1	1	17 QSPCLK.	R/W
b3	b2	b1	b0	Description																																																																																					
0	0	0	0	0: Default dummy cycles of each instruction: - Fast Read Quad I/O: 6 QSPCLK - Fast Read Quad Output: 8 QSPCLK - Fast Read Dual I/O: 4 QSPCLK - Fast Read Dual Output: 8 QSPCLK - Fast Read: 8 QSPCLK.																																																																																					
0	0	0	1	1: 3 QSPCLK*1																																																																																					
0	0	1	0	4 QSPCLK																																																																																					
0	0	1	1	5 QSPCLK																																																																																					
0	1	0	0	6 QSPCLK																																																																																					
0	1	0	1	7 QSPCLK																																																																																					
0	1	1	0	8 QSPCLK																																																																																					
0	1	1	1	9 QSPCLK																																																																																					
1	0	0	0	10 QSPCLK																																																																																					
1	0	0	1	11 QSPCLK																																																																																					
1	0	1	0	12 QSPCLK																																																																																					
1	0	1	1	13 QSPCLK																																																																																					
1	1	0	0	14 QSPCLK																																																																																					
1	1	0	1	15 QSPCLK																																																																																					
1	1	1	0	16 QSPCLK																																																																																					
1	1	1	1	17 QSPCLK.																																																																																					
b5, b4	—	Reserved	These bits are read as 0. The write value should be 0.	R/W																																																																																					
b6	SFMXST	XIP Mode Status	0: Normal (non-XIP) mode 1: XIP mode.	R																																																																																					
b7	SFMXEN	XIP Mode Permission	0: XIP mode prohibited 1: XIP mode permitted.	R/W																																																																																					
b15 to b8	SFMXD	Mode Data For Serial Flash	Controls XIP mode	R/W																																																																																					
b31 to b16	—	Reserved	These bits are read as 0. The write value should be 0.	R/W																																																																																					

Note 1. To avoid a conflict with the input/output switch of the serial flash pin connected to QIO0 pin, select more than 4 QSPCLK dummy cycles when the output enable signal is extended by setting the SFMOEX bit in the SFMSMD register to 1.

33.2.11 SPI Protocol Control Register (SFMSPC)

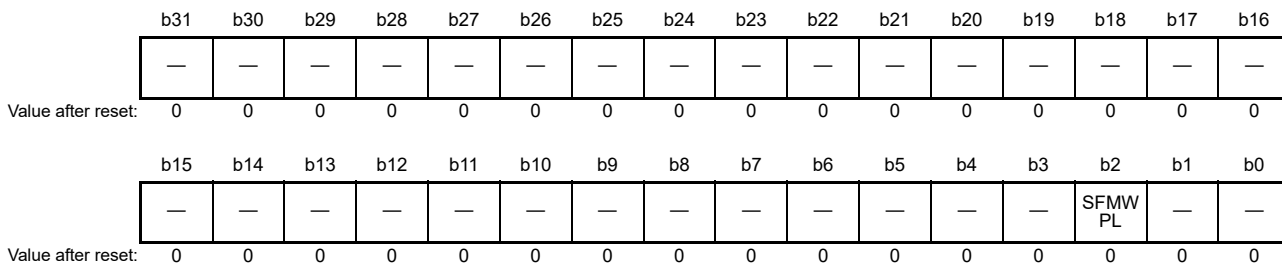
Address(es): QSPI.SFMSPC 6400 0030h



Bits	Symbol	Bit name	Description	R/W
b1, b0	SFMSPI	SPI Protocol Select	b1 b0 0 0: Extended SPI protocol 0 1: Dual SPI protocol 1 0: Quad SPI protocol 1 1: Setting prohibited.	R/W
b3, b2	—	Reserved	These bits are read as 0. The write value should be 0.	R/W
b4	SFMSDE	Minimum Time Select For Input Output Switch, When Dual SPI Protocol Or Quad SPI Protocol Is Selected And In Standard Read Mode	0: Do not allocate minimum switch time 1: Allocate minimum switch time equivalent to 1 QSPCLK.	R/W
b31 to b5	—	Reserved	These bits are read as 0. The write value should be 0.	R/W

33.2.12 Port Control Register (SFMPMD)

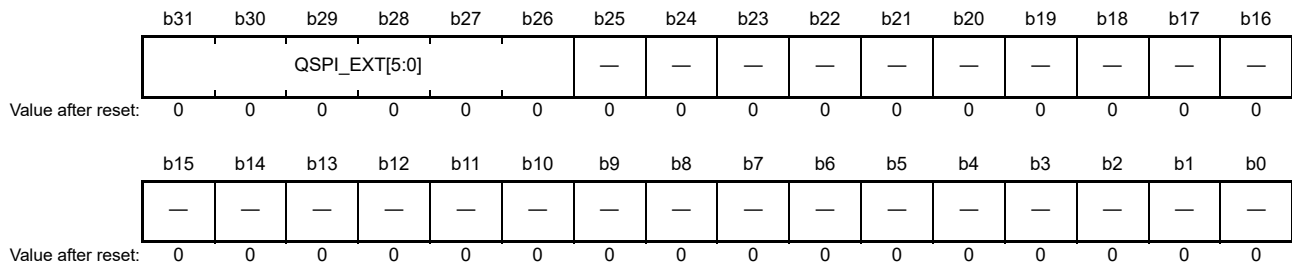
Address(es): QSPI.SFMPMD 6400 0034h



Bits	Symbol	Bit name	Description	R/W
b1, b0	—	Reserved	These bits are read as 0. The write value should be 0.	R/W
b2	SFMWPL	WP Pin Level Specification	0: Low level 1: High level.	R/W
b31 to b3	—	Reserved	These bits are read as 0. The write value should be 0.	R/W

33.2.13 External QSPI Address Register (SFMCNT1)

Address(es): QSPI.SFMCNT1 6400 0804h



Bits	Symbol	Bit name	Description	R/W
b25 to b0	—	Reserved	These bits are read as 0. The write value should be 0.	R/W
b31 to b26	QSPI_EXT[5:0]	Bank Switching Address	When accessing from 6000 0000h to 63FF FFFFh, the address bus is set from QSPI_EXT[5:0] to upper 6 bits of the internal bus address	R/W

33.3 Memory Map

33.3.1 Internal Bus Space

The locations of a serial flash and control register in the AHB space are determined by the address range of the configuration area.

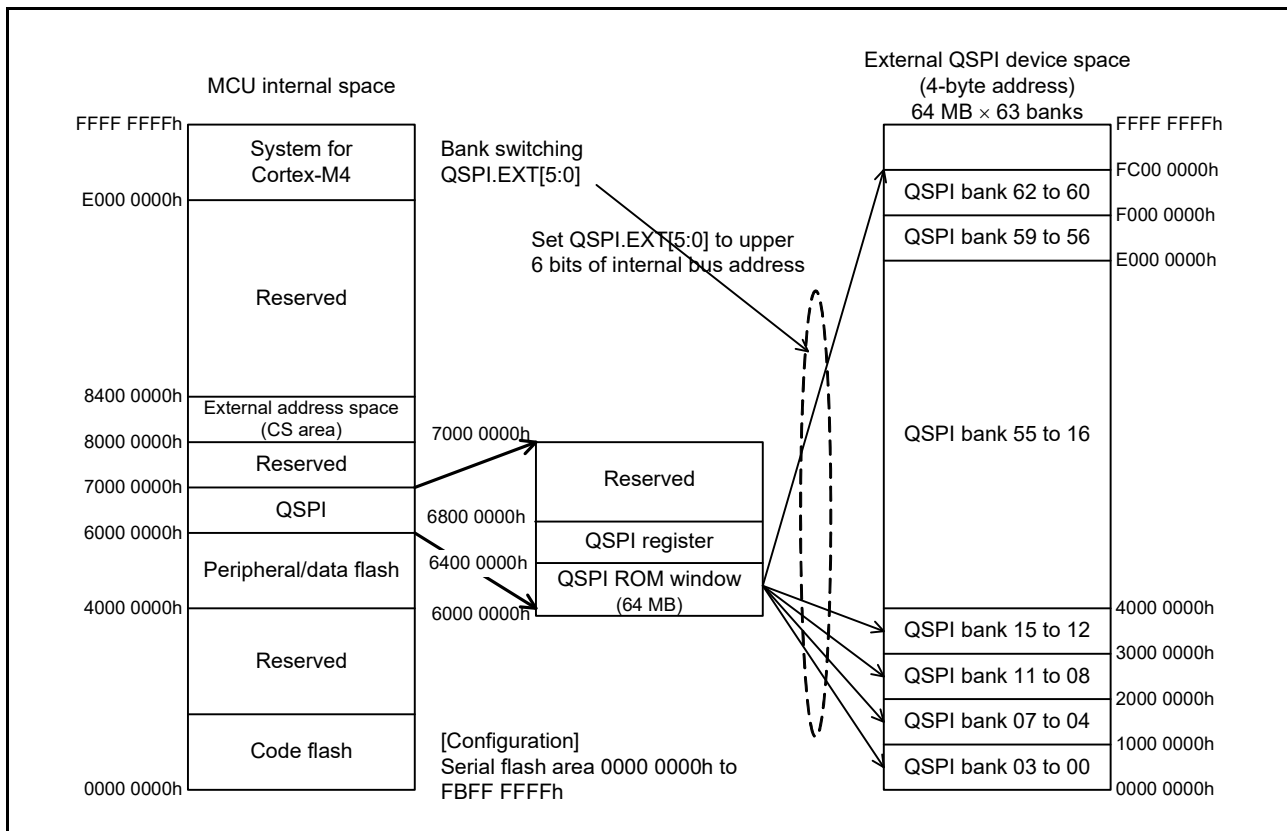


Figure 33.2 Default area setting and AHB space memory map

33.3.2 Address Width of the SPI Space and SPI Bus

The SPI space has a 32-bit address width for referencing the serial flash. When the SPI space is accessed for a read, an SPI bus cycle starts automatically, and data read from the serial flash is returned.

The address width of the SPI space is fixed at 32 bits. However, the address width of the SPI bus is selectable to 8, 16, 24, or 32 bits in the SFMAS[1:0] bits of the SFMSAC register.

If 8, 16, or 24 bits is selected as the address width of the SPI bus, only the lower part of the address used to access the SPI space is posted to the serial flash through the SPI bus. As a result, the mirror image of the serial flash associated with the address width of the SPI bus repeatedly appears in the SPI space.

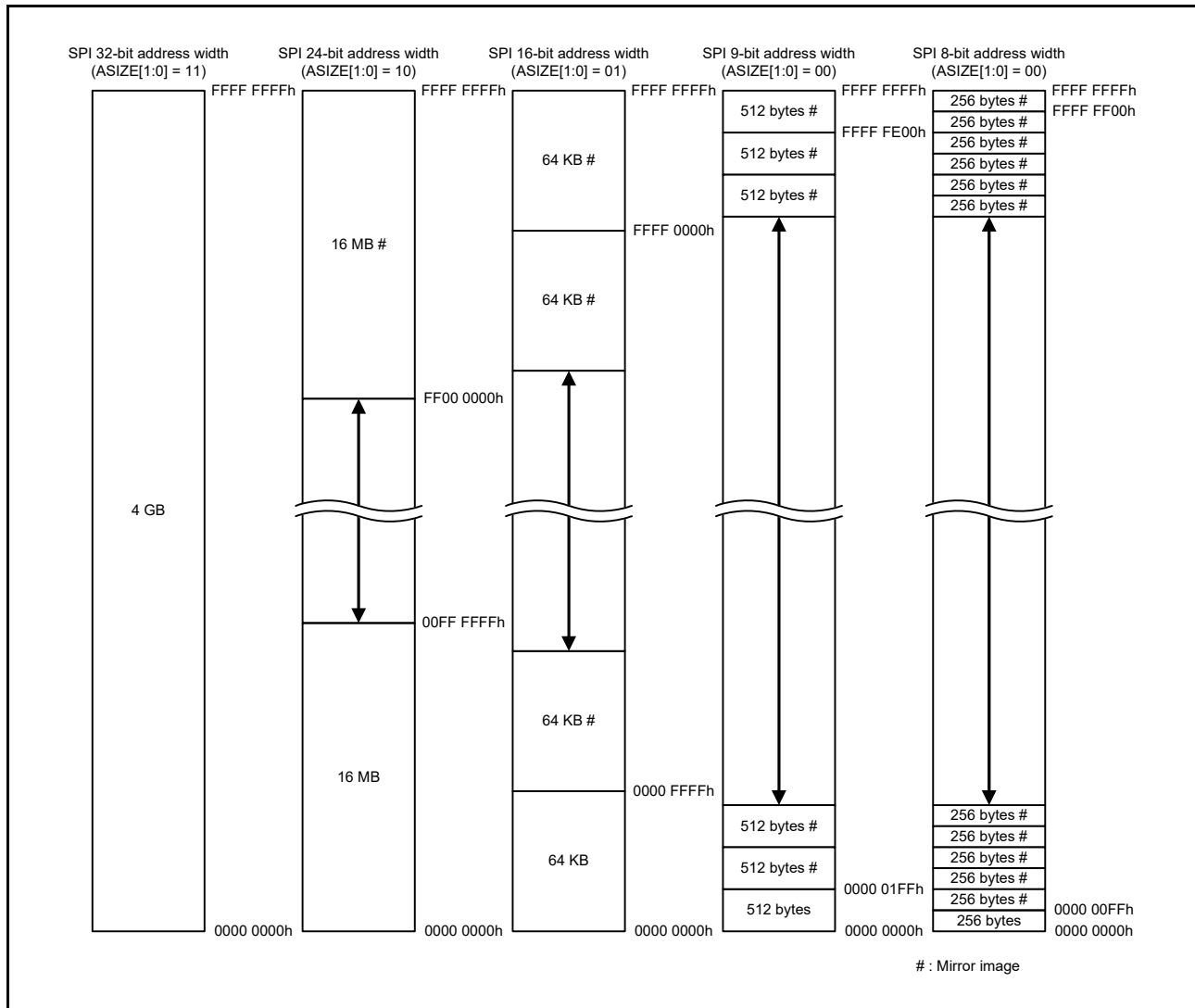


Figure 33.3 Memory map of SPI space

Note: The SPI bus address width is selectable to 8, 16, 24, or 32 bits in the SFMAS[1:0] bits in the SFMSAC register. When an 8-bit address width is selected, the address information of the 9th bit can be embedded in the Read instruction code. The address map in the figure is for the SPI 9-bit address width. For details on the Read instruction, see [section 33.6.2, Standard Read Instruction](#).

33.4 SPI Bus

33.4.1 SPI Protocol

The QSPI supports Extended SPI, Dual SPI, and Quad SPI in addition to the SPI protocol used for serial flash connection. The initial state of the SPI protocol is Extended SPI. To change the protocol, set the SFMSPI bit in the SFMSPC register.

The Extended SPI protocol always outputs instruction codes from a single QIO0 pin. It performs subsequent address and data I/O operation using one to four pins, depending on the instruction code format.

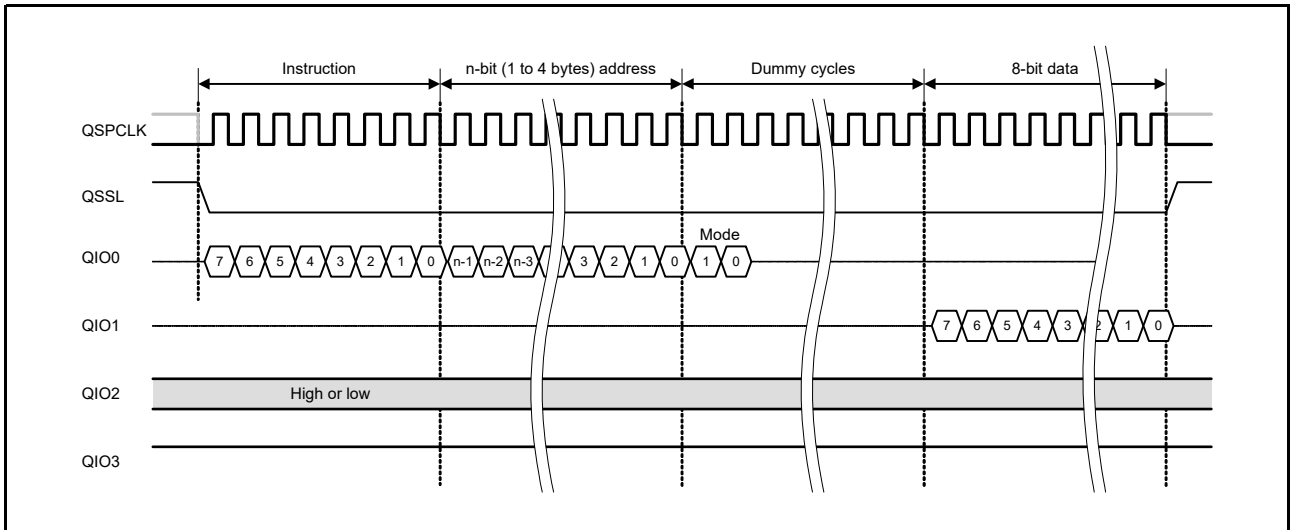


Figure 33.4 Extended SPI protocol example 1 for Fast Read

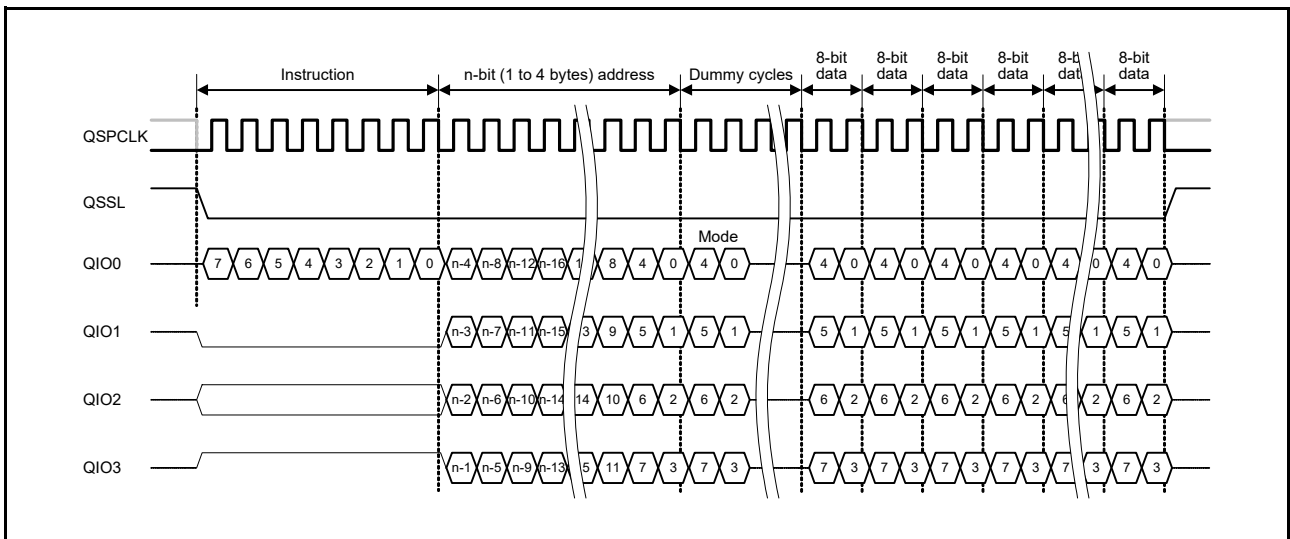


Figure 33.5 Extended SPI protocol example 2 for Fast Read Quad I/O

The Dual SPI protocol performs I/O operation of all signals such as instruction codes, addresses, and data using two pins, QIO0 and QIO1.

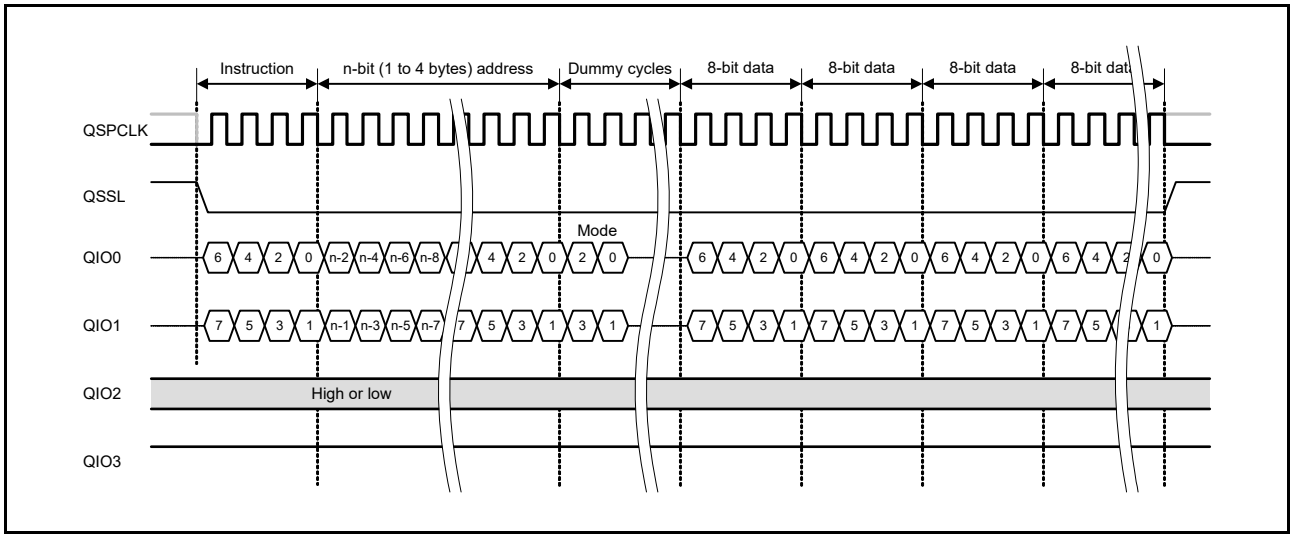


Figure 33.6 Dual SPI protocol example for Fast Read

The Quad SPI protocol performs I/O operation of all signals such as instruction codes, addresses, and data using four pins, QIO0, QIO1, QIO2, and QIO3.

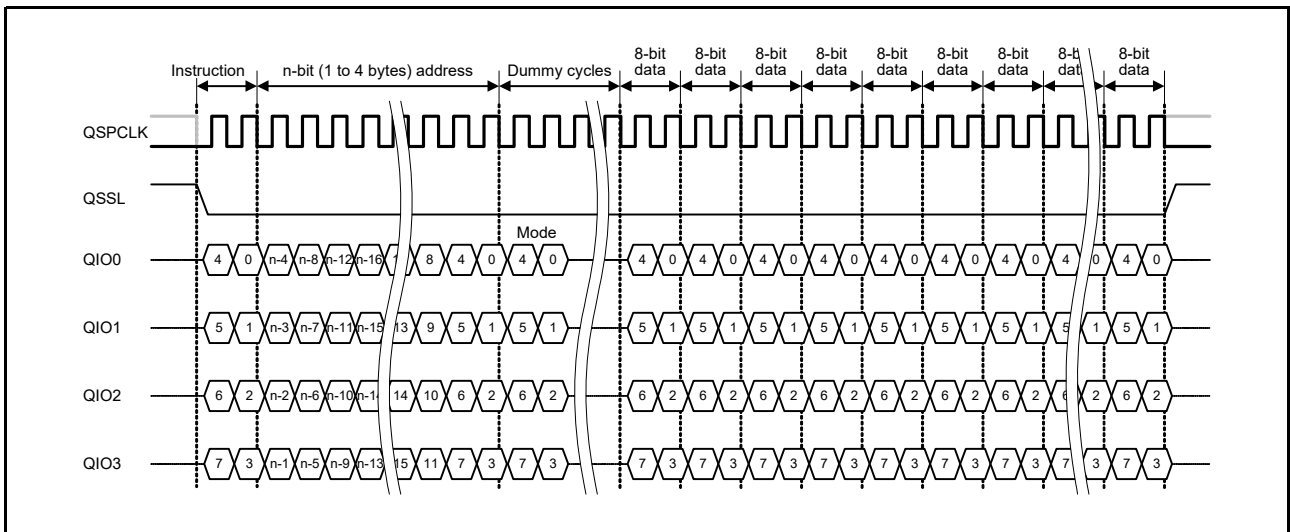


Figure 33.7 Quad SPI protocol example for Fast Read

33.4.2 SPI Mode

The initial SPI mode is set to SPI mode 0 or 3 by the CFGMD3 pin. This can be switched by changing the register setting during operation. The difference between SPI mode 0 and 3 is the standby level of the QSPCLK signal. The standby level of the QSPCLK signal is low in SPI mode 0, and high in SPI mode 3.

Serial data is output from the QSPI on a falling edge of the serial clock and is read into the external flash at a rising edge of the serial clock. Serial data is output from the external flash on a falling edge of the serial clock and is read into the QSPI on the next falling edge of the serial clock.

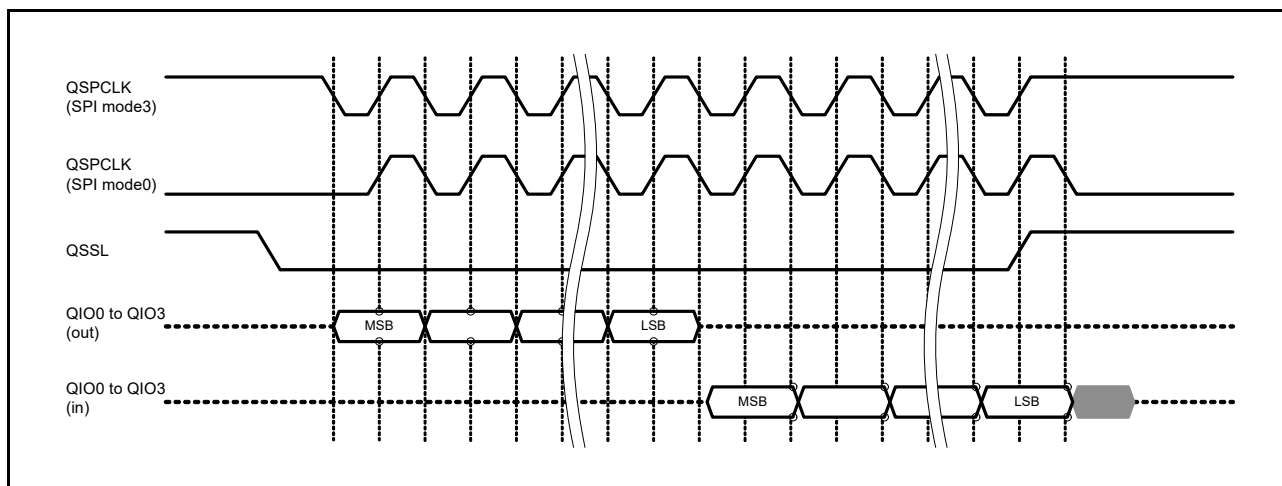


Figure 33.8 Basic serial interface timing

33.5 SPI Bus Timing Adjustment

The timing of the SPI bus signal can be adjusted in the registers. The configured timing is applied to all SPI bus accesses, for both ROM access and direct communication.

33.5.1 SPI Bus Reference Cycles

The SPI bus operates on reference cycles obtained by multiplying PCLKA by an integer. The reference cycles are selectable within the range of PCLKA multiplied by 2 to PCLKA multiplied by 48, by setting the SFMDV[4:0] bits in the SFMSKC register.

Table 33.3 Relationship between SFMDV[4:0] bits, cycle multiplier, and serial clock frequencies

SFMDV[4:0]	Cycle multiplier	PCLKA frequency (MHz)
		48
11111	48	1.00
11110	46	1.04
11101	44	1.09
11100	42	1.14
11011	40	1.20
11010	38	1.26
11001	36	1.33
11000	34	1.41
10111	32	1.50
10110	30	1.60
10101	28	1.71
10100	26	1.85
10011	24	2.00
10010	22	2.18
10001	20	2.40
10000	18	2.67
01111	17	2.82
01110	16	3.00
01101	15	3.20
01100	14	3.43
01011	13	3.69
01010	12	4.00
01001	11	4.36
01000	10	4.80
00111	9	5.33
00110	8	6.00
00101	7	6.86
00100	6	8.00
00011	5	9.60
00010	4	12.00
00001	3	16.00
00000	2	24.00

33.5.2 QSPCLK Signal Duty Ratio

When the reference clock is configured as PCLKA multiplied by an even number, the high- and low-level widths of the QSPCLK signal match each other. When PCLKA is multiplied by an odd number, the high-level width of the QSPCLK signal is longer than the low-level width by 1 PCLKA.

To make the duty ratio of the QSPCLK signal close to 50% when the reference clock is PCLKA multiplied by an odd number, set the SFMDTY bit in the SFMSKC register to 1. With this setting, the rising edge of the QSPCLK output signal is delayed by a half of 1 PCLKA cycle to perform an interface operation equivalent to a duty ratio of 50%.

When the reference clock is PCLKA multiplied by an even number, the SFMDTY setting in the SFMSKC register is ignored.

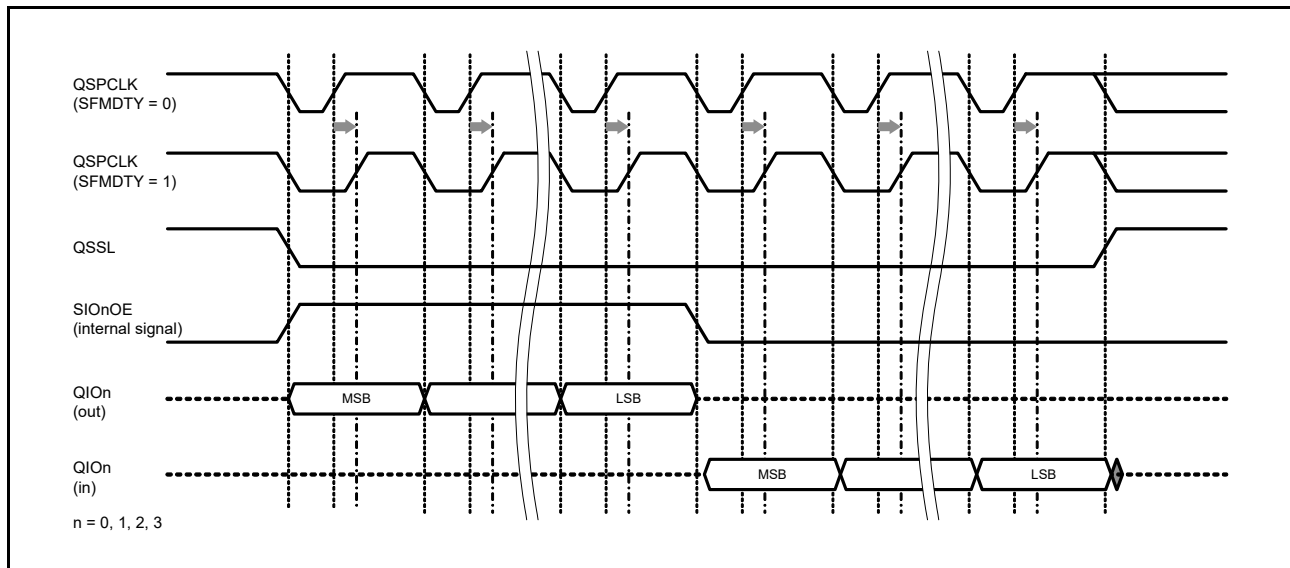


Figure 33.9 Example correction of the QSPCLK signal duty ratio using the SFMDTY bit when PCLKA is multiplied by 3

33.5.3 Minimum High-Level Width of QSSL Signal

Between adjacent SPI bus cycles, the QSSL signal must be held high (inactive) for a sufficient time to satisfy the deselect time required by the serial flash. The reference cycle multiplied by a number from 1 to 16 can be selected as the minimum high-level width of the QSSL output signal in the SFMSW[3:0] bits of the SFMSSC register.

33.5.4 QSSL Signal Setup Time

When the QSPCLK signal first rises after the QSSL signal is driven low, the QSSL signal setup time can be configured to satisfy the serial flash requirements. The setup time can be selected as 0.5 QSPCLK or 1.5 QSPCLK in the SFMSLD bit in the SFMSSC register.

The SFMSLD setting in the SFMSSC register is also used to allocate a setup time from the output of the serial data output enable signal (QIO0OE/QIO1OE/QIO2OE/QIO3OE) until the first rising edge of the QSPCLK signal. Set a value that meets the most constrained timing condition for your application.

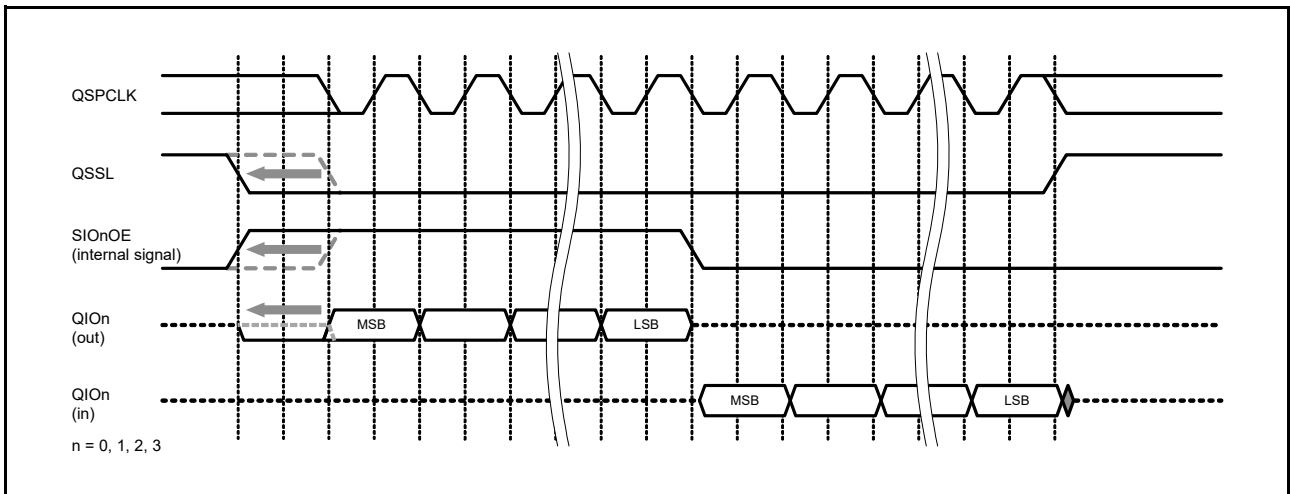


Figure 33.10 Setup time adjustment of the QSSL signal using the SFMSLD bit

33.5.5 QSSL Signal Hold Time

When the QSSL signal is driven high after the last rising edge of the QSPCLK signal, the QSSL signal hold time can be configured to satisfy the device requirements. The hold time is selectable as 0.5 QSPCLK or 1.5 QSPCLK in the SFMSHD bit in the SFMSSC register.

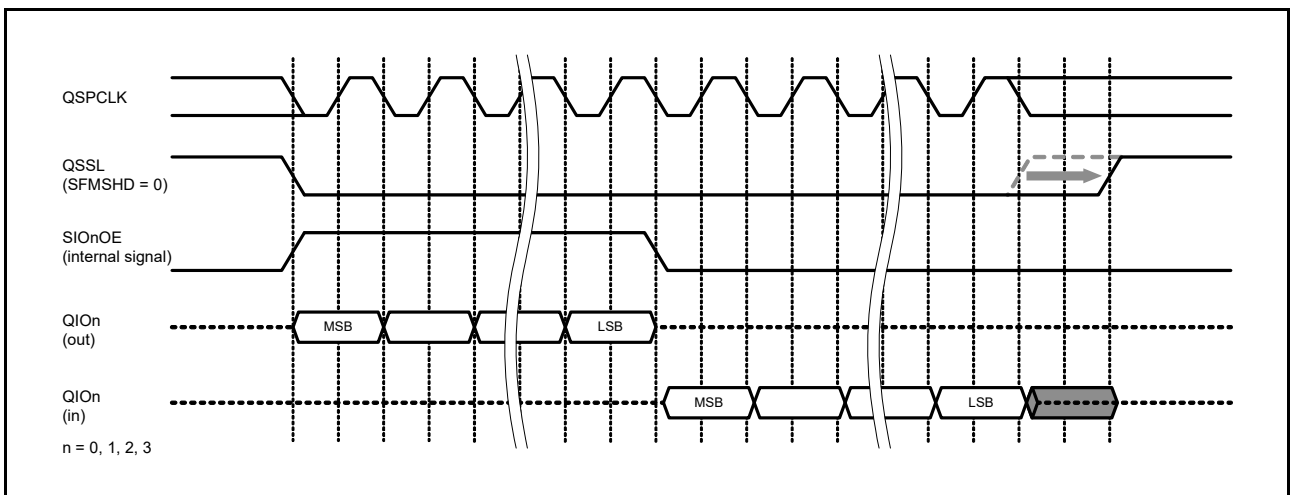


Figure 33.11 Hold time adjustment of the QSSL signal using the SFMSHD bit

33.5.6 Hold Time of the Serial Data Output Enable

The buffer output enable of the QIO0, QIO1, QIO2, or QIO3 pin can be extended by 1 QSPCLK using the SFMOEX bit in the SFMSMD register. The target extension signals include only the output enable signals, namely, the QIO0E, QIO1OE, QIO2OE, and QIO3OE signals. The signals do not include the output data signals QIO0O, QIO1O, QIO2O, and QIO3O.

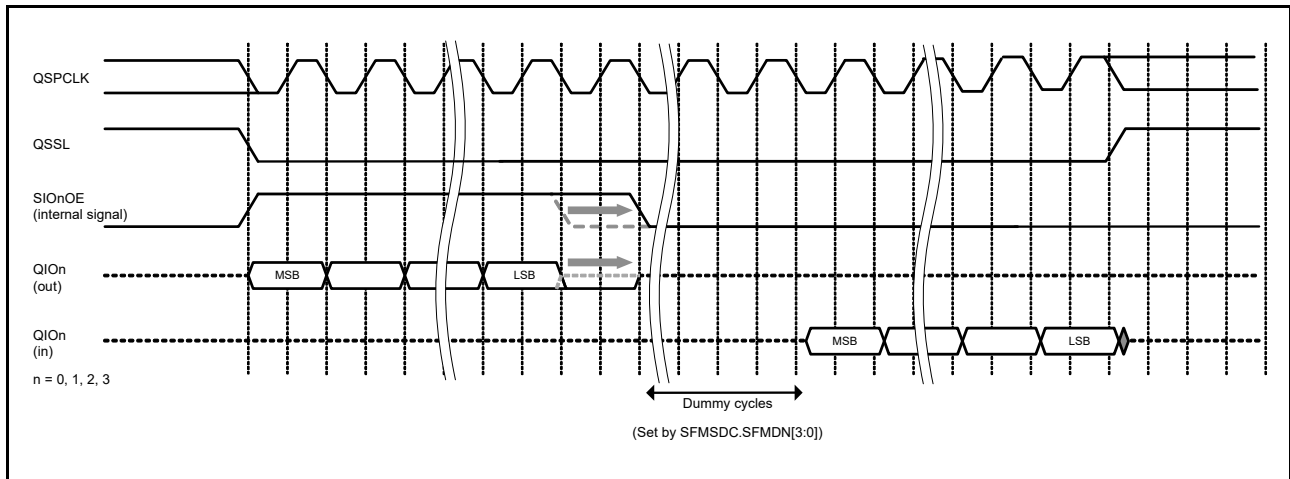


Figure 33.12 Hold time adjustment of output enable using the SFMOEX bit

33.5.7 Setup Time of Serial Data Output

When a command or address is transmitted to the serial flash, the setup time begins on serial data output and ends when the QSPCLK signal rises. If this setup time is insufficient, it can be extended by 1 PCLKA using the SFMOSW bit in the SFMSMD register. If the SFMOSW bit is set to 1, the low-level width of QSPCLK during serial data transmission is extended by 1 PCLKA while data is being output from the QSPI. This function has no effect on serial data reception.

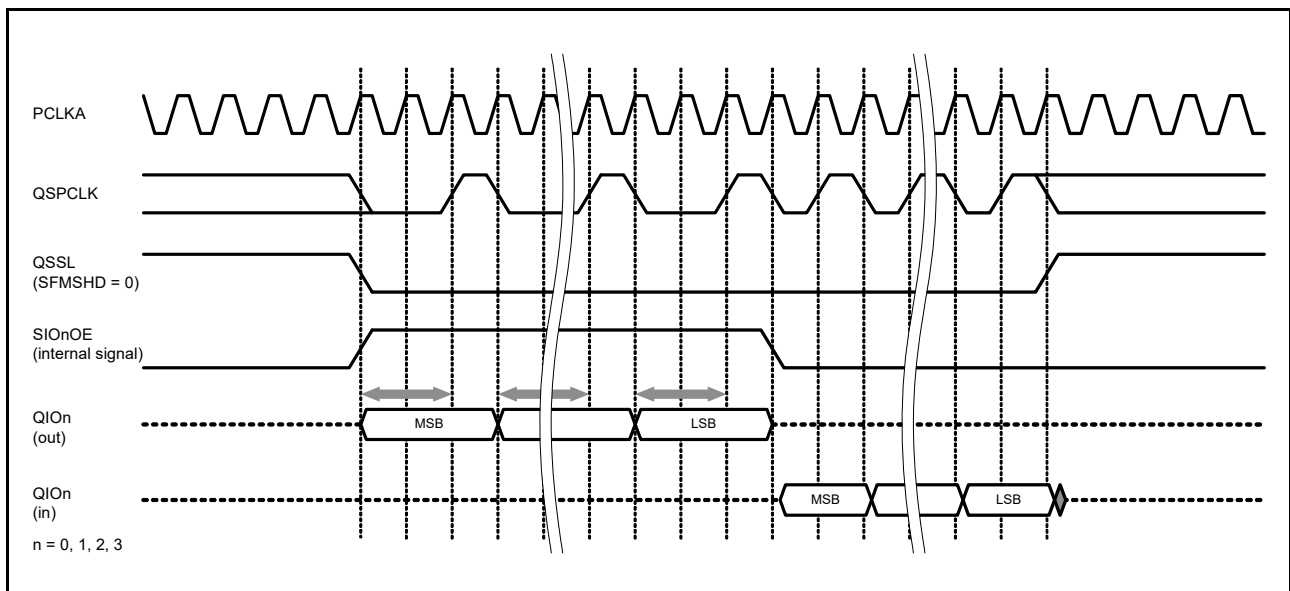


Figure 33.13 Setup time adjustment of serial data output using the SFMOSW bit

33.5.8 Hold Time for Serial Data Output

When a command or address is transmitted to the serial flash, the hold time begins on the rising edge of QSPCLK and ends when the serial data makes another transmission. If the hold time is insufficient, it can be extended by 1 PCLKA using the SFMOHW bit in the SFMSMD register. If the SFMOHW bit is set to 1, the high-level width of QSPCLK during serial data transmission is extended by 1 PCLKA while data is being output from the QSPI. This function has no effect on serial data reception.

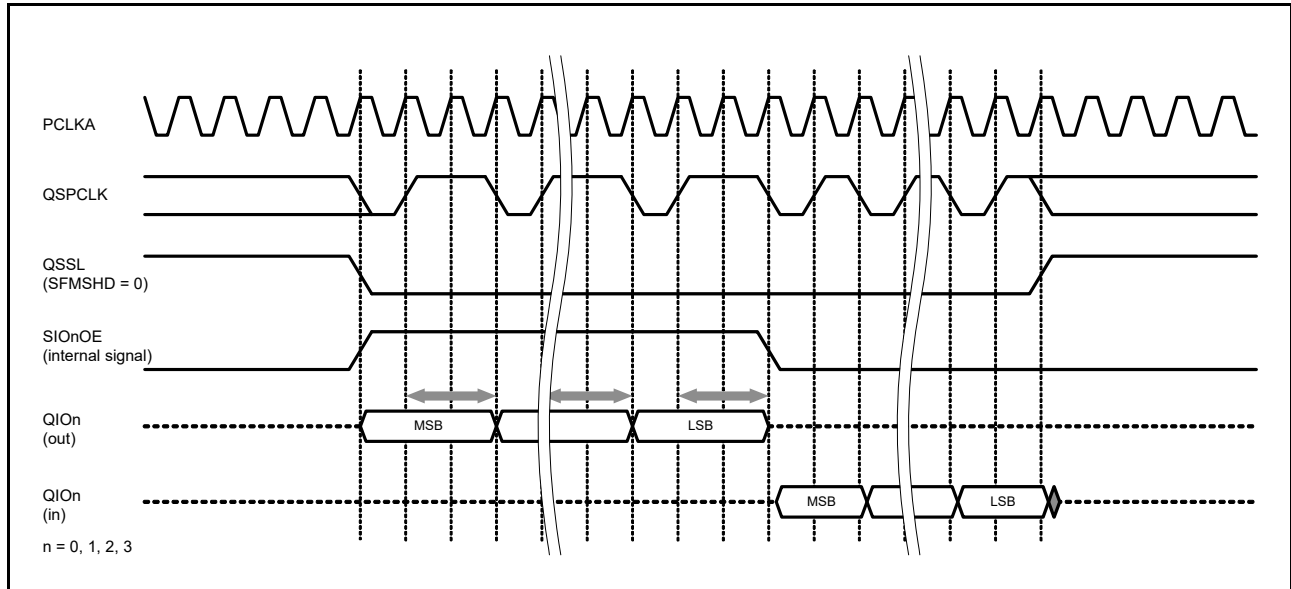


Figure 33.14 Hold time adjustment of serial data output using the SFMOHW bit

33.5.9 Serial Data Receiving Latency

The serial flash outputs data in synchronization with the falling edge of the QSPCLK signal. The QSPI receives that data in synchronization with the falling edge of the subsequent QSPCLK signal. The delay from when the serial flash starts outputting data until when the QSPI receives that data is called receiving latency. The QSPI adds a latency adjustment cycle immediately before the first data reception cycle in the SPI bus cycle. From the serial flash side, this is seen as an increase in the number of data reception cycles. This added latency adjustment cycle is not generated in the SPI bus cycle without the accompanying data reception.

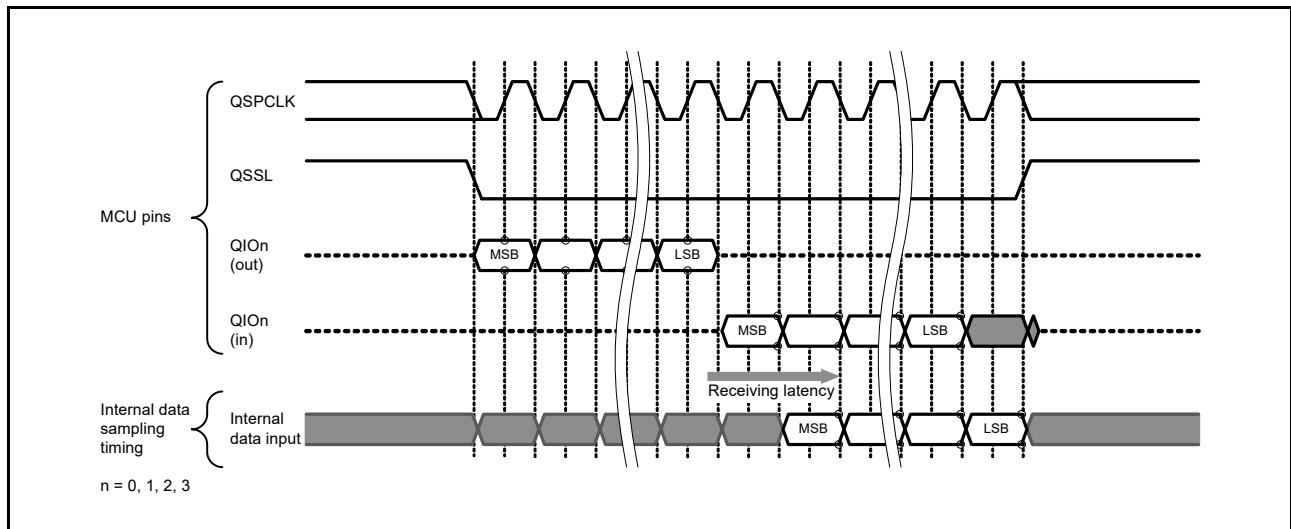


Figure 33.15 Receiving latency

33.6 SPI Instruction Set Used for Flash Access

33.6.1 Types of SPI Instructions that are Automatically Generated

When the serial flash is accessed, an SPI bus cycle using one of the instructions described in [Table 33.4](#) to [Table 33.8](#) is automatically generated based on the settings in the SFMAS[1:0] bits in the SFMSAC register, and settings in the SFMSMD register.

Table 33.4 SPI instruction set automatically generated when SFMAS[1:0] = 00

Instruction format	Instruction code	Address bytes	Dummy cycles	Data bytes	Remark
Read	03h ^{*1}	1	-	1 to ∞	Required: SFMRM[2:0] = 000, A8 = 0
	0Bh ^{*1}	1	-	1 to ∞	Required: SFMRM[2:0] = 000, A8 = 1

Note 1. If the SFMSMD.SFMCCE bit is set to 1, the SFMSIC.SFMCIC[7:0] setting is used as an instruction code.

Table 33.5 SPI instruction set automatically generated when SFMAS[1:0] = 01

Instruction format	Instruction code	Address bytes	Dummy cycles	Data bytes	Remark
Read	03h ^{*1}	2	-	1 to ∞	Required: SFMRM[2:0] = 000

Note 1. If the SFMSMD.SFMCCE bit is set to 1, the SFMSIC.SFMCIC[7:0] setting is used as an instruction code.

Table 33.6 SPI instruction set automatically generated when SFMAS[1:0] = 10

Instruction format	Instruction code	Address bytes	Dummy cycles	Data bytes	Remark
Read	03h ^{*1}	3	-	1 to ∞	Required: SFMRM[2:0] = 000
Fast Read	0Bh ^{*1}	3	8 ^{*2}	1 to ∞	Selectable: SFMRM[2:0] = 001
Fast Read Dual Output	3Bh ^{*1}	3	8 ^{*2}	1 to ∞	Selectable: SFMRM[2:0] = 010
Fast Read Dual I/O	BBh ^{*1}	3	4 ^{*2}	1 to ∞	Selectable: SFMRM[2:0] = 011
Fast Read Quad Output	6Bh ^{*1}	3	8 ^{*2}	1 to ∞	Selectable: SFMRM[2:0] = 100
Fast Read Quad I/O	EBh ^{*1}	3	6 ^{*2}	1 to ∞	Selectable: SFMRM[2:0] = 101
Write Enable	06h	-	-	-	Selectable: ENEX4B[1:0] = 10
Exit 4-byte mode	E9h	-	-	-	Selectable: ENEX4B[1:0] = 01, 10

Note 1. If the SFMSMD.SFMCCE bit is set to 1, the SFMSIC.SFMCIC[7:0] setting is used as an instruction code.

Note 2. The number of dummy cycles can be set in the SFMDRC register.

Table 33.7 SPI instruction set automatically generated when SFMAS[1:0] = 11 and SFM4BC = 0

Instruction format	Instruction code	Address bytes	Dummy cycles	Data bytes	Remark
Read	03h ^{*1}	4	-	1 to ∞	Required: SFMRM[2:0] = 000
Fast Read	0Bh ^{*1}	4	8 ^{*2}	1 to ∞	Selectable: SFMRM[2:0] = 001
Fast Read Dual Output	3Bh ^{*1}	4	8 ^{*2}	1 to ∞	Selectable: SFMRM[2:0] = 010
Fast Read Dual I/O	BBh ^{*1}	4	4 ^{*2}	1 to ∞	Selectable: SFMRM[2:0] = 011
Fast Read Quad Output	6Bh ^{*1}	4	8 ^{*2}	1 to ∞	Selectable: SFMRM[2:0] = 100
Fast Read Quad I/O	EBh ^{*1}	4	6 ^{*2}	1 to ∞	Selectable: SFMRM[2:0] = 101
Write Enable	06h	-	-	-	Selectable: ENEX4B[1:0] = 10
Enter 4-byte mode	B7h	-	-	-	Selectable: ENEX4B[1:0] = 01, 10

Note 1. If the SFMSMD.SFMCCE bit is set to 1, the SFMSIC.SFMCIC[7:0] setting is used as an instruction code.

Note 2. The number of dummy cycles can be set in the SFMDRC register.

Table 33.8 SPI instruction set automatically generated when SFMAS[1:0] = 11 and SFM4BC = 1

Instruction format	Instruction code	Address bytes	Dummy cycles	Data bytes	Remark
Read	13h ^{*1}	4	-	1 to ∞	Required: SFMRM[2:0] = 000
Fast Read	0Ch ^{*1}	4	8 ^{*2}	1 to ∞	Selectable: SFMRM[2:0] = 001
Fast Read Dual Output	3Ch ^{*1}	4	8 ^{*2}	1 to ∞	Selectable: SFMRM[2:0] = 010
Fast Read Dual I/O	BCh ^{*1}	4	4 ^{*2}	1 to ∞	Selectable: SFMRM[2:0] = 011
Fast Read Quad Output	6Ch ^{*1}	4	8 ^{*2}	1 to ∞	Selectable: SFMRM[2:0] = 100
Fast Read Quad I/O	ECh ^{*1}	4	6 ^{*2}	1 to ∞	Selectable: SFMRM[2:0] = 101
Write Enable	06h	-	-	-	Selectable: ENEX4B[1:0] = 10
Enter 4-byte mode	B7h	-	-	-	Selectable: ENEX4B[1:0] = 01, 10

Note 1. If the SFMSMD.SFMCCE bit is set to 1, the SFMSIC.SFMCIC[7:0] setting is used as an instruction code.

Note 2. The number of dummy cycles can be set in the SFMDRC register.

33.6.2 Standard Read Instruction

The Standard Read instruction is a common read instruction supported by most serial flash devices. When an SPI cycle starts, the serial flash select signal is asserted, and the instruction code (03h/13h)^{*1} is output. Next, an address with a width of 1 to 4 bytes, specified in the SFMAS[1:0] bits in the SFMSAC register, is transmitted. Data is then received. This Standard Read instruction is selected in the initial QSPI settings.

Note 1. Many 4 Kb serial flash devices have an address field not larger than 1 byte (A7 to A0) to minimize the overhead and to receive A8 information from bit [3] of the Read instruction code. To support these devices, the QSPI only outputs A8 (address bit 8) to bit [3] of the Standard Read instruction code when an address width of 1 byte is specified (SFMAS[1:0] = 00). This means that 0Bh instead of 03h might be output as the Standard Read instruction code. This code duplicates the Fast Read instruction code. However, for most of the 2 Kb or smaller serial flash devices with an address width of 1 byte, bit [3] of a command is designed to be excluded from decoding as a don't care bit, so such a Read instruction code is recognized correctly as the Standard Read instruction code. In rare cases, some serial flash devices allow bit [3] to be decoded. When such a serial flash is connected, configure your application to avoid access resulting in A8 = 1.

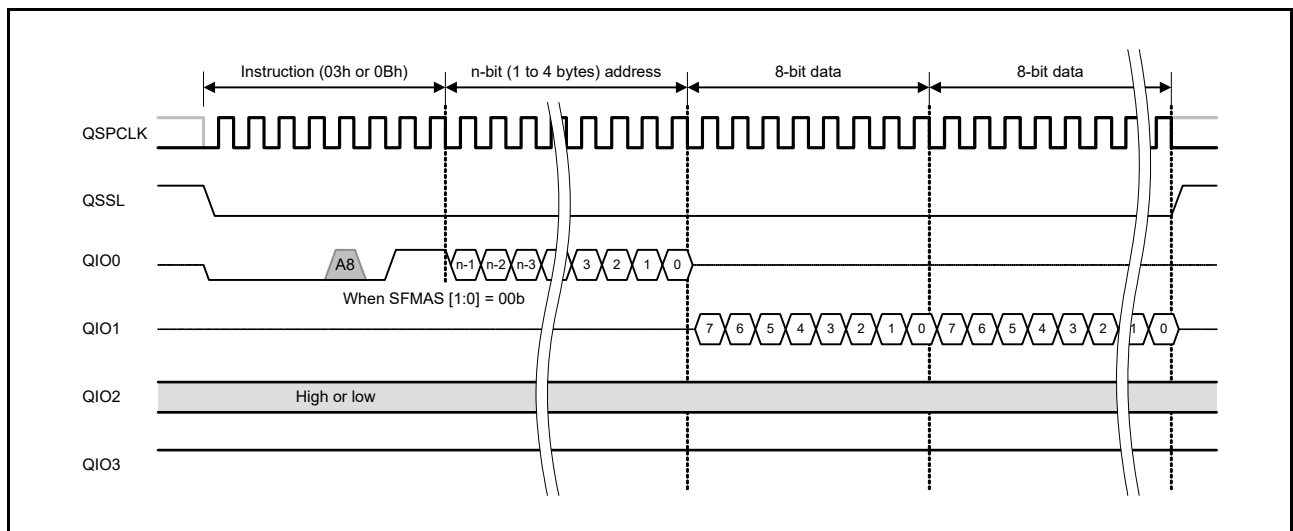


Figure 33.16 Standard Read bus cycle

33.6.3 Fast Read Instruction

The Fast Read instruction is a read instruction that supports a higher communication clock speed than the Standard Read instruction. When an SPI bus cycle starts, the serial flash select signal is asserted, and the instruction code (0Bh/0Ch) is output. Next, an address with a width of 1 to 4 bytes specified in the SFMAS[1:0] bits of SFMSAC register and a certain number of dummy cycles specified in the SFMSDC register, are transmitted. Data is then received.

The first two dummy cycles are used to select or deselect the XIP mode. When the XIP mode is selected, the same instruction is applied to the next SPI bus cycle, and instruction code transmission of the next SPI bus cycle is skipped. For XIP mode details, see [section 33.8, XIP Control](#).

Switching to the Fast Read instruction is controlled in the SFMSMD register.

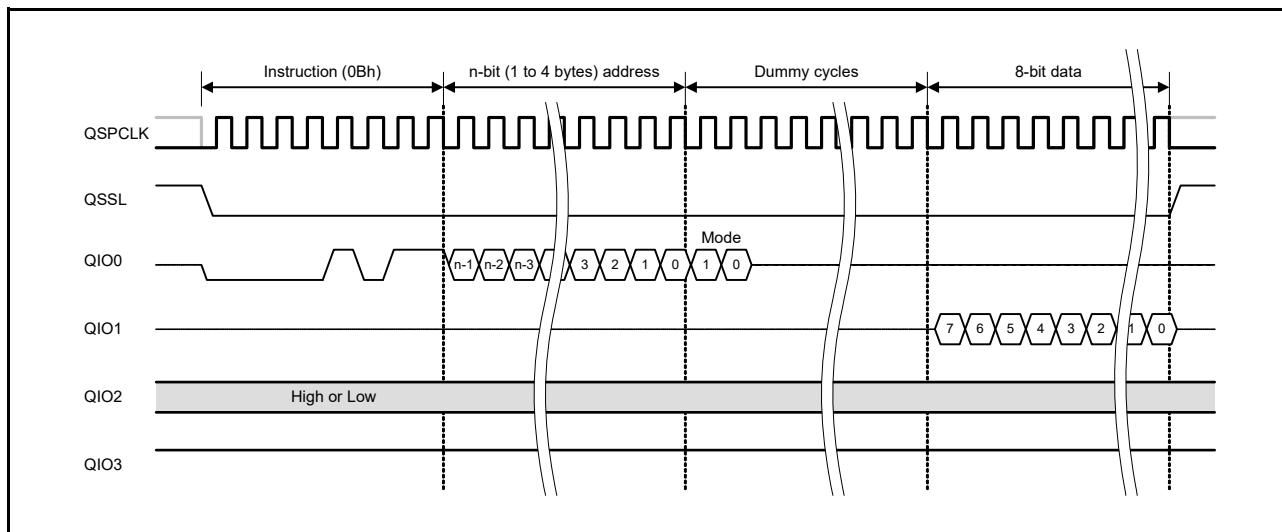


Figure 33.17 Fast Read bus cycle

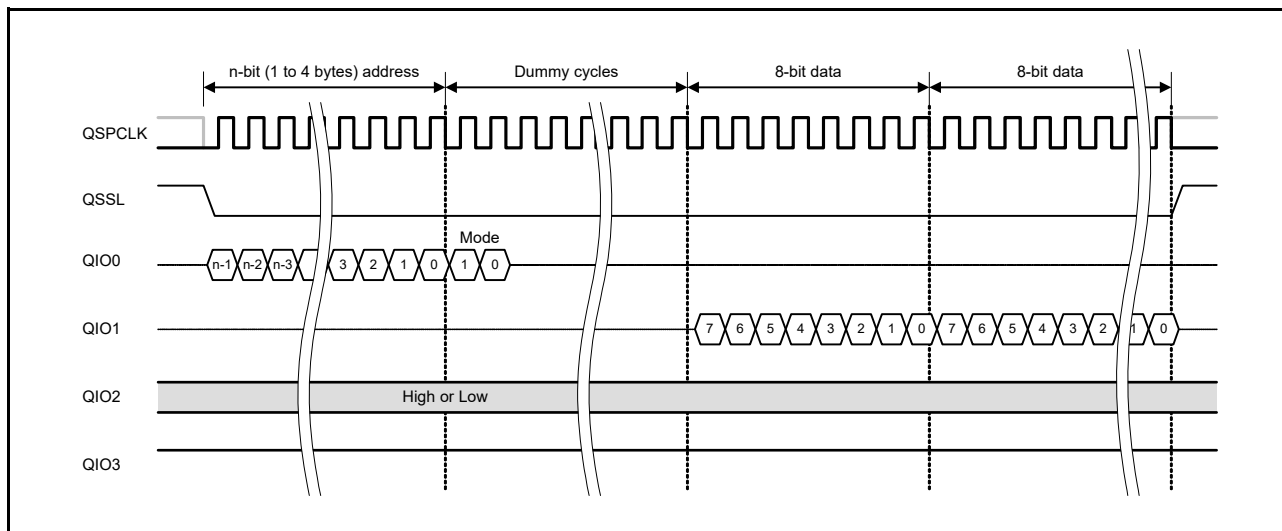


Figure 33.18 Fast Read bus cycle in XIP mode

Note: To use the Fast Read instruction, you must use a serial flash device that supports Fast Read transfers.

33.6.4 Fast Read Dual Output Instruction

The Fast Read Dual Output instruction is a read instruction that uses two signal lines to receive data. When the SPI bus cycle starts, the serial flash select signal is asserted. The instruction code (3Bh/3Ch) and an address width of 1 to 4 bytes specified in the SFMAS[1:0] bits of the SFMSAC register, are transmitted from the QIO0 pin. Next, a certain number of dummy cycles specified in the SFMSDC register, is generated. Data is then received through the QIO0 and QIO1 pins. Even bit data is received from the QIO0 pin and odd bit data is received from the QIO1 pin.

The first two dummy cycles are used to select XIP mode. When XIP mode is selected, the same instruction used in the current cycle is applied to the next SPI bus cycle, and instruction code transmission of the next SPI bus cycle is skipped. For details on the XIP mode, see [section 33.8, XIP Control](#).

Switching to Fast Read Dual Output is controlled in the SFMSMD register.

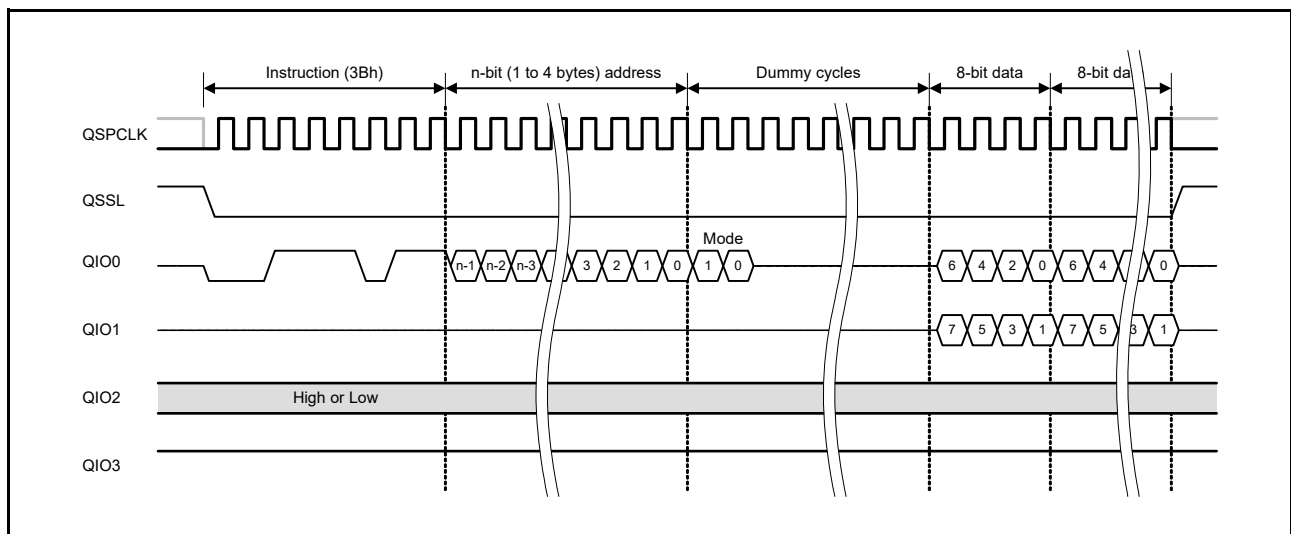


Figure 33.19 Fast Read Dual Output bus cycle

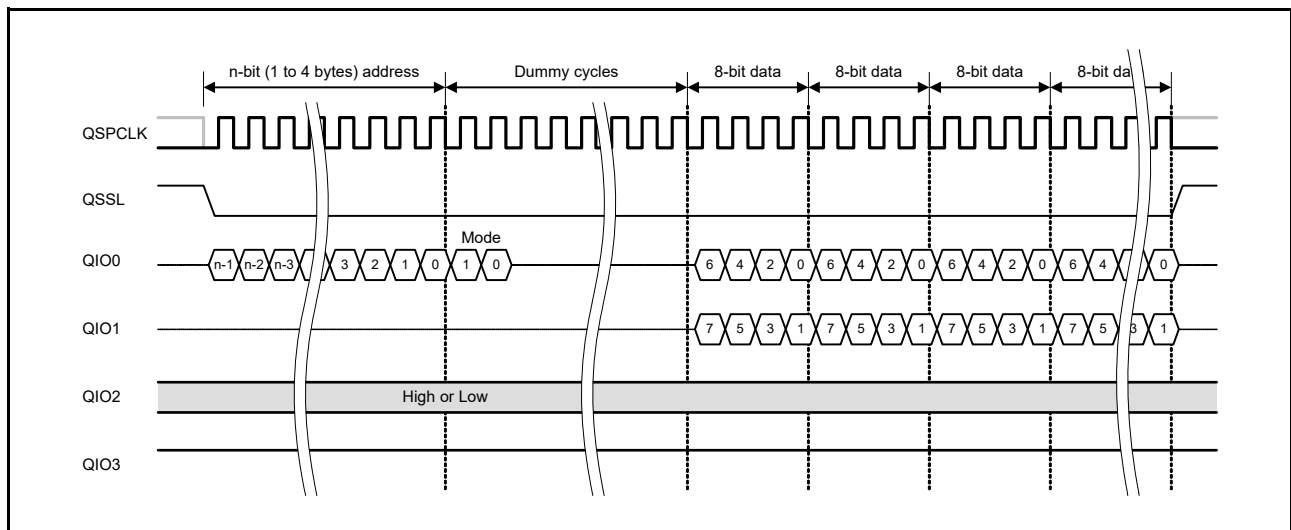


Figure 33.20 Fast Read Dual Output bus cycle in XIP mode

Note: To use the Fast Read Dual Output instruction, you must use a serial flash that supports Fast Read Dual Output transfers.

33.6.5 Fast Read Dual I/O Instruction

The Fast Read Dual I/O instruction is a read instruction that uses two signal lines to transmit an address and receive data. When the SPI bus cycle starts, the serial flash select signal is asserted, and the instruction code (BBh/BCh) is output from the QIO0 pin. Next, an address with a width of 1 to 4 bytes, specified in the SFMAS[1:0] bits in the SFMSAC register, is transmitted through the QIO0 and QIO1 pins, and a certain number of dummy cycles, specified in the SFMSDC register, are generated. Data is then received through the QIO0 and QIO1 pins. Address and dummy cycle transmission and data reception are performed through the QIO0 pin for even bits, and through the QIO1 pin for odd bits.

The first two dummy cycles are used to select XIP mode. When XIP mode is selected, the same instruction used in the current cycle is applied to the next SPI bus cycle, and the instruction code transmission of the next SPI bus cycle is skipped. For details on XIP mode, see [section 33.8, XIP Control](#).

Switching to Fast Read Dual I/O is controlled in the SFMSMD register.

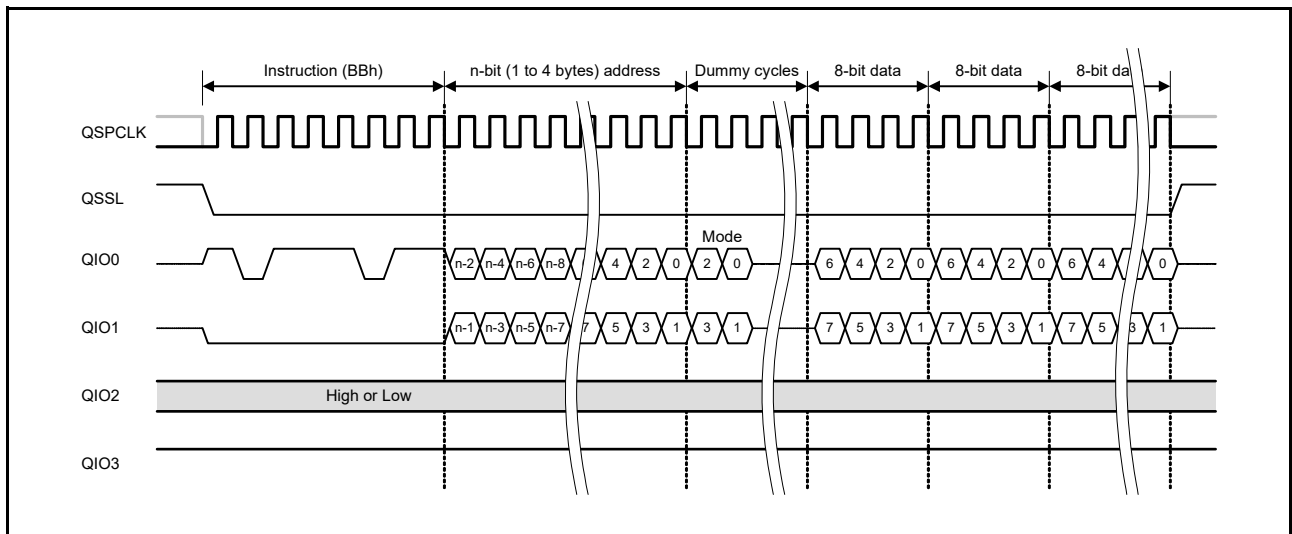


Figure 33.21 Fast Read Dual I/O bus cycle

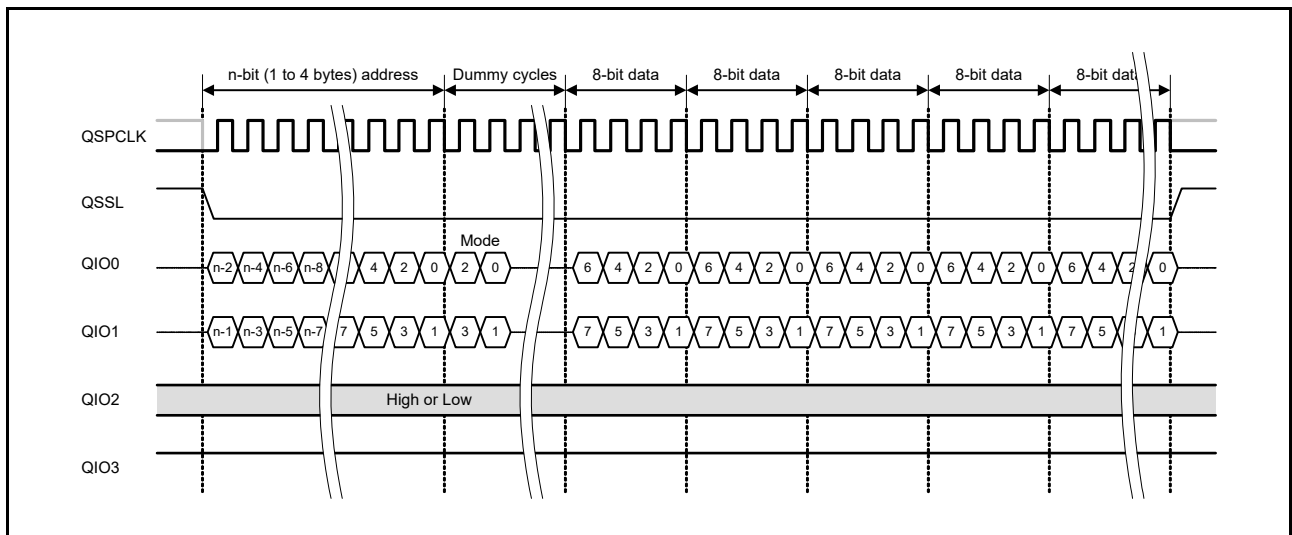


Figure 33.22 Fast Read Dual I/O bus cycle in XIP mode

Note: To use the Fast Read Dual I/O instruction, you must use a serial flash that supports Fast Read Dual I/O transfer.

33.6.6 Fast Read Quad Output Instruction

The Fast Read Quad Output instruction is a read instruction that uses four signal lines to receive data. When the SPI bus cycle starts, the serial flash select signal is asserted. The instruction code (6Bh/6Ch) and an address with a width of 1 to 4 bytes, specified in the SFMAS[1:0] bits of the SFMSAC register, are output from the QIO0 pin. Next, a certain number of dummy cycles, specified in the SFMDN[3:0] bits of the SFMSMD register, are generated. Data is then received through the QIO0, QIO1, QIO2, and QIO3 pins.

The first two dummy cycles are used to select XIP mode. When the XIP mode is selected, the same instruction used in the current cycle is applied to the next SPI bus cycle, and instruction code transmission of the next SPI bus cycle is skipped. For details on XIP mode, see [section 33.8, XIP Control](#).

Switching to Fast Read Quad Output is controlled in the SFMSMD register.

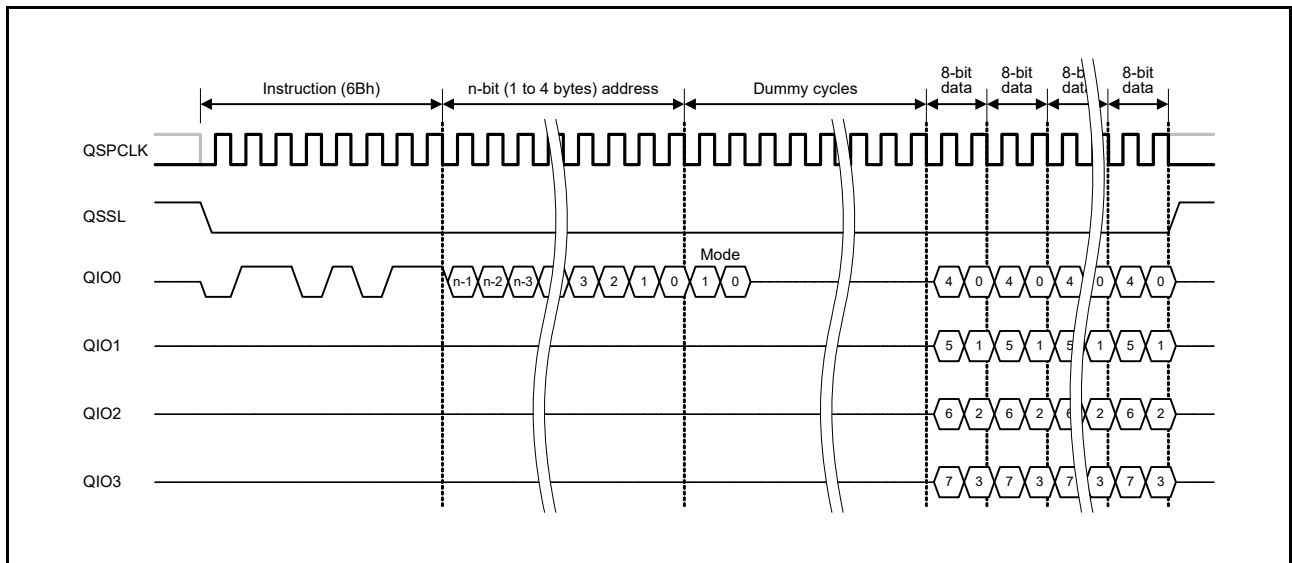


Figure 33.23 Fast Read Quad Output bus cycle

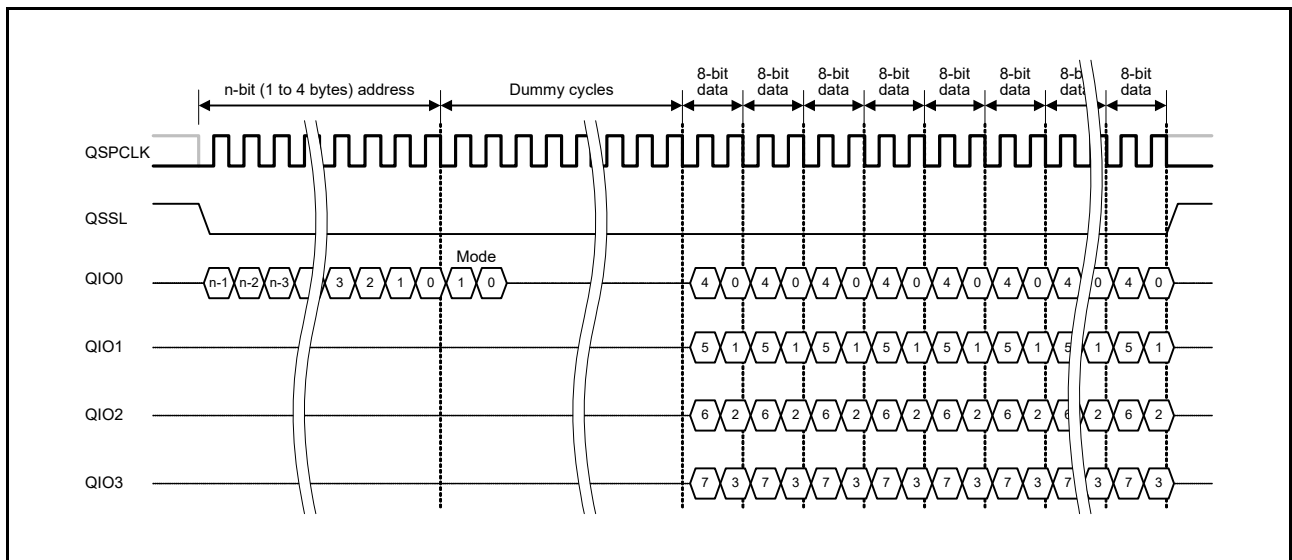


Figure 33.24 Fast Read Quad Output bus cycle in XIP mode

Note: To use Fast Read Quad Output, you must use a serial flash that supports Fast Read Quad Output transfers.

33.6.7 Fast Read Quad I/O Instruction

The Fast Read Quad I/O instruction is a read instruction that uses four signal lines to transmit an address and receive data. When the SPI bus cycle starts, the serial flash select signal is asserted, and the instruction code (EBh/ECh) is output. Next, an address with a width of 1 to 4 bytes, specified in the SFMAS[1:0] bits of the SFMSAC register, is transmitted through the QIO0, QIO1, QIO2, and QIO3 pins, and a certain number of dummy cycles, specified in the SFMDN[3:0] bits of the SFMSMD register, are generated. Data is then received through the QIO0, QIO1, QIO2, and QIO3 pins.

The first two dummy cycles are used to select XIP mode. When the XIP mode is selected, the same instruction used in the current cycle is applied to the next SPI bus cycle, and instruction code transmission of the next SPI bus cycle is skipped. For details on XIP mode, see [section 33.8, XIP Control](#).

Switching to Fast Read Quad I/O is controlled in the SFMSMD register.

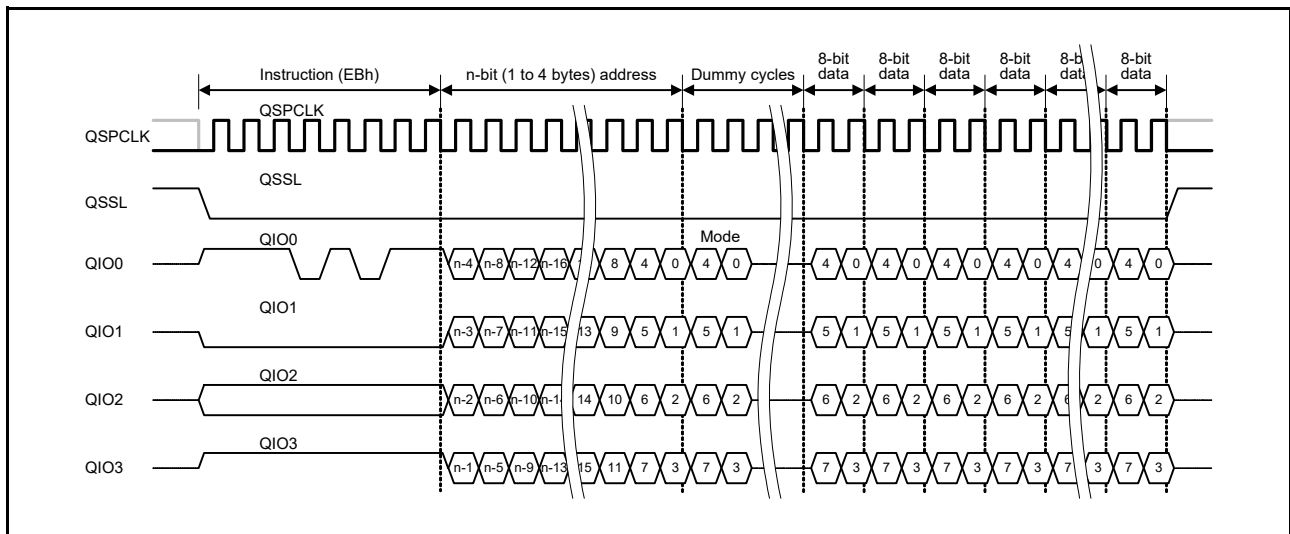


Figure 33.25 Fast Read Quad I/O bus cycle

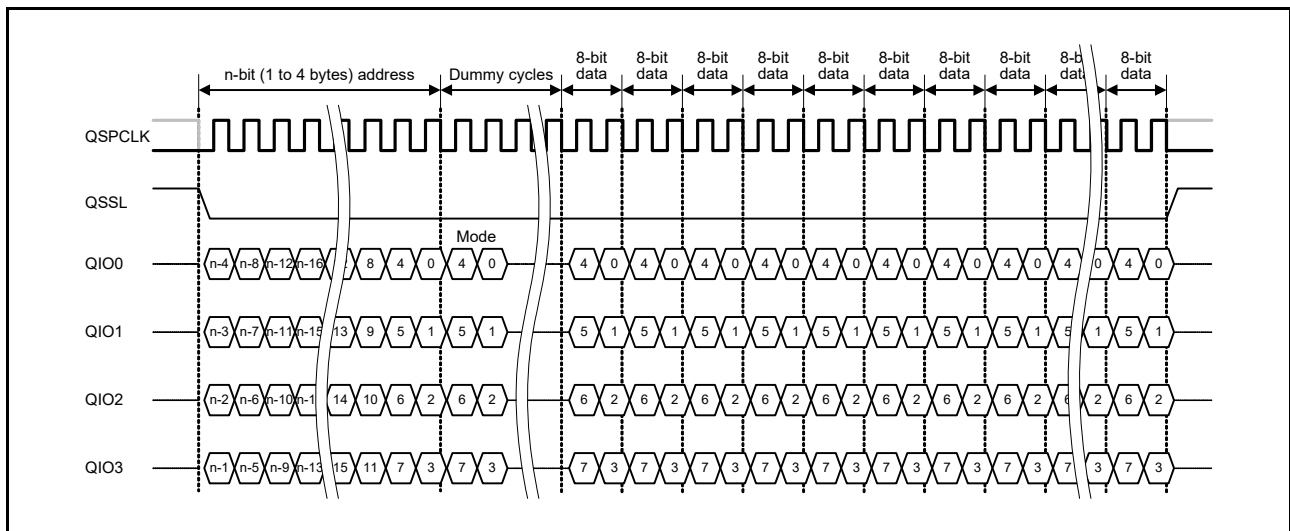


Figure 33.26 Fast Read Quad I/O bus cycle in XIP mode

Note: To use the Fast Read Quad I/O instruction, you must use a serial flash that supports Fast Read Quad I/O transfers.

33.6.8 Enter 4-byte Mode Instruction

The Enter 4-byte Mode instruction sets the serial flash address width to 4 bytes. When the SPI bus cycle starts, the serial flash select signal is asserted, and the instruction code (B7h) is output.

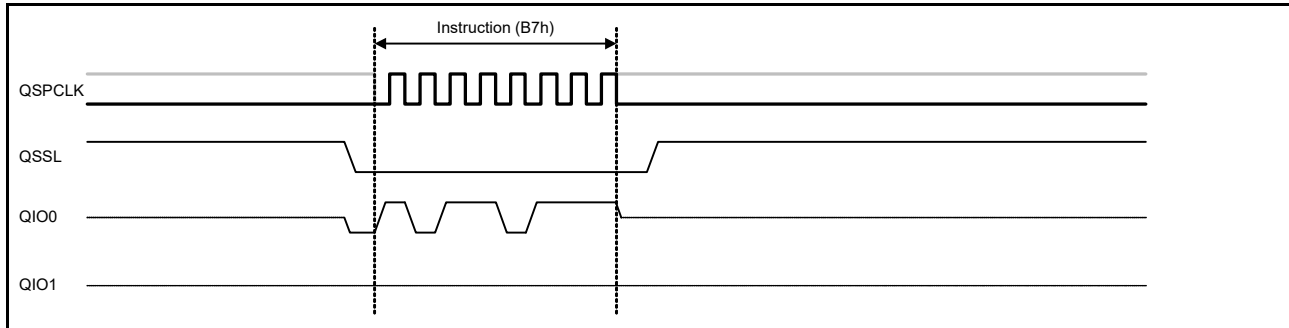


Figure 33.27 Bus cycle for enter 4-byte mode instruction

Note: The Enter 4-byte Mode instruction is issued regardless of whether the serial flash is in 3- or 4-byte mode.

33.6.9 Exit 4-byte Mode Instruction

The Exit 4-byte Mode instruction sets the serial flash address width to 3 bytes. When the SPI bus cycle starts, the serial flash select signal is asserted, and the instruction code (E9h) is output.

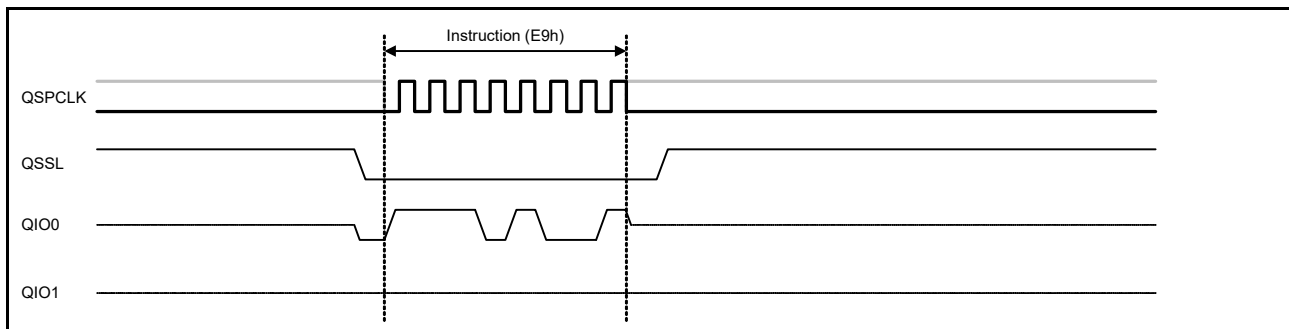


Figure 33.28 Bus cycle for exit 4-byte mode instruction

Note: The Exit 4-byte Mode instruction is issued regardless of whether the serial flash is in 3- or 4-byte mode.

33.6.10 Write Enable Instruction

The Write Enable Instruction enables changing of the serial flash address width. When the SPI bus cycle starts, the serial flash select signal is asserted, and the instruction code (06h) is output.

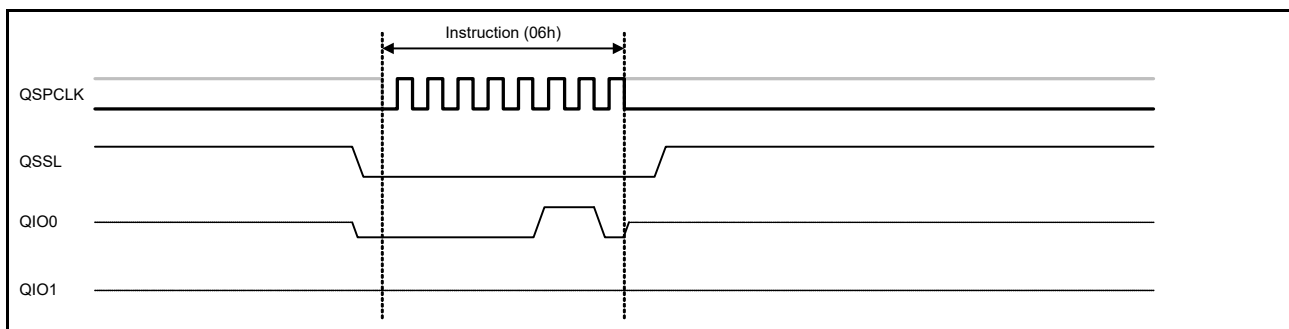


Figure 33.29 Write enable bus cycle

33.7 SPI Bus Cycle Arrangement

33.7.1 Flash Read Based on Individual Conversion

ROM read internal bus cycles are individually converted to SPI bus cycles on a one-to-one basis. When a ROM read bus cycle is detected, the QSSL signal is asserted and an SPI bus cycle starts. When data is received from the serial flash, the QSSL signal is deasserted and the SPI bus cycle is complete.

When another ROM read bus cycle is detected, the QSSL signal is reasserted after ensuring that the minimum high-level width of the QSSL signal is reached. Then, another SPI bus cycle starts.

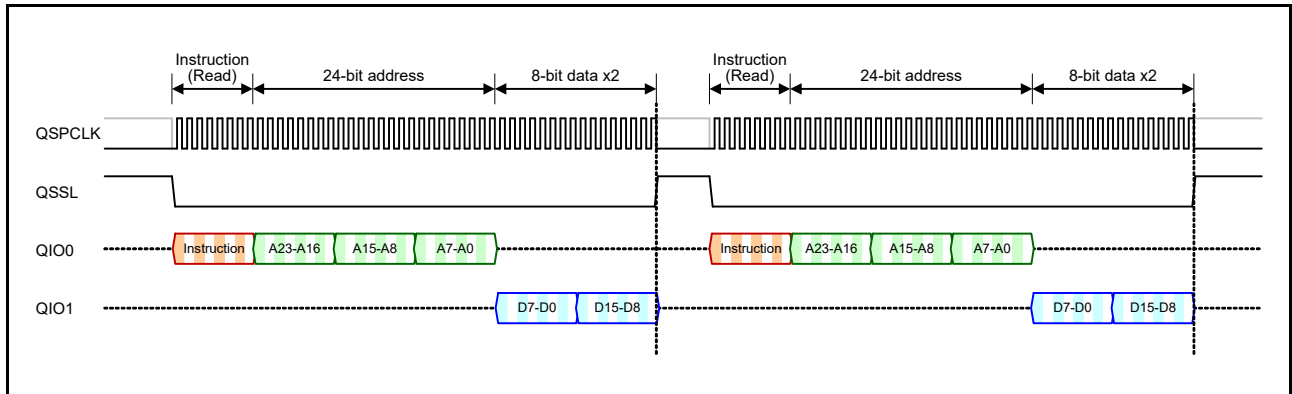


Figure 33.30 Successive data read operations based on individual conversion

33.7.2 Flash Read Using Prefetch Function

In operations such as the CPU instruction execution and block data transfer, data is often read in ascending order from contiguous flash addresses. Serial flash provides the ability to repeat data reception without reissuing an instruction code and address. However, if bus cycles issued by the MCU are individually converted, SPI bus cycles are separated from each other, resulting in a failure to take advantage of this feature of the serial flash. The QSPI has a prefetch function for continuous data reception.

To enable the prefetch function, set the SFMPFE bit in the SFMSMD register to 1. When the prefetch function is enabled, data is received continuously and stored in the buffer, without waiting for another flash read request. When the MCU performs a flash read operation, an address check is made. If an address match is confirmed, the data in the buffer is passed to the MCU. If an address mismatch is found, the data in the buffer is discarded and a new SPI bus cycle is issued.

The prefetch buffer size is 18 bytes. When the prefetch buffer becomes full, the SPI bus cycle ends. When buffer data is read to create free space, a new SPI bus cycle automatically starts to resume prefetching.

The prefetch function allows for efficient transfer operations when data is read in ascending order from contiguous addresses as in instruction fetch and block data transfer.

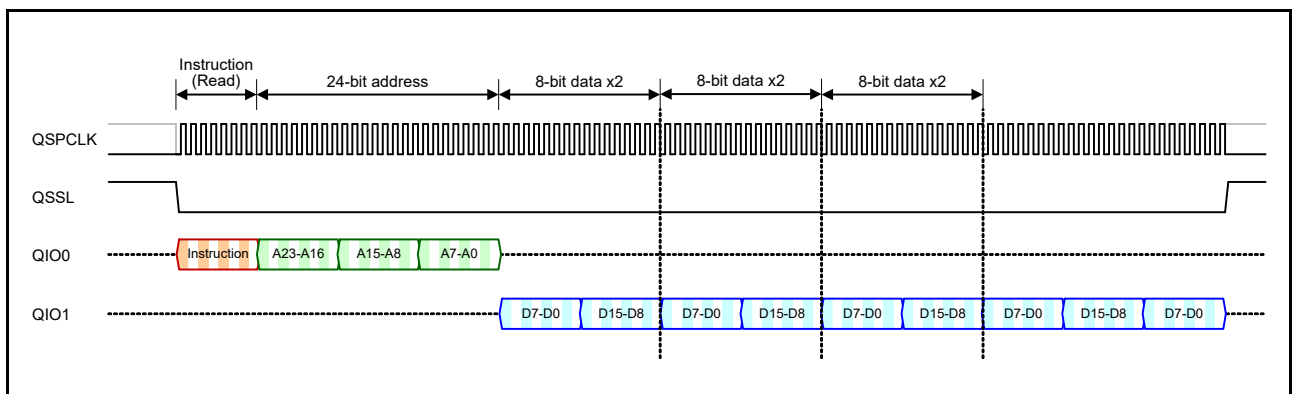


Figure 33.31 Successive data read operations using the prefetch function

33.7.3 Halt of Prefetching

If a ROM read bus cycle for reading from another address occurs during a serial transfer for prefetching, the unnecessary serial transfer is halted and a new SPI bus cycle is started. Usually, such a halt of serial transfer occurs on data reception byte boundaries. However, if the SFMPAE bit in the SFMSMD register is set to 1, the halt can occur on locations other than byte boundaries. To use this function, the serial flash device must support halts that are not on byte boundaries.

33.7.4 Direct Specification of Prefetch Destination

When the SFMPFE bit is set and the QSPI receives internal bus write access to the QSPI window area, the system obtains it as a prefetch address and starts to prefetch. Internal bus write access to the QSPI window area can only be used to obtain prefetch address data. Writes to serial flash cannot be performed.

Combining this function with the prefetch state polling function described in [section 33, Prefetch State Polling](#), can reduce the load on the internal bus when data is read from a low-speed serial flash.

Note: When writing to the QSPI window area to indicate a prefetch destination, write to the first byte of the address where prefetching is to be started. Writes to the QSPI window area with a data size of 2 bytes or more return an error response.

33.7.5 Prefetch State Polling

Reading data from a low-speed serial flash increases system load because the internal bus enters a wait state until the SPI reception bus cycle is complete. The prefetch state polling function is provided to reduce this load.

The PFOFF bit in the SFMSST register indicates the state of the prefetch function, and the PFCNT[4:0] bits in the SFMSST register indicate the number of data bytes already prefetched. This allows the prefetch status to be determined with a single CPU operation.

```
//
// copy 1K byte (32bit x 256 word) data from Serial flash to external memory
//
unsigned long *sptr;           // pointer for the Serial flash
unsigned long *dptr;          // pointer for the external memory
int i;

SFMSMD |= 0x0040;             // set SFMPFE bit to enable prefetch
*((volatile unsigned char *) sptr) = 0; // make the TAG valid to start prefetch

for (i = 0; i < 256; i++){
while ((SFMSST & 0x00FF) < 0x04){ // waiting for 4 byte data received
*(dptr++) = *(sptr++);
}
}
```

Note: When executing a polling program, place the program outside of the serial flash or enable the instruction cache. If the polling program is executed when the program is placed on the serial flash or is executed without using the instruction cache, the prefetch target frequently switches to an instruction code. This eliminates the effect of polling, and an infinite loop can result because the prefetch buffer is not filled.

33.7.6 Flash Read Using the SPI Bus Cycle Extension Function

If the SFMSE[1:0] bits in the SFMSMD register are set to a value other than 00, the QSPI waits for the next flash read, suspending the SPI bus cycle, while stopping the QSPCLK signal and holding the QSSL signal low even after data is obtained from the serial flash.

If the address of the next flash read is contiguous in ascending order, the toggling of the QSPCLK signal is restarted to continue reception of subsequent data. If the address of the next flash read is not contiguous in ascending order, the QSSL signal is driven high to end the suspended SPI bus cycle. A new SPI bus cycle is then started.

When data is read intermittently from ascending order contiguous addresses, this function enables an efficient transfer operation to be performed by reducing the overhead for instruction code and address transmission.

The SPI bus cycle extension time can be selected in the SFMSE[1:0] bits in the SFMSMD register. When the specified extension time elapses, the QSSL signal returns to high level to automatically end the suspended SPI bus cycle.

If the SFMSE[1:0] bits are set to 11b, QSSL is extended infinitely. This increases the power consumption of the serial flash device.

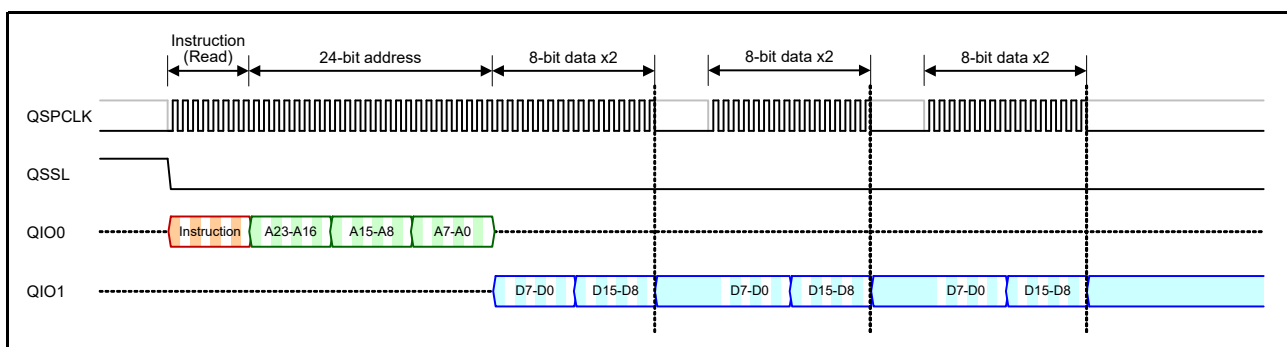


Figure 33.32 Successive data read operations using the SPI bus cycle extension

33.8 XIP Control

Some serial flash devices allow latencies to be reduced by skipping instruction code reception for flash reads. This instruction code skip function is selected with mode data received during the dummy cycle period of the previous serial bus cycle.

In the dummy cycle of the Fast Read instructions, the QSPI controls the XIP mode of serial flash by using the serial data signals to send the mode data set in the SFMXD[7:0] bits in the SFMSDC register during the first 2 cycles, as shown in Figure 33.33.

The mode data to enable XIP mode differs for each serial flash device. Accordingly, set the appropriate mode data in the SFMXD[7:0] bits.

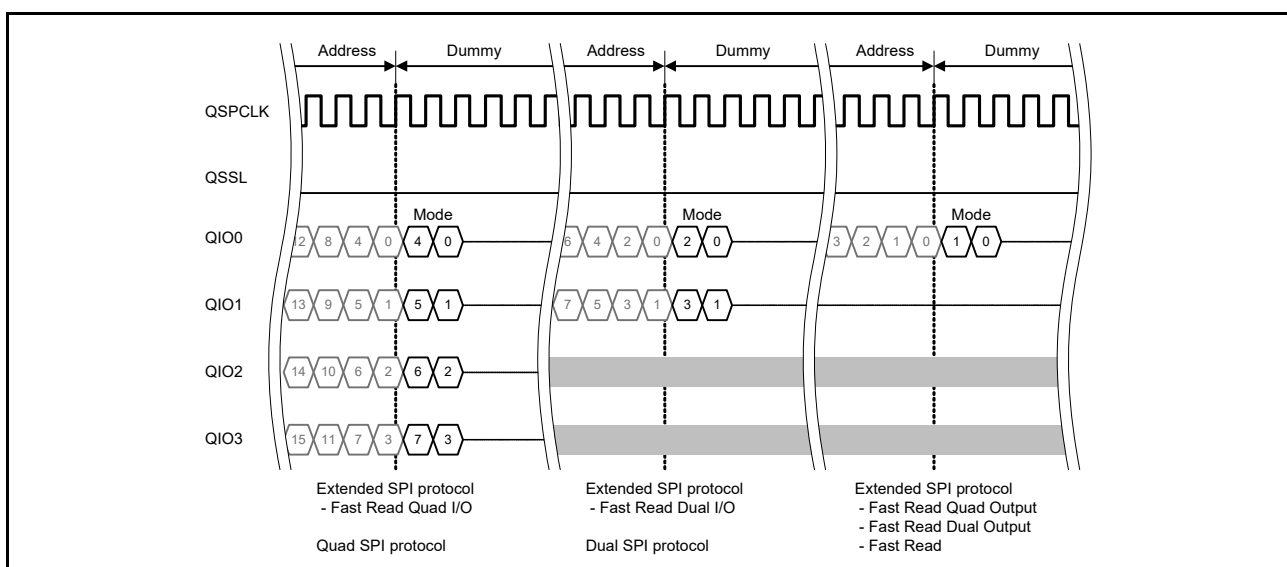


Figure 33.33 XIP mode control data

33.8.1 Setting the XIP Mode

To select the XIP mode, specify the mode configuration for the serial flash device in the SFMXD[7:0] bits in the SFMSDC register, and set the SFMXEN bit to 1. In the dummy cycle of the next Fast Read instruction, the mode data specified in the SFMXD[7:0] bits in the SFMSDC register is transferred to the serial flash device. Then, XIP mode is enabled in both the QSPI and the serial flash device. To confirm the completion of the actual XIP mode select procedure, read 1 from the SFMXST bit in the SFMSDC register.

Note: Set the SFMXD[7:0] bits in the SFMSDC register to the XIP mode setting data specified for the actual serial flash device. The XIP mode of the serial flash controller is only enabled in the SFMXEN bit, regardless of the SFMXD[7:0] setting in the SFMSDC register.

33.8.2 Releasing the XIP Mode

To release the XIP mode, specify the release configuration for the serial flash in the SFMXD[7:0] bits in the SFMSDC register and set the SFMXEN bit to 0. In the dummy cycle of the next Fast Read instruction, the mode data specified in the SFMXD[7:0] bits in the SFMSDC register is transferred to the serial flash during the first 2-cycle period. Then, the XIP mode is disabled in both the QSPI and the serial flash device. To confirm completion of the actual XIP mode release procedure, read 0 from the SFMXST bit in the SFMSDC register.

Note: Set the SFMXD[7:0] bits in the SFMSDC register to the XIP mode setting data specified for the actual serial flash device. The XIP mode of the serial flash controller is only disabled in the SFMXEN bit, regardless of the SFMXD[7:0] setting in the SFMSDC register.

33.9 QIO2 and QIO3 Pin States

The QIO2 and QIO3 pin states depend on the serial interface read mode specified in the SFMRM[2:0] bits in the SFMSMD register.

Table 33.9 QIO2 and QIO3 pin states

SFMSMD.SFMRM[2:0] bits	QIO2 pin state*1	QIO3 pin state*2	Remarks
111	Setting prohibited		
110			
101	Input or output as a serial data signal (standby level is Hi-Z)	Input or output as serial data signal (Standby level is Hi-Z)	Fast Read Quad I/O
100			Fast Read Quad Output
011	Output SFMWPL bit variable of SFMPMD register (initial output variable is low level)	Output high level	Fast Read Dual I/O
010			Fast Read Dual Output
001			Fast Read
000			Read (Initial State)

Note 1. The serial flash can also use the QIO2 pin for the WP function.

Note 2. The serial flash can also use the QIO3 pin for the HOLD or RESET function.

33.10 Direct Communication Mode

33.10.1 About Direct Communication

QSPI can read the serial flash contents by automatically converting a ROM read bus cycle to an SPI bus cycle. However, serial flash devices have many different functions in addition to memory data read, including ID information read, erase, programming, and status information read. There is no standardized instruction set for using these functions, and more functions are being added rapidly by different vendors to different devices. It is difficult to support these functions through hardware control.

QSPI offers flexible support for these serial flash devices by providing a means for software to directly communicate with the serial flash so that software can create any SPI bus cycle required.

33.10.2 Using Direct Communication Mode

To communicate directly with a serial flash device, transition to direct communication mode by setting the DCOM bit in the SFMCMD register to 1. When the direct communication mode is selected, standard flash read operation is disabled. For standard flash access after direct communication, terminate direct communication mode by setting the DCOM bit in the SFMCMD register to 0.

Note: If the QSPI is set to the XIP mode, you must terminate the XIP mode before starting direct communication mode.

33.10.3 Generating the SPI Bus Cycle during Direct Communication

The SPI bus cycle in direct communication starts on the first access to the SFMCOM port and ends with a write to the SFMCMD register, after a series of I/O operations is performed through the SFMCOM port. Then, a write to the SFMCOM port is converted to a one-byte transmission to the SPI bus, and a read from the SFMCOM port is converted to a one-byte reception from the SPI bus.

During the period from the first access to the SFMCOM port to the last write operation to the SFMCMD register, the serial flash select signal is held active to notify the serial flash that a series of SPI bus cycles are in progress.

Note: In the direct communication mode, all writes to registers other than SFMCMD, including SFMSMD, SFMSSC, SFMSKC, SFMSST, SFMCST, SFMSIC, SFMSAC, SFMSDC, SFMSPC, and SFMPMD, are disabled. With this circuit configuration, writing to a register area other than the SFMCOM port terminates the SPI bus cycle. However, writing to a register area other than SFMCMD as a way to terminate the SPI bus cycle does not guarantee normal functioning.

The following is an example program for direct communication.

```

##### CAUTION! ##### This code must be outside the Serial flash that is going to be operated.

// Define specific instruction codes of the target Serial flash device.
#define Instruction_FREAD 0x0B // Fast Read
#define Instruction_RDSR 0x05 // Read Status register
#define Instruction_RDID 0x9F // Read Identification
#define Instruction_WREN 0x06 // Write Enable
#define Instruction_CERA 0xC7 // Chip Erase

unsigned char mfid, mtype, mcap, data, temp;

SFMCMMD = 0x01; // Enable direct operation

// Get the device identification assigned by JEDEC.
SFMCOM = Instruction_RDID; // put "Read Identification" instruction (open SPI bus cycle)
mfid = (unsigned char) SFMCOM; // get "Manufacturer Identification"
mtype = (unsigned char) SFMCOM; // get "Memory Type"
mcap = (unsigned char) SFMCOM; // get "Memory Capacity"
SFMCMMD = 0x01h; // close SPI bus cycle

// Get one byte from the address 0x012345h.
SFMCOM = Instruction_FREAD; // put "Fast Read" instruction (open SPI bus cycle)
SFMCOM = 0x01; // put upper byte of the address 0x012345
SFMCOM = 0x23; // put middle byte of the target address 0x012345
SFMCOM = 0x45; // put lower byte of the target address 0x012345
temp = (unsigned char) SFMCOM; // get one byte dummy code for FAST READ transaction
data = (unsigned char) SFMCOM; // get the data
SFMCMMD = 0x01; // close SPI bus cycle

// Erase All contents.
SFMCOM = Instruction_WREN; // put "Write Enable" instruction (open SPI bus cycle)
SFMCMMD = 0x01; // close SPI bus cycle
SFMCOM = Instruction_CERA; // put "Chip Erase" instruction (open SPI bus cycle)
SFMCMMD = 0x01; // close SPI bus cycle
SFMCOM = Instruction_RDSR; // put "Read Status Register" instruction (open SPI bus cycle)
while (SFMCOM & 0x01); // Polling "Write Progress Bit" until completion
SFMCMMD = 0x01; // close SPI bus cycle

SFMCMMD = 0x00; // Disable direct operation

```

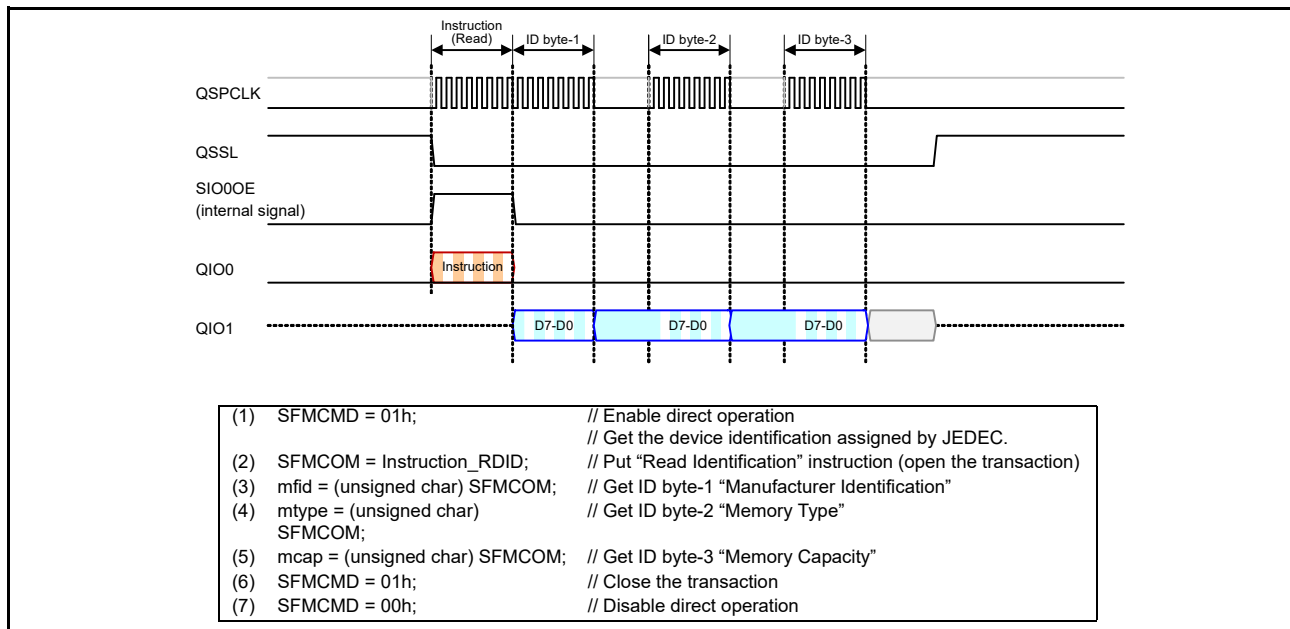


Figure 33.34 Example of direct communication timing for ID read

Note: When Extended SPI protocol is used in the direct communication mode, the Standard Read or Fast Read instruction must be used to reference the contents of the serial flash. QSPI does not support Fast Read Dual Output, Fast Read Dual I/O, Fast Read Quad Output, or Fast Read Quad I/O transfers in this configuration. When these high-speed read operations are required, use standard flash access.

33.11 Operation

33.11.1 Procedure for Modifying Settings in Multiple Control Registers

The settings of the QSPI control registers can be modified dynamically during system operation. However, when the settings of multiple control registers are modified sequentially, an SPI bus cycle might occur before all of the registers are updated. The register setting sequence must be carefully designed to satisfy the SPI bus timing specification at all stages of register setting modification.

```
//
// Making QSPCLK faster
//
SFMSMD = 0x0041; // SFMPAE: 0 SFMPFE: 1 SFMSE:00 SFMRM:01 (prefetch enable fast read)
SFMSSC = 0x04; // SFMSLD: 0 SFMSHD: 0 SFMSW:4 (minimum QSSL high width = 5 sck)
SFMSKC = 0x00; // SFMDTY: 0 SFMDV: 0 (1/2 mode) ### switch clock speed last ###

//
// Making QSPCLK slower
//
SFMSKC = 0x06; // SFMDTY: 0 SFMDV:6 (1/8 mode) ### switch clock speed first ###
SFMSSC = 0x01; // SFMSLD: 0 SFMSHD:0 SFMSW: 1 (minimum QSSL high width = 2 sck)
SFMSMD = 0x0040; // SFMPAE: 0 SFMPFE:1 SFMSE: 00 SFMRM:00 (prefetch enable, standard read)
```

33.12 Interrupt

When the EROMR bit in the SFMCST register is 1, the QSPI requests an interrupt. The EROMR bit is set to 1 when ROM read access is detected in the direct communication mode. Interrupt requests are retained until the EROMR bit is cleared by writing 0. For details, see [section 14, Interrupt Controller Unit \(ICU\)](#).

33.13 Usage Note

33.13.1 Setting for the Module-Stop State

QSPI operation can be disabled or enabled using the Module Stop Control Register B (MSTPCRB). The QSPI is initially stopped after reset. Releasing the module-stop state enables access to the registers. For details, see [section 11, Low Power Modes](#).

34. Cyclic Redundancy Check (CRC) Calculator

The Cyclic Redundancy Check (CRC) calculator generates CRC codes to detect errors in the data. The bit order of CRC calculation results can be switched for LSB-first or MSB-first communication. Additionally, various CRC generation polynomials are available. The snoop function allows monitoring of reads from and writes to specific addresses. This function is useful in applications that require CRC code to be generated automatically in certain events, such as monitoring writes to the serial transmit buffer and reads from the serial receive buffer.

34.1 Overview

Table 34.1 lists the specifications of the CRC calculator and Figure 34.1 shows a block diagram.

Table 34.1 CRC calculator specifications

Item	Specifications for 8-bit data	Specifications for 8-bit data
Data size	8-bit	32-bit
Data for CRC calculation*1	CRC code generated for any desired data in 8n-bit units (where n is a whole number)	CRC code generated for any desired data in 32n-bit units (where n is a whole number)
CRC processor unit	Operation executed on 8 bits in parallel	Operation executed on 32 bits in parallel
CRC generating polynomial	One of three generating polynomials that is selectable: [8-bit CRC]: • $X^8 + X^2 + X + 1$ (CRC-8) [16-bit CRC] • $X^{16} + X^{15} + X^2 + 1$ (CRC-16) • $X^{16} + X^{12} + X^5 + 1$ (CRC-CCITT).	One of two generating polynomials that is selectable: [32-bit CRC]: • $X^{32} + X^{26} + X^{23} + X^{22} + X^{16} + X^{12} + X^{11} + X^{10} + X^8 + X^7 + X^5 + X^4 + X^2 + X + 1$ (CRC-32) • $X^{32} + X^{28} + X^{27} + X^{26} + X^{25} + X^{23} + X^{22} + X^{20} + X^{19} + X^{18} + X^{14} + X^{13} + X^{11} + X^{10} + X^9 + X^8 + X^6 + 1$ (CRC-32C).
CRC calculation switching	The bit order of CRC calculation results can be switched for LSB-first or MSB-first communication	
Module-stop function	Module-stop state can be set to reduce power consumption	
CRC snoop	Monitor reads from and writes to a certain register address	-

Note 1. The circuit cannot divide data used in CRC calculations. Write data in 8-bit or 32-bit units.

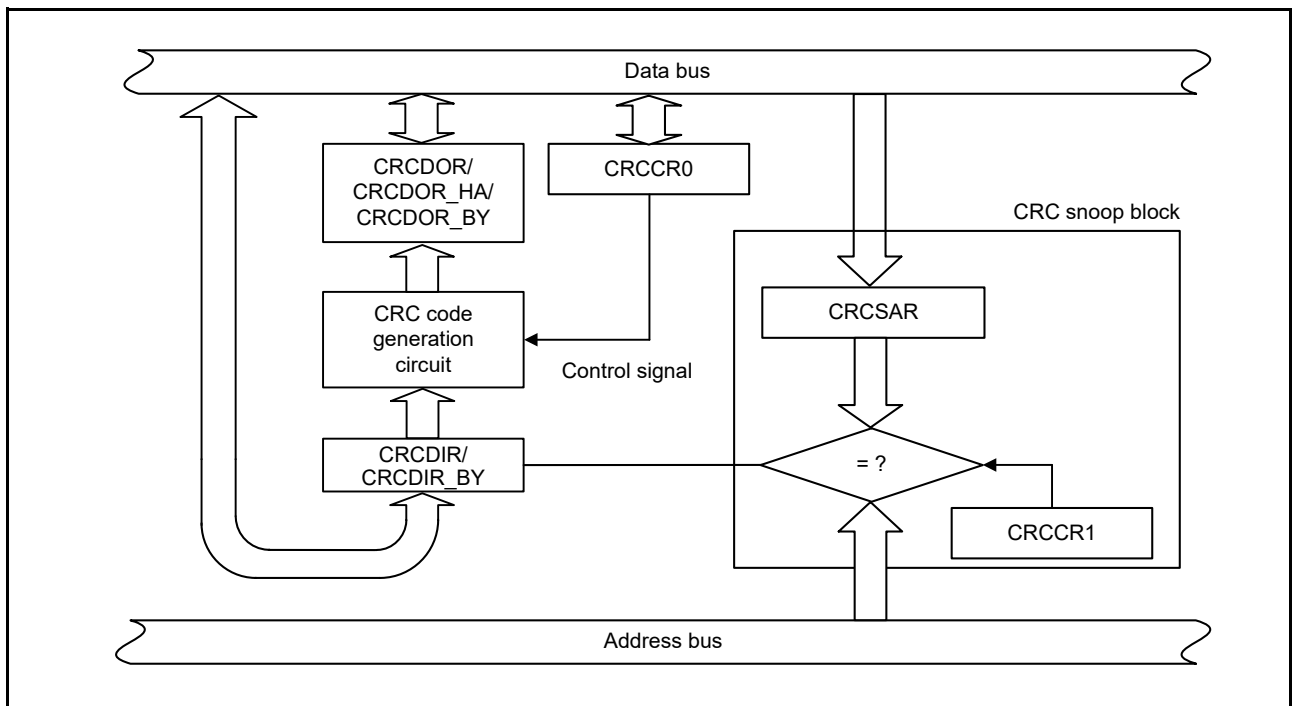
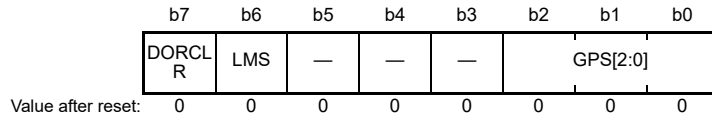


Figure 34.1 CRC calculator block diagram

34.2 Register Descriptions

34.2.1 CRC Control Register 0 (CRCCR0)

Address(es): [CRC.CRCCR0 4007 4000h](#)



Bit	Symbol	Bit name	Description	R/W
b2 to b0	GPS[2:0]	CRC Generating Polynomial Switching	b2 b0 0 0 0: No calculation is executed 0 0 1: 8-bit CRC-8 ($X^8 + X^2 + X + 1$) 0 1 0: 16-bit CRC-16 ($X^{16} + X^{15} + X^2 + 1$) 0 1 1: 16-bit CRC-CCITT ($X^{16} + X^{12} + X^5 + 1$) 1 0 0: 32-bit CRC-32 ($X^{32} + X^{26} + X^{23} + X^{22} + X^{16} + X^{12} + X^{11} + X^{10} + X^8 + X^7 + X^5 + X^4 + X^2 + X + 1$) 1 0 1: 32-bit CRC-32C ($X^{32} + X^{28} + X^{27} + X^{26} + X^{25} + X^{23} + X^{22} + X^{20} + X^{19} + X^{18} + X^{14} + X^{13} + X^{11} + X^{10} + X^9 + X^8 + X^6 + 1$) Other: No calculation is executed.	R/W
b5 to b3	—	Reserved	These bits are read as 0. The write value should be 0.	R/W
b6	LMS	CRC Calculation Switching	0: Generate CRC for LSB-first communication 1: Generate CRC for MSB-first communication.	R/W
b7	DORCLR	CRCDOR/CRCDOR_HA/CRCDOR_BY Register Clear	1: Clear the CRCDOR/CRCDOR_HA/CRCDOR_BY register. This bit is read as 0.	W*1

Note 1. This bit must always be set to 1 when writing to this register.

[GPS\[2:0\] bits \(CRC Generating Polynomial Switching\)](#)

The GPS[2:0] bits select the CRC generating polynomial.

[LMS bit \(CRC Calculation Switching\)](#)

The LMS bit selects the bit order of generated CRC code. Transmit the lower byte of the CRC code first for LSB-first communication and the upper byte first for MSB-first communication. For details on transmitting and receiving CRC code, see [section 34.3, Operation](#).

[DORCLR bit \(CRCDOR/CRCDOR_HA/CRCDOR_BY Register Clear\)](#)

Write 1 to the DORCLR bit to set the CRCDOR/CRCDOR_HA/CRCDOR_BY register to 0000 0000h. This bit is read as 0. Only 1 can be written to it.

34.2.2 CRC Control Register 1 (CRCCR1)

Address(es): CRC.CRCCR1 4007 4001h

	b7	b6	b5	b4	b3	b2	b1	b0
	CRCSE N	CRCS WR	—	—	—	—	—	—
Value after reset:	0	0	0	0	0	0	0	0

Bit	Symbol	Bit name	Description	R/W
b5 to b0	—	Reserved	These bits are read as 0. The write value should be 0.	R/W
b6	CRCSWR	Snoop-On-Write/Read Switch	0: Snoop-on-read 1: Snoop-on-write.	R/W
b7	CRCSEN	Snoop Enable	0: Disable 1: Enable.	R/W

CRCSWR bit (Snoop-On-Write/Read Switch)

The CRCSWR bit selects the direction of access in the address monitoring function.

When this bit is set to 0 (initial value), the CRC snoop operation to read a specific register address is selected. When this bit is set to 1, the CRC snoop operation to write a specific register address is selected.

CRCSEN bit (Snoop Enable)

When the CRCSEN bit is set to 1, the CRC snoop operation is enabled. When this bit is set to 0, the CRC snoop operation is disabled.

34.2.3 CRC Data Input Register (CRCDIR/CRCDIR_BY)

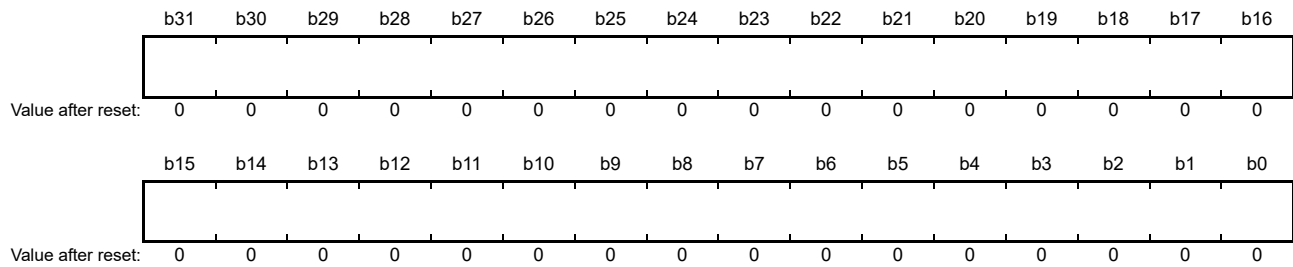
Address(es): CRC.CRCDIR/CRCDIR_BY 4007 4004h

	b31	b30	b29	b28	b27	b26	b25	b24	b23	b22	b21	b20	b19	b18	b17	b16
Value after reset:	0	0	0	0	0	0	0	0	0	0	0	0	0	0	0	0
	b15	b14	b13	b12	b11	b10	b9	b8	b7	b6	b5	b4	b3	b2	b1	b0
Value after reset:	0	0	0	0	0	0	0	0	0	0	0	0	0	0	0	0

The CRCDIR register is a read/write 32-bit register to write data for CRC-32 or CRC-32C calculation. The CRCDIR_BY register is a read/write 8-bit register to write data for CRC-8, CRC-16, or CRC-CCITT calculation.

34.2.4 CRC Data Output Register (CRCDOR/CRCDOR_HA/CRCDOR_BY)

Address(es): CRC.CRCDOR/CRCDOR_HA/CRCDOR_BY 4007 4008h



The CRCDOR register is a read/write 32-bit register for CRC-32 or CRC-32C calculation.

The CRCDOR_HA register is a read/write 16-bit register for CRC-16 or CRC-CCITT calculation.

The CRCDOR_BY register is a read/write 8-bit register for CRC-8 calculation.

Because its initial value is 0000 0000h, rewrite the CRCDOR/CRCDOR_HA/CRCDOR_BY register to perform calculations using a value other than the initial value.

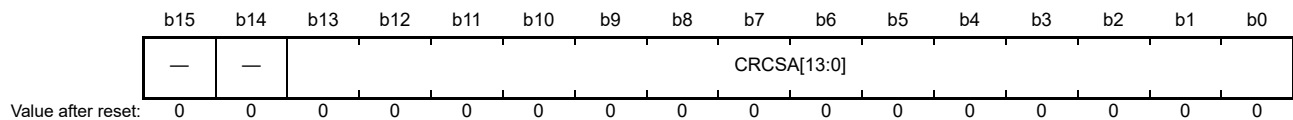
Data written to the CRCDOR/CRCDOR_BY register is CRC calculated and the result is stored in the CRCDOR/CRCDOR_HA/CRCDOR_BY register. If the CRC code is calculated following the transferred data and the result is 0000 0000h, there is no CRC error.

When an 8-bit CRC ($X^8 + X^2 + X + 1$ polynomial) is in use, the valid CRC code is obtained in CRCDOR_BY.

When a 16-bit CRC ($X^{16} + X^{15} + X^2 + 1$ or $X^{16} + X^{12} + X^5 + 1$ polynomial) is in use, the valid CRC code is obtained in CRCDOR_HA.

34.2.5 Snoop Address Register (CRCSAR)

Address(es): CRC.CRCSAR 4007 400Ch



Bit	Symbol	Bit Name	Description	R/W
b13 to b0	CRCSA[13:0]	Register Snoop Address	These bits store the TDR or RDR address in the SCI module to Snoop	R/W
b15, b14	—	Reserved	These bits are read as 0. The write value should be 0.	R/W

CRCSA[13:0] bits (Register Snoop Address)

The CRCSA[13:0] bits specify the lower 14 bits of the register address monitored by the CRC snoop operation.

Only the following addresses can be used for the CRCSA[13:0] bits:

- 4007 0003h: SCI0.TDR, 4007 0005h: SCI0.RDR
- 4007 0023h: SCI1.TDR, 4007 0025h: SCI1.RDR
- 4007 0043h: SCI2.TDR, 4007 0045h: SCI2.RDR
- 4007 0123h: SCI9.TDR, 4007 0125h: SCI9.RDR
- 4007 000Fh: SCI0.FTDRL, 4007 0011h: SCI0.FRDL
- 4007 002Fh: SCI1.FTDRL, 4007 0031h: SCI1.FRDL

34.3 Operation

34.3.1 Basic Operation

The CRC calculator generates CRC codes for use in LSB-first or MSB-first transfers.

The following examples illustrate CRC code generation for input data (F0h) using the 16-bit CRC-CCITT generating polynomial ($X^{16} + X^{12} + X^5 + 1$). In these examples, the value of the CRC Data Output Register (CRCDOR_HA) is cleared before CRC calculation.

When an 8-bit CRC (with the polynomial $X^8 + X^2 + X + 1$) is in use, the valid bits of the CRC code are obtained in CRCDOR_BY. When a 32-bit CRC is in use, the valid bits of the CRC code are obtained in CRCDOR.

Figure 34.2 and Figure 34.3 show the LSB-first and MSB-first data transmission examples respectively, and Figure 34.4 and Figure 34.5 show the LSB-first and MSB-first data reception examples.

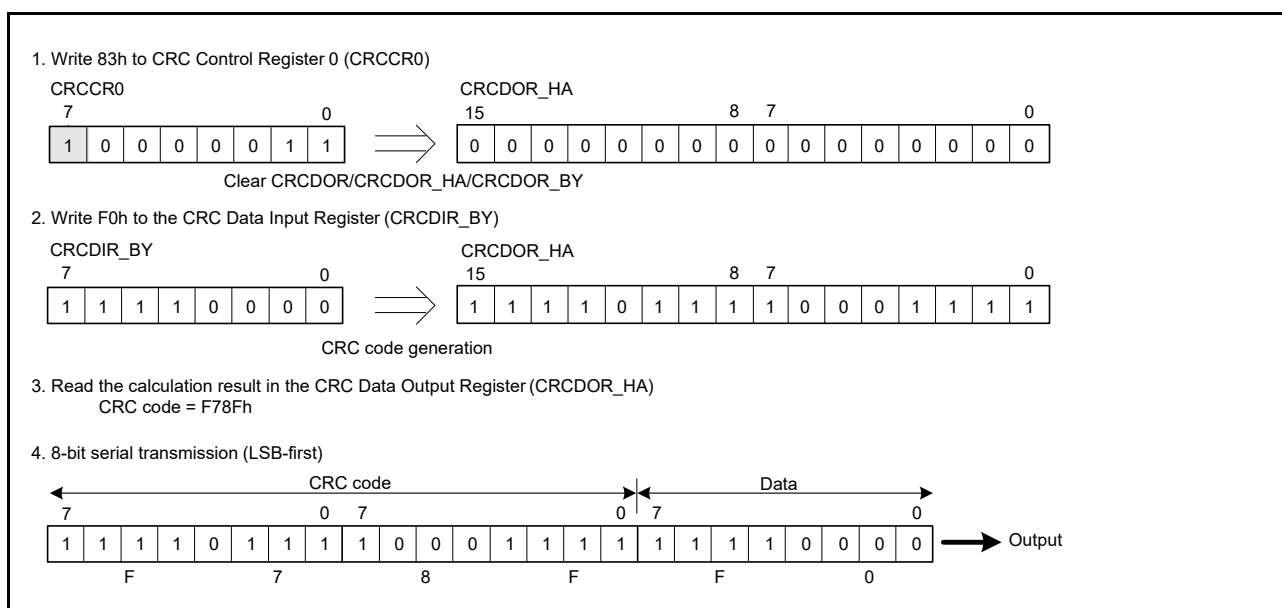


Figure 34.2 LSB-first data transmission

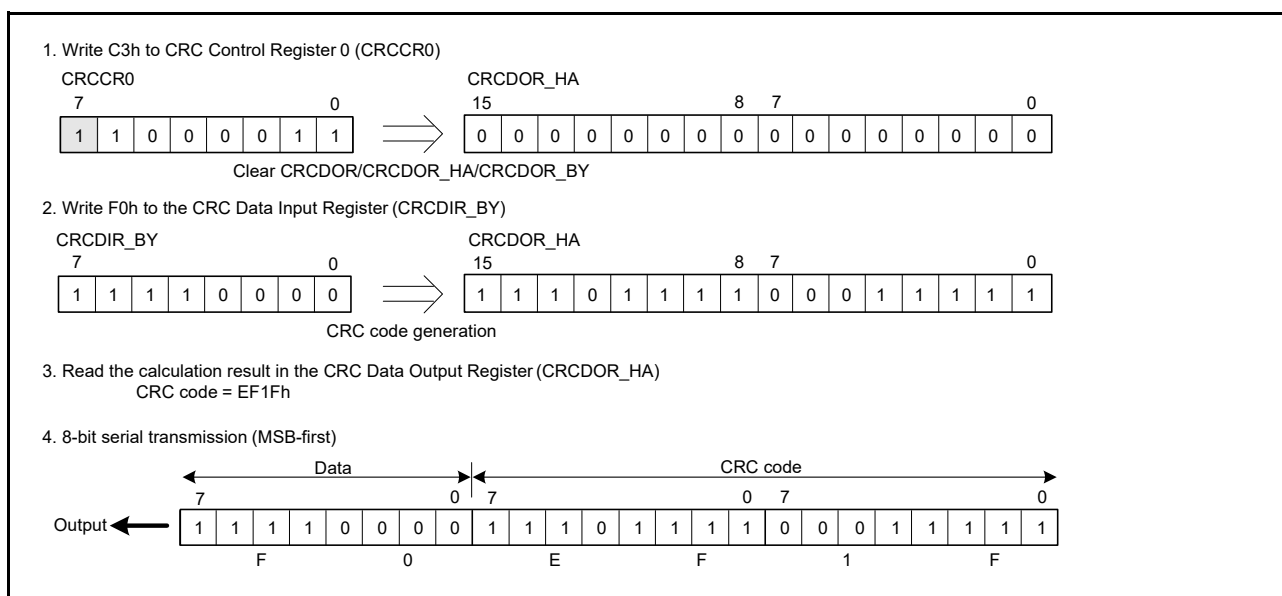


Figure 34.3 MSB-first data transmission

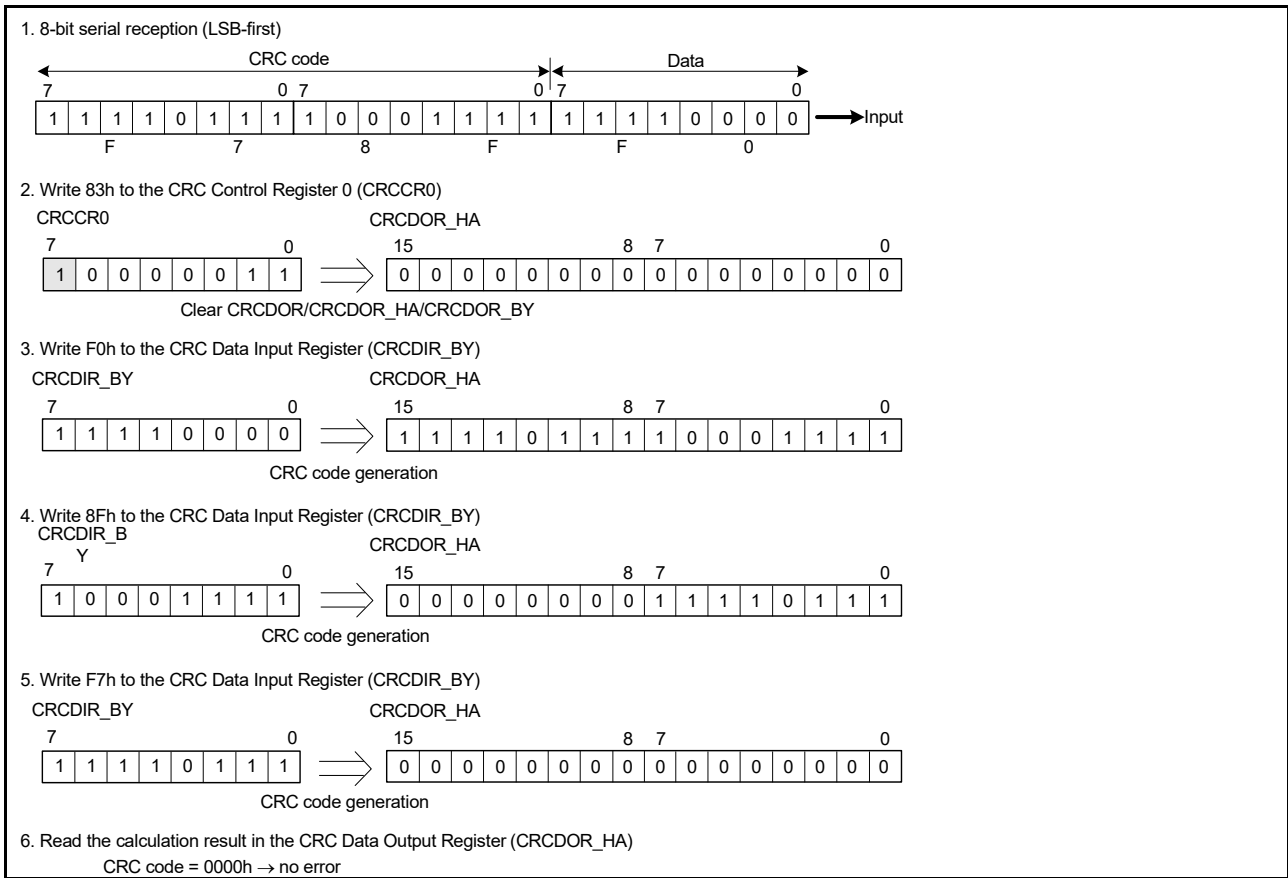


Figure 34.4 LSB-first data reception

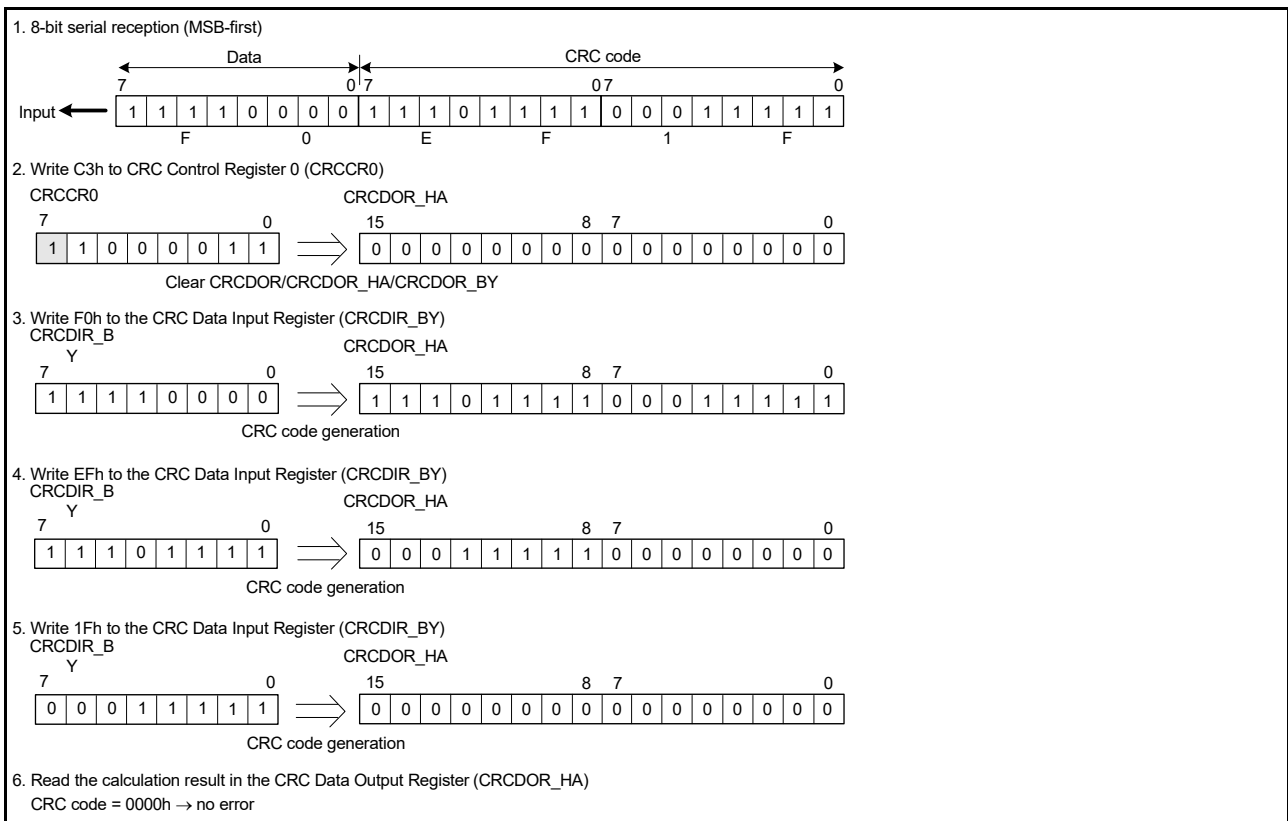


Figure 34.5 MSB-first data reception

34.3.2 CRC Snoop

The CRC snoop function monitors reads from and writes to a specific register address and performs CRC calculations on the data read from and written to that register address automatically. Because the CRC snoop recognizes writes to and reads from a specific register address as a trigger to automatically perform CRC calculations, there is no need to write data to the CRCDIR_BY register. All I/O register addresses specified in [section 34.2.5, Snoop Address Register \(CRCSAR\)](#) are subject to the CRC snoop. The CRC snoop is useful in monitoring writes to the serial transmit buffer, and reads from the serial receive buffer.

To use this function, write a target I/O register address to the CRCSA13 to CRCSA0 bits in the CRCSAR register, and set the CRCSEN bit in the CRCCR1 register to 1. Then, set the CRCSWR bit in the CRCCR1 register to 1 to enable snooping on writes to the target address, or set the CRCSWR bit in the CRCCR1 register to 0 to enable snooping on reads from the target address.

When both the CRCSEN and CRCSWR bits are set to 1, and data is written to a target I/O register address in a bus master module such as the CPU, DMA, and DTC, the CRC calculator stores the data in the CRCDIR_BY register and performs CRC calculations. Similarly, when the CRCSEN bit is set to 1, CRCSWR bit is set to 0, and data is read from a target I/O register address in a bus master module such as the CPU, DMA, and DTC, the CRC calculator stores the data in the CRCDIR_BY register and performs CRC calculations.

CRC calculation is performed 1 byte at a time. When the target I/O register address is accessed in words (16 bits) or long words (32 bits), the CRC code is generated on the lower byte (1 byte) of data.

34.4 Usage Notes

34.4.1 Settings for the Module-Stop State

The Module Stop Control Register C (MSTPCRC) can enable or disable the operation of the CRC calculator. The CRC is stopped after a reset. The registers become accessible on releasing the module-stop state. For details, see [section 11, Low Power Modes](#).

34.4.2 Notes on Transmission

The transmission sequence for the CRC code differs depending on whether transmission is LSB-first or MSB-first. [Figure 34.6](#) shows an LSB-first and MSB-first data transmission.

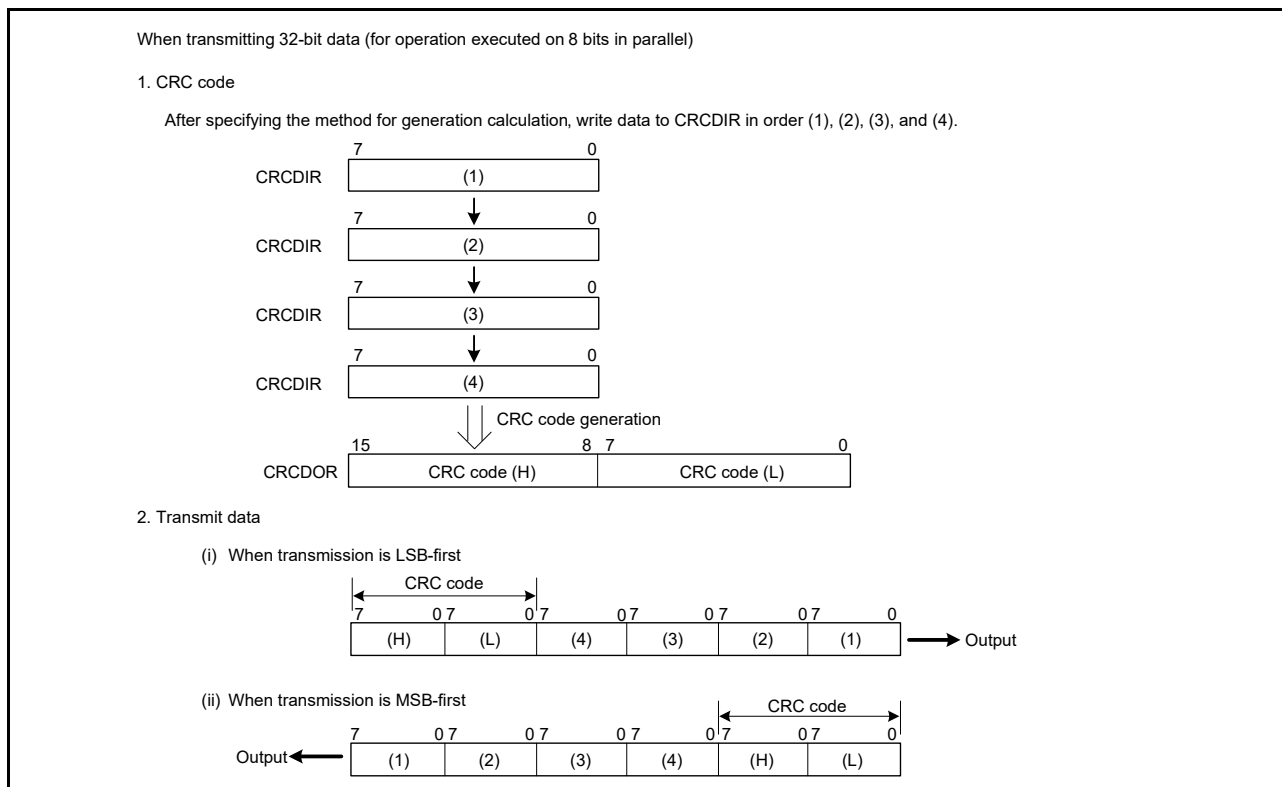


Figure 34.6 LSB-first and MSB-first data transmission

35. Serial Sound Interface Enhanced (SSIE)

35.1 Overview

The Serial Sound Interface Enhanced (SSIE) can transmit and receive audio data to and from multiple devices that support different audio data formats, such as the I²S, and monaural formats.

Table 35.1 lists the SSIE specifications, and Table 35.2 defines the communication format terms. Figure 35.1 shows the communication format, Figure 35.2 shows a block diagram, and Figure 35.3 shows the clock configuration.

35.2 SSIE Specifications

Table 35.1 SSIE specifications

Item	Description	
Number of channels	One channel, SSIE0	
Communication mode	<ul style="list-style-type: none"> • Master or slave • Transmission and reception (full-duplex communication). 	
Communication format	<ul style="list-style-type: none"> • I²S format • Monaural format. 	
Serial data	<ul style="list-style-type: none"> • MSB-first • Left-justified or right-justified data • Data delay (1 clock cycle) or no delay selectable for the period from SSILRCK0/SSIFS0 to SSITXD0/SSIRXD0 • System word length: 8, 16, 24, 32, 48, 64, 128, or 256 bits • Data word length: 8, 16, 18, 20, 22, 24, or 32 bits • Padding polarity: Low or high. 	
Bit clock (SSIBCK0)	In master mode	<ul style="list-style-type: none"> • Two clock sources: AUDIO_CLK, GTIOC1A (GPT output) • Clock source division ratio: 1/1, 1/2, 1/4, 1/6, 1/8, 1/12, 1/16, 1/24, 1/32, 1/48, 1/64, 1/96, and 1/128 • Supply or stop selectable while communication is halted.
	In master or slave mode	<ul style="list-style-type: none"> • Polarity (rising edge or falling edge) selectable
LR clock/frame synchronization (SSILRCK0/SSIFS0)	In master mode	<ul style="list-style-type: none"> • Polarity (low-level or high-level) selectable • Supply or stop selectable while communication is halted.
Transmit data (SSITXD0) and receive data (SSIRXD0)	Transmission	<ul style="list-style-type: none"> • Muting method (transmission of transmit FIFO data or transmission of data fixed to 0) selectable
FIFO	Capacity	<ul style="list-style-type: none"> • Transmit or receive FIFO: 4 bytes × 8 stages
	Data alignment	<ul style="list-style-type: none"> • Data alignment (left-justification or right-justification) selectable for data transfer between FIFO and shift register
Interrupt sources	Interrupt output	<ul style="list-style-type: none"> • Communication error/idle mode • Receive data full • Transmit data empty.
Low power consumption function	<ul style="list-style-type: none"> • Whether or not to supply the audio clock is selectable in master mode 	
Module-stop function	<ul style="list-style-type: none"> • Module-stop state can be set to reduce power consumption 	

Table 35.2 lists and defines the terms used for the communication formats that SSIE can use.

Table 35.2 Definition of terms

Term	Definition
Start trigger	First edge of the signal on the SSILRCK0/SSIFS0 pin when the signal is set to the value specified in LRCKP to enable communication
Frame boundary	Point where SSIE starts transferring the first data of a frame or the point where SSIE ends transferring the last data of the frame
Frame word number	Number of sound channels per frame
System word length	Number of bits per channel
Data word length	Number of significant bits per channel
Control bits for communication formats	<ul style="list-style-type: none"> • SSICR register: DWL, SWL, LRCKP, SPDP, SDTA, PDTA, and DEL bits • SSIFCR register: BSW bit • SSIOFR register: OMOD bit • SSISCR register: TDES[2:0] and RDFS[2:0] bits.

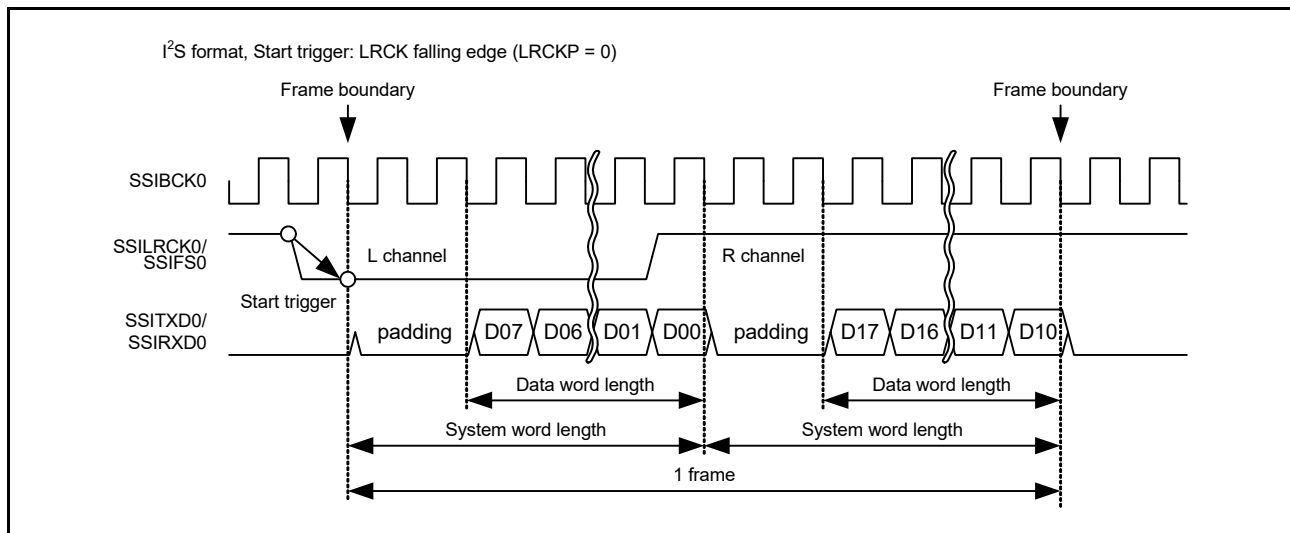


Figure 35.1 SSIE communication format

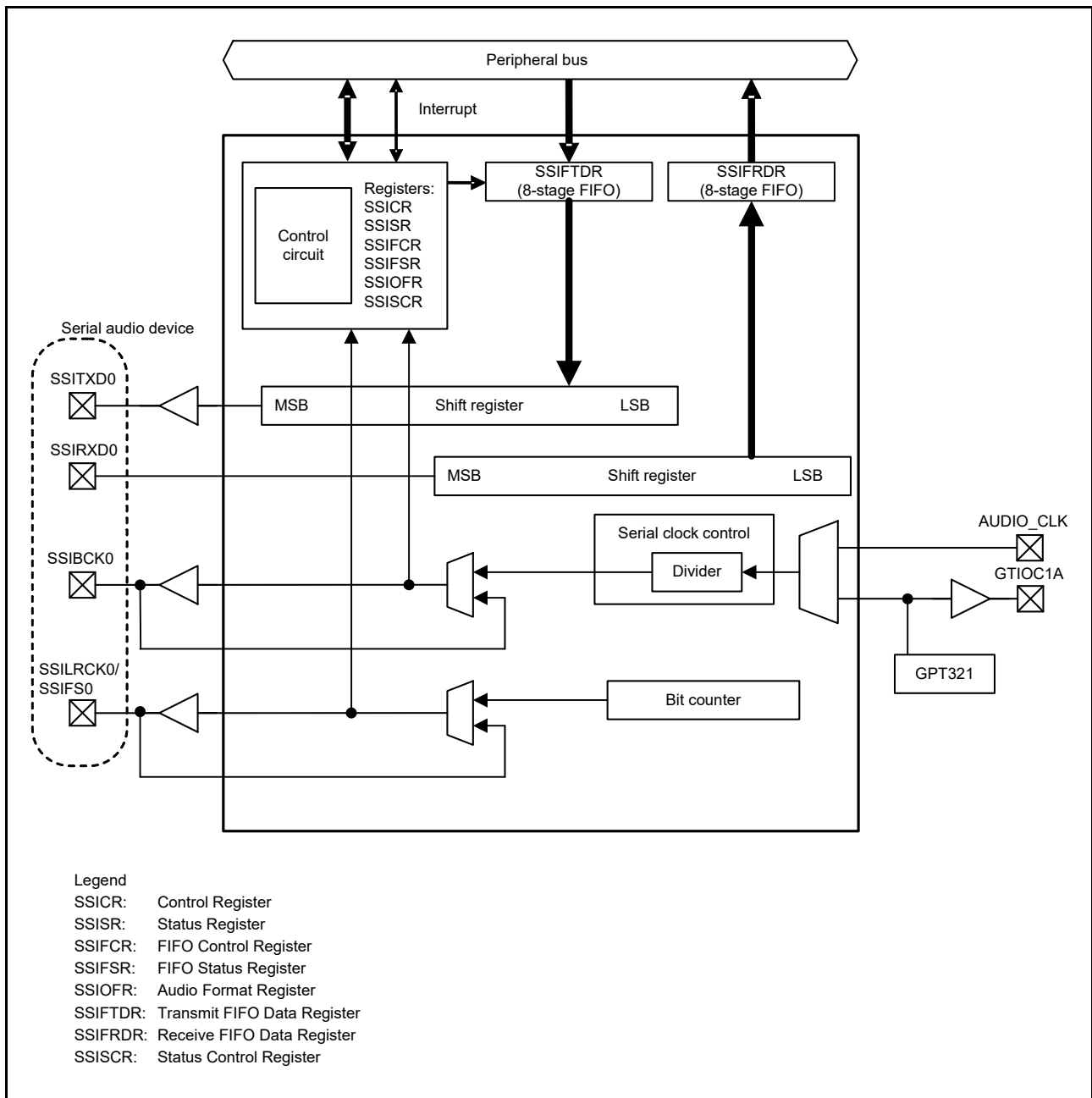


Figure 35.2 SSIE block diagram (SSIE0)

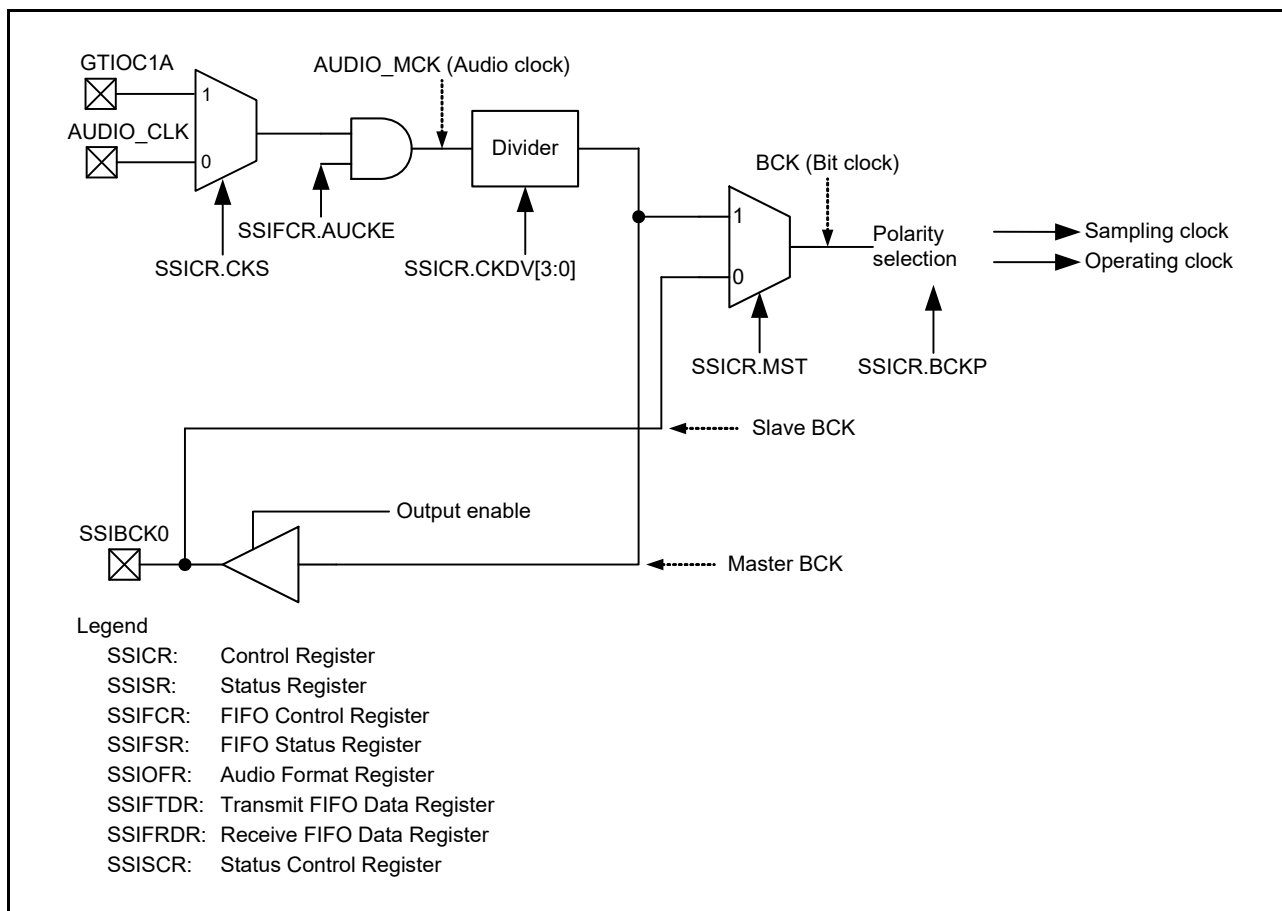


Figure 35.3 SSIE clock configuration

35.3 Register Descriptions

35.3.1 Control Register (SSICR)

Address(es): SSIE0.SSICR 4004 E000h

b31	b30	b29	b28	b27	b26	b25	b24	b23	b22	b21	b20	b19	b18	b17	b16
—	CKS	TUIEN	TOIEN	RUIEN	ROIEN	I IEN	—	—	—	DWL[2:0]			SWL[2:0]		
Value after reset: 0 0 0 0 0 0 0 0 0 0 0 0 0 0 0 0															
b15	b14	b13	b12	b11	b10	b9	b8	b7	b6	b5	b4	b3	b2	b1	b0
—	MST	BCKP	LRCKP	SPDP	SDTA	PDTA	DEL	CKDV[3:0]			MUEN	—	TEN	REN	
Value after reset: 0 0 0 0 0 0 0 0 0 0 0 0 0 0 0 0															

Bit	Symbol	Bit name	Description	R/W
b0	REN	Transmission and Reception Enable*2	b1 b0 0 0: Disable transmission and reception 0 1: Enable reception (starts reception) 1 0: Enable transmission (starts transmission) 1 1: Enable transmission and reception (starts transmission and reception).	R/W
b1	TEN			
b2	—	Reserved	This bit is read as 0. The write value should be 0.	R/W
b3	MUEN	Mute Enable	0: Disable muting on the next frame boundary 1: Enable muting on the next frame boundary.	R/W
b7 to b4	CKDV[3:0]	Select Bit Clock Division Ratio*1	b7 b4 0 0 0 0: AUDIO_MCK 0 0 0 1: AUDIO_MCK/2 0 0 1 0: AUDIO_MCK/4 0 0 1 1: AUDIO_MCK/8 0 1 0 0: AUDIO_MCK/16 0 1 0 1: AUDIO_MCK/32 0 1 1 0: AUDIO_MCK/64 0 1 1 1: AUDIO_MCK/128 1 0 0 0: AUDIO_MCK/6 1 0 0 1: AUDIO_MCK/12 1 0 1 0: AUDIO_MCK/24 1 0 1 1: AUDIO_MCK/48 1 1 0 0: AUDIO_MCK/96 1 1 0 1: Setting prohibited 1 1 1 0: Setting prohibited 1 1 1 1: Setting prohibited.	R/W
b8	DEL	Select Serial Data Delay*1	0: Delay of 1 SSIBCK0 cycle between SSILRCK0/SSIFS0 and SSITXD0/SSIRXD0 1: No delay between SSILRCK0/SSIFS0 and SSITXD0/SSIRXD0. In the monaural format, this bit controls the waveform of SSILRCK0/SSIFS0. For details, see section 35.4.2, Monaural Format .	R/W
b9	PDTA	Select Placement Data Alignment*1	0: Left-justify placement data (SSIFTDR, SSIFRDR) 1: Right-justify placement data (SSIFTDR, SSIFRDR).	R/W
b10	SDTA	Select Serial Data Alignment*1	0: Transmit and receive serial data first and then padding bits 1: Transmit and receive padding bits first and then serial data.	R/W
b11	SPDP	Select Serial Padding Polarity*1	0: Padding data is at a low level 1: Padding data is at a high level.	R/W

Bit	Symbol	Bit name	Description	R/W
b12	LRCKP	Select the Initial Value and Polarity of LR Clock/Frame Synchronization Signal *1	0: The initial value is at a high level. The start trigger for a frame is synchronized with a falling edge of SSILRCK0/SSIFS0 1: The initial value is at a low level. The start trigger for a frame is synchronized with a rising edge of SSILRCK0/SSIFS0.	R/W
b13	BCKP	Select Bit Clock Polarity *1	0: SSILRCK0/SSIFS0 and SSITXD0/SSIRXD0 change on a falling edge (SSILRCK0/SSIFS0 and SSIRXD0 are sampled at a rising edge of SSIBCK0) 1: SSILRCK0/SSIFS0 and SSITXD0/SSIRXD0 change at a rising edge (SSILRCK0/SSIFS0 and SSIRXD0 are sampled on a falling edge of SSIBCK0).	R/W
b14	MST	Master Enable *1	0: Slave mode communication 1: Master mode communication.	R/W
b15	—	Reserved	This bit is read as 0. The write value should be 0.	R/W
b18 to b16	SWL[2:0]	Select System Word Length *1	b18 b16 0 0 0: 8 bits 0 0 1: 16 bits 0 1 0: 24 bits 0 1 1: 32 bits 1 0 0: 48 bits 1 0 1: 64 bits 1 1 0: 128 bits 1 1 1: 256 bits.	R/W
b21 to b19	DWL[2:0]	Select Data Word Length*1	b21 b19 0 0 0: 8 bits 0 0 1: 16 bits 0 1 0: 18 bits 0 1 1: 20 bits 1 0 0: 22 bits 1 0 1: 24 bits 1 1 0: 32 bits 1 1 1: Setting prohibited.	R/W
b24 to b22	—	Reserved	These bits are read as 0. The write value should be 0.	R/W
b25	IEN	Idle Mode Interrupt Output Enable	0: Disable idle mode interrupt output 1: Enable idle mode interrupt output.	R/W
b26	ROIEN	Receive Overflow Interrupt Output Enable	0: Disable receive overflow interrupt output 1: Enable receive overflow interrupt output.	R/W
b27	RUIEN	Receive Underflow Interrupt Output Enable	0: Disable receive underflow interrupt output 1: Enable receive underflow interrupt output.	R/W
b28	TOIEN	Transmit Overflow Interrupt Output Enable	0: Disable transmit overflow interrupt output 1: Enable transmit overflow interrupt output.	R/W
b29	TUIEN	Transmit Underflow Interrupt Output Enable	0: Disable transmit underflow interrupt output 1: Enable transmit underflow interrupt output.	R/W
b30	CKS	Select an Audio Clock for Master Mode Communication*1	0: Select the AUDIO_CLK input 1: Select the GTIOC1A (GPT output).	R/W
b31	—	Reserved	This bit is read as 0. The write value should be 0.	R/W

Note 1. Writing to these bits is prohibited while SSIE is in a communication state (SSISR.IIRQ = 0). If the value of these bits is changed by rewriting, subsequent operation is unpredictable.

Note 2. If the TEN bit or REN bit is rewritten, make sure that the SSISR.IIRQ bit is in the target status. If the value of the TEN or REN bit is changed by rewriting, subsequent operation is unpredictable. For example, when transmission or reception is enabled, check that the SSISR.IIRQ bit is 0, and when transmission or reception is disabled, check that the SSISR.IIRQ bit is 1.

This register can select an audio clock, control interrupt requests, select data formats, and set an operation mode.

TEN and REN bits (Transmission and Reception Enable)

The TEN and REN bits enable or disable transmission and reception. When 1 is written to one of these bits, the corresponding communication operation starts in synchronization with a start trigger in the SSILRCK0/SSIFS0 signal. For details, see [section 35.7.2](#) to [section 35.7.4](#). When 0 is written to these bits, the current communication operation

stops at the next frame boundary. To use SSIE for both transmission and reception, simultaneously write 1 to these bits. When stopping communication using SSIE, always disable both transmission and reception by writing 0 to the TEN and REN bits.

If you want to stop SSIE before a frame boundary is reached, perform a software reset.

MUEN bit (Mute Enable)

The MUEN bit enables or disables the mute function for the data output from the SSITXD0 pin. When this bit is set to 1 in the middle of a frame, the SSITXD0 output changes to 0 at the next frame boundary. When this bit is set to 0 in the middle of a frame, the SSITXD0 output changes to the data of the Transmit FIFO Data Register at the next frame boundary. This bit controls data only. Status flags and interrupt signals are generated normally.

Change this bit value only after setting the communication format to be used.

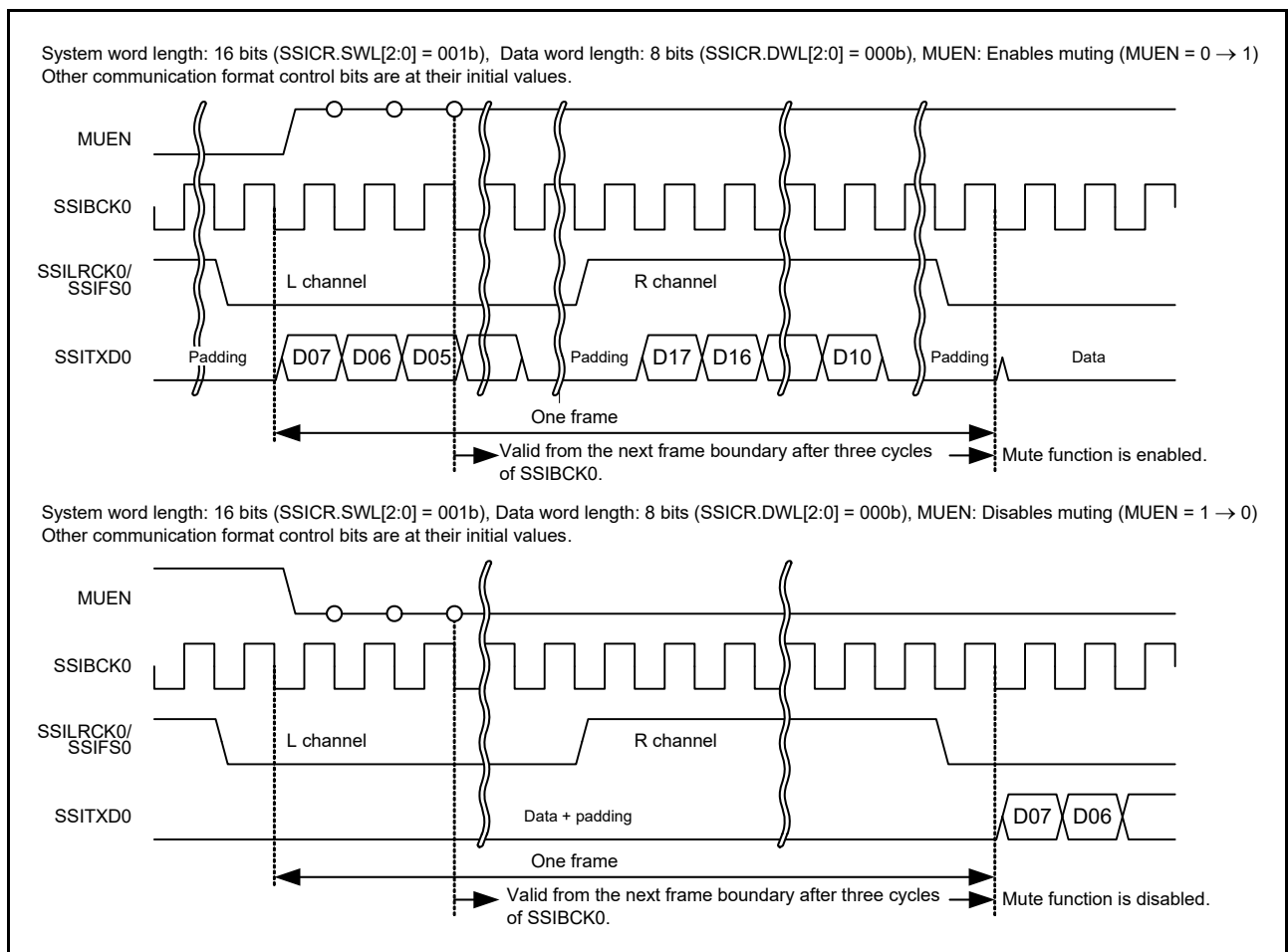


Figure 35.4 Transmit data with the mute function set

CKDV[3:0] bits (Select Bit Clock Division Ratio)

The CKDV[3:0] bits set the division ratio of the bit clock based on AUDIO_MCK, in master mode (MST = 1). In slave mode (MST = 0), the setting in these bits is invalid.

Write to this bits when the supply of AUDIO_MCK is stopped. For timing details, see the detailed description of the AUCKE bit in the SSIFCR register.

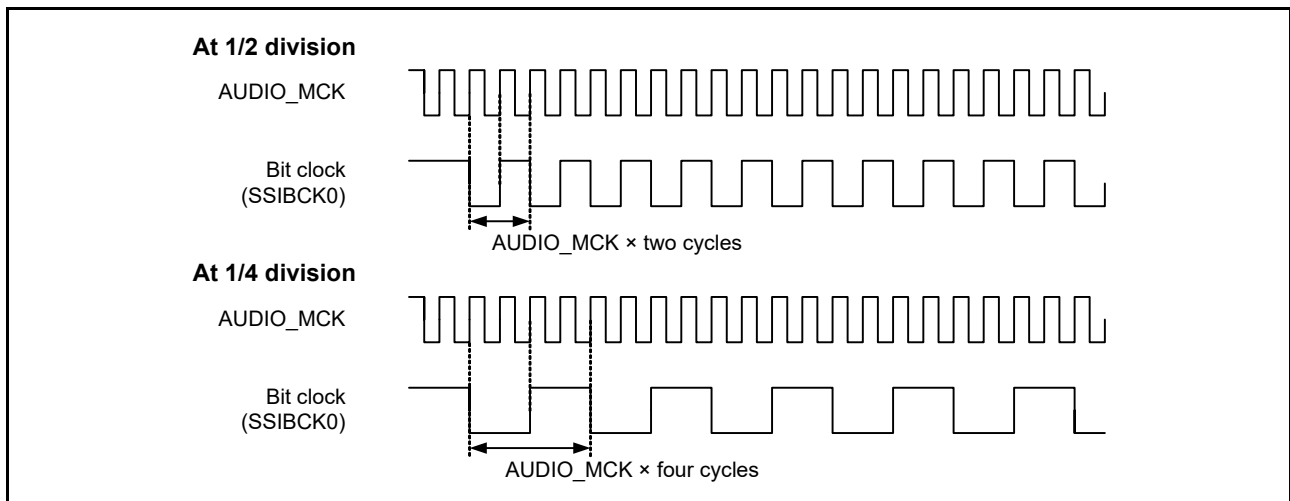


Figure 35.5 Sampling frequencies in master mode communication

DEL bit (Select Serial Data Delay)

The DEL bit selects whether or not there is a delay between SSILRCK0/SSIFS0 and SSITXD0/SSIRXD0.

For the I²S format, set the DEL bit to 0. When the monaural format is used, setting of this bit changes the high period width of SSILRCK0/SSIFS0. For details, see [section 35.4.2, Monaural Format](#). When using a compatible communication format, specify a DEL bit setting that enables communication.

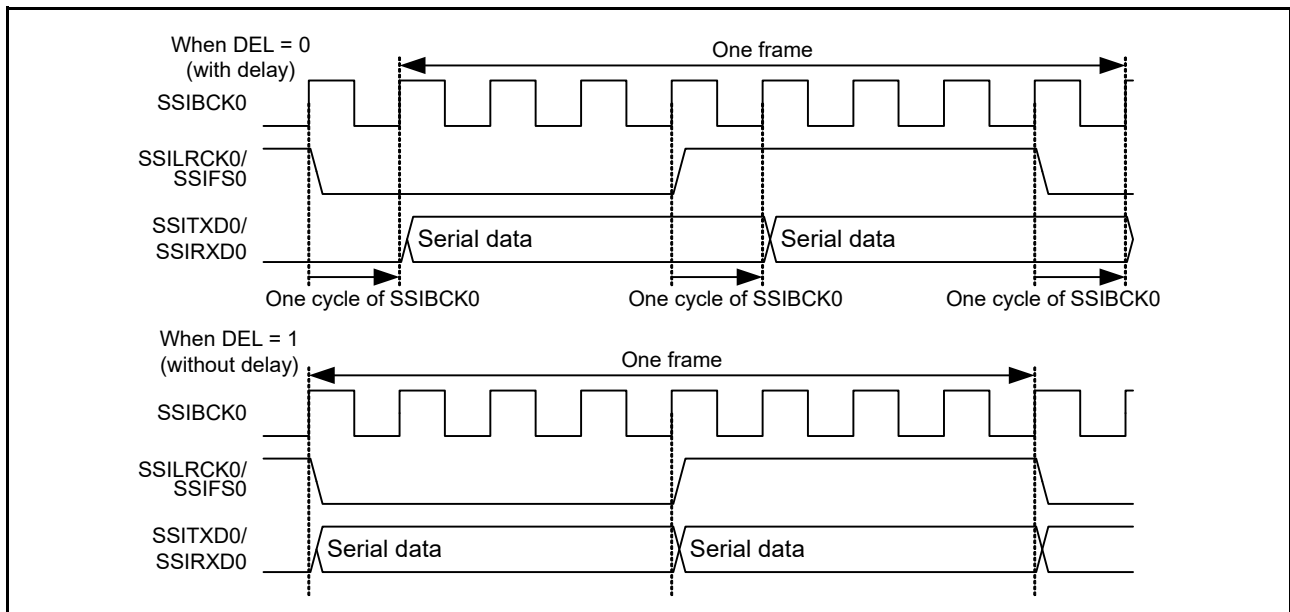


Figure 35.6 Setting of delay in serial data

PDTA bit (Select Placement Data Alignment)

The PDTA bit selects how to align placement data. When a 32-bit word length is set (SSICR.DWL[2:0] = 110b), this bit is invalid. [Figure 35.7](#) shows the alignment of placement data at transmission and [Figure 35.8](#) shows the alignment of placement data at reception.

	First transmission data	Second transmission data	Third transmission data	Fourth transmission data
	SSIFTDR			
DWL[2:0]	PDTA = 0 (left-justify)		PDTA = 1 (right-justify)	Transmission shift register
000 (8 bits)	7 0 Invalid 7 0 Invalid 7 0 Invalid 7 0 Invalid	Setting prohibited		7 0 Invalid 7 0 Invalid 7 0 Invalid 7 0 Invalid
001 (16 bits)	15 0 Invalid 15 0 Invalid 15 0 Invalid 15 0 Invalid	Setting prohibited		15 0 Invalid 15 0 Invalid 15 0 Invalid 15 0 Invalid
010 to 100 18-bit : X = 17 20-bit : X = 19 22-bit : X = 21 24-bit : X = 23	X 0 Invalid X 0 Invalid X 0 Invalid X 0 Invalid	Invalid X 0 Invalid X 0 Invalid X 0 Invalid X 0	X 0 Invalid X 0 Invalid X 0 Invalid X 0 Invalid	X 0 Invalid X 0 Invalid X 0 Invalid X 0 Invalid
110 (32 bits)	31 0 31 0 31 0 31 0	Setting prohibited		31 0 31 0 31 0 31 0
111 (Setting prohibited)	/			

Figure 35.7 Alignment of placement data at transmission

	First transmission data	Second transmission data	Third transmission data	Fourth transmission data
	SSIFRDR			
DWL[2:0]	Receive Shift Register		PDTA = 0 (left-justify)	PDTA = 1 (right-justify)
000 (8 bits)	Invalid 7 0 Invalid 7 0 Invalid 7 0 Invalid 7 0	7 0 Invalid 7 0 Invalid 7 0 Invalid 7 0 Invalid	Setting prohibited	
001 (16 bits)	Invalid 15 0 Invalid 15 0 Invalid 15 0 Invalid 15 0	15 0 Invalid 15 0 Invalid 15 0 Invalid 15 0 Invalid	Setting prohibited	
010 to 100 18-bit : X = 17 20-bit : X = 19 22-bit : X = 21 24-bit : X = 23	Invalid X 0 Invalid X 0 Invalid X 0 Invalid X 0	X 0 Invalid X 0 Invalid X 0 Invalid X 0 Invalid	X 0 Invalid X 0 Invalid X 0 Invalid X 0 Invalid	Invalid X 0 Invalid X 0 Invalid X 0 Invalid X 0
110 (32 bits)	31 0 31 0 31 0 31 0	31 0 31 0 31 0 31 0	Setting prohibited	
111 (Setting prohibited)	/			

Figure 35.8 Alignment of placement data at reception

SDTA bit (Select Serial Data Delay)

The SDTA bit selects how to align serial data and padding bits. For communication without padding bits, this bit is invalid.

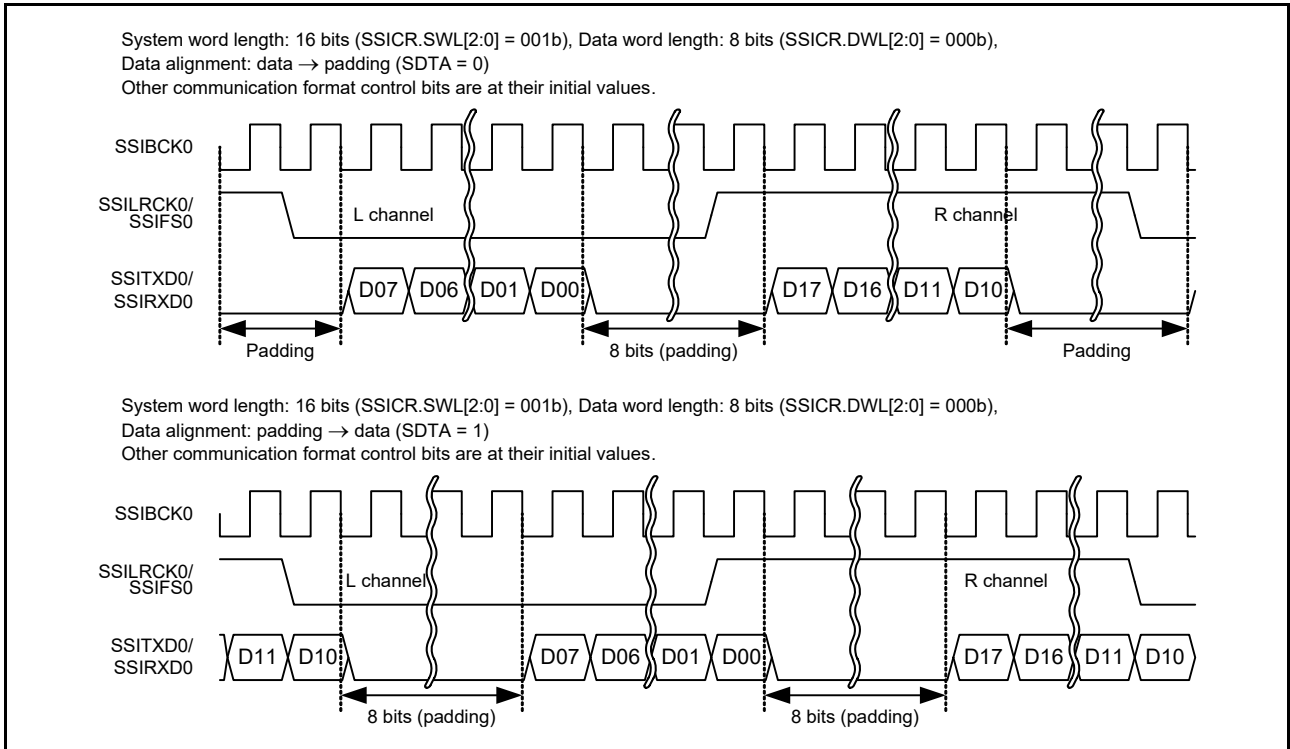


Figure 35.9 Alignment setting of serial data with padding bits

SPDP bit (Select Serial Padding Polarity)

The SPDP bit selects the polarity of padding bits.

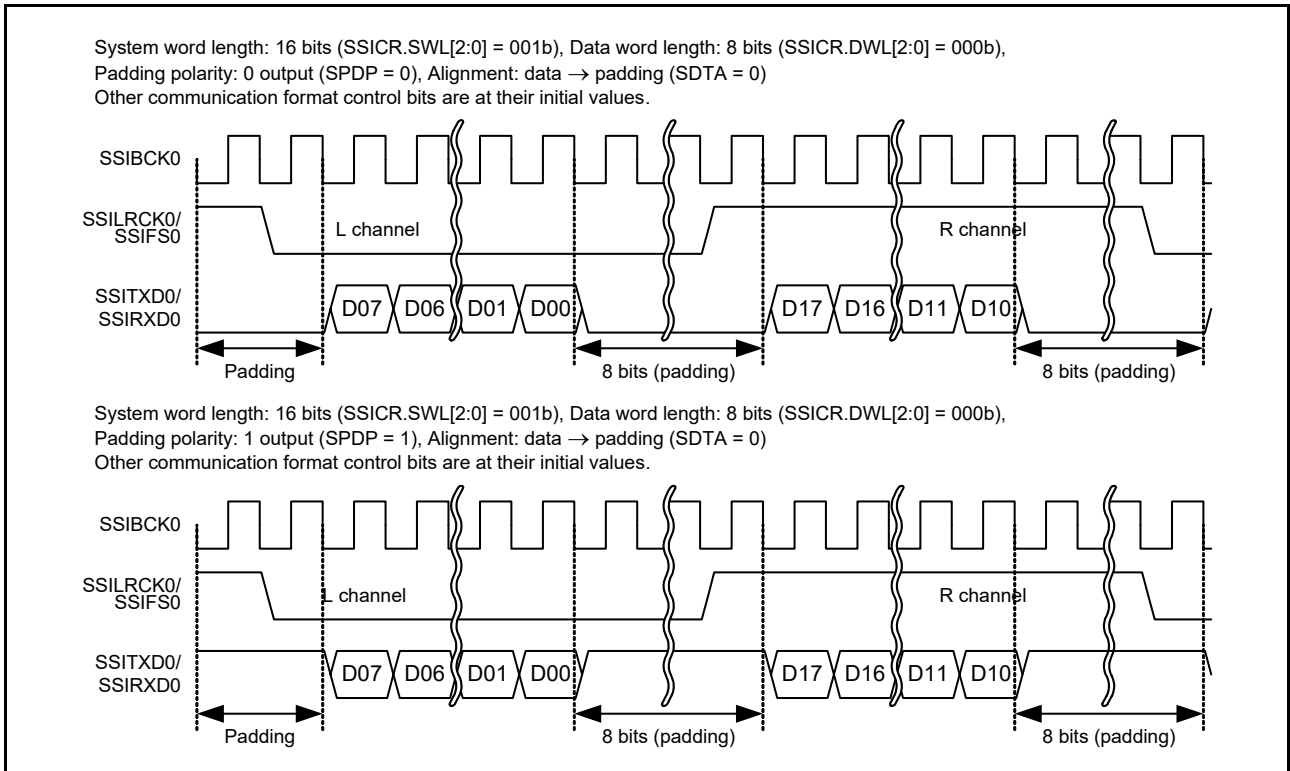


Figure 35.10 Padding bit polarity

LRCKP bit (Select the Initial Value and Polarity of LR Clock/Frame Synchronization Signal)

The LRCKP bit selects the initial value and polarity of SSILRCK0/SSIFS0. Set this bit based on the communication format to be used in SSIE. See Table 35.3, Initial output value and polarity of the SSILRCK0/SSIFS0 pin. In slave mode communication (MST = 0), only the start trigger is used.

Write to these bits when the LR clock supply to the SSILRCK0/SSIFS0 pin is stopped. See the description for the LRCONT bit in SSIOFR for details on the output of the LR clock.

Table 35.3 Initial output value and polarity of the SSILRCK0/SSIFS0 pin

Communication format	Expected initial state	Setting value of LRCKP
I ² S	High	0
Monaural	Low	1

Note: When the format to be used is compatible with the I²S and monaural formats, specify the settings to enable communication with the respective formats.

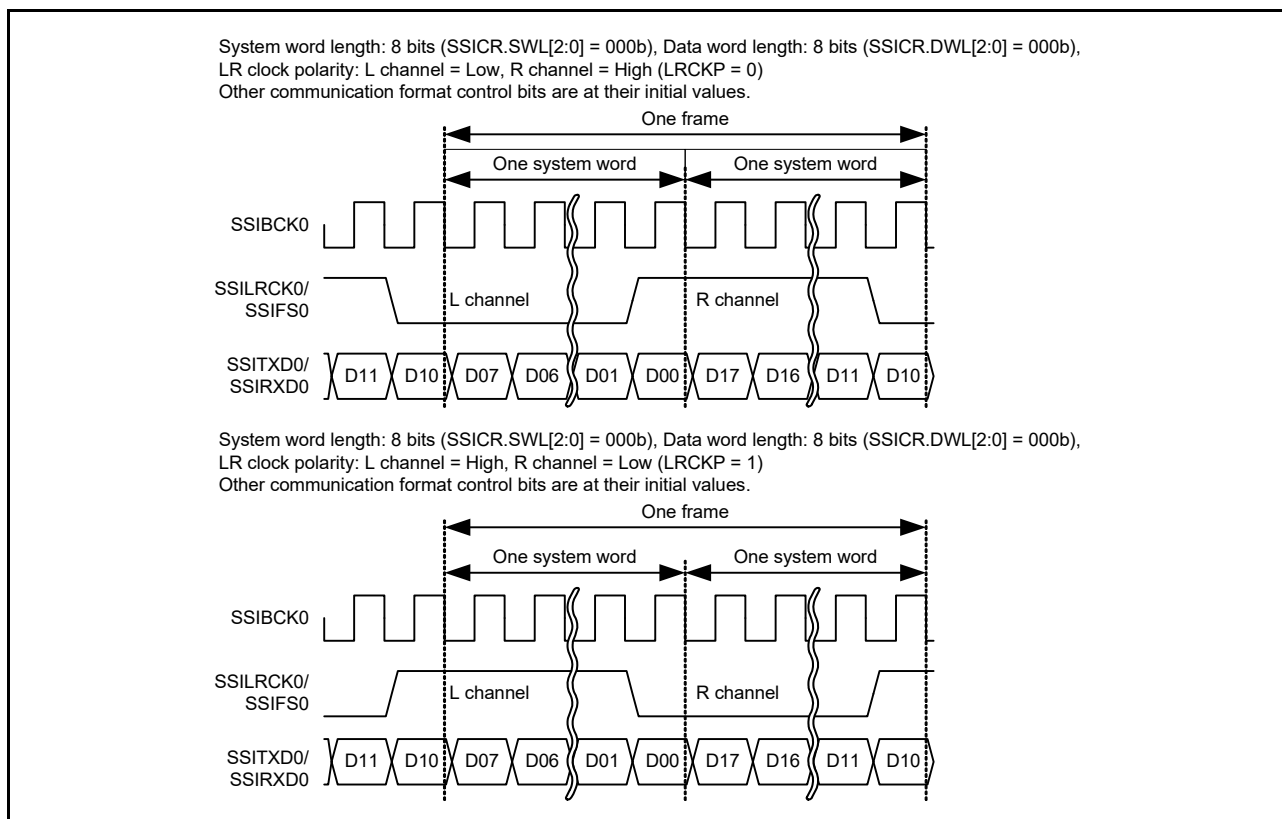


Figure 35.11 LR clock/frame synchronization polarity setting

BCKP bit (Select Bit Clock Polarity)

The BCKP bit selects the bit clock polarity.

Write to this bit when the supply of AUDIO_MCK is stopped. For timing details, see the description of the AUCKE bit in section 35.3.3, FIFO Control Register (SSIFCR).

Table 35.4 Bit clock polarity

Communication	Master/slave	Timing	BCKP = 0	BCKP = 1
Reception	Slave	At SSILRCK0/SSIFS0 sampling	SSIBCK0 rising edge	SSIBCK0 falling edge
	Master/slave	At SSIRXD0 sampling	SSIBCK0 rising edge	SSIBCK0 falling edge
Transmission	Master	At change of SSILRCK0/SSIFS0 output	SSIBCK0 falling edge	SSIBCK0 rising edge
	Master/slave	At change of SSITXD0 output	SSIBCK0 falling edge	SSIBCK0 rising edge

MST bit (Master Enable)

The MST bit selects the master or slave mode communication.

Write to this bit when the supply of AUDIO_MCK is stopped. For timing details, see the description of the AUCKE bit in [section 35.3.3, FIFO Control Register \(SSIFCR\)](#).

SWL[2:0] bits (Select System Word Length)

The SWL[2:0] bits select the number of bits in one system word. Padding bits are sent and received in relation to one data word set in DWL[2:0]. See [Table 35.11](#) for details.

Write to these bits when the LR clock supply to the SSILRCK0/SSIFS0 pin is stopped. For LR clock output details, see the description of the LRCONT bit in [section 35.3.7, TDM Mode Register \(SSITDMR\)](#).

DWL[2:0] bits (Select Data Word Length)

The DWL[2:0] bits select the number of bits in one data word. The data word length (number of bits per data word) must not exceed the system word length (number of bits per system word). For details, see [Table 35.11](#).

IEN bit (Idle Mode Interrupt Output Enable)

The IEN bit enables or disables the output of idle mode interrupts. By enabling this bit (set it to 1), an interrupt is output at a rising edge of SSISR.IIRQ = 1. An interrupt is also output when this bit is changed from 0 to 1 while SSISR.IIRQ = 1.

ROIEN bit (Receive Overflow Interrupt Output Enable)

The ROIEN bit enables or disables the output of receive overflow interrupts. By enabling this bit (set it to 1), an interrupt is output at a rising edge of SSISR.ROIIRQ = 1. An interrupt is also output when this bit is changed from 0 to 1 while SSISR.ROIIRQ = 1.

RUIEN bit (Receive Underflow Interrupt Output Enable)

The RUIEN bit enables or disables the output of receive underflow interrupts. By enabling this bit (set it to 1), an interrupt is output at a rising edge of SSISR.RUIIRQ = 1. An interrupt is also output when this bit is changed from 0 to 1 while SSISR.RUIIRQ = 1.

TOIEN bit (Transmit Overflow Interrupt Output Enable)

The TOIEN bit enables or disables the output of transmit overflow interrupts. By enabling this bit (set it to 1), an interrupt is output at a rising edge of SSISR.TOIRQ = 1. An interrupt is also output when this bit is changed from 0 to 1 while SSISR.TOIRQ = 1.

TUIEN bit (Transmit Underflow Interrupt Output Enable)

The TUIEN bit enables or disables the output of transmit underflow interrupts. By enabling this bit (set it to 1), an interrupt is output at a rising edge of SSISR.TUIIRQ = 1. An interrupt is also output when this bit is changed from 0 to 1 while SSISR.TUIIRQ = 1.

CKS bit (Select an Audio Clock for Master Mode Communication)

The CKS bit sets the audio clock in master mode communication (MST = 1). In slave mode communication (MST = 0), this bit setting is invalid.

Write to this bit when the supply of AUDIO_MCK is stopped. For timing details, see the description of the AUCKE bit in the SSIFCR register.

35.3.2 Status Register (SSISR)

Address(es): SSIE0.SSISR 4004 E004h

	b31	b30	b29	b28	b27	b26	b25	b24	b23	b22	b21	b20	b19	b18	b17	b16
	—	—	TUIRQ	TOIRQ	RUIRQ	ROIRQ	IIRQ	—	—	—	—	—	—	—	—	—
Value after reset:	0	0	0	0	0	0	1	0	0	0	0	0	0	0	0	0
	b15	b14	b13	b12	b11	b10	b9	b8	b7	b6	b5	b4	b3	b2	b1	b0
	—	—	—	—	—	—	—	—	—	—	—	—	—	—	—	—
Value after reset:	0	0	0	0	0	0	0	0	0	0	0	0	0	0	0	0

Bit	Symbol	Bit name	Description	R/W
b24 to b0	—	Reserved	These bits are read as 0. The write value should be 0.	R/W
b25	IIRQ	Idle Mode Status Flag	0: In the communication state 1: In the idle state.	R
b26	ROIRQ	Receive Overflow Error Status Flag	0: No receive overflow error is generated 1: A receive overflow error is generated.	R/W
b27	RUIRQ	Receive Underflow Error Status Flag	0: No receive underflow error is generated 1: A receive underflow error is generated.	R/W
b28	TOIRQ	Transmit Overflow Error Status Flag	0: No transmit overflow error is generated 1: A transmit overflow error is generated.	R/W
b29	TUIRQ	Transmit Underflow Error Status flag	0: No transmit underflow error is generated 1: A transmit underflow error is generated.	R/W
b31, b30	—	Reserved	These bits are read as 0. The write value should be 0.	R/W

This register is configured with status flags that indicate the SSIE operational state.

IIRQ bit (Idle Mode Status Flag)

The IIRQ is a status flag that indicates whether SSIE is in an idle state or a communication state.

For details, see [Figure 35.12](#) and [Figure 35.13](#).

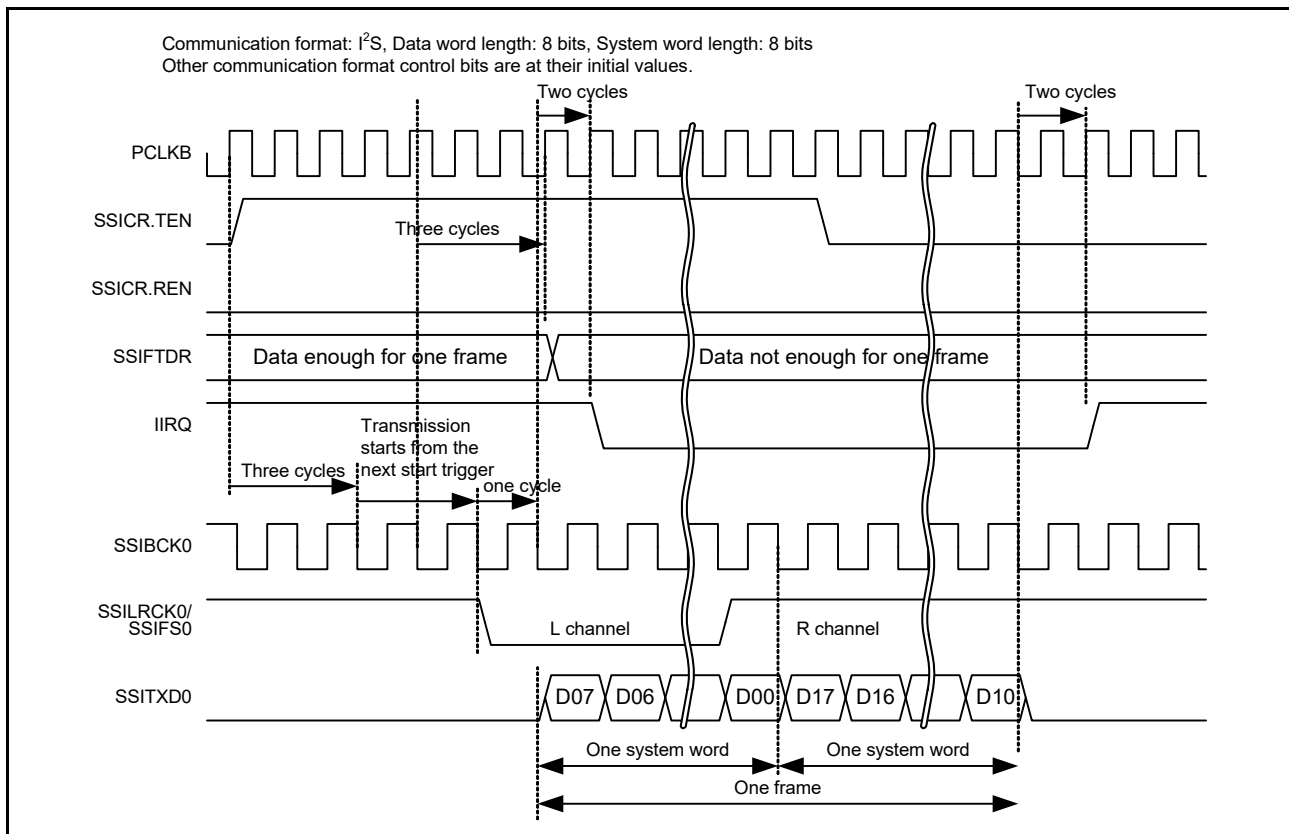


Figure 35.12 IIRQ setting timing (transmission)

For Transmitter (dedicated to transmission):

[Clearing condition]

- When transmission is enabled (SSICR.TEN = 1 and SSICR.REN = 0), the transmit data for a transmission frame is written to the SSIFTDR register, and a start trigger is generated by the SSILRCK0/SSIFS0 signal.

[Clearing timing]

- 1 SSIBCK0 cycle + 2 PCLKB cycles after generation of the start trigger, which is the clearing condition.

[Setting condition]

- When transmission and reception are disabled (SSICR.TEN = 0 and SSICR.REN = 0), and transmission of one frame is complete.

[Setting timing]

- 2 PCLKB cycles after the end of transmission (at a frame boundary), which is the setting condition.

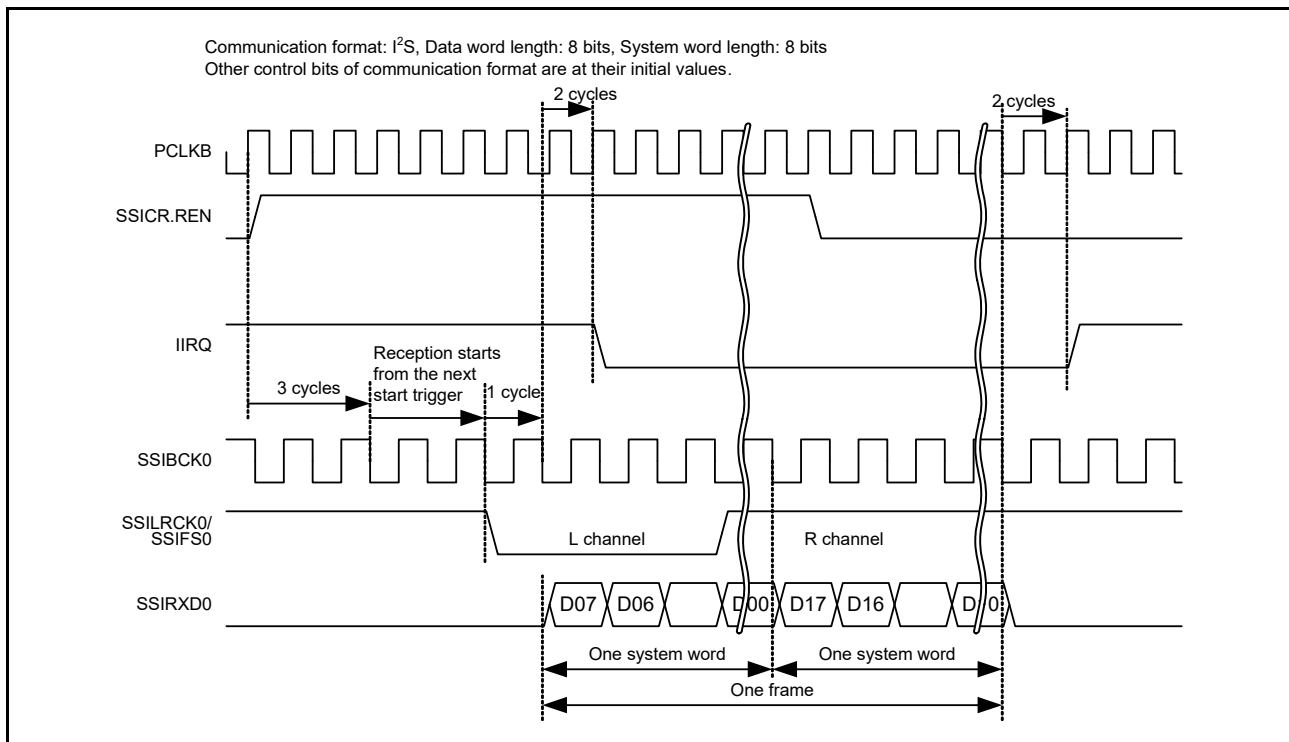


Figure 35.13 IIRQ setting timing (reception)

For the receiver (dedicated to reception):

[Clearing condition]

- When reception is enabled (SSICR.TEN = 0 and SSICR.REN = 01), a start trigger is generated by the SSILRCK0/SSIFS0 signal.

[Clearing timing]

- 1 SSIBCK0 cycle + 2 PCLKB cycles after generation of the start trigger, which is the clearing condition.

[Setting condition]

- When transmission and reception are disabled (SSICR.TEN = 0 and SSICR.REN = 0), reception of one frame is complete.

[Setting timing]

- 2 PCLKB cycles after the end of reception (at a frame boundary), which is the setting condition.

For Transceiver (transmission and reception):

[Clearing condition]

- When transmission and reception are enabled (SSICR.TEN = 1 and SSICR.REN = 1), the transmit data for a transmission frame is written to the SSIFTDR register, and a start trigger is generated by the SSILRCK0/SSIFS0 signal.

[Clearing timing]

- 1 SSIBCK0 cycle + 2 PCLKB cycles after generation of the start trigger, which is the clearing condition.

[Setting condition]

- While transmission and reception are disabled (SSICR.TEN = 0 and SSICR.REN = 0), transmission of one frame is complete.

[Setting timing]

- 2 PCLKB cycles after the end of transmission (at a frame boundary), which is the setting condition.

ROIRQ bit (Receive Overflow Error Status Flag)

The ROIRQ is a status flag that indicates a receive overflow error. This flag is set automatically but it must be cleared by register access. This flag indicates that received data is supplied at a higher rate than requested. Data is not transferred from the Receive Shift Register to SSIFRDR when a receive overflow error is generated. For the procedure to recover from the overflow error, see [section 35.7.6, Error Handling](#). This flag is not cleared by a Receive FIFO Data Register Reset (SSIFCR.RFRST).

[Priority order for setting and clearing]

- Setting is prioritized.*1

[Clearing condition]

When either of the following operations is performed:

1. On writing 0 to this bit after reading 1 from this bit.*2
2. On enabling communication (changing SSICR.REN from 0 to 1).

[Clearing timing]

Clearing timing associated with the specified clearing condition:

1. On writing 0 to this bit after reading 1 from this bit (same as the timing in [Figure 35.17](#)).
2. 1 PCLKB cycle after writing 1 to SSICR.REN.*3

Note 1. This bit is cleared by a software reset (SSIFCR.SSIRST = 1). The software reset has priority over all the specified clearing conditions.

Note 2. After reading 1 from this bit, this bit is cleared when one of the following three conditions is met:

- A software reset (SSIFCR.SSIRST = 1) is done
- After 1 is read, writing of 0 is complete
- 1 PCLKB cycle passes after 1 is written to SSICR.REN.

Note 3. After communication is enabled (by changing the value of SSICR.REN bit from 0 to 1), the reception error flags RUIRQ and ROIRQ in the SSISR register are cleared. However, if the SSISR register is read continuously, the cleared status of the reception error flags might be unreadable.

[Setting condition]

- On completion of receiving new data while SSIFRDR is full.

[Setting timing]

- 3 PCLKB cycles after reception is complete.

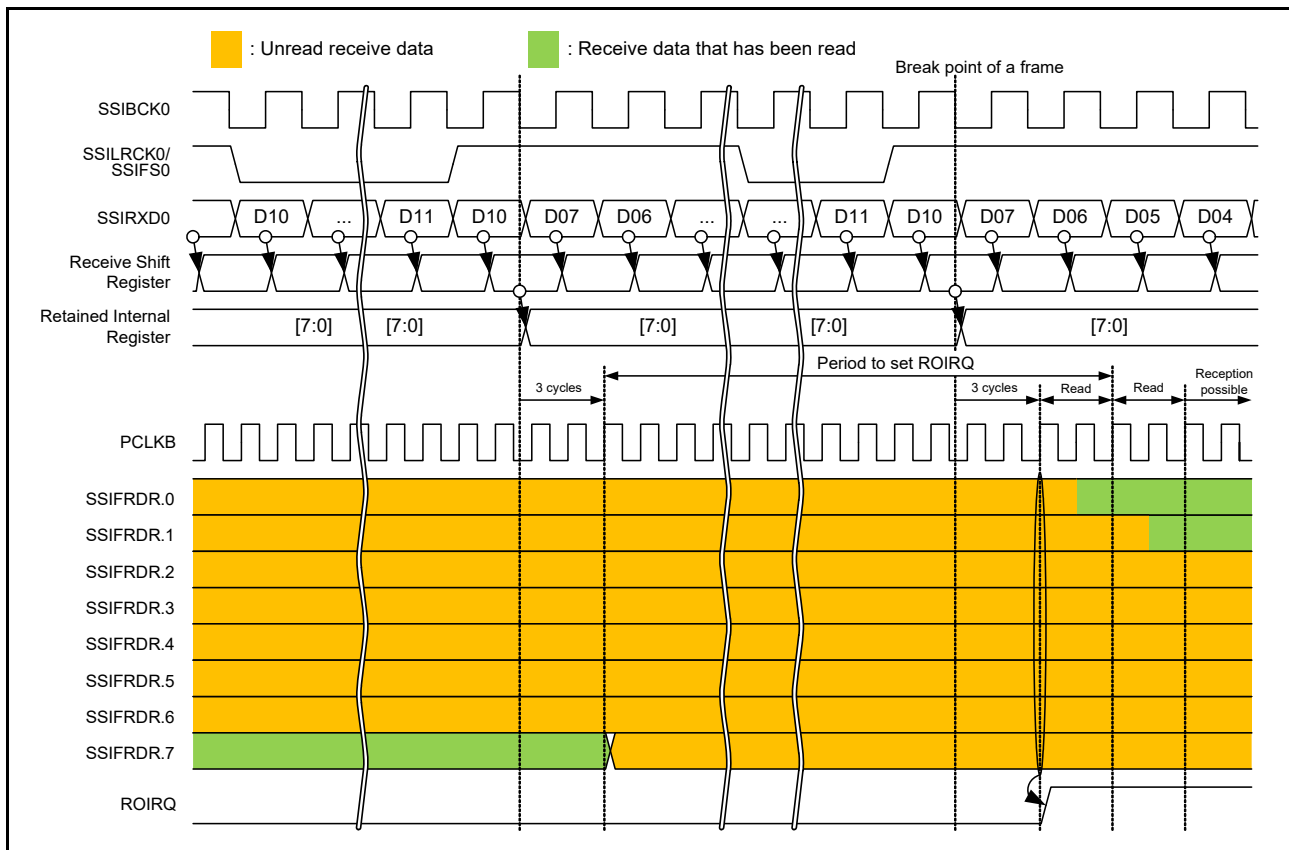


Figure 35.14 ROIRQ setting timing

RUIRQ bit (Receive Underflow Error Status Flag)

RUIRQ is a status flag that indicates a receive underflow error. This flag is set automatically but it must be cleared through register access. This flag indicates that SSIFRDR is read when it is empty. Data read from SSIFRDR when a receive underflow error is generated is invalid. See [section 35.7.6, Error Handling](#) for the error recovery procedure. This flag is not cleared by a Receive FIFO Data Register Reset (SSIFCR.RFRST). However, this flag is not set even if the SSIFRDR register is read while the Receive FIFO Data Register is reset (by setting SSIFCR.RFRST to 1).

[Priority order for setting and clearing]

- Setting is prioritized.*1

[Clearing condition]

When either of the following operations is done:

1. On writing 0 to this bit after reading 1 from this bit*2.
2. On enabling communication (changing SSICR.REN from 0 to 1).

[Clearing timing]

Clearing timing associated with the specified clearing condition:

1. When 0 is written to this bit after reading 1 from this bit (same as the timing in [Figure 35.17](#)).
2. 1 PCLKB cycle after writing 1 to SSICR.REN*3.

Note 1. This bit is cleared by a software reset (SSIFCR.SSIRST = 1). Software reset has priority over all the specified clearing conditions.

Note 2. After reading 1 from this bit, this bit is cleared when one of the following three conditions is met:

- A software reset (SSIFCR.SSIRST = 1) is done
- After 1 is read, writing of 0 is complete
- 1 PCLKB cycle passes after 1 is written to SSICR.REN.

Note 3. After communication is enabled (by changing the value of SSICR.REN bit from 0 to 1), the reception error flags RUIRQ and ROIRQ in the SSISR register are cleared. However, if the SSISR register is read continuously, the cleared status of the reception error flags might be unreadable.

[Setting condition]

- Reading from SSIFRDR when it is empty.

[Setting timing]

- On completion of reading from SSIFRDR. See Figure 35.15.

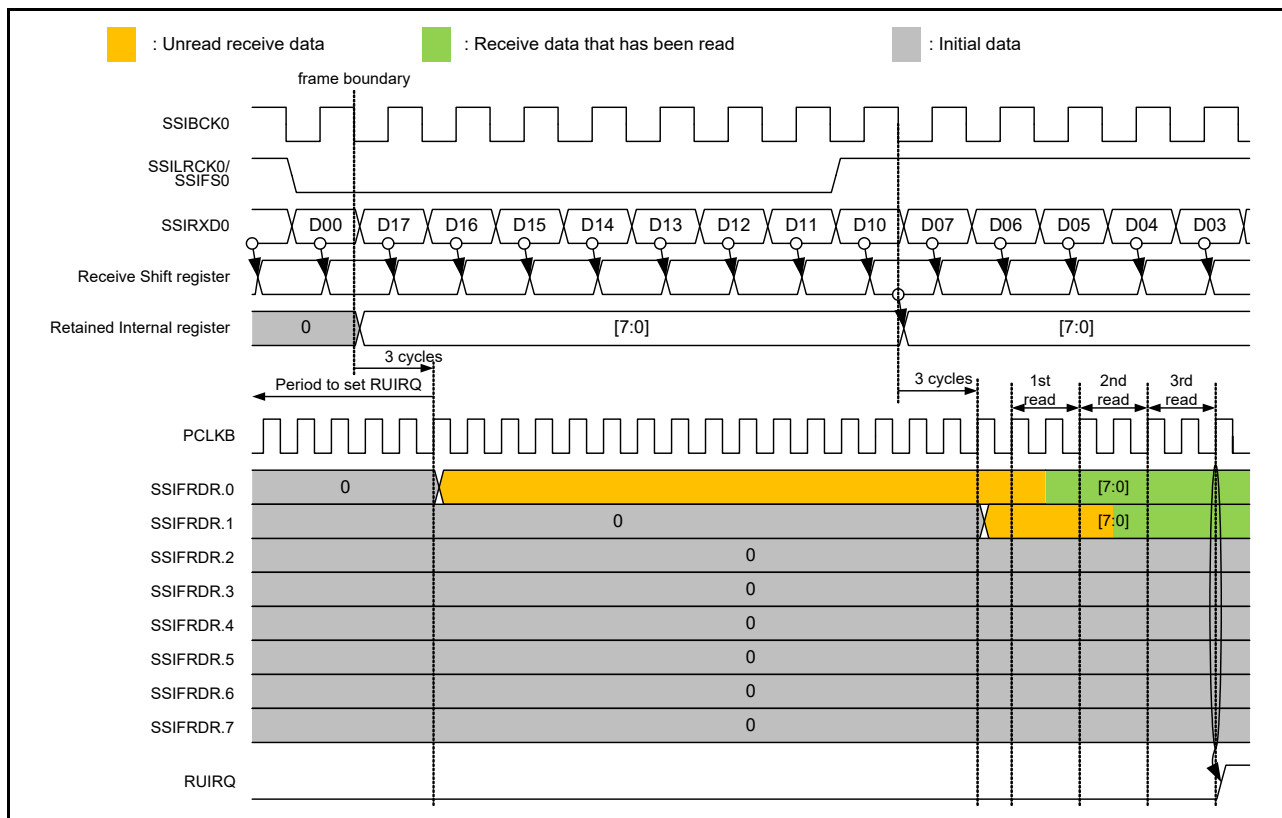


Figure 35.15 RUIRQ setting timing

TOIRQ bit (Transmit Overflow Error Status Flag)

TOIRQ is a status flag that indicates a transmit overflow error. This flag is set automatically but it must be cleared through register access. This flag indicates that an attempt was made to write data to the SSIFTDR register when the register is full. The data writing that causes a transmit overflow is ignored. For the procedure to recover from the overflow error, see section 35.7.6, Error Handling. This flag is not cleared by a Transmit FIFO Data Register Reset (SSIFCR.TFRST).

[Priority order for setting and clearing]

- Setting is prioritized.*1

[Clearing condition]

When either of the following operations is done:

1. On writing 0 to this bit after reading 1 from this bit.*2
2. On enabling communication (changing SSICR.TEN from 0 to 1).

[Clearing timing]

Clearing timing associated with the specified clearing condition:

1. When 0 is written to this bit after reading 1 from this bit (same as the timing in [Figure 35.17](#)).
2. 1 PCLKB cycle after writing 1 to SSICR.TEN.*3

Note 1. This bit is cleared by a software reset (SSIFCR.SSIRST = 1). Software reset has priority over all the specified clearing conditions.

Note 2. After reading 1 from this bit, this bit is cleared when one of the following three conditions is met:

- On a software reset (SSIFCR.SSIRST = 1)
- On writing 0
- After passage of 1 PCLKB cycle after 1 is written to SSICR.TEN.

Note 3. After communication is enabled (by changing the value of the SSICR.TEN bit from 0 to 1), the transmission error flags, TOIRQ and TUIRQ in the SSISR register are cleared. However, if the SSISR register is read continuously, the cleared status of the transmission error flags might be unreadable.

[Setting condition]

- An attempt is made to write data to the SSIFTDR register when the register is full.

[Setting timing]

- On completion of writing to SSIFTDR. For details, see [Figure 35.16](#).

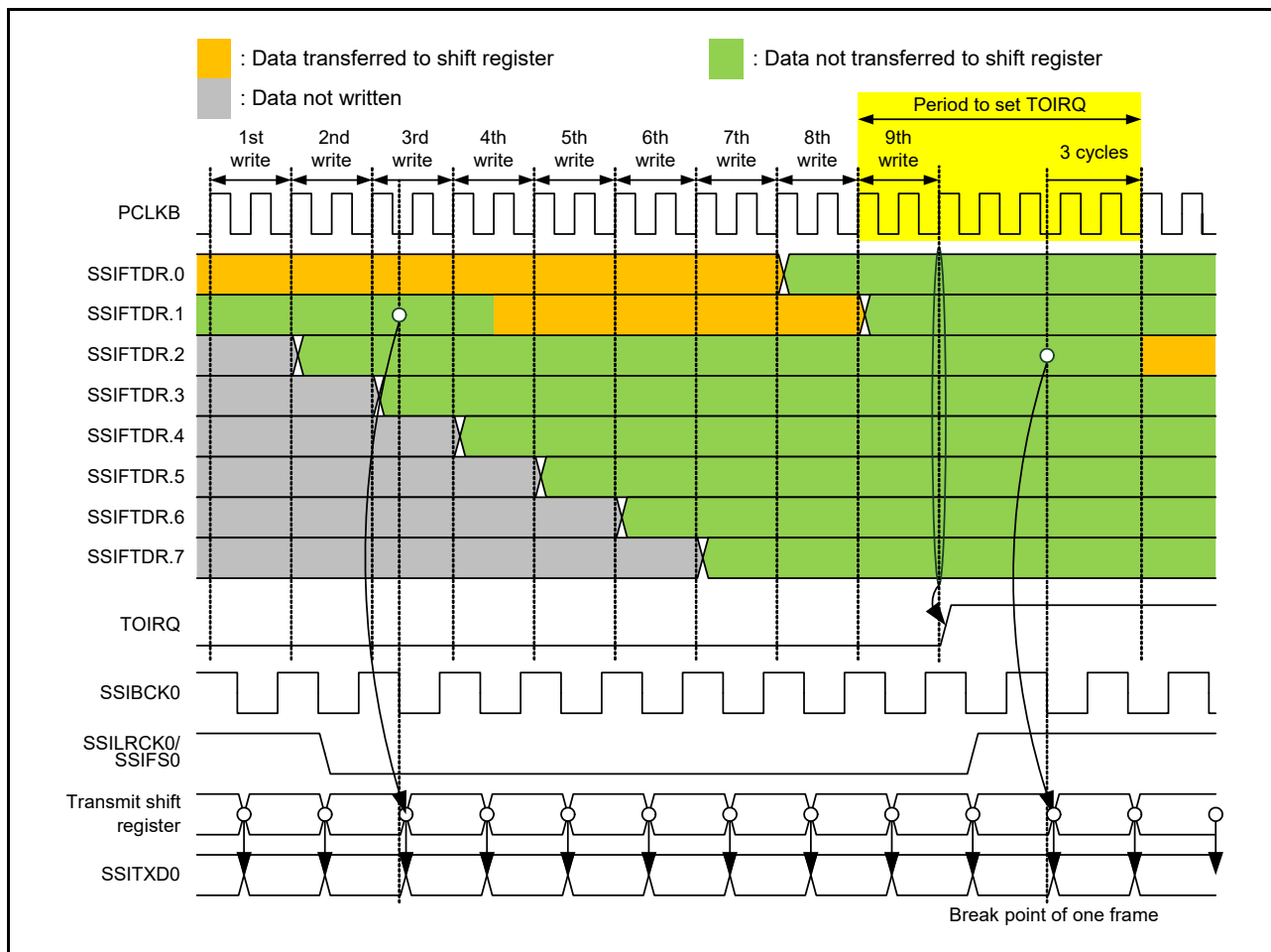


Figure 35.16 TOIRQ setting timing

TUIRQ bit (Transmit Underflow Error Status flag)

TUIRQ is a status flag that indicates a transmit underflow error. This flag is set automatically but it must be cleared by register access. This flag indicates that writing the serial data required for a frame to SSIFTDR did not catch up with transmission of the frame. Even if this flag is cleared after it is set, the SSITXD0 output remains at 0. To output the data written to the Transmit FIFO Data Register (SSIFTDR) to the SSITXD0 pin, follow the communication stop procedure in [Figure 35.52](#) and the error-handling procedure in [Figure 35.53](#). For the procedure to recover from an error, see [section 35.7.6, Error Handling](#). This flag is not cleared by a Transmit FIFO Data Register Reset (SSIFCR.TFRST).

[Priority order for setting and clearing]

- Setting is prioritized.*1

[Clearing condition]

When either of the following operations is done:

1. On writing 0 to this bit after reading 1 from this bit*2.
2. On enabling communication (changing SSICR.TEN from 0 to 1).

[Clearing timing]

Clearing timing associated with the specified clearing condition:

1. On writing 0 to this bit after reading 1 from this bit.
2. After passage of 1 PCLKB cycle after writing 1 to SSICR.TEN.*3

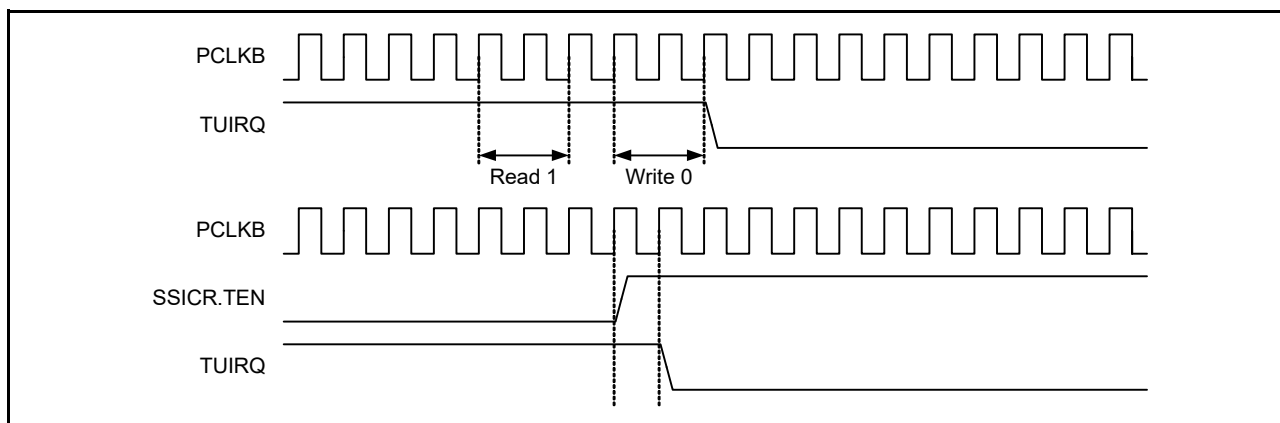


Figure 35.17 TUIRQ clearing timing

Note 1. This bit is cleared by a software reset (SSIFCR.SSIRST = 1). The software reset has priority over all the clearing conditions described above.

Note 2. After reading 1 from this bit, this bit is cleared when one of the following three conditions is met:

- On a software reset (SSIFCR.SSIRST = 1)
- On writing 0
- 1 PCLKB cycle after 1 is written to SSICR.TEN.

Note 3. After communication is enabled (by changing the value of SSICR.TEN bit from 0 to 1), the transmission error flags, TOIRQ and TUIRQ in the SSISR register are cleared. However, if the SSISR register is read continuously, the cleared status of the transmission error flags might be unreadable.

[Setting condition]

- When communication continues over a frame boundary, the transmit data required for the next frame has not been written to SSIFTDR. For details, see [Figure 35.18](#) and [Figure 35.19](#).

[Setting timing]

- 3 PCLKB cycles after the frame boundary. For details, see [Figure 35.18](#).

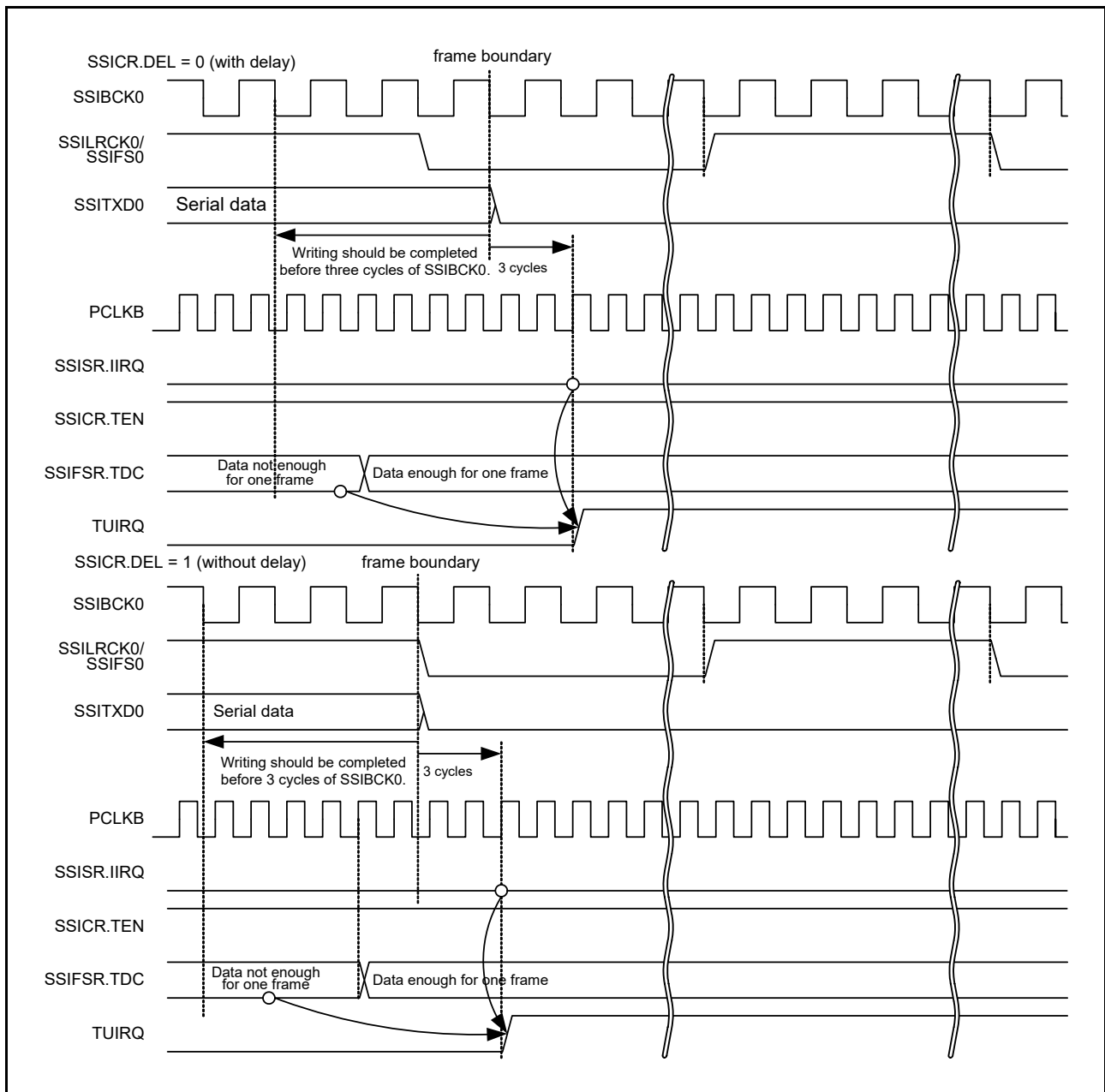


Figure 35.18 TUIRQ setting timing when communication continues

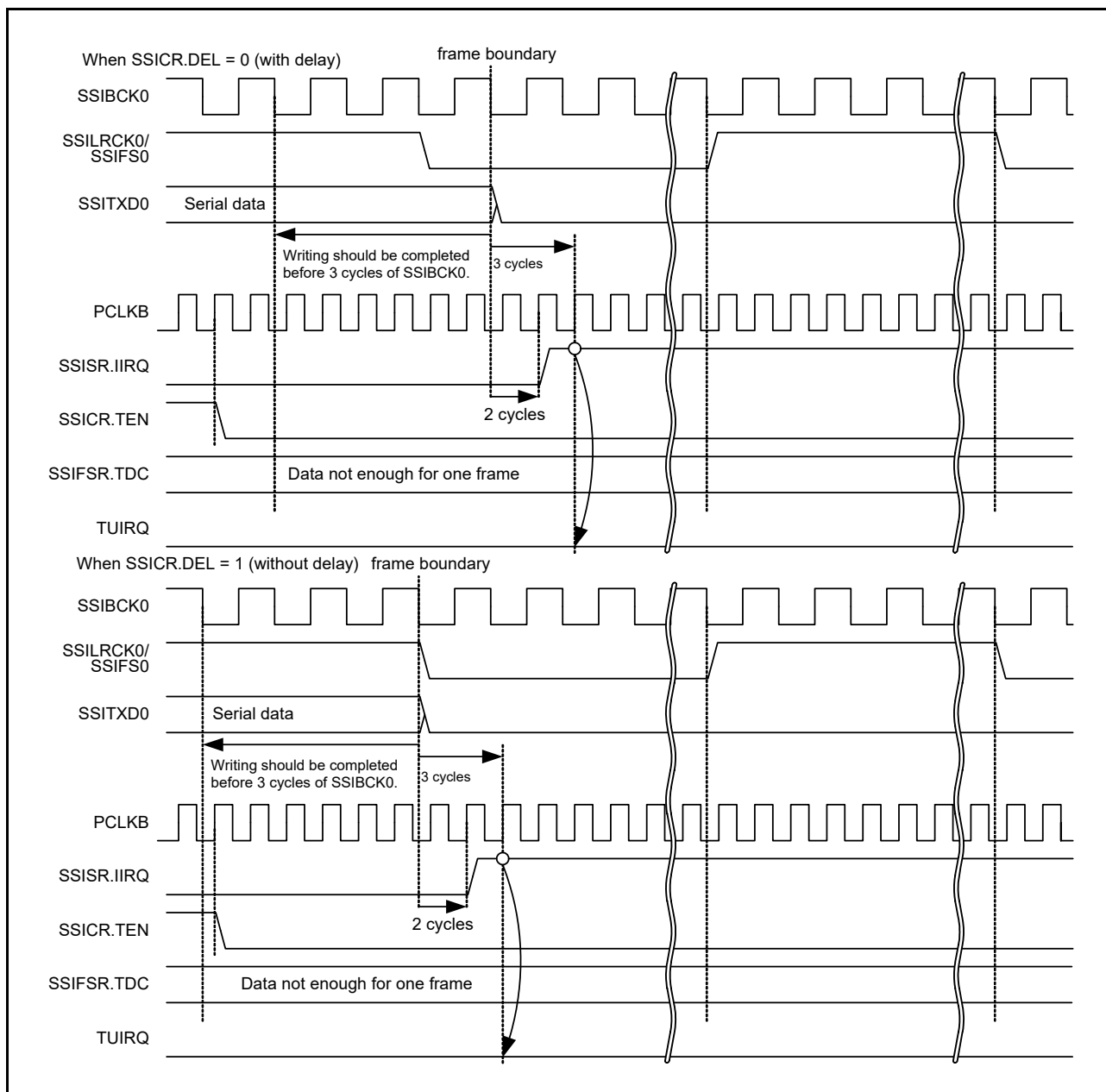


Figure 35.19 TUIRQ setting timing when communication stops

35.3.3 FIFO Control Register (SSIFCR)

Address(es): SSIE0.SSIFCR 4004 E010h

	b31	b30	b29	b28	b27	b26	b25	b24	b23	b22	b21	b20	b19	b18	b17	b16
	AUCKE	—	—	—	—	—	—	—	—	—	—	—	—	—	—	SSIRST
Value after reset:	0	0	0	0	0	0	0	0	0	0	0	0	0	0	0	0
	b15	b14	b13	b12	b11	b10	b9	b8	b7	b6	b5	b4	b3	b2	b1	b0
	—	—	—	—	BSW	—	—	—	—	—	—	—	TIE	RIE	TFRST	RFRST
Value after reset:	0	0	0	0	0	0	0	0	0	0	0	0	0	0	0	0

Bit	Symbol	Bit name	Description	R/W
b0	RFRST	Receive FIFO Data Register Reset* ¹	0: Clear a receive data FIFO reset condition 1: Set a receive data FIFO reset condition.	R/W
b1	TFRST	Transmit FIFO Data Register Reset* ¹	0: Clear a transmit data FIFO reset condition 1: Set a transmit data FIFO reset condition.	R/W
b2	RIE	Receive Data Full Interrupt Output Enable	0: Disable receive data full interrupts 1: Enable receive data full interrupts.	R/W
b3	TIE	Transmit Data Empty Interrupt Output Enable	0: Disable transmit data empty interrupts 1: Enable transmit data empty interrupts.	R/W
b10 to b4	—	Reserved	These bits are read as 0. The write value should be 0.	R/W
b11	BSW	Byte Swap Enable* ¹	0: Disable byte swap 1: Enable byte swap.	R/W
b15 to b12	—	Reserved	These bits are read as 0. The write value should be 0.	R/W
b16	SSIRST	Software Reset	0: Clear a software reset condition 1: Set a software reset condition.	R/W
b30 to b17	—	Reserved	These bits are read as 0. The write value should be 0.	R/W
b31	AUCKE	AUDIO_MCK Enable in Master Mode Communication* ¹	0: Disable supply of AUDIO_MCK 1: Enable supply of AUDIO_MCK.	R/W

Note 1. Writing to these bits is prohibited while SSIE is in a communication state (SSISR.IIRQ = 0). If the value of these bits is changed by rewriting, subsequent operation is unpredictable.

The SSIFCR register sets a software reset, byte swap, and enabling or disabling of interrupt requests.

RFRST bit (Receive FIFO Data Register Reset)

The RFRST bit sets a software reset of the Receive FIFO Data Register (SSIFRDR). Writing 1 to this bit initializes the internal state related to the SSIFRDR register. The register bits subject to the software reset triggered by this bit are indicated by the shading in Table 35.5. Because this bit is not automatically cleared after it is set, write 0 to this bit to release the register bits from the software reset. After writing 0 to this bit, be sure to check that this bit is 0 before starting the next procedural step.

This bit is subject to software reset by the SSIRST bit. Because a software reset by the SSIRST bit has priority over the reset by this bit, this bit setting is ignored when the SSIRST bit is set.

Table 35.5 Bits subject to software reset by the RFRST bit

Symbol	Address (BASE+)		+0								+1							
			31	30	29	28	27	26	25	24	23	22	21	20	19	18	17	16
			15	14	13	12	11	10	9	8	7	6	5	4	3	2	1	0
SSICR	00h	+0	—	CKS	TUI EN	TOI EN	RUI EN	ROI EN	IIEN	—	—	—	DWL[2:0]			SWL[2:0]		
		+2	—	MS T	BCK P	LRC KP	SPD P	SDT A	PDT A	DEL	CKDV[3:0]				MU EN	—	TEN	RE N
SSISR	04h	+0	—	—	TUI RQ	TOI RQ	RUI RQ	ROI RQ	IIRQ	—	—	—	—	—	—	—	—	
		+2	—	—	—	—	—	—	—	—	—	—	—	—	—	—	—	
SSIFCR	10h	+0	AUC KE	—	—	—	—	—	—	—	—	—	—	—	—	—	SSI RST	
		+2	—	—	—	—	BS W	—	—	—	—	—	—	—	TIE	RIE	TFR ST	RFR ST
SSIFSR	14h	+0	—	—	—	—	TDC[3:0]			—	—	—	—	—	—	—	TDE	
		+2	—	—	—	—	RDC[3:0]			—	—	—	—	—	—	—	RDF	
SSIFTDR	18h	+0	SSIFTDR[31:16]															
		+2	SSIFTDR[15:0]															
SSIFRDR	1ch	+0	SSIFRDR[31:16]															
		+2	SSIFRDR[15:0]															
SSIOFR	20h	+0	—	—	—	—	—	—	—	—	—	—	—	—	—	—	—	
		+2	—	—	—	—	—	—	BCK AST P	LRC ON T	—	—	—	—	—	—	—	OMOD[1:0]
SSISCR	24h	+0	—	—	—	—	—	—	—	—	—	—	—	—	—	—	—	
		+2	—	—	—	—	—	TDES[2:0]			—	—	—	—	—	RDFS[2:0]		

TFRST bit (Transmit FIFO Data Register Reset)

The TFRST bit sets a software reset of the Transmit FIFO Data Register (SSIFTDR). Writing 1 to this bit initializes the internal state of the SSIFTDR register. The register bits subject to the software reset triggered by this bit are indicated by the shading in Table 35.6. Because this bit is not automatically cleared after it has been set, write 0 to this bit to release the register bits from the software reset. After writing 0 to this bit, be sure to check that this bit is 0 before starting the next procedural step.

This bit is subject to a software reset by the SSIRST bit. Because a software reset by the SSIRST bit has priority over the reset by this bit, this bit setting is ignored when the SSIRST bit is set.

Table 35.6 Bits subject to software reset by the TFRST bit

Symbol	Address (BASE+)	+0								+1								
		31	30	29	28	27	26	25	24	23	22	21	20	19	18	17	16	
		15	14	13	12	11	10	9	8	7	6	5	4	3	2	1	0	
SSICR	00h	+0	—	CKS	TUI EN	TOI EN	RUI EN	ROI EN	IIEN	—	—	—	DWL[2:0]			SWL[2:0]		
		+2	—	MS T	BCK P	LRC KP	SPD P	SDT A	PDT A	DEL	CKDV[3:0]			MU EN	—	TEN	RE N	
SSISR	04h	+0	—	—	TUI RQ	TOI RQ	RUI RQ	ROI RQ	IIRQ	—	—	—	—	—	—	—	—	
		+2	—	—	—	—	—	—	—	—	—	—	—	—	—	—	—	
SSIFCR	10h	+0	AUC KE	—	—	—	—	—	—	—	—	—	—	—	—	—	SSI RST	
		+2	—	—	—	—	BS W	—	—	—	—	—	—	TIE	RIE	TFR ST	RFR ST	
SSIFSR	14h	+0	—	—	—	—	TDC[3:0]			—	—	—	—	—	—	—	TDE	
		+2	—	—	—	—	RDC[3:0]			—	—	—	—	—	—	—	RDF	
SSIFTDR	18h	+0	SSIFTDR[31:16]															
		+2	SSIFTDR[15:0]															
SSIFRDR	1ch	+0	SSIFRDR[31:16]															
		+2	SSIFRDR[15:0]															
SSIOFR	20h	+0	—	—	—	—	—	—	—	—	—	—	—	—	—	—	—	
		+2	—	—	—	—	—	—	BCK AST P	LRC ON T	—	—	—	—	—	—	—	OMOD[1:0]
SSISCR	24h	+0	—	—	—	—	—	—	—	—	—	—	—	—	—	—	—	
		+2	—	—	—	—	—	TDES[2:0]			—	—	—	—	—	—	RDFS[2:0]	

RIE bit (Receive Data Full Interrupt Output Enable)

The RIE bit enables or disables the output of receive data full interrupts. Use a receive data full interrupt to trigger data reading from the Receive FIFO Data Register. Write 1 to this bit after specifying the setting condition for receive data full interrupt (using the SSISCR.RDFS[2:0]). [Figure 35.20](#) shows the timing for generating the receive data full interrupt.

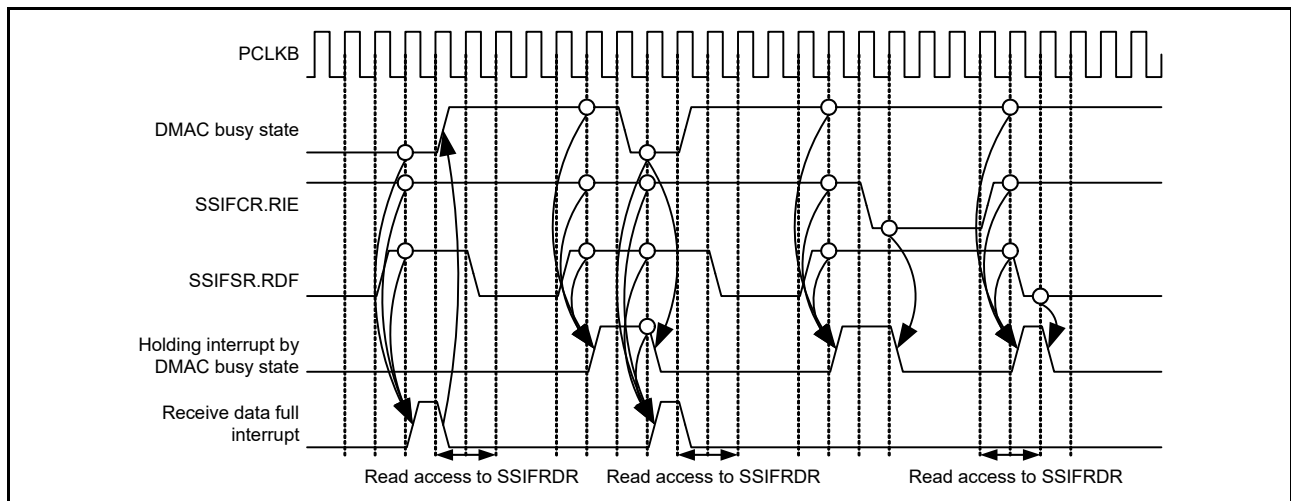


Figure 35.20 Timing of receive data full interrupt

TIE bit (Transmit Data Empty Interrupt Output Enable)

The TIE bit enables or disables the output of transmit data empty interrupts. Use a transmit data empty interrupt to trigger writing data to the Transmit FIFO Data Register. Write 1 to this bit after specifying the setting condition for transmit data empty interrupt (using the SSISCR.TDES[2:0] bit). Figure 35.21 shows the timing for generating the transmit data empty interrupt.

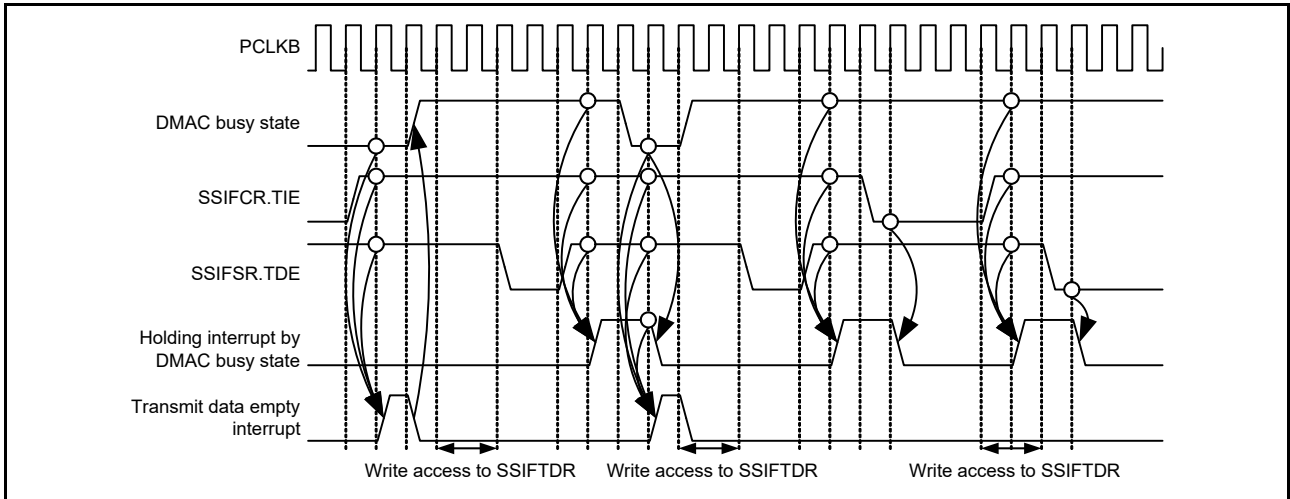


Figure 35.21 Timing of transmit data empty interrupt

BSW bit (Byte Swap Enable)

The BSW bit enables or disables the byte swap for register access to the Transmit FIFO Data Register (SSIFTDR) and the Receive FIFO Data Register (SSIFRDR). This bit is valid only with 16-bit access or 32-bit access to SSIFTDR and SSIFRDR. For details, see Figure 35.22.

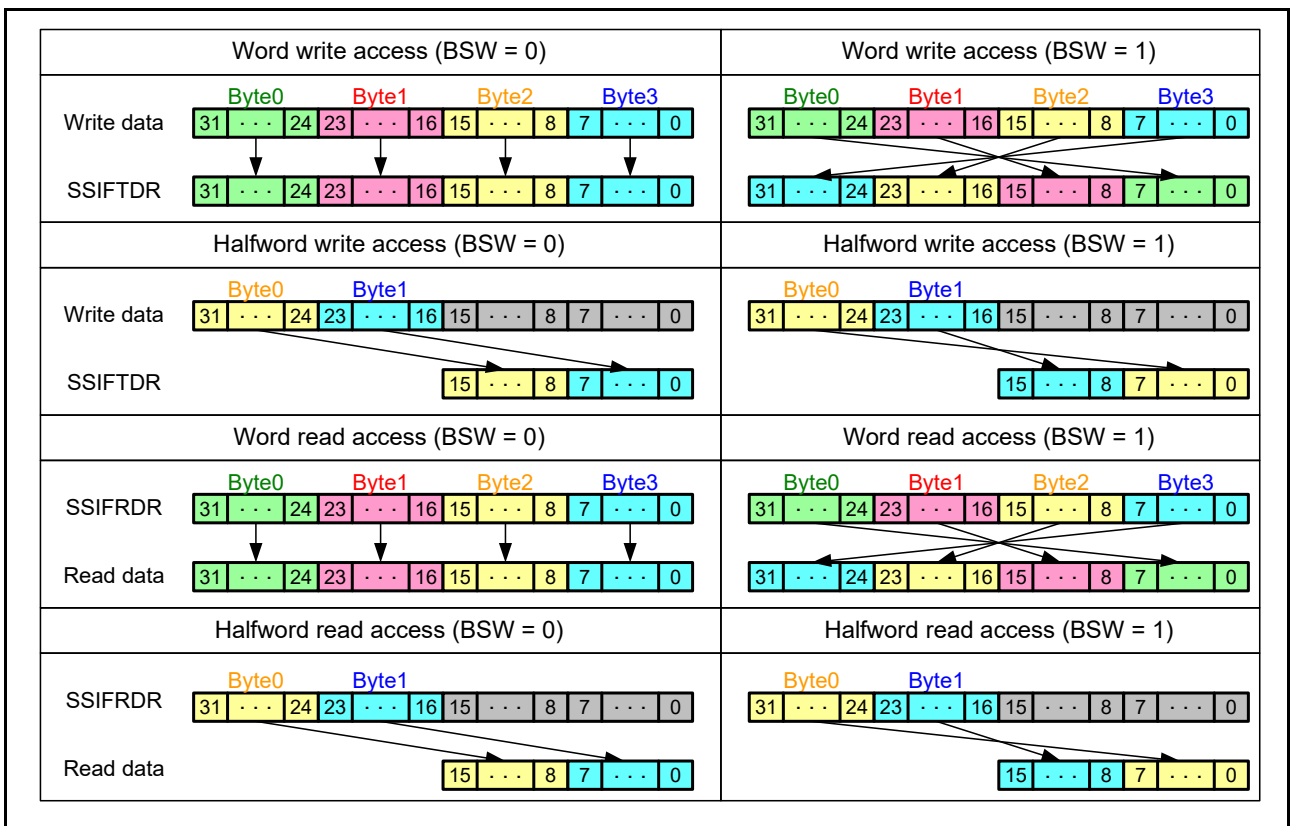


Figure 35.22 Operation example of byte swap

SSIRST bit (Software Reset)

The SSIRST bit sets a software reset of the SSIE. Writing 1 to this bit initializes the internal state of the SSIE. The register bits subject to the software reset triggered by this bit are indicated by the shading in Table 35.7. Because this bit is not automatically cleared after it is set, write 0 to this bit to release the register bits from the software reset. After writing 0 to this bit, be sure to check that this bit is 0 before starting the next procedural step.

To stop SSIE communication immediately, after turning off the peripheral functions, write 1 to this bit. Initialization by a software reset is performed without any relation to the bit clock.

Table 35.7 Bits subject to software reset by the SSIRST bit

Symbol	Address (BASE+)	+0								+1								
		31	30	29	28	27	26	25	24	23	22	21	20	19	18	17	16	
		15	14	13	12	11	10	9	8	7	6	5	4	3	2	1	0	
SSICR	00h	+0	—	CKS	TUI EN	TOI EN	RUI EN	ROI EN	I IEN	—	—	—	DWL[2:0]			SWL[2:0]		
		+2	—	MST	BCKP	LRC KP	SPD P	SDT A	PDT A	DEL	CKDV[3:0]			MU EN	—	TEN	REN	
SSISR	04h	+0	—	—	TUI RQ	TOI RQ	RUI RQ	ROI RQ	IIRQ	—	—	—	—	—	—	—	—	
		+2	—	—	—	—	—	—	—	—	—	—	—	—	—	—	—	
SSIFCR	10h	+0	AUC KE	—	—	—	—	—	—	—	—	—	—	—	—	—	SSI RST	
		+2	—	—	—	—	BS W	—	—	—	—	—	—	TIE	RIE	TFR ST	RFR ST	
SSIFSR	14h	+0	—	—	—	—	TDC[3:0]			—	—	—	—	—	—	—	TDE	
		+2	—	—	—	—	RDC[3:0]			—	—	—	—	—	—	—	RDF	
SSIFTDR	18h	+0	SSIFTDR[31:16]															
		+2	SSIFTDR[15:0]															
SSIFRDR	1ch	+0	SSIFRDR[31:16]															
		+2	SSIFRDR[15:0]															
SSIOFR	20h	+0	—	—	—	—	—	—	—	—	—	—	—	—	—	—	—	
		+2	—	—	—	—	—	—	BCK AST P	LRC ON T	—	—	—	—	—	—	—	OMOD[1:0]
SSISCR	24h	+0	—	—	—	—	—	—	—	—	—	—	—	—	—	—	—	
		+2	—	—	—	—	—	TDES[2:0]			—	—	—	—	—	RDFS[2:0]		

AUCKE bit (AUDIO_MCK Enable in Master Mode Communication)

The AUCKE bit enables or disables the supply to AUDIO_MCK while in master mode communication (MST = 1).

This bit value must be changed only after specifying the settings related to AUDIO_MCK (using the CKS, MST, BCKP, and CKDV bits in the SSICR register).

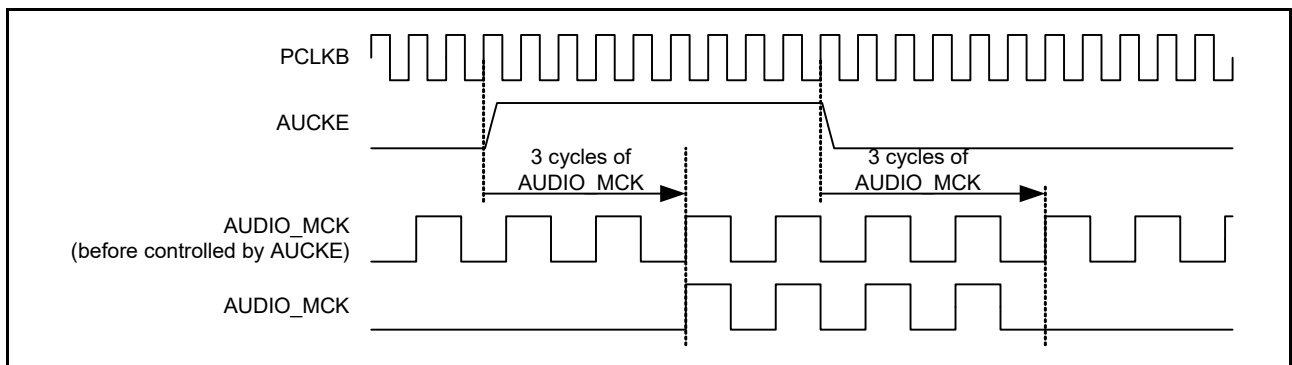


Figure 35.23 Stop/resume of AUDIO_MCK

Note: In slave mode communication (SSICR.MST = 0), SSIE needs the supply of SSIBCK0. To stop BCK on the master-side, make sure that SSIE is in an idle state (SSISR.IIRQ = 1). If BCK is stopped before SSIE becomes idle, use the procedure shown in Figure 35.48 to start communication or wait for an idle state by using the procedure in Figure 35.54 to resume communication.

In master mode communication (SSICR.MST = 1), SSIE operates with the audio clock (AUDIO_MCK). To stop SSIE completely, make sure that SSIE is in idle state (SSISR.IIRQ = 1) and then write 0 to SSIFCR.ADCKE. If 0 is written to SSIFCR.ADCKE before SSIE becomes idle, use the procedure shown in Figure 35.48 to start communication.

Figure 35.24 and Figure 35.25 show the timings of signal operation in the period from setting this bit to 1 to the output to the SSIBCK0 pin.

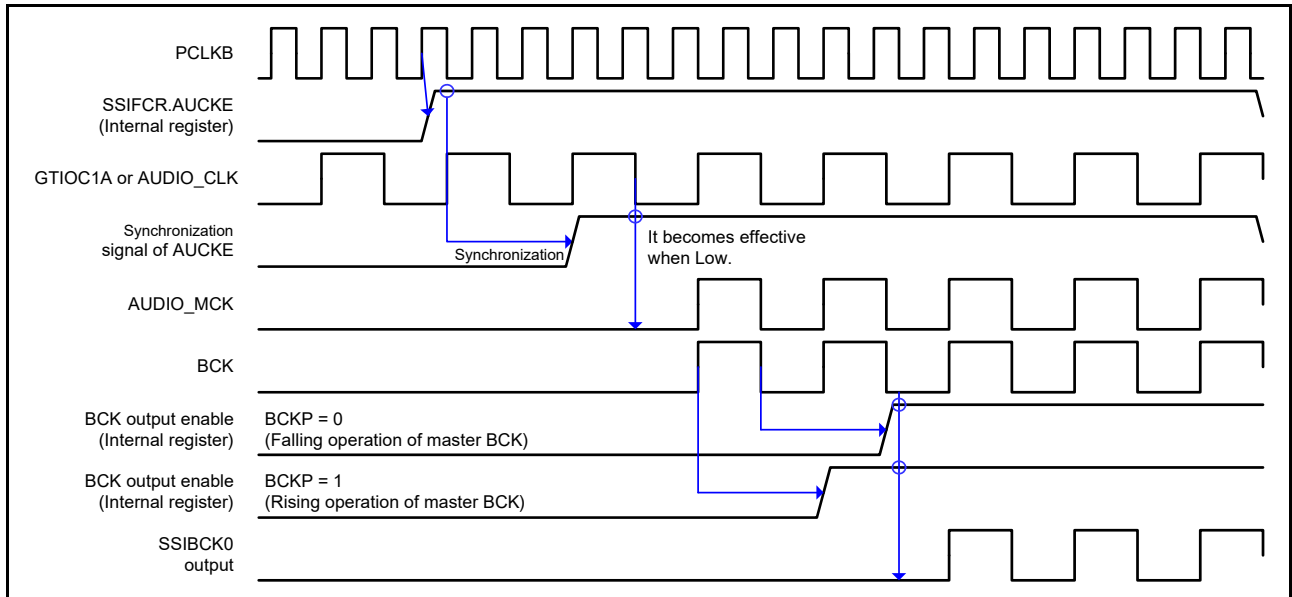


Figure 35.24 Timing diagram for operation from system reset to start of master mode communication

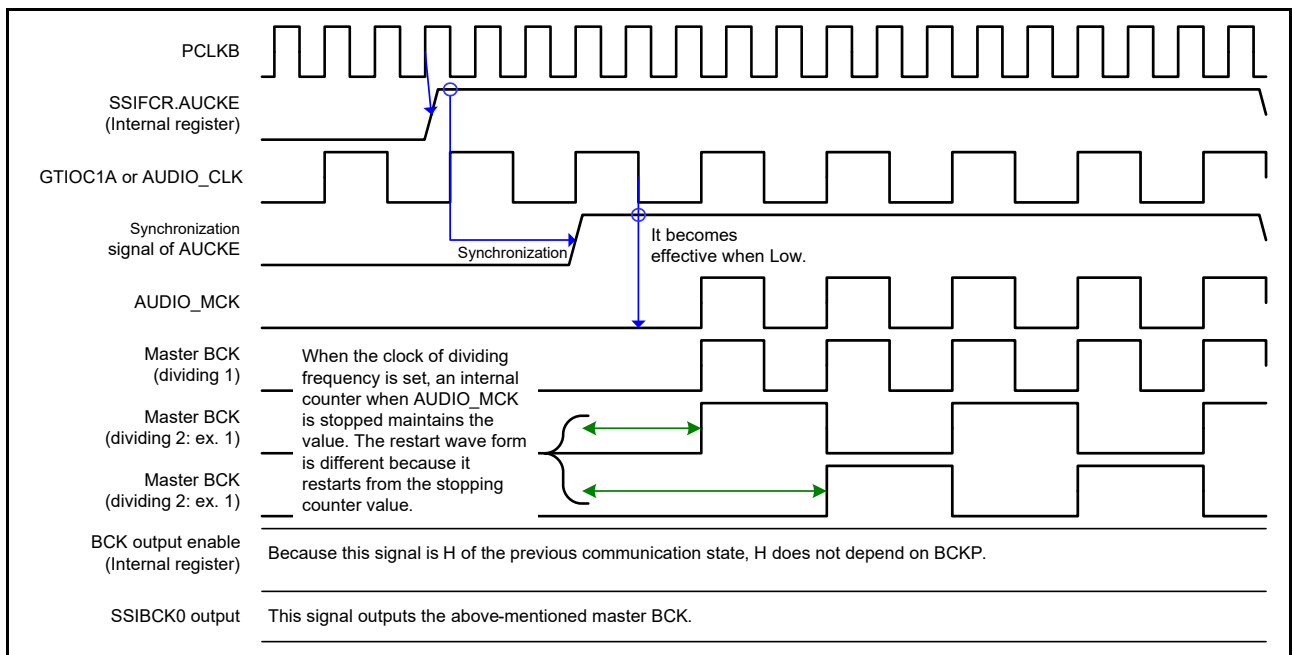


Figure 35.25 Timing diagram for operation from stopping communication to starting master mode communication

Note: If the supply of AUDIO_MCK stops, the value of the SSIBCK0 pin is held. Therefore, the SSIBCK0 signal might stop in the H (high-level) state.

35.3.4 FIFO Status Register (SSIFSR)

Address(es): SSIE0.SSIFSR 4004 E014h

	b31	b30	b29	b28	b27	b26	b25	b24	b23	b22	b21	b20	b19	b18	b17	b16	
	—	—	—	—	TDC[3:0]			—	—	—	—	—	—	—	—	—	TDE
Value after reset:	0	0	0	0	0	0	0	0	0	0	0	0	0	0	0	0	1
	b15	b14	b13	b12	b11	b10	b9	b8	b7	b6	b5	b4	b3	b2	b1	b0	
	—	—	—	—	RDC[3:0]			—	—	—	—	—	—	—	—	—	RDF
Value after reset:	0	0	0	0	0	0	0	0	0	0	0	0	0	0	0	0	0

Bit	Symbol	Bit name	Description	R/W
b0	RDF	Receive Data Full Flag	0: The size of received data in SSIFRDR is not more than the value of SSISCR.RDFS[2:0] 1: The size of received data in SSIFRDR is not less than the value of SSISCR.RDFS[2:0] plus one.	R/W
b7 to b1	—	Reserved	These bits are read as 0. The write value should be 0.	R/W
b11 to b8	RDC[3:0]	Number of Receive FIFO Data Indication Flag	Number of receive FIFO data indication flag	R
b15 to b12	—	Reserved	These bits are read as 0. The write value should be 0.	R/W
b16	TDE	Transmit Data Empty Flag	0: The free space in SSIFTDR is not more than the value of SSISCR.TDES[2:0] 1: The free space in SSIFTDR is not less than the value of SSISCR.TDES[2:0] plus one.	R/W
b23 to b17	—	Reserved	These bits are read as 0. The write value should be 0.	R/W
b27 to b24	TDC[3:0]	Number of Transmit FIFO Data Indication Flag	Number of transmit FIFO data indication flag.	R
b31 to b28	—	Reserved	These bits are read as 0. The write value should be 0.	R/W

This register is configured with status flags that indicate the status of the Transmit FIFO Data Register and the Receive FIFO Data Register.

RDF bit (Receive Data Full Flag)

The RDF bit indicates that the Receive FIFO Data Register (SSIFRDR) has unread received data not less than the amount set in the SSISCR.RDFS[2:0] bit plus one. This flag is set automatically but it must be cleared by register access.

[Priority order for setting and clearing]

- Clearing is prioritized.

[Clearing condition]

When either of the following two conditions are satisfied:*1

1. On writing 0 to this bit after reading 1 from this bit (CPU operation)*2
2. At the last access (DTC or DMAC operation) to read data from the SSIFRDR register by an interrupt routine using the DTC and DMAC.

[Clearing timing]

Clearing timing associated with the above clearing condition:

1. When 0 is written to this bit after reading 1 from this bit (same as the timing in [Figure 35.17](#)).
2. After the PCLKB cycle in which the last access instruction is issued to read data from SSIFRDR by an interrupt routine using the DTC and DMAC.

Note 1. These bits are cleared by a software reset (SSIFCR.SSIRST = 1) and Receive FIFO Data Register reset (SSIFCR.RFRST = 1). In addition to the software reset and Receive FIFO Data Register reset, these bits can also be reset using the clearing conditions described in this section.

Note 2. After reading 1 from this bit, this bit is cleared when one of the following four conditions is met:
 - On a software reset (SSIFCR.SSIRST = 1)
 - On a Receive FIFO Data Register reset (SSIFCR.RFRST = 1)
 - On writing 0
 - After last access is performed to read data from the SSIFRDR register by an interrupt routine using the DTC and DMAC.

[Setting condition]

- SSIFRDR has data not less than the amount set in the SSISCR.RDFS[2:0] bit plus one.

[Setting timing]

- At completion of transfer from the shift register that results in SSIFRDR having data not less than the amount set in the SSISCR.RDFS[2:0] bit plus one.

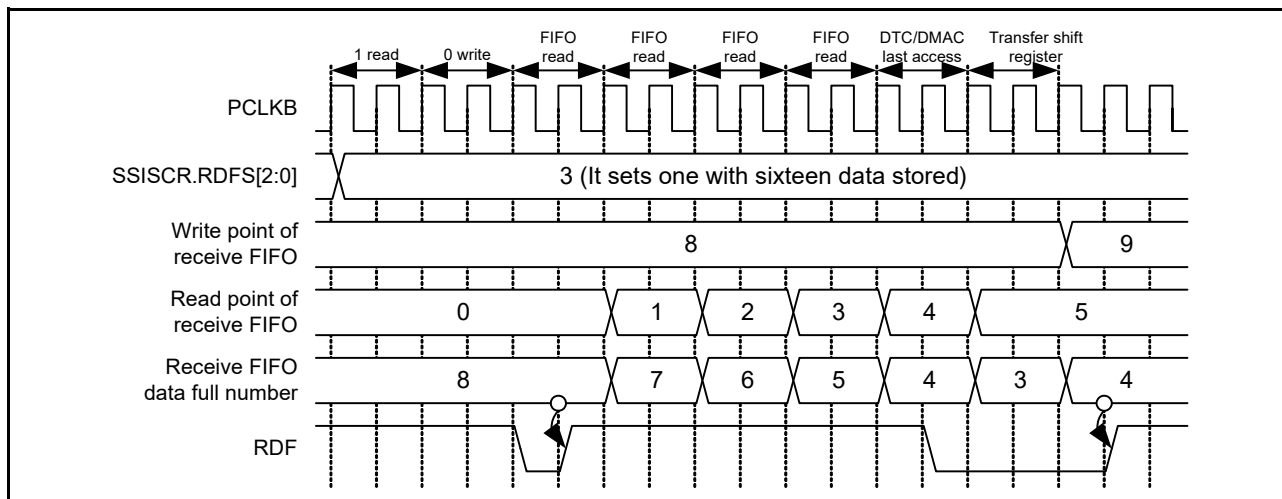


Figure 35.26 Timing diagram for setting and clearing RDF

RDC[3:0] bits (Number of Receive FIFO Data Indication Flag)

The RDC[3:0] bits indicate the amount of valid data stored in the Receive FIFO Data Register (SSIFRDR). When this flag is 0h, there is no received data. When this flag is 8h, the register is filled with received data and there is no free space.

TDE bit (Transmit Data Empty Flag)

The TDE bit indicates that the Transmit FIFO Data Register (SSIFTDR) has free space not less than the amount set in the SSIFCR.TTRG bit plus one. This flag is set automatically but it must be cleared through register access.

[Priority order for setting and clearing]

- Clearing is prioritized.*1

[Clearing condition]

When either of the following two conditions are satisfied.

- (1) On writing 0 to this bit after reading 1 from this bit (CPU operation).*2
- (2) At last access (DTC or DMAC operation) to write data to SSIFTDR by an interrupt routine using the DTC and DMAC.

[Clearing timing]

Clearing timing associated with the specified clearing condition:

1. On writing 0 to this bit after reading 1 from this bit (same as the timing in [Figure 35.17](#)).
2. At last access (DTC or DMAC operation) to write data to SSIFTDR by an interrupt routine using the DTC and DMAC.

Note 1. This bit is cleared by a software reset (SSIFCR.SSIRST = 1) and Transmit FIFO Data Register Reset (SSIFCR.TFRST = 1). The software reset and Transmit FIFO Data Register reset have priority over all the clearing conditions described above.

Note 2. After reading 1 from this bit, this bit is cleared when one of the following four conditions is met:

- On a software reset (SSIFCR.SSIRST = 1)
- On a Transmit FIFO Data Register Reset (SSIFCR.TFRST = 1)
- On writing 0
- At last access to write data to SSIFTDR by an interrupt routine using the DTC and DMAC.

[Setting condition]

- SSIFTDR has free space not less than the amount set in the SSIFCR.TTRG bit plus one.

[Setting timing]

- While operating on PCLKB, SSIFTDR is found to have free space not less than the value set in the SSISCR.TDES[2:0] bits + 1.

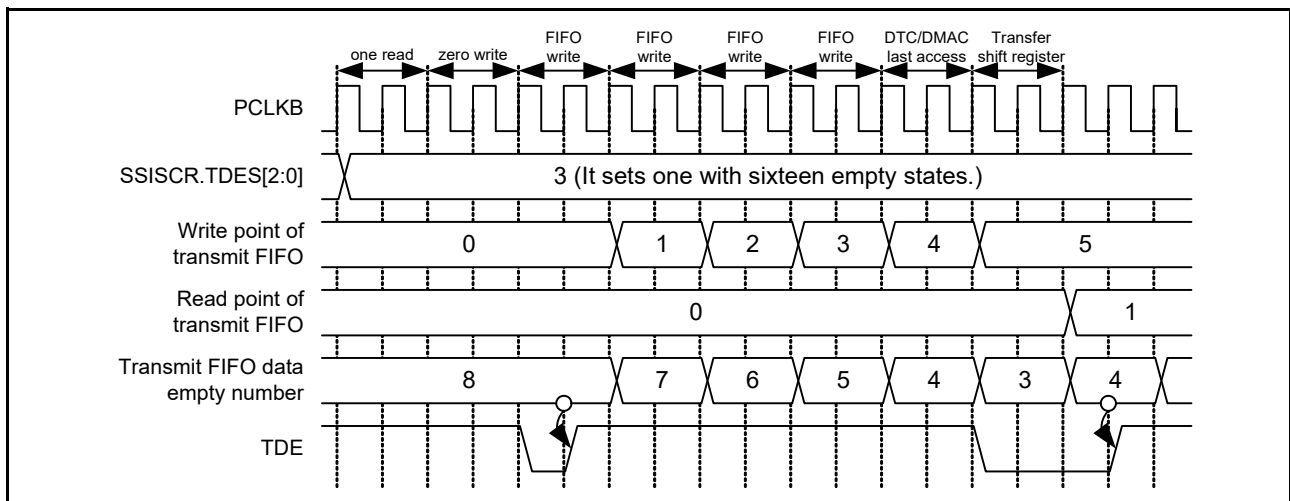


Figure 35.27 Timing diagram for setting and clearing TDE

TDC[3:0] bits (Number of Transmit FIFO Data Indication Flag)

The TDC[3:0] bits indicate the amount of valid data stored in the Transmit FIFO Data Register (SSIFTDR). When this flag is 0h, there is no data to be transmitted. When this flag is 8h, there is no space to write data.

35.3.5 Transmit FIFO Data Register (SSIFTDR)

Address(es): SSIE0.SSIFTDR 4004 E018h



Bit	Symbol	Bit name	Description	R/W
b31 to b0	SSIFTDR[31:0]	Transmit FIFO Data	Transmit FIFO data	W

The SSIFTDR register stores data to be serially transmitted. 0 is returned when this register is read.

When you use this register for transmission, specify writing data to this register as the DTC or DMAC operation that is triggered by a transmit data empty interrupt. Determine the access size to this register according to the data word length to be communicated as shown in Table 35.8.

Table 35.8 Register access restriction to FIFOs

SSICR.DWL[2:0]	Access size			
	Data word length	Byte	Halfword	Word
000b	8	√	-	-
001b	16	-	√	-
010b	18	-	-	√
011b	20	-	-	√
100b	22	-	-	√
101b	24	-	-	√
110b	32	-	-	√
111b	Setting prohibited	-	-	-

Figure 35.28 shows register access to the Transmit FIFO Data Register.

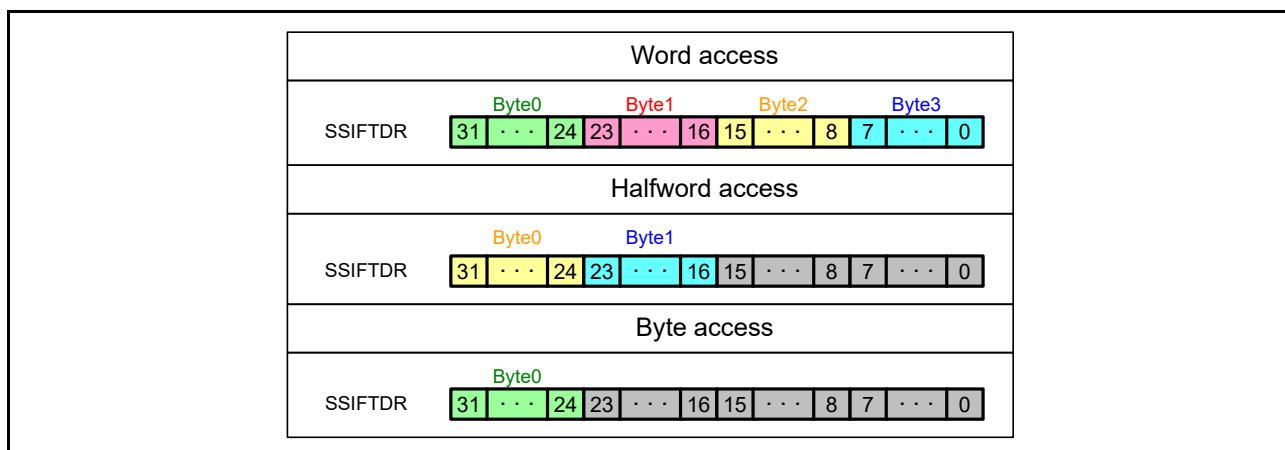
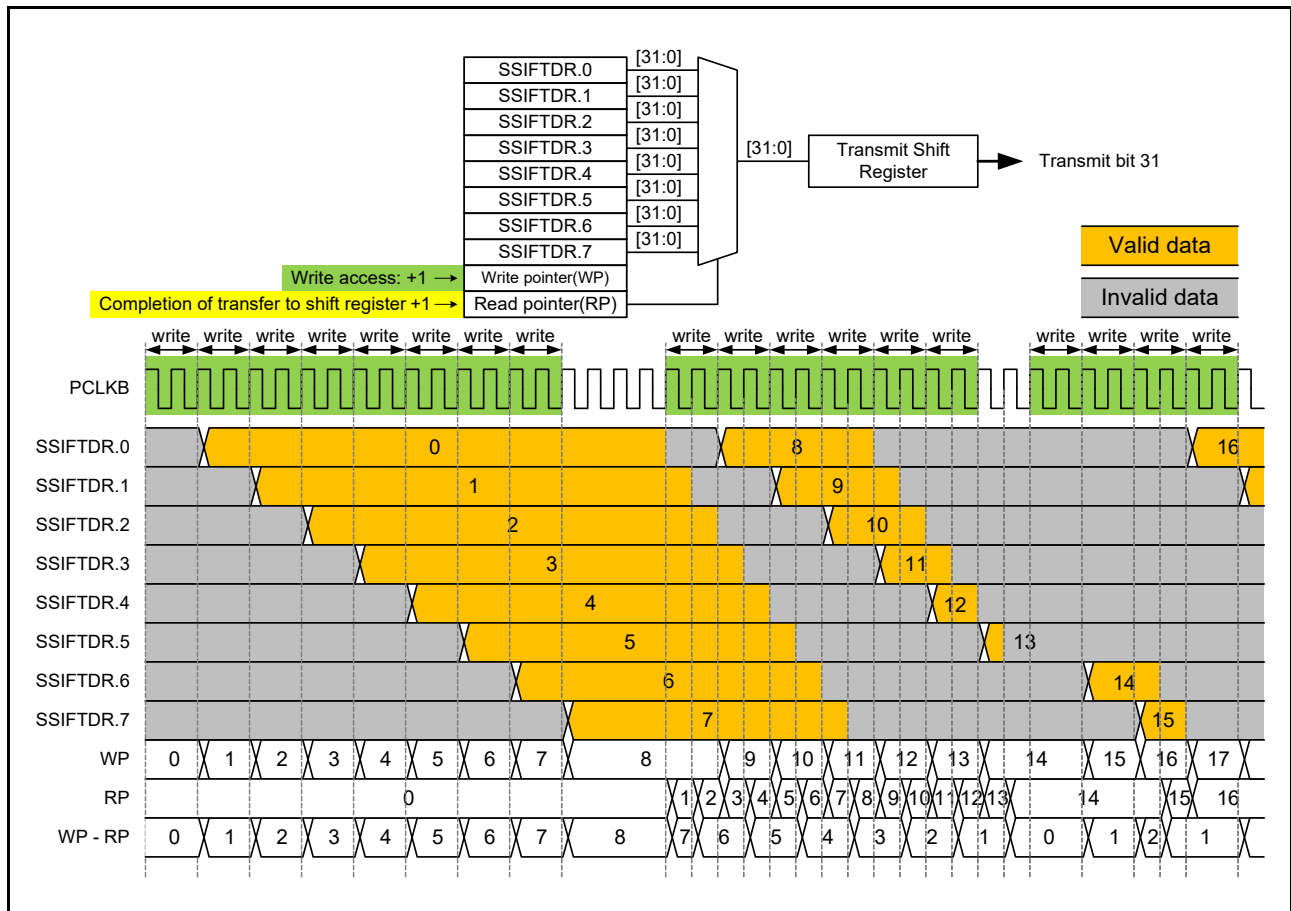


Figure 35.28 Example of register access to the Transmit FIFO Data Register

Figure 35.29 shows the configuration and operation examples of the Transmit FIFO Data Register and Transmit Shift Register. The configurations are for storing data to FIFO and not related to communication.



35.3.6 Receive FIFO Data Register (SSIFRDR)

Address(es): SSIE0.SSIFRDR 4004 E01Ch



Bit	Symbol	Bit name	Description	R/W
b31 to b0	SSIFRDR[31:0]	Receive FIFO Data	Receive FIFO data	R

When you use the SSIFRDR register for reception, specify reading data from this register as the DTC or DMAC operation that is triggered by a receive data full interrupt. Determine the access size to this register according to the data word length to be communicated as shown in Table 35.8. Register access to the Receive FIFO Data Register is the same as for the Transmit FIFO Data Register.

Figure 35.29 shows the configuration and operation examples of the Receive FIFO Data Register and Receive Shift Register.

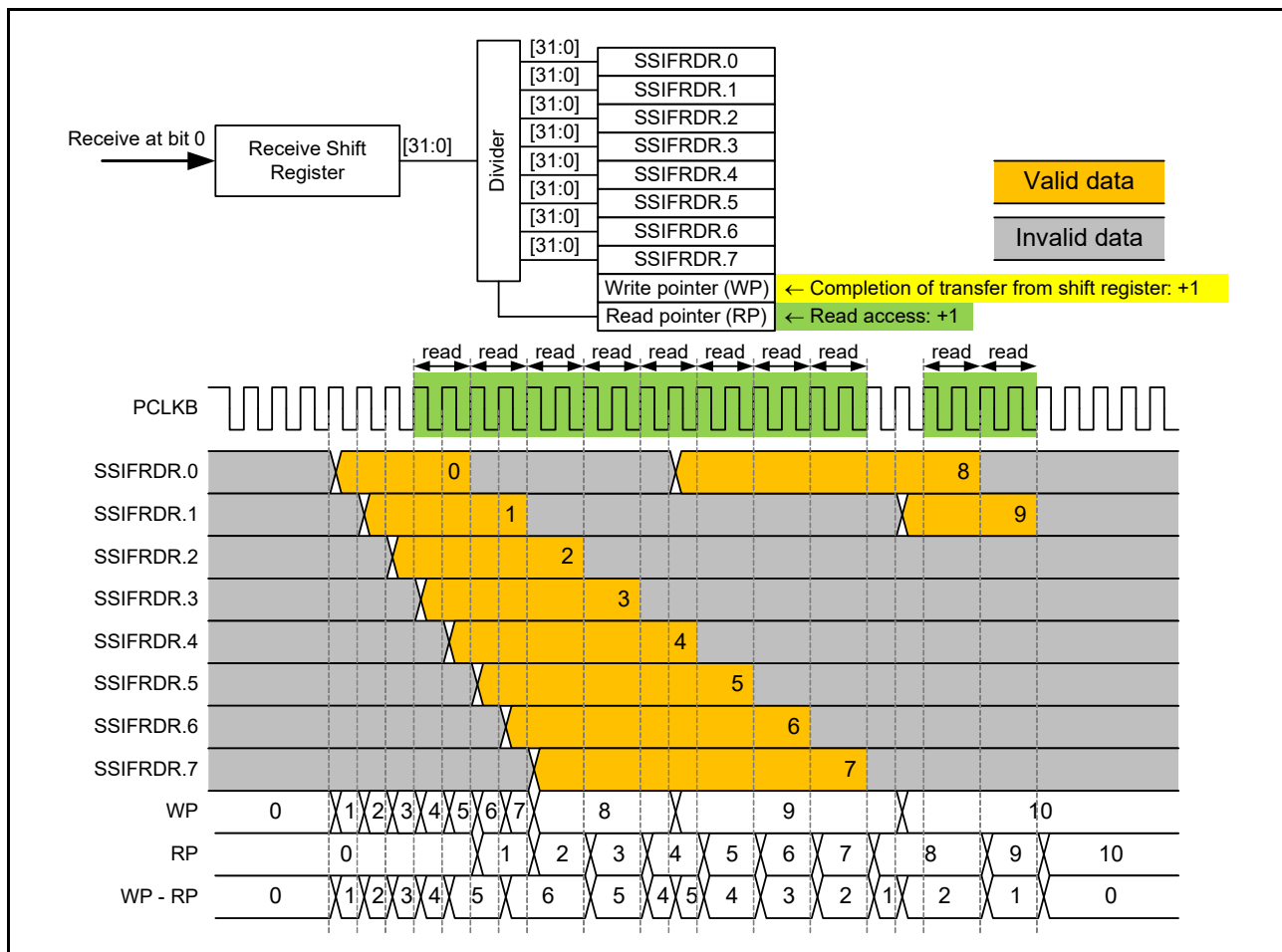


Figure 35.30 Configuration example of the Receive FIFO Data Register, Receive Shift Register, and FIFO operation

35.3.7 TDM Mode Register (SSITDMR)

Address(es): SSIE0.SSITDMR 4004 E020h

	b31	b30	b29	b28	b27	b26	b25	b24	b23	b22	b21	b20	b19	b18	b17	b16
	—	—	—	—	—	—	—	—	—	—	—	—	—	—	—	—
Value after reset:	0	0	0	0	0	0	0	0	0	0	0	0	0	0	0	0
	b15	b14	b13	b12	b11	b10	b9	b8	b7	b6	b5	b4	b3	b2	b1	b0
	—	—	—	—	—	—	BCKASTP	LRCONT	—	—	—	—	—	—	—	OMOD[1:0]
Value after reset:	0	0	0	0	0	0	0	0	0	0	0	0	0	0	0	0

Bit	Symbol	Bit name	Description	R/W
b1, b0	OMOD[1:0]	Audio Format Select*3, *4	b1 b0 0 0: I ² S format 0 1: Setting prohibited 1 0: Monaural format 1 1: Setting prohibited.	R/W
b7 to b2	—	Reserved	These bits are read as 0. The write value should be 0.	R/W
b8	LRCONT	Enable LRCK/FS Continuation *1, *2	0: Disable LRCK/FS continuation 1: Enable LRCK/FS continuation.	R/W
b9	BCKASTP	Enable Stopping BCK Output When SSIE is in Idle Status*1, *2	0: Always output BCK to the SSIBCK0 pin 1: Automatically control output of BCK to the SSIBCK0 pin.	R/W
b31 to b10	—	Reserved	These bits are read as 0. The write value should be 0.	R/W

Note 1. This bit is valid only in master mode communication (SSICR.MST = 1). The setting is invalid in slave mode communication (SSICR.MST = 0).

Note 2. The BCKASTP and LRCONT bits must not be set to 1 simultaneously.

Note 3. While SSIE is communicating (SSISR.IIRQ = 0), writing to these bits is prohibited. If the value in these bits is changed by writing, subsequent operation is unpredictable.

Note 4. When communicating with an other-party device that has an SSIE-compatible communication format, specify and use the communication format that enables communication.

The SSIOFR register sets an audio format, which involves the setting of communication format, LR clock/frame synchronization continuation mode, and BCK output stop.

OMOD[1:0] bits (Audio Format Select)

The OMOD[1:0] bits select an audio format. Write to these bits when the LR clock supply to the SSILRCK0/SSIFS0 pin is stopped. For details about the output of LR clock, see the detailed description of the LRCONT bit in [section 35, TDM Mode Register \(SSITDMR\)](#).

LRCONT bit (Enable LRCK/FS Continuation)

The LRCONT bit enables or disables the output from the SSILRCK0/SSIFS0 pin in master mode (SSICR.MST = 1) when SSIE is in an idle state (SSISR.IIRQ = 1).

Even in the idle state, a signal can be output from the SSILRCK0/SSIFS0 pin when this bit is set to 1 (to enable LR clock/frame synchronization continuation) in master mode (SSICR.MST = 1).

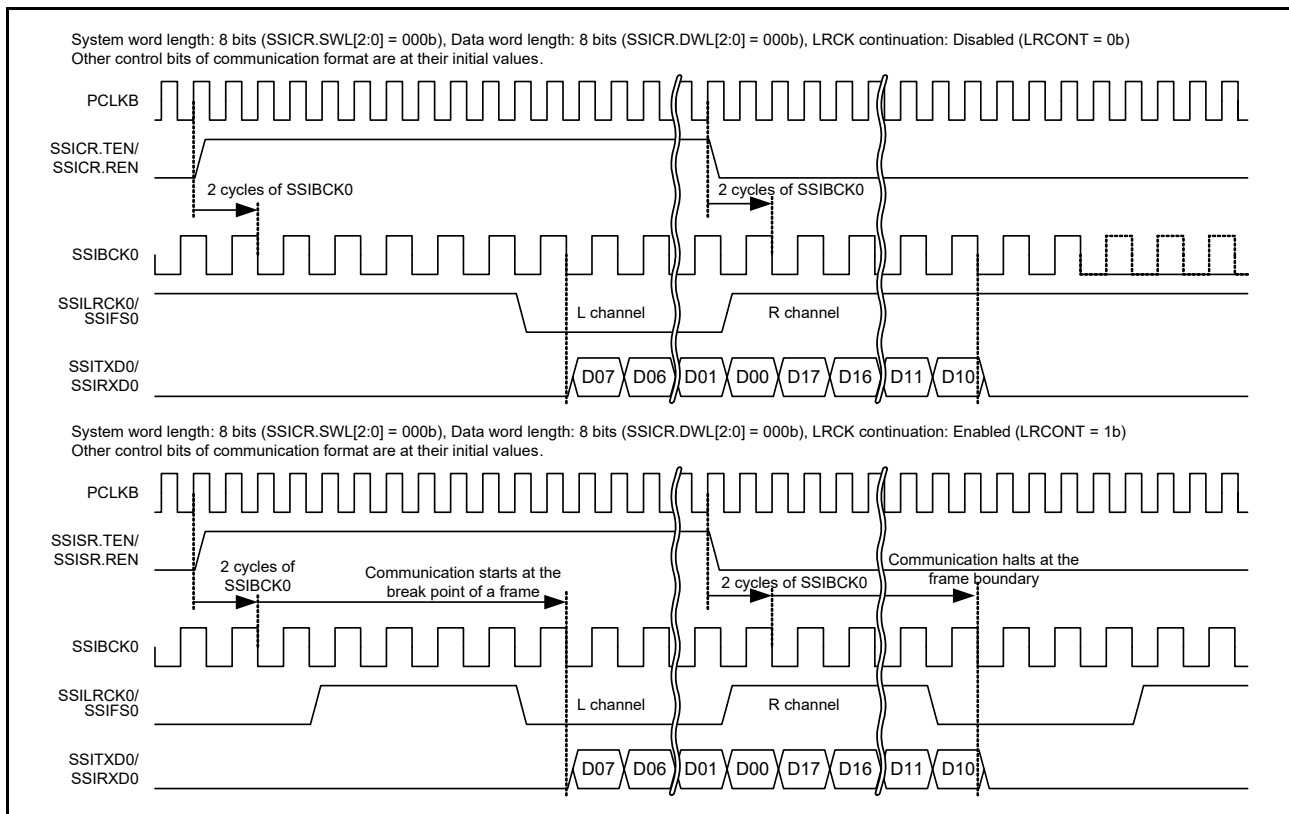


Figure 35.31 Example of LR clock/frame synchronization continuation operation

BCKASTP bit (Enable Stopping BCK Output When SSIE is in Idle Status)

The BCKASTP bit turns on or off the function to output BCK to the SSIBCK0 pin according to the operation shown in [Figure 35.32](#) and [Figure 35.33](#) in master mode communication (SSICR.MST = 1).

Change the value of this bit only after setting the communication format to be used.

To use this bit:

- Write 0 to the BCKASTP bit, and then start communication
- During communication, write 1 to the BCKASTP bit. The bit clock output to the SSIBCK0 pin stops automatically when the communication stops.
- To resume communication, set SSIE to the idle state (SSICR.IIRQ = 1), enable the supply of AUDIO_MCK (SSIFCR.AUCKE = 1), and then write 0 to the BCKASTP bit.

When the communication is in master mode (SSICR.MST = 1) and SSIE is in the idle state (SSICR.IIRQ = 1), the BCKASTP bit status and SSIBCK0 pin output are as shown in [Table 35.9](#).

Table 35.9 BCKASTP bit status and SSIBCK0 pin output

BCKASTP bit	SSIBCK0 pin output status
0	Output
1	Stopped

Note: The BCKASTP bit cannot be used when an other-party device (a slave) requires the clock output from the SSIBCK0 pin before and during communication. In such a case, use the BCKASTP bit to stop the clock only after communication. For the timing of enabling the clock stop function, see [Figure 35.32](#).

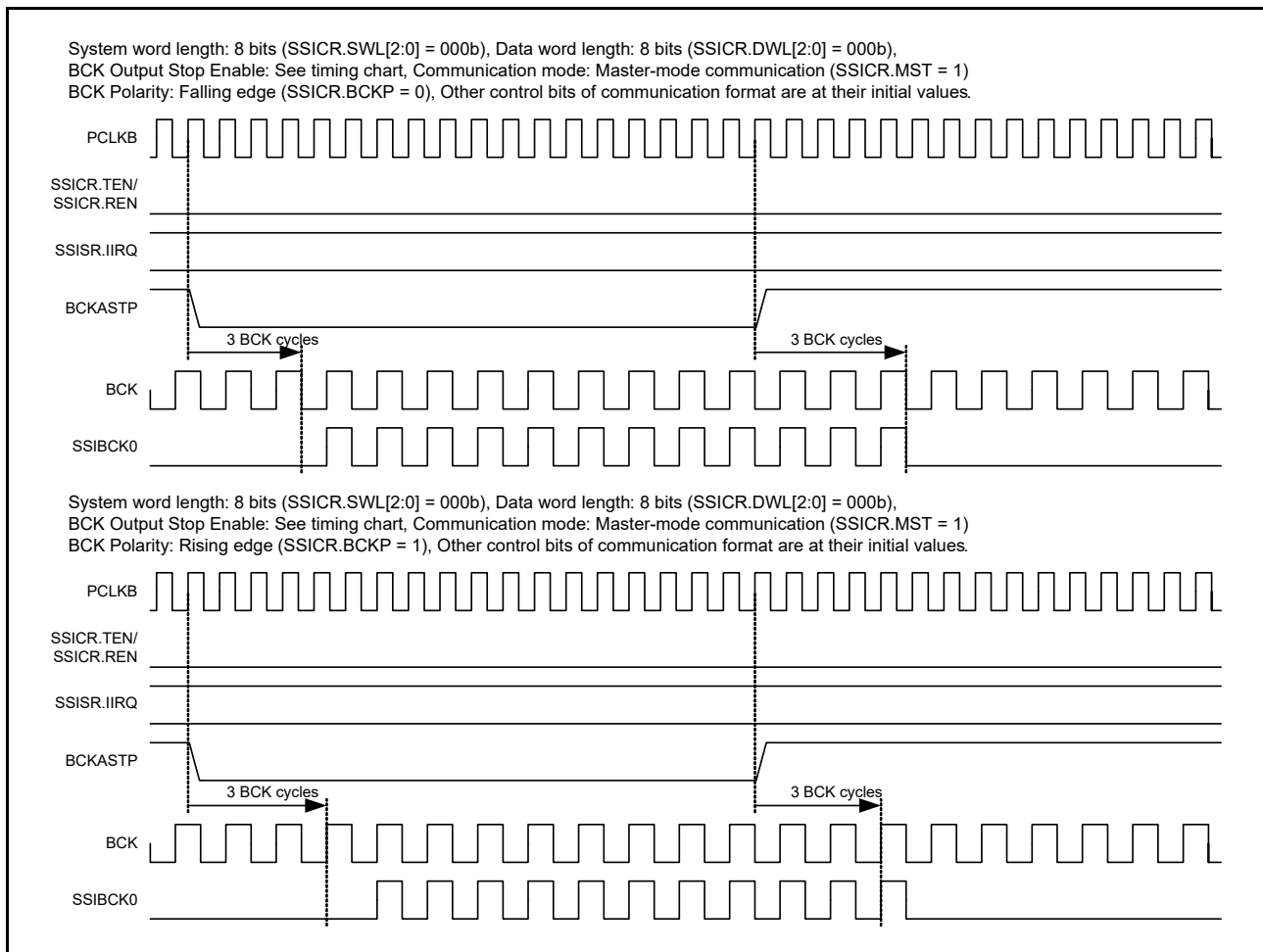


Figure 35.32 Example operation of the BCKASTP bit in idle state

In master mode (SSICR.MST = 1) with the BCK output stop function enabled (BCKASTP = 1), the BCK output to the SSIBCK0 pin is as follows:

- Output start timing: BCK is output at the appropriate timing so that a valid edge is generated when the LR clock/frame synchronization signal shifts to a valid value
- Output stop timing: 1 to 1.5 clock cycles after a frame boundary.

Figure 35.33 shows the timing details.

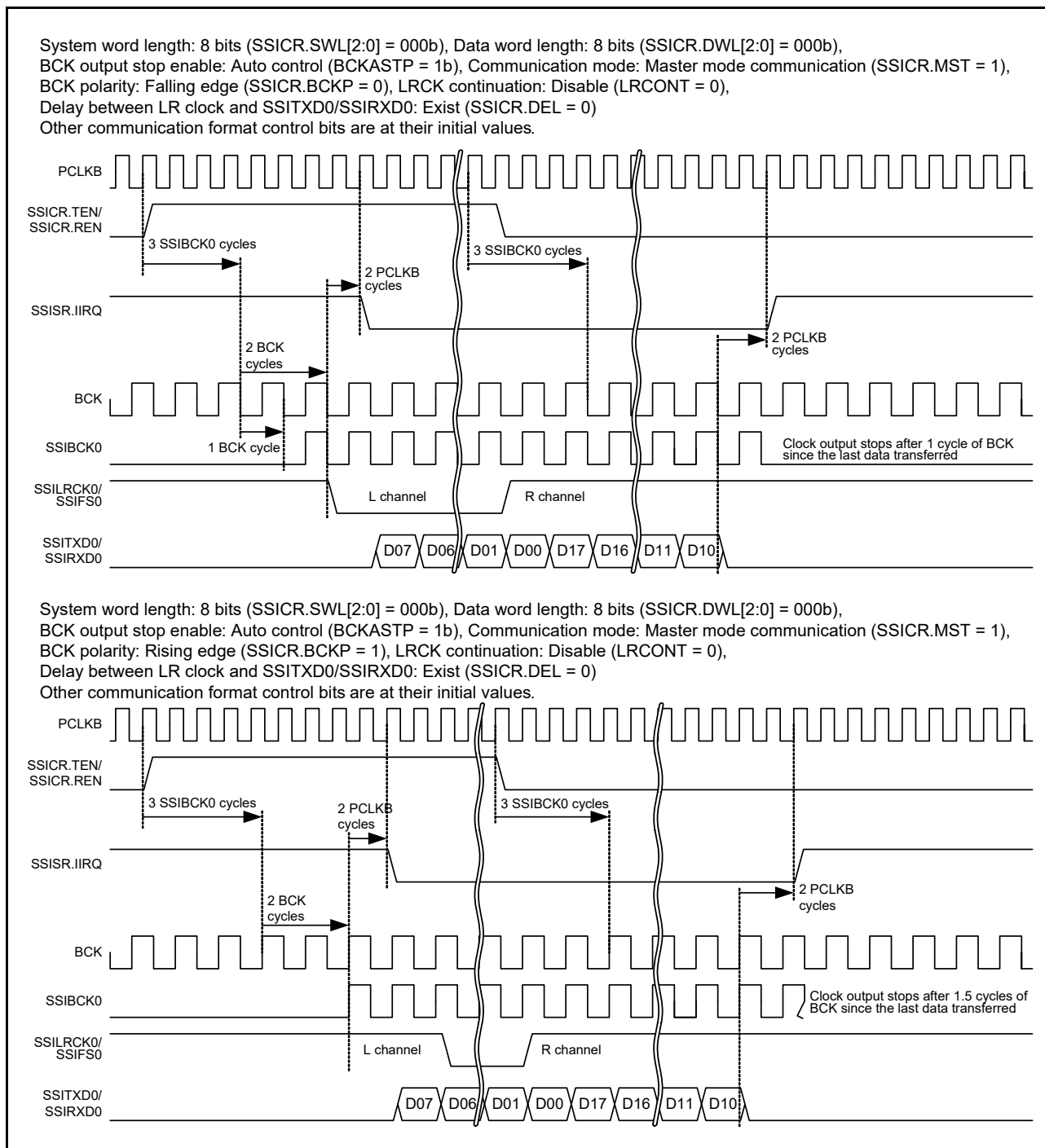


Figure 35.33 Example operation of the BCKASTP bit communication with BCKASTP = 1

35.3.8 Status Control Register (SSISCR)

Address(es): SSIE0.SSISCR 4004 E024h



Bit	Symbol	Bit name	Description	R/W
b2 to b0	RDFS[2:0]	RDF Setting Condition Select*1	b2 b0 0 0 0: SSIFRDR has one stage or more data size 0 0 1: SSIFRDR has two stages or more data size (snip) 1 1 0: SSIFRDR has seven stages or more data size 1 1 1: SSIFRDR has eight stages or more data size.	R/W
b7 to b3	—	Reserved	These bits are read as 0. The write value should be 0.	R/W
b10 to b8	TDES[2:0]	TDE Setting Condition Select*1	b10 b8 0 0 0: SSIFTDR has one stage or more free space 0 0 1: SSIFTDR has two stages or more free space (snip) 1 1 0: SSIFTDR has seven stages or more free space 1 1 1: SSIFTDR has eight stages or more free space.	R/W
b31 to b11	—	Reserved	These bits are read as 0. The write value should be 0.	R/W

Note 1. Writing to these bits while SSIE is in a communication state (SSISR.IIRQ = 0) is prohibited. If written, the operation performed immediately after writing is not guaranteed.

[RDFS\[2:0\] bits \(RDF Setting Condition Select\)](#)

The RDFS[2:0] bits select the setting condition of the Receive Data Full Flag (RDF).

[TDES\[2:0\] bits \(TDE Setting Condition Select\)](#)

The TDES[2:0] bits select the setting condition of the Transmit Data Empty Flag (TDE).

35.4 Communication Formats

SSIE supports the communication formats shown in [Table 35.10](#).

Table 35.10 Supported communication formats

Communication format	SSIOFR.OMOD[1:0]
I ² S format	00
Monaural format	10

This section describes the serial data structure shared by the communication formats. A serial data structure is defined by the system word length (set in SSICR.SWL[2:0]) and the data word length (set in SSICR.DWL[2:0]). If the data word length is shorter than the system word length, padding bits are transferred in the serial data. For details, see [Figure 35.34](#).

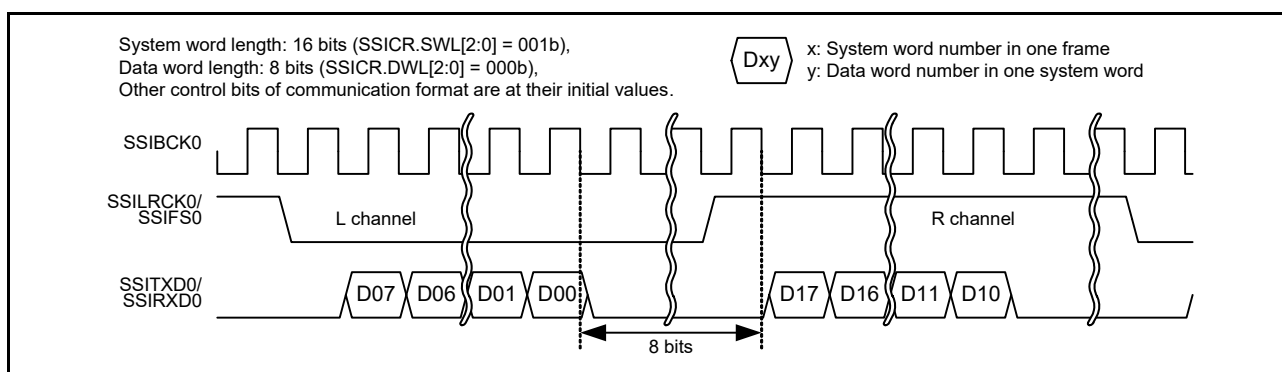


Figure 35.34 Example of padding bit transfer for I²S format, with system word length > data word length

[Table 35.11](#) lists the number of padding bits to be transferred with each combination of system word length (SSICR.SWL[2:0]) and data word length (SSICR.DWL[2:0]). “—” indicates that the setting is prohibited.

Table 35.11 Number of padding bits

		SSICR.DWL[2:0]	000b	001b	010b	011b	100b	101b	110b	111b
SSICR.SWL[2:0]	System word length		8	16	18	20	22	24	32	Setting prohibited
000b	8		0	—	—	—	—	—	—	—
001b	16		8	0	—	—	—	—	—	—
010b	24		16	8	6	4	2	0	—	—
011b	32		24	16	14	12	10	8	0	—
100b	48		40	32	30	28	26	24	16	—
101b	64		56	48	46	44	42	40	32	—
110b	128		120	112	110	108	106	104	96	—
111b	256		248	240	238	236	234	232	224	—

35.4.1 I²S Format

The I²S format is used for connecting with I²S-compatible serial devices. In this format setting (SSIOFR.OMOD[1:0] = 00b), one frame is configured with two system words, one for the channel L and the other for channel R. The SSILRCK0/SSIFS0 signals are at a low level for the channel L and at a high level for the channel R. Set the polarity of the signals in the SSICR.LRCKP bit. Figure 35.35 shows the I²S format without padding and Figure 35.34 shows the format with padding.

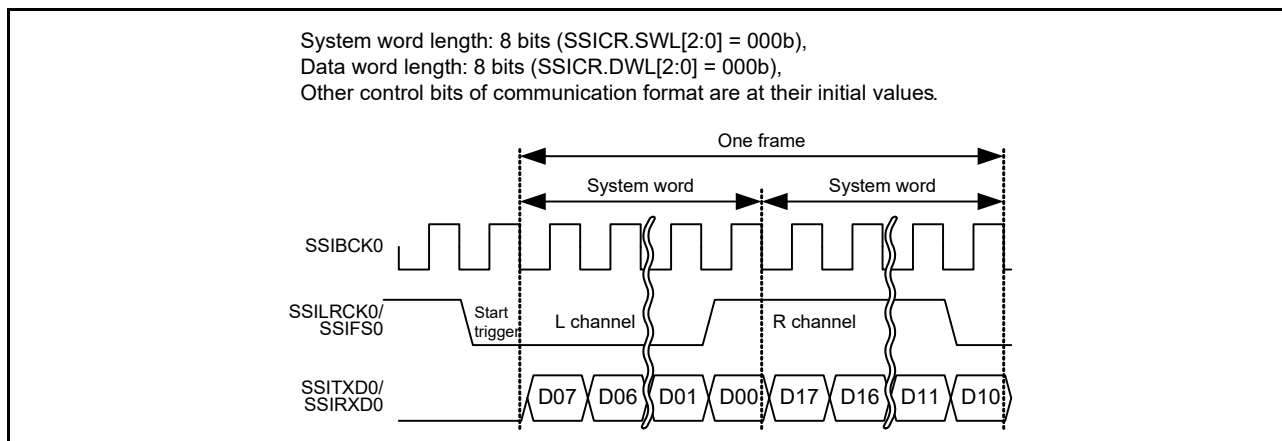


Figure 35.35 I²S format without padding, with system word length = data word length

For the state of external pins when SSIE is in the idle state, see section 35.6.1, Idle State.

Note: The SSILRCK0/SSIFS0 pin in the SSIE indicates the synchronization of communication. When SSIE is in slave mode (SSICR.MST = 0), the SSIE communication format must match that of the other-party device to communicate. SSIE uses the signal input by the SSILRCK0/SSIFS0 pin only as a trigger to start communication.

35.4.2 Monaural Format

The monaural format is used for connection with monaural-compatible serial devices. When the monaural format is specified (SSIOFR.OMOD[1:0] = 10b) for use, one frame consists of one system word. Also, a rising edge of the SSILRCK0/SSIFS0 signal indicates a communication start trigger. Figure 35.36 and Figure 35.37 respectively show the monaural formats without and with padding.

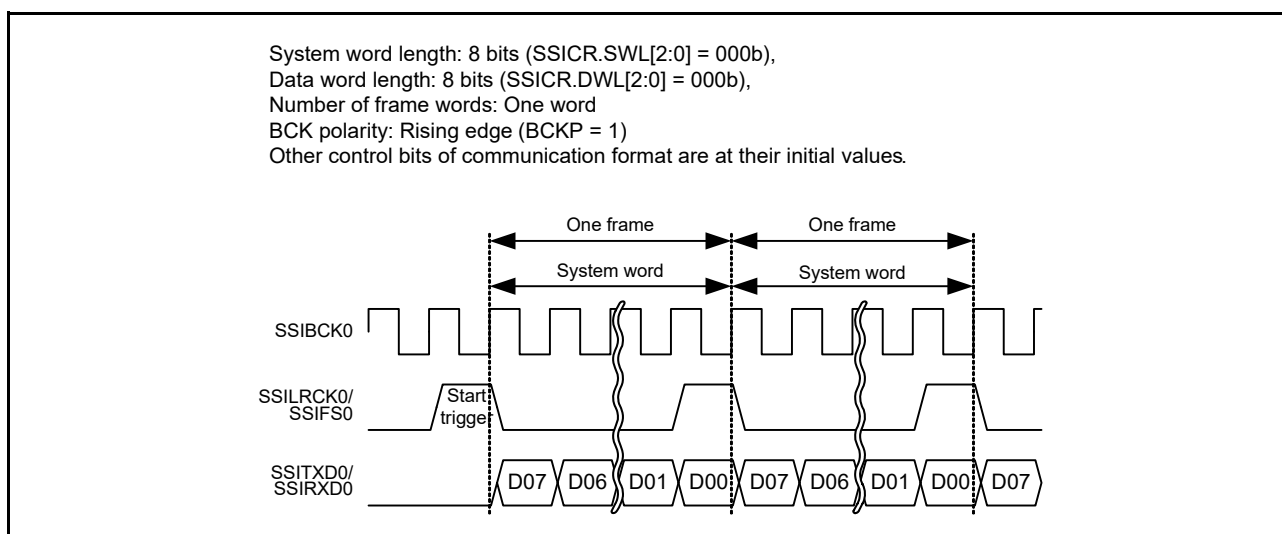


Figure 35.36 Short frame in monaural format without padding, with the system word length = data word length

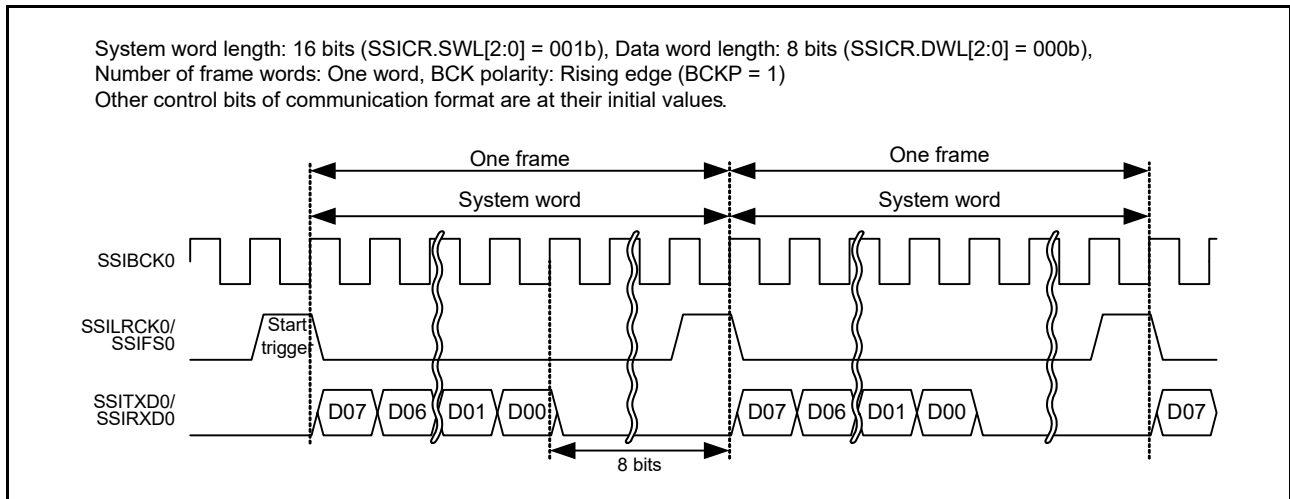


Figure 35.37 Short frame in monaural format with padding, with the system word length > data word length

The monaural formats supported by SSIE consist of short frames and long frames. See [section 35.4.2.1, Short frame](#) and [section 35.4.2.2, Long frame](#) for the difference between these two frames.

For the state of external pins when SSIE is in the idle state, see [section 35.6.1, Idle State](#).

Note: The SSILRCK0/SSIFS0 pin in SSIE indicates the synchronization of communication. When SSIE is in slave mode (SSICR.MST = 0), the SSIE communication format must match that of the other-party device to communicate. SSIE uses the signal input by the SSILRCK0/SSIFS0 pin only as a trigger to start communication.

35.4.2.1 Short frame

When a short frame is used (SSICR.DEL = 0), the SSILRCK0/SSIFS0 signal indicating the start of serial data is set to high level only for 1 SSIBCK0 cycle. Data transfer starts on the falling edge of the signal.

35.4.2.2 Long frame

When a long frame is used (SSICR.DEL = 1), the SSILRCK0/SSIFS0 signal indicating the start of serial data is set to high level only for 2 SSIBCK0 cycles. [Figure 35.38](#) shows the long frame in monaural format without padding. Data transfer starts on the rising edge of the signal.

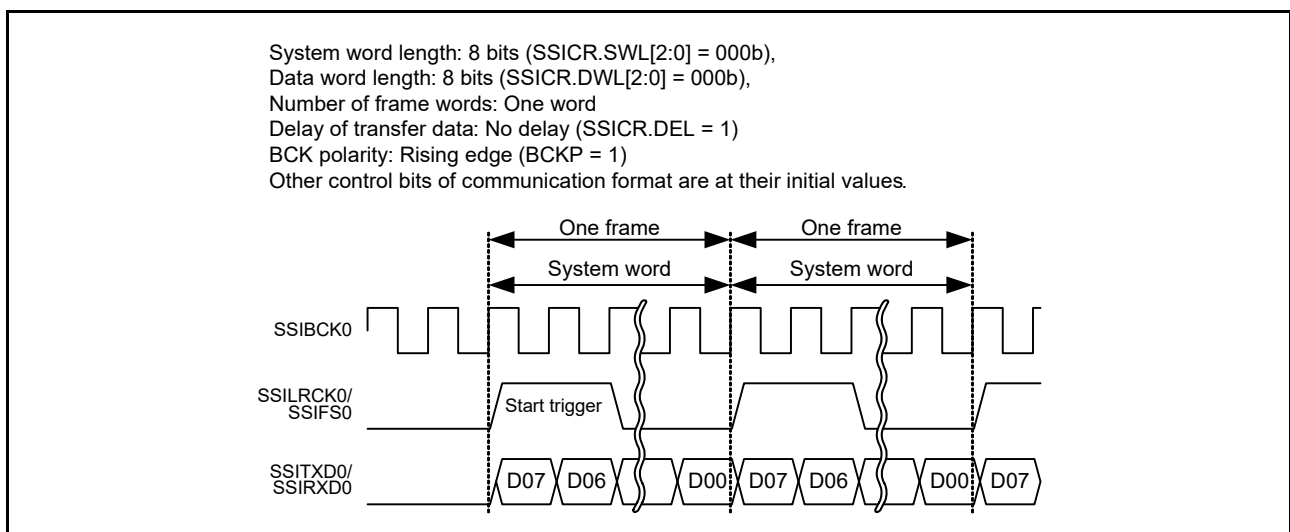


Figure 35.38 Long frame in monaural format without padding

35.5 Communication Modes

Table 35.12 lists the communication modes supported by the SSIE. Table 35.13 lists the control bits that are not available with each communication mode. See section 35.5.1, [Slave Mode Communication](#) to section 35.5.5, [Transmission and Reception](#) for details on these communication modes.

Table 35.12 Communication modes

Communication mode	SSICR.MST bit	SSICR.REN bit	SSICR.TEN bit
Slave mode transmission	0	0	1
Slave mode reception	0	1	0
Slave mode transmission and reception	0	1	1
Master mode transmission	1	0	1
Master mode reception	1	1	0
Master mode transmission and reception	1	1	1

Table 35.13 Control bits that cannot be used in each communication mode

Control bit	Communication mode					
	Slave mode reception	Slave mode transmission	Slave mode transmission and reception	Master mode reception	Master mode transmission	Master mode transmission and reception
SSICR.CKS	Invalid	Invalid	Invalid	Available	Available	Available
SSICR.CKDV	Invalid	Invalid	Invalid	Available	Available	Available
SSICR.MUEN	Invalid	Available	Available	Invalid	Available	Available
SSICR.TEN	Invalid	Available	Available	Invalid	Available	Available
SSICR.REN	Available	Invalid	Available	Available	Invalid	Available
SSIFCR.AUCKEN	Invalid	Invalid	Invalid	Available	Available	Available
SSIFCR.TIE	Invalid	Available	Available	Invalid	Available	Available
SSIFCR.RIE	Available	Invalid	Available	Available	Invalid	Available
SSIFCR.TFRST	Invalid	Available	Available	Invalid	Available	Available
SSIFCR.RFRST	Available	Invalid	Available	Available	Invalid	Available
SSIOFR.BCKASTP	Invalid	Invalid	Invalid	Available	Available	Available
SSIOFR.LRCONT	Invalid	Invalid	Invalid	Available	Available	Available
SSIOFR.OMOD	Available	Available	Available	Available	Available	Available
SSISCR.TDES[2:0]	Invalid	Available	Available	Invalid	Available	Available
SSISCR.RDFS[2:0]	Available	Invalid	Available	Available	Invalid	Available

Note: Invalid means it has no effect on operation. Writing is possible.

35.5.1 Slave Mode Communication

When SSICR.MST = 0, SSIE operates in slave mode. The SSIBCK0 and SSILRCK0/SSIFS0 signals used for serial data communication must be supplied from an external device. If the communication format of these signals does not match that of the SSIE, operation is unpredictable.

35.5.2 Master Mode Communication

When SSICR.MST = 1, SSIE operates in master mode. The SSIBCK0 and SSILRCK0/SSIFS0 signals used for serial data communication must be internally generated from the audio clock. The signal format is dictated by the SSIE. If the communication format of the slave device does not match the SSIE communication format, the operation is unpredictable.

35.5.3 Transmission

SSIE transmits serial data to the other-party device when the SSICR.TEN bit is 1 and the SSICR.REN bit is 0. If the communication format of the other-party device does not match the SSIE communication format, the operation is unpredictable.

35.5.4 Reception

SSIE receives serial data from the other-party device when the SSICR.TEN bit is 0 and the SSICR.REN bit is 1. If the communication format of the other-party device does not match the SSIE communication format, the operation is unpredictable.

35.5.5 Transmission and Reception

SSIE transmits and receives serial data to and from the other-party device when the SSICR.TEN bit is 1 and the SSICR.REN bit is 1. If the communication format of the other-party device does not match the SSIE communication format, the operation is unpredictable.

35.6 Operation

SSIE has the following two main operation states:

- Idle state (SSISR.IIRQ = 1)
- Communication state (SSISR.IIRQ = 0).

Figure 35.39 shows the SSIE state transition.

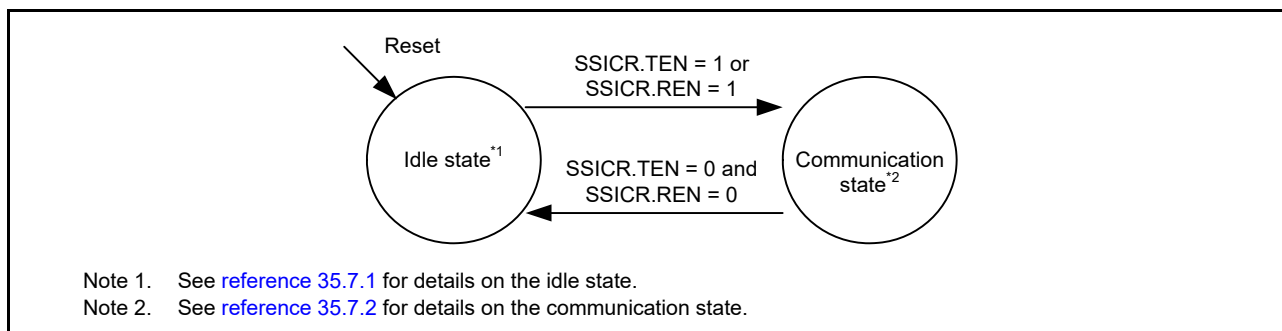


Figure 35.39 SSIE state transition

35.6.1 Idle State

In this state, SSIE communication is halted. However, if the SSICR.MST bit is 1, output of the BCK and LR clock/frame synchronization signals to the external pins can be controlled based on the settings of the SSIOFR.BCKASTP and SSIOFR.LRCONT bits. This function is common to all formats. For details, see Table 35.14.

Table 35.14 Output from external pins in the idle state

SSICR.MST	SSIOFR.BCKASTP	SSIOFR.LRCONT	Output from pins		
			SSIBCK0	SSILRCK0/SSIFS0	SSITXD0
0	-	-	Stop	Stop	Stop
1	0	0	Supply	Stop	Stop
1	0	1	Supply	Supply	Stop
1	1	0	Stop	Stop	Stop
1	1	1	Stop	Supply	Stop

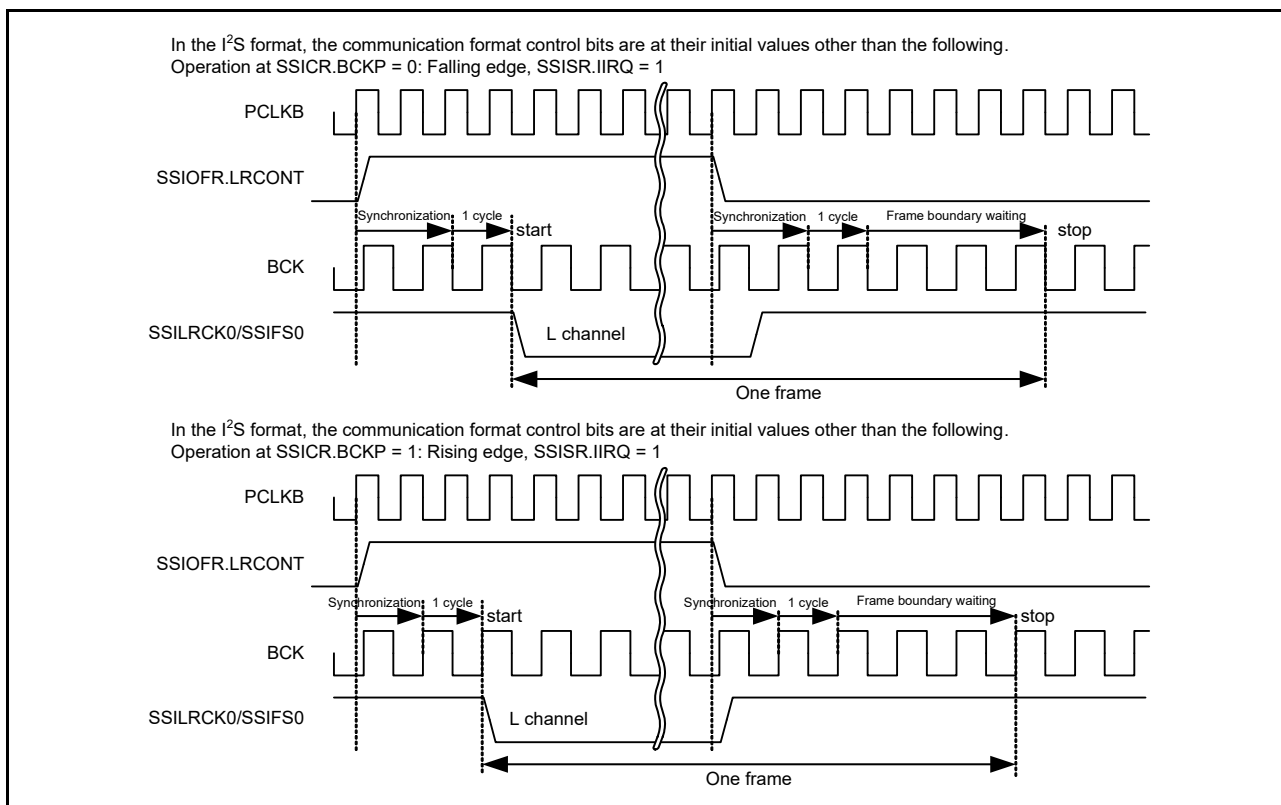


Figure 35.40 Example of disabling LR clock/frame synchronization continuation by SSIOFR.LRCONT

Note: In master mode communication (SSICR.MST = 1), when SSIE is in the idle state, the output to the SSILRCK0/SSIFS0 pin can be stopped by changing the value of the SSIOFR.LRCONT bit from 1 to 0. Make sure that the other-party device is not affected.

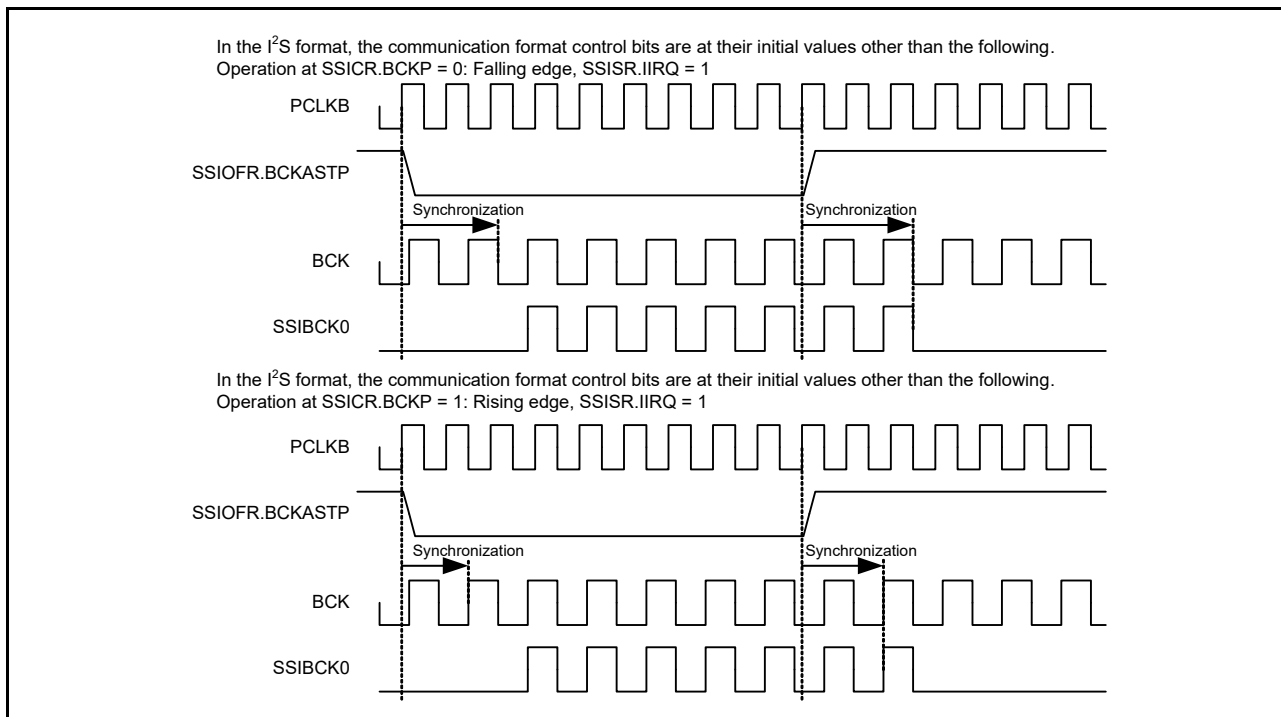


Figure 35.41 Example of stopping SSIBCK0 with SSIOFR.BCKASTP

Note: In master mode communication (SSICR.MST = 1) for SSIE in the idle state, the output to the SSIBCK0 pin stops when the value of the SSIOFR.BCKASTP bit is changed from 0 to 1. Make sure that the other-party device is not affected.

35.6.2 Communication States

Figure 35.42 shows transitions of communication states and Table 35.15 lists the conditions for transition. If the transition condition is not satisfied, the state does not transit.

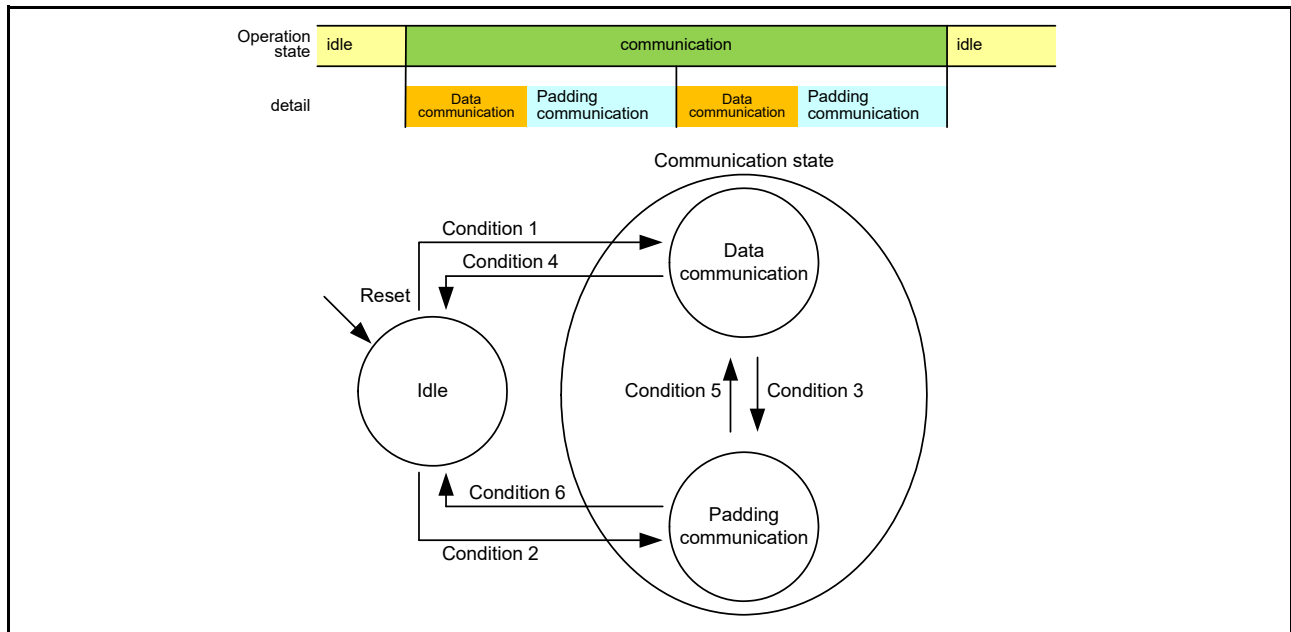


Figure 35.42 Communication state transition

Table 35.15 Conditions for communication state transition

Condition number	Condition for transition
1	Writing SSICR.TEN = 1 or SSICR.REN = 1 while SSICR.SDTA = 0, or in the setting without padding bits.
2	Writing SSICR.TEN = 1 or SSICR.REN = 1 while SSICR.SDTA = 1, and in the setting with padding bits.
3	The following three conditions are all met: <ul style="list-style-type: none"> • SSICR.TEN = 1 or SSICR.REN = 1 • In the setting with padding bits • The last bit of the data words is transferred.
4	Both the following conditions are met: <ul style="list-style-type: none"> • SSICR.SDTA = 1 or without padding bits • While SSICR.TEN = 0 and SSICR.REN = 0, the last bit of the data words in a frame is transferred.
5	Transfer of the last padding bit is completed while SSICR.TEN = 1 or SSICR.REN = 1
6	Both the following conditions are met: <ul style="list-style-type: none"> • SSICR.SDTA = 0 and with padding bits • While SSICR.TEN = 0 and SSICR.REN = 0, the last padding bit is transferred.

See Table 35.11 for the setting with or without padding bits.

35.6.2.1 Data communication state

In this state, SSIE is in communication. Data with the word length set in the SSICR.DWL[2:0] bits is transmitted, received, or transmitted and received.

- State transition in the setting without padding bits

During communication (SSISR.IIRQ = 0), SSIE is in data communication throughout. By disabling transmission and reception (SSICR.TEN = 0, SSICR.REN = 0), SSIE transits to the idle state. For details, see [Figure 35.43](#) and [Figure 35.44](#).

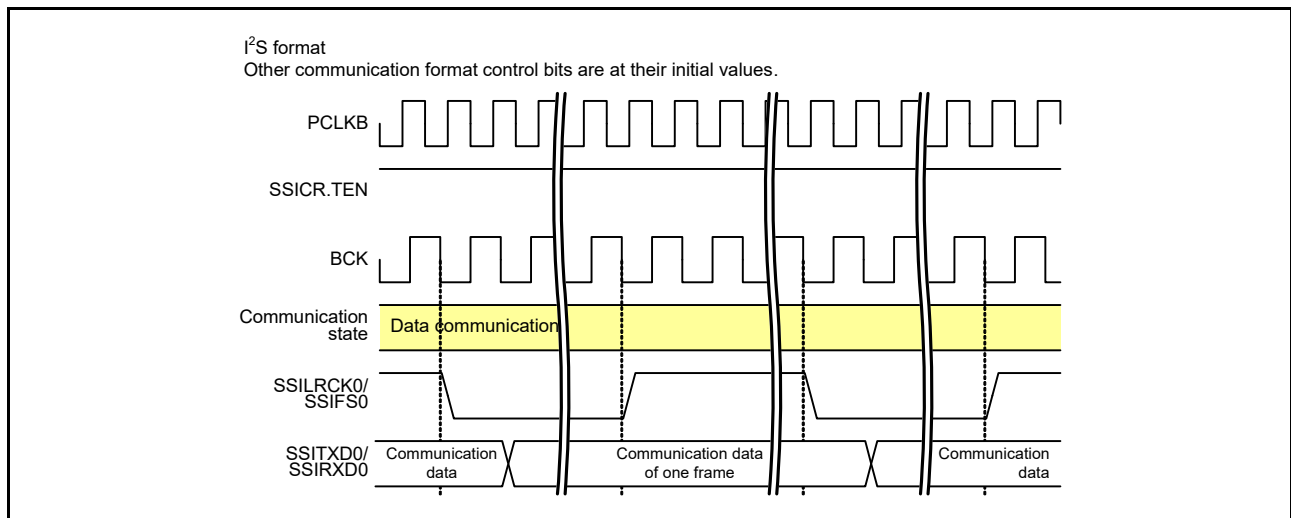


Figure 35.43 Continuation of data communication

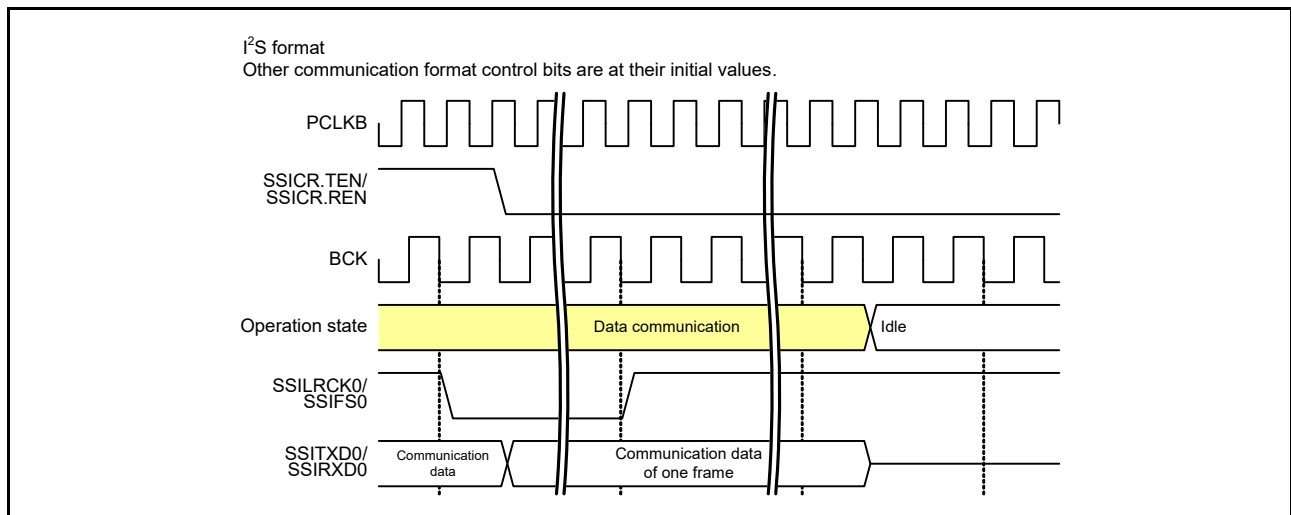


Figure 35.44 Halt from data communication without padding bits

- State transition in the setting with padding bits

When SSIE ends the transfer of the last bit of a data word during communication (SSISR.IIRQ = 0), SSIE transitions from the data communication state to the padding communication state as shown in [Figure 35.45](#).

SSIE transitions from the data communication state to the idle state when it stops communication, except when SSICR.SDTA = 1 and transmission and reception is disabled (SSICR.TEN = 0 and SSICR.REN = 0), as shown in [Figure 35.46](#).

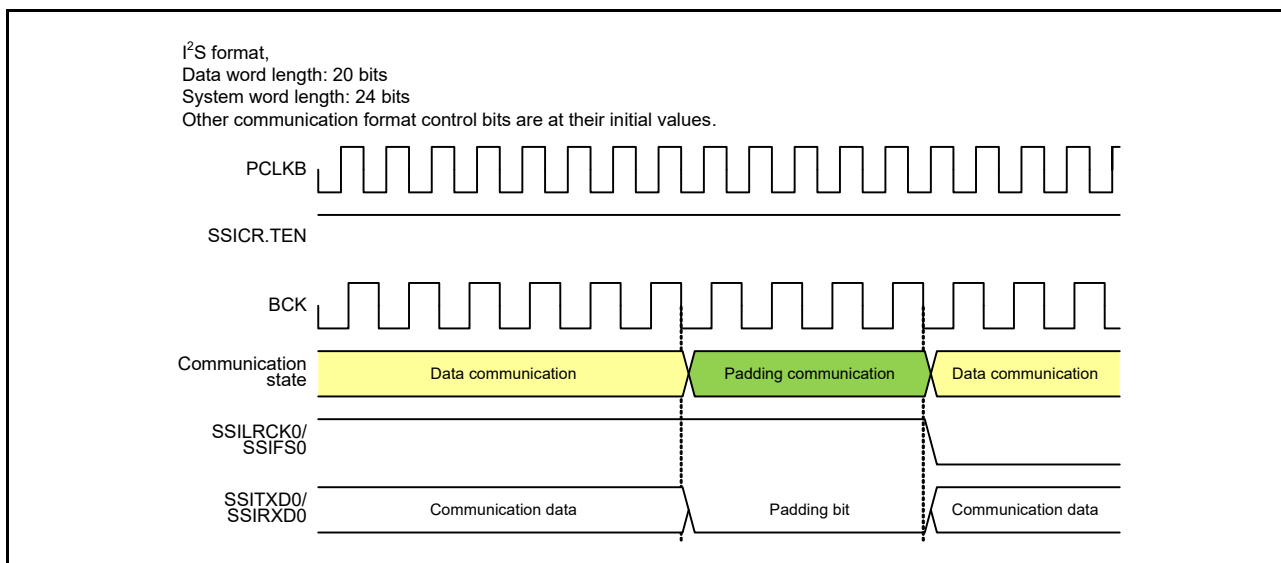


Figure 35.45 Transition from data communication to padding communication

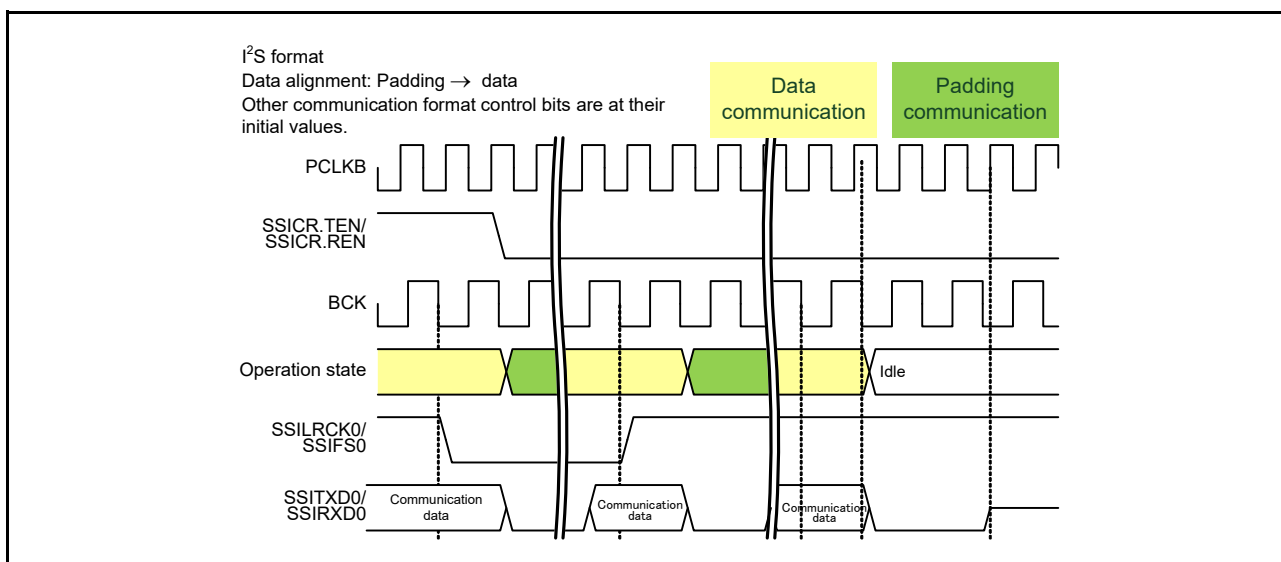


Figure 35.46 Halt from data communication with padding bits

35.6.2.2 Padding communication

In this state, SSIE is in communication. The padding bits set in SSICR.SWL[2:0] and SSICR.DWL[2:0] are transmitted, received, or transmitted and received.

- State transition in the setting with padding bits.

When SSIE ends transfer of the last padding bit during communication (SSISR.IIRQ = 0), SSIE transitions to the data communication state as shown in [Figure 35.45](#). If SSICR.SDTA = 0, and transmission and reception are disabled (SSICR.TEN = 0 and SSICR.REN = 0), SSIE transitions from the padding communication state to the idle state when it stops communication in [Figure 35.47](#).

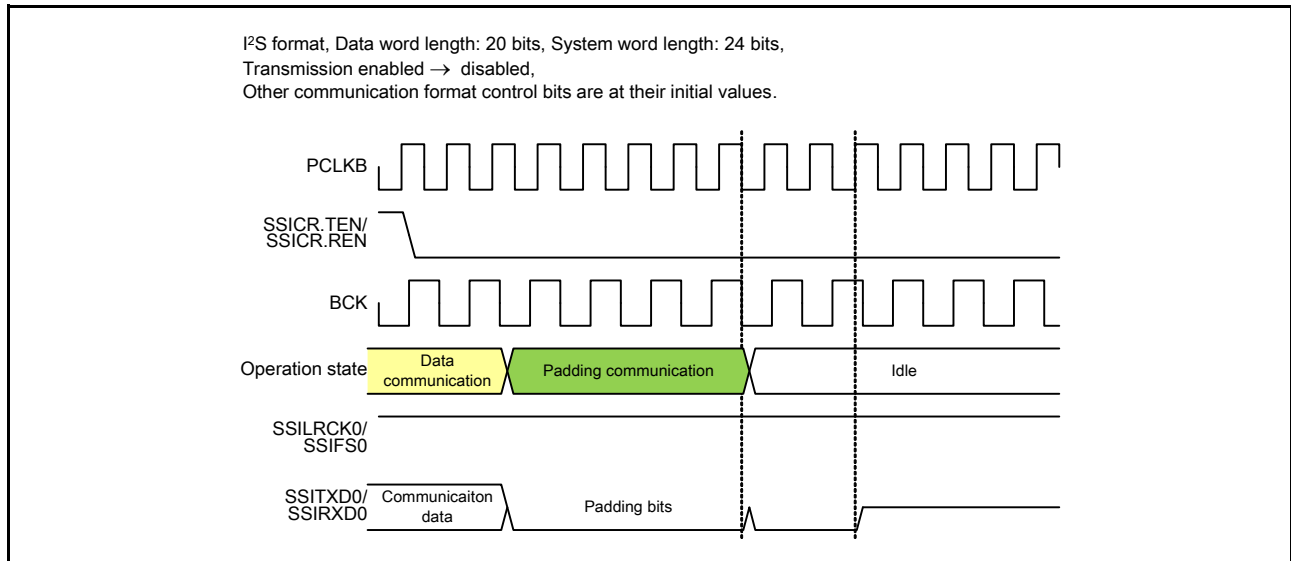


Figure 35.47 Halt from padding communication

35.7 Communication Operation

[Figure 35.48](#) shows the communication flow of SSIE.

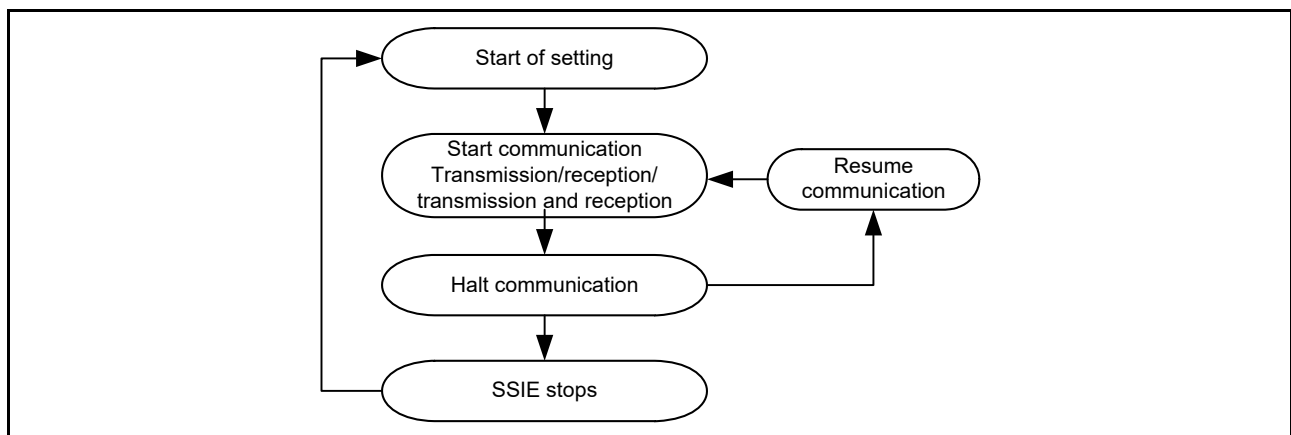


Figure 35.48 SSIE communication operation

Each operation procedure is described in [section 35.7.1, Start Communication](#) to [section 35.7.7, Resume Communication](#).

35.7.1 Start Communication

This section describes how to start SSIE communication. To start communication, be sure to follow the procedure shown in Figure 35.49. See section 35.7.2, [Transmission](#) for transmission operation and section 35.7.3, [Reception](#) for reception operation.

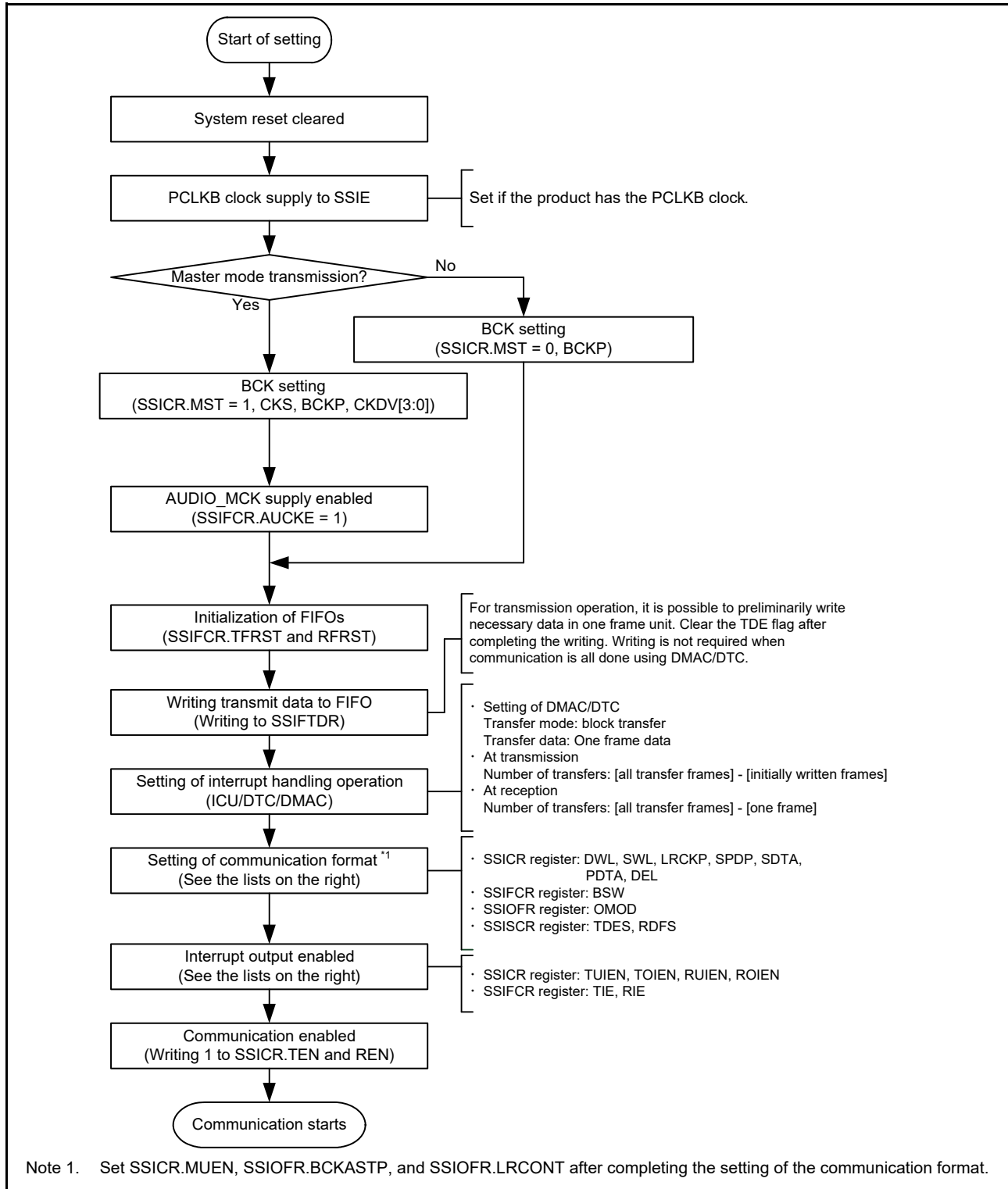


Figure 35.49 Procedure to start communication (CPU operation procedure)

SSIE can perform continuous communication using interrupts by the DTC or DMAC. For transmission, write 1 to SSIFCR.TIE, SSICR.TUIEN, and SSICR.TOIEN. For reception, write 1 to SSIFCR.RIE, SSICR.RUIEN, and SSICR.ROIEN.

35.7.2 Transmission

The procedure to be followed for a transmission operation is shown in [Figure 35.50](#).

After transmission is enabled (SSICR.TEN = 1 and SSICR.REN = 0), SSIE starts transmission when a start trigger is generated by SSILRCK0/SSIFS0 with the serial data for at least a frame contained in the Transmit FIFO Data Register (SSIFTDR). SSIE outputs a transmit data empty interrupt to the DTC or DMAC according to the TDE setting condition (SSISCR.TDES[2:0]) and the status of Transmit Data Empty Interrupt Enable (SSIFCR.TIE) bit specified in the communication start procedure. This interrupt requests writing to the Transmit FIFO Data Register (SSIFTDR). In the communication start procedure, specify writing to the Transmit FIFO Data Register (SSIFTDR) as the DTC or DMAC operation in response to the transmit data empty interrupt. With this setting, SSIE can continuously transmit data not through the CPU. The transmit data empty interrupt is generated when the free space size of Transmit FIFO Data Register reaches the value set in SSISCR.TDES[2:0]. The number of times that data is written must be specified in accordance with the free space size of the Transmit FIFO Data Register indicated by the transmit data empty interrupt. If an error occurs, perform the error-handling procedure as instructed in the communication stop procedure.

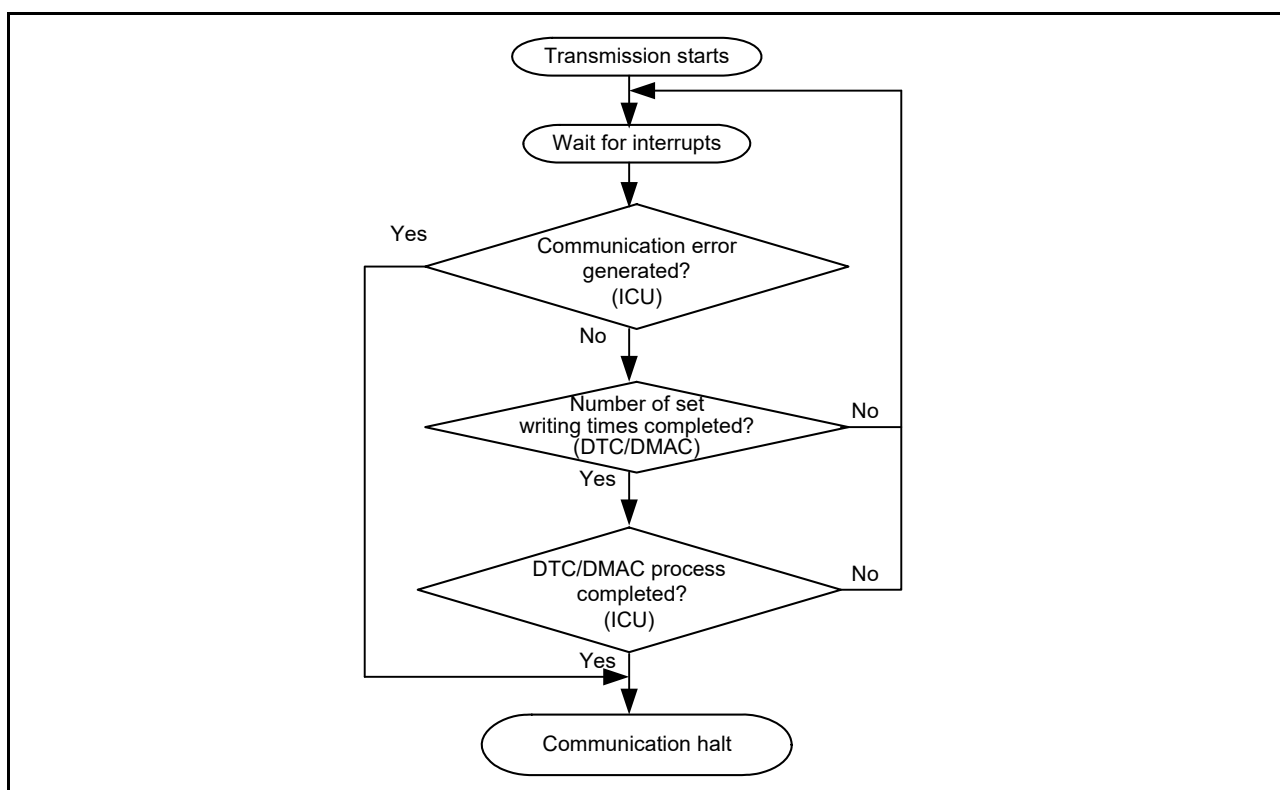


Figure 35.50 Transmission procedure

Note: The communication flow defined in the SSIE uses the DTC or DMAC. If you do not use the DTC or DMAC, poll the SSIFSR.TDE for a value of 1 to write data to SSIFTDR. The number of times that data is written to SSIFTDR on detecting a 1 in SSIFSR.TDE must be in accordance with the free space size of the Transmit FIFO Data Register specified in SSISCR.TDES[2:0]. After as much transmit data as the free space size is written to SSIFTDR, the SSIFSR.TDE flag must be cleared. Continuous transmission is enabled by repeating data writing. If the SSIFSR.TDE flag is not cleared, the flag is not cleared automatically.

35.7.3 Reception

The reception procedure to be followed is shown in [Figure 35.51](#).

After reception is enabled (SSICR.TEN = 0 and SSICR.REN = 1), SSIE starts reception when a start trigger is generated by SSILRCK0/SSIFS0. SSIE outputs a receive data full interrupt to the DTC or DMAC based on the RDF Setting Condition Select (SSISCR.RDFS[2:0]) and the status of the Receive Data Full Interrupt Enable (SSIFCR.RIE) bit specified in the communication start procedure. This interrupt requests reading of data from the Receive FIFO Data Register (SSIFRDR). In the communication start procedure, specify reading from the Receive FIFO Data Register (SSIFRDR) as a DTC or DMAC operation in response to the receive data full interrupt. With this setting, SSIE can continuously read data not through the CPU. The receive data full interrupt is generated when data equal to the capacity of the Receive FIFO Data Register has been stored. The number of times that data is read must be specified in accordance with the data size of the Receive FIFO Data Register indicated by the receive data full interrupt. If an error occurs, perform the error-handling procedure as described in the communication stop procedure.

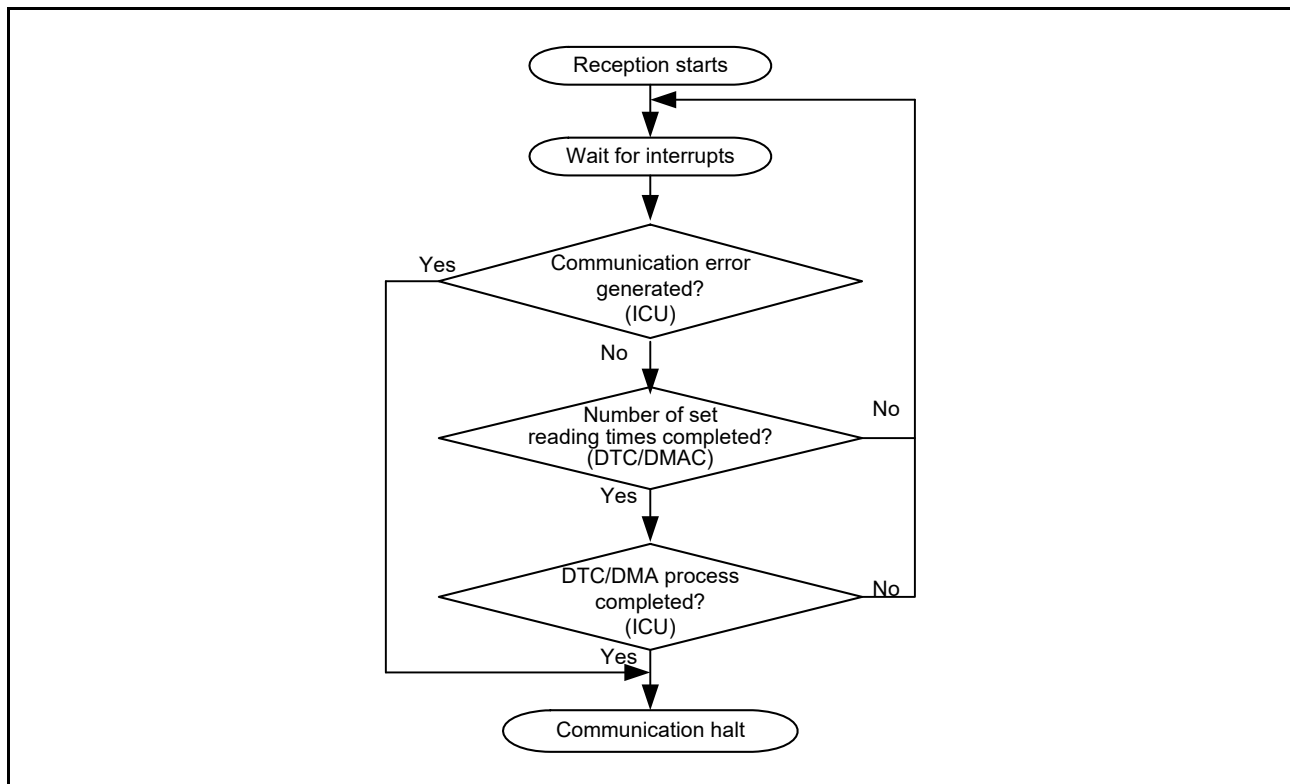


Figure 35.51 Reception procedure

Note: The communication flow defined in the SSIE uses the DTC or DMAC. If you do not use the DTC or DMAC, poll the SSIFSR.RDF for a value of 1 to read data from SSIFRDR. The number of times that data is read from SSIFRDR on detecting the value of 1 in SSIFSR.RDF must be in accordance with the receive data storage capacity of the Receive FIFO Data Register specified in SSISCR.RDFS[2:0]. After received data is read from SSIFRDR, the SSIFSR.RDF flag must be cleared. Continuous reception is enabled by repeating data reading. If the SSIFSR.RDF flag is not cleared, the flag is not cleared automatically.

35.7.4 Transmission and Reception

After transmission and reception are enabled (SSICR.TEN = 1 and SSICR.REN = 1), SSIE starts transmission and reception when a start trigger is generated by SSILRCK0/SSIFS0 with the serial data for at least a frame contained in the Transmit FIFO Data Register (SSIFTDR). SSIE can continuously transmit and receive data by performing the procedures described in [section 35.7.2, Transmission](#) and [section 35.7.3, Reception](#), respectively. For the procedure to stop transmission and reception, see [section 35.7.5, Halt Communication](#).

35.7.5 Halt Communication

This section describes how to halt SSIE communication. Be sure to follow the procedure shown in [Figure 35.52](#) to halt communication.

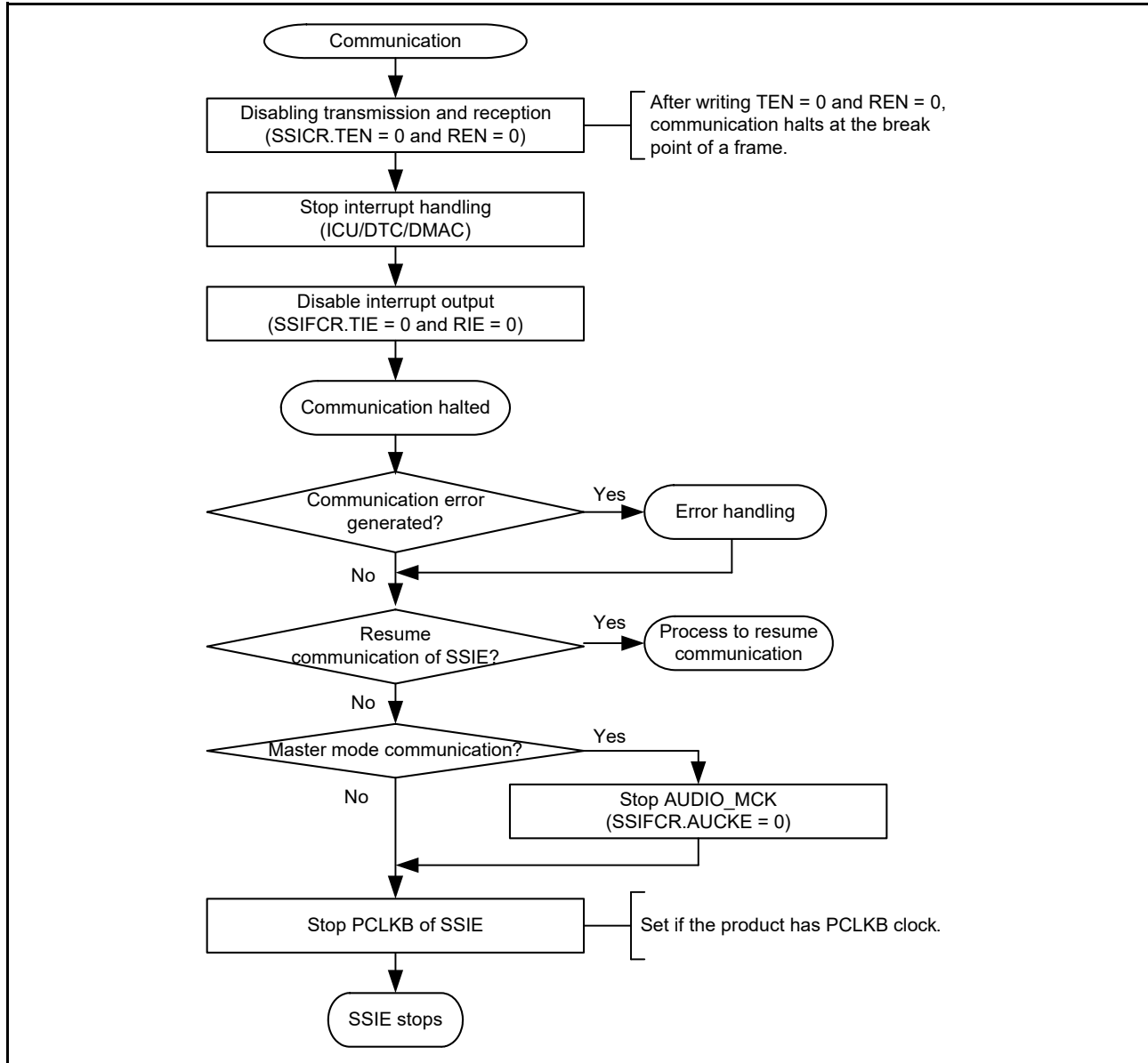


Figure 35.52 Procedure to halt communication (CPU operation)

To halt the SSIE communication, supply of the following clocks is required until the SSISR.IIRQ bit indicates an idle state:

- Input clock from the SSIBCK0 pin when SSICR.MST = 0
- AUDIO_MCK when SSICR.MST = 1

To resume SSIE communication in the previous setting, see [section 35.7.7, Resume Communication](#).

Note: When SSIE communication is halted according to the procedure in [Figure 35.52](#), resume communication according to the procedure in [Figure 35.54](#).

35.7.6 Error Handling

SSIE has four errors listed as follows:

- Transmit underflow error
- Transmit overflow error
- Receive underflow error
- Receive overflow error.

When an underflow error or overflow error is generated, SSIE needs to be restarted. Follow the procedure to halt communication in [Figure 35.52](#) and the error-handling procedure in [Figure 35.53](#).

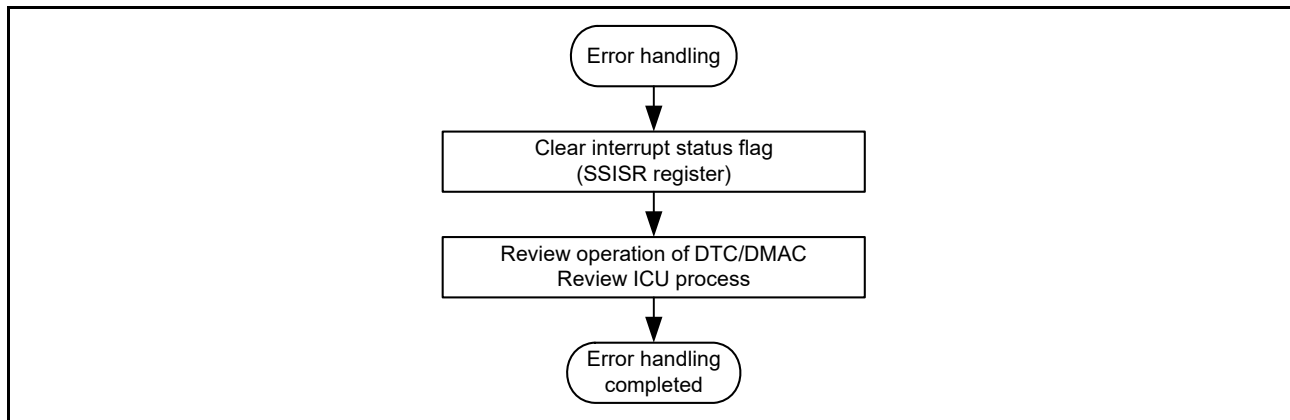


Figure 35.53 Error-handling procedure

The four error operations are described as follows. When the Interrupt Output Enable bit of the SSICR register is enabled and error flags are set, an error interrupt is generated. See the descriptions of flags in [section 35.3.2, Status Register \(SSISR\)](#) for the setting conditions of error flags.

(1) Transmit underflow error

If a transmit underflow error occurs, review the number of times that data is written to the Transmit FIFO Data Register (SSIFTDR) in response to a transmit data empty interrupt. After a transmit underflow error occurs, SSIE outputs 0s as data. To normally output the serial data written in the Transmit FIFO Data Register (SSIFTDR) to the SSITXD0 pin, follow the procedure to halt communication in [Figure 35.52](#) and the error-handling procedure in [Figure 35.53](#). After this error occurs, serial data is consumed as usual. If you resume communication, write the serial data from the beginning.

(2) Transmit overflow error

If a transmit overflow error occurs, review the number of times that data is written to the Transmit FIFO Data Register (SSIFTDR) in response to transmit data empty interrupts. The serial data written to the Transmit FIFO Data Register (SSIFTDR) that caused the transmit overflow error becomes invalid. This error can occur regardless of whether a transmission operation is being done. To recover from the error, follow the procedure to halt communication in [Figure 35.52](#) and the error-handling procedure in [Figure 35.53](#). When you resume communication, deal with the invalid serial data appropriately.

(3) Receive underflow error

If a receive underflow error occurs, review the number of times that data is read from the Receive FIFO Data Register (SSIFRDR) in response to receive data full interrupts. The values read from the Receive FIFO Data Register (SSIFRDR) that caused the receive underflow error are undefined. This error can occur regardless of whether a reception operation is being done. To recover from the error, follow the procedure to halt communication in [Figure 35.52](#) and the error-handling procedure in [Figure 35.53](#).

(4) Receive overflow error

If a receive overflow error occurs, review the number of times that data is read from the Receive FIFO Data Register (SSIFRDR) in response to receive data full interrupts. The receive data that caused the receive overflow error cannot be stored in the Receive FIFO Data Register (SSIFRDR). To recover from the error, follow the procedure to halt communication in [Figure 35.52](#) and the error-handling procedure in [Figure 35.53](#).

35.7.7 Resume Communication

To resume SSIE communication, follow the procedure to resume communication shown in [Figure 35.54](#). The procedure assumes that you resume the communication stopped by the communication stop procedure without changing any settings. If you want to change the clock and slave/master settings, follow the communication start procedure in [Figure 35.49](#). For details on the transmission and reception operations after starting communication, see [section 35.7.2, Transmission](#) and [section 35.7.3, Reception](#), respectively.

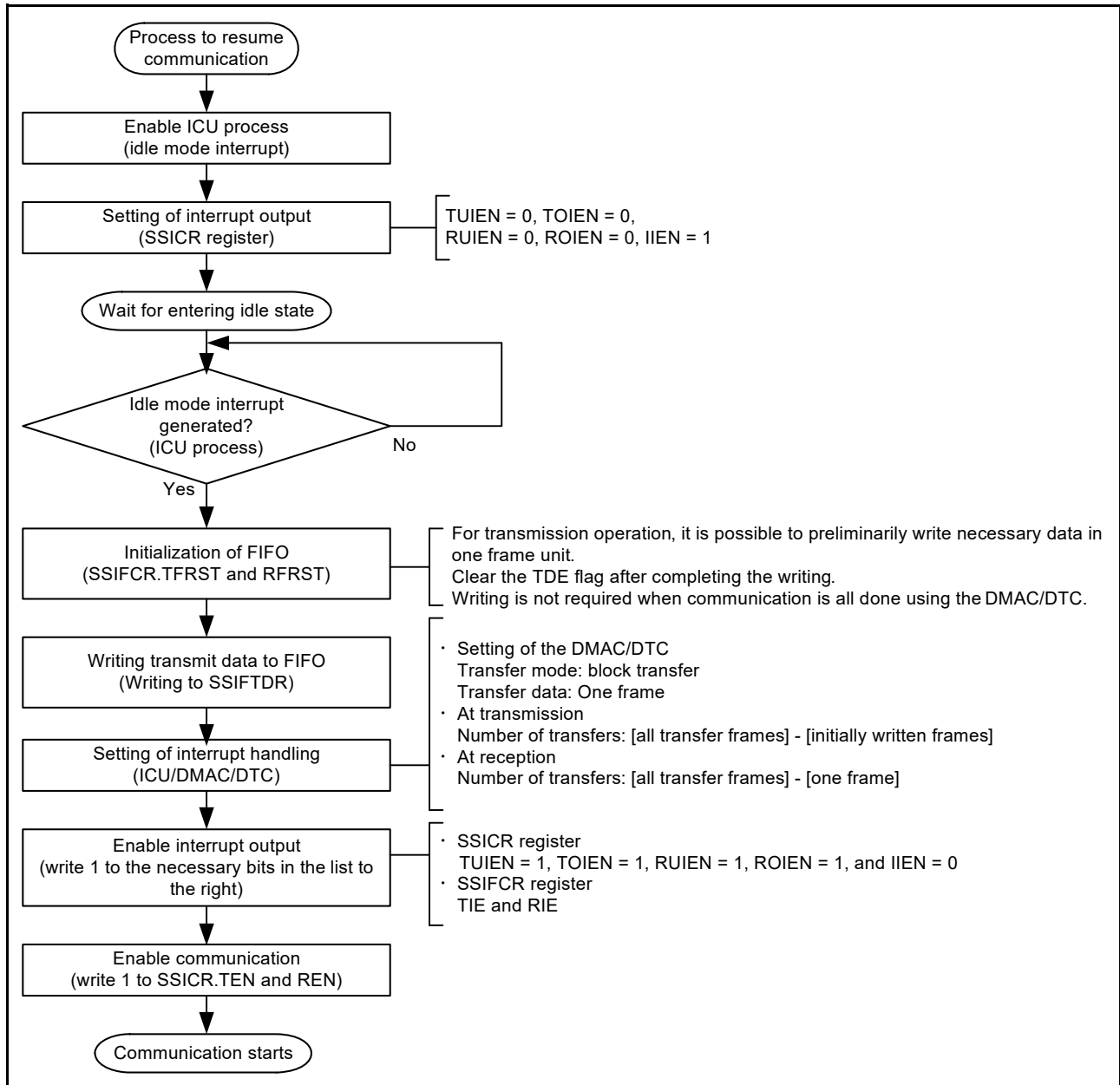


Figure 35.54 Procedure to resume communication (CPU operation)

35.8 Interrupts

Table 35.16 lists the interrupt sources. Enable or disable the interrupt output of each source in the TUIEN, TOIEN, RUIEN, ROIEN, and I IEN bits in the SSICR register, and the TIE and RIE bits in the SSIFCR register.

Table 35.16 SSIE interrupt sources

Channel	Interrupt source	Description	Interrupt flag	DMAC/DTC activation
SSIE0	SSIE0_SSIF	• Transmit underflow interrupt	SSISR.TUIRQ	Not possible
		• Transmit overflow interrupt	SSISR.TOIRQ	
		• Receive underflow interrupt	SSISR.RUIRQ	
• Receive overflow interrupt		SSISR.ROI RQ		
• Idle interrupt.		SSISR.IIRQ		
	SSIE0_SSIRXI	Receive data full interrupt	SSIFSR.RDF	Possible
	SSIE0_SSITXI	Transmit data empty interrupt	SSIFSR.TDE	Possible

35.8.1 SSIE0_SSIF Interrupt

This interrupt source combines five interrupts. Enable output of required interrupts before using SSIE. The five interrupts are operated by using the flags assigned to individual interrupts and interrupt output enable bits. To clear an interrupt, set the interrupt enable to 0 or clear the interrupt flag to 0.

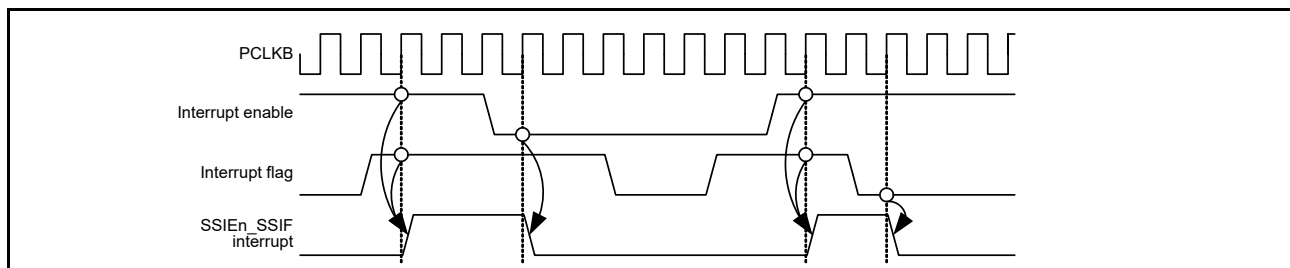


Figure 35.55 Timing diagram of the common interrupt source, SSIE0_SSIF

- Transmit underflow interrupt

As the transmit underflow interrupt, SSISR.TUIRQ is output while SSICR.TUIEN = 1. When you use SSIE for transmission, enable the output of this interrupt (SSICR.TUIEN = 1). If this interrupt occurs, follow instructions in the procedure to halt communication in Figure 35.52 and the error-handling procedure in Figure 35.53.

- Transmit overflow interrupt

As the transmit overflow interrupt, SSISR.TOIRQ is output while SSICR.TOIEN = 1. When you use SSIE for transmission, enable the output of this interrupt (SSICR.TOIEN = 1). If this interrupt occurs, follow instructions in the procedure to halt communication in Figure 35.52 and the error-handling procedure in Figure 35.53.

- Receive underflow interrupt

As the receive underflow interrupt, SSISR.RUIRQ is output while SSICR.RUIEN = 1. When you use SSIE for reception, enable the output of this interrupt (SSICR.RUIEN = 1). If this interrupt occurs, follow instructions in the procedure to halt communication in Figure 35.52 and the error-handling procedure in Figure 35.53.

- Receive overflow interrupt

As the receive overflow interrupt, SSISR.ROI RQ is output while SSICR.ROIEN = 1. When you use SSIE for reception, enable the output of this interrupt (SSICR.ROIEN = 1). If this interrupt occurs, follow instructions in the procedure to halt communication in Figure 35.52 and the error-handling procedure in Figure 35.53.

- Idle mode interrupt

As the idle mode interrupt, SSISR.IIRQ is output while SSICR.IIEN = 1. This interrupt is used to make sure that communication has stopped fully.

35.8.2 SSIE0_SSITXI Interrupt (Full-duplex communication)

The transmit data empty interrupt is a pulse interrupt that is output when the following condition is met:

- SSIFCR.TIE = 1 and SSIFSR.TDE = 1
 - SSIE operation: When the value of SSIFSR.TDE changes from 0 to 1, while the value of SSIFCR.TIE is 1
 - CPU instruction: When the value of SSIFCR.TIE changes from 0 to 1, while the value of SSIFSR.TDE is 1.

This interrupt is subject to the interrupt suppression function. If an interrupt condition for this interrupt occurs when the DTC or DMAC is busy, that is, when the DTC or DMAC cannot accept interrupts, the interrupt suppression function holds the output of this interrupt. The held interrupt is output after the DTC or DMAC is enabled to accept interrupts. For details, see [Figure 35.56](#).

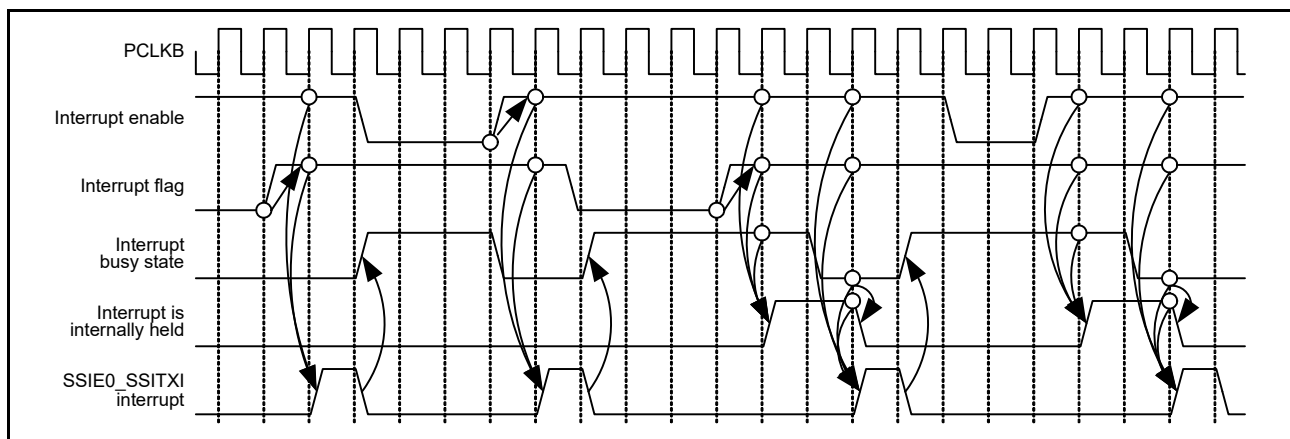


Figure 35.56 SSIE0_SSITXI interrupt timing diagram

35.8.3 SSIE0_SSIRXI Interrupt (Full-duplex communication)

The receive data full interrupt is a pulse interrupt that is output when the following condition is met:

- SSIFCR.RIE = 1 and SSIFSR.RDF = 1.
 - SSIE operation: When the value of SSIFSR.RDF changes from 0 to 1, while the value of SSIFCR.RIE is 1
 - CPU instruction: When the value of SSIFCR.RIE changes from 0 to 1, while the value of SSIFSR.RDE is 1.

This interrupt is subject to the interrupt suppression function. If an interrupt condition for this interrupt occurs when the DTC or DMAC is busy, that is, when the DTC or DMAC cannot accept interrupts, the interrupt suppression function holds the output of this interrupt. The held interrupt is output after the DTC or DMAC is enabled to accept interrupts. The behavior of this interrupt is the same as the behavior shown in [Figure 35.56](#).

35.9 Software Resets

SSIE has three software reset bits:

- SSIE Software Reset (SSIFCR.SSIRST)
- Transmit FIFO Data Register Reset (SSIFCR.TFRST)
- Receive FIFO Data Register Reset (SSIFCR.RFRST).

This section describes the procedures for the three types of software resets.

35.9.1 Software Reset Procedure

(1) SSIE software reset

For the SSIE Software Reset bit (SSIFCR.SSIRST), follow the procedure shown in [Figure 35.57](#). After a reset occurs, the same setting is applied when it is resumed. To change the settings of clocks and slave/master mode, follow the procedure to start communication in [Figure 35.49](#). See [section 35.7.2, Transmission](#) and [section 35.7.3, Reception](#) for transmission and reception respectively, after communication is resumed.

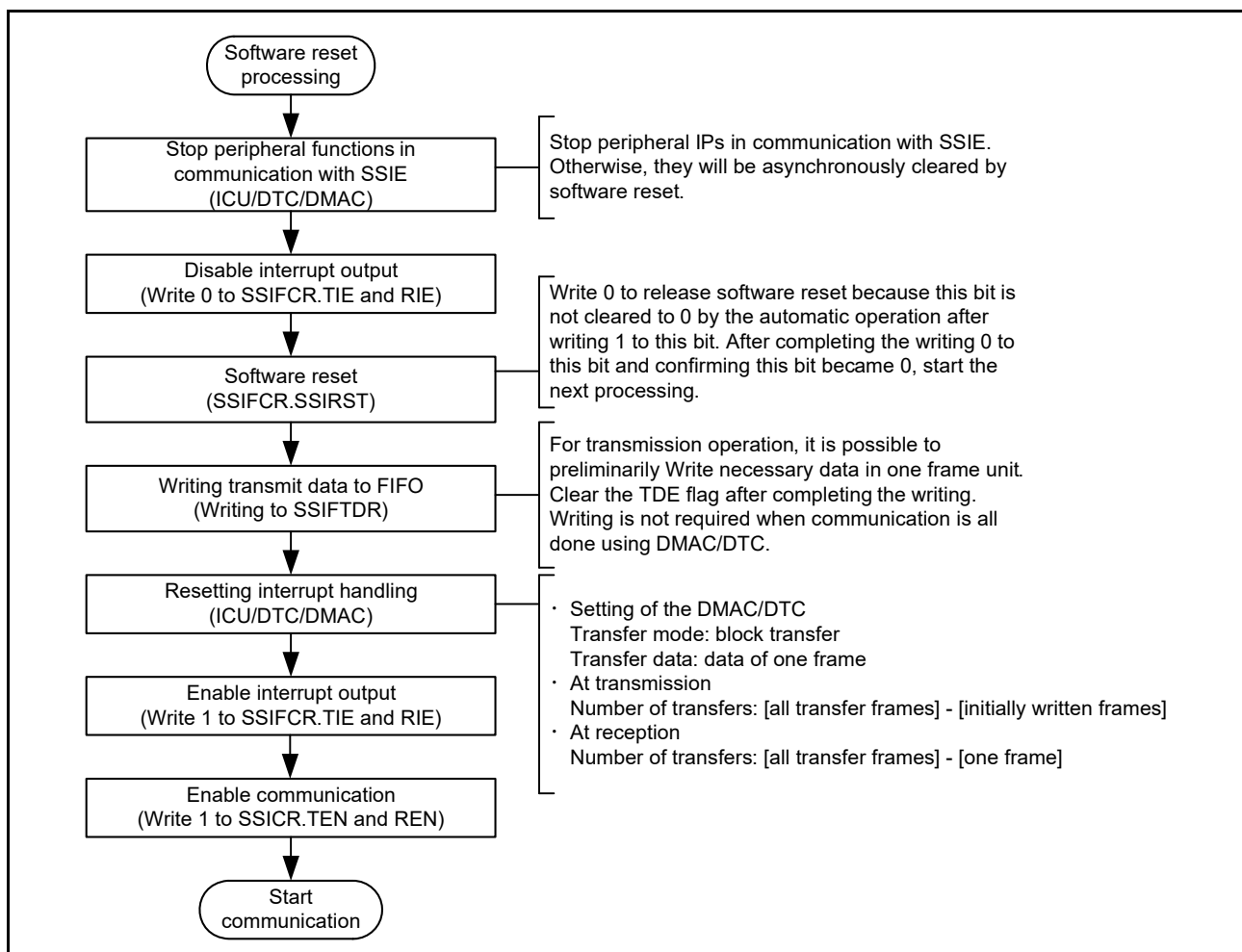


Figure 35.57 Software reset procedure (CPU operation)

(2) Transmit FIFO Data Register reset

To perform a Transmit FIFO Data Register reset, follow the procedures to start communication as shown in [Figure 35.49](#) and resume communication in [Figure 35.54](#).

(3) Receive FIFO Data Register reset

To perform a receive FIFO data register reset, follow the procedures to start communication as shown in [Figure 35.49](#) and resume communication in [Figure 35.54](#).

35.10 Notes

35.10.1 Notes on Slave Mode Communication

35.10.1.1 ADCKE control

In slave mode communication (SSICR.MST = 0), SSIE needs the supply of SSIBCK0. To stop BCK on the master side, make sure that SSIE is in the idle state (SSISR.IIRQ = 1). If BCK is stopped before SSIE becomes idle, use the procedure to start communication shown in [Figure 35.49](#) or wait for an idle state by using the procedure to resume communication shown in [Figure 35.54](#).

35.10.1.2 SSILRCK0/SSIFS0 pin

The SSILRCK0/SSIFS0 pin indicates the synchronization of communication. When SSIE is in slave mode (SSICR.MST = 0), the SSIE communication format must match that of the other-party device to communicate. SSIE uses the signal input by the SSILRCK0/SSIFS0 pin only as a trigger to start communication.

35.10.2 Notes on Master Mode Communication

35.10.2.1 ADCKE control

In master mode communication (SSICR.MST = 1), SSIE operates with the audio clock (AUDIO_MCK). To stop SSIE completely, make sure that SSIE is in the idle state (SSISR.IIRQ = 1) and then write 0 to SSIFCR.ADCKE.

35.10.2.2 LRCONT control

When SSIE is in an idle state in master mode communication (SSICR.MST = 1), the output to the SSILRCK0/SSIFS0 pin stops when the value of the SSIOFR.LRCONT bit is changed from 1 to 0. Make sure that the other-party device is not affected. For details, see [Figure 35.40](#).

35.10.2.3 BCKASTP control

When the SSIE is in the idle state in master mode communication (SSICR.MST = 1), the output to the SSIBCK0 pin stops when the value of the SSIOFR.BCKASTP bit is changed from 0 to 1. Make sure that the other-party device is not affected. For details, see [Figure 35.41](#).

The BCKASTP bit cannot be used when the other-party device (which is a slave) requires the clock output from the SSIBCK0 pin before and during communication.

35.10.3 Notes on Communication Flow

35.10.3.1 When an error interrupt is generated

SSIE has the following four errors:

- Transmit underflow error
- Transmit overflow error
- Receive underflow error
- Receive overflow error.

When an underflow error or overflow error is generated, SSIE needs to be restarted. Follow the procedure to halt communication as shown in [Figure 35.52](#) and the error-handling procedure as shown in [Figure 35.53](#).

(1) Transmit underflow error

If a transmit underflow error occurs, review the number of times that data is written to the Transmit FIFO Data Register (SSIFTDR) in response to a transmit data empty interrupt. After a transmit underflow error occurs, SSIE outputs 0s as data. To normally output the serial data written to the Transmit FIFO Data Register (SSIFTDR) to the SSITXD0 pin, follow the procedure to halt communication as shown in [Figure 35.52](#) and the error-handling procedure as shown in [Figure 35.53](#). After this error occurs, serial data is consumed as usual. If you resume communication, write the serial data from the beginning.

(2) Transmit overflow error

If a transmit overflow error occurs, review the number of times that data is written to the Transmit FIFO Data Register (SSIFTDR) in response to transmit data empty interrupts. The serial data written to the Transmit FIFO Data Register (SSIFTDR) that caused the transmit overflow error becomes invalid. This error can occur regardless of whether a transmission operation is performed. To recover from the error, follow the procedure to halt communication as shown in [Figure 35.52](#) and the error-handling procedure as shown in [Figure 35.53](#). When you resume communication, deal with the invalid serial data appropriately.

(3) Receive underflow error

If a receive underflow error occurs, review the number of times that data is read from the Receive FIFO Data Register (SSIFRDR) in response to receive data full interrupts. The values read from the Receive FIFO Data Register (SSIFRDR) that caused the receive underflow error are undefined. This error can occur regardless of whether a reception operation is performed. To recover from the error, follow the procedure to halt communication as shown in [Figure 35.52](#) and the error-handling procedure as shown in [Figure 35.53](#).

(4) Receive overflow error

If a receive overflow error occurs, review the number of times that data is read from the Receive FIFO Data Register (SSIFRDR) in response to receive data full interrupts. The receive data that caused the receive overflow error cannot be stored in the Receive FIFO Data Register (SSIFRDR). To recover from the error, follow the procedure to halt communication as shown in [Figure 35.52](#) and the error-handling procedure as shown in [Figure 35.53](#).

35.10.3.2 Transmit data empty interrupt

The communication flow defined in SSIE uses the DTC or DMAC. If you do not use the DTC or DMAC, poll for 1 in SSIFSR.TDE to write data to SSIFTDR. The number of times that data is written to SSIFTDR on detecting 1 in SSIFSR.TDE must be in accordance with the free space size of the Transmit FIFO Data Register specified in SSISCR.TDES[2:0]. After as much transmit data as the free space size is written to SSIFTDR, the SSIFSR.TDE flag must be cleared. Continuous transmission is enabled by repeating data writing. If the SSIFSR.TDE flag is not cleared, the flag is not cleared automatically.

35.10.3.3 Receive data full interrupt

The communication flow defined in SSIE uses the DTC or DMAC. If you do not use the DTC or DMAC, poll for 1 in SSIFSR.RDF to read data from SSIFRDR. The number of times that data is read from SSIFRDR on detecting 1 in SSIFSR.RDF must be in accordance with the receive data storage capacity of the Receive FIFO Data Register specified in SSISCR.RDFS[2:0]. After received data is read from SSIFRDR, the SSIFSR.RDF flag must be cleared. Continuous reception is enabled by repeating data reading. If the SSIFSR.RDF flag is not cleared, the flag is not cleared

automatically.

35.10.3.4 Switching transfer modes

Transfer modes can be switched as follows:

1. For state transition from transmission, reception, and transmission and reception, disable transmission and reception (SSICR.TEN = 0, SSICR.REN = 0).
2. Confirm SSIE is in the idle state (SSISR.IIRQ = 1).
3. In the idle state, set the SSICR.TEN bit and the SSICR.REN bit again and resume transfer.

35.10.3.5 Resume communication after halting SSIE

When SSIE communication is halted according to the procedure shown in [Figure 35.52](#), resume communication according to the procedure shown in [Figure 35.54](#).

35.10.4 Write Access Restriction

35.10.4.1 SSICR register

If the TEN or REN bit is rewritten, make sure that the SSISR.IIRQ bit has the desired status. If the value of the TEN or REN bit is changed by rewriting, subsequent operation is unpredictable. For example, when transmission or reception is enabled, check that SSISR.IIRQ is 0, and when transmission or reception is disabled, check that SSISR.IIRQ is 1.

(1) TEN and REN bits

The TEN and REN bits enable or disable transmission and reception. When 1 is written to one of these bits, the corresponding communication operation starts in synchronization with a start trigger by the SSILRCK0/SSIFS0 signal. For details, see [section 35.7.2, Transmission](#), [section 35.7.3, Reception](#), and [section 35.7.4, Transmission and Reception](#). When 0 is written to this bit, the current communication operation stops at the next frame boundary. To use SSIE for both transmission and reception, simultaneously write 1 to these bits. When stopping the communication using SSIE, always disable both transmission and reception (write 0 to the TEN and REN bits).

35.10.4.2 SSISR register

(1) Clearing TUIRQ and TOIRQ

After communication is enabled (by changing the value of SSICR.TEN from 0 to 1), the transmission error flags TOIRQ and TUIRQ in the SSISR register are cleared. If the SSISR register is read continuously, the cleared status of the transmission error flags might be unreadable.

(2) Clearing RUIRQ and ROIRQ

After communication is enabled (by changing the value of the SSICR.REN bit from 0 to 1), the reception error flags RUIRQ and ROIRQ in the SSISR register are cleared. However, if the SSISR register is read continuously, the cleared status of the reception error flags might be unreadable.

35.10.4.3 Communication state

Writing to the bits indicated with the shaded area in Table 35.17 is prohibited. If these bits are written to, the subsequent operation performed after the writing is not guaranteed.

Table 35.17 Bits protected from writing during communication

Symbol	Address (BASE+)		+0								+1							
			31	30	29	28	27	26	25	24	23	22	21	20	19	18	17	16
			15	14	13	12	11	10	9	8	7	6	5	4	3	2	1	0
SSICR	00h	+0	—	CKS	TUI EN	TOI EN	RUI EN	ROI EN	IIEN	—	—	—	DWL[2:0]			SWL[2:0]		
		+2	—	MS T	BCK P	LRC KP	SPD P	SDT A	PDT A	DEL	CKDV[3:0]			MU EN	—	TEN	REN	
SSISR	04h	+0	—	—	TUI RQ	TOI RQ	RUI RQ	ROI RQ	IIRQ	—	—	—	—	—	—	—	—	
		+2	—	—	—	—	—	—	—	—	—	—	—	—	—	—	—	
SSIFCR	10h	+0	AUC KE	—	—	—	—	—	—	—	—	—	—	—	—	—	SSI RST	
		+2	—	—	—	—	BS W	—	—	—	—	—	—	TIE	RIE	TFR ST	RFR ST	
SSIFSR	14h	+0	—	—	—	—	TDC[3:0]			—	—	—	—	—	—	—	TDE	
		+2	—	—	—	—	RDC[3:0]			—	—	—	—	—	—	—	RDF	
SSIFTDR	18h	+0	FTDR[31:16]															
		+2	FTDR[15:0]															
SSIFRDR	1ch	+0	FRDR[31:16]															
		+2	FRDR[15:0]															
SSIOFR	20h	+0	—	—	—	—	—	—	—	—	—	—	—	—	—	—	—	
		+2	—	—	—	—	—	—	BCK AST P	LRC ON T	—	—	—	—	—	—	OMOD[1:0]	
SSISCR	24h	+0	—	—	—	—	—	—	—	—	—	—	—	—	—	—	—	
		+2	—	—	—	—	—	TDES[2:0]			—	—	—	—	—	RDFS[2:0]		

36. SD/MMC Host Interface (SDHI)

36.1 Overview

The Secure Digital Host Interface (SDHI) and MultiMediaCard (MMC) interface provide the functionality required to connect a variety of external memory cards with the MCU. The SDHI supports both 1-bit and 4-bit buses for connecting different memory cards that support SD, SDHC, and SDXC formats. When developing host devices that are compliant with the SD specifications, you must comply with the SD Host/Ancillary Product License Agreement (SD HALA).

The MMC interface supports 1-bit, 4-bit, and 8-bit MMC buses that provide eMMC 4.51 (JEDEC Standard JESD 84-B451) device access. The MMC interface also provides backward compatibility and support for high-speed SDR transfer modes. [Table 36.1](#) lists the SD/MMC host interface specifications, and [Figure 36.1](#) shows a block diagram.

Table 36.1 SD/MMC host interface specifications

Interface	Item	Description
SD	SD bus interface	<ul style="list-style-type: none"> Compatible with SD memory card and SDIO card Transfer bus mode selectable from 4-bit wide bus mode or 1-bit default bus mode Compatible with SD, SDHC, and SDXC formats.
SD/MMC common	SDHI clock frequency	The SDHI clock is generated by dividing PCLKA by 2^n ($n = 1$ to 9)
	Error check functions	CRC7 (command/response), CRC16 (transfer data)
	Interrupt sources	<ul style="list-style-type: none"> Card access interrupt (SDHI_MMC0_ACCS) SDIO access interrupt (SDHI_MMC0_SDIO) Card detection interrupt (SDHI_MMC0_CARD).
	DMA transfer sources	<ul style="list-style-type: none"> DMAC and DTC triggerable by the SBFAl interrupt SD buffer is read and write accessible using the DMAC.
	Other functions	<ul style="list-style-type: none"> Card detect function Write protect support.
MMC	MMC bus interface	Transfer bus mode selectable from 1-bit, 4-bit, or 8-bit
	Transfer modes	Backward compatible mode or high-speed SDR mode selectable
	Other functions	eMMC device access supported

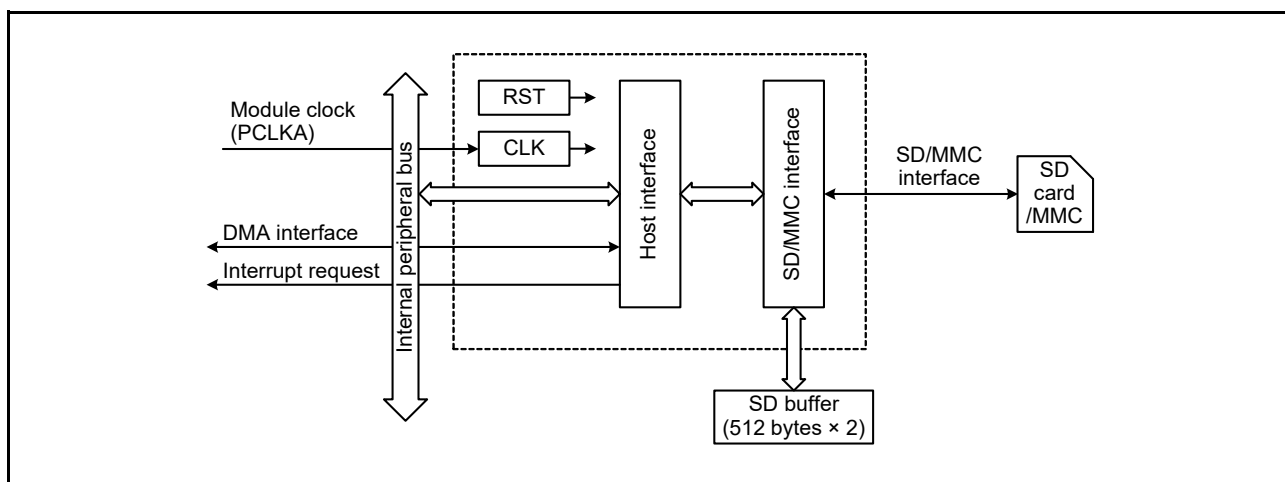


Figure 36.1 SD/MMC host interface block diagram

Table 36.2 SDHI I/O pins

Channel	Pin name	I/O	Description
Ch 0	SD0CLK	Output	SDHI clock
	SD0CMD	I/O	Command output, response input
	SD0DAT0	I/O	Data 0 (DAT0)
	SD0DAT1	I/O	Data 1 (DAT1), SDIO interrupt
	SD0DAT2	I/O	Data 2 (DAT2), SDIO Read wait
	SD0DAT3	I/O	Data 3 (DAT3), SD Card detect
	SD0DAT4	I/O	MMC Data 4 (DAT4)
	SD0DAT5	I/O	MMC Data 5 (DAT5)
	SD0DAT6	I/O	MMC Data 6 (DAT6)
	SD0DAT7	I/O	MMC Data 7 (DAT7)
	SD0WP	Input	SD card write protection
	SD0CD	Input	SD card detection

36.2 Register Descriptions

36.2.1 Command Type Register (SD_CMD)

Address(es): SDHI0.SD_CMD 4006 2000h

b31	b30	b29	b28	b27	b26	b25	b24	b23	b22	b21	b20	b19	b18	b17	b16
—	—	—	—	—	—	—	—	—	—	—	—	—	—	—	—
Value after reset: 0 0 0 0 0 0 0 0 0 0 0 0 0 0 0 0															
b15	b14	b13	b12	b11	b10	b9	b8	b7	b6	b5	b4	b3	b2	b1	b0
CMD12AT[1:0]		TRSTP	CMDRW	CMDTP	RSPTP[2:0]		ACMD[1:0]		CMDIDX[5:0]						
Value after reset: 0 0 0 0 0 0 0 0 0 0 0 0 0 0 0 0															

Bit	Symbol	Bit name	Description	R/W
b5 to b0	CMDIDX[5:0]	Command Index Field Value Select	These bits configure the command index field value. The examples shown include the bit values for the ACMD[1:0] bits: b7 b0 0 0 0 0 1 1 0: CMD6 0 0 0 1 0 0 1 0: CMD18 0 1 0 0 1 1 0 1: ACMD13.	R/W
b7, b6	ACMD[1:0]	Command Type Select	b7 b6 0 0: CMD 0 1: ACMD. Other settings are prohibited.	R/W
b10 to b8	RSPTP[2:0]	Response Type Select*1	b10 b8 0 0 0: Normal Mode. Depending on the command, the response type and transfer method are selected by setting the ACMD[1:0] bits and CMDIDX[5:0] bits. The values of b15 to b11 in this register are invalid. 0 1 1: Extended mode and no response 1 0 0: Extended mode and R1, R5, R6, or R7 response 1 0 1: Extended mode and R1b response 1 1 0: Extended mode and R2 response 1 1 1: Extended mode and R3 or R4 response. Other settings are prohibited.	R/W
b11	CMDTP	Data Transfer Select*2	0: Command does not include data transfer (bc, bcr, or ac) 1: Command includes data transfer (adtc).	R/W

Bit	Symbol	Bit name	Description	R/W
b12	CMDRW	Data Transfer Direction Select* ³	0: Write (SD/MMC host interface → SD card/MMC) 1: Read (SD/MMC host interface ← SD card/MMC).	R/W
b13	TRSTP	Block Transfer Select* ³	0: Single block transfer 1: Multiple block transfer.	R/W
b15, b14	CMD12AT[1:0]	CMD12 Automatic Issue Select* ⁴	b15 b14 0 0: CMD12 is automatically issued during multi-block transfer 0 1: CMD12 is not automatically issued during multi-block transfer. Other settings are prohibited.	R/W
b31 to b16	—	Reserved	These bits are read as 0. The write value should be 0.	R/W

Note 1. Some commands cannot be used in normal mode. See [Table 36.3](#) and set the RSPTP[2:0] bits.

Note 2. The CMDTP bit is valid only when the RSPTP[2:0] bits are 011b, 100b, 101b, 110b, or 111b.

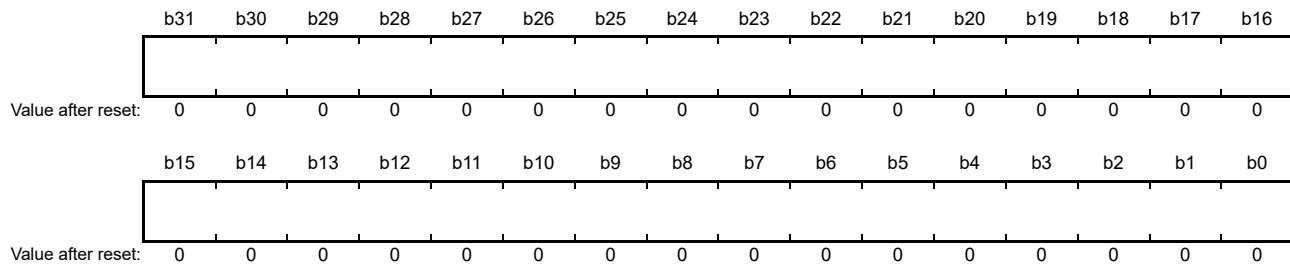
Note 3. The CMDRW and TRSTP bits are valid only when the RSPTP[2:0] bits are 011b, 100b, 101b, 110b, or 111b, and the CMDTP bit is 1.

Note 4. The CMD12AT[1:0] bits are valid only when the RSPTP[2:0] bits are 011b, 100b, 101b, 110b, or 111b, and the TRSTP bit is 1.

The command type and response type are set in the SD_CMD register. The command type and transfer mode must be set when the RSPTP[2:0] bits are 011b, 100b, 101b, 110b, or 111b. The sequence starts when a value is written to this register. See [Table 36.8](#) and [Table 36.9](#) for setting examples. Do not write to the SD_CMD register when the SD_INFO2.CBSY flag is 1.

36.2.2 SD Command Argument Register (SD_ARG)

Address(es): [SDHI0.SD_ARG 4006 2008h](#)

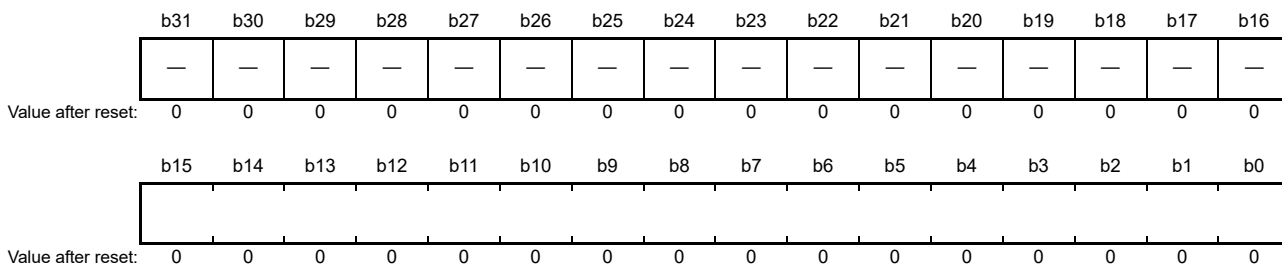


Bit	Symbol	Bit name	Description	R/W
b31 to b0	—	—	Set command format[39:8] (argument)	R/W

The SD_ARG register is used for setting the argument field value. Set the SD_ARG register before setting the SD_CMD register. The automatically issued CMD12 has an argument field value of 0000 0000h regardless of the SD_ARG register value.

36.2.3 SD Command Argument Register 1 (SD_ARG1)

Address(es): SDHI0.SD_ARG1 4006 200Ch

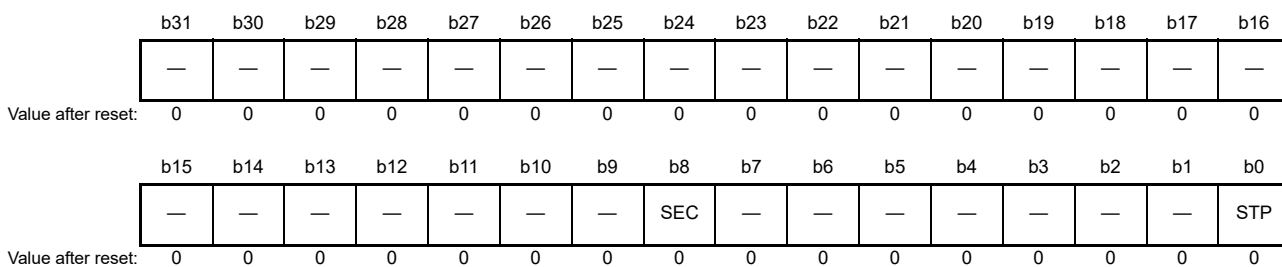


Bit	Symbol	Bit name	Description	R/W
b15 to b0	—	—	These bits specify command format[39:24] (argument)	R/W
b31 to b16	—	Reserved	These bits are read as 0. The write value should be 0.	R/W

The SD_ARG1 register is used for setting the argument field value. Set the SD_ARG1 register before setting the SD_CMD register. The argument field value of the automatically issued CMD12 is 0000 0000h regardless of the SD_ARG1 register value.

36.2.4 Data Stop Register (SD_STOP)

Address(es): SDHI0.SD_STOP 4006 2010h



Bit	Symbol	Bit name	Description	R/W
b0	STP	Transfer Stop	Data transfer stops when this bit is set to 1	R/W
b7 to b1	—	Reserved	These bits are read as 0. The write value should be 0.	R/W
b8	SEC	Block Count Register Value Select*1	0: SD_SECCNT register value is invalid 1: SD_SECCNT register value is valid.	R/W
b31 to b9	—	Reserved	These bits are read as 0. The write value should be 0.	R/W

Note 1. Do not rewrite this bit when the SD_INFO2.CBSY flag is 1.

The SD_STOP register stops data transfer. During a multi-block transfer sequence, the SD_SECCNT register value (number of blocks to be transferred) can be set to valid or invalid by setting the SD_STOP register.

STP bit (Transfer Stop)

When STP is set to 1 during a multi-block transfer, CMD12 is issued to halt the transfer through the SD host interface. However, if a command sequence is halted because of a communication error or timeout, CMD12 is not issued. Although continued buffer access is possible even after STP is set to 1, the buffer access error bit (ILR or ILW) in the SD_INFO2 register is set accordingly.

When STP is set to 1 during transfer for a single block write, the access end flag is set when SD_BUF becomes empty, and CMD12 is not issued. If SD_BUF does contain data, the access end flag is set on completion of reception of the busy state without CMD12 being issued.

When STP is set to 1 during transfer for a single block read, the access end flag is set immediately after setting of the STP bit and CMD12 is not issued.

When STP is set to 1 during reception of a busy state after an R1b response, the access end flag is set on completion of reception of the busy state without CMD12 being issued.

When STP is set to 1 after a command sequence is complete, CMD12 is not issued and the access end flag is not set.

Set STP to 1 after the response end flag is set. Set STP to 0 after the access end flag is set.

SEC bit (Block Count Register Value Select*1)

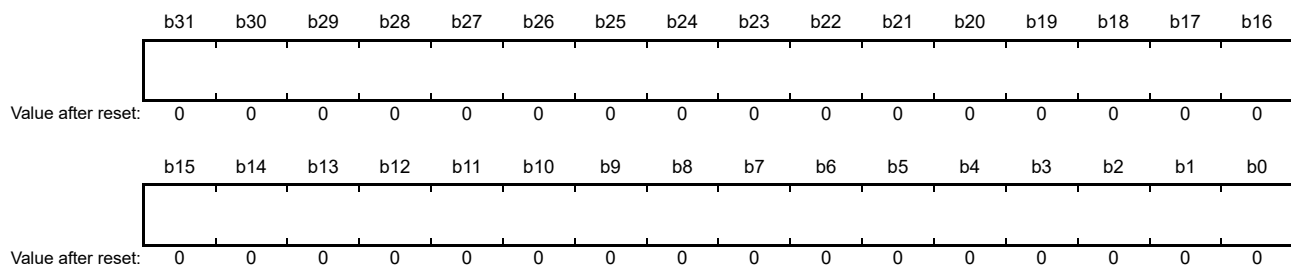
When the SD_CMD register is set to start the command sequence while SEC is set to 1, CMD12 is automatically issued to stop a multi-block transfer with the number of blocks set in the SD_SECCNT register as follows:

- SD_CMD[10:8] = 000b for CMD18 or CMD25 in normal mode
- SD_CMD[15:13] = 001b in extended mode (CMD12 is automatically issued, multiple block transfer).

When the command sequence is halted because of a communication error or timeout, CMD12 is not automatically issued.

36.2.5 Block Count Register (SD_SECCNT)

Address(es): SDHI0.SD_SECCNT 4006 2014h

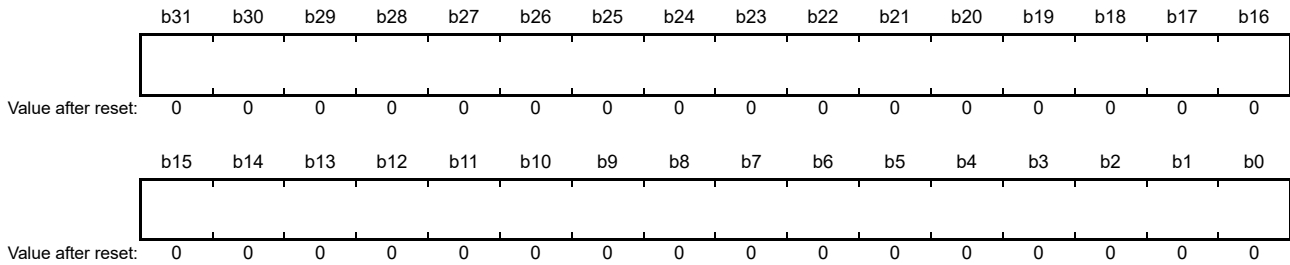


The SD_SECCNT register is a read/write register that sets the number of blocks to be transferred when performing a multi-block transfer. For example, when the register value is 0000 0001h, 1 block is transferred. When the register value is 0000 FFFFh, 65535 blocks are transferred and when the register value is FFFF FFFFh, 4294967295 blocks are transferred.

Do not set this register to 0000 0000h. Do not rewrite the SD_SECCNT register when the SD_INFO2.CBSY flag is 1.

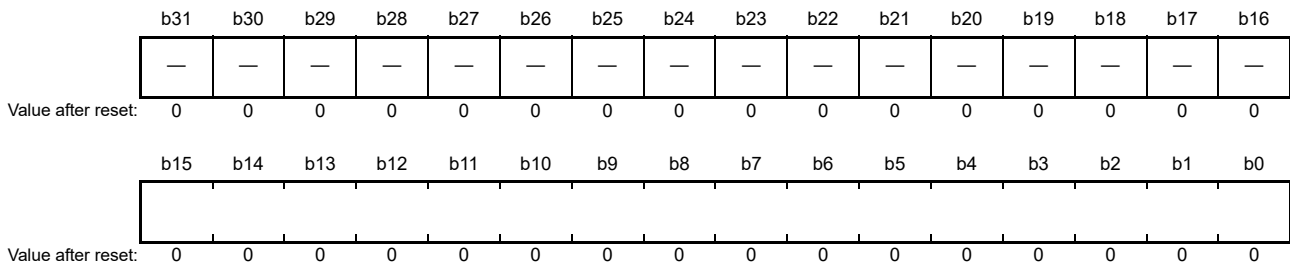
36.2.6 SD Card Response Register 10 (SD_RSP10), SD Card Response Register 32 (SD_RSP32), SD Card Response Register 54 (SD_RSP54)

Address(es): SDHI0.SD_RSP10 4006 2018h, SDHI0.SD_RSP32 4006 2020h, SDHI0.SD_RSP54 4006 2028h



36.2.7 SD Card Response Register 1 (SD_RSP1), SD Card Response Register 3 (SD_RSP3), SD Card Response Register 5 (SD_RSP5)

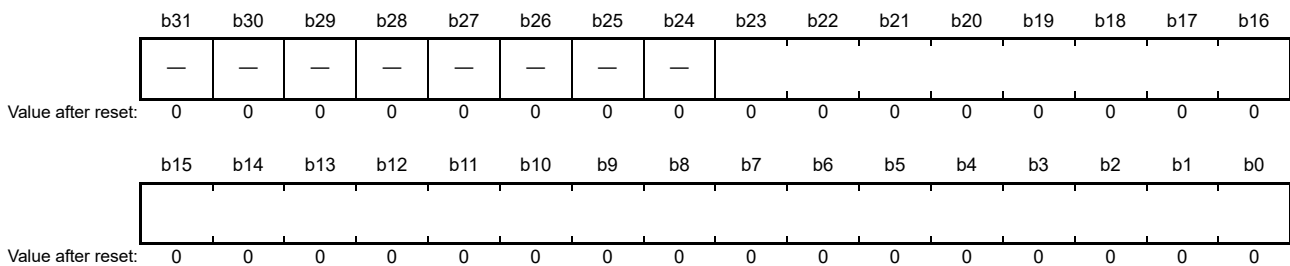
Address(es): SDHI0.SD_RSP1 4006 201Ch, SDHI0.SD_RSP3 4006 2024h, SDHI0.SD_RSP5 4006 202Ch



Bit	Symbol	Bit name	Description	R/W
b15 to b0	—	—	These bits store the response from the SD card/MMC	R
b31 to b16	—	Reserved	These bits are read as 0	R

36.2.8 SD Card Response Register 76 (SD_RSP76)

Address(es): SDHI0.SD_RSP76 4006 2030h



Bit	Symbol	Bit Name	Description	R/W
b23 to b0	—	—	These bits store the response from the SD card/MMC	R
b31 to b24	—	Reserved	These bits are read as 0	R

36.2.9 SD Card Response Register 7 (SD_RSP7)

Address(es): SDHI0.SD_RSP7 4006 2034h

	b31	b30	b29	b28	b27	b26	b25	b24	b23	b22	b21	b20	b19	b18	b17	b16
	—	—	—	—	—	—	—	—	—	—	—	—	—	—	—	—
Value after reset:	0	0	0	0	0	0	0	0	0	0	0	0	0	0	0	0
	b15	b14	b13	b12	b11	b10	b9	b8	b7	b6	b5	b4	b3	b2	b1	b0
	—	—	—	—	—	—	—	—	—	—	—	—	—	—	—	—
Value after reset:	0	0	0	0	0	0	0	0	0	0	0	0	0	0	0	0

Bit	Symbol	Bit name	Description	R/W
b7 to b0	—	—	These bits store the response from the SD card/MMC	R
b31 to b8	—	Reserved	These bits are read as 0	R

The SD_RSP10, SD_RSP32, SD_RSP54, SD_RSP1, SD_RSP3, SD_RSP5, SD_RSP76, and SD_RSP7 registers are read-only registers that store the response from the SD card/MMC. Depending on the type of response from the SD card/MMC, the SD/MMC host interface divides and stores the response among the four registers.

Table 36.3 lists the correspondence between the response type and its storage destination.

Table 36.3 Correspondence between response type and storage destination

Response type	SD_RSP10 register	SD_RSP32 register	SD_RSP54 register	SD_RSP1 register	SD_RSP3 register	SD_RSP5 register	SD_RSP76 register	SD_RSP7 register
R1	[39:8]	-	[39:8]*1	-	-	-	-	-
R1b	[39:8]	-	[39:8]*1	-	-	-	-	-
R2	[39:8]	[71:40]	[103:72]	-	-	-	[127:104]	-
R3	[39:8]	-	-	-	-	-	-	-
R4	[39:8]	-	-	-	-	-	-	-
R5	[39:8]	-	-	-	-	-	-	-
R6	[39:8]	-	-	-	-	-	-	-
R7	[39:8]	-	-	-	-	-	-	-

Note 1. The responses for CMD18 and CMD25 are stored in the SD_RSP10 and SD_RSP54 registers. Therefore, even if the SD_RSP10 register is overwritten with the response for the automatically issued CMD12, the response for CMD18 or CMD25 can be confirmed by reading the SD_RSP54 register.

36.2.10 SD Card Interrupt Flag Register 1 (SD_INFO1)

Address(es): SDHI0.SD_INFO1 4006 2038h

	b31	b30	b29	b28	b27	b26	b25	b24	b23	b22	b21	b20	b19	b18	b17	b16
	—	—	—	—	—	—	—	—	—	—	—	—	—	—	—	—
Value after reset:	0	0	0	0	0	0	0	0	0	0	0	0	0	0	0	0
	b15	b14	b13	b12	b11	b10	b9	b8	b7	b6	b5	b4	b3	b2	b1	b0
	—	—	—	—	—	SDD3MON	SDD3IN	SDD3RM	SDWPMON	—	SDCDMON	SDCDIN	SDCDRM	ACEND	—	RSPEND
Value after reset:	0	0	0	0	0	x	0	0	x	0	x	0	0	0*1	0	0*1

x: Undefined

Bit	Symbol	Bit name	Description	R/W
b0	RSPEND	Response End Detection Flag	0: Response end is not detected 1: Response end is detected.	R/(W)*2
b1	—	Reserved	This bit is read as 0. The write value should be 0.	R/W
b2	ACEND	Access End Detection Flag	0: Access end is not detected 1: Access end is detected.	R/(W)*2
b3	SDCDRM	SD0CD Removal Flag	0: SD card/MMC removal is not detected by the SD0CD pin 1: SD card/MMC removal is detected by the SD0CD pin.	R/(W)*2
b4	SDCDIN	SD0CD Insertion Flag	0: SD card/MMC insertion is not detected by the SD0CD pin 1: SD card/MMC insertion is detected by the SD0CD pin.	R/(W)*2
b5	SDCDMON	SD0CD Pin Monitor Flag	0: SD0CD pin level is high*3 1: SD0CD pin level is low.*3	R
b6	—	Reserved	This bit is read as 0. The write value should be 0.	R/W
b7	SDWPMON	SD0WP Pin Monitor Flag	0: SD0WP pin level is high 1: SD0WP pin level is low.	R
b8	SDD3RM	SD0DAT3 Removal Flag	0: SD card/MMC removal not detected by the SD0DAT3 pin 1: SD card/MMC removal detected by the SD0DAT3 pin.	R/(W)*2
b9	SDD3IN	SD0DAT3 Insertion Flag	0: SD card/MMC insertion not detected by the SD0DAT3 pin 1: SD card/MMC insertion detected by the SD0DAT3 pin.	R/(W)*2
b10	SDD3MON	SD0DAT3 Pin Monitor Flag	0: SD0DAT3 pin level is low 1: SD0DAT3 pin level is high.	R
b31 to b11	—	Reserved	These bits are read as 0. The write value should be 0.	R/W

Note 1. The value is initialized by a reset and also on a reset triggered by the SDRST flag in the SOFT_RST register.

Note 2. The flag does not change even if set to 1. Writing 0 changes the flag value to 0.

Note 3. The flag changes when the pin level continues for the period set in the CTOP[3:0] bits in the SD_OPTION register or longer.

The SD_INFO1 register indicates the detection of a response end or access end for a command sequence. The SD_INFO1 register also indicates the detection of SD card/MMC insertion or removal and the write protection status.

During a multi-block transfer sequence, if CMD12 or CMD52 (SDIO abort) is issued, the ACEND flag becomes 1, but the RSPEND flag remains set to 0.

If the command sequence is stopped because of a communication error or timeout, the ACEND flag or RSPEND flag becomes 1.

After a reset is canceled, the SDD3MON bit, SDD3IN and SDD3RM flag values are changed according to the status of the SD0DAT3 pin, and their values are changed when data is being transferred in a wide bus mode. These 3 bits are used only for the SD card.

Set the flags to be set to 0. Set the flags that should not be cleared to 1.

RSPEND flag (Response End Detection Flag)

The RSPEND flag indicates that a response end was detected.

[Setting conditions]

- When reception of the response is complete
- When transmission of a command without response is complete
- When reception of the busy state after R1b response is complete
- When reception of the response to CMD52 that is issued by setting the C52PUB bit to 1 is complete for transfer of multiple block read
- When reception of the response to CMD52 that is issued by setting the C52PUB bit to 1 is complete for transfer of multiple block write
- When a command sequence is halted because of a communication error or timeout.

[Clearing conditions]

- When 0 is written to the RSPEND flag
- When a command without data is issued.

Note: When a command is issued in absence of data transfer, the RSPEND flag becomes 1 after the command sequence is terminated.

ACEND flag (Access End Detection Flag)

The ACEND flag indicates that an access end was detected.

[Setting conditions]

- When read access to the buffer is completed for transfer of a single block read
- When read access to the buffer for the last block of data is completed for transfer of a multiple block read
- When read access to the buffer and reception of the response to CMD12 are completed for transfer of a multiple block read with automatic issuing of CMD12
- When reception of the busy state after reception of the CRC status is completed for transfer of a single block write
- When reception of the busy state after reception of the CRC status of the last block of data is completed for transfer of a multiple block write
- When reception of the response busy state for CMD12 is completed for transfer of a multiple block write with automatic issuing of CMD12
- When reception of the response to CMD12 that is issued by setting the STP bit to 1 is completed for transfer of a multiple block read
- When reception of the response busy state for CMD12 that is issued by setting the STP bit to 1 is completed for transfer of a multiple block write
- When reception of the response to CMD52 that is issued by setting the IOABT bit to 1 is completed in the case of transfer for a multiple block read
- When reception of the response to CMD52 that is issued by setting the IOABT bit to 1 is completed for transfer of a multiple block write
- This bit is set when a command sequence is halted because of a communication error or timeout.

[Clearing conditions]

- When 0 is written to the ACEND flag
- When the access end bit is set to 1.

Note: The ACEND flag becomes 1 after the command sequence ends.

SDCDRM flag (SD0CD Removal Flag)

The SDCDRM flag indicates that SDnCD was removed.

[Setting condition]

- After a change in the SD0CD pin from 0 to 1, Mcycle elapses with SD0CD held at 1.

[Clearing conditions]

- When 0 is written to the SDCDRM flag.

Note: Mcycle is set by the bits [3:0] in the SD_OPTION register.

SDCDIN flag (SD0CD Insertion Flag)

The SDCDIN flag indicates that SDnCD was inserted.

[Setting condition]

- After a change in the SD0CD pin from 1 to 0, Mcycle elapses with SD0CD held at 0.

[Clearing conditions]

- When 0 is written to the SDCDIN flag.

Note: Mcycle is set by the bits [3:0] in the SD_OPTION register.

SDD3RM flag (SD0DAT3 Removal Flag)

The SDD3RM flag indicates that SDnDAT3 was removed.

[Setting condition]

- After a change in the SD0DAT3 pin from 1 to 0, 2 PCLKA cycles elapse with SD0DAT3 held at 0.

[Clearing condition]

- When 0 is written to the SDD3RM flag.

SDD3IN flag (SD0DAT3 Insertion Flag)

The SDD3IN flag indicates that SDnDAT3 was inserted.

[Setting condition]

- After a change in the SD0DAT3 pin from 0 to 1, 2 PCLKA cycles elapse with SD0DAT3 held at 1.

[Clearing condition]

- When 0 is written to the SDD3IN flag.

36.2.11 SD Card Interrupt Flag Register 2 (SD_INFO2)

Address(es): SDHI0.SD_INFO2 4006 203Ch

	b31	b30	b29	b28	b27	b26	b25	b24	b23	b22	b21	b20	b19	b18	b17	b16
	—	—	—	—	—	—	—	—	—	—	—	—	—	—	—	—
Value after reset:	0	0	0	0	0	0	0	0	0	0	0	0	0	0	0	0
	b15	b14	b13	b12	b11	b10	b9	b8	b7	b6	b5	b4	b3	b2	b1	b0
	ILA	CBSY	SD_CLK_CTRLLEN	—	—	—	BWE	BRE	SDD0MON	RSPTO	ILR	ILW	DTO	ENDE	CRCE	CMDE
Value after reset:	0*1	0*1	1*1	0	0	0	0*1	0*1	x	0*1	0*1	0*1	0*1	0*1	0*1	0*1

x: Undefined

Bit	Symbol	Bit name	Description	R/W
b0	CMDE	Command Error Detection Flag	0: Command error not detected 1: Command error detected.	R/W*1
b1	CRCE	CRC Error Detection Flag	0: CRC error not detected 1: CRC error detected.	R/W*1
b2	ENDE	End Bit Error Detection Flag	0: End bit error not detected 1: End bit error detected.	R/W*1
b3	DTO	Data Timeout Detection Flag	0: Data timeout not detected 1: Data timeout detected.	R/W*1
b4	ILW	SD_BUF0 Illegal Write Access Detection Flag	0: Illegal write access to the SD_BUF0 register not detected 1: Illegal write access to the SD_BUF0 register detected.	R/W*1
b5	ILR	SD_BUF0 Illegal Read Access Detection Flag	0: Illegal read access to the SD_BUF0 register not detected 1: Illegal read access to the SD_BUF0 register detected.	R/W*1
b6	RSPTO	Response Timeout Detection Flag	0: Response timeout not detected 1: Response timeout detected.	R/W*1
b7	SDD0MON	SDHI_D0 Pin Status Flag	0: SD0DAT0 pin is low 1: SD0DAT0 pin is high.	R
b8	BRE	SD_BUF0 Read Enable Flag	0: Read access to the SD_BUF0 register disabled 1: Read access to the SD_BUF0 register enabled.	R/W*1
b9	BWE	SD_BUF0 Write Enable Flag	0: Write access to the SD_BUF0 register disabled 1: Write access to the SD_BUF0 register enabled.	R/W*1
b12 to b10	—	Reserved	These bits are read as 0. The write value should be 0.	R/W
b13	SD_CLK_CTRLLEN	SD_CLK_CTRL Write Enable Flag	0: SD/MMC bus (CMD and DAT lines) is busy, so write access to the SD_CLK_CTRL.CLKEN and CLKSEL[7:0] bits is disabled 1: SD/MMC bus (CMD and DAT lines) is not busy, so write access to the SD_CLK_CTRL.CLKEN and CLKSEL[7:0] bits is enabled.	R
b14	CBSY	Command Sequence Status Flag	0: Command sequence complete 1: Command sequence in progress (busy).	R
b15	ILA	Illegal Access Error Detection Flag	0: Illegal access error not detected 1: Illegal access error detected.	R/W*1
b31 to b16	—	Reserved	These bits are read as 0. The write value should be 0.	R/W

Note 1. The flag does not change even if set to 1. Writing 0 changes the flag value to 0.

The SD_INFO2 register indicates the status of the SD buffer and the status of the SD card/MMC. Set the flags to be cleared to 0. Set the flags that should not be cleared to 1.

CMDE flag (Command Error Detection Flag)

The CMDE flag indicates that a command error was detected. The command sequence is stopped when a command error occurs. When the SDIO_MODE.C52PUB bit is set to 1 and CMD52 is automatically issued, if a communication error or response timeout occurs, the command sequence is not completed. Perform the error processing shown in [section 36.3.12, IO_RW_EXTENDED Command \(SD: CMD53/Multiple Block Read\)](#) or [section 36.2.13, SD INFO2 Interrupt Mask Register \(SD_INFO2_MASK\)](#), and complete the command sequence.

[Setting conditions]

- The command index of the transmitted command differs from the command index of the received response
- The command index of a command issued within a command sequence differs from the command index of the received response.

[Clearing condition]

- When 0 is written to CMDE.

CRCE flag (CRC Error Detection Flag)

The CRCE flag indicates that a CRC error was detected. The command sequence is stopped when a CRC error occurs. When the SDIO_MODE.C52PUB bit is set to 1 and CMD52 is automatically issued, if a communication error or response timeout occurs, the command sequence is not completed. Perform the error processing shown in [section 36.3.12, IO_RW_EXTENDED Command \(SD: CMD53/Multiple Block Read\)](#) or [section 36.2.13, SD INFO2 Interrupt Mask Register \(SD_INFO2_MASK\)](#), and complete the command sequence.

[Setting conditions]

- When an error occurs in the CRC status
- When a CRC error occurs in the read data
- When a CRC error occurs in the response
- When a CRC error occurs in response to a command issued within a command sequence.

[Clearing condition]

- When 0 is written to CRCE.

ENDE flag (End Bit Error Detection Flag)

The ENDE flag indicates that an end bit error was detected. The command sequence is stopped when an end bit error occurs. When the SDIO_MODE.C52PUB bit is set to 1 and CMD52 is automatically issued, if a communication error or response timeout occurs, the command sequence is not completed. Perform the error processing shown in [section 36.3.12, IO_RW_EXTENDED Command \(SD: CMD53/Multiple Block Read\)](#) or [section 36.3.13, IO_RW_EXTENDED Command \(SD: CMD53/Multiple Block Write\)](#), and complete the command sequence.

[Setting conditions]

- When an error occurs in the response length (and the end bit is not detected)
- When an error occurs in the read data length (and the end bit is not detected among the valid bits)
- When an error occurs in the CRC status length (and the end bit is not detected)
- When an error occurs in the length of a response to a command issued within a command sequence, for example, when the end bit is not detected.

[Clearing condition]

- When 0 is written to ENDE.

DTO flag (Data Timeout Detection Flag)

The DTO flag indicates that a data timeout was detected. The command sequence stops when a data timeout occurs.

[Setting conditions]

- After an R1b response, the busy state (SD0DAT0 = 0) continues for longer than the Ncycle time
- After a CRC status, the busy state (SD0DAT0 = 0) continues for longer than the Ncycle time
- After a write data operation, the CRC status is not received before the Ncycle time elapses
- After a read command, read data is not received before the Ncycle time elapses
- After CMD12 is issued within a command sequence, the busy state (SD0DAT0 = 0) continues for longer than the Ncycle time
- After the reception of read data, read data for the next block is not received before the Ncycle time elapses
- After release of the read wait state, read data for the next block is not received before the Ncycle time elapses.

Note: Ncycle is set in bits [7:4] in SD_OPTION.

[Clearing condition]

- When 0 is written to DTO.

ILW flag (SD_BUF0 Illegal Write Access Detection Flag)

The ILW flag indicates that an SD_BUF0 illegal write access was detected.

[Setting conditions]

- When data is written to the SD_BUF0 register while it is not in the data read/write command state
- When data is written to the SD_BUF0 register while SD_BUF is full
- When data is written to the SD_BUF0 register while an error occurs in the CRC status or CRC status length
- When data is written to the SD_BUF0 register during a busy state after the CRC status continues for longer than Ncycle time.

Note: Ncycle is set in bits [7:4] in SD_OPTION.

[Clearing condition]

- When 0 is written to ILW.

ILR flag (SD_BUF0 Illegal Read Access Detection Flag)

The ILR flag indicates that an SD_BUF0 illegal read access was detected.

[Setting conditions]

- When SD_BUF is empty while the SD_BUF0 register is read
- When data with a CRC error or END error is read from the SD_BUF0 register.

[Clearing condition]

- When 0 is written to ILR.

RSPTO flag (Response Timeout Detection Flag)

The RSPTO flag indicates that a response timeout was detected. The command sequence is stopped when a response timeout occurs. When the SDIOMD.C52PUB bit is set to 1 and CMD52 is automatically issued, if a communication error or response timeout occurs, the command sequence is not completed. Perform the error processing shown in [section 36.3.12, IO_RW_EXTENDED Command \(SD: CMD53/Multiple Block Read\)](#) or [section 36.3.13, IO_RW_EXTENDED Command \(SD: CMD53/Multiple Block Write\)](#), and complete the command sequence.

[Setting condition]

- When a response is not received even after a time longer than 640 SD/MMC clock cycles elapses (including a response to a command issued within a command sequence).

[Clearing condition]

- When 0 is written to RSPTO.

SDD0MON flag (SDHI_D0 Pin Status Flag)

The SDD0MON flag indicates the status of the SDHI_D0 pin. If the data timeout (DTO) is set but the response timeout (RSPTO) is not set after the Erase command is issued, the end of the erase sequence (SDD0MON = 1) is confirmed by polling DAT0.

If a communication error or timeout occurs during a write sequence, the DAT0 bit might retain the value 0.

When the SD/MMC clock is stopped, the DAT0 bit retains the value before the clock is stopped.

BRE flag (SD_BUF0 Read Enable Flag)

The BRE flag indicates that SD_BUF0 is enabled for reading.

[Setting conditions]

- When data set in the SD_SIZE register is stored in the SD_BUF0 register for a single block transfer
- When data set in the SD_SIZE register is stored in either bank 1 or bank 2 of the SD_BUF0 register for a multiple block transfer.

[Clearing conditions]

- When 0 is written to BRE
- On reading of a block of data from the SD_BUF0 register by DMA transfer.

When data is read from the SD_BUF0 register by the CPU, clear BRE, and then read the amount of data specified in the SD_SIZE register.

Even if a CRC error or an END error occurs while the block of data is read, data is stored in the SD_BUF0 register and BRE is set.

BWE flag (SD_BUF0 Write Enable Flag)

The BWE flag indicates that SD_BUF0 is enabled for writing.

[Setting conditions]

- When the SD_BUF0 register is empty at a single block transfer
- When either bank 1 or bank 2 of the SD_BUF0 register is empty at a multiple block transfer.

[Clearing conditions]

- When 0 is written to BWE
- On writing of a block of data to the SD_BUF0 register by DMA transfer.

When data is written to the SD_BUF0 register by the CPU, clear BWE, and then write the amount of data specified in the SD_SIZE register.

SD_CLK_CTRLLEN flag (SD_CLK_CTRL Write Enable Flag)

When a command sequence is started by writing to the SD_CMD register, the CBSY bit is set to 1 and, at the same time, the SD_CLK_CTRLLEN bit is set to 0. The SD_CLK_CTRLLEN bit is set to 1 after 8 cycles of SDCLK elapse after the CBSY bit sets to 0 on completion of the command sequence.

ILA flag (Illegal Access Error Detection Flag)

The ILA flag indicates that an illegal access error was detected.

[Setting conditions]

- When data is written to the SD_CMD register within a command sequence (CBSY = 1)
- When SD_CMD[11] = 1 (command with data transfer) and SD_CMD[7:0] = 0000 1100b (CMD12) are set in SD_CMD.

[Clearing condition]

- When 0 is written to ILA.

36.2.12 SD_INFO1 Interrupt Mask Register (SD_INFO1_MASK)

Address(es): SDHI0.SD_INFO1_MASK 4006 2040h

	b31	b30	b29	b28	b27	b26	b25	b24	b23	b22	b21	b20	b19	b18	b17	b16
	—	—	—	—	—	—	—	—	—	—	—	—	—	—	—	—
Value after reset:	0	0	0	0	0	0	0	0	0	0	0	0	0	0	0	0
	b15	b14	b13	b12	b11	b10	b9	b8	b7	b6	b5	b4	b3	b2	b1	b0
	—	—	—	—	—	—	SDD3I NM	SDD3R MM	—	—	—	SDCDI NM	SDCCR MM	ACEND M	—	RSPEN DM
Value after reset:	0	0	0	0	0	0	1	1	0	0	0	1	1	1	0	1

Bit	Symbol	Bit name	Description	R/W
b0	RSPENDM	Response End Interrupt Request Mask	0: Response end interrupt request is not masked 1: Response end interrupt request is masked.	R/W
b1	—	Reserved	This bit is read as 0. The write value should be 0.	R/W
b2	ACENDM	Access End Interrupt Request Mask	0: Access end interrupt request is not masked 1: Access end interrupt request is masked.	R/W
b3	SDCDRMM	SD0CD Removal Interrupt Request Mask	0: SD card/MMC removal interrupt request by the SD0CD pin is not masked 1: SD card/MMC removal interrupt request by the SD0CD pin is masked.	R/W
b4	SDCDINM	SD0CD Insertion Interrupt Request Mask	0: SD card/MMC insertion interrupt request by the SD0CD pin is not masked 1: SD card/MMC insertion interrupt request by the SD0CD pin is masked.	R/W
b7 to b5	—	Reserved	These bits are read as 0. The write value should be 0.	R/W
b8	SDD3RMM	SD0DAT3 Removal Interrupt Request Mask	0: SD card/MMC removal interrupt request by the SD0DAT3 pin is not masked 1: SD card/MMC removal interrupt request by the SD0DAT3 pin is masked.	R/W
b9	SDD3INM	SD0DAT3 Insertion Interrupt Request Mask	0: SD card/MMC insertion interrupt request by the SD0DAT3 pin is not masked 1: SD card/MMC insertion interrupt request by the SD0DAT3 pin is masked.	R/W
b31 to b10	—	Reserved	These bits are read as 0. The write value should be 0.	R/W

The SD_INFO1_MASK register enables or disables the interrupt requests from the status flags in the SD_INFO1 register. See [Table 36.5, Interrupt sources](#) for details on the relationship between the status flags and the requested interrupt source.

36.2.13 SD INFO2 Interrupt Mask Register (SD_INFO2_MASK)

Address(es): SDHI0.SD_INFO2_MASK 4006 2044h

	b31	b30	b29	b28	b27	b26	b25	b24	b23	b22	b21	b20	b19	b18	b17	b16
	—	—	—	—	—	—	—	—	—	—	—	—	—	—	—	—
Value after reset:	0	0	0	0	0	0	0	0	0	0	0	0	0	0	0	0
	b15	b14	b13	b12	b11	b10	b9	b8	b7	b6	b5	b4	b3	b2	b1	b0
	ILAM	—	—	—	—	—	BWEM	BREM	—	RSPTOM	ILRM	ILWM	DTOM	ENDEM	CRCEM	CMDEM
Value after reset:	1	0	0	0	1	0	1	1	0	1	1	1	1	1	1	1

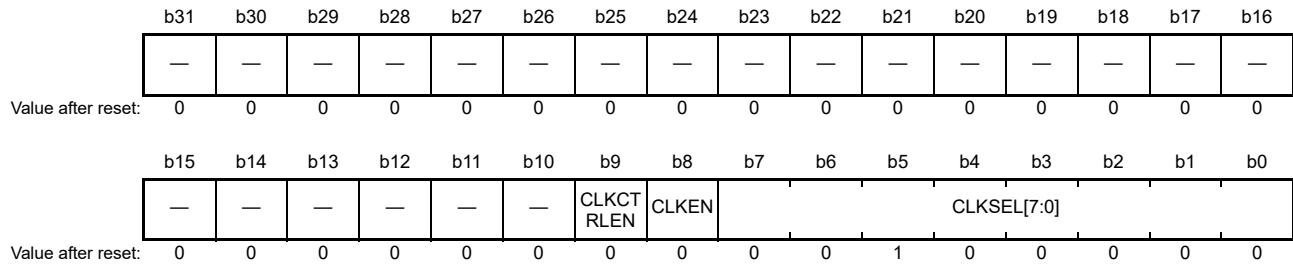
Bit	Symbol	Bit name	Description	R/W
b0	CMDEM	Command Error Interrupt Request Mask	0: Command error interrupt request is not masked 1: Command error interrupt request is masked.	R/W
b1	CRCEM	CRC Error Interrupt Request Mask	0: CRC error interrupt request is not masked 1: CRC error interrupt request is masked.	R/W
b2	ENDEM	End Bit Error Interrupt Request Mask	0: End bit detection error interrupt request is not masked 1: End bit detection error interrupt request is masked.	R/W
b3	DTOM	Data Timeout Interrupt Request Mask	0: Data timeout interrupt request is not masked 1: Data timeout interrupt request is masked.	R/W
b4	ILWM	SD_BUF0 Register Illegal Write Interrupt Request Mask	0: Illegal write detection interrupt request for the SD_BUF0 register is not masked 1: Illegal write detection interrupt request for the SD_BUF0 register is masked.	R/W
b5	ILRM	SD_BUF0 Register Illegal Read Interrupt Request Mask	0: Illegal read detection interrupt request for the SD_BUF0 register is not masked 1: Illegal read detection interrupt request for the SD_BUF0 register is masked.	R/W
b6	RSPTOM	Response Timeout Interrupt Request Mask	0: Response timeout interrupt request is not masked 1: Response timeout interrupt request is masked.	R/W
b7	—	Reserved	This bit is read as 0. The write value should be 0.	R/W
b8	BREM	BRE Interrupt Request Mask	0: Read enable interrupt request for the SD buffer is not masked 1: Read enable interrupt request for the SD buffer is masked.	R/W
b9	BWEM	BWE Interrupt Request Mask	0: Write enable interrupt request for the SD_BUF0 register is not masked 1: Write enable interrupt request for the SD_BUF0 register is masked.	R/W
b10	—	Reserved	This bit is read as 0. The write value should be 0.	R/W
b11	—	Reserved	This bit is read as 1. The write value should be 1.	R/W
b14 to b12	—	Reserved	These bits are read as 0. The write value should be 0.	R/W
b15	ILAM	Illegal Access Error Interrupt Request Mask	0: Illegal access error interrupt request is not masked 1: Illegal access error interrupt request is masked.	R/W
b31 to b16	—	Reserved	These bits are read as 0. The write value should be 0.	R/W

Note: When the SD_INFO2_MASK.BWEM bit is 0 or the SD_INFO2_MASK.BREM bit is 0, set the SD_DMAEN.DMAEN bit to 0. When the SD_DMAEN.DMAEN bit is 1, set the SD_INFO2_MASK.BWEM and SD_INFO2_MASK.BREM bits to 1.

The SD_INFO2_MASK register enables or disables the interrupt requests from the status flags in the SD_INFO2 register. See [Table 36.5](#) for details on the relationship between the status flags and the requested interrupt source.

36.2.14 SD Clock Control Register (SD_CLK_CTRL)

Address(es): SDHI0.SD_CLK_CTRL 4006 2048h



Bit	Symbol	Bit name	Description	R/W
b7 to b0	CLKSEL[7:0]	SDHI Clock Frequency Select*1	b7 b0 0 0 0 0 0 0 0: PCLKA/2 0 0 0 0 0 0 1: PCLKA/4 0 0 0 0 0 1 0: PCLKA/8 0 0 0 0 1 0 0: PCLKA/16 0 0 0 1 0 0 0: PCLKA/32 0 0 0 1 0 0 0: PCLKA/64 0 0 1 0 0 0 0: PCLKA/128 0 1 0 0 0 0 0: PCLKA/256 1 0 0 0 0 0 0: PCLKA/512. Other settings are prohibited.	R/W
b8	CLKEN	SD/MMC Clock Output Control*1	0: SD/MMC clock output is disabled (SD0CLK signal fixed low) 1: SD/MMC clock output enabled.	R/W
b9	CLKCTRLLEN	SD/MMC Clock Output Automatic Control Select	0: Automatic control of SD/MMC clock output is disabled 1: Automatic control of SD/MMC clock output is enabled.	R/W
b31 to b10	—	Reserved	These bits are read as 0. The write value should be 0.	R/W

Note 1. Bits CLKSEL[7:0] and CLKEN cannot be write accessed when the SD_INFO2.SD_CLK_CTRLLEN flag is 0.

The SD_CLK_CTRL register controls the SD/MMC clock frequency settings and output. Set the CLKEN bit to 1 before writing to the SD_CMD register to start a command sequence. Do not write to the SD_CLK_CTRL register when the SD_CLK_CTRLLEN flag in the SD_INFO2 register is 0.

CLKCTRLLEN bit (SD/MMC Clock Output Automatic Control Select)

The CLKCTRLLEN bit allows for automatic control of the SD/MMC clock output within a command sequence.

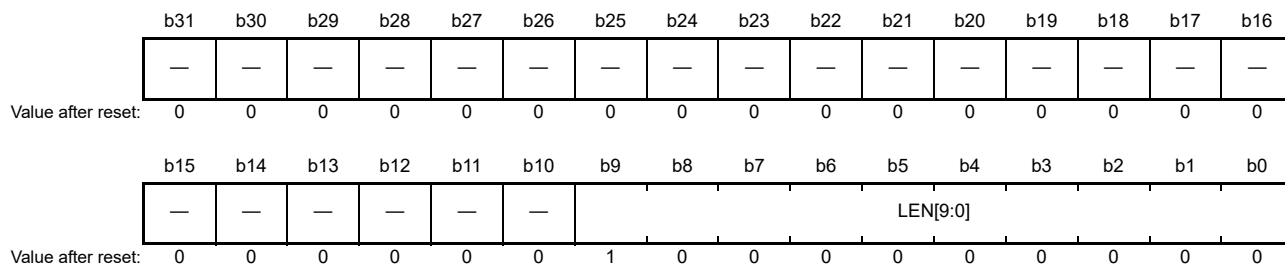
The timing with which SD/MMC clock output starts and stops is as follows:

- SD/MMC clock output starts after writing to the SD_CMD register
- SD/MMC clock output stops when 8 SD/MMC clock cycles elapse after the end of the command sequence.

In addition, SD/MMC clock is fixed at 0 while the CLKEN bit in the SD_CLK_CTRL register is 0, regardless of the value of this bit.

36.2.15 Transfer Data Length Register (SD_SIZE)

Address(es): SDHI0.SD_SIZE 4006 204Ch



Bit	Symbol	Bit name	Description	R/W
b9 to b0	LEN[9:0]	Transfer Data Size Setting	These bits specify the transfer data size*1	R/W
b31 to b10	—	Reserved	These bits are read as 0. The write value should be 0.	R/W

Note 1. Do not rewrite these bits when the SD_INFO2.CBSY flag is 1.

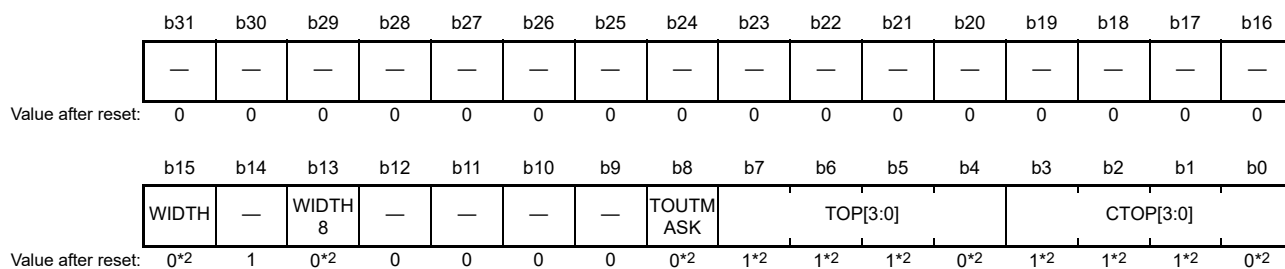
The SD_SIZE register sets the transfer data size.

LEN[9:0] bits (Transfer Data Size Setting)

When using a single block transfer, the transfer data size can be set from 1 byte to 512 bytes in the LEN[9:0] bits. When CMD12 is automatically issued during a multi-block transfer sequence (CMD18 and CMD25), the transfer data size can only be set to 512 bytes. When CMD12 is not automatically issued during a multi-block transfer sequence, the transfer data size can be set to 32, 64, 128, 256, or 512 bytes. However, a 32-, 64-, 128-, or 256-byte multi-block read transfer can only be performed during an SDIO multi-block transfer (CMD53). Do not set these bits to 0 when using a command that includes data transfer.

36.2.16 SD Card Access Control Option Register (SD_OPTION)

Address(es): SDHI0.SD_OPTION 4006 2050h



Bit	Symbol	Bit name	Description	R/W																																				
b3 to b0	CTOP[3:0]	Card Detection Time Counter*1	<table border="0"> <tr> <td>b3</td> <td>b0</td> <td>b3</td> <td>b0</td> </tr> <tr> <td>0 0 0 0:</td> <td>PCLKA × 2¹⁰</td> <td>1 0 0 0:</td> <td>PCLKA × 2¹⁸</td> </tr> <tr> <td>0 0 0 1:</td> <td>PCLKA × 2¹¹</td> <td>1 0 0 1:</td> <td>PCLKA × 2¹⁹</td> </tr> <tr> <td>0 0 1 0:</td> <td>PCLKA × 2¹²</td> <td>1 0 1 0:</td> <td>PCLKA × 2²⁰</td> </tr> <tr> <td>0 0 1 1:</td> <td>PCLKA × 2¹³</td> <td>1 0 1 1:</td> <td>PCLKA × 2²¹</td> </tr> <tr> <td>0 1 0 0:</td> <td>PCLKA × 2¹⁴</td> <td>1 1 0 0:</td> <td>PCLKA × 2²²</td> </tr> <tr> <td>0 1 0 1:</td> <td>PCLKA × 2¹⁵</td> <td>1 1 0 1:</td> <td>PCLKA × 2²³</td> </tr> <tr> <td>0 1 1 0:</td> <td>PCLKA × 2¹⁶</td> <td>1 1 1 0:</td> <td>PCLKA × 2²⁴</td> </tr> <tr> <td>0 1 1 1:</td> <td>PCLKA × 2¹⁷</td> <td>1 1 1 1:</td> <td>Setting prohibited.</td> </tr> </table>	b3	b0	b3	b0	0 0 0 0:	PCLKA × 2 ¹⁰	1 0 0 0:	PCLKA × 2 ¹⁸	0 0 0 1:	PCLKA × 2 ¹¹	1 0 0 1:	PCLKA × 2 ¹⁹	0 0 1 0:	PCLKA × 2 ¹²	1 0 1 0:	PCLKA × 2 ²⁰	0 0 1 1:	PCLKA × 2 ¹³	1 0 1 1:	PCLKA × 2 ²¹	0 1 0 0:	PCLKA × 2 ¹⁴	1 1 0 0:	PCLKA × 2 ²²	0 1 0 1:	PCLKA × 2 ¹⁵	1 1 0 1:	PCLKA × 2 ²³	0 1 1 0:	PCLKA × 2 ¹⁶	1 1 1 0:	PCLKA × 2 ²⁴	0 1 1 1:	PCLKA × 2 ¹⁷	1 1 1 1:	Setting prohibited.	R/W
b3	b0	b3	b0																																					
0 0 0 0:	PCLKA × 2 ¹⁰	1 0 0 0:	PCLKA × 2 ¹⁸																																					
0 0 0 1:	PCLKA × 2 ¹¹	1 0 0 1:	PCLKA × 2 ¹⁹																																					
0 0 1 0:	PCLKA × 2 ¹²	1 0 1 0:	PCLKA × 2 ²⁰																																					
0 0 1 1:	PCLKA × 2 ¹³	1 0 1 1:	PCLKA × 2 ²¹																																					
0 1 0 0:	PCLKA × 2 ¹⁴	1 1 0 0:	PCLKA × 2 ²²																																					
0 1 0 1:	PCLKA × 2 ¹⁵	1 1 0 1:	PCLKA × 2 ²³																																					
0 1 1 0:	PCLKA × 2 ¹⁶	1 1 1 0:	PCLKA × 2 ²⁴																																					
0 1 1 1:	PCLKA × 2 ¹⁷	1 1 1 1:	Setting prohibited.																																					

Bit	Symbol	Bit name	Description	R/W
b7 to b4	TOP[3:0]	Timeout Counter*1	b7 b4 0 0 0 0: SDHI clock × 2 ¹³ b7 b4 1 0 0 0: SDHI clock × 2 ²¹ 0 0 0 1: SDHI clock × 2 ¹⁴ 1 0 0 1: SDHI clock × 2 ²² 0 0 1 0: SDHI clock × 2 ¹⁵ 1 0 1 0: SDHI clock × 2 ²³ 0 0 1 1: SDHI clock × 2 ¹⁶ 1 0 1 1: SDHI clock × 2 ²⁴ 0 1 0 0: SDHI clock × 2 ¹⁷ 1 1 0 0: SDHI clock × 2 ²⁵ 0 1 0 1: SDHI clock × 2 ¹⁸ 1 1 0 1: SDHI clock × 2 ²⁶ 0 1 1 0: SDHI clock × 2 ¹⁹ 1 1 1 0: SDHI clock × 2 ²⁷ 0 1 1 1: SDHI clock × 2 ²⁰ 1 1 1 1: Setting prohibited.	R/W
b8	TOUTMASK	Timeout Mask	0: Activate timeout 1: Deactivate timeout. The RSPTO and DTO bits in the SD_INFO2 register and E6 to E0 bits in the SDERRSTS2 register are not set. When timeout occurs because of an inactivated timeout, execute a software reset to terminate the command sequence.	R/W
b12 to b9	—	Reserved	These bits are read as 0. The write value should be 0.	R/W
b13	WIDTH8*2	BUS WIDTH	See bit [15], WIDTH bit	R/W
b14	—	Reserved	This bit is read as 1. The write value should be 1.	R/W
b15	WIDTH	BUS WIDTH*2	b15 b13 0 1: 8-bit width 0 0: 4-bit width 1 0: 1-bit width 1 1: 1-bit width. In case of a 1-byte write transfer, set 4-bit or 1-bit width. Do not set an 8-bit width.	R/W
b31 to b16	—	Reserved	These bits are read as 0. The write value should be 0.	R/W

Note 1. Do not rewrite these bits when the SD_INFO2.CBSY flag is 1.

Note 2. The initial value is applied at a reset and when the SDRST flag in the SOFT_RST register is 0.

The SD bus width and timeout counter are set in the SD_OPTION register.

36.2.17 SD Error Status Register 1 (SD_ERR_STS1)

Address(es): [SDHI0.SD_ERR_STS1 4006 2058h](#)

	b31	b30	b29	b28	b27	b26	b25	b24	b23	b22	b21	b20	b19	b18	b17	b16
	—	—	—	—	—	—	—	—	—	—	—	—	—	—	—	—
Value after reset:	x	x	x	x	x	x	x	x	x	x	x	x	x	x	x	x
	b15	b14	b13	b12	b11	b10	b9	b8	b7	b6	b5	b4	b3	b2	b1	b0
	—	—	CRCTK[2:0]		CRCKE	RDCRCE	RSPCRCE1	RSPCRCE0	—	—	CRCLENE	RDLENE	RSPLENE1	RSPLENE0	CMDE1	CMDE0
Value after reset:	0	0*3	1*3	0*3	0*3	0*3	0*3	0*3	0	0	0*3	0*3	0*3	0*3	0*3	0*3

x: Undefined

Bit	Symbol	Bit name	Description	R/W
b0	CMDE0	Command Error Flag 0	0: Command index field value for a command*1 response is error free 1: Command index field value for a command*1 response is in error.	R
b1	CMDE1	Command Error Flag 1	0: Command index field value for a command*2 response is error free 1: Command index field value for a command*2 response is in error. When the SD_CMD.CMDIDX[5:0] bits are set, the error that occurs by issuing CMD12 is indicated by the CMDE0 flag.	R
b2	RSPLENE0	Response Length Error Flag 0	0: Command*1 response length is error free 1: Command*1 response length is in error.	R

Bit	Symbol	Bit name	Description	R/W
b3	RSPLNE1	Response Length Error Flag 1	0: Command*2 response length is error free 1: Command*2 response length is in error. When the SD_CMD.CMDIDX[5:0] bits are set, the error that occurs by issuing CMD12 is indicated by the RSPLNE0 flag.	R
b4	RDLNE	Read Data Length Error Flag	0: Read data length error did not occur 1: Read data length error occurred.	R
b5	CRCLNE	CRC Status Token Length Error Flag	0: CRC status token length error did not occur 1: CRC status token length error occurred.	R
b7, b6	—	Reserved	These bits are read as 0	R
b8	RSPCRCE0	Response CRC Error Flag 0	0: No CRC error detected in command*1 response 1: CRC error detected in command*1 response.	R
b9	RSPCRCE1	Response CRC Error Flag 1	0: No CRC error detected in command*2 response. When the SD_CMD.CMDIDX[5:0] bits are set, the error that occurs by issuing CMD12 is indicated by the RSPCRCE0 flag. 1: CRC error detected in command*2 response.	R
b10	RDCRCE	Read Data CRC Error Flag	0: No CRC error detected in read data 1: CRC error detected in read data.	R
b11	CRCTKE	CRC Status Token Error Flag	0: No error detected in CRC status token 1: Error detected in CRC status token.	R
b14 to b12	CRCTK[2:0]	CRC Status Token	Store the CRC status token value (normal value is 010b)	R
b15	—	Reserved	This bit is read as 0	R
b31 to b16	—	Reserved	These bits are read as undefined	R

Note 1. CMD other than CMD12 when automatic issuing is enabled for multiple block transfer in the SD_CMD register setting, CMD12 when the STP bit in the SD_STOP register is set to 1, or CMD52 when the C52PUB or IOABT bit in the SDIO_MODE register is set to 1.

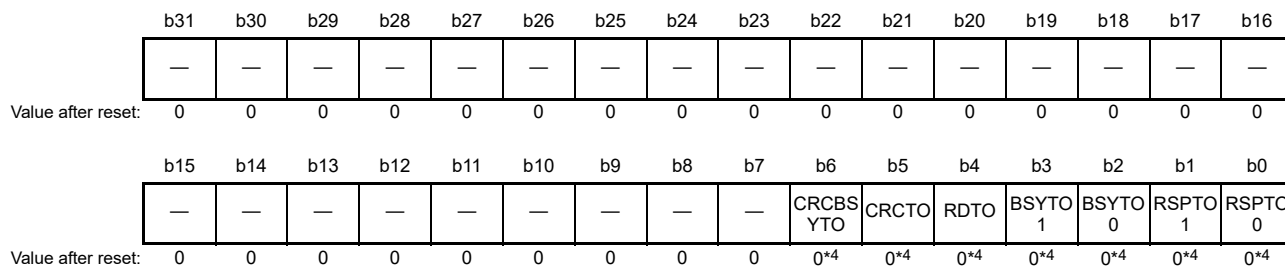
Note 2. CMD12 when automatic issuing is enabled for multiple block transfer in the SD_CMD register setting, CMD12 when the STP bit in the SD_STOP register is set to 1, or CMD52 when the C52PUB or IOABT bit in the SDIO_MODE register is set to 1.

Note 3. The initial value is applied at a reset and when the SDRST flag in the SOFT_RST register is 0.

The SD_ERR_STS1 register indicates the CRC status token, CRC error, end bit error, and command error.

36.2.18 SD Error Status Register 2 (SD_ERR_STS2)

Address(es): SDHI0.SD_ERR_STS2 4006 205Ch



Bit	Symbol	Bit name	Description	R/W
b0	RSPTO0	Response Timeout Flag 0	0: After a command*1 is issued, a response is received in less than 640 cycles of the SD/MMC clock 1: After a command*1 is issued, a response is not received even after 640 cycles or more of the SD/MMC clock elapses.	R
b1	RSPTO1	Response Timeout Flag 1	0: After a command*2 is issued, a response is received in less than 640 cycles of the SD/MMC clock 1: After a command*2 is issued, a response is not received even after 640 cycles or more of the SD/MMC clock elapses. When the SD_CMD.CMDIDX[5:0] bits are set, the error that occurs by issuing CMD12 is indicated by the RSPTO0 flag.	R
b2	BSYTO0	Busy Timeout Flag 0	0: After the R1b response is received, the SD/MMC is released from the busy state during the specified period*3 1: After the R1b response is received, the SD/MMC is in the busy state even after the specified period*3 elapses.	R
b3	BSYTO1	Busy Timeout Flag 1	0: After CMD12 is automatically issued, the SD/MMC is released from the busy state during the specified period*3 1: After CMD12 is automatically issued, the SD/MMC is in the busy state even after the specified period*3 elapses. When the SD_CMD.CMDIDX[5:0] bits are set, the error that occurs by issuing CMD12 is indicated by the BSYTO0 flag.	R
b4	RDTO	Read Data Timeout Flag	After a read command is issued, this flag sets to 1 when read data is not received even after the specified period*3 elapses. After read data is received, this flag becomes 1 when the next block of read data is not received even after the specified period*3 elapses. After the SD/MMC exits the read wait state, this flag becomes 1 when the next block of read data is not received even after the specified period*3 elapses.	R
b5	CRCTO	CRC Status Token Timeout Flag	0: After data is written to the SD card/MMC, a CRC status token is received during the specified period*3 1: After CRC data is written to the SD card/MMC, a CRC status token is not received even after the specified period*3 elapses.	R
b6	CRCBSYTO	CRC Status Token Busy Timeout Flag	0: After a CRC status token is received, the SD/MMC is released from the busy state during the specified period*3 1: After a CRC status token is received, the SD/MMC is in the busy state even after the specified period*3 elapses.	R
b31 to b7	—	Reserved	These bits are read as 0	R

- Note 1. CMD other than CMD12 when automatic issuing is enabled for multiple block transfer in the SD_CMD register setting, CMD12 when the STP bit in the SD_STOP register is set to 1, or CMD52 when the C52PUB or IOABT bit in the SDIO_MODE register is set to 1.
- Note 2. CMD12 when automatic issuing is enabled for multiple block transfer in the SD_CMD register setting, CMD12 when the STP bit in the SD_STOP register is set to 1, or CMD52 when the C52PUB or IOABT bit in the SDIO_MODE register is set to 1.
- Note 3. Set the SD_OPTION.TOP[3:0] bits to select the number of *n* cycles.
- Note 4. The initial value is applied at a reset and when the SDRST flag in the SOFT_RST register is 0.

The SD_ERR_STS2 register indicates the timeout status.

36.2.19 SD Buffer Register (SD_BUF0)

Address(es): SDHI0.SD_BUF0 4006 2060h

	b31	b30	b29	b28	b27	b26	b25	b24	b23	b22	b21	b20	b19	b18	b17	b16
Value after reset:	x	x	x	x	x	x	x	x	x	x	x	x	x	x	x	x
	b15	b14	b13	b12	b11	b10	b9	b8	b7	b6	b5	b4	b3	b2	b1	b0
Value after reset:	x	x	x	x	x	x	x	x	x	x	x	x	x	x	x	x

x: Undefined

When writing to the SD card, the write data is written to this register. When reading from the SD card, the read data is read from this register. This register is internally connected to two 512-byte buffers.

If both buffers are not empty when executing multiple block reads, the SD card/MMC clock is stopped to suspend receiving data. When one of the buffers is empty, the SD card/MMC clock is supplied to resume receiving data.

36.2.20 SDIO Mode Control Register (SDIO_MODE)

Address(es): SDHI0.SDIO_MODE 4006 2068h

	b31	b30	b29	b28	b27	b26	b25	b24	b23	b22	b21	b20	b19	b18	b17	b16
Value after reset:	—	—	—	—	—	—	—	—	—	—	—	—	—	—	—	—
	b15	b14	b13	b12	b11	b10	b9	b8	b7	b6	b5	b4	b3	b2	b1	b0
Value after reset:	0	0	0	0	0	0	0	0	0	0	0	0	0	0	0	0

Bit	Symbol	Bit name	Description	R/W
b0	INTEN	SDIO Interrupt Acceptance Enable*1	0: SDIO interrupt accept disabled 1: SDIO interrupt accept enabled.	R/W
b1	—	Reserved	This bit is read as 0. The write value should be 0.	R/W
b2	RWREQ	Read Wait Request	0: SD/MMC exits read wait state 1: Request for SD/MMC to enter read wait state.	R/W
b7 to b3	—	Reserved	These bits are read as 0. The write value should be 0.	R/W
b8	IOABT	SDIO Abort	If this bit is set to 1 during multi-block transfer triggered by CMD53, CMD52 is immediately issued, and the command sequence is aborted	R/W
b9	C52PUB	SDIO None Abort	If this bit is set to 1 during multi-block transfer triggered by CMD53, CMD52 is issued after the transfer process is complete, and the command sequence is completed	R/W
b31 to b10	—	Reserved	These bits are read as 0. The write value should be 0.	R/W

Note 1. Do not rewrite this bit when the SD_INFO2.CBSY flag is 1.

The SDIO_MODE register controls reception of the SDIO interrupt, CMD52 issuance during multi-block transfer, and read wait request. Do not set C52PUB and IOABT bits to 1 at the same time.

RWREQ bit (Read Wait Request)

When RWREQ is set to 1 in the CMD53 (multiple block) read sequence, the block transfer enters the read wait state between blocks.

[Read wait state release]

- When RWREQ is set to 0 in the read wait state
- When IOABT is set to 1 in the read wait state, and RWREQ is automatically set to 0 after CMD52 is issued
- When C52PUB and RWREQ are set to 1 simultaneously in the CMD53 (multiple block) read sequence. Therefore, after the CMD52 response is received, clear RWREQ. Be sure to set RWREQ and C52PUB simultaneously.

When RWREQ is set to 1 while the last block in the CMD53 (multiple block) read sequence is transferred, the read wait state is not entered and RWREQ is automatically set to 0 by setting the end of access. Set RWREQ to 1 after the response end flag is set.

IOABT bit (SDIO Abort)

When IOABT is set to 1 in a CMD53 (multiple block) sequence, the CMD53 sequence is halted and CMD52 is issued. However, if a command sequence is halted because of a communication error or timeout, CMD52 is not issued. Although continued buffer access is possible even after IOABT is set to 1, the buffer access error bit (ILR or ILW) in the SD_INFO2 register is set accordingly. Set the SD_ARG register before setting IOABT to 1.

When IOABT is set to 1 during transfer for a single block write, the access end flag is set when the SD_BUF0 register becomes empty, and CMD52 is not issued. If the SD_BUF0 register contains data, the access end flag is set on completion of reception of the busy state without CMD52 having been issued.

When IOABT is set to 1 during transfer for a single block read, the access end flag is set immediately after setting IOABT, and CMD52 is not issued

When IOABT is set to 1 during reception of the busy state after an R1b response, the access end flag is set on completion of reception of the busy state without CMD52 being issued

When IOABT is set to 1 after a command sequence completes, CMD52 is not issued and the access end flag is not set

Set IOABT to 1 after the response end flag sets

Set IOABT to 0 after the access end flag sets.

C52PUB bit (SDIO None Abort)

When C52PUB is set to 1 in the CMD53 (multiple block) write sequence, CMD52 is automatically issued between blocks if the SD_BUF0 register becomes empty. C52PUB is automatically set to 0 after the reception of the response to CMD52 is complete. Additionally, if C52PUB is set to 1 while the last block is being transferred, CMD52 is not issued. In this case, C52PUB is automatically set to 0 after the access end flag is set to 1.

When C52PUB and RWREQ are set to 1 in the CMD53 (multiple block) read sequence, the block transfer enters the read wait state between blocks and CMD52 is automatically issued. C52PUB is automatically set to 0 after the reception of the response to CMD52 is complete. Additionally, if C52PUB is set to 1 while the last block is being transferred, CMD52 is not issued. In this case, C52PUB is automatically set to 0 after the access end flag is set to 1.

If C52PUB is set to 1 in the CMD53 (multiple block) read sequence, be sure to set RWREQ to 1 in addition to C52PUB

Set the SD_ARG register before setting C52PUB to 1.

Set C52PUB to 1 after the response end flag sets.

36.2.21 SDIO Interrupt Flag Register (SDIO_INFO1)

Address(es): SDHI0.SDIO_INFO1 4006 206Ch

	b31	b30	b29	b28	b27	b26	b25	b24	b23	b22	b21	b20	b19	b18	b17	b16	
	—	—	—	—	—	—	—	—	—	—	—	—	—	—	—	—	
Value after reset:	0	0	0	0	0	0	0	0	0	0	0	0	0	0	0	0	
	b15	b14	b13	b12	b11	b10	b9	b8	b7	b6	b5	b4	b3	b2	b1	b0	
	EXWT	EXPUB52	—	—	—	—	—	—	—	—	—	—	—	—	—	IOIRQ	
Value after reset:	0	0	0	0	0	0	0	0	0	0	0	0	0	0	x	x	0

x: Undefined

Bit	Symbol	Bit name	Description	R/W
b0	IOIRQ	SDIO Interrupt Status Flag	0: SDIO interrupt is not detected 1: SDIO interrupt is detected.	R/(W)*1
b2, b1	—	Reserved	The read value is undefined. The write value should be 1.	R/W
b13 to b3	—	Reserved	These bits are read as 0. The write value should be 0.	R/W
b14	EXPUB52	EXPUB52 Status Flag	Indicates the status of the EXPUB52	R/(W)*1
b15	EXWT	EXWT Status Flag	Indicates the status of the EXWT	R/(W)*1
b31 to b16	—	Reserved	These bits are read as 0. The write value should be 0.	R/W

Note 1. Only 0 can be written to clear the bit.

The SDIO_INFO1 register indicates the status of the SDIO card access. Set the flags to be cleared to 0. Set the flags that are not being cleared to 1.

IOIRQ flag (SDIO Interrupt Status Flag)

The IOIRQ flag indicates that an SDIO interrupt occurred.

[Setting condition]

- When SDIO interrupt from an SDIO card is received while INTEN in the SDIO_MODE register is set to 1.

[Clearing condition]

- When 0 is written to IOIRQ.*1

Note 1. Before clearing this bit, access the SDIO card to negate the SDIO interrupt signal from the SDIO card. If the interrupt signal is not negated, this bit can be set again.

EXPUB52 flag (EXPUB52 Status Flag)

The EXPUB52 flag indicates the EXPUB52 status.

[Setting conditions]

- While the last block in the CMD53 (multiple block) sequence is transferred, the C52PUB bit in the SDIO_MODE register is set to 1
- While C52PUB is set to 1 in the CMD53 (multiple block) write sequence, the last block is transferred.

[Clearing condition]

- When 0 is written to EXPUB52.

EXWT flag (EXWT Status Flag)

The EXWT flag indicates the EXWT status.

[Setting condition]

- While the last block in the CMD53 (multiple block) read sequence is transferred, the RWREQ bit in the

SDIO_MODE register is set to 1.

[Clearing condition]

- When 0 is written to EXWT.

36.2.22 SDIO INFO1 Interrupt Mask Register (SDIO_INFO1_MASK)

Address(es): SDHI0.SDIO_INFO1_MASK 4006 2070h

	b31	b30	b29	b28	b27	b26	b25	b24	b23	b22	b21	b20	b19	b18	b17	b16
	—	—	—	—	—	—	—	—	—	—	—	—	—	—	—	—
Value after reset:	0	0	0	0	0	0	0	0	0	0	0	0	0	0	0	0
	b15	b14	b13	b12	b11	b10	b9	b8	b7	b6	b5	b4	b3	b2	b1	b0
	EXWT M	EXPUB 52M	—	—	—	—	—	—	—	—	—	—	—	—	—	IOIRQ M
Value after reset:	1	1	0	0	0	0	0	0	0	0	0	0	0	1	1	1

Bit	Symbol	Bit name	Description	R/W
b0	IOIRQM	IOIRQ Interrupt Mask Control	0: IOIRQ interrupt not masked 1: IOIRQ interrupt masked.	R/W
b2, b1	—	Reserved	These bits are read as 1. The write value should be 1.	R/W
b13 to b3	—	Reserved	These bits are read as 0. The write value should be 0.	R/W
b14	EXPUB52M	EXPUB52 Interrupt Request Mask Control	0: EXPUB52 interrupt request not masked 1: EXPUB52 interrupt request masked.	R/W
b15	EXWTM	EXWT Interrupt Request Mask Control	0: EXWT interrupt request not masked 1: EXWT interrupt request masked.	R/W
b31 to b16	—	Reserved	These bits are read as 0. The write value should be 0.	R/W

The SDIO_INFO1_MASK register enables or disables the interrupt requests from the status flags in the SDIO_INFO1 register. See [Table 36.5, Interrupt sources](#) for details on the relationship between the status flags and the requested interrupt source.

36.2.23 DMA Mode Enable Register (SD_DMAEN)

Address(es): SDHI0.SD_DMAEN 4006 21B0h

	b31	b30	b29	b28	b27	b26	b25	b24	b23	b22	b21	b20	b19	b18	b17	b16
	—	—	—	—	—	—	—	—	—	—	—	—	—	—	—	—
Value after reset:	0	0	0	0	0	0	0	0	0	0	0	0	0	0	0	0
	b15	b14	b13	b12	b11	b10	b9	b8	b7	b6	b5	b4	b3	b2	b1	b0
	—	—	—	—	—	—	—	—	—	—	—	—	—	—	DMAE N	—
Value after reset:	0	0	0	1	0	0	0	0	0	0	0	1	0	0	0	0

Bit	Symbol	Bit name	Description	R/W
b0	—	Reserved	This bit is read as 0. The write value should be 0.	R/W
b1	DMAEN	DMA Transfer Enable*1, *2	0: Using DMA transfer to access the SD_BUF0 register is disabled 1: Using DMA transfer to access the SD_BUF0 register is enabled.	R/W
b3, b2	—	Reserved	These bits are read as 0. The write value should be 0.	R/W

Bit	Symbol	Bit name	Description	R/W
b4	—	Reserved	This bit is read as 1. The write value should be 1.	R/W
b11 to b5	—	Reserved	These bits are read as 0. The write value should be 0.	R/W
b12	—	Reserved	This bit is read as 1. The write value should be 1.	R/W
b31 to b13	—	Reserved	These bits are read as 0. The write value should be 0.	R/W

Note 1. Do not rewrite this bit when the SD_INFO2.CBSY bit is 1.

Note 2. When the SD_INFO2_MASK.BWEM bit is 0 or the SD_INFO2_MASK.BREM bit is 0, set the SD_DMAEN.DMAEN bit to 0. When the SD_DMAEN.DMAEN bit is 1, set the SD_INFO2_MASK.BWEM bit to 1 and the SD_INFO2_MASK.BREM bit to 1.

The SD_DMAEN register enables or disables DMA transfers.

DMAEN bit (DMA Transfer Enable)

When using DMA transfer to access the SD buffer, set the DMAEN bit to 1 before setting the SD_CMD register.

36.2.24 Software Reset Register (SOFT_RST)

Address(es): SDHI0.SOFT_RST 4006 21C0h

	b31	b30	b29	b28	b27	b26	b25	b24	b23	b22	b21	b20	b19	b18	b17	b16
	—	—	—	—	—	—	—	—	—	—	—	—	—	—	—	—
Value after reset:	0	0	0	0	0	0	0	0	0	0	0	0	0	0	0	0
	b15	b14	b13	b12	b11	b10	b9	b8	b7	b6	b5	b4	b3	b2	b1	b0
	—	—	—	—	—	—	—	—	—	—	—	—	—	—	—	SDRST
Value after reset:	0	0	0	0	0	0	0	0	0	0	0	0	0	1	1	1

Bit	Symbol	Bit name	Description	R/W
b0	SDRST	Software Reset Control	0: SD/MMC host interface software reset 1: SD/MMC host interface software reset canceled.	R/W
b2, b1	—	Reserved	These bits are read as 1. The write value should be 1.	R/W
b31 to b3	—	Reserved	These bits are read as 0. The write value should be 0.	R/W

Table 36.4 lists the bits and flags initialized by SD/MMC host interface software reset.

Table 36.4 Bits and flags initialized by SD/MMC host interface software reset

Register	Bit/Flag
SD_STOP	SEC
SD_INFO1	RSPEND, ACEND
SD_INFO2	CMDE, CRCE, ENDE, DTO, ILW, ILR, RSPTO, SDD0MON, BRE, BWE, SD_CLK_CTRLLEN, ILA
SD_CLK_CTRL	CLKEN
SD_OPTION	CTOP[3:0], TOP[3:0], WIDTH Bit [8] and bit [13] in the SD_OPTION register are also initialized by the SDHI software reset
SD_ERR_STS1	CMDE0, CMDE1, RSPLNE0, RSPLNE1, RDLNE, CRCLNE, RSPCRCE0, RSPCRCE1, RDCRCE, CRCTKE, CRCTK[2:0]
SD_ERR_STS2	RSPTO0, RSPTO1, BSYTO0, BSYTO1, RDTO, CRCTO, CRCBSYTO
SDIO_INFO1	IOIRQ, EXPUB52, EXWT

36.2.25 SD Interface Mode Setting Register (SDIF_MODE)

Address(es): SDHI0.SDIF_MODE 4006 21CCh

	b31	b30	b29	b28	b27	b26	b25	b24	b23	b22	b21	b20	b19	b18	b17	b16
	—	—	—	—	—	—	—	—	—	—	—	—	—	—	—	—
Value after reset:	0	0	0	0	0	0	0	0	0	0	0	0	0	0	0	0
	b15	b14	b13	b12	b11	b10	b9	b8	b7	b6	b5	b4	b3	b2	b1	b0
	—	—	—	—	—	—	—	NOCH KCR	—	—	—	—	—	—	—	—
Value after reset:	0	0	0	0	0	0	0	0	0	0	0	0	0	0	0	0

Bit	Symbol	Bit name	Description	R/W
b7 to b0	—	Reserved	These bits are read as 0. The write value should be 0.	R/W
b8	NOCHKCR	CRC Check Mask	CRC check mask bit for MMC test commands. Set when CRC16 or CRC status value check is not executed. 0: CRC check is enabled 1: CRC check is disabled. CRC16 value is ignored when reading and CRC status value is ignored when writing.	R/W
b31 to b9	—	Reserved	These bits are read as 0. The write value should be 0.	R/W

36.2.26 Swap Control Register (EXT_SWAP)

Address(es): SDHI0.EXT_SWAP 4006 21E0h

	b31	b30	b29	b28	b27	b26	b25	b24	b23	b22	b21	b20	b19	b18	b17	b16
	—	—	—	—	—	—	—	—	—	—	—	—	—	—	—	—
Value after reset:	0	0	0	0	0	0	0	0	0	0	0	0	0	0	0	0
	b15	b14	b13	b12	b11	b10	b9	b8	b7	b6	b5	b4	b3	b2	b1	b0
	—	—	—	—	—	—	—	—	BRSW P	BWSW P	—	—	—	—	—	—
Value after reset:	0	0	0	0	0	0	0	0	0	0	0	0	0	0	0	0

Bit	Symbol	Bit name	Description	R/W
b5 to b0	—	Reserved	These bits are read as 0. The write value should be 0.	R/W
b6	BWSWP	SD_BUF0 Swap Write*1	0: Normal write operation 1: Swap the byte endianness before writing to the SD_BUF0 register.	R/W
b7	BRSWP	SD_BUF0 Swap Read*1	0: Normal read operation 1: Swap the byte endianness before reading the SD_BUF0 register.	R/W
b31 to b8	—	Reserved	These bits are read as 0. The write value should be 0.	R/W

Note 1. Do not rewrite this bit when the SD_INFO2.CBSY flag is 1.

The EXT_SWAP register selects whether or not the byte endian order is swapped when accessing the SD_BUF0 register. See [section 36.3.1](#) for details on the differences in accessing the SD_BUF0 register based on the EXT_SWAP register value.

36.3 Operation

36.3.1 SD/MMC Interface

The process of reading data from the SD card/MMC is as follows:

1. The SD/MMC host interface receives data from the SD card/MMC through the SD0DAT signal, as shown in [Figure 36.2](#) and [Figure 36.3](#).
2. The received data is stored in SD_BUF of the MMC host interface, as shown in [Figure 36.4](#).
3. The data stored in SD_BUF is read from the SD_BUF0 register, as shown in [Figure 36.5](#).

When data is written to the SD card/MMC, the specified procedure is reversed.

When accessing the SD_BUF0 register, pay attention to the transfer order in SD0DAT and the order of storage in SD_BUF. The byte endianness of the data read from or written to the SD_BUF0 register can be swapped using the SDSWAP register. See [Figure 36.6](#).

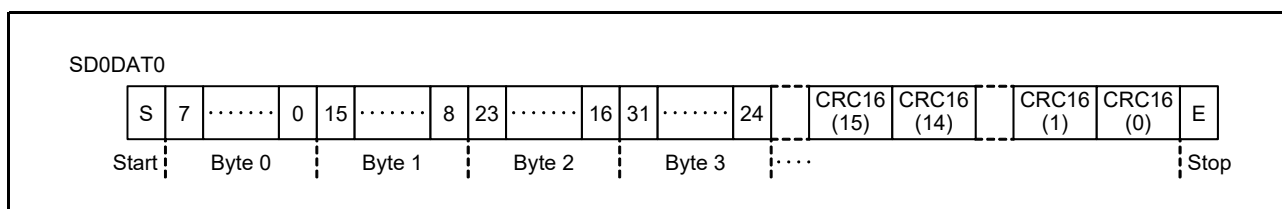


Figure 36.2 SD0DAT in 1-bit width mode

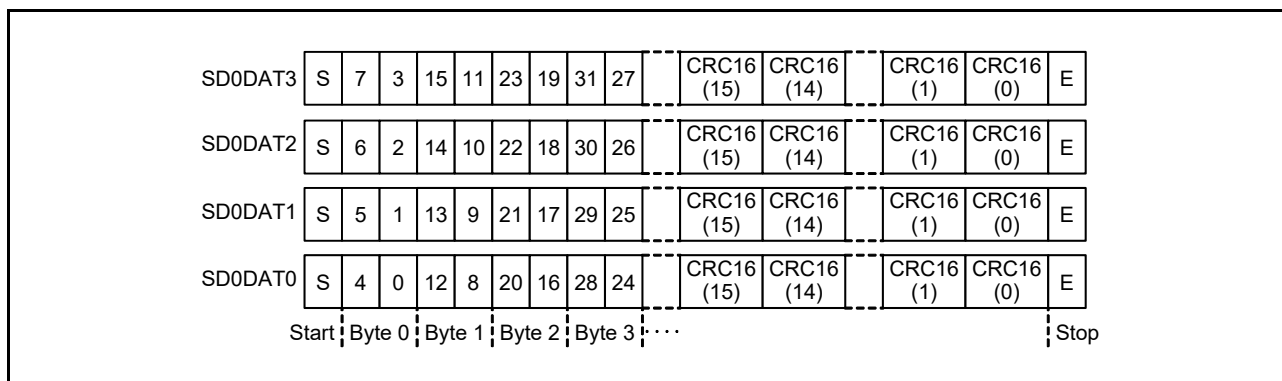


Figure 36.3 SD0DAT in 4-bit width mode

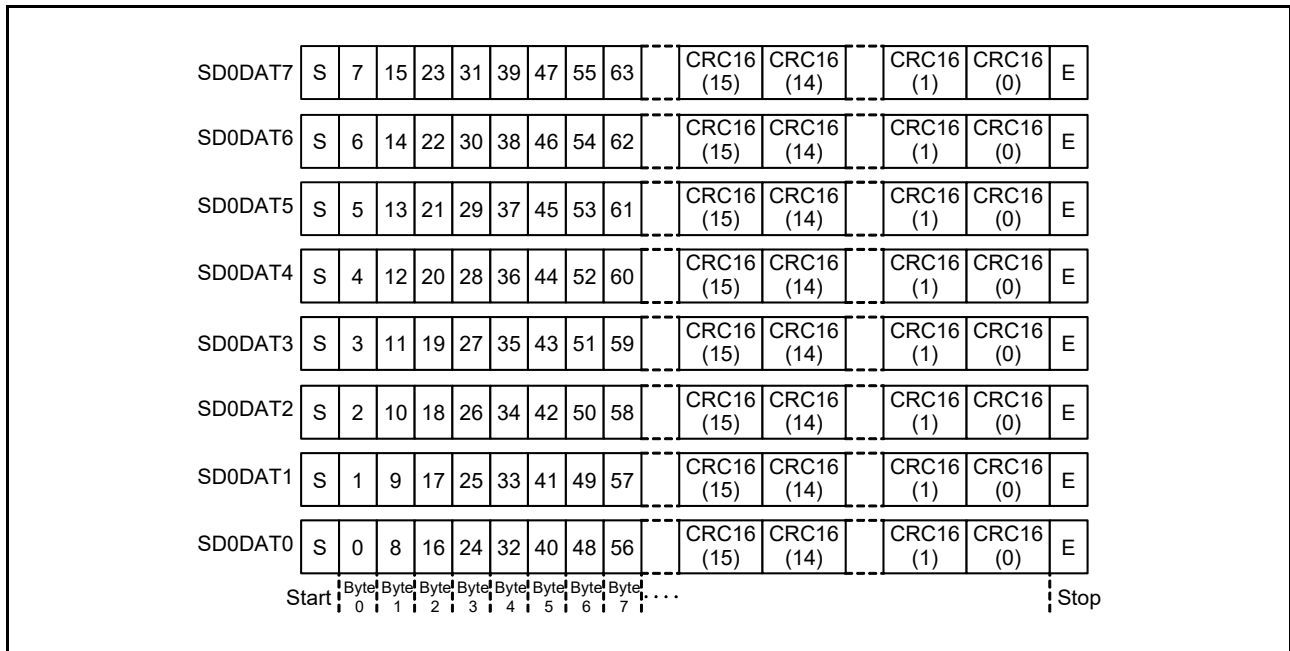


Figure 36.4 SD0DAT in 8-bit width mode

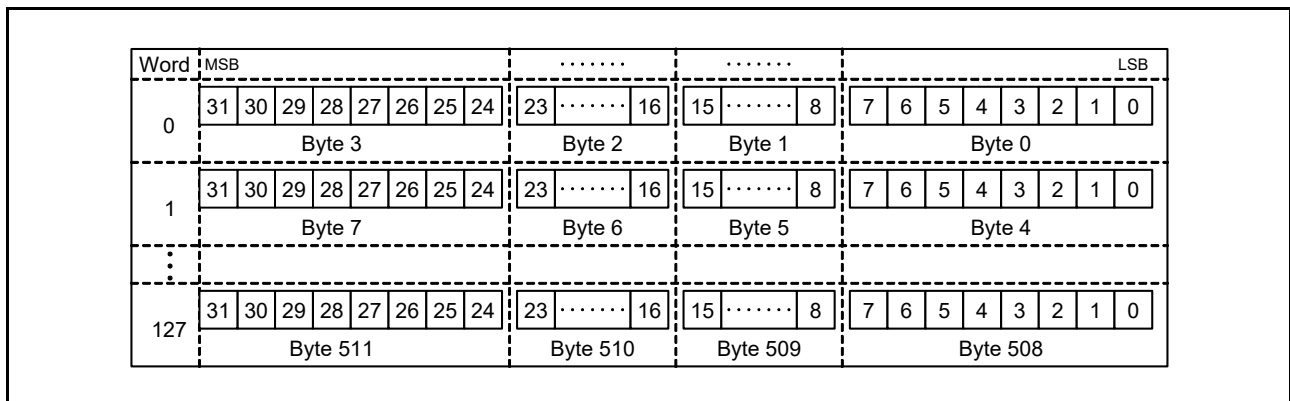


Figure 36.5 SD_BUF data storage

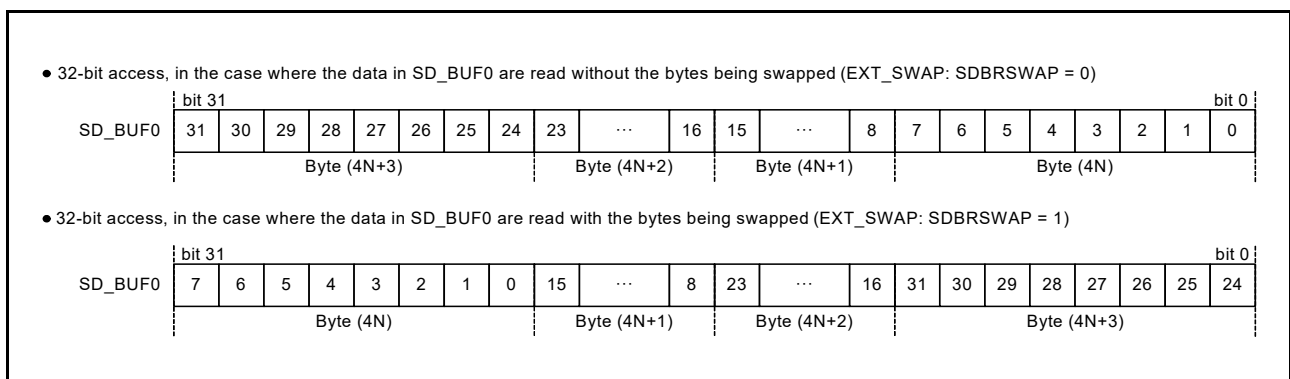


Figure 36.6 Reading from the SD_BUF0 register

36.3.2 Card Detect/Write Protect

36.3.2.1 Card detect

The SD/MMC host interface has two types of card detect functions.

(1) Card detect with SD0CD

Figure 36.7 shows the timing for card detect using the SD0CD pin. SD0CD is connected to the card socket and pulled up on the host device. The resistance of the pull-up resistor is determined by the specification of the SD/MMC host device.

(2) Card insertion

When a card is inserted, the SD0CD pin is pulled down. If SD0CD is pulled down for the Mcycle period (set in the SD_OPTION register), the SDCDIN bit in the SD_INFO1 register is set to 1. It is cleared by writing 0.

(3) Card removal

When a card is removed, the SD0CD pin is pulled up. If SD0CD is pulled up for the Mcycle period (set in SD_OPTION), the SDCDRM bit in the SD_INFO1 register is set to 1. It is cleared by writing 0.

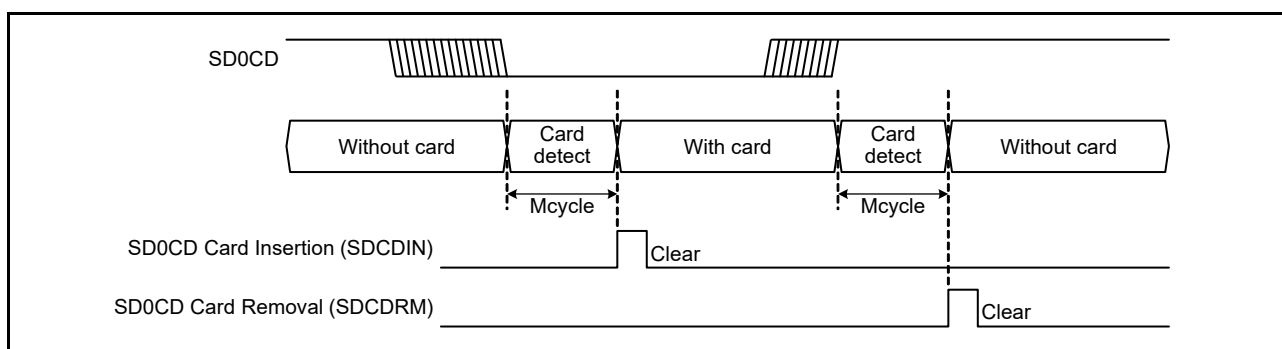


Figure 36.7 Example of card detect with SD0CD

(4) SD card detect with SD0DAT3

Figure 36.8 shows the timing diagram when the SD card is detected with the SD0DAT3 pin. Also, SD0DAT3 is pulled down by the host device, and the pull-down resistance value is determined by the specification of the SD host device.

(5) Card insertion

When an SD card is inserted, the SD0DAT3 pin is pulled up and the SDD3IN bit in the SD_INFO1 register is set to 1. It is cleared by writing 0.

(6) Card removal

When an SD card is removed, the SD0DAT3 pin is pulled down and the SDD3RM bit in the SD_INFO1 register is set to 1. It is cleared by writing 0.

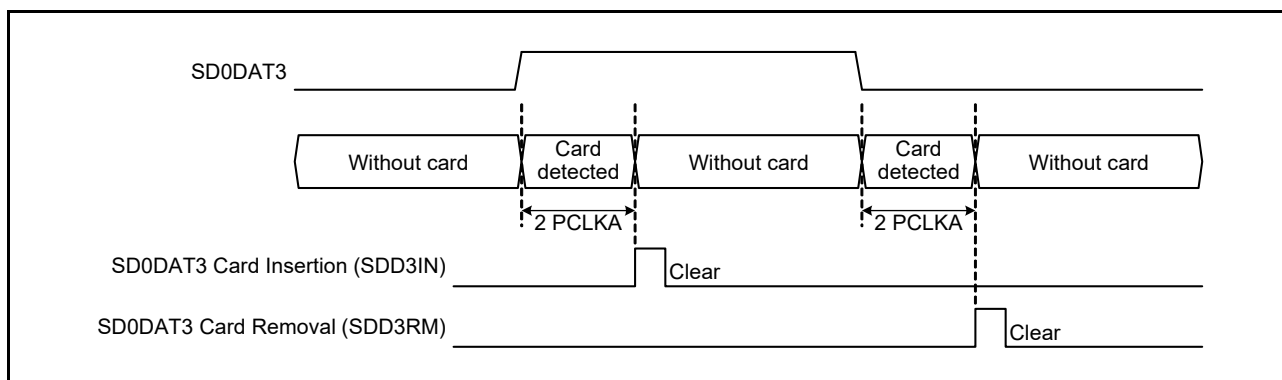


Figure 36.8 SD card detect with SD0DAT3

36.3.2.2 Write protect

The SD/MMC host interface has two types of write protect functions.

(1) Write protect with SD0WP

The SD0WP pin is connected to the card socket and pulled up or down by the card insertion. The selection to pull up or down and the resistance value is determined by the specification of the SD host device. When the SD0WP pin state is reflected to the SDWPMON bit in the SD_INFO1 register, the write protect state is set after the SD card is inserted.

(2) Write protect with command

The internal write protection of the card and the lock/unlock operation of the card are realized by the command.

36.3.3 Interrupt Request and DMA Transfer Request

36.3.3.1 Interrupts

Table 36.5 lists the SDHI interrupt sources. The SDHI requests an interrupt when:

- Status flags in SD_INFO1, SD_INFO2, or SDIO_INFO1 registers set to 1
- Associated bits in SD_INFO1_MASK, SD_INFO2_MASK, and SDIO_INFO1_MASK registers are 0.

When clearing the status flags in the SD_INFO1, SD_INFO2, and SDIO_INFO1 registers, write 0 to the status flags to be cleared, and write 1 to the status flags that are not being cleared.

Table 36.5 Interrupt sources

Interrupt sources	Status flag register		Interrupt mask register		Interrupt name
	Register symbol	Bit symbol	Register symbol	Bit symbol	
Card Access Interrupt (CACI)	SD_INFO1	ACEND	SD_INFO1_MASK	ACENDM	SDHI_MMC0_ACCS
		RSPEND		RSPENDM	
	SD_INFO2	ILA	SD_INFO2_MASK	ILAM	
		BWE		BWEM	
		BRE		BREM	
		RSPTO		RSPTOM	
		ILR		ILRM	
		ILW		ILWM	
		DTO		DTOM	
		ENDE		ENDEM	
		CRCE		CRCEM	
		CMDE		CMDEM	
SDIO Access Interrupt (SDACI)	SDIO_INFO1	EXWT	SDIO_INFO1_MASK	EXWTM	SDHI_MMC0_SDIO
		EXPUB52		EXPUB52M	
		IOIRQ		IOIRQM	
Card Detect Interrupt (CDETI)	SD_INFO1	SDD3IN	SD_INFO1_MASK	SDD3INM	SDHI_MMC0_CARD
		SDD3RM		SDD3RMM	
		SDCDIN		SDCDINM	
		SDCDRM		SDCDRMM	

36.3.3.2 DMA transfer requests (SDHI_MMC0_ODMSDBREQ)

The SD/MMC host interface has two types of DMA transfer requests: SD_BUF write DMA transfer request and SD_BUF read DMA transfer request. SD/MMC host interface uses the SDHI_MMC0_ODMSDBREQ event for DMA transfer request. For details on the event number of SDHI_MMC0_ODMSDBREQ, see [Table 14.4](#) in [section 14](#), [Interrupt Controller Unit \(ICU\)](#).

(1) SD_BUF write DMA transfer request

- When the BWE bit in the SD_INFO2 register is set to 1 while the DMAEN bit in SD_DMAEN is set to 1, the SD_BUF write DMA transfer request is asserted
- The SD_BUF write DMA transfer request is negated when the last data in one block, according to the transfer data size set in the SD_SIZE register, is transferred. The SD_BUF write DMA transfer request is also negated by clearing the SDRST bit in SOFT_RST to 0 or setting the STP bit in the SD_STOP register to 1. However, if a communication error or timeout occurs at the DMA transfer, the SD_BUF write DMA transfer request is not negated
- The BWE bit in the SD_INFO2 register is cleared after the transfer of the last data in one block following a request for writing to SD_BUF by DMA transfer
- The number of DMA transfers should be n times one block, where n = integer, one block = the transfer data size set in the SD_SIZE register
- When the IOABT bit in the SDIO_MODE register is set to 1, the SD_BUF write DMA transfer request is negated
- The DMA transfer request is also negated by clearing the DMAEN bit to 0. However, the DMA transfer request is asserted again when the DMAEN bit is set to 1 before writing to the SD_CMD register.
- Because the BWE bit in the SD_INFO2 register is not cleared in response to setting the STP/IOABT bit, or to a communication error or timeout, clear the bit to 0 before issuing the next command. The next request to write to SD_BUF by DMA transfer is not issued while the BWE bit is set.

(2) SD_BUF read DMA transfer request

- When the BRE bit in the SD_INFO2 register is set to 1 while the DMAEN bit in the SD_DMAEN register is set to 1, the SD_BUF read DMA transfer request is asserted
- The SD_BUF read DMA transfer request is negated when the last data in one block (according to the transfer data size set in the SD_SIZE register) is transferred. The SD_BUF read DMA transfer request is also negated by clearing the SDRST bit in SOFT_RST to 0 or setting the STP bit in the SD_STOP register to 1. However, if a communication error or timeout occurs at the DMA transfer, the SD_BUF read DMA transfer request is not negated.
- The BRE bit in the SD_INFO2 register is cleared after transfer of the last data in one block following a request to write to SD_BUF by DMA transfer
- The number of DMA transfers should be n times one block, where n = integer, one block = the transfer data size set in the SD_SIZE register
- When the IOABT bit in the SDIO_MODE register is set to 1, the SD_BUF read DMA transfer request is negated
- The DMA transfer request is also negated by clearing the DMAEN bit to 0. However, the DMA transfer request is asserted again when the DMAEN bit is set to 1 before writing to the SD_CMD register.
- Because the BRE bit in the SD_INFO2 register is not cleared in response to setting the STP/IOABT bit or in response to a communication error or timeout, clear the bit to 0 before issuing the next command. The next request to write to SD_BUF by DMA transfer is not issued while the BRE bit is set.

36.3.4 Communication Errors and Timeouts

When a communication error or timeout error occurs, the corresponding status flag in the [SD_INFO2](#) register is set to 1 depending on the type of error. Also, depending on the source of the error, the associated flag in the [SD_ERR_STS1](#) or [SD_ERR_STS2](#) register is set to 1.

The status flags in [SD_ERR_STS1](#) and [SD_ERR_STS2](#) registers become 0 by writing to the [SD_CMD](#) register, or by setting the [SOFT_RST.SDRST](#) bit to 0.

Table 36.6 Communication errors

Communication error	Interrupt flag register		Error status register		This occurs when...
	Register symbol	Bit symbol	Register symbol	Bit symbol	
End bit error	SD_INFO2	ENDE	SD_ERR_STS1	CRCLENE	The CRC status token length is in error
				RDLENE	The read data length is in error
				RSPLENE1	The response length is in error*1
				RSPLENE0	The response length is in error*2
CRC error	SD_INFO2	ENDE	SD_ERR_STS1	CRCTKE	The CRC status token is in error
				RDCRCE	There is a CRC error in the read data
				RSPCRCE1	There is a CRC error in the response*1
				RSPCRCE0	There is a CRC error in the response*2
Command error	SD_INFO2	ENDE	SD_ERR_STS1	CMDE1	The command index field value for the transmitted command and received response do not match*1
				CMDE0	The command index field value for the transmitted command and received response do not match*2

Note 1. [CMD12](#) when automatic issuing is enabled for multiple block transfer in the [SD_CMD](#) register setting, [CMD12](#) when the [STP](#) bit in the [SD_STOP](#) register is set to 1, or [CMD52](#) when the [C52PUB](#) or [IOABT](#) bit in the [SDIO_MODE](#) register is set to 1.

Note 2. [CMD](#) other than [CMD12](#) when automatic issuing is enabled for multiple block transfer in the [SD_CMD](#) register setting, [CMD12](#) when the [STP](#) bit in the [SD_STOP](#) register is set to 1, or [CMD52](#) when the [C52PUB](#) or [IOABT](#) bit in the [SDIO_MODE](#) register is set to 1.

Table 36.7 Timeouts

Timeout	Interrupt flag register		Error status register		This occurs when...
	Register symbol	Bit symbol	Register symbol	Bit symbol	
Response timeout	SD_INFO2	RSPTO	SD_ERR_STS2	RSPTO1	A response is not received even after a minimum of 640 SDHI clock cycles elapse*1
				RSPTO0	A response is not received even after a minimum of 640 SDHI clock cycles elapse*2
Data timeout (excluding response timeout)		DTO		CRCBSYTO	After the CRC status token is received, the SDHI is busy for at least the period set*3
				CRCTO	After the write data is transmitted, the CRC status token is not received even after at least the period set*3 elapses
				RDTO	After the read command is issued, the read data is not received even after at least the period set*3 elapses
					After the read data is received, the next block read data is not received even after at least the period set*3 elapses
					After the SDHI exits the read wait state, the next block read data is not received even after at least the period set*3 elapses
BSYTO1	After CMD12 is issued during the command sequence, the SDHI is busy for at least the period set*3				
BSYTO0	After the R1b response is received, the SDHI is busy for at least the period set*3 (a command other than CMD12 is issued during the command sequence)				

- Note 1. CMD12 when automatic issuing is enabled for multiple block transfer in the SD_CMD register setting, CMD12 when the STP bit in the SD_STOP register is set to 1, or CMD52 when the C52PUB or IOABT bit in the SDIO_MODE register is set to 1.
- Note 2. CMD other than CMD12 when automatic issuing is enabled for multiple block transfer in the SD_CMD register setting, CMD12 when the STP bit in the SD_STOP register is set to 1, or CMD52 when the C52PUB or IOABT bit in the SDIO_MODE register is set to 1.
- Note 3. The period is set in the TOP[3:0] bits in the SD_OPTION register.

36.3.5 Command without Data Transfer (SD/MMC)

Figure 36.9 and Figure 36.10 show example flows.

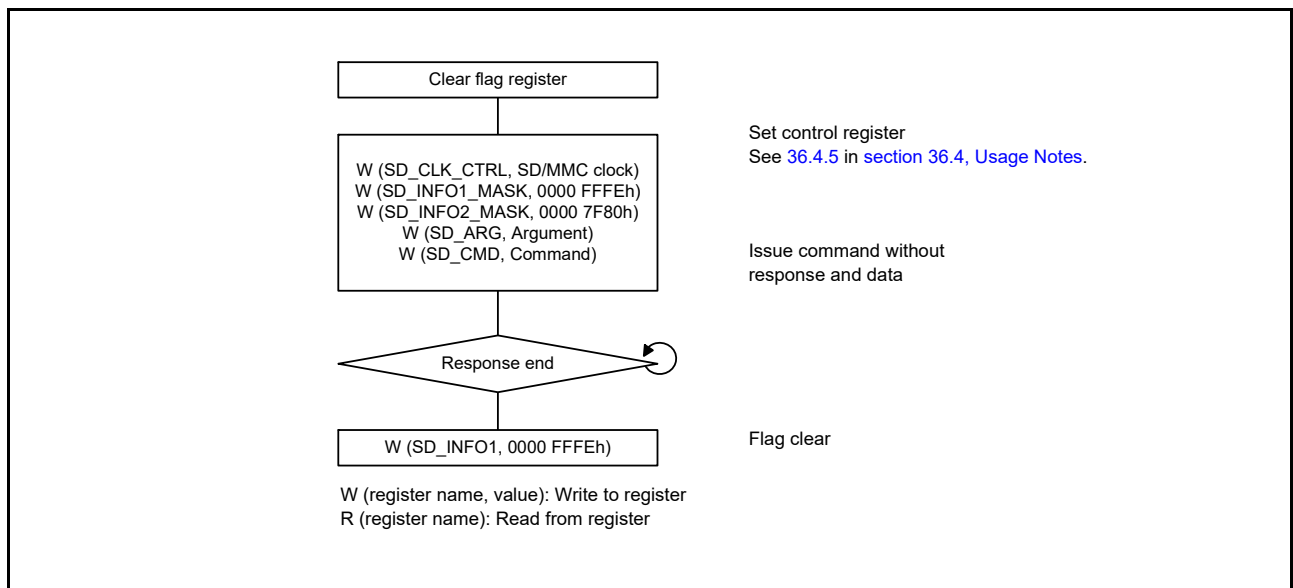


Figure 36.9 Example flow of command without response and data

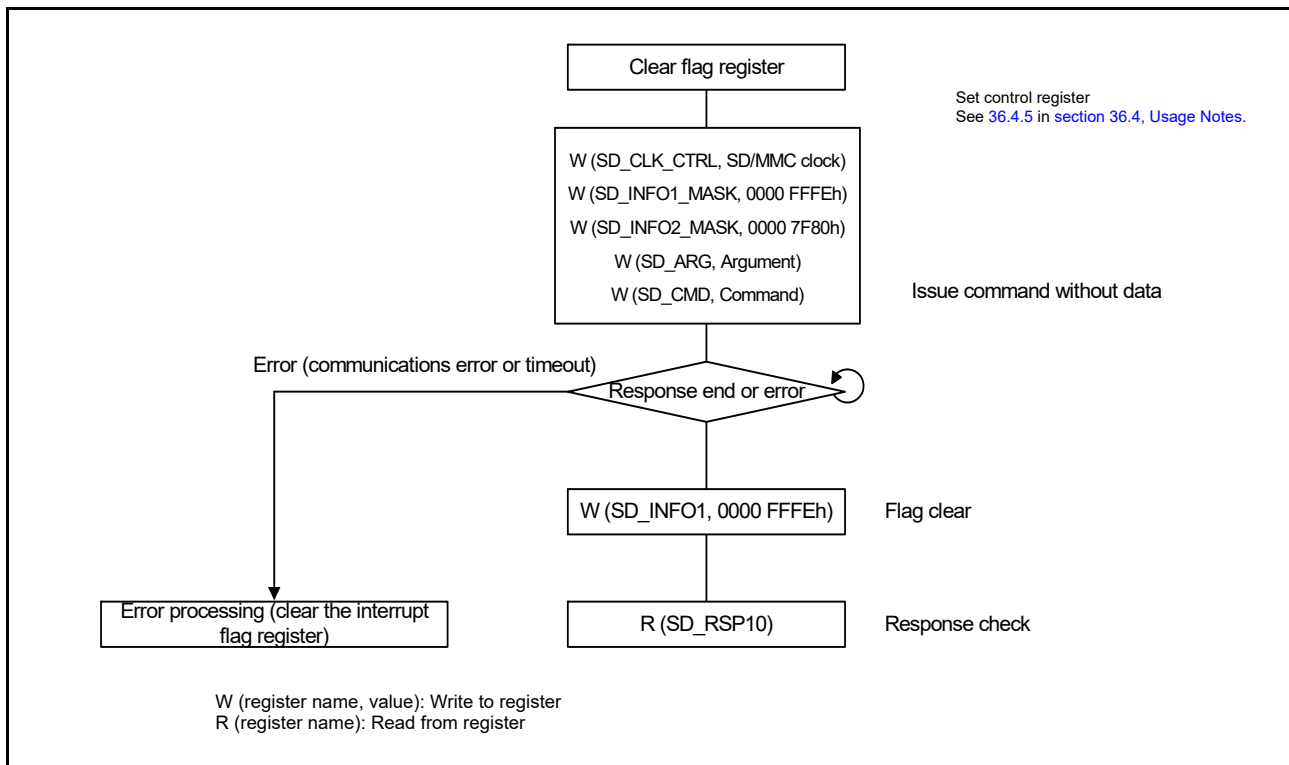


Figure 36.10 Example flow of command without data

36.3.5.1 Operation for command without data transfer

The following legend is used for description of register read/write.

W (register name, value): Write to register

R (register name): Read from register

The operation is described in the following section.

(1) Command without response and data

- a. Flag register clear
First, clear the bits in the flag register (SD_INFO1 and SD_INFO2).
- b. Control register set
Set the SD/MMC clock and interrupt mask (SD_CLK_CTRL, SD_INFO1_MASK, and SD_INFO2_MASK).
- c. Command issue
Set CMD argument in the SD_ARG register and write to the SD_CMD register to issue the command and start operation.
- d. Flag clear
When transmission of a command is complete, RSPEND (response end) flag in the SD_INFO1 register is set to 1 to generate an interrupt. Clear the RSPEND flag to 0.

(2) Command without data

- a. Flag register clear
First, clear the bits in the flag register (SD_INFO1 and SD_INFO2).
- b. Control register set
Set the SD/MMC clock and interrupt mask (SD_CLK_CTRL, SD_INFO1_MASK, and SD_INFO2_MASK).
- c. Command issue
Set CMD argument in the SD_ARG register and write to the SD_CMD register to issue the command and start operation.

- d. Flag clear
When a response is received, RSPEND (response end) flag in the SD_INFO1 register is set to 1 to generate an interrupt. Clear the RSPEND flag to 0.
- e. Read a response from the SD_RSP10 register. Additionally, perform error processing (clear the interrupt flag register) if a communication error or timeout occurs.

36.3.6 Single Block Read (SD/MMC)

Figure 36.11 shows an example flow of a single block read operation.

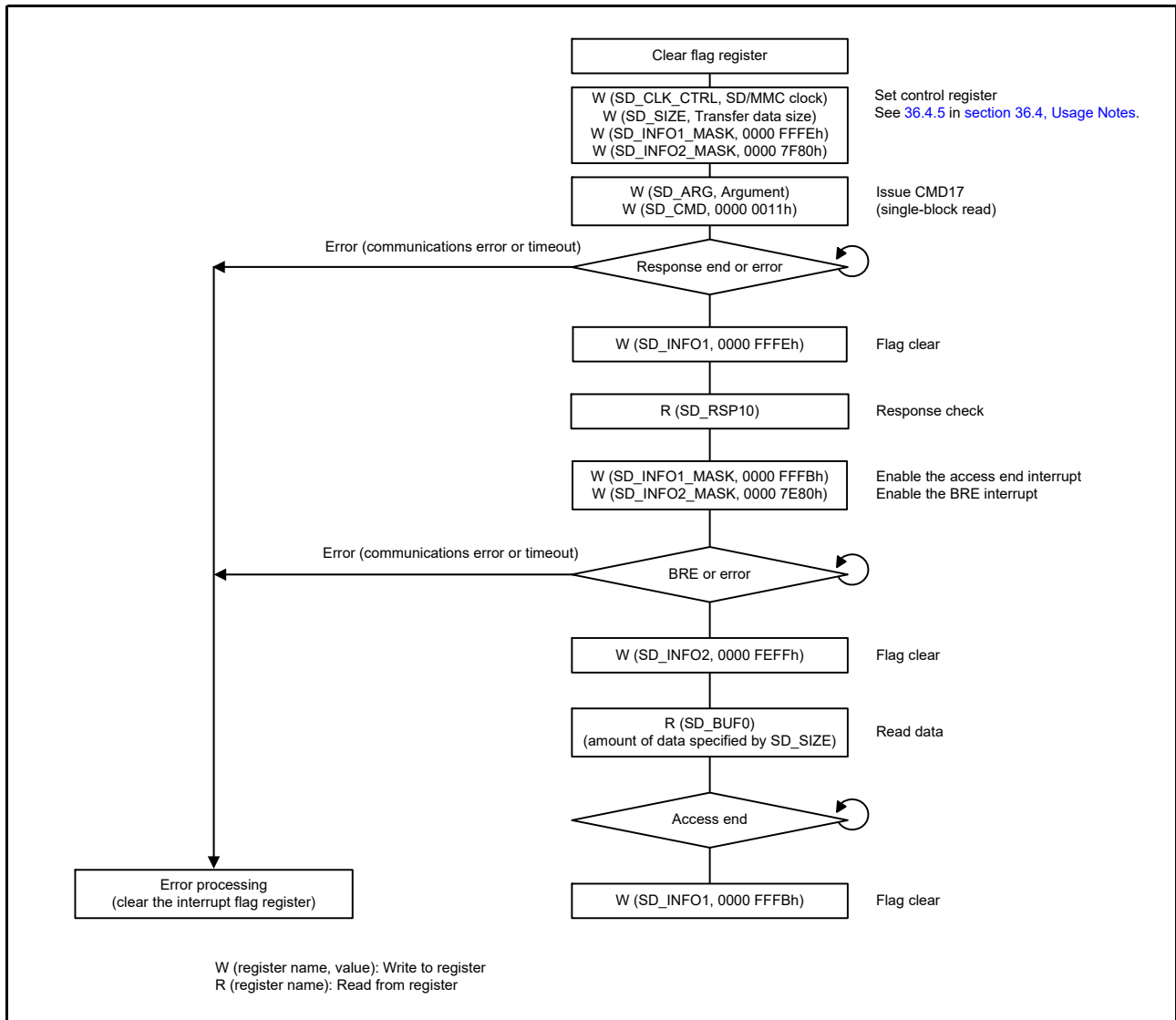


Figure 36.11 Example flow of single block read operation

36.3.6.1 Single block read operation

The operation of the single block read is described as follows:

- a. Flag register clear
First, clear the bits in the flag register (SD_INFO1 and SD_INFO2).
- b. Control register set
Set the SD/MMC clock, transfer data size, interrupt mask (SD_CLK_CTRL, SD_SIZE, SD_INFO1_MASK, and SD_INFO2_MASK).
- c. Command issue (CMD17)
Set CMD17 argument in the SD_ARG register, and write 0000 0011h to the CMD17 bit in the SD_CMD register to start a single block read operation.
- d. Response check
On receiving the response, RSPEND (response end) flag in the SD_INFO1 register is set to 1 to generate an interrupt. Clear the RSPEND flag to 0 and read the response from the SD_RSP10 register. If the result of response decoding is an error, the command sequence can be halted by setting the STP bit in the SD_STOP register or the IOABT bit in the SDIO_MODE register to 1. This causes CMD12 and CMD52 to not be issued. If the ACEND (access end) flag in SD_INFO is set, halting the command sequence also leads to the generation of an interrupt.
- e. Data receive from SD card/MMC and data read
Write 0000 FFFBh to the SD_INFO1_MASK register to enable the access end interrupt. In addition, write 0000 7E80h to the SD_INFO2_MASK register to enable the BRE interrupt. When the data reception from the SD card/MMC is complete, the BRE bit in the SD_INFO2 register is set to 1 to generate an interrupt. Clear the BRE bit to 0 and read the amount of data specified in the SD_SIZE register from the SD_BUF0 register. A communication error or timeout might be generated if data is received while reading the SD_BUF0 register.
- f. Operation complete
When the data read from the SD_BUF0 register is complete, the ACEND (access end) flag in the SD_INFO1 register is set to 1 to generate an interrupt. Clear the ACEND flag to 0 to end the single block read operation. Additionally, perform error processing (clear the interrupt flag register) if a communication error or timeout occurs.

36.3.7 Single Block Write (SD/MMC)

Figure 36.12 shows an example flow of a single block write operation.

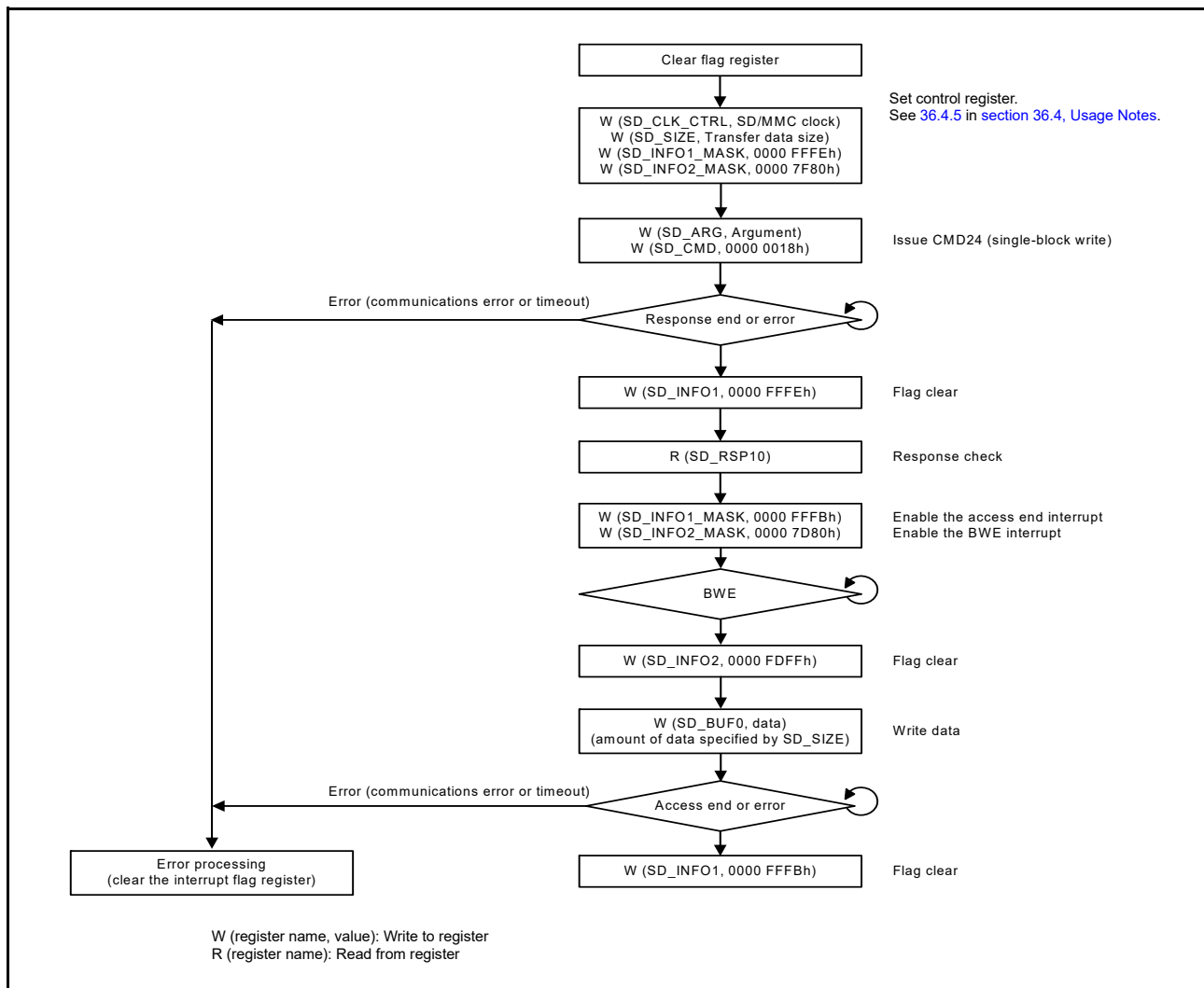


Figure 36.12 Example flow of single block write operation

36.3.7.1 Single block write operation

The operation of a single block write is as follows:

- a. Flag register clear
First, clear the bits in the flag register (SD_INFO1 and SD_INFO2).
- b. Control register set
Set the SD/MMC clock, transfer data size, interrupt mask (SD_CLK_CTRL, SD_SIZE, SD_INFO1_MASK, and SD_INFO2_MASK).
- c. Command issue (CMD24)
Set CMD24 argument in the SD_ARG register and write 0000 0018h to the CMD24 bit in the SD_CMD register to start the single block write operation.
- d. Response check
On receiving the response, the RSPEND (response end) flag in the SD_INFO1 register is set to 1 to generate an interrupt. Clear the RSPEND flag to 0 and read the response from the SD_RSP10 register. If the result of response decoding is an error, the command sequence can be halted by setting the STP bit in the SD_STOP register or the IOABT bit in the SDIO_MODE register to 1. In addition, this causes the CMD12 and CMD52

commands to not be issued. If the ACEND (access end) flag in the SD_INFO register is set, halting the command sequence also leads to the generation of an interrupt.

e. Data write and data transmit to SD card/MMC

Write 0000 FFFBh to the SD_INFO1_MASK register to enable the access end interrupt. In addition, write 0000 7D80h to the SD_INFO2_MASK register to enable the BWE interrupt. When the SD_BUF0 register is ready for data to be written, the BWE bit in the SD_INFO2 register is set to 1 to generate an interrupt. Clear the BWE bit to 0 and write the amount of data specified in the SD_SIZE register to the SD_BUF0 register. When the data write to the SD_BUF0 register is complete, data is transmitted to the SD card. Then, the CRC status and busy state are received from the SD card/MMC.

However, a communication error or timeout may be generated if data is transmitted after writing to the SD_BUF0 register.

f. Operation complete

When the CRC status and busy state are received from the SD card/MMC, the ACEND (access end) flag in the SD_INFO1 register is set to 1 to generate an interrupt. Clear the ACEND flag to 0 to end the single block write operation.

In addition, perform error processing (clear the interrupt flag register) if a communication error or timeout occurs.

36.3.8 Multiple Block Read (SD/MMC)

Figure 36.13 shows an example flow of a multiple block read operation.

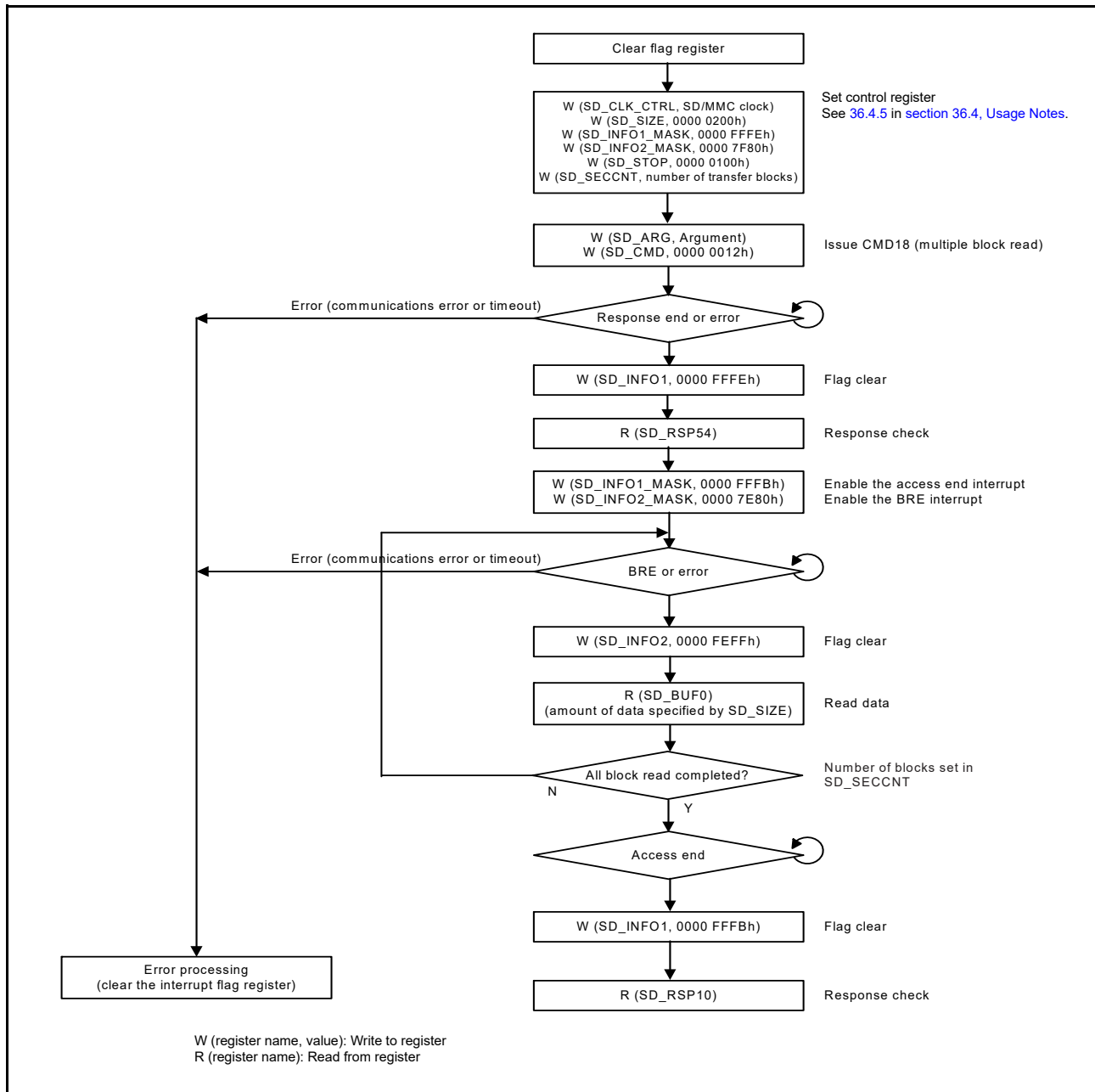


Figure 36.13 Example flow of multiple block read operation

36.3.8.1 Multiple block read operation

The operation of the multiple block read is described as follows:

- a. Flag register clear
First, clear the bits in the flag register (SD_INFO1 and SD_INFO2).
- b. Control register set
Set the SD/MMC clock, transfer data size, interrupt mask (SD_CLK_CTRL, SD_SIZE, SD_INFO1_MASK, and SD_INFO2_MASK).
Set the SEC bit in the SD_STOP register to 1, and set the number of transfer blocks in the SD_SECCNT register.
- c. Command issue (CMD18)
Set CMD18 argument in the SD_ARG register and write 0000_0012h to the SD_CMD register to issue CMD18 and start the multiple block read operation.
- d. Response check
On receiving the response, RSPEND (response end) flag in the SD_INFO1 register is set to 1 to generate an interrupt. Clear the RSPEND flag to 0 and read the response from the SD_RSP54 register. If the result of response decoding is an error, the command sequence can be halted by setting the STP bit in the SD_STOP register to 1. Setting the STP bit to 1 also causes CMD12 to be issued and the response is received. If the command sequence is halted because the access end interrupt is enabled, an interrupt is generated by setting of the ACEND (access end) flag in the SD_INFO1 register to 1, when reception of the response is complete. Clear the ACEND flag to 0 and read the response.
- e. Data receive from SD card/MMC and data read
Write 0000_FFBh to the SD_INFO1_MASK register to enable the access end interrupt. In addition, write 0000_7E80h to the SD_INFO2_MASK register to enable the BRE interrupt. When one block of data is received from the SD card/MMC the BRE bit in SD_INFO2 is set to 1 to generate an interrupt. Clear the BRE bit to 0 and read the amount of data specified by the SD_SIZE register from the SD_BUF0 register. This repeats the transfer of the number of blocks set in the SD_SECCNT register. However, a communication error or timeout might be generated if data is received while reading the SD_BUF0 register. CMD12 is automatically issued to stop a multi-block transfer, with the number of blocks set in the SD_SECCNT register, and the response is received. At this point, CMD12 argument is automatically set to 0000_0000h.
- f. Operation complete
When all-block data read and the CMD12 response received are complete, the ACEND (access end) flag in the SD_INFO1 register is set to 1 to generate an interrupt. Clear ACEND to 0 to read the response. This is the end of a multiple block read operation. In addition, perform error processing (clear the interrupt flag register) if a communication error or timeout occurs.

36.3.9 Multiple Block Write (SD/MMC Using Internal Timer)

Figure 36.14 shows an example flow of a multiple block write using an internal timer.

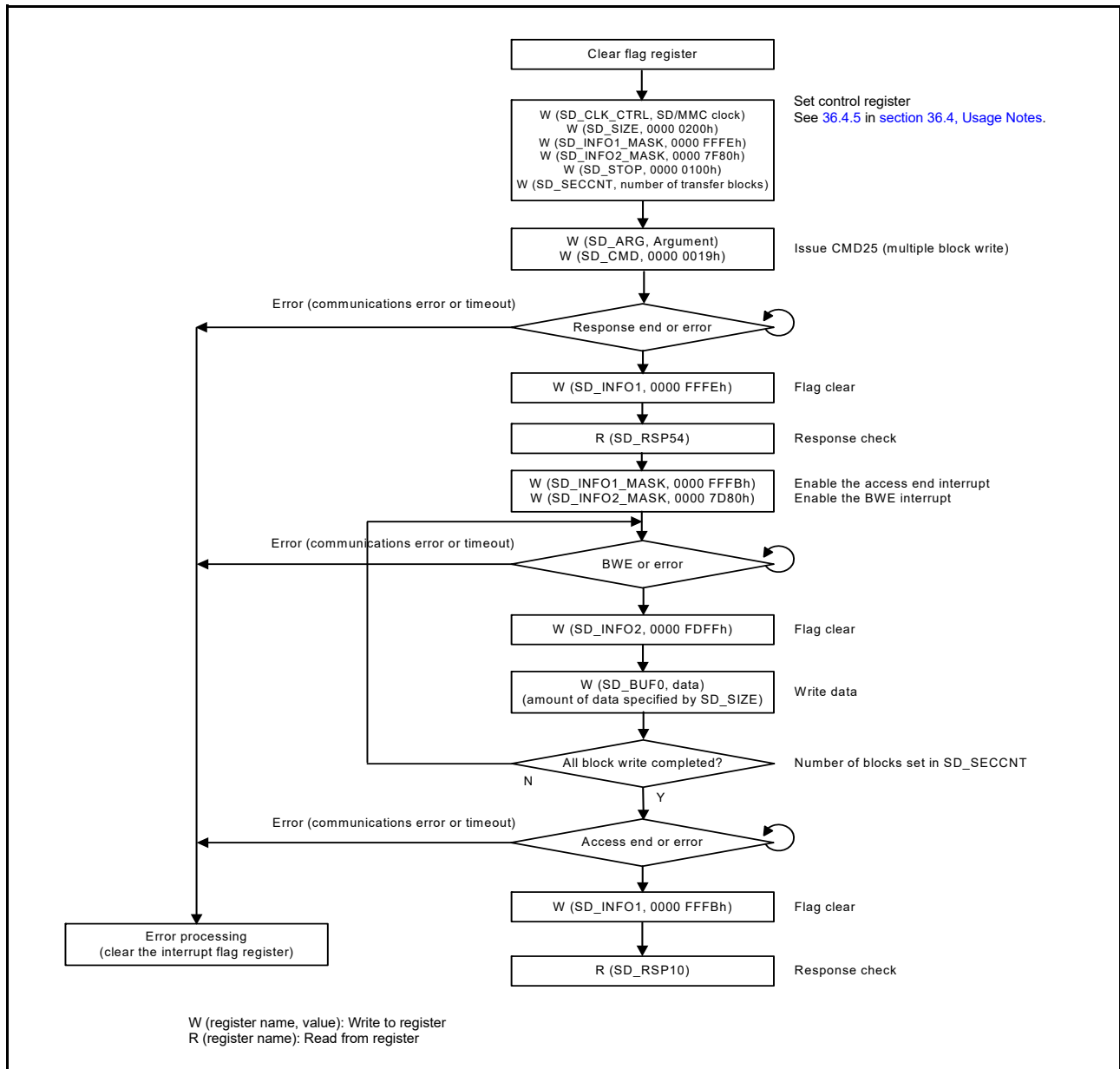


Figure 36.14 Example flow of multiple block write operation using an internal timer

36.3.9.1 Multiple block write operation using an internal timer

The operation of a multiple block write is described as follows:

- a. Flag register clear
First, clear the bits in the flag register (SD_INFO1 and SD_INFO2).
- b. Control register set
Set the SD/MMC clock, transfer data size, interrupt mask (SD_CLK_CTRL, SD_SIZE, SD_INFO1_MASK, and SD_INFO2_MASK).
Set the SEC bit in the SD_STOP register to 1, and set the number of transfer blocks in the SD_SECCNT register.
- c. Command issue (CMD25)
Set CMD25 argument in the SD_ARG register and write 0000_0019h to the SD_CMD register to issue CMD25 and start the multiple block write operation.
- d. Response check
On receiving the response, the RSPEND (response end) flag in the SD_INFO1 register is set to 1 to generate an interrupt. Clear the RSPEND flag to 0 and read the response from the SD_RSP54 register. If the result of response decoding is an error, the command sequence can be halted by setting the STP bit in the SD_STOP register to 1. Setting the STP bit to 1 also causes CMD12 to be issued and the response is received. If the command sequence is halted because the access end interrupt is enabled, an interrupt is generated by setting of the ACEND (access end) flag in the SD_INFO1 register to 1 when reception of the response is complete. Clear the ACEND flag to 0 and read the response.
- e. Data write and data transmit to SD card/MMC
Write 0000_FFBh to the SD_INFO1_MASK register to enable the access end interrupt. In addition, write 0000_7D80h to SD_INFO2_MASK to enable the BWE interrupt. When the SD_BUF0 register is ready for data to be written, the BWE bit in the SD_INFO2 register is set to 1 to generate an interrupt. Clear the BWE bit to 0 and write the amount of data specified in the SD_SIZE register to the SD_BUF0 register. When the data write to the SD_BUF0 register is complete, data is transmitted to the SD card/MMC. The CRC status and busy state are received from the SD card/MMC. This repeats the transfer of the number of blocks set in the SD_SECCNT register. However, a communication error or timeout might be generated if data is received while writing to the SD_BUF0 register is in progress. CMD12 is automatically issued to stop multi block transfer with the number of blocks set in the SD_SECCNT register, and the response is received. At this point, CMD12 argument is automatically set to 0000_0000h.
- f. Operation complete
When an all-block data transmit and the CRC status receive are complete, the ACEND (access end) flag in the SD_INFO1 register is set to 1 to generate an interrupt. Clear the ACEND flag to 0 to read the response. This is the end of a multiple block write operation. Additionally, perform error processing (clear the interrupt flag register) if a communication error or timeout occurs.

36.3.10 Multiple Block Write (MMC using external timer)

Figure 36.15 shows an example flow of a multiple block write using an external timer.

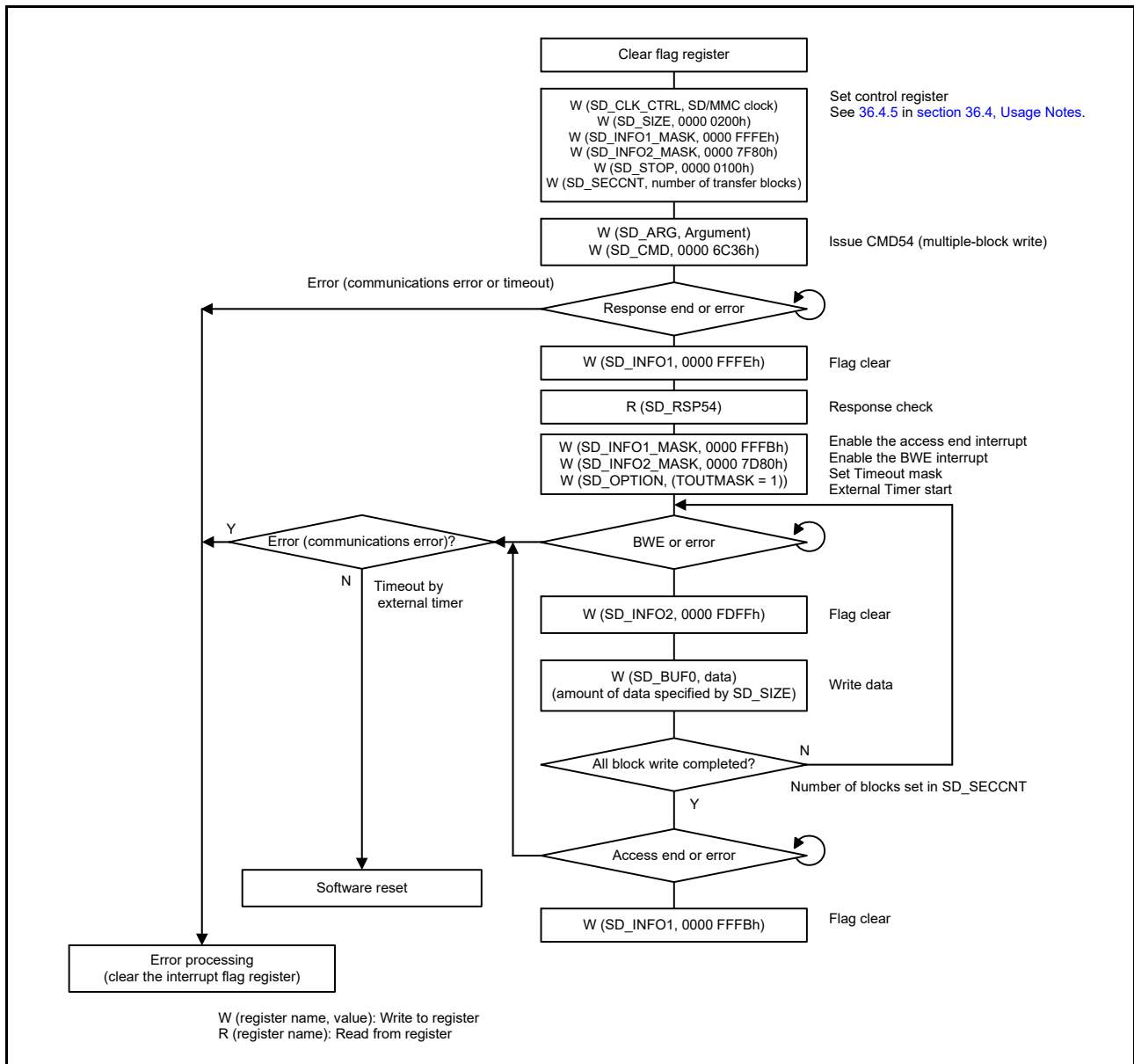


Figure 36.15 Example flow of multiple block write operation using an external timer

36.3.10.1 Multiple block write operation using external timer

The operation of a multiple block write is described as follows:

- a. Flag register clear
First, clear the bits in the flag register (SD_INFO1 and SD_INFO2).
- b. Control register set
Set the MMC clock, transfer data size, interrupt mask (SD_CLK_CTRL, SD_SIZE, SD_INFO1_MASK, and SD_INFO2_MASK).
Set the SEC bit in the SD_STOP register to 1, and set the number of transfer blocks in the SD_SECCNT register.
- c. Command issue (CMD54)
Set CMD54 argument in the SD_ARG register and write 0000 6C36h to the SD_CMD register to issue CMD54 and start the multiple block write operation.
- d. Response check
On receiving the response, the RSPEND (response end) flag in the SD_INFO1 register is set to 1 to generate an interrupt. Clear the RSPEND flag to 0 and read the response from the SD_RSP54 register. If the result of response decoding is an error, the command sequence can be halted by setting the STP bit in the SD_STOP register to 1. Setting the STP bit to 1 also causes CMD12 to be issued and the response is received. If the command sequence is halted because the access end interrupt is enabled, an interrupt is generated by setting the ACEND (access end) flag in the SD_INFO1 register to 1 when reception of the response is complete. Clear the ACEND flag to 0 and read the response.
- e. Data write and data transmit to MMC
Write 0000 FFFBh to the SD_INFO1_MASK register to enable the access end interrupt, write 0000_7D80h to the SD_INFO2_MASK register to enable the BWE interrupt, and the TOUTMASK bit of the SD_OPTION register to 1 to deactivate timeout. In addition, start the external timer. When the SD_BUF0 register is ready for the data to be written, the BWE bit in the SD_INFO2 register is set to 1 to generate an interrupt. Clear the BWE bit to 0 and write the amount of data specified in the SD_SIZE register to the SD_BUF0 register. When the data write to the SD_BUF0 register is complete, data is transmitted to the MMC. The CRC status and busy state are received from the MMC. Doing this repeats transfer of the number of blocks set in the SD_SECCNT register. However, a communication error or timeout might be generated if data is received while writing to the SD_BUF0 register is in progress.
- f. Operation complete
When an all-block data transmit and the CRC status receive are complete, the ACEND (access end) flag in the SD_INFO1 register is set to 1 to generate an interrupt. Clear the ACEND flag to 0 to read the response. This is the end of the multiple block write operation. Additionally, perform error processing (clear the interrupt flag register) if a communication error or timeout occurs when receiving a response. Execute software reset if the timeout by an external timer occurs when transmitting data.

36.3.11 IO_RW_DIRECT Command (SD: CMD52)

Figure 36.16 shows an example flow of an IO_DIRECT command (CMD52) operation.

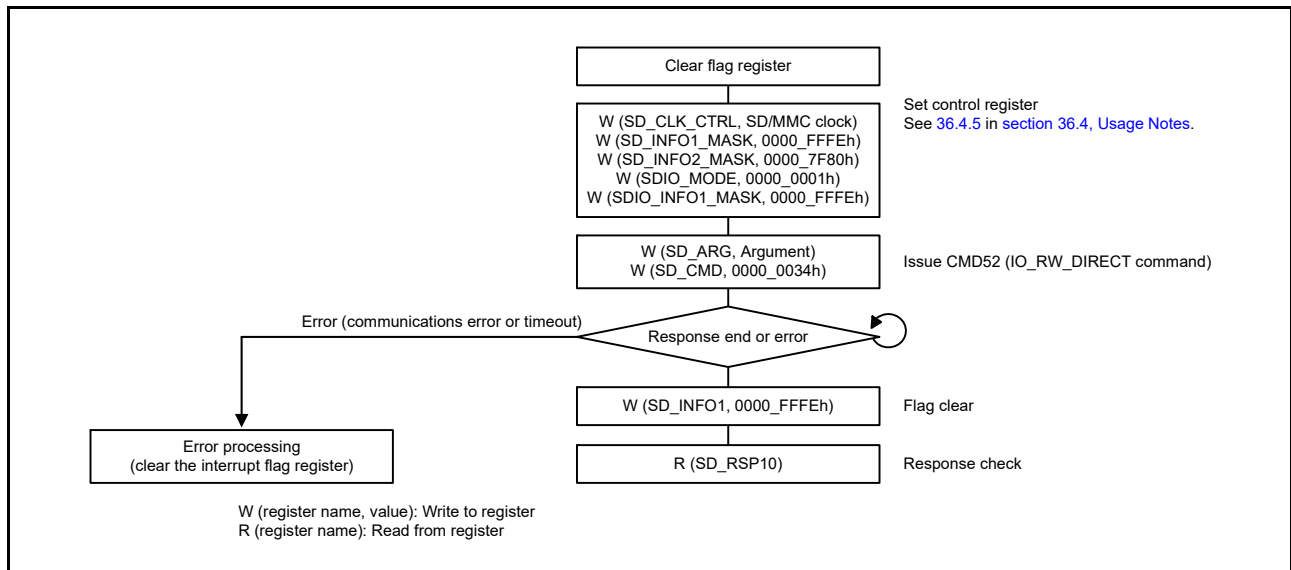


Figure 36.16 Example of IO_RW_DIRECT command (CMD52) operation

36.3.12 IO_RW_EXTENDED Command (SD: CMD53/Multiple Block Read)

Figure 36.17 shows an example flow for a CMD53 multiple block read operation.

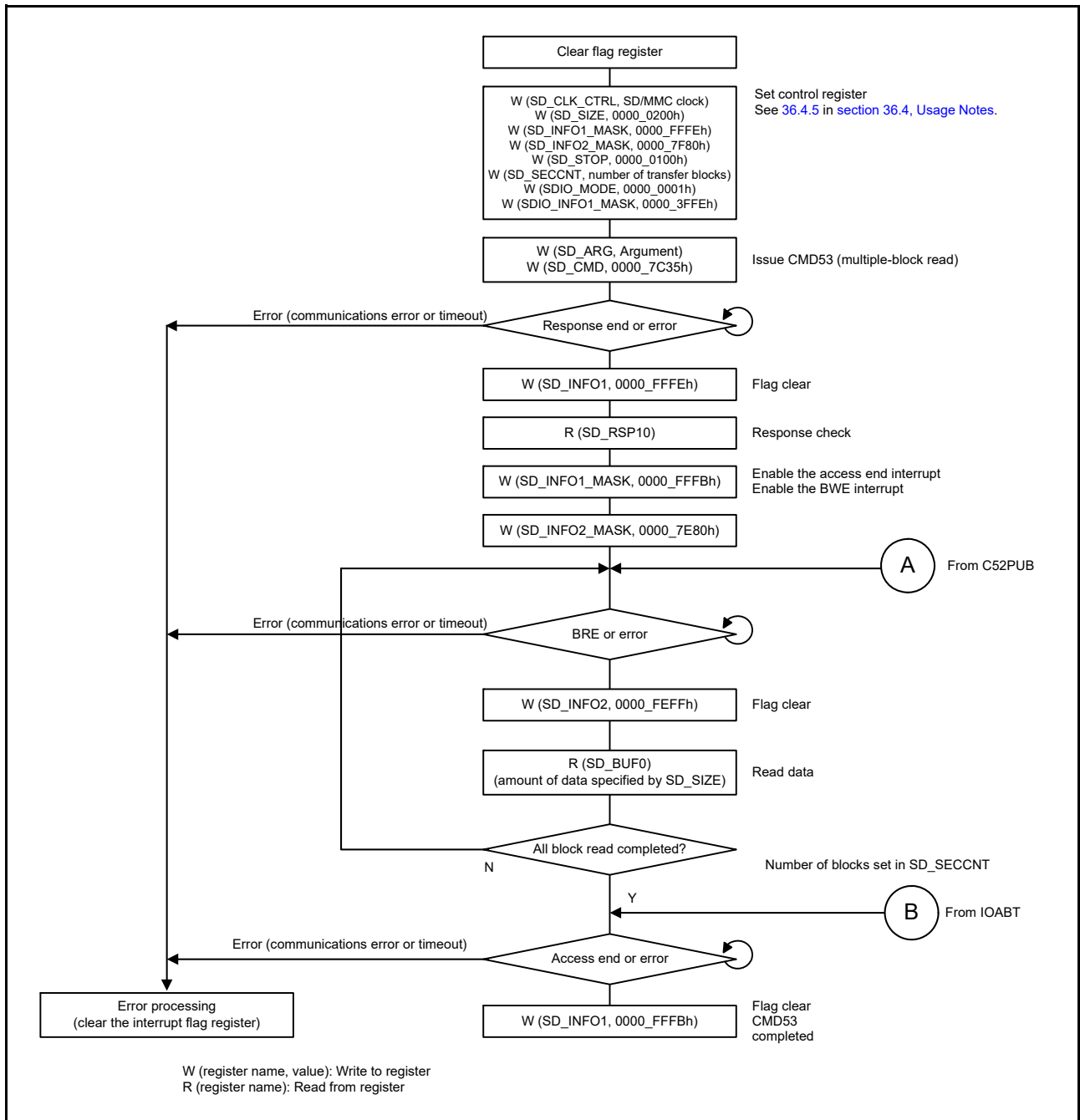


Figure 36.17 Example of IO_RW_EXTENDED command (CMD53) for multiple block read operation

Figure 36.18 shows an example flow when CMD52 (SDIO abort) is issued at a CMD53 multiple block read.

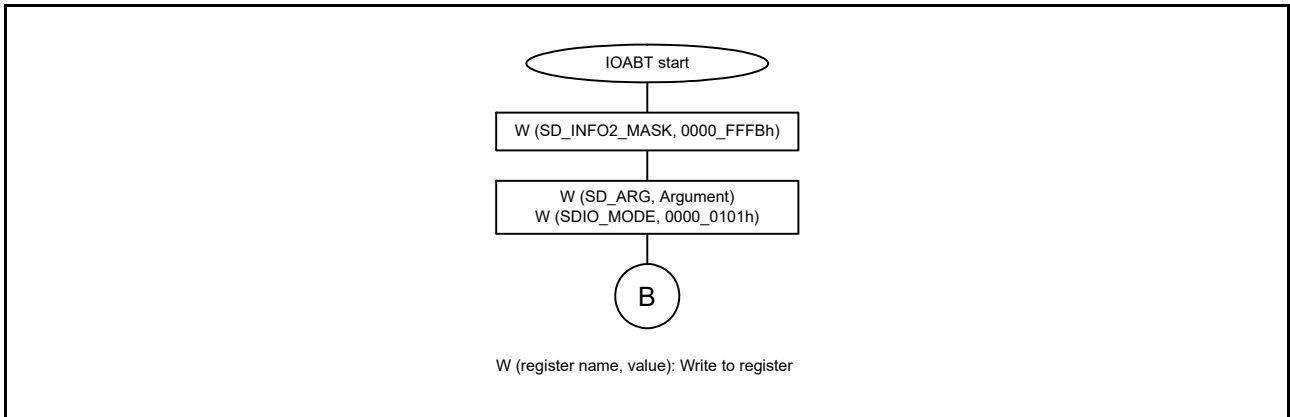


Figure 36.18 Flow when CMD52 (SDIO abort) is issued at a CMD53 multiple block read

Figure 36.19 shows an example flow when CMD52 (SDIO none abort) is issued at a CMD53 multiple block read while the SD host interface is in the read wait state.

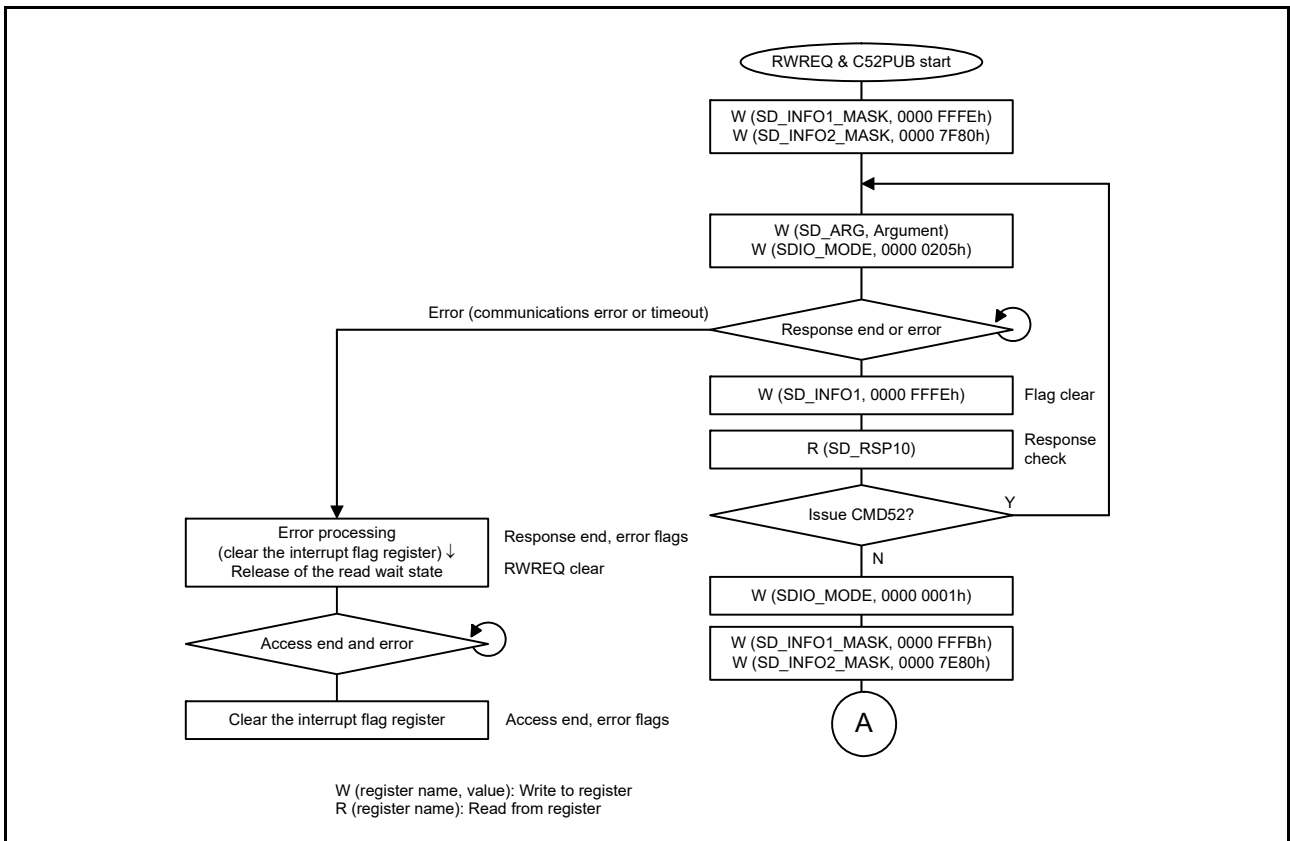


Figure 36.19 Flow when CMD52 (SDIO none abort) is issued at CMD53 multiple block read while the SD host interface is in read wait state

36.3.13 IO_RW_EXTENDED Command (SD: CMD53/Multiple Block Write)

Figure 36.20 shows an example flow for a CMD53 multiple block write operation.

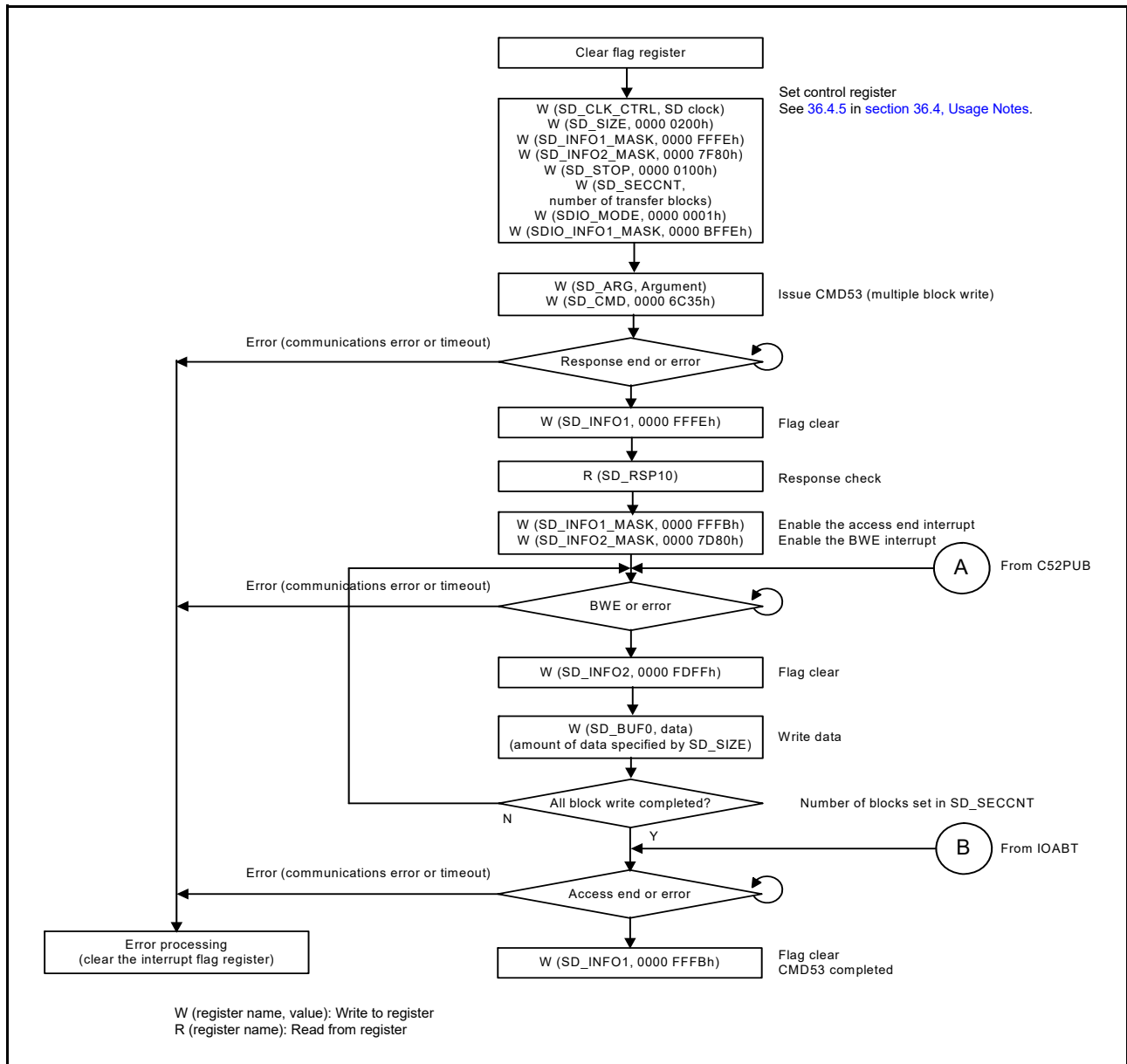


Figure 36.20 Example of IO_RW_EXTENDED command for a CMD53 multiple block write operation

Figure 36.21 shows an example flow when CMD52 (SDIO abort) is issued for a CMD53 multiple block write.

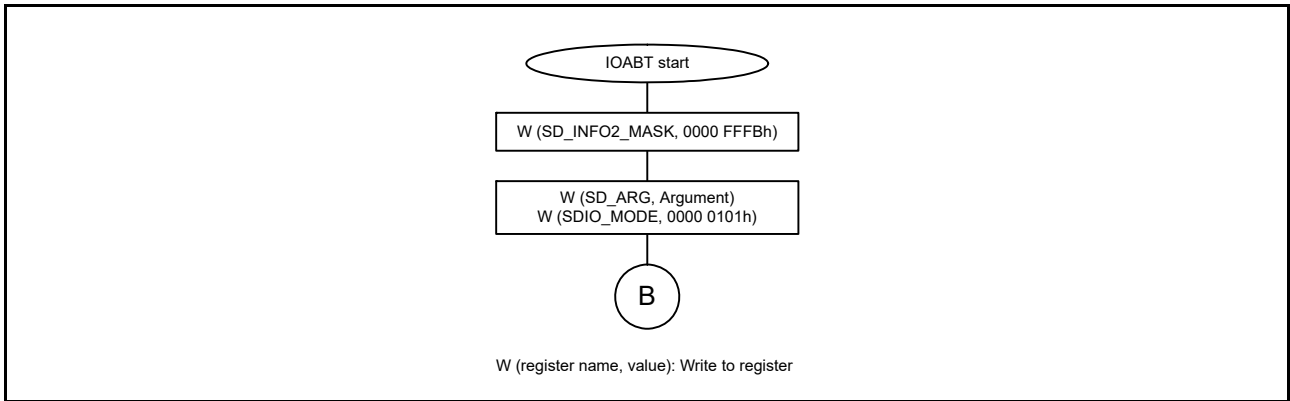


Figure 36.21 CMD52 (SDIO Abort) is issued for a CMD53 multiple block write

Figure 36.22 shows an example flow when CMD52 (SDIO none abort) is issued for a CMD53 multiple block write.

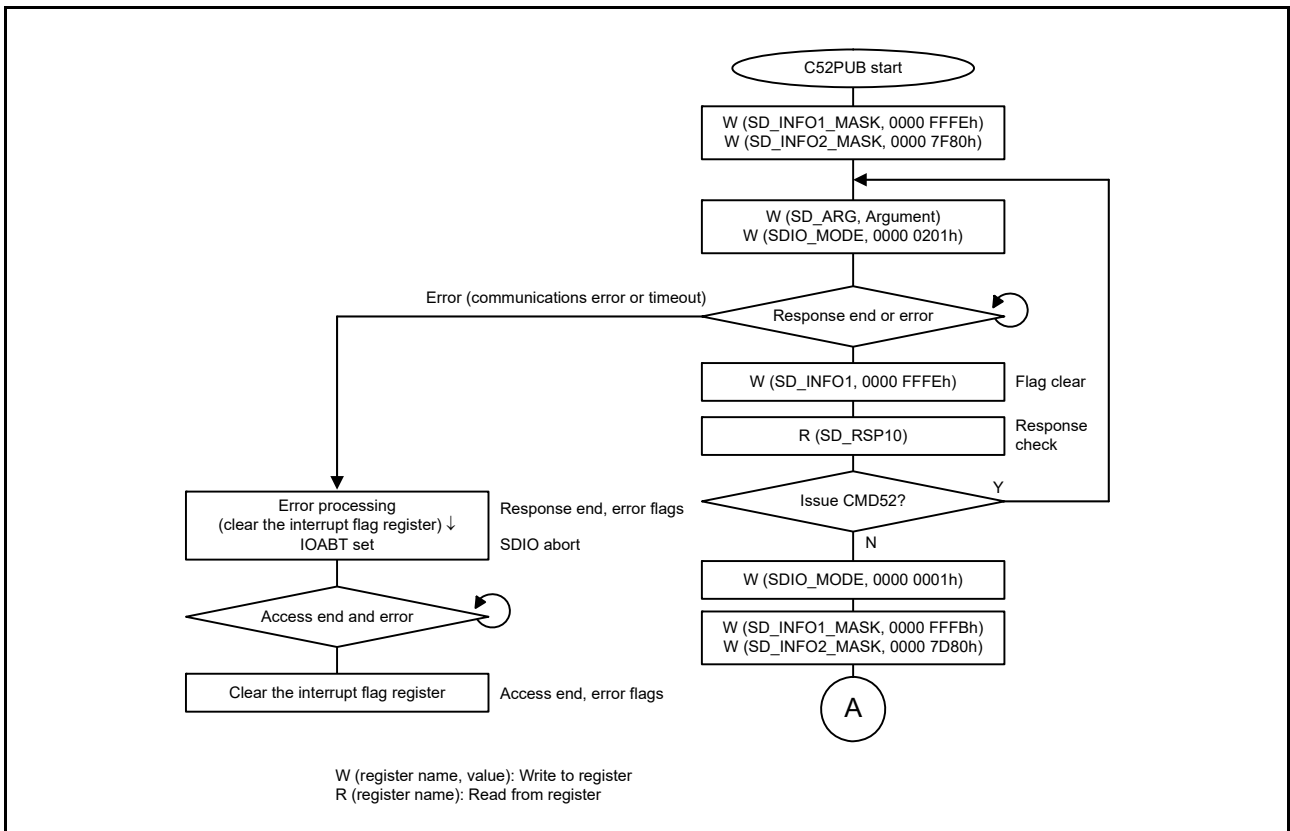


Figure 36.22 Flow when CMD52 (SDIO none abort) is issued for a CMD53 multiple block write

36.3.14 DMA Transfer (SD/MMC)

36.3.14.1 SD_BUF DMA transfer

Figure 36.23 shows an example flow for SD_BUF DMA read when CMD18 multiple block read is issued.

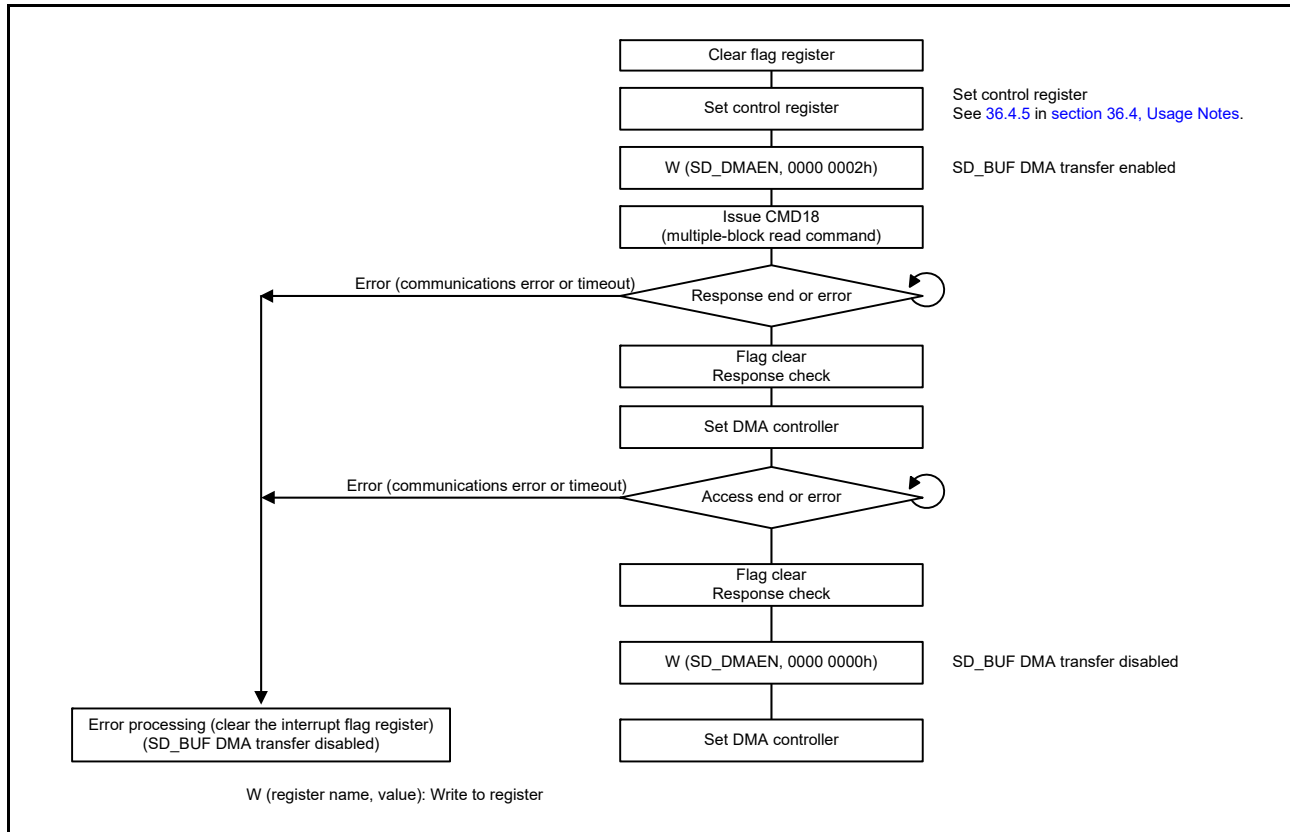


Figure 36.23 Example of SD_BUF DMA read operation

Figure 36.24 shows an example flow for SD_BUF DMA write when CMD25 multiple block write is issued.

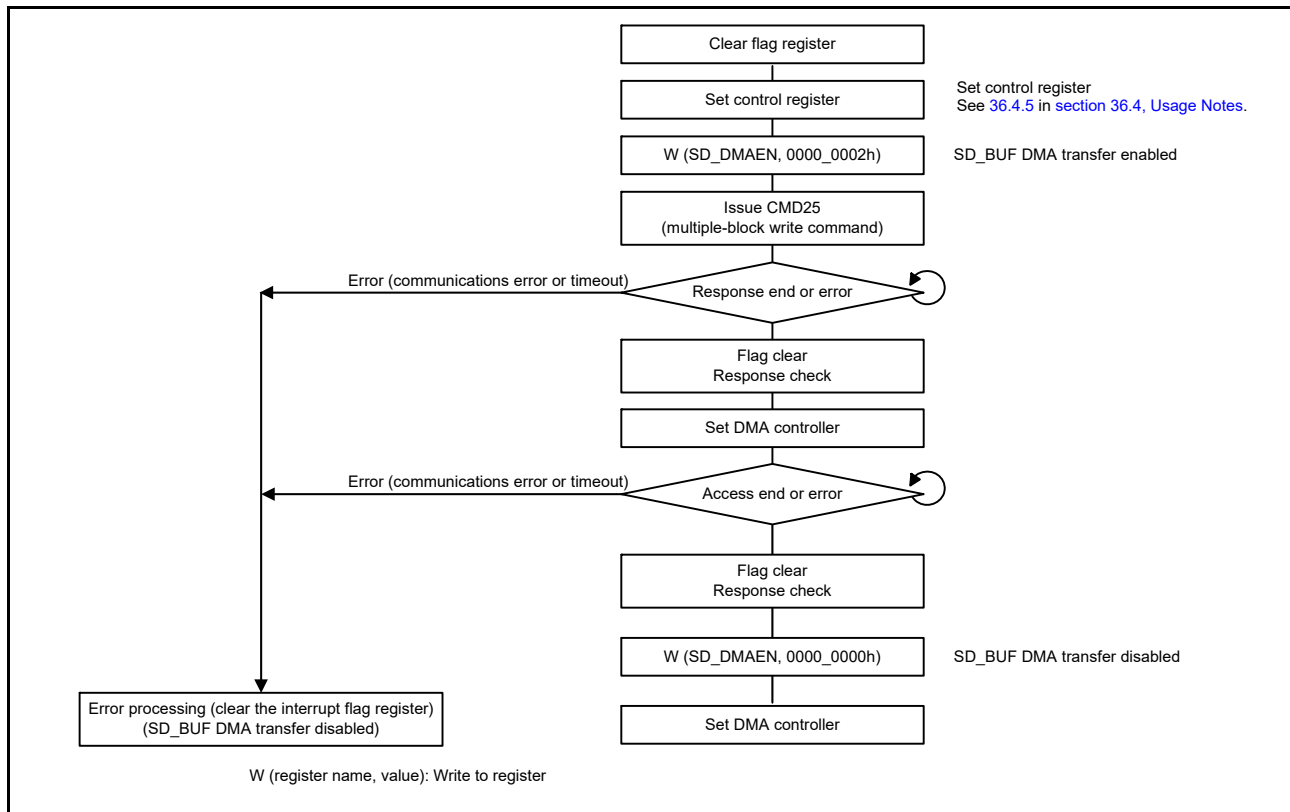


Figure 36.24 Example of SD_BUF DMA write operation

36.3.15 Example of SD_CMD Register Setting

Table 36.8 and Table 36.9 list the SD_CMD register setting.

Table 36.8 Example SD_CMD register settings for SD (1 of 2)

Type	Command	SD_CMD register setting example	Remark
CMD	CMD0	0000 0000h	-
	CMD2	0000 0002h	-
	CMD3	0000 0003h	-
	CMD4	0000 0004h	-
	CMD5	0000 0705h or 0000 0005h	-
	CMD6	0000 1C06h or 0000 0006h	-
	CMD7	0000 0007h	When the card is placed in the deselected state, the response timeout flag is set because there is no response
	CMD8	0000 0408h or 0000 0008h	-
	CMD9	0000 0009h	-
	CMD10	0000 000Ah	-
	CMD11	0000 040Bh or 0000 000Bh	-
	CMD12	0000 000Ch	-
	CMD13	0000 000Dh	-
	CMD15	0000 000Fh	-
	CMD16	0000 0010h	-
	CMD17	0000 0011h	-

Table 36.8 Example SD_CMD register settings for SD (2 of 2)

Type	Command	SD_CMD register setting example	Remark
CMD	CMD18	0000 0012h	With automatic CMD12
	CMD20	0000 0514h or 0000 0014h	-
	CMD24	0000 0018h	-
	CMD25	0000 0019h	With automatic CMD12
	CMD27	0000 001Bh	-
	CMD28	0000 001Ch	-
	CMD29	0000 001Dh	-
	CMD30	0000 001Eh	-
	CMD32	0000 0020h	-
	CMD33	0000 0021h	-
	CMD38	0000 0026h	-
	CMD42	0000 002Ah	-
	CMD52	0000 0434h or 0000 0034h	-
	CMD53	0000 1C35h	Single read
		0000 0C35h	Single write
		0000 7C35h	Multiple read
		0000 6C35h	Multiple write
0000 0035h		The value on the left can be set for both single and multiple operations. However, the CF39 bit in the SD_ARG register must be set as follows: Read = 0 Write = 1.	
CMD55	0000 0037h	-	
CMD56	0000 0038h	-	
ACMD	ACMD6	0000 0046h	-
	ACMD13	0000 004Dh	-
	ACMD22	0000 0056h	-
	ACMD23	0000 0057h	-
	ACMD41	0000 0069h	-
	ACMD42	0000 006Ah	-
	ACMD51	0000 0073h	-

Table 36.9 Example SD_CMD register setting for MMC

Type	Command	SD_CMD register setting example	Remark	
CMD	CMD0	0000 0000h	-	
	CMD1	0000 0701h	-	
	CMD2	0000 0002h	-	
	CMD3	0000 0003h	-	
	CMD4	0000 0004h	-	
	CMD5	0000 0505h	-	
	CMD6	0000 0506h		With response busy
		0000 0406h		Without response busy
	CMD7	0000 0007h		When the card is placed in the deselected state, the response timeout flag is set because there is no response
	CMD8	0000 1C08h		-
	CMD9	0000 0009h		-
	CMD10	0000 000Ah		-
	CMD12	0000 000Ch		-
	CMD13	0000 000Dh		-
	CMD14	0000 1C0Eh		Required setting: SD_IFMODE = 0000 0100h (CRC check is invalid)
	CMD15	0000 000Fh		-
	CMD16	0000 0010h		-
	CMD17	0000 0011h		-
	CMD18	0000 7C12h		Pre-defined
	CMD19	0000 0C13h		Required setting: SD_IFMODE = 0000_0100h (CRC check is invalid)
	CMD21	0000 1C15h		DDR mode is inhibited
	CMD23	0000 0017h		-
	CMD24	0000 0018h		-
	CMD25	0000 6C19h		Pre-defined
	CMD26	0000 0C1Ah		-
	CMD27	0000 001Bh		-
	CMD28	0000 001Ch		-
	CMD29	0000 001Dh		-
	CMD30	0000 001Eh		-
	CMD31	0000 1C1Fh		-
	CMD35	0000 0423h		-
	CMD36	0000 0424h		-
	CMD38	0000 0026h		-
	CMD39	0000 0427h		-
CMD40	0000 0428h		-	
CMD42	0000 002Ah		-	
CMD49	0000 0C31h		-	
CMD53	0000 7C35h		-	
CMD54	0000 6C36h		-	
CMD55	0000 0037h		-	
CMD56	0000 0038h		-	

36.4 Usage Notes

36.4.1 SD_BUF Illegal Write Access (SD/MMC)

When writing data to the SD_BUF0 register after a single block write or multi-block write command is issued, data of the size specified in the SD_SIZE register must be written.

If data that exceeds the size specified in the SD_SIZE register is written, the ERR4 bit in SD_INFO2 is set to 1. In addition, data written to the SD_BUF0 register might not be transmitted and the SD_CLK_CTRLLEN bit in the SD_INFO2 register is held at 0. If this occurs, clearing the SDRST bit in SOFT_RST to 0 and then restoring its value to 1 clears the SD_CLK_CTRLLEN bit to 1.

However, this does not apply to a single byte or three bytes when the SD_SIZE register setting is odd, or to the fraction of bytes when the SD_SIZE register setting is even (the 2 bytes that are not in a 4-byte unit), because the portion of dummy data writing is regarded as excess data and ignored.

36.4.2 Block Number Constraint for Multiple Block Read (SD)

When performing a multiple block read of one or two blocks, depending on the timing with which the SD card response register is read, the response value might not be read properly. To prevent this, do one of the following:

- When receiving one or two blocks of data, use single block reading
- Read the response to CMD18 from the SD_RSP54 register.

36.4.2.1 Mechanism of incorrect reading

Figure 36.25 shows the processing flows of the SDHI (hardware) operation and software operation when a multiple block read is performed on two blocks. As shown in the incorrect operation in Figure 36.25, when an interrupt is generated on reception of the CMD18 response, and the timing with which the SD Card Response Register 10 (SD_RSP10) is read by the interrupt is delayed, the data during the CMD12 response reception or the CMD12 response might be read. This problem does not occur for multiple block reads of three or more blocks, because CMD12 is not issued until the block of data is read. This problem also does not occur for multiple block writes, because the CMD25 response is read before the block of data is sent.

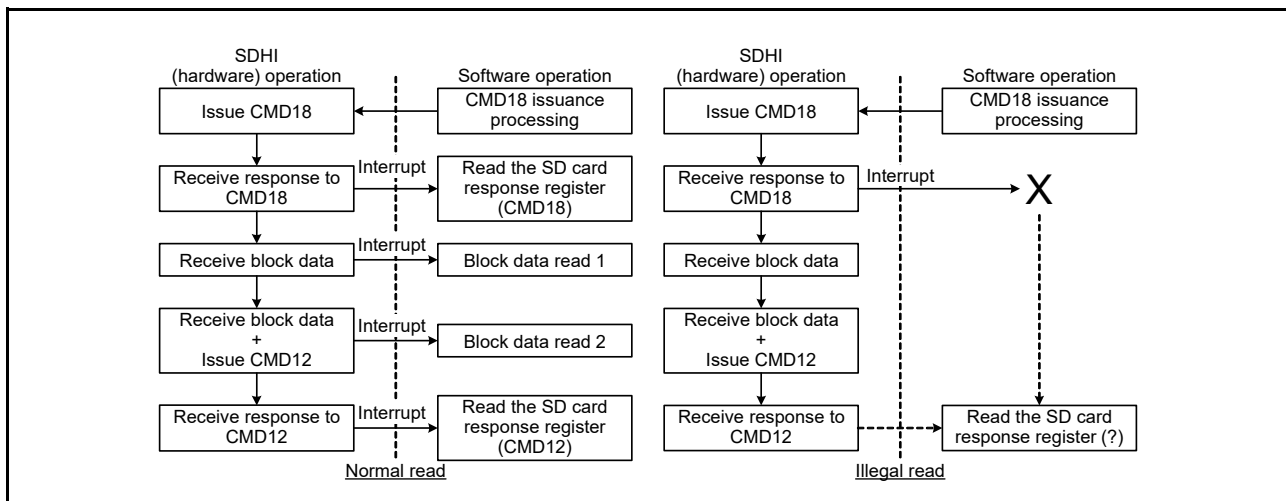


Figure 36.25 Multiple block read operation flow for two blocks

36.4.3 Automatic Control of SD/MMC Clock Output (SD/MMC)

In the SD Card/MMC standard, 74 SD/MMC clock cycles must be output before initialization of the card. For this reason, use automatic control of SD/MMC clock output after 74 SD/MMC clock cycles are output. In addition, if automatic control of the SD/MMC clock output is in use, SD/MMC clock output is stopped on completion of the sequence for a communication error or timeout. When state transitions within the SD card/MMC are required after completion of the sequence, release automatic control of the SD/MMC clock output and restart supply of the SD/MMC clock to the SD card/MMC.

36.4.4 Control of the C52PUB Setting for Multiple Block Write (SD)

If the C52PUB bit in the SDIO_MODE register is set to 1 during a sequence of multiple block writes because of CMD53, CMD52 is not issued until SD_BUF becomes empty. For this reason, set the C52PUB bit after suspending writing to SD_BUF by using one of the following procedures, as appropriate:

(a) When DMA transfer is not in use

1. Before setting the C52PUB bit, suspend writing to SD_BUF by setting the SD_INFO2 register to disable BWE interrupts.
2. Set the C52PUB bit in the SDIO_MODE register to 1 (so that CMD52 is issued when SD_BUF becomes empty).
3. After the RSPEND interrupt processing in the SD_INFO1 register because of issuing CMD52 is complete, restart writing to SD_BUF by making the setting in the SD_INFO2 register to enable BWE interrupts.

(b) When DMA transfer is in use

1. Every time DMA transfer of the value set in the SD_SIZE register \times n blocks (where n = 1, 2,...) proceeds, suspend writing to SD_BUF by DMA transfer before the C52PUB bit is set.
2. Set the C52PUB bit in the SDIO_MODE register to 1 so that CMD52 is issued when SD_BUF becomes empty.
3. After the RSPEND interrupt processing in the SD_INFO1 register because the issuing of CMD52 is complete, restart writing to SD_BUF by DMA transfer.

36.4.5 Notes on SD_CLK_CTRL Register Settings (SD/MMC)

When the SD_CLK_CTRLLEN bit in the SD_INFO2 register is 0, SD_CLK_CTRL cannot be written to. Before writing to SD_CLK_CTRL, be sure to check that the SD_CLK_CTRLLEN bit in the SD_INFO2 register is 1.

36.4.6 Specification Limitations

1. The Suspend/Resume operation of the SDIO is not supported.
2. The SPI bus is not supported (SD/MMC).
3. The shared bus and 8-bit SD bus of the embedded SDIO are not supported.
4. Stream transfer of MMC is not supported.
5. High Priority Interrupt (HPI) of MMC is not supported.
6. Boot Operation/Alternative Boot Operation of MMC is not supported.
7. Open-ended multiple block transfer of MMC is not supported.

36.4.7 STP Bit Setting during Multiple Block Read (SD/MMC)

During execution of multiple block reads with automatic CMD12 execution by setting the SEC bit in the SD_STOP register to 1, even if the STP bit in the SD_STOP register is set to 1 to forcibly stop the execution, the command sequence might not stop depending on the timing of setting of the STP bit.

To avoid this, when setting the STP bit in the SD_STOP register to 1 during multiple block transfer, clear the SEC bit in the SD_STOP register to 0 at the same time. Even when the SD_CLK_CTRLLEN bit in the SD_INFO2 register is 0, change the SEC bit from 1 to 0.

When the command sequence is not stopped because the SEC bit is not set to 0, the command sequence can be stopped by clearing the SDRST bit in SOFT_RST to 0.

When forcibly terminating the CMD53 multiple block transfer using the IOABT bit in the SDIO_MODE register, be sure to leave the SEC bit set to 1 in the SD_STOP register.

36.4.8 Register Setting Notes

1. All registers in [section 36.2, Register Descriptions](#) are accessed in 32-bit access-only.
2. When setting registers, set them after the I/O Port Register setting.

37. Boundary Scan

37.1 Overview

The boundary scan function provides a serial I/O interface based on the JTAG (Joint Test Action Group), IEEE Std.1149.1, and IEEE Standard Test Access Port and Boundary Scan Architecture. [Table 37.1](#) lists the boundary scan specifications, [Figure 37.1](#) shows a block diagram, and [Table 37.2](#) lists the I/O pins.

Table 37.1 Boundary scan specifications

Item	Description
Execution condition	Boundary scan must be executed when the RES pin is driven low
Test modes	<ul style="list-style-type: none"> • BYPASS mode • EXTEST mode • SAMPLE/PRELOAD mode • CLAMP mode • HIGHZ mode • IDCODE mode.

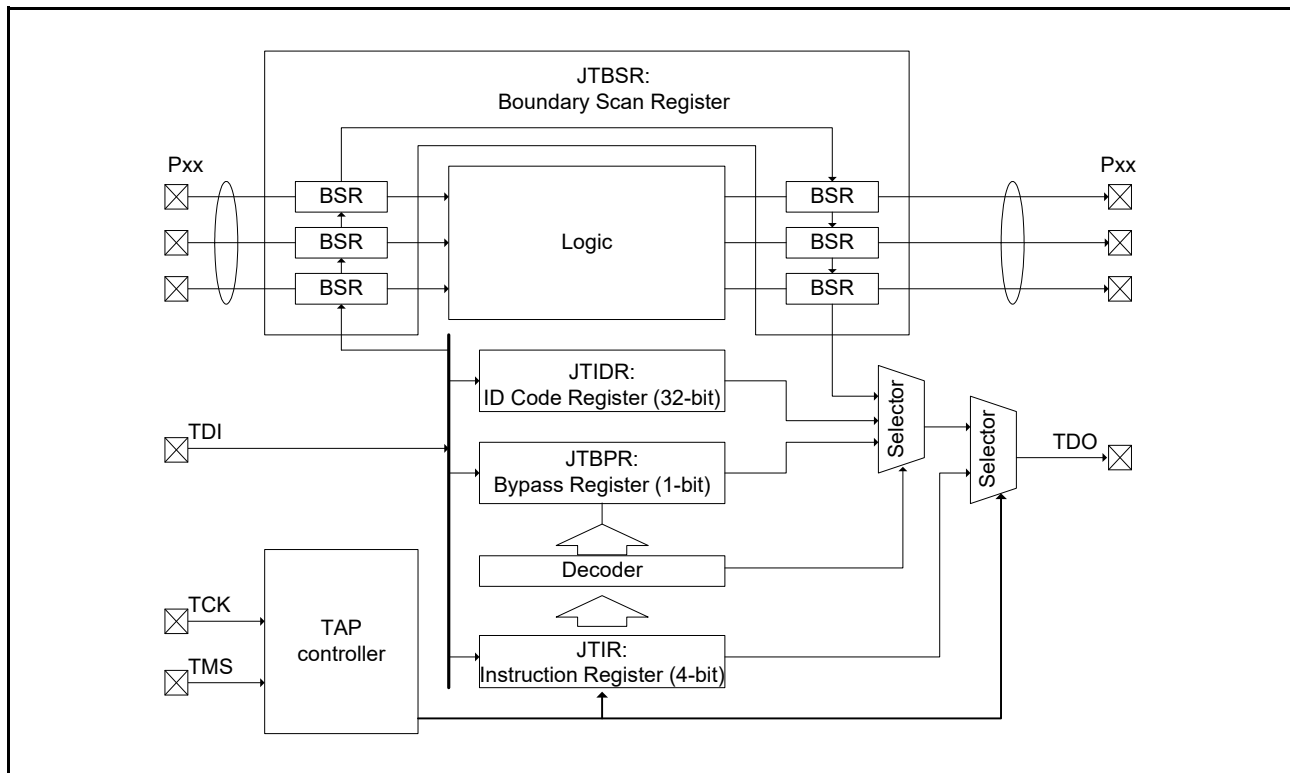


Figure 37.1 Boundary scan function block diagram

Table 37.2 I/O pins

Pin Name	I/O	Description
TCK	Input	Test clock input pin Clock signal for boundary scan. The input clock duty cycle is 50% when the boundary scan function is used.
TMS	Input	Test mode select pin
TDI	Input	Test data input pin
TDO	Output	Test data output pin

Note: The MCU does not support the TRST pin for the JTAG interface.

37.2 Register Descriptions

Table 37.3 lists the boundary scan registers.

Table 37.3 Boundary scan registers

Register name	Symbol	Value after reset
Instruction Register	JTIR	Eh
ID Code Register	JTIDR	083C 4447h
Bypass Register	JTBPR	Undefined
Boundary Scan Register	JTBSR	Undefined

Usage notes for the boundary scan registers are as follows:

- Instructions can be input to the Instruction Register (JTIR) through the TDI pin by serial transfer
- The Bypass Register (JTBPR), which is a 1-bit register, is connected between the TDI and TDO pins in BYPASS mode
- The Boundary Scan Register (JTBSR), which is configured according to the BSDL description, is connected between the TDI and TDO pins when test data is being shifted in.

Table 37.4 shows the availability of serial transfer for the registers.

Table 37.4 Serial transfer for registers

Register name	Serial input	Serial output
Instruction Register (JTIR)	Available	Available
ID Code Register (JTIDR)	Available	Available
Bypass Register (JTBPR)	Available	Available
Boundary Scan Register (JTBSR)	Available	Available

37.2.1 Instruction Register (JTIR)



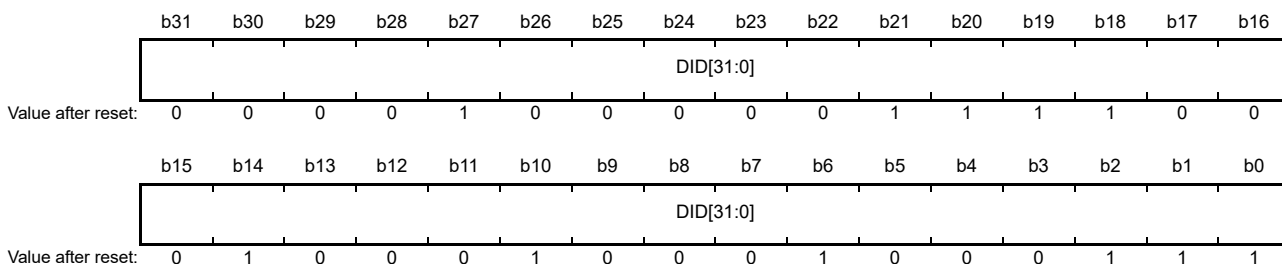
Bit	Symbol	Bit name	Description	R/W
b3 to b0	TS[3:0]	Test Bit Set	The command configuration for these bits is shown in Table 37.5	—

Table 37.5 Command configuration

TS3	TS2	TS1	TS0	Instruction
0	0	0	0	EXTEST
0	0	0	1	SAMPLE/PRELOAD
0	0	1	1	IDCODE (Renesas code)
0	1	0	1	CLAMP
0	1	1	0	HIGHZ
1	1	1	1	BYPASS
Other settings				Reserved

JTAG instructions can be transferred to the JTIR register by serial input from the TDI pin. The JTIR register is initialized when a power-on reset occurs, or when the TAP controller is in the Test-Logic-Reset state.

37.2.2 ID Code Register (JTIDR)



Bit	Symbol	Bit Name	Description	R/W
b31 to b0	DID[31:0]	Device ID	These bits store the fixed value that indicates the device IDCODE	—

JTIDR data is output from the TDO pin when the IDCODE instruction is executed. After a reset release, the IDCODE of JTIDR changes into the Arm® debug code. See *ARM® CoreSight™ SoC-400 Technical Reference Manual (ARM DDI 0480F)*.

37.2.3 Bypass Register (JTBPR)

JTBPR is a 1-bit register connected between the TDI and TDO pins when the JTIR register is set to BYPASS mode. The JTBPR register cannot be read from or written to by the CPU.

37.2.4 Boundary Scan Register (JTBSR)

JTBSR is a shift register for controlling the external input and output pins of the MCU, and is distributed across the pads. For the JTBSR register in boundary-scan testing, issue the EXTEST, SAMPLE/PRELOAD, CLAMP, and HIGHZ instructions. The BSDL files describe the association between the JTBSR bits and the pins of the MCU. The value after reset is undefined.

37.3 Operations

During a reset, the JTAG ports, TCK, TMS, TDI, and TDO, are assigned as default pin functions. The TCK, TMS, and TDI pins are pulled up by the pull-up resistors. Boundary scan testing can be executed after the setup time elapses when POR is negated and RES is driven low.

37.3.1 TAP Controller

Figure 37.2 shows the state transition diagram of the TAP controller. All transitions are controlled by the TMS signal.

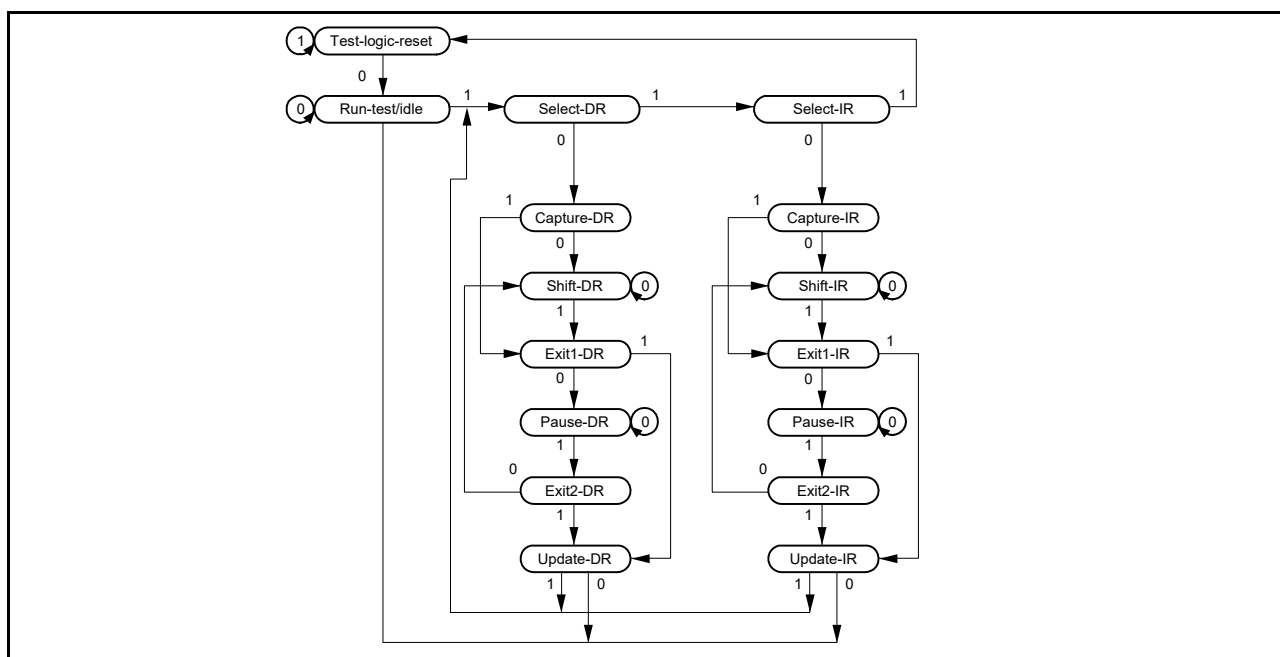


Figure 37.2 State transition diagram of TAP controller

37.3.2 Commands

(1) BYPASS

The BYPASS instruction drives the Bypass Register (JTBPR). This instruction shortens the shift path, facilitating the transfer of serial data to the other LSIs on a printed-circuit board at higher speeds. While this instruction is being executed, the test circuit has no effect on the system circuits.

The Bypass Register (JTBPR) is connected between the TDI and TDO pins. Bypass operation is initiated from the shift-DR operation. The TDO is low in the first clock cycle in the shift-DR state. In the subsequent clock cycles, the TDI signal is output on the TDO pin.

(2) EXTEST

The EXTEST instruction is used to test external circuits when the MCU is installed on the printed circuit board. When this instruction is executed, output pins are used to output test data (specified in the SAMPLE/PRELOAD instruction) from the Boundary Scan Register to the printed circuit board, and input pins are used to input the test result.

(3) SAMPLE/PRELOAD

The SAMPLE/PRELOAD instruction is used to input data from the internal circuits of the MCU to the Boundary Scan Register, output data from the scan path, and reload data to the scan path. While this instruction is executed, input signals are directly input to the MCU and output signals are also directly output to the external circuits. The MCU system circuit is not affected by this instruction.

In SAMPLE operation, the Boundary Scan Register latches a snapshot of the data transferred from the input pins to the internal circuit or data transferred from the internal circuit to the output pins. The latched data is read from the scan path. The scan register latches the data snapshot on the rising edge of the TCK pin in the Capture-DR state. The data snapshot is transferred from the internal circuit to the output pins only during a reset.

In PRELOAD operation, the initial value is written from the scan path to the parallel output latch of the Boundary Scan Register prior to the EXTEST instruction execution. If EXTEST is executed without executing the PRELOAD operation, undefined values are output from the beginning to the end (transfer to the output latch) of the EXTEST sequence. In EXTEST instruction, the output parallel latches are always output to the output pins.

(4) IDCODE

When the IDCODE instruction is selected, the ID Code Register value is output to the TDO pin in the Shift-DR state of the TAP controller. The ID Code Register value is output LSB-first. During the instruction execution, the test circuit does not affect the system circuit.

(5) CLAMP

When the CLAMP instruction is selected, output pins output the Boundary Scan Register value that was specified by the SAMPLE/PRELOAD instruction in advance. While the CLAMP instruction is selected, the status of the Boundary Scan Register is maintained regardless of the TAP controller state.

The Bypass Register is connected between the TDI and TDO pins, leading to the same operation as when the BYPASS instruction is selected.

(6) HIGHZ

When the HIGHZ instruction is selected, all output pins enter a high-impedance state and the status of the Boundary Scan Register is maintained regardless of the state of the TAP controller.

The Bypass Register is connected between the TDI and TDO pins, leading to the same operation as when the BYPASS instruction is selected.

37.4 Usage Notes

The boundary scan function is subject to the following restrictions:

- Boundary scan must be executed when the RES pin is driven low
- Serial data input or output is in LSB order, as shown in [Figure 37.3](#).

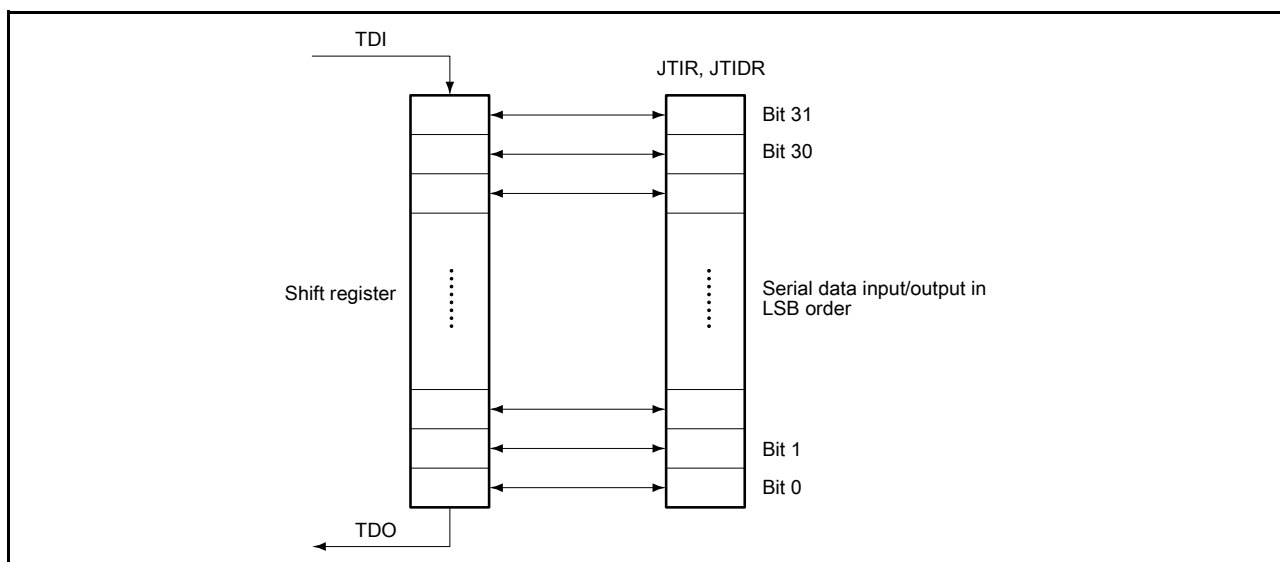


Figure 37.3 Serial data input/output

The following pins cannot be boundary-scanned:

- Power supply pins (VCC, VCL, VSS, VBATT, AVCC0, AVSS0, VCC_USB, and VSS_USB)
- Clock pins (EXTAL, XTAL, XCIN, and XCOUT)
- Reset signal (RES)
- Boundary-scan pins (TCK, TMS, TDI, and TDO)
- Mode signal (MD).

38. 14-Bit A/D Converter (ADC14)

38.1 Overview

The MCU provides a 14-bit successive approximation A/D converter (ADC14). Up to 28 analog input channels are selectable. Temperature sensor output and internal reference voltage are selectable for conversion. The A/D conversion accuracy is selectable between 14-bit and 12-bit conversion, making it possible to optimize the trade-off between speed and resolution in generating a digital value.

The ADC14 supports the following operating modes:

- Single scan mode for converting the analog inputs of arbitrarily selected channels in ascending order of channel number
- Continuous scan mode for sequentially converting the analog inputs of arbitrarily selected channels continuously in ascending order of channel number
- Group scan mode for arbitrarily dividing the analog inputs of channels into two groups (group A and group B) and converting the analog input of the selected channel for each group in ascending order of channel number.

In group scan mode, you can start A/D conversion of group A and group B at different times by individually selecting their scan start conditions. In addition, when a priority control operation for group A is set, the ADC14 accepts group A scan starting during group B A/D conversion, suspending group B conversion. This allows you to assign higher priority to A/D conversion start for group A.

In double-trigger mode, the analog input of an arbitrarily selected channel is converted in single scan mode or group scan mode (group A), and the data converted by the first and second A/D conversion start triggers are stored in different registers, providing duplexing of A/D-converted data.

Self-diagnosis is performed once at the beginning of each scan, and one of the three voltage values generated in the ADC14 is A/D-converted.

The temperature sensor output and internal reference voltage cannot be selected for A/D conversion simultaneously. The temperature sensor output and the internal reference voltage are converted independently. If the internal reference voltage is selected as the reference voltage on the high-potential side, A/D conversion of the temperature sensor or the internal reference voltage is also prohibited.

The reference power supply pin (VREFH0), the analog block power supply pin (AVCC0), or the internal reference voltage is selectable as the reference voltage on the high-potential side. The reference power supply ground pin (VREFL0) or the analog block power supply ground pin (AVSS0) is selectable as the reference voltage on the low-potential side.

The ADC14 provides a compare function (window A and window B). This compare function specifies the upper reference value and lower reference value for window A and window B respectively, and outputs an interrupt when the A/D-converted value of the selected channel meets the comparison conditions.

[Table 38.1](#) lists the ADC14 specifications, [Table 38.2](#) indicates the functions, and [Figure 38.1](#) shows a block diagram. [Table 38.2](#) lists the I/O pins.

Table 38.1 ADC14 specifications (1 of 3)

Item	Specifications
Number of units	One unit
Input channels	Up to 28 channels (AN000 to AN027)
Extended analog function	Temperature sensor output, internal reference voltage
A/D conversion method	Successive approximation method
Resolution	14 bits, selectable to 14-bit or 12-bit conversion
Conversion time	0.79 μ s/channel, when A/D conversion clock PCLKC (ADCLK) is operating at 64 MHz
A/D conversion clock	Peripheral module clock PCLKB*1 and A/D conversion clock PCLKC (ADCLK)*1 can be set with the following division ratios: PCLKB to PCLKC (ADCLK) frequency ratio = 1:1, 2:1, 4:1, 8:1, 1:2, 1:4

Table 38.1 ADC14 specifications (2 of 3)

Item	Specifications
Data registers	<ul style="list-style-type: none"> • 28 registers for analog input: <ul style="list-style-type: none"> One for A/D-converted data duplication in double-trigger mode Two for A/D-converted data duplication during extended operation in double-trigger mode • One register for temperature sensor output • One register for internal reference voltage • One register for self-diagnosis • The results of A/D conversion are stored in A/D data registers • 12-bit and 14-bit accuracy output for A/D conversion results • A/D-converted value addition mode, in which the sum of all A/D conversion results are stored in the A/D data registers as the conversion accuracy bit count + 2 bits*4 • Double-trigger mode, selectable in single scan and group scan modes: <ul style="list-style-type: none"> The first unit of A/D-converted analog input data on one selected channel is stored in the data register for the channel, and the second unit is stored in the duplication register • Extended operation in double-trigger mode (available for specific triggers): <ul style="list-style-type: none"> A/D-converted analog input data on one selected channel is stored in the duplication register provided for the associated trigger.
Operating modes	<ul style="list-style-type: none"> • Single scan mode: <ul style="list-style-type: none"> A/D conversion is performed only once on the analog inputs of arbitrarily selected channels, on the temperature sensor output, and on the internal reference voltage • Continuous scan mode: <ul style="list-style-type: none"> A/D conversion is performed repeatedly on the analog inputs of arbitrarily selected channels, on the temperature sensor output, and on the internal reference voltage • Group scan mode: <ul style="list-style-type: none"> A/D conversion is performed only once on the analog inputs of arbitrarily selected channels divided into group A and group B. The scan start conditions can be independently selected for group A and group B, allowing A/D conversion of group A and group B to be started independently • Group scan mode (when group A is given priority): <ul style="list-style-type: none"> If a group A trigger is input during A/D conversion on group B, the A/D conversion on group B stops and A/D conversion is performed on group A. Restart (rescan) of group B conversion after completion of group A conversion can be set.
Conditions for A/D conversion start	<ul style="list-style-type: none"> • Software trigger • Synchronous trigger from the event link controller (ELC) • Asynchronous trigger from the external trigger pin, ADTRG0.
Functions	<ul style="list-style-type: none"> • Variable sampling state count • Self-diagnosis of ADC14 • Selectable A/D-converted value addition mode or average mode • Analog input disconnection detection function (discharge and precharge functions) • Double-trigger mode (duplication of A/D conversion data) • Switching function for 12-bit and 14-bit conversion*2 • Automatic clear function for A/D data registers • Digital comparison of values in the comparison and data registers, and between values in the data registers.
Interrupt sources	<ul style="list-style-type: none"> • In single scan mode (double-trigger deselected), an A/D scan end interrupt request and ELC event signal (ADC140_ADI) can be generated on completion of a single scan. <ul style="list-style-type: none"> A compare interrupt request (ADC140_CMPAI/ADC140_CMPBI) can be generated in response to matches with a condition for digital comparison. A window compare ELC event signal (ADC140_WCMPPM) can be generated in response to matches with a condition for digital comparison. A window compare ELC event signal (ADC140_WCMPUM) can be generated in response to mismatches with a condition for digital comparison • In single scan mode (double-trigger selected), an A/D scan end interrupt request and ELC event signal (ADC140_ADI) can be generated on completion of two scans • In continuous scan mode, an A/D scan end interrupt request and ELC event signal (ADC140_ADI) can be generated on completion of all the selected channel scans • In group scan mode (double-trigger deselected), an A/D scan end interrupt request and ELC event signal (ADC140_ADI) can be generated on completion of group A scan, whereas an A/D scan end interrupt request for group B (ADC140_GBADI) can be generated on completion of group B scan • In group scan mode (double-trigger selected), an A/D scan end interrupt request and ELC event signal (ADC140_ADI) can be generated on completion of two group A scans, whereas an A/D scan end interrupt request for group B (ADC140_GBADI) can be generated on completion of group B scan • The ADC140_ADI, ADC140_GBADI, ADC140_WCMPPM, and ADC140_WCMPUM can activate the DMA controller (DMAC) and the data transfer controller (DTC).
ELC interface	Scan can be started by a trigger from the ELC

Table 38.1 ADC14 specifications (3 of 3)

Item	Specifications
Reference voltage	<ul style="list-style-type: none"> VREFH0, AVCC0, or internal reference voltage is selectable as the high-potential reference voltage VREFL0 or AVSS0 is selectable as the low-potential reference voltage.
Module-stop function	Module-stop state can be set*3 to reduce power consumption

Note: When selecting the temperature sensor output or the internal reference voltage, do not use continuous scan mode or group scan mode.

Note 1. Peripheral module clock PCLKB frequency is specified in the SCKDIVCR.PCKB[2:0] bits and A/D conversion clock ADCLK is specified in the SCKDIVCR.PCKC[2:0] bits. Maximum frequency of PCLKB is 32 MHz and maximum frequency of PCLKC (ADCLK) is 64 MHz.

Note 2. Changing the A/D conversion accuracy also changes the A/D conversion time. For details, see [section 38.3.6, Analog Input Sampling and Scan Conversion Time](#).

Note 3. For details, see [section 11, Low Power Modes](#).

Note 4. The number of extended bits for addition varies with the A/D conversion accuracy and the number of addition times. A 2-bit extension is up to 4 times conversion (3 times addition) when the A/D conversion accuracy is 12 or 14 bits.

Table 38.2 ADC14 functions

Item	ADC140		
Analog input channel	AN000 to AN027 Internal reference voltage Temperature sensor output		
Conditions for A/D conversion start	External trigger	Trigger input pin	ADTRG0
	Software	Software trigger	Enabled
	Synchronous trigger (trigger from ELC)	ELC trigger	ELC_AD00 ELC_AD01
Interrupt	ADC140_ADI ADC140_GBADI ADC140_CMPAI ADC140_CMPBI		
Output to ELC	ADC140_ADI ADC140_WCMPPM ADC140_WCMPUM		
Setting of module-stop function*1, *2	MSTPCR.D.MSTPD16 bit		

Note 1. For details, see [section 11, Low Power Modes](#).

Note 2. Wait for 1 μs or longer to start A/D conversion after release from the module-stop state.

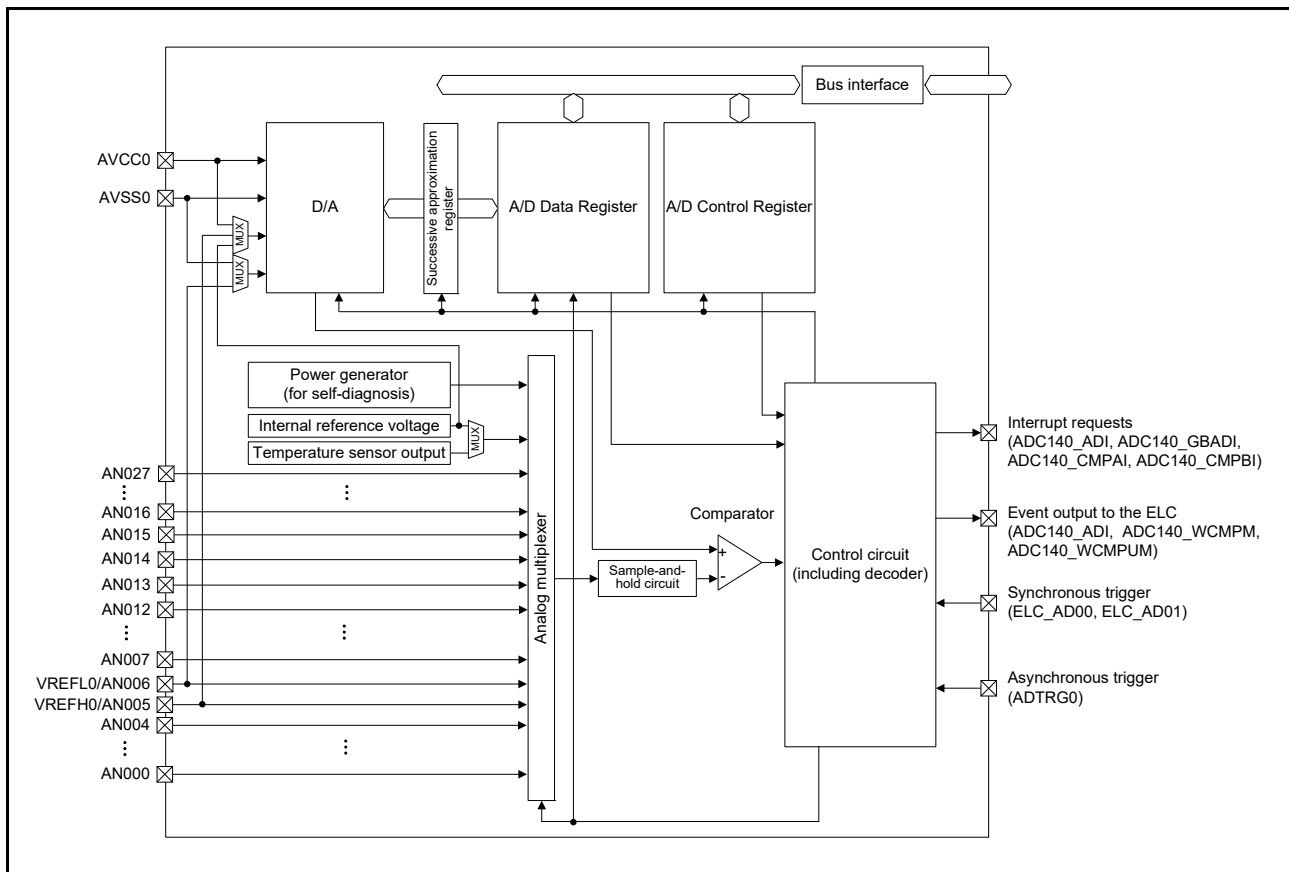


Figure 38.1 ADC14 block diagram

Table 38.3 ADC14 I/O pins

Unit	Pin name	I/O	Function
Unit 0	AVCC0	Input	Analog block power supply pin
	AVSS0	Input	Analog block power supply ground pin
	VREFH0	Input	Reference power supply pin
	VREFL0	Input	Reference power supply ground pin
	AN000 to AN027	Input	Analog input pins 0 to 27
	ADTRG0	Input	External trigger input pin for starting A/D conversion

38.2 Register Descriptions

38.2.1 A/D Data Registers y (ADDRy), A/D Data Duplexing Register (ADDBLDR), A/D Data Duplexing Register A (ADDBLDR A), A/D Data Duplexing Register B (ADDBLDR B), A/D Temperature Sensor Data Register (ADTSDR), A/D Internal Reference Voltage Data Register (ADOCDR)

The data registers include:

- ADDRy registers (y = 0 to 27): 16-bit read-only registers for storing the A/D conversion results
- ADDBLDR: 16-bit read-only register for storing the A/D conversion results in response to the second trigger in double-trigger mode
- ADDBLDR A and ADDBLDR B: 16-bit read-only registers for storing the A/D conversion results in response to the respective triggers during extended operation in double-trigger mode

- ADTSDR: 16-bit read-only register for storing the A/D conversion result of temperature sensor output
- ADOCDR: 16-bit read-only register for storing the A/D result of internal reference voltage.

The following conditions determine the formats for data in these registers:

- The setting in the A/D Data Register Format Select bit (ADCER.ADRFMT) (flush-left or flush-right setting)
- The setting in the A/D Conversion Accuracy Specify bits (ADCER.ADPRC[1:0]) (12-bit or 14-bit setting)
- The setting in the addition/average Count Select bits (ADADC.ADC[2:0]) (once, twice, thrice, four times, or 16 times setting)
- The setting in the Average Mode Enable bit (ADADC.AVEE) (addition or average setting).

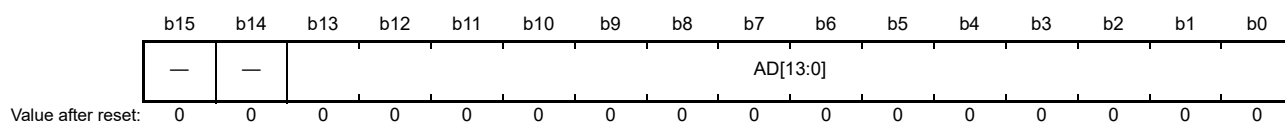
This section describes the data formats for these conditions in different modes.

(1) When A/D-converted value addition/average mode is not selected

The data formats for each condition are as follows:

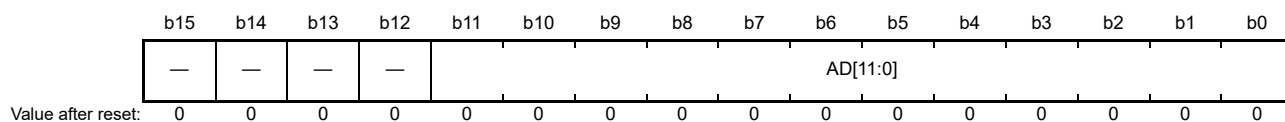
Settings for flush-right data with 14-bit accuracy

Address(es): [ADC140.ADDR0 4005 C020h](#) to [ADC140.ADDR27 4005 C056h](#),
[ADC140.ADDBLDR 4005 C018h](#), [ADC140.ADDBLDRA 4005 C084h](#), [ADC140.ADDBLDRB 4005 C086h](#),
[ADC140.ADTSDR 4005 C01Ah](#), [ADC140.ADOCDR 4005 C01Ch](#)



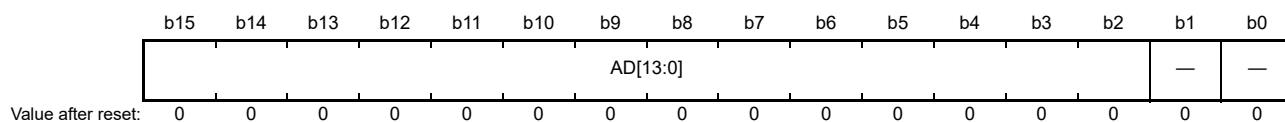
Bit	Symbol	Bit name	Description	R/W
b13 to b0	AD[13:0]	Converted Value 13 to 0	14-bit A/D-converted value	R
b15, b14	—	Reserved	These bits are read as 0	R

Settings for flush-right data with 12-bit accuracy



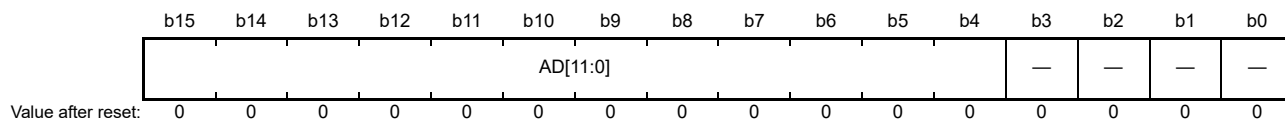
Bit	Symbol	Bit name	Description	R/W
b11 to b0	AD[11:0]	Converted Value 11 to 0	12-bit A/D-converted value	R
b15 to b12	—	Reserved	These bits are read as 0	R

Settings for flush-left data with 14-bit accuracy



Bit	Symbol	Bit name	Description	R/W
b1, b0	—	Reserved	These bits are read as 0	R
b15 to b2	AD[13:0]	Converted Value 13 to 0	14-bit A/D-converted value	R

Settings for flush-left data with 12-bit accuracy



Bit	Symbol	Bit Name	Description	R/W
b3 to b0	—	Reserved	These bits are read as 0	R
b15 to b4	AD[11:0]	Converted Value 11 to 0	12-bit A/D-converted value	R

(2) When A/D-converted value average mode is selected

A/D-converted value average mode can be selected when 2 or 4 times is specified in the A/D-converted value addition mode. When the A/D-converted value average mode is selected, this register indicates the mean of the A/D-converted values on the specific channel. The value is stored in the A/D data register based on the setting in the A/D Data Register Format Select bit in the same way as in normal A/D conversion.

(3) When A/D-converted value addition mode is selected

For 12-bit or 14-bit accuracy (ADPRC bit setting), 1, 2, 3, or 4 times can be selected for A/D-converted value addition. 16 times can also be selected, but only with 12-bit accuracy selected.

In addition mode, this register indicates the value that is obtained by adding the A/D-converted values on a specific channel. The value is stored in the A/D data register based on the settings of the A/D Data Register Format Select bits.

When converting 1, 2, 3, or 4 times in addition mode with 12-bit or 14-bit accuracy specified, the conversion result is stored in the A/D data register as a 2-bit extended value of the specified accuracy.

When converting 16 times in addition mode with 12-bit accuracy, the A/D conversion result is stored in the A/D data register as a 4-bit-extended value of the specified accuracy.

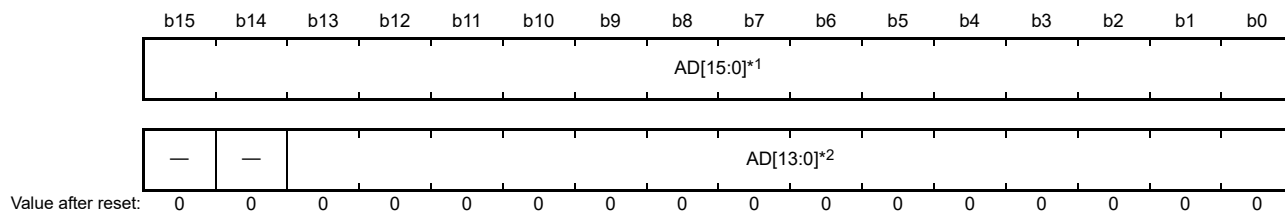
The data formats for each given condition are shown as follows:

Settings for flush-right data with 14-bit accuracy in A/D-converted value addition mode



Bit	Symbol	Bit name	Description	R/W
b15 to b0	AD[15:0]	Added Value 15 to 0	16-bit value obtained by adding the A/D conversion results	R

Settings for flush-right data with 12-bit accuracy in A/D-converted value addition mode



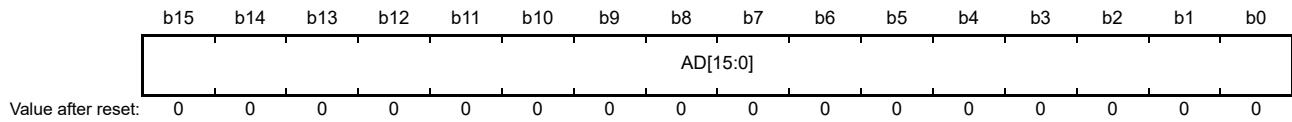
Bit	Symbol	Bit name	Description	R/W
b15 to b0	AD[15:0]*1	Added Value 15 to 0	16-bit value obtained by adding the A/D conversion results	R

Bit	Symbol	Bit name	Description	R/W
b13 to b0	AD[13:0]*2	Added Value 13 to 0	14-bit value obtained by adding the A/D conversion results	R
b15, b14	—	Reserved	These bits are read as 0	R

Note 1. Used when 16 conversion times is specified in A/D-converted value addition mode.

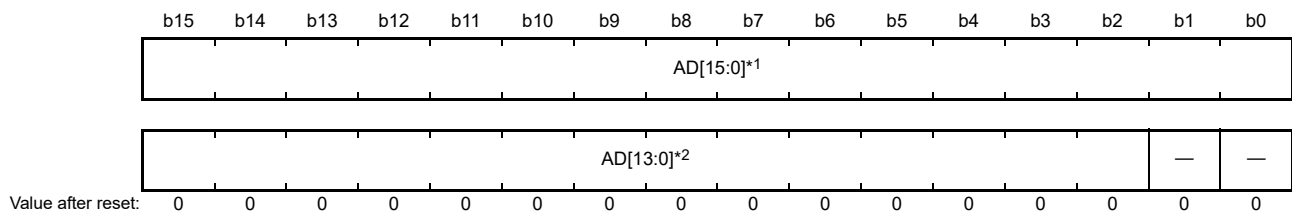
Note 2. Used when 1, 2, 3, or 4 conversion times is specified in A/D-converted value addition mode.

Settings for flush-left data with 14-bit accuracy in A/D-converted value addition mode



Bit	Symbol	Bit name	Description	R/W
b15 to b0	AD[15:0]	Added Value 15 to 0	16-bit value obtained by adding the A/D conversion results	R

Settings for flush-left data with 12-bit accuracy in A/D-converted value addition mode



Bit	Symbol	Bit name	Description	R/W
b15 to b0	AD[15:0]*1	Added Value 15 to 0	16-bit value obtained by adding the A/D conversion results	R

Bit	Symbol	Bit name	Description	R/W
b1, b0	—	Reserved	These bits are read as 0	R
b15 to b2	AD[13:0]*2	Added Value 13 to 0	14-bit value obtained by adding the A/D conversion results	R

Note 1. Used when 16 conversion times is specified in A/D-converted value addition mode.

Note 2. Used when 1, 2, 3, or 4 conversion times is specified in A/D-converted value in addition mode.

38.2.2 A/D Self-Diagnosis Data Register (ADRD)

ADRD is a 16-bit read-only register that holds the A/D conversion results based on the self-diagnosis of ADC14. In addition to the AD[13:0] bits indicating the A/D-converted value, it includes the Self-Diagnosis Status bit (DIAGST).

The following conditions determine the format for data in this register:

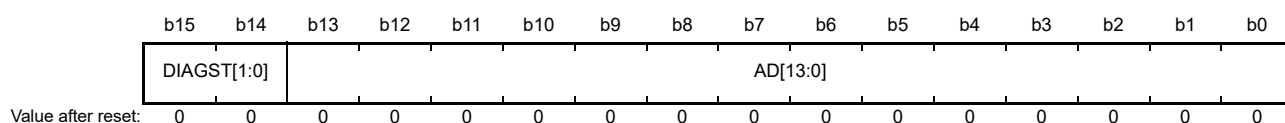
- The setting in the A/D Data Register Format Select bit (ADCER.ADRFMT) (flush-left or flush-right setting)
- The setting in the A/D Conversion Accuracy Specify bits (ADCER.ADPRC[1:0]) (12-bit or 14-bit setting).

The A/D-converted value addition and average modes cannot be applied to the A/D self-diagnosis function. For details on self-diagnosis, see [section 38.2.11, A/D Control Extended Register \(ADCER\)](#).

This section describes the data formats for each condition.

Settings for flush-right data with 14-bit accuracy

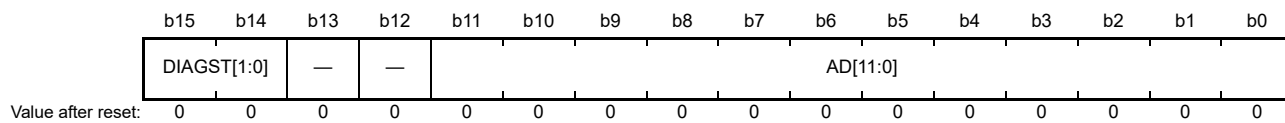
Address(es): [ADC140.ADRD 4005 C01Eh](#)



Bit	Symbol	Bit name	Description	R/W
b13 to b0	AD[13:0]	Converted Value 13 to 0	14-bit A/D-converted value	R
b15, b14	DIAGST[1:0]	Self-Diagnosis Status	b15 b14 0 0: Self-diagnosis not executed after power-on 0 1: Self-diagnosis was executed using the 0 V voltage 1 0: Self-diagnosis was executed using the reference power supply*1 voltage × 1/2 1 1: Self-diagnosis was executed using the reference power supply*1 voltage. For details on self-diagnosis, see section 38.2.11, A/D Control Extended Register (ADCER) .	R

Note 1. Reference voltage refers to VREFH0.

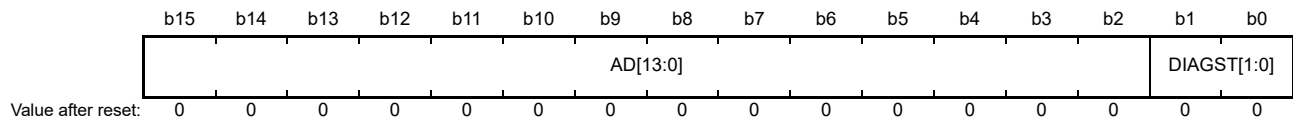
Settings for flush-right data with 12-bit accuracy



Bit	Symbol	Bit name	Description	R/W
b11 to b0	AD[11:0]	Converted Value 11 to 0	12-bit A/D-converted value	R
b13, b12	—	Reserved	These bits are read as 0	R
b15, b14	DIAGST[1:0]	Self-Diagnosis Status	b15 b14 0 0: Self-diagnosis not executed after power-on 0 1: Self-diagnosis was executed using the 0 V voltage 1 0: Self-diagnosis was executed using the reference power supply*1 voltage × 1/2 1 1: Self-diagnosis was executed using the reference power supply*1 voltage. For details on self-diagnosis, see section 38.2.11, A/D Control Extended Register (ADCER) .	R

Note 1. Reference voltage refers to VREFH0.

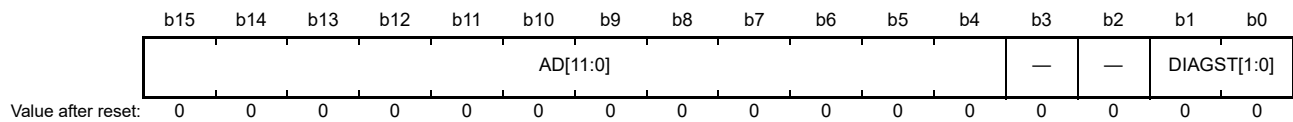
Settings for flush-left data with 14-bit accuracy



Bit	Symbol	Bit name	Description	R/W
b1, b0	DIAGST[1:0]	Self-Diagnosis Status	b1 b0 0 0: Self-diagnosis not executed after power-on 0 1: Self-diagnosis was executed using the 0 V voltage 1 0: Self-diagnosis was executed using the reference power supply*1 voltage $\times 1/2$ 1 1: Self-diagnosis was executed using the reference power supply*1 voltage. For details on self-diagnosis, see section 38.2.11, A/D Control Extended Register (ADCER) .	R
b15 to b2	AD[13:0]	Converted Value 13 to 0	14-bit A/D-converted value	R

Note 1. Reference voltage refers to VREFH0.

Settings for flush-left data with 12-bit accuracy



Bit	Symbol	Bit name	Description	R/W
b1, b0	DIAGST[1:0]	Self-Diagnosis Status	b1 b0 0 0: Self-diagnosis has not been executed since power-on 0 1: Self-diagnosis was executed using the 0 V voltage 1 0: Self-diagnosis was executed using the reference power supply*1 voltage $\times 1/2$ 1 1: Self-diagnosis was executed using the reference power supply*1 voltage. For details on self-diagnosis, see section 38.2.11, A/D Control Extended Register (ADCER) .	R
b3, b2	—	Reserved	These bits are read as 0	R
b15 to b4	AD[11:0]	Converted Value 11 to 0	12-bit A/D-converted value	R

Note 1. Reference voltage refers to VREFH0.

38.2.3 A/D Control Register (ADCSR)

Address(es): [ADC140.ADCSR 4005 C000h](#)



Bit	Symbol	Bit name	Description	R/W
b4 to b0	DBLANS[4:0]	Double Trigger Channel Select	These bits select one analog input channel for double-triggered operation. The setting is only valid in double-trigger mode.	R/W
b5	—	Reserved	This bit is read as 0. The write value should be 0.	R/W
b6	GBADIE	Group B Scan End Interrupt Enable	0: Disable ADC140_GBADI interrupt generation upon group B scan completion 1: Enable ADC140_GBADI interrupt generation upon group B scan completion. Group B scan works only in group scan mode.	R/W
b7	DBLE	Double Trigger Mode Select	0: Deselect double-trigger mode 1: Select double-trigger mode.	R/W
b8	EXTRG	Trigger Select*1	0: Start A/D conversion by a synchronous trigger (ELC) 1: Start A/D conversion by the asynchronous trigger (ADTRG0).	R/W
b9	TRGE	Trigger Start Enable	0: Disable A/D conversion to be started by a synchronous or asynchronous trigger 1: Enable A/D conversion to be started by a synchronous or asynchronous trigger.	R/W
b10	ADHSC	A/D Conversion Mode Select	0: High-speed A/D conversion mode 1: Low-power A/D conversion mode.	R/W
b12, b11	—	Reserved	These bits are read as 0. The write value should be 0.	R/W
b14, b13	ADCS[1:0]	Scan Mode Select	b14 b13 0 0: Single scan mode 0 1: Group scan mode 1 0: Continuous scan mode 1 1: Setting prohibited.	R/W
b15	ADST	A/D Conversion Start	0: Stop A/D conversion process 1: Start A/D conversion process.	R/W

Note 1. To start A/D conversion using an external pin (asynchronous trigger):
After a high-level signal is input to the external pin (ADTRG0), write 1 to both the TRGE and EXTRG bits in the ADCSR register and drive the ADTRG0 signal low. With these settings, the scan conversion process starts on detection of the falling edge of ADTRG0. For this configuration, the pulse width of the low-level input must be at least 1.5 clock PCLKB cycles.

[DBLANS\[4:0\] bits \(Double Trigger Channel Select\)](#)

The DBLANS[4:0] bits select one of the channels for A/D conversion data duplication in double-trigger mode. The A/D conversion results from the specified analog input channel are stored in the A/D Data Register y when conversion is started by the first trigger, and in the A/D Data Duplexing Register when started by the second trigger. [Table 38.4](#) shows the channel selection settings for double-triggered operation.

In double-trigger mode, the channels selected in the ADANSA0 and ADANSA1 registers are invalid, and the channel selected in the DBLANS[4:0] bits is A/D-converted instead.

When double-trigger mode is used in group scan mode, double-trigger control is applied only to group A and not to group B. This means that multi-channel analog input can be selected for group B even in double-trigger mode.

Only set the DBLANS[4:0] bits while the ADST bit is 0. Do not set these bits at the same time that you write 1 to the ADST bit.

To enter A/D-converted value addition/average mode while double-trigger mode is set, set the channel selected in the DBLANS[4:0] bits in the ADANSA0 and ADANSA1 registers.

Table 38.4 Relationship between DBLANS bit settings and double-trigger enabled channels

DBLANS[4:0]	Duplication channel	DBLANS[4:0]	Duplication channel
00000	AN000	10000	AN016
00001	AN001	10001	AN017
00010	AN002	10010	AN018
00011	AN003	10011	AN019
00100	AN004	10100	AN020
00101	AN005	10101	AN021
00110	AN006	10110	AN022
00111	AN007	10111	AN023
01000	AN008	11000	AN024
01001	AN009	11001	AN025
01010	AN010	11010	AN026
01011	AN011	11011	AN027
01100	AN012	-	-
01101	AN013	-	-
01110	AN014	-	-
01111	AN015	-	-

Note: A/D-converted data from the self-diagnosis function, temperature sensor output, and internal reference voltage cannot be used in double-trigger mode.

GBADIE bit (Group B Scan End Interrupt Enable)

The GBADIE bit enables or disables group B scan end interrupt (ADC140_GBADI) in group scan mode.

DBLE bit (Double Trigger Mode Select)

The DBLE bit selects or deselects double-trigger mode. Double-trigger mode can only be operated by the synchronous trigger (ELC) selected in the ADSTRGR.TRSA[5:0] bits.

Double-trigger mode operates as follows:

- The ADC140_ADI interrupt is not output on completion of the first conversion but on completion of the second conversion
- The A/D conversion results from the duplication channel (selected in the DBLANS[4:0] bits) started by the first trigger are stored in the A/D Data Register y and those started by the second trigger are stored in the A/D Data Duplication Register.

When DBLE is set, selecting double-trigger mode, the channels specified in the ADANSA0 and ADANSA1 registers are invalid. Do not select double-trigger mode in continuous scan mode.

Software triggering cannot be used in double-trigger mode. Always set the ADST bit to 0 before setting the DBLE bit. In other words, do not set this bit at the same time as writing 1 to the ADST bit.

EXTRG bit (Trigger Select)

The EXTRG bit selects the synchronous trigger or the asynchronous trigger as the trigger for starting A/D conversion.

TRGE bit (Trigger Start Enable)

The TRGE bit enables or disables A/D conversion by the synchronous and asynchronous triggers. Set this bit to 1 in group scan mode.

ADHSC bit (A/D Conversion Mode Select)

The ADHSC bit selects either the high-speed or low-current mode for A/D conversion.

For details on how to rewrite this bit, see [section 38.8.8, ADHSC Bit Rewriting Procedure](#).

ADCS[1:0] bits (Scan Mode Select)

The ADCS[1:0] bits select the scan mode.

In single scan mode, A/D conversion is performed for the analog inputs selected in the ADANSA0 and ADANSA1 registers in ascending order of channel number, for a maximum of 28 channels. When 1 cycle of A/D conversion completes for all the selected channels, the scan conversion stops. When the temperature sensor output or internal reference voltage is selected, A/D conversion of the designated analog input channels is followed by A/D conversion of the temperature sensor output or internal reference voltage, in that order.

In continuous scan mode, when the ADCSR.ADST bit is 1, A/D conversion is performed for the analog inputs selected in the ADANSA0 and ADANSA1 registers in ascending order of channel number, and when 1 cycle of A/D conversion completes for all the selected channels, A/D conversion is repeated from the first channel. If the ADCSR.ADST bit is set to 0 during continuous scan, A/D conversion stops even if scanning is in progress. When the temperature sensor output or internal reference voltage is selected, A/D conversion of the designated analog input channels is followed by A/D conversion of the temperature sensor output or internal reference voltage, in that order.

In group scan mode, group A scanning is started by the synchronous trigger (ELC) selected in the ADSTRGR.TRSA[5:0] bits. A/D conversion is performed on the group A analog inputs, up to the maximum number of channels selected in the ADANSA0 and ADANSA1 registers, in ascending order of channel number. When 1 cycle of A/D conversion completes for all the selected channels, A/D conversion stops. A/D conversion is also performed on the group B analog inputs, up to the maximum number of 28 channels selected in the ADANSB0 and ADANSB1 registers, in ascending order of channel number. Group B scanning is started by the synchronous trigger (ELC) selected in the TRSB[5:0] bits in the ADSTRGR register, and when 1 cycle of A/D conversion completes for all the selected channels, conversion is stopped. If the conversion processes in group A and B occur at the same time, those conversions cannot be controlled separately. In this case, set the Group A Priority Control Setting bit (ADGSPCR.PGS) in the A/D Group Scan Priority Control Register (ADGSPCR) to 1 in order to give priority to group A conversion. When the temperature sensor output or internal reference voltage is selected, A/D conversion of the designated analog input channels is followed by A/D conversion of the temperature sensor output and the internal reference voltage, in that order.

In group scan mode, select different channels and triggers for group A and group B. Set the ADST bit to 0 before setting the ADCS[1:0] bits. In other words, do not set both the ADCS[1:0] and ADST bits to 1 at the same time.

Table 38.5 Selectable targets for A/D conversion based on scan mode and double-trigger mode settings

Scan mode setting	Double trigger mode setting	Targets for A/D conversion				
		Self-diagnosis	Analog input (including group A)	Analog input (group B)	Temperature sensor output	Internal reference voltage
Single scan	DBLE = 0	✓	✓	×	✓	✓
	DBLE = 1	×	✓ (1 ch only)	×	×	×
Continuous scan	DBLE = 0	✓	✓	×	×	×
	DBLE = 1	×	×	×	×	×
Group scan	DBLE = 0	✓	✓	✓	×	×
	DBLE = 1	×	✓ (1 ch only)	✓	×	×

✓: Selectable. ×: Not selectable.

ADST bit (A/D Conversion Start)

The ADST bit starts or stops the A/D conversion process. Before the ADST bit is set to 1, set the A/D conversion clock, the conversion mode, and analog inputs to be converted.

[Setting conditions]

- On writing 1 through software
- When the synchronous trigger (ELC) selected in the ADSTRGR.TRSA[5:0] bits is detected when ADCSR.EXTRG is 0 and ADCSR.TRGE is 1
- When the synchronous trigger (ELC) selected in the ADSTRGR.TRSB[5:0] bits is detected when ADCSR.TRGE is set to 1 in group scan mode

- When the asynchronous trigger is detected when the ADCSR.TRGE and ADCSR.EXTRG bits are set to 1 and the ADSTRGR.TRSA[5:0] bits are set to 000000b
- When group A priority control operation mode is enabled (ADCSR.ADCS[1:0] bits = 01b and ADGSPCR.PGS bit = 1), the ADGSPCR.GBRP bit is set to 1, and each time A/D conversion of group B starts.

[Clearing conditions]

- When 0 is written by software
- When the A/D conversion of all the selected channels, the temperature sensor output, or the internal reference voltage completes in single scan mode
- When group A scan completes in group scan mode
- When group B scan completes in group scan mode
- When group A priority control operation mode is enabled (ADCSR.ADCS[1:0] = 01b and ADGSPCR.PGS = 1), the ADGSPCR.GBRP bit is set to 1, and group B scanning started by a trigger completes.

Note: When group A priority control operation mode is enabled (ADCSR.ADCS[1:0] bits = 01b and ADGSPCR.PGS bit = 1), do not set the ADST bit to 1.

Note: When group A priority control operation mode is enabled (ADCSR.ADCS[1:0] bits = 01b and ADGSPCR.PGS bit = 1), do not set the ADST bit to 0. When forcing A/D conversion to terminate, follow the procedure for clearing the ADST bit.

Note: If the single scan continuous function is used (ADGSPCR.GBRP = 1) when the group priority operation mode is enabled (ADCSR.ADCS[1:0] = 01b and ADGSPCR.PGS = 1), the ADST bit remains at 1.

38.2.4 A/D Channel Select Register A0 (ADANSA0)

Address(es): [ADC140.ADANSA0 4005 C004h](#)

	b15	b14	b13	b12	b11	b10	b9	b8	b7	b6	b5	b4	b3	b2	b1	b0
	ANSA15	ANSA14	ANSA13	ANSA12	ANSA11	ANSA10	ANSA9	ANSA8	ANSA7	ANSA6	ANSA5	ANSA4	ANSA3	ANSA2	ANSA1	ANSA0
Value after reset:	0	0	0	0	0	0	0	0	0	0	0	0	0	0	0	0

Bit	Symbol	Bit name	Description	R/W
b15 to b0	ANSA15 to ANSA00	A/D Conversion Channels Select	0: Do not select associated input channel 1: Select associated input channel. Bit [15] (ANSA15) is associated with AN015 and bit [0] (ANSA00) is associated with AN000.	R/W

ANSAn bits (n = 00 to 15) (A/D Conversion Channels Select)

The ANSA_n.ADANSA0 bits select the analog input channels for A/D conversion from AN000 to AN015. The channels selected and the number of channels can be set arbitrarily. The ANSA00 bit is associated with AN000 and the ANSA15 bit is associated with AN015.

In double-trigger mode, the channel selected in the ADANSA0 register is invalid, and the channel specified in the ADCSR.DBLANS[4:0] bits is selected in group A instead.

In group scan mode, do not select the channels specified in A/D Channel Select Register B0 (ADANSB0) and A/D Channel Select Register B1 (ADANSB1).

Only set the ADANSA0 register while the ADCSR.ADST bit is 0. When performing A/D conversion on the temperature sensor output or internal reference voltage, do not select any analog input channels, and set this register to 0000h.

38.2.5 A/D Channel Select Register A1 (ADANSA1)

Address(es): [ADC140.ADANSA1 4005 C006h](#)

b15	b14	b13	b12	b11	b10	b9	b8	b7	b6	b5	b4	b3	b2	b1	b0
—	—	—	—	ANSA2 7	ANSA2 6	ANSA2 5	ANSA2 4	ANSA2 3	ANSA2 2	ANSA2 1	ANSA2 0	ANSA1 9	ANSA1 8	ANSA1 7	ANSA1 6
Value after reset: 0 0 0 0 0 0 0 0 0 0 0 0 0 0 0 0															

Bit	Symbol	Bit name	Description	R/W
b11 to b0	ANSA27 to ANSA16	A/D Conversion Channels Select	0: Do not select associated input channel 1: Select associated input channel. Bit [11] (ANSA27) is associated with AN027 and bit [0] (ANSA16) is associated with AN016.	R/W
b15 to b12	—	Reserved	These bits are read as 0. The write value should be 0.	R/W

ANSAn bits (n = 16 to 27) (A/D Conversion Channels Select)

The ADANSA1.ANSAn bits select the analog input channels for A/D conversion from AN016 to AN027. The channels selected and the number of channels can be set arbitrarily. The ANSA16 bit is associated with AN016 and the ANSA27 bit is associated with AN027.

In double-trigger mode, the channel selection in the ADANSA1 register is invalid, and the channel specified in the ADCSR.DBLANS[4:0] bits is selected in group A instead.

In group scan mode, do not select the channels specified in A/D Channel Select Register B0 (ADANSB0) and A/D Channel Select Register B1 (ADANSB1).

Only set the ADANSA1 register while the ADCSR.ADST bit is 0. When performing A/D conversion on the temperature sensor output or internal reference voltage, do not select any analog input channels and set this register to 0000h.

38.2.6 A/D Channel Select Register B0 (ADANSB0)

Address(es): [ADC140.ADANSB0 4005 C014h](#)

b15	b14	b13	b12	b11	b10	b9	b8	b7	b6	b5	b4	b3	b2	b1	b0
ANSB1 5	ANSB1 4	ANSB1 3	ANSB1 2	ANSB1 1	ANSB1 0	ANSB0 9	ANSB0 8	ANSB0 7	ANSB0 6	ANSB0 5	ANSB0 4	ANSB0 3	ANSB0 2	ANSB0 1	ANSB0 0
Value after reset: 0 0 0 0 0 0 0 0 0 0 0 0 0 0 0 0															

Bit	Symbol	Bit name	Description	R/W
b15 to b0	ANSB15 to ANSB00	A/D Conversion Channels Select	0: Do not select associated input channel 1: Select associated input channel. Bit [15] (ANSB15) is associated with AN015 and bit [0] (ANSB00) is associated with AN000.	R/W

ANSBn bits (n = 00 to 15) (A/D Conversion Channels Select)

The ADANSB0.ANSBn bits select the analog input channels for A/D conversion from AN000 to AN015 in group B in group scan mode. The ADANSB0 register is only used for group scan mode and not for any other modes. Do not select the channels specified in group A (the channels associated with group A, selected in the ADANSA0 and ADANSA1 registers and the ADCSR.DBLANS[4:0] bits in double-trigger mode).

The ANSB00 bit is associated with AN000, the ANSB07 bit is associated with AN007, and the ANSB15 bit is associated with AN015.

Only set the ADANSB register while the ADCSR.ADST bit is 0. When performing A/D conversion on the temperature sensor output or internal reference voltage, do not select any analog input channels and set this register to 0000h.

38.2.7 A/D Channel Select Register B1 (ADANSB1)

Address(es): ADC140.ADANSB1 4005 C016h

b15	b14	b13	b12	b11	b10	b9	b8	b7	b6	b5	b4	b3	b2	b1	b0
—	—	—	—	ANSB2 7	ANSB2 6	ANSB2 5	ANSB2 4	ANSB2 3	ANSB2 2	ANSB2 1	ANSB2 0	ANSB1 9	ANSB1 8	ANSB1 7	ANSB1 6
Value after reset:	0	0	0	0	0	0	0	0	0	0	0	0	0	0	0

Bit	Symbol	Bit name	Description	R/W
b11 to b0	ANSB27 to ANSB16	A/D Conversion Channels Select	0: Do not select associated input channel 1: Select associated input channel. Bit [11] (ANSB27) is associated with AN027 and bit [0] (ANSB16) is associated with AN016.	R/W
b15 to b12	—	Reserved	These bits are read as 0. The write value should be 0.	R/W

ANSBn bits (n = 16 to 27) (A/D Conversion Channels Select)

The ADANSB1.ANSBn bits select the analog input channels for A/D conversion from AN016 to AN027 in group B in group scan mode. The ADANSB1 register is only used for group scan mode and not for any other modes. Do not select the channels specified in group A, selected with the ADANSA0 and ADANSA1 registers and the ADCSR.DBLANS[4:0] bits, in double-trigger mode.

The ANSB16 bit is associated with AN016, the ANSB20 bit is associated with AN020, and the ANSB27 bit is associated with AN027.

Only set the ADANSB1 register bits when the ADST bit is 0. When performing A/D conversion on the temperature sensor output or internal reference voltage, do not select analog input channels. Set this register to 0000h.

38.2.8 A/D-Converted Value Addition/Average Channel Select Register 0 (ADADS0)

Address(es): ADC140.ADADS0 4005 C008h

b15	b14	b13	b12	b11	b10	b9	b8	b7	b6	b5	b4	b3	b2	b1	b0
ADS15	ADS14	ADS13	ADS12	ADS11	ADS10	ADS09	ADS08	ADS07	ADS06	ADS05	ADS04	ADS03	ADS02	ADS01	ADS00
Value after reset:	0	0	0	0	0	0	0	0	0	0	0	0	0	0	0

Bit	Symbol	Bit name	Description	R/W
b15 to b0	ADS15 to ADS00	A/D-Converted Value Addition/Average Channel Select	0: Do not select associated input channel 1: Select associated input channel. Bit [15] (ADS15) is associated with AN015 and bit [0] (ADS00) is associated with AN000.	R/W

ADSn bits (n = 00 to 15) (A/D-Converted Value Addition/Average Channel Select)

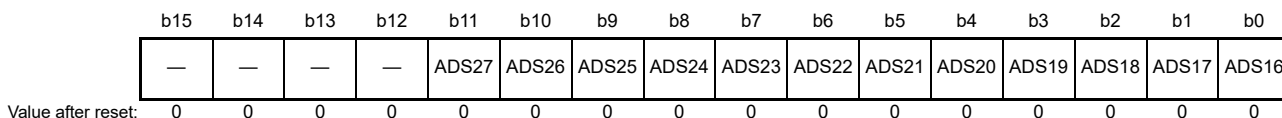
The ADSn bits determine which A/D-converted channel selected in the ANSAn bits (n = 00 to 15) in ADANSA0, or the ADCSR.DBLANS[4:0] bits are subject to A/D-converted value addition or averaging. When the ANSBn bit (n = 00 to 15) in ADANSB0 is set to 1, A/D conversion of the analog input of the respective channel is performed successively 1 to 16 times, as specified in the ADC[2:0] bits in the ADADC register.

When the ADADC.AVEE bit is 0, the value obtained by addition (integration) is stored in the A/D data register. When the ADADC.AVEE bit is 1, the mean value of the results obtained by addition (integration) is stored in the A/D data register. For channels on which the A/D conversion is performed and for which addition/average mode is not selected, a normal one-time conversion is executed and the conversion result is stored in the A/D data register.

Only set the ADADS0 register bits while the ADCSR.ADST bit is 0.

38.2.9 A/D-Converted Value Addition/Average Channel Select Register 1 (ADADS1)

Address(es): ADC140.ADADS1 4005 C00Ah



Bit	Symbol	Bit name	Description	R/W
b11 to b0	ADS27 to ADS16	A/D-Converted Value Addition/Average Channel Select	0: Do not select associated input channel 1: Select associated input channel. Bit [11] (ADS27) is associated with AN027 and bit [0] (ADS16) is associated with AN016.	R/W
b15 to b12	—	Reserved	These bits are read as 0. The write value should be 0.	R/W

ADS_n bits (n = 16 to 27) (A/D-Converted Value Addition/Average Channel Select)

The ADS_n bits determine which A/D-converted channels selected in the ANSAn bits (n = 16 to 27) in ADANSA1, or ADCSR.DBLANS[4:0] bits are subject to A/D-converted value addition or averaging. When ANSB_n bit (n = 16 to 27) in ADANSB1 is set to 1, A/D conversion of the analog input of the respective channel is performed successively 1 to 16 times as determined by the setting of the ADC[2:0] bits in the ADADC register.

When the ADADC.AVEE bit is 0, the value obtained by addition is stored in the A/D data register. When the ADADC.AVEE bit is 1, the mean value of the results obtained by addition is stored in the A/D data register. For the channels on which the A/D conversion is performed and for which addition/average mode is not selected, a normal one-time conversion is executed and the conversion result is stored in the A/D data register.

Only set the ADADS1 register while the ADCSR.ADST bit is 0.

Figure 38.2 shows a scanning operation sequence in which both the ADADS0.ADS02 and ADS06 bits are set to 1. For this example:

- Addition mode is selected (ADADS.AVEE = 0)
- The number of conversions is set to 4 (ADADC.ADC[1:0] = 11b)
- Channels AN000 to AN007 are selected (ADANSA0.ANSA0[15:0] = 00FFh) in continuous scan mode (ADCSR.ADCS[1:0] = 10b).

The conversion process begins with AN000. The AN002 conversion is performed successively 4 times, and the added value is returned to A/D Data Register 2 (ADDR2). Next, the AN003 conversion process is started. The AN006 conversion is performed successively 4 times and the added value is returned to A/D Data Register 6 (ADDR6). After conversion of AN007, the conversion operation repeats in the same sequence starting from AN000.

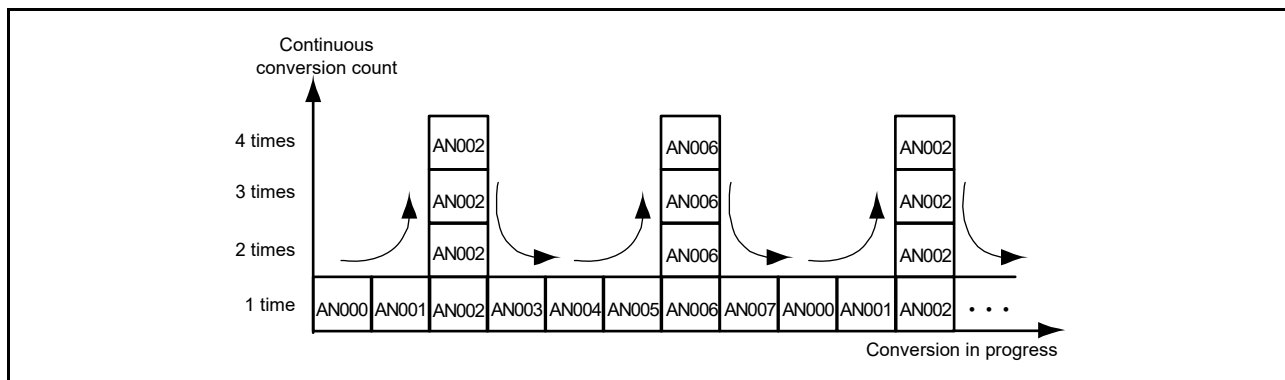
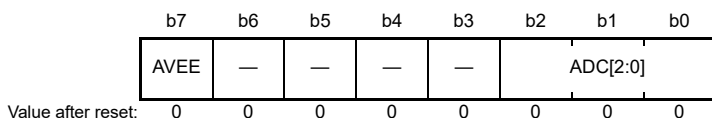


Figure 38.2 Scan conversion sequence with ADADC.ADC[2:0] = 011b, ADADS0.ADS02 = 1, and ADS06 = 1

38.2.10 A/D-Converted Value Addition/Average Count Select Register (ADADC)

Address(es): ADC140.ADADC 4005 C00Ch



Bit	Symbol	Bit name	Description	R/W
b2 to b0	ADC[2:0]	Count Select	b2 b0 0 0 0: 1-time conversion (no addition: same as normal conversion) 0 0 1: 2-time conversion (one addition) 0 1 0: 3-time conversion (two additions) 0 1 1: 4-time conversion (three additions) 1 0 1: 16-time conversion (15 additions). Other settings are prohibited.	R/W
b6 to b3	—	Reserved	These bits are read as 0. The write value should be 0.	R/W
b7	AVEE	Average Mode Enable	0: Disable average mode*1 1: Enable average mode.*2	R/W

Note 1. When average mode is deselected by setting the ADADC.AVEE bit to 0, set the addition count to 1, 2, 3, 4, or 16-time conversion. 16-time conversion can only be used with 12-bit accuracy.

Note 2. When average mode is selected by setting the ADADC.AVEE bit to 1, set the addition count to 2-time or 4-time conversion. Do not set the addition count to 3-time or 16-time conversion (ADC[2:0] = 010b and 101b).

ADC[2:0] bits (Count Select)

The ADC[2:0] bits set the addition count for all the channels for which A/D conversion and addition/average mode are selected, including the channel selected in double-trigger mode in the ADCSR.DBLANS[4:0] bits. This count also applies to A/D conversion of the temperature sensor output and internal reference voltage.

The following restrictions apply to the ADC[2:0] bit settings:

- When average mode is selected by setting the ADADC.AVEE bit to 1, do not set the count to 3-time conversion (ADADC.ADC[2:0] = 010b) or 16-time conversion (ADADC.ADC[2:0] = 101b) with a conversion accuracy setting of 14 bits (ADCER.ADPRC[1:0] = 11b)
- When self-diagnosis is executed (ADCER.DIAGM = 1), do not set the ADC[2:0] bits to any value other than 000b
- When the conversion accuracy is 14 bits (ADCER.ADPRC[1:0] = 11b), do not set the ADC[2:0] bits to 101b.

Only set the ADC[2:0] bits while the ADCSR.ADST bit is 0.

AVEE bit (Average Mode Enable)

The AVEE bit selects addition or average mode for the channels for which A/D conversion and A/D-converted value addition/average mode are selected, including the channel selected for double-trigger mode in the ADCSR.DBLANS[4:0] bits, the temperature sensor output, and the internal reference voltage.

When average mode is selected by setting the ADADC.AVEE bit to 1, do not set the addition count to 3-time conversion (ADADC.ADC[2:0] = 010b).

Only set the AVEE bits while the ADCSR.ADST bit is 0.

38.2.11 A/D Control Extended Register (ADCER)

Address(es): [ADC140.ADCER 4005 C00Eh](#)

	b15	b14	b13	b12	b11	b10	b9	b8	b7	b6	b5	b4	b3	b2	b1	b0
	ADRFMT	—	—	—	DIAGM	DIAGLD	DIAGVAL[1:0]	—	—	ACE	—	—	ADPRC[1:0]	—		
Value after reset:	0	0	0	0	0	0	0	0	0	0	0	0	0	0	0	0

Bit	Symbol	Bit name	Description	R/W
b0	—	Reserved	This bit is read as 0. The write value should be 0.	R/W
b2, b1	ADPRC[1:0]	A/D Conversion Accuracy Specify	b2 b1 0 0: 12-bit accuracy 0 1: Setting prohibited 1 0: Setting prohibited 1 1: 14-bit accuracy.	R/W
b4, b3	—	Reserved	These bits are read as 0. The write value should be 0.	R/W
b5	ACE	A/D Data Register Automatic Clearing Enable	0: Disable automatic clearing 1: Enable automatic clearing.	R/W
b7, b6	—	Reserved	These bits are read as 0. The write value should be 0.	R/W
b9, b8	DIAGVAL[1:0]	Self-Diagnosis Conversion Voltage Select	b9 b8 0 0: Setting prohibited when self-diagnosis is enabled 0 1: Select 0 V 1 0: Select reference power supply voltage*1 × 1/2 1 1: Select reference power supply voltage*1.	R/W
b10	DIAGLD	Self-Diagnosis Mode Select	0: Select rotation mode for self-diagnosis voltage 1: Select fixed mode for self-diagnosis voltage.	R/W
b11	DIAGM	Self-Diagnosis Enable	0: Disable ADC14 self-diagnosis 1: Enable ADC14 self-diagnosis.	R/W
b14 to b12	—	Reserved	These bits are read as 0. The write value should be 0.	R/W
b15	ADRFMT	A/D Data Register Format Select	0: Select flush-right for the A/D data register format 1: Select flush-left for the A/D data register format.	R/W

Note 1. Reference voltage refers to VREFH0.

[ADPRC\[1:0\] bits \(A/D Conversion Accuracy Specify\)](#)

The ADPRC[1:0] bits select the A/D conversion accuracy to 12-bits or 14-bits. Changing the A/D conversion accuracy also changes the bit width of valid data stored in the result register and the A/D conversion time.

For details, see [section 38.3.6, Analog Input Sampling and Scan Conversion Time](#). Only set the ADPRC[1:0] bits while the ADCSR.ADST bit is 0.

[ACE bit \(A/D Data Register Automatic Clearing Enable\)](#)

The ACE bit enables or disables automatic clearing (all 0) of ADDRy, ADDR, ADDBLDR, ADDBLDRA, ADDBLDRB, ADTSDR, or ADOCDR after any of these registers is read by the CPU, DTC, or DMAC.

[DIAGVAL\[1:0\] bits \(Self-Diagnosis Conversion Voltage Select\)](#)

The DIAGVAL[1:0] bits select the voltage value used in self-diagnosis fixed voltage mode. For details, see the ADCER.DIAGLD bit description.

Do not execute the self-diagnosis when the ADCER.DIAGVAL[1:0] bits are set to 00b.

[DIAGLD bit \(Self-Diagnosis Mode Select\)](#)

The DIAGLD bit selects whether the three voltage values are rotated, or the fixed voltage is used in self-diagnosis. Setting DIAGLD to 0 selects conversion of the voltages in rotation mode where 0 V, the reference power supply × 1/2, and the reference power supply are converted in that order. After reset, when the self-diagnosis voltage rotation mode is selected, self-diagnosis is executed from 0 V. The self-diagnosis voltage value does not return to 0 when scan conversion completes. When scan conversion is restarted, rotation starts at the voltage value following the previous value.

Setting DIAGLD to 1 selects fixed mode, in which the fixed voltage specified by the ADCER.DIAGVAL[1:0] bits is converted. If fixed mode is switched to rotation mode, rotation starts at the fixed voltage value.

Only set the DIAGLD bit while the ADCSR.ADST bit is 0.

DIAGM bit (Self-Diagnosis Enable)

The DIAGM bit enables or disables self-diagnosis.

Self-diagnosis is used to detect a failure in the ADC14. In self-diagnosis mode, one of the internally generated voltage values (0 V, the reference power supply $\times 1/2$, or the reference power supply) is converted. When conversion completes, information on the converted voltage and the conversion result is stored in the A/D Self-diagnosis Data Register (ADRD). ADRD can be read by software to determine whether the conversion result falls within the normal range (normal) or not (abnormal).

Self-diagnosis is executed once at the beginning of each scan, and one of the three voltages is converted. When double-trigger mode is set (ADCSR.DBLE = 1), always disable self-diagnosis (DIAGM = 0). When self-diagnosis is enabled in group scan mode, self-diagnosis is executed separately in group A and B.

Only set the DIAGM bit while the ADCSR.ADST bit is 0.

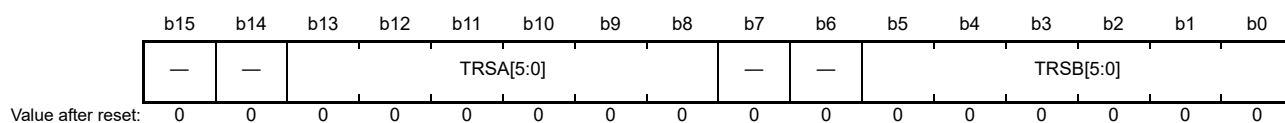
ADRFMT bit (A/D Data Register Format Select)

The ADRFMT bit specifies flush-right or flush-left for the data to be stored in ADDRy, ADDBLDR, ADDBLDRA, ADDBLDRB, ADTSDR, ADOCDR, ADCMPDR0/1, ADWINLLB, ADWINULB, or ADRD.

Only set the ADRFMT bit while the ADCSR.ADST bit is 0.

38.2.12 A/D Conversion Start Trigger Select Register (ADSTRGR)

Address(es): ADC140.ADSTRGR 4005 C010h



Bit	Symbol	Bit name	Description	R/W
b5 to b0	TRSB[5:0]	A/D Conversion Start Trigger Select for Group B	Select the A/D conversion start group B trigger in group scan mode	R/W
b7, b6	—	Reserved	These bits are read as 0. The write value should be 0.	R/W
b13 to b8	TRSA[5:0]	A/D Conversion Start Trigger Select	Select the A/D conversion start trigger in single scan mode and continuous scan mode. In group scan mode, the A/D conversion start group A trigger is selected.	R/W
b15, b14	—	Reserved	These bits are read as 0. The write value should be 0.	R/W

TRSB[5:0] bits (A/D Conversion Start Trigger Select for Group B)

The TRSB[5:0] bits select the trigger to start scanning of the analog input selected in group B. The TRSB[5:0] bits are only used in group scan mode and not in any other scan mode. For the scan conversion start group B trigger, setting a software trigger or an asynchronous trigger is prohibited. In group scan mode, set the TRSB[5:0] bits to a value other than 000000b and set the ADCSR.TRGE bit to 1.

When group A is given priority in group scan mode, setting the ADGSPCR.GBRP bit to 1 allows group B to continuously operate in single scan mode. When setting the ADGSPCR.GBRP bit to 1, set the TRSB[5:0] bits to 3Fh. The issuance period for a conversion trigger must be more than or equal to the actual scan conversion time (t_{SCAN}). If the issuance period is less than t_{SCAN} , A/D conversion by the trigger may have no effect.

When the GPT module is selected as an A/D conversion start trigger, a delay for synchronization processing occurs. For details, see [section 38.3.6, Analog Input Sampling and Scan Conversion Time](#).

Table 38.6 lists the A/D conversion startup sources selected in the TRSB[5:0] bits.

Table 38.6 Selection of A/D conversion sources in the TRSB[5:0] bits

Source	Remarks	TRSB[5]	TRSB[4]	TRSB[3]	TRSB[2]	TRSB[1]	TRSB[0]
Trigger source deselection state		1	1	1	1	1	1
ELC_AD00	ELC	0	0	1	0	0	1
ELC_AD01	ELC	0	0	1	0	1	0
ELC_AD00/ELC_AD01	ELC	0	0	1	0	1	1

TRSA[5:0] bits (A/D Conversion Start Trigger Select)

The TRSA[5:0] bits select the trigger to start A/D conversion in single scan mode and continuous scan mode. In group scan mode, the trigger to start scanning of the analog input selected in group A is selected. When scanning is executed in group scan mode or double-trigger mode, do not use a software trigger or an asynchronous trigger.

When using the synchronous trigger (ELC) as the A/D conversion start source, set the TRGE bit in the ADCSR register to 1 and set the EXTRG bit in the ADCSR register to 0.

The software trigger (ADCSR.ADST) is enabled regardless of the setting in the ADCSR.TRGE, ADCSR.EXTRG, or TRSA[5:0] bits. The issuance period for a conversion trigger must be more than or equal to the actual scan conversion time (t_{SCAN}). If the issuance period is less than t_{SCAN} , A/D conversion by the trigger may have no effect. For details, see section 38.3.6, Analog Input Sampling and Scan Conversion Time.

Table 38.7 lists the A/D conversion start sources selected in the TRSA[5:0] bits.

Table 38.7 Selection of A/D activation sources in the TRSA[5:0] bits

Source	Remarks	TRSA[5]	TRSA[4]	TRSA[3]	TRSA[2]	TRSA[1]	TRSA[0]
Trigger source deselection state		1	1	1	1	1	1
ADTRG0	Input pin for the trigger	0	0	0	0	0	0
ELC_AD00	ELC	0	0	1	0	0	1
ELC_AD01	ELC	0	0	1	0	1	0
ELC_AD00/ELC_AD01	ELC	0	0	1	0	1	1

38.2.13 A/D Conversion Extended Input Control Register (ADEXICR)

Address(es): ADC140.ADEXICR 4005 C012h

	b15	b14	b13	b12	b11	b10	b9	b8	b7	b6	b5	b4	b3	b2	b1	b0
	—	—	—	—	—	—	OCSA	TSSA	—	—	—	—	—	—	OCSAD	TSSAD
Value after reset:	0	0	0	0	0	0	0	0	0	0	0	0	0	0	0	0

Bit	Symbol	Bit name	Description	R/W
b0	TSSAD	Temperature Sensor Output A/D-Converted Value Addition/Average Mode Select	0: Do not select temperature sensor output A/D-converted value addition/average mode 1: Select temperature sensor output A/D-converted value addition/average mode.	R/W
b1	OCSAD	Internal Reference Voltage A/D-Converted Value Addition/Average Mode Select	0: Do not select internal reference voltage A/D-converted value addition/average mode 1: Select internal reference voltage A/D-converted value addition/average mode.	R/W
b7 to b2	—	Reserved	These bits are read as 0. The write value should be 0.	R/W
b8	TSSA	Temperature Sensor Output A/D Conversion Select	0: Disable A/D conversion of temperature sensor output 1: Enable A/D conversion of temperature sensor output.	R/W

Bit	Symbol	Bit name	Description	R/W
b9	OCSA	Internal Reference Voltage A/D Conversion Select	0: Disable A/D conversion of internal reference voltage 1: Enable A/D conversion of internal reference voltage.	R/W
b15 to b10	—	Reserved	These bits are read as 0. The write value should be 0.	R/W

TSSAD bit (Temperature Sensor Output A/D-Converted Value Addition/Average Mode Select)

When the TSSAD bit is set to 1, A/D conversion of the temperature sensor output is selected and performed successively for the number of times specified in the ADC[2:0] bits in the ADADC register. The maximum addition count depends on the conversion accuracy, as seen in [section 38.2.1](#). When the ADADC.AVEE bit is 0, the value obtained by addition (integration) is returned to the A/D Temperature Sensor Data Register (ADTSDR). When the ADADC.AVEE bit is 1, the mean value is returned to ADTSDR.

Only set the TSSAD bit while the ADCSR.ADST bit is 0.

OCSAD bit (Internal Reference Voltage A/D-Converted Value Addition/Average Mode Select)

When the OCSAD bit is set to 1, A/D conversion of the internal reference voltage is selected and performed successively for the number of times specified by the ADC[2:0] bits in the ADADC register. The maximum addition count depends on the conversion accuracy as seen in [section 38.2.1](#). When the ADADC.AVEE bit is 0, the value obtained by addition is returned to the A/D Internal Reference Voltage Data Register (ADOCDR). When the ADADC.AVEE bit is 1, the mean value is returned to ADOCDR.

Only set the OCSAD bit while the ADCSR.ADST bit is 0.

TSSA bit (Temperature Sensor Output A/D Conversion Select)

The TSSA bit selects A/D conversion of the temperature sensor output.

When executing the A/D conversion:

1. Set all the bits in the ADANSA0/1 and ADANSB0/1 registers, the ADCSR.DBLE bit, and the ADEXICR.OCSA bit to 0.
2. Execute A/D conversion in single scan mode.

When executing the A/D conversion of the temperature sensor output, the ADDISCR register is set to 0Fh and the ADC14 executes discharge (15 ADCLK) before executing sampling. The minimum sampling time is 5 μ s. The ADC14 executes discharge each time it executes A/D conversion of the temperature sensor output.

Only set the TSSA bit while the ADCSR.ADST bit is 0.

OCSA bit (Internal Reference Voltage A/D Conversion Select)

The OCSA bit selects A/D conversion of the internal reference voltage.

When executing the A/D conversion:

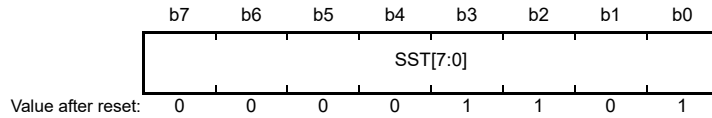
1. Set all the bits in the ADANSA0/1 and ADANSB0/1 registers, the ADCSR.DBLE bit, and ADEXICR.TSSA bit to 0.
2. Execute the A/D conversion in single scan mode.

When executing the A/D conversion of the internal reference voltage, the ADDISCR register is set to 0Fh and the ADC14 executes discharge (15 ADCLK) before executing sampling. The minimum sampling time is 5 μ s. The ADC14 executes discharge each time it executes A/D conversion of the internal reference voltage.

Only set the OCSA bit while the ADCSR.ADST bit is 0.

38.2.14 A/D Sampling State Register n (ADSSTRn) (n = 00 to 15, L, T, O)

Address(es): [ADC140.ADSSTR00 4005 C0E0h](#) to [ADC140.ADSSTR15 4005 C0EFh](#),
[ADC140.ADSSTRL 4005 C0DDh](#), [ADC140.ADSSTRT 4005 C0DEh](#), [ADC140.ADSSTRO 4005 C0DFh](#)



Bit	Symbol	Bit name	Description	R/W
b7 to b0	SST[7:0]	Sampling Time Setting	These bits set the sampling time in the range from 5 to 255 states	R/W

The ADSSTRn register sets the sampling time for analog input. If one state is 1 ADCLK (A/D conversion clock) cycle and the ADCLK clock is 64 MHz, then one state is 15.625 ns. The initial value is 13 states.

The sampling time can be adjusted if the impedance of the analog input signal source is too high to secure sufficient sampling time, or if the ADCLK clock is slow.

Only set the SST[7:0] bits while the ADCSR.ADST bit is 0.

The lower limit of the sampling time setting depends on the frequency ratio as follows:

- If the frequency ratio of PCLKB to PCLKC (ADCLK) = 1:1, 2:1, 4:1, or 8:1, the sampling time must be set to a value more than 5 states
- If the frequency ratio of PCLKB to PCLKC (ADCLK) = 1:2 or 1:4, the sampling time must be set to a value more than 6 states.

[Table 38.8](#) shows the relationship between the A/D Sampling State Register and the associated channels. For details, see [section 38.3.6, Analog Input Sampling and Scan Conversion Time](#).

Table 38.8 Relationship between A/D Sampling State Register and the associated channels

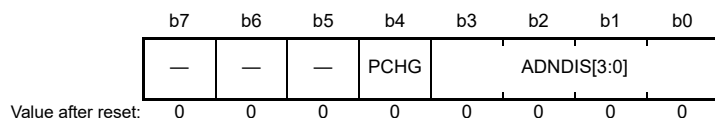
Bit name	Associated channels
ADSSTR00.SST[7:0] bits*1	AN000
ADSSTR01.SST[7:0] bits	AN001
ADSSTR02.SST[7:0] bits	AN002
ADSSTR03.SST[7:0] bits	AN003
ADSSTR04.SST[7:0] bits	AN004
ADSSTR05.SST[7:0] bits	AN005
ADSSTR06.SST[7:0] bits	AN006
ADSSTR07.SST[7:0] bits	AN007
ADSSTR08.SST[7:0] bits	AN008
ADSSTR09.SST[7:0] bits	AN009
ADSSTR10.SST[7:0] bits	AN010
ADSSTR11.SST[7:0] bits	AN011
ADSSTR12.SST[7:0] bits	AN012
ADSSTR13.SST[7:0] bits	AN013
ADSSTR14.SST[7:0] bits	AN014
ADSSTR15.SST[7:0] bits	AN015
ADSSTRL.SST[7:0] bits	AN016-AN027
ADSSTRT.SST[7:0] bits	Temperature sensor output*2
ADSSTRO.SST[7:0] bits	Internal reference voltage*2

Note 1. When the self-diagnosis function is selected, the sampling time set in the ADSSTR00.SST[7:0] bits is applied.

Note 2. When the temperature sensor output or the internal reference voltage is converted, set the sampling time to greater than 5 μ s. Because the maximum SST[7:0] value is 255 states, the ADCLK frequency must be such that the resulting sampling time is at least 5 μ s.

38.2.15 A/D Disconnection Detection Control Register (ADDISCR)

Address(es): [ADC140.ADDISCR 4005 C07Ah](#)



Bit	Symbol	Bit name	Description	R/W
b3 to b0	ADNDIS[3:0]	Precharge/discharge period	b3 b0 0 0 0 0: Disable disconnection detection assist function 0 0 0 1: Setting prohibited Others: Select number of states for the discharge or precharge period.	R/W
b4	PCHG	Precharge/discharge select	0: Select discharge 1: Select precharge.	R/W
b7 to b5	—	Reserved	These bits are read as 0. The write value should be 0.	R/W

The ADDISCR register selects either precharge or discharge, and the period of precharge or discharge for the A/D disconnection detection assist function. Only set the ADDISCR register when the ADCSR.ADST bit is 0.

When the temperature sensor output or internal reference voltage is converted, the A/D converter executes discharge automatically. This operation is achieved by setting the ADDISCR register to 0Fh (15 ADCLK) when ADEXICR.OCSA or TSSA is set to 1. After executing discharge, the A/D converter executes sampling. The required sampling time is 5 μ s or more.

Disable the disconnection detection assist function if any of the following functions are used:

- Temperature sensor
- Internal reference voltage
- A/D self-diagnosis.

[ADNDIS\[3:0\] bits \(Precharge/discharge period\)](#)

The ADNDIS[3:0] bits specify the period of precharge or discharge. When ADNDIS[3:0] = 0000b, the disconnection detection assist function is disabled. Setting the ADNDIS[3:0] bits to 0001b is prohibited. Except when ADNDIS[3:0] = 0000b or 0001b, the specified value indicates the number of states for the period of precharge or discharge. When the ADNDIS[3:0] bits are set to any values other than 0000b or 0001b, the disconnection detection assistance function is enabled.

[PCHG bit \(Precharge/discharge select\)](#)

The PCHG bit selects either precharge or discharge.

38.2.16 A/D Group Scan Priority Control Register (ADGSPCR)

Address(es): ADC140.ADGSPCR 4005 C080h

	b15	b14	b13	b12	b11	b10	b9	b8	b7	b6	b5	b4	b3	b2	b1	b0
	GBRP	—	—	—	—	—	—	—	—	—	—	—	—	—	GBRSCN	PGS
Value after reset:	0	0	0	0	0	0	0	0	0	0	0	0	0	0	0	0

Bit	Symbol	Bit name	Description	R/W
b0	PGS	Group A Priority Control Setting*1	0: Operate without group A priority control 1: Operate with group A priority control.	R/W
b1	GBRSCN	Group B Restart Setting	Enabled only when PGS = 1. Reserved when PGS = 0. 0: Do not restart group B scanning after it is stopped by group A priority control 1: Restart group B scanning after it is stopped by group A priority control.	R/W
b14 to b2	—	Reserved	These bits are read as 0. The write value should be 0.	R/W
b15	GBRP	Group B Single Scan Continuous Start*2	Enabled only when PGS = 1. Reserved when PGS = 0. 0: Do not continuously activate single scan for group B 1: Continuously activate single scan for group B.	R/W

Note 1. The ADCSR.ADCS[1:0] bits must be set to 01b (group scan mode) before setting PGS to 1. If these bits are set to any other values, proper operation is not guaranteed.

Note 2. When the GBRP bit is set to 1, single scan is performed continuously for group B regardless of the setting in the GBRSCN bit.

PGS bit (Group A Priority Control Setting)

Set the PGS bit to 1 to give priority to operation on group A. The ADCSR.ADCS[1:0] bits must be set to 01b (group scan mode) before setting the PGS bit to 1. If these bits are set to any other values, proper operation is not guaranteed.

When the PGS bit is set to 0, a clear operation must be performed by software as described in [section 38.8.2, Notes on Stopping A/D Conversion](#). When the PGS bit is set to 1, use the settings described in [section 38.3.4.3, Operation with group A priority control](#).

GBRSCN bit (Group B Restart Setting)

This GBRSCN bit controls the restarting of a scan operation on group B when operation on group A is given priority. If a scan operation on group B is stopped by a group A trigger input with the GBRSCN bit set to 1, the scan operation is restarted on completion of group A A/D conversion. Also, if a group B trigger is input during A/D conversion on group A, the scan operation on group B is restarted on completion of the group A conversion.

When the GBRSCN bit is set to 0, triggers input during A/D conversion are ignored. Only set the GBRSCN bit while the ADCSR.ADST bit is 0.

The setting in the GBRSCN bit is valid when the PGS bit is 1.

GBRP bit (Group B Single Scan Continuous Start)

The GBRP bit is set to perform a single scan operation continuously on group B. Setting the GBRP bit to 1 starts a single scan on group B. On completion of the scan, another single scan on group B starts automatically. If a group B conversion stops because of an operation on group A, the group A operation takes priority, and single scan on group B restarts automatically on completion of the group A conversion.

Disable group B trigger input before setting the GBRP bit to 1. Setting the GBRP bit to 1 invalidates the setting in the GBRSCN bit. Only set the GBRP bit while the ADCSR.ADST is 0.

The setting in the GBRP bit is valid when the PGS bit is 1.

38.2.17 A/D Compare Function Control Register (ADCMPCR)

Address(es): ADC140.ADCMPCR 4005 C090h

b15	b14	b13	b12	b11	b10	b9	b8	b7	b6	b5	b4	b3	b2	b1	b0
CMPAIE	WCMPPE	CMPBIE	—	CMPAE	—	CMPBE	—	—	—	—	—	—	—	CMPAB[1:0]	
Value after reset: 0 0 0 0 0 0 0 0 0 0 0 0 0 0 0 0															

Bit	Symbol	Bit name	Description	R/W
b1, b0	CMPAB[1:0]	Window A/B Composite Conditions Setting	b1 b0 0 0: Output ADC140_WCMPM when window A OR window B comparison conditions are met. Otherwise, output ADC140_WCMPUM. 0 1: Output ADC140_WCMPM when window A EXOR window B comparison conditions are met. Otherwise, output ADC140_WCMPUM. 1 0: Output ADC140_WCMPM when window A AND window B comparison conditions are met. Otherwise, output ADC140_WCMPUM. 1 1: Setting prohibited. These bits are valid when both window A and window B are enabled (CMPAE = 1 and CMPBE = 1).	R/W
b8 to b2	—	Reserved	These bits are read as 0. The write value should be 0.	R/W
b9	CMPBE	Compare Window B Operation Enable	0: Disable compare window B operation. ADC140_WCMPM and ADC140_WCMPUM outputs are disabled. 1: Enable compare window B operation.	R/W
b10	—	Reserved	This bit is read as 0. The write value should be 0.	R/W
b11	CMPAE	Compare Window A Operation Enable	0: Disable compare window A operation. ADC140_WCMPM and ADC140_WCMPUM outputs are disabled. 1: Enable compare window A operation.	R/W
b12	—	Reserved	This bit is read as 0. The write value should be 0.	R/W
b13	CMPBIE	Compare B Interrupt Enable	0: Disable ADC140_CMPBI interrupt when comparison conditions (window B) are met 1: Enable ADC140_CMPBI interrupt when comparison conditions (window B) are met.	R/W
b14	WCMPPE	Window Function Setting	0: Disable window function. Window A and window B operate as a comparator to compare the single value on the lower side with the A/D conversion result. 1: Enable window function. Window A and window B operate as a comparator to compare the two values on the upper and lower sides with the A/D conversion result.	R/W
b15	CMPAIE	Compare A Interrupt Enable	0: Disable ADC140_CMPAI interrupt when comparison conditions (window A) are met 1: Enable ADC140_CMPAI interrupt when comparison conditions (window A) are met.	R/W

CMPAB[1:0] bits (Window A/B Composite Conditions Setting)

The CMPAB[1:0] bits are valid when both window A and window B are enabled (CMPAE = 1 and CMPBE = 1) in single scan mode. These bits select the compare function match/mismatch event output conditions and monitoring conditions of ADWINMON.MONCONB.

Only set the CMPAB[1:0] bits while the ADCSR.ADST bit is 0.

CMPBE bit (Compare Window B Operation Enable)

The CMPBE bit enables or disables the compare window B operation.

Only set the CMPBE bit while the ADCSR.ADST bit is 0.

Set this bit to 0 before setting the following registers:

- A/D Channel Select Registers A0/A1/B0/B1 (ADANSA0, ADANSA1, ADANSB0, ADANSB1)
- OCSA or TSSA in the A/D Conversion Extended Input Control Register (ADEXICR)
- CMPCHB[5:0] bits in the Window B Channel Select Register (ADCMPBNSR).

CMPAE bit (Compare Window A Operation Enable)

The CMPAE bit enables or disables the compare window A operation.

Only set the CMPAE bit while the ADCSR.ADST bit is 0.

Set this bit to 0 before setting the following registers:

- A/D Channel Select Registers A0/A1/B0/B1 (ADANSA0, ADANSA1, ADANSB0, ADANSB1)
- OCSA or TSSA in the A/D Conversion Extended Input Control Register (ADEXICR.{OCSA, TSSA})
- Window A Channel Select Registers 0/1 (ADCMPANSR0, ADCMPANSR1)
- Window A Extended Input Select Register (ADCMPANSER).

CMPBIE bit (Compare B Interrupt Enable)

The CMPBIE bit enables or disables the interrupt output ADC140_CMPBI when the comparison conditions (window B) are met.

WCMPE bit (Window Function Setting)

The WCMPE bit enables or disables the window function.

Only set the WCMPE bit while the ADCSR.ADST bit is 0.

CMPAIE bit (Compare A Interrupt Enable)

The CMPAIE bit enables or disables the interrupt output ADC140_CMPAI when the comparison conditions (window A) are met.

38.2.18 A/D Compare Function Window A Channel Select Register 0 (ADCMPANSR0)

Address(es): ADC140.ADCMPANSR0 4005 C094h

	b15	b14	b13	b12	b11	b10	b9	b8	b7	b6	b5	b4	b3	b2	b1	b0
	CMPC HA15	CMPC HA14	CMPC HA13	CMPC HA12	CMPC HA11	CMPC HA10	CMPC HA09	CMPC HA08	CMPC HA07	CMPC HA06	CMPC HA05	CMPC HA04	CMPC HA03	CMPC HA02	CMPC HA01	CMPC HA00
Value after reset:	0	0	0	0	0	0	0	0	0	0	0	0	0	0	0	0

Bit	Symbol	Bit name	Description	R/W
b15 to b0	CMPCHA15 to CMPCHA00	Compare Window A Channel Select	0: Disable compare function for the associated input channel 1: Enable compare function for the associated input channel. Bit [15] (CMPCHA15) is associated with AN015 and bit [0] (CMPCHA00) is associated with AN000.	R/W

CMPCHAN bits (n = 00 to 15) (Compare Window A Channel Select)

The compare function is enabled by writing 1 to the CMPCHAN bit with the same number as the A/D conversion channel selected in the ADANSA0.ANSAn bits (n = 00 to 15) and the ADANSB0.ANSBn bits (n = 00 to 15).

Only set the CMPCHAN bits while the ADCSR.ADST bit is 0.

38.2.19 A/D Compare Function Window A Channel Select Register 1 (ADCMPANSR1)

Address(es): ADC140.ADCMPANSR1 4005 C096h

b15	b14	b13	b12	b11	b10	b9	b8	b7	b6	b5	b4	b3	b2	b1	b0
—	—	—	—	CMPC HA27	CMPC HA26	CMPC HA25	CMPC HA24	CMPC HA23	CMPC HA22	CMPC HA21	CMPC HA20	CMPC HA19	CMPC HA18	CMPC HA17	CMPC HA16
Value after reset: 0 0 0 0 0 0 0 0 0 0 0 0 0 0 0 0															

Bit	Symbol	Bit name	Description	R/W
b11 to b0	CMPCA27 to CMPCA16	Compare Window A Channel Select	0: Disable compare function for associated input channel 1: Enable compare function for associated input channel. Bit [11] (CMPCA27) is associated with AN027 and bit [0] (CMPCA16) is associated with AN016.	R/W
b15 to b12	—	Reserved	These bits are read as 0. The write value should be 0.	R/W

CMPCAn bits (n = 16 to 27) (Compare Window A Channel Select)

The compare function is enabled by writing 1 to the CMPCAn bit with the same number as the A/D conversion channel selected in the ADANSA1.ANSAn bits (n = 16 to 27) and the ADANSB1.ANSBn bits (n = 16 to 27).

Only set the CMPCAn bits while the ADCSR.ADST bit is 0.

38.2.20 A/D Compare Function Window A Extended Input Select Register (ADCMPANSER)

Address(es): ADC140.ADCMPANSER 4005 C092h

b7	b6	b5	b4	b3	b2	b1	b0
—	—	—	—	—	—	CMPO CA	CMPTS A
Value after reset: 0 0 0 0 0 0 0 0							

Bit	Symbol	Bit name	Description	R/W
b0	CMPTSA	Temperature Sensor Output Compare Select	0: Exclude the temperature sensor output from the compare window A target range 1: Include the temperature sensor output in the compare window A target range.	R/W
b1	CMPOCA	Internal Reference Voltage Compare Select	0: Exclude the internal reference voltage from the compare window A target range 1: Include the internal reference voltage in the compare window A target range.	R/W
b7 to b2	—	Reserved	These bits are read as 0. The write value should be 0.	R/W

CMPTSA bit (Temperature Sensor Output Compare Select)

The compare window A function is enabled by setting the CMPTSA bit to 1 while the ADEXICR.TSSA bit is 1.

Only set the CMPTSA bit while the ADCSR.ADST bit is 0.

CMPOCA bit (Internal Reference Voltage Compare Select)

The compare window A function is enabled by setting the CMPOCA bit to 1 while the ADEXICR.OCSA bit is 1.

Only set the CMPOCA bit while the ADCSR.ADST bit is 0.

38.2.21 A/D Compare Function Window A Comparison Condition Setting Register 0 (ADCMPLR0)

Address(es): [ADC140.ADCMPLR0 4005 C098h](#)

b15	b14	b13	b12	b11	b10	b9	b8	b7	b6	b5	b4	b3	b2	b1	b0
CMPLC HA15	CMPLC HA14	CMPLC HA13	CMPLC HA12	CMPLC HA11	CMPLC HA10	CMPLC HA09	CMPLC HA08	CMPLC HA07	CMPLC HA06	CMPLC HA05	CMPLC HA04	CMPLC HA03	CMPLC HA02	CMPLC HA01	CMPLC HA00
Value after reset: 0 0 0 0 0 0 0 0 0 0 0 0 0 0 0 0															

Bit	Symbol	Bit name	Description	R/W
b15 to b0	CMPLCHA15 to CMPLCHA00	Compare Window A Comparison Condition Select	These bits set comparison conditions for channels AN000 to AN015 to which window A comparison conditions are applied. Comparison conditions are shown in Figure 38.3 . <ul style="list-style-type: none"> When the window function is disabled (ADCMPCR.WCMPE = 0): <ul style="list-style-type: none"> 0: ADCMPDR0 value > A/D-converted value 1: ADCMPDR0 value < A/D-converted value. When the window function is enabled (ADCMPCR.WCMPE = 1): <ul style="list-style-type: none"> 0: A/D-converted value < ADCMPDR0 value, or ADCMPDR1 value < A/D-converted value 1: ADCMPDR0 value < A/D-converted value < ADCMPDR1 value. 	R/W

CMPLCHAN bits (n = 00 to 15) (Compare Window A Comparison Condition Select)

The CMPLCHAN bits select comparison conditions for channels AN000 to AN015, to which window A comparison conditions are applied. These bits can be set for each analog input to be compared. CMPLCHA00, CMPLCHA07, and CMPLCHA15 are associated with AN000, AN007, and AN015, respectively. When the comparison result of each analog input meets the set condition, the ADCMPSR0.CMPSTCHAN flag is set to 1 and a compare interrupt (ADC140_CMPAI) is generated.

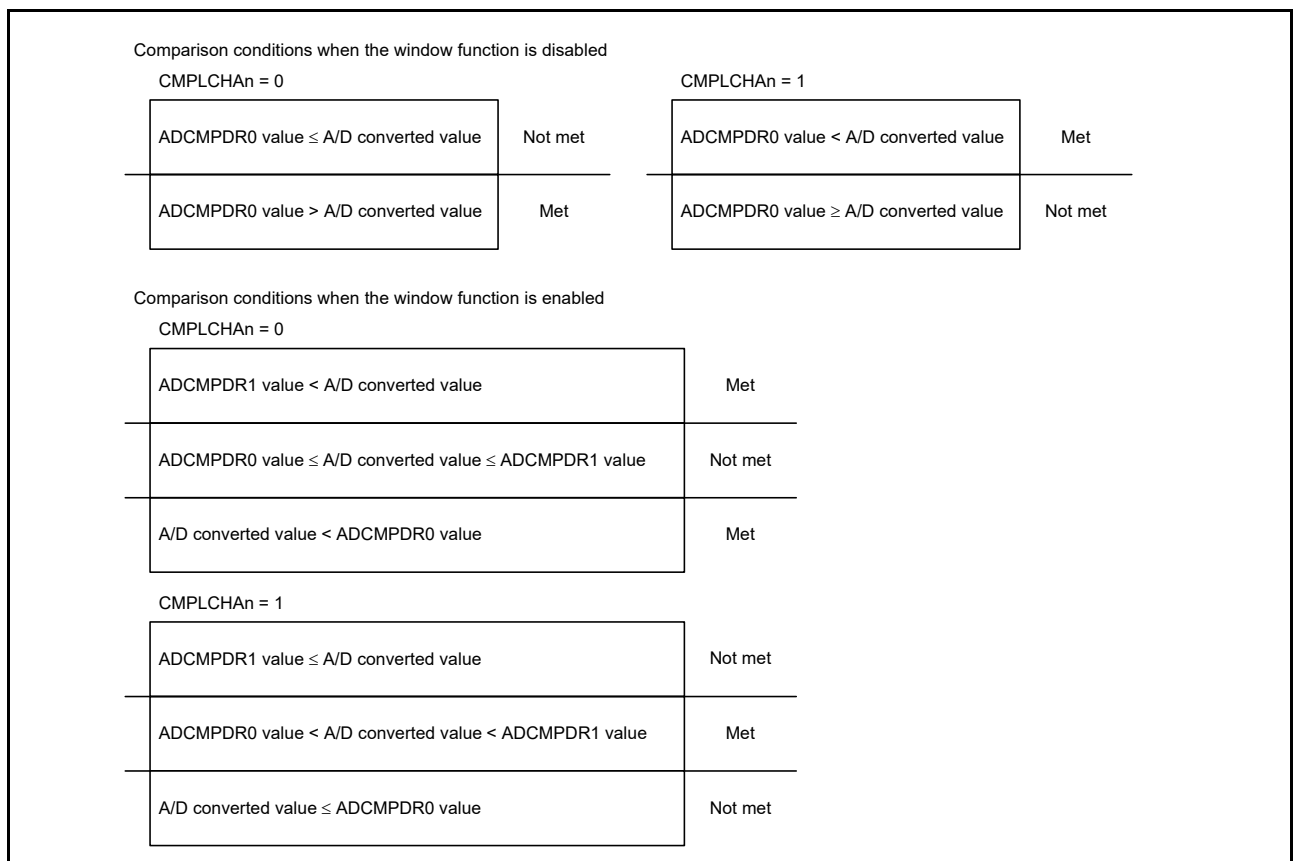


Figure 38.3 Explanation of comparison conditions for compare function window A

38.2.22 A/D Compare Function Window A Comparison Condition Setting Register 1 (ADCMPLR1)

Address(es): ADC140.ADCMPLR1 4005 C09Ah

b15	b14	b13	b12	b11	b10	b9	b8	b7	b6	b5	b4	b3	b2	b1	b0
—	—	—	—	CMPLCHA27	CMPLCHA26	CMPLCHA25	CMPLCHA24	CMPLCHA23	CMPLCHA22	CMPLCHA21	CMPLCHA20	CMPLCHA19	CMPLCHA18	CMPLCHA17	CMPLCHA16
Value after reset:	0	0	0	0	0	0	0	0	0	0	0	0	0	0	0

Bit	Symbol	Bit name	Description	R/W
b11 to b0	CMPLCHA27 to CMPLCHA16	Compare Window A Comparison Condition Select	These bits set comparison conditions for channels AN016 to AN027 to which window A comparison conditions are applied. Comparison conditions are shown in Figure 38.3 . <ul style="list-style-type: none"> When the window function is disabled (ADCMPCR.WCMPE = 0): <ul style="list-style-type: none"> 0: ADCMPDR0 value > A/D-converted value 1: ADCMPDR0 value < A/D-converted value. When the window function is enabled (ADCMPCR.WCMPE = 1): <ul style="list-style-type: none"> 0: A/D-converted value < ADCMPDR0 value, or ADCMPDR1 value < A/D-converted value 1: ADCMPDR0 value < A/D-converted value < ADCMPDR1 value. 	R/W
b15 to b12	—	Reserved	These bits are read as 0. The write value should be 0.	R/W

CMPLCHAN bits (n = 16 to 27) (Compare Window A Comparison Condition Select)

The CMPLCHAN bits select the comparison conditions for channels AN016 to AN027 to which window A comparison conditions are applied. These bits can be set for each analog input to be compared. CMPLCHA16, CMPLCHA23, and CMPLCHA27 are associated with AN016, AN023, and AN027, respectively. When the comparison result of each analog input meets the set condition, the ADCMPDR1.CMPSTCHAN bit is set to 1 and a compare interrupt (ADC140_CMPAI) is generated.

38.2.23 A/D Compare Function Window A Extended Input Comparison Condition Setting Register (ADCMPLER)

Address(es): ADC140.ADCMPLER 4005 C093h

b7	b6	b5	b4	b3	b2	b1	b0
—	—	—	—	—	—	CMPLCA	CMPLTSA
Value after reset:	0	0	0	0	0	0	0

Bit	Symbol	Bit name	Description	R/W
b0	CMPLTSA	Compare Window A Temperature Sensor Output Comparison Condition Select	Comparison conditions are shown in Figure 38.3 . <ul style="list-style-type: none"> When the window function is disabled (ADCMPCR.WCMPE = 0): <ul style="list-style-type: none"> 0: ADCMPDR0 value > A/D-converted value 1: ADCMPDR0 value < A/D-converted value. When the window function is enabled (ADCMPCR.WCMPE bit = 1): <ul style="list-style-type: none"> 0: A/D-converted value < ADCMPDR0 value, or A/D-converted value > ADCMPDR1 value 1: ADCMPDR0 value < A/D-converted value < ADCMPDR1 value. 	R/W
b1	CMPLCA	Compare Window A Internal Reference Voltage Comparison Condition Select	Comparison conditions are shown in Figure 38.3 . <ul style="list-style-type: none"> When window function is disabled (ADCMPCR.WCMPE bit = 0): <ul style="list-style-type: none"> 0: ADCMPDR0 value > A/D-converted value 1: ADCMPDR0 value < A/D-converted value. When window function is enabled (ADCMPCR.WCMPE bit = 1): <ul style="list-style-type: none"> 0: A/D-converted value < ADCMPDR0 value, or A/D-converted value > ADCMPDR1 value 1: ADCMPDR0 value < A/D-converted value < ADCMPDR1 value. 	R/W
b7 to b2	—	Reserved	These bits are read as 0. The write value should be 0.	R/W

CMPLTSA bit (Compare Window A Temperature Sensor Output Comparison Condition Select)

The CMPLTSA bit selects comparison conditions when the temperature sensor output is the target for the window A comparison condition. When the temperature sensor output comparison result meets the set condition, the ADCMPSER.CMPSTTSA flag is set to 1 and a compare interrupt (ADC140_CMPAI) is generated.

CMPLOCA bit (Compare Window A Internal Reference Voltage Comparison Condition Select)

The CMPLOCA bit selects comparison conditions when the internal reference voltage is the target for the window A comparison condition. When the internal reference voltage comparison result meets the set condition, the ADCMPSER.CMPSTOCA bit is set to 1 and a compare interrupt (ADC140_CMPAI) is generated.

38.2.24 A/D Compare Function Window A Lower-Side Level Setting Register (ADCMPDR0), A/D Compare Function Window A Upper-Side Level Setting Register (ADCMPDR1), A/D Compare Function Window B Lower-Side Level Setting Register (ADWINLLB), A/D Compare Function Window B Upper-Side Level Setting Register (ADWINULB)

Address(es): ADC140.ADCMPDR0 4005 C09Ch, ADC140.ADCMPDR1 4005 C09Eh,
ADC140.ADWINLLB 4005 C0A8h, ADC140.ADWINULB 4005 C0AAh



Bit	Symbol	Bit name	Description	R/W
b15 to b0	—	—	Reference value	R/W

The ADCMPDR_y (y = 0, 1) register sets the reference data when the compare window A function is used. ADCMPDR0 sets the lower reference for window A, and ADCMPDR1 sets the upper reference for window A.

ADWINULB and ADWINLLB set the reference data when the compare window B function is used. ADWINLLB sets the lower reference for window B, and ADWINULB sets the upper reference for window B. The ADCMPDR_y, ADWINULB, and ADWINLLB are read/write.

ADCMPDR_y, ADWINULB, and ADWINLLB are writable even during A/D conversion. The reference data can be dynamically modified by rewriting register values during A/D conversion.*1

Set these registers so that the upper reference is not less than the lower reference (ADCMPDR1 ≥ ADCMPDR0, ADWINULB ≥ ADWINLLB). ADCMPDR1 and ADWINULB are not used when the window function is disabled.

Note 1. The lower and the upper references are changed when each register is written. For example, when the upper reference value is changed and the lower reference value is being changed, the MCU compares the upper reference (after rewrite), and the lower reference (before rewrite) with the A/D conversion result. See Figure 38.4. If the comparison during the rewriting of these two references is erroneous, then rewrite these reference values when both ADCSR.ADST and the associated compare window operation enable bit (ADCMPPCR.CMPAE or ADCMPPCR.CMPBE) is 0.

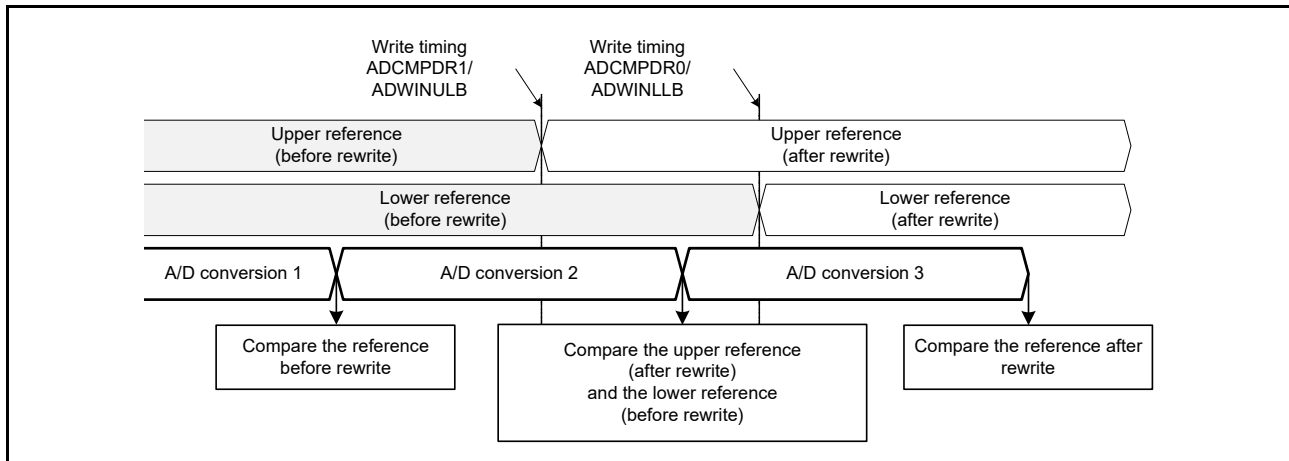


Figure 38.4 Comparison between upper reference and lower reference before and after a rewrite

The ADCMPDRy, ADWINLLB, and ADWINULB registers use different formats depending on the following conditions:

- The value of the A/D Data Register Format Select bit (flush-right or flush-left)
- The value of the A/D Conversion Accuracy Specify bit (14-bit or 12-bit)
- The value of the A/D-Converted Value Addition/Average Channel Select bits (A/D-converted value addition mode selected or not selected).

The data formats for each given condition are as follows:

(1) When A/D-converted value addition mode is not selected

- Flush-right data with 14-bit accuracy: Lower 14 bits [13:0] are valid
- Flush-right data with 12-bit accuracy: Lower 12 bits [11:0] are valid
- Flush-left data with 14-bit accuracy: Upper 14 bits [15:2] are valid
- Flush-left data with 12-bit accuracy: Upper 12 bit [15:4] are valid.

(2) When A/D-converted value addition mode is selected

- Flush-right data with 14-bit accuracy: All bits [15:0] are valid
- Flush-right data with 12-bit accuracy: Lower 14 bits [13:0] are valid
- Flush-left data with 14-bit accuracy: All bits [15:0] are valid
- Flush-left data with 12-bit accuracy: Upper 14 bits [15:2] are valid.

38.2.25 A/D Compare Function Window A Channel Status Register 0 (ADCMPSR0)

Address(es): ADC140.ADCMPSR0 4005 C0A0h

b15	b14	b13	b12	b11	b10	b9	b8	b7	b6	b5	b4	b3	b2	b1	b0
CMPST CHA15	CMPST CHA14	CMPST CHA13	CMPST CHA12	CMPST CHA11	CMPST CHA10	CMPST CHA09	CMPST CHA08	CMPST CHA07	CMPST CHA06	CMPST CHA05	CMPST CHA04	CMPST CHA03	CMPST CHA02	CMPST CHA01	CMPST CHA00
Value after reset: 0 0 0 0 0 0 0 0 0 0 0 0 0 0 0 0															

Bit	Symbol	Bit name	Description	R/W
b15 to b0	CMPSTCHA15 to CMPSTCHA00	Compare Window A Flag	When window A operation is enabled (ADCMPCR.CMPAE = 1b), these bits indicate the comparison result for channels AN000 to AN015, to which window A comparison conditions are applied: 0: Comparison conditions are not met 1: Comparison conditions are met.	R/W

CMPSTCHAN bits (n = 00 to 15) (Compare Window A Flag)

The CMPSTCHAN bits are comparison result status flags for channels AN000 to AN015 to which window A comparison conditions are applied. When the comparison condition set in ADCMPLR0.CMPLCHAN is met at the end of A/D conversion, the corresponding bit is set to 1. When the ADCMPCR.CMPAIE bit is 1, a compare interrupt (ADC140_CMPAI) request is generated when this bit is set to 1. CMPSTCHA00, CMPSTCHA07, and CMPSTCHA15 correspond to AN000, AN007, and AN015, respectively.

Writing 1 to the CMPSTCHAN bits is invalid.

[Setting condition]

- The condition set in ADCMPLR0.CMPLCHAN is met when ADCMPCR.CMPAE = 1.

[Clearing condition]

- Writing 0 after reading 1.

38.2.26 A/D Compare Function Window A Channel Status Register1 (ADCMPSR1)

Address(es): ADC140.ADCMPSR1 4005 C0A2h

b15	b14	b13	b12	b11	b10	b9	b8	b7	b6	b5	b4	b3	b2	b1	b0
—	—	—	—	CMPST CHA27	CMPST CHA26	CMPST CHA25	CMPST CHA24	CMPST CHA23	CMPST CHA22	CMPST CHA21	CMPST CHA20	CMPST CHA19	CMPST CHA18	CMPST CHA17	CMPST CHA16
Value after reset: 0 0 0 0 0 0 0 0 0 0 0 0 0 0 0 0															

Bit	Symbol	Bit name	Description	R/W
b11 to b0	CMPSTCHA27 to CMPSTCHA16	Compare Window A Flag	When window A operation is enabled (ADCMPCR.CMPAE = 1), these bits indicate the comparison result for channels AN016 to AN027, to which window A comparison conditions are applied: 0: Comparison conditions are not met 1: Comparison conditions are met.	R/W
b15 to b12	—	Reserved	These bits are read as 0. The write value should be 0.	R/W

CMPSTCHAN bits (n = 16 to 27) (Compare Window A Flag)

The CMPSTCHAN bits are comparison result status flags for channels AN016 to AN027, to which window A comparison conditions are applied. When the comparison condition set in ADCMPLR1.CMPLCHAN is met at the end of A/D conversion, the associated CMPSTCHAN bit is set to 1. When the ADCMPCR.CMPAIE bit is 1, a compare interrupt (ADC140_CMPAI) request is generated when this bit is set to 1. CMPSTCHA16, CMPSTCHA20, CMPSTCHA27 correspond to AN016, AN020, and AN027, respectively. Writing 1 to the CMPSTCHAN bits is invalid.

[Setting condition]

- The condition set in ADCMPLR1.CMPLCHAN is met when ADCMPCR.CMPAE = 1.

[Clearing condition]

- Writing 0 after reading 1.

38.2.27 A/D Compare Function Window A Extended Input Channel Status Register (ADCMPSER)

Address(es): [ADC140.ADCMPSER 4005 C0A4h](#)

	b7	b6	b5	b4	b3	b2	b1	b0
	—	—	—	—	—	—	CMPST OCA	CMPST TSA
Value after reset:	0	0	0	0	0	0	0	0

Bit	Symbol	Bit name	Description	R/W
b0	CMPSTTSA	Compare Window A Temperature Sensor Output Compare Flag	When window A operation is enabled (ADCMPPCR.CMPAE = 1), this bit indicates the temperature sensor output comparison result: 0: Comparison conditions are not met 1: Comparison conditions are met.	R/W
b1	CMPSTOCA	Compare Window A Internal Reference Voltage Compare Flag	When window A operation is enabled (ADCMPPCR.CMPAE = 1), this bit indicates the internal reference voltage comparison result: 0: Comparison conditions are not met 1: Comparison conditions are met.	R/W
b7 to b2	—	Reserved	These bits are read as 0. The write value should be 0.	R/W

CMPSTTSA bit (Compare Window A Temperature Sensor Output Compare Flag)

The CMPSTTSA bit is a status flag that indicates the temperature sensor output comparison result. When the comparison condition set in ADCMPPLER.CMPLTSA is met at the end of A/D conversion, this bit is set to 1. When the ADCMPPCR.CMPAIE bit is 1, a compare interrupt (ADC140_CMPAI) request is generated when this bit is set to 1.

Writing 1 to the CMPSTTSA bit is invalid.

[Setting condition]

- The condition set in ADCMPPLER.CMPLTSA is met when ADCMPPCR.CMPAE = 1.

[Clearing condition]

- Writing 0 after reading 1.

CMPSTOCA bit (Compare Window A Internal Reference Voltage Compare Flag)

The CMPSTOCA bit is a status flag that indicates the internal reference voltage comparison result. When the comparison condition set in ADCMPPLER.CMPLOCA is met at the end of A/D conversion, this bit is set to 1. When the ADCMPPCR.CMPAIE bit is 1, a compare interrupt (ADC140_CMPAI) request is generated when this flag is set to 1.

Writing 1 to the CMPSTOCA bit is invalid.

[Setting condition]

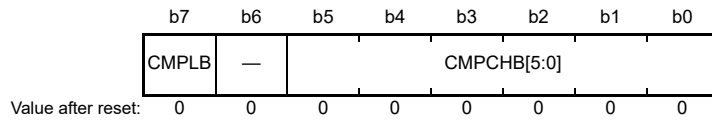
- The condition set in ADCMPPLER.CMPLOCA is met when ADCMPPCR.CMPAE = 1.

[Clearing condition]

- Writing 0 after reading 1.

38.2.28 A/D Compare Function Window B Channel Select Register (ADCMPBNSR)

Address(es): ADC140.ADCMPBNSR 4005 C0A6h



Bit	Symbol	Bit name	Description	R/W
b5 to b0	CMPCHB[5:0]	Compare Window B Channel Select	These bits select channels to be compared with the compare window B conditions: b5 b0 0 0 0 0 0 0: AN000 0 0 0 0 0 1: AN001 0 0 0 0 1 0: AN002 : 0 1 1 0 0 1: AN025 0 1 1 0 1 0: AN026 0 1 1 0 1 1: AN027 1 0 0 0 0 0: Temperature sensor 1 0 0 0 0 1: Internal reference voltage 1 1 1 1 1 1: Do not select. Other settings are prohibited.	R/W
b6	—	Reserved	This bit is read as 0. The write value should be 0.	R/W
b7	CMPLB	Compare Window B Comparison Condition Setting	This bit sets comparison conditions for channels for window B. The comparison conditions are shown in Figure 38.5 . <ul style="list-style-type: none"> When the window function is disabled (ADCMPCR.WCMPE = 0): 0: ADWINLLB value > A/D-converted value 1: ADWINLLB value < A/D-converted value. When the window function is enabled (ADCMPCR.WCMPE = 1): 0: A/D-converted value < ADWINLLB value, or ADWINULB value < A/D-converted value 1: ADWINLLB value < A/D-converted value < ADWINULB value. 	R/W

CMPCHB[5:0] bits (Compare Window B Channel Select)

The CMPCHB[5:0] bits are used to select channels to be compared with the compare window B conditions from AN000 to AN027, the temperature sensor, and the internal reference voltage. The compare window B function is enabled by specifying the hexadecimal number of the A/D conversion channel selected in the following bits:

- ADANSA0.ANSAn bits (n = 00 to 15)
- ADANSA1.ANSAn bits (n = 16 to 27)
- ADANSB0.ANSBn bits (n = 00 to 15)
- ADANSB1.ANSBn bits (n = 16 to 27).

Set CMPCHB[5:0] bits while the ADCSR.ADST bit is 0.

CMPLB bit (Compare Window B Comparison Condition Setting)

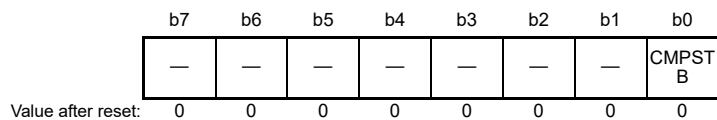
The CMPLB bit selects the comparison conditions for channels for window B. When the comparison result of each analog input meets the set condition, the ADCMPBSR.CMPSTB bit is set to 1 and a compare interrupt (ADC140_CMPBI) request is generated.

Compare conditions when the window function is disabled			
CMPLB = 0		CMPLB = 1	
ADWINLLB value ≤ A/D converted value	Not met	ADWINLLB value < A/D converted value	Met
ADWINLLB value > A/D converted value	Met	ADWINLLB value ≥ A/D converted value	Not met
Compare conditions when the window function is enabled			
CMPLB = 0			
A/D converted value > ADWINULB value		Met	
ADWINLLB value ≤ A/D converted value ≤ ADWINULB value		Not met	
A/D converted value < ADWINLLB value		Met	
CMPLB = 1			
A/D converted value ≥ ADWINULB value		Not met	
ADWINLLB value < A/D converted value < ADWINULB value		Met	
A/D converted value ≤ ADWINLLB value		Not met	

Figure 38.5 Explanation of compare conditions for compare function window B

38.2.29 A/D Compare Function Window B Status Register (ADCMPBSR)

Address(es): [ADC140.ADCMPBSR 4005 C0ACh](#)



Bit	Symbol	Bit name	Description	R/W
b0	CMPSTB	Compare Window B Flag	When window B operation is enabled (ADCMPCR.CMPBE = 1), this bit indicates the comparison result for channels AN000 to AN027, temperature sensor output, and internal reference voltage, to which window B comparison conditions are applied: 0: Comparison conditions are not met 1: Comparison conditions are met.	R/W
b7 to b1	—	Reserved	These bits are read as 0. The write value should be 0.	R/W

[CMPSTB bit \(Compare Window B Flag\)](#)

CMPSTB is a status flag that indicates the comparison result for channels (AN000 to AN027, the temperature sensor, and the internal reference voltage) to which window B comparison conditions are applied. When the comparison condition that is set in ADCMPBSR.CMPLB is met at the end of A/D conversion, this bit is set to 1. When the ADCMPCR.CMPBIE bit is 1, a compare interrupt (ADC140_CMPBI) request is generated when this flag is set to 1.

Writing 1 to the CMPSTB bit is invalid.

[Setting condition]

- The condition set in ADCMPBSR.CMPLB is met when ADCMPCR.CMPBE = 1.

[Clearing condition]

- Writing 0 after reading 1.

38.2.30 A/D Compare Function Window A/B Status Monitor Register (ADWINMON)

Address(es): ADC140.ADWINMON 4005 C08Ch

b7	b6	b5	b4	b3	b2	b1	b0
—	—	MONC MPB	MONC MPA	—	—	—	MONC OMB
0	0	0	0	0	0	0	0

Value after reset:

Bit	Symbol	Bit name	Description	R/W
b0	MONCOMB	Combination Result Monitor	This bit indicates the combination result. This bit is valid when both window A and window B operations are enabled. 0: Window A/window B composite conditions are not met 1: Window A/window B composite conditions are met.	R
b3 to b1	—	Reserved	These bits are read as 0.	R
b4	MONCMPA	Comparison Result Monitor A	0: Window A comparison conditions are not met 1: Window A comparison conditions are met.	R
b5	MONCMPB	Comparison Result Monitor B	0: Window B comparison conditions are not met 1: Window B comparison conditions are met.	R
b7, b6	—	Reserved	These bits are read as 0.	R

MONCOMB bit (Combination Result Monitor)

The read-only MONCOMB bit indicates the result in combination of comparison condition result A and comparison result condition B with the combination condition set in the ADCMPCR.CMPAB[1:0] bits.

[Setting condition]

- The combined result meets the combination condition set in the ADCMPCR.CMPAB[1:0] bits when ADCMPCR.CMPAE = 1 and ADCMPCR.CMPBE = 1.

[Clearing conditions]

- The combined result does not meet the combination condition set in the ADCMPCR.CMPAB[1:0] bits
- ADCMPCR.CMPAE = 0 or ADCMPCR.CMPBE = 0.

MONCMPA bit (Comparison Result Monitor A)

The read-only MONCMPA bit is read as 1 when the A/D-converted value of the window A target channel meets the condition set in ADCMPLR0/ADCMPLR1 and ADCMPLER. Otherwise, it is read as 0.

[Setting condition]

- The A/D-converted value meets the condition set in ADCMPLR0.CMPLCHAN when ADCMPCR.CMPAE = 1.

[Clearing conditions]

- The A/D-converted value does not meet the condition set in ADCMPLR0.CMPLCHAN when ADCMPCR.CMPAE = 1
- ADCMPCR.CMPAE = 0 (automatically cleared when the ADCMPCR.CMPAE value changes from 1 to 0).

MONCMPB bit (Comparison Result Monitor B)

The read-only MONCMPB bit is read as 1 when the A/D-converted value of the window B target channel meets the condition set in the ADCMPBNSR.CMPLB bit. Otherwise, it is read as 0.

[Setting condition]

- The A/D-converted value meets the condition set in ADCMPBNSR.CMPLB when ADCMPCR.CMPBE = 1.

[Clearing conditions]

- The A/D-converted value does not meet the condition set in ADCMPBNSR.CMPLB when ADCMPCR.CMPBE = 1
- ADCMPCR.CMPBE = 0 (automatically cleared when the ADCMPCR.CMPBE value changes from 1 to 0).

38.2.31 A/D High-Potential/Low-Potential Reference Voltage Control Register (ADHVREFCNT)

Address(es): ADC140.ADHVREFCNT 4005 C08Ah

b7	b6	b5	b4	b3	b2	b1	b0
ADSLP	—	—	LVSEL	—	—	HVSEL[1:0]	
Value after reset:	0	0	0	0	0	0	0

Bit	Symbol	Bit name	Description	R/W
b1, b0	HVSEL[1:0]	High-Potential Reference Voltage Select	b1 b0 0 0: AVCC0 is selected as the high-potential reference voltage 0 1: VREFH0 is selected as the high-potential reference voltage 1 0: Internal reference voltage is selected as the high-potential reference voltage 1 1: Internal node discharge. No reference voltage pin is selected.	R/W
b3, b2	—	Reserved	These bits are read as 0. The write value should be 0.	R/W
b4	LVSEL	Low-Potential Reference Voltage Select	0: AVSS0 is selected as the low-potential reference voltage 1: VREFL0 is selected as the low-potential reference voltage.	R/W
b6, b5	—	Reserved	These bits are read as 0. The write value should be 0.	R/W
b7	ADSLP	Sleep	0: Normal operation 1: Standby state.	R/W

[HVSEL\[1:0\] bits \(High-Potential Reference Voltage Select\)](#)

The HVSEL[1:0] bits specify the high-potential reference voltage as AVCC0, VREFH0, or the internal reference voltage (1.45 V).

Before selecting the internal reference voltage by setting these bits to 10b, set HVSEL[1:0] = 11b to discharge the path of the high-potential reference voltage. After the discharge completes, set HVSEL[1:0] = 10b and start the A/D conversion.

When the internal reference voltage is selected as the high-potential reference voltage (HVSEL[1:0] = 10b), A/D conversion is possible for channels AN000 to AN027, but A/D conversion of the internal reference voltage and the temperature sensor output is prohibited.

[LVSEL bit \(Low-Potential Reference Voltage Select\)](#)

The LVSEL bit specifies the low-potential reference voltage as AVSS0 or VREFL0.

[ADSLP bit \(Sleep\)](#)

The ADSLP bit is used to transition the ADC14 to the standby state. Set the ADSLP bit to 1 only when modifying the ADCSR.ADHSC bit. In other cases, setting the ADSLP bit to 1 is prohibited.

After the ADSLP bit is set to 1, wait at least 5 μ s before clearing it to 0. Also, after the ADSLP bit is set to 0, wait at least 1 μ s, then start the A/D conversion.

For the ADHSC bit rewriting procedure, see [section 38.8.8, ADHSC Bit Rewriting Procedure](#).

38.3 Operation

38.3.1 Scanning Operation

In scanning, A/D conversion is performed sequentially on the analog inputs of the specified channels.

Scan conversion is performed in three operating modes and two conversion modes.

The three operating modes are:

- Single scan mode
- Continuous scan mode
- Group scan mode.

The two conversion modes are:

- High-speed A/D conversion mode
- Low-power A/D conversion mode.

In single scan mode, one or more specified channels are scanned once. In continuous scan mode, one or more specified channels are scanned repeatedly until software sets the ADCSR.ADST bit to 0 from 1. In group scan mode, the selected channels of group A and group B are scanned once after scan starts in response to the respective synchronous trigger (ELC).

In single scan mode and continuous scan mode, A/D conversion is performed on ANn channels selected by the ADANSA0 and ADANSA1 registers, starting from the channel with the smallest number n. In group scan mode, A/D conversion is performed on ANn channels in group A selected in the ADANSA0 and ADANSA1 registers first, and then performed on ANn channels in group B selected in the ADANSB0 and ADANSB1 registers, respectively, starting from the channel with the smallest number n.

When self-diagnosis is selected, it is executed once at the beginning of each scan, and one of the three voltages internally generated in the ADC14 is converted.

Simultaneous selection of both temperature sensor output and internal reference voltage is prohibited. If the internal reference voltage is selected as the reference voltage on the high potential side, A/D conversion of the temperature sensor or the internal reference voltage is also prohibited. When temperature sensor output or internal reference voltage is selected, single scan mode should be used.

Double-trigger mode can be used with single scan mode or group scan mode. With double-trigger mode enabled (ADCSR.DBLE is 1), A/D conversion data of a channel selected in the ADCSR.DBLANS[4:0] bits is duplicated only if the conversion is started by the synchronous trigger (ELC) selected in the ADSTRGR.TRSA[5:0] bits. In group scan mode, only group A can use the double-trigger mode.

In the extended operation of double-trigger mode, the A/D conversion operation is generated from the synchronous trigger combination selected in the ADSTRGR.TRSA[5:0] bits. In addition to normal double-trigger mode operation, A/D conversion data with odd number triggers (ELC_AD00) is stored into the A/D Data Duplexing Register A (ADDBLDRA), and A/D conversion data with even number triggers (ELC_AD01) is stored into the A/D Data Duplexing Register B (ADDBLDRB). In extended operation of double-trigger mode, when a combination of triggers occurs at the same time, data duplexing register settings for the specified triggers do not work, and A/D conversion data is stored into the A/D Data Duplexing Register B (ADDBLDRB). The ADC14 ignores a synchronous trigger that occurs during the A/D conversion started by another synchronous trigger.

38.3.2 Single Scan Mode

38.3.2.1 Basic operation

In basic operation of single scan mode, A/D conversion is performed once on the analog input of the specified channels as follows:

1. When the ADCSR.ADST bit is set to 1 (starting A/D conversion) by a software trigger, a synchronous trigger input (ELC), or an asynchronous trigger input, A/D conversion is performed on ANn channels selected in the ADANSA0 and ADANSA1 registers, starting from the channel with the smallest number n.
2. Each time A/D conversion of a single channel completes, the A/D conversion result is stored in the associated A/D data register (ADDRy).
3. When A/D conversion of all the selected channels completes, an ADC140_ADI interrupt request is generated.
4. The ADST bit remains 1 (starting A/D conversion) during A/D conversion, and is automatically set to 0 when A/D conversion of all the selected channels completes. The ADC14 then enters a wait state.

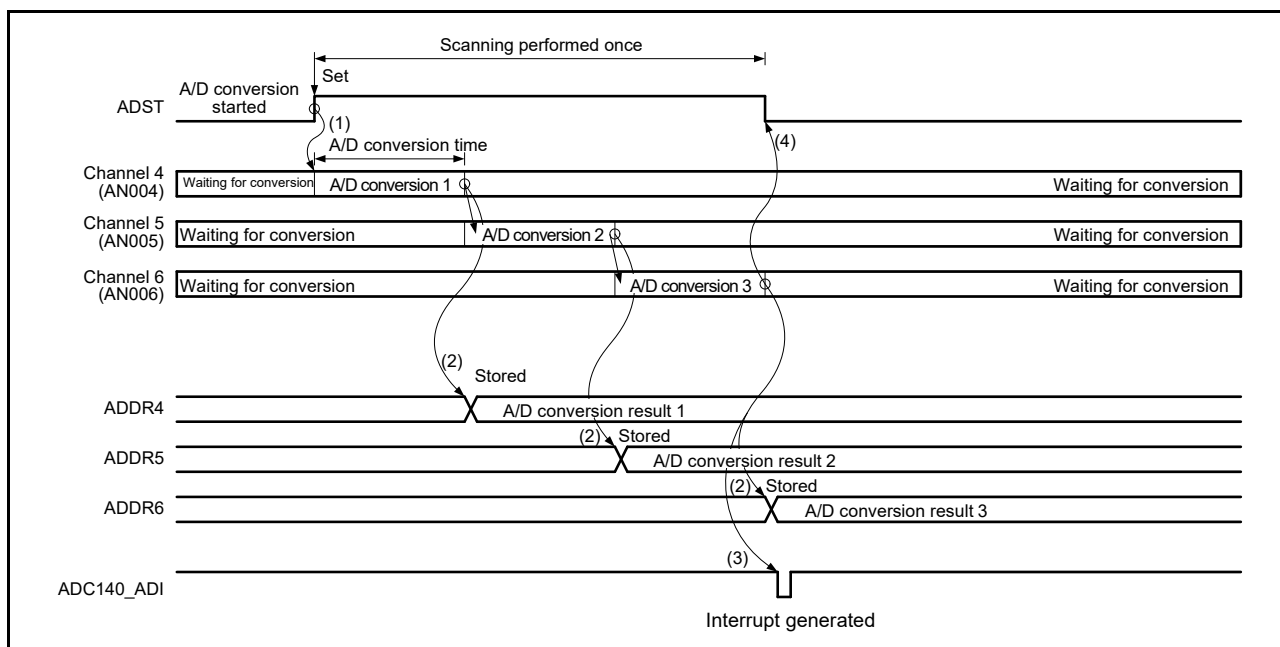


Figure 38.6 Example of basic operation in single scan mode when AN004 to AN006 are selected

38.3.2.2 Channel selection and self-diagnosis

When channels and self-diagnosis are selected, A/D conversion is first performed on the reference voltage VREFH0 ($\times 0$, $\times 1/2$, or $\times 1$) supplied to ADC14.

Then A/D conversion is performed once on the analog input of the selected channels as follows:

1. A/D conversion for self-diagnosis is first started when the ADCSR.ADST bit is set to 1 (starting A/D conversion) by a software trigger, a synchronous trigger input (ELC), or an asynchronous trigger input.
2. When A/D conversion for self-diagnosis completes, the A/D conversion result is stored into the A/D Self-Diagnosis Data Register (ADDRD). A/D conversion is then performed for the ANn channels selected in the ADANSA0 and ADANSA1 registers, starting from the channel with the smallest number n.
3. Each time A/D conversion of a single channel completes, the A/D conversion result is stored into the associated A/D data register (ADDRy).
4. When A/D conversion of all the selected channels completes, an ADC140_ADI interrupt request is generated.
5. The ADST bit remains 1 (starting A/D conversion) during A/D conversion and is automatically set to 0 when A/D conversion of all the selected channels completes. The ADC14 then enters a wait state.

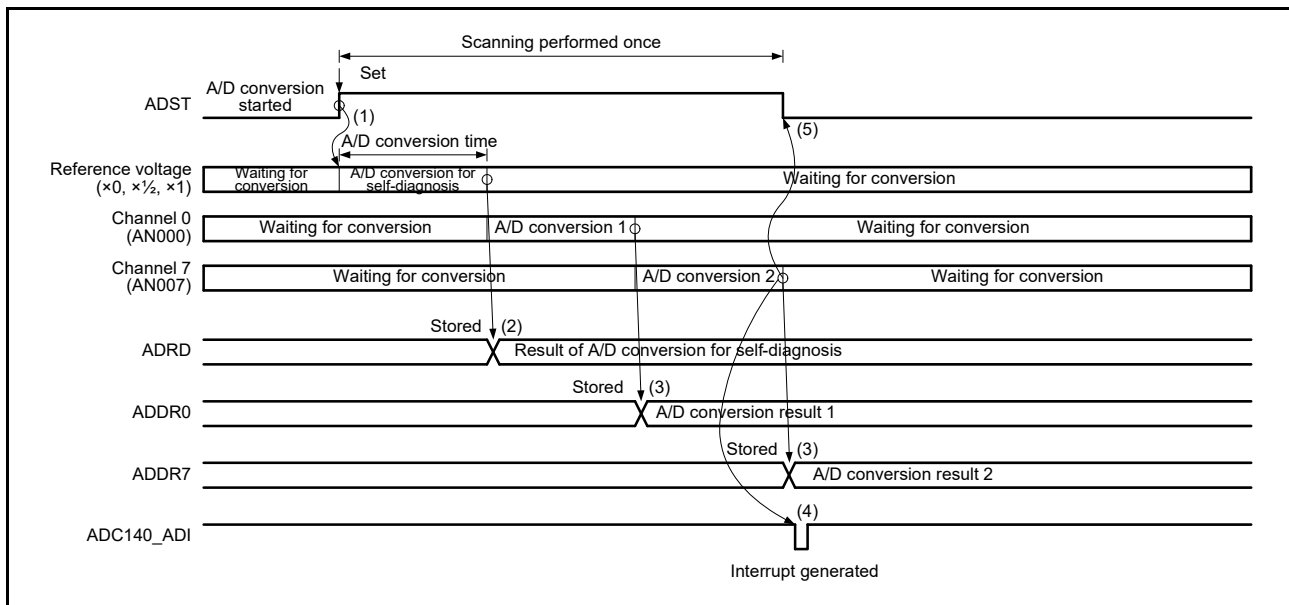


Figure 38.7 Example of basic operation in single scan mode when AN000 and AN007 selected with self-diagnosis

38.3.2.3 A/D conversion of temperature sensor output or internal reference voltage

In single scan mode, A/D conversion is performed on the temperature sensor output or the internal reference voltage as described in this section.

When selecting A/D conversion of the temperature sensor output or the internal reference voltage, deselect all channels by setting the ADANSA0 and ADANSA01 registers, and the ADCSR.DBLE bit to 0.

When selecting A/D conversion of temperature sensor output, set the Internal Reference Voltage A/D Conversion Select bit (ADEXICR.OCSA) to 0 (deselected). When selecting A/D conversion of internal reference voltage, set the Temperature Sensor Output A/D Conversion Select bit (ADEXICR.TSSA) to 0 (deselected).

The operation is as follows:

1. Set the sampling time to 5 μ s or longer. Take note of the sampling state register (ADSSTRT/ADSSTRO) settings and ADCLK frequency.
2. After switching to A/D conversion of internal reference voltage or temperature sensor output, set the ADST bit to 1 to start conversion.
3. On completion of A/D conversion, the result is stored in the Temperature Sensor Data Register (ADTSDR) or the A/D Internal Reference Voltage Data Register (ADOCDR), and an ADC140_ADI interrupt request is generated.
4. The ADST bit remains 1 during A/D conversion and is automatically set to 0 on completion of the A/D conversion. The ADC14 enters a wait state.

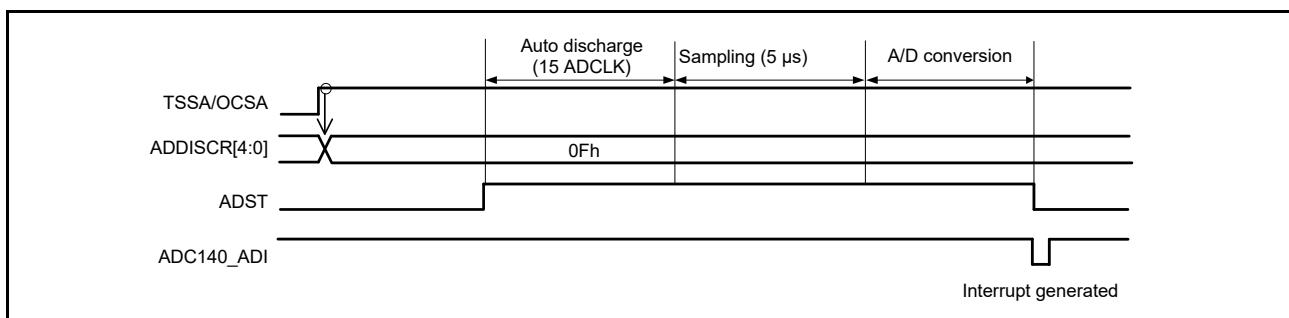


Figure 38.8 Example of basic operation in single scan mode when AN000 and temperature sensor output or internal reference voltage are selected

38.3.2.4 A/D conversion in double trigger mode

When double-trigger mode is selected in single scan mode, two rounds of single scan operation started by a synchronous trigger (ELC) are performed in sequence.

Deselect self-diagnosis, and set the Temperature Sensor Output A/D Conversion Select bit (ADEXICR.TSSA) and the Internal Reference Voltage A/D Conversion Select bit (ADEXICR.OCSA) to 0.

Duplication of A/D conversion data is enabled by setting the channel number to be duplicated in the ADCSR.DBLANS[4:0] bits and setting the ADCSR.DBLE bit to 1. When the ADCSR.DBLE bit is set to 1, channel selection using the ADANSA0 and ADANSA1 registers is invalid.

In double-trigger mode, select a synchronous trigger (ELC) using the ADSTRGR.TRSA[5:0] bits, and in ADCSR register, set the EXTRG bit to 0 and the TRGE bit to 1. Do not use a software trigger.

The operation is as follows:

1. When the ADCSR.ADST bit is set to 1 (starting A/D conversion) by a synchronous trigger input (ELC), A/D conversion starts on the single channel selected in the ADCSR.DBLANS[4:0] bits.
2. When A/D conversion of a single channel completes, the A/D conversion result is stored in the associated A/D data register (ADDRy).
3. The ADST bit is automatically set to 0 and the ADC14 enters a wait state. An ADC140_ADI interrupt request is not generated.
4. When the ADCSR.ADST bit is set to 1 (starting A/D conversion) by the second trigger input, A/D conversion starts on the single channel selected in the ADCSR.DBLANS[4:0] bits.
5. When A/D conversion completes, the A/D conversion result is stored into the A/D Data Duplexing Register (ADDBLDR), which is used only in double-trigger mode.
6. An ADC140_ADI interrupt request is generated.
7. The ADST bit remains 1 (starting A/D conversion) during A/D conversion and is automatically set to 0 when A/D conversion completes. The ADC14 enters a wait state.

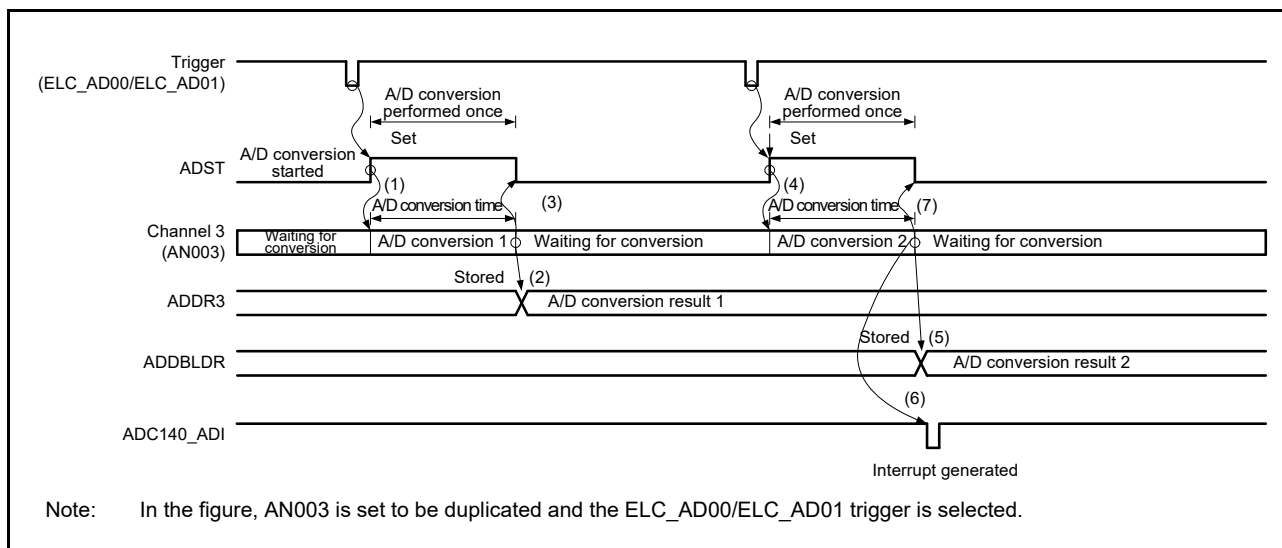


Figure 38.9 Example of operation in single scan mode with double-trigger mode selected when AN003 is duplicated

38.3.2.5 Extended operations when double trigger mode is selected

When double-trigger mode is selected in single scan mode, and a synchronous trigger ELC_AD00/ELC_AD01 is selected as the trigger for the start of A/D conversion, two rounds of single scan operation are performed.

Deselect self-diagnosis, and set the Temperature Sensor Output A/D Conversion Select bit (ADEXICR.TSSA) and the Internal Reference Voltage A/D Conversion Select bit (ADEXICR.OCSA) to 0.

Duplication of A/D conversion data is enabled by setting the channel numbers to be duplicated to the ADCSR.DBLANS[4:0] bits and setting the ADCSR.DBLE bit to 1. When the ADCSR.DBLE bit is set to 1, channel selection using the ADANSA0 and ADANSA1 registers is invalid.

In extended double-trigger mode, select a synchronous trigger ELC_AD00/ELC_AD01 by setting the ADSTRGR.TRSA[5:0] bits to 0Bh, and in the ADCSR register, set EXTRG bit to 0 and the TRGE bit to 1. Do not use the software trigger.

The operation is as follows:

1. When the ADCSR.ADST bit is set to 1 (starting A/D conversion) by a synchronous trigger input (ELC_AD00/ELC_AD01), A/D conversion starts on the single channel selected in the ADCSR.DBLANS[4:0] bits.
2. When A/D conversion of a single channel completes, the conversion result is stored in the corresponding A/D data register (ADDRy) and in A/D Data Duplexing Register A (ADDBLDRA) or A/D Data Duplexing Register B (ADDBLDRB) when the trigger of ELC_AD00 or ELC_AD01 is input, respectively.
3. The ADCSR.ADST bit is automatically cleared and the ADC14 enters a wait state. An ADC140_ADI interrupt is not generated.
4. When the ADCSR.ADST bit is set to 1 (starting A/D conversion) by the second trigger input (ELC_AD00/ELC_AD01), A/D conversion starts on the single channel selected in the ADCSR.DBLANS[4:0] bits.
5. When A/D conversion completes, the result is stored in the A/D Data Duplexing Register (ADDBLDR) and in A/D Data Duplexing Register A (ADDBLDRA) or A/D Data Duplexing Register B (ADDBLDRB) when the trigger of ELC_AD00 or ELC_AD01 is input, respectively.
6. An ADC140_ADI interrupt request is generated.
7. The ADCSR.ADST bit remains 1 (starting A/D conversion) during A/D conversion and is automatically set to 0 when the A/D conversion completes. The ADC14 then enters a wait state.

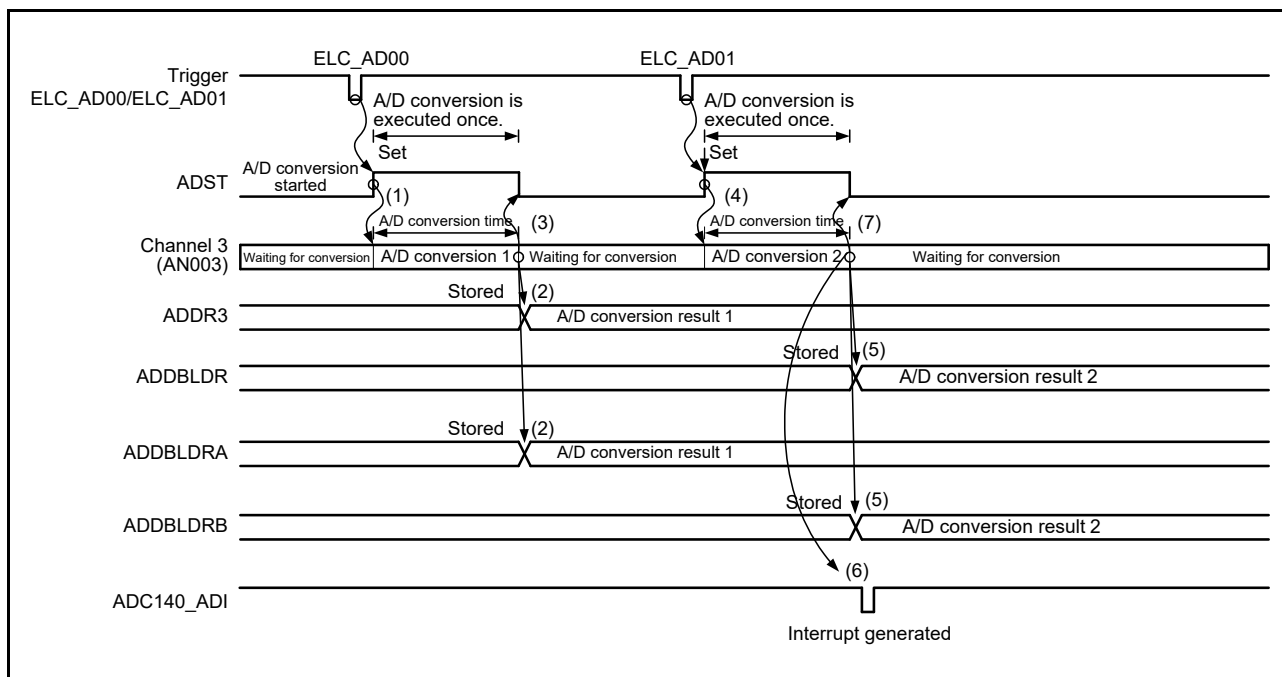


Figure 38.10 Example of extended operation in double-trigger mode (1), with duplication selected for AN003 and ELC_AD00/ELC_AD01 selected

38.3.3 Continuous Scan Mode

38.3.3.1 Basic operation

In continuous scan mode, A/D conversion is performed repeatedly on the analog input of the specified channels as described in this section.

In continuous scan mode, the Temperature Sensor Output A/D Conversion Select bit (ADEXICR.TSSA) and the Internal Reference Voltage A/D Conversion Select bit (ADEXICR.OCSA) must both be set to 0 (deselected).

The operation is as follows:

1. When the ADCSR.ADST bit is set to 1 (starting A/D conversion) by a software trigger, a synchronous trigger input (ELC), or an asynchronous trigger input, A/D conversion is performed on the ANn channels selected in the ADANSA0 and ADANSA1 registers, starting from the channel with the smallest number n.
2. When A/D conversion of a single channel completes, the A/D conversion result is stored in the associated A/D data register (ADDRy).
3. When A/D conversion of all the selected channels completes, an ADC140_ADI interrupt request is generated without register setting. The ADC14 sequentially starts A/D conversion for ANn channels selected in the ADANSA0 and ADANSA1 registers, starting from the channel with the smallest number n.
4. The ADCSR.ADST bit is not automatically cleared and steps 2 and 3 are repeated as long as the bit remains 1 (A/D conversion start). When the ADCSR.ADST bit is set to 0 (A/D conversion stop), A/D conversion stops and the ADC14 enters a wait state.
5. When the ADST bit is then set to 1 (starting A/D conversion), A/D conversion starts again for ANn channels selected by the ADANSA0 and ADANSA1 registers, starting from the channel with the smallest number n.

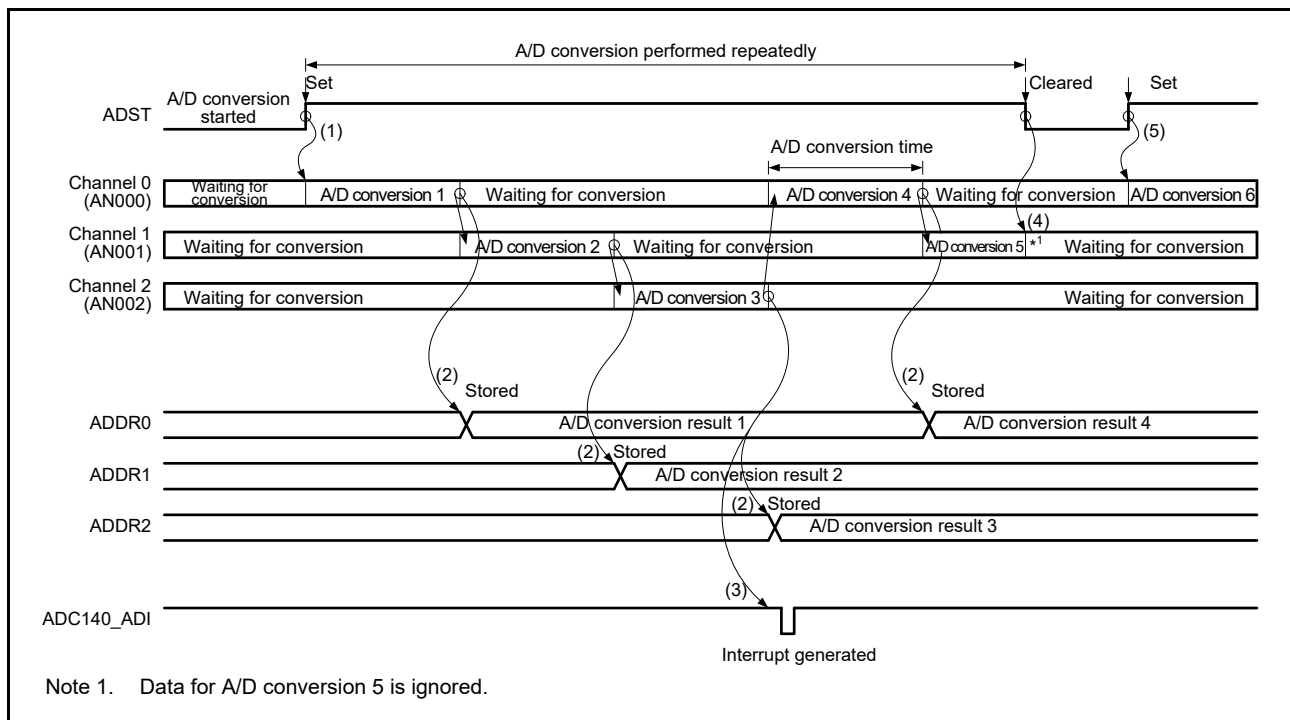


Figure 38.11 Example of basic operation in continuous scan mode with AN000 to AN002 selected

38.3.3.2 Channel selection and self-diagnosis

When channels and self-diagnosis are selected at the same time, A/D conversion is first performed on the reference voltage VREFH0 ($\times 0$, $\times 1/2$, or $\times 1$) supplied to the ADC14, and then performed on the analog input of the selected channels. This sequence is repeated as described in this section.

In continuous scan mode, the Temperature Sensor Output A/D Conversion Select bit (ADEXICR.TSSA) and the Internal Reference Voltage A/D Conversion Select bit (ADEXICR.OCSA) must both be set to 0 (deselected).

1. A/D conversion for self-diagnosis is first started when the ADCSR.ADST bit is set to 1 (starting A/D conversion) by a software trigger, a synchronous trigger input (ELC), or an asynchronous trigger input.
2. When A/D conversion for self-diagnosis completes, the A/D conversion result is stored into the A/D Self-Diagnosis Data Register (ADRD). A/D conversion is then performed on ANn channels selected by the ADANSA0 and ADANSA1 registers, starting from the channel with the smallest number n.
3. Each time A/D conversion of a single channel completes, the A/D conversion result is stored into the associated A/D Data Register (ADDRy).
4. When A/D conversion of all the selected channels completes, an ADC140_ADI interrupt request is generated (without register setting). At the same time, the ADC14 starts A/D conversion for self-diagnosis and then starts A/D conversion on ANn channels selected by the ADANSA0 and ADANSA1 registers, starting from the channel with the smallest number n.
5. The ADST bit is not automatically cleared and steps 2 to 4 are repeated as long as the bit remains 1. When the ADST bit is set to 0 (A/D conversion stop), A/D conversion stops and the ADC14 enters a wait state.
6. When the ADST bit is later set to 1 (starting A/D conversion), the A/D conversion for self-diagnosis starts again.

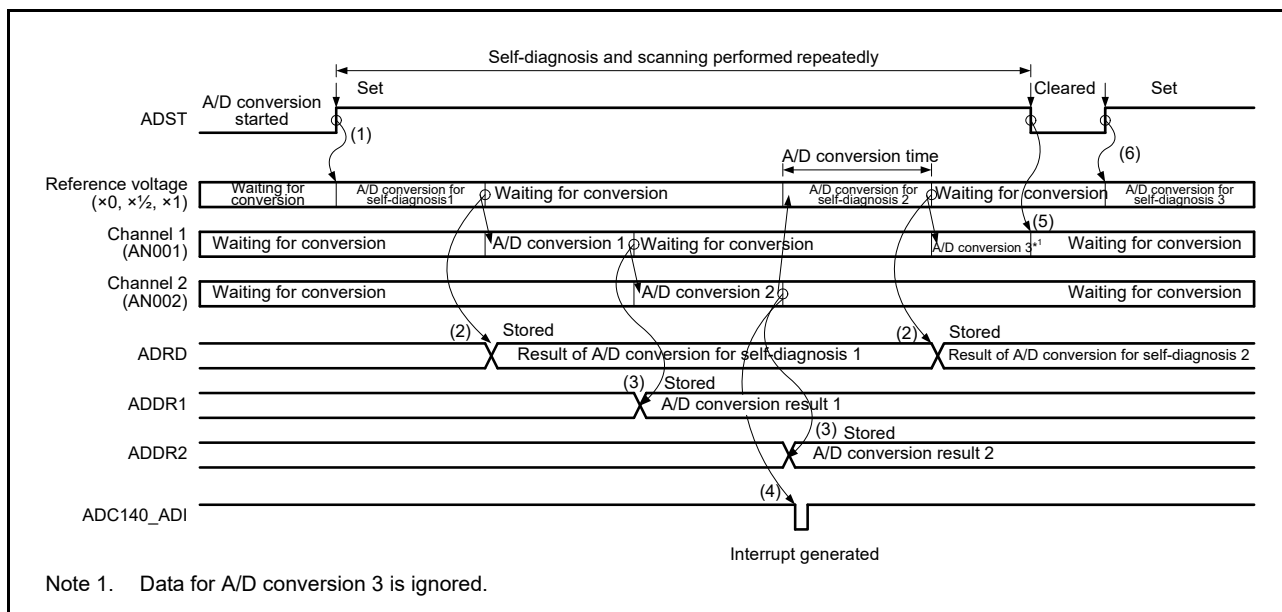


Figure 38.12 Example of basic operation in continuous scan mode when AN001 and AN002 are selected, with self-diagnosis

38.3.4 Group Scan Mode

38.3.4.1 Basic operation

In group scan mode, A/D conversion is performed once on the analog inputs of all the specified channels in group A and group B after scanning is started by a synchronous trigger (ELC) as described in this section. The scan operation of each group is similar to the scan operation in single scan mode.

The synchronous triggers for group A and group B can be selected using the ADSTRGR.TRSA[5:0] bits and ADSTRGR.TRSB[5:0] bits, respectively. Different triggers should be used for group A and group B to prevent simultaneous A/D conversion for these two groups. A software trigger should not be used.

The group A channels to be A/D-converted are selected using the ADANSA0 and ADANSA1 registers, while the group B channels to be A/D-converted are selected using the ADANSB0 and ADANSB1 registers. Group A and group B cannot use the same channels.

In group scan mode, the Temperature Sensor Output A/D Conversion Select bit (ADEXICR.TSSA) and the Internal Reference Voltage A/D Conversion Select bit (ADEXICR.OCSA) must both be set to 0 (deselected). When self-diagnosis is selected in group scan mode, self-diagnosis is separately executed for group A and group B.

The following describes operation in group scan mode using a synchronous trigger from the ELC. Specifically, the ELC_AD00 and ELC_AD01 triggers from ELC are assumed to be used to start conversion of group A and group B, respectively. Also, the ELC_AD00 and ELC_AD01 are selected for the GPT event in the associated ELC.ELSRn registers.

The operation is as follows:

1. Scanning of group A is started by ELC_AD00.
2. When group A scanning completes, an ADC140_ADI interrupt is generated without register setting.
3. Scanning of group B is started by ELC_AD01.
4. When group B scanning completes, an ADC140_GBADI interrupt is generated if the ADCSR.GBADIE bit is 1 (ADC140_GBADI interrupt upon scanning completion is enabled).

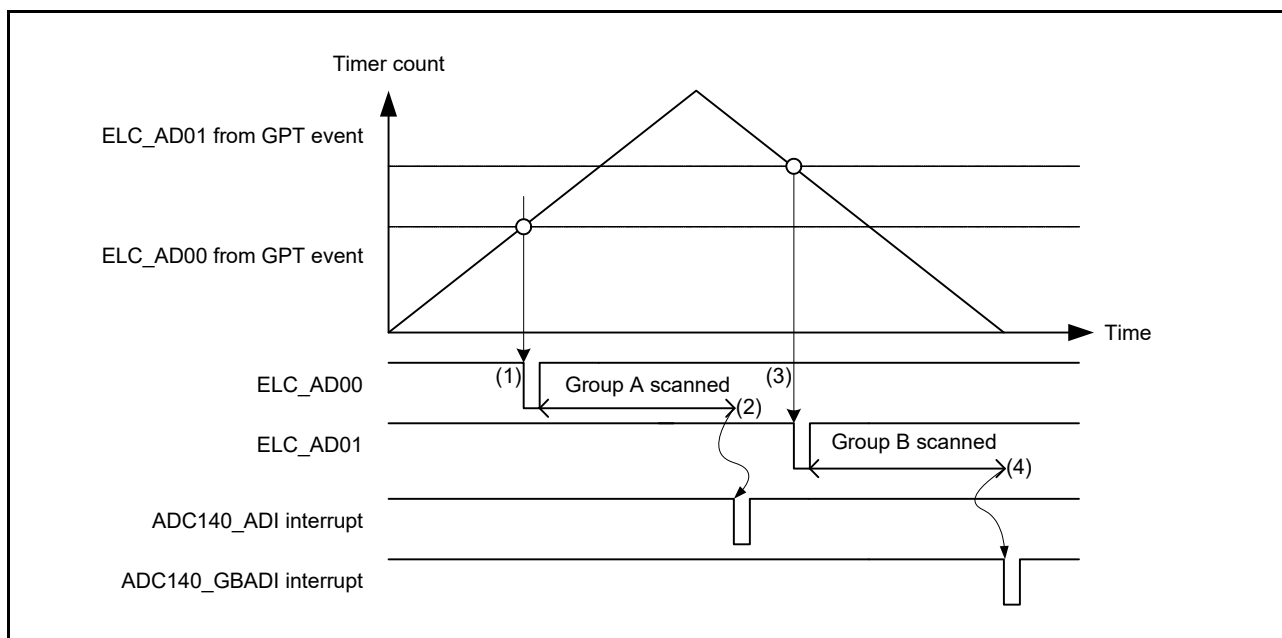


Figure 38.13 Example of basic operation in group scan mode with synchronous triggers from ELC

38.3.4.2 A/D conversion in double-trigger mode

When double-trigger mode is selected in group scan mode, two rounds of single scan operation started by a synchronous trigger (ELC) are performed in sequence for group A. For group B, single scan operation started by a synchronous trigger (ELC) is performed once.

In group scan mode, select synchronous triggers for group A and B using the TRSA[5:0] bits in ADSTRGR for group A and the TRSB[5:0] bits in ADSTRGR for group B. Different triggers should be used for group A and group B to prevent simultaneous A/D conversion of group A and group B. A software trigger or asynchronous trigger (ADTRG0) should not be used.

When ELC_AD00/ELC_AD01 is selected as the group A synchronous trigger by setting the ADSTRGR.TRSA[5:0] bits to 0Bh, operation proceeds in extended double-trigger mode.

The group A channel for A/D-conversion is selected in the ADCSR.DBLANS[4:0] bits and the group B channel for conversion is selected in ADANSB0 and ADANSB1 registers. The same channels cannot be selected for group A and group B.

In group scan mode, deselect the temperature sensor output A/D conversion and the internal reference voltage A/D conversion by setting ADEXICR.TSSA and ADEXICR.OCSA bits to 0.

When double-trigger mode is selected in group scan mode, self-diagnosis cannot be selected.

Duplication of A/D conversion data is enabled by setting the channel numbers to be duplicated to the ADCSR.DBLANS[4:0] bits and setting the ADCSR.DBLE to 1.

The following steps describe operation in group scan mode with double-trigger mode using synchronous triggers from the ELC. In this example, the ELC_AD00 trigger is used to start conversion of group A and the ELC_AD01 trigger is used to start conversion of group B. In addition, ELC_AD00 and ELC_AD01 are selected for the GPT event by the associated ELC.ELSRn registers.

The operation is as follows:

1. Scanning of group B is started by the ELC_AD00 trigger from the ELC.
2. When group B scanning completes, an ADC140_GBADI interrupt is generated if the GBADIE bit in the ADCSR register is 1 (group B scan end interrupt is enabled).
3. The first scan of group A is started by the first ELC_AD01 trigger.
4. When the first scan of group A completes, the conversion result is stored into the corresponding A/D data register (ADDRy). An ADC140_ADI interrupt request is not generated.
5. The second scan of group A is started by the second ELC_AD01 trigger.
6. When the second scan of group A completes, the conversion result is stored in ADDBLDR. An ADC140_ADI interrupt is generated without register setting.

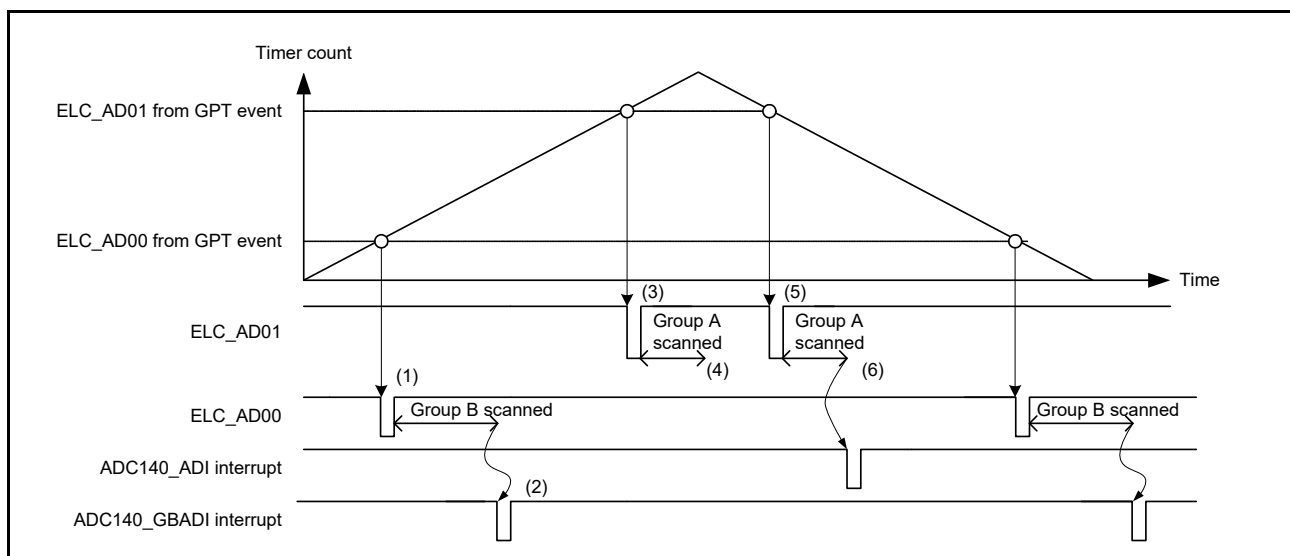


Figure 38.14 Example of operation in group scan mode with double-trigger mode using synchronous triggers from the ELC

38.3.4.3 Operation with group A priority control

Setting the ADGSPCR.PGS bit to 1 in group scan mode makes the operation proceed with group A priority control. When setting the PGS bit in the ADGSPCR register to 1, follow the procedure described in Figure 38.15. If the procedure is not followed, A/D conversion operation and data storage are not guaranteed.

In basic group scan mode, while A/D conversion is in progress for group A or group B, input of the trigger for A/D conversion for the other group is ignored. With group A priority control, if a group A trigger is input during A/D conversion for group B, A/D conversion for group B is discontinued and A/D conversion for group A proceeds. If the ADGSPCR.GBRSCN bit is 0, the ADC14 enters wait state on completion of the A/D conversion for group A. If ADGSPCR.GBRSCN bit is 1, the ADC14 automatically restarts group B scanning from the head of the group after completion of the A/D conversion for group A. Table 38.9 summarizes operations in response to the input of a trigger during A/D conversion with the settings in the ADGSPCR.GBRSCN bit.

Scan operations in group A or group B are the same in single scan mode. Additionally, single scanning continues to proceed if the ADGSPCR.GBRP bit is set to 1 during scanning operations for group B.

For the trigger settings in group scan mode, select a synchronous trigger for group A using the ADSTRGR.TRSA[5:0] bits and select a synchronous trigger for group B, different from that of group A, using the ADSTRGR.TRSB[5:0] bits. Set the ADSTRGR.TRSB[5:0] bits to 3Fh when setting the ADGSPCR.GBRP bit to 1.

Additionally, as targets for A/D conversion, select channels for group A using the ADANSA0 and ADANSA1 registers, and for group B, select channels different from those for group A, using the ADANSB0 and ADANSB1 registers.

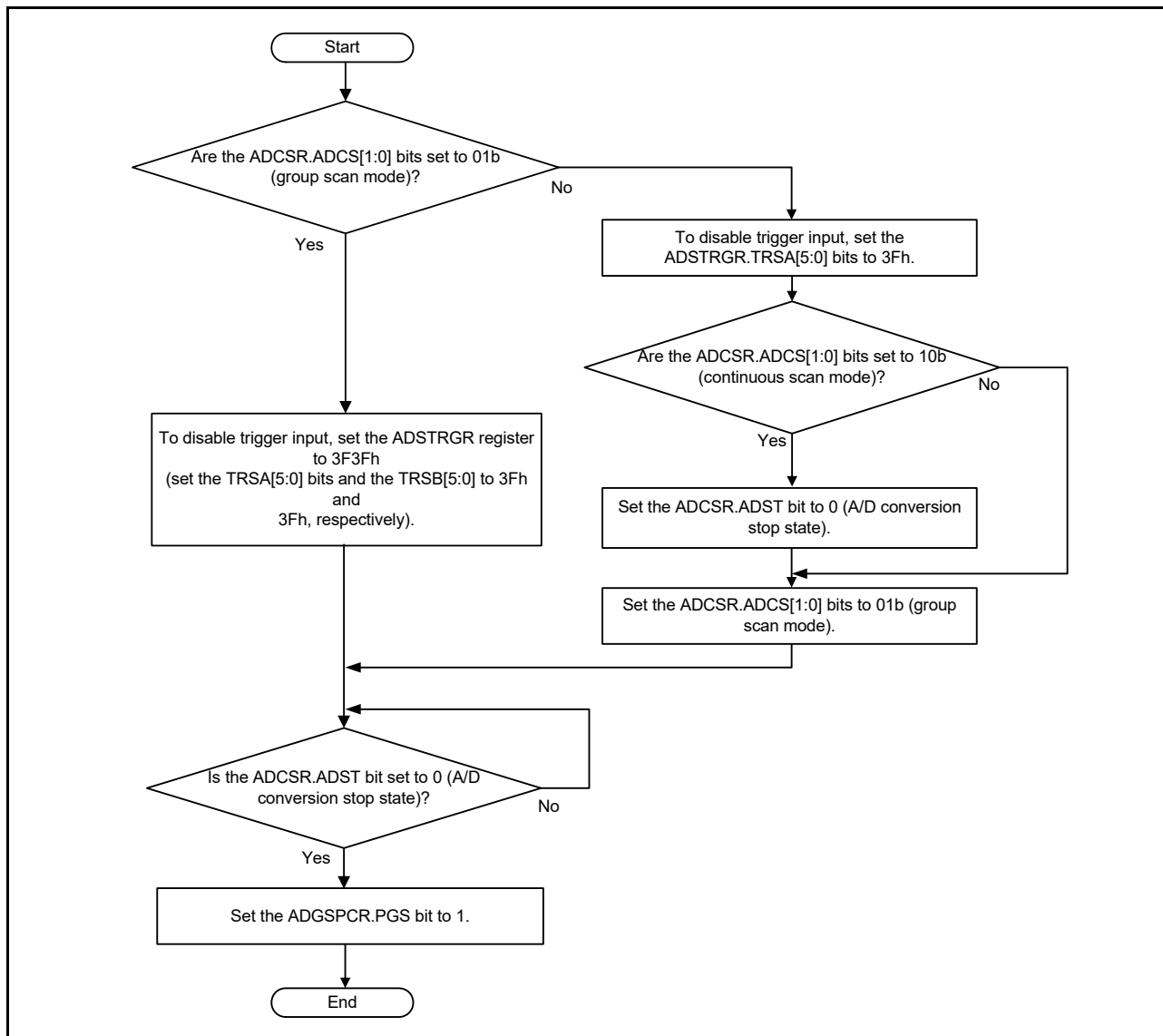


Figure 38.15 Flow for ADGSPCR.PGS bit setting

Table 38.9 Control of A/D conversion operations based on the ADGSPCR.GBRSCN bit settings

A/D conversion operation	Trigger input	ADGSPCR.GBRSCN = 0	ADGSPCR.GBRSCN = 1
When A/D conversion for group A is in progress	Input of group A trigger	Trigger input is ignored	Trigger input is ignored
	Input of group B trigger	Trigger input is ignored	Group B is converted after group A conversion completes
When A/D conversion for group B is in progress	Input of group A trigger	Group B conversion stops and group A conversion starts	<ul style="list-style-type: none"> Group B conversion stops and group A conversion starts Group B conversion starts after group A conversion completes.
	Input of group B trigger	Trigger input is ignored	Trigger input is ignored

The following sequence describes operations in group scan mode with group A priority control (for example, ADGSPCR.GBRSCN = 1 and ADGSPCR.GBRP = 0) when channel 0 is selected for group A and channels 1 to 3 are selected for group B:

- When input of a group B trigger sets the ADCSR.ADST bit to 1 (starting A/D conversion), conversion for the ANn channels selected in the ADANSB0 and ADANSB1 registers starts in order from the channel with the smallest number n.
- On completion of A/D conversion for each group B channel, the result is stored in the associated A/D Data Register y (ADDRy).
- When a trigger for group A is input while the A/D conversion for group B is in progress, and A/D conversion for group B is discontinued while the ADCSR.ADST bit remains 1, A/D conversion for the ANn channels selected in the ADANSA0 and ADANSA1 registers starts in order from the channel with the smallest number n. If A/D conversion is not complete when the A/D conversion of group B is interrupted, A/D conversion result is not stored in the A/D data register (ADDRy).
- On completion of A/D conversion on a single channel, the result is stored in the corresponding A/D Data Register (ADDRy).
- An ADC140_ADI interrupt request is generated without register setting.
- A/D conversion for the ANn channels in group B selected in the ADANSB0 and ADANSB1 registers restarts in order from the channel with the smallest number n, while the ADCSR.ADST bit remains 1.
- On completion of A/D conversion on a single channel, the result is stored in the corresponding A/D Data Register y (ADDRy).
- On completion of A/D conversion of all group B channels, an ADC140_GBADI interrupt request is generated if the ADCSR.GBADIE bit is 1 (ADC140_GBADI interrupt on group B scan end is enabled).
- The ADCSR.ADST bit is automatically cleared and the ADC14 enters the wait state when A/D conversion are completed.

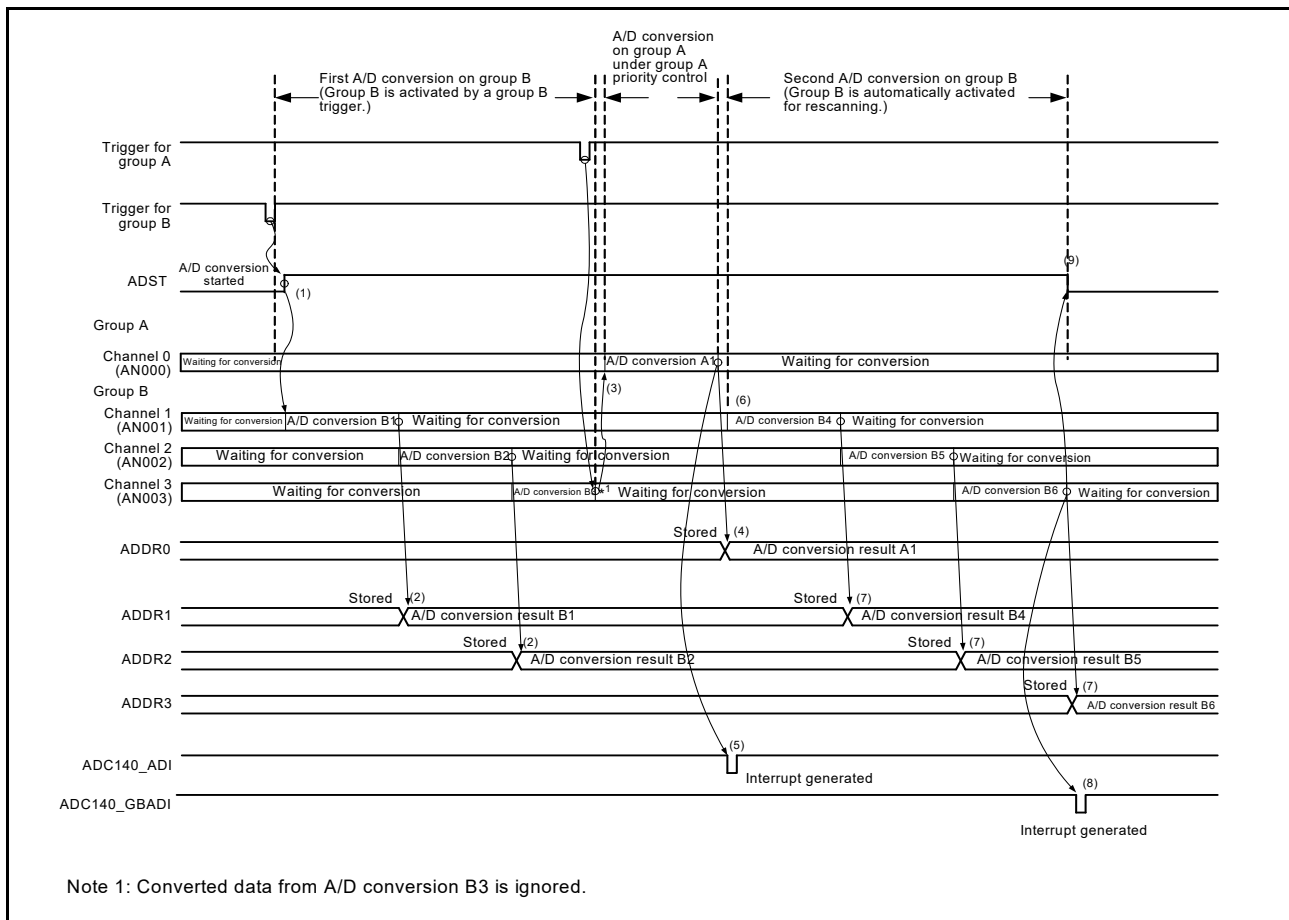


Figure 38.16 Example operation with group A priority control (1), when ADGSPCR.GBRSCN = 1 and ADGSPCR.GBRP = 0

The following sequence is an example operation when a group A trigger is input again during rescanning operation on group B. In this example, channel 0 is selected for group A and channels 1 to 3 are selected for group B when operation on group A is given priority (ADGSPCR.GBRSCN = 1, ADGSPCR.GBRP = 0).

- When a group B trigger input sets the ADCSR.ADST bit to 1 (starting A/D conversion), conversion for the ANn channels of group B selected in the ADANSB0 and ADANSB1 registers starts in order from the channel with the smallest number n.
- On completion of A/D conversion on a single channel, the result is stored in the associated A/D data register (ADDRy).
- When a group A trigger is input while A/D conversion for group B is in progress, and A/D conversion for group B is discontinued with the ADCSR.ADST bit remaining at 1. If A/D conversion is not completed when the A/D conversion of group B is interrupted, A/D conversion result is not stored in the A/D data register (ADDRy).
- A/D conversion for the ANn group A channels selected in the ADANSA0 and ADANSA1 registers starts in order from the channel with the smallest number n.
- On completion of A/D conversion on a single channel, the result is stored in the associated A/D data register y (ADDRy).
- An ADC140_ADI interrupt request is generated without register setting.
- If the ADGSPCR.GBRSCN bit is 1, when the A/D conversion of group A is completed, the ADCSR.ADST bit remains 1 and the group B is rescanned. A/D conversion for the ANn group B channels selected in the ADANSB0 and ADANSB1 registers starts again in order from the channel with the smallest number n.
- On completion of A/D conversion on a single channel, the result is stored in the corresponding A/D Data Register y (ADDRy).

9. If a group A trigger is input during A/D conversion on group B for rescanning, the ADCSR.ADST bit remains 1 and the ongoing A/D conversion on group B is discontinued.
10. A/D conversion for the ANn group A channels selected in the ADANSA0 and ADANSA1 registers starts in order from the channel with the smallest number n.
11. On completion of A/D conversion on a single channel, the result is stored in the associated A/D Data Register y (ADDRy).
12. An ADC140_ADI interrupt request is generated without register setting.
13. If the ADGSPCR.GBRSCN bit is 1, when the A/D conversion of group A is completed, the ADCSR.ADST bit remains 1 and the group B is rescanned. A/D conversion for the ANn group B channels selected in the ADANSB0 and ADANSB1 registers starts again from the channel with the smallest number n.
14. If a group A trigger is input during A/D conversion on group B for rescanning, steps 9 to 13 are repeated. If a group A trigger is not input, the ADCSR.ADST bit is cleared automatically on completion of A/D conversion on group B and the ADC14 enters a wait state.

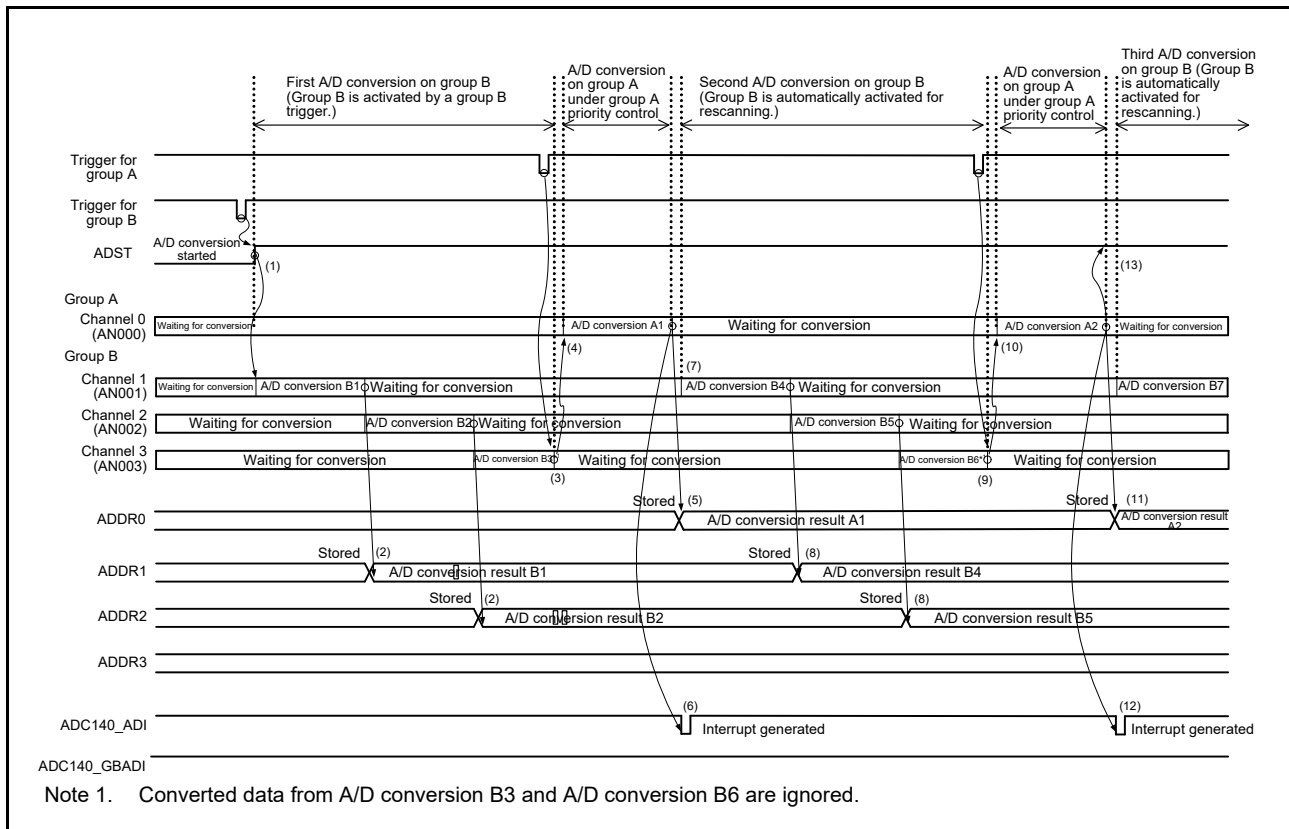


Figure 38.17 Example operation with group A priority control (2), when ADGSPCR.GBRSCN = 1 and ADGSPCR.GBRP = 0

The following sequence is an example of a rescanning operation in which a group B trigger is input during group A conversion. In this example, channels 1 to 3 are selected for group A and channel 0 is selected for group B when operation on group A is given priority (ADGSPCR.GBRSCN = 1, ADGSPCR.GBRP = 0):

1. When input of a group A trigger sets the ADCSR.ADST bit to 1 (starting A/D conversion), conversion for the ANn channels selected in the ADANSA0 and ADANSA1 registers starts in order from the channel with the smallest number n.
2. On completion of A/D conversion on a single channel, the result is stored in the associated A/D data register y (ADDRy).
3. If a group B trigger is input during A/D conversion on group A, group B conversion can be performed after the group A conversion completes. However, if group A triggers are input continuously, the scan operation on group B is canceled by group A and is not performed.
4. On completion of group A A/D conversion, an ADC140_ADI interrupt request is generated without the register setting.
5. On completion of the group A conversion, the ADCSR.ADST bit remains at 1 and the group B is rescanned. Then, A/D conversion for the ANn channels of group B selected in the ADANSB0 and ADANSB1 registers starts in order from the channel with the smallest number n.
6. On completion of A/D conversion on a single channel, the result is stored in the associated A/D data register y (ADDRy).
7. On completion of the rescanning operation on group B, an ADC140_GBADI interrupt request is generated if the ADCSR.GBADIE bit is 1 (ADC140_GBADI interrupt when scanning completion is enabled).
8. The ADCSR.ADST bit is automatically cleared and the ADC14 enters the wait state when A/D conversion is completed.

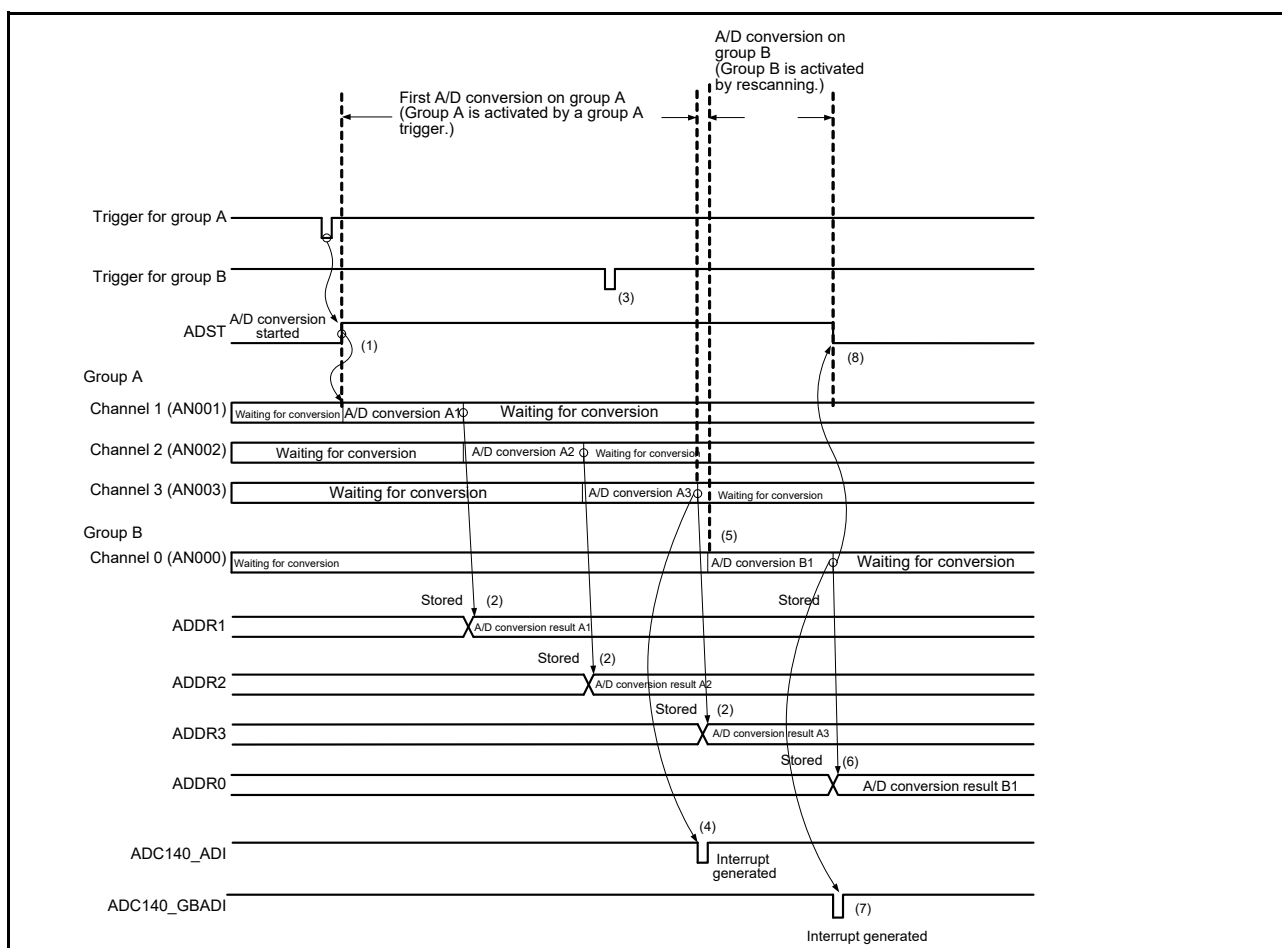


Figure 38.18 Example operation with group A priority control (3), when ADGSPCR.GBRSCN = 1 and ADGSPCR.GBRP = 0

The following sequence is an example of operation with group A priority control in which channel 0 is selected for group A and channels 1 to 3 are selected for group B (ADGSPCR.GBRSCN = 0, ADGSPCR.GBRP = 0):

1. When input of a group B trigger sets the ADCSR.ADST bit to 1 (starting A/D conversion), conversion for the ANn channels selected in the ADANSB0 and ADANSB1 registers starts in order from the channel with the smallest number n.
2. On completion of A/D conversion on a single channel, the result is stored in the associated A/D Data Register y (ADDRy).
3. If a group A trigger is input while A/D conversion for group B is in progress, and A/D conversion for group B is discontinued with the ADCSR.ADST bit remaining 1. Next, A/D conversion for the ANn channels selected in the ADANSA0 and ADANSA1 registers starts in order from the channel with the smallest number n.
4. On completion of A/D conversion on a single channel, the result is stored in the associated A/D Data Register y (ADDRy).
5. An ADC140_ADI interrupt request is generated without register setting.
6. The ADCSR.ADST bit is automatically cleared and the ADC14 enters the wait state when A/D conversion is completed.

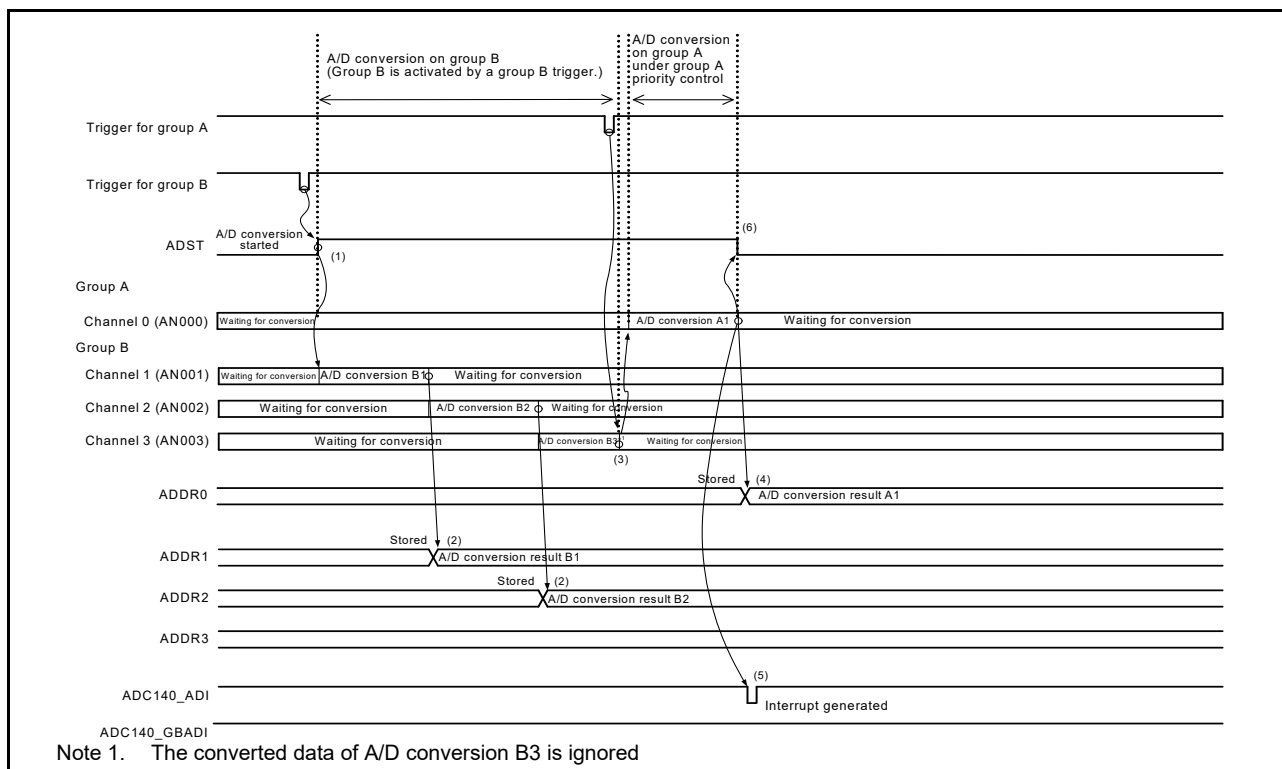


Figure 38.19 Example operation with group A priority control (4), when ADGSPCR.GBRSCN = 0 and ADGSPCR.GBRP = 0

The following sequence is an example of operation with group A priority control in which channel 0 is selected for group A and channels 1 to 3 are selected for group B (ADGSPCR.GBRP = 1):

1. The ADCSR.ADST bit is set to 1 (starting A/D conversion) when ADGSPCR.GBRP is set to 1, and conversion for the ANn channels selected in the ADANSB0 and ADANSB1 registers starts in order from the channel with the smallest number n.
2. On completion of A/D conversion on a single channel, the result is stored in the associated A/D Data Register y (ADDRy).
3. If a trigger for group A is input while A/D conversion for group B is in progress, A/D conversion for group B is discontinued while the ADCSR.ADST bit remains 1. Next, the A/D conversion for the ANn channels selected in the ADANSA0 and ADANSA1 registers starts in order from the channel with the smallest number n.
4. On completion of A/D conversion on a single channel, the result is stored in the associated A/D Data Register y (ADDRy).
5. An ADC140_ADI interrupt request is generated without the register setting.
6. A/D conversion for the ANn channels in group B selected in the ADANSB0 and ADANSB1 registers restarts in order from the channel with the smallest number n, while the ADCSR.ADST bit remains 1.
7. On completion of A/D conversion on a single channel, the result is stored in the associated A/D Data Register y (ADDRy).
8. An ADC140_GBADI interrupt request is generated if the ADCSR.GBADI bit is 1.
9. A/D conversion for the ANn channels selected in the ADANSB0 and ADANSB1 registers starts in order from the channel with the smallest number n. Steps 6 to 9 are repeated as long as the ADGSPCR.GBRP bit remains 1. Setting the ADCSR.ADST bit to 0 is prohibited while the ADGSPCR.GBRP bit is set to 1. To forcibly stop A/D conversion while ADGSPCR.GBRP = 1, follow the procedure for clearing the ADCSR.ADST bit operation by software, shown in Figure 38.31.

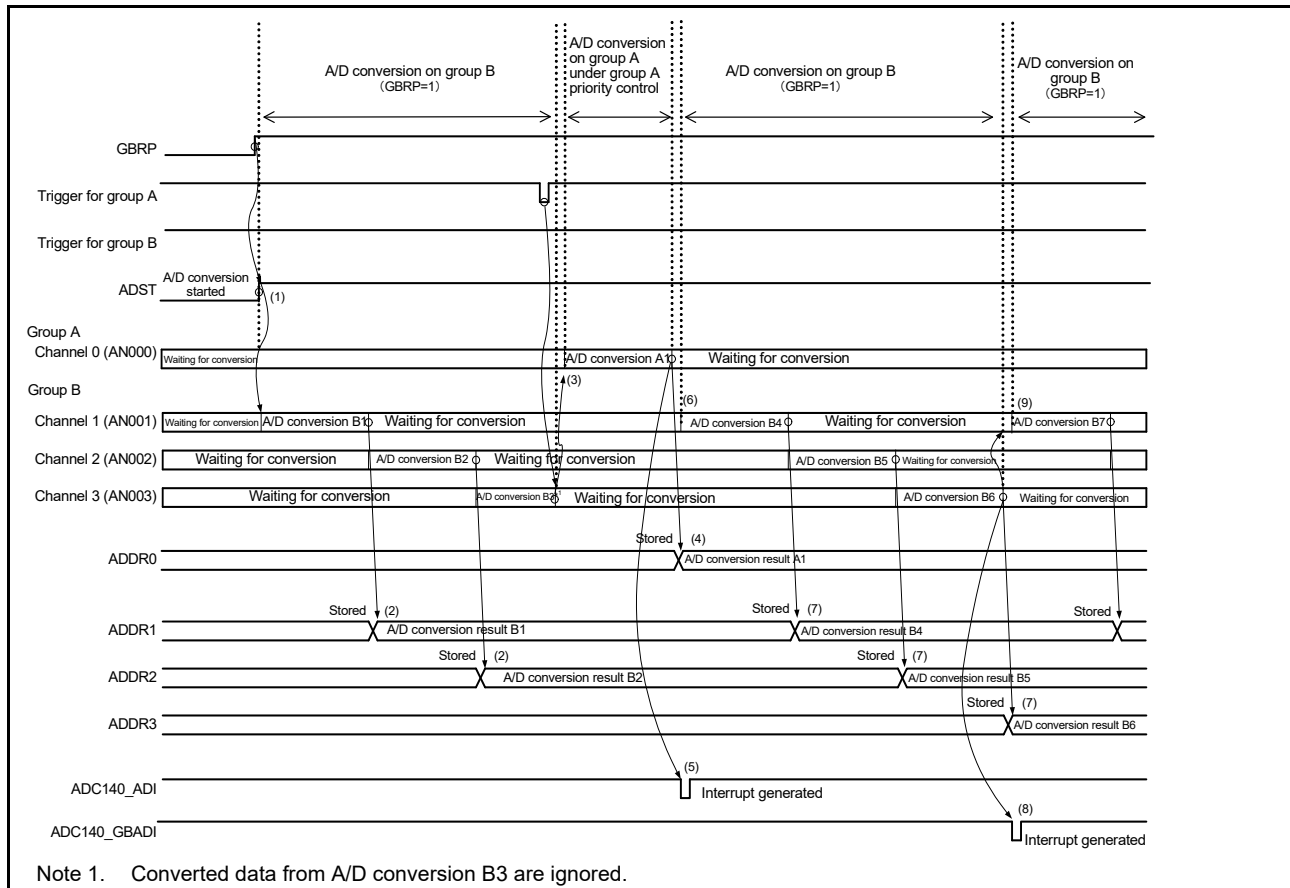


Figure 38.20 Example of operation with group A priority control (5), when ADGSPCR.GBRP = 1

38.3.5 Compare Function for Window A and Window B

38.3.5.1 Compare function

The compare function compares a reference value with the A/D conversion result. The reference value can be set for window A and window B independently. When the compare function is in use, the self-diagnosis function and double-trigger mode cannot be used. The main differences between window A and window B are their different interrupt output signals and the restriction on window B to select only one channel.

The following sequence describes an example operation that combines continuous scan mode and the compare function:

1. When the ADCSR.ADST bit is set to 1 (starting A/D conversion) by software, a synchronous trigger (ELC), or an asynchronous trigger, A/D conversion starts for the selected channel. Do not select the temperature sensor and internal reference voltage at the same time. In addition, when the internal reference voltage is selected as the high-potential reference voltage, A/D conversion of the temperature sensor or internal reference voltage is prohibited.
2. On completion of A/D conversion, the A/D conversion result is stored in the associated A/D data register (ADDRy, ADTSDR, or ADOCDR). When ADCMPCR.CMPAE = 1, if bits in the ADCMPANSRy register or the ADCMPANSER register are set for window A, the A/D conversion result is compared with the set ADCMPDR0/1 register value. When ADCMPCR.CMPBE = 1, if bits in the ADCMPBNSR register are set for window B, the A/D conversion result is compared with the ADWINULB/ADWINLLB register setting.
3. As a result of the comparison, when window A meets the condition set in ADCMPLR0/1 or ADCMPLER, the Compare Window A Flag (ADCMPSR0.CMPSTCHAn, ADCMPSR1.CMPSTCHAn, ADCMPSER.CMPSTTSA, or ADCMPSER.CMPSTOCA) bit is set to 1. If the ADCMPCR.CMPAIE bit is 1, an ADC140_CMPAI interrupt request is generated. In the same way, when window B meets the condition set in ADCMPBNSR.CMPLB, the Compare Window B Flag (ADCMPBSR.CMPSTB) bit is set to 1. If the ADCMPCR.CMPBIE bit is 1, an ADC140_CMPBI interrupt request is generated.
4. On completion of all selected A/D conversions and comparisons, scan restarts.
5. After the ADC140_CMPAI and ADC140_CMPBI interrupts are accepted, the ADCSR.ADST bit is set to 0 (A/D conversion stop) and processing is performed on channels for which the compare flag is set to 1.
6. When all compare flags of window A are cleared, an ADC140_CMPAI interrupt request is canceled. In the same way, when all compare flags of window B are cleared, an ADC140_CMPBI interrupt request is reset. To perform comparison again, restart the A/D conversion.

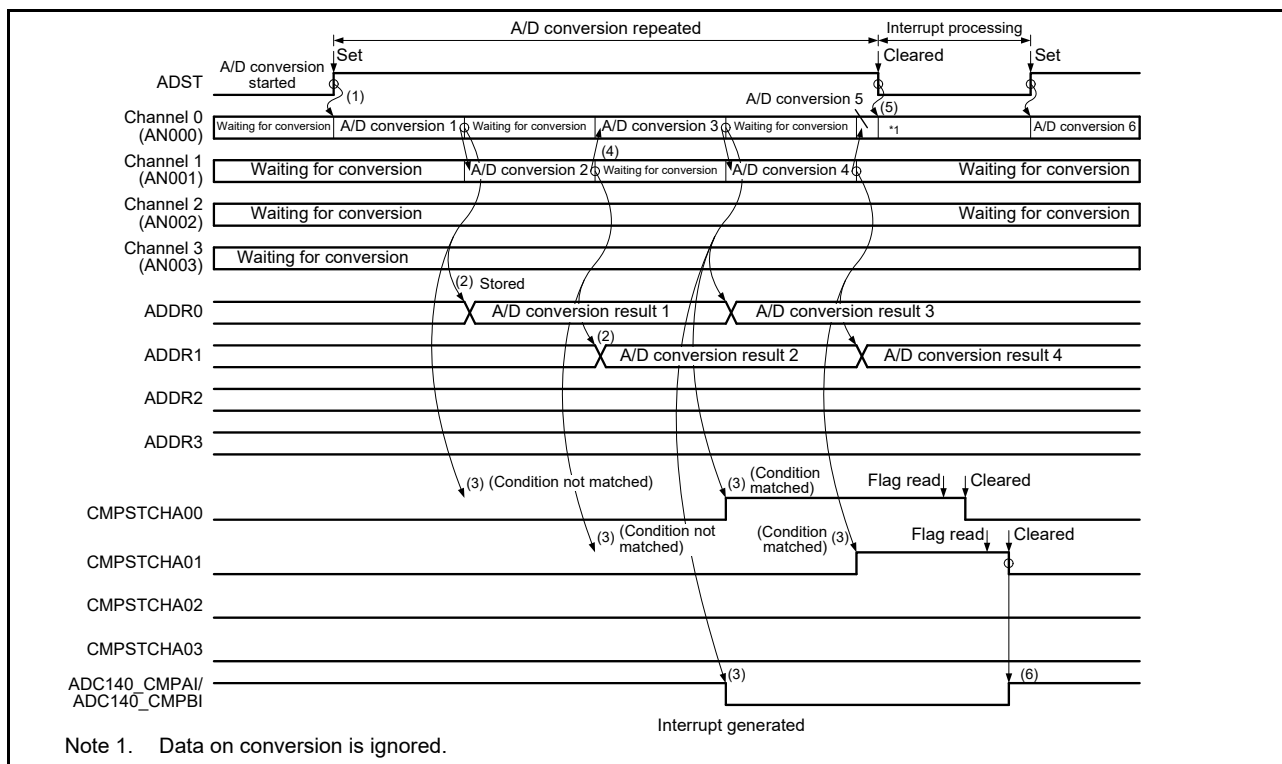


Figure 38.21 Example of compare function operation, when AN000 to AN003 are compared

38.3.5.2 Event output of compare function

The event output of the compare function specifies the upper reference voltage value for window A and the lower reference voltage value for window B, compares the A/D-converted value of the selected channel with the upper and lower side reference voltage values, and then outputs the ADC140_WCPM/ADC140_WCPUM events according to event conditions (A OR B, A AND B, A XOR B) and comparison results of window A and window B.

If more than one channel is selected for window A, and even one channel in window A meets the comparison condition, the comparison result of window A is met. When using this function, perform A/D conversion in single scan mode.

Any channels from AN000 to AN027, internal reference voltage, and temperature sensor output are selectable for window A. However, neither the internal reference voltage nor the temperature sensor output can be selected together with any other channel. In addition, if the internal reference voltage is selected as the high-potential reference voltage of the ADC14, the internal reference voltage or the temperature sensor output cannot be A/D-converted.

A single channel from AN000 to AN027, internal reference voltage, and temperature sensor output is selectable for window B. However, neither the internal reference voltage nor the temperature sensor output can be selected together with any other channel. In addition, if the internal reference voltage is selected as the high-potential reference voltage, the internal reference voltage or the temperature sensor output cannot be A/D-converted.

The following sequence describes the setting procedure and example when using event output of the compare function:

1. Confirm that the ADCSR.ADCS[1:0] bits are 00b (single scan mode).
2. Select the channel for window A in ADCMPANSR0/1 and ADCMPANSER. Set the window comparison conditions in ADCMPLR0/1, ADCMPLER registers. Set the higher and lower reference values in the ADCMPDR0/1 registers.
3. Select the channel and comparison conditions for window B in the ADCMPBNSR register, and set the upper and lower reference values in ADWINULB and ADWINLLB registers.
4. Set composite conditions for window A/B, window A/B operation enable, and interrupt output enable in ADCMPCR.

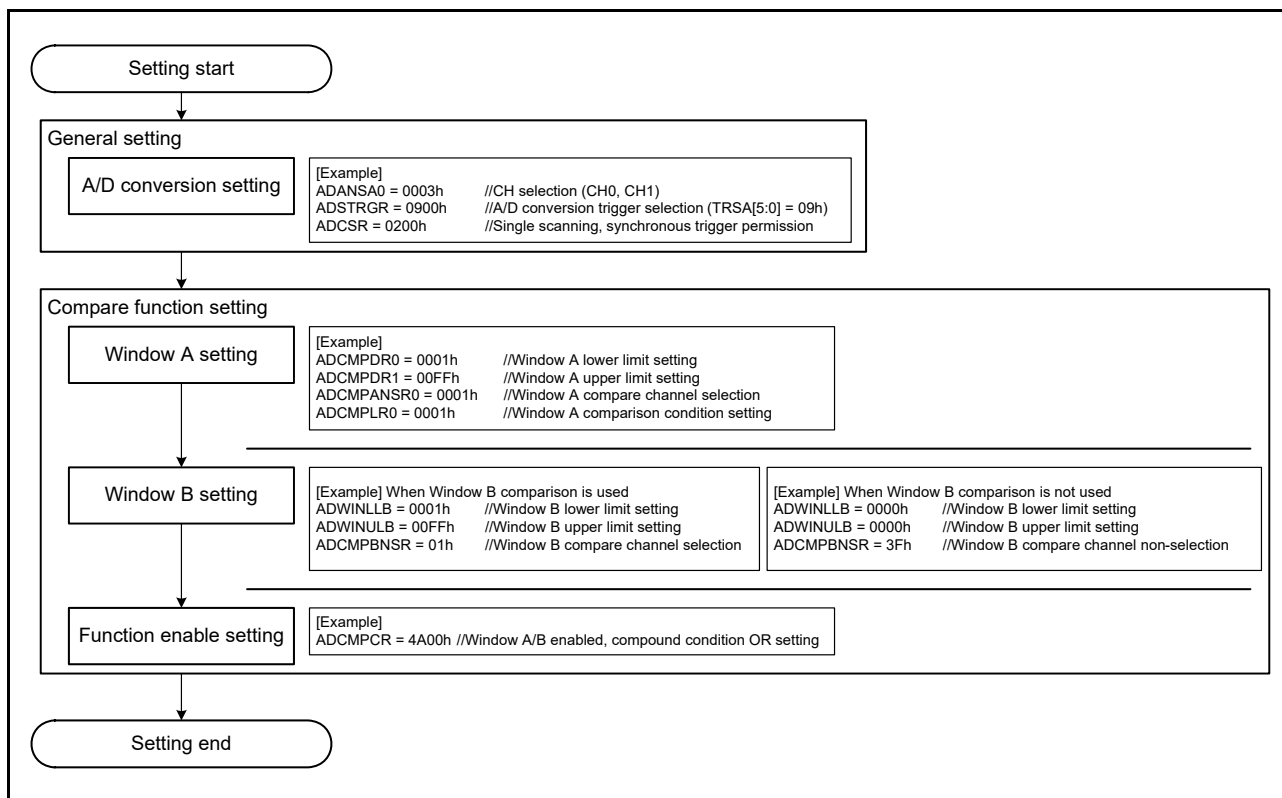


Figure 38.22 Setting example when using event output of the compare function

Notes on the event output usage when using only window A for the compare function:

- Enable both window A and window B (ADCMPCR.CMPAE = 1, ADCMPCR.CMPBE = 1)
- Set the compound condition of window A and B to “OR condition” (ADCMPCR.CMPAB[1:0] = 00b)
- Set the compared channel of window B to “Do not select” (ADCMPBNSR.CMPCHB[5:0] = 111111b)
- Set the compare condition of window B to “0 < results < 0 means mismatch always” (ADCMPCR.WCMPE = 1, ADWINLLB[15:0] = ADWINULB[15:0] = 0000h, ADCMPBNSR.CMPLB = 1).

Figure 38.23 shows an example event output operation of the compare function.

A scan end event (ADC140_ADI) is output at the same time as a one-time single scan completion. A match or mismatch event (ADC140_WCMPLM/ADC140_WCMPUM) is output with a clock delay of 1 PCLKB set in ADCMPCR.CMPAB[1:0].

Note: The match and mismatch events are exclusive, so both events are never output simultaneously.

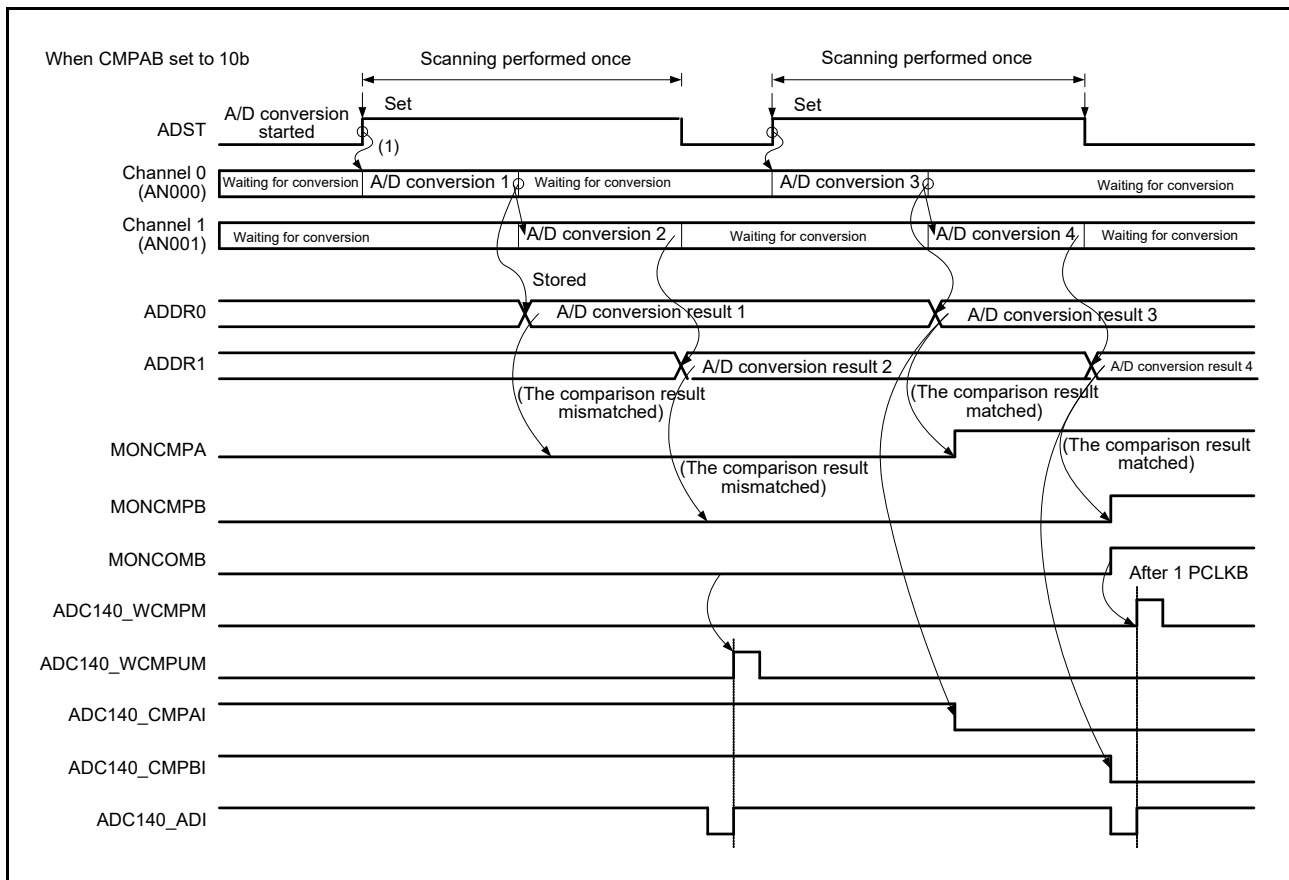


Figure 38.23 Event output operation example of compare function when AN000 to AN001 are compared

Note: Event output of the compare function outputs match/mismatch from the comparison results of window A and window B, as set in ADCMPCR.CMPAB[1:0].

Note: The comparison result of window A is the logical addition of the comparison results of the comparison target channels of window A. The comparison results of window A and B are updated by each A/D conversion, and are kept even when single scan ends. To clear the comparison results to 0, set ADCMPCR.CMPAE and ADCMPCR.CMPBE to 0.

38.3.5.3 Restrictions on the compare function

The following restrictions apply to the compare function:

1. The compare function cannot be used together with the self-diagnosis function or double-trigger mode. The compare function is not available for ADRD, ADDBLDR, ADDBLDRA, and ADDBLDRB.
2. Specify single scan mode when using match/mismatch event outputs.
3. When temperature sensor or internal reference voltage is selected for window A, window B operations are disabled.
4. When temperature sensor or internal reference voltage is selected for window B, window A operations are disabled.
5. Setting the same channel for window A and window B is prohibited.
6. Set the reference voltage values so that the high-potential reference voltage value is equal to or larger than the low-potential reference voltage value.

38.3.6 Analog Input Sampling and Scan Conversion Time

Scan conversion can be activated by a software trigger, a synchronous trigger (ELC), or an asynchronous trigger (ADTRG0). After the start-of-scanning-delay time (t_D) elapses, processing for disconnection detection assistance, and processing of conversion for self-diagnosis all proceed, followed by processing for A/D conversion.

Figure 38.24 shows the scan conversion timing, in which scan conversion is activated by a software trigger or a synchronous trigger (ELC). Figure 38.25 shows the scan conversion timing, in which scan conversion is activated by an asynchronous trigger, ADTRG0. The scan conversion time (t_{SCAN}) includes the start-of-scanning-delay time (t_D), disconnection detection assistance processing time (t_{DIS})*1, self-diagnosis A/D conversion processing time (t_{DIAG} and t_{DSD})*2, A/D conversion processing time (t_{CONV}), and end-of-scanning-delay time (t_{ED}).

The A/D conversion processing time (t_{CONV}) consists of input sampling time (t_{SPL}) and time for conversion by successive approximation (t_{SAM}). The sampling time (t_{SPL}) is used to charge sample-and-hold circuits in the ADC14. If the sampling time is not sufficient because of the high impedance of an analog input signal source, or if the A/D conversion clock (ADCLK) is slow, sampling time can be adjusted using the ADSSTR register.

The time for conversion by successive approximation (t_{SAM}) is 37.5 ADCLK states with 14-bit accuracy and high-speed mode selected, 46.5 ADCLK states with 14-bit accuracy and low-current mode selected, 31.5 ADCLK states with 12-bit accuracy and high-speed mode selected, and 40.5 ADCLK states with 12-bit accuracy and low-current mode selected.

Table 38.10 shows the times for conversion during scanning.

The scan conversion time (t_{SCAN}) in single scan mode for which the number of selected channels is n can be determined as follows:

$$t_{SCAN} = t_D + (t_{DIS} \times n) + t_{DIAG} + t_{DSD} + (t_{CONV} \times 3 \times n) + t_{ED}$$

The scan conversion time for the first cycle in continuous scan mode is t_{SCAN} for single scan minus t_{ED} . The scan conversion time for the second and subsequent cycles in continuous scan mode is fixed at $(t_{DIS} \times n) + t_{DIAG} + t_{DSD} + (t_{CONV} \times 3 \times n)$.

Note 1. When disconnection detection assistance is not selected, $t_{DIS} = 0$.

Only when the temperature sensor or internal reference voltage is A/D-converted, the auto-discharge period of 15 ADCLK states is inserted.

Note 2. When the self-diagnosis function is not used, $t_{DIAG} = 0$, $t_{DSD} = 0$.

Note 3. When input sampling time (t_{SPL}) of all selected channels are the same, this element equals $t_{CONV} \times n$. If each channel has a different sampling time, this element equals the sum of t_{SPL} and t_{SAM} for each selected channel.

Table 38.10 Times for conversion during scanning (in number of ADCLK and PCLKB cycles) (1 of 2)

Parameter			Symbol	Type/Conditions			Unit
				Synchronous trigger*6	Asynchronous trigger	Software trigger	
Scan start processing time*1, *2	A/D conversion on group A with group A priority control	Group B is to be stopped (group A is activated after group B is stopped due to an A/D conversion source from group A)	t_D	3 PCLKB + 6 ADCLK, 5 PCLKB + 3 ADCLK*5	—	—	Cycle
		Group B is not to be stopped (activation by an A/D conversion source from group A)		2 PCLKB + 4 ADCLK	—	—	
	A/D conversion when self-diagnosis is enabled	A/D conversion for self-diagnosis is to be started		2 PCLKB + 6 ADCLK	4 PCLKB + 6 ADCLK	6 ADCLK	
	Other than above			2 PCLKB + 4 ADCLK	2 PCLKB + 4 ADCLK	4 ADCLK	
Disconnection detection assistance processing time			t_{DIS}	The setting of ADNDIS[3:0] (initial value = 0h) \times ADCLK*3			

Table 38.10 Times for conversion during scanning (in number of ADCLK and PCLKB cycles) (2 of 2)

Parameter	Symbol		Type/Conditions			Unit
			Synchronous trigger*6	Asynchronous trigger	Software trigger	
Self-diagnosis conversion processing time*1	Sampling time		t_{SPL}	The setting of ADSSTR00 (initial value = 0Dh) × ADCLK*4 + 0.5 ADCLK*4		
	Time for conversion by successive approximation	12-bit conversion accuracy	t_{SAM}	31.5 ADCLK at High-speed mode 40.5 ADCLK at Low-current mode		
		14-bit conversion accuracy		37.5 ADCLK at High-speed mode 46.5 ADCLK at Low-current mode		
	Wait time between self-diagnosis conversion end and analog channel sampling start		t_{DED}	2 ADCLK		
	Wait time between last channel conversion end and self-diagnosis sampling start in continuous scan mode		t_{DSD}	2 ADCLK		
A/D conversion processing time*1	Sampling time		t_{SPL}	The setting of ADSSTRn (n = 00 to 15, L, T, O) (initial value = 0Dh) × ADCLK + 0.5 ADCLK		
	Time for conversion by successive approximation	12-bit conversion accuracy	t_{SAM}	31.5 ADCLK at High-speed mode 40.5 ADCLK at Low-current mode		
		14-bit conversion		37.5 ADCLK at High-speed mode 46.5 ADCLK at Low-current mode		
	Scan end processing time*1		t_{ED}	1 PCLKB + 3 ADCLK, 2 PCLKB + 3 ADCLK*5		

- Note 1. See Figure 38.24 and Figure 38.25 for illustration of times t_D , t_{DIAG} , t_{CONV} , and t_{ED} .
- Note 2. This is the maximum time required from software writing or trigger input to starting A/D conversion.
- Note 3. The value is fixed to Fh (15 ADCLK) when the temperature sensor output or internal reference voltage is A/D-converted.
- Note 4. The required sampling time (ns) is specified according to the voltage conditions. The sampling time setting must satisfy the electrical characteristics.
- Note 5. If ADCLK is faster than PCLKB (PCLKB to ADCLK frequency ratio = 1:2 or 1:4).
- Note 6. This does not include the time consumed in the path from timer output to trigger input.

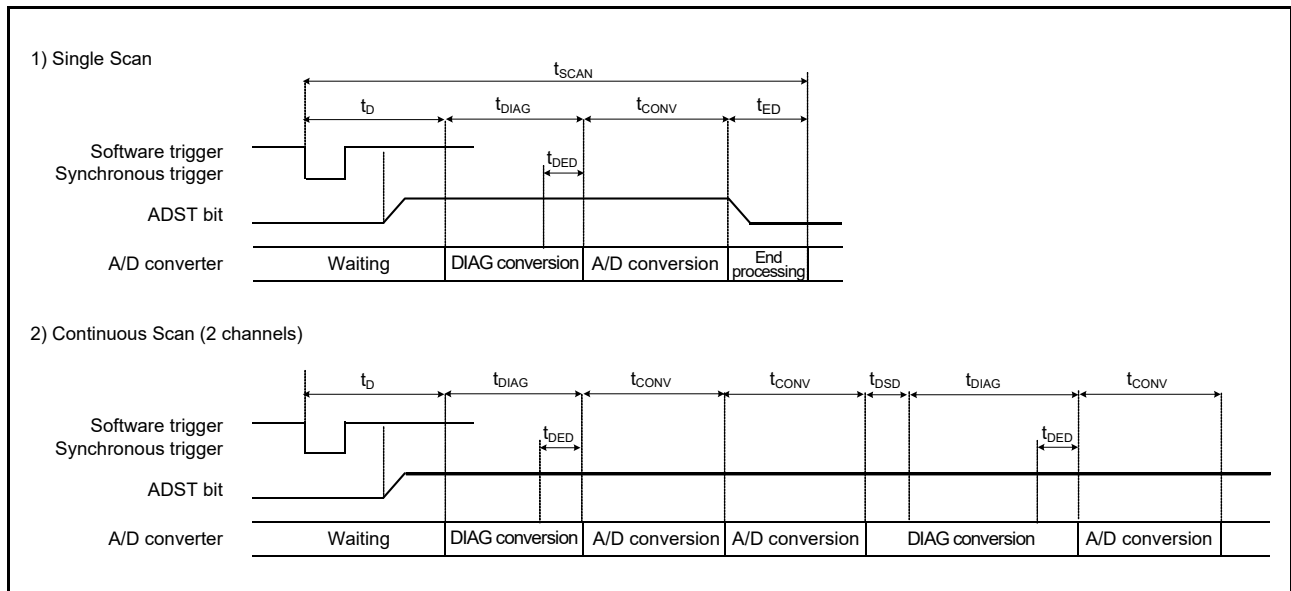


Figure 38.24 Scan conversion timing activated by software or synchronous trigger ELC input

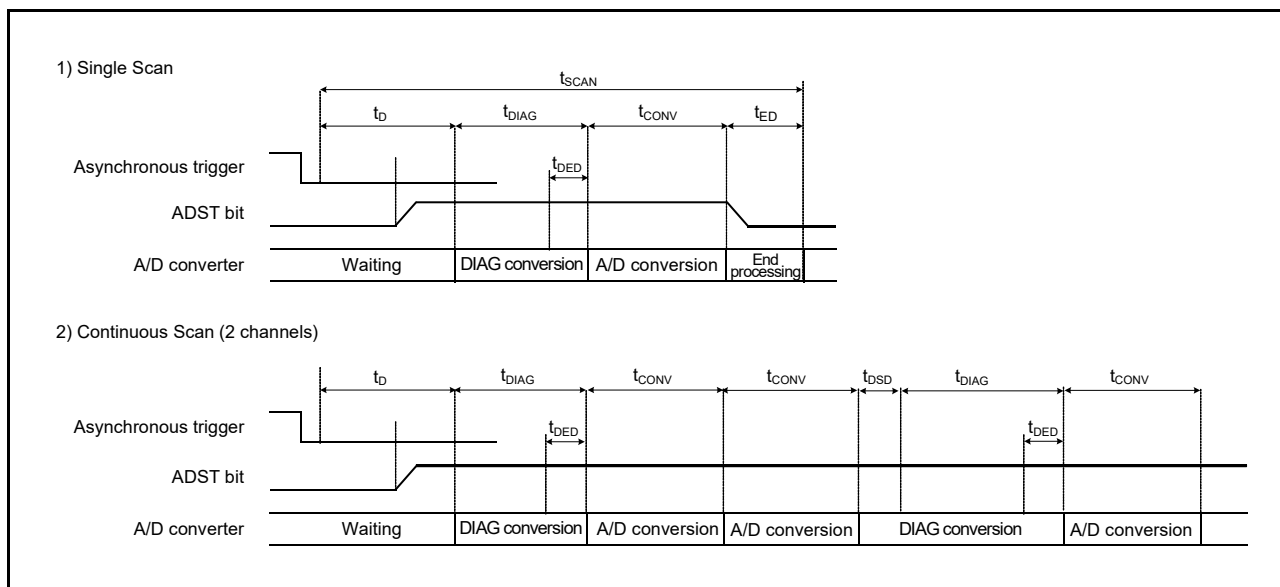


Figure 38.25 Scan conversion timing activated by asynchronous trigger input (ADTRG0)

38.3.7 Usage Example of A/D Data Register Automatic Clearing Function

Setting the ACE bit in ADCER to 1 automatically clears the A/D data registers (ADDRy, ADDR, ADDBLDR, ADDBLDRA, ADDBLDRB, ADTSDR, ADOCDR) to 0000h when the A/D data registers are read by the CPU, DTC, or DMAC. This function enables detection of update failures of the A/D data registers (ADDRy, ADDR, ADDBLDR, ADDBLDRA, ADDBLDRB, ADTSDR, ADOCDR). In the following examples, the function to automatically clear the ADDRy register is enabled and disabled:

- When the ACE bit in ADCER is 0 (automatic clearing disabled) and, for some reason, if the A/D conversion result (0222h) is not written to the ADDRy register, the ADDRy value retains the old data (0111h). In addition, if this ADDRy value is read into a general-purpose register using an A/D scan end interrupt, the old data (0111h) can be saved in the general-purpose register. When checking whether there is an update failure, it is necessary to frequently save the old data in the SRAM or a general-purpose register.
- When the ACE bit in ADCER is 1 (automatic clearing enabled), when ADDRy = 0111h is read by the CPU, DTC, or DMAC, ADDRy is automatically set to 0000h. If the A/D conversion result 0222h cannot be transferred to ADDRy for some reason, the cleared data (0000h) remains as the ADDRy value. If this ADDRy value is read into a general-purpose register using an A/D scan end interrupt, 0000h is saved in the general-purpose register. Occurrence of an ADDRy update failure can be determined by simply checking that the read data value is 0000h.

38.3.8 A/D-Converted Value Addition/Average Mode

A/D-converted value addition/average mode can be used when A/D conversion of the analog input of the selected channels, A/D conversion of the temperature sensor output, or A/D conversion of the internal reference voltage is selected.

In A/D-converted value addition mode, the same channel is A/D-converted 1, 2, 3, 4, or 16^{*1} consecutive times and the sum of the converted values is stored in the data register. In A/D-converted value average mode, the same channel is A/D-converted 2 or 4 consecutive times and the mean of the converted values is stored in the data register. The use of the average of these results can improve the accuracy of A/D conversion, depending on the types of noise components that are present. However, this function cannot always guarantee an improvement in A/D conversion accuracy.

The A/D-converted value addition or average mode can be specified for A/D conversion of the channel select analog input, temperature sensor output, or internal reference voltage.

Note 1. The addition count can be set to 16 only when 12-bit accuracy is selected.

38.3.9 Disconnection Detection Assist Function

The ADC14 incorporates the disconnection detection assist function to fix the charge for sampling capacitance to the specified state (VREFH0 or VREFL0) before the start of A/D conversion. This function enables disconnection detection in the wiring of analog inputs.

Figure 38.26 shows the A/D conversion operation when the disconnection detection assist function is used. Figure 38.27 shows an example of disconnection detection when precharge is selected. Figure 38.28 shows an example of disconnection detection when discharge is selected.

If any of the following functions are used, the disconnection detection assist function must be disabled:

- The temperature sensor
- The internal reference voltage
- The A/D self-diagnosis.

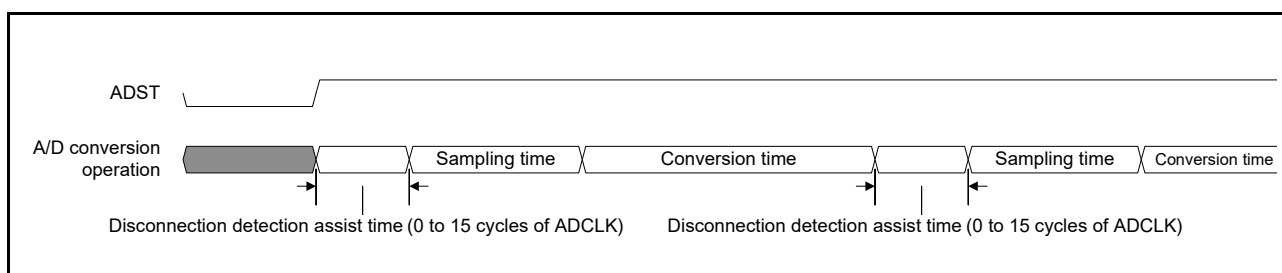


Figure 38.26 A/D conversion operation when the disconnection detection assist function is used

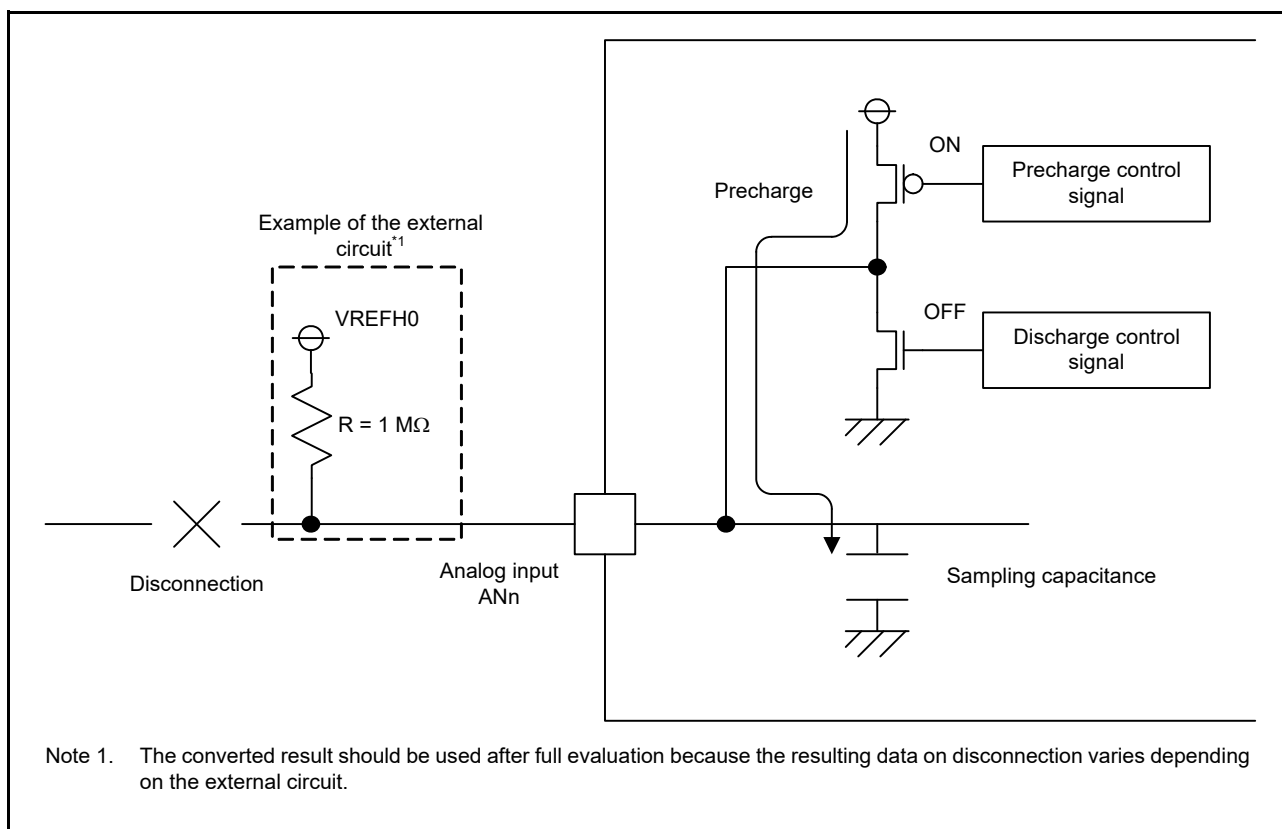


Figure 38.27 Example of disconnection detection when precharge is selected

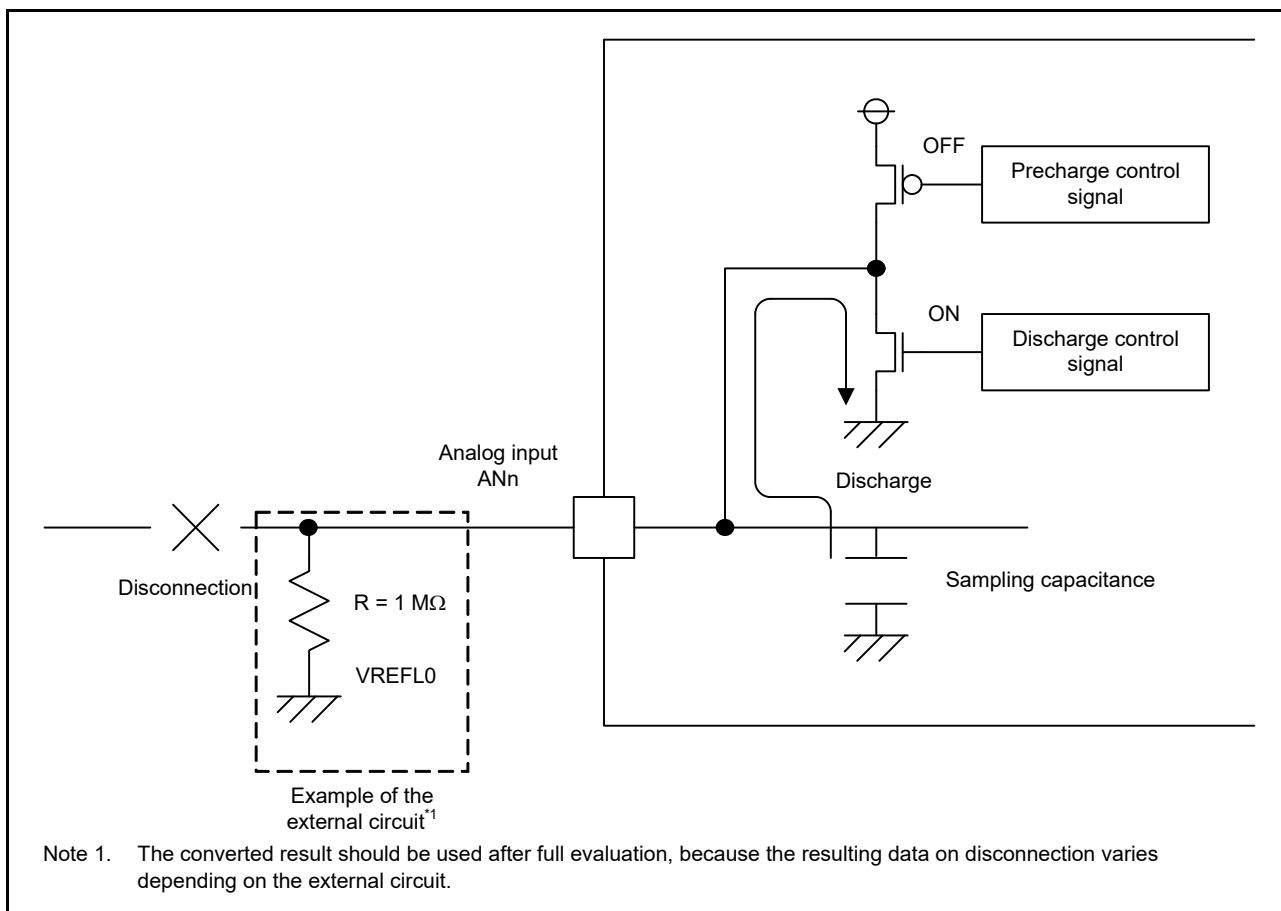


Figure 38.28 Example of disconnection detection when discharge is selected

38.3.10 Starting A/D Conversion with an Asynchronous Trigger

The A/D conversion can be started by the input of an asynchronous trigger. To start the A/D conversion by an asynchronous trigger, first set the pin function in the PmnPFS register, set the A/D Conversion Start Trigger Select bits (ADSTRGR.TRSA[5:0]) to 000000b, and then input a high-level signal to the asynchronous trigger (ADTRG0 pin). Finally, set the ADCSR.TRGE and ADCSR.EXTRG bits to 1. Figure 38.29 shows the timing of the asynchronous trigger input.

An asynchronous trigger cannot be selected in the A/D Conversion Start Trigger Select bits (ADSTRGR.TRSB[5:0]) for group B used in group scan mode. For details on setting the pin function, see section 20, I/O Ports.

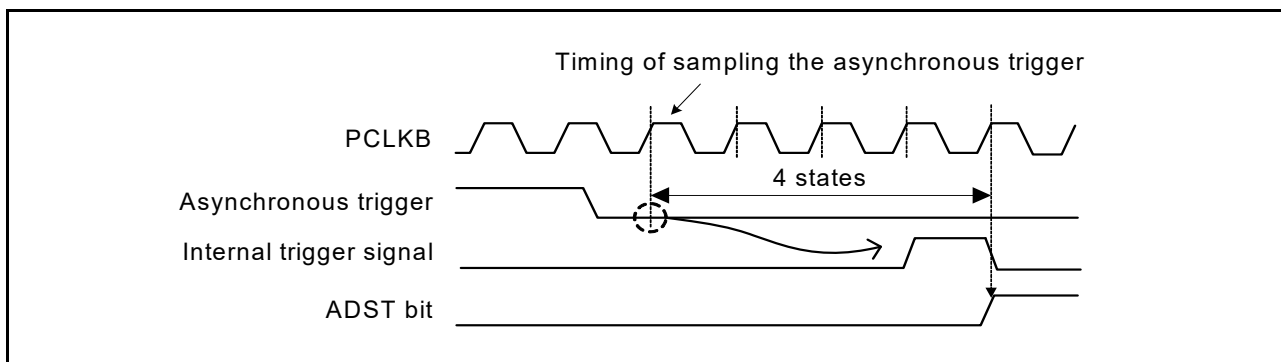


Figure 38.29 Asynchronous trigger input timing

38.3.11 Starting A/D Conversion with a Synchronous Trigger from Peripheral Module

The A/D conversion can be started by a synchronous trigger (ELC). To start the A/D conversion by a synchronous trigger:

- Set the ADCSR.TRGE bit to 1
- Set the ADCSR.EXTRG bit to 0
- Select the relevant sources in the ADSTRGR.TRSA[5:0] and ADSTRGR.TRSB[5:0] bits.

38.4 Interrupt Sources and DTC or DMAC Transfer Requests

38.4.1 Interrupt Requests

The ADC14 can send scan end interrupt requests, ADC140_ADI and ADC140_GBADI, to the CPU. The ADC14 also generates the ADC140_CMPAI and ADC140_CMPBI interrupts to the CPU in response to matches with a comparison condition.

An ADC140_ADI interrupt is always generated. An ADC140_GBADI interrupt can be generated by setting the ADCSR.GBADIE bit to 1. Similarly, ADC140_CMPAI and ADC140_CMPBI interrupts can be generated by setting the ADCMPCR.CMPAIE and ADCMPCR.CMPBIE bits to 1.

In addition, the DTC or DMAC can be started when an ADC140_ADI or ADC140_GBADI interrupt is generated. Using these interrupts to activate the DTC or DMAC to read the converted data enables continuous conversion without burdening software.

For details on DTC settings, see [section 18, Data Transfer Controller \(DTC\)](#), and for details on DMAC settings, see [section 17, DMA Controller \(DMAC\)](#).

[Table 38.11](#) describes the interrupt sources and ELC events available for the ADC14.

Table 38.11 ADC14 interrupt sources and ELC events (1 of 2)

Operation			Interrupt request or ELC event	Interrupt request	DTC or DMAC activation	ELC event request	Function
Scan mode	Double-trigger mode	Compare function window A and window B					
Single scan mode	Deselect	Deselect	ADC140_ADI	✓	✓	✓	ADC140_ADI is generated at the end of single scan
		Select	ADC140_ADI	✓	✓	✓	ADC140_ADI is generated at the end of single scan
			ADC140_CMPAI	✓	×	×	ADC140_CMPAI is generated in the match comparison condition of window A
			ADC140_CMPBI	✓	×	×	ADC140_CMPBI is generated in the match comparison condition of window B
			ADC140_WCMPM	×	✓	✓	ADC140_WCMPM is generated in the match conditions of the window A/B compare function
		ADC140_WCMPUM	×	✓	✓	ADC140_WCMPUM is generated in the mismatch conditions of the window A/B compare function	
Continuous scan mode	Deselect	Deselect	ADC140_ADI	✓	✓	✓	ADC140_ADI is generated at the end of scans in the even-numbered times
		Select	ADC140_CMPAI	✓	×	×	ADC140_CMPAI is generated in the match comparison condition of window A
			ADC140_CMPBI	✓	×	×	ADC140_CMPBI is generated in the match comparison condition of window B

Table 38.11 ADC14 interrupt sources and ELC events (2 of 2)

Operation			Interrupt request or ELC event	Interrupt request	DTC or DMAC activation	ELC event request	Function
Scan mode	Double-trigger mode	Compare function window A and window B					
Group scan mode	Deselect	Deselect	ADC140_ADI	✓	✓	✓	ADC140_ADI is generated at the end of group A scan
			ADC140_GBADI	✓	✓	×	ADC140_GBADI dedicated to group B is generated at the end of group B scan
		Select	ADC140_ADI	✓	✓	✓	ADC140_ADI is generated at the end of group A scan
			ADC140_GBADI	✓	✓	×	ADC140_GBADI dedicated to group B is generated at the end of group B scan
			ADC140_CMPAI	✓	×	×	ADC140_CMPAI is generated in the match comparison condition of window A
			ADC140_CMPBI	✓	×	×	ADC140_CMPBI is generated in the match comparison condition of window B
	Select	Deselect	ADC140_ADI	✓	✓	✓	ADC140_ADI is generated at the end of group A scans in the even-numbered times
			ADC140_GBADI	✓	✓	×	ADC140_GBADI dedicated to group B is generated at the end of group B scan

✓: Available

×: Not available.

38.5 Event Link Function

38.5.1 Event Output to the ELC

The ELC uses the ADC140_ADI interrupt request signal as an event signal, enabling link operation for the preset module. The ADC140_GBADI and ADC140_CMPAI/ADC140_CMPBI interrupts cannot be used as event signals. For details, see [Table 38.11, ADC14 interrupt sources and ELC events](#).

38.5.2 ADC14 Operation through an Event from the ELC

The ADC14 can start A/D conversion by the preset event specified in the ELSRn settings for the ELC as follows:

- Select the ELC_AD00 signal in the ELC.ELSR8 register
- Select the ELC_AD01 signal in the ELC.ELSR9 register.

If an ELC_AD00 or ELC_AD01 event occurs during A/D conversion, the event is disabled.

38.6 Selecting Reference Voltage

The ADC14 can select VREFH0 or AVCC0 as the high-potential reference voltage, and can select VREFL0 or AVSS0 as the internal reference voltage and the low-potential reference voltage. Set these before starting A/D conversion. For details on this setting, see the ADHVREFCNT register description.

38.7 A/D Conversion Procedure when Selecting Internal Reference Voltage as High-Potential Reference Voltage

This section describes the A/D conversion procedure after selecting the internal reference voltage as the high-potential reference voltage. In this case, A/D conversion is possible for channels AN000 to AN027, but A/D conversion of the internal reference voltage and the temperature sensor output is prohibited.

The A/D conversion procedure is as follows:

1. Set ADHVREFCNT.HVSEL[1:0] to 11b to discharge the high-potential reference voltage path in ADC14.
2. Wait for a 1 μs discharge period in software.
3. Set ADHVREFCNT.HVSEL[1:0] to 10b to select internal reference voltage as the high-potential reference voltage.

Note: The ADC14 has a protection function that disables selection of internal reference voltage (ADHVREFCNT.HVSEL[1:0] = 10b) without discharge (ADHVREFCNT.HVSEL[1:0] = 11b) from the selection of VREFH0 (ADHVREFCNT.HVSEL[1:0] = 01b) or AVCC0 (ADHVREFCNT.HVSEL[1:0] = 00b). If the internal reference voltage is selected without discharge, discharge is set forcibly. Select the internal reference voltage again after 1 μs.

- Wait until the internal reference voltage is stabilized (for 5 μ s) in software, and then perform A/D conversion.

Figure 38.30 shows a waveform for the procedure to select internal reference voltage as the high-potential reference voltage.

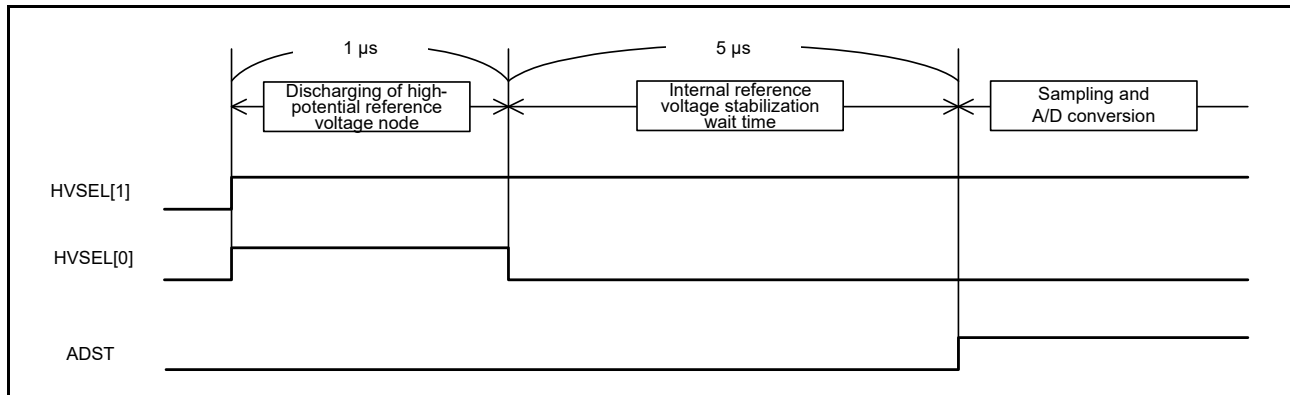


Figure 38.30 Procedure to select internal reference voltage as the high-potential reference voltage

38.8 Usage Notes

38.8.1 Notes on Reading Data Registers

The following registers must be read in halfword units:

- A/D Data Registers
- A/D Data Duplexing Register A
- A/D Data Duplexing Register B
- A/D Temperature Sensor Data Register
- A/D Internal Reference Voltage Register
- A/D Self-Diagnosis Data Register.

If a register is read twice in byte units, that is, the upper byte and lower byte are separately read, the A/D-converted value initially read might conflict with the A/D-converted value read subsequently. To prevent this, do not read data registers in byte units.

38.8.2 Notes on Stopping A/D Conversion

To stop A/D conversion when an asynchronous trigger or a synchronous trigger is selected as the condition for starting A/D conversion, follow the procedure in Figure 38.31.

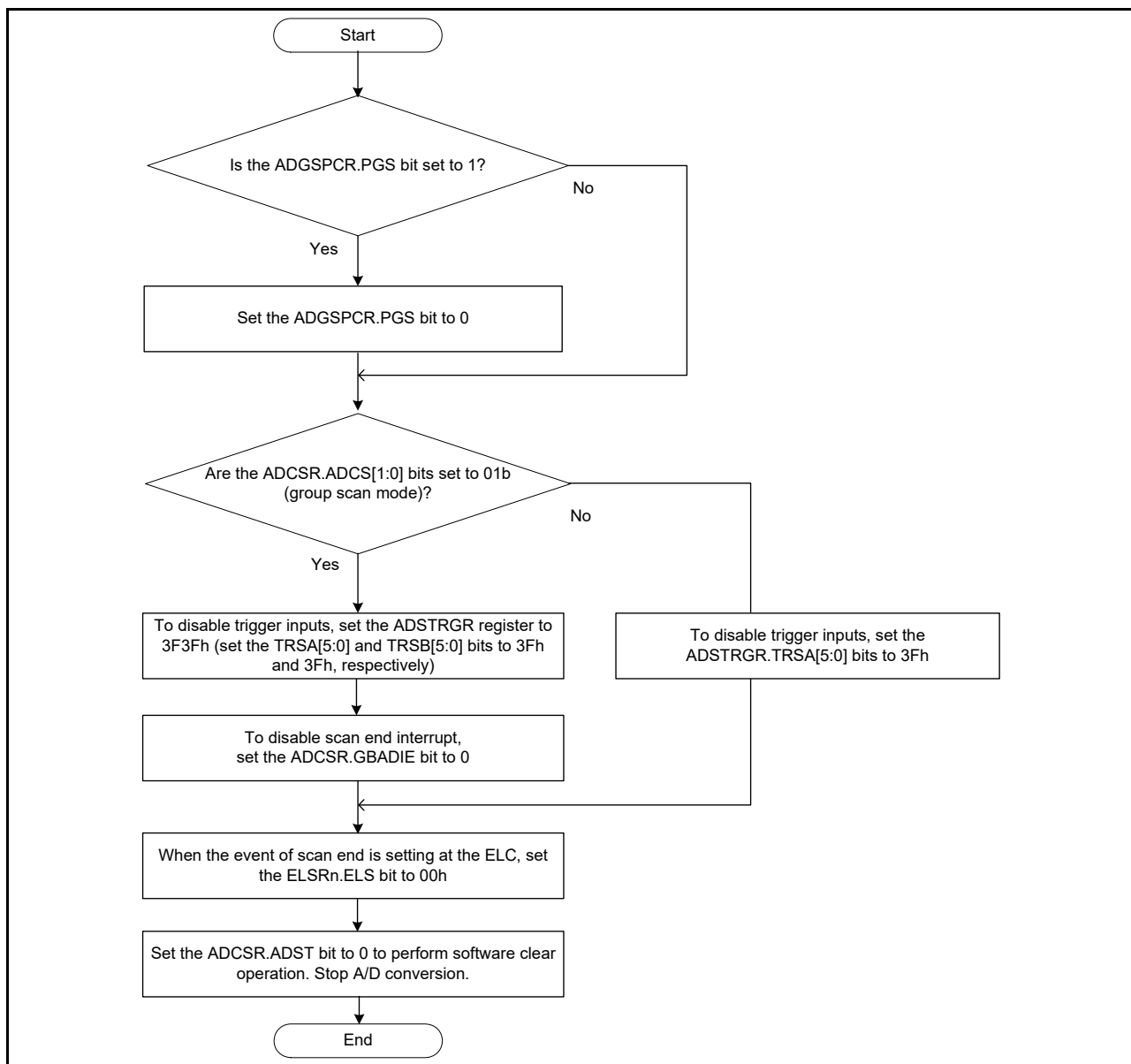


Figure 38.31 Procedure for clearing the ADCSR.ADST bit through software

38.8.3 A/D Conversion Restarting Timing and Termination Timing

A maximum of 6 ADCLK cycles is required for the idle analog unit in the ADC14 to restart on setting the ADCSR.ADST bit to 1. A maximum of 3 ADCLK cycles is required for the operating analog unit in the ADC14 to terminate on setting the ADCSR.ADST bit to 0.

38.8.4 Restrictions on Scan End Interrupt Handling

When scanning the same analog input twice using any trigger, the first A/D-converted data is overwritten with the second A/D-converted data if the CPU does not finish reading the A/D-converted data by the time the A/D conversion of the first analog input for the second scan ends after the first scan end interrupt is generated.

38.8.5 Module-Stop Function Settings

The Module Stop Control Register can enable or disable the ADC14 operation. The ADC14 is initially stopped after reset. Releasing the module-stop state enables access to the registers. After release from the module-stop state, wait for at least 1 μ s before starting A/D conversion. For details, see [section 11, Low Power Modes](#).

38.8.6 Restrictions on Entering Low-Power States

Before entering the module-stop state or Software Standby mode, you must stop A/D conversion. Set the ADCSR.ADST bit to 0 and secure a period of time until the analog unit of the ADC14 stops. Follow the procedure shown in [Figure 38.31](#) for clearing the ADCSR.ADST bit through software. Then, wait for 3 ADCLK clock cycles before entering the module-stop state or Software Standby mode.

38.8.7 Error in Absolute Accuracy when Disconnection Detection Assistance is in Use

Using the disconnection detection assistance function leads to an error in absolute accuracy of the ADC14. This error arises because an erroneous voltage is input to the analog input pins because of the resistive voltage division between the pull-up or pull-down resistor (R_p) and the resistance of the signal source (R_s). This error in absolute accuracy is calculated using the following formula.

Maximum error in absolute accuracy (LSB) = $4095 \times R_s / (R_s + R_p)$

Only use disconnection detection assistance after thorough evaluation.

38.8.8 ADHSC Bit Rewriting Procedure

Before changing the A/D Conversion Select bit (ADCSR.ADHSC) from 0 to 1 or from 1 to 0, the ADC14 must be in the standby state. Use the following procedure to modify the ADCSR.ADHSC bit. After clearing the Sleep bit (ADHVREFCNT.ADSL P) to 0, wait for at least 1 μ s and then start A/D conversion.

The procedure to modify the ADCSR.ADHSC bit is as follows:

1. Set the Sleep bit (ADHVREFCNT.ADSL P) to 1.
2. Wait for at least 0.2 μ s, and then modify the A/D Conversion Select bit (ADCSR.ADHSC).
3. Wait for at least 4.8 μ s, and then set the Sleep bit (ADHVREFCNT.ADSL P) to 0.

Note: Setting the Sleep bit (ADHVREFCNT.ADSL P) to 1 is prohibited except when modifying the A/D Conversion Select bit (ADCSR.ADHSC).

Note: Do not reset the Sleep bit when the A/D Conversion Select bit (ADCSR.ADHSC) is 1. After this bit is set to 0 or the operating mode transitions to module-stop mode, reset the Sleep bit based on the ADCSR.ADHSC bit rewriting procedure.

38.8.9 Notes on Operating Modes and Status Bits

Initialize or set again individually, if necessary, the voltage values in self-diagnosis, the determination of the first scan or second scan in double-trigger mode, the data buffer pointer, and status monitor in the compare function.

- Select the voltage values in self-diagnosis (ADCER.DIAGVAL[1:0]) after setting ADCER.DIAGLD to 1
- Double-trigger mode operates as the first scan after setting ADCSR.DBLE to 1 from 0
- The status monitor bits (MONCMPA, MONCMPB, and MONCOMB) in the compare function are initialized after the ADCMPCR.CMPAE and ADCMPCR.CMPBE bits are set to 0.

38.8.10 Notes on Board Design

The board should be designed so that the digital circuits and analog circuits are separated from each other as far as possible. In addition, the digital circuit signal lines and analog circuit signal lines should not intersect or be placed near each other. If these rules are not followed, noise can occur on analog signals and A/D conversion accuracy is affected. The analog input pins (AN000 to AN027), reference power supply pin (VREFH0), reference ground pin (VREFL0), and analog power supply (AVCC0) should be separated from digital circuits using the analog ground (AVSS0). The analog ground (AVSS0) should be connected to a stable digital ground (VSS) on the board (single-point ground plane connection).

38.8.11 Notes on Noise Reduction

To prevent the analog input pins (AN000 to AN027) from being destroyed by abnormal voltage such as excessive surges, insert a capacitor between AVCC0 and AVSS0 and between VREFH0 and VREFL0. Additionally, connect a protection circuit to protect the analog input pins (AN000 to AN027) as shown [Figure 38.32](#).

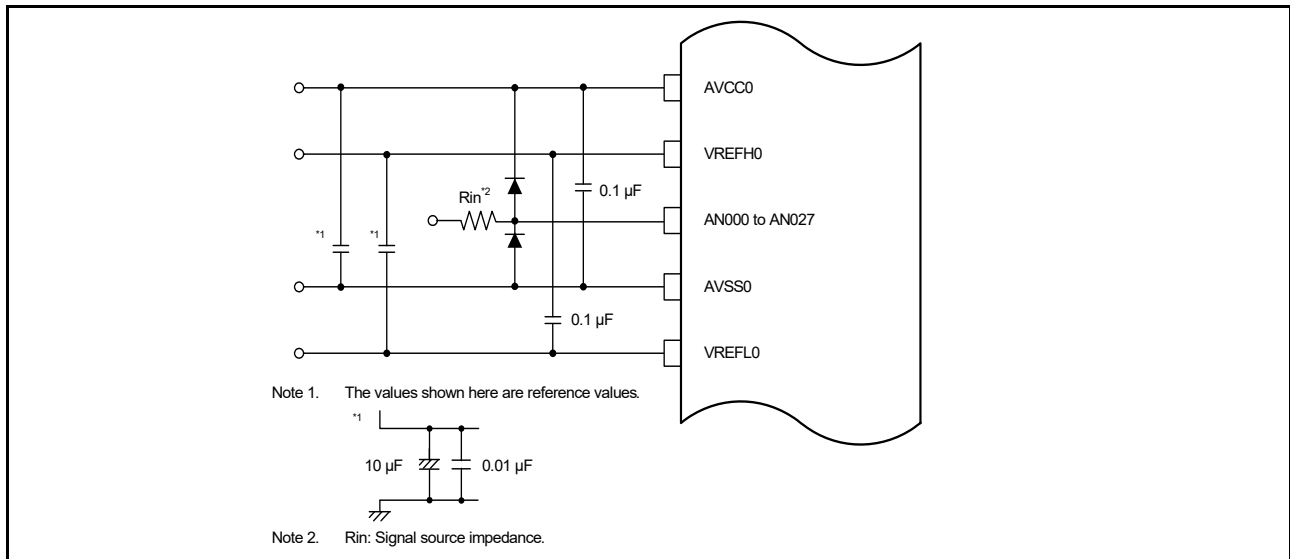


Figure 38.32 Example protection circuit for analog inputs

38.8.12 Port Settings when Using the 14-bit A/D Converter Input

When using the high precision channels, do not use PORT0 as general I/O, IRQ2, IRQ3 inputs, and TS transmission. Renesas recommends that you do not use the digital output that is also used as the A/D analog input, if normal precision channels are used. If the digital output that is also used as the A/D analog input is used for output signals, perform A/D conversion several times, eliminate the maximum and minimum values, and obtain the average of the other results.

38.8.13 Relationship between ADC14, OPAMP, and ACMPLP

The A/D conversion targets in [Table 38.12](#) should not be selected as an OPAMP and ACMPLP input during A/D conversion.

Table 38.12 List of OPAMP and ACMPLP pins that should not be selected during A/D conversion

Target of A/D conversion	OPAMP	ACMPLP
AN000	AMP0+	-
AN001	AMP0-	-
AN005	AMP2-	-
AN006	AMP2+	-
AN007	AMP1-	-
AN008	AMP1+	-
AN011	AMP3+	-
AN012	AMP3-	-
AN016	-	CMPREF1
AN017	-	CMPIN1
AN018	-	CMPREF0
AN019	-	CMPREF1
AN020	-	CMPIN1
AN021	-	CMPREF0
AN022	-	CMPIN0
AN023	-	CMPIN0

38.8.14 Notes on Canceling Software Standby Mode

After the transition from Software Standby mode to Normal mode completes, wait for 1 μs before starting A/D conversion.

39. 12-Bit D/A Converter (DAC12)

39.1 Overview

The MCU provides a 12-bit D/A converter (DAC12). Table 39.1 lists the DAC12 specifications, Figure 39.1 shows the block diagram, and Table 39.2 lists the I/O pins.

Table 39.1 DAC12 specifications

Item	Specifications
Resolution	12 bits
Output channels	1 channel
Interference reduction between analog modules	Reduces interference between D/A and A/D conversion circuits. D/A-converted data update timing is controlled by the synchronous D/A conversion enable input signal from the ADC14, which reduces the effect of DAC12 inrush current on A/D conversion accuracy.
Module-stop function	The module-stop state can be set to reduce power consumption
Event link function (input)	DA0 conversion can be started on input of an event signal

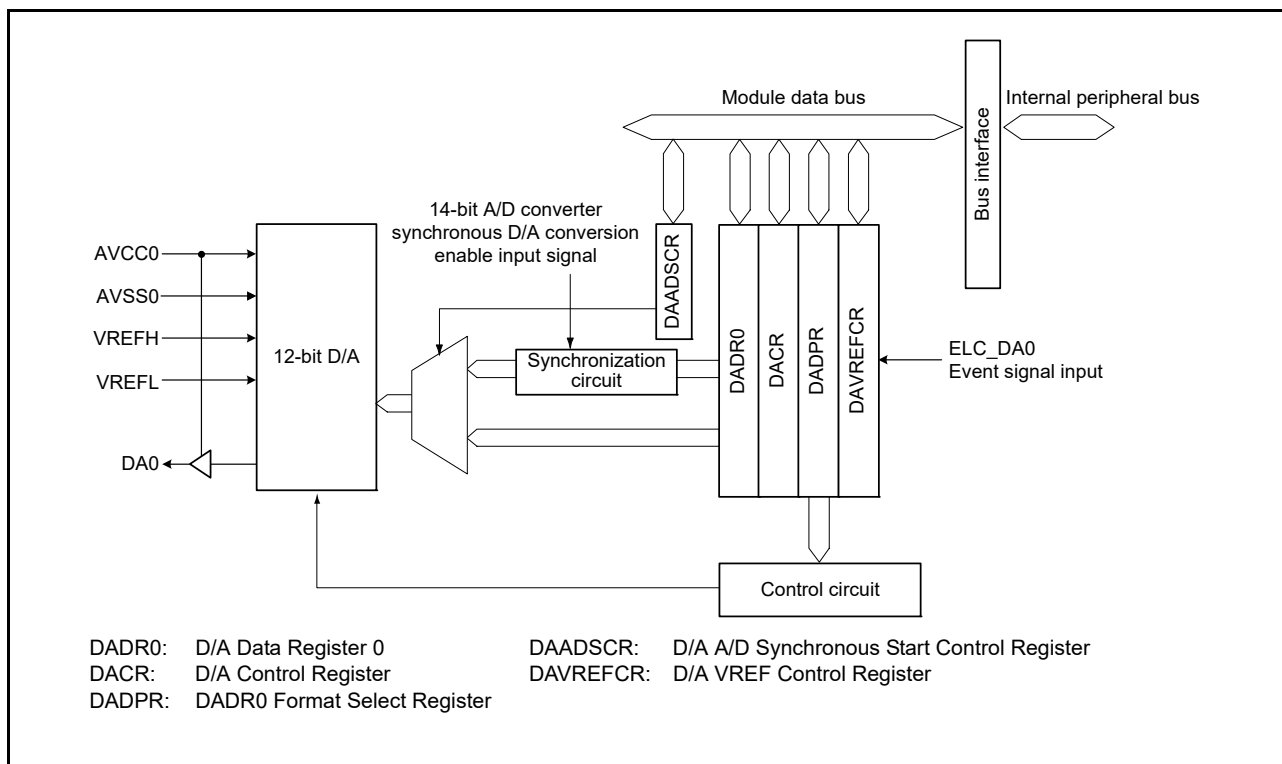


Figure 39.1 DAC12 block diagram

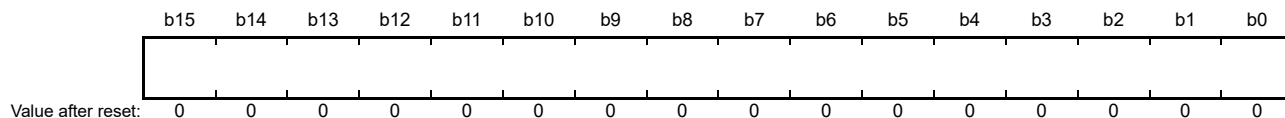
Table 39.2 DAC12 pin configuration

Pin Name	I/O	Function
AVCC0	Input	Analog power supply pin for ADC14, DAC12, comparator, and OPAMP. Connect to VCC when these modules are not used.
AVSS0	Input	Analog ground pin for ADC14, DAC12, comparator, and OPAMP. Connect to VSS when these modules are not used.
VREFH	Input	Analog reference top voltage supply pin for DAC12
VREFL	Input	Analog reference ground pin for DAC12
DA0	Output	Channel 0 analog output pin

39.2 Register Descriptions

39.2.1 D/A Data Register 0 (DADR0)

Address(es): [DAC12.DADR0 4005 E000h](#)



The DADR0 register is 16-bit read/write register that stores data for D/A conversion. When an analog output is enabled, the values in DADR0 are converted and output to the analog output pins.

The 12-bit data can be formatted as left- or right-justified by setting the DADPR.DPSEL bit. In right-justified format (DADPR.DPSEL = 0), the lower 12 bits, [11:0], are valid. In left-justified format (DADPR.DPSEL = 1), the upper 12 bits, [15:4], are valid.

39.2.2 D/A Control Register (DACR)

Address(es): [DAC12.DACR 4005 E004h](#)



Bit	Symbol	Bit name	Description	R/W
b4 to b0	—	Reserved	These bits are read as 1. The write value should be 1.	R/W
b5	—	Reserved	This bit is read as 0. The write value should be 0.	R/W
b6	DAOE0	D/A Output Enable 0	0: Disable D/A conversion and analog output of channel 0 (DA0) 1: Enable D/A conversion and analog output of channel 0 (DA0).	R/W
b7	—	Reserved	This bit is read as 0. The write value should be 0.	R/W

Only set this register while the ADC14 is halted when the DAADSCR.DAADST bit is 1 (interference reduction between D/A and A/D conversion is enabled). Only set DACR while the ADCSR.ADST bit is 0 and after selecting the software trigger for the ADC14 trigger to securely stop the ADC14.

DAOE0 bit (D/A Output Enable 0)

The DAOE0 bit controls D/A conversion and analog output.

When interference reduction between D/A and A/D conversions is enabled (DAADSCR.DAADST = 1), set the DAOE0 bit while the ADCSR.ADST bit in the ADC14 is 0. Then, select the software trigger for the ADC14 trigger to securely stop the ADC14.

The event link function can be used to set the DAOE0 bit to 1. The DAOE0 bit becomes 1 when the event specified in the ELSR12 register for the ELC_DA0 event occurs, and output of the D/A conversion results starts.

39.2.3 DADR0 Format Select Register (DADPR)

Address(es): DAC12.DADPR 4005 E005h

b7	b6	b5	b4	b3	b2	b1	b0
DPSEL	—	—	—	—	—	—	—

Value after reset: 0 0 0 0 0 0 0 0

Bit	Symbol	Bit name	Description	R/W
b6 to b0	—	Reserved	These bits are read as 0. The write value should be 0.	R/W
b7	DPSEL	DADR0 Format Select	0: Right-justified format 1: Left-justified format.	R/W

39.2.4 D/A A/D Synchronous Start Control Register (DAADSCR)

Address(es): DAC12.DAADSCR 4005 E006h

b7	b6	b5	b4	b3	b2	b1	b0
DAADST	—	—	—	—	—	—	—

Value after reset: 0 0 0 0 0 0 0 0

Bit	Symbol	Bit name	Description	R/W
b6 to b0	—	Reserved	These bits are read as 0. The write value should be 0.	R/W
b7	DAADST	D/A A/D Synchronous Conversion	0: Do not synchronize DAC12 operation with ADC14 operation (disable interference reduction between D/A and A/D conversion) 1: Synchronize DAC12 operation with ADC14 operation (enable interference reduction between D/A and A/D conversion).	R/W

To reduce interference between the D/A and A/D conversion, the DAADSCR register switches on or off the synchronization of the D/A conversion with the synchronous D/A conversion enable input signal from the ADC14 trigger.

Only set this register while the ADC14 is halted, that is, while the ADCSR.ADST bit is 0 after selecting the software trigger as the ADC14 trigger.

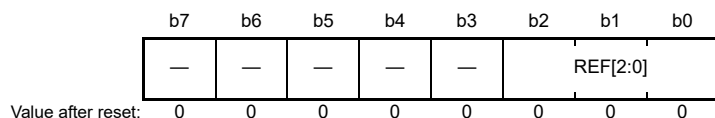
Select unit 1 as the target ADC14 unit before setting the DAADST bit to 1.

DAADST bit (D/A A/D Synchronous Conversion)

Setting the DAADST bit to 0 allows the DADR0 register value to be converted into analog data at any time. Setting the DAADST bit to 1 selects synchronization of D/A conversion with the synchronous D/A conversion enable input signal from ADC14. When the DADR0 register value is modified, D/A conversion does not start until the ADC14 completes A/D conversion. Set this bit only while the ADC14 is halted (ADCSR.ADST bit is set to 0) and the software trigger is selected as the ADC14 trigger to securely stop the ADC14. The event link function cannot be used when the DAADST bit is set to 1. Stop the event link function by setting the ELSR12 register of the ELC. The setting of the DAADST bit is shared by channels 0 and 1 of the DAC12.

39.2.5 D/A VREF Control Register (DAVREFCR)

Address(es): DAC12.DAVREFCR 4005 E007h



Bit	Symbol	Bit Name	Description	R/W
b2 to b0	REF[2:0]	D/A Reference Voltage Select	b2 b0 0 0 0: No reference voltage selected 0 0 1: AVCC0/AVSS0 selected 0 1 1: Internal reference voltage/AVSS0 selected 1 1 0: VREFH/VREFL selected. Other settings are prohibited.	R/W
b7 to b3	—	Reserved	These bits are read as 0. The write value should be 0.	R/W

The D/A VREF Control Register (DAVREFCR) selects the reference voltage of the DAC12.

REF[2:0] bits (D/A Reference Voltage Select)

The REF[2:0] bits select the reference voltage of the DAC12. When changing the value of these bits, write 000b to these bits in advance. Read the REF[2:0] bits after changing their value, and confirm that they are changed. When selecting the internal reference voltage, set the DADR0 register to 0000h and discharge the VREF path before switching the voltage. As the path remains discharged after the reset is released, the internal reference voltage can be selected. For details on discharging, see [section 39.3.2, Notes on Using the Internal Reference Voltage as the Reference Voltage](#). Do not rewrite this register during A/D conversion using the ADC14. If this register is rewritten, the accuracy of A/D conversion is not guaranteed. When the internal reference voltage is selected, the voltage generation circuit operates and current increases. This circuit does not automatically turn off even when the MCU enters Software Standby mode with the internal reference voltage selected.

39.3 Operation

When the DAOE0 bit in DACR is set to 1, the DAC12 is enabled and the conversion result is output.

The following example shows the D/A conversion on channel 0. [Figure 39.2](#) shows the timing of this operation.

1. Set the data for D/A conversion in the DADPR.DPSEL bit and the DADR0 register.
2. Set the DACR.DAOE0 bit to 1 to start D/A conversion. The conversion result is output from the analog output pin DA0 after the conversion time t_{DCONV} elapses. The conversion result continues to be output until DADR0 is written to again or the DAOE0 bit is set to 0. The output value (reference) is expressed by the following formula:

$$\frac{\text{Setting value of DADR0}}{4096} \times \text{Reference voltage}$$

3. To start another conversion, write another value to DADR0. The conversion result is output after the conversion time t_{DCONV} elapses.
When the DAADSCR.DAADST bit is 1 (interference reduction between D/A and A/D conversion is enabled), a maximum of one A/D conversion time is required for D/A conversion to start. When ADCLK is faster than the peripheral clock, a longer time than one A/D conversion time might be required.
4. If the DAOE0 bit is set to 0, the analog output is disabled.

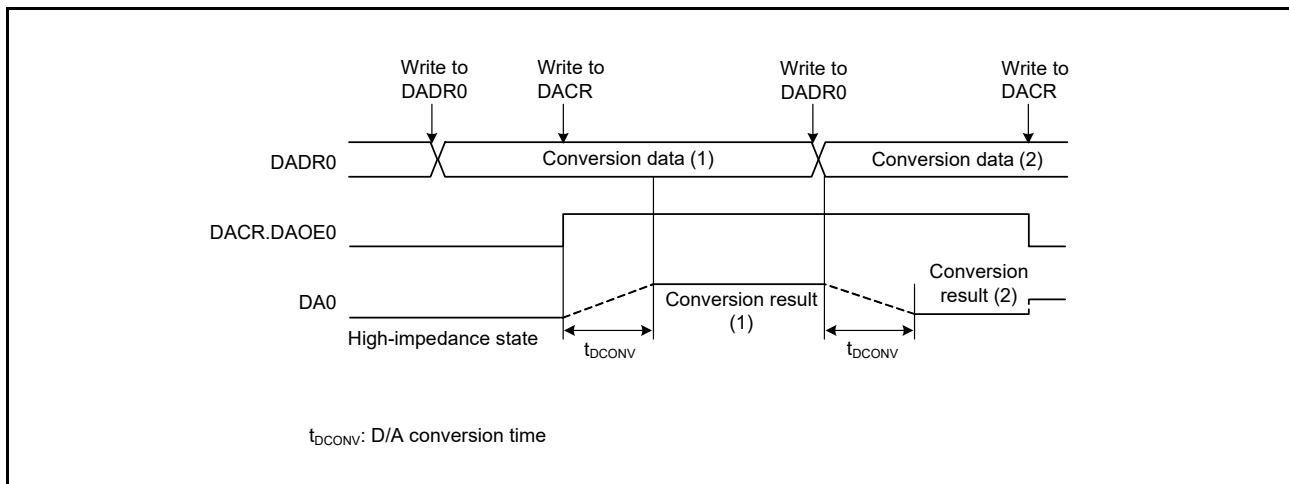


Figure 39.2 Example DAC12 operation

39.3.1 Reducing Interference between D/A and A/D Conversion

When D/A conversion starts, the DAC12 generates inrush current. Because the DAC12 and ADC14 share the same analog power supply, the generated inrush current can interfere with ADC14 operation.

While the DAADSCR.DAADST bit is 1, D/A conversion does not start immediately on updating the DADR0 register. Instead:

- If the DADR0 register data is modified while the ADC14 is halted, D/A conversion starts in 1 PCLKB cycle
- If the DADR0 register data is modified when the ADC14 is performing a 14-bit A/D conversion, D/A conversion starts on A/D conversion completion. Therefore, it takes up to one A/D conversion time period for the DADR0 register data update to reflect as the D/A conversion circuit output. Until the D/A conversion completes, the DADR0 register value does not correspond to the analog output value.

When the DAADSCR.DAADST bit is 1, it is not possible to check through any software means whether the DADR0 register value was D/A-converted.

The following sequence provides an example of D/A conversion, in which the DAC12 is synchronized with the ADC14. [Figure 39.3](#) shows the timing of this operation.

To perform D/A conversion in synchronization with the ADC14:

1. Confirm that the ADC14 is halted and set the DAADSCR.DAADST bit to 1.
 2. Confirm that the ADC14 is halted and set the DACR.DAOE0 bit to 1.
 3. Set the DADR0 register. If ADCLK is faster than the peripheral clock, D/A conversion might be delayed for longer than one A/D conversion time.
- If the ADC14 is halted (ADCSR.ADST bit = 0) when the DADR0 register is modified, D/A conversion starts in 1 PCLKB cycle
 - If the 14-bit A/D conversion is in progress (ADCSR.ADST bit = 1) when the DADR0 register is modified, D/A conversion starts on A/D conversion completion. If the DADR0 register is modified twice during A/D conversion, the first update might not be converted.

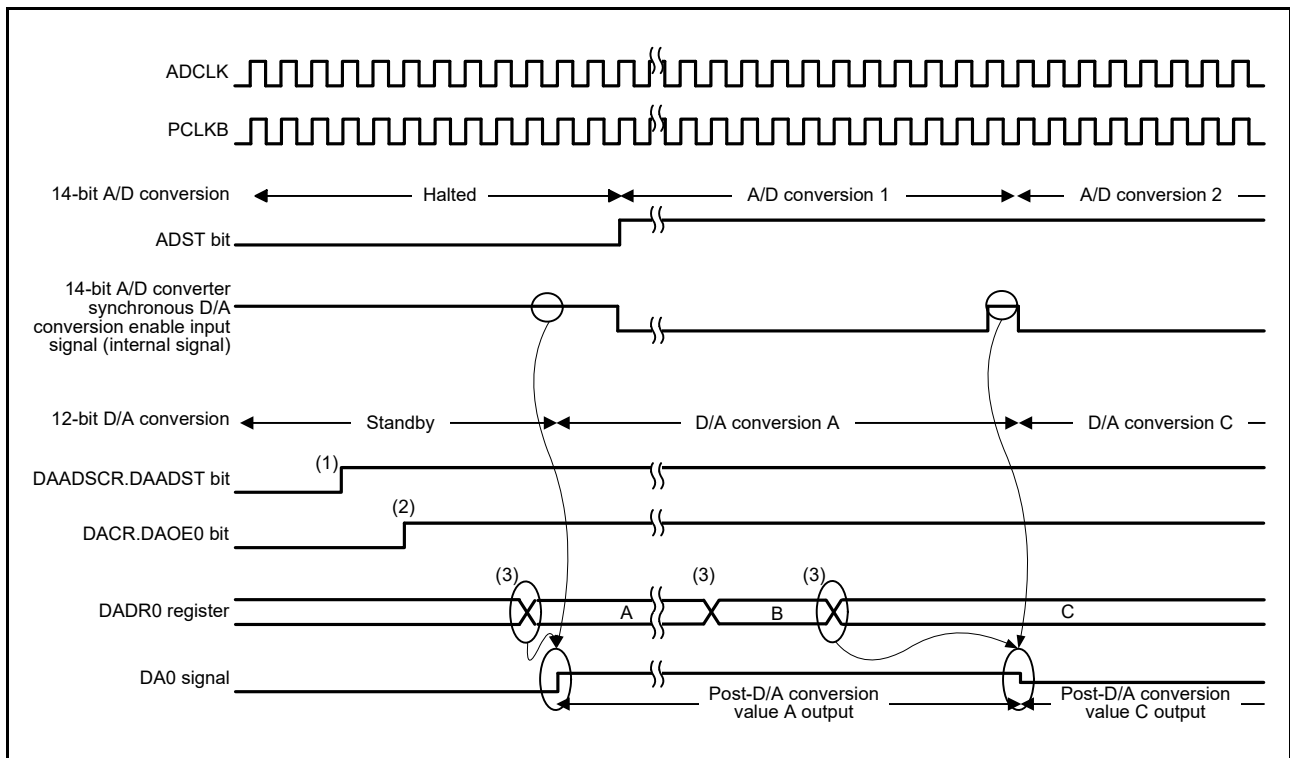


Figure 39.3 Example of conversion when DAC12 is synchronized with ADC14

When ADCLK is faster than PCLKB, the DAC12 might not be able to capture the synchronous D/A conversion enable input signal from the ADC14 during the 1 ADCLK output cycle between A/D conversion 1 and A/D conversion 2, as shown in Figure 39.4. In this case, post-D/A conversion value A is continuously output as the DA0 signal.

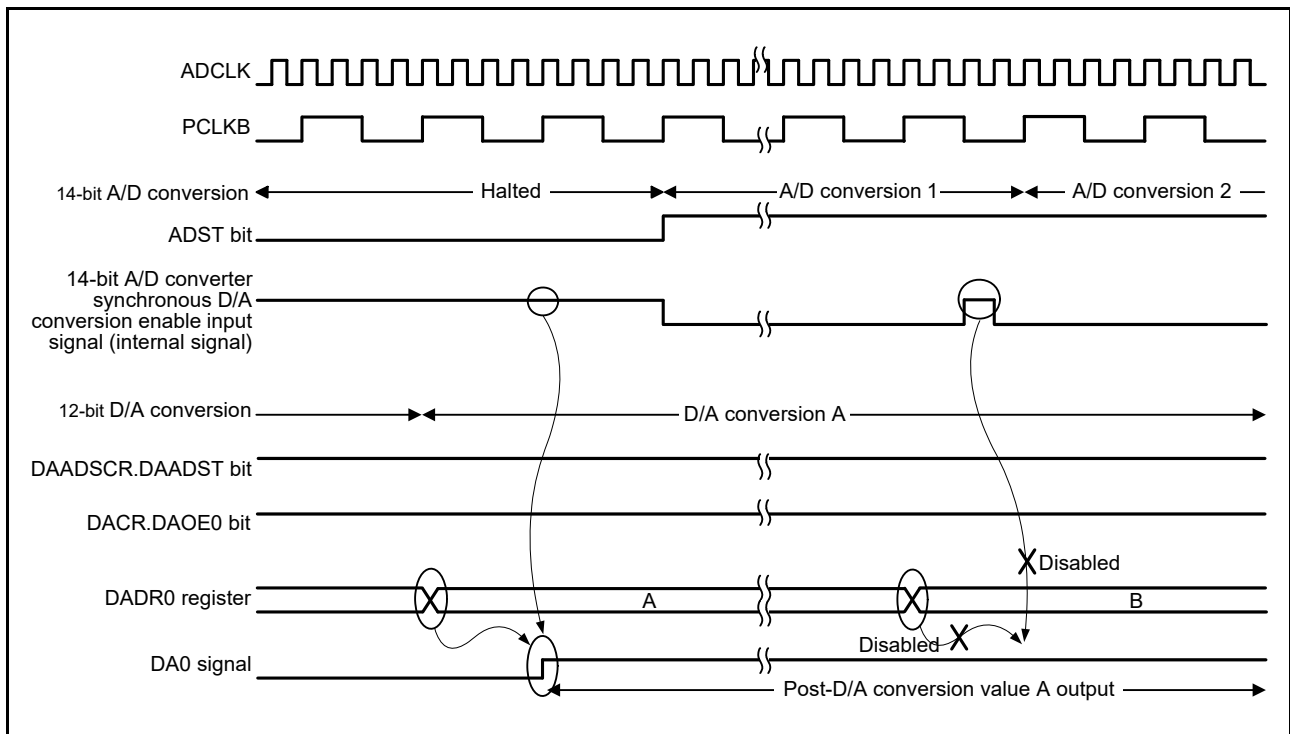


Figure 39.4 Example when DAC12 cannot capture ADC14 synchronous D/A conversion enable input signal

39.3.2 Notes on Using the Internal Reference Voltage as the Reference Voltage

When setting the DAVREFCR.REF[2:0] bits to 011b to use the internal reference voltage/AVSS0 as the reference voltage, the VREF path must be discharged before selecting the voltage. The following shows the discharging procedure:

1. Write 000b to the REF[2:0] bits.
2. Set the DADR0 register to 0000h.
3. Keep the state of (2) for 10 μ s (discharging).
4. After discharging is complete, write 011b to the DAVREFCR.REF[2:0] bits and select the internal reference voltage/AVSS0.
5. Set the DACR.DAOE0 bit to 1 and wait 5 μ s, the stabilization wait time of the internal reference voltage.
6. Write data to the DADR0 register and start D/A conversion.

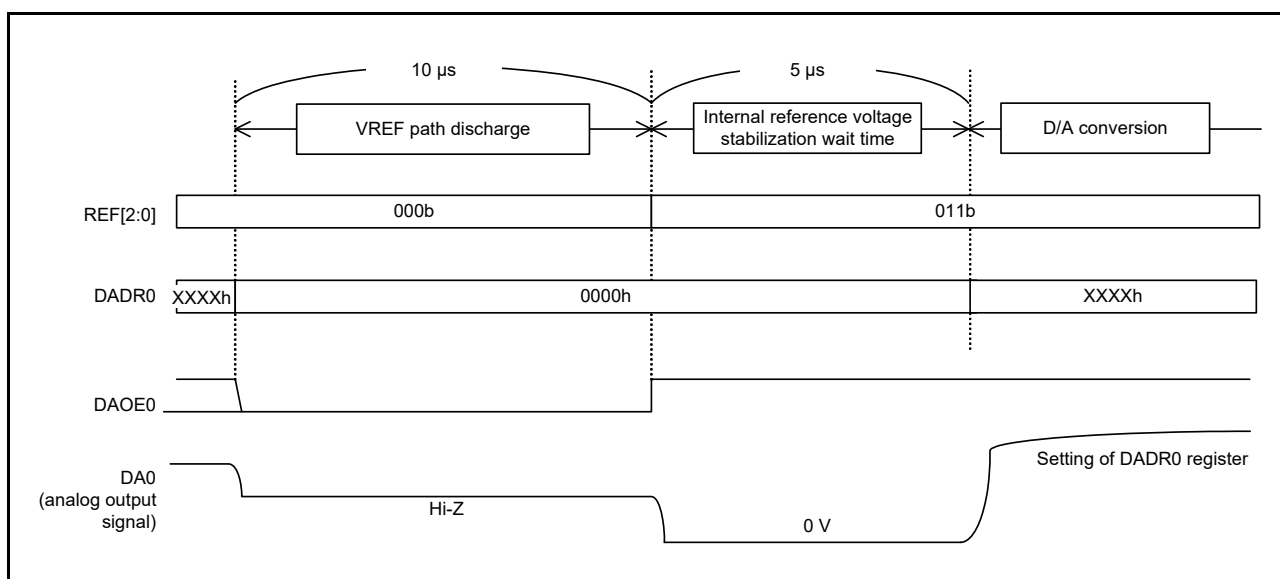


Figure 39.5 Procedure for selecting the internal reference voltage as the reference voltage

39.4 Event Link Operation Setting Procedure

To set up an event link operation (for DA0):

1. Set the DADPR.DPSEL bit and set the data for D/A conversion in the DADR0 register.
2. Set the ELC_DA0 event signal to be linked to each peripheral module in the ELSR12 register.
3. Set the ELCR.ELCON bit to 1. This enables event link operation for all modules with the event link function selected.
4. Set the event output source module to activate the event link. After the event is output from the module, the DACR.DAOE0 bit becomes 1, and D/A conversion starts on channel 0.
5. Set the ELSR12.ELS[7:0] bits to 00h to stop event link operation of the DAC12 channel 0. All event link operation is stopped when the ELCR.ELCON bit is set to 0.

39.5 Usage Notes on Event Link Operation

- When the event specified by the ELC_DA0 event signal is generated while a write cycle to the DACR.DAOE0 bit is processed, the write cycle is stopped, and the generated event takes precedence in setting the bit to 1
- Use of the event link function is prohibited when the DAADSCR.DAADST bit is set to 1, to reduce interference between D/A and A/D conversions.

39.6 Usage Notes

39.6.1 Module-Stop Function Settings

DAC12 operation can be enabled or disabled using the Module Stop Control register. The DAC12 is stopped after reset. Releasing the module-stop state enables access to the registers. For details, see [section 11, Low Power Modes](#).

39.6.2 DAC12 Operation in Module-Stop State

When the MCU enters the module-stop state with D/A conversion enabled, the D/A output is saved, and the analog power supply current is the same as during D/A conversion. If the analog power supply current must be reduced in the module-stop state, disable D/A conversion by setting the DACR.DAOE0 bit to 0.

39.6.3 DAC12 Operation in Software Standby Mode

When the MCU enters Software Standby mode with D/A conversion enabled, the D/A output is saved, and the analog power supply current is the same as during D/A conversion. If the analog power supply current must be reduced in Software Standby mode, disable D/A conversion by setting the DACR.DAOE0 bit to 0.

39.6.4 Restriction on Usage when Interference Reduction between D/A and A/D Conversion is Enabled

When the DAADSCR.DAADST bit is 1, enabling interference reduction between D/A and A/D conversion, do not place the ADC14 in the module-stop state. Doing so can halt D/A conversion in addition to A/D conversion.

40. Temperature Sensor (TSN)

40.1 Overview

The on-chip temperature sensor determines and monitors the die temperature for reliable operation of the device. The sensor outputs a voltage directly proportional to the die temperature, and the relationship between the die temperature and the output voltage is fairly linear. The output voltage is provided to the ADC14 for conversion and can also be used by the end application.

Table 40.1 lists the temperature sensor specifications, and Figure 40.1 shows a block diagram.

Table 40.1 Temperature sensor specifications

Item	Description
Temperature sensor voltage output	Temperature sensor outputs a voltage to the ADC14

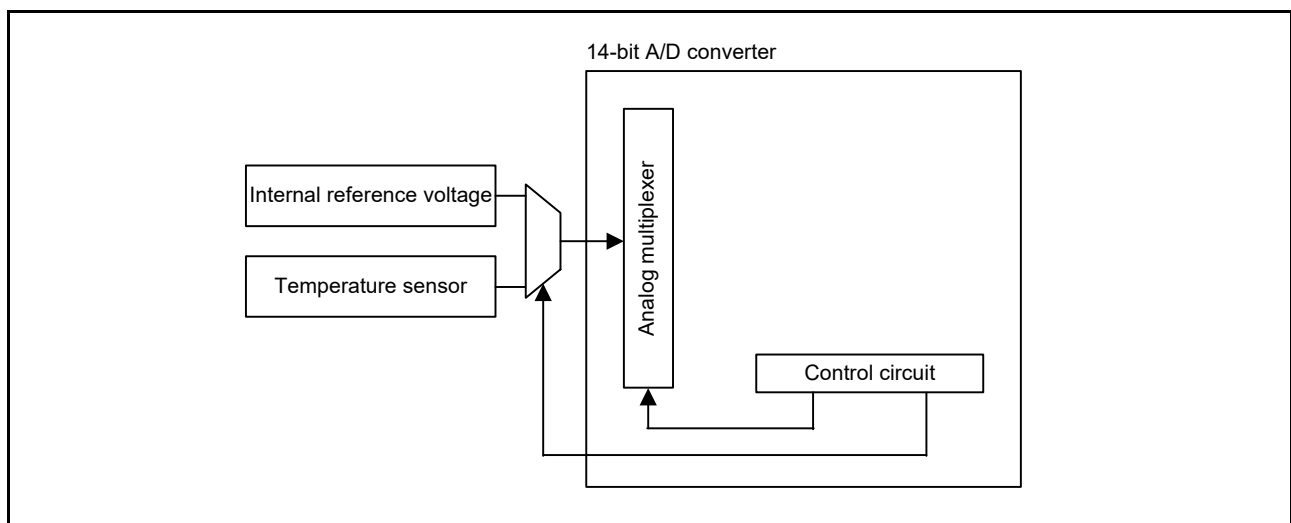
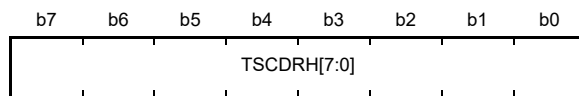


Figure 40.1 Temperature sensor block diagram

40.2 Register Descriptions

40.2.1 Temperature Sensor Calibration Data Register H (TSCDRH)

Address(es): [TSN.TSCDRH 407E C229h](#)

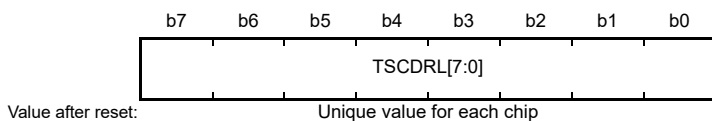


Value after reset: Unique value for each chip

Bit	Symbol	Bit name	Description	R/W
b7 to b0	TSCDRH[7:0]	Temperature Sensor Calibration Data	The calibration data stores the upper 4 bits of the converted value	R

40.2.2 Temperature Sensor Calibration Data Register L (TSCDRL)

Address(es): [TSN.TSCDRL 407E C228h](#)



Bit	Symbol	Bit name	Description	R/W
b7 to b0	TSCDRL[7:0]	Temperature Sensor Calibration Data	The calibration data stores the lower 8 bits of the converted value	R

The TSCDRH and TSCDRL registers store temperature sensor calibration data measured for each chip at factory shipment.

Temperature sensor calibration data is a digital value obtained using the ADC14 to convert the voltage output by the temperature sensor under the condition $T_a = T_j = 125^\circ\text{C}$ and $AVCC0 = 3.3\text{ V}$. The TSCDRH register stores the upper 4 bits of the converted value, and the TSCDRL register stores the lower 8 bits.

40.3 Using the Temperature Sensor

The temperature sensor outputs a voltage that varies with the temperature. This voltage is converted to a digital value by the ADC14. To obtain the die temperature, convert this value into the temperature.

40.3.1 Preparation for Using Temperature Sensor

The temperature (T) is proportional to the sensor voltage output (V_s), so temperature is calculated with the following formula:

$$T = (V_s - V_1)/\text{slope} + T_1$$

T: Measured temperature ($^\circ\text{C}$)

V_s : Voltage output by the temperature sensor on temperature measurement (V)

T_1 : Temperature experimentally measured at one point ($^\circ\text{C}$)

V_1 : Voltage output by the temperature sensor on measurement of T_1 (V)

T_2 : Temperature experimentally measured at a second point ($^\circ\text{C}$)

V_2 : Voltage output by the temperature sensor on measurement of T_2 (V)

Slope: Temperature gradient of the temperature sensor ($\text{V}/^\circ\text{C}$). $\text{Slope} = (V_2 - V_1)/(T_2 - T_1)$

Characteristics vary between sensors. Therefore, Renesas recommends measuring two different sample temperatures as follows:

1. Use the ADC14 to measure the voltage V_1 output by the temperature sensor at temperature T_1 .
2. Use the ADC14 to measure the voltage V_2 output by the temperature sensor at a different temperature T_2 . Obtain the temperature gradient ($\text{slope} = (V_2 - V_1)/(T_2 - T_1)$) from these results.
3. Subsequently, obtain temperatures by substituting the slope into the formula for the temperature characteristic ($T = (V_s - V_1)/\text{Slope} + T_1$).

If you are using the temperature gradient given in [Table 51.61](#) in [section 51, Electrical Characteristics](#), only one experimental measurement is required to determine V_1 and T_1 . However, this method gives less accurate temperature results than measurement at two points.

The TSCDRH and TSCDRL registers store the temperature value (CAL125) of the temperature sensor measured under the condition $T_a = T_j = 125^\circ\text{C}$ and $AVCC0 = 3.3\text{ V}$. If you use this value as the sample measurement result at the first point, you can omit the preparation before using the temperature sensor.

This measured value CAL125 can be calculated as follows:

$$\text{CAL125} = (\text{TSCDRH register value} \ll 8) + \text{TSCDRL register value}$$

If V1 is calculated from CAL125,

$$V1 = 3.3 \times \text{CAL125}/4096 \text{ [V]}$$

Using this value, the measured temperature can be calculated according to the following formula:

$$T = (Vs - V1)/\text{Slope} + 125 \text{ [}^\circ\text{C]}$$

T: Measured temperature ($^\circ\text{C}$)

Vs: Voltage output by the temperature sensor when the temperature is measured (V)

V1: Voltage output by the temperature sensor when $T_a = T_j = 125^\circ\text{C}$ and $AVCC0 = 3.3 \text{ V}$ (V)

Slope: Temperature gradient of the temperature sensor $\div 1000$ ($\text{V}/^\circ\text{C}$)

Figure 40.2 shows the error in the measured temperature. The variation range is 3σ .

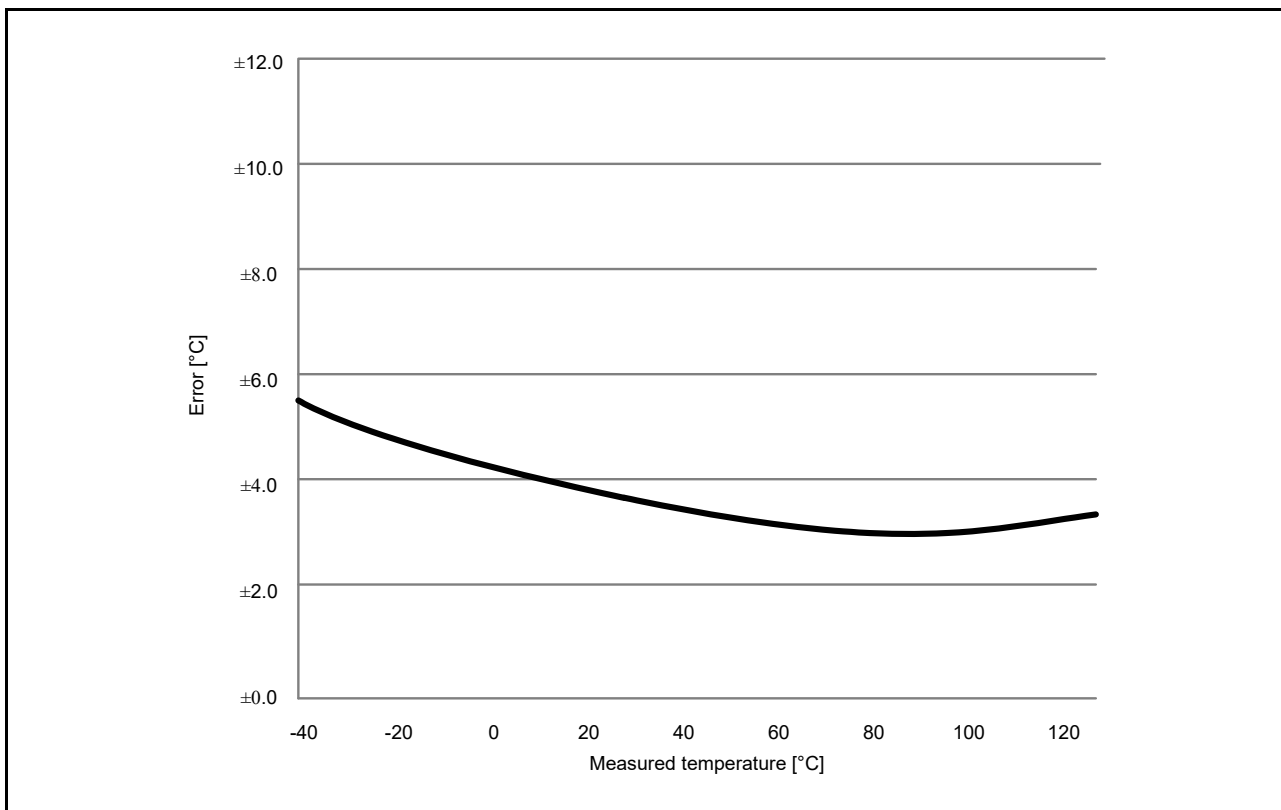


Figure 40.2 Error in the measured temperature (designed values)

40.3.2 Procedure for Using the Temperature Sensor

For details, see [section 38, 14-Bit A/D Converter \(ADC14\)](#).

41. Operational Amplifier (OPAMP)

41.1 Overview

Operational amplifiers can be used to amplify small analog input voltages and output the amplified voltages. The MCU has a total of four differential operational amplifier units with two input pins and one output pin.

The operational amplifiers have the following functions:

- The output signals from all units can be used to input signals to the A/D converter
- High-speed mode (high-current consumption) and low-power mode (slow-speed response) are supported and either mode can be selected based on trade-offs between the response speed and current consumption
- Operation can be started by each trigger from the Low Power Asynchronous General purpose Timer (AGT)
- Operation can be stopped by an A/D conversion end trigger.

The number of operational amplifier input and output pins differs depending on the product.

Figure 41.1 shows a block diagram of the operational amplifier, and Table 41.1 lists the unit configuration.

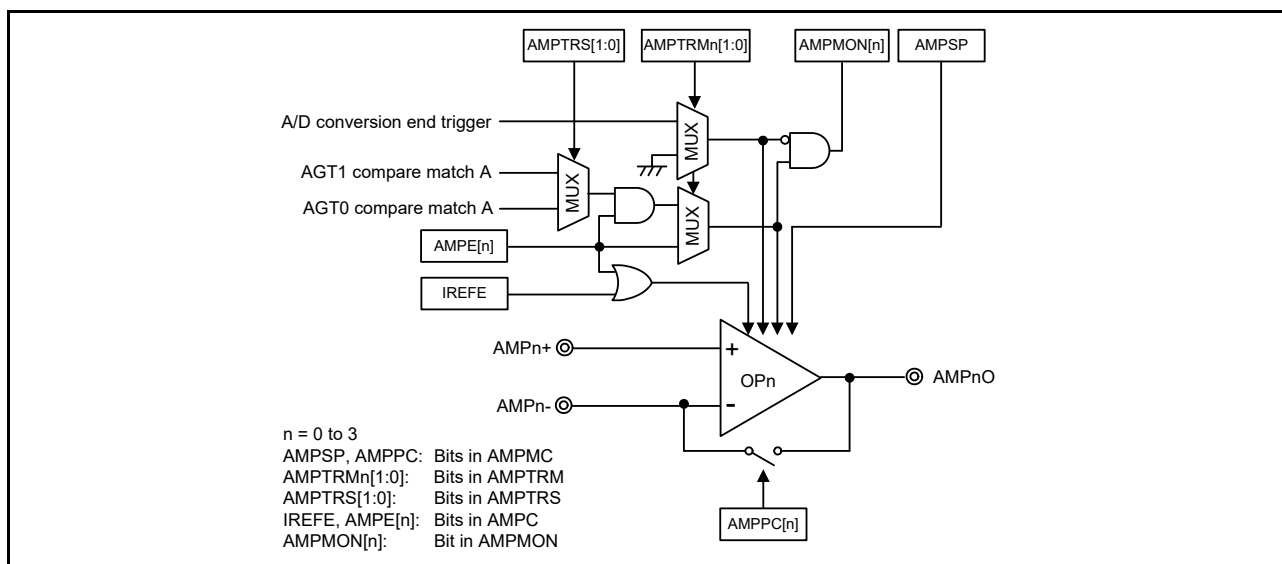


Figure 41.1 Operational amplifier block diagram

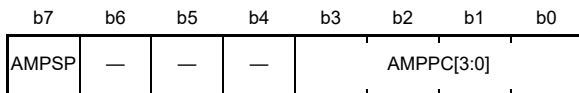
Table 41.1 OPAMP unit configuration

Unit	I/O pin	I/O	Function
Unit 0 (Operational amplifier 0)	AMP0+, AMP0-	Input	Input pin of operational amplifier 0 (+, -)
	AMP0O	Output	Output pin of operational amplifier 0
Unit 1 (Operational amplifier 1)	AMP1+, AMP1-	Input	Input pin of operational amplifier 1 (+, -)
	AMP1O	Output	Output pin of operational amplifier 1
Unit 2 (Operational amplifier 2)	AMP2+, AMP2-	Input	Input pin of operational amplifier 2 (+, -)
	AMP2O	Output	Output pin of operational amplifier 2
Unit 3 (Operational amplifier 3)	AMP3+, AMP3-	Input	Input pin of operational amplifier 3 (+, -)
	AMP3O	Output	Output pin of operational amplifier 3

41.2 Register Descriptions

41.2.1 Operational Amplifier Mode Control Register (AMPMC)

Address(es): OPAMP.AMPMC 4008 6008h



Value after reset: 0 0 0 0 0 0 0 0

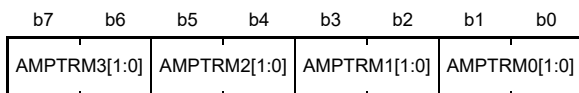
Bit	Symbol	Bit name	Description	R/W
b3 to b0	AMPPC[3:0]	Operational Amplifier Precharge Control	0: Precharging of operational amplifier n is stopped 1: Precharging of operational amplifier n is enabled.	R/W
b6 to b4	—	Reserved	These bits are read as 0. The write value should be 0.	R/W
b7	AMPSP	Operational Amplifier Operation Mode Selection	0: Low-power mode (low-speed) 1: High-speed mode.	R/W

Note: Set AMPSP bit while the AMPC register is 00h (operational amplifier and reference current generator are stopped).

Note: Be sure to set bits that are not used in this register to the initial value.

41.2.2 Operational Amplifier Trigger Mode Control Register (AMPTRM)

Address(es): OPAMP.AMPTRM 4008 6009h



Value after reset: 0 0 0 0 0 0 0 0

Bit	Symbol	Bit name	Description	R/W
b1, b0	AMPTRM0[1:0]	OPAMP Function Activation/ Stop Trigger Control n*2	AMPTRMn[1] AMPTRMn[0] (n = 0 to 3) 0 0: Software trigger mode: •The operational amplifier can be activated/ stopped by setting the AMPC register •The operational amplifier cannot be activated by an activation trigger •The operational amplifier cannot be controlled by an A/D conversion end trigger.	R/W
b3, b2	AMPTRM1[1:0]		0 1: Activation trigger mode: •The operational amplifier can be set to wait for an activation trigger or stopped by setting the AMPC register •The operational amplifier can be activated by an activation trigger*1 •The operational amplifier cannot be controlled by an A/D conversion end trigger.	
b5, b4	AMPTRM2[1:0]	1 0: Setting prohibited		
b7, b6	AMPTRM3[1:0]	1 1: Activation and A/D trigger mode: •The operational amplifier can be set to wait for an activation trigger or stopped by setting the AMPC register •The operational amplifier can be activated by an activation trigger*1 •The operational amplifier can be stopped by an A/D conversion end trigger. An A/D conversion end trigger is always generated at the end of A/D conversion.		

Note: An A/D conversion end trigger is always generated at the end of A/D conversion.

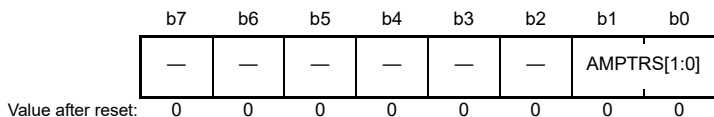
Note 1. When using an activation trigger to activate the operational amplifier, first specify settings related to the AGT, set the AMPTRS register, and then use the AMPC register to set the operation control bit of the operational amplifier to be activated to 1

(operational amplifier wait state is enabled).

Note 2. When changing the set values of AMPTRMn[1:0], make sure that the AMPE[n] bit in the AMPC register is 0 (operation amplifier is stopped).

41.2.3 Operational Amplifier Activation Trigger Select Register (AMPTRS)

Address(es): OPAMP.AMPTRS 4008 600Ah



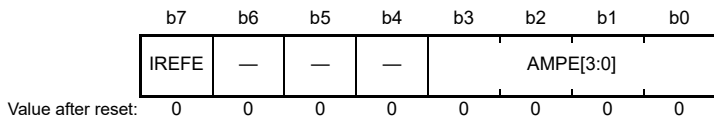
Bit	Symbol	Bit name	Description	R/W																		
b1, b0	AMPTRS[1:0]	Activation Trigger Selection*1	<table style="width: 100%; border-collapse: collapse;"> <tr> <td style="width: 10px; text-align: right;">b1</td> <td style="width: 10px; text-align: left;">b0</td> <td></td> </tr> <tr> <td style="text-align: right;">0</td> <td style="text-align: left;">0</td> <td>Operational amplifier n: Operational amplifier activation trigger n (n = 0 to 3)</td> </tr> <tr> <td style="text-align: right;">0</td> <td style="text-align: left;">1</td> <td>Operational amplifier m: Operational amplifier activation trigger 0 (m = 0, 1)</td> </tr> <tr> <td style="text-align: right;">1</td> <td style="text-align: left;">0</td> <td>Operational amplifier n: Operational amplifier activation trigger 1 (n = 2, 3)</td> </tr> <tr> <td style="text-align: right;">1</td> <td style="text-align: left;">0</td> <td>Setting prohibited</td> </tr> <tr> <td style="text-align: right;">1</td> <td style="text-align: left;">1</td> <td>Operational amplifier n: Operational amplifier activation trigger 0 (n = 0 to 3).</td> </tr> </table>	b1	b0		0	0	Operational amplifier n: Operational amplifier activation trigger n (n = 0 to 3)	0	1	Operational amplifier m: Operational amplifier activation trigger 0 (m = 0, 1)	1	0	Operational amplifier n: Operational amplifier activation trigger 1 (n = 2, 3)	1	0	Setting prohibited	1	1	Operational amplifier n: Operational amplifier activation trigger 0 (n = 0 to 3).	R/W
b1	b0																					
0	0	Operational amplifier n: Operational amplifier activation trigger n (n = 0 to 3)																				
0	1	Operational amplifier m: Operational amplifier activation trigger 0 (m = 0, 1)																				
1	0	Operational amplifier n: Operational amplifier activation trigger 1 (n = 2, 3)																				
1	0	Setting prohibited																				
1	1	Operational amplifier n: Operational amplifier activation trigger 0 (n = 0 to 3).																				
b7 to b2	—	Reserved	These bits are read as 0. The write value should be 0.	R/W																		

Note: Be sure to set bits that are not used in this register to the initial value.

Note 1. Do not change the value of the AMPTRS register after setting the AMPTRM register.

41.2.4 Operational Amplifier Control Register (AMPC)

Address(es): OPAMP.AMPC 4008 600Bh



Bit	Symbol	Bit name	Description	R/W						
b3 to b0	AMPE[3:0]	OPAMP Operation Control	<table style="width: 100%; border-collapse: collapse;"> <tr> <td style="width: 10px; text-align: right;">0:</td> <td>Disable operation amplifier n</td> </tr> <tr> <td style="width: 10px; text-align: right;">1:</td> <td>Software trigger mode: Enable operation of operational amplifier n.*1</td> </tr> <tr> <td></td> <td>Activation trigger mode or activation and A/D trigger mode: Wait until AGT is enabled (n = 0 to 3).</td> </tr> </table>	0:	Disable operation amplifier n	1:	Software trigger mode: Enable operation of operational amplifier n.*1		Activation trigger mode or activation and A/D trigger mode: Wait until AGT is enabled (n = 0 to 3).	R/W
0:	Disable operation amplifier n									
1:	Software trigger mode: Enable operation of operational amplifier n.*1									
	Activation trigger mode or activation and A/D trigger mode: Wait until AGT is enabled (n = 0 to 3).									
b6 to b4	—	Reserved	These bits are read as 0. The write value should be 0.	R/W						
b7	IREFE	OPAMP Reference Current Circuit Operation Control	<table style="width: 100%; border-collapse: collapse;"> <tr> <td style="width: 10px; text-align: right;">0:</td> <td>Disable the operational amplifier reference current circuit</td> </tr> <tr> <td style="width: 10px; text-align: right;">1:</td> <td>Enable operation of operational amplifier reference current circuit.</td> </tr> </table>	0:	Disable the operational amplifier reference current circuit	1:	Enable operation of operational amplifier reference current circuit.	R/W		
0:	Disable the operational amplifier reference current circuit									
1:	Enable operation of operational amplifier reference current circuit.									

Note: Be sure to set bits that are not used in this register to the initial value.

Note 1. Operation of the operational amplifier reference current circuit is also enabled regardless of the IREFE bit setting. Be sure to set the bits to 0 for a unit that is not to be used.

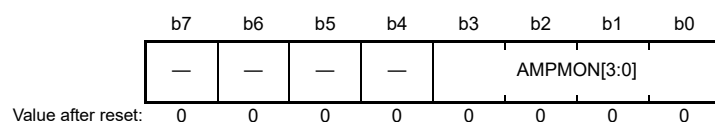
Table 41.2 shows operational amplifier activation triggers corresponding to events.

Table 41.2 Operational amplifier activation triggers corresponding to events

Trigger	Event
Operational Amplifier activation trigger 0	AGT1 compare match A
Operational Amplifier activation trigger 1	AGT0 compare match A
Operational Amplifier activation trigger 2	AGT1 compare match A
Operational Amplifier activation trigger 3	AGT0 compare match A

41.2.5 Operational Amplifier Monitor Register (AMPMON)

Address(es): [OPAMP.AMPMON 4008 600Ch](#)



Bit	Symbol	Bit name	Description	R/W
b3 to b0	AMPMON[3:0]	Operational Amplifier n Status (n = 0 to 3)	0: Operational amplifier n is stopped 1: Operational amplifier n is operating.	R
b7 to b4	—	Reserved	These bits are read as 0.	R

Note: This register is used to asynchronously reflect whether each operational amplifier is operating or stopped. To determine the operational amplifier state, read this register continuously to determine when the bit state changes. When an activation trigger or A/D conversion end trigger synchronized with the clock or a software trigger in the other interrupt routine is used to control the operational amplifier, the timing to operate or stop the operational amplifier can be estimated, such as for checking normal operation. In this case, read this register after one CPU/peripheral clock cycle when the corresponding trigger or interrupt affecting the operational amplifier state occurs. Be sure to set bits that are not used in this register to the initial value.

41.3 Operation

41.3.1 State Transitions

Figure 41.2 shows state transitions when the operational amplifier and reference current circuit are activated or stopped using the operational amplifier control circuit.

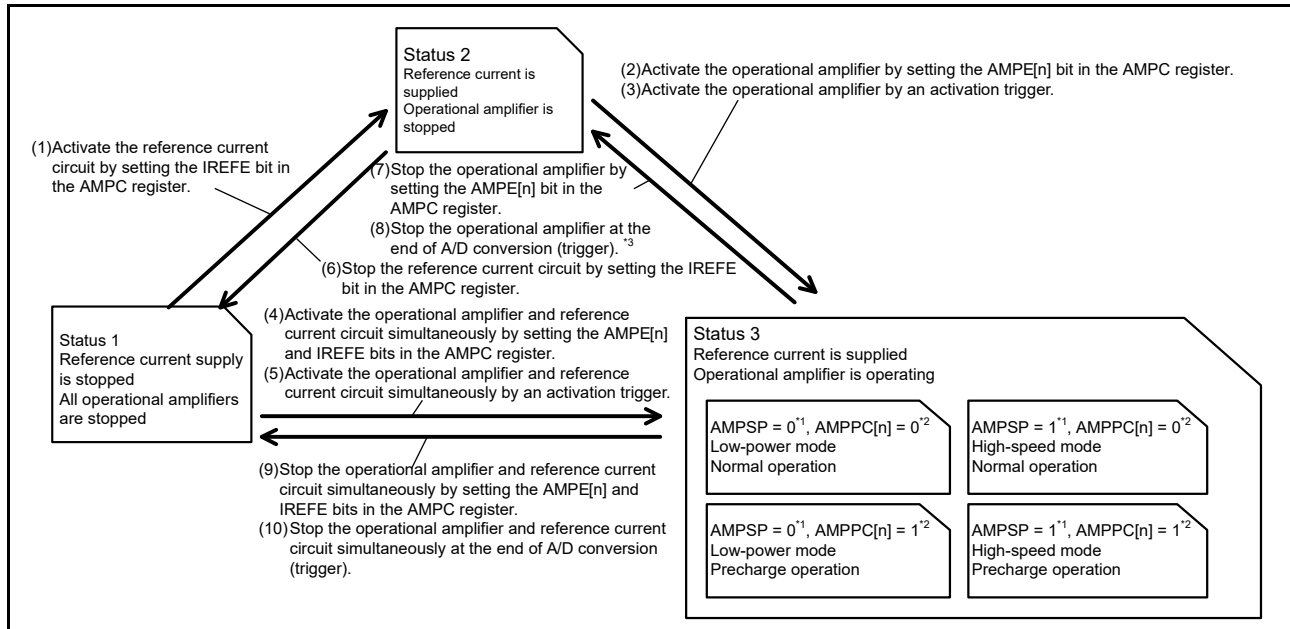


Figure 41.2 Operational amplifier state transitions

Note 1. Set the AMPSP bit in the AMPMC register and the AMPTRS and AMPTRM registers in status 1.

Note 2. Set the AMPPC[n] bit in the AMPMC register in status 3.

Note 3. To stop only the operational amplifier at the end of A/D conversion, it is required to preset operation of the reference current circuit to be enabled (operate the operational amplifier by status 2).

A stabilization wait time is required after supply of the reference current and operation of the operational amplifier are set before each operation actually starts. For details on the stabilization wait time, see [section 51, Electrical Characteristics](#).

The operational amplifier cannot be activated/stopped continuously in steps (2) → (8), (2) → (10), (3) → (10), and (4) → (10).

An activation trigger and end of A/D conversion can be used to activate or stop only the operational amplifier that is preset to be used by setting the AMPTRM register.

41.3.2 Operational Amplifier Control Operation

Figure 41.3 to Figure 41.6 show operational amplifier control operation.

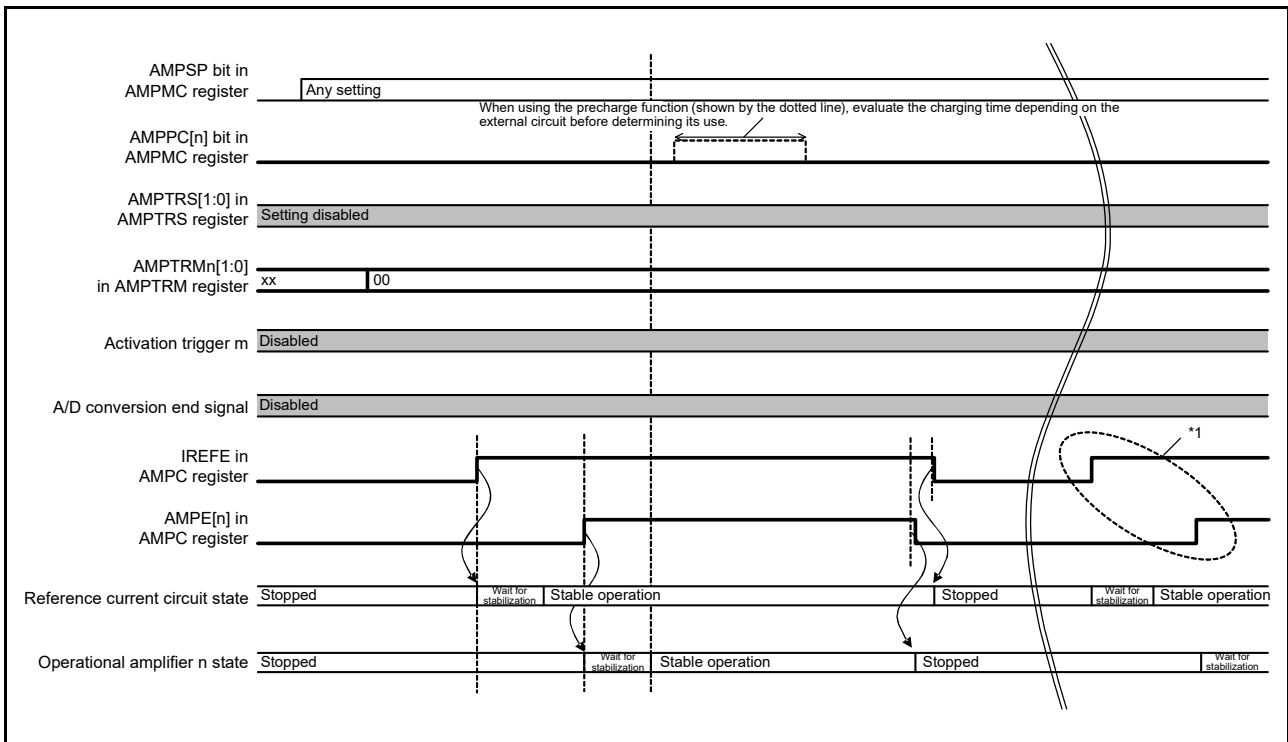


Figure 41.3 Operational amplifier control operation in software trigger mode used for control when the reference current circuit and operational amplifier are activated/stopped by software trigger mode

Note 1. When operating or stopping the operational amplifier continuously, set the IREFE and AMPE[n] bits again as in the first setting after the operational amplifier is stopped.

Note: n: Unit number (n = 0 to 3)

m: An activation trigger used to control operational amplifier unit n selected by the AMPTRS register.

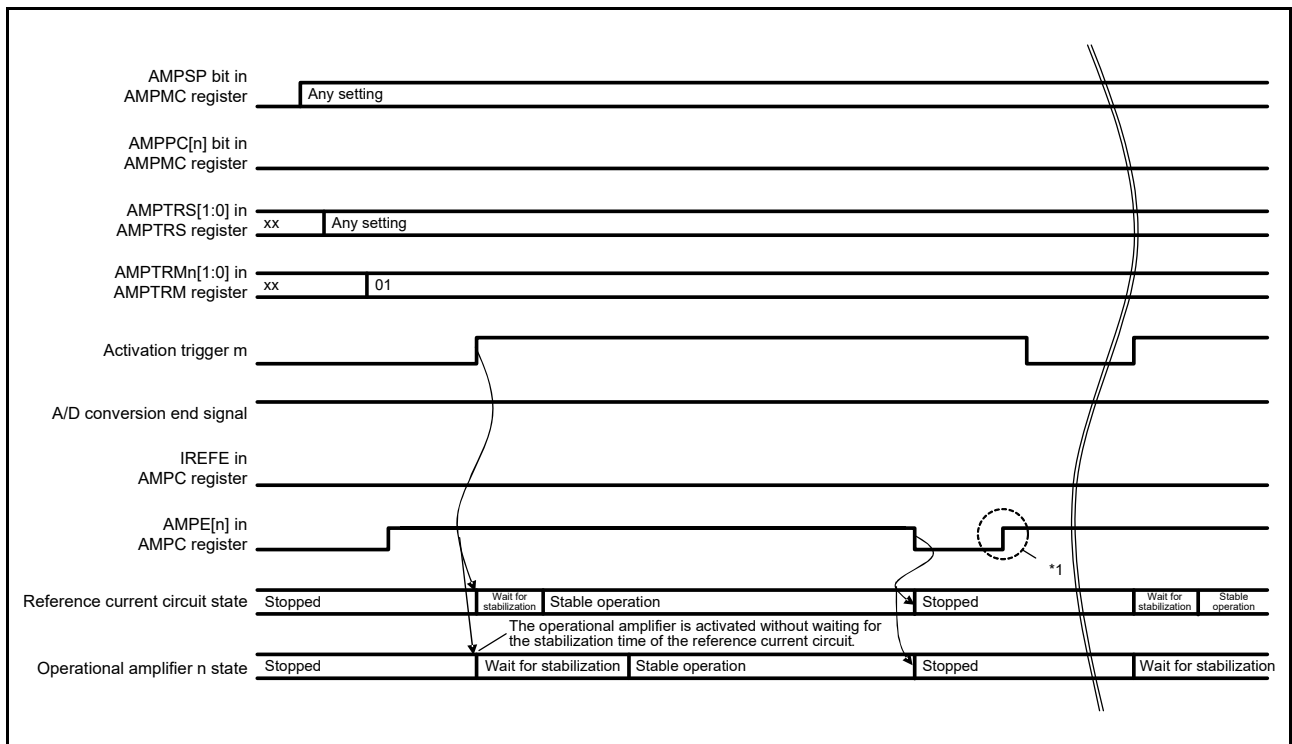


Figure 41.4 Operational amplifier control operation when activation trigger mode is used for activation, with the reference current circuit and operational amplifier activated by an activation trigger and stopped by setting the AMPC register

Note 1. When operating or stopping the operational amplifier continuously, use the AMPE[n] bit again as in the first setting, and set the operational amplifier to wait for an activation trigger after it is stopped.

Note: n: Unit number (n = 0 to 3)

m: An activation trigger used to control operational amplifier unit n selected in the AMPTRS register.
Set the AGT function.

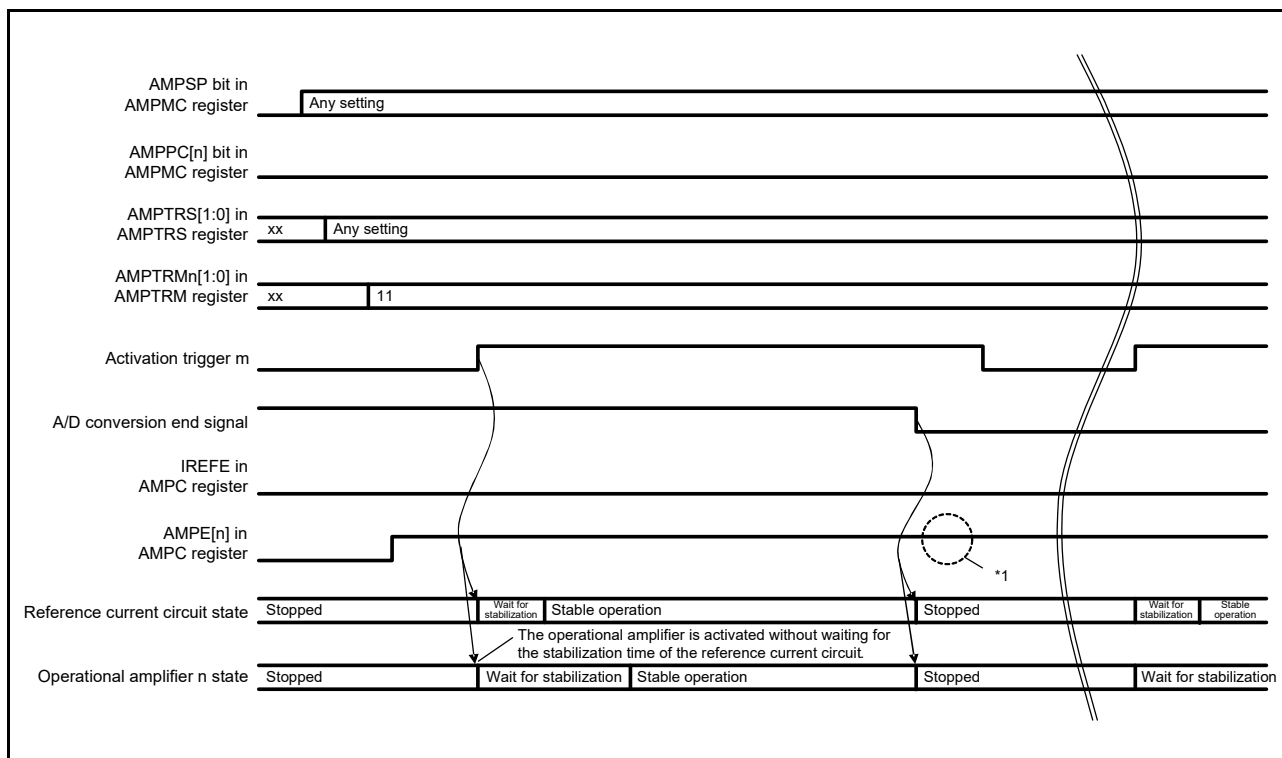


Figure 41.5 Operational amplifier control operation in activation and A/D trigger mode (1) with the reference current circuit and operational amplifier activated by an activation trigger and stopped by an A/D conversion end (trigger)

Note 1. When operating or stopping the operational amplifier continuously, it is not required to set the registers again because the operational amplifier waits for an activation trigger after it is stopped.

Note: n: Unit number (n = 0 to 3)

m: An activation trigger used to control operational amplifier unit n selected by the AMPTRS register
Set the AGT function.

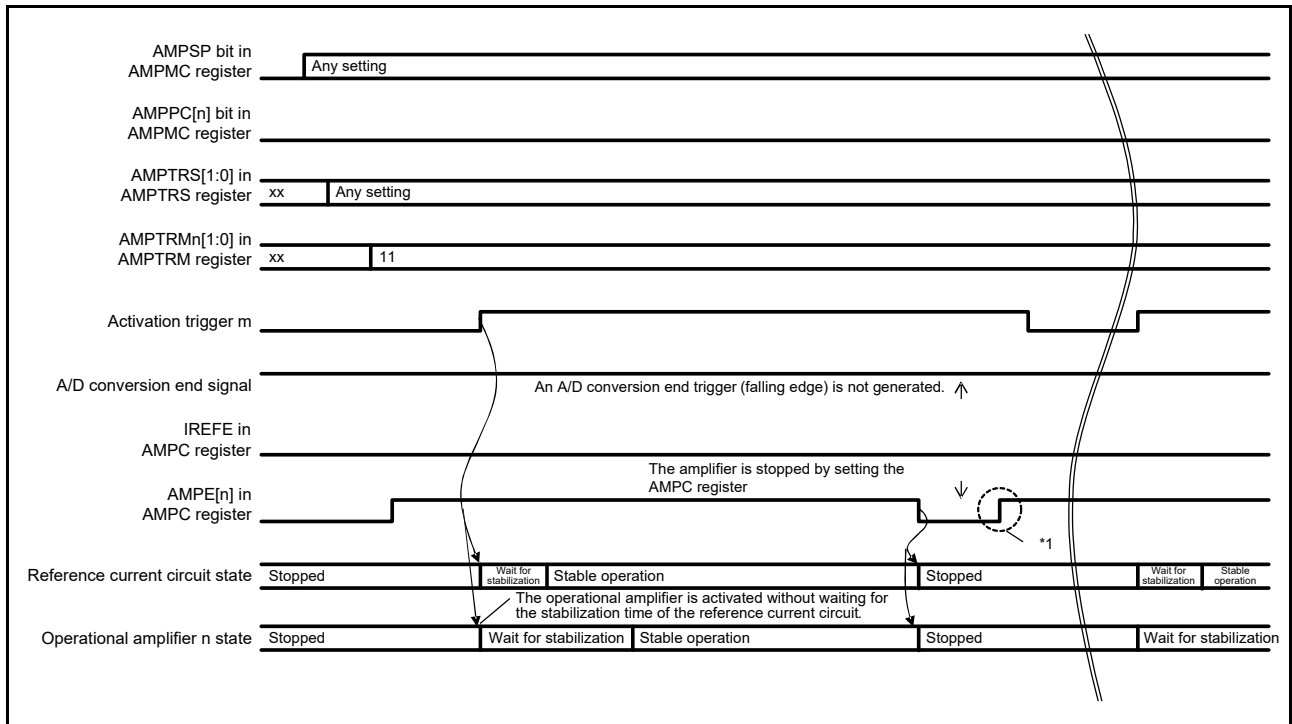


Figure 41.6 Operational amplifier control operation in activation and A/D trigger mode (2) with the reference current circuit and operational amplifier stopped by setting the AMPC register to be activated by an activation trigger and stopped by an A/D conversion end (trigger)

Note 1. When operating or stopping the operational amplifier continuously, use the AMPE[n] bit again as in the first setting, and set the operational amplifier to wait for an activation trigger after it is stopped.

Note: n: Unit number (n = 0 to 3)

m: An activation trigger used to control operational amplifier unit n selected by the AMPTRS register.

Set the AGT function. See [section 41.4, Software Trigger Mode](#) for the procedure to activate the operational amplifier with an activation trigger.

41.4 Software Trigger Mode

This section describes the procedure to activate and stop the operational amplifier using a software trigger. An example of each register setting is shown in [Figure 41.7](#).

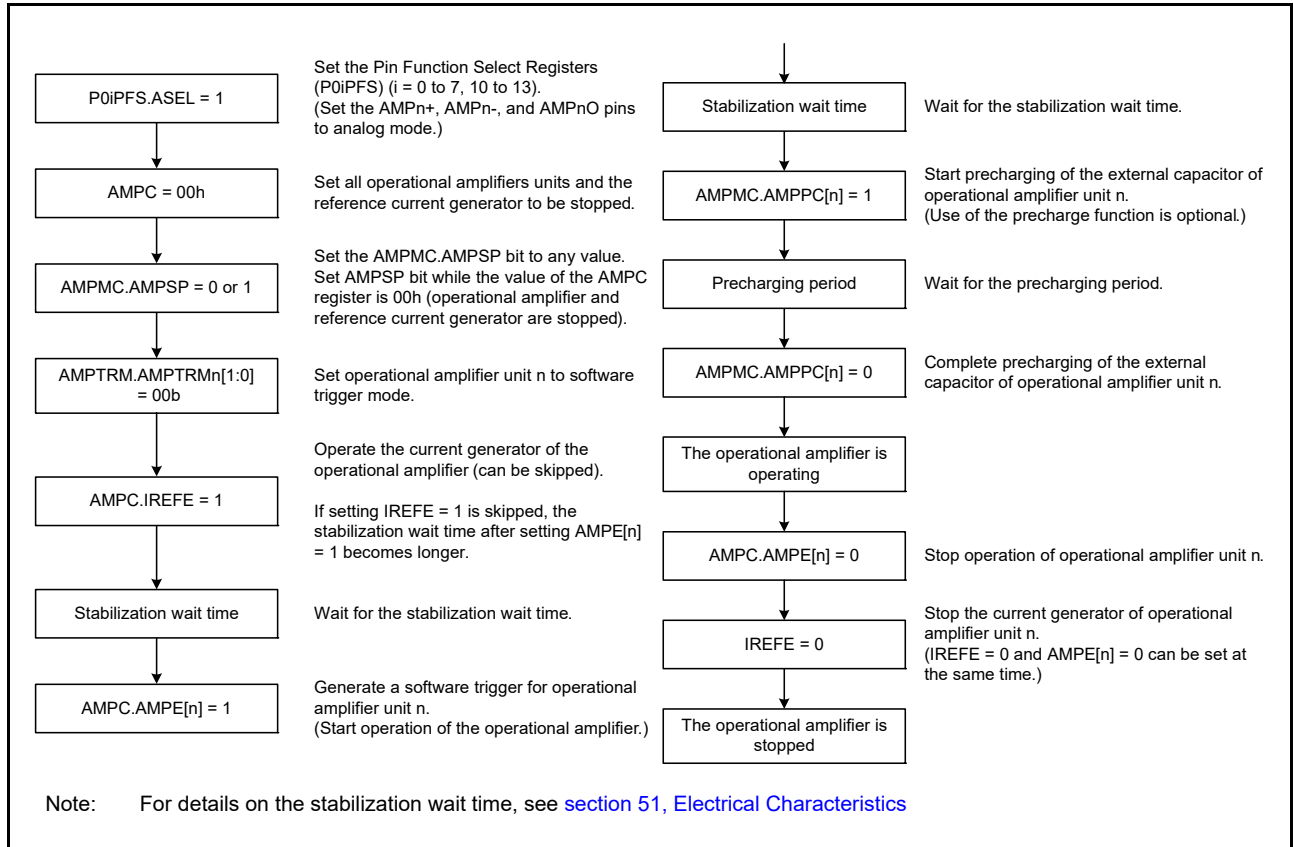


Figure 41.7 Procedure to start and stop the OPAMP in software trigger mode

41.5 Activation Trigger Mode

This section describes the procedure to activate the operational amplifier using an activation trigger and to stop the amplifier with software. An example of each register setting is shown in [Figure 41.8](#).

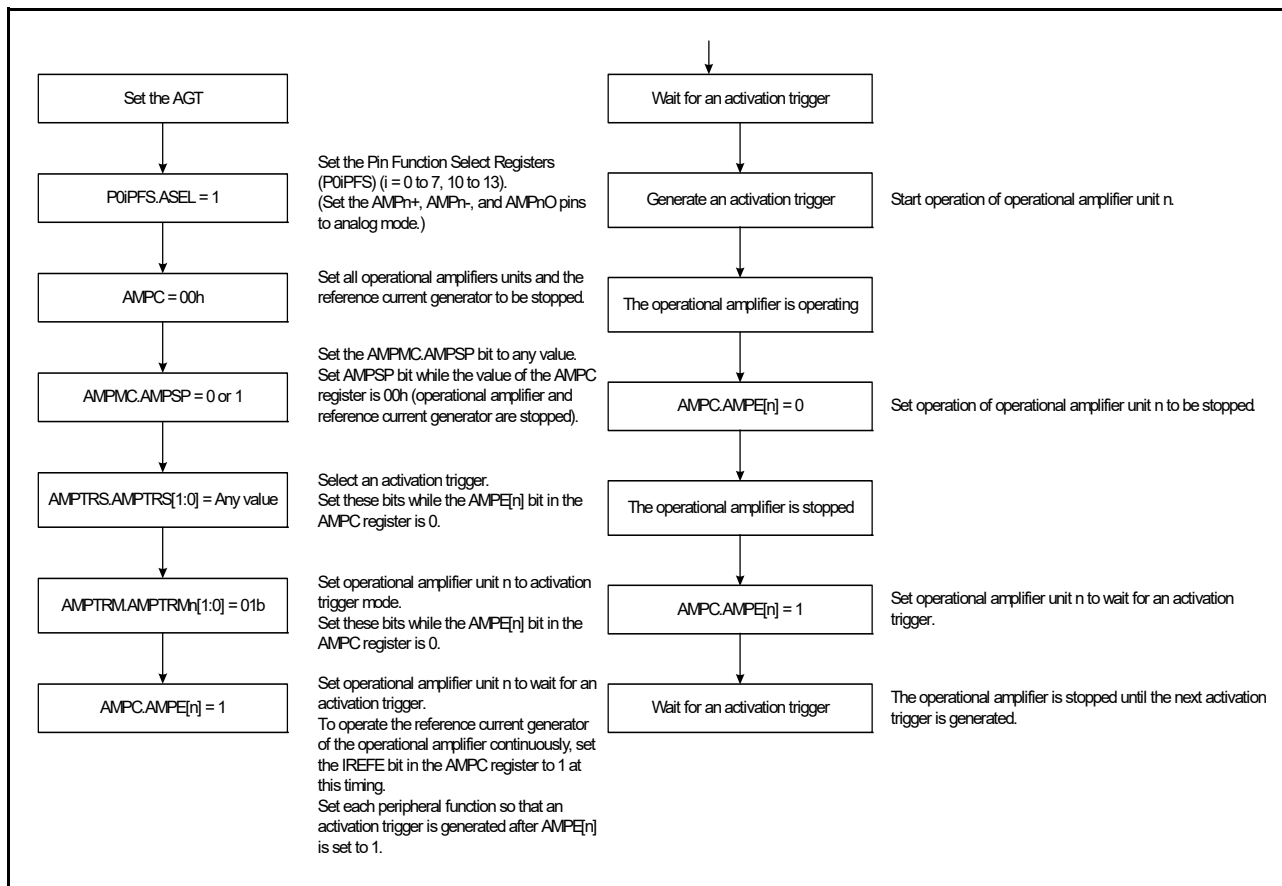


Figure 41.8 Procedure to start and stop OPAMP in activation trigger mode

41.6 Activation and A/D Trigger Mode

This section describes the procedure to activate the operational amplifier using an activation trigger and to stop the amplifier with an A/D conversion end trigger. An example of each register setting is shown in [Figure 41.9](#).

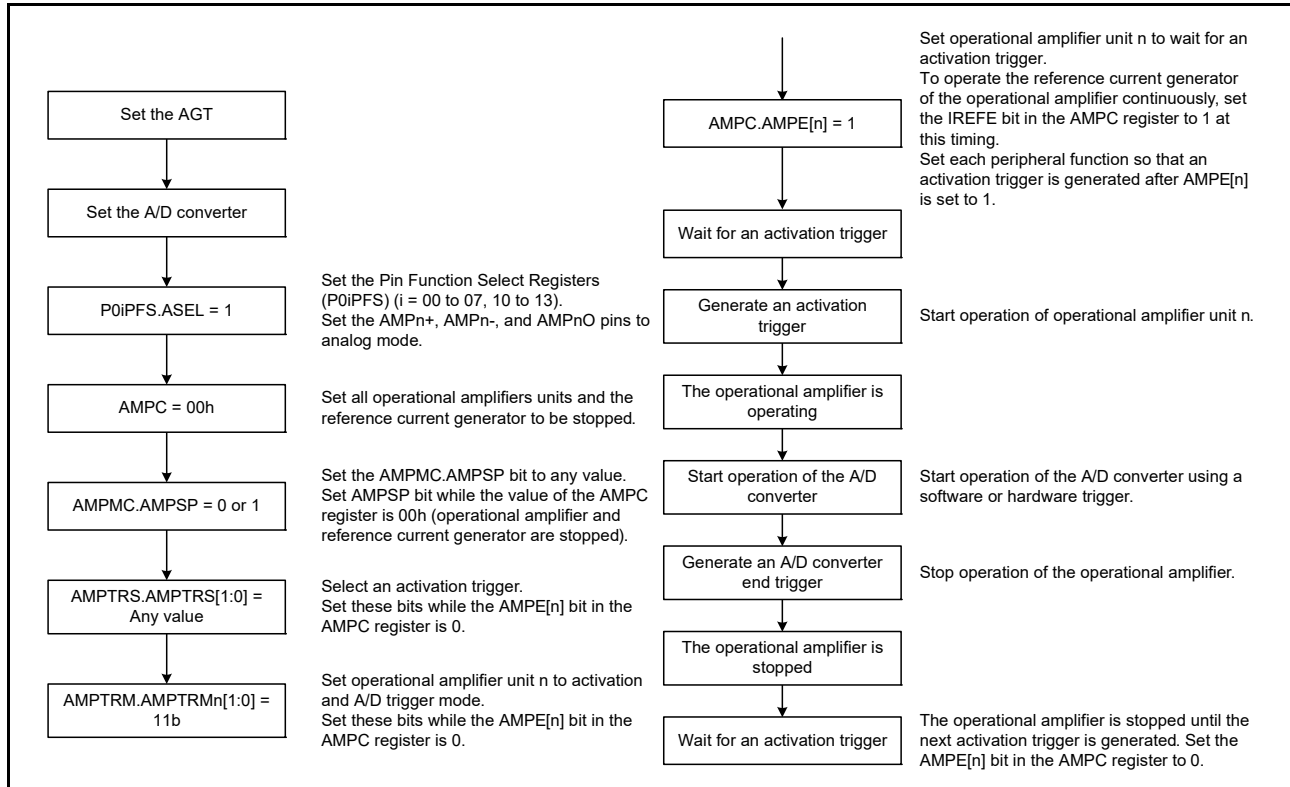


Figure 41.9 Procedure to activate the operational amplifier using an activation trigger and to stop the operational amplifier with an A/D conversion end trigger

41.7 Usage Notes

In addition to the AMPC register settings, the operational amplifier function can be activated by an activation trigger and stopped at the end of the A/D conversion. The reference current circuit can be stopped at the end of the A/D conversion. Application sequences must prevent these asynchronous triggers from causing conflicts between the activation and stop control.

Do not perform A/D conversion on pins that are used as the positive and negative input of the operational amplifier because these pins are multiplexed with analog input for the A/D converter.

42. Low Power Analog Comparator (ACMPLP)

42.1 Overview

The Low-Power Analog Comparator (ACMPLP) compares a reference input voltage with an analog input voltage. Comparator channels ACMPLP0 and ACMPLP1 are independent of each other.

The comparison result of the reference input voltage and analog input voltage can be read by software. The comparison result can also be output externally. The reference input voltage can be selected from an input to the CMPREF_i (i = 0, 1) pin, an output from internal 8-bit D/A converter, and the internal reference voltage (V_{ref}) generated internally in the MCU.

The ACMPLP response speed can be set before starting an operation. Setting High-speed mode decreases the response delay time, but increases current consumption. Setting Low-speed mode increases the response delay time, but decreases current consumption.

Table 42.1 lists the features of the ACMPLP, Figure 42.1 shows a block diagram of the ACMPLP when the window function is disabled, and Figure 42.2 shows a block diagram of the ACMPLP when the window function is enabled. Table 42.2 lists the I/O pins of the ACMPLP.

Table 42.1 ACMPLP features

Item	Description
Number of channels	2 channels: ACMPLP0 and ACMPLP1
Analog input voltage	Input from CMPIN _i (i = 0, 1) pin
Reference voltage	<ul style="list-style-type: none"> Standard mode (one of the following to be selected) <ul style="list-style-type: none"> Internal reference voltage (V_{ref}) Input from CMPREF_i (i = 0, 1) pin Output from internal 8-bit D/A converter. Window mode (one of the following to be selected) <ul style="list-style-type: none"> Input from CMPREF_i (i = 0, 1) pin (CMPREF0: low reference, CMPREF1: high reference) Output from internal 8-bit D/A converter.
Comparator output	<ul style="list-style-type: none"> Comparison result Generation of ELC event output Monitor output from register.
Interrupt request signal	<ul style="list-style-type: none"> Interrupt request generated on valid edge detection from comparison result Selectable to rising edge, falling edge, or both edges.
Selectable functions	<ul style="list-style-type: none"> Noise filter function: Selectable to one of three sampling frequencies. Not using the filter function is selectable Window function: Selectable to use or not use the window function Response speed: Selectable to High-speed mode or Low-speed mode.

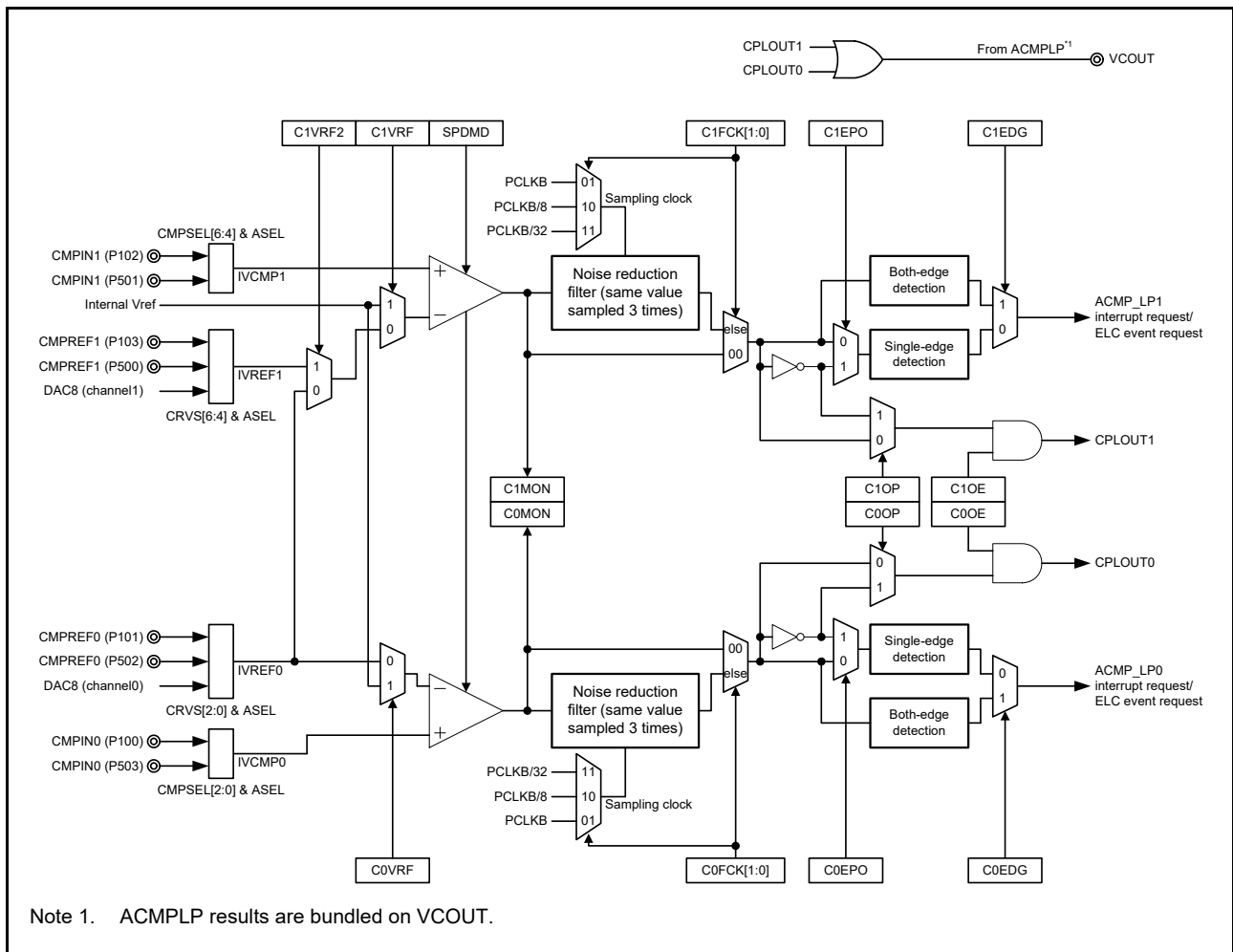


Figure 42.1 ACMPLP block diagram when window function is disabled

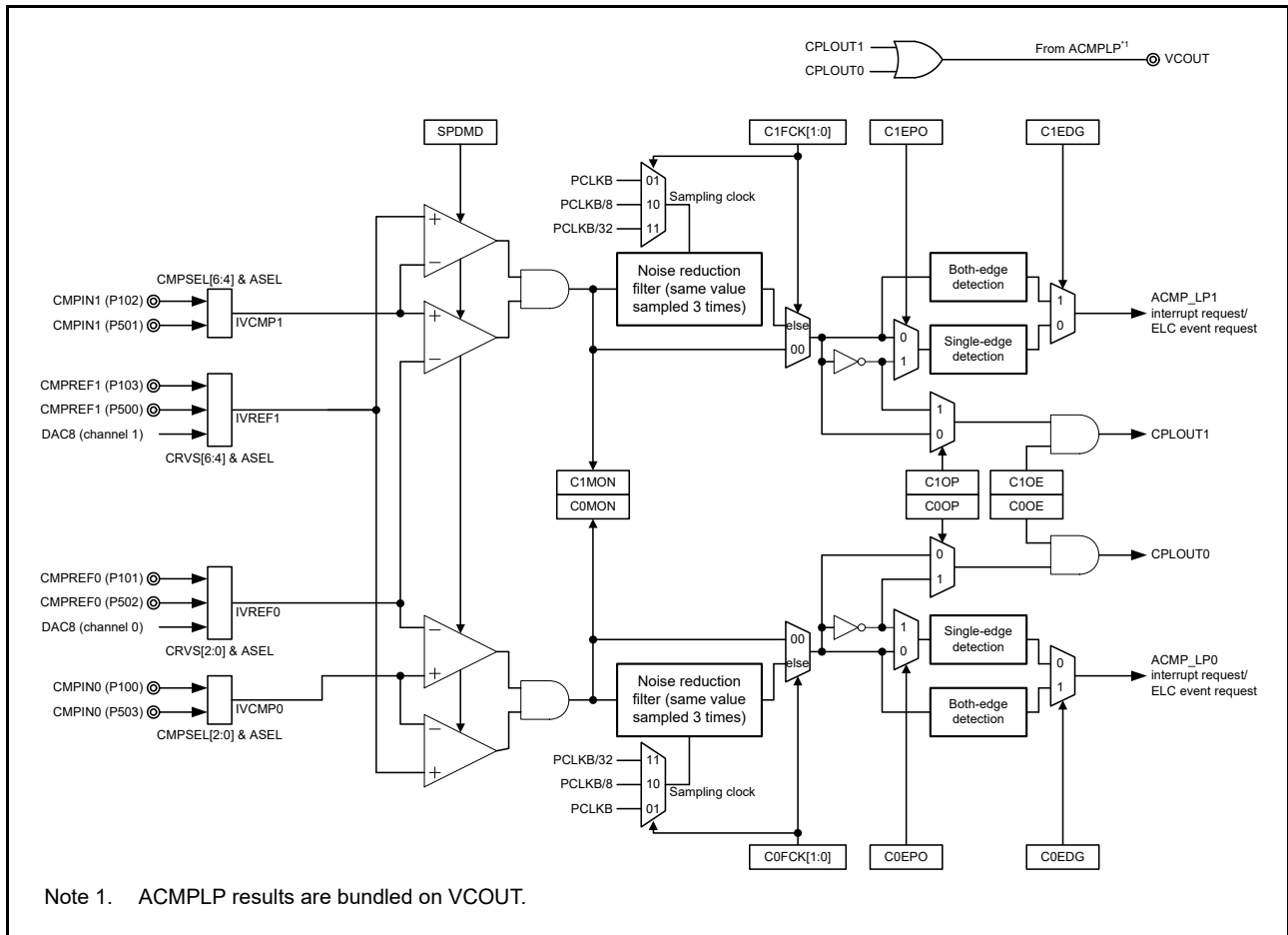


Figure 42.2 ACMPLP block diagram when window function is enabled

Table 42.2 Comparator pin configuration

Comparator	Reference voltage input pin		Analog voltage input pin		Output pin
	Standard mode	Window function mode	Standard mode	Window function mode	
ACMPLP0	<ul style="list-style-type: none"> IVREF0 (CMPREF0 (P101)/CMPREF0 (P502)/DAC8 (channel 0)) Internal Vref (selectable) 	Low reference voltage: <ul style="list-style-type: none"> IVREF0 (CMPREF0 (P101)/CMPREF0 (P502)/DAC8 (channel 0)) 	<ul style="list-style-type: none"> IVCMP0 (CMPIN0 (P100)/CMPIN0 (P503)) 		VCOUT*1
ACMPLP1	<ul style="list-style-type: none"> IVREF0 (CMPREF0 (P101)/CMPREF0 (P502)/DAC8 (channel 0)) IVREF1 (CMPREF1 (P103)/CMPREF1 (P500)/DAC8 (channel 1)) Internal Vref (selectable) 	High reference voltage: <ul style="list-style-type: none"> IVREF1 (CMPREF1 (P103)/CMPREF1 (P500)/DAC8 (channel 1)) 	<ul style="list-style-type: none"> IVCMP1 (CMPIN1 (P102)/CMPIN1 (P501)) 		

Note 1. ACMPLP0 and ACMPLP1 compare outputs are bundled on the VCOUT pin.

42.2 Register Descriptions

42.2.1 ACMPLP Mode Setting Register (COMPMDR)

Address(es): [ACMPLP.COMPMDR 4008 5E00h](#)

	b7	b6	b5	b4	b3	b2	b1	b0
	C1MON	C1VRF	C1WDE	C1ENB	C0MON	C0VRF	C0WDE	C0ENB
Value after reset:	0	0	0	0	0	0	0	0

Bit	Symbol	Bit name	Description	R/W
b0	C0ENB	ACMPLP0 Operation Enable	0: Disable comparator channel ACMPLP0 1: Enable comparator channel ACMPLP0.	R/W
b1	C0WDE	ACMPLP0 Window Function Mode Enable*1, *2, *6	0: Disable window function for ACMPLP0 1: Enable window function for ACMPLP0.	R/W
b2	C0VRF	ACMPLP0 Reference Voltage Selection*6	0: IVREF0 1: Internal reference voltage (Vref).*4	R/W
b3	C0MON	ACMPLP0 Monitor Flag*3	When the window function is disabled: 0: IVCMP0 < ACMPLP0 reference voltage 1: IVCMP0 > ACMPLP0 reference voltage. When the window function is enabled: 0: IVCMP0 < IVREF0 or IVCMP0 > IVREF1 1: IVREF0 < IVCMP0 < IVREF1.	R
b4	C1ENB	ACMPLP1 Operation Enable	0: Disable ACMPLP1 operation 1: Enable ACMPLP1 operation.	R/W
b5	C1WDE	ACMPLP1 Window Function Mode Enable*1, *2, *5	0: Disable ACMPLP1 window function mode 1: Enable ACMPLP1 window function mode.	R/W
b6	C1VRF	ACMPLP1 Reference Voltage Selection*5	0: IVREF0 or IVREF1 1: Internal reference voltage (Vref).*4	R/W
b7	C1MON	ACMPLP1 Monitor Flag*3	When the window function is disabled: 0: IVCMP1 < ACMPLP1 reference voltage 1: IVCMP1 > ACMPLP1 reference voltage. When the window function is enabled: 0: IVCMP1 < IVREF0 or IVCMP1 > IVREF1 1: IVREF0 < IVCMP1 < IVREF1.	R

Note 1. Window function mode cannot be set when Low-speed mode is selected (the SPDMD bit in the COMPOCR register is 0).

Note 2. In window function mode, the reference voltage in the comparator is selected regardless of the setting of this bit.

Note 3. The initial value is 0 immediately after a reset is released. However, the value is undefined when C0ENB is set to 0 and C1ENB is set to 0 after operation of the comparator is enabled once.

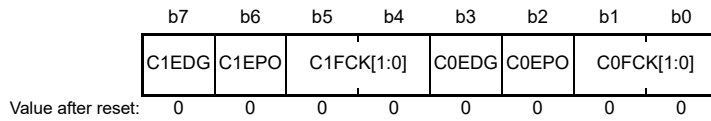
Note 4. The setting is valid only when in Standard mode. When in window function mode, IVREF0 or IVREF1 is selected regardless of the setting of this bit.

Note 5. To change C1WDE and C1VRF, CRV[6:4] and CRV[2:0] bits must be 000b.

Note 6. To change C0WDE and C0VRF, CRV[2:0] bits must be 000b.

42.2.2 ACMPLP Filter Control Register (COMPFIR)

Address(es): [ACMPLP.COMPFIR 4008 5E01h](#)

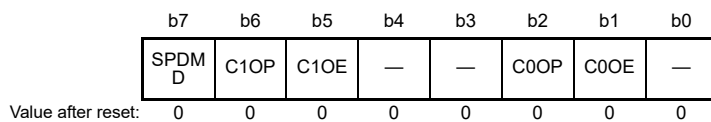


Bit	Symbol	Bit name	Description	R/W
b1, b0	C0FCK[1:0]	ACMPLP0 Filter Select*1	b1 b0 0 0: No Sampling (bypass) 0 1: Sampling at PCLKB 1 0: Sampling at PCLKB/8 1 1: Sampling at PCLKB/32.	R/W
b2	C0EPO	ACMPLP0 Edge Polarity Switching*1	0: Interrupt and ELC event request on rising edge 1: Interrupt and ELC event request on falling edge.	R/W
b3	C0EDG	ACMPLP0 Edge Detection Selection*1	0: Interrupt and ELC event request by one-edge detection 1: Interrupt and ELC event request by both-edge detection.	R/W
b5, b4	C1FCK[1:0]	ACMPLP1 Filter Select*1	b5 b4 0 0: No Sampling (bypass) 0 1: Sampling at PCLKB 1 0: Sampling at PCLKB/8 1 1: Sampling at PCLKB/32.	R/W
b6	C1EPO	ACMPLP1 Edge Polarity Switching*1	0: Interrupt and ELC event request on rising edge 1: Interrupt and ELC event request on falling edge.	R/W
b7	C1EDG	ACMPLP1 Edge Detection Selection*1	0: Interrupt and ELC event request by one-edge detection 1: Interrupt and ELC event request by both-edge detection.	R/W

Note 1. If CiFCK[1:0], CiEPO, and CiEDG (i = 0, 1) bits are changed, an ACMPLP interrupt request and an ELC event request might be generated. Change these bits only after setting event link to deselect. Also, be sure to clear the associated interrupt request flag.

42.2.3 ACMPLP Output Control Register (COMPOCR)

Address(es): [ACMPLP.COMPOCR 4008 5E02h](#)



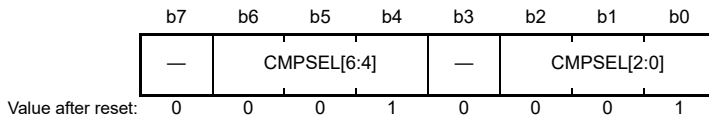
Bit	Symbol	Bit name	Description	R/W
b0	—	Reserved	This bit is read as 0. The write value should be 0.	R/W
b1	C0OE	ACMPLP0 VCOUNT Pin Output Enable*1	0: Disable ACMPLP0 VCOUNT pin output 1: Enable ACMPLP0 VCOUNT pin output.	R/W
b2	C0OP	ACMPLP0 VCOUNT Output Polarity Selection*1	0: Non-inverted 1: Inverted.	R/W
b4, b3	—	Reserved	These bits are read as 0. The write value should be 0.	R/W
b5	C1OE	ACMPLP1 VCOUNT Pin Output Enable*1	0: Disable ACMPLP1 VCOUNT pin output 1: Enable ACMPLP1 VCOUNT pin output.	R/W
b6	C1OP	ACMPLP1 VCOUNT Output Polarity Selection*1	0: Non-inverted 1: Inverted.	R/W
b7	SPDMD	ACMPLP0/ACMPLP1 Speed Selection*2	0: Select comparator Low-speed mode 1: Select comparator High-speed mode.	R/W

Note 1. ACMPLP0 and ACMPLP1 result outputs are bundled on the VCOUNT pin.

Note 2. Set the CiENB bit (i = 0, 1) in the COMPMDR register to 0 before rewriting the SPDMD bit.

42.2.4 Comparator Input Select Register (COMPSEL0)

Address(es): ACMPLP.COMPSEL0 4008 5E04h



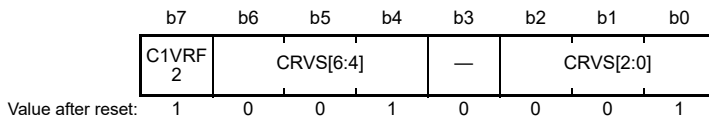
Bit	Symbol	Bit name	Description	R/W
b2 to b0	CMPSEL[2:0]	ACMPLP0 Input (IVCMP0) Selection*1	b2 b0 0 0 0: No input 0 0 1: CMPIN0 (P100) 1 0 0: CMPIN0 (P503) Other settings are prohibited.	R/W
b3	—	Reserved	This bit is read as 0. The write value should be 0.	R/W
b6 to b4	CMPSEL[6:4]	ACMPLP1 Input (IVCMP1) Selection*2	b6 b4 0 0 0: No input 0 0 1: CMPIN1 (P102) 1 0 0: CMPIN1 (P501) Other settings are prohibited.	R/W
b7	—	Reserved	This bit is read as 0. The write value should be 0.	R/W

Note 1. Writing a value other than 000b is prohibited while CMPSEL[2:0] is not 000b.

Note 2. Writing a value other than 000b is prohibited while CMPSEL[6:4] is not 000b.

42.2.5 Comparator Reference Voltage Select Register (COMPSEL1)

Address(es): ACMPLP.COMPSEL1 4008 5E05h



Bit	Symbol	Bit name	Description	R/W
b2 to b0	CRVS[2:0]	ACMPLP0 Reference Voltage (IVREF0) Selection*1	b2 b0 0 0 0: No input 0 0 1: CMPREF0 (P101) 0 1 0: DAC8 (channel 0) output 1 0 0: CMPREF0 (P502) Other settings are prohibited.	R/W
b3	—	Reserved	This bit is read as 0. The write value should be 0.	R/W
b6 to b04	CRVS[6:4]	ACMPLP1 Reference Voltage (IVREF1) Selection*2	b6 b4 0 0 0: No input 0 0 1: CMPREF1 (P103) 0 1 0: DAC8 (channel 1) output 1 0 0: CMPREF1 (P500) Other settings are prohibited.	R/W
b7	C1VRF2	ACMPLP1 Reference Voltage Selection 2*3	0: IVREF0 selected 1: IVREF1 selected.	R/W

Note 1. Writing a value other than 000b is prohibited while CRVS[2:0] is not 000b.

Note 2. Writing a value other than 000b is prohibited while CRVS[6:4] is not 000b.

Note 3. To change C1VRF2, CRVS[6:4] and CRVS[2:0] must be 000b.

42.3 Operation

ACMPLP0 and ACMPLP1 operate independently, and their operations are the same. Operation is not guaranteed when the values of their associated registers are changed during comparator operation. Table 42.3 shows the procedure for setting the ACMPLP registers.

Table 42.3 Procedure for setting the ACMPLP associated registers (i = 0, 1)

Step number	Register	Bit	Setting	
1	MSTPCRD	MSTPD29	0: Input clock supply.	
2	Corresponding Port mn Pin Function Select Register (PmnPFS)	ASEL	Select the analog input.	
	COMPSEL0	CMPSEL[2:0], CMPSEL[6:4]		
3	COMPOCR	SPDMD	Select the comparator response speed 0: Low-speed mode 1: High-speed mode.*1	
4	COMPMDR	CiWDE	0: Disable window function mode	1: Enable window function mode*2
		CiVRF*5	Select the reference voltage	Window comparator operation (reference = IVREF0 and IVREF1*3)
	COMPSEL1	CRVS[2:0], CRVS[6:4], C1VRF2		
	COMPMDR	CiENB	1: Operation enabled.	
5	Waiting for the comparator stabilization time T_{cmp} (minimum 100 μ s).			
6	COMPFIR	CiFCK[1:0]	Select whether the digital filter is used or not and the sampling clock.	
		CiEPO, CiEDG	Select the edge detection condition for an interrupt request (rising edge/falling edge/both edges).	
7	COMPOCR	CiOP, CiOE	Set the VCOUT output (select the polarity and set output enabled or disabled).	
	Corresponding Port mn Pin Function Select Register (PmnPFS)	PSEL, PMR	Select the VCOUT port function.	
8	IELSRn	IR, IELS[7:0]	When using an interrupt, select the interrupt status flag, ICU event link select.*3	
9	ELSRn	ELS[7:0]	When using an ELC, select the Event Link Select.*4	
10	Operation started			

Note 1. ACMPLP0 and ACMPLP1 cannot be set independently.

Note 2. Can only be set in High-speed mode (SPDMD = 1).

Note 3. After the setting of the comparator, an unnecessary interrupt might occur until operation becomes stable, so initialize the interrupt flag.

Note 4. After the setting of the comparator, an unnecessary interrupt might occur until operation becomes stable, so initialize the event link select.

Note 5. To change to internal reference voltage (Vref), follow the procedure in section 42.2.1, ACMPLP Mode Setting Register (COMPMDR).

Figure 42.3 shows an operating example of the ACMPLPi (i = 0, 1) when window function is disabled. The reference input voltage (IVREFi) or internal reference voltage (Vref) and the analog input voltage (IVCMPi) are compared as follows:

- If the analog input voltage is higher than the reference input voltage, the COMPMDR.CiMON bit is set to 1
- If the analog input voltage is lower than the reference input voltage, the CiMON bit is set to 0.

ACMPLPi outputs an interrupt to the ICU. For details on the interrupt, see section 42.5, ACMPLP Interrupts. ACMPLPi also outputs an event signal to the ELC to activate other modules. For details on the ELC, see section 42.6, ELC Event Output. Do not change the values of the registers during the comparison.

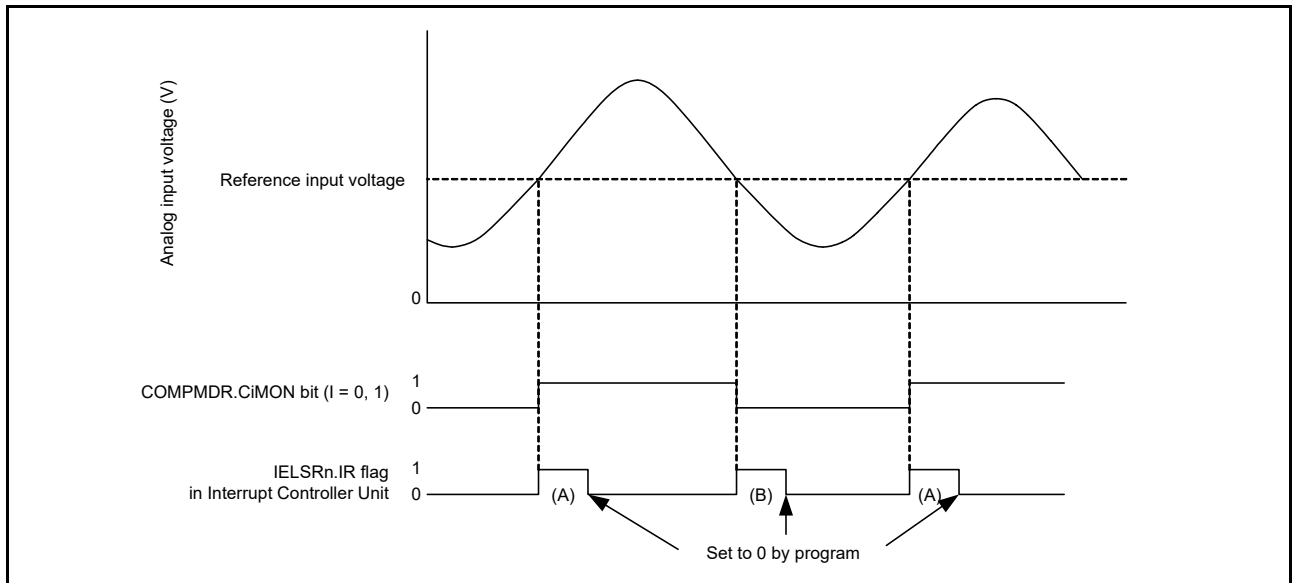


Figure 42.3 Operating example of ACMPLP_i (i = 0, 1) when window function is disabled

Figure 42.3 applies when the following conditions are met:

- CiFCK[1:0] = 00b (no sampling) and CiEDG = 1 (both edges)
- When CiEDG = 0 and CiEPO = 0 (rising edge), IELSRn.IR changes as shown by (A) only
- When CiEDG = 0 and CiEPO = 1 (falling edge), IELSRn.IR changes as shown by (B) only.

Figure 42.4 shows an operation example of ACMPLP_i (i = 0, 1) when the window function is enabled.

The reference voltage (IVREF0/IVREF1) and the analog input voltage are compared. The CiMON bit:

- Is set to 1 when $IVREF0 < \text{the analog input voltage} < IVREF1$
- Is set to 0 when the analog input voltage $< IVREF0$ or $IVREF1 < \text{the analog input voltage}$.

ACMPLP_i outputs an interrupt to the ICU. For details on the interrupt, see [section 42.5, ACMPLP Interrupts](#). ACMPLP_i also outputs an event signal to the ELC to activate other modules. For details on the ELC, see [section 42.6, ELC Event Output](#). Do not change the values of the registers during the comparison.

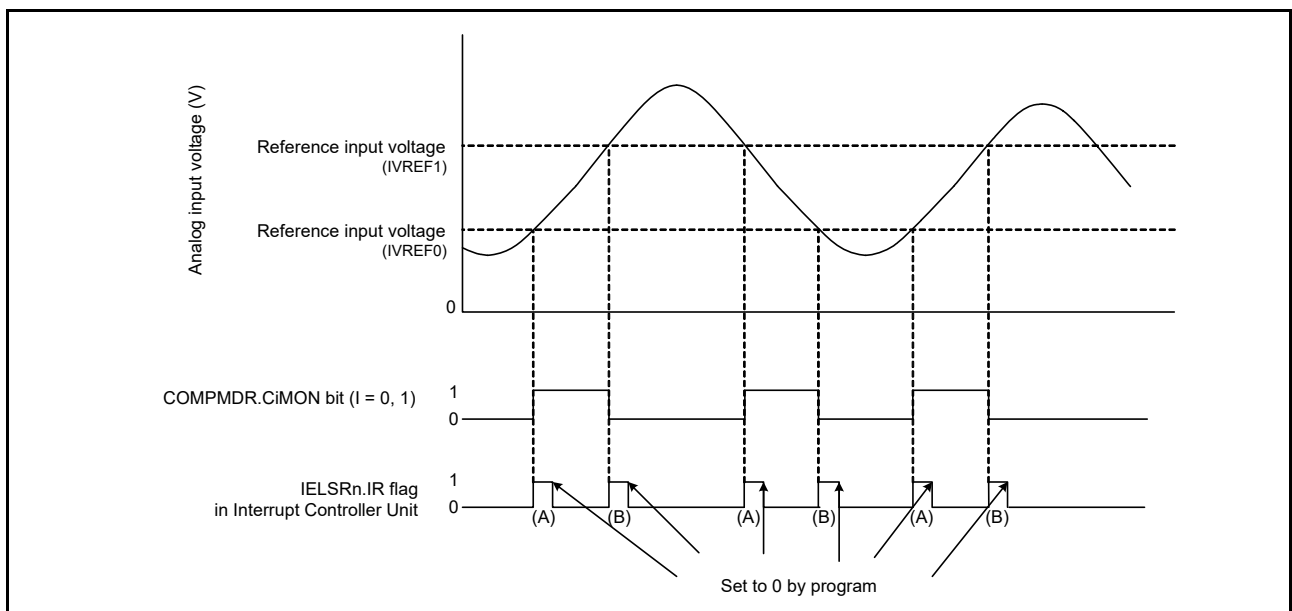


Figure 42.4 Operating example of ACMPLP_i (i = 0, 1) when window function is enabled

Figure 42.4 applies when the following conditions are met:

- CiFCK[1:0] = 00b (no sampling) and CiEDG = 1 (both edges)
- When CiEDG = 0 and CiEPO = 0 (rising edge), IELSRn.IR changes as shown by (A) only
- When CiEDG = 0 and CiEPO = 1 (falling edge), IELSRn.IR changes as shown by (B) only.

42.4 Noise Filter

Figure 42.5 shows the configuration of the ACMPLPi noise filter, and Figure 42.6 shows an operating example of the ACMPLPi noise filter.

The sampling clock can be selected in the COMPFIR.CiFCK[1:0] bits. The ACMP_LPi signal (internal signal) output from ACMPLPi is sampled at every sampling clock cycle. When the level matches three times, the corresponding IELSRn.IR bit is set to 1 (interrupt requested) and an ELC event is output.

When using an interrupt in Software Standby mode, set the COMPFIR.CiFCK[1:0] bits to 00b (bypass).

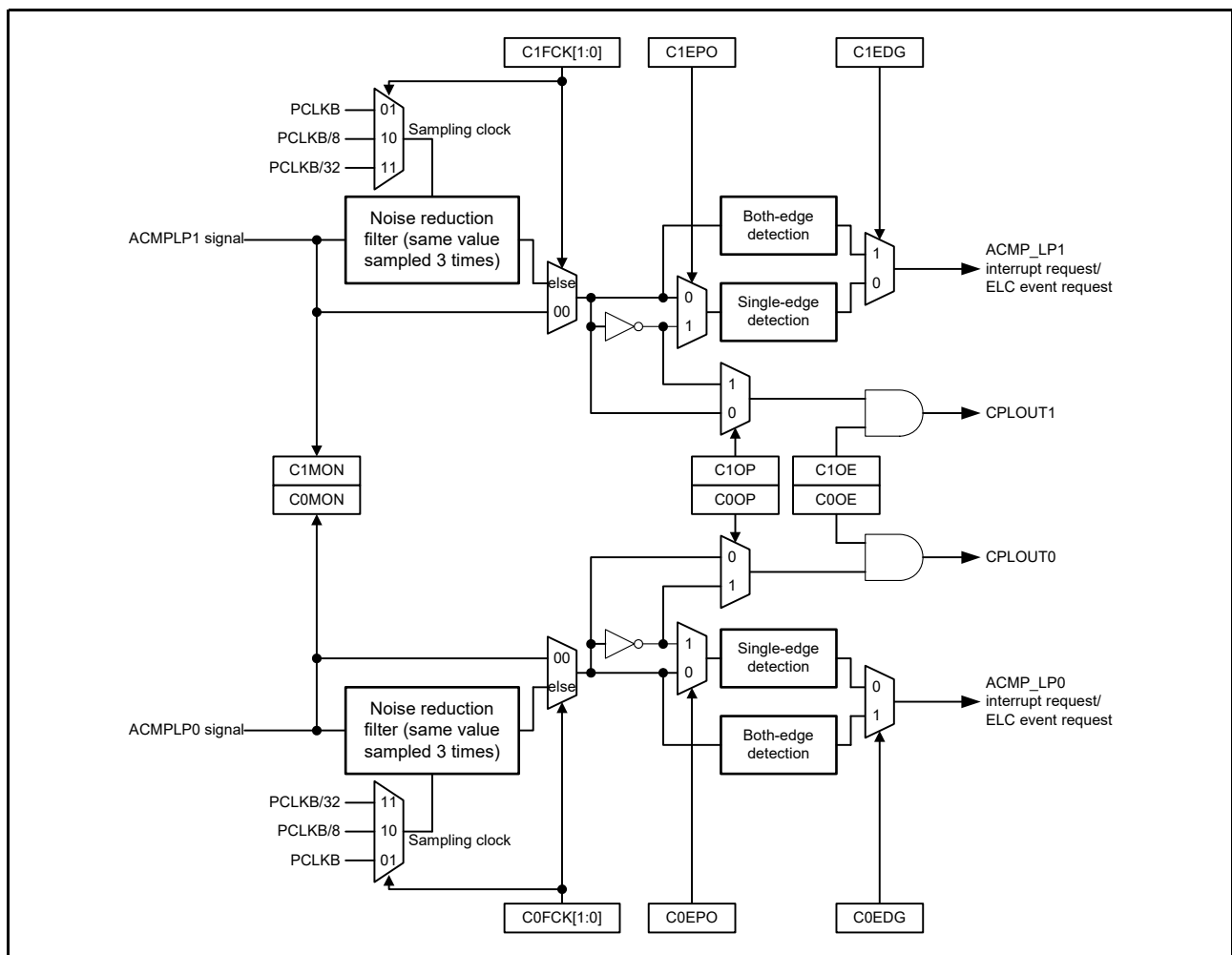


Figure 42.5 Noise filter and edge detection configuration

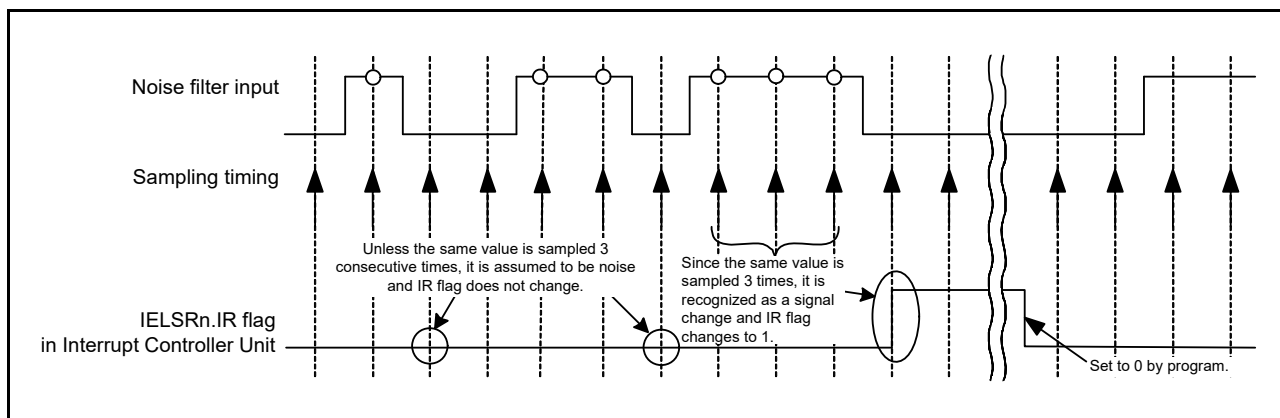


Figure 42.6 Noise filter and interrupt operation example

42.5 ACMPLP Interrupts

The ACMPLP generates interrupt requests from the ACMPLP0 and ACMPLP1 sources. To use the ACMPLP $_i$ ($i = 0$ and 1) interrupt, select it in the IELSR $_n$ register in the ICU. You can select either single-edge detection or both-edge detection using the COMPFIR.CiEDG bit. When single-edge detection is selected, select the polarity using the CiEPO bit.

The interrupt output can also be passed through the noise filter, which uses one of the three different sampling clocks, as selected in the COMPFIR.CiFCK[1:0] bits. Set the COMPFIR.CiFCK[1:0] bits to 01b, 10b, or 11b to select the respective sampling clock. To use the ACMPLP0 interrupt request to release Software Standby mode or Snooze mode, set COMPFIR.CiFCK[1:0] to 00b (no sampling). The ACMPLP1 interrupt request cannot be used to release Software Standby mode or Snooze mode.

42.6 ELC Event Output

The ELC uses the ACMPLP interrupt request signal as an ELC event signal, enabling link operation for the preset module. To use the ELC events of the ACMPLP, select them in the ELSR $_n$ register in the ELC. When using ELC event request, set the COMPFIR.CiFCK[1:0] bits to 01b, 10b, or 11b.

42.7 Interrupt Handling and ELC Linking

ACMPLP $_i$ outputs event signals to the ELC to initiate operations of other modules selected in advance. In the same way as for the interrupt sources, the conditions for generation of the event signals output from ACMPLP $_i$ to the ELC can be selected as a single-edge detection or both-edge detection by setting the COMPFIR.CiEDG bit. When the single-edge detection is selected, the polarity can be selected in the CiEPO bit.

42.8 Comparator Pin Output

The comparison result from ACMPLP $_i$ can be output to external pins. Use the COMPOCR.CiOP and CiOE bits to set the output polarity (non-inverted output or inverted output) and to enable or disable the comparison output.

To output the ACMPLP comparison result to the VCOUT output pin by the CPLOUT $_i$, set the corresponding Port mn Pin Function Select Register (PmnPFS) in the I/O registers.

For the register settings and the associated comparator output, see [section 42.2.3, ACMPLP Output Control Register \(COMPOCR\)](#).

42.9 Usage Notes

42.9.1 Module-Stop Function Settings

The Module Stop Control Register can enable or disable the ACMPLP operation. The ACMPLP is initially stopped after reset. Releasing the module-stop state enables access to the registers. For details, see [section 11, Low Power Modes](#).

42.9.2 Relationship with A/D Converter

Restrictions apply on the simultaneous use of ACMPLP analog input and A/D converter analog input. For details, see [section 38.8.13, Relationship between ADC14, OPAMP, and ACMPLP](#).

43. 8-Bit D/A Converter (DAC8)

43.1 Overview

Table 43.1 lists the specifications of the 8-bit D/A converter, and Figure 43.1 shows a block diagram.

Table 43.1 8-bit D/A converter specifications

Item	Specifications
Resolution	8 bits
Output channels	2 channels
Module-stop function	The module-stop state can be set to reduce power consumption.

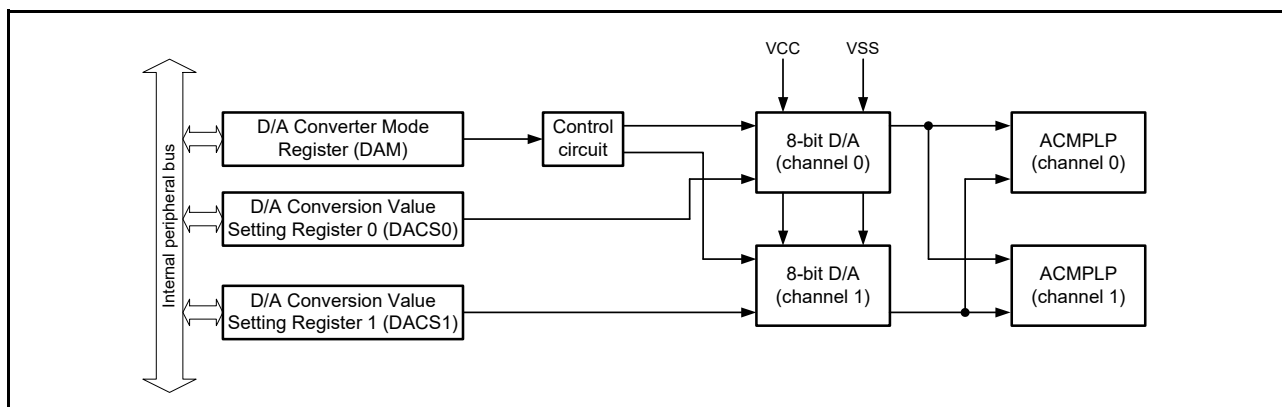
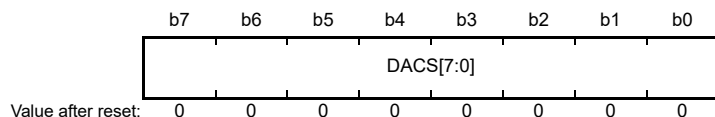


Figure 43.1 8-bit D/A converter block diagram

43.2 Register Descriptions

43.2.1 D/A Conversion Value Setting Register n (DACSn) (n = 0, 1)

Address(es): [DAC8.DACS0 4009 E000h](#), [DAC8.DACS1 4009 E001h](#)

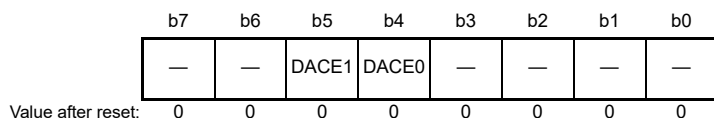


The DACSn register is an 8-bit read/write register that stores data for D/A conversion. When D/A conversion is enabled, the value in the DACSn register is converted and output to an ACMPPL.

When 8-bit D/A converter output is selected as the reference input for the ACMPPL in the COMPSEL1 register, and ACMPPL operation is enabled (COMPMDR.CnENB = 1), changing the DACS[7:0] bits for the channel in use is prohibited.

43.2.2 D/A Converter Mode Register (DAM)

Address(es): [DAC8.DAM 4009 E003h](#)



Bit	Symbol	Bit name	Description	R/W
b3 to b0	—	Reserved	These bits are read as 0. The write value should be 0.	R/W
b4	DACE0	D/A Operation Enable 0	0: Disable D/A conversion for channel 0 1: Enable D/A conversion for channel 0.	R/W
b5	DACE1	D/A Operation Enable 1	0: Disable D/A conversion for channel 1 1: Enable D/A conversion for channel 1.	R/W
b7, b6	—	Reserved	These bits are read as 0. The write value should be 0.	R/W

DACEn bit (D/A Operation Enable n) (n = 0, 1)

The DACEn bit enables or disables D/A conversion.

When an 8-bit D/A converter output is selected as the reference input for the ACMPLP in the COMPSEL1 register, and ACMPLP operation is enabled (COMPMDR.CnENB = 1), changing the DACEn bits for the channel in use is prohibited.

43.3 Operation

The 8-bit D/A converter includes D/A conversion circuits for two channels, each of which can operate independently. When the DAM.DACEn bit (n = 0, 1) is set to 1, the 8-bit D/A converter is enabled and the conversion result is output to the ACMPLP.

The following sequence describes an operation example when performing D/A conversion for channel 0:

1. Set the data for D/A conversion to the DACS0 register.
2. Set the DAM.DACE0 bit to 1 to start D/A conversion. The conversion result is output to ACMPLP. The conversion result is continuously being output until the DACS0 is rewritten or the DAM.DACE0 bit is set to 0 (D/A conversion disabled).

The output value (reference) is calculated with the following formula:

$$\frac{\text{DACS0 register}}{256} \times VCC$$

3. Set the COMPSEL1 register, and select the 8-bit D/A converter as the reference voltage.
4. Set the COMPMDR.CiENB bit to 1.
5. Wait for the comparator stabilization time T_{cmp} (min. 100 μs). For details, see [section 42, Low Power Analog Comparator \(ACMPLP\)](#).

43.4 Usage Notes

43.4.1 Module-Stop State

The Module Stop Control Register can enable or disable operation of the 8-bit D/A converter. The 8-bit D/A converter is stopped after a reset. The registers become accessible when the module-stop state is canceled. For details, see [section 11, Low Power Modes](#).

43.4.2 Operation of the 8-bit D/A Converter in Module-Stop State

When the MCU enters the module-stop state with D/A conversion enabled, D/A outputs are saved. The power supply current is the same as the one during D/A conversion. If the power supply current must be reduced in the module-stop state, disable D/A conversion by setting the DAM.DACEn bits to 0.

43.4.3 8-bit D/A Converter in Software Standby Mode Operation

When the MCU enters Software Standby mode with D/A conversion enabled, D/A outputs are saved. The power supply current is the same as the one during D/A conversion. If the power supply current must be reduced in Software Standby mode, disable D/A conversion by setting the DAM.DACEn bits to 0.

43.4.4 When Not Using the D/A Converter

When not using the 8-bit D/A converter, set the DAM.DACEn bit to 0 (output disabled), and the DACSn register to 00h, in order to stop current flow and reduce the current power consumption.

44. Capacitive Touch Sensing Unit (CTSUS)

44.1 Overview

The Capacitive Touch Sensing Unit (CTSUS) measures the electrostatic capacitance of the touch sensor. Changes in the electrostatic capacitance are determined by software that enables the CTSUS to detect whether a finger is in contact with the touch sensor. The electrode surface of the touch sensor is usually enclosed with an electrical conductor so that a finger does not come into direct contact with the electrode.

As [Figure 44.1](#) shows, electrostatic capacitance (parasitic capacitance) exists between the electrode and the surrounding conductors. Because the human body is an electrical conductor, when a finger is placed close to the electrode, the electrostatic capacitance increases.

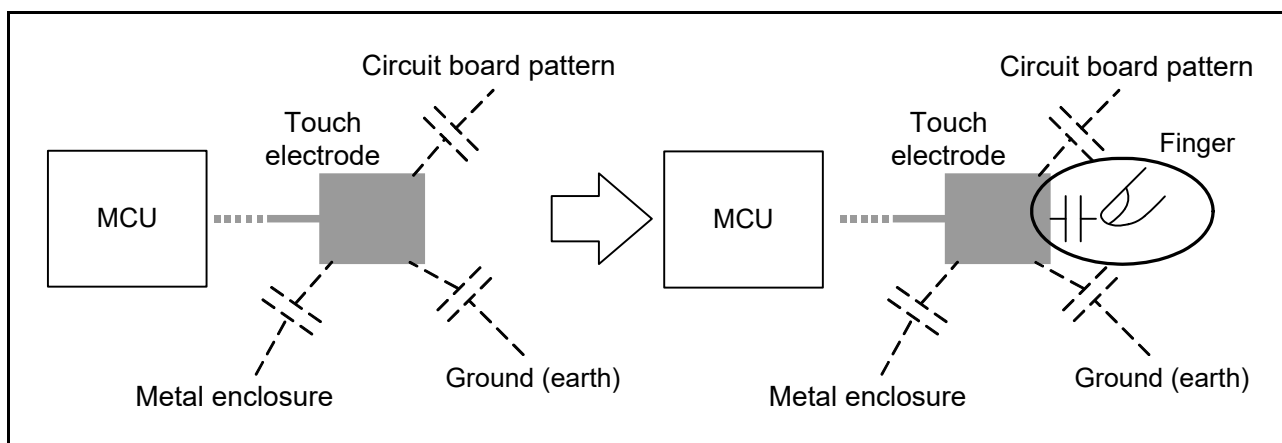


Figure 44.1 Increased electrostatic capacitance because of the presence of a finger

Electrostatic capacitance is detected by the self-capacitance and mutual-capacitance methods. In the self-capacitance method, the CTSUS detects electrostatic capacitance generated between a finger and a single electrode. In the mutual-capacitance method, two electrodes are used, one as a transmit electrode and the other as a receive electrode, and the CTSUS detects the change in the electrostatic capacitance generated between the two when a finger is placed close to them.

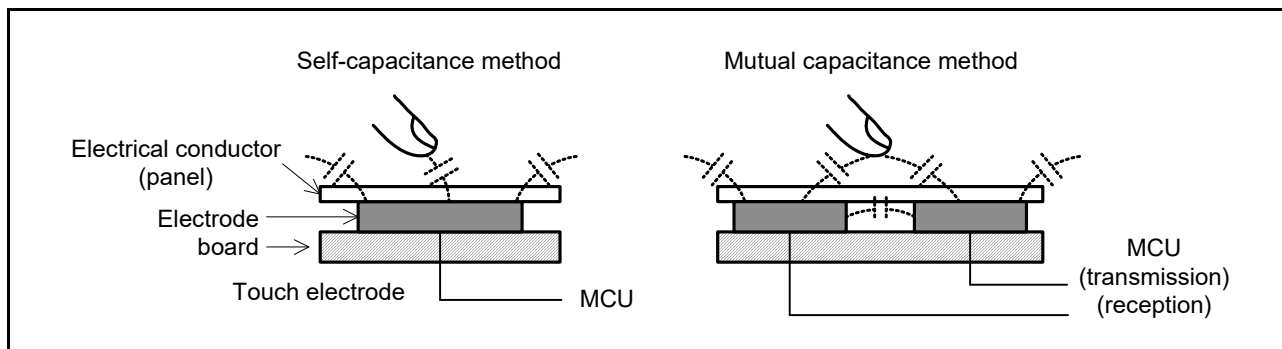


Figure 44.2 Self-capacitance and mutual-capacitance methods

Electrostatic capacitance is measured by counting a clock signal whose frequency changes according to the amount of charged or discharged current, for a specified period. For details on the measurement principles of the CTSUS, see [section 44.3.1, Principles of Measurement Operation](#). [Table 44.1](#) lists the CTSUS specifications and [Figure 44.3](#) shows a block diagram.

Table 44.1 CTSU specifications

Parameter	Description	
Operating clocks	PCLKB, PCLKB/2, or PCLKB/4	
Pins	Electrostatic capacitance measurement	27 channels (TS00 to TS13, TS17 to TS22, TS27 to TS31, TS34, TS35)
	TSCAP	Low Pass Filter (LPF) connection pin
Measurement modes	Self-capacitance single scan mode	Electrostatic capacitance is measured on one channel using the self-capacitance method
	Self-capacitance multi-scan mode	Electrostatic capacitance is measured successively on multiple channels using the self-capacitance method
	Mutual-capacitance full-scan mode	Electrostatic capacitance is measured successively on multiple channels using the mutual-capacitance method
Noise prevention	Synchronous noise prevention, high-pass noise prevention	
Measurement start conditions	<ul style="list-style-type: none"> • Software trigger • External trigger (ELC_CTSU from the Event Link Controller (ELC)). 	

As Figure 44.3 shows, the CTSU consists of the following components:

- Status control block
- Trigger control block
- Clock control block
- Channel control block
- Port control block
- Sensor drive pulse generator
- Measurement block
- Interrupt block
- I/O registers.

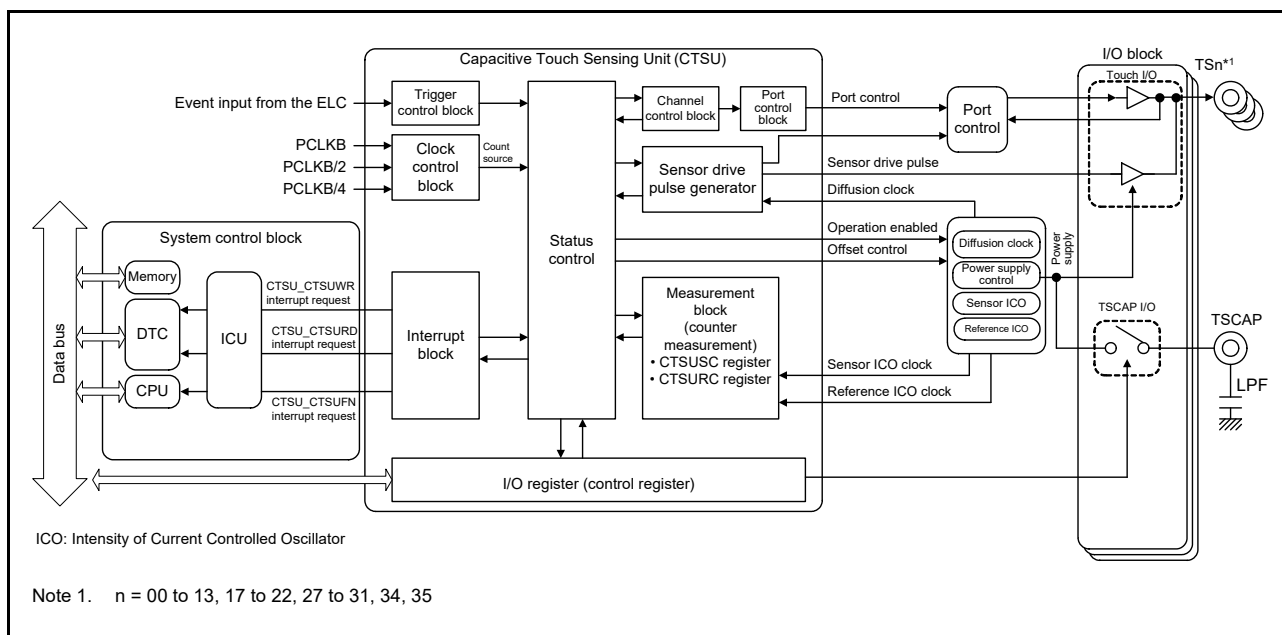


Figure 44.3 CTSUS block diagram

Table 44.2 CTSU pin configuration

Pin name	I/O	Function
TS00 to TS13, TS17 to TS22, TS27 to TS31, TS34, TS35	Input	Electrostatic capacitive measurement pins (touch pins)
TSCAP	-	LPF connection pin

44.2 Register Descriptions

44.2.1 CTSU Control Register 0 (CTSUCR0)

Address(es): CTSU.CTSUCR0 4008 1000h

	b7	b6	b5	b4	b3	b2	b1	b0
	—	—	—	CTSUI NIT	—	CTSUS NZ	CTSUC AP	CTSUS TRT
Value after reset:	0	0	0	0	0	0	0	0

Bit	Symbol	Bit name	Description	R/W
b0	CTSUSTRT	CTSUS Measurement Operation Start	0: Stop measurement operation*1 1: Start measurement operation.	R/W
b1	CTSUCAP	CTSUS Measurement Operation Start Trigger Select	0: Software trigger 1: External trigger.	R/W
b2	CTSUSNZ	CTSUS Wait State Power-Saving Enable	This bit sets the power-saving function during a wait state: 0: Disable power-saving function during wait state 1: Enable power-saving function during wait state.	R/W
b3	—	Reserved	This bit read as 0. The write value should be 0.	R/W
b4	CTSUINIT	CTSUS Control Block Initialization	Writing 1 to this bit initializes the CTSUS control block and the CTSUSC, CTSURC, CTSUMCH0, CTSUMCH1, and CTSUST registers. This bit is read as 0.	R/W
b7 to b5	—	Reserved	These bits are read as 0. The write value should be 0.	R/W

Note 1. When the CTSUS is not used, fix this bit to 0.

Only set the CTSUCAP and CTSUSNZ bits when the CTSUSTRT bit is 0. These bits can be set at the same time when measurement operation starts.

CTSUSTRT bit (CTSUS Measurement Operation Start)

The CTSUSTRT bit specifies whether CTSUS operation starts or stops. When the CTSUCAP bit is 0, measurement starts when software writes 1 to the CTSUSTRT bit (software trigger), and stops when hardware clears the CTSUSTRT bit to 0. When the CTSUCAP bit is 1, the CTSUS waits for an external trigger by writing 1 to the CTSUSTRT bit, and measurement starts on the rising edge of the external trigger. When measurement is stopped, the CTSUS waits for the next external trigger and operation continues.

Table 44.3 lists the CTSUS states.

Table 44.3 CTSUS states

CTSUSTRT bit	CTSUCAP bit	CTSUS state
0	0	Stopped
0	1	Stopped
1	0	Measurement in progress
1	1	Measurement in progress and waiting for an external trigger*1

Note 1. The state can be read from the CTSUST.CTSUSTC[2:0] flags as follows:
 During measurement: CTSUST.CTSUSTC[2:0] flags ≠ 000b
 While waiting for an external trigger: CTSUST.CTSUSTC[2:0] flags = 000b

If software sets the CTSUSTRT bit to 1 when the bit is already 1, the write is ignored and operation continues. To force operation to stop through software when the CTSUSTRT bit is 1, set the CTSUSTRT bit to 0 and the CTSUINIT bit to 1 at the same time.

CTSUCAP bit (CTSU Measurement Operation Start Trigger Select)

The CTSUCAP bit specifies the measurement start condition. For details, see [CTSUSTRT bit \(CTSU Measurement Operation Start\)](#).

CTSUSNZ bit (CTSU Wait State Power-Saving Enable)

The CTSUSNZ bit enables or disables power-saving operation during a wait state. It can also suspend the CTSU power supply, which decreases power consumption during the wait state. In the suspended state, the CTSU power supply is turned off while the external TSCAP is still charged.

[Table 44.4](#) shows the CTSU power supply state control.

Table 44.4 CTSU power supply state control

CTSUCR1.CTSUPON bit	CTSUSNZ bit	CTSUCAP bit	CTSUSTRT bit	CTSU power supply state
0	0	0	0	Stopped
1	0	—	—	Operating
1	1	0	0	Suspended

Note: Settings other than those listed in the table are prohibited.

To start measurement from the suspended state, set the CTSUSNZ bit to 0, and then set the CTSUSTRT bit to 1. To suspend the module after measurement stops, set the CTSUSNZ bit to 1.

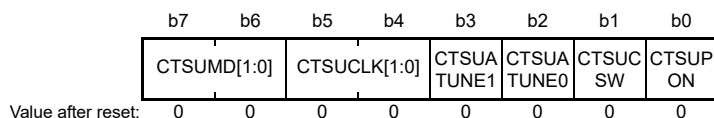
CTSUINIT bit (CTSU Control Block Initialization)

Write 1 to the CTSUINIT bit to initialize the control registers. To force the current operation to stop, set the CTSUSTRT bit to 0 and the CTSUINIT bit to 1 at the same time. This stops the operation and initializes the internal control registers.

Do not write 1 to the CTSUINIT bit when the CTSUSTRT bit is 1.

44.2.2 CTSU Control Register 1 (CTSUCR1)

Address(es): CTSU.CTSUCR1 4008 1001h



Bit	Symbol	Bit name	Description	R/W
b0	CTSUPON	CTSUS Power Supply Enable	This bit controls the CTSUS power supply: 0: Power off 1: Power on.	R/W
b1	CTSUCSW	CTSUS LPF Capacitance Charging Control	This bit controls charging of the LPF capacitance connected to the TSCAP pin: 0: Turn off capacitance switch 1: Turn on capacitance switch.	R/W
b2	CTSUA TUNE0	CTSUS Power Supply Operating Mode Setting	VCC ≥ 2.4 V 0: Normal operating mode 1: Low-voltage operating mode. VCC < 2.4 V 0: Setting prohibited 1: Low-voltage operating mode.	R/W
b3	CTSUA TUNE1	CTSUS Power Supply Capacity Adjustment	0: Normal output 1: High-current output.	R/W
b5, b4	CTSUCLK[1:0]	CTSUS Operating Clock Select	These bits select the operating clock: b5 b4 0 0: PCLKB 0 1: PCLKB/2 (PCLKB divided by 2) 1 0: PCLKB/4 (PCLKB divided by 4) 1 1: Setting prohibited.	R/W
b7, b6	CTSUMD[1:0]	CTSUS Measurement Mode Select	These bits select the measurement mode: b7 b6 0 0: Self-capacitance single scan mode 0 1: Self-capacitance multi-scan mode 1 0: Setting prohibited 1 1: Mutual capacitance full-scan mode.	R/W

Only set the CTSUCR1 register when the CTSUCR0.CTSUSTRT bit is 0.

CTSUPON bit (CTSUS Power Supply Enable)

The CTSUPON bit controls the power supply to the CTSUS. Set the CTSUPON and CTSUCSW bits to the same value.

CTSUCSW bit (CTSUS LPF Capacitance Charging Control)

The CTSUCSW bit controls charging of the LPF capacitor connected to the TSCAP pin by turning the capacitance switch on or off. After the capacitance switch is turned on, wait until the capacitance connected to the TSCAP pin is charged for the specified time before starting measurement by setting CTSUCR0.CTSUSTRT to 1. Before starting measurement, use an I/O port to output low to the TSCAP pin, and discharge the existing LPF capacitance. Set the CTSUPON and CTSUCSW bits to the same value.

CTSUA TUNE0 bit (CTSUS Power Supply Operating Mode Setting)

The CTSUA TUNE0 bit sets the power supply operating mode. Set this bit to the lower limit of VCC to operate the CTSUS. As an example, when performing touch measurement in a system where VCC varies depending on battery operation, set this bit to 1 regardless of the initial VCC voltage. The VCC voltage range is 2 to 3 V.

CTSUA TUNE1 bit (CTSUS Power Supply Capacity Adjustment)

The CTSUA TUNE1 bit sets the capacity of the CTSUS power supply. In general, set this bit to 0.

CTSUCLK[1:0] bits (CTSUS Operating Clock Select)

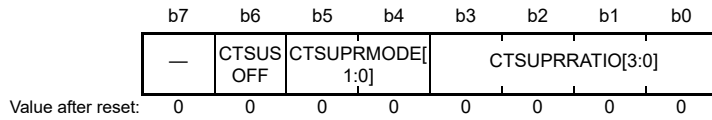
The CTSUCLK[1:0] bits select the operating clock.

CTSUMD[1:0] bits (CTSU Measurement Mode Select)

The CTSUMD bits set the measurement mode. For details, see [section 44.3.2, Measurement Modes](#).

44.2.3 CTSU Synchronous Noise Reduction Setting Register (CTSUSDPRS)

Address(es): CTSU.CTSUSDPRS 4008 1002h



Bit	Symbol	Bit name	Description	R/W
b3 to b0	CTSUPRRATIO[3:0]	CTSU Measurement Time and Pulse Count Adjustment	These bits set the measurement time and the pulse count. The recommended setting is 3 (0011b).	R/W
b5, b4	CTSUPRMODE[1:0]	CTSU Base Period and Pulse Count Setting	These bits set the base pulse count: b5 b4 0 0: 510 pulses 0 1: 126 pulses 1 0: 62 pulses (recommended setting value) 1 1: Setting prohibited.	R/W
b6	CTSUSOFF	CTSU High-Pass Noise Reduction Function Off Setting	This bit controls spectrum diffusion, which can be used to reduce high-pass noise: 0: Turn spectrum diffusion on 1: Turn spectrum diffusion off.	R/W
b7	—	Reserved	This bit is read as 0. The write value should be 0.	R/W

Only set the CTSUSDPRS register when the CTSUCR0.CTSUSTRT bit is 0.

CTSUPRRATIO[3:0] bits (CTSU Measurement Time and Pulse Count Adjustment)

The CTSUPRRATIO[3:0] bits set the measurement time and the number of measurement pulses using the following formulas, where the number of base pulses is determined by the CTSUPRMODE[1:0] setting:

$$\text{Measurement pulse count} = \text{base pulse count} \times (\text{CTSUPRRATIO}[3:0] \text{ bits} + 1)$$

$$\text{Measurement time} = (\text{base pulse count} \times (\text{CTSUPRRATIO}[3:0] \text{ bits} + 1) + \text{base pulse count} - 2) \times 0.25 \times \text{base clock cycle}$$

Note: For details on the base clock cycle, see [section 44.2.21, CTSU Sensor Offset Register 1 \(CTSUSO1\)](#).

CTSUPRMODE[1:0] bits (CTSU Base Period and Pulse Count Setting)

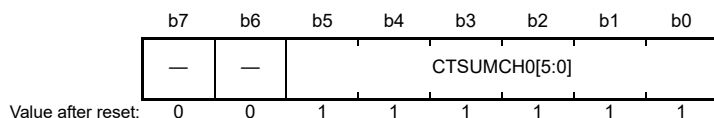
The CTSUPRMODE[1:0] bits select the number of base pulses that occur during measurement.

CTSUSOFF bit (CTSU High-Pass Noise Reduction Function Off Setting)

The CTSUSOFF bit turns on or off the function for reducing high-pass noise. Set this bit to 1 to turn the function off.

44.2.5 CTSU Measurement Channel Register 0 (CTSUSMCH0)

Address(es): CTSUSMCH0 4008 1004h



Bit	Symbol	Bit name	Description	R/W																																																																																				
b5 to b0	CTSUSMCH0[5:0]	CTSUS Measurement Channel 0	In self-capacitance single scan mode, these bits set a channel to be measured: <table style="margin-left: 20px; border: none;"> <tr> <td style="text-align: right;">b5</td> <td style="text-align: left;">b0</td> <td></td> </tr> <tr> <td>0 0 0 0 0</td> <td>0</td> <td>TS00</td> </tr> <tr> <td>0 0 0 0 0</td> <td>1</td> <td>TS01</td> </tr> <tr> <td>0 0 0 0 1</td> <td>0</td> <td>TS02</td> </tr> <tr> <td>0 0 0 0 1</td> <td>1</td> <td>TS03</td> </tr> <tr> <td>0 0 0 1 0</td> <td>0</td> <td>TS04</td> </tr> <tr> <td>0 0 0 1 0</td> <td>1</td> <td>TS05</td> </tr> <tr> <td>0 0 0 1 1</td> <td>0</td> <td>TS06</td> </tr> <tr> <td>0 0 0 1 1</td> <td>1</td> <td>TS07</td> </tr> <tr> <td>0 0 1 0 0</td> <td>0</td> <td>TS08</td> </tr> <tr> <td>0 0 1 0 0</td> <td>1</td> <td>TS09</td> </tr> <tr> <td>0 0 1 0 1</td> <td>0</td> <td>TS10</td> </tr> <tr> <td>0 0 1 0 1</td> <td>1</td> <td>TS11</td> </tr> <tr> <td>0 0 1 1 0</td> <td>0</td> <td>TS12</td> </tr> <tr> <td>0 0 1 1 0</td> <td>1</td> <td>TS13</td> </tr> <tr> <td>0 1 0 0 0</td> <td>1</td> <td>TS17</td> </tr> <tr> <td>0 1 0 0 1</td> <td>0</td> <td>TS18</td> </tr> <tr> <td>0 1 0 0 1</td> <td>1</td> <td>TS19</td> </tr> <tr> <td>0 1 0 1 0</td> <td>0</td> <td>TS20</td> </tr> <tr> <td>0 1 0 1 0</td> <td>1</td> <td>TS21</td> </tr> <tr> <td>0 1 0 1 1</td> <td>0</td> <td>TS22</td> </tr> <tr> <td>0 1 1 0 1</td> <td>1</td> <td>TS27</td> </tr> <tr> <td>0 1 1 1 0</td> <td>0</td> <td>TS28</td> </tr> <tr> <td>0 1 1 1 0</td> <td>1</td> <td>TS29</td> </tr> <tr> <td>0 1 1 1 1</td> <td>0</td> <td>TS30</td> </tr> <tr> <td>0 1 1 1 1</td> <td>1</td> <td>TS31</td> </tr> <tr> <td>1 0 0 0 1</td> <td>0</td> <td>TS34</td> </tr> <tr> <td>1 0 0 0 1</td> <td>1</td> <td>TS35</td> </tr> </table>	b5	b0		0 0 0 0 0	0	TS00	0 0 0 0 0	1	TS01	0 0 0 0 1	0	TS02	0 0 0 0 1	1	TS03	0 0 0 1 0	0	TS04	0 0 0 1 0	1	TS05	0 0 0 1 1	0	TS06	0 0 0 1 1	1	TS07	0 0 1 0 0	0	TS08	0 0 1 0 0	1	TS09	0 0 1 0 1	0	TS10	0 0 1 0 1	1	TS11	0 0 1 1 0	0	TS12	0 0 1 1 0	1	TS13	0 1 0 0 0	1	TS17	0 1 0 0 1	0	TS18	0 1 0 0 1	1	TS19	0 1 0 1 0	0	TS20	0 1 0 1 0	1	TS21	0 1 0 1 1	0	TS22	0 1 1 0 1	1	TS27	0 1 1 1 0	0	TS28	0 1 1 1 0	1	TS29	0 1 1 1 1	0	TS30	0 1 1 1 1	1	TS31	1 0 0 0 1	0	TS34	1 0 0 0 1	1	TS35	R/W*1
b5	b0																																																																																							
0 0 0 0 0	0	TS00																																																																																						
0 0 0 0 0	1	TS01																																																																																						
0 0 0 0 1	0	TS02																																																																																						
0 0 0 0 1	1	TS03																																																																																						
0 0 0 1 0	0	TS04																																																																																						
0 0 0 1 0	1	TS05																																																																																						
0 0 0 1 1	0	TS06																																																																																						
0 0 0 1 1	1	TS07																																																																																						
0 0 1 0 0	0	TS08																																																																																						
0 0 1 0 0	1	TS09																																																																																						
0 0 1 0 1	0	TS10																																																																																						
0 0 1 0 1	1	TS11																																																																																						
0 0 1 1 0	0	TS12																																																																																						
0 0 1 1 0	1	TS13																																																																																						
0 1 0 0 0	1	TS17																																																																																						
0 1 0 0 1	0	TS18																																																																																						
0 1 0 0 1	1	TS19																																																																																						
0 1 0 1 0	0	TS20																																																																																						
0 1 0 1 0	1	TS21																																																																																						
0 1 0 1 1	0	TS22																																																																																						
0 1 1 0 1	1	TS27																																																																																						
0 1 1 1 0	0	TS28																																																																																						
0 1 1 1 0	1	TS29																																																																																						
0 1 1 1 1	0	TS30																																																																																						
0 1 1 1 1	1	TS31																																																																																						
1 0 0 0 1	0	TS34																																																																																						
1 0 0 0 1	1	TS35																																																																																						
			Other than those specified, starting measurement operation when CTSUCR0.CTSUSTRT = 1 is prohibited after these bits are set.																																																																																					

Bit	Symbol	Bit name	Description	R/W
			In other measurement modes, these bits indicate the channel that is currently being measured:	
			b5 b0	
			0 0 0 0 0 0: TS00	
			0 0 0 0 0 1: TS01	
			0 0 0 0 1 0: TS02	
			0 0 0 0 1 1: TS03	
			0 0 0 1 0 0: TS04	
			0 0 0 1 0 1: TS05	
			0 0 0 1 1 0: TS06	
			0 0 0 1 1 1: TS07	
			0 0 1 0 0 0: TS08	
			0 0 1 0 0 1: TS09	
			0 0 1 0 1 0: TS10	
			0 0 1 0 1 1: TS11	
			0 0 1 1 0 0: TS12	
			0 0 1 1 0 1: TS13	
			0 1 0 0 0 1: TS17	
			0 1 0 0 1 0: TS18	
			0 1 0 0 1 1: TS19	
			0 1 0 1 0 0: TS20	
			0 1 0 1 0 1: TS21	
			0 1 0 1 1 0: TS22	
			0 1 1 0 1 1: TS27	
			0 1 1 1 0 0: TS28	
			0 1 1 1 0 1: TS29	
			0 1 1 1 1 0: TS30	
			0 1 1 1 1 1: TS31	
			1 0 0 0 1 0: TS34	
			1 0 0 0 1 1: TS35	
			1 1 1 1 1 1: Measure is being stopped.	
b7, b6	—	Reserved	These bits are read as 0. The write value should be 0.	R/W

Note 1. Writing to these bits is enabled only in self-capacitance single scan mode (CTSUCR1.CTSUMD[1:0] bits = 00b).

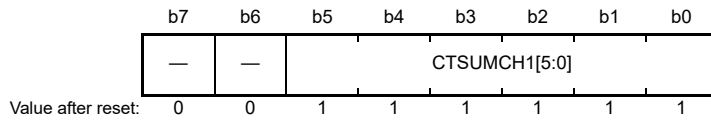
Only set the CTSUMCH0 register when the CTSUCR0.CTSUSTRT bit is 0.

CTSUMCH0[5:0] bits (CTSUCR0.CTSUMCH0) (CTSUCR0.CTSUMCH0)

In self-capacitance single scan mode, the CTSUMCH0[5:0] bits set the channel to be measured. In this mode, only specify enabled channels (000000b to 001101b, 010001b to 010110b, 011011b to 011111b, 100010b, and 100011b). In other modes, these bits indicate the receive channel that is being measured, and writing to these bits has no effect.

44.2.6 CTSU Measurement Channel Register 1 (CTSUSMCH1)

Address(es): CTSUSMCH1 4008 1005h



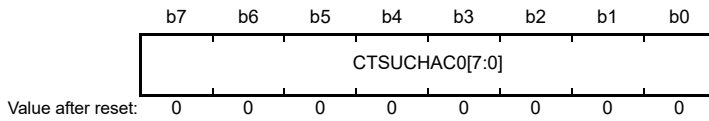
Bit	Symbol	Bit name	Description	R/W																																																										
b5 to b0	CTSUSMCH1[5:0]	CTSUS Measurement Channel 1	<table border="0" style="width: 100%;"> <tr> <td style="text-align: right;">b5</td> <td style="text-align: left;">b0</td> </tr> <tr> <td>0 0 0 0 0</td> <td>0: TS00</td> </tr> <tr> <td>0 0 0 0 1</td> <td>1: TS01</td> </tr> <tr> <td>0 0 0 1 0</td> <td>0: TS02</td> </tr> <tr> <td>0 0 0 1 1</td> <td>1: TS03</td> </tr> <tr> <td>0 0 1 0 0</td> <td>0: TS04</td> </tr> <tr> <td>0 0 1 0 1</td> <td>1: TS05</td> </tr> <tr> <td>0 0 1 1 0</td> <td>0: TS06</td> </tr> <tr> <td>0 0 1 1 1</td> <td>1: TS07</td> </tr> <tr> <td>0 1 0 0 0</td> <td>0: TS08</td> </tr> <tr> <td>0 1 0 0 1</td> <td>1: TS09</td> </tr> <tr> <td>0 1 0 1 0</td> <td>0: TS10</td> </tr> <tr> <td>0 1 0 1 1</td> <td>1: TS11</td> </tr> <tr> <td>0 1 1 0 0</td> <td>0: TS12</td> </tr> <tr> <td>0 1 1 0 1</td> <td>1: TS13</td> </tr> <tr> <td>0 1 1 1 0</td> <td>1: TS17</td> </tr> <tr> <td>0 1 1 1 1</td> <td>0: TS18</td> </tr> <tr> <td>1 0 0 0 0</td> <td>1: TS19</td> </tr> <tr> <td>1 0 0 0 1</td> <td>0: TS20</td> </tr> <tr> <td>1 0 0 1 0</td> <td>1: TS21</td> </tr> <tr> <td>1 0 0 1 1</td> <td>0: TS22</td> </tr> <tr> <td>1 0 1 0 0</td> <td>1: TS27</td> </tr> <tr> <td>1 0 1 0 1</td> <td>0: TS28</td> </tr> <tr> <td>1 0 1 1 0</td> <td>1: TS29</td> </tr> <tr> <td>1 0 1 1 1</td> <td>0: TS30</td> </tr> <tr> <td>1 1 0 0 0</td> <td>1: TS31</td> </tr> <tr> <td>1 1 0 0 1</td> <td>0: TS34</td> </tr> <tr> <td>1 1 0 1 0</td> <td>1: TS35</td> </tr> <tr> <td>1 1 0 1 1</td> <td>1: Measurement is stopped.</td> </tr> </table>	b5	b0	0 0 0 0 0	0: TS00	0 0 0 0 1	1: TS01	0 0 0 1 0	0: TS02	0 0 0 1 1	1: TS03	0 0 1 0 0	0: TS04	0 0 1 0 1	1: TS05	0 0 1 1 0	0: TS06	0 0 1 1 1	1: TS07	0 1 0 0 0	0: TS08	0 1 0 0 1	1: TS09	0 1 0 1 0	0: TS10	0 1 0 1 1	1: TS11	0 1 1 0 0	0: TS12	0 1 1 0 1	1: TS13	0 1 1 1 0	1: TS17	0 1 1 1 1	0: TS18	1 0 0 0 0	1: TS19	1 0 0 0 1	0: TS20	1 0 0 1 0	1: TS21	1 0 0 1 1	0: TS22	1 0 1 0 0	1: TS27	1 0 1 0 1	0: TS28	1 0 1 1 0	1: TS29	1 0 1 1 1	0: TS30	1 1 0 0 0	1: TS31	1 1 0 0 1	0: TS34	1 1 0 1 0	1: TS35	1 1 0 1 1	1: Measurement is stopped.	R
b5	b0																																																													
0 0 0 0 0	0: TS00																																																													
0 0 0 0 1	1: TS01																																																													
0 0 0 1 0	0: TS02																																																													
0 0 0 1 1	1: TS03																																																													
0 0 1 0 0	0: TS04																																																													
0 0 1 0 1	1: TS05																																																													
0 0 1 1 0	0: TS06																																																													
0 0 1 1 1	1: TS07																																																													
0 1 0 0 0	0: TS08																																																													
0 1 0 0 1	1: TS09																																																													
0 1 0 1 0	0: TS10																																																													
0 1 0 1 1	1: TS11																																																													
0 1 1 0 0	0: TS12																																																													
0 1 1 0 1	1: TS13																																																													
0 1 1 1 0	1: TS17																																																													
0 1 1 1 1	0: TS18																																																													
1 0 0 0 0	1: TS19																																																													
1 0 0 0 1	0: TS20																																																													
1 0 0 1 0	1: TS21																																																													
1 0 0 1 1	0: TS22																																																													
1 0 1 0 0	1: TS27																																																													
1 0 1 0 1	0: TS28																																																													
1 0 1 1 0	1: TS29																																																													
1 0 1 1 1	0: TS30																																																													
1 1 0 0 0	1: TS31																																																													
1 1 0 0 1	0: TS34																																																													
1 1 0 1 0	1: TS35																																																													
1 1 0 1 1	1: Measurement is stopped.																																																													
b7, b6	—	Reserved	These bits are read as 0.	R																																																										

[CTSUSMCH1\[5:0\] bits \(CTSUS Measurement Channel 1\)](#)

In full-scan mode, the CTSUSMCH1[5:0] bits indicate the transmit channel that is being measured. The value of these bits is 111111b when measurement is stopped, or when in self-capacitance single scan or multi-scan mode.

44.2.7 CTSU Channel Enable Control Register 0 (CTSUCHAC0)

Address(es): CTSU.CTSUCHAC0 4008 1006h



Bit	Symbol	Bit name	Description	R/W
b7 to b0	CTSUCHAC0[7:0]	CTSU Channel Enable Control 0	These bits select whether the associated TS pin is measured: 0: Do not measure 1: Measure. These bits specify the TS00 to TS07 pins.	R/W

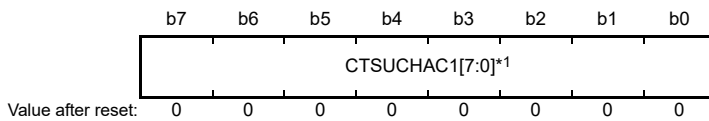
Only set the CTSUCHAC0 register when the CTSUCR0.CTSUSTRT bit is 0.

CTSUCHAC0[7:0] bits (CTSU Channel Enable Control 0)

The CTSUCHAC0[7:0] bits select the receive and transmit pins whose electrostatic capacitance is to be measured. CTSUCHAC0[0] is associated with TS00 and CTSUCHAC0[7] with TS07.

44.2.8 CTSU Channel Enable Control Register 1 (CTSUCHAC1)

Address(es): CTSU.CTSUCHAC1 4008 1007h



Bit	Symbol	Bit name	Description	R/W
b7 to b0	CTSUCHAC1[7:0] *1	CTSU Channel Enable Control 1	These bits select whether the associated TS pin is measured. 0: Do not measure 1: Measure. These bits specify the TS08 to TS13 pins.	R/W

Note 1. The MCU does not support TS14 and TS15 pins. Therefore, CTSUCHAC1[7:6] are read as 0. The write value should be 0.

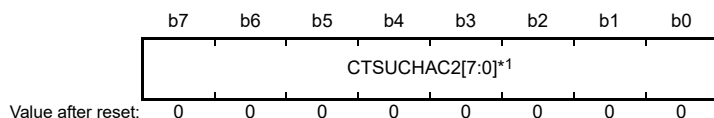
Only set the CTSUCHAC1 register when the CTSUCR0.CTSUSTRT bit is 0.

CTSUCHAC1[7:0]*1 bits (CTSU Channel Enable Control 1)

The CTSUCHAC1[7:0] bits select the receive and transmit pins whose electrostatic capacitance is to be measured. CTSUCHAC1[0] is associated with TS08 and CTSUCHAC1[5] with TS13.

44.2.9 CTSU Channel Enable Control Register 2 (CTSUCHAC2)

Address(es): CTSU.CTSUCHAC2 4008 1008h



Bit	Symbol	Bit name	Description	R/W
b7 to b0	CTSUCHAC2[7:0] *1	CTSUS Channel Enable Control 2	These bits select whether the associated TS pin is measured. 0: Do not measure 1: Measure. These bits specify the TS17 to TS22 pins.	R/W

Note 1. The MCU does not support TS16 and TS23 pins. Therefore, CTSUCHAC2[7] and CTSUCHAC2[0] are read as 0. The write value should be 0.

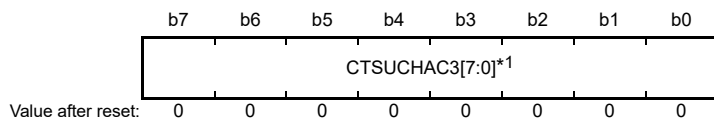
Only set the CTSUCHAC2 register when the CTSUCR0.CTSUSTRT bit is 0.

CTSUCHAC2[7:0]*1 bits (CTSUS Channel Enable Control 2)

The CTSUCHAC2[7:0] bits select the receive and transmit pins for which electrostatic capacitance is to be measured. CTSUCHAC2[1] is associated with TS17 and CTSUCHAC2[6] with TS22.

44.2.10 CTSU Channel Enable Control Register 3 (CTSUCHAC3)

Address(es): CTSU.CTSUCHAC3 4008 1009h



Bit	Symbol	Bit name	Description	R/W
b7 to b0	CTSUCHAC3[7:0] *1	CTSUS Channel Enable Control 3	These bits select whether the associated TS pins is measured: 0: Do not measure 1: Measure. These bits specify the TS27 to TS31 pins.	R/W

Note 1. The MCU does not support TS24 to TS26 pins. Therefore, CTSUCHAC3[2:0] are read as 0. The write value should be 0.

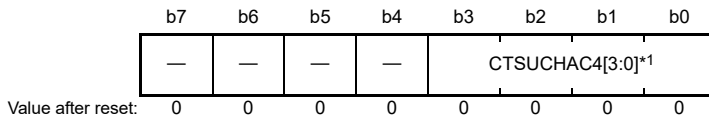
Only set the CTSUCHAC3 register when the CTSUCR0.CTSUSTRT bit is 0.

CTSUCHAC3[7:0]*1 bits (CTSUS Channel Enable Control 3)

The CTSUCHAC3[7:0] bits select the receive and transmit pins for which electrostatic capacitance is to be measured. CTSUCHAC3[3] is associated with TS27 and CTSUCHAC3[7] with TS31.

44.2.11 CTSU Channel Enable Control Register 4 (CTSUCHAC4)

Address(es): CTSU.CTSUCHAC4 4008 100Ah



Bit	Symbol	Bit name	Description	R/W
b3 to b0	CTSUCHAC4[3:0] *1	CTSUS Channel Enable Control 4	These bits select whether the associated TS pin is measured: 0: Do not measure 1: Measure. These bits specify the TS34 and TS35 pins.	R/W
b7 to b4	—	Reserved	These bits are read as 0. The write value should be 0.	R/W

Note 1. The MCU does not support TS32 and TS33 pins. Therefore, CTSUCHAC4[1:0] are read as 0. The write value should be 0.

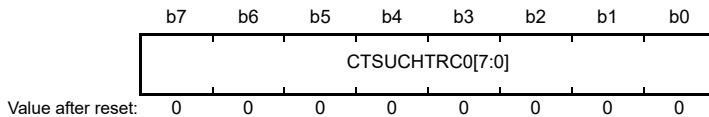
Only set the CTSUCHAC4 register when the CTSUCR0.CTSUSTRT bit is 0.

CTSUCHAC4[3:0]*1 bits (CTSUS Channel Enable Control 4)

The CTSUCHAC4[3:0] bits select the receive and transmit pins whose electrostatic capacitance is to be measured. CTSUCHAC4[2] is associated with TS34 and CTSUCHAC4[3] with TS35.

44.2.12 CTSU Channel Transmit/Receive Control Register 0 (CTSUCHTRC0)

Address(es): CTSU.CTSUCHTRC0 4008 100Bh



Bit	Symbol	Bit name	Description	R/W
b7 to b0	CTSUCHTRC0[7:0]	CTSUS Channel Transmit/Receive Control 0	0: Reception 1: Transmission. These bits specify the TS00 to TS07 pins.	R/W

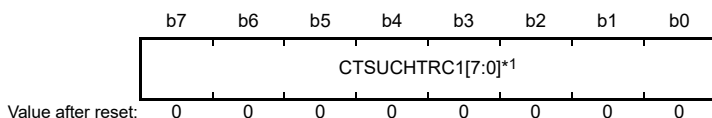
Only set the CTSUCHTRC0 register when the CTSUCR0.CTSUSTRT bit is 0.

CTSUCHTRC0[7:0] bits (CTSUS Channel Transmit/Receive Control 0)

In full-scan mode, the CTSUCHTRC0[7:0] bits allocate reception or transmission to the associated TS pins. The setting in these bits is ignored in self-capacitance single scan and multi-scan modes. CTSUCHTRC0[0] is associated with TS00 and CTSUCHTRC0[7] with TS07.

44.2.13 CTSU Channel Transmit/Receive Control Register 1 (CTSUCHTRC1)

Address(es): CTSU.CTSUCHTRC1 4008 100Ch



Bit	Symbol	Bit name	Description	R/W
b7 to b0	CTSUCHTRC1[7:0]*1	CTSUS Channel Transmit/Receive Control 1	0: Reception 1: Transmission. These bits specify the TS08 to TS13 pins.	R/W

Note 1. The MCU does not support TS14 and TS15 pins. Therefore, CTSUCHTRC1[7:6] are read as 0. The write value should be 0.

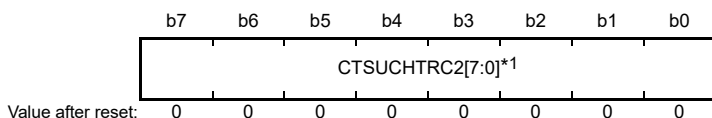
Only set the CTSUCHTRC1 when the CTSUCR0.CTSUSTRT bit is 0.

CTSUCHTRC1[7:0]*1 bits (CTSUS Channel Transmit/Receive Control 1)

In full-scan mode, the CTSUCHTRC1[7:0] bits allocate reception or transmission to the associated TS pins. The setting in these bits is ignored in self-capacitance single scan and multi-scan modes. CTSUCHTRC1[0] is associated with TS08 and CTSUCHTRC1[5] with TS13.

44.2.14 CTSU Channel Transmit/Receive Control Register 2 (CTSUCHTRC2)

Address(es): CTSU.CTSUCHTRC2 4008 100Dh



Bit	Symbol	Bit name	Description	R/W
b7 to b0	CTSUCHTRC2[7:0]*1	CTSUS Channel Transmit/Receive Control 2	0: Reception 1: Transmission. These bits specify the TS17 to TS22 pins.	R/W

Note 1. The MCU does not support TS16 and TS23 pins. Therefore, CTSUCHTRC2[0] and CTSUCHTRC2[7] are read as 0. The write value should be 0.

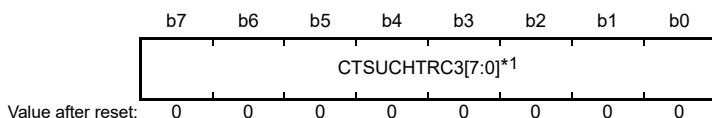
Only set the CTSUCHTRC2 register when the CTSUCR0.CTSUSTRT bit is 0.

CTSUCHTRC2[7:0]*1 bits (CTSUS Channel Transmit/Receive Control 2)

In full-scan mode, the CTSUCHTRC2[7:0] bits allocate reception or transmission to the associated TS pins. The setting in these bits is ignored in self-capacitance single scan and multi-scan modes. CTSUCHTRC2[1] is associated with TS17 and CTSUCHTRC2[6] with TS22.

44.2.15 CTSU Channel Transmit/Receive Control Register 3 (CTSUCHTRC3)

Address(es): CTSU.CTSUCHTRC3 4008 100Eh



Bit	Symbol	Bit name	Description	R/W
b7 to b0	CTSUCHTRC3[7:0]*1	CTSU Channel Transmit/Receive Control 3	0: Reception 1: Transmission. These bits specify the TS27 to TS31 pins.	R/W

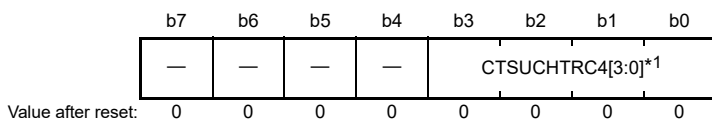
Note 1. The MCU does not support TS24 to TS26 pins. Therefore, CTSUCHTRC3[2:0] bits are read as 0. The write value should be 0. Only set the CTSUCHTRC3 register when the CTSUCR0.CTSUSTRRT bit is 0.

CTSUCHTRC3[7:0]*1 bits (CTSU Channel Transmit/Receive Control 3)

In full-scan mode, the CTSUCHTRC3[7:0] bits allocate reception or transmission to the associated TS pins. The setting in these bits is ignored in self-capacitance single scan and multi-scan modes. CTSUCHTRC3[3] is associated with TS27 and CTSUCHTRC3[7] with TS31.

44.2.16 CTSU Channel Transmit/Receive Control Register 4 (CTSUCHTRC4)

Address(es): CTSU.CTSUCHTRC4 4008 100Fh



Bit	Symbol	Bit name	Description	R/W
b3 to b0	CTSUCHTRC4[3:0]*1	CTSU Channel Transmit/Receive Control 4	0: Reception 1: Transmission. These bits specify the TS34 and TS35 pins.	R/W
b7 to b4	—	Reserved	These bits are read as 0. The write value should be 0.	R/W

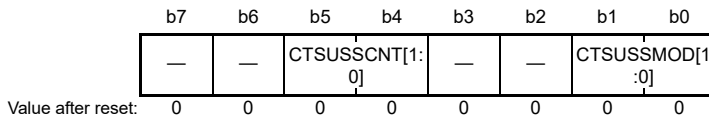
Note 1. The MCU does not support TS32 and TS33 pins. Therefore, CTSUCHTRC4[1:0] are read as 0. The write value should be 0. Only set the CTSUCHTRC4 register when the CTSUCR0.CTSUSTRRT bit is 0.

CTSUCHTRC4[3:0]*1 bits (CTSU Channel Transmit/Receive Control 4)

In full-scan mode, the CTSUCHTRC4[3:0] bits allocate reception or transmission to the associated TS pins. The setting in these bits is ignored in self-capacitance single scan and multi-scan modes. CTSUCHTRC4[2] is associated with TS34 and CTSUCHTRC4[3] with TS35.

44.2.17 CTSU High-Pass Noise Reduction Control Register (CTSUDCLKC)

Address(es): CTSU.CTSUDCLKC 4008 1010h



Bit	Symbol	Bit name	Description	R/W
b1, b0	CTSUSSMOD[1:0]	CTSU Diffusion Clock Mode Select	Set these bits to 00b	R/W
b3, b2	—	Reserved	These bits are read as 0. The write value should be 0.	R/W
b5, b4	CTSUSSCNT[1:0]	CTSU Diffusion Clock Mode Control	Set these bits to 11b	R/W
b7, b6	—	Reserved	These bits are read as 0. The write value should be 0.	R/W

Only set the CTSUDCLKC register when the CTSUCR0.CTSUSTRT bit is 0.

CTSUSSMOD[1:0] bits (CTSU Diffusion Clock Mode Select)

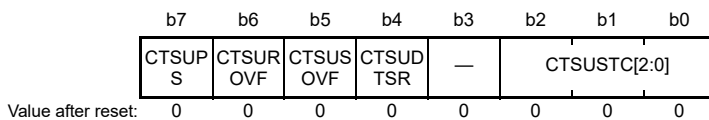
The CTSUSSMOD[1:0] bits set the mode of the spectrum diffusion clock for high-pass noise reduction. When using the high-pass function, always fix these bits to 00b. If these bits are not set, the CTSU is unable to effectively reduce high-pass noise.

CTSUSSCNT[1:0] bits (CTSU Diffusion Clock Mode Control)

The CTSUSSCNT[1:0] bits adjust the amount of spectrum diffusion applied to reduce high-pass noise. When using the high-pass noise reduction function, always fix these bits to 11b. If these bits are not set, touch measurement might be performed incorrectly.

44.2.18 CTSU Status Register (CTSUST)

Address(es): CTSU.CTSUST 4008 1011h



Bit	Symbol	Bit name	Description	R/W
b2 to b0	CTSUSTC[2:0]	CTSU Measurement Status Counter	These counters indicate the current measurement status: b2 b0 0 0 0: Status 0 0 0 1: Status 1 0 1 0: Status 2 0 1 1: Status 3 1 0 0: Status 4 1 0 1: Status 5.	R
b3	—	Reserved	This bit is read as 0. The write value should be 0.	R/W
b4	CTSUDTSR	CTSU Data Transfer Status Flag	This flag indicates whether the measurement result stored in the sensor counter and the reference counter was read: 0: Read 1: Not read.	R
b5	CTSUSOVF	CTSU Sensor Counter Overflow Flag	This flag indicates an overflow on the sensor counter: 0: No overflow occurred 1: Overflow occurred.	R/W

Bit	Symbol	Bit name	Description	R/W
b6	CTSUROVF	CTSU Reference Counter Overflow Flag	This flag indicates an overflow on the reference counter: 0: No overflow occurred 1: Overflow occurred.	R/W
b7	CTSUPS	CTSU Mutual Capacitance Status Flag	This flag indicates the measurement status in mutual-capacitance full-scan mode: 0: First measurement 1: Second measurement.	R

When using the CTSUCR0.CTSUINIT bit to clear an overflow flag, make sure that the CTSUCR0.CTSUSTRT bit is 0.

CTSUSTC[2:0] flags (CTSU Measurement Status Counter)

The CTSUSTC[2:0] flags are a counter indicating the current measurement status. For details on each status, see [section 44.3.2.2, Status counter](#).

CTSUDTSR flag (CTSU Data Transfer Status Flag)

The CTSUDTSR flag indicates whether the measurement result stored in the sensor counter and the reference counter was read. This flag is set to 1 when measurement completes and 0 when the reference counter is read by software or the DTC. This flag can also be cleared with the CTSUCR0.CTSUINIT bit.

CTSUSOVF flag (CTSU Sensor Counter Overflow Flag)

The CTSUSOVF flag indicates when the sensor counter, CTSUSC, overflows. On overflow, the counter value reads as FFFFh. Measurement processing continues for the specified period.

No interrupt is generated when an overflow occurs. To determine the channel on which the overflow occurred, read the measurement result of each channel after measurement completes, signaled by a measurement end interrupt.

This flag is cleared when 0 is written after 1 is read by software. This flag can also be cleared with the CTSUCR0.CTSUINIT bit.

CTSUROVF flag (CTSU Reference Counter Overflow Flag)

The CTSUROVF flag indicates when the reference counter, CTSURC, overflows. On overflow, the counter value reads as FFFFh. Measurement processing continues for the specified period.

No interrupt is generated even when an overflow occurs. To determine the channel on which the overflow occurred, read the measurement result of each channel after measurement completes, signaled by a measurement end interrupt.

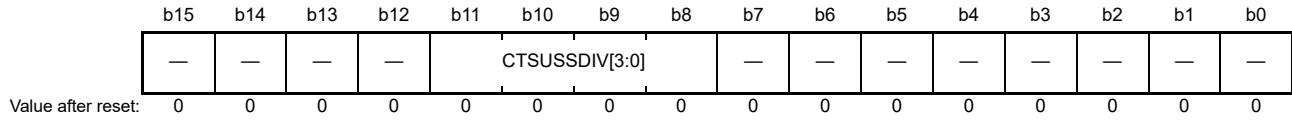
This flag is cleared when 0 is written after 1 is read by software. This flag can also be cleared with the CTSUCR0.CTSUINIT bit.

CTSUPS flag (CTSU Mutual Capacitance Status Flag)

In mutual-capacitance full-scan mode, when CTSUCR1.CTSUMD[1:0] bits are 11b, the CTSUPS flag indicates whether the measurement is the first or second of two measurements for each channel. When measurement is stopped or in other measurement modes, this flag is always 0.

44.2.19 CTSU High-Pass Noise Reduction Spectrum Diffusion Control Register (CTSUSSC)

Address(es): CTSU.CTSUSSC 4008 1012h



Bit	Symbol	Bit name	Description	R/W
b7 to b0	—	Reserved	These bits are read as 0. The write value should be 0.	R/W
b11 to b8	CTSUSSDIV[3:0]	CTSU Spectrum Diffusion Frequency Division Setting	These bits specify the spectrum diffusion frequency division setting based on the base clock frequency division setting	R/W
b15 to b12	—	Reserved	These bits are read as 0. The write value should be 0.	R/W

CTSUSSDIV[3:0] bits (CTSU Spectrum Diffusion Frequency Division Setting)

The CTSUSSDIV[3:0] bits specify the spectrum diffusion frequency derived from the base clock frequency division setting. To calculate the correct setting for CTSUSSDIV[3:0], see the relationship between base clock frequencies and the settings in [Table 44.5](#).

Table 44.5 Relationship between base clock frequencies and CTSUSSDIV[3:0] bit settings

Base clock frequency fb (MHz)	CTSUSSDIV[3:0] bit setting
$4.00 \leq fb$	0000b
$2.00 \leq fb < 4.00$	0001b
$1.33 \leq fb < 2.00$	0010b
$1.00 \leq fb < 1.33$	0011b
$0.80 \leq fb < 1.00$	0100b
$0.67 \leq fb < 0.80$	0101b
$0.57 \leq fb < 0.67$	0110b
$0.50 \leq fb < 0.57$	0111b
$0.44 \leq fb < 0.50$	1000b
$0.40 \leq fb < 0.44$	1001b
$0.36 \leq fb < 0.40$	1010b
$0.33 \leq fb < 0.36$	1011b
$0.31 \leq fb < 0.33$	1100b
$0.29 \leq fb < 0.31$	1101b
$0.27 \leq fb < 0.29$	1110b
$fb < 0.27$	1111b

44.2.20 CTSU Sensor Offset Register 0 (CTSUSO0)

Address(es): CTSU.CTSUSO0 4008 1014h



Bit	Symbol	Bit name	Description	R/W
b9 to b0	CTSUSO[9:0]	CTSU Sensor Offset Adjustment	These bits adjust the electronic capacitance when the electrode is not being touched: b9 b0 0 0 0 0 0 0 0 0 0: Current offset is 0 0 0 0 0 0 0 0 0 1: Current offset is 1 0 0 0 0 0 0 0 1 0: Current offset is 2 : 1 1 1 1 1 1 1 1 0: Current offset is 1022 1 1 1 1 1 1 1 1 1: Current offset is maximum.	R/W
b15 to b10	CTSUSNUM[5:0]	CTSU Measurement Count Setting	These bits set the number of measurements	R/W

CTSUSO[9:0] bits (CTSU Sensor Offset Adjustment)

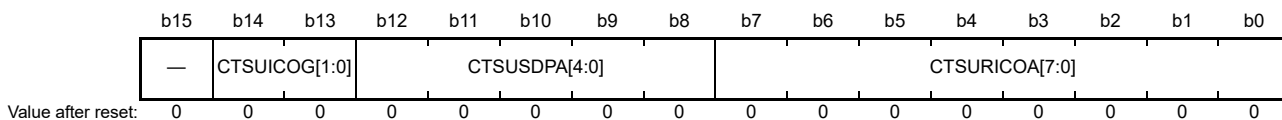
The CTSUSO[9:0] bits offset the sensor ICO input current generated from electrostatic capacitance during touch measurement when the electrode is not being touched. This prevents the CTSU sensor counter from overflowing. Set the TS pin that is to be measured next after a CTSU_CTSUWR interrupt is generated.

CTSUSNUM[5:0] bits (CTSU Measurement Count Setting)

The CTSUSNUM[5:0] bits specify how many times the measurement pulse count specified in the CTSUSDPRS.CTSUPRRATIO[3:0] and CTSUSDPRS.CTSUPRMODE[1:0] bits is repeated during the measurement time. The measurement pulse count is repeated (CTSUSNUM[5:0] bits + 1) times. Set the TS pin that is to be measured next after a CTSU_CTSUWR interrupt is generated.

44.2.21 CTSU Sensor Offset Register 1 (CTSUSO1)

Address(es): CTSU.CTSUSO1 4008 1016h



Bit	Symbol	Bit name	Description	R/W
b7 to b0	CTSURICOA[7:0]	CTSU Reference ICO Current Adjustment	These bits adjust the input current of the reference ICO: b7 b0 0 0 0 0 0 0 0 0: Current offset is 0 0 0 0 0 0 0 0 1: Current offset is 1 0 0 0 0 0 0 1 0: Current offset is 2. : 1 1 1 1 1 1 1 0: Current offset is 254 1 1 1 1 1 1 1 1: Current offset is maximum.	R/W

Bit	Symbol	Bit name	Description	R/W
b12 to b8	CTSUSDPA[4:0]	CTSU Base Clock Setting	These bits are used to generate the base clock: <div style="display: flex; justify-content: space-between; margin-left: 10px;"> b12 b8 </div> 0 0 0 0: Operating clock divided by 2*1 0 0 0 1: Operating clock divided by 4 0 0 1 0: Operating clock divided by 6 0 0 1 1: Operating clock divided by 8 0 1 0 0: Operating clock divided by 10 0 1 0 1: Operating clock divided by 12 0 1 1 0: Operating clock divided by 14 0 1 1 1: Operating clock divided by 16 1 0 0 0: Operating clock divided by 18 1 0 0 1: Operating clock divided by 20 1 0 1 0: Operating clock divided by 22 1 0 1 1: Operating clock divided by 24 1 1 0 0: Operating clock divided by 26 1 1 0 1: Operating clock divided by 28 1 1 1 0: Operating clock divided by 30 1 1 1 1: Operating clock divided by 32 1 0 0 0: Operating clock divided by 34 1 0 0 1: Operating clock divided by 36 1 0 1 0: Operating clock divided by 38 1 0 1 1: Operating clock divided by 40 1 1 0 0: Operating clock divided by 42 1 1 0 1: Operating clock divided by 44 1 1 1 0: Operating clock divided by 46 1 1 1 1: Operating clock divided by 48 1 1 0 0: Operating clock divided by 50 1 1 0 1: Operating clock divided by 52 1 1 1 0: Operating clock divided by 54 1 1 0 1: Operating clock divided by 56 1 1 1 0: Operating clock divided by 58 1 1 1 1: Operating clock divided by 60 1 1 1 0: Operating clock divided by 62 1 1 1 1: Operating clock divided by 64.	R/W
b14, b13	CTSUICOG[1:0]	CTSU ICO Gain Adjustment	These bits adjust the output frequency gain of the sensor ICO and the reference ICO: <div style="display: flex; justify-content: space-between; margin-left: 10px;"> b14 b13 </div> 0 0: 100% gain 0 1: 66% gain 1 0: 50% gain 1 1: 40% gain.	R/W
b15	—	Reserved	This bit is read as 0. The write value should be 0.	R/W

Note 1. Do not set the CTSUSDPA[4:0] bits to 0000b while the high-pass noise reduction function is turned off (CTSUSDPRS.CTSUSOFF bit = 1) in mutual-capacitance full-scan mode (CTSUCR1.CTSUMD[1:0] bits = 11b).

After a CTSU_CTSUWR interrupt is generated, write first to the CTSUSSC register, then to the CTSUSO0 register, and then to the CTSUSO1 register. The write to the CTSUSO1 register causes a transition to Status 3 (see [Table 44.6](#) and [Table 44.7](#)). Set all the bits in a single operation when writing to the CTSUSO1 register.

CTSURICOA[7:0] bits (CTSU Reference ICO Current Adjustment)

The CTSURICOA[7:0] bits adjust the oscillation frequency using the input current of the reference ICO.

CTSUSDPA[4:0] bits (CTSU Base Clock Setting)

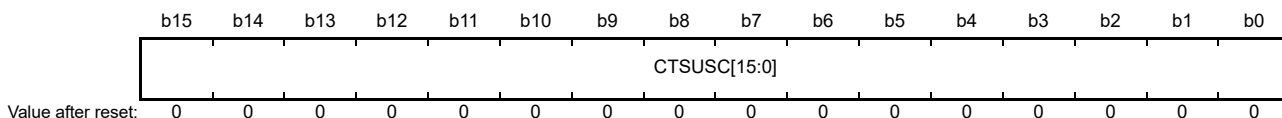
The CTSUSDPA[4:0] bits select a base clock used as the source for the sensor drive pulse by dividing the operating clock. For details on the setting procedure, see [section 44.3.2.1, Initial setting flow](#).

CTSUICOG[1:0] bits (CTSU ICO Gain Adjustment)

The CTSUICOG[1:0] bits adjust the output frequency gain of the sensor ICO and the reference ICO. In general, set these bits to 00b for the maximum gain. If changes in the capacitance between when the electrode is touched and when it is not touched greatly exceed the dynamic range of the sensor ICO, adjust the gain appropriately with this setting.

44.2.22 CTSU Sensor Counter (CTSUSC)

Address(es): CTSU.CTSUSC 4008 1018h



Bit	Symbol	Bit name	Description	R/W
b15 to b0	CTSUSC[15:0]	CTSUSC Sensor Counter	These bits indicate the measurement result of the sensor ICO. These bits read FFFFh when an overflow occurs.	R

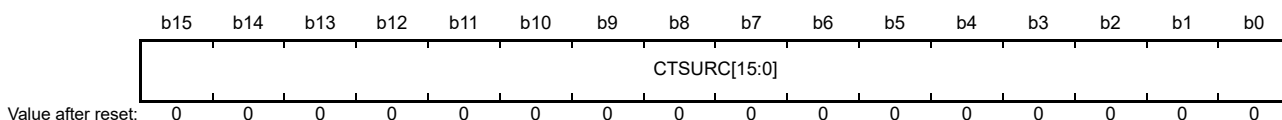
After a CTSU_CTSURD interrupt is generated, read first from the CTSUSC counter, then from the CTSURC counter.

CTSUSC[15:0] bits (CTSUSC Sensor Counter)

The CTSUSC[15:0] bits are configured as an increment counter for the sensor ICO clock. Read these bits after a CTSU_CTSURD interrupt is generated. After the CTSURC counter is read, these bits are cleared immediately before the CTSU measurement status counter value changes to Status 4 (the CTSUST.CTSUSTC[2:0] flags change to 100b) in the next measurement. These bits can also be cleared using the CTSUCR0.CTSUINIT bit.

44.2.23 CTSU Reference Counter (CTSURC)

Address(es): CTSU.CTSURC 4008 101Ah



Bit	Symbol	Bit name	Description	R/W
b15 to b0	CTSURC[15:0]	CTSURC Reference Counter	These bits indicate the measurement result of the reference ICO. These bits read FFFFh when an overflow occurs.	R

After a CTSU_CTSURD interrupt is generated, read first from the CTSUSC counter, then from the CTSURC counter. Status 3 continues until the CTSURC counter is read, even if the stabilization time specified for Status 3 elapses.

CTSURC[15:0] bits (CTSURC Reference Counter)

The CTSURC[15:0] bits are configured as an increment counter for the reference ICO clock. The reference ICO optimizes touch measurement performed by the sensor ICO. There is some deviation depending on the internal sensor ICO and the reference ICO in the CTSU, but both ICOS have almost the same characteristics, including the dynamic range and the current-to-frequency characteristics. The range of current amount that can be set in the reference ICO current adjustment bits is about the same as the dynamic range of both ICOS, and the current amount input to the sensor ICO must be within this dynamic range. To ensure this, use the reference ICO to check the differences between the ICOS and measure the current-to-oscillation frequency characteristics. The reference ICO oscillation frequency can be obtained from the reference ICO counter, and the ICO oscillation frequency (counter value/measurement time) for the input current amount can be measured by setting the value in the reference ICO current adjustment bits and measuring the reference ICO counter. The reference ICO counter value measured using the maximum value in the reference ICO current adjustment bits is the maximum value of the ICO dynamic range. The current to the sensor ICO must be offset in the offset adjustment bits so that the sensor ICO counter value does not exceed this value.

Read the CTSURC[15:0] bits after a CTSU_CTSURD interrupt occurs. After these bits are read, they are cleared immediately before the CTSU measurement status counter value changes to Status 4 (the CTSUST.CTSUSTC[2:0] flags change to 100b) in the next measurement. These bits can also be cleared with the CTSUCR0.CTSUINIT bit.

44.2.24 CTSU Error Status Register (CTSUERRS)

Address(es): CTSU.CTSUERRS 4008 101Ch

	b15	b14	b13	b12	b11	b10	b9	b8	b7	b6	b5	b4	b3	b2	b1	b0
	CTSUI COMP	—	—	—	—	—	—	—	—	—	—	—	—	—	—	—
Value after reset:	0	0	0	0	0	0	0	0	0	0	0	0	0	0	0	0

Bit	Symbol	Bit name	Description	R/W
b14 to b0	—	Reserved	These bits are read as 0.	R
b15	CTSUICOMP	TSCAP Voltage Error Monitor	This bit monitors the error status of the TSCAP voltage: 0: Normal TSCAP voltage 1: Abnormal TSCAP voltage.	R

CTSUICOMP bit (TSCAP Voltage Error Monitor)

If the offset current amount set in the CTSUSO1 register exceeds the sensor ICO input current during touch measurement, the TSCAP voltage becomes abnormal and touch measurement cannot be performed correctly. This bit monitors the TSCAP voltage and is set to 1 if the voltage becomes abnormal.

If the TSCAP voltage becomes abnormal, the sensor ICO counter value is undefined, but touch measurement completes normally, so it is difficult to detect an abnormality by reading the sensor ICO counter value. If the CTSU reference ICO current adjustment bits (CTSURICOA[7:0]) in the CTSUSO1 register are set to a value other than 0, check this bit when touch measurement completes.

This bit is cleared by writing 0 to the CTSUCR1.CTUPON bit and turning off the power supply.

44.3 Operation

44.3.1 Principles of Measurement Operation

Figure 44.4 shows the measurement circuit.

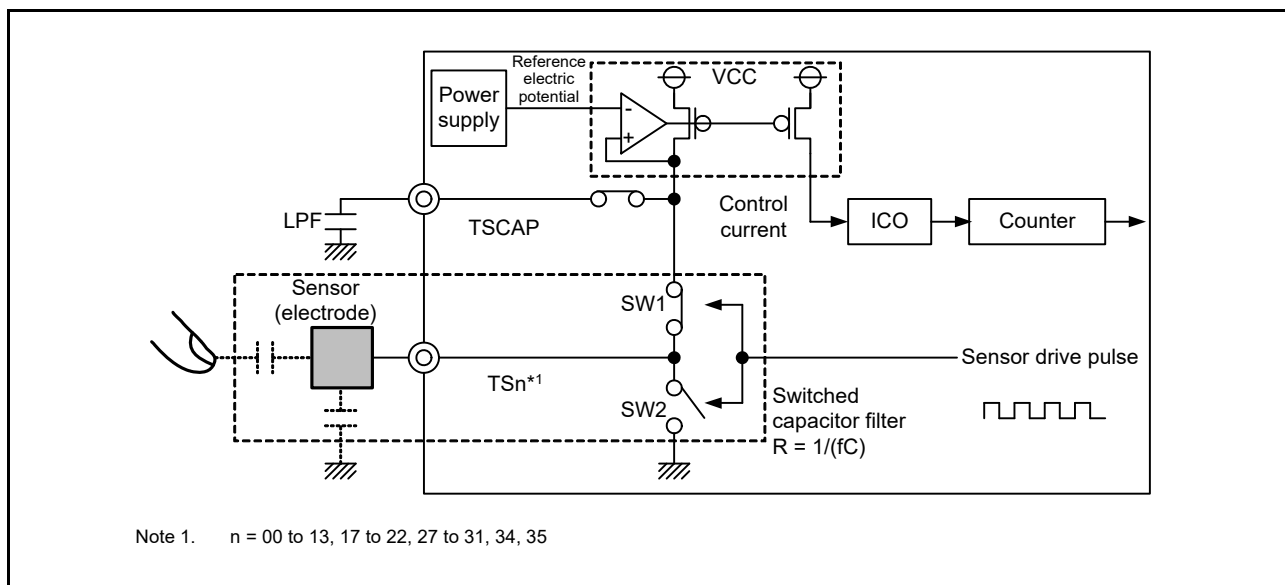


Figure 44.4 Measurement circuit

Figure 44.5 to Figure 44.7 explain the electrostatic capacitance measurement operation principles of the CTSU current frequency conversion method. The operation is as follows:

1. The electrostatic capacitance of the electrode is charged by turning SW1 on and SW2 off (Figure 44.5).
2. The charged capacitance is discharged by turning SW1 off and SW2 on (See Figure 44.6).
3. Current flows to the switched capacitor filter by repeatedly charging and discharging the electrodes as in step 1. and step 2. At this point, if a finger is in close proximity, the capacitance and the flowing current change. A clock is generated by supplying the control current, a current that is proportional to the amount of the current flowing through the switched capacitor filter, from the circuit that generates the TSCAP power supply to the ICO. The counter measures the clock frequency that changes depending on whether a finger is in close proximity. Software uses the value read from the counter to determine contact with a finger (Figure 44.7).

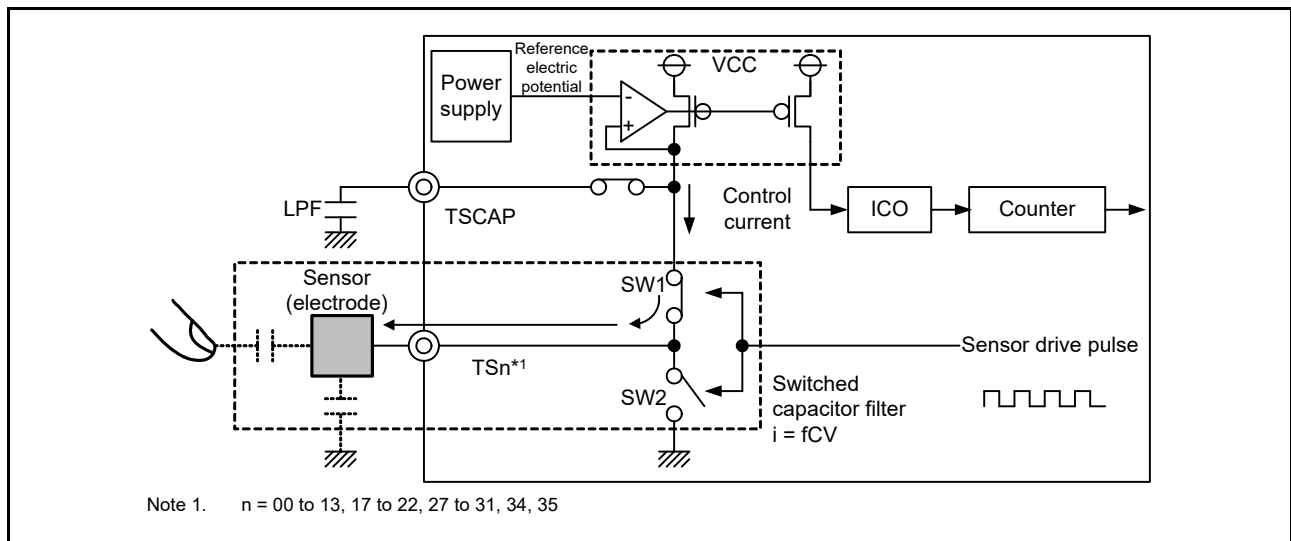


Figure 44.5 Charging operation

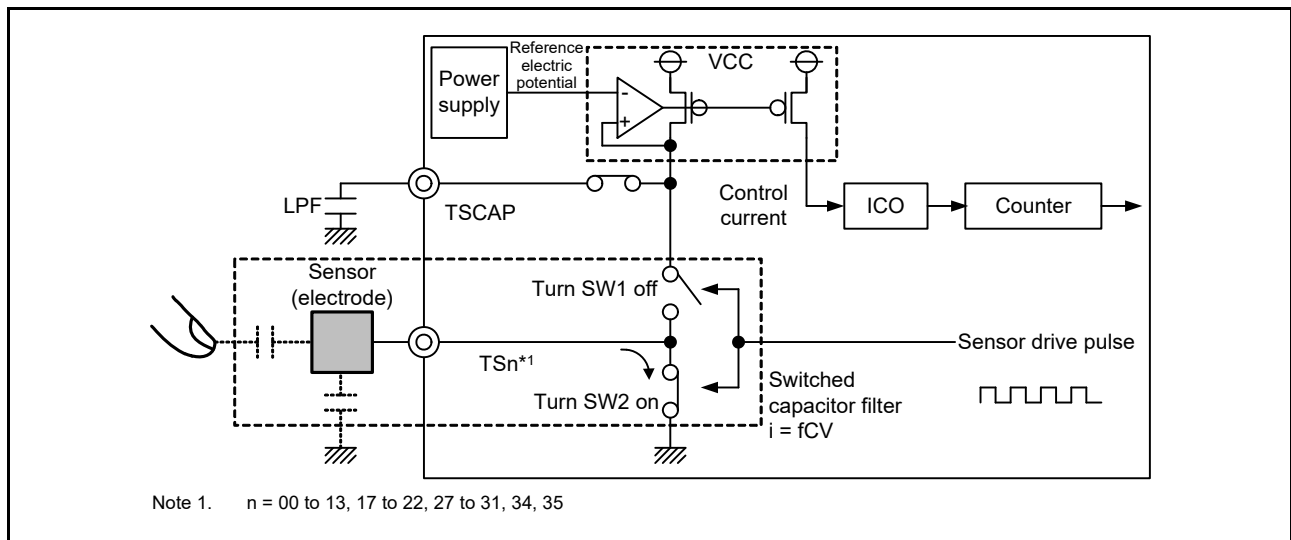


Figure 44.6 Discharging operation

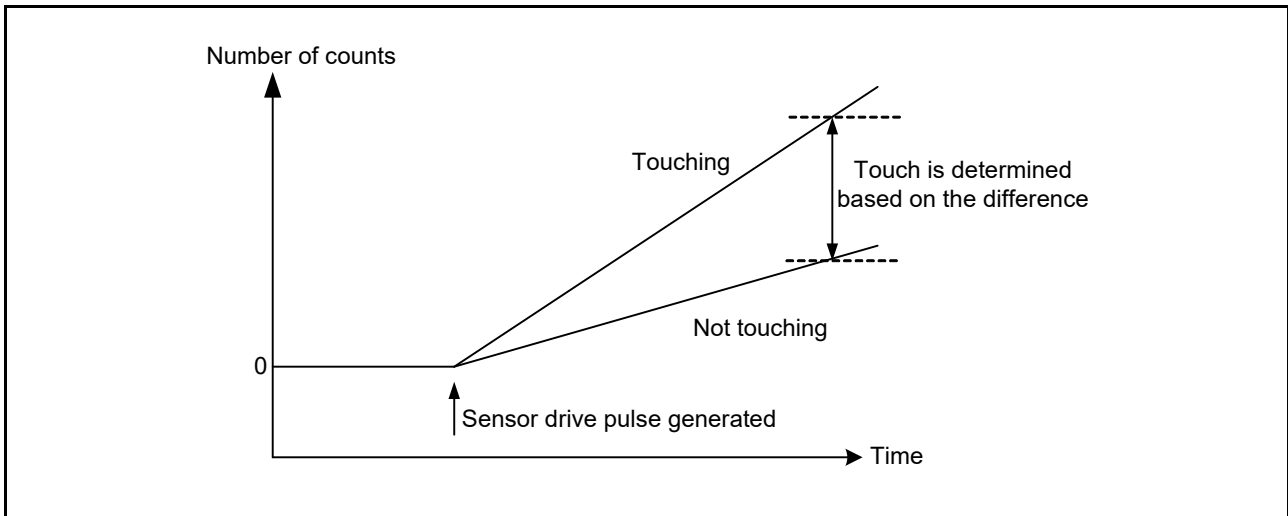


Figure 44.7 Change in measured value when finger is touching and not touching

44.3.2 Measurement Modes

The CTSU supports self-capacitance and mutual-capacitance methods. [Figure 44.8](#) shows these methods.

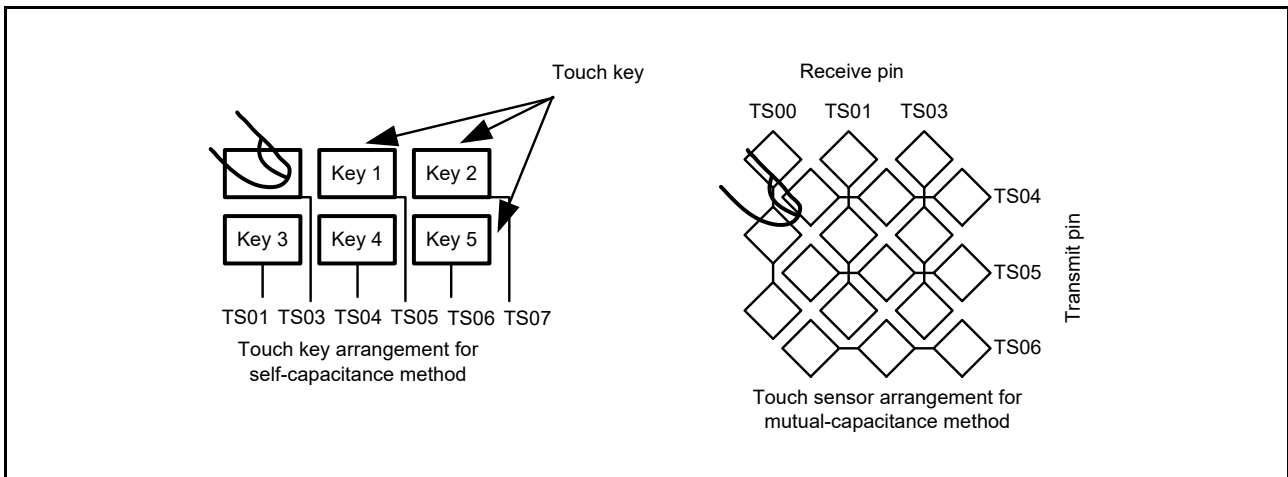


Figure 44.8 Overview of self-capacitance method and mutual-capacitance method

In the self-capacitance method, a single touch pin is allocated to a single touch key to measure individual electrostatic capacitance when a finger is in close proximity. In this method, single scan and multi-scan can be used as measurement modes. In the mutual-capacitance method, the capacitance between two opposing electrodes (transmit and receive pins) is measured.

44.3.2.1 Initial setting flow

Figure 44.9 shows the flow for the CTSU initial setting.

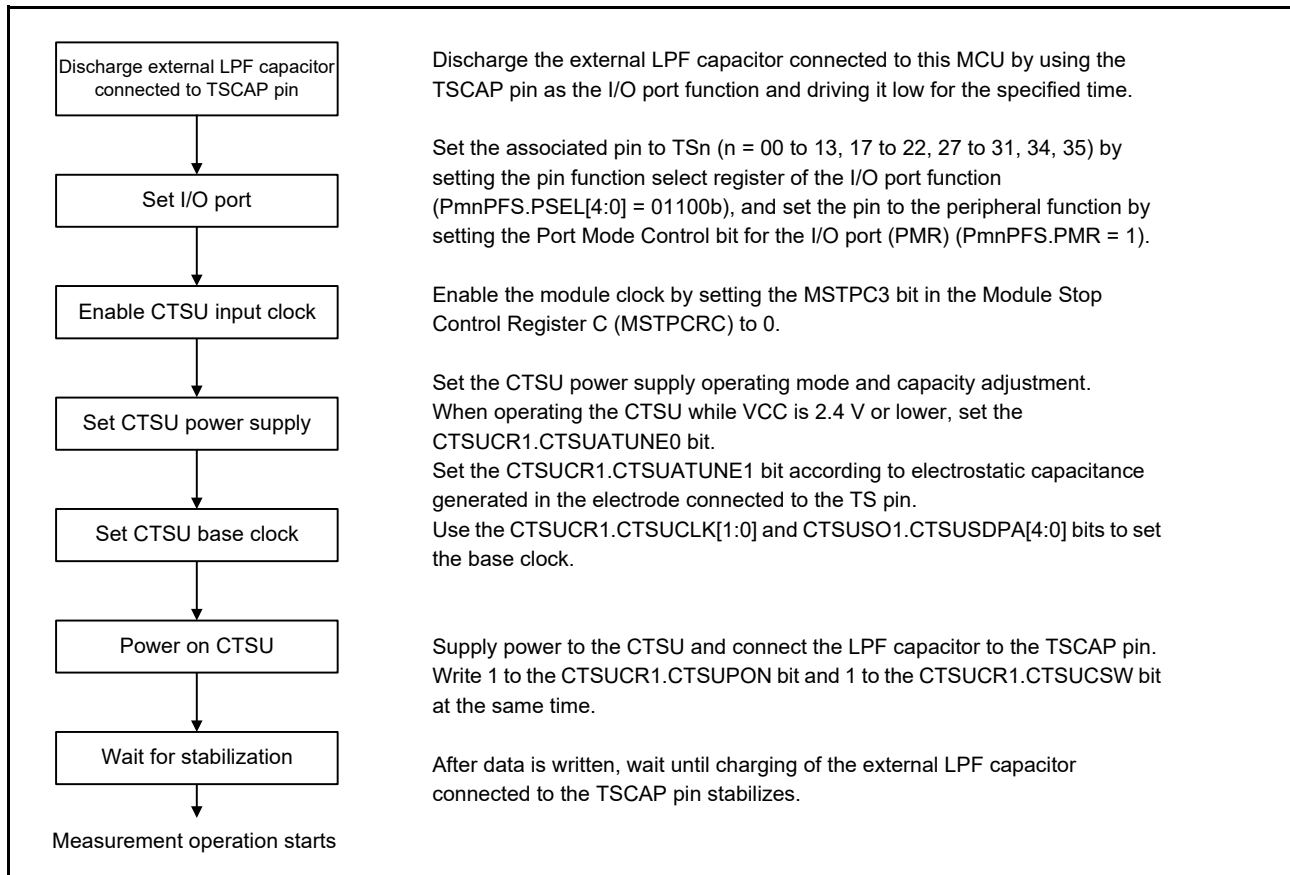


Figure 44.9 CTSU initial setting flow

Figure 44.10 shows the flow for stopping CTSU operation and invoking the standby state.

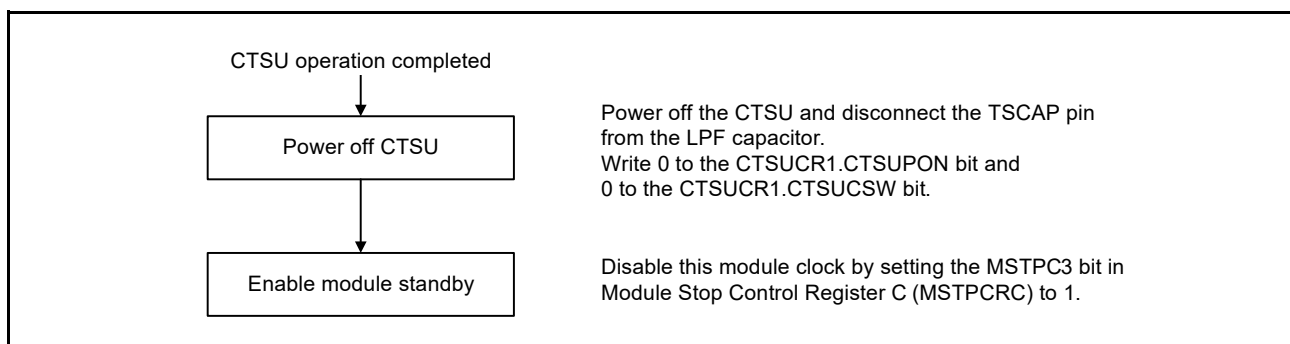


Figure 44.10 CTSU stopping flow

To restart operation, follow the initial setting flow shown in Figure 44.9.

44.3.2.2 Status counter

The measurement status counter of the CTSU Status Register (CTSUST) indicates the current measurement status. The measurement status applies to all three modes. [Figure 44.11](#) shows the status operation transitions.

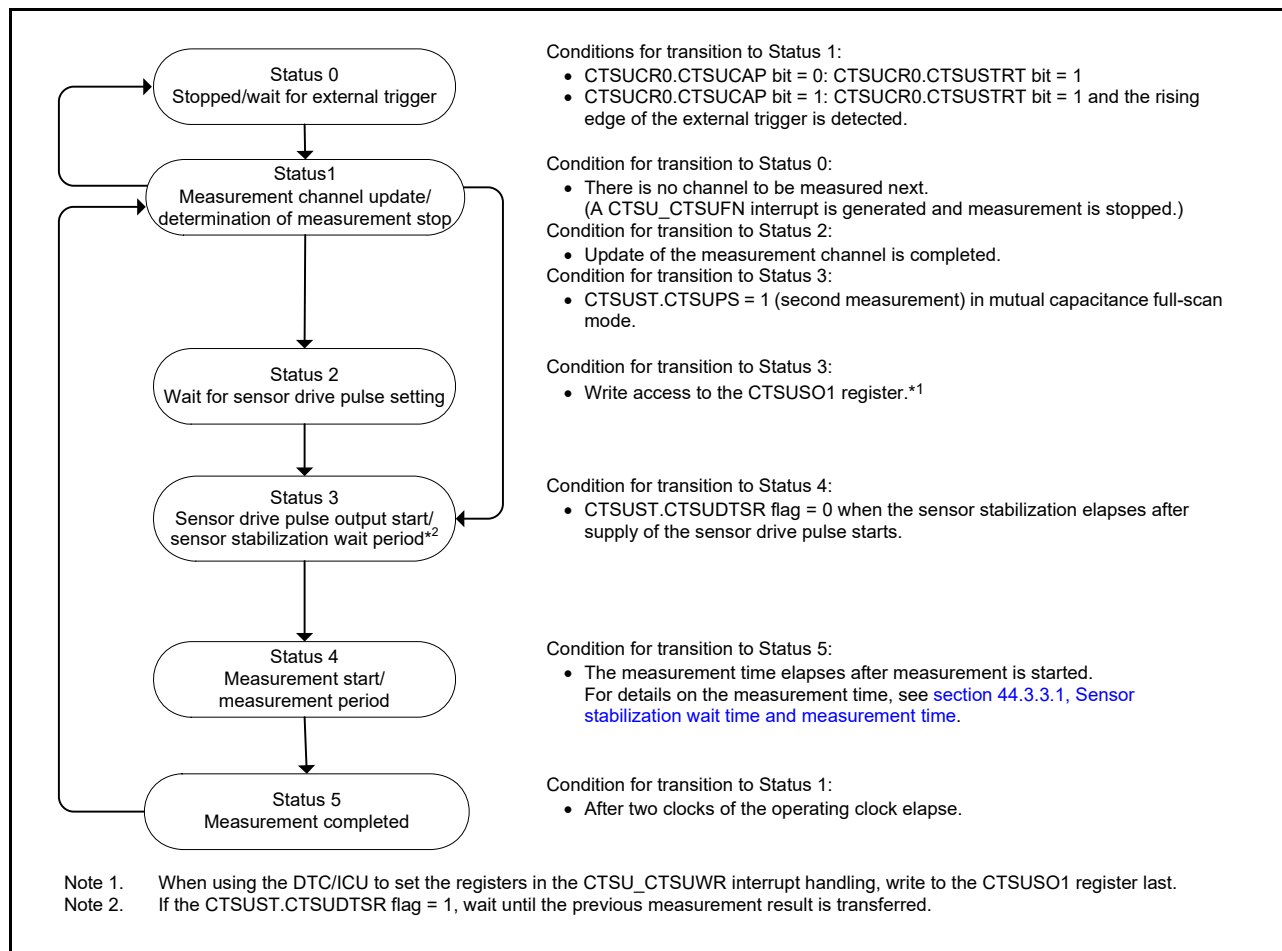


Figure 44.11 Status operation transitions

The status counter transitions to Status 0 when all of the specified measurement channels are measured.

The CTSUCR0.CTSUSTRT bit is set to 0 by hardware when a software trigger is used. When an external trigger is used, the value 1 is retained, and the CTSU waits for the next trigger.

When operation is forced to stop during measurement or the trigger wait state, by a simultaneous write of 0 to the CTSUCR0.CTSUSTRT bit and a write of 1 to the CTSUCR0.CTSUINIT bit, the status transitions to Status 0 and measurement stops.

If the channel to be measured is not set in the CTSUMCH0, CTSUCHAC0 to CTSUCHAC4, and CTSUCHTRC0 to CTSUCHTRC4 registers, a CTSU_CTSUFN interrupt is generated immediately after a transition to Status 1, then the status transitions to Status 0. The following are cases when there is no channel to be measured:

- No measurement target channel is specified in the CTSUCHAC0 to CTSUCHAC4 registers
- In self-capacitance single scan mode, the channel specified in the CTSUMCH0 register is not a measurement target in the CTSUCHAC0 to CTSUCHAC4 registers
- In full-scan modes, there is no transmit channel or receive channel to be measured based on the combined settings of the CTSUCHAC0 to CTSUCHAC4, and CTSUCHTRC0 to CTSUCHTRC4 registers.

44.3.2.3 Self-capacitance single scan mode operation

In self-capacitance single scan mode, electrostatic capacitance is measured on one channel. Figure 44.12 shows the software flow and an operation example, and Figure 44.13 shows the timing.

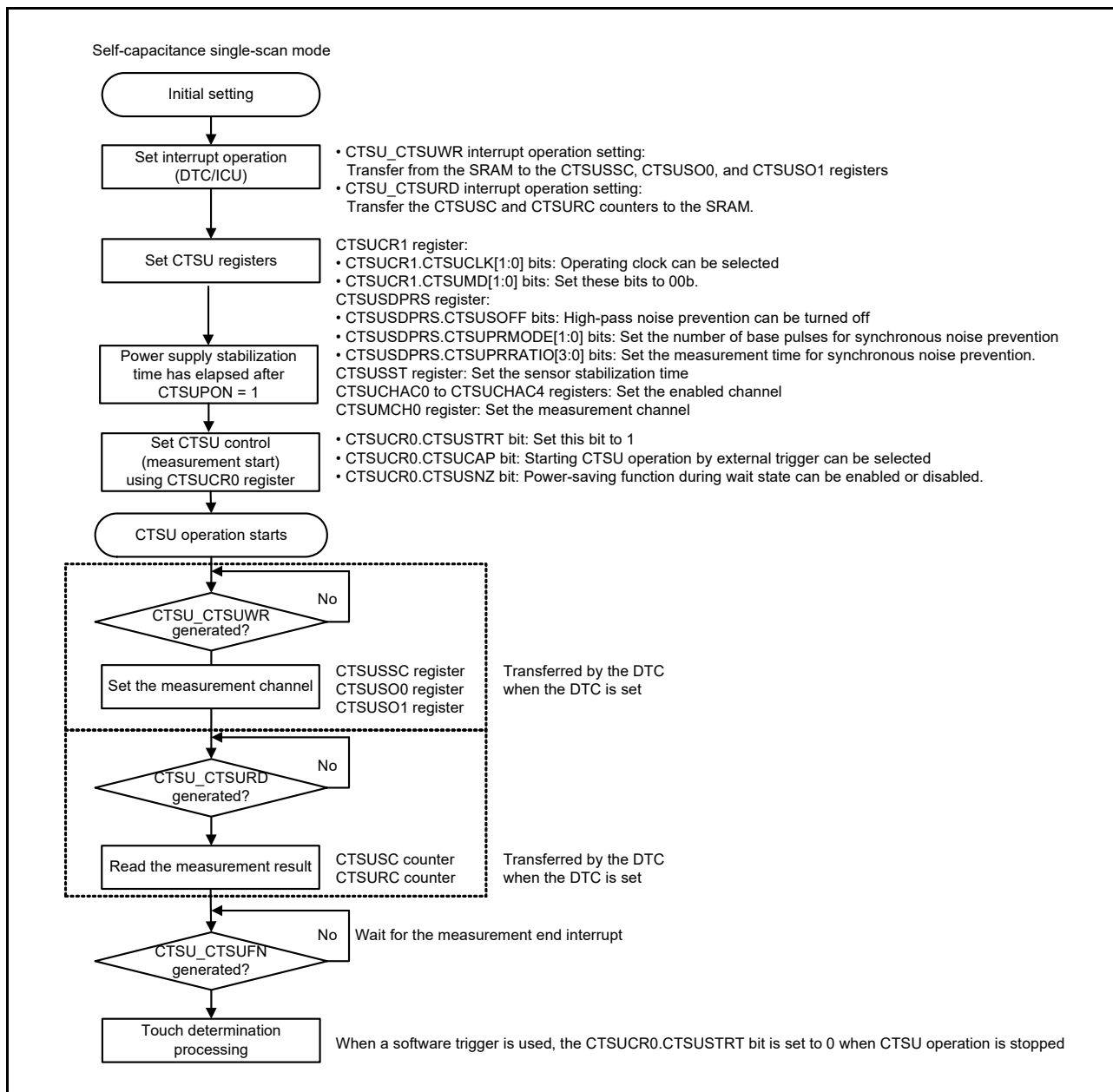


Figure 44.12 Software flow and operation example for self-capacitance single scan mode

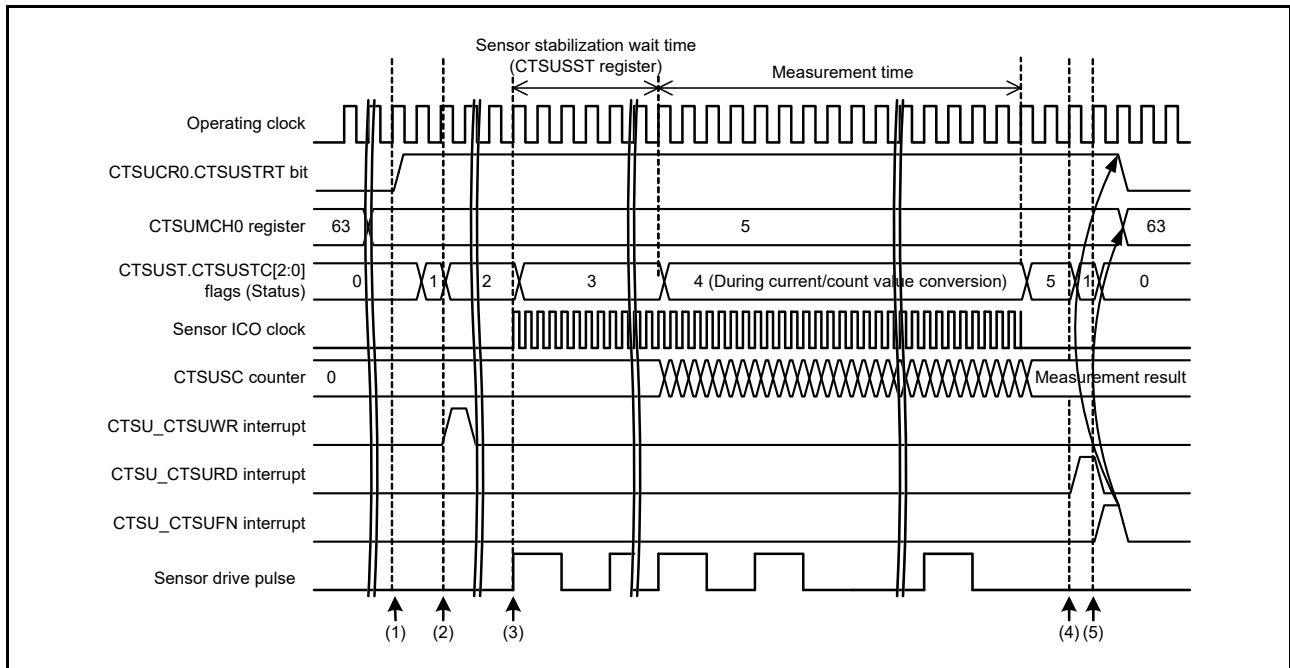


Figure 44.13 Timing of self-capacitance single scan mode when the measurement start condition is a software trigger

The following sequence describes the operation shown in [Figure 44.13](#):

1. After initial settings are made, operation is started by writing 1 to the CTSUCR0.CTSUSTRT bit.
2. After the channel to be measured is determined according to the preset conditions, a request to set the channel (CTSU_CTSUWR) is output.
3. On completion of writing the measurement channel settings (CTSUSSC, CTSUSO0, and CTSUSO1 registers), the sensor drive pulse is output and the sensor ICO clock and the reference ICO clock operate.
4. After the sensor stabilization wait time and the measurement time elapse, and measurement stops, a measurement result read request (CTSU_CTSURD) is output.
5. A measurement end interrupt (CTSU_CTSUFN) is output and measurement stops (transition to Status 0).

[Table 44.6](#) lists the touch pin states in self-capacitance single scan mode.

Table 44.6 Touch pin states in self-capacitance single scan mode

Status	Touch pin	
	Measured channel	Non-measured channel
0	Low	Low
1	Low	Low
2	Low	Low
3	Pulse	Low
4	Pulse	Low
5	Low	Low

44.3.2.4 Self-capacitance multi-scan mode operation

In self-capacitance multi-scan mode, electrostatic capacitance on all channels that are specified as measurement targets in the CTSUCHAC0 to CTSUCHAC4 registers is measured sequentially in ascending order. Figure 44.14 shows the software flow and an operation example, and Figure 44.15 shows the timing.

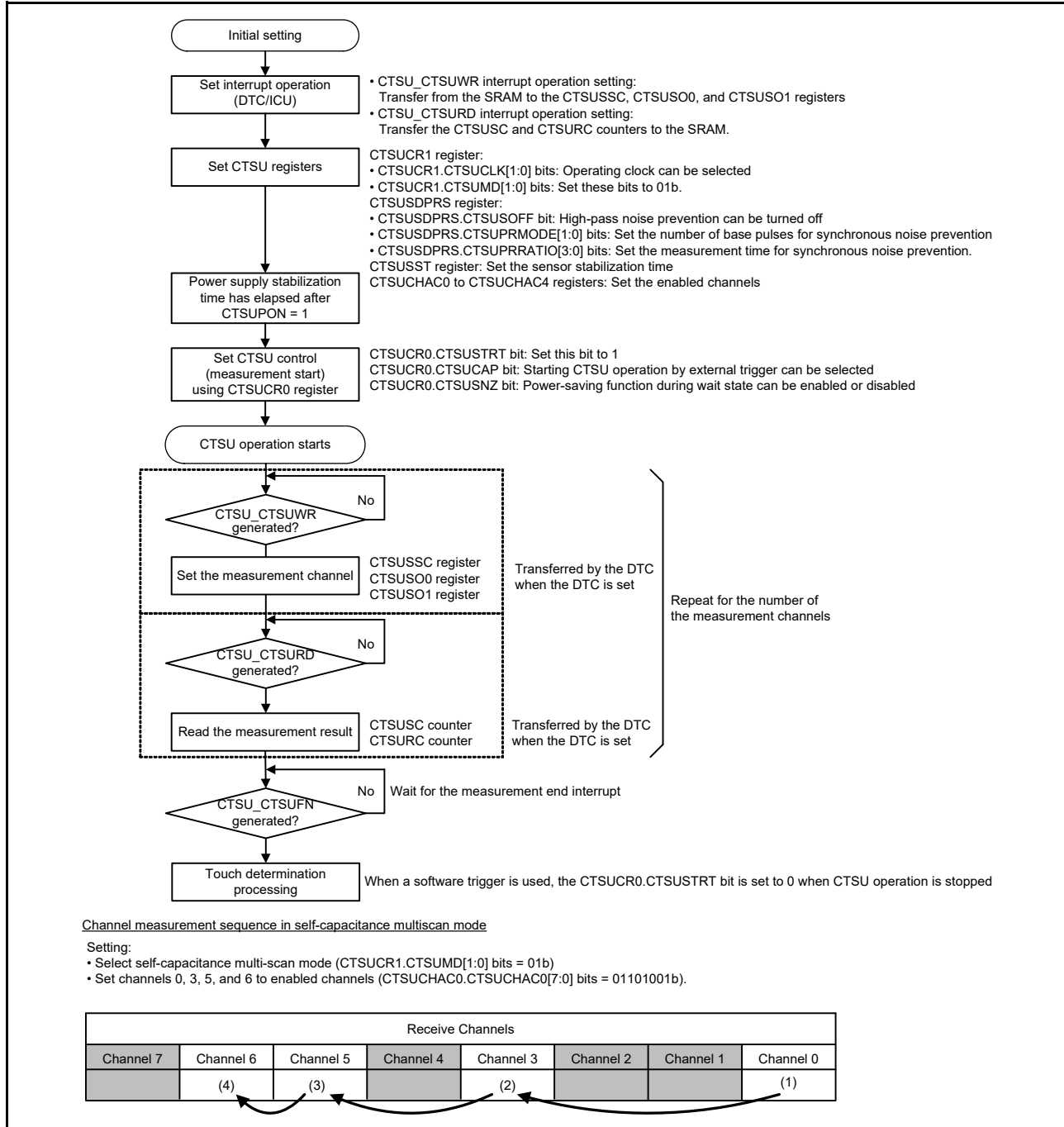


Figure 44.14 Software flow and example operation for self-capacitance multi-scan mode

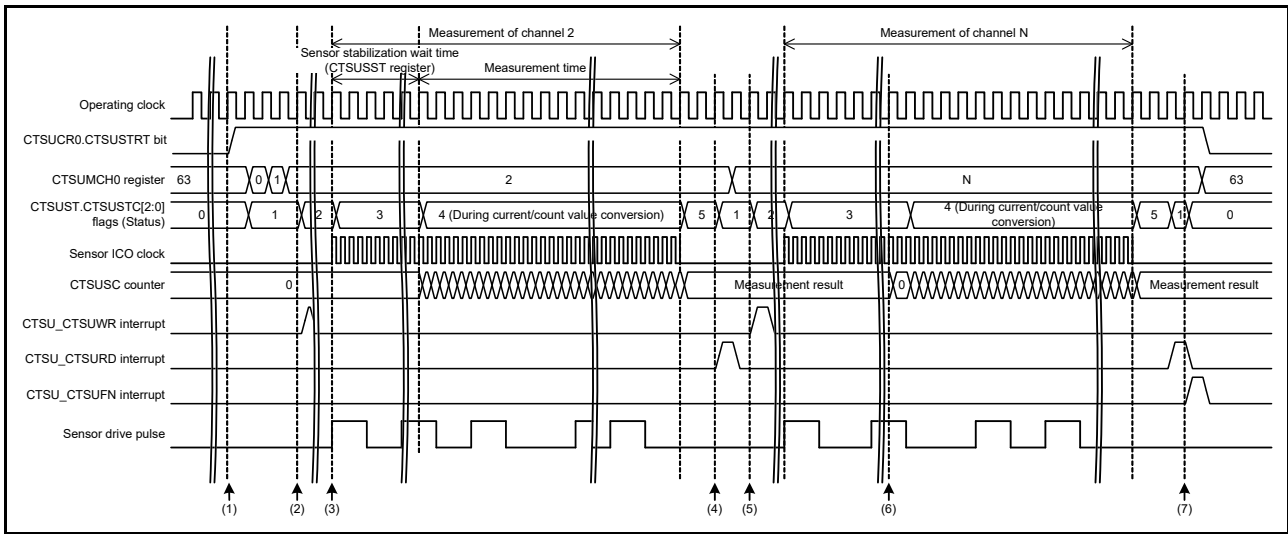


Figure 44.15 Timing of self-capacitance multi-scan mode when the measurement start condition is a software trigger

The following sequence describes the operation shown in [Figure 44.15](#):

1. After initial settings are made, operation is started by writing 1 to the CTSUCR0.CTSUSTRT bit.
2. After the channel to be measured is determined according to the preset conditions, a request to set the channel (CTSUS_CTSUWR) is output.
3. On completion of writing the measurement channel settings (CTSUSSC, CTSUSO0, and CTSUSO1 registers), the sensor drive pulse is output and the sensor ICO clock and the reference ICO clock operate.
4. After the sensor stabilization wait time and the measurement time elapse, and measurement stops, a measurement result read request (CTSUS_CTSURD) is output.
5. After the channel to be measured next is determined, a request to set the channel (CTSUS_CTSUWR) is output.
6. After the stabilization wait time elapses and when the previous measurement is read, the result is cleared and measurement starts.
7. On completion of all measurement channels, a measurement end interrupt (CTSUS_CTSUFN) is output and measurement stops (transition to Status 0).

[Table 44.7](#) lists the touch pin states in self-capacitance multi-scan mode.

Table 44.7 Touch pin states in self-capacitance multi-scan mode

Status	Touch pin	
	Measured channel	Non-measured channel
0	Low	Low
1	Low	Low
2	Low	Low
3	Pulse	Low
4	Pulse	Low
5	Low	Low

44.3.2.5 Mutual capacitance full scan mode operation

In mutual capacitance full-scan mode, measurement is performed during the high-level period of the sensor drive pulse on the receive channel by applying the edge to the target transmit channel to be measured. A single measurement target is measured twice, on the rising and falling edges. The difference between the data of these two measurements determines whether or not the electrode was touched. This creates higher touch sensitivity.

Electrostatic capacitance is measured sequentially on channels set to transmission or reception in the CTSUCHTRC0 to CTSUCHTRC4 registers, and specified as measurement targets in the CTSUCHAC0 to CTSUCHAC4 registers. The capacitance is measured by combining these signals. Figure 44.16 shows the software flow and an operation example, and Figure 44.17 shows the timing.

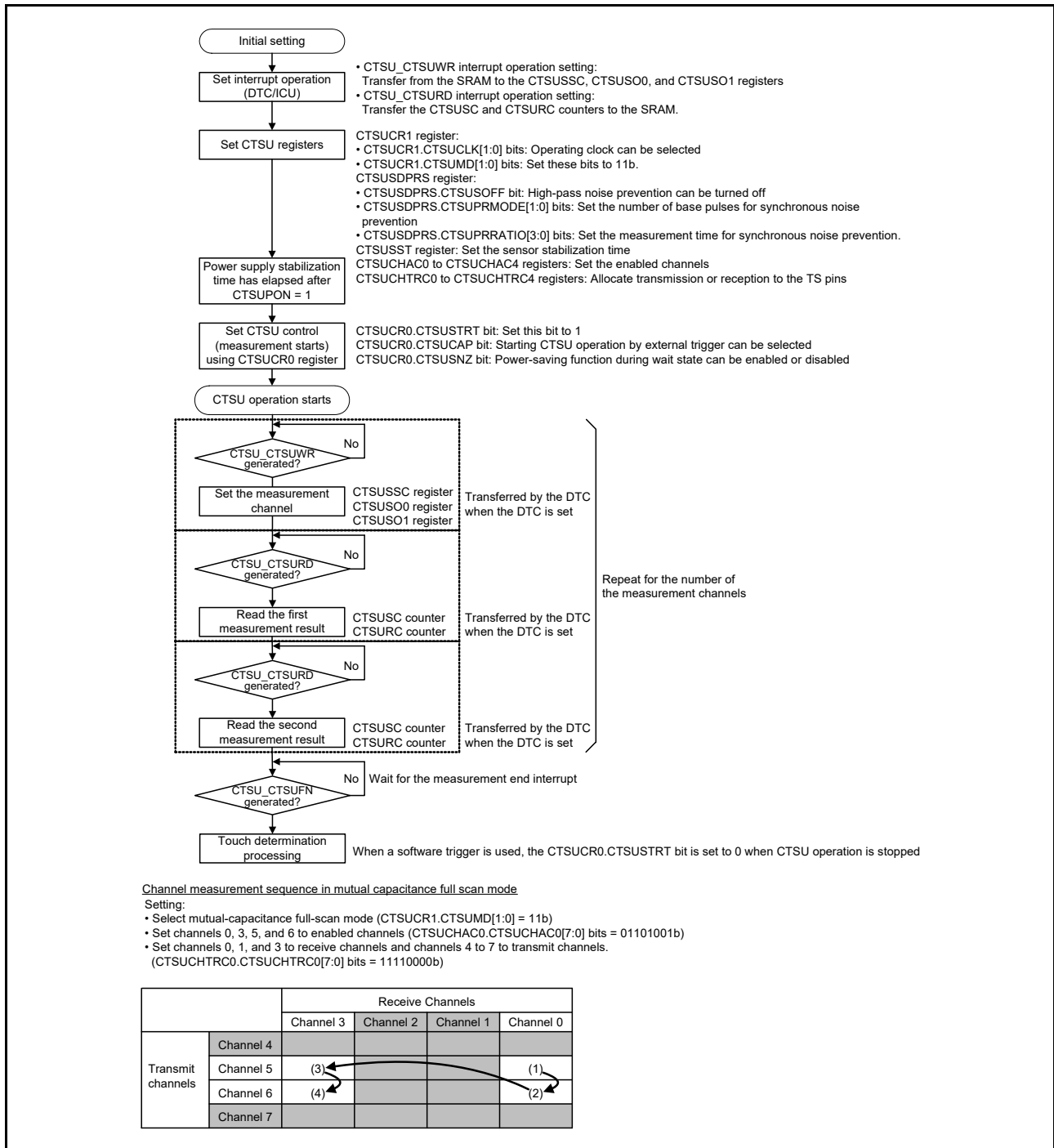


Figure 44.16 Software flow and operation example for mutual capacitance full-scan mode

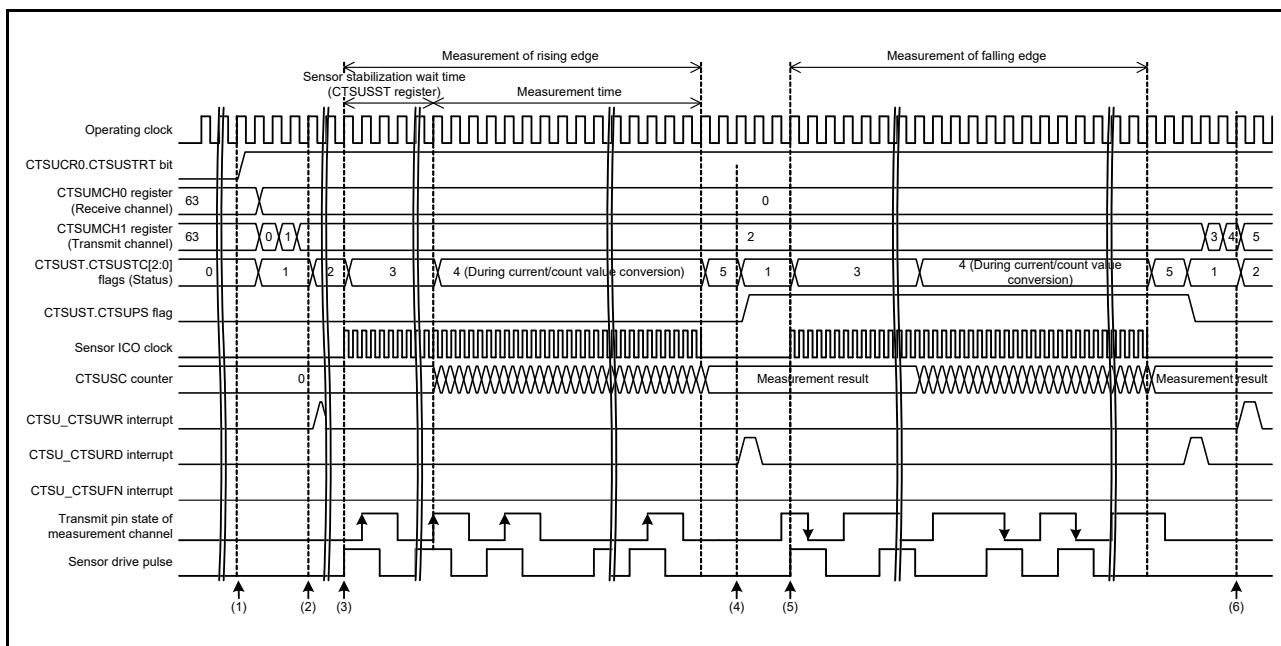


Figure 44.17 Timing of mutual capacitance full-scan mode when the measurement start condition is a software trigger

The following sequence describes the operation shown in Figure 44.17:

1. After initial settings are made, operation is started by writing 1 to the CTSUCR0.CTSUSTRT bit.
2. After the channel to be measured is determined according to the preset conditions, a request for setting the channel (CTSUSC_CTSUWR) is output.
3. On completion of writing the measurement channel settings (CTSUSSC, CTSUSO0, and CTSUSO1 registers), the sensor drive pulse is output and the sensor ICO clock and the reference ICO clock operate. At the same time, a pulse detected on the rising edge is output to the transmit pin on the measurement channel during the high-level period of the sensor drive pulse.
4. After the sensor stabilization wait time and the measurement time elapse and measurement stops, a measurement result read request (CTSUSC_CTSURD) is output.
5. The same channel is measured by outputting a pulse detected on the falling edge during the high-level period of the sensor drive pulse.
6. After the same channel is measured twice, the channel to be measured next is determined and measured in the same way.
7. On completion of all measurement channels, a measurement end interrupt (CTSUSC_CTSUFN) is output and measurement stops (transition to Status 0).

The CTSU Mutual Capacitance Status Flag (CTSUST.CTSUPS) changes when Status 5 transitions to Status 1.

Table 44.8 lists the touch pin states in mutual capacitance full-scan mode.

Table 44.8 Touch pin states in mutual capacitance full-scan mode (1 of 2)

Status	Touch pin for receive channels		Touch pin for transmit channels		Remarks
	Measured channel	Non-measured channel	Measured channel	Non-measured channel	
0	Low	Low	Low	Low	-
1	Low	Low	Low/High	Low	-
2	Low	Low	Low	Low	-

Table 44.8 Touch pin states in mutual capacitance full-scan mode (2 of 2)

Status	Touch pin for receive channels		Touch pin for transmit channels		Remarks
	Measured channel	Non-measured channel	Measured channel	Non-measured channel	
3	Pulse	Low	Pulse	Low	The phase pulse is the same as that of the receive channel on the first measurement and opposite on the second measurement
4	Pulse	Low	Pulse	Low	-
5	Low	Low	Low	Low	-

44.3.3 Parameters Common to Multiple Modes

44.3.3.1 Sensor stabilization wait time and measurement time

Figure 44.18 shows the timing of the sensor stabilization wait and measurement.

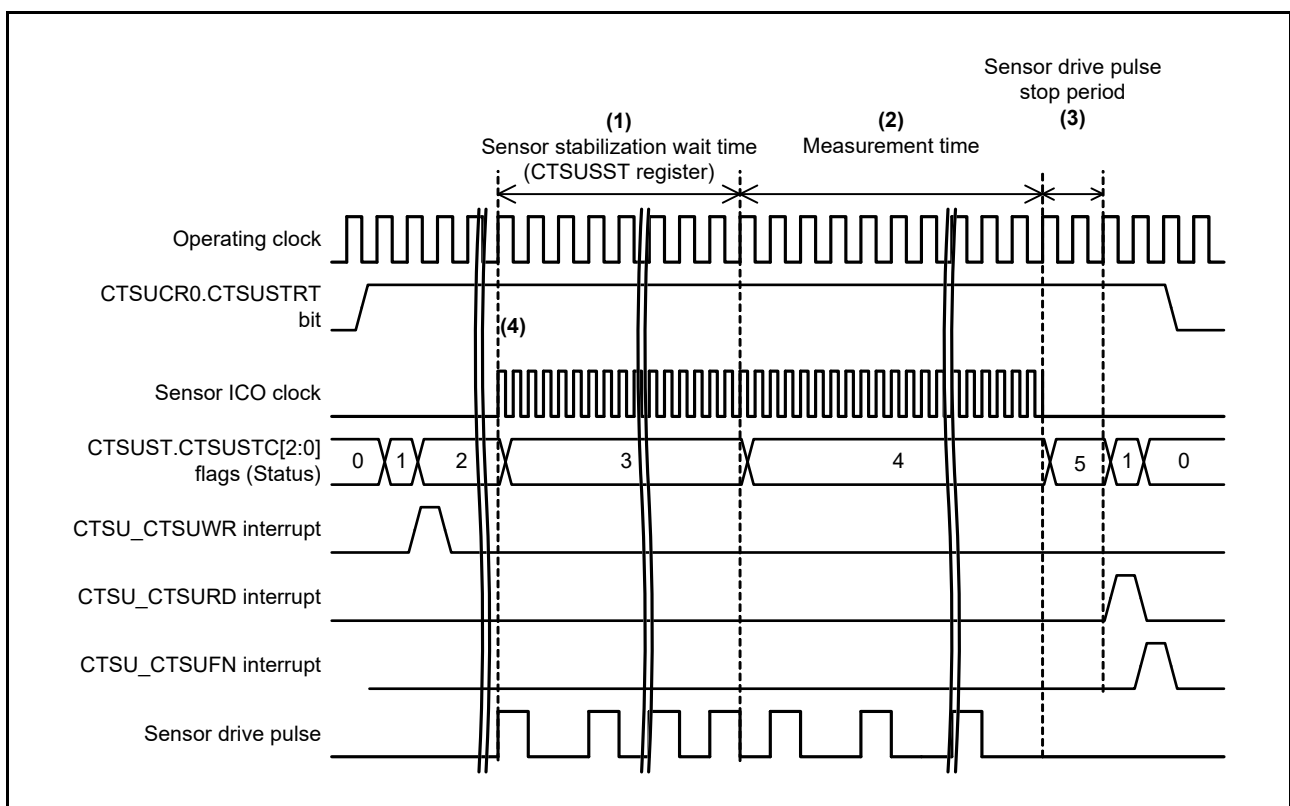


Figure 44.18 Sensor stabilization wait and measurement timing

1. In response to the CTSU_CTSUWR interrupt request, output of the sensor drive pulse is started by a write access to the CTSUSO1 register. The CTSU waits for the stabilization time set in the CTSUSST register.
2. When the sensor stabilization time elapses and the CTSUST.CTSUDTSR flag clears to 0, measurement starts on transition to Status 4. The measurement time is determined by the base clock cycle setting and the CTSUSDPRS.CTSUPRMODE[1:0], CTSUPRRATIO[3:0], and CTSUSO0.CTSUSNUM[5:0] bits. When the measurement time elapses, measurement of the channel stops.
3. After the measurement time elapses, the status transitions to Status 1 after 2 operating clock cycles, and a CTSU_CTSURD interrupt is generated. Read the data from the CTSUSC and CTSURC counters. At this time, the sensor drive pulse is output low. When the measurement of all specified channels is completed, the CTSUCR0.CTSUSTRT bit clears to 0.
4. The sensor ICO clock oscillates while the CTSUST.CTSUSTC[2:0] flags = 011b (Status 3) or 100b (Status 4).

44.3.3.2 Interrupts

The CTSU supports the following interrupts:

- Write request interrupt for setting registers for each channel (CTSU_CTSUWR)
- Measurement data transfer request interrupt (CTSU_CTSURD)
- Measurement end interrupt (CTSU_CTSUFN).

(1) Write request interrupt for setting registers for each channel (CTSU_CTSUWR)

Store the settings for each measurement channel in the SRAM, and set up the DTC or ICU transfer associated with the CTSU_CTSUWR interrupt in advance. The CTSU_CTSUWR interrupt is output when Status 1 transitions to Status 2. Write the channel settings from the SRAM to the associated CTSUSSC, CTSUSO0, and CTSUSO1 registers (Figure 44.19). Because write access to the CTSUSO1 register controls the transition to the next status, be sure to set this register last.

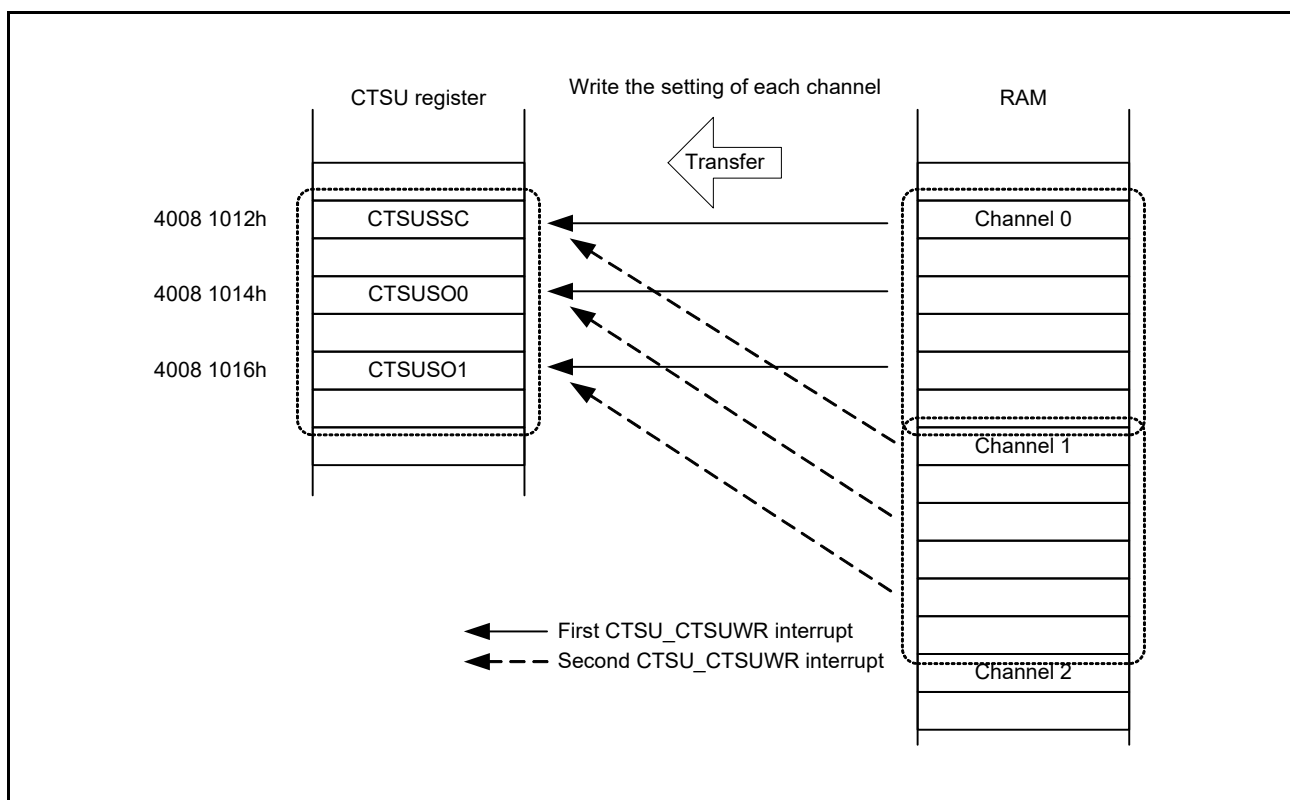


Figure 44.19 Example DTC transfer operation using the CTSU_CTSUWR interrupt

The registers to be set (CTSUSSC, CTSUSO0, and CTSUSO1) are allocated at sequential addresses. On CTSU_CTSUWR interrupt generation, set up the operation as follows:

- Transfer destination address: CTSUSSC register address
- Handling at the transfer destination address: Transfer 2-byte data three times for a single interrupt. The address of the start byte is fixed
- Transfer source address: CTSUSSC register data storage address for the lowest channel in the settings stored in the SRAM
- Handling at the transfer source address: Transfer 2-byte data three times for a single interrupt. The address of the first byte is continued from the previous interrupt handling
- Number of transfers per interrupt: Specify the number of measurements.

(2) Measurement data transfer request interrupt (CTSU_CTSURD)

Set up the DTC or ICU transfer associated with the CTSU_CTSURD interrupt in advance. The CTSU_CTSURD interrupt is output when Status 5 transitions to Status 1. Read the measurement result from the CTSUSC and CTSURC counters in [Figure 44.20](#).

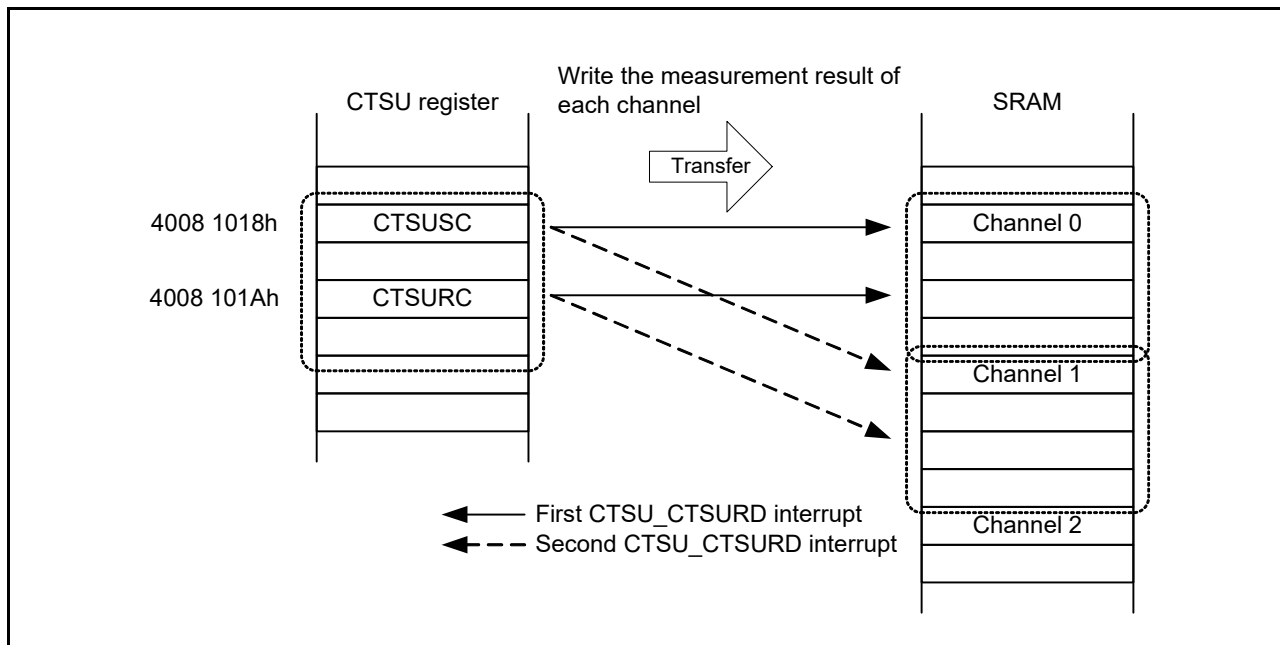


Figure 44.20 Example of DTC transfer operation using the CTSU_CTSURD interrupt

The measurement result registers (CTSUSC and CTSURC counters) used as transfer sources are allocated at sequential addresses. On CTSU_CTSURD interrupt generation, set up the operation as follows:

- Transfer source address: CTSUSC counter address
- Handling at the transfer source address: Transfer 2-byte data twice for a single interrupt. The start address is fixed
- Transfer destination address: CTSUSC counter data storage address for the lowest number channel in the settings stored in the SRAM
- Handling at the transfer destination address: Transfer 2-byte data twice for a single interrupt. The start address is continued from the previous interrupt handling
- Number of transfers by an interrupt: Specify the number of measurements.

(3) Measurement end interrupt (CTSU_CTSUFN)

After all channels are measured, an interrupt is generated when Status 1 transitions to Status 0. Use software to check the overflow flags (CTSUST.CTSUSOVF and CTSUROVF flags) and read the measurement results to determine whether the electrode was touched. Interrupt requests are accepted or disabled in the interrupt control block.

44.4 Usage Notes

44.4.1 Measurement Result Data (CTSUSC and CTSURC Counters)

Read access during measurement is prohibited. If the measurement result data is accessed, an incorrect value might be read because of an asynchronous operation.

44.4.2 Constraints on Software Trigger

When 10b (PCLKB/4) is selected in the CTSUCR1.CTSUCLK[1:0] bits, to restart measurement by writing 1 to the CTSUCR0.CTSUSTRT bit after measurement completes, wait for at least 3 cycles to elapse after an interrupt is generated, then write to the CTSUCR0.CTSUSTRT bit.

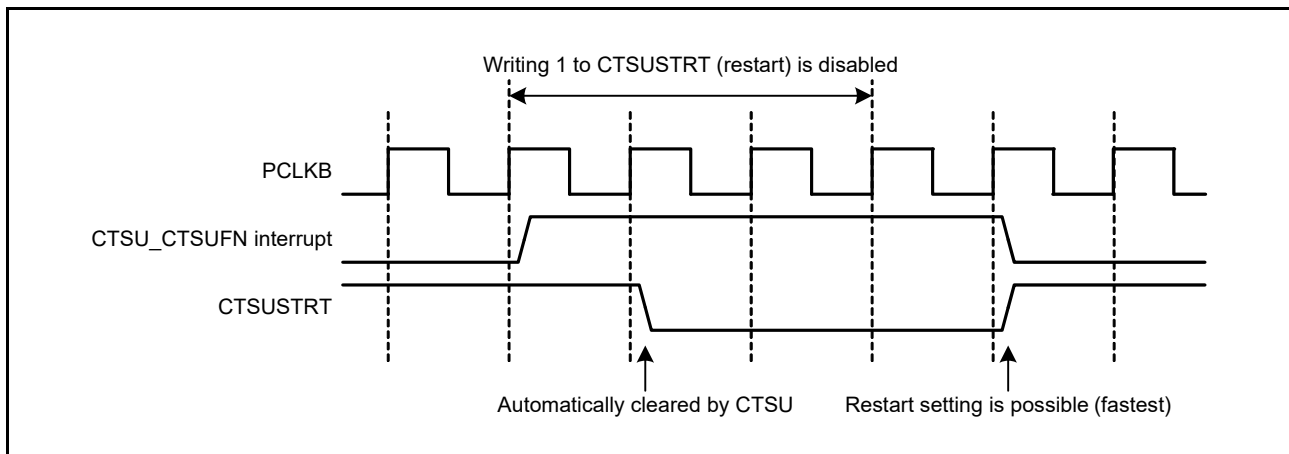


Figure 44.21 Notes on restarting measurement

44.4.3 Constraints on External Trigger

- If an external trigger is input during the measurement time, measurement does not start. The next external event is enabled after 1 cycle of the operating clock when a CTSU_CTSUFN interrupt is generated
- To stop external trigger mode, write 0 to the CTSUCR0.CTSUSTRT bit and 0 to the CTSUCR0.CTSUINIT bit at the same time (forced stop).

44.4.4 Constraints on Forced Stops

To force the current operation to stop, write 0 to the CTSUCR0.CTSUSTRT bit and 1 to the CTSUCR0.CTSUINIT bit at the same time. After this setting, the operation is stopped and the internal control registers are initialized.

When the CTSUCR0.CTSUINIT bit is used for initialization, the following registers are initialized in addition to the initialization of the internal measurement state:

- CTSUMCH0 register
- CTSUMCH1 register
- CTSUST register
- CTSUSC counter
- CTSURC counter.

If operation is forced to stop, an interrupt request might be generated depending on the internal state. After a forced stop, also perform the processing for stopping and disabling the DTC or ICU. If a DTC transfer is stopped in an installed system for some reason, also perform the processing to force the stop and to initialize the CTSU.

44.4.5 TSCAP Pin

The TSCAP pin requires an external decoupling capacitor to stabilize CTSU internal voltage. The traces between the TSCAP pin and the capacitor, and the capacitor and ground should be as short and wide as physically possible. The capacitor connected to the TSCAP pin should be fully discharged using the I/O port control to output a low level, before turning on the switch (CTSUCR1.CTSUCSW bit = 1) to establish a connection.

44.4.6 Constraints on Measurement Operation (CTSUCR0.CTSUSTRT Bit = 1)

During measurement (CTSUCR0.CTSUSTRT bit = 1), do not use settings for stopping the peripheral clock or changing the port settings related to the touch pins (TSn and TSCAP pins) in the higher layers of the system.

If control settings that are non-compliant with these constraints are made, after operation is forced to stop (CTSUCR0.CTSUSTRT bit = 0 and CTSUCR0.CTSUINIT bit = 1), write 0 to the CTSUCR1.CTSUPON bit, and 0 to the CTSUCR1.CTSUCSW bit at the same time, and set the CTSUCR0.CTSUSNZ bit to 0. Then, restart from the initial settings flow shown in [Figure 44.9](#).

45. Data Operation Circuit (DOC)

45.1 Overview

The Data Operation Circuit (DOC) compares, adds, and subtracts 16-bit data. An interrupt can be generated when a selected condition applies.

Table 45.1 lists the DOC specifications and Figure 45.1 shows a block diagram.

Table 45.1 DOC specifications

Item	Description
Data operation function	16-bit data comparison, addition, and subtraction
Module-stop function	The module-stop state can be set to reduce power consumption
Interrupts and event link function (DOC_DOPCI)	An interrupt is generated on the following conditions: <ul style="list-style-type: none"> • The compared values either match or mismatch • The result of data addition is greater than FFFFh • The result of data subtraction is less than 0000h.

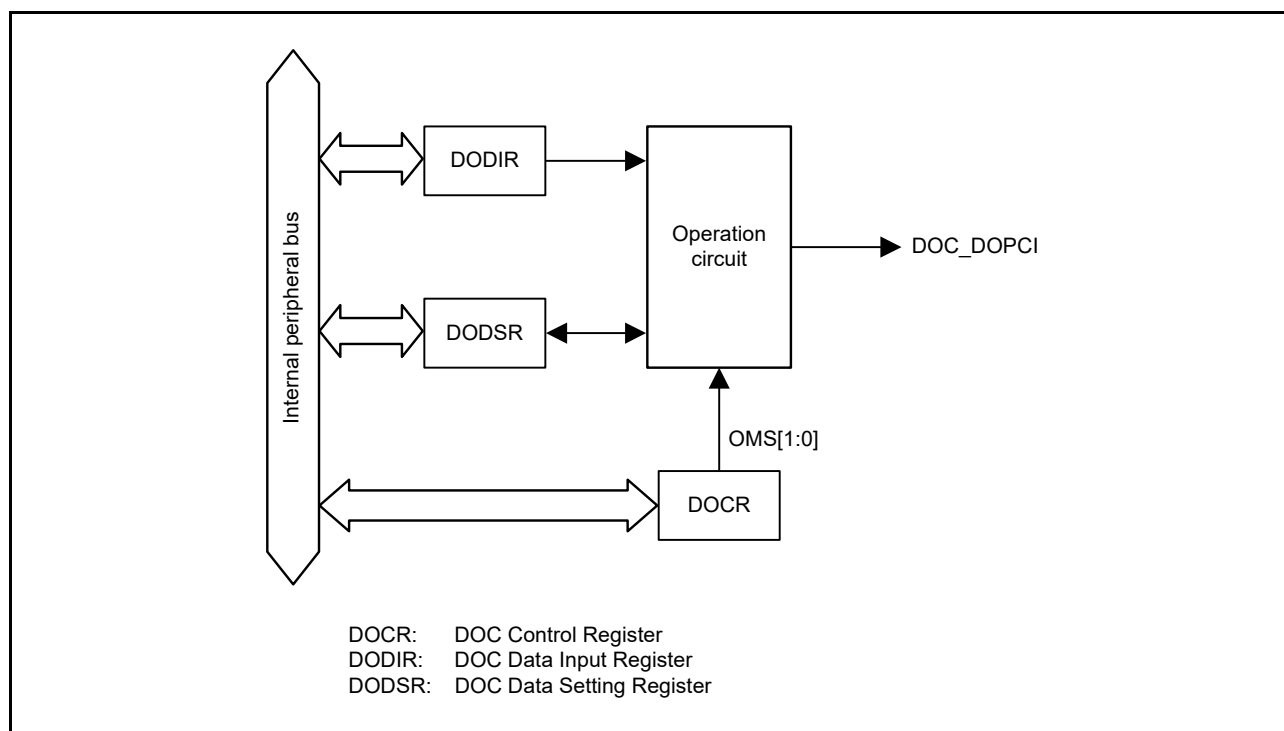
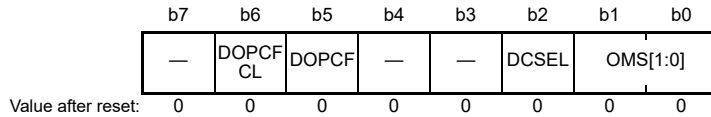


Figure 45.1 DOC block diagram

45.2 Register Descriptions

45.2.1 DOC Control Register (DOCR)

Address(es): [DOC.DOCR 4005 4100h](#)



Bit	Symbol	Bit name	Description	R/W
b1, b0	OMS[1:0]	Operating Mode Select	b1 b0 0 0: Data comparison mode 0 1: Data addition mode 1 0: Data subtraction mode 1 1: Setting prohibited.	R/W
b2	DCSEL *1	Detection Condition Select	0: Set DOPCF when data mismatch is detected 1: Set DOPCF when data match is detected.	R/W
b4, b3	—	Reserved	These bits are read as 0. The write value should be 0.	R/W
b5	DOPCF	Data Operation Circuit Flag	Indicates the result of an operation	R
b6	DOPCFCL	DOPCF Clear	0: Save DOPCF flag state 1: Clear DOPCF flag.	R/W
b7	—	Reserved	This bit is read as 0. The write value should be 0.	R/W

Note 1. Only valid when data comparison mode is selected.

[OMS\[1:0\] bits \(Operating Mode Select\)](#)

The OMS[1:0] bits select the operating mode of the DOC.

[DCSEL bit \(Detection Condition Select\)](#)

The DCSEL bit selects the detection condition in data comparison mode. This bit is only valid when data comparison mode is selected.

[DOPCF flag \(Data Operation Circuit Flag\)](#)

The DOPCF flag indicates the result of an operation.

[Setting conditions]

- The condition selected in the DCSEL bit is met
- A data addition result is greater than FFFFh
- A data subtraction result is less than 0000h.

[Clearing condition]

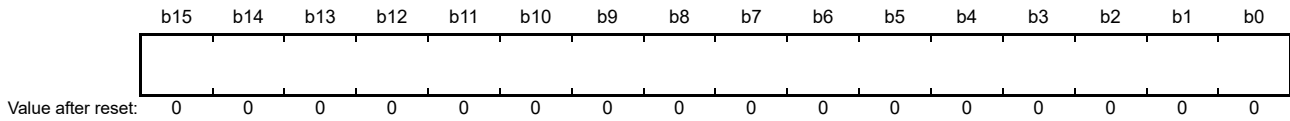
- Writing 1 to the DOPCFCL bit.

[DOPCFCL bit \(DOPCF Clear\)](#)

Setting the DOPCFCL bit to 1 clears the DOPCF flag. This bit is read as 0.

45.2.2 DOC Data Input Register (DODIR)

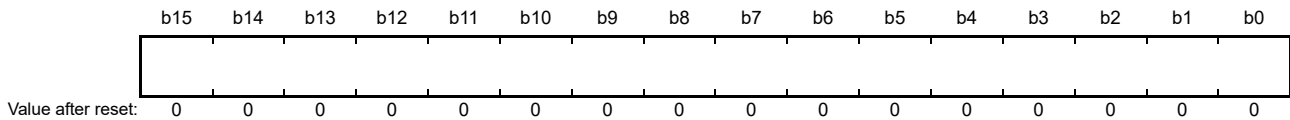
Address(es): [DOC.DODIR 4005 4102h](#)



DODIR is a 16-bit read/write register that stores 16-bit data used in all operations.

45.2.3 DOC Data Setting Register (DODSR)

Address(es): [DOC.DODSR 4005 4104h](#)



DODSR is a 16-bit read/write register that stores 16-bit data for use as a reference in data comparison mode. This register also stores the results of operations in data addition and subtraction modes.

45.3 Operation

45.3.1 Data Comparison Mode

Figure 45.2 shows an example DOC operation in data comparison mode.

The following sequence is an example of operation when DCSEL is set to 0, that is, when data mismatch is detected as a result of a data comparison:

1. Write 00b to the DOCR.OMS[1:0] bits to select data comparison mode.
2. Set 16-bit reference data in the DODSR register.
3. Write 16-bit data for comparison to the DODIR register.
4. Continue writing 16-bit data until all data to be compared is written to the DODIR register.
5. If a value written to DODIR does not match that in DODSR, the DOCR.DOPCF flag is set to 1.

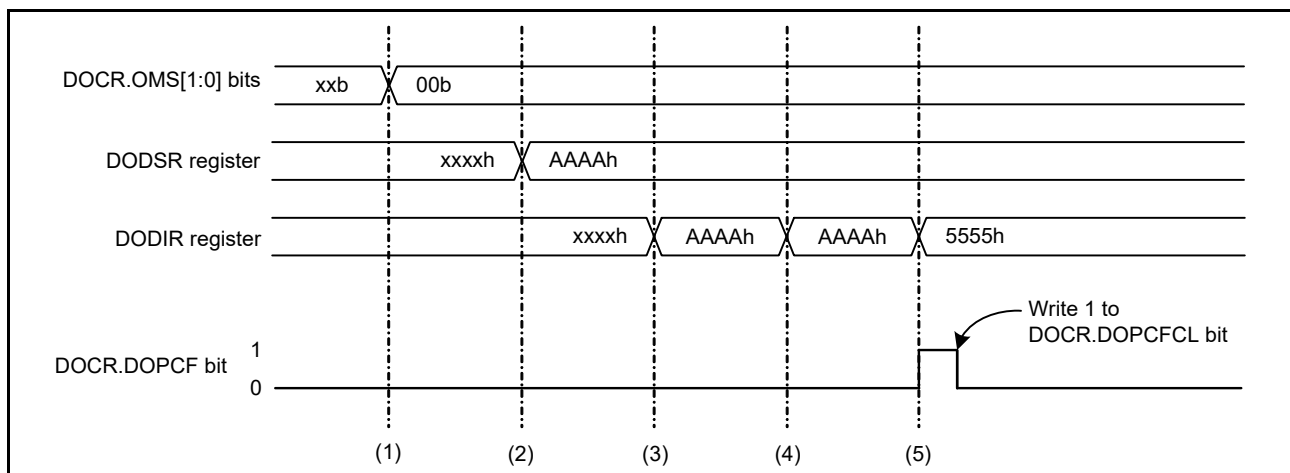


Figure 45.2 Example operation in data comparison mode

45.3.2 Data Addition Mode

Figure 45.3 shows an example for DOC operation in data addition mode.

The steps are as follows:

1. Write 01b to the DOCR.OMS[1:0] bits to select data addition mode.
2. Set the 16-bit data as the initial value in the DODSR register.
3. Write the 16-bit data to be added to the DODIR register. The result of the operation is stored in the DODSR register.
4. Continue writing 16-bit data until all data to be added is written to the DODIR register.
5. If the result of an operation is greater than FFFFh, the DOCR.DOPCF flag is set to 1.

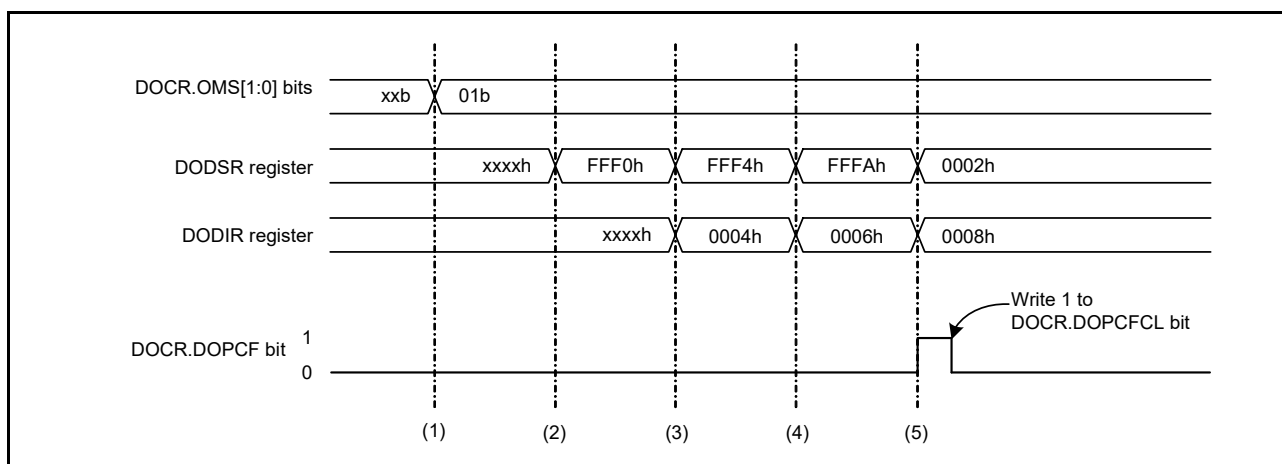


Figure 45.3 Example operation in data addition mode

45.3.3 Data Subtraction Mode

Figure 45.4 shows an example for DOC operation in data subtraction mode.

The steps are as follows:

1. Write 10b to the DOCR.OMS[1:0] bits to select data subtraction mode.
2. Set 16-bit data as the initial value in the DODSR register.
3. Write the 16-bit data to be subtracted to the DODIR register. The result of the operation is stored in DODSR.
4. Continue writing 16-bit data to the DODIR register until all data to be subtracted is written.
5. If the result of an operation is less than 0000h, the DOCR.DOPCF flag is set to 1.

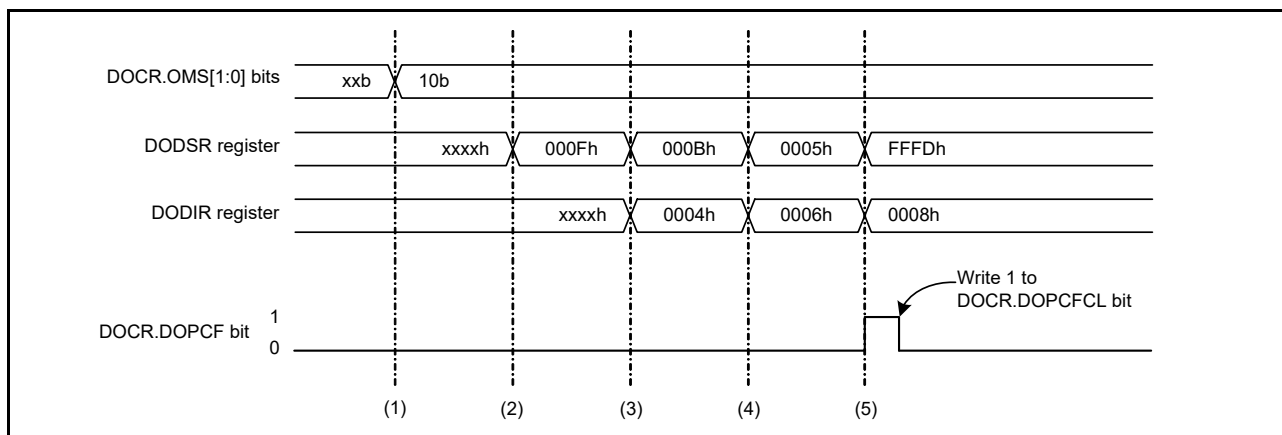


Figure 45.4 Example operation in data subtraction mode

45.4 Interrupt Request and Output to the Event Link Controller (ELC)

The DOC outputs an event signal to the ELC under the following conditions:

- The compared values either match or mismatch
- The data addition result is greater than FFFFh
- The data subtraction result is less than 0000h.

This signal can be used to initiate operations by other modules selected in advance and can also be used as an interrupt request. When an event signal is generated, the Data Operation Circuit Flag (DOCR.DOPCF) is set to 1.

45.5 Usage Notes

45.5.1 Settings for the Module-Stop State

The Module Stop Control Register C (MSTPCRC) can enable or disable the DOC operation. The DOC is initially stopped after reset. Releasing the module-stop state enables access to the registers. For details, see [section 11, Low Power Modes](#).

46. SRAM

46.1 Overview

The MCU provides an on-chip high-speed SRAM module with either parity-bit checking or Error Correction Code (ECC). The area of the first 16 KB of SRAM0 is subject to ECC. Parity check is performed on the other areas. [Table 46.1](#) lists the SRAM specifications.

Table 46.1 SRAM specifications

Item	Without ECC	With ECC
SRAM capacity	SRAM0: 112 KB SRAM1: 64 KB	SRAM0 (ECC area): 16 KB
SRAM address	SRAM0: 2000 4000h to 2001 FFFFh SRAM1: 2002 0000h to 2002 FFFFh	SRAM0 (ECC area): 2000 0000h to 2000 3FFFh
Access*1	0 wait	
Module-stop function	Available	
Parity	Even-parity with 8-bit data and 1-bit parity	No parity
Error checking	Even-parity error check	1-bit error correction and up to 2-bit error detection

Note 1. For details, see [section 46.3.7, Access Cycle](#).

46.2 Register Descriptions

46.2.1 SRAM Parity Error Operation After Detection Register (PARIOAD)

Address(es): [SRAM.PARIOAD 4000 2000h](#)

b7	b6	b5	b4	b3	b2	b1	b0
—	—	—	—	—	—	—	OAD

Value after reset: 0 0 0 0 0 0 0 0

Bit	Symbol	Bit name	Description	R/W
b0	OAD	Operation After Detection	1: Reset 0: Non-maskable interrupt.	R/W
b7 to b1	—	Reserved	These bits are read as 0. The write value should be 0.	R/W

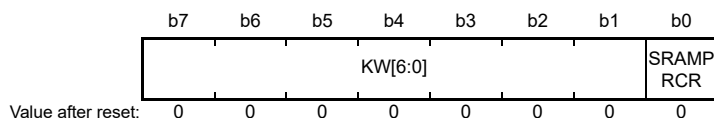
The PARIOAD register controls the operation on detection of a parity error. The SRAM Protection Register (SRAMPRCR) protects this register against writing. Enable the SRAMPRCR bit in the SRAMPRCR register before writing to this register. Do not write to the PARIOAD register while access to the SRAM is in progress.

[OAD bit \(Operation After Detection\)](#)

The OAD bit specifies the generation of either a reset or non-maskable interrupt when a parity error is detected. The OAD bit in the PARIOAD register is shared by SRAM0 (without ECC) and SRAM1.

46.2.2 SRAM Protection Register (SRAMPRCR)

Address(es): SRAM.SRAMPRCR 4000 2004h



Bit	Symbol	Bit name	Description	R/W
b0	SRAMP RCR	Register Write Control	0: Disable writes to protected registers 1: Enable writes to protected registers.	R/W
b7 to b1	KW[6:0]	Write Key Code	These bits enable or disable writing to the SRAMPRCR bit.	R/W

SRAMP RCR bit (Register Write Control)

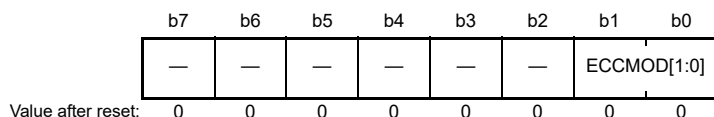
The SRAMP RCR bit controls the write mode of the PARIOD register. When this bit is set to 1, writing to the PARIOD register is enabled. When you write to this bit, write 78h to the KW[6:0] bits simultaneously.

KW[6:0] bits (Write Key Code)

The KW[6:0] bits enable or disable writes to the SRAMP RCR bit. When you write to the SRAMP RCR bit, write 78h to the KW[6:0] bits simultaneously. When a value other than 78h is written to KW[6:0], the SRAMP RCR bit is not updated. The KW[6:0] bits are always read as 00h.

46.2.3 ECC Operating Mode Control Register (ECCMODE)

Address(es): SRAM.ECCMODE 4000 20C0h



Bit	Symbol	Bit name	Description	R/W
b1, b0	ECCMOD[1:0]	ECC Operating Mode Select	b1 b0 0 0: Disable ECC function 0 1: Setting prohibited 1 0: Enable ECC function without error checking 1 1: Enable ECC function with error checking.	R/W
b7 to b2	—	Reserved	These bits are read as 0. The write value should be 0.	R/W

The ECCMODE register specifies the ECC operating mode. The ECC Protection Register (ECCPRCR) protects this register against writing. Set the ECCPRCR bit in the ECCPRCR register to 1 before writing to this register. Do not write to the ECCMODE register while accessing the SRAM.

ECCMOD[1:0] bits (ECC Operating Mode Select)

The ECCMOD[1:0] bits set the access mode to the ECC area in SRAM.

46.2.4 ECC 2-Bit Error Status Register (ECC2STS)

Address(es): SRAM.ECC2STS 4000 20C1h

b7	b6	b5	b4	b3	b2	b1	b0
—	—	—	—	—	—	—	ECC2ERR
0	0	0	0	0	0	0	0

Value after reset:

Bit	Symbol	Bit name	Description	R/W
b0	ECC2ERR	ECC 2-Bit Error Status	0: No 2-bit ECC error occurred 1: 2-bit ECC error occurred.	R/(W)*1
b7 to b1	—	Reserved	These bits are read as 0. The write value should be 0.	R/W

Note 1. Only 0 can be written to clear the bit.

ECC2ERR bit (ECC 2-Bit Error Status)

The ECC2ERR bit indicates whether a 2-bit ECC error occurred in the ECC area of the SRAM. When ECC operations are enabled and error checking is selected, the ECC2ERR bit is set to 1 and the SRAM error signal is asserted if a 2-bit error is detected. Writing 0 to the ECC2ERR bit negates the SRAM error signal triggered by the 2-bit ECC error. The SRAM error can be specified as a non-maskable interrupt or a reset in the ECCOAD register. Do not access the ECC area in the SRAM while writing 0 to this register.

46.2.5 ECC 1-Bit Error Information Update Enable Register (ECC1STSEN)

Address(es): SRAM.ECC1STSEN 4000 20C2h

b7	b6	b5	b4	b3	b2	b1	b0
—	—	—	—	—	—	—	E1STSEN
0	0	0	0	0	0	0	0

Value after reset:

Bit	Symbol	Bit name	Description	R/W
b0	E1STSEN	ECC 1-Bit Error Information Update Enable	0: Disable updating of 1-bit ECC error information 1: Enable updating of 1-bit ECC error information.	R/W
b7 to b1	—	Reserved	These bits are read as 0. The write value should be 0.	R/W

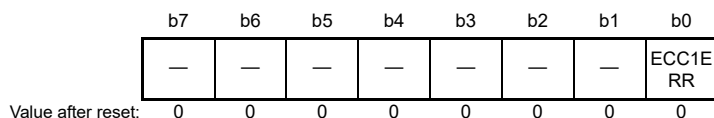
The ECC1STSEN register enables or disables updating of the ECC 1-bit Error Status Register (ECC1STS) in response to a 1-bit ECC error in the SRAM (ECC area). The ECC Protection Register (ECCPRCR) protects this register against writing. Set the ECCPRCR bit in the ECCPRCR register to the enabled setting before writing to this bit.

E1STSEN bit (ECC 1-Bit Error Information Update Enable)

The E1STSEN bit enables or disables updating of the SRAM (ECC area) 1-Bit Error Status Register (ECC1STS) in response to a 1-bit error in the ECC area of SRAM. This register also functions as an interrupt or reset mask.

46.2.6 ECC 1-Bit Error Status Register (ECC1STS)

Address(es): SRAM.ECC1STS 4000 20C3h



Bit	Symbol	Bit name	Description	R/W
b0	ECC1ERR	ECC 1-Bit Error Status	0: No 1-bit ECC error occurred 1: 1-bit ECC error occurred.	R/(W)*1
b7 to b1	—	Reserved	These bits are read as 0. The write value should be 0.	R/W

Note 1. Only 0 can be written to clear the bit.

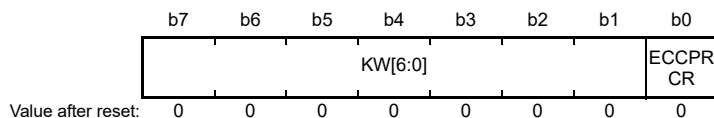
ECC1ERR bit (ECC 1-Bit Error Status)

The ECC1ERR bit indicates whether a 1-bit ECC error occurred in the ECC area of the SRAM. When ECC operations are enabled, error correction is selected, and updating of the 1-bit error information is enabled, this bit is set to 1 and the SRAM error signal is asserted if a 1-bit error is detected. Writing 0 to the ECC1ERR bit negates the SRAM error signal triggered by the 1-bit ECC error.

The SRAM error can be specified as a non-maskable interrupt or a reset in the ECCOAD register. Do not access the ECC area in the SRAM while writing 0 to this register.

46.2.7 ECC Protection Register (ECCPRCR)

Address(es): SRAM.ECCPRCR 4000 20C4h



Bit	Symbol	Bit name	Description	R/W
b0	ECCPRCR	Register Write Control	0: Disable writes to the protected registers 1: Enable writes to the protected registers.	R/W
b7 to b1	KW[6:0]	Write Key Code	These bits enable or disable writes to the ECCPRCR bit.	R/W

ECCPRCR bit (Register Write Control)

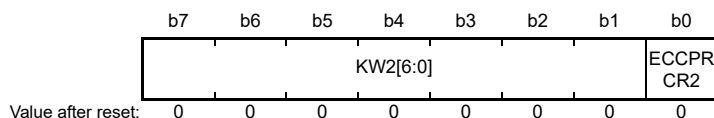
The ECCPRCR bit controls the write mode of the ECCMODE, ECC1STSSEN, and ECCOAD registers. When this bit is set to 1, writing to the ECCMODE, ECC1STSSEN, and ECCOAD registers is enabled. When you write to this bit, write 78h to the KW[6:0] bits simultaneously.

KW[6:0] bits (Write Key Code)

The KW[6:0] bits enable or disable writes to the ECCPRCR bit. When you write to the ECCPRCR bit, write 78h to the KW[6:0] bits simultaneously. When a value other than 78h is written to KW[6:0], the ECCPRCR bit is not updated. The KW[6:0] bits are always read as 00h.

46.2.8 ECC Protection Register 2 (ECCPRCR2)

Address(es): SRAM.ECCPRCR2 4000 20D0h



Bit	Symbol	Bit name	Description	R/W
b0	ECCPRCR2	Register Write Control	0: Disable writes to the protected registers 1: Enable writes to the protected registers.	R/W
b7 to b1	KW2[6:0]	Write Key Code	These bits enable or disable writes to the ECCPRCR2 bit.	R/W

ECCPRCR2 bit (Register Write Control)

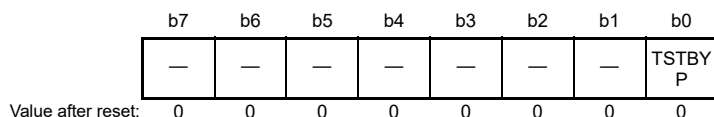
The ECCPRCR2 bit controls the write mode of the ECCETST register. When the ECCPRCR2 bit is set to 1, writing to the ECCETST register is enabled. When you write to this bit, write 78h to the KW2[6:0] bits simultaneously.

KW2[6:0] bits (Write Key Code)

The KW2[6:0] bits enable or disable writing to the ECCPRCR2 bit. When you write to the ECCPRCR2 bit, write 78h to KW2[6:0] simultaneously. When a value other than 78h is written to KW2[6:0], the ECCPRCR2 bit is not updated. The KW2[6:0] bits are always read as 00h.

46.2.9 ECC Test Control Register (ECCETST)

Address(es): SRAM.ECCETST 4000 20D4h



Bit	Symbol	Bit Name	Description	R/W
b0	TSTBYP	ECC Bypass Select	0: Disable ECC bypass 1: Enable ECC bypass.	R/W
b7 to b1	—	Reserved	These bits are read as 0. The write value should be 0.	R/W

The ECC Protection Register (ECCPRCR2) protects this register against writing. Enable the ECCPRCR2 bit in the ECCPRCR2 register before writing to this bit. Do not write to the ECCETST register while accessing the SRAM.

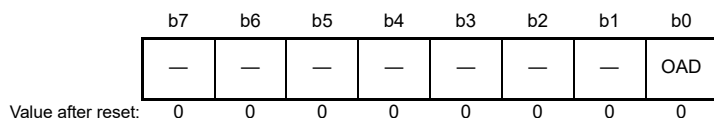
TSTBYP bit (ECC Bypass Select)

The TSTBYP bit enables direct access to the ECC code by bypassing the ECC function. The ECC bypass function is used when the ECCMOD[1:0] bits in the ECCMODE register are set to 00b. Access the same address with 32-bit access size as the data that is checked by ECC. The lower 7 bits of the 32-bit write data can be written as an ECC code when the ECC bypass is enabled. The upper 25 bits in the write data are ignored. The lower 7 bits of the 32-bit read data can be used as ECC code. The upper 25 bits in the read data are unknown.

Note: For details on the ECC test, see [section 46.3.4, ECC Decoder Testing](#).

46.2.10 SRAM ECC Error Operation After Detection Register (ECCOAD)

Address(es): [SRAM.ECCOAD 4000 20D8h](#)



Bit	Symbol	Bit name	Description	R/W
b0	OAD	Operation After Detection	1: Reset 0: Non-maskable interrupt.	R/W
b7 to b1	—	Reserved	These bits are read as 0. The write value should be 0.	R/W

The ECC Protection Register (ECCPRCR) protects this register against writing. Enable the ECCPRCR bit in the ECCPRCR register before writing to this bit. Do not write to the ECCOAD register while accessing the SRAM.

[OAD bit \(Operation After Detection\)](#)

The OAD bit selects whether to generate a reset or a non-maskable interrupt when an ECC error is detected. The OAD bit in the ECCOAD register is used for SRAM (ECC area).

46.3 Operation

46.3.1 Low Power Consumption Function

Power consumption can be reduced by setting the Module Stop Control Register A (MSTPCRA) to stop the supply of the clock signal to the SRAM. The control bits are as follows for each module:

- When both the MSTPA0 and the MSTPA6 bits in MSTPCRA are set to 1, supply of the clock signal to SRAM0 is stopped*1
- When the MSTPA bit in MSTPCRA is set to 1, supply of the clock signal to SRAM1 is stopped.

Note 1. The MSTPA0 bit and the MSTPA6 bit in MSTPCRA must be set to the same value.

Stopping the clock signal supply places the SRAM in the module-stop state. The SRAM is not accessible in the module-stop state. Do not transition to the module-stop state while access to the SRAM is in progress. Access to the SRAM in the module-stop state is prohibited. If access is attempted, correct operation is not guaranteed.

For details on the MSTPCRA register, see [section 11, Low Power Modes](#).

Power consumption can be further reduced in Software Standby mode, as the supply voltage for SRAM0 and SRAM1 can be off, except for the 48 KB in the head area of SRAM0 (2000 0000h to 2000 BFFFh). For details on Software Standby mode, see [section 11, Low Power Modes](#).

46.3.2 ECC Function

The ECCMODE register setting can enable or disable the ECC function. In the initial state, the ECC function is disabled. The ECC provides both SEC (Single-Error Correction) and DED (Double-Error Detection) functionality. When the ECC function is enabled, 7 check bits are appended to the 32-bit data for writing. For reading, 39-bit data (32-bit data and 7 check bits) is read out from the SRAM (ECC area).

When both the ECC function and error checking are enabled, an error correction is performed if a 1-bit error occurs, and the ECC1ERR bit in the ECC1STS register is set to 1 if the E1STSEN bit in the ECC1STSEN register is 1. If a 2-bit error occurs, the error is detected and the ECC2ERR bit in the ECC2STS register is set to 1, though error correction is not performed.

When the ECC function is enabled and the error checking is disabled, error correction is performed if a 1-bit error occurs but the ECC1ERR bit in the ECC1STS register is not updated even if the E1STSEN bit in the ECC1STSEN register is 1. If a 2-bit error occurs, the error is detected but the ECC2ERR bit in the ECC2STS register is not updated, and error correction is not performed.

When the ECC function is disabled, neither error correction nor error detection is performed even when a 1-bit or 2-bit error occurs. Therefore, the ECC1ERR and ECC2ERR bits are not updated.

It is not possible to confirm the location where the error is detected. Therefore, after the occurrence of an error, update all the data by writing 32-bit data to the SRAM.

When a read access is performed consecutively after a write access, read access is performed with priority. Therefore, during initialization, do not perform a read access successively after a write access.

46.3.3 ECC Error Generation

When the ECC function is enabled and error checking is applied to the SRAM (ECC area), an ECC error occurs when either the ECC2ERR bit in the ECC2STS register or the ECC1ERR bit in the ECC1STS register becomes 1, to indicate that the ECC checking revealed a 2-bit error or a 1-bit error, respectively.

To mask ECC 1-bit errors, set the ECC1STSEN.E1STSEN bit to 0 to disable the ECC1ERR bit update. An ECC error is not generated when the ECC function is either disabled or enabled, and error checking is not selected.

An ECC error can generate either a non-maskable interrupt or a reset, as selected in the ECCOAD register. When the OAD bit in the ECCOAD register is set to 1, an ECC error is output to the reset function. When the OAD bit in the ECCOAD register is set to 0, an ECC error is output to the ICU as a non-maskable interrupt.

46.3.4 ECC Decoder Testing

The ECC decoder testing is shown in [Figure 46.1](#).

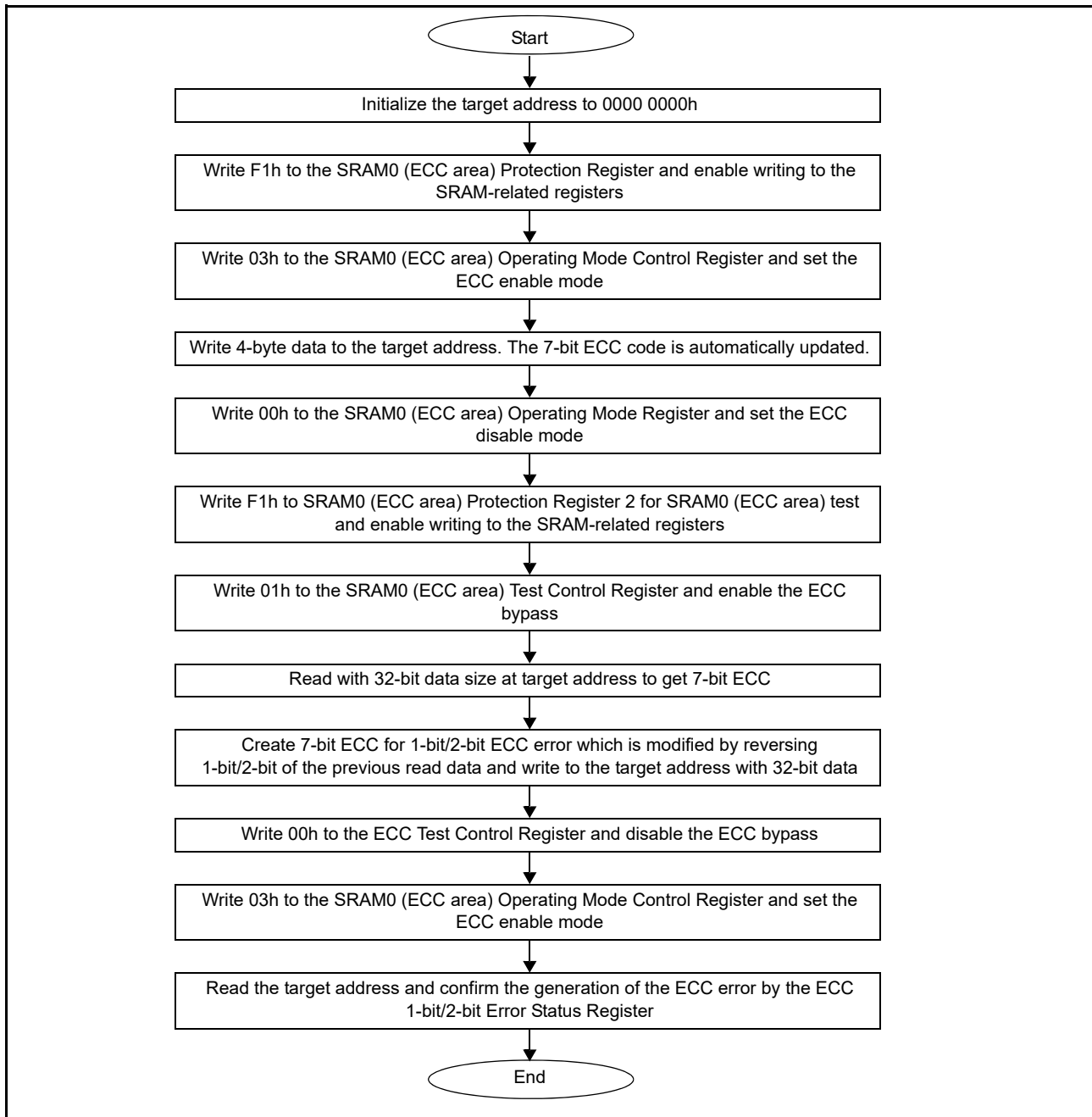


Figure 46.1 ECC decoder testing

46.3.5 Parity Calculation Function

The IEC60730 standard requires checking the SRAM data. When data is written, a parity bit is added to every 8-bit data in the SRAM which has 32-bit data width, and when data is read, the parity is checked. When a parity error occurs, a parity-error notification is generated. This function can also be used to trigger a reset. The specification of SRAM0 without ECC and SRAM1 is even parity.

The parity error notification can be specified as a non-maskable interrupt or a reset in the OAD bit in the PARIOAD register. When the OAD bit is set to 1, a parity error is output to the reset function. When the OAD bit is set to 0, a parity error is output to the ICU as a non-maskable interrupt.

Parity errors often occur because of noise. To check whether the cause of the parity error is noise or damage, use the parity check flows shown in [Figure 46.2](#) and [Figure 46.3](#).

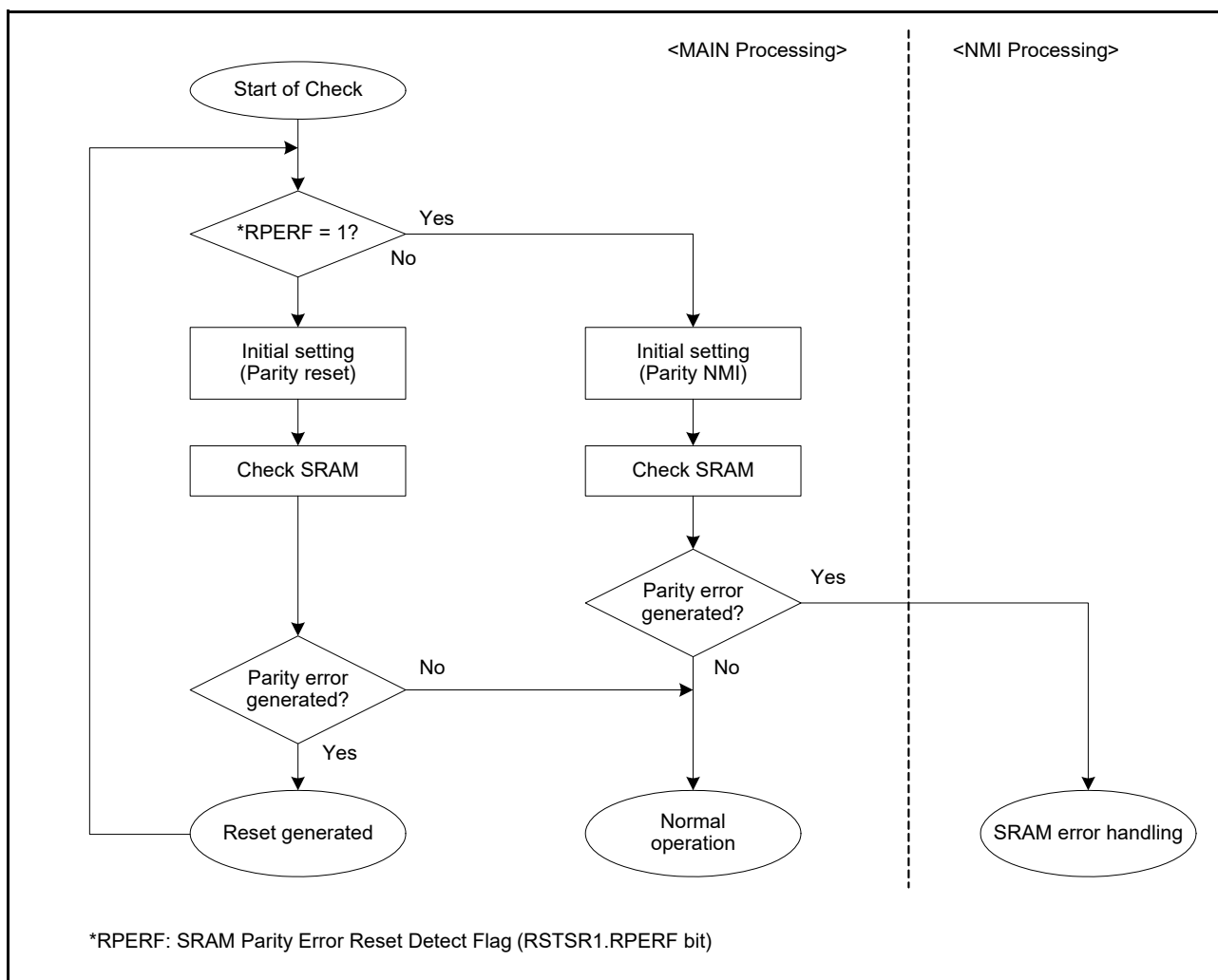


Figure 46.2 Flow of SRAM parity check when SRAM parity reset is enabled

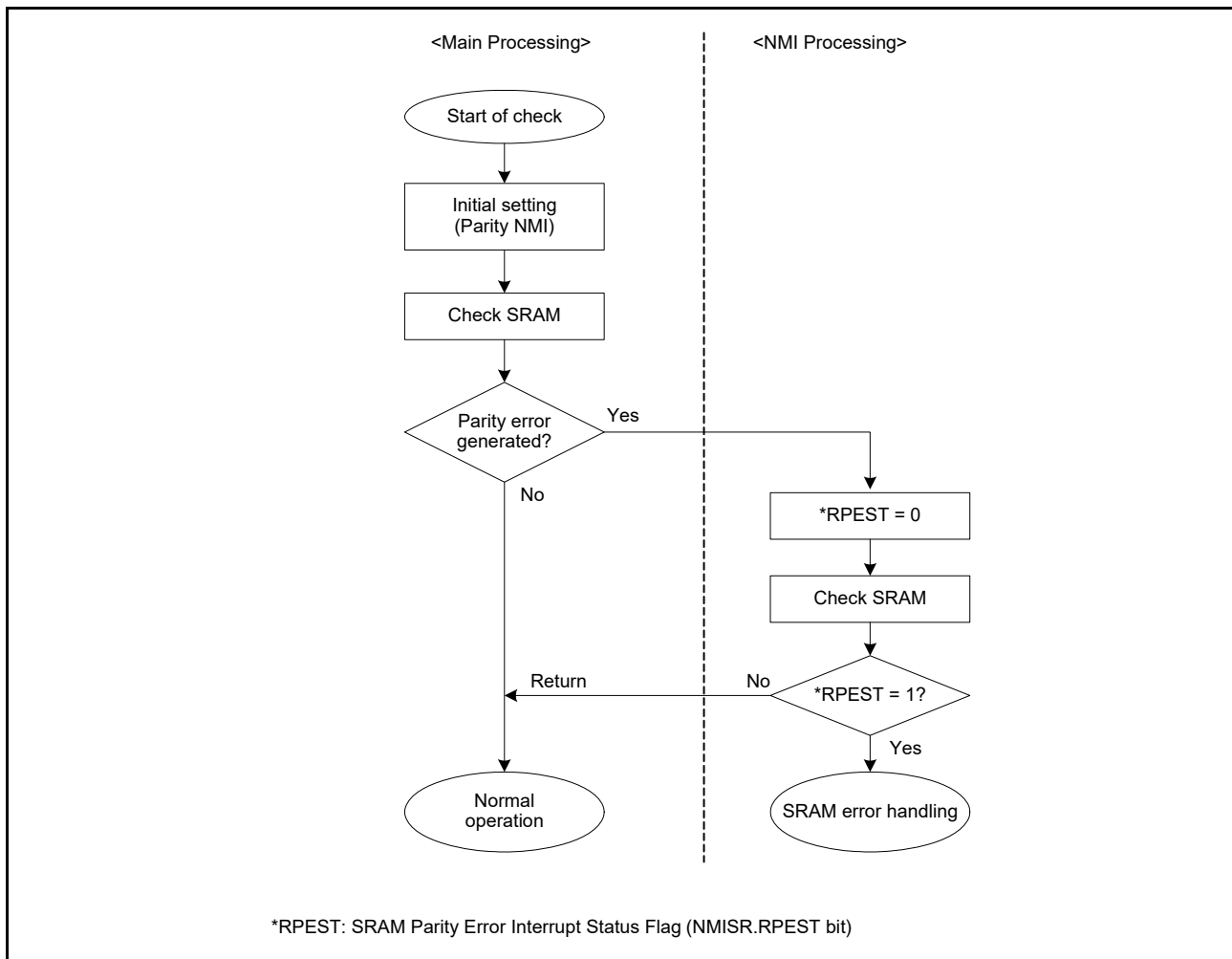


Figure 46.3 Flow of SRAM parity check when SRAM parity interrupt is enabled

46.3.6 SRAM Error Sources

An SRAM error source is either an ECC error or parity error. ECC error and parity error can generate either a non-maskable interrupt or a reset, as selected by the OAD bit in the ECCOAD register for ECC error, or PARIOAD register for parity error.

Table 46.2 SRAM error sources

Error source	DTC activation	DMAC activation
ECC error (SRAM0 area with ECC)	Not possible	Not possible
Parity error (SRAM0 area without ECC and SRAM1)	Not possible	Not possible

46.3.7 Access Cycle

Table 46.3 SRAM0 (ECC area 2000 0000h to 2000 3FFFh)

Bit setting	Read (cycle)		Write (cycle)	
	Word access	Halfword/Byte access	Word access	Halfword/Byte access
ECC Off ECCMOD[1] = 0	2		2	
ECC On ECCMOD[1] = 1	2		2	4

Table 46.4 SRAM0 (Parity area 2000 4000h to 2001 FFFFh)

Read (cycle)		Write (cycle)	
Word Access	Halfword/Byte access	Word access	Halfword/Byte access
2		2	

Table 46.5 SRAM1 (Parity area 2002 0000h to 2002 FFFFh)

Read (cycle)		Write (cycle)	
Word Access	Halfword/Byte access	Word access	Halfword/Byte access
2		2	

46.4 Usage Notes

46.4.1 Instruction Fetch from SRAM Area

When using SRAM0 and SRAM1 to operate a program, initialize the SRAM area so that the CPU can correctly prefetch data. If the CPU prefetches data from an SRAM area that is not initialized, an ECC error or a parity error might occur. Initialize the additional 12-byte area from the end address of a program with a 4-byte boundary.

46.4.2 Store Buffer of SRAM

For fast access between SRAM and CPU, a store buffer is used. When a load instruction is executed from the same address after a store instruction to SRAM, the load instruction might read out data from the buffer instead of data on the SRAM. To read data on the SRAM correctly, use either of the following procedures:

- After writing to the SRAM (address = A), use the NOP instruction, then read the SRAM (address = A)
- After writing to the SRAM (address = A), read data from an area other than SRAM (address = A), then read the SRAM (address = A).

47. Flash Memory

47.1 Overview

The MCU provides up to 1-MB code flash memory and 8-KB data flash memory. The Flash Control Block (FCB) controls the flash memory programming commands. This product uses SuperFlash® technology licensed from Silicon Storage Technology, Inc.

Table 47.1 lists the specifications of the code flash memory and data flash memory, and Figure 47.1 shows a block diagram of the related modules. Figure 47.2 shows the configuration of the code flash memory, and Figure 47.3 shows the configuration of the data flash memory.

Table 47.1 Code flash memory and data flash memory specifications

Parameter	Code flash memory	Data flash memory
Memory capacity	1 MB of user area	8 KB of data area
Read cycle	<ul style="list-style-type: none"> 32 MHz < ICLK frequency ≤ 48 MHz Cache hit: 1 cycle Cache miss: 2, 3 cycles ICLK frequency ≤ 32 MHz Cache hit: 1 cycle Cache miss: 1 cycle 	A read operation takes 6 cycles of FCLK in bytes (FCLK frequency ≤ 32 MHz)
Value after erasure	FFh	FFh
Programming/erasing method	<ul style="list-style-type: none"> Programming and erasure of code and data flash memory through the FCB commands specified in the registers Programming by dedicated flash-memory programmer through a serial interface (serial programming) Programming of flash memory by user program (self-programming). 	
Security function	Protection against illicit tampering or reading of data in flash memory	
Protection	Protection against erroneous overwriting of flash memory	
Background operations (BGOs)	Code flash memory can be read during data flash memory programming	
Units of programming and erasure	<ul style="list-style-type: none"> 64-bit units for programming in user area 2-KB units for erasure in user area. 	<ul style="list-style-type: none"> 8-bit units for programming in data area 1-KB units for erasure in data area.
Other functions	Interrupts accepted during self-programming An expansion area of flash memory (option bytes) can be set in the initial MCU settings	
On-board programming	Programming in serial programming mode (SCI boot mode): <ul style="list-style-type: none"> Asynchronous serial interface (SCI9) used Transfer rate adjusted automatically. Programming in serial programming mode (USB boot mode): <ul style="list-style-type: none"> USBFS used Dedicated hardware not required, so direct connection to a PC is possible. Programming in on-chip debug mode: <ul style="list-style-type: none"> JTAG or SWD interface used Dedicated hardware not required. Programming by a routine for code and data flash memory programming within the user program: <ul style="list-style-type: none"> Allows code and data flash memory programming without resetting the system. 	

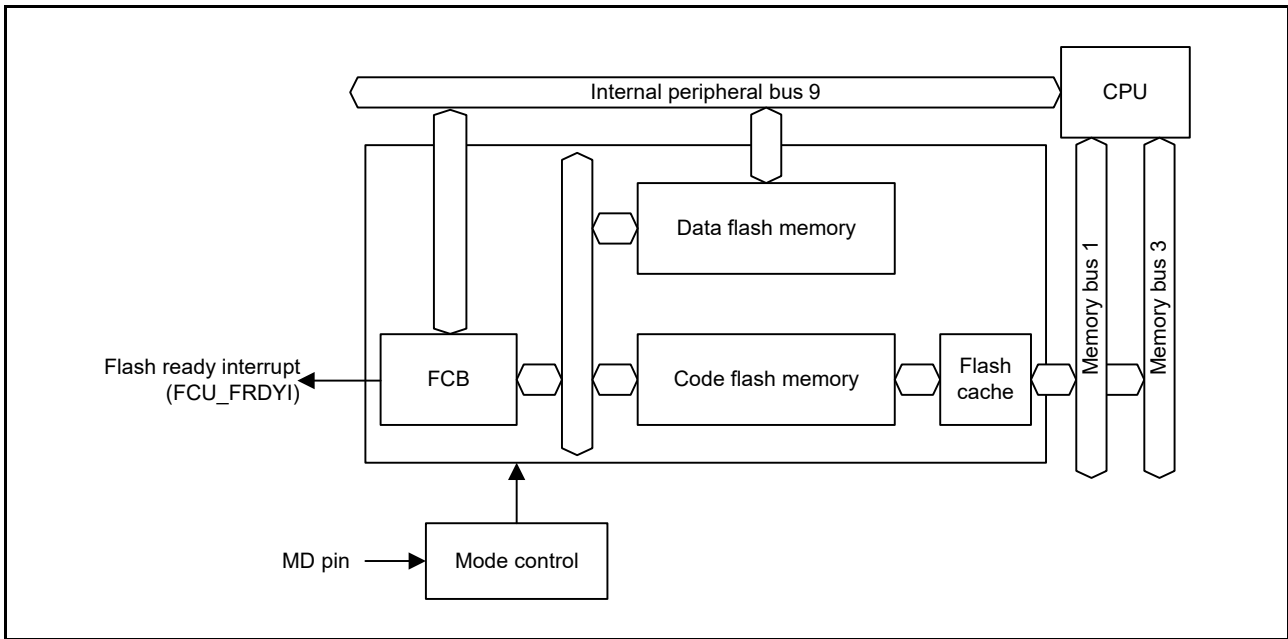


Figure 47.1 Flash memory-related modules block diagram

47.2 Memory Structure

Figure 47.2 shows the mapping of the code flash memory, and Table 47.2 shows the read and programming and erasure (P/E) addresses of the code flash memory. The user space of the code flash memory is divided into 2-KB blocks that serve as the units of erasure. The user area is available for storing the user program.

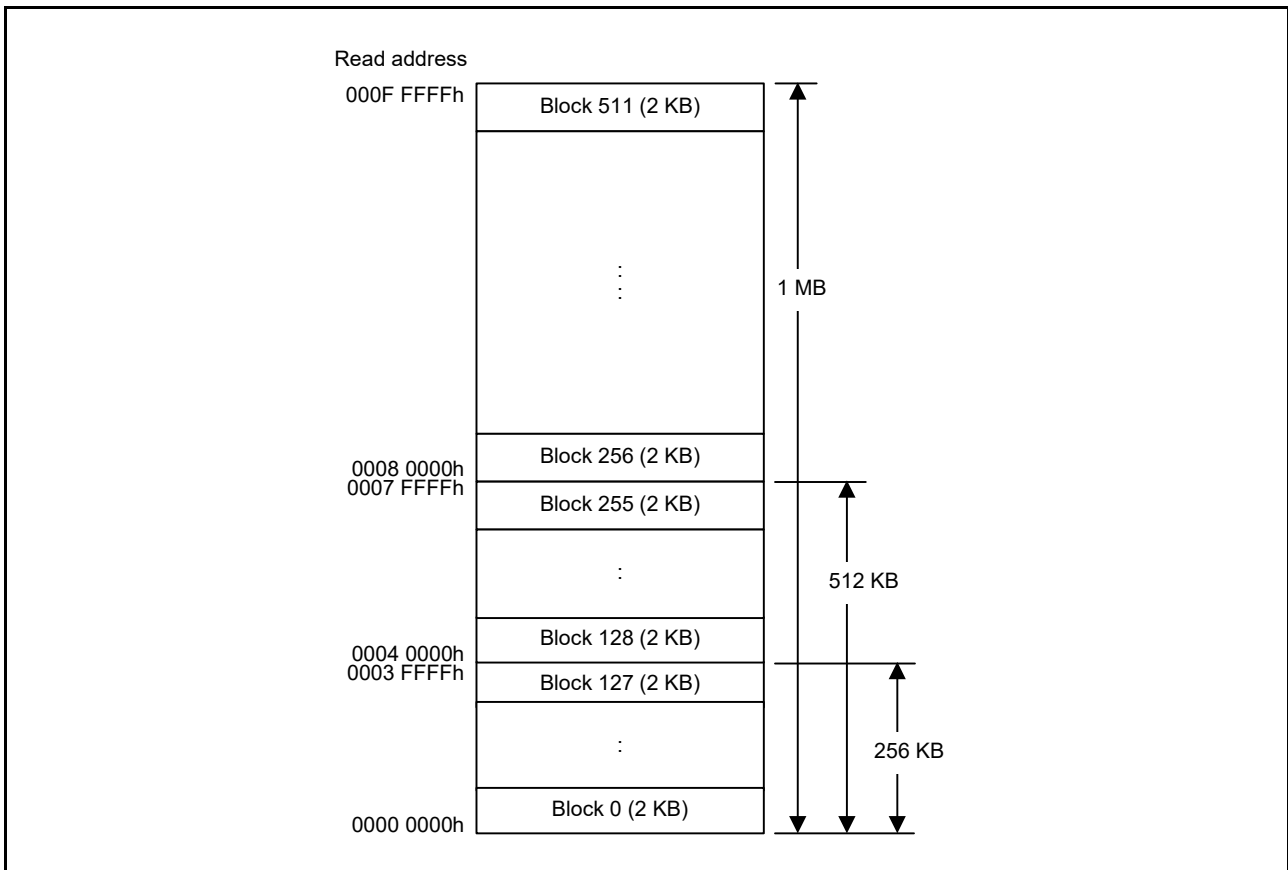
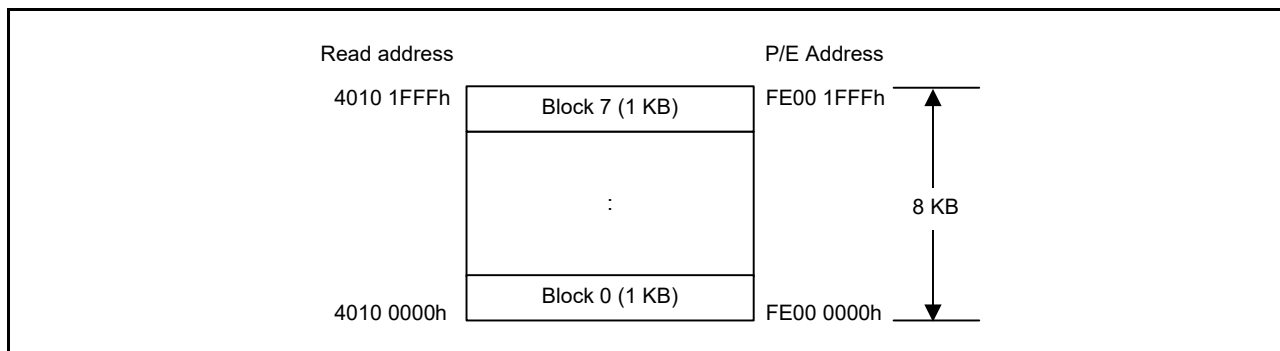


Figure 47.2 Mapping of the code flash memory

Table 47.2 Read and P/E addresses of the code flash memory

Size of code flash memory	Read address	P/E address	Number of blocks
1 MB	0000 0000h to 000F FFFFh	0000 0000h to 000F FFFFh	0 to 511

The data area of the data flash memory is divided into 1-KB blocks, each being a unit for erasure. Figure 47.3 shows the mapping of the data flash memory, and Table 47.3 shows the read, programming and erasure addresses of the data flash memory.

**Figure 47.3** Mapping of the data flash memory**Table 47.3** Read and P/E addresses of the data flash memory

Size of data flash memory	Read address	P/E address	Number of blocks
8 KB	4010 0000h to 4010 1FFFh	FE00 0000h to FE00 1FFFh	0 to 7

47.3 Flash Cache

47.3.1 Overview

The flash cache (FCACHE) speeds up read access from the bus master to the flash memory. The FCACHE includes:

- FCACHE1, for CPU instruction fetches
- FCACHE2, for CPU operand access and access from DMAC/DTC
- FLPF, for prefetch access in CPU instruction fetch.

Table 47.4 Flash cache overview

Parameter	Flash cache 1 (FCACHE1)	Flash cache 2 (FCACHE2)	Prefetch buffer (FLPF)
Cache target region	0000 0000h - 007F FFFFh	0000 0000h - 007F FFFFh	0000 0000h - 007F FFFFh
Target bus master	CPU instruction fetch	CPU operand access and access from DMAC/DTC	CPU instruction fetches
Capacity	128 bytes	8 bytes	16 bytes
Associativity	2-way set associative	Fully associative	-
	-	-	64 bits/entry (64-bit aligned data), 2 entries
	64 bits/entry (64-bit aligned data), 8 entries/ways	64 bits/entry (64-bit aligned data) 1 entry	Next address of previous CPU instruction
Access cycle	Cache hit: 0 wait Cache miss: According to SYSTEM.MEMWAIT register: MEMWAIT = 0: 0 wait MEMWAIT = 1: 1 or 2 waits	Cache hit: 0 wait Cache miss: According to SYSTEM.MEMWAIT register: MEMWAIT = 0: 0 wait MEMWAIT = 1: 1 or 2 waits	Cache hit: 0 wait Cache miss: According to SYSTEM.MEMWAIT register: MEMWAIT = 0: 0 wait MEMWAIT = 1: 1 or 2 waits

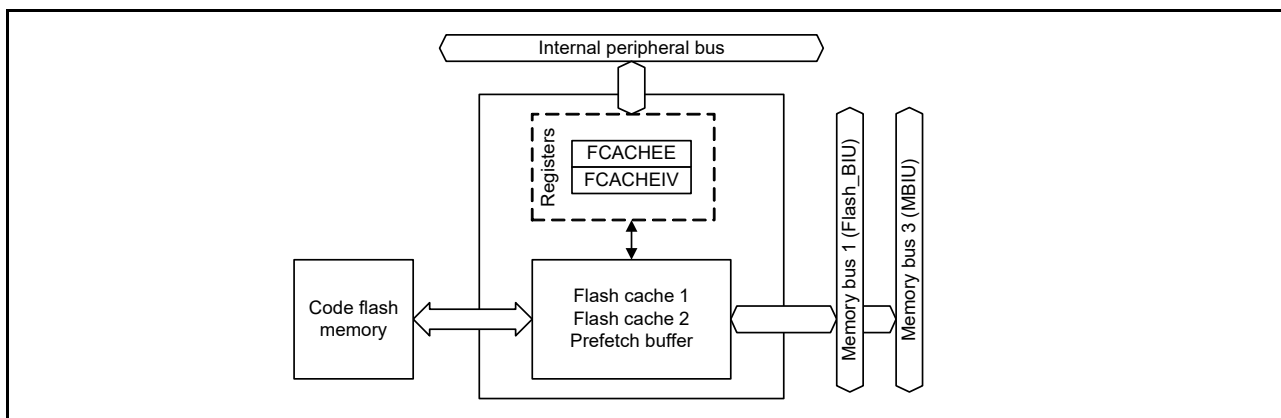


Figure 47.4 FCACHE block diagram

47.4 Register Descriptions

47.4.1 Flash Cache Enable Register (FCACHEE)

Address(es): FCACHE.FCACHEE 4001 C100h

	b15	b14	b13	b12	b11	b10	b9	b8	b7	b6	b5	b4	b3	b2	b1	b0
	—	—	—	—	—	—	—	—	—	—	—	—	—	—	—	FCACHEEN
Value after reset:	0	0	0	0	0	0	0	0	0	0	0	0	0	0	0	0

Bit	Symbol	Bit name	Description	R/W
b0	FCACHEEN	FCACHE Enable	0: Disable FCACHE 1: Enable FCACHE.	R/W
b15 to b1	—	Reserved	These bits are read as 0. The write value should be 0.	R/W

The FCACHEE.FCACHEEN bit enables or disables the flash cache function for FCACHE1, FCACHE2, and FLPF. This bit does not affect FCACHEIV.FCACHEIV. When FCACHE is enabled, the HPROT[3] bit setting determines whether it is cacheable or non-cacheable. See [section 15.7, Usage Notes](#).

47.4.2 Flash Cache Invalidate Register (FCACHEIV)

Address(es): FCACHE.FCACHEIV 4001 C104h

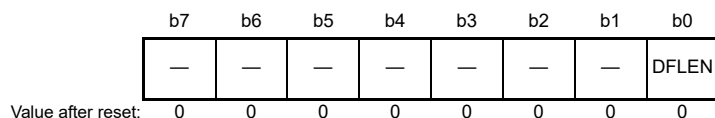
	b15	b14	b13	b12	b11	b10	b9	b8	b7	b6	b5	b4	b3	b2	b1	b0
	—	—	—	—	—	—	—	—	—	—	—	—	—	—	—	FCACHEIV
Value after reset:	0	0	0	0	0	0	0	0	0	0	0	0	0	0	0	0

Bit	Symbol	Bit name	Description	R/W
b0	FCACHEIV	Flash Cache Invalidate	<ul style="list-style-type: none"> Reads: <ul style="list-style-type: none"> 0: Do not invalidate 1: Invalidate. Writes: <ul style="list-style-type: none"> When the write value is 1, FCACHE is invalidated. When the write value is 0, this setting is ignored. 	R/W
b15 to b1	—	Reserved	These bits are read as 0. The write value should be 0.	R/W

When 1 is written to the FCACHEIV.FCACHEIV bit, flash cache data in FCACHE1, FCACHE2, and FLPF is invalidated.

47.4.3 Data Flash Control Resister (DFLCTL)

Address(es): FLCN.DFLCTL 407E C090h



Bit	Symbol	Bit name	Description	R/W
b0	DFLEN	Data Flash Access Enable	0: Access to the data flash is disabled 1: Access to the data flash is enabled	R/W
b7 to b1	—	Reserved	These bits are read as 0. The write value should be 0.	R/W

The DFLCTL register is used to enable or disable access to the data flash. After setting the DFLCTL.DFLEN bit, data flash stop recovery time (tDSTOP) is required before reading the data flash or entering the data flash P/E mode.

Setup time for each operating mode:

- High-speed operating mode: 5 μ s
- Middle-speed operating mode: 720 ns
- Low-speed operating mode: 720 ns
- Low-voltage operating mode: 10 μ s

47.5 Operation

Use the FCACHEE register to set up and enable flash operation. To set up the flash cache and prepare to rewrite the flash memory:

1. Disable the flash cache by resetting FCACHEE.FCACHEEN.*1
2. Set the MEMWAIT.MEMWAIT bit as required for the ICLK frequency and power control mode set in the OPCCR and SOPCCR registers.
3. Invalidate the flash cache by setting FCACHEIV.FCACHEIV.
4. Check that FCACHEIV.FCACHEIV is 0.
5. Enable the flash cache by setting FCACHEE.FCACHEEN.

Note 1. It is not required to disable the flash cache on the first setup after reset.

Note 2. Do not change operation mode (read mode, wait mode) when the flash cache is enabled.

47.5.1 Notice to Use Flash Cache

When using flash cache by access from the CPU, Arm[®] MPU should also be set to be cacheable.

See the *ARM[®]v7-M Architecture Reference Manual* and the *ARM[®]Cortex[®]-M4 Devices Generic User Guide*.

47.6 Operating Modes Associated with the Flash Memory

Figure 47.5 shows a diagram of the mode transitions associated with the flash memory. For information on setting up the modes, see section 3, Operating Modes.

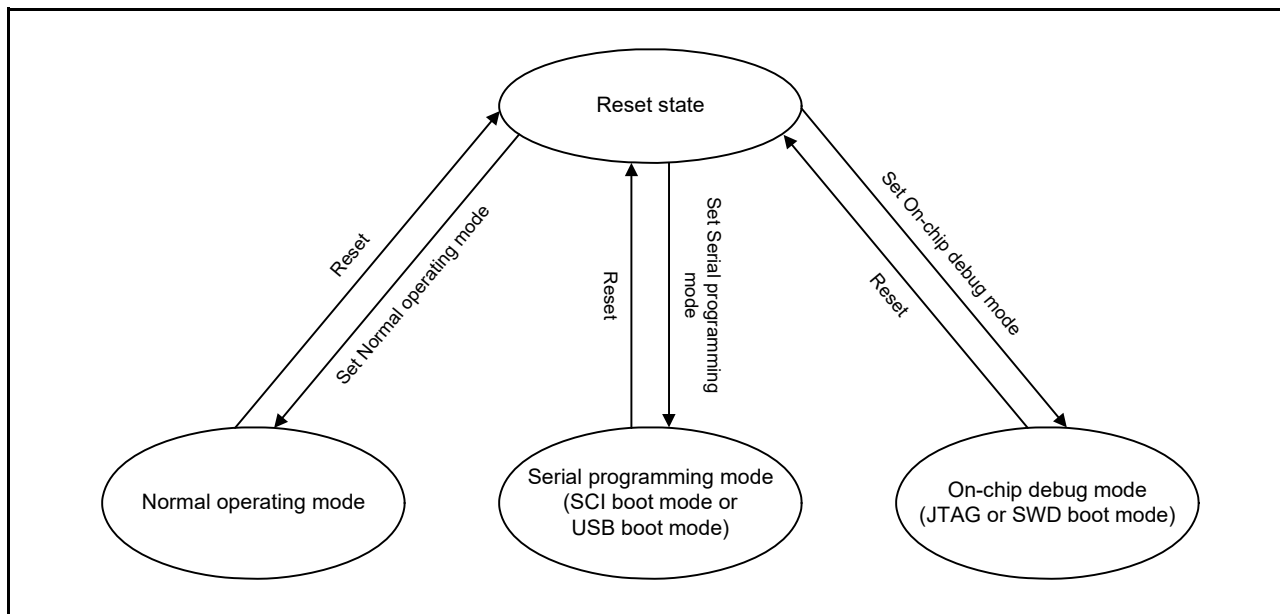


Figure 47.5 Mode transitions associated with flash memory

The flash memory areas where programming and erasure are permitted, and where the boot program executes at a reset, differ with mode. Table 47.5 shows the differences between modes.

Table 47.5 Difference between modes

Parameter	Normal operating mode	Serial programming mode (SCI or USB boot mode)	On-chip debug mode (JTAG or SWD boot mode)
Programmable and erasable areas	<ul style="list-style-type: none"> Code flash memory Data flash memory. 	<ul style="list-style-type: none"> Code flash memory Data flash memory. 	<ul style="list-style-type: none"> Code flash memory Data flash memory.
Erasure in block units	Possible	Possible	Possible
Boot program at a reset	User area program	Embedded program for serial programming	Depends on debug command

47.6.1 ID Code Protection

The ID code protection function prohibits programming and on-chip debugging. When ID code protection is enabled, the device validates or invalidates the ID code sent from the host by comparing it with the ID code stored in the flash memory. Programming and on-chip debugging are enabled only when the two match.

The ID code in flash memory consists of four 32-bit words. ID code bits [127] and [126] determine whether ID code protection is enabled and the authentication method to use with the host and the authentication method to use with the host. Once the test mode is blocked, Renesas cannot perform the failure analysis unless the user provides this ID code.

Table 47.6 shows how the ID code determines the authentication method.

Table 47.6 Specifications for ID code protection

Operating mode on boot up	ID code	State of protection	Operations on connection with the programmer or on-chip debugger
Serial programming mode (SCI/USB boot mode)	FFh, ..., FFh (all bytes are FFh)	Protection disabled	The ID code is not checked, the ID code always matches, and the connection to the serial programmer or on-chip debugger is permitted.
On-chip debug mode (JTAG/SWD Boot mode)	Bit [127] = 1, bit [126] = 1, and at least one of all 16 bytes is not FFh	Protection enabled	Matching ID code indicates that authentication is complete and connection to the serial programmer or the on-chip debugger is permitted. Mismatching ID code indicates transition to the ID code protection wait state. When the ID code sent from the serial programmer or the on-chip debugger is ALERASE in ASCII code (0x414C_6552_4153_45FF_FFFF_FFFF_FFFF_FF FF), the content of the user flash area is erased and all bits in the OSIS register are 1. However, when the AWSC.FSPR bit is 0 or security MPU is enabled, the content of the user flash area is not erased.
	Bit [127] = 1 and bit [126] = 0	Protection enabled	Matching ID code indicates that authentication is complete and connection to the serial programmer or the on-chip debugger is permitted. Mismatching ID code indicates transition to the ID code protection wait state.
	Bit [127] = 0	Protection enabled	The ID code is not checked, the ID code is always mismatching, the connection to the serial programmer or the on-chip debugger is prohibited. When the ID code sent from the on-chip debugger is ALERASE in ASCII code (0x414C_6552_4153_45FF_FFFF_FFFF_FFFF_FF FF), the content of the user flash area is erased and all bits in the OSIS register are 1. However, when the AWSC.FSPR bit is 0 or security MPU is enabled, the content of the user flash area is not erased.

47.7 Overview of Functions

By using a dedicated flash-memory programmer to program the on-chip flash memory through a serial interface (serial programming mode) or through JTAG/SWD interface (on-chip debug mode), the device can be programmed before or after it is mounted on the target system.

Additionally, security functions to prohibit overwriting of the user program prevent tampering by third parties.

Programming by the user program (self-programming) is available for applications that might require updating after system manufacturing or shipment. Protection features for safely overwriting the flash memory area are also provided. Additionally, interrupt processing during self-programming is supported so that programming can proceed while processing external communications and other functions. [Table 47.7](#) lists the programming methods and the associated operating modes.

Table 47.7 Programming methods (1 of 2)

Programming method	Functional overview	Operating mode
Serial programming	A dedicated flash-memory programmer connected through the SCI or USBFS interface can program the on-board flash memory after the device is mounted on the target system.	Serial programming mode
	A dedicated flash-memory programmer connected through the SCI or USBFS interface and a dedicated programming adapter board allow off-board programming of the flash memory, before it is mounted on the target system.	

Table 47.7 Programming methods (2 of 2)

Programming method	Functional overview	Operating mode
Self-programming	A user program written to memory in advance of serial programming execution is also capable of programming the flash memory. The background operation capability makes it possible to fetch instructions or otherwise read data from code flash memory while the data flash memory is programmed. As a result, a program residing in code flash memory is able to program data flash memory.	Normal operating mode
JTAG or SWD programming	A dedicated flash-memory programmer or an on-chip debugger connected through JTAG/SWD can program the on-board flash memory after the device is mounted on the target system. A dedicated flash-memory programmer or an on-chip debugger connected through JTAG/SWD and a dedicated programming adapter board allow off-board programming of the flash memory, before it is mounted on the target system.	On-chip debug mode

The MCU supports programming commands for self-programming. [Table 47.8](#) lists the functions of the on-chip flash memory. Use serial programmer commands for serial programming. For self-programming, use the programming commands to read the on-chip flash memory or run the user program.

Table 47.8 Basic functions

Function	Functional overview	Availability	
		Serial programming	Self-programming
Blank check	Checks a specified block to ensure that writing to it has not already proceeded. Results of reading from data flash memory to which nothing is written after erasure, are not guaranteed. So, use blank checking to confirm that writing to memory has not proceeded after erasure.	Not supported	Supported
Block erasure	Erases the memory contents in the specified block	Supported	Supported
Programming	Writes to the specified address	Supported	Supported
Read	Reads data programmed in the flash memory	Supported	Not supported (read by user program is possible)
ID code check	Compares the ID code sent by the host with the code stored in the ROM. If the two match, the FCB enters the wait state for programming and erasure commands from the host.	Supported	Not supported (ID authentication is not performed)
Security configuration	Configures the security function for serial programming	Supported with conditions (only allows switching from enabled to disabled)	Supported with conditions (only allows switching from enabled to disabled)
Protection configuration	Configures the access window for flash area protection in the code flash memory	Supported	Supported

The on-chip flash memory supports the ID code security function. Authentication of ID codes is a security function for use with serial programming and with JTAG or SWD programming. [Table 47.9](#) lists the security functions supported by the on-chip flash memory, and [Table 47.10](#) lists the available operations and security settings.

Table 47.9 Security functions

Function	Description
ID authentication	The result of ID authentication can be used to control the connection of a serial programmer for serial programming

Table 47.10 Available operations and security settings

Function	All security settings and erasure, programming, and read operations		Constraints on the security setting configuration
	Serial programming and on-chip debug mode	Self-programming mode	Self-programming mode
ID authentication	When ID codes do not match: <ul style="list-style-type: none"> Block erasure commands: not supported Programming commands: not supported Read commands: not supported Security configuration commands: not supported Protection configuration commands: not supported. When the ID codes match: <ul style="list-style-type: none"> Block erasure commands: supported Programming commands: supported Read commands: supported Security configuration commands: supported Protection configuration commands: supported. 	<ul style="list-style-type: none"> ID authentication is not performed Blank check: supported Block erasure: supported Programming: supported Security configuration: supported Protection configuration: supported. 	ID authentication is not performed

47.7.1 Configuration Area Bit Map

The bits used for ID authentication, startup area select, access window protection, and security configuration functions are mapped in [Figure 47.6](#). The boot program must use these bits as hexadecimal data.

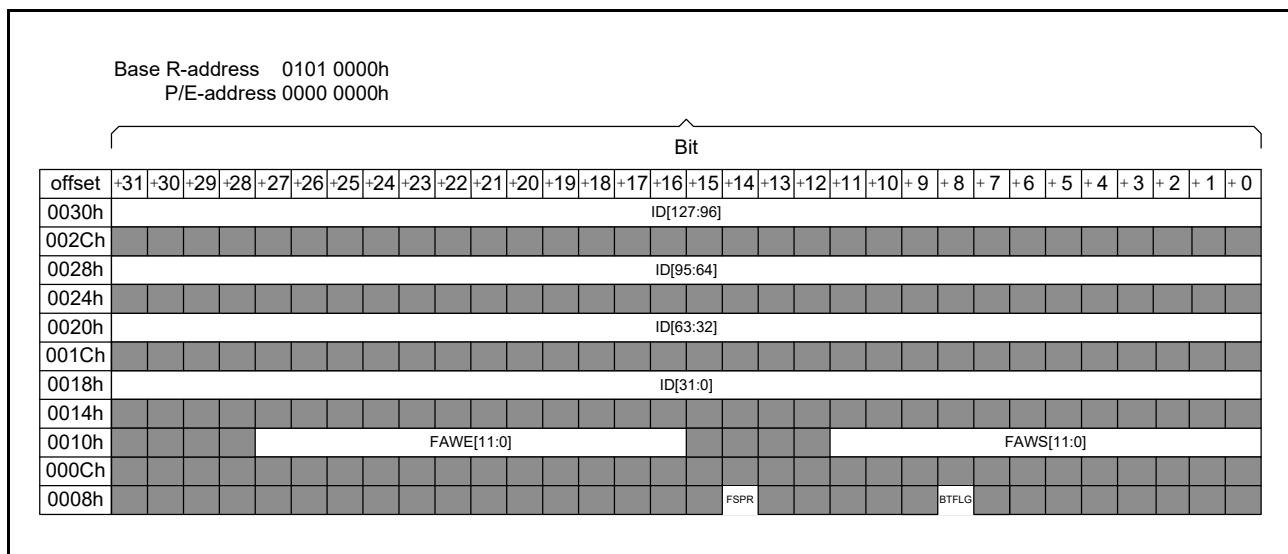


Figure 47.6 Configuration area bit map

47.7.2 Startup Area Select

The startup area select function allows the boot program to be safely updated. The startup area is 8 KB of space located in the user area. The FCB controls the startup area address based on the Startup Area Select Flag (BTFLG) that is located in the AWSC register. The startup area can be locked by the FSPR bit.

Figure 47.7 shows an overview of the startup program protection.

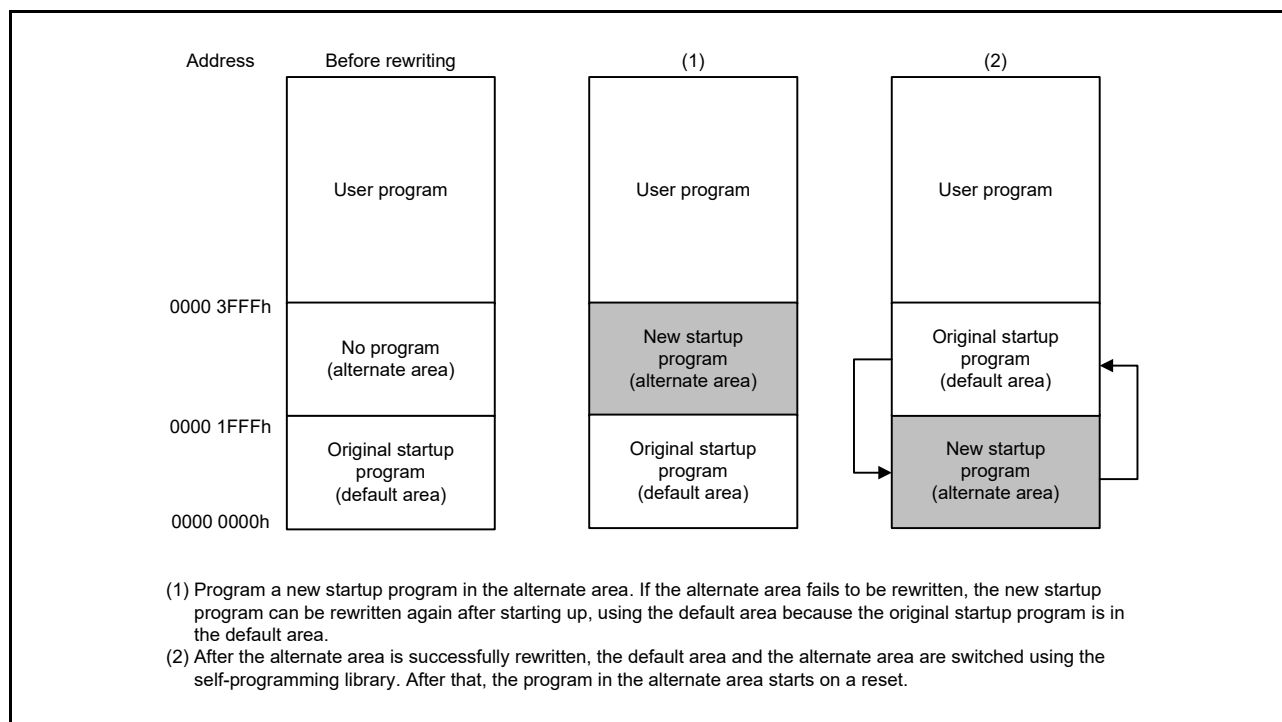


Figure 47.7 Overview of startup program protection

47.7.3 Protection by Access Window

Issuing the program or block erase command to a flash memory area outside of the access window results in the command-locked state. The access window is only valid in the user area of the code flash memory. The access window provides protection in self-programming mode, serial programming mode, and on-chip debug mode. Figure 47.8 shows the flash area protection.

The access window is specified in both the FAWS[11:0] and FAWE[11:0] bits. Setting of the FAWE[11:0] and FAWS[11:0] bits in various conditions is described as follows:

- FAWE[11:0] = FAWS[11:0]: The P/E command can execute anywhere in the user area of the code flash memory
- FAWE[11:0] > FAWS[11:0]: The P/E command can only execute in the window from the block pointed to by the FAWS[11:0] bits to one block lower than the block pointed to by the FAWE[11:0] bits
- FAWE[11:0] < FAWS[11:0]: The P/E command cannot execute anywhere in the user area of the code flash memory.

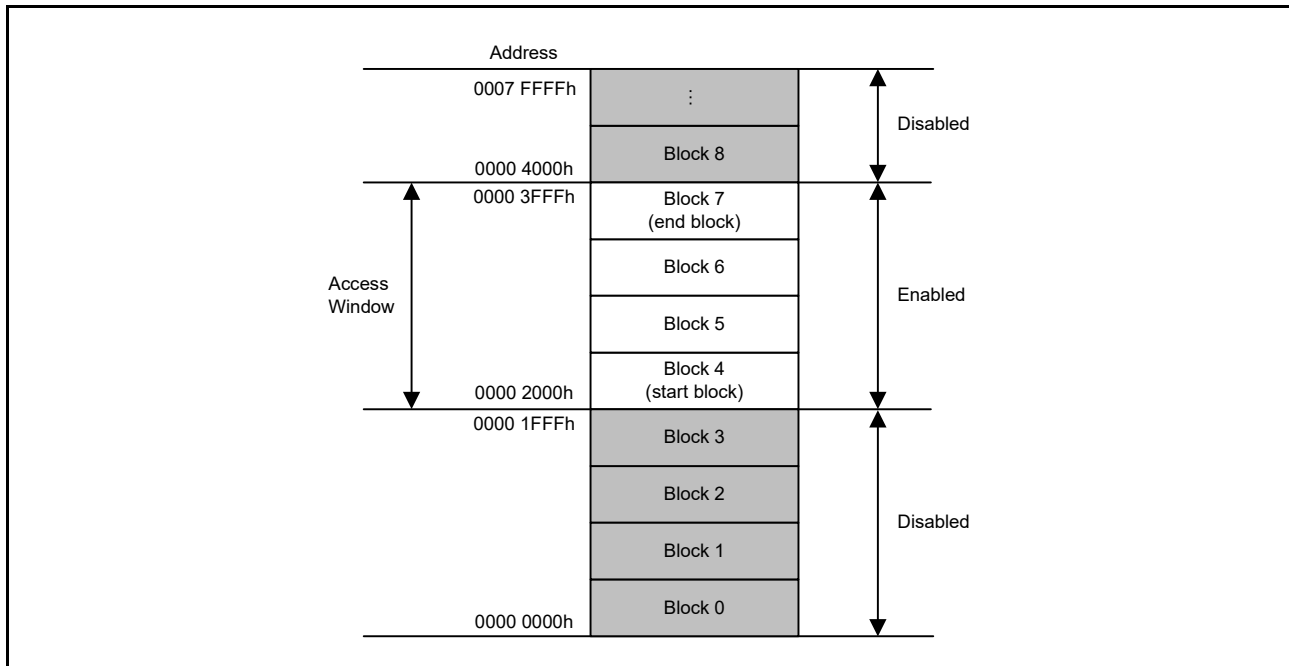


Figure 47.8 Flash area protection overview

47.8 Programming Commands

The FCB controls the programming commands.

47.9 Suspend Operation

The forced stop command forces the blank check command or the block erase command to stop. When a forced stop is executed, the stopped address values are stored in the registers. The command can restart from the stopped address after resetting the registers for command execution by copying the saved addresses.

47.10 Protection

The types of protection provided include:

- Software protection
- Error protection
- Boot program protection.

47.11 Serial Programming Mode

The serial programming modes include:

- Boot mode with SCI9
- USB boot mode with the USBFS.

Table 47.11 lists the I/O pins of the flash memory-related modules.

Table 47.11 I/O pins of flash memory-related modules (1 of 2)

Pin name	I/O	Applicable modes	Function
MD	Input	SCI boot mode USB boot mode (serial programming mode)	Selection of operating mode
P110/RXD9	Input	SCI boot mode	For host communication, to receive data through SCI
P109/TXD9	Output		For host communication, to transmit data through SCI

Table 47.11 I/O pins of flash memory-related modules (2 of 2)

Pin name	I/O	Applicable modes	Function
USB_DP, USB_DM	I/O	USB boot mode	USB data I/O
USB_VBUS	Input		Detection of connection and disconnection of USB cables

Note: Serial programming mode is not executed when security MPU is enabled.

47.11.1 SCI Boot Mode

In boot mode, the host sends control commands and data for programming, and the code flash memory and data flash memory areas are programmed or erased accordingly. An on-chip SCI handles transfers between the host and the MCU in asynchronous mode. Tools for transmission of control commands and the data for programming must be prepared in the host.

When the MCU is activated in boot mode, the embedded program for serial programming is executed. This program automatically adjusts the bit rate of the SCI and controls programming and erasure by receiving control commands from the host. The USB cable must not be connected on reset release.

Figure 47.9 shows the system configuration for operations in boot mode.

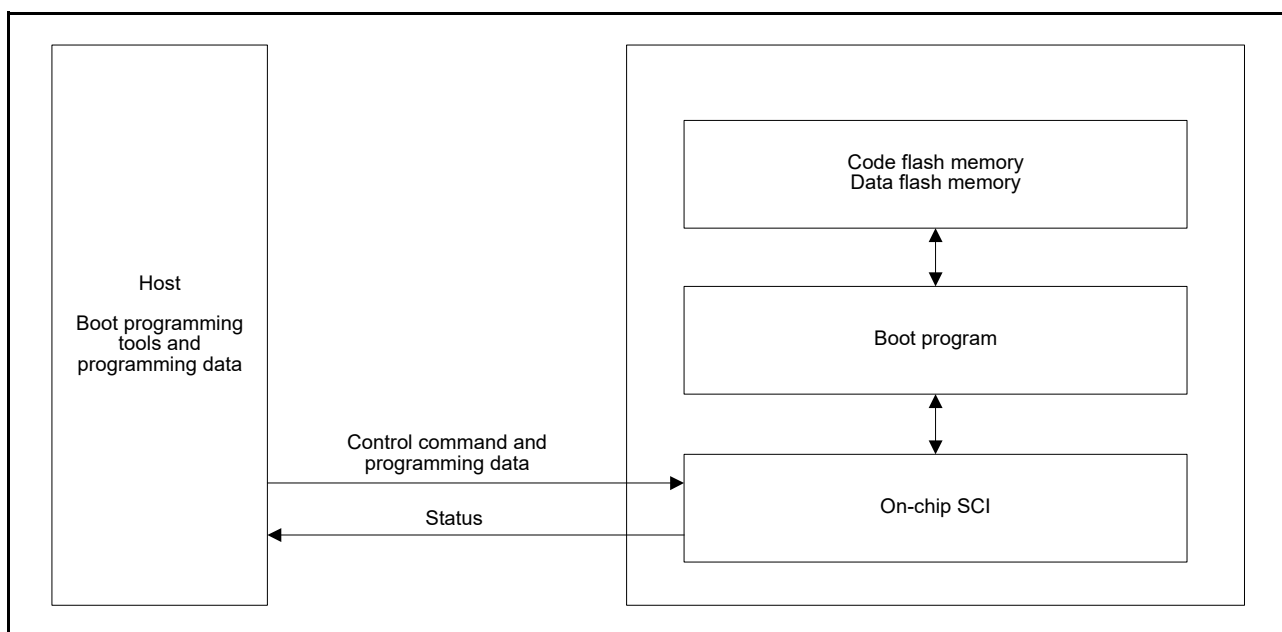


Figure 47.9 System configuration in SCI boot mode

47.11.2 USB Boot Mode

In USB boot mode, the code and data flash memory are programmed or erased by control commands and data for programming transmitted from an externally connected host through the USB interface.

Using USB boot mode requires preparation on the host side of the tools for transmitting control commands and data for programming. Figure 47.10 shows the configuration of a system in USB boot mode. The USB cable must be connected on reset release.

For a USB self-powered system, the total current consumption from VBUS should not exceed 100 mA.

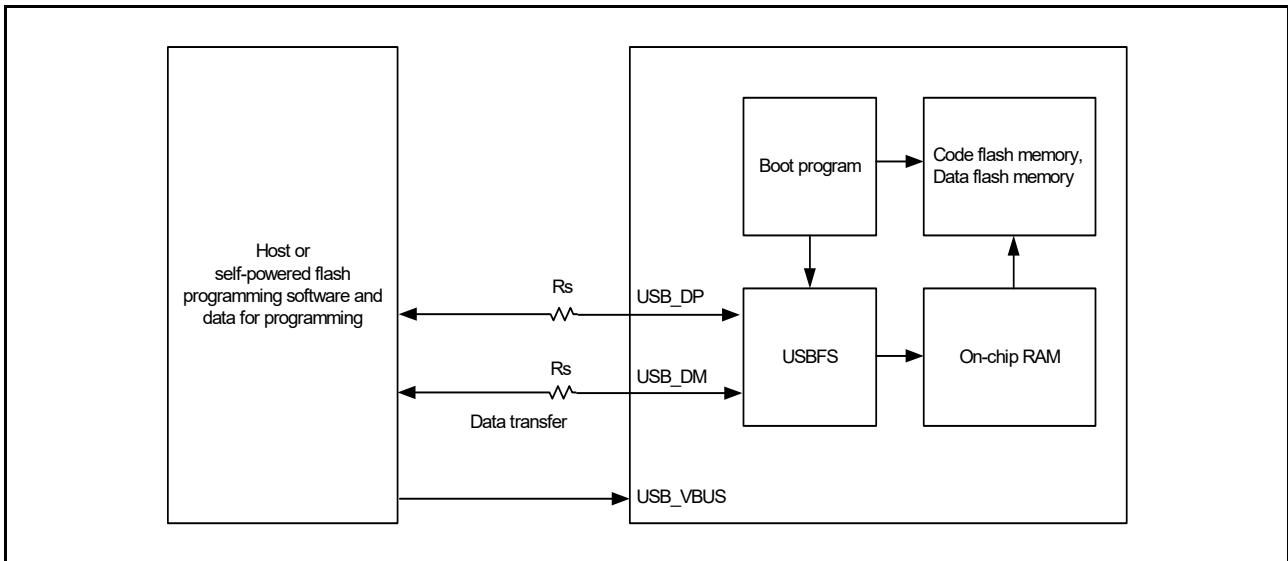


Figure 47.10 System configuration in USB boot mode

47.12 Using a Serial Programmer

A dedicated flash memory programmer can be used to program the flash memory in serial programming mode.

47.12.1 Serial Programming

The MCU is mounted on the system board for serial programming. A connector to the board allows programming by the flash memory programmer.

47.12.2 Programming Environment

Figure 47.11 shows the environment recommended by Renesas for programming the flash memory of the MCU with data.

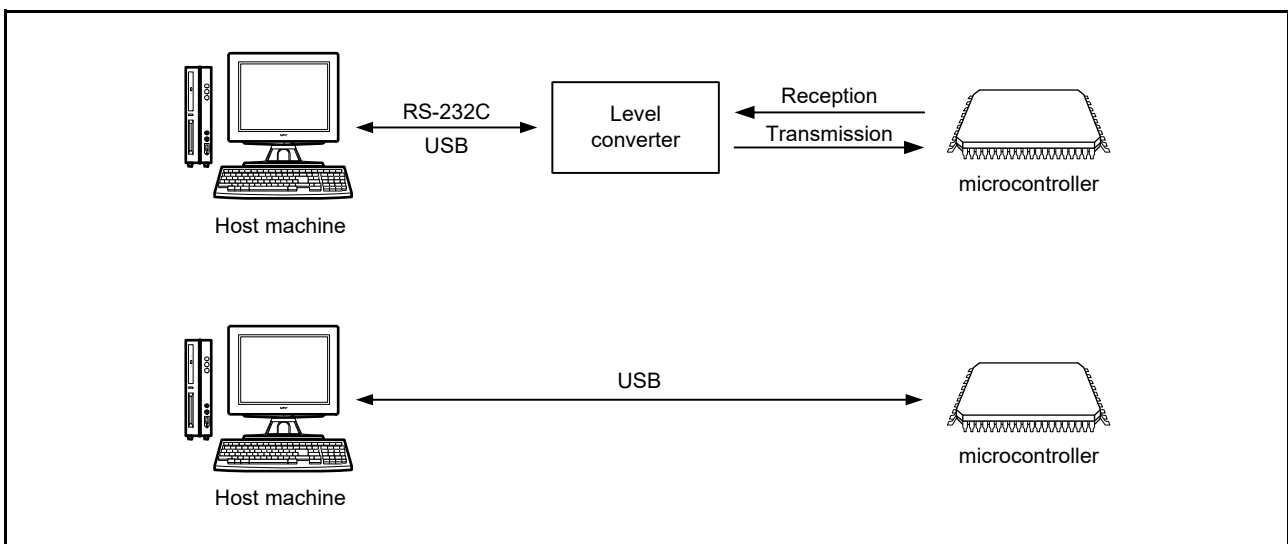


Figure 47.11 Environment for writing programs to the flash memory

47.13 Self-Programming

47.13.1 Overview

The MCU supports programming of the flash memory by the user program. The programming commands can be used with user programs for writing to the code and data flash memory. This enables updates to the user programs and overwriting of constant data fields.

The background operation facility makes it possible to execute a program from the code flash memory to program the data flash memory under the conditions shown in [Table 47.12](#). This program can also be copied in advance to and executed from the internal SRAM or external memory. When executing from the internal SRAM or external memory, this program can also program the code flash memory area.

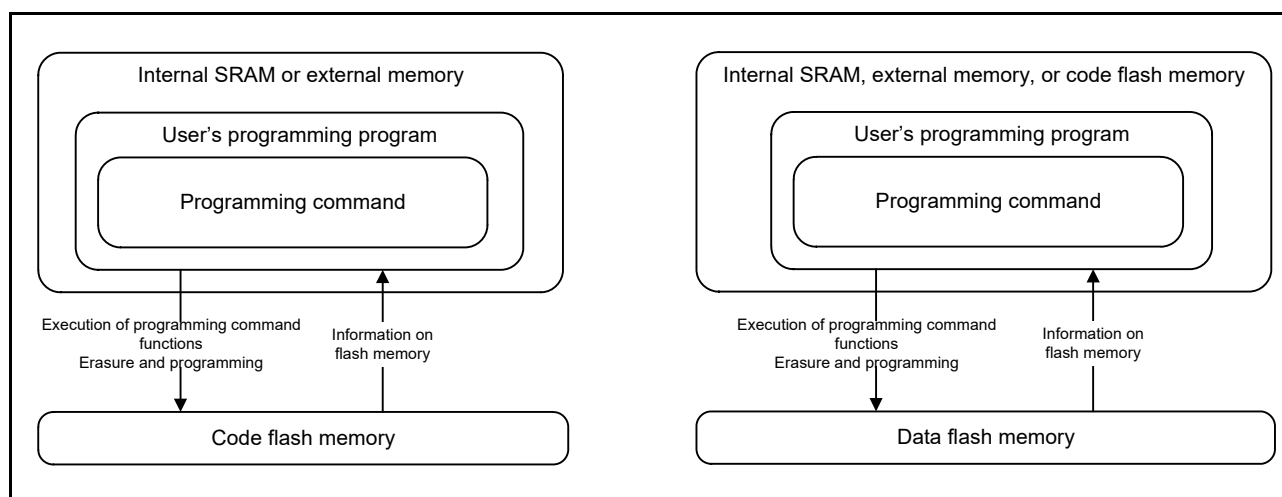


Figure 47.12 Schematic view of self-programming

47.13.2 Background Operation

Background operation can be used when a combination of the flash memory for writing and reading is as listed in [Table 47.12](#).

Table 47.12 Conditions under which background operation is available

Product	Writable range	Readable range
All products	Data flash memory	Code flash memory

47.14 Reading the Flash Memory

47.14.1 Reading the Code Flash Memory

No special settings are required to read the code flash memory in Normal mode. Data can be read by accessing addresses in the code flash memory. When reading code flash memory that is erased but not yet reprogrammed, such as code flash memory in the non-programmed state, all bits are read as 1s.

47.14.2 Reading the Data Flash Memory

No special settings are required to read the data flash memory in Normal mode except when issuing a reset that causes the data flash access disable mode to disable reading. In this case, the application must transfer back to the data flash read mode. When reading data flash memory that is erased but not yet reprogrammed, such as data flash memory in the non-programmed state, all bits are read as 1s.

47.15 Usage Notes

47.15.1 Erase Suspended Area

Data in areas where an erase operation is suspended is undefined. To avoid malfunctions caused by reading undefined data, do not execute commands and read data in the area where erase operation is suspended.

47.15.2 Suspension by Erase Suspend Commands

When suspending an erase operation with the erase suspend command, complete the operation with a resume command.

47.15.3 Constraints on Additional Writes

Other than the configuration area, no other area can be written to twice. After a write to a flash memory area is complete, erase the area before attempting to overwrite data in that area. The configuration area can be overwritten.

47.15.4 Reset during Programming and Erasure

If inputting a reset from the RES pin, release the reset after a reset input time of at least t_{RESW} (see [section 51, Electrical Characteristics](#)), within the range of the operating voltage defined in the electrical characteristics.

The IWDG reset and software reset do not require a t_{RESW} input time.

47.15.5 Non-maskable Interrupt Disabled during Programming and Erasure

When a non-maskable interrupt*1 occurs during a programming and erasure operation, the vectors are fetched from the code flash memory, and undefined data is read. Therefore, do not generate a non-maskable interrupt during a programming and erasure operation in the code flash memory. This description applies only to the code flash memory.

Note 1. A non-maskable interrupt is an NMI pin interrupt, Oscillation stop detection interrupt, WDT underflow/refresh error interrupt, IWDG underflow/refresh error interrupt, Voltage monitor 1 interrupt, Voltage monitor 2 interrupt, VBATT monitor interrupt, SRAM parity error interrupt, SRAM ECC error interrupt, MPU bus master error interrupt, MPU bus slave error interrupt, or CPU stack pointer monitor interrupt.

47.15.6 Location of Interrupt Vectors during Programming and Erasure

When an interrupt occurs during a programming and erasure operation, the vector can be fetched from the code flash memory. To avoid fetching the vector from the code flash memory, set the destination for fetching interrupt vectors to an area other than the code flash memory with the interrupt table.

47.15.7 Programming and Erasure in Low-Speed Operating Mode

Do not program or erase the flash memory when low-speed operating mode is selected in the SOPCCR register for low power consumption functions.

47.15.8 Abnormal Termination during Programming and Erasure

When the voltage exceeds the range of the operating voltage during a programming and erasure operation, or when a programming or erasure operation did not complete successfully because of a reset or due to prohibited actions as described in [section 47.15.9, Actions Prohibited during Programming and Erasure](#), erase the area again.

47.15.9 Actions Prohibited during Programming and Erasure

To prevent damage to the flash memory, comply with the following instructions during programming and erasure:

- Do not use an MCU power supply that is outside the operating voltage range
- Do not update the OPCCR.OPCM[1:0] bit value
- Do not update the SOPCCR.SOPCM bit value
- Do not change the division ratio of the flash interface clock (FCLK)
- Do not place the MCU in Software Standby mode
- Do not access the data flash memory during a programming or erasure operation to the code flash memory
- Do not change the DFLCTL.DFLEN bit value during a programming or erasure operation to the data flash memory.

48. Segment LCD Controller (SLCDC)

48.1 Overview

The MCU provides a controller for LCD display and display pins. [Table 48.1](#) lists the SLCDC specifications.

Table 48.1 SLCDC specifications

Item	Description
Features	<ul style="list-style-type: none"> Liquid crystal waveform (waveform A or B) selectable LCD driver voltage generator can switch between internal voltage boosting method, capacitor split method, and external resistance division method Automatic output of segment and shared signals based on automatic display data register read Voltage boost circuit reference voltage selectable from 16 steps (contrast adjustment) LCD blinking and display selectable.
Number of pins	For details on the number of pins, see Table 48.2, SLCDC display function pins for 145/144-pin products
Source clocks	<ul style="list-style-type: none"> Main clock oscillator Sub-clock oscillator Low-speed on-chip oscillator High-speed on-chip oscillator.
Module-stop state function	Module-stop state can be set to reduce power consumption

The number of LCD display function pins for the MCU differ depending on the product. [Table 48.2](#) to [Table 48.5](#) show the display function pins for products with different pin counts. [Table 48.6](#) to [Table 48.9](#) show the maximum number of pixels for products with different pin counts. [Figure 48.1](#) shows the SLCDC block diagram.

Table 48.2 SLCDC display function pins for 145/144-pin products

Item	145, 144 Pins															
LCD controller/driver	Number of segment pins (SEG): 54 (50)*1 Number of common pins (COM): 8															
Multiplexed I/O port	b15	b14	b13	b12	b11	b10	b9	b8	b7	b6	b5	b4	b3	b2	b1	b0
PORT1	SEG 25	SEG 24	SEG0 / COM 4	CAP L*2	CAP H*2	SEG 53	SEG 52	-	COM 3	COM 2	COM 1	COM 0	VL4*3	VL3*3	VL2*3	VL1*3
PORT2	-	-	-	-	-	-	-	-	-	SEG 12	SEG 20	SEG 23	SEG 22	SEG 21	-	-
PORT3	-	-	-	-	-	-	-	SEG 13	SEG 14	SEG 15	SEG 16	SEG 17	SEG3 / COM 7	SEG2 / COM 6	SEG1 / COM 5	-
PORT4	-	-	-	-	SEG7	SEG8	SEG9	SEG 10	SEG 11	-	-	-	-	SEG6	SEG5	SEG4
PORT5	-	-	-	-	-	-	-	-	-	-	-	-	SEG 51	SEG 50	SEG 49	SEG 48
PORT6	-	SEG 34	SEG 33	SEG 32	SEG 31	SEG 30	SEG 29	SEG 28	-	SEG 35	SEG 36	SEG 37	SEG 38	SEG 39	SEG 40	SEG 41
PORT7																
PORT8	-	-	-	-	-	-	SEG 19	SEG 18	SEG 27	SEG 26	SEG 42	SEG 43	SEG 47	SEG 46	SEG 45	SEG 44
PORT9	-	-	-	-	-	-	-	-	-	-	-	-	-	-	-	-

Note 1. () indicates the number of signal output pins when 8-time slice is selected.

Note 2. CAPH and CAPL are capacitor connection pins for the LCD controller/driver.

Note 3. VL1, VL2, VL3, and VL4 are power supply pins for driving the LCD.

Table 48.3 SLCDC display function pins for 121-pin products

Item	121 Pins															
LCD controller/driver	Number of segment pins (SEG): 46 (42)*1 Number of common pins (COM): 8															
Multiplexed I/O port	b15	b14	b13	b12	b11	b10	b9	b8	b7	b6	b5	b4	b3	b2	b1	b0
PORT1	SEG 25	SEG 24	SEG0/COM4	CAPL *2	CAPH *2	SEG 53	SEG 52	-	COM 3	COM 2	COM 1	COM 0	VL4*3	VL3*3	VL2*3	VL1*3
PORT2	-	-	-	-	-	-	-	-	-	SEG 12	SEG 20	SEG 23	SEG 22	SEG 21	-	-
PORT3	-	-	-	-	-	-	-	SEG 13	SEG 14	SEG 15	SEG 16	SEG 17	SEG3/COM7	SEG2/COM6	SEG1/COM5	-
PORT4	-	-	-	-	SEG7	SEG8	SEG9	SEG 10	SEG 11	-	-	-	-	SEG6	SEG5	SEG4
PORT5	-	-	-	-	-	-	-	-	-	-	-	-	SEG 51	SEG 50	SEG 49	SEG 48
PORT6	-	-	SEG 33	SEG 32	SEG 31	SEG 30	SEG 29	SEG 28	-	-	SEG 36	SEG 37	SEG 38	SEG 39	SEG 40	SEG 41
PORT7	-	-	-	-	-	-	-	-	-	-	-	-	-	-	-	-
PORT8	-	-	-	-	-	-	SEG 19	SEG 18	-	-	-	-	-	-	SEG 45	SEG 44
PORT9	-	-	-	-	-	-	-	-	-	-	-	-	-	-	-	-

Note 1. () indicates the number of signal output pins when 8-time slice is selected.

Note 2. CAPH and CAPL are capacitor connection pins for the LCD controller/driver.

Note 3. VL1, VL2, VL3, and VL4 are power supply pins for driving the LCD.

Table 48.4 SLCDC display function pins for 100-pin products

Item	100 Pins															
LCD controller/driver	Number of segment pins (SEG): 38 (34)*1 Number of common pins (COM): 8															
Multiplexed I/O port	b15	b14	b13	b12	b11	b10	b9	b8	b7	b6	b5	b4	b3	b2	b1	b0
PORT1	SEG 25	SEG 24	SEG0/COM4	CAPL *2	CAPH *2	SEG 53	SEG 52	-	COM 3	COM 2	COM 1	COM 0	VL4*3	VL3*3	VL2*3	VL1*3
PORT2	-	-	-	-	-	-	-	-	-	SEG 12	SEG 20	SEG 23	SEG 22	SEG 21	-	-
PORT3	-	-	-	-	-	-	-	-	SEG 14	SEG 15	SEG 16	SEG 17	SEG3/COM7	SEG2/COM6	SEG1/COM5	-
PORT4	-	-	-	-	SEG7	SEG8	SEG9	SEG 10	SEG 11	-	-	-	-	SEG6	SEG5	SEG4
PORT5	-	-	-	-	-	-	-	-	-	-	-	-	SEG 51	SEG 50	SEG 49	SEG 48
PORT6	-	-	-	-	-	SEG 30	SEG 29	SEG 28	-	-	-	-	SEG 38	SEG 39	SEG 40	SEG 41
PORT7	-	-	-	-	-	-	-	-	-	-	-	-	-	-	-	-
PORT8	-	-	-	-	-	-	SEG 19	SEG 18	-	-	-	-	-	-	-	-
PORT9	-	-	-	-	-	-	-	-	-	-	-	-	-	-	-	-

Note 1. () indicates the number of signal output pins when 8-time slice is selected.

Note 2. CAPH and CAPL are capacitor connection pins for the LCD controller/driver.

Note 3. VL1, VL2, VL3, and VL4 are power supply pins for driving the LCD.

Table 48.5 SLCDC display function pins for 64-pin products

Item	64 Pins															
LCD controller/driver	Number of segment pins (SEG) : 21 (17) *1 Number of common pins (COM) : 8															
Multiplexed I/O port	b15	b14	b13	b12	b11	b10	b9	b8	b7	b6	b5	b4	b3	b2	b1	b0
PORT1	-	-	SEG0/ COM4	CAPL *2	CAPH *2	SEG 53	SEG 52	-	COM 3	COM 2	COM 1	COM 0	VL4*3	VL3*3	VL2*3	VL1*3
PORT2	-	-	-	-	-	-	-	-	-	SEG 12	SEG 20	SEG 23	-	-	-	-
PORT3	-	-	-	-	-	-	-	-	-	-	-	SEG 17	SEG3/ COM7	SEG2/ COM6	SEG1/ COM5	-
PORT4	-	-	-	-	SEG7	SEG8	SEG9	SEG 10	SEG 11	-	-	-	-	SEG6	SEG5	SEG4
PORT5	-	-	-	-	-	-	-	-	-	-	-	-	-	SEG 50	SEG 49	SEG 48
PORT6	-	-	-	-	-	-	-	-	-	-	-	-	-	-	-	-
PORT7	-	-	-	-	-	-	-	-	-	-	-	-	-	-	-	-
PORT8	-	-	-	-	-	-	-	-	-	-	-	-	-	-	-	-
PORT9	-	-	-	-	-	-	-	-	-	-	-	-	-	-	-	-

Note 1. () indicates the number of signal output pins when 8-time slice is selected.

Note 2. CAPH and CAPL are capacitor connection pins for the LCD controller/driver.

Note 3. VL1, VL2, VL3, and VL4 are power supply pins for driving the LCD.

Table 48.6 Maximum number of pixels for 64-pin products

Drive waveform for LCD driver	LCD driver voltage generator	Bias mode	Number of time slices	Maximum number of pixels
Waveform A	External resistance division	-	Static	21 (21 segment signals, 1 common signal)
		1/2	2	42 (21 segment signals, 2 common signals)
			3	63 (21 segment signals, 3 common signals)
			4	84 (21 segment signals, 4 common signals)
		1/4	8	136 (17 segment signals, 8 common signals)
	Internal voltage boosting	1/3	3	63 (21 segment signals, 3 common signals)
			4	84 (21 segment signals, 4 common signals)
		1/4	8	136 (17 segment signals, 8 common signals)
	Capacitor split	1/3	3	63 (21 segment signals, 3 common signals)
			4	84 (21 segment signals, 4 common signals)
Waveform B	External resistance division, internal voltage boosting	1/3	4	136 (17 segment signals, 8 common signals)
		1/4	8	
	Capacitor split	1/3	4	84 (21 segment signals, 4 common signals)

Table 48.7 Maximum number of pixels for 100-pin products

Drive waveform for LCD driver	LCD driver voltage generator	Bias mode	Number of time slices	Maximum number of pixels
Waveform A	External resistance division	-	Static	38 (38 segment signals, 1 common signal)
		1/2	2	76 (38 segment signals, 2 common signals)
			3	114 (38 segment signals, 3 common signals)
		1/3	3	
			4	152 (38 segment signals, 4 common signals)
	1/4	8	272 (34 segment signals, 8 common signals)	
	Internal voltage boosting	1/3	3	114 (38 segment signals, 3 common signals)
			4	152 (38 segment signals, 4 common signals)
		1/4	8	272 (34 segment signals, 8 common signals)
	Capacitor split	1/3	3	114 (38 segment signals, 3 common signals)
4			152 (38 segment signals, 4 common signals)	
Waveform B	External resistance division, internal voltage boosting	1/3	4	
		1/4	8	272 (34 segment signals, 8 common signals)
	Capacitor split	1/3	4	152 (38 segment signals, 4 common signals)

Table 48.8 Maximum number of pixels for 121-pin products

Drive waveform for LCD driver	LCD driver voltage generator	Bias mode	Number of time slices	Maximum number of pixels
Waveform A	External resistance division	-	Static	46 (46 segment signals, 1 common signal)
		1/2	2	92 (46 segment signals, 2 common signals)
			3	138 (46 segment signals, 3 common signals)
		1/3	3	
			4	184 (46 segment signals, 4 common signals)
	1/4	8	336 (42 segment signals, 8 common signals)	
	Internal voltage boosting	1/3	3	138 (46 segment signals, 3 common signals)
			4	184 (46 segment signals, 4 common signals)
		1/4	8	336 (42 segment signals, 8 common signals)
	Capacitor split	1/3	3	138 (46 segment signals, 3 common signals)
4			184 (46 segment signals, 4 common signals)	
Waveform B	External resistance division, internal voltage boosting	1/3	4	
		1/4	8	336 (42 segment signals, 8 common signals)
	Capacitor split	1/3	4	184 (46 segment signals, 4 common signals)

Table 48.9 Maximum number of pixels for 145/144-pin products

Drive waveform for LCD driver	LCD driver voltage generator	Bias mode	Number of time slices	Maximum number of pixels
Waveform A	External resistance division	—	Static	54 (54 segment signals, 1 common signal)
		1/2	2	108 (54 segment signals, 2 common signals)
			3	162 (54 segment signals, 3 common signals)
		1/3	3	216 (54 segment signals, 4 common signals)
			4	
	1/4	8	400 (50 segment signals, 8 common signals)	
	Internal voltage boosting	1/3	3	162 (54 segment signals, 3 common signals)
			4	216 (54 segment signals, 4 common signals)
		1/4	8	400 (50 segment signals, 8 common signals)
Capacitor split	1/3	3	162 (54 segment signals, 3 common signals)	
		4	216 (54 segment signals, 4 common signals)	
Waveform B	External resistance division, internal voltage boosting	1/3	4	400 (50 segment signals, 8 common signals)
		1/4	8	
	Capacitor split	1/3	4	216 (54 segment signals, 4 common signals)

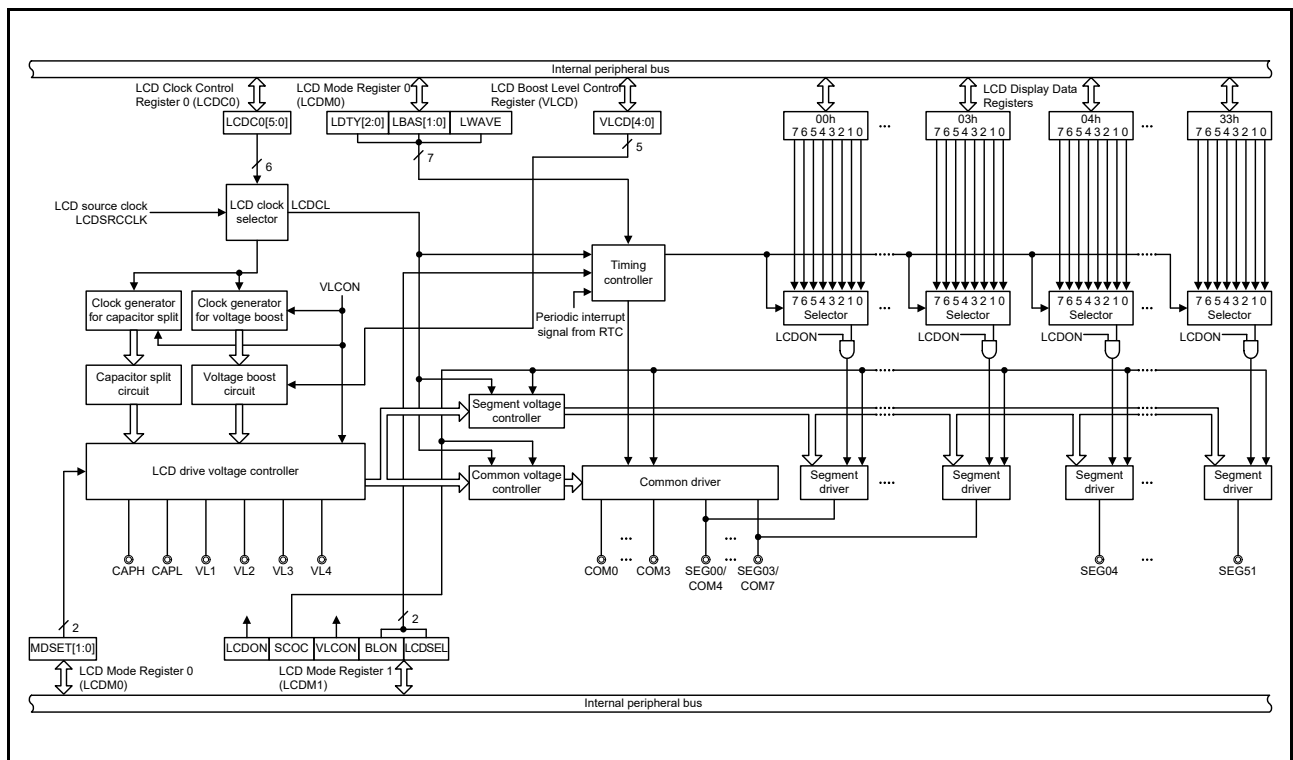
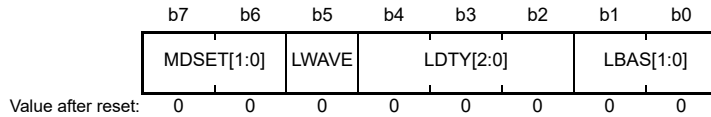


Figure 48.1 SLCDC block diagram

48.2 Register Descriptions

48.2.1 LCD Mode Register 0 (LCDM0)

Address(es): SLCDC.LCDM0 4008 2000h



Bit	Symbol	Bit name	Description	R/W
b1, b0	LBAS[1:0]	LCD Display Bias Method Select	b1 b0 0 0: 1/2 bias method 0 1: 1/3 bias method 1 0: 1/4 bias method 1 1: Setting prohibited.	R/W
b4 to b2	LDTY[2:0]	Time Slice of LCD Display Select	b4 b2 0 0 0: Static 0 0 1: 2-time slice 0 1 0: 3-time slice 0 1 1: 4-time slice 1 0 1: 8-time slice. Other settings are prohibited.	R/W
b5	LWAVE	LCD Display Waveform Select	0: Waveform A 1: Waveform B.	R/W
b7, b6	MDSET[1:0]	LCD Drive Voltage Generator Select	b7 b6 0 0: External resistance division method 0 1: Internal voltage boosting method 1 0: Capacitor split method 1 1: Setting prohibited.	R/W

Note: Do not rewrite the LCDM0 value when the SCOC bit of the LCDM1 register is 1.

Note: When static is selected (LDTY[2:0] = 000b), you must set the LBAS[1:0] bits to the default value (00b). Otherwise, the operation is not guaranteed.

Note: Only the combinations of display waveform, number of time slices, and bias method shown in Table 48.10 are supported. Combinations of settings not shown in Table 48.10 are prohibited.

Table 48.10 Combinations of display waveform, time slices, bias method, and frame frequency

Display mode			Set value						Driving voltage generation method		
Display waveform	Number of time slices	Bias mode	LWAVE	LDTY[2:0]			LBAS[1:0]		External resistance division	Internal voltage boosting	Capacitor split
Waveform A	8	1/4	0	1	0	1	1	0	A	A	N/A
Waveform A	4	1/3	0	0	1	1	0	1	A	A	A
Waveform A	3	1/3	0	0	1	0	0	1	A	A	A
Waveform A	3	1/2	0	0	1	0	0	0	A	N/A	N/A
Waveform A	2	1/2	0	0	0	1	0	0	A	N/A	N/A
Waveform A	Static		0	0	0	0	0	0	A	N/A	N/A
Waveform B	8	1/4	1	1	0	1	1	0	A	A	N/A
Waveform B	4	1/3	1	0	1	1	0	1	A	A	A

A: Available

N/A: Not available

48.2.2 LCD Mode Register 1 (LCDM1)

Address(es): SLCDC.LCDM1 4008 2001h

	b7	b6	b5	b4	b3	b2	b1	b0
	LCDON	SCOC	VLCON	BLON	LCDSEL	—	—	LCDVLM
Value after reset:	0	0	0	0	0	0	0	0

Bit	Symbol	Bit name	Description	R/W
b0	LCDVLM	Voltage Boosting Pin Initial Value Switching Control	0: Set when $VCC \geq 2.7$ V 1: Set when $VCC \leq 4.2$ V. In the condition 2.7 V \leq $VCC \leq 4.2$ V, any value can be set.	R/W
b2, b1	—	Reserved	These bits are read as 0. The write value should be 0.	R/W
b3	LCDSEL	Display Data Area Control	b4 b3 0 0: Display an A-pattern area data (lower 4 bits of LCD display data register)	R/W
b4	BLON	Display Data Area Control	0 1: Display a B-pattern area data (upper 4 bits of LCD display data register) 1 0: Alternately display A-pattern and B-pattern area data (blinking display associated with the periodic interrupt (RTC_PRD) timing of the Realtime Clock (RTC)) 1 1: Alternately display A-pattern and B-pattern area data (blinking display associated with the periodic interrupt (RTC_PRD) timing of the Realtime Clock (RTC)).	R/W
b5	VLCON	Voltage Boost Circuit or Capacitor Split Circuit Operation Enable/Disable	0: Stop voltage boost circuit or capacitor split circuit operation 1: Enable voltage boost circuit or capacitor split circuit operation.*1	R/W
b6	SCOC	LCD Display Enable/Disable	b7 b6 0 0: Output ground level to segment/common pin	R/W
b7	LCDON	LCD Display Enable/Disable	0 1: Display off (all segment outputs are deselected) 1 0: Output ground level to segment/common pin 1 1: Display on.	R/W

Note: This bit is used to improve voltage boost efficiency when using the voltage boost circuit by setting the initial VLX pin status. If VCC is 2.7 V or higher when voltage boosting starts, set the LCDVLM bit to 0. If VCC is 4.2 V or lower, set the LCDVLM bit to 1. If VCC is within the range between 2.7 V and 4.2 V, the LCDVLM bit may be set to 0 or 1.

Note: To reduce power consumption when nothing is to be displayed on the LCD while the voltage boost circuit is in use, set the SCOC and VLCON bits to 0 and set the LCDM0.MDSET[1:0] bits to 00b. When LCDM0.MDSET[1:0] = 01b, the internal reference voltage generator operates and consumes power.

Note: When the external resistance division method is set (LCDM0.MDSET[1:0] = 00b) or the capacitor split method is set (LCDM0.MDSET[1:0] = 10b), set the LCDVLM bit to 0.

Note: Do not rewrite the VLCON and LCDVLM bits while SCOC = 1.

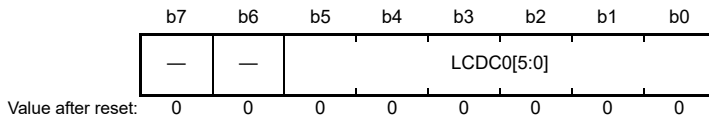
Note: Set the BLON and LCDSEL bits to 0 when 8 is selected as the number of time slices for the display mode.

Note: To use the internal voltage boosting method, specify the reference voltage by using the VLCD register (select the internal boosting method by setting the LCDM0.MDSET[1:0] bits to 01b if the default reference voltage is used), wait for the reference voltage setup time (minimum 5 ms), and then set the VLCON bit to 1.

Note 1. Setting is prohibited when using the external resistance division method.

48.2.3 LCD Clock Control Register 0 (LCDC0)

Address(es): SLCDC.LCDC0 4008 2002h



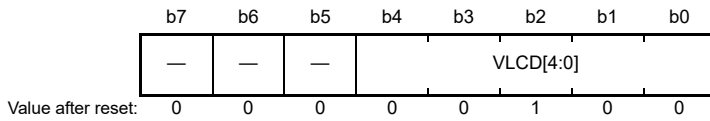
Bit	Symbol	Bit name	Description	R/W
b5 to b0	LCDC0[5:0]	LCD Clock (LCDCL) Setting	b5 b0 0 0 0 0 1: (sub-clock)/2 ² or (LOCO clock)/2 ² 0 0 0 1 0: (sub-clock)/2 ³ or (LOCO clock)/2 ³ 0 0 0 1 1: (sub-clock)/2 ⁴ or (LOCO clock)/2 ⁴ 0 0 1 0 0: (sub-clock)/2 ⁵ or (LOCO clock)/2 ⁵ 0 0 1 0 1: (sub-clock)/2 ⁶ or (LOCO clock)/2 ⁶ 0 0 1 1 0: (sub-clock)/2 ⁷ or (LOCO clock)/2 ⁷ 0 0 1 1 1: (sub-clock)/2 ⁸ or (LOCO clock)/2 ⁸ 0 1 0 0 0: (sub-clock)/2 ⁹ or (LOCO clock)/2 ⁹ 0 1 0 0 1: (sub-clock)/2 ¹⁰ or (LOCO clock)/2 ¹⁰ 0 1 0 1 0: (main clock)/2 ⁸ or (HOCO clock)/2 ⁸ 0 1 0 1 1: (main clock)/2 ⁹ or (HOCO clock)/2 ⁹ 0 1 1 0 0: (main clock)/2 ¹⁰ or (HOCO clock)/2 ¹⁰ 0 1 1 0 1: (main clock)/2 ¹¹ or (HOCO clock)/2 ¹¹ 0 1 1 1 0: (main clock)/2 ¹² or (HOCO clock)/2 ¹² 0 1 1 1 1: (main clock)/2 ¹³ or (HOCO clock)/2 ¹³ 0 1 0 1 1: (main clock)/2 ¹⁴ or (HOCO clock)/2 ¹⁴ 0 1 1 0 0: (main clock)/2 ¹⁵ or (HOCO clock)/2 ¹⁵ 0 1 1 0 1: (main clock)/2 ¹⁶ or (HOCO clock)/2 ¹⁶ 0 1 1 1 0: (main clock)/2 ¹⁷ or (HOCO clock)/2 ¹⁷ 0 1 1 1 1: (main clock)/2 ¹⁸ or (HOCO clock)/2 ¹⁸ 1 0 1 0 1: (main clock)/2 ¹⁹ or (HOCO clock)/2 ¹⁹ . Other settings are prohibited.	R/W
b7, b6	—	Reserved	These bits are read as 0. The write value should be 0.	R/W

Note: Set the frame frequency in a range from 32 Hz to 128 Hz. Set the LCD clock (LCDCL) to no more than 512 Hz when using the internal voltage boosting method and the capacitor split method.

Note: Do not set LCDC0 when the LCDM1.SCOC bit is 1.

48.2.4 LCD Boost Level Control Register (VLCD)

Address(es): [SLCDC.VLCD 4008 2003h](#)



Bit	Symbol	Bit name	Description	R/W																																																																																																																																																
b4 to b0	VLCD[4:0]	Reference Voltage (Contrast Adjustment) Select		R/W																																																																																																																																																
<table border="1"> <thead> <tr> <th colspan="5"></th> <th>VL1 voltage</th> <th colspan="2">VL4 voltage</th> </tr> <tr> <th>b4</th> <th>b3</th> <th>b2</th> <th>b1</th> <th>b0</th> <th>Reference voltage</th> <th>1/3 bias method</th> <th>1/4 bias method</th> </tr> </thead> <tbody> <tr><td>0</td><td>0</td><td>1</td><td>0</td><td>0</td><td>1.00 V</td><td>3.00 V</td><td>4.00 V</td></tr> <tr><td>0</td><td>0</td><td>1</td><td>0</td><td>1</td><td>1.05 V</td><td>3.15 V</td><td>4.20 V</td></tr> <tr><td>0</td><td>0</td><td>1</td><td>1</td><td>0</td><td>1.10 V</td><td>3.30 V</td><td>4.40 V</td></tr> <tr><td>0</td><td>0</td><td>1</td><td>1</td><td>1</td><td>1.15 V</td><td>3.45 V</td><td>4.60 V</td></tr> <tr><td>0</td><td>1</td><td>0</td><td>0</td><td>0</td><td>1.20 V</td><td>3.60 V</td><td>4.80 V</td></tr> <tr><td>0</td><td>1</td><td>0</td><td>0</td><td>1</td><td>1.25 V</td><td>3.75 V</td><td>5.00 V</td></tr> <tr><td>0</td><td>1</td><td>0</td><td>1</td><td>0</td><td>1.30 V</td><td>3.90 V</td><td>5.20 V</td></tr> <tr><td>0</td><td>1</td><td>0</td><td>1</td><td>1</td><td>1.35 V</td><td>4.05 V</td><td>Setting prohibited</td></tr> <tr><td>0</td><td>1</td><td>1</td><td>0</td><td>0</td><td>1.40 V</td><td>4.20 V</td><td>Setting prohibited</td></tr> <tr><td>0</td><td>1</td><td>1</td><td>0</td><td>1</td><td>1.45 V</td><td>4.35 V</td><td>Setting prohibited</td></tr> <tr><td>0</td><td>1</td><td>1</td><td>1</td><td>0</td><td>1.50 V</td><td>4.50 V</td><td>Setting prohibited</td></tr> <tr><td>0</td><td>1</td><td>1</td><td>1</td><td>1</td><td>1.55 V</td><td>4.65 V</td><td>Setting prohibited</td></tr> <tr><td>1</td><td>0</td><td>0</td><td>0</td><td>0</td><td>1.60 V</td><td>4.80 V</td><td>Setting prohibited</td></tr> <tr><td>1</td><td>0</td><td>0</td><td>0</td><td>1</td><td>1.65 V</td><td>4.95 V</td><td>Setting prohibited</td></tr> <tr><td>1</td><td>0</td><td>0</td><td>1</td><td>0</td><td>1.70 V</td><td>5.10 V</td><td>Setting prohibited</td></tr> <tr><td>1</td><td>0</td><td>0</td><td>1</td><td>1</td><td>1.75 V</td><td>5.25 V</td><td>Setting prohibited</td></tr> </tbody> </table>										VL1 voltage	VL4 voltage		b4	b3	b2	b1	b0	Reference voltage	1/3 bias method	1/4 bias method	0	0	1	0	0	1.00 V	3.00 V	4.00 V	0	0	1	0	1	1.05 V	3.15 V	4.20 V	0	0	1	1	0	1.10 V	3.30 V	4.40 V	0	0	1	1	1	1.15 V	3.45 V	4.60 V	0	1	0	0	0	1.20 V	3.60 V	4.80 V	0	1	0	0	1	1.25 V	3.75 V	5.00 V	0	1	0	1	0	1.30 V	3.90 V	5.20 V	0	1	0	1	1	1.35 V	4.05 V	Setting prohibited	0	1	1	0	0	1.40 V	4.20 V	Setting prohibited	0	1	1	0	1	1.45 V	4.35 V	Setting prohibited	0	1	1	1	0	1.50 V	4.50 V	Setting prohibited	0	1	1	1	1	1.55 V	4.65 V	Setting prohibited	1	0	0	0	0	1.60 V	4.80 V	Setting prohibited	1	0	0	0	1	1.65 V	4.95 V	Setting prohibited	1	0	0	1	0	1.70 V	5.10 V	Setting prohibited	1	0	0	1	1	1.75 V	5.25 V	Setting prohibited
					VL1 voltage	VL4 voltage																																																																																																																																														
b4	b3	b2	b1	b0	Reference voltage	1/3 bias method	1/4 bias method																																																																																																																																													
0	0	1	0	0	1.00 V	3.00 V	4.00 V																																																																																																																																													
0	0	1	0	1	1.05 V	3.15 V	4.20 V																																																																																																																																													
0	0	1	1	0	1.10 V	3.30 V	4.40 V																																																																																																																																													
0	0	1	1	1	1.15 V	3.45 V	4.60 V																																																																																																																																													
0	1	0	0	0	1.20 V	3.60 V	4.80 V																																																																																																																																													
0	1	0	0	1	1.25 V	3.75 V	5.00 V																																																																																																																																													
0	1	0	1	0	1.30 V	3.90 V	5.20 V																																																																																																																																													
0	1	0	1	1	1.35 V	4.05 V	Setting prohibited																																																																																																																																													
0	1	1	0	0	1.40 V	4.20 V	Setting prohibited																																																																																																																																													
0	1	1	0	1	1.45 V	4.35 V	Setting prohibited																																																																																																																																													
0	1	1	1	0	1.50 V	4.50 V	Setting prohibited																																																																																																																																													
0	1	1	1	1	1.55 V	4.65 V	Setting prohibited																																																																																																																																													
1	0	0	0	0	1.60 V	4.80 V	Setting prohibited																																																																																																																																													
1	0	0	0	1	1.65 V	4.95 V	Setting prohibited																																																																																																																																													
1	0	0	1	0	1.70 V	5.10 V	Setting prohibited																																																																																																																																													
1	0	0	1	1	1.75 V	5.25 V	Setting prohibited																																																																																																																																													
Other settings are prohibited.																																																																																																																																																				
b7 to b5	—	Reserved	These bits are read as 0. The write value should be 0.	R/W																																																																																																																																																

- Note: The VLCD setting is valid only when the voltage boost circuit is operating.
- Note: Be sure to change the VLCD value after stopping the operation of the voltage boost circuit (VLCON = 0).
- Note: To use the internal voltage boosting method, specify the reference voltage in the VLCD register (select the internal boosting method, by setting the LCDM0.MDSET[1:0] bits to 01b, if the default reference voltage is used), wait for the reference voltage setup time (minimum 5 ms), and then set VLCON to 1.
- Note: When using the external resistance division method and the capacitor split method, use the default value (04h) for the VLCD resistor.

48.3 LCD Display Data Registers

The LCD display data registers are mapped as shown in [Table 48.11](#) and [Table 48.12](#). The contents displayed on the LCD can be changed by changing the contents of the LCD display data registers.

Table 48.11 Relationship between LCD Display Data Register contents and segment/common outputs (1 of 2)
Other than 8-time-slice (static, 2-time slice, 3-time slice, and 4-time slice)

Register name	Address	b7	b6	b5	b4	b3	b2	b1	b0	145/144-pin	121-pin	100-pin	64-pin
		COM7	COM6	COM5	COM4	COM3	COM2	COM1	COM0				
SEG00	4008 2100h	SEG00 (B-pattern area)				SEG00 (A-pattern area)				A	A	A	A
SEG01	4008 2101h	SEG01 (B-pattern area)				SEG01 (A-pattern area)				A	A	A	A
SEG02	4008 2102h	SEG02 (B-pattern area)				SEG02 (A-pattern area)				A	A	A	A
SEG03	4008 2103h	SEG03 (B-pattern area)				SEG03 (A-pattern area)				A	A	A	A
SEG04	4008 2104h	SEG04 (B-pattern area)				SEG04 (A-pattern area)				A	A	A	A
SEG05	4008 2105h	SEG05 (B-pattern area)				SEG05 (A-pattern area)				A	A	A	A
SEG06	4008 2106h	SEG06 (B-pattern area)				SEG06 (A-pattern area)				A	A	A	A
SEG07	4008 2107h	SEG07 (B-pattern area)				SEG07 (A-pattern area)				A	A	A	A
SEG08	4008 2108h	SEG08 (B-pattern area)				SEG08 (A-pattern area)				A	A	A	A
SEG09	4008 2109h	SEG09 (B-pattern area)				SEG09 (A-pattern area)				A	A	A	A
SEG10	4008 210Ah	SEG10 (B-pattern area)				SEG10 (A-pattern area)				A	A	A	A
SEG11	4008 210Bh	SEG11 (B-pattern area)				SEG11 (A-pattern area)				A	A	A	A
SEG12	4008 210Ch	SEG12 (B-pattern area)				SEG12 (A-pattern area)				A	A	A	A
SEG13	4008 210Dh	SEG13 (B-pattern area)				SEG13 (A-pattern area)				A	A	N/A	N/A
SEG14	4008 210Eh	SEG14 (B-pattern area)				SEG14 (A-pattern area)				A	A	A	N/A
SEG15	4008 210Fh	SEG15 (B-pattern area)				SEG15 (A-pattern area)				A	A	A	N/A
SEG16	4008 2110h	SEG16 (B-pattern area)				SEG16 (A-pattern area)				A	A	A	N/A
SEG17	4008 2111h	SEG17 (B-pattern area)				SEG17 (A-pattern area)				A	A	A	A
SEG18	4008 2112h	SEG18 (B-pattern area)				SEG18 (A-pattern area)				A	A	A	N/A
SEG19	4008 2113h	SEG19 (B-pattern area)				SEG19 (A-pattern area)				A	A	A	N/A
SEG20	4008 2114h	SEG20 (B-pattern area)				SEG20 (A-pattern area)				A	A	A	A
SEG21	4008 2115h	SEG21 (B-pattern area)				SEG21 (A-pattern area)				A	A	A	N/A
SEG22	4008 2116h	SEG22 (B-pattern area)				SEG22 (A-pattern area)				A	A	A	N/A
SEG23	4008 2117h	SEG23 (B-pattern area)				SEG23 (A-pattern area)				A	A	A	A
SEG24	4008 2118h	SEG24 (B-pattern area)				SEG24 (A-pattern area)				A	A	A	N/A
SEG25	4008 2119h	SEG25 (B-pattern area)				SEG25 (A-pattern area)				A	A	A	N/A
SEG26	4008 211Ah	SEG26 (B-pattern area)				SEG26 (A-pattern area)				A	N/A	N/A	N/A
SEG27	4008 211Bh	SEG27 (B-pattern area)				SEG27 (A-pattern area)				A	N/A	N/A	N/A
SEG28	4008 211Ch	SEG28 (B-pattern area)				SEG28 (A-pattern area)				A	A	A	N/A
SEG29	4008 211Dh	SEG29 (B-pattern area)				SEG29 (A-pattern area)				A	A	A	N/A
SEG30	4008 211Eh	SEG30 (B-pattern area)				SEG30 (A-pattern area)				A	A	A	N/A
SEG31	4008 211Fh	SEG31 (B-pattern area)				SEG31 (A-pattern area)				A	A	N/A	N/A
SEG32	4008 2120h	SEG32 (B-pattern area)				SEG32 (A-pattern area)				A	A	N/A	N/A
SEG33	4008 2121h	SEG33 (B-pattern area)				SEG33 (A-pattern area)				A	A	N/A	N/A
SEG34	4008 2122h	SEG34 (B-pattern area)				SEG34 (A-pattern area)				A	N/A	N/A	N/A
SEG35	4008 2123h	SEG35 (B-pattern area)				SEG35 (A-pattern area)				A	N/A	N/A	N/A
SEG36	4008 2124h	SEG36 (B-pattern area)				SEG36 (A-pattern area)				A	A	N/A	N/A
SEG37	4008 2125h	SEG37 (B-pattern area)				SEG37 (A-pattern area)				A	A	N/A	N/A
SEG38	4008 2126h	SEG38 (B-pattern area)				SEG38 (A-pattern area)				A	A	A	N/A
SEG39	4008 2127h	SEG39 (B-pattern area)				SEG39 (A-pattern area)				A	A	A	N/A
SEG40	4008 2128h	SEG40 (B-pattern area)				SEG40 (A-pattern area)				A	A	A	N/A
SEG41	4008 2129h	SEG41 (B-pattern area)				SEG41 (A-pattern area)				A	A	A	N/A

Table 48.11 Relationship between LCD Display Data Register contents and segment/common outputs (2 of 2)
Other than 8-time-slice (static, 2-time slice, 3-time slice, and 4-time slice)

Register name	Address	b7	b6	b5	b4	b3	b2	b1	b0	145/144-pin	121-pin	100-pin	64-pin
		COM7	COM6	COM5	COM4	COM3	COM2	COM1	COM0				
SEG42	4008 212Ah	SEG42 (B-pattern area)				SEG42 (A-pattern area)				A	N/A	N/A	N/A
SEG43	4008 212Bh	SEG43 (B-pattern area)				SEG43 (A-pattern area)				A	N/A	N/A	N/A
SEG44	4008 212Ch	SEG44 (B-pattern area)				SEG44 (A-pattern area)				A	A	N/A	N/A
SEG45	4008 212Dh	SEG45 (B-pattern area)				SEG45 (A-pattern area)				A	A	N/A	N/A
SEG46	4008 212Eh	SEG46 (B-pattern area)				SEG46 (A-pattern area)				A	N/A	N/A	N/A
SEG47	4008 212Fh	SEG47 (B-pattern area)				SEG47 (A-pattern area)				A	N/A	N/A	N/A
SEG48	4008 2130h	SEG48 (B-pattern area)				SEG48 (A-pattern area)				A	A	A	A
SEG49	4008 2131h	SEG49 (B-pattern area)				SEG49 (A-pattern area)				A	A	A	A
SEG50	4008 2132h	SEG50 (B-pattern area)				SEG50 (A-pattern area)				A	A	A	A
SEG51	4008 2133h	SEG51 (B-pattern area)				SEG51 (A-pattern area)				A	A	A	N/A
SEG52	4008 2134h	SEG52 (B-pattern area)				SEG52 (A-pattern area)				A	A	A	A
SEG53	4008 2135h	SEG53 (B-pattern area)				SEG53 (A-pattern area)				A	A	A	A

A: Available

N/A: Not available

Table 48.12 Relationship between LCD Display Data Register contents and segment/common outputs (1 of 2)
8-time-slice

Register name	Address	b7	b6	b5	b4	b3	b2	b1	b0	145/144-pin	121-pin	100-pin	64-pin
		COM7	COM6	COM5	COM4	COM3	COM2	COM1	COM0				
SEG00	4008 2100h	SEG00*1								A	A	A	A
SEG01	4008 2101h	SEG01*1								A	A	A	A
SEG02	4008 2102h	SEG02*1								A	A	A	A
SEG03	4008 2103h	SEG03*1								A	A	A	A
SEG04	4008 2104h	SEG04								A	A	A	A
SEG05	4008 2105h	SEG05								A	A	A	A
SEG06	4008 2106h	SEG06								A	A	A	A
SEG07	4008 2107h	SEG07								A	A	A	A
SEG08	4008 2108h	SEG08								A	A	A	A
SEG09	4008 2109h	SEG09								A	A	A	A
SEG10	4008 210Ah	SEG10								A	A	A	A
SEG11	4008 210Bh	SEG11								A	A	A	A
SEG12	4008 210Ch	SEG12								A	A	A	A
SEG13	4008 210Dh	SEG13								A	A	N/A	N/A
SEG14	4008 210Eh	SEG14								A	A	A	N/A
SEG15	4008 210Fh	SEG15								A	A	A	N/A
SEG16	4008 2110h	SEG16								A	A	A	N/A
SEG17	4008 2111h	SEG17								A	A	A	A
SEG18	4008 2112h	SEG18								A	A	A	N/A
SEG19	4008 2113h	SEG19								A	A	A	N/A
SEG20	4008 2114h	SEG20								A	A	A	A
SEG21	4008 2115h	SEG21								A	A	A	N/A
SEG22	4008 2116h	SEG22								A	A	A	N/A
SEG23	4008 2117h	SEG23								A	A	A	A
SEG24	4008 2118h	SEG24								A	A	A	N/A
SEG25	4008 2119h	SEG25								A	A	A	N/A
SEG26	4008 211Ah	SEG26								A	N/A	N/A	N/A
SEG27	4008 211Bh	SEG27								A	N/A	N/A	N/A

Table 48.12 Relationship between LCD Display Data Register contents and segment/common outputs (2 of 2)
8-time-slice

Register name	Address	b7	b6	b5	b4	b3	b2	b1	b0	145/144-pin	121-pin	100-pin	64-pin
		COM7	COM6	COM5	COM4	COM3	COM2	COM1	COM0				
SEG28	4008 211Ch	SEG28								A	A	A	N/A
SEG29	4008 211Dh	SEG29								A	A	A	N/A
SEG30	4008 211Eh	SEG30								A	A	A	N/A
SEG31	4008 211Fh	SEG31								A	A	N/A	N/A
SEG32	4008 2120h	SEG32								A	A	N/A	N/A
SEG33	4008 2121h	SEG33								A	A	N/A	N/A
SEG34	4008 2122h	SEG34								A	N/A	N/A	N/A
SEG35	4008 2123h	SEG35								A	N/A	N/A	N/A
SEG36	4008 2124h	SEG36								A	A	N/A	N/A
SEG37	4008 2125h	SEG37								A	A	N/A	N/A
SEG38	4008 2126h	SEG38								A	A	A	N/A
SEG39	4008 2127h	SEG39								A	A	A	N/A
SEG40	4008 2128h	SEG40								A	A	A	N/A
SEG41	4008 2129h	SEG41								A	A	A	N/A
SEG42	4008 212Ah	SEG42								A	N/A	N/A	N/A
SEG43	4008 212Bh	SEG43								A	N/A	N/A	N/A
SEG44	4008 212Ch	SEG44								A	A	N/A	N/A
SEG45	4008 212Dh	SEG45								A	A	N/A	N/A
SEG46	4008 212Eh	SEG46								A	N/A	N/A	N/A
SEG47	4008 212Fh	SEG47								A	N/A	N/A	N/A
SEG48	4008 2130h	SEG48								A	A	A	A
SEG49	4008 2131h	SEG49								A	A	A	A
SEG50	4008 2132h	SEG50								A	A	A	A
SEG51	4008 2133h	SEG51								A	A	A	N/A
SEG52	4008 2134h	SEG52								A	A	A	A
SEG53	4008 2135h	SEG53								A	A	A	A

A: Available

N/A: Not available

Note: All LCD display data registers (SEG00 to SEG53) have an initial value of 0h, and all bits that are read/write.

Note 1. The COM4 to COM7 pins and SEG00 to SEG03 pins are used alternatively. For more information, see [section 20, I/O Ports](#).

When the number of time slices is static, two, three, or four, the lower four bits and upper four bits of each address of the LCD display data register become an A-pattern area and a B-pattern area, respectively.

The correspondence between A-pattern area data and COM signals is as follows:

bit [0] ↔ COM0, bit [1] ↔ COM1, bit [2] ↔ COM2, and bit [3] ↔ COM3.

The correspondence between B-pattern area data and COM signals is as follows:

bit [4] ↔ COM0, bit [5] ↔ COM1, bit [6] ↔ COM2, and bit [7] ↔ COM3.

A-pattern area data is displayed on the LCD panel when BLON = LCDSEL = 0 is selected, and B-pattern area data is displayed on the LCD panel when BLON = 0 and LCDSEL = 1 is selected.

48.4 Selection of LCD Display Data Register

When the number of time slices is static, two, three, or four, the LCD display data register can be selected from the following types, based on the BLON and LCDSEL bit settings:

- Displaying an A-pattern area data (lower 4 bits of LCD display data register)
- Displaying a B-pattern area data (upper 4 bits of LCD display data register)
- Alternately displaying an A-pattern and B-pattern area data (blinking display associated with the periodic interrupt timing of the Realtime Clock (RTC)).

Note: If the normal liquid crystal waveform is displayed when the number of time slices is eight, LCD display data registers (A-pattern, B-pattern, or blinking display) cannot be selected.

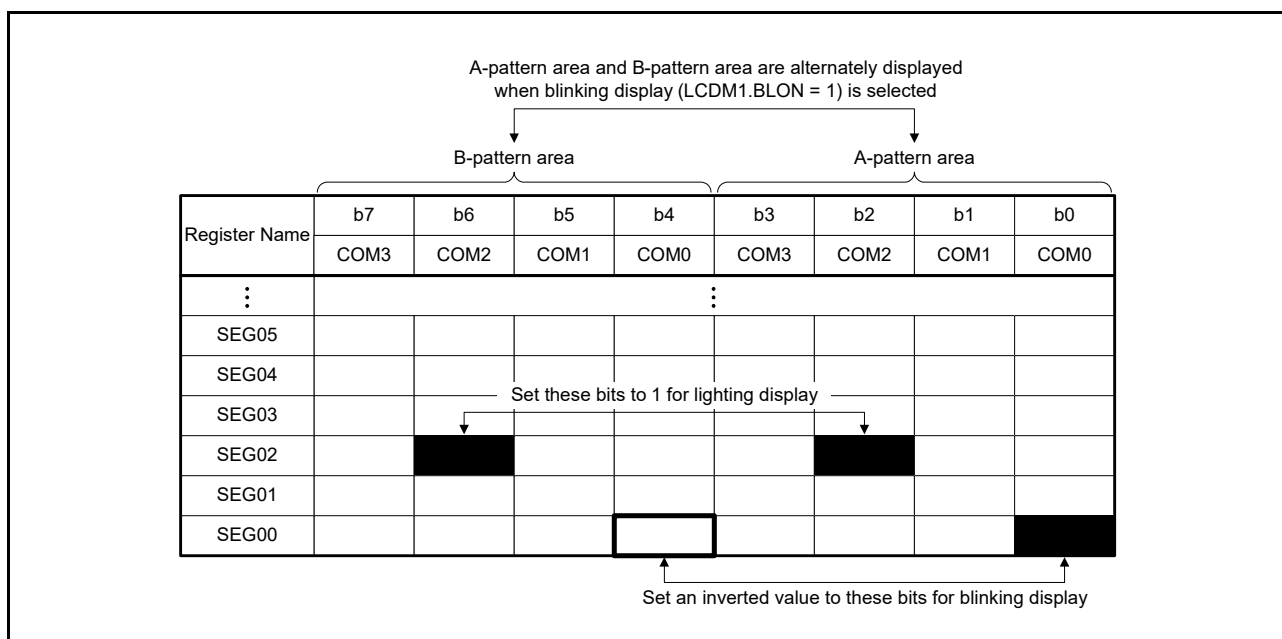


Figure 48.2 Example for setting LCD display data registers when the pattern is changed

48.4.1 A-Pattern Area and B-pattern Area Data Display

When both BLON and LCDSEL are 0, A-pattern area (lower four bits of the LCD display data register) data is output as the LCD display register.

When BLON is 0 and LCDSEL is 1, B-pattern area (upper four bits of the LCD display data register) data is output as the LCD display register.

For details on the display area, see [section 48.3, LCD Display Data Registers](#).

48.4.2 Blinking Display (Alternately Displaying A-Pattern and B-Pattern Area Data)

When BLON is set to 1, A-pattern and B-pattern area data are alternately displayed, according to the constant-period interrupt timing of the Realtime Clock (RTC). See [section 25, Realtime Clock \(RTC\)](#) for information about the setting of the RTC constant-period interrupt (0.5 s setting only) timing.

To use the LCD blinking display feature, set inverted values to the B-pattern area bits associated with the A-pattern area bits. For example, set bit [0] of SEG00 register to 1, and bit [4] of SEG00 register to 0 to use the blinking display. When not using the blinking display feature, set the same values to both the A-pattern and B-pattern area bits. For example, set bit [2] of SEG02 register to 1, and set bit [6] of SEG02 register to 1 for lighting display. For details on the display area, see [section 48.3, LCD Display Data Registers](#).

Figure 48.3 and Figure 48.4 show the timing operation of display switching.

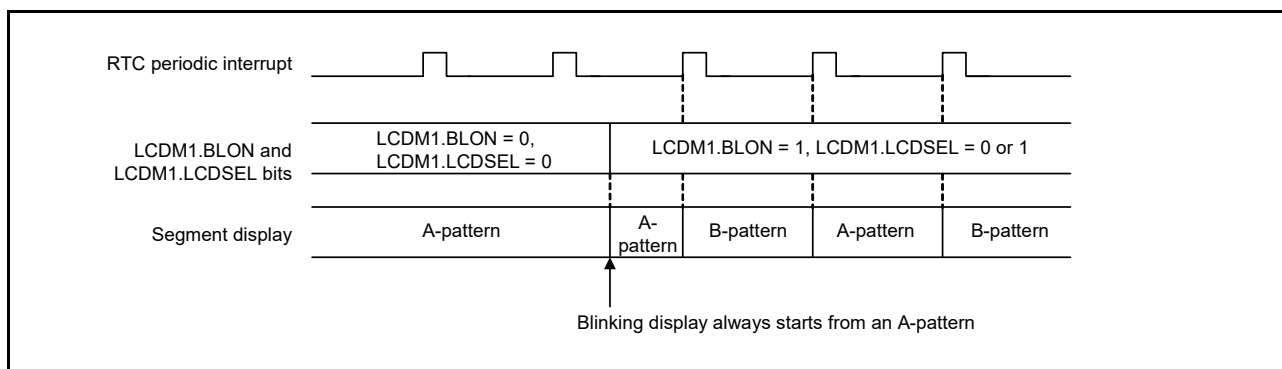


Figure 48.3 Switching operation from A-pattern display to blinking display

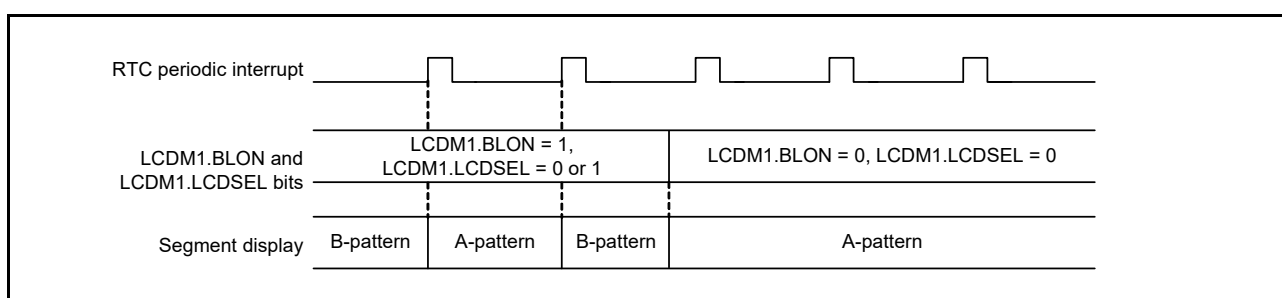


Figure 48.4 Switching operation from blinking display to A-pattern display

48.5 Setting LCD Controller/Driver

To operate the LCD controller/driver, follow procedures (1) to (3) in this section. Otherwise, the LCD operation is not guaranteed.

(1) External resistance division method during normal liquid crystal waveform display

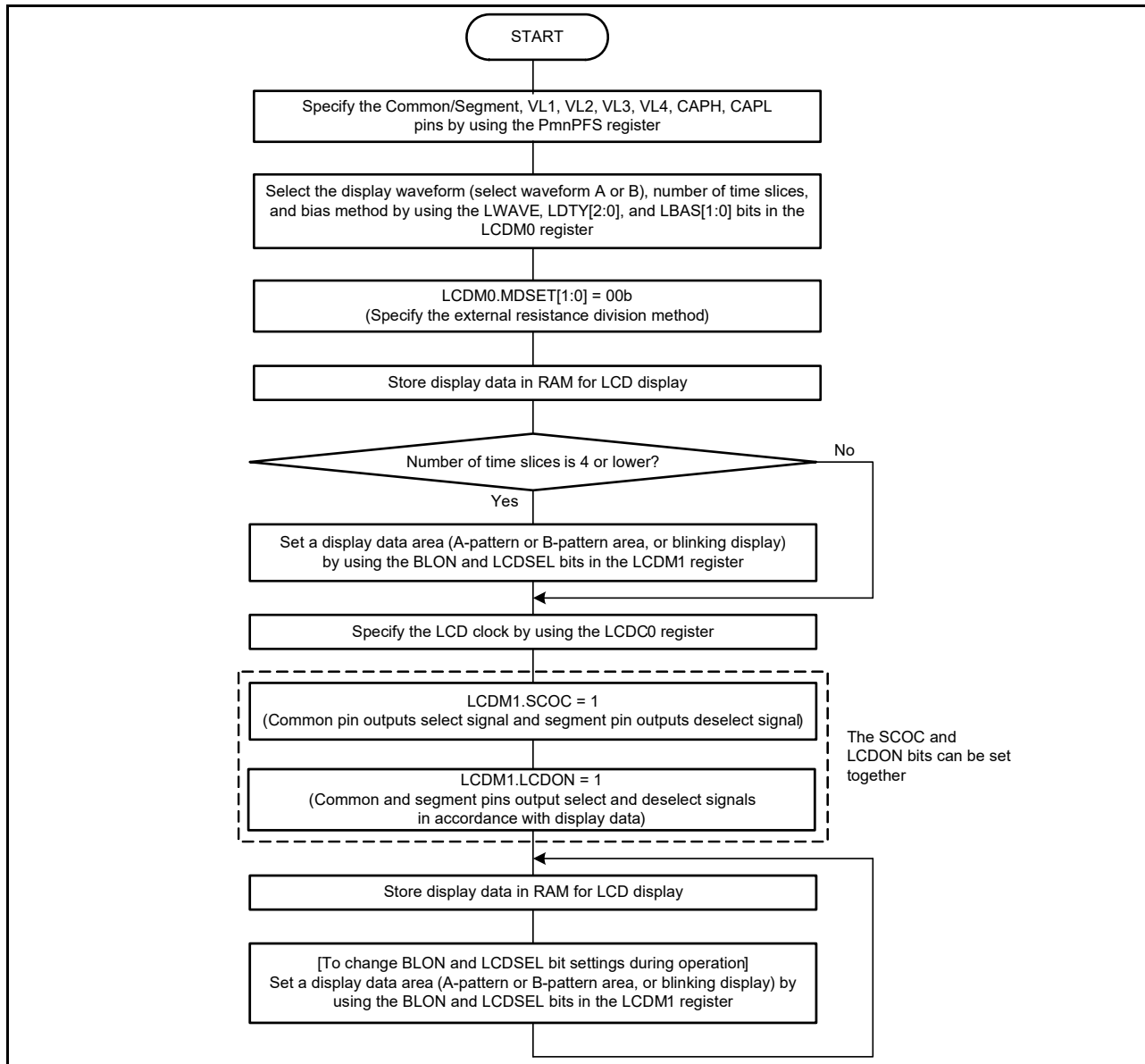


Figure 48.5 Setting procedure for external resistance division method during normal liquid crystal waveform display

(2) Internal voltage boosting method

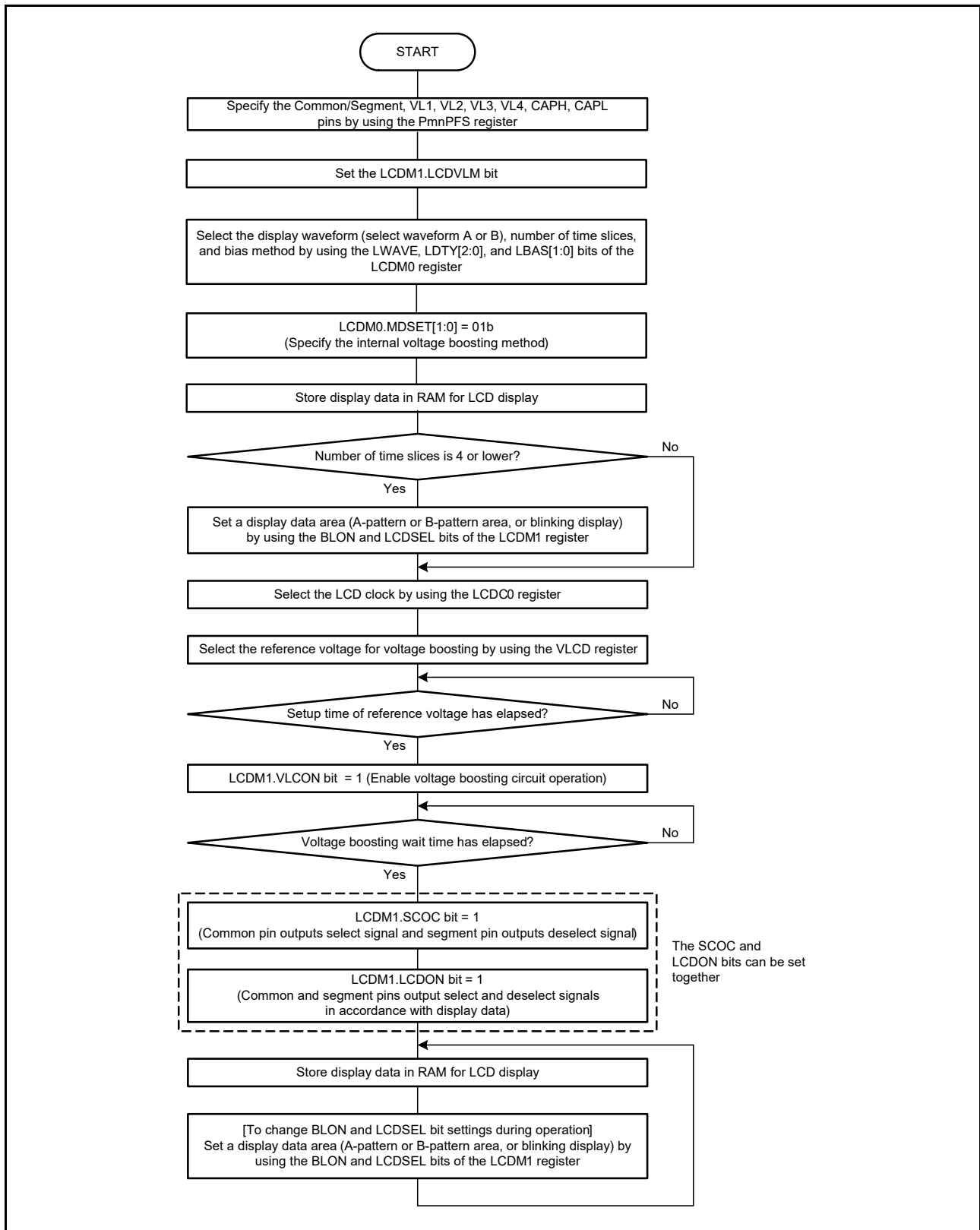


Figure 48.6 Setting procedure for internal voltage boosting method during normal liquid crystal waveform display

(3) Capacitor split method

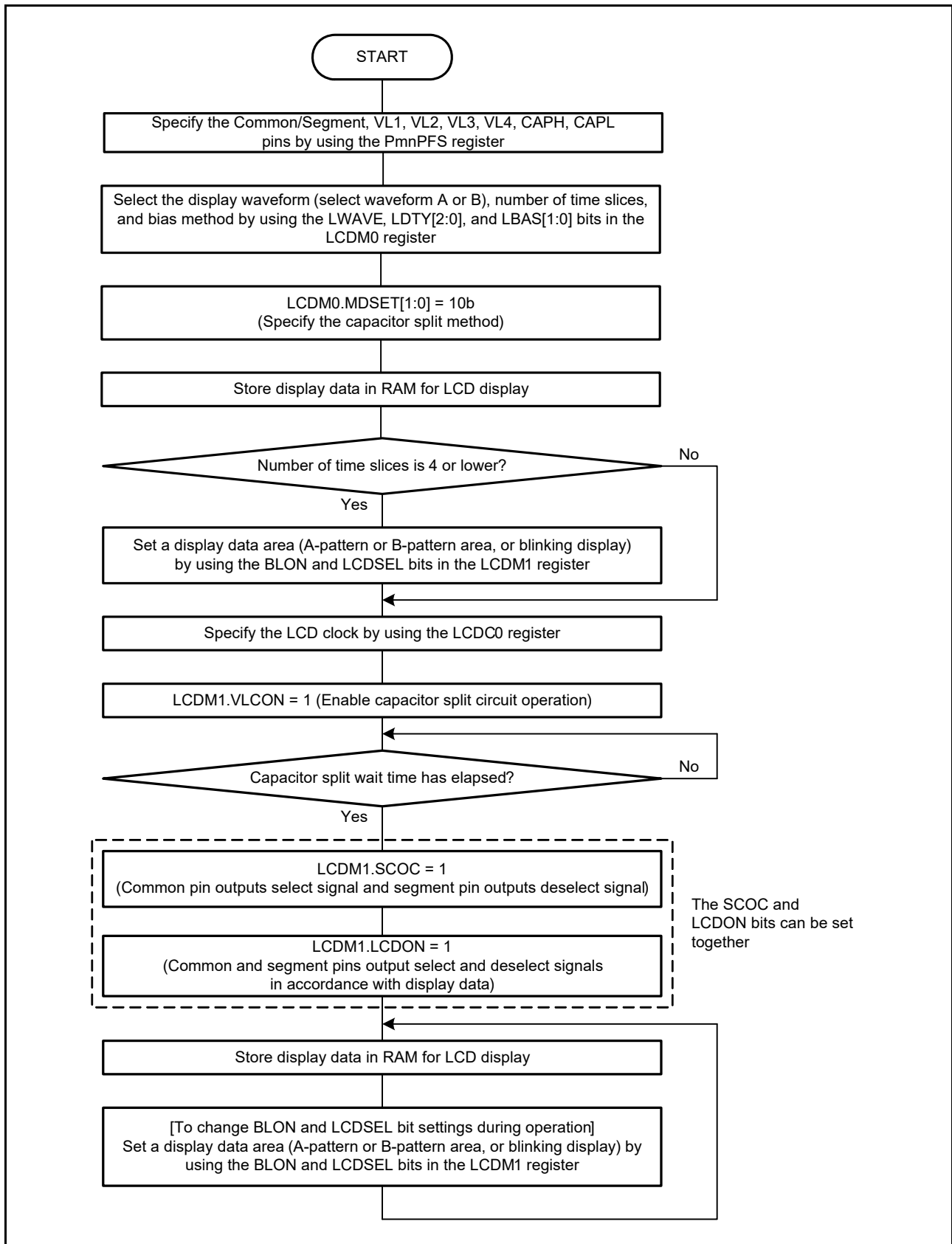


Figure 48.7 Setting procedure for capacitor split method during normal liquid crystal waveform display

48.6 Operation Stop Procedure

To stop the operation of the LCD, follow the steps shown in [Figure 48.8](#).

The LCD stops operating when the LCDM1.LCDON and LCDM1.SCOC bits are set to 0.

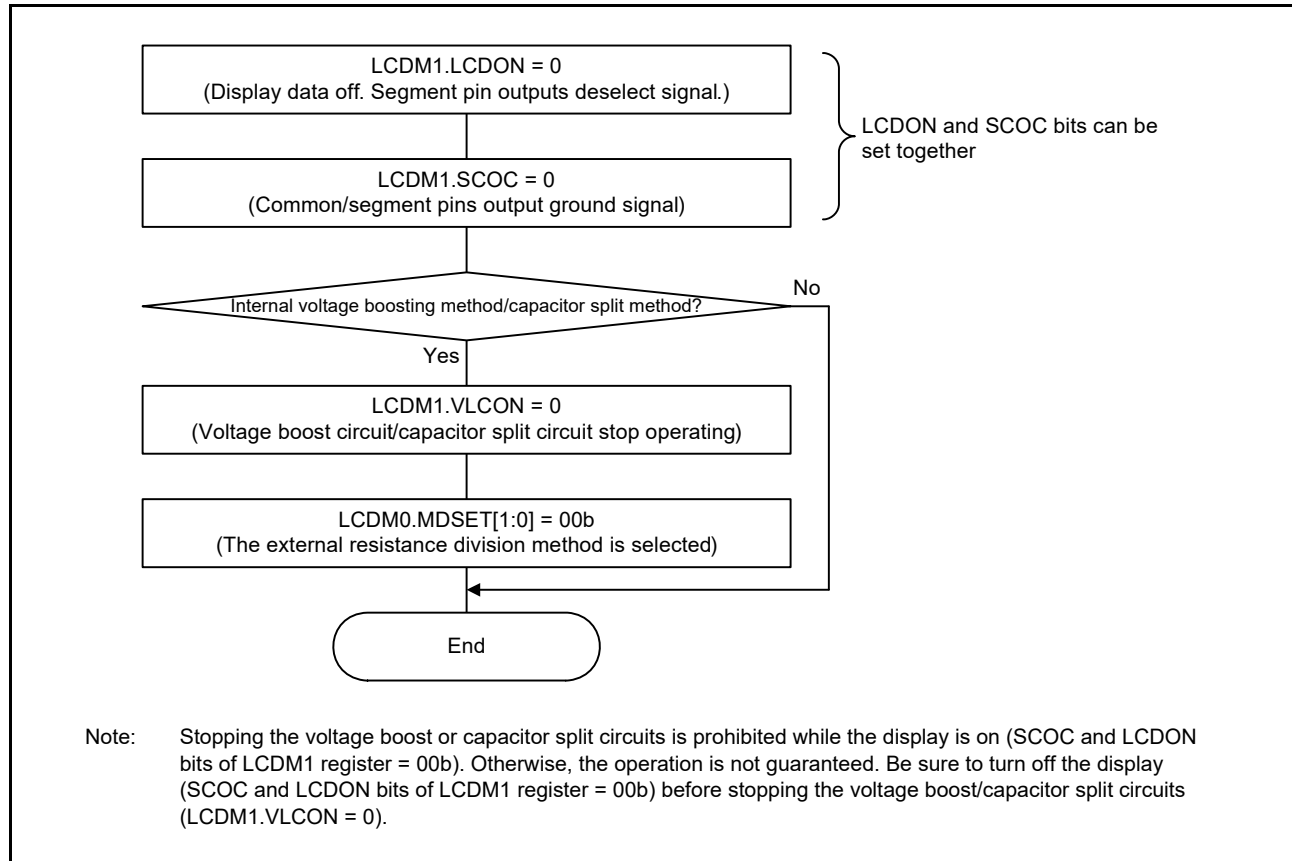


Figure 48.8 Operation stop procedure during normal liquid crystal waveform (A or B) display

48.7 Supplying LCD Drive Voltages VL1, VL2, VL3, and VL4

The power supply voltages for the LCD driver can be produced through external resistance division, internal voltage boosting, or capacitor split.

48.7.1 External Resistance Division Method

Figure 48.9 and Figure 48.10 show examples of the LCD drive power supply connection, associated with each bias method.

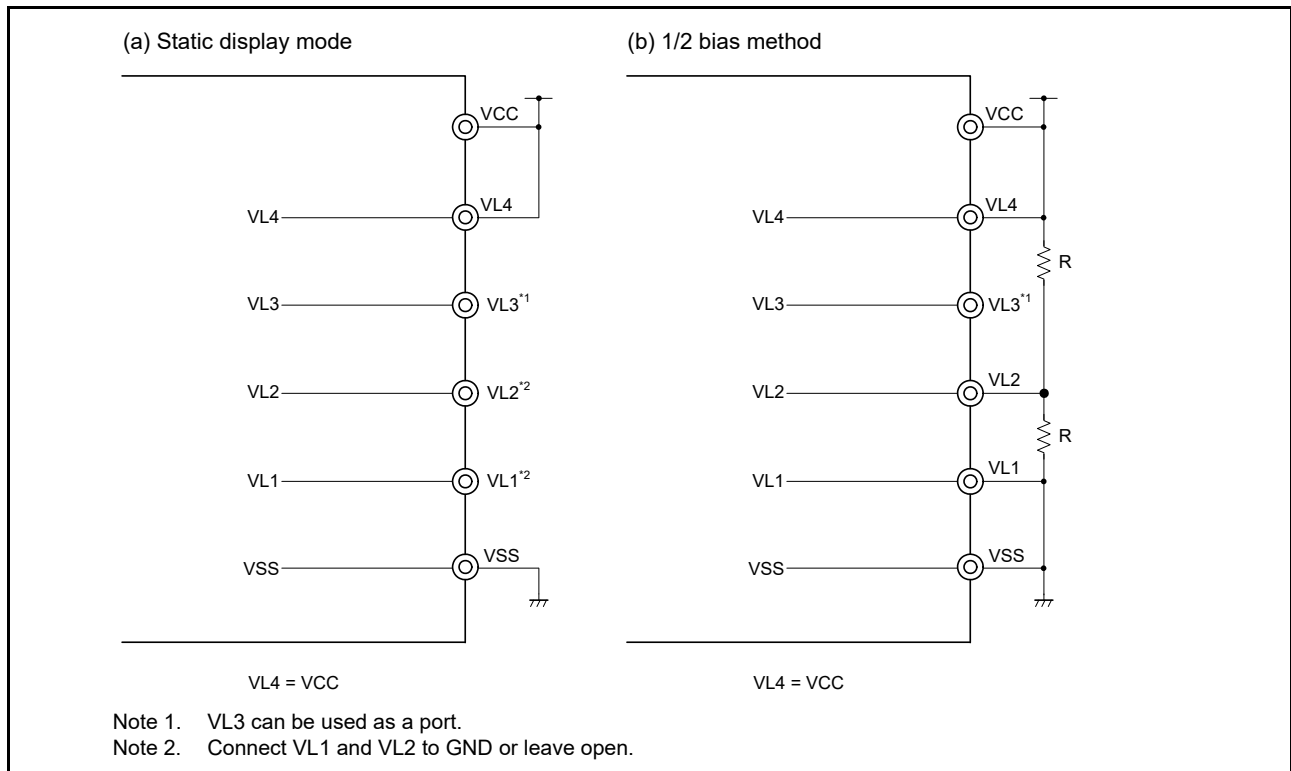


Figure 48.9 Examples of LCD drive power connections using the external resistance division method (1 of 2)

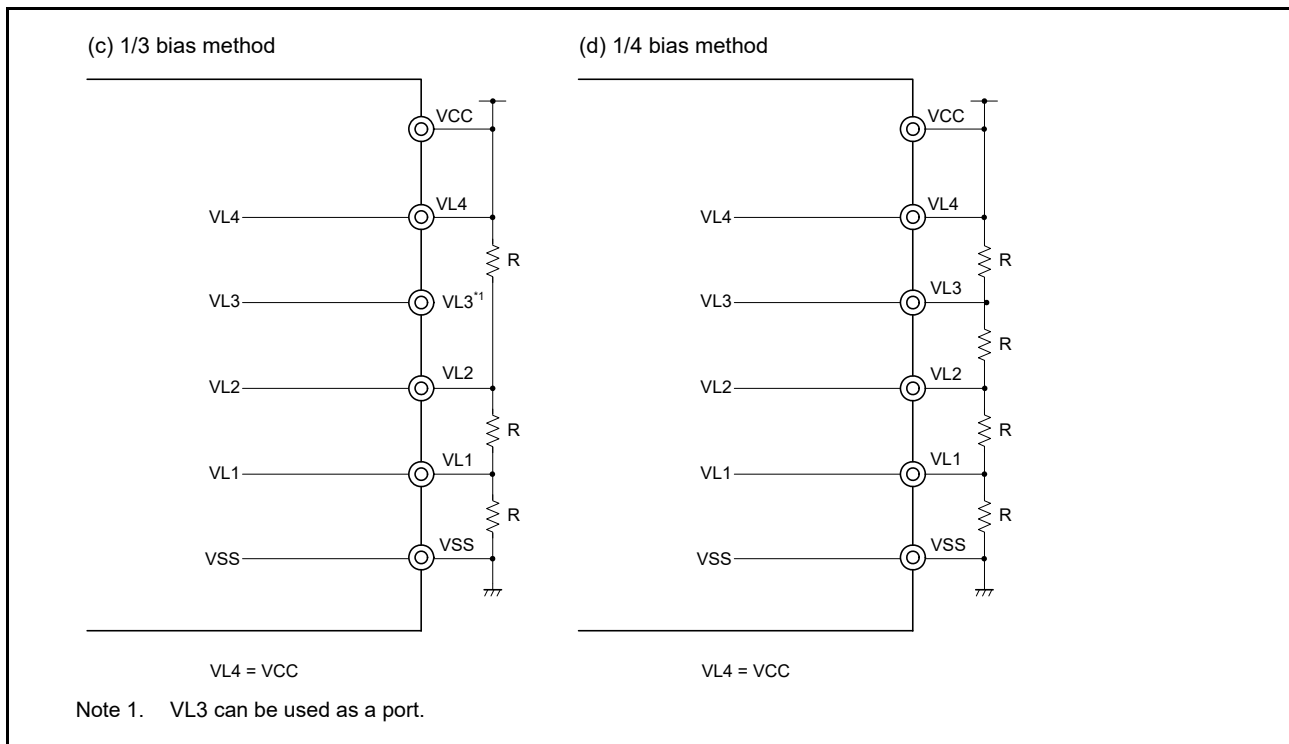


Figure 48.10 Examples of LCD drive power connections using external resistance division method (2 of 2)

Note: The reference resistance R value for external resistance division is $10\text{ k}\Omega$ to $1\text{ M}\Omega$. In addition, to stabilize the voltage at the VL1 to VL4 pins, connect a capacitor between each pin VL1 to VL4 and the GND pin as needed. The reference capacitance is about $0.47\text{ }\mu\text{F}$, but it depends on the LCD panel used, the number of segment pins, the number of common pins, the frame frequency, and the operating environment. Thoroughly evaluate these values in accordance with your system and adjust the capacitance.

48.7.2 Internal Voltage Boosting Method

The MCU contains an internal voltage boost circuit for generating LCD drive power supplies. The internal voltage boost circuit and external capacitors ($0.47 \mu\text{F} \pm 30\%$) are used to generate an LCD drive voltage. Only 1/3 bias mode or 1/4 bias mode can be set for the internal voltage boosting method.

The internal voltage boost circuit can supply a constant voltage, regardless of changes in VCC, because it is a power supply separate from the main unit. In addition, the contrast can be adjusted using the LCD Boost Level Control Register (VLCD).

Table 48.13 LCD drive voltages using the internal voltage boosting method

LCD drive voltage pin	1/3 bias method	1/4 bias method
VL4	$3 \times \text{VL1}$	$4 \times \text{VL1}$
VL3	—	$3 \times \text{VL1}$
VL2	$2 \times \text{VL1}$	$2 \times \text{VL1}$
VL1	LCD reference voltage	LCD reference voltage

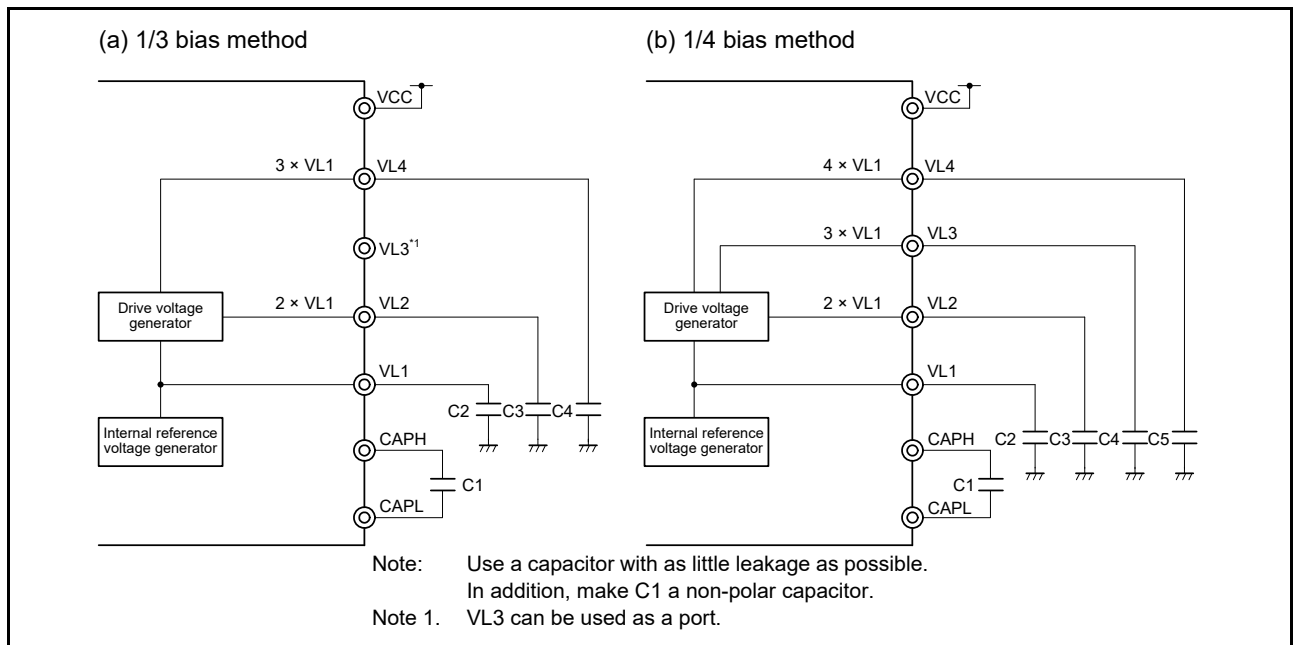


Figure 48.11 Examples of LCD drive power connections using internal voltage boosting method

48.7.3 Capacitor Split Method

The MCU contains an internal voltage reduction circuit for generating LCD drive power supplies. The internal voltage reduction circuit and external capacitors ($0.47 \mu\text{F} \pm 30\%$) are used to generate an LCD drive voltage. Only 1/3 bias mode can be set for the capacitor split method.

Unlike the external resistance division method, the capacitor split method does not require continuous current flow, and so the current consumption can be reduced.

Table 48.14 LCD drive voltages using capacitor split method

LCD drive voltage pin	1/3 bias method
VL4	VCC
VL3	-
VL2	$2/3 \times \text{VL4}$
VL1	$1/3 \times \text{VL4}$

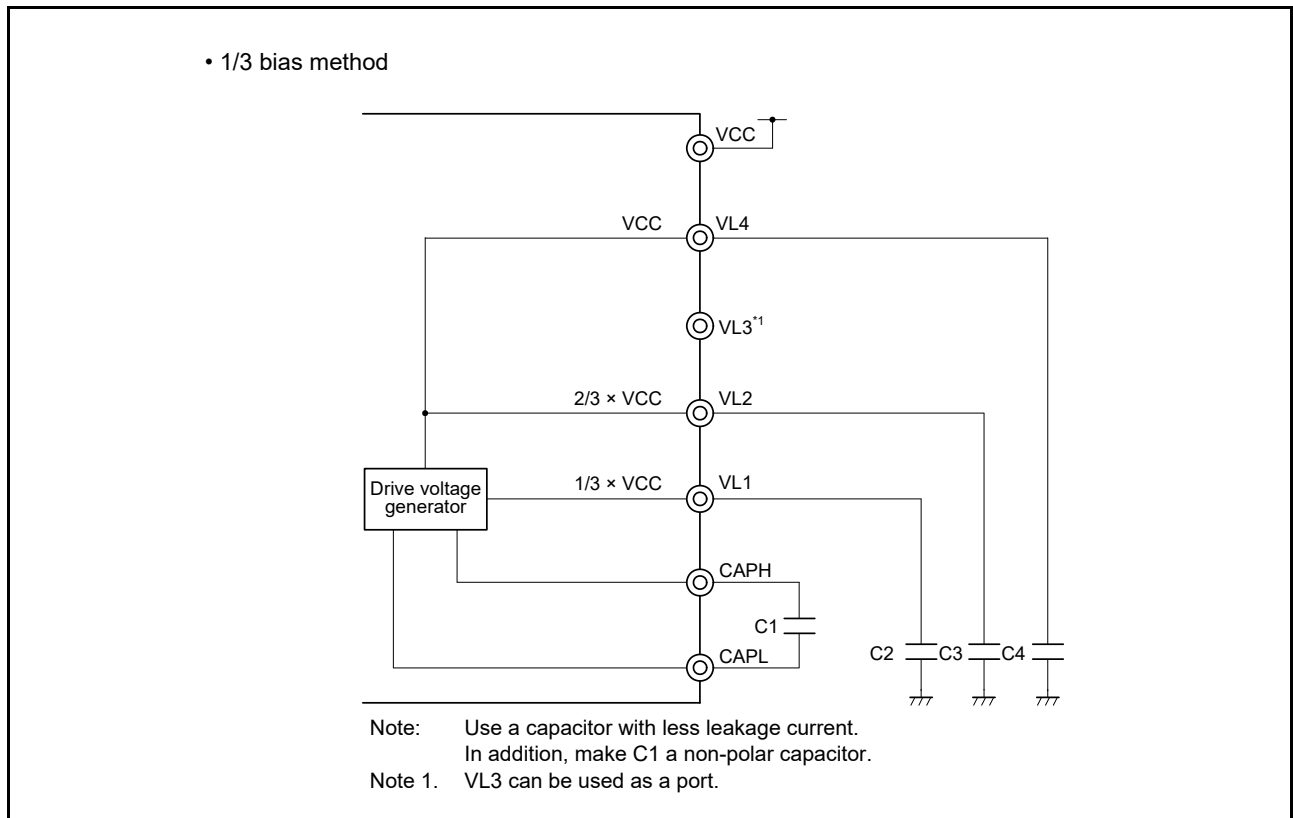


Figure 48.12 Examples of LCD drive power connections using capacitor split method

48.8 Common and Segment Signals

Each pixel of an LCD panel turns on when the potential difference between the corresponding common and segment signals becomes higher than a specific voltage (LCD drive voltage, VLCD). The pixels turn off when the potential difference becomes lower than VLCD.

Applying DC voltage to the common and segment signals of an LCD panel causes deterioration. To avoid this problem, the SLCDC is driven by AC voltage.

(1) Common signals

Each common signal is selected sequentially according to a specified number of time slices listed in [Table 48.15](#). In the static display mode, the same signal is output to COM0 to COM3.

In the two-time-slice mode, leave the COM2 and COM3 pins open. In the three-time-slice mode, leave the COM3 pin open.

Use the COM4 to COM7 pins as open or segment pins except when operating in eight-time-slice mode.

Table 48.15 COM signal

Number of time slices	COM0	COM1	COM2	COM3	COM4	COM5	COM6	COM7
Static display mode					*1	*1	*1	*1
Two-time-slice mode			Open	Open	*1	*1	*1	*1
Three-time-slice mode				Open	*1	*1	*1	*1
Four-time-slice mode					*1	*1	*1	*1
Eight-time-slice mode								

Note 1. Use the pins as open or segment pins.

(2) Segment signals

The segment signals correspond to the LCD display data register (see [section 48.3, LCD Display Data Registers](#)).

When the number of time slices is eight, bit [0] to bit [7] of each display data register are read in synchronization with COM0 to COM7, respectively. If a bit is 1, it is converted to the select voltage, and if it is 0, it is converted to the deselect voltage. The conversion results are output to the segment pins.

When the number of time slices is not eight, bit [0] to bit [3] of each byte in A-pattern area are read in synchronization with COM0 to COM3, and bit [4] to bit [7] of each byte in B-pattern area are read in synchronization with COM0 to COM3, respectively. If a bit is 1, it is converted to the select voltage, and if it is 0, it is converted to the deselect voltage. The conversion results are output to the segment pins.

Check what combination of front-surface electrodes (associated with the segment signals) and rear-surface electrodes (associated with the common signals) forms display patterns in the LCD display data register, and write the bit data associated with the desired display pattern on a one-to-one basis.

Note: The mounted segment output pins vary depending on the product.

(3) Output waveforms of common and segment signals

The voltages listed in [Table 48.16](#) are output as common and segment signals.

When both common and segment signals are at the select voltage, display on-voltage is \pm VLCD. Other combinations of the signals correspond to display off-voltage.

Table 48.16 LCD drive voltage

Static display mode

Common signal		Segment signal	
		Select signal level	Deselect signal level
		VSS/VL4	VL4/VSS
VL4/VSS		-VLCD/+VLCD	0 V/0 V

1/2 bias method

Common signal		Segment signal	
		Select signal level	Deselect signal level
		VSS/VL4	VL4/VSS
Select Signal Level	VL4/VSS	-VLCD/+VLCD	0 V/0 V
Deselect Signal Level	VL2	$-\frac{1}{2}VLCD/+ \frac{1}{2}VLCD$	$+\frac{1}{2}VLCD/- \frac{1}{2}VLCD$

1/3 bias method (waveform A or B)

Common signal		Segment signal	
		Select signal level	Deselect signal level
		VSS/VL4	VL2/VL1
Select Signal Level	VL4/VSS	-VLCD/+VLCD	$-\frac{1}{3}VLCD/+ \frac{1}{3}VLCD$
Deselect Signal Level	VL1/VL2	$-\frac{1}{3}VLCD/+ \frac{1}{3}VLCD$	$+\frac{1}{3}VLCD/- \frac{1}{3}VLCD$

1/4 bias method (waveform A or B)

Common signal		Segment signal	
		Select signal level	Deselect signal level
		VSS/VL4	VL2
Select Signal Level	VL4/VSS	-VLCD/+VLCD	$-\frac{1}{2}VLCD/+ \frac{1}{2}VLCD$
Deselect Signal Level	VL1/VL3	$-\frac{1}{4}VLCD/+ \frac{1}{4}VLCD$	$+\frac{1}{4}VLCD/- \frac{1}{4}VLCD$

Figure 48.13 and Figure 48.14 show the common signal waveforms. Figure 48.15 to Figure 48.17 show the voltages and phases of the common and segment signals.

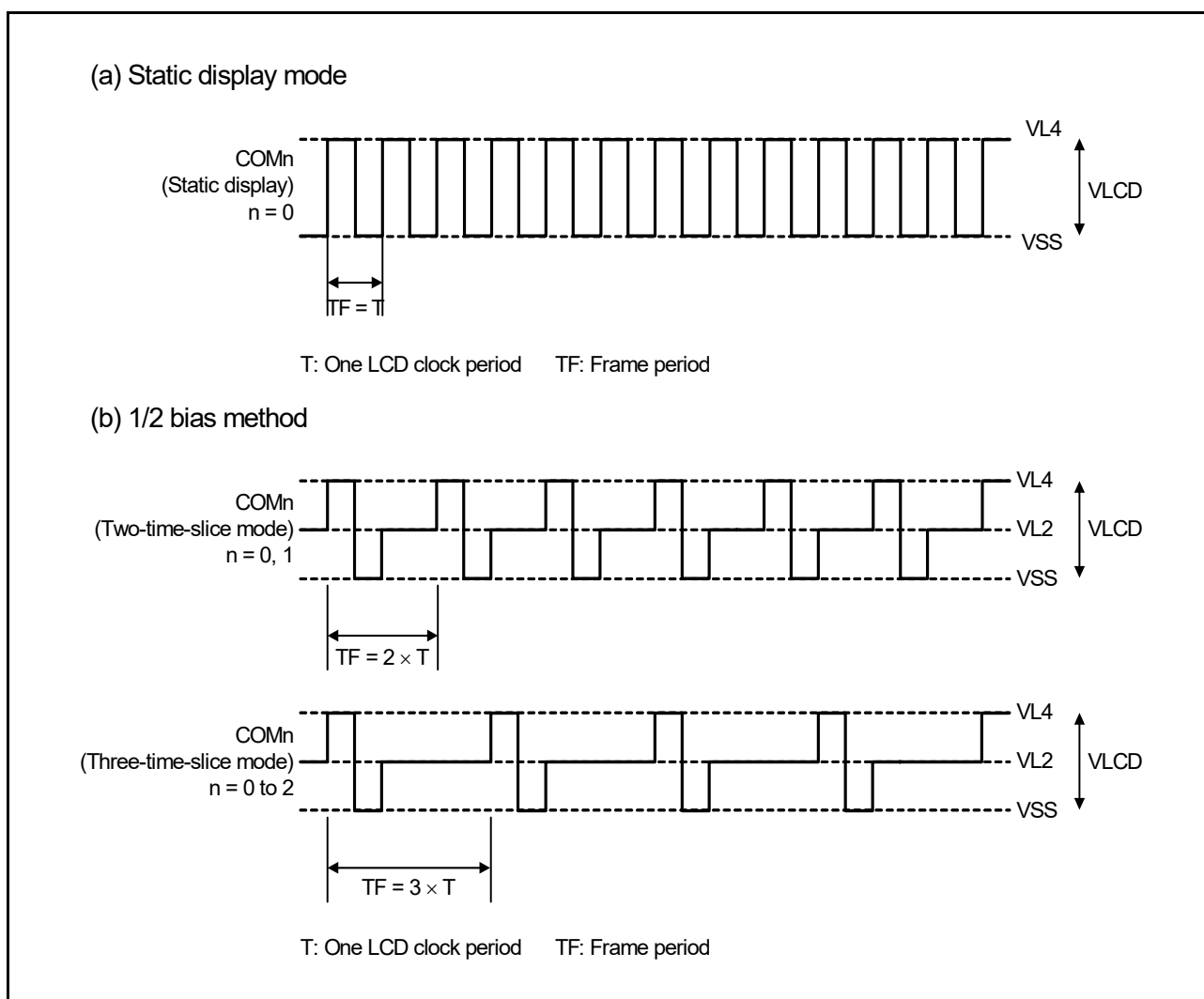


Figure 48.13 Common signal waveforms (1 of 2)

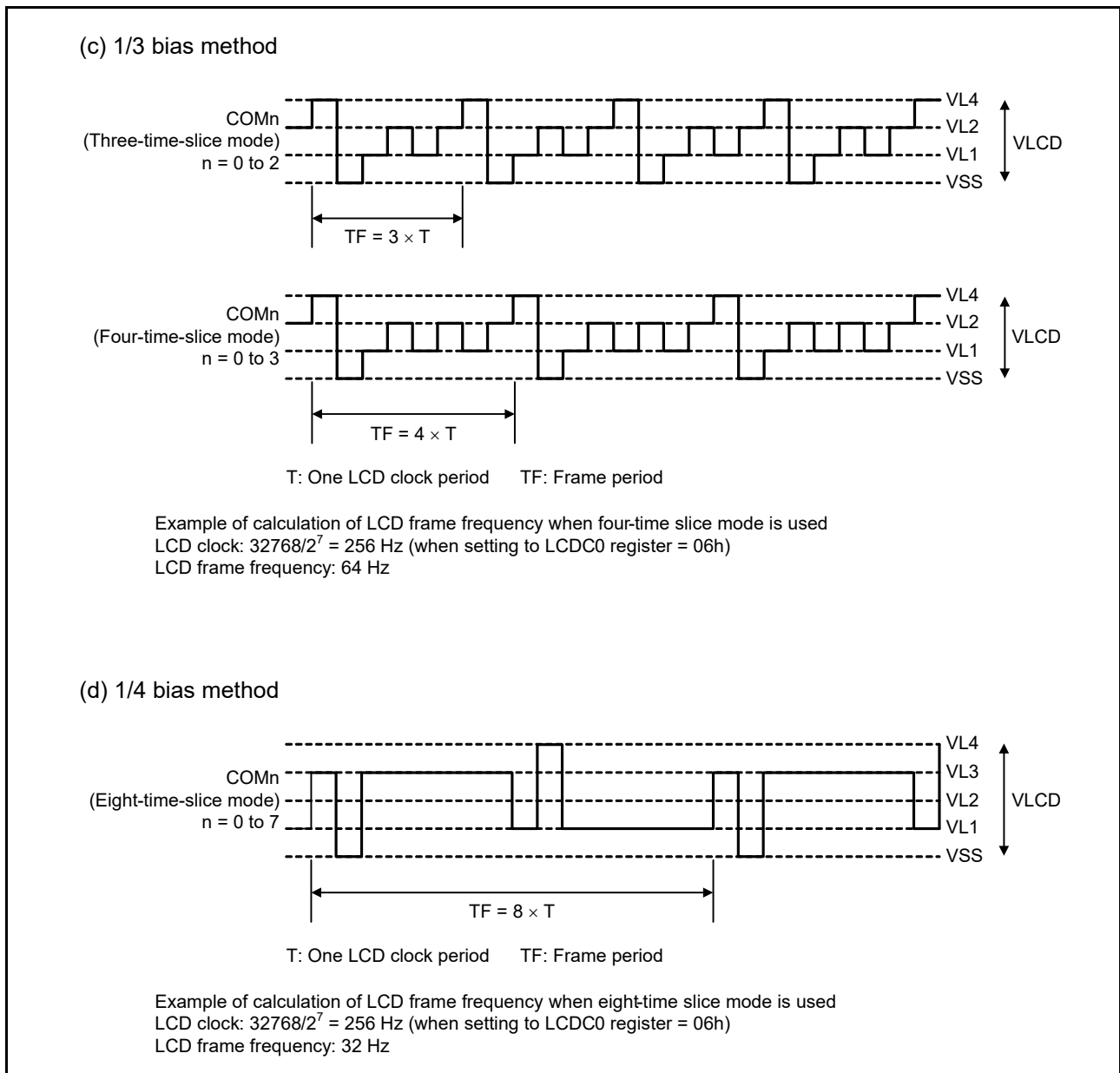


Figure 48.14 Common signal waveforms (2 of 2)

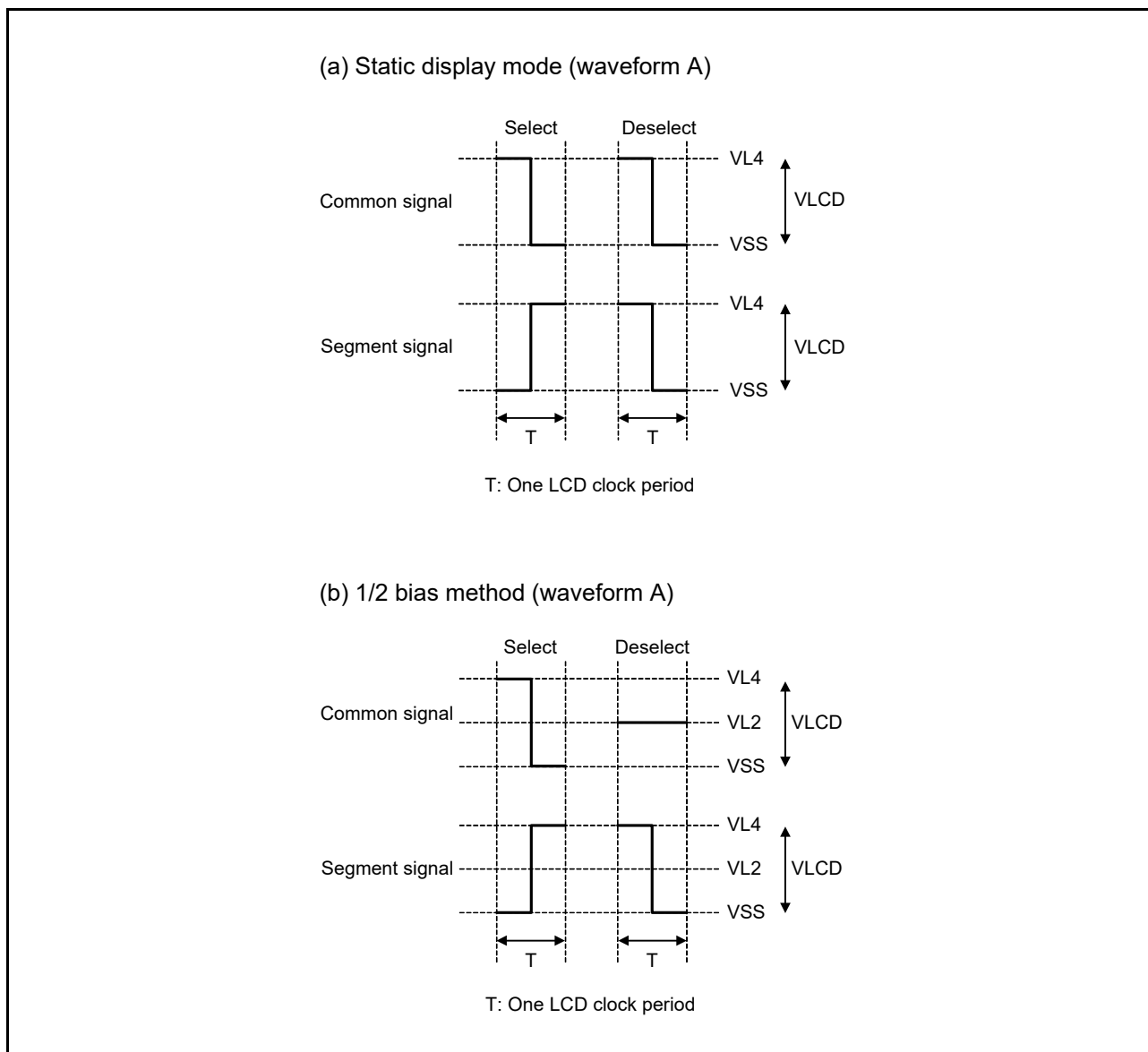


Figure 48.15 Voltages and phases of common and segment signals (1 of 3)

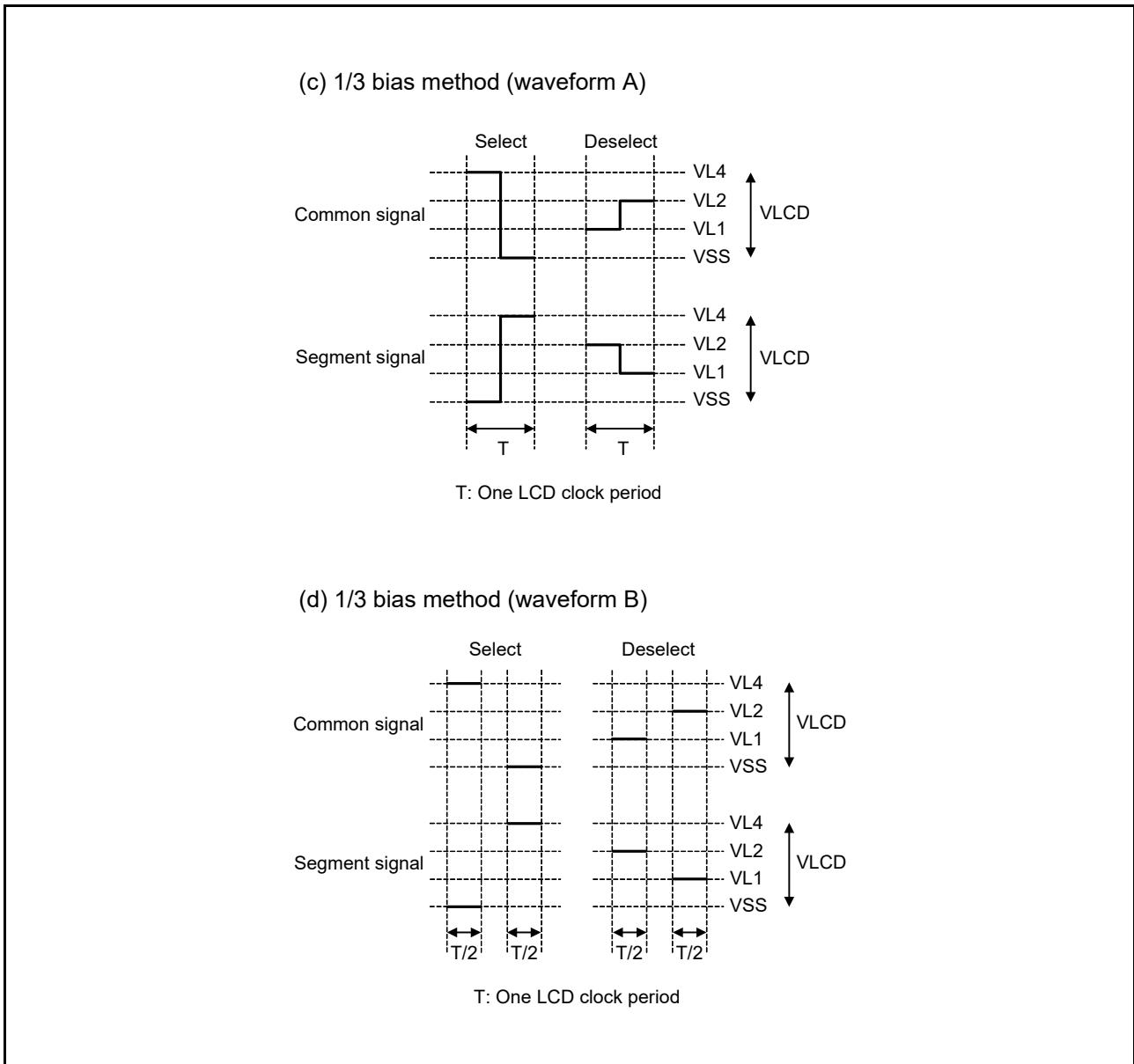


Figure 48.16 Voltages and phases of common and segment signals (2 of 3)

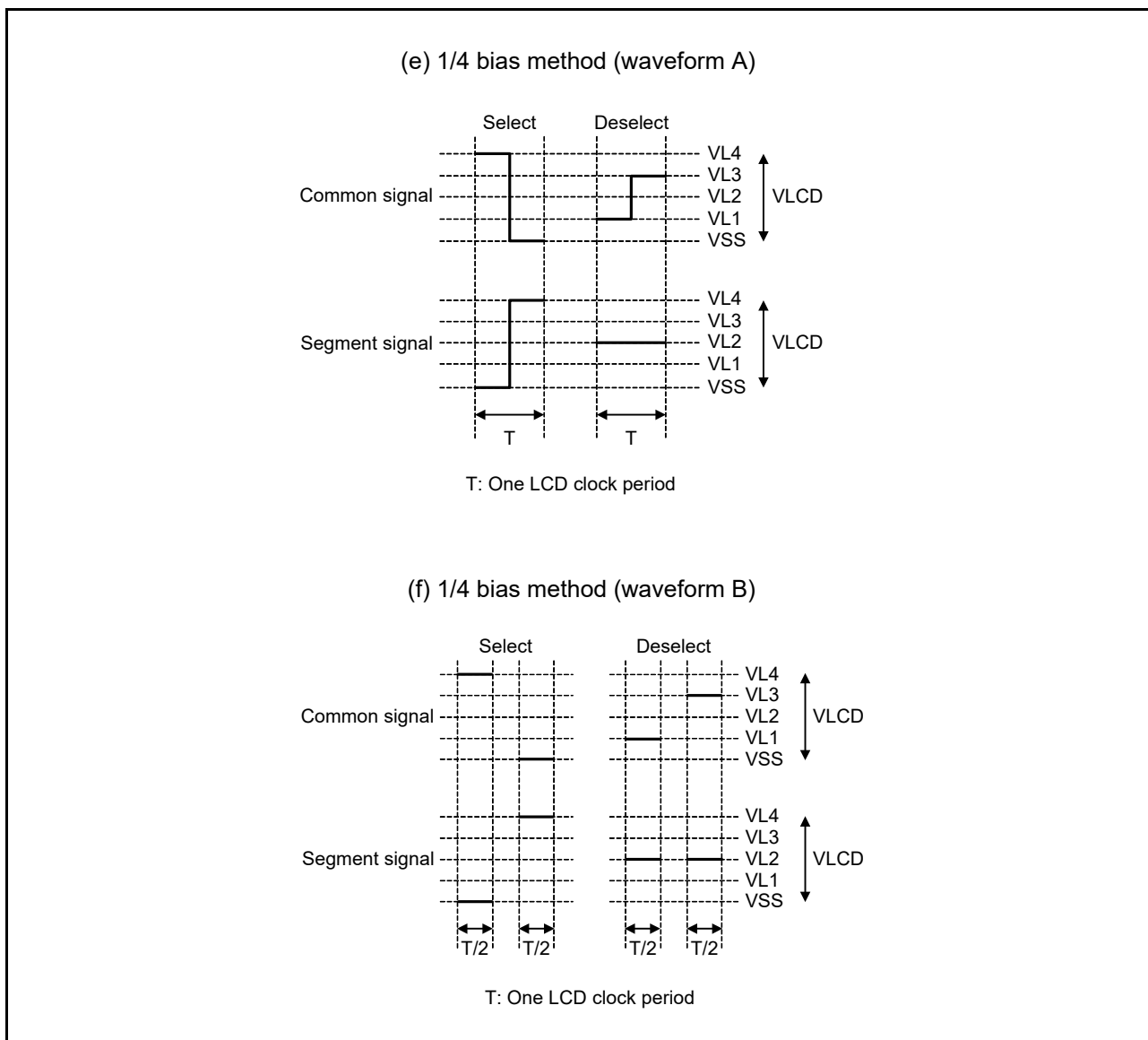


Figure 48.17 Voltages and phases of common and segment signals (3 of 3)

48.9 Display Modes

48.9.1 Static Display Example

Figure 48.19 shows how a three-digit LCD panel with the display pattern shown in Figure 48.18 is connected to the segment signals (SEG00 to SEG23) and the common signal (COM0). This example displays “12.3” in the LCD panel. The contents of the display data register correspond to this display.

The following description focuses on numeral “2.” ($\overline{2}$) displayed in the second digit. To display “2.” in the LCD panel, the select or deselect voltage must be applied to the SEG08 to SEG15 pins at the select timing of the common signal COM0. See Figure 48.18 for the relationship between the segment signals and LCD segments.

Table 48.17 Example of select (1) and deselect (0) data (COM0)

Common	Segment							
	SEG08	SEG09	SEG10	SEG11	SEG12	SEG13	SEG14	SEG15
COM0	Select	Deselect	Select	Select	Deselect	Select	Select	Select

According to Table 48.17, the bit-0 pattern of the display data register must be 10110111b.

Figure 48.20 shows the LCD drive waveforms of SEG11 and SEG12, and COM0. When the select voltage is applied to SEG11 at the timing of COM0, an alternating rectangle waveform, +VLCD/-VLCD, is generated to turn on the corresponding LCD segment.

COM1 to COM3 are supplied with the same waveform as COM0. Therefore, COM0 to COM3 can be connected together to increase the driving capacity.

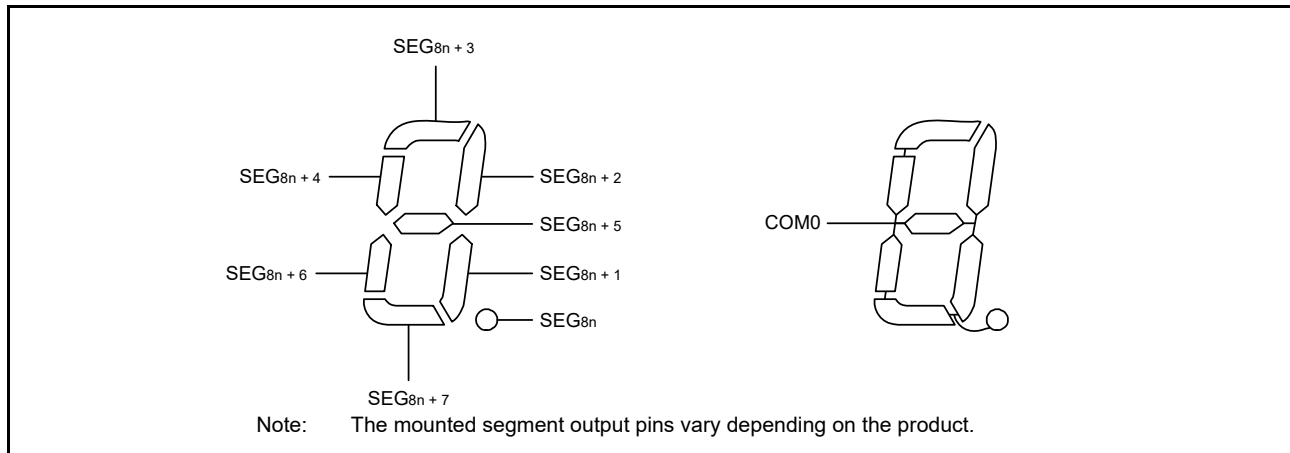


Figure 48.18 Static LCD display pattern and electrode connections

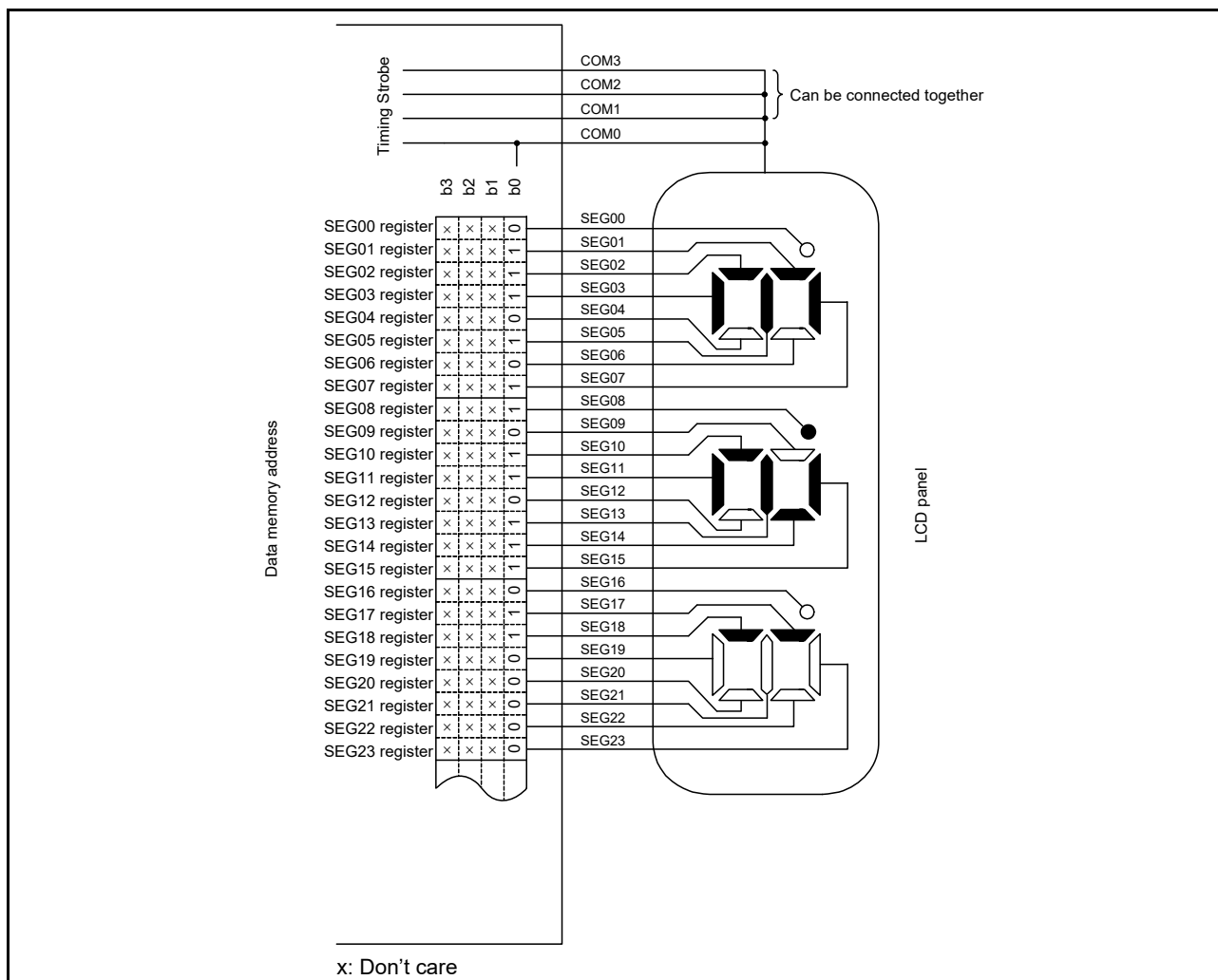


Figure 48.19 Example of connecting static LCD panel

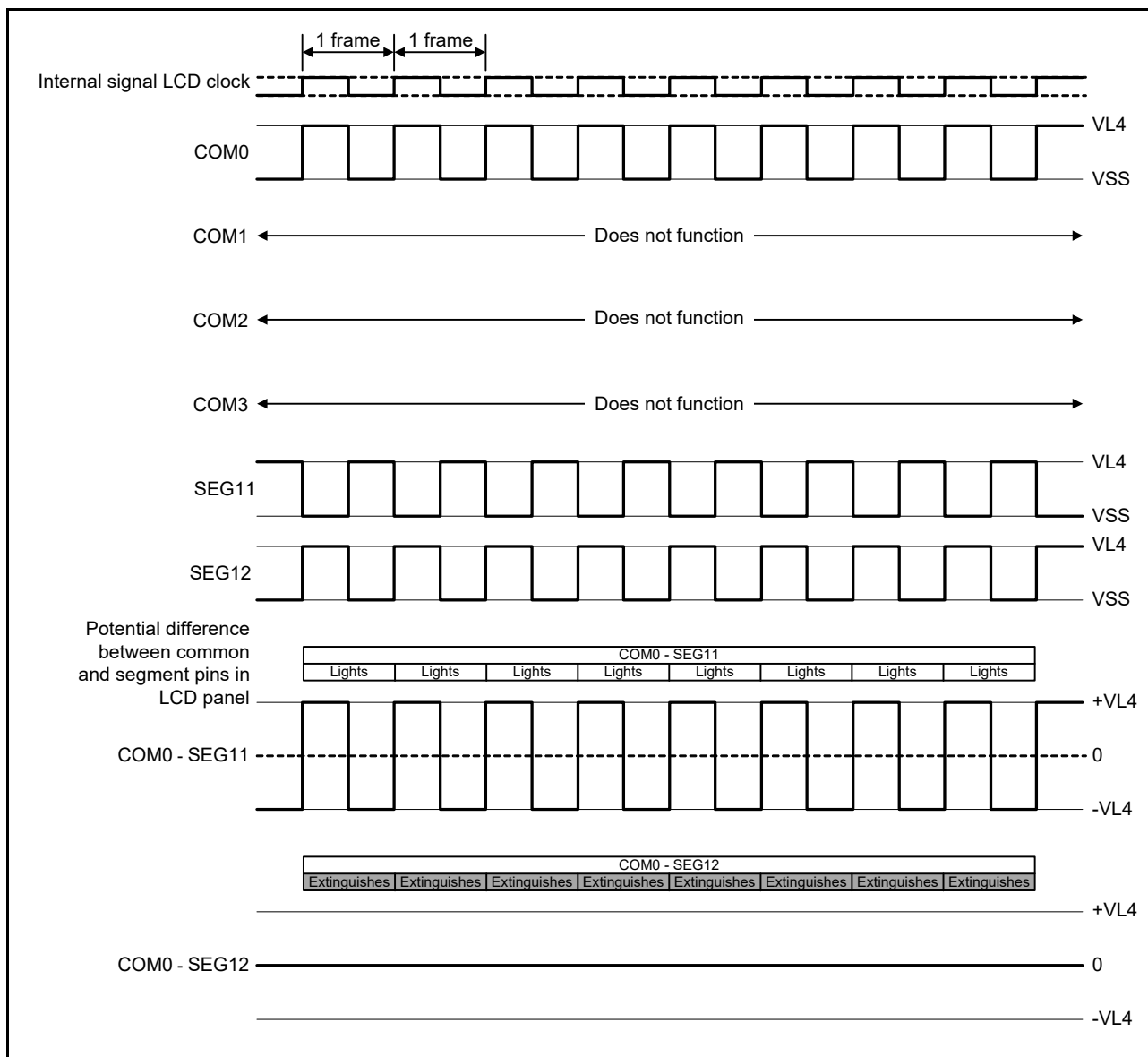


Figure 48.20 Static LCD drive waveform examples for SEG11, SEG12, and COM0

48.9.2 Two-Time-Slice Display Example

Figure 48.22 shows how a 6-digit LCD panel with the display pattern shown in Figure 48.21 is connected to the segment signals (SEG00 to SEG23) and the common signals (COM0 and COM1). This example displays “12345.6” in the LCD panel. The contents of the display data register correspond to this display.

The following description focuses on numeral “3” (3) displayed in the fourth digit. To display “3” in the LCD panel, the select or deselect voltage must be applied to the SEG12 to SEG15 pins at the select timing of the common signals COM0 and COM1. See Figure 48.21 for the relationship between the segment signals and LCD segments.

Table 48.18 Example of select (1) and deselect (0) data (COM0 and COM1)

Common	Segment			
	SEG12	SEG13	SEG14	SEG15
COM0	Select	Select	Deselect	Deselect
COM1	Deselect	Select	Select	Select

According to Table 48.18, the display data register location that corresponds to SEG15 must contain “xx10b”.

Figure 48.23 shows examples of LCD drive waveforms between the SEG15 signal and each common signal. When the select voltage is applied to SEG15 at the timing of COM1, an alternating rectangle waveform, +VLCD/-VLCD, is generated to turn on the associated LCD segment.

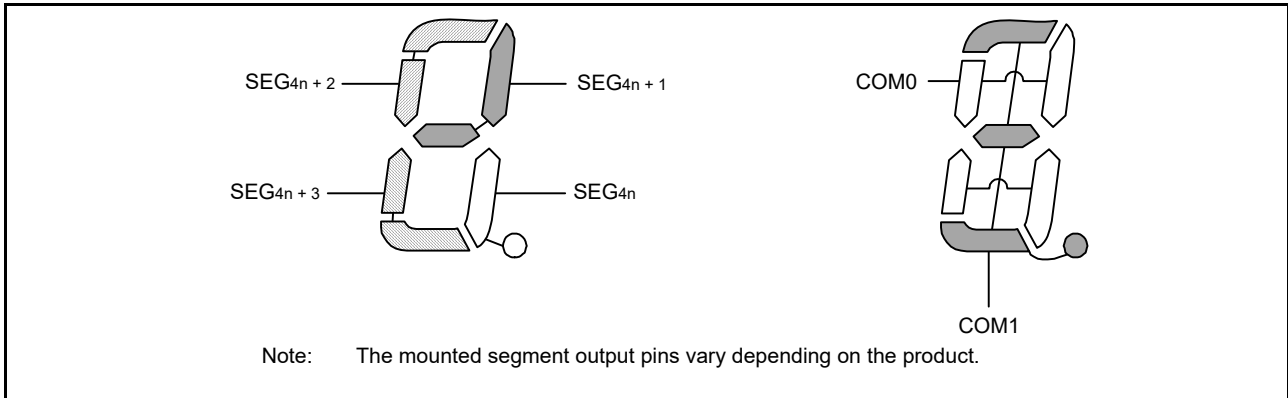


Figure 48.21 Two-time-slice LCD display pattern and electrode connections

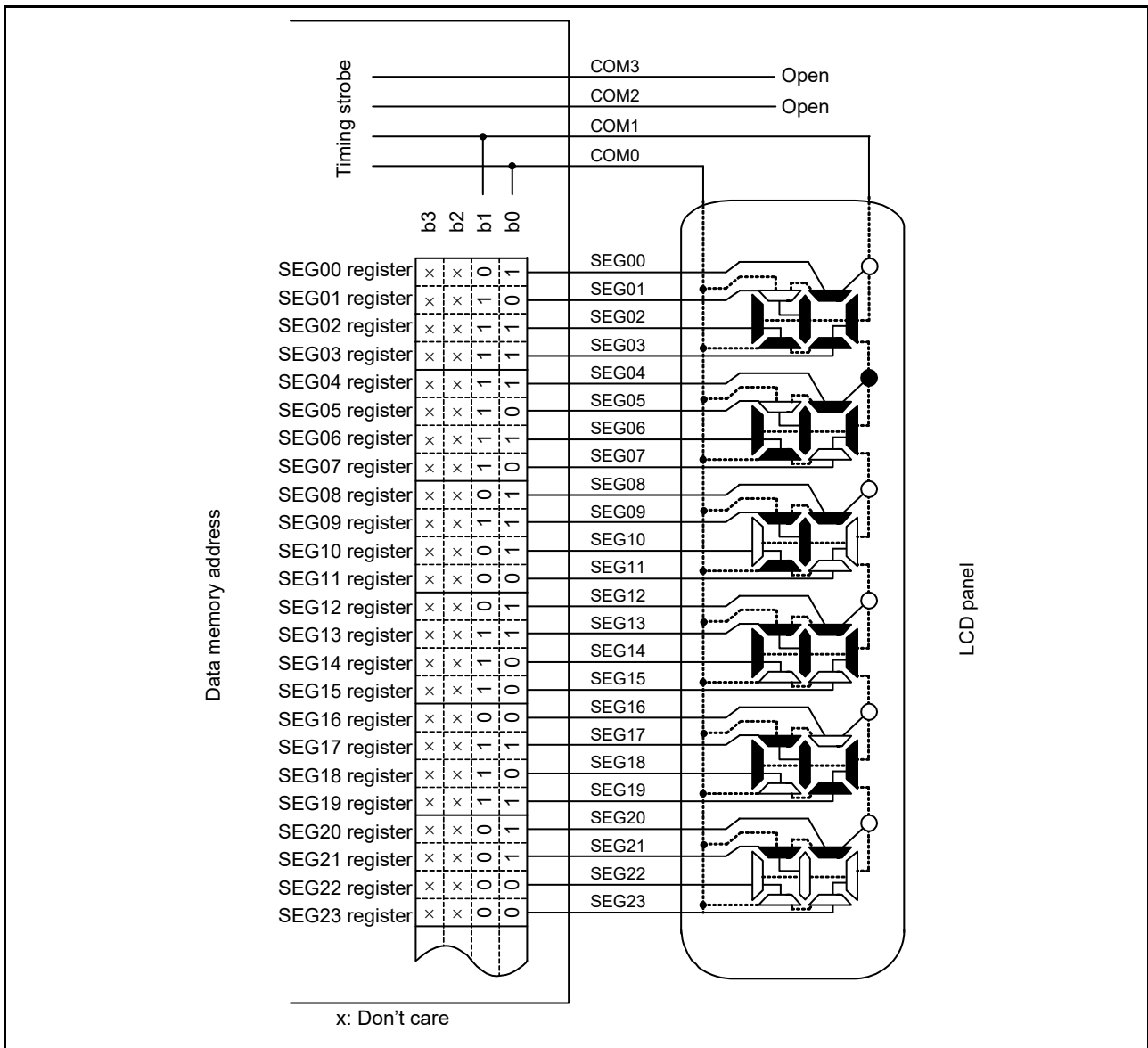


Figure 48.22 Example of connecting two-time-slice LCD panel

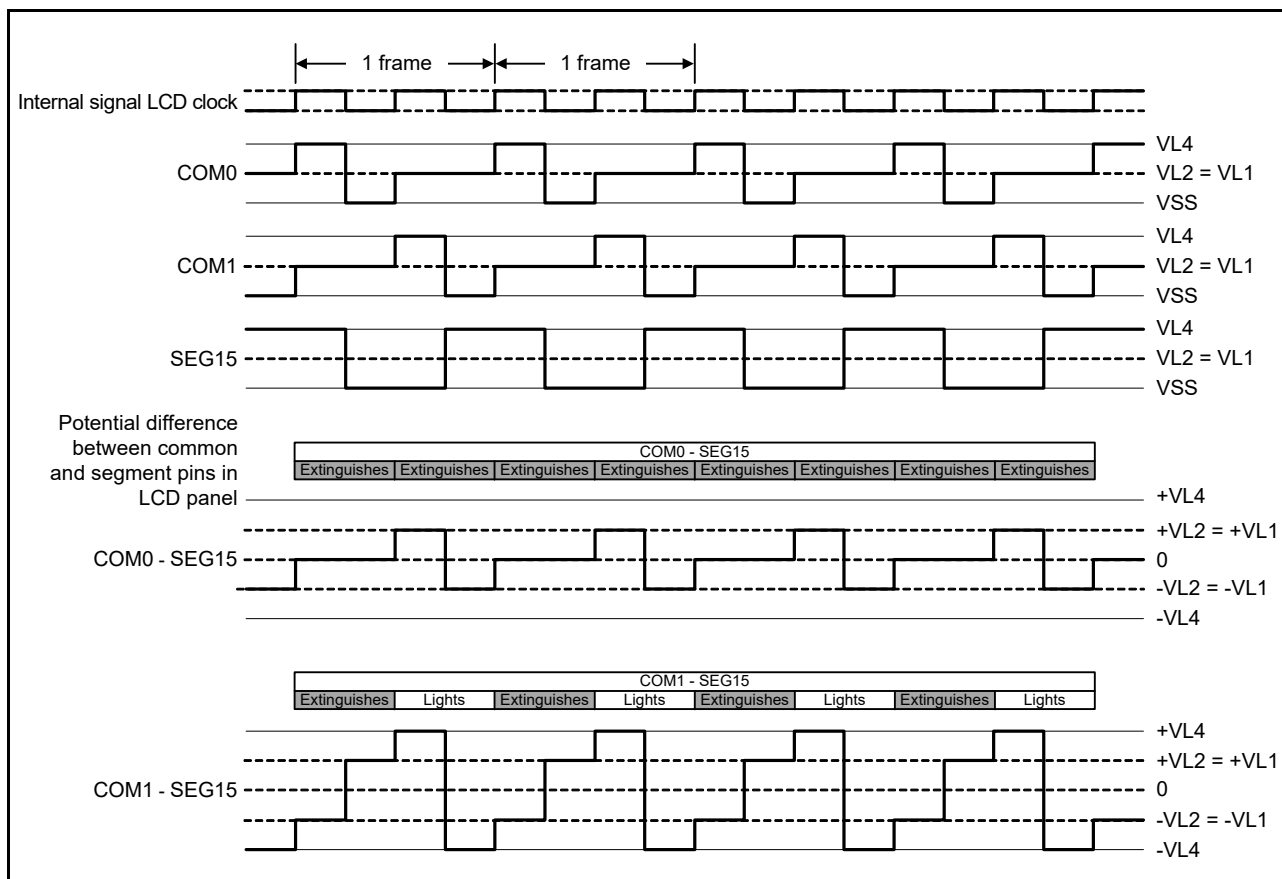


Figure 48.23 Two-time-slice LCD drive waveform examples between SEG15 and each common signal using 1/2 bias method

48.9.3 Three-Time-Slice Display Example

Figure 48.25 shows how an 8-digit LCD panel with the display pattern shown in Figure 48.24 is connected to the segment signals (SEG00 to SEG23) and the common signals (COM0 to COM2). This example displays “123456.78” in the LCD panel. The contents of the display data register correspond to this display.

The following description focuses on numeral “6.” (6.) displayed in the third digit. To display “6.” in the LCD panel, the select or deselect voltage must be applied to the SEG06 to SEG08 pins at the select timing of the common signals COM0 to COM2. See Figure 48.24 for the relationship between the segment signals and LCD segments.

Table 48.19 Example of select (1) and deselect (0) data (COM0 to COM2)

Common	Segment		
	SEG06	SEG07	SEG08
COM0	Deselect	Select	Select
COM1	Select	Select	Select
COM2	Select	Select	—

According to Table 48.19, the display data register location that corresponds to SEG06 must contain “x110b”.

Figure 48.26 and Figure 48.27 show examples of LCD drive waveforms between the SEG06 signal and each common signal in the 1/2 and 1/3 bias methods, respectively. When the select voltage is applied to SEG06 at the timing of COM1 or COM2, an alternating rectangle waveform, +VLCD/-VLCD, is generated to turn on the associated LCD segment.

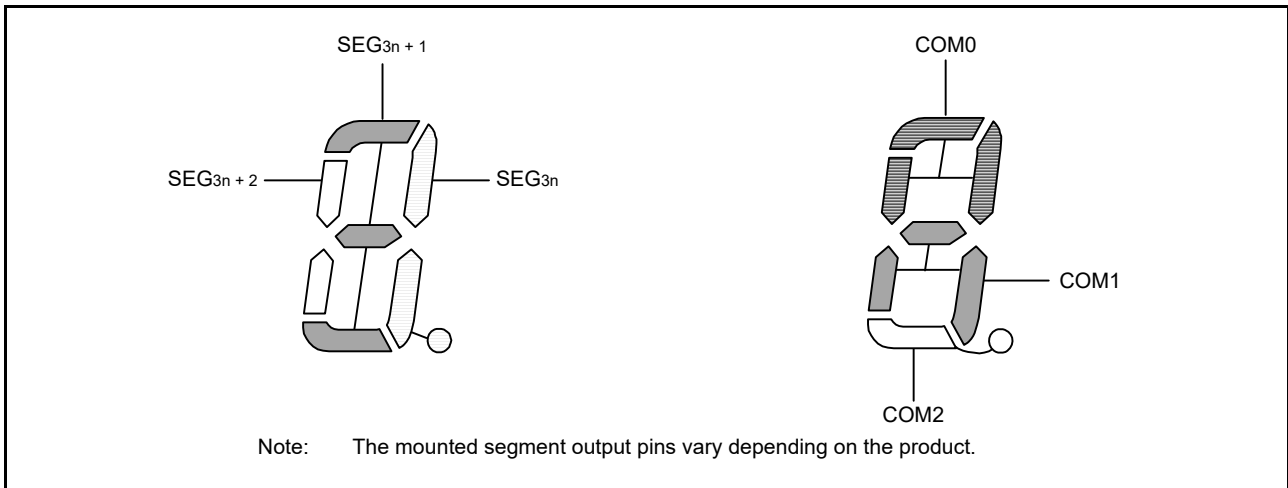


Figure 48.24 Three-time-slice LCD display pattern and electrode connections

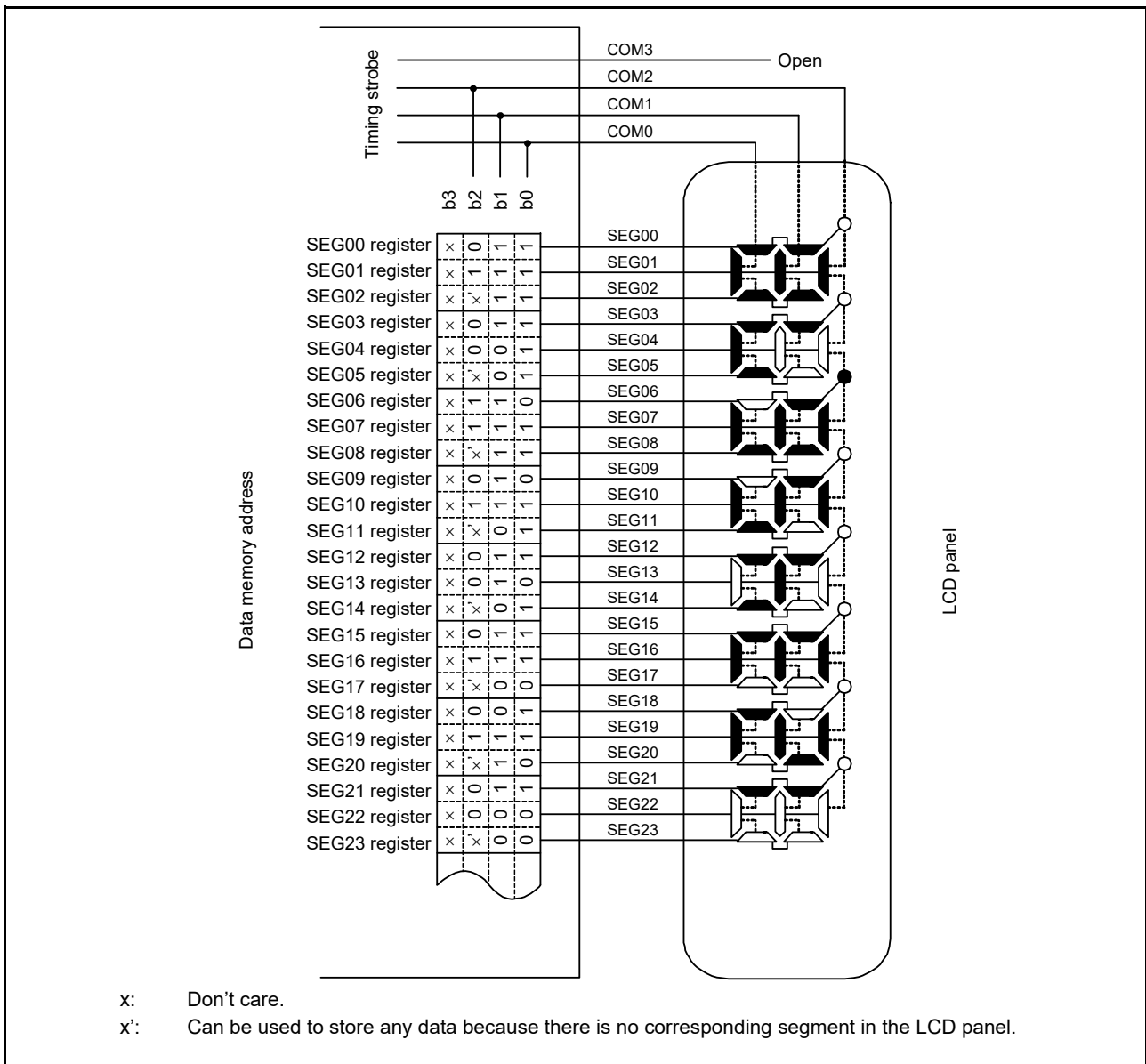


Figure 48.25 Example of connecting three-time-slice LCD panel

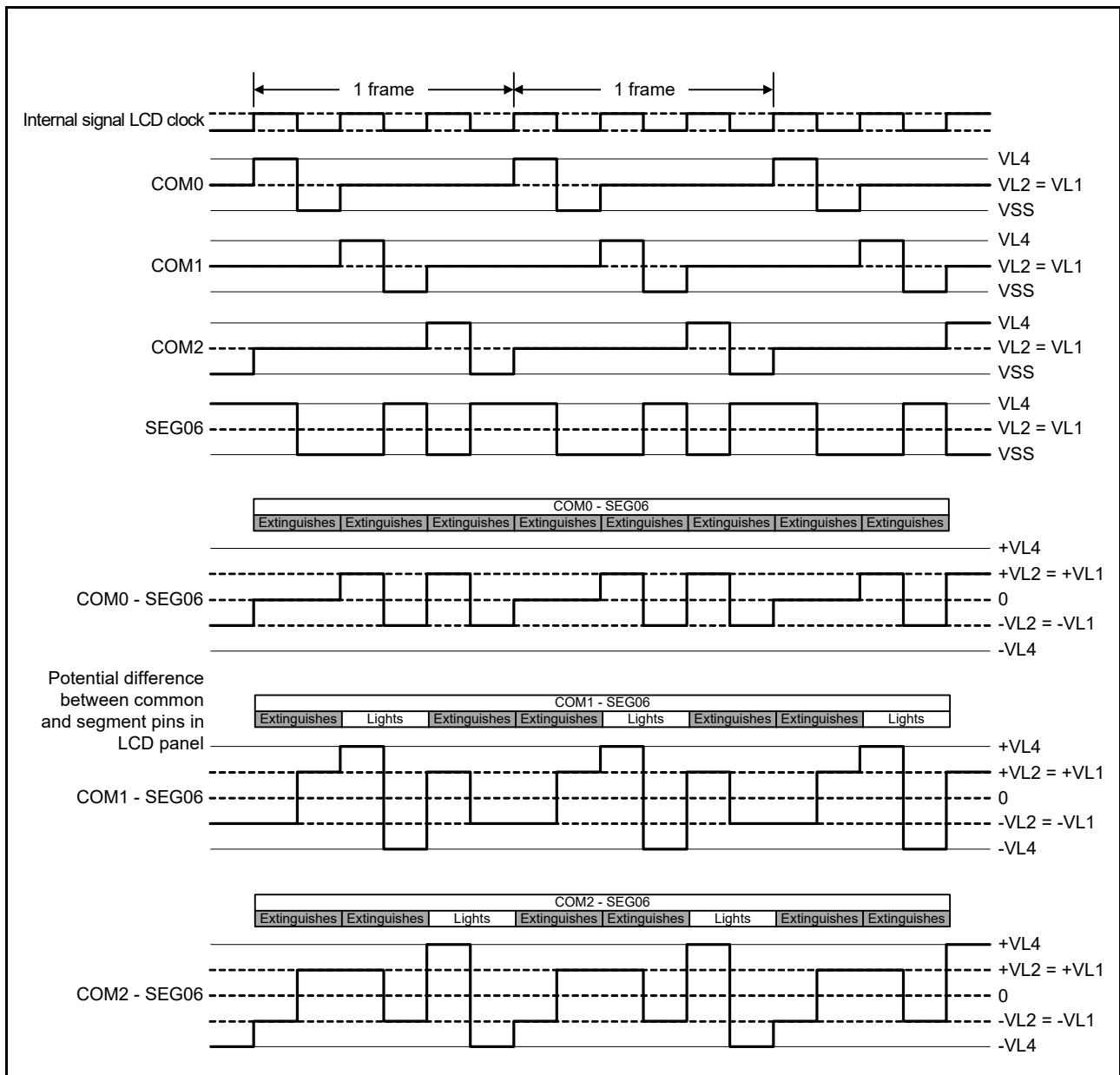


Figure 48.26 Three-time-slice LCD drive waveform examples between SEG06 and each common signal using 1/2 bias method

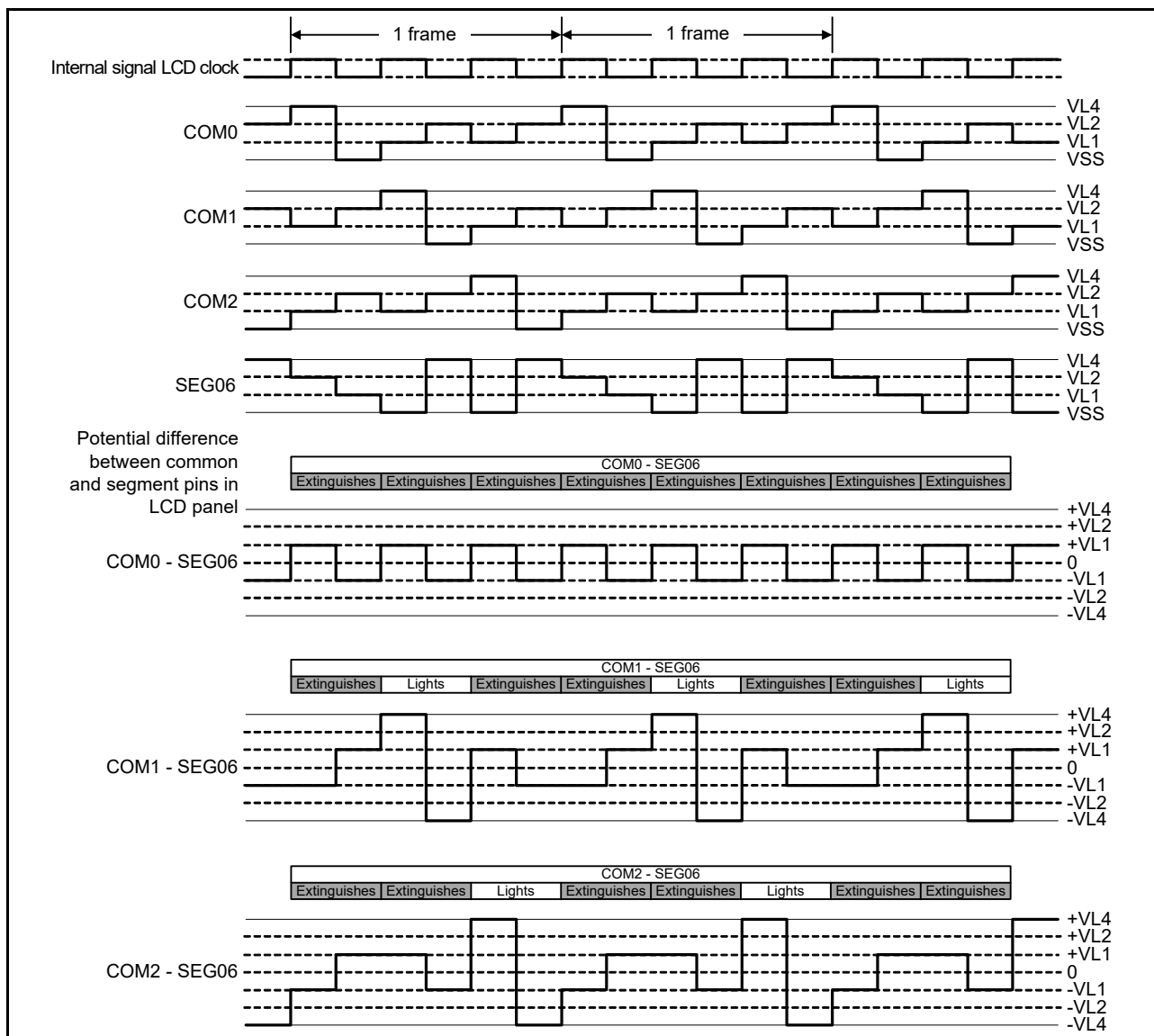


Figure 48.27 Three-time-slice LCD drive waveform examples between SEG06 and each common signal using 1/3 bias method

48.9.4 Four-Time-Slice Display Example

Figure 48.29 shows how a 12-digit LCD panel with the display pattern shown in Figure 48.28 is connected to the segment signals (SEG00 to SEG23) and the common signals (COM0 to COM3). This example displays “123456.789012” in the LCD panel. The contents of the display data register correspond to this display.

The following description focuses on numeral “6.” (6.) displayed in the seventh digit. To display “6.” in the LCD panel, the select or deselect voltage must be applied to the SEG12 and SEG13 pins at the select timing of the common signals COM0 to COM3. See Figure 48.28 for the relationship between the segment signals and LCD segments.

Table 48.20 Example of select (1) and deselect (0) data (COM0 to COM3)

Common	Segment	
	SEG12	SEG13
COM0	Select	Select
COM1	Deselect	Select
COM2	Select	Select
COM3	Select	Select

According to Table 48.20, the display data register location that corresponds to SEG12 must contain “1101b”.

Figure 48.30 shows examples of LCD drive waveforms between the SEG12 signal and each common signal. When the select voltage is applied to SEG12 at the timing of COM0, an alternating rectangle waveform, +VLCD/-VLCD, is generated to turn on the associated LCD segment.

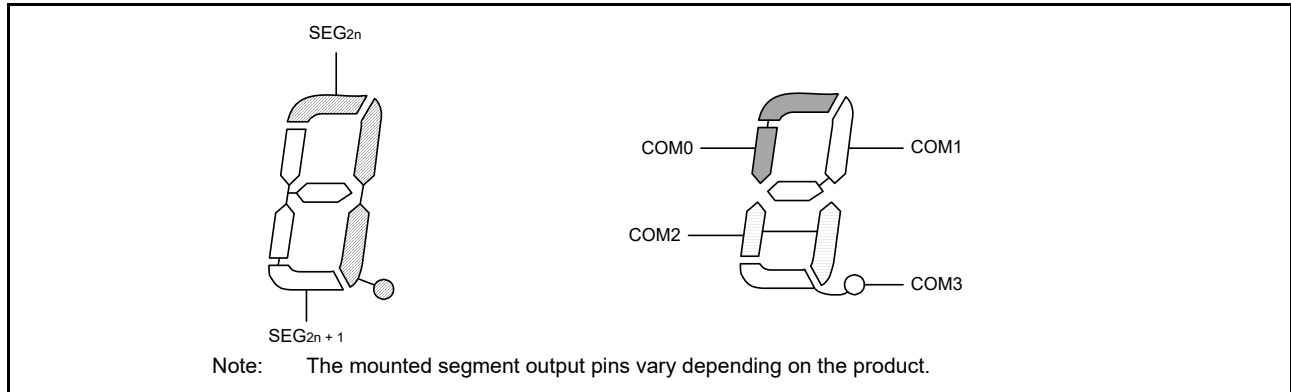


Figure 48.28 Four-time-slice LCD display pattern and electrode connections

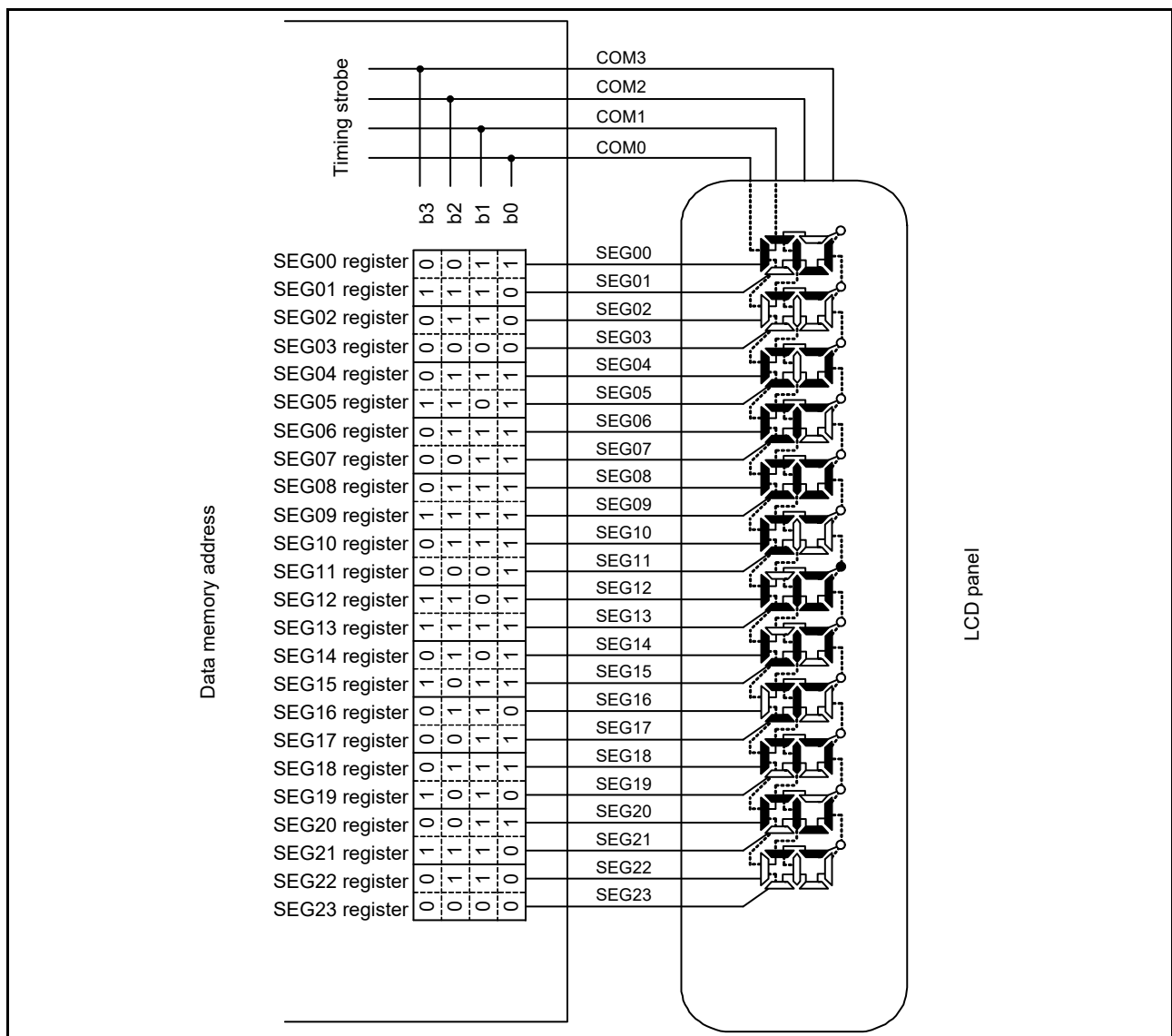


Figure 48.29 Example for connecting four-time-slice LCD panel

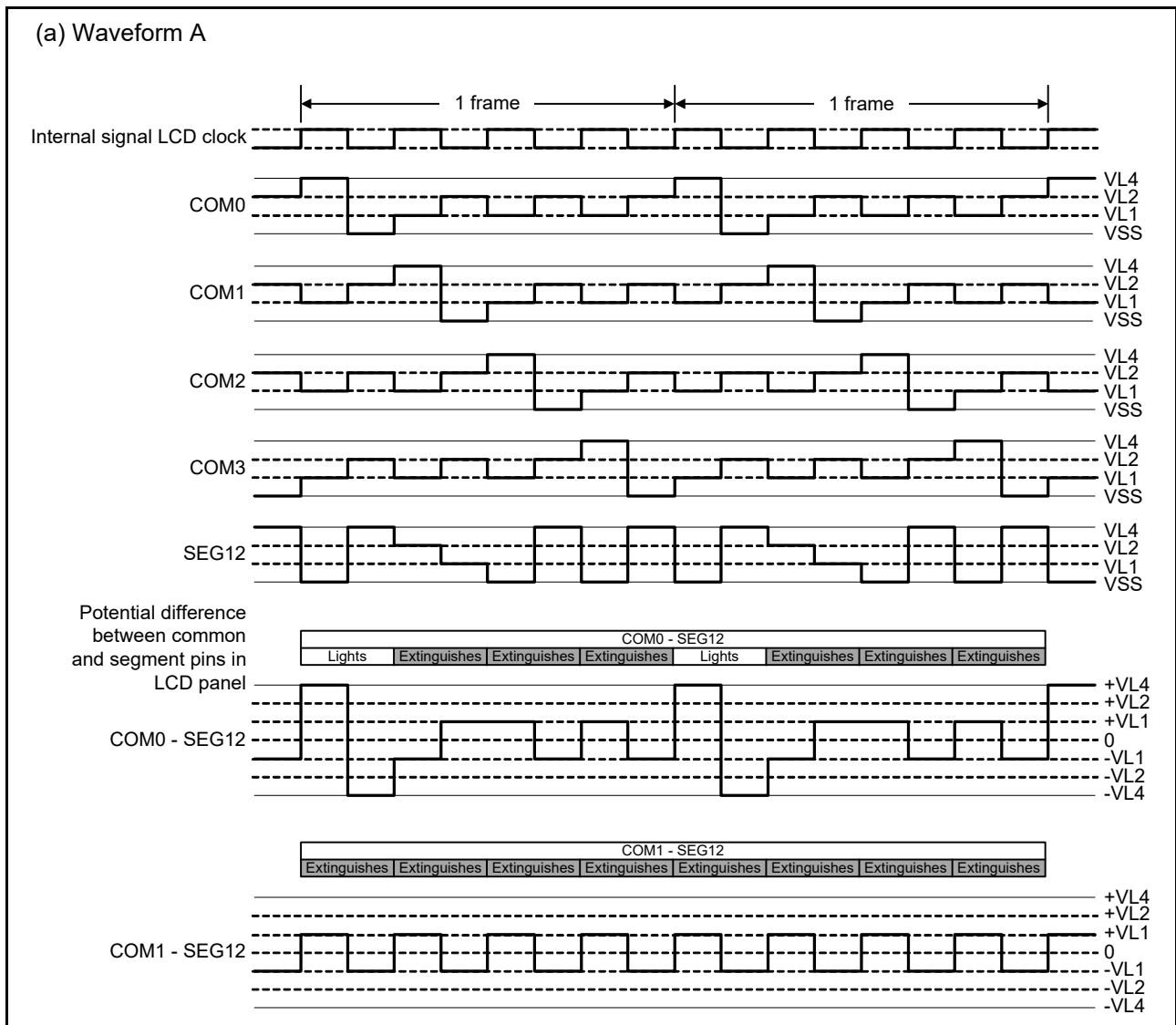


Figure 48.30 Four-time-slice LCD drive waveform examples between SEG12 and each common signal using 1/3 bias method (1 of 2)

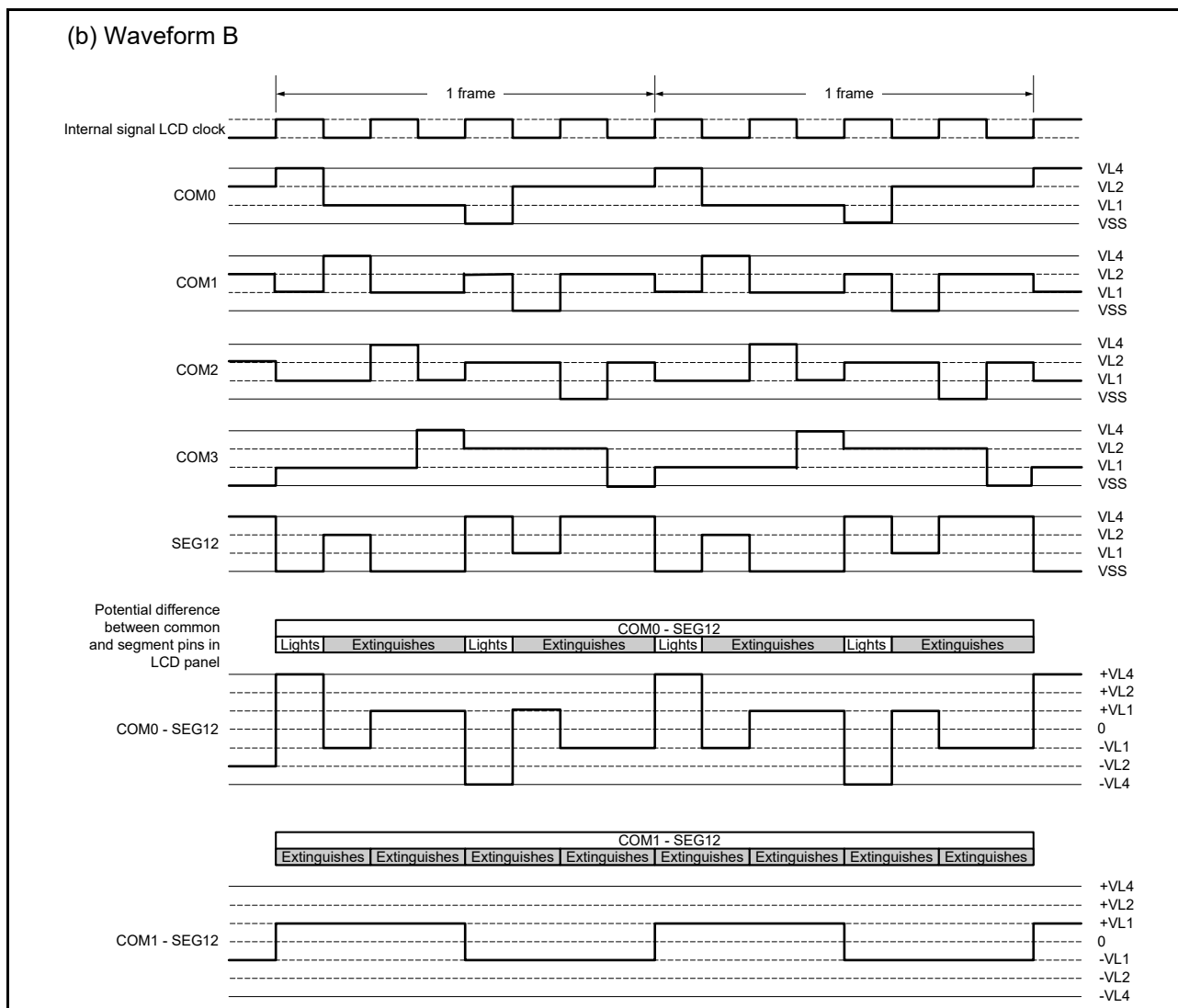


Figure 48.31 Four-time-slice LCD drive waveform examples between SEG12 and each common signal using 1/3 bias method (2 of 2)

48.9.5 Eight-Time-Slice Display Example

Figure 48.33 shows how a 15 × 8 dot LCD panel with the display pattern shown in Figure 48.32 is connected to the segment signals (SEG04 to SEG18) and the common signals (COM0 to COM7). This example displays “123” in the LCD panel. The contents of the display data register correspond to this display.

The following description is for the numeral “3” (3) displayed in the first digit. To display “3” in the LCD panel, the select or deselect voltage must be applied to the SEG04 to SEG08 pins at the select timing of the common signals COM0 to COM7. See Figure 48.32 for the relationship between the segment signals and LCD segments.

Table 48.21 Example of select (1) and deselect (0) data (COM0 to COM7) (1 of 2)

Common	Segment				
	SEG04	SEG05	SEG06	SEG07	SEG08
COM0	Select	Select	Select	Select	Select
COM1	Deselect	Select	Deselect	Deselect	Deselect
COM2	Deselect	Deselect	Select	Deselect	Deselect
COM3	Deselect	Select	Deselect	Deselect	Deselect
COM4	Select	Deselect	Deselect	Deselect	Deselect

Table 48.21 Example of select (1) and deselect (0) data (COM0 to COM7) (2 of 2)

Common	Segment				
	SEG04	SEG05	SEG06	SEG07	SEG08
COM5	Select	Deselect	Deselect	Deselect	Select
COM6	Deselect	Select	Select	Select	Deselect
COM7	Deselect	Deselect	Deselect	Deselect	Deselect

According to Table 48.21, the display data register location that corresponds to SEG04 must contain “00110001b”.

Figure 48.34 and Figure 48.35 show examples of LCD drive waveforms between the SEG04 signal and each common signal. When the select voltage is applied to SEG04 at the timing of COM0, a waveform is generated to turn on the associated LCD segment.

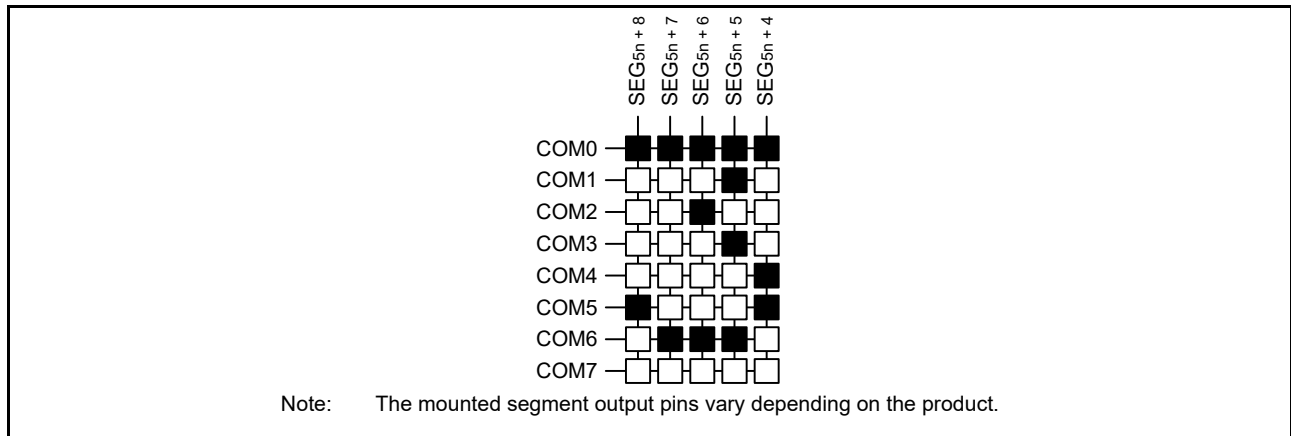


Figure 48.32 Eight-time-slice LCD display pattern and electrode connections

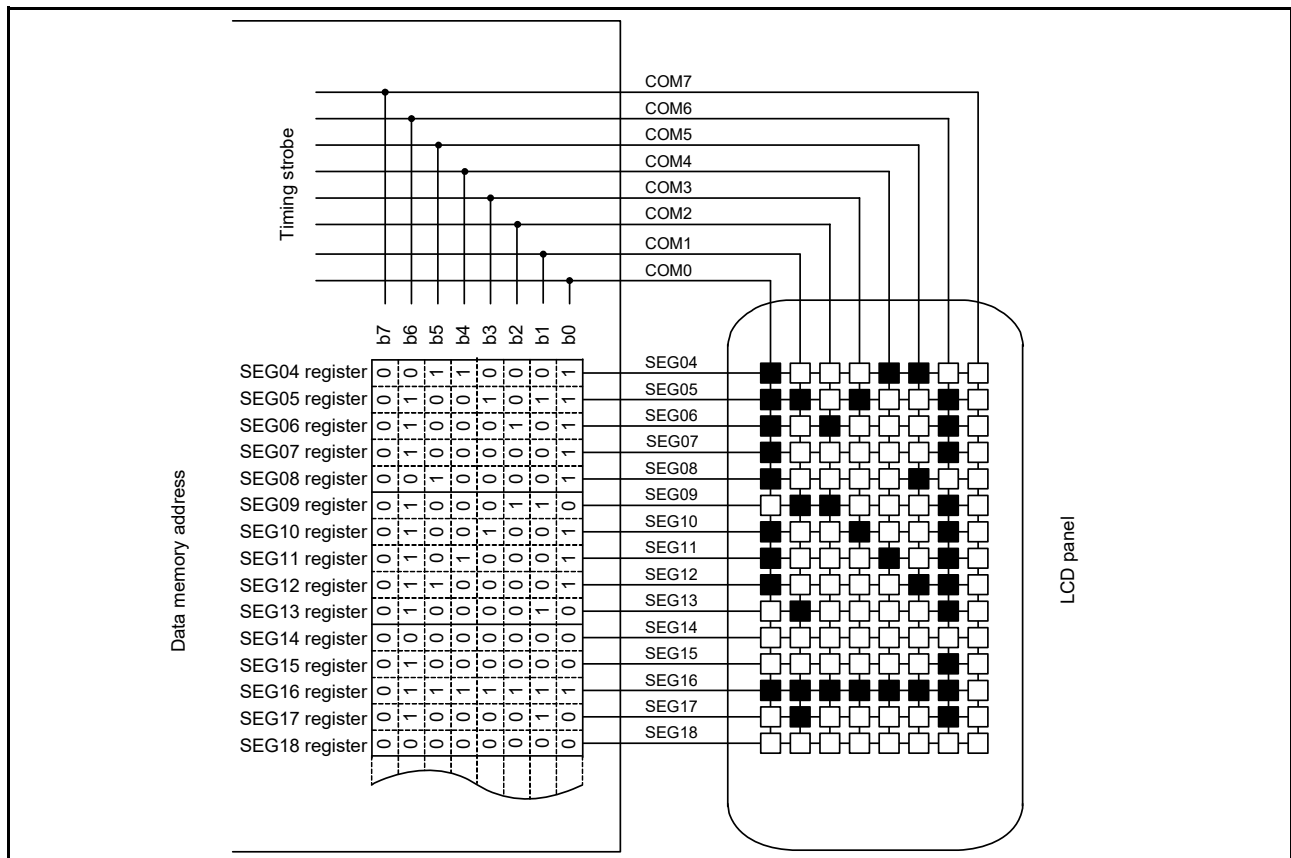


Figure 48.33 Example for connecting eight-time-slice LCD panel

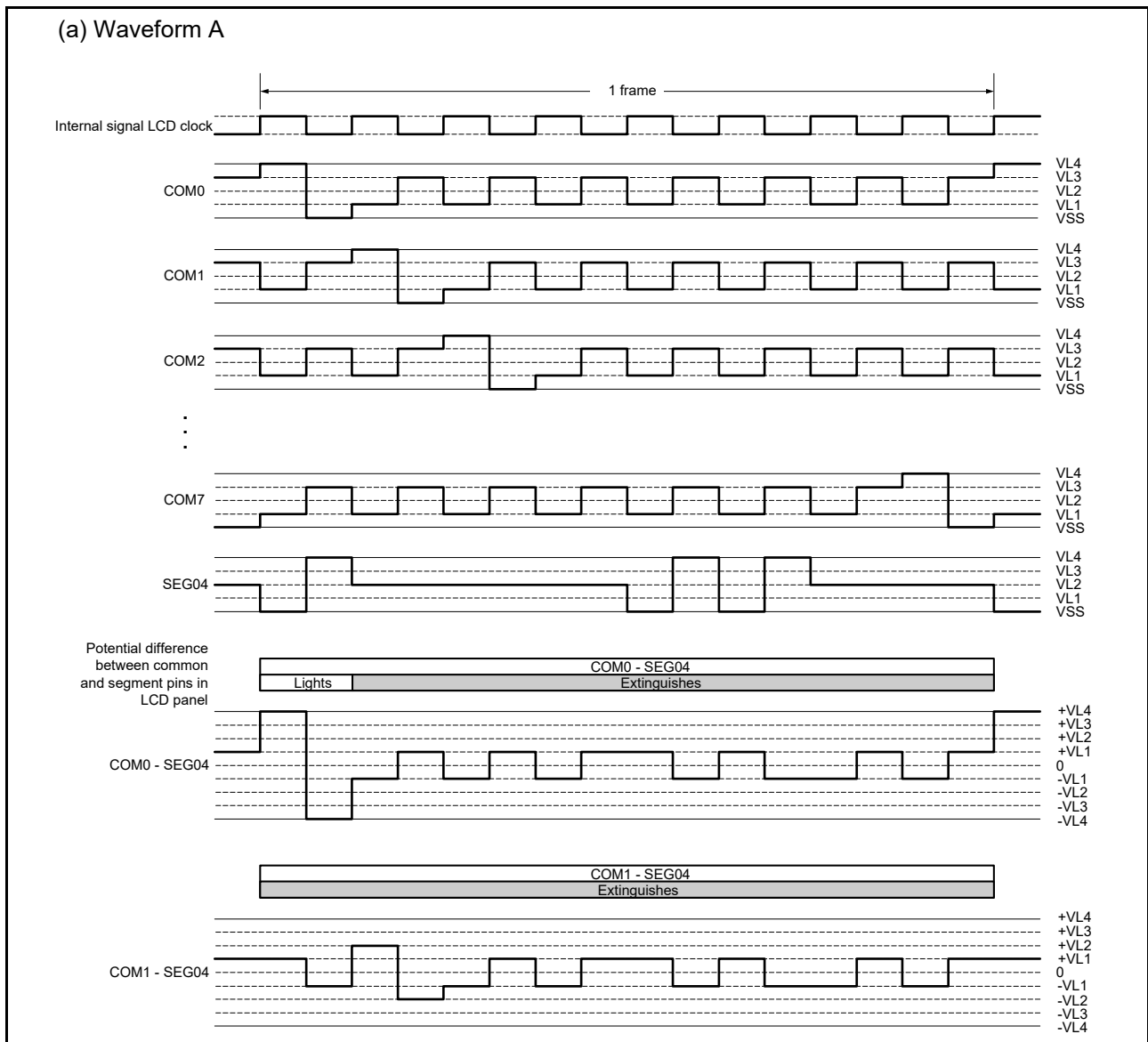


Figure 48.34 Eight-time-slice LCD drive waveform examples between SEG04 and each common signal using 1/4 bias method (1 of 2)

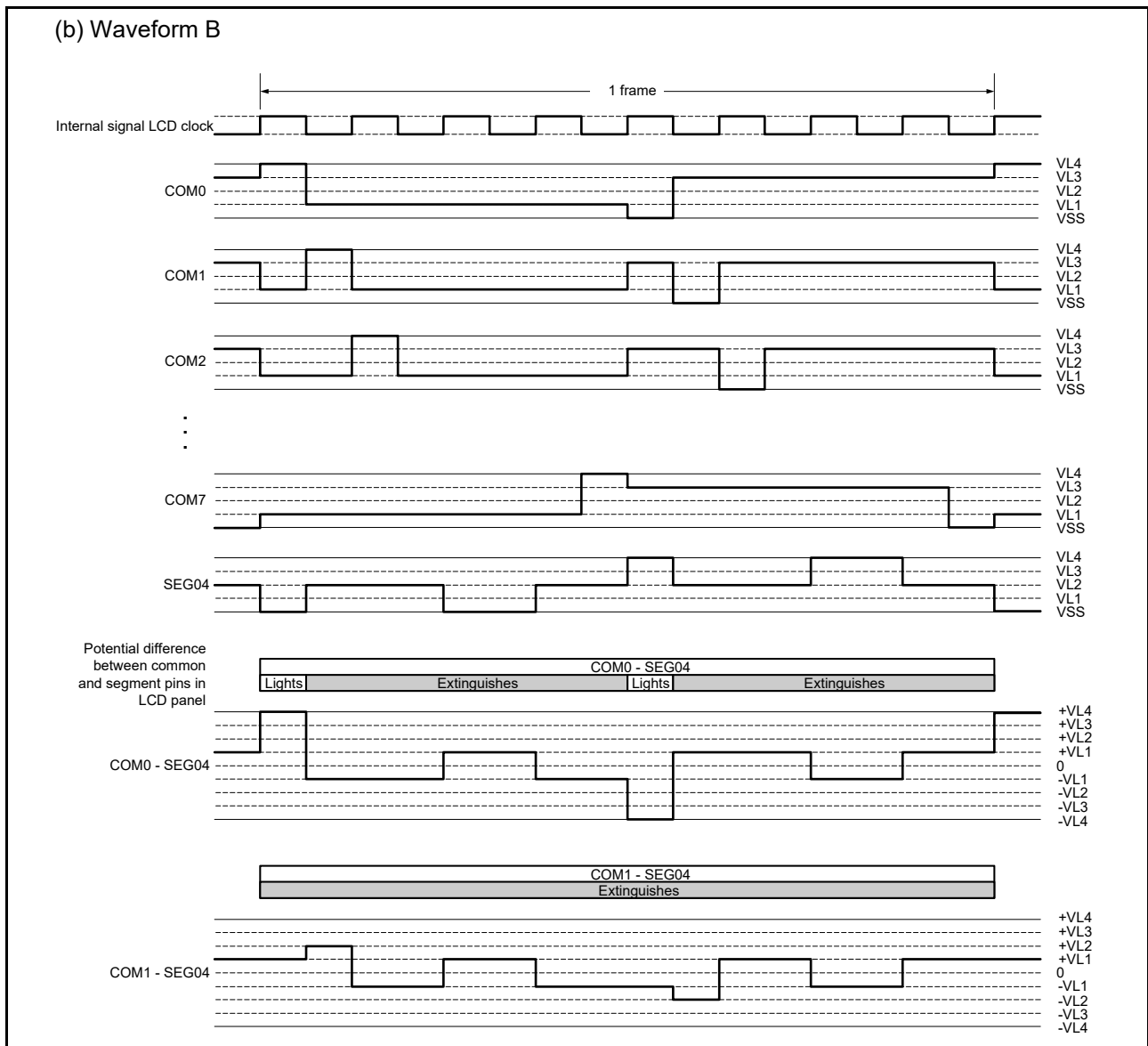


Figure 48.35 Eight-time-slice LCD drive waveform examples between SEG04 and each common signal using 1/4 bias method (2 of 2)

49. Secure Cryptographic Engine (SCE5)

49.1 Overview

The MCU incorporates a Secure Cryptographic Engine (SCE5) module to provide security functions. The module consists of an access management circuit, encryption engine, and random number generator. In combination with the Renesas Synergy Software Package (SSP) Crypto library, the SCE5 can prevent eavesdropping (confidentiality), falsification of information (integrity), and impersonation (authenticity).

The SCE5 module can only be used with the SSP Crypto library. For details, see the Crypto Framework and the SCE Crypto Driver sections in the *Renesas Synergy™ Software Package (SSP) User's Manual*.

[Table 49.1](#) shows the SCE5 specifications and [Figure 49.1](#) shows the SCE5 block diagram.

Table 49.1 SCE5 specifications

Item	Description
Access control	Access management circuit <ul style="list-style-type: none"> In case of irregular access to the SCE5 due to a falsified program or runaway execution of a program, this circuit blocks all subsequent accesses and stops the output of data from the SCE5.
Encryption engine	Advanced Encryption Standard (AES): Compliant with NIST FIPS PUB 197 algorithm <ul style="list-style-type: none"> Key sizes: 128 or 256 bits Block size: 128 bits Chaining modes <ul style="list-style-type: none"> ECB, CBC, CTR: Compliant with NIST SP 800-38A GCM: Compliant with NIST SP 800-38D XTS: Compliant with NIST SP 800-38E. GCTR Throughput for 128-bit data <ul style="list-style-type: none"> 44 PCLKA cycles for 128-bit key^{*1} 61 PCLKA cycles for 256-bit key^{*1}. AES-GCM <ul style="list-style-type: none"> AES-GCM is realized by combining AES-GCTR and GHASH. Key management <ul style="list-style-type: none"> Wrapped keys are only valid within the SCE5
Generation of random numbers	32-bit true random number generator
Unique ID	<ul style="list-style-type: none"> An ID unique to the MCU (unique ID) is accessible from the access management circuit through the dedicated bus Combining the unique ID with the key generation information prevents illicit copying of data to another MCU.
Privileged mode	<ul style="list-style-type: none"> The privileged mode access signal is connected to the access management circuit and is used to limit control of the SCE5 module to privileged mode only.
Low power consumption	Setting of the module-stop state is possible

Note 1. This does not include the overhead for calling functions of the SSP Crypto library.

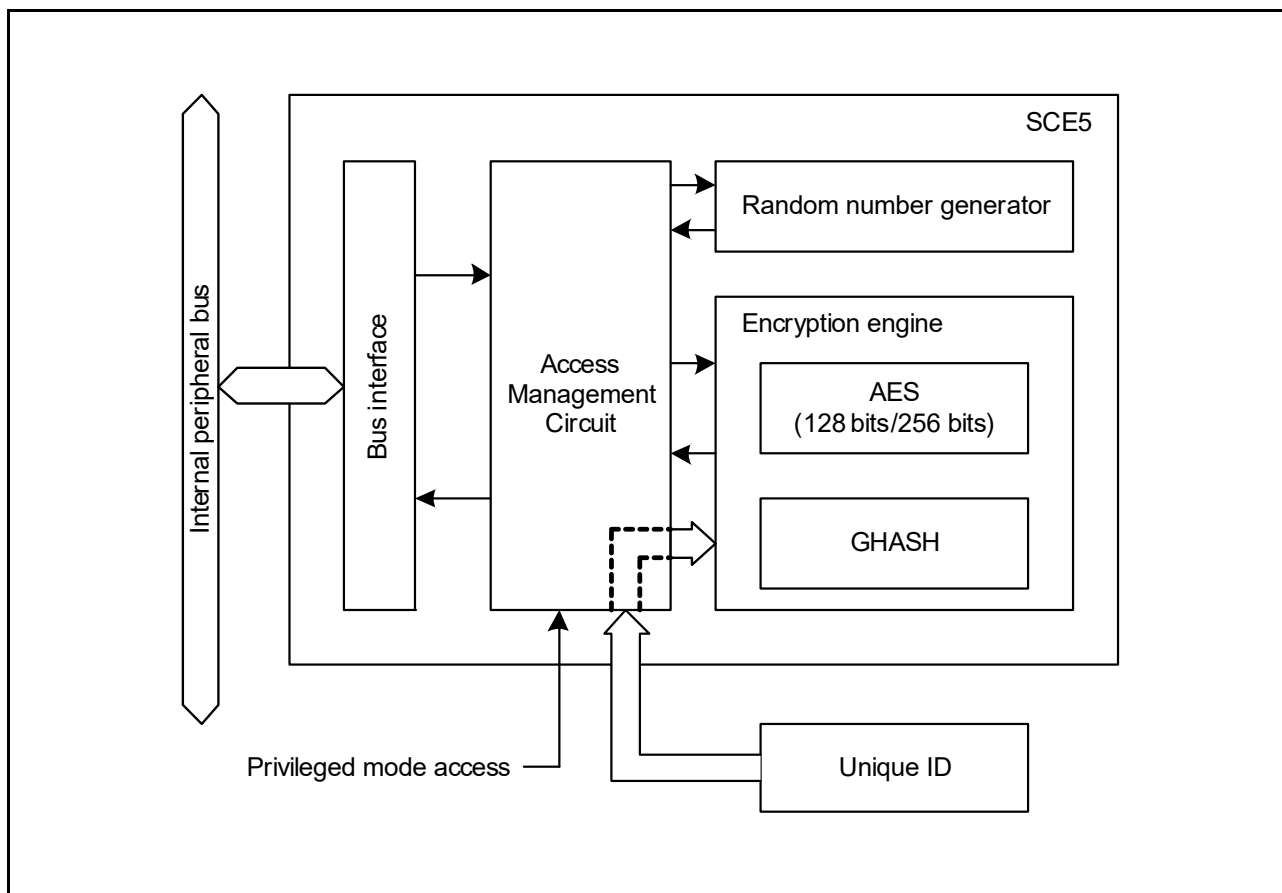


Figure 49.1 SCE5 block diagram

49.2 Operation

49.2.1 Encryption Engine

The encryption engine performs the following operation in hardware, as seen in [Figure 49.2](#):

- Plaintext to ciphertext encryption
- Ciphertext to plaintext decryption.

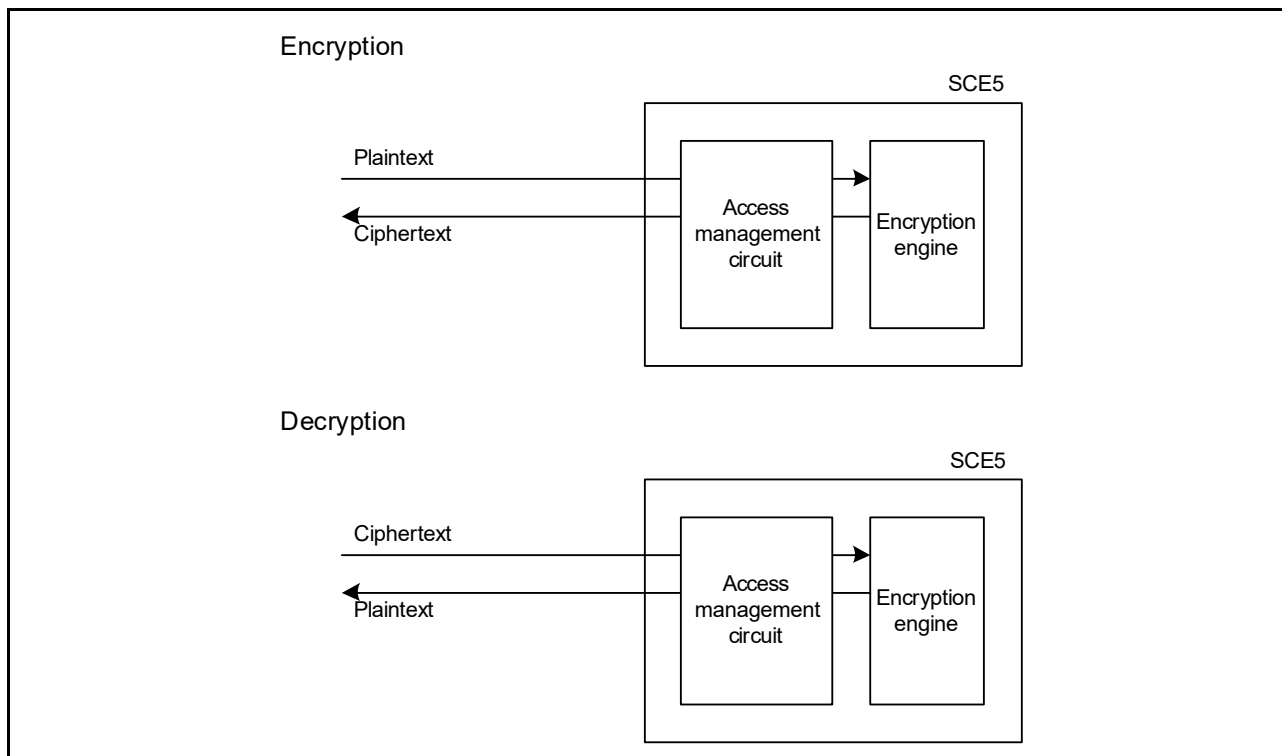


Figure 49.2 Encryption and decryption processes by encryption engine

49.2.2 Encryption and Decryption

To encrypt or decrypt data:

1. Input the data to encrypt or decrypt in the SCE5.
The SCE5 converts the plaintext data to ciphertext or ciphertext data to plaintext.
2. Read the converted data.

The encryption engine has an input buffer and an output buffer, enabling encryption/decryption to proceed in parallel with data input/output. Figure 49.3 shows the encryption engine timing.

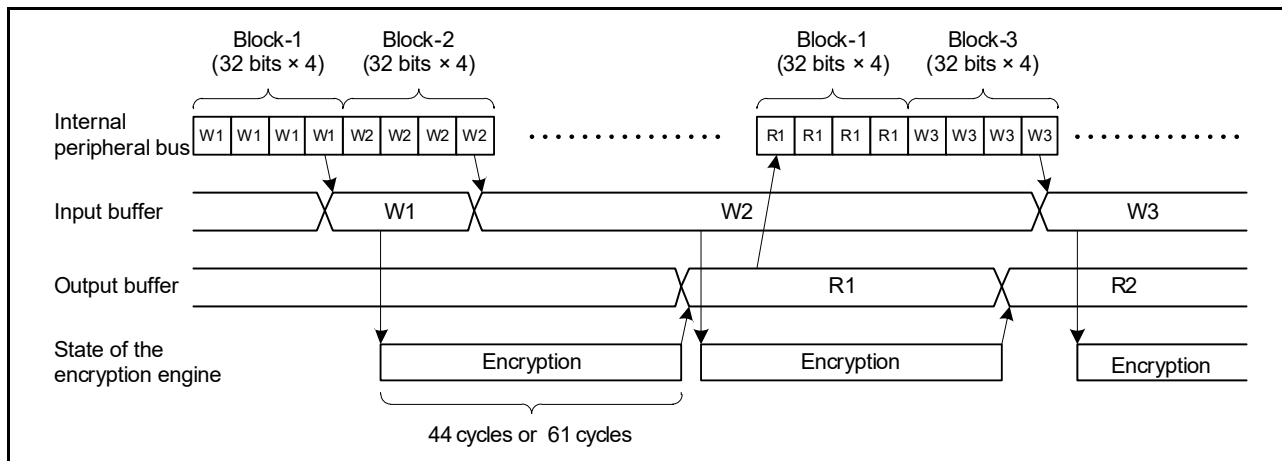


Figure 49.3 Encryption and decryption timing (AES)

49.3 Usage Notes

49.3.1 Software Standby Mode

If the MCU enters Software Standby mode while the encryption engine is processing, proper processing cannot be resumed after Software Standby mode is exited. Therefore, it is necessary to enter the Software Standby mode while the encryption engine is not running.

49.3.2 Settings for the Module-Stop Function

SCE5 operation can be disabled or enabled using Module Stop Control Register C (MSTPCRC). The SCE5 module is initially stopped after reset. Releasing the module-stop state enables access to the registers.

50. Internal Voltage Regulator

50.1 Overview

The MCU includes a linear regulator (LDO) that supplies voltage to the internal circuits and memory, except for I/O and the analog domain.

50.2 Operation

Table 50.1 lists the LDO mode pin settings, and Figure 50.1 shows the LDO mode settings. In LDO mode, the internal voltage is generated from VCC.

Table 50.1 LDO mode pin settings

Pin	Settings
All VCC pins	<ul style="list-style-type: none"> Connect each pin to the system power supply Connect each pin to VSS through a 0.1-μF multilayer ceramic capacitor. Place the capacitor close to the pin.
VCL pin	Connect each pin to VSS through a 4.7- μF multilayer ceramic capacitor. Place the capacitor close to the pin.

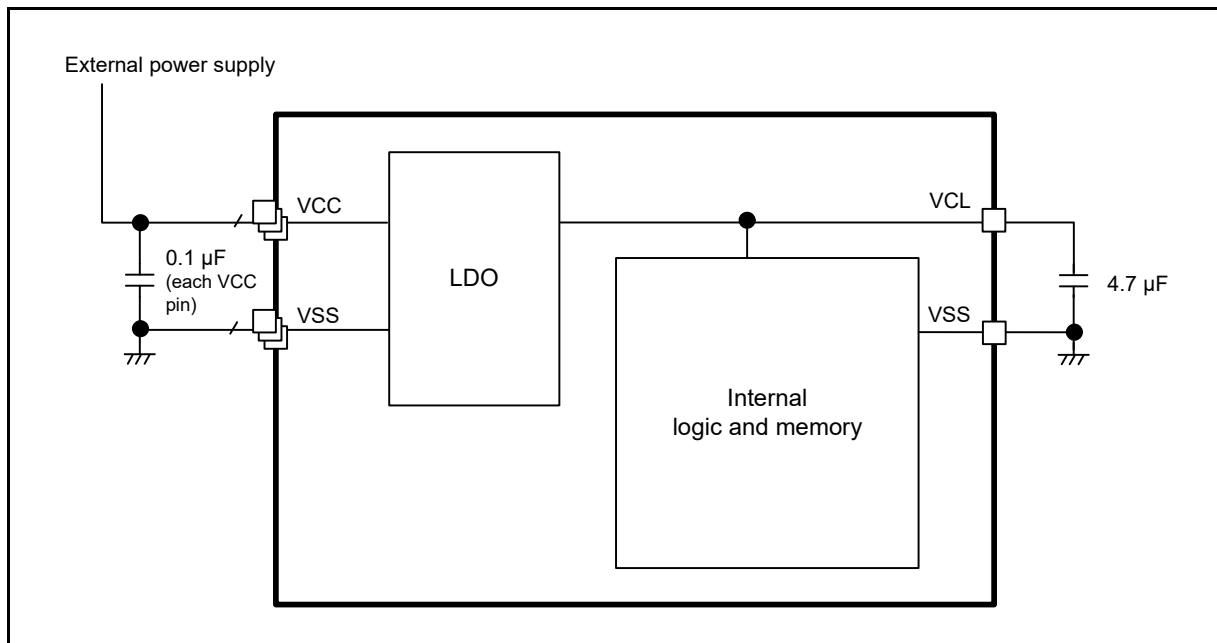


Figure 50.1 LDO mode settings

51. Electrical Characteristics

Unless otherwise specified, the electrical characteristics of the MCU are defined under the following conditions:

$VCC^{*1} = AVCC0 = VCC_USB^{*2} = VCC_USB_LDO^{*2} = 1.6$ to 5.5 V, $VREFH = VREFH0 = 1.6$ to $AVCC0$, $VBATT = 1.6$ to 3.6 V, $VSS = AVSS0 = VREFL = \bar{VREFL0} = VSS_USB = 0$ V, $T_a = T_{opr}$

Note 1. The typical condition is set to $VCC = 3.3$ V.

Note 2. When USBFS is not used.

Figure 51.1 shows the timing conditions.

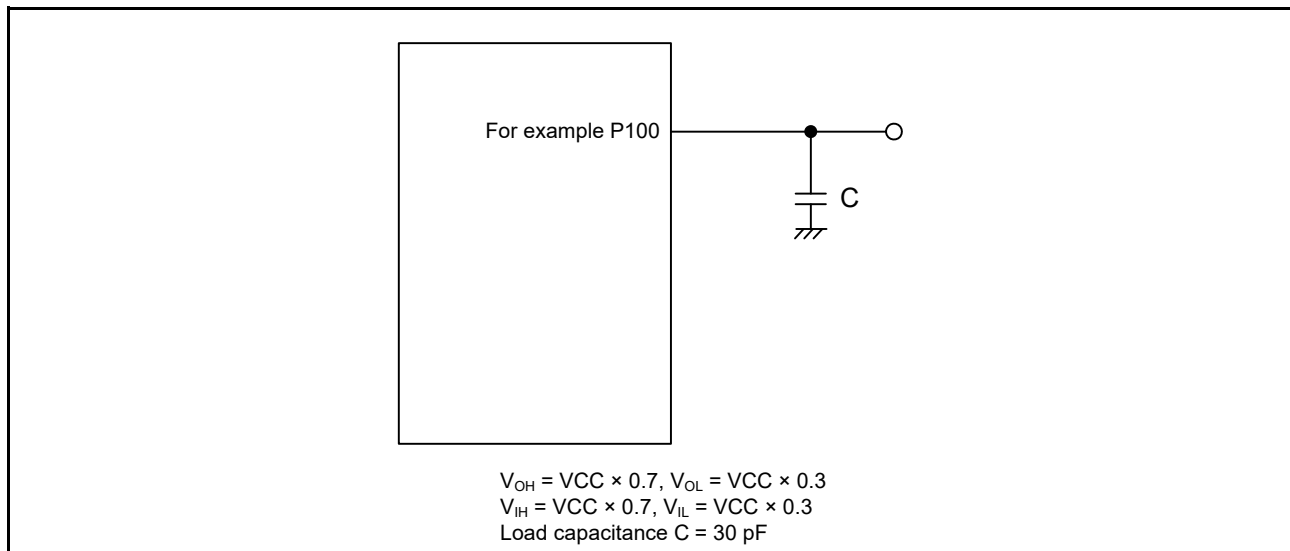


Figure 51.1 Input or output timing measurement conditions

The measurement conditions of timing specifications in each peripheral are recommended for the best peripheral operation. However, make sure to adjust driving abilities of each pin to meet your conditions.

Each function pin used for the same function must select the same drive ability. If the I/O drive ability of each function pin is mixed, the AC specification of each function is not guaranteed.

51.1 Absolute Maximum Ratings

Table 51.1 Absolute maximum ratings

Parameter	Symbol	Value	Unit
Power supply voltage	VCC	-0.5 to +6.5	V
Input voltage	5V-tolerant ports*1	V_{in}	-0.3 to +6.5
	P000 to P015	V_{in}	-0.3 to AVCC0 + 0.3
	Others	V_{in}	-0.3 to VCC + 0.3
Reference power supply voltage	VREFH0	-0.3 to +6.5	V
	VREFH		V
VBATT power supply voltage	VBATT	-0.5 to +6.5	V
Analog power supply voltage	AVCC0	-0.5 to +6.5	V
USB power supply voltage	VCC_USB	-0.5 to +6.5	V
	VCC_USB_LDO	-0.5 to +6.5	V
Analog input voltage	When AN000 to AN015 are used	V_{AN}	-0.3 to AVCC0 + 0.3
	When AN016 to AN027 are used		-0.3 to VCC + 0.3
LCD voltage	VL1 voltage	V_{L1}	-0.3 to +2.8
	VL2 voltage	V_{L2}	-0.3 to +6.5
	VL3 voltage	V_{L3}	-0.3 to +6.5
	VL4 voltage	V_{L4}	-0.3 to +6.5
Operating temperature*2, *3, *4	T_{opr}	-40 to +105	°C
		-40 to +85	°C
Storage temperature	T_{stg}	-55 to +125	°C

Note 1. Ports P205, P206, P400 to P404, P407, P408, P511, P512 are 5V-tolerant.

Note 2. See [section 51.2.1, Tj/Ta Definition](#).

Note 3. Contact Renesas Electronics sales office for information on derating operation under $T_a = +85^\circ\text{C}$ to $+105^\circ\text{C}$. Derating is the systematic reduction of load for improved reliability.

Note 4. The upper limit of operating temperature is 85°C or 105°C , depending on the product. For details, see [section 1.3, Part Numbering](#).

Caution: Permanent damage to the MCU may result if absolute maximum ratings are exceeded.

To preclude any malfunctions due to noise interference, insert capacitors with high frequency characteristics between the VCC and VSS pins, between the AVCC0 and AVSS0 pins, between the VCC_USB and VSS_USB pins, between the VREFH0 and VREFL0 pins, and between the VREFH and VREFL pins. Place capacitors of about 0.1 μF as close as possible to every power supply pin and use the shortest and heaviest possible traces. Also, connect capacitors as stabilization capacitance.

Connect the VCL pin to a VSS pin by a 4.7 μF capacitor. The capacitor must be placed close to the pin.

Do not input signals or an I/O pull-up power supply while the device is not powered. The current injection that results from input of such a signal or I/O pull-up might cause malfunction and the abnormal current that passes in the device at this time might cause degradation of internal elements.

Table 51.2 Recommended operating conditions

Parameter	Symbol	Value	Min	Typ	Max	Unit
Power supply voltages	VCC ^{*1, *2}	When USBFS is not used	1.6	-	5.5	V
		When USBFS is used USB Regulator Disable	VCC_USB	-	3.6	V
		When USBFS is used USB Regulator Enable	VCC_USB _LDO	-	5.5	V
	VSS	-	0	-	V	
USB power supply voltages	VCC_USB	When USBFS is not used	-	VCC	-	V
		When USBFS is used USB Regulator Disable (Input)	3.0	3.3	3.6	V
	VCC_USB_LDO	When USBFS is not used	-	VCC	-	V
		When USBFS is used USB Regulator Disable	-	VCC	-	V
		When USBFS is used USB Regulator Enable	3.8	-	5.5	V
	VSS_USB	-	0	-	V	
VBATT power supply voltage	VBATT	When the battery backup function is not used	-	VCC	-	V
		When the battery backup function is used	1.6	-	3.6	V
Analog power supply voltages	AVCC0 ^{*1, *2}		1.6	-	5.5	V
	AVSS0		-	0	-	V
	VREFH0	When used as ADC14 Reference	1.6	-	AVCC0	V
	VREFL0		-	0	-	V
	VREFH	When used as DAC12 Reference	1.6	-	AVCC0	V
	VREFL		-	0	-	V

Note 1. Use AVCC0 and VCC under the following conditions:

AVCC0 and VCC can be set individually within the operating range when $VCC \geq 2.2\text{ V}$ and $AVCC0 \geq 2.2\text{ V}$
 $AVCC0 = VCC$ when $VCC < 2.2\text{ V}$ or $AVCC0 < 2.2\text{ V}$.

Note 2. When powering on the VCC and AVCC0 pins, power them on at the same time or the VCC pin first and then the AVCC0 pin.

51.2 DC Characteristics

51.2.1 T_j/T_a Definition**Table 51.3 DC characteristics**Conditions: Products with operating temperature (T_a) -40 to +105°C

Parameter	Symbol	Typ	Max	Unit	Test conditions
Permissible junction temperature	T _j	-	125	°C	High-speed mode Middle-speed mode Low-voltage mode Low-speed mode Subosc-speed mode
			105*1		

Note: Make sure that $T_j = T_a + \theta_{ja} \times \text{total power consumption (W)}$, where total power consumption = $(V_{CC} - V_{OH}) \times \Sigma I_{OH} + V_{OL} \times \Sigma I_{OL} + I_{CCmax} \times V_{CC}$.

Note 1. The upper limit of operating temperature is 85°C or 105°C, depending on the product. For details, see [section 1.3, Part Numbering](#). If the part number shows the operation temperature at 85°C, then the maximum value of T_j is 105°C, otherwise, it is 125°C.

51.2.2 I/O V_{IH}, V_{IL}**Table 51.4 I/O V_{IH}, V_{IL} (1)**

Conditions: VCC = AVCC0 = VCC_USB = VCC_USB_LDO = 2.7 to 5.5 V, VBATT = 1.6 to 3.6 V, VSS = AVSS0 = 0 V

Parameter	Symbol	Min	Typ	Max	Unit	Test conditions	
Schmitt trigger input voltage	IIC*1 (except for SMBus)	V _{IH}	VCC × 0.7	-	5.8	V	-
		V _{IL}	-	-	VCC × 0.3		
		ΔV _T	VCC × 0.05	-	-		
	RES, NMI Other peripheral input pins excluding IIC	V _{IH}	VCC × 0.8	-	-		
		V _{IL}	-	-	VCC × 0.2		
		ΔV _T	VCC × 0.1	-	-		
Input voltage (except for Schmitt trigger input pin)	IIC (SMBus)*2	V _{IH}	2.2	-	-	VCC = 3.6 to 5.5 V	
		V _{IH}	2.0	-	-	VCC = 2.7 to 3.6 V	
		V _{IL}	-	-	0.8	-	
	5V-tolerant ports*3	V _{IH}	VCC × 0.8	-	5.8	-	
		V _{IL}	-	-	VCC × 0.2		
	P914, P915	V _{IH}	VCC_USB × 0.8	-	VCC_USB + 0.3		
		V _{IL}	-	-	VCC_USB × 0.2		
	P000 to P015	V _{IH}	AVCC0 × 0.8	-	-		
		V _{IL}	-	-	AVCC0 × 0.2		
	EXTAL D00 to D15 Input ports pins except for P000 to P015, P914, P915	V _{IH}	VCC × 0.8	-	-		
		V _{IL}	-	-	VCC × 0.2		
	When V _{BATT} power supply is selected	P402, P403, P404	V _{IH}	V _{BATT} × 0.8	-		V _{BATT} + 0.3
V _{IL}			-	-	V _{BATT} × 0.2		
ΔV _T			V _{BATT} × 0.05	-	-		

Note 1. P205, P206, P400, P401, P407, P408, P511, P512 (total 8 pins).

Note 2. P100, P101, P204, P205, P206, P400, P401, P407, P408, P511, P512 (total 11 pins).

Note 3. P205, P206, P400 to P404, P407, P408, P511, P512 (total 11 pins).

Table 51.5 I/O V_{IH} , V_{IL} (2)Conditions: $V_{CC} = AV_{CC0} = V_{CC_USB} = V_{CC_USB_LDO} = 1.6$ to 2.7 V, $V_{BATT} = 1.6$ to 3.6 V, $V_{SS} = AV_{SS0} = 0$ V

Parameter		Symbol	Min	Typ	Max	Unit	Test conditions
Schmitt trigger input voltage	RES, NMI Peripheral input pins	V_{IH}	$V_{CC} \times 0.8$	-	-	V	-
		V_{IL}	-	-	$V_{CC} \times 0.2$		
		ΔV_T	$V_{CC} \times 0.01$	-	-		
Input voltage (except for Schmitt trigger input pin)	5V-tolerant ports*1	V_{IH}	$V_{CC} \times 0.8$	-	5.8		
		V_{IL}	-	-	$V_{CC} \times 0.2$		
	P914, P915	V_{IH}	$V_{CC_USB} \times 0.8$	-	$V_{CC_USB} + 0.3$		
		V_{IL}	-	-	$V_{CC_USB} \times 0.2$		
	P000 to P015	V_{IH}	$AV_{CC0} \times 0.8$	-	-		
		V_{IL}	-	-	$AV_{CC0} \times 0.2$		
	EXTAL D00 to D15 Input ports pins except for P000 to P015, P914, P915	V_{IH}	$V_{CC} \times 0.8$	-	-		
		V_{IL}	-	-	$V_{CC} \times 0.2$		
When V_{BATT} power supply is selected	P402, P403, P404	V_{IH}	$V_{BATT} \times 0.8$	-	$V_{BATT} + 0.3$		
		V_{IL}	-	-	$V_{BATT} \times 0.2$		
		ΔV_T	$V_{BATT} \times 0.01$	-	-		

Note 1. P205, P206, P400 to P404, P407, P408, P511, P512 (total 11 pins)

51.2.3 I/O I_{OH} , I_{OL} **Table 51.6** I/O I_{OH} , I_{OL} (1 of 2)

Conditions: VCC = AVCC0 = VCC_USB = VCC_USB_LCO = 1.6 to 5.5 V

Parameter			Symbol	Min	Typ	Max	Unit	
Permissible output current (average value per pin)	Ports P212, P213	-	I_{OH}	-	-	-4.0	mA	
			I_{OL}	-	-	4.0	mA	
	Port P408	Low drive*1		I_{OH}	-	-	-4.0	mA
				I_{OL}	-	-	4.0	mA
		Middle drive for IIC Fast-mode*4 VCC = 2.7 to 5.5 V		I_{OH}	-	-	-8.0	mA
				I_{OL}	-	-	8.0	mA
		Middle drive*2 VCC = 3.0 to 5.5 V		I_{OH}	-	-	-20.0	mA
				I_{OL}	-	-	20.0	mA
	Port P409	Low drive*1		I_{OH}	-	-	-4.0	mA
				I_{OL}	-	-	4.0	mA
		Middle drive*2 VCC = 2.7 to 3.0 V		I_{OH}	-	-	-8.0	mA
				I_{OL}	-	-	8.0	mA
		Middle drive*2 VCC = 3.0 to 5.5 V		I_{OH}	-	-	-20.0	mA
				I_{OL}	-	-	20.0	mA
	Ports P100 to P115, P201 to P204, P300 to P315, P500 to P503, P600 to P606, P608 to P614, P800 to P809, P900 to P902 (total 67 pins)	Low drive*1		I_{OH}	-	-	-4.0	mA
				I_{OL}	-	-	4.0	mA
		Middle drive*2		I_{OH}	-	-	-4.0	mA
				I_{OL}	-	-	8.0	mA
	Ports P914, P915	-		I_{OH}	-	-	-4.0	mA
				I_{OL}	-	-	4.0	mA
Other output pin*3	Low drive*1		I_{OH}	-	-	-4.0	mA	
			I_{OL}	-	-	4.0	mA	
	Middle drive*2		I_{OH}	-	-	-8.0	mA	
			I_{OL}	-	-	8.0	mA	

Table 51.6 I/O I_{OH} , I_{OL} (2 of 2)Conditions: $V_{CC} = AV_{CC0} = V_{CC_USB} = V_{CC_USB_LCO} = 1.6$ to 5.5 V

Parameter			Symbol	Min	Typ	Max	Unit
Permissible output current (Max value per pin)	Ports P212, P213	-	I_{OH}	-	-	-4.0	mA
			I_{OL}	-	-	4.0	mA
	Port P408	Low drive*1	I_{OH}	-	-	-4.0	mA
			I_{OL}	-	-	4.0	mA
		Middle drive for IIC Fast-mode*4 $V_{CC} = 2.7$ to 5.5 V	I_{OH}	-	-	-8.0	mA
			I_{OL}	-	-	8.0	mA
		Middle drive*2 $V_{CC} = 3.0$ to 5.5 V	I_{OH}	-	-	-20.0	mA
			I_{OL}	-	-	20.0	mA
	Port P409	Low drive*1	I_{OH}	-	-	-4.0	mA
			I_{OL}	-	-	4.0	mA
		Middle drive*2 $V_{CC} = 2.7$ to 3.0 V	I_{OH}	-	-	-8.0	mA
			I_{OL}	-	-	8.0	mA
		Middle drive*2 $V_{CC} = 3.0$ to 5.5 V	I_{OH}	-	-	-20.0	mA
			I_{OL}	-	-	20.0	mA
	Ports P100 to P115, P201 to P204, P300 to P315, P500 to P503, P600 to P606, P608 to P614, P800 to P809, P900 to P902 (total 67 pins)	Low drive*1	I_{OH}	-	-	-4.0	mA
			I_{OL}	-	-	4.0	mA
		Middle drive*2	I_{OH}	-	-	-4.0	mA
			I_{OL}	-	-	8.0	mA
	Ports P914, P915	-	I_{OH}	-	-	-4.0	mA
			I_{OL}	-	-	4.0	mA
Other output pin*3	Low drive*1	I_{OH}	-	-	-4.0	mA	
		I_{OL}	-	-	4.0	mA	
	Middle drive*2	I_{OH}	-	-	-8.0	mA	
		I_{OL}	-	-	8.0	mA	
Permissible output current (max value total pins)	Total of ports P000 to P015		$\Sigma I_{OH} \text{ (max)}$	-	-	-30	mA
			$\Sigma I_{OL} \text{ (max)}$	-	-	30	mA
	Ports P914, P915		$\Sigma I_{OH} \text{ (max)}$	-	-	-4.0	mA
			$\Sigma I_{OL} \text{ (min)}$	-	-	4.0	mA
	Total of all output pin*5		$\Sigma I_{OH} \text{ (max)}$	-	-	-60	mA
			$\Sigma I_{OL} \text{ (max)}$	-	-	60	mA

Caution: To protect the reliability of the MCU, the output current values should not exceed the values in this table. The average output current indicates the average value of current measured during 100 μ s.

Note 1. This is the value when low driving ability is selected with the Port Drive Capability bit in PmnPFS register.

Note 2. This is the value when middle driving ability is selected with the Port Drive Capability bit in PmnPFS register.

Note 3. Except for ports P200, P214, P215, which are input ports.

Note 4. This is the value when middle driving ability for IIC Fast-mode is selected with the Port Drive Capability bit in PmnPFS register.

Note 5. For details on the permissible output current used with CTSU, see [section 51.11, CTSU Characteristics](#).

51.2.4 I/O V_{OH} , V_{OL} , and Other Characteristics**Table 51.7** I/O V_{OH} , V_{OL} (1)Conditions: $V_{CC} = AV_{CC0} = V_{CC_USB} = V_{CC_USB_LCO} = 4.0$ to 5.5 V

Parameter		Symbol	Min	Typ	Max	Unit	Test conditions	
Output voltage	IIC*1	V_{OL}	-	-	0.4	V	$I_{OL} = 3.0$ mA	
		$V_{OL}^{*2, *5}$	-	-	0.6		$I_{OL} = 6.0$ mA	
	Ports P408, P409*2, *3	V_{OH}	$V_{CC} - 1.0$	-	-		$I_{OH} = -2.0$ mA	
		V_{OL}	-	-	1.0		$I_{OL} = 20$ mA	
	Ports P000 to P015	Low drive	V_{OH}	$AV_{CC0} - 0.8$	-		-	$I_{OH} = -2.0$ mA
			V_{OL}	-	-		0.8	$I_{OL} = 2.0$ mA
		Middle drive	V_{OH}	$AV_{CC0} - 0.8$	-		-	$I_{OH} = -4.0$ mA
			V_{OL}	-	-		0.8	$I_{OL} = 4.0$ mA
	Ports P914, P915	V_{OH}	$V_{CC_USB} - 0.8$	-	-		$I_{OH} = -2.0$ mA	
		V_{OL}	-	-	0.8		$I_{OL} = 2.0$ mA	
	Other output pins*4	Low drive	V_{OH}	$V_{CC} - 0.8$	-		-	$I_{OH} = -2.0$ mA
			V_{OL}	-	-		0.8	$I_{OL} = 2.0$ mA
		Middle drive*6	V_{OH}	$V_{CC} - 0.8$	-		-	$I_{OH} = -4.0$ mA
			V_{OL}	-	-		0.8	$I_{OL} = 4.0$ mA

Note 1. P100, P101, P204, P205, P206, P400, P401, P407, P408, P511, P512 (total 11 pins).

Note 2. This is the value when middle driving ability is selected with the Port Drive Capability bit in PmnPFS register.

Note 3. Based on characterization data, not tested in production.

Note 4. Except for ports P200, P214, P215, which are input ports.

Note 5. This is the value when middle driving ability for IIC is selected with the Port Drive Capability bit in PmnPFS register for P408.

Note 6. Except for P212, P213.

Table 51.8 I/O V_{OH} , V_{OL} (2)Conditions: $V_{CC} = AV_{CC0} = V_{CC_USB} = V_{CC_USB_LCO} = 2.7$ to 4.0 V

Parameter		Symbol	Min	Typ	Max	Unit	Test conditions	
Output voltage	IIC*1	V_{OL}	-	-	0.4	V	$I_{OL} = 3.0$ mA	
		$V_{OL}^{*2, *5}$	-	-	0.6		$I_{OL} = 6.0$ mA	
	Ports P408, P409*2, *3	V_{OH}	$V_{CC} - 1.0$	-	-		$I_{OH} = -2.0$ mA $V_{CC} = 3.3$ V	
		V_{OL}	-	-	1.0		$I_{OL} = 20$ mA $V_{CC} = 3.3$ V	
	Ports P000 to P015	Low drive	V_{OH}	$AV_{CC0} - 0.5$	-		-	$I_{OH} = -1.0$ mA
			V_{OL}	-	-		0.5	$I_{OL} = 1.0$ mA
		Middle drive	V_{OH}	$AV_{CC0} - 0.5$	-		-	$I_{OH} = -2.0$ mA
			V_{OL}	-	-		0.5	$I_{OL} = 2.0$ mA
	Ports P914, P915	V_{OH}	$V_{CC_USB} - 0.5$	-	-		$I_{OH} = -1.0$ mA	
		V_{OL}	-	-	0.5		$I_{OL} = 1.0$ mA	
	Other output pins*4	Low drive	V_{OH}	$V_{CC} - 0.5$	-		-	$I_{OH} = -1.0$ mA
			V_{OL}	-	-		0.5	$I_{OL} = 1.0$ mA
		Middle drive*6	V_{OH}	$V_{CC} - 0.5$	-		-	$I_{OH} = -2.0$ mA
			V_{OL}	-	-		0.5	$I_{OL} = 2.0$ mA

Note 1. P100, P101, P204, P205, P206, P400, P401, P407, P408, P511, P512 (total 11 pins).

Note 2. This is the value when middle driving ability is selected with the Port Drive Capability bit in PmnPFS register.

Note 3. Based on characterization data, not tested in production.

Note 4. Except for ports P200, P214, P215, which are input ports.

Note 5. This is the value when middle driving ability for IIC is selected with the Port Drive Capability bit in PmnPFS register for P408.

Note 6. Except for P212, P213.

Table 51.9 I/O V_{OH} , V_{OL} (3)Conditions: $VCC = AVCC0 = VCC_{USB} = VCC_{USB_LCO} = 1.6$ to 2.7 V

Parameter			Symbol	Min	Typ	Max	Unit	Test conditions
Output voltage	Ports P000 to P015	Low drive	V_{OH}	$AVCC0 - 0.3$	-	-	V	$I_{OH} = -0.5$ mA
			V_{OL}	-	-	0.3		$I_{OL} = 0.5$ mA
		Middle drive	V_{OH}	$AVCC0 - 0.3$	-	-		$I_{OH} = -1.0$ mA
			V_{OL}	-	-	0.3		$I_{OL} = 1.0$ mA
	Ports P914, P915	V_{OH}	$VCC_{USB} - 0.3$	-	-	$I_{OH} = -0.5$ mA		
		V_{OL}	-	-	0.3	$I_{OL} = 0.5$ mA		
	Other output pins*1	Low drive	V_{OH}	$VCC - 0.3$	-	-		$I_{OH} = -0.5$ mA
			V_{OL}	-	-	0.3		$I_{OL} = 0.5$ mA
Middle drive*2		V_{OH}	$VCC - 0.3$	-	-	$I_{OH} = -1.0$ mA		
		V_{OL}	-	-	0.3	$I_{OL} = 1.0$ mA		

Note 1. Except for ports P200, P214, P215, which are input ports.

Note 2. Except for P212, P213.

Table 51.10 I/O other characteristicsConditions: $VCC = AVCC0 = 1.6$ to 5.5 V

Parameter		Symbol	Min	Typ	Max	Unit	Test conditions
Input leakage current	RES, P200, P214, P215	$ I_{in} $	-	-	1.0	μ A	$V_{in} = 0$ V $V_{in} = VCC$
Three-state leakage current (off state)	5V-tolerant ports	$ I_{TSI} $	-	-	1.0	μ A	$V_{in} = 0$ V $V_{in} = 5.8$ V
	Other ports (except for ports P200, P214, P215 and 5 V tolerant)		-	-	1.0		$V_{in} = 0$ V $V_{in} = VCC$
Input pull-up resistor	All ports (except for ports P200, P214, P215, P914, P915)	R_U	10	20	50	k Ω	$V_{in} = 0$ V
Input capacitance	P914, P915, P100 to P103, P111, P112, P200	C_{in}	-	-	30	pF	$V_{in} = 0$ V $f = 1$ MHz $T_a = 25^\circ$ C
	Other input pins		-	-	15		

51.2.5 I/O Pin Output Characteristics of Low Drive Capacity

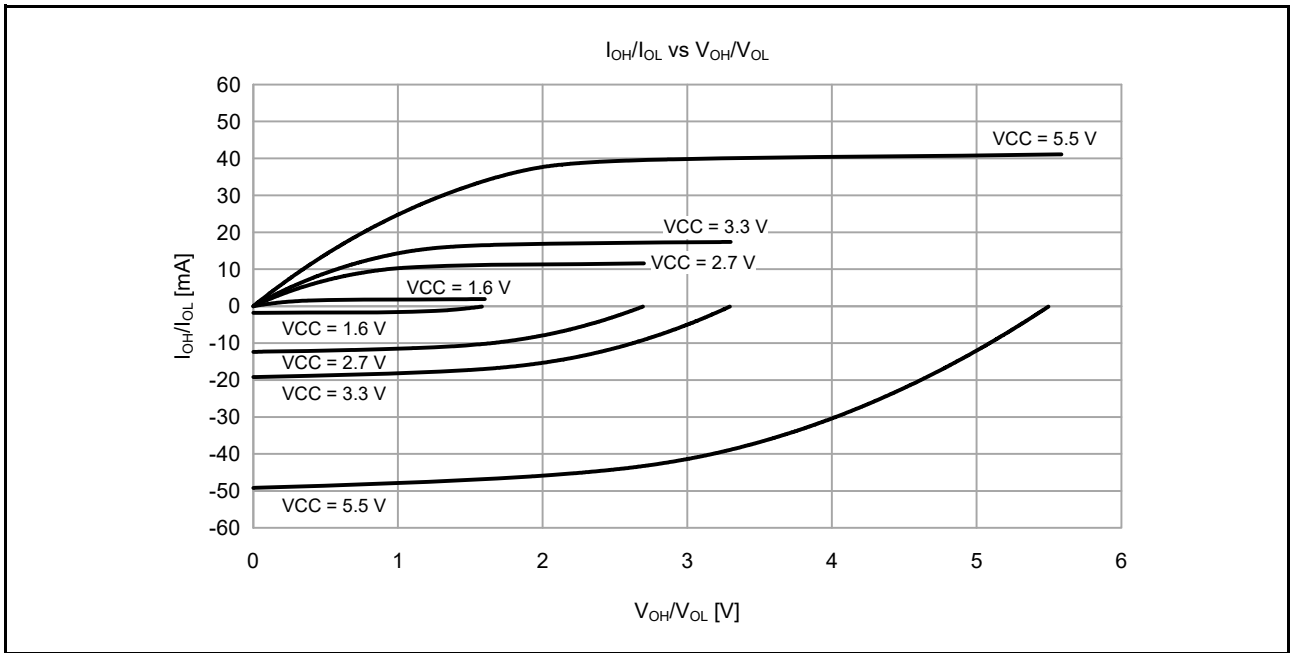


Figure 51.2 V_{OH}/V_{OL} and I_{OH}/I_{OL} voltage characteristics at $T_a = 25^\circ\text{C}$ when low drive output is selected (reference data)

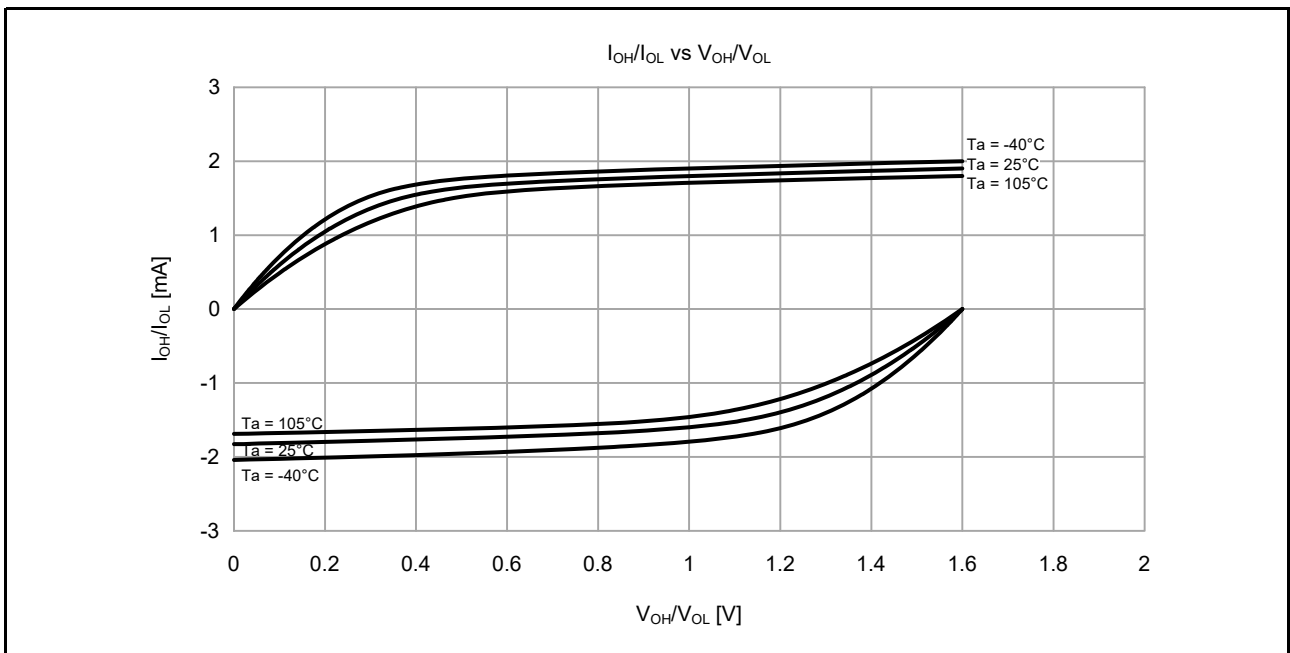


Figure 51.3 V_{OH}/V_{OL} and I_{OH}/I_{OL} temperature characteristics at $V_{CC} = 1.6\text{ V}$ when low drive output is selected (reference data)

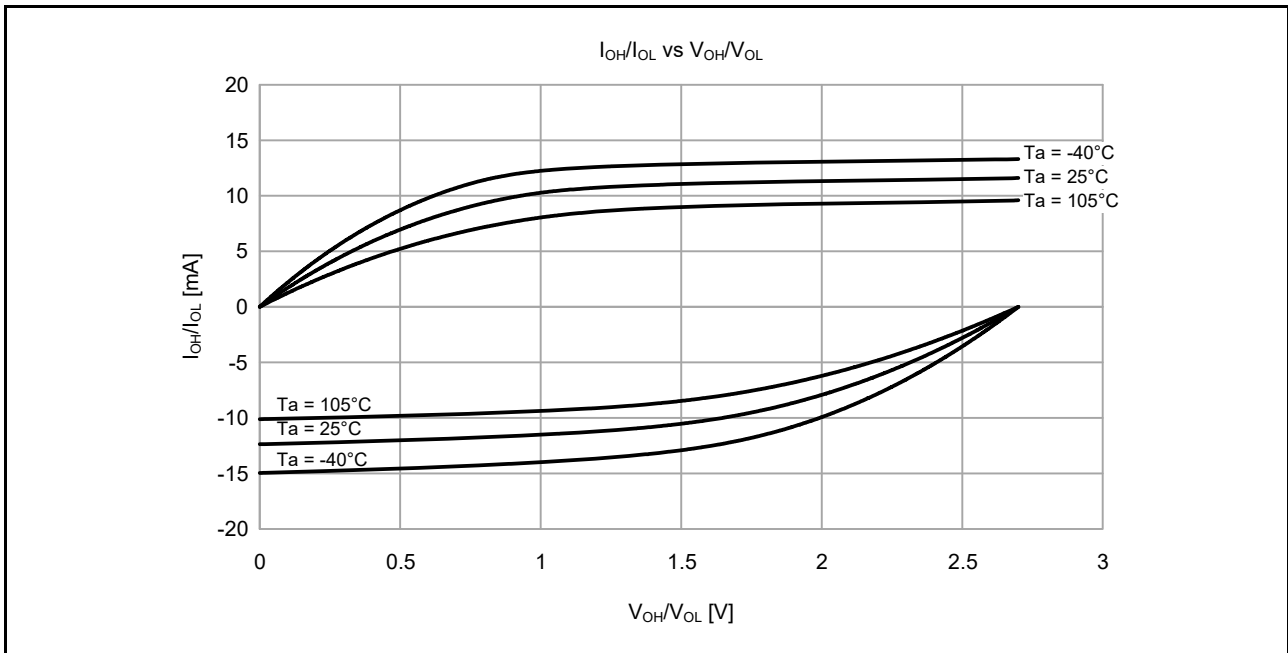


Figure 51.4 V_{OH}/V_{OL} and I_{OH}/I_{OL} temperature characteristics at $V_{CC} = 2.7$ V when low drive output is selected (reference data)

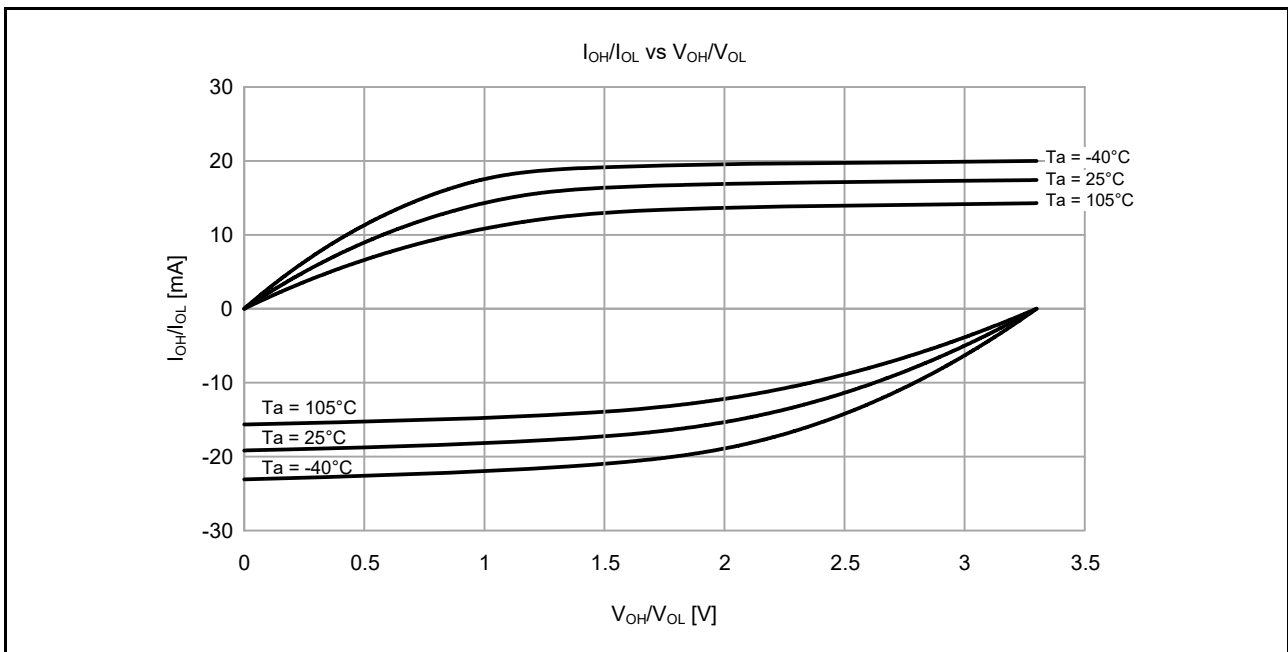


Figure 51.5 V_{OH}/V_{OL} and I_{OH}/I_{OL} temperature characteristics at $V_{CC} = 3.3$ V when low drive output is selected (reference data)

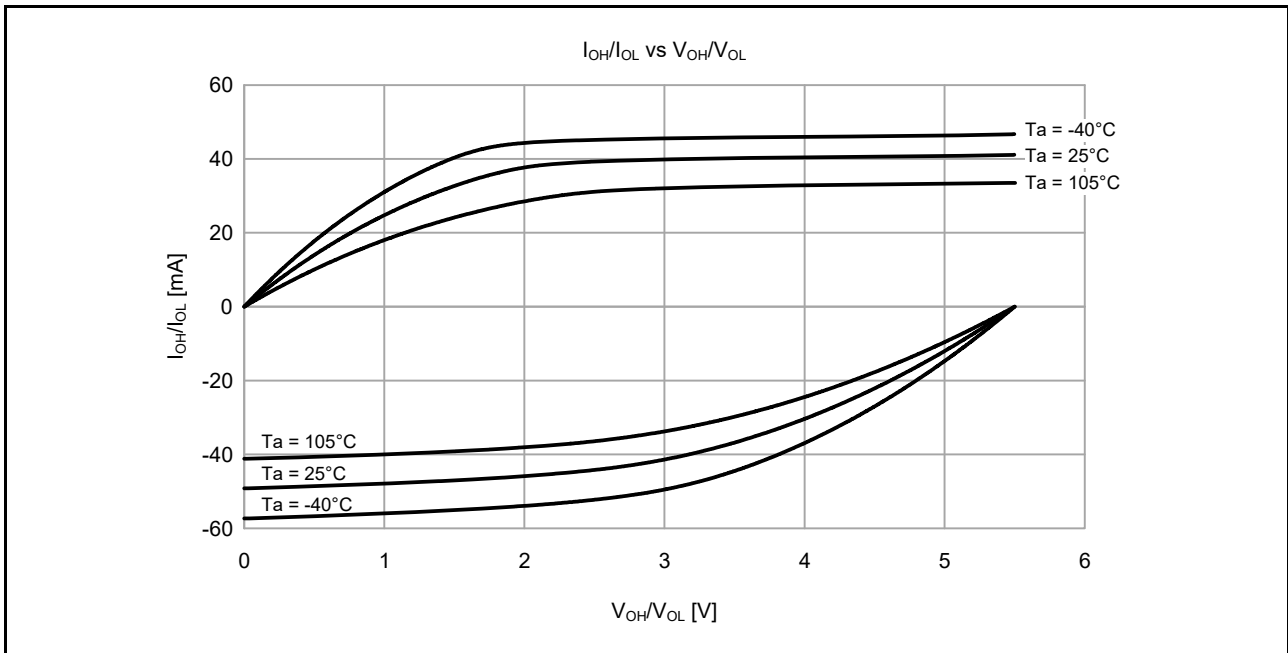


Figure 51.6 V_{OH}/V_{OL} and I_{OH}/I_{OL} temperature characteristics at $V_{CC} = 5.5$ V when low drive output is selected (reference data)

51.2.6 I/O Pin Output Characteristics of Middle Drive Capacity

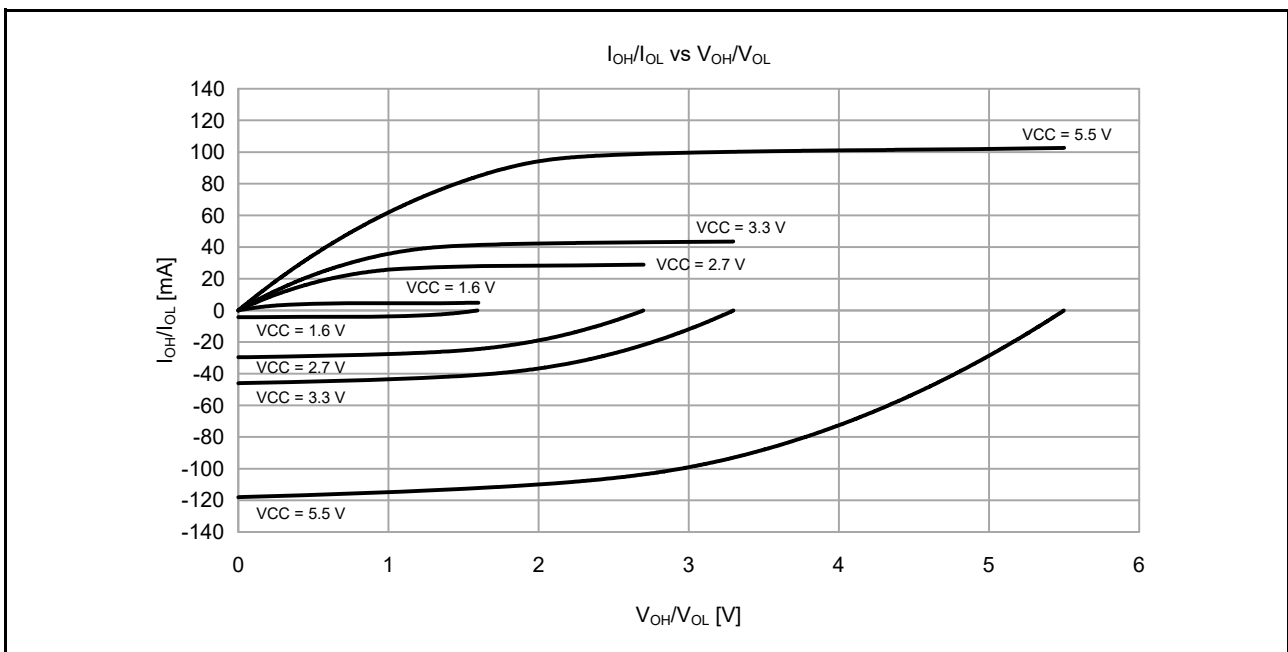


Figure 51.7 V_{OH}/V_{OL} and I_{OH}/I_{OL} voltage characteristics at $T_a = 25^\circ\text{C}$ when middle drive output is selected (reference data)

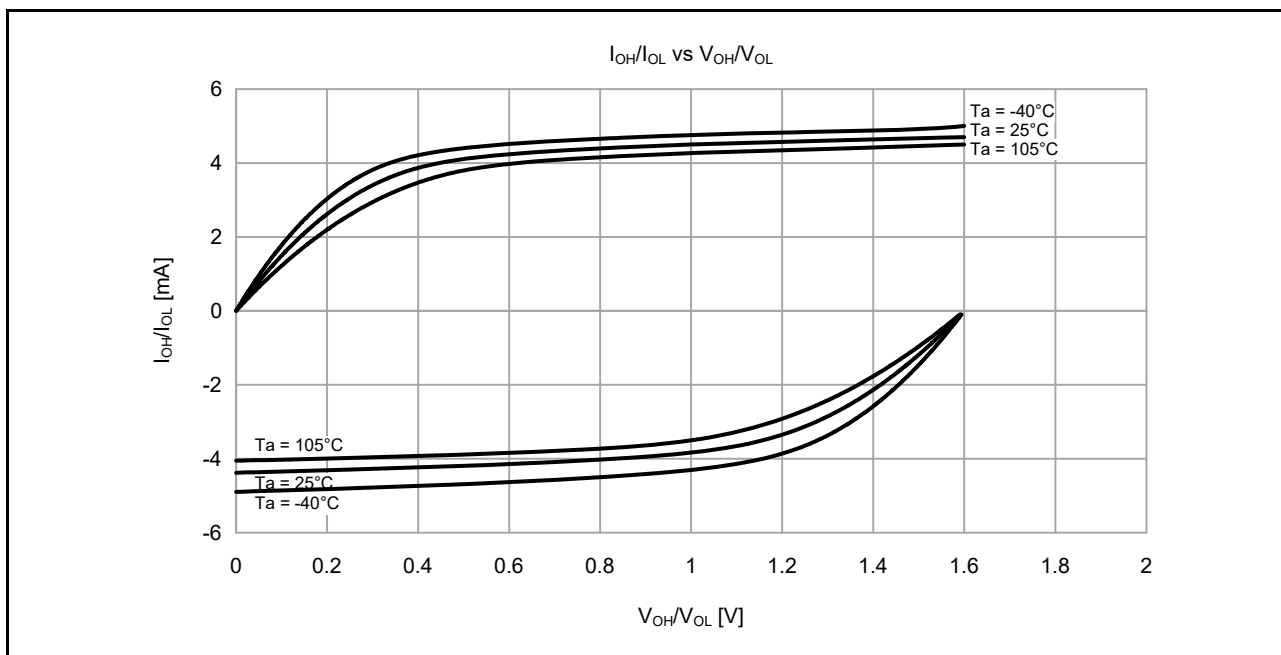


Figure 51.8 V_{OH}/V_{OL} and I_{OH}/I_{OL} temperature characteristics at $V_{CC} = 1.6$ V when middle drive output is selected (reference data)

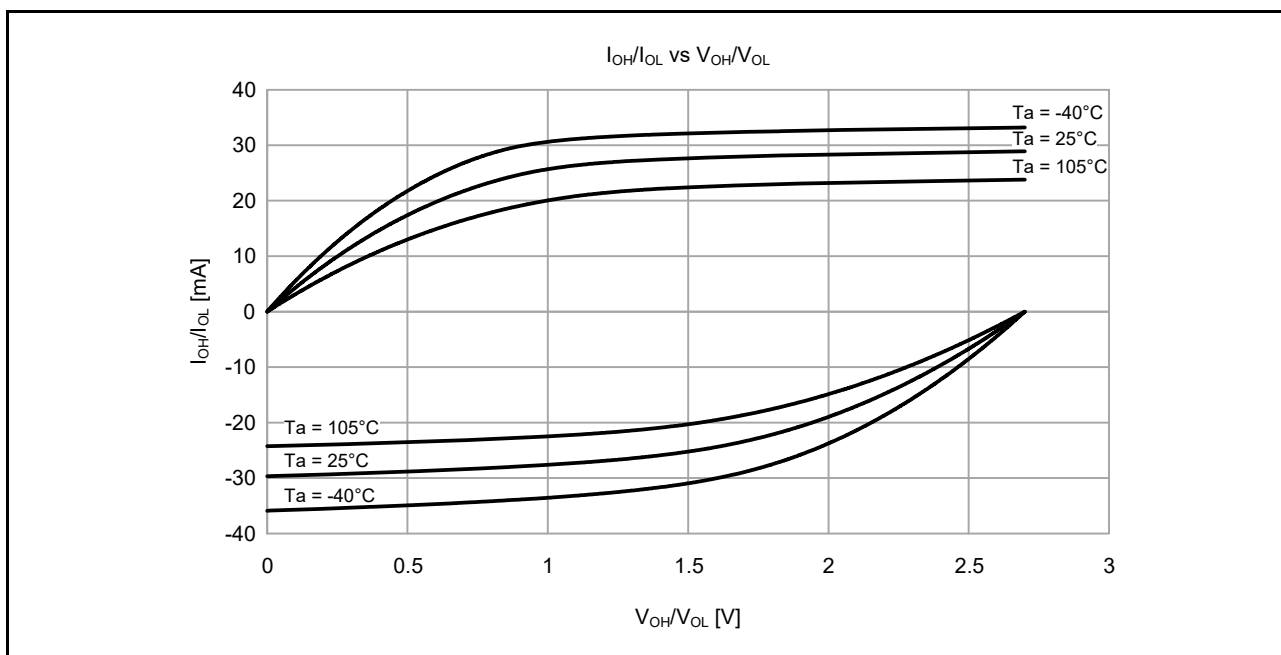


Figure 51.9 V_{OH}/V_{OL} and I_{OH}/I_{OL} temperature characteristics at $V_{CC} = 2.7$ V when middle drive output is selected (reference data)

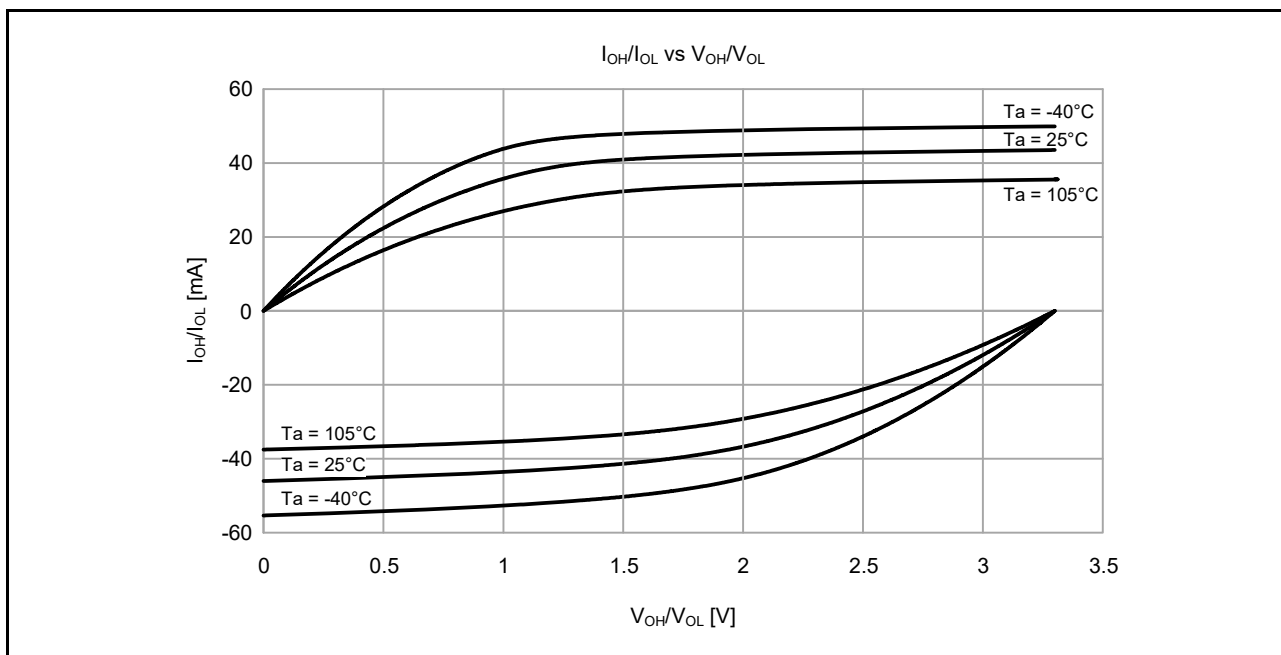


Figure 51.10 V_{OH}/V_{OL} and I_{OH}/I_{OL} temperature characteristics at $V_{CC} = 3.3$ V when middle drive output is selected (reference data)

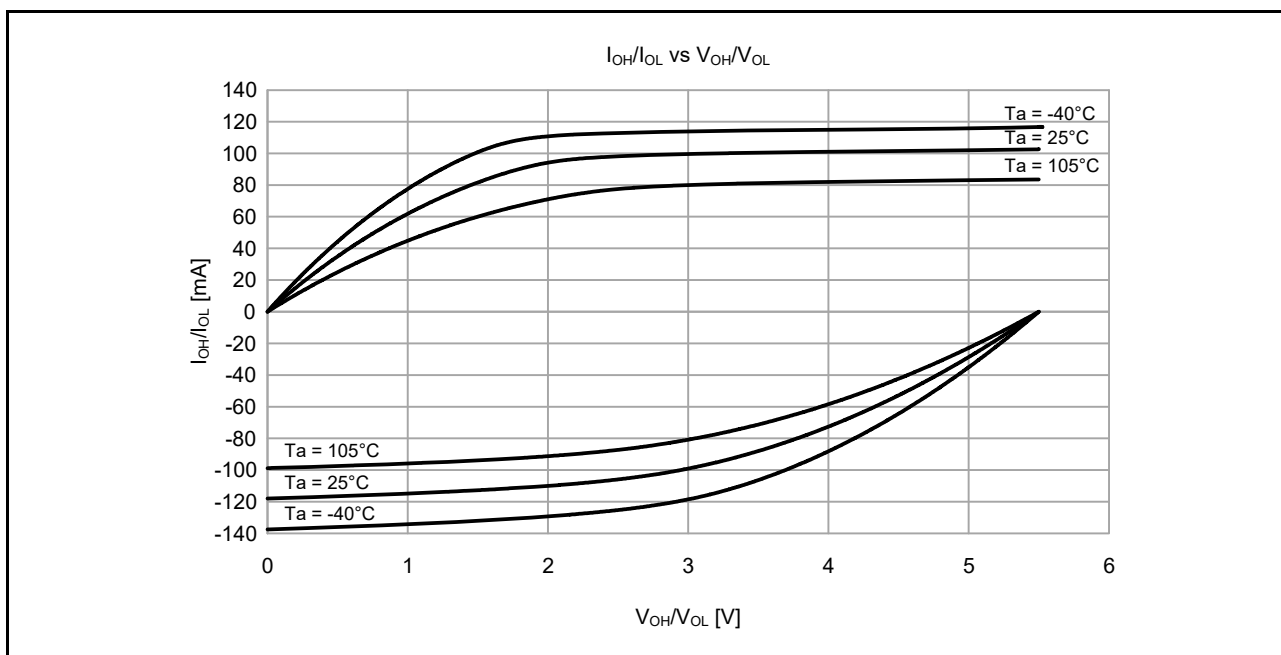


Figure 51.11 V_{OH}/V_{OL} and I_{OH}/I_{OL} temperature characteristics at $V_{CC} = 5.5$ V when middle drive output is selected (reference data)

51.2.7 P408, P409 I/O Pin Output Characteristics of Middle Drive Capacity

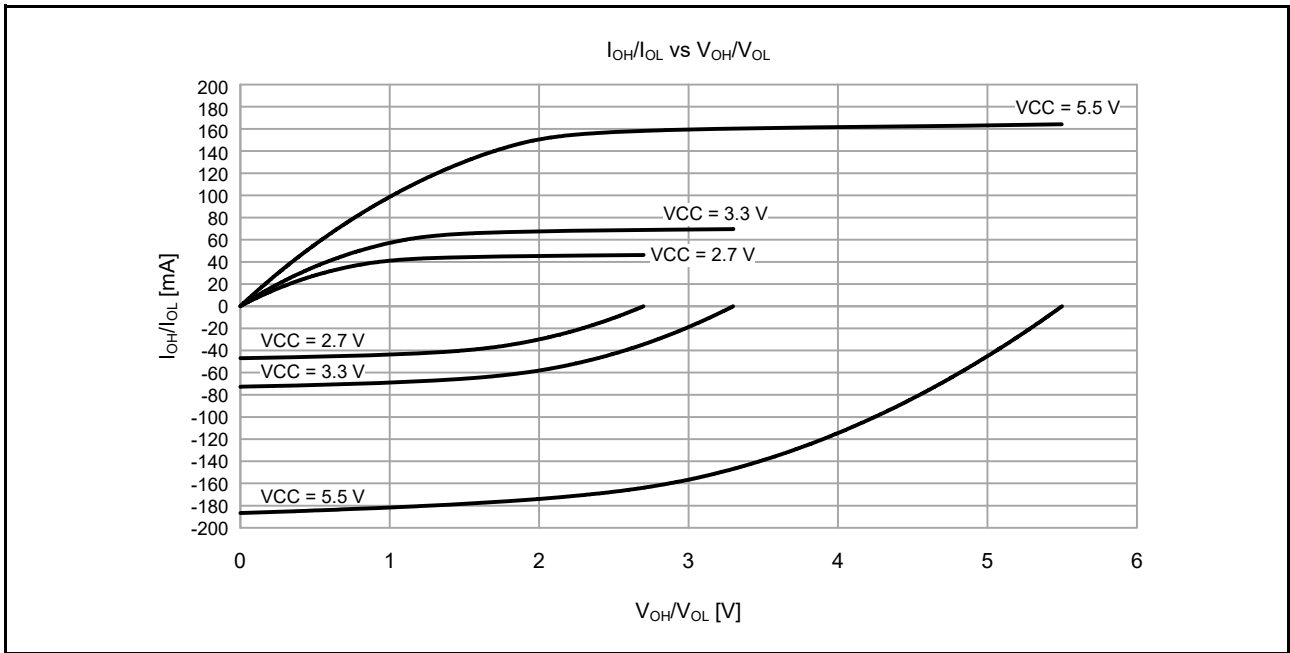


Figure 51.12 V_{OH/V_{OL}} and I_{OH/I_{OL}} voltage characteristics at Ta = 25°C when middle drive output is selected (reference data)

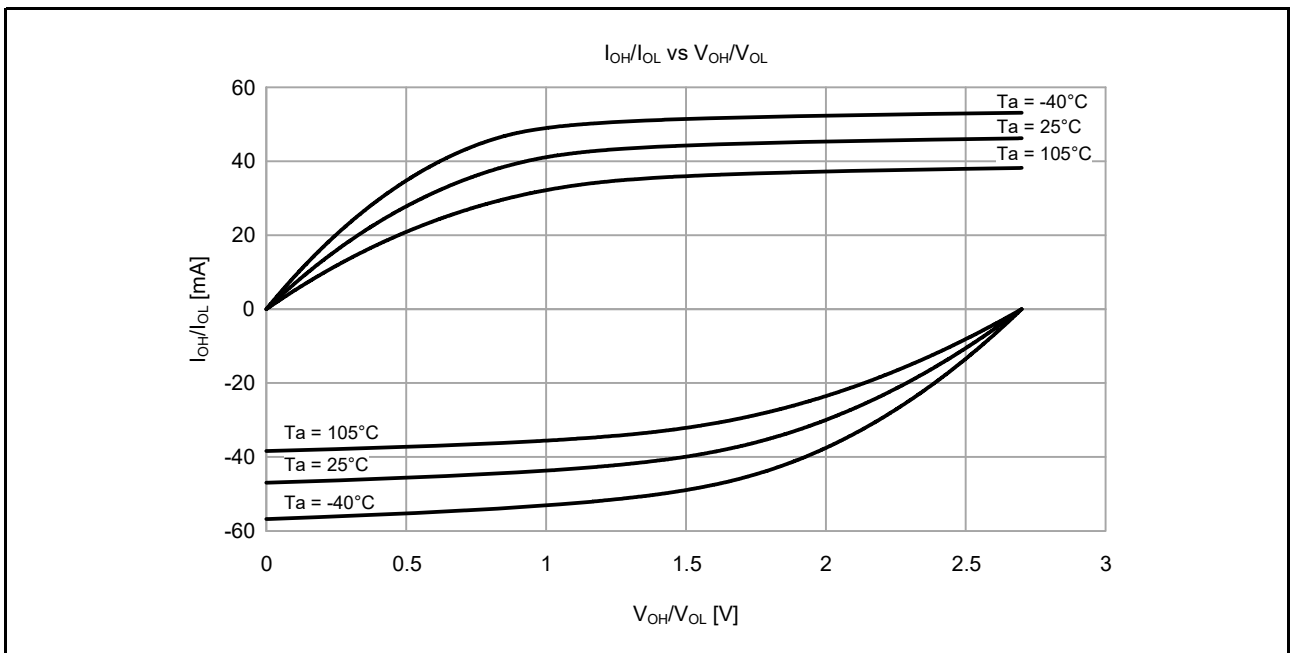


Figure 51.13 V_{OH/V_{OL}} and I_{OH/I_{OL}} temperature characteristics at VCC = 2.7 V when middle drive output is selected (reference data)

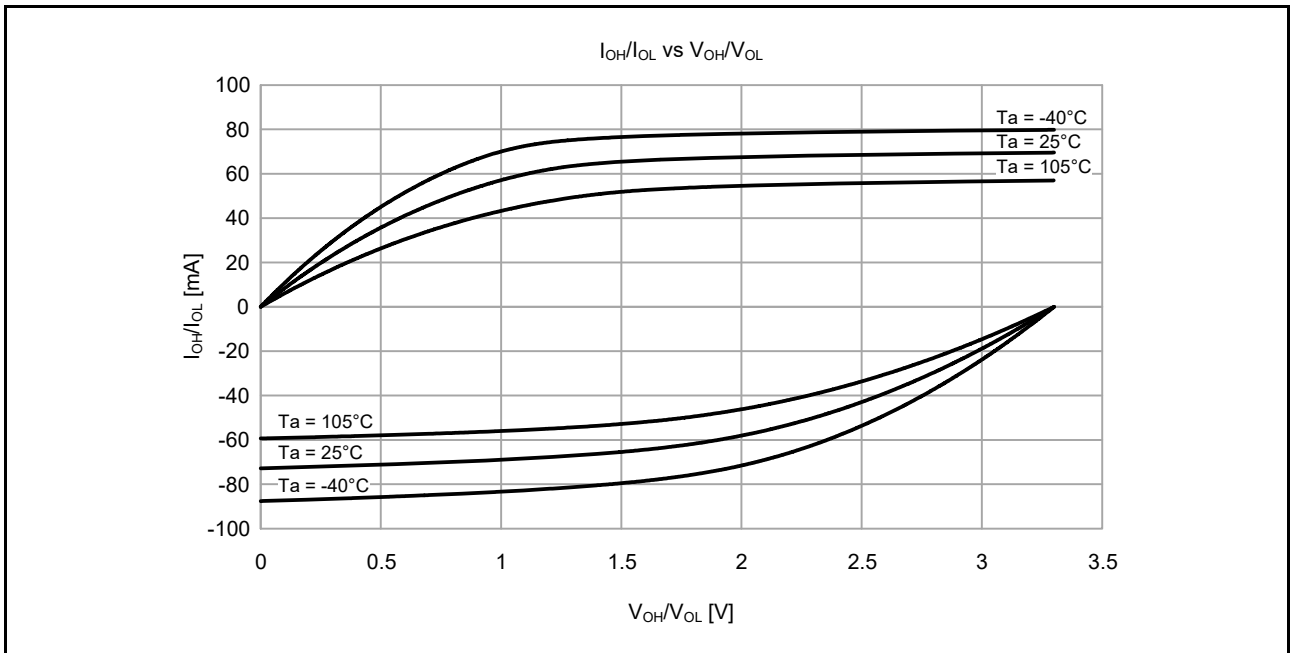


Figure 51.14 V_{OH}/V_{OL} and I_{OH}/I_{OL} temperature characteristics at $V_{CC} = 3.3$ V when middle drive output is selected (reference data)

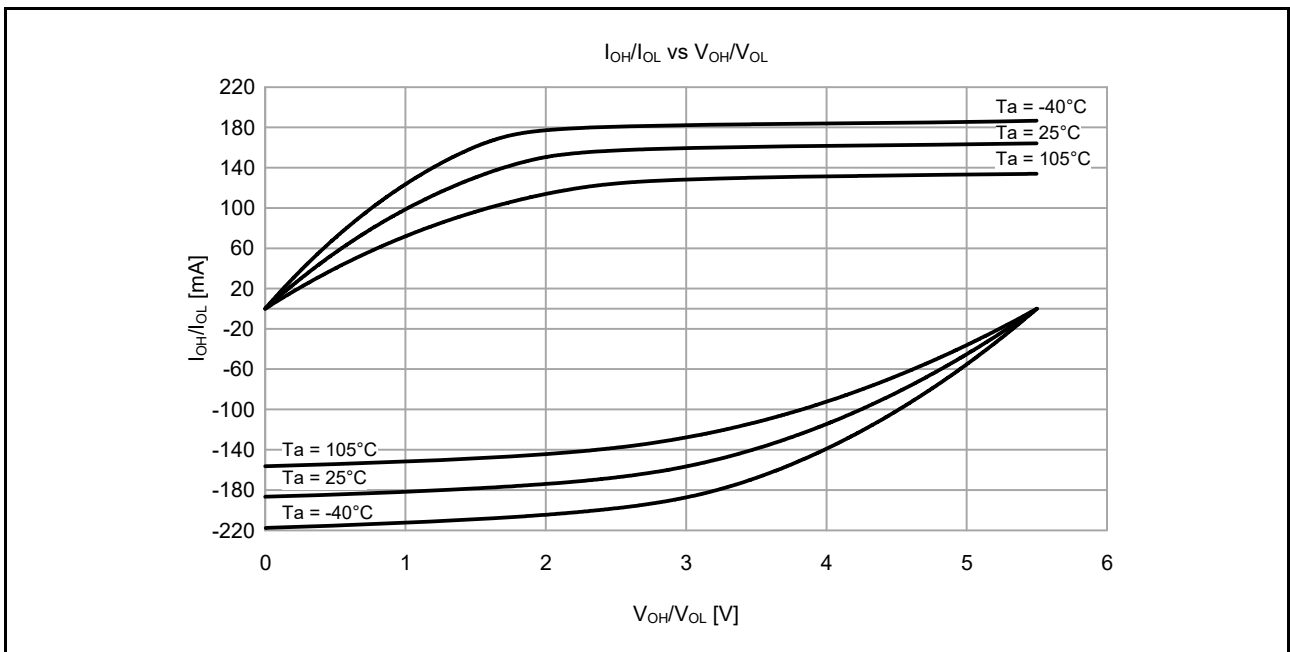


Figure 51.15 V_{OH}/V_{OL} and I_{OH}/I_{OL} temperature characteristics at $V_{CC} = 5.5$ V when middle drive output is selected (reference data)

51.2.8 IIC I/O Pin Output Characteristics

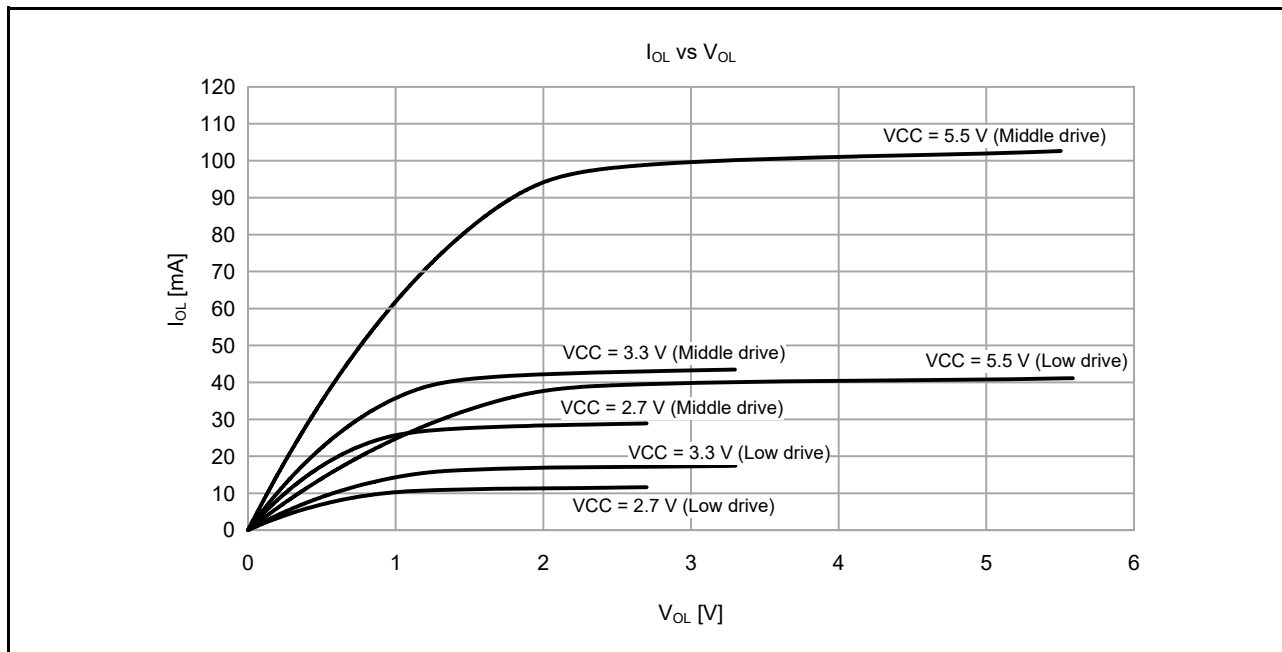


Figure 51.16 V_{OH}/V_{OL} and I_{OH}/I_{OL} voltage characteristics at Ta = 25°C

51.2.9 Operating and Standby Current

Table 51.11 Operating and standby current (1) (1 of 2)

Conditions: VCC = AVCC0 = 1.6 to 5.5 V

Parameter					Symbol	Typ*10	Max	Unit	Test conditions				
Supply current*1	High-speed mode*2	Normal mode	All peripheral clocks disabled, while (1) code executing from flash*5	ICLK = 48 MHz	I _{CC}	9.3	-	mA	*7				
				ICLK = 32 MHz		6.7	-						
				ICLK = 16 MHz		4.1	-						
				ICLK = 8 MHz		2.7	-						
			All peripheral clocks disabled, CoreMark code executing from flash*5	ICLK = 48 MHz		18.8	-						
				ICLK = 32 MHz		13.1	-						
				ICLK = 16 MHz		7.5	-						
				ICLK = 8 MHz		4.7	-						
			All peripheral clocks enabled, while (1) code executing from flash*5	ICLK = 48 MHz		22.4	-			*9			
				ICLK = 32 MHz		16.9	-			*8			
				ICLK = 16 MHz		9.4	-						
				ICLK = 8 MHz		5.5	-						
		All peripheral clocks enabled, code executing from SRAM*5	ICLK = 48 MHz	-		62.0	*9						
			Sleep mode			All peripheral clocks disabled*5	ICLK = 48 MHz		4.0	-	*7		
							ICLK = 32 MHz		3.1	-			
							ICLK = 16 MHz		2.3	-			
							ICLK = 8 MHz		1.8	-			
							All peripheral clocks enabled*5		ICLK = 48 MHz	16.8	-	*9	
									ICLK = 32 MHz	13.0	-	*8	
									ICLK = 16 MHz	7.4	-		
									ICLK = 8 MHz	4.5	-		
	Increase during BGO operation*6						2.5	-	-				
	Middle-speed mode*2	Normal mode	All peripheral clocks disabled, while (1) code executing from flash*5	ICLK = 12 MHz	I _{CC}	mA	2.8	-	*7				
				ICLK = 8 MHz			2.3	-					
				ICLK = 1 MHz			1.1	-					
				All peripheral clocks disabled, CoreMark code executing from flash*5			ICLK = 12 MHz	5.4		-			
							ICLK = 8 MHz	4.2		-			
ICLK = 1 MHz							1.4	-					
All peripheral clocks enabled, while (1) code executing from flash*5			ICLK = 12 MHz	6.9			-	*8					
			ICLK = 8 MHz	5.1			-						
			ICLK = 1 MHz	1.7			-						
All peripheral clocks enabled, code executing from SRAM*5			ICLK = 12 MHz	-			25.0						
			Sleep mode				All peripheral clocks disabled*5	ICLK = 12 MHz		1.5	-	*7	
								ICLK = 8 MHz		1.4	-		
			ICLK = 1 MHz	1.0				-					
			All peripheral clocks enabled*5	ICLK = 12 MHz				5.4		-	*8		
				ICLK = 8 MHz				4.1		-			
				ICLK = 1 MHz				1.6		-			
Increase during BGO operation*6								2.5		-	-		

Table 51.11 Operating and standby current (1) (2 of 2)

Conditions: VCC = AVCC0 = 1.6 to 5.5 V

Parameter					Symbol	Typ*10	Max	Unit	Test conditions	
Supply current*1	Low-speed mode*3	Normal mode	All peripheral clocks disabled, while (1) code executing from flash*5	ICLK = 1 MHz	I _{CC}	0.4	-	mA	*7	
			All peripheral clocks disabled, CoreMark code executing from flash*5	ICLK = 1 MHz		0.6	-			
			All peripheral clocks enabled, while (1) code executing from flash*5	ICLK = 1 MHz		1.1	-			*8
			All peripheral clocks enabled, code executing from SRAM*5	ICLK = 1 MHz		-	2.6			
		Sleep mode	All peripheral clocks disabled*5	ICLK = 1 MHz		0.3	-		*7	
			All peripheral clocks enabled*5	ICLK = 1 MHz		1.0	-		*8	
	Low-voltage mode*3	Normal mode	All peripheral clocks disabled, while (1) code executing from flash*5	ICLK = 4 MHz	I _{CC}	2.2	-	mA	*7	
			All peripheral clocks disabled, CoreMark code executing from flash*5	ICLK = 4 MHz		3.3	-			
			All peripheral clocks enabled, while (1) code executing from flash*5	ICLK = 4 MHz		3.7	-			*8
			All peripheral clocks enabled, code executing from SRAM*5	ICLK = 4 MHz		-	10.0			
		Sleep mode	All peripheral clocks disabled*5	ICLK = 4 MHz		1.7	-		*7	
			All peripheral clocks enabled*5	ICLK = 4 MHz		3.2	-		*8	
Subosc-speed mode*4	Normal mode	All peripheral clocks disabled, while (1) code executing from flash*5	ICLK = 32.768 kHz	I _{CC}	10.0	-	μA	*8		
		All peripheral clocks enabled, while (1) code executing from flash*5	ICLK = 32.768 kHz		17.9	-				
		All peripheral clocks enabled, code executing from SRAM*5	ICLK = 32.768 kHz		-	154.0				
	Sleep mode	All peripheral clocks disabled*5	ICLK = 32.768 kHz		6.3	-				
		All peripheral clocks enabled*5	ICLK = 32.768 kHz		14.0	-				

- Note 1. Supply current values do not include output charge/discharge current from all pins. The values apply when internal pull-up MOSs are in the off state.
- Note 2. The clock source is HOCO.
- Note 3. The clock source is MOCO.
- Note 4. The clock source is the sub-clock oscillator.
- Note 5. This does not include BGO operation.
- Note 6. This is the increase for programming or erasure of the flash memory for data storage during program execution.
- Note 7. FCLK, BCLK, PCLKA, PCLKB, PCLKC, and PCLKD are set to divided by 64.
- Note 8. FCLK, BCLK, PCLKA, PCLKB, PCLKC, and PCLKD are the same frequency as that of ICLK.
- Note 9. FCLK, BCLK, and PCLKB are set to divided by 2 and PCLKA, PCLKC, and PCLKD are the same frequency as that of ICLK.
- Note 10. VCC = 3.3 V.

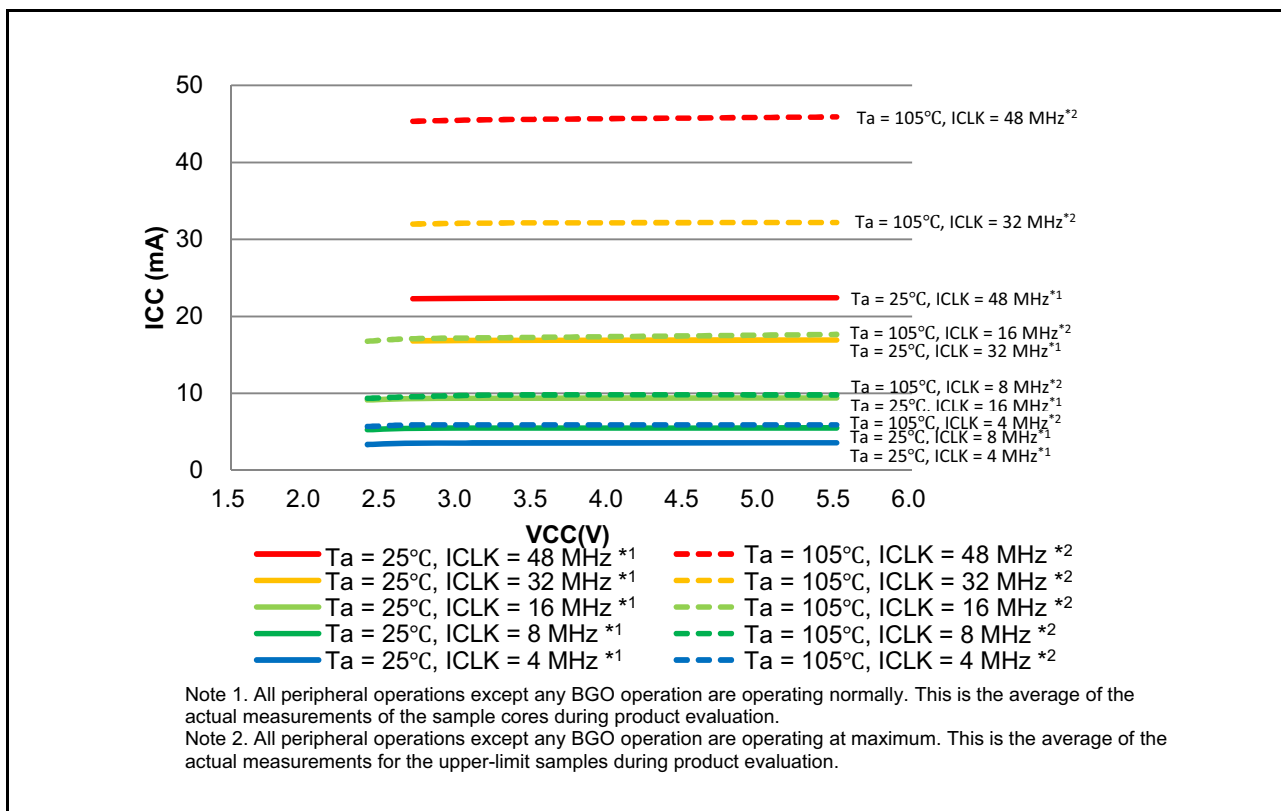


Figure 51.17 Voltage dependency in high-speed mode (reference data)

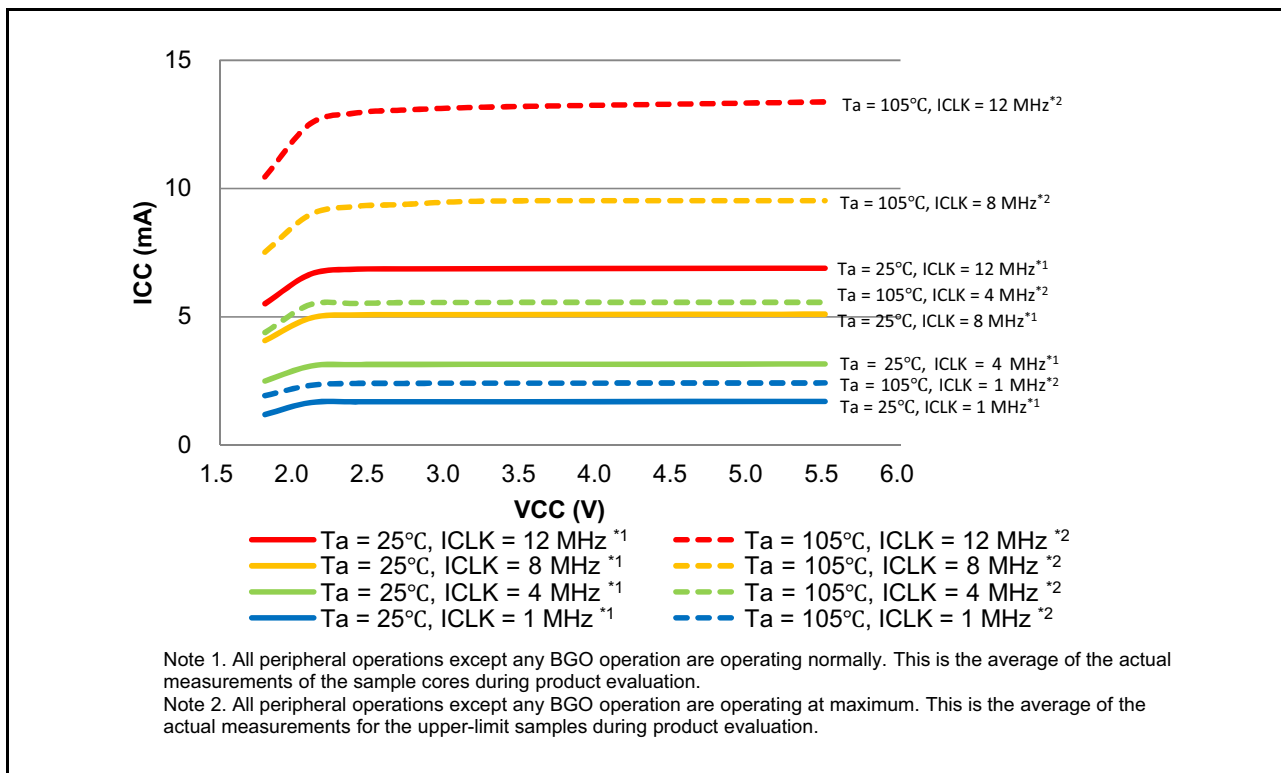


Figure 51.18 Voltage dependency in middle-speed mode (reference data)

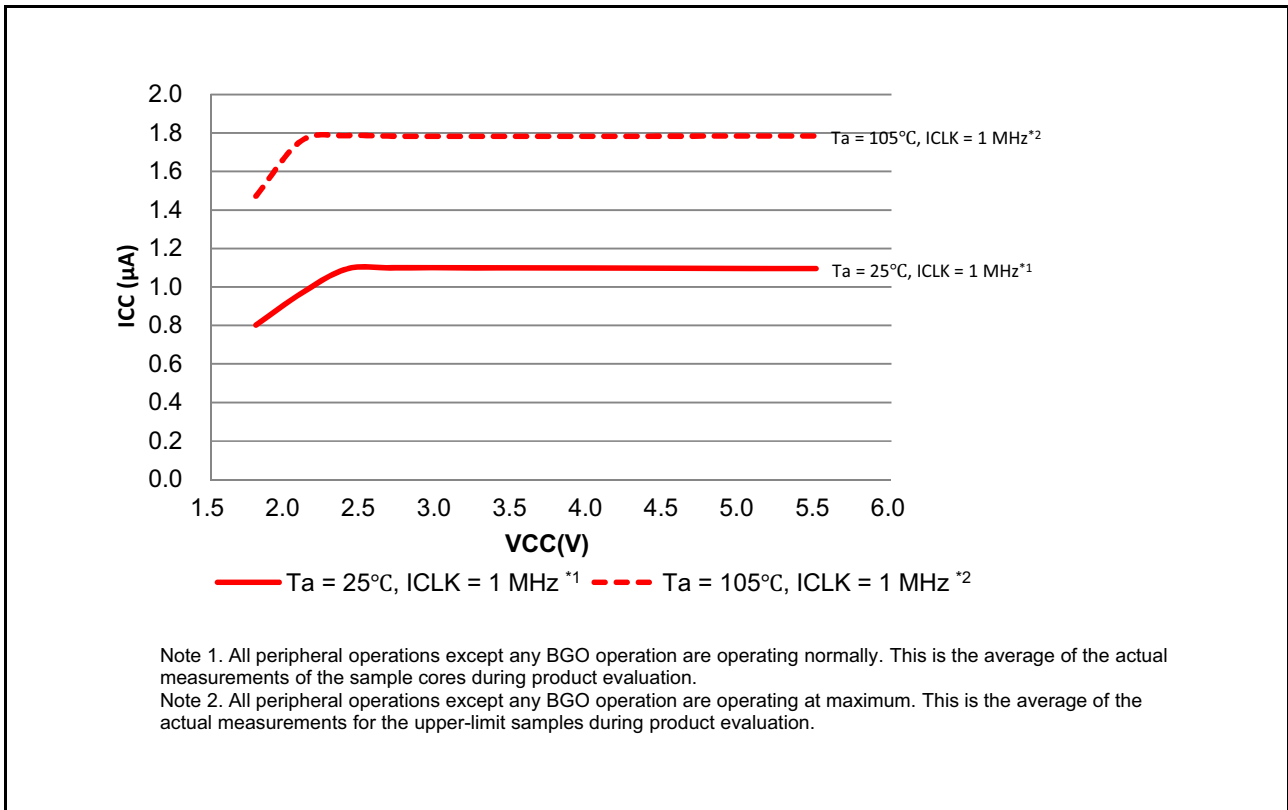


Figure 51.19 Voltage dependency in low-speed mode (reference data)

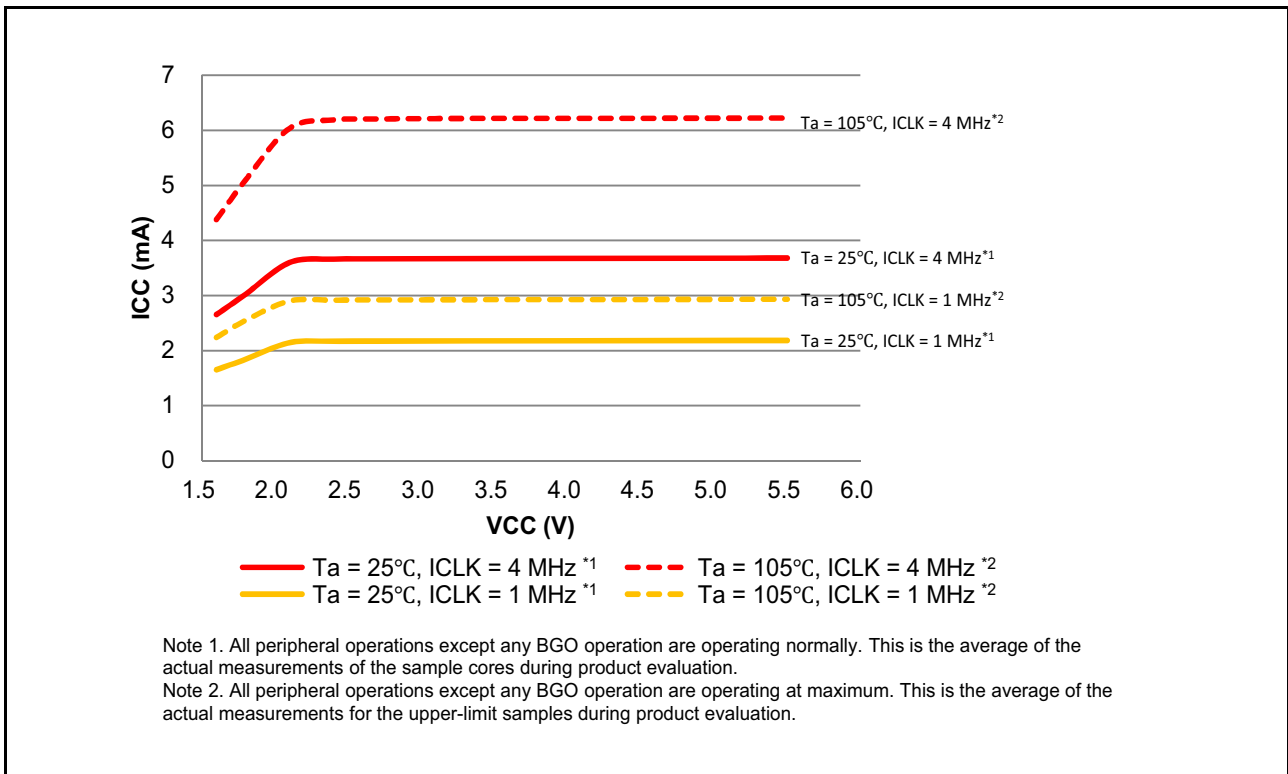


Figure 51.20 Voltage dependency in low-voltage mode (reference data)

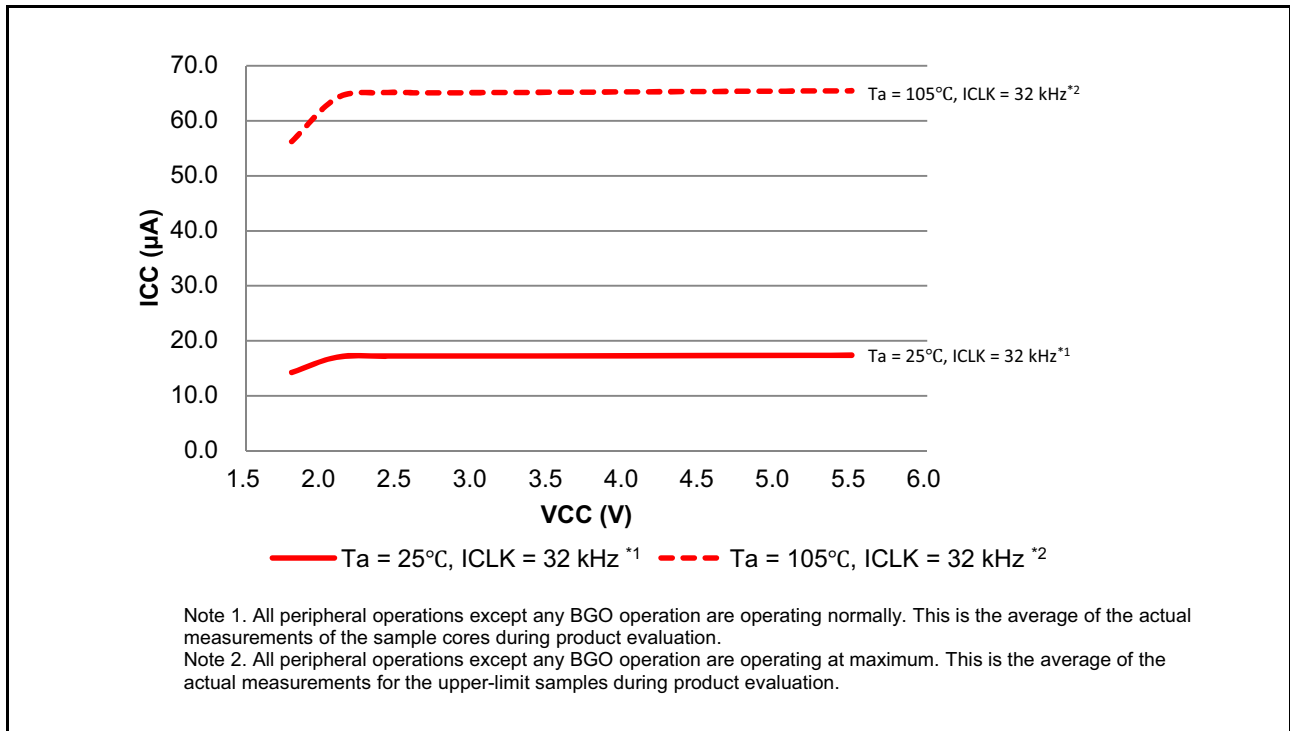


Figure 51.21 Voltage dependency in Subosc-speed mode (reference data)

Table 51.12 Operating and standby current (2)

Conditions: VCC = AVCC0 = 1.6 to 5.5 V

Parameter		Symbol	Typ*4	Max	Unit	Test conditions	
Supply current*1	Software Standby mode*2	I _{CC}	T _a = 25°C	0.9	5.5	µA	PSMCR.PSMC[1:0] = 01b (48-KB SRAM on)
			T _a = 55°C	1.6	10.5		
			T _a = 85°C	4.5	25.4		
			T _a = 105°C	12.0	64.7		
			T _a = 25°C	1.1	7.0		PSMCR.PSMC[1:0] = 00b (All SRAM on)
			T _a = 55°C	2.0	14.6		
			T _a = 85°C	6.6	36.2		
			T _a = 105°C	17.6	96.3		
	Increment for RTC operation with low-speed on-chip oscillator*3			0.5	-		-
	Increment for RTC operation with sub-clock oscillator*3			0.4	-		SOMCR.SODRV[1:0] are 11b (Low power mode 3)
			1.2	-		SOMCR.SODRV[1:0] are 00b (Normal mode)	

Note 1. Supply current values do not include output charge/discharge current from all pins. The values apply when internal pull-up MOSs are in the off state.

Note 2. The IWDT and LVD are not operating.

Note 3. Includes the current of sub-oscillation circuit or low-speed on-chip oscillator.

Note 4. VCC = 3.3 V.

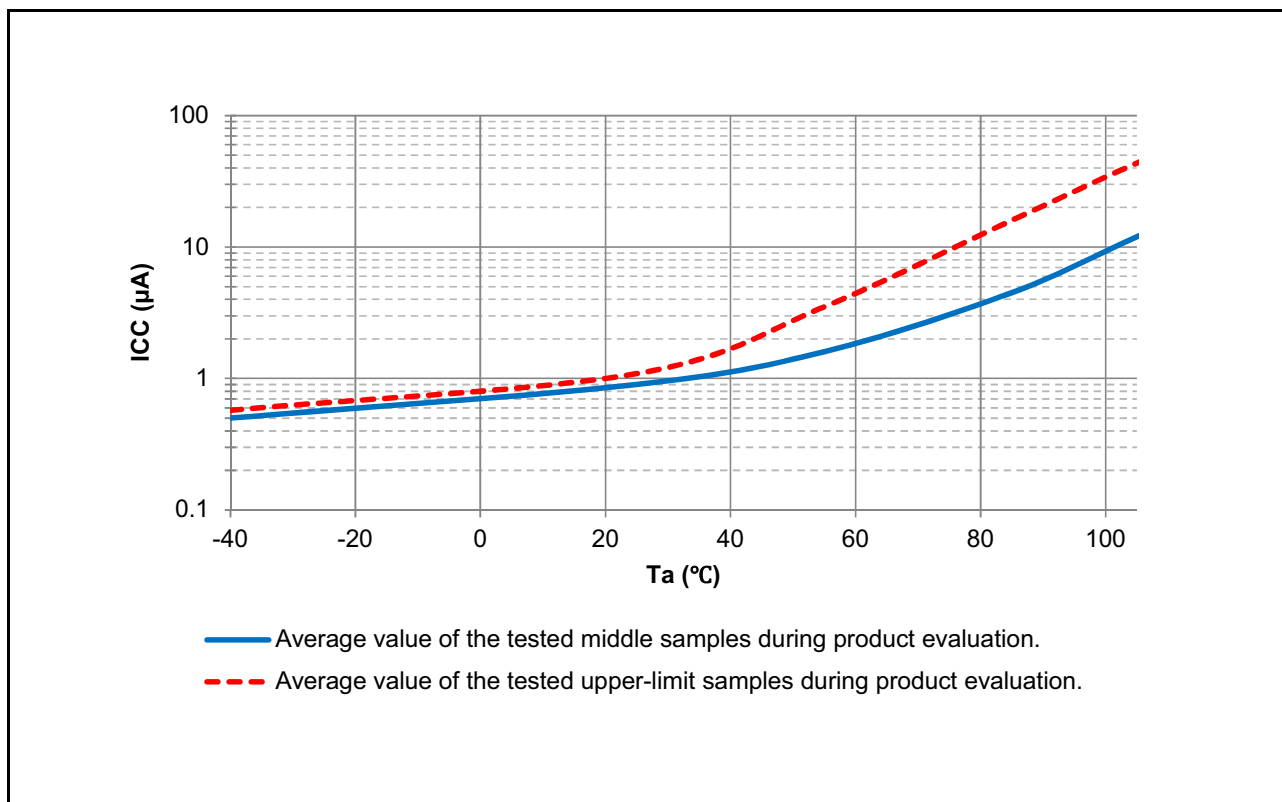


Figure 51.22 Temperature dependency in Software Standby mode 48-KB SRAM on (reference data)

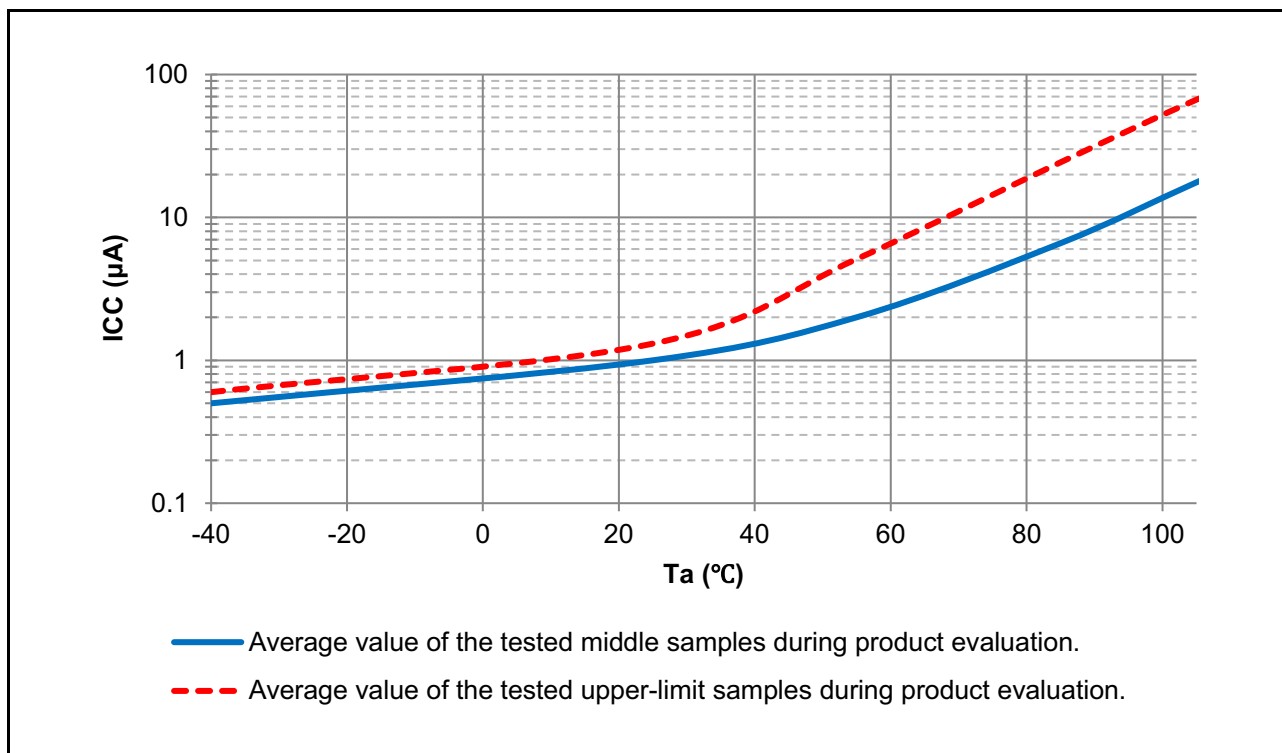


Figure 51.23 Temperature dependency in Software Standby mode all SRAM on (reference data)

Table 51.13 Operating and standby current (3)

Conditions: VCC = AVCC0 = 0 V, VBATT = 1.6 to 3.6 V, VSS = AVSS0 = 0 V

Parameter	Symbol	Typ	Max	Unit	Test conditions	
Supply current*1 RTC operation when VCC is off	T _a = 25°C	I _{CC}	0.8	-	μA	VBATT = 2.0 V SOMCR.SORDRV[1:0] = 11b (Low power mode 3)
		T _a = 55°C	0.9	-		
		T _a = 85°C	1.1	-		
		T _a = 105°C	1.2	-		
	T _a = 25°C	0.9	-	VBATT = 3.3 V SOMCR.SORDRV[1:0] = 11b (Low power mode 3)		
	T _a = 55°C	1.0	-			
	T _a = 85°C	1.2	-			
	T _a = 105°C	1.3	-			
	T _a = 25°C	1.6	-	VBATT = 2.0 V SOMCR.SORDRV[1:0] = 00b (Normal mode)		
	T _a = 55°C	1.8	-			
	T _a = 85°C	2.1	-			
	T _a = 105°C	2.3	-			
	T _a = 25°C	1.7	-	VBATT = 3.3 V SOMCR.SORDRV[1:0] = 00b (Normal mode)		
	T _a = 55°C	1.9	-			
	T _a = 85°C	2.2	-			
	T _a = 105°C	2.4	-			

Note 1. Supply current values do not include output charge/discharge current from all pins. The values apply when internal pull-up MOSs are in the off state.

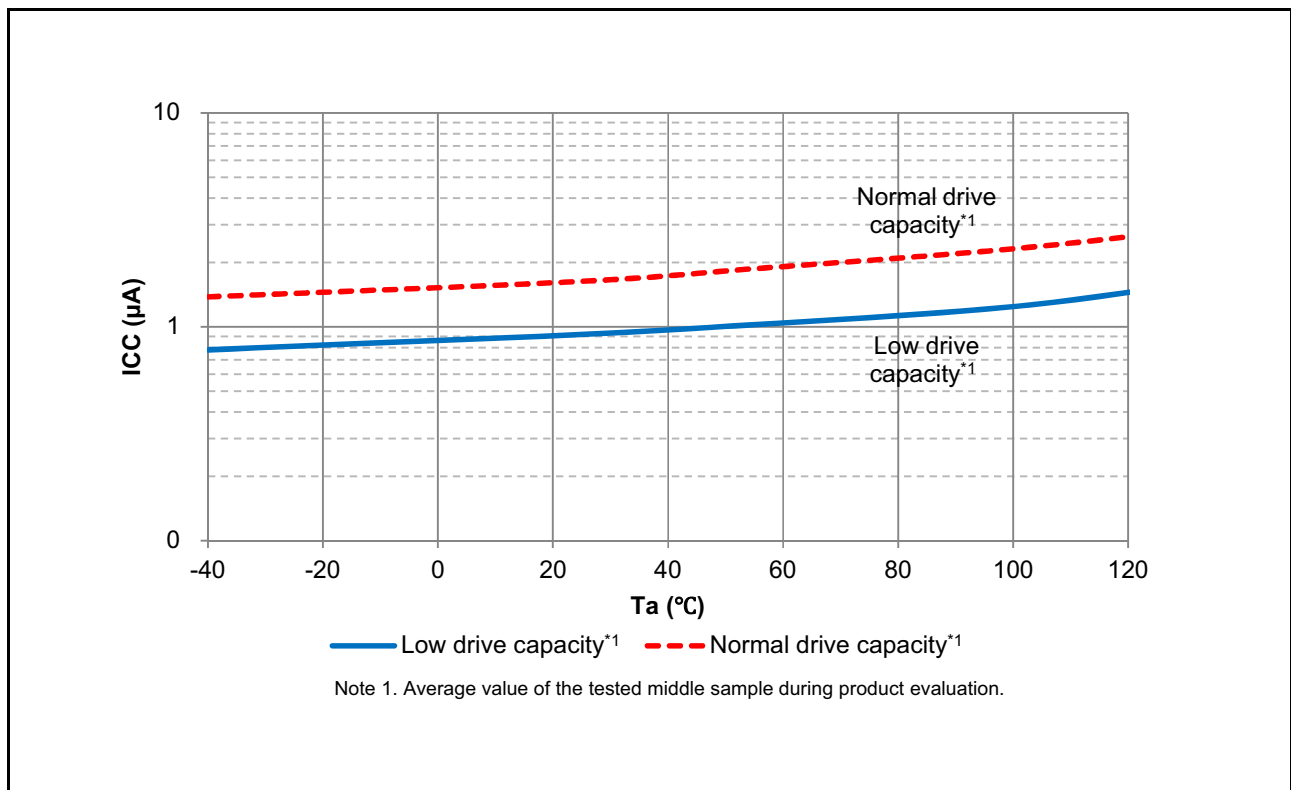


Figure 51.24 Temperature dependency of RTC operation with VCC off (reference data)

Table 51.14 Operating and standby current (4)

Conditions: VCC = AVCC0 = 1.6 to 5.5 V, VREFH0 = 2.7 V to AVCC0

Parameter		Symbol	Min	Typ	Max	Unit	Test conditions	
Analog power supply current	During A/D conversion (at high-speed conversion)	I_{AVCC}	-	-	3.0	mA	-	
	During A/D conversion (at low power conversion)		-	-	1.0	mA	-	
	During D/A conversion (per channel)*1		-	0.4	0.8	mA	-	
	Waiting for A/D and D/A conversion (all units)*6		-	-	1.0	μ A	-	
Reference power supply current	During A/D conversion	I_{REFH0}	-	-	150	μ A	-	
	Waiting for A/D conversion (all units)		-	-	60	nA	-	
	During D/A conversion	I_{REFH}	-	50	100	μ A	-	
	Waiting for D/A conversion (all units)		-	-	100	μ A	-	
Temperature sensor		I_{TNS}	-	75	-	μ A	-	
Low-Power Analog Comparator operating current	Window mode	I_{CMLP}	-	15	-	μ A	-	
	Comparator High-speed mode		-	10	-	μ A	-	
	Comparator Low-speed mode		-	2	-	μ A	-	
	Comparator Low-speed mode using DAC8		-	820	-	μ A	-	
Operational Amplifier operating current	Low power mode	I_{AMP}	1 unit operating	-	2.5	4.0	μ A	-
			2 units operating	-	4.5	8.0	μ A	-
			3 units operating	-	6.5	11.0	μ A	-
			4 units operating	-	8.5	14.0	μ A	-
	High speed mode		1 unit operating	-	140	220	μ A	-
			2 units operating	-	280	410	μ A	-
			3 units operating	-	420	600	μ A	-
			4 units operating	-	560	780	μ A	-
LCD operating current	External resistance division method $f_{LCD} = f_{SUB} = 128$ Hz, 1/3 bias, and 4-time slice	I_{LCD1}^{*5}	-	0.34	-	μ A	-	
	Internal voltage boosting method (VLCD.VLCD = 04) $f_{LCD} = f_{SUB} = 128$ Hz, 1/3 bias, and 4-time slice	I_{LCD2}^{*5}	-	0.92	-	μ A	-	
	Capacitor split method $f_{LCD} = f_{SUB} = 128$ Hz, 1/3 bias, and 4-time slice	I_{LCD3}^{*5}	-	0.19	-	μ A	-	
USB operating current	During USB communication operation under the following settings and conditions: • Host controller operation is set to full-speed mode Bulk OUT transfer (64 bytes) \times 1, bulk IN transfer (64 bytes) \times 1 • Connect peripheral devices via a 1-meter USB cable from the USB port.	I_{USBH}^{*2}	-	4.3 (VCC) 0.9 (VCC_USB)*4	-	mA	-	
	During USB communication operation under the following settings and conditions: • Device controller operation is set to full-speed mode Bulk OUT transfer (64 bytes) \times 1, bulk IN transfer (64 bytes) \times 1 • Connect the host device via a 1-meter USB cable from the USB port.	I_{USBF}^{*2}	-	3.6 (VCC) 1.1 (VCC_USB)*4	-	mA	-	
	During suspended state under the following setting and conditions: • Device controller operation is set to full-speed mode (pull up the USB_DP pin) • Software standby mode • Connect the host device via a 1-meter USB cable from the USB port.	I_{SUSP}^{*3}	-	0.35 (VCC) 170 (VCC_USB)*4	-	μ A	-	

Note 1. The reference power supply current is included in the power supply current value for D/A conversion.

Note 2. Current consumed only by the USBFS.

Note 3. Includes the current supplied from the pull-up resistor of the USB_DP pin to the pull-down resistor of the host device, in addition to the current consumed by the MCU during the suspended state.

Note 4. When VCC = VCC_USB = 3.3 V.

Note 5. Current flowing only to the LCD controller. Not including the current that flows through the LCD panel.

Note 6. When the MCU is in Software Standby mode or the MSTPCR.DMSTPD16 (ADC140 Module Stop bit) is in the module-stop state.

51.2.10 VCC Rise and Fall Gradient and Ripple Frequency

Table 51.15 Rise and fall gradient characteristics

Conditions: VCC = AVCC0 = 0 to 5.5 V

Parameter	Symbol	Min	Typ	Max	Unit	Test conditions	
Power-on VCC rising gradient	Voltage monitor 0 reset disabled at startup (normal startup)	SrVCC	0.02	-	2	ms/V	-
	Voltage monitor 0 reset enabled at startup*1		0.02	-	-		
	SCI/USB Boot mode*2		0.02	-	2		

Note 1. When OFS1.LVDAS = 0.

Note 2. At boot mode, the reset from voltage monitor 0 is disabled regardless of the value of the OFS1.LVDAS bit.

Table 51.16 Rising and falling gradient and ripple frequency characteristics

Conditions: VCC = AVCC0 = VCC_USB = 1.6 to 5.5 V

The ripple voltage must meet the allowable ripple frequency $f_{r(VCC)}$ within the range between the VCC upper limit (5.5 V) and lower limit (1.6 V).

When VCC change exceeds VCC \pm 10%, the allowable voltage change rising/falling gradient dt/dVCC must be met.

Parameter	Symbol	Min	Typ	Max	Unit	Test conditions
Allowable ripple frequency	$f_{r(VCC)}$	-	-	10	kHz	Figure 51.25 $V_{r(VCC)} \leq VCC \times 0.2$
		-	-	1	MHz	Figure 51.25 $V_{r(VCC)} \leq VCC \times 0.08$
		-	-	10	MHz	Figure 51.25 $V_{r(VCC)} \leq VCC \times 0.06$
Allowable voltage change rising and falling gradient	dt/dVCC	1.0	-	-	ms/V	When VCC change exceeds VCC \pm 10%

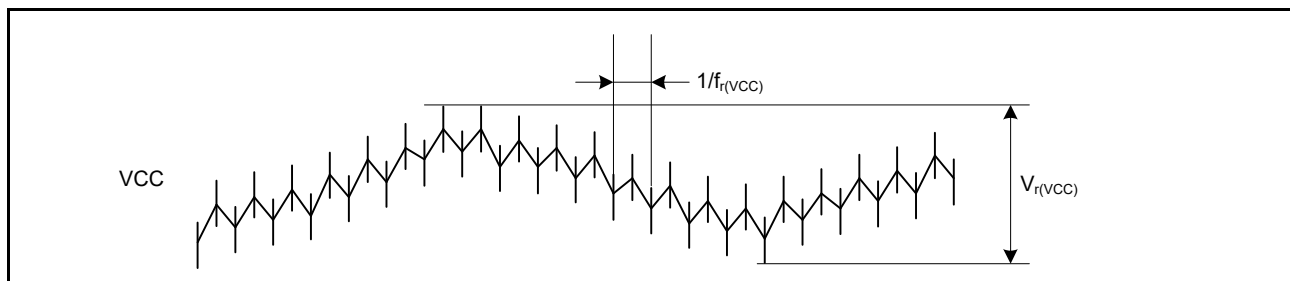


Figure 51.25 Ripple waveform

51.2.11 Thermal Characteristics

Maximum value of junction temperature (T_j) must not exceed the value of [section 51.2.1, \$T_j/T_a\$ Definition](#).

T_j is calculated by either of the following equations.

- $T_j = T_a + \theta_{ja} \times \text{Total power consumption}$
 - $T_j = T_t + \Psi_{jt} \times \text{Total power consumption}$
- T_j : Junction temperature ($^{\circ}\text{C}$)
 T_a : Ambient temperature ($^{\circ}\text{C}$)
 T_t : Top center case temperature ($^{\circ}\text{C}$)
 θ_{ja} : Thermal resistance of "Junction"-to-"Ambient" ($^{\circ}\text{C}/\text{W}$)
 Ψ_{jt} : Thermal resistance of "Junction"-to-"Top center case" ($^{\circ}\text{C}/\text{W}$)
- Total power consumption = Voltage \times (Leakage current + Dynamic current)

- Leakage current of IO = $\Sigma (I_{OL} \times V_{OL}) / \text{Voltage} + \Sigma (|I_{OH}| \times |V_{CC} - V_{OH}|) / \text{Voltage}$
- Dynamic current of IO = $\Sigma IO (C_{in} + C_{load}) \times \text{IO switching frequency} \times \text{Voltage}$

C_{in} : Input capacitance

C_{load} : Output capacitance

Regarding θ_{ja} and Ψ_{jt} , see [Table 51.17](#).

Table 51.17 Thermal Resistance

Parameter	Package	Symbol	Value	Unit	Test conditions	
Thermal Resistance	64-pin QFN	θ_{ja}	17.7*1	°C/W	JESD 51-2 and 51-7 compliant	
	64-pin LQFP		38.1			
	100-pin LQFP		38.7			
	144-pin LQFP		37.7			
	100-pin LGA		19.9			JESD 51-2 and 51-9 compliant
	145-pin LGA		20.1			
	121-pin BGA		20.1			
	64-pin QFN	Ψ_{jt}	0.05*1	°C/W	JESD 51-2 and 51-7 compliant	
	64-pin LQFP		0.44			
	100-pin LQFP		0.44			
	144-pin LQFP		0.44			
	100-pin LGA		0.23			JESD 51-2 and 51-9 compliant
	145-pin LGA		0.23			
	121-pin BGA		0.10			

Note: The values are reference values when the 4-layer board is used. Thermal resistance depends on the number of layers or size of the board. For details, refer to the JEDEC standards.

Note 1. This value applies when the Exposed die pad for this purpose is connected to VSS.

51.3 AC Characteristics

51.3.1 Frequency

Table 51.18 Operation frequency value in high-speed operating mode

Conditions: VCC = AVCC0 = 2.4 to 5.5 V

Parameter			Symbol	Min	Typ	Max*5	Unit
Operation frequency	System clock (ICLK)*4	2.7 to 5.5 V	f	0.032768	-	48	MHz
		2.4 to 2.7 V		0.032768	-	16	
	FlashIF clock (FCLK)*1, *2, *4	2.7 to 5.5 V		0.032768	-	32	
		2.4 to 2.7 V		0.032768	-	16	
	Peripheral module clock (PCLKA)*4	2.7 to 5.5 V		-	-	48	
		2.4 to 2.7 V		-	-	16	
	Peripheral module clock (PCLKB)*4	2.7 to 5.5 V		-	-	32	
		2.4 to 2.7 V		-	-	16	
	Peripheral module clock (PCLKC)*3, *4	2.7 to 5.5 V		-	-	64	
		2.4 to 2.7 V		-	-	16	
	Peripheral module clock (PCLKD)*4	2.7 to 5.5 V		-	-	64	
		2.4 to 2.7 V		-	-	16	
	External bus clock (BCLK)*4	2.7 to 5.5 V		-	-	24	
		2.4 to 2.7 V		-	-	16	
	EBCLK pin output	2.7 to 5.5 V		-	-	12	
		2.4 to 2.7 V		-	-	8	

- Note 1. The lower-limit frequency of FCLK is 1 MHz while programming or erasing the flash memory. When using FCLK for programming or erasing the flash memory at below 4 MHz, the frequency can be set to 1 MHz, 2 MHz, or 3 MHz. A non-integer frequency such as 1.5 MHz cannot be set.
- Note 2. The frequency accuracy of FCLK must be $\pm 3.5\%$ while programming or erasing the flash memory. Confirm the frequency accuracy of the clock source.
- Note 3. The lower-limit frequency of PCLKC is 4 MHz at 2.4 V or above and 1 MHz at below 2.4 V when the 14-bit A/D converter is in use.
- Note 4. See [section 9, Clock Generation Circuit](#) for the relationship of frequencies between ICLK, PCLKA, PCLKB, PCLKC, PCLKD, FCLK, and BCLK.
- Note 5. The maximum value of operation frequency does not include the internal oscillator errors. The operation can be guaranteed with the errors of the internal oscillator. For details on the range for guaranteed operation, see [Table 51.23, Clock timing](#).

Table 51.19 Operation frequency value in Middle-speed mode

Conditions: VCC = AVCC0 = 1.8 to 5.5 V

Parameter			Symbol	Min	Typ	Max*5	Unit
Operation frequency	System clock (ICLK)*4	2.7 to 5.5 V	f	0.032768	-	12	MHz
		2.4 to 2.7 V		0.032768	-	12	
		1.8 to 2.4 V		0.032768	-	8	
	FlashIF clock (FCLK)*1, *2, *4	2.7 to 5.5 V		0.032768	-	12	
		2.4 to 2.7 V		0.032768	-	12	
		1.8 to 2.4 V		0.032768	-	8	
	Peripheral module clock (PCLKA)*4	2.7 to 5.5 V		-	-	12	
		2.4 to 2.7 V		-	-	12	
		1.8 to 2.4 V		-	-	8	
	Peripheral module clock (PCLKB)*4	2.7 to 5.5 V		-	-	12	
		2.4 to 2.7 V		-	-	12	
		1.8 to 2.4 V		-	-	8	
	Peripheral module clock (PCLKC)*3, *4	2.7 to 5.5 V		-	-	12	
		2.4 to 2.7 V		-	-	12	
		1.8 to 2.4 V		-	-	8	
	Peripheral module clock (PCLKD)*4	2.7 to 5.5 V		-	-	12	
		2.4 to 2.7 V		-	-	12	
		1.8 to 2.4 V		-	-	8	
	External bus clock (BCLK)*4	2.7 to 5.5 V		-	-	12	
		2.4 to 2.7 V		-	-	12	
		1.8 to 2.4 V		-	-	8	
	EBCLK pin output	2.7 to 3.6 V		-	-	12	
		2.4 to 2.7 V		-	-	8	
		1.8 to 2.4 V		-	-	8	

Note 1. The lower-limit frequency of FCLK is 1 MHz while programming or erasing the flash memory. When using FCLK for programming or erasing the flash memory at below 4 MHz, the frequency can be set to 1 MHz, 2 MHz, or 3 MHz. A non-integer frequency such as 1.5 MHz cannot be set.

Note 2. The frequency accuracy of FCLK must be $\pm 3.5\%$ while programming or erasing the flash memory. Confirm the frequency accuracy of the clock source.

Note 3. The lower-limit frequency of PCLKC is 4 MHz at 2.4 V or above and 1 MHz at below 2.4 V when the 14-bit A/D converter is in use.

Note 4. See [section 9, Clock Generation Circuit](#) for the relationship of frequencies between ICLK, PCLKA, PCLKB, PCLKC, PCLKD, FCLK, and BCLK.

Note 5. The maximum value of operation frequency does not include errors of the internal oscillator. The operation can be guaranteed with errors of the internal oscillator. For details on the range for guaranteed operation, see [Table 51.23, Clock timing](#).

Table 51.20 Operation frequency value in Low-speed mode

Conditions: VCC = AVCC0 = 1.8 to 5.5 V

Parameter			Symbol	Min	Typ	Max*4	Unit
Operation frequency	System clock (ICLK)*3	1.8 to 5.5 V	f	0.032768	-	1	MHz
	FlashIF clock (FCLK)*1, *3	1.8 to 5.5 V		0.032768	-	1	
	Peripheral module clock (PCLKA)*3	1.8 to 5.5 V		-	-	1	
	Peripheral module clock (PCLKB)*3	1.8 to 5.5 V		-	-	1	
	Peripheral module clock (PCLKC)*2, *3	1.8 to 5.5 V		-	-	1	
	Peripheral module clock (PCLKD)*3	1.8 to 5.5 V		-	-	1	
	External bus clock (BCLK)*3	1.8 to 5.5 V		-	-	1	
	EBCLK pin output	1.8 to 5.5 V		-	-	1	

Note 1. The lower-limit frequency of FCLK is 1 MHz while programming or erasing the flash memory.

Note 2. The lower-limit frequency of PCLKC is 1 MHz when the A/D converter is in use.

- Note 3. See [section 9, Clock Generation Circuit](#) for the relationship of frequencies between ICLK, PCLKA, PCLKB, PCLKC, PCLKD, FCLK, and BCLK.
- Note 4. The maximum value of operation frequency does not include the internal oscillator errors. The operation can be guaranteed with the errors of the internal oscillator. For details on the range for guaranteed operation, see [Table 51.23, Clock timing](#).

Table 51.21 Operation frequency value in Low-voltage mode

Conditions: VCC = AVCC0 = 1.6 to 5.5 V

Parameter			Symbol	Min	Typ	Max*5	Unit
Operation frequency	System clock (ICLK)*4	1.6 to 5.5 V	f	0.032768	-	4	MHz
	FlashIF clock (FCLK)*1, *2, *4	1.6 to 5.5 V		0.032768	-	4	
	Peripheral module clock (PCLKA)*4	1.6 to 5.5 V		-	-	4	
	Peripheral module clock (PCLKB)*4	1.6 to 5.5 V		-	-	4	
	Peripheral module clock (PCLKC)*3, *4	1.6 to 5.5 V		-	-	4	
	Peripheral module clock (PCLKD)*4	1.6 to 5.5 V		-	-	4	
	External bus clock (BCLK)*4	1.6 to 5.5 V		-	-	4	
	EBCLK pin output	1.8 to 5.5 V		-	-	4	
1.6 to 1.8 V		-	-	2			

- Note 1. The lower-limit frequency of FCLK is 1 MHz while programming or erasing the flash memory. When using FCLK for programming or erasing the flash memory at below 4 MHz, the frequency can be set to 1 MHz, 2 MHz, or 3 MHz. A non-integer frequency such as 1.5 MHz cannot be set.
- Note 2. The frequency accuracy of FCLK must be $\pm 3.5\%$ while programming or erasing the flash memory. Confirm the frequency accuracy of the clock source.
- Note 3. The lower-limit frequency of PCLKC is 4 MHz at 2.4 V or above and 1 MHz at below 2.4 V when the 14-bit A/D converter is in use.
- Note 4. See [section 9, Clock Generation Circuit](#) for the relationship of frequencies between ICLK, PCLKA, PCLKB, PCLKC, PCLKD, FCLK, and BCLK.
- Note 5. The maximum value of operation frequency does not include errors of the internal oscillator. The operation can be guaranteed with the errors of the internal oscillator. For details on the range for guaranteed operation, see [Table 51.23, Clock timing](#).

Table 51.22 Operation frequency value in Subosc-speed mode

Conditions: VCC = AVCC0 = 1.8 to 5.5 V

Parameter			Symbol	Min	Typ	Max	Unit
Operation frequency	System clock (ICLK)*3	1.8 to 5.5 V	f	27.8528	32.768	37.6832	kHz
	FlashIF clock (FCLK)*1, *3	1.8 to 5.5 V		27.8528	32.768	37.6832	
	Peripheral module clock (PCLKA)*3	1.8 to 5.5 V		-	-	37.6832	
	Peripheral module clock (PCLKB)*3	1.8 to 5.5 V		-	-	37.6832	
	Peripheral module clock (PCLKC)*2, *3	1.8 to 5.5 V		-	-	37.6832	
	Peripheral module clock (PCLKD)*3	1.8 to 5.5 V		-	-	37.6832	
	External bus clock (BCLK)*3	1.8 to 5.5 V		-	-	37.6832	
	EBCLK pin output	1.8 to 5.5 V		-	-	37.6832	

- Note 1. Programming and erasing the flash memory are not possible.
- Note 2. The 14-bit A/D converter cannot be used.
- Note 3. See [section 9, Clock Generation Circuit](#) for the relationship of frequencies between ICLK, PCLKA, PCLKB, PCLKC, PCLKD, FCLK, and BCLK.

51.3.2 Clock Timing

Table 51.23 Clock timing (1 of 2)

Parameter		Symbol	Min	Typ	Max	Unit	Test conditions
EBCLK pin output cycle time	VCC = 2.7 V or above	t_{Bcyc}	83.3	-	-	ns	Figure 51.26
	VCC = 1.8 V or above		125	-	-		
	VCC = 1.6 V or above		500	-	-		
EBCLK pin output high pulse width	VCC = 2.7 V or above	t_{CH}	20	-	-	ns	
	VCC = 1.8 V or above		30	-	-		
	VCC = 1.6 V or above		150	-	-		
EBCLK pin output low pulse width	VCC = 2.7 V or above	t_{CL}	20	-	-	ns	
	VCC = 1.8 V or above		30	-	-		
	VCC = 1.6 V or above		150	-	-		
EBCLK pin output rise time	VCC = 2.7 V or above	t_{Cr}	-	-	15	ns	
	VCC = 2.4 V or above		-	-	25		
	VCC = 1.8 V or above		-	-	30		
	VCC = 1.6 V or above		-	-	50		
EBCLK pin output fall time	VCC = 2.7 V or above	t_{Cf}	-	-	15	ns	
	VCC = 2.4 V or above		-	-	25		
	VCC = 1.8 V or above		-	-	30		
	VCC = 1.6 V or above		-	-	50		
EXTAL external clock input cycle time		t_{Xcyc}	50	-	-	ns	Figure 51.27
EXTAL external clock input high pulse width		t_{XH}	20	-	-	ns	
EXTAL external clock input low pulse width		t_{XL}	20	-	-	ns	
EXTAL external clock rising time		t_{Xr}	-	-	5	ns	
EXTAL external clock falling time		t_{Xf}	-	-	5	ns	
EXTAL external clock input wait time*1		t_{EXWT}	0.3	-	-	μ s	-
EXTAL external clock input frequency		f_{EXTAL}	-	-	20	MHz	$2.4 \leq VCC \leq 5.5$
			-	-	8		$1.8 \leq VCC < 2.4$
			-	-	1		$1.6 \leq VCC < 1.8$
Main clock oscillator oscillation frequency		f_{MAIN}	1	-	20	MHz	$2.4 \leq VCC \leq 5.5$
			1	-	8		$1.8 \leq VCC < 2.4$
			1	-	4		$1.6 \leq VCC < 1.8$
Main clock oscillation stabilization wait time (crystal)*9		$t_{MAINOSCWT}$	-	-	~*9	ms	-
LOCO clock oscillation frequency		f_{LOCO}	27.8528	32.768	37.6832	kHz	-
LOCO clock oscillation stabilization time		t_{LOCO}	-	-	100	μ s	Figure 51.28
IWDT-dedicated clock oscillation frequency		f_{ILOCO}	12.75	15	17.25	kHz	-
MOCO clock oscillation frequency		f_{MOCO}	6.8	8	9.2	MHz	-
MOCO clock oscillation stabilization time		t_{MOCO}	-	-	1	μ s	-

Table 51.23 Clock timing (2 of 2)

Parameter	Symbol	Min	Typ	Max	Unit	Test conditions		
HOCO clock oscillation frequency	$f_{\text{HOCO}24}$	23.64	24	24.36	MHz	Ta = -40 to -20°C 1.8 ≤ VCC ≤ 5.5		
		22.68	24	25.32		Ta = -40 to 85°C 1.6 ≤ VCC < 1.8		
		23.76	24	24.24		Ta = -20 to 85°C 1.8 ≤ VCC ≤ 5.5		
		23.52	24	24.48		Ta = 85 to 105°C 2.4 ≤ VCC ≤ 5.5		
	$f_{\text{HOCO}32}$	31.52	32	32.48		Ta = -40 to -20°C 1.8 ≤ VCC ≤ 5.5		
		30.24	32	33.76		Ta = -40 to 85°C 1.6 ≤ VCC < 1.8		
		31.68	32	32.32		Ta = -20 to 85°C 1.8 ≤ VCC ≤ 5.5		
		31.36	32	32.64		Ta = 85 to 105°C 2.4 ≤ VCC ≤ 5.5		
	$f_{\text{HOCO}48}^{*4}$	47.28	48	48.72		Ta = -40 to -20°C 1.8 ≤ VCC ≤ 5.5		
		47.52	48	48.48		Ta = -20 to 85°C 1.8 ≤ VCC ≤ 5.5		
		47.04	48	48.96		Ta = 85 to 105°C 2.4 ≤ VCC ≤ 5.5		
	$f_{\text{HOCO}64}^{*5}$	63.04	64	64.96		Ta = -40 to -20°C 2.4 ≤ VCC ≤ 5.5		
		63.36	64	64.64		Ta = -20 to 85°C 2.4 ≤ VCC ≤ 5.5		
		62.72	64	65.28		Ta = 85 to 105°C 2.4 ≤ VCC ≤ 5.5		
	HOCO clock oscillation stabilization time ^{*6, *7}	Except Low-voltage mode	$t_{\text{HOCO}24}$	-		-	μs	Figure 51.29
			$t_{\text{HOCO}32}$	-		-		
$t_{\text{HOCO}48}$			-	-				
$t_{\text{HOCO}64}$			-	-				
Low-voltage mode		$t_{\text{HOCO}24}$	-	-	100.9			
		$t_{\text{HOCO}32}$	-	-				
		$t_{\text{HOCO}48}$	-	-				
		$t_{\text{HOCO}64}$	-	-				
PLL input frequency ^{*2}	f_{PLLIN}	4	-	12.5	MHz	-		
PLL circuit oscillation frequency ^{*2}	f_{PLL}	24	-	64	MHz	-		
PLL clock oscillation stabilization time ^{*8}	t_{PLL}	-	-	55.5	μs	Figure 51.31		
PLL free-running oscillation frequency	f_{PLLFR}	-	8	-	MHz	-		
Sub-clock oscillator oscillation frequency	f_{SUB}	-	32.768	-	kHz	-		
Sub-clock oscillation stabilization time ^{*3}	t_{SUBOSC}	-	-	- ^{*3}	s	Figure 51.32		

Note 1. Time until the clock can be used after the Main Clock Oscillator Stop bit (MOSCCR.MOSTP) is set to 0 (operating) when the external clock is stable.

Note 2. The VCC range that the PLL can be used is 2.4 to 5.5 V.

Note 3. After changing the setting of the SOSCCR.SOSTP bit so that the sub-clock oscillator operates, only start using the sub-clock oscillator after the sub-clock oscillation stabilization wait time elapsed. Use the oscillator wait time recommended by the oscillator manufacturer.

Note 4. The 48-MHz HOCO can be used within a VCC range of 1.8 V to 5.5 V.

Note 5. The 64-MHz HOCO can be used within a VCC range of 2.4 V to 5.5 V.

Note 6. This is a characteristic when HOCOCCR.HCSTP bit is set to 0 (oscillation) in MOCO stop state.

When HOCOCCR.HCSTP bit is set to 0 (oscillation) during MOCO oscillation, this specification is shortened by 1 μs.

Note 7. Whether stabilization time has elapsed can be confirmed by OSCSF.HOCOSF.

Note 8. This is a characteristic when PLLCR.PLLSTP bit is set to 0 (operation) in MOCO stop state.

When PLLCR.PLLSTP bit is set to 0 (operation) during MOCO oscillation, this specification is shortened by 1 μs.

Note 9. When setting up the main clock, ask the oscillator manufacturer for an oscillation evaluation and use the results as the recommended oscillation stabilization time. Set the MOSCWTCR register to a value equal to or greater than the recommended stabilization time. After changing the setting of the MOSCCR.MOSTP bit so that the main clock oscillator operates, read the OSCSF.MOSCSF flag to confirm that it is 1, then start using the main clock.

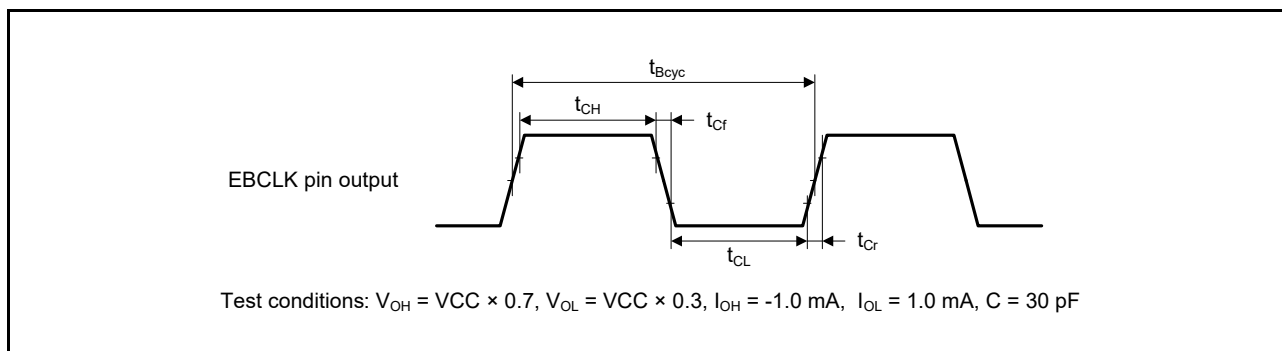


Figure 51.26 EBCLK pin output timing

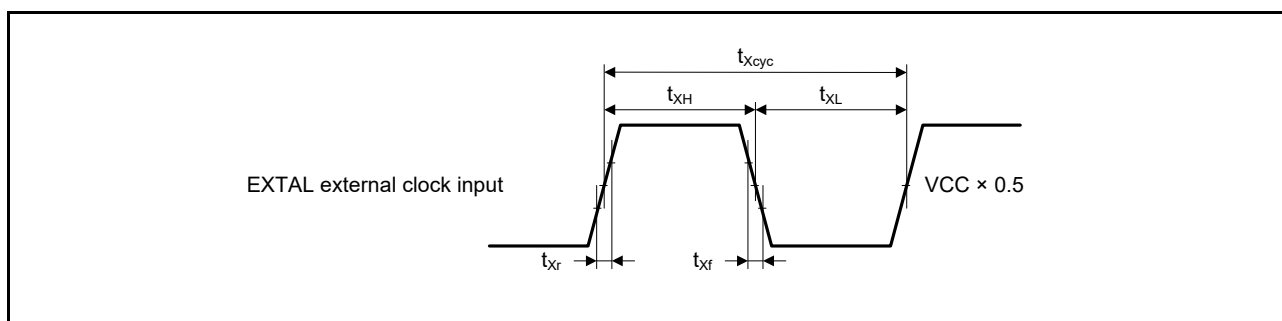


Figure 51.27 EXTAL external clock input timing

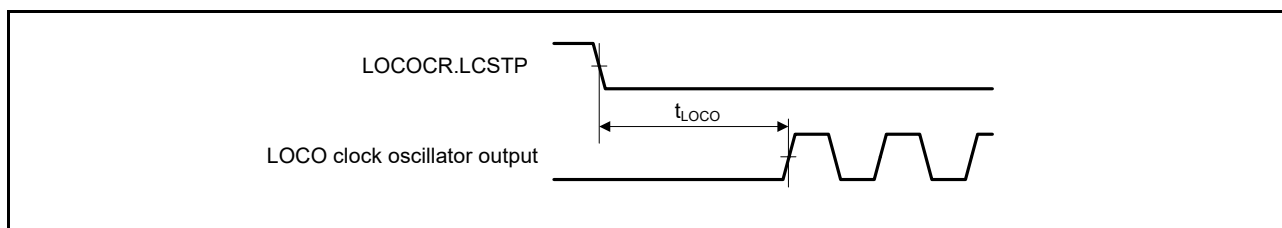


Figure 51.28 LOCO clock oscillation start timing

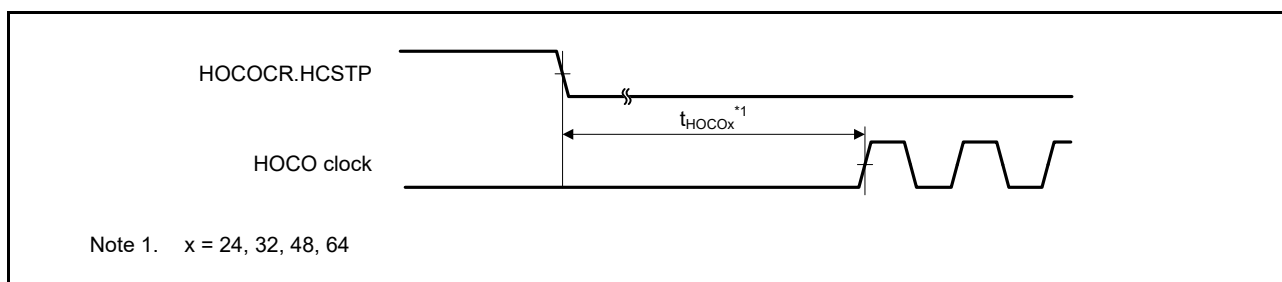


Figure 51.29 HOCO clock oscillation start timing (started by setting HOCOCR.HCSTP bit)

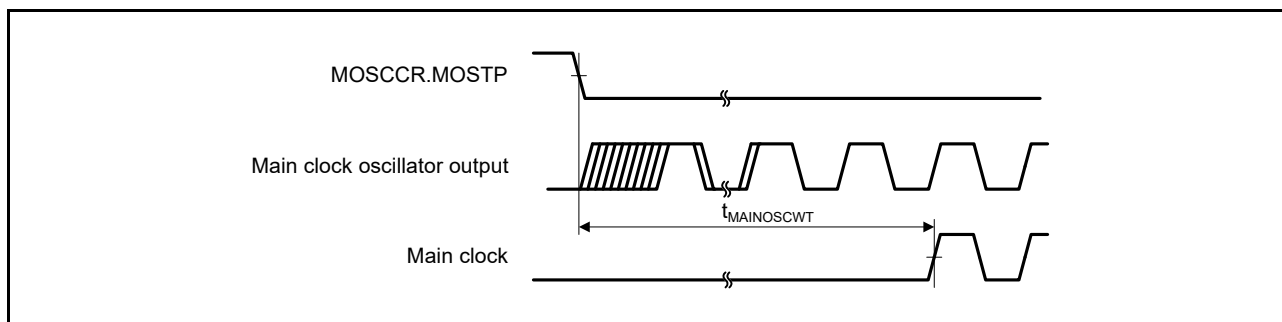


Figure 51.30 Main clock oscillation start timing

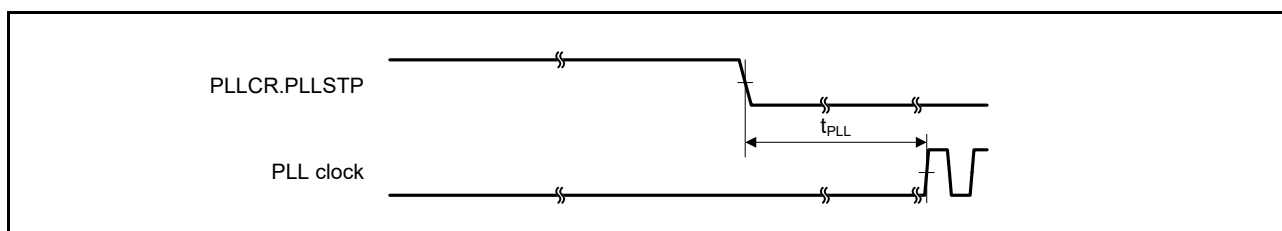


Figure 51.31 PLL clock oscillation start timing (PLL is operated after main clock oscillation has settled)

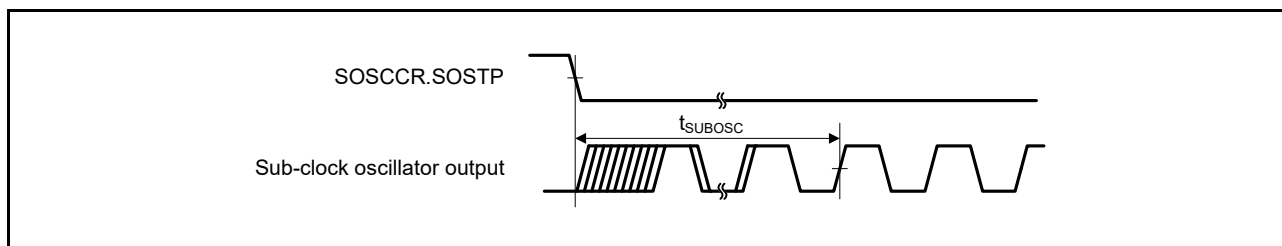


Figure 51.32 Sub-clock oscillation start timing

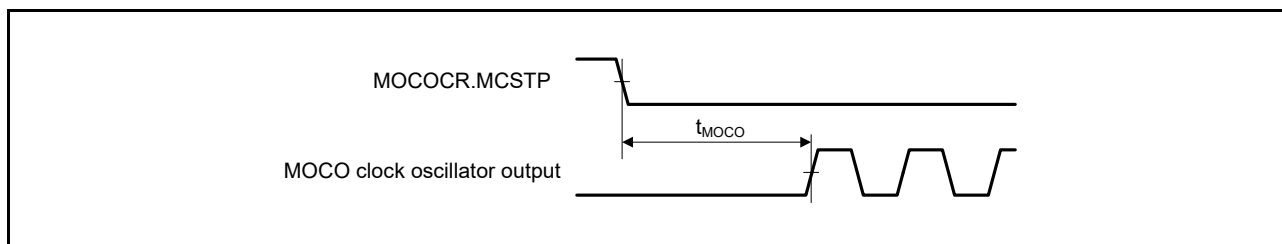


Figure 51.33 MOCO clock oscillation start timing

51.3.3 Reset Timing

Table 51.24 Reset timing

Parameter		Symbol	Min	Typ	Max	Unit	Test conditions
RES pulse width	At power-on	t_{RESWP}	3	-	-	ms	Figure 51.34
	Other than above	t_{RESW}	30	-	-	μ s	Figure 51.35
Wait time after RES cancellation (at power-on)	LVD0: enable*1	t_{RESWT}	-	0.7	-	ms	Figure 51.34
	LVD0: disable*2		-	0.3	-		
Wait time after RES cancellation (during powered-on state)	LVD0: enable*1	t_{RESWT2}	-	0.5	-	ms	Figure 51.35
	LVD0: disable*2		-	0.05	-		
Internal reset cancellation time (Watchdog timer reset, SRAM parity error reset, SRAM ECC error reset, Bus master MPU error reset, Bus slave MPU error reset, Stack pointer error reset, Software reset)	LVD0: enable*1	t_{RESWT3}	-	0.6	-	ms	
	LVD0: disable*2		-	0.15	-		

Note 1. When OFS1.LVDAS = 0.

Note 2. When OFS1.LVDAS = 1.

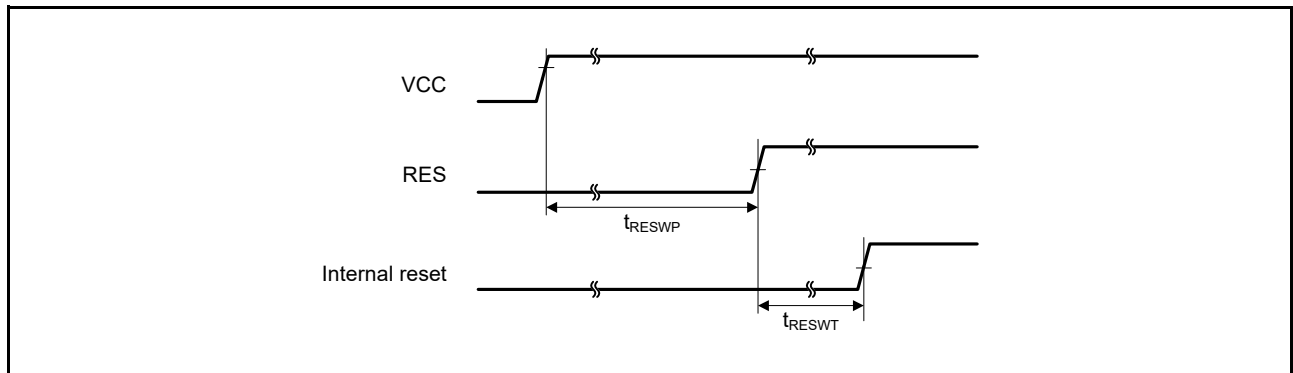


Figure 51.34 Reset input timing at power-on

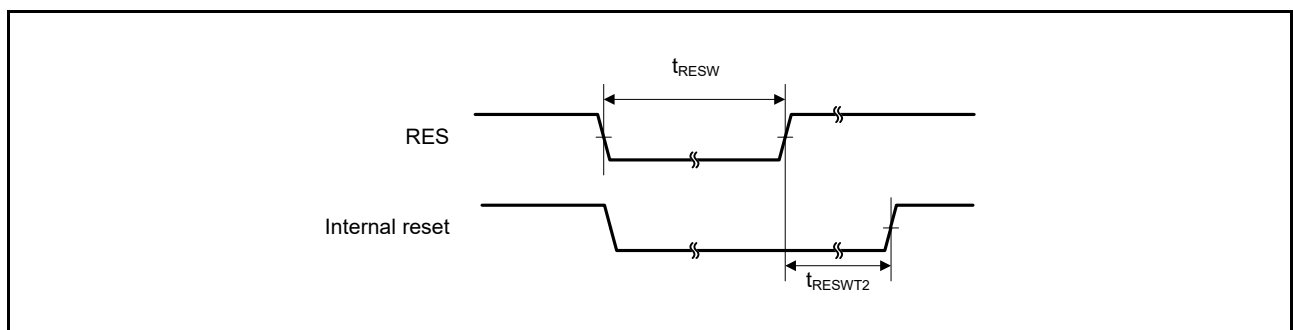


Figure 51.35 Reset input timing (1)

51.3.4 Wakeup Time

Table 51.25 Timing of recovery from low power modes (1)

Parameter				Symbol	Min	Typ	Max	Unit	Test conditions	
Recovery time from Software Standby mode*1	High-speed mode	Crystal resonator connected to main clock oscillator	System clock source is main clock oscillator (20 MHz)*2	t_{SBYMC}	-	2	3	ms	Figure 51.36	
			System clock source is PLL (48 MHz) with Main clock oscillator*2	t_{SBYPC}	-	2	3	ms		
		External clock input to main clock oscillator	System clock source is main clock oscillator (20 MHz)*3	t_{SBYEX}	-	14	25	μ s		
			System clock source is PLL (48 MHz) with Main clock oscillator*3	t_{SBYPE}	-	53	76	μ s		
		System clock source is HOCO*4 (HOCO clock is 32 MHz)			t_{SBYHO}	-	43	52		μ s
		System clock source is HOCO*4 (HOCO clock is 48 MHz)			t_{SBYHO}	-	44	52		μ s
		System clock source is HOCO*5 (HOCO clock is 64 MHz)			t_{SBYHO}	-	82	110		μ s
		System clock source is MOCO			t_{SBYMO}	-	16	25		μ s

Note 1. The division ratio of ICK, BCK, FCK, and PCKx is the minimum division ratio within the allowable frequency range. The recovery time is determined by the system clock source.

Note 2. The Main Clock Oscillator Wait Control Register (MOSCWTCR) is set to 05h.

Note 3. The Main Clock Oscillator Wait Control Register (MOSCWTCR) is set to 00h.

Note 4. The HOCO Clock Wait Control Register (HOCOWTCR) is set to 05h.

Note 5. The HOCO Clock Wait Control Register (HOCOWTCR) is set to 06h.

Table 51.26 Timing of recovery from low power modes (2)

Parameter				Symbol	Min	Typ	Max	Unit	Test conditions	
Recovery time from Software Standby mode*1	Middle-speed mode	Crystal resonator connected to main clock oscillator	System clock source is main clock oscillator (12 MHz)*2	t_{SBYMC}	-	2	3	ms	Figure 51.36	
			System clock source is PLL (24 MHz) with main clock oscillator*2	t_{SBYPC}	-	2	3	ms		
		External clock input to main clock oscillator	System clock source is main clock oscillator (12 MHz)*3	t_{SBYEX}	-	2.9	10	μ s		
			System clock source is PLL (24 MHz) with main clock oscillator*3	t_{SBYPE}	-	49	76	μ s		
		System clock source is HOCO (24 MHz)			t_{SBYHO}	-	38	50		μ s
		System clock source is MOCO			t_{SBYMO}	-	3.5	5.5		μ s

Note 1. The division ratio of ICK, BCK, FCK, and PCKx is the minimum division ratio within the allowable frequency range. The recovery time is determined by the system clock source.

Note 2. The Main Clock Oscillator Wait Control Register (MOSCWTCR) is set to 05h.

Note 3. The Main Clock Oscillator Wait Control Register (MOSCWTCR) is set to 00h.

Table 51.27 Timing of recovery from low power modes (3)

Parameter				Symbol	Min	Typ	Max	Unit	Test conditions
Recovery time from Software Standby mode*1	Low-speed mode	Crystal resonator connected to main clock oscillator	System clock source is main clock oscillator (1 MHz)*2	t_{SBYMC}	-	2	3	ms	Figure 51.36
		External clock input to main clock oscillator	System clock source is main clock oscillator (1 MHz)*3	t_{SBYEX}	-	28	50	μ s	
		System clock source is MOCO		t_{SBYMO}	-	25	35	μ s	

Note 1. The division ratio of ICK, BCK, FCK, and PCKx is the minimum division ratio within the allowable frequency range. The recovery time is determined by the system clock source.

Note 2. The Main Clock Oscillator Wait Control Register (MOSCWTCR) is set to 05h.

Note 3. The Main Clock Oscillator Wait Control Register (MOSCWTCR) is set to 00h.

Table 51.28 Timing of recovery from low power modes (4)

Parameter				Symbol	Min	Typ	Max	Unit	Test conditions
Recovery time from Software Standby mode*1	Low-voltage mode	Crystal resonator connected to main clock oscillator	System clock source is main clock oscillator (4 MHz)*2	t_{SBYMC}	-	2	3	ms	Figure 51.36
		External clock input to main clock oscillator	System clock source is main clock oscillator (4 MHz)*3	t_{SBYEX}	-	108	130	μ s	
		System clock source is HOCO		t_{SBYHO}	-	108	130	μ s	

Note 1. The division ratio of ICK, BCK, FCK, and PCKx is the minimum division ratio within the allowable frequency range. The recovery time is determined by the system clock source. When multiple oscillators are active, the recovery time can be determined by the following expression.

Note 2. The Main Clock Oscillator Wait Control Register (MOSCWTCR) is set to 05h.

Note 3. The Main Clock Oscillator Wait Control Register (MOSCWTCR) is set to 00h.

Table 51.29 Timing of recovery from low power modes (5)

Parameter			Symbol	Min	Typ	Max	Unit	Test conditions
Recovery time from Software Standby mode*1	Subosc-speed mode	System clock source is sub-clock oscillator (32.768 kHz)	t_{SBYSC}	-	0.85	1	ms	Figure 51.36
		System clock source is LOCO (32.768 kHz)	t_{SBYLO}	-	0.85	1.2	ms	

Note 1. The sub-clock oscillator or LOCO itself continues to oscillate in Software Standby mode during Subosc-speed mode.

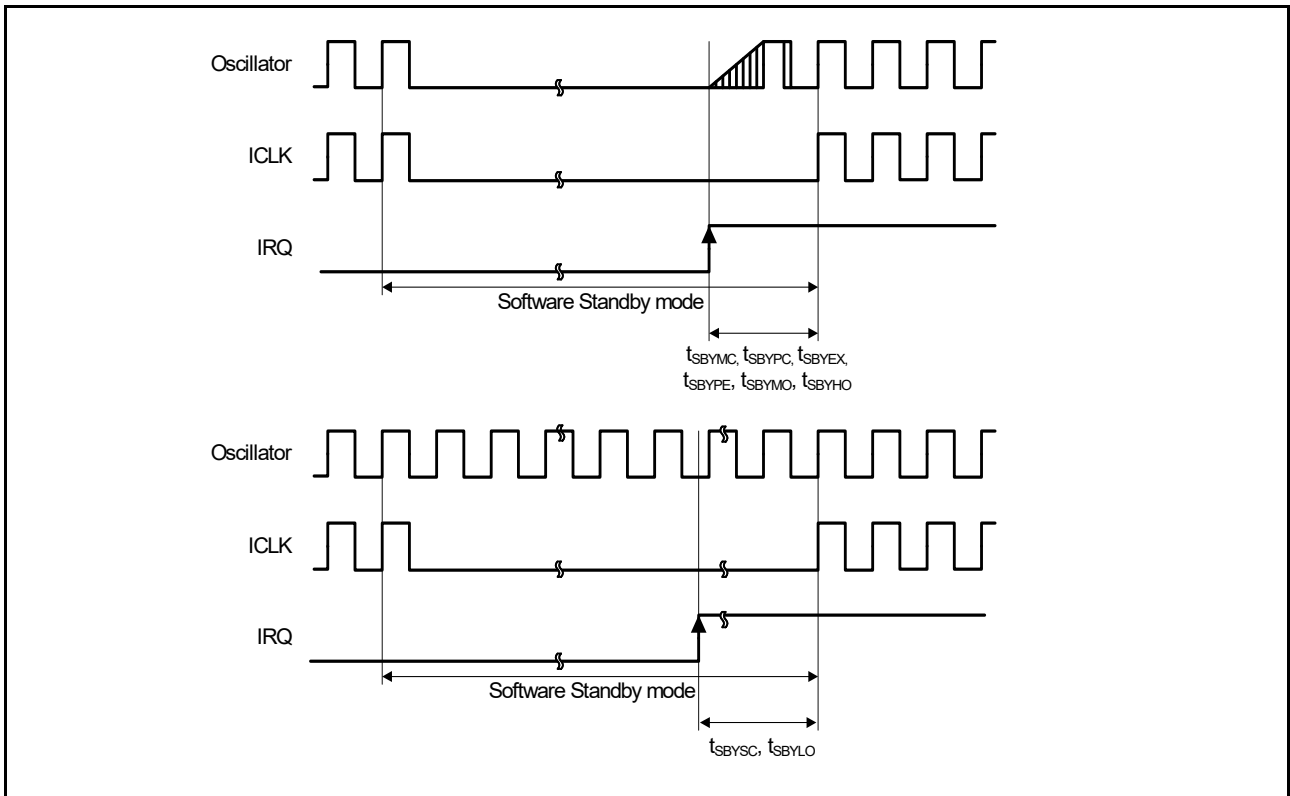


Figure 51.36 Software Standby mode cancellation timing

Table 51.30 Timing of recovery from low power modes (6)

Parameter		Symbol	Min	Typ	Max	Unit	Test conditions
Recovery time from Software Standby mode to Snooze mode	High-speed mode System clock source is HOCO	t_{SNZ}	-	36	45	μs	Figure 51.37
	Middle-speed mode System clock source is MOCO	t_{SNZ}	-	1.3	3.6	μs	
	Low-speed mode System clock source is MOCO	t_{SNZ}	-	10	13	μs	
	Low-voltage mode System clock source is HOCO	t_{SNZ}	-	87	110	μs	

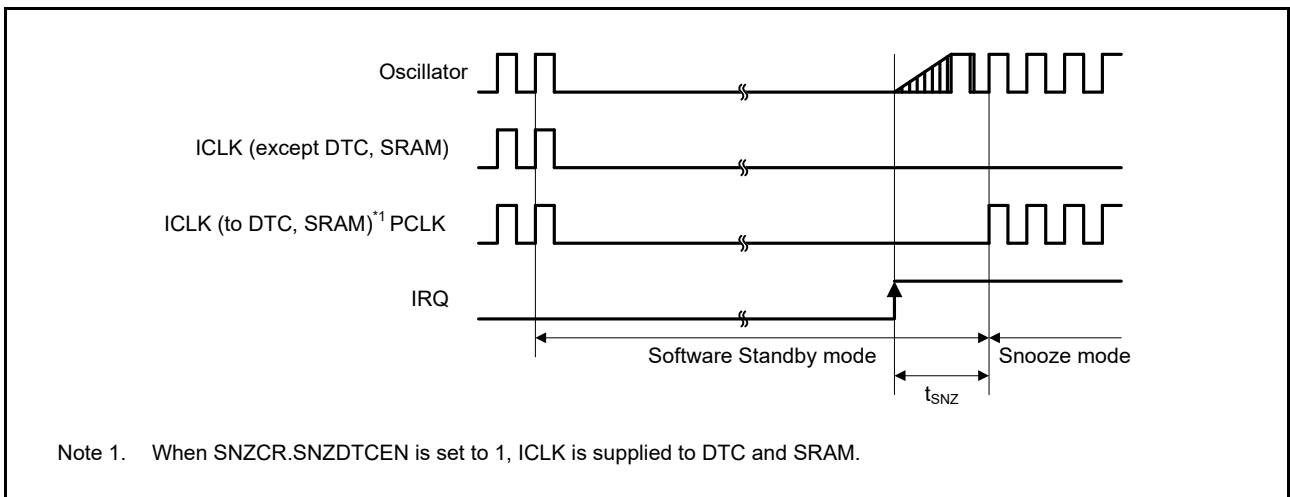


Figure 51.37 Recovery timing from Software Standby mode to Snooze mode

51.3.5 NMI and IRQ Noise Filter

Table 51.31 NMI and IRQ noise filter

Parameter	Symbol	Min	Typ	Max	Unit	Test conditions	
NMI pulse width	t_{NMIW}	200	-	-	ns	NMI digital filter disabled	$t_{\text{Pcyc}} \times 2 \leq 200$ ns
		$t_{\text{Pcyc}} \times 2^{*1}$	-	-			$t_{\text{Pcyc}} \times 2 > 200$ ns
		200	-	-		NMI digital filter enabled	$t_{\text{NMICK}} \times 3 \leq 200$ ns
		$t_{\text{NMICK}} \times 3.5^{*2}$	-	-			$t_{\text{NMICK}} \times 3 > 200$ ns
IRQ pulse width	t_{IRQW}	200	-	-	ns	IRQ digital filter disabled	$t_{\text{Pcyc}} \times 2 \leq 200$ ns
		$t_{\text{Pcyc}} \times 2^{*1}$	-	-			$t_{\text{Pcyc}} \times 2 > 200$ ns
		200	-	-		IRQ digital filter enabled	$t_{\text{IRQCK}} \times 3 \leq 200$ ns
		$t_{\text{IRQCK}} \times 3.5^{*3}$	-	-			$t_{\text{IRQCK}} \times 3 > 200$ ns

Note: 200 ns minimum in Software Standby mode.

Note: If the clock source is switched, add 4 clock cycles of the switched source.

Note 1. t_{Pcyc} indicates the cycle of PCLKB.

Note 2. t_{NMICK} indicates the cycle of the NMI digital filter sampling clock.

Note 3. t_{IRQCK} indicates the cycle of the IRQ_i digital filter sampling clock (i = 0 to 15).

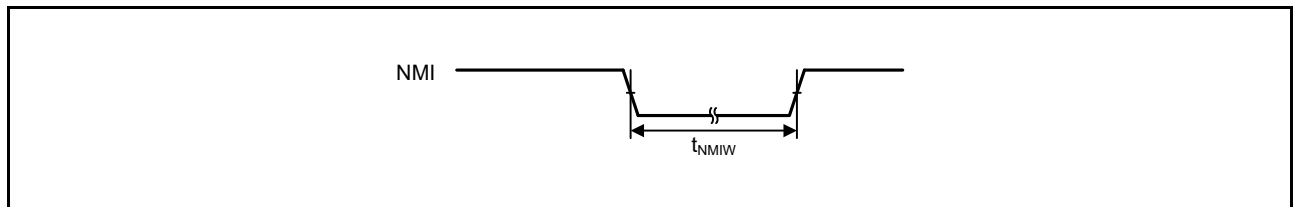


Figure 51.38 NMI interrupt input timing

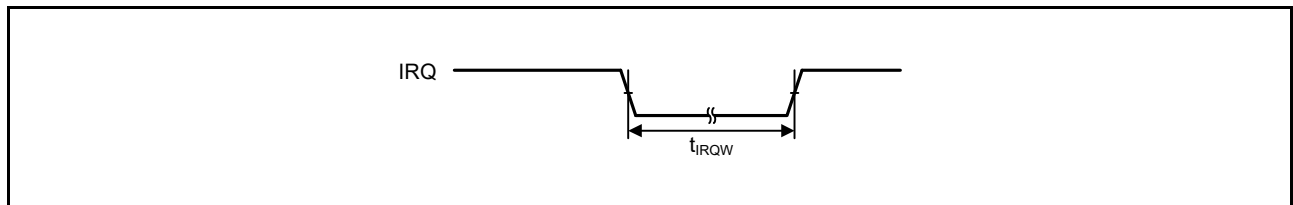


Figure 51.39 IRQ interrupt input timing

51.3.6 Bus Timing

Table 51.32 Bus timing (1)

Conditions: Low drive output is selected in the Port Drive Capability in PmnPFS register

VCC = 2.7 to 5.5 V

Output load conditions: $V_{OH} = VCC \times 0.5$, $V_{OL} = VCC \times 0.5$, $C = 30$ pF

Parameter	Symbol	Min	Max	Unit	Test conditions
Address delay	t_{AD}	-	55	ns	Figure 51.42 to Figure 51.45
Byte control delay	t_{BCD}	-	55	ns	
CS delay	t_{CSD}	-	55	ns	
ALE delay time	t_{ALED}	-	55	ns	
RD delay	t_{RSD}	-	55	ns	
Read data setup time	t_{RDS}	37	-	ns	
Read data hold time	t_{RDH}	0	-	ns	
WR delay	t_{WRD}	-	55	ns	
Write data delay	t_{WDD}	-	55	ns	
Write data hold time	t_{WDH}	0	-	ns	
WAIT setup time	t_{WTS}	37	-	ns	Figure 51.46
WAIT hold time	t_{WTH}	0	-	ns	

Table 51.33 Bus timing (2)

Conditions: Low drive output is selected in the Port Drive Capability in PmnPFS register

VCC = 2.4 to 2.7 V

Output load conditions: $V_{OH} = VCC \times 0.5$, $V_{OL} = VCC \times 0.5$, $C = 30$ pF

Parameter	Symbol	Min	Max	Unit	Test conditions
Address delay	t_{AD}	-	55	ns	Figure 51.42 to Figure 51.45
Byte control delay	t_{BCD}	-	55	ns	
CS delay	t_{CSD}	-	55	ns	
ALE delay time	t_{ALED}	-	55	ns	
RD delay	t_{RSD}	-	55	ns	
Read data setup time	t_{RDS}	45	-	ns	
Read data hold time	t_{RDH}	0	-	ns	
WR delay	t_{WRD}	-	55	ns	
Write data delay	t_{WDD}	-	55	ns	
Write data hold time	t_{WDH}	0	-	ns	
WAIT setup time	t_{WTS}	45	-	ns	Figure 51.46
WAIT hold time	t_{WTH}	0	-	ns	

Table 51.34 Bus timing (3)

Conditions: Low drive output is selected in the Port Drive Capability in PmnPFS register

VCC = 1.8 to 2.4 V

Output load conditions: $V_{OH} = VCC \times 0.5$, $V_{OL} = VCC \times 0.5$, $C = 30$ pF

Parameter	Symbol	Min	Max	Unit	Test conditions
Address delay	t_{AD}	-	90	ns	Figure 51.42 to Figure 51.45
Byte control delay	t_{BCD}	-	90	ns	
CS delay	t_{CSD}	-	90	ns	
ALE delay time	t_{ALED}	-	90	ns	
RD delay	t_{RSD}	-	90	ns	
Read data setup time	t_{RDS}	70	-	ns	
Read data hold time	t_{RDH}	0	-	ns	
WR delay	t_{WRD}	-	90	ns	
Write data delay	t_{WDD}	-	90	ns	
Write data hold time	t_{WDH}	0	-	ns	
WAIT setup time	t_{WTS}	70	-	ns	Figure 51.46
WAIT hold time	t_{WTH}	0	-	ns	

Table 51.35 Bus timing (4)

Conditions: Low drive output is selected in the Port Drive Capability in PmnPFS register

VCC = 1.6 to 1.8 V

Output load conditions: $V_{OH} = VCC \times 0.5$, $V_{OL} = VCC \times 0.5$, $C = 30$ pF

Parameter	Symbol	Min	Max	Unit	Test conditions
Address delay	t_{AD}	-	120	ns	Figure 51.42 to Figure 51.45
Byte control delay	t_{BCD}	-	120	ns	
CS delay	t_{CSD}	-	120	ns	
ALE delay time	t_{ALED}	-	120	ns	
RD delay	t_{RSD}	-	120	ns	
Read data setup time	t_{RDS}	90	-	ns	
Read data hold time	t_{RDH}	0	-	ns	
WR delay	t_{WRD}	-	120	ns	
Write data delay	t_{WDD}	-	120	ns	
Write data hold time	t_{WDH}	0	-	ns	
WAIT setup time	t_{WTS}	90	-	ns	Figure 51.46
WAIT hold time	t_{WTH}	0	-	ns	

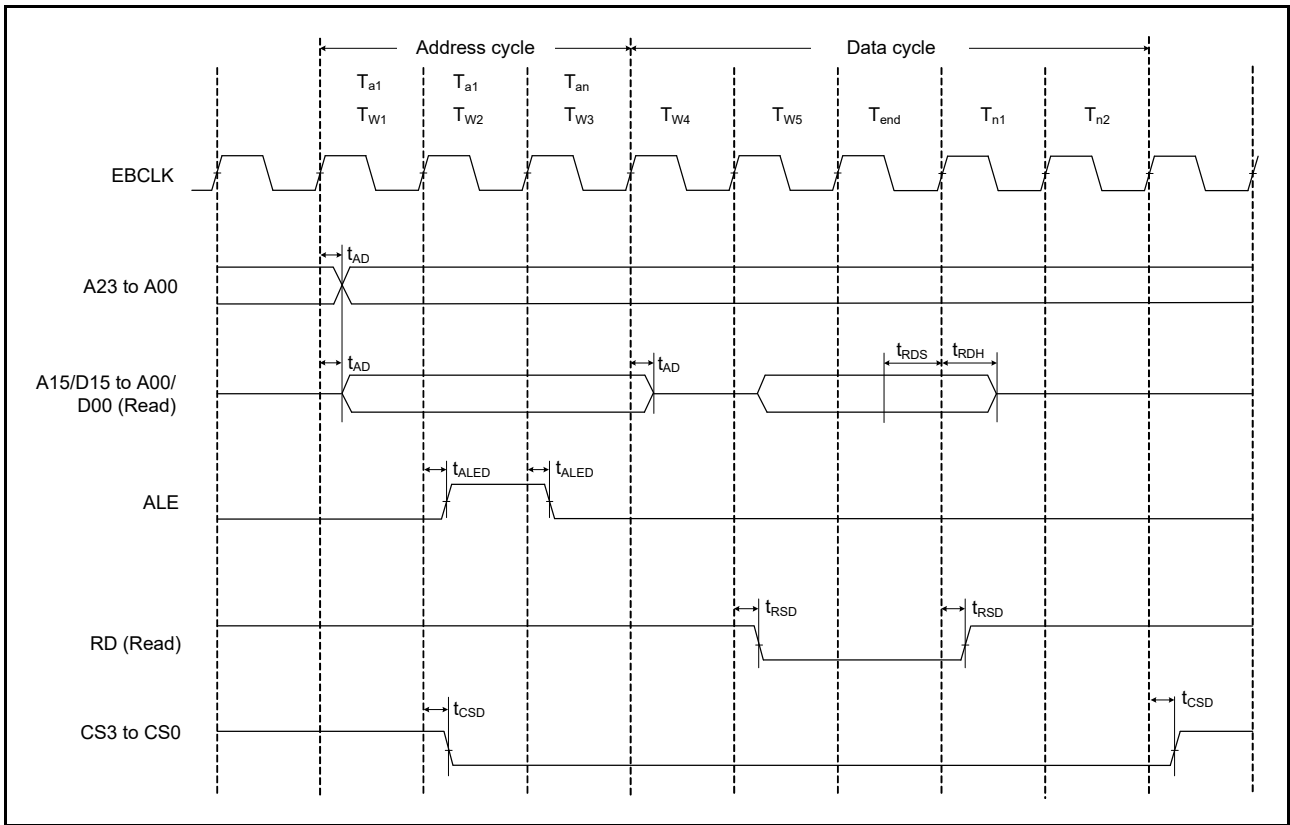


Figure 51.40 Address/data multiplexed bus read access timing

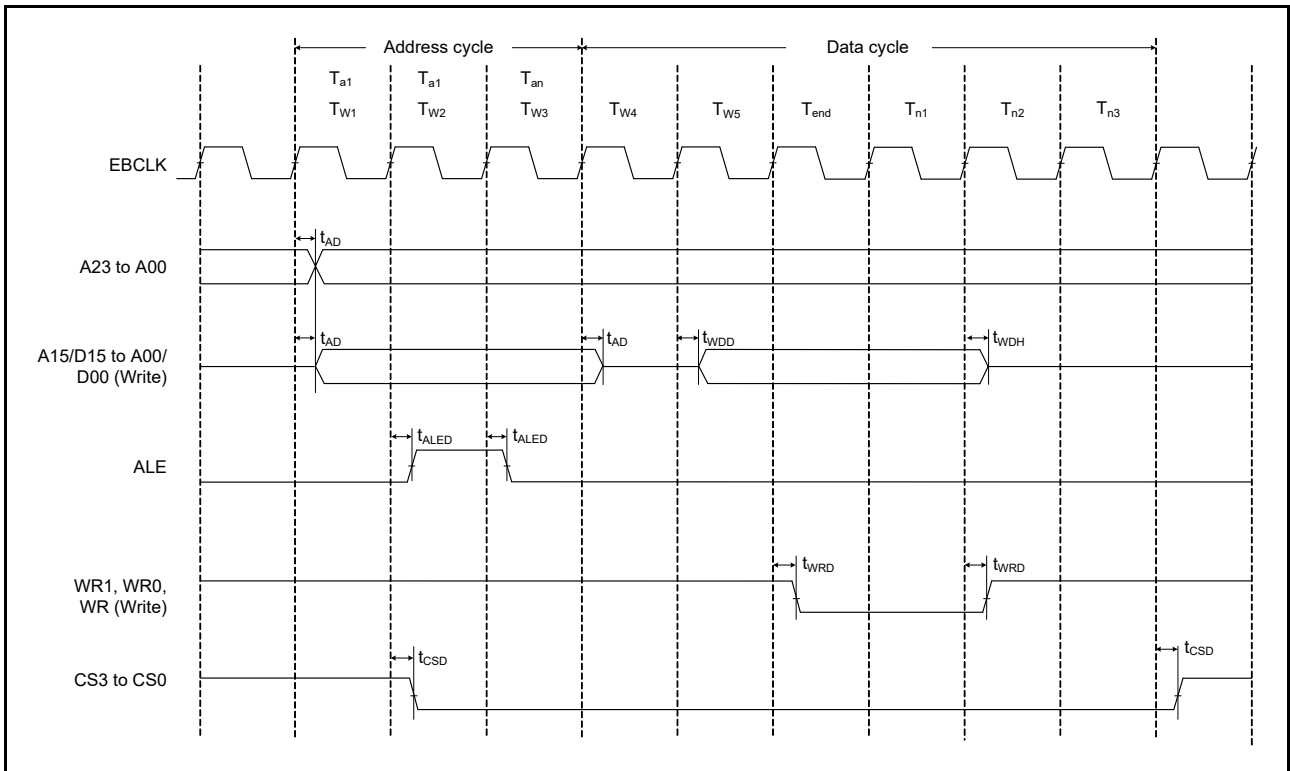


Figure 51.41 Address/data multiplexed bus write access timing

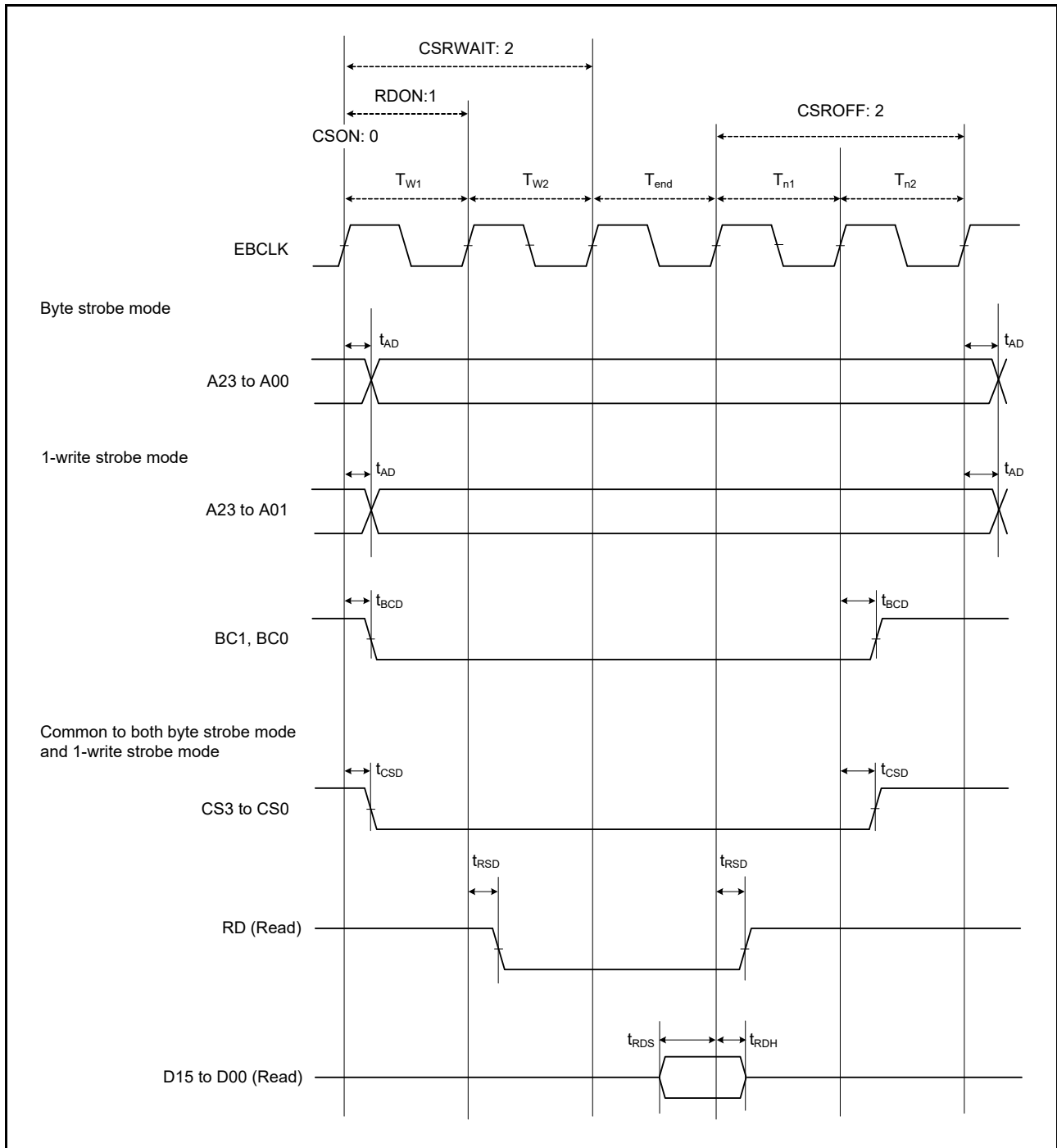


Figure 51.42 External bus timing/normal read cycle (bus clock synchronized)

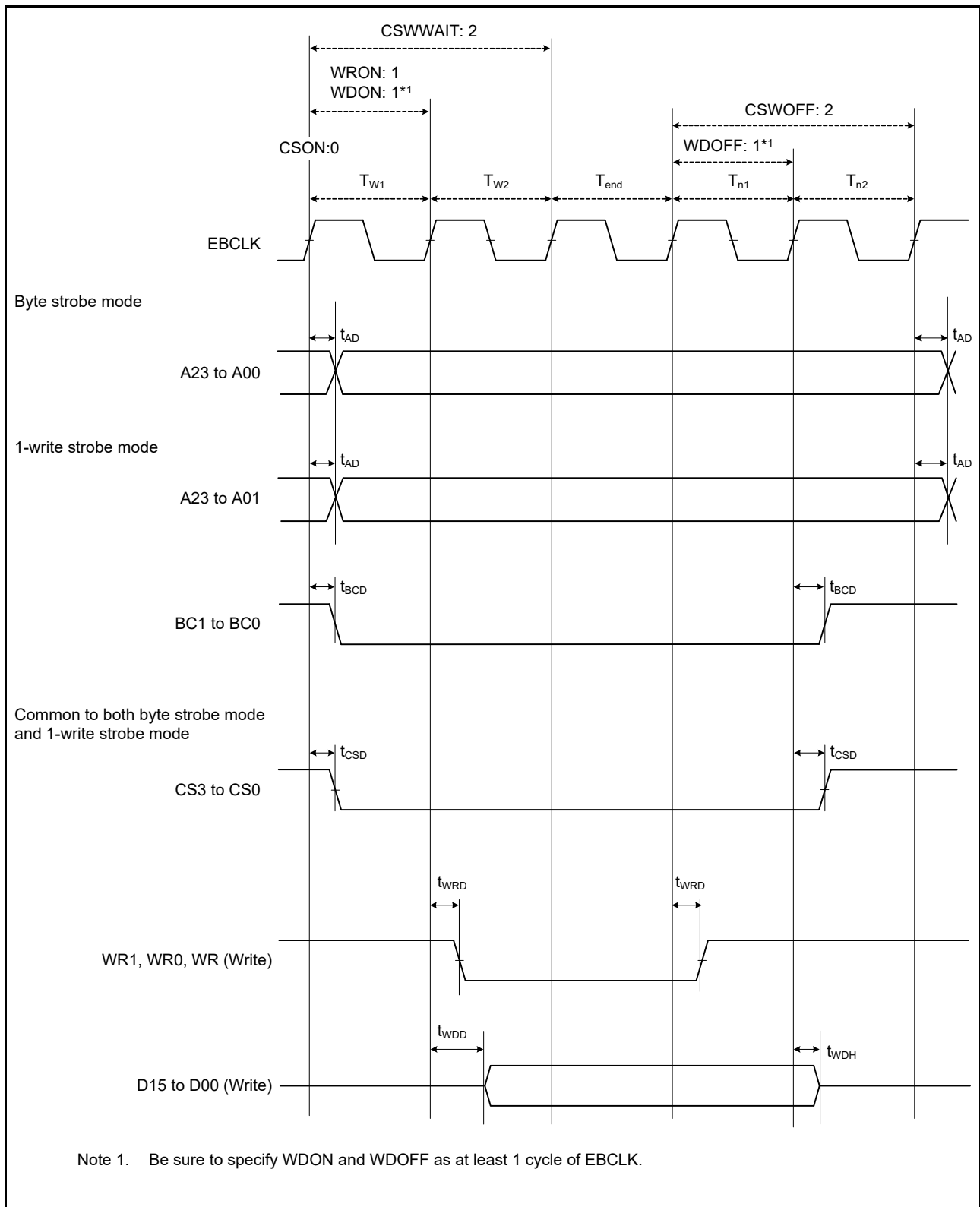


Figure 51.43 External bus timing/normal write cycle (bus clock synchronized)

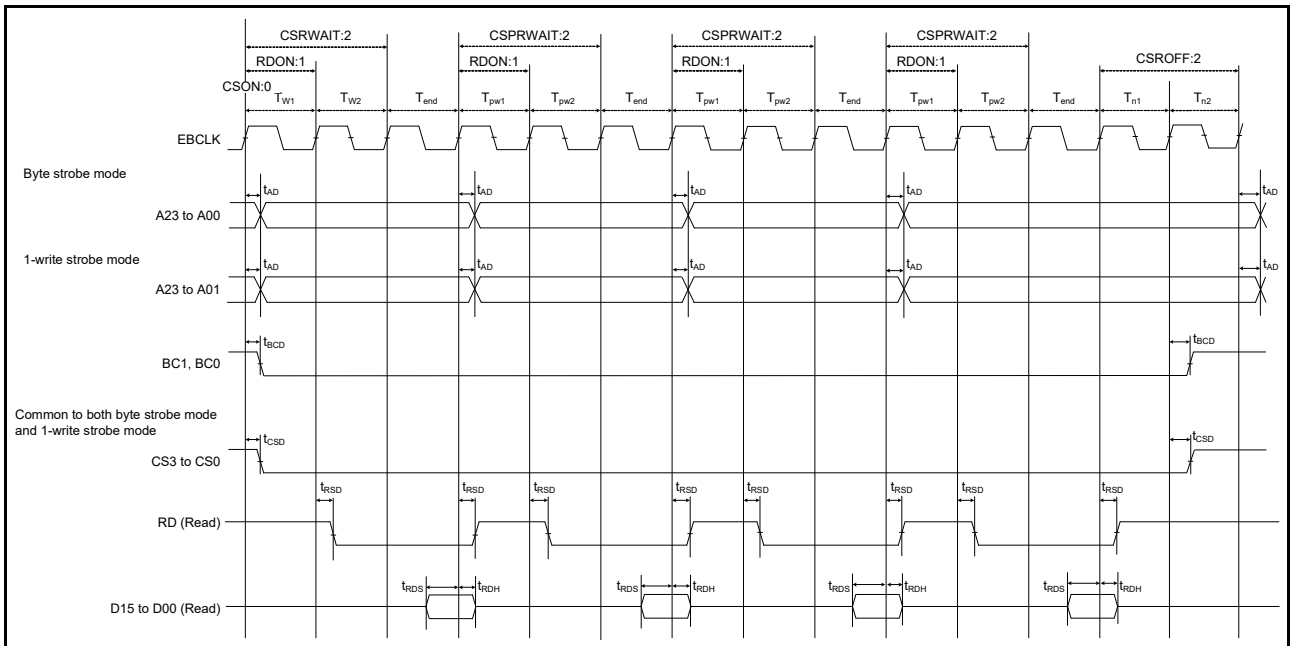


Figure 51.44 External bus timing/page read cycle (bus clock synchronized)

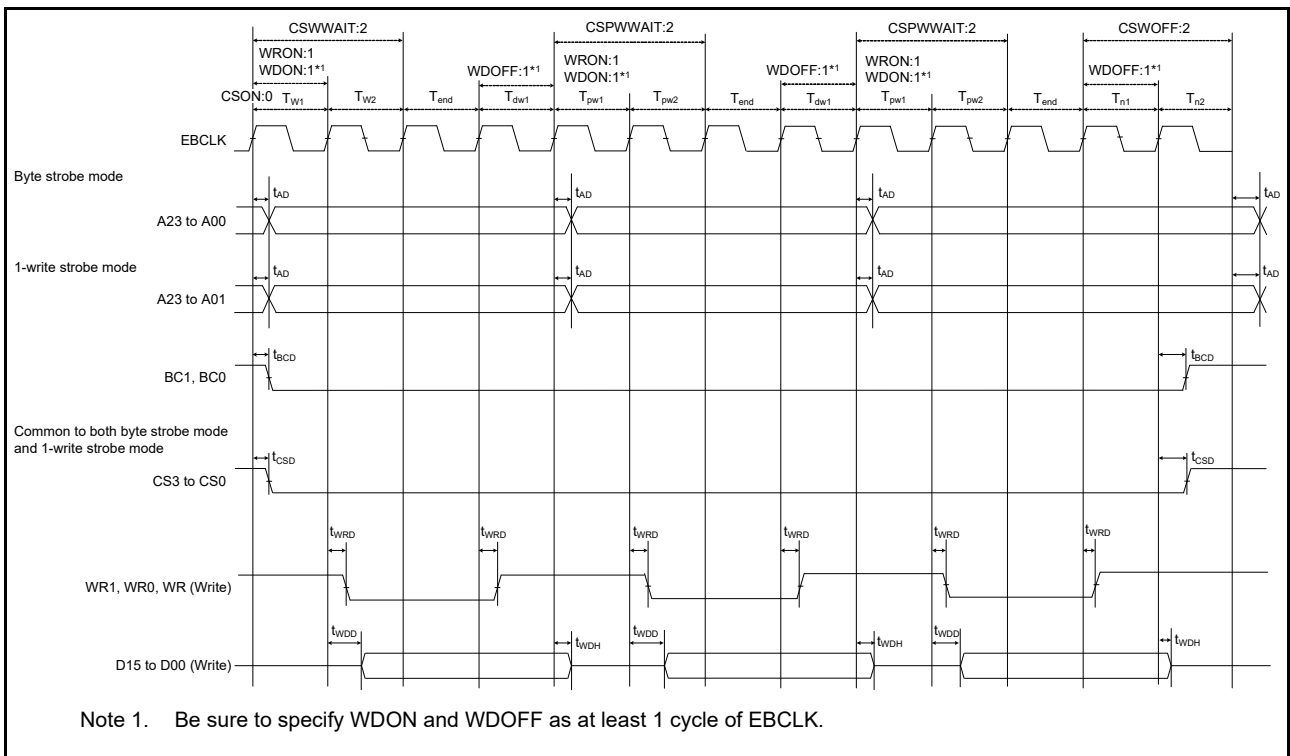


Figure 51.45 External bus timing/page write cycle (bus clock synchronized)

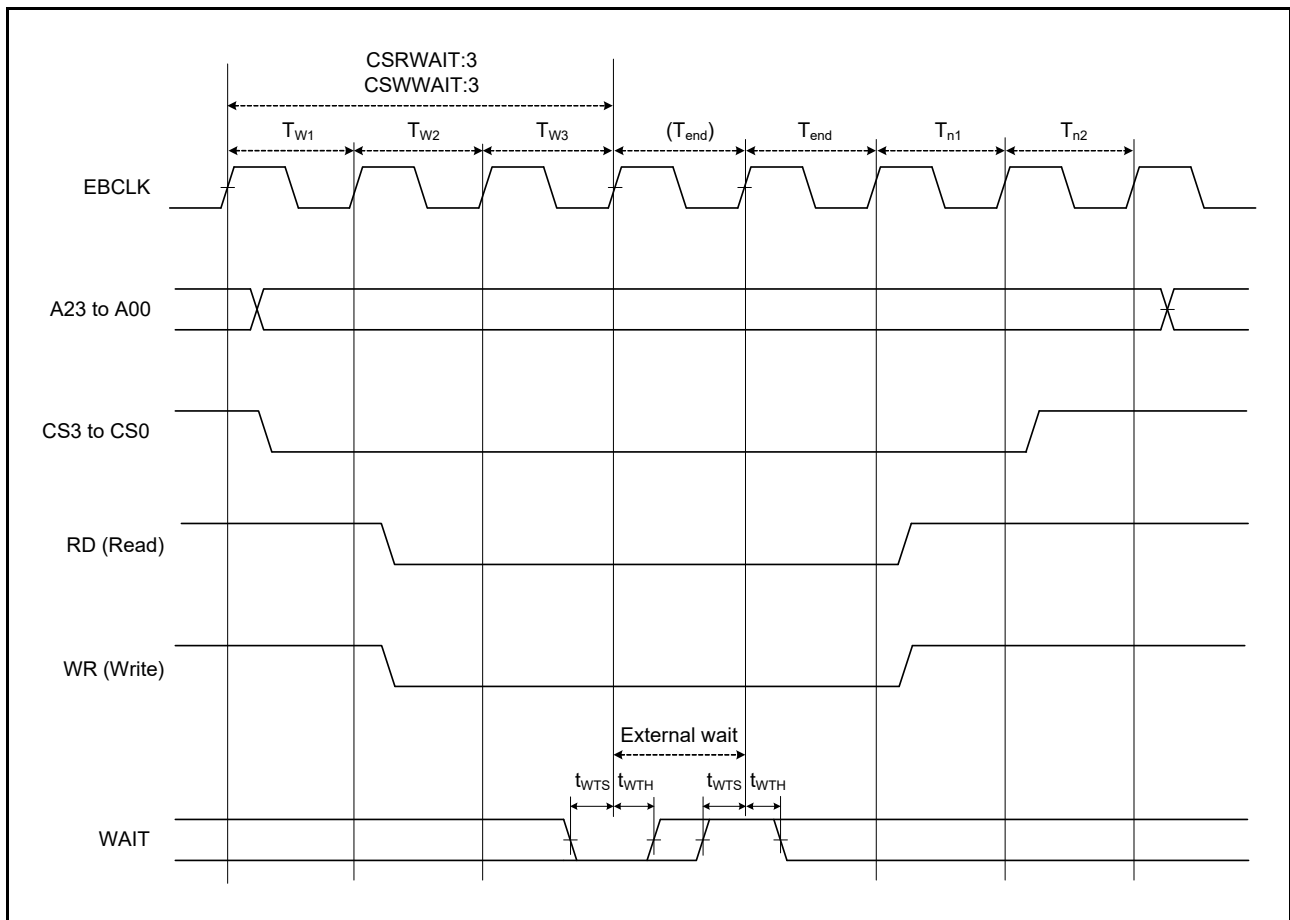


Figure 51.46 External bus timing/external wait control

51.3.7 I/O Ports, POEG, GPT, AGT, KINT, and ADC14 Trigger Timing

Table 51.36 I/O Ports, POEG, GPT, AGT, KINT, and ADC14 trigger timing

Parameter		Symbol	Min	Max	Unit	Test conditions
I/O ports	Input data pulse width	t_{PRW}	1.5	-	t_{Pcyc}	Figure 51.47
	Input/output data cycle (P002, P003, P004, P007)	t_{POCyc}	10	-	us	
POEG	POEG input trigger pulse width	t_{POEW}	3	-	t_{Pcyc}	Figure 51.48
GPT	Input capture pulse width	Single edge	t_{GTICW}	1.5	t_{PDcyc}	Figure 51.49
		Dual edge		2.5		
AGT	AGTIO, AGTEE input cycle	$2.7\text{ V} \leq VCC \leq 5.5\text{ V}$	t_{ACYC}^{*1}	250	ns	Figure 51.50
		$2.4\text{ V} \leq VCC < 2.7\text{ V}$		500		
		$1.8\text{ V} \leq VCC < 2.4\text{ V}$		1000		
		$1.6\text{ V} \leq VCC < 1.8\text{ V}$		2000		
	AGTIO, AGTEE input high-level width, low-level width	$2.7\text{ V} \leq VCC \leq 5.5\text{ V}$	t_{ACKWH} , t_{ACKWL}	100	ns	
		$2.4\text{ V} \leq VCC < 2.7\text{ V}$		200		
		$1.8\text{ V} \leq VCC < 2.4\text{ V}$		400		
		$1.6\text{ V} \leq VCC < 1.8\text{ V}$		800		
	AGTIO, AGTO, AGTOA, AGTOB output cycle	$2.7\text{ V} \leq VCC \leq 5.5\text{ V}$	t_{ACYC2}	62.5	ns	Figure 51.50
		$2.4\text{ V} \leq VCC < 2.7\text{ V}$		125		
		$1.8\text{ V} \leq VCC < 2.4\text{ V}$		250		
		$1.6\text{ V} \leq VCC < 1.8\text{ V}$		500		
ADC14	14-bit A/D converter trigger input pulse width	t_{TRGW}	1.5	-	t_{Pcyc}	Figure 51.51
KINT	KRn (n = 00 to 07) pulse width	t_{KR}	250	-	ns	Figure 51.52

Note 1. Constraints on input cycle:
 When not switching the source clock: $t_{Pcyc} \times 2 < t_{ACYC}$ should be satisfied.
 When switching the source clock: $t_{Pcyc} \times 6 < t_{ACYC}$ should be satisfied.

Note: t_{Pcyc} : PCLKB cycle, t_{PDcyc} : PCLKD cycle

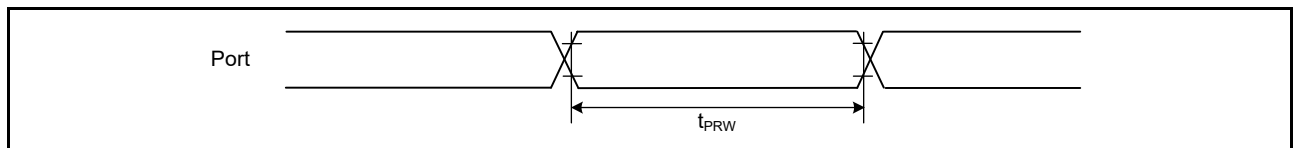


Figure 51.47 I/O ports input timing

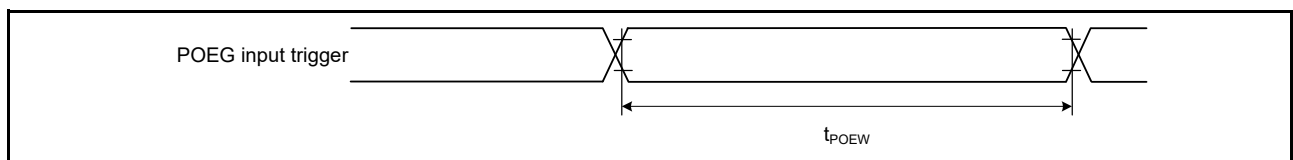


Figure 51.48 POEG input trigger timing

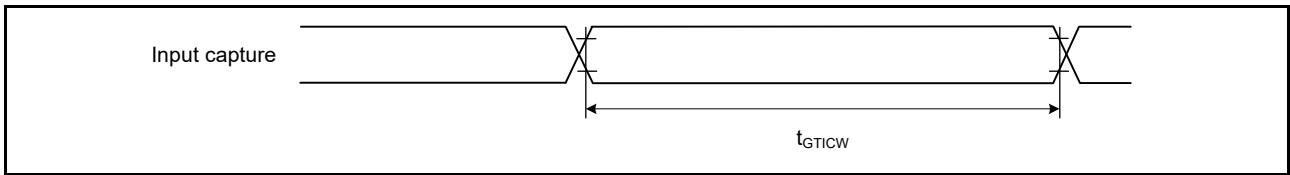


Figure 51.49 GPT input capture timing

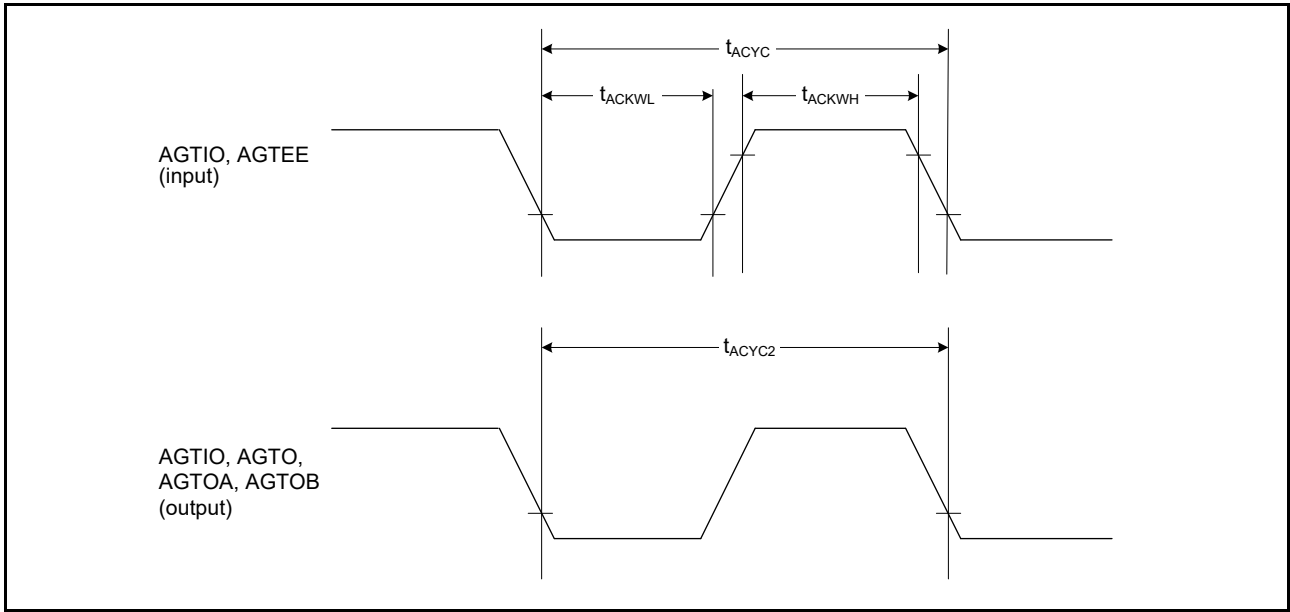


Figure 51.50 AGT I/O timing

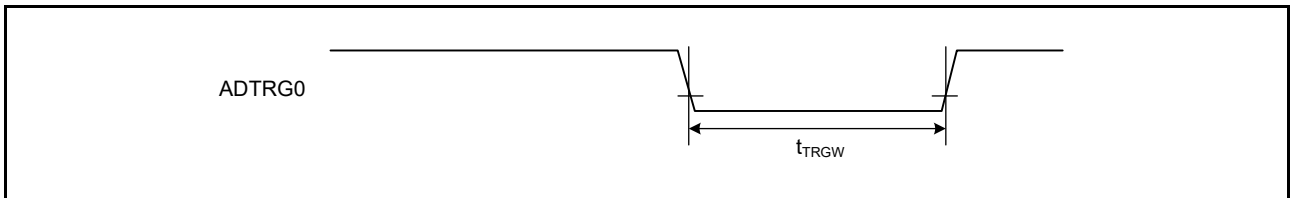


Figure 51.51 ADC14 trigger input timing

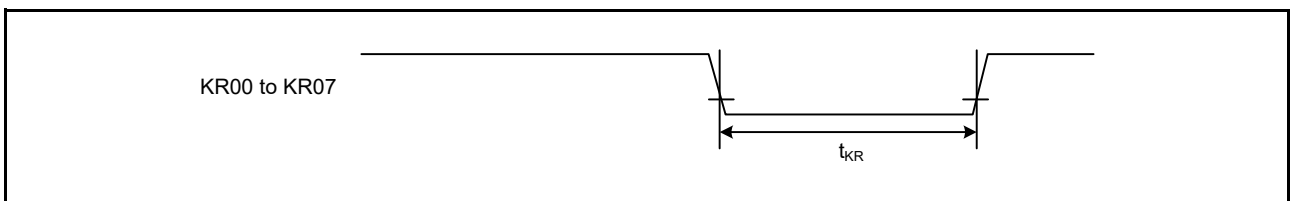


Figure 51.52 Key interrupt input timing

51.3.8 CAC Timing

Table 51.37 CAC timing

Parameter		Symbol	Min	Typ	Max	Unit	Test conditions
CAC	CACREF input pulse width	t_{CACREF}	$t_{PBcyc}^{*1} \leq t_{cac}^{*2}$	$4.5 \times t_{cac} + 3 \times t_{PBcyc}^{*1}$	-	-	ns
			$t_{PBcyc}^{*1} > t_{cac}^{*2}$	$5 \times t_{cac} + 6.5 \times t_{PBcyc}^{*1}$	-	-	ns

Note 1. t_{PBcyc} : PCLKB cycle.

Note 2. t_{cac} : CAC count clock source cycle.

51.3.9 SCI Timing

Table 51.38 SCI timing (1)

Parameter		Symbol	Min	Max	Unit*1	Test conditions		
SCI	Input clock cycle	Asynchronous	t_{Scyc}	4	-	t_{Pcyc}	Figure 51.53	
		Clock synchronous		6	-			
	Input clock pulse width		t_{SCKW}	0.4	0.6	t_{Scyc}		
	Input clock rise time		t_{SCKr}	-	20	ns		
	Input clock fall time		t_{SCKf}	-	20	ns		
	Output clock cycle	Asynchronous	t_{Scyc}	6	-	t_{Pcyc}		
		Clock synchronous		4	-			
	Output clock pulse width		t_{SCKW}	0.4	0.6	t_{Scyc}		
	Output clock rise time		t_{SCKr}	1.8 V or above	-	20		ns
				1.6 V or above	-	30		
	Output clock fall time		t_{SCKf}	1.8 V or above	-	20		ns
				1.6 V or above	-	30		
Transmit data delay (master)	Clock synchronous	t_{TXD}	1.8 V or above	-	40	ns	Figure 51.54	
			1.6 V or above	-	45			
Transmit data delay (slave)	Clock synchronous	t_{TXD}	2.7 V or above	-	55	ns		
			2.4 V or above	-	60			
			1.8 V or above	-	100			
			1.6 V or above	-	125			
Receive data setup time (master)	Clock synchronous	t_{RXS}	2.7 V or above	45	-	ns		
			2.4 V or above	55	-			
			1.8 V or above	90	-			
			1.6 V or above	110	-			
Receive data setup time (slave)	Clock synchronous	t_{RXS}	2.7 V or above	40	-	ns		
			1.6 V or above	45	-			
Receive data hold time (master)	Clock synchronous	t_{RXH}	5	-	ns			
Receive data hold time (slave)	Clock synchronous	t_{RXH}	40	-	ns			

Note 1. t_{Pcyc} : PCLKA cycle.

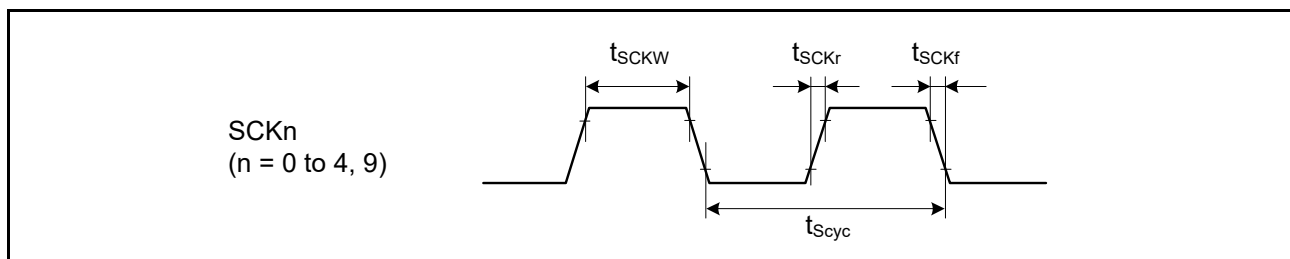


Figure 51.53 SCK clock input timing

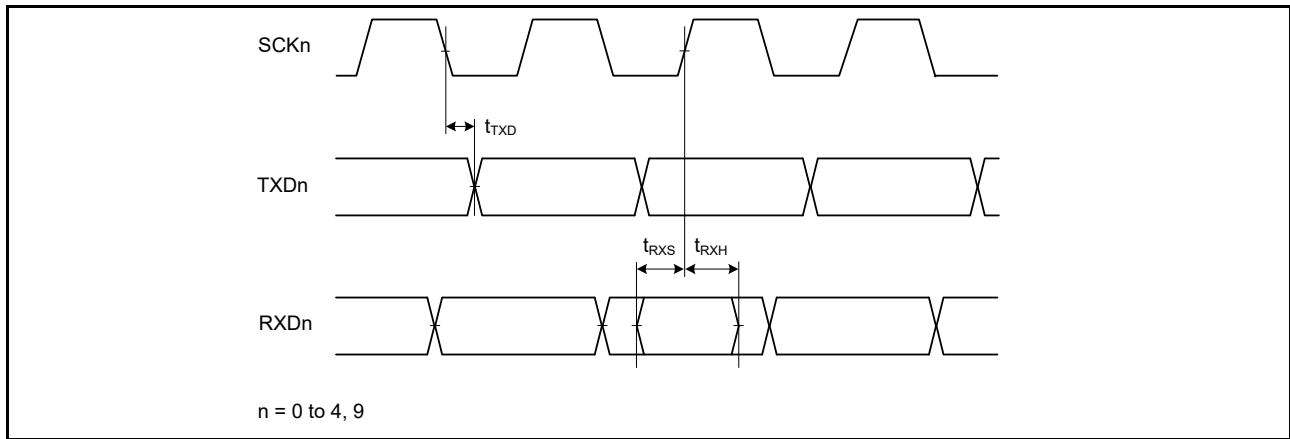


Figure 51.54 SCI input/output timing in clock synchronous mode

Table 51.39 SCI timing (2) (1 of 2)

Parameter			Symbol	Min	Max	Unit	Test conditions		
Simple SPI	SCK clock cycle output (master)		t_{SPcyc}	4	65,536	t_{Pcyc}	Figure 51.55		
	SCK clock cycle input (slave)			6	65,536				
	SCK clock high pulse width		t_{SPCKWH}	0.4	0.6	t_{SPcyc}			
	SCK clock low pulse width		t_{SPCKWL}	0.4	0.6	t_{SPcyc}			
	SCK clock rise and fall time		t_{SPCKr} , t_{SPCKf}	1.8 V or above	-	20		ns	
				1.6 V or above	-	30			
	Data input setup time	Master	2.7 V or above	t_{SU}	45	-		ns	Figure 51.56 to Figure 51.59
			2.4 V or above		55	-			
			1.8 V or above		80	-			
			1.6 V or above		110	-			
Slave		2.7 V or above	40		-				
		1.6 V or above	45		-				
Data input hold time	Master		t_H	33.3	-	ns			
	Slave			40	-				
SS input setup time			t_{LEAD}	1	-	t_{SPcyc}			
SS input hold time			t_{LAG}	1	-	t_{SPcyc}			
Data output delay	Master	1.8 V or above	t_{OD}	-	40	ns			
		1.6 V or above		-	50				
	Slave	2.4 V or above		-	65				
		1.8 V or above		-	100				
		1.6 V or above		-	125				
Data output hold time	Master	2.7 V or above	t_{OH}	-10	-	ns			
		2.4 V or above		-20	-				
		1.8 V or above		-30	-				
		1.6 V or above		-40	-				
	Slave				-10		-		
Data rise and fall time	Master	1.8 V or above	t_{Dr} , t_{Df}	-	20	ns			
		1.6 V or above		-	30				
	Slave	1.8 V or above		-	20				
		1.6 V or above		-	30				

Table 51.39 SCI timing (2) (2 of 2)

Parameter	Symbol	Min	Max	Unit	Test conditions	
Simple SPI	Slave access time	t_{SA}	-	10 (PCLKA > 32 MHz), 6 (PCLKA ≤ 32 MHz)	t_{Pcyc}	Figure 51.58 and Figure 51.59
	Slave output release time	t_{REL}	-	10 (PCLKA > 32 MHz), 6 (PCLKA ≤ 32 MHz)	t_{Pcyc}	

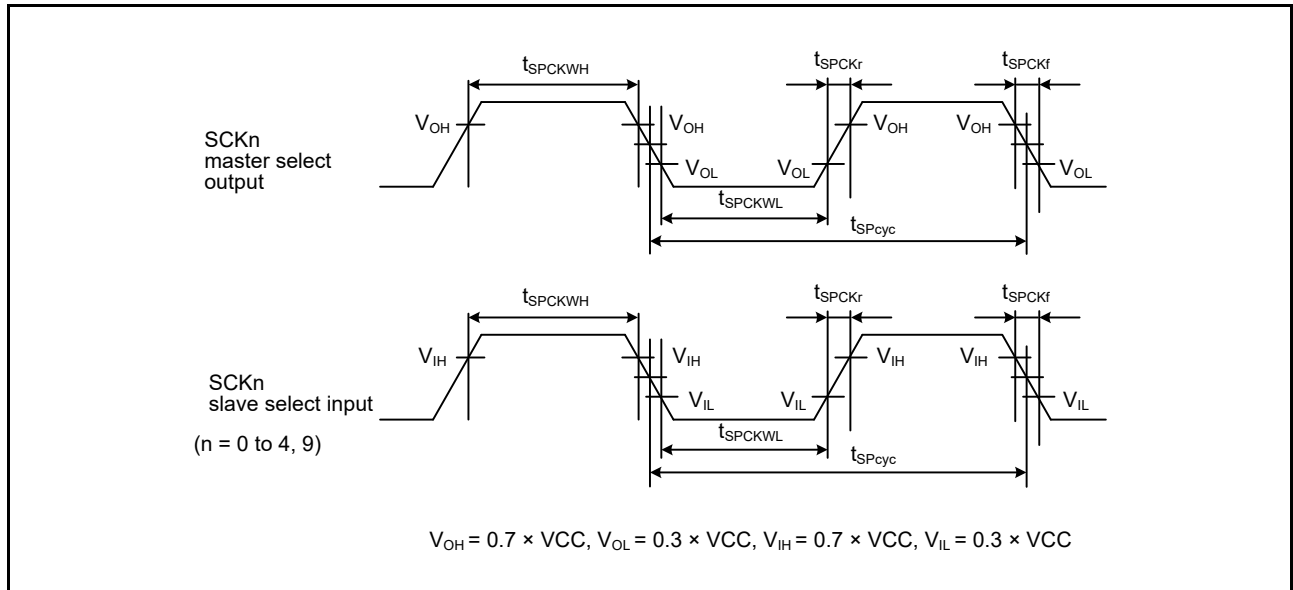


Figure 51.55 SCI simple SPI mode clock timing

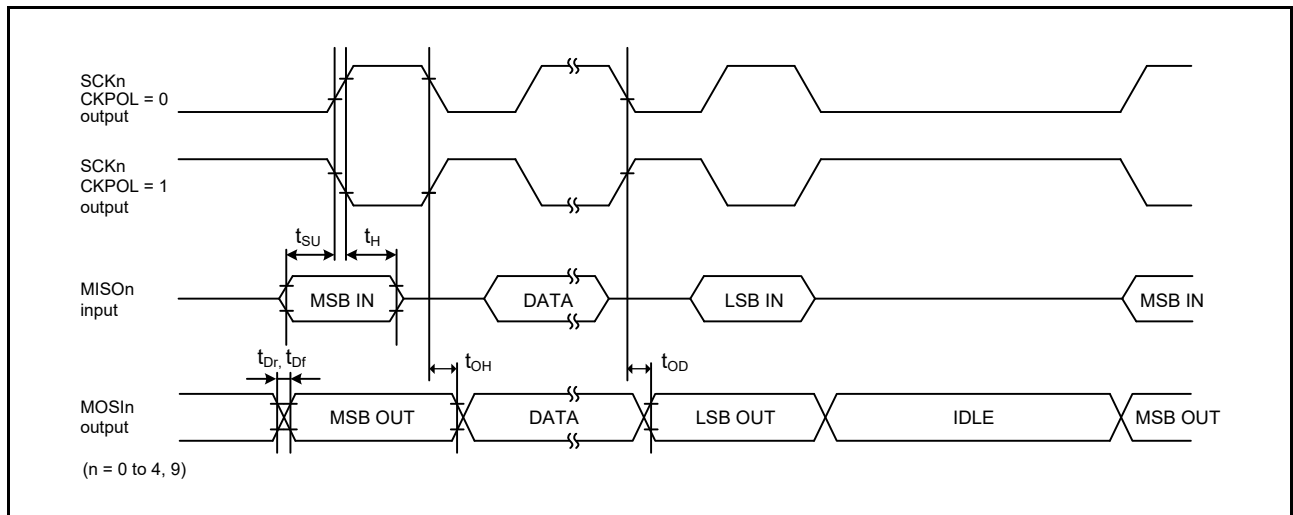


Figure 51.56 SCI simple SPI mode timing (master, CKPH = 1)

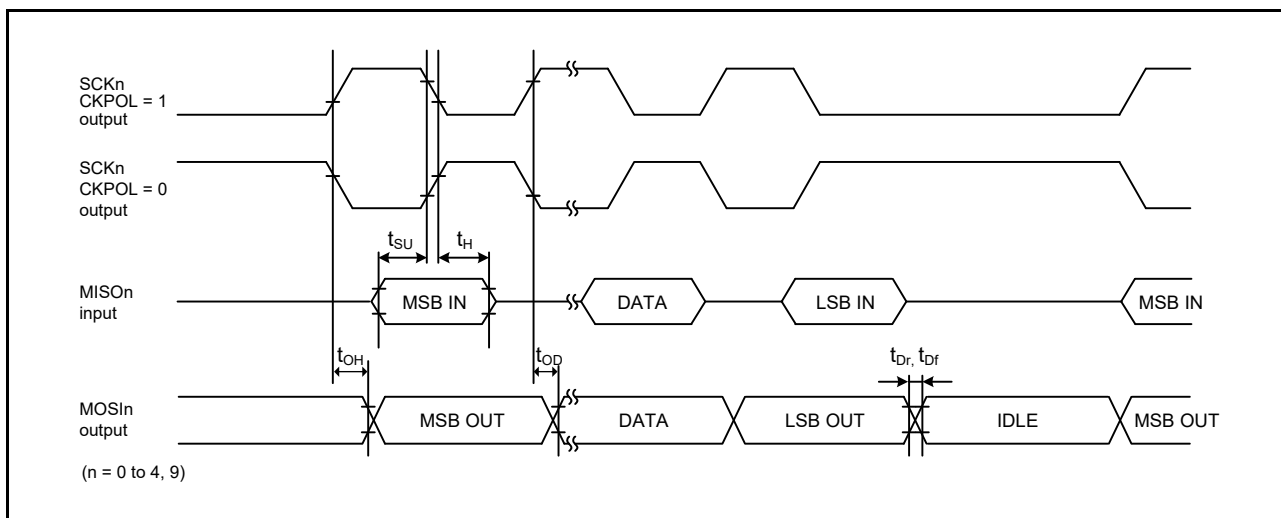


Figure 51.57 SCI simple SPI mode timing (master, CKPH = 0)

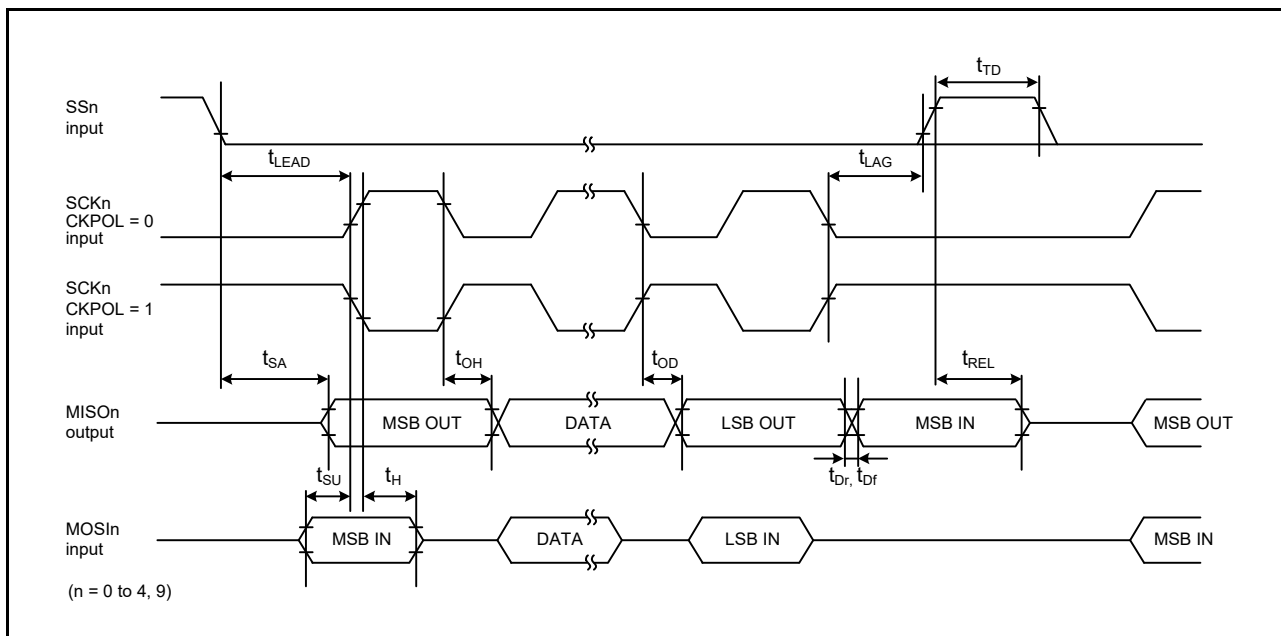


Figure 51.58 SCI simple SPI mode timing (slave, CKPH = 1)

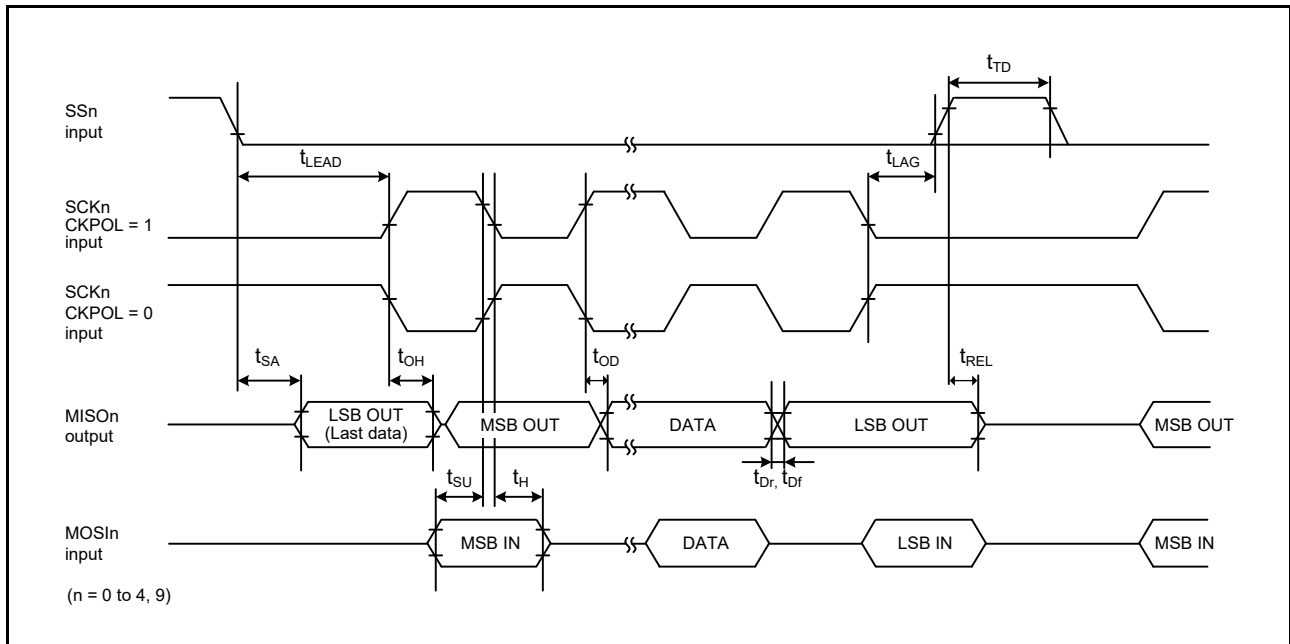


Figure 51.59 SCI simple SPI mode timing (slave, CKPH = 0)

Table 51.40 SCI timing (3)

Conditions: VCC = 2.7 to 5.5 V

Parameter	Symbol	Min	Max	Unit	Test conditions	
Simple IIC (Standard mode)	SDA input rise time	t_{sr}	-	1000	ns	Figure 51.60
	SDA input fall time	t_{sf}	-	300	ns	
	SDA input spike pulse removal time	t_{sp}	0	$4 \times t_{IICcyc}^{*1}$	ns	
	Data input setup time	t_{SDAS}	250	-	ns	
	Data input hold time	t_{SDAH}	0	-	ns	
	SCL, SDA capacitive load	C_b^{*2}	-	400	pF	
Simple IIC (Fast mode)	SDA input rise time	t_{sr}	-	300	ns	Figure 51.60 For all ports except P408, use PmnPFS.DSCR of middle drive. For port P408, use PmnPFS.DSCR1/DSCR of middle drive for IIC fast-mode.
	SDA input fall time	t_{sf}	-	300	ns	
	SDA input spike pulse removal time	t_{sp}	0	$4 \times t_{IICcyc}^{*1}$	ns	
	Data input setup time	t_{SDAS}	100	-	ns	
	Data input hold time	t_{SDAH}	0	-	ns	
	SCL, SDA capacitive load	C_b^{*2}	-	400	pF	

Note 1. t_{IICcyc} : Clock cycle selected by the SMR.CKS[1:0] bits.

Note 2. C_b indicates the total capacity of the bus line.

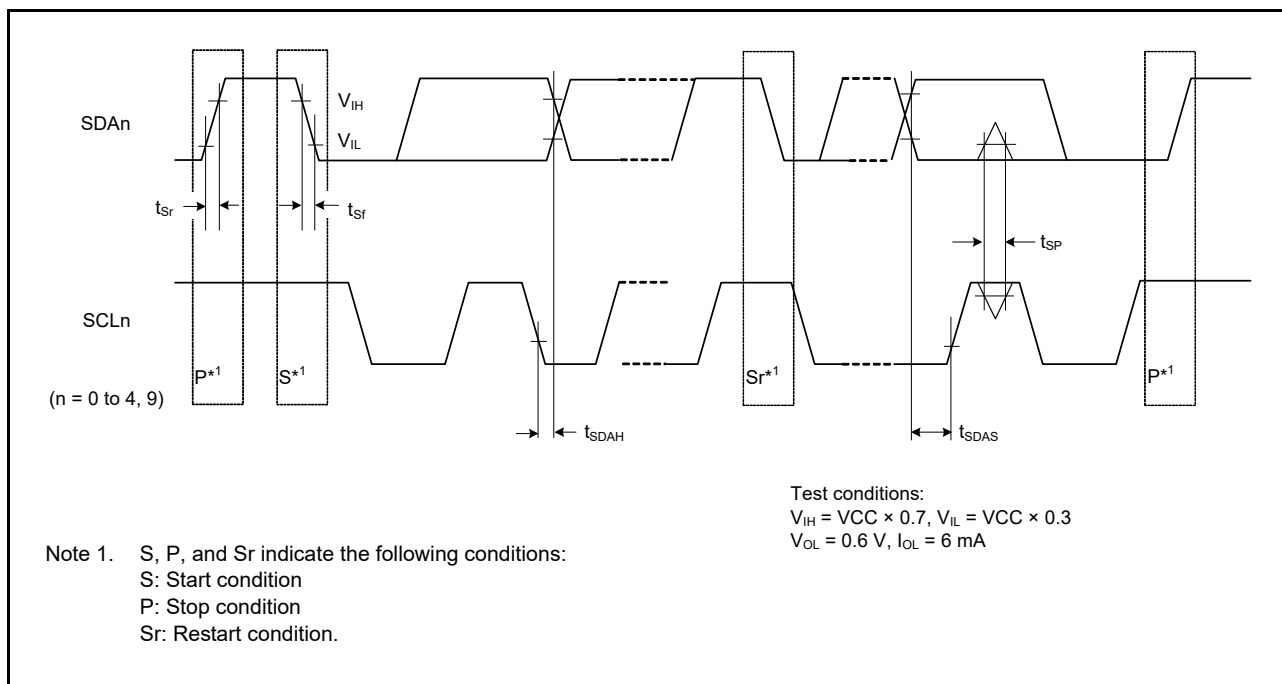


Figure 51.60 SCI simple IIC mode timing

51.3.10 SPI Timing

Table 51.41 SPI timing (1 of 2)

Conditions: Middle drive output is selected in the Port Drive Capability in PmnPFS register

Parameter			Symbol	Min	Max	Unit*1	Test conditions	
SPI	RSPCK clock cycle	Master	t_{SPCyc}	2*4	4096	t_{PCyc}	Figure 51.61	
		Slave		6	4096			
	RSPCK clock high pulse width	Master	t_{SPCKWH}	$(t_{SPCyc} - t_{SPCKr} - t_{SPCKf}) / 2 - 3$	-	ns		
		Slave		$3 \times t_{PCyc}$	-			
	RSPCK clock low pulse width	Master	t_{SPCKWL}	$(t_{SPCyc} - t_{SPCKr} - t_{SPCKf}) / 2 - 3$	-	ns		
		Slave		$3 \times t_{PCyc}$	-			
	RSPCK clock rise and fall time	Output	2.7 V or above	t_{SPCKr} , t_{SPCKf}	-	10		ns
			2.4 V or above		-	15		
			1.8 V or above		-	20		
			1.6 V or above		-	30		
Input		-	1	μs				
Data input setup time	Master	t_{SU}	10	-	ns	Figure 51.62 to Figure 51.67		
	Slave		2.4 V or above	10			-	
			1.8 V or above	15			-	
			1.6 V or above	20			-	
Data input hold time	Master (RSPCK is PCLKA/2)	t_{HF}	0	-	ns			
	Master (RSPCK is other than above.)	t_H	t_{PCyc}	-				
	Slave	t_H	20	-				
SSL setup time	Master	1.8 V or above	t_{LEAD}	$-30 + N \times t_{SPCyc}^{*2}$	-	ns		
		1.6 V or above		$-50 + N \times t_{SPCyc}^{*2}$	-			
	Slave	$6 \times t_{PCyc}$	-					
SSL hold time	Master	t_{LAG}	$-30 + N \times t_{SPCyc}^{*3}$	-	ns			
	Slave		$6 \times t_{PCyc}$	-				

Table 51.41 SPI timing (2 of 2)

Conditions: Middle drive output is selected in the Port Drive Capability in PmnPFS register

Parameter			Symbol	Min	Max	Unit*1	Test conditions	
SPI	Data output delay	Master	2.7 V or above	t_{OD}	-	14	ns	Figure 51.62 to Figure 51.67
			2.4 V or above		-	20		
			1.8 V or above		-	25		
			1.6 V or above		-	30		
		Slave	2.7 V or above		-	50		
			2.4 V or above		-	60		
			1.8 V or above		-	85		
			1.6 V or above		-	110		
Data output hold time	Master		t_{OH}	0	-	ns		
	Slave			0	-			
Successive transmission delay	Master		t_{TD}	$t_{SPcyc} + 2 \times t_{Pcyc}$	$8 \times t_{SPcyc} + 2 \times t_{Pcyc}$	ns		
	Slave			$6 \times t_{Pcyc}$	-			
MOSI and MISO rise and fall time	Output	2.7 V or above	t_{Dr}, t_{Df}	-	10	ns		
		2.4 V or above		-	15			
		1.8 V or above		-	20			
		1.6 V or above		-	30			
	Input	-		1	μs			
SSL rise and fall time	Output	2.7 V or above	t_{SSLr}, t_{SSLf}	-	10	ns		
		2.4 V or above		-	15			
		1.8 V or above		-	20			
		1.6 V or above		-	30			
	Input	-		1	μs			
Slave access time		2.4 V or above	t_{SA}	-	$2 \times t_{Pcyc} + 100$	ns	Figure 51.66 and Figure 51.67	
		1.8 V or above		-	$2 \times t_{Pcyc} + 140$			
		1.6 V or above		-	$2 \times t_{Pcyc} + 180$			
Slave output release time		2.4 V or above	t_{REL}	-	$2 \times t_{Pcyc} + 100$	ns		
		1.8 V or above		-	$2 \times t_{Pcyc} + 140$			
		1.6 V or above		-	$2 \times t_{Pcyc} + 180$			

Note 1. t_{Pcyc} : PCLKA cycle.

Note 2. N is set as an integer from 1 to 8 by the SPCKD register.

Note 3. N is set as an integer from 1 to 8 by the SSLND register.

Note 4. The upper limit of RSPCK is 16 MHz.

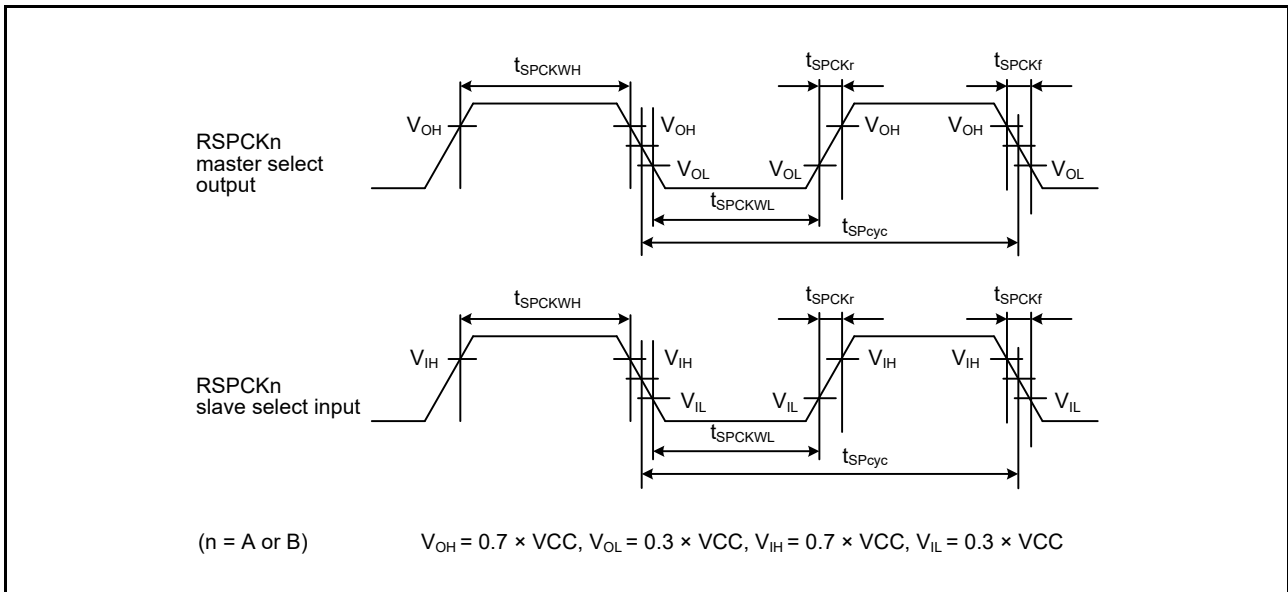


Figure 51.61 SPI clock timing

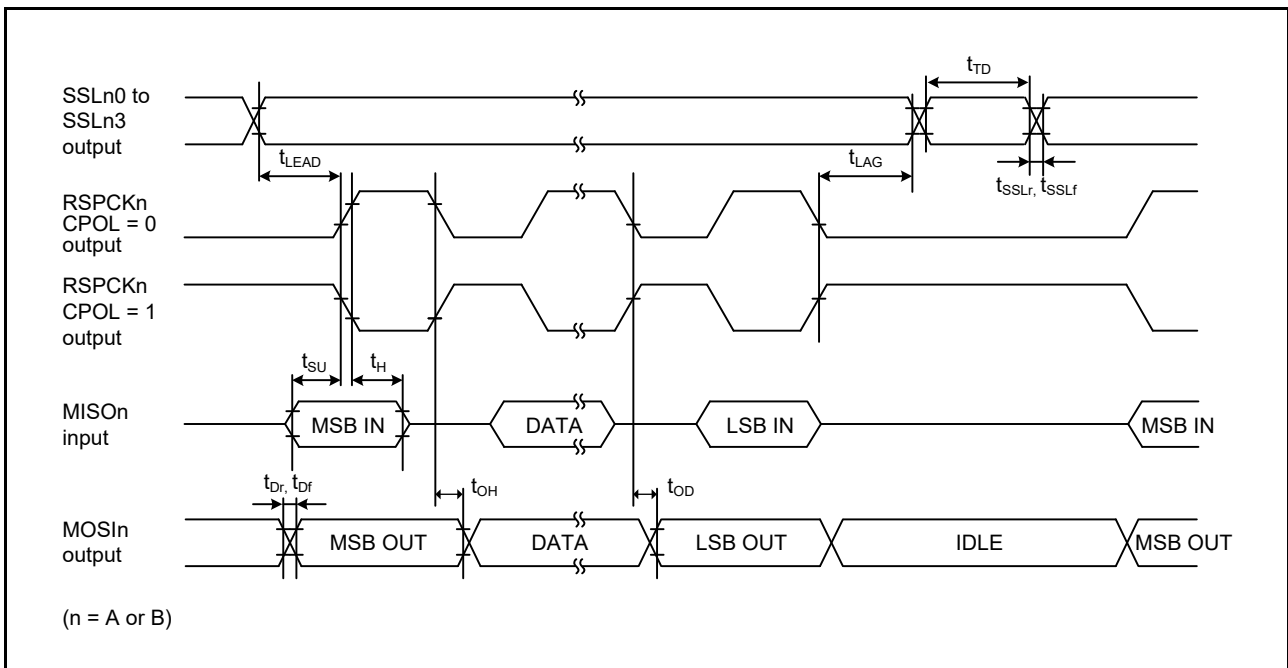


Figure 51.62 SPI timing (master, CPHA = 0) (bit rate: PCLKA division ratio is set to any value other than 1/2)

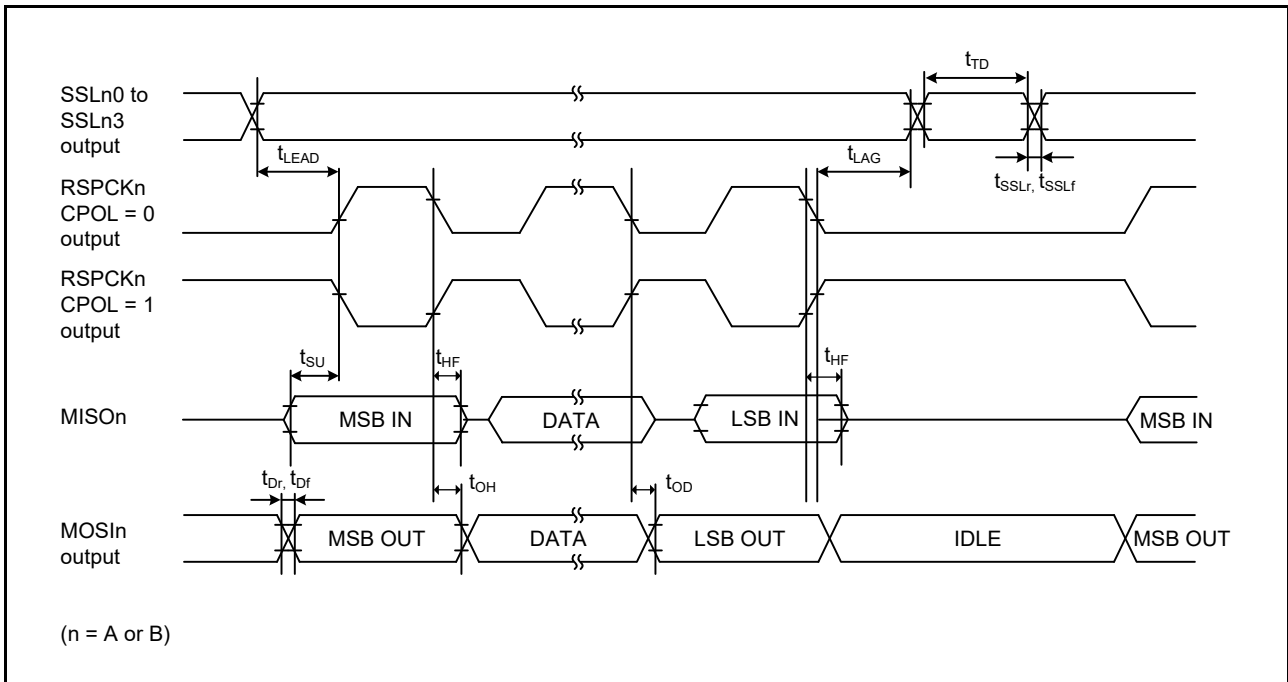


Figure 51.63 SPI timing (master, CPHA = 0) (bit rate: PCLKA division ratio is set to 1/2)

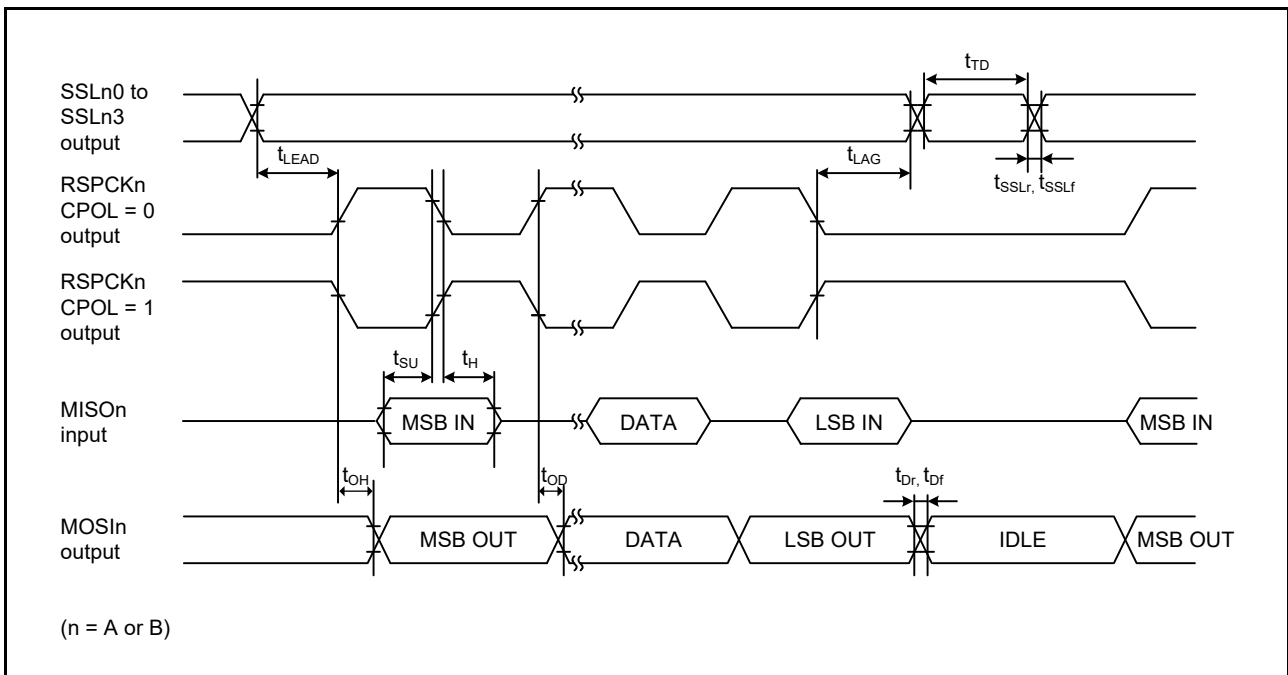


Figure 51.64 SPI timing (master, CPHA = 1) (bit rate: PCLKA division ratio is set to any value other than 1/2)

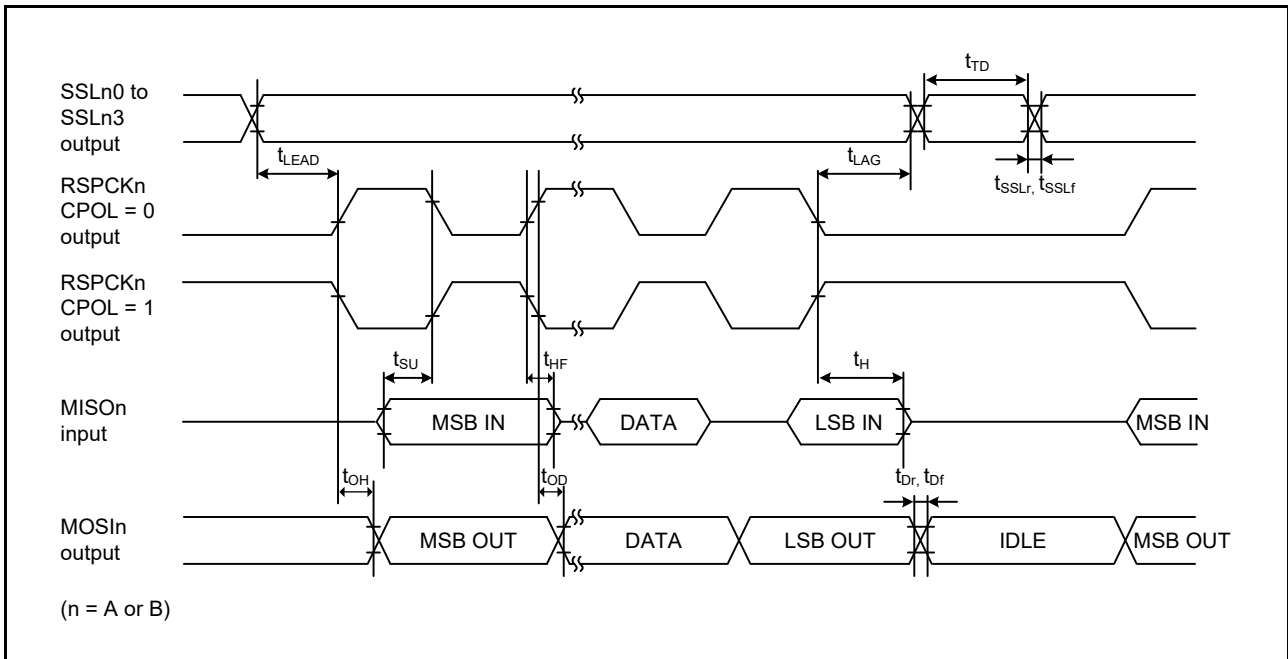


Figure 51.65 SPI timing (master, CPHA = 1) (bit rate: PCLKA division ratio is set to 1/2)

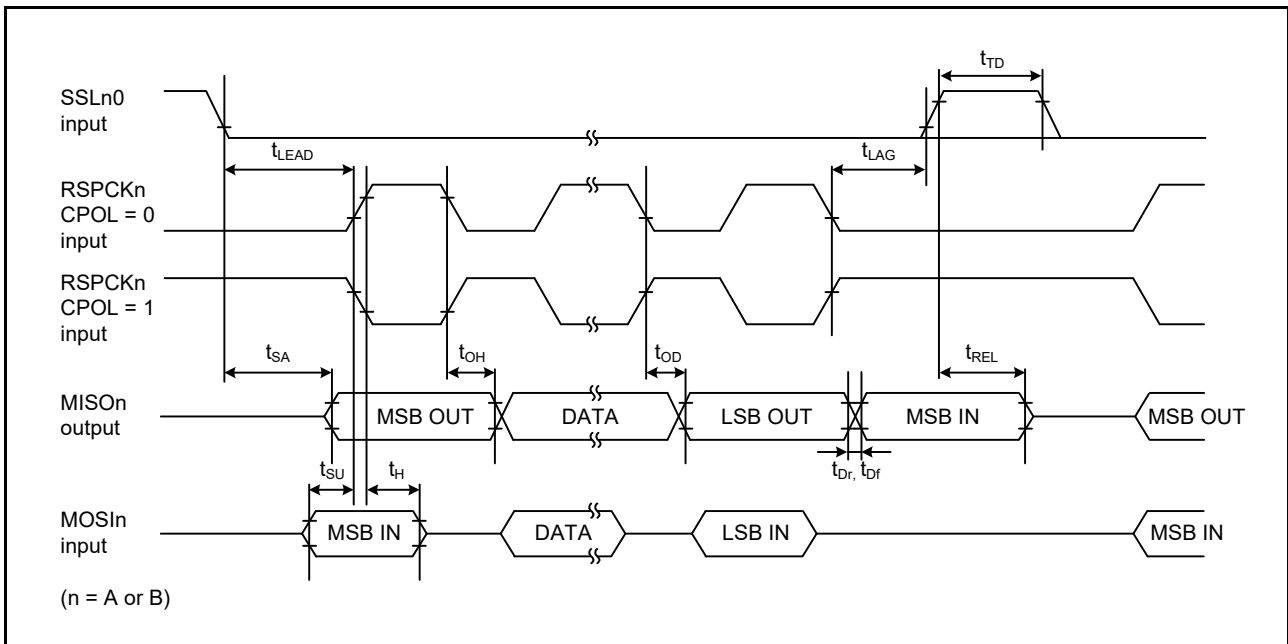


Figure 51.66 SPI timing (slave, CPHA = 0)

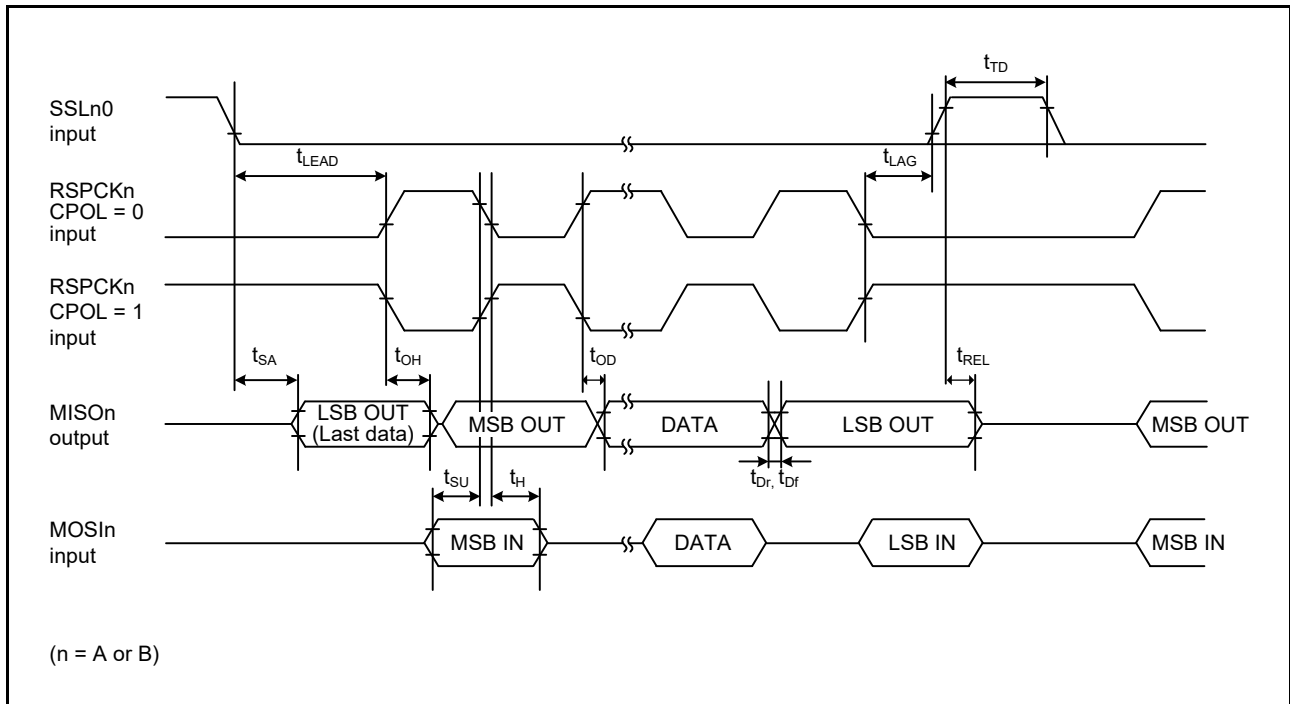


Figure 51.67 SPI timing (slave, CPHA = 1)

51.3.11 QSPI Timing

Table 51.42 QSPI timing

Conditions: VCC = 1.8 to 5.5 V

Conditions: Middle drive output is selected in the Port Drive Capability bit in PmnPFS register

Parameter	Symbol	Min	Max	Unit*1	Test conditions	
QSPI	QSPCLK clock cycle	t_{QScyc}	2^4	48	t_{Pcyc}	Figure 51.68
	QSPCLK clock high-level pulse width	t_{QSWH}	$t_{QScyc} \times 0.4$	-	ns	
	QSPCLK clock low-level pulse width	t_{QSWL}	$t_{QScyc} \times 0.4$	-	ns	
Data input	setup time	t_{SU}	25	-	ns	Figure 51.69
	hold time	t_{IH}	2	-	ns	
SSL setup time	t_{LEAD}	$(N + 0.5) \times t_{QScyc} - 15^*2$	$(N + 0.5) \times t_{QScyc} + 100^*2$	ns		
SSL hold time	t_{LAG}	$(N + 0.5) \times t_{QScyc} - 15^*3$	$(N + 0.5) \times t_{QScyc} + 100^*3$	ns		
Data output delay	2.7 V or above 2.4 V or above 1.8 V or above	t_{OD}	-	14	ns	
			-	20		
			-	30		
Data output hold time	2.7 V or above 1.8 V or above	t_{OH}	-3.3	-	ns	
			-10	-		
Successive transmission delay	t_{TD}	1	16	t_{QScyc}		

Note 1. t_{Pcyc} : PCLKA cycle.

Note 2. N is set to 0 or 1 in SFMSLD.

Note 3. N is set to 0 or 1 in SFMSHD.

Note 4. The upper limit of QSPCLK is 16MHz.

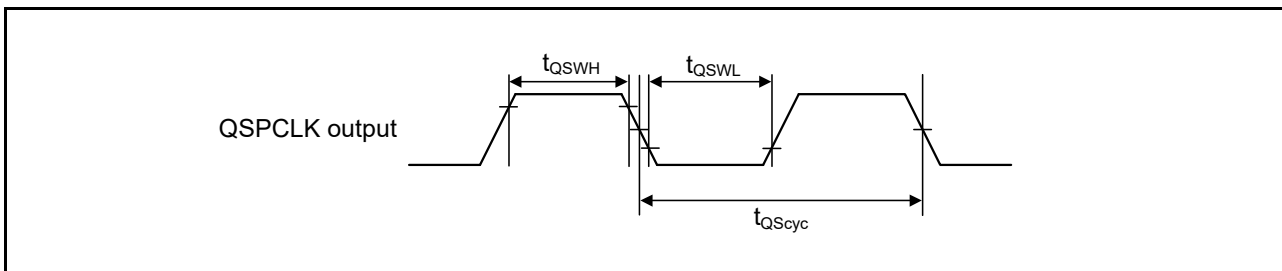


Figure 51.68 QSPI clock timing

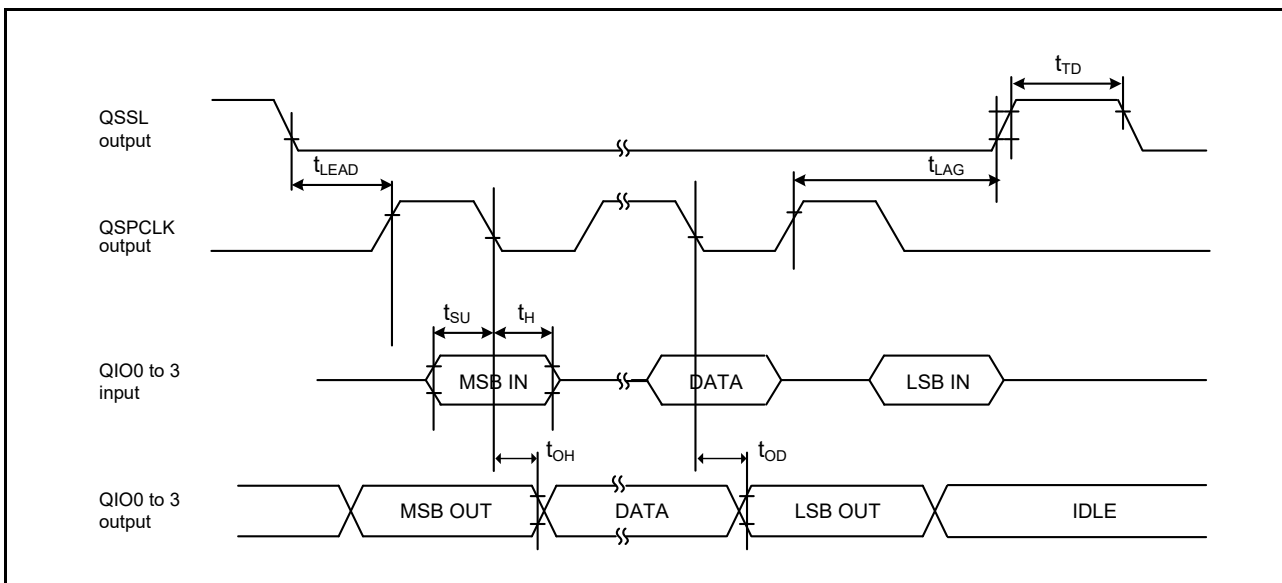


Figure 51.69 Transfer/receive timing

51.3.12 IIC Timing

Table 51.43 IIC timing
Conditions: VCC = 2.7 to 5.5 V

Parameter		Symbol	Min*1	Max	Unit	Test conditions
IIC (standard mode, SMBus)	SCL input cycle time	t_{SCL}	$6 (12) \times t_{IICcyc} + 1300$	-	ns	Figure 51.70
	SCL input high pulse width	t_{SCLH}	$3 (6) \times t_{IICcyc} + 300$	-	ns	
	SCL input low pulse width	t_{SCLL}	$3 (6) \times t_{IICcyc} + 300$	-	ns	
	SCL, SDA input rise time	t_{Sr}	-	1000	ns	
	SCL, SDA input fall time	t_{Sf}	-	300	ns	
	SCL, SDA input spike pulse removal time	t_{SP}	0	$1 (4) \times t_{IICcyc}$	ns	
	SDA input bus free time (When wakeup function is disabled)	t_{BUF}	$3 (6) \times t_{IICcyc} + 300$	-	ns	
	SDA input bus free time (When wakeup function is enabled)	t_{BUF}	$3 (6) \times t_{IICcyc} + 4 \times t_{Pcyc} + 300$	-	ns	
	START condition input hold time (When wakeup function is disabled)	t_{STAH}	$t_{IICcyc} + 300$	-	ns	
	START condition input hold time (When wakeup function is enabled)	t_{STAH}	$1 (5) \times t_{IICcyc} + t_{Pcyc} + 300$	-	ns	
	Repeated START condition input setup time	t_{STAS}	1000	-	ns	
	STOP condition input setup time	t_{STOS}	1000	-	ns	
	Data input setup time	t_{SDAS}	$t_{IICcyc} + 50$	-	ns	
	Data input hold time	t_{SDAH}	0	-	ns	
SCL, SDA capacitive load	C_b	-	400	pF		
IIC (Fast mode)	SCL input cycle time	t_{SCL}	$6 (12) \times t_{IICcyc} + 600$	-	ns	Figure 51.70 For all ports except P408, use PmnPFS.DSCR of middle drive. For port P408, use PmnPFS.DSCR 1/DSCR of middle drive for IIC fast-mode.
	SCL input high pulse width	t_{SCLH}	$3 (6) \times t_{IICcyc} + 300$	-	ns	
	SCL input low pulse width	t_{SCLL}	$3 (6) \times t_{IICcyc} + 300$	-	ns	
	SCL, SDA input rise time	t_{Sr}	-	300	ns	
	SCL, SDA input fall time	t_{Sf}	-	300	ns	
	SCL, SDA input spike pulse removal time	t_{SP}	0	$1 (4) \times t_{IICcyc}$	ns	
	SDA input bus free time (When wakeup function is disabled)	t_{BUF}	$3 (6) \times t_{IICcyc} + 300$	-	ns	
	SDA input bus free time (When wakeup function is enabled)	t_{BUF}	$3 (6) \times t_{IICcyc} + 4 \times t_{Pcyc} + 300$	-	ns	
	START condition input hold time (When wakeup function is disabled)	t_{STAH}	$t_{IICcyc} + 300$	-	ns	
	START condition input hold time (When wakeup function is enabled)	t_{STAH}	$1(5) \times t_{IICcyc} + t_{Pcyc} + 300$	-	ns	
	Repeated START condition input setup time	t_{STAS}	300	-	ns	
	STOP condition input setup time	t_{STOS}	300	-	ns	
	Data input setup time	t_{SDAS}	$t_{IICcyc} + 50$	-	ns	
	Data input hold time	t_{SDAH}	0	-	ns	
SCL, SDA capacitive load	C_b	-	400	pF		

Note: t_{IICcyc} : IIC internal reference clock (IIC ϕ) cycle, t_{Pcyc} : PCLKB cycle

Note 1. The value in parentheses apply when ICMR3.NF[1:0] is set to 11b while the digital filter is enabled with ICFER.NFE set to 1.

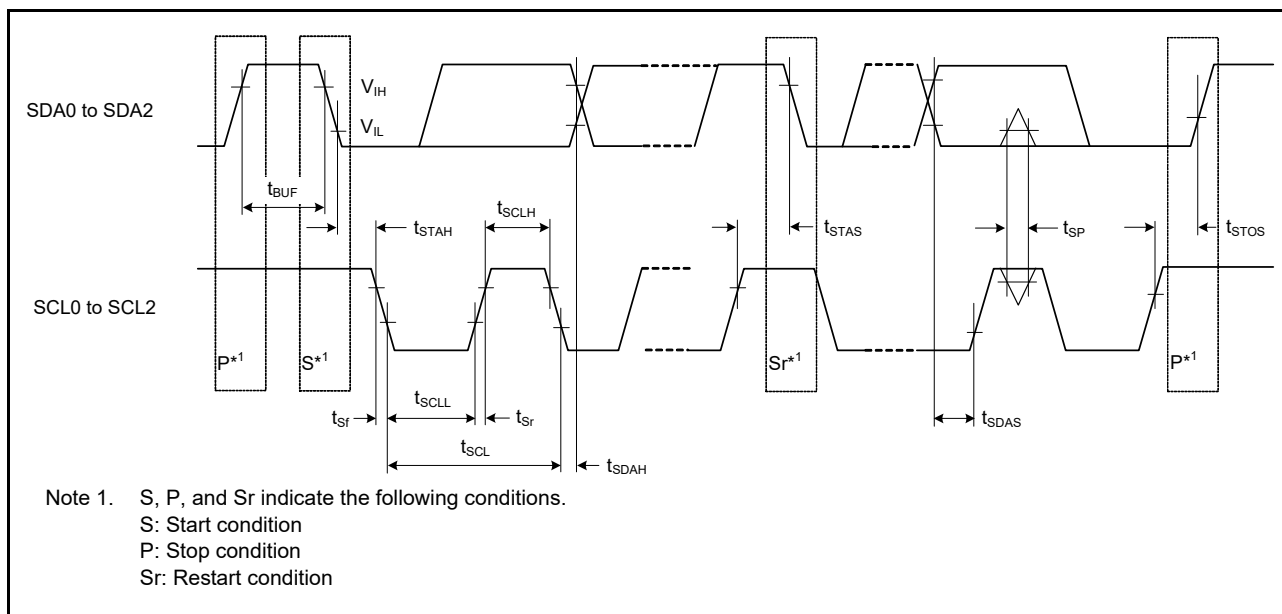


Figure 51.70 I2C bus interface input/output timing

51.3.13 SSIE Timing

Table 51.44 SSIE timing

Conditions: VCC = 1.6 to 5.5 V

Parameter		Symbol	Min	Max	Unit	Test conditions			
SSIE	AUDIO_CLK input frequency	t_{AUDIO}	2.7 V or above	-	25	MHz	-		
			1.6 V or above	-	4				
	Output clock period		t_{O}	250	-	ns		Figure 51.71	
	Input clock period		t_{I}	250	-	ns			
	Clock high pulse width	1.8 V or above	t_{HC}	100	-	ns			
		1.6 V or above		200	-				
	Clock low pulse width	1.8 V or above	t_{LC}	100	-	ns			
		1.6 V or above		200	-				
	Clock rise time		t_{RC}	-	25	ns			
	Data delay	2.7 V or above	t_{DTR}	-	65	ns			Figure 51.72, Figure 51.73
		1.8 V or above		-	105				
		1.6 V or above		-	140				
	Set-up time	2.7 V or above	t_{SR}	65	-	ns			
		1.8 V or above		90	-				
1.6 V or above		140		-					
Hold time		t_{HTR}	40	-	ns				
SSITXD0 output delay from SSILRCK0/SSIFS0 change time	1.8 V or above	t_{DTRW}	-	105	ns	Figure 51.74			
	1.6 V or above		-	140					

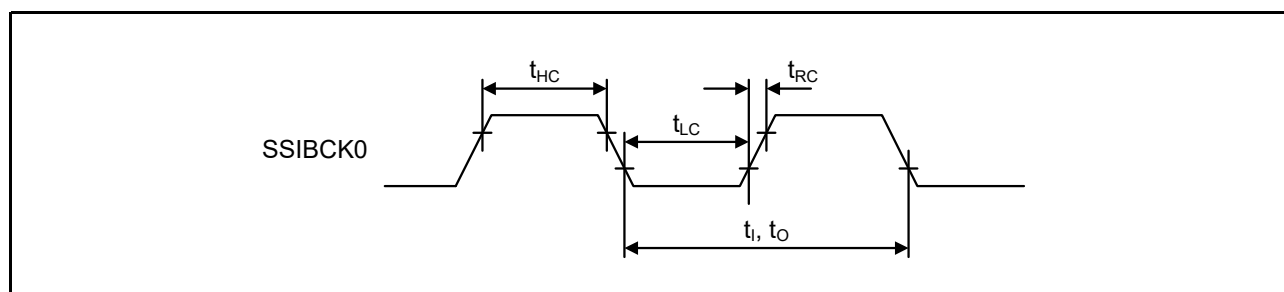


Figure 51.71 SSIE clock input/output timing

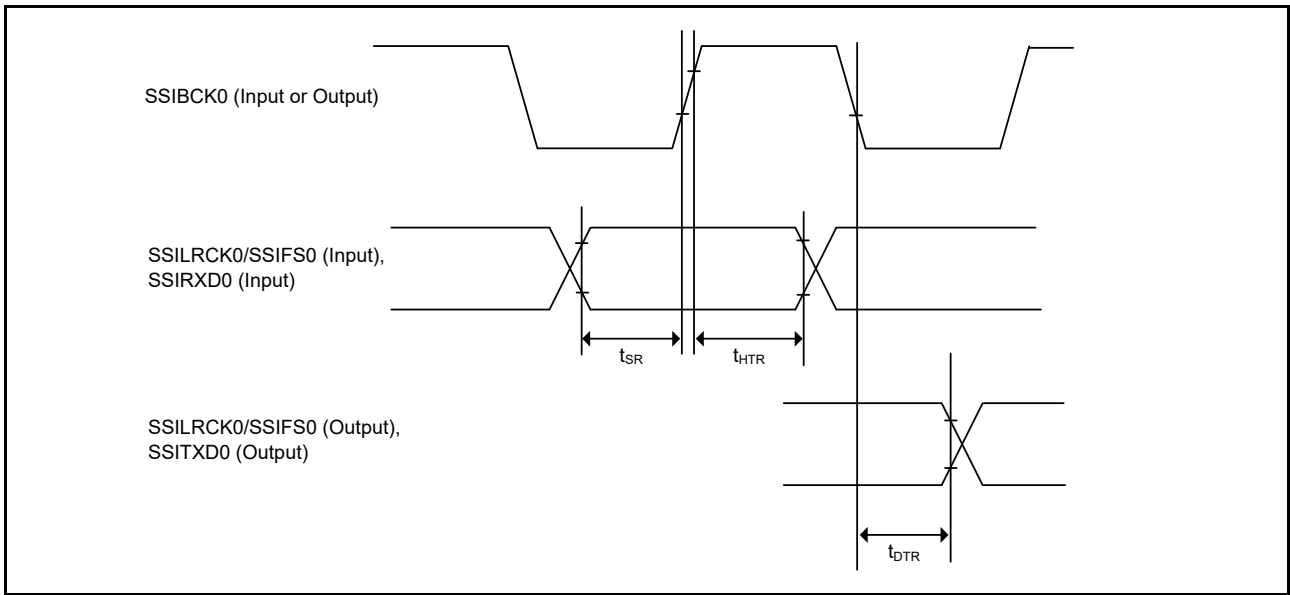


Figure 51.72 SSIE data transmit/receive timing (SSICR.BCKP = 0)

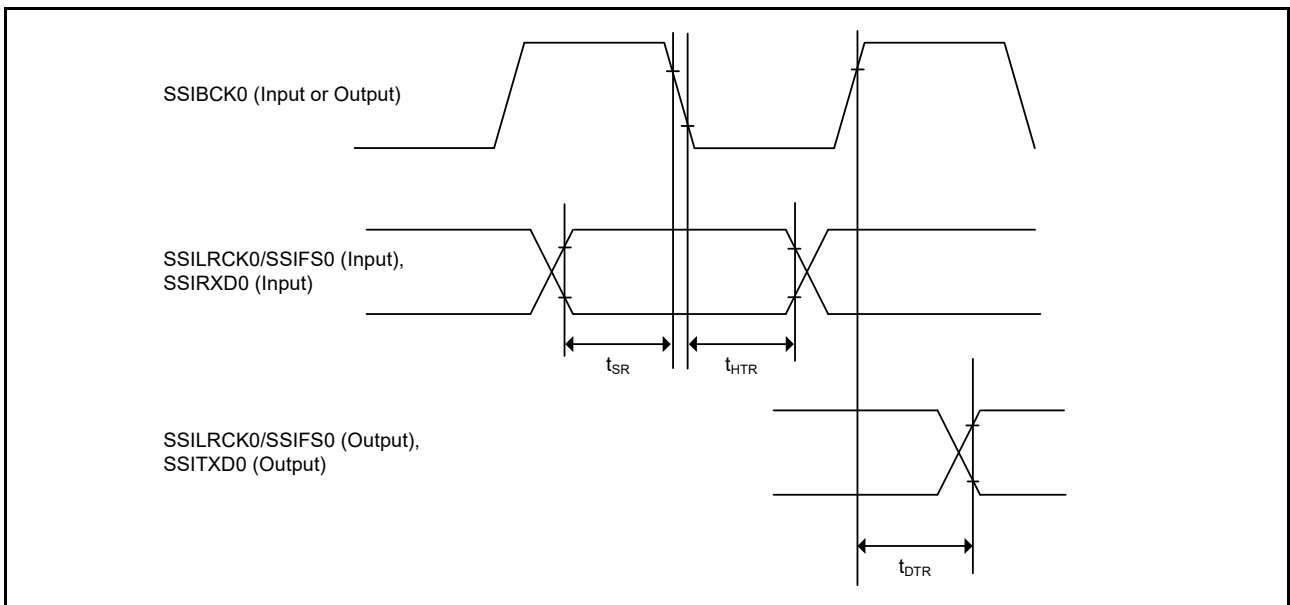


Figure 51.73 SSIE data transmit/receive timing (SSICR.BCKP = 1)

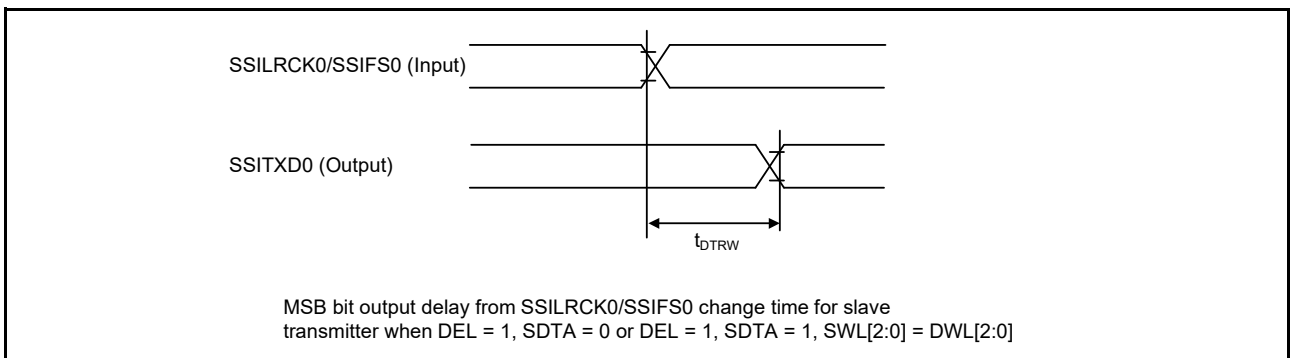


Figure 51.74 SSIE data output delay from SSILRCK0/SSIFS0 change time

51.3.14 SD/MMC Host Interface Timing

Table 51.45 SD/MMC host interface signal timing

Conditions: VCC = 2.7 to 5.5 V

Middle drive output is selected in the Port Drive Capability in PmnPFS register

Parameter	Symbol	Min	Max	Unit	Test conditions
SDCLK clock cycle	t_{SDCYC}	62.5	-	ns	Figure 51.75
SDCLK clock high-level pulse width	t_{SDWH}	18.25	-	ns	
SDCLK clock low-level pulse width	t_{SDWL}	18.25	-	ns	
SDCLK clock rising time	t_{SDLH}	-	10	ns	
SDCLK clock falling time	t_{SDHL}	-	10	ns	
SDCMD/SDDAT output data delay	t_{SDODLY}	-18.25	18.25	ns	
SDCMD/SDDAT input data setup	t_{SDIS}	9.25	-	ns	
SDCMD/SDDAT input data hold	t_{SDIH}	23.25	-	ns	

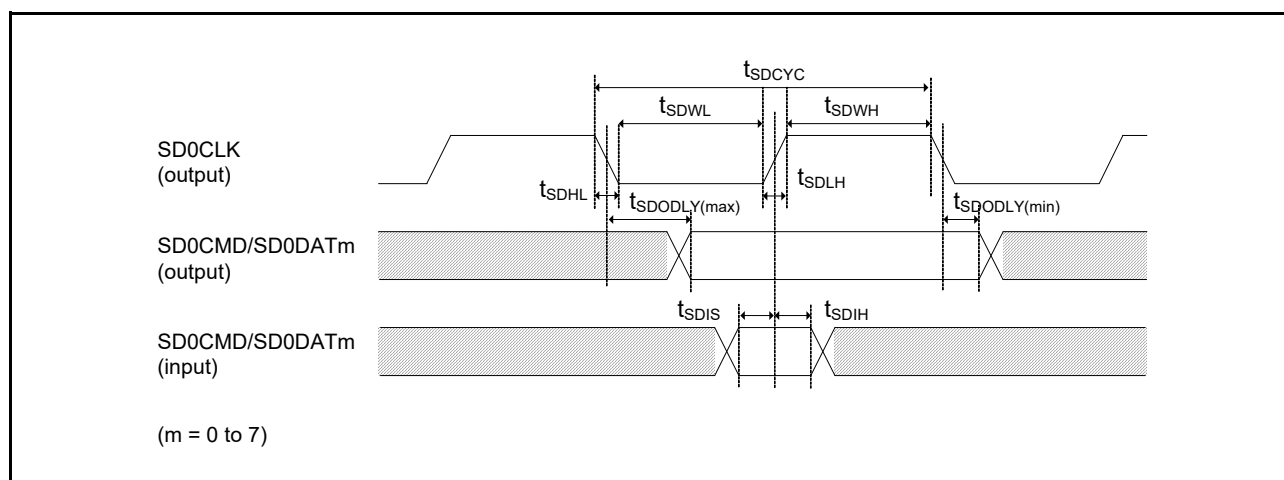


Figure 51.75 SD/MMC host interface signal timing

51.3.15 CLKOUT Timing

Table 51.46 CLKOUT timing

Parameter			Symbol	Min	Max	Unit*1	Test conditions
CLKOUT	CLKOUT pin output cycle*1	VCC = 2.7 V or above	t_{Cyc}	62.5	-	ns	Figure 51.76
		VCC = 1.8 V or above		125	-		
		VCC = 1.6 V or above		250	-		
	CLKOUT pin high pulse width*2	VCC = 2.7 V or above	t_{CH}	15	-	ns	
		VCC = 1.8 V or above		30	-		
		VCC = 1.6 V or above		150	-		
	CLKOUT pin low pulse width*2	VCC = 2.7 V or above	t_{CL}	15	-	ns	
		VCC = 1.8 V or above		30	-		
		VCC = 1.6 V or above		150	-		
	CLKOUT pin output rise time	VCC = 2.7 V or above	t_{Cr}	-	12	ns	
		VCC = 1.8 V or above		-	25		
		VCC = 1.6 V or above		-	50		
CLKOUT pin output fall time	VCC = 2.7 V or above	t_{Cf}	-	12	ns		
	VCC = 1.8 V or above		-	25			
	VCC = 1.6 V or above		-	50			

Note 1. When the EXTAL external clock input or an oscillator is used with division by 1 (the CKOCR.CKOSSEL[2:0] bits are 011b and the CKOCR.CKODIV[2:0] bits are 000b) to output from CLKOUT, the above should be satisfied with an input duty cycle of 45 to 55%.

Note 2. When the MOCO is selected as the clock output source (the CKOCR.CKOSSEL[2:0] bits are 001b), set the clock output division ratio selection to be divided by 2 (the CKOCR.CKODIV[2:0] bits are 001b).

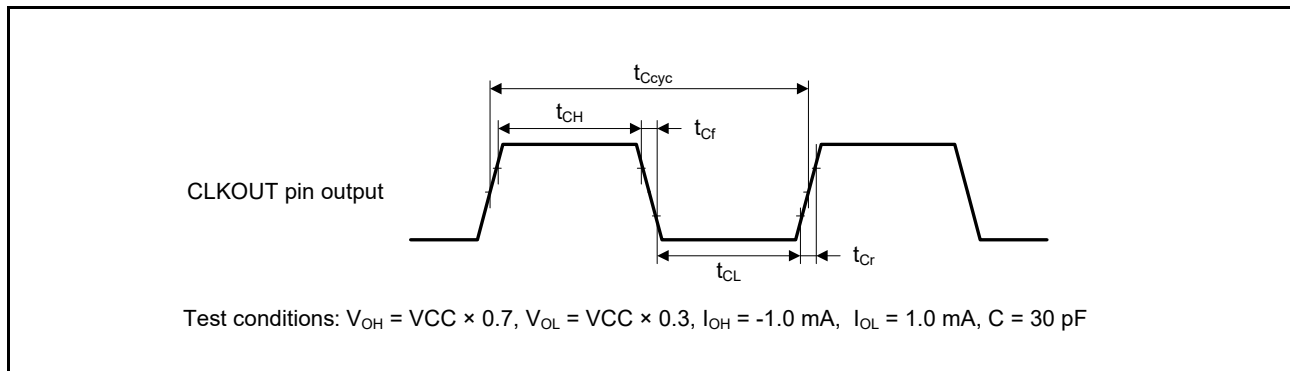


Figure 51.76 CLKOUT output timing

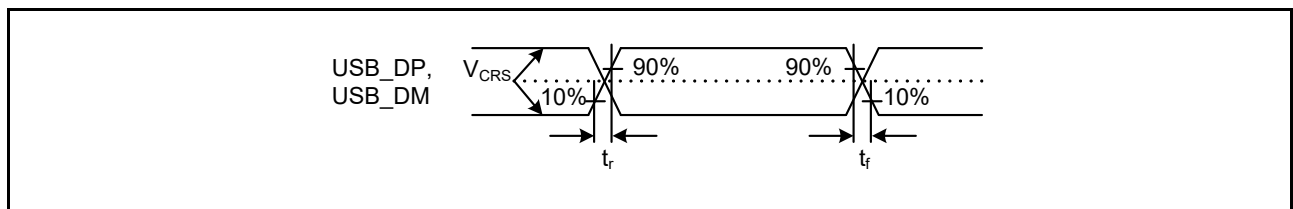
51.4 USB Characteristics

51.4.1 USBFS Timing

Table 51.47 USB characteristics

Conditions: VCC = VCC_USB = 3.0 to 3.6 V, Ta = -20 to +85°C (USBCLKSEL = 1), Ta = -40 to +105°C (USBCLKSEL = 0)

Parameter		Symbol	Min	Max	Unit	Test conditions	
Input characteristics	Input high-level voltage	V_{IH}	2.0	-	V	-	
	Input low level voltage	V_{IL}	-	0.8	V	-	
	Differential input sensitivity	V_{DI}	0.2	-	V	USB_DP - USB_DM	
	Differential common mode range	V_{CM}	0.8	2.5	V	-	
Output characteristics	Output high-level voltage	V_{OH}	2.8	VCC_USB	V	$I_{OH} = -200 \mu A$	
	Output low level voltage	V_{OL}	0.0	0.3	V	$I_{OL} = 2 \text{ mA}$	
	Cross-over voltage	V_{CRS}	1.3	2.0	V	Figure 51.77, Figure 51.78, Figure 51.79	
	Rise time	FS	t_r	4	20		ns
		LS		75	300		
	Fall time	FS	t_f	4	20		ns
		LS		75	300		
	Rise/fall time ratio	FS	t_r/t_f	90	111.11		%
LS			80	125			
Output resistance	Z_{DRV}	28	44	Ω	Adjusting the resistance of external elements is not required		
VBUS characteristics	VBUS input voltage	V_{IH}	$VCC \times 0.8$	-	V	-	
		V_{IL}	-	$VCC \times 0.2$	V	-	
Pull-up, pull-down	Pull-down resistor	R_{PD}	14.25	24.80	k Ω	-	
	Pull-up resistor	R_{PUI}	0.9	1.575	k Ω	During idle state	
		R_{PUA}	1.425	3.09	k Ω	During reception	
Battery Charging Specification Ver 1.2	D+ sink current	I_{DP_SINK}	25	175	μA	-	
	D- sink current	I_{DM_SINK}	25	175	μA	-	
	DCD source current	I_{DP_SRC}	7	13	μA	-	
	Data detection voltage	V_{DAT_REF}	0.25	0.4	V	-	
	D+ source voltage	V_{DP_SRC}	0.5	0.7	V	Output current = 250 μA	
	D- source voltage	V_{DM_SRC}	0.5	0.7	V	Output current = 250 μA	

**Figure 51.77 USB_DP and USB_DM output timing**

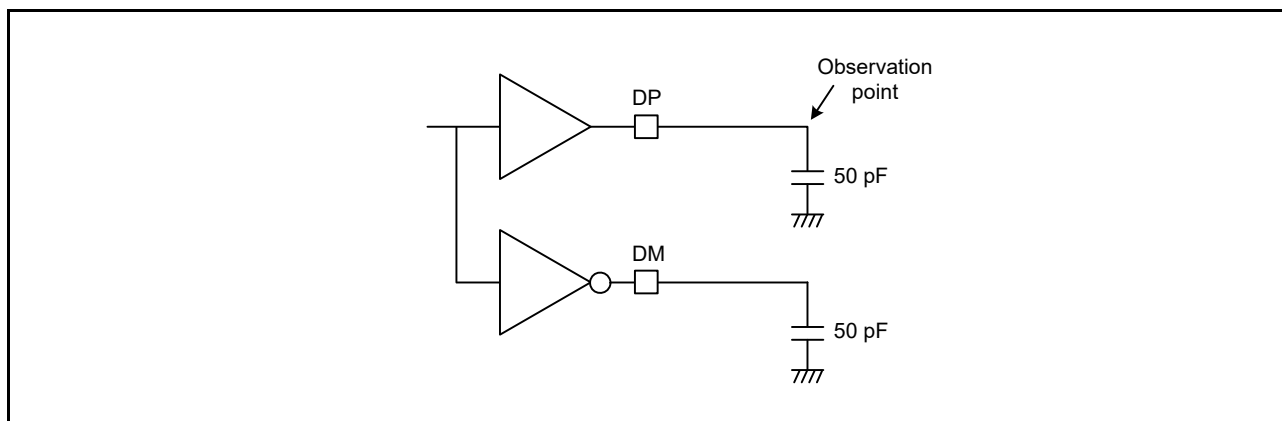


Figure 51.78 Test circuit for Full-Speed (FS) connection

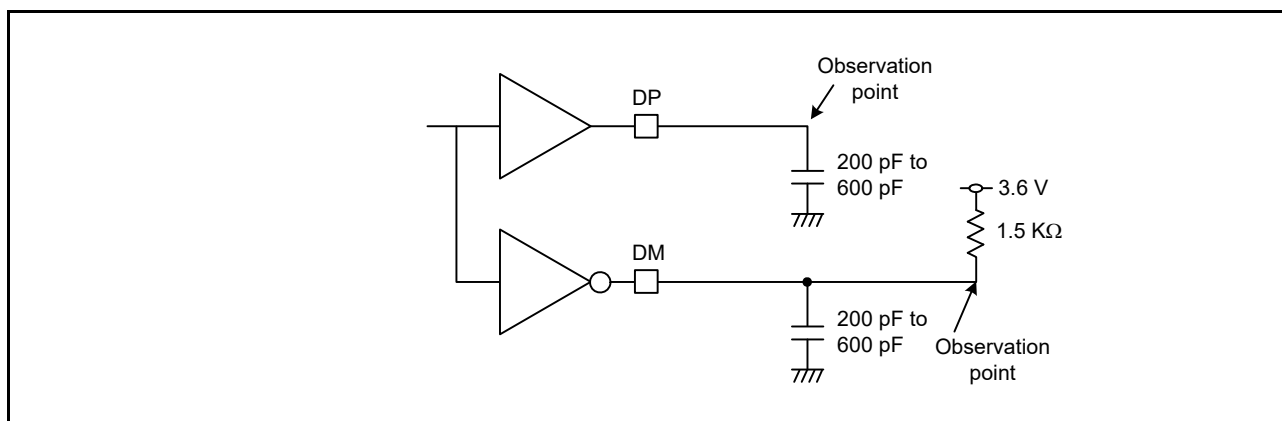


Figure 51.79 Test circuit for Low-Speed (LS) connection

51.4.2 USB External Supply

Table 51.48 USB regulator

Parameter	Min	Typ	Max	Unit	Test conditions	
VCC_USB supply current	VCC_USB_LDO ≥ 3.8V	-	-	50	mA	-
	VCC_USB_LDO ≥ 4.5V	-	-	100	mA	-
VCC_USB supply voltage	3.0	-	3.6	V	-	

51.5 ADC14 Characteristics

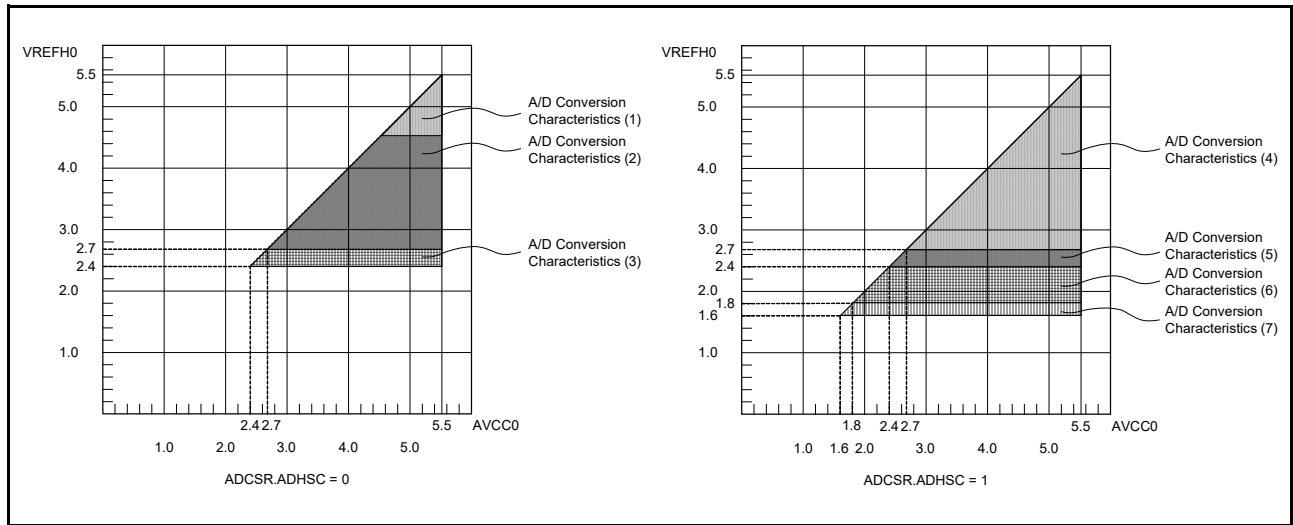


Figure 51.80 AVCC0 to VREFH0 voltage range

Table 51.49 A/D conversion characteristics (1) in high-speed A/D conversion mode (1 of 2)

Conditions: VCC = AVCC0 = 4.5 to 5.5 V, VREFH0 = 4.5 to 5.5 V
Reference voltage range applied to the VREFH0 and VREFL0.

Parameter	Min	Typ	Max	Unit	Test conditions	
Frequency	1	-	64	MHz	-	
Analog input capacitance*2	Cs	-	8 (reference data)	pF	High-precision channel	
		-	9 (reference data)	pF	Normal-precision channel	
Analog input resistance	Rs	-	2.5 (reference data)	kΩ	High-precision channel	
		-	6.7 (reference data)	kΩ	Normal-precision channel	
Analog input voltage range	Ain	0	VREFH0	V	-	
12-bit mode						
Resolution	-	-	12	Bit	-	
Conversion time*1 (Operation at PCLKC = 64 MHz)	Permissible signal source impedance Max. = 0.3 kΩ	0.70	-	-	μs	High-precision channel ADCSR.ADHSC = 0 ADSSTRn.SST[7:0] = 0Dh
		1.13	-	-	μs	Normal-precision channel ADCSR.ADHSC = 0 ADSSTRn.SST[7:0] = 28h
Offset error	-	±0.5	±4.5	LSB	High-precision channel	
			±6.0	LSB	Other than above	
Full-scale error	-	±0.75	±4.5	LSB	High-precision channel	
			±6.0	LSB	Other than above	
Quantization error	-	±0.5	-	LSB	-	
Absolute accuracy	-	±1.25	±5.0	LSB	High-precision channel	
			±8.0	LSB	Other than above	
DNL differential nonlinearity error	-	±1.0	-	LSB	-	
INL integral nonlinearity error	-	±1.0	±3.0	LSB	-	
14-bit mode						
Resolution	-	-	14	Bit	-	

Table 51.49 A/D conversion characteristics (1) in high-speed A/D conversion mode (2 of 2)

Conditions: VCC = AVCC0 = 4.5 to 5.5 V, VREFH0 = 4.5 to 5.5 V
Reference voltage range applied to the VREFH0 and VREFL0.

Parameter		Min	Typ	Max	Unit	Test conditions
Conversion time*1 (Operation at PCLKC = 64 MHz)	Permissible signal source impedance Max. = 0.3 kΩ	0.80	-	-	μs	High-precision channel ADCSR.ADHSC = 0 ADSSTRn.SST[7:0] = 0Dh
		1.22	-	-	μs	Normal-precision channel ADCSR.ADHSC = 0 ADSSTRn.SST[7:0] = 28h
Offset error		-	±2.0	±18	LSB	High-precision channel
				±24.0	LSB	Other than above
Full-scale error		-	±3.0	±18	LSB	High-precision channel
				±24.0	LSB	Other than above
Quantization error		-	±0.5	-	LSB	-
Absolute accuracy		-	±5.0	±20	LSB	High-precision channel
				±32.0	LSB	Other than above
DNL differential nonlinearity error		-	±4.0	-	LSB	-
INL integral nonlinearity error		-	±4.0	±12.0	LSB	-

Note: The characteristics apply when no pin functions other than 14-bit A/D converter input are used. Absolute accuracy does not include quantization errors. Offset error, full-scale error, DNL differential nonlinearity error, and INL integral nonlinearity error do not include quantization errors.

Note 1. The conversion time is the sum of the sampling time and the comparison time. The number of sampling states is indicated for the test conditions.

Note 2. Except for I/O input capacitance (Cin), see [section 51.2.4, I/O V_{OH}, V_{OL}, and Other Characteristics](#).

Table 51.50 A/D conversion characteristics (2) in high-speed A/D conversion mode (1 of 2)

Conditions: VCC = AVCC0 = 2.7 to 5.5 V, VREFH0 = 2.7 to 5.5 V
Reference voltage range applied to the VREFH0 and VREFL0.

Parameter		Min	Typ	Max	Unit	Test conditions
Frequency		1	-	48	MHz	-
Analog input capacitance*2	Cs	-	-	8 (reference data)	pF	High-precision channel
		-	-	9 (reference data)	pF	Normal-precision channel
Analog input resistance	Rs	-	-	2.5 (reference data)	kΩ	High-precision channel
		-	-	6.7 (reference data)	kΩ	Normal-precision channel
Analog input voltage range	Ain	0	-	VREFH0	V	-
12-bit mode						
Resolution		-	-	12	Bit	-
Conversion time*1 (Operation at PCLKC = 48 MHz)	Permissible signal source impedance Max. = 0.3 kΩ	0.94	-	-	μs	High-precision channel ADCSR.ADHSC = 0 ADSSTRn.SST[7:0] = 0Dh
		1.50	-	-	μs	Normal-precision channel ADCSR.ADHSC = 0 ADSSTRn.SST[7:0] = 28h
Offset error		-	±0.5	±4.5	LSB	High-precision channel
				±6.0	LSB	Other than above
Full-scale error		-	±0.75	±4.5	LSB	High-precision channel
				±6.0	LSB	Other than above
Quantization error		-	±0.5	-	LSB	-
Absolute accuracy		-	±1.25	±5.0	LSB	High-precision channel
				±8.0	LSB	Other than above
DNL differential nonlinearity error		-	±1.0	-	LSB	-
INL integral nonlinearity error		-	±1.0	±3.0	LSB	-

Table 51.50 A/D conversion characteristics (2) in high-speed A/D conversion mode (2 of 2)

Conditions: VCC = AVCC0 = 2.7 to 5.5 V, VREFH0 = 2.7 to 5.5 V
Reference voltage range applied to the VREFH0 and VREFL0.

Parameter	Min	Typ	Max	Unit	Test conditions	
14-bit mode						
Resolution	-	-	14	Bit	-	
Conversion time*1 (Operation at PCLKC = 48 MHz)	Permissible signal source impedance Max. = 0.3 kΩ	1.06	-	-	μs	High-precision channel ADCSR.ADHSC = 0 ADSSTRn.SST[7:0] = 0Dh
		1.63	-	-	μs	Normal-precision channel ADCSR.ADHSC = 0 ADSSTRn.SST[7:0] = 28h
Offset error	-	±2.0	±18	LSB	High-precision channel	
			±24.0	LSB	Other than above	
Full-scale error	-	±3.0	±18	LSB	High-precision channel	
			±24.0	LSB	Other than above	
Quantization error	-	±0.5	-	LSB	-	
Absolute accuracy	-	±5.0	±20	LSB	High-precision channel	
			±32.0	LSB	Other than above	
DNL differential nonlinearity error	-	±4.0	-	LSB	-	
INL integral nonlinearity error	-	±4.0	±12.0	LSB	-	

Note: The characteristics apply when no pin functions other than 14-bit A/D converter input are used. Absolute accuracy does not include quantization errors. Offset error, full-scale error, DNL differential nonlinearity error, and INL integral nonlinearity error do not include quantization errors.

Note 1. The conversion time is the sum of the sampling time and the comparison time. The number of sampling states is indicated for the test conditions.

Note 2. Except for I/O input capacitance (Cin), see [section 51.2.4, I/O V_{OH}, V_{OL}, and Other Characteristics](#).

Table 51.51 A/D conversion characteristics (3) in high-speed A/D conversion mode (1 of 2)

Conditions: VCC = AVCC0 = 2.4 to 5.5 V, VREFH0 = 2.4 to 5.5 V
Reference voltage range applied to the VREFH0 and VREFL0.

Parameter	Min	Typ	Max	Unit	Test conditions	
Frequency	1	-	32	MHz	-	
Analog input capacitance*2	Cs	-	8 (reference data)	pF	High-precision channel	
		-	9 (reference data)	pF	Normal-precision channel	
Analog input resistance	Rs	-	2.5 (reference data)	kΩ	High-precision channel	
		-	6.7 (reference data)	kΩ	Normal-precision channel	
Analog input voltage range	Ain	0	VREFH0	V	-	
12-bit mode						
Resolution	-	-	12	Bit	-	
Conversion time*1 (Operation at PCLKC = 32 MHz)	Permissible signal source impedance Max. = 1.3 kΩ	1.41	-	-	μs	High-precision channel ADCSR.ADHSC = 0 ADSSTRn.SST[7:0] = 0Dh
		2.25	-	-	μs	Normal-precision channel ADCSR.ADHSC = 0 ADSSTRn.SST[7:0] = 28h
Offset error	-	±0.5	±4.5	LSB	High-precision channel	
			±6.0	LSB	Other than above	
Full-scale error	-	±0.75	±4.5	LSB	High-precision channel	
			±6.0	LSB	Other than above	
Quantization error	-	±0.5	-	LSB	-	
Absolute accuracy	-	±1.25	±5.0	LSB	High-precision channel	
			±8.0	LSB	Other than above	

Table 51.51 A/D conversion characteristics (3) in high-speed A/D conversion mode (2 of 2)

Conditions: VCC = AVCC0 = 2.4 to 5.5 V, VREFH0 = 2.4 to 5.5 V
Reference voltage range applied to the VREFH0 and VREFL0.

Parameter		Min	Typ	Max	Unit	Test conditions
DNL differential nonlinearity error		-	±1.0	-	LSB	-
INL integral nonlinearity error		-	±1.0	±3.0	LSB	-
14-bit mode						
Resolution		-	-	14	Bit	-
Conversion time*1 (Operation at PCLKC = 32 MHz)	Permissible signal source impedance Max. = 1.3 kΩ	1.59	-	-	μs	High-precision channel ADCSR.ADHSC = 0 ADSSTRn.SST[7:0] = 0Dh
		2.44	-	-	μs	Normal-precision channel ADCSR.ADHSC = 0 ADSSTRn.SST[7:0] = 28h
Offset error		-	±2.0	±18	LSB	High-precision channel
				±24.0	LSB	Other than above
Full-scale error		-	±3.0	±18	LSB	High-precision channel
				±24.0	LSB	Other than above
Quantization error		-	±0.5	-	LSB	-
Absolute accuracy		-	±5.0	±20	LSB	High-precision channel
				±32.0	LSB	Other than above
DNL differential nonlinearity error		-	±4.0	-	LSB	-
INL integral nonlinearity error		-	±4.0	±12.0	LSB	-

Note: The characteristics apply when no pin functions other than 14-bit A/D converter input are used. Absolute accuracy does not include quantization errors. Offset error, full-scale error, DNL differential nonlinearity error, and INL integral nonlinearity error do not include quantization errors.

Note 1. The conversion time is the sum of the sampling time and the comparison time. The number of sampling states is indicated for the test conditions.

Note 2. Except for I/O input capacitance (Cin), see [section 51.2.4, I/O V_{OH}, V_{OL}, and Other Characteristics](#).

Table 51.52 A/D conversion characteristics (4) in low power A/D conversion mode (1 of 2)

Conditions: VCC = AVCC0 = 2.7 to 5.5 V, VREFH0 = 2.7 to 5.5 V
Reference voltage range applied to the VREFH0 and VREFL0.

Parameter		Min	Typ	Max	Unit	Test conditions
Frequency		1	-	24	MHz	-
Analog input capacitance*2	Cs	-	-	8 (reference data)	pF	High-precision channel
		-	-	9 (reference data)	pF	Normal-precision channel
Analog input resistance	Rs	-	-	2.5 (reference data)	kΩ	High-precision channel
		-	-	6.7 (reference data)	kΩ	Normal-precision channel
Analog input voltage range	Ain	0	-	VREFH0	V	-
12-bit mode						
Resolution		-	-	12	Bit	-
Conversion time*1 (Operation at PCLKC = 24 MHz)	Permissible signal source impedance Max. = 1.1 kΩ	2.25	-	-	μs	High-precision channel ADCSR.ADHSC = 1 ADSSTRn.SST[7:0] = 0Dh
		3.38	-	-	μs	Normal-precision channel ADCSR.ADHSC = 1 ADSSTRn.SST[7:0] = 28h
Offset error		-	±0.5	±4.5	LSB	High-precision channel
				±6.0	LSB	Other than above
Full-scale error		-	±0.75	±4.5	LSB	High-precision channel
				±6.0	LSB	Other than above
Quantization error		-	±0.5	-	LSB	-

Table 51.52 A/D conversion characteristics (4) in low power A/D conversion mode (2 of 2)

Conditions: VCC = AVCC0 = 2.7 to 5.5 V, VREFH0 = 2.7 to 5.5 V
Reference voltage range applied to the VREFH0 and VREFL0.

Parameter	Min	Typ	Max	Unit	Test conditions	
Absolute accuracy		±1.25	±5.0	LSB	High-precision channel	
			±8.0	LSB	Other than above	
DNL differential nonlinearity error	-	±1.0	-	LSB	-	
INL integral nonlinearity error	-	±1.0	±3.0	LSB	-	
14-bit mode						
Resolution	-	-	14	Bit	-	
Conversion time*1 (Operation at PCLKC = 24 MHz)	Permissible signal source impedance Max. = 1.1 kΩ	2.50	-	-	μs	High-precision channel ADCSR.ADHSC = 1 ADSSTRn.SST[7:0] = 0Dh
		3.63	-	-	μs	Normal-precision channel ADCSR.ADHSC = 1 ADSSTRn.SST[7:0] = 28h
Offset error		±2.0	±18	LSB	High-precision channel	
			±24.0	LSB	Other than above	
Full-scale error		±3.0	±18	LSB	High-precision channel	
			±24.0	LSB	Other than above	
Quantization error	-	±0.5	-	LSB	-	
Absolute accuracy		±5.0	±20	LSB	High-precision channel	
			±32.0	LSB	Other than above	
DNL differential nonlinearity error	-	±4.0	-	LSB	-	
INL integral nonlinearity error	-	±4.0	±12.0	LSB	-	

Note: The characteristics apply when no pin functions other than 14-bit A/D converter input are used. Absolute accuracy does not include quantization errors. Offset error, full-scale error, DNL differential nonlinearity error, and INL integral nonlinearity error do not include quantization errors.

Note 1. The conversion time is the sum of the sampling time and the comparison time. The number of sampling states is indicated for the test conditions.

Note 2. Except for I/O input capacitance (Cin), see [section 51.2.4, I/O V_{OH}, V_{OL}, and Other Characteristics](#).

Table 51.53 A/D conversion characteristics (5) in low power A/D conversion mode (1 of 2)

Conditions: VCC = AVCC0 = 2.4 to 5.5 V, VREFH0 = 2.4 to 5.5 V
Reference voltage range applied to the VREFH0 and VREFL0.

Parameter	Min	Typ	Max	Unit	Test conditions	
Frequency	1	-	16	MHz	-	
Analog input capacitance*2	Cs	-	-	8 (reference data)	pF	High-precision channel
		-	-	9 (reference data)	pF	Normal-precision channel
Analog input resistance	Rs	-	-	2.5 (reference data)	kΩ	High-precision channel
		-	-	6.7 (reference data)	kΩ	Normal-precision channel
Analog input voltage range	Ain	0	-	VREFH0	V	-
12-bit mode						
Resolution	-	-	12	Bit	-	
Conversion time*1 (Operation at PCLKC = 16 MHz)	Permissible signal source impedance Max. = 2.2 kΩ	3.38	-	-	μs	High-precision channel ADCSR.ADHSC = 1 ADSSTRn.SST[7:0] = 0Dh
		5.06	-	-	μs	Normal-precision channel ADCSR.ADHSC = 1 ADSSTRn.SST[7:0] = 28h
Offset error		±0.5	±4.5	LSB	High-precision channel	
			±6.0	LSB	Other than above	

Table 51.53 A/D conversion characteristics (5) in low power A/D conversion mode (2 of 2)

Conditions: VCC = AVCC0 = 2.4 to 5.5 V, VREFH0 = 2.4 to 5.5 V
Reference voltage range applied to the VREFH0 and VREFL0.

Parameter		Min	Typ	Max	Unit	Test conditions
Full-scale error		-	±0.75	±4.5	LSB	High-precision channel
				±6.0	LSB	Other than above
Quantization error		-	±0.5	-	LSB	-
Absolute accuracy		-	±1.25	±5.0	LSB	High-precision channel
				±8.0	LSB	Other than above
DNL differential nonlinearity error		-	±1.0	-	LSB	-
INL integral nonlinearity error		-	±1.0	±3.0	LSB	-
14-bit mode						
Resolution		-	-	14	Bit	-
Conversion time*1 (Operation at PCLKC = 16 MHz)	Permissible signal source impedance Max. = 2.2 kΩ	3.75	-	-	μs	High-precision channel ADCSR.ADHSC = 1 ADSSTRn.SST[7:0] = 0Dh
					μs	Normal-precision channel ADCSR.ADHSC = 1 ADSSTRn.SST[7:0] = 28h
Offset error		-	±2.0	±18	LSB	High-precision channel
				±24.0	LSB	Other than above
Full-scale error		-	±3.0	±18	LSB	High-precision channel
				±24.0	LSB	Other than above
Quantization error		-	±0.5	-	LSB	-
Absolute accuracy		-	±5.0	±20	LSB	High-precision channel
				±32.0	LSB	Other than above
DNL differential nonlinearity error		-	±4.0	-	LSB	-
INL integral nonlinearity error		-	±4.0	±12.0	LSB	-

Note: The characteristics apply when no pin functions other than 14-bit A/D converter input are used. Absolute accuracy does not include quantization errors. Offset error, full-scale error, DNL differential nonlinearity error, and INL integral nonlinearity error do not include quantization errors.

Note 1. The conversion time is the sum of the sampling time and the comparison time. The number of sampling states is indicated for the test conditions.

Note 2. Except for I/O input capacitance (Cin), see [section 51.2.4, I/O V_{OH}, V_{OL}, and Other Characteristics](#).

Table 51.54 A/D conversion characteristics (6) in low power A/D conversion mode (1 of 2)

Conditions: VCC = AVCC0 = 1.8 to 5.5 V (AVCC0 = VCC when VCC < 2.0 V), VREFH0 = 1.8 to 5.5 V
Reference voltage range applied to the VREFH0 and VREFL0.

Parameter		Min	Typ	Max	Unit	Test conditions
Frequency		1	-	8	MHz	-
Analog input capacitance*2	Cs	-	-	8 (reference data)	pF	High-precision channel
				9 (reference data)	pF	Normal-precision channel
Analog input resistance	Rs	-	-	3.8 (reference data)	kΩ	High-precision channel
				8.2 (reference data)	kΩ	Normal-precision channel
Analog input voltage range	Ain	0	-	VREFH0	V	-
12-bit mode						
Resolution		-	-	12	Bit	-

Table 51.54 A/D conversion characteristics (6) in low power A/D conversion mode (2 of 2)

Conditions: VCC = AVCC0 = 1.8 to 5.5 V (AVCC0 = VCC when VCC < 2.0 V), VREFH0 = 1.8 to 5.5 V
Reference voltage range applied to the VREFH0 and VREFL0.

Parameter		Min	Typ	Max	Unit	Test conditions
Conversion time*1 (Operation at PCLKC = 8 MHz)	Permissible signal source impedance Max. = 5 kΩ	6.75	-	-	μs	High-precision channel ADCSR.ADHSC = 1 ADSSTRn.SST[7:0] = 0Dh
		10.13	-	-	μs	Normal-precision channel ADCSR.ADHSC = 1 ADSSTRn.SST[7:0] = 28h
Offset error		-	±1.0	±7.5	LSB	High-precision channel
				±10.0	LSB	Other than above
Full-scale error		-	±1.5	±7.5	LSB	High-precision channel
				±10.0	LSB	Other than above
Quantization error		-	±0.5	-	LSB	-
Absolute accuracy		-	±3.0	±8.0	LSB	High-precision channel
				±12.0	LSB	Other than above
DNL differential nonlinearity error		-	±1.0	-	LSB	-
INL integral nonlinearity error		-	±1.0	±3.0	LSB	-
14-bit mode						
Resolution		-	-	14	Bit	-
Conversion time*1 (Operation at PCLKC = 8 MHz)	Permissible signal source impedance Max. = 5 kΩ	7.50	-	-	μs	High-precision channel ADCSR.ADHSC = 1 ADSSTRn.SST[7:0] = 0Dh
		10.88	-	-	μs	Normal-precision channel ADCSR.ADHSC = 1 ADSSTRn.SST[7:0] = 28h
Offset error		-	±4.0	±30.0	LSB	High-precision channel
				±40.0	LSB	Other than above
Full-scale error		-	±6.0	±30.0	LSB	High-precision channel
				±40.0	LSB	Other than above
Quantization error		-	±0.5	-	LSB	-
Absolute accuracy		-	±12.0	±32.0	LSB	High-precision channel
				±48.0	LSB	Other than above
DNL differential nonlinearity error		-	±4.0	-	LSB	-
INL integral nonlinearity error		-	±4.0	±12.0	LSB	-

Note: The characteristics apply when no pin functions other than 14-bit A/D converter input are used. Absolute accuracy does not include quantization errors. Offset error, full-scale error, DNL differential nonlinearity error, and INL integral nonlinearity error do not include quantization errors.

Note 1. The conversion time is the sum of the sampling time and the comparison time. The number of sampling states is indicated for the test conditions.

Note 2. Except for I/O input capacitance (Cin), see [section 51.2.4, I/O V_{OH}, V_{OL}, and Other Characteristics](#).

Table 51.55 A/D conversion characteristics (7) in low power A/D conversion mode

Conditions: VCC = AVCC0 = 1.6 to 5.5 V (AVCC0 = VCC when VCC < 2.0 V), VREFH0 = 1.6 to 5.5 V
Reference voltage range applied to the VREFH0 and VREFL0.

Parameter		Min	Typ	Max	Unit	Test conditions
Frequency		1	-	4	MHz	-
Analog input capacitance*2	Cs	-	-	8 (reference data)	pF	High-precision channel
		-	-	9 (reference data)	pF	Normal-precision channel
Analog input resistance	Rs	-	-	13.1 (reference data)	kΩ	High-precision channel
		-	-	14.3 (reference data)	kΩ	Normal-precision channel
Analog input voltage range	Ain	0	-	VREFH0	V	-
12-bit mode						
Resolution		-	-	12	Bit	-
Conversion time*1 (Operation at PCLKC = 4 MHz)	Permissible signal source impedance Max. = 9.9 kΩ	13.5	-	-	μs	High-precision channel ADCSR.ADHSC = 1 ADSSTRn.SST[7:0] = 0Dh
		20.25	-	-	μs	Normal-precision channel ADCSR.ADHSC = 1 ADSSTRn.SST[7:0] = 28h
Offset error		-	±1.0	±7.5	LSB	High-precision channel
				±10.0	LSB	Other than above
Full-scale error		-	±1.5	±7.5	LSB	High-precision channel
				±10.0	LSB	Other than above
Quantization error		-	±0.5	-	LSB	-
Absolute accuracy		-	±3.0	±8.0	LSB	High-precision channel
				±12.0	LSB	Other than above
DNL differential nonlinearity error		-	±1.0	-	LSB	-
INL integral nonlinearity error		-	±1.0	±3.0	LSB	-
14-bit mode						
Resolution		-	-	14	Bit	-
Conversion time*1 (Operation at PCLKC = 4 MHz)	Permissible signal source impedance Max. = 9.9 kΩ	15.0	-	-	μs	High-precision channel ADCSR.ADHSC = 1 ADSSTRn.SST[7:0] = 0Dh
		21.75	-	-	μs	Normal-precision channel ADCSR.ADHSC = 1 ADSSTRn.SST[7:0] = 28h
Offset error		-	±4.0	±30.0	LSB	High-precision channel
				±40.0	LSB	Other than above
Full-scale error		-	±6.0	±30.0	LSB	High-precision channel
				±40.0	LSB	Other than above
Quantization error		-	±0.5	-	LSB	-
Absolute accuracy		-	±12.0	±32.0	LSB	High-precision channel
				±48.0	LSB	Other than above
DNL differential nonlinearity error		-	±4.0	-	LSB	-
INL integral nonlinearity error		-	±4.0	±12.0	LSB	-

Note: The characteristics apply when no pin functions other than 14-bit A/D converter input are used. Absolute accuracy does not include quantization errors. Offset error, full-scale error, DNL differential nonlinearity error, and INL integral nonlinearity error do not include quantization errors.

Note 1. The conversion time is the sum of the sampling time and the comparison time. The number of sampling states is indicated for the test conditions.

Note 2. Except for I/O input capacitance (Cin), see [section 51.2.4, I/O V_{OH}, V_{OL}, and Other Characteristics](#).

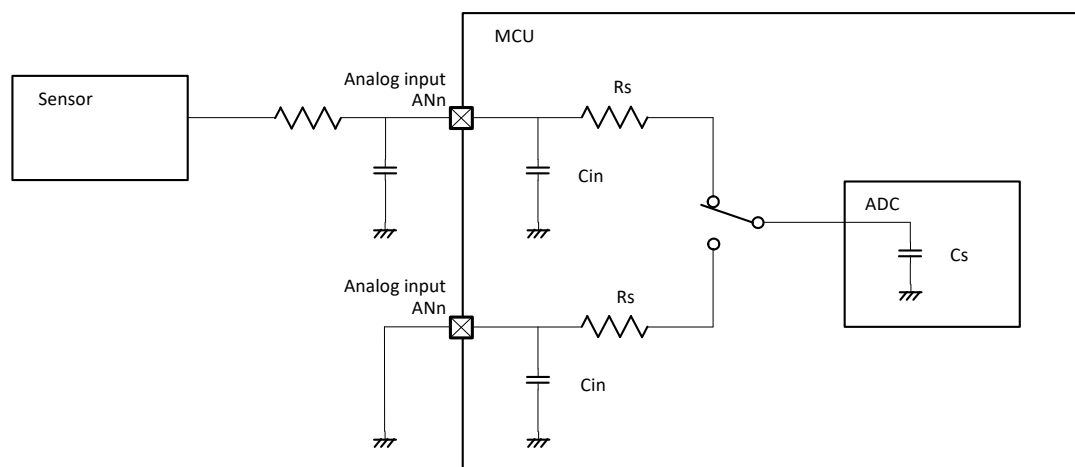


Figure 51.81 Equivalent circuit for analog input

Table 51.56 14-bit A/D converter channel classification

Classification	Channel	Conditions	Remarks
High-precision channel	AN000 to AN015	AVCC0 = 1.6 to 5.5 V	Pins AN000 to AN015 cannot be used as general I/O, IRQ2, IRQ3 inputs, and TS transmission, when the A/D converter is in use
Normal-precision channel	AN016 to AN027		
Internal reference voltage input channel	Internal reference voltage	AVCC0 = 2.0 to 5.5 V	-
Temperature sensor input channel	Temperature sensor output	AVCC0 = 2.0 to 5.5 V	-

Table 51.57 A/D internal reference voltage characteristics

Conditions: VCC = AVCC0 = VREFH0 = 2.0 to 5.5 V*1

Parameter	Min	Typ	Max	Unit	Test conditions
Internal reference voltage input channel*2	1.36	1.43	1.50	V	-
Frequency*3	1	-	2	MHz	-
Sampling time*4	5.0	-	-	μ s	-

Note 1. The internal reference voltage cannot be selected for input channels when AVCC0 < 2.0 V.

Note 2. The 14-bit A/D internal reference voltage indicates the voltage when the internal reference voltage is input to the 14-bit A/D converter.

Note 3. This is a parameter for ADC14 when the internal reference voltage is used as the high-potential reference voltage.

Note 4. This is a parameter for ADC14 when the internal reference voltage is selected for an analog input channel in ADC14.

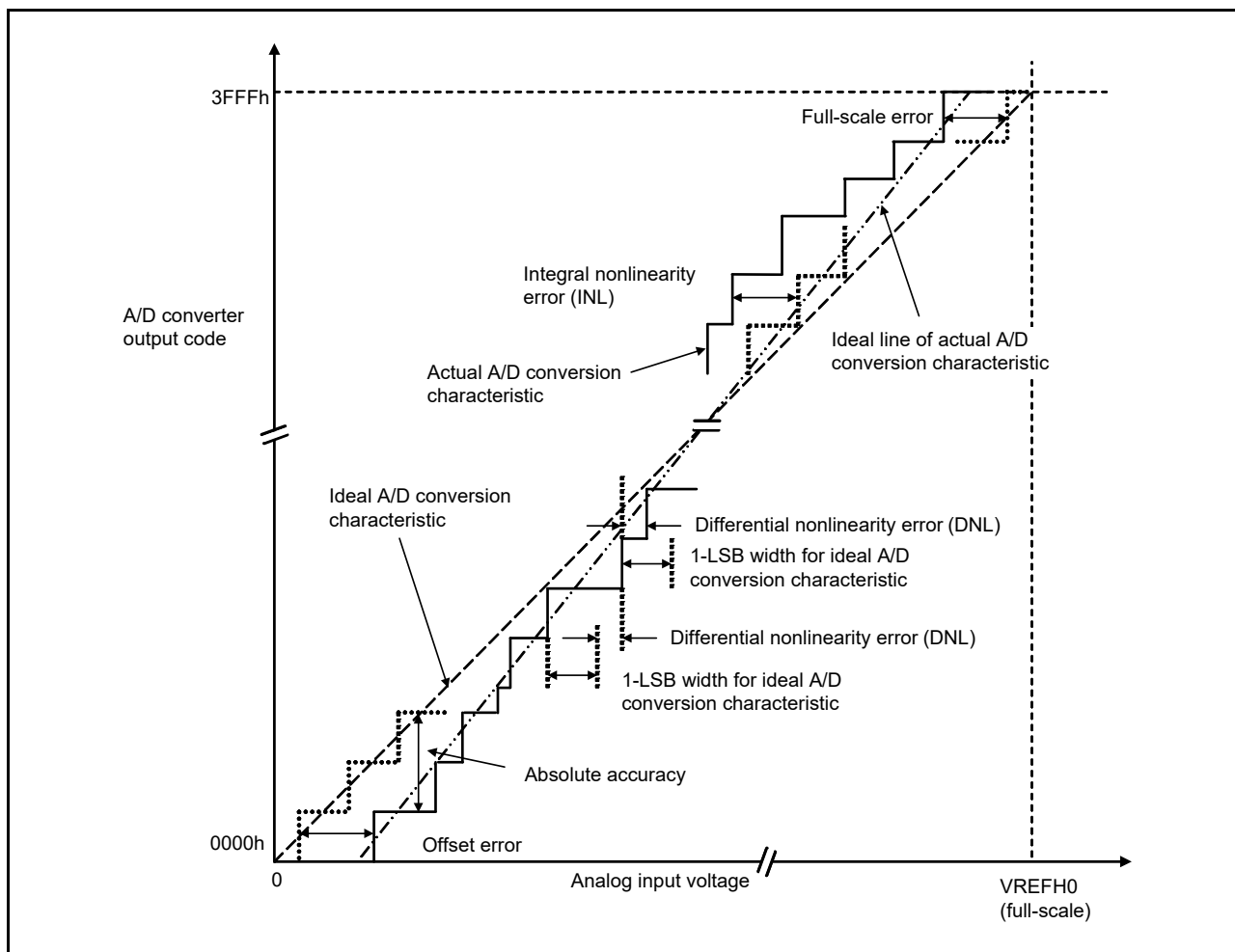


Figure 51.82 Illustration of 14-bit A/D converter characteristic terms

Absolute accuracy

Absolute accuracy is the difference between output code based on the theoretical A/D conversion characteristics, and the actual A/D conversion result. When measuring absolute accuracy, the voltage at the midpoint of the width of analog input voltage (1-LSB width), which can meet the expectation of outputting an equal code based on the theoretical A/D conversion characteristics, is used as the analog input voltage. For example, if 12-bit resolution is used and the reference voltage $V_{REFH0} = 3.072$ V, then 1-LSB width becomes 0.75 mV, and 0 mV, 0.75 mV, and 1.5 mV are used as the analog input voltages. If analog input voltage is 6 mV, an absolute accuracy of ± 5 LSB means that the actual A/D conversion result is in the range of 003h to 00Dh, though an output code of 008h can be expected from the theoretical A/D conversion characteristics.

Integral nonlinearity error (INL)

Integral nonlinearity error is the maximum deviation between the ideal line when the measured offset and full-scale errors are zeroed, and the actual output code.

Differential nonlinearity error (DNL)

Differential nonlinearity error is the difference between 1-LSB width based on the ideal A/D conversion characteristics and the width of the actually output code.

Offset error

Offset error is the difference between the transition point of the ideal first output code and the actual first output code.

Full-scale error

Full-scale error is the difference between the transition point of the ideal last output code and the actual last output code.

51.6 DAC12 Characteristics

Table 51.58 D/A conversion characteristics (1)

Conditions: VCC = AVCC0 = 1.8 to 5.5 V

Reference voltage = VREFH or VREFL selected

Parameter	Min	Typ	Max	Unit	Test conditions
Resolution	-	-	12	bit	-
Resistive load	30	-	-	kΩ	-
Capacitive load	-	-	50	pF	-
Output voltage range	0.35	-	AVCC0 – 0.47	V	-
DNL differential nonlinearity error	-	±0.5	±1.0	LSB	-
INL integral nonlinearity error	-	±2.0	±8.0	LSB	-
Offset error	-	-	±20	mV	-
Full-scale error	-	-	±20	mV	-
Output impedance	-	5	-	Ω	-
Conversion time	-	-	30	μs	-

Table 51.59 D/A conversion characteristics (2)

Conditions: VCC = AVCC0 = 1.8 to 5.5 V

Reference voltage = AVCC0 or AVSS0 selected

Parameter	Min	Typ	Max	Unit	Test conditions
Resolution	-	-	12	bit	-
Resistive load	30	-	-	kΩ	-
Capacitive load	-	-	50	pF	-
Output voltage range	0.35	-	AVCC0 – 0.47	V	-
DNL differential nonlinearity error	-	±0.5	±2.0	LSB	-
INL integral nonlinearity error	-	±2.0	±8.0	LSB	-
Offset error	-	-	±30	mV	-
Full-scale error	-	-	±30	mV	-
Output impedance	-	5	-	Ω	-
Conversion time	-	-	30	μs	-

Table 51.60 D/A conversion characteristics (3)

Conditions: VCC = AVCC0 = 1.8 to 5.5 V

Reference voltage = internal reference voltage selected

Parameter	Min	Typ	Max	Unit	Test conditions
Resolution	-	-	12	bit	-
Internal reference voltage (Vbgr)	1.36	1.43	1.50	V	-
Resistive load	30	-	-	kΩ	-
Capacitive load	-	-	50	pF	-
Output voltage range	0.35	-	Vbgr	V	-
DNL differential nonlinearity error	-	±2.0	±16.0	LSB	-
INL integral nonlinearity error	-	±8.0	±16.0	LSB	-
Offset error	-	-	±30	mV	-
Output impedance	-	5	-	Ω	-
Conversion time	-	-	30	μs	-

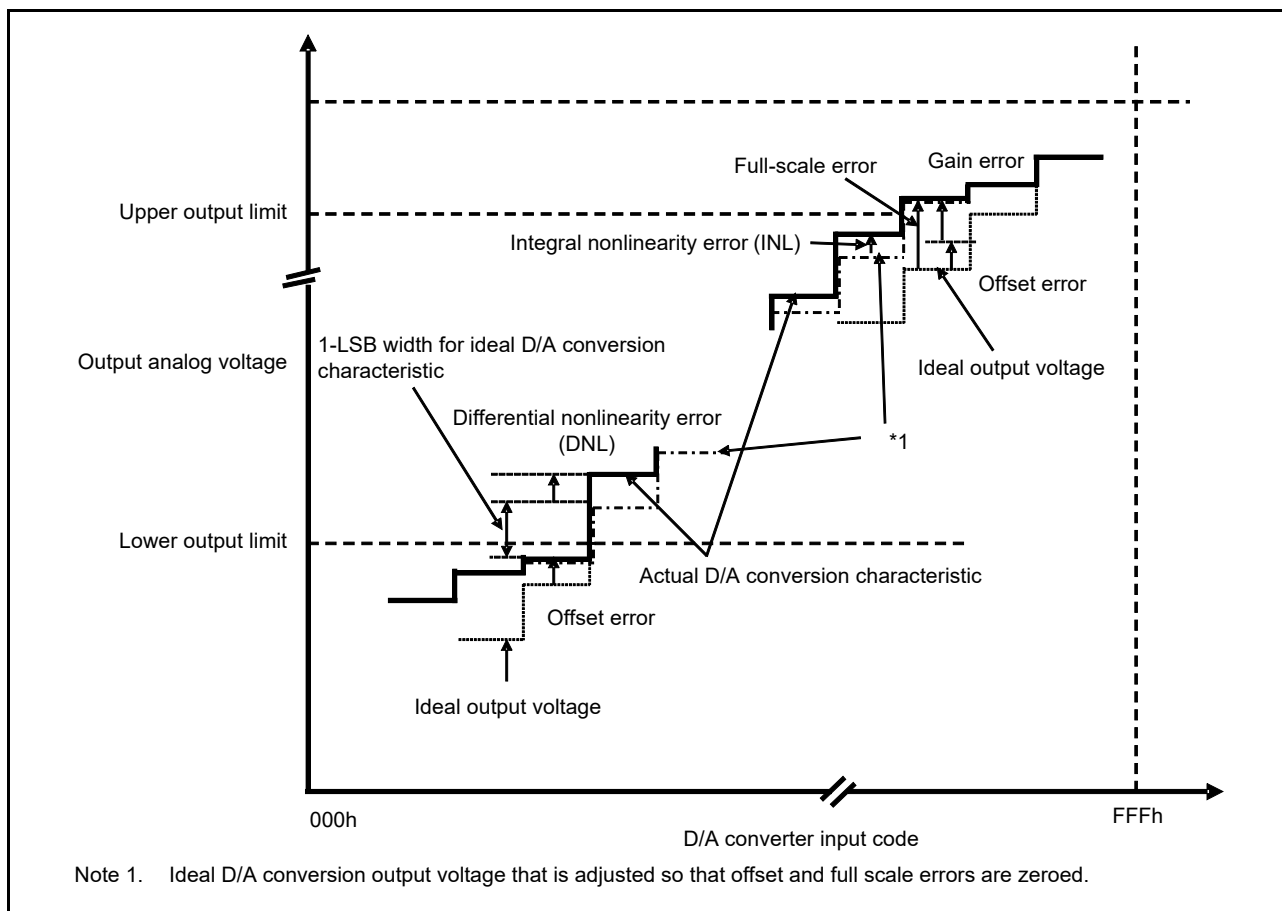


Figure 51.83 Illustration of D/A converter characteristic terms

Integral nonlinearity error (INL)

Integral nonlinearity error is the maximum deviation between the ideal output voltage based on the ideal conversion characteristic when the measured offset and full-scale errors are zeroed, and the actual output voltage.

Differential nonlinearity error (DNL)

Differential nonlinearity error is the difference between 1-LSB voltage width based on the ideal D/A conversion characteristics and the width of the actual output voltage.

Offset error

Offset error is the difference between the highest actual output voltage that falls below the lower output limit and the ideal output voltage based on the input code.

Full-scale error

Full-scale error is the difference between the lowest actual output voltage that exceeds the upper output limit and the ideal output voltage based on the input code.

51.7 TSN Characteristics

Table 51.61 TSN characteristics

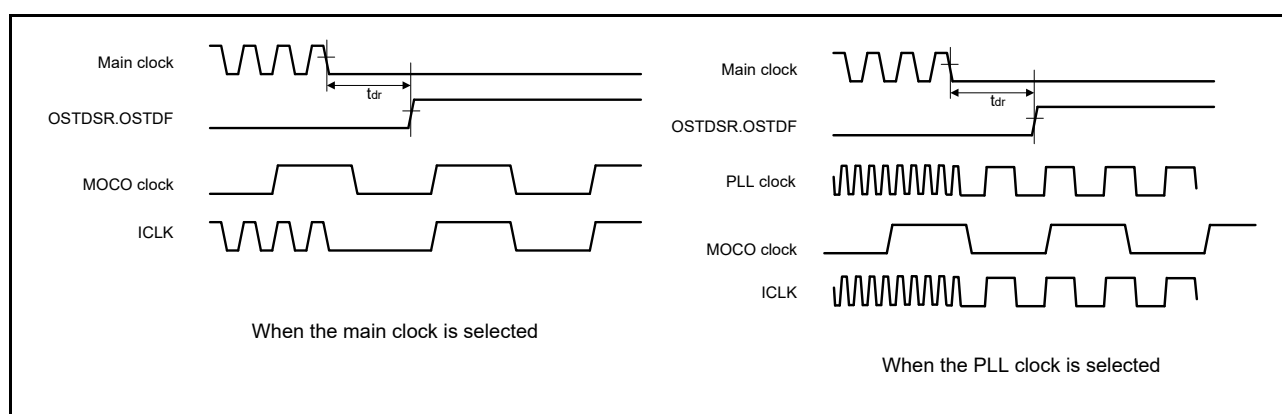
Conditions: VCC = AVCC0 = 2.0 to 5.5 V

Parameter	Symbol	Min	Typ	Max	Unit	Test conditions
Relative accuracy	-	-	±1.5	-	°C	2.4 V or above
	-	-	±2.0	-	°C	Below 2.4 V
Temperature slope	-	-	-3.65	-	mV/°C	-
Output voltage (at 25°C)	-	-	1.05	-	V	VCC = 3.3 V
Temperature sensor start time	t _{START}	-	-	5	µs	-
Sampling time	-	5	-	-	µs	-

51.8 OSC Stop Detect Characteristics

Table 51.62 Oscillation stop detection circuit characteristics

Parameter	Symbol	Min	Typ	Max	Unit	Test conditions
Detection time	t _{dr}	-	-	1	ms	Figure 51.84

**Figure 51.84 Oscillation stop detection timing**

51.9 POR and LVD Characteristics

Table 51.63 Power-on reset circuit and voltage detection circuit characteristics (1)

Parameter		Symbol	Min	Typ	Max	Unit	Test conditions
Voltage detection level*1	Power-on reset (POR)	V_{POR}	1.27	1.42	1.57	V	Figure 51.85, Figure 51.86
	Voltage detection circuit (LVD0)*2	V_{det0_0}	3.68	3.85	4.00	V	Figure 51.87 At falling edge VCC
		V_{det0_1}	2.68	2.85	2.96		
		V_{det0_2}	2.38	2.53	2.64		
		V_{det0_3}	1.78	1.90	2.02		
		V_{det0_4}	1.60	1.69	1.82		
	Voltage detection circuit (LVD1)*3	V_{det1_0}	4.13	4.29	4.45	V	Figure 51.88 At falling edge VCC
		V_{det1_1}	3.98	4.16	4.30		
		V_{det1_2}	3.86	4.03	4.18		
		V_{det1_3}	3.68	3.86	4.00		
		V_{det1_4}	2.98	3.10	3.22		
		V_{det1_5}	2.89	3.00	3.11		
		V_{det1_6}	2.79	2.90	3.01		
		V_{det1_7}	2.68	2.79	2.90		
		V_{det1_8}	2.58	2.68	2.78		
		V_{det1_9}	2.48	2.58	2.68		
		V_{det1_A}	2.38	2.48	2.58		
		V_{det1_B}	2.10	2.20	2.30		
		V_{det1_C}	1.84	1.96	2.05		
		V_{det1_D}	1.74	1.86	1.95		
V_{det1_E}		1.63	1.75	1.84			
V_{det1_F}	1.60	1.65	1.73				
Voltage detection circuit (LVD2)*4	V_{det2_0}	4.11	4.31	4.48	V	Figure 51.89 At falling edge VCC	
	V_{det2_1}	3.97	4.17	4.34			
	V_{det2_2}	3.83	4.03	4.20			
	V_{det2_3}	3.64	3.84	4.01			

Note 1. These characteristics apply when noise is not superimposed on the power supply. When a setting causes this voltage detection level to overlap with that of the voltage detection circuit, it cannot be specified whether LVD1 or LVD2 is used for voltage detection.

Note 2. # in the symbol $V_{det0_#}$ denotes the value of the OFS1.VDSEL1[2:0] bits.

Note 3. # in the symbol $V_{det1_#}$ denotes the value of the LVDLVL.R.LVD1LVL[4:0] bits.

Note 4. # in the symbol $V_{det2_#}$ denotes the value of the LVDLVL.R.LVD2LVL[2:0] bits.

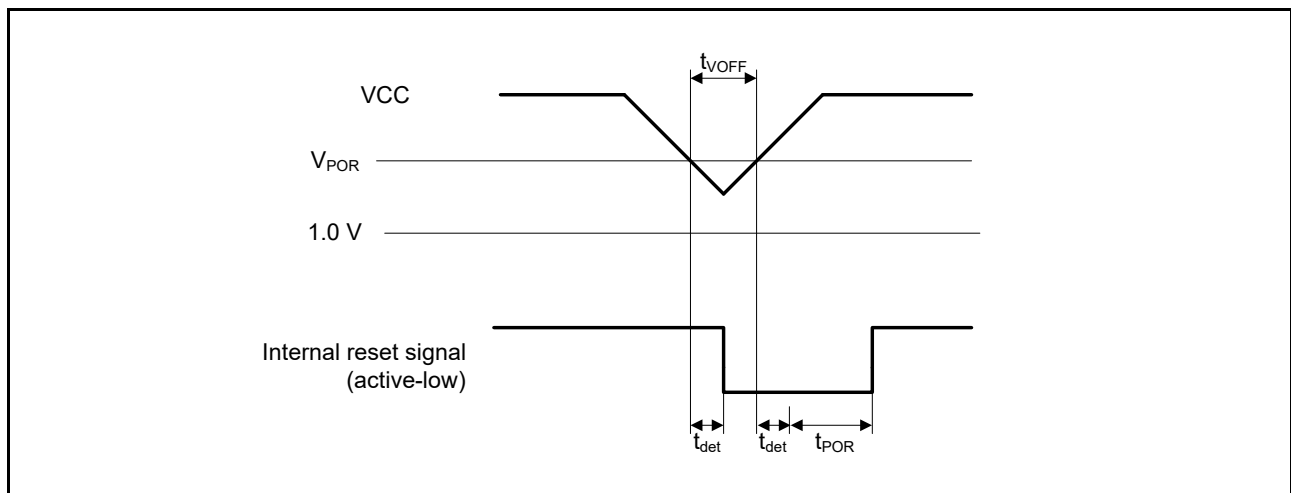
Table 51.64 Power-on reset circuit and voltage detection circuit characteristics (2)

Parameter		Symbol	Min	Typ	Max	Unit	Test conditions
Wait time after power-on reset cancellation	LVD0: enable	t_{POR}	-	1.7	-	ms	-
	LVD0: disable	t_{POR}	-	1.3	-	ms	-
Wait time after voltage monitor 0, 1, 2 reset cancellation	LVD0: enable*1	$t_{LVD0,1,2}$	-	0.6	-	ms	-
	LVD0: disable*2	$t_{LVD1,2}$	-	0.2	-	ms	-
Response delay*3		t_{det}	-	-	350	μ s	Figure 51.85, Figure 51.86
Minimum VCC down time		t_{VOFF}	450	-	-	μ s	Figure 51.85, VCC = 1.0 V or above
Power-on reset enable time		$t_{W(POR)}$	1	-	-	ms	Figure 51.86, VCC = below 1.0 V
LVD operation stabilization time (after LVD is enabled)		$t_{d(E-A)}$	-	-	300	μ s	Figure 51.88, Figure 51.89
Hysteresis width (POR)		V_{PORH}	-	110	-	mV	-
Hysteresis width (LVD0, LVD1, and LVD2)		V_{LVH}	-	60	-	mV	LVD0 selected
			-	100	-		V_{det1_0} to V_{det1_2} selected
			-	60	-		V_{det1_3} to V_{det1_g} selected
			-	50	-		V_{det1_A} or V_{det1_B} selected
			-	40	-		V_{det1_C} or V_{det1_F} selected
			-	60	-		LVD2 selected

Note 1. When OFS1.LVDAS = 0.

Note 2. When OFS1.LVDAS = 1.

Note 3. The minimum VCC down time indicates the time when VCC is below the minimum value of voltage detection levels V_{POR} , V_{det0} , V_{det1} , and V_{det2} for the POR/LVD.

**Figure 51.85 Voltage detection reset timing**

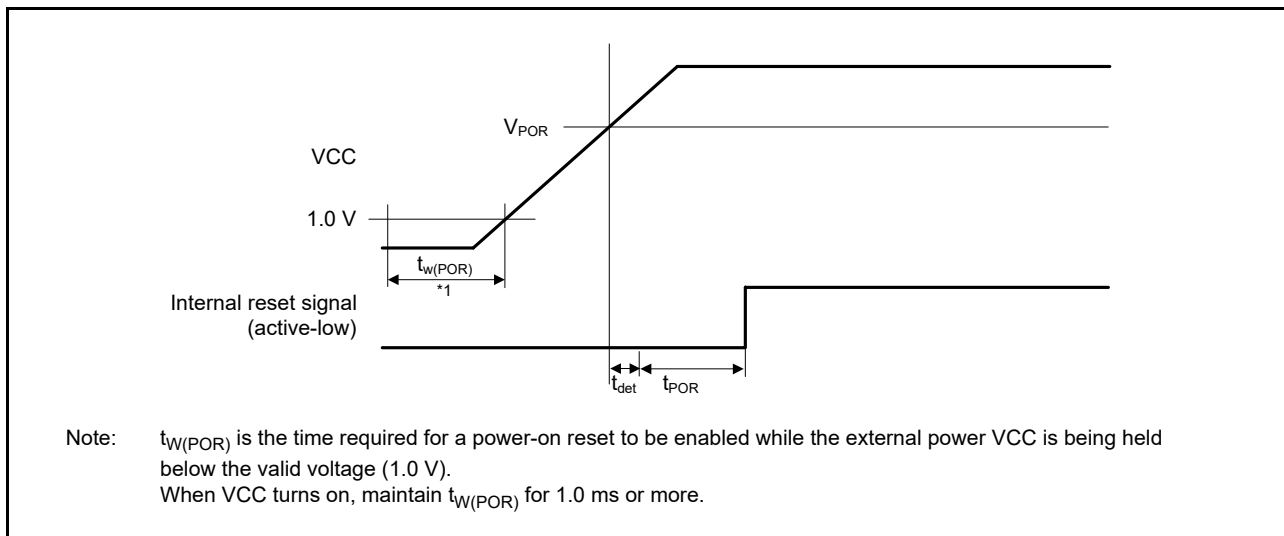


Figure 51.86 Power-on reset timing

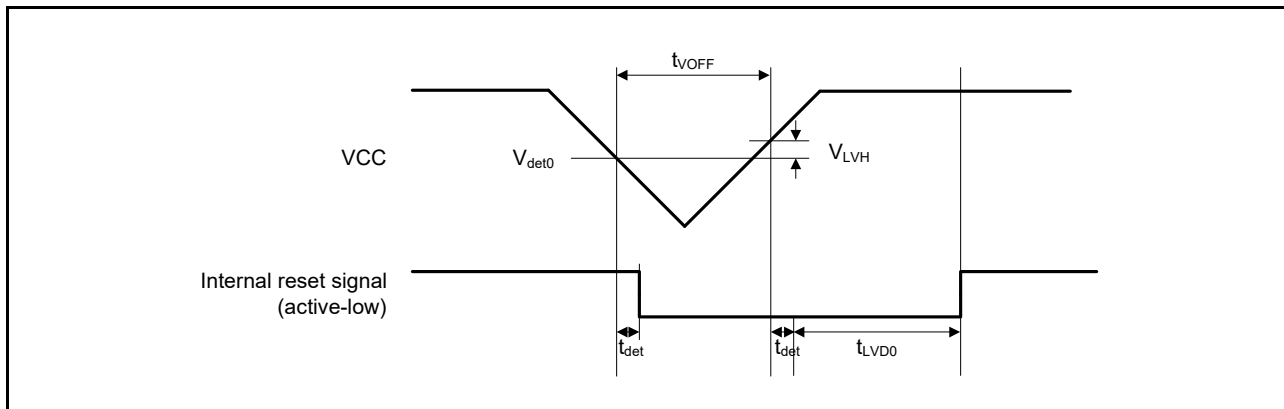


Figure 51.87 Voltage detection circuit timing (V_{det0})

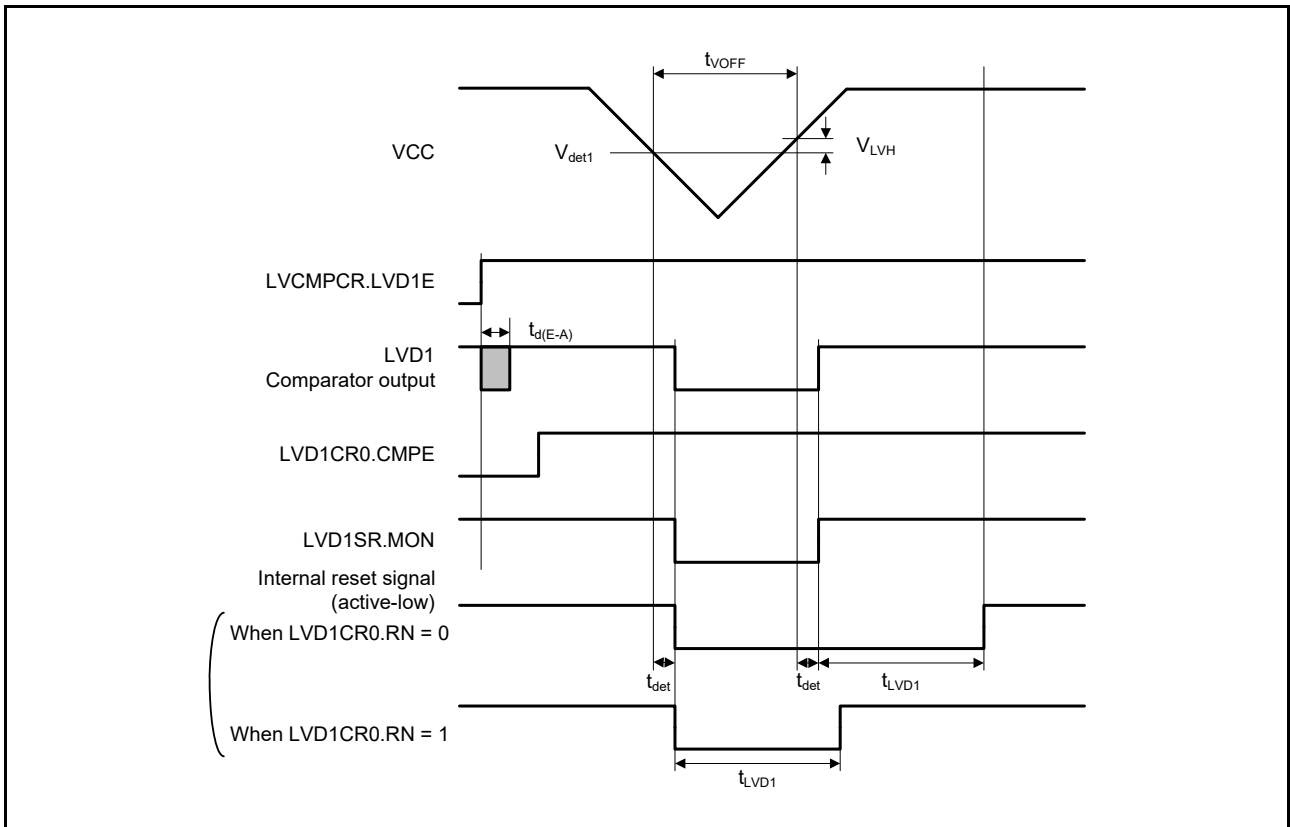


Figure 51.88 Voltage detection circuit timing (V_{det1})

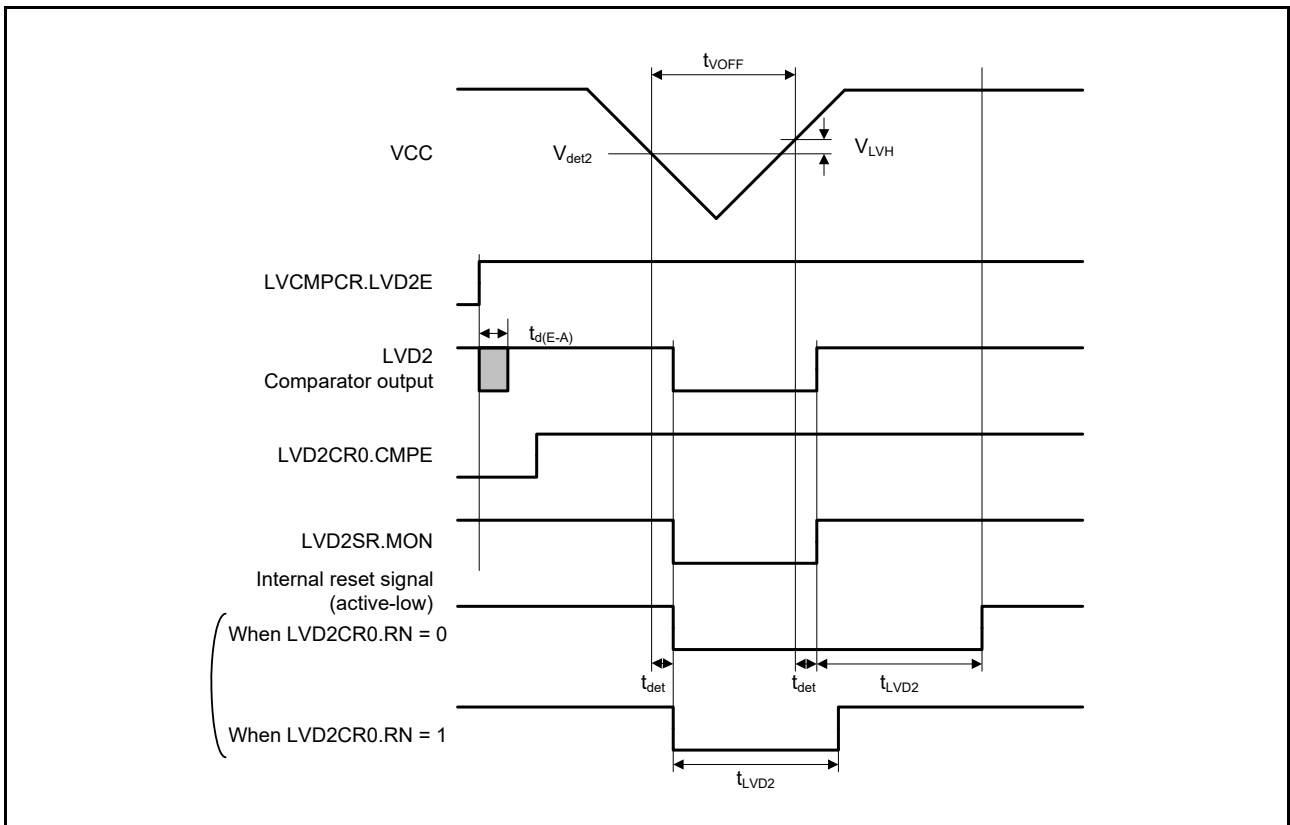


Figure 51.89 Voltage detection circuit timing (V_{det2})

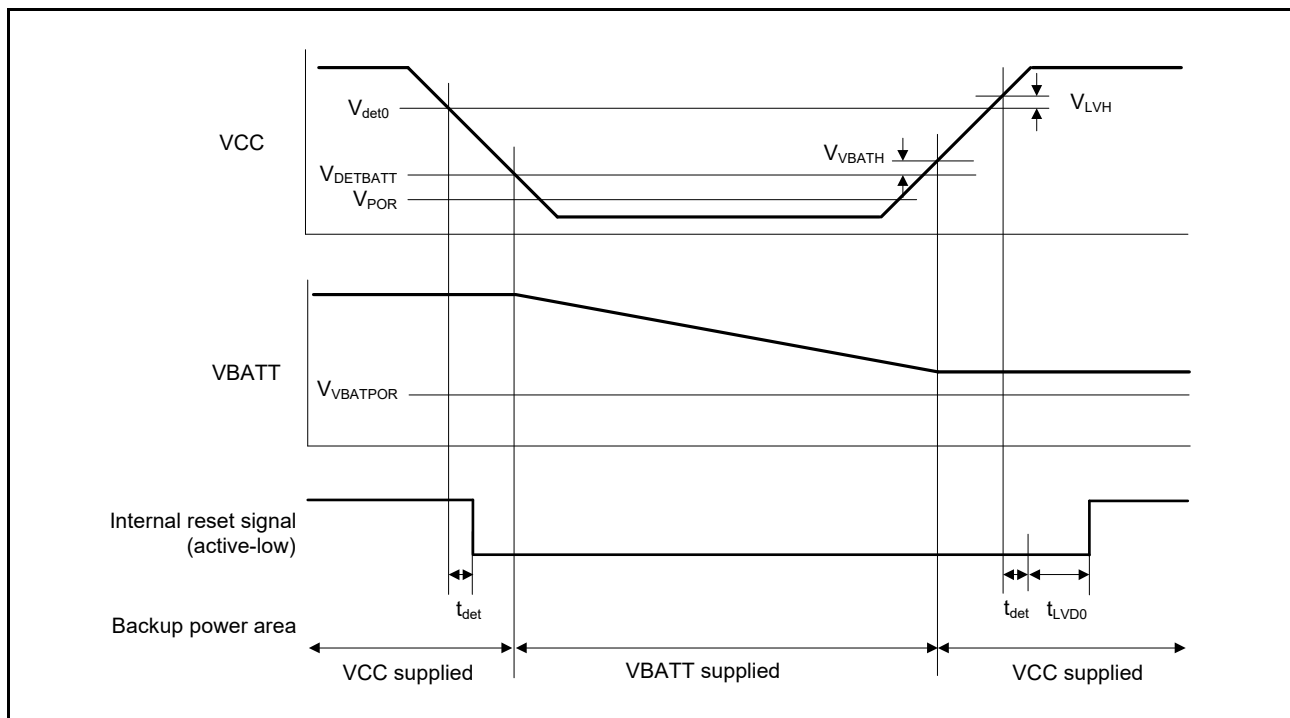
51.10 VBATT Characteristics

Table 51.65 Battery backup function characteristics

Conditions: VCC = AVCC0 = 1.6 V to 5.5 V, VBATT = 1.6 to 3.6 V

Parameter	Symbol	Min	Typ	Max	Unit	Test conditions	
Voltage level for switching to battery backup (falling)	$V_{DET\ BATT}$	1.99	2.09	2.19	V	Figure 51.90, Figure 51.91	
Hysteresis width for switching to battery back up	$V_{VBAT\ TH}$	-	100	-	mV		
VCC-off period for starting power supply switching	$t_{V\ OFF\ BATT}$	300	-	-	μs	-	
Voltage detection level VBATT_Power-on reset (VBATT_POR)	$V_{VBAT\ POR}$	1.30	1.40	1.50	V	Figure 51.90, Figure 51.91	
Wait time after VBATT_POR reset time cancellation	$t_{VBAT\ POR}$	-	-	3	mS	-	
Level for detection of voltage drop on the VBATT pin (falling)	VBTLVDLVL[1:0] = 10b	$V_{DET\ BAT\ LVD}$	2.11	2.2	2.29	V	Figure 51.92
	VBTLVDLVL[1:0] = 11b		1.92	2	2.08	V	
Hysteresis width for VBATT pin LVD	$V_{VBAT\ LVD\ TH}$	-	50	-	mV		
VBATT pin LVD operation stabilization time	t_{d_vbat}	-	-	300	μs	Figure 51.92	
VBATT pin LVD response delay time	t_{det_vbat}	-	-	350	μs		
Allowable voltage change rising/falling gradient	$dt/dVCC$	1.0	-	-	ms/V	-	
VCC voltage level for access to the VBATT backup registers	$V_{_BKBATT}$	1.8	-	-	V	-	

Note: The VCC-off period for starting power supply switching indicates the period in which VCC is below the minimum value of the voltage level for switching to battery backup ($V_{DET\ BATT}$).

**Figure 51.90 Power supply switching and LVD0 reset timing**

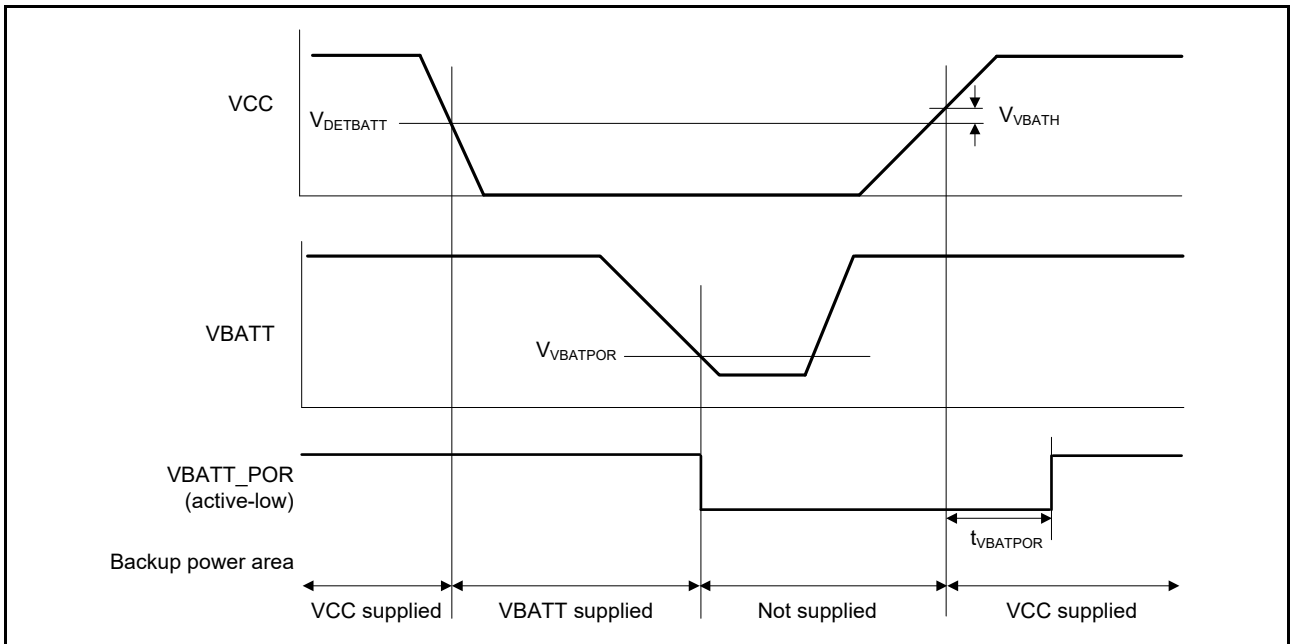


Figure 51.91 VBATT_POR reset timing

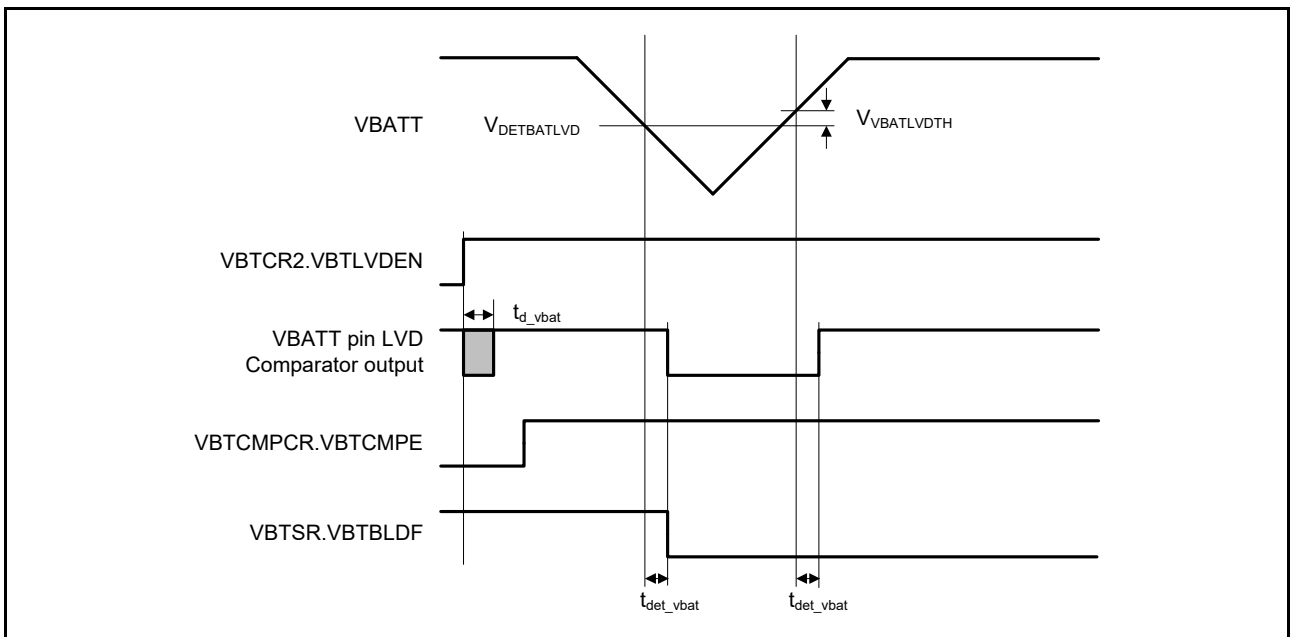


Figure 51.92 VBATT pin voltage detection circuit timing

Table 51.66 VBATT-I/O characteristics

Parameter			Symbol	Min	Typ	Max	Unit	Test conditions
VBATWIO n/I/O output characteristics (n = 0 to 2)	VCC > V _{DET} BATT	VCC = 4.0 to 5.5 V	V _{OH}	VCC - 0.8	-	-	V	I _{OH} = -200 μA
			V _{OL}	-	-	0.8		I _{OL} = 200 μA
		VCC = 2.7 to 4.0 V	V _{OH}	VCC - 0.5	-	-		I _{OH} = -100 μA
			V _{OL}	-	-	0.5		I _{OL} = 100 μA
		VCC = V _{DET} BATT to 2.7 V	V _{OH}	VCC - 0.3	-	-		I _{OH} = -50 μA
			V _{OL}	-	-	0.3		I _{OL} = 50 μA
	VCC < V _{DET} BATT	VBATT = 2.7 to 3.6 V	V _{OH}	V _{BATT} - 0.5	-	-		I _{OH} = -100 μA
			V _{OL}	-	-	0.5		I _{OL} = 100 μA
		VBATT = 1.6 to 2.7 V	V _{OH}	V _{BATT} - 0.3	-	-		I _{OH} = -50 μA
			V _{OL}	-	-	0.3		I _{OL} = 50 μA

51.11 CTSU Characteristics

Table 51.67 CTSU characteristics

Conditions: VCC = AVCC0 = 1.8 to 5.5 V

Parameter	Symbol	Min	Typ	Max	Unit	Test conditions
External capacitance connected to TSCAP pin	C _{tscap}	9	10	11	nF	-
TS pin capacitive load	C _{base}	-	-	50	pF	-
Permissible output high current	ΣI _{oH}	-	-	-24	mA	When the mutual capacitance method is applied

51.12 Segment LCD Controller Characteristics

51.12.1 Resistance Division Method

[Static Display Mode]

Table 51.68 Resistance division method LCD characteristics (1)

Conditions: VL4 ≤ VCC ≤ 5.5 V

Parameter	Symbol	Min	Typ	Max	Unit	Test conditions
LCD drive voltage	V _{L4}	2.0	-	VCC	V	-

[1/2 Bias Method, 1/4 Bias Method]

Table 51.69 Resistance division method LCD characteristics (2)

Conditions: VL4 ≤ VCC ≤ 5.5 V

Parameter	Symbol	Min	Typ	Max	Unit	Test conditions
LCD drive voltage	V _{L4}	2.7	-	VCC	V	-

[1/3 Bias Method]

Table 51.70 Resistance division method LCD characteristics (3)

Conditions: VL4 ≤ VCC ≤ 5.5 V

Parameter	Symbol	Min	Typ	Max	Unit	Test conditions
LCD drive voltage	V _{L4}	2.5	-	VCC	V	-

51.12.2 Internal Voltage Boosting Method

[1/3 Bias Method]

Table 51.71 Internal voltage boosting method LCD characteristics

Conditions: VCC = 1.8 V to 5.5 V

Parameter	Symbol	Conditions		Min	Typ	Max	Unit	Test conditions
LCD output voltage variation range	V_{L1}	C1 to C4*1 = 0.47 μ F	VLCD = 04h	0.90	1.0	1.08	V	-
			VLCD = 05h	0.95	1.05	1.13	V	-
			VLCD = 06h	1.00	1.10	1.18	V	-
			VLCD = 07h	1.05	1.15	1.23	V	-
			VLCD = 08h	1.10	1.20	1.28	V	-
			VLCD = 09h	1.15	1.25	1.33	V	-
			VLCD = 0Ah	1.20	1.30	1.38	V	-
			VLCD = 0Bh	1.25	1.35	1.43	V	-
			VLCD = 0Ch	1.30	1.40	1.48	V	-
			VLCD = 0Dh	1.35	1.45	1.53	V	-
			VLCD = 0Eh	1.40	1.50	1.58	V	-
			VLCD = 0Fh	1.45	1.55	1.63	V	-
			VLCD = 10h	1.50	1.60	1.68	V	-
			VLCD = 11h	1.55	1.65	1.73	V	-
VLCD = 12h	1.60	1.70	1.78	V	-			
VLCD = 13h	1.65	1.75	1.83	V	-			
Doubler output voltage	V_{L2}	C1 to C4*1 = 0.47 μ F		$2 \times V_{L1} - 0.1$	$2 \times V_{L1}$	$2 \times V_{L1}$	V	-
Tripler output voltage	V_{L4}	C1 to C4*1 = 0.47 μ F		$3 \times V_{L1} - 0.15$	$3 \times V_{L1}$	$3 \times V_{L1}$	V	-
Reference voltage setup time*2	t_{VL1S}			5	-	-	ms	Figure 51.93
LCD output voltage variation range*3	t_{VLWT}	C1 to C4*1 = 0.47 μ F		500	-	-	ms	

Note 1. This is a capacitor that is connected between voltage pins used to drive the LCD.

C1: A capacitor connected between CAPH and CAPL

C2: A capacitor connected between VL1 and GND

C3: A capacitor connected between VL2 and GND

C4: A capacitor connected between VL4 and GND

C1 = C2 = C3 = C4 = 0.47 μ F \pm 30%

Note 2. This is the time required to wait from when the reference voltage is specified using the VLCD register (or when the internal voltage boosting method is selected (by setting the MDSET[1:0] bits in the LCDM0 register to 01b) if the default value reference voltage is used) until voltage boosting starts (VLCON = 1).

Note 3. This is the wait time from when voltage boosting is started (VLCON = 1) until display is enabled (LCDON = 1).

[1/4 Bias Method]

Table 51.72 Internal voltage boosting method LCD characteristics

Conditions: VCC = 1.8 V to 5.5 V

Parameter	Symbol	Conditions	Min	Typ	Max	Unit	Test conditions	
LCD output voltage variation range	V _{L1}	C1 to C5*1 = 0.47 μF	VLCD = 04h	0.90	1.0	1.08	V	-
			VLCD = 05h	0.95	1.05	1.13	V	-
			VLCD = 06h	1.00	1.10	1.18	V	-
			VLCD = 07h	1.05	1.15	1.23	V	-
			VLCD = 08h	1.10	1.20	1.28	V	-
			VLCD = 09h	1.15	1.25	1.33	V	-
			VLCD = 0Ah	1.20	1.30	1.38	V	-
			VLCD = 0Bh	1.25	1.35	1.43	V	-
VLCD = 0Ch	1.30	1.40	1.48	V	-	-		
Doubler output voltage	V _{L2}	C1 to C5*1 = 0.47 μF	2V _{L1} - 0.08	2V _{L1}	2V _{L1}	V	-	
Tripler output voltage	V _{L3}	C1 to C5*1 = 0.47 μF	3V _{L1} - 0.12	3V _{L1}	3V _{L1}	V	-	
Quadruply output voltage	V _{L4} *4	C1 to C5*1 = 0.47 μF	4V _{L1} - 0.16	4V _{L1}	4V _{L1}	V	-	
Reference voltage setup time*2	t _{VL1S}		5	-	-	ms	Figure 51.93	
LCD output voltage variation range*3	t _{VLWT}	C1 to C5*1 = 0.47 μF	500	-	-	ms		

Note 1. This is a capacitor that is connected between voltage pins used to drive the LCD.

C1: A capacitor connected between CAPH and CAPL

C2: A capacitor connected between VL1 and GND

C3: A capacitor connected between VL2 and GND

C4: A capacitor connected between VL3 and GND

C5: A capacitor connected between VL4 and GND

C1 = C2 = C3 = C4 = C5 = 0.47 μF ± 30%

Note 2. This is the time required to wait from when the reference voltage is specified by using the VLCD register or when the internal voltage boosting method is selected (by setting the MDSET[1] and MDSET[0] bits in the LCDM0 register to 01b) if the default value reference voltage is used) until voltage boosting starts (VLCON = 1).

Note 3. This is the wait time from when voltage boosting is started (VLCON = 1) until display is enabled (LCDON = 1).

Note 4. V_{L4} must be 5.5 V or lower.

51.12.3 Capacitor Split Method

[1/3 Bias Method]

Table 51.73 Internal voltage boosting method LCD characteristics

Conditions: VCC = 2.2 V to 5.5 V

Parameter	Symbol	Conditions	Min	Typ	Max	Unit	Test conditions
VL4 voltage*1	V _{L4}	C1 to C4 = 0.47 μF*2	-	VCC	-	V	-
VL2 voltage*1	V _{L2}	C1 to C4 = 0.47 μF*2	2/3 × V _{L4} - 0.07	2/3 × V _{L4}	2/3 × V _{L4} + 0.07	V	-
VL1 voltage*1	V _{L1}	C1 to C4 = 0.47 μF*2	1/3 × V _{L4} - 0.08	1/3 × V _{L4}	1/3 × V _{L4} + 0.08	V	-
Capacitor split wait time*1	t _{WAIT}		100	-	-	ms	Figure 51.93

Note 1. This is the wait time from when voltage bucking is started (VLCON = 1) until display is enabled (LCDON = 1).

Note 2. This is a capacitor that is connected between voltage pins used to drive the LCD.

C1: A capacitor connected between CAPH and CAPL

C2: A capacitor connected between VL1 and GND

C3: A capacitor connected between VL2 and GND

C4: A capacitor connected between VL4 and GND

C1 = C2 = C3 = C4 = 0.47 μF ± 30%.

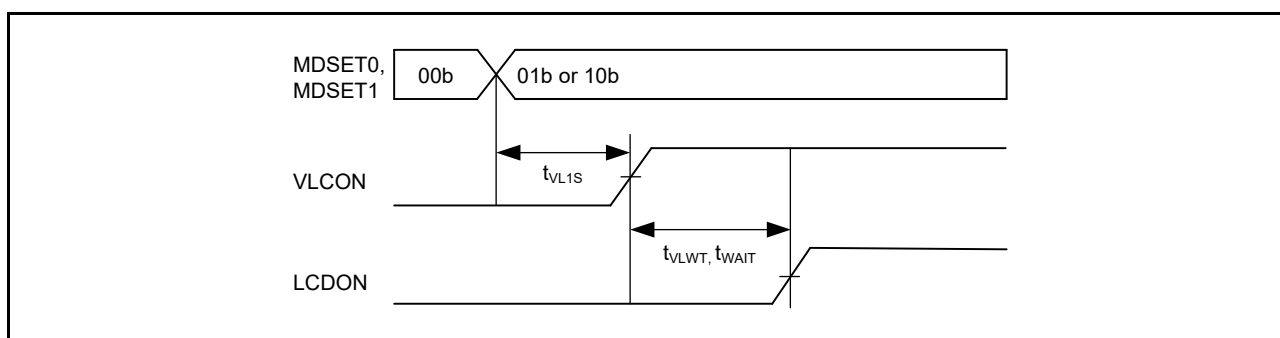


Figure 51.93 LCD reference voltage setup time, voltage boosting wait time, and capacitor split wait time

51.13 Comparator Characteristics

Table 51.74 ACMLP characteristics

Conditions: VCC = 1.8 to 5.5 V

Parameter	Symbol	Min	Typ	Max	Unit	Test conditions		
Reference voltage range	Standard mode	IVREFn (n = 0,1)	VREF	0	-	VCC - 1.4	V	-
	Window mode*2	IVREF1	VREFH	1.4	-	VCC	V	-
		IVREF0	VREFL	0	-	VCC - 1.4	V	-
Input voltage range	VI	0	-	VCC	V	-		
Internal reference voltage	-	1.36	1.44	1.50	V	-		
Output delay	High-speed mode	Td	-	-	1.2	μs	VCC = 3.0 Slew rate of input signal > 50 mV/μs	
	Low-speed mode	-	-	-	5	μs		
	Window mode	-	-	-	2	μs		
Offset voltage*1	High-speed mode	-	-	-	50	mV	-	
	Low-speed mode	-	-	-	40	mV	-	
	Window mode	-	-	-	60	mV	-	
Operation stabilization wait time	T _{cmp}	100	-	-	μs	-		

Note 1. When 8-bit DAC output is used as the reference voltage, the offset voltage increases up to $2.5 \times VCC/256$.

Note 2. In window mode, be sure to satisfy the following condition: $IVREF1 - IVREF0 \geq 0.2 V$.

51.14 OPAMP Characteristics

Table 51.75 OPAMP characteristics (1 of 2)

Conditions: VCC = AVCC0 = 1.8 to 5.5 V (AVCC0 = VCC when VCC < 2.0 V)

Parameter	Symbol	Conditions	Min	Typ	Max	Unit
Common mode input range	Vicm1	Low-power mode	0.2	-	AVCC0 - 0.5	V
	Vicm2	High-speed mode	0.3	-	AVCC0 - 0.6	V
Output voltage range	Vo1	Low-power mode	0.1	-	AVCC0 - 0.1	V
	Vo2	High-speed mode	0.1	-	AVCC0 - 0.1	V
Input offset voltage	Vioff	3σ	-10	-	10	mV
Open gain	Av		60	120	-	dB
Gain-bandwidth (GB) product	GBW1	Low-power mode	-	0.04	-	MHz
	GBW2	High-speed mode	-	1.7	-	MHz
Phase margin	PM	CL = 20 pF	50	-	-	deg
Gain margin	GM	CL = 20 pF	10	-	-	dB

Table 51.75 OPAMP characteristics (2 of 2)

Conditions: VCC = AVCC0 = 1.8 to 5.5 V (AVCC0 = VCC when VCC < 2.0 V)

Parameter	Symbol	Conditions	Min	Typ	Max	Unit	
Equivalent input noise	Vnoise1	f = 1 kHz	-	230	-	nV/√Hz	
	Vnoise2	f = 10 kHz					
	Vnoise3	f = 1 kHz	-	90	-	nV/√Hz	
	Vnoise4	f = 2 kHz					
Power supply reduction ratio	PSRR		-	90	-	dB	
Common mode signal reduction ratio	CMRR		-	90	-	dB	
Stabilization wait time	Tstd1	CL = 20 pF Only operational amplifier is activated *1	Low power mode	650	-	-	μs
	Tstd2		High-speed mode	13	-	-	μs
	Tstd3	CL = 20 pF Operational amplifier and reference current circuit are activated simultaneously	Low power mode	650	-	-	μs
	Tstd4		High-speed mode	13	-	-	μs
Settling time	Tset1	CL = 20 pF	Low power mode	-	-	750	μs
	Tset2		High-speed mode	-	-	13	μs
Slew rate	Tslew1	CL = 20 pF	Low power mode	-	0.02	-	V/μs
	Tslew2		High-speed mode	-	1.1	-	V/μs
Load current	Iload1	Low power mode	-100	-	100	μA	
	Iload2	High-speed mode	-100	-	100	μA	
Load capacitance	CL		-	-	20	pF	

Note 1. When the operational amplifier reference current circuit is activated in advance.

51.15 Flash Memory Characteristics

51.15.1 Code Flash Memory Characteristics

Table 51.76 Code flash characteristics (1)

Parameter	Symbol	Min	Typ	Max	Unit	Test conditions
Reprogramming/erasure cycle*1	N _{PEC}	1000	-	-	Times	-
Data hold time	After 1000 times of N _{PEC}	t _{DRP}	20*2, *3	-	Year	T _a = +85°C

Note 1. The reprogram/erase cycle is the number of erasures for each block. When the reprogram/erase cycle is n times (n = 1000), erasing can be done n times for each block. For instance, when 8-byte programming is performed 256 times for different addresses in 2-KB blocks, and the entire block is erased, the reprogram/erase cycle is counted as one. However, programming the same address for several times as one erasure is not enabled (overwriting is prohibited).

Note 2. Characteristic when using the flash memory programmer and the self-programming library provided by Renesas Electronics.

Note 3. This result is obtained from reliability testing.

Table 51.77 Code flash characteristics (2) (1 of 2)

High-speed operating mode

Conditions: VCC = 2.7 to 5.5 V

Parameter	Symbol	FCLK = 1 MHz			FCLK = 32 MHz			Unit	
		Min	Typ	Max	Min	Typ	Max		
Programming time	8-byte	t _{P8}	-	116	998	-	54	506	μs
Erasure time	2-KB	t _{E2K}	-	9.03	287	-	5.67	222	ms
Blank check time	8-byte	t _{BC8}	-	-	56.8	-	-	16.6	μs
	2-KB	t _{BC2K}	-	-	1899	-	-	140	μs
Erase suspended time		t _{SED}	-	-	22.5	-	-	10.7	μs
Startup area switching setting time		t _{SAS}	-	21.7	585	-	12.1	447	ms
Access window time		t _{AWS}	-	21.7	585	-	12.1	447	ms

Table 51.77 Code flash characteristics (2) (2 of 2)

High-speed operating mode
Conditions: VCC = 2.7 to 5.5 V

Parameter	Symbol	FCLK = 1 MHz			FCLK = 32 MHz			Unit
		Min	Typ	Max	Min	Typ	Max	
OCD/serial programmer ID setting time	t _{OSIS}	-	21.7	585	-	12.1	447	ms
Flash memory mode transition wait time 1	t _{DIS}	2	-	-	2	-	-	μs
Flash memory mode transition wait time 2	t _{MS}	5	-	-	5	-	-	μs

Note: Does not include the time until each operation of the flash memory is started after instructions are executed by software.

Note: The lower-limit frequency of FCLK is 1 MHz during programming or erasing the flash memory. When using FCLK at below 4 MHz, the frequency can be set to 1 MHz, 2 MHz, or 3 MHz. A non-integer frequency value, such as 1.5 MHz, cannot be set.

Note: The frequency accuracy of FCLK must be ±3.5%. Confirm the frequency accuracy of the clock source.

Table 51.78 Code flash characteristics (3)

Middle-speed operating mode
Conditions: VCC = 1.8 to 5.5 V, Ta = -40 to +85°C

Parameter		Symbol	FCLK = 1 MHz			FCLK = 8 MHz			Unit
			Min	Typ	Max	Min	Typ	Max	
Programming time	8-byte	t _{p8}	-	157	1411	-	101	966	μs
Erasure time	2-KB	t _{E2K}	-	9.10	289	-	6.10	228	ms
Blank check time	8-byte	t _{BC8}	-	-	87.7	-	-	52.5	μs
	2-KB	t _{BC2K}	-	-	1930	-	-	414	μs
Erase suspended time		t _{SED}	-	-	32.7	-	-	21.6	μs
Startup area switching setting time		t _{SAS}	-	22.5	592	-	14.0	464	ms
Access window time		t _{AWS}	-	22.5	592	-	14.0	464	ms
OCD/serial programmer ID setting time		t _{OSIS}	-	22.5	592	-	14.0	464	ms
Flash memory mode transition wait time 1		t _{DIS}	2	-	-	2	-	-	μs
Flash memory mode transition wait time 2		t _{MS}	720	-	-	720	-	-	ns

Note: Does not include the time until each operation of the flash memory is started after instructions are executed by software.

Note: The lower-limit frequency of FCLK is 1 MHz during programming or erasing the flash memory. When using FCLK at below 4 MHz, the frequency can be set to 1 MHz, 2 MHz, or 3 MHz. A non-integer frequency such as 1.5 MHz cannot be set.

Note: The frequency accuracy of FCLK must be ±3.5%. Confirm the frequency accuracy of the clock source.

51.15.2 Data Flash Memory Characteristics

Table 51.79 Data flash characteristics (1)

Parameter		Symbol	Min	Typ	Max	Unit	Test conditions
Reprogramming/erasure cycle*1		N _{DPEC}	100000	1000000	-	Times	-
Data hold time	After 10000 times of N _{DPEC}	t _{DDRP}	20*2, *3	-	-	Year	Ta = +85°C
	After 100000 times of N _{DPEC}		5*2, *3	-	-	Year	
	After 1000000 times of N _{DPEC}		-	1*2, *3	-	Year	

Note 1. The reprogram/erase cycle is the number of erasure for each block. When the reprogram/erase cycle is n times (n = 100000), erasing can be performed n times for each block. For instance, when 1-byte programming is performed 1000 times for different addresses in 1-byte blocks, and then the entire block is erased, the reprogram/erase cycle is counted as one. However, programming the same address for several times as one erasure is not enabled. (overwriting is prohibited).

Note 2. Characteristics when using the flash memory programmer and the self-programming library provided by Renesas Electronics.

Note 3. These results are obtained from reliability testing.

Table 51.80 Data flash characteristics (2)

High-speed operating mode
Conditions: VCC = 2.7 to 5.5 V

Parameter		Symbol	FCLK = 4 MHz			FCLK = 32 MHz			Unit
			Min	Typ	Max	Min	Typ	Max	
Programming time	1-byte	t _{DP1}	-	52.4	463	-	42.1	387	μs
Erase time	1-KB	t _{DE1K}	-	8.98	286	-	6.42	237	ms
Blank check time	1-byte	t _{DBC1}	-	-	24.3	-	-	16.6	μs
	1-KB	t _{DBC1K}	-	-	1872	-	-	512	μs
Suspended time during erasing		t _{DSED}	-	-	13.0	-	-	10.7	μs
Data flash STOP recovery time		t _{DSTOP}	5	-	-	5	-	-	μs

Note: Does not include the time until each operation of the flash memory is started after instructions are executed by software.

Note: The lower-limit frequency of FCLK is 1 MHz during programming or erasing the flash memory. When using FCLK at below 4 MHz, the frequency can be set to 1 MHz, 2 MHz, or 3 MHz. A non-integer frequency such as 1.5 MHz cannot be set.

Note: The frequency accuracy of FCLK must be ±3.5%. Confirm the frequency accuracy of the clock source.

Table 51.81 Data flash characteristics (3)

Middle-speed operating mode
Conditions: VCC = 1.8 to 5.5 V, Ta = -40 to +85°C

Parameter		Symbol	FCLK = 4 MHz			FCLK = 8 MHz			Unit
			Min	Typ	Max	Min	Typ	Max	
Programming time	1-byte	t _{DP1}	-	94.7	886	-	89.3	849	μs
Erase time	1-KB	t _{DE1K}	-	9.59	299	-	8.29	273	ms
Blank check time	1-byte	t _{DBC1}	-	-	56.2	-	-	52.5	μs
	1-KB	t _{DBC1K}	-	-	2.17	-	-	1.51	ms
Suspended time during erasing		t _{DSED}	-	-	23.0	-	-	21.7	μs
Data flash STOP recovery time		t _{DSTOP}	720	-	-	720	-	-	ns

Note: Does not include the time until each operation of the flash memory is started after instructions are executed by software.

Note: The lower-limit frequency of FCLK is 1 MHz during programming or erasing the flash memory. When using FCLK at below 4 MHz, the frequency can be set to 1 MHz, 2 MHz, or 3 MHz. A non-integer frequency such as 1.5 MHz cannot be set.

Note: The frequency accuracy of FCLK must be ±3.5%. Confirm the frequency accuracy of the clock source.

51.16 Boundary Scan

Table 51.82 Boundary scan

Conditions: VCC = AVCC0 = 2.4 to 5.5 V

Parameter	Symbol	Min	Typ	Max	Unit	Test conditions
TCK clock cycle time	t _{TCKcyc}	100	-	-	ns	Figure 51.94
TCK clock high pulse width	t _{TCKH}	45	-	-	ns	
TCK clock low pulse width	t _{TCKL}	45	-	-	ns	
TCK clock rise time	t _{TCKr}	-	-	5	ns	
TCK clock fall time	t _{TCKf}	-	-	5	ns	
TMS setup time	t _{TMSS}	20	-	-	ns	Figure 51.95
TMS hold time	t _{TMSH}	20	-	-	ns	
TDI setup time	t _{TDIS}	20	-	-	ns	
TDI hold time	t _{TDIH}	20	-	-	ns	
TDO data delay	t _{TDOD}	-	-	70	ns	Figure 51.96
Boundary Scan circuit start up time*1	t _{BSSTUP}	t _{RESWP}	-	-	-	

Note 1. Boundary scan does not function until power-on-reset becomes negative.

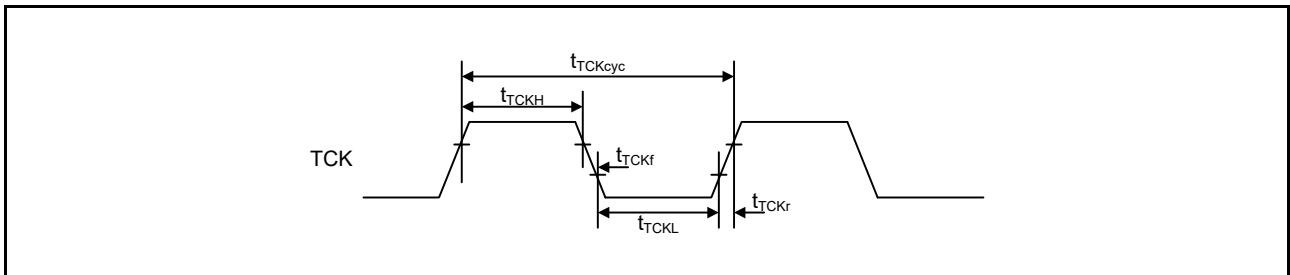


Figure 51.94 Boundary scan TCK timing

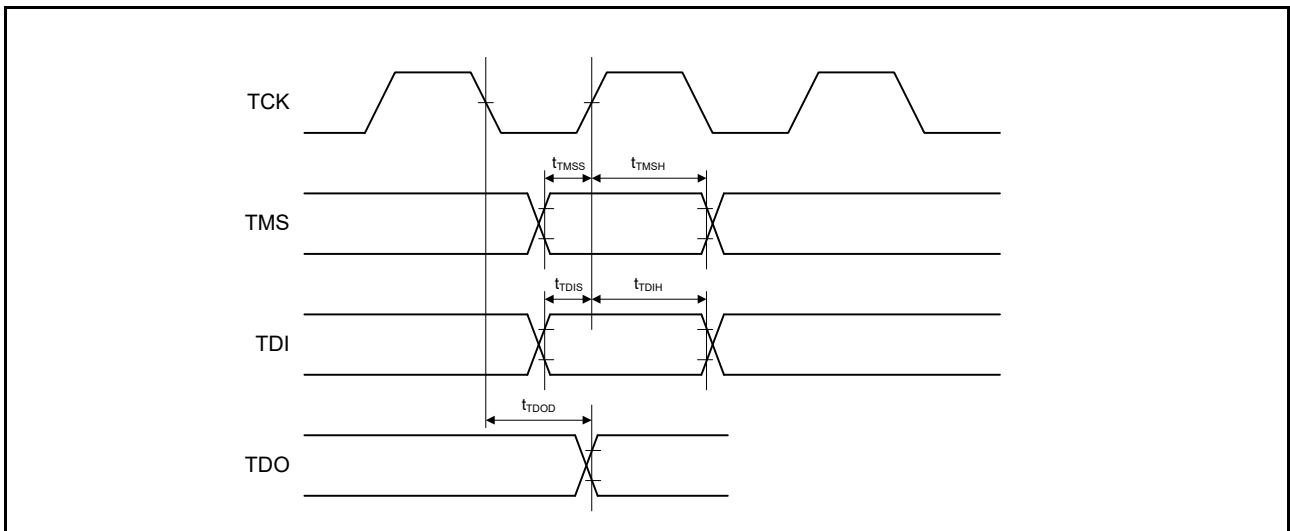


Figure 51.95 Boundary scan input/output timing

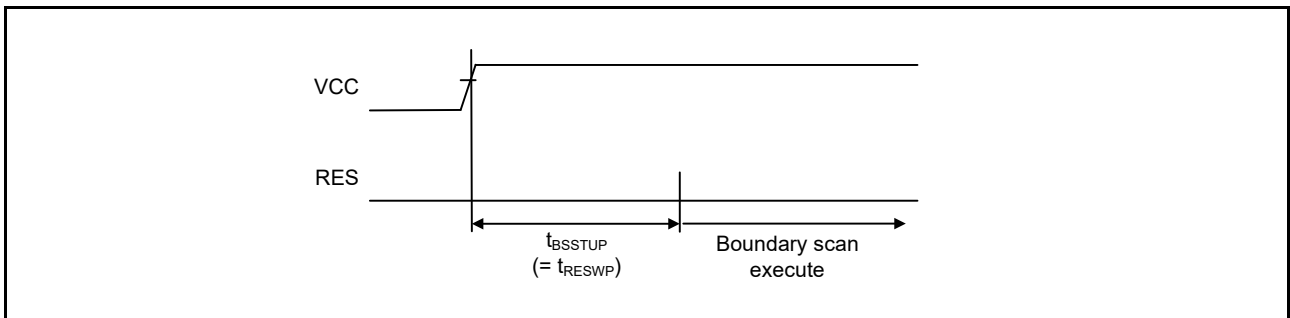


Figure 51.96 Boundary scan circuit start up timing

51.17 Joint Test Action Group (JTAG)

Table 51.83 JTAG (debug) characteristics (1) (1 of 2)

Conditions: VCC = 2.4 to 5.5 V

Parameter	Symbol	Min	Typ	Max	Unit	Test conditions
TCK clock cycle time	t_{TCKcyc}	80	-	-	ns	Figure 51.97
TCK clock high pulse width	t_{TCKH}	35	-	-	ns	
TCK clock low pulse width	t_{TCKL}	35	-	-	ns	
TCK clock rise time	t_{TCKr}	-	-	5	ns	
TCK clock fall time	t_{TCKf}	-	-	5	ns	

Table 51.83 JTAG (debug) characteristics (1) (2 of 2)

Conditions: VCC = 2.4 to 5.5 V

Parameter	Symbol	Min	Typ	Max	Unit	Test conditions
TMS setup time	t_{TMSS}	16	-	-	ns	Figure 51.98
TMS hold time	t_{TMSh}	16	-	-	ns	
TDI setup time	t_{TDis}	16	-	-	ns	
TDI hold time	t_{TDIH}	16	-	-	ns	
TDO data delay time	t_{TDOD}	-	-	70	ns	

Table 51.84 JTAG (debug) characteristics (2)

Conditions: VCC = 1.6 to 2.4 V

Parameter	Symbol	Min	Typ	Max	Unit	Test conditions
TCK clock cycle time	t_{TCKcyc}	250	-	-	ns	Figure 51.97
TCK clock high pulse width	t_{TCKH}	120	-	-	ns	
TCK clock low pulse width	t_{TCKL}	120	-	-	ns	
TCK clock rise time	t_{TCKr}	-	-	5	ns	
TCK clock fall time	t_{TCKf}	-	-	5	ns	
TMS setup time	t_{TMSS}	50	-	-	ns	Figure 51.98
TMS hold time	t_{TMSh}	50	-	-	ns	
TDI setup time	t_{TDis}	50	-	-	ns	
TDI hold time	t_{TDIH}	50	-	-	ns	
TDO data delay time	t_{TDOD}	-	-	150	ns	

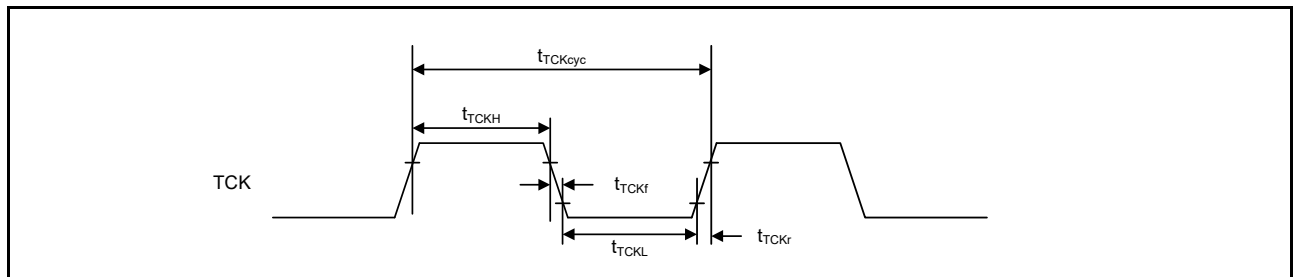


Figure 51.97 JTAG TCK timing

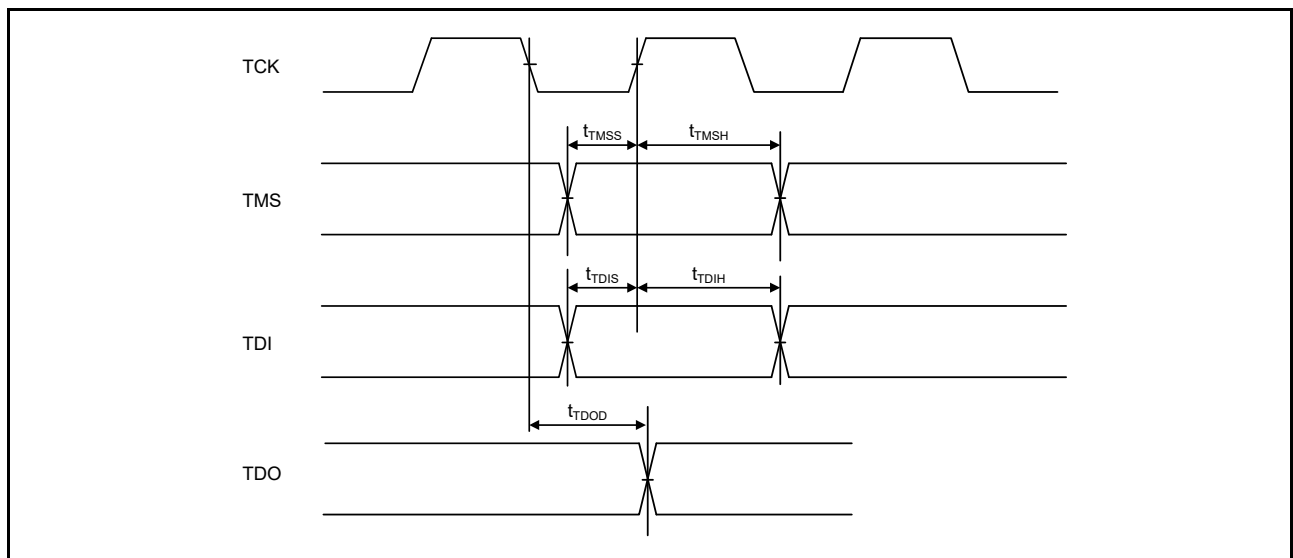


Figure 51.98 JTAG input/output timing

51.17.1 Serial Wire Debug (SWD)

Table 51.85 SWD characteristics (1)

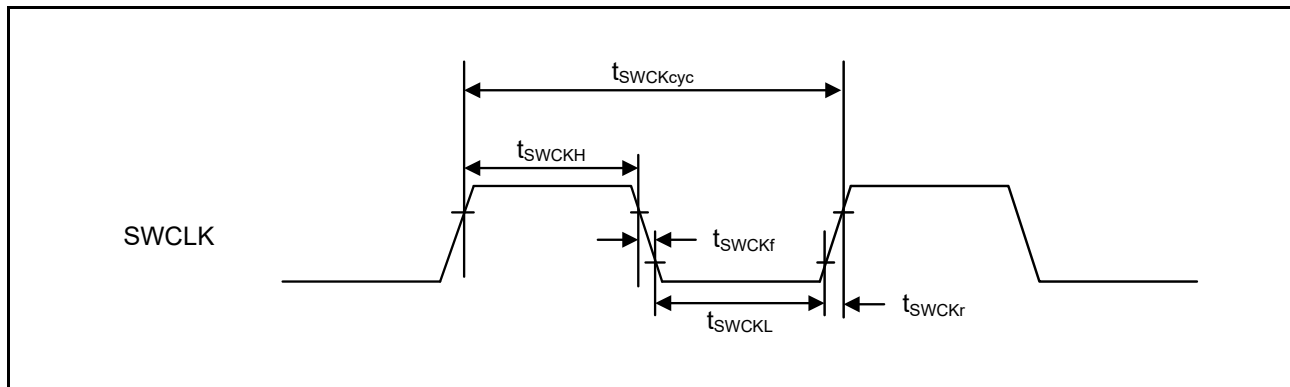
Conditions: VCC = 2.4 to 5.5 V

Parameter	Symbol	Min	Typ	Max	Unit	Test conditions
SWCLK clock cycle time	t_{SWCKcyc}	80	-	-	ns	Figure 51.99
SWCLK clock high pulse width	t_{SWCKH}	35	-	-	ns	
SWCLK clock low pulse width	t_{SWCKL}	35	-	-	ns	
SWCLK clock rise time	t_{SWCKr}	-	-	5	ns	
SWCLK clock fall time	t_{SWCKf}	-	-	5	ns	
SWDIO setup time	t_{SWDS}	16	-	-	ns	Figure 51.100
SWDIO hold time	t_{SWDH}	16	-	-	ns	
SWDIO data delay time	t_{SWDD}	2	-	70	ns	

Table 51.86 SWD characteristics (2)

Conditions: VCC = 1.6 to 2.4 V

Parameter	Symbol	Min	Typ	Max	Unit	Test conditions
SWCLK clock cycle time	t_{SWCKcyc}	250	-	-	ns	Figure 51.99
SWCLK clock high pulse width	t_{SWCKH}	120	-	-	ns	
SWCLK clock low pulse width	t_{SWCKL}	120	-	-	ns	
SWCLK clock rise time	t_{SWCKr}	-	-	5	ns	
SWCLK clock fall time	t_{SWCKf}	-	-	5	ns	
SWDIO setup time	t_{SWDS}	50	-	-	ns	Figure 51.100
SWDIO hold time	t_{SWDH}	50	-	-	ns	
SWDIO data delay time	t_{SWDD}	2	-	150	ns	

**Figure 51.99 SWD SWCLK timing**

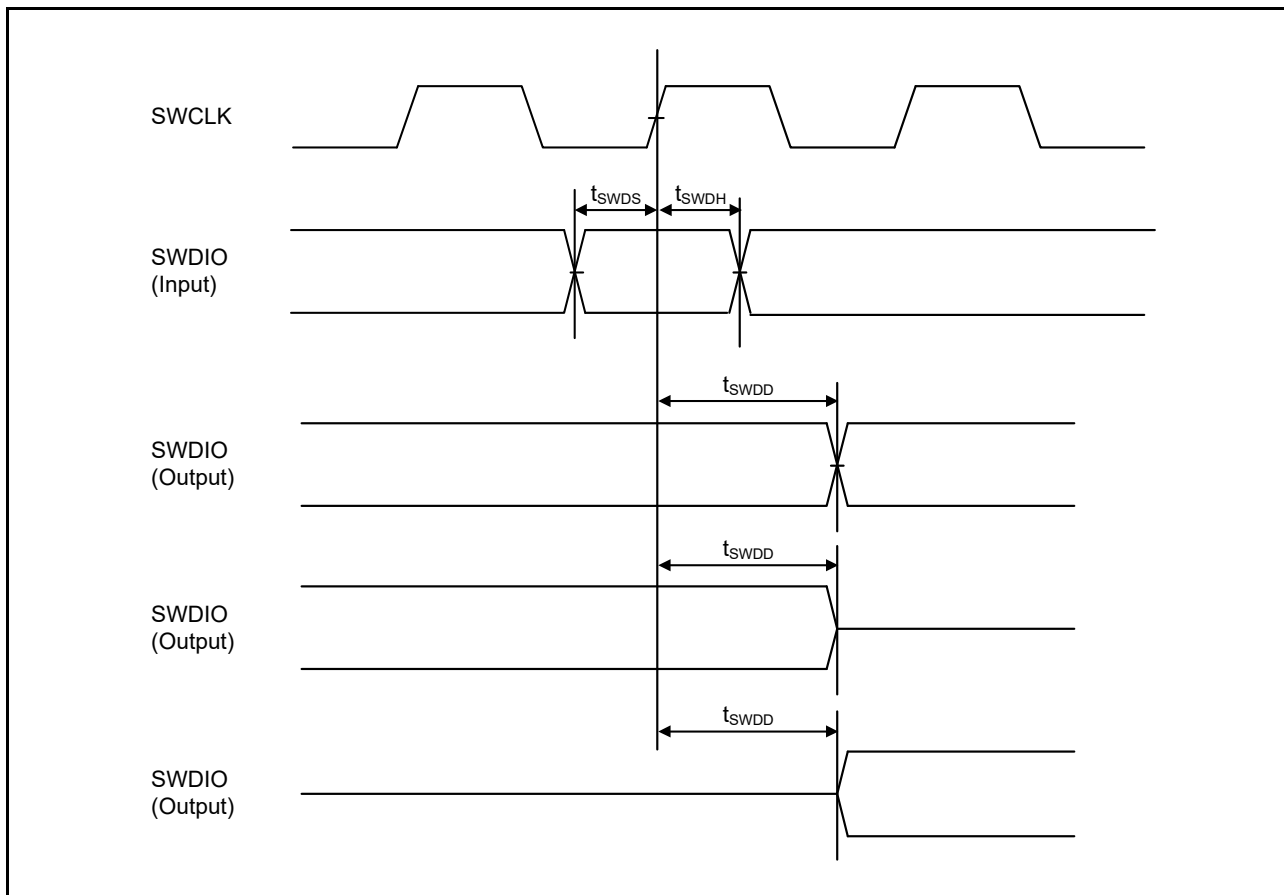


Figure 51.100 SWD input/output timing

Appendix 1. Port States in each Processing Mode

Table 1.1 Port states in each processing state (1 of 6)

Port Name	Reset	Software Standby Mode	
		OPE = 0	OPE = 1
P000/IRQ6	Hi-Z		Keep-O ¹
P001/IRQ7	Hi-Z		Keep-O ¹
P002/IRQ2	Hi-Z		Keep-O ¹
P003	Hi-Z		Keep-O
P004/IRQ3	Hi-Z		Keep-O ¹
P005/IRQ10	Hi-Z		Keep-O ¹
P006/IRQ11	Hi-Z		Keep-O ¹
P007	Hi-Z		Keep-O
P008/IRQ12	Hi-Z		Keep-O ¹
P009/IRQ13	Hi-Z		Keep-O ¹
P010/IRQ14	Hi-Z		Keep-O ¹
P011/IRQ15	Hi-Z		Keep-O ¹
P012	Hi-Z		Keep-O
P013	Hi-Z		Keep-O
P014/DA0	Hi-Z		[DA0 output (DAOE0 = 1)] DA output retained [All other (DAOE0 = 0)] Keep-O
P015/IRQ7	Hi-Z		Keep-O ¹
P100/D00/RXD0/CMPIN0/KR00/IRQ2/AGTIO0	Hi-Z		[D00 output] Hi-Z [AGTIO0 selected] AGTIO0 output ² [All other] Keep-O ¹
P101/D01/CMPREF0/KR01/IRQ1	Hi-Z		[D01 output] Hi-Z [All other] Keep-O ¹
P102/D02/CMPIN1/KR02/AGTO0	Hi-Z		[D02 output] Hi-Z [AGTO0 selected] AGTO0 output ² [All other] Keep-O ¹
P103/D03/CMPREF1/KR03	Hi-Z		[D03 output] Hi-Z [All other] Keep-O ¹
P104/D04/RXD0/KR04/IRQ1	Hi-Z		[D04 output] Hi-Z [All other] Keep-O ¹
P105/D05/KR05/IRQ0	Hi-Z		[D05 output] Hi-Z [All other] Keep-O ¹
P106/D06/KR06	Hi-Z		[D06 output] Hi-Z [All other] Keep-O ¹
P107/D07/KR07	Hi-Z		[D07 output] Hi-Z [All other] Keep-O ¹
P108/TMS	Pull-up		Keep-O

Table 1.1 Port states in each processing state (2 of 6)

Port Name	Reset	Software Standby Mode	
		OPE = 0	OPE = 1
P109/TDO/CLKOUT	TDO output	[CLKOUT selected] CLKOUT output [All other] Keep-O	
P110/IRQ3/TDI/VCOULT	Pull-up	[ACMPLP selected] VCOULT output [All other] Keep-O ¹	
P111/A05/IRQ4	Hi-Z	[A05 output] Hi-Z [All other] Keep-O ¹	[A05 output] Address output retained [All other] Keep-O ¹
P112/A04	Hi-Z	[A04 output] Hi-Z [All other] Keep-O	[A04 output] Address output retained [All other] Keep-O
P113/A03	Hi-Z	[A03 output] Hi-Z [All other] Keep-O	[A03 output] Address output retained [All other] Keep-O
P114/A02	Hi-Z	[A02 output] Hi-Z [All other] Keep-O	[A02 output] Address output retained [All other] Keep-O
P115/A01	Hi-Z	[A01 output] Hi-Z [All other] Keep-O	[A01 output] Address output retained [All other] Keep-O
P200/NMI	Hi-Z	Hi-Z	
P201	Pull-up	Keep-O	
P202/WR1/BC1/IRQ3	Hi-Z	[WR1/BC1 output] Hi-Z [All other] Keep-O ¹	[WR1/BC1 output] H [All other] Keep-O ¹
P203/A19/IRQ2	Hi-Z	[A19 output] Hi-Z [All other] Keep-O ¹	[A19 output] Address output retained [All other] Keep-O ¹
P204/A18/SCL0/USB_OVRCURB/AGTIO1	Hi-Z	[A18 output] Hi-Z [AGTIO1 selected] AGTIO1 output ² [All other] Keep-O ¹	[A18 output] Address output retained [AGTIO1 selected] AGTIO1 output ² [All other] Keep-O ¹
P205/A16/USB_OVRCURA/IRQ1/CLKOUT/AGTO1	Hi-Z	[A16 output] Hi-Z [CLKOUT selected] CLKOUT output [AGTO1 selected] AGTO1 output ² [All other] Keep-O ¹	[A16 output] Address output retained [CLKOUT selected] CLKOUT output [AGTO1 selected] AGTO1 output ² [All other] Keep-O ¹
P206/WAIT/IRQ0	Hi-Z	Keep-O ¹	
P212/IRQ3/EXTAL	Hi-Z	Keep-O ¹	
P213/IRQ2/XTAL	Hi-Z	Keep-O ¹	
P214/XCOUT	Hi-Z	[Sub-clock oscillator selected] Sub-clock oscillator is operating [All other] Hi-Z	
P215/XCIN	Hi-Z	[Sub-clock oscillator selected] Sub-clock oscillator is operating [All other] Hi-Z	
P300/TCK	Pull-up	Keep-O	

Table 1.1 Port states in each processing state (3 of 6)

Port Name	Reset	Software Standby Mode	
		OPE = 0	OPE = 1
P301/A06/IRQ6/AGTIO0	Hi-Z	[A06 output] Hi-Z [AGTIO0 selected] AGTIO0 output ^{*2} [All other] Keep-O ^{*1}	[A06 output] Address output retained [AGTIO0 selected] AGTIO0 output ^{*2} [All other] Keep-O ^{*1}
P302/A07/IRQ5	Hi-Z	[A07 output] Hi-Z [All other] Keep-O ^{*1}	[A07 output] Address output retained [All other] Keep-O ^{*1}
P303/A08	Hi-Z	[A08 output] Hi-Z [All other] Keep-O	[A08 output] Address output retained [All other] Keep-O
P304/A09/IRQ9	Hi-Z	[A09 output] Hi-Z [All other] Keep-O ^{*1}	[A09 output] Address output retained [All other] Keep-O ^{*1}
P305/A10/IRQ8	Hi-Z	[A10 output] Hi-Z [All other] Keep-O ^{*1}	[A10 output] Address output retained [All other] Keep-O ^{*1}
P306/A11	Hi-Z	[A11 output] Hi-Z [All other] Keep-O	[A11 output] Address output retained [All other] Keep-O
P307/A12	Hi-Z	[A12 output] Hi-Z [All other] Keep-O	[A12 output] Address output retained [All other] Keep-O
P308/A13	Hi-Z	[A13 output] Hi-Z [All other] Keep-O	[A13 output] Address output retained [All other] Keep-O
P309/A14	Hi-Z	[A14 output] Hi-Z [All other] Keep-O	[A14 output] Address output retained [All other] Keep-O
P310/A15	Hi-Z	[A15 output] Hi-Z [All other] Keep-O	[A15 output] Address output retained [All other] Keep-O
P311/CS2/AGTOB1	Hi-Z	[CS2 output] Hi-Z [AGTOB1 selected] AGTOB1 output ^{*2} [All other] Keep-O	[CS2 output] H [AGTOB1 selected] AGTOB1 output ^{*2} [All other] Keep-O
P312/CS3/AGTOA1	Hi-Z	[CS3 output] Hi-Z [AGTOA1 selected] AGTOA1 output ^{*2} [All other] Keep-O	[CS3 output] H [AGTOA1 selected] AGTOA1 output ^{*2} [All other] Keep-O
P313/A20	Hi-Z	[A20 output] Hi-Z [All other] Keep-O	[A20 output] Address output retained [All other] Keep-O
P314/A21	Hi-Z	[A21 output] Hi-Z [All other] Keep-O	[A21 output] Address output retained [All other] Keep-O
P315/A22	Hi-Z	[A22 output] Hi-Z [All other] Keep-O	[A22 output] Address output retained [All other] Keep-O
P400/SCL0/IRQ0/AGTIO1	Hi-Z	[AGTIO1 selected] AGTIO1 output ^{*2} [All other] Keep-O ^{*1}	

Table 1.1 Port states in each processing state (4 of 6)

Port Name	Reset	Software Standby Mode	
		OPE = 0	OPE = 1
P401/SDA0/IRQ5	Hi-Z		Keep-O ¹
P402/RTCIC0/IRQ4	Hi-Z		[All other] Keep-O ¹
P403/RTCIC1	Hi-Z		[All other] Keep-O ¹
P404/RTCIC2	Hi-Z		Keep-O ¹
P405	Hi-Z		Keep-O
P406	Hi-Z		Keep-O
P407/SDA0/USB_VBUS/RTCOUT/AGTIO0	Hi-Z		[RTCOUT selected] RTCOUT output [AGTIO0 selected] AGTIO0 output ² [All other] Keep-O ¹
P408/SCL0/IRQ7	Hi-Z		Keep-O ¹
P409/IRQ6	Hi-Z		Keep-O ¹
P410/RXD0/IRQ5/AGTOB1	Hi-Z		[AGTOB1 selected] AGTOB1 output ² [All other] Keep-O ¹
P411/IRQ4/AGTOA1	Hi-Z		[AGTOA1 selected] AGTOA1 output ² [All other] Keep-O ¹
P412	Hi-Z		Keep-O
P413	Hi-Z		Keep-O
P414/IRQ9	Hi-Z		Keep-O ¹
P415/IRQ8	Hi-Z		Keep-O ¹
P500/CMPREF1/AGTOA0	Hi-Z		[AGTOA0 selected] AGTOA0 output ² [All other] Keep-O ¹
P501/CMPIN1/USB_OVRCURA/IRQ11/ AGTOB0	Hi-Z		[AGTOB0 selected] AGTOB0 output ² [All other] Keep-O ¹
P502/CMPREF0/USB_OVRCURB/IRQ12	Hi-Z		Keep-O ¹
P503/CMPIN0	Hi-Z		Keep-O ¹
P504/ALE	Hi-Z	[ALE output] Hi-Z [All other] Keep-O	[ALE output] L [All other] Keep-O
P505/IRQ14	Hi-Z		Keep-O ¹
P506/IRQ15	Hi-Z		Keep-O ¹
P507	Hi-Z		Keep-O
P511/IRQ15	Hi-Z		Keep-O ¹
P512/IRQ14	Hi-Z		Keep-O ¹
P600/RD	Hi-Z	[RD output] Hi-Z [All other] Keep-O	[RD output] H [All other] Keep-O
P601/WR/WR0	Hi-Z	[WR0/WR output] Hi-Z [All other] Keep-O	[WR0/WR output] H [All other] Keep-O
P602/EBCLK	Hi-Z		[EBCLK output] H [All other] Keep-O

Table 1.1 Port states in each processing state (5 of 6)

Port Name	Reset	Software Standby Mode	
		OPE = 0	OPE = 1
P603/D13	Hi-Z		[D13 output] Hi-Z [All other] Keep-O
P604/D12	Hi-Z		[D12 output] Hi-Z [All other] Keep-O
P605/D11	Hi-Z		[D11 output] Hi-Z [All other] Keep-O
P606/RTCOU	Hi-Z		[RTCOU selected] RTCOU output [All other] Keep-O
P608/A00/BC0	Hi-Z	[A00 output] Hi-Z [BC0 output] Hi-Z [All other] Keep-O	[A00 output] Address output retained [BC0 output] H [All other] Keep-O
P609/CS1	Hi-Z	[CS1 output] Hi-Z [All other] Keep-O	[CS1 output] H [All other] Keep-O
P610/CS0	Hi-Z	[CS0 output] Hi-Z [All other] Keep-O	[CS0 output] H [All other] Keep-O
P611	Hi-Z		Keep-O
P612/D08	Hi-Z		[D08 output] Hi-Z [All other] Keep-O
P613/D09	Hi-Z		[D09 output] Hi-Z [All other] Keep-O
P614/D10	Hi-Z		[D10 output] Hi-Z [All other] Keep-O
P700	Hi-Z		Keep-O
P701	Hi-Z		Keep-O
P702	Hi-Z		Keep-O
P703/VCOU	Hi-Z		[ACMPLP selected] VCOU output [All other] Keep-O
P704/AGTO0	Hi-Z		[AGTO0 selected] AGTO0 output*2 [All other] Keep-O
P705/AGTIO0	Hi-Z		[AGTIO0 selected] AGTIO0 output*2 [All other] Keep-O
P708/IRQ11	Hi-Z		Keep-O*1
P709/IRQ10	Hi-Z		Keep-O*1
P710/A17	Hi-Z	[A17 output] Hi-Z [All other] Keep-O	[A17 output] Address output retained [All other] Keep-O
P711	Hi-Z		Keep-O

Table 1.1 Port states in each processing state (6 of 6)

Port Name	Reset	Software Standby Mode	
		OPE = 0	OPE = 1
P712/AGTOB0	Hi-Z		[AGTOB0 selected] AGTOB0 output* ² [All other] Keep-O
P713/AGTOA0	Hi-Z		[AGTOA0 selected] AGTOA0 output* ² [All other] Keep-O
P800/D14	Hi-Z		[D14 output] Hi-Z [All other] Keep-O
P801/D15	Hi-Z		[D15 output] Hi-Z [All other] Keep-O
P802	Hi-Z		Keep-O
P803	Hi-Z		Keep-O
P804	Hi-Z		Keep-O
P805	Hi-Z		Keep-O
P806	Hi-Z		Keep-O
P807	Hi-Z		Keep-O
P808	Hi-Z		Keep-O
P809	Hi-Z		Keep-O
P900/A23	Hi-Z	[A23 output] Hi-Z [All other] Keep-O	[A23 output] Address output retained [All other] Keep-O
P901/ AGTIO1	Hi-Z		[AGTIO1 selected] AGTIO1 output* ² [All other] Keep-O
P902/AGTO1	Hi-Z		[AGTO1 selected] AGTO1 output* ² [All other] Keep-O
P914/USB_DP	Hi-Z		Keep-O
P915/USB_DM	Hi-Z		Keep-O

H: High-level

L: Low-level

Hi-Z: High-impedance

Keep-O: Output pins retain their previous values. Input pins go to high-impedance.

Note: The LCD output is retained when the LCD controller/driver pin functions (COM0 to COM7 and SEG00 to SEG24) are set and LOCO or SOSOC is selected in the SLCDSCCKR.LCDSCCKSEL[2:0] bit.

Note 1. Input is enabled if the pin is specified as the Software Standby canceling source while it is used as an external interrupt pin.

Note 2. AGTIO output is enabled while LOCO or SOSOC is selected as a count source.

Appendix 2. Package Dimensions

Information on the latest version of the package dimensions or mountings is displayed in “Packages” on the Renesas Electronics Corporation website.

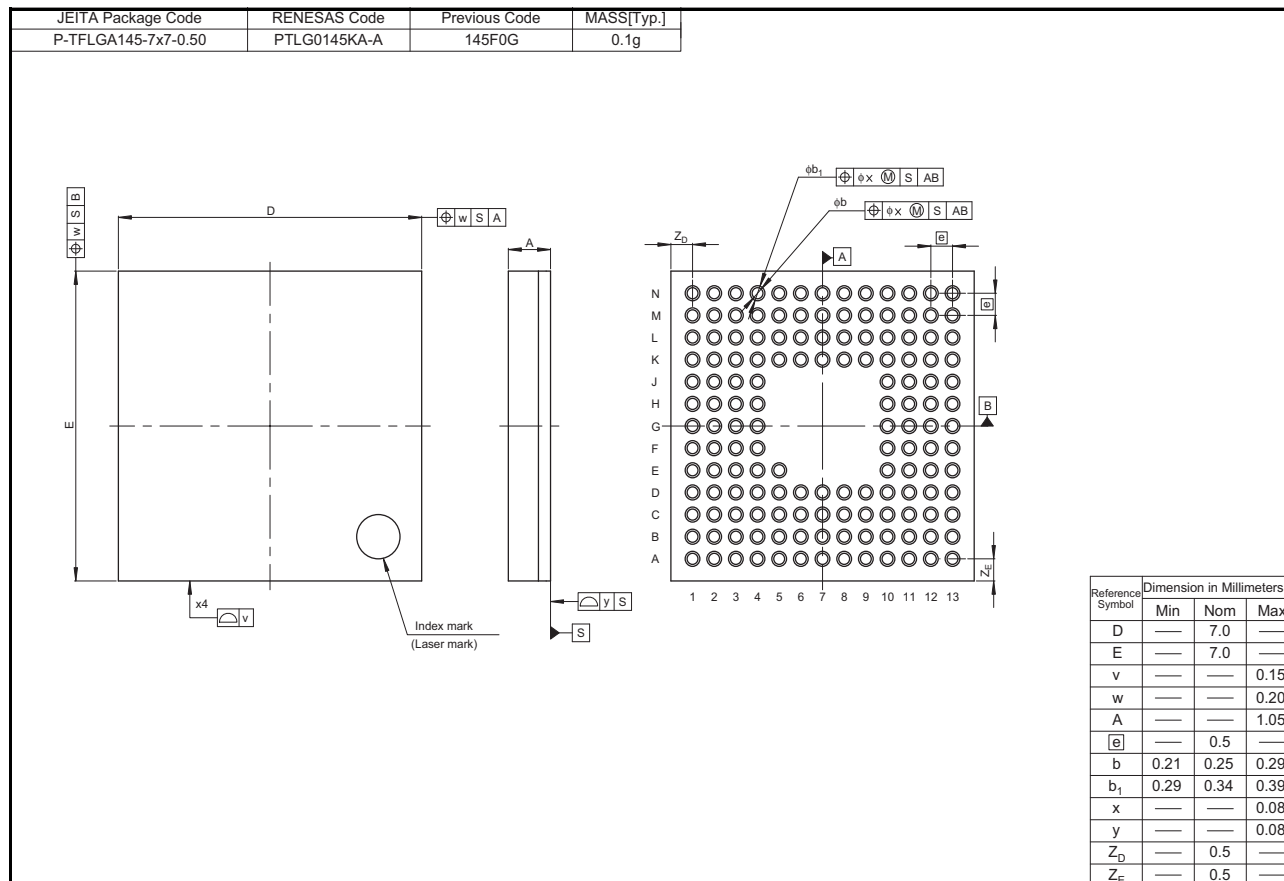
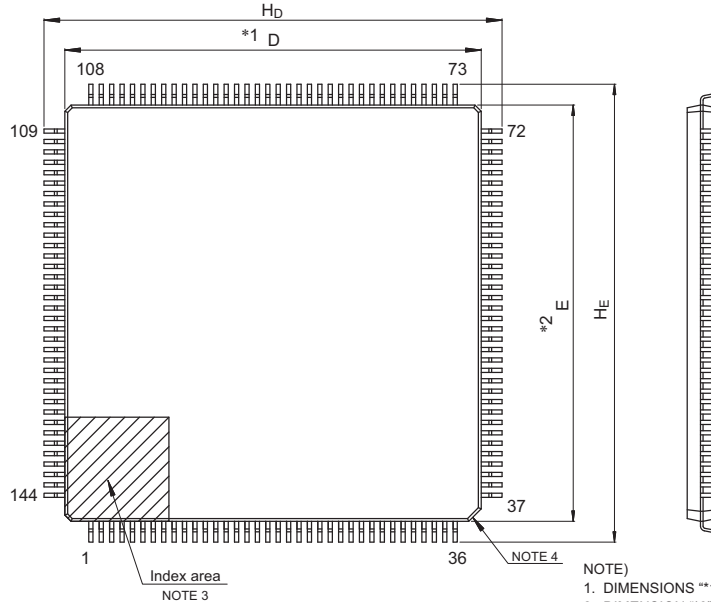


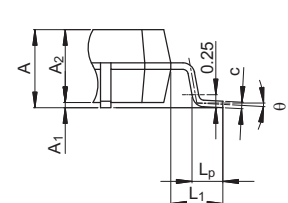
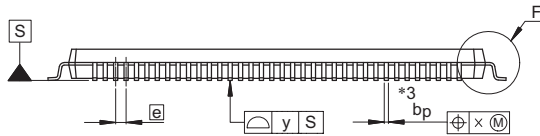
Figure 2.1 LGA 145-pin

JEITA Package Code	RENESAS Code	Previous Code	MASS (Typ) [g]
P-LFQFP144-20x20-0.50	PLQP0144KA-B	—	1.2

Unit: mm



- NOTE)
1. DIMENSIONS **1" AND **2" DO NOT INCLUDE MOLD FLASH.
 2. DIMENSION **3" DOES NOT INCLUDE TRIM OFFSET.
 3. PIN 1 VISUAL INDEX FEATURE MAY VARY, BUT MUST BE LOCATED WITHIN THE HATCHED AREA.
 4. CHAMFERS AT CORNERS ARE OPTIONAL, SIZE MAY VARY.



Reference Symbol	Dimensions in millimeters		
	Min	Nom	Max
D	19.9	20.0	20.1
E	19.9	20.0	20.1
A ₂	—	1.4	—
H _D	21.8	22.0	22.2
H _E	21.8	22.0	22.2
A	—	—	1.7
A ₁	0.05	—	0.15
b _p	0.17	0.20	0.27
c	0.09	—	0.20
θ	0°	3.5°	8°
e	—	0.5	—
x	—	—	0.08
y	—	—	0.10
L _p	0.45	0.6	0.75
L ₁	—	1.0	—

Figure 2.2 LQFP 144-pin

JEITA Package Code	RENESAS Code	Previous Code	MASS (Typ) [g]
P-LFBGA121-8x8-0.65	PLBG0121JA-A	—	0.15

Unit: mm

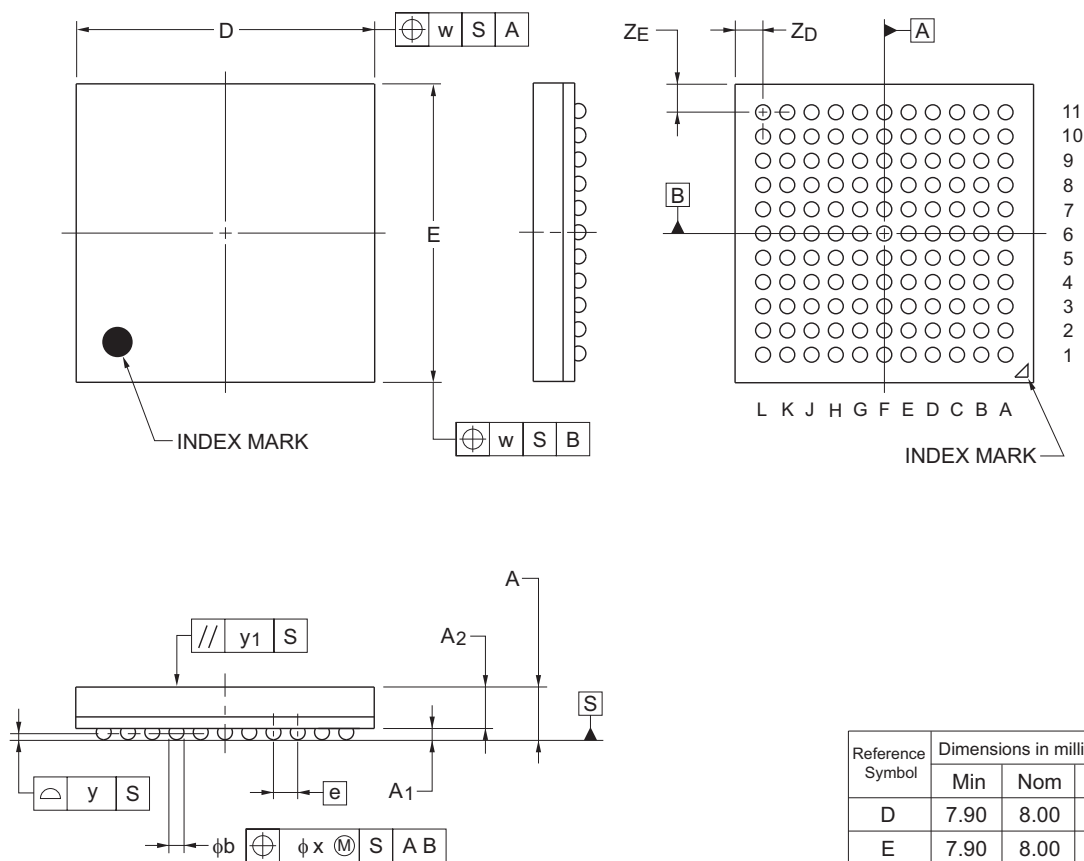


Figure 2.3 BGA 121-pin

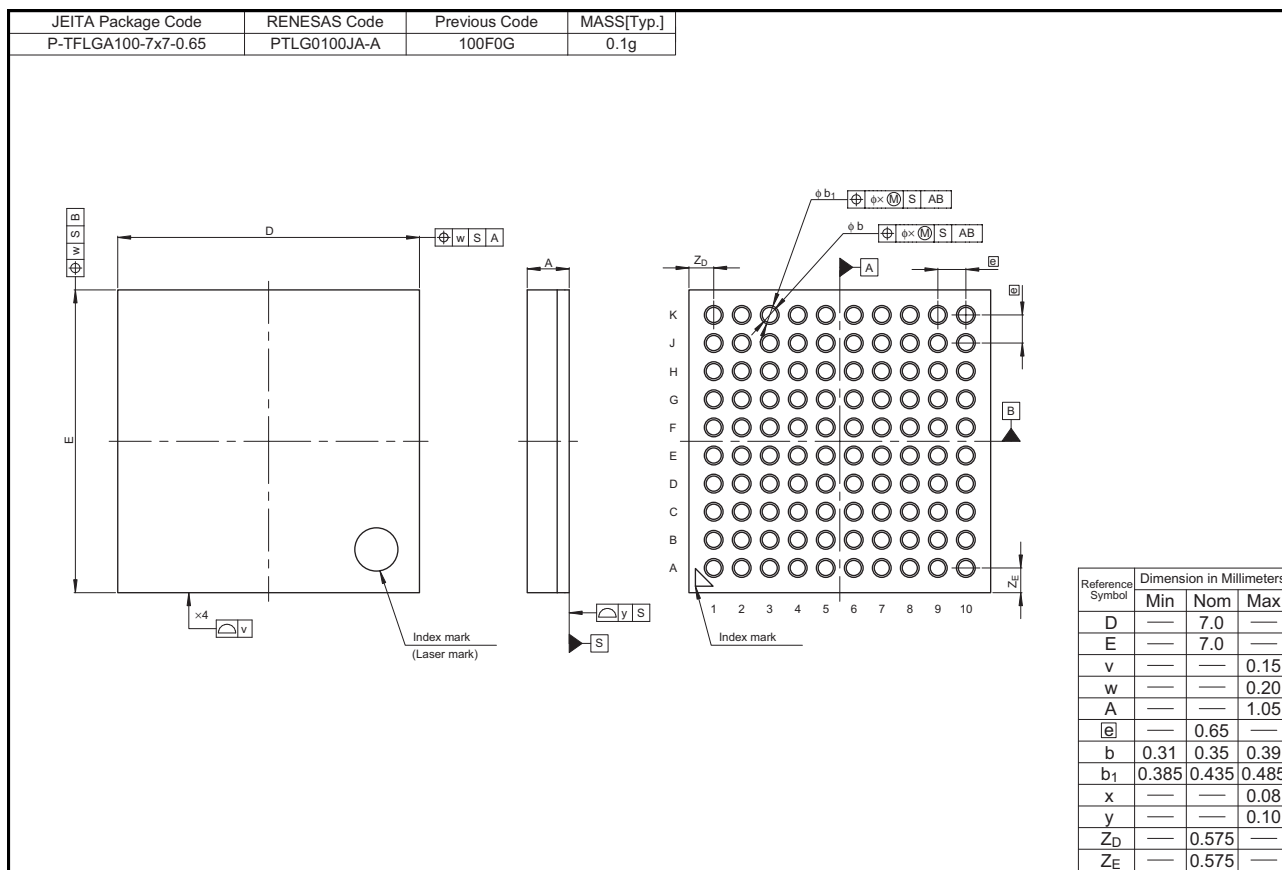
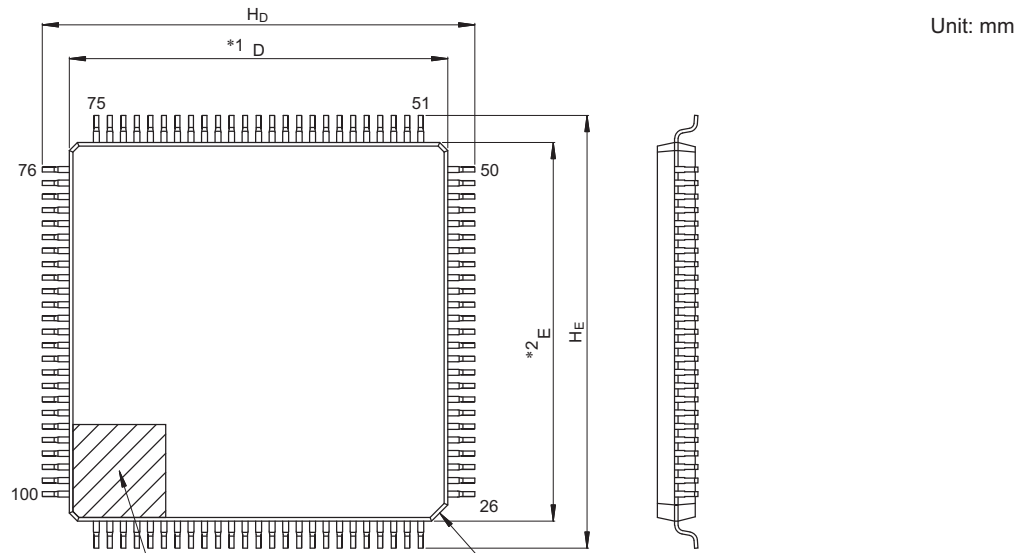


Figure 2.4 LGA 100-pin

JEITA Package Code	RENESAS Code	Previous Code	MASS (Typ) [g]
P-LFQFP100-14x14-0.50	PLQP0100KB-B	—	0.6



Unit: mm

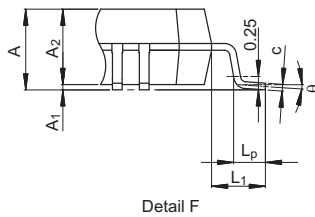
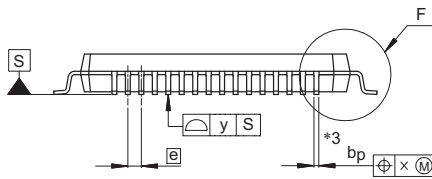
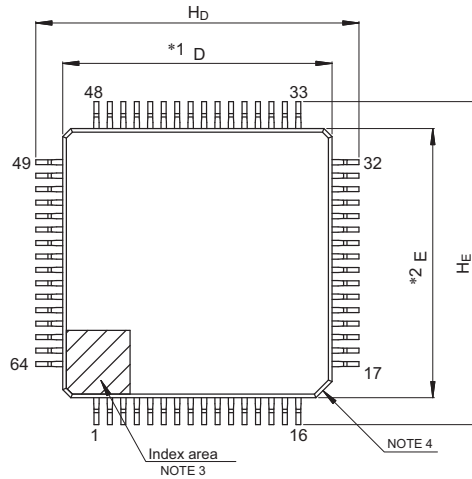
- NOTE)
1. DIMENSIONS **1* AND **2* DO NOT INCLUDE MOLD FLASH.
 2. DIMENSION **3* DOES NOT INCLUDE TRIM OFFSET.
 3. PIN 1 VISUAL INDEX FEATURE MAY VARY, BUT MUST BE LOCATED WITHIN THE HATCHED AREA.
 4. CHAMFERS AT CORNERS ARE OPTIONAL, SIZE MAY VARY.

Reference Symbol	Dimensions in millimeters		
	Min	Nom	Max
D	13.9	14.0	14.1
E	13.9	14.0	14.1
A ₂	—	1.4	—
H _D	15.8	16.0	16.2
H _E	15.8	16.0	16.2
A	—	—	1.7
A ₁	0.05	—	0.15
b _p	0.15	0.20	0.27
c	0.09	—	0.20
θ	0°	3.5°	8°
ⓔ	—	0.5	—
x	—	—	0.08
y	—	—	0.08
L _p	0.45	0.6	0.75
L ₁	—	1.0	—

Figure 2.5 LQFP 100-pin

JEITA Package Code	RENESAS Code	Previous Code	MASS (Typ) [g]
P-LFQFP64-10x10-0.50	PLQP0064KB-C	—	0.3

Unit: mm



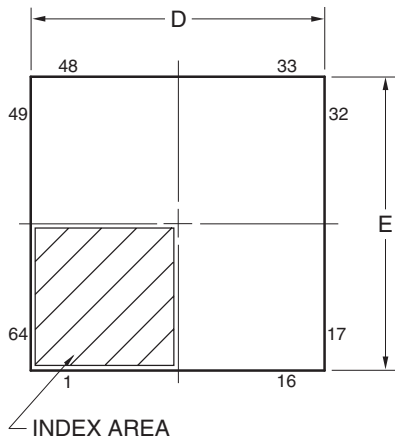
NOTE)

1. DIMENSIONS "*1" AND "*2" DO NOT INCLUDE MOLD FLASH.
2. DIMENSION "*3" DOES NOT INCLUDE TRIM OFFSET.
3. PIN 1 VISUAL INDEX FEATURE MAY VARY, BUT MUST BE LOCATED WITHIN THE HATCHED AREA.
4. CHAMFERS AT CORNERS ARE OPTIONAL, SIZE MAY VARY.

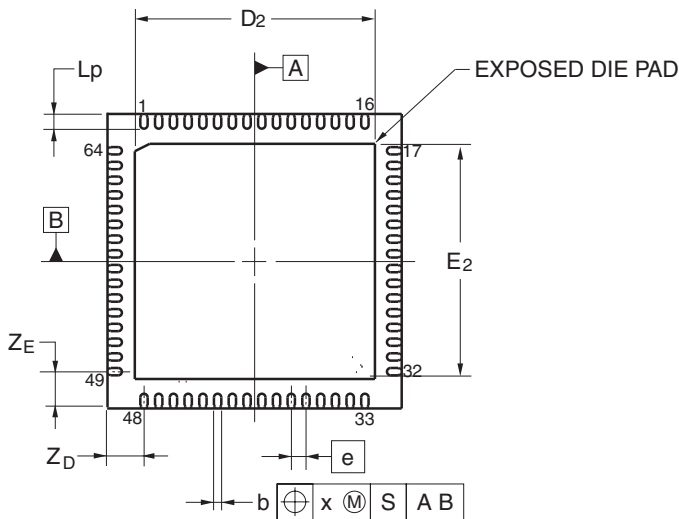
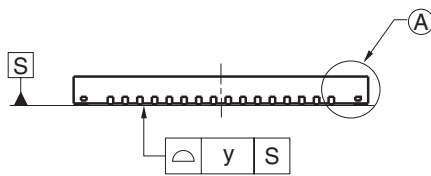
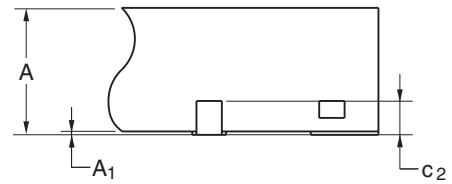
Reference Symbol	Dimensions in millimeters		
	Min	Nom	Max
D	9.9	10.0	10.1
E	9.9	10.0	10.1
A ₂	—	1.4	—
H _D	11.8	12.0	12.2
H _E	11.8	12.0	12.2
A	—	—	1.7
A ₁	0.05	—	0.15
b _p	0.15	0.20	0.27
c	0.09	—	0.20
θ	0°	3.5°	8°
e	—	0.5	—
x	—	—	0.08
y	—	—	0.08
L _p	0.45	0.6	0.75
L ₁	—	1.0	—

Figure 2.6 LQFP 64-pin

JEITA Package code	RENESAS code	Previous code	MASS(TYP.)[g]
P-HWQFN64-8x8-0.40	PWQN0064LA-A	P64K8-40-9B5-3	0.16



DETAIL OF (A) PART



Reference Symbol	Dimension in Millimeters		
	Min	Nom	Max
D	7.95	8.00	8.05
E	7.95	8.00	8.05
A	—	—	0.80
A ₁	0.00	—	—
b	0.17	0.20	0.23
e	—	0.40	—
L _p	0.30	0.40	0.50
x	—	—	0.05
y	—	—	0.05
Z _D	—	1.00	—
Z _E	—	1.00	—
c ₂	0.15	0.20	0.25
D ₂	—	6.50	—
E ₂	—	6.50	—

Figure 2.7 QFN 64-pin (1)

JEITA Package code	RENESAS code	MASS(TYP.)[g]
P-HWQFN064-8x8-0.40	PWQN0064LB-B	0.14

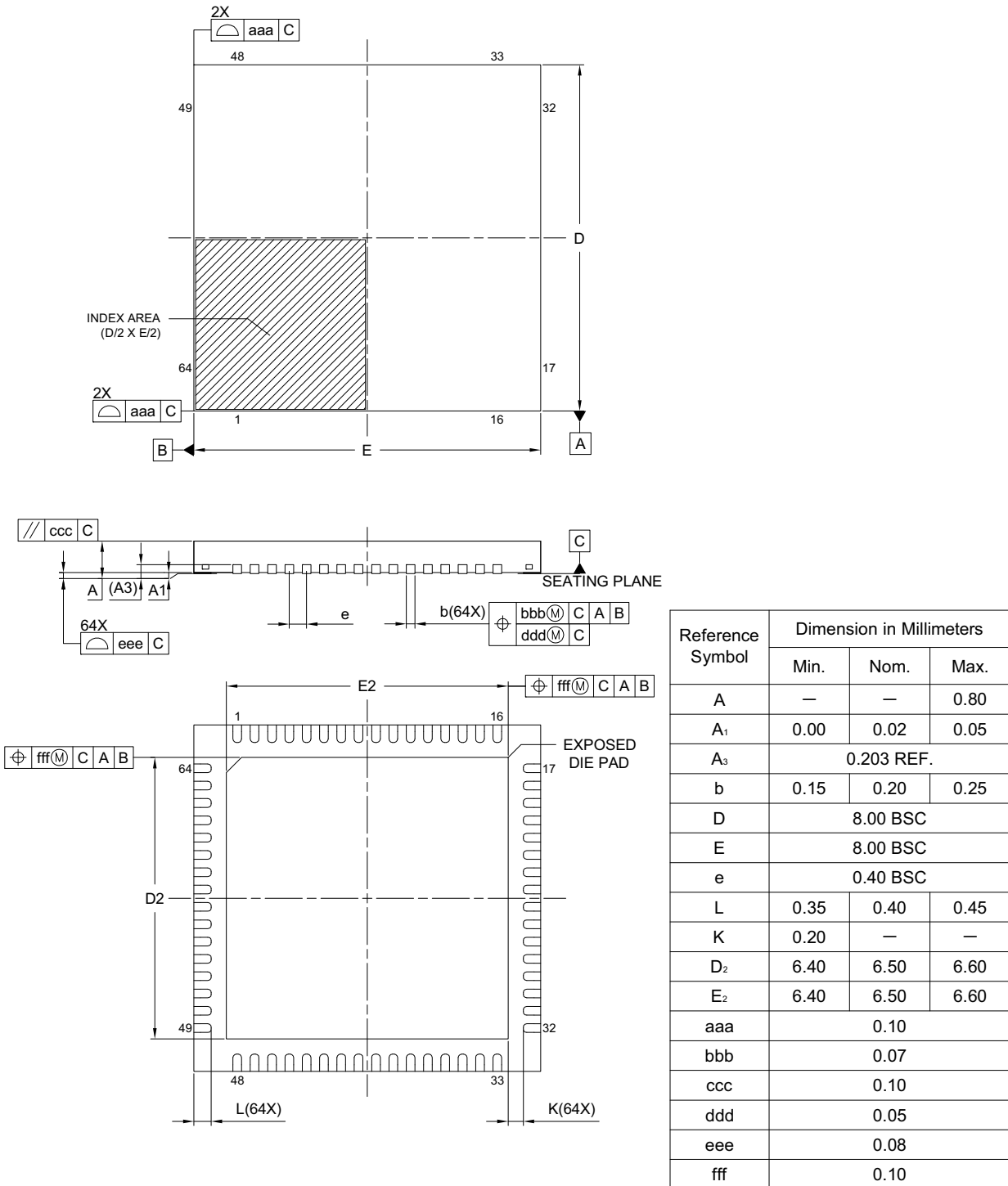


Figure 2.8 QFN 64-pin (2)

Appendix 3. I/O Registers

This appendix describes I/O register addresses, access cycles, and reset values by function.

3.1 Peripheral Base Addresses

This section provides the base addresses for peripherals described in this manual.

Table 3.1 shows the name, description, and the base address of each peripheral.

Table 3.1 Peripheral base address (1 of 2)

Name	Description	Base address
MMPU	Bus Master MPU	0x40000000
SMPU	Bus Slave MPU	0x40000C00
SPMON	CPU Stack Pointer Monitor	0x40000D00
MMF	Memory Mirror Function	0x40001000
SRAM	SRAM Control	0x40002000
BUS	BUS Control	0x40003000
DMAC0	Direct Memory Access Controller 0	0x40005000
DMAC1	Direct Memory Access Controller 1	0x40005040
DMAC2	Direct Memory Access Controller 2	0x40005080
DMAC3	Direct Memory Access Controller 3	0x400050C0
DMA	DMAC Module Activation	0x40005200
DTC	Data Transfer Controller	0x40005400
ICU	Interrupt Controller	0x40006000
DBG	Debug Function	0x4001B000
FCACHE	Flash Cache	0x4001C000
SYSTEM	System Control	0x4001E000
PORT0	Port 0 Control Registers	0x40040000
PORT1	Port 1 Control Registers	0x40040020
PORT2	Port 2 Control Registers	0x40040040
PORT3	Port 3 Control Registers	0x40040060
PORT4	Port 4 Control Registers	0x40040080
PORT5	Port 5 Control Registers	0x400400A0
PORT6	Port 6 Control Registers	0x400400C0
PORT7	Port 7 Control Registers	0x400400E0
PORT8	Port 8 Control Registers	0x40040100
PORT9	Port 9 Control Registers	0x40040120
PFS	Pmn Pin Function Control Register	0x40040800
PMISC	Miscellaneous Port Control Register	0x40040D00
ELC	Event Link Controller	0x40041000
POEG	Port Output Enable Module for GPT	0x40042000
RTC	Realtime Clock	0x40044000
WDT	Watchdog Timer	0x40044200
IWDT	Independent Watchdog Timer	0x40044400
CAC	Clock Frequency Accuracy Measurement Circuit	0x40044600
MSTP	Module Stop Control B, C, D	0x40047000
SSIE0	Serial Sound Interface Enhanced	0x4004E000
CAN0	CAN0 Module	0x40050000
IIC0	Inter-Integrated Circuit 0	0x40053000

Table 3.1 Peripheral base address (2 of 2)

Name	Description	Base address
IIC1	Inter-Integrated Circuit 1	0x40053100
IIC2	Inter-Integrated Circuit 2	0x40053200
DOC	Data Operation Circuit	0x40054100
ADC140	14-bit A/D Converter	0x4005C000
DAC12	12-bit D/A converter	0x4005E000
SDHI0	SD Host Interface 0	0x40062000
SCI0	Serial Communication Interface 0	0x40070000
SCI1	Serial Communication Interface 1	0x40070020
SCI2	Serial Communication Interface 2	0x40070040
SCI3	Serial Communication Interface 3	0x40070060
SCI4	Serial Communication Interface 4	0x40070080
SCI9	Serial Communication Interface 9	0x40070120
SPI0	Serial Peripheral Interface 0	0x40072000
SPI1	Serial Peripheral Interface 1	0x40072100
CRC	CRC Calculator	0x40074000
GPT320	General PWM Timer 0 (32-bit)	0x40078000
GPT321	General PWM Timer 1 (32-bit)	0x40078100
GPT322	General PWM Timer 2 (32-bit)	0x40078200
GPT323	General PWM Timer 3 (32-bit)	0x40078300
GPT164	General PWM Timer 4 (16-bit)	0x40078400
GPT165	General PWM Timer 5 (16-bit)	0x40078500
GPT166	General PWM Timer 6 (16-bit)	0x40078600
GPT167	General PWM Timer 7 (16-bit)	0x40078700
GPT168	General PWM Timer 8 (16-bit)	0x40078800
GPT169	General PWM Timer 9 (16-bit)	0x40078900
GPT_OPS	Output Phase Switching Controller	0x40078FF0
KINT	Key Interrupt Function	0x40080000
CTSU	Capacitive Touch Sensing Unit	0x40081000
SLCDC	Segment LCD Controller/Driver	0x40082000
AGT0	Low Power Asynchronous General purpose Timer 0	0x40084000
AGT1	Low Power Asynchronous General purpose Timer 1	0x40084100
ACMPLP	Low-Power Analog Comparator	0x40085E00
OPAMP	Operational Amplifier	0x40086000
USBFS	USB 2.0 FS Module	0x40090000
DAC8	8-bit D/A Converter	0x4009E000
TSN	Temperature Sensor	0x407EC000
QSPI	Quad-SPI	0x64000000

Name = Peripheral name

Description = Peripheral functionality

Base address = Lowest reserved address or address used by the peripheral

3.2 Access Cycles

This section provides access cycle information for the I/O registers described in this manual.

The following information applies to [Table 3.2](#) and [Table 3.3](#):

- Registers are grouped by associated module
- The number of access cycles indicates the number of cycles based on the specified reference clock
- In the internal I/O area, reserved addresses that are not allocated to registers must not be accessed, otherwise operations cannot be guaranteed
- The number of I/O access cycles depends on bus cycles of the internal peripheral bus, divided clock synchronization cycles, and wait cycles of each module. Divided clock synchronization cycles differ depending on the frequency ratio between ICLK and PCLK.
- When the frequency of ICLK is equal to that of PCLK, the number of divided clock synchronization cycles is always constant.
- When the frequency of ICLK is greater than that of PCLK, at least 1 PCLK cycle is added to the number of divided clock synchronization cycles.

Note: This applies to the number of cycles when access from the CPU does not conflict with the instruction fetching to the external memory or bus access from other bus masters such as DTC or DMAC.

[Table 3.2](#) shows the register access cycles for non-GPT modules.

Table 3.2 Access cycles for non-GPT modules (1 of 2)

Peripherals	Address		Number of access cycles					Cycle unit	Related function
			ICLK = PCLK		ICLK > PCLK*1				
	From	To	Read	Write	Read	Write			
MMPU, SMPU, SPMON, MMF, SRAM, BUS, DMACn, DMA, DTC, ICU, DBG, FCACHE	4000 0000h	4001 CFFFh	2				ICLK	Memory Protection Unit, Memory Mirror Function, SRAM, Buses, DMA Controller, Data Transfer Controller, Interrupt Controller, CPU, Flash Memory	
SYSTEM	4001 E000h	4001 E3FFh	3				ICLK	Low Power Modes, Resets, Low Voltage Detection, Clock Generation Circuit, Register Write Protection	
SYSTEM	4001 E400h	4001 E6FFh	7		5 to 7		PCLKB	Low Power Modes, Resets, Low Voltage Detection, Battery Backup Function	
PORTn, PFS, PMISC, ELC, POEG, RTC, WDT, IWDT, CAC, MSTP	4004 0000h	4004 7FFFh	3		2 to 3		PCLKB	I/O Ports, Event Link Controller, Port Output Enable for GPT, Realtime Clock, Watchdog Timer, Independent Watchdog Timer, Clock Frequency Accuracy Measurement Circuit, Module Stop Control	
SSIE0, CAN0, IICn, DOC, ADC140, DAC12	4004 E000h	4005 EFFFh	3		2 to 3		PCLKB	Serial Sound Interface Enhanced, Controller Area Network Module, I ² C Bus Interface, Data Operation Circuit, 14-Bit A/D Converter, 12-Bit D/A Converter	
SDHI0	4006 2000h	4006 2FFFh	3		2 to 3		PCLKA	SD/MMC Host Interface	
SCIn	4007 0000h	4007 0EFFh	5*2		2 to 3*2		PCLKA	Serial Communications Interface	
SPIn	4007 2000h	4007 2FFFh	5*3		2 to 3*3		PCLKA	Serial Peripheral Interface	

Table 3.2 Access cycles for non-GPT modules (2 of 2)

Peripherals	Address		Number of access cycles				Cycle unit	Related function
			ICLK = PCLK		ICLK > PCLK*1			
	From	To	Read	Write	Read	Write		
CRC	4007 4000h	4007 4FFFh	3		2 to 3		PCLKA	CRC calculator
GPT32n, GPT_OPS	4007 8000h	4007 8FFFh	See Table 3.3 *4				PCLKA	General PWM Timer
KINT, CTSU, SLCDC	4008 0000h	4008 1FFFh	2		1 to 2		PCLKB	Key Interrupt Function, Capacitive Touch Sensing Unit, Segment LCD Controller
AGTn	4008 4000h	4008 4FFFh	3		2 to 3		PCLKB	Low Power Asynchronous General Purpose Timer
ACMPLP, OPAMP	4008 5000h	4008 6FFFh	2		1 to 2		PCLKB	Low-Power Analog Comparator, Operational Amplifier
USBFS	4009 0000h	4009 03FFh	4		3 to 4		PCLKB	USB 2.0 Full-Speed Module
USBFS	4009 0400h	4009 04FFh	3		2 to 3		PCLKB	USB 2.0 Full-Speed Module
TSN	407E C000h	407E CFFFh	7		7		ICLK	Temperature Sensor
QSPI	6400 0000h	6400 000Fh	4	13 to *5	2 to 3	12 to *5	PCLKA	Quad Serial Peripheral Interface
QSPI	6400 0010h	6400 0013h	24 to *5	5 to *5	23 to *5	4 to *5	PCLKA	Quad Serial Peripheral Interface
QSPI	6400 0014h	6400 0037h	3	13 to *5	2 to 3	12 to *5	PCLKA	Quad Serial Peripheral Interface
QSPI	6400 0804h	6400 0807h	2	2	2 to 3	2 to 3	PCLKA	Quad Serial Peripheral Interface

Note 1. If the number of PCLK cycles is a non-integer (for example 1.5), the minimum value is without the decimal point, and the maximum value is rounded up to the decimal point. For example, 1.5 to 2.5 is 1 to 3.

Note 2. When accessing a 16-bit register (FTDRHL, FRDRHL, FCR, FDR, LSR, and CDR), access is 2 cycles more than the value shown in [Table 3.2](#). When accessing an 8-bit register (FTDRH, FTDRL, FRDRH, and FRDRL), the access cycles are as shown in [Table 3.2](#).

Note 3. When accessing the 32-bit register (SPDR), access is 2 cycles more than the value in [Table 3.2](#). When accessing an 8-bit or 16-bit register (SPDR_HA), the access cycles are as shown in [Table 3.2](#).

Note 4. The access cycles differ depending on the frequency ratio between ICLK, PCLKA, and PCLKD, as shown in [Table 3.3](#).

Note 5. The access cycles depend on the QSPI bus cycles.

[Table 3.3](#) shows register access cycles for GPT modules.

Table 3.3 Access cycles for GPT modules

Frequency ratio between ICLK and PCLK	Number of access cycles		Cycle unit
	Read	Write	
ICLK > PCLKD = PCLKA	5 to 6	3 to 4	PCLKA
ICLK > PCLKD > PCLKA	3 to 4	2 to 3	PCLKA
PCLKD = ICLK = PCLKA	6	4	PCLKA
PCLKD = ICLK > PCLKA	2 to 3	1 to 2	PCLKA
PCLKD > ICLK = PCLKA	4	3	PCLKA
PCLKD > ICLK > PCLKA	2 to 3	1 to 2	PCLKA

3.3 Register Descriptions

This section provides information associated with registers described in this manual.

Table 3.4 shows a list of registers including address offsets, address sizes, access rights, and reset values.

Table 3.4 Register description (1 of 29)

Peripheral	Dim	Dim incr.	Dim index	Register name	Description	Address offset	Size	Access	Reset value	Reset mask
MMPU	-	-	-	MMPUCTLA	Bus Master MPU Control Register A	0x000	16	read/write	0x0000	0xFFFF
				MMPUPTA	Group A Protection of Register	0x102	16	read/write	0x0000	0xFFFF
	16	0x010	0-15	MMPUACA%s	Group A Region %s Access Control Register	0x200	16	read/write	0x0000	0xFFFF
	16	0x010	0-15	MMPUSA%s	Group A Region %s Start Address Register	0x204	32	read/write	0x00000000	0x00000003
	16	0x010	0-15	MMPUEA%s	Group A Region %s End Address Register	0x208	32	read/write	0x00000003	0x00000003
SMPU	-	-	-	SMPUCTL	Slave MPU Control Register	0x00	16	read/write	0x0000	0xFFFF
				SMPUMBIU	Access Control Register for MBIU	0x10	16	read/write	0x0000	0xFFFF
				SMPUFBIU	Access Control Register for FBIU	0x14	16	read/write	0x0000	0xFFFF
	2	0x4	0,1	SMPUSRAM%s	Access Control Register for SRAM%s	0x18	16	read/write	0x0000	0xFFFF
	3	0x4	0,2,6	SMPUP%sBIU	Access Control Register for P%sBIU	0x20	16	read/write	0x0000	0xFFFF
	-	-	-	SMPUEXBIU	Access Control Register for EXBIU	0x30	16	read/write	0x0000	0xFFFF
				SMPUEXBIU2	Access Control Register for EXBIU2	0x34	16	read/write	0x0000	0xFFFF
SPMON	-	-	-	MSPMPUOAD	Stack Pointer Monitor Operation After Detection Register	0x00	16	read/write	0x0000	0xFFFF
				MSPMPUCTL	Stack Pointer Monitor Access Control Register	0x04	16	read/write	0x0000	0xFEFF
				MSPMPUPT	Stack Pointer Monitor Protection Register	0x06	16	read/write	0x0000	0xFFFF
				MSPMPUSA	Main Stack Pointer (MSP) Monitor Start Address Register	0x08	32	read/write	0x00000000	0x00000003
				MSPMPUEA	Main Stack Pointer (MSP) Monitor End Address Register	0x0C	32	read/write	0x00000003	0x00000003
				PSPMPUOAD	Stack Pointer Monitor Operation After Detection Register	0x10	16	read/write	0x0000	0xFFFF
				PSPMPUCTL	Stack Pointer Monitor Access Control Register	0x14	16	read/write	0x0000	0xFEFF
				PSPMPUPT	Stack Pointer Monitor Protection Register	0x16	16	read/write	0x0000	0xFFFF
				PSPMPUSA	Process Stack Pointer (PSP) Monitor Start Address Register	0x18	32	read/write	0x00000000	0x00000003
				PSPMPUEA	Process Stack Pointer (PSP) Monitor End Address Register	0x1C	32	read/write	0x00000003	0x00000003

Table 3.4 Register description (2 of 29)

Peripheral	Dim	Dim incr.	Dim index	Register name	Description	Address offset	Size	Access	Reset value	Reset mask
MMF	-	-	-	MMSFR	MemMirror Special Function Register	0x00	32	read/write	0x00000000	0xFFFFFFFF
				MMEN	MemMirror Enable Register	0x04	32	read/write	0x00000000	0xFFFFFFFF
SRAM	-	-	-	PARIODAD	SRAM Parity Error Operation After Detection Register	0x00	8	read/write	0x00	0xFF
				SRAMPSCR	SRAM Protection Register	0x04	8	read/write	0x00	0xFF
				ECCMODE	ECC Operating Mode Control Register	0xC0	8	read/write	0x00	0xFF
				ECC2STS	ECC 2-Bit Error Status Register	0xC1	8	read/write	0x00	0xFF
				ECC1STSEN	ECC 1-Bit Error Information Update Enable Register	0xC2	8	read/write	0x00	0xFF
				ECC1STS	ECC 1-Bit Error Status Register	0xC3	8	read/write	0x00	0xFF
				ECCPRCR	ECC Protection Register	0xC4	8	read/write	0x00	0xFF
				ECCPRCR2	ECC Protection Register 2	0xD0	8	read/write	0x00	0xFF
				ECCEST	ECC Test Control Register	0xD4	8	read/write	0x00	0xFF
				ECCEAD	SRAM ECC Error Operation After Detection Register	0xD8	8	read/write	0x00	0xFF
BUS	4	0x10	0-3	CS%MOD	CS% Mode Register	0x0002	16	read/write	0x0000	0xFFFF
	4	0x10	0-3	CS%WCR1	CS% Wait Control Register 1	0x0004	32	read/write	0x07070707	0xFFFFFFFF
	4	0x10	0-3	CS%WCR2	CS% Wait Control Register 2	0x0008	32	read/write	0x00000007	0xFFFFFFFF
	-	-	-	CS0CR	CS0 Control Register	0x0802	16	read/write	0x0021	0xFFFF
	4	0x10	0-3	CS%REC	CS% Recovery Cycle Register	0x080A	16	read/write	0x0000	0xFFFF
	3	0x10	1-3	CS%CR	CS% Control Register	0x0812	16	read/write	0x0000	0xFFFF
	-	-	-	CSRECEN	CS Recovery Cycle Insertion Enable Register	0x0880	16	read/write	0x3E3E	0xFFFF
	4	0x4	M4I, M4D, SYS, DMA	BUSMCNT% %s	Master Bus Control Register %s	0x1000	16	read/write	0x0000	0xFFFF
	-	-	-	BUSSCNTFLI	Slave Bus Control Register FLI	0x1100	16	read/write	0x0000	0xFFFF
	2	0x4	MBIU, RAM 0	BUSSCNT% %s	Slave Bus Control Register %s	0x1108	16	read/write	0x0000	0xFFFF
4	0x4	P0B, P2B, P3B, P4B	BUSSCNT% %s	Slave Bus Control Register %s	0x1114	16	read/write	0x0000	0xFFFF	
-	-	-	BUSSCNTP6B	Slave Bus Control Register P6B	0x1128	16	read/write	0x0000	0xFFFF	

Table 3.4 Register description (3 of 29)

Peripheral	Dim	Dim incr.	Dim index	Register name	Description	Address offset	Size	Access	Reset value	Reset mask
BUS	3	0x4	FBU, EXT, EXT2	BUSSCNT%s	Slave Bus Control Register %s	0x1130	16	read/write	0x0000	0xFFFF
	4	0x10	1-4	BUS%sERRAD D	Bus Error Address Register %s	0x1800	32	read-only	0x00000000	0x00000000
	4	0x10	1-4	BUS%sERRSTAT	Bus Error Status Register %s	0x1804	8	read-only	0x00	0xFE
DMAC0-3	-	-	-	DMSAR	DMA Source Address Register	0x00	32	read/write	0x00000000	0xFFFFFFFF
				DMDAR	DMA Destination Address Register	0x04	32	read/write	0x00000000	0xFFFFFFFF
				DMCRA	DMA Transfer Count Register	0x08	32	read/write	0x00000000	0xFFFFFFFF
				DMCRB	DMA Block Transfer Count Register	0x0C	16	read/write	0x0000	0xFFFF
				DMTMD	DMA Transfer Mode Register	0x10	16	read/write	0x0000	0xFFFF
				DMINT	DMA Interrupt Setting Register	0x13	8	read/write	0x00	0xFF
				DMAMD	DMA Address Mode Register	0x14	16	read/write	0x0000	0xFFFF
				DMOFR	DMA Offset Register	0x18	32	read/write	0x00000000	0xFFFFFFFF
				DMCNT	DMA Transfer Enable Register	0x1C	8	read/write	0x00	0xFF
				DMREQ	DMA Software Start Register	0x1D	8	read/write	0x00	0xFF
				DMSTS	DMA Status Register	0x1E	8	read/write	0x00	0xFF
DMA	-	-	-	DMAST	DMAC Module Activation Register	0x00	8	read/write	0x00	0xFF
DTC	-	-	-	DTCCR	DTC Control Register	0x00	8	read/write	0x08	0xFF
				DTCVBR	DTC Vector Base Register	0x04	32	read/write	0x00000000	0xFFFFFFFF
				DTCST	DTC Module Start Register	0x0C	8	read/write	0x00	0xFF
				DTCSTS	DTC Status Register	0x0E	16	read-only	0x0000	0xFFFF
ICU	16	0x1	0-15	IRQCR%s	IRQ Control Register %s	0x000	8	read/write	0x00	0xFF
	-	-	-	NMICR	NMI Pin Interrupt Control Register	0x100	8	read/write	0x00	0xFF
				NMIER	Non-Maskable Interrupt Enable Register	0x120	16	read/write	0x0000	0xFFFF
				NMICLR	Non-Maskable Interrupt Status Clear Register	0x130	16	read/write	0x0000	0xFFFF
				NMISR	Non-Maskable Interrupt Status Register	0x140	16	read-only	0x0000	0xFFFF
				WUPEN	Wake Up Interrupt Enable Register	0x1A0	32	read/write	0x00000000	0xFFFFFFFF
				SELSR0	SYS Event Link Setting Register	0x200	16	read/write	0x0000	0xFFFF
	4	0x4	0-3	DELSR%s	DMAC Event Link Setting Register %s	0x280	16	read/write	0x0000	0xFFFF

Table 3.4 Register description (4 of 29)

Peripheral	Dim	Dim incr.	Dim index	Register name	Description	Address offset	Size	Access	Reset value	Reset mask
ICU	64	0x4	0-63	IELSR%s	ICU Event Link Setting Register %s	0x300	32	read/write	0x00000000	0xFFFFFFFF
DBG	-	-	-	DBGSTR	Debug Status Register	0x000	32	read-only	0x00000000	0xFFFFFFFF
				DBGSTOPCR	Debug Stop Control Register	0x010	32	read/write	0x00000003	0xFFFFFFFF
				TRACECTR	Trace Control Register	0x020	32	read/write	0x00000000	0xFFFFFFFF
FCACHE	-	-	-	FCACHEE	Flash Cache Enable Register	0x100	16	read/write	0x0000	0xFFFF
				FCACHEIV	Flash Cache Invalidate Register	0x104	16	read/write	0x0000	0xFFFF
SYSTEM	-	-	-	SBYCR	Standby Control Register	0x00C	16	read/write	0x4000	0xFFFF
				MSTPCRA	Module Stop Control Register A	0x01C	32	read/write	0xFFBFFFB E	0xFFFFFFFF
				SCKDIVCR	System Clock Division Control Register	0x020	32	read/write	0x44044444	0xFFFFFFFF
				SCKSCR	System Clock Source Control Register	0x026	8	read/write	0x01	0xFF
				PLLCR	PLL Control Register	0x02A	8	read/write	0x01	0xFF
				PLLCCR2	PLL Clock Control Register2	0x02B	8	read/write	0x07	0xFF
				BCKCR	External Bus Clock Control Register	0x030	8	read/write	0x00	0xFF
				MEMWAIT	Memory Wait Cycle Control Register	0x031	8	read/write	0x00	0xFF
				MOSCCR	Main Clock Oscillator Control Register	0x032	8	read/write	0x01	0xFF
SYSTEM	-	-	-	HOCOCCR	High-Speed On-Chip Oscillator Control Register	0x036	8	read/write	0x00	0xFE
				MOCOCCR	Middle-Speed On-Chip Oscillator Control Register	0x038	8	read/write	0x00	0xFF
				OSCSF	Oscillation Stabilization Flag Register	0x03C	8	read-only	0x00	0xFE
				CKOCR	Clock Out Control Register	0x03E	8	read/write	0x00	0xFF
				TRCKCR	Trace Clock Control Register	0x03F	8	read/write	0x01	0xFF
				OSTDCR	Oscillation Stop Detection Control Register	0x040	8	read/write	0x00	0xFF
				OSTDSR	Oscillation Stop Detection Status Register	0x041	8	read/write	0x00	0xFF
				SLCDSCKCR	Segment LCD Source Clock Control Register	0x050	8	read/write	0x00	0xFF
				EBCOCCR	External Bus Clock Output Control Register	0x052	8	read/write	0x00	0xFF
				MOCOUTCR	MOCO User Trimming Control Register	0x061	8	read/write	0x00	0xFF
				HOCOUTCR	HOCO User Trimming Control Register	0x062	8	read/write	0x00	0xFF
				SNZCR	Snooze Control Register	0x092	8	read/write	0x00	0xFF

Table 3.4 Register description (5 of 29)

Peripheral	Dim	Dim incr.	Dim index	Register name	Description	Address offset	Size	Access	Reset value	Reset mask
SYSTEM	-	-	-	SNZEDCR	Snooze End Control Register	0x094	8	read/write	0x00	0xFF
				SNZREQCR	Snooze Request Control Register	0x098	32	read/write	0x00000000	0xFFFFFFFF
				FLSTOP	Flash Operation Control Register	0x09E	8	read/write	0x00	0xFF
				PSMCR	Power Save Memory Control Register	0x09F	8	read/write	0x00	0xFF
				OPCCR	Operating Power Control Register	0x0A0	8	read/write	0x02	0xFF
				MOSCWTCR	Main Clock Oscillator Wait Control Register	0x0A2	8	read/write	0x05	0xFF
				HOCOWTCR	High-Speed On-Chip Oscillator Wait Control Register	0x0A5	8	read/write	0x05	0xFF
				SOPCCR	Sub Operating Power Control Register	0x0AA	8	read/write	0x00	0xFF
				RSTSR1	Reset Status Register 1	0x0C0	16	read/write	0x0000	0xE0F8
				BKRACR	Backup Register Access Control Register	0x0C6	8	read/write	0x06	0xFF
				USBCKCR	USB Clock Control register	0x0D0	8	read/write	0x00	0xFF
2	0x2	1,2	LVD% <i>s</i> CR1	Voltage Monitor % <i>s</i> Circuit Control Register 1	0x0E0	8	read/write	0x01	0xFF	
2	0x2	1,2	LVD% <i>s</i> SR	Voltage Monitor % <i>s</i> Circuit Status Register	0x0E1	8	read/write	0x02	0xFF	
-	-	-	PRCR	Protect Register	0x3FE	16	read/write	0x0000	0xFFFF	
			SYOCDRCR	System Control OCD Control Register	0x40E	8	read/write	0x00	0xFF	
			RSTSR0	Reset Status Register 0	0x410	8	read/write	0x00	0xF0	
			RSTSR2	Reset Status Register 2	0x411	8	read/write	0x00	0xFE	
			MOMCR	Main Clock Oscillator Mode Oscillation Control Register	0x413	8	read/write	0x00	0xFF	
			LVCMPCCR	Voltage Monitor Circuit Control Register	0x417	8	read/write	0x00	0xFF	
			LVDLVLR	Voltage Detection Level Select Register	0x418	8	read/write	0x07	0xFF	
2	0x1	1,2	LVD% <i>s</i> CR0	Voltage Monitor % <i>s</i> Circuit Control Register 0	0x41A	8	read/write	0x80	0xF7	
-	-	-	VBTCR1	VBATT Control Register1	0x41F	8	read/write	0x00	0xFF	
			SOSCCR	Sub-Clock Oscillator Control Register	0x480	8	read/write	0x01	0xFF	
			SOMCR	Sub-Clock Oscillator Mode Control Register	0x481	8	read/write	0x00	0xFF	
			LOCOCR	Low-Speed On-Chip Oscillator Control Register	0x490	8	read/write	0x00	0xFF	
			LOCOUTCR	LOCO User Trimming Control Register	0x492	8	read/write	0x00	0xFF	
			VBTCR2	VBATT Control Register2	0x4B0	8	read/write	0x00	0xFF	

Table 3.4 Register description (6 of 29)

Peripheral	Dim	Dim incr.	Dim index	Register name	Description	Address offset	Size	Access	Reset value	Reset mask
SYSTEM	-	-	-	VBTSR	VBATT Status Register	0x4B1	8	read/write	0x01	0xEC
				VBTCMPCR	VBATT Comparator Control Register	0x4B2	8	read/write	0x00	0xFF
				VBTLVDICR	VBATT Pin Low Voltage Detect Interrupt Control Register	0x4B4	8	read/write	0x00	0xFF
				VBTWCTLR	VBATT Wakeup Function Control Register	0x4B6	8	read/write	0x00	0xFF
				VBTWCH0OTSR	VBATT Wakeup I/O 0 Output Trigger Select Register	0x4B8	8	read/write	0x00	0xFF
				VBTWCH1OTSR	VBATT Wakeup I/O 1 Output Trigger Select Register	0x4B9	8	read/write	0x00	0xFF
				VBTWCH2OTSR	VBATT Wakeup I/O 2 Output Trigger Select Register	0x4BA	8	read/write	0x00	0xFF
				VBTICTLR	VBATT Input Control Register	0x4BB	8	read/write	0x00	0xFF
				VBTOCTLR	VBATT Output Control Register	0x4BC	8	read/write	0x00	0xFF
				VBWTER	VBATT Wakeup Trigger Source Enable Register	0x4BD	8	read/write	0x00	0xFF
				VBWTEGR	VBATT Wakeup Trigger Source Edge Register	0x4BE	8	read/write	0x00	0xFF
				VBWFR	VBATT Wakeup Trigger Source Flag Register	0x4BF	8	read/write	0x00	0xFF
					512	0x1	0-511	VBTBKR[%s]	VBATT Backup Register [%s]	0x500
PORT0,5-9	-	-	-	PCNTR1	Port Control Register 1	0x00	32	read/write	0x00000000	0xFFFFFFFF
				PODR	Output Data Register	0x00	16	read/write	0x0000	0xFFFF
				PDR	Data Direction Register	0x02	16	read/write	0x0000	0xFFFF
				PCNTR2	Port Control Register 2	0x04	32	read-only	0x00000000	0xFFFF0000
				PIDR	Input Data Register	0x06	16	read-only	0x0000	0x0000
				PCNTR3	Port Control Register 3	0x08	32	write-only	0x00000000	0xFFFFFFFF
				PORR	Output Reset Register	0x08	16	write-only	0x0000	0xFFFF
				POSR	Output Set Register	0x0A	16	write-only	0x0000	0xFFFF
PORT1-4	-	-	-	PCNTR1	Port Control Register 1	0x00	32	read/write	0x00000000	0xFFFFFFFF
				PODR	Output Data Register	0x00	16	read/write	0x0000	0xFFFF
				PDR	Data Direction Register	0x02	16	read/write	0x0000	0xFFFF
				PCNTR2	Port Control Register 2	0x04	32	read-only	0x00000000	0xFFFF0000
				EIDR	Event Input Data Register	0x04	16	read-only	0x0000	0xFFFF
				PIDR	Input Data Register	0x06	16	read-only	0x0000	0x0000

Table 3.4 Register description (7 of 29)

Peripheral	Dim	Dim incr.	Dim index	Register name	Description	Address offset	Size	Access	Reset value	Reset mask	
PORT1-4	-	-	-	PCNTR3	Port Control Register 3	0x08	32	write-only	0x00000000	0xFFFFFFFF	
				PORR	Output Set Register	0x08	16	write-only	0x0000	0xFFFF	
				POSR	Output Reset Register	0x0A	16	write-only	0x0000	0xFFFF	
				PCNTR4	Port Control Register 4	0x0C	32	read/write	0x00000000	0xFFFFFFFF	
				EORR	Event Output Set Register	0x0C	16	read/write	0x0000	0xFFFF	
				EOSR	Event Output Reset Register	0x0E	16	read/write	0x0000	0xFFFF	
PFS	-	-	-	P000PFS	P000 Pin Function Control Register	0x000	32	read/write	0x00000000	0xFFFFFFFFD	
				P000PFS_HA	P000 Pin Function Control Register	0x002	16	read/write	0x0000	0xFFFD	
				P000PFS_BY	P000 Pin Function Control Register	0x003	8	read/write	0x00	0xFD	
	9	0x4	1-9	P00%sPFS	P00%s Pin Function Control Register	0x004	32	read/write	0x00000000	0xFFFFFFFFD	
	9	0x4	1-9	P00%sPFS_HA	P00%s Pin Function Control Register	0x006	16	read/write	0x0000	0xFFFD	
	9	0x4	1-9	P00%sPFS_BY	P00%s Pin Function Control Register	0x007	8	read/write	0x00	0xFD	
	6	0x4	10-15	P0%sPFS	P0%s Pin Function Control Register	0x028	32	read/write	0x00000000	0xFFFFFFFFD	
PFS	6	0x4	10-15	P0%sPFS_HA	P0%s Pin Function Control Register	0x02A	16	read/write	0x0000	0xFFFD	
	6	0x4	10-15	P0%sPFS_BY	P0%s Pin Function Control Register	0x02B	8	read/write	0x00	0xFD	
	8	0x4	0-7	P10%sPFS	P10%s Pin Function Control Register	0x040	32	read/write	0x00000000	0xFFFFFFFFD	
	8	0x4	0-7	P10%sPFS_HA	P10%s Pin Function Control Register	0x042	16	read/write	0x0000	0xFFFD	
	8	0x4	0-7	P10%sPFS_BY	P10%s Pin Function Control Register	0x043	8	read/write	0x00	0xFD	
	-	-	-	-	P108PFS	P108 Pin Function Control Register	0x060	32	read/write	0x00010010	0xFFFFFFFFD
					P108PFS_HA	P108 Pin Function Control Register	0x062	16	read/write	0x0010	0xFFFD
					P108PFS_BY	P108 Pin Function Control Register	0x063	8	read/write	0x10	0xFD
					P109PFS	P109 Pin Function Control Register	0x064	32	read/write	0x00010000	0xFFFFFFFFD
					P109PFS_HA	P109 Pin Function Control Register	0x066	16	read/write	0x0000	0xFFFD
					P109PFS_BY	P109 Pin Function Control Register	0x067	8	read/write	0x00	0xFD
					P110PFS	P110 Pin Function Control Register	0x068	32	read/write	0x00010010	0xFFFFFFFFD
					P110PFS_HA	P110 Pin Function Control Register	0x06A	16	read/write	0x0010	0xFFFD
P110PFS_BY					P110 Pin Function Control Register	0x06B	8	read/write	0x10	0xFD	

Table 3.4 Register description (8 of 29)

Peripheral	Dim	Dim incr.	Dim index	Register name	Description	Address offset	Size	Access	Reset value	Reset mask
PFS	5	0x4	11-15	P1%PFS	P1% Pin Function Control Register	0x06C	32	read/write	0x00000000	0xFFFFFFFF
	5	0x4	11-15	P1%PFS_HA	P1% Pin Function Control Register	0x06E	16	read/write	0x0000	0xFFFD
	5	0x4	11-15	P1%PFS_BY	P1% Pin Function Control Register	0x06F	8	read/write	0x00	0xFD
	-	-	-	P200PFS	P200 Pin Function Control Register	0x080	32	read/write	0x00000000	0xFFFFFFFF
	-	-	-	P200PFS_HA	P200 Pin Function Control Register	0x082	16	read/write	0x0000	0xFFFD
	-	-	-	P200PFS_BY	P200 Pin Function Control Register	0x083	8	read/write	0x00	0xFD
	-	-	-	P201PFS	P201 Pin Function Control Register	0x084	32	read/write	0x00000010	0xFFFFFFFF
	-	-	-	P201PFS_HA	P201 Pin Function Control Register	0x086	16	read/write	0x0010	0xFFFD
	-	-	-	P201PFS_BY	P201 Pin Function Control Register	0x087	8	read/write	0x10	0xFD
	5	0x4	2-6	P20%PFS	P20% Pin Function Control Register	0x088	32	read/write	0x00000000	0xFFFFFFFF
	5	0x4	2-6	P20%PFS_HA	P20% Pin Function Control Register	0x08A	16	read/write	0x0000	0xFFFD
	5	0x4	2-6	P20%PFS_BY	P20% Pin Function Control Register	0x08B	8	read/write	0x00	0xFD
	4	0x4	12-15	P2%PFS	P2% Pin Function Control Register	0x0B0	32	read/write	0x00000000	0xFFFFFFFF
	4	0x4	12-15	P2%PFS_HA	P2% Pin Function Control Register	0x0B2	16	read/write	0x0000	0xFFFD
	4	0x4	12-15	P2%PFS_BY	P2% Pin Function Control Register	0x0B3	8	read/write	0x00	0xFD
	-	-	-	P300PFS	P300 Pin Function Control Register	0x0C0	32	read/write	0x00010010	0xFFFFFFFF
	-	-	-	P300PFS_HA	P300 Pin Function Control Register	0x0C2	16	read/write	0x0010	0xFFFD
	-	-	-	P300PFS_BY	P300 Pin Function Control Register	0x0C3	8	read/write	0x10	0xFD
	9	0x4	1-9	P30%PFS	P30% Pin Function Control Register	0x0C4	32	read/write	0x00000000	0xFFFFFFFF
	9	0x4	1-9	P30%PFS_HA	P30% Pin Function Control Register	0x0C6	16	read/write	0x0000	0xFFFD
	9	0x4	1-9	P30%PFS_BY	P30% Pin Function Control Register	0x0C7	8	read/write	0x00	0xFD
	6	0x4	10-15	P3%PFS	P3% Pin Function Control Register	0x0E8	32	read/write	0x00000000	0xFFFFFFFF
	6	0x4	10-15	P3%PFS_HA	P3% Pin Function Control Register	0x0EA	16	read/write	0x0000	0xFFFD
	6	0x4	10-15	P3%PFS_BY	P3% Pin Function Control Register	0x0EB	8	read/write	0x00	0xFD
	8	0x4	0-7	P40%PFS	P40% Pin Function Control Register	0x100	32	read/write	0x00000000	0xFFFFFFFF
	8	0x4	0-7	P40%PFS_HA	P40% Pin Function Control Register	0x102	16	read/write	0x0000	0xFFFD
	8	0x4	0-7	P40%PFS_BY	P40% Pin Function Control Register	0x103	8	read/write	0x00	0xFD

Table 3.4 Register description (9 of 29)

Peripheral	Dim	Dim incr.	Dim index	Register name	Description	Address offset	Size	Access	Reset value	Reset mask
PFS	-	-	-	P408PFS	P408 Pin Function Control Register	0x120	32	read/write	0x00000000	0xFFFFFFFF
				P408PFS_HA	P408 Pin Function Control Register	0x122	16	read/write	0x0000	0xFFFD
				P408PFS_BY	P408 Pin Function Control Register	0x123	8	read/write	0x00	0xFD
				P409PFS	P409 Pin Function Control Register	0x124	32	read/write	0x00000000	0xFFFFFFFF
				P409PFS_HA	P409 Pin Function Control Register	0x126	16	read/write	0x0000	0xFFFD
				P409PFS_BY	P409 Pin Function Control Register	0x127	8	read/write	0x00	0xFD
	6	0x4	10-15	P4%PFS	P4% Pin Function Control Register	0x128	32	read/write	0x00000000	0xFFFFFFFF
	6	0x4	10-15	P4%PFS_HA	P4% Pin Function Control Register	0x12A	16	read/write	0x0000	0xFFFD
	6	0x4	10-15	P4%PFS_BY	P4% Pin Function Control Register	0x12B	8	read/write	0x00	0xFD
	8	0x4	0-7	P50%PFS	P50% Pin Function Control Register	0x140	32	read/write	0x00000000	0xFFFFFFFF
	8	0x4	0-7	P50%PFS_HA	P50% Pin Function Control Register	0x142	16	read/write	0x0000	0xFFFD
	8	0x4	0-7	P50%PFS_BY	P50% Pin Function Control Register	0x143	8	read/write	0x00	0xFD
	2	0x4	11-12	P5%PFS	P5% Pin Function Control Register	0x16C	32	read/write	0x00000000	0xFFFFFFFF
	2	0x4	11-12	P5%PFS_HA	P5% Pin Function Control Register	0x16E	16	read/write	0x00000000	0xFFFD
	2	0x4	11-12	P5%PFS_BY	P5% Pin Function Control Register	0x16F	8	read/write	0x00	0xFD
	7	0x4	0-6	P60%PFS	P60% Pin Function Control Register	0x180	32	read/write	0x00000000	0xFFFFFFFF
	7	0x4	0-6	P60%PFS_HA	P60% Pin Function Control Register	0x182	16	read/write	0x0000	0xFFFD
	7	0x4	0-6	P60%PFS_BY	P60% Pin Function Control Register	0x183	8	read/write	0x00	0xFD
	2	0x4	8-9	P60%PFS	P60% Pin Function Control Register	0x1A0	32	read/write	0x00000000	0xFFFFFFFF
	2	0x4	8-9	P60%PFS_HA	P60% Pin Function Control Register	0x1A2	16	read/write	0x0000	0xFFFD
	2	0x4	8-9	P60%PFS_BY	P60% Pin Function Control Register	0x1A3	8	read/write	0x00	0xFD
	5	0x4	10-14	P6%PFS	P6% Pin Function Control Register	0x1A8	32	read/write	0x00000000	0xFFFFFFFF
	5	0x4	10-14	P6%PFS_HA	P6% Pin Function Control Register	0x1AA	16	read/write	0x0000	0xFFFD
	5	0x4	10-14	P6%PFS_BY	P6% Pin Function Control Register	0x1AB	8	read/write	0x00	0xFD
6	0x4	0-5	P70%PFS	P70% Pin Function Control Register	0x1C0	32	read/write	0x00000000	0xFFFFFFFF	
6	0x4	0-5	P70%PFS_HA	P70% Pin Function Control Register	0x1C2	16	read/write	0x0000	0xFFFD	
6	0x4	0-5	P70%PFS_BY	P70% Pin Function Control Register	0x1C3	8	read/write	0x00	0xFD	

Table 3.4 Register description (10 of 29)

Peripheral	Dim	Dim incr.	Dim index	Register name	Description	Address offset	Size	Access	Reset value	Reset mask
PFS	2	0x4	8-9	P70%PFS	P70% Pin Function Control Register	0x1E0	32	read/write	0x00000000	0xFFFFFFFF
	2	0x4	8-9	P70%PFS_HA	P70% Pin Function Control Register	0x1E2	16	read/write	0x0000	0xFFFD
	2	0x4	8-9	P70%PFS_BY	P70% Pin Function Control Register	0x1E3	8	read/write	0x00	0xFD
	4	0x4	10-13	P7%PFS	P7% Pin Function Control Register	0x1E8	32	read/write	0x00000000	0xFFFFFFFF
	4	0x4	10-13	P7%PFS_HA	P7% Pin Function Control Register	0x1EA	16	read/write	0x0000	0xFFFD
	4	0x4	10-13	P7%PFS_BY	P7% Pin Function Control Register	0x1EB	8	read/write	0x00	0xFD
	10	0x4	0-9	P80%PFS	P80% Pin Function Control Register	0x200	32	read/write	0x00000000	0xFFFFFFFF
	10	0x4	0-9	P80%PFS_HA	P80% Pin Function Control Register	0x202	16	read/write	0x0000	0xFFFD
	10	0x4	0-9	P80%PFS_BY	P80% Pin Function Control Register	0x203	8	read/write	0x00	0xFD
	3	0x4	0-2	P90%PFS	P90% Pin Function Control Register	0x240	32	read/write	0x00000000	0xFFFFFFFF
	3	0x4	0-2	P90%PFS_HA	P90% Pin Function Control Register	0x242	16	read/write	0x0000	0xFFFD
	3	0x4	0-2	P90%PFS_BY	P90% Pin Function Control Register	0x243	8	read/write	0x00	0xFD
	2	0x4	14,15	P9%PFS	P9% Pin Function Control Register	0x278	32	read/write	0x00010000	0xFFFFFFFF
	2	0x4	14,15	P9%PFS_HA	P9% Pin Function Control Register	0x27A	16	read/write	0x0000	0xFFFD
	2	0x4	14,15	P9%PFS_BY	P9% Pin Function Control Register	0x27B	8	read/write	0x00	0xFD
PMISC	-	-	-	PWPR	Write-Protect Register	0x03	8	read/write	0x80	0xFF
ELC	-	-	-	ELCR	Event Link Controller Register	0x00	8	read/write	0x00	0xFF
	2	0x2	0,1	ELSEGR%	Event Link Software Event Generation Register %s	0x02	8	read/write	0x80	0xFF
	10	0x4	0-9	ELSR%	Event Link Setting Register %s	0x10	16	read/write	0x0000	0xFFFF
	-	-	-	ELSR12	Event Link Setting Register 12	0x40	16	read/write	0x0000	0xFFFF
	5	0x4	14-18	ELSR%	Event Link Setting Register %s	0x48	16	read/write	0x0000	0xFFFF
POEG	2	0x100	A,B	POEGG%	POEG Group %s Setting Register	0x00	32	read/write	0x00000000	0xFFFFFFFF
RTC	-	-	-	R64CNT	64-Hz Counter	0x00	8	read-only	0x00	0x80
	-	-	-	RSECCNT	Second Counter	0x02	8	read/write	0x00	0x00
	-	-	-	BCNT0	Binary Counter 0	0x02	8	read/write	0x00	0x00
	-	-	-	RMINCNT	Minute Counter	0x04	8	read/write	0x00	0x00
	-	-	-	BCNT1	Binary Counter 1	0x04	8	read/write	0x00	0x00

Table 3.4 Register description (11 of 29)

Peripheral	Dim	Dim incr.	Dim index	Register name	Description	Address offset	Size	Access	Reset value	Reset mask
RTC	-	-	-	RHRCNT	Hour Counter	0x06	8	read/write	0x00	0x00
				BCNT2	Binary Counter 2	0x06	8	read/write	0x00	0x00
				RWKCNT	Day-of-Week Counter	0x08	8	read/write	0x00	0x00
				BCNT3	Binary Counter 3	0x08	8	read/write	0x00	0x00
				RDAYCNT	Day Counter	0x0A	8	read/write	0x00	0xC0
				RMONCNT	Month Counter	0x0C	8	read/write	0x00	0xE0
				RYRCNT	Year Counter	0x0E	16	read/write	0x0000	0xFF00
				RSECAR	Second Alarm Register	0x10	8	read/write	0x00	0x00
				BCNT0AR	Binary Counter 0 Alarm Register	0x10	8	read/write	0x00	0x00
				RMINAR	Minute Alarm Register	0x12	8	read/write	0x00	0x00
				BCNT1AR	Binary Counter 1 Alarm Register	0x12	8	read/write	0x00	0x00
				RHRAR	Hour Alarm Register	0x14	8	read/write	0x00	0x00
				BCNT2AR	Binary Counter 2 Alarm Register	0x14	8	read/write	0x00	0x00
				RWKAR	Day-of-Week Alarm Register	0x16	8	read/write	0x00	0x00
				BCNT3AR	Binary Counter 3 Alarm Register	0x16	8	read/write	0x00	0x00
				RDAYAR	Date Alarm Register	0x18	8	read/write	0x00	0x00
				BCNT0AER	Binary Counter 0 Alarm Enable Register	0x18	8	read/write	0x00	0x00
				RMONAR	Month Alarm Register	0x1A	8	read/write	0x00	0x00
				BCNT1AER	Binary Counter 1 Alarm Enable Register	0x1A	8	read/write	0x00	0x00
				RYRAR	Year Alarm Register	0x1C	16	read/write	0x0000	0xFF00
				BCNT2AER	Binary Counter 2 Alarm Enable Register	0x1C	16	read/write	0x0000	0xFF00
				RYRAREN	Year Alarm Enable Register	0x1E	8	read/write	0x00	0x00
				BCNT3AER	Binary Counter 3 Alarm Enable Register	0x1E	8	read/write	0x00	0x00
				RCR1	RTC Control Register 1	0x22	8	read/write	0x00	0x0A
				RCR2	RTC Control Register 2	0x24	8	read/write	0x00	0x0E
				RCR4	RTC Control Register 4	0x28	8	read/write	0x00	0xFE
RFRH	Frequency Register H	0x2A	16	read/write	0x0000	0xFFFE				

Table 3.4 Register description (12 of 29)

Peripheral	Dim	Dim incr.	Dim index	Register name	Description	Address offset	Size	Access	Reset value	Reset mask
RTC	-	-	-	RFRL	Frequency Register L	0x2C	16	read/write	0x0000	0x0000
				RADJ	Time Error Adjustment Register	0x2E	8	read/write	0x00	0x00
	3	0x2	0-2	RTCCR%s	Time Capture Control Register %s	0x40	8	read/write	0x00	0x00
	3	0x10	0-2	RSECCP%s	Second Capture Register %s	0x52	8	read-only	0x00	0x00
	3	0x10	0-2	BCNT0CP%s	BCNT0 Capture Register %s	0x52	8	read-only	0x00	0x00
	3	0x10	0-2	RMINCP%s	Minute Capture Register %s	0x54	8	read-only	0x00	0x00
	3	0x10	0-2	BCNT1CP%s	BCNT1 Capture Register %s	0x54	8	read-only	0x00	0x00
	3	0x10	0-2	RHRCP%s	Hour Capture Register %s	0x56	8	read-only	0x00	0x00
	3	0x10	0-2	BCNT2CP%s	BCNT2 Capture Register %s	0x56	8	read-only	0x00	0x00
	3	0x10	0-2	RDAYCP%s	Date Capture Register %s	0x5A	8	read-only	0x00	0x00
	3	0x10	0-2	BCNT3CP%s	BCNT3 Capture Register %s	0x5A	8	read-only	0x00	0x00
3	0x10	0-2	RMONCP%s	Month Capture Register %s	0x5C	8	read-only	0x00	0x00	
WDT	-	-	-	WDTRR	WDT Refresh Register	0x00	8	read/write	0xFF	0xFF
				WDTCR	WDT Control Register	0x02	16	read/write	0x33F3	0xFFFF
				WDTSR	WDT Status Register	0x04	16	read/write	0x0000	0xFFFF
				WDTRCR	WDT Reset Control Register	0x06	8	read/write	0x80	0xFF
				WDCSTPR	WDT Count Stop Control Register	0x08	8	read/write	0x80	0xFF
IWDT	-	-	-	IWDTRR	IWDT Refresh Register	0x00	8	read/write	0xFF	0xFF
				IWDTSR	IWDT Status Register	0x04	16	read/write	0x0000	0xFFFF
CAC	-	-	-	CACR0	CAC Control Register 0	0x00	8	read/write	0x00	0xFF
				CACR1	CAC Control Register 1	0x01	8	read/write	0x00	0xFF
				CACR2	CAC Control Register 2	0x02	8	read/write	0x00	0xFF
				CAICR	CAC Interrupt Control Register	0x03	8	read/write	0x00	0xFF
				CASTR	CAC Status Register	0x04	8	read-only	0x00	0xFF
				CAULVR	CAC Upper-Limit Value Setting Register	0x06	16	read/write	0x0000	0xFFFF
				CALLVR	CAC Lower-Limit Value Setting Register	0x08	16	read/write	0x0000	0xFFFF
				CACNTBR	CAC Counter Buffer Register	0x0A	16	read-only	0x0000	0xFFFF

Table 3.4 Register description (13 of 29)

Peripheral	Dim	Dim incr.	Dim index	Register name	Description	Address offset	Size	Access	Reset value	Reset mask
MSTP	-	-	-	MSTPCRB	Module Stop Control Register B	0x00	32	read/write	0xFFFFFFFF	0xFFFFFFFF
				MSTPCRC	Module Stop Control Register C	0x04	32	read/write	0xFFFFFFFF	0xFFFFFFFF
				MSTPCRD	Module Stop Control Register D	0x08	32	read/write	0xFFFFFFFF	0xFFFFFFFF
SSIE0	-	-	-	SSICR	Control Register	0x00	32	read/write	0x00000000	0xFFFFFFFF
				SSISR	Status Register	0x04	32	read/write	0x02000000	0xFFFFFFFF
				SSIFCR	FIFO Control Register	0x10	32	read/write	0x00000000	0xFFFFFFFF
				SSIFSR	FIFO Status Register	0x14	32	read/write	0x00010000	0xFFFFFFFF
				SSIFTDR	Transmit FIFO Data Register	0x18	32	write-only	0x00000000	0x00000000
				SSIFRDR	Receive FIFO Data Register	0x1C	32	read-only	0x00000000	0x00000000
				SSITDMR	TDM Mode Register	0x20	32	read/write	0x00000000	0xFFFFFFFF
				SSISCR	Status Control Register	0x24	32	read/write	0x00000000	0xFFFFFFFF
CAN0	32	0x10	0-31	MB%s_ID	Mailbox Register	0x200	32	read/write	0x00000000	0x00000000
	32	0x10	0-31	MB%s_DL	Mailbox Register	0x204	16	read/write	0x0000	0x0000
	32	0x10	0-31	MB%s_D0	Mailbox Register	0x206	8	read/write	0x00	0x00
	32	0x10	0-31	MB%s_D1	Mailbox Register	0x207	8	read/write	0x00	0x00
	32	0x10	0-31	MB%s_D2	Mailbox Register	0x208	8	read/write	0x00	0x00
	32	0x10	0-31	MB%s_D3	Mailbox Register	0x209	8	read/write	0x00	0x00
	32	0x10	0-31	MB%s_D4	Mailbox Register	0x20A	8	read/write	0x00	0x00
	32	0x10	0-31	MB%s_D5	Mailbox Register	0x20B	8	read/write	0x00	0x00
	32	0x10	0-31	MB%s_D6	Mailbox Register	0x20C	8	read/write	0x00	0x00
	32	0x10	0-31	MB%s_D7	Mailbox Register	0x20D	8	read/write	0x00	0x00
	32	0x10	0-31	MB%s_TS	Mailbox Register	0x20E	16	read/write	0x0000	0x0000
	8	0x4	0-7	MKR[%s]	Mask Register	0x400	32	read/write	0x00000000	0x00000000
	2	0x4	0,1	FIDCR%s	FIFO Received ID Compare Registers	0x420	32	read/write	0x00000000	0x00000000
	-	-	-	MKIVLR	Mask Invalid Register	0x428	32	read/write	0x00000000	0x00000000
MIER				Mailbox Interrupt Enable Register	0x42C	32	read/write	0x00000000	0x00000000	
MIER_FIFO				Mailbox Interrupt Enable Register for FIFO Mailbox Mode	0x42C	32	read/write	0x00000000	0x00000000	

Table 3.4 Register description (14 of 29)

Peripheral	Dim	Dim incr.	Dim index	Register name	Description	Address offset	Size	Access	Reset value	Reset mask
CAN0	32	0x1	0-31	MCTL_TX[%s]	Message Control Register for Transmit	0x820	8	read/write	0x00	0xFF
	32	0x1	0-31	MCTL_RX[%s]	Message Control Register for Receive	0x820	8	read/write	0x00	0xFF
	-	-	-	CTLR	Control Register	0x840	16	read/write	0x0500	0xFFFF
	-	-	-	STR	Status Register	0x842	16	read-only	0x0500	0xFFFF
	-	-	-	BCR	Bit Configuration Register	0x844	32	read/write	0x00000000	0xFFFFFFFF
	-	-	-	RFCR	Receive FIFO Control Register	0x848	8	read/write	0x80	0xFF
	-	-	-	RFPCR	Receive FIFO Pointer Control Register	0x849	8	write-only	0x00	0x00
	-	-	-	TFCR	Transmit FIFO Control Register	0x84A	8	read/write	0x80	0xFF
	-	-	-	TFPCR	Transmit FIFO Pointer Control Register	0x84B	8	write-only	0x00	0x00
	-	-	-	EIER	Error Interrupt Enable Register	0x84C	8	read/write	0x00	0xFF
	-	-	-	EIFR	Error Interrupt Factor Judge Register	0x84D	8	read/write	0x00	0xFF
	-	-	-	RECR	Receive Error Count Register	0x84E	8	read-only	0x00	0xFF
	-	-	-	TECR	Transmit Error Count Register	0x84F	8	read-only	0x00	0xFF
	-	-	-	ECSR	Error Code Store Register	0x850	8	read/write	0x00	0xFF
	-	-	-	CSSR	Channel Search Support Register	0x851	8	read/write	0x00	0x00
	-	-	-	MSSR	Mailbox Search Status Register	0x852	8	read-only	0x80	0xFF
	-	-	-	MSMR	Mailbox Search Mode Register	0x853	8	read/write	0x00	0xFF
	-	-	-	TSR	Time Stamp Register	0x854	16	read-only	0x0000	0xFFFF
	-	-	-	AFSR	Acceptance Filter Support Register	0x856	16	read/write	0x0000	0x0000
-	-	-	TCR	Test Control Register	0x858	8	read/write	0x00	0xFF	
IIC0	-	-	-	ICCR1	I2C Bus Control Register 1	0x00	8	read/write	0x1F	0xFF
	-	-	-	ICCR2	I2C Bus Control Register 2	0x01	8	read/write	0x00	0xFF
	-	-	-	ICMR1	I2C Bus Mode Register 1	0x02	8	read/write	0x08	0xFF
	-	-	-	ICMR2	I2C Bus Mode Register 2	0x03	8	read/write	0x06	0xFF
	-	-	-	ICMR3	I2C Bus Mode Register 3	0x04	8	read/write	0x00	0xFF
	-	-	-	ICFER	I2C Bus Function Enable Register	0x05	8	read/write	0x72	0xFF
	-	-	-	ICSER	I2C Bus Status Enable Register	0x06	8	read/write	0x09	0xFF

Table 3.4 Register description (15 of 29)

Peripheral	Dim	Dim incr.	Dim index	Register name	Description	Address offset	Size	Access	Reset value	Reset mask
IIC0	-	-	-	ICIER	I2C Bus Interrupt Enable Register	0x07	8	read/write	0x00	0xFF
				ICSR1	I2C Bus Status Register 1	0x08	8	read/write	0x00	0xFF
				ICSR2	I2C Bus Status Register 2	0x09	8	read/write	0x00	0xFF
	3	0x2	0-2	SARL%s	Slave Address Register L%s	0x0A	8	read/write	0x00	0xFF
	3	0x2	0-2	SARU%s	Slave Address Register U%s	0x0B	8	read/write	0x00	0xFF
	-	-	-	ICBRL	I2C Bus Bit Rate Low-Level Register	0x10	8	read/write	0xFF	0xFF
				ICBRH	I2C Bus Bit Rate High-Level Register	0x11	8	read/write	0xFF	0xFF
				ICDRT	I2C Bus Transmit Data Register	0x12	8	read/write	0xFF	0xFF
				ICDRR	I2C Bus Receive Data Register	0x13	8	read-only	0x00	0xFF
				ICWUR	I2C Bus Wake Up Unit Register	0x16	8	read/write	0x10	0xFF
				ICWUR2	I2C Bus Wake up Unit Register 2	0x17	8	read/write	0xFD	0xFF
	IIC1,2	-	-	-	ICCR1	I2C Bus Control Register 1	0x00	8	read/write	0x1F
ICCR2					I2C Bus Control Register 2	0x01	8	read/write	0x00	0xFF
ICMR1					I2C Bus Mode Register 1	0x02	8	read/write	0x08	0xFF
ICMR2					I2C Bus Mode Register 2	0x03	8	read/write	0x06	0xFF
ICMR3					I2C Bus Mode Register 3	0x04	8	read/write	0x00	0xFF
ICFER					I2C Bus Function Enable Register	0x05	8	read/write	0x72	0xFF
ICSER					I2C Bus Status Enable Register	0x06	8	read/write	0x09	0xFF
ICIER					I2C Bus Interrupt Enable Register	0x07	8	read/write	0x00	0xFF
ICSR1					I2C Bus Status Register 1	0x08	8	read/write	0x00	0xFF
ICSR2					I2C Bus Status Register 2	0x09	8	read/write	0x00	0xFF
3		0x2	0-2	SARL%s	Slave Address Register L%s	0x0A	8	read/write	0x00	0xFF
3		0x2	0-2	SARU%s	Slave Address Register U%s	0x0B	8	read/write	0x00	0xFF
-		-	-	ICBRL	I2C Bus Bit Rate Low-Level Register	0x10	8	read/write	0xFF	0xFF
				ICBRH	I2C Bus Bit Rate High-Level Register	0x11	8	read/write	0xFF	0xFF
				ICDRT	I2C Bus Transmit Data Register	0x12	8	read/write	0xFF	0xFF
	ICDRR			I2C Bus Receive Data Register	0x13	8	read-only	0x00	0xFF	

Table 3.4 Register description (16 of 29)

Peripheral	Dim	Dim incr.	Dim index	Register name	Description	Address offset	Size	Access	Reset value	Reset mask				
DOC	-	-	-	DOCR	DOC Control Register	0x00	8	read/write	0x00	0xFF				
				DODIR	DOC Data Input Register	0x02	16	read/write	0x0000	0xFFFF				
				DODSR	DOC Data Setting Register	0x04	16	read/write	0x0000	0xFFFF				
ADC140	-	-	-	ADCSR	A/D Control Register	0x000	16	read/write	0x0000	0xFFFF				
				ADANSA0	A/D Channel Select Register A0	0x004	16	read/write	0x0000	0xFFFF				
				ADANSA1	A/D Channel Select Register A1	0x006	16	read/write	0x0000	0xFFFF				
				ADADS0	A/D-Converted Value Addition/Average Channel Select Register 0	0x008	16	read/write	0x0000	0xFFFF				
				ADADS1	A/D-Converted Value Addition/Average Channel Select Register 1	0x00A	16	read/write	0x0000	0xFFFF				
				ADADC	A/D-Converted Value Addition/Average Count Select Register	0x00C	8	read/write	0x00	0xFF				
				ADCER	A/D Control Extended Register	0x00E	16	read/write	0x0000	0xFFFF				
				ADSTRGR	A/D Conversion Start Trigger Select Register	0x010	16	read/write	0x0000	0xFFFF				
				ADEXICR	A/D Conversion Extended Input Control Register	0x012	16	read/write	0x0000	0xFFFF				
				ADANSB0	A/D Channel Select Register B0	0x014	16	read/write	0x0000	0xFFFF				
				ADANSB1	A/D Channel Select Register B1	0x016	16	read/write	0x0000	0xFFFF				
				ADDBLDR	A/D Data Duplication Register	0x018	16	read-only	0x0000	0xFFFF				
				ADTSDR	A/D Temperature Sensor Data Register	0x01A	16	read-only	0x0000	0xFFFF				
				ADOCDR	A/D Internal Reference Voltage Data Register	0x01C	16	read-only	0x0000	0xFFFF				
				ADRD	A/D Self-Diagnosis Data Register	0x01E	16	read-only	0x0000	0xFFFF				
				28	0x2	0-27	ADDR%s	A/D Data Register %s	0x020	16	read-only	0x0000	0xFFFF	
				-	-	-	-	ADDISCR	A/D Disconnection Detection Control Register	0x07A	8	read/write	0x00	0xFF
								ADGSPCR	A/D Group Scan Priority Control Register	0x080	16	read/write	0x0000	0xFFFF
								ADDBLDRA	A/D Data Duplexing Register A	0x084	16	read-only	0x0000	0xFFFF
								ADDBLDRB	A/D Data Duplexing Register B	0x086	16	read-only	0x0000	0xFFFF
ADHVREFCNT	A/D High-Potential/Low-Potential Reference Voltage Control Register	0x08A	8					read/write	0x00	0xFF				
ADWINMON	A/D Compare Function Window A/B Status Monitor Register	0x08C	8					read-only	0x00	0xFF				
ADCMPCR	A/D Compare Function Control Register	0x090	16					read/write	0x0000	0xFFFF				

Table 3.4 Register description (17 of 29)

Peripheral	Dim	Dim incr.	Dim index	Register name	Description	Address offset	Size	Access	Reset value	Reset mask				
ADC140	-	-	-	ADCMPSER	A/D Compare Function Window A Extended Input Select Register	0x092	8	read/write	0x00	0xFF				
				ADCMPLER	A/D Compare Function Window A Extended Input Comparison Condition Setting Register	0x093	8	read/write	0x00	0xFF				
				ADCMPSR0	A/D Compare Function Window A Channel Select Register 0	0x094	16	read/write	0x0000	0xFFFF				
				ADCMPSR1	A/D Compare Function Window A Channel Select Register 1	0x096	16	read/write	0x0000	0xFFFF				
				ADCMPLR0	A/D Compare Function Window A Comparison Condition Setting Register 0	0x098	16	read/write	0x0000	0xFFFF				
				ADCMPLR1	A/D Compare Function Window A Comparison Condition Setting Register 1	0x09A	16	read/write	0x0000	0xFFFF				
				ADCMPCR0	A/D Compare Function Window A Lower-Side Level Setting Register	0x09C	16	read/write	0x0000	0xFFFF				
				ADCMPCR1	A/D Compare Function Window A Upper-Side Level Setting Register	0x09E	16	read/write	0x0000	0xFFFF				
				ADCMPSR0	A/D Compare Function Window A Channel Status Register 0	0x0A0	16	read/write	0x0000	0xFFFF				
				ADCMPSR1	A/D Compare Function Window A Channel Status Register 1	0x0A2	16	read/write	0x0000	0xFFFF				
				ADCMPSER	A/D Compare Function Window A Extended Input Channel Status Register	0x0A4	8	read/write	0x00	0xFF				
				ADCMPSNR	A/D Compare Function Window B Channel Selection Register	0x0A6	8	read/write	0x00	0xFF				
				ADWINLLB	A/D Compare Function Window B Lower-Side Level Setting Register	0x0A8	16	read/write	0x0000	0xFFFF				
				ADWINULB	A/D Compare Function Window B Upper-Side Level Setting Register	0x0AA	16	read/write	0x0000	0xFFFF				
				ADCMPSR	A/D Compare Function Window B Status Register	0x0AC	8	read/write	0x00	0xFF				
				ADSSTRL	A/D Sampling State Register L	0x0DD	8	read/write	0x0D	0xFF				
				ADSSTRT	A/D Sampling State Register T	0x0DE	8	read/write	0x0D	0xFF				
				ADSSTRO	A/D Sampling State Register O	0x0DF	8	read/write	0x0D	0xFF				
					16	0x1	0-15	ADSSTR%s	A/D Sampling State Register %s	0x0E0	8	read/write	0x0D	0xFF
				DAC12	-	-	-	DADR0	D/A Data Register 0	0x00	16	read/write	0x0000	0xFFFF
DACR	D/A Control Register	0x04	8					read/write	0x1F	0xFF				
DADPR	DADR0 Format Select Register	0x05	8					read/write	0x00	0xFF				
DAADSCR	D/A-A/D Synchronous Start Control Register	0x06	8					read/write	0x00	0xFF				

Table 3.4 Register description (18 of 29)

Peripheral	Dim	Dim incr.	Dim index	Register name	Description	Address offset	Size	Access	Reset value	Reset mask
DAC12	-	-	-	DAVREFCR	D/A VREF Control Register	0x07	8	read/write	0x00	0xFF
SDHI0	-	-	-	SD_CMD	Command Type Register	0x000	32	read/write	0x00000000	0xFFFFFFFF
				SD_ARG	SD Command Argument Register	0x008	32	read/write	0x00000000	0xFFFFFFFF
				SD_ARG1	SD Command Argument Register 1	0x00C	32	read/write	0x00000000	0xFFFFFFFF
				SD_STOP	Data Stop Register	0x010	32	read/write	0x00000000	0xFFFFFFFF
				SD_SECCNT	Block Count Register	0x014	32	read/write	0x00000000	0xFFFFFFFF
				SD_RSP10	SD Card Response Register 10	0x018	32	read-only	0x00000000	0xFFFFFFFF
				SD_RSP1	SD Card Response Register 1	0x01C	32	read-only	0x00000000	0xFFFFFFFF
				SD_RSP32	SD Card Response Register 32	0x020	32	read-only	0x00000000	0xFFFFFFFF
				SD_RSP3	SD Card Response Register 3	0x024	32	read-only	0x00000000	0xFFFFFFFF
				SD_RSP54	SD Card Response Register 54	0x028	32	read-only	0x00000000	0xFFFFFFFF
				SD_RSP5	SD Card Response Register 5	0x02C	32	read-only	0x00000000	0xFFFFFFFF
				SD_RSP76	SD Card Response Register 76	0x030	32	read-only	0x00000000	0xFFFFFFFF
				SD_RSP7	SD Card Response Register 7	0x034	32	read-only	0x00000000	0xFFFFFFFF
				SD_INFO1	SD Card Interrupt Flag Register 1	0x038	32	read/write	0x00000000	0xFFFFB5F
				SD_INFO2	SD Card Interrupt Flag Register 2	0x03C	32	read/write	0x00002000	0xFFFF7F
				SD_INFO1_MASK	SD_INFO1 Interrupt Mask Register	0x040	32	read/write	0x0000031D	0xFFFFFFFF
				SD_INFO2_MASK	SD_INFO2 Interrupt Mask Register	0x044	32	read/write	0x00008B7F	0xFFFFFFFF
				SD_CLK_CTRL	SD Clock Control Register	0x048	32	read/write	0x00000020	0xFFFFFFFF
				SD_SIZE	Transfer Data Length Register	0x04C	32	read/write	0x00000200	0xFFFFFFFF
				SD_OPTION	SD Card Access Control Option Register	0x050	32	read/write	0x000040EE	0xFFFFFFFF
				SD_ERR_STS1	SD Error Status Register 1	0x058	32	read-only	0x00002000	0xFFFFFFFF
SD_ERR_STS2	SD Error Status Register 2	0x05C	32	read-only	0x00000000	0xFFFFFFFF				
SD_BUF0	SD Buffer Read/Write Register	0x060	32	read/write	0x00000000	0x00000000				
SDIO_MODE	SDIO Mode Control Register	0x068	32	read/write	0x00000000	0xFFFFFFFF				
SDIO_INFO1	SDIO Interrupt Flag Register 1	0x06C	32	read/write	0x00000000	0xFFFFFFFF9				
SDIO_INFO1_MASK	SDIO_INFO1 Interrupt Mask Register	0x070	32	read/write	0x0000C007	0xFFFFFFFF				

Table 3.4 Register description (19 of 29)

Peripheral	Dim	Dim incr.	Dim index	Register name	Description	Address offset	Size	Access	Reset value	Reset mask
SDHI0	-	-	-	SD_DMAEN	DMA Mode Enable Register	0x1B0	32	read/write	0x00001010	0xFFFFFFFF
				SOFT_RST	Software Reset Register	0x1C0	32	read/write	0x00000007	0xFFFFFFFF
				SDIF_MODE	SD Interface Mode Setting Register	0x1CC	32	read/write	0x00000000	0xFFFFFFFF
				EXT_SWAP	Swap Control Register	0x1E0	32	read/write	0x00000000	0xFFFFFFFF
SCIO,1	-	-	-	SMR	Serial Mode Register (SCMR.SMIF = 0)	0x00	8	read/write	0x00	0xFF
				SMR_SMCI	Serial Mode register (SCMR.SMIF = 1)	0x00	8	read/write	0x00	0xFF
				BRR	Bit Rate Register	0x01	8	read/write	0xFF	0xFF
				SCR	Serial Control Register (SCMR.SMIF = 0)	0x02	8	read/write	0x00	0xFF
				SCR_SMCI	Serial Control Register (SCMR.SMIF = 1)	0x02	8	read/write	0x00	0xFF
				TDR	Transmit Data Register	0x03	8	read/write	0xFF	0xFF
				SSR	Serial Status Register(SCMR.SMIF = 0 and FCR.FM=0)	0x04	8	read/write	0x84	0xFF
				SSR_FIFO	Serial Status Register(SCMR.SMIF = 0 and FCR.FM=1)	0x04	8	read/write	0x80	0xFD
				SSR_SMCI	Serial Status Register(SCMR.SMIF = 1)	0x04	8	read/write	0x84	0xFF
				RDR	Receive Data Register	0x05	8	read-only	0x00	0xFF
				SCMR	Smart Card Mode Register	0x06	8	read/write	0xF2	0xFF
				SEMR	Serial Extended Mode Register	0x07	8	read/write	0x00	0xFF
				SNFR	Noise Filter Setting Register	0x08	8	read/write	0x00	0xFF
				SIMR1	I2C Mode Register 1	0x09	8	read/write	0x00	0xFF
				SIMR2	I2C Mode Register 2	0x0A	8	read/write	0x00	0xFF
				SIMR3	I2C Mode Register 3	0x0B	8	read/write	0x00	0xFF
				SISR	I2C Status Register	0x0C	8	read-only	0x00	0xCB
				SPMR	SPI Mode Register	0x0D	8	read/write	0x00	0xFF
				TDRHL	Transmit 9-bit Data Register	0x0E	16	read/write	0xFFFF	0xFFFF
				FTDRHL	Transmit FIFO Data Register HL	0x0E	16	write-only	0xFFFF	0xFFFF
FTDRH	Transmit FIFO Data Register H	0x0E	8	write-only	0xFF	0xFF				
FTDRL	Transmit FIFO Data Register L	0x0F	8	write-only	0xFF	0xFF				

Table 3.4 Register description (20 of 29)

Peripheral	Dim	Dim incr.	Dim index	Register name	Description	Address offset	Size	Access	Reset value	Reset mask
SCI0,1	-	-	-	RDRHL	Receive 9-bit Data Register	0x10	16	read-only	0x0000	0xFFFF
				FRDRHL	Receive FIFO Data Register HL	0x10	16	read-only	0x0000	0xFFFF
				FRDRH	Receive FIFO Data Register H	0x10	8	read-only	0x00	0xFF
				FRDRL	Receive FIFO Data Register L	0x11	8	read-only	0x00	0xFF
				MDDR	Modulation Duty Register	0x12	8	read/write	0xFF	0xFF
				DCCR	Data Compare Match Control Register	0x13	8	read/write	0x40	0xFF
				FCR	FIFO Control Register	0x14	16	read/write	0xF800	0xFFFF
				FDR	FIFO Data Count Register	0x16	16	read-only	0x0000	0xFFFF
				LSR	Line Status Register	0x18	16	read-only	0x0000	0xFFFF
				CDR	Compare Match Data Register	0x1A	16	read/write	0x0000	0xFFFF
				SPTR	Serial Port Register	0x1C	8	read/write	0x03	0xFF
SCI2-4,9	-	-	-	SMR	Serial Mode Register (SCMR.SMIF = 0)	0x00	8	read/write	0x00	0xFF
				SMR_SMCI	Serial Mode Register (SCMR.SMIF = 1)	0x00	8	read/write	0x00	0xFF
				BRR	Bit Rate Register	0x01	8	read/write	0xFF	0xFF
				SCR	Serial Control Register (SCMR.SMIF = 0)	0x02	8	read/write	0x00	0xFF
				SCR_SMCI	Serial Control Register (SCMR.SMIF = 1)	0x02	8	read/write	0x00	0xFF
				TDR	Transmit Data Register	0x03	8	read/write	0xFF	0xFF
				SSR	Serial Status Register(SCMR.SMIF = 0 and FCR.FM=0)	0x04	8	read/write	0x84	0xFF
				SSR_SMCI	Serial Status Register(SCMR.SMIF = 1)	0x04	8	read/write	0x84	0xFF
				RDR	Receive Data Register	0x05	8	read-only	0x00	0xFF
				SCMR	Smart Card Mode Register	0x06	8	read/write	0xF2	0xFF
				SEMR	Serial Extended Mode Register	0x07	8	read/write	0x00	0xFF
				SNFR	Noise Filter Setting Register	0x08	8	read/write	0x00	0xFF
				SIMR1	I2C Mode Register 1	0x09	8	read/write	0x00	0xFF
				SIMR2	I2C Mode Register 2	0x0A	8	read/write	0x00	0xFF
				SIMR3	I2C Mode Register 3	0x0B	8	read/write	0x00	0xFF
SISR	I2C Status Register	0x0C	8	read-only	0x00	0xCB				

Table 3.4 Register description (21 of 29)

Peripheral	Dim	Dim incr.	Dim index	Register name	Description	Address offset	Size	Access	Reset value	Reset mask
SCI2-4,9	-	-	-	SPMR	SPI Mode Register	0x0D	8	read/write	0x00	0xFF
				TDRHL	Transmit 9-bit Data Register	0x0E	16	read/write	0xFFFF	0xFFFF
				RDRHL	Receive 9-bit Data Register	0x10	16	read-only	0x0000	0xFFFF
				MDDR	Modulation Duty Register	0x12	8	read/write	0xFF	0xFF
				DCCR	Data Compare Match Control Register	0x13	8	read/write	0x40	0xFF
				CDR	Compare Match Data Register	0x1A	16	read/write	0x0000	0xFFFF
				SPTR	Serial Port Register	0x1C	8	read/write	0x03	0xFF
SPI0	-	-	-	SPCR	SPI Control Register	0x00	8	read/write	0x00	0xFF
				SSLP	SPI Slave Select Polarity Register	0x01	8	read/write	0x00	0xFF
				SPPCR	SPI Pin Control Register	0x02	8	read/write	0x00	0xFF
				SPSR	SPI Status Register	0x03	8	read/write	0x20	0xFF
				SPDR	SPI Data Register	0x04	32	read/write	0x00000000	0xFFFFFFFF
				SPDR_HA	SPI Data Register (halfword access)	0x04	16	read/write	0x0000	0xFFFF
				SPSCR	SPI Sequence Control Register	0x08	8	read/write	0x00	0xFF
				SPSSR	SPI Sequence Status Register	0x09	8	read-only	0x00	0xFF
				SPBR	SPI Bit Rate Register	0x0A	8	read/write	0xFF	0xFF
				SPDCR	SPI Data Control Register	0x0B	8	read/write	0x00	0xFF
				SPCKD	SPI Clock Delay Register	0x0C	8	read/write	0x00	0xFF
				SSLND	SPI Slave Select Negation Delay Register	0x0D	8	read/write	0x00	0xFF
				SPND	SPI Next-Access Delay Register	0x0E	8	read/write	0x00	0xFF
				SPCR2	SPI Control Register 2	0x0F	8	read/write	0x00	0xFF
				SPI0	8	0x2	0-7	SPCMD%s	SPI Command Register %s	0x10
SPI1	-	-	-	SPCR	SPI Control Register	0x00	8	read/write	0x00	0xFF
				SSLP	SPI Slave Select Polarity Register	0x01	8	read/write	0x00	0xFF
				SPPCR	SPI Pin Control Register	0x02	8	read/write	0x00	0xFF
				SPSR	SPI Status Register	0x03	8	read/write	0x20	0xFF
				SPDR	SPI Data Register	0x04	32	read/write	0x00000000	0xFFFFFFFF

Table 3.4 Register description (22 of 29)

Peripheral	Dim	Dim incr.	Dim index	Register name	Description	Address offset	Size	Access	Reset value	Reset mask
SPI1	-	-	-	SPDR_HA	SPI Data Register (halfword access)	0x04	16	read/write	0x0000	0xFFFF
				SPBR	SPI Bit Rate Register	0x0A	8	read/write	0xFF	0xFF
				SPDCR	SPI Data Control Register	0x0B	8	read/write	0x00	0xFF
				SPCKD	SPI Clock Delay Register	0x0C	8	read/write	0x00	0xFF
				SSLND	SPI Slave Select Negation Delay Register	0x0D	8	read/write	0x00	0xFF
				SPND	SPI Next-Access Delay Register	0x0E	8	read/write	0x00	0xFF
				SPCR2	SPI Control Register 2	0x0F	8	read/write	0x00	0xFF
				SPCMD0	SPI Command Register 0	0x10	16	read/write	0x070D	0xFFFF
CRC	-	-	-	CRCCR0	CRC Control Register0	0x00	8	read/write	0x00	0xFF
				CRCCR1	CRC Control Register1	0x01	8	read/write	0x00	0xFF
				CRCDIR	CRC Data Input Register	0x04	32	read/write	0x00000000	0xFFFFFFFF
				CRCDIR_BY	CRC Data Input Register (byte access)	0x04	8	read/write	0x00	0xFF
				CRCDOR	CRC Data Output Register	0x08	32	read/write	0x00000000	0xFFFFFFFF
				CRCDOR_HA	CRC Data Output Register (halfword access)	0x08	16	read/write	0x0000	0xFFFF
				CRCDOR_BY	CRC Data Output Register (byte access)	0x08	8	read/write	0x00	0xFF
				CRCSAR	Snoop Address Register	0x0C	16	read/write	0x0000	0xFFFF
GPT320-3	-	-	-	GTWP	General PWM Timer Write-Protection Register	0x00	32	read/write	0x00000000	0xFFFFFFFF
				GTSTR	General PWM Timer Software Start Register	0x04	32	read/write	0x00000000	0xFFFFFFFF
				GTSTP	General PWM Timer Software Stop Register	0x08	32	read/write	0xFFFFFFFF	0xFFFFFFFF
				GTCLR	General PWM Timer Software Clear Register	0x0C	32	write-only	0x00000000	0xFFFFFFFF
				GTSSR	General PWM Timer Start Source Select Register	0x10	32	read/write	0x00000000	0xFFFFFFFF
				GTPSR	General PWM Timer Stop Source Select Register	0x14	32	read/write	0x00000000	0xFFFFFFFF
				GTCSR	General PWM Timer Clear Source Select Register	0x18	32	read/write	0x00000000	0xFFFFFFFF
				GTUPSR	General PWM Timer Up Count Source Select Register	0x1C	32	read/write	0x00000000	0xFFFFFFFF
				GTDNSR	General PWM Timer Down Count Source Select Register	0x20	32	read/write	0x00000000	0xFFFFFFFF
				GTICASR	General PWM Timer Input Capture Source Select Register A	0x24	32	read/write	0x00000000	0xFFFFFFFF

Table 3.4 Register description (23 of 29)

Peripheral	Dim	Dim incr.	Dim index	Register name	Description	Address offset	Size	Access	Reset value	Reset mask
GPT320-3	-	-	-	GTICBSR	General PWM Timer Input Capture Source Select Register B	0x28	32	read/write	0x00000000	0xFFFFFFFF
				GTCR	General PWM Timer Control Register	0x2C	32	read/write	0x00000000	0xFFFFFFFF
				GTUDDTYC	General PWM Timer Count Direction and Duty Setting Register	0x30	32	read/write	0x00000001	0xFFFFFFFF
				GTIOR	General PWM Timer I/O Control Register	0x34	32	read/write	0x00000000	0xFFFFFFFF
				GTINTAD	General PWM Timer Interrupt Output Setting Register	0x38	32	read/write	0x00000000	0xFFFFFFFF
				GTST	General PWM Timer Status Register	0x3C	32	read/write	0x00008000	0xFFFFFFFF
				GTBER	General PWM Timer Buffer Enable Register	0x40	32	read/write	0x00000000	0xFFFFFFFF
				GTCNT	General PWM Timer Counter	0x48	32	read/write	0x00000000	0xFFFFFFFF
				GTCCRA	General PWM Timer Compare Capture Register A	0x4C	32	read/write	0xFFFFFFFF	0xFFFFFFFF
				GTCCRB	General PWM Timer Compare Capture Register B	0x50	32	read/write	0xFFFFFFFF	0xFFFFFFFF
				GTCCRC	General PWM Timer Compare Capture Register C	0x54	32	read/write	0xFFFFFFFF	0xFFFFFFFF
				GTCCRE	General PWM Timer Compare Capture Register E	0x58	32	read/write	0xFFFFFFFF	0xFFFFFFFF
				GTCCRD	General PWM Timer Compare Capture Register D	0x5C	32	read/write	0xFFFFFFFF	0xFFFFFFFF
				GTCCRF	General PWM Timer Compare Capture Register F	0x60	32	read/write	0xFFFFFFFF	0xFFFFFFFF
				GTPR	General PWM Timer Cycle Setting Register	0x64	32	read/write	0xFFFFFFFF	0xFFFFFFFF
				GTPBR	General PWM Timer Cycle Setting Buffer Register	0x68	32	read/write	0xFFFFFFFF	0xFFFFFFFF
				GTDTCR	General PWM Timer Dead Time Control Register	0x88	32	read/write	0x00000000	0xFFFFFFFF
GTDVU	General PWM Timer Dead Time Value Register U	0x8C	32	read/write	0xFFFFFFFF	0xFFFFFFFF				
GPT164-9	-	-	-	GTWP	General PWM Timer Write-Protection Register	0x00	32	read/write	0x00000000	0xFFFFFFFF
				GTSTR	General PWM Timer Software Start Register	0x04	32	read/write	0x00000000	0xFFFFFFFF
				GTSTP	General PWM Timer Software Stop Register	0x08	32	read/write	0xFFFFFFFF	0xFFFFFFFF
				GTCLR	General PWM Timer Software Clear Register	0x0C	32	write-only	0x00000000	0xFFFFFFFF
				GTSSR	General PWM Timer Start Source Select Register	0x10	32	read/write	0x00000000	0xFFFFFFFF
				GTPSR	General PWM Timer Stop Source Select Register	0x14	32	read/write	0x00000000	0xFFFFFFFF
				GTCSR	General PWM Timer Clear Source Select Register	0x18	32	read/write	0x00000000	0xFFFFFFFF
				GTUPSR	General PWM Timer Up Count Source Select Register	0x1C	32	read/write	0x00000000	0xFFFFFFFF

Table 3.4 Register description (24 of 29)

Peripheral	Dim	Dim incr.	Dim index	Register name	Description	Address offset	Size	Access	Reset value	Reset mask
GPT164-9	-	-	-	GTDNSR	General PWM Timer Down Count Source Select Register	0x20	32	read/write	0x00000000	0xFFFFFFFF
				GTICASR	General PWM Timer Input Capture Source Select Register A	0x24	32	read/write	0x00000000	0xFFFFFFFF
				GTICBSR	General PWM Timer Input Capture Source Select Register B	0x28	32	read/write	0x00000000	0xFFFFFFFF
				GTCR	General PWM Timer Control Register	0x2C	32	read/write	0x00000000	0xFFFFFFFF
				GTUDDTYC	General PWM Timer Count Direction and Duty Setting Register	0x30	32	read/write	0x00000001	0xFFFFFFFF
				GTIOR	General PWM Timer I/O Control Register	0x34	32	read/write	0x00000000	0xFFFFFFFF
				GTINTAD	General PWM Timer Interrupt Output Setting Register	0x38	32	read/write	0x00000000	0xFFFFFFFF
				GTST	General PWM Timer Status Register	0x3C	32	read/write	0x00008000	0xFFFFFFFF
				GTBER	General PWM Timer Buffer Enable Register	0x40	32	read/write	0x00000000	0xFFFFFFFF
				GTCNT	General PWM Timer Counter	0x48	32	read/write	0x00000000	0xFFFFFFFF
				GTCCRA	General PWM Timer Compare Capture Register A	0x4C	32	read/write	0x0000FFFF	0xFFFFFFFF
				GTCCRB	General PWM Timer Compare Capture Register B	0x50	32	read/write	0x0000FFFF	0xFFFFFFFF
				GTCCRC	General PWM Timer Compare Capture Register C	0x54	32	read/write	0x0000FFFF	0xFFFFFFFF
				GTCCRE	General PWM Timer Compare Capture Register E	0x58	32	read/write	0x0000FFFF	0xFFFFFFFF
				GTCCRD	General PWM Timer Compare Capture Register D	0x5C	32	read/write	0x0000FFFF	0xFFFFFFFF
				GTCCRF	General PWM Timer Compare Capture Register F	0x60	32	read/write	0x0000FFFF	0xFFFFFFFF
				GTPR	General PWM Timer Cycle Setting Register	0x64	32	read/write	0x0000FFFF	0xFFFFFFFF
				GTPBR	General PWM Timer Cycle Setting Buffer Register	0x68	32	read/write	0x0000FFFF	0xFFFFFFFF
				GTDTCR	General PWM Timer Dead Time Control Register	0x88	32	read/write	0x00000000	0xFFFFFFFF
				GTDVU	General PWM Timer Dead Time Value Register U	0x8C	32	read/write	0x0000FFFF	0xFFFFFFFF
GPT_OPS	-	-	-	OPSCR	Output Phase Switching Control Register	0x00	32	read/write	0x00000000	0xFFFFFFFF
KINT	-	-	-	KRCTL	KEY Return Control Register	0x00	8	read/write	0x00	0xFF
				KRF	KEY Return Flag Register	0x04	8	read/write	0x00	0xFF
				KRM	KEY Return Mode Register	0x08	8	read/write	0x00	0xFF
CTSU	-	-	-	CTSUCR0	CTSU Control Register 0	0x00	8	read/write	0x00	0xFF
				CTSUCR1	CTSU Control Register 1	0x01	8	read/write	0x00	0xFF

Table 3.4 Register description (25 of 29)

Peripheral	Dim	Dim incr.	Dim index	Register name	Description	Address offset	Size	Access	Reset value	Reset mask
CTSUS	-	-	-	CTSUSDPRS	CTSUS Synchronous Noise Reduction Setting Register	0x02	8	read/write	0x00	0xFF
				CTSUSST	CTSUS Sensor Stabilization Wait Control Register	0x03	8	read/write	0x00	0xFF
				CTSUSMCH0	CTSUS Measurement Channel Register 0	0x04	8	read/write	0x3F	0xFF
				CTSUSMCH1	CTSUS Measurement Channel Register 1	0x05	8	read/write	0x3F	0xFF
				CTSUSCHAC0	CTSUS Channel Enable Control Register 0	0x06	8	read/write	0x00	0xFF
				CTSUSCHAC1	CTSUS Channel Enable Control Register 1	0x07	8	read/write	0x00	0xFF
				CTSUSCHAC2	CTSUS Channel Enable Control Register 2	0x08	8	read/write	0x00	0xFF
				CTSUSCHAC3	CTSUS Channel Enable Control Register 3	0x09	8	read/write	0x00	0xFF
				CTSUSCHAC4	CTSUS Channel Enable Control Register 4	0x0A	8	read/write	0x00	0xFF
				CTSUSCHTRC0	CTSUS Channel Transmit/Receive Control Register 0	0x0B	8	read/write	0x00	0xFF
				CTSUSCHTRC1	CTSUS Channel Transmit/Receive Control Register 1	0x0C	8	read/write	0x00	0xFF
				CTSUSCHTRC2	CTSUS Channel Transmit/Receive Control Register 3	0x0D	8	read/write	0x00	0xFF
				CTSUSCHTRC3	CTSUS Channel Transmit/Receive Control Register 3	0x0E	8	read/write	0x00	0xFF
				CTSUSCHTRC4	CTSUS Channel Transmit/Receive Control Register 4	0x0F	8	read/write	0x00	0xFF
				CTSUSDCLKC	CTSUS High-Pass Noise Reduction Control Register	0x10	8	read/write	0x00	0xFF
				CTSUSST	CTSUS Status Register	0x11	8	read/write	0x00	0xFF
				CTSUSSC	CTSUS High-Pass Noise Reduction Spectrum Diffusion Control Register	0x12	16	read/write	0x0000	0xFFFF
				CTSUSO0	CTSUS Sensor Offset Register 0	0x14	16	read/write	0x0000	0xFFFF
				CTSUSO1	CTSUS Sensor Offset Register 1	0x16	16	read/write	0x0000	0xFFFF
				CTSUSC	CTSUS Sensor Counter	0x18	16	read-only	0x0000	0xFFFF
CTSUSRC	CTSUS Reference Counter	0x1A	16	read-only	0x0000	0xFFFF				
CTSUSERRS	CTSUS Error Status Register	0x1C	16	read-only	0x0000	0xFFFF				
SLCDC	-	-	-	LCDM0	LCD Mode Register 0	0x000	8	read/write	0x00	0xFF
				LCDM1	LCD Mode Register 1	0x001	8	read/write	0x00	0xFF
				LCDC0	LCD Clock Control Register 0	0x002	8	read/write	0x00	0xFF
				VLCD	LCD Boost Level Control Register	0x003	8	read/write	0x04	0xFF
				54	0x1	0-53	SEG%s	LCD Display Data Register %s	0x100	8

Table 3.4 Register description (26 of 29)

Peripheral	Dim	Dim incr.	Dim index	Register name	Description	Address offset	Size	Access	Reset value	Reset mask
AGT0,1	-	-	-	AGT	AGT Counter Register	0x00	16	read/write	0xFFFF	0xFFFF
				AGTCMA	AGT Compare Match A Register	0x02	16	read/write	0xFFFF	0xFFFF
				AGTCMB	AGT Compare Match B Register	0x04	16	read/write	0xFFFF	0xFFFF
				AGTCR	AGT Control Register	0x08	8	read/write	0x00	0xFF
				AGTMR1	AGT Mode Register 1	0x09	8	read/write	0x00	0xFF
				AGTMR2	AGT Mode Register 2	0x0A	8	read/write	0x00	0xFF
				AGTIOC	AGT I/O Control Register	0x0C	8	read/write	0x00	0xFF
				AGTISR	AGT Event Pin Select Register	0x0D	8	read/write	0x00	0xFF
				AGTCMSR	AGT Compare Match Function Select Register	0x0E	8	read/write	0x00	0xFF
				AGTIOSEL	AGT Pin Select Register	0x0F	8	read/write	0x00	0xFF
ACMPLP	-	-	-	COMPMDR	ACMPLP Mode Setting Register	0x00	8	read/write	0x00	0xFF
				COMPFIR	ACMPLP Filter Control Register	0x01	8	read/write	0x00	0xFF
				COMPOCR	ACMPLP Output Control Register	0x02	8	read/write	0x00	0xFF
				COMPSEL0	Comparator Input Select Register	0x04	8	read/write	0x11	0xFF
				COMPSEL1	Comparator Reference Voltage Select Register	0x05	8	read/write	0x91	0xFF
OPAMP	-	-	-	AMPMC	Operational Amplifier Mode Control Register	0x08	8	read/write	0x00	0xFF
				AMPTRM	Operational Amplifier Trigger Mode Control Register	0x09	8	read/write	0x00	0xFF
				AMPTRS	Operational Amplifier Activation Trigger Select Register	0x0A	8	read/write	0x00	0xFF
				AMPC	Operational Amplifier Control Register	0x0B	8	read/write	0x00	0xFF
				AMPMON	Operational Amplifier Monitor Register	0x0C	8	read-only	0x00	0xFF
USBFS	-	-	-	SYSCFG	System Configuration Control Register	0x000	16	read/write	0x0000	0xFFFF
				SYSSTS0	System Configuration Status Register 0	0x004	16	read-only	0x0000	0x0000
				DVSTCTR0	Device State Control Register 0	0x008	16	read/write	0x0000	0xFFFF
				CFIFO	CFIFO Port Register	0x014	16	read/write	0x0000	0xFFFF
				CFIFOL	CFIFO Port Register L	0x014	8	read/write	0x00	0xFF
				D0FIFO	D0FIFO Port Register	0x018	16	read/write	0x0000	0xFFFF
				D0FIFOL	D0FIFO Port Register L	0x018	8	read/write	0x00	0xFF

Table 3.4 Register description (27 of 29)

Peripheral	Dim	Dim incr.	Dim index	Register name	Description	Address offset	Size	Access	Reset value	Reset mask
USBFS	-	-	-	D1FIFO	D1FIFO Port Register	0x01C	16	read/write	0x0000	0xFFFF
				D1FIFOL	D1FIFO Port Register L	0x01C	8	read/write	0x00	0xFF
				CFIFOSEL	CFIFO Port Select Register	0x020	16	read/write	0x0000	0xFFFF
				CFIFOCTR	CFIFO Port Control Register	0x022	16	read/write	0x0000	0xFFFF
				D0FIFOSEL	D0FIFO Port Select Register	0x028	16	read/write	0x0000	0xFFFF
				D0FIFOCTR	D0FIFO Port Control Register	0x02A	16	read/write	0x0000	0xFFFF
				D1FIFOSEL	D1FIFO Port Select Register	0x02C	16	read/write	0x0000	0xFFFF
				D1FIFOCTR	D1FIFO Port Control Register	0x02E	16	read/write	0x0000	0xFFFF
				INTENB0	Interrupt Enable Register 0	0x030	16	read/write	0x0000	0xFFFF
				INTENB1	Interrupt Enable Register 1	0x032	16	read/write	0x0000	0xFFFF
				BRDYENB	BRDY Interrupt Enable Register	0x036	16	read/write	0x0000	0xFFFF
				NRDYENB	NRDY Interrupt Enable Register	0x038	16	read/write	0x0000	0xFFFF
				BEMPENB	BEMP Interrupt Enable Register	0x03A	16	read/write	0x0000	0xFFFF
				SOFCFG	SOF Output Configuration Register	0x03C	16	read/write	0x0000	0xFFFF
				INTSTS0	Interrupt Status Register 0	0x040	16	read/write	0x0000	0xFF7F
				INTSTS1	Interrupt Status Register 1	0x042	16	read/write	0x0000	0xFFFF
				BRDYSTS	BRDY Interrupt Status Register	0x046	16	read/write	0x0000	0xFFFF
				NRDYSTS	NRDY Interrupt Status Register	0x048	16	read/write	0x0000	0xFFFF
				BEMPSTS	BEMP Interrupt Status Register	0x04A	16	read/write	0x0000	0xFFFF
				FRMNUM	Frame Number Register	0x04C	16	read/write	0x0000	0xFFFF
				USBREQ	USB Request Type Register	0x054	16	read/write	0x0000	0xFFFF
				USBVAL	USB Request Value Register	0x056	16	read/write	0x0000	0xFFFF
				USBINDX	USB Request Index Register	0x058	16	read/write	0x0000	0xFFFF
				USBLENG	USB Request Length Register	0x05A	16	read/write	0x0000	0xFFFF
DCPCFG	DCP Configuration Register	0x05C	16	read/write	0x0000	0xFFFF				
DCPMAXP	DCP Maximum Packet Size Register	0x05E	16	read/write	0x0040	0xFFFF				
DCPCTR	DCP Control Register	0x060	16	read/write	0x0040	0xFFFF				

Table 3.4 Register description (28 of 29)

Peripheral	Dim	Dim incr.	Dim index	Register name	Description	Address offset	Size	Access	Reset value	Reset mask	
USBFS				PIPESEL	Pipe Window Select Register	0x064	16	read/write	0x0000	0xFFFF	
				PIPECFG	Pipe Configuration Register	0x068	16	read/write	0x0000	0xFFFF	
				PIPEMAXP	Pipe Maximum Packet Size Register	0x06C	16	read/write	0x0000	0xFFBF	
				PIPEPERI	Pipe Cycle Control Register	0x06E	16	read/write	0x0000	0xFFFF	
	5	0x002	1-5	PIPE%sCTR	Pipe %s Control Register	0x070	16	read/write	0x0000	0xFFFF	
	4	0x002	6-9	PIPE%sCTR	Pipe %s Control Register	0x07A	16	read/write	0x0000	0xFFFF	
	5	0x004	1-5	PIPE%sTRE	Pipe %s Transaction Counter Enable Register	0x090	16	read/write	0x0000	0xFFFF	
	5	0x004	1-5	PIPE%sTRN	Pipe %s Transaction Counter Register	0x092	16	read/write	0x0000	0xFFFF	
					USBBCCTRL0	BC Control Register 0	0x0B0	16	read/write	0x0000	0xFFFF
					USBMC	USB Module Control Register	0x0CC	16	read/write	0x0002	0xFFFF
	6	0x002	0-5	DEVADD%s	Device Address %s Configuration Register	0x0D0	16	read/write	0x0000	0xFFFF	
DAC8	2	0x01	0,1	DACS%s	D/A Conversion Value Setting Register %s	0x00	8	read/write	0x00	0xFF	
	-	-	-	DAM	D/A Converter Mode Register	0x03	8	read/write	0x00	0xFF	
TSN				TSCDRL	Temperature Sensor Calibration Data Register L	0x228	8	read-only	0x00	0x00	
				TSCDRH	Temperature Sensor Calibration Data Register H	0x229	8	read-only	0x00	0x00	
QSPI				SFMSMD	Transfer Mode Control Register	0x000	32	read/write	0x00000000	0xFFFFFFFF	
				SFMSSC	Chip Selection Control Register	0x004	32	read/write	0x00000037	0xFFFFFFFF	
				SFMSKC	Clock Control Register	0x008	32	read/write	0x00000008	0xFFFFFFFF	
				SFMSST	Status Register	0x00C	32	read-only	0x00000080	0xFFFFFFFF	
				SFMCOM	Communication Port Register	0x010	32	read/write	0x00000000	0xFFFFFFFF00	
				SFMCMD	Communication Mode Control Register	0x014	32	read/write	0x00000000	0xFFFFFFFF	
				SFMCST	Communication Status Register	0x018	32	read/write	0x00000000	0xFFFFFFFF	
				SFMSIC	Instruction Code Register	0x020	32	read/write	0x00000000	0xFFFFFFFF	
				SFMSAC	Address Mode Control Register	0x024	32	read/write	0x00000002	0xFFFFFFFF	
				SFMSDC	Dummy Cycle Control Register	0x028	32	read/write	0x0000FF00	0xFFFFFFFF	
				SFMSPC	SPI Protocol Control Register	0x030	32	read/write	0x00000010	0xFFFFFFFF	

Table 3.4 Register description (29 of 29)

Peripheral	Dim	Dim incr.	Dim index	Register name	Description	Address offset	Size	Access	Reset value	Reset mask
QSPI	-	-	-	SFMPMD	Port Control Register	0x034	32	read/ write	0x00000000	0xFFFFFFFF
				SFMCNT1	External QSPI Address Register 1	0x804	32	read/ write	0x00000000	0xFFFFFFFF

Peripheral name = Name of peripheral

Dim = Number of elements in an array of registers

Dim inc = Address increment between two simultaneous registers of a register array in the address map

Dim index = Sub string that replaces the %s placeholder within the register name

Register name = Name of register

Description = Register description

Address offset = Address of the register relative to the base address defined by the peripheral of the register

Size = Bit width of the register

Access = Register access rights:

Read-only: Read access is permitted. Write operations have undefined results.

Write-only: Write access is permitted. Read operations have undefined results.

Read/write: Both read and write accesses are permitted. Writes affect the state of the register and reads return a value related to the register.

Reset value = Default reset value of a register

Reset mask = Identifies which register bits have a defined reset value

Revision History	S3A1 Microcontroller Group User's Manual
------------------	--

Rev.	Date	Chapter	Summary
0.50	Jun 5, 2017	—	Initial draft
0.70	Jul 18, 2017	—	Draft 1 review
1.00	Aug 22, 2017	—	Initial release
	Oct 6, 2017	—	Final review draft
	Oct 30, 2017	—	First release of R1.0
1.10	Feb 27, 2018	—	Second release
		section 1, Features	Updated Memory section in the Features chapter.
		section 1, Overview	Updated Table 1.1, Arm core
		section 2, CPU	Updated section 2.1.1, CPU
		section 6, Resets	Updated Table 6.3, Module-related registers initialized by each reset source , including note 2 and the text following the table
		section 9, Clock Generation Circuit	Updated Figure 9.1, Clock generation circuit block diagram Updated section 9.2.24, HOCO User Trimming Control Register (HOCOUTCR)
		section 10, Clock Frequency Accuracy Measurement Circuit (CAC)	Updated section 10.1, Overview
		section 12, Battery Backup Function	Updated section 12.2.6, VBATT Backup Register (VBTBKRn) (n = 0 to 511) Updated section 12.4, Usage Notes
		section 20, I/O Ports	Updated section 20.2.2, Port Control Register 2 (PCNTR2/EIDR/PIDR)
			Updated section 20.2.5, Port mn Pin Function Select Register (PmnPFS/PmnPFS_HA/PmnPFS_BY) (m = 0 to 9; n = 00 to 15)
			Updated section 20.4, Handling of Unused Pins
		section 22, Port Output Enable for GPT (POEG)	Updated section 22.3.5, Release from Output-Disable
		section 23, General PWM Timer (GPT)	Updated section 23.2.24, Output Phase Switching Control Register (OPSCR)
			Updated Figure 23.77, GPT_OPS control flow conceptual diagram
			Updated Figure 23.78, 6-phase level output operation example
			Updated Figure 23.79, 6-phase PWM output operation example with chopper control
			Updated Figure 23.80, Example of group output disable control operation
			Removed section 23.3.11.4, Rotation direction control
			Updated section 23.3.11.4, Output selection control
			Updated Table 23.19, Output selection control method (positive phase)
			Updated Table 23.20, Output selection control method (negative phase)
			Updated Figure 23.81, Example for setting of GPT_OPS start operation
		Updated section 23.7.3, GTIOC Pin Output Negate Control	
		section 24, AGT Counter Register (AGT)	Updated section 24.2.1, AGT Counter Register (AGT)
			Updated section 24.4.9, When Selecting PCLKB, PCLKB/8, or PCLKB/2 as the Count Source
		section 25, Alarm Function	Updated section 25.3.6, Alarm Function
		section 28, USB 2.0 Full-Speed Module (USBFS)	Updated Host controller features in Table 28.1, USBFS specifications
			Updated section 28.2.1, System Configuration Control Register (SYSCFG)
			Updated section 28.2.5, CFIFO Port Select Register (CFIFOSEL) D0FIFO Port Select Register (D0FIFOSEL) D1FIFO Port Select Register (D1FIFOSEL)
			Updated section 28.2.33, Device Address n Configuration Register (DEVADDn) (n = 0 to 5)
		section 29, Event Linking	Updated section 29.11, Event Linking
		section 30, I²C Bus Interface (IIC)	Updated Table 30.6 through Table 30.8
section 35, Receive FIFO Data Register (SSIFRDR)	Updated section 35.3.6, Receive FIFO Data Register (SSIFRDR)		

Rev.	Date	Chapter	Summary
1.10	Feb 27, 2018	section 36, SD Error Status Register 1 (SD_ERR_STS1)	Updated section 36.2.17, SD Error Status Register 1 (SD_ERR_STS1)
		section 38, A/D Control Register (ADCSR)	Updated section 38.2.3, A/D Control Register (ADCSR)
			Updated section 38.2.20, A/D Compare Function Window A Extended Input Select Register (ADCMPANSER)
			Updated section 38.3.1, Scanning Operation
		section 38, A/D Control Register (ADCSR)	Updated section 38.3.2.2, Channel selection and self-diagnosis
			Updated section 38.3.4.3, Operation with group A priority control
			Updated section 38.8.12, Port Settings when Using the 14-bit A/D Converter Input
		section 41, Operational Amplifier Mode Control Register (AMPMC)	Updated section 38.8.13, Relationship between ADC14, OPAMP, and ACMPLP
			Updated section 41.2.1, Operational Amplifier Mode Control Register (AMPMC)
		section 42, ACMPLP block diagram when window function is disabled	Updated section 41.7, Usage Notes
			Updated Figure 42.1, ACMPLP block diagram when window function is disabled
		section 51, Electrical Characteristics	Updated Figure 42.2, ACMPLP block diagram when window function is enabled
			Updated Table 51.36, I/O Ports, POEG, GPT, AGT, KINT, and ADC14 trigger timing
			Updated Table 51.41, SPI timing
Updated Table 51.57, A/D internal reference voltage characteristics			
Updated Table 51.74, ACMPLP characteristics			
section 51, Joint Test Action Group (JTAG)	Updated section 51, Joint Test Action Group (JTAG)		
section 3, Access Cycles	Updated Table 3.2, Access Cycles		
1.20	Oct 29, 2018	—	Third release
		section 1, Preface	Updated section 1, Preface to use the latest template
		section 1, Overview	Updated Table 1.3, System for the Clock Frequency Accuracy Measurement Circuit (CAC) functional description
			Updated Table 1.15, Function comparison for the HMI, SLCDC
		section 9, Clock Generation Circuit	Updated section 9.2.6, Memory Wait Cycle Control Register (MEMWAIT) for the MEMWAIT bit detailed description, to remove MEMWAIT settings for the flash read access wait cycle
		section 14, Return from Snooze Mode	Updated section 14.6.3, Return from Snooze Mode to remove the sentence "Interrupt requests through...Snooze mode"
		section 20, I/O Ports	Updated Figure 20.1, I/O port registers connection diagram
			Updated Figure 20.2, Event ports input data
			Updated Figure 20.4, Generation of event pulse
		section 24, Low Power Asynchronous General Purpose Timer (AGT)	Updated section 24.2.7, AGT I/O Control Register (AGTIOC) , for note 1 to remove the phrase "or the timer output"
			Updated section 24.3.1, Reload Register and Counter Rewrite Operation
			Updated Figure 24.8, Operation example 2 in event counter mode
		section 26, Watchdog Timer (WDT)	Updated Figure 26.4, Operation example in auto-start mode to remove the Down-counter control pin signal
		section 29, Serial Communications Interface (SCI)	Updated section 29.2.16, Smart Card Mode Register (SCMR) to remove the reference to note 2
Updated section 29.5.2, CTS and RTS Functions , for (a) Non-FIFO selected, when all of the following conditions are satisfied			
section 31, Controller Area Network (CAN) Module	Updated section 31.7.1, Reception		
section 32, Serial Peripheral Interface (SPI)	Updated section 32.2.4, SPI Status Register (SPSR)		
section 36., SD/MMC Host Interface (SDHI)	Updated section 36.2.17, SD Error Status Register 1 (SD_ERR_STS1)		
section 49, Secure Cryptographic Engine (SCE5)	Added section 49, Secure Cryptographic Engine (SCE5)		
1.30	Dec 19, 2024	—	Fourth release
		Features	Updated for Timers
		section 1, Overview	Updated Table 1.7, Timers
			Added Table 1.13, I/O ports
			Updated Figure 1.2, Part numbering scheme
Updated Table 1.14, Product list			

Rev.	Date	Chapter	Summary
1.30	Dec 19, 2024	section 1, Overview	Updated Table 1.15 , Function comparison
			Updated Figure 1.9 , Pin assignment for 64-pin QFN (top view)
		section 2, CPU	Updated section 2.6.4.2 , Debug Stop Control Register (DBGSTOPCR)
			Updated section 2.11.3.4 , Connecting sequence and JTAG/SWD authentication
			Added section 2.11.4 , Restrictions on Disconnecting an OCD Emulator
		section 7, Option-Setting Memory	Updated section 7.2.1 , Option Function Select Register 0 (OFS0)
			Updated Note . in section 7.2.2 , Option Function Select Register 1 (OFS1)
			Updated Table 7.2 , Specifications for ID code protection
		section 8, Low Voltage Detection (LVD)	Updated Note 1 . in section 8.2.3 , Voltage Monitor 2 Circuit Control Register 1 (LVD2CR1)
			Updated Table 8.4 , Procedure for setting bits related to the voltage monitor 1 interrupt and voltage monitor 1 reset so that the voltage monitor operates
			Updated Table 8.7 , Procedure for setting bits related to voltage monitor 2 interrupt and voltage monitor 2 reset so that voltage monitor stops
		section 9, Clock Generation Circuit	Updated Table 9.1 , Clock generation circuit specifications for the clock sources
			Updated Figure 9.1 , Clock generation circuit block diagram
			Updated section 9.2.2 , System Clock Source Control Register (SCKSCR)
			Updated section 9.2.8 , Sub-Clock Oscillator Control Register (SOSCCR)
			Updated section 9.2.9 , Low-Speed On-Chip Oscillator Control Register (LOCOCR)
			Updated section 9.2.10 , High-Speed On-Chip Oscillator Control Register (HOCO-CR)
			Updated section 9.2.11 , Middle-Speed On-Chip Oscillator Control Register (MOCO-CR)
			Updated section 9.2.12 , Oscillation Stabilization Flag Register (OSCSF)
			Updated Note . in section 9.2.17 , Main Clock Oscillator Mode Oscillation Control Register (MOMCR)
			Updated section 9.7.1 , System Clock (ICLK)
			Updated section 9.7.2 , Peripheral Module Clock (PCLKA, PCLKB, PCLKC, PCLKD)
			Updated section 9.7.11 , SysTick Timer-Dedicated Clock (SYSTICCLK)
			section 11, Low Power Modes
		Updated Note 12 . in Table 11.2 , Operating conditions of each low power mode	
		Updated section 11.2.5 , Module Stop Control Register D (MSTPCRD)	
		Updated section 11.5.1 , Setting Operating Power Control Mode	
		Updated section 11.6.2 , Canceling Sleep Mode	
		Updated section 11.7.3 , Example of Software Standby Mode Application	
		Updated Figure 11.7 , Example of Software Standby mode application	
		Updated Figure 11.12 , Setting example of using SC10 in Snooze mode entry	
		Updated section 11.9.1 , Register Access	
		section 12, Battery Backup Function	Updated section 12.1.5 , Backup Registers
		section 14, Interrupt Controller Unit (ICU)	Updated Figure 14.1 , ICU block diagram
			Updated section 14.2.1 , IRQ Control Register i (IRQCRi) (i = 0 to 15)
			Updated section 14.2.2 , Non-Maskable Interrupt Status Register (NMISR)
			Updated section 14.2.3 , Non-Maskable Interrupt Enable Register (NMIER)
			Updated section 14.2.5 , NMI Pin Interrupt Control Register (NMICR)
			Updated section 14.2.8 , SYS Event Link Setting Register (SELSR0)
			Updated section 14.4.1 , Detecting Interrupts
			Updated section 14.4.2.1 , CPU interrupt request
		Updated section 14.4.2.2 , DTC activation	
		section 15, Buses	Updated section 15.7 , Usage Notes
		section 20, I/O Ports	Updated Table 20.2 , I/O port functions
			Updated section 20.2.1 , Port Control Register 1 (PCNTR1/PODR/PDR)
			Updated section 20.2.2 , Port Control Register 2 (PCNTR2/EIDR/PIDR)
			Updated section 20.2.3 , Port Control Register 3 (PCNTR3/PORR/POSR)
Updated section 20.2.4 , Port Control Register 4 (PCNTR4/EORR/EOSR)			
Updated section 20.2.5 , Port mn Pin Function Select Register (PmnPFS/Pmn-PFS_HA/PmnPFS_BY) (m = 0 to 9; n = 00 to 15)			
Updated section 20.3.2 , Port Function Select			

Rev.	Date	Chapter	Summary
1.30	Dec 19, 2024	section 20, I/O Ports	Updated Table 20.5, Register settings for input/output pin function (PORT0)
			Updated Table 20.7, Register settings for input/output pin function (PORT1) (2)
			Updated Table 20.8, Register settings for input/output pin function (PORT2) (1)
			Updated Table 20.10, Register settings for input/output pin function (PORT3)
			Updated Table 20.11, Register settings for input/output pin function (PORT4) (1)
			Updated Table 20.12, Register settings for input/output pin function (PORT4) (2)
			Updated Table 20.13, Register settings for input/output pin function (PORT5)
			Updated Table 20.14, Register settings for input/output pin function (PORT6)
			Updated Table 20.15, Register settings for input/output pin function (PORT7)
			Updated Table 20.16, Register settings for input/output pin function (PORT8)
		Updated Table 20.17, Register settings for input/output pin function (PORT9)	
		section 21, Key Interrupt Function (KINT)	Updated section 21.3.2, Operation When Using Key Interrupt Flag (KRMD = 1)
		section 22, Port Output Enable for GPT (POEG)	Updated section 22.3, Output-Disable Control Operation
			Updated Figure 22.4, Output timing of external trigger to GPT
		section 23, General PWM Timer (GPT)	Updated Note 1. in Table 23.2, GPT functions
			Updated section 23.2.12, General PWM Timer Control Register (GTCR)
			Updated section 23.2.13, General PWM Timer Count Direction and Duty Setting Register (GTUDDTYC)
			Updated section 23.2.14, General PWM Timer I/O Control Register (GTIOR)
			Updated Table 23.5, Settings of GTIOA[4:0] and GTIOB[4:0] bits
			Updated section 23.2.24, Output Phase Switching Control Register (OPSCR)
			Updated section 23.3.1.1, Counter operation
			Updated section 23.3.1.3, Input capture function
			Updated Figure 23.22, Example of GTCCRA and GTCCRB buffer operation with output compare, saw waves in up-counting, high output at GTCCRA compare match, and low output at cycle end
			Updated Figure 23.43, Example for setting automatic dead time setting function with saw-wave one-shot pulse mode, and triangle-wave PWM mode 3
			Updated Figure 23.77, GPT_OPS control flow conceptual diagram
			Updated section 23.3.11, Output Phase Switching (GPT_OPS)
			Updated section 23.3.11.6, Event Link Controller (ELC) output
			Updated Figure 23.82, Timing of noise filtering
			Updated section 23.6, Noise Filter Function
			Updated section 23.9.5, Priority Order of Each Event
		section 24, Low Power Asynchronous General Purpose Timer (AGT)	Updated section 24, Low Power Asynchronous General Purpose Timer (AGT) title
			Updated section 24.1, Overview
			Updated Note 5. in section 24.2.5, AGT Mode Register 1 (AGTMR1)
			Updated Figure 24.2, Timing of rewrite operation with TSTART, TCMEA and TCMEB bit values when compare match A register and compare match B register are invalid title
			Updated Figure 24.8, Operation example 2 in event counter mode
			Updated Figure 24.11, Operation example in compare match mode (TOPOLA = 0, TOPOLB = 0)
			Updated section 24.4.3, When Changing Mode
			Added section 24.4.11, When Switching Source Clock
		section 25, Realtime Clock (RTC)	Added section 25.6.8, When Switching Source Clock
		section 26, Watchdog Timer (WDT)	Updated Figure 26.1, WDT block diagram
			Updated section 26.2.2, WDT Control Register (WDTCR)
			Updated Figure 26.2, RPSS[1:0] and RPES[1:0] bit settings and refresh-permitted period
			Updated section 26.2.4, WDT Reset Control Register (WDTRCR)
			Updated section 26.2.5, WDT Count Stop Control Register (WDTCSCTR)
			Updated section 26.3.1.1, Register start mode
			Updated section 26.3.1.2, Auto-start mode
			Updated Figure 26.5, Control waveforms produced in response to writing to WDTCR register
		Updated section 26.3.3, Refresh Operation	

Rev.	Date	Chapter	Summary	
1.30	Dec 19, 2024	section 26, Watchdog Timer (WDT)	Updated Table 26.5, Association between Option Function Select Register 0 (OFS0) and WDT Registers	
			section 27, Independent Watchdog Timer (IWDT)	Updated Figure 27.1, IWDT block diagram
				Updated section 27.2.3, Option Function Select Register 0 (OFS0)
				Updated Figure 27.2, IWDRTPSS[1:0] and [IWDRTPES[1:0] bit settings and refresh-permitted period
				Updated section 27.3.1, Auto-Start Mode
				Updated section 27.3.2, Refresh Operation
				Updated Figure 27.4, IWDT refresh operation waveforms when OFS0.IWDTCKS[3:0] = 0000b, OFS0.IWDTTOPS[1:0] = 11b
		section 28, USB 2.0 Full-Speed Module (USBFS)	Updated Figure 27.5, Processing for reading IWDT counter value when OFS0.IWDTCKS[3:0] = 0000b, OFS0.IWDTTOPS[1:0] = 11b	
			Updated Note 6. in section 28.2.13, Interrupt Status Register 0 (INTSTS0)	
			Updated section 28.2.30, PIPEn Control Registers (PIPEnCTR) (n = 1 to 9)	
		section 29, Serial Communications Interface (SCI)	Updated section 28.3.3.1, BRDY interrupt	
			Updated section 29.2.11, Serial Control Register (SCR) for Non-Smart Card Interface Mode (SCMR.SMIF = 0)	
			Updated section 29.2.12, Serial Control Register for Smart Card Interface Mode (SCR_SMCI) (SCMR.SMIF = 1)	
			Updated section 29.2.17, Bit Rate Register (BRR)	
			Updated Table 29.20, Examples of BRR and MDDR settings for different bit rates in asynchronous mode (1)	
			Updated Note. in section 29.3.7, SCI Initialization in Asynchronous Mode	
			Updated Table 29.23, Flags in SSR Status Register and receive data handling	
			Updated Figure 29.22, Example of communication using multi-processor format with transmission of data AAh to receiving station A	
			Updated section 29.5.3, SCI Initialization in Clock Synchronous Mode	
			Updated Figure 29.40, Example operation of serial reception in clock synchronous mode (2) when RTS function is used	
			Updated section 29.10.3, Interrupts in Asynchronous, Clock Synchronous, and Simple SPI Modes	
			section 30, I ² C Bus Interface (IIC)	Updated section 30.2.2, I ² C Bus Control Register 2 (ICCR2)
				Updated section 30.2.6, I ² C Bus Function Enable Register (ICFER)
		Updated section 30.2.10, I ² C Bus Status Register 2 (ICSR2)		
		Updated section 30.3.6, Slave Receive Operation		
		Updated Figure 30.23, Digital noise filter circuit block diagram		
		Updated section 30.7.3, Device ID Address Detection		
		Updated Figure 30.28, AASy/DID flag set/clear timing during reception of device ID		
		Updated Figure 30.39, Suspension of data transfer when NACK is received, when NACK = 1		
		Updated section 30.12.2, Extra SCL Clock Cycle Output Function		
		Updated Figure 30.49, Extra SCL clock cycle output function using the CLO bit		
		Updated Table 30.11, Register states when issuing each condition		
		section 32, Serial Peripheral Interface (SPI)	Updated section 32.2.9, SPI Data Control Register (SPDCR)	
		section 35, Serial Sound Interface Enhanced (SSIE)	Change "SSIBCK" to "SSIBCK0"	
			Change "SSILRCK/SSIFS" to "SSILRCK0/SSIFS0"	
			Updated Table 35.1, SSIE specifications	
			Updated Table 35.5, Bits subject to software reset by the RFRST bit	
			Updated Table 35.6, Bits subject to software reset by the TFRST bit	
			Updated Table 35.7, Bits subject to software reset by the SSIRST bit	
			Updated Figure 35.23, Stop/resume of AUDIO_MCK	
			Updated Figure 35.29, Configuration example of the Transmit FIFO Data Register, Transmit Shift Register, and FIFO operation	
			Updated Figure 35.30, Configuration example of the Receive FIFO Data Register, Receive Shift Register, and FIFO operation	
			Updated Figure 35.39, SSIE state transition	
			Updated section 35.6.2.1, Data communication state	
			Updated section 35.8.1, SSIE0_SSIF Interrupt	

Rev.	Date	Chapter	Summary
1.30	Dec 19, 2024	section 39, 12-Bit D/A Converter (DAC12)	Updated section 39.2.2, D/A Control Register (DACR)
		section 40, Temperature Sensor (TSN)	Updated section 40.3.1, Preparation for Using Temperature Sensor
		section 41, Operational Amplifier Mode Control Register (AMPMC)	Updated section 41.1, Overview
		section 44, Capacitive Touch Sensing Unit (CTSU)	Updated Figure 44.14, Software flow and example operation for self-capacitance multi-scan mode
			Updated Figure 44.16, Software flow and operation example for mutual capacitance full-scan mode
			Updated section 44.4.2, Constraints on Software Trigger
		section 46, SRAM	Updated Figure 46.2, Flow of SRAM parity check when SRAM parity reset is enabled
			Updated Figure 46.3, Flow of SRAM parity check when SRAM parity interrupt is enabled
		section 47, Flash Memory	Updated section 47.3.1, Overview
			Updated Table 47.4, Flash cache overview
			Added section 47.4.3, Data Flash Control Resister (DFLCTL)
			Updated Table 47.6, Specifications for ID code protection
		section 51, Electrical Characteristics	Added section 51.2.11, Thermal Characteristics
			Updated Note. in Table 51.31, NMI and IRQ noise filter
			Updated Note 1. in Table 51.36, I/O Ports, POEG, GPT, AGT, KINT, and ADC14 trigger timing
			Updated Table 51.44, SSIE timing
		Appendix 2, Package Dimensions	Added Figure 2.8, QFN 64-pin (2)
Appendix 3, I/O Registers	Updated Table 3.1, Peripheral base address		
	Updated Table 3.2, Access cycles for non-GPT modules		

S3A1 Microcontroller Group User's Manual

Publication Date: Rev.1.30 Dec 19, 2024

Published by: Renesas Electronics Corporation

Renesas Synergy™ Platform S3A1 Microcontroller Group



Renesas Electronics Corporation

R01UM0010EU0130