

[New release]

R20TS0365EJ0100

Rev.1.00

Dec. 01, 2018

Renesas Starter Kit for RX66T

- Product Lineup featuring MCUs with Integrated Trusted IP-Lite -

Outline

We have released the Renesas Starter Kit for RX66T, which supports the RX66T.

1. Overview

Renesas Starter Kit for RX66T is a starter kit ideal for developers who are getting started with the RX66T group.

The kit includes the following hardware which you need for system development:

- Hardware
 - CPU board with build-in RX66T (512-KB Program Flash, 100-pin) device
 - Pmod™ Compatible LCD board
 - E2 emulator Lite

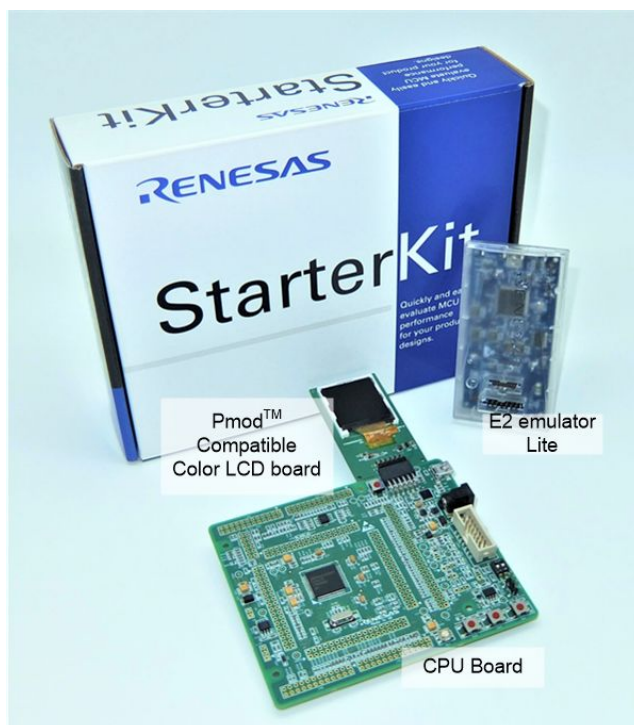


Figure 1 Renesas Starter Kit for RX66T

- Software

Renesas Starter Kit for RX66T Installer which includes software you need for evaluation can be downloaded from the URL below. In combination with Renesas Starter Kit for RX66T, you can get started with evaluation immediately.

- Download URL for Renesas Starter Kit for RX66T:

<https://www.renesas.com/rskrx66t#downloads>

The Renesas Starter Kit for RX66T Installer contains the following software:

- CS+ integrated development environment
- e² studio integrated development environment
- C/C++ Compiler Package for RX Family Evaluation edition
- Renesas Flash Programmer Evaluation edition
- Sample program for Renesas Starter Kit for RX66T

For details about Renesas Starter Kit for RX66T, refer to the URL below.

- Renesas Starter Kit for RX66T product page
<https://www.renesas.com/rskrx66t>

2. Features

- Employs RX66T with integrated Trusted Secure IP-Lite*¹, allowing you to evaluate security functions*² such as AES encryption and robust key management.

*1: Trusted Secure IP-Lite is a security function that protects the key for cipher-to-plain text conversion in addition to the encryption function that protects communication data.

*2: The product part name (orderable part number) is different depending on you use a security function. For different product part numbers, refer to section 4, “How to Purchase a Product.”

- The communications function such as CAN, IIC, and SCI can be evaluated.

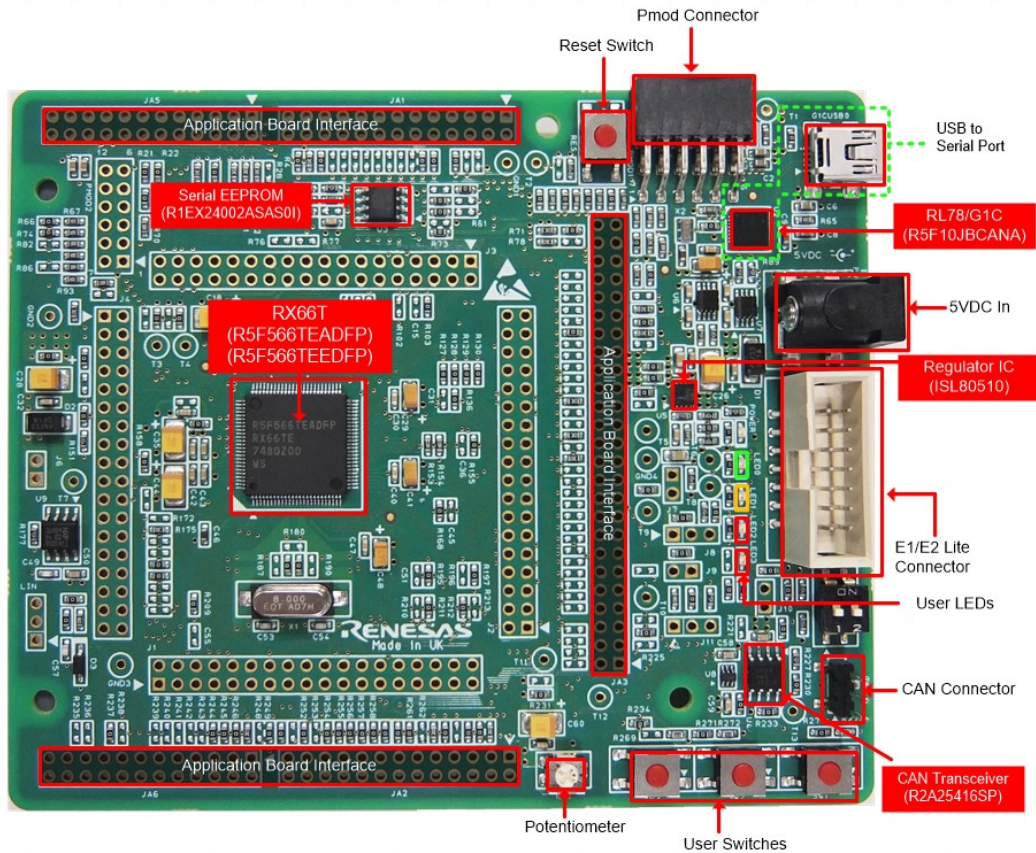


Figure 2 CPU Board

3. Operating Environment

- IBM PC/AT compatible
- Windows® 10 (32-bit edition, 64-bit edition)
- Windows® 8.1 (32-bit edition, 64-bit edition)
- Windows® 7 (32-bit edition, 64-bit edition)
- Processor: 1 GHz or more (hyper-threading and multi-core CPU are supported)
- Memory capacity: 2 GB or greater is recommended.

At least 1 GB is required (Windows 10 and a 64-bit edition of Windows require at least 2 GB).

- Hard disk capacity: At least 1GB of free space
- Display: Resolution of at least 1024 × 768, with 65,536 or more colors

4. How to Purchase a Product

To order a product, contact your local Renesas Electronics sales office or distributor with the following information.

For product pricing, contact us in the same manner.

Security function	Product part number (orderable part number)	Trusted Secure IP- Lite	Emulator
No	RTK50566T0S00000BE	No	E2 Lite
Yes	RTK50566T0S00010BE	Yes	E2 Lite

5. Other Information

When using the following functions of Renesas Starter Kit for RX66T, note the following points.

1. Limitations when using the boot mode
2. Limitations when using the temperature sensor

For details regarding these notes, refer to the Renesas Starter Kit for RX66T Release Note (R70ZZ0212XG0100) below:

<https://www.renesas.com/search/keyword-search.html#genre=document&q=r70zz0212>

Revision History

Rev.	Date	Description	
		Page	Summary
1.00	Dec. 01, 2018	-	First edition issued

TOYOSU FORESIA, 3-2-24 Toyosu, Koto-ku, Tokyo 135-0061 Japan
 Renesas Electronics Corporation

■Inquiry

<https://www.renesas.com/contact/>

Renesas Electronics has used reasonable care in preparing the information included in this document, but Renesas Electronics does not warrant that such information is error free. Renesas Electronics assumes no liability whatsoever for any damages incurred by you resulting from errors in or omissions from the information included herein.

The past news contents have been based on information at the time of publication. Now changed or invalid information may be included.

The URLs in the Tool News also may be subject to change or become invalid without prior notice.

All trademarks and registered trademarks are the property of their respective owners.