

To our customers,

---

## Old Company Name in Catalogs and Other Documents

---

On April 1<sup>st</sup>, 2010, NEC Electronics Corporation merged with Renesas Technology Corporation, and Renesas Electronics Corporation took over all the business of both companies. Therefore, although the old company name remains in this document, it is a valid Renesas Electronics document. We appreciate your understanding.

Renesas Electronics website: <http://www.renesas.com>

April 1<sup>st</sup>, 2010  
Renesas Electronics Corporation

Issued by: Renesas Electronics Corporation (<http://www.renesas.com>)

Send any inquiries to <http://www.renesas.com/inquiry>.

# RENESAS TECHNICAL UPDATE

Nippon Bldg., 2-6-2, Ohte-machi, Chiyoda-ku, Tokyo 100-0004, Japan  
 Renesas Technology Corp.

Product Category	MPU/MCU		Document No.	TN-SH7-A721A/E	Rev.	1.00
Title	SH7720 group and SH7721 group Note on Use of SIOF Slave Mode Receiver		Information Category	Technical Notification		
Applicable Product	SH7720 Group SH7721 Group	Lot No.	Reference Document	SH7720 Group, SH7721 Group hardware manual Rev.3.00 (REJ09B0033-0300)		
		All				

The SIOF of the SH7720 group and SH7721 group have the following note when using slave mode receiver.

## [Summary]

When using the receiver of the SIOF in slave mode, if specifying no bit delay (SIMDR.SYNCDL=0), the receive data is sampled at the rising edge of the SIOF\_SCK, then the hold time of the receive data may not be ensured.

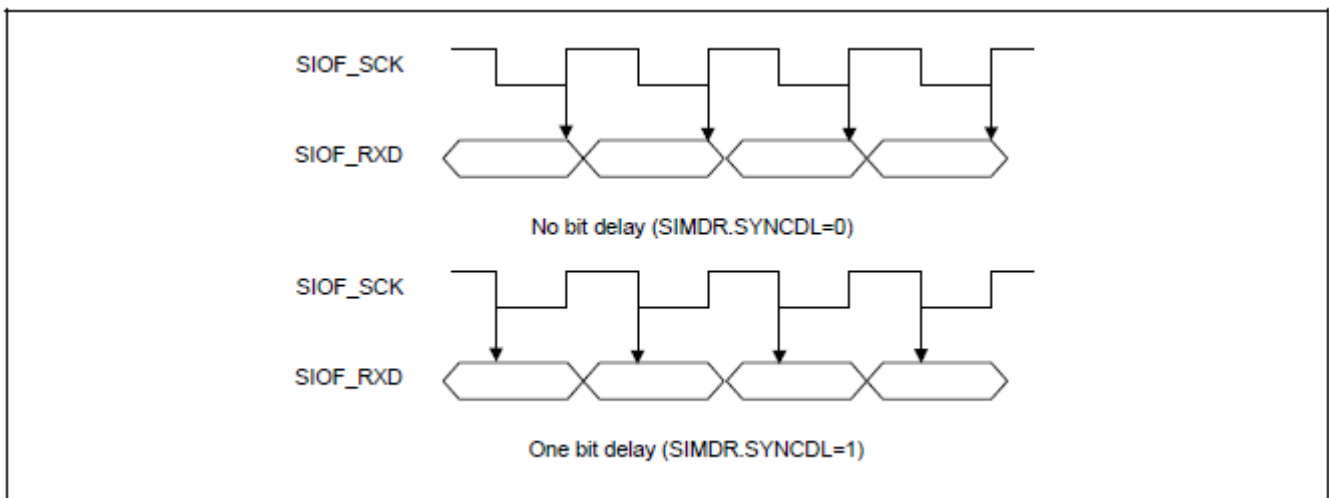


Figure 1 SIOF Receive Data Sampling Timing in Slave Mode

## [Workaround]

Specify one bit delay (SIMDR.SYNCDL=1) for receiver like for transceiver in slave mode. Then the receive data is sampled at the falling edge of the SIOF\_SCK.