

RENESAS TECHNICAL UPDATE

TOYOSU FORESIA, 3-2-24, Toyosu, Koto-ku, Tokyo 135-0061, Japan
Renesas Electronics Corporation

Product Category	MPU/MCU		Document No.	TN-SH7-A905A/E	Rev.	1.00
Title	SH7709S/SH7729R/SH7727 Groups New QFP Package Product		Information Category	Change of packages		
Applicable Product	SH7709S/SH7729R/SH7727 series	Lot No.	Reference Document	SH7709S Group Hardware Manual (REJ09B0081-0500) SH7729R Group Hardware Manual (REJ09B0091-0500) SH7727 Group Hardware Manual (REJ09B0254-0600)		
		All lots				

The package dimensions of SH7709S, SH7729R and SH7727 will be changed. The product name and the package code of new package for the current package will be table 1, and new package dimensions will be figure 1 and figure 2.

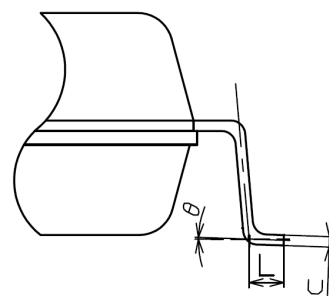
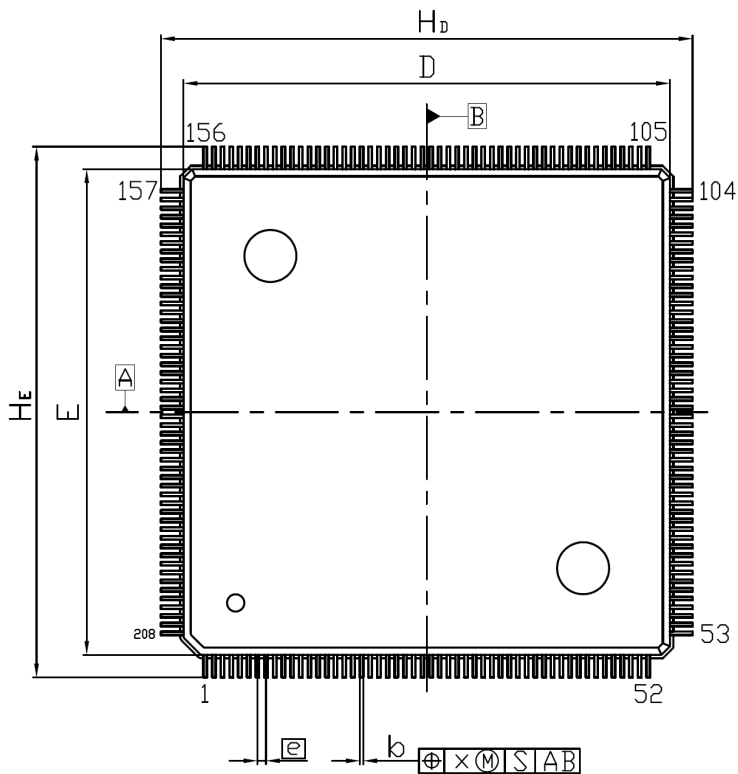
No.	Product Name		Package Code	
	Before	After	Before	After
1	D17709SHF167BDV	D17709SHX167BDV	PRQP0208KE-B	PRQP0208KJ-A
2	D6417709SHF200BV	D6417709SHX200BV	PRQP0208KE-B	PRQP0208KJ-A
3	D6417729RHF200BV	D6417729RHX200BV	PRQP0208KE-B	PRQP0208KJ-A
4	HD6417727F100CV	HD6417727X100CV	PRQP0240KC-B	PRQP0240KE-A
5	HD6417727F160CDV	HD6417727X160CDV	PRQP0240KC-B	PRQP0240KE-A
6	HD6417727F160CV	HD6417727X160CV	PRQP0240KC-B	PRQP0240KE-A

Table 1 Product name and package code

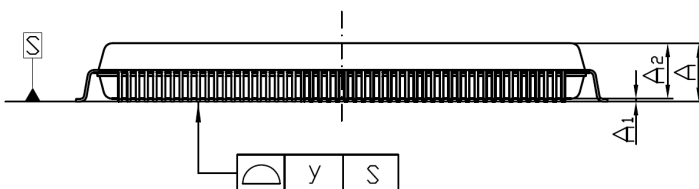
1. New package future

- 1) Pin arrangement and pin functions will not be changed.
- 2) Package dimensions will be on next pages.
- 3) Electrical characteristics and operating temperature will be not changed.

JEITA Package Code	RENESAS Code	MASS [Typ.]
P-QFP208-28 × 28-0.50	PRQP0208KJ-A	5.9 g



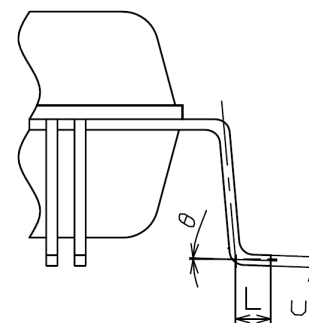
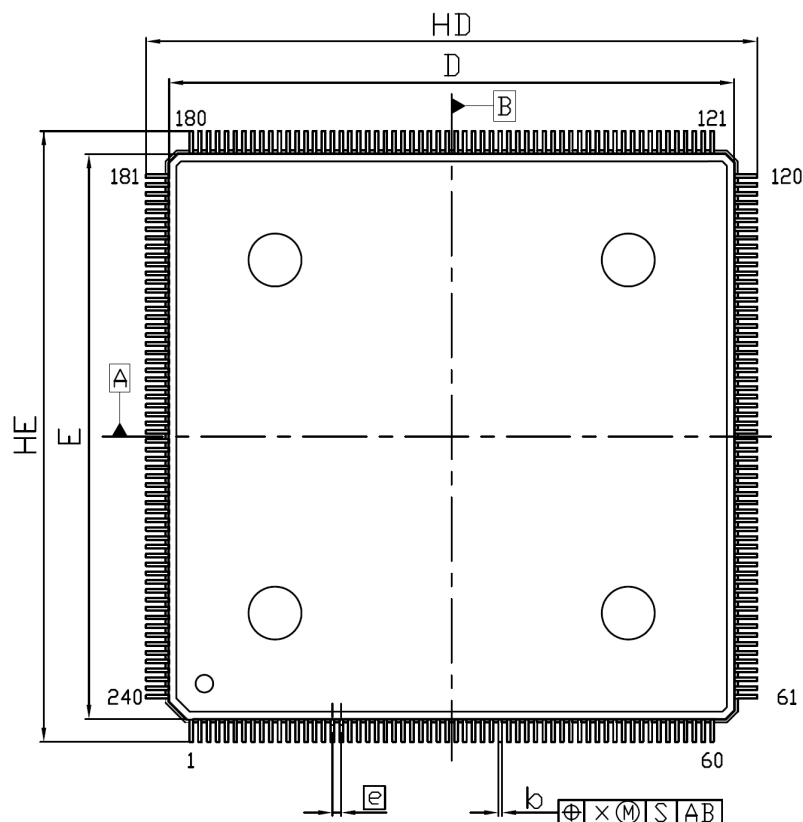
Detail of Lead End



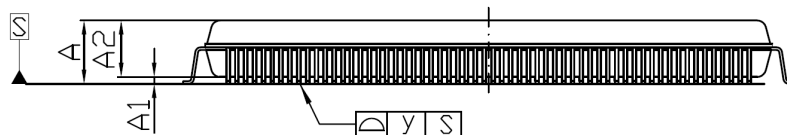
Reference Symbol	Dimension in Millimeters		
	Min.	Nom.	Max.
D		28.0	
E		28.0	
HD	30.4	30.6	30.8
HE	30.4	30.6	30.8
A			3.56
A1	0.00	0.15	0.25
A2		3.20	
b	0.17	0.22	0.27
c	0.12	0.17	0.22
L	0.40	0.50	0.60
θ		0°	8°
$[e]$		0.50	
x			0.10
y			0.10

Figure 1 Package dimensions

JEITA Package Code	RENESAS Code	MASS [Typ.]
P-QFP240-32 × 32-0.50	PRQP0240KE-A	7.8 g



Detail of lead end



Reference Symbol	Dimension in Millimeters		
	Min.	Nom.	Max.
D		32.0	
E		32.0	
HD	34.4	34.6	34.8
HE	34.4	34.6	34.8
A			3.95
A1	0.25	0.40	0.50
A2		3.20	
b	0.17	0.22	0.27
c	0.12	0.17	0.22
L	0.30	0.50	0.70
θ	0°		8°
e		0.50	
x			0.10
y			0.10

Figure 2 Package dimensions