

Title	-Title-	
Size	Document Number	Rev
B	-Doc-	A0
Date:	Friday, November 05, 2013	sheet 1 of 3

Figure-1 VersaClock 5 Evaluation Board Schematics – Page 1

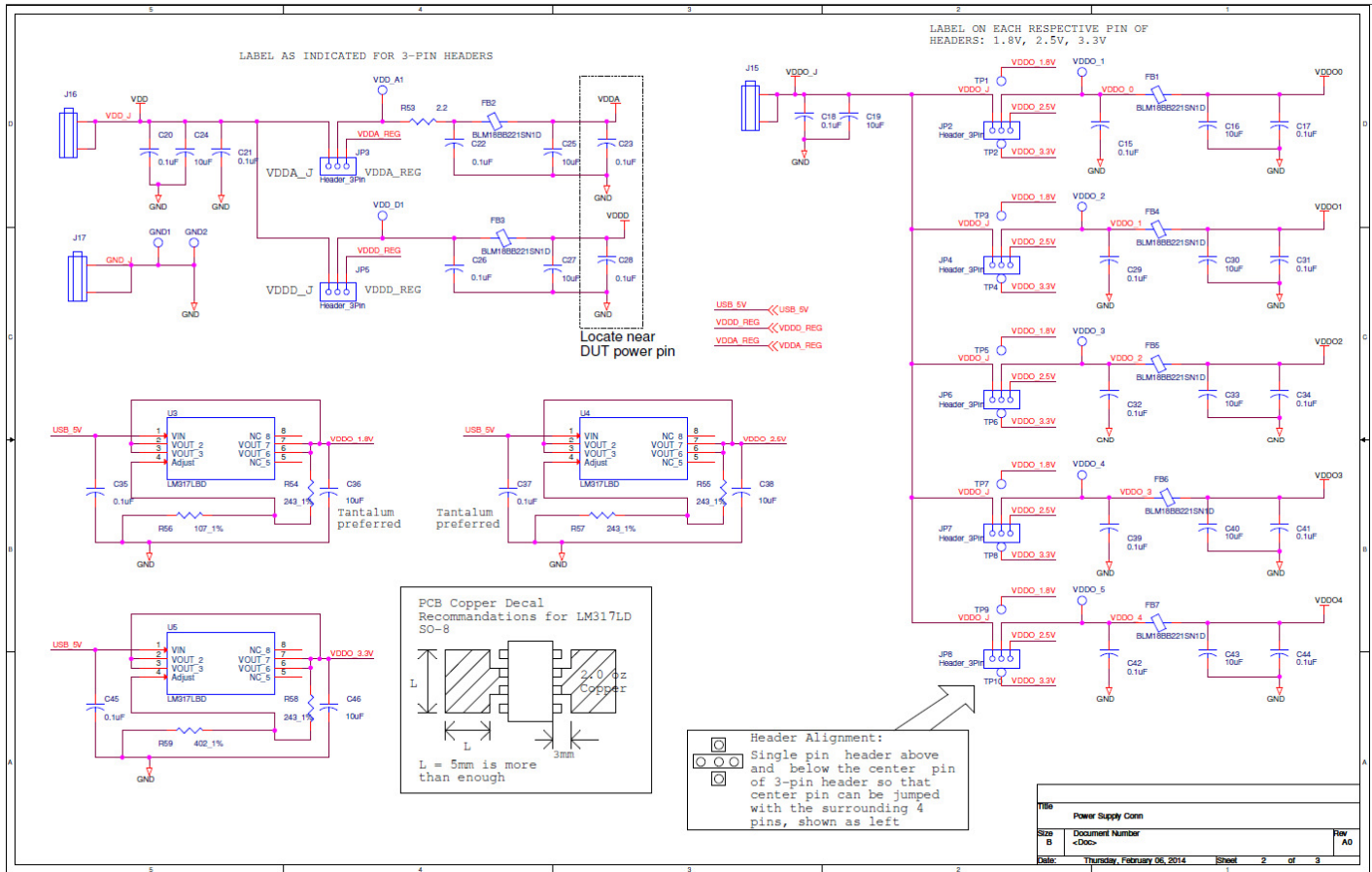


Figure-2 VersaClock 5 Evaluation Board Schematics – Page 2

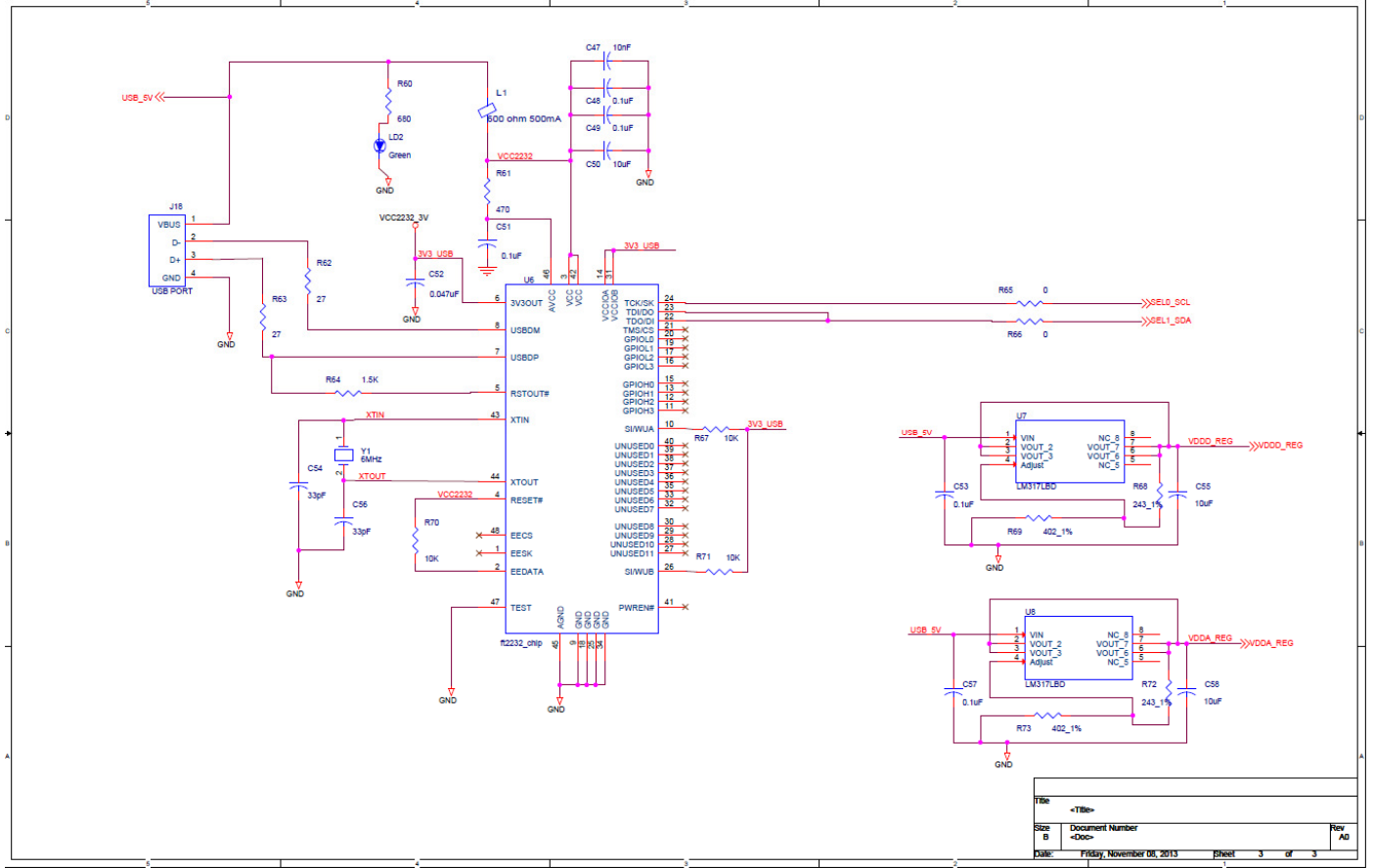


Figure-3 Evaluation Board Schematics – Page 3