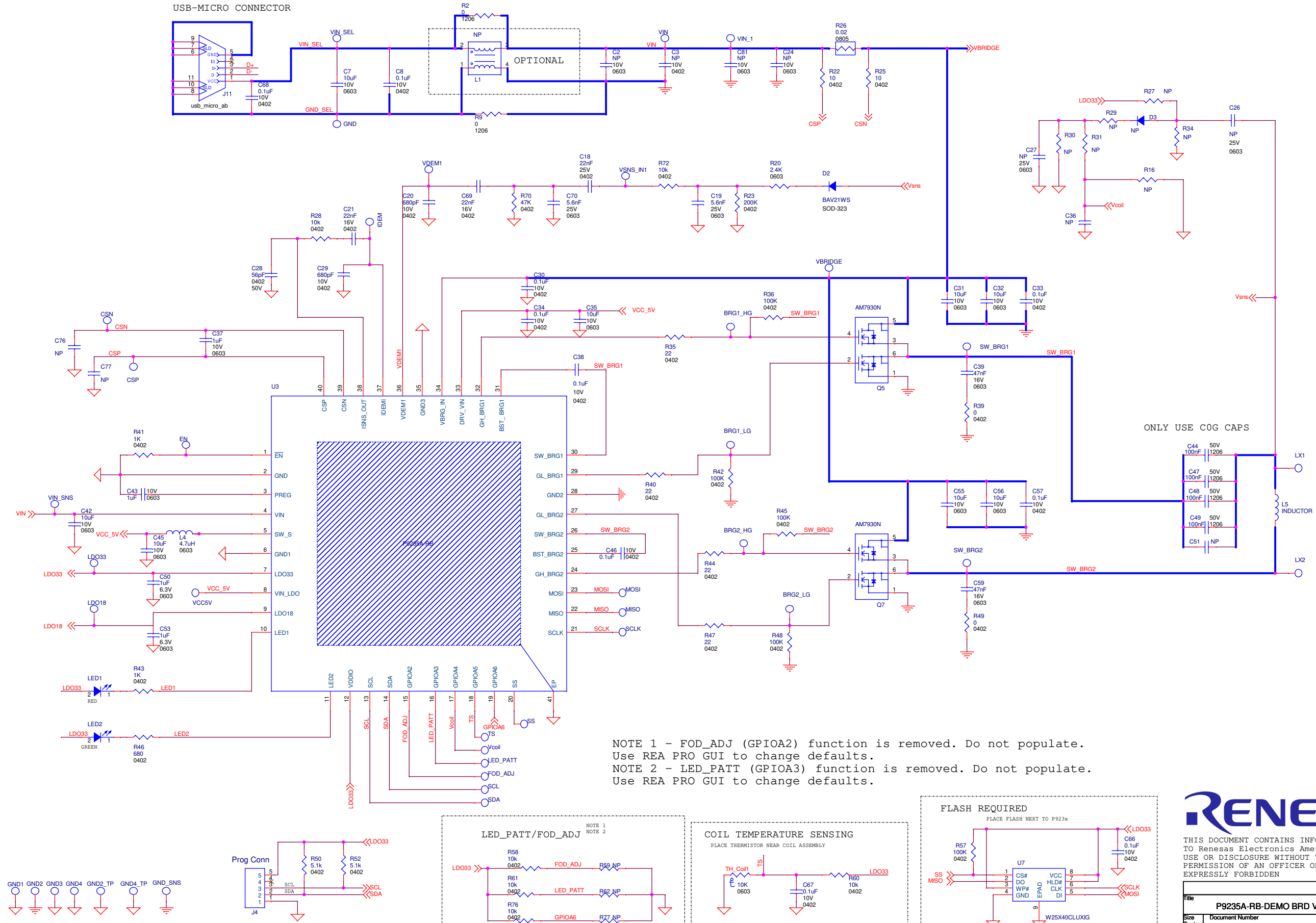
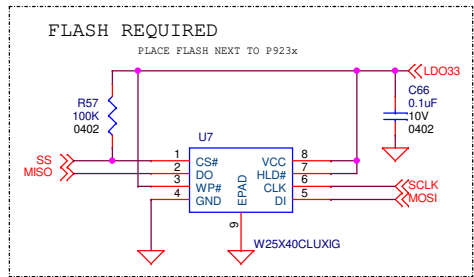
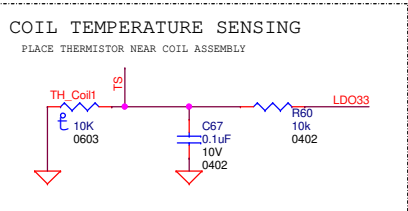
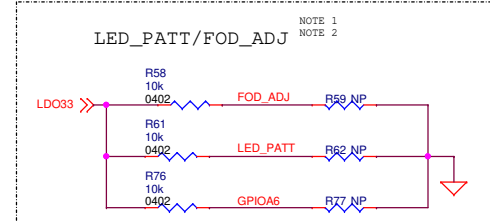
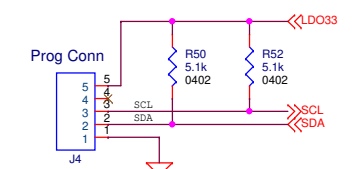
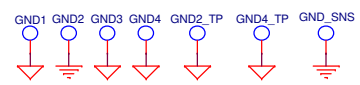


P9235A-RB DEVELOPMENT BOARD V1.1



NOTE 1 - FOD_ADJ (GPIOA2) function is removed. Do not populate.
 Use REA PRO GUI to change defaults.
 NOTE 2 - LED_PATT (GPIOA3) function is removed. Do not populate.
 Use REA PRO GUI to change defaults.



ONLY USE C0G CAPS



THIS DOCUMENT CONTAINS INFORMATION PROPRIETARY TO Renesas Electronics America, INC. (REA). USE OR DISCLOSURE WITHOUT THE WRITTEN PERMISSION OF AN OFFICER OF REA IS EXPRESSLY FORBIDDEN

Title		
P9235A-RB-DEMO BRD V1.1		
Size	Document Number	Rev
Custom		1.1
Date:	Wednesday, April 22, 2020	Sheet 1 of 1