

8

7

6

5

4

3

2

1

REVISIONS

| DCN | REV | DESCRIPTION     | DATE       | CHANGE BY |
|-----|-----|-----------------|------------|-----------|
|     | A   | INITIAL RELEASE | 2010-07-18 | K. LEUNG  |
|     |     |                 |            |           |
|     |     |                 |            |           |

IDT 89HP0602Q USB 3.0 & SATA EVALUATION BOARDS

TABLE OF CONTENTS

89HP0602Q, POWER.....2  
89HP0602Q, USB CONNECTORS...3  
USB-TO-SMA CONVERTER BOARD...4  
89HP0602Q, POWER.....5  
89HP0602Q, SATA CONNECTORS...6  
SATA-TO-SMA CONVERTER BOARD..7



CONFIDENTIAL PROPERTY OF INTEGRATED DEVICE TECHNOLOGY, INC.  
6024 SILVER CREEK VALLEY ROAD, SAN JOSE, CA 95138  
COPYRIGHT (C) 2010 IDT

|                                      |                                  |                        |              |
|--------------------------------------|----------------------------------|------------------------|--------------|
| TITLE<br>89HP0602Q Evaluation Boards |                                  |                        |              |
| SIZE<br>B                            | DRAWING NO.<br>P0602Q-U/S-EB-001 | FAB P/N<br>18-702-000  | REV.<br>A    |
| AUTHOR<br>K. Leung                   |                                  | CHECKED BY<br>D. Huang |              |
| Sun Aug 01 01:38:55 2010             |                                  |                        | SHEET 1 OF 7 |

8

7

6

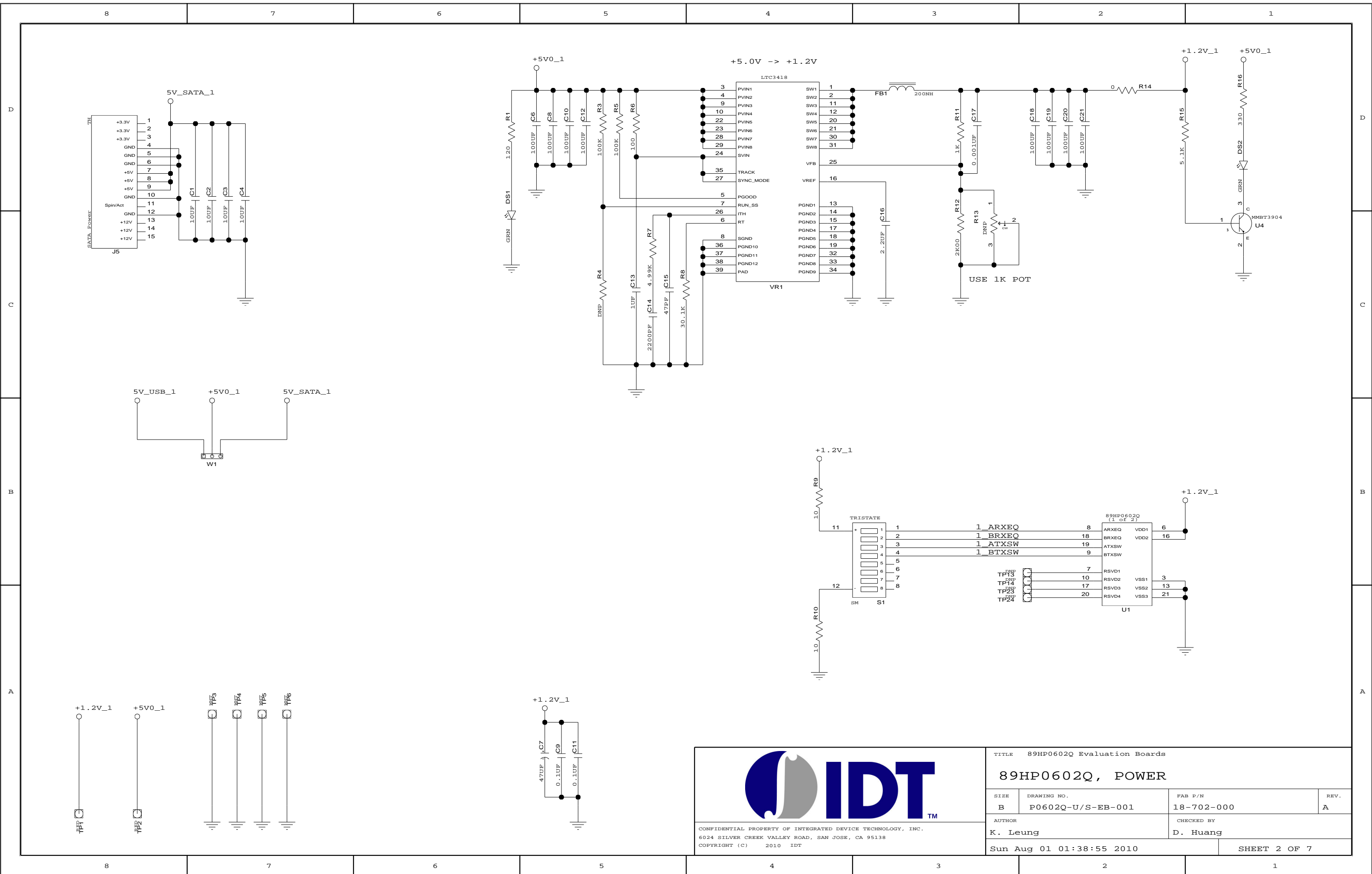
5


4

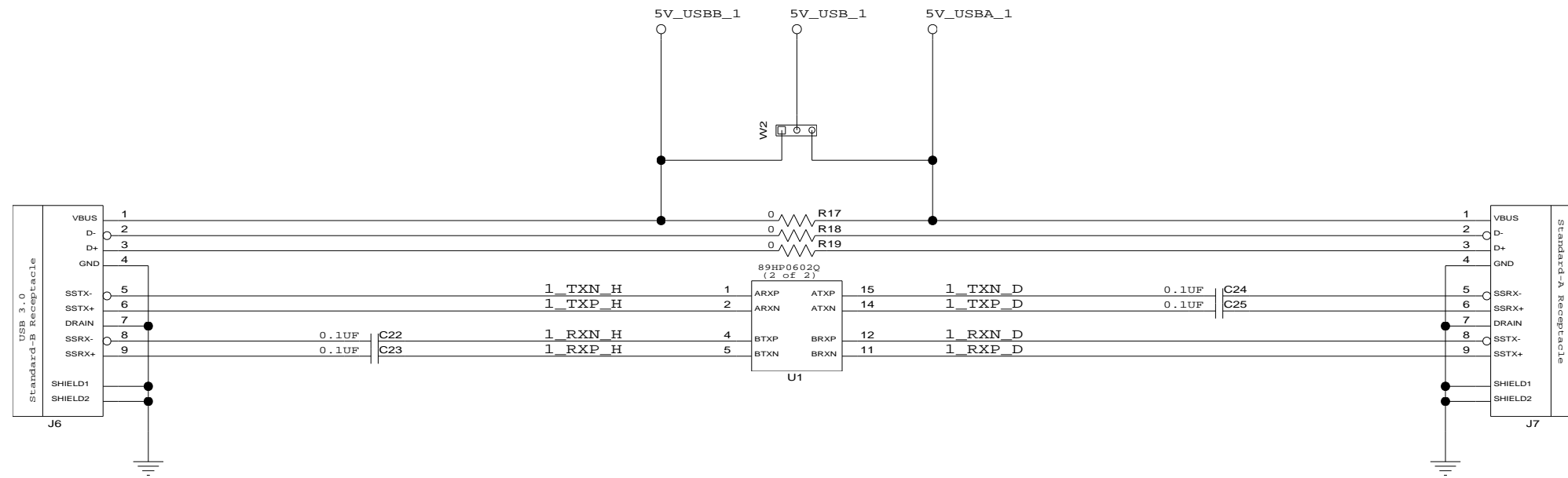
3

2

1



|  |                   |            |              |
|--|-------------------|------------|--------------|
|   |                   |            |              |
| CONFIDENTIAL PROPERTY OF INTEGRATED DEVICE TECHNOLOGY, INC.<br>6024 SILVER CREEK VALLEY ROAD, SAN JOSE, CA 95138<br>COPYRIGHT (C) 2010 IDT |                   |            |              |
| TITLE 89HP0602Q Evaluation Boards<br><b>89HP0602Q, POWER</b>   |                   |            |              |
| SIZE   | DRAWING NO.       | FAB P/N    | REV.         |
| B  | P0602Q-U/S-EB-001 | 18-702-000 | A            |
| AUTHOR   |                   | CHECKED BY |              |
| K. Leung   |                   | D. Huang   |              |
| Sun Aug 01 01:38:55 2010   |                   |            | SHEET 2 OF 7 |



18" TRACE BETWEEN J? AND U1

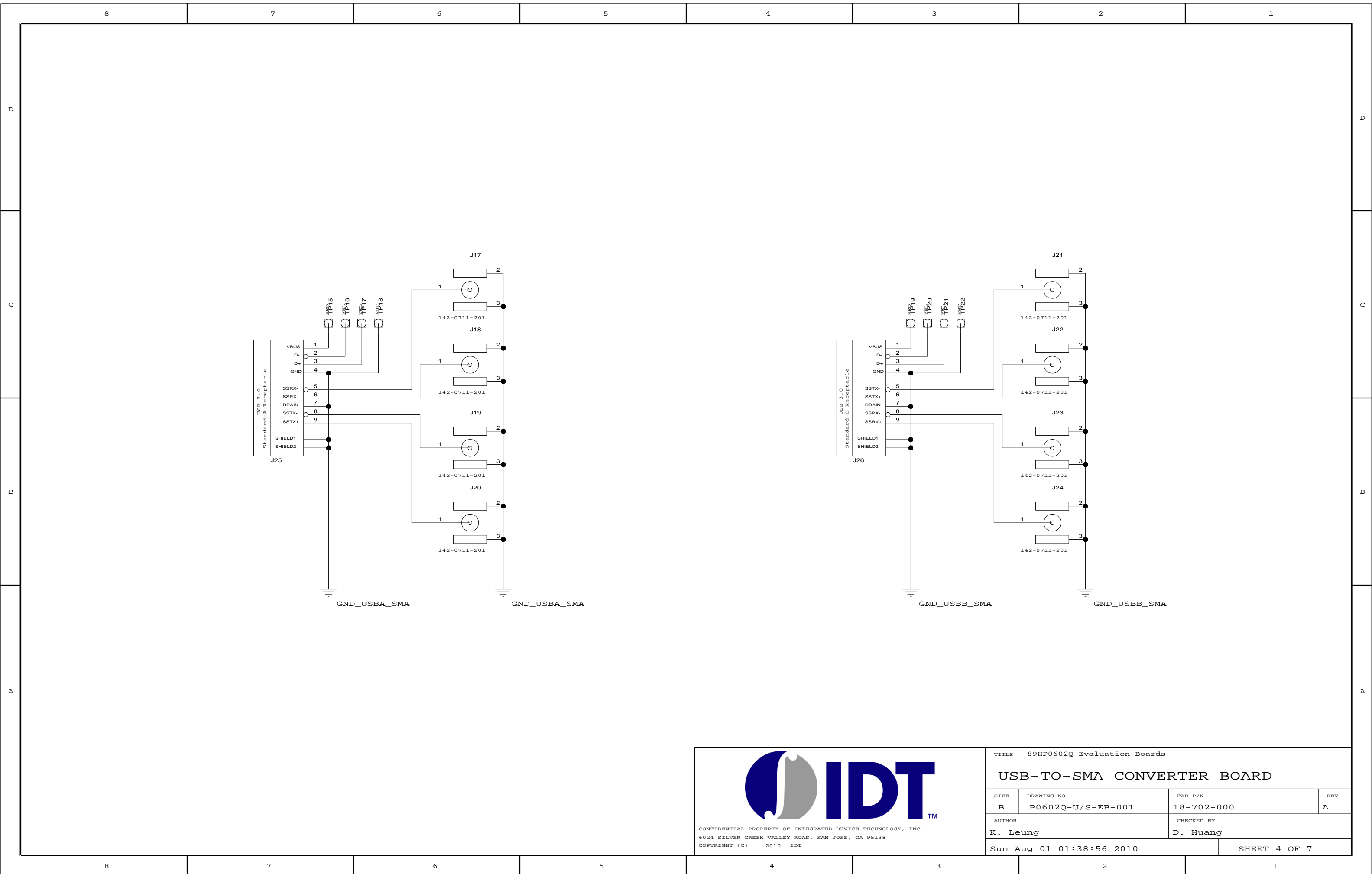


CONFIDENTIAL PROPERTY OF INTEGRATED DEVICE TECHNOLOGY, INC.  
6024 SILVER CREEK VALLEY ROAD, SAN JOSE, CA 95138  
COPYRIGHT (C) 2010 IDT

TITLE 89HP0602Q Evaluation Boards

89HP0602Q, USB CONNECTORS

|                          |                                  |                        |              |
|--------------------------|----------------------------------|------------------------|--------------|
| SIZE<br>B                | DRAWING NO.<br>P0602Q-U/S-EB-001 | FAB P/N<br>18-702-000  | REV.<br>A    |
| AUTHOR<br>K. Leung       |                                  | CHECKED BY<br>D. Huang |              |
| Sun Aug 01 01:38:56 2010 |                                  |                        | SHEET 3 OF 7 |



CONFIDENTIAL PROPERTY OF INTEGRATED DEVICE TECHNOLOGY, INC.  
 6024 SILVER CREEK VALLEY ROAD, SAN JOSE, CA 95138  
 COPYRIGHT (C) 2010 IDT

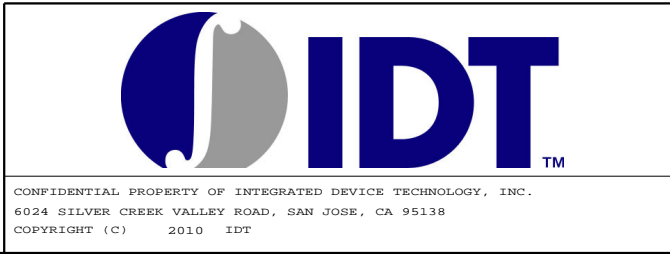
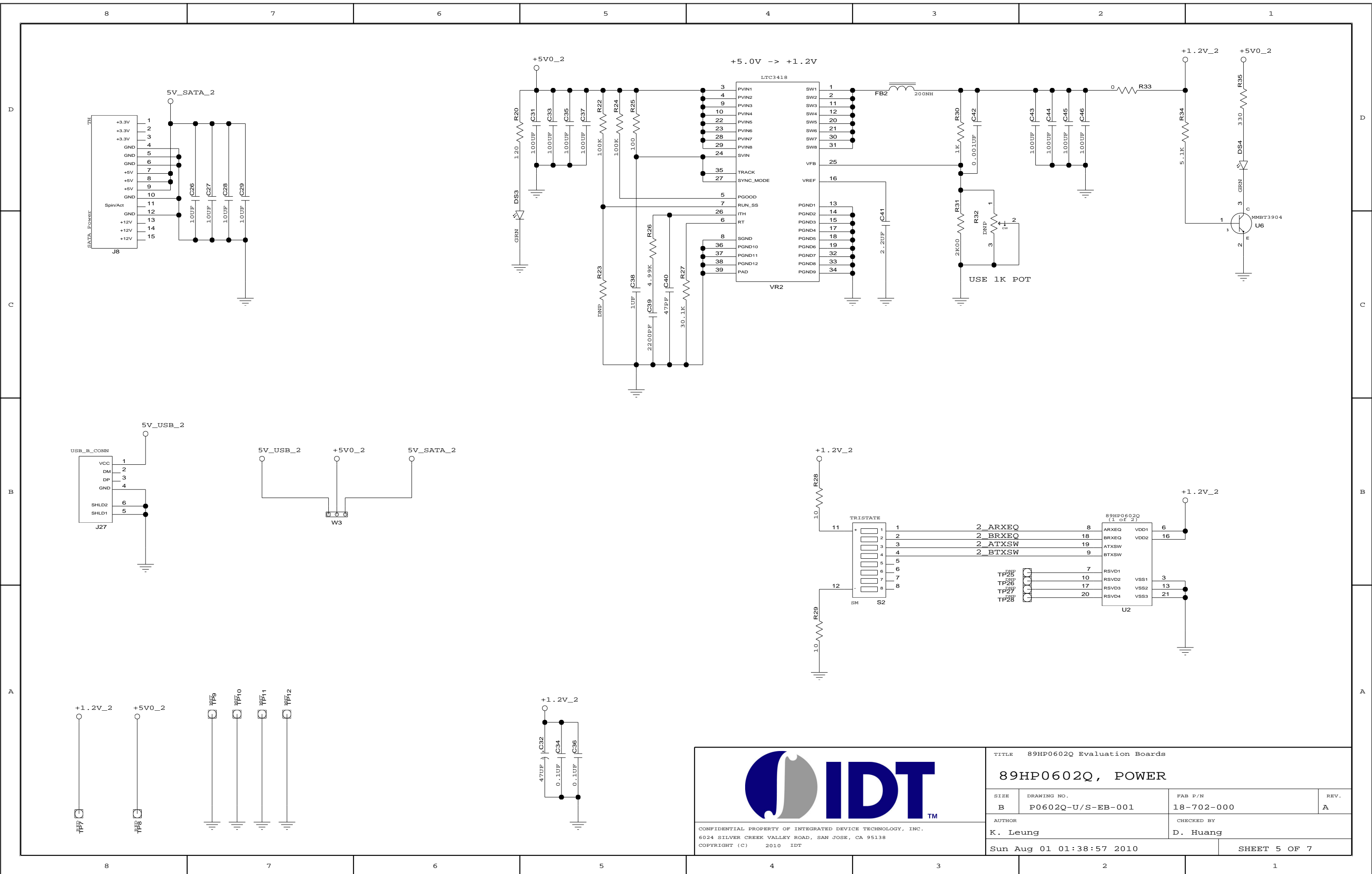
TITLE 89HP0602Q Evaluation Boards

**USB-TO-SMA CONVERTER BOARD**

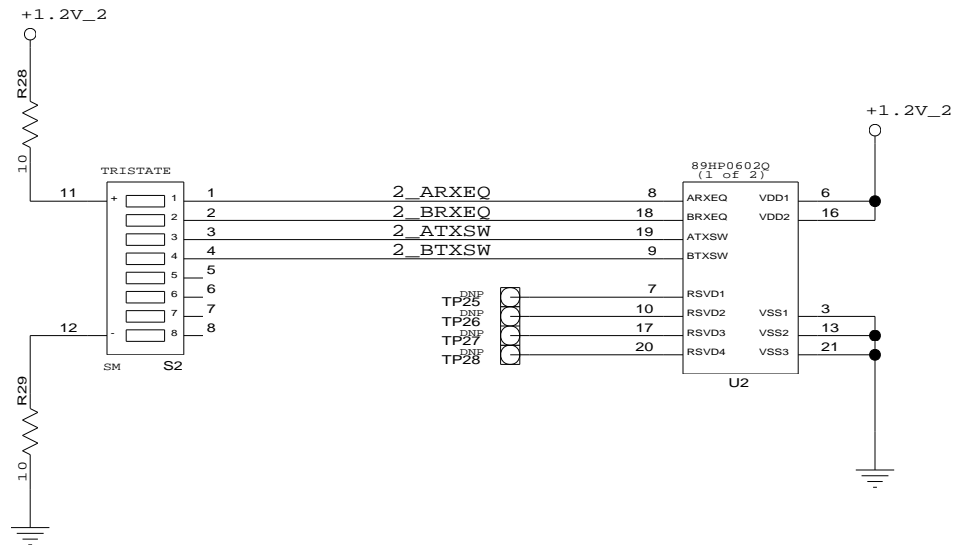
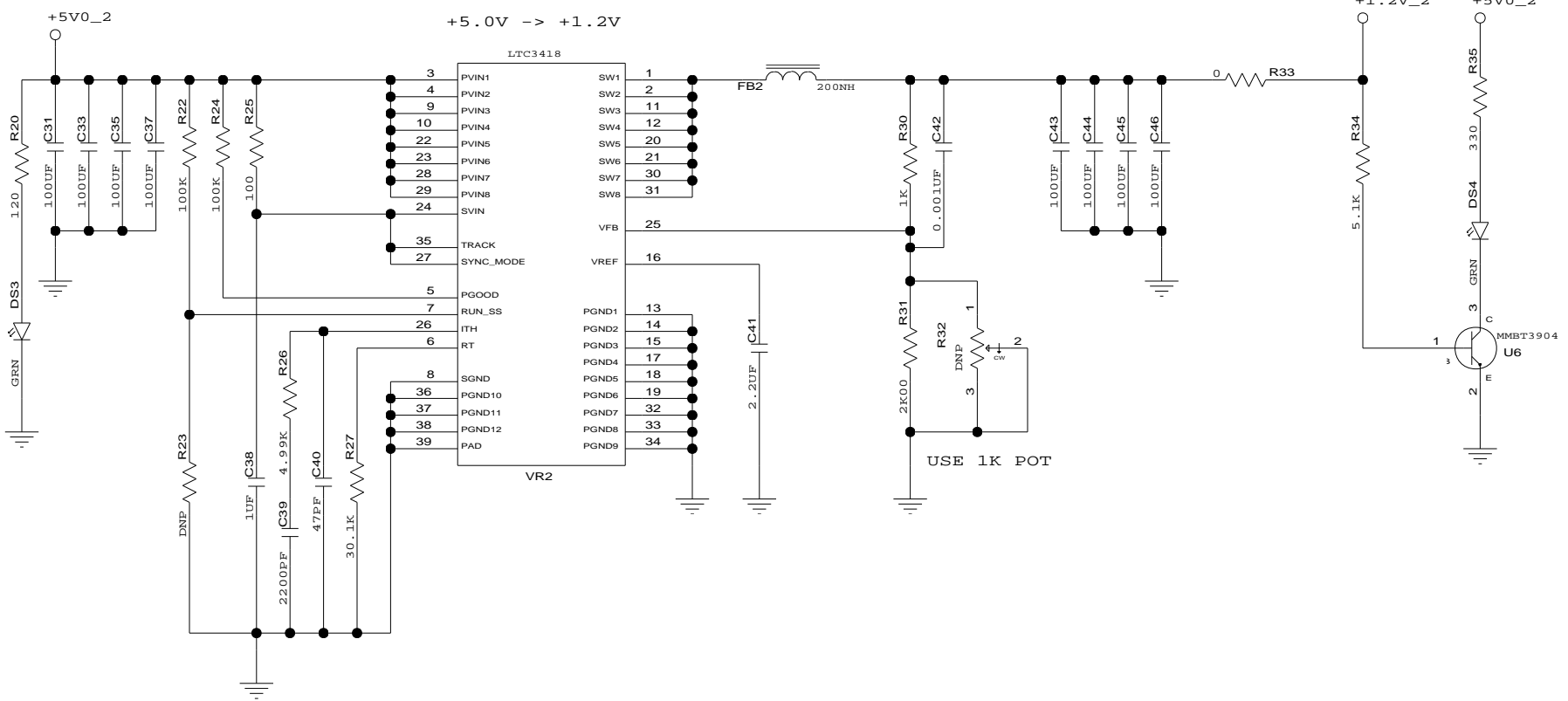
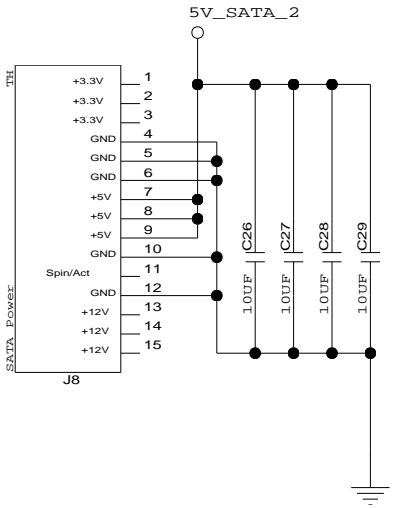
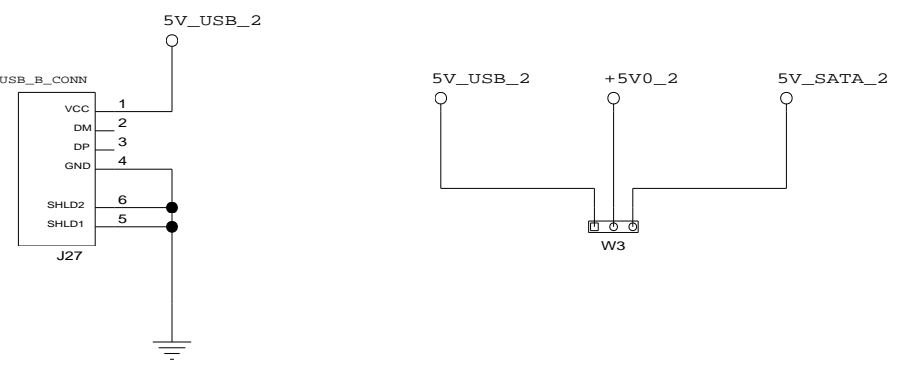
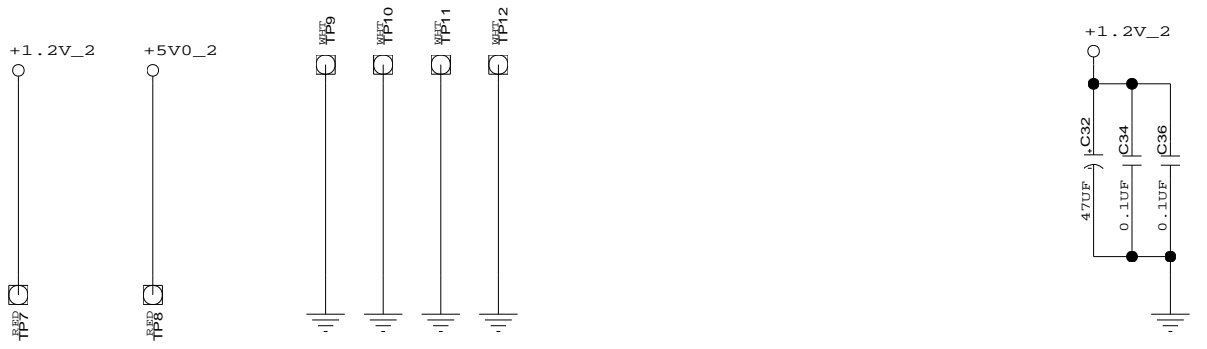
|           |                                  |                       |           |
|-----------|----------------------------------|-----------------------|-----------|
| SIZE<br>B | DRAWING NO.<br>P0602Q-U/S-EB-001 | FAB P/N<br>18-702-000 | REV.<br>A |
|-----------|----------------------------------|-----------------------|-----------|

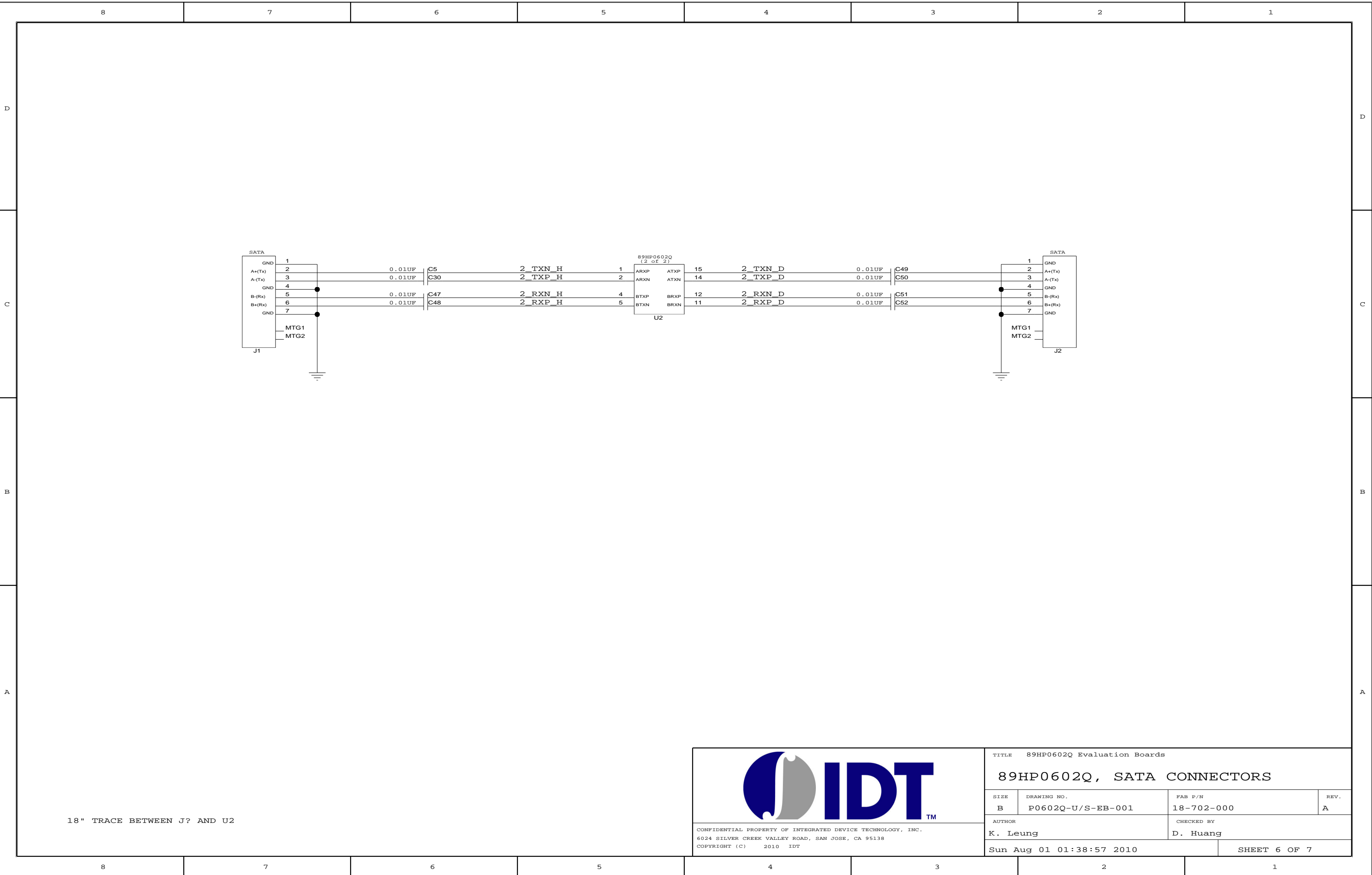
|                    |                        |
|--------------------|------------------------|
| AUTHOR<br>K. Leung | CHECKED BY<br>D. Huang |
|--------------------|------------------------|

Sun Aug 01 01:38:56 2010 SHEET 4 OF 7



|                                   |                   |            |              |
|-----------------------------------|-------------------|------------|--------------|
| TITLE 89HP0602Q Evaluation Boards |                   |            |              |
| 89HP0602Q, POWER                  |                   |            |              |
| SIZE                              | DRAWING NO.       | FAB P/N    | REV.         |
| B                                 | P0602Q-U/S-EB-001 | 18-702-000 | A            |
| AUTHOR                            |                   | CHECKED BY |              |
| K. Leung                          |                   | D. Huang   |              |
| Sun Aug 01 01:38:57 2010          |                   |            | SHEET 5 OF 7 |





18" TRACE BETWEEN J? AND U2



CONFIDENTIAL PROPERTY OF INTEGRATED DEVICE TECHNOLOGY, INC.  
 6024 SILVER CREEK VALLEY ROAD, SAN JOSE, CA 95138  
 COPYRIGHT (C) 2010 IDT

TITLE 89HP0602Q Evaluation Boards

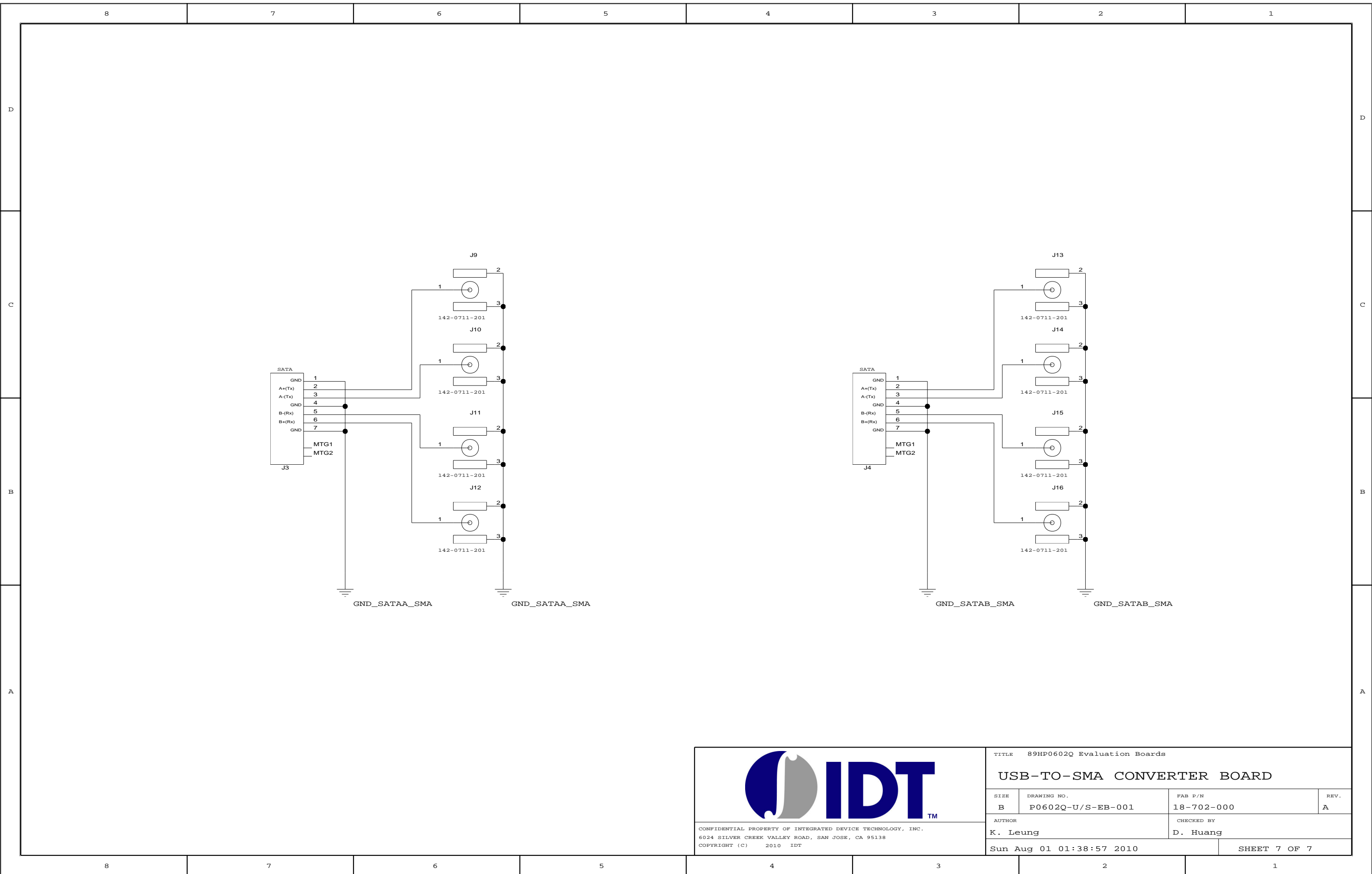
89HP0602Q, SATA CONNECTORS


|           |                                  |                       |           |
|-----------|----------------------------------|-----------------------|-----------|
| SIZE<br>B | DRAWING NO.<br>P0602Q-U/S-EB-001 | FAB P/N<br>18-702-000 | REV.<br>A |
|-----------|----------------------------------|-----------------------|-----------|

|                    |                        |
|--------------------|------------------------|
| AUTHOR<br>K. Leung | CHECKED BY<br>D. Huang |
|--------------------|------------------------|

Sun Aug 01 01:38:57 2010

SHEET 6 OF 7



|  |  |  |                               |                    |
|--|--|--|-------------------------------|--------------------|
|   |  | TITLE 89HP0602Q Evaluation Boards<br><b>USB-TO-SMA CONVERTER BOARD</b> |                               |                    |
|  |  | SIZE B   | DRAWING NO. P0602Q-U/S-EB-001 | FAB P/N 18-702-000 |
| CONFIDENTIAL PROPERTY OF INTEGRATED DEVICE TECHNOLOGY, INC.<br>6024 SILVER CREEK VALLEY ROAD, SAN JOSE, CA 95138<br>COPYRIGHT (C) 2010 IDT |  | AUTHOR K. Leung  | CHECKED BY D. Huang           |                    |
| Sun Aug 01 01:38:57 2010   |  |  | SHEET 7 OF 7                  |                    |