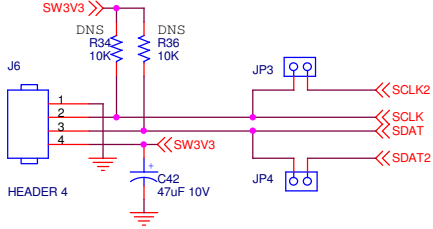
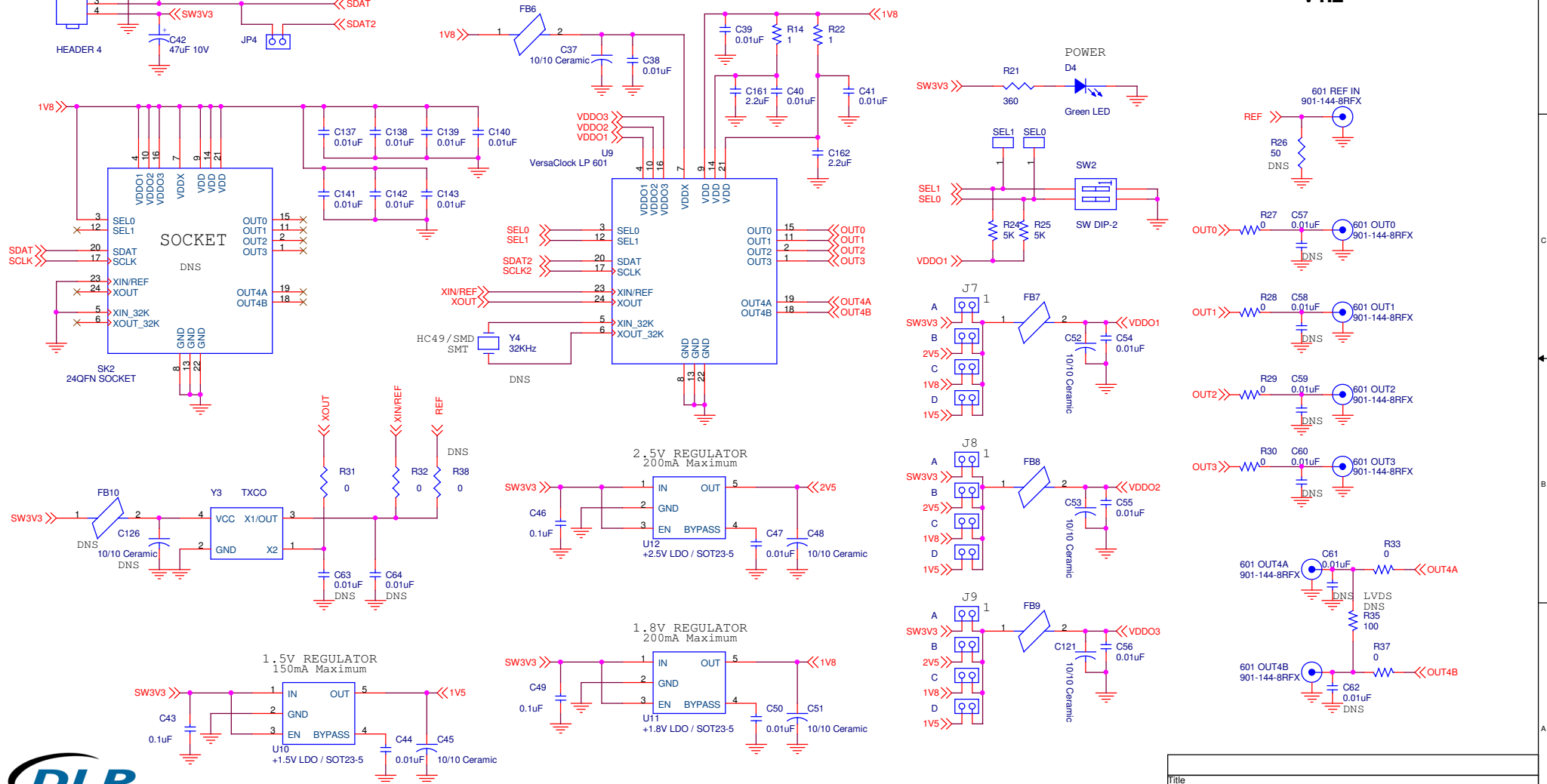


EXTERNAL PROGRAMMING
MALE CONNECTOR



VersaClock LP 601 Device Module v1.2



Title VersaClock LP Device Module 601		
Size B	Document Number DLP Design, Inc.	Rev 1.2
Date: Thursday, May 13, 2010	Sheet 1	of 1