

JEITA Package Code

P-QFP160-28x28-0.65

RENESAS Code

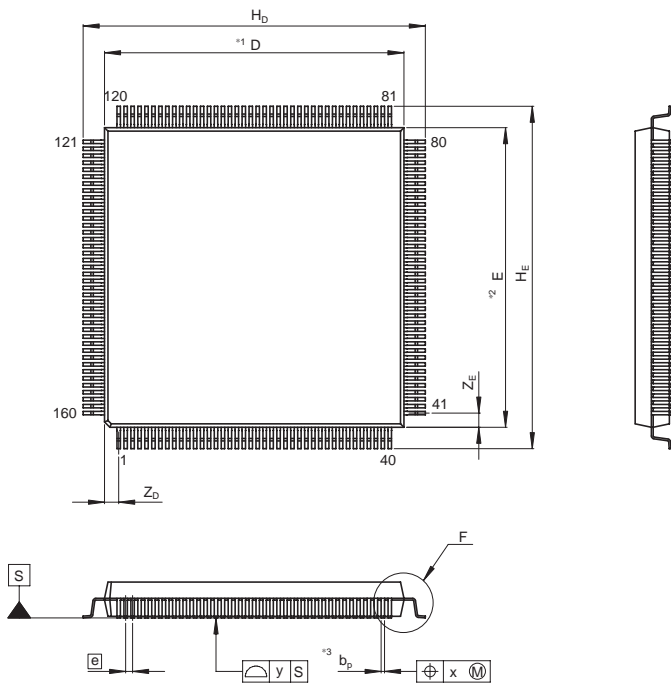
PRQP0160JC-A

Previous Code

FP-160H/FP-160HV

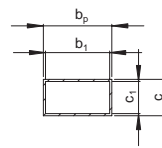
MASS[Typ.]

5.3g

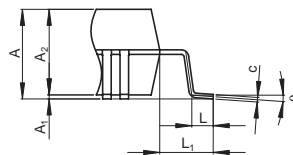


NOTE)

1. DIMENSIONS*1*AND*2* DO NOT INCLUDE MOLD FLASH
2. DIMENSION*3*DOES NOT INCLUDE TRIM OFFSET.



Terminal cross section



Detail F

Reference Symbol	Dimension in Millimeters		
	Min	Nom	Max
D	—	28	—
E	—	28	—
A ₂	—	3.20	—
H _D	31.7	32.0	32.3
H _E	31.7	32.0	32.3
A	—	—	3.56
A ₁	0.05	0.15	0.25
b _p	0.24	0.32	0.40
b ₁	—	0.30	—
c	0.12	0.17	0.22
c ₁	—	0.15	—
θ	0°	—	8°
e	—	0.65	—
x	—	—	0.13
y	—	—	0.10
Z _D	—	1.33	—
Z _E	—	1.33	—
L	0.6	0.8	1.0
L ₁	—	2.0	—