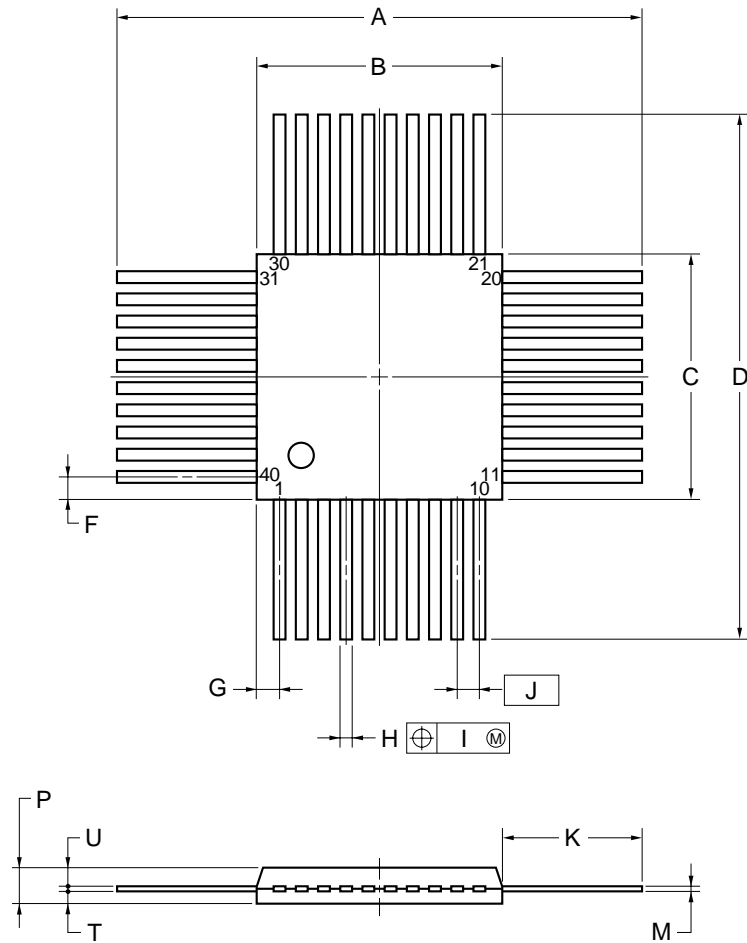


40-PIN PLASTIC QFP (STRAIGHT) (9.5x9.5)



NOTE

Each lead centerline is located within 0.15 mm of its true position (T.P.) at maximum material condition.

ITEM	MILLIMETERS
A	19.5±0.4
B	9.5±0.2
C	9.5±0.2
D	19.5±0.4
F	1.15
G	1.15
H	0.40±0.10
I	0.15
J	0.8 (T.P.)
K	5.0±0.2
M	0.15 ^{+0.10} _{-0.05}
P	1.5±0.1
T	0.5
U	0.85

P40G-80-S-3