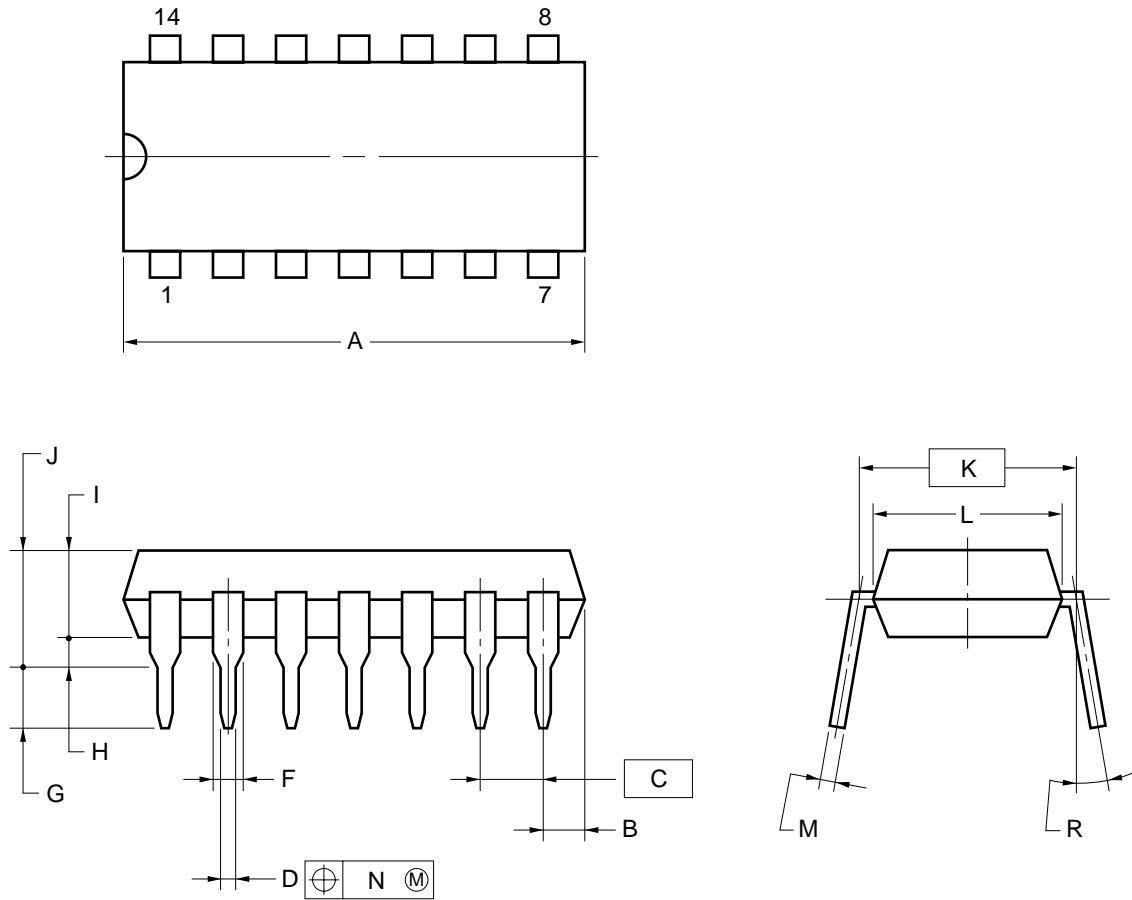


14-PIN PLASTIC DIP (10.16mm(400))



NOTES

- Each lead centerline is located within 0.25 mm of its true position (T.P.) at maximum material condition.
- Item "K" to center of leads when formed parallel.

ITEM	MILLIMETERS
A	20.32 MAX.
B	2.54 MAX.
C	2.54 (T.P.)
D	0.50±0.10
F	1.2 MIN.
G	3.2±0.3
H	0.51 MIN.
I	4.31 MAX.
J	5.08 MAX.
K	10.16 (T.P.)
L	8.6
M	0.25 ^{+0.10} _{-0.05}
N	0.25
R	0~15°

P14C-100-400A-2