
PRODUCT ADVISORY

Data Sheet Specification Change for Intersil Products ISL78600ANZ and ISL78600ANZ-T

**Refer to:
PA13004**

Date: January 11, 2013

January 11, 2013

To: Our Valued Intersil Customer

Subject: **Data Sheet Specification Change for Intersil Products ISL78600ANZ and ISL78600ANZ-T**

This advisory is to inform you that Intersil has updated the data sheet specification for the ISL78600ANZ and ISL78600ANZ-T products. The updates affect the *Typical Applications Circuits (Figures 45–47)* along with the associated recommended component values in *Table 50* and the component values in *Table 52* for the Daisy Chain Circuit. The resulting Typical Applications Circuits and component tables are included on the following pages. The updated data sheet is available upon request.

There have been no changes made to the die/silicon or device itself. There will be no change in external marking of the packaged parts.

Intersil will take all necessary actions to conform to agreed upon customer requirements and to ensure the continued high quality and reliability of Intersil products being supplied. Customers may expect to continue receiving product processed to the same established conditions and systems used for manufacturing of material supplied today.

If you have concerns with this advisory, Intersil must hear from you promptly. Please contact the nearest Intersil Sales Office or call the Intersil Corporate line at 1-888-468-3774, in the United States, or 1-321-724-7143 outside of the United States.

Regards,



Jon Brewster
Intersil Corporation

PA12037

CC: J. Touvell W. Choroco G. MacDonald X. Shi

PA13004 - Data Sheet Updates

- Figure 44 - Typical Application Circuit

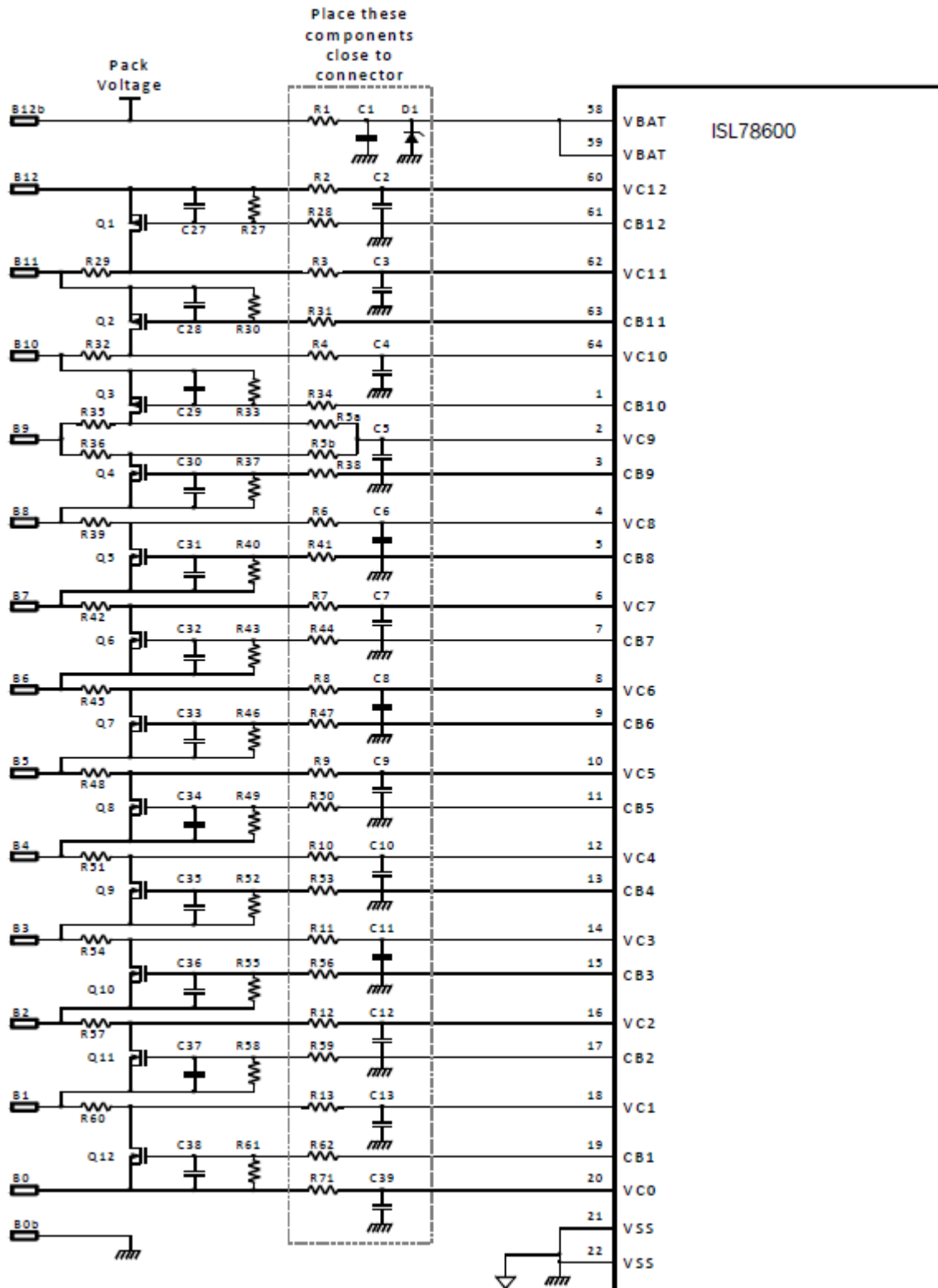


FIGURE 44. TYPICAL APPLICATIONS CIRCUIT - BATTERY CONNECTION CIRCUITS

PA13004 – Data Sheet Updates – cont.

- Figure 45 – Typical Application Circuit

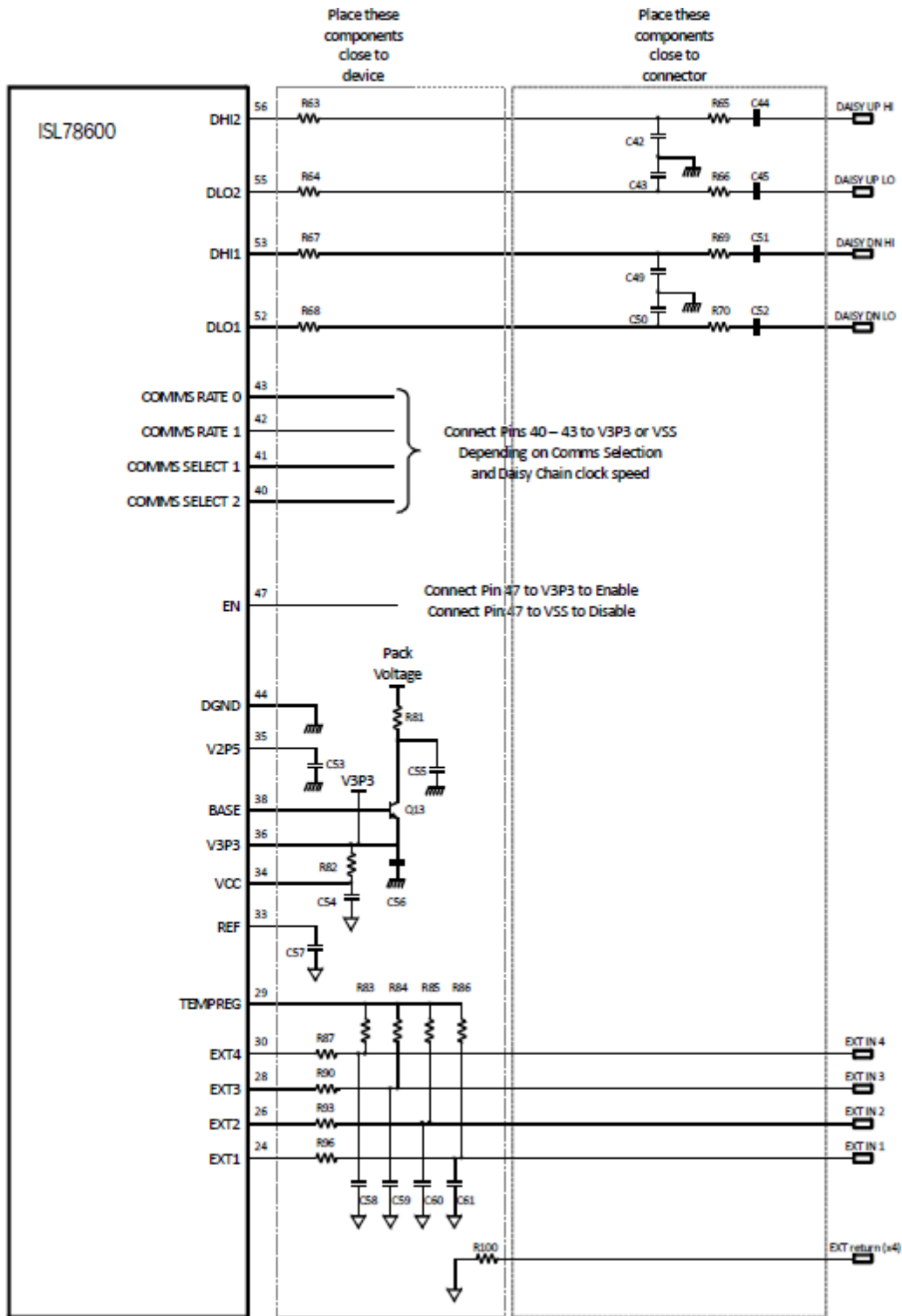


FIGURE 45. TYPICAL APPLICATIONS CIRCUIT – NON BATTERY CONNECTIONS, MIDDLE AND TOP DAISY CHAIN DEVICES

PA13004 – Data Sheet Updates – cont.

- Figure 46 – Typical Application Circuit

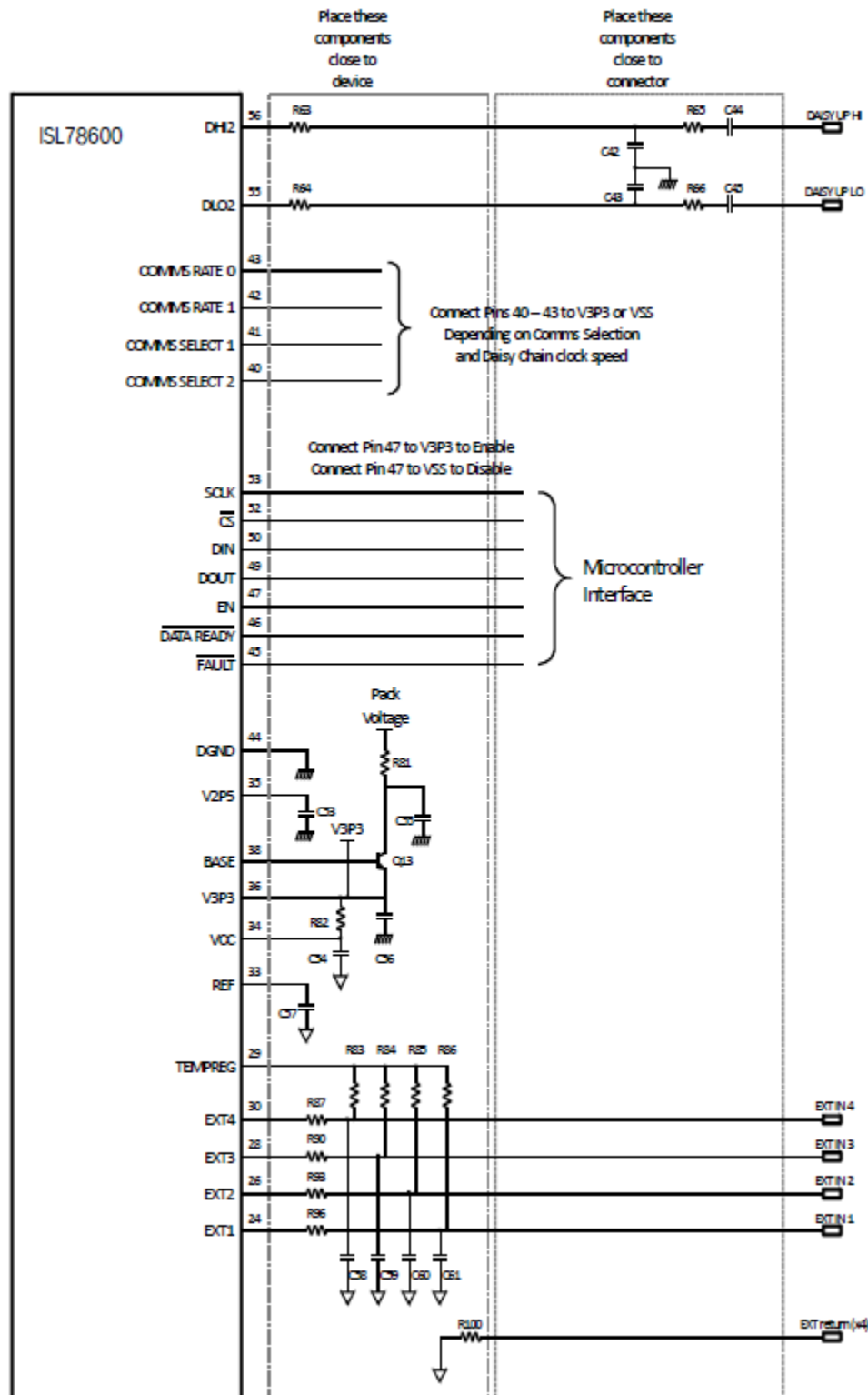


FIGURE 46. TYPICAL APPLICATIONS CIRCUIT – NON BATTERY CONNECTIONS, MASTER DAISY CHAIN DEVICE

PA13004 - Data Sheet Updates - cont.

- Figure 47 - Typical Application Circuit

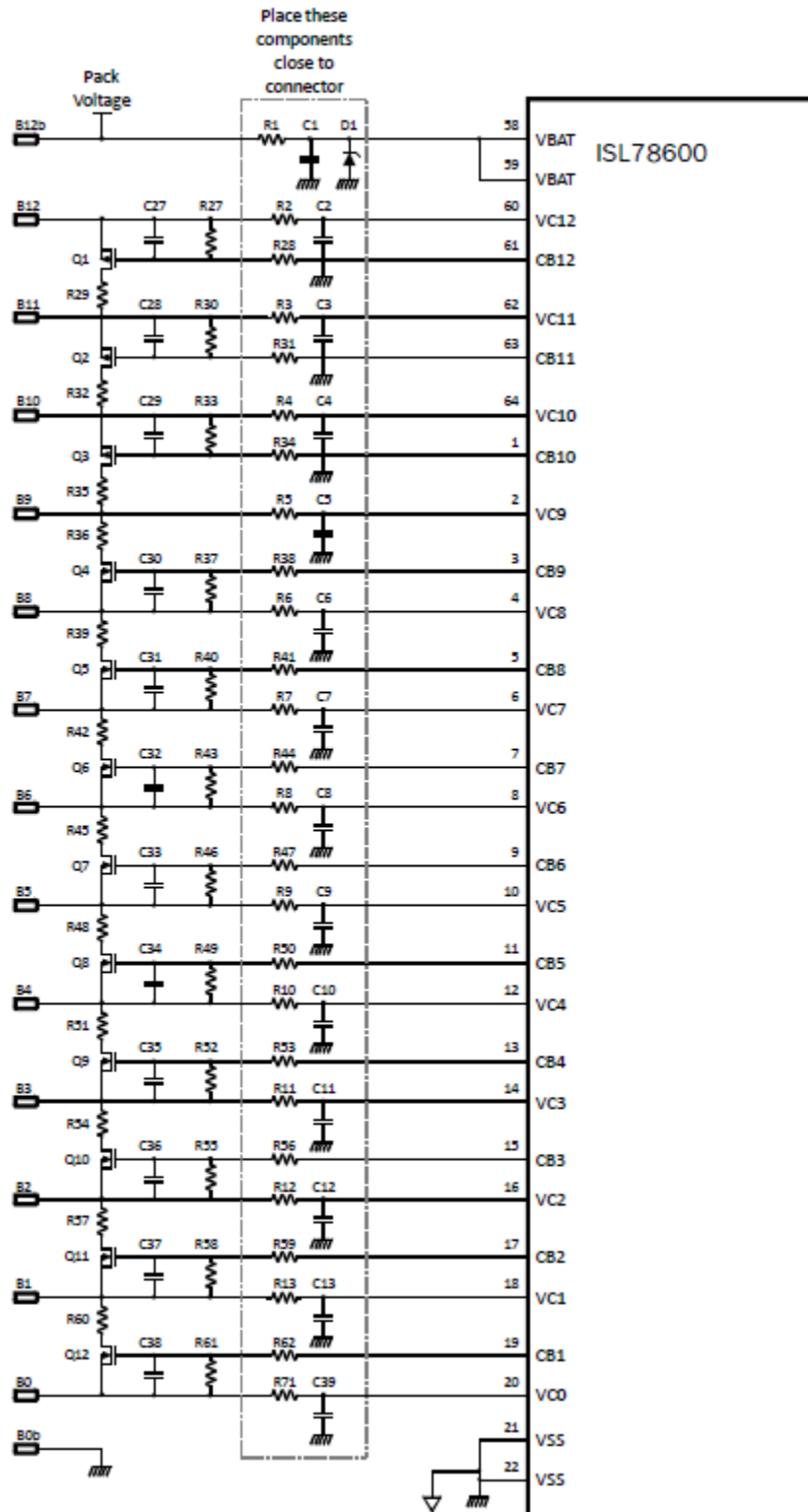


FIGURE 47. TYPICAL APPLICATIONS CIRCUIT - BATTERY CONNECTION CIRCUITS ALTERNATIVE CONFIGURATION

PA13004 – Data Sheet Updates – cont.

- Table 50 – Recommended Component Values for Figures 44 to 47

TABLE 50. RECOMMENDED COMPONENT VALUES FOR FIGURES 44 TO 47

RESISTORS		
Value		Components
0		R101
27		R1
33		R82
1k		R2, R3, R4, R5, R6, R7, R8, R9, R10, R11, R12, R13, R71
100		R29, R32, R35, R36, R39, R42, R45, R48, R51, R54, R57, R60, R63, R64, R67, R68, R81
2k		R5a, R5b
470		R65, R66, R69, R70
10k		R28, R31, R34, R38, R41, R44, R47, R50, R53, R56, R59, R62, R83, R84, R85, R86, R87, R90, R93, R96, R100a, R100b, R100c, R100d
330k		R27, R30, R33, R37, R40, R43, R46, R49, R52, R55, R58, R61
CAPACITORS		
Value	Voltage	Components
200p	100	C42, C43, C49, C50
220p	500	C44, C45, C51, C52
10n	50	C27, C28, C29, C30, C31, C32, C33, C34, C35, C36, C37, C38, C58, C59, C60, C61
22n	100	C2, C3, C4, C5, C6, C7, C8, C9, C10, C11, C12, C13, C39
220n	100	C1
1μ	10	C53, C54, C56
1μ	100	C55
2.2μ	10	C57
Zener Diodes		
Value	Example	Components
60V	1N5371BRLG	D1

- Table 52 - Component Values for Various Daisy Chain Data Rates

TABLE 52. COMPONENT VALUES IN FIGURE 53 FOR VARIOUS DAISY CHAIN DATA RATES

COMPONENT	DAISY CHAIN CLOCK RATES				Comments
	500kHz	250kHz	125kHz	62.5kHz	
C1 (4 pcs)	220pF	470pF	1nF	2.2nF	Y Type or "open mode" Type Capacitor. X7R or NPO dielectric types
C2 (4 pcs)	200pF (Note)	440pF	940pF	2nF	Use same dielectric type as C1
R1 (4 pcs)	470Ω	470Ω	470Ω	470Ω	
R2 (4 pcs)	100Ω	100Ω	100Ω	100Ω	
Cable Capacitance Range	0 to 50pF	0 to 100pF	0 to 200pF	0 to 400pF	

NOTE: Can be accommodated using two 100pF capacitors in parallel.