
PRODUCT ADVISORY

Data Sheet Specification Change for Intersil Product ISL5960*

**Refer to:
PA10121**

Date: November 23, 2010

November 23, 2010

To: Our Valued Intersil Customers

Subject: **Data Sheet Specification Change for Intersil Product ISL5960***

This advisory is to inform you that Intersil has updated the data sheet specification for the listed ISL5960* products. The updates consist of the following:

- i) The *Register Listing* has been updated to correct the bit assignments for Register 4. The bits were swapped for each function in the previous revision of the data sheet. Examples of the correct and incorrect bit assignments for Register 4 are included for reference.
- ii) The configuration of the recommended termination network for the Cat X and coaxial cables has been updated throughout the data sheet. Examples of the new and old termination network for the Typical Application are included for reference. While any designs based on the old network will continue to work, the new network provides significantly better performance for coaxial cables. The new termination can also be implemented on a board designed for the old termination simply by changing values of and/or not installing the appropriate resistors and capacitors.

Modifications to the data sheet are complete. The updated data sheet is available on the Intersil web site at <http://www.intersil.com/data/fn/fn6739.pdf>.

Products affected:

ISL59601IRZ	ISL59602IRZ-T7A	ISL59604IRZ-T7	ISL59605-SPI-EVALZ
ISL59601IRZ-T7	ISL59603IRZ	ISL59604IRZ-T7A	ISL59605IRZ-EVALZ
ISL59601IRZ-T7A	ISL59603IRZ-T7	ISL59605IRZ	
ISL59602IRZ	ISL59603IRZ-T7A	ISL59605IRZ-T7	
ISL59602IRZ-T7	ISL59604IRZ	ISL59605IRZ-T7A	

There have been no changes made to the silicon or device itself.

Intersil will take all necessary actions to conform to customer requirements and to ensure the continued high quality and reliability of Intersil products being supplied. Customers may expect to continue receiving product processed to the same established conditions and systems used for manufacturing of material supplied today.

If you have concerns with this advisory, Intersil must hear from you promptly. Please contact the nearest Intersil Sales Office or call the Intersil Corporate line at 1-888-468-3774, in the United States, or 1-321-724-7143 outside of the United States.

Jon Brewster

Jon Brewster
Intersil Corporation

PA10121

CC: J. Touvell K. Tucker D. Nguyen F. Hamilton

PA10121 – Register Listing

New - Correct Register Listing

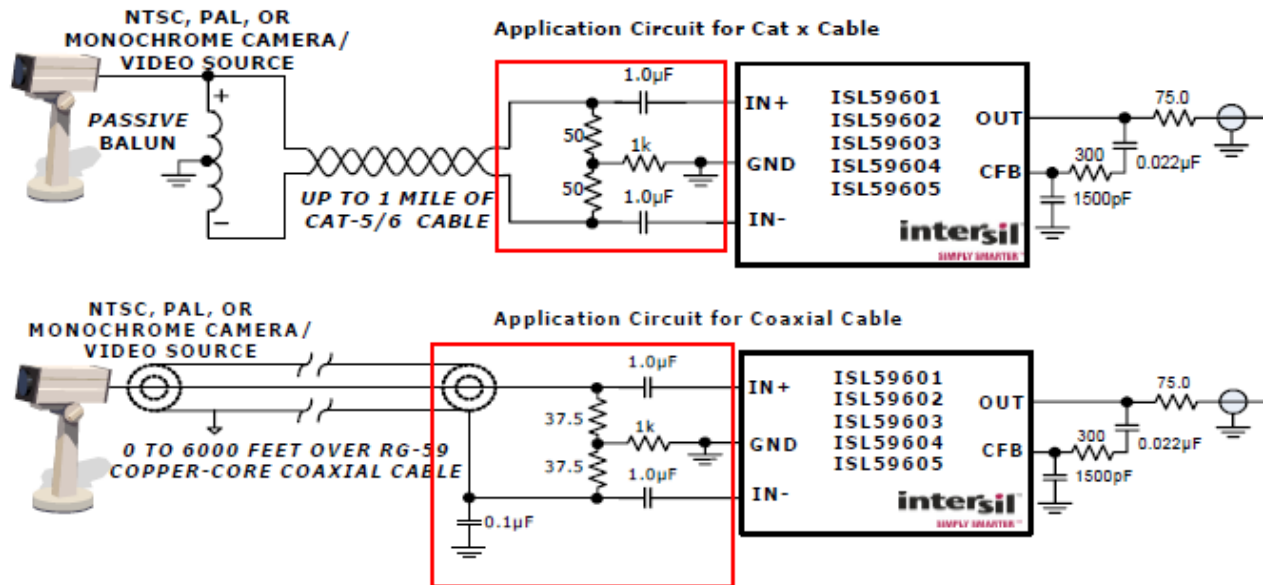
ADDRESS	REGISTER (DEFAULT VALUE)	BIT(S)	FUNCTION NAME	DESCRIPTION
0x04	Pin Overrides (0x00)	0	Freeze Select	0: Use value of FREEZE pin. 1: Use value in "Freeze Value" bit
		1	Freeze Value	If Freeze Select = 1, then: 0: Equalization is not frozen 1: Equalization is frozen at current setting. If Freeze Select = 0, then this bit is ignored.
		2	Eq-Disable Select	0: Use value of EQ_DISABLE pin. 1: Use value in "Eq-Disable Value" bit
		3	Eq-Disable Value	If Eq-Disable Select = 1, then: 0: Equalizer is enabled 1: Equalizer is disabled (allows data to be sent upstream over cable pair connected to inputs) If Eq-Disable Select = 0, then this bit is ignored.
		4	Color Select	0: Use value of COLOR pin 1: Use value in "Color Value" bit
		5	Color Value	If Color Select = 1, then 0: Monochrome Mode 1: Color Mode If Color Select = 0, then this bit is ignored.
		6	Invert Select	0: Use value of INVERT pin. 1: Use value in "Invert Value" bit
		7	Invert Value	If Invert Select = 1, then 0: Incoming signal is not inverted 1: Incoming signal is inverted If Invert Select = 0, then this bit is ignored.

Old - Incorrect Register Listing

ADDRESS	REGISTER (DEFAULT VALUE)	BIT(S)	FUNCTION NAME	DESCRIPTION
0x04	Pin Overrides (0x00)	0	Freeze Value	If Freeze Select = 1, then: 0: Equalization is not frozen 1: Equalization is frozen at current setting. If Freeze Select = 0, then this bit is ignored.
		1	Freeze Select	0: Use value of FREEZE pin. 1: Use value in "Freeze Value" bit
		2	Eq-Disable Value	If Eq-Disable Select = 1, then: 0: Equalizer is enabled 1: Equalizer is disabled (allows data to be sent upstream over cable pair connected to inputs) If Eq-Disable Select = 0, then this bit is ignored.
		3	Eq-Disable Select	0: Use value of EQ_DISABLE pin. 1: Use value in "Eq-Disable Value" bit
		4	Color Value	If Color Select = 1, then 0: Monochrome Mode 1: Color Mode If Color Select = 0, then this bit is ignored.
		5	Color Select	0: Use value of COLOR pin 1: Use value in "Color Value" bit
		6	INVERT Value	If INVERT Select = 1, then 0: Incoming signal is not inverted 1: Incoming signal is inverted If INVERT Select = 0, then this bit is ignored.
		7	INVERT Select	0: Use value of INVERT pin. 1: Use value in "Invert Value" bit

PA10121 – Typical Application

New – Termination Network



Old – Termination Network

