

Rev	Change
0.1	First publication
0.2	Change IREF for 85 ohm differential Change R2 and R27 to 1.0 ohms Change Y1 frequency to 25.000 MHz
0.3	Add addition bead part numbers
0.4	Change R1,R26 to 1.0, 0.47 ohms

Series resistor values for single ended clocks

# Loads	PCI/USB	REF
1	39	43
2	22	27
3	na	15

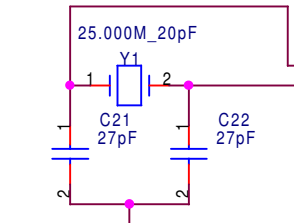
Impedance dependent resistor values

Resistor	Zdiff = 100 ohm	Zdiff = 85 ohm
IREF	475 1%	432 1%
Series	33 5%	27 5%
Shunt	49.9 1%	43.2 1%

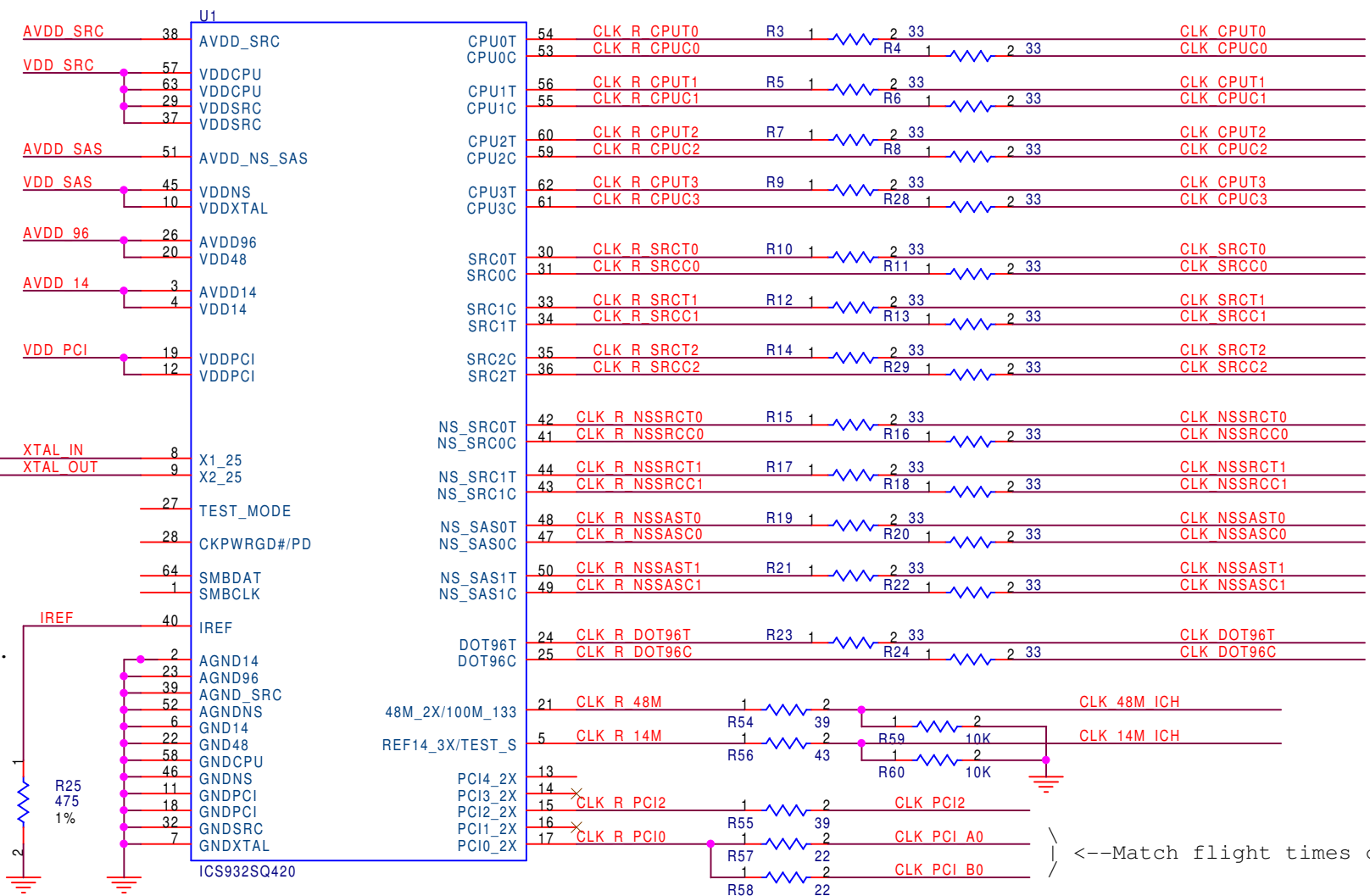
NOTE:FERRITE BEADS =

Manufacture	Part Number	Z@100MHz	PkgSz	DC res.	Current (Ma)
muRata	BLM21A601R	600	0805	0.30	600
TDK	MMZ2012S601A	600	0805	0.30	600
STEWART	HZ0805E601R	600	0805	0.30	600
AssocCmpTch	CBG0805-600-50	600	0805	0.30	600

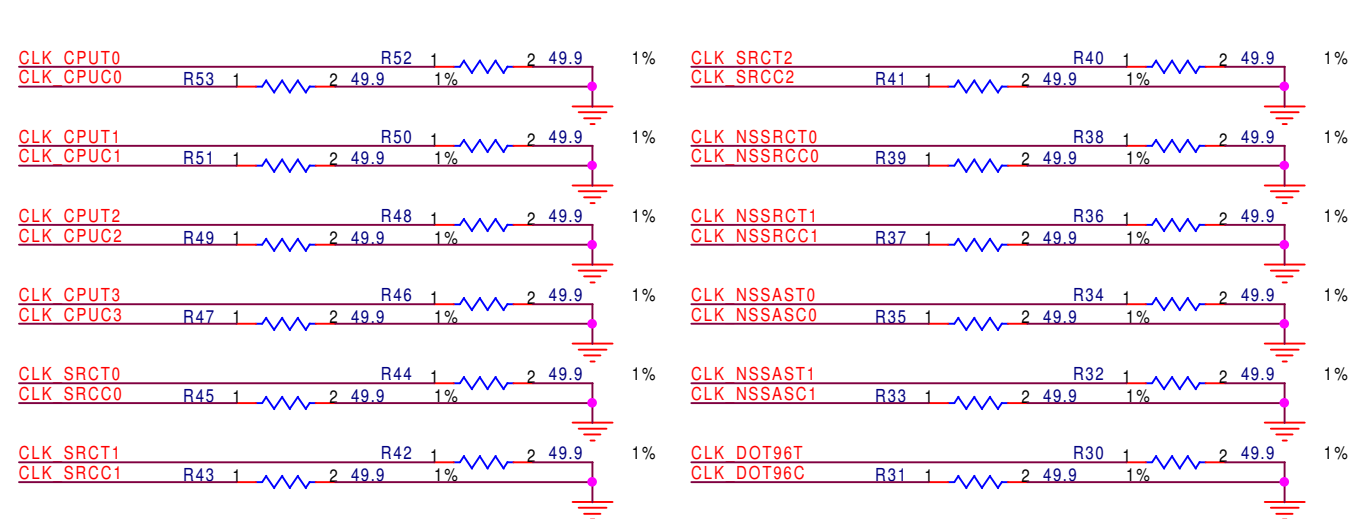
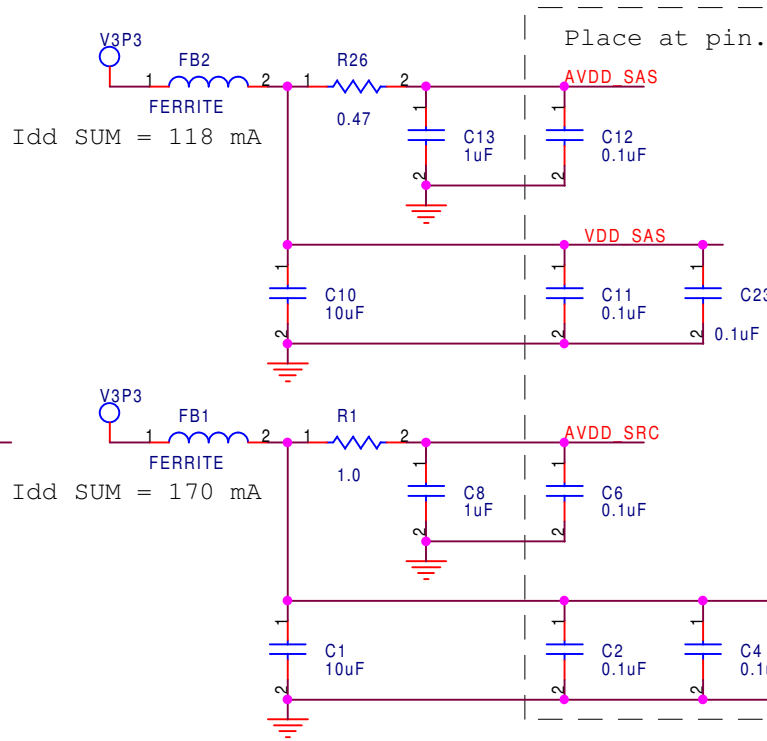
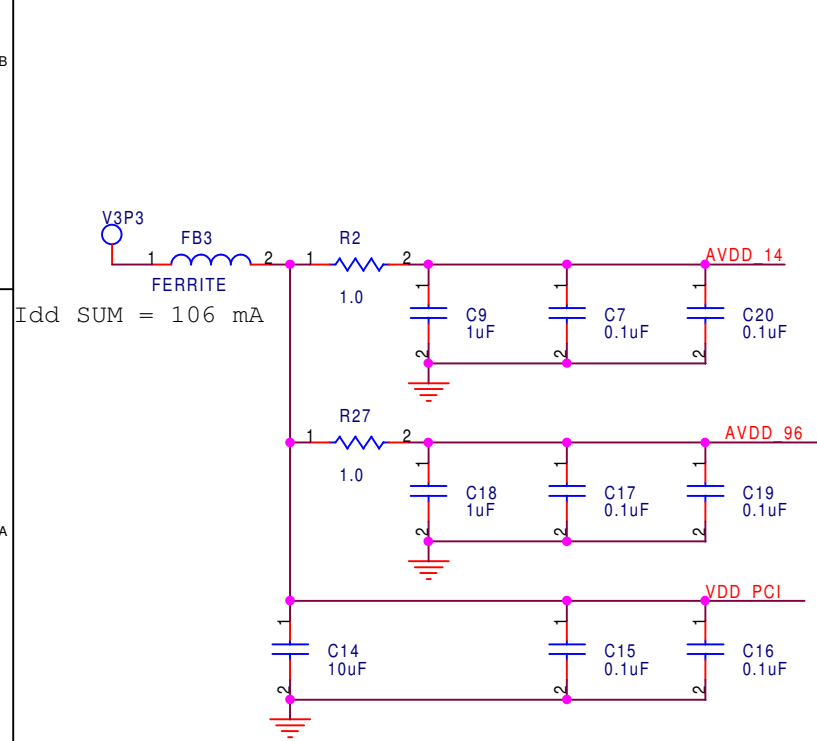
Manufacture	Part Number	Z@100MHz	PkgSz	DC res.	Current (Ma)
TDK	MMZ1608R301A	300	1608	0.20	500



USE COMMON GROUND FOR LOAD CAPACITORS. CONNECT TO GNDXTAL VIA.



<--Match flight times of traces



**Integrated Device Technology**  
6024 Silver Creek Valley Road  
San Jose, CA

Title		ICS932SQ420
Size	Document Number	Rev
B		0.4
Date:	Friday, February 12, 2010	Sheet 1 of 1