

EL7566DRE-EVAL

Evaluation Board

TB415
Rev.1.00
Jul 9, 2003

Introduction

The EL7566 is a high efficiency full-featured synchronous 6A step-down regulator. This document lists the completed schematic diagram and BOM, as well as the layout. With components on one side of the PCB, the complete converter occupies less than 0.72in² of space. Please refer to the

datasheet for the application of features. This demo board is preset to 1.8V for V_O and operates at 500kHz switching frequency. The measured crossover frequencies are around 50kHz with the compensation values.

Circuit Diagram

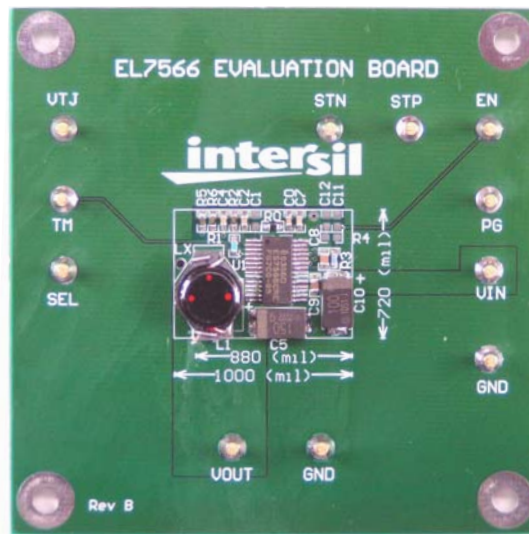
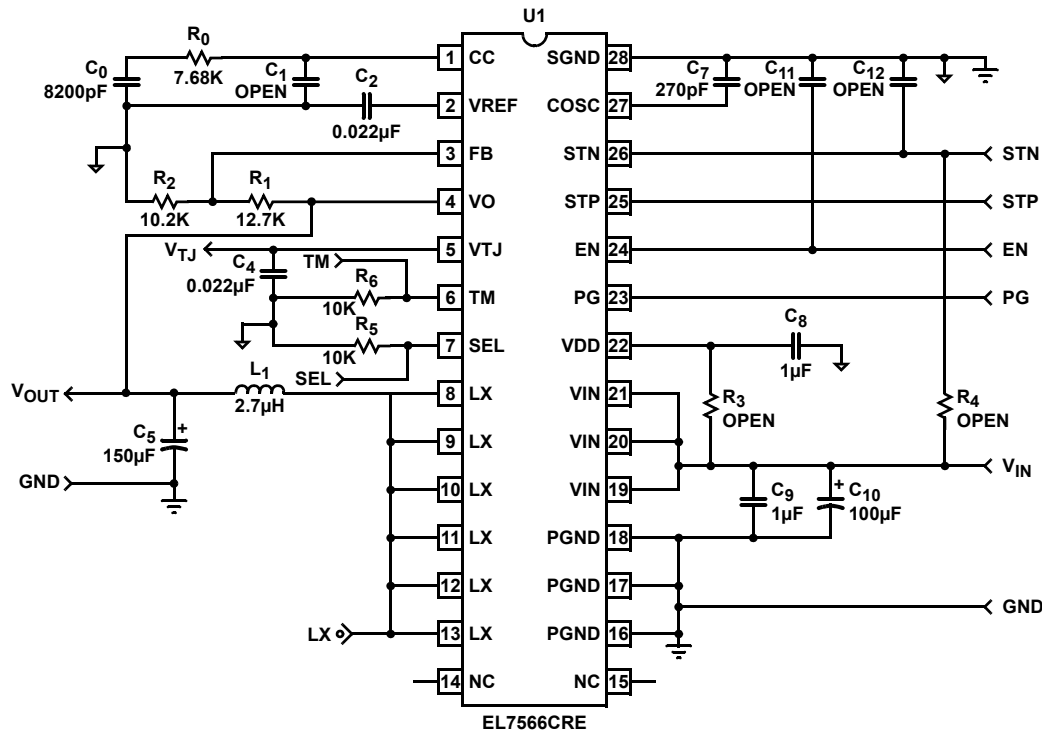


TABLE 1. DEMO BOARD BILL OF MATERIAL WITH SPCAP ($V_O = 1.8V$)

DESIGNATOR	VALUE	PACKAGE	MANUFACTURER	PHONE #	PART NUMBER
C ₀	8200pF	0603	Any X5R or X7R		
C ₂ , C ₄	0.022μF	0603	Any X5R or X7R		
C ₅ (Note 1)	150μF/4V	D-Size	Panasonic	408-945-5660	EEFUD0G151(X)R
C ₇	270pF 5%	0603	Any		
C ₈	1μF	0603	Any X5R or X7R		
C ₉	1μF	0603	Any X5R or X7R		
C ₁₀ (Note 2)	100μF/6V	D-Size	Panasonic		EEFUD0J101(X)R
R ₀	7.68K/1%	0603	Any		
R ₁	12.7K/1%	0603	Any		
R ₂	10.2K/1%	0603	Any		
R ₅	10K/1%	0603	Any		
R ₆	10K/1%	0603	Any		
L ₁	2.7μH		Coilcraft	847-639-6400	DO3316P-272HC
U1	EL7566DRE	HTSSOP-28	Intersil	888-INTERSIL	EL7566DRE

NOTES:

1. May be substituted by Sanyo (619-661-6835) POSCAP 4TPE150M.
2. May be substituted by Sanyo POSCAP 6TPE100M or higher value.

The output voltage can be as high as the input voltage minus the PMOS and inductor voltage drops. Use R₁ and R₂ to set the output voltage according to the following formula:

$$V_O = V_{FB} \times \left(1 + \frac{R_1}{R_2} \right)$$

Where $V_{FB}=0.8V$

When the resistors are changed, please change the compensation capacitor C₀ and resistor R₀. For the convenience, standard values of R₁ and R₂ are listed in Table 2.

R₅ and R₆ can be eliminated if voltage margin feature is not used. Connect TM and SEL pins directly to ground.

1206, 1210, 1812, and D-size can be placed at C₅ and C₁₀ positions.

TABLE 2. FEEDBACK RESISTER AND COMPENSATION VALUES (SPCAP)

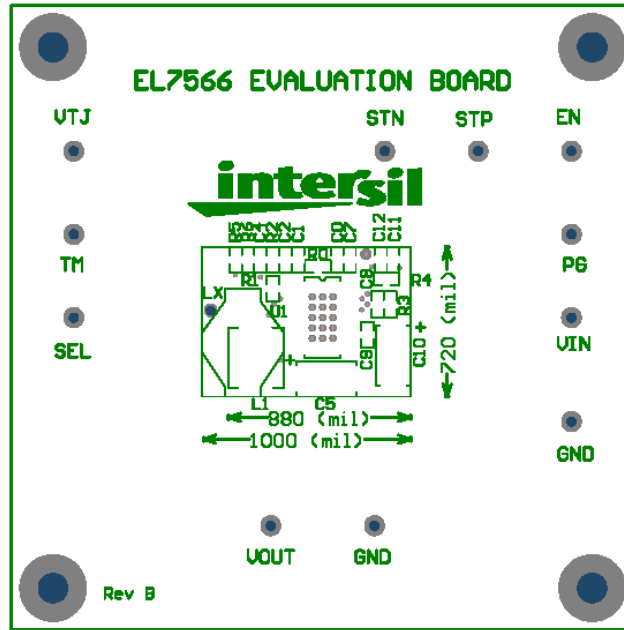
V _O (V)	C ₀ (pF)	R ₀ (kΩ)	R ₁ (kΩ)	R ₂ (kΩ)
0.8	8200	3.57	0	Open
1	8200	4.42	2.49	10
1.2	8200	5.23	4.99	10
1.5	8200	6.49	10	11.5
1.8	8200	7.68	12.7	10.2
2.5	8200	10.5	21.5	10
3.3	8200	13.7	36	11.5

Ceramic capacitors (X5R or X7R types only) can be use for the input and output with equivalent capacitance for C₅ and C₁₀. Different R₀ and C₀ are required. Table 3 lists the compensation values with MLCC capacitors.

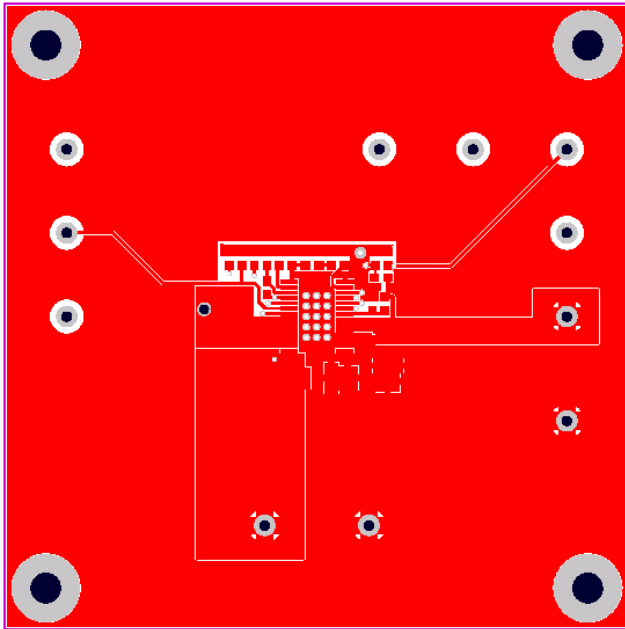
TABLE 3. FEEDBACK RESISTER AND COMPENSATION VALUES WITH MLCC CAPACITORS

V _O (V)	C ₀ (μF)	R ₀ (kΩ)	R ₁ (kΩ)	R ₂ (kΩ)
0.8	0.012	3.09	0	Open
1	0.012	3.57	2.49	10
1.2	0.012	4.42	4.99	10
1.5	0.012	5.23	10	11.5
1.8	0.012	6.49	12.7	10.2
2.5	0.012	7.68	21.5	10
3.3	0.012	10.5	36	11.5

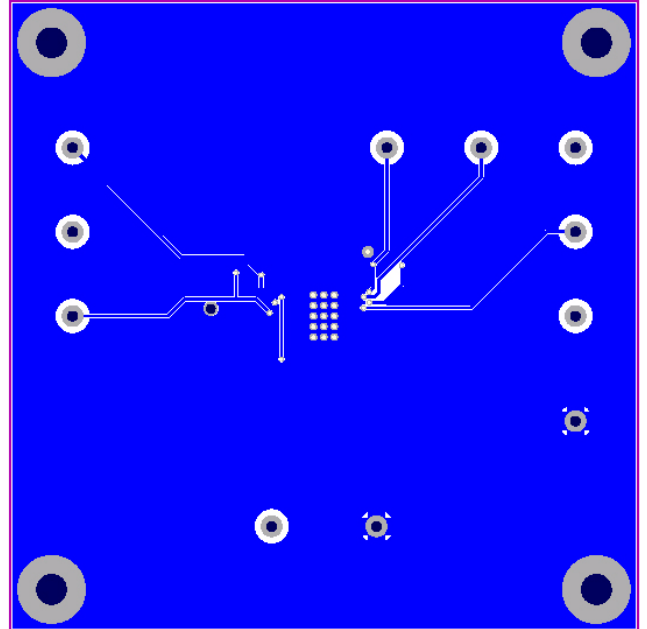
Demo Board Layout



TOP SILKSCREEN



TOP LAYER



BOTTOM LAYER

Notice

1. Descriptions of circuits, software and other related information in this document are provided only to illustrate the operation of semiconductor products and application examples. You are fully responsible for the incorporation or any other use of the circuits, software, and information in the design of your product or system. Renesas Electronics disclaims any and all liability for any losses and damages incurred by you or third parties arising from the use of these circuits, software, or information.
2. Renesas Electronics hereby expressly disclaims any warranties against and liability for infringement or any other claims involving patents, copyrights, or other intellectual property rights of third parties, by or arising from the use of Renesas Electronics products or technical information described in this document, including but not limited to, the product data, drawings, charts, programs, algorithms, and application examples.
3. No license, express, implied or otherwise, is granted hereby under any patents, copyrights or other intellectual property rights of Renesas Electronics or others.
4. You shall not alter, modify, copy, or reverse engineer any Renesas Electronics product, whether in whole or in part. Renesas Electronics disclaims any and all liability for any losses or damages incurred by you or third parties arising from such alteration, modification, copying or reverse engineering.
5. Renesas Electronics products are classified according to the following two quality grades: "Standard" and "High Quality". The intended applications for each Renesas Electronics product depends on the product's quality grade, as indicated below.
"Standard": Computers; office equipment; communications equipment; test and measurement equipment; audio and visual equipment; home electronic appliances; machine tools; personal electronic equipment; industrial robots; etc.
"High Quality": Transportation equipment (automobiles, trains, ships, etc.); traffic control (traffic lights); large-scale communication equipment; key financial terminal systems; safety control equipment; etc.
Unless expressly designated as a high reliability product or a product for harsh environments in a Renesas Electronics data sheet or other Renesas Electronics document, Renesas Electronics products are not intended or authorized for use in products or systems that may pose a direct threat to human life or bodily injury (artificial life support devices or systems; surgical implantations; etc.), or may cause serious property damage (space system; undersea repeaters; nuclear power control systems; aircraft control systems; key plant systems; military equipment; etc.). Renesas Electronics disclaims any and all liability for any damages or losses incurred by you or any third parties arising from the use of any Renesas Electronics product that is inconsistent with any Renesas Electronics data sheet, user's manual or other Renesas Electronics document.
6. When using Renesas Electronics products, refer to the latest product information (data sheets, user's manuals, application notes, "General Notes for Handling and Using Semiconductor Devices" in the reliability handbook, etc.), and ensure that usage conditions are within the ranges specified by Renesas Electronics with respect to maximum ratings, operating power supply voltage range, heat dissipation characteristics, installation, etc. Renesas Electronics disclaims any and all liability for any malfunctions, failure or accident arising out of the use of Renesas Electronics products outside of such specified ranges.
7. Although Renesas Electronics endeavors to improve the quality and reliability of Renesas Electronics products, semiconductor products have specific characteristics, such as the occurrence of failure at a certain rate and malfunctions under certain use conditions. Unless designated as a high reliability product or a product for harsh environments in a Renesas Electronics data sheet or other Renesas Electronics document, Renesas Electronics products are not subject to radiation resistance design. You are responsible for implementing safety measures to guard against the possibility of bodily injury, injury or damage caused by fire, and/or danger to the public in the event of a failure or malfunction of Renesas Electronics products, such as safety design for hardware and software, including but not limited to redundancy, fire control and malfunction prevention, appropriate treatment for aging degradation or any other appropriate measures. Because the evaluation of microcomputer software alone is very difficult and impractical, you are responsible for evaluating the safety of the final products or systems manufactured by you.
8. Please contact a Renesas Electronics sales office for details as to environmental matters such as the environmental compatibility of each Renesas Electronics product. You are responsible for carefully and sufficiently investigating applicable laws and regulations that regulate the inclusion or use of controlled substances, including without limitation, the EU RoHS Directive, and using Renesas Electronics products in compliance with all these applicable laws and regulations. Renesas Electronics disclaims any and all liability for damages or losses occurring as a result of your noncompliance with applicable laws and regulations.
9. Renesas Electronics products and technologies shall not be used for or incorporated into any products or systems whose manufacture, use, or sale is prohibited under any applicable domestic or foreign laws or regulations. You shall comply with any applicable export control laws and regulations promulgated and administered by the governments of any countries asserting jurisdiction over the parties or transactions.
10. It is the responsibility of the buyer or distributor of Renesas Electronics products, or any other party who distributes, disposes of, or otherwise sells or transfers the product to a third party, to notify such third party in advance of the contents and conditions set forth in this document.
11. This document shall not be reprinted, reproduced or duplicated in any form, in whole or in part, without prior written consent of Renesas Electronics.
12. Please contact a Renesas Electronics sales office if you have any questions regarding the information contained in this document or Renesas Electronics products.
(Note 1) "Renesas Electronics" as used in this document means Renesas Electronics Corporation and also includes its directly or indirectly controlled subsidiaries.
(Note 2) "Renesas Electronics product(s)" means any product developed or manufactured by or for Renesas Electronics.

(Rev.4.0-1 November 2017)



SALES OFFICES

Renesas Electronics Corporation

<http://www.renesas.com>

Refer to "<http://www.renesas.com/>" for the latest and detailed information.

Renesas Electronics America Inc.
1001 Murphy Ranch Road, Milpitas, CA 95035, U.S.A.
Tel: +1-408-432-8888, Fax: +1-408-434-5351

Renesas Electronics Canada Limited
9251 Yonge Street, Suite 8309 Richmond Hill, Ontario Canada L4C 9T3
Tel: +1-905-237-2004

Renesas Electronics Europe Limited
Dukes Meadow, Millboard Road, Bourne End, Buckinghamshire, SL8 5FH, U.K.
Tel: +44-1628-651-700, Fax: +44-1628-651-804

Renesas Electronics Europe GmbH
Arcadiastrasse 10, 40472 Düsseldorf, Germany
Tel: +49-211-6503-0, Fax: +49-211-6503-1327

Renesas Electronics (China) Co., Ltd.
Room 1709 Quantum Plaza, No.27 ZhichunLu, Haidian District, Beijing, 100191 P. R. China
Tel: +86-10-8235-1155, Fax: +86-10-8235-7679

Renesas Electronics (Shanghai) Co., Ltd.
Unit 301, Tower A, Central Towers, 555 Langao Road, Putuo District, Shanghai, 200333 P. R. China
Tel: +86-21-2226-0888, Fax: +86-21-2226-0999

Renesas Electronics Hong Kong Limited
Unit 1601-1611, 16/F., Tower 2, Grand Century Place, 193 Prince Edward Road West, Mongkok, Kowloon, Hong Kong
Tel: +852-2265-6688, Fax: +852-2886-9022

Renesas Electronics Taiwan Co., Ltd.
13F, No. 363, Fu Shing North Road, Taipei 10543, Taiwan
Tel: +886-2-8175-9600, Fax: +886-2-8175-9670

Renesas Electronics Singapore Pte. Ltd.
80 Bendemeer Road, Unit #06-02 Hyflux Innovation Centre, Singapore 339949
Tel: +65-6213-0200, Fax: +65-6213-0300

Renesas Electronics Malaysia Sdn.Bhd.
Unit 1207, Block B, Menara Amcorp, Amcorp Trade Centre, No. 18, Jln Persiaran Barat, 46050 Petaling Jaya, Selangor Darul Ehsan, Malaysia
Tel: +60-3-7955-9390, Fax: +60-3-7955-9510

Renesas Electronics India Pvt. Ltd.
No.777C, 100 Feet Road, HAL 2nd Stage, Indiranagar, Bangalore 560 038, India
Tel: +91-80-67208700, Fax: +91-80-67208777

Renesas Electronics Korea Co., Ltd.
17F, KAMCO Yangjae Tower, 262, Gangnam-daero, Gangnam-gu, Seoul, 06265 Korea
Tel: +82-2-558-3737, Fax: +82-2-558-5338