

To our customers,

Old Company Name in Catalogs and Other Documents

On April 1st, 2010, NEC Electronics Corporation merged with Renesas Technology Corporation, and Renesas Electronics Corporation took over all the business of both companies. Therefore, although the old company name remains in this document, it is a valid Renesas Electronics document. We appreciate your understanding.

Renesas Electronics website: <http://www.renesas.com>

April 1st, 2010
Renesas Electronics Corporation

Issued by: Renesas Electronics Corporation (<http://www.renesas.com>)

Send any inquiries to <http://www.renesas.com/inquiry>.

Notice

1. All information included in this document is current as of the date this document is issued. Such information, however, is subject to change without any prior notice. Before purchasing or using any Renesas Electronics products listed herein, please confirm the latest product information with a Renesas Electronics sales office. Also, please pay regular and careful attention to additional and different information to be disclosed by Renesas Electronics such as that disclosed through our website.
2. Renesas Electronics does not assume any liability for infringement of patents, copyrights, or other intellectual property rights of third parties by or arising from the use of Renesas Electronics products or technical information described in this document. No license, express, implied or otherwise, is granted hereby under any patents, copyrights or other intellectual property rights of Renesas Electronics or others.
3. You should not alter, modify, copy, or otherwise misappropriate any Renesas Electronics product, whether in whole or in part.
4. Descriptions of circuits, software and other related information in this document are provided only to illustrate the operation of semiconductor products and application examples. You are fully responsible for the incorporation of these circuits, software, and information in the design of your equipment. Renesas Electronics assumes no responsibility for any losses incurred by you or third parties arising from the use of these circuits, software, or information.
5. When exporting the products or technology described in this document, you should comply with the applicable export control laws and regulations and follow the procedures required by such laws and regulations. You should not use Renesas Electronics products or the technology described in this document for any purpose relating to military applications or use by the military, including but not limited to the development of weapons of mass destruction. Renesas Electronics products and technology may not be used for or incorporated into any products or systems whose manufacture, use, or sale is prohibited under any applicable domestic or foreign laws or regulations.
6. Renesas Electronics has used reasonable care in preparing the information included in this document, but Renesas Electronics does not warrant that such information is error free. Renesas Electronics assumes no liability whatsoever for any damages incurred by you resulting from errors in or omissions from the information included herein.
7. Renesas Electronics products are classified according to the following three quality grades: “Standard”, “High Quality”, and “Specific”. The recommended applications for each Renesas Electronics product depends on the product’s quality grade, as indicated below. You must check the quality grade of each Renesas Electronics product before using it in a particular application. You may not use any Renesas Electronics product for any application categorized as “Specific” without the prior written consent of Renesas Electronics. Further, you may not use any Renesas Electronics product for any application for which it is not intended without the prior written consent of Renesas Electronics. Renesas Electronics shall not be in any way liable for any damages or losses incurred by you or third parties arising from the use of any Renesas Electronics product for an application categorized as “Specific” or for which the product is not intended where you have failed to obtain the prior written consent of Renesas Electronics. The quality grade of each Renesas Electronics product is “Standard” unless otherwise expressly specified in a Renesas Electronics data sheets or data books, etc.
 - “Standard”: Computers; office equipment; communications equipment; test and measurement equipment; audio and visual equipment; home electronic appliances; machine tools; personal electronic equipment; and industrial robots.
 - “High Quality”: Transportation equipment (automobiles, trains, ships, etc.); traffic control systems; anti-disaster systems; anti-crime systems; safety equipment; and medical equipment not specifically designed for life support.
 - “Specific”: Aircraft; aerospace equipment; submersible repeaters; nuclear reactor control systems; medical equipment or systems for life support (e.g. artificial life support devices or systems), surgical implantations, or healthcare intervention (e.g. excision, etc.), and any other applications or purposes that pose a direct threat to human life.
8. You should use the Renesas Electronics products described in this document within the range specified by Renesas Electronics, especially with respect to the maximum rating, operating supply voltage range, movement power voltage range, heat radiation characteristics, installation and other product characteristics. Renesas Electronics shall have no liability for malfunctions or damages arising out of the use of Renesas Electronics products beyond such specified ranges.
9. Although Renesas Electronics endeavors to improve the quality and reliability of its products, semiconductor products have specific characteristics such as the occurrence of failure at a certain rate and malfunctions under certain use conditions. Further, Renesas Electronics products are not subject to radiation resistance design. Please be sure to implement safety measures to guard them against the possibility of physical injury, and injury or damage caused by fire in the event of the failure of a Renesas Electronics product, such as safety design for hardware and software including but not limited to redundancy, fire control and malfunction prevention, appropriate treatment for aging degradation or any other appropriate measures. Because the evaluation of microcomputer software alone is very difficult, please evaluate the safety of the final products or system manufactured by you.
10. Please contact a Renesas Electronics sales office for details as to environmental matters such as the environmental compatibility of each Renesas Electronics product. Please use Renesas Electronics products in compliance with all applicable laws and regulations that regulate the inclusion or use of controlled substances, including without limitation, the EU RoHS Directive. Renesas Electronics assumes no liability for damages or losses occurring as a result of your noncompliance with applicable laws and regulations.
11. This document may not be reproduced or duplicated, in any form, in whole or in part, without prior written consent of Renesas Electronics.
12. Please contact a Renesas Electronics sales office if you have any questions regarding the information contained in this document or Renesas Electronics products, or if you have any other inquiries.

(Note 1) “Renesas Electronics” as used in this document means Renesas Electronics Corporation and also includes its majority-owned subsidiaries.

(Note 2) “Renesas Electronics product(s)” means any product developed or manufactured by or for Renesas Electronics.



User's Manual

V850ES/JJ2

32-bit Single-Chip Microcontrollers

Hardware

μ PD70F3720

μ PD70F3721

μ PD70F3722

μ PD70F3723

μ PD70F3724

Document No. U17714EJ2V0UD00 (2nd edition)

Date Published October 2006 N CP(K)

© NEC Electronics Corporation 2005

Printed in Japan

[MEMO]

NOTES FOR CMOS DEVICES

① VOLTAGE APPLICATION WAVEFORM AT INPUT PIN

Waveform distortion due to input noise or a reflected wave may cause malfunction. If the input of the CMOS device stays in the area between V_{IL} (MAX) and V_{IH} (MIN) due to noise, etc., the device may malfunction. Take care to prevent chattering noise from entering the device when the input level is fixed, and also in the transition period when the input level passes through the area between V_{IL} (MAX) and V_{IH} (MIN).

② HANDLING OF UNUSED INPUT PINS

Unconnected CMOS device inputs can be cause of malfunction. If an input pin is unconnected, it is possible that an internal input level may be generated due to noise, etc., causing malfunction. CMOS devices behave differently than Bipolar or NMOS devices. Input levels of CMOS devices must be fixed high or low by using pull-up or pull-down circuitry. Each unused pin should be connected to V_{DD} or GND via a resistor if there is a possibility that it will be an output pin. All handling related to unused pins must be judged separately for each device and according to related specifications governing the device.

③ PRECAUTION AGAINST ESD

A strong electric field, when exposed to a MOS device, can cause destruction of the gate oxide and ultimately degrade the device operation. Steps must be taken to stop generation of static electricity as much as possible, and quickly dissipate it when it has occurred. Environmental control must be adequate. When it is dry, a humidifier should be used. It is recommended to avoid using insulators that easily build up static electricity. Semiconductor devices must be stored and transported in an anti-static container, static shielding bag or conductive material. All test and measurement tools including work benches and floors should be grounded. The operator should be grounded using a wrist strap. Semiconductor devices must not be touched with bare hands. Similar precautions need to be taken for PW boards with mounted semiconductor devices.

④ STATUS BEFORE INITIALIZATION

Power-on does not necessarily define the initial status of a MOS device. Immediately after the power source is turned ON, devices with reset functions have not yet been initialized. Hence, power-on does not guarantee output pin levels, I/O settings or contents of registers. A device is not initialized until the reset signal is received. A reset operation must be executed immediately after power-on for devices with reset functions.

⑤ POWER ON/OFF SEQUENCE

In the case of a device that uses different power supplies for the internal operation and external interface, as a rule, switch on the external power supply after switching on the internal power supply. When switching the power supply off, as a rule, switch off the external power supply and then the internal power supply. Use of the reverse power on/off sequences may result in the application of an overvoltage to the internal elements of the device, causing malfunction and degradation of internal elements due to the passage of an abnormal current.

The correct power on/off sequence must be judged separately for each device and according to related specifications governing the device.

⑥ INPUT OF SIGNAL DURING POWER OFF STATE

Do not input signals or an I/O pull-up power supply while the device is not powered. The current injection that results from input of such a signal or I/O pull-up power supply may cause malfunction and the abnormal current that passes in the device at this time may cause degradation of internal elements. Input of signals during the power off state must be judged separately for each device and according to related specifications governing the device.

IECUBE is a registered trademark of NEC Electronics Corporation in Japan and Germany.

MINICUBE is a registered trademark of NEC Electronics Corporation in Japan and Germany or a trademark in the United States of America.

EEPROM is a trademark of NEC Electronics Corporation.

Windows and Windows NT are either registered trademarks or trademarks of Microsoft Corporation in the United States and/or other countries.

PC/AT is a trademark of International Business Machines Corporation.

SPARCstation is a trademark of SPARC International, Inc.

Solaris and SunOS are trademarks of Sun Microsystems, Inc.

SuperFlash is a registered trademark of Silicon Storage Technology, Inc. in several countries including the United States and Japan.

TRON stands for The Real-Time Operating system Nucleus.

ITRON is an abbreviation of Industrial TRON.

• **The information in this document is current as of July, 2006. The information is subject to change without notice. For actual design-in, refer to the latest publications of NEC Electronics data sheets or data books, etc., for the most up-to-date specifications of NEC Electronics products. Not all products and/or types are available in every country. Please check with an NEC Electronics sales representative for availability and additional information.**

• No part of this document may be copied or reproduced in any form or by any means without the prior written consent of NEC Electronics. NEC Electronics assumes no responsibility for any errors that may appear in this document.

• NEC Electronics does not assume any liability for infringement of patents, copyrights or other intellectual property rights of third parties by or arising from the use of NEC Electronics products listed in this document or any other liability arising from the use of such products. No license, express, implied or otherwise, is granted under any patents, copyrights or other intellectual property rights of NEC Electronics or others.

• Descriptions of circuits, software and other related information in this document are provided for illustrative purposes in semiconductor product operation and application examples. The incorporation of these circuits, software and information in the design of a customer's equipment shall be done under the full responsibility of the customer. NEC Electronics assumes no responsibility for any losses incurred by customers or third parties arising from the use of these circuits, software and information.

• While NEC Electronics endeavors to enhance the quality, reliability and safety of NEC Electronics products, customers agree and acknowledge that the possibility of defects thereof cannot be eliminated entirely. To minimize risks of damage to property or injury (including death) to persons arising from defects in NEC Electronics products, customers must incorporate sufficient safety measures in their design, such as redundancy, fire-containment and anti-failure features.

• NEC Electronics products are classified into the following three quality grades: "Standard", "Special" and "Specific".

The "Specific" quality grade applies only to NEC Electronics products developed based on a customer-designated "quality assurance program" for a specific application. The recommended applications of an NEC Electronics product depend on its quality grade, as indicated below. Customers must check the quality grade of each NEC Electronics product before using it in a particular application.

"Standard": Computers, office equipment, communications equipment, test and measurement equipment, audio and visual equipment, home electronic appliances, machine tools, personal electronic equipment and industrial robots.

"Special": Transportation equipment (automobiles, trains, ships, etc.), traffic control systems, anti-disaster systems, anti-crime systems, safety equipment and medical equipment (not specifically designed for life support).

"Specific": Aircraft, aerospace equipment, submersible repeaters, nuclear reactor control systems, life support systems and medical equipment for life support, etc.

The quality grade of NEC Electronics products is "Standard" unless otherwise expressly specified in NEC Electronics data sheets or data books, etc. If customers wish to use NEC Electronics products in applications not intended by NEC Electronics, they must contact an NEC Electronics sales representative in advance to determine NEC Electronics' willingness to support a given application.

(Note)

(1) "NEC Electronics" as used in this statement means NEC Electronics Corporation and also includes its majority-owned subsidiaries.

(2) "NEC Electronics products" means any product developed or manufactured by or for NEC Electronics (as defined above).

PREFACE

Readers This manual is intended for users who wish to understand the functions of the V850ES/JJ2 and design application systems using the V850ES/JJ2.

Purpose This manual is intended to give users an understanding of the hardware functions of the V850ES/JJ2 shown in the **Organization** below.

Organization This manual is divided into two parts: Hardware (this manual) and Architecture (**V850ES Architecture User's Manual**).

Hardware

- Pin functions
- CPU function
- On-chip peripheral functions
- Flash memory programming
- Electrical specifications

Architecture

- Data types
- Register set
- Instruction format and instruction set
- Interrupts and exceptions
- Pipeline operation

How to Read This Manual It is assumed that the readers of this manual have general knowledge in the fields of electrical engineering, logic circuits, and microcontrollers.

To understand the overall functions of the V850ES/JJ2

→ Read this manual according to the **CONTENTS**.

To find the details of a register where the name is known

→ Use **APPENDIX B REGISTER INDEX**.

Register format

→ The name of the bit whose number is in angle brackets (<>) in the figure of the register format of each register is defined as a reserved word in the device file.

To understand the details of an instruction function

→ Refer to the **V850ES Architecture User's Manual** available separately.

To know the electrical specifications of the V850ES/JJ2

→ See **CHAPTER 28 ELECTRICAL SPECIFICATIONS**

The "yyy bit of the xxx register" is described as the "xxx.yyy bit" in this manual. Note with caution that if "xxx.yyy" is described as is in a program, however, the compiler/assembler cannot recognize it correctly.

The mark <R> shows major revised points. The revised points can be easily searched by copying an "<R>" in the PDF file and specifying it in the "Find what:" field.

Conventions

Data significance:	Higher digits on the left and lower digits on the right
Active low representation:	$\overline{\text{xxx}}$ (overscore over pin or signal name)
Memory map address:	Higher addresses on the top and lower addresses on the bottom
Note:	Footnote for item marked with Note in the text
Caution:	Information requiring particular attention
Remark:	Supplementary information
Numeric representation:	Binary ... xxxx or xxxxB Decimal ... xxxx Hexadecimal ... xxxxH
Prefix indicating power of 2 (address space, memory capacity):	K (kilo): $2^{10} = 1,024$ M (mega): $2^{20} = 1,024^2$ G (giga): $2^{30} = 1,024^3$

Related Documents

The related documents indicated in this publication may include preliminary versions. However, preliminary versions are not marked as such.

Documents related to V850ES/JJ2

Document Name	Document No.
V850ES Architecture User's Manual	U15943E
V850ES/JJ2 Hardware User's Manual	This manual

Documents related to development tools

Document Name	Document No.	
QB-V850ESSX2 In-Circuit Emulator	U17091E	
QB-V850MINI On-Chip Debug Emulator	U17638E	
QB-MINI2 On-Chip Debug Emulator with Flash Programming Function	To be prepared	
CA850 Ver. 3.00 C Compiler Package	Operation	U17293E
	C Language	U17291E
	Assembly Language	U17292E
	Link Directives	U17294E
PM+ Ver. 6.20 Project Manager	U17990E	
ID850QB Ver. 3.20 Integrated Debugger	Operation	U17964E
SM850 Ver. 2.50 System Simulator	Operation	U16218E
SM850 Ver. 2.00 or Later System Simulator	External Part User Open Interface Specification	U14873E
SM+ System Simulator	Operation	U17246E
	User Open Interface	U17247E
RX850 Ver. 3.20 Real-Time OS	Basics	U13430E
	Installation	U17419E
	Technical	U13431E
	Task Debugger	U17420E
RX850 Pro Ver. 3.20 Real-Time OS	Basics	U13773E
	Installation	U17421E
	Technical	U13772E
	Task Debugger	U17422E
AZ850 Ver. 3.30 System Performance Analyzer	U17423E	
PG-FP4 Flash Memory Programmer	U15260E	

CONTENTS

CHAPTER 1 INTRODUCTION	19
1.1 General	19
1.2 Features.....	22
1.3 Application Fields	23
1.4 Ordering Information	23
1.5 Pin Configuration (Top View).....	24
1.6 Function Block Configuration.....	26
1.6.1 Internal block diagram	26
1.6.2 Internal units	27
CHAPTER 2 PIN FUNCTIONS.....	30
2.1 List of Pin Functions.....	30
2.2 Pin States	41
2.3 Pin I/O Circuit Types, I/O Buffer Power Supplies and Connection of Unused Pins.....	42
2.4 Cautions	46
CHAPTER 3 CPU FUNCTION.....	47
3.1 Features.....	47
3.2 CPU Register Set.....	48
3.2.1 Program register set	49
3.2.2 System register set.....	50
3.3 Operation Modes	56
3.3.1 Specifying operation mode	56
3.4 Address Space	57
3.4.1 CPU address space.....	57
3.4.2 Wraparound of CPU address space	58
3.4.3 Memory map.....	59
3.4.4 Areas	61
3.4.5 Recommended use of address space	68
3.4.6 Peripheral I/O registers.....	71
3.4.7 Special registers	83
3.4.8 Cautions	87
CHAPTER 4 PORT FUNCTIONS.....	91
4.1 Features.....	91
4.2 Basic Port Configuration.....	91
4.3 Port Configuration.....	92
4.3.1 Port 0.....	97
4.3.2 Port 1.....	100
4.3.3 Port 3.....	101
4.3.4 Port 4.....	107
4.3.5 Port 5.....	109
4.3.6 Port 6.....	113
4.3.7 Port 7.....	117
4.3.8 Port 8.....	119
4.3.9 Port 9.....	121

4.3.10	Port CD	129
4.3.11	Port CM	130
4.3.12	Port CS	132
4.3.13	Port CT	134
4.3.14	Port DH	136
4.3.15	Port DL	138
4.4	Block Diagrams.....	141
4.5	Port Register Settings When Alternate Function Is Used	173
4.6	Cautions	182
4.6.1	Cautions on setting port pins	182
4.6.2	Cautions on bit manipulation instruction for port n register (Pn).....	185
4.6.3	Cautions on on-chip debug pins.....	186
4.6.4	Cautions on P05/INTP2/ $\overline{\text{DRST}}$ pin.....	186
4.6.5	Cautions on P10, P11, and P53 pins when power is turned on	186
4.6.6	Hysteresis characteristics	186
CHAPTER 5	BUS CONTROL FUNCTION.....	187
5.1	Features.....	187
5.2	Bus Control Pins.....	188
5.2.1	Pin status when internal ROM, internal RAM, or on-chip peripheral I/O is accessed.....	188
5.2.2	Pin status in each operation mode.....	188
5.3	Memory Block Function.....	189
5.4	External Bus Interface Mode Control Function.....	190
5.5	Bus Access	191
5.5.1	Number of clocks for access.....	191
5.5.2	Bus size setting function	191
5.5.3	Access by bus size	192
5.6	Wait Function	199
5.6.1	Programmable wait function	199
5.6.2	External wait function.....	200
5.6.3	Relationship between programmable wait and external wait	201
5.6.4	Programmable address wait function.....	202
5.7	Idle State Insertion Function	203
5.8	Bus Hold Function.....	204
5.8.1	Functional outline.....	204
5.8.2	Bus hold procedure.....	205
5.8.3	Operation in power save mode	205
5.9	Bus Priority	206
5.10	Bus Timing	207
CHAPTER 6	CLOCK GENERATION FUNCTION.....	213
6.1	Overview.....	213
6.2	Configuration	214
6.3	Registers	216
6.4	Operation.....	221
6.4.1	Operation of each clock	221
6.4.2	Clock output function	221
6.5	PLL Function.....	222
6.5.1	Overview.....	222

6.5.2	Registers	222
6.5.3	Usage	225
CHAPTER 7 16-BIT TIMER/EVENT COUNTER P (TMP)		226
7.1	Overview	226
7.2	Functions	226
7.3	Configuration	227
7.4	Registers	229
7.5	Operation	241
7.5.1	Interval timer mode (TPnMD2 to TPnMD0 bits = 000)	242
7.5.2	External event count mode (TPnMD2 to TPnMD0 bits = 001)	252
7.5.3	External trigger pulse output mode (TPnMD2 to TPnMD0 bits = 010)	260
7.5.4	One-shot pulse output mode (TPnMD2 to TPnMD0 bits = 011)	272
7.5.5	PWM output mode (TPnMD2 to TPnMD0 bits = 100)	279
7.5.6	Free-running timer mode (TPnMD2 to TPnMD0 bits = 101)	288
7.5.7	Pulse width measurement mode (TPnMD2 to TPnMD0 bits = 110)	305
7.5.8	Timer output operations	311
7.6	Selector Function	312
7.7	Cautions	314
CHAPTER 8 16-BIT TIMER/EVENT COUNTER Q (TMQ)		315
8.1	Overview	315
8.2	Functions	315
8.3	Configuration	316
8.4	Registers	318
8.5	Operation	334
8.5.1	Interval timer mode (TQ0MD2 to TQ0MD0 bits = 000)	335
8.5.2	External event count mode (TQ0MD2 to TQ0MD0 bits = 001)	344
8.5.3	External trigger pulse output mode (TQ0MD2 to TQ0MD0 bits = 010)	353
8.5.4	One-shot pulse output mode (TQ0MD2 to TQ0MD0 bits = 011)	366
8.5.5	PWM output mode (TQ0MD2 to TQ0MD0 bits = 100)	375
8.5.6	Free-running timer mode (TQ0MD2 to TQ0MD0 bits = 101)	386
8.5.7	Pulse width measurement mode (TQ0MD2 to TQ0MD0 bits = 110)	406
8.5.8	Timer output operations	412
8.6	Cautions	413
CHAPTER 9 16-BIT INTERVAL TIMER M (TMM)		414
9.1	Overview	414
9.2	Configuration	415
9.3	Register	416
9.4	Operation	417
9.4.1	Interval timer mode	417
9.4.2	Cautions	421
CHAPTER 10 WATCH TIMER FUNCTIONS		422
10.1	Functions	422
10.2	Configuration	423
10.3	Control Registers	425
10.4	Operation	429

10.4.1	Operation as watch timer	429
10.4.2	Operation as interval timer	430
10.4.3	Cautions	431
CHAPTER 11	FUNCTIONS OF WATCHDOG TIMER 2	432
11.1	Functions	432
11.2	Configuration	433
11.3	Registers	434
11.4	Operation	436
CHAPTER 12	REAL-TIME OUTPUT FUNCTION (RTO)	437
12.1	Function	437
12.2	Configuration	438
12.3	Registers	440
12.4	Operation	442
12.5	Usage	443
12.6	Cautions	443
CHAPTER 13	A/D CONVERTER	444
13.1	Overview	444
13.2	Functions	444
13.3	Configuration	445
13.4	Registers	448
13.5	Operation	459
13.5.1	Basic operation	459
13.5.2	Conversion operation timing	460
13.5.3	Trigger mode	461
13.5.4	Operation mode	463
13.5.5	Power-fail compare mode	467
13.6	Cautions	472
13.7	How to Read A/D Converter Characteristics Table	476
CHAPTER 14	D/A CONVERTER	480
14.1	Functions	480
14.2	Configuration	480
14.3	Registers	481
14.4	Operation	483
14.4.1	Operation in normal mode	483
14.4.2	Operation in real-time output mode	483
14.4.3	Cautions	484
CHAPTER 15	ASYNCHRONOUS SERIAL INTERFACE A (UARTA)	485
15.1	Mode Switching of UARTA and Other Serial Interfaces	485
15.1.1	CSIB4 and UARTA0 mode switching	485
15.1.2	UARTA2 and I ² C00 mode switching	486
15.1.3	UARTA1 and I ² C02 mode switching	487
15.2	Features	488
15.3	Configuration	489
15.4	Registers	491

15.5	Interrupt Request Signals.....	497
15.6	Operation.....	498
15.6.1	Data format.....	498
15.6.2	SBF transmission/reception format.....	500
15.6.3	SBF transmission	502
15.6.4	SBF reception.....	503
15.6.5	UART transmission.....	505
15.6.6	Continuous transmission procedure	506
15.6.7	UART reception.....	508
15.6.8	Reception errors	509
15.6.9	Parity types and operations	511
15.6.10	Receive data noise filter	512
15.7	Dedicated Baud Rate Generator	513
15.8	Cautions	521
CHAPTER 16 3-WIRE VARIABLE-LENGTH SERIAL I/O (CSIB)		522
16.1	Mode Switching of CSIB and Other Serial Interfaces.....	522
16.1.1	CSIB4 and UARTA0 mode switching	522
16.1.2	CSIB0 and I ² C01 mode switching	523
16.2	Features.....	523
16.3	Configuration.....	524
16.4	Registers	526
16.5	Interrupt Request Signals.....	533
16.6	Operation.....	534
16.6.1	Single transfer mode (master mode, transmission mode)	534
16.6.2	Single transfer mode (master mode, reception mode).....	536
16.6.3	Single transfer mode (master mode, transmission/reception mode).....	538
16.6.4	Single transfer mode (slave mode, transmission mode)	540
16.6.5	Single transfer mode (slave mode, reception mode)	542
16.6.6	Single transfer mode (slave mode, transmission/reception mode)	544
16.6.7	Continuous transfer mode (master mode, transmission mode)	546
16.6.8	Continuous transfer mode (master mode, reception mode).....	548
16.6.9	Continuous transfer mode (master mode, transmission/reception mode).....	551
16.6.10	Continuous transfer mode (slave mode, transmission mode).....	555
16.6.11	Continuous transfer mode (slave mode, reception mode)	557
16.6.12	Continuous transfer mode (slave mode, transmission/reception mode)	560
16.6.13	Reception error.....	564
16.6.14	Clock timing	565
16.7	Output Pins	567
16.8	Baud Rate Generator	568
16.8.1	Baud rate generation	569
16.9	Cautions	570
CHAPTER 17 I²C BUS.....		571
17.1	Mode Switching of I²C Bus and Other Serial Interfaces.....	571
17.1.1	UARTA2 and I ² C00 mode switching	571
17.1.2	CSIB0 and I ² C01 mode switching	572
17.1.3	UARTA1 and I ² C02 mode switching	573
17.2	Features.....	574

<R>

17.3	Configuration	575
17.4	Registers	579
17.5	I²C Bus Mode Functions.....	595
17.5.1	Pin configuration	595
17.6	I²C Bus Definitions and Control Methods	596
17.6.1	Start condition.....	596
17.6.2	Addresses.....	597
17.6.3	Transfer direction specification	598
17.6.4	$\overline{\text{ACK}}$	599
17.6.5	Stop condition	600
17.6.6	Wait state.....	601
17.6.7	Wait state cancellation method	603
17.7	I²C Interrupt Request Signals (INTIICn).....	604
17.7.1	Master device operation.....	604
17.7.2	Slave device operation (when receiving slave address data (address match)).....	607
17.7.3	Slave device operation (when receiving extension code)	611
17.7.4	Operation without communication.....	615
17.7.5	Arbitration loss operation (operation as slave after arbitration loss).....	615
17.7.6	Operation when arbitration loss occurs (no communication after arbitration loss)	617
17.8	Interrupt Request Signal (INTIICn) Generation Timing and Wait Control.....	624
17.9	Address Match Detection Method	626
17.10	Error Detection.....	626
17.11	Extension Code.....	626
17.12	Arbitration	627
17.13	WakeUp Function.....	628
17.14	Communication Reservation.....	629
17.14.1	When communication reservation function is enabled (IICFn.IICRSVn bit = 0)	629
17.14.2	When communication reservation function is disabled (IICFn.IICRSVn bit = 1).....	633
17.15	Cautions	634
17.16	Communication Operations.....	635
17.16.1	Master operation in single master system	636
17.16.2	Master operation in multimaster system	637
17.16.3	Slave operation.....	640
17.17	Timing of Data Communication	643
CHAPTER 18	DMA FUNCTION (DMA CONTROLLER)	650
18.1	Features	650
18.2	Configuration	651
18.3	Registers	652
18.4	Transfer Targets	659
18.5	Transfer Modes	660
18.6	Transfer Types	660
18.7	DMA Channel Priorities.....	661
18.8	Time Related to DMA Transfer	661
18.9	DMA Transfer Start Factors.....	662
18.10	DMA Abort Factors.....	663
18.11	End of DMA Transfer.....	663
18.12	Operation Timing.....	663

18.13 Cautions	668
CHAPTER 19 INTERRUPT/EXCEPTION PROCESSING FUNCTION	673
19.1 Features.....	673
19.2 Non-Maskable Interrupts	677
19.2.1 Operation.....	679
19.2.2 Restore.....	680
19.2.3 NP flag.....	681
19.3 Maskable Interrupts	682
19.3.1 Operation.....	682
19.3.2 Restore	684
19.3.3 Priorities of maskable interrupts	685
19.3.4 Interrupt control register (xxICn)	689
19.3.5 Interrupt mask registers 0 to 4 (IMR0 to IMR4).....	691
19.3.6 In-service priority register (ISPR).....	693
19.3.7 ID flag	694
19.3.8 Watchdog timer mode register 2 (WDTM2)	694
19.4 Software Exception	695
19.4.1 Operation.....	695
19.4.2 Restore	696
19.4.3 EP flag.....	697
19.5 Exception Trap	698
19.5.1 Illegal opcode definition	698
19.5.2 Debug trap.....	700
19.6 External Interrupt Request Input Pins (NMI and INTP0 to INTP8)	702
19.6.1 Noise elimination	702
19.6.2 Edge detection.....	702
19.7 Interrupt Acknowledge Time of CPU.....	708
19.8 Periods in Which Interrupts Are Not Acknowledged by CPU.....	709
19.9 Cautions	709
CHAPTER 20 KEY INTERRUPT FUNCTION.....	710
20.1 Function	710
20.2 Register	711
20.3 Cautions	711
CHAPTER 21 STANDBY FUNCTION.....	712
21.1 Overview.....	712
21.2 Registers	714
21.3 HALT Mode.....	717
21.3.1 Setting and operation status	717
21.3.2 Releasing HALT mode	717
21.4 IDLE1 Mode.....	719
21.4.1 Setting and operation status	719
21.4.2 Releasing IDLE1 mode.....	719
21.5 IDLE2 Mode.....	721
21.5.1 Setting and operation status	721
21.5.2 Releasing IDLE2 mode.....	721
21.5.3 Securing setup time when releasing IDLE2 mode	723

21.6	STOP Mode	724
21.6.1	Setting and operation status	724
21.6.2	Releasing STOP mode	724
21.6.3	Securing oscillation stabilization time when releasing STOP mode	727
21.7	Subclock Operation Mode	728
21.7.1	Setting and operation status	728
21.7.2	Releasing subclock operation mode	728
21.8	Sub-IDLE Mode	730
21.8.1	Setting and operation status	730
21.8.2	Releasing sub-IDLE mode	730
CHAPTER 22	RESET FUNCTIONS	732
22.1	Overview	732
22.2	Registers to Check Reset Source	733
22.3	Operation	734
22.3.1	Reset operation via $\overline{\text{RESET}}$ pin	734
22.3.2	Reset operation by watchdog timer 2.....	736
22.3.3	Reset operation by low-voltage detector.....	738
22.3.4	Operation after reset release	739
22.3.5	Reset function operation flow.....	742
CHAPTER 23	CLOCK MONITOR	743
23.1	Functions	743
23.2	Configuration	743
23.3	Register	744
23.4	Operation	745
CHAPTER 24	LOW-VOLTAGE DETECTOR (LVI)	748
24.1	Functions	748
24.2	Configuration	748
24.3	Registers	749
24.4	Operation	751
24.4.1	To use for internal reset signal.....	751
24.4.2	To use for interrupt	752
24.5	RAM Retention Voltage Detection Operation	753
24.6	Emulation Function	754
CHAPTER 25	REGULATOR	755
25.1	Overview	755
25.2	Operation	756
CHAPTER 26	FLASH MEMORY	757
26.1	Features	757
26.2	Memory Configuration	758
26.3	Functional Outline	759
26.4	Rewriting by Dedicated Flash Programmer	762
26.4.1	Programming environment.....	762
26.4.2	Communication mode	763
26.4.3	Flash memory control	769

26.4.4	Selection of communication mode.....	770
26.4.5	Communication commands	771
26.4.6	Pin connection	772
26.5	Rewriting by Self Programming.....	776
26.5.1	Overview	776
26.5.2	Features	777
26.5.3	Standard self programming flow	778
26.5.4	Flash functions	779
26.5.5	Pin processing.....	779
26.5.6	Internal resources used	780
CHAPTER 27	ON-CHIP DEBUG FUNCTION.....	781
27.1	Debugging with DCU.....	782
27.1.1	Connection circuit example	782
27.1.2	Interface signals	782
27.1.3	Maskable functions.....	784
27.1.4	Register.....	784
27.1.5	Operation	786
27.1.6	Cautions.....	786
27.2	Debugging Without Using DCU	788
27.2.1	Circuit connection examples	788
27.2.2	Maskable functions.....	789
27.2.3	Securement of user resources	790
27.2.4	Cautions.....	796
27.3	ROM Security Function.....	798
27.3.1	Security ID.....	798
27.3.2	Setting.....	799
CHAPTER 28	ELECTRICAL SPECIFICATIONS.....	801
CHAPTER 29	PACKAGE DRAWING	836
<R>	CHAPTER 30 RECOMMENDED SOLDERING CONDITIONS	837
<R>	APPENDIX A DEVELOPMENT TOOLS	838
A.1	Software Package.....	840
A.2	Language Processing Software.....	840
A.3	Control Software	840
A.4	Debugging Tools (Hardware).....	841
A.4.1	When using IECUBE QB-V850ESSX2	841
A.4.2	When using MINICUBE QB-V850MINI	843
A.4.3	When using MINICUBE2 QB-MINI2	844
A.5	Debugging Tools (Software)	845
A.6	Embedded Software.....	846
A.7	Flash Memory Writing Tools	847
APPENDIX B	REGISTER INDEX.....	848
APPENDIX C	INSTRUCTION SET LIST.....	860
C.1	Conventions.....	860

C.2	Instruction Set (in Alphabetical Order)	863
<R>	APPENDIX D LIST OF CAUTIONS	870
<R>	APPENDIX E REVISION HISTORY	907
E.1	Major Revisions in This Edition	907

CHAPTER 1 INTRODUCTION

The V850ES/JJ2 is one of the products in the NEC Electronics V850 single-chip microcontrollers designed for low-power operation for real-time control applications.

1.1 General

The V850ES/JJ2 is a 32-bit single-chip microcontroller that includes the V850ES CPU core and peripheral functions such as ROM/RAM, a timer/counter, serial interfaces, an A/D converter, and a D/A converter.

In addition to high real-time response characteristics and 1-clock-pitch basic instructions, the V850ES/JJ2 features multiply instructions, saturated operation instructions, bit manipulation instructions, etc., realized by a hardware multiplier, as optimum instructions for digital servo control applications. Moreover, as a real-time control system, the V850ES/JJ2 enables an extremely high cost-performance for applications that require low power consumption, such as home audio, printers, and digital home electronics.

Table 1-1 lists the products of the V850ES/JJ2.

A model of the V850ES/JJ2 with reduced I/O, timer/counter, and serial interface functions, V850ES/JG2, is also available. See **Table 1-2 V850ES/JG2 Product List**.

Table 1-1. V850ES/JJ2 Product List

Part Number		μ PD70F3720	μ PD70F3721	μ PD70F3722	μ PD70F3723	μ PD70F3724
Internal memory	Flash memory	128 KB	256 KB	384 KB	512 KB	640 KB
	RAM	12 KB	24 KB	32 KB	40 KB	48 KB
Memory space	Logical space	64 MB				
	External memory area	16 MB				
External bus interface		Address bus: 24 bits Data bus: 8/16 bits Multiplex bus mode/separate bus mode Chip select signal: 4				
General-purpose register		32 bits \times 32 registers				
Main clock (oscillation frequency)		Ceramic/crystal/external clock (in PLL mode: $f_x = 2.5$ to 5 MHz (multiplied by 4) or $f_x = 2.5$ MHz (multiplied by 8), in clock through mode: $f_x = 2.5$ to 10 MHz)				
Subclock (oscillation frequency)		Crystal/external clock ($f_{XT} = 32.768$ kHz)				
Internal oscillator		$f_R = 200$ kHz (TYP.)				
Minimum instruction execution time		50 ns (main clock (f_{XX}) = 20 MHz)				
DSP function		32 \times 32 = 64: 200 to 250 ns (at 20 MHz) 32 \times 32 + 32 = 32: 300 ns (at 20 MHz) 16 \times 16 = 32: 50 to 100 ns (at 20 MHz) 16 \times 16 + 32 = 32: 150 ns (at 20 MHz)				
I/O port		I/O: 128 (5 V tolerant/N-ch open-drain output selectable: 60)				
Timer		16-bit timer/event counter P: 9 channels 16-bit timer/event counter Q: 1 channel 16-bit interval timer M: 1 channel Watch timer: 1 channel Watchdog timer: 1 channel				
Real-time output port		6 bits \times 2 channels				
A/D converter		10-bit resolution \times 16 channels				
D/A converter		8-bit resolution \times 2 channels				
Serial interface		UART: 1 channel UART/CSI: 1 channel UART/I ² C bus: 2 channels CSI: 4 channels CSI/I ² C bus: 1 channel				
DMA controller		4 channels (transfer target: on-chip peripheral I/O, internal RAM, external memory)				
Interrupt source		External: 10 (10) ^{Note} , internal: 61				
Power save function		HALT/IDLE1/IDLE2/STOP/subclock/sub-IDLE mode				
Reset		$\overline{\text{RESET}}$ pin input, watchdog timer 2 (WDT2), clock monitor (CLM), low-voltage detector (LVI)				
DCU		Provided (RUN/break)				
Operating power supply voltage		2.85 to 3.6 V				
Operating ambient temperature		-40 to +85°C				
Package		144-pin plastic LQFP (fine pitch) (20 \times 20 mm)				

Note The figure in parentheses indicates the number of external interrupts that can release the STOP mode.

Table 1-2. V850ES/JG2 Product List

Part Number		μ PD70F3715	μ PD70F3716	μ PD70F3717	μ PD70F3718	μ PD70F3719
Internal memory	Flash memory	128 KB	256 KB	384 KB	512 KB	640 KB
	RAM	12 KB	24 KB	32 KB	40 KB	48 KB
Memory space	Logical space	64 MB				
	External memory area	16 MB				
External bus interface		Address bus: 22 bits Data bus: 8/16 bits Multiplex bus mode/separate bus mode				
General-purpose register		32 bits \times 32 registers				
Main clock (oscillation frequency)		Ceramic/crystal/external clock (in PLL mode: $f_x = 2.5$ to 5 MHz (multiplied by 4) or $f_x = 2.5$ MHz (multiplied by 8), in clock through mode: $f_x = 2.5$ to 10 MHz)				
Subclock (oscillation frequency)		Crystal/external clock ($f_{XT} = 32.768$ kHz)				
Internal oscillator		$f_R = 200$ kHz (TYP.)				
Minimum instruction execution time		50 ns (main clock (f_{XX}) = 20 MHz)				
DSP function		32 \times 32 = 64: 200 to 250 ns (at 20 MHz) 32 \times 32 + 32 = 32: 300 ns (at 20 MHz) 16 \times 16 = 32: 50 to 100 ns (at 20 MHz) 16 \times 16 + 32 = 32: 150 ns (at 20 MHz)				
I/O port		I/O: 84 (5 V tolerant/N-ch open drain-output selectable: 40)				
Timer		16-bit timer/event counter P: 6 channels 16-bit timer/event counter Q: 1 channel 16-bit interval timer M: 1 channel Watch timer: 1 channel Watchdog timer: 1 channel				
Real-time output port		6 bits \times 1 channel				
A/D converter		10-bit resolution \times 12 channels				
D/A converter		8-bit resolution \times 2 channels				
Serial interface		UART/CSI: 1 channel UART/I ² C bus: 2 channels CSI: 3 channels CSI/I ² C bus: 1 channel				
DMA controller		4 channels (transfer target: on-chip peripheral I/O, internal RAM, external memory)				
Interrupt source		External: 9 (9) ^{Note} , internal: 48				
Power save function		HALT/IDLE1/IDLE2/STOP/subclock/sub-IDLE mode				
Reset		$\overline{\text{RESET}}$ pin input, watchdog timer 2 (WDT2), clock monitor (CLM), low-voltage detector (LVI)				
DCU		Provided (RUN/break)				
Operating power supply voltage		2.85 to 3.6 V				
Operating ambient temperature		-40 to +85°C				
Package		100-pin plastic LQFP (fine pitch) (14 \times 14 mm)				
		100-pin plastic QFP (14 \times 20 mm)				

Note The figure in parentheses indicates the number of external interrupts that can release the STOP mode.

1.2 Features

- Minimum instruction execution time: 50 ns (operating with main clock (f_{xx}) of 20 MHz)
- General-purpose registers: 32 bits \times 32 registers
- CPU features:
 - Signed multiplication ($16 \times 16 \rightarrow 32$): 1 to 2 clocks
 - Signed multiplication ($32 \times 32 \rightarrow 64$): 1 to 5 clocks
 - Saturated operations (overflow and underflow detection functions included)
 - 32-bit shift instruction: 1 clock
 - Bit manipulation instructions
 - Load/store instructions with long/short format
- Memory space: 64 MB of linear address space (for programs and data)
 - External expansion: Up to 16 MB (including 1 MB used as internal ROM/RAM)
 - Internal memory:
 - RAM: 12/24/32/40/48 KB (see **Table 1-1**)
 - Flash memory: 128/256/384/512/640 KB (see **Table 1-1**)
 - External bus interface: Separate bus/multiplexed bus output selectable
 - 8-/16-bit data bus sizing function
 - Wait function
 - Programmable wait function
 - External wait function
 - Idle state function
 - Bus hold function
- Interrupts and exceptions:
 - Non-maskable interrupts: 2 sources
 - Maskable interrupts: 60 sources
 - Software exceptions: 32 sources
 - Exception trap: 2 sources
- I/O lines: I/O ports: 128
- Timer function:
 - 16-bit interval timer M (TMM): 1 channel
 - 16-bit timer/event counter P (TMP): 9 channels
 - 16-bit timer/event counter Q (TMQ): 1 channel
 - Watch timer: 1 channel
 - Watchdog timer: 1 channel
- Real-time output port: 6 bits \times 2 channels
- Serial interface: Asynchronous serial interface A (UARTA)
 - 3-wire variable-length serial interface B (CSIB)
 - I²C bus interface (I²C)
 - UARTA/CSIB: 1 channel
 - UARTA/I²C: 2 channels
 - CSIB/I²C: 1 channel
 - CSIB: 4 channels
 - UARTA: 1 channel
- A/D converter: 10-bit resolution: 16 channels
- D/A converter: 8-bit resolution: 2 channels
- DMA controller: 4 channels
- DCU (debug control unit): JTAG interface
- Clock generator:
 - During main clock or subclock operation
 - 7-level CPU clock (f_{xx} , $f_{xx}/2$, $f_{xx}/4$, $f_{xx}/8$, $f_{xx}/16$, $f_{xx}/32$, f_{xt})
 - Clock-through mode/PLL mode selectable
- Internal oscillation clock: 200 kHz (TYP.)
- Power-save functions: HALT/IDLE1/IDLE2/STOP/subclock/sub-IDLE mode
- Package: 144-pin plastic LQFP (fine pitch) (20 \times 20)

1.3 Application Fields

Home audio, printers, digital home electronics, other consumer devices

1.4 Ordering Information

Part Number	Package	Internal Flash Memory
μ PD70F3720GJ-UEN-A	144-pin plastic LQFP (fine pitch) (20 × 20)	128 KB
μ PD70F3721GJ-UEN-A	144-pin plastic LQFP (fine pitch) (20 × 20)	256 KB
μ PD70F3722GJ-UEN-A	144-pin plastic LQFP (fine pitch) (20 × 20)	384 KB
μ PD70F3723GJ-UEN-A	144-pin plastic LQFP (fine pitch) (20 × 20)	512 KB
μ PD70F3724GJ-UEN-A	144-pin plastic LQFP (fine pitch) (20 × 20)	640 KB

Remark Products with -A at the end of the part number are lead-free products.

1.5 Pin Configuration (Top View)

144-pin plastic LQFP (fine pitch) (20 × 20)

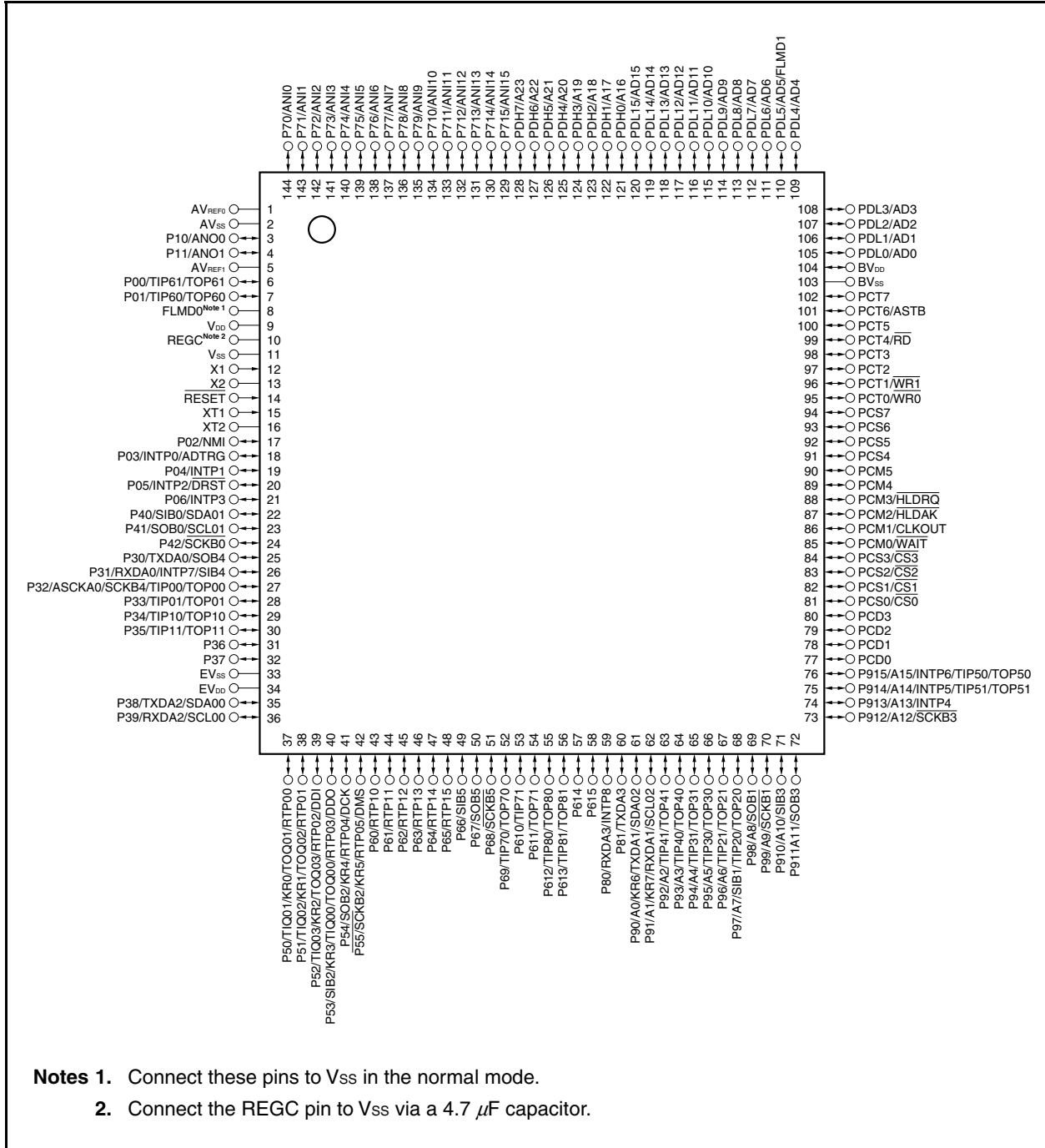
μPD70F3720GJ-UEN-A

μPD70F3722GJ-UEN-A

μPD70F3724GJ-UEN-A

μPD70F3721GJ-UEN-A

μPD70F3723GJ-UEN-A

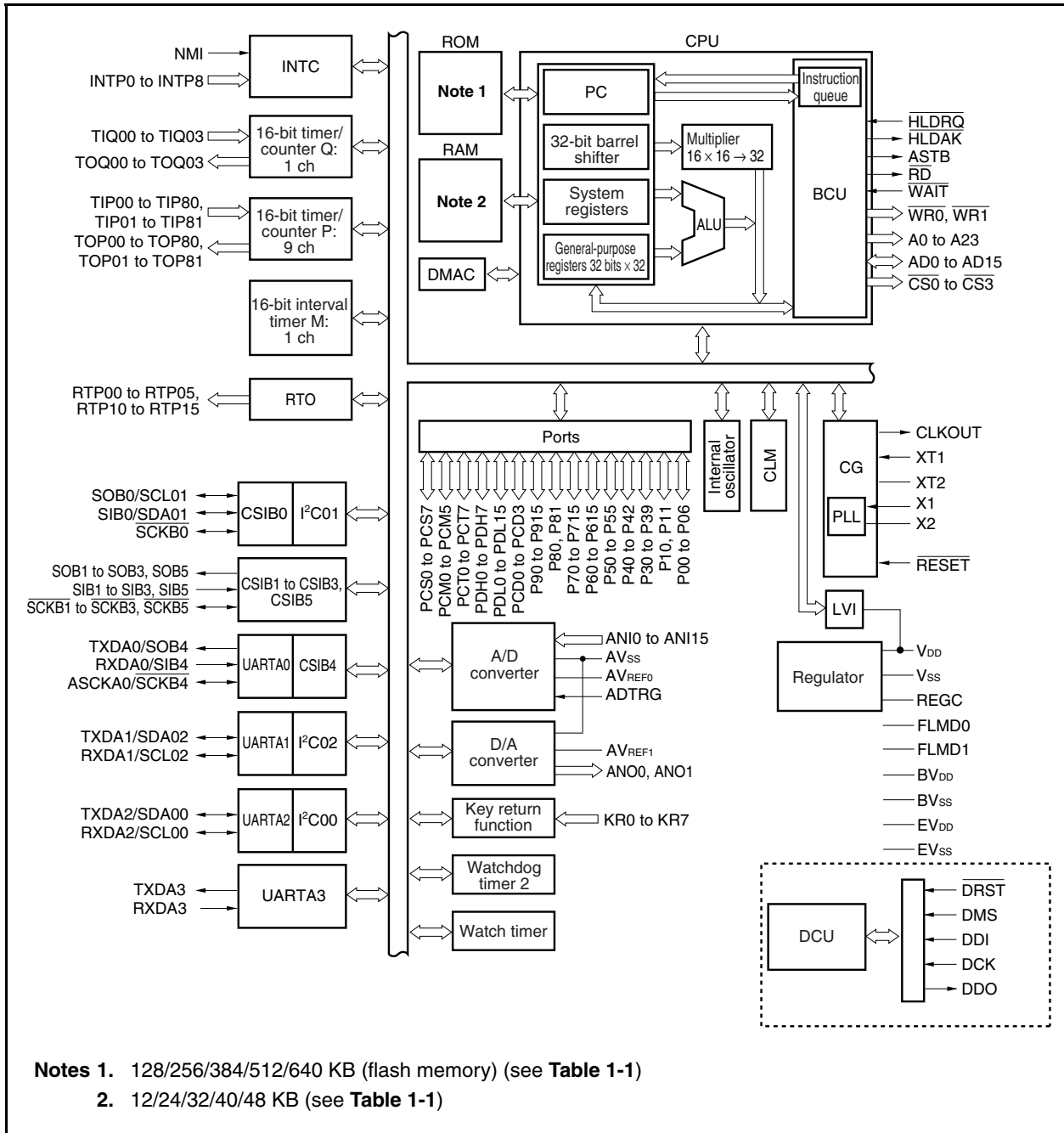


Pin names

A0 to A23:	Address bus	PDL0 to PDL15:	Port DL
AD0 to AD15:	Address/data bus	\overline{RD} :	Read strobe
ADTRG:	A/D trigger input	REGC:	Regulator control
ANI0 to ANI15:	Analog input	\overline{RESET} :	Reset
ANO0, ANO1:	Analog output	RTP00 to RTP05,	
ASCKA0:	Asynchronous serial clock	RTP10 to RTP15:	Real-time output port
ASTB:	Address strobe	$\overline{RXDA0}$ to $\overline{RXDA3}$:	Receive data
AV_{REF0} , AV_{REF1} :	Analog reference voltage	$\overline{SCKB0}$ to $\overline{SCKB5}$:	Serial clock
AV_{SS} :	Analog V_{SS}	SCL00 to SCL02:	Serial clock
BV_{DD} :	Power supply for bus interface	SDA00 to SDA02:	Serial data
BV_{SS} :	Ground for bus interface	SIB0 to SIB5:	Serial input
CLKOUT:	Clock output	SOB0 to SOB5:	Serial output
$\overline{CS0}$ to $\overline{CS3}$:	Chip select	TIP00, TIP01,	
DCK:	Debug clock	TIP10, TIP11,	
DDI:	Debug data input	TIP20, TIP21,	
DDO:	Debug data output	TIP30, TIP31,	
DMS:	Debug mode select	TIP40, TIP41,	
\overline{DRST} :	Debug reset	TIP50, TIP51,	
EV_{DD} :	Power supply for port	TIP60, TIP61,	
EV_{SS} :	Ground for port	TIP70, TIP71,	
$\overline{FLMD0}$, $\overline{FLMD1}$:	Flash programming mode	TIP80, TIP81,	
\overline{HLDK} :	Hold acknowledge	TIQ00 to TIQ03:	Timer input
\overline{HLDRQ} :	Hold request	TOP00, TOP01,	
INTP0 to INTP8:	External interrupt input	TOP10, TOP11,	
KR0 to KR7:	Key return	TOP20, TOP21,	
NMI:	Non-maskable interrupt request	TOP30, TOP31,	
P00 to P06:	Port 0	TOP40, TOP41,	
P10, P11:	Port 1	TOP50, TOP51,	
P30 to P39:	Port 3	TOP60, TOP61,	
P40 to P42:	Port 4	TOP70, TOP71,	
P50 to P55:	Port 5	TOP80, TOP81,	
P60 to P615:	Port 6	TOQ00 to TOQ03:	Timer output
P70 to P715:	Port 7	$\overline{TXDA0}$ to $\overline{TXDA3}$:	Transmit data
P80, P81:	Port 8	V_{DD} :	Power supply
P90 to P915:	Port 9	V_{SS} :	Ground
PCD0 to PCD3:	Port CD	\overline{WAIT} :	Wait
PCM0 to PCM5:	Port CM	$\overline{WR0}$:	Lower byte write strobe
PCS0 to PCS7:	Port CS	$\overline{WR1}$:	Upper byte write strobe
PCT0 to PCT7:	Port CT	X1, X2:	Crystal for main clock
PDH0 to PDH7:	Port DH	XT1, XT2:	Crystal for subclock

1.6 Function Block Configuration

1.6.1 Internal block diagram



1.6.2 Internal units

(1) CPU

The CPU uses five-stage pipeline control to enable single-clock execution of address calculations, arithmetic logic operations, data transfers, and almost all other instruction processing.

Other dedicated on-chip hardware, such as a multiplier (16 bits \times 16 bits \rightarrow 32 bits) and a barrel shifter (32 bits) contribute to faster complex processing.

(2) Bus control unit (BCU)

The BCU starts a required external bus cycle based on the physical address obtained by the CPU. When an instruction is fetched from external memory space and the CPU does not send a bus cycle start request, the BCU generates a prefetch address and prefetches the instruction code. The prefetched instruction code is stored in an instruction queue.

(3) ROM

This is a 640/512/384/256/128 KB flash memory mapped to addresses 0000000H to 009FFFFH/0000000H to 007FFFFH/0000000H to 005FFFFH/0000000H to 003FFFFH/0000000H to 001FFFFH. It can be accessed from the CPU in one clock during instruction fetch.

(4) RAM

This is a 12/24/32/40/48 KB RAM mapped to addresses 3FF3000H to 3FF5000H to 3FF5000H to 3FF7000H to 3FF7000H to 3FF9000H to 3FF9000H to 3FFC000H to 3FFC000H. It can be accessed from the CPU in one clock during data access.

(5) Interrupt controller (INTC)

This controller handles hardware interrupt requests (NMI, INTP0 to INTP8) from on-chip peripheral hardware and external hardware. Eight levels of interrupt priorities can be specified for these interrupt requests, and multiple servicing control can be performed.

(6) Clock generator (CG)

A main clock oscillator that generates the main clock oscillation frequency (f_x) and a subclock oscillator that generates the subclock oscillation frequency (f_{xT}) are available. As the main clock frequency (f_{xx}), f_x is used as is in the clock-through mode and is multiplied by four or eight in the PLL mode.

The CPU clock frequency (f_{CPU}) can be selected from seven types: f_{xx} , $f_{xx}/2$, $f_{xx}/4$, $f_{xx}/8$, $f_{xx}/16$, $f_{xx}/32$, and f_{xT} .

(7) Internal oscillator

An internal oscillator is provided on chip. The oscillation frequency is 200 kHz (TYP.). An internal oscillator supplies the clock for watchdog timer 2 and timer M.

(8) Timer/counter

Nine-channel 16-bit timer/event counter P (TMP), one-channel 16-bit timer/event counter Q (TMQ), and one-channel 16-bit interval timer M (TMM) are provided on chip.

(9) Watch timer

This timer counts the reference time period (0.5 s) for counting the clock (the 32.768 kHz from the subclock or the 32.768 kHz f_{BRG} from prescaler 3). The watch timer can also be used as an interval timer for the main clock.

(10) Watchdog timer 2

A watchdog timer is provided on chip to detect inadvertent program loops, system abnormalities, etc.

The internal oscillation clock, the main clock, or the subclock can be selected as the source clock.

Watchdog timer 2 generates a non-maskable interrupt request signal (INTWDT2) or a system reset signal (WDT2RES) after an overflow occurs.

(11) Serial interface

The V850ES/JJ2 includes three kinds of serial interfaces: asynchronous serial interface A (UARTA), 3-wire variable-length serial interface B (CSIB), and an I²C bus interface (I²C).

In the case of UARTA, data is transferred via the TXDA0 to TXDA3 pins and RXDA0 to RXDA3 pins.

In the case of CSIB, data is transferred via the SOB0 to SOB5 pins, SIB0 to SIB5 pins, and $\overline{\text{SCKB0}}$ to $\overline{\text{SCKB5}}$ pins.

In the case of I²C, data is transferred via the SDA00 to SDA02 and SCL00 to SCL02 pins.

(12) A/D converter

This 10-bit A/D converter includes 16 analog input pins. Conversion is performed using the successive approximation method.

(13) D/A converter

A two-channel, 8-bit-resolution D/A converter that uses the R-2R ladder method is provided on chip.

(14) DMA controller

A 4-channel DMA controller is provided on chip. This controller transfers data between the internal RAM and on-chip peripheral I/O devices in response to interrupt requests sent by on-chip peripheral I/O.

(15) Key interrupt function

A key interrupt request signal (INTKR) can be generated by inputting a falling edge to key input pins (8 channels).

(16) Real-time output function

The real-time output function transfers preset 6-bit data to output latches upon the occurrence of a timer compare register match signal.

(17) DCU (debug control unit)

An on-chip debug function that uses the JTAG (Joint Test Action Group) communication specifications is provided. Switching between the normal port function and on-chip debugging function is done with the control pin input level and the OCDM register.

(18) Ports

The general-purpose port functions and control pin functions are listed below.

Port	I/O	Alternate Function
P0	7-bit I/O	Timer I/O, NMI, external interrupt, A/D converter trigger, debug reset
P1	2-bit I/O	D/A converter analog output
P3	10-bit I/O	External interrupt, serial interface, timer I/O
P4	3-bit I/O	Serial interface
P5	6-bit I/O	Timer I/O, real-time output, key interrupt input, serial interface, debug I/O
P6	16-bit I/O	Real-time output, serial interface, timer I/O
P7	16-bit I/O	A/D converter analog input
P8	2-bit I/O	Serial interface, external interrupt
P9	16-bit I/O	External address bus, serial interface, key interrupt input, timer I/O, external interrupt
PCD	4-bit I/O	–
PCM	6-bit I/O	External control signal
PCS	8-bit I/O	Chip select output
PCT	8-bit I/O	External control signal
PDH	8-bit I/O	External address bus
PDL	16-bit I/O	External address/data bus

CHAPTER 2 PIN FUNCTIONS

2.1 List of Pin Functions

The names and functions of the pins of the V850ES/JJ2 are described below.

There are four types of pin I/O buffer power supplies: AV_{REF0} , AV_{REF1} , BV_{DD} , and EV_{DD} . The relationship between these power supplies and the pins is described below.

Table 2-1. Pin I/O Buffer Power Supplies

Power Supply	Corresponding Pins
AV_{REF0}	Port 7
AV_{REF1}	Port 1
BV_{DD}	Ports CD, CM, CS, CT, DH, DL
EV_{DD}	\overline{RESET} , ports 0, 3 to 6, 8, 9

(1) Port pins

(1/4)

Pin Name	Pin No.	I/O	Function	Alternate Function
P00	6	I/O	Port 0 7-bit I/O port Input/output can be specified in 1-bit units. N-ch open-drain output can be specified in 1-bit units. 5 V tolerant.	TIP61/TOP61
P01	7			TIP60/TOP60
P02	17			NMI
P03	18			INTP0/ADTRG
P04	19			INTP1
P05 ^{Note}	20			INTP2/ $\overline{\text{DRST}}$
P06	21			INTP3
P10	3	I/O	Port 1 2-bit I/O port Input/output can be specified in 1-bit units.	ANO0
P11	4			ANO1
P30	25	I/O	Port 3 10-bit I/O port Input/output can be specified in 1-bit units. N-ch open-drain output can be specified in 1-bit units. 5 V tolerant.	TXDA0/SOB4
P31	26			RXDA0/INTP7/SIB4
P32	27			ASCKA0/ $\overline{\text{SCKB4}}$ /TIP00/TOP00
P33	28			TIP01/TOP01
P34	29			TIP10/TOP10
P35	30			TIP11/TOP11
P36	31			–
P37	32			–
P38	35			TXDA2/SDA00
P39	36			RXDA2/SCL00
P40	22			I/O
P41	23	SOB0/SCL01		
P42	24	$\overline{\text{SCKB0}}$		
P50	37	I/O	Port 5 6-bit I/O port Input/output can be specified in 1-bit units. N-ch open-drain output can be specified in 1-bit units. 5 V tolerant.	TIQ01/KR0/TOQ01/RTP00
P51	38			TIQ02/KR1/TOQ02/RTP01
P52	39			TIQ03/KR2/TOQ03/RTP02/DDI
P53	40			SIB2/KR3/TIQ00/TOQ00/RTP03/ DDO
P54	41			SOB2/KR4/RTP04/DCK
P55	42			$\overline{\text{SCKB2}}$ /KR5/RTP05/DMS

Note Incorporates a pull-down resistor. It can be disconnected by clearing the OCDM.OCDM0 bit.

Pin Name	Pin No.	I/O	Function	Alternate Function
P60	43	I/O	Port 6 16-bit I/O port Input/output can be specified in 1-bit units. N-ch open-drain output can be specified in 1-bit units. 5 V tolerant.	RTP10
P61	44			RTP11
P62	45			RTP12
P63	46			RTP13
P64	47			RTP14
P65	48			RTP15
P66	49			SIB5
P67	50			SOB5
P68	51			SCKB5
P69	52			TIP70/TOP70
P610	53			TIP71
P611	54			TOP71
P612	55			TIP80/TOP80
P613	56			TIP81/TOP81
P614	57			–
P615	58	–		
P70	144	I/O	Port 7 16-bit I/O port Input/output can be specified in 1-bit units.	ANI0
P71	143			ANI1
P72	142			ANI2
P73	141			ANI3
P74	140			ANI4
P75	139			ANI5
P76	138			ANI6
P77	137			ANI7
P78	136			ANI8
P79	135			ANI9
P710	134			ANI10
P711	133			ANI11
P712	132			ANI12
P713	131			ANI13
P714	130			ANI14
P715	129	ANI15		
P80	59	I/O	Port 8 2-bit I/O port Input/output can be specified in 1-bit units. N-ch open-drain output can be specified in 1-bit units. 5 V tolerant.	RXDA3/INTP8
P81	60			TXDA3

Pin Name	Pin No.	I/O	Function	Alternate Function
P90	61	I/O	Port 9 16-bit I/O port Input/output can be specified in 1-bit units. N-ch open-drain output can be specified in 1-bit units. 5 V tolerant.	A0/KR6/TXDA1/SDA02
P91	62			A1/KR7/RXDA1/SCL02
P92	63			A2/TIP41/TOP41
P93	64			A3/TIP40/TOP40
P94	65			A4/TIP31/TOP31
P95	66			A5/TIP30/TOP30
P96	67			A6/TIP21/TOP21
P97	68			A7/SIB1/TIP20/TOP20
P98	69			A8/SOB1
P99	70			A9/SCKB1
P910	71			A10/SIB3
P911	72			A11/SOB3
P912	73			A12/SCKB3
P913	74			A13/INTP4
P914	75			A14/INTP5/TIP51/TOP51
P915	76	A15/INTP6/TIP50/TOP50		
PCD0	77	I/O	Port CD 4-bit I/O port Input/output can be specified in 1-bit units.	–
PCD1	78			–
PCD2	79			–
PCD3	80			–
PCM0	85	I/O	Port CM 6-bit I/O port Input/output can be specified in 1-bit units.	WAIT
PCM1	86			CLKOUT
PCM2	87			HLDK
PCM3	88			HLDRQ
PCM4	89			–
PCM5	90			–
PCS0	81	I/O	Port CS 8-bit I/O port Input/output can be specified in 1-bit units.	CS0
PCS1	82			CS1
PCS2	83			CS2
PCS3	84			CS3
PCS4	91			–
PCS5	92			–
PCS6	93			–
PCS7	94			–

Pin Name	Pin No.	I/O	Function	Alternate Function
PCT0	95	I/O	Port CT 8-bit I/O port Input/output can be specified in 1-bit units.	$\overline{WR0}$
PCT1	96			$\overline{WR1}$
PCT2	97			-
PCT3	98			-
PCT4	99			\overline{RD}
PCT5	100			-
PCT6	101			ASTB
PCT7	102			-
PDH0	121	I/O	Port DH 8-bit I/O port Input/output can be specified in 1-bit units.	A16
PDH1	122			A17
PDH2	123			A18
PDH3	124			A19
PDH4	125			A20
PDH5	126			A21
PDH6	127			A22
PDH7	128			A23
PDL0	105	I/O	Port DL 16-bit I/O port Input/output can be specified in 1-bit units.	AD0
PDL1	106			AD1
PDL2	107			AD2
PDL3	108			AD3
PDL4	109			AD4
PDL5	110			AD5/FLMD1
PDL6	111			AD6
PDL7	112			AD7
PDL8	113			AD8
PDL9	114			AD9
PDL10	115			AD10
PDL11	116			AD11
PDL12	117			AD12
PDL13	118			AD13
PDL14	119			AD14
PDL15	120			AD15

(2) Non-port pins

(1/6)

Pin Name	Pin No.	I/O	Function	Alternate Function
A0	61	Output	Address bus for external memory (when using separate bus) N-ch open-drain output selectable 5 V tolerant.	P90/KR6/TXDA1/SDA02
A1	62			P91/KR7/RXDA1/SCL02
A2	63			P92/TIP41/TOP41
A3	64			P93/TIP40/TOP40
A4	65			P94/TIP31/TOP31
A5	66			P95/TIP30/TOP30
A6	67			P96/TIP21/TOP21
A7	68			P97/SIB1/TIP20/TOP20
A8	69			P98/SOB1
A9	70			P99/SCKB1
A10	71			P910/SIB3
A11	72			P911/SOB3
A12	73			P912/SCKB3
A13	74			P913/INTP4
A14	75			P914/INTP5/TIP51/TOP51
A15	76	P915/INTP6/TIP50/TOP50		
A16	121	Output	Address bus for external memory	PDH0
A17	122			PDH1
A18	123			PDH2
A19	124			PDH3
A20	125			PDH4
A21	126			PDH5
A22	127			PDH6
A23	128			PDH7
AD0	105	I/O	Address bus/data bus for external memory	PDL0
AD1	106			PDL1
AD2	107			PDL2
AD3	108			PDL3
AD4	109			PDL4
AD5	110			PDL5/FLMD1
AD6	111			PDL6
AD7	112			PDL7
AD8	113			PDL8
AD9	114			PDL9
AD10	115			PDL10
AD11	116			PDL11
AD12	117			PDL12
AD13	118			PDL13
AD14	119			PDL14
AD15	120	PDL15		
ADTRG	18	Input	A/D converter external trigger input, 5 V tolerant	P03/INTP0

Pin Name	Pin No.	I/O	Function	Alternate Function
ANI0	144	Input	Analog voltage input for A/D converter	P70
ANI1	143			P71
ANI2	142			P72
ANI3	141			P73
ANI4	140			P74
ANI5	139			P75
ANI6	138			P76
ANI7	137			P77
ANI8	136			P78
ANI9	135			P79
ANI10	134			P710
ANI11	133			P711
ANI12	132			P712
ANI13	131			P713
ANI14	130			P714
ANI15	129	P715		
ANO0	3	Output	Analog voltage output for D/A converter	P10
ANO1	4			P11
ASCKA0	27	Input	UARTA0 baud rate clock input, 5 V tolerant	P32/SCKB4/TIP00/TOP00
ASTB	101	Output	Address strobe signal output for external memory	PCT6
AV _{REF0}	1	–	Reference voltage input for A/D converter, positive power supply for alternate-function port 7	–
AV _{REF1}	5		Reference voltage input for D/A converter, positive power supply for alternate-function port 1	–
AV _{SS}	2	–	Ground potential for A/D and D/A converters (same potential as V _{SS})	–
BV _{DD}	104	–	Positive power supply for bus interface and alternate-function ports	–
BV _{SS}	103	–	Ground potential for bus interface and alternate-function ports	–
CLKOUT	86	Output	Internal system clock output	PCM1
$\overline{CS0}$	81	Output	Chip select output	PCS0
$\overline{CS1}$	82			PCS1
$\overline{CS2}$	83			PCS2
$\overline{CS3}$	84			PCS3
DCK	41	Input	Debug clock input, 5 V tolerant	P54/SOB2/KR4/RTP04
DDI	39	Input	Debug data input, 5 V tolerant	P52/TIQ03/KR2/TOQ03/RTP02
DDO ^{Note}	40	Output	Debug data output N-ch open-drain output selectable, 5 V tolerant	P53/SIB2/KR3/TIQ00/TOQ00/ RTP03
DMS	42	Input	Debug mode select input, 5 V tolerant	P55/SCKB2/KR5/RTP05
\overline{DRST}	20	Input	Debug reset input, 5 V tolerant	P05/INTP2
EV _{DD}	34	–	Positive power supply for external (same potential as V _{DD})	–
EV _{SS}	33	–	Ground potential for external (same potential as V _{SS})	–
FLMD0	8	Input	Flash memory programming mode setting pin	–
FLMD1	110			PDL5/AD5

Note In the on-chip debug mode, high-level output is forcibly set.

Pin Name	Pin No.	I/O	Function	Alternate Function
$\overline{\text{HLDAK}}$	87	Output	Bus hold acknowledge output	PCM2
$\overline{\text{HLDRQ}}$	88	Input	Bus hold request input	PCM3
INTP0	18	Input	External interrupt request input (maskable, analog noise elimination). Analog noise elimination/digital noise elimination selectable for the INTP3 pin. 5 V tolerant	P03/ADTRG
INTP1	19			P04
INTP2	20			P05/ $\overline{\text{DRST}}$
INTP3	21			P06
INTP4	74			P913/A13
INTP5	75			P914/A14/TIP51/TOP51
INTP6	76			P915/A15/TIP50/TOP50
INTP7	26			P31/RXDA0/SIB4
INTP8	59			P80/RXDA3
KR0 ^{Note 1}	37	Input	Key interrupt input (on-chip analog noise eliminator) 5 V tolerant	P50/TIQ01/TOQ01/RTP00
KR1 ^{Note 1}	38			P51/TIQ02/TOQ02/RTP01
KR2 ^{Note 1}	39			P52/TIQ03/TOQ03/RTP02/DDI
KR3 ^{Note 1}	40			P53/SIB2/TIQ00/TOQ00/RTP03/DDO
KR4 ^{Note 1}	41			P54/SOB2/RTP04/DCK
KR5 ^{Note 1}	42			P55/ $\overline{\text{SCKB2}}$ /RTP05/DMS
KR6 ^{Note 1}	61			P90/A0/TXDA1/SDA02
KR7 ^{Note 1}	62			P91/A1/RXDA1/SCL02
NMI ^{Note 2}	17	Input	External interrupt input (non-maskable, analog noise elimination) 5 V tolerant	P02
$\overline{\text{RD}}$	99	Output	Read strobe signal output for external memory	PCT4
REGC	10	–	Connection of regulator output stabilization capacitance (4.7 μF)	–
$\overline{\text{RESET}}$	14	Input	System reset input	–
RTP00	37	Output	Real-time output port N-ch open-drain output selectable 5 V tolerant	P50/TIQ01/KR0/TOQ01
RTP01	38			P51/TIQ02/KR1/TOQ02
RTP02	39			P52/TIQ03/KR2/TOQ03/DDI
RTP03	40			P53/SIB2/KR3/TIQ00/TOQ00/DDO
RTP04	41			P54/SOB2/KR4/DCK
RTP05	42			P55/ $\overline{\text{SCKB2}}$ /KR5/DMS
RTP10	43			P60
RTP11	44			P61
RTP12	45			P62
RTP13	46			P63
RTP14	47			P64
RTP15	48			P65

Notes 1. Connect a pull-up resistor externally.

- The NMI pin alternately functions as the P02 pin. It functions as the P02 pin after reset. To enable the NMI pin, set the PMC0.PMC02 bit to 1. The initial setting of the NMI pin is "No edge detected". Select the NMI pin valid edge using INTF0 and INTR0 registers.

Pin Name	Pin No.	I/O	Function	Alternate Function	
RXDA0	26	Input	Serial receive data input (UARTA0 to UARTA3) 5 V tolerant	P31/INTP7/SIB4	
RXDA1	62			P91/A1/KR7/SCL02	
RXDA2	36			P39/SCL00	
RXDA3	59			P80/INTP8	
SCKB0	24	I/O	Serial clock I/O (CSIB0 to CSIB5) N-ch open-drain output selectable 5 V tolerant	P42	
SCKB1	70			P99/A9	
SCKB2	42			P55/KR5/RTP05/DMS	
SCKB3	73			P912/A12	
SCKB4	27			P32/ASCKA0/TIP00/TOP00	
SCKB5	51			P68	
SCL00	36	I/O	Serial clock I/O (I ² C00 to I ² C02) N-ch open-drain output selectable 5 V tolerant	P39/RXDA2	
SCL01	23			P41/SOB0	
SCL02	62			P91/A1/KR7/RXDA1	
SDA00	35	I/O	Serial transmit/receive data I/O (I ² C00 to I ² C02) N-ch open-drain output selectable 5 V tolerant	P38/TXDA2	
SDA01	22			P40/SIB0	
SDA02	61			P90/A0/KR6/TXDA1	
SIB0	22	Input	Serial receive data input (CSIB0 to CSIB5) 5 V tolerant	P40/SDA01	
SIB1	68			P97/A7/TIP20/TOP20	
SIB2	40			P53/KR3/TIQ00/TOQ00/RTP03/ DDO	
SIB3	71			P910/A10	
SIB4	26			P31/RXDA0/INTP7	
SIB5	49			P66	
SOB0	23	Output	Serial transmit data output (CSIB0 to CSIB5) N-ch open-drain output selectable 5 V tolerant	P41/SCL01	
SOB1	69			P98/A8	
SOB2	41			P54/KR4/RTP04/DCK	
SOB3	72			P911/A11	
SOB4	25			P30/TXDA0	
SOB5	50			P67	
TIP00	27	Input	External event count input/capture trigger input/external trigger input (TMP0), 5 V tolerant	P32/ASCKA0/SCKB4/TOP00	
TIP01	28			Capture trigger input (TMP0), 5 V tolerant	P33/TOP01
TIP10	29			External event count input/capture trigger input/external trigger input (TMP1), 5 V tolerant	P34/TOP10
TIP11	30			Capture trigger input (TMP1), 5 V tolerant	P35/TOP11
TIP20	68			External event count input/capture trigger input/external trigger input (TMP2), 5 V tolerant	P97/A7/SIB1/TOP20
TIP21	67			Capture trigger input (TMP2), 5 V tolerant	P96/A6/TOP21
TIP30	66			External event count input/capture trigger input/external trigger input (TMP3), 5 V tolerant	P95/A5/TOP30
TIP31	65			Capture trigger input (TMP3), 5 V tolerant	P94/A4/TOP31
TIP40	64			External event count input/capture trigger input/external trigger input (TMP4), 5 V tolerant	P93/A3/TOP40

Pin Name	Pin No.	I/O	Function	Alternate Function
TIP41	63	Input	Capture trigger input (TMP4), 5 V tolerant	P92/A2/TOP41
TIP50	76		External event count input/capture trigger input/external trigger input (TMP5), 5 V tolerant	P915/A15/INTP6/TOP50
TIP51	75		Capture trigger input (TMP5), 5 V tolerant	P914/A14/INTP5/TOP51
TIP60	7		External event count input/capture trigger input/external trigger input (TMP6), 5 V tolerant	P01/TOP60
TIP61	6		Capture trigger input (TMP6), 5 V tolerant	P00/TOP61
TIP70	52		External event count input/capture trigger input/external trigger input (TMP7), 5 V tolerant	P69/TOP70
TIP71	53		Capture trigger input (TMP7), 5 V tolerant	P610
TIP80	55		External event count input/capture trigger input/external trigger input (TMP8), 5 V tolerant	P612/TOP80
TIP81	56		Capture trigger input (TMP8), 5 V tolerant	P613/TOP81
TIQ00	40		External event count input/capture trigger input/external trigger input (TMQ0), 5 V tolerant	P53/SIB2/KR3/TOQ00/RTP03/DDO
TIQ01	37		Capture trigger input (TMQ0), 5V tolerant	P50/KR0/TOQ01/RTP00
TIQ02	38			P51/KR1/TOQ02/RTP01
TIQ03	39			P52/KR2/TOQ03/RTP02/DDI
TOP00	27		Output	Timer output (TMP0) N-ch open-drain output selectable, 5 V tolerant
TOP01	28	P33/TIP01		
TOP10	29	Timer output (TMP1) N-ch open-drain output selectable, 5 V tolerant		P34/TIP10
TOP11	30	P35/TIP11		
TOP20	68	Timer output (TMP2) N-ch open-drain output selectable, 5 V tolerant		P97/A7/SIB1/TIP20
TOP21	67	P96/A6/TIP21		
TOP30	66	Timer output (TMP3) N-ch open-drain output selectable, 5 V tolerant		P95/A5/TIP30
TOP31	65	P94/A4/TIP31		
TOP40	64	Timer output (TMP4) N-ch open-drain output selectable, 5 V tolerant		P93/A3/TIP40
TOP41	63	P92/A2/TIP41		
TOP50	76	Timer output (TMP5) N-ch open-drain output selectable, 5 V tolerant		P915/A15/INTP6/TIP50
TOP51	75	P914/A14/INTP5/TIP51		
TOP60	7	Timer output (TMP6) N-ch open-drain output selectable, 5 V tolerant		P01/TIP60
TOP61	6	P00/TIP61		
TOP70	52	Timer output (TMP7) N-ch open-drain output selectable, 5 V tolerant	P69/TIP70	
TOP71	54	P611		
TOP80	55	Timer output (TMP8) N-ch open-drain output selectable, 5 V tolerant	P612/TIP80	
TOP81	56	P613/TIP81		
TOQ00	40	Output	Timer output (TMQ0) N-ch open-drain output selectable 5 V tolerant	P53/SIB2/KR3/TIQ00/RTP03/DDO
TOQ01	37		P50/TOQ01/KR0/RTP00	
TOQ02	38		P51/RTP01/KR1/TOQ02	
TOQ03	39		P52/TOQ03/KR2/RTP02/DDI	
TXDA0	25	Output	Serial transmit data output (UARTA0 to UARTA3) N-ch open-drain output selectable 5 V tolerant	P30/SOB4
TXDA1	61		P90/A0/KR6/SDA02	
TXDA2	35		P38/SDA00	
TXDA3	60		P81	

Pin Name	Pin No.	I/O	Function	Alternate Function
V _{DD}	9	–	Positive power supply pin for internal	–
V _{SS}	11	–	Ground potential for internal	–
$\overline{\text{WAIT}}$	85	Input	External wait input	PCM0
$\overline{\text{WR0}}$	95	Output	Write strobe for external memory (lower 8 bits)	PCT0
$\overline{\text{WR1}}$	96		Write strobe for external memory (higher 8 bits)	PCT1
X1	12	Input	Connection of resonator for main clock	–
X2	13	–		–
XT1	15	Input	Connection of resonator for subclock	–
XT2	16	–		–

2.2 Pin States

The operation states of pins in the various modes are described below.

Table 2-2. Pin Operation States in Various Modes

Pin Name	When Power Is Turned On ^{Note 1}	During Reset (Except When Power Is Turned On)	HALT Mode ^{Note 2}	IDLE1, IDLE2, Sub-IDLE Mode ^{Note 2}	STOP Mode ^{Note 2}	Idle State ^{Note 3}	Bus Hold				
P05/DRST	Pulled down	Pulled down ^{Note 4}	Held	Held	Held	Held	Held				
P10/ANO0, P11/ANO1	Undefined	Hi-Z	Held	Held	Hi-Z	Held	Held				
P53/DDO		Hi-Z ^{Note 5}	Held	Held	Held	Held	Held				
AD0 to AD15	Hi-Z ^{Note 6}	Hi-Z ^{Note 6}	Notes 7, 8	Hi-Z	Hi-Z	Held	Hi-Z				
A0 to A15			Undefined ^{Notes 7, 9}								
A16 to A23			Undefined ^{Note 7}								
WAIT			–								
CLKOUT			Operating					L	L	Operating	Operating
WR0, WR1			H ^{Note 7}					H	H	H	Hi-Z
RD											
ASTB											
HLDK			Operating ^{Note 7}								L
HLDK											
HLDK											
CS0 to CS3			H ^{Note 7}					H	H	H	Held
Other port pins	Hi-Z	Hi-Z	Held	Held	Held	Held	Held				

- Notes 1.** Duration until 1 ms elapses after the supply voltage reaches the operating supply voltage range (lower limit) when the power is turned on.
- 2.** Operates while alternate functions are operating.
- 3.** In separate bus mode, the state of the pins in the idle state inserted after the T2 state is shown. In multiplexed bus mode, the state of the pins in the idle state inserted after the T3 state is shown.
- 4.** Pulled down during external reset. During internal reset by the watchdog timer, clock monitor, etc., the state of this pin differs according to the OCDM.OCDM0 bit setting.
- 5.** DDO output is specified in the on-chip debug mode.
- 6.** The bus control pins function alternately as port pins, so they are initialized to the input mode (port mode).
- 7.** Operates even in the HALT mode, during DMA operation.
- 8.** In separate bus mode: Hi-Z
In multiplexed bus mode: Undefined
- 9.** In separate bus mode

Remark Hi-Z: High impedance
Held: The state during the immediately preceding external bus cycle is held.
L: Low-level output
H: High-level output
–: Input without sampling (not acknowledged)

2.3 Pin I/O Circuit Types, I/O Buffer Power Supplies and Connection of Unused Pins

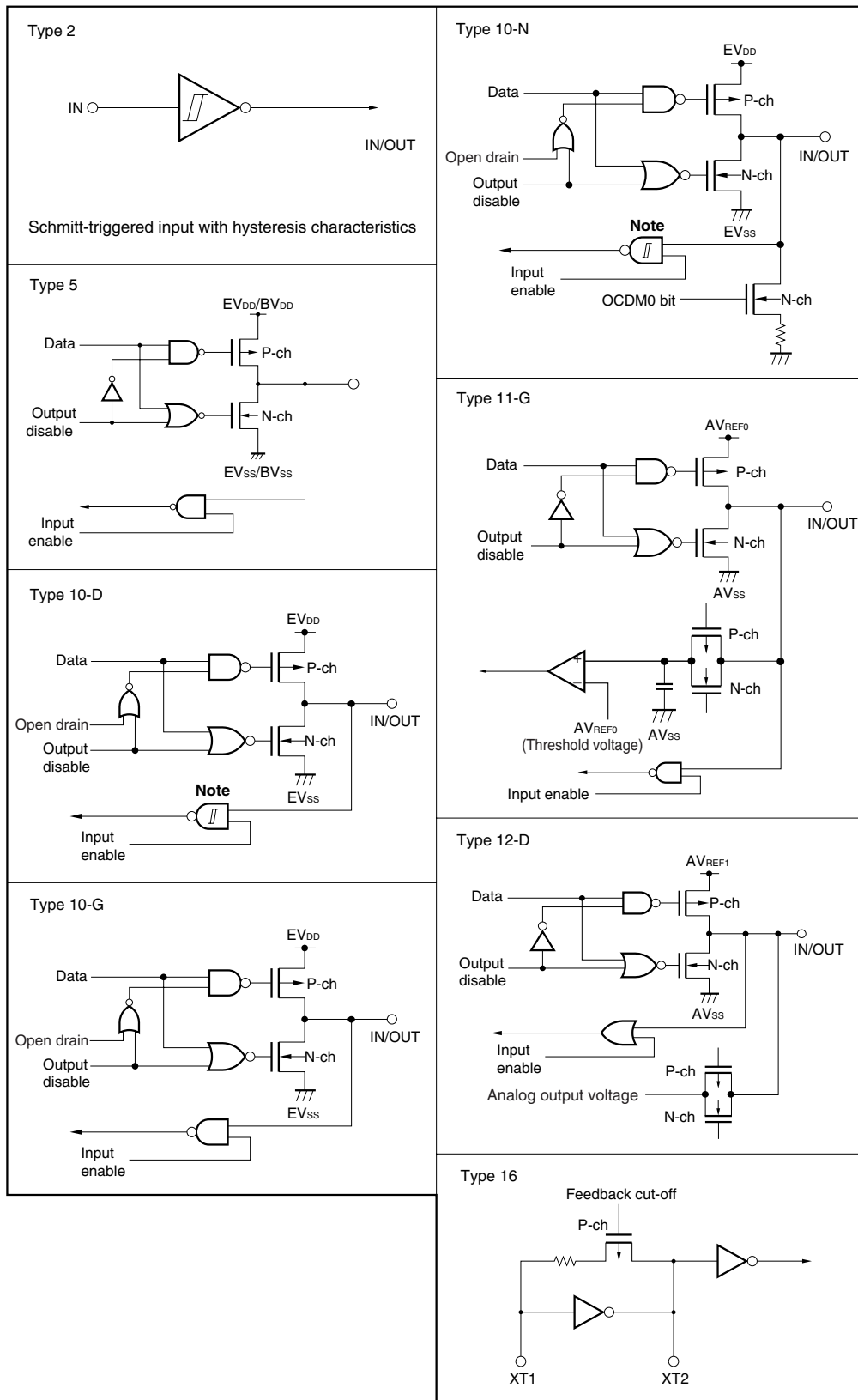
(1/3)

Pin	Alternate Function	Pin No.	I/O Circuit Type	Recommended Connection
P00	TIP61/TOP61	6	10-D	Input: Independently connect to EV _{DD} or EV _{SS} via a resistor. Output: Leave open.
P01	TIP60/TOP60	7		
P02	NMI	17		
P03	INTP0/ADTRG	18		
P04	INTP1	19		
P05	INTP2/ $\overline{\text{DRST}}$	20	10-N	Input: Independently connect to EV _{SS} via a resistor. Fixing to V _{DD} level is prohibited. Output: Leave open. Internally pull-down after reset by $\overline{\text{RESET}}$ pin.
P06	INTP3	21	10-D	Input: Independently connect to EV _{DD} or EV _{SS} via a resistor. Output: Leave open.
P10, P11	ANO0, ANO1	3, 4	12-D	Input: Independently connect to AV _{REF1} or AV _{SS} via a resistor. Output: Leave open.
P30	TXDA0/SOB4	25	10-G	Input: Independently connect to EV _{DD} or EV _{SS} via a resistor. Output: Leave open.
P31	RXDA0/INTP7/SIB4	26	10-D	
P32	ASCKA0/ $\overline{\text{SCKB4}}$ /TIP00	27		
P33	TIP01/TOP01	28		
P34	TIP10/TOP10	29		
P35	TIP11/TOP11	30		
P36	–	31		
P37	–	32		
P38	TXDA2/SDA00	35	10-D	
P39	RXDA2/SCL00	36		
P40	SIB0/SDA01	22		
P41	SOB0/SCL01	23		
P42	$\overline{\text{SCKB0}}$	24		
P50	TIQ01/KR0/TOQ01/RTP00	37		
P51	TIQ02/KR1/TOQ02/RTP01	38		
P52	TIQ03/KR2/TOQ03/RTP02/DDI	39		
P53	SIB2/KR3/TIQ00/TOQ00/RTP03/DDO	40		
P54	SOB2/KR4/RTP04/DCK	41		
P55	$\overline{\text{SCKB2}}$ /KR5/RTP05/DMS	42		

Pin	Alternate Function	Pin No.	I/O Circuit Type	Recommended Connection
P60 to P65	RTP10 to RTP15	43 to 48	10-G	Input: Independently connect to EV _{DD} or EV _{SS} via a resistor. Output: Leave open.
P66	SIB5	49	10-D	
P67	SOB5	50	10-G	
P68	SCKB5	51	10-D	
P69	TIP70/TOP70	52		
P610	TIP71	53	10-G	
P611	TOP71	54		
P612	TIP80/TOP80	55	10-D	
P613	TIP81/TOP81	56	10-G	
P614, P615	–	57, 58		
P70 to P715	ANI0 to ANI15	144 to 129	11-G	Input: Independently connect to AV _{REF0} or AV _{SS} via a resistor. Output: Leave open.
P80	RXDA3, INTP8	59	10-D	Input: Independently connect to EV _{DD} or EV _{SS} via a resistor. Output: Leave open.
P81	TXDA3	60	10-G	
P90	A0/KR6/TDXA1/SDA02	61	10-D	
P91	A1/KR7/RXDA1/SCL02	62		
P92	A2/TIP41/TOP41	63		
P93	A3/TIP40/TOP40	64		
P94	A4/TIP31/TOP31	65		
P95	A5/TIP30/TOP30	66		
P96	A6/TIP21/TOP21	67		
P97	A7/SIB1/TIP20/TOP20	68		
P98	A8/SOB1	69	10-G	
P99	A9/SCKB1	70	10-D	
P910	A10/SIB3	71	10-G	
P911	A11/SOB3	72		
P912	A12/SCKB3	73	10-D	
P913	A13/INTP4	74		
P914	A14/INTP5/TIP51/TOP51	75		
P915	A15/INTP6/TIP50/TOP50	76		
PCD0 to PCD3	–	77 to 80	5	Input: Independently connect to BV _{DD} or BV _{SS} via a resistor. Output: Leave open.
PCM0	WAIT	85		
PCM1	CLKOUT	86		
PCM2	HLDK	87		
PCM3	HLDRQ	88		
PCM4, PCM5	–	89, 90		
PCS0 to PCS3	CS0 to CS3	81 to 84		
PCS4 to PCS7	–	91 to 94		

Pin	Alternate Function	Pin No.	I/O Circuit Type	Recommended Connection
PCT0, PCT1	$\overline{WR0}, \overline{WR1}$	95, 96	5	Input: Independently connect to BV_{DD} or BV_{SS} via a resistor. Output: Leave open.
PCT2, PCT3	–	97, 98		
PCT4	\overline{RD}	99		
PCT5	–	100		
PCT6	ASTB	101		
PCT7	–	102		
PDH0 to PDH7	A16 to A23	121 to 128		
PDL0 to PDL4	AD0 to AD4	105 to 109		
PDL5	AD5/FLMD1	110		
PDL6 to PDL15	AD6 to AD15	111 to 120		
AV_{REF0}	–	1	–	Always connect this pin to the power supply (also in the standby mode).
AV_{REF1}	–	5	–	
AV_{SS}	–	2	–	Always connect this pin directly to the ground (also in the standby mode).
BV_{DD}	–	104	–	Always connect this pin to the power supply (also in the standby mode).
BV_{SS}	–	103	–	Always connect this pin directly to the ground (also in the standby mode).
EV_{DD}	–	34	–	Always connect this pin to the power supply (also in the standby mode).
EV_{SS}	–	33	–	Always connect this pin to the ground (also in the standby mode).
FLMD0	–	8	–	Connect to V_{SS} in a mode other than the flash memory programming mode.
REGC	–	10	–	Connect regulator output stabilization capacitance (4.7 μF)
\overline{RESET}	–	14	2	–
V_{DD}	–	9	–	Always connect this pin to the power supply (also in the standby mode).
V_{SS}	–	11	–	Always connect this pin directly to the ground (also in the standby mode).
X1	–	12	–	–
X2	–	13	–	–
XT1	–	15	16	Connect to V_{SS} .
XT2	–	16	16	Leave open.

Figure 2-1. Pin I/O Circuits



Note Hysteresis characteristics are not available in port mode.

2.4 Cautions

When the power is turned on, the following pins may output an undefined level temporarily, even during reset.

- P10/ANO0 pin
- P11/ANO1 pin
- P53/SIB2/KR3/TIQ00/TOQ00/RTP03/DDO pin

CHAPTER 3 CPU FUNCTION

The CPU of the V850ES/JJ2 is based on RISC architecture and executes almost all instructions with one clock by using a 5-stage pipeline.

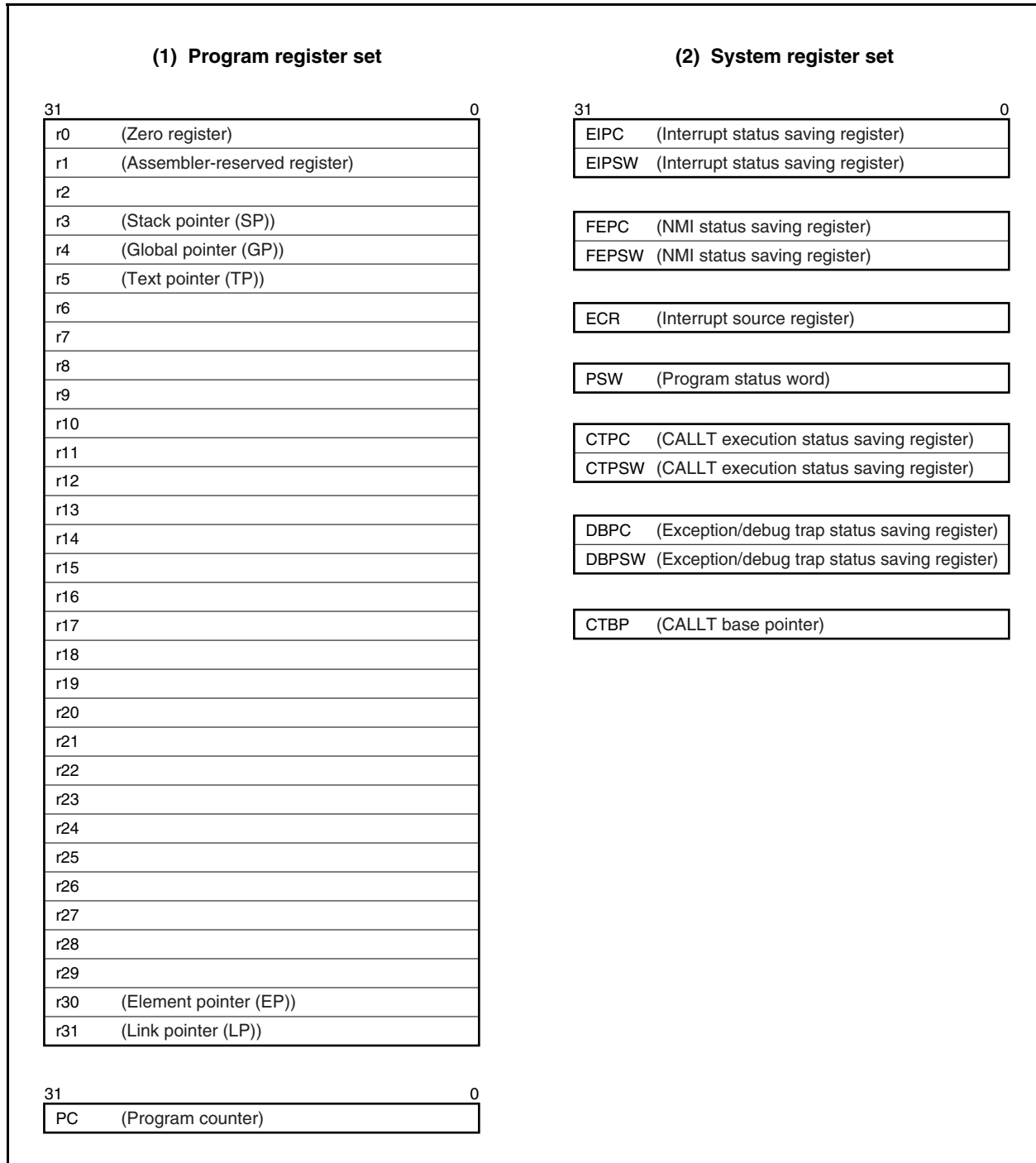
3.1 Features

- Minimum instruction execution time: 50 ns (at 20 MHz operation)
30.5 μ s (with subclock (f_{CT}) = 32.768 kHz operation)
- Memory space Program (physical address) space: 64 MB linear
 Data (logical address) space: 4 GB linear
- General-purpose registers: 32 bits \times 32 registers
- Internal 32-bit architecture
- 5-stage pipeline control
- Multiplication/division instruction
- Saturation operation instruction
- 32-bit shift instruction: 1 clock
- Load/store instruction with long/short format
- Four types of bit manipulation instructions
 - SET1
 - CLR1
 - NOT1
 - TST1

3.2 CPU Register Set

The registers of the V850ES/JJ2 can be classified into two types: general-purpose program registers and dedicated system registers. All the registers are 32 bits wide.

For details, refer to the **V850ES Architecture User's Manual**.



3.2.1 Program register set

The program registers include general-purpose registers and a program counter.

(1) General-purpose registers (r0 to r31)

Thirty-two general-purpose registers, r0 to r31, are available. Any of these registers can be used to store a data variable or an address variable.

However, r0 and r30 are implicitly used by instructions and care must be exercised when these registers are used. r0 always holds 0 and is used for an operation that uses 0 or addressing of offset 0. r30 is used by the SLD and SST instructions as a base pointer when these instructions access the memory. r1, r3 to r5, and r31 are implicitly used by the assembler and C compiler. When using these registers, save their contents for protection, and then restore the contents after using the registers. r2 is sometimes used by the real-time OS. If the real-time OS does not use r2, it can be used as a register for variables.

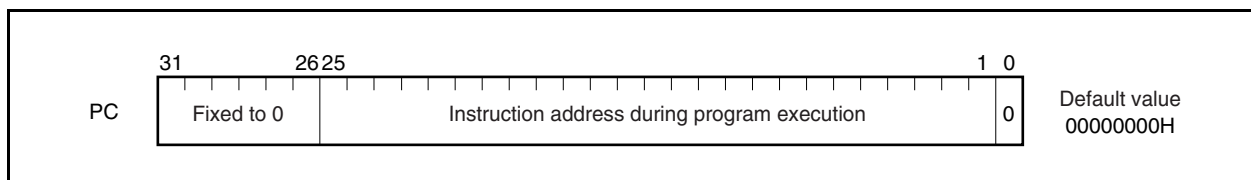
Table 3-1. Program Registers

Name	Usage	Operation
r0	Zero register	Always holds 0.
r1	Assembler-reserved register	Used as working register to create 32-bit immediate data
r2	Register for address/data variable (if real-time OS does not use r2)	
r3	Stack pointer	Used to create a stack frame when a function is called
r4	Global pointer	Used to access a global variable in the data area
r5	Text pointer	Used as register that indicates the beginning of a text area (area where program codes are located)
r6 to r29	Register for address/data variable	
r30	Element pointer	Used as base pointer to access memory
r31	Link pointer	Used when the compiler calls a function
PC	Program counter	Holds the instruction address during program execution

Remark For further details on the r1, r3 to r5, and r31 that are used in the assembler and C compiler, refer to the **CA850 (C Compiler Package) Assembly Language User's Manual**.

(2) Program counter (PC)

The program counter holds the instruction address during program execution. The lower 26 bits of this register are valid. Bits 31 to 26 are fixed to 0. A carry from bit 25 to 26 is ignored even if it occurs. Bit 0 is fixed to 0. This means that execution cannot branch to an odd address.



3.2.2 System register set

The system registers control the status of the CPU and hold interrupt information.

These registers can be read or written by using system register load/store instructions (LDSR and STSR), using the system register numbers listed below.

Table 3-2. System Register Numbers

System Register Number	System Register Name	Operand Specification	
		LDSR Instruction	STSR Instruction
0	Interrupt status saving register (EIPC) ^{Note 1}	√	√
1	Interrupt status saving register (EIPSW) ^{Note 1}	√	√
2	NMI status saving register (FEPC) ^{Note 1}	√	√
3	NMI status saving register (FEPSW) ^{Note 1}	√	√
4	Interrupt source register (ECR)	×	√
5	Program status word (PSW)	√	√
6 to 15	Reserved for future function expansion (operation is not guaranteed if these registers are accessed)	×	×
16	CALLT execution status saving register (CTPC)	√	√
17	CALLT execution status saving register (CTPSW)	√	√
18	Exception/debug trap status saving register (DBPC)	√ ^{Note 2}	√ ^{Note 2}
19	Exception/debug trap status saving register (DBPSW)	√ ^{Note 2}	√ ^{Note 2}
20	CALLT base pointer (CTBP)	√	√
21 to 31	Reserved for future function expansion (operation is not guaranteed if these registers are accessed)	×	×

- Notes**
1. Because only one set of these registers is available, the contents of these registers must be saved by program if multiple interrupts are enabled.
 2. These registers can be accessed only during the interval between the execution of the DBTRAP instruction or illegal opcode and the DBRET instruction.

Caution Even if EIPC or FEPC, or bit 0 of CTPC is set to 1 by the LDSR instruction, bit 0 is ignored when execution is returned to the main routine by the RETI instruction after interrupt servicing (this is because bit 0 of the PC is fixed to 0). Set an even value to EIPC, FEPC, and CTPC (bit 0 = 0).

Remark √: Can be accessed
 ×: Access prohibited

(2) NMI status saving registers (FEPC and FEPSW)

FEPC and FEPSW are used to save the status when a non-maskable interrupt (NMI) occurs.

If an NMI occurs, the contents of the program counter (PC) are saved to FEPC, and those of the program status word (PSW) are saved to FEPSW.

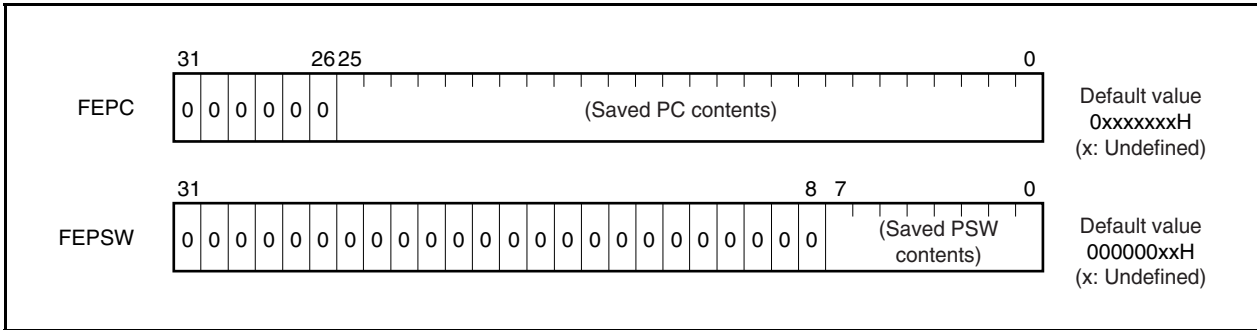
The address of the instruction next to the one of the instruction under execution, except some instructions, is saved to FEPC when an NMI occurs.

The current contents of the PSW are saved to FEPSW.

Because only one set of NMI status saving registers is available, the contents of these registers must be saved by program when multiple interrupts are enabled.

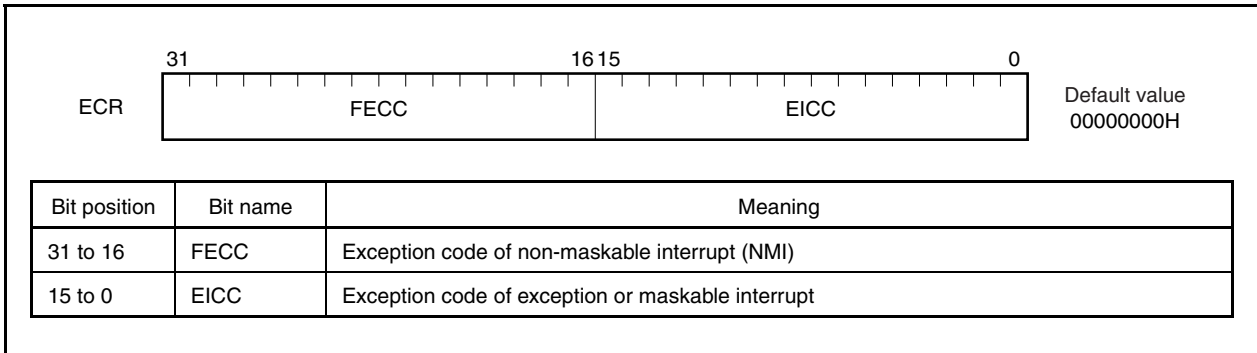
Bits 31 to 26 of FEPC and bits 31 to 8 of FEPSW are reserved for future function expansion (these bits are always fixed to 0).

The value of FEPC is restored to the PC and the value of FEPSW to the PSW by the RETI instruction.



(3) Interrupt source register (ECR)

The interrupt source register (ECR) holds the source of an exception or interrupt if an exception or interrupt occurs. This register holds the exception code of each interrupt source. Because this register is a read-only register, data cannot be written to this register using the LDSR instruction.



(4) Program status word (PSW)

The program status word (PSW) is a collection of flags that indicate the status of the program (result of instruction execution) and the status of the CPU.

If the contents of a bit of this register are changed by using the LDSR instruction, the new contents are validated immediately after completion of LDSR instruction execution. However if the ID flag is set to 1, interrupt requests will not be acknowledged while the LDSR instruction is being executed.

Bits 31 to 8 of this register are reserved for future function expansion (these bits are fixed to 0).

(1/2)

PSW	<div style="display: flex; justify-content: space-between; align-items: center;"> 31 8 7 6 5 4 3 2 1 0 </div> <div style="border: 1px solid black; padding: 5px; display: flex; justify-content: space-between; align-items: center;"> RFU <table border="1" style="border-collapse: collapse; text-align: center;"> <tr> <td style="width: 15px;">NP</td> <td style="width: 15px;">EP</td> <td style="width: 15px;">ID</td> <td style="width: 15px;">SAT</td> <td style="width: 15px;">CY</td> <td style="width: 15px;">OV</td> <td style="width: 15px;">S</td> <td style="width: 15px;">Z</td> </tr> </table> </div>	NP	EP	ID	SAT	CY	OV	S	Z	Default value 00000020H
NP	EP	ID	SAT	CY	OV	S	Z			
Bit position	Flag name	Meaning								
31 to 8	RFU	Reserved field. Fixed to 0.								
7	NP	Indicates that a non-maskable interrupt (NMI) is being serviced. This bit is set to 1 when an NMI request is acknowledged, disabling multiple interrupts. 0: NMI is not being serviced. 1: NMI is being serviced.								
6	EP	Indicates that an exception is being processed. This bit is set to 1 when an exception occurs. Even if this bit is set, interrupt requests are acknowledged. 0: Exception is not being processed. 1: Exception is being processed.								
5	ID	Indicates whether a maskable interrupt can be acknowledged. 0: Interrupt enabled 1: Interrupt disabled								
4	SAT ^{Note}	Indicates that the result of a saturation operation has overflowed and is saturated. Because this is a cumulative flag, it is set to 1 when the result of a saturation operation instruction is saturated, and is not cleared to 0 even if the subsequent operation result is not saturated. Use the LDSR instruction to clear this bit. This flag is neither set to 1 nor cleared to 0 by execution of an arithmetic operation instruction. 0: Not saturated 1: Saturated								
3	CY	Indicates whether a carry or a borrow occurs as a result of an operation. 0: Carry or borrow does not occur. 1: Carry or borrow occurs.								
2	OV ^{Note}	Indicates whether an overflow occurs during operation. 0: Overflow does not occur. 1: Overflow occurs.								
1	S ^{Note}	Indicates whether the result of an operation is negative. 0: The result is positive or 0. 1: The result is negative.								
0	Z	Indicates whether the result of an operation is 0. 0: The result is not 0. 1: The result is 0.								
<p>Remark Also read Note on the next page.</p>										

Note The result of the operation that has performed saturation processing is determined by the contents of the OV and S flags. The SAT flag is set to 1 only when the OV flag is set to 1 when a saturation operation is performed.

Status of Operation Result	Flag Status			Result of Operation of Saturation Processing
	SAT	OV	S	
Maximum positive value is exceeded	1	1	0	7FFFFFFFH
Maximum negative value is exceeded	1	1	1	80000000H
Positive (maximum value is not exceeded)	Holds value before operation	0	0	Operation result itself
Negative (maximum value is not exceeded)			1	

(5) CALLT execution status saving registers (CTPC and CTPSW)

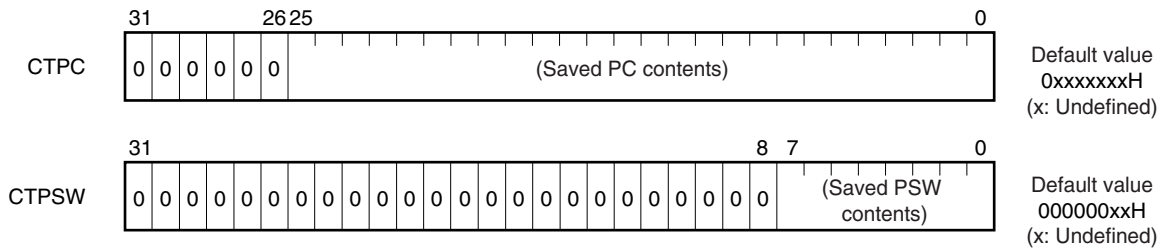
CTPC and CTPSW are CALLT execution status saving registers.

When the CALLT instruction is executed, the contents of the program counter (PC) are saved to CTPC, and those of the program status word (PSW) are saved to CTPSW.

The contents saved to CTPC are the address of the instruction next to CALLT.

The current contents of the PSW are saved to CTPSW.

Bits 31 to 26 of CTPC and bits 31 to 8 of CTPSW are reserved for future function expansion (fixed to 0).



(6) Exception/debug trap status saving registers (DBPC and DBPSW)

DBPC and DBPSW are exception/debug trap status registers.

If an exception trap or debug trap occurs, the contents of the program counter (PC) are saved to DBPC, and those of the program status word (PSW) are saved to DBPSW.

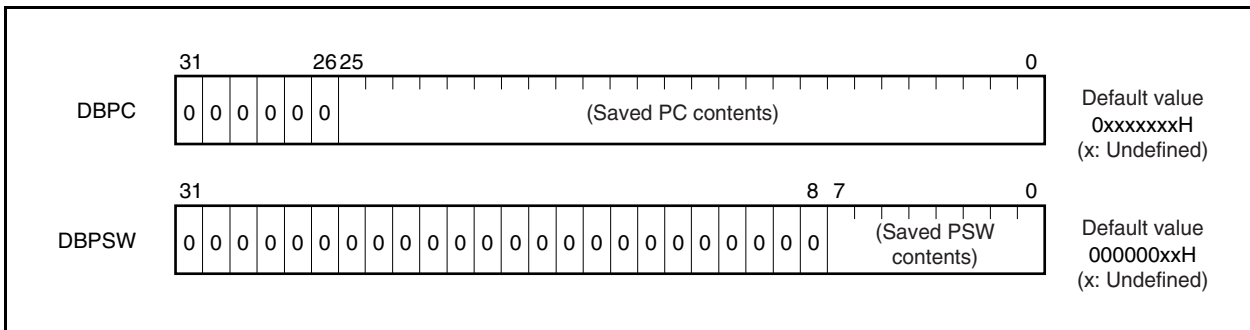
The contents to be saved to DBPC are the address of the instruction next to the one that is being executed when an exception trap or debug trap occurs.

The current contents of the PSW are saved to DBPSW.

These registers can be read or written only during the interval between the execution of the DBTRAP instruction or illegal opcode and the DBRET instruction.

Bits 31 to 26 of DBPC and bits 31 to 8 of DBPSW are reserved for future function expansion (fixed to 0).

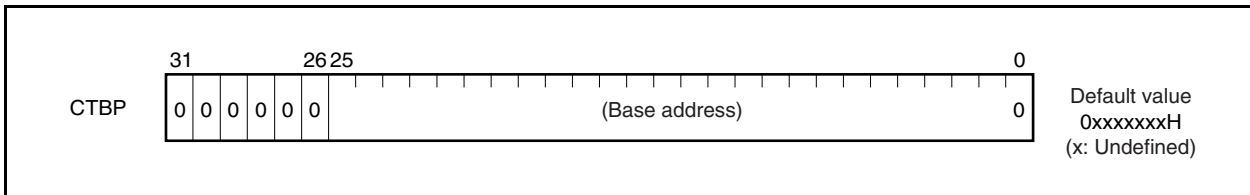
The value of DBPC is restored to the PC and the value of DBPSW to the PSW by the DBRET instruction.



(7) CALLT base pointer (CTBP)

The CALLT base pointer (CTBP) is used to specify a table address or generate a target address (bit 0 is fixed to 0).

Bits 31 to 26 of this register are reserved for future function expansion (fixed to 0).



3.3 Operation Modes

The V850ES/JJ2 has the following operation modes.

(1) Normal operation mode

In this mode, each pin related to the bus interface is set to the port mode after system reset has been released. Execution branches to the reset entry address of the internal ROM, and then instruction processing is started.

(2) Flash memory programming mode

In this mode, the internal flash memory can be programmed by using a flash programmer.

(3) On-chip debug mode

The V850ES/JJ2 is provided with an on-chip debug function that employs the JTAG (Joint Test Action Group) communication specifications.

For details, see **CHAPTER 27 ON-CHIP DEBUG FUNCTION**.

3.3.1 Specifying operation mode

Specify the operation mode by using the FLMD0 and FLMD1 pins.

In the normal mode, input a low level to the FLMD0 pin when reset is released.

In the flash memory programming mode, a high level is input to the FLMD0 pin from the flash programmer if a flash programmer is connected, but it must be input from an external circuit in the self-programming mode.

Operation When Reset Is Released		Operation Mode After Reset
FLMD0	FLMD1	
L	×	Normal operation mode
H	L	Flash memory programming mode
H	H	Setting prohibited

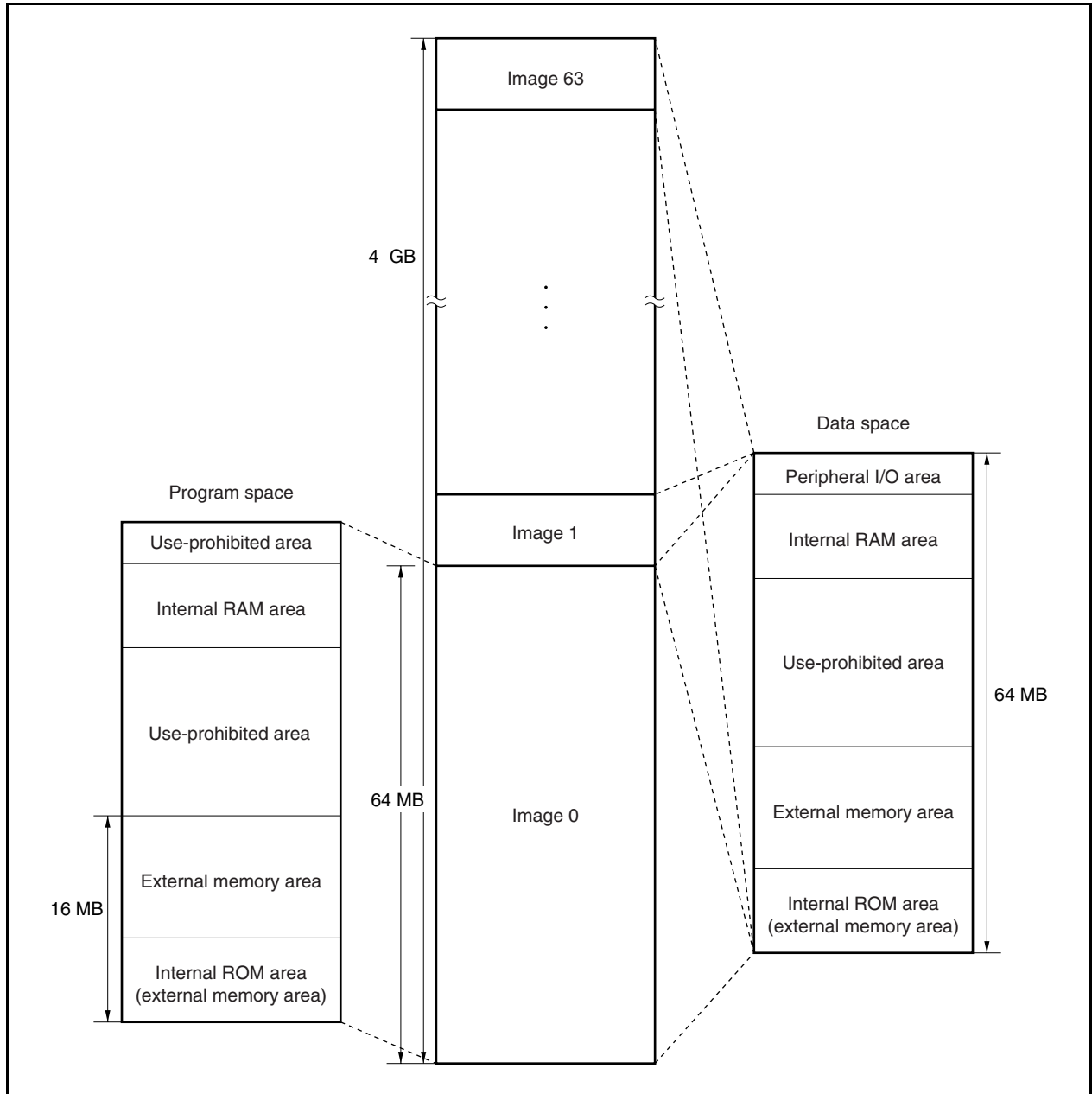
Remark L: Low-level input
 H: High-level input
 ×: Don't care

3.4 Address Space

3.4.1 CPU address space

For instruction addressing, up to a combined total of 16 MB of an external memory area and an internal ROM area, plus an internal RAM area, are supported in a linear address space (program space) of up to 64 MB. For operand addressing (data access), up to 4 GB of a linear address space (data space) is supported. The 4 GB address space, however, is viewed as 64 images of a 64 MB physical address space. This means that the same 64 MB physical address space is accessed regardless of the value of bits 31 to 26.

Figure 3-1. Image on Address Space



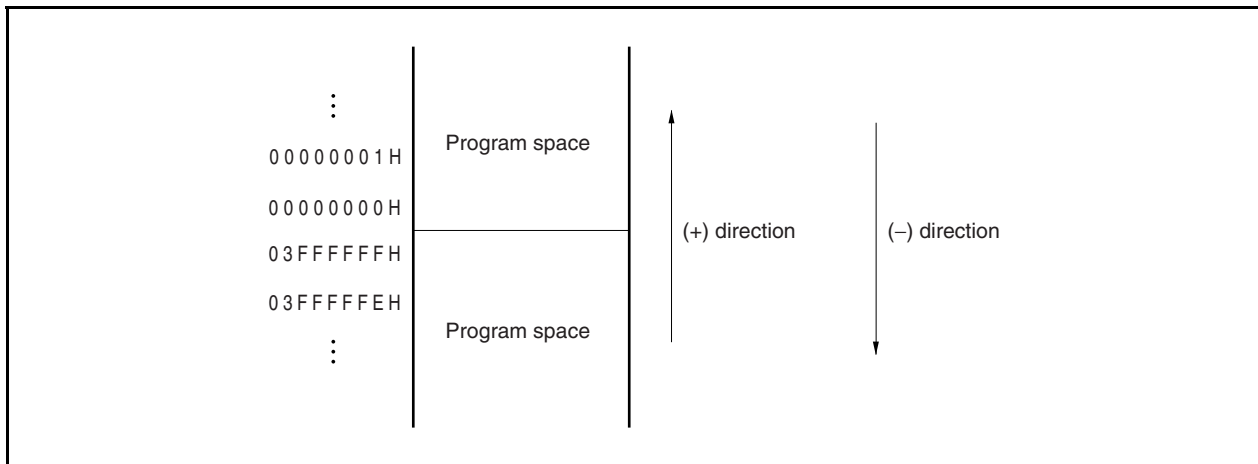
3.4.2 Wraparound of CPU address space

(1) Program space

Of the 32 bits of the PC (program counter), the higher 6 bits are fixed to 0 and only the lower 26 bits are valid. The higher 6 bits ignore a carry or borrow from bit 25 to 26 during branch address calculation.

Therefore, the highest address of the program space, 03FFFFFFH, and the lowest address, 00000000H, are contiguous addresses. That the highest address and the lowest address of the program space are contiguous in this way is called wraparound.

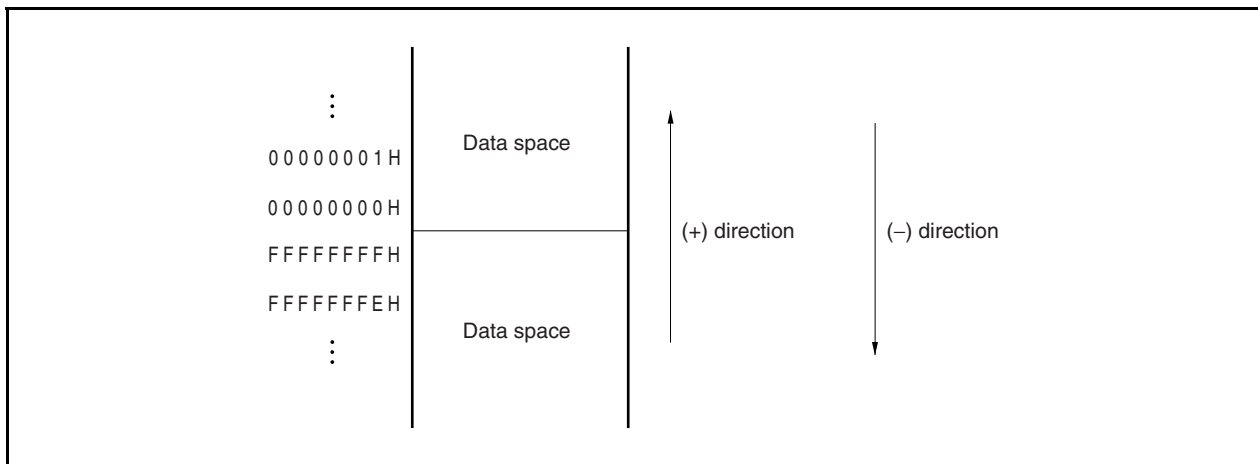
Caution Because the 4 KB area of addresses 03FFF000H to 03FFFFFFH is an on-chip peripheral I/O area, instructions cannot be fetched from this area. Therefore, do not execute an operation in which the result of a branch address calculation affects this area.



(2) Data space

The result of an operand address calculation operation that exceeds 32 bits is ignored.

Therefore, the highest address of the data space, FFFFFFFFH, and the lowest address, 00000000H, are contiguous, and wraparound occurs at the boundary of these addresses.



3.4.3 Memory map

The areas shown below are reserved in the V850ES/JJ2.

Figure 3-2. Data Memory Map (Physical Addresses)

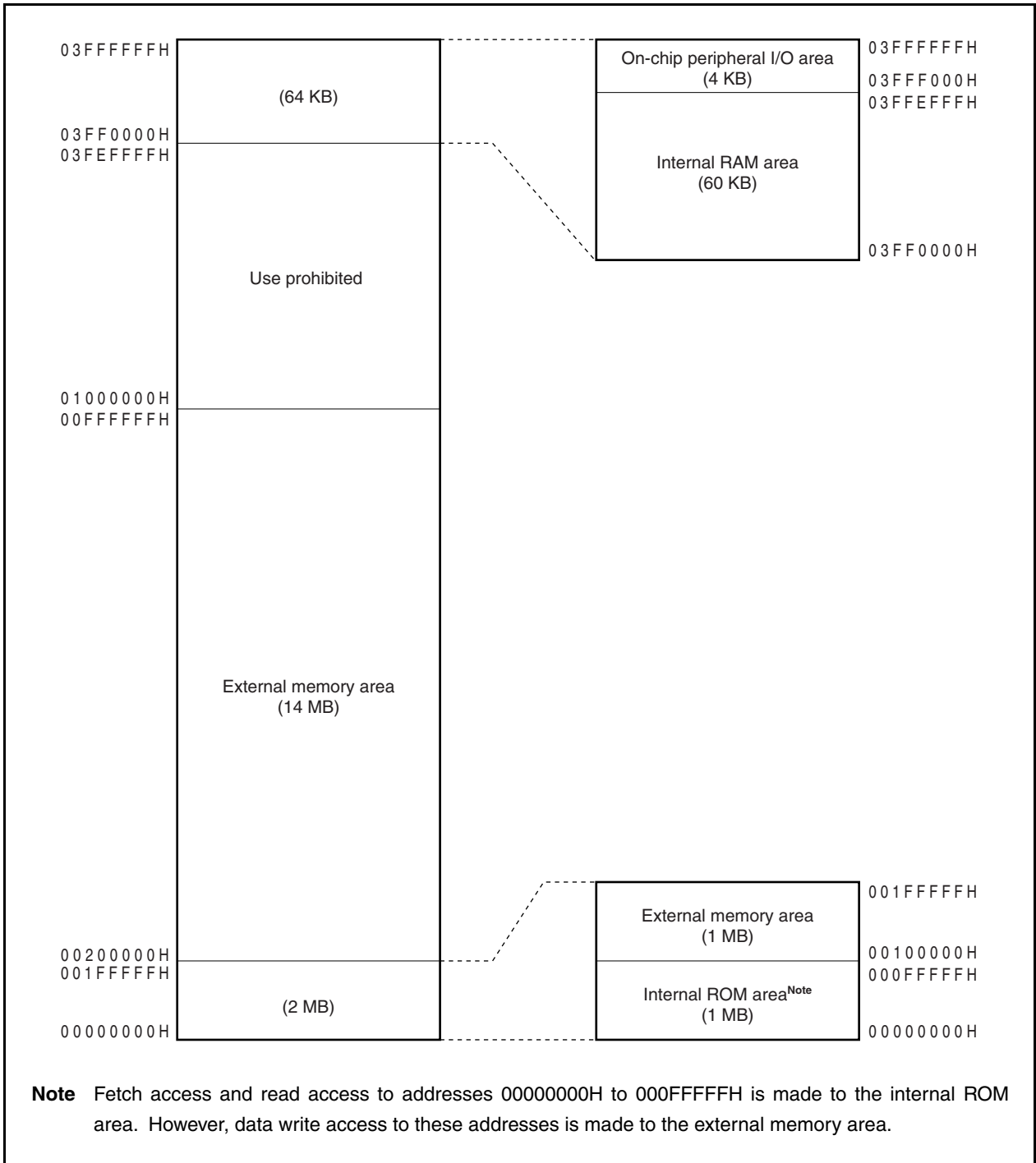
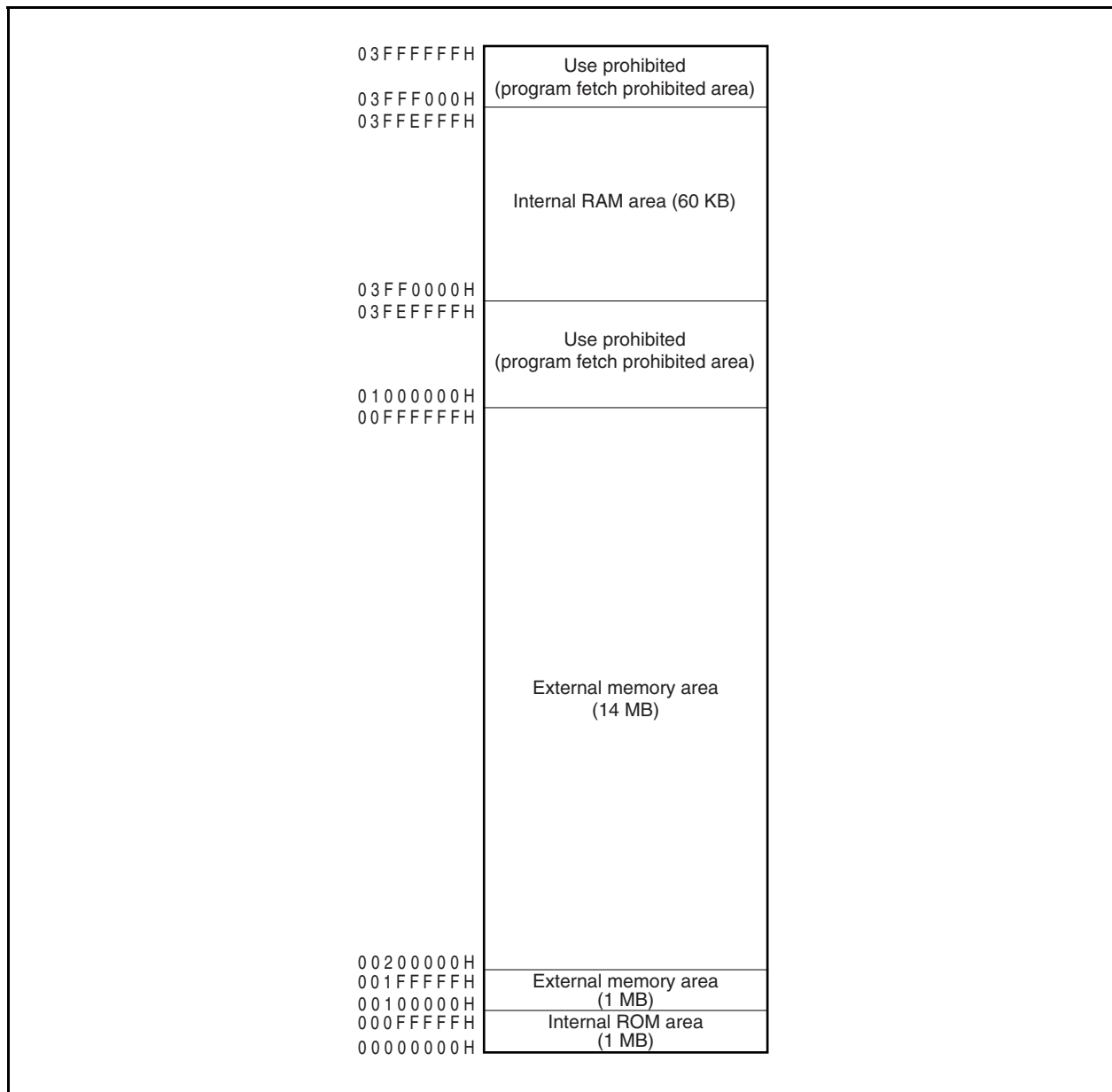


Figure 3-3. Program Memory Map



3.4.4 Areas

(1) Internal ROM area

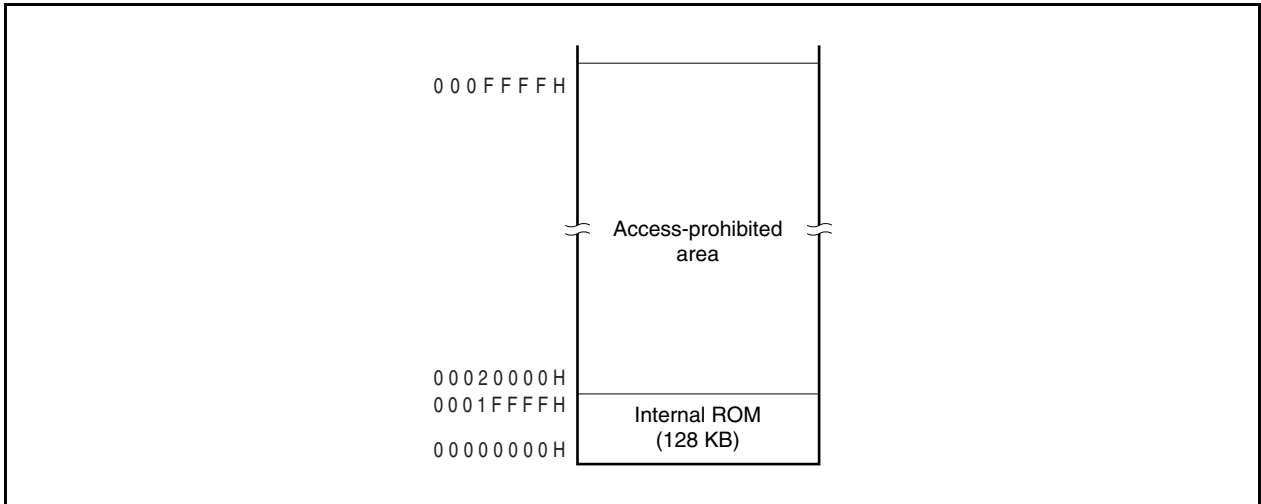
Up to 1 MB is reserved as an internal ROM area.

(a) Internal ROM (128 KB)

128 KB are allocated to addresses 00000000H to 0001FFFFH in the μ PD70F3720.

Accessing addresses 00020000H to 000FFFFFFH is prohibited.

Figure 3-4. Internal ROM Area (128 KB)

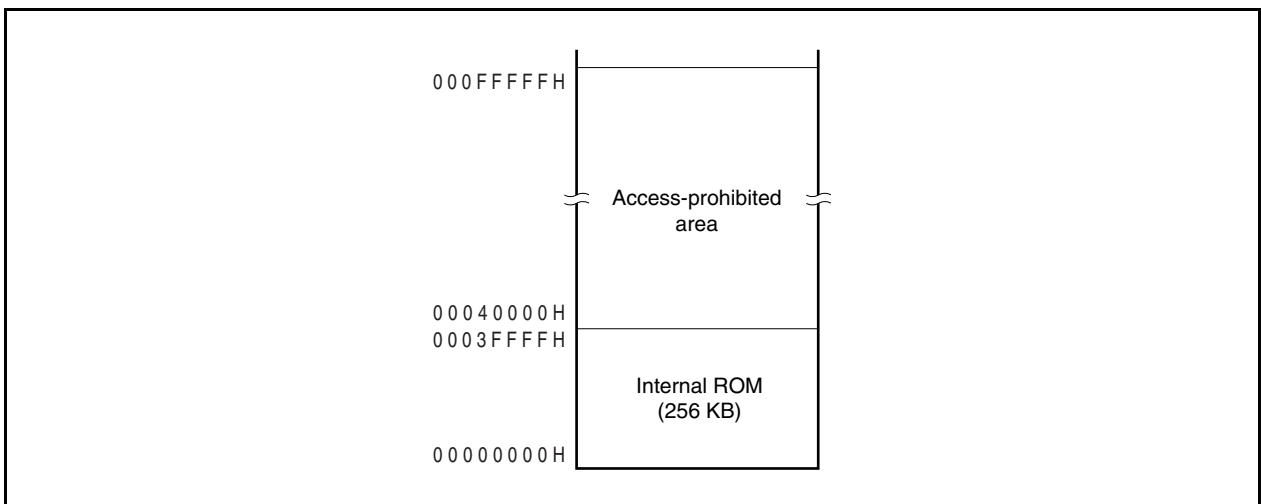


(b) Internal ROM (256 KB)

256 KB are allocated to addresses 00000000H to 0003FFFFH in the μ PD70F3721.

Accessing addresses 00040000H to 000FFFFFFH is prohibited.

Figure 3-5. Internal ROM Area (256 KB)

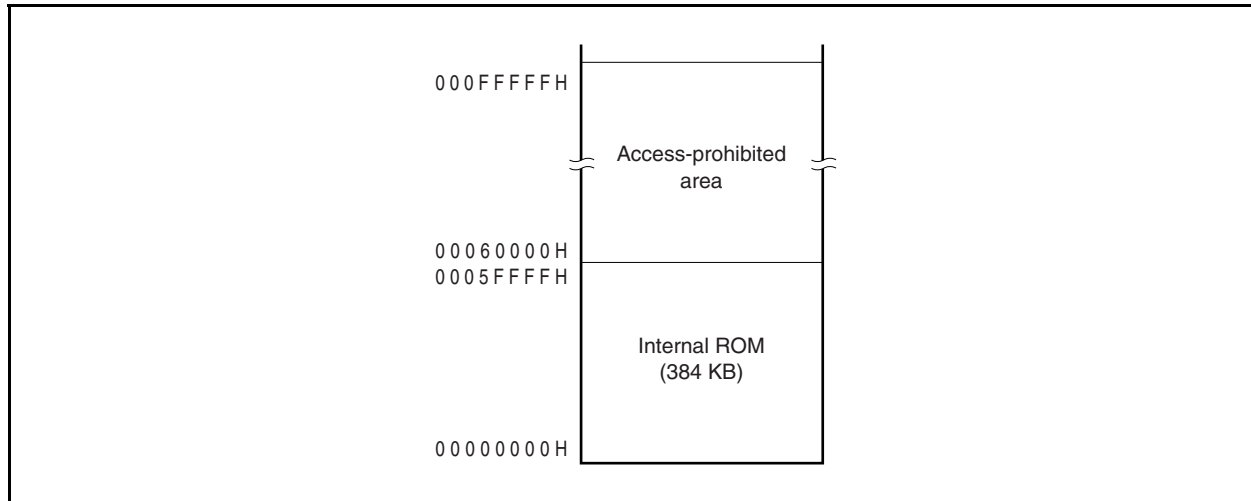


(c) Internal ROM (384 KB)

384 KB are allocated to addresses 00000000H to 0005FFFFH in the μ PD70F3722.

Accessing addresses 00060000H to 000FFFFFFH is prohibited.

Figure 3-6. Internal ROM Area (384 KB)

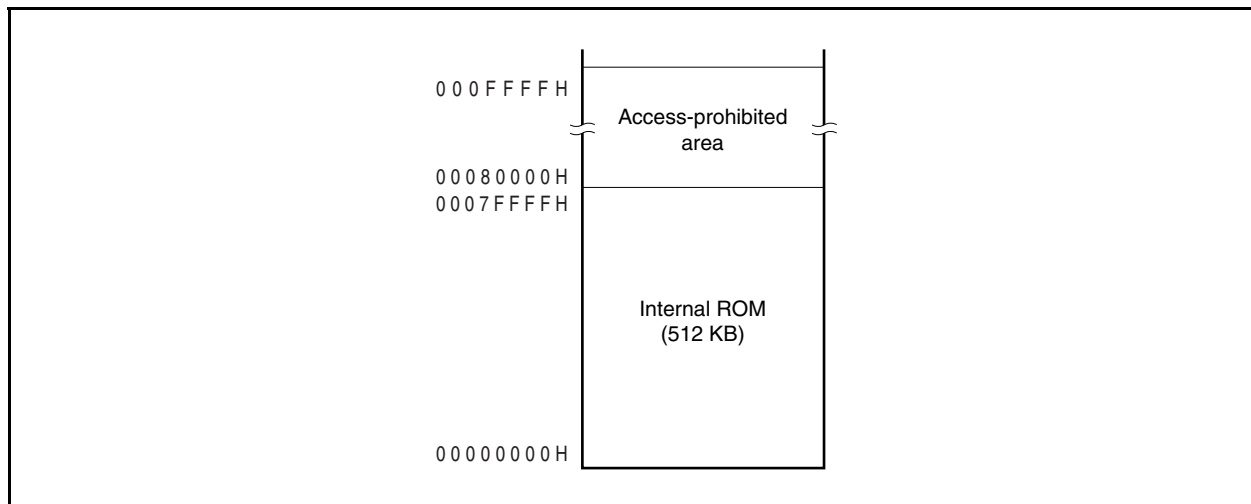


(d) Internal ROM (512 KB)

512 KB are allocated to addresses 00000000H to 0007FFFFH in the μ PD70F3723.

Accessing addresses 00080000H to 000FFFFFFH is prohibited.

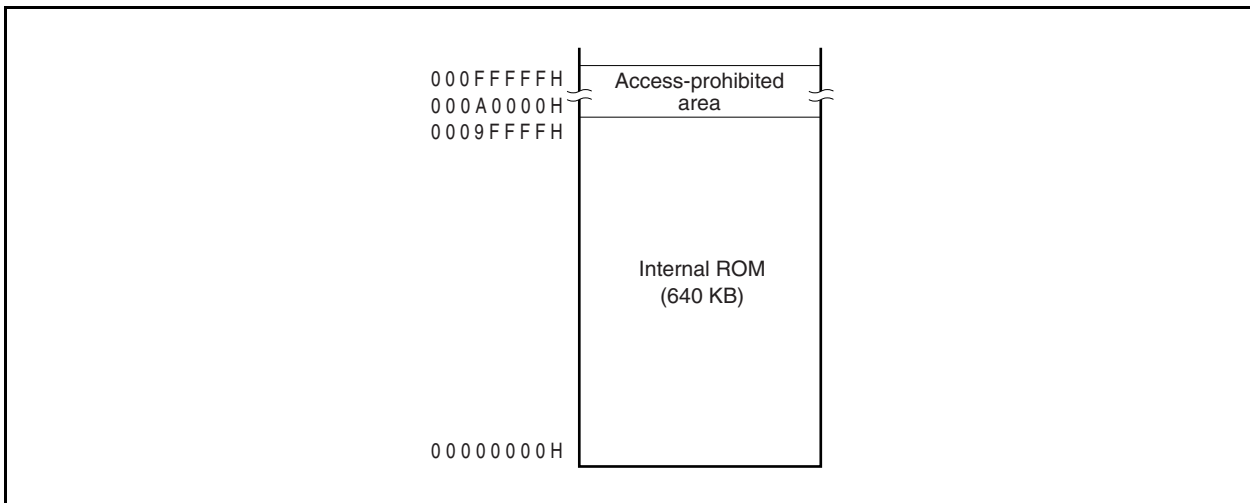
Figure 3-7. Internal ROM Area (512 KB)



(e) Internal ROM (640 KB)

640 KB are allocated to addresses 00000000H to 0009FFFFH in the μ PD70F3724.

Accessing addresses 000A0000H to 000FFFFFFH is prohibited.

Figure 3-8. Internal ROM Area (640 KB)

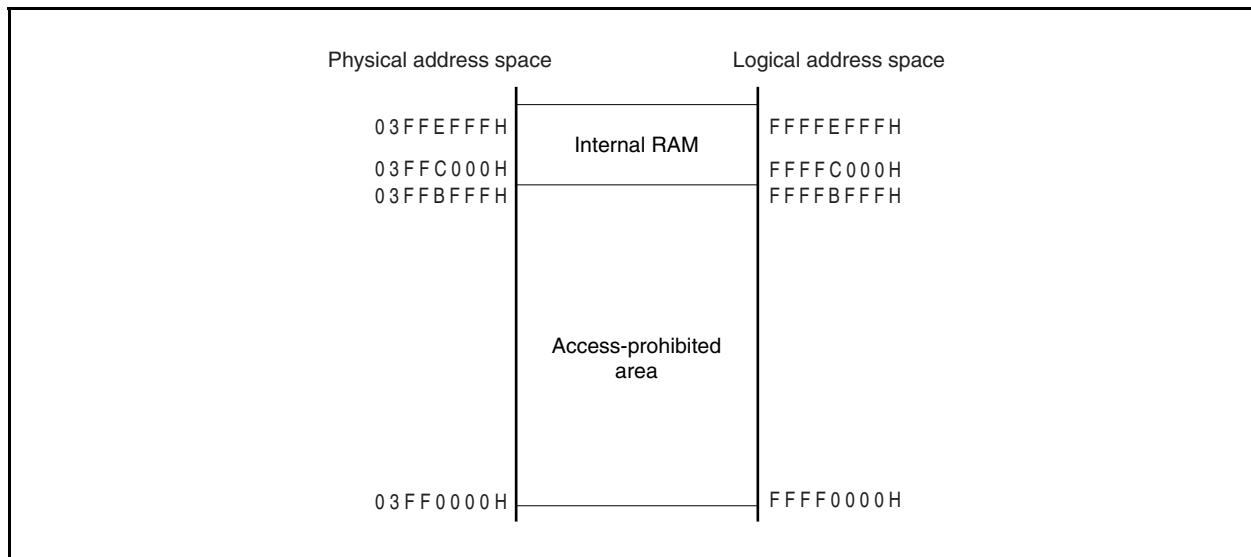
(2) Internal RAM area

Up to 60 KB are reserved as the internal RAM area.

(a) Internal RAM (12 KB)

12 KB are allocated to addresses 03FFC000H to 03FFEFFFH in the μ PD70F3720.
 Accessing addresses 03FF0000H to 03FFBFFFH is prohibited.

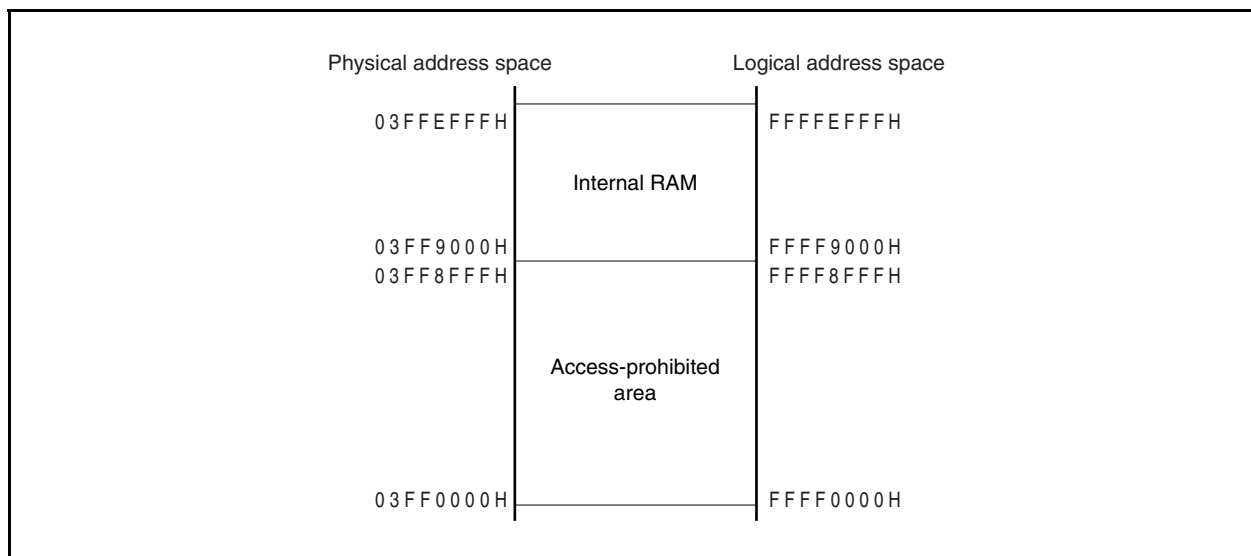
Figure 3-9. Internal RAM Area (12 KB)



(b) Internal RAM (24 KB)

24 KB are allocated to addresses 03FF9000H to 03FFEFFFH in the μ PD70F3721.
 Accessing addresses 03FF0000H to 03FF8FFFH is prohibited.

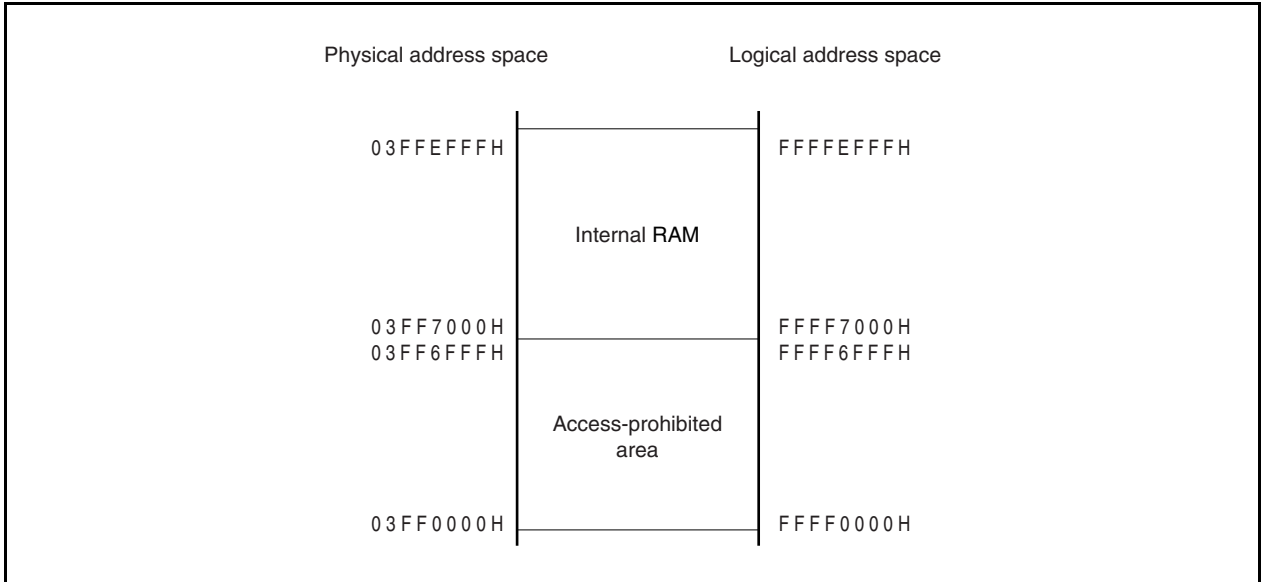
Figure 3-10. Internal RAM Area (24 KB)



(c) Internal RAM (32 KB)

32 KB are allocated to addresses 03FF7000H to 03FFEFFFH in the μ PD70F3722.
 Accessing addresses 03FF0000H to 03FF6FFFH is prohibited.

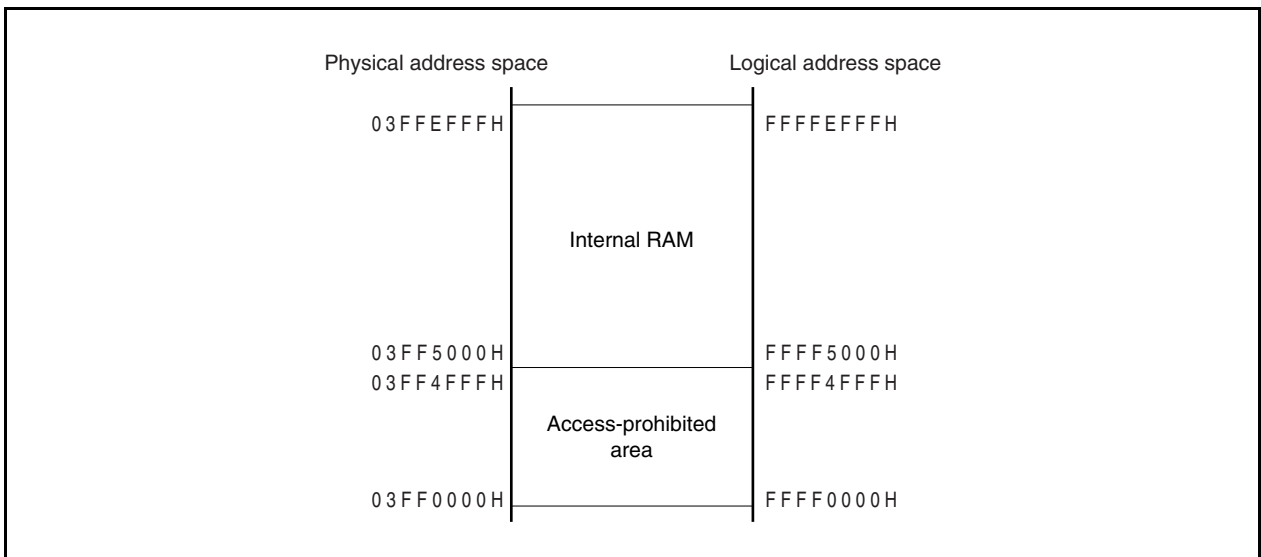
Figure 3-11. Internal RAM Area (32 KB)



(d) Internal RAM (40 KB)

40 KB are allocated to addresses 03FF5000H to 03FFEFFFH in the μ PD70F3723.
 Accessing addresses 03FF0000H to 03FF4FFFH is prohibited.

Figure 3-12. Internal RAM Area (40 KB)

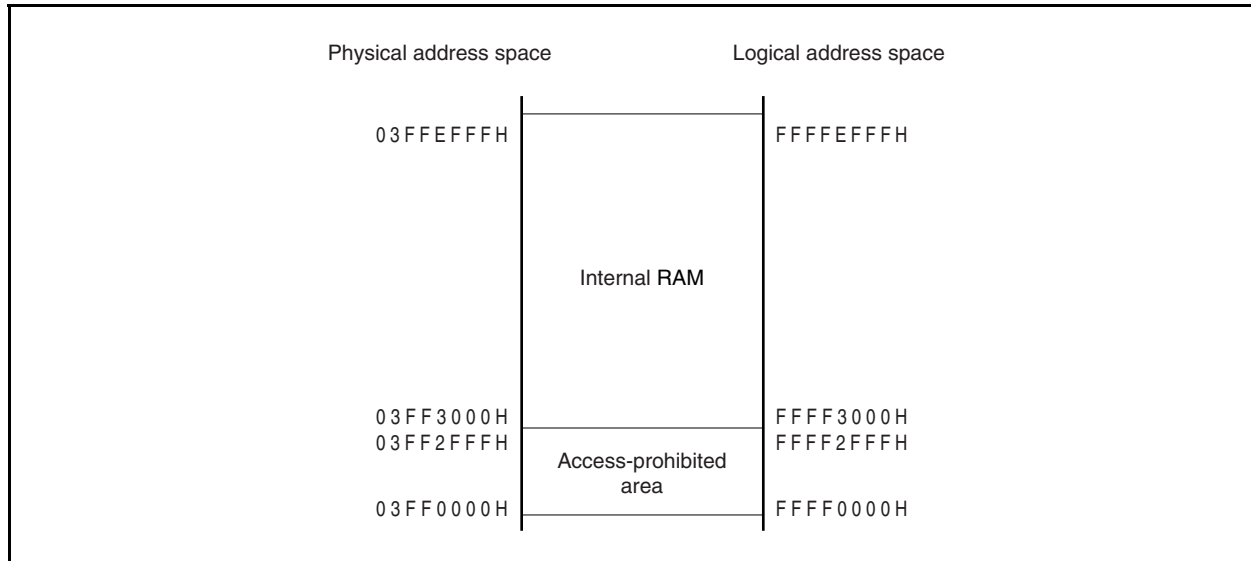


(e) Internal RAM (48 KB)

48 KB are allocated to addresses 03FF3000H to 03FF2FFFH in the μ PD70F3724.

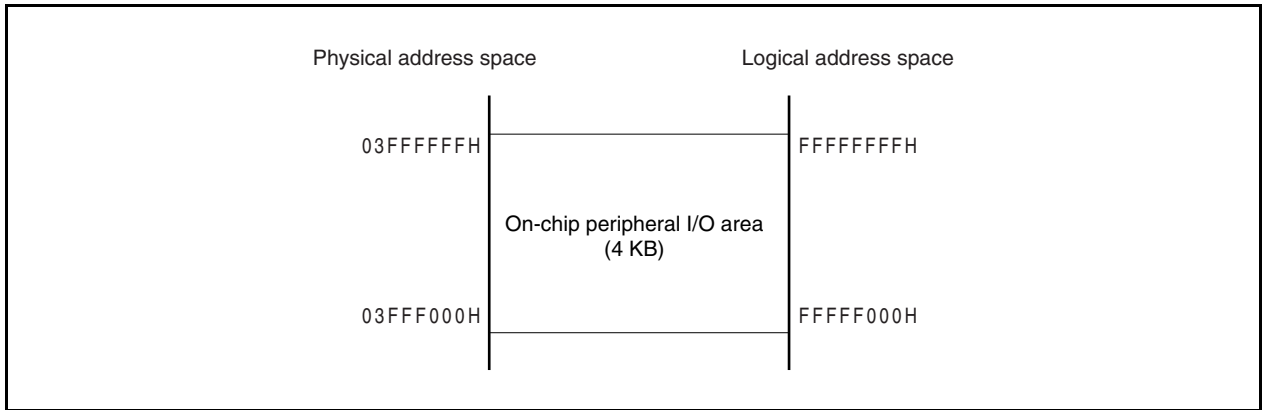
Accessing addresses 03FF0000H to 03FF2FFFH is prohibited.

Figure 3-13. Internal RAM Area (48 KB)



(3) On-chip peripheral I/O area

4 KB of addresses 03FFF000H to 03FFFFFFH are reserved as the on-chip peripheral I/O area.

Figure 3-14. On-Chip Peripheral I/O Area

Peripheral I/O registers that have functions to specify the operation mode for and monitor the status of the on-chip peripheral I/O are mapped to the on-chip peripheral I/O area. Program cannot be fetched from this area.

- Cautions**
1. When a register is accessed in word units, a word area is accessed twice in halfword units in the order of lower area and higher area, with the lower 2 bits of the address ignored.
 2. If a register that can be accessed in byte units is accessed in halfword units, the higher 8 bits are undefined when the register is read, and data is written to the lower 8 bits.
 3. Addresses not defined as registers are reserved for future expansion. The operation is undefined and not guaranteed when these addresses are accessed.

(4) External memory area

15 MB (00100000H to 00FFFFFFH) are allocated as the external memory area. For details, see **CHAPTER 5 BUS CONTROL FUNCTION**.

3.4.5 Recommended use of address space

The architecture of the V850ES/JJ2 requires that a register that serves as a pointer be secured for address generation when operand data in the data space is accessed. The address stored in this pointer ± 32 KB can be directly accessed by an instruction for operand data. Because the number of general-purpose registers that can be used as a pointer is limited, however, by keeping the performance from dropping during address calculation when a pointer value is changed, as many general-purpose registers as possible can be secured for variables, and the program size can be reduced.

(1) Program space

Of the 32 bits of the PC (program counter), the higher 6 bits are fixed to 0, and only the lower 26 bits are valid. Regarding the program space, therefore, a 64 MB space of contiguous addresses starting from 00000000H unconditionally corresponds to the memory map.

To use the internal RAM area as the program space, access following addresses.

Caution If a branch instruction is at the upper limit of the internal RAM area, a prefetch operation (invalid fetch) straddling the on-chip peripheral I/O area does not occur.

RAM Size	Access Address
48 KB	03FF3000H to 03FFFEFFH
40 KB	03FF5000H to 03FFFEFFH
32 KB	03FF7000H to 03FFFEFFH
24 KB	03FF9000H to 03FFFEFFH
12 KB	03FFC000H to 03FFFEFFH

(2) Data space

With the V850ES/JJ2, it seems that there are sixty-four 64 MB address spaces on the 4 GB CPU address space. Therefore, the least significant bit (bit 25) of a 26-bit address is sign-extended to 32 bits and allocated as an address.

(a) Application example of wraparound

If R = r0 (zero register) is specified for the LD/ST disp16 [R] instruction, a range of addresses 00000000H \pm 32 KB can be addressed by sign-extended disp16. All the resources, including the internal hardware, can be addressed by one pointer.

The zero register (r0) is a register fixed to 0 by hardware, and practically eliminates the need for registers dedicated to pointers.

Example: μ PD70F3722

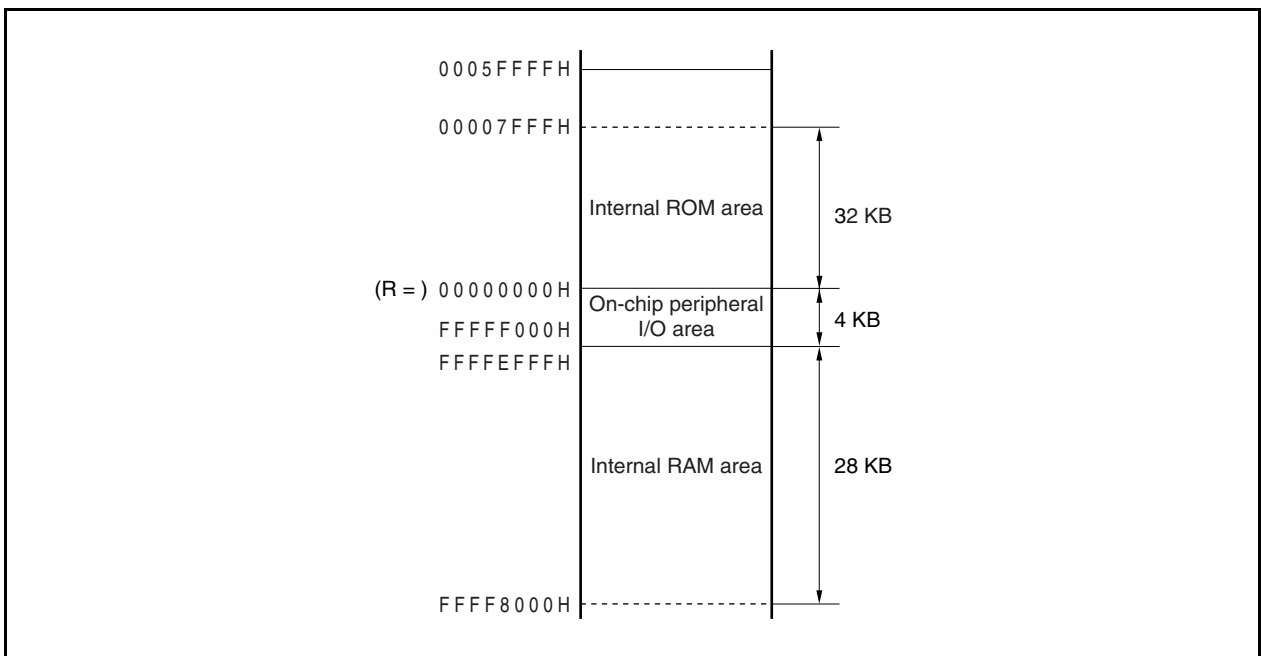
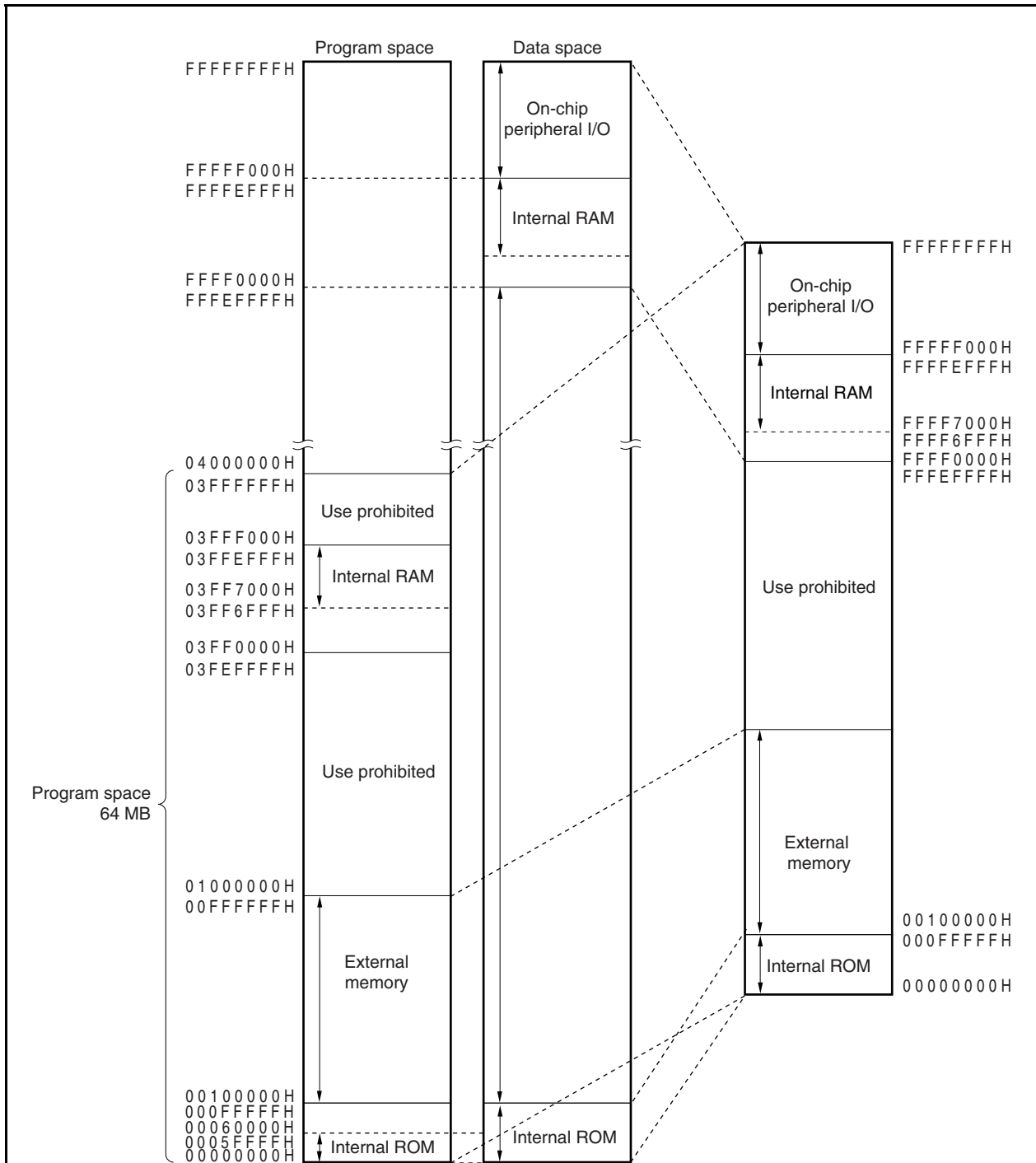


Figure 3-15. Recommended Memory Map



- Remarks**
1. ↓ indicates the recommended area.
 2. This figure is the recommended memory map of the μPD70F3722.

3.4.6 Peripheral I/O registers

(1/12)

Address	Function Register Name	Symbol	R/W	Manipulatable Bits			Default Value
				1	8	16	
FFFFF004H	Port DL register	PDL	R/W			√	0000H ^{Note}
FFFFF004H	Port DLL register	PDLL		√	√		00H ^{Note}
FFFFF005H	Port DLH register	PDLH		√	√		00H ^{Note}
FFFFF006H	Port DH register	PDH		√	√		00H ^{Note}
FFFFF008H	Port CS register	PCS		√	√		00H ^{Note}
FFFFF00AH	Port CT register	PCT		√	√		00H ^{Note}
FFFFF00CH	Port CM register	PCM		√	√		00H ^{Note}
FFFFF00EH	Port CD register	PCD		√	√		00H ^{Note}
FFFFF024H	Port DL mode register	PMDL				√	FFFFH
FFFFF024H	Port DL mode register L	PMDLL		√	√		FFH
FFFFF025H	Port DL mode register H	PMDLH		√	√		FFH
FFFFF026H	Port DH mode register	PMDH		√	√		FFH
FFFFF028H	Port CS mode register	PMCS		√	√		FFH
FFFFF02AH	Port CT mode register	PMCT		√	√		FFH
FFFFF02CH	Port CM mode register	PMCM		√	√		FFH
FFFFF02EH	Port CD mode register	PMCD		√	√		FFH
FFFFF044H	Port DL mode control register	PMCDL				√	0000H
FFFFF044H	Port DL mode control register L	PMCDLL		√	√		00H
FFFFF045H	Port DL mode control register H	PMCDLH		√	√		00H
FFFFF046H	Port DH mode control register	PMCDH		√	√		00H
FFFFF048H	Port CS mode control register	PMCCS		√	√		00H
FFFFF04AH	Port CT mode control register	PMCCCT		√	√		00H
FFFFF04CH	Port CM mode control register	PMCCM		√	√		00H
FFFFF066H	Bus size configuration register	BSC				√	5555H
FFFFF06EH	System wait control register	VSWC			√		77H
FFFFF080H	DMA source address register 0L	DSA0L				√	Undefined
FFFFF082H	DMA source address register 0H	DSA0H				√	Undefined
FFFFF084H	DMA destination address register 0L	DDA0L			√	Undefined	
FFFFF086H	DMA destination address register 0H	DDA0H			√	Undefined	
FFFFF088H	DMA source address register 1L	DSA1L			√	Undefined	
FFFFF08AH	DMA source address register 1H	DSA1H			√	Undefined	
FFFFF08CH	DMA destination address register 1L	DDA1L			√	Undefined	
FFFFF08EH	DMA destination address register 1H	DDA1H			√	Undefined	
FFFFF090H	DMA source address register 2L	DSA2L			√	Undefined	
FFFFF092H	DMA source address register 2H	DSA2H			√	Undefined	
FFFFF094H	DMA destination address register 2L	DDA2L			√	Undefined	
FFFFF096H	DMA destination address register 2H	DDA2H			√	Undefined	
FFFFF098H	DMA source address register 3L	DSA3L			√	Undefined	
FFFFF09AH	DMA source address register 3H	DSA3H			√	Undefined	
FFFFF09CH	DMA destination address register 3L	DDA3L			√	Undefined	
FFFFF09EH	DMA destination address register 3H	DDA3H			√	Undefined	

Note The value of the output latch is 00H or 0000H. The status of the pin is read during input.

Address	Function Register Name	Symbol	R/W	Manipulatable Bits			Default Value
				1	8	16	
FFFFF0C0H	DMA transfer count register 0	DBC0	R/W			√	Undefined
FFFFF0C2H	DMA transfer count register 1	DBC1				√	Undefined
FFFFF0C4H	DMA transfer count register 2	DBC2				√	Undefined
FFFFF0C6H	DMA transfer count register 3	DBC3				√	Undefined
FFFFF0D0H	DMA addressing control register 0	DADC0				√	0000H
FFFFF0D2H	DMA addressing control register 1	DADC1				√	0000H
FFFFF0D4H	DMA addressing control register 2	DADC2				√	0000H
FFFFF0D6H	DMA addressing control register 3	DADC3				√	0000H
FFFFF0E0H	DMA channel control register 0	DCHC0		√	√		00H
FFFFF0E2H	DMA channel control register 1	DCHC1		√	√		00H
FFFFF0E4H	DMA channel control register 2	DCHC2		√	√		00H
FFFFF0E6H	DMA channel control register 3	DCHC3		√	√		00H
FFFFF100H	Interrupt mask register 0	IMR0				√	FFFFH
FFFFF100H	Interrupt mask register 0L	IMR0L		√	√		FFH
FFFFF101H	Interrupt mask register 0H	IMR0H		√	√		FFH
FFFFF102H	Interrupt mask register 1	IMR1				√	FFFFH
FFFFF102H	Interrupt mask register 1L	IMR1L		√	√		FFH
FFFFF103H	Interrupt mask register 1H	IMR1H		√	√		FFH
FFFFF104H	Interrupt mask register 2	IMR2				√	FFFFH
FFFFF104H	Interrupt mask register 2L	IMR2L		√	√		FFH
FFFFF105H	Interrupt mask register 2H	IMR2H		√	√		FFH
FFFFF106H	Interrupt mask register 3	IMR3				√	FFFFH
FFFFF106H	Interrupt mask register 3L	IMR3L		√	√		FFH
FFFFF107H	Interrupt mask register 3H	IMR3H		√	√		FFH
FFFFF108H	Interrupt mask register 4	IMR4				√	FFFFH
FFFFF108H	Interrupt mask register 4L	IMR4L		√	√		FFH
FFFFF109H	Interrupt mask register 4H	IMR4H		√	√		FFH
FFFFF110H	Interrupt control register	LVIIC		√	√		47H
FFFFF112H	Interrupt control register	PIC0		√	√		47H
FFFFF114H	Interrupt control register	PIC1		√	√		47H
FFFFF116H	Interrupt control register	PIC2		√	√		47H
FFFFF118H	Interrupt control register	PIC3		√	√		47H
FFFFF11AH	Interrupt control register	PIC4		√	√		47H
FFFFF11CH	Interrupt control register	PIC5	√	√		47H	
FFFFF11EH	Interrupt control register	PIC6	√	√		47H	
FFFFF120H	Interrupt control register	PIC7	√	√		47H	
FFFFF122H	Interrupt control register	TQ0OVIC	√	√		47H	
FFFFF124H	Interrupt control register	TQ0CCIC0	√	√		47H	
FFFFF126H	Interrupt control register	TQ0CCIC1	√	√		47H	
FFFFF128H	Interrupt control register	TQ0CCIC2	√	√		47H	
FFFFF12AH	Interrupt control register	TQ0CCIC3	√	√		47H	
FFFFF12CH	Interrupt control register	TP0OVIC	√	√		47H	
FFFFF12EH	Interrupt control register	TP0CCIC0	√	√		47H	

Address	Function Register Name	Symbol	R/W	Manipulatable Bits			Default Value
				1	8	16	
FFFFFF130H	Interrupt control register	TP0CCIC1	R/W	√	√		47H
FFFFFF132H	Interrupt control register	TP1OVIC		√	√		47H
FFFFFF134H	Interrupt control register	TP1CCIC0		√	√		47H
FFFFFF136H	Interrupt control register	TP1CCIC1		√	√		47H
FFFFFF138H	Interrupt control register	TP2OVIC		√	√		47H
FFFFFF13AH	Interrupt control register	TP2CCIC0		√	√		47H
FFFFFF13CH	Interrupt control register	TP2CCIC1		√	√		47H
FFFFFF13EH	Interrupt control register	TP3OVIC		√	√		47H
FFFFFF140H	Interrupt control register	TP3CCIC0		√	√		47H
FFFFFF142H	Interrupt control register	TP3CCIC1		√	√		47H
FFFFFF144H	Interrupt control register	TP4OVIC		√	√		47H
FFFFFF146H	Interrupt control register	TP4CCIC0		√	√		47H
FFFFFF148H	Interrupt control register	TP4CCIC1		√	√		47H
FFFFFF14AH	Interrupt control register	TP5OVIC		√	√		47H
FFFFFF14CH	Interrupt control register	TP5CCIC0		√	√		47H
FFFFFF14EH	Interrupt control register	TP5CCIC1		√	√		47H
FFFFFF150H	Interrupt control register	TM0EQIC0		√	√		47H
FFFFFF152H	Interrupt control register	CB0RIC/IICIC1		√	√		47H
FFFFFF154H	Interrupt control register	CB0TIC		√	√		47H
FFFFFF156H	Interrupt control register	CB1RIC		√	√		47H
FFFFFF158H	Interrupt control register	CB1TIC		√	√		47H
FFFFFF15AH	Interrupt control register	CB2RIC		√	√		47H
FFFFFF15CH	Interrupt control register	CB2TIC		√	√		47H
FFFFFF15EH	Interrupt control register	CB3RIC		√	√		47H
FFFFFF160H	Interrupt control register	CB3TIC		√	√		47H
FFFFFF162H	Interrupt control register	UA0RIC/CB4RIC		√	√		47H
FFFFFF164H	Interrupt control register	UA0TIC/CB4TIC		√	√		47H
FFFFFF166H	Interrupt control register	UA1RIC/IICIC2		√	√		47H
FFFFFF168H	Interrupt control register	UA1TIC		√	√		47H
FFFFFF16AH	Interrupt control register	UA2RIC/IICIC0		√	√		47H
FFFFFF16CH	Interrupt control register	UA2TIC		√	√		47H
FFFFFF16EH	Interrupt control register	ADIC		√	√		47H
FFFFFF170H	Interrupt control register	DMAIC0	√	√		47H	
FFFFFF172H	Interrupt control register	DMAIC1	√	√		47H	
FFFFFF174H	Interrupt control register	DMAIC2	√	√		47H	
FFFFFF176H	Interrupt control register	DMAIC3	√	√		47H	
FFFFFF178H	Interrupt control register	KRIC	√	√		47H	
FFFFFF17AH	Interrupt control register	WTIIC	√	√		47H	
FFFFFF17CH	Interrupt control register	WTIC	√	√		47H	
FFFFFF18EH	Interrupt control register	PIC8	√	√		47H	
FFFFFF190H	Interrupt control register	TP6OVIC	√	√		47H	
FFFFFF192H	Interrupt control register	TP6CCIC0	√	√		47H	
FFFFFF194H	Interrupt control register	TP6CCIC1	√	√		47H	

Address	Function Register Name	Symbol	R/W	Manipulatable Bits			Default Value	
				1	8	16		
FFFFF196H	Interrupt control register	TP7OVIC	R/W	√	√		47H	
FFFFF198H	Interrupt control register	TP7CCIC0		√	√		47H	
FFFFF19AH	Interrupt control register	TP7CCIC1		√	√		47H	
FFFFF19CH	Interrupt control register	TP8OVIC		√	√		47H	
FFFFF19EH	Interrupt control register	TP8CCIC0		√	√		47H	
FFFFF1A0H	Interrupt control register	TP8CCIC1		√	√		47H	
FFFFF1A2H	Interrupt control register	CB5RIC		√	√		47H	
FFFFF1A4H	Interrupt control register	CB5TIC		√	√		47H	
FFFFF1A6H	Interrupt control register	UA3RIC		√	√		47H	
FFFFF1A8H	Interrupt control register	UA3TIC		√	√		47H	
FFFFF1FAH	In-service priority register	ISPR	R	√	√		00H	
FFFFF1FCH	Command register	PRCMD	W	√	√		Undefined	
FFFFF1FEH	Power save control register	PSC	R/W	√	√		00H	
FFFFF200H	A/D converter mode register 0	ADA0M0		√	√		00H	
FFFFF201H	A/D converter mode register 1	ADA0M1		√	√		00H	
FFFFF202H	A/D converter channel specification register	ADA0S		√	√		00H	
FFFFF203H	A/D converter mode register 2	ADA0M2		√	√		00H	
FFFFF204H	Power-fail compare mode register	ADA0PFM		√	√		00H	
FFFFF205H	Power-fail compare threshold value register	ADA0PFT		√	√		00H	
FFFFF210H	A/D conversion result register 0	ADA0CR0		R			√	Undefined
FFFFF211H	A/D conversion result register 0H	ADA0CR0H				√		Undefined
FFFFF212H	A/D conversion result register 1	ADA0CR1					√	Undefined
FFFFF213H	A/D conversion result register 1H	ADA0CR1H			√		Undefined	
FFFFF214H	A/D conversion result register 2	ADA0CR2				√	Undefined	
FFFFF215H	A/D conversion result register 2H	ADA0CR2H			√		Undefined	
FFFFF216H	A/D conversion result register 3	ADA0CR3				√	Undefined	
FFFFF217H	A/D conversion result register 3H	ADA0CR3H			√		Undefined	
FFFFF218H	A/D conversion result register 4	ADA0CR4				√	Undefined	
FFFFF219H	A/D conversion result register 4H	ADA0CR4H			√		Undefined	
FFFFF21AH	A/D conversion result register 5	ADA0CR5				√	Undefined	
FFFFF21BH	A/D conversion result register 5H	ADA0CR5H			√		Undefined	
FFFFF21CH	A/D conversion result register 6	ADA0CR6				√	Undefined	
FFFFF21DH	A/D conversion result register 6H	ADA0CR6H			√		Undefined	
FFFFF21EH	A/D conversion result register 7	ADA0CR7				√	Undefined	
FFFFF21FH	A/D conversion result register 7H	ADA0CR7H			√		Undefined	
FFFFF220H	A/D conversion result register 8	ADA0CR8				√	Undefined	
FFFFF221H	A/D conversion result register 8H	ADA0CR8H			√		Undefined	
FFFFF222H	A/D conversion result register 9	ADA0CR9				√	Undefined	
FFFFF223H	A/D conversion result register 9H	ADA0CR9H			√		Undefined	
FFFFF224H	A/D conversion result register 10	ADA0CR10			√	Undefined		
FFFFF225H	A/D conversion result register 10H	ADA0CR10H		√		Undefined		

Address	Function Register Name	Symbol	R/W	Manipulatable Bits			Default Value		
				1	8	16			
FFFFF226H	A/D conversion result register 11	ADA0CR11	R			√	Undefined		
FFFFF227H	A/D conversion result register 11H	ADA0CR11H			√			Undefined	
FFFFF228H	A/D conversion result register 12	ADA0CR12					√	Undefined	
FFFFF229H	A/D conversion result register 12H	ADA0CR12H			√			Undefined	
FFFFF22AH	A/D conversion result register 13	ADA0CR13					√	Undefined	
FFFFF22BH	A/D conversion result register 13H	ADA0CR13H			√			Undefined	
FFFFF22CH	A/D conversion result register 14	ADA0CR14					√	Undefined	
FFFFF22DH	A/D conversion result register 14H	ADA0CR14H			√			Undefined	
FFFFF22EH	A/D conversion result register 15	ADA0CR15					√	Undefined	
FFFFF22FH	A/D conversion result register 15H	ADA0CR15H			√			Undefined	
FFFFF280H	D/A conversion value setting register 0	DA0CS0		R/W		√		00H	
FFFFF281H	D/A conversion value setting register 1	DA0CS1				√			00H
FFFFF282H	D/A converter mode register	DA0M			√	√			00H
FFFFF300H	Key return mode register	KRM			√	√			00H
FFFFF308H	Selector operation control register 0	SELCNT0			√	√			00H
FFFFF318H	Noise elimination control register	NFC				√			00H
FFFFF320H	Prescaler mode register 1	PRSM1	√		√			00H	
FFFFF321H	Prescaler compare register 1	PRSCM1			√			00H	
FFFFF324H	Prescaler mode register 2	PRSM2	√		√			00H	
FFFFF325H	Prescaler compare register 2	PRSCM2			√			00H	
FFFFF328H	Prescaler mode register 3	PRSM3	√		√			00H	
FFFFF329H	Prescaler compare register 3	PRSCM3			√			00H	
FFFFF340H	IIC division clock select register 0	OCKS0			√			00H	
FFFFF344H	IIC division clock select register 1	OCKS1			√			00H	
FFFFF400H	Port 0 register	P0	√		√			00H ^{Note}	
FFFFF402H	Port 1 register	P1	√		√			00H ^{Note}	
FFFFF406H	Port 3 register	P3				√		0000H ^{Note}	
FFFFF406H	Port 3L register	P3L	√		√			00H ^{Note}	
FFFFF407H	Port 3H register	P3H	√		√			00H ^{Note}	
FFFFF408H	Port 4 register	P4	√		√			00H ^{Note}	
FFFFF40AH	Port 5 register	P5	√		√			00H ^{Note}	
FFFFF40CH	Port 6 register	P6				√		0000H ^{Note}	
FFFFF40CH	Port 6L register	P6L	√		√			00H ^{Note}	
FFFFF40DH	Port 6H register	P6H	√		√			00H ^{Note}	
FFFFF40EH	Port 7L register	P7L	√		√			00H ^{Note}	
FFFFF40FH	Port 7H register	P7H	√		√			00H ^{Note}	
FFFFF410H	Port 8 register	P8	√		√			00H ^{Note}	
FFFFF412H	Port 9 register	P9				√		0000H ^{Note}	
FFFFF412H	Port 9L register	P9L	√		√			00H ^{Note}	
FFFFF413H	Port 9H register	P9H	√		√			00H ^{Note}	
FFFFF420H	Port 0 mode register	PM0	√		√			FFH	

Note The value of the output latch is 00H or 0000H. The status of the pin is read during input.

Address	Function Register Name	Symbol	R/W	Manipulatable Bits			Default Value
				1	8	16	
FFFFF422H	Port 1 mode register	PM1	R/W	√	√		FFH
FFFFF426H	Port 3 mode register	PM3				√	FFFFH
FFFFF426H	Port 3 mode register L	PM3L		√	√		FFH
FFFFF427H	Port 3 mode register H	PM3H		√	√		FFH
FFFFF428H	Port 4 mode register	PM4		√	√		FFH
FFFFF42AH	Port 5 mode register	PM5		√	√		FFH
FFFFF42CH	Port 6 mode register	PM6				√	FFFFH
FFFFF42CH	Port 6 mode register L	PM6L		√	√		FFH
FFFFF42DH	Port 6 mode register H	PM6H		√	√		FFH
FFFFF42EH	Port 7 mode register L	PM7L		√	√		FFH
FFFFF42FH	Port 7 mode register H	PM7H		√	√		FFH
FFFFF430H	Port 8 mode register	PM8		√	√		FFH
FFFFF432H	Port 9 mode register	PM9				√	FFFFH
FFFFF432H	Port 9 mode register L	PM9L		√	√		FFH
FFFFF433H	Port 9 mode register H	PM9H		√	√		FFH
FFFFF440H	Port 0 mode control register	PMC0		√	√		00H
FFFFF446H	Port 3 mode control register	PMC3				√	0000H
FFFFF446H	Port 3 mode control register L	PMC3L		√	√		00H
FFFFF447H	Port 3 mode control register H	PMC3H		√	√		00H
FFFFF448H	Port 4 mode control register	PMC4		√	√		00H
FFFFF44AH	Port 5 mode control register	PMC5		√	√		00H
FFFFF44CH	Port 6 mode control register	PMC6				√	0000H
FFFFF44CH	Port 6 mode control register L	PMC6L		√	√		00H
FFFFF44DH	Port 6 mode control register H	PMC6H		√	√		00H
FFFFF450H	Port 8 mode control register	PMC8		√	√		00H
FFFFF452H	Port 9 mode control register	PMC9				√	0000H
FFFFF452H	Port 9 mode control register L	PMC9L		√	√		00H
FFFFF453H	Port 9 mode control register H	PMC9H		√	√		00H
FFFFF460H	Port 0 function control register	PFC0		√	√		00H
FFFFF466H	Port 3 function control register	PFC3			√	0000H	
FFFFF466H	Port 3 function control register L	PFC3L	√	√		00H	
FFFFF467H	Port 3 function control register H	PFC3H	√	√		00H	
FFFFF468H	Port 4 function control register	PFC4	√	√		00H	
FFFFF46AH	Port 5 function control register	PFC5	√	√		00H	
FFFFF46DH	Port 6 function control register H	PFC6H	√	√		00H	
FFFFF472H	Port 9 function control register	PFC9			√	0000H	
FFFFF472H	Port 9 function control register L	PFC9L	√	√		00H	
FFFFF473H	Port 9 function control register H	PFC9H	√	√		00H	
FFFFF484H	Data wait control register 0	DWC0			√	7777H	
FFFFF488H	Address wait control register	AWC			√	FFFFH	
FFFFF48AH	Bus cycle control register	BCC			√	AAAAH	

Address	Function Register Name	Symbol	R/W	Manipulatable Bits			Default Value	
				1	8	16		
FFFFF540H	TMQ0 control register 0	TQ0CTL0	R/W	√	√		00H	
FFFFF541H	TMQ0 control register 1	TQ0CTL1		√	√		00H	
FFFFF542H	TMQ0 I/O control register 0	TQ0IOC0		√	√		00H	
FFFFF543H	TMQ0 I/O control register 1	TQ0IOC1		√	√		00H	
FFFFF544H	TMQ0 I/O control register 2	TQ0IOC2		√	√		00H	
FFFFF545H	TMQ0 option register 0	TQ0OPT0		√	√		00H	
FFFFF546H	TMQ0 capture/compare register 0	TQ0CCR0				√	0000H	
FFFFF548H	TMQ0 capture/compare register 1	TQ0CCR1				√	0000H	
FFFFF54AH	TMQ0 capture/compare register 2	TQ0CCR2				√	0000H	
FFFFF54CH	TMQ0 capture/compare register 3	TQ0CCR3				√	0000H	
FFFFF54EH	TMQ0 counter read buffer register	TQ0CNT	R			√	0000H	
FFFFF590H	TMP0 control register 0	TP0CTL0	R/W	√	√		00H	
FFFFF591H	TMP0 control register 1	TP0CTL1		√	√		00H	
FFFFF592H	TMP0 I/O control register 0	TP0IOC0		√	√		00H	
FFFFF593H	TMP0 I/O control register 1	TP0IOC1		√	√		00H	
FFFFF594H	TMP0 I/O control register 2	TP0IOC2		√	√		00H	
FFFFF595H	TMP0 option register 0	TP0OPT0		√	√		00H	
FFFFF596H	TMP0 capture/compare register 0	TP0CCR0				√	0000H	
FFFFF598H	TMP0 capture/compare register 1	TP0CCR1				√	0000H	
FFFFF59AH	TMP0 counter read buffer register	TP0CNT		R			√	0000H
FFFFF5A0H	TMP1 control register 0	TP1CTL0		R/W	√	√		00H
FFFFF5A1H	TMP1 control register 1	TP1CTL1	√		√		00H	
FFFFF5A2H	TMP1 I/O control register 0	TP1IOC0	√		√		00H	
FFFFF5A3H	TMP1 I/O control register 1	TP1IOC1	√		√		00H	
FFFFF5A4H	TMP1 I/O control register 2	TP1IOC2	√		√		00H	
FFFFF5A5H	TMP1 option register 0	TP1OPT0	√		√		00H	
FFFFF5A6H	TMP1 capture/compare register 0	TP1CCR0				√	0000H	
FFFFF5A8H	TMP1 capture/compare register 1	TP1CCR1				√	0000H	
FFFFF5AAH	TMP1 counter read buffer register	TP1CNT	R				√	0000H
FFFFF5B0H	TMP2 control register 0	TP2CTL0	R/W		√	√		00H
FFFFF5B1H	TMP2 control register 1	TP2CTL1		√	√		00H	
FFFFF5B2H	TMP2 I/O control register 0	TP2IOC0		√	√		00H	
FFFFF5B3H	TMP2 I/O control register 1	TP2IOC1		√	√		00H	
FFFFF5B4H	TMP2 I/O control register 2	TP2IOC2		√	√		00H	
FFFFF5B5H	TMP2 option register 0	TP2OPT0		√	√		00H	
FFFFF5B6H	TMP2 capture/compare register 0	TP2CCR0				√	0000H	
FFFFF5B8H	TMP2 capture/compare register 1	TP2CCR1				√	0000H	
FFFFF5BAH	TMP2 counter read buffer register	TP2CNT		R			√	0000H
FFFFF5C0H	TMP3 control register 0	TP3CTL0		R/W	√	√		00H
FFFFF5C1H	TMP3 control register 1	TP3CTL1	√		√		00H	
FFFFF5C2H	TMP3 I/O control register 0	TP3IOC0	√		√		00H	
FFFFF5C3H	TMP3 I/O control register 1	TP3IOC1	√		√		00H	
FFFFF5C4H	TMP3 I/O control register 2	TP3IOC2	√		√		00H	

Address	Function Register Name	Symbol	R/W	Manipulatable Bits			Default Value
				1	8	16	
FFFFF5C5H	TMP3 option register 0	TP3OPT0	R/W	√	√		00H
FFFFF5C6H	TMP3 capture/compare register 0	TP3CCR0				√	0000H
FFFFF5C8H	TMP3 capture/compare register 1	TP3CCR1				√	0000H
FFFFF5CAH	TMP3 counter read buffer register	TP3CNT	R			√	0000H
FFFFF5D0H	TMP4 control register 0	TP4CTL0	R/W	√	√		00H
FFFFF5D1H	TMP4 control register 1	TP4CTL1		√	√		00H
FFFFF5D2H	TMP4 I/O control register 0	TP4IOC0		√	√		00H
FFFFF5D3H	TMP4 I/O control register 1	TP4IOC1		√	√		00H
FFFFF5D4H	TMP4 I/O control register 2	TP4IOC2		√	√		00H
FFFFF5D5H	TMP4 option register 0	TP4OPT0		√	√		00H
FFFFF5D6H	TMP4 capture/compare register 0	TP4CCR0				√	0000H
FFFFF5D8H	TMP4 capture/compare register 1	TP4CCR1				√	0000H
FFFFF5DAH	TMP4 counter read buffer register	TP4CNT	R			√	0000H
FFFFF5E0H	TMP5 control register 0	TP5CTL0	R/W	√	√		00H
FFFFF5E1H	TMP5 control register 1	TP5CTL1		√	√		00H
FFFFF5E2H	TMP5 I/O control register 0	TP5IOC0		√	√		00H
FFFFF5E3H	TMP5 I/O control register 1	TP5IOC1		√	√		00H
FFFFF5E4H	TMP5 I/O control register 2	TP5IOC2		√	√		00H
FFFFF5E5H	TMP5 option register 0	TP5OPT0		√	√		00H
FFFFF5E6H	TMP5 capture/compare register 0	TP5CCR0				√	0000H
FFFFF5E8H	TMP5 capture/compare register 1	TP5CCR1				√	0000H
FFFFF5EAH	TMP5 counter read buffer register	TP5CNT	R			√	0000H
FFFFF5F0H	TMP6 control register 0	TP6CTL0	R/W	√	√		00H
FFFFF5F1H	TMP6 control register 1	TP6CTL1		√	√		00H
FFFFF5F2H	TMP6 I/O control register 0	TP6IOC0		√	√		00H
FFFFF5F3H	TMP6 I/O control register 1	TP6IOC1		√	√		00H
FFFFF5F4H	TMP6 I/O control register 2	TP6IOC2		√	√		00H
FFFFF5F5H	TMP6 option register 0	TP6OPT0		√	√		00H
FFFFF5F6H	TMP6 capture/compare register 0	TP6CCR0				√	0000H
FFFFF5F8H	TMP6 capture/compare register 1	TP6CCR1				√	0000H
FFFFF5FAH	TMP6 counter read buffer register	TP6CNT	R			√	0000H
FFFFF600H	TMP7 control register 0	TP7CTL0	R/W	√	√		00H
FFFFF601H	TMP7 control register 1	TP7CTL1		√	√		00H
FFFFF602H	TMP7 I/O control register 0	TP7IOC0		√	√		00H
FFFFF603H	TMP7 I/O control register 1	TP7IOC1		√	√		00H
FFFFF604H	TMP7 I/O control register 2	TP7IOC2		√	√		00H
FFFFF605H	TMP7 option register 0	TP7OPT0		√	√		00H
FFFFF606H	TMP7 capture/compare register 0	TP7CCR0				√	0000H
FFFFF608H	TMP7 capture/compare register 1	TP7CCR1				√	0000H
FFFFF60AH	TMP7 counter read buffer register	TP7CNT	R			√	0000H
FFFFF610H	TMP8 control register 0	TP8CTL0	R/W	√	√		00H
FFFFF611H	TMP8 control register 1	TP8CTL1		√	√		00H

Address	Function Register Name	Symbol	R/W	Manipulatable Bits			Default Value
				1	8	16	
FFFFF612H	TMP8 I/O control register 0	TP8IOC0	R/W	√	√		00H
FFFFF613H	TMP8 I/O control register 1	TP8IOC1		√	√		00H
FFFFF614H	TMP8 I/O control register 2	TP8IOC2		√	√		00H
FFFFF615H	TMP8 option register 0	TP8OPT0		√	√		00H
FFFFF616H	TMP8 capture/compare register 0	TP8CCR0				√	0000H
FFFFF618H	TMP8 capture/compare register 1	TP8CCR1				√	0000H
FFFFF61AH	TMP8 counter read buffer register	TP8CNT	R			√	0000H
FFFFF680H	Watch timer operation mode register	WTM	R/W	√	√		00H
FFFFF690H	TMM0 control register 0	TM0CTL0		√	√		00H
FFFFF694H	TMM0 compare register 0	TM0CMP0				√	0000H
FFFFF6C0H	Oscillation stabilization time select register	OSTS			√		06H
FFFFF6C1H	PLL lockup time specification register	PLLS			√		03H
FFFFF6D0H	Watchdog timer mode register 2	WDTM2			√		67H
FFFFF6D1H	Watchdog timer enable register	WDTE			√		9AH
FFFFF6E0H	Real-time output buffer register 0L	RTBL0		√	√		00H
FFFFF6E2H	Real-time output buffer register 0H	RTBH0		√	√		00H
FFFFF6E4H	Real-time output port mode register 0	RTPM0		√	√		00H
FFFFF6E5H	Real-time output port control register 0	RTPC0		√	√		00H
FFFFF6F0H	Real-time output buffer register 1L	RTBL1		√	√		00H
FFFFF6F2H	Real-time output buffer register 1H	RTBH1		√	√		00H
FFFFF6F4H	Real-time output port mode register 1	RTPM1		√	√		00H
FFFFF6F5H	Real-time output port control register 1	RTPC1		√	√		00H
FFFFF706H	Port 3 function control expansion register L	PFCE3L		√	√		00H
FFFFF70AH	Port 5 function control expansion register	PFCE5		√	√		00H
FFFFF712H	Port 9 function control expansion register	PFCE9				√	0000H
FFFFF712H	Port 9 function control expansion register L	PFCE9L		√	√		00H
FFFFF713H	Port 9 function control expansion register H	PFCE9H		√	√		00H
FFFFF802H	System status register	SYS		√	√		00H
FFFFF80CH	Internal oscillation mode register	RCM		√	√		00H
FFFFF810H	DMA trigger factor register 0	DTFR0		√	√		00H
FFFFF812H	DMA trigger factor register 1	DTFR1		√	√		00H
FFFFF814H	DMA trigger factor register 2	DTFR2		√	√		00H
FFFFF816H	DMA trigger factor register 3	DTFR3		√	√		00H
FFFFF820H	Power save mode register	PSMR		√	√		00H
FFFFF822H	Clock control register	CKC	√	√		0AH	
FFFFF824H	Lock register	LOCKR	R	√	√		00H
FFFFF828H	Processor clock control register	PCC	R/W	√	√		03H
FFFFF82CH	PLL control register	PLLCTL		√	√		01H
FFFFF82EH	CPU operation clock status register	CCLS	R	√	√		00H
FFFFF870H	Clock monitor mode register	CLM	R/W	√	√		00H
FFFFF888H	Reset source flag register	RESF		√	√		00H
FFFFF890H	Low-voltage detection register	LVIM		√	√		00H

Address	Function Register Name	Symbol	R/W	Manipulatable Bits			Default Value
				1	8	16	
FFFFF891H	Low-voltage detection level select register	LVIS	R/W		√		00H
FFFFF892H	Internal RAM data status register	RAMS		√	√		01H
FFFFF8B0H	Prescaler mode register 0	PRSM0		√	√		00H
FFFFF8B1H	Prescaler compare register 0	PRSCM0			√		00H
FFFFF9FCH	On-chip debug mode register	OCDM		√	√		01H
FFFFF9FEH	Peripheral emulation register 1	PEMU1 ^{Note}		√	√		00H
FFFFFA00H	UARTA0 control register 0	UA0CTL0		√	√		10H
FFFFFA01H	UARTA0 control register 1	UA0CTL1			√		00H
FFFFFA02H	UARTA0 control register 2	UA0CTL2			√		FFH
FFFFFA03H	UARTA0 option control register 0	UA0OPT0		√	√		14H
FFFFFA04H	UARTA0 status register	UA0STR		√	√		00H
FFFFFA06H	UARTA0 receive data register	UA0RX		R		√	FFH
FFFFFA07H	UARTA0 transmit data register	UA0TX	R/W		√	FFH	
FFFFFA10H	UARTA1 control register 0	UA1CTL0		√	√		10H
FFFFFA11H	UARTA1 control register 1	UA1CTL1			√		00H
FFFFFA12H	UARTA1 control register 2	UA1CTL2			√		FFH
FFFFFA13H	UARTA1 option control register 0	UA1OPT0		√	√		14H
FFFFFA14H	UARTA1 status register	UA1STR		√	√		00H
FFFFFA16H	UARTA1 receive data register	UA1RX	R		√	FFH	
FFFFFA17H	UARTA1 transmit data register	UA1TX	R/W		√	FFH	
FFFFFA20H	UARTA2 control register 0	UA2CTL0		√	√		10H
FFFFFA21H	UARTA2 control register 1	UA2CTL1			√		00H
FFFFFA22H	UARTA2 control register 2	UA2CTL2			√		FFH
FFFFFA23H	UARTA2 option control register 0	UA2OPT0		√	√		14H
FFFFFA24H	UARTA2 status register	UA2STR		√	√		00H
FFFFFA26H	UARTA2 receive data register	UA2RX	R		√	FFH	
FFFFFA27H	UARTA2 transmit data register	UA2TX	R/W		√	FFH	
FFFFFA30H	UARTA3 control register 0	UA3CTL0		√	√		10H
FFFFFA31H	UARTA3 control register 1	UA3CTL1			√		00H
FFFFFA32H	UARTA3 control register 2	UA3CTL2			√		FFH
FFFFFA33H	UARTA3 option control register 0	UA3OPT0		√	√		14H
FFFFFA34H	UARTA3 status register	UA3STR		√	√		00H
FFFFFA36H	UARTA3 receive data register	UA3RX	R		√	FFH	
FFFFFA37H	UARTA3 transmit data register	UA3TX	R/W		√	FFH	
FFFFFC00H	External interrupt falling edge specification register 0	INTF0		√	√		00H
FFFFFC06H	External interrupt falling edge specification register 3	INTF3		√	√		00H
FFFFFC10H	External interrupt falling edge specification register 8	INTF8		√	√		00H
FFFFFC13H	External interrupt falling edge specification register 9H	INTF9H		√	√		00H
FFFFFC20H	External interrupt rising edge specification register 0	INTR0		√	√		00H
FFFFFC26H	External interrupt rising edge specification register 3	INTR3		√	√		00H
FFFFFC30H	External interrupt rising edge specification register 8	INTR8		√	√		00H
FFFFFC33H	External interrupt rising edge specification register 9H	INTR9H		√	√		00H

Note Only during emulation

Address	Function Register Name	Symbol	R/W	Manipulatable Bits			Default Value
				1	8	16	
FFFFFC60H	Port 0 function register	PF0	R/W	√	√		00H
FFFFFC66H	Port 3 function register	PF3				√	0000H
FFFFFC66H	Port 3 function register L	PF3L		√	√		00H
FFFFFC67H	Port 3 function register H	PF3H		√	√		00H
FFFFFC68H	Port 4 function register	PF4		√	√		00H
FFFFFC6AH	Port 5 function register	PF5		√	√		00H
FFFFFC6CH	Port 6 function register	PF6				√	0000H
FFFFFC6CH	Port 6 function register L	PF6L		√	√		00H
FFFFFC6DH	Port 6 function register H	PF6H		√	√		00H
FFFFFC70H	Port 8 function register	PF8		√	√		00H
FFFFFC72H	Port 9 function register	PF9				√	0000H
FFFFFC72H	Port 9 function register L	PF9L		√	√		00H
FFFFFC73H	Port 9 function register H	PF9H		√	√		00H
FFFFFD00H	CSIB0 control register 0	CB0CTL0		√	√		01H
FFFFFD01H	CSIB0 control register 1	CB0CTL1	√	√		00H	
FFFFFD02H	CSIB0 control register 2	CB0CTL2		√		00H	
FFFFFD03H	CSIB0 status register	CB0STR	√	√		00H	
FFFFFD04H	CSIB0 receive data register	CB0RX	R		√	0000H	
FFFFFD04H	CSIB0 receive data register L	CB0RXL			√		00H
FFFFFD06H	CSIB0 transmit data register	CB0TX	R/W		√	0000H	
FFFFFD06H	CSIB0 transmit data register L	CB0TXL			√		00H
FFFFFD10H	CSIB1 control register 0	CB1CTL0	√	√		01H	
FFFFFD11H	CSIB1 control register 1	CB1CTL1	√	√		00H	
FFFFFD12H	CSIB1 control register 2	CB1CTL2		√		00H	
FFFFFD13H	CSIB1 status register	CB1STR	√	√		00H	
FFFFFD14H	CSIB1 receive data register	CB1RX	R		√	0000H	
FFFFFD14H	CSIB1 receive data register L	CB1RXL			√		00H
FFFFFD16H	CSIB1 transmit data register	CB1TX	R/W		√	0000H	
FFFFFD16H	CSIB1 transmit data register L	CB1TXL			√		00H
FFFFFD20H	CSIB2 control register 0	CB2CTL0	√	√		01H	
FFFFFD21H	CSIB2 control register 1	CB2CTL1	√	√		00H	
FFFFFD22H	CSIB2 control register 2	CB2CTL2		√		00H	
FFFFFD23H	CSIB2 status register	CB2STR	√	√		00H	
FFFFFD24H	CSIB2 receive data register	CB2RX	R		√	0000H	
FFFFFD24H	CSIB2 receive data register L	CB2RXL			√		00H
FFFFFD26H	CSIB2 transmit data register	CB2TX	R/W		√	0000H	
FFFFFD26H	CSIB2 transmit data register L	CB2TXL			√		00H
FFFFFD30H	CSIB3 control register 0	CB3CTL0	√	√		01H	
FFFFFD31H	CSIB3 control register 1	CB3CTL1	√	√		00H	
FFFFFD32H	CSIB3 control register 2	CB3CTL2		√		00H	
FFFFFD33H	CSIB3 status register	CB3STR	√	√		00H	
FFFFFD34H	CSIB3 receive data register	CB3RX	R		√	0000H	
FFFFFD34H	CSIB3 receive data register L	CB3RXL			√		00H

Address	Function Register Name	Symbol	R/W	Manipulatable Bits			Default Value
				1	8	16	
FFFFFD36H	CSIB3 transmit data register	CB3TX	R/W			√	0000H
FFFFFD36H	CSIB3 transmit data register L	CB3TXL			√		00H
FFFFFD40H	CSIB4 control register 0	CB4CTL0		√	√		01H
FFFFFD41H	CSIB4 control register 1	CB4CTL1		√	√		00H
FFFFFD42H	CSIB4 control register 2	CB4CTL2			√		00H
FFFFFD43H	CSIB4 status register	CB4STR		√	√		00H
FFFFFD44H	CSIB4 receive data register	CB4RX	R			√	0000H
FFFFFD44H	CSIB4 receive data register L	CB4RXL			√		00H
FFFFFD46H	CSIB4 transmit data register	CB4TX	R/W			√	0000H
FFFFFD46H	CSIB4 transmit data register L	CB4TXL				√	00H
FFFFFD50H	CSIB5 control register 0	CB5CTL0		√	√		01H
FFFFFD51H	CSIB5 control register 1	CB5CTL1		√	√		00H
FFFFFD52H	CSIB5 control register 2	CB5CTL2			√		00H
FFFFFD53H	CSIB5 status register	CB5STR		√	√		00H
FFFFFD54H	CSIB5 receive data register	CB5RX	R			√	0000H
FFFFFD54H	CSIB5 receive data register L	CB5RXL			√		00H
FFFFFD56H	CSIB5 transmit data register	CB5TX	R/W			√	0000H
FFFFFD56H	CSIB5 transmit data register L	CB5TXL				√	00H
FFFFFD80H	IIC shift register 0	IIC0			√		00H
FFFFFD82H	IIC control register 0	IICC0		√	√		00H
FFFFFD83H	Slave address register 0	SVA0			√		00H
FFFFFD84H	IIC clock select register 0	IICCL0		√	√		00H
FFFFFD85H	IIC function expansion register 0	IICX0		√	√		00H
FFFFFD86H	IIC status register 0	IICS0	R	√	√		00H
FFFFFD8AH	IIC flag register 0	IICF0	R/W	√	√		00H
FFFFFD90H	IIC shift register 1	IIC1				√	00H
FFFFFD92H	IIC control register 1	IICC1		√	√		00H
FFFFFD93H	Slave address register 1	SVA1			√		00H
FFFFFD94H	IIC clock select register 1	IICCL1		√	√		00H
FFFFFD95H	IIC function expansion register 1	IICX1		√	√		00H
FFFFFD96H	IIC status register 1	IICS1	R	√	√		00H
FFFFFD9AH	IIC flag register 1	IICF1	R/W	√	√		00H
FFFFFDA0H	IIC shift register 2	IIC2				√	00H
FFFFFDA2H	IIC control register 2	IICC2		√	√		00H
FFFFFDA3H	Slave address register 2	SVA2			√		00H
FFFFFDA4H	IIC clock select register 2	IICCL2		√	√		00H
FFFFFDA5H	IIC function expansion register 2	IICX2		√	√		00H
FFFFFDA6H	IIC status register 2	IICS2	R	√	√		00H
FFFFDAAH	IIC flag register 2	IICF2	R/W	√	√		00H
FFFFFBEH	External bus interface mode control register	EXIMC			√	√	

3.4.7 Special registers

Special registers are registers that are protected from being written with illegal data due to a program hang-up. The V850ES/JJ2 has the following eight special registers.

- Power save control register (PSC)
- Clock control register (CKC)
- Processor clock control register (PCC)
- Clock monitor mode register (CLM)
- Reset source flag register (RESF)
- Low-voltage detection register (LVIM)
- Internal RAM data status register (RAMS)
- On-chip debug mode register (OCDM)

In addition, the PRCDM register is provided to protect against a write access to the special registers so that the application system does not inadvertently stop due to a program hang-up. A write access to the special registers is made in a specific sequence, and an illegal store operation is reported to the SYS register.

(1) Setting data to special registers

Set data to the special registers in the following sequence.

- <1> Disable DMA operation.
- <2> Prepare data to be set to the special register in a general-purpose register.
- <3> Write the data prepared in <2> to the PRCMD register.
- <4> Write the setting data to the special register (by using the following instructions).
 - Store instruction (ST/SST instruction)
 - Bit manipulation instruction (SET1/CLR1/NOT1 instruction)
- (<5> to <9> Insert NOP instructions (5 instructions).)^{Note}
- <10> Enable DMA operation if necessary.

[Example] With PSC register (setting standby mode)

```

    ST.B r11, PSMR[r0] ; Set PSMR register (setting IDLE1, IDLE2, and STOP modes).
<1>CLR1 0, DCHCn[r0] ; Disable DMA operation. n = 0 to 3
<2>MOV0x02, r10
<3>ST.B r10, PRCMD[r0] ; Write PRCMD register.
<4>ST.B r10, PSC[r0] ; Set PSC register.
<5>NOPNote ; Dummy instruction
<6>NOPNote ; Dummy instruction
<7>NOPNote ; Dummy instruction
<8>NOPNote ; Dummy instruction
<9>NOPNote ; Dummy instruction
<10>SET1 0, DCHCn[r0] ; Enable DMA operation. n = 0 to 3
(next instruction)

```

There is no special sequence to read a special register.

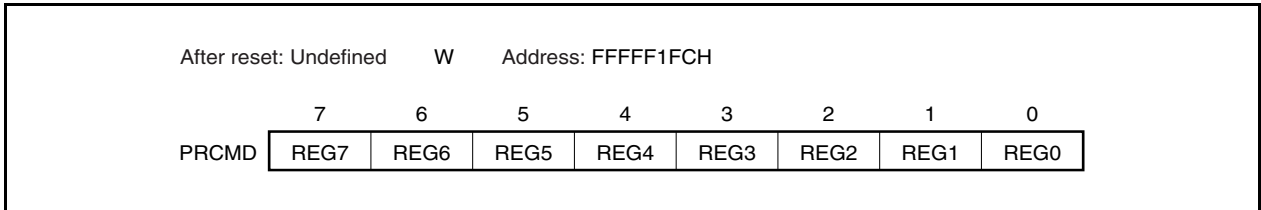
Note Five NOP instructions or more must be inserted immediately after setting the IDLE1 mode, IDLE2 mode, or STOP mode (by setting the PSC.STP bit to 1).

- Cautions 1.** When a store instruction is executed to store data in the command register, interrupts are not acknowledged. This is because it is assumed that steps <3> and <4> above are performed by successive store instructions. If another instruction is placed between <3> and <4>, and if an interrupt is acknowledged by that instruction, the above sequence may not be established, causing malfunction.
- 2.** Although dummy data is written to the PRCMD register, use the same general-purpose register used to set the special register (<4> in Example) to write data to the PRCMD register (<3> in Example). The same applies when a general-purpose register is used for addressing.

(2) Command register (PRCMD)

The PRCMD register is an 8-bit register that protects the registers that may seriously affect the application system from being written, so that the system does not inadvertently stop due to a program hang-up. The first write access to a special register is valid after data has been written in advance to the PRCMD register. In this way, the value of the special register can be rewritten only in a specific sequence, so as to protect the register from an illegal write access.

The PRCMD register is write-only, in 8-bit units (undefined data is read when this register is read).



(3) System status register (SYS)

Status flags that indicate the operation status of the overall system are allocated to this register.

This register can be read or written in 8-bit or 1-bit units.

Reset sets this register to 00H.

After reset: 00H	R/W	Address: FFFFF802H							
		7	6	5	4	3	2	1	<0>
SYS		0	0	0	0	0	0	0	PRERR
	PRERR	Detects protection error							
	0	Protection error did not occur							
	1	Protection error occurred							

The PRERR flag operates under the following conditions.

(a) Set condition (PRERR flag = 1)

- (i) When data is written to a special register without writing anything to the PRCMD register (when <4> is executed without executing <3> in **3.4.7 (1) Setting data to special registers**)
- (ii) When data is written to an on-chip peripheral I/O register other than a special register (including execution of a bit manipulation instruction) after writing data to the PRCMD register (if <4> in **3.4.7 (1) Setting data to special registers** is not the setting of a special register)

Remark Even if an on-chip peripheral I/O register is read (except by a bit manipulation instruction) between an operation to write the PRCMD register and an operation to write a special register, the PRERR flag is not set, and the set data can be written to the special register.

(b) Clear condition (PRERR flag = 0)

- (i) When 0 is written to the PRERR flag
- (ii) When the system is reset

Cautions 1. If 0 is written to the PRERR bit of the SYS register, which is not a special register, immediately after a write access to the PRCMD register, the PRERR bit is cleared to 0 (the write access takes precedence).

2. If data is written to the PRCMD register, which is not a special register, immediately after a write access to the PRCMD register, the PRERR bit is set to 1.

3.4.8 Cautions

(1) Registers to be set first

Be sure to set the following registers first when using the V850ES/JJ2.

- System wait control register (VSWC)
- On-chip debug mode register (OCDM)
- Watchdog timer mode register 2 (WDTM2)

After setting the VSWC, OCDM, and WDTM2 registers, set the other registers as necessary.

When using the external bus, set each pin to the alternate-function bus control pin mode by using the port-related registers after setting the above registers.

(a) System wait control register (VSWC)

The VSWC register controls wait of bus access to the on-chip peripheral I/O registers.

Three clocks are required to access an on-chip peripheral I/O register (without a wait cycle). The V850ES/JJ2 requires wait cycles according to the operating frequency. Set the following value to the VSWC register in accordance with the frequency used.

The VSWC register can be read or written in 8-bit units (address: FFFFF06EH, default value: 77H).

Operating Frequency (f_{CLK})	Set Value of VSWC	Number of Waits
$32 \text{ kHz} \leq f_{CLK} < 16.6 \text{ MHz}$	00H	0 (no waits)
$16.6 \text{ MHz} \leq f_{CLK} < 20 \text{ MHz}$	01H	1

(b) On-chip debug mode register (OCDM)

For details, see **CHAPTER 27 ON-CHIP DEBUG FUNCTION**.

(c) Watchdog timer mode register 2 (WDTM2)

The WDTM2 register sets the overflow time and the operation clock of watchdog timer 2.

Watchdog timer 2 automatically starts in the reset mode after reset is released. Write the WDTM2 register to activate this operation.

For details, refer to **CHAPTER 11 FUNCTIONS OF WATCHDOG TIMER 2**.

(2) Accessing specific on-chip peripheral I/O registers

This product has two types of internal system buses.

One is a CPU bus and the other is a peripheral bus that interfaces with low-speed peripheral hardware.

The clock of the CPU bus and the clock of the peripheral bus are asynchronous. If an access to the CPU and an access to the peripheral hardware conflict, therefore, unexpected illegal data may be transferred. If there is a possibility of a conflict, the number of cycles for accessing the CPU changes when the peripheral hardware is accessed, so that correct data is transferred. As a result, the CPU does not start processing of the next instruction but enters the wait state. If this wait state occurs, the number of clocks required to execute an instruction increases by the number of wait clocks shown below.

This must be taken into consideration if real-time processing is required.

When specific on-chip peripheral I/O registers are accessed, more wait states may be required in addition to the wait states set by the VSWC register.

The access conditions and how to calculate the number of wait states to be inserted (number of CPU clocks) at this time are shown below.

Peripheral Function	Register Name	Access	k
16-bit timer/event counter P (TMP) (n = 0 to 8)	TPnCNT	Read	1 or 2
	TPnCCR0, TPnCCR1	Write	<ul style="list-style-type: none"> • 1st access: No wait • Continuous write: 3 or 4
		Read	1 or 2
16-bit timer/event counter Q (TMQ)	TQ0CNT	Read	1 or 2
	TQ0CCR0 to TQ0CCR3	Write	<ul style="list-style-type: none"> • 1st access: No wait • Continuous write: 3 or 4
		Read	1 or 2
Watchdog timer 2 (WDT2)	WDTM2	Write (when WDT2 operating)	3
Real-time output function (RTO) (n = 0, 1)	RTBLn, RTBHn	Write (RTPCn.RTPOEn bit = 0)	1
A/D converter	ADA0M0	Read	1 or 2
	ADA0CR0 to ADA0CR15	Read	1 or 2
	ADA0CR0H to ADA0CR15H	Read	1 or 2
I ² C00 to I ² C02	IICS0 to IICS2	Read	1

Number of clocks necessary for access = $3 + i + j + (2 + j) \times k$

Caution Accessing the above registers is prohibited in the following statuses. If a wait cycle is generated, it can only be cleared by a reset.

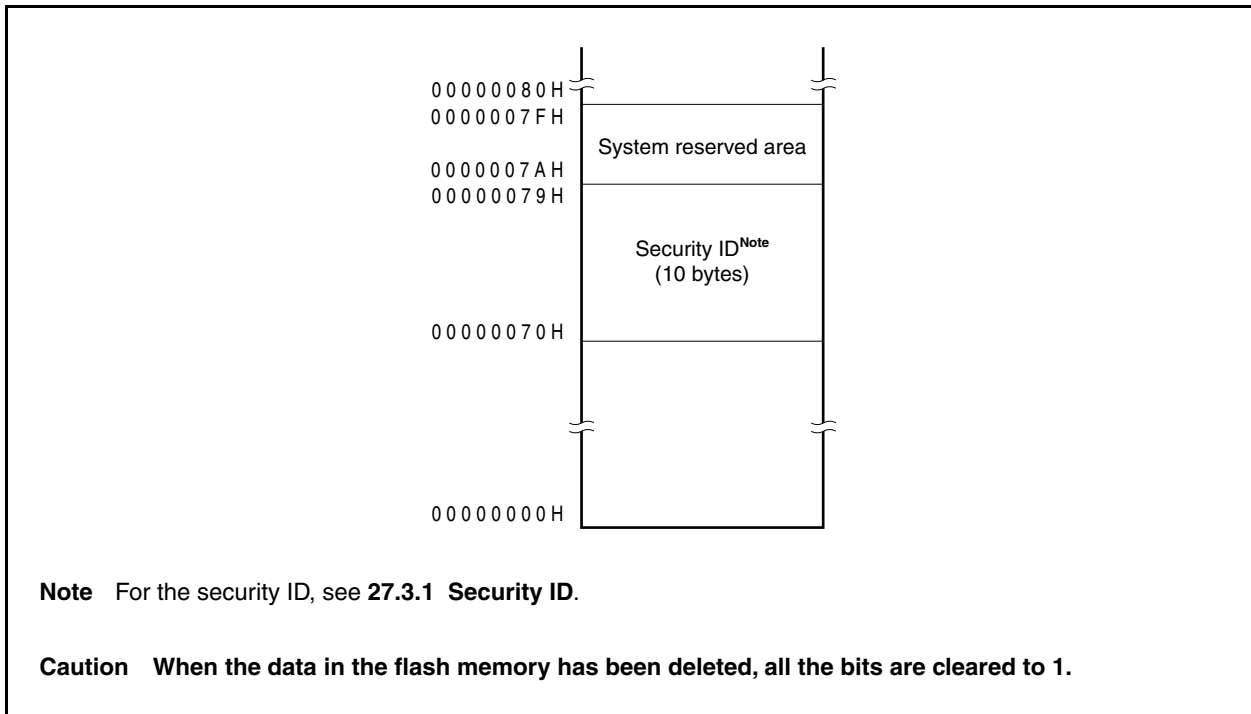
- When the CPU operates with the subclock and the main clock oscillation is stopped
- When the CPU operates with the internal oscillation clock

Remark i: Values (0 or 1) of higher 4 bits of VSWC register

j: Values (0 or 1) of lower 4 bits of VSWC register

(3) System reserved area

In the V850ES/JJ2, 0000007AH to 0000007FH is a system reserved area for function expansion, and therefore it is recommended that this area not be used.



Note For the security ID, see 27.3.1 Security ID.

Caution When the data in the flash memory has been deleted, all the bits are cleared to 1.

(4) Restriction on conflict between sld instruction and interrupt request**(a) Description**

If a conflict occurs between the decode operation of an instruction in <2> immediately before the sld instruction following an instruction in <1> and an interrupt request before the instruction in <1> is complete, the execution result of the instruction in <1> may not be stored in a register.

Instruction <1>

- ld instruction: ld.b, ld.h, ld.w, ld.bu, ld.hu
- sld instruction: sld.b, sld.h, sld.w, sld.bu, sld.hu
- Multiplication instruction: mul, mulh, mulhi, mulu

Instruction <2>

mov reg1, reg2	not reg1, reg2	satsubr reg1, reg2	satsub reg1, reg2
satadd reg1, reg2	satadd imm5, reg2	or reg1, reg2	xor reg1, reg2
and reg1, reg2	tst reg1, reg2	subr reg1, reg2	sub reg1, reg2
add reg1, reg2	add imm5, reg2	cmp reg1, reg2	cmp imm5, reg2
mulh reg1, reg2	shr imm5, reg2	sar imm5, reg2	shl imm5, reg2

<Example>

<i> ld.w [r11], r10
 •
 •
 •

If the decode operation of the mov instruction <ii> immediately before the sld instruction <iii> and an interrupt request conflict before execution of the ld instruction <i> is complete, the execution result of instruction <i> may not be stored in a register.

<ii> mov r10, r28

<iii> sld.w 0x28, r10

(b) Countermeasure

<1> When compiler (CA850) is used

Use CA850 Ver. 2.61 or later because generation of the corresponding instruction sequence can be automatically suppressed.

<2> Countermeasure by assembler

When executing the sld instruction immediately after instruction <ii>, avoid the above operation using either of the following methods.

- Insert a nop instruction immediately before the sld instruction.
- Do not use the same register as the sld instruction destination register in the above instruction <ii> executed immediately before the sld instruction.

CHAPTER 4 PORT FUNCTIONS

4.1 Features

- I/O ports: 128
 - 5 V tolerant/N-ch open-drain output switchable: 60 (ports 0, 3 to 6, 8, 9)
- Input/output specifiable in 1-bit units

4.2 Basic Port Configuration

The V850ES/JJ2 features a total of 128 I/O ports consisting of ports 0, 1, 3 to 9, CD, CM, CS, CT, DH, and DL. The port configuration is shown below.

Figure 4-1. Port Configuration Diagram

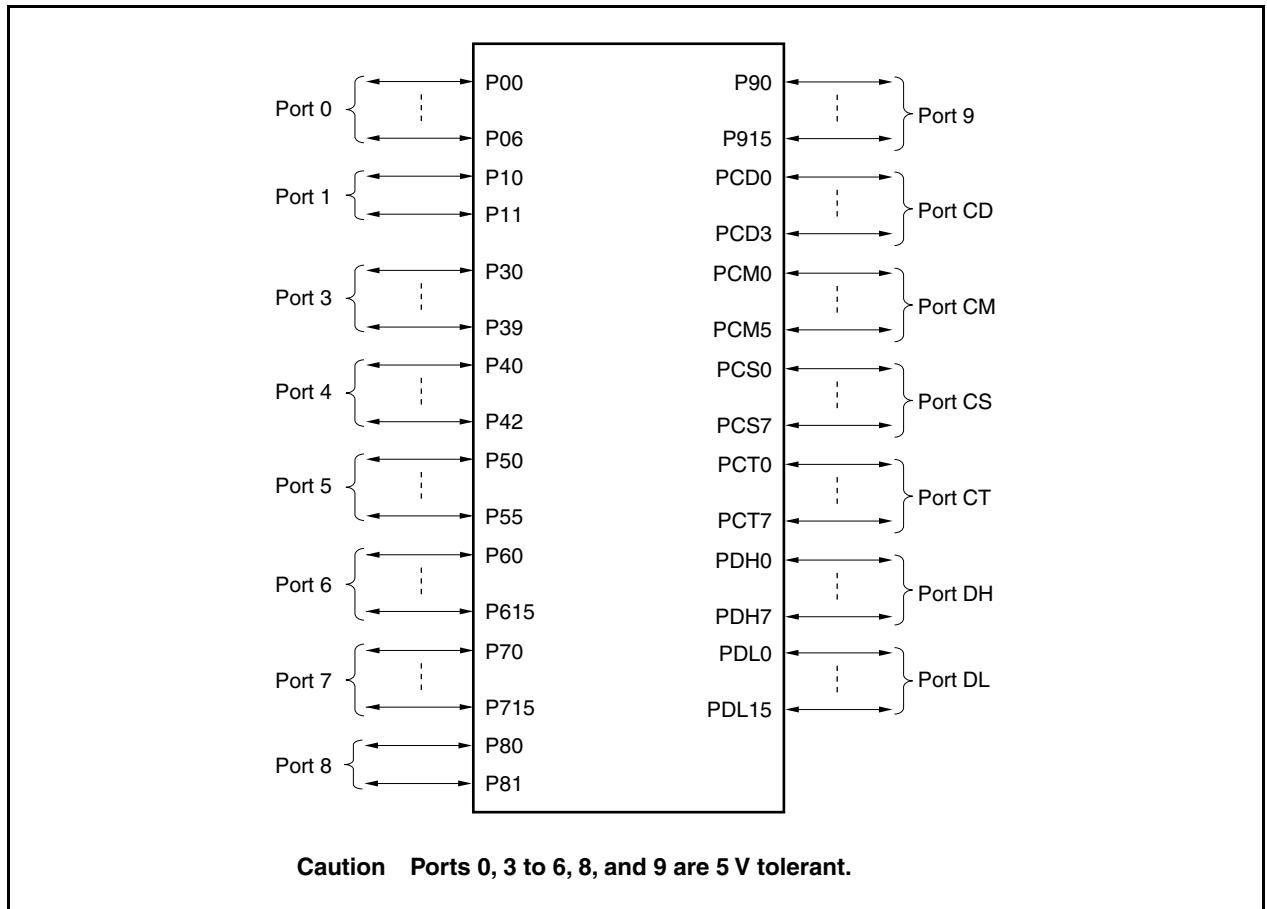


Table 4-1. I/O Buffer Power Supplies for Pins

Power Supply	Corresponding Pins
AV _{REF0}	Port 7
AV _{REF1}	Port 1
BV _{DD}	Ports CD, CM, CS, CT, DH, DL
EV _{DD}	$\overline{\text{RESET}}$, ports 0, 3 to 6, 8, 9

4.3 Port Configuration

Table 4-2. Port Configuration

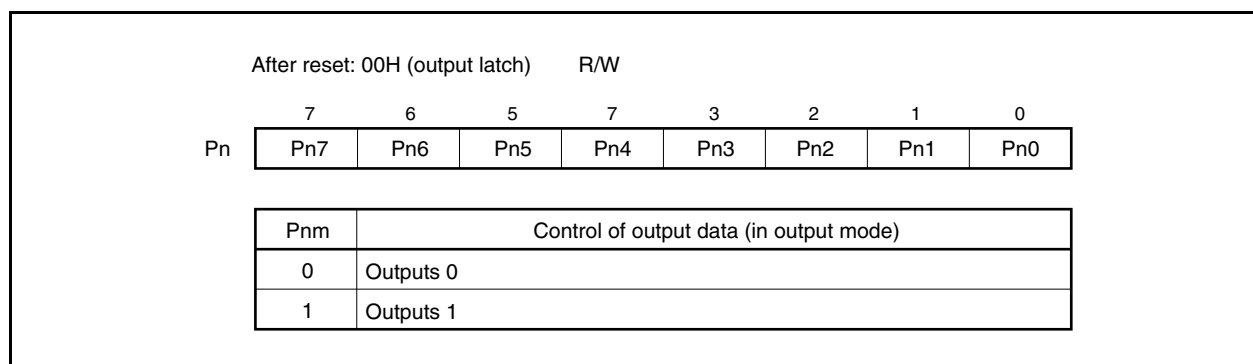
Item	Configuration
Control register	Port n mode register (PMn: n = 0, 1, 3 to 9, CD, CM, CS, CT, DH, DL) Port n mode control register (PMCn: n = 0, 3 to 6, 8, 9, CM, CS, CT, DH, DL) Port n function control register (PFCn: n = 0, 3 to 6, 9) Port n function control expansion register (PFCEn: n = 3, 5, 9) Port n function register (PFn: n = 0, 3 to 6, 8, 9)
Ports	I/O: 128

(1) Port n register (Pn)

Data is input from or output to an external device by writing or reading the Pn register.

The Pn register consists of a port latch that holds output data, and a circuit that reads the status of pins.

Each bit of the Pn register corresponds to one pin of port n, and can be read or written in 1-bit units.



Data is written to or read from the Pn register as follows, regardless of the setting of the PMCn register.

Table 4-3. Writing/Reading Pn Register

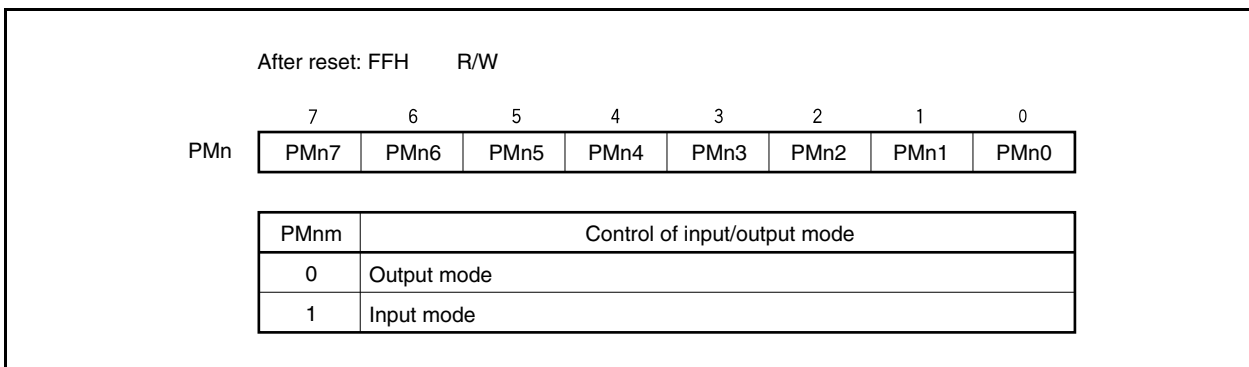
Setting of PMn Register	Writing to Pn Register	Reading from Pn Register
Output mode (PMnm = 0)	Data is written to the output latch ^{Note} . In the port mode (PMCn = 0), the contents of the output latch are output from the pins.	The value of the output latch is read.
Input mode (PMnm = 1)	Data is written to the output latch. The pin status is not affected ^{Note} .	The pin status is read.

Note The value written to the output latch is retained until a new value is written to the output latch.

(2) Port n mode register (PMn)

The PMn register specifies the input or output mode of the corresponding port pin.

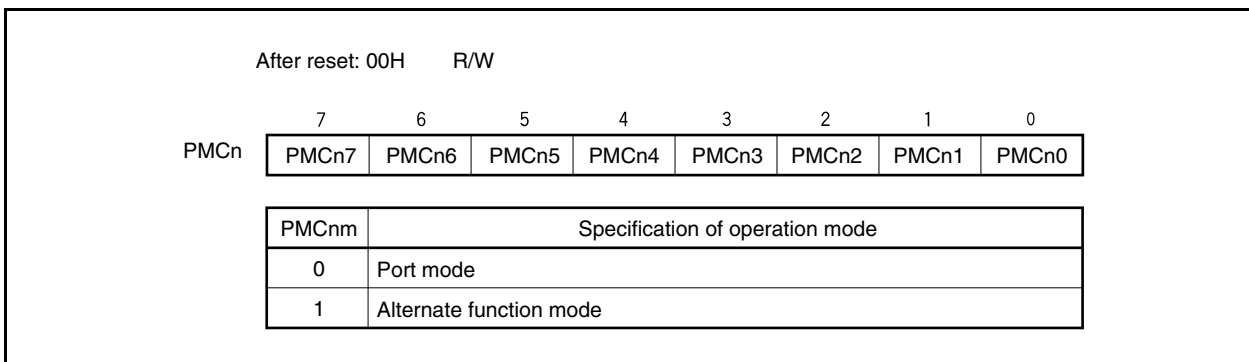
Each bit of this register corresponds to one pin of port n, and the input or output mode can be specified in 1-bit units.



(3) Port n mode control register (PMCn)

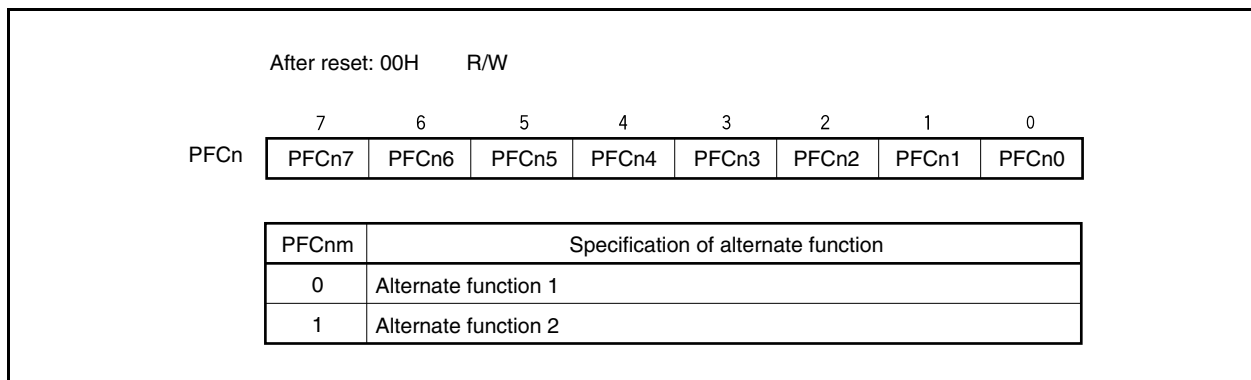
The PMCn register specifies the port mode or alternate function.

Each bit of this register corresponds to one pin of port n, and the mode of the port can be specified in 1-bit units.



(4) Port n function control register (PFCn)

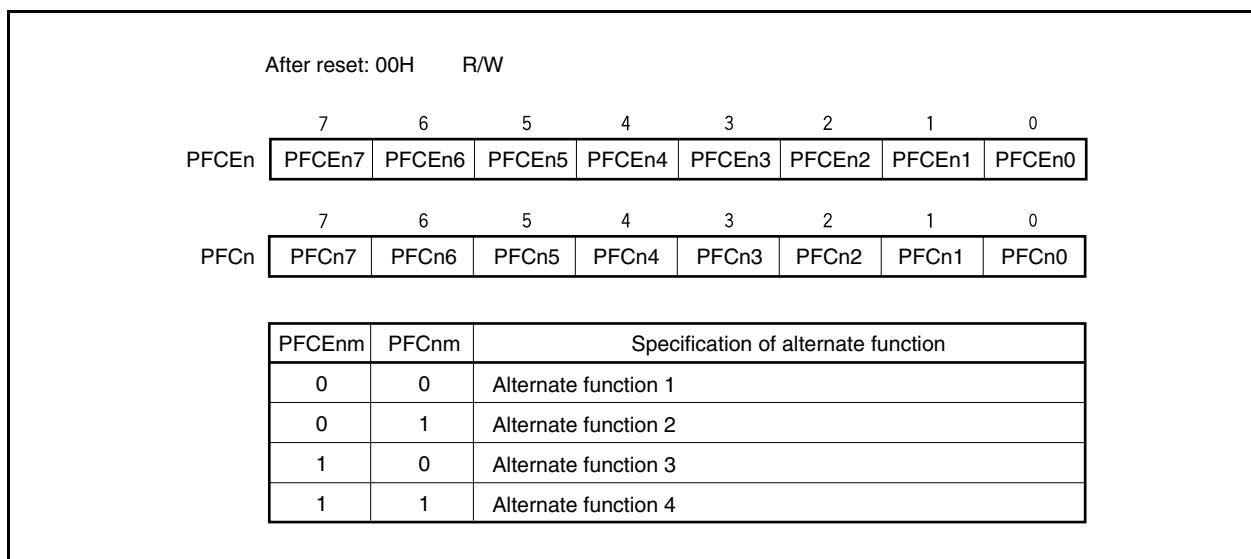
The PFCn register specifies the alternate function of a port pin to be used if the pin has two alternate functions. Each bit of this register corresponds to one pin of port n, and the alternate function of a port pin can be specified in 1-bit units.



(5) Port n function control expansion register (PFCEn)

The PFCEn register specifies the alternate function of a port pin to be used if the pin has three or more alternate functions.

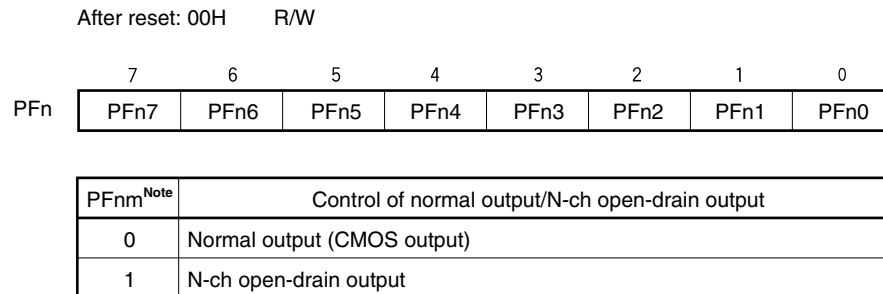
Each bit of this register corresponds to one pin of port n, and the alternate function of a port pin can be specified in 1-bit units.



(6) Port n function register (PFn)

The PFn register specifies normal output or N-ch open-drain output.

Each bit of this register corresponds to one pin of port n, and the output mode of the port pin can be specified in 1-bit units.

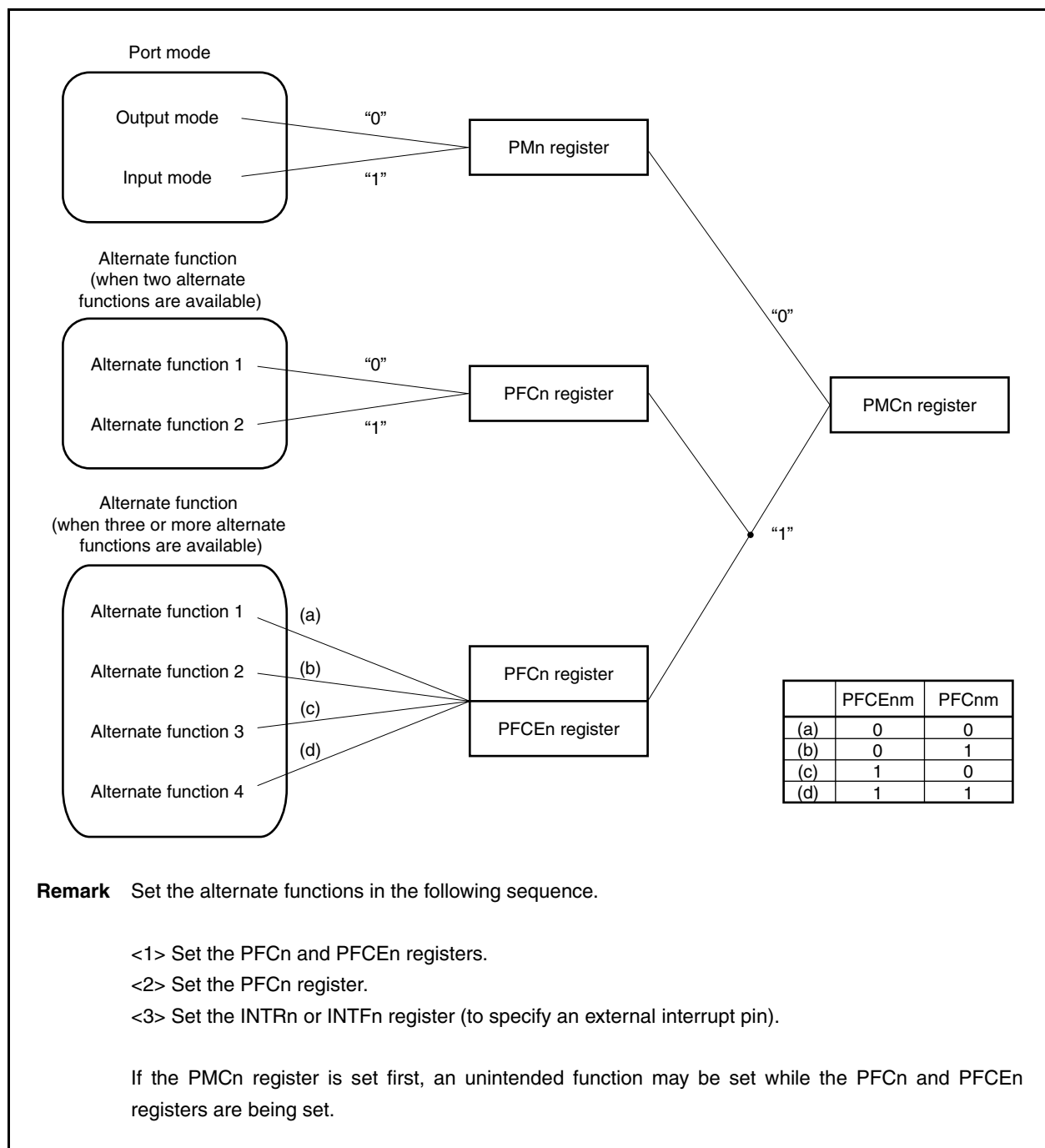


Note The PFnm bit of the PFn register is valid only when the PMnm bit of the PMn register is 0 (when the output mode is specified) in port mode (PMCnm bit = 0). When the PMnm bit is 1 (when the input mode is specified), the set value of the PFn register is invalid.

(7) Port setting

Set a port as illustrated below.

Figure 4-2. Setting of Each Register and Pin Function



4.3.1 Port 0

Port 0 is a 7-bit port for which I/O settings can be controlled in 1-bit units.

Port 0 includes the following alternate-function pins.

Table 4-4. Port 0 Alternate-Function Pins

Pin Name	Pin No.	Alternate-Function Pin Name	I/O	Remark	Block Type
P00	6	TIP61/TOP61	I/O	Selectable as N-ch open-drain output	G-1
P01	7	TIP60/TOP60	I/O		G-1
P02	17	NMI	Input		L-1
P03	18	INTP0/ADTRG	Input		N-1
P04	19	INTP1	Input		L-1
P05	20	INTP2/ $\overline{\text{DRST}}$ ^{Note}	Input		AA-1
P06	21	INTP3	Input		L-1

Note The $\overline{\text{DRST}}$ pin is used for on-chip debugging.

If on-chip debugging is not used, fix the P05/INTP2/ $\overline{\text{DRST}}$ pin to low level between when the reset signal of the $\overline{\text{RESET}}$ pin is released and when the OCDM.OCDM0 bit is cleared (0).

For details, see **4.6.3 Cautions on on-chip debug pins**.

Caution The P00 to P06 pins have hysteresis characteristics in the input mode of the alternate function, but do not have hysteresis characteristics in the port mode.

(1) Port 0 register (P0)

After reset: 00H (output latch) R/W Address: FFFFF400H								
	7	6	5	4	3	2	1	0
P0	0	P06	P05	P04	P03	P02	P01	P00
	Output data control (in output mode) (n = 0 to 6)							
	0	Outputs 0						
	1	Outputs 1						

(2) Port 0 mode register (PM0)

After reset: FFH R/W Address: FFFFF420H								
	7	6	5	4	3	2	1	0
PM0	1	PM06	PM05	PM04	PM03	PM02	PM01	PM00
	I/O mode control (n = 0 to 6)							
	0	Output mode						
	1	Input mode						

(3) Port 0 mode control register (PMC0)

After reset: 00H R/W Address: FFFFF440H

	7	6	5	4	3	2	1	0
PMC0	0	PMC06	PMC05	PMC04	PMC03	PMC02	PMC01	PMC00
	PMC06		Specification of P06 pin operation mode					
	0	I/O port						
	1	INTP3 input						
	PMC05		Specification of P05 pin operation mode					
	0	I/O port						
	1	INTP2 input						
	PMC04		Specification of P04 pin operation mode					
	0	I/O port						
	1	INTP1 input						
	PMC03		Specification of P03 pin operation mode					
	0	I/O port						
	1	INTP0 input/ADTRG input						
	PMC02		Specification of P02 pin operation mode					
	0	I/O port						
	1	NMI input						
	PMC01		Specification of P01 pin operation mode					
	0	I/O port						
	1	TIP60 input/TOP60 output						
	PMC00		Specification of P00 pin operation mode					
	0	I/O port						
	1	TIP61 input/TOP61 output						

Caution The P05/INTP2/ $\overline{\text{DRST}}$ pin becomes the $\overline{\text{DRST}}$ pin regardless of the value of the PMC05 bit when the OCDM.OCDM0 bit = 1.

(4) Port 0 function control register (PFC0)

After reset: 00H R/W Address: FFFFF460H

	7	6	5	4	3	2	1	0
PFC0	0	0	0	0	PFC03	0	PFC01	PFC00

PFC03	Specification of P03 pin alternate function
0	INTP0 input
1	ADTRG input

PFC01	Specification of P01 pin alternate function
0	TIP60 input
1	TOP60 output

PFC00	Specification of P00 pin alternate function
0	TIP61 input
1	TOP61 output

(5) Port 0 function register (PF0)

After reset: 00H R/W Address: FFFFC60H

	7	6	5	4	3	2	1	0
PF0	0	PF06	PF05	PF04	PF03	PF02	PF01	PF00

PF0n	Control of normal output or N-ch open-drain output (n = 0 to 6)
0	Normal output (CMOS output)
1	N-ch open drain output

Caution When an output pin is pulled up at EV_{DD} or higher, be sure to set the PF0n bit to 1.

4.3.2 Port 1

Port 1 is a 2-bit port for which I/O settings can be controlled in 1-bit units.

Port 1 includes the following alternate-function pins.

Table 4-5. Port 1 Alternate-Function Pins

Pin Name	Pin No.	Alternate-Function Pin Name	I/O	Remark	Block Type
P10	3	ANO0	Output	–	A-2
P11	4	ANO1	Output	–	A-2

Caution When the power is turned on, the P10 and P11 pins may output an undefined level temporarily, even during reset.

(1) Port 1 register (P1)

After reset: 00H (output latch) R/W Address: FFFFF402H

	7	6	5	4	3	2	1	0
P1	0	0	0	0	0	0	P11	P10

P1n	Output data control (in output mode) (n = 0, 1)
0	Outputs 0
1	Outputs 1

Caution Do not read or write the P1 register during D/A conversion (see 14.4.3 Cautions).

(2) Port 1 mode register (PM1)

After reset: FFH R/W Address: FFFFF422H

	7	6	5	4	3	2	1	0
PM1	1	1	1	1	1	1	PM11	PM10

PM1n	I/O mode control (n = 0, 1)
0	Output mode
1	Input mode

Cautions

1. When using P1n as alternate functions (ANOn pin output), set the PM1n bit to 1.
2. When using one of the P10 and P11 pins as an I/O port and the other as a D/A output pin, do so in an application where the port I/O level does not change during D/A output.

4.3.3 Port 3

Port 3 is a 10-bit port for which I/O settings can be controlled in 1-bit units.

Port 3 includes the following alternate-function pins.

Table 4-6. Port 3 Alternate-Function Pins

Pin Name	Pin No.	Alternate-Function Pin Name	I/O	Remark	Block Type
P30	25	TXDA0/SOB4	Output	Selectable as N-ch open-drain output	G-3
P31	26	RXDA0/INTP7/SIB4	Input		N-3
P32	27	ASCKA0/ $\overline{\text{SCKB4}}$ /TIP00/TOP00	I/O		U-1
P33	28	TIP01/TOP01	I/O		G-1
P34	29	TIP10/TOP10	I/O		G-1
P35	30	TIP11/TOP11	I/O		G-1
P36	31	–	–		C-1
P37	32	–	–		C-1
P38	35	TXDA2/SDA00	I/O		G-12
P39	36	RXDA2/SCL00	I/O		G-6

Caution The P31 to P35, P38, and P39 pins have hysteresis characteristics in the input mode of the alternate-function pin, but do not have the hysteresis characteristics in the port mode.

(1) Port 3 register (P3)

After reset: 0000H (output latch) R/W Address: P3 FFFFF406H,
P3L FFFFF406H, P3H FFFFF407H

	15	14	13	12	11	10	9	8
P3 (P3H)	0	0	0	0	0	0	P39	P38
	7	6	5	4	3	2	1	0
(P3L)	P37	P36	P35	P34	P33	P32	P31	P30

P3n	Output data control (in output mode) (n = 0 to 9)
0	Outputs 0
1	Outputs 1

Remarks

- The P3 register can be read or written in 16-bit units.
However, when using the higher 8 bits of the P3 register as the P3H register and the lower 8 bits as the P3L register, P3 can be read or written in 8-bit or 1-bit units.
- To read/write bits 8 to 15 of the P3 register in 8-bit or 1-bit units, specify them as bits 0 to 7 of the P3H register.

(2) Port 3 mode register (PM3)

After reset: FFFFH R/W Address: PM3 FFFFF426H,
PM3L FFFFF426H, PM3H FFFFF427H

	15	14	13	12	11	10	9	8
PM3 (PM3H)	1	1	1	1	1	1	PM39	PM38
	7	6	5	4	3	2	1	0
(PM3L)	PM37	PM36	PM35	PM34	PM33	PM32	PM31	PM30

PM3n	I/O mode control (n = 0 to 9)
0	Output mode
1	Input mode

Remarks

- The PM3 register can be read or written in 16-bit units.
However, when using the higher 8 bits of the PM3 register as the PM3H register and the lower 8 bits as the PM3L register, PM3 can be read or written in 8-bit or 1-bit units.
- To read/write bits 8 to 15 of the PM3 register in 8-bit or 1-bit units, specify them as bits 0 to 7 of the PM3H register.

(3) Port 3 mode control register (PMC3)

After reset: 0000H R/W Address: PMC3 FFFFF446H,
 PMC3L FFFFF446H, PMC3H FFFFF447H

	15	14	13	12	11	10	9	8
PMC3 (PMC3H)	0	0	0	0	0	0	PMC39	PMC38
	7	6	5	4	3	2	1	0
(PMC3L)	0	0	PMC35	PMC34	PMC33	PMC32	PMC31	PMC30

PMC39	Specification of P39 pin operation mode
0	I/O port
1	RXDA2 input/SCL00 I/O

PMC38	Specification of P38 pin operation mode
0	I/O port
1	TXDA2 output/SDA00 I/O

PMC35	Specification of P35 pin operation mode
0	I/O port
1	TIP11 input/TOP11 output

PMC34	Specification of P34 pin operation mode
0	I/O port
1	TIP10 input/TOP10 output

PMC33	Specification of P33 pin operation mode
0	I/O port
1	TIP01 input/TOP01 output

PMC32	Specification of P32 pin operation mode
0	I/O port
1	ASCKA0 input/SCKB4 I/O/TIP00 input/TOP00 output

PMC31	Specification of P31 pin operation mode
0	I/O port
1	RXDA0 input/SIB4 input/INTP7 input

PMC30	Specification of P30 pin operation mode
0	I/O port
1	TXDA0 output/SOB4 output

Caution Be sure to clear bits 15 to 10, 7, and 6 to “0”.

- Remarks**
- The PMC3 register can be read or written in 16-bit units. However, when using the higher 8 bits of the PMC3 register as the PMC3H register and the lower 8 bits as the PMC3L register, PMC3 can be read or written in 8-bit or 1-bit units.
 - To read/write bits 8 to 15 of the PMC3 register in 8-bit or 1-bit units, specify them as bits 0 to 7 of the PMC3H register.

(4) Port 3 function control register (PFC3)

After reset: 0000H R/W Address: PFC3 FFFFF466H,
PFC3L FFFFF466H, PFC3L FFFFF467H

	15	14	13	12	11	10	9	8
PFC3 (PFC3H)	0	0	0	0	0	0	PFC39	PFC38
	7	6	5	4	3	2	1	0
(PFC3L)	0	0	PFC35	PFC34	PFC33	PFC32	PFC31	PFC30

- Remarks**
1. For details of alternate function specification, see **4.3.3 (6) Port 3 alternate function specifications**.
 2. The PFC3 register can be read or written in 16-bit units.
However, when using the higher 8 bits of the PFC3 register as the PFC3H register and the lower 8 bits as the PFC3L register, PFC3 can be read or written in 8-bit and 1-bit units.
 3. To read/write bits 8 to 15 of the PFC3 register in 8-bit or 1-bit units, specify them as bits 0 to 7 of the PFC3H register.

(5) Port 3 function control expansion register L (PFCE3L)

After reset: 00H R/W Address: FFFFF706H

	7	6	5	4	3	2	1	0
PFCE3L	0	0	0	0	0	PFCE32	0	0

Caution Be sure to clear bits 7 to 3, 1, and 0 to “0”.

Remark For details of alternate function specification, see **4.3.3 (6) Port 3 alternate function specifications**.

(6) Port 3 alternate function specifications

PFC39	Specification of P39 pin alternate function
0	RXDA2 input
1	SCL00 input

PFC38	Specification of P38 pin alternate function
0	TXDA2 output
1	SDA00 I/O

PFC35	Specification of P35 pin alternate function
0	TIP11 input
1	TOP11 output

PFC34	Specification of P34 pin alternate function
0	TIP10 input
1	TOP10 output

PFC33	Specification of P33 pin alternate function
0	TIP01 input
1	TOP01 output

PFCE32	PFC32	Specification of P32 pin alternate function
0	0	ASCKA0 input
0	1	$\overline{\text{SCKB4}}$ I/O
1	0	TIP00 input
1	1	TOP00 output

PFC31	Specification of P31 pin alternate function
0	RXDA0 input/INTP7 ^{Note} input
1	SIB4 input

PFC30	Specification of P30 pin alternate function
0	TXDA0 output
1	SOB4 output

Note The INTP7 pin and RXDA0 pin are alternate-function pins. When using the pin as the RXDA0 pin, disable edge detection for the INTP7 alternate-function pin. (Clear the INTF3.INTF31 bit and the INTR3.INTR31 bit to 0.) When using the pin as the INTP7 pin, stop UARTA0 reception. (Clear the UA0CTL0.UA0RXE bit to 0.)

(7) Port 3 function register (PF3)

After reset: 0000H R/W Address: PF3 FFFFFFFC66H,
PF3L FFFFFFFC66H, PF3H FFFFFFFC67H

	15	14	13	12	11	10	9	8
PF3 (PF3H)	0	0	0	0	0	0	PF39	PF38

	7	6	5	4	3	2	1	0
(PF3L)	PF37	PF36	PF35	PF34	PF33	PF32	PF31	PF30

PF3n	Control of normal output or N-ch open-drain output (n = 0 to 9)
0	Normal output (CMOS output)
1	N-ch open-drain output

Caution When an output pin is pulled up at EV_{DD} or higher, be sure to set the PF3n bit to 1.

- Remarks**
- The PF3 register can be read or written in 16-bit units.
However, when using the higher 8 bits of the PF3 register as the PF3H register and the lower 8 bits as the PF3L register, PF3 can be read or written in 8-bit or 1-bit units.
 - To read/write bits 8 to 15 of the PF3 register in 8-bit or 1-bit units, specify them as bits 0 to 7 of the PF3H register.

4.3.4 Port 4

Port 4 is a 3-bit port that controls I/O in 1-bit units.

Port 4 includes the following alternate-function pins.

Table 4-7. Port 4 Alternate-Function Pins

Pin Name	Pin No.	Alternate-Function Pin Name	I/O	Remark	Block Type
P40	22	SIB0/SDA01	I/O	Selectable as N-ch open-drain output	G-6
P41	23	SOB0/SCL01	I/O		G-12
P42	24	SCKB0	I/O		E-3

Caution The P40 to P42 pins have hysteresis characteristics in the input mode of the alternate-function pin, but do not have the hysteresis characteristics in the port mode.

(1) Port 4 register (P4)

After reset: 00H (output latch) R/W Address: FFFFF408H

	7	6	5	4	3	2	1	0
P4	0	0	0	0	0	P42	P41	P40

P4n	Output data control (in output mode) (n = 0 to 2)
0	Outputs 0
1	Outputs 1

(2) Port 4 mode register (PM4)

After reset: FFH R/W Address: FFFFF428H

	7	6	5	4	3	2	1	0
PM4	1	1	1	1	1	PM42	PM41	PM40

PM4n	I/O mode control (n = 0 to 2)
0	Output mode
1	Input mode

(3) Port 4 mode control register (PMC4)

After reset: 00H R/W Address: FFFFF448H

	7	6	5	4	3	2	1	0
PMC4	0	0	0	0	0	PMC42	PMC41	PMC40

PMC42	Specification of P42 pin operation mode
0	I/O port
1	SCKB0 I/O

PMC41	Specification of P41 pin operation mode
0	I/O port
1	SOB0 output/SCL01 I/O

PMC40	Specification of P40 pin operation mode
0	I/O port
1	SIB0 input/SDA01 I/O

(4) Port 4 function control register (PFC4)

After reset: 00H R/W Address: FFFFF468H

	7	6	5	4	3	2	1	0
PFC4	0	0	0	0	0	0	PFC41	PFC40

PFC41	Specification of P41 pin alternate function
0	SOB0 output
1	SCL01 I/O

PFC40	Specification of P40 pin alternate function
0	SIB0 input
1	SDA01 I/O

(5) Port 4 function register (PF4)

After reset: 00H R/W Address: FFFFFC68H

	7	6	5	4	3	2	1	0
PF4	0	0	0	0	0	PF42	PF41	PF40

PF4n	Control of normal output or N-ch open-drain output (n = 0 to 2)
0	Normal output (CMOS output)
1	N-ch open-drain output

Caution When an output pin is pulled up at EV_{DD} or higher, be sure to set the PF4n bit to 1.

4.3.5 Port 5

Port 5 is a 6-bit port that controls I/O in 1-bit units.

Port 5 includes the following alternate-function pins.

Table 4-8. Port 5 Alternate-Function Pins

Pin Name	Pin No.	Alternate-Function Pin Name	I/O	Remark	Block Type
P50	37	TIQ01/KR0/TOQ01/RTP00	I/O	Selectable as N-ch open-drain output	U-5
P51	38	TIQ02/KR1/TOQ02/RTP01	I/O		U-5
P52	39	TIQ03/KR2/TOQ03/RTP02/DDI ^{Note}	I/O		U-6
P53	40	SIB2/KR3/TIQ00/TOQ00/RTP03/DDO ^{Note}	I/O		U-7
P54	41	SOB2/KR4/RTP04/DCK ^{Note}	I/O		U-8
P55	42	SCKB2/KR5/RTP05/DMS ^{Note}	I/O		U-9

Note The DDI, DDO, DCK, and DMS pins are used for on-chip debugging.

If on-chip debugging is not used, fix the P05/INTP2/DRST pin to low level between when the reset signal of the RESET pin is released and when the OCDM.OCDM0 bit is cleared (0).

For details, see 4.6.3 Cautions on on-chip debug pins.

- Cautions**
1. When the power is turned on, the P53 pin may output undefined level temporarily, even during reset.
 2. The P50 to P55 pins have hysteresis characteristics in the input mode of the alternate function, but do not have hysteresis characteristics in the port mode.

(1) Port 5 register (P5)

After reset: 00H (output latch)		R/W	Address: FFFFF40AH						
		7	6	5	4	3	2	1	0
P5		0	0	P55	P54	P53	P52	P51	P50
	P5n	Output data control (in output mode) (n = 0 to 5)							
	0	Outputs 0							
	1	Outputs 1							

(2) Port 5 mode register (PM5)

After reset: FFH		R/W	Address: FFFFF42AH						
		7	6	5	4	3	2	1	0
PM5		1	1	PM55	PM54	PM53	PM52	PM51	PM50
	PM5n	I/O mode control (n = 0 to 5)							
	0	Output mode							
	1	Input mode							

(3) Port 5 mode control register (PMC5)

After reset: 00H R/W Address: FFFFF44AH

	7	6	5	4	3	2	1	0
PMC5	0	0	PMC55	PMC54	PMC53	PMC52	PMC51	PMC50

PMC55	Specification of P55 pin operation mode	
0	I/O port	
1	SCKB2 I/O/KR5 input/RTP05 output	
1		
PMC54	Specification of P54 pin operation mode	
0	I/O port	
1	SOB2 output/KR4 input/RTP04 output	
1		
PMC53	Specification of P53 pin operation mode	
0	I/O port	
1	SIB2 input/KR3 input/TIQ00 input/TOQ00 output/RTP03 output	
1		
PMC52	Specification of P52 pin operation mode	
0	I/O port	
1	TIQ03 input/KR2 input/TOQ03 output/RTP02 output	
1		
PMC51	Specification of P51 pin operation mode	
0	I/O port	
1	TIQ02 input/KR1 input/TOQ02 output/RTP01 output	
1		
PMC50	Specification of P50 pin operation mode	
0	I/O port	
1	TIQ01 input/KR0 input/TOQ01 output/RTP00 output	
1		

(4) Port 5 function control register (PFC5)

After reset: 00H R/W Address: FFFFF46AH

	7	6	5	4	3	2	1	0
PFC5	0	0	PFC55	PFC54	PFC53	PFC52	PFC51	PFC50

Remark For details of alternate function specification, see **4.3.5 (6) Port 5 alternate function specifications.**

(5) Port 5 function control expansion register (PFCE5)

After reset: 00H R/W Address: FFFFF70AH

PFCE5	7	6	5	4	3	2	1	0
	0	0	PFCE55	PFCE54	PFCE53	PFCE52	PFCE51	PFCE50

Remark For details of alternate function specification, see **4.3.5 (6) Port 5 alternate function specifications.**

(6) Port 5 alternate function specifications

PFCE55	PFC55	Specification of P55 pin alternate function
0	0	$\overline{\text{SCKB2}}$ I/O
0	1	KR5 input
1	0	Setting prohibited
1	1	RTP05 output

PFCE54	PFC54	Specification of P54 pin alternate function
0	0	SOB2 output
0	1	KR4 input
1	0	Setting prohibited
1	1	RTP04 output

PFCE53	PFC53	Specification of P53 pin alternate function
0	0	SIB2 input
0	1	TIQ00 input/KR3 ^{Note} input
1	0	TOQ00 output
1	1	RTP03 output

PFCE52	PFC52	Specification of P52 pin alternate function
0	0	Setting prohibited
0	1	TIQ03 input/KR2 ^{Note} input
1	0	TOQ03 output
1	1	RTP02 output

PFCE51	PFC51	Specification of P51 pin alternate function
0	0	Setting prohibited
0	1	TIQ02 input/KR1 ^{Note} input
1	0	TOQ02 output
1	1	RTP01 output

PFCE50	PFC50	Specification of P50 pin alternate function
0	0	Setting prohibited
0	1	TIQ01 input/KR0 ^{Note} input
1	0	TOQ01 output
1	1	RTP00 output

Note The KRn pin and TIQ0m pin are alternate-function pins. When using the pin as the TIQ0m pin, disable KRn pin key return detection, which is the alternate function. (Clear the KRM.KRMn bit to 0.) Also, when using the pin as the KRn pin, disable TIQ0m pin edge detection, which is the alternate function (n = 0 to 3, m = 0 to 3).

Pin Name	Use as TIQ0m Pin	Use as KRn Pin
KR0/TIQ01	KRM.KRM0 bit = 0	TQ0IOC1.TQ0TIG2, TQ0IOC1.TQ0TIG3 bits = 0
KR1/TIQ02	KRM.KRM1 bit = 0	TQ0IOC1.TQ0TIG4, TQ0IOC1.TQ0TIG5 bits = 0
KR2/TIQ03	KRM.KRM2 bit = 0	TQ0IOC1.TQ0TIG6, TQ0IOC1.TQ0TIG7 bits = 0
KR3/TIQ00	KRM.KRM3 bit = 0	TQ0IOC1.TQ0TIG0, TQ0IOC1.TQ0TIG1 bits = 0 TQ0IOC2.TQ0EES0, TQ0IOC2.TQ0EES1 bits = 0 TQ0IOC2.TQ0ETS0, TQ0IOC2.TQ0ETS1 bits = 0

(7) Port 5 function register (PF5)

After reset: 00H R/W Address: FFFFC6AH

	7	6	5	4	3	2	1	0
PF5	0	0	PF55	PF54	PF53	PF52	PF51	PF50

PF5n	Control of normal output or N-ch open-drain output (n = 0 to 5)
0	Normal output (CMOS output)
1	N-ch open-drain output

Caution When an output pin is pulled up at EV_{DD} or higher, be sure to set the PF5n bit to 1.

4.3.6 Port 6

Port 6 is a 16-bit port for which I/O settings can be controlled in 1-bit units.

Port 6 includes the following alternate-function pins.

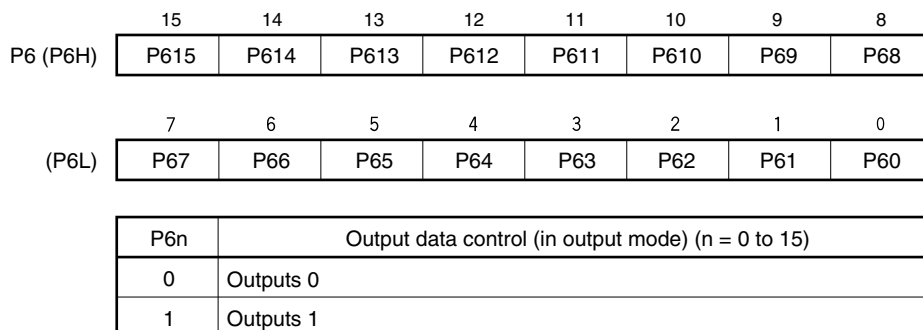
Table 4-9. Port 6 Alternate-Function Pins

Pin Name	Pin No.	Alternate-Function Pin Name	I/O	Remark	Block Type
P60	43	RTP10	Output	Selectable as N-ch open-drain output	E-2
P61	44	RTP11	Output		E-2
P62	45	RTP12	Output		E-2
P63	46	RTP13	Output		E-2
P64	47	RTP14	Output		E-2
P65	48	RTP15	Output		E-2
P66	49	SIB5	Input		E-1
P67	50	SOB5	Output		E-2
P68	51	$\overline{\text{SCKB5}}$	I/O		E-3
P69	52	TIP70/TOP70	I/O		G-1
P610	53	TIP71	Input		E-1
P611	54	TOP71	Output		E-2
P612	55	TIP80/TOP80	I/O		G-1
P613	56	TIP81/TOP81	I/O		G-1
P614	57	–	–		C-1
P615	58	–	–	C-1	

Caution The P66, P68 to P610, P612, and P613 pins have hysteresis characteristics in the input mode of the alternate-function pin, but do not have the hysteresis characteristics in the port mode.

(1) Port 6 register (P6)

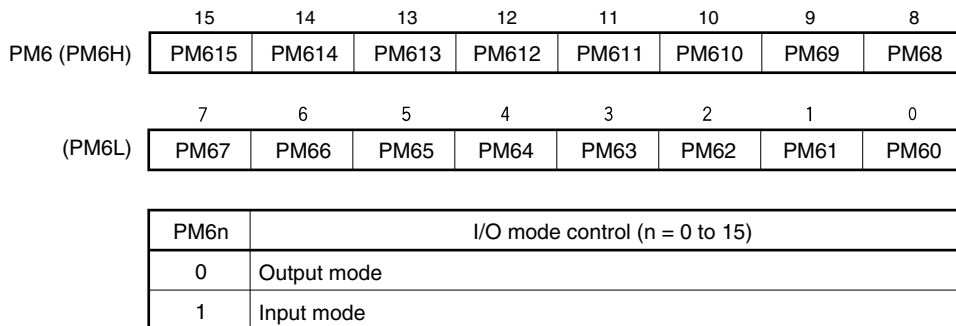
After reset: 0000H (output latch) R/W Address: P6 FFFF40CH
 P6L FFFF40CH, P6LH FFFF40DH



- Remarks**
1. The P6 register can be read or written in 16-bit units.
 However, when using the higher 8 bits of the P6 register as the P6H register and the lower 8 bits as the P6L register, P6 can be read or written in 8-bit or 1-bit units.
 2. To read/write bits 8 to 15 of the P6 register in 8-bit or 1-bit units, specify them as bits 0 to 7 of the P6H register.

(2) Port 6 mode register (PM6)

After reset: FFFFH R/W Address: PM6 FFFF42CH
 PM6L FFFF42CH, PM6H FFFF42DH



- Remarks**
1. The PM6 register can be read or written in 16-bit units.
 However, when using the higher 8 bits of the PM6 register as the PM6H register and the lower 8 bits as the PM6L register, PM6 can be read or written in 8-bit or 1-bit units.
 2. To read/write bits 8 to 15 of the PM6 register in 8-bit or 1-bit units, specify them as bits 0 to 7 of the PM6H register.

(3) Port 6 mode control register (PMC6)

After reset: 0000H R/W Address: PMC6 FFFFF44CH
 PMC6L FFFFF44CH, PMC6H FFFFF44DH

	15	14	13	12	11	10	9	8
PMC6 (PMC6H)	0	0	PMC613	PMC612	PMC611	PMC610	PMC69	PMC68

	7	6	5	4	3	2	1	0
(PMC6L)	PMC67	PMC66	PMC65	PMC64	PMC63	PMC62	PMC61	PMC60

PMC613	Specification of P613 pin operation mode
0	I/O port
1	TIP81 input/TOP81 output

PMC612	Specification of P612 pin operation mode
0	I/O port
1	TIP80 input/TOP80 output

PMC611	Specification of P611 pin operation mode
0	I/O port
1	TOP71 output

PMC610	Specification of P610 pin operation mode
0	I/O port
1	TIP71 input

PMC69	Specification of P69 pin operation mode
0	I/O port
1	TIP70 input/TOP70 output

PMC68	Specification of P68 pin operation mode
0	I/O port
1	SCKB5 I/O

PMC67	Specification of P67 pin operation mode
0	I/O port
1	SOB5 output

PMC66	Specification of P66 pin operation mode
0	I/O port
1	SIB5 input

PMC6m	Specification of P6m pin operation mode (m = 0 to 5)
0	I/O port
1	RTP1m I/O

- Remarks**
- The PMC6 register can be read or written in 16-bit units.
 However, when using the higher 8 bits of the PMC6 register as the PMC6H register and the lower 8 bits as the PMC6L register, PMC6 can be read or written in 8-bit or 1-bit units.
 - To read/write bits 8 to 15 of the PMC6 register in 8-bit or 1-bit units, specify them as bits 0 to 7 of the PMC6H register.

(4) Port 6 function control register H (PFC6H)

After reset: 00H R/W Address: FFFFF46DH

	15	14	13	12	11	10	9	8
PFC6H	0	0	PFC613	PFC612	0	0	PFC69	0

PFC613	Specification of P613 pin alternate function
0	TIP81 input
1	TOP81 output

PFC612	Specification of P612 pin alternate function
0	TIP80 input
1	TOP80 output

PFC69	Specification of P69 pin alternate function
0	TIP70 input
1	TOP70 output

(5) Port 6 function register (PF6)

After reset: 0000H R/W Address: PF6 FFFFFC6CH
PF6L FFFFFC6CH, PF6H FFFFFC6DH

	15	14	13	12	11	10	9	8
PF6 (PF6H)	PF615	PF614	PF613	PF612	PF611	PF610	PF69	PF68

	7	6	5	4	3	2	1	0
(PF6L)	PF67	PF66	PF65	PF64	PF63	PF62	PF61	PF60

PF6n	Normal output/N-ch open-drain output control (n = 0 to 15)
0	Normal output (CMOS output)
1	N-ch open-drain output

Caution When an output pin is pulled up at EV_{DD} or higher, be sure to set the PF6n bit to 1.

Remarks

1. The PF6 register can be read or written in 16-bit units.
However, when using the higher 8 bits of the PF6 register as the PF6H register and the lower 8 bits as the PF6L register, PF6 can be read or written in 8-bit and 1-bit units.
2. To read/write bits 8 to 15 of the PF6 register in 8-bit or 1-bit units, specify them as bits 0 to 7 of the PF6H register.

4.3.7 Port 7

Port 7 is a 16-bit port for which I/O settings can be controlled in 1-bit units.

Port 7 includes the following alternate-function pins.

Table 4-10. Port 7 Alternate-Function Pins

Pin Name	Pin No.	Alternate-Function Pin Name	I/O	Remark	Block Type
P70	144	ANI0	Input	-	A-1
P71	143	ANI1	Input		A-1
P72	142	ANI2	Input		A-1
P73	141	ANI3	Input		A-1
P74	140	ANI4	Input		A-1
P77	139	ANI5	Input		A-1
P76	138	ANI6	Input		A-1
P77	137	ANI7	Input		A-1
P78	136	ANI8	Input		A-1
P79	135	ANI9	Input		A-1
P710	134	ANI10	Input		A-1
P711	133	ANI11	Input		A-1
P712	132	ANI12	Input		A-1
P713	131	ANI13	Input		A-1
P714	130	ANI14	Input		A-1
P715	129	ANI15	Input		A-1

(1) Port 7 register H, port 7 register L (P7H, P7L)

After reset: 00H (output latch) R/W Address: P7L FFFFF40EH, P7H FFFFF40FH

	7	6	5	4	3	2	1	0
P7H	P715	P714	P713	P712	P711	P710	P79	P78

	7	6	5	4	3	2	1	0
P7L	P77	P76	P75	P74	P73	P72	P71	P70

P7n	Output data control (in output mode) (n = 0 to 15)
0	Outputs 0
1	Outputs 1

Caution Do not read or write the P7H and P7L registers during A/D conversion (see 13.6 (4) Alternate I/O).

Remark These registers cannot be accessed in 16-bit units as the P7 register. They can be read or written in 8-bit or 1-bit units as the P7H and P7L registers.

(2) Port 7 mode register H, port 7 mode register L (PM7H, PM7L)

After reset: FFH R/W Address: PM7L FFFFF42EH, PM7H FFFFF42FH

	7	6	5	4	3	2	1	0
PM7H	PM715	PM714	PM713	PM712	PM711	PM710	PM79	PM78

	7	6	5	4	3	2	1	0
PM7L	PM77	PM76	PM75	PM74	PM73	PM72	PM71	PM70

PM7n	I/O mode control (n = 0 to 15)
0	Output mode
1	Input mode

Caution When using the P7n pin as its alternate function (ANIn pin), set the PM7n bit to 1.

Remark These registers cannot be accessed in 16-bit units as the PM7 register. They can be read or written in 8-bit or 1-bit units as the PM7H and PM7L registers.

4.3.8 Port 8

Port 8 is a 2-bit port for which I/O settings can be controlled in 1-bit units.

Port 8 includes the following alternate-function pins.

Table 4-11. Port 8 Alternate-Function Pins

Pin Name	Pin No.	Alternate-Function Pin Name	I/O	Remark	Block Type
P80	59	RXDA3/INTP8	Input	Selectable as N-ch open-drain output	L-2
P81	60	TXDA3	Output		E-2

Caution The P80 pin has hysteresis characteristics in the input mode of the alternate-function pin, but does not have the hysteresis characteristics in the port mode.

(1) Port 8 register (P8)

After reset: 00H (output latch) R/W Address: FFFFF410H

	7	6	5	4	3	2	1	0
P8	0	0	0	0	0	0	P81	P80

P8n	Output data control (n = 0, 1)
0	Outputs 0
1	Outputs 1

(2) Port 8 mode register (PM8)

After reset: FFH R/W Address: FFFFF430H

	7	6	5	4	3	2	1	0
PM8	1	1	1	1	1	1	PM81	PM80

PM8n	I/O mode control (n = 0, 1)
0	Output mode
1	Input mode

(3) Port 8 mode control register (PMC8)

After reset: 00H R/W Address: FFFFF450H

	7	6	5	4	3	2	1	0
PMC8	0	0	0	0	0	0	PMC81	PMC80

PMC81	Specification of P81 pin operation mode
0	I/O port
1	TXDA3 output

PMC80	Specification of P80 pin operation mode
0	I/O port
1	RXDA3 input/INTP8 ^{Note} input

Note The INTP8 and RXDA3 pins are alternate-function pins. When using the RXDA3 pin, disable detection of the edge of the INTP8 pin (INTF8.INTF80 bit = 0 and INTR8.INTR80 bit = 0). When using the INTP8 pin, stop the reception operation of UARTA3 (UA3CTL0.UA3RXE bit = 0).

(4) Port 8 function register (PF8)

After reset: 00H R/W Address: FFFFC70H

	7	6	5	4	3	2	1	0
PF8	0	0	0	0	0	0	PF81	PF80

PF8n	Control of normal output or N-ch open-drain output (n = 0, 1)
0	Normal output (CMOS output)
1	N-ch open-drain output

Caution When an output pin is pulled up at E_{VDD} or higher, be sure to set the PF8n bit to 1.

4.3.9 Port 9

Port 9 is a 16-bit port for which I/O settings can be controlled in 1-bit units.

Port 9 includes the following alternate-function pins.

Table 4-12. Port 9 Alternate-Function Pins

Pin Name	Pin No.	Alternate-Function Pin Name	I/O	Remark	Block Type
P90	61	A0/KR6/TXDA1/SDA02	I/O	Selectable as N-ch open-drain output	U-10
P91	62	A1/KR7/RXDA1/SCL02	I/O		U-11
P92	63	A2/TIP41/TOP41	I/O		U-12
P93	64	A3/TIP40/TOP40	I/O		U-12
P94	65	A4/TIP31/TOP31	I/O		U-12
P95	66	A5/TIP30/TOP30	I/O		U-12
P96	67	A6/TIP21/TOP21	I/O		U-13
P97	68	A7/SIB1/TIP20/TOP20	I/O		U-14
P98	69	A8/SOB1	Output		G-3
P99	70	A9/ $\overline{\text{SCKB1}}$	I/O		G-5
P910	71	A10/SIB3	I/O		G-2
P911	72	A11/SOB3	Output		G-3
P912	73	A12/ $\overline{\text{SCKB3}}$	I/O		G-5
P913	74	A13/INTP4	I/O		N-2
P914	75	A14/INTP5/TIP51/TOP51	I/O		U-15
P915	76	A15/INTP6/TIP50/TOP50	I/O	U-15	

Caution The P90 to P97, P99, P910, and P912 to P915 pins have hysteresis characteristics in the input mode of the alternate-function pin, but do not have the hysteresis characteristics in the port mode.

(1) Port 9 register (P9)

After reset: 0000H (output latch) R/W Address: P9 FFFFF412H,
P9L FFFFF412H, P9H FFFFF413H

	15	14	13	12	11	10	9	8
P9 (P9H)	P915	P914	P913	P912	P911	P910	P99	P98
	7	6	5	4	3	2	1	0
(P9L)	P97	P96	P95	P94	P93	P92	P91	P90
P9n	Output data control (in output mode) (n = 0 to 15)							
0	Outputs 0							
1	Outputs 1							

- Remarks**
1. The P9 register can be read or written in 16-bit units.
However, when using the higher 8 bits of the P9 register as the P9H register and the lower 8 bits as the P9L register, P9 can be read or written in 8-bit or 1-bit units.
 2. To read/write bits 8 to 15 of the P9 register in 8-bit or 1-bit units, specify them as bits 0 to 7 of the P9H register.

(2) Port 9 mode register (PM9)

After reset: FFFFH R/W Address: PM9 FFFFF432H,
PM9L FFFFF432H, PM9H FFFFF433H

	15	14	13	12	11	10	9	8
PM9 (PM9H)	PM915	PM914	PM913	PM912	PM911	PM910	PM99	PM98
	7	6	5	4	3	2	1	0
(PM9L)	PM97	PM96	PM95	PM94	PM93	PM92	PM91	PM90
PM9n	I/O mode control (n = 0 to 15)							
0	Output mode							
1	Input mode							

- Remarks**
1. The PM9 register can be read or written in 16-bit units.
However, when using the higher 8 bits of the PM9 register as the PM9H register and the lower 8 bits as the PM9L register, PM9 can be read or written in 8-bit and 1-bit units.
 2. To read/write bits 8 to 15 of the PM9 register in 8-bit or 1-bit units, specify them as bits 0 to 7 of the PM9H register.

(3) Port 9 mode control register (PMC9)

(1/2)

After reset: 0000H R/W Address: PMC9 FFFF452H,
PMC9L FFFF452H, PMC9H FFFF453H

	15	14	13	12	11	10	9	8
PMC9 (PMC9H)	PMC915	PMC914	PMC913	PMC912	PMC911	PMC910	PMC99	PMC98

	7	6	5	4	3	2	1	0
(PMC9L)	PMC97	PMC96	PMC95	PMC94	PMC93	PMC92	PMC91	PMC90

PMC915	Specification of P915 pin operation mode
0	I/O port
1	A15 output/INTP6 input/TIP50 input/TOP50 output

PMC914	Specification of P914 pin operation mode
0	I/O port
1	A14 output/INTP5 input/TIP51 input/TOP51 output

PMC913	Specification of P913 pin operation mode
0	I/O port
1	A13 output/INTP4 input

PMC912	Specification of P912 pin operation mode
0	I/O port
1	A12 output/SCKB3 I/O

PMC911	Specification of P911 pin operation mode
0	I/O port
1	A11 output/SOB3 output

PMC910	Specification of P910 pin operation mode
0	I/O port
1	A10 output/SIB3 input

PMC99	Specification of P99 pin operation mode
0	I/O port
1	A9 output/SCKB1 I/O

PMC98	Specification of P98 pin operation mode
0	I/O port
1	A8 output/SOB1 output

- Remarks**
- The PMC9 register can be read or written in 16-bit units.
However, when using the higher 8 bits of the PMC9 register as the PMC9H register and the lower 8 bits as the PMC9L register, PMC9 can be read or written in 8-bit or 1-bit units.
 - To read/write bits 8 to 15 of the PMC9 register in 8-bit or 1-bit units, specify them as bits 0 to 7 of the PMC9H register.

PMC97	Specification of P97 pin operation mode
0	I/O port
1	A7 output/SIB1 input/TIP20 input/TOP20 output
PMC96	Specification of P96 pin operation mode
0	I/O port
1	A6 output/TIP21 input/TOP21 output
PMC95	Specification of P95 pin operation mode
0	I/O port
1	A5 output/TIP30 input/TOP30 output
PMC94	Specification of P94 pin operation mode
0	I/O port
1	A4 output/TIP31 input/TOP31 output
PMC93	Specification of P93 pin operation mode
0	I/O port
1	A3 output/TIP40 input/TOP40 output
PMC92	Specification of P92 pin operation mode
0	I/O port
1	A2 output/TIP41 input/TOP41 output
PMC91	Specification of P91 pin operation mode
0	I/O port
1	A1 output/KR7 input/RXDA1 input/SCL02 I/O
PMC90	Specification of P90 pin operation mode
0	I/O port
1	A0 output/KR6 input/TXDA1 output/SDA02 I/O

Caution Only when using the A0 to A15 pins as the alternate functions of the P90 to P915 pins, set all 16 bits of the PMC9 register to FFFFH at once.

(4) Port 9 function control register (PFC9)

Caution When performing separate address bus output (A0 to A15), set the PMC9 register to FFFFH for all 16 bits at once after clearing the PFC9 register to 0000H.

After reset: 0000H R/W Address: PFC9 FFFFF472H,
PFC9L FFFFF472H, PFC9H FFFFF473H

	15	14	13	12	11	10	9	8
PFC9 (PFC9H)	PFC915	PFC914	PFC913	PFC912	PFC911	PFC910	PFC99	PFC98
	7	6	5	4	3	2	1	0
(PFC9L)	PFC97	PFC96	PFC95	PFC94	PFC93	PFC92	PFC91	PFC90

Remarks

- For details of alternate function specification, see 4.3.9 (6) **Port 9 alternate function specifications**.
- The PFC9 register can be read or written in 16-bit units.
However, when using the higher 8 bits of the PFC9 register as the PFC9H register and the lower 8 bits as the PFC9L register, PFC9 can be read or written in 8-bit or 1-bit units.
- To read/write bits 8 to 15 of the PFC9 register in 8-bit or 1-bit units, specify them as bits 0 to 7 of the PFC9H register.

(5) Port 9 function control expansion register (PFCE9)

After reset: 0000H R/W Address: PFCE9 FFFFF712H,
PFCE9L FFFFF712H, PFCE9H FFFFF713H

	15	14	13	12	11	10	9	8
PFCE9 (PFCE9H)	PFCE915	PFCE914	0	0	0	0	0	0
	7	6	5	4	3	2	1	0
(PFCE9L)	PFCE97	PFCE96	PFCE95	PFCE94	PFCE93	PFCE92	PFCE91	PFCE90

Remarks

- For details of alternate function specification, see 4.3.9 (6) **Port 9 alternate function specifications**.
- The PFCE9 register can be read or written in 16-bit units.
However, when using the higher 8 bits of the PFCE9 register as the PFCE9H register and the lower 8 bits as the PFCE9L register, PFCE9 can be read or written in 8-bit or 1-bit units.
- To read/write bits 8 to 15 of the PFCE9 register in 8-bit or 1-bit units, specify them as bits 0 to 7 of the PFCE9H register.

(6) Port 9 alternate function specifications

PFCE915	PFC915	Specification of P915 pin alternate function
0	0	A15 output
0	1	INTP6 input
1	0	TIP50 input
1	1	TOP50 output

PFCE914	PFC914	Specification of P914 pin alternate function
0	0	A14 output
0	1	INTP5 input
1	0	TIP51 input
1	1	TOP51 output

PFC913	Specification of P913 pin alternate function
0	A13 output
1	INTP4 input

PFC912	Specification of P912 pin alternate function
0	A12 output
1	$\overline{\text{SCKB3}}$ I/O

PFC911	Specification of P911 pin alternate function
0	A11 output
1	SOB3 output

PFC910	Specification of P910 pin alternate function
0	A10 output
1	SIB3 input

PFC99	Specification of P99 pin alternate function
0	A9 output
1	$\overline{\text{SCKB1}}$ I/O

PFC98	Specification of P98 pin alternate function
0	A8 output
1	SOB1 output

PFCE97	PFC97	Specification of P97 pin alternate function
0	0	A7 output
0	1	SIB1 input
1	0	TIP20 input
1	1	TOP20 output

PFCE96	PFC96	Specification of P96 pin alternate function
0	0	A6 output
0	1	Setting prohibited
1	0	TIP21 input
1	1	TOP21 output

PFCE95	PFC95	Specification of P95 pin alternate function
0	0	A5 output
0	1	TIP30 input
1	0	TOP30 output
1	1	Setting prohibited

PFCE94	PFC94	Specification of P94 pin alternate function
0	0	A4 output
0	1	TIP31 input
1	0	TOP31 output
1	1	Setting prohibited

PFCE93	PFC93	Specification of P93 pin alternate function
0	0	A3 output
0	1	TIP40 input
1	0	TOP40 output
1	1	Setting prohibited

PFCE92	PFC92	Specification of P92 pin alternate function
0	0	A2 output
0	1	TIP41 input
1	0	TOP41 output
1	1	Setting prohibited

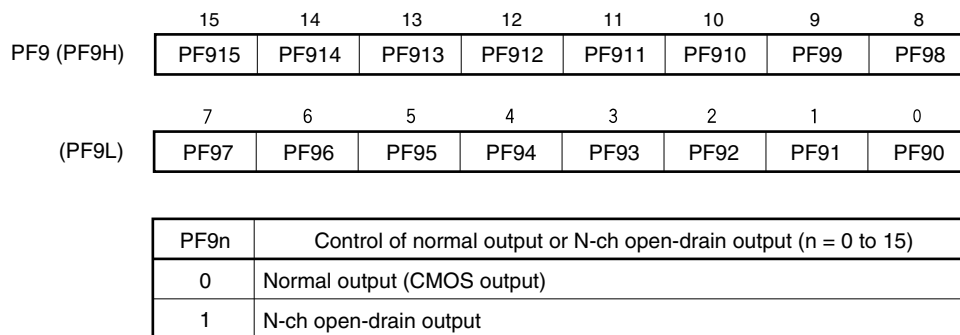
PFCE91	PFC91	Specification of P91 pin alternate function
0	0	A1 output
0	1	KR7 input
1	0	RXDA1 input/KR7 input ^{Note}
1	1	SCL02 I/O

PFCE90	PFC90	Specification of P90 pin alternate function
0	0	A0 output
0	1	KR6 input
1	0	TXDA1 output
1	1	SDA02 I/O

Note The RXDA1 and KR7 pins must not be used at the same time. When using the RXDA1 pin, do not use the KR7 pin. When using the KR7 pin, do not use the RXDA1 pin (it is recommended to set the PFC91 bit to 1 and clear the PFCE91 bit to 0).

(7) Port 9 function register (PF9)

After reset: 0000H R/W Address: PF3 FFFFC72H,
PF9L FFFFC72H, PF9H FFFFC73H



Caution When an output pin is pulled up at EV_{DD} or higher, be sure to set the PF9n bit to 1.

- Remarks**
1. The PF9 register can be read or written in 16-bit units.
However, when using the higher 8 bits of the PF9 register as the PF9H register and the lower 8 bits as the PF9L register, PF9 can be read or written in 8-bit or 1-bit units.
 2. To read/write bits 8 to 15 of the PF9 register in 8-bit or 1-bit units, specify them as bits 0 to 7 of the PF9H register.

4.3.10 Port CD

Port CD is a 4-bit port for which I/O settings can be controlled in 1-bit units.

Port CD includes the following alternate-function pins.

Table 4-13. Port CD Alternate-Function Pins

Pin Name	Pin No.	Alternate-Function Pin Name	I/O	Remark	Block Type
PCD0	77	-	-	-	B-1
PCD1	78	-	-		B-1
PCD2	79	-	-		B-1
PCD3	80	-	-		B-1

(1) Port CD register (PCD)

After reset: 00H (output latch) R/W Address: FFFFF00EH

	7	6	5	4	3	2	1	0
PCD	0	0	0	0	PCD3	PCD2	PCD1	PCD0

PCDn	Output data control (in output mode) (n = 0 to 3)
0	Outputs 0
1	Outputs 1

(2) Port CD mode register (PMCD)

After reset: FFH R/W Address: FFFFF02EH

	7	6	5	4	3	2	1	0
PMCD	1	1	1	1	PMCD3	PMCD2	PMCD1	PMCD0

PMCDn	I/O mode control (n = 0 to 3)
0	Output mode
1	Input mode

4.3.11 Port CM

Port CM is a 6-bit port for which I/O settings can be controlled in 1-bit units.

Port CM includes the following alternate-function pins.

Table 4-14. Port CM Alternate-Function Pins

Pin Name	Pin No.	Alternate-Function Pin Name	I/O	Remark	Block Type
PCM0	85	WAIT	Input	-	D-1
PCM1	86	CLKOUT	Output		D-2
PCM2	87	HLD $\overline{\text{AK}}$	Output		D-2
PCM3	88	HLD $\overline{\text{RQ}}$	Input		D-1
PCM4	89	-	-		B-1
PCM5	90	-	-		B-1

(1) Port CM register (PCM)

After reset: 00H (output latch) R/W Address: FFFF00CH

	7	6	5	4	3	2	1	0
PCM	0	0	PCM5	PCM4	PCM3	PCM2	PCM1	PCM0

PCMn	Output data control (in output mode) (n = 0 to 5)
0	Outputs 0
1	Outputs 1

(2) Port CM mode register (PMCM)

After reset: FFH R/W Address: FFFF02CH

	7	6	5	4	3	2	1	0
PMCM	1	1	PMCM5	PMCM4	PMCM3	PMCM2	PMCM1	PMCM0

PMCMn	I/O mode control (n = 0 to 5)
0	Output mode
1	Input mode

(3) Port CM mode control register (PMCCM)

After reset: 00H R/W Address: FFFFF04CH

	7	6	5	4	3	2	1	0
PMCCM	0	0	0	0	PMCCM3	PMCCM2	PMCCM1	PMCCM0

PMCCM3	Specification of PCM3 pin operation mode	
0	I/O port	
1	$\overline{\text{HLDRQ}}$ input	

PMCCM2	Specification of PCM2 pin operation mode	
0	I/O port	
1	$\overline{\text{HLDAK}}$ output	

PMCCM1	Specification of PCM1 pin operation mode	
0	I/O port	
1	CLKOUT output	

PMCCM0	Specification of PCM0 pin operation mode	
0	I/O port	
1	$\overline{\text{WAIT}}$ input	

4.3.12 Port CS

Port CS is an 8-bit port for which I/O settings can be controlled in 1-bit units.

Port CS includes the following alternate-function pins.

Table 4-15. Port CS Alternate-Function Pins

Pin Name	Pin No.	Alternate-Function Pin Name	I/O	Remark	Block Type
PCS0	81	$\overline{CS0}$	Output	-	D-2
PCS1	82	$\overline{CS1}$	Output		D-2
PCS2	83	$\overline{CS2}$	Output		D-2
PCS3	84	$\overline{CS3}$	Output		D-2
PCS4	91	-	-		B-1
PCS5	92	-	-		B-1
PCS6	93	-	-		B-1
PCS7	94	-	-		B-1

(1) Port CS register (PCS)

After reset: 00H (output latch) R/W Address: FFFFF008H

	7	6	5	4	3	2	1	0
PCS	PCS7	PCS6	PCS5	PCS4	PCS3	PCS2	PCS1	PCS0

PCS _n	Output data control (in output mode) (n = 0 to 7)
0	Outputs 0
1	Outputs 1

(2) Port CS mode register (PMCS)

After reset: FFH R/W Address: FFFFF028H

	7	6	5	4	3	2	1	0
PMCS	PMCS7	PMCS6	PMCS5	PMCS4	PMCS3	PMCS2	PMCS1	PMCS0

PMCS _n	I/O mode control (n = 0 to 7)
0	Output mode
1	Input mode

(3) Port CS mode control register (PMCCS)

After reset: 00H R/W Address: FFFF048H

	7	6	5	4	3	2	1	0
PMCCS	0	0	0	0	PMCCS3	PMCCS2	PMCCS1	PMCCS0

PMCCS3	Specification of PCS3 pin operation mode	
0	I/O port	
1	$\overline{CS3}$ output	

PMCCS2	Specification of PCS2 pin operation mode	
0	I/O port	
1	$\overline{CS2}$ output	

PMCCS1	Specification of PCS1 pin operation mode	
0	I/O port	
1	$\overline{CS1}$ output	

PMCCS0	Specification of PCS0 pin operation mode	
0	I/O port	
1	$\overline{CS0}$ output	

4.3.13 Port CT

Port CT is an 8-bit port for which I/O settings can be controlled in 1-bit units.

Port CT includes the following alternate-function pins.

Table 4-16. Port CT Alternate-Function Pins

Pin Name	Pin No.	Alternate-Function Pin Name	I/O	Remark	Block Type
PCT0	95	$\overline{WR0}$	Output	-	D-2
PCT1	96	$\overline{WR1}$	Output		D-2
PCT2	97	-	-		B-1
PCT3	98	-	-		B-1
PCT4	99	\overline{RD}	Output		D-2
PCT5	100	-	-		B-1
PCT6	101	ASTB	Output		D-2
PCT7	102	-	-		B-1

(1) Port CT register (PCT)

After reset: 00H (output latch) R/W Address: FFFFF00AH

	7	6	5	4	3	2	1	0
PCT	PCT7	PCT6	PCT5	PCT4	PCT3	PCT2	PCT1	PCT0

PCTn	Output data control (in output mode) (n = 0 to 7)
0	Outputs 0
1	Outputs 1

(2) Port CT mode register (PMCT)

After reset: FFH R/W Address: FFFFF02AH

	7	6	5	4	3	2	1	0
PMCT	PMCT7	PMCT6	PMCT5	PMCT4	PMCT3	PMCT2	PMCT1	PMCT0

PMCTn	I/O mode control (n = 0 to 7)
0	Output mode
1	Input mode

(3) Port CT mode control register (PMCCT)

After reset: 00H R/W Address: FFFFF04AH

	7	6	5	4	3	2	1	0
PMCCT	0	PMCCT6	0	PMCCT4	0	0	PMCCT1	PMCCT0

PMCCT6	Specification of PCT6 pin operation mode
0	I/O port
1	ASTB output

PMCCT4	Specification of PCT4 pin operation mode
0	I/O port
1	\overline{RD} output

PMCCT1	Specification of PCT1 pin operation mode
0	I/O port
1	$\overline{WR1}$ output

PMCCT0	Specification of PCT0 pin operation mode
0	I/O port
1	$\overline{WR0}$ output

4.3.14 Port DH

Port DH is an 8-bit port for which I/O settings can be controlled in 1-bit units.

Port DH includes the following alternate-function pins.

Table 4-17. Port DH Alternate-Function Pins

Pin Name	Pin No.	Alternate-Function Pin Name	I/O	Remark	Block Type
PDH0	121	A16	Output	-	D-2
PDH1	122	A17	Output		D-2
PDH2	123	A18	Output		D-2
PDH3	124	A19	Output		D-2
PDH4	125	A20	Output		D-2
PDH5	126	A21	Output		D-2
PDH6	127	A22	Output		D-2
PDH7	128	A23	Output		D-2

(1) Port DH register (PDH)

After reset: 00H (output latch) R/W Address: FFFF006H

	7	6	5	4	3	2	1	0
PDH	PDH7	PDH6	PDH5	PDH4	PDH3	PDH2	PDH1	PDH0

PDHn	Output data control (in output mode) (n = 0 to 7)
0	Outputs 0
1	Outputs 1

(2) Port DH mode register (PMDH)

After reset: FFH R/W Address: FFFF026H

	7	6	5	4	3	2	1	0
PMDH	PMDH7	PMDH6	PMDH5	PMDH4	PMDH3	PMDH2	PMDH1	PMDH0

PMDHn	I/O mode control (n = 0 to 7)
0	Output mode
1	Input mode

(3) Port DH mode control register (PMCDH)

After reset: 00H R/W Address: FFFFF046H

	7	6	5	4	3	2	1	0
PMCDH	PMCDH7	PMCDH6	PMCDH5	PMCDH4	PMCDH3	PMCDH2	PMCDH1	PMCDH0

PMCDHn	Specification of PDHn pin operation mode (n = 0 to 7)
0	I/O port
1	Am output (address bus output) (m = 16 to 23)

4.3.15 Port DL

Port DL is a 16-bit port for which I/O settings can be controlled in 1-bit units.

Port DL includes the following alternate-function pins.

Table 4-18. Port DL Alternate-Function Pins

Pin Name	Pin No.	Alternate-Function Pin Name	I/O	Remark	Block Type
PDL0	105	AD0	I/O	-	D-3
PDL1	106	AD1	I/O		D-3
PDL2	107	AD2	I/O		D-3
PDL3	108	AD3	I/O		D-3
PDL4	109	AD4	I/O		D-3
PDL5	110	AD5/FLMD1 ^{Note}	I/O		D-3
PDL6	111	AD6	I/O		D-3
PDL7	112	AD7	I/O		D-3
PDL8	113	AD8	I/O		D-3
PDL9	114	AD9	I/O		D-3
PDL10	115	AD10	I/O		D-3
PDL11	116	AD11	I/O		D-3
PDL12	117	AD12	I/O		D-3
PDL13	118	AD13	I/O		D-3
PDL14	119	AD14	I/O		D-3
PDL15	120	AD15	I/O	D-3	

Note Since this pin is set in the flash memory programming mode, it does not need to be manipulated with the port control register. For details, see **CHAPTER 26 FLASH MEMORY**.

(1) Port DL register (PDL)

After reset: 0000H (output latch) R/W Address: PDL FFFFF004H,
PDL FFFFF004H, PDLH FFFFF005H

	15	14	13	12	11	10	9	8
PDL (PDLH)	PDL15	PDL14	PDL13	PDL12	PDL11	PDL10	PDL9	PDL8
	7	6	5	4	3	2	1	0
(PDLL)	PDL7	PDL6	PDL5	PDL4	PDL3	PDL2	PDL1	PDL0

PDLn	Output data control (in output mode) (n = 0 to 15)
0	Outputs 0
1	Outputs 1

Remarks

1. The PDL register can be read or written in 16-bit units.
However, when using the higher 8 bits of the PDL register as the PDLH register and the lower 8 bits as the PDLL register, PDL can be read or written in 8-bit or 1-bit units.
2. To read/write bits 8 to 15 of the PDL register in 8-bit or 1-bit units, specify them as bits 0 to 7 of the PDLH register.

(2) Port DL mode register (PMDL)

After reset: FFFFH R/W Address: PMDL FFFFF024H,
PMDL FFFFF024H, PMDLH FFFFF025H

	15	14	13	12	11	10	9	8
PMDL (PMDLH)	PMDL15	PMDL14	PMDL13	PMDL12	PMDL11	PMDL10	PMDL9	PMDL8
	7	6	5	4	3	2	1	0
(PMDLL)	PMDL7	PMDL6	PMDL5	PMDL4	PMDL3	PMDL2	PMDL1	PMDL0

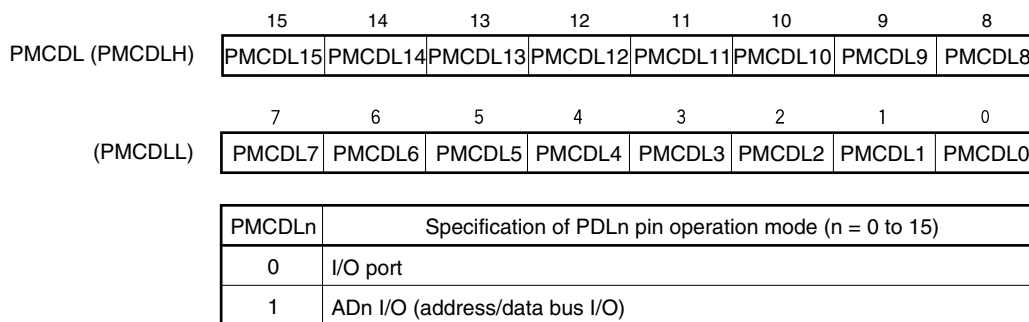
PMDLn	I/O mode control (n = 0 to 15)
0	Output mode
1	Input mode

Remarks

1. The PMDL register can be read or written in 16-bit units.
However, when using the higher 8 bits of the PMDL register as the PMDLH register and the lower 8 bits as the PMDLL register, PMDL can be read or written in 8-bit or 1-bit units.
2. To read/write bits 8 to 15 of the PMDL register in 8-bit or 1-bit units, specify them as bits 0 to 7 of the PMDLH register.

(3) Port DL mode control register (PMCDL)

After reset: 0000H R/W Address: PMCDL FFFF044H,
 PMCDLL FFFF044H, PMCDLH FFFF045H



Caution When the SMSEL bit of the EXIMC register = 1 (separate mode) and the BS30 to BS00 bits of the BSC register = 0 (8-bit bus width), do not specify the AD8 to AD15 pins.

Remarks

1. The PMCDL register can be read or written in 16-bit units.
 However, when using the higher 8 bits of the PMCDL register as the PMCDLH register and the lower 8 bits as the PMCDLL register, PMCDL can be read or written in 8-bit or 1-bit units.
2. To read/write bits 8 to 15 of the PMCDL register in 8-bit or 1-bit units, specify them as bits 0 to 7 of the PMCDLH register.

4.4 Block Diagrams

Figure 4-3. Block Diagram of Type A-1

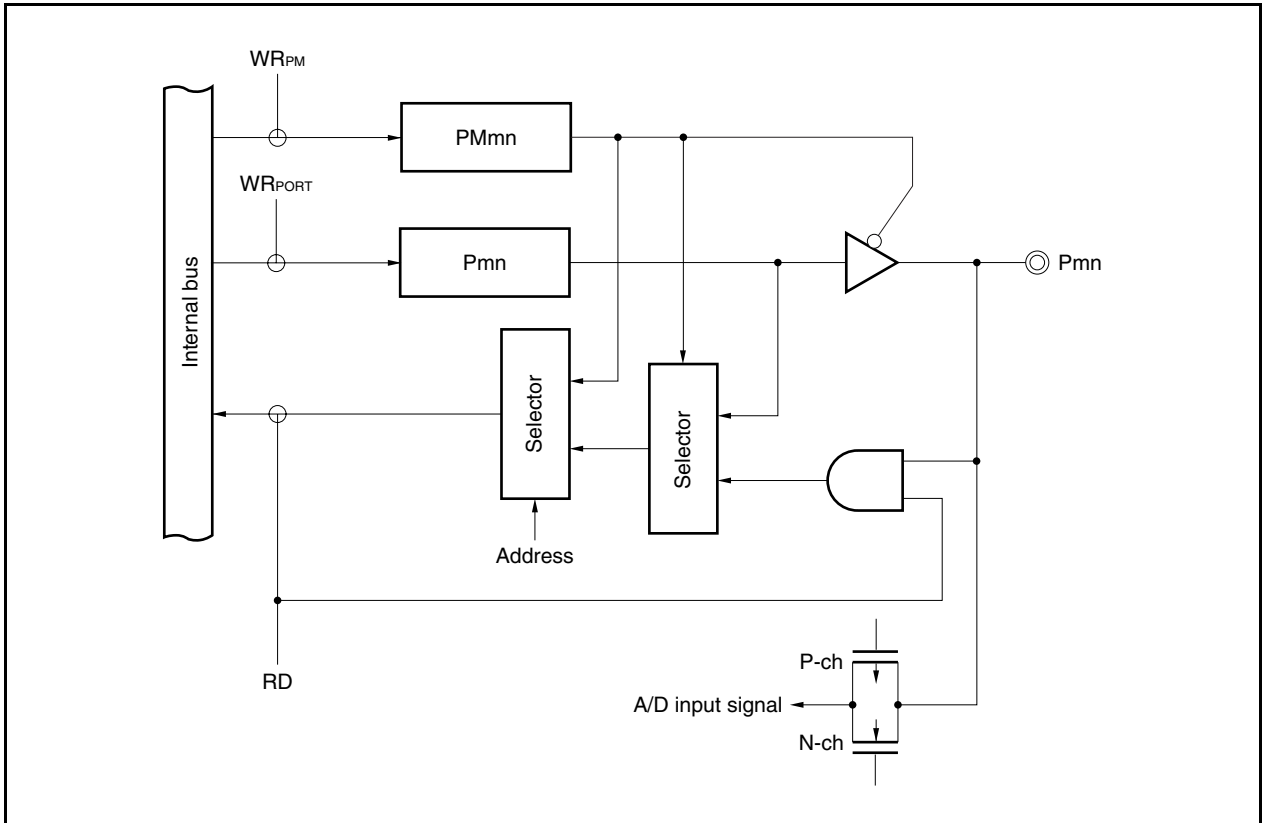


Figure 4-4. Block Diagram of Type A-2

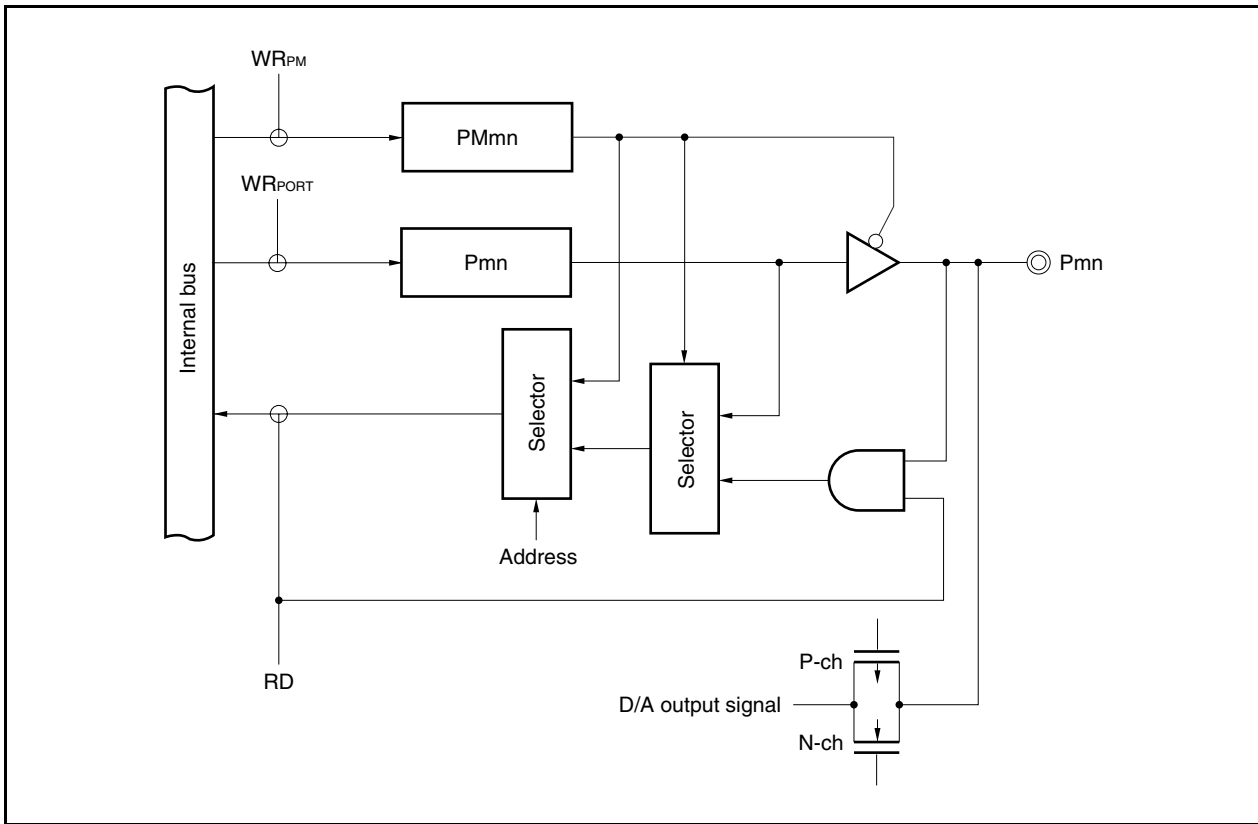


Figure 4-5. Block Diagram of Type B-1

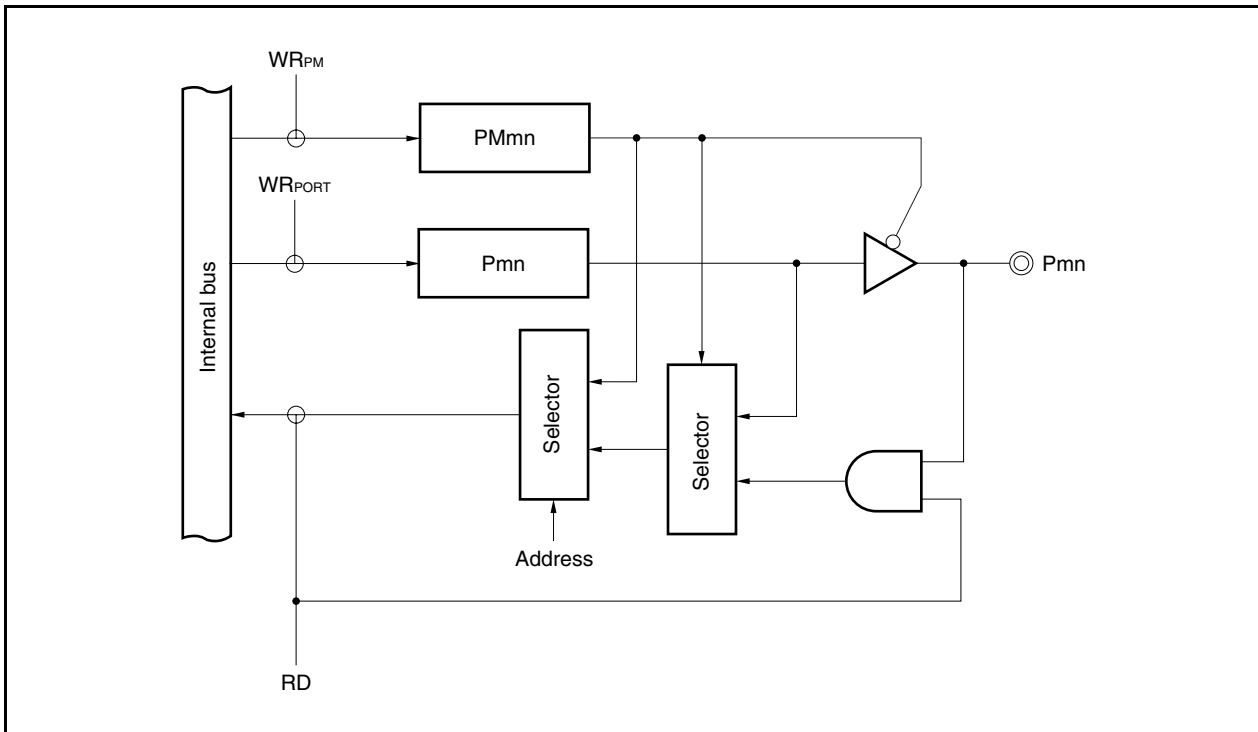


Figure 4-6. Block Diagram of Type C-1

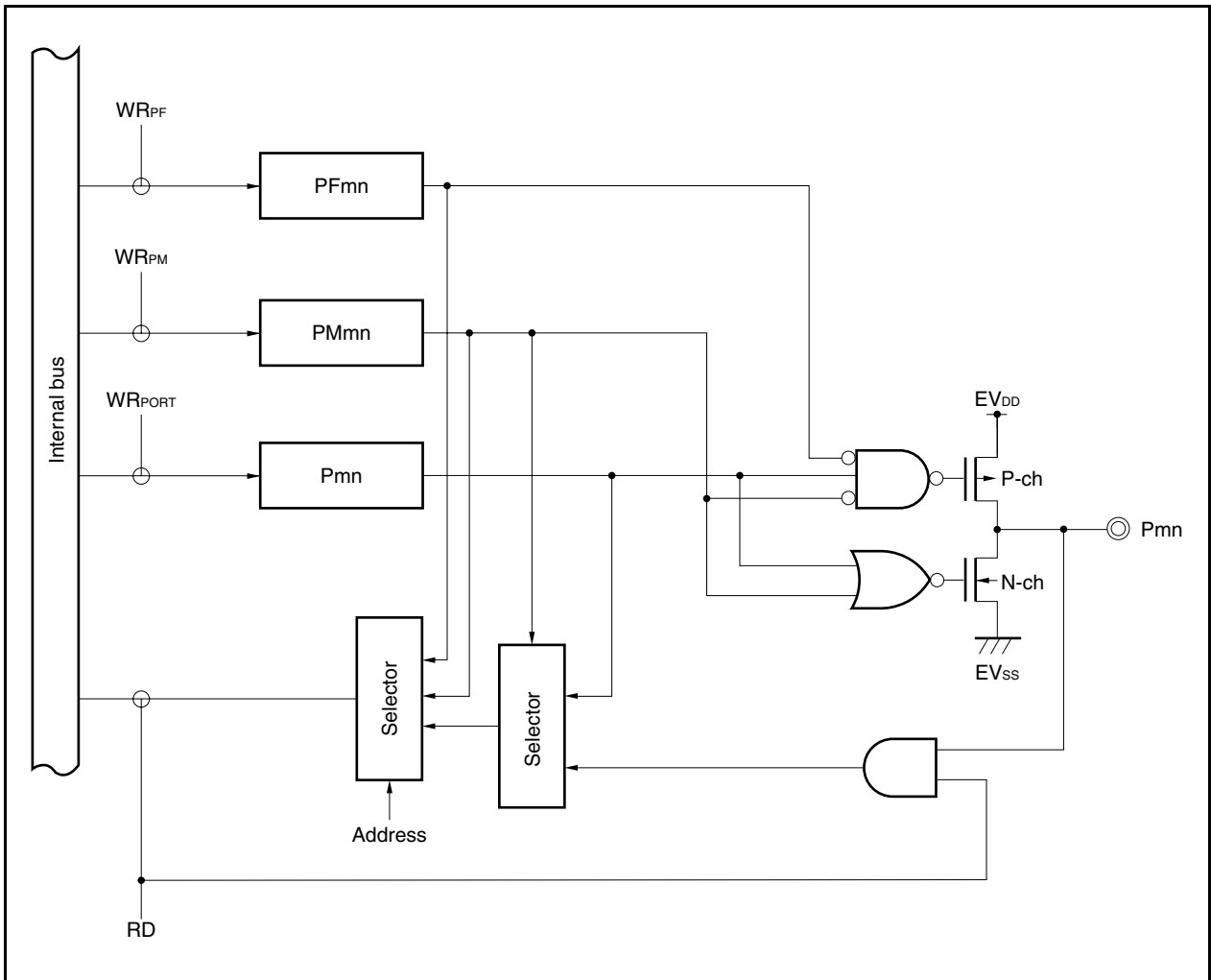


Figure 4-7. Block Diagram of Type D-1

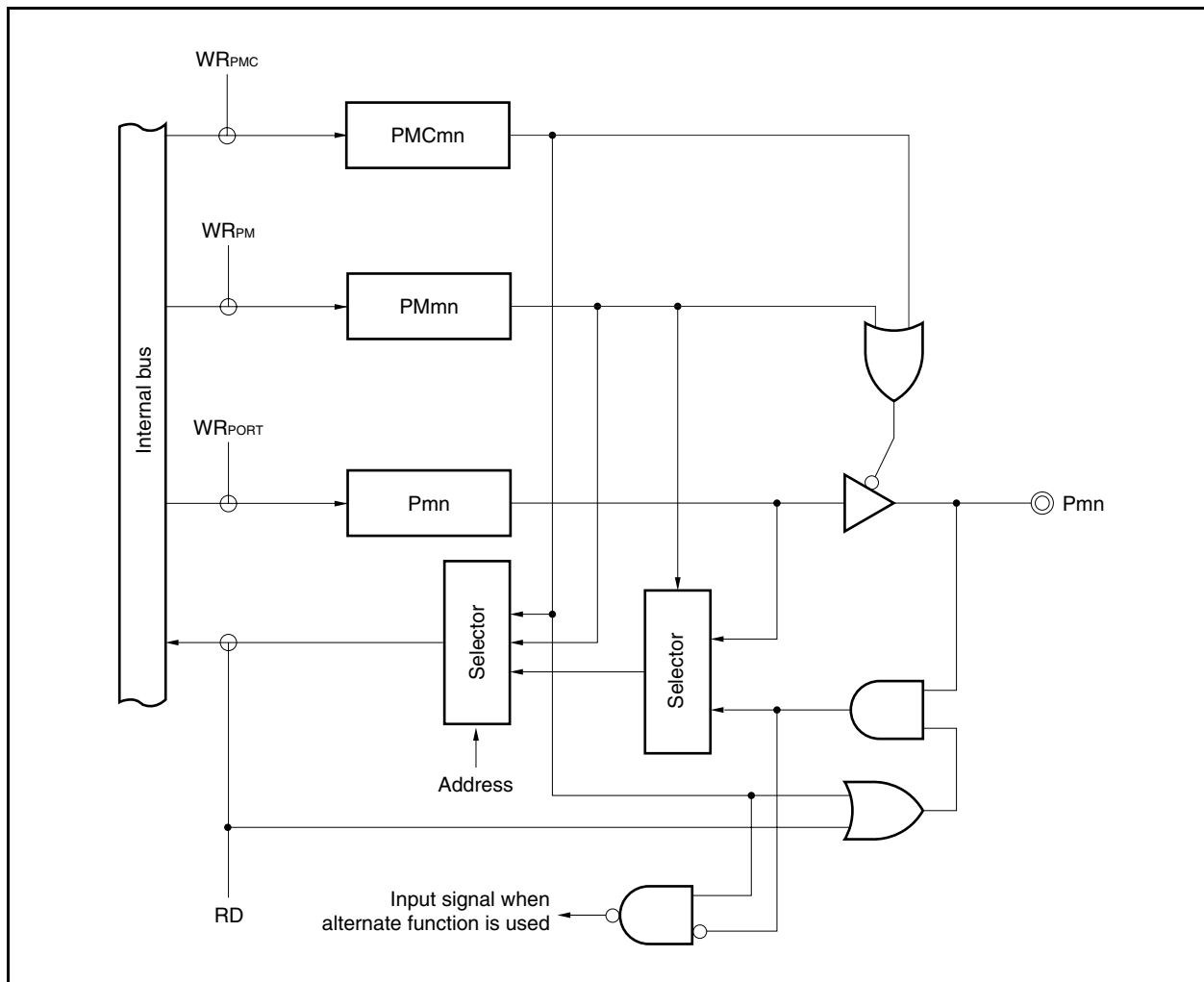


Figure 4-8. Block Diagram of Type D-2

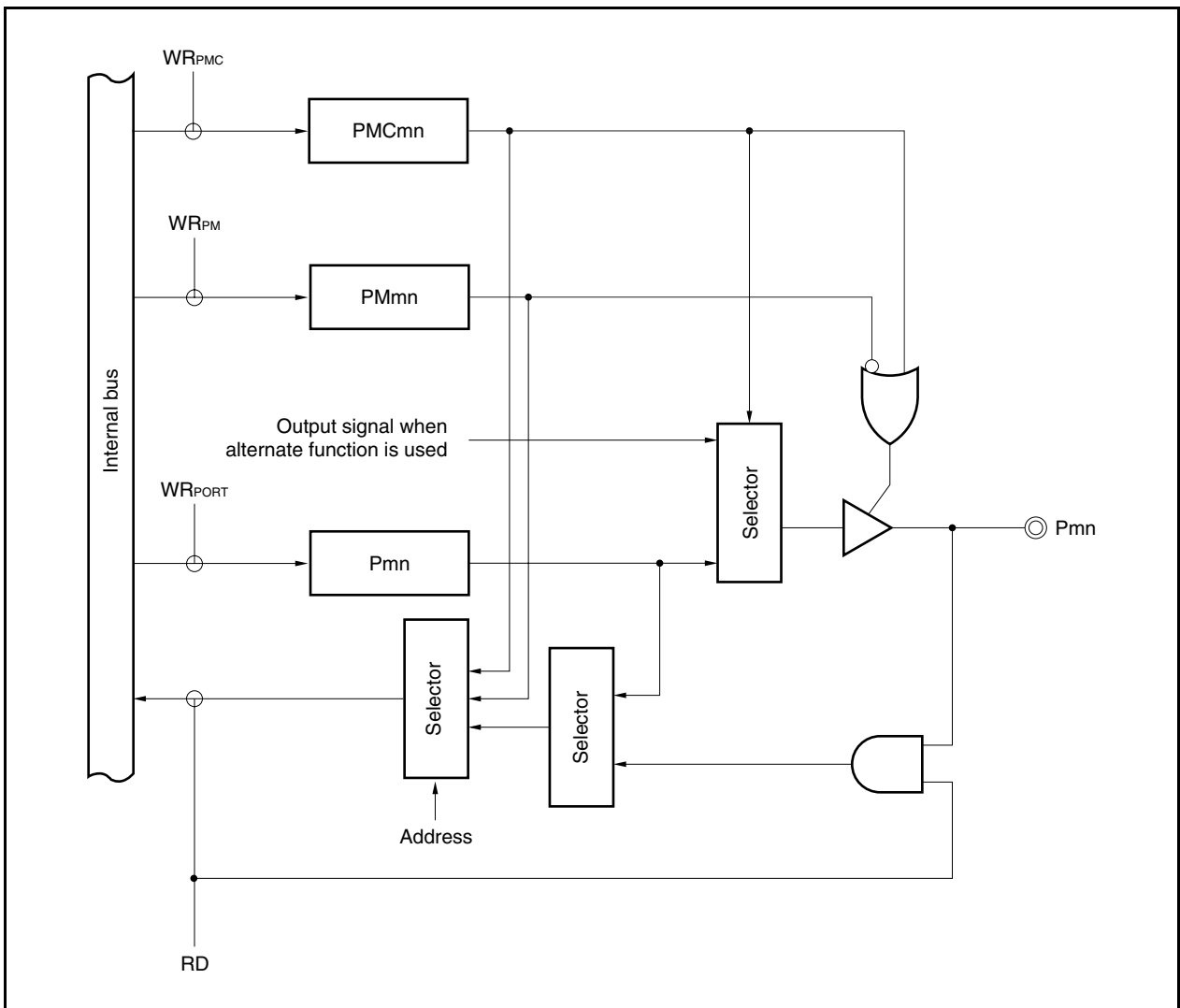


Figure 4-9. Block Diagram of Type D-3

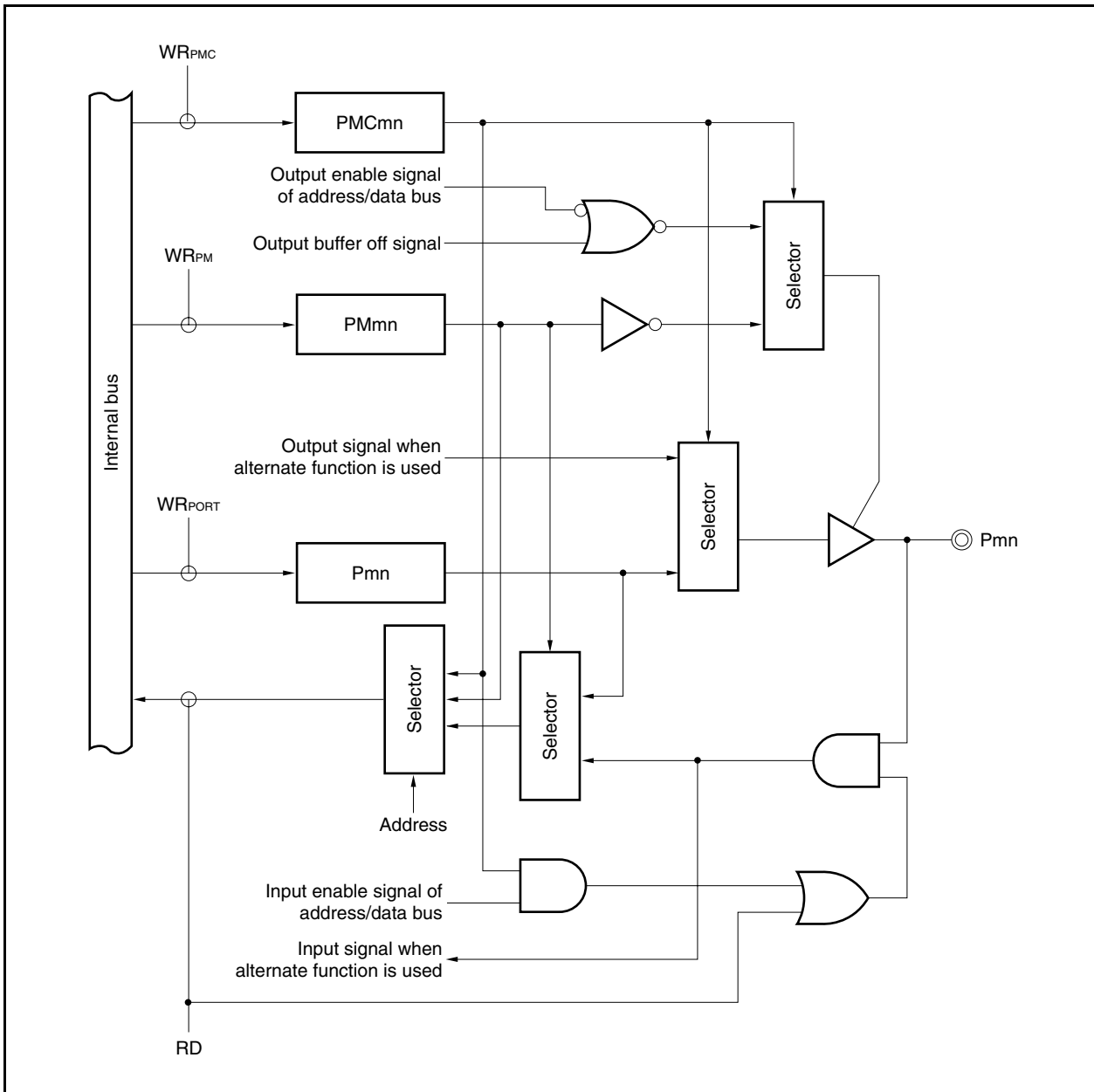


Figure 4-10. Block Diagram of Type E-1

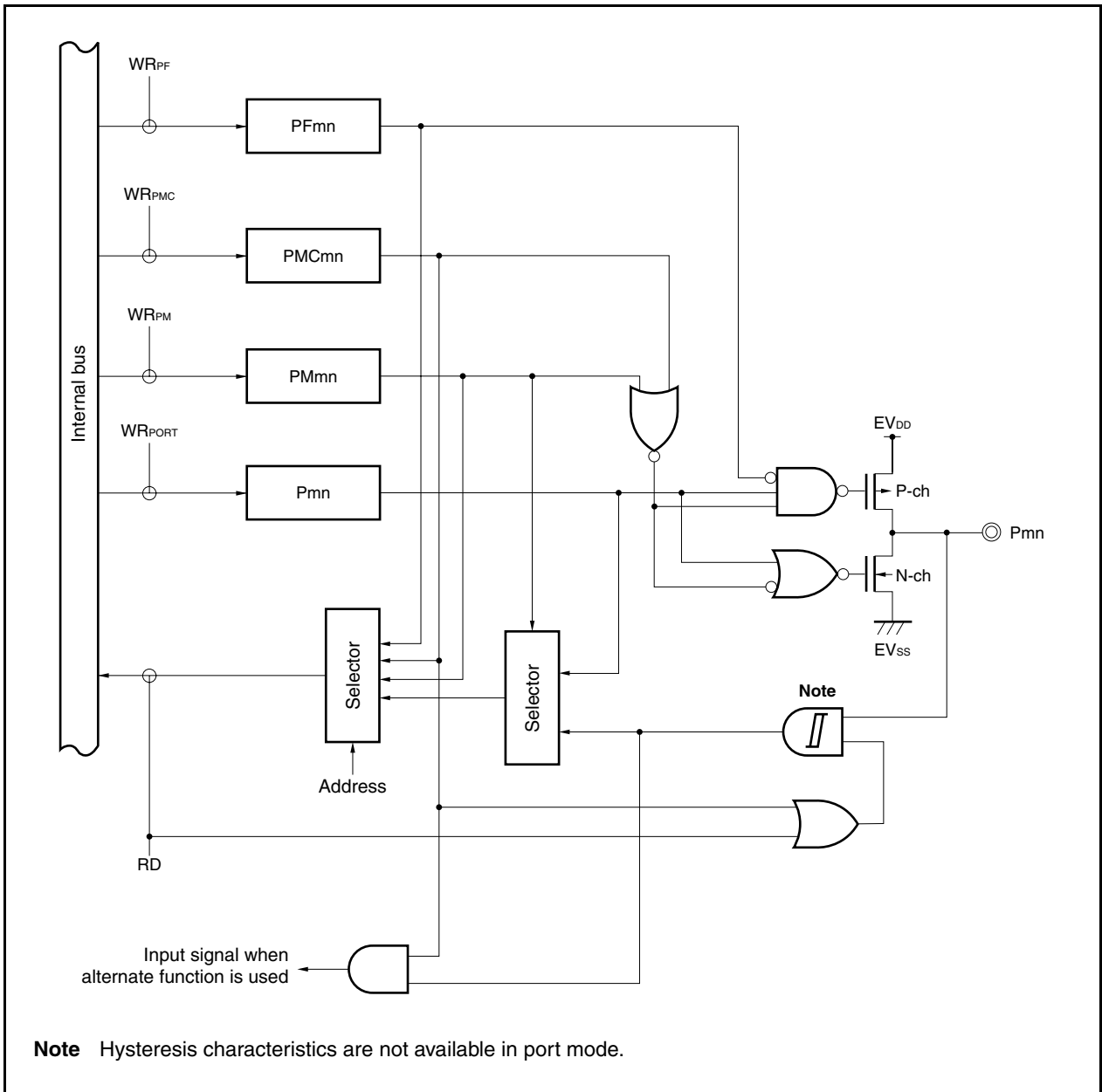


Figure 4-11. Block Diagram of Type E-2

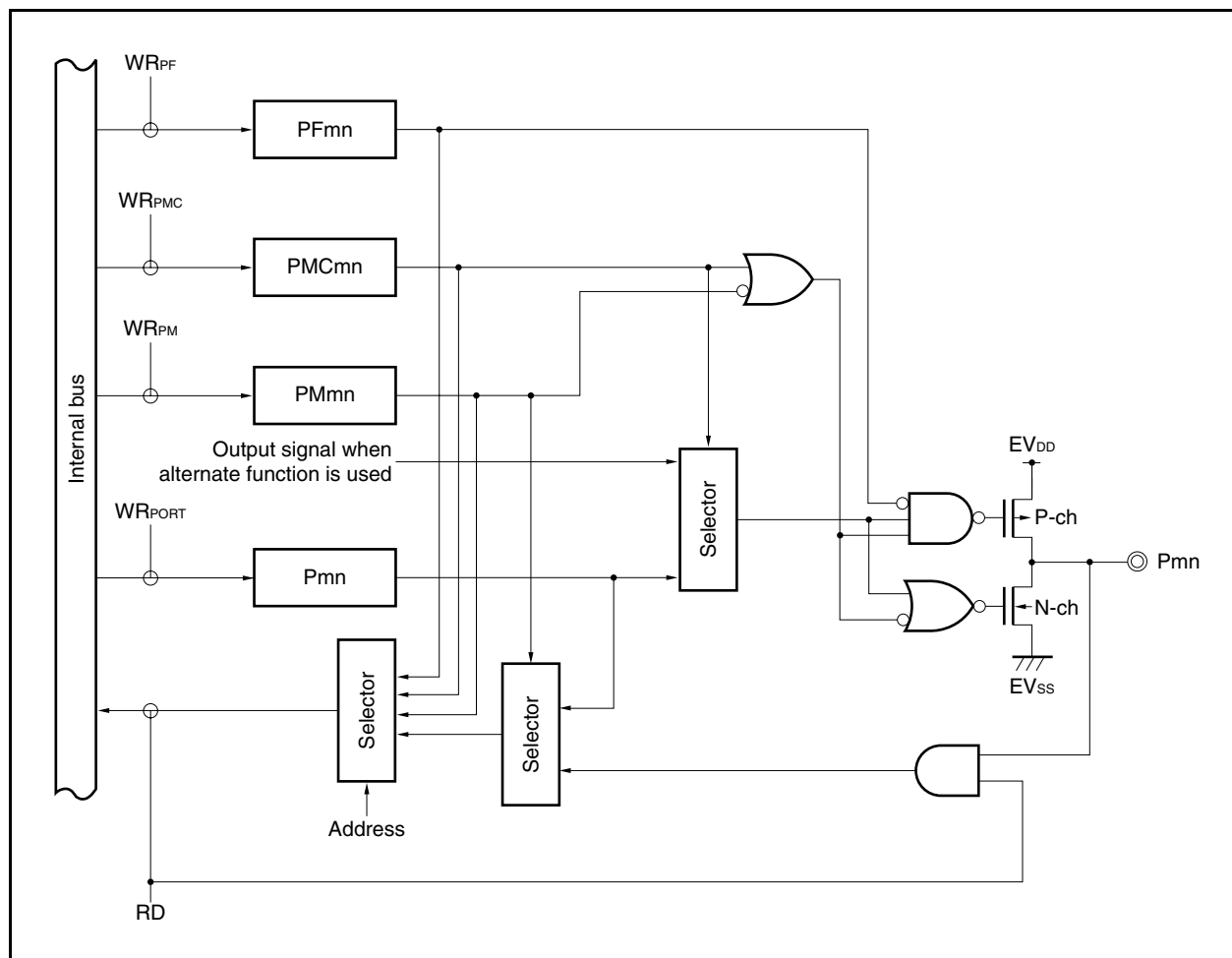


Figure 4-12. Block Diagram of Type E-3

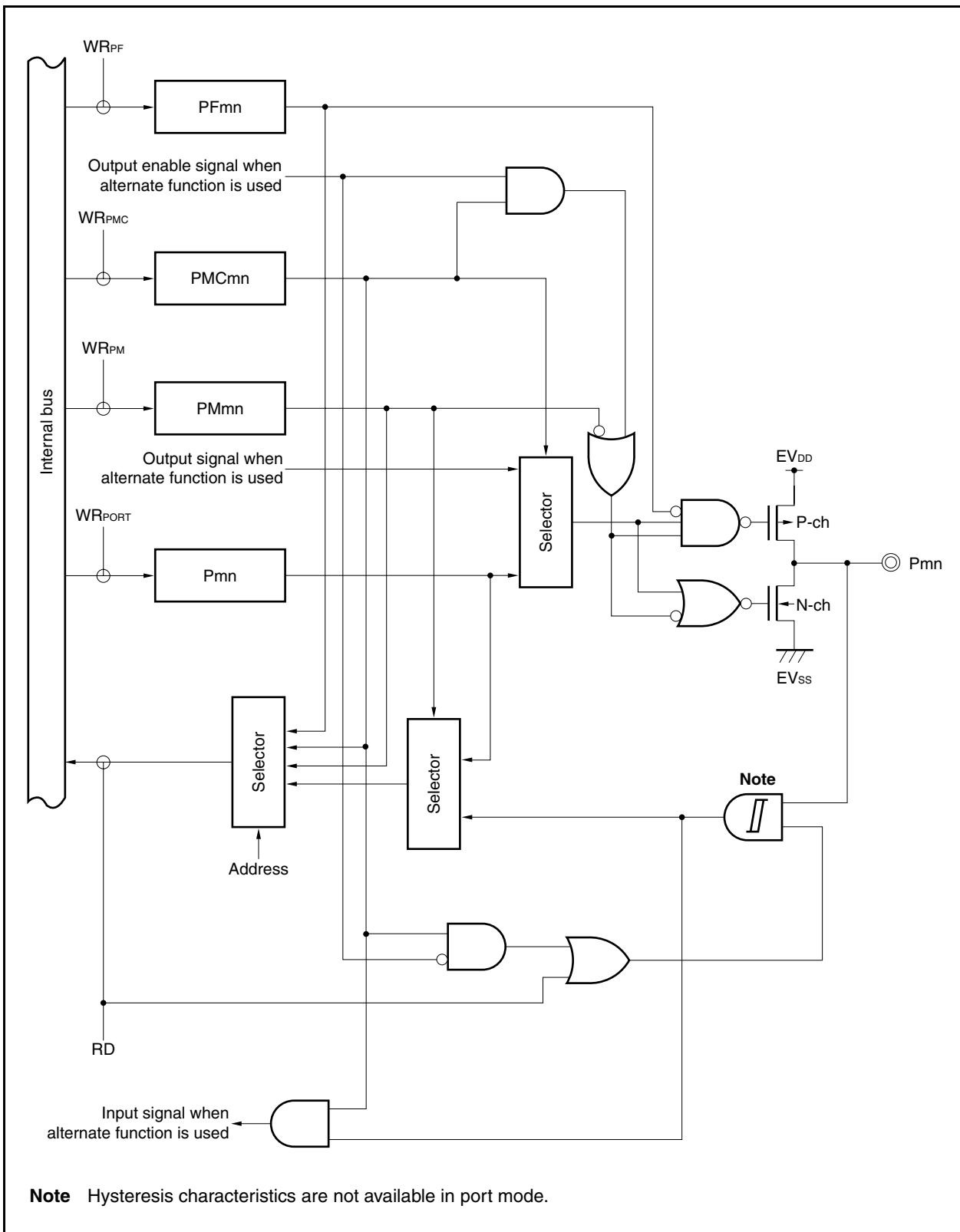


Figure 4-13. Block Diagram of Type G-1

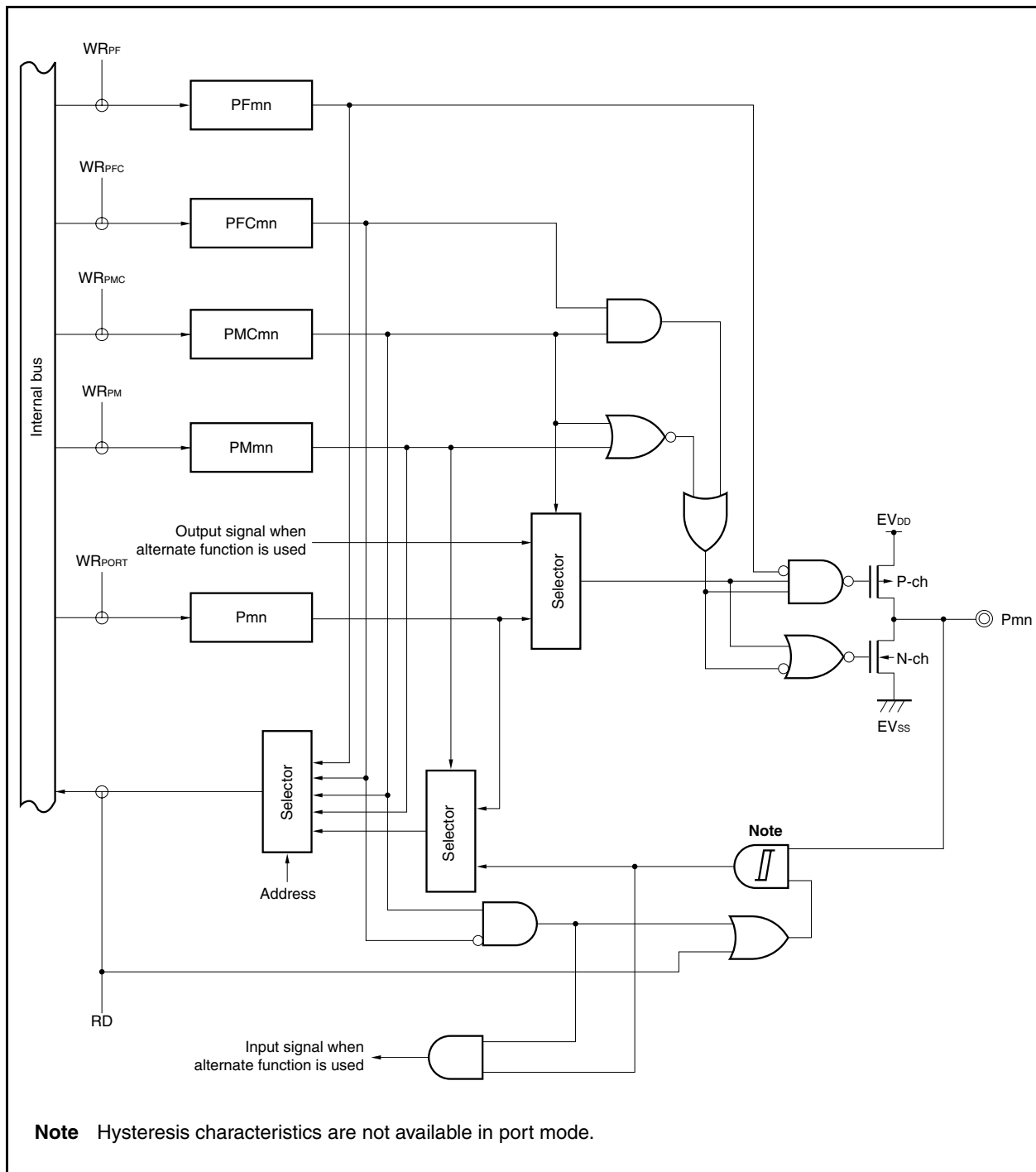


Figure 4-14. Block Diagram of Type G-2

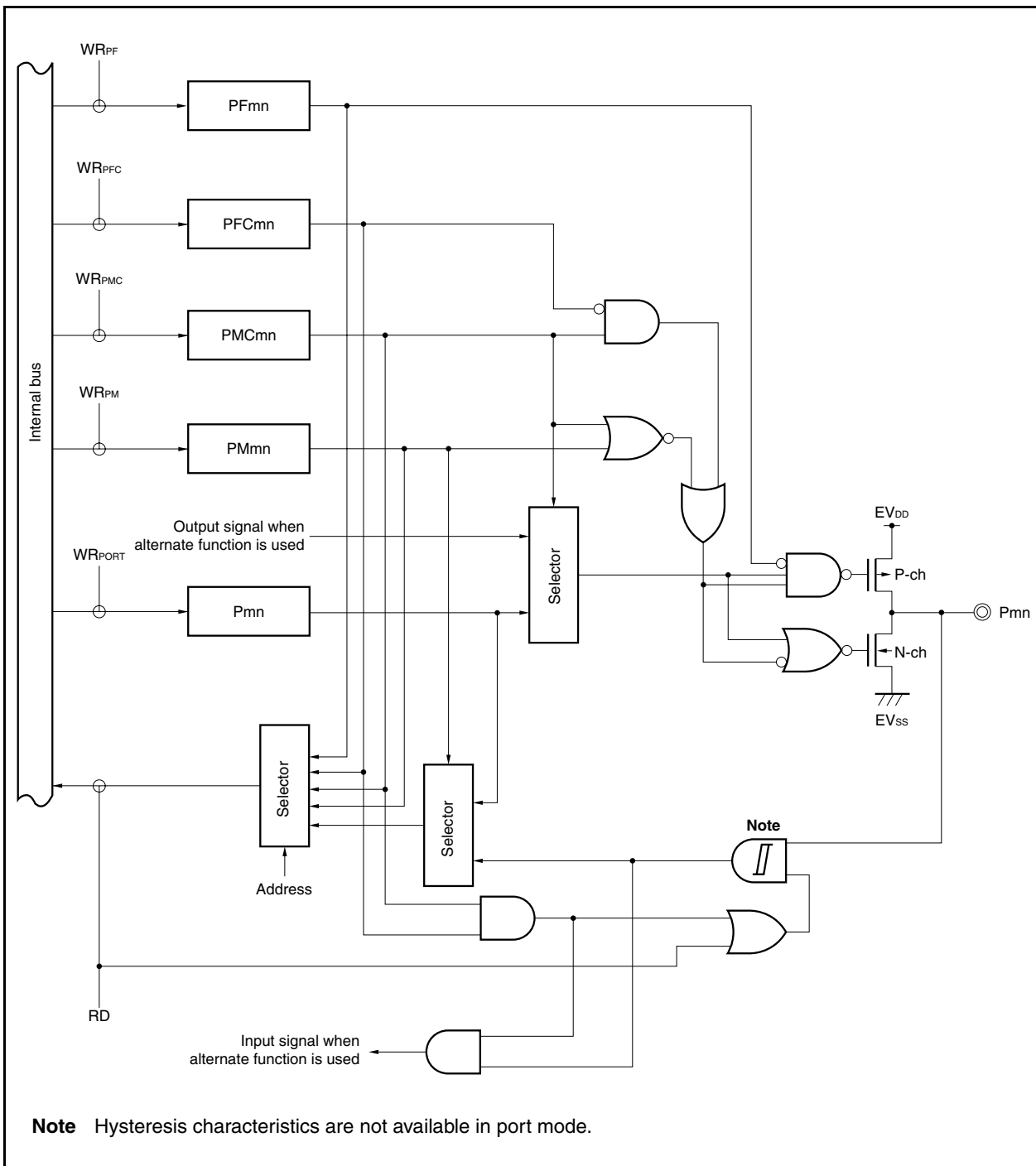


Figure 4-15. Block Diagram of Type G-3

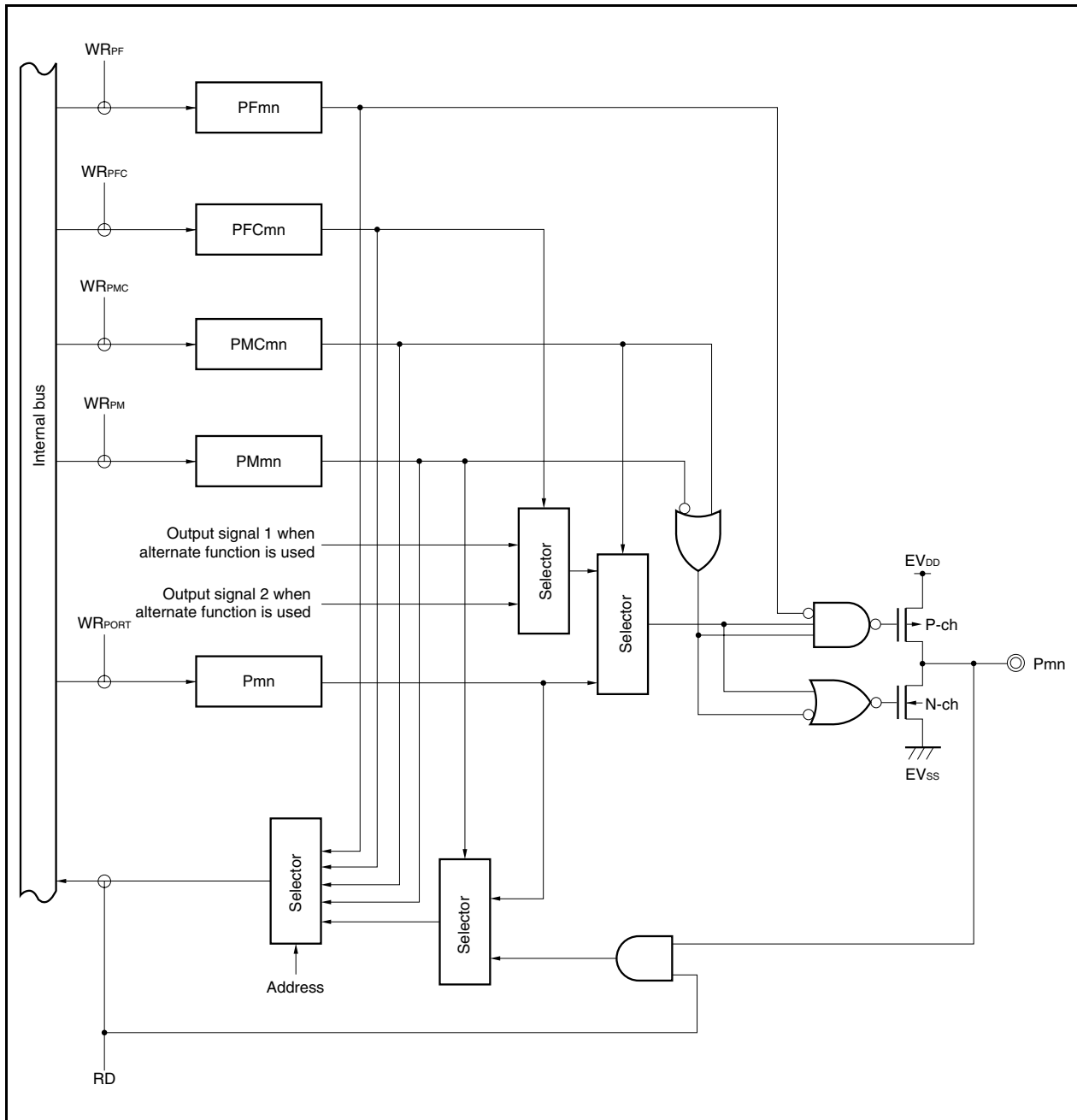


Figure 4-16. Block Diagram of Type G-5

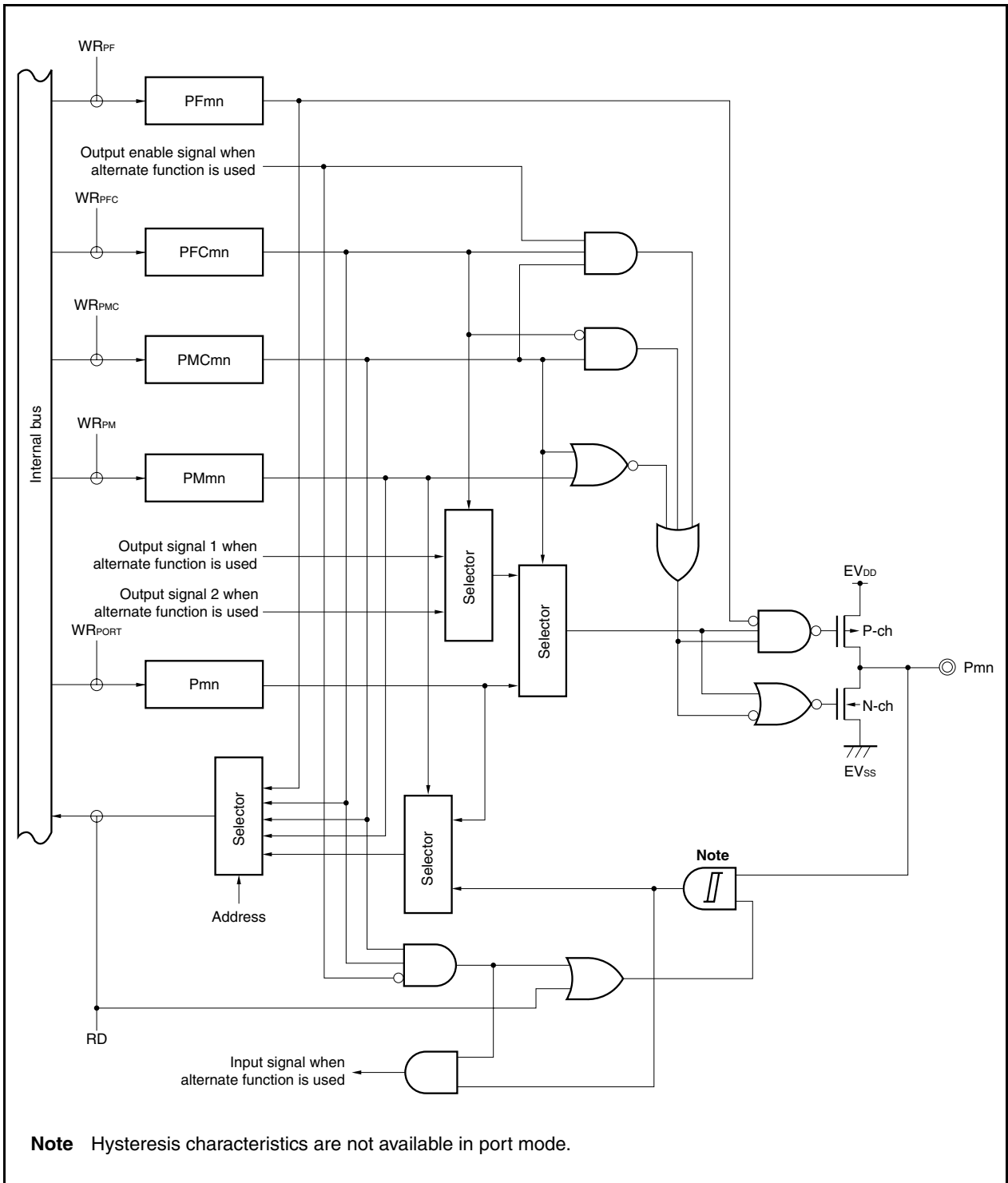
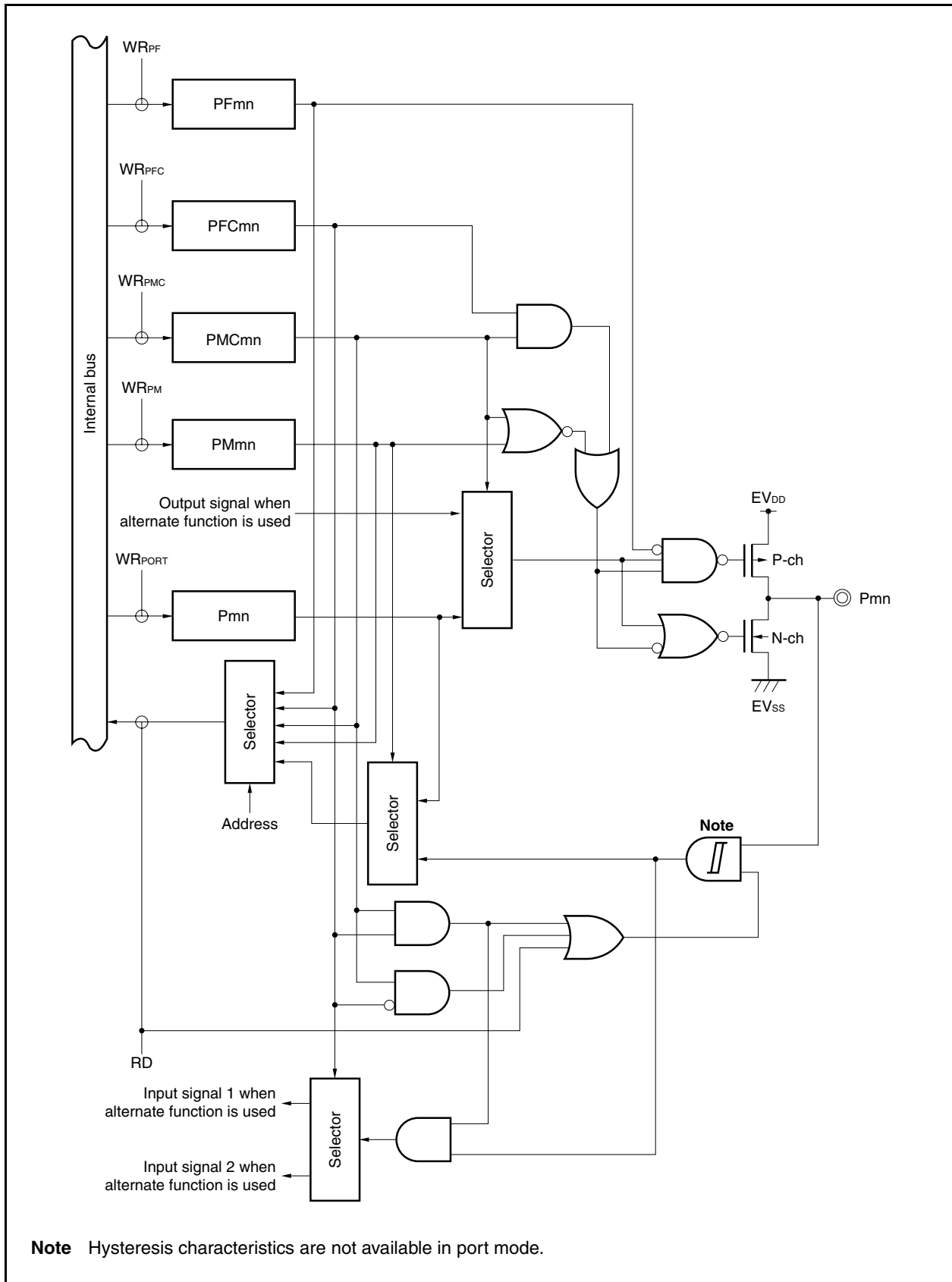
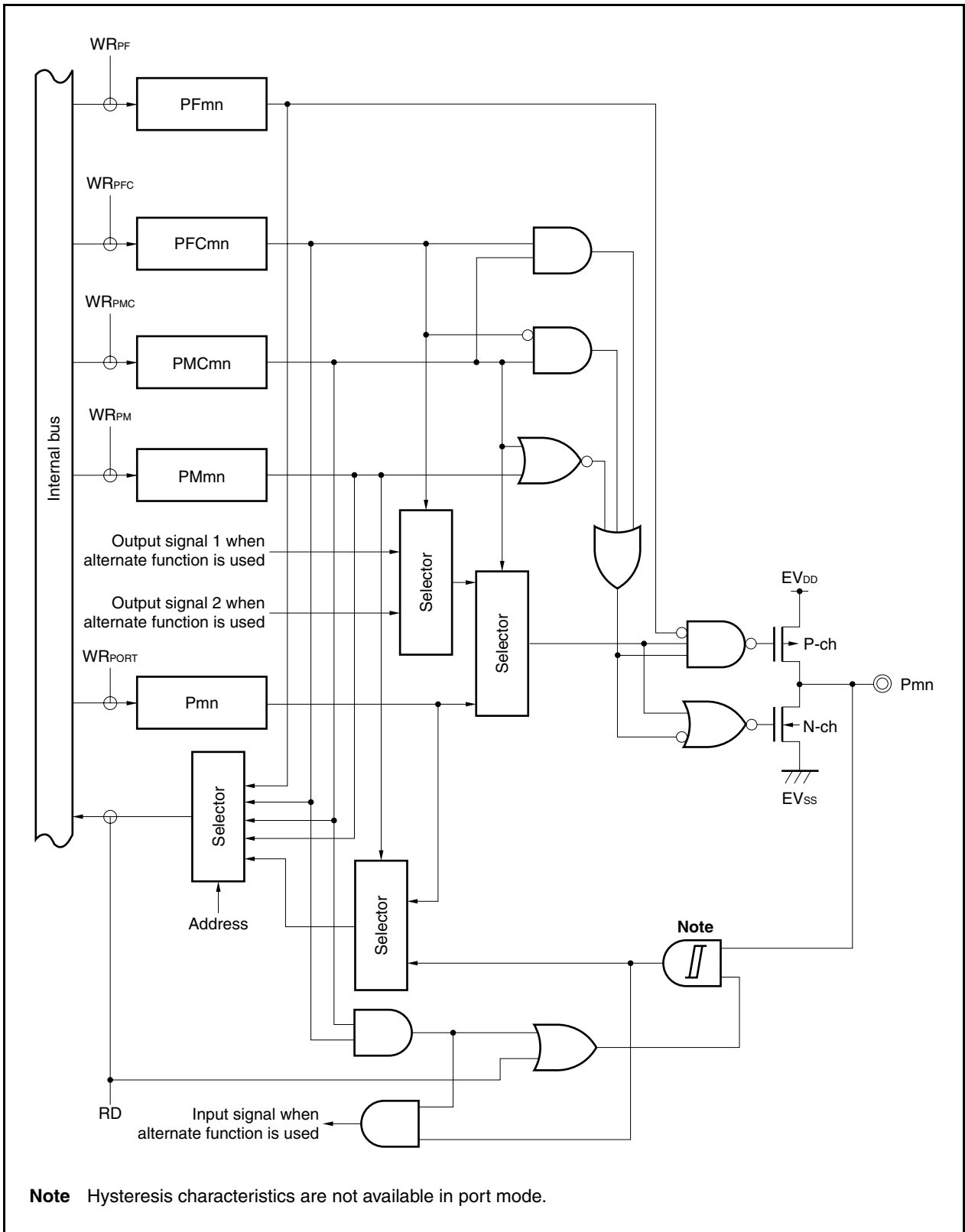


Figure 4-17. Block Diagram of Type G-6



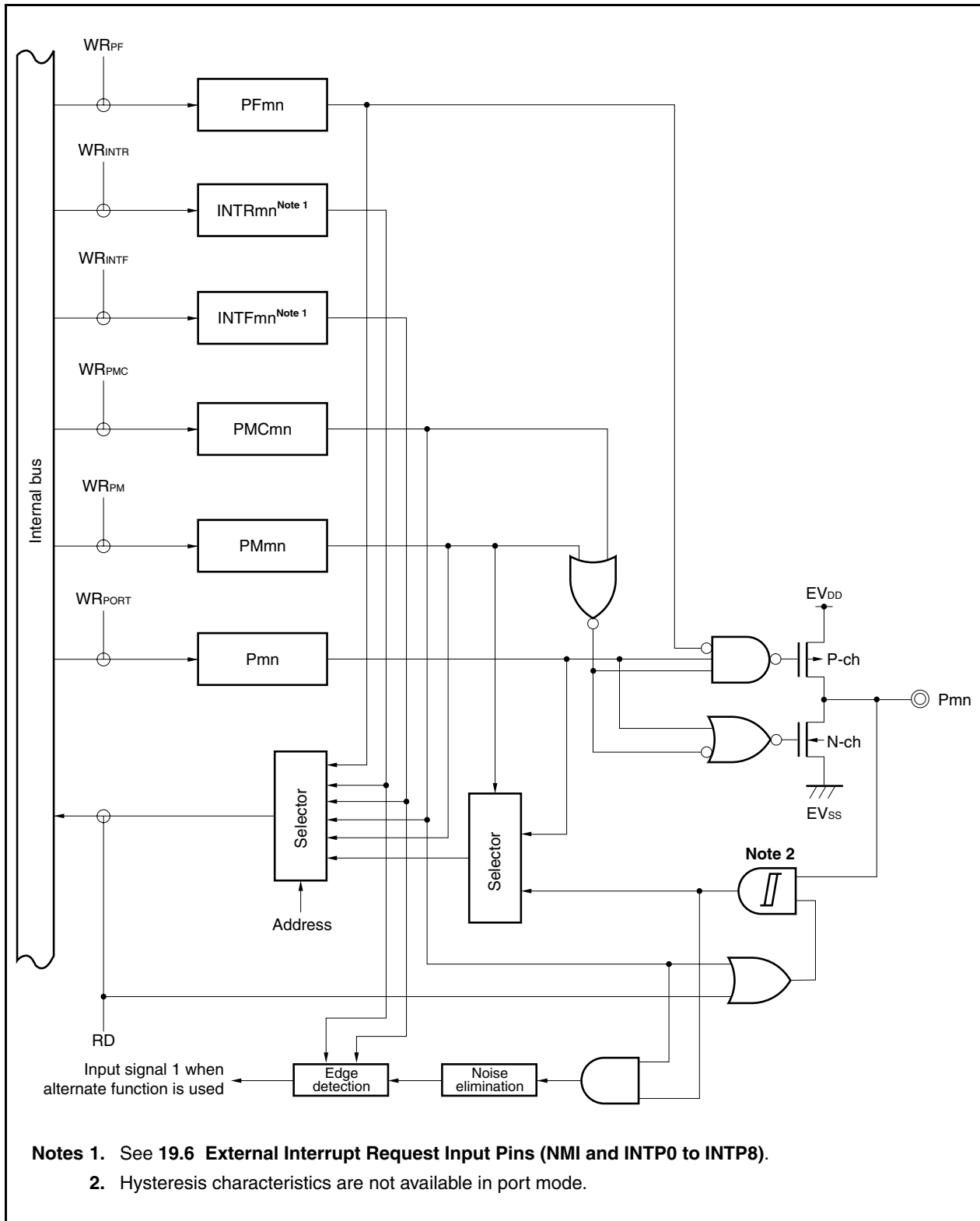
Note Hysteresis characteristics are not available in port mode.

Figure 4-18. Block Diagram of Type G-12



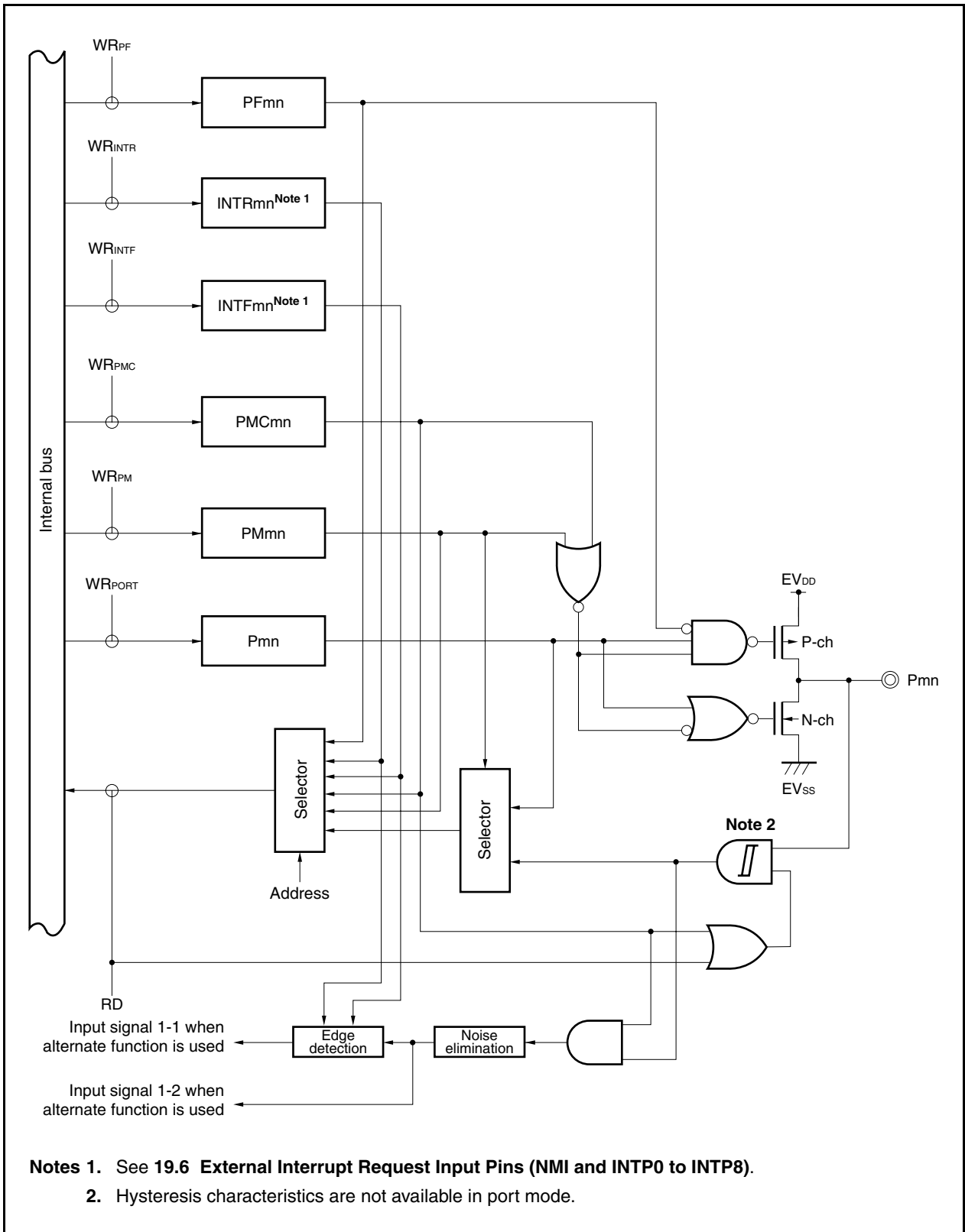
Note Hysteresis characteristics are not available in port mode.

Figure 4-19. Block Diagram of Type L-1



- Notes 1.** See 19.6 External Interrupt Request Input Pins (NMI and INTP0 to INTP8).
- 2.** Hysteresis characteristics are not available in port mode.

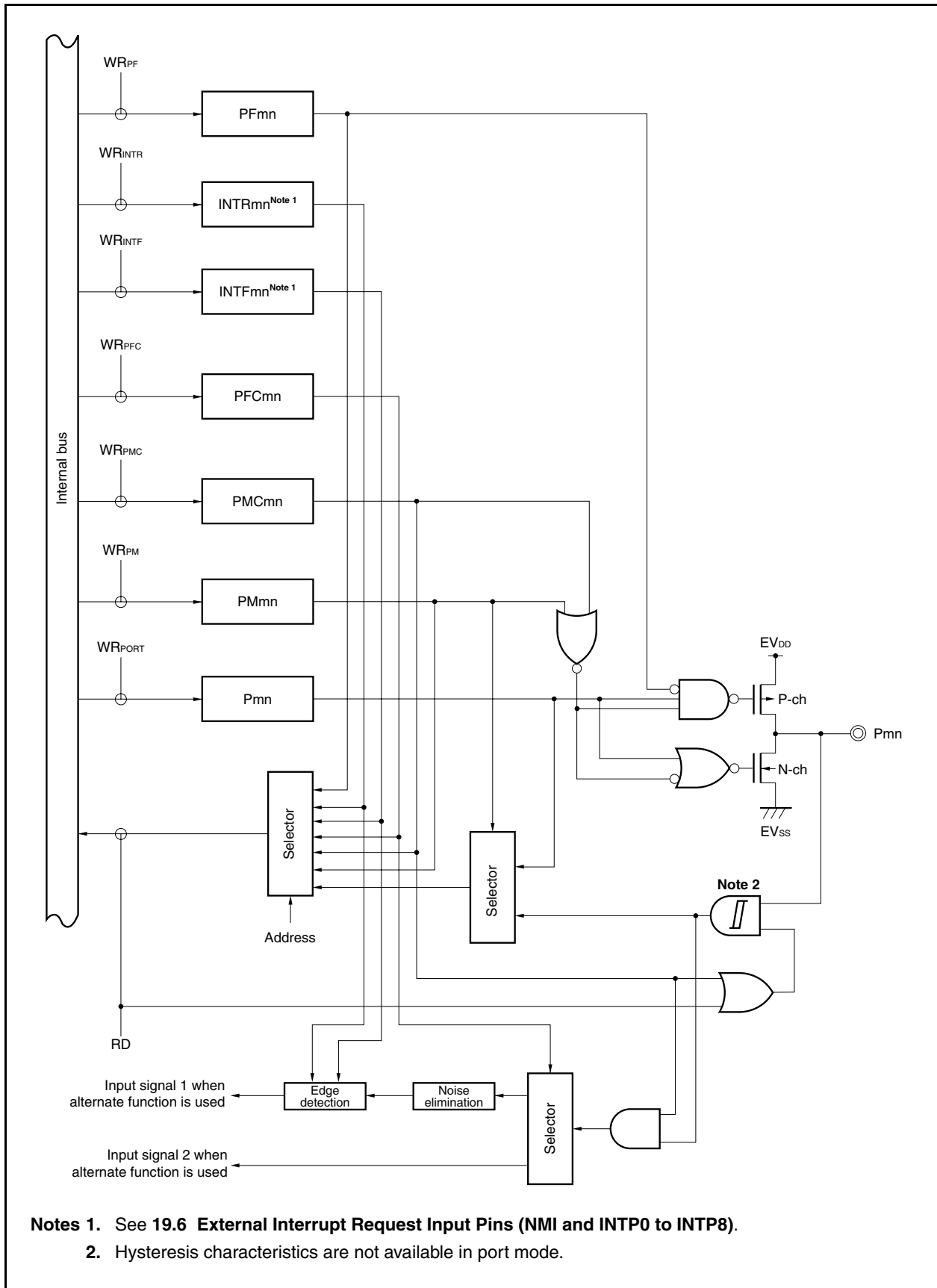
Figure 4-20. Block Diagram of Type L-2



Notes 1. See 19.6 External Interrupt Request Input Pins (NMI and INTP0 to INTP8).

2. Hysteresis characteristics are not available in port mode.

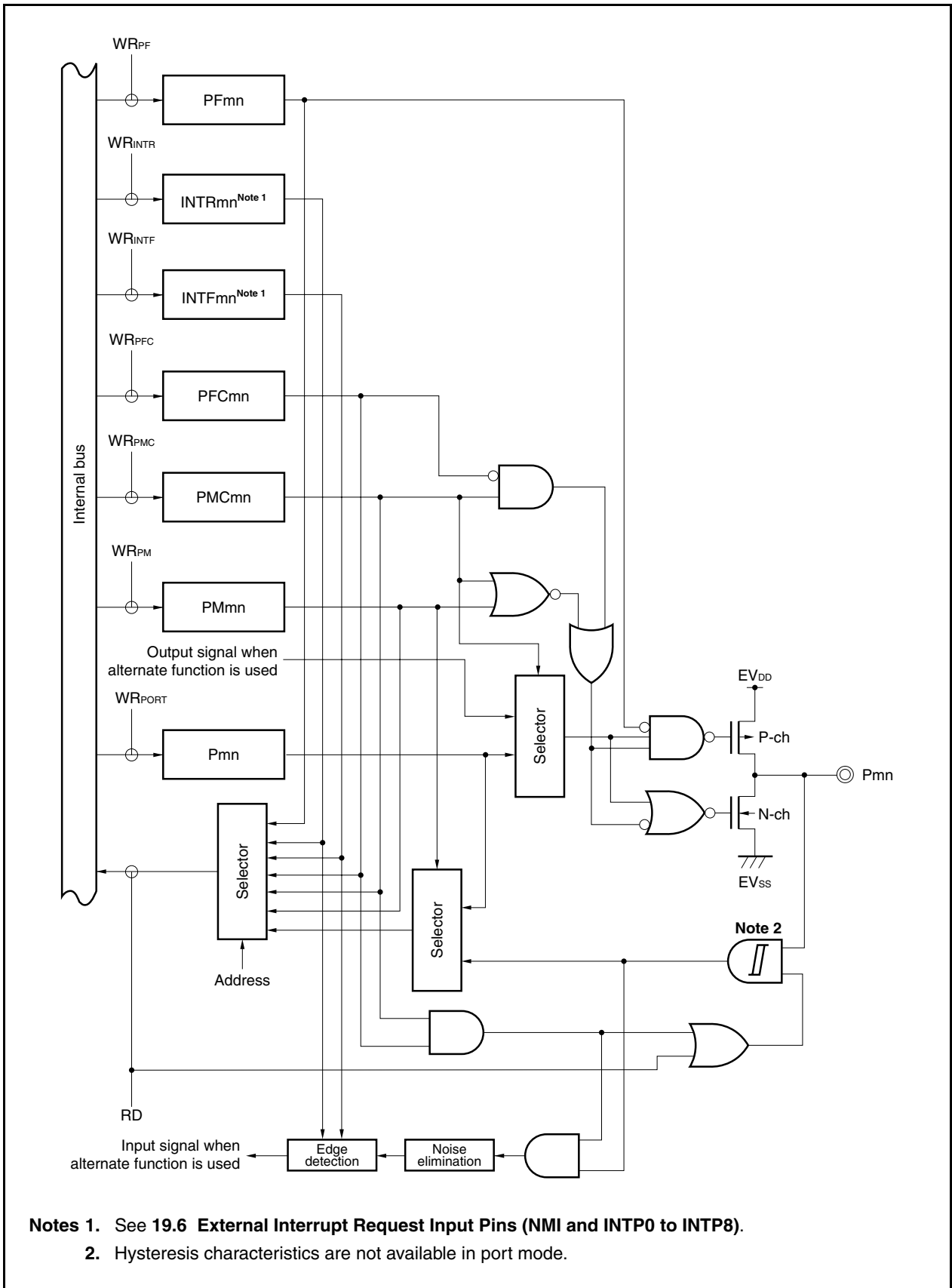
Figure 4-21. Block Diagram of Type N-1



Notes 1. See 19.6 External Interrupt Request Input Pins (NMI and INTP0 to INTP8).

2. Hysteresis characteristics are not available in port mode.

Figure 4-22. Block Diagram of Type N-2



Notes 1. See 19.6 External Interrupt Request Input Pins (NMI and INTP0 to INTP8).

2. Hysteresis characteristics are not available in port mode.

Figure 4-23. Block Diagram of Type N-3

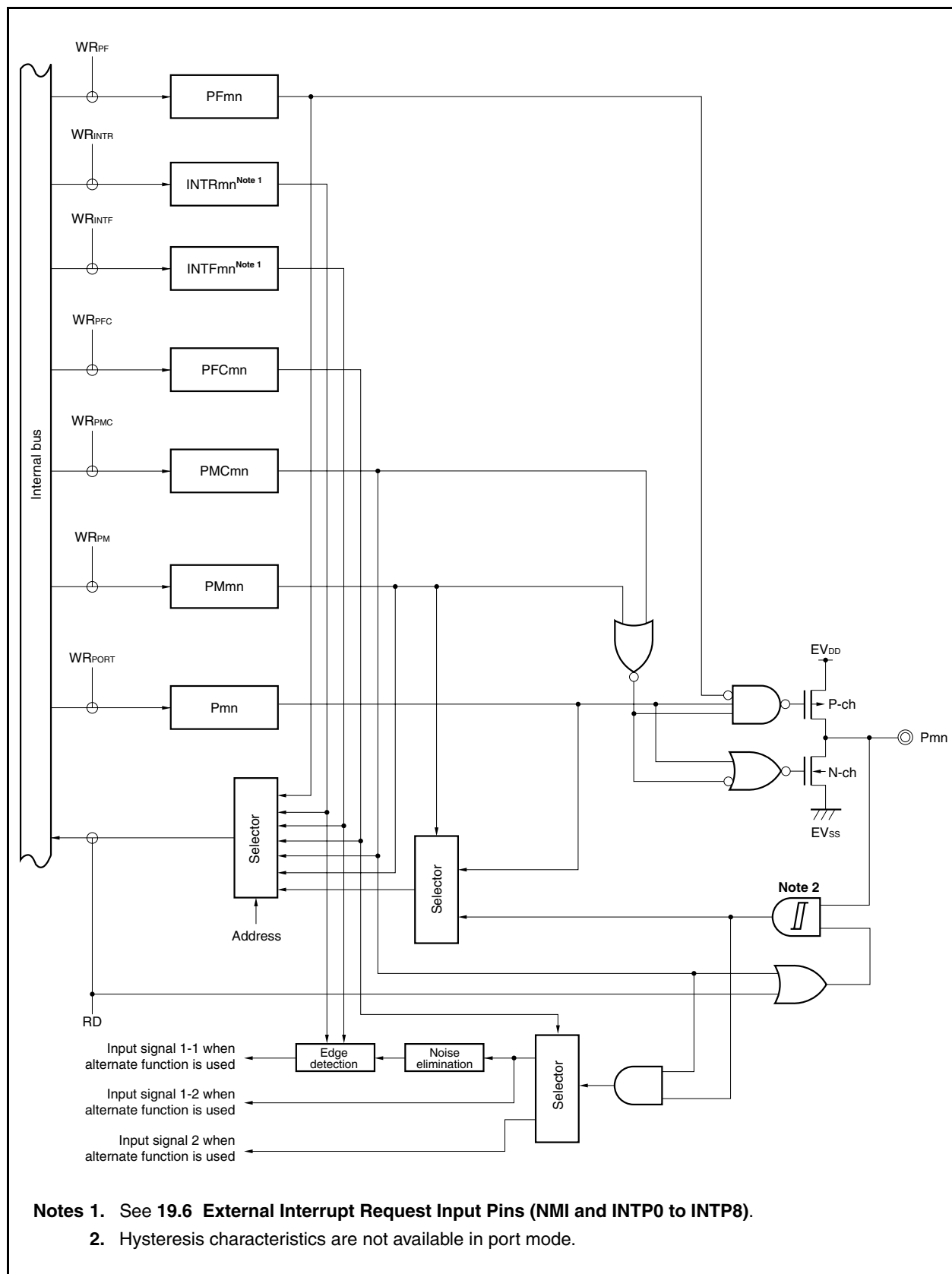


Figure 4-24. Block Diagram of Type U-1

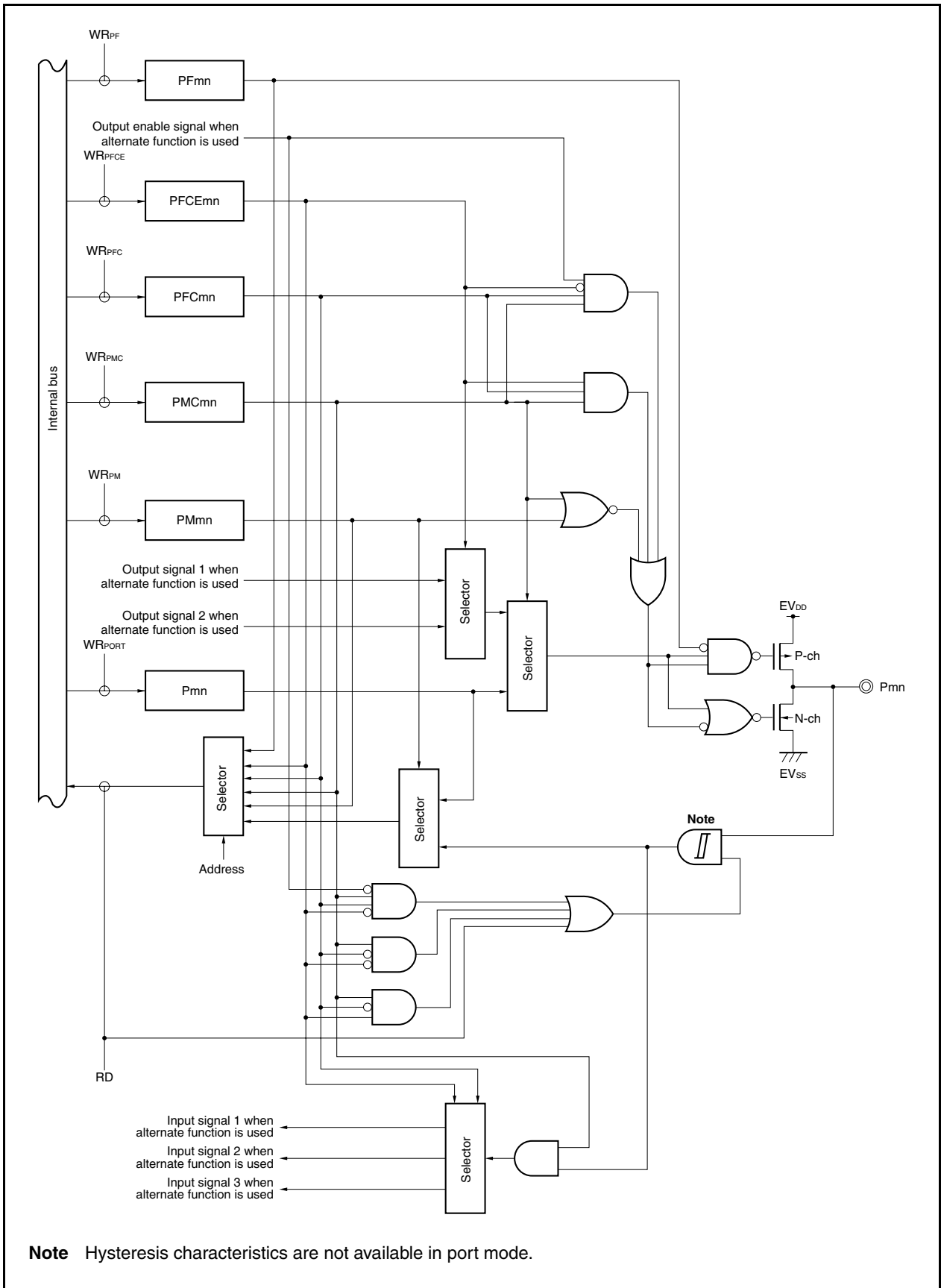


Figure 4-25. Block Diagram of Type U-5

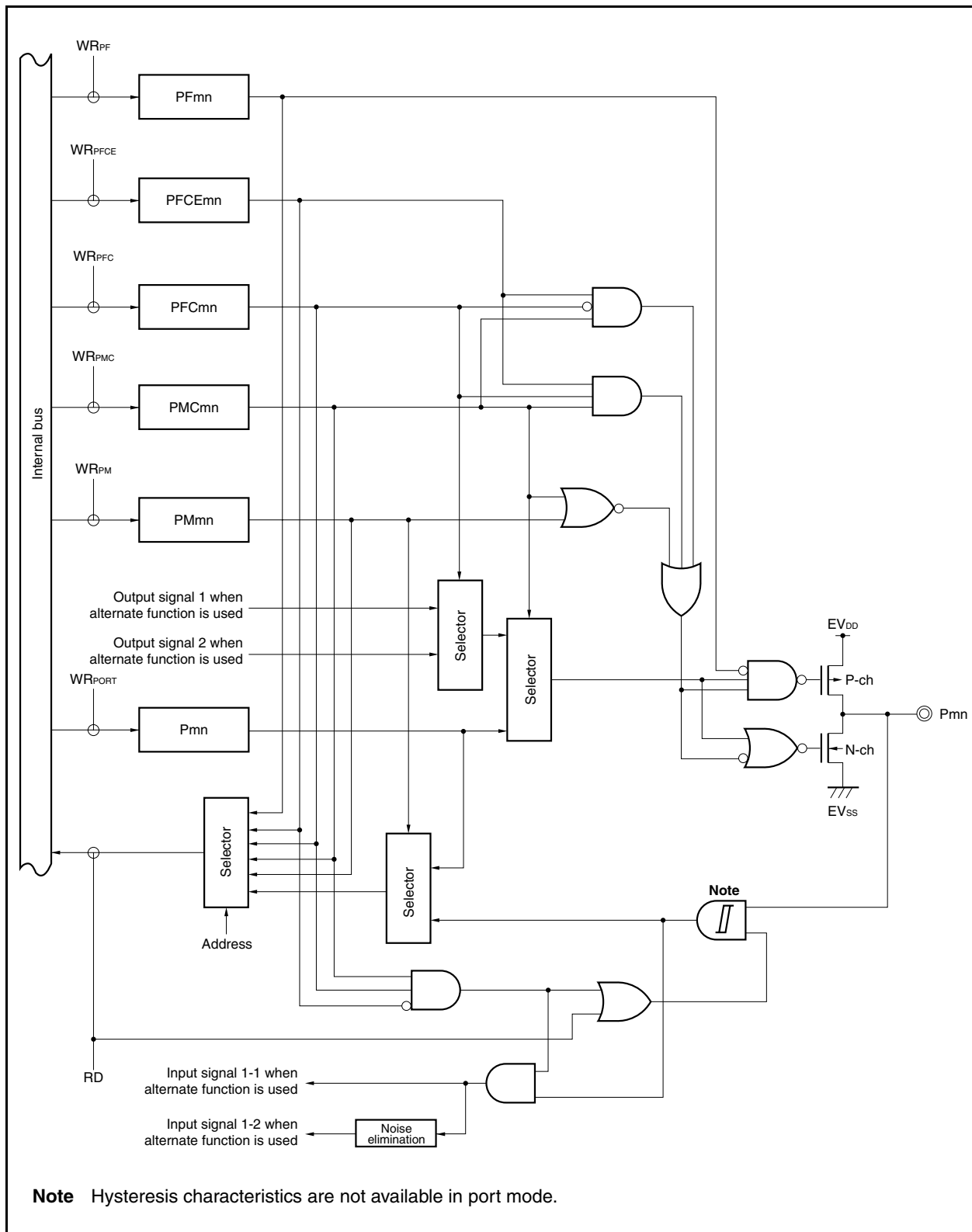


Figure 4-26. Block Diagram of Type U-6

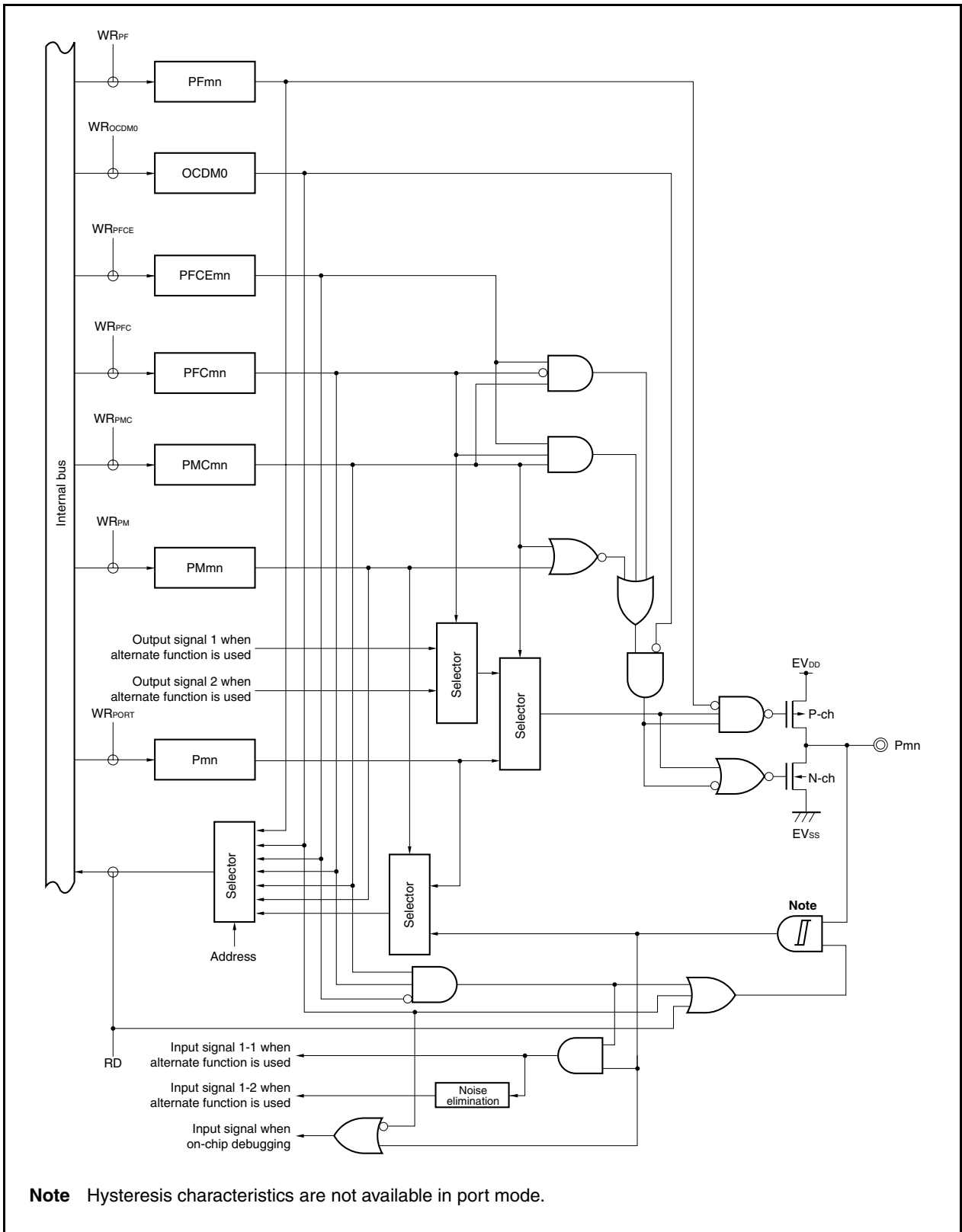


Figure 4-27. Block Diagram of Type U-7

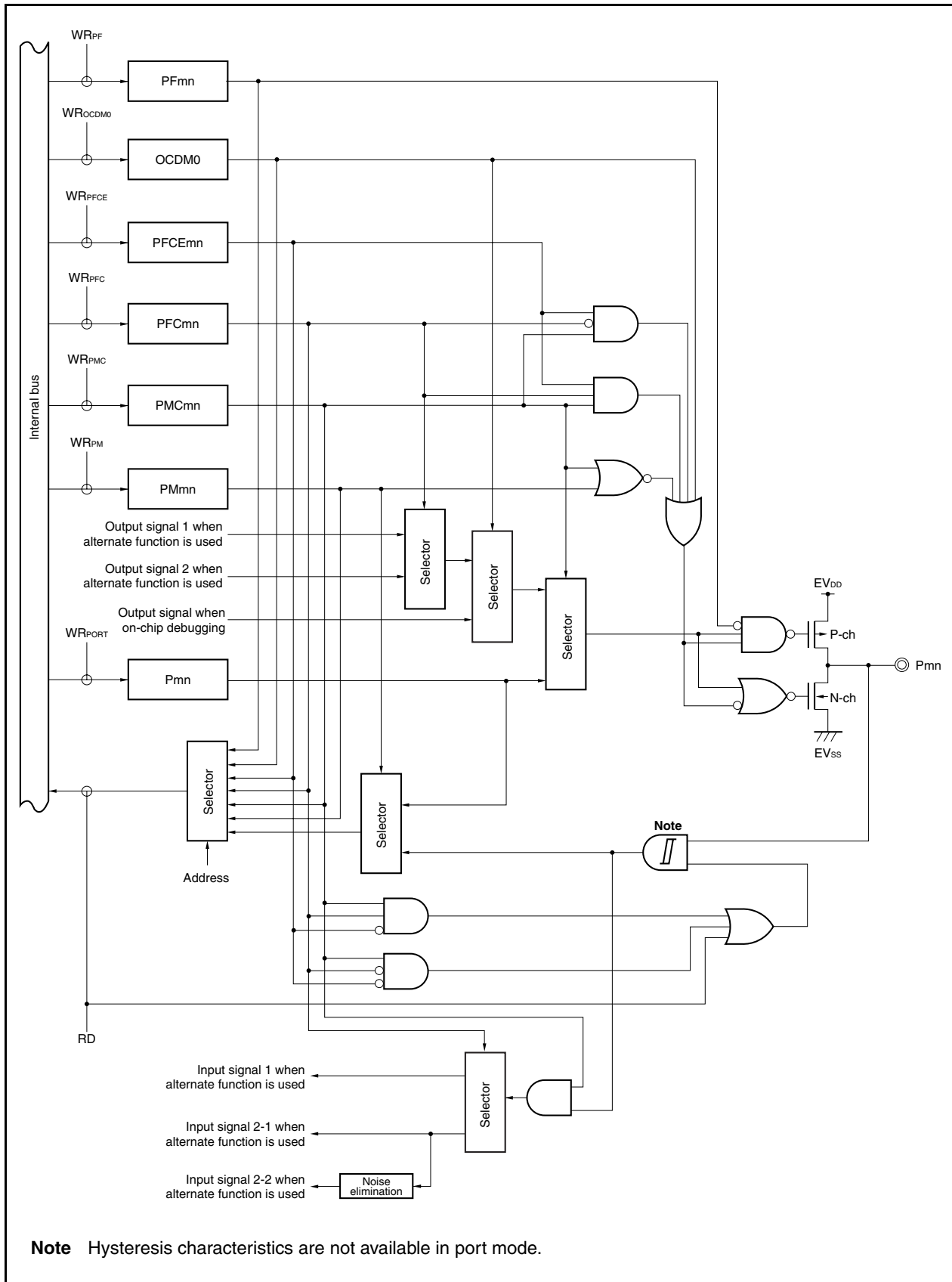


Figure 4-28. Block Diagram of Type U-8

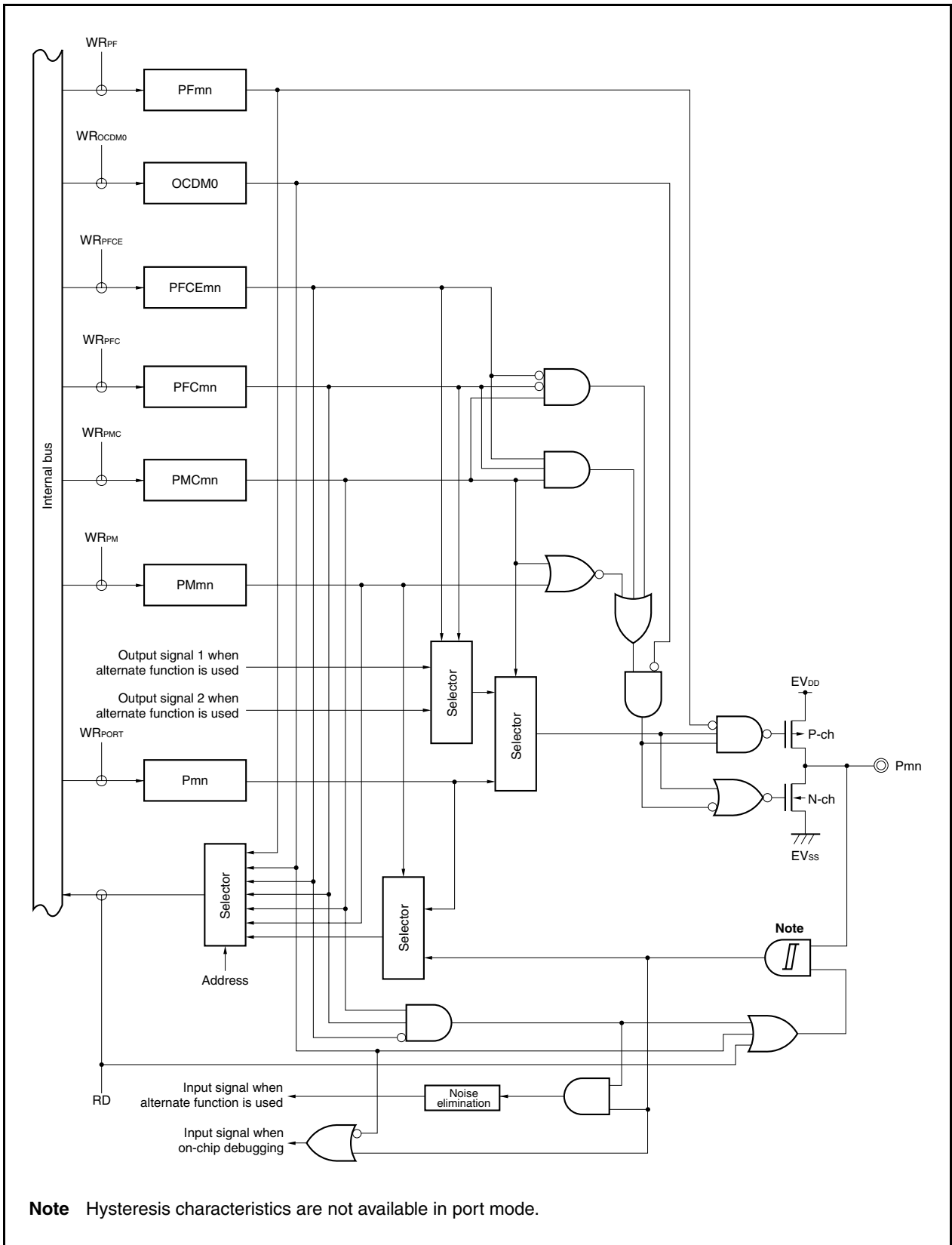


Figure 4-29. Block Diagram of Type U-9

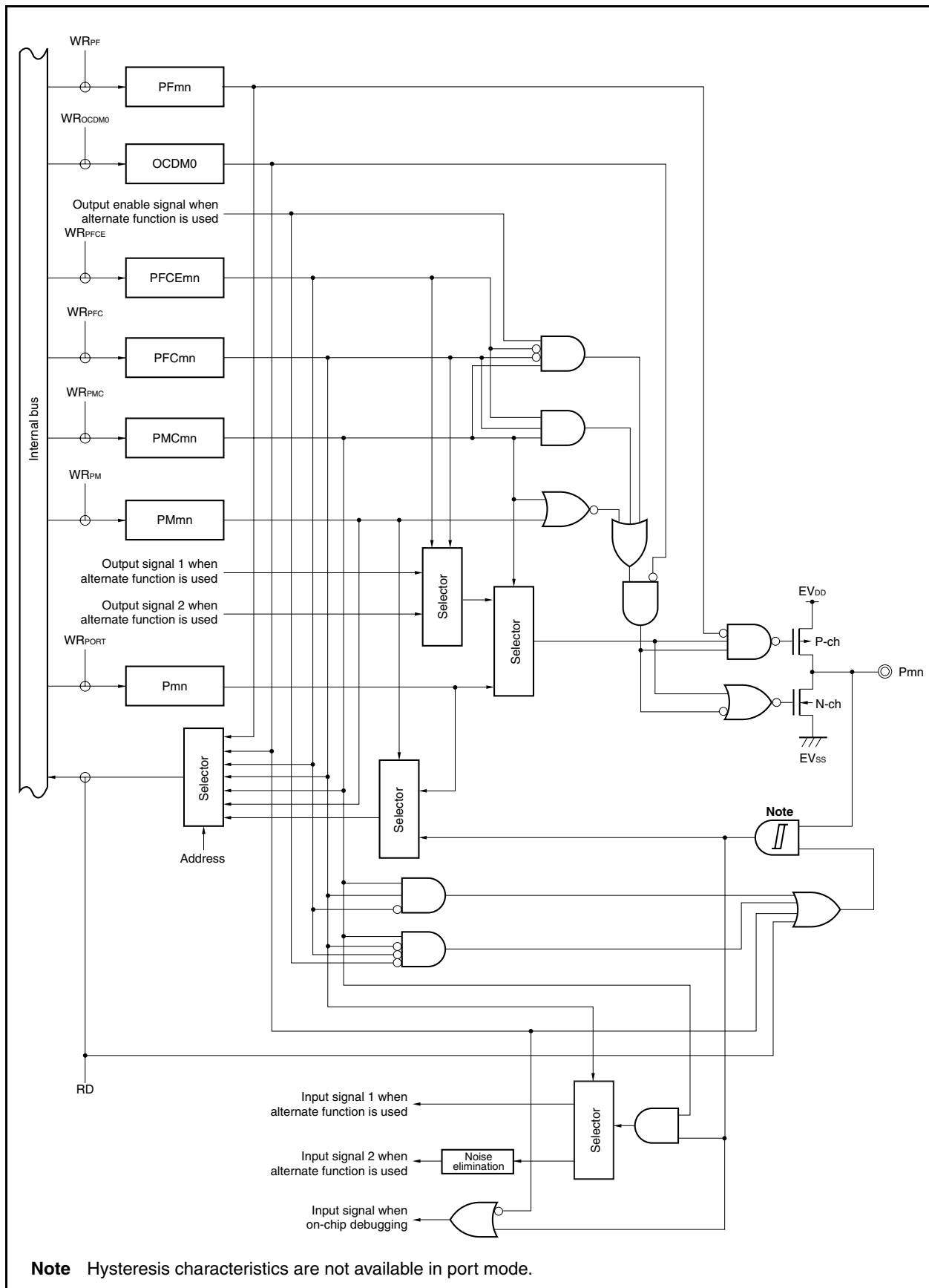


Figure 4-30. Block Diagram of Type U-10

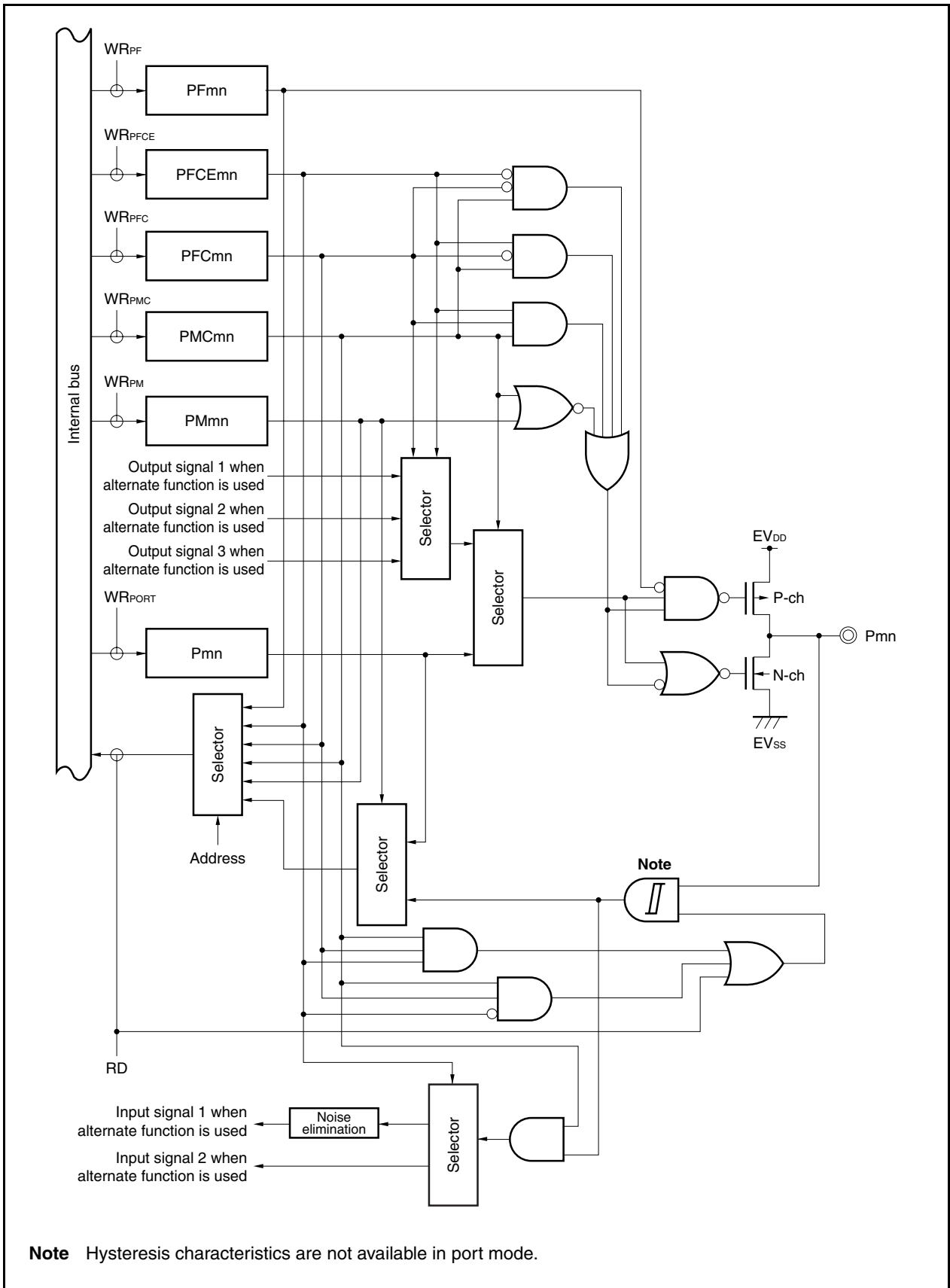


Figure 4-31. Block Diagram of Type U-11

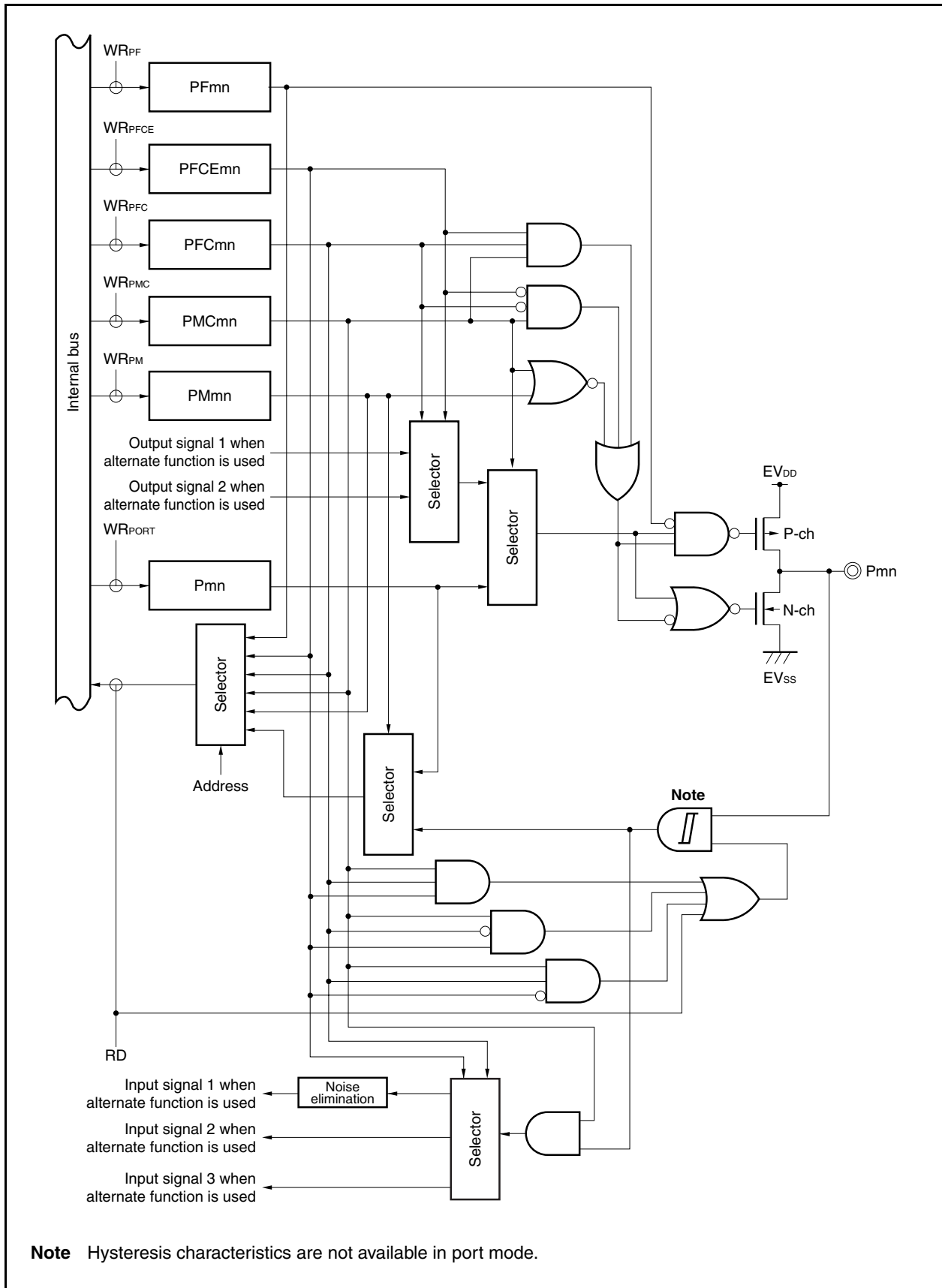


Figure 4-32. Block Diagram of Type U-12

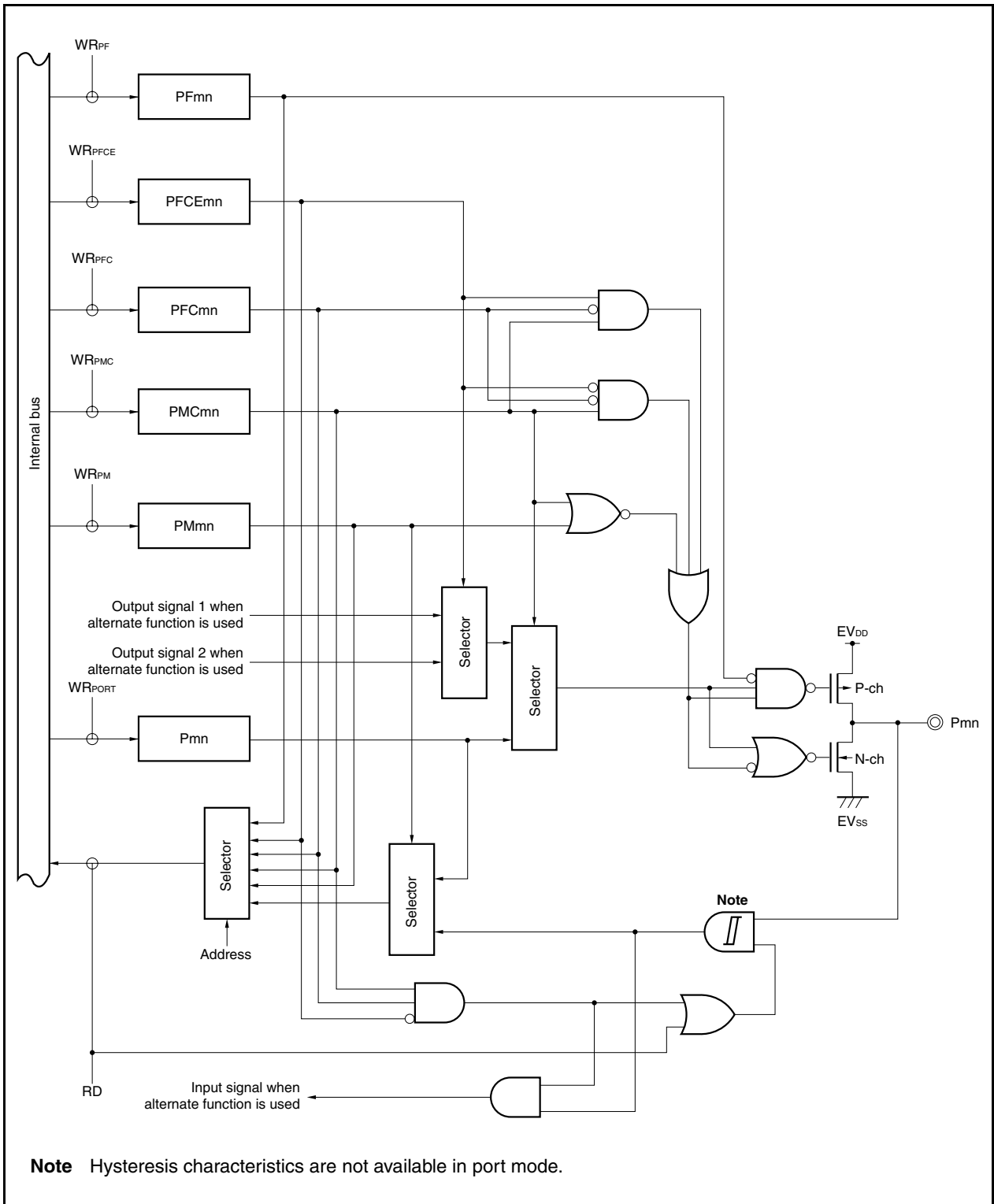


Figure 4-33. Block Diagram of Type U-13

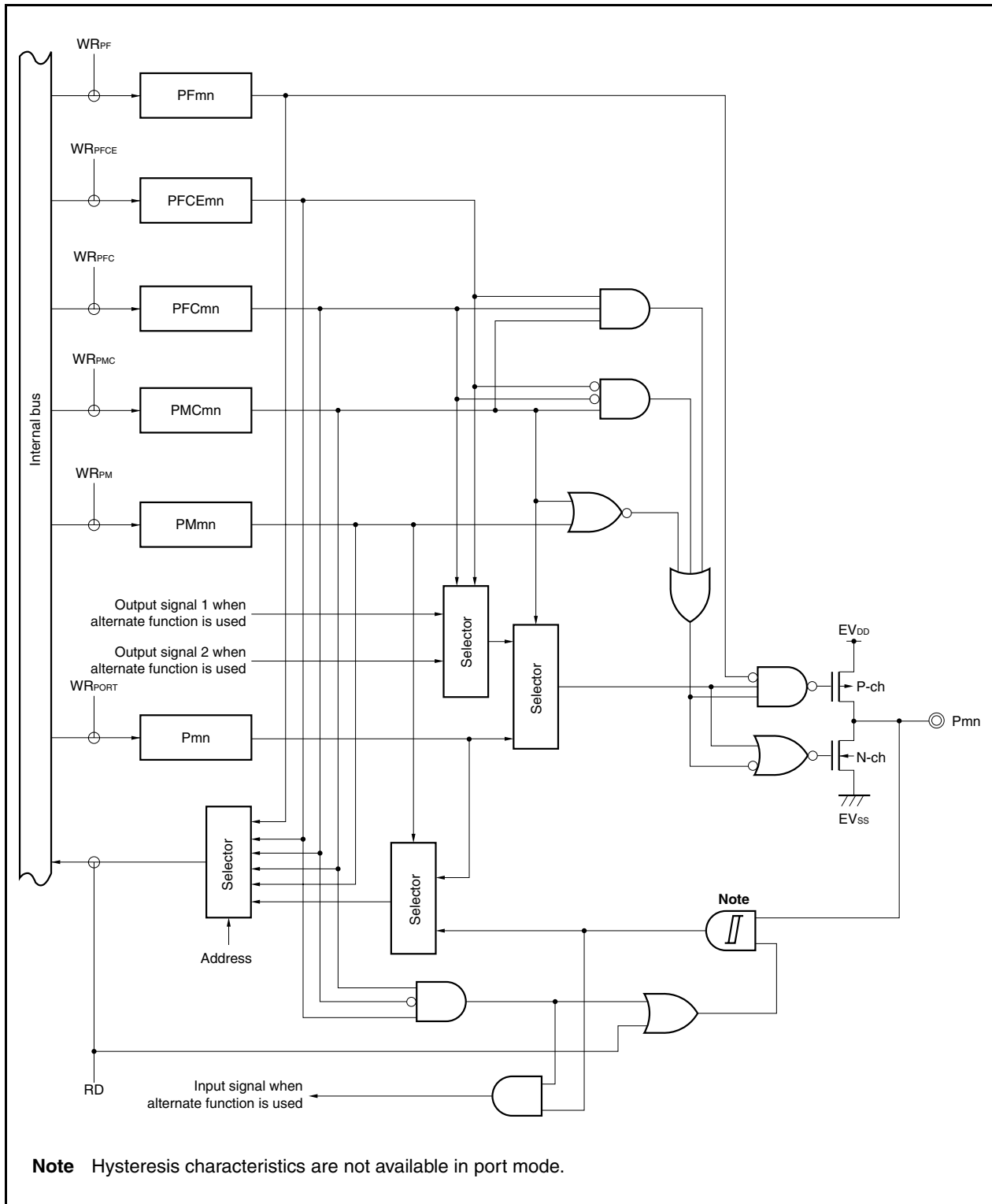
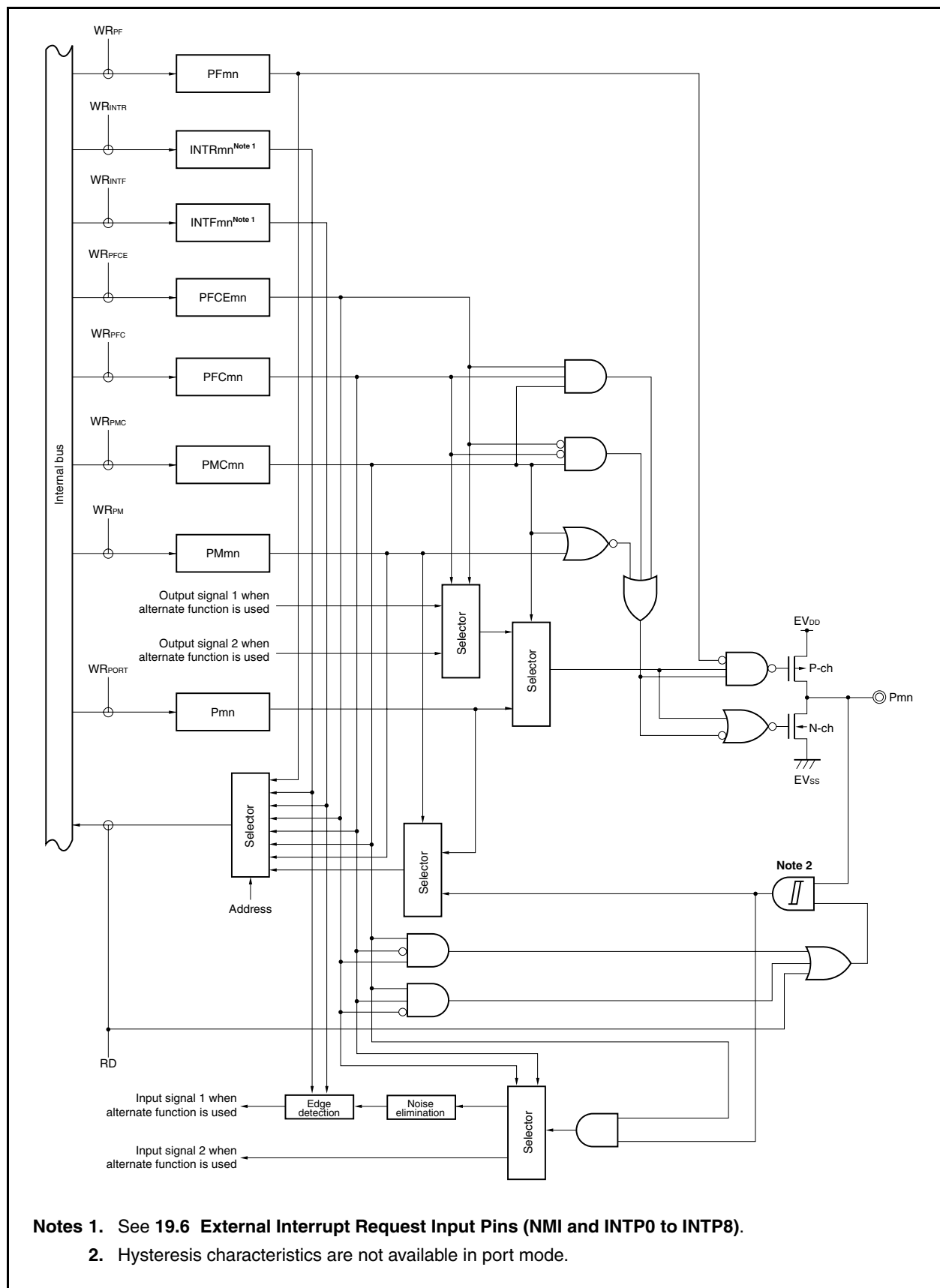


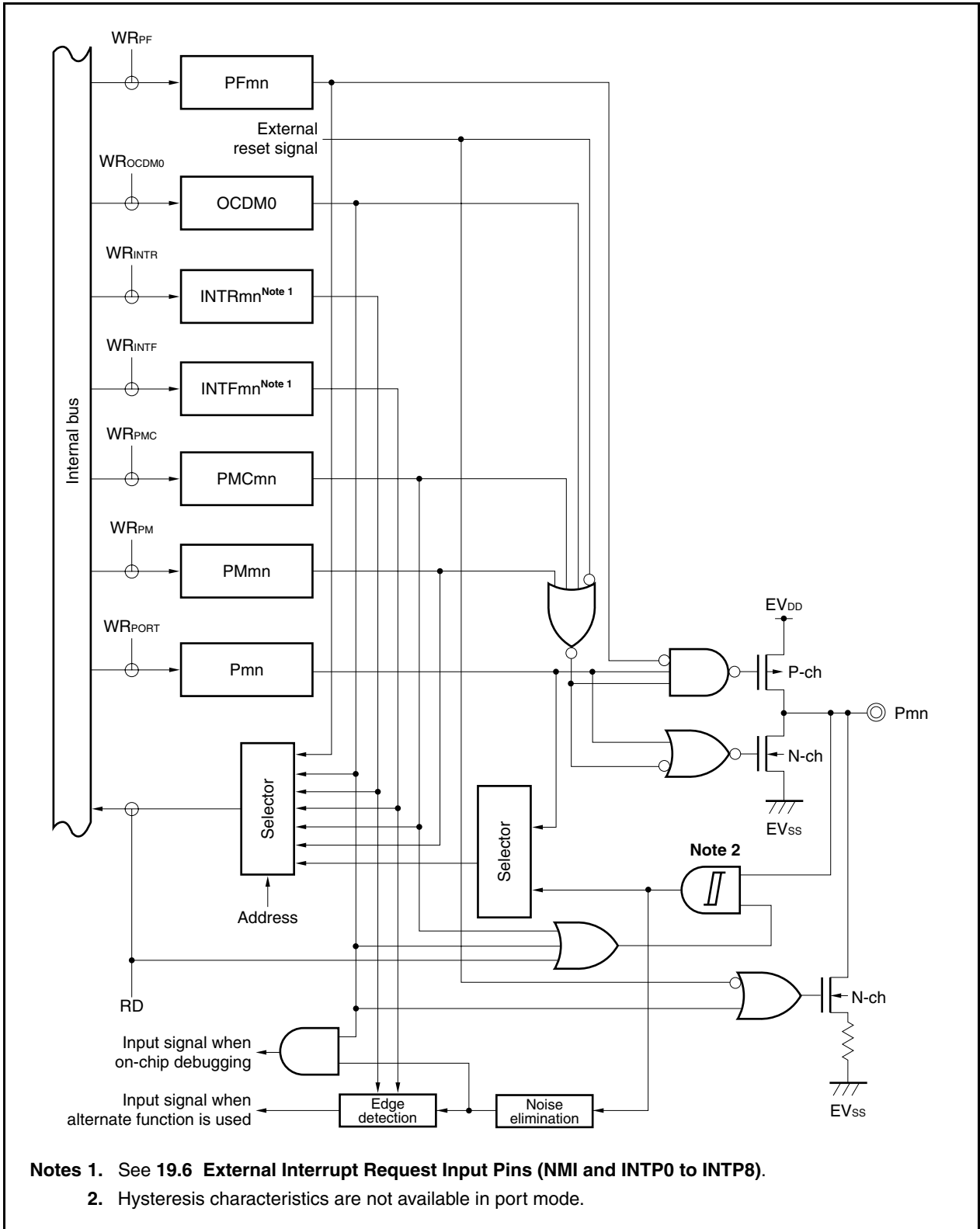
Figure 4-35. Block Diagram of Type U-15



Notes 1. See 19.6 External Interrupt Request Input Pins (NMI and INTP0 to INTP8).

2. Hysteresis characteristics are not available in port mode.

Figure 4-36. Block Diagram of Type AA-1



4.5 Port Register Settings When Alternate Function Is Used

Table 4-19 shows the port register settings when each port is used for an alternate function. When using a port pin as an alternate-function pin, refer to the description of each pin.

Table 4-19. Using Port Pins as Alternate-Function Pins (1/8)

Pin Name	Alternate Function		Pnx Bit of Pn Register	PMnx Bit of PMn Register	PMCnx Bit of PMCn Register	PFCEnx Bit of PFCEn Register	PFCnx Bit of PFCn Register	Other Bits (Registers)
	Name	I/O						
P00	TIP61	Input	P00 = Setting not required	PM00 = Setting not required	PMC00 = 1	–	PFC00 = 0	
	TOP61	Output	P00 = Setting not required	PM00 = Setting not required	PMC00 = 1	–	PFC00 = 1	
P01	TIP60	Input	P01 = Setting not required	PM01 = Setting not required	PMC01 = 1	–	PFC01 = 0	
	TOP60	Output	P01 = Setting not required	PM01 = Setting not required	PMC01 = 1	–	PFC01 = 1	
P02	NMI	Input	P02 = Setting not required	PM02 = Setting not required	PMC02 = 1	–	–	
P03	INTP0	Input	P03 = Setting not required	PM03 = Setting not required	PMC03 = 1	–	PFC03 = 0	
	ADTRG	Input	P03 = Setting not required	PM03 = Setting not required	PMC03 = 1	–	PFC03 = 1	
P04	INTP1	Input	P04 = Setting not required	PM04 = Setting not required	PMC04 = 1	–	–	
P05	INTP2	Input	P05 = Setting not required	PM05 = Setting not required	PMC05 = 1	–	–	
	$\overline{\text{DRST}}$	Input	P05 = Setting not required	PM05 = Setting not required	PMC05 = Setting not required	–	–	OCDM0 (OCDM) = 1
P06	INTP3	Input	P06 = Setting not required	PM06 = Setting not required	PMC06 = 1	–	–	
P10	ANO0	Output	P10 = Setting not required	PM10 = 1	–	–	–	
P11	ANO1	Output	P11 = Setting not required	PM11 = 1	–	–	–	
P30	TXDA0	Output	P30 = Setting not required	PM30 = Setting not required	PMC30 = 1	–	PFC30 = 0	
	SOB4	Output	P30 = Setting not required	PM30 = Setting not required	PMC30 = 1	–	PFC30 = 1	
P31	RXDA0	Input	P31 = Setting not required	PM31 = Setting not required	PMC31 = 1	–	Note , PFC31 = 0	
	INTP7	Input	P31 = Setting not required	PM31 = Setting not required	PMC31 = 1	–	Note , PFC31 = 0	
	SIB4	Input	P31 = Setting not required	PM31 = Setting not required	PMC31 = 1	–	PFC31 = 1	
P32	ASCKA0	Input	P32 = Setting not required	PM32 = Setting not required	PMC32 = 1	PFCE32 = 0	PFC32 = 0	
	$\overline{\text{SCKB4}}$	I/O	P32 = Setting not required	PM32 = Setting not required	PMC32 = 1	PFCE32 = 0	PFC32 = 1	
	TIP00	Input	P32 = Setting not required	PM32 = Setting not required	PMC32 = 1	PFCE32 = 1	PFC32 = 0	
	TOP00	Output	P32 = Setting not required	PM32 = Setting not required	PMC32 = 1	PFCE32 = 1	PFC32 = 1	

Note The INTP7 pin and RXDA0 pin are alternate-function pins. When using the pin as the RXDA0 pin, disable edge detection for the INTP7 alternate-function pin. (Clear the INTF3.INTF31 bit and the INRT3.INTR31 bit to 0.) When using the pin as the INTP7 pin, stop UARTA0 reception. (Clear the UA0CTL0.UA0RXE bit to 0.)

Caution Between the P10 and P11 pins, when one pin is used as the I/O port, and the other pin is used as the D/A output pin (ANO0, ANO1), make sure that the port I/O level does not change during D/A output.

Table 4-19. Using Port Pins as Alternate-Function Pins (2/8)

Pin Name	Alternate Function		Pnx Bit of Pn Register	PMnx Bit of PMn Register	PMCnx Bit of PMCn Register	PFCEnx Bit of PFCEn Register	PFCnx Bit of PFCn Register	Other Bits (Registers)
	Name	I/O						
P33	TIP01	Input	P33 = Setting not required	PM33 = Setting not required	PMC33 = 1	–	PFC33 = 0	
	TOP01	Output	P33 = Setting not required	PM33 = Setting not required	PMC33 = 1	–	PFC33 = 1	
P34	TIP10	Input	P34 = Setting not required	PM34 = Setting not required	PMC34 = 1	–	PFC34 = 0	
	TOP10	Input	P34 = Setting not required	PM34 = Setting not required	PMC34 = 1	–	PFC34 = 1	
P35	TIP11	Input	P35 = Setting not required	PM35 = Setting not required	PMC35 = 1	–	PFC35 = 0	
	TOP11	Output	P35 = Setting not required	PM35 = Setting not required	PMC35 = 1	–	PFC35 = 1	
P38	TXDA2	Output	P38 = Setting not required	PM38 = Setting not required	PMC38 = 1	–	PFC38 = 0	
	SDA00	I/O	P38 = Setting not required	PM38 = Setting not required	PMC38 = 1	–	PFC38 = 1	PF38 (PF3) = 1
P39	RXDA2	Input	P39 = Setting not required	PM39 = Setting not required	PMC39 = 1	–	PFC39 = 0	
	SCL00	I/O	P39 = Setting not required	PM39 = Setting not required	PMC39 = 1	–	PFC39 = 1	PF39 (PF3) = 1
P40	SIB0	Input	P40 = Setting not required	PM40 = Setting not required	PMC40 = 1	–	PFC40 = 0	
	SDA01	I/O	P40 = Setting not required	PM40 = Setting not required	PMC40 = 1	–	PFC40 = 1	PF40 (PF4) = 1
P41	SOB0	Output	P41 = Setting not required	PM41 = Setting not required	PMC41 = 1	–	PFC41 = 0	
	SCL01	I/O	P41 = Setting not required	PM41 = Setting not required	PMC41 = 1	–	PFC41 = 1	PF41 (PF4) = 1
P42	SCKB0	I/O	P42 = Setting not required	PM42 = Setting not required	PMC42 = 1	–	–	
P50	TIQ01	Input	P50 = Setting not required	PM50 = Setting not required	PMC50 = 1	PFCE50 = 0	PFC50 = 1	KRM0 (KRM) = 0
	KR0	Input	P50 = Setting not required	PM50 = Setting not required	PMC50 = 1	PFCE50 = 0	PFC50 = 1	TQ0TIG2, TQ0TIG3 (TQ0IOC1) = 0
	TOQ01	Output	P50 = Setting not required	PM50 = Setting not required	PMC50 = 1	PFCE50 = 1	PFC50 = 0	
	RTP00	Output	P50 = Setting not required	PM50 = Setting not required	PMC50 = 1	PFCE50 = 1	PFC50 = 1	
P51	TIQ02	Input	P51 = Setting not required	PM51 = Setting not required	PMC51 = 1	PFCE51 = 0	PFC51 = 1	KRM1 (KRM) = 0
	KR1	Input	P51 = Setting not required	PM51 = Setting not required	PMC51 = 1	PFCE51 = 0	PFC51 = 1	TQ0TIG4, TQ0TIG5 (TQ0IOC1) = 0
	TOQ02	Output	P51 = Setting not required	PM51 = Setting not required	PMC51 = 1	PFCE51 = 1	PFC51 = 0	
	RTP01	Output	P51 = Setting not required	PM51 = Setting not required	PMC51 = 1	PFCE51 = 1	PFC51 = 1	
P52	TIQ03	Input	P52 = Setting not required	PM52 = Setting not required	PMC52 = 1	PFCE52 = 0	PFC52 = 1	KRM2 (KRM) = 0
	KR2	Input	P52 = Setting not required	PM52 = Setting not required	PMC52 = 1	PFCE52 = 0	PFC52 = 1	TQ0TIG6, TQ0TIG7 (TQ0IOC1) = 0
	TOQ03	Output	P52 = Setting not required	PM52 = Setting not required	PMC52 = 1	PFCE52 = 1	PFC52 = 0	
	RTP02	Output	P52 = Setting not required	PM52 = Setting not required	PMC52 = 1	PFCE52 = 1	PFC52 = 1	
	DDI	Input	P52 = Setting not required	PM52 = Setting not required	PMC52 = Setting not required	PFCE52 = Setting not required	PFC52 = Setting not required	OCDM0 (OCDM) = 1

Table 4-19. Using Port Pins as Alternate-Function Pins (3/8)

Pin Name	Alternate Function		Pnx Bit of Pn Register	PMnx Bit of PMn Register	PMCnx Bit of PMCn Register	PFCEnx Bit of PFCEn Register	PFCnx Bit of PFCn Register	Other Bits (Registers)
	Name	I/O						
P53	SIB2	Input	P53 = Setting not required	PM53 = Setting not required	PMC53 = 1	PFCE53 = 0	PFC53 = 0	
	TIQ00	Input	P53 = Setting not required	PM53 = Setting not required	PMC53 = 1	PFCE53 = 0	PFC53 = 1	KRM3 (KRM) = 0
	KR3	Input	P53 = Setting not required	PM53 = Setting not required	PMC53 = 1	PFCE53 = 0	PFC53 = 1	TQ0TIG0, TQ0TIG1 (TQ0IOC1) = 0, TQ0EES0, TQ0EES1 (TQ0IOC2) = 0, TQ0ETS0, TQ0ETS1 (TQ0IOC2) = 0
	TOQ00	Input	P53 = Setting not required	PM53 = Setting not required	PMC53 = 1	PFCE53 = 1	PFC53 = 0	
	RTP03	Output	P53 = Setting not required	PM53 = Setting not required	PMC53 = 1	PFCE53 = 1	PFC53 = 1	
	DDO	Output	P53 = Setting not required	PM53 = Setting not required	PMC53 = Setting not required	PFCE53 = Setting not required	PFC53 = Setting not required	OCDM0 (OCDM) = 1
P54	SOB2	Output	P54 = Setting not required	PM54 = Setting not required	PMC54 = 1	PFCE54 = 0	PFC54 = 0	
	KR4	Input	P54 = Setting not required	PM54 = Setting not required	PMC54 = 1	PFCE54 = 0	PFC54 = 1	
	RTP04	Output	P54 = Setting not required	PM54 = Setting not required	PMC54 = 1	PFCE54 = 1	PFC54 = 1	
	DCK	Input	P54 = Setting not required	PM54 = Setting not required	PMC54 = Setting not required	PFCE54 = Setting not required	PFC54 = Setting not required	OCDM0 (OCDM) = 1
P55	$\overline{\text{SCKB2}}$	I/O	P55 = Setting not required	PM55 = Setting not required	PMC55 = 1	PFCE55 = 0	PFC55 = 0	
	KR5	Input	P55 = Setting not required	PM55 = Setting not required	PMC55 = 1	PFCE55 = 0	PFC55 = 1	
	RTP05	Output	P55 = Setting not required	PM55 = Setting not required	PMC55 = 1	PFCE55 = 1	PFC55 = 1	
	DMS	Input	P55 = Setting not required	PM55 = Setting not required	PMC55 = Setting not required	PFCE55 = Setting not required	PFC55 = Setting not required	OCDM0 (OCDM) = 1
P60	RTP10	Output	P60 = Setting not required	PM60 = Setting not required	PMC60 = 1	–	–	
P61	RTP11	Output	P61 = Setting not required	PM61 = Setting not required	PMC61 = 1	–	–	
P62	RTP12	Output	P62 = Setting not required	PM62 = Setting not required	PMC62 = 1	–	–	
P63	RTP13	Output	P63 = Setting not required	PM63 = Setting not required	PMC63 = 1	–	–	
P64	RTP14	Output	P64 = Setting not required	PM64 = Setting not required	PMC64 = 1	–	–	
P65	RTP15	Output	P65 = Setting not required	PM65 = Setting not required	PMC65 = 1	–	–	
P66	SIB5	Input	P66 = Setting not required	PM66 = Setting not required	PMC66 = 1	–	–	
P67	SOB5	Output	P67 = Setting not required	PM67 = Setting not required	PMC67 = 1	–	–	
P68	$\overline{\text{SCKB5}}$	I/O	P68 = Setting not required	PM68 = Setting not required	PMC68 = 1	–	–	
P69	TIP70	Input	P69 = Setting not required	PM69 = Setting not required	PMC69 = 1	–	PFC69 = 0	
	TOP70	Output	P69 = Setting not required	PM69 = Setting not required	PMC69 = 1	–	PFC69 = 1	
P610	TIP71	Input	P610 = Setting not required	PM610 = Setting not required	PMC610 = 1	–	–	
P611	TOP71	Output	P611 = Setting not required	PM611 = Setting not required	PMC611 = 1	–	–	

Table 4-19. Using Port Pins as Alternate-Function Pins (4/8)

Pin Name	Alternate Function		Pnx Bit of Pn Register	PMnx Bit of PMn Register	PMCnx Bit of PMCn Register	PFCEnx Bit of PFCEn Register	PFCnx Bit of PFCn Register	Other Bits (Registers)
	Name	I/O						
P612	TIP80	Input	P612 = Setting not required	PM612 = Setting not required	PMC612 = 1	–	PFC612 = 0	
	TOP80	Output	P612 = Setting not required	PM612 = Setting not required	PMC612 = 1	–	PFC612 = 1	
P613	TIP81	Input	P613 = Setting not required	PM613 = Setting not required	PMC613 = 1	–	PFC613 = 0	
	TOP81	Output	P613 = Setting not required	PM613 = Setting not required	PMC613 = 1	–	PFC613 = 1	
P70	ANI0	Input	P70 = Setting not required	PM70 = 1	–	–	–	
P71	ANI1	Input	P71 = Setting not required	PM71 = 1	–	–	–	
P72	ANI2	Input	P72 = Setting not required	PM72 = 1	–	–	–	
P73	ANI3	Input	P73 = Setting not required	PM73 = 1	–	–	–	
P74	ANI4	Input	P74 = Setting not required	PM74 = 1	–	–	–	
P75	ANI5	Input	P75 = Setting not required	PM75 = 1	–	–	–	
P76	ANI6	Input	P76 = Setting not required	PM76 = 1	–	–	–	
P77	ANI7	Input	P77 = Setting not required	PM77 = 1	–	–	–	
P78	ANI8	Input	P78 = Setting not required	PM78 = 1	–	–	–	
P79	ANI9	Input	P79 = Setting not required	PM79 = 1	–	–	–	
P710	ANI10	Input	P710 = Setting not required	PM710 = 1	–	–	–	
P711	ANI11	Input	P711 = Setting not required	PM711 = 1	–	–	–	
P712	ANI12	Input	P712 = Setting not required	PM712 = 1	–	–	–	
P713	ANI13	Input	P713 = Setting not required	PM713 = 1	–	–	–	
P714	ANI14	Input	P714 = Setting not required	PM714 = 1	–	–	–	
P715	ANI15	Input	P715 = Setting not required	PM715 = 1	–	–	–	
P80	RXDA3	Input	P80 = Setting not required	PM80 = Setting not required	PMC80 = 1	–	–	Note
	INTP8	Input	P80 = Setting not required	PM80 = Setting not required	PMC80 = 1	–	–	Note
P81	TXDA3	Output	P81 = Setting not required	PM81 = Setting not required	PMC81 = 1	–	–	

Note The INTP8 pin and RXDA3 pin are alternate-function pins. When using the pin as the RXDA3 pin, disable edge detection for the INTP8 alternate-function pin. (Clear the INTF8.INTF80 bit and the INTR8.INTR80 bit to 0.) When using the pin as the INTP8 pin, stop UARTA3 reception. (Clear the UA0CTL3.UA3RXE bit to 0.)

Table 4-19. Using Port Pins as Alternate-Function Pins (5/8)

Pin Name	Alternate Function		Pnx Bit of Pn Register	PMnx Bit of PMn Register	PMCnx Bit of PMCn Register	PFCEnx Bit of PFCEn Register	PFCnx Bit of PFCn Register	Other Bits (Registers)
	Name	I/O						
P90	A0	Output	P90 = Setting not required	PM90 = Setting not required	PMC90 = 1	PFCE90 = 0	PFC90 = 0	Note 1
	KR6	Input	P90 = Setting not required	PM90 = Setting not required	PMC90 = 1	PFCE90 = 0	PFC90 = 1	
	TXDA1	Output	P90 = Setting not required	PM90 = Setting not required	PMC90 = 1	PFCE90 = 1	PFC90 = 0	
	SDA02	I/O	P90 = Setting not required	PM90 = Setting not required	PMC90 = 1	PFCE90 = 1	PFC90 = 1	PF90 (PF9) = 1
P91	A1	Output	P91 = Setting not required	PM91 = Setting not required	PMC91 = 1	PFCE91 = 0	PFC91 = 0	Note 1
	KR7	Input	P91 = Setting not required	PM91 = Setting not required	PMC91 = 1	PFCE91 = 0	PFC91 = 1	
	RXDA1/KR7 ^{Note 2}	Input	P91 = Setting not required	PM91 = Setting not required	PMC91 = 1	PFCE91 = 1	PFC91 = 0	
	SCL02	I/O	P91 = Setting not required	PM91 = Setting not required	PMC91 = 1	PFCE91 = 1	PFC91 = 1	PF91 (PF9) = 1
P92	A2	Output	P92 = Setting not required	PM92 = Setting not required	PMC92 = 1	PFCE92 = 0	PFC92 = 0	Note 1
	TIP41	Input	P92 = Setting not required	PM92 = Setting not required	PMC92 = 1	PFCE92 = 0	PFC92 = 1	
	TOP41	Output	P92 = Setting not required	PM92 = Setting not required	PMC92 = 1	PFCE92 = 1	PFC92 = 0	
P93	A3	Output	P93 = Setting not required	PM93 = Setting not required	PMC93 = 1	PFCE93 = 0	PFC93 = 0	Note 1
	TIP40	Input	P93 = Setting not required	PM93 = Setting not required	PMC93 = 1	PFCE93 = 0	PFC93 = 1	
	TOP40	Output	P93 = Setting not required	PM93 = Setting not required	PMC93 = 1	PFCE93 = 1	PFC93 = 0	
P94	A4	Output	P94 = Setting not required	PM94 = Setting not required	PMC94 = 1	PFCE94 = 0	PFC94 = 0	Note 1
	TIP31	Input	P94 = Setting not required	PM94 = Setting not required	PMC94 = 1	PFCE94 = 0	PFC94 = 1	
	TOP31	Output	P94 = Setting not required	PM94 = Setting not required	PMC94 = 1	PFCE94 = 1	PFC94 = 0	
P95	A5	Output	P95 = Setting not required	PM95 = Setting not required	PMC95 = 1	PFCE95 = 0	PFC95 = 0	Note 1
	TIP30	Input	P95 = Setting not required	PM95 = Setting not required	PMC95 = 1	PFCE95 = 0	PFC95 = 1	
	TOP30	Output	P95 = Setting not required	PM95 = Setting not required	PMC95 = 1	PFCE95 = 1	PFC95 = 0	
P96	A6	Output	P96 = Setting not required	PM96 = Setting not required	PMC96 = 1	PFCE96 = 0	PFC96 = 0	Note 1
	TIP21	Input	P96 = Setting not required	PM96 = Setting not required	PMC96 = 1	PFCE96 = 1	PFC96 = 0	
	TOP21	Output	P96 = Setting not required	PM96 = Setting not required	PMC96 = 1	PFCE96 = 1	PFC96 = 1	

- Notes 1.** When setting pins A0 to A15 as the alternate function, set the PMC9 register to FFFFH for all 16 bits at once.
- 2.** The RXDA1 and KR7 pins must not be used at the same time. When using the RXDA1 pin, do not use the KR7 pin. When using the KR7 pin, do not use the RXDA1 pin (it is recommended to set the PFC91 bit to 1 and clear the PFCE91 bit to 0).

Table 4-19. Using Port Pins as Alternate-Function Pins (6/8)

Pin Name	Alternate Function		Pnx Bit of Pn Register	PMnx Bit of PMn Register	PMCnx Bit of PMCn Register	PFCEnx Bit of PFCEn Register	PFCnx Bit of PFCn Register	Other Bits (Registers)
	Name	I/O						
P97	A7	Output	P97 = Setting not required	PM97 = Setting not required	PMC97 = 1	PFCE97 = 0	PFC97 = 0	Note
	SIB1	Input	P97 = Setting not required	PM97 = Setting not required	PMC97 = 1	PFCE97 = 0	PFC97 = 1	
	TIP20	Input	P97 = Setting not required	PM97 = Setting not required	PMC97 = 1	PFCE97 = 1	PFC97 = 0	
	TOP20	Output	P97 = Setting not required	PM97 = Setting not required	PMC97 = 1	PFCE97 = 1	PFC97 = 1	
P98	A8	Output	P98 = Setting not required	PM98 = Setting not required	PMC98 = 1	–	PFC98 = 0	Note
	SOB1	Output	P98 = Setting not required	PM98 = Setting not required	PMC98 = 1	–	PFC98 = 1	
P99	A9	Output	P99 = Setting not required	PM99 = Setting not required	PMC99 = 1	–	PFC99 = 0	Note
	SCKB1	I/O	P99 = Setting not required	PM99 = Setting not required	PMC99 = 1	–	PFC99 = 1	
P910	A10	Output	P910 = Setting not required	PM910 = Setting not required	PMC910 = 1	–	PFC910 = 0	Note
	SIB3	Input	P910 = Setting not required	PM910 = Setting not required	PMC910 = 1	–	PFC910 = 1	
P911	A11	Output	P911 = Setting not required	PM911 = Setting not required	PMC911 = 1	–	PFC911 = 0	Note
	SOB3	Output	P911 = Setting not required	PM911 = Setting not required	PMC911 = 1	–	PFC911 = 1	
P912	A12	Output	P912 = Setting not required	PM912 = Setting not required	PMC912 = 1	–	PFC912 = 0	Note
	SCKB3	I/O	P912 = Setting not required	PM912 = Setting not required	PMC912 = 1	–	PFC912 = 1	
P913	A13	Output	P913 = Setting not required	PM913 = Setting not required	PMC913 = 1	–	PFC913 = 0	Note
	INTP4	Input	P913 = Setting not required	PM913 = Setting not required	PMC913 = 1	–	PFC913 = 1	
P914	A14	Output	P914 = Setting not required	PM914 = Setting not required	PMC914 = 1	PFCE914 = 0	PFC914 = 0	Note
	INTP5	Input	P914 = Setting not required	PM914 = Setting not required	PMC914 = 1	PFCE914 = 0	PFC914 = 1	
	TIP51	Input	P914 = Setting not required	PM914 = Setting not required	PMC914 = 1	PFCE914 = 1	PFC914 = 0	
	TOP51	Output	P914 = Setting not required	PM914 = Setting not required	PMC914 = 1	PFCE914 = 1	PFC914 = 1	
P915	A15	Output	P915 = Setting not required	PM915 = Setting not required	PMC915 = 1	PFCE915 = 0	PFC915 = 0	Note
	INTP6	Input	P915 = Setting not required	PM915 = Setting not required	PMC915 = 1	PFCE915 = 0	PFC915 = 1	
	TIP50	Input	P915 = Setting not required	PM915 = Setting not required	PMC915 = 1	PFCE915 = 1	PFC915 = 0	
	TOP50	Output	P915 = Setting not required	PM915 = Setting not required	PMC915 = 1	PFCE915 = 1	PFC915 = 1	
PCS0	$\overline{CS0}$	Output	PCS0 = Setting not required	PMCS0 = Setting not required	PMCCS0 = 1	–	–	
PCS1	$\overline{CS1}$	Output	PCS1 = Setting not required	PMCS1 = Setting not required	PMCCS1 = 1	–	–	
PCS2	$\overline{CS2}$	Output	PCS2 = Setting not required	PMCS2 = Setting not required	PMCCS2 = 1	–	–	
PCS3	$\overline{CS3}$	Output	PCS3 = Setting not required	PMCS3 = Setting not required	PMCCS3 = 1	–	–	

Note When setting pins A0 to A15 as the alternate function, set the PMC9 register to FFFFH for all 16 bits at once.

Table 4-19. Using Port Pins as Alternate-Function Pins (7/8)

Pin Name	Alternate Function		Pnx Bit of Pn Register	PMnx Bit of PMn Register	PMCnx Bit of PMCn Register	PFCEnx Bit of PFCEn Register	PFCnx Bit of PFCn Register	Other Bits (Registers)
	Name	I/O						
PCM0	WAIT	Input	PCM0 = Setting not required	PMCM0 = Setting not required	PMCCM0 = 1	–	–	
PCM1	CLKOUT	Output	PCM1 = Setting not required	PMCM1 = Setting not required	PMCCM1 = 1	–	–	
PCM2	HLD $\overline{\text{AK}}$	Output	PCM2 = Setting not required	PMCM2 = Setting not required	PMCCM2 = 1	–	–	
PCM3	HLD $\overline{\text{RQ}}$	Input	PCM3 = Setting not required	PMCM3 = Setting not required	PMCCM3 = 1	–	–	
PCT0	WR0	Output	PCT0 = Setting not required	PMCT0 = Setting not required	PMCCM0 = 1	–	–	
PCT1	WR1	Output	PCT1 = Setting not required	PMCT1 = Setting not required	PMCCM1 = 1	–	–	
PCT4	RD	Output	PCT4 = Setting not required	PMCT4 = Setting not required	PMCCM4 = 1	–	–	
PCT6	ASTB	Output	PCT6 = Setting not required	PMCT6 = Setting not required	PMCCM6 = 1	–	–	
PDH0	A16	Output	PDH0 = Setting not required	PMDH0 = Setting not required	PMCDH0 = 1	–	–	
PDH1	A17	Output	PDH1 = Setting not required	PMDH1 = Setting not required	PMCDH1 = 1	–	–	
PDH2	A18	Output	PDH2 = Setting not required	PMDH2 = Setting not required	PMCDH2 = 1	–	–	
PDH3	A19	Output	PDH3 = Setting not required	PMDH3 = Setting not required	PMCDH3 = 1	–	–	
PDH4	A20	Output	PDH4 = Setting not required	PMDH4 = Setting not required	PMCDH4 = 1	–	–	
PDH5	A21	Output	PDH5 = Setting not required	PMDH5 = Setting not required	PMCDH5 = 1	–	–	
PDH6	A22	Output	PDH6 = Setting not required	PMDH6 = Setting not required	PMCDH6 = 1	–	–	
PDH7	A23	Output	PDH7 = Setting not required	PMDH7 = Setting not required	PMCDH7 = 1	–	–	
PDL0	AD0	I/O	PDL0 = Setting not required	PMDL0 = Setting not required	PMCDL0 = 1	–	–	
PDL1	AD1	I/O	PDL1 = Setting not required	PMDL1 = Setting not required	PMCDL1 = 1	–	–	
PDL2	AD2	I/O	PDL2 = Setting not required	PMDL2 = Setting not required	PMCDL2 = 1	–	–	
PDL3	AD3	I/O	PDL3 = Setting not required	PMDL3 = Setting not required	PMCDL3 = 1	–	–	
PDL4	AD4	I/O	PDL4 = Setting not required	PMDL4 = Setting not required	PMCDL4 = 1	–	–	
PDL5	AD5	I/O	PDL5 = Setting not required	PMDL5 = Setting not required	PMCDL5 = 1	–	–	
	FLMD1 ^{Note}	Input	PDL5 = Setting not required	PMDL5 = Setting not required	PMCDL5 = Setting not required	–	–	
PDL6	AD6	I/O	PDL6 = Setting not required	PMDL6 = Setting not required	PMCDL6 = 1	–	–	
PDL7	AD7	I/O	PDL7 = Setting not required	PMDL7 = Setting not required	PMCDL7 = 1	–	–	

Note Since this pin is set in the flash memory programming mode, it does not need to be manipulated with the port control register. For details, see **CHAPTER 26 FLASH MEMORY**.

Table 4-19. Using Port Pins as Alternate-Function Pins (8/8)

Pin Name	Alternate Function		Pnx Bit of Pn Register	PMnx Bit of PMn Register	PMCnx Bit of PMCn Register	PFCEnx Bit of PFCEn Register	PFCnx Bit of PFCn Register	Other Bits (Registers)
	Name	I/O						
PDL8	AD8	I/O	PDL8 = Setting not required	PMDL8 = Setting not required	PMCDL8 = 1	–	–	
PDL9	AD9	I/O	PDL9 = Setting not required	PMDL9 = Setting not required	PMCDL9 = 1	–	–	
PDL10	AD10	I/O	PDL10 = Setting not required	PMDL10 = Setting not required	PMCDL10 = 1	–	–	
PDL11	AD11	I/O	PDL11 = Setting not required	PMDL11 = Setting not required	PMCDL11 = 1	–	–	
PDL12	AD12	I/O	PDL12 = Setting not required	PMDL12 = Setting not required	PMCDL12 = 1	–	–	
PDL13	AD13	I/O	PDL13 = Setting not required	PMDL13 = Setting not required	PMCDL13 = 1	–	–	
PDL14	AD14	I/O	PDL14 = Setting not required	PMDL14 = Setting not required	PMCDL14 = 1	–	–	
PDL15	AD15	I/O	PDL15 = Setting not required	PMDL15 = Setting not required	PMCDL15 = 1	–	–	

4.6 Cautions

4.6.1 Cautions on setting port pins

(1) In the V850ES/JJ2, the general-purpose port function and several peripheral function I/O pin share a pin. To switch between the general-purpose port (port mode) and the peripheral function I/O pin (alternate-function mode), set by the PMCn register. In regards to this register setting sequence, note with caution the following.

(a) Cautions on switching from port mode to alternate-function mode

To switch from the port mode to alternate-function mode in the following order.

- <1> Set the PFn register^{Note}: N-ch open-drain setting
- <2> Set the PFCn and PFCEn registers: Alternate-function selection
- <3> Set the corresponding bit of the PMCn register to 1: Switch to alternate-function mode

If the PMCn register is set first, note with caution that, at that moment or depending on the change of the pin states in accordance with the setting of the PFn, PFCn, and PFCEn registers, unexpected operations may occur.

A concrete example is shown as Example below.

Note No-ch open-drain output pin only

Caution Regardless of the port mode/alternate-function mode, the Pn register is read and written as follows.

- **Pn register read:** Read the port output latch value (when PMn.PMnm bit = 0), or read the pin states (PMn.PMnm bit = 1).
- **Pn register write:** Write to the port output latch

[Example] SCL01 pin setting example

The SCL01 pin is used alternately with the P41/SOB0 pin. Select the valid pin functions with the PMC4, PFC4, and PF4 registers.

PMC41 Bit	PFC41 Bit	PF41 Bit	Valid Pin Functions
0	don't care	1	P41 (in output port mode, N-ch open-drain output)
1	0	1	SOB0 output (N-ch open-drain output)
	1	1	SCL01 I/O (N-ch open-drain output)

The order of setting in which malfunction may occur on switching from the P41 pin to the SCL01 pin are shown below.

Setting Order	Setting Contents	Pin States	Pin Level
<1>	Initial value (PMC41 bit = 0, PFC41 bit = 0, PF41 bit = 0)	Port mode (input)	Hi-Z
<2>	PMC41 bit ← 1	SOB0 output	Low level (high level depending on the CSIB0 setting)
<3>	PFC41 bit ← 1	SCL01 I/O	High level (CMOS output)
<4>	PF41 bit ← 1	SCL01 I/O	Hi-Z (N-ch open-drain output)

In <2>, I²C communication may be affected since the alternate-function SOB0 output is output to the pin. In the CMOS output period of <2> or <3>, unnecessary current may be generated.

(b) Cautions on alternate-function mode (input)

The input signal to the alternate-function block is low level when the PMCn.PMCnm bit is 0 due to the AND output of the PMCn register set value and the pin level. Thus, depending on the port setting and alternate-function operation enable timing, unexpected operations may occur. Therefore, switch between the port mode and alternate-function mode in the following sequence.

- To switch from port mode to alternate-function mode (input)
Set the pins to the alternate-function mode using the PMCn register and then enable the alternate-function operation.
- To switch from alternate-function mode (input) to port mode
Stop the alternate-function operation and then switch the pins to the port mode.

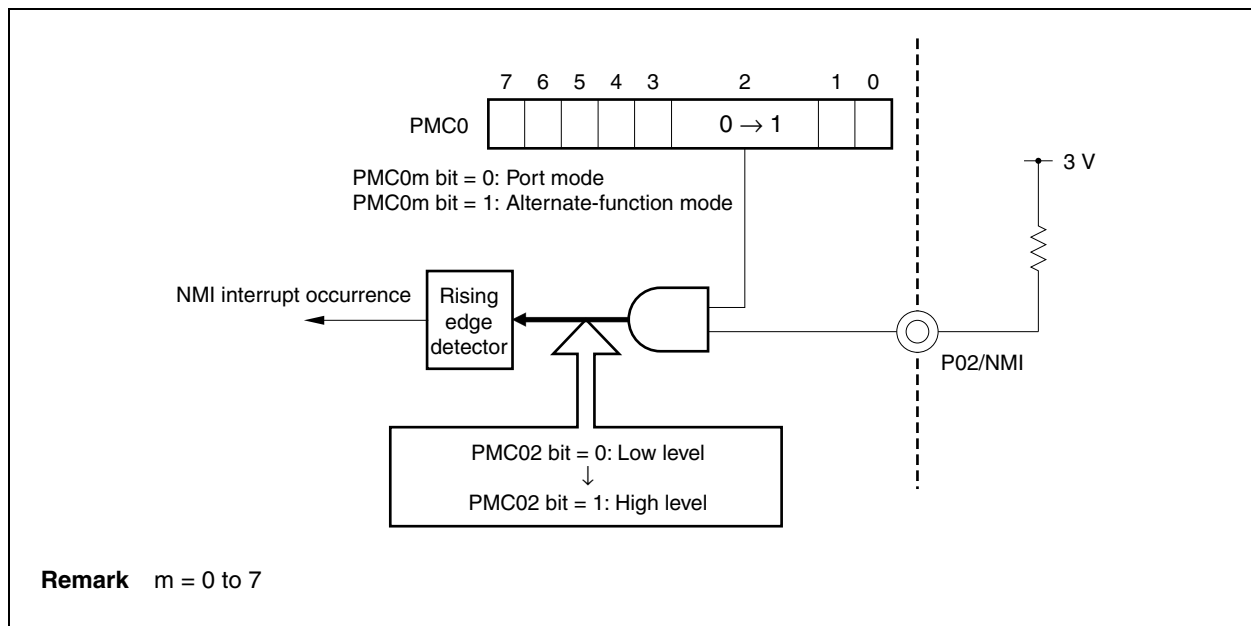
The concrete examples are shown as Example 1 and Example 2.

[Example 1] Switch from general-purpose port (P02) to external interrupt pin (NMI)

When the P02/NMI pin is pulled up as shown in Figure 4-37 and the rising edge is specified in the NMI pin edge detection setting, even though high level is input continuously to the NMI pin during switching from the P02 pin to the an NMI pin (PMC02 bit = 0 → 1), this is detected as a rising edge as if the low level changed to high level, and an NMI interrupt occurs.

To avoid it, set the NMI pin's valid edge after switching from the P02 pin to the NMI pin.

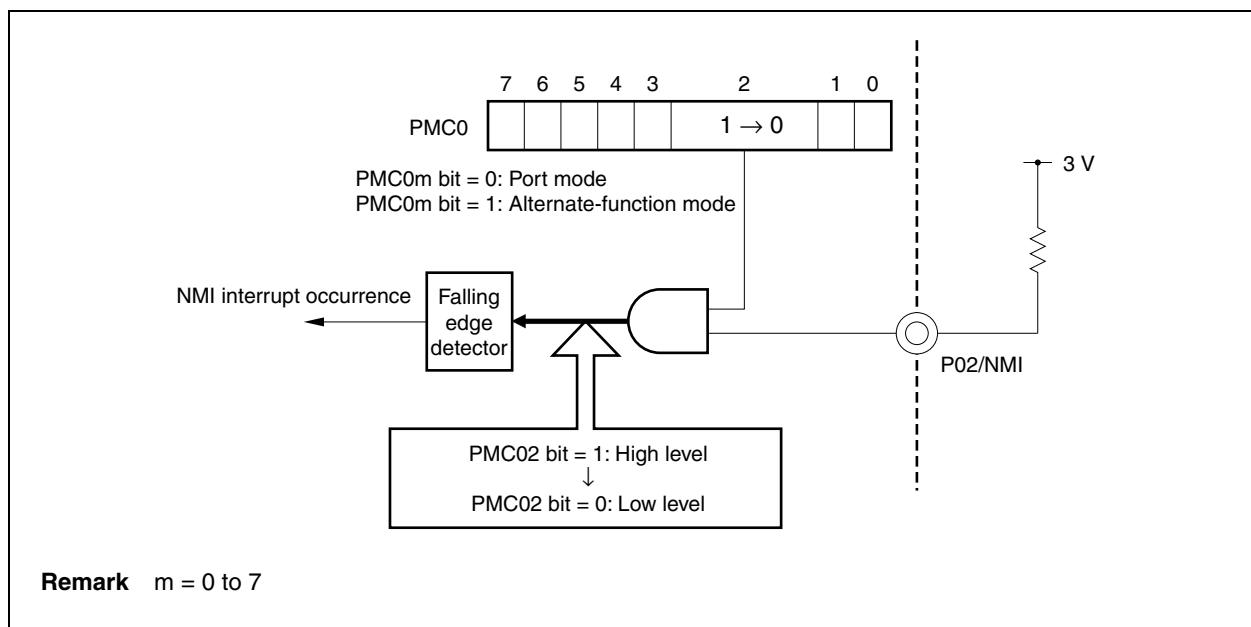
Figure 4-37. Example of Switching from P02 to NMI (Incorrect)



[Example 2] Switch from external pin (NMI) to general-purpose port (P02)

When the P02/NMI pin is pulled up as shown in Figure 4-38 and the falling edge is specified in the NMI pin edge detection setting, even though high level is input continuously to the NMI pin at switching from the NMI pin to the P02 pin (PMC02 bit = 1 → 0), this is detected as falling edge as if high level changed to low level, and NMI interrupt occurs. To avoid this, set the NMI pin edge detection as "No edge detected" before switching to the P02 pin.

Figure 4-38. Example of Switching from NMI to P02 (Incorrect)



(2) In port mode, the PFn.PFn_m bit is valid only in the output mode (PM_n.PM_n_m bit = 0). In the input mode (PM_n_m bit = 1), the value of the PF_n_m bit is not reflected in the buffer.

4.6.2 Cautions on bit manipulation instruction for port n register (Pn)

When a 1-bit manipulation instruction is executed on a port that provides both input and output functions, the value of the output latch of an input port that is not subject to manipulation may be written in addition to the targeted bit.

Therefore, it is recommended to rewrite the output latch when switching a port from input mode to output mode.

<Example> When P90 pin is an output port, P91 to P97 pins are input ports (all pin statuses are high level), and the value of the port latch is 00H, if the output of P90 pin is changed from low level to high level via a bit manipulation instruction, the value of the port latch is FFH.

Explanation: The targets of writing to and reading from the Pn register of a port whose PMnm bit is 1 are the output latch and pin status, respectively.

A bit manipulation instruction is executed in the following order in the V850ES/JJ2.

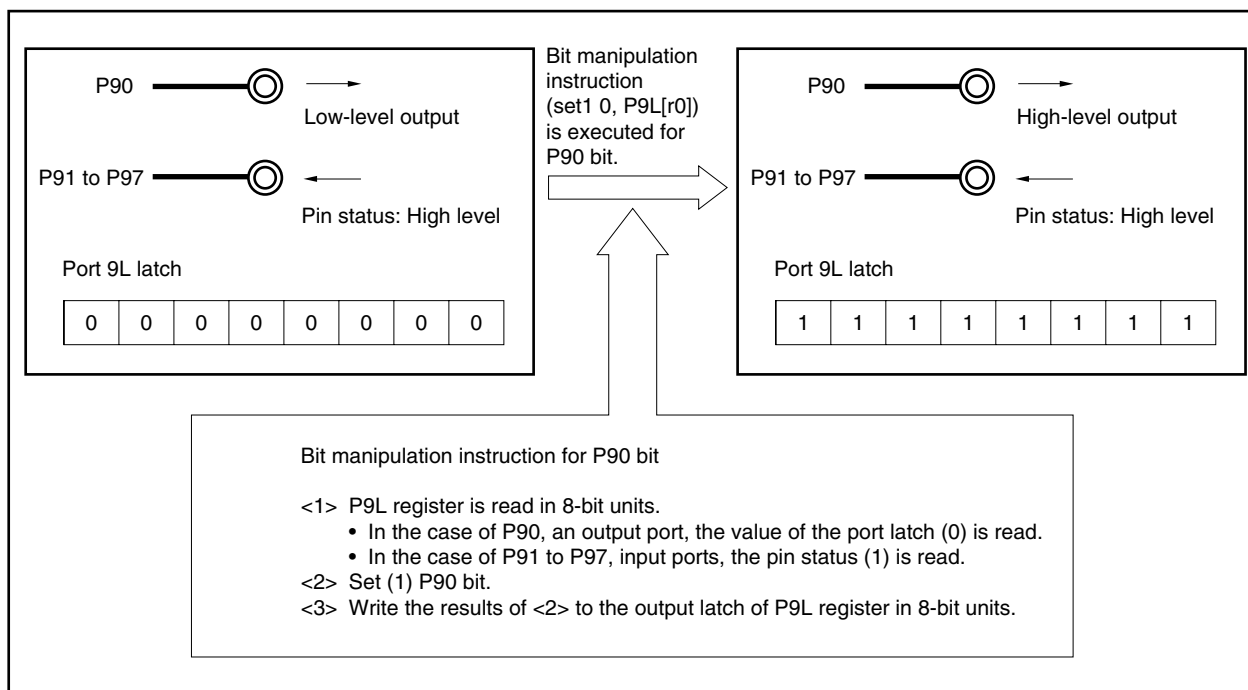
- <1> The Pn register is read in 8-bit units.
- <2> The targeted one bit is manipulated.
- <3> The Pn register is written in 8-bit units.

In step <1>, the value of the output latch (0) of P90 pin, which is an output port, is read, while the pin statuses of P91 to P97 pins, which are input ports, are read. If the pin statuses of P91 to P97 pins are high level at this time, the read value is FEH.

The value is changed to FFH by the manipulation in <2>.

FFH is written to the output latch by the manipulation in <3>.

Figure 4-39. Bit Manipulation Instruction (P90 Pin)



4.6.3 Cautions on on-chip debug pins

The $\overline{\text{DRST}}$, DCK, DMS, DDI, and DDO pins are on-chip debug pins.

After reset by the $\overline{\text{RESET}}$ pin, the P05/INTP2/ $\overline{\text{DRST}}$ pin is initialized to function as an on-chip debug pin ($\overline{\text{DRST}}$). If a high level is input to the $\overline{\text{DRST}}$ pin at this time, the on-chip debug mode is set, and the DCK, DMS, DDI, and DDO pins can be used.

The following action must be taken if on-chip debugging is not used.

- Clear the OCDM0 bit of the OCDM register (special register) (0)

At this time, fix the P05/INTP2/ $\overline{\text{DRST}}$ pin to low level from when reset by the $\overline{\text{RESET}}$ pin is released until the above action is taken.

If a high level is input to the $\overline{\text{DRST}}$ pin before the above action is taken, it may cause a malfunction (CPU deadlock). Handle the P05 pin with the utmost care.

Caution After reset by the WDT2RES signal, clock monitor (CLM), or low-voltage detector (LVI), the P05/INTP2/ $\overline{\text{DRST}}$ pin is not initialized to function as an on-chip debug pin ($\overline{\text{DRST}}$). The OCDM register holds the current value.

4.6.4 Cautions on P05/INTP2/ $\overline{\text{DRST}}$ pin

The P05/INTP2/ $\overline{\text{DRST}}$ pin has an internal pull-down resistor (30 k Ω TYP.). After a reset by the $\overline{\text{RESET}}$ pin, a pull-down resistor is connected. The pull-down resistor is disconnected when the OCDM0 bit is cleared (0).

4.6.5 Cautions on P10, P11, and P53 pins when power is turned on

When the power is turned on, the following pins may output an undefined level temporarily, even during reset.

- P10/ANO0 pin
- P11/ANO1 pin
- P53/SIB2/KR3/TIQ00/TOQ00/RTP03/DDO pin

4.6.6 Hysteresis characteristics

In port mode, the following port pins do not have hysteresis characteristics.

P00 to P06

P31 to P35, P38, P39

P40 to P42

P50 to P55

P66, P68 to P610, P612, P613

P80

P90 to P97, P99, P910, P912 to P915

CHAPTER 5 BUS CONTROL FUNCTION

The V850ES/JJ2 is provided with an external bus interface function by which external memories such as ROM and RAM, and I/O can be connected.

5.1 Features

- Output is selectable from a multiplexed bus with a minimum of 3 bus cycles and a separate bus with a minimum of 2 bus cycles.
- 8-bit/16-bit data bus selectable
- Wait function
 - Programmable wait function of up to 7 states
 - External wait function using $\overline{\text{WAIT}}$ pin
- Idle state function
- Bus hold function
- Up to 16 MB of physical memory connectable (of which 1 MB is internal ROM space)
- The bus can be controlled at a different voltage from the operating voltage when $BV_{DD} \leq EV_{DD} = V_{DD}$. However, set $BV_{DD} = EV_{DD} = V_{DD}$ in the separate bus mode.

5.2 Bus Control Pins

The pins used to connect an external device are listed in the table below.

Table 5-1. Bus Control Pins (Multiplexed Bus)

Bus Control Pin	Alternate-Function Pin	I/O	Function
AD0 to AD15	PDL0 to PDL15	I/O	Address/data bus
A16 to A23	PDH0 to PDH7	Output	Address bus
$\overline{\text{WAIT}}$	PCM0	Input	External wait control
CLKOUT	PCM1	Output	Internal system clock
$\overline{\text{WR0}}, \overline{\text{WR1}}$	PCT0, PCT1	Output	Write strobe signal
$\overline{\text{RD}}$	PCT4	Output	Read strobe signal
ASTB	PCT6	Output	Address strobe signal
$\overline{\text{HLDRQ}}$	PCM3	Input	Bus hold control
$\overline{\text{HLDK}}$	PCM2	Output	
$\overline{\text{CS0}}$ to $\overline{\text{CS3}}$	PCS0 to PCS3	Output	Chip select

Table 5-2. External Control Pins (Separate Bus)

Bus Control Pin	Alternate-Function Pin	I/O	Function
AD0 to AD15	PDL0 to PDL15	I/O	Data bus
A0 to A15	P90 to P915	Output	Address bus
A16 to A23	PDH0 to PDH7	Output	Address bus
$\overline{\text{WAIT}}$	PCM0	Input	External wait control
CLKOUT	PCM1	Output	Internal system clock
$\overline{\text{WR0}}, \overline{\text{WR1}}$	PCT0, PCT1	Output	Write strobe signal
$\overline{\text{RD}}$	PCT4	Output	Read strobe signal
$\overline{\text{HLDRQ}}$	PCM3	Input	Bus hold control
$\overline{\text{HLDK}}$	PCM2	Output	
$\overline{\text{CS0}}$ to $\overline{\text{CS3}}$	PCS0 to PCS3	Output	Chip select

5.2.1 Pin status when internal ROM, internal RAM, or on-chip peripheral I/O is accessed

When the internal ROM, internal RAM, or on-chip peripheral I/O are accessed, the status of each pin is as follows.

Table 5-3. Pin Statuses When Internal ROM, Internal RAM, or On-Chip Peripheral I/O Is Accessed

Separate Bus Mode		Multiplexed Bus Mode	
Address bus (A23 to A0)	Undefined	Address bus (A23 to A16)	Undefined
Data bus (AD15 to AD0)	Hi-Z	Address/data bus (AD15 to AD0)	Undefined
Control signal	Inactive	Control signal	Inactive

Caution When a write access is performed to the internal ROM area, address, data, and control signals are activated in the same way as access to the external memory area.

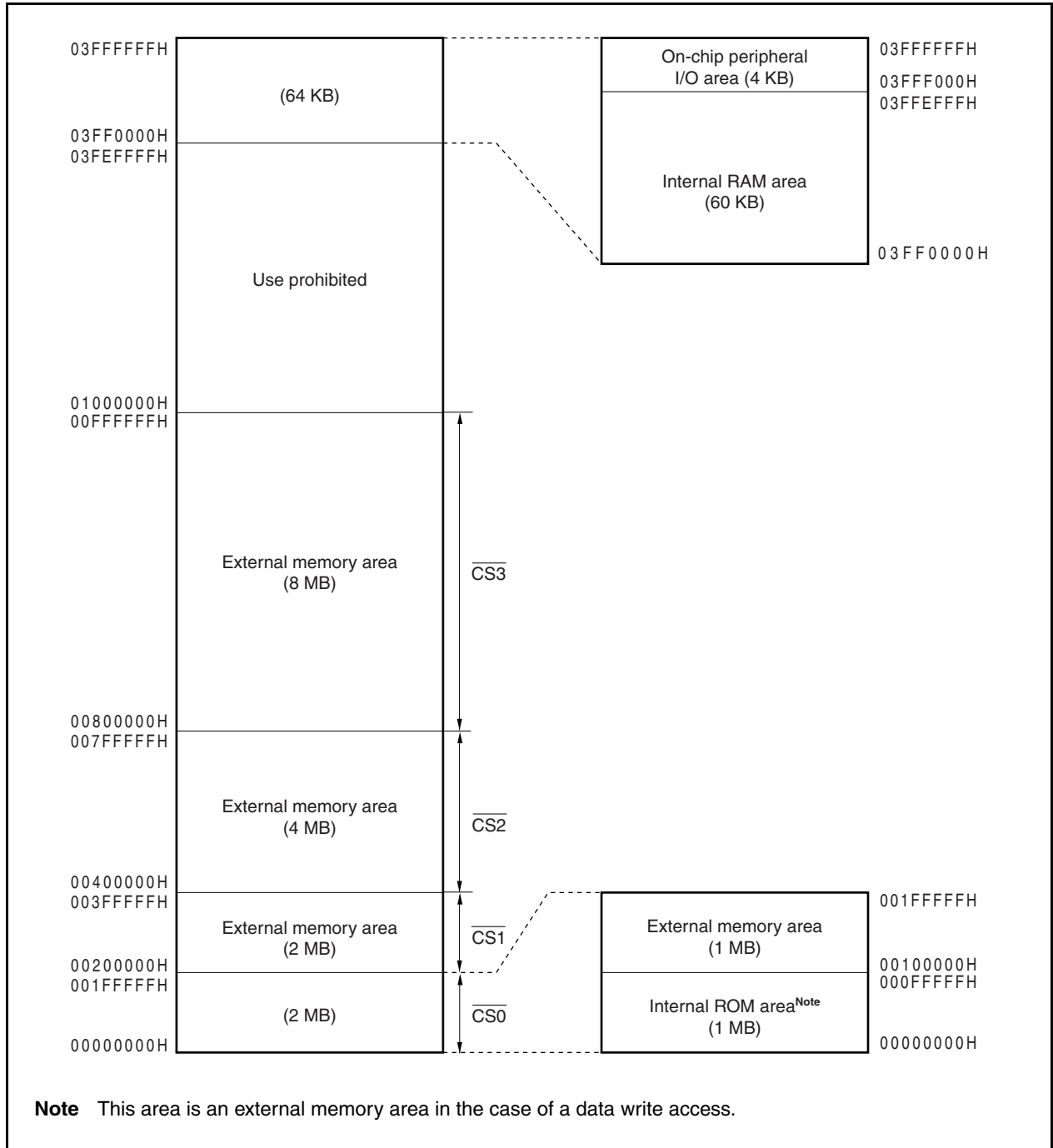
5.2.2 Pin status in each operation mode

For the pin status of the V850ES/JJ2 in each operation mode, see 2.2 Pin States.

5.3 Memory Block Function

The 16 MB external memory space is divided into memory blocks of (lower) 2 MB, 2 MB, 4 MB, and 8 MB. The programmable wait function and bus cycle operation mode for each of these blocks can be independently controlled in one-block units.

Figure 5-1. Data Memory Map: Physical Address



5.4 External Bus Interface Mode Control Function

The V850ES/JJ2 includes the following two external bus interface modes.

- Multiplexed bus mode
- Separate bus mode

These two modes can be selected by using the EXIMC register.

(1) External bus interface mode control register (EXIMC)

The EXIMC register can be read or written in 8-bit or 1-bit units.

Reset sets this register to 00H.

After reset: 00H		R/W	Address: FFFFFFFBEH					
	7	6	5	4	3	2	1	0
EXIMC	0	0	0	0	0	0	0	SMSEL
	SMSEL	Mode selection						
	0	Multiplexed bus mode						
	1	Separate bus mode						

Caution Set the EXIMC register from the internal ROM or internal RAM area before making an external access.

After setting the EXIMC register, be sure to insert a NOP instruction.

5.5 Bus Access

5.5.1 Number of clocks for access

The following table shows the number of basic clocks required for accessing each resource.

Bus Cycle Type \ Area (Bus Width)	Internal ROM (32 Bits)	Internal RAM (32 Bits)	External Memory (16 Bits)
Instruction fetch (normal access)	1	1 ^{Note 1}	3 + n ^{Note 2}
Instruction fetch (branch)	2	2 ^{Note 1}	3 + n ^{Note 2}
Operand data access	3	1	3 + n ^{Note 2}

Notes 1. Increases by 1 if a conflict with a data access occurs.

2. 2 + n clocks (n: Number of wait states) when the separate bus mode is selected.

Remark Unit: Clocks/access

5.5.2 Bus size setting function

Each external memory area selected by \overline{CSn} can be set by using the BSC register. However, the bus size can be set to 8 bits and 16 bits only.

The external memory area of the V850ES/JJ2 is selected by $\overline{CS0}$ to $\overline{CS3}$.

(1) Bus size configuration register (BSC)

The BSC register can be read or written in 16-bit units.

Reset sets this register to 5555H.

Caution Write to the BSC register after reset, and then do not change the set values. Also, do not access an external memory area until the initial settings of the BSC register are complete.

After reset: 5555H		R/W	Address: FFFF066H					
	15	14	13	12	11	10	9	8
BSC	0	1	0	1	0	1	0	1
	7	6	5	4	3	2	1	0
	0	BS30	0	BS20	0	BS10	0	BS00
		$\overline{CS3}$		$\overline{CS2}$		$\overline{CS1}$		$\overline{CS0}$
BSn0	Data bus width of CSn space (n = 0 to 3)							
0	8 bits							
1	16 bits							

Caution Be sure to set bits 14, 12, 10, and 8 to “1”, and clear bits 15, 13, 11, 9, 7, 5, 3, and 1 to “0”.

5.5.3 Access by bus size

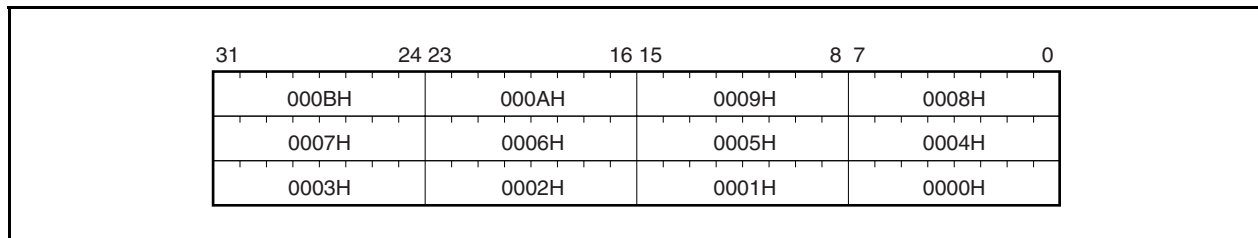
The V850ES/JJ2 accesses the on-chip peripheral I/O and external memory in 8-bit, 16-bit, or 32-bit units. The bus size is as follows.

- The bus size of the on-chip peripheral I/O is fixed to 16 bits.
- The bus size of the external memory is selectable from 8 bits or 16 bits (by using the BSC register).

The operation when each of the above is accessed is described below. All data is accessed starting from the lower side.

The V850ES/JJ2 supports only the little-endian format.

Figure 5-2. Little-Endian Address in Word



(1) Data space

The V850ES/JJ2 has an address misalign function.

With this function, data can be placed at all addresses, regardless of the format of the data (word data or halfword data). However, if the word data or halfword data is not aligned at the boundary, a bus cycle is generated at least twice, causing the bus efficiency to drop.

(a) Halfword-length data access

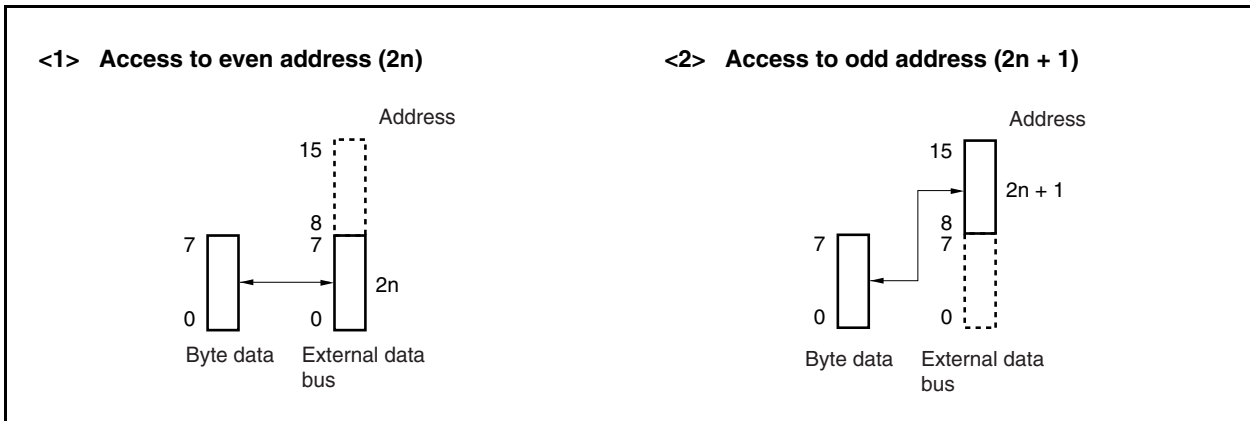
A byte-length bus cycle is generated twice if the least significant bit of the address is 1.

(b) Word-length data access

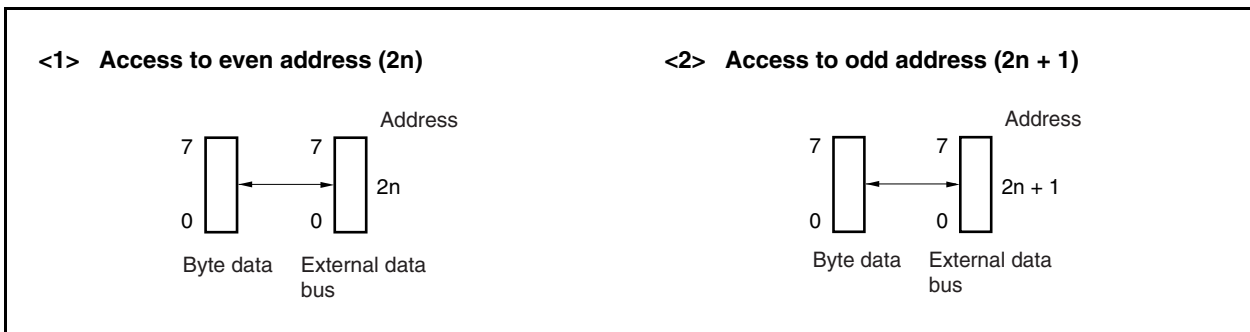
- (i) A byte-length bus cycle, halfword-length bus cycle, and byte-length bus cycle are generated in that order if the least significant bit of the address is 1.
- (ii) A halfword-length bus cycle is generated twice if the lower 2 bits of the address are 10.

(2) Byte access (8 bits)

(a) 16-bit data bus width

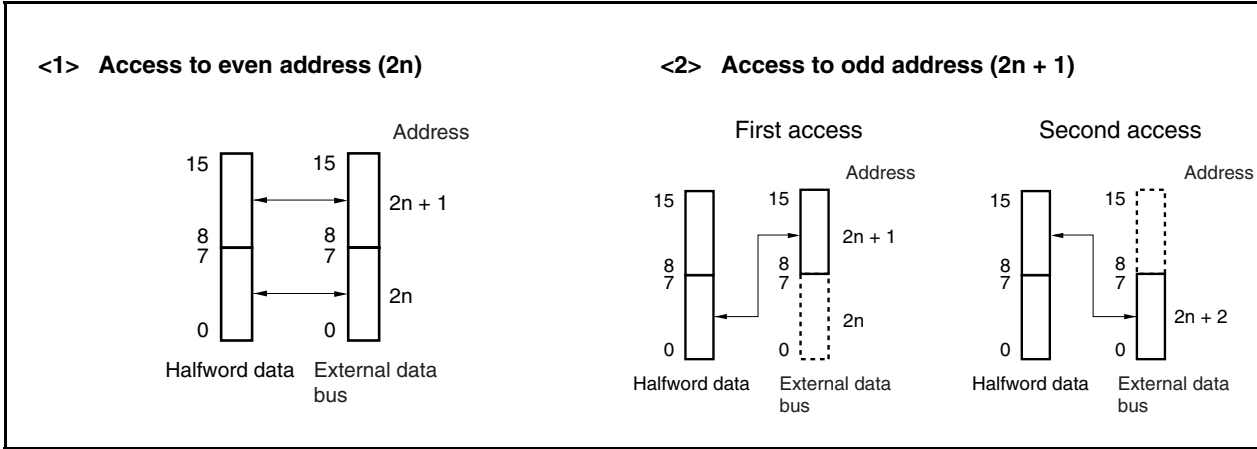


(b) 8-bit data bus width

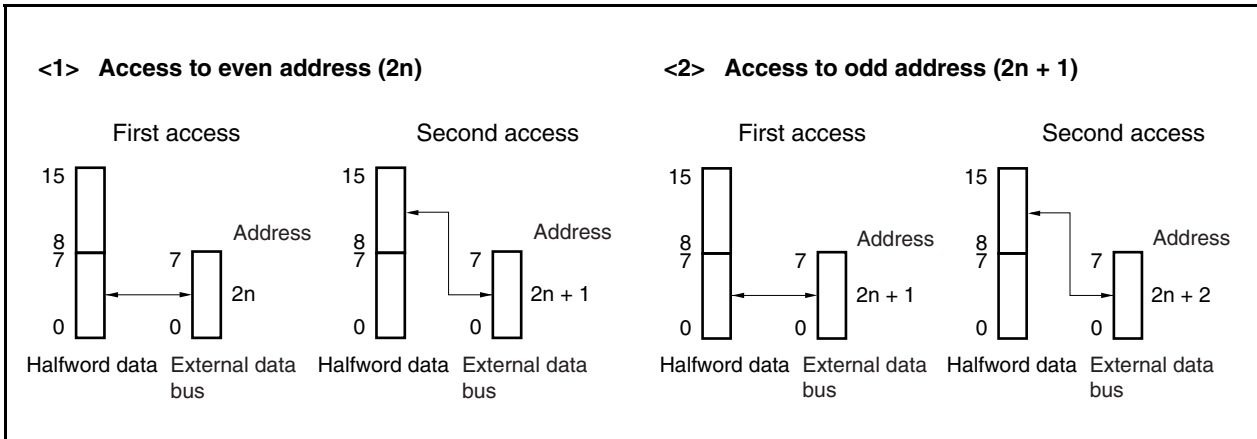


(3) Halfword access (16 bits)

(a) With 16-bit data bus width



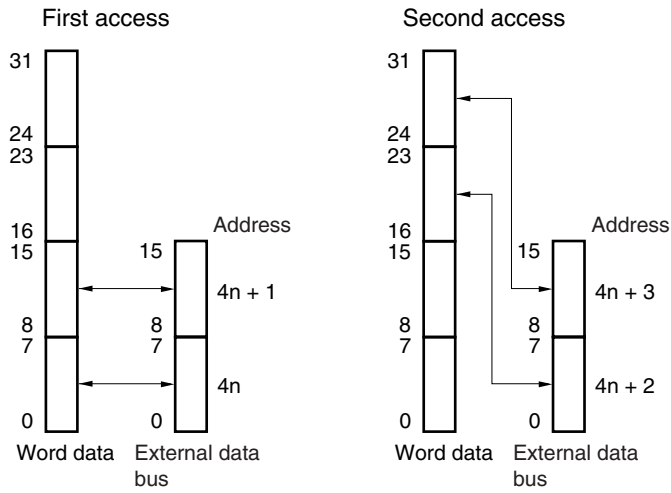
(b) 8-bit data bus width



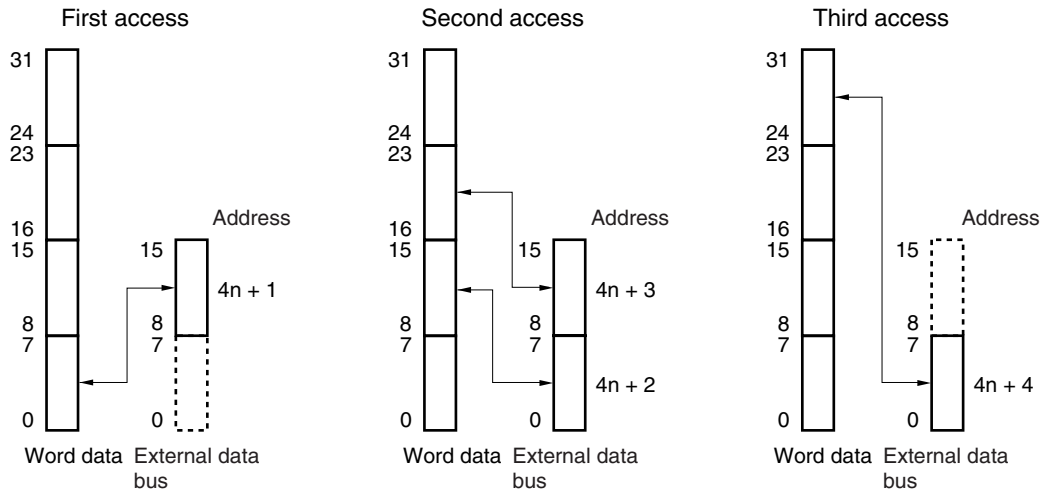
(4) Word access (32 bits)

(a) 16-bit data bus width (1/2)

<1> Access to address (4n)

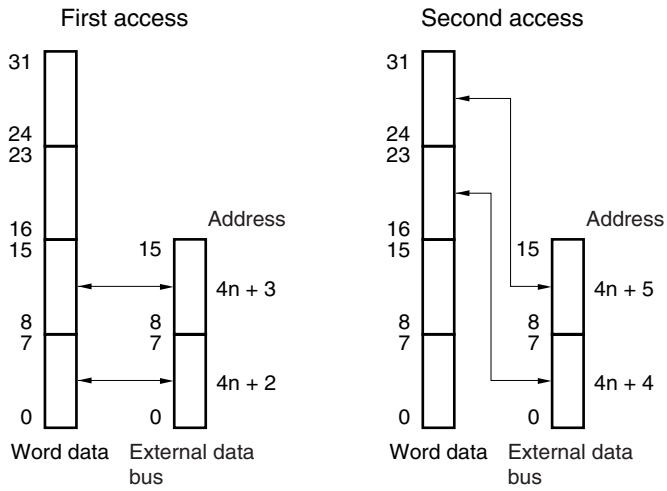


<2> Access to address (4n + 1)

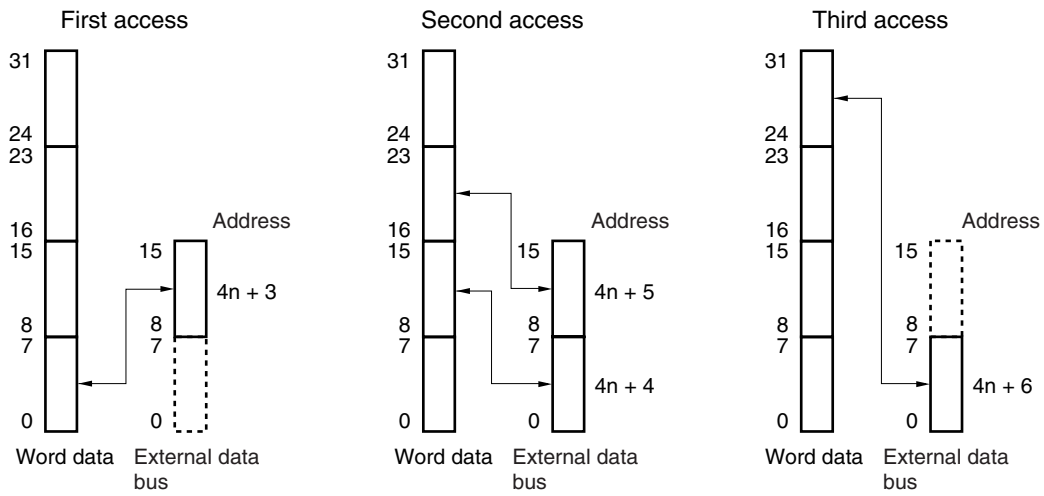


(a) 16-bit data bus width (2/2)

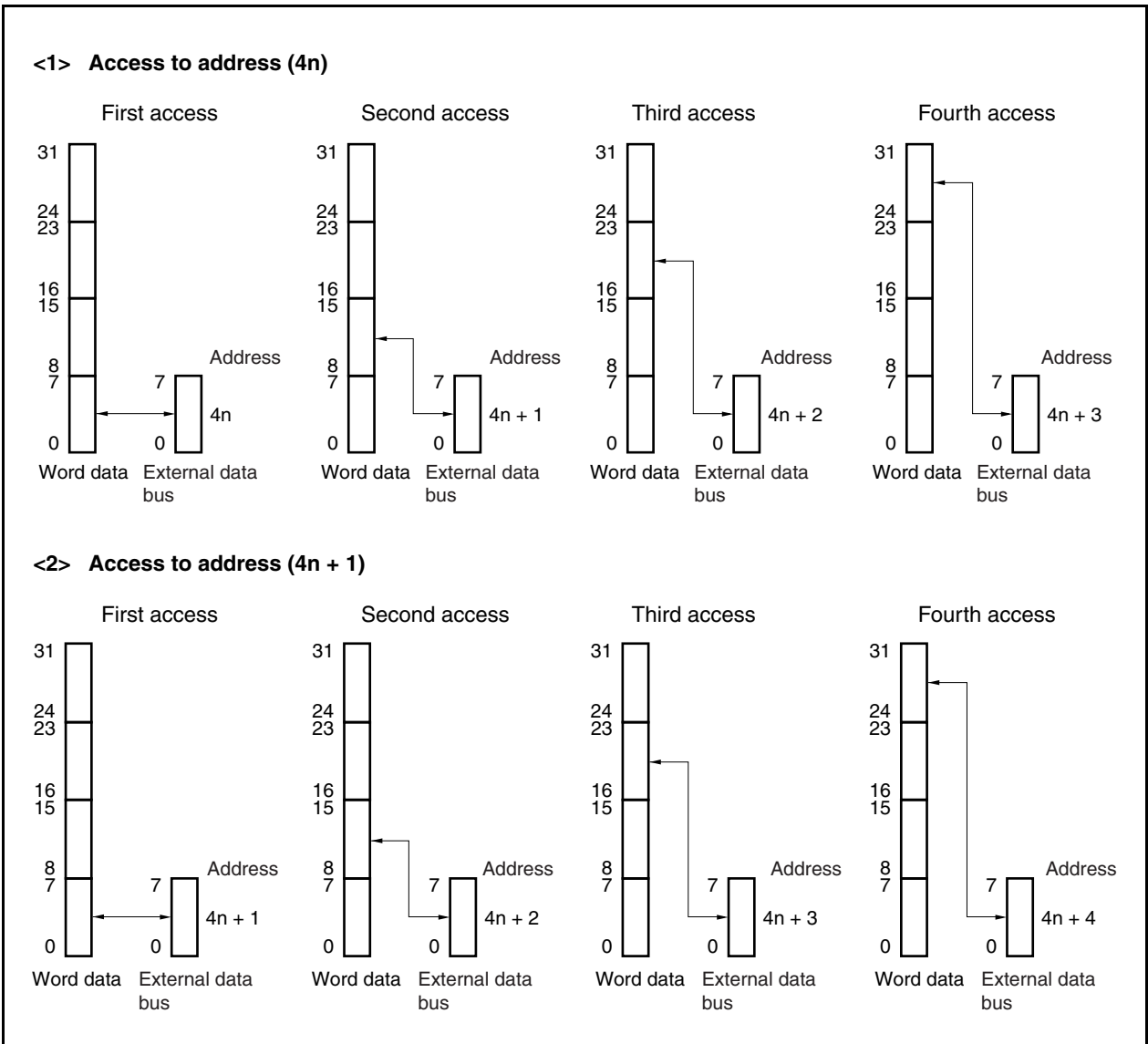
<3> Access to address (4n + 2)



<4> Access to address (4n + 3)

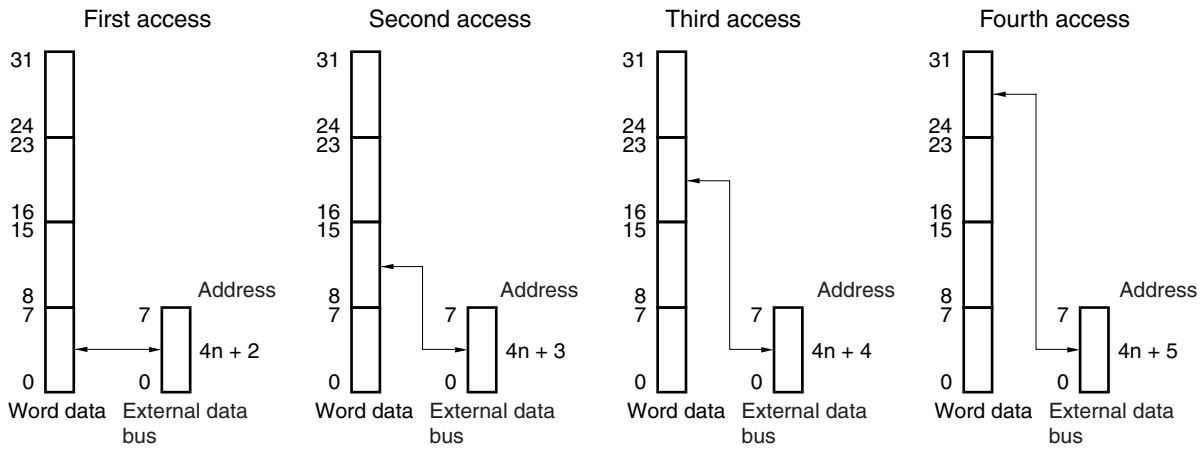


(b) 8-bit data bus width (1/2)

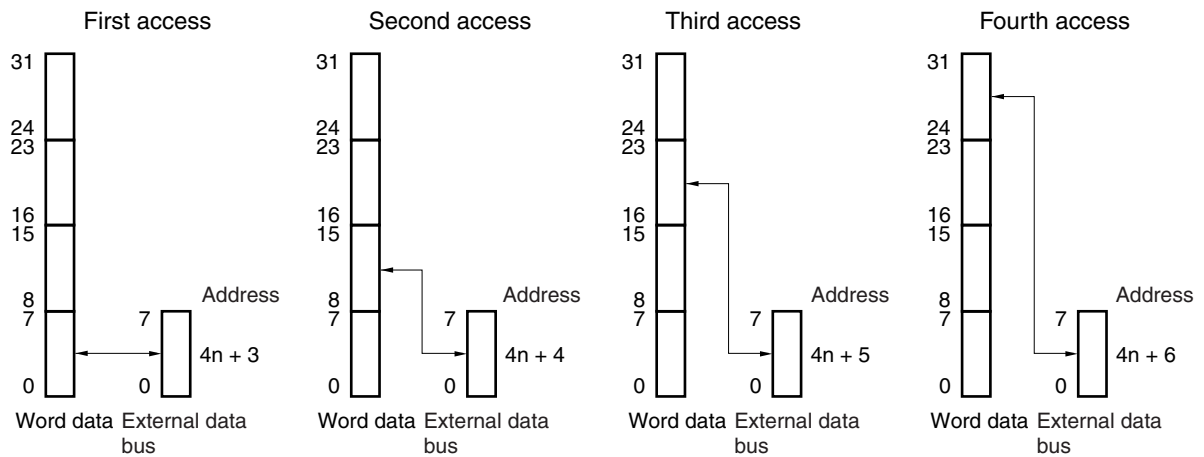


(b) 8-bit data bus width (2/2)

<3> Access to address (4n + 2)



<4> Access to address (4n + 3)



5.6 Wait Function

5.6.1 Programmable wait function

(1) Data wait control register 0 (DWC0)

To realize interfacing with a low-speed memory or I/O, up to seven data wait states can be inserted in the bus cycle that is executed for each CS space.

The number of wait states can be programmed by using the DWC0 register. Immediately after system reset, 7 data wait states are inserted for all the blocks.

The DWC0 register can be read or written in 16-bit units.

Reset sets this register to 7777H.

Cautions 1. The internal ROM and internal RAM areas are not subject to programmable wait, and are always accessed without a wait state. The on-chip peripheral I/O area is also not subject to programmable wait, and only wait control from each peripheral function is performed.

2. Write to the DWC0 register after reset, and then do not change the set values. Also, do not access an external memory area until the initial settings of the DWC0 register are complete.

After reset: 7777H R/W Address: FFFFF484H

	15	14	13	12	11	10	9	8
DWC0	0	DW32	DW31	DW30	0	DW22	DW21	DW20
		CS3				CS2		
	7	6	5	4	3	2	1	0
	0	DW12	DW11	DW10	0	DW02	DW01	DW00
		CS1				CS0		

DWn2	DWn1	DWn0	Number of wait states inserted in CSn space (n = 0 to 3)
0	0	0	None
0	0	1	1
0	1	0	2
0	1	1	3
1	0	0	4
1	0	1	5
1	1	0	6
1	1	1	7

Caution Be sure to clear bits 15, 11, 7, and 3 to "0".

5.6.2 External wait function

To synchronize an extremely slow external memory, I/O, or asynchronous system, any number of wait states can be inserted in the bus cycle by using the external wait pin ($\overline{\text{WAIT}}$).

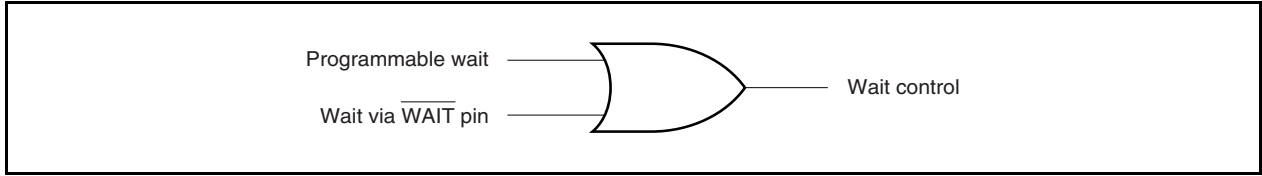
When the PCMO pin is set to alternate function, the external wait function is enabled.

Access to each area of the internal ROM, internal RAM, and on-chip peripheral I/O is not subject to control by the external wait function, in the same manner as the programmable wait function.

The $\overline{\text{WAIT}}$ signal can be input asynchronously to CLKOUT, and is sampled at the falling edge of the clock in the T2 and TW states of the bus cycle in the multiplexed bus mode. In the separate bus mode, it is sampled at the rising edge of the clock immediately after the T1 and TW states of the bus cycle. If the setup/hold time of the sampling timing is not satisfied, a wait state is inserted in the next state, or not inserted at all.

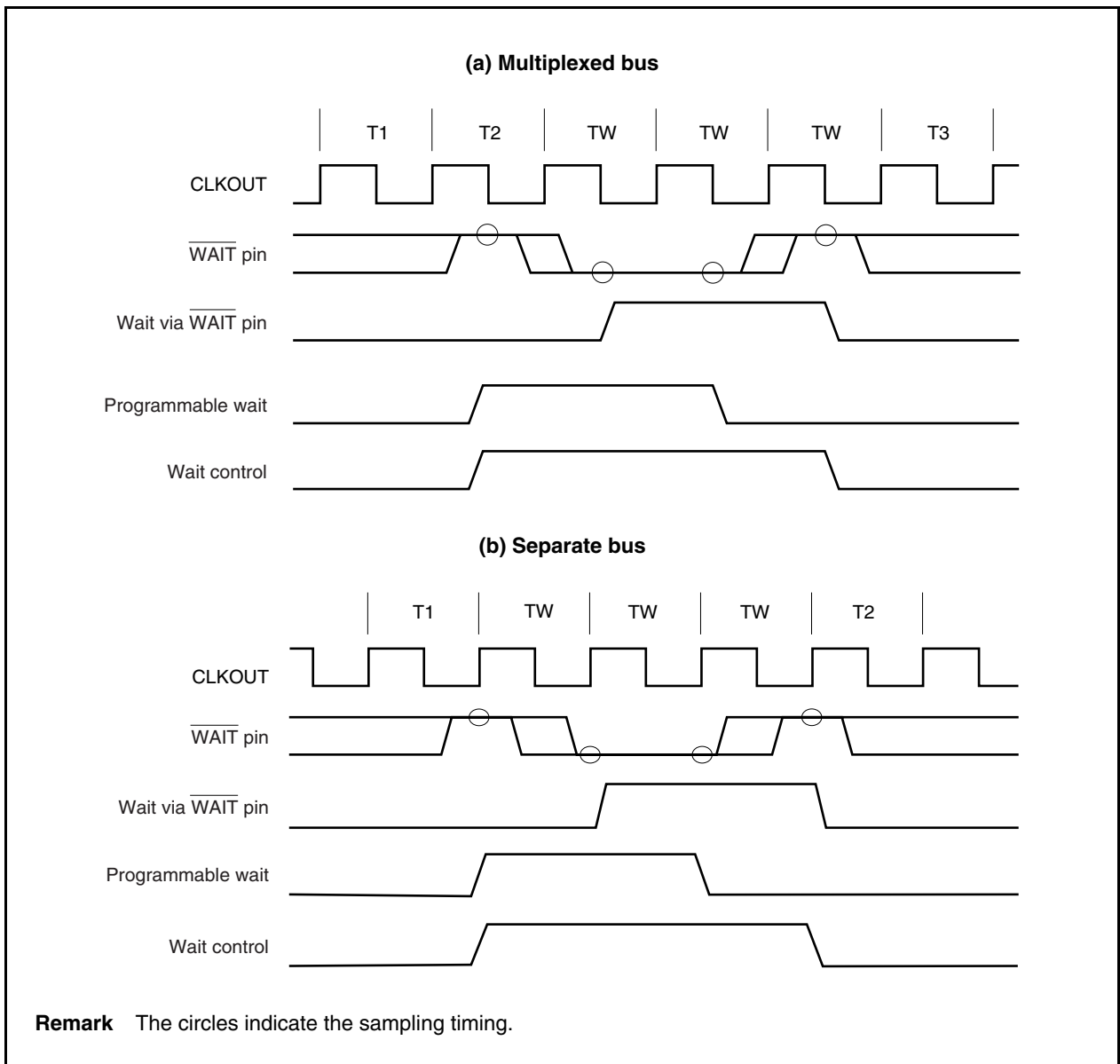
5.6.3 Relationship between programmable wait and external wait

Wait cycles are inserted as the result of an OR operation between the wait cycles specified by the set value of the programmable wait and the wait cycles controlled by the $\overline{\text{WAIT}}$ pin.



For example, if the timing of the programmable wait and the $\overline{\text{WAIT}}$ pin signal is as illustrated below, three wait states will be inserted in the bus cycle.

Figure 5-3. Inserting Wait Example



5.6.4 Programmable address wait function

Address-setup or address-hold waits to be inserted in each bus cycle can be set by using the AWC register. Address wait insertion is set for each chip select area ($\overline{CS0}$ to $\overline{CS3}$).

If an address setup wait is inserted, it seems that the high-clock period of the T1 state is extended by 1 clock. If an address hold wait is inserted, it seems that the low-clock period of the T1 state is extended by 1 clock.

(1) Address wait control register (AWC)

The AWC register can be read or written in 16-bit units.

Reset sets this register to FFFFH.

- Cautions**
- 1. Address setup wait and address hold wait cycles are not inserted when the internal ROM area, internal RAM area, and on-chip peripheral I/O areas are accessed.**
 - 2. Write to the AWC register after reset, and then do not change the set values. Also, do not access an external memory area until the initial settings of the AWC register are complete.**

After reset: FFFFH R/W Address: FFFFF488H

	15	14	13	12	11	10	9	8
AWC	1	1	1	1	1	1	1	1
	7	6	5	4	3	2	1	0
	AWH3 ASW3		AWH2 ASW2		AWH1 ASW1		AWH0 ASW0	
	$\overline{CS3}$		$\overline{CS2}$		$\overline{CS1}$		$\overline{CS0}$	

AWHn	Specifies insertion of address hold wait (n = 0 to 3)
0	Not inserted
1	Inserted

ASWn	Specifies insertion of address setup wait (n = 0 to 3)
0	Not inserted
1	Inserted

Caution Be sure to set bits 15 to 8 to "1".

5.7 Idle State Insertion Function

To facilitate interfacing with low-speed memories, one idle state (TI) can be inserted after the T3 state in the bus cycle that is executed for each space selected by the chip select function in the multiplex address/data bus mode. In the separate bus mode, one idle state (TI) can be inserted after the T2 state. By inserting an idle state, the data output float delay time of the memory can be secured during read access (an idle state cannot be inserted during write access).

Whether the idle state is to be inserted can be programmed by using the BCC register.

An idle state is inserted for all the areas immediately after system reset.

(1) Bus cycle control register (BCC)

The BCC register can be read or written in 16-bit units.

Reset sets this register to AAAAH.

Cautions 1. The internal ROM, internal RAM, and on-chip peripheral I/O areas are not subject to idle state insertion.

2. Write to the BCC register after reset, and then do not change the set values. Also, do not access an external memory area until the initial settings of the BCC register are complete.

After reset: AAAAH		R/W	Address: FFFFF48AH					
	15	14	13	12	11	10	9	8
BCC	1	0	1	0	1	0	1	0
	7	6	5	4	3	2	1	0
	BC31	0	BC21	0	BC11	0	BC01	0
	 		 		 		 	
	CS3		CS2		CS1		CS0	
BCn1	Specifies insertion of idle state (n = 0 to 3)							
0	Not inserted							
1	Inserted							

Caution Be sure to set bits 15, 13, 11, and 9 to “1”, and clear bits 14, 12, 10, 8, 6, 4, 2, and 0 to “0”.

5.8 Bus Hold Function

5.8.1 Functional outline

The $\overline{\text{HLDRQ}}$ and $\overline{\text{HLDAK}}$ functions are valid if the PCM2 and PCM3 pins are set to alternate function.

When the $\overline{\text{HLDRQ}}$ pin is asserted (low level), indicating that another bus master has requested bus mastership, the external address/data bus goes into a high-impedance state and is released (bus hold status). If the request for the bus mastership is cleared and the $\overline{\text{HLDRQ}}$ pin is deasserted (high level), driving these pins is started again.

During the bus hold period, execution of the program in the internal ROM and internal RAM is continued until an on-chip peripheral I/O register or the external memory is accessed.

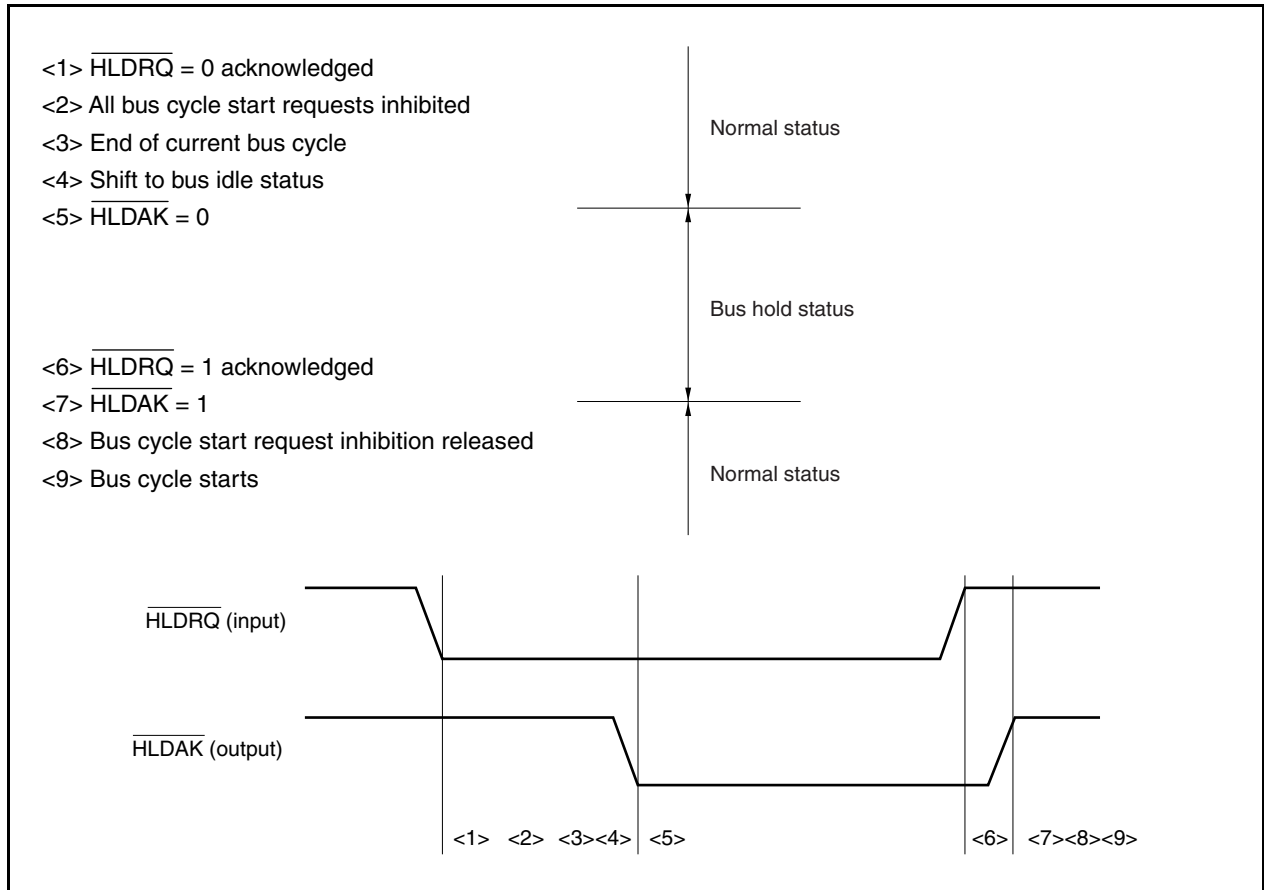
The bus hold status is indicated by assertion of the $\overline{\text{HLDAK}}$ pin (low level). The bus hold function enables the configuration of multi-processor type systems in which two or more bus masters exist.

Note that the bus hold request is not acknowledged during a multiple-access cycle initiated by the bus sizing function or a bit manipulation instruction.

Status	Data Bus Width	Access Type	Timing at Which Bus Hold Request Is Not Acknowledged
CPU bus lock	16 bits	Word access to even address	Between first and second access
		Word access to odd address	Between first and second access Between second and third access
		Halfword access to odd address	Between first and second access
	8 bits	Word access	Between first and second access
			Between second and third access
			Between third and fourth access
		Halfword access	Between first and second access
Read-modify-write access of bit manipulation instruction	–	–	Between read access and write access

5.8.2 Bus hold procedure

The bus hold status transition procedure is shown below.



5.8.3 Operation in power save mode

Because the internal system clock is stopped in the STOP, IDLE1, and IDLE2 modes, the bus hold status is not entered even if the $\overline{\text{HLDQRQ}}$ pin is asserted.

In the HALT mode, the $\overline{\text{HLDARQ}}$ pin is asserted as soon as the $\overline{\text{HLDQRQ}}$ pin has been asserted, and the bus hold status is entered. When the $\overline{\text{HLDQRQ}}$ pin is later deasserted, the $\overline{\text{HLDARQ}}$ pin is also deasserted, and the bus hold status is cleared.

5.9 Bus Priority

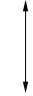
Bus hold, DMA transfer, operand data accesses, instruction fetch (branch), and instruction fetch (successive) are executed in the external bus cycle.

Bus hold has the highest priority, followed by DMA transfer, operand data access, instruction fetch (branch), and instruction fetch (successive).

An instruction fetch may be inserted between the read access and write access in a read-modify-write access.

If an instruction is executed for two or more accesses, an instruction fetch and bus hold are not inserted between accesses due to bus size limitations.

Table 5-4. Bus Priority

Priority	External Bus Cycle	Bus Master
High  Low	Bus hold	External device
	DMA transfer	DMAC
	Operand data access	CPU
	Instruction fetch (branch)	CPU
	Instruction fetch (successive)	CPU

5.10 Bus Timing

Figure 5-4. Multiplexed Bus Read Timing (Bus Size: 16 Bits, 16-Bit Access)

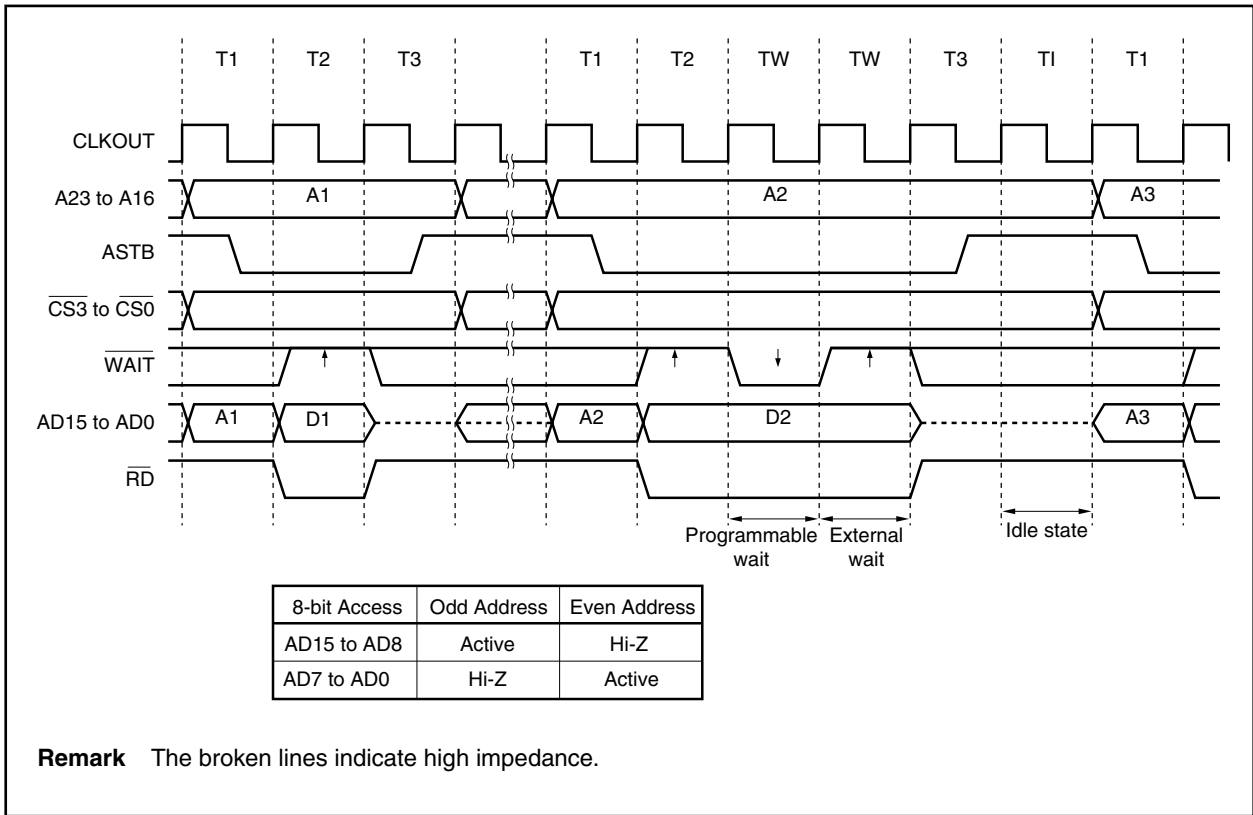


Figure 5-5. Multiplexed Bus Read Timing (Bus Size: 8 Bits)

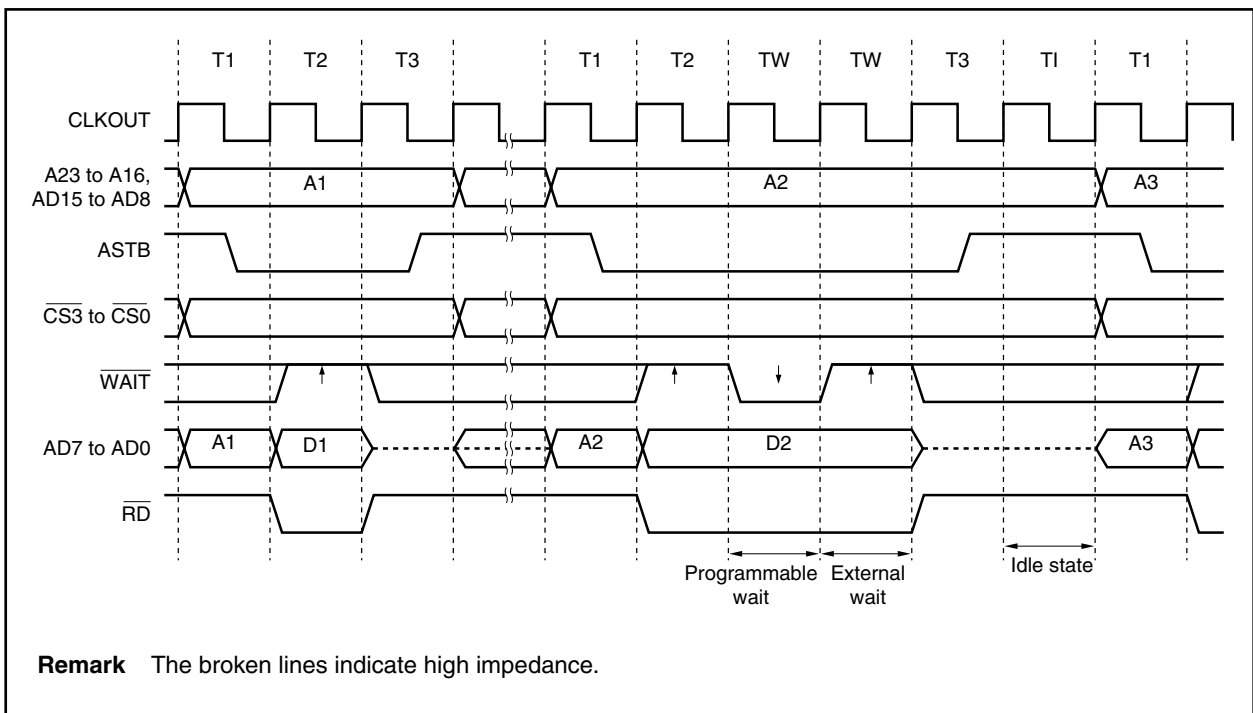


Figure 5-6. Multiplexed Bus Write Timing (Bus Size: 16 Bits, 16-Bit Access)

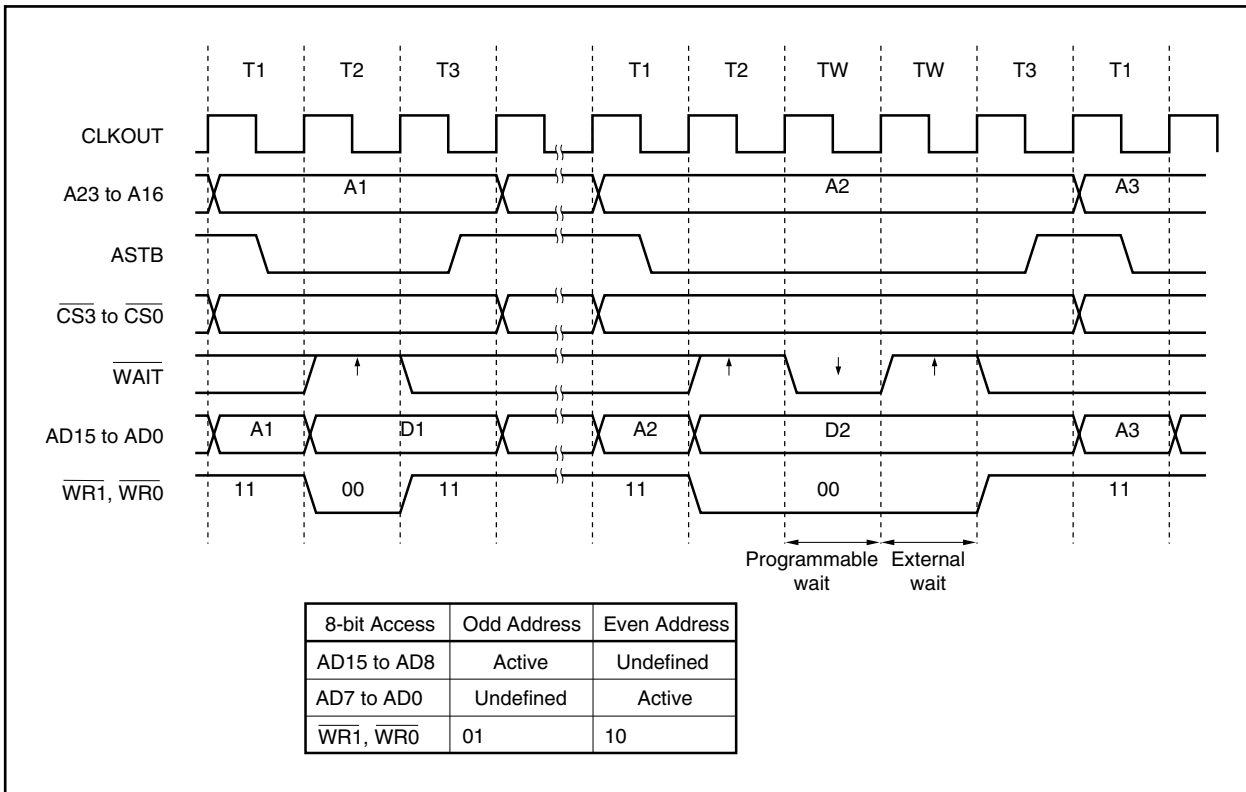


Figure 5-7. Multiplexed Bus Write Timing (Bus Size: 8 Bits)

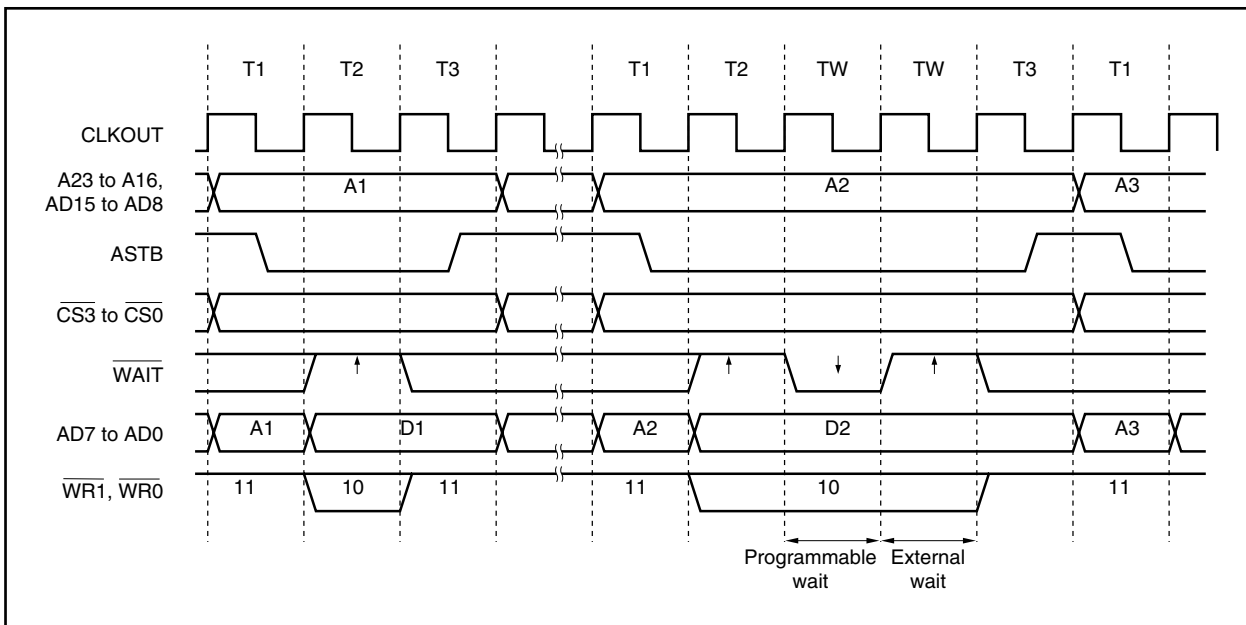


Figure 5-8. Multiplexed Bus Hold Timing (Bus Size: 16 Bits, 16-Bit Access)

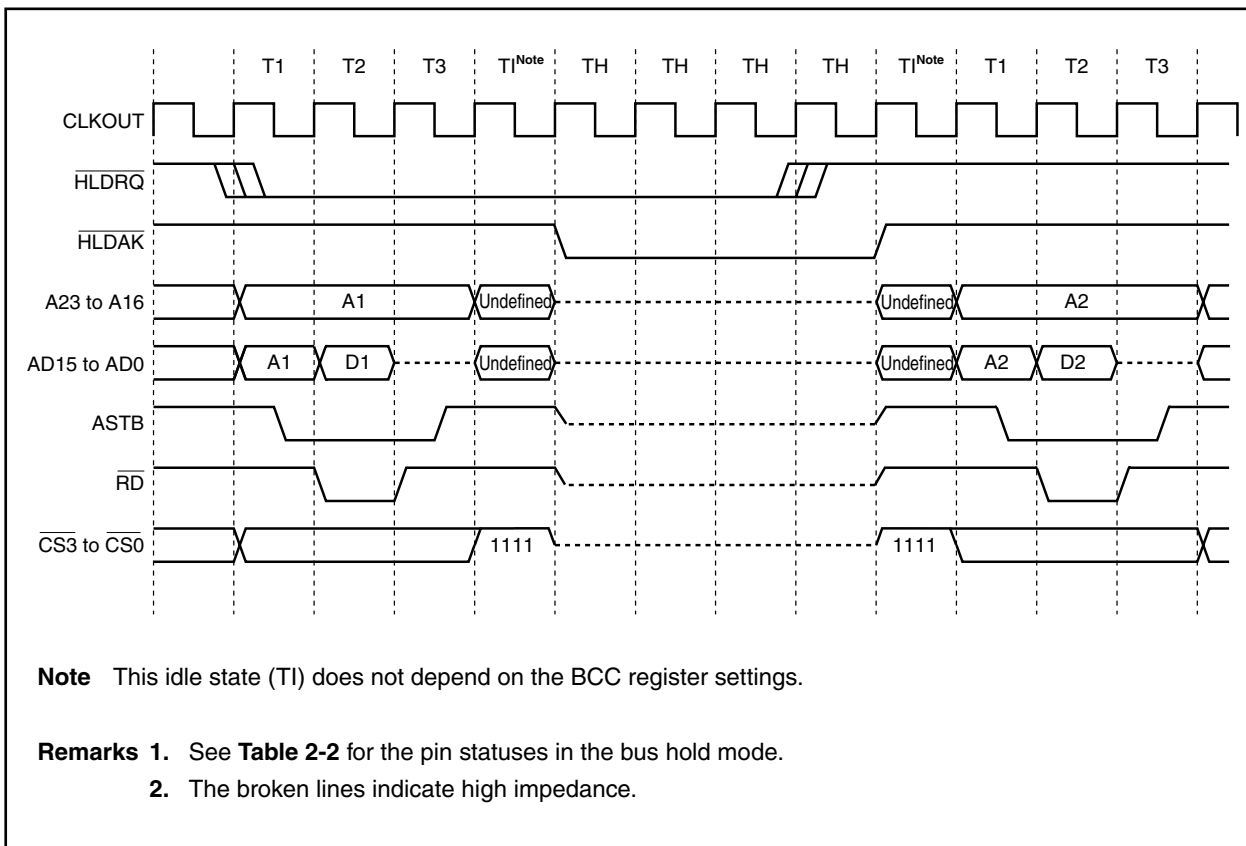


Figure 5-9. Separate Bus Read Timing (Bus Size: 16 Bits, 16-Bit Access)

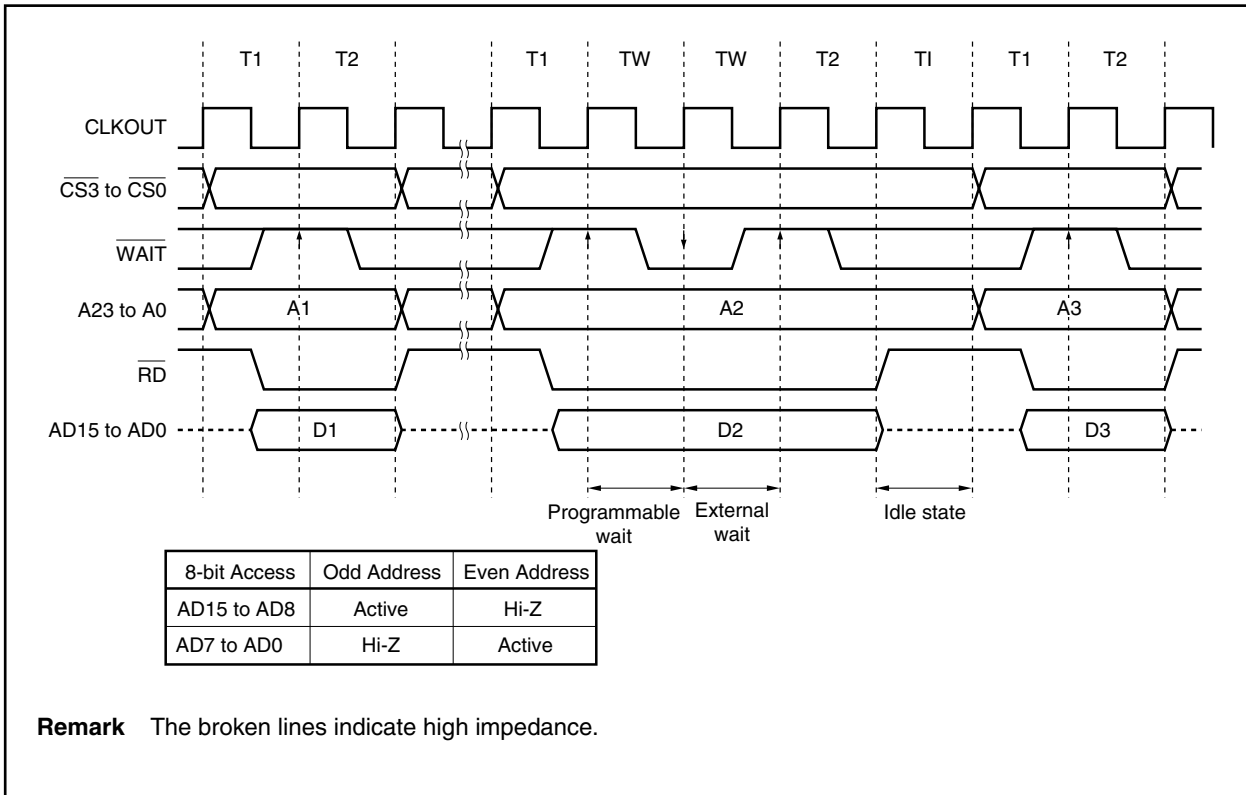


Figure 5-10. Separate Bus Read Timing (Bus Size: 8 Bits)

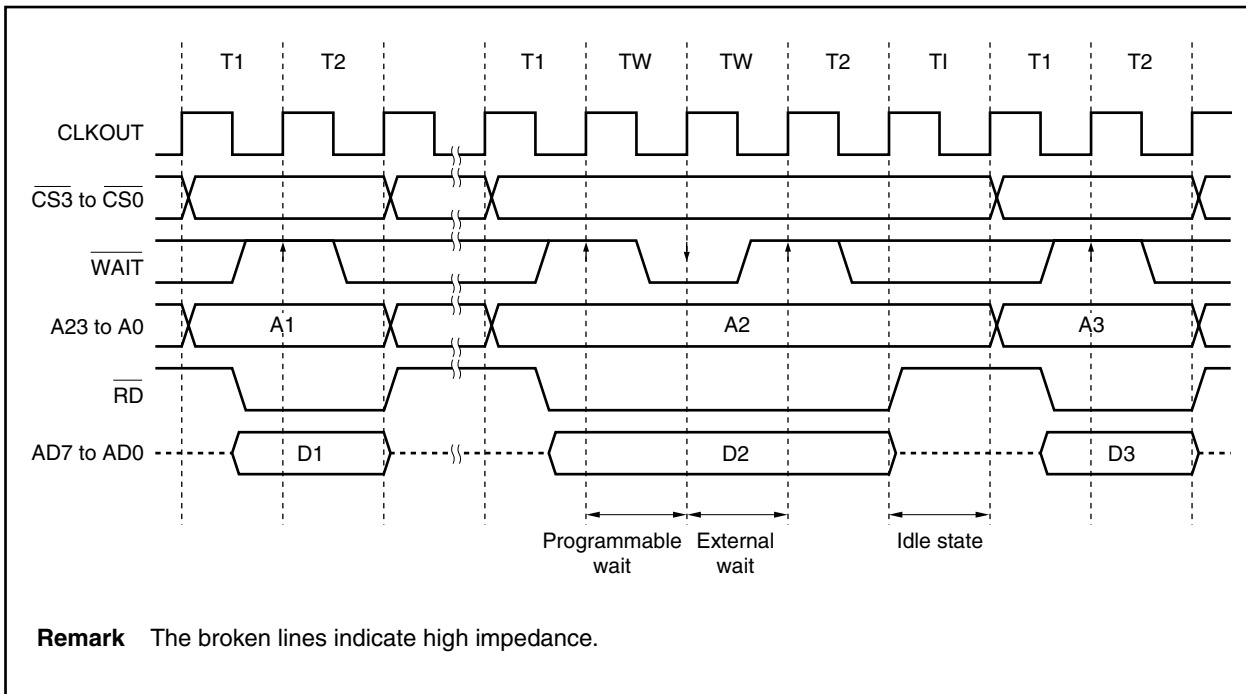


Figure 5-11. Separate Bus Write Timing (Bus Size: 16 Bits, 16-Bit Access)

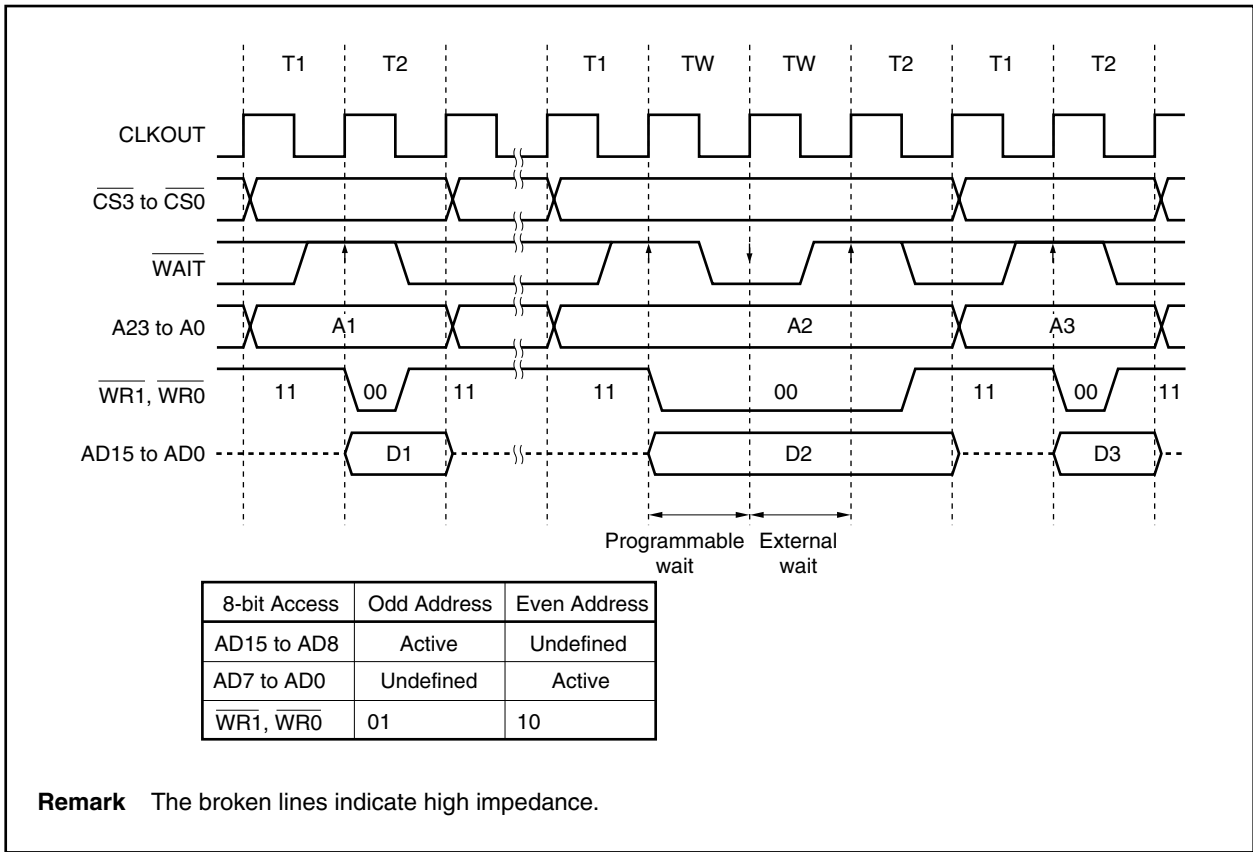


Figure 5-12. Separate Bus Write Timing (Bus Size: 8 Bits)

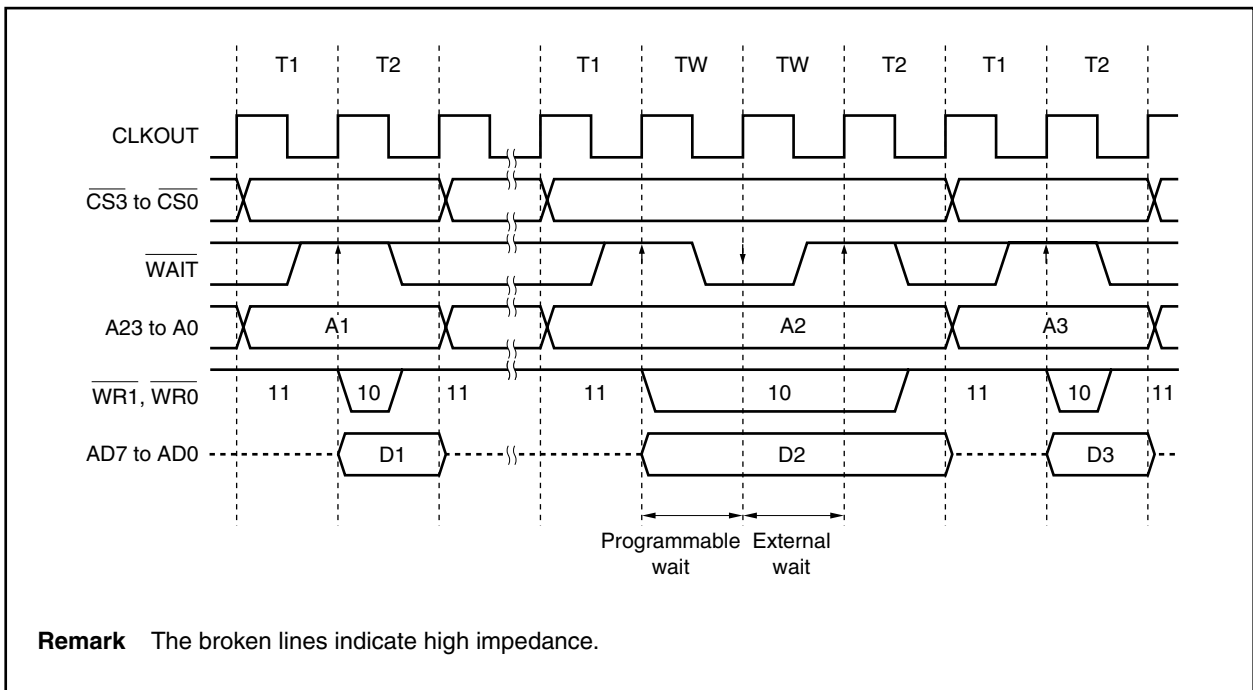


Figure 5-13. Separate Bus Hold Timing (Bus Size: 8 Bits, Write)

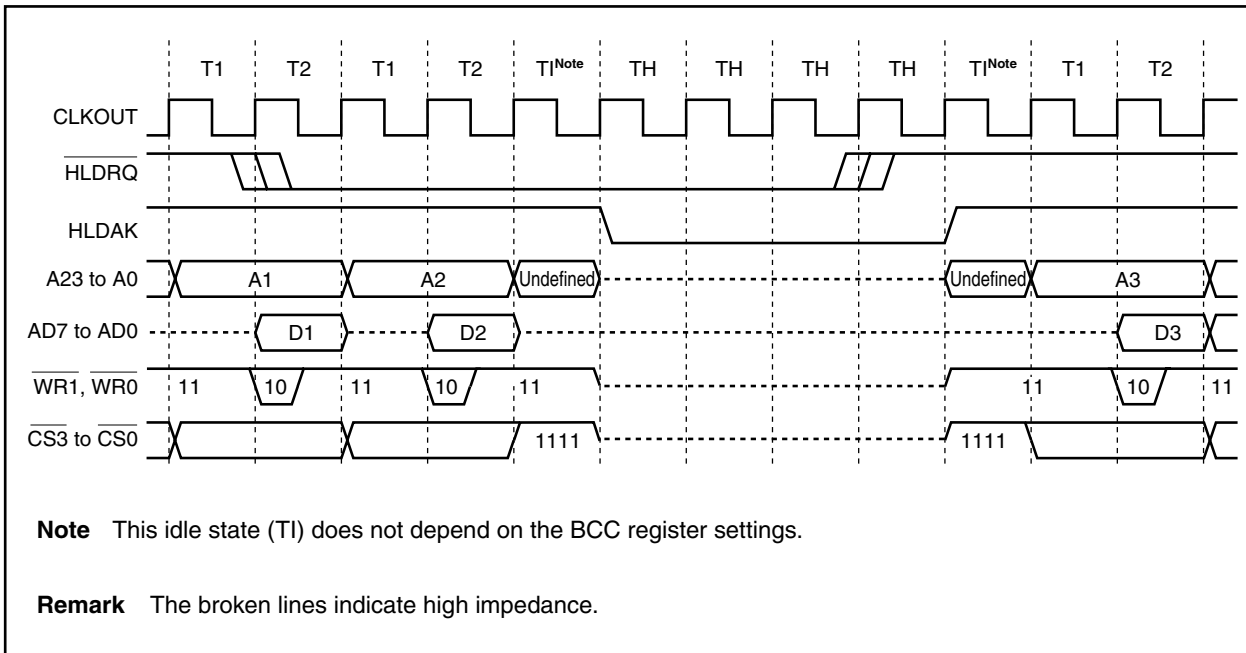
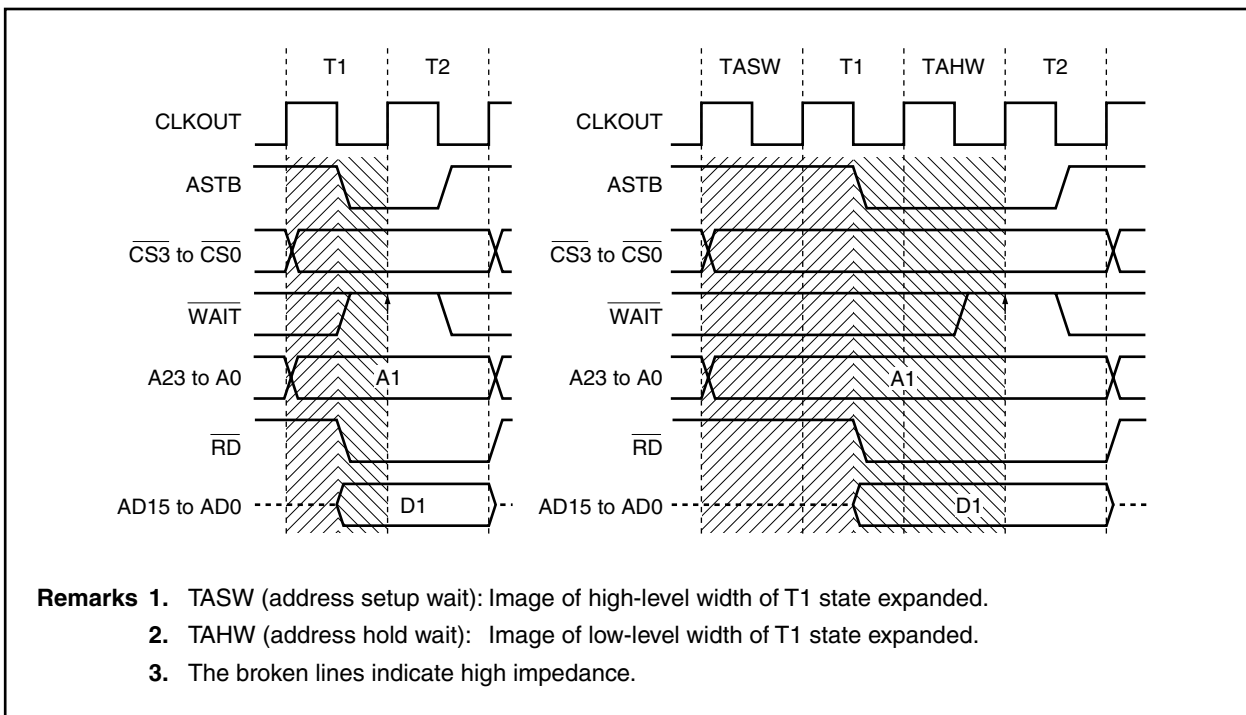


Figure 5-14. Address Wait Timing (Separate Bus Read, Bus Size: 16 Bits, 16-Bit Access)



CHAPTER 6 CLOCK GENERATION FUNCTION

6.1 Overview

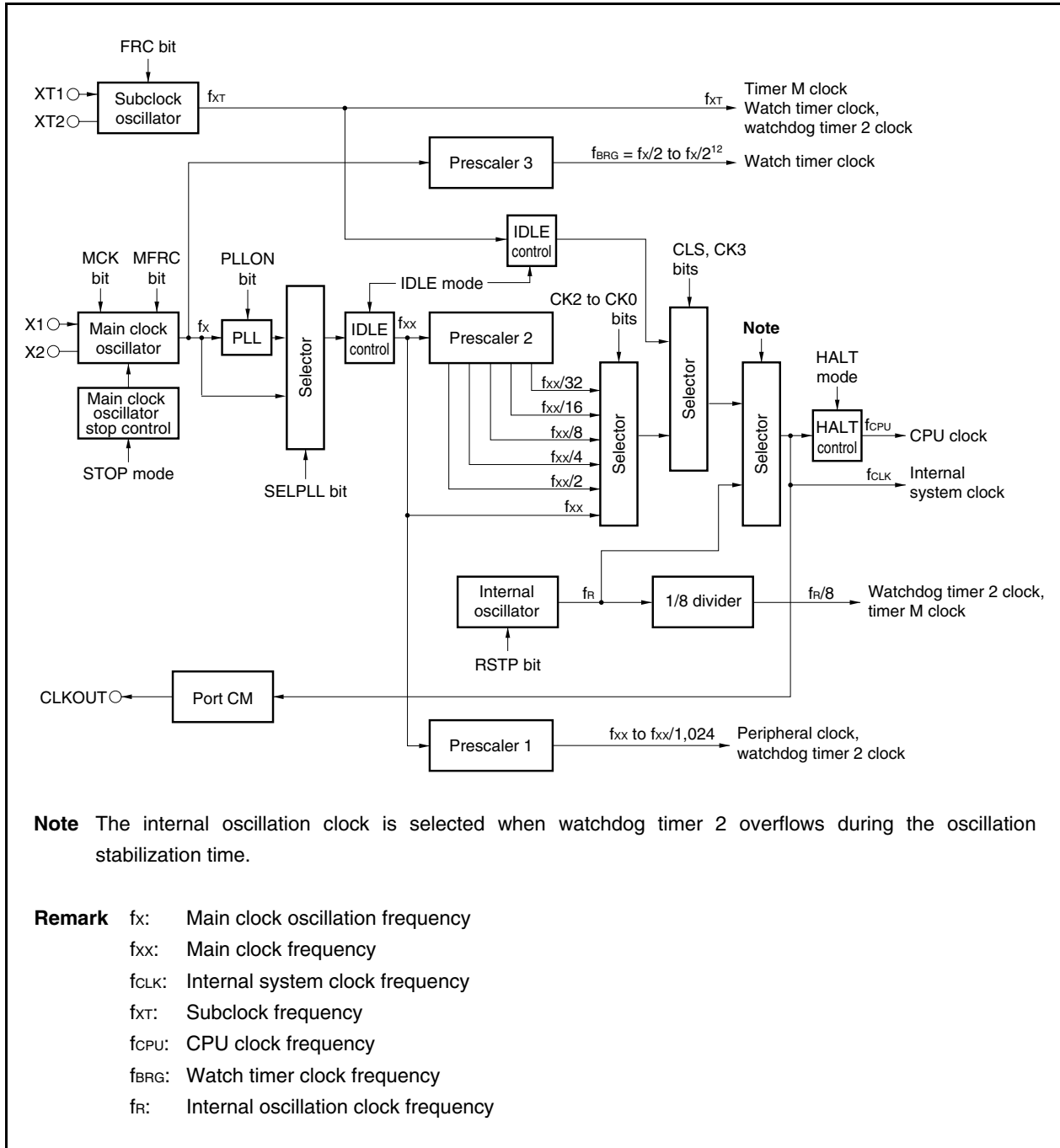
The following clock generation functions are available.

- Main clock oscillator
 - In clock-through mode
 $f_x = 2.5$ to 10 MHz ($f_{xx} = 2.5$ to 10 MHz)
 - In PLL mode
 $f_x = 2.5$ to 5 MHz ($\times 4$: $f_{xx} = 10$ to 20 MHz)
- Subclock oscillator
 - $f_{XT} = 32.768$ kHz
- Multiply ($\times 4/\times 8$) function by PLL (Phase Locked Loop)
 - Clock-through mode/PLL mode selectable
- Internal oscillator
 - $f_R = 200$ kHz (TYP.)
- Internal system clock generation
 - 7 steps (f_{xx} , $f_{xx}/2$, $f_{xx}/4$, $f_{xx}/8$, $f_{xx}/16$, $f_{xx}/32$, f_{XT})
- Peripheral clock generation
- Clock output function

Remark f_x : Main clock oscillation frequency
 f_{xx} : Main clock frequency
 f_{XT} : Subclock frequency
 f_R : Internal oscillation clock frequency

6.2 Configuration

Figure 6-1. Clock Generator



(1) Main clock oscillator

The main resonator oscillates the following frequencies (f_x).

- In clock-through mode
 $f_x = 2.5$ to 10 MHz
- In PLL mode
 $f_x = 2.5$ to 5 MHz ($\times 4$)

(2) Subclock oscillator

The sub-resonator oscillates a frequency of 32.768 kHz (f_{XT}).

(3) Main clock oscillator stop control

This circuit generates a control signal that stops oscillation of the main clock oscillator.

Oscillation of the main clock oscillator is stopped in the STOP mode or when the PCC.MCK bit = 1 (valid only when the PCC.CLS bit = 1).

(4) Internal oscillator

Oscillates a frequency (f_R) of 200 kHz (TYP.).

(5) Prescaler 1

This prescaler generates the clock (f_{XX} to $f_{XX}/1,024$) to be supplied to the following on-chip peripheral functions: TMP0 to TMP8, TMQ0, TMM0, CSIB0 to CSIB5, UARTA0 to UARTA3, I²C00 to I²C02, ADC, and WDT2

(6) Prescaler 2

This circuit divides the main clock (f_{XX}).

The clock generated by prescaler 2 (f_{XX} to $f_{XX}/32$) is supplied to the selector that generates the CPU clock (f_{CPU}) and internal system clock (f_{CLK}).

f_{CLK} is the clock supplied to the INTC, ROM, and RAM blocks, and can be output from the CLKOUT pin.

(7) Prescaler 3

This circuit divides the clock generated by the main clock oscillator (f_x) to a specific frequency (32.768 kHz) and supplies that clock to the watch timer block.

For details, see **CHAPTER 10 WATCH TIMER FUNCTIONS**.

(8) PLL

This circuit multiplies the clock generated by the main clock oscillator (f_x) by 4 or 8.

It operates in two modes: clock-through mode in which f_x is output as is, and PLL mode in which a multiplied clock is output. These modes can be selected by using the PLLCTL.SELPLL bit.

Whether the clock is multiplied by 4 or 8 is selected by the CKC.CKDIV0 bit, and PLL is started or stopped by the PLLCTL.PLLON bit.

6.3 Registers

(1) Processor clock control register (PCC)

The PCC register is a special register. Data can be written to this register only in combination of specific sequences (see **3.4.7 Special registers**).

This register can be read or written in 8-bit or 1-bit units.

Reset sets this register to 03H.

After reset: 03H R/W Address: FFFFF828H

	7	<6>	5	<4>	<3>	2	1	0
PCC	FRC	MCK	MFRC	CLS ^{Note}	CK3	CK2	CK1	CK0
FRC	Use of subclock on-chip feedback resistor							
0	Used							
1	Not used							
MCK	Main clock oscillator control							
0	Oscillation enabled							
1	Oscillation stopped							
<ul style="list-style-type: none"> • Even if the MCK bit is set (1) while the system is operating with the main clock as the CPU clock, the operation of the main clock does not stop. It stops after the CPU clock has been changed to the subclock. • Before setting the MCK bit from 0 to 1, stop the on-chip peripheral functions operating with the main clock. • When the main clock is stopped and the device is operating with the subclock, clear (0) the MCK bit and secure the oscillation stabilization time by software before switching the CPU clock to the main clock or operating the on-chip peripheral functions. 								
MFRC	Use of main clock on-chip feedback resistor							
0	Used							
1	Not used							
CLS ^{Note}	Status of CPU clock (f _{CPU})							
0	Main clock operation							
1	Subclock operation							
CK3	CK2	CK1	CK0	Clock selection (f _{CLK} /f _{CPU})				
0	0	0	0	f _{XX}				
0	0	0	1	f _{XX} /2				
0	0	1	0	f _{XX} /4				
0	0	1	1	f _{XX} /8				
0	1	0	0	f _{XX} /16				
0	1	0	1	f _{XX} /32				
0	1	1	×	Setting prohibited				
1	×	×	×	f _{XT}				

Note The CLS bit is a read-only bit.

- Cautions**
1. Do not change the CPU clock (by using the CK3 to CK0 bits) while CLKOUT is being output.
 2. Use a bit manipulation instruction to manipulate the CK3 bit. When using an 8-bit manipulation instruction, do not change the set values of the CK2 to CK0 bits.

Remark ×: don't care

(a) Example of setting main clock operation → subclock operation

- <1> CK3 bit ← 1: Use of a bit manipulation instruction is recommended. Do not change the CK2 to CK0 bits.
- <2> Subclock operation: Read the CLS bit to check if subclock operation has started. It takes the following time after the CK3 bit is set until subclock operation is started.
Max.: $1/f_{XT}$ (1/subclock frequency)
- <3> MCK bit ← 1: Set the MCK bit to 1 only when stopping the main clock.

Cautions 1. When stopping the main clock, stop the PLL. Also stop the operations of the on-chip peripheral functions operating with the main clock.

2. If the following conditions are not satisfied, change the CK2 to CK0 bits so that the conditions are satisfied, then change to the subclock operation mode.

Internal system clock (f_{CLK}) > Subclock (f_{XT} : 32.768 kHz) × 4

Remark Internal system clock (f_{CLK}): Clock generated from the main clock (f_{XX}) by setting bits CK2 to CK0

[Description example]

```

_DMA_DISABLE:
  clr1      0, DCHCn[r0]      -- DMA operation disabled. n = 0 to 3
<1> _SET_SUB_RUN :
  st.b      r0, PRCMD[r0]
  set1      3, PCC[r0]        -- CK3 bit ← 1
<2> _CHECK_CLS :
  tst1      4, PCC[r0]        -- Wait until subclock operation starts.
  bz        _CHECK_CLS
<3> _STOP_MAIN_CLOCK :
  st.b      r0, PRCMD[r0]
  set1      6, PCC[r0]        -- MCK bit ← 1, main clock is stopped.
_DMA_ENABLE:
  set1      0, DCHCn[r0]      -- DMA operation enabled. n = 0 to 3

```

Remark The description above is simply an example. Note that in <2> above, the CLS bit is read in a closed loop.

(2) Internal oscillation mode register (RCM)

The RCM register is an 8-bit register that sets the operation mode of the internal oscillator.

This register can be read or written in 8-bit or 1-bit units.

Reset sets this register to 00H.

After reset: 00H R/W Address: FFFFF80CH

	7	6	5	4	3	2	1	<0>
RCM	0	0	0	0	0	0	0	RSTOP

RSTOP	Oscillation/stop of internal oscillator
0	Internal oscillator oscillation
1	Internal oscillator stopped

- Cautions**
1. The internal oscillator cannot be stopped while the CPU is operating on the internal oscillation clock (CCLS.CCLS_F bit = 1). Do not set the RSTOP bit to 1.
 2. The internal oscillator oscillates if the CCLS.CCLS_F bit is set to 1 (when WDT overflow occurs during oscillation stabilization) even when the RSTOP bit is set to 1. At this time, the RSTOP bit remains being set to 1.

(3) CPU operation clock status register (CCLS)

The CCLS register indicates the status of the CPU operation clock.

This register is read-only, in 8-bit or 1-bit units.

Reset sets this register to 00H.

After reset: 00H^{Note} R Address: FFFFF82EH

	7	6	5	4	3	2	1	0
CCLS	0	0	0	0	0	0	0	CCLS _F

CCLS _F	CPU operation clock status
0	Operating on main clock (f _x) or subclock (f _{xT}).
1	Operating on internal oscillation clock (f _R).

Note If WDT overflow occurs during oscillation stabilization after a reset is released, the CCLS_F bit is set to 1 and the reset value is 01H.

6.4 Operation

6.4.1 Operation of each clock

The following table shows the operation status of each clock.

Table 6-1. Operation Status of Each Clock

Register Setting and Operation Status Target Clock	PCC Register								
	CLK Bit = 0, MCK Bit = 0					CLS Bit = 1, MCK Bit = 0		CLS Bit = 1, MCK Bit = 1	
	During Reset	During Oscillation Stabilization Time Count	HALT Mode	IDLE1, IDLE2 Mode	STOP Mode	Subclock Mode	Sub-IDLE Mode	Subclock Mode	Sub-IDLE Mode
Main clock oscillator (fx)	×	○	○	○	×	○	○	×	×
Subclock oscillator (fxt)	○	○	○	○	○	○	○	○	○
CPU clock (f _{cpu})	×	×	×	×	×	○	×	○	×
Internal system clock (f _{clk})	×	×	○	×	×	○	×	○	×
Main clock (in PLL mode, f _{xx})	×	○ ^{Note}	○	×	×	○	○	×	×
Peripheral clock (f _{xx} to f _{xx} /1,024)	×	×	○	×	×	○	×	×	×
WT clock (main)	×	×	○	○	×	○	○	×	×
WT clock (sub)	○	○	○	○	○	○	○	○	○
WDT2 clock (internal oscillation)	×	○	○	○	○	○	○	○	○
WDT2 clock (main)	×	×	○	×	×	○	×	×	×
WDT2 clock (sub)	○	○	○	○	○	○	○	○	○

Note Lockup time

Remark ○: Operable
 ×: Stopped

6.4.2 Clock output function

The clock output function is used to output the internal system clock (f_{clk}) from the CLKOUT pin.

The internal system clock (f_{clk}) is selected by using the PCC.CK3 to PCC.CK0 bits.

The CLKOUT pin functions alternately as the PCM1 pin and functions as a clock output pin if so specified by the control register of port CM.

The status of the CLKOUT pin is the same as the internal system clock in Table 6-1 and the pin can output the clock when it is in the operable status. It outputs a low level in the stopped status. However, the CLKOUT pin is in the port mode (PCM1 pin: input mode) after reset and until it is set in the output mode. Therefore, the status of the pin is Hi-Z.

6.5 PLL Function

6.5.1 Overview

In the V850ES/JJ2, an operating clock that is 4 or 8 times higher than the oscillation frequency output by the PLL function or the clock-through mode can be selected as the operating clock of the CPU and on-chip peripheral functions.

When PLL function is used: Input clock = 2.5 to 5 MHz (output: 10 to 20 MHz)

Clock-through mode: Input clock = 2.5 to 10 MHz (output: 2.5 to 10 MHz)

6.5.2 Registers

(1) PLL control register (PLLCTL)

The PLLCTL register is an 8-bit register that controls the PLL function.

This register can be read or written in 8-bit or 1-bit units.

Reset sets this register to 01H.

After reset: 01H		R/W	Address: FFFFF82CH					
PLLCTL	7	6	5	4	3	2	<1>	<0>
	0	0	0	0	0	0	SELPLL	PLLON
PLLON		PLL operation stop register						
0	PLL stopped							
1	PLL operating (After PLL operation starts, a lockup time is required for frequency stabilization)							
SELPLL		CPU operation clock selection register						
0	Clock-through mode							
1	PLL mode							

- Cautions**
1. When the PLLON bit is cleared to 0, the SELPLL bit is automatically cleared to 0 (clock-through mode).
 2. The SELPLL bit can be set to 1 only when the PLL clock frequency is stabilized. If not (unlocked), "0" is written to the SELPLL bit if data is written to it.

(2) Clock control register (CKC)

The CKC register is a special register. Data can be written to this register only in a combination of specific sequence (see **3.4.7 Special registers**).

The CKC register controls the internal system clock in the PLL mode.

This register can be read or written in 8-bit or 1-bit units.

Reset sets this register to 0AH.

After reset: 0AH R/W Address: FFFF822H

	7	6	5	4	3	2	1	0
CKC	0	0	0	0	1	0	1	CKDIV0

CKDIV0	Internal system clock (f_{xx}) in PLL mode
0	$f_{xx} = 4 \times f_x$ ($f_x = 2.5$ to 5.0 MHz)
1	$f_{xx} = 8 \times f_x$ ($f_x = 2.5$ MHz)

- Cautions**
1. The PLL mode cannot be used at $f_x = 5.0$ to 10.0 MHz.
 2. Before changing the multiplication factor between 4 and 8 by using the CKC register, set the clock-through mode and stop the PLL.
 3. Be sure to set bits 3 and 1 to "1" and clear bits 7 to 4 and 2 to "0".

Remark Both the CPU clock and peripheral clock are divided by the CKC register, but only the CPU clock is divided by the PCC register.

(3) Lock register (LOCKR)

Phase lock occurs at a given frequency following power application or immediately after the STOP mode is released, and the time required for stabilization is the lockup time (frequency stabilization time). This state until stabilization is called the lockup status, and the stabilized state is called the locked status.

The LOCKR register includes a LOCK bit that reflects the PLL frequency stabilization status.

This register is read-only, in 8-bit or 1-bit units.

Reset sets this register to 00H.

After reset: 00H R Address: FFFF824H

	7	6	5	4	3	2	1	<0>
LOCKR	0	0	0	0	0	0	0	LOCK

LOCK	PLL lock status check
0	Locked status
1	Unlocked status

Caution The LOCK register does not reflect the lock status of the PLL in real time. The set/clear conditions are as follows.

[Set conditions]

- Upon system reset^{Note}
- In IDLE2 or STOP mode
- Upon setting of PLL stop (clearing of PLLCTL.PLLON bit to 0)
- Upon stopping main clock and using CPU with subclock (setting of PCC.CK3 bit to 1 and setting of PCC.MCK bit to 1)

Note This register is set to 01H by reset and cleared to 00H after the reset has been released and the oscillation stabilization time has elapsed.

[Clear conditions]

- Upon overflow of oscillation stabilization time following reset release (OSTS register default time (see **21.2 (3) Oscillation stabilization time select register (OSTS)**))
- Upon oscillation stabilization timer overflow (time set by OSTS register) following STOP mode release, when the STOP mode was set in the PLL operating status
- Upon PLL lockup time timer overflow (time set by PLLS register) when the PLLCTL.PLLON bit is changed from 0 to 1
- After the setup time inserted upon release of the IDLE2 mode is released (time set by the OSTS register) when the IDLE2 mode is set during PLL operation.

(4) PLL lockup time specification register (PLLS)

The PLLS register is an 8-bit register used to select the PLL lockup time when the PLLCTL.PLLON bit is changed from 0 to 1.

This register can be read or written in 8-bit units.

Reset sets this register to 03H.

After reset: 03H R/W Address: FFFFF6C1H

	7	6	5	4	3	2	1	0
PLLS	0	0	0	0	0	0	PLLS1	PLLS0

PLLS1	PLLS0	Selection of PLL lockup time
0	0	$2^{10}/f_x$
0	1	$2^{11}/f_x$
1	0	$2^{12}/f_x$
1	1	$2^{13}/f_x$ (default value)

Cautions

1. Set so that the lockup time is 800 μ s or longer.
2. Do not change the PLLS register setting during the lockup period.

6.5.3 Usage

(1) When PLL is used

- After the reset signal has been released, the PLL operates (PLLCTL.PLLON bit = 1), but because the default mode is the clock-through mode (PLLCTL.SELPLL bit = 0), select the PLL mode (SELPLL bit = 1).
- To enable PLL operation, first set the PLLON bit to 1, and then set the SELPLL bit to 1 after the LOCKR.LOCK bit = 0. To stop the PLL, first select the clock-through mode (SELPLL bit = 0), wait for 8 clocks or more, and then stop the PLL (PLLON bit = 0).
- The PLL stops during transition to the IDLE2 or STOP mode regardless of the setting and is restored from the IDLE2 or STOP mode to the status before transition. The time required for restoration is as follows.

(a) When transiting to the IDLE2 or STOP mode from the clock through mode

- STOP mode: Set the OSTS register so that the oscillation stabilization time is 1 ms (min.) or longer.
- IDLE2 mode: Set the OSTS register so that the setup time is 350 μ s (min.) or longer.

(b) When transiting to the IDLE 2 or STOP mode while remaining in the PLL operation mode

- STOP mode: Set the OSTS register so that the oscillation stabilization time is 1 ms (min.) or longer.
- IDLE2 mode: Set the OSTS register so that the setup time is 800 μ s (min.) or longer.

When transiting to the IDLE1 mode, the PLL does not stop. Stop the PLL if necessary.

(2) When PLL is not used

- The clock-through mode (SELPLL bit = 0) is selected after the reset signal has been released, but the PLL is operating (PLLON bit = 1) and must therefore be stopped (PLLON bit = 0).

CHAPTER 7 16-BIT TIMER/EVENT COUNTER P (TMP)

Timer P (TMP) is a 16-bit timer/event counter.

The V850ES/JJ2 has nine timer/event counter channels, TMP0 to TMP8.

7.1 Overview

An outline of TMP_n is shown below.

- Clock selection: 8 ways
- Capture/trigger input pins: 2
- External event count input pins: 1
- External trigger input pins: 1
- Timer/counters: 1
- Capture/compare registers: 2
- Capture/compare match interrupt request signals: 2
- Timer output pins: 2

Remark n = 0 to 8

7.2 Functions

TMP_n has the following functions.

- Interval timer
- External event counter
- External trigger pulse output
- One-shot pulse output
- PWM output
- Free-running timer
- Pulse width measurement

Remark n = 0 to 8

7.3 Configuration

TMPn includes the following hardware.

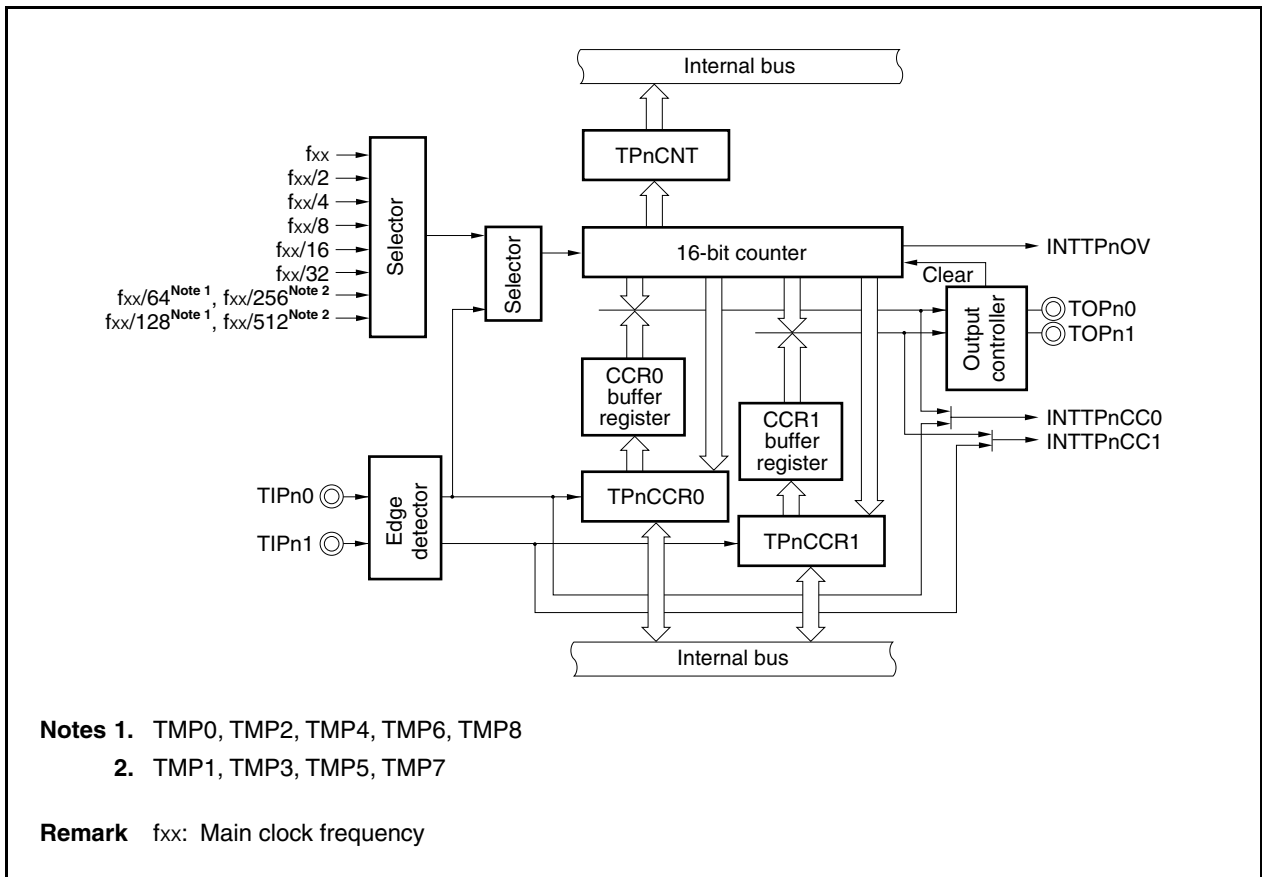
Table 7-1. Configuration of TMPn

Item	Configuration
Timer register	16-bit counter
Registers	TMPn capture/compare registers 0, 1 (TPnCCR0, TPnCCR1) TMPn counter read buffer register (TPnCNT) CCR0, CCR1 buffer registers
Timer inputs	2 (TIPn0 ^{Note 1} , TIPn1 pins)
Timer outputs	2 (TOPn0, TOPn1 pins)
Control registers ^{Note 2}	TMPn control registers 0, 1 (TPnCTL0, TPnCTL1) TMPn I/O control registers 0 to 2 (TPnIOC0 to TPnIOC2) TMPn option register 0 (TPnOPT0)

- Notes 1.** The TIPn0 pin functions alternately as a capture trigger input signal, external event count input signal, and external trigger input signal.
- 2.** When using the functions of the TIPn0, TIPn1, TOPn0, and TOPn1 pins, see **Table 4-19 Using Port Pins as Alternate-Function Pins**.

Remark n = 0 to 8

Figure 7-1. Block Diagram of TMPn



(1) 16-bit counter

This 16-bit counter can count internal clocks or external events.

The count value of this counter can be read by using the TPnCNT register.

When the TPnCTL0.TPnCE bit = 0, the value of the 16-bit counter is FFFFH. If the TPnCNT register is read at this time, 0000H is read.

Reset sets the TPnCE bit to 0. Therefore, the 16-bit counter is set to FFFFH.

(2) CCR0 buffer register

This is a 16-bit compare register that compares the count value of the 16-bit counter.

When the TPnCCR0 register is used as a compare register, the value written to the TPnCCR0 register is transferred to the CCR0 buffer register. When the count value of the 16-bit counter matches the value of the CCR0 buffer register, a compare match interrupt request signal (INTTPnCC0) is generated.

The CCR0 buffer register cannot be read or written directly.

The CCR0 buffer register is cleared to 0000H after reset, as the TPnCCR0 register is cleared to 0000H.

(3) CCR1 buffer register

This is a 16-bit compare register that compares the count value of the 16-bit counter.

When the TPnCCR1 register is used as a compare register, the value written to the TPnCCR1 register is transferred to the CCR1 buffer register. When the count value of the 16-bit counter matches the value of the CCR1 buffer register, a compare match interrupt request signal (INTTPnCC1) is generated.

The CCR1 buffer register cannot be read or written directly.

The CCR1 buffer register is cleared to 0000H after reset, as the TPnCCR1 register is cleared to 0000H.

(4) Edge detector

This circuit detects the valid edges input to the TIPn0 and TIPn1 pins. No edge, rising edge, falling edge, or both the rising and falling edges can be selected as the valid edge by using the TPnIOC1 and TPnIOC2 registers.

(5) Output controller

This circuit controls the output of the TOPn0 and TOPn1 pins. The output controller is controlled by the TPnIOC0 register.

(6) Selector

This selector selects the count clock for the 16-bit counter. Eight types of internal clocks or an external event can be selected as the count clock.

7.4 Registers

The registers that control TMPn are as follows.

- TMPn control register 0 (TPnCTL0)
- TMPn control register 1 (TPnCTL1)
- TMPn I/O control register 0 (TPnIOC0)
- TMPn I/O control register 1 (TPnIOC1)
- TMPn I/O control register 2 (TPnIOC2)
- TMPn option register 0 (TPnOPT0)
- TMPn capture/compare register 0 (TPnCCR0)
- TMPn capture/compare register 1 (TPnCCR1)
- TMPn counter read buffer register (TPnCNT)

Remarks 1. When using the functions of the TIPn0, TIPn1, TOPn0, and TOPn1 pins, see **Table 4-19 Using Port Pins as Alternate-Function Pins.**

2. n = 0 to 8

After reset: 00H R/W Address: TP0CTL1 FFFFF591H, TP1CTL1 FFFFF5A1H,
 TP2CTL1 FFFFF5B1H, TP3CTL1 FFFFF5C1H,
 TP4CTL1 FFFFF5D1H, TP5CTL1 FFFFF5E1H,
 TP6CTL1 FFFFF5F1H, TP7CTL1 FFFFF601H,
 TP8CTL1 FFFFF611H

	7	<6>	<5>	4	3	2	1	0
TPnCTL1 (n = 0 to 8)	0	TPnEST	TPnEEE	0	0	TPnMD2	TPnMD1	TPnMD0

TPnEST	Software trigger control
0	–
1	Generate a valid signal for external trigger input. <ul style="list-style-type: none"> • In one-shot pulse output mode: A one-shot pulse is output with writing 1 to the TPnEST bit as the trigger. • In external trigger pulse output mode: A PWM waveform is output with writing 1 to the TPnEST bit as the trigger.

TPnEEE	Count clock selection
0	Disable operation with external event count input. (Perform counting with the count clock selected by the TPnCTL0.TPnCK0 to TPnCK2 bits.)
1	Enable operation with external event count input. (Perform counting at the valid edge of the external event count input signal.)
The TPnEEE bit selects whether counting is performed with the internal count clock or the valid edge of the external event count input.	

TPnMD2	TPnMD1	TPnMD0	Timer mode selection
0	0	0	Interval timer mode
0	0	1	External event count mode
0	1	0	External trigger pulse output mode
0	1	1	One-shot pulse output mode
1	0	0	PWM output mode
1	0	1	Free-running timer mode
1	1	0	Pulse width measurement mode
1	1	1	Setting prohibited

- Cautions**
1. The TPnEST bit is valid only in the external trigger pulse output mode or one-shot pulse output mode. In any other mode, writing 1 to this bit is ignored.
 2. External event count input is selected in the external event count mode regardless of the value of the TPnEEE bit.
 3. Set the TPnEEE and TPnMD2 to TPnMD0 bits when the TPnCTL0.TPnCE bit = 0. (The same value can be written when the TPnCE bit = 1.) The operation is not guaranteed when rewriting is performed with the TPnCE bit = 1. If rewriting was mistakenly performed, clear the TPnCE bit to 0 and then set the bits again.
 4. Be sure to clear bits 3, 4, and 7 to “0”.

<R> (3) **TMPn I/O control register 0 (TPnIOC0)**

The TPnIOC0 register is an 8-bit register that controls the timer output (TOPn0, TOPn1 pins).

This register can be read or written in 8-bit or 1-bit units.

Reset sets this register to 00H.

After reset: 00H R/W Address: TP0IOC0 FFFFF592H, TP1IOC0 FFFFF5A2H,
 TP2IOC0 FFFFF5B2H, TP3IOC0 FFFFF5C2H,
 TP4IOC0 FFFFF5D2H, TP5IOC0 FFFFF5E2H,
 TP6IOC0 FFFFF5F2H, TP7IOC0 FFFFF602H,
 TP8IOC0 FFFFF612H

	7	6	5	4	3	<2>	1	<0>
TPnIOC0 (n = 0 to 8)	0	0	0	0	TPnOL1	TPnOE1	TPnOL0	TPnOE0

TPnOL1	TOPn1 pin output level setting ^{Note}
0	TOPn1 pin output starts at high level
1	TOPn1 pin output starts at low level

TPnOE1	TOPn1 pin output setting
0	Timer output disabled • When TPnOL1 bit = 0: Low level is output from the TOPn1 pin • When TPnOL1 bit = 1: High level is output from the TOPn1 pin
1	Timer output enabled (a square wave is output from the TOPn1 pin).

TPnOL0	TOPn0 pin output level setting ^{Note}
0	TOPn0 pin output starts at high level
1	TOPn0 pin output starts at low level

TPnOE0	TOPn0 pin output setting
0	Timer output disabled • When TPnOL0 bit = 0: Low level is output from the TOPn0 pin • When TPnOL0 bit = 1: High level is output from the TOPn0 pin
1	Timer output enabled (a square wave is output from the TOPn0 pin).

Note The output level of the timer output pin (TOPnm) specified by the TPnOLm bit is shown below (m = 0, 1).

• When TPnOLm bit = 0

• When TPnOLm bit = 1



- Cautions**
1. Rewrite the TPnOL1, TPnOE1, TPnOL0, and TPnOE0 bits when the TPnCTL0.TPnCE bit = 0. (The same value can be written when the TPnCE bit = 1.) If rewriting was mistakenly performed, clear the TPnCE bit to 0 and then set the bits again.
 2. Even if the TPnOLm bit is manipulated when the TPnCE and TPnOEm bits are 0, the TOPnm pin output level varies (m = 0, 1).

(4) TMPn I/O control register 1 (TPnIOC1)

The TPnIOC1 register is an 8-bit register that controls the valid edge of the capture trigger input signals (TIPn0, TIPn1 pins).

This register can be read or written in 8-bit or 1-bit units.

Reset sets this register to 00H.

After reset: 00H R/W Address: TP0IOC1 FFFFF593H, TP1IOC1 FFFFF5A3H,
TP2IOC1 FFFFF5B3H, TP3IOC1 FFFFF5C3H,
TP4IOC1 FFFFF5D3H, TP5IOC1 FFFFF5E3H,
TP6IOC1 FFFFF5F3H, TP7IOC1 FFFFF603H,
TP8IOC1 FFFFF613H

	7	6	5	4	3	2	1	0
TPnIOC1 (n = 0 to 8)	0	0	0	0	TPnIS3	TPnIS2	TPnIS1	TPnIS0

TPnIS3	TPnIS2	Capture trigger input signal (TIPn1 pin) valid edge setting
0	0	No edge detection (capture operation invalid)
0	1	Detection of rising edge
1	0	Detection of falling edge
1	1	Detection of both edges

TPnIS1	TPnIS0	Capture trigger input signal (TIPn0 pin) valid edge setting
0	0	No edge detection (capture operation invalid)
0	1	Detection of rising edge
1	0	Detection of falling edge
1	1	Detection of both edges

- Cautions**
1. Rewrite the TPnIS3 to TPnIS0 bits when the TPnCTL0.TPnCE bit = 0. (The same value can be written when the TPnCE bit = 1.) If rewriting was mistakenly performed, clear the TPnCE bit to 0 and then set the bits again.
 2. The TPnIS3 to TPnIS0 bits are valid only in the free-running timer mode and the pulse width measurement mode. In all other modes, a capture operation is not possible.

(5) TMPn I/O control register 2 (TPnIOC2)

The TPnIOC2 register is an 8-bit register that controls the valid edge of the external event count input signal (TIPn0 pin) and external trigger input signal (TIPn0 pin).

This register can be read or written in 8-bit or 1-bit units.

Reset sets this register to 00H.

After reset: 00H R/W Address: TP0IOC2 FFFFF594H, TP1IOC2 FFFFF5A4H,
TP2IOC2 FFFFF5B4H, TP3IOC2 FFFFF5C4H,
TP4IOC2 FFFFF5D4H, TP5IOC2 FFFFF5E4H,
TP6IOC2 FFFFF5F4H, TP7IOC2 FFFFF604H,
TP8IOC2 FFFFF614H

	7	6	5	4	3	2	1	0
TPnIOC2 (n = 0 to 8)	0	0	0	0	TPnEES1	TPnEES0	TPnETS1	TPnETS0

TPnEES1	TPnEES0	External event count input signal (TIPn0 pin) valid edge setting
0	0	No edge detection (external event count invalid)
0	1	Detection of rising edge
1	0	Detection of falling edge
1	1	Detection of both edges

TPnETS1	TPnETS0	External trigger input signal (TIPn0 pin) valid edge setting
0	0	No edge detection (external trigger invalid)
0	1	Detection of rising edge
1	0	Detection of falling edge
1	1	Detection of both edges

- Cautions**
1. Rewrite the TPnEES1, TPnEES0, TPnETS1, and TPnETS0 bits when the TPnCTL0.TPnCE bit = 0. (The same value can be written when the TPnCE bit = 1.) If rewriting was mistakenly performed, clear the TPnCE bit to 0 and then set the bits again.
 2. The TPnEES1 and TPnEES0 bits are valid only when the TPnCTL1.TPnEEE bit = 1 or when the external event count mode (TPnCTL1.TPnMD2 to TPnCTL1.TPnMD0 bits = 001) has been set.
 3. The TPnETS1 and TPnETS0 bits are valid only when the external trigger pulse output mode (TPnCTL1.TPnMD2 to TPnCTL1.TPnMD0 bits = 010) or the one-shot pulse output mode (TPnCTL1.TPnMD2 to TPnCTL1.TPnMD0 = 011) is set.

(6) TMPn option register 0 (TPnOPT0)

The TPnOPT0 register is an 8-bit register used to set the capture/compare operation and detect an overflow. This register can be read or written in 8-bit or 1-bit units. Reset sets this register to 00H.

After reset: 00H R/W Address: TP0OPT0 FFFFF595H, TP1OPT0 FFFFF5A5H,
 TP2OPT0 FFFFF5B5H, TP3OPT0 FFFFF5C5H,
 TP4OPT0 FFFFF5D5H, TP5OPT0 FFFFF5E5H,
 TP6OPT0 FFFFF5F5H, TP7OPT0 FFFFF605H,
 TP8OPT0 FFFFF615H

	7	6	5	4	3	2	1	<0>
TPnOPT0 (n = 0 to 8)	0	0	TPnCCS1	TPnCCS0	0	0	0	TPnOVF

TPnCCS1	TPnCCR1 register capture/compare selection
0	Compare register selected
1	Capture register selected
The TPnCCS1 bit setting is valid only in the free-running timer mode.	

TPnCCS0	TPnCCR0 register capture/compare selection
0	Compare register selected
1	Capture register selected
The TPnCCS0 bit setting is valid only in the free-running timer mode.	

TPnOVF	TMPn overflow detection flag
Set (1)	Overflow occurred
Reset (0)	TPnOVF bit 0 written or TPnCTL0.TPnCE bit = 0
<ul style="list-style-type: none"> • The TPnOVF bit is set when the 16-bit counter count value overflows from FFFFH to 0000H in the free-running timer mode or the pulse width measurement mode. • An interrupt request signal (INTTPnOV) is generated at the same time that the TPnOVF bit is set to 1. The INTTPnOV signal is not generated in modes other than the free-running timer mode and the pulse width measurement mode. • The TPnOVF bit is not cleared even when the TPnOVF bit or the TPnOPT0 register are read when the TPnOVF bit = 1. • The TPnOVF bit can be both read and written, but the TPnOVF bit cannot be set to 1 by software. Writing 1 has no influence on the operation of TMPn. 	

- Cautions**
1. Rewrite the TPnCCS1 and TPnCCS0 bits when the TPnCE bit = 0. (The same value can be written when the TPnCE bit = 1.) If rewriting was mistakenly performed, clear the TPnCE bit to 0 and then set the bits again.
 2. Be sure to clear bits 1 to 3, 6, and 7 to "0".

(7) TMPn capture/compare register 0 (TPnCCR0)

The TPnCCR0 register can be used as a capture register or a compare register depending on the mode.

This register can be used as a capture register or a compare register only in the free-running timer mode, depending on the setting of the TPnOPT0.TPnCCS0 bit. In the pulse width measurement mode, the TPnCCR0 register can be used only as a capture register. In any other mode, this register can be used only as a compare register.

The TPnCCR0 register can be read or written during operation.

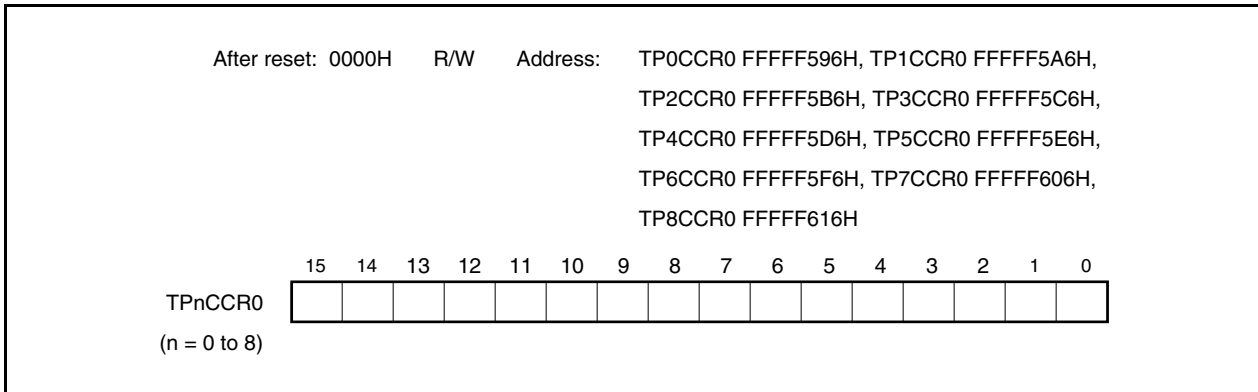
This register can be read or written in 16-bit units.

Reset sets this register to 0000H.

Caution Accessing the TPnCCR0 register is prohibited in the following statuses. For details, see 3.4.8

(2) Accessing specific on-chip peripheral I/O registers.

- When the CPU operates with the subclock and the main clock oscillation is stopped
- When the CPU operates with the internal oscillation clock



(a) Function as compare register

The TPnCCR0 register can be rewritten even when the TPnCTL0.TPnCE bit = 1.

The set value of the TPnCCR0 register is transferred to the CCR0 buffer register. When the value of the 16-bit counter matches the value of the CCR0 buffer register, a compare match interrupt request signal (INTTPnCC0) is generated. If TOPn0 pin output is enabled at this time, the output of the TOPn0 pin is inverted.

When the TPnCCR0 register is used as a cycle register in the interval timer mode, external event count mode, external trigger pulse output mode, one-shot pulse output mode, or PWM output mode, the value of the 16-bit counter is cleared (0000H) if its count value matches the value of the CCR0 buffer register.

(b) Function as capture register

When the TPnCCR0 register is used as a capture register in the free-running timer mode, the count value of the 16-bit counter is stored in the TPnCCR0 register if the valid edge of the capture trigger input pin (TIPn0 pin) is detected. In the pulse-width measurement mode, the count value of the 16-bit counter is stored in the TPnCCR0 register and the 16-bit counter is cleared (0000H) if the valid edge of the capture trigger input pin (TIPn0) is detected.

Even if the capture operation and reading the TPnCCR0 register conflict, the correct value of the TPnCCR0 register can be read.

The following table shows the functions of the capture/compare register in each mode, and how to write data to the compare register.

Table 7-2. Function of Capture/Compare Register in Each Mode and How to Write Compare Register

Operation Mode	Capture/Compare Register	How to Write Compare Register
Interval timer	Compare register	Anytime write
External event counter	Compare register	Anytime write
External trigger pulse output	Compare register	Batch write
One-shot pulse output	Compare register	Anytime write
PWM output	Compare register	Batch write
Free-running timer	Capture/compare register	Anytime write
Pulse width measurement	Capture register	–

(8) TMPn capture/compare register 1 (TPnCCR1)

The TPnCCR1 register can be used as a capture register or a compare register depending on the mode.

This register can be used as a capture register or a compare register only in the free-running timer mode, depending on the setting of the TPnOPT0.TPnCCS1 bit. In the pulse width measurement mode, the TPnCCR1 register can be used only as a capture register. In any other mode, this register can be used only as a compare register.

The TPnCCR1 register can be read or written during operation.

This register can be read or written in 16-bit units.

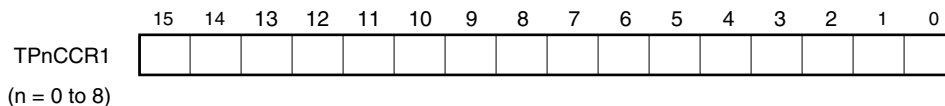
Reset sets this register to 0000H.

Caution Accessing the TPnCCR1 register is prohibited in the following statuses. For details, see 3.4.8

(2) Accessing specific on-chip peripheral I/O registers.

- When the CPU operates with the subclock and the main clock oscillation is stopped
- When the CPU operates with the internal oscillation clock

After reset: 0000H R/W Address: TP0CCR1 FFFFF598H, TP1CCR1 FFFFF5A8H,
 TP2CCR1 FFFFF5B8H, TP3CCR1 FFFFF5C8H,
 TP4CCR1 FFFFF5D8H, TP5CCR1 FFFFF5E8H,
 TP6CCR1 FFFFF5F8H, TP7CCR1 FFFFF608H,
 TP8CCR1 FFFFF618H



(a) Function as compare register

The TPnCCR1 register can be rewritten even when the TPnCTL0.TPnCE bit = 1.

The set value of the TPnCCR1 register is transferred to the CCR1 buffer register. When the value of the 16-bit counter matches the value of the CCR1 buffer register, a compare match interrupt request signal (INTTPnCC1) is generated. If TOPn1 pin output is enabled at this time, the output of the TOPn1 pin is inverted.

(b) Function as capture register

When the TPnCCR1 register is used as a capture register in the free-running timer mode, the count value of the 16-bit counter is stored in the TPnCCR1 register if the valid edge of the capture trigger input pin (TIPn1 pin) is detected. In the pulse-width measurement mode, the count value of the 16-bit counter is stored in the TPnCCR1 register and the 16-bit counter is cleared (0000H) if the valid edge of the capture trigger input pin (TIPn1) is detected.

Even if the capture operation and reading the TPnCCR1 register conflict, the correct value of the TPnCCR1 register can be read.

The following table shows the functions of the capture/compare register in each mode, and how to write data to the compare register.

Table 7-3. Function of Capture/Compare Register in Each Mode and How to Write Compare Register

Operation Mode	Capture/Compare Register	How to Write Compare Register
Interval timer	Compare register	Anytime write
External event counter	Compare register	Anytime write
External trigger pulse output	Compare register	Batch write
One-shot pulse output	Compare register	Anytime write
PWM output	Compare register	Batch write
Free-running timer	Capture/compare register	Anytime write
Pulse width measurement	Capture register	–

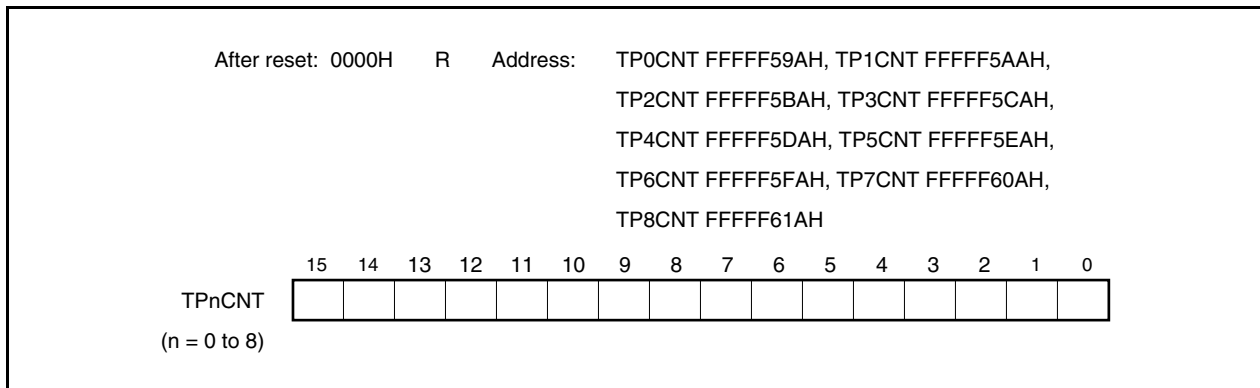
(9) TMPn counter read buffer register (TPnCNT)

The TPnCNT register is a read buffer register that can read the count value of the 16-bit counter. If this register is read when the TPnCTL0.TPnCE bit = 1, the count value of the 16-bit timer can be read. This register is read-only, in 16-bit units. The value of the TPnCNT register is cleared to 0000H when the TPnCE bit = 0. If the TPnCNT register is read at this time, the value of the 16-bit counter (FFFFH) is not read, but 0000H is read. The value of the TPnCNT register is cleared to 0000H after reset, as the TPnCE bit is cleared to 0.

Caution Accessing the TPnCNT register is prohibited in the following statuses. For details, see 3.4.8

(2) Accessing specific on-chip peripheral I/O registers.

- When the CPU operates with the subclock and the main clock oscillation is stopped
- When the CPU operates with the internal oscillation clock



7.5 Operation

TMPn can perform the following operations.

Operation	TPnCTL1.TPnEST Bit (Software Trigger Bit)	TIPn0 Pin (External Trigger Input)	Capture/Compare Register Setting	Compare Register Write
Interval timer mode	Invalid	Invalid	Compare only	Anytime write
External event count mode ^{Note 1}	Invalid	Invalid	Compare only	Anytime write
External trigger pulse output mode ^{Note 2}	Valid	Valid	Compare only	Batch write
One-shot pulse output mode ^{Note 2}	Valid	Valid	Compare only	Anytime write
PWM output mode	Invalid	Invalid	Compare only	Batch write
Free-running timer mode	Invalid	Invalid	Switching enabled	Anytime write
Pulse width measurement mode ^{Note 2}	Invalid	Invalid	Capture only	Not applicable

- Notes 1.** To use the external event count mode, specify that the valid edge of the TIPn0 pin capture trigger input is not detected (by clearing the TPnIOC1.TPnIS1 and TPnIOC1.TPnIS0 bits to "00").
- 2.** When using the external trigger pulse output mode, one-shot pulse output mode, and pulse width measurement mode, select the internal clock as the count clock (by clearing the TPnCTL1.TPnEEE bit to 0).

Remark n = 0 to 8

7.5.1 Interval timer mode (TPnMD2 to TPnMD0 bits = 000)

In the interval timer mode, an interrupt request signal (INTTPnCC0) is generated at the specified interval if the TPnCTL0.TPnCE bit is set to 1. A square wave whose half cycle is equal to the interval can be output from the TOPn0 pin.

Usually, the TPnCCR1 register is not used in the interval timer mode.

Figure 7-2. Configuration of Interval Timer

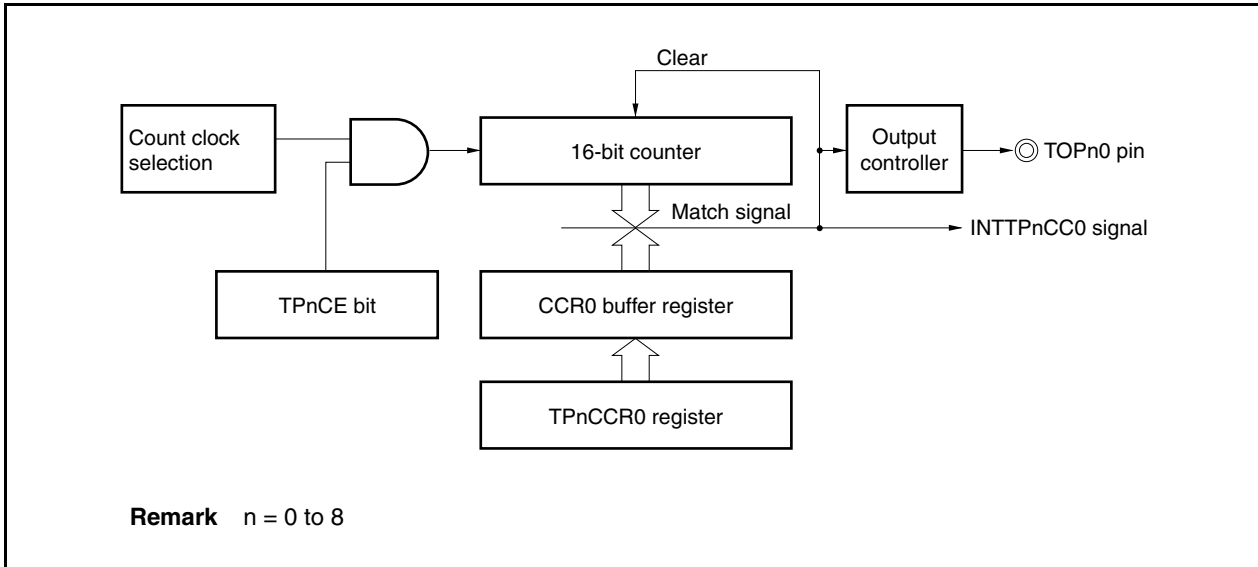
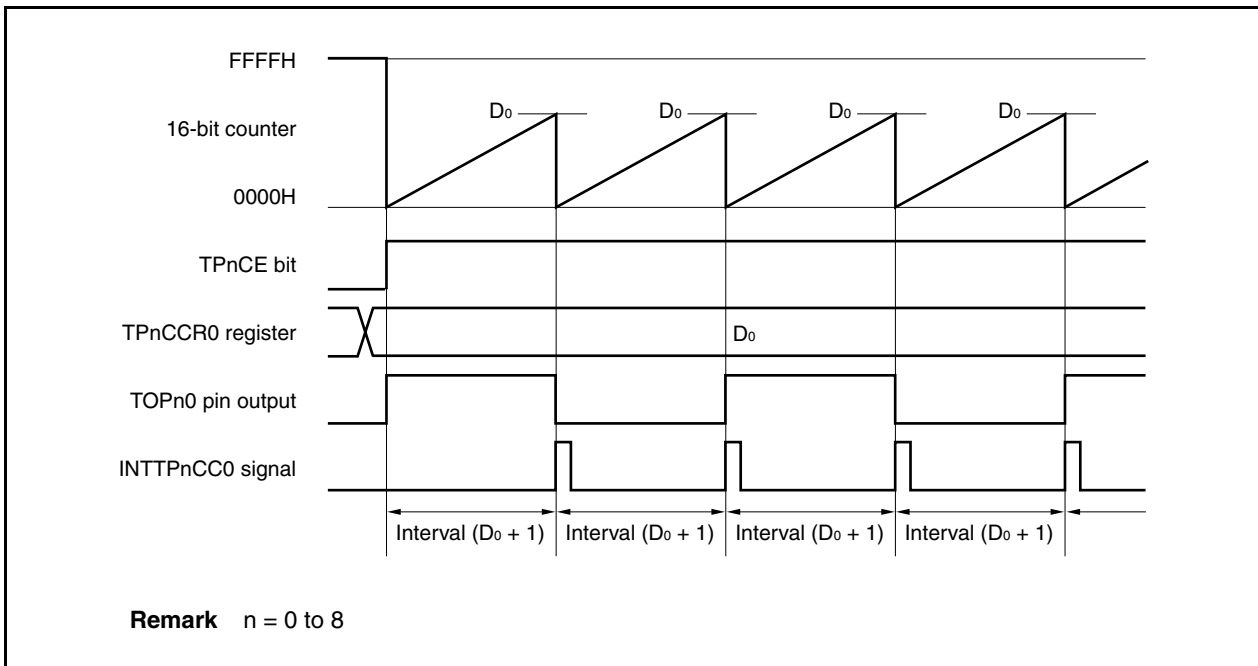


Figure 7-3. Basic Timing of Operation in Interval Timer Mode



When the TPnCE bit is set to 1, the value of the 16-bit counter is cleared from FFFFH to 0000H in synchronization with the count clock, and the counter starts counting. At this time, the output of the TOPn0 pin is inverted. Additionally, the set value of the TPnCCR0 register is transferred to the CCR0 buffer register.

When the count value of the 16-bit counter matches the value of the CCR0 buffer register, the 16-bit counter is cleared to 0000H, the output of the TOPn0 pin is inverted, and a compare match interrupt request signal (INTTPnCC0) is generated.

The interval can be calculated by the following expression.

$$\text{Interval} = (\text{Set value of TPnCCR0 register} + 1) \times \text{Count clock cycle}$$

Remark n = 0 to 8

Figure 7-4. Register Setting for Interval Timer Mode Operation (1/2)

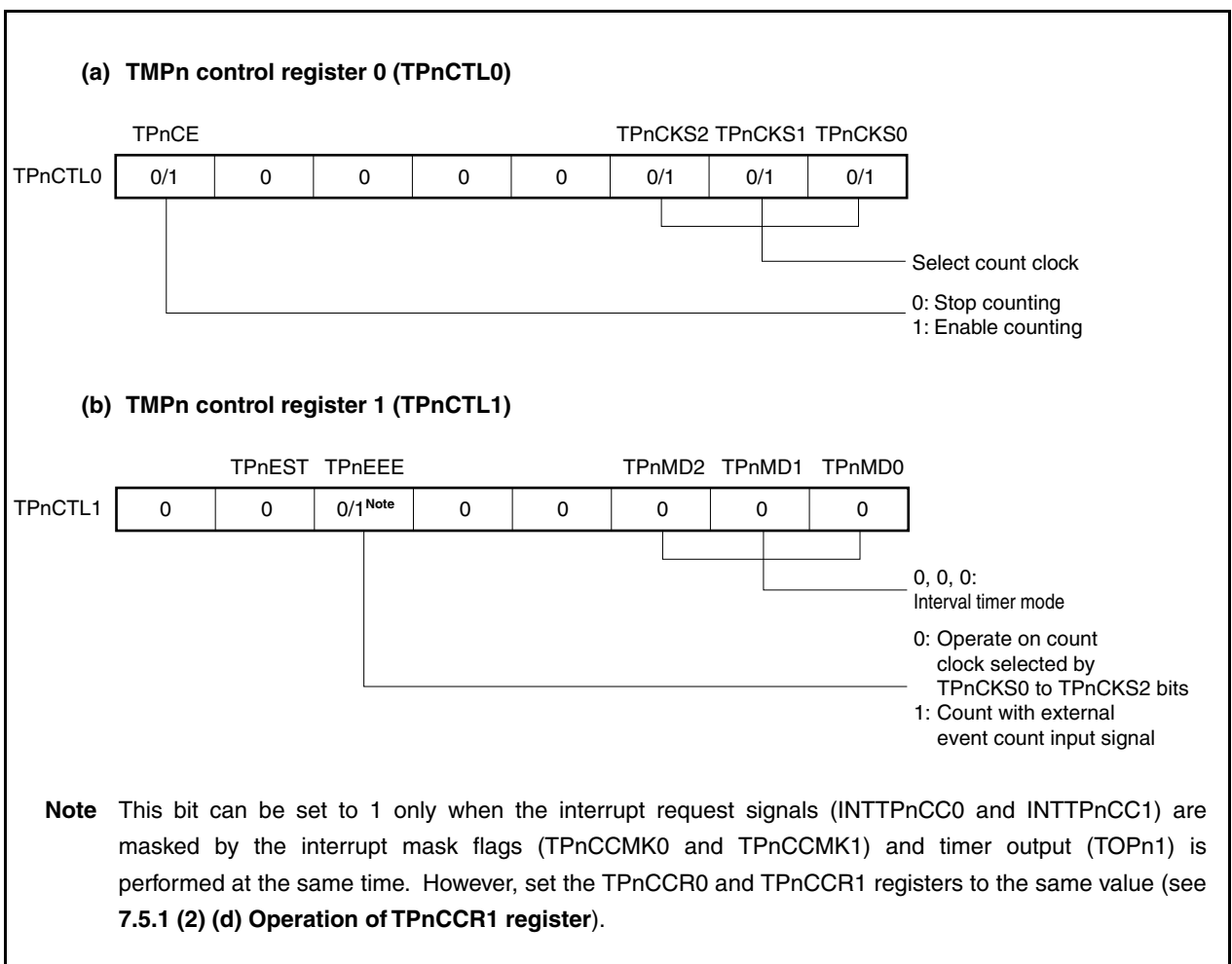
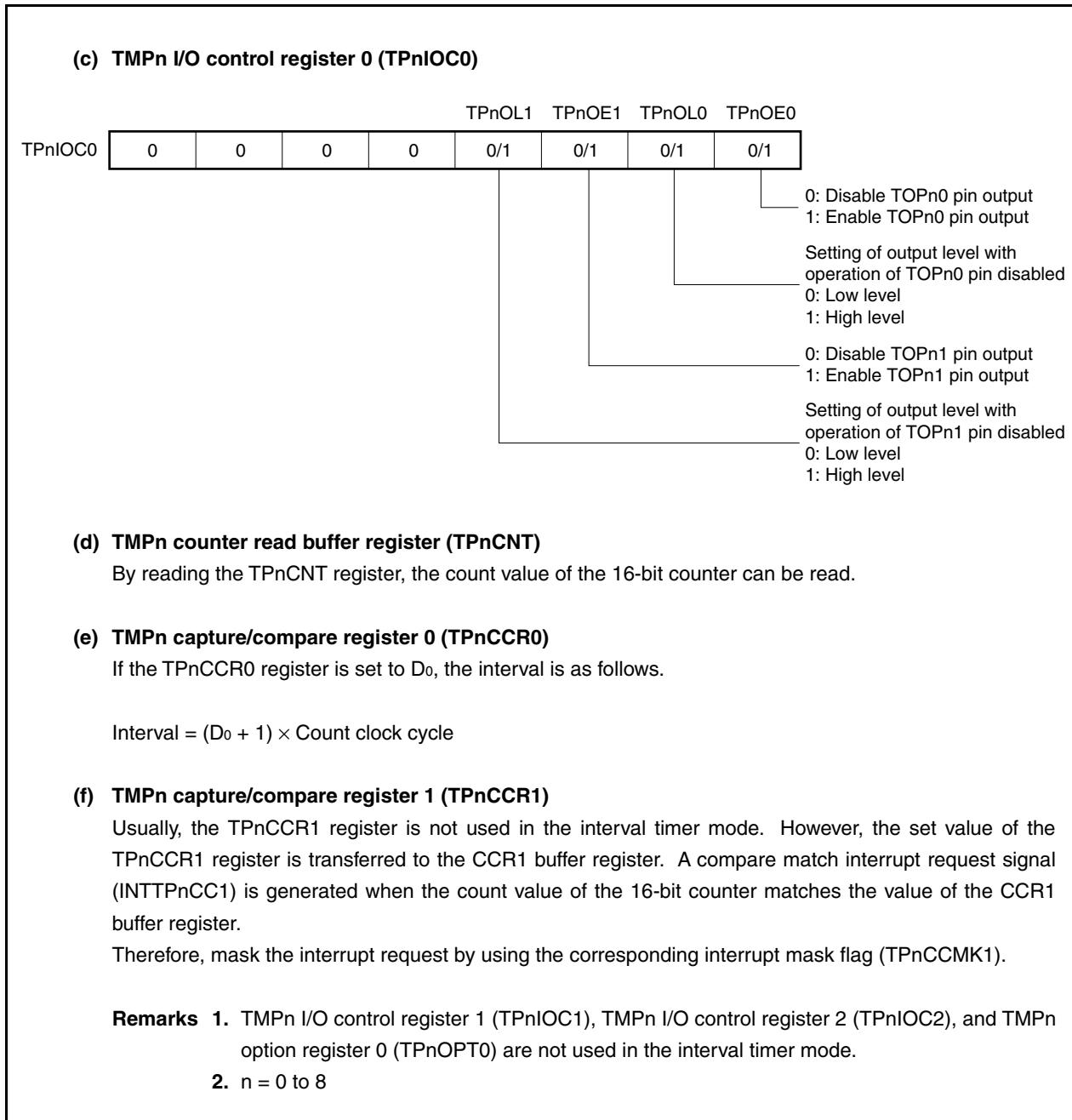
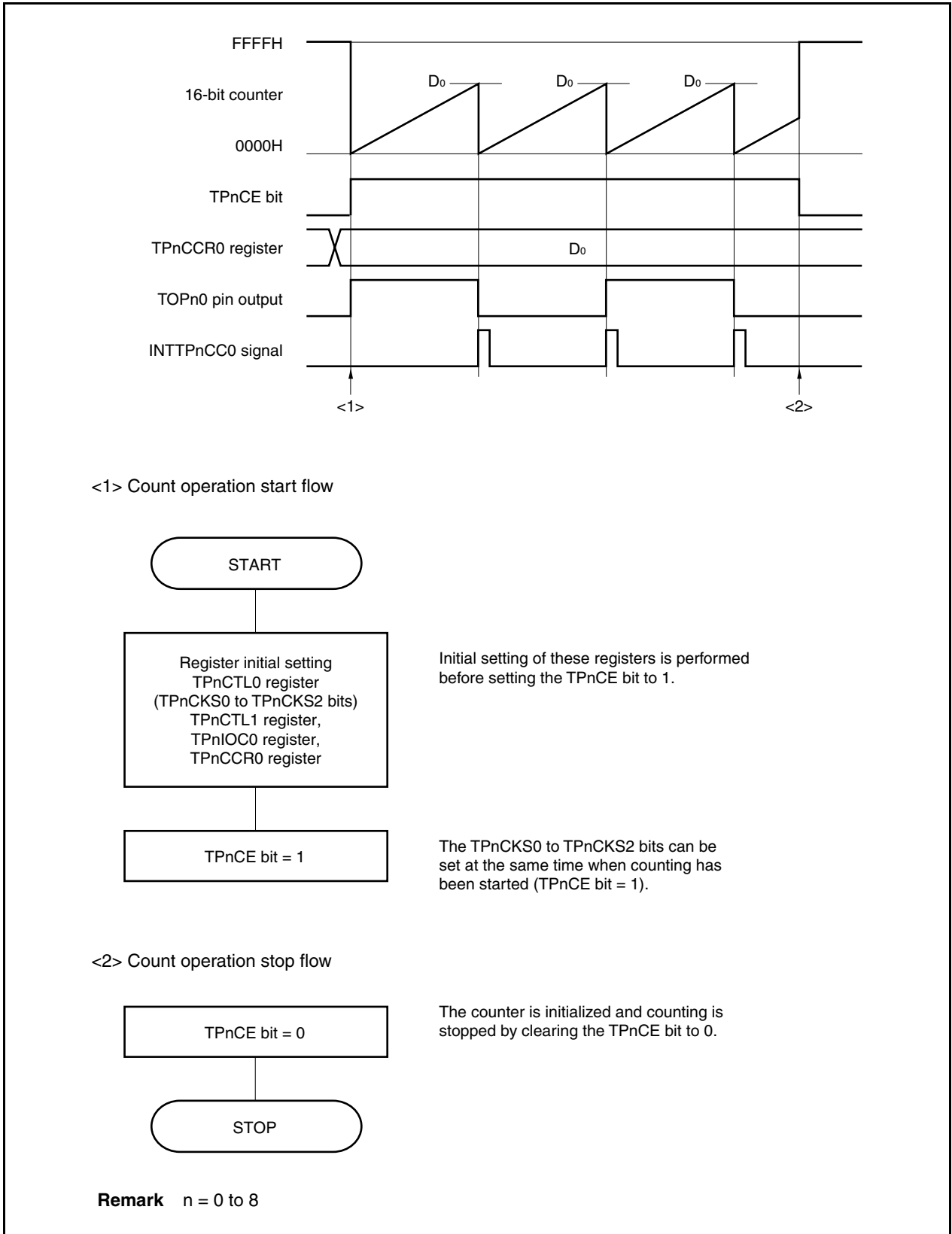


Figure 7-4. Register Setting for Interval Timer Mode Operation (2/2)



(1) Interval timer mode operation flow

Figure 7-5. Software Processing Flow in Interval Timer Mode

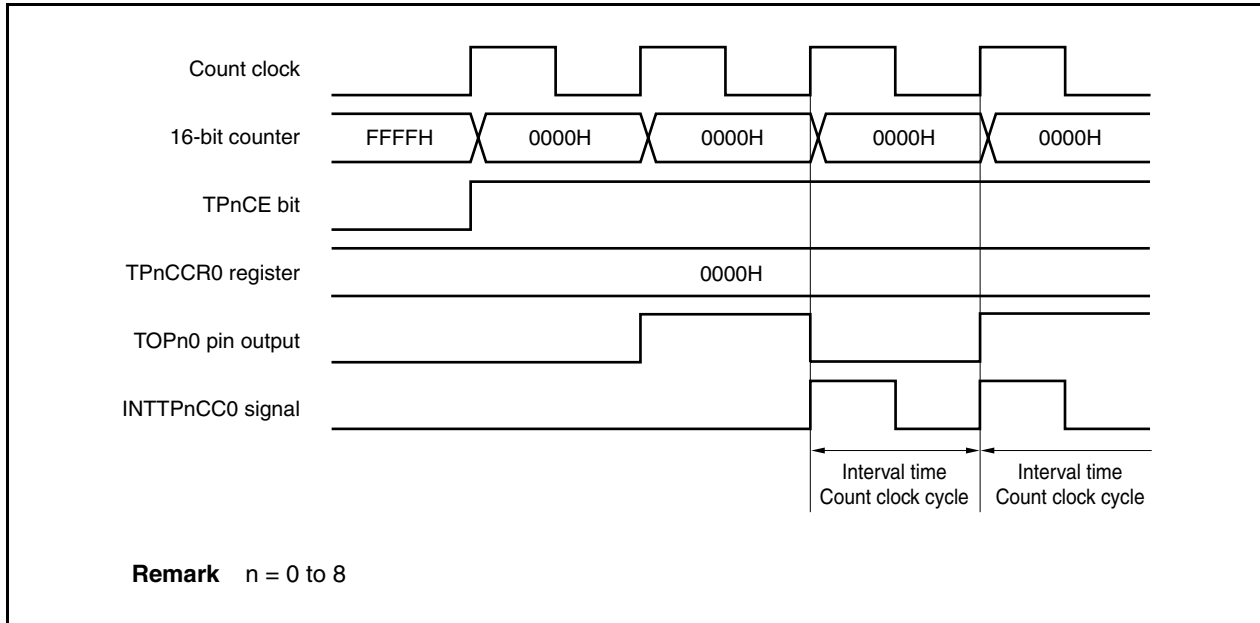


(2) Interval timer mode operation timing

(a) Operation if TPnCCR0 register is set to 0000H

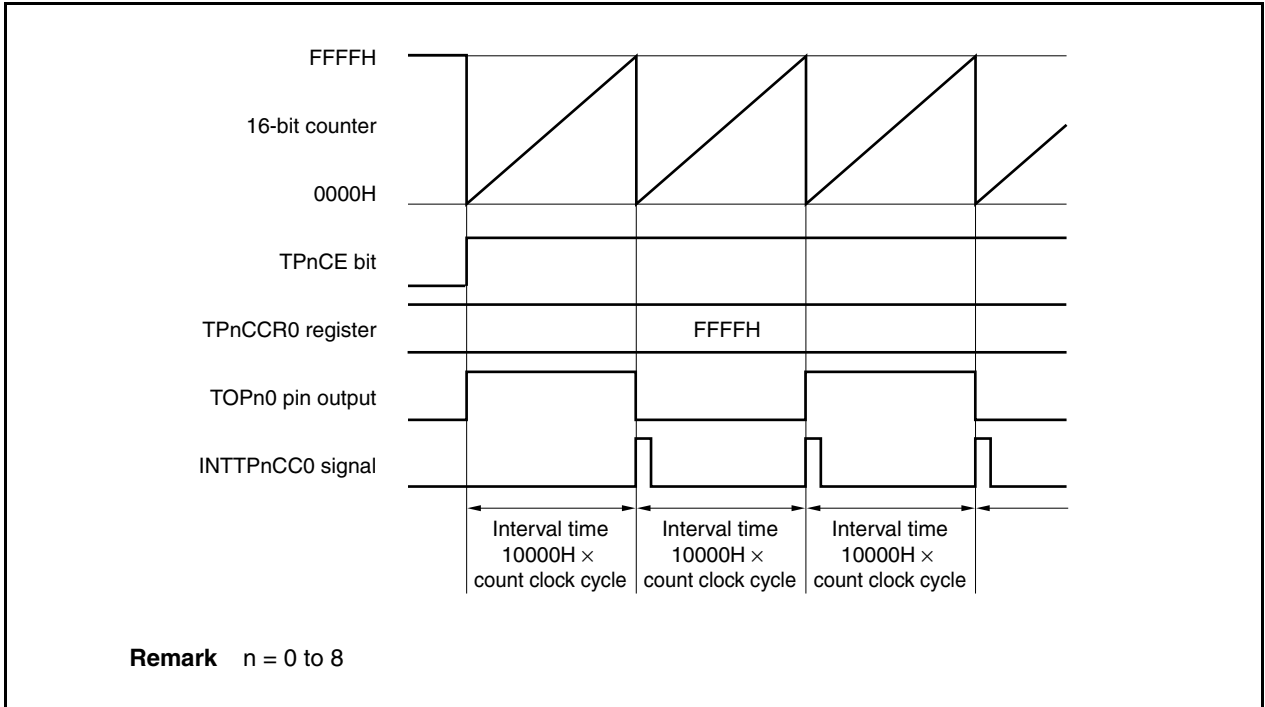
If the TPnCCR0 register is set to 0000H, the INTTPnCC0 signal is generated at each count clock subsequent to the first count clock, and the output of the TOPn0 pin is inverted.

The value of the 16-bit counter is always 0000H.



(b) Operation if TPnCCR0 register is set to FFFFH

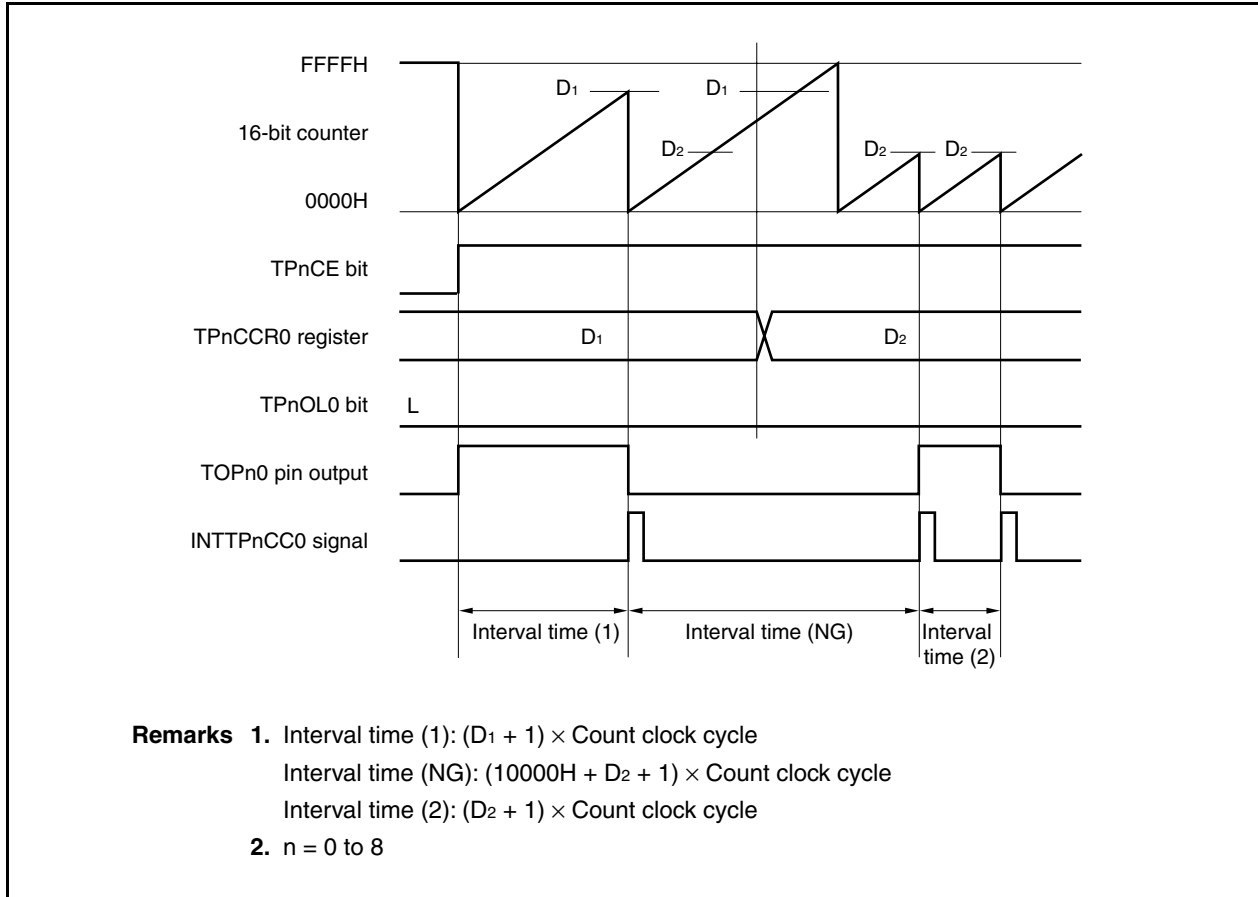
If the TPnCCR0 register is set to FFFFH, the 16-bit counter counts up to FFFFH. The counter is cleared to 0000H in synchronization with the next count-up timing. The INTTPnCC0 signal is generated and the output of the TOPn0 pin is inverted. At this time, an overflow interrupt request signal (INTTPnOV) is not generated, nor is the overflow flag (TPnOPT0.TPnOVF bit) set to 1.



(c) Notes on rewriting TPnCCR0 register

To change the value of the TPnCCR0 register to a smaller value, stop counting once and then change the set value.

If the value of the TPnCCR0 register is rewritten to a smaller value during counting, the 16-bit counter may overflow.



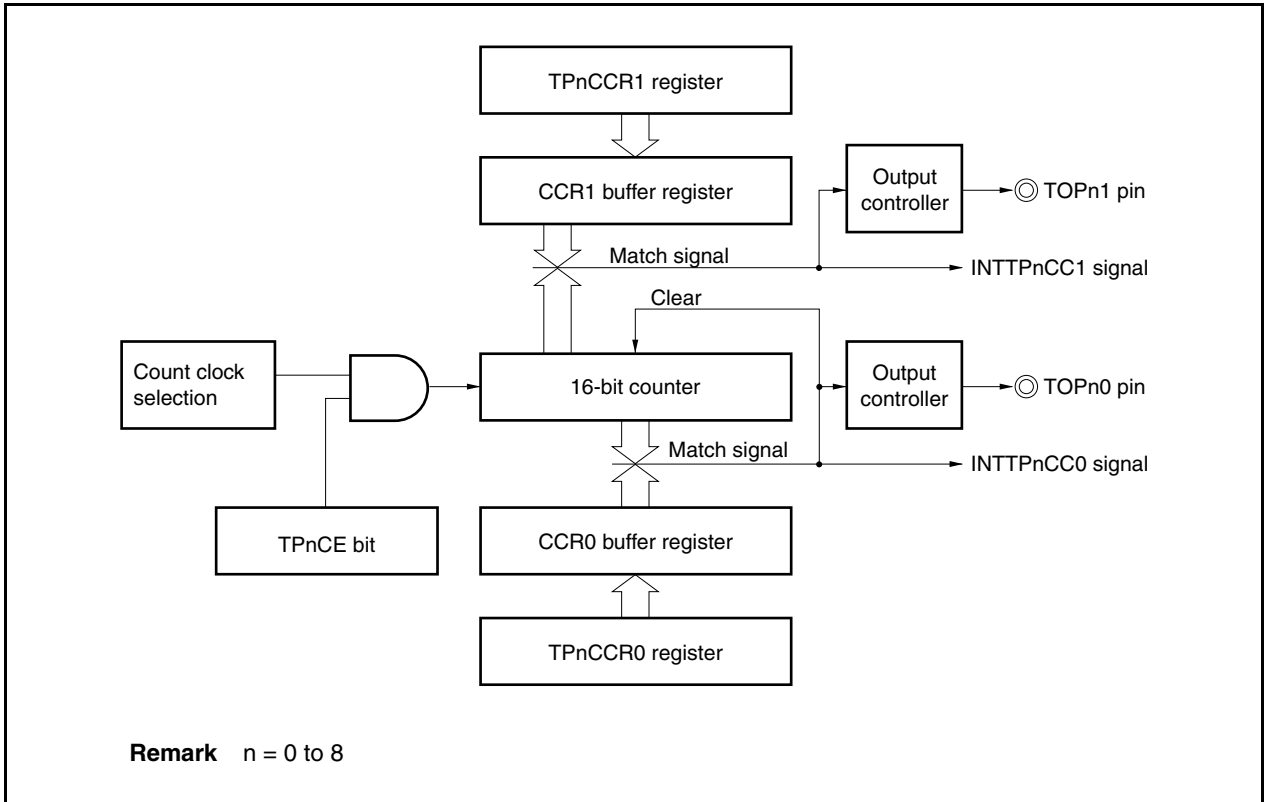
If the value of the TPnCCR0 register is changed from D_1 to D_2 while the count value is greater than D_2 but less than D_1 , the count value is transferred to the CCR0 buffer register as soon as the TPnCCR0 register has been rewritten. Consequently, the value of the 16-bit counter that is compared is D_2 .

Because the count value has already exceeded D_2 , however, the 16-bit counter counts up to FFFFH, overflows, and then counts up again from 0000H. When the count value matches D_2 , the INTTPnCC0 signal is generated and the output of the TOPn0 pin is inverted.

Therefore, the INTTPnCC0 signal may not be generated at the interval time " $(D_1 + 1) \times \text{Count clock cycle}$ " or " $(D_2 + 1) \times \text{Count clock cycle}$ " originally expected, but may be generated at an interval of " $(10000H + D_2 + 1) \times \text{Count clock period}$ ".

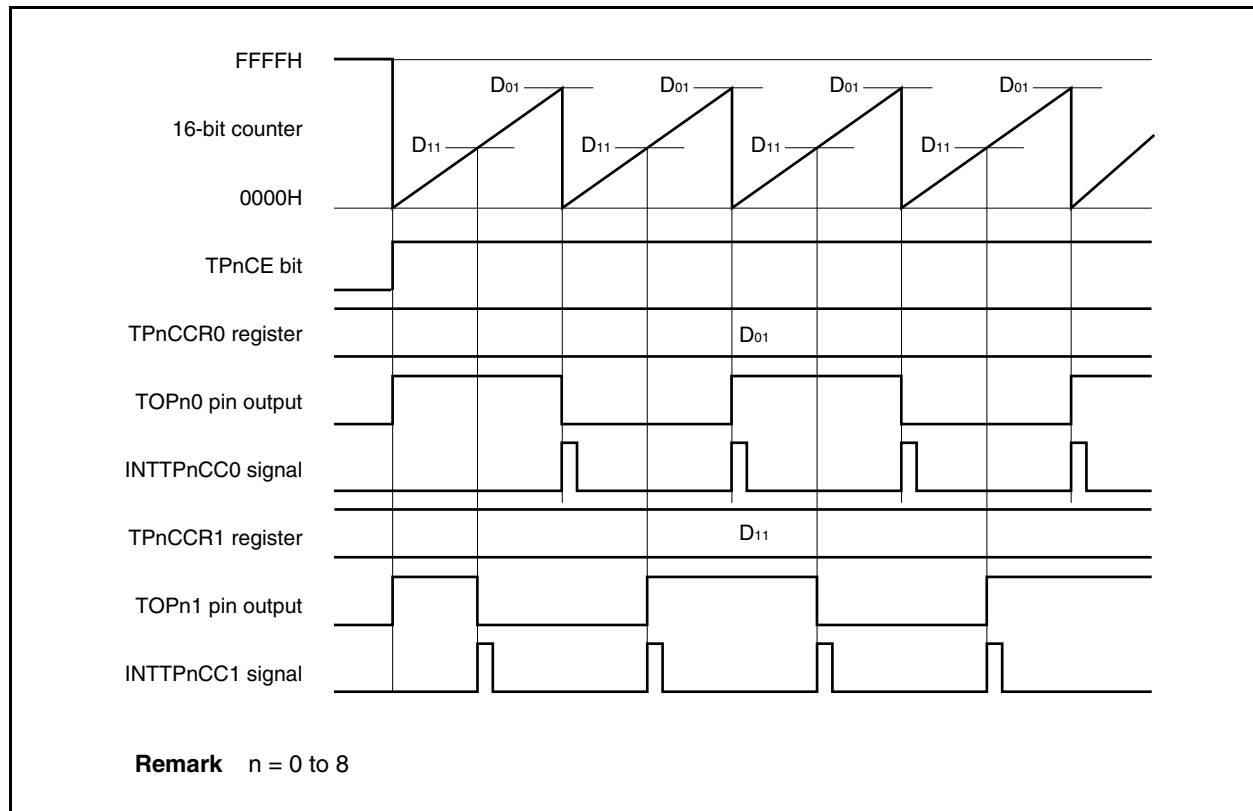
(d) Operation of TPnCCR1 register

Figure 7-6. Configuration of TPnCCR1 Register



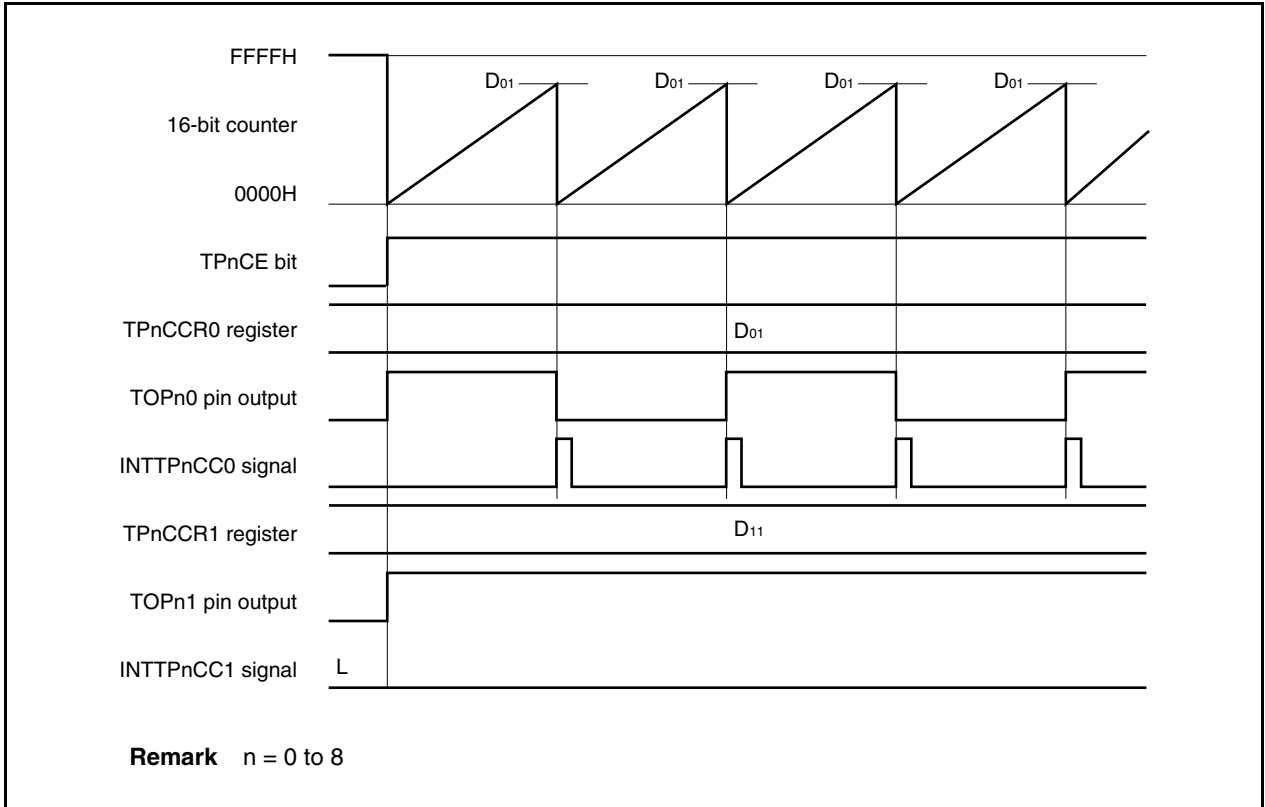
If the set value of the TPnCCR1 register is less than the set value of the TPnCCR0 register, the INTTPnCC1 signal is generated once per cycle. At the same time, the output of the TOPn1 pin is inverted. The TOPn1 pin outputs a square wave with the same cycle as that output by the TOPn0 pin.

Figure 7-7. Timing Chart When $D_{01} \geq D_{11}$



If the set value of the TPnCCR1 register is greater than the set value of the TPnCCR0 register, the count value of the 16-bit counter does not match the value of the TPnCCR1 register. Consequently, the INTTPnCC1 signal is not generated, nor is the output of the TOPn1 pin changed.

Figure 7-8. Timing Chart When $D_{01} < D_{11}$



7.5.2 External event count mode (TPnMD2 to TPnMD0 bits = 001)

In the external event count mode, the valid edge of the external event count input is counted when the TPnCTL0.TPnCE bit is set to 1, and an interrupt request signal (INTTPnCC0) is generated each time the specified number of edges have been counted. The TOPn0 pin cannot be used.

Usually, the TPnCCR1 register is not used in the external event count mode.

Figure 7-9. Configuration in External Event Count Mode

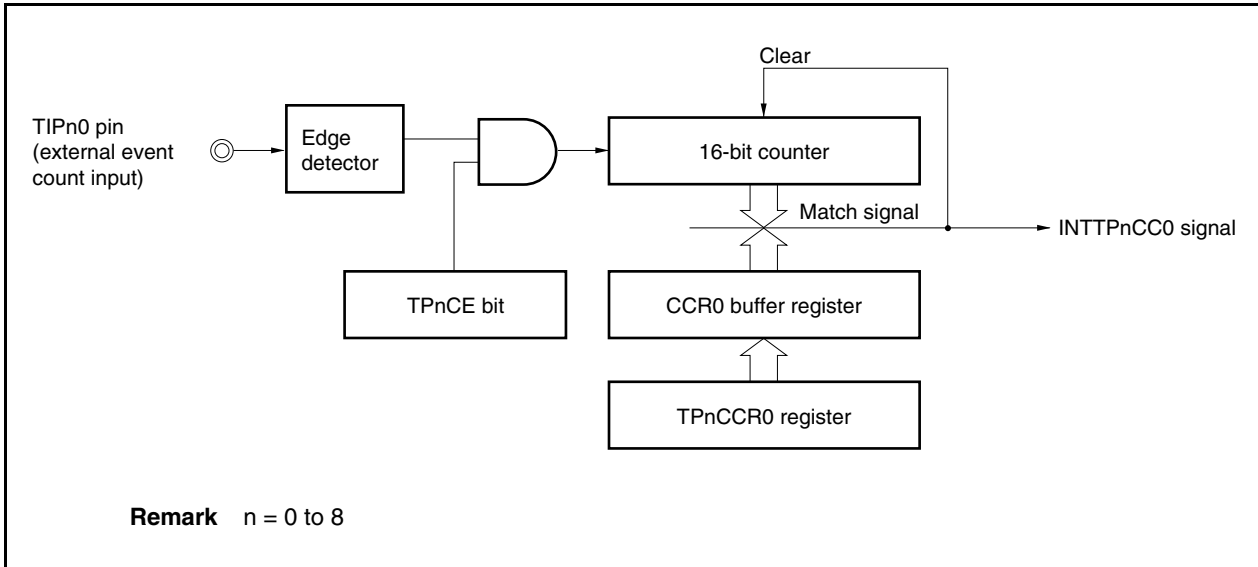
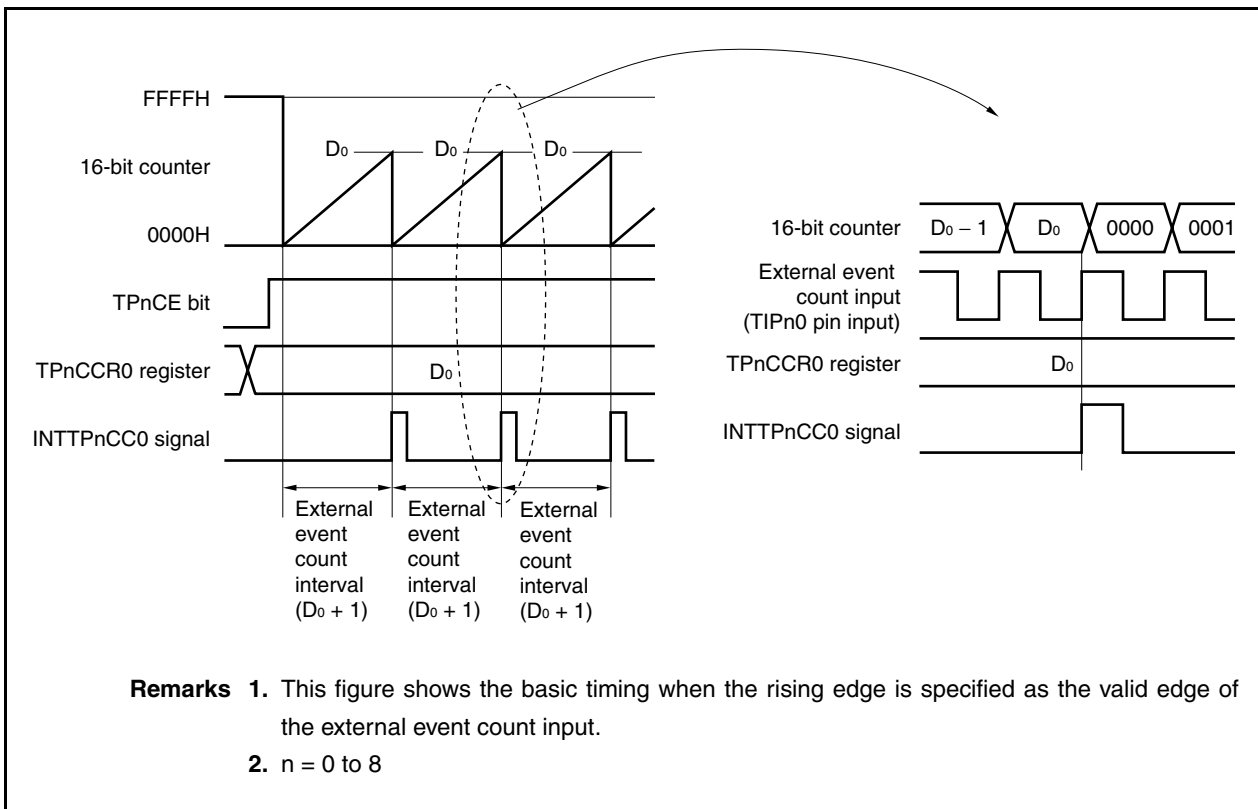


Figure 7-10. Basic Timing in External Event Count Mode



When the TPnCE bit is set to 1, the value of the 16-bit counter is cleared from FFFFH to 0000H. The counter counts each time the valid edge of external event count input is detected. Additionally, the set value of the TPnCCR0 register is transferred to the CCR0 buffer register.

When the count value of the 16-bit counter matches the value of the CCR0 buffer register, the 16-bit counter is cleared to 0000H, and a compare match interrupt request signal (INTTPnCC0) is generated.

The INTTPnCC0 signal is generated each time the valid edge of the external event count input has been detected (set value of TPnCCR0 register + 1) times.

Figure 7-11. Register Setting for Operation in External Event Count Mode (1/2)

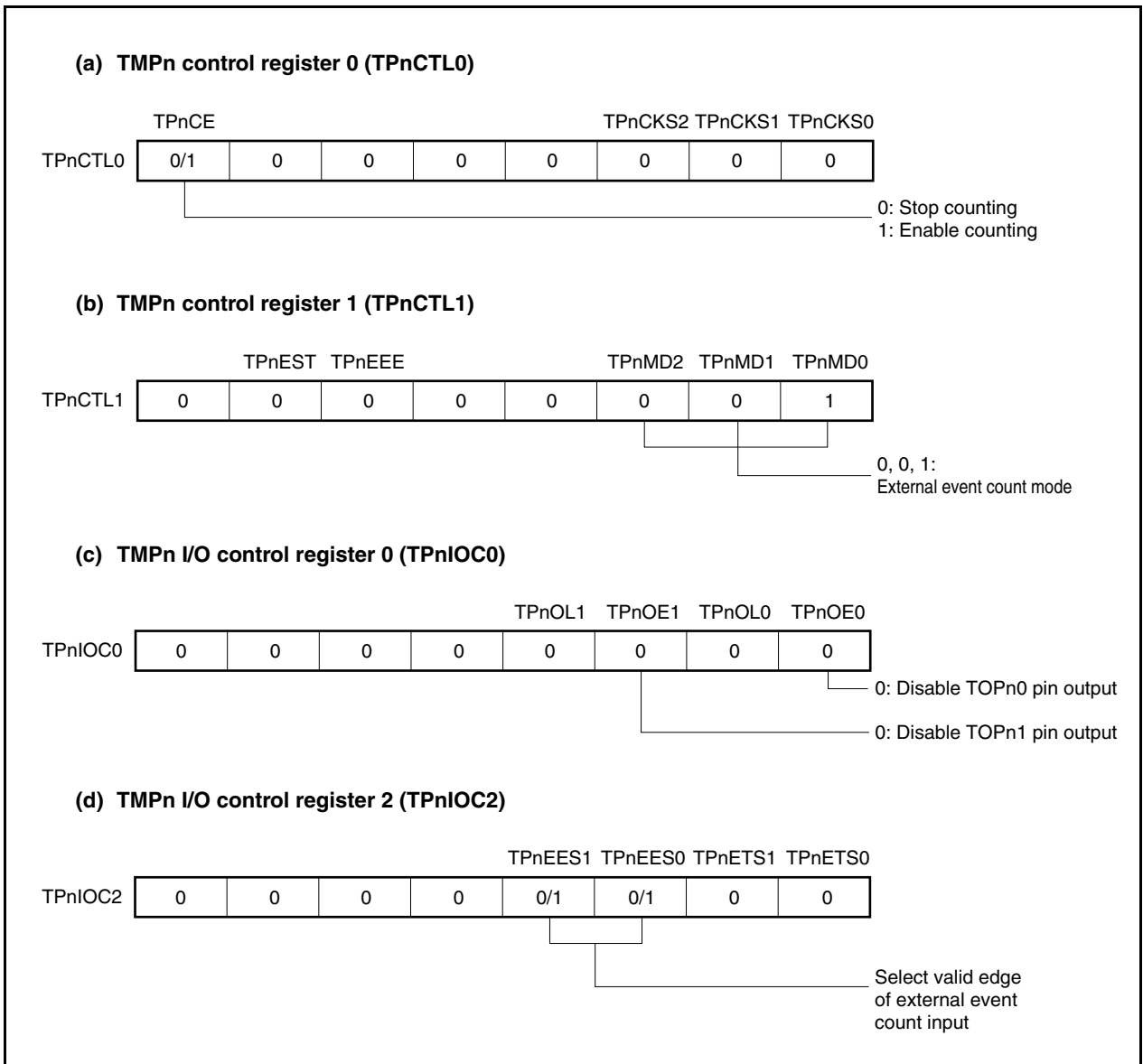


Figure 7-11. Register Setting for Operation in External Event Count Mode (2/2)

(e) TMPn counter read buffer register (TPnCNT)

The count value of the 16-bit counter can be read by reading the TPnCNT register.

(f) TMPn capture/compare register 0 (TPnCCR0)

If Do is set to the TPnCCR0 register, the counter is cleared and a compare match interrupt request signal (INTTPnCC0) is generated when the number of external event counts reaches (Do + 1).

(g) TMPn capture/compare register 1 (TPnCCR1)

Usually, the TPnCCR1 register is not used in the external event count mode. However, the set value of the TPnCCR1 register is transferred to the CCR1 buffer register. When the count value of the 16-bit counter matches the value of the CCR1 buffer register, a compare match interrupt request signal (INTTPnCC1) is generated.

Therefore, mask the interrupt signal by using the interrupt mask flag (TPnCCMK1).

Caution When an external clock is used as the count clock, the external clock can be input only from the TIPn0 pin. At this time, set the TPnIOC1.TPnIS1 and TPnIOC1.TPnIS0 bits to 00 (capture trigger input (TIPn0 pin): no edge detection).

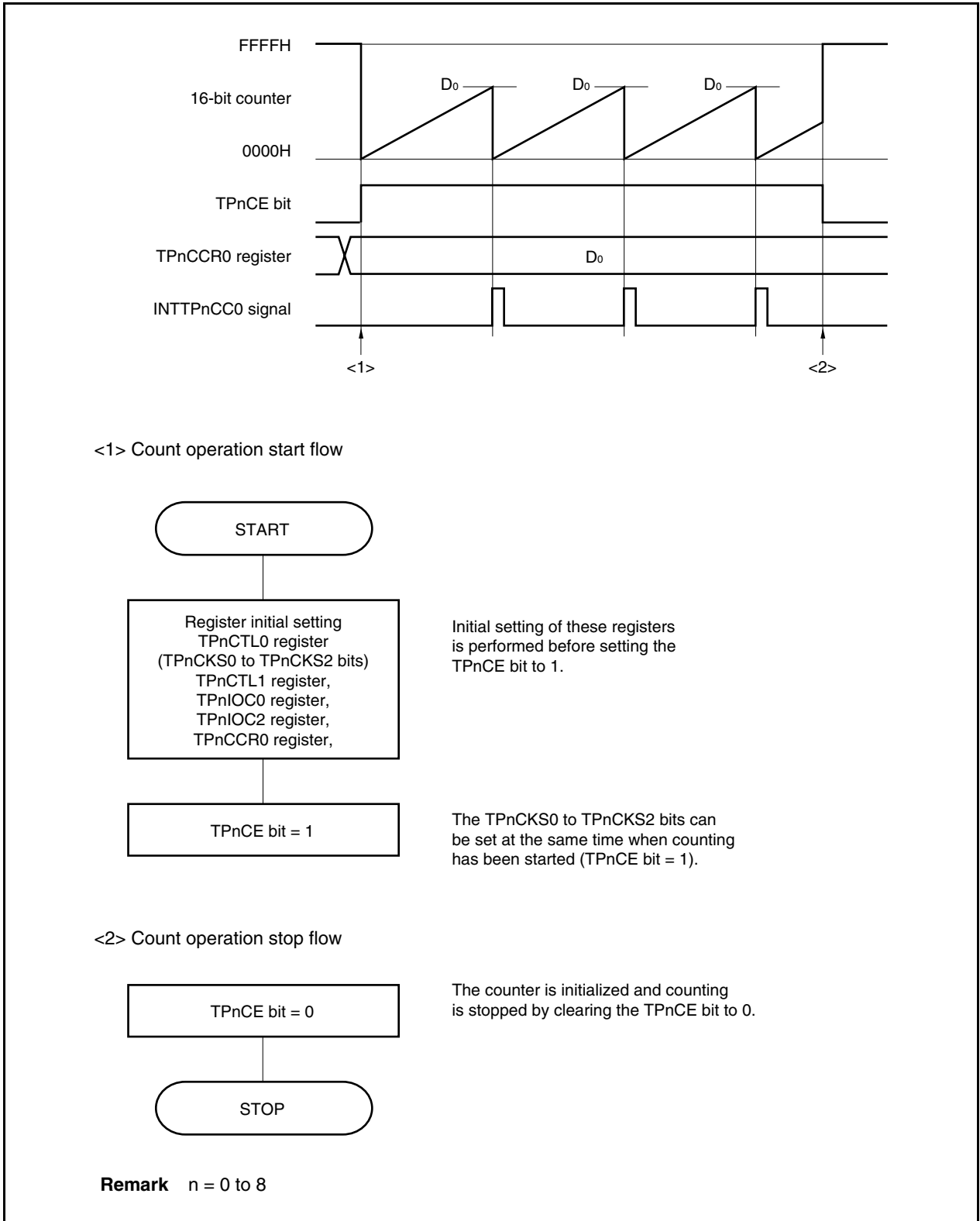
Remarks

1. TMPn I/O control register 1 (TPnIOC1) and TMPn option register 0 (TPnOPT0) are not used in the external event count mode.
2. n = 0 to 8

<R>

(1) External event count mode operation flow

Figure 7-12. Flow of Software Processing in External Event Count Mode

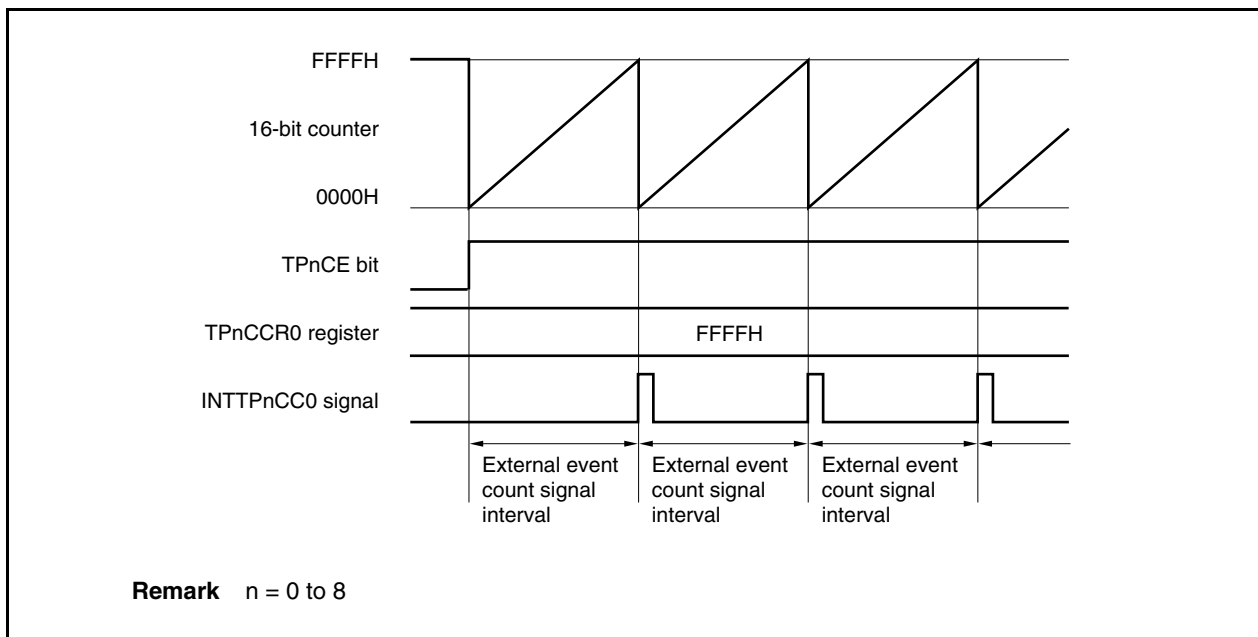


(2) Operation timing in external event count mode

- Cautions**
1. In the external event count mode, do not set the TPnCCR0 register to 0000H.
 2. In the external event count mode, use of the timer output is disabled. If performing timer output using external event count input, set the interval timer mode, and select the operation enabled by the external event count input for the count clock (TPnCTL1.TPnMD2 to TPnCTL1.TPnMD0 bits = 000, TPnCTL1.TPnEEE bit = 1).

(a) Operation if TPnCCR0 register is set to FFFFH

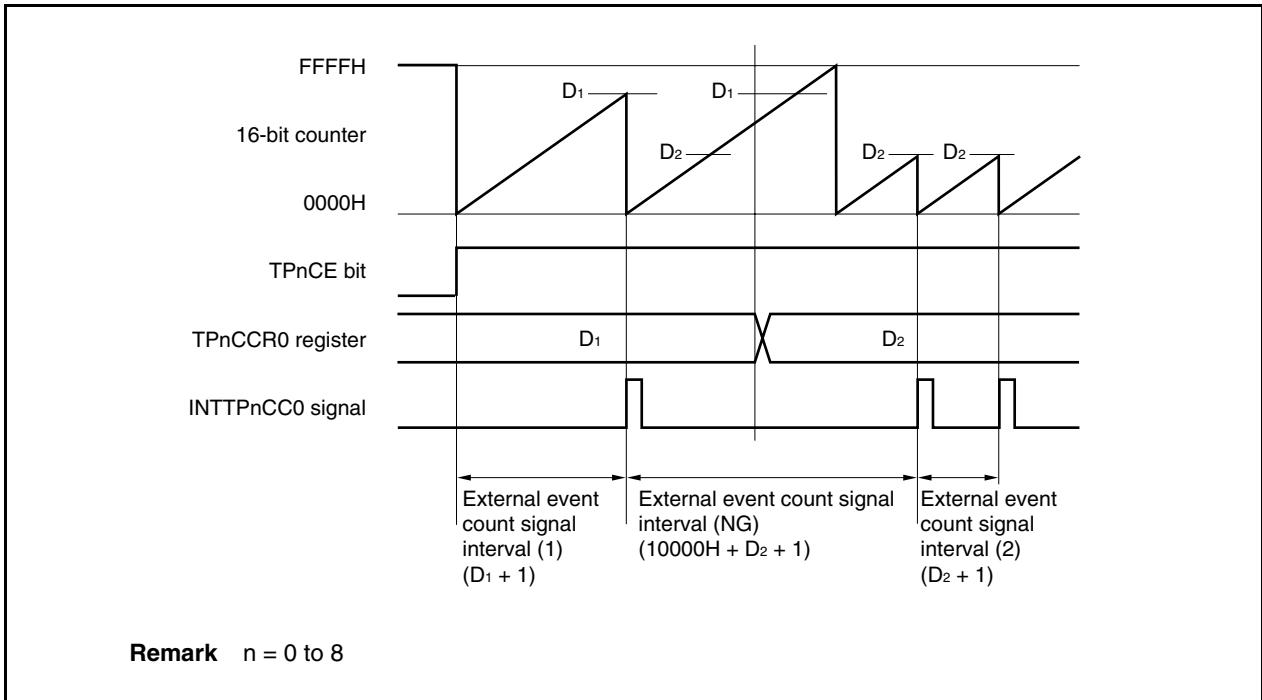
If the TPnCCR0 register is set to FFFFH, the 16-bit counter counts to FFFFH each time the valid edge of the external event count signal has been detected. The 16-bit counter is cleared to 0000H in synchronization with the next count-up timing, and the INTTPnCC0 signal is generated. At this time, the TPnOPT0.TPnOVF bit is not set.



(b) Notes on rewriting the TPnCCR0 register

To change the value of the TPnCCR0 register to a smaller value, stop counting once and then change the set value.

If the value of the TPnCCR0 register is rewritten to a smaller value during counting, the 16-bit counter may overflow.



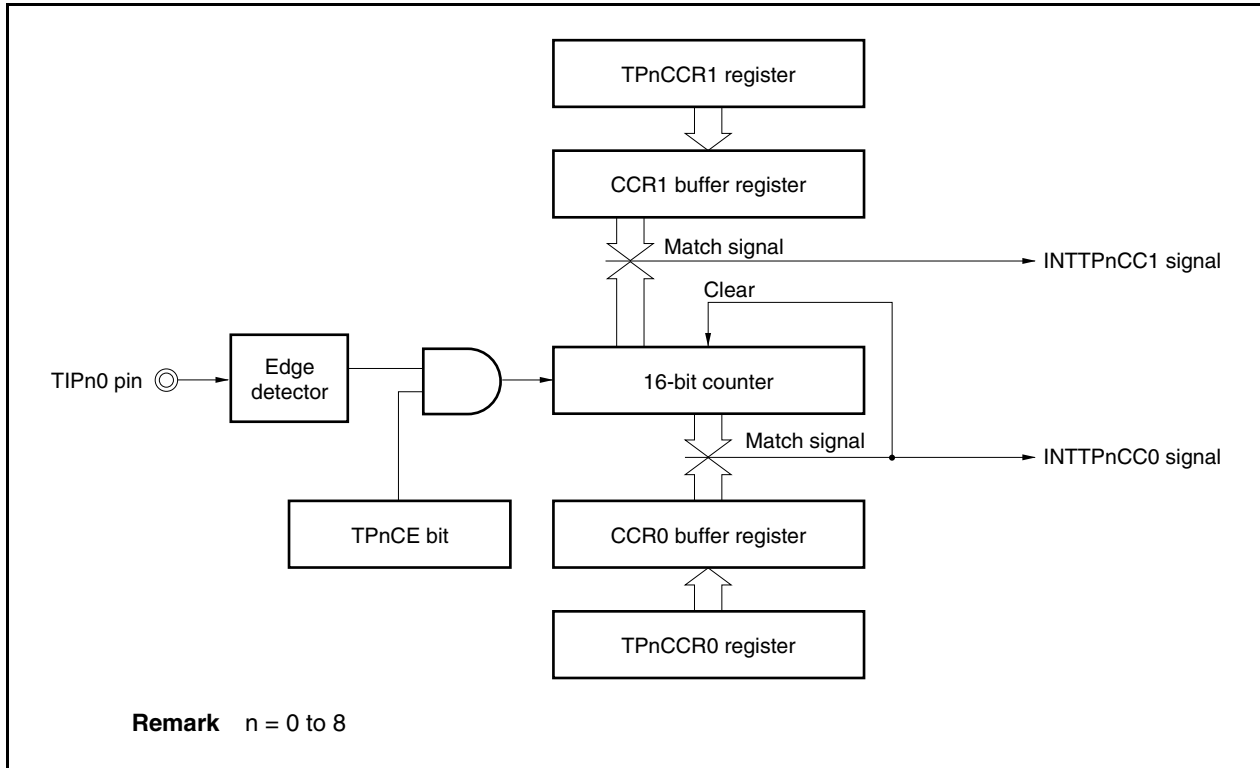
If the value of the TPnCCR0 register is changed from D₁ to D₂ while the count value is greater than D₂ but less than D₁, the count value is transferred to the CCR0 buffer register as soon as the TPnCCR0 register has been rewritten. Consequently, the value that is compared with the 16-bit counter is D₂.

Because the count value has already exceeded D₂, however, the 16-bit counter counts up to FFFFH, overflows, and then counts up again from 0000H. When the count value matches D₂, the INTTPnCC0 signal is generated.

Therefore, the INTTPnCC0 signal may not be generated at the valid edge count of "(D₁ + 1) times" or "(D₂ + 1) times" originally expected, but may be generated at the valid edge count of "(10000H + D₂ + 1) times".

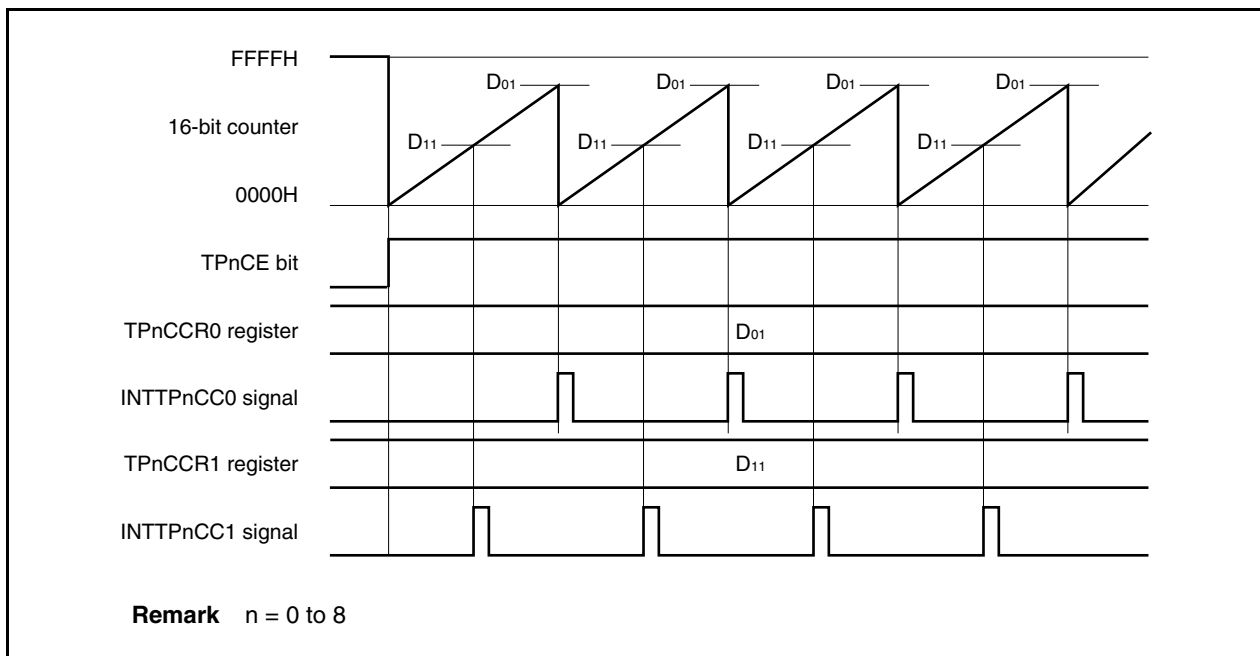
(c) Operation of TPnCCR1 register

Figure 7-13. Configuration of TPnCCR1 Register



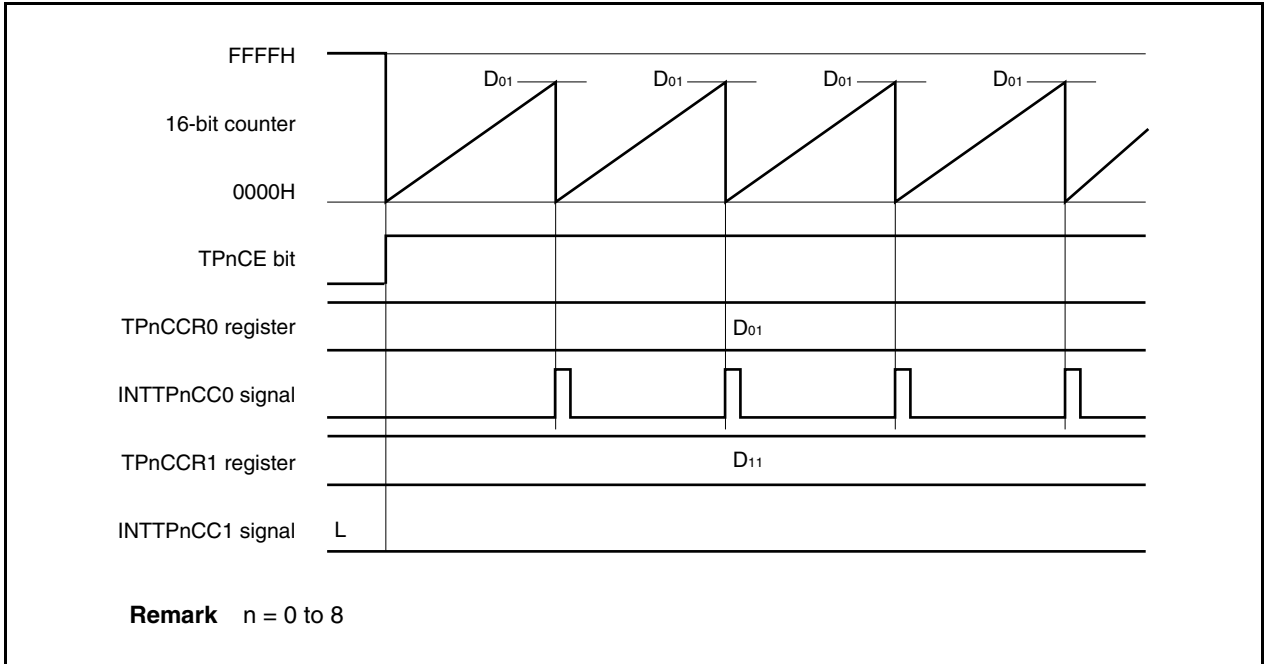
If the set value of the TPnCCR1 register is smaller than the set value of the TPnCCR0 register, the INTTPnCC1 signal is generated once per cycle.

Figure 7-14. Timing Chart When $D_{01} \geq D_{11}$



If the set value of the TPnCCR1 register is greater than the set value of the TPnCCR0 register, the INTTPnCC1 signal is not generated because the count value of the 16-bit counter and the value of the TPnCCR1 register do not match.

Figure 7-15. Timing Chart When $D_{01} < D_{11}$



7.5.3 External trigger pulse output mode (TPnMD2 to TPnMD0 bits = 010)

In the external trigger pulse output mode, 16-bit timer/event counter P waits for a trigger when the TPnCTL0.TPnCE bit is set to 1. When the valid edge of an external trigger input signal is detected, 16-bit timer/event counter P starts counting, and outputs a PWM waveform from the TOPn1 pin.

Pulses can also be output by generating a software trigger instead of using the external trigger. When using a software trigger, a square wave that has one cycle of the PWM waveform as half its cycle can also be output from the TOPn0 pin.

Figure 7-16. Configuration in External Trigger Pulse Output Mode

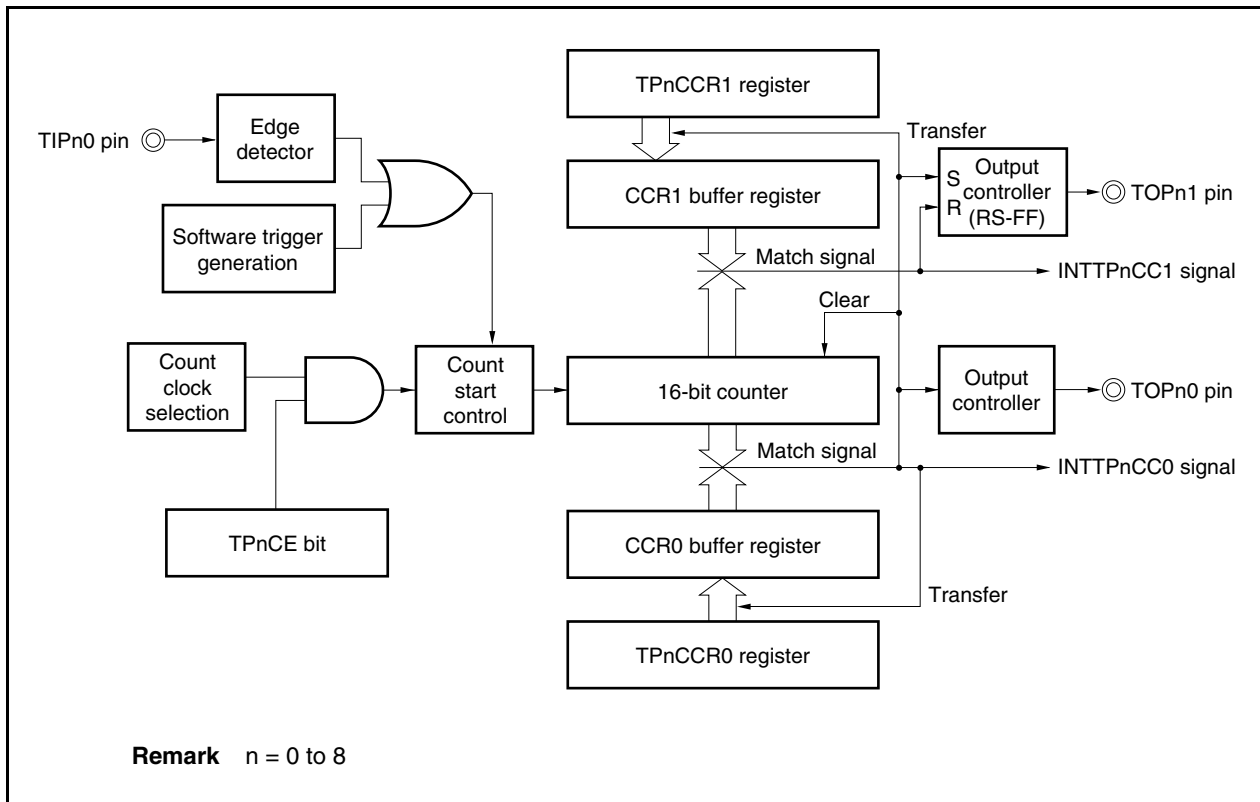
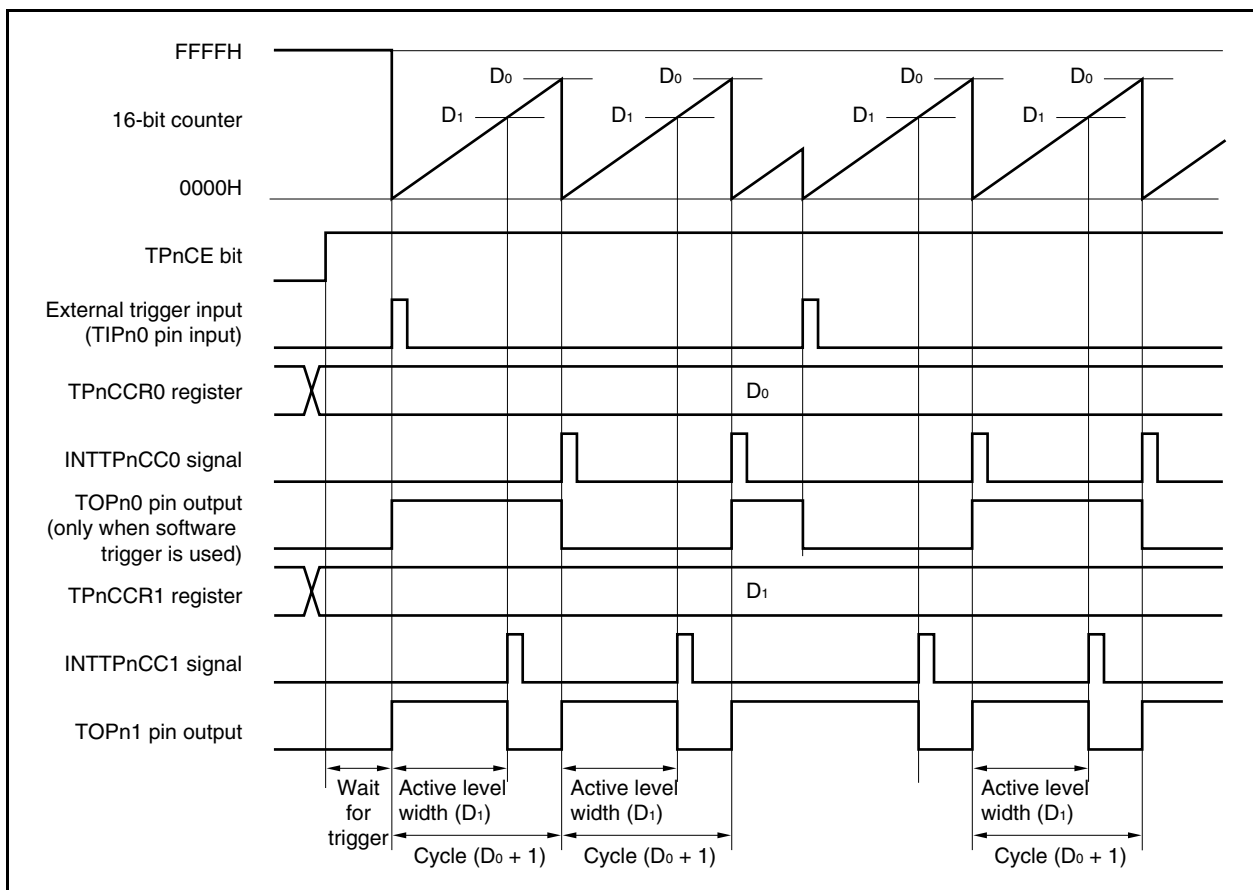


Figure 7-17. Basic Timing in External Trigger Pulse Output Mode



16-bit timer/event counter P waits for a trigger when the TPnCE bit is set to 1. When the trigger is generated, the 16-bit counter is cleared from FFFFH to 0000H, starts counting at the same time, and outputs a PWM waveform from the TOPn1 pin. If the trigger is generated again while the counter is operating, the counter is cleared to 0000H and restarted. (The output of the TOPn0 pin is inverted. The TOPn1 pin outputs a high-level regardless of the status (high/low) when a trigger occurs.)

The active level width, cycle, and duty factor of the PWM waveform can be calculated as follows.

$$\text{Active level width} = (\text{Set value of TPnCCR1 register}) \times \text{Count clock cycle}$$

$$\text{Cycle} = (\text{Set value of TPnCCR0 register} + 1) \times \text{Count clock cycle}$$

$$\text{Duty factor} = (\text{Set value of TPnCCR1 register}) / (\text{Set value of TPnCCR0 register} + 1)$$

The compare match request signal INTTPnCC0 is generated when the 16-bit counter counts next time after its count value matches the value of the CCR0 buffer register, and the 16-bit counter is cleared to 0000H. The compare match interrupt request signal INTTPnCC1 is generated when the count value of the 16-bit counter matches the value of the CCR1 buffer register.

The value set to the TPnCCRm register is transferred to the CCRm buffer register when the count value of the 16-bit counter matches the value of the CCRm buffer register and the 16-bit counter is cleared to 0000H.

The valid edge of an external trigger input signal, or setting the software trigger (TPnCTL1.TPnEST bit) to 1 is used as the trigger.

Remark n = 0 to 8, m = 0, 1

Figure 7-18. Register Setting for Operation in External Trigger Pulse Output Mode (1/2)

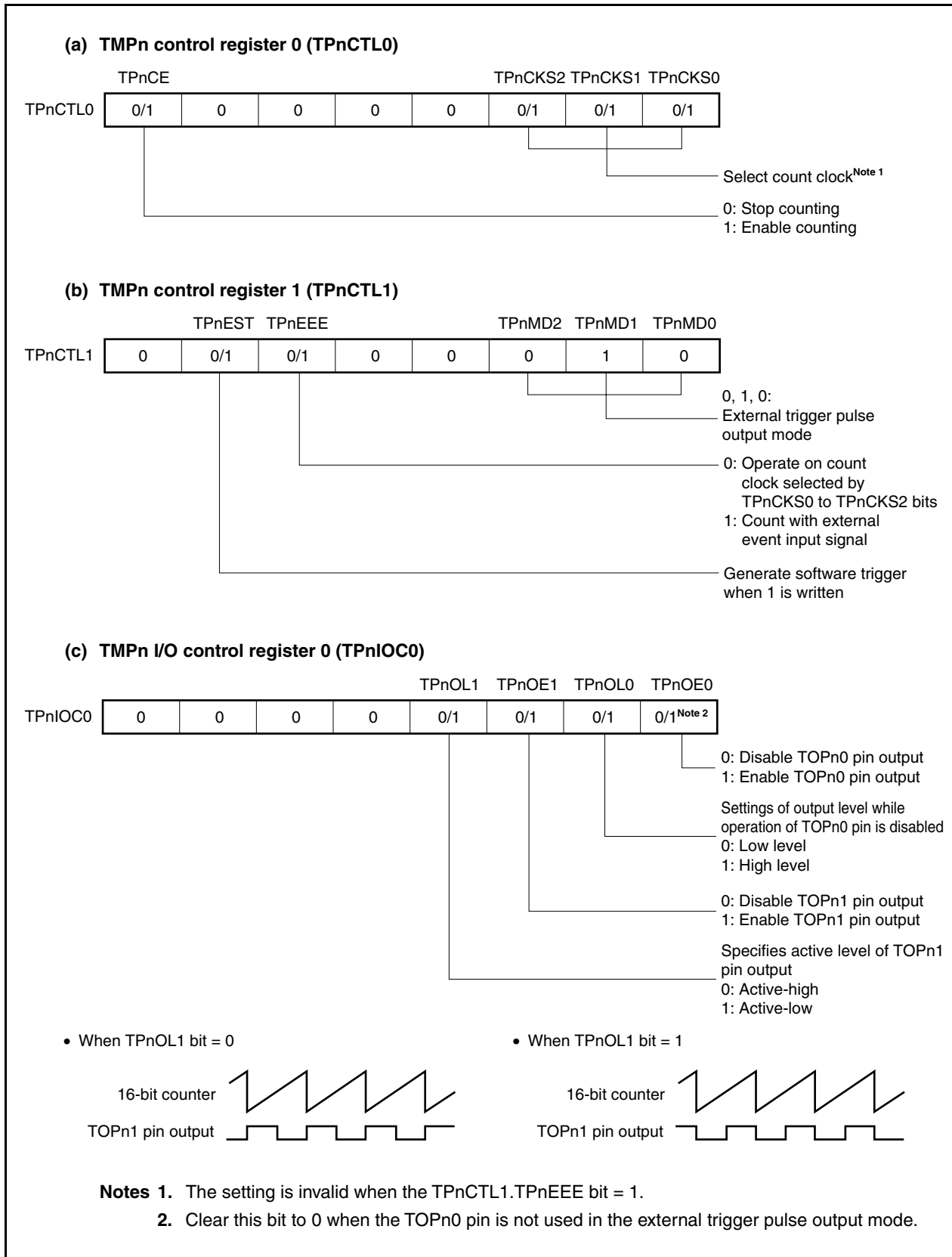
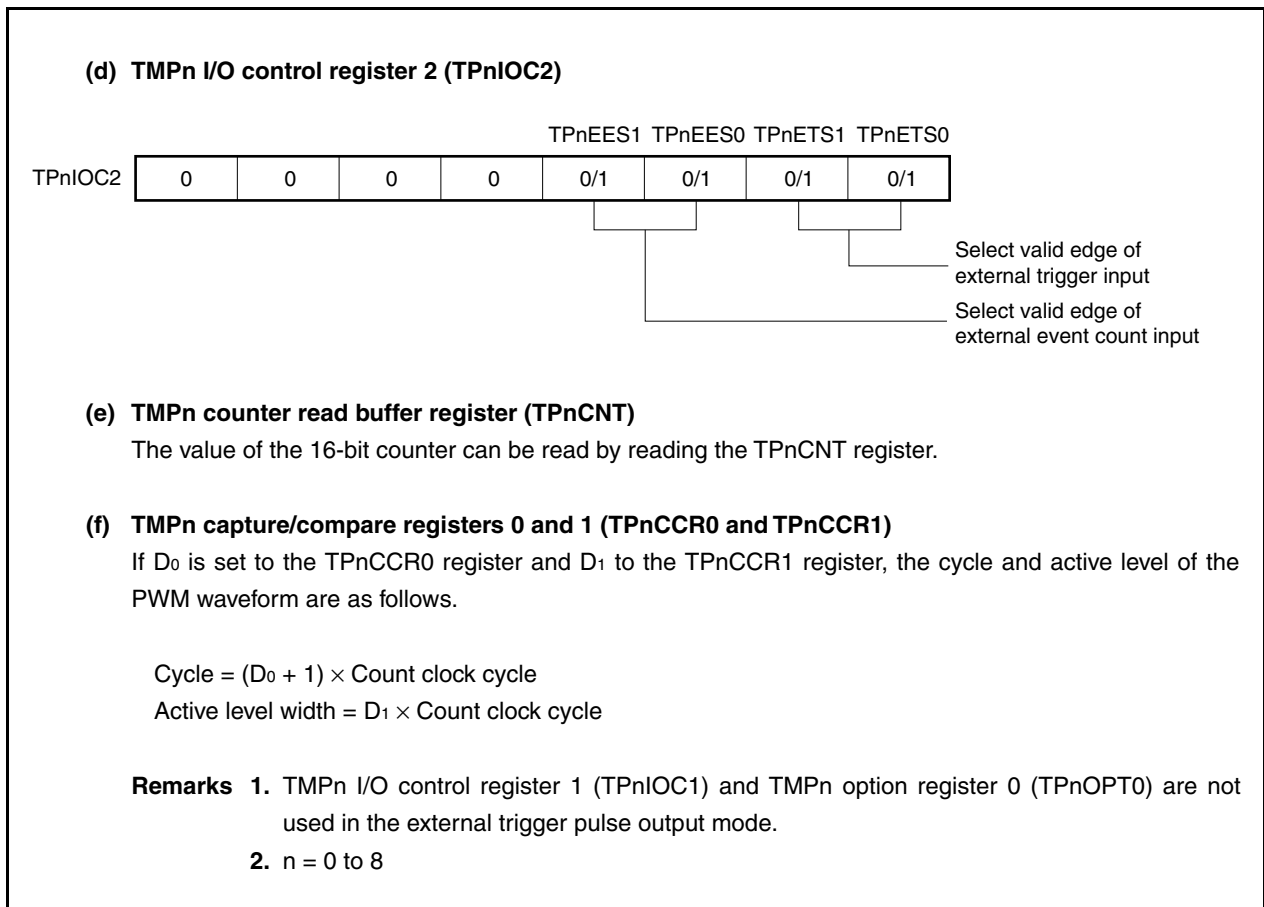


Figure 7-18. Register Setting for Operation in External Trigger Pulse Output Mode (2/2)



(1) Operation flow in external trigger pulse output mode

Figure 7-19. Software Processing Flow in External Trigger Pulse Output Mode (1/2)

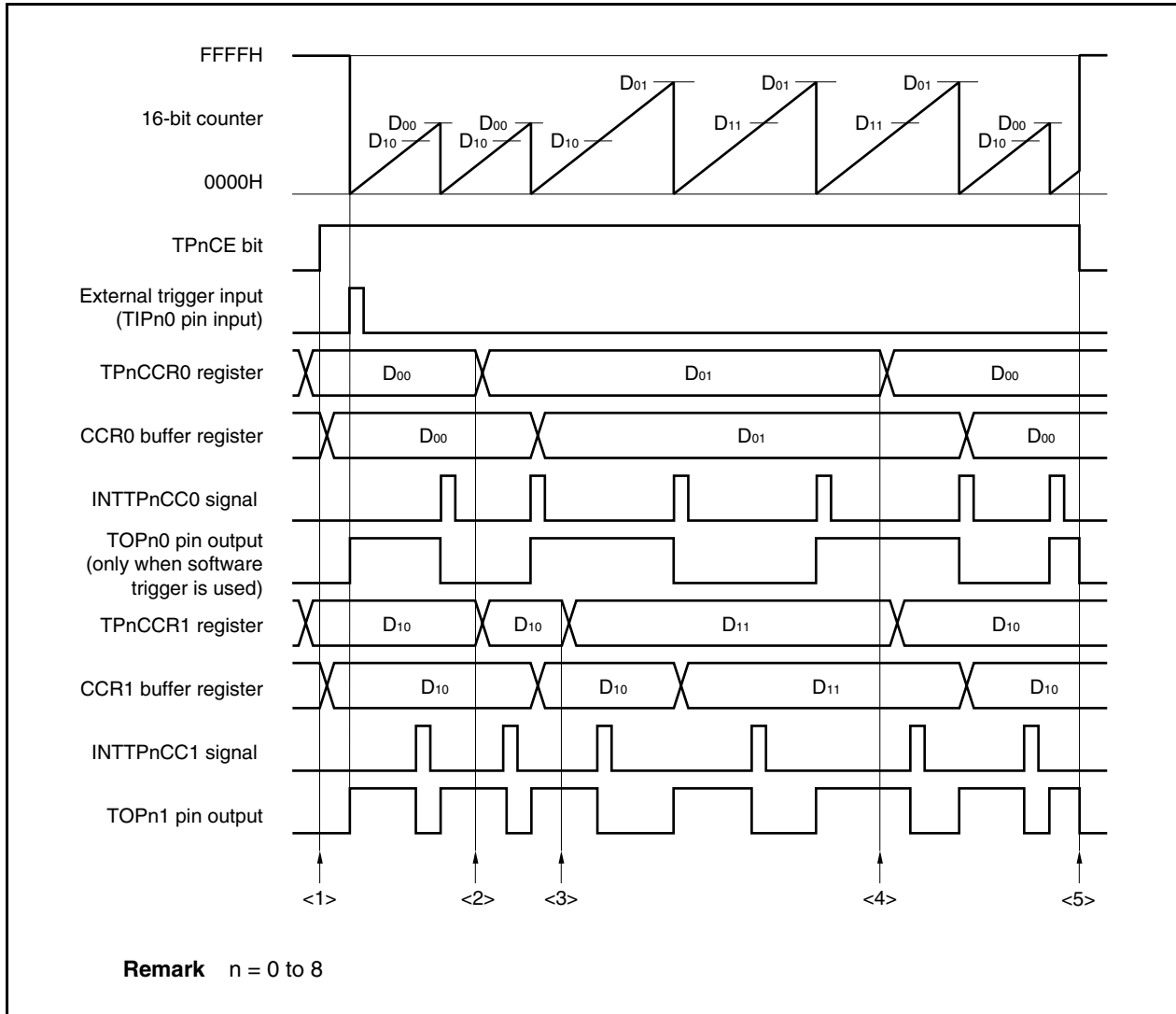
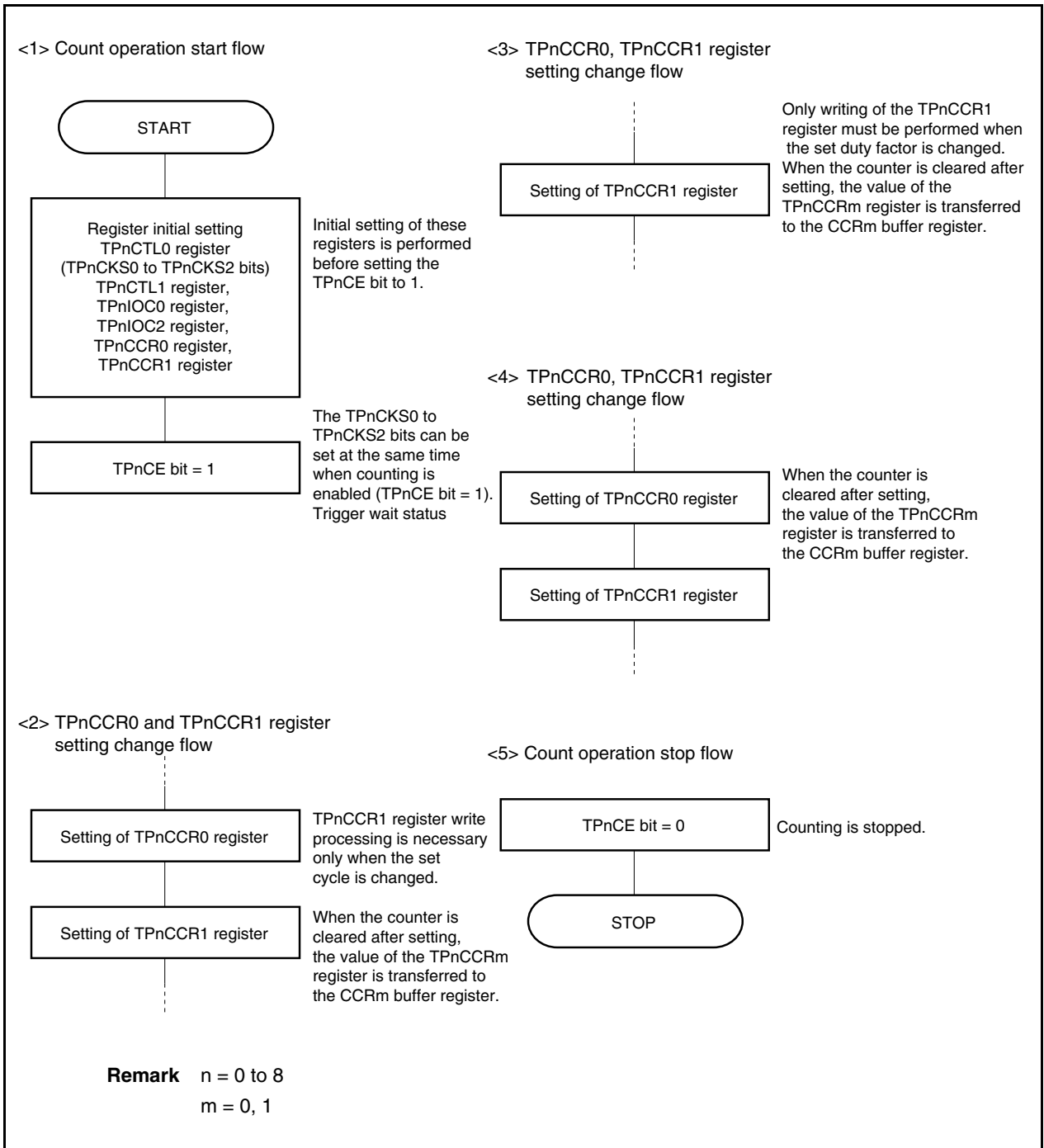


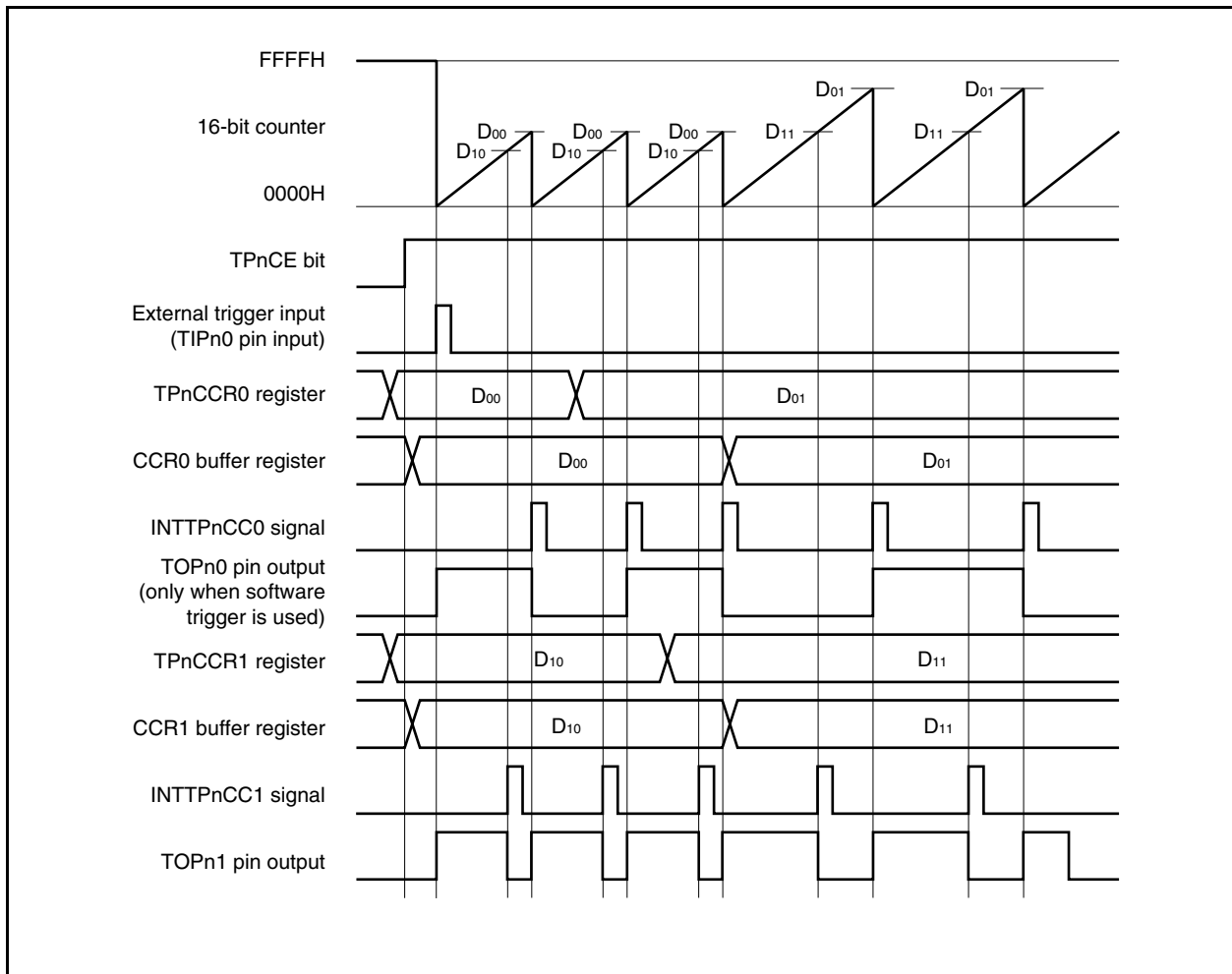
Figure 7-19. Software Processing Flow in External Trigger Pulse Output Mode (2/2)



(2) External trigger pulse output mode operation timing

(a) Note on changing pulse width during operation

To change the PWM waveform while the counter is operating, write the TPnCCR1 register last.
 Rewrite the TPnCCRm register after writing the TPnCCR1 register after the INTTPnCC0 signal is detected.



In order to transfer data from the TPnCCRm register to the CCRm buffer register, the TPnCCR1 register must be written.

To change both the cycle and active level width of the PWM waveform at this time, first set the cycle to the TPnCCR0 register and then set the active level width to the TPnCCR1 register.

To change only the cycle of the PWM waveform, first set the cycle to the TPnCCR0 register, and then write the same value to the TPnCCR1 register.

To change only the active level width (duty factor) of the PWM waveform, only the TPnCCR1 register has to be set.

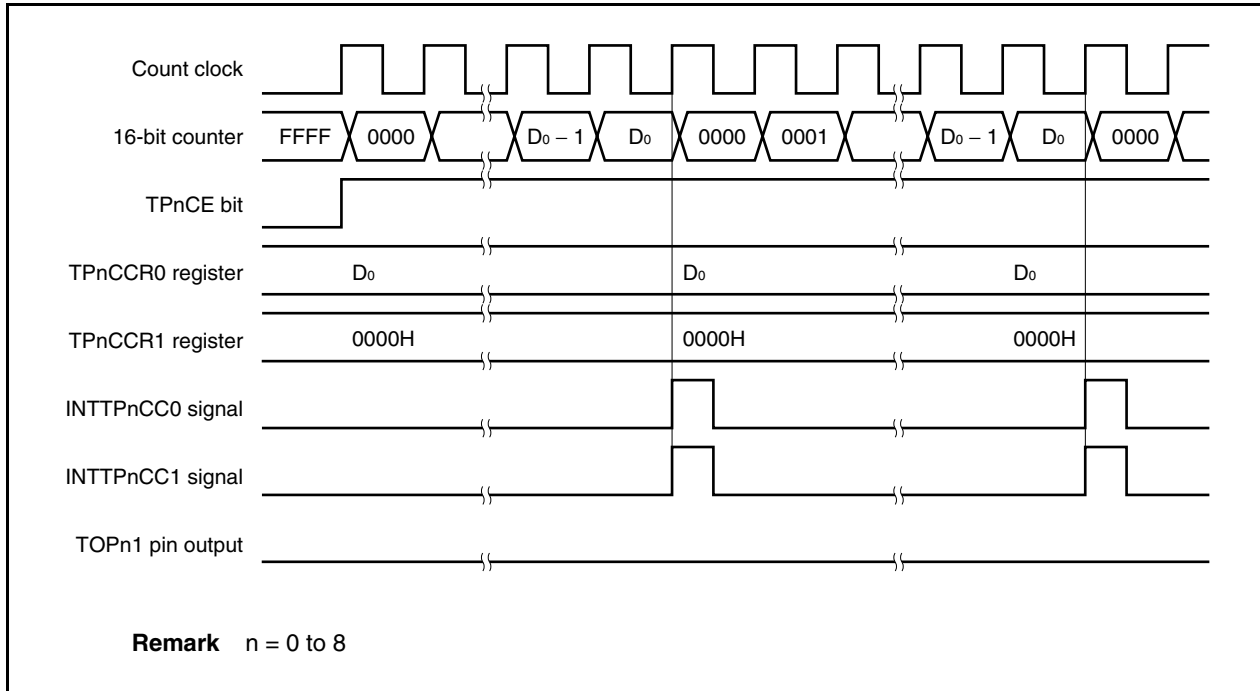
After data is written to the TPnCCR1 register, the value written to the TPnCCRm register is transferred to the CCRm buffer register in synchronization with clearing of the 16-bit counter, and is used as the value compared with the 16-bit counter.

To write the TPnCCR0 or TPnCCR1 register again after writing the TPnCCR1 register once, do so after the INTTPnCC0 signal is generated. Otherwise, the value of the CCRm buffer register may become undefined because the timing of transferring data from the TPnCCRm register to the CCRm buffer register conflicts with writing the TPnCCRm register.

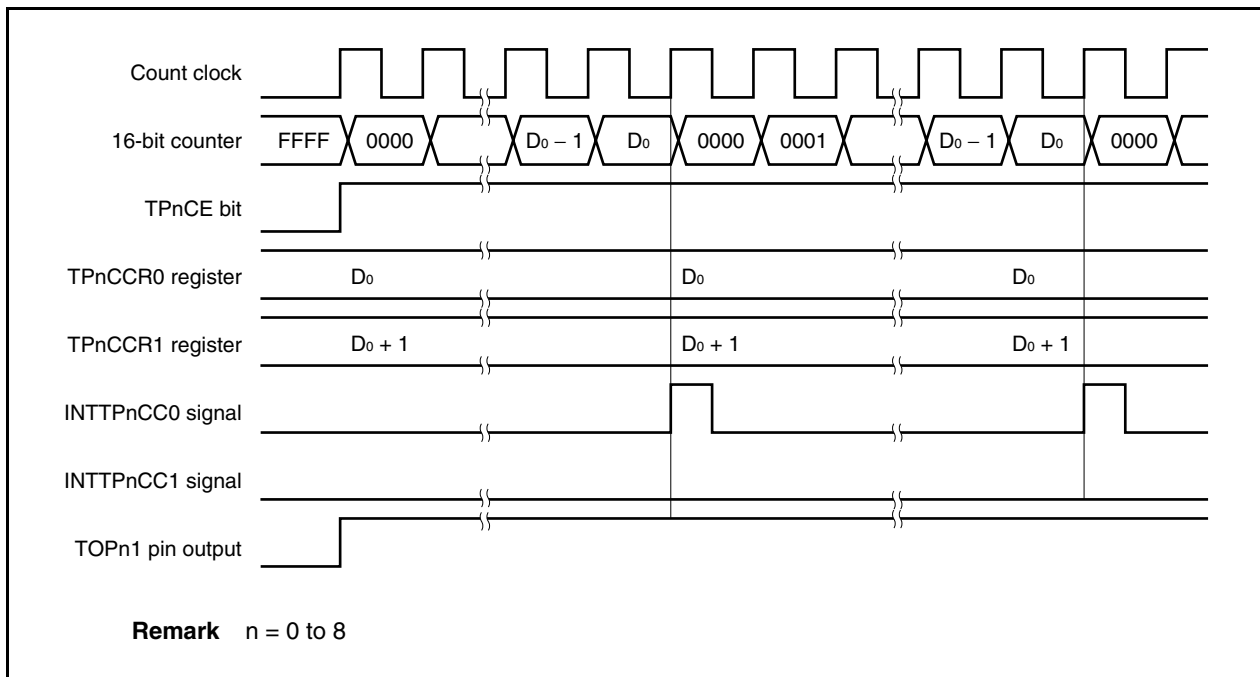
Remark n = 0 to 8
m = 0, 1

(b) 0%/100% output of PWM waveform

To output a 0% waveform, set the TPnCCR1 register to 0000H. If the set value of the TPnCCR0 register is FFFFH, the INTTPnCC1 signal is generated periodically.

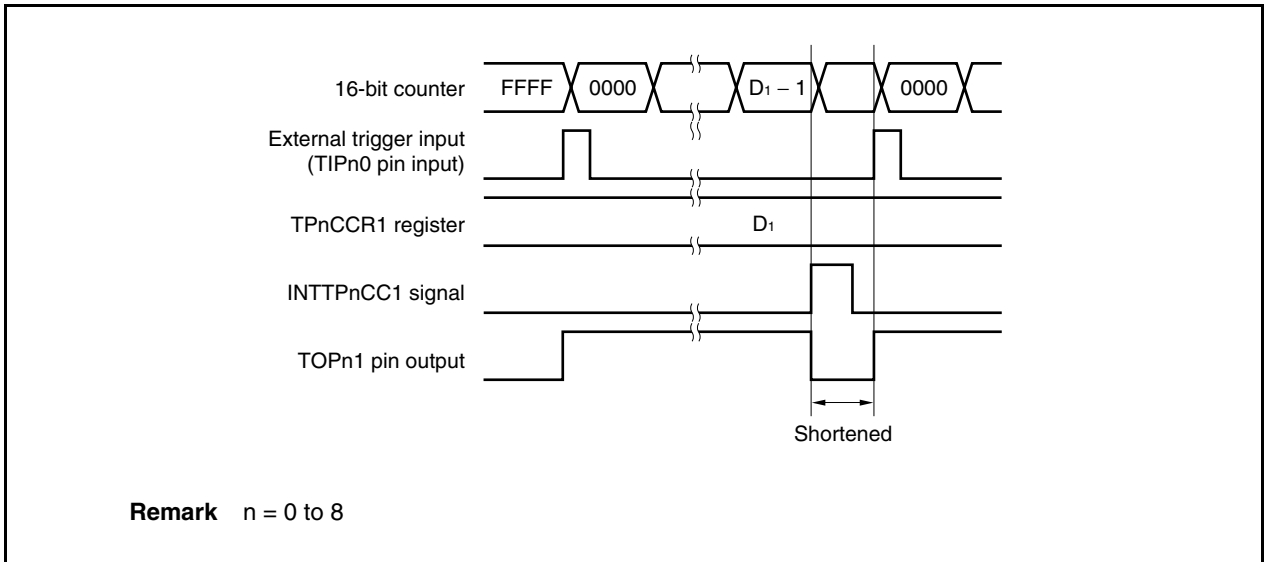


To output a 100% waveform, set a value of (set value of TPnCCR0 register + 1) to the TPnCCR1 register. If the set value of the TPnCCR0 register is FFFFH, 100% output cannot be produced.

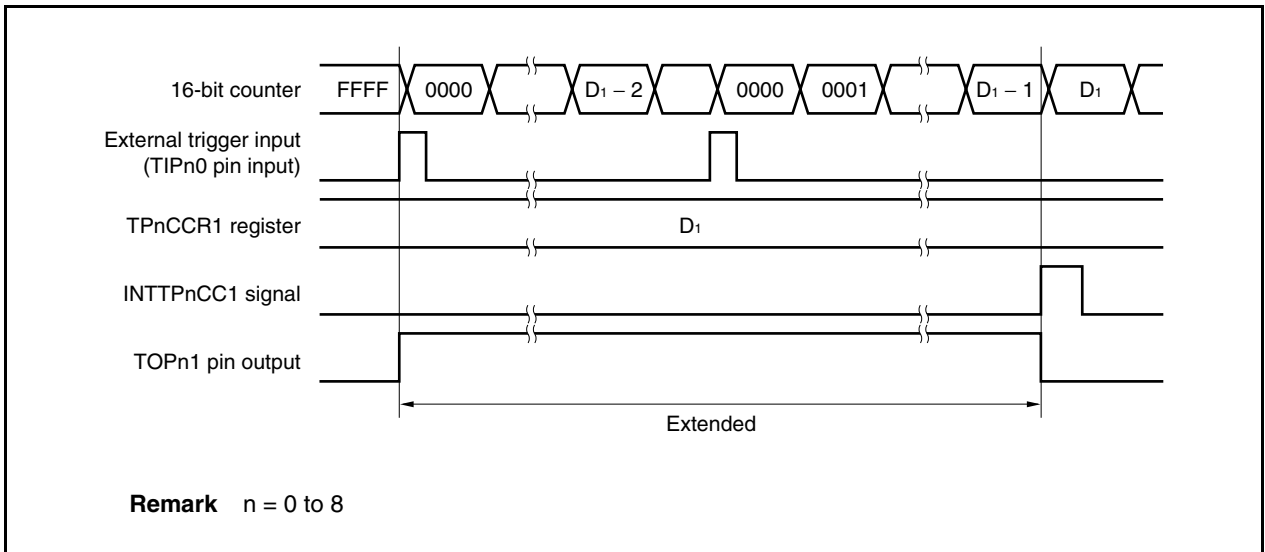


(c) Conflict between trigger detection and match with TPnCCR1 register

If the trigger is detected immediately after the INTTPnCC1 signal is generated, the 16-bit counter is immediately cleared to 0000H, the output signal of the TOPn1 pin is asserted, and the counter continues counting. Consequently, the inactive period of the PWM waveform is shortened.

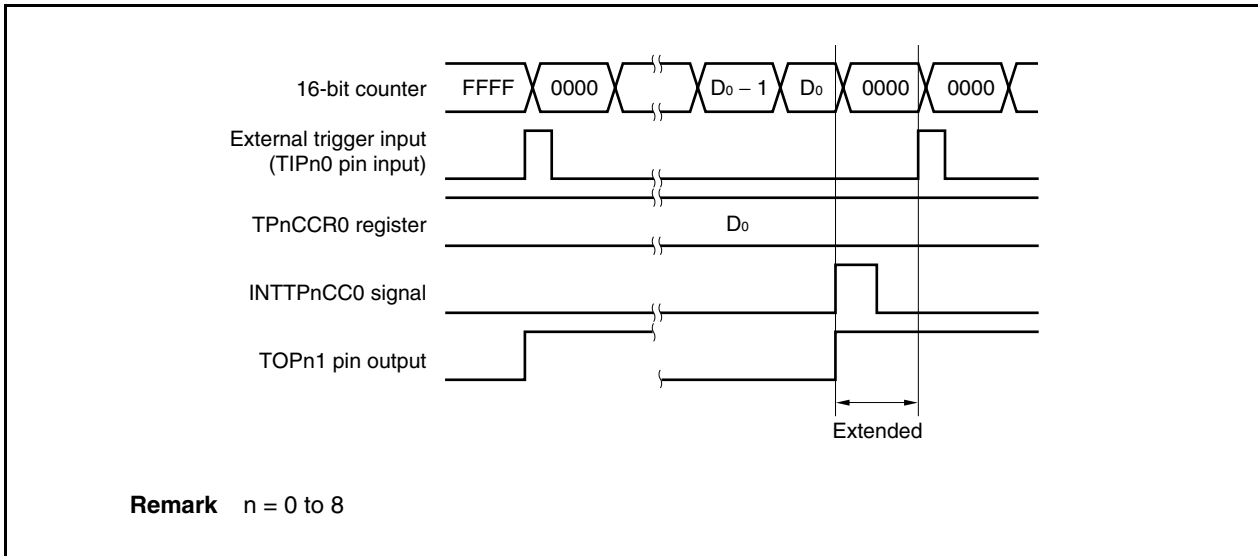


If the trigger is detected immediately before the INTTPnCC1 signal is generated, the INTTPnCC1 signal is not generated, and the 16-bit counter is cleared to 0000H and continues counting. The output signal of the TOPn1 pin remains active. Consequently, the active period of the PWM waveform is extended.

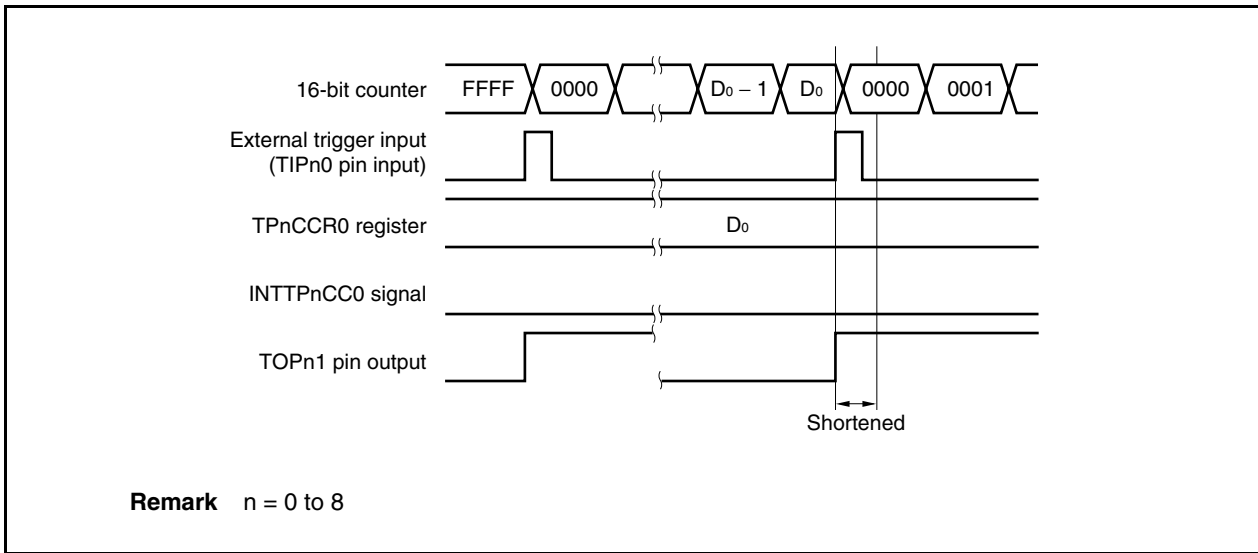


(d) Conflict between trigger detection and match with TPnCCR0 register

If the trigger is detected immediately after the INTTPnCC0 signal is generated, the 16-bit counter is cleared to 0000H and continues counting up. Therefore, the active period of the TOPn1 pin is extended by time from generation of the INTTPnCC0 signal to trigger detection.

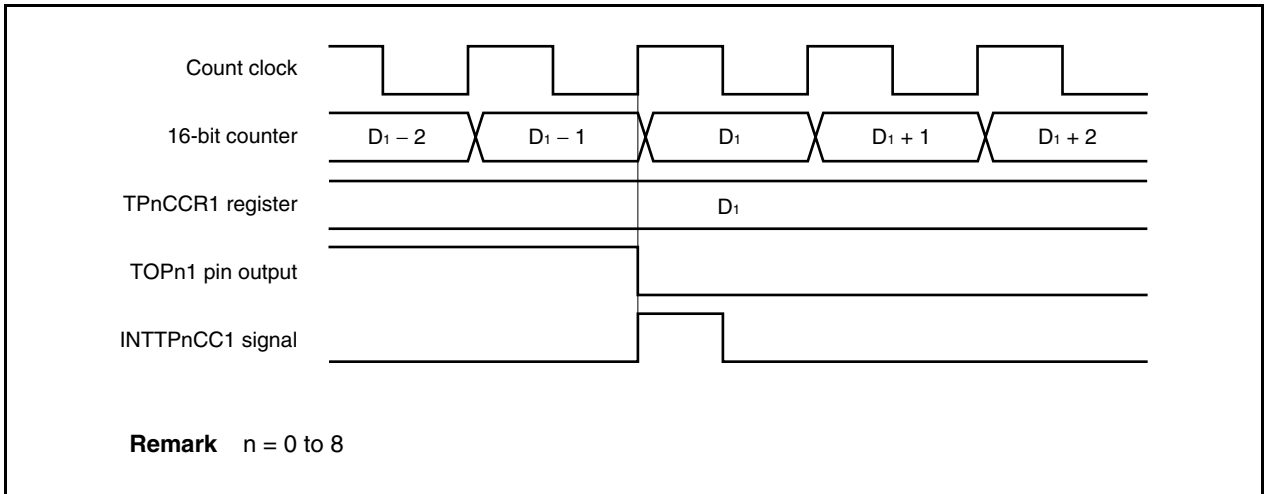


If the trigger is detected immediately before the INTTPnCC0 signal is generated, the INTTPnCC0 signal is not generated. The 16-bit counter is cleared to 0000H, the TOPn1 pin is asserted, and the counter continues counting. Consequently, the inactive period of the PWM waveform is shortened.



(e) Generation timing of compare match interrupt request signal (INTTPnCC1)

The timing of generation of the INTTPnCC1 signal in the external trigger pulse output mode differs from the timing of other INTTPnCC1 signals; the INTTPnCC1 signal is generated when the count value of the 16-bit counter matches the value of the TPnCCR1 register.



Usually, the INTTPnCC1 signal is generated in synchronization with the next count up, after the count value of the 16-bit counter matches the value of the TPnCCR1 register.

In the external trigger pulse output mode, however, it is generated one clock earlier. This is because the timing is changed to match the timing of changing the output signal of the TOPn1 pin.

7.5.4 One-shot pulse output mode (TPnMD2 to TPnMD0 bits = 011)

In the one-shot pulse output mode, 16-bit timer/event counter P waits for a trigger when the TPnCTL0.TPnCE bit is set to 1. When the valid edge of an external trigger input is detected, 16-bit timer/event counter P starts counting, and outputs a one-shot pulse from the TOPn1 pin.

Instead of the external trigger, a software trigger can also be generated to output the pulse. When the software trigger is used, the TOPn0 pin outputs the active level while the 16-bit counter is counting, and the inactive level when the counter is stopped (waiting for a trigger).

Figure 7-20. Configuration in One-Shot Pulse Output Mode

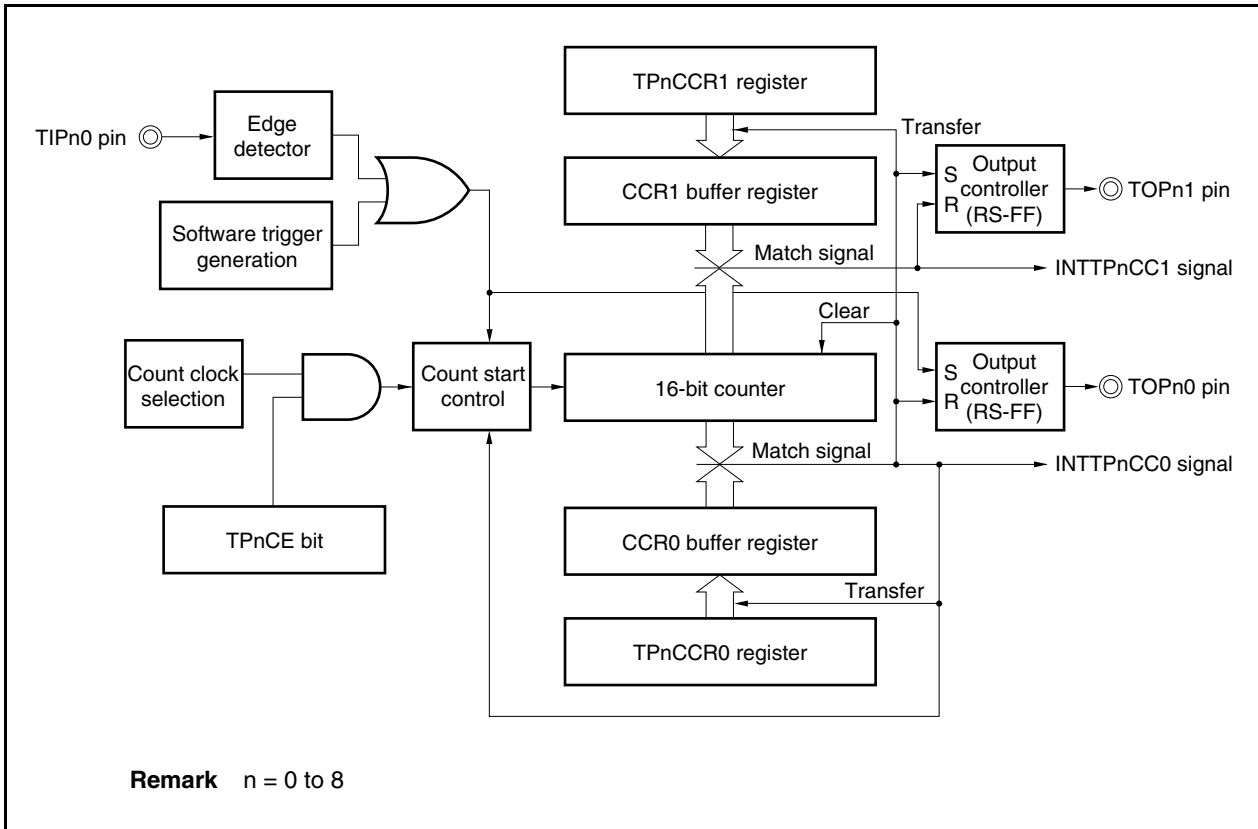
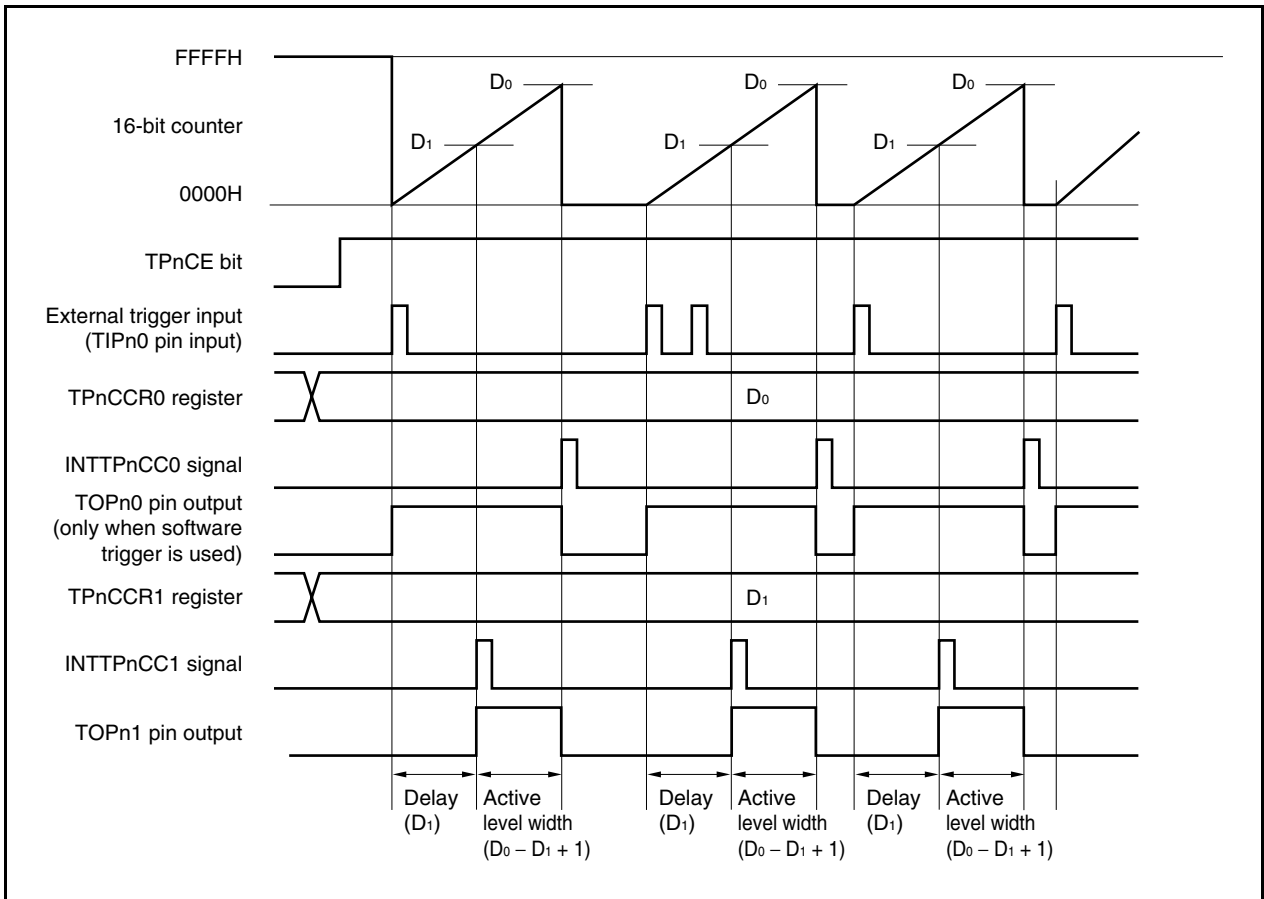


Figure 7-21. Basic Timing in One-Shot Pulse Output Mode



When the TPnCE bit is set to 1, 16-bit timer/event counter P waits for a trigger. When the trigger is generated, the 16-bit counter is cleared from FFFFH to 0000H, starts counting, and outputs a one-shot pulse from the TOPn1 pin. After the one-shot pulse is output, the 16-bit counter is set to FFFFH, stops counting, and waits for a trigger. If a trigger is generated again while the one-shot pulse is being output, it is ignored.

The output delay period and active level width of the one-shot pulse can be calculated as follows.

$$\text{Output delay period} = (\text{Set value of TPnCCR1 register}) \times \text{Count clock cycle}$$

$$\text{Active level width} = (\text{Set value of TPnCCR0 register} - \text{Set value of TPnCCR1 register} + 1) \times \text{Count clock cycle}$$

The compare match interrupt request signal INTTPnCC0 is generated when the 16-bit counter counts after its count value matches the value of the CCR0 buffer register. The compare match interrupt request signal INTTPnCC1 is generated when the count value of the 16-bit counter matches the value of the CCR1 buffer register.

The valid edge of an external trigger input or setting the software trigger (TPnCTL1.TPnEST bit) to 1 is used as the trigger.

Remark n = 0 to 8
m = 0, 1

Figure 7-22. Register Setting for Operation in One-Shot Pulse Output Mode (1/2)

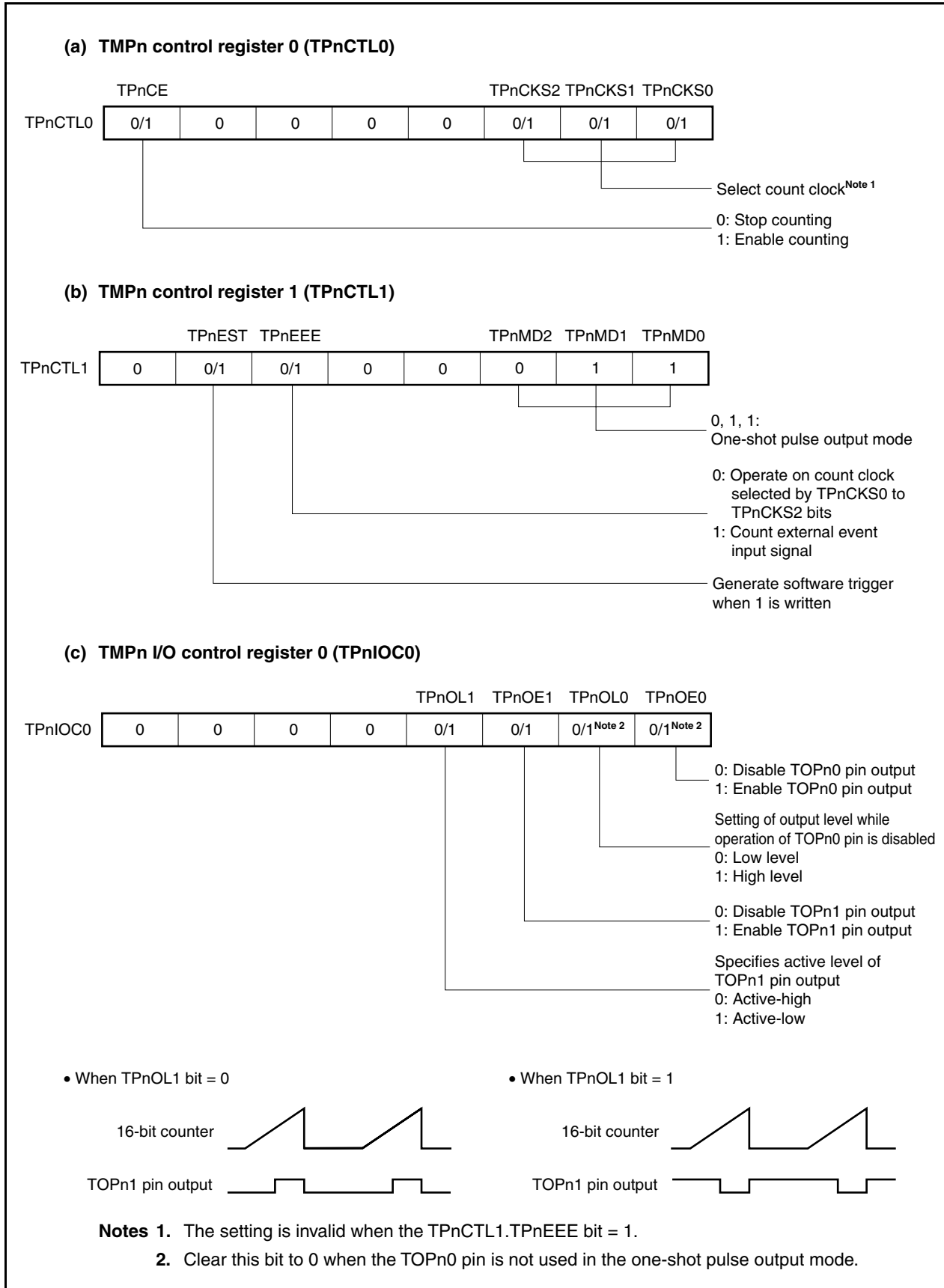
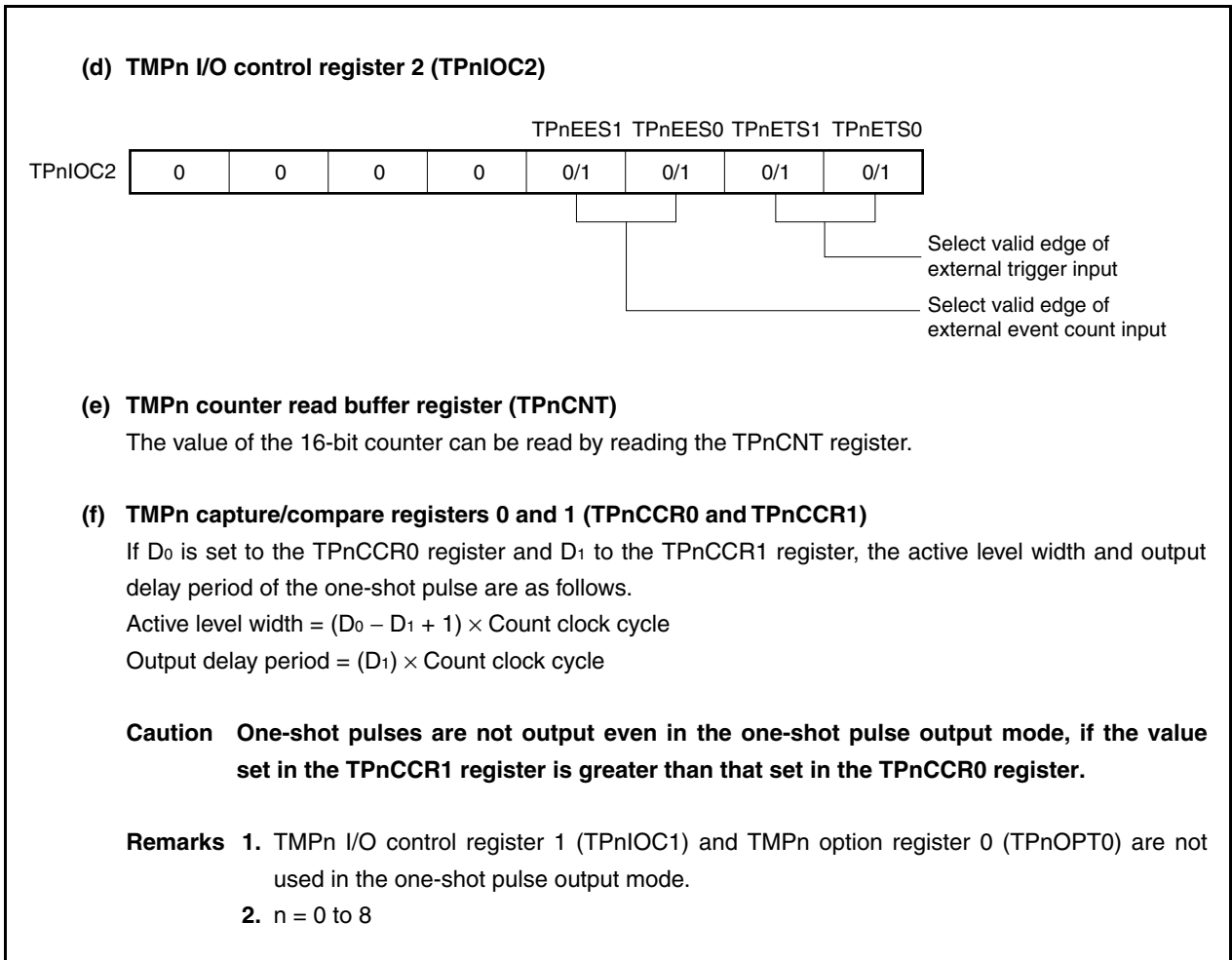


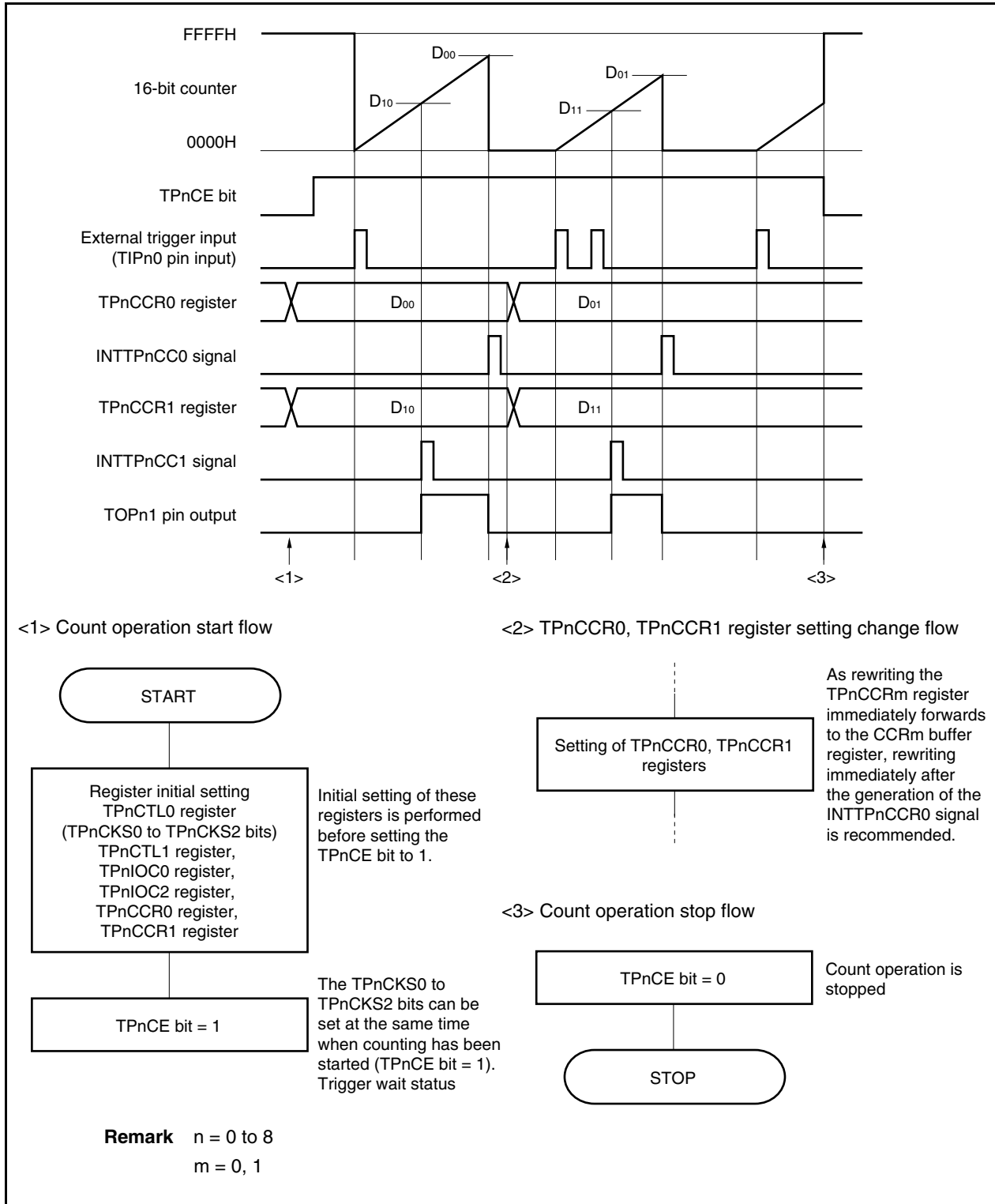
Figure 7-22. Register Setting for Operation in One-Shot Pulse Output Mode (2/2)



<R>

(1) Operation flow in one-shot pulse output mode

Figure 7-23. Software Processing Flow in One-Shot Pulse Output Mode

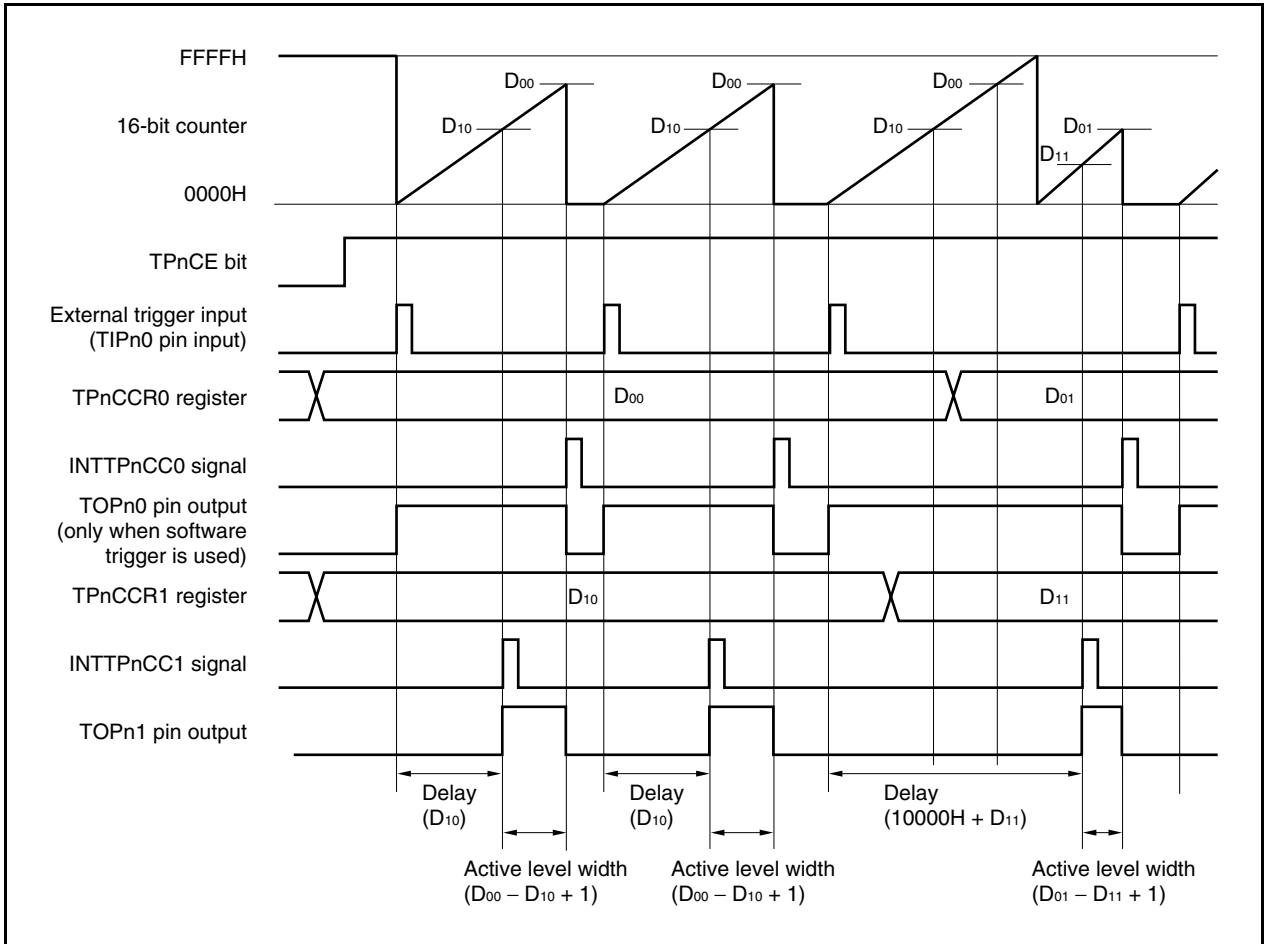


(2) Operation timing in one-shot pulse output mode

(a) Note on rewriting TPnCCRm register

To change the set value of the TPnCCRm register to a smaller value, stop counting once, and then change the set value.

If the value of the TPnCCRm register is rewritten to a smaller value during counting, the 16-bit counter may overflow.



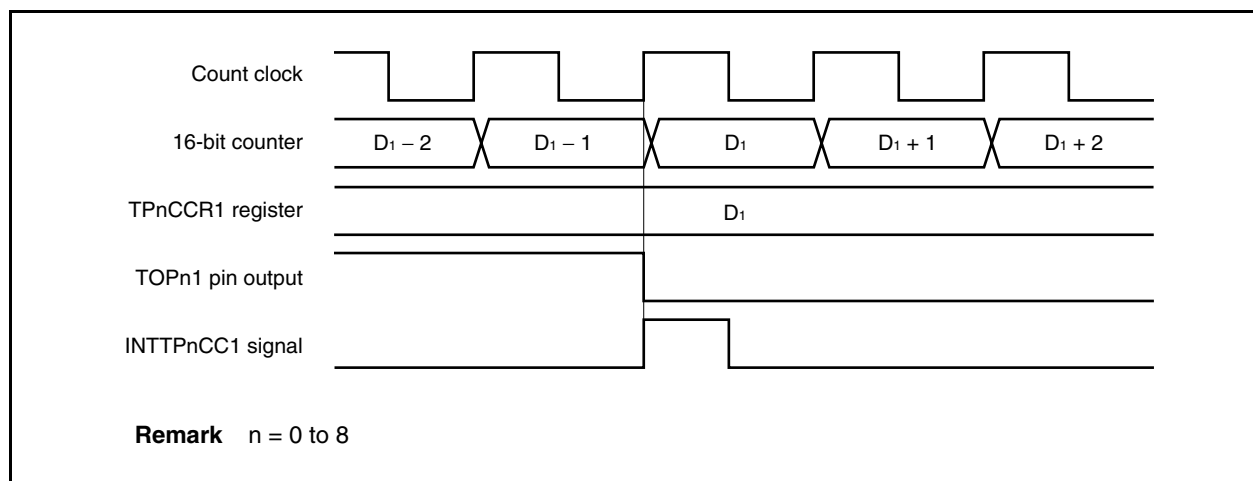
When the TPnCCR0 register is rewritten from D₀₀ to D₀₁ and the TPnCCR1 register from D₁₀ to D₁₁ where D₀₀ > D₀₁ and D₁₀ > D₁₁, if the TPnCCR1 register is rewritten when the count value of the 16-bit counter is greater than D₁₁ and less than D₁₀ and if the TPnCCR0 register is rewritten when the count value is greater than D₀₁ and less than D₀₀, each set value is reflected as soon as the register has been rewritten and compared with the count value. The counter counts up to FFFFH and then counts up again from 0000H. When the count value matches D₁₁, the counter generates the INTTPnCC1 signal and asserts the TOPn1 pin. When the count value matches D₀₁, the counter generates the INTTPnCC0 signal, deasserts the TOPn1 pin, and stops counting.

Therefore, the counter may output a pulse with a delay period or active period different from that of the one-shot pulse that is originally expected.

Remark n = 0 to 8
m = 0, 1

(b) Generation timing of compare match interrupt request signal (INTTPnCC1)

The generation timing of the INTTPnCC1 signal in the one-shot pulse output mode is different from other INTTPnCC1 signals; the INTTPnCC1 signal is generated when the count value of the 16-bit counter matches the value of the TPnCCR1 register.



Usually, the INTTPnCC1 signal is generated when the 16-bit counter counts up next time after its count value matches the value of the TPnCCR1 register.

In the one-shot pulse output mode, however, it is generated one clock earlier. This is because the timing is changed to match the change timing of the TOPn1 pin.

Remark $n = 0$ to 8

7.5.5 PWM output mode (TPnMD2 to TPnMD0 bits = 100)

In the PWM output mode, a PWM waveform is output from the TOPn1 pin when the TPnCTL0.TPnCE bit is set to 1. In addition, a pulse with one cycle of the PWM waveform as half its cycle is output from the TOPn0 pin.

Figure 7-24. Configuration in PWM Output Mode

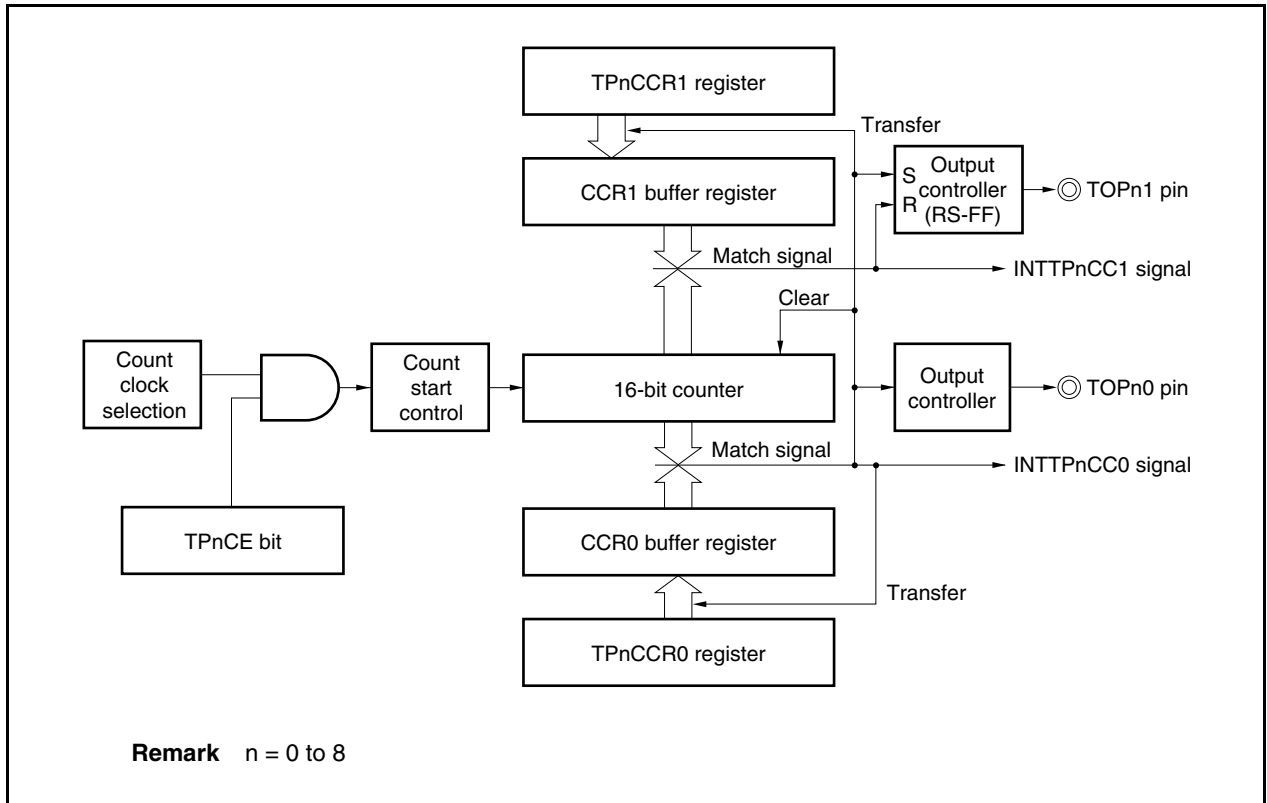
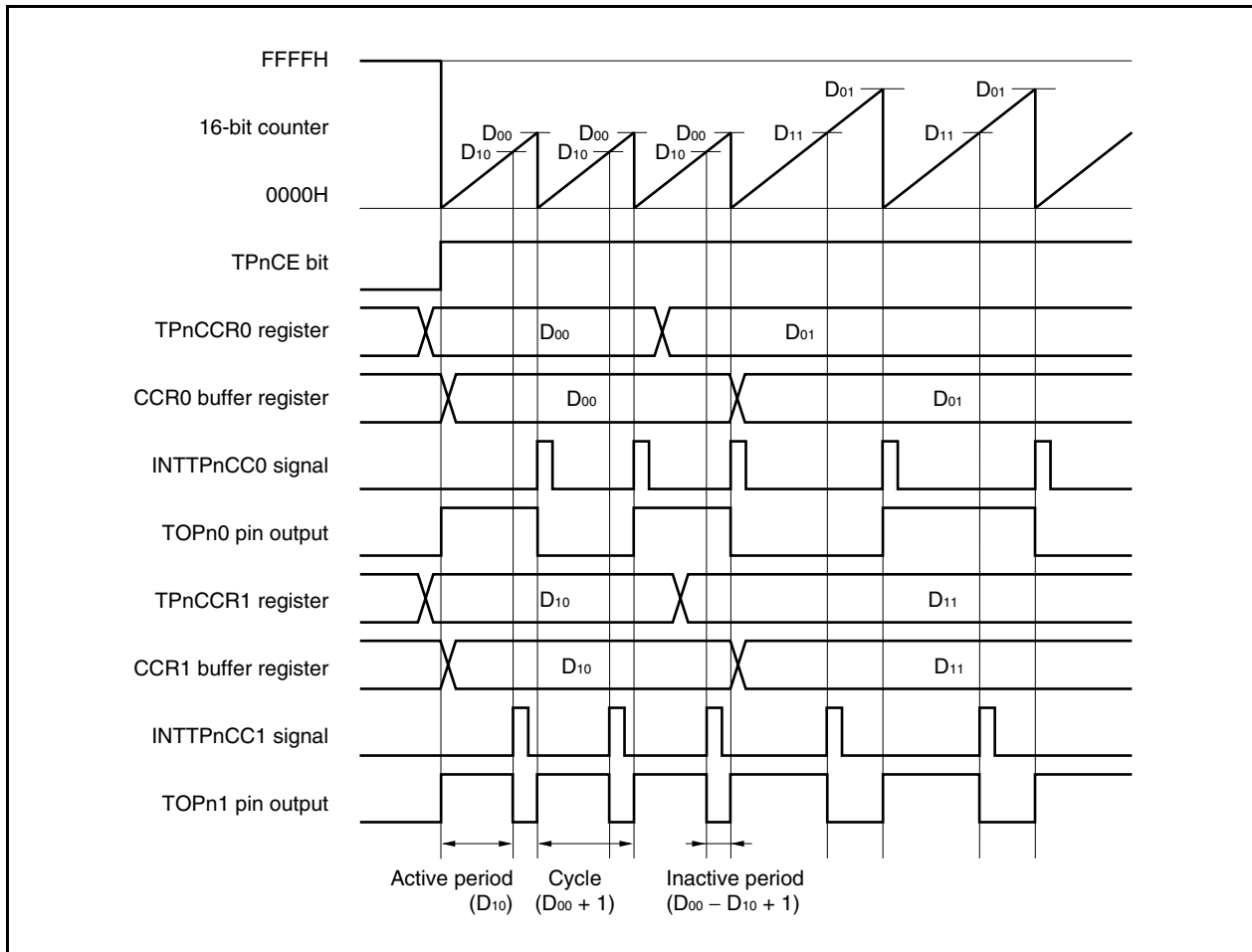


Figure 7-25. Basic Timing in PWM Output Mode



When the TPnCE bit is set to 1, the 16-bit counter is cleared from FFFFH to 0000H, starts counting, and outputs a PWM waveform from the TOPn1 pin.

The active level width, cycle, and duty factor of the PWM waveform can be calculated as follows.

$$\text{Active level width} = (\text{Set value of TPnCCR1 register}) \times \text{Count clock cycle}$$

$$\text{Cycle} = (\text{Set value of TPnCCR0 register} + 1) \times \text{Count clock cycle}$$

$$\text{Duty factor} = (\text{Set value of TPnCCR1 register}) / (\text{Set value of TPnCCR0 register} + 1)$$

The PWM waveform can be changed by rewriting the TPnCCRm register while the counter is operating. The newly written value is reflected when the count value of the 16-bit counter matches the value of the CCR0 buffer register and the 16-bit counter is cleared to 0000H.

The compare match interrupt request signal INTTPnCC0 is generated when the 16-bit counter counts next time after its count value matches the value of the CCR0 buffer register, and the 16-bit counter is cleared to 0000H. The compare match interrupt request signal INTTPnCC1 is generated when the count value of the 16-bit counter matches the value of the CCR1 buffer register.

The value set to the TPnCCRm register is transferred to the CCRm buffer register when the count value of the 16-bit counter matches the value of the CCRm buffer register and the 16-bit counter is cleared to 0000H.

Remark n = 0 to 8, m = 0, 1

Figure 7-26. Register Setting for Operation in PWM Output Mode (1/2)

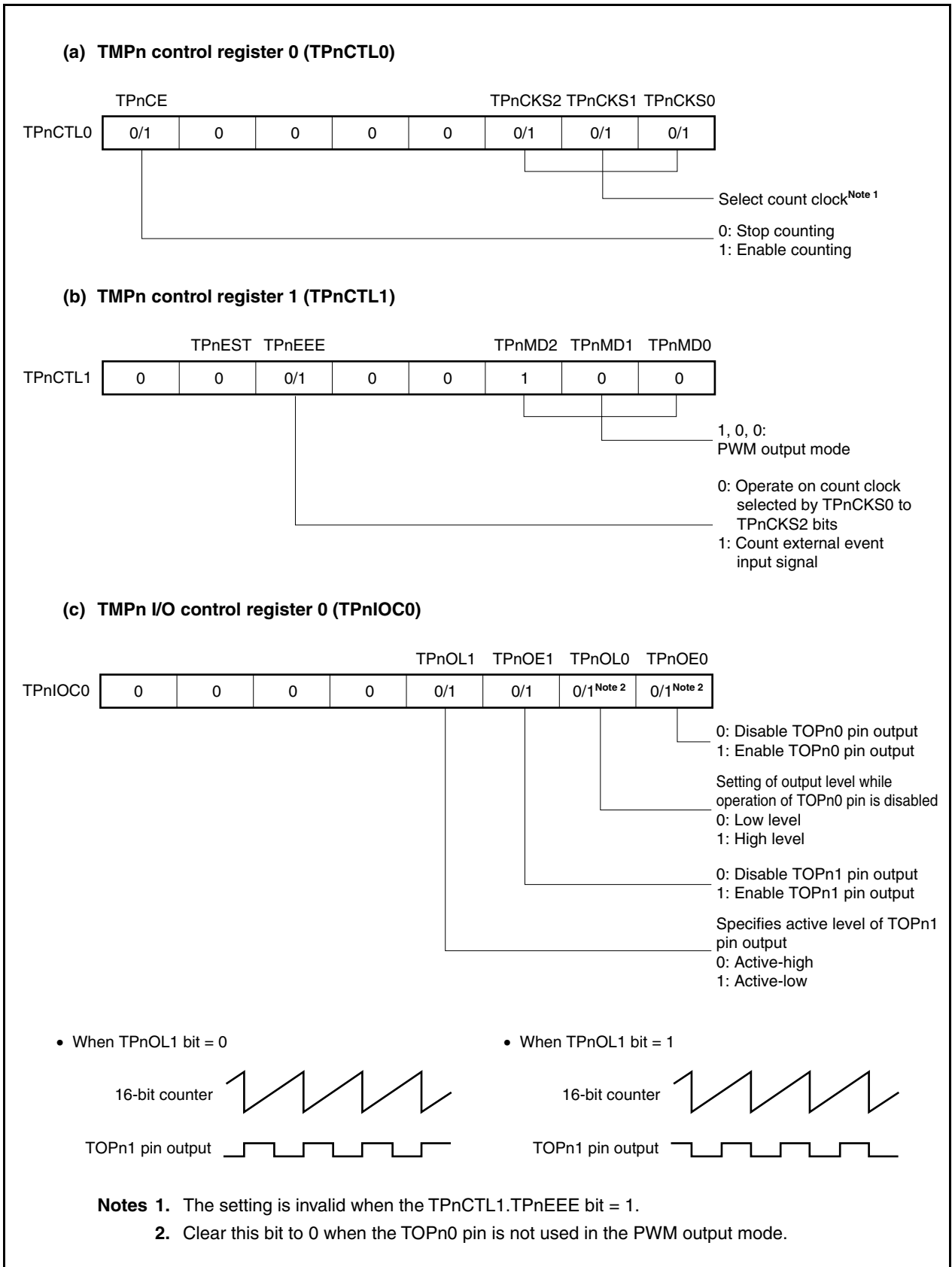
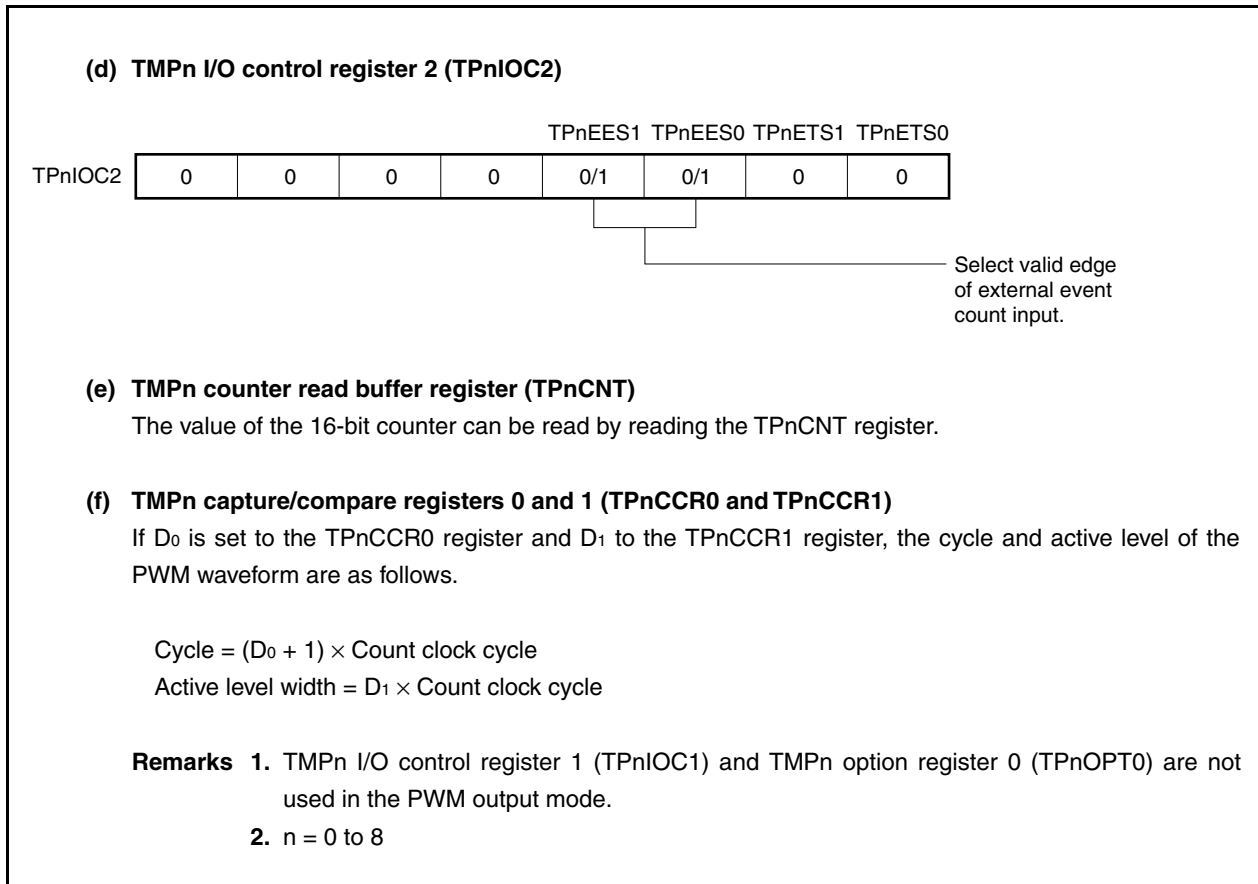


Figure 7-26. Register Setting for Operation in PWM Output Mode (2/2)



(1) Operation flow in PWM output mode

Figure 7-27. Software Processing Flow in PWM Output Mode (1/2)

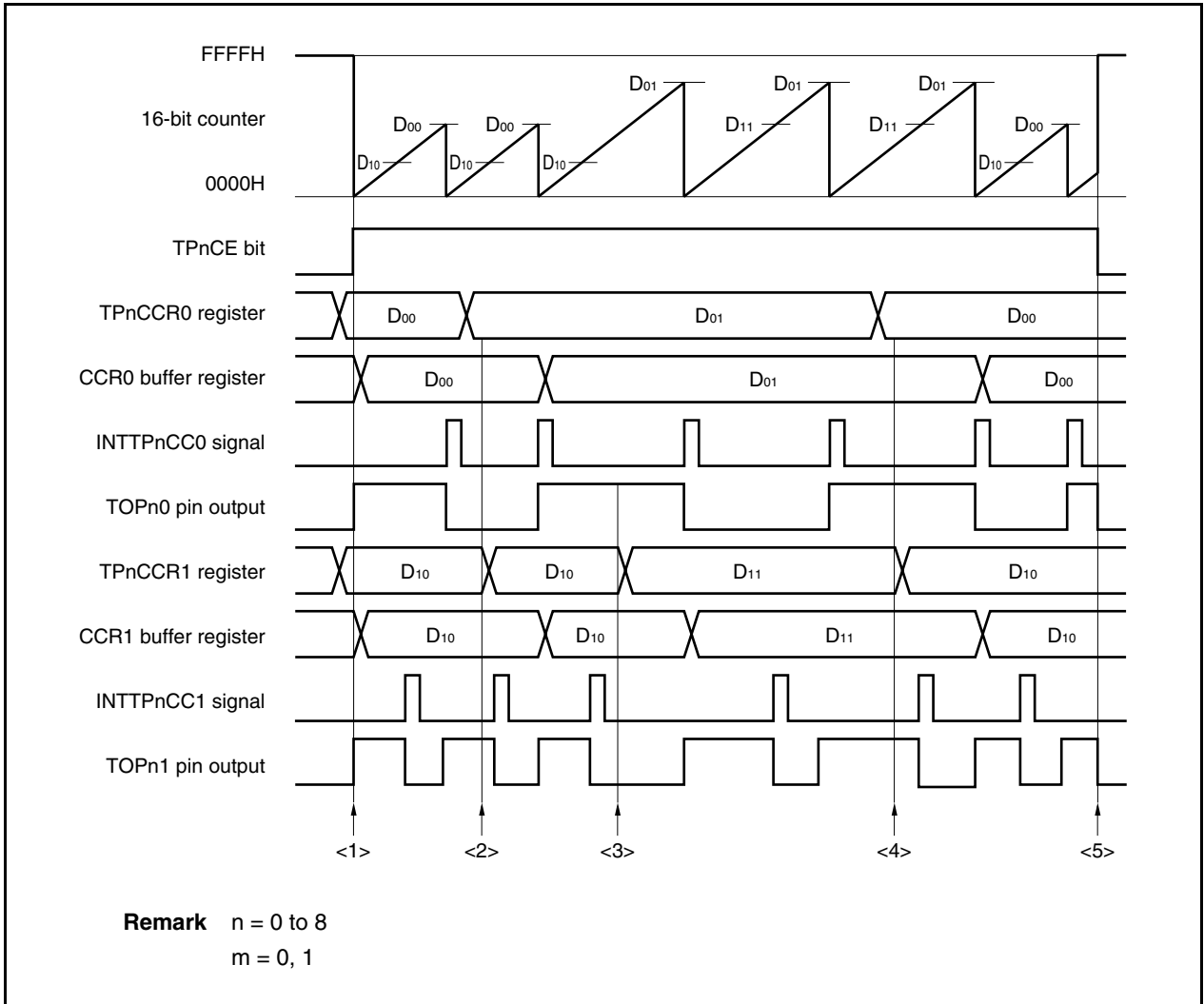
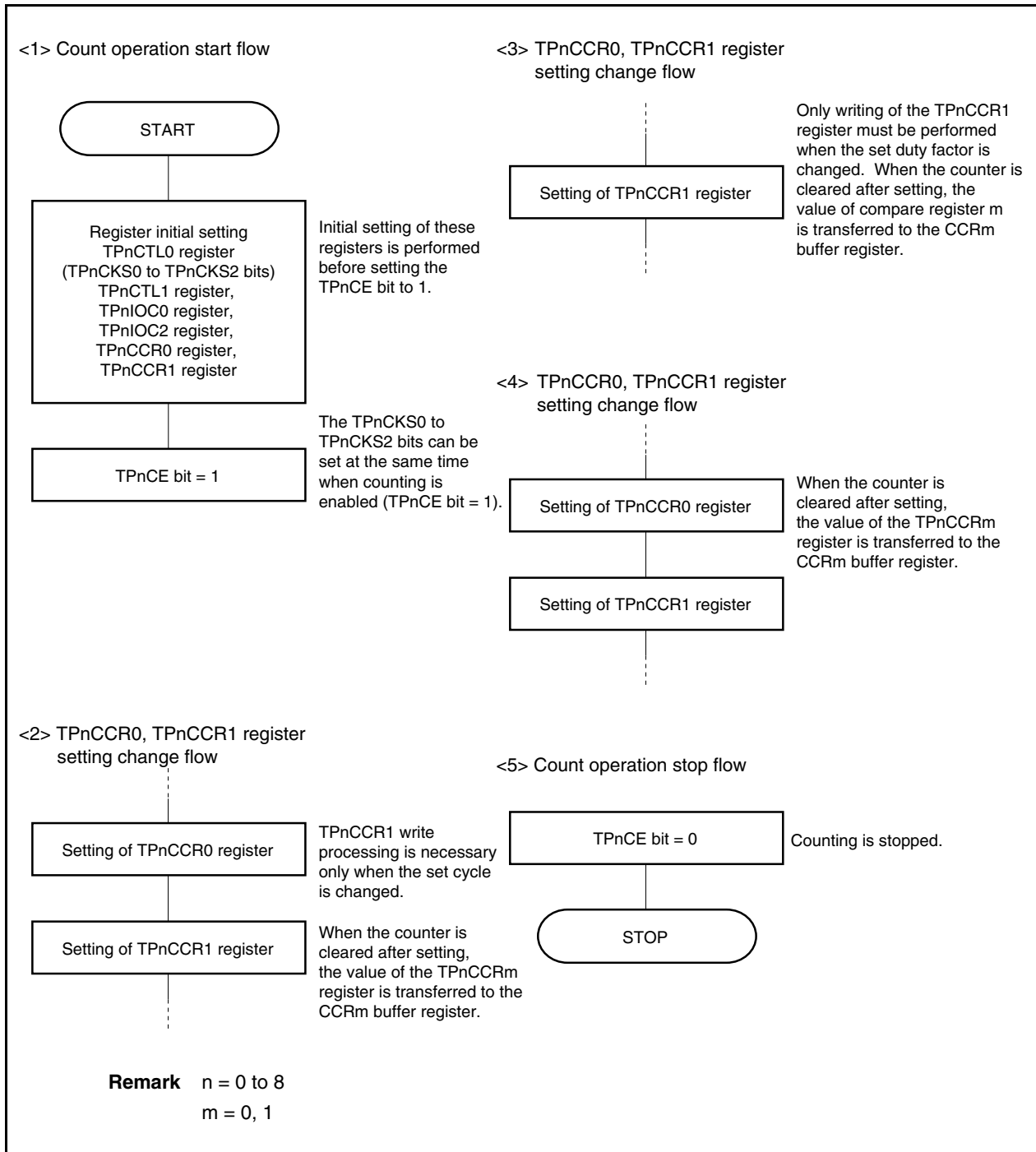


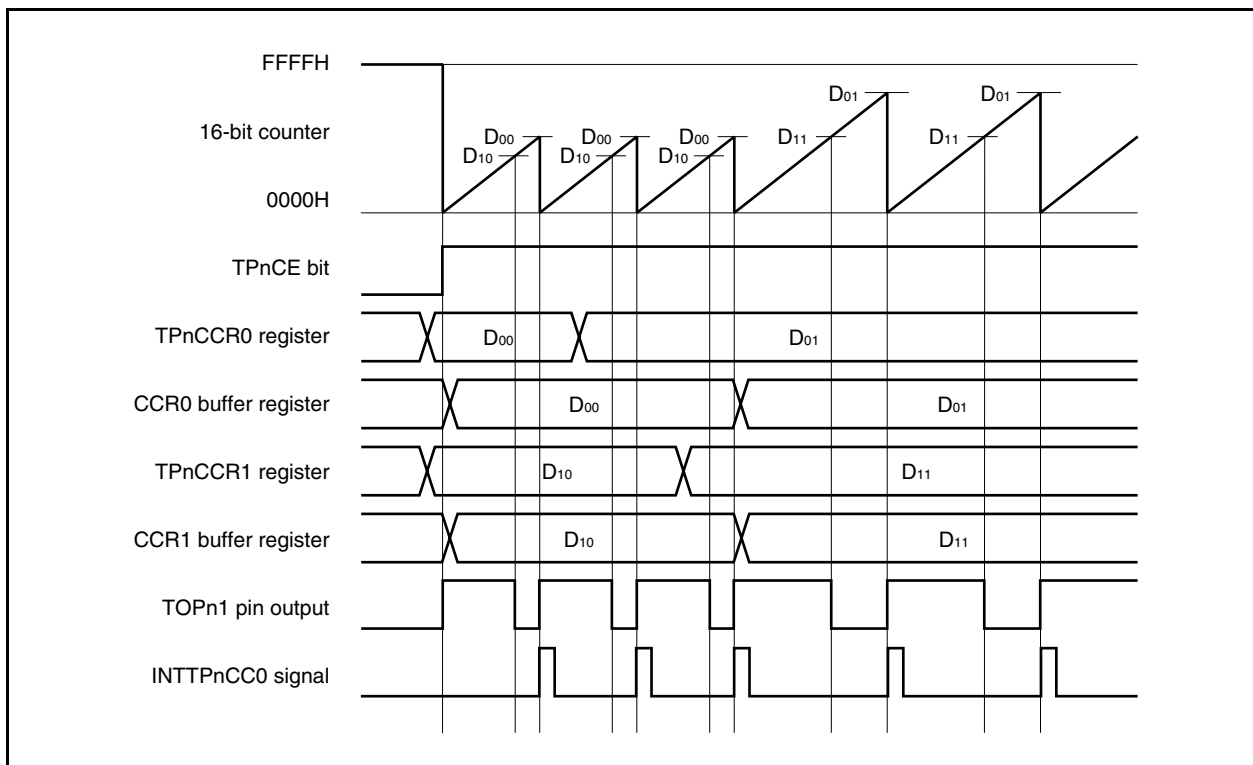
Figure 7-27. Software Processing Flow in PWM Output Mode (2/2)



(2) PWM output mode operation timing**(a) Changing pulse width during operation**

To change the PWM waveform while the counter is operating, write the TPnCCR1 register last.

Rewrite the TPnCCRm register after writing the TPnCCR1 register after the INTTPnCC1 signal is detected.



To transfer data from the TPnCCRm register to the CCRm buffer register, the TPnCCR1 register must be written.

To change both the cycle and active level of the PWM waveform at this time, first set the cycle to the TPnCCR0 register and then set the active level to the TPnCCR1 register.

To change only the cycle of the PWM waveform, first set the cycle to the TPnCCR0 register, and then write the same value to the TPnCCR1 register.

To change only the active level width (duty factor) of the PWM waveform, only the TPnCCR1 register has to be set.

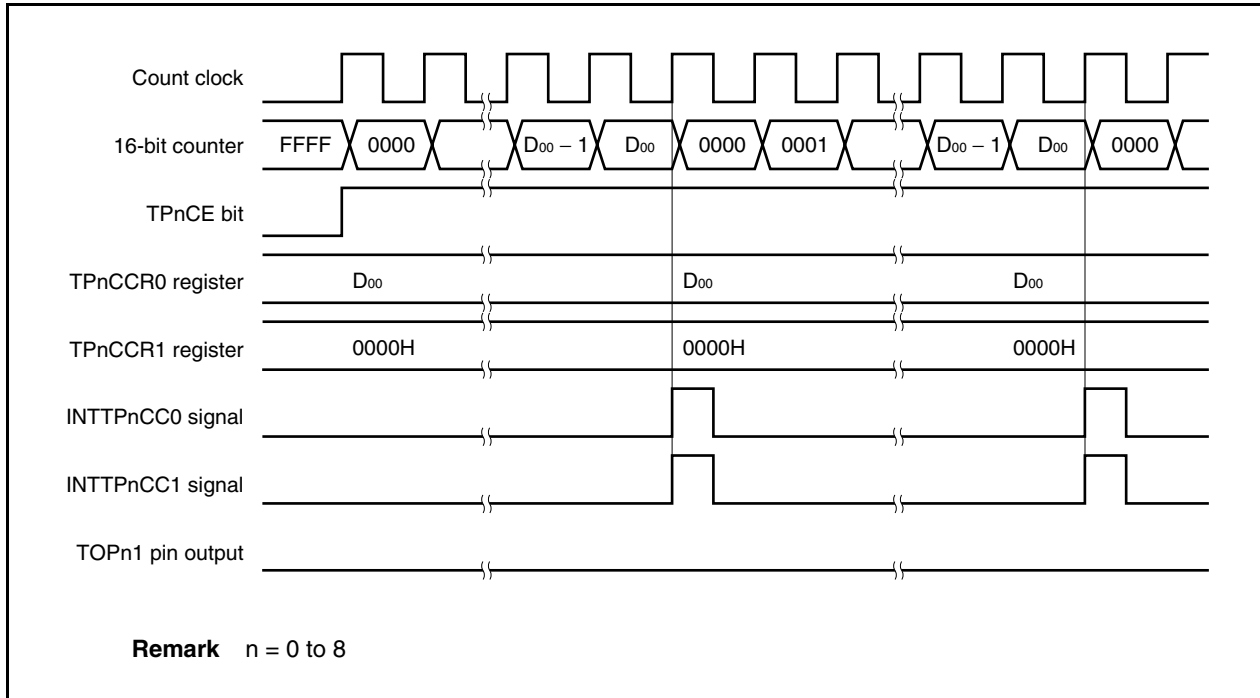
After data is written to the TPnCCR1 register, the value written to the TPnCCRm register is transferred to the CCRm buffer register in synchronization with clearing of the 16-bit counter, and is used as the value compared with the 16-bit counter.

To write the TPnCCR0 or TPnCCR1 register again after writing the TPnCCR1 register once, do so after the INTTPnCC0 signal is generated. Otherwise, the value of the CCRm buffer register may become undefined because the timing of transferring data from the TPnCCRm register to the CCRm buffer register conflicts with writing the TPnCCRm register.

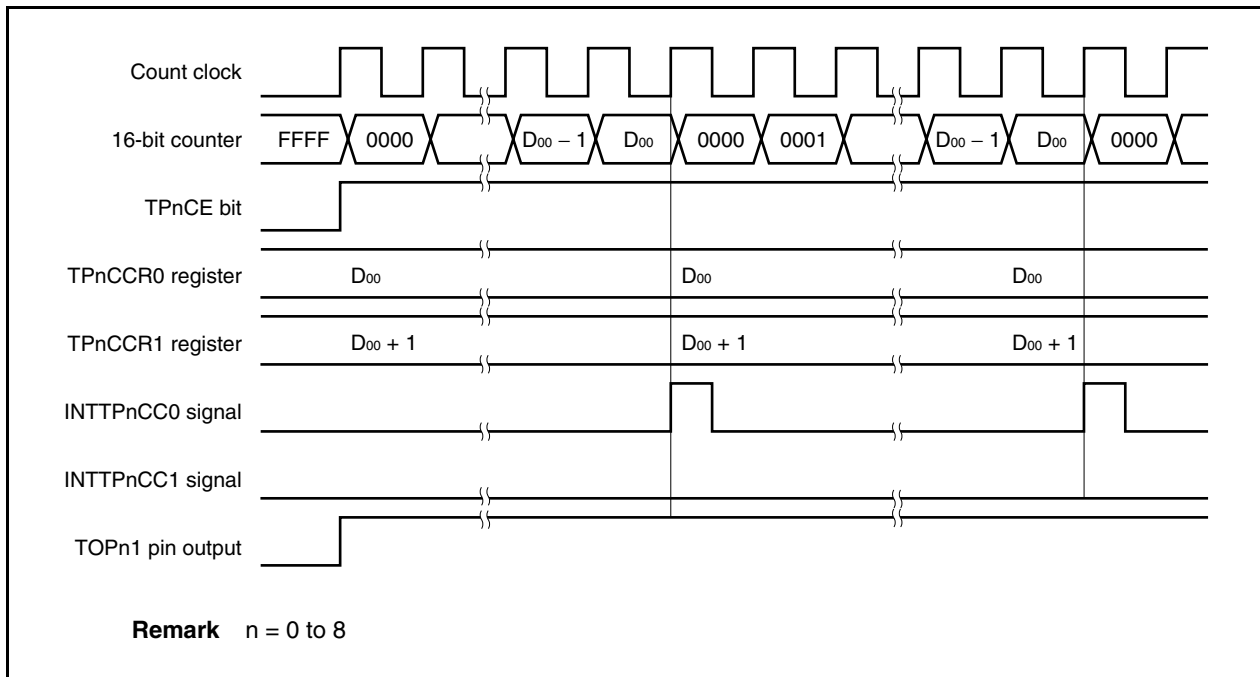
Remark n = 0 to 8, m = 0, 1

(b) 0%/100% output of PWM waveform

To output a 0% waveform, set the TPnCCR1 register to 0000H. If the set value of the TPnCCR0 register is FFFFH, the INTTPnCC1 signal is generated periodically.

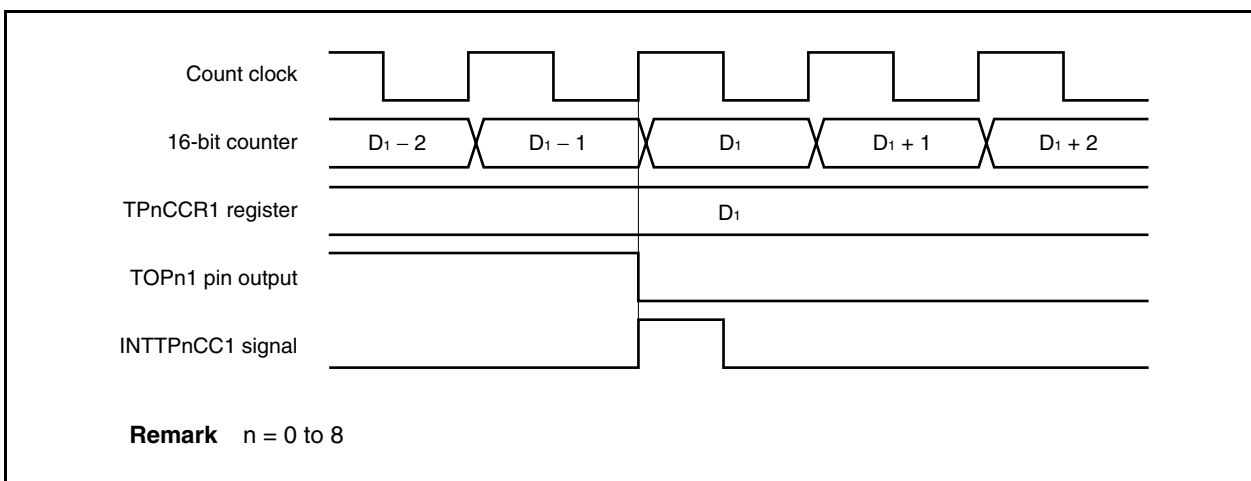


To output a 100% waveform, set a value of (set value of TPnCCR0 register + 1) to the TPnCCR1 register. If the set value of the TPnCCR0 register is FFFFH, 100% output cannot be produced.



(c) Generation timing of compare match interrupt request signal (INTTPnCC1)

The timing of generation of the INTTPnCC1 signal in the PWM output mode differs from the timing of other INTTPnCC1 signals; the INTTPnCC1 signal is generated when the count value of the 16-bit counter matches the value of the TPnCCR1 register.



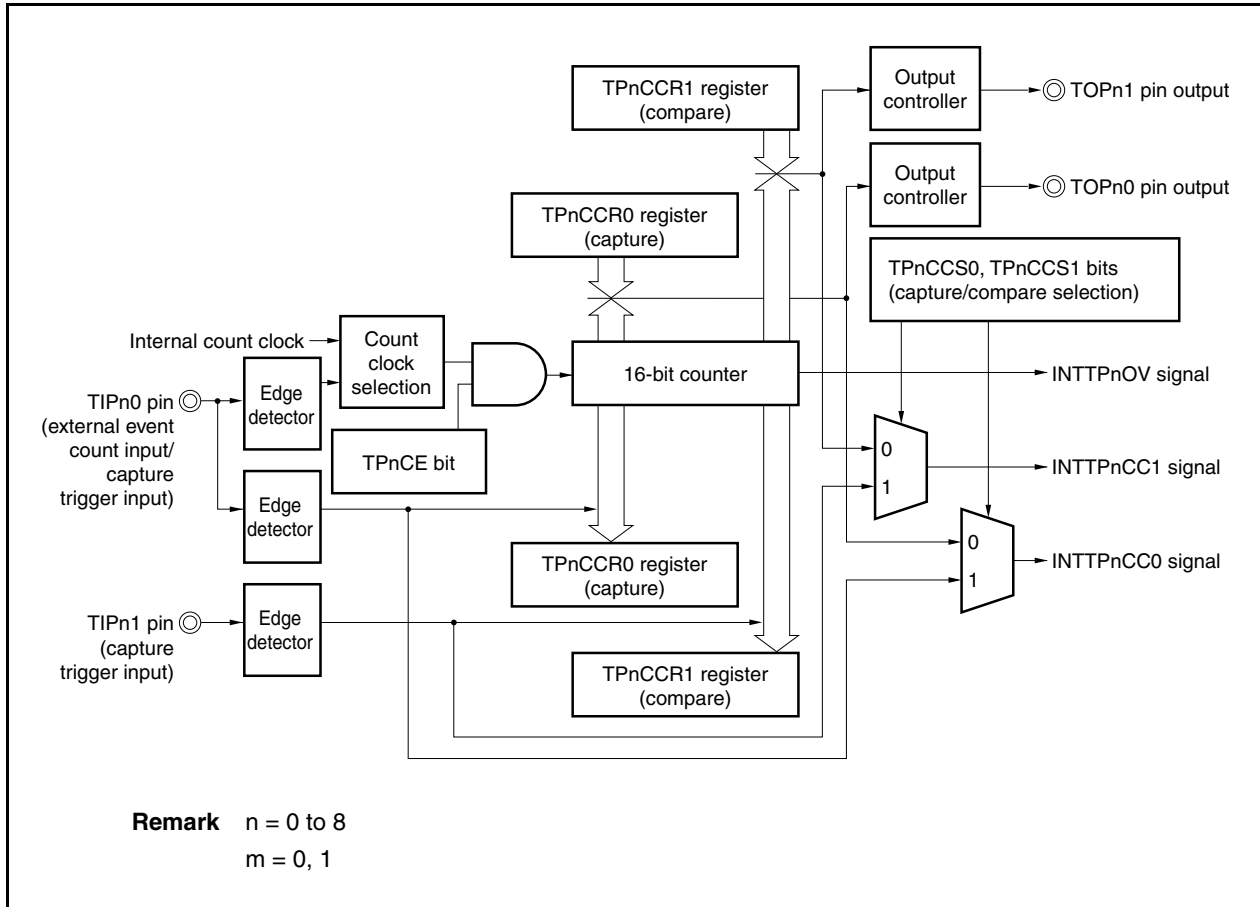
Usually, the INTTPnCC1 signal is generated in synchronization with the next counting up after the count value of the 16-bit counter matches the value of the TPnCCR1 register.

In the PWM output mode, however, it is generated one clock earlier. This is because the timing is changed to match the change timing of the output signal of the TOPn1 pin.

7.5.6 Free-running timer mode (TPnMD2 to TPnMD0 bits = 101)

In the free-running timer mode, 16-bit timer/event counter P starts counting when the TPnCTL0.TPnCE bit is set to 1. At this time, the TPnCCRm register can be used as a compare register or a capture register, depending on the setting of the TPnOPT0.TPnCCS0 and TPnOPT0.TPnCCS1 bits.

Figure 7-28. Configuration in Free-Running Timer Mode

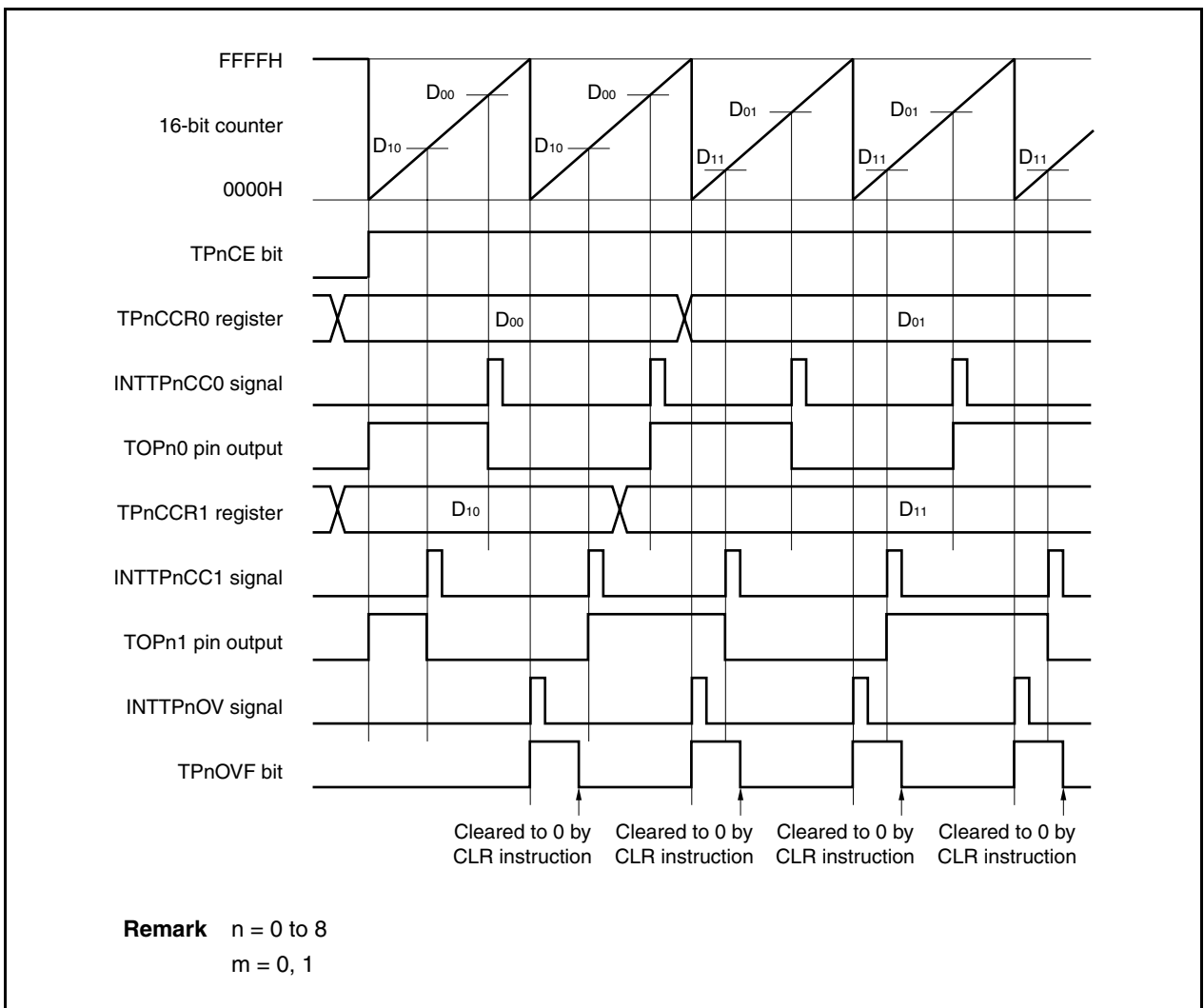


When the TPnCE bit is set to 1, 16-bit timer/event counter P starts counting, and the output signals of the TOPn0 and TOPn1 pins are inverted. When the count value of the 16-bit counter later matches the set value of the TPnCCRm register, a compare match interrupt request signal (INTTPnCCm) is generated, and the output signal of the TOPnm pin is inverted.

The 16-bit counter continues counting in synchronization with the count clock. When it counts up to FFFFH, it generates an overflow interrupt request signal (INTTPnOV) at the next clock, is cleared to 0000H, and continues counting. At this time, the overflow flag (TPnOPT0.TPnOVF bit) is also set to 1. Clear the overflow flag to 0 by executing the CLR instruction by software.

The TPnCCRm register can be rewritten while the counter is operating. If it is rewritten, the new value is reflected at that time, and compared with the count value.

Figure 7-29. Basic Timing in Free-Running Timer Mode (Compare Function)



When the TPnCE bit is set to 1, the 16-bit counter starts counting. When the valid edge input to the TIPnm pin is detected, the count value of the 16-bit counter is stored in the TPnCCRm register, and a capture interrupt request signal (INTTPnCCm) is generated.

The 16-bit counter continues counting in synchronization with the count clock. When it counts up to FFFFH, it generates an overflow interrupt request signal (INTTPnOV) at the next clock, is cleared to 0000H, and continues counting. At this time, the overflow flag (TPnOPT0.TPnOVF bit) is also set to 1. Clear the overflow flag to 0 by executing the CLR instruction by software.

Figure 7-30. Basic Timing in Free-Running Timer Mode (Capture Function)

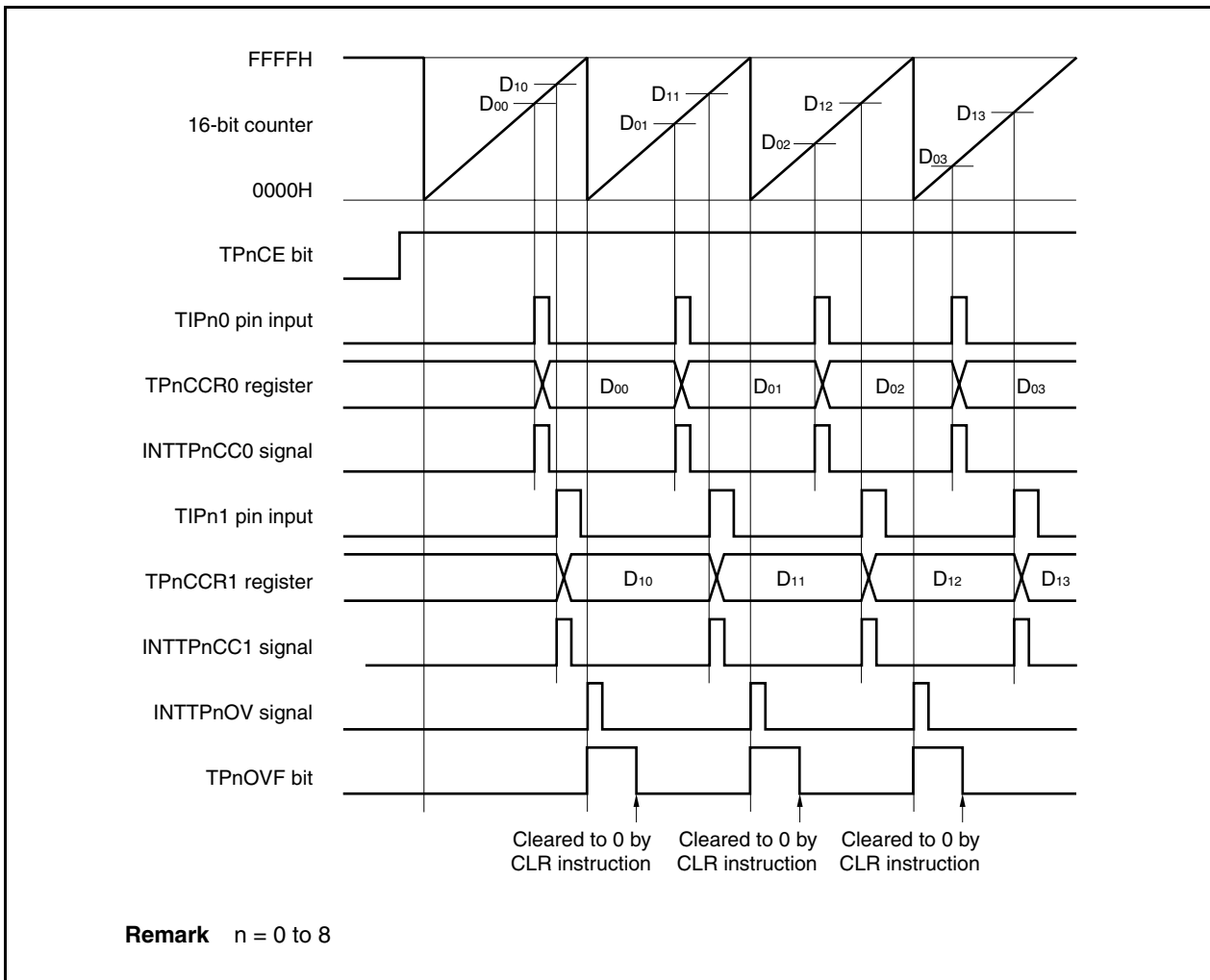


Figure 7-31. Register Setting in Free-Running Timer Mode (1/2)

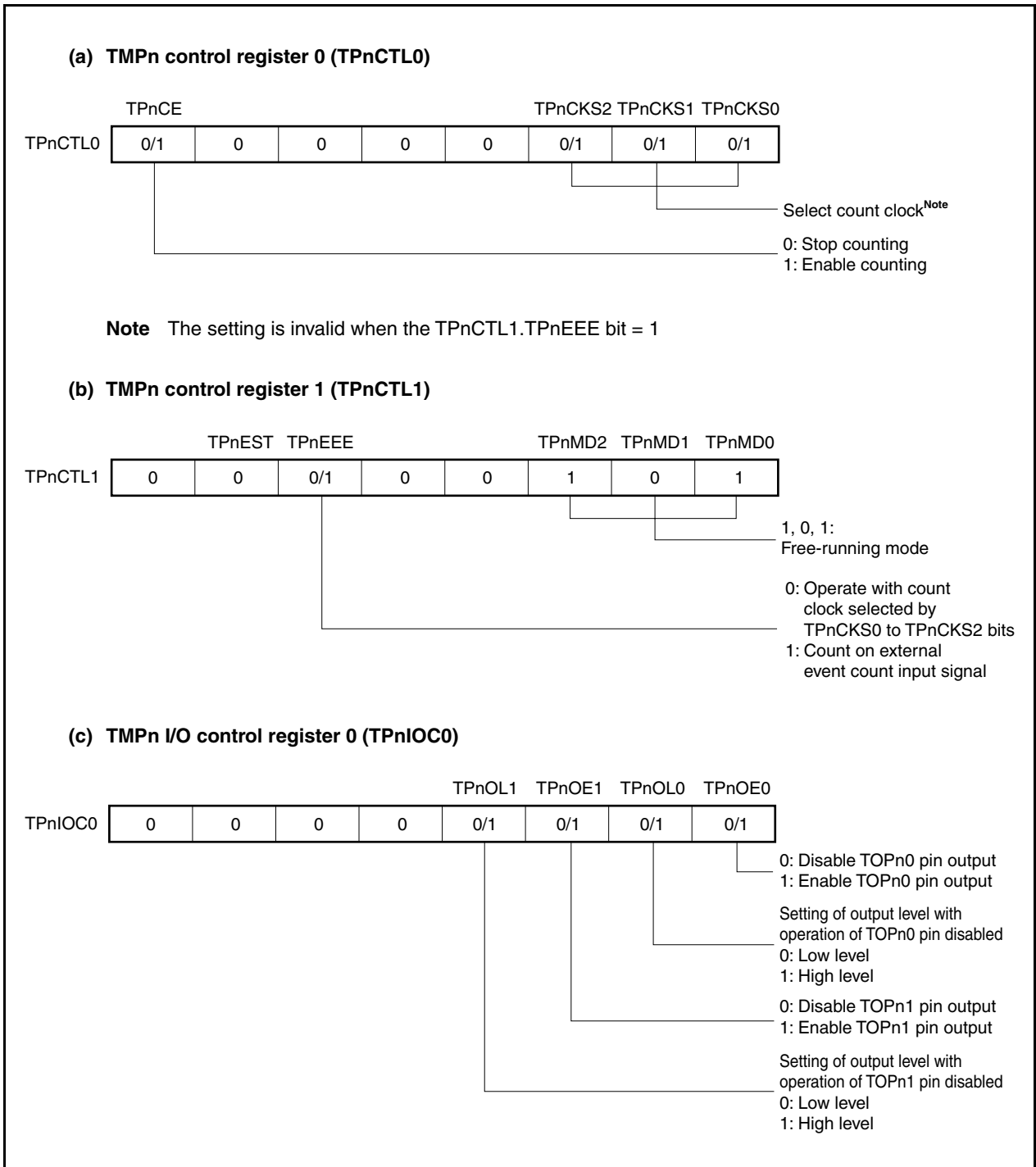
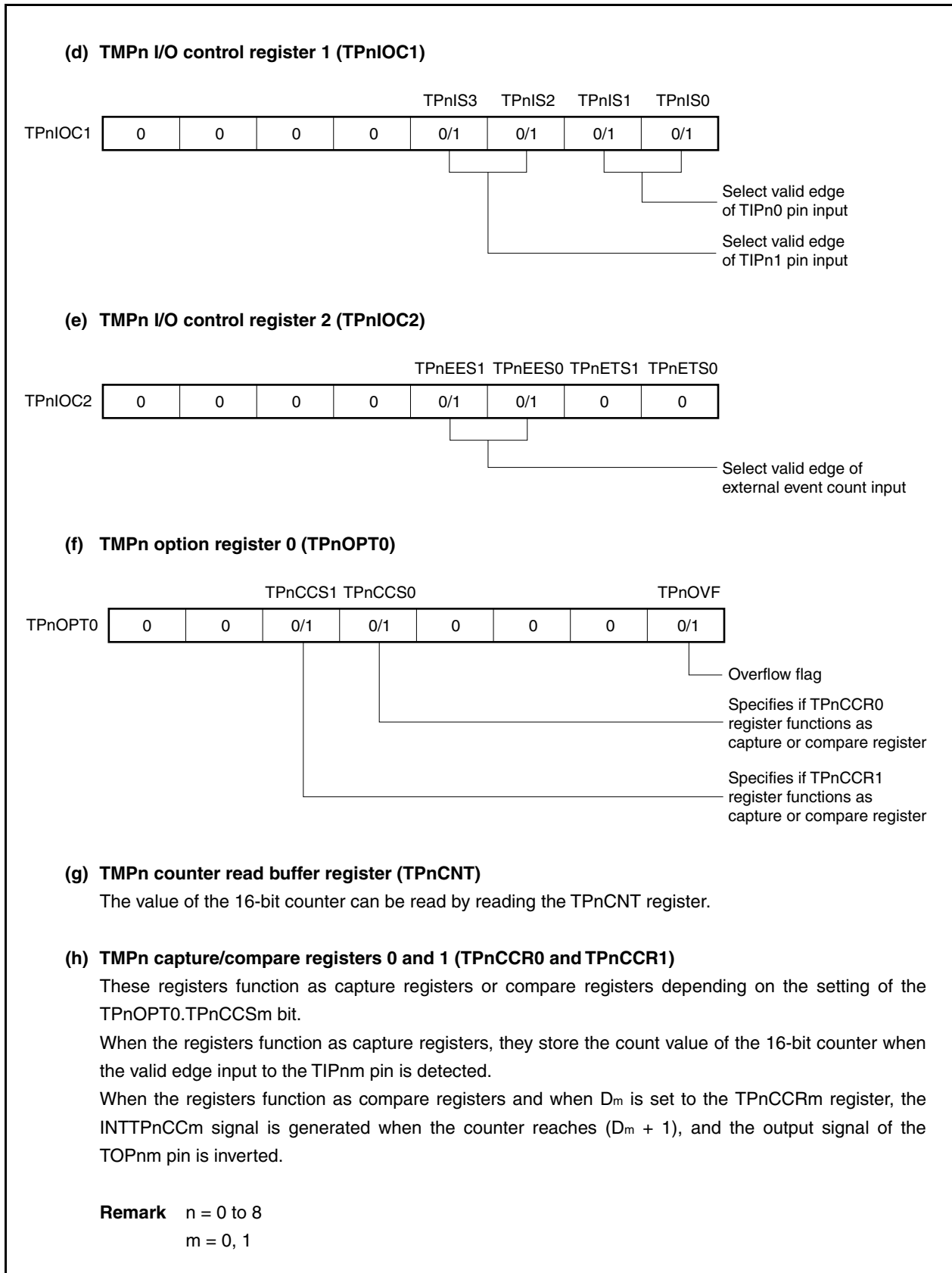


Figure 7-31. Register Setting in Free-Running Timer Mode (2/2)



(1) Operation flow in free-running timer mode

(a) When using capture/compare register as compare register

Figure 7-32. Software Processing Flow in Free-Running Timer Mode (Compare Function) (1/2)

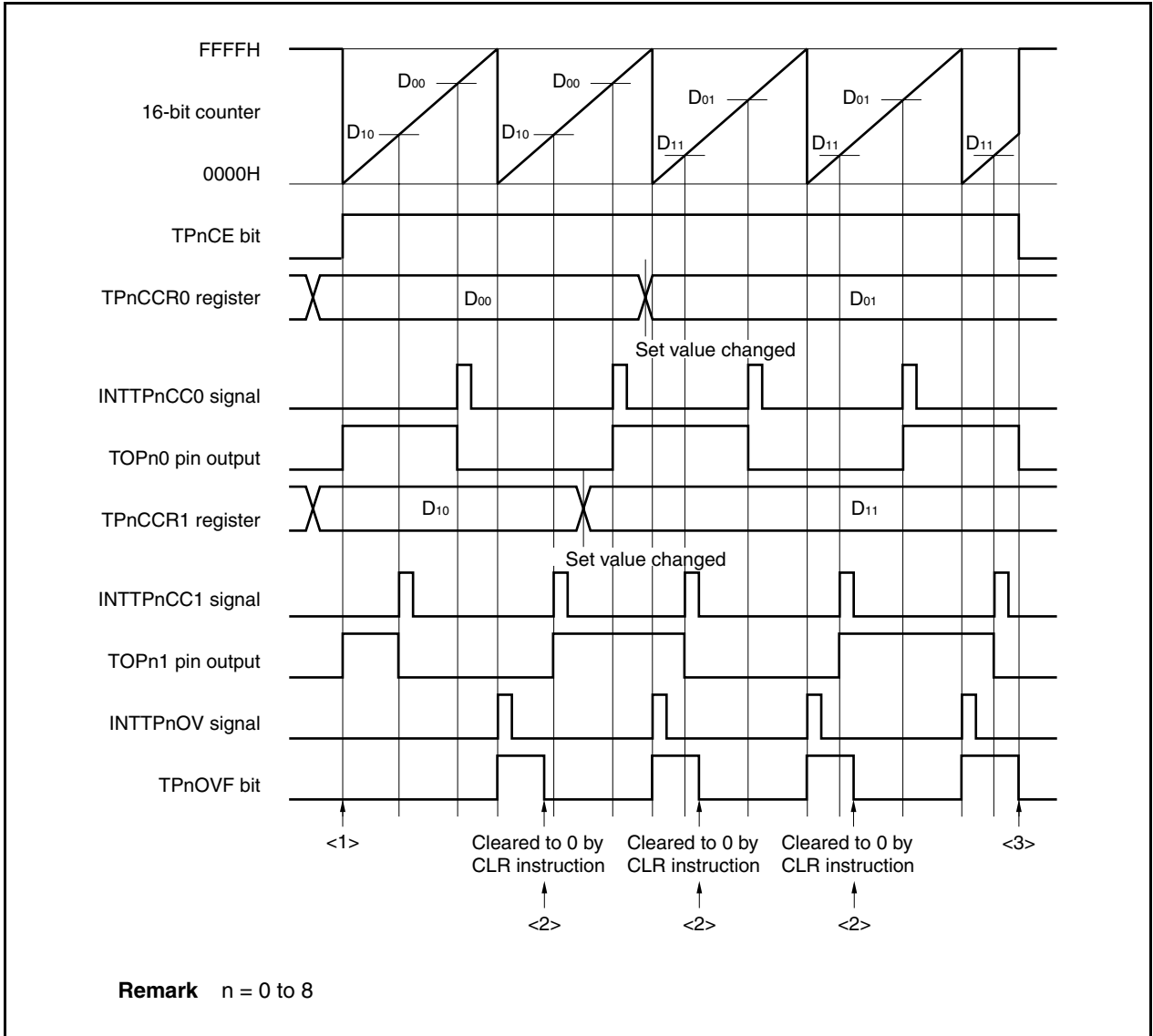
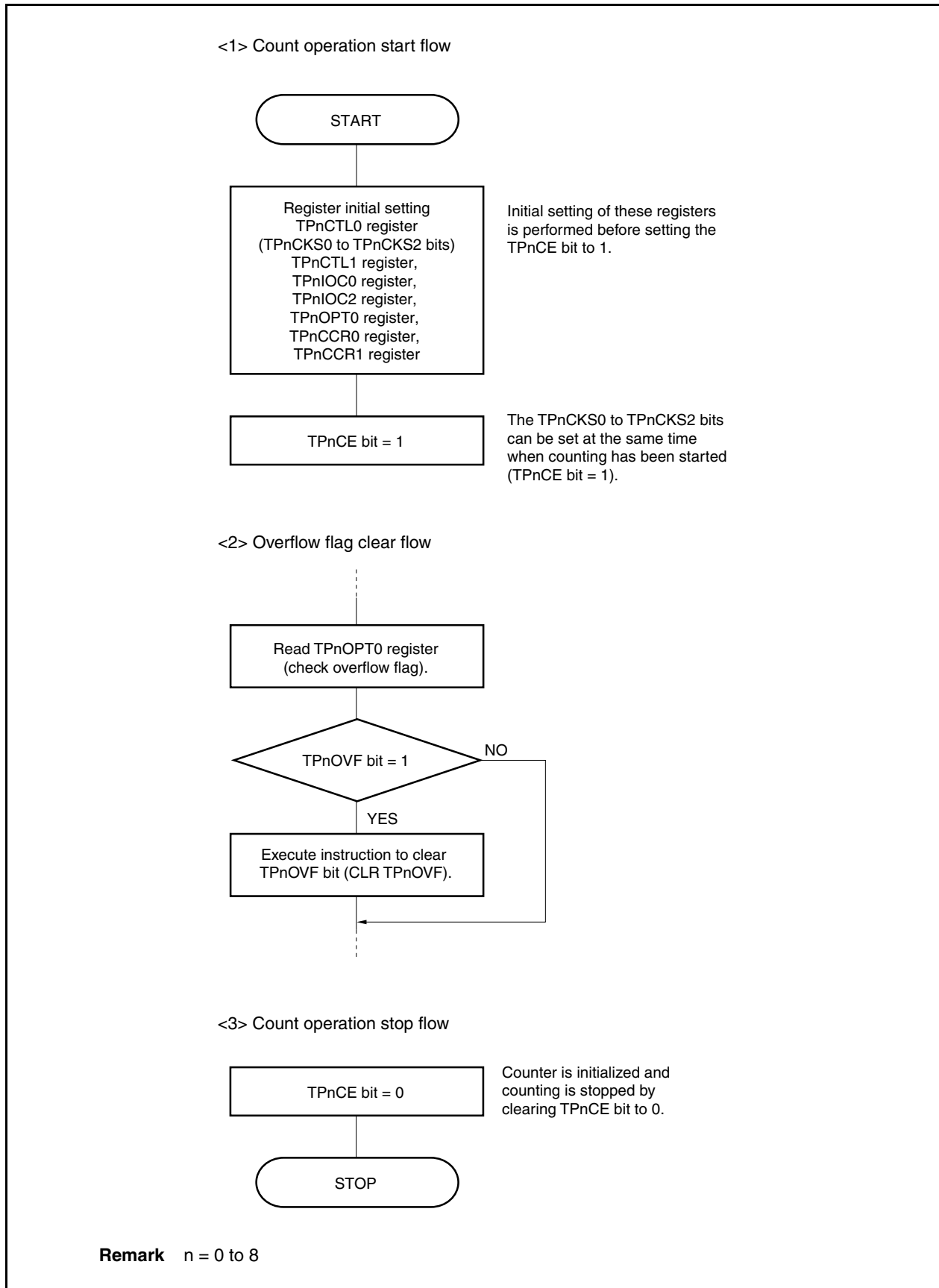


Figure 7-32. Software Processing Flow in Free-Running Timer Mode (Compare Function) (2/2)



(b) When using capture/compare register as capture register

Figure 7-33. Software Processing Flow in Free-Running Timer Mode (Capture Function) (1/2)

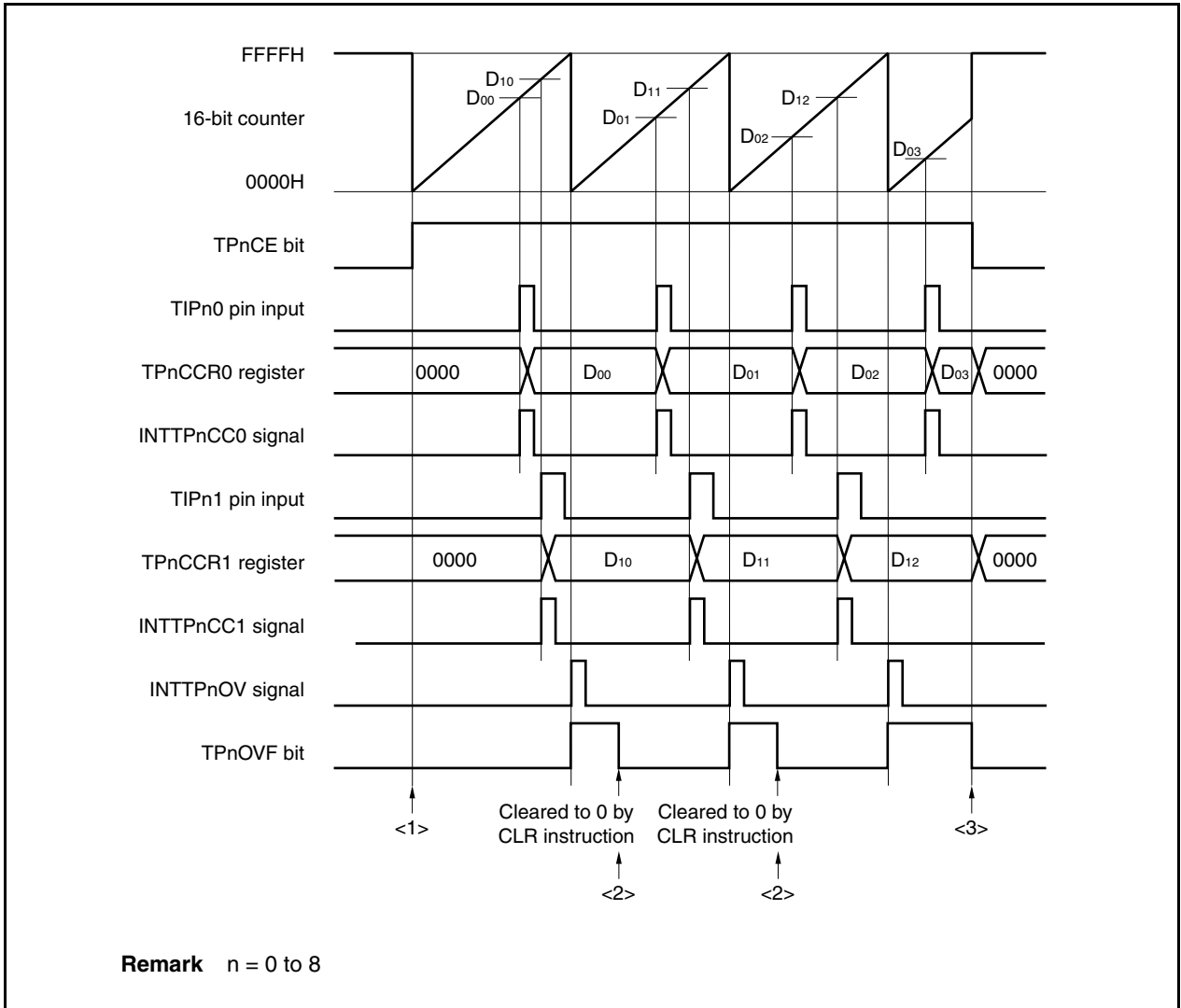
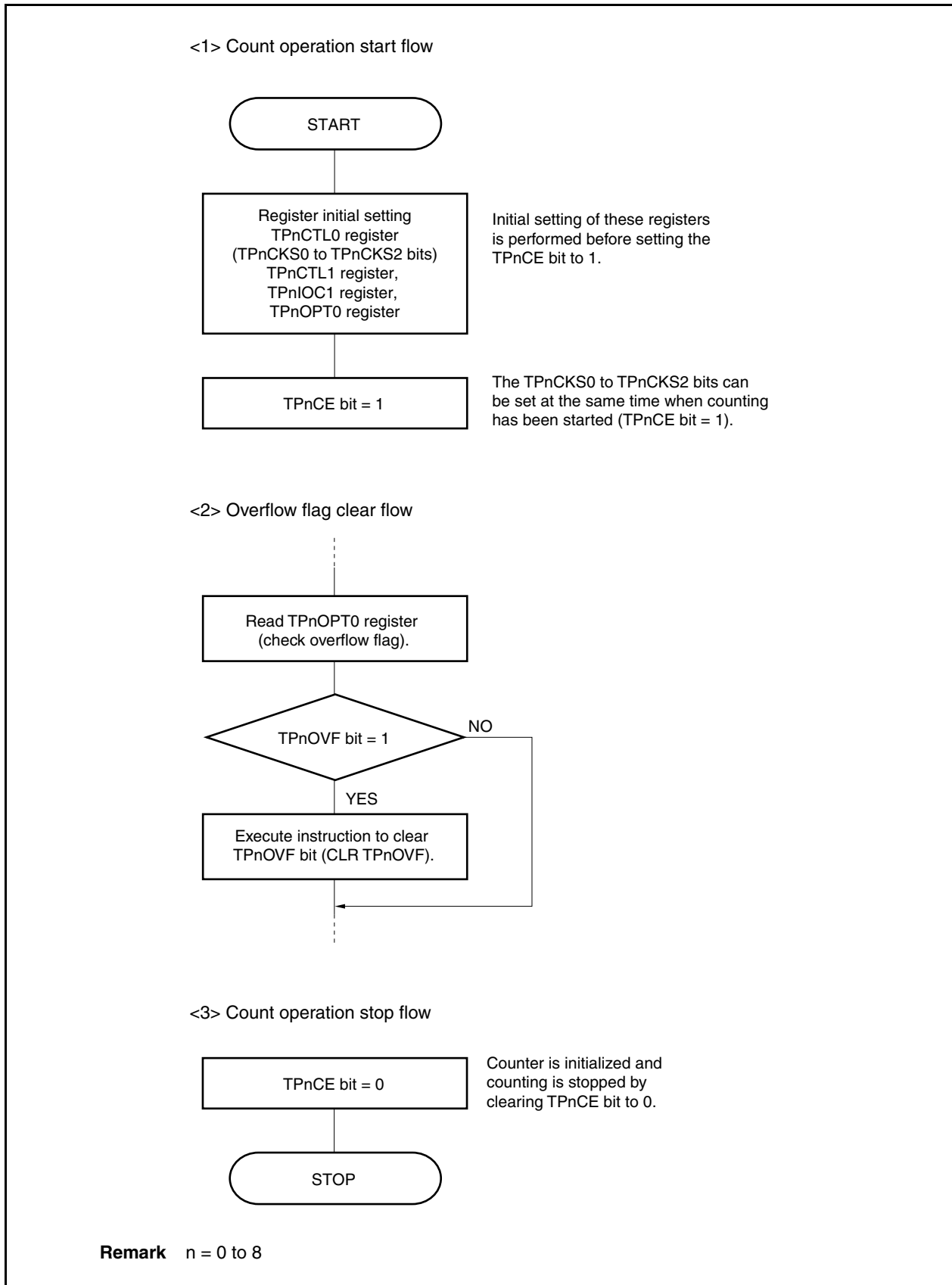


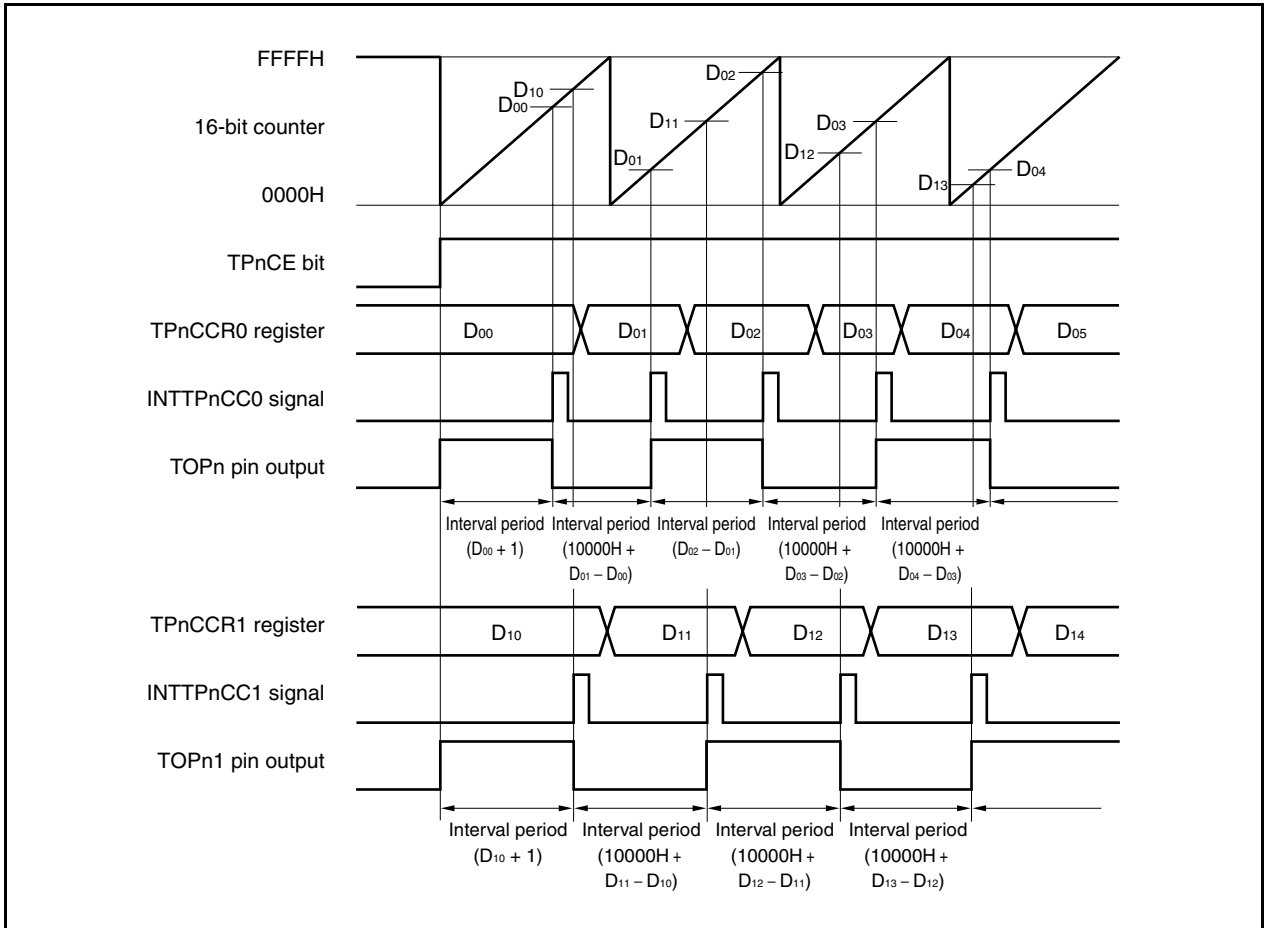
Figure 7-33. Software Processing Flow in Free-Running Timer Mode (Capture Function) (2/2)



(2) Operation timing in free-running timer mode

(a) Interval operation with compare register

When 16-bit timer/event counter P is used as an interval timer with the TPnCCRm register used as a compare register, software processing is necessary for setting a comparison value to generate the next interrupt request signal each time the INTTPnCCm signal has been detected.



When performing an interval operation in the free-running timer mode, two intervals can be set with one channel.

To perform the interval operation, the value of the corresponding TPnCCRm register must be re-set in the interrupt servicing that is executed when the INTTPnCCm signal is detected.

The set value for re-setting the TPnCCRm register can be calculated by the following expression, where "D_m" is the interval period.

Compare register default value: $D_m - 1$

Value set to compare register second and subsequent time: Previous set value + D_m

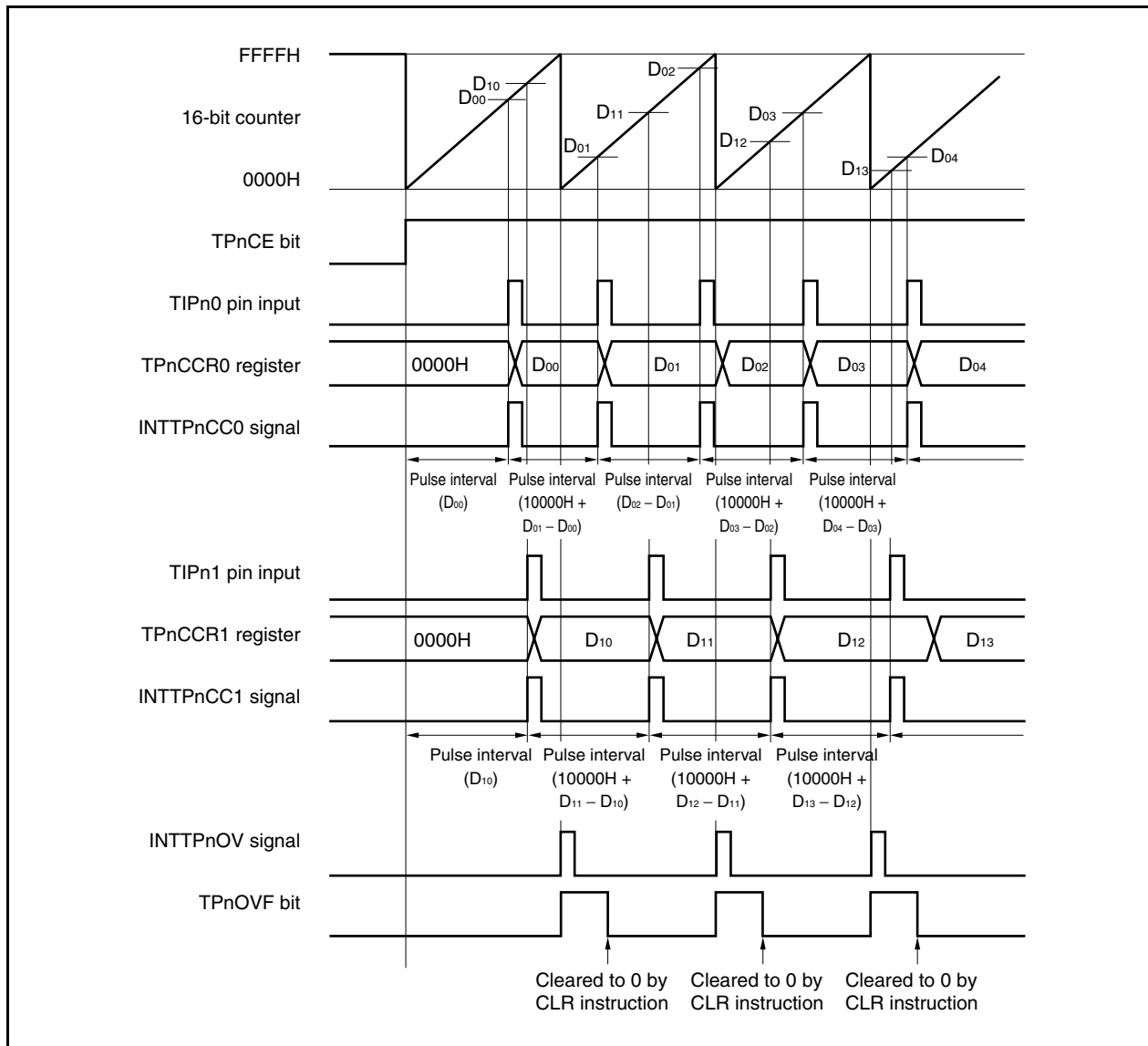
(If the calculation result is greater than FFFFH, subtract 10000H from the result and set this value to the register.)

Remark n = 0 to 8

m = 0, 1

(b) Pulse width measurement with capture register

When pulse width measurement is performed with the TPnCCRm register used as a capture register, software processing is necessary for reading the capture register each time the INTTPnCCm signal has been detected and for calculating an interval.



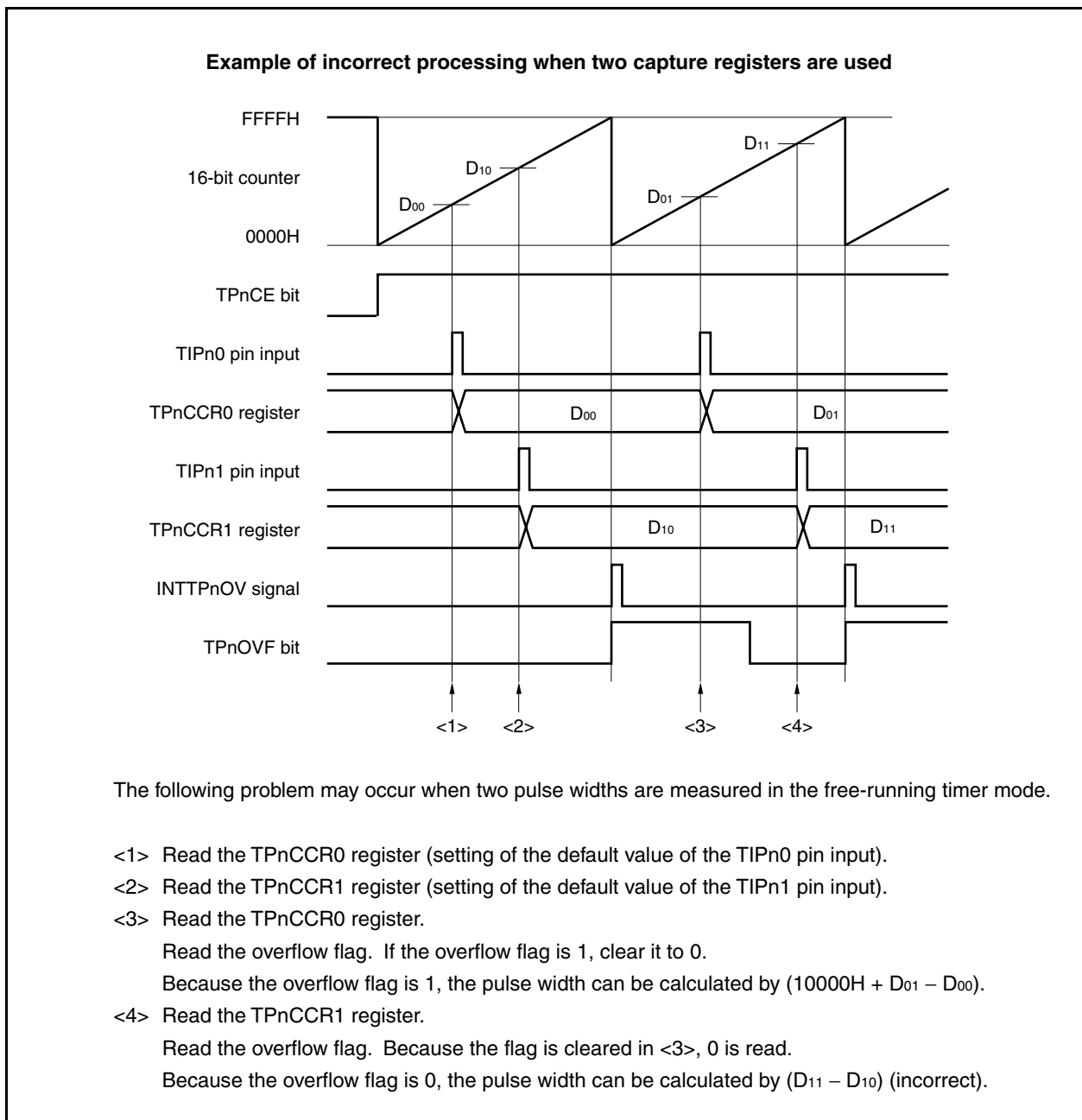
When executing pulse width measurement in the free-running timer mode, two pulse widths can be measured with one channel.

To measure a pulse width, the pulse width can be calculated by reading the value of the TPnCCRm register in synchronization with the INTTPnCCm signal, and calculating the difference between the read value and the previously read value.

Remark n = 0 to 8
m = 0, 1

(c) Processing of overflow when two capture registers are used

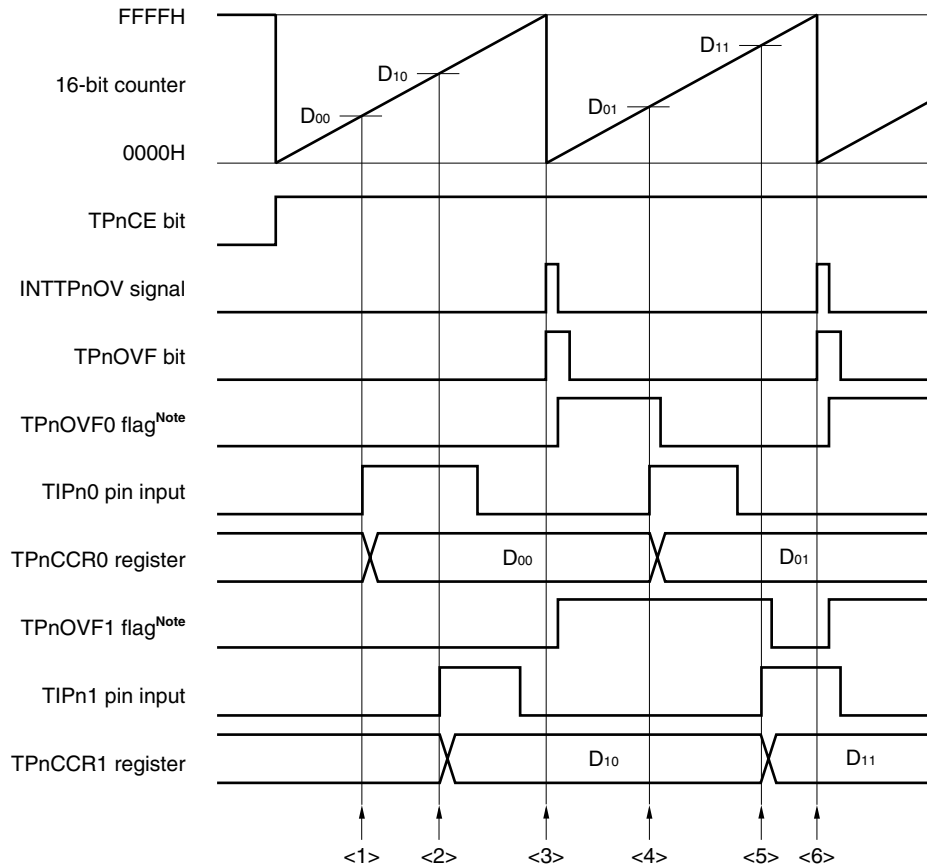
Care must be exercised in processing the overflow flag when two capture registers are used. First, an example of incorrect processing is shown below.



When two capture registers are used, and if the overflow flag is cleared to 0 by one capture register, the other capture register may not obtain the correct pulse width.

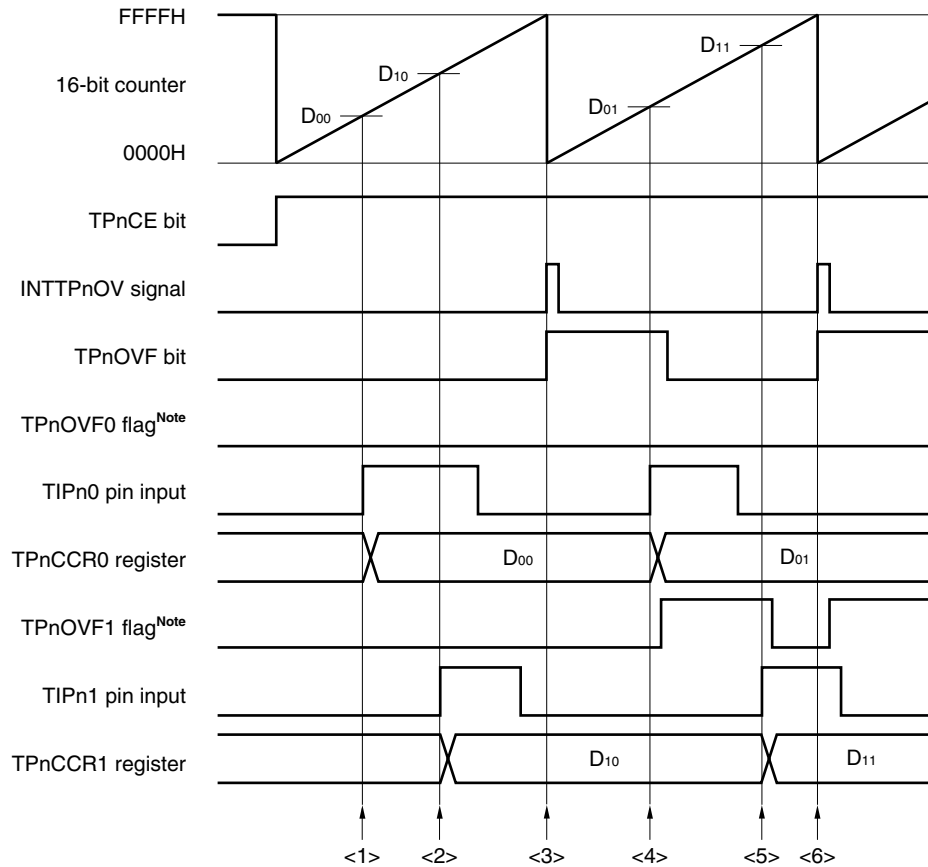
Use software when using two capture registers. An example of how to use software is shown below.

Example when two capture registers are used (using overflow interrupt)



Note The TPnOVF0 and TPnOVF1 flags are set on the internal RAM by software.

- <1> Read the TPnCCR0 register (setting of the default value of the TIPn0 pin input).
- <2> Read the TPnCCR1 register (setting of the default value of the TIPn1 pin input).
- <3> An overflow occurs. Set the TPnOVF0 and TPnOVF1 flags to 1 in the overflow interrupt servicing, and clear the overflow flag to 0.
- <4> Read the TPnCCR0 register.
Read the TPnOVF0 flag. If the TPnOVF0 flag is 1, clear it to 0.
Because the TPnOVF0 flag is 1, the pulse width can be calculated by $(10000H + D_{01} - D_{00})$.
- <5> Read the TPnCCR1 register.
Read the TPnOVF1 flag. If the TPnOVF1 flag is 1, clear it to 0 (the TPnOVF0 flag is cleared in <4>, and the TPnOVF1 flag remains 1).
Because the TPnOVF1 flag is 1, the pulse width can be calculated by $(10000H + D_{11} - D_{10})$ (correct).
- <6> Same as <3>

Example when two capture registers are used (without using overflow interrupt)

Note The TPnOVF0 and TPnOVF1 flags are set on the internal RAM by software.

<1> Read the TPnCCR0 register (setting of the default value of the TIPn0 pin input).

<2> Read the TPnCCR1 register (setting of the default value of the TIPn1 pin input).

<3> An overflow occurs. Nothing is done by software.

<4> Read the TPnCCR0 register.

Read the overflow flag. If the overflow flag is 1, set only the TPnOVF1 flag to 1, and clear the overflow flag to 0.

Because the overflow flag is 1, the pulse width can be calculated by $(10000H + D_{01} - D_{00})$.

<5> Read the TPnCCR1 register.

Read the overflow flag. Because the overflow flag is cleared in <4>, 0 is read.

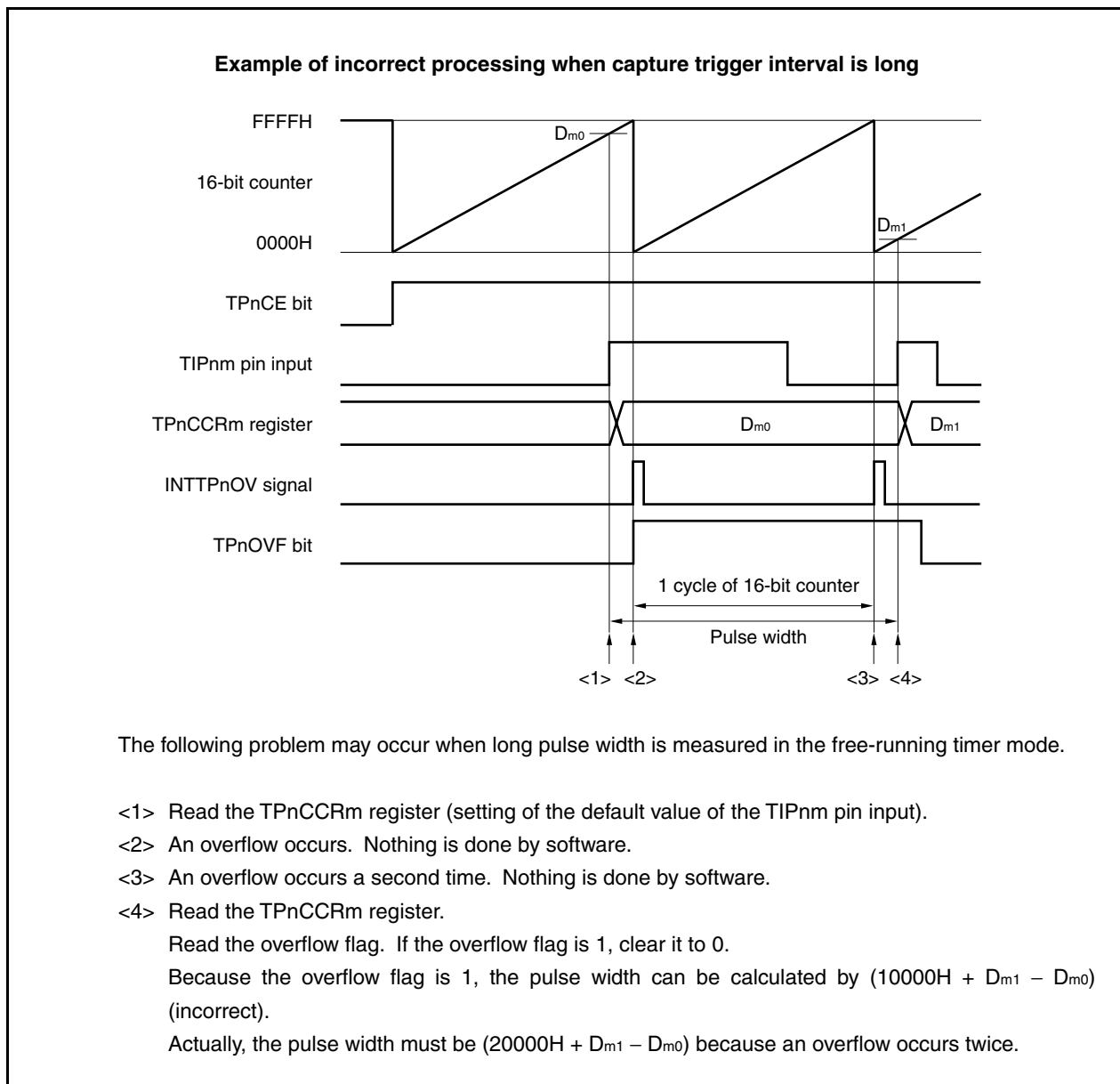
Read the TPnOVF1 flag. If the TPnOVF1 flag is 1, clear it to 0.

Because the TPnOVF1 flag is 1, the pulse width can be calculated by $(10000H + D_{11} - D_{10})$ (correct).

<6> Same as <3>

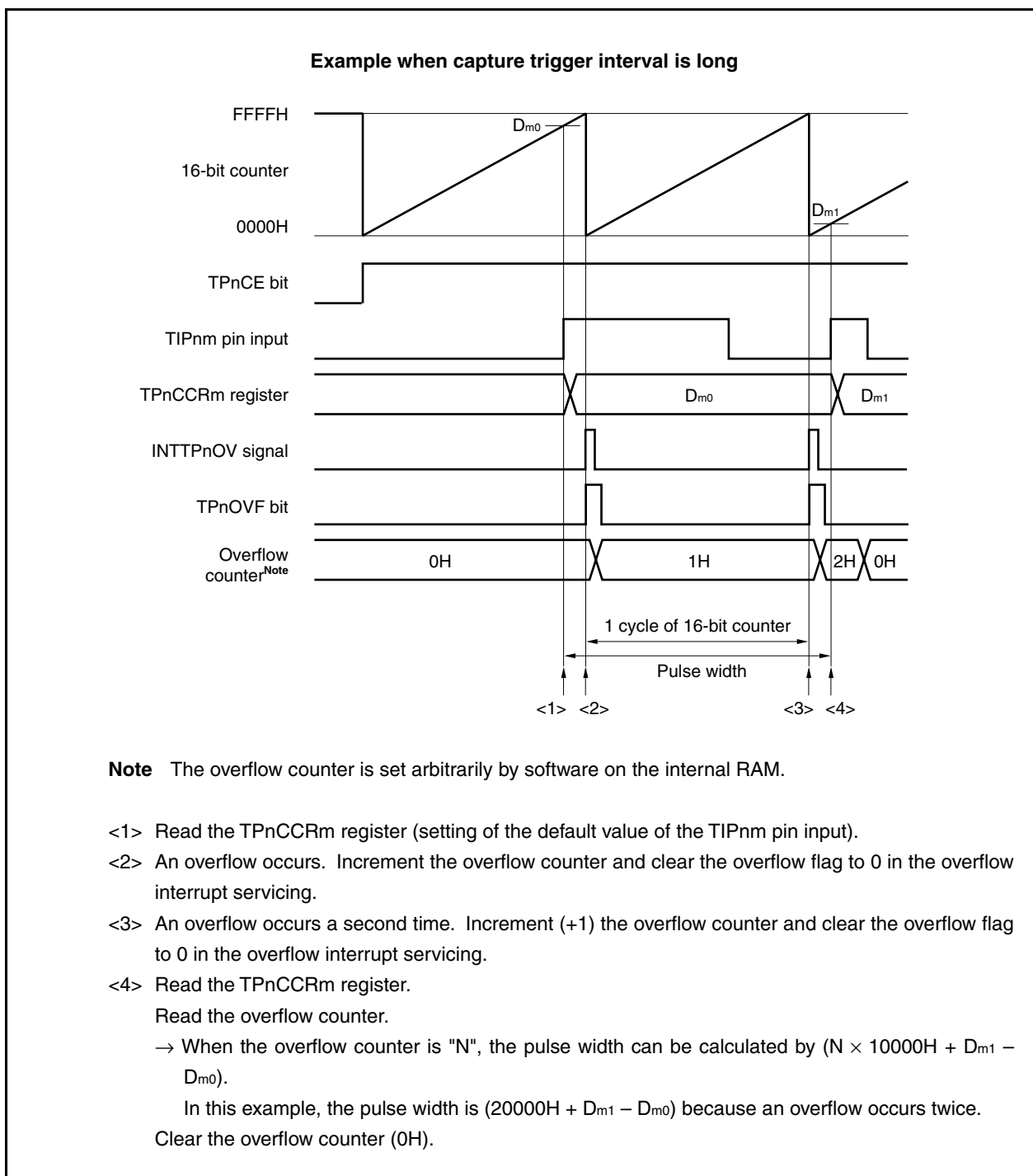
(d) Processing of overflow if capture trigger interval is long

If the pulse width is greater than one cycle of the 16-bit counter, care must be exercised because an overflow may occur more than once from the first capture trigger to the next. First, an example of incorrect processing is shown below.



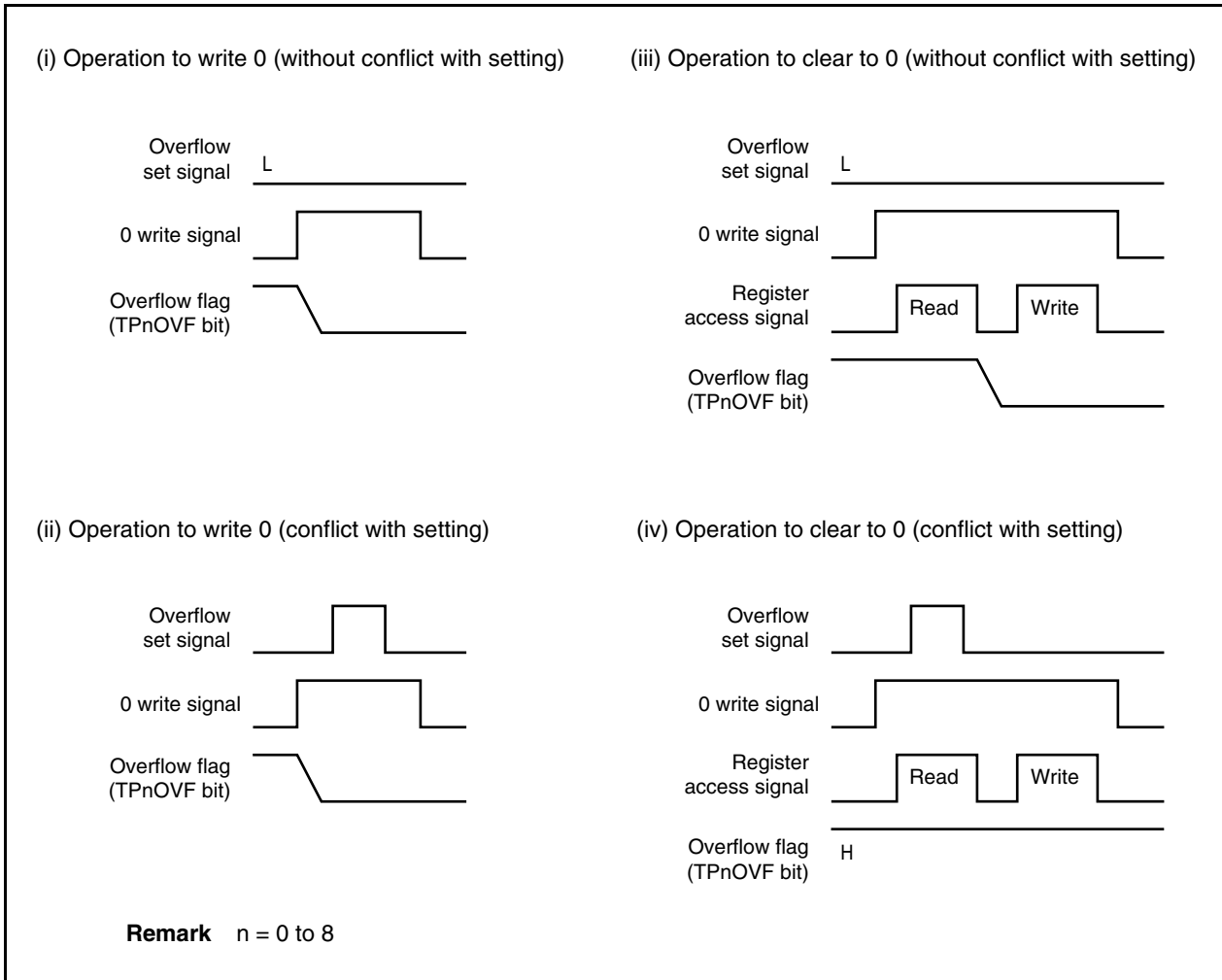
If an overflow occurs twice or more when the capture trigger interval is long, the correct pulse width may not be obtained.

If the capture trigger interval is long, slow the count clock to lengthen one cycle of the 16-bit counter, or use software. An example of how to use software is shown next.



(e) Clearing overflow flag

The overflow flag can be cleared to 0 by clearing the TPnOVF bit to 0 with the CLR instruction and by writing 8-bit data (bit 0 is 0) to the TPnOPT0 register. To accurately detect an overflow, read the TPnOVF bit when it is 1, and then clear the overflow flag by using a bit manipulation instruction.



To clear the overflow flag to 0, read the overflow flag to check if it is set to 1, and clear it with the CLR instruction. If 0 is written to the overflow flag without checking if the flag is 1, the set information of overflow may be erased by writing 0 ((ii) in the above chart). Therefore, software may judge that no overflow has occurred even when an overflow actually has occurred.

If execution of the CLR instruction conflicts with occurrence of an overflow when the overflow flag is cleared to 0 with the CLR instruction, the overflow flag remains set even after execution of the clear instruction.

7.5.7 Pulse width measurement mode (TPnMD2 to TPnMD0 bits = 110)

In the pulse width measurement mode, 16-bit timer/event counter P starts counting when the TPnCTL0.TPnCE bit is set to 1. Each time the valid edge input to the TIPnm pin has been detected, the count value of the 16-bit counter is stored in the TPnCCRm register, and the 16-bit counter is cleared to 0000H.

The interval of the valid edge can be measured by reading the TPnCCRm register after a capture interrupt request signal (INTTPnCCm) occurs.

Select either the TIPn0 or TIPn1 pin as the capture trigger input pin. Specify "No edge detected" by using the TPnIOC1 register for the unused pins.

When an external clock is used as the count clock, measure the pulse width of the TIPn1 pin because the external clock is fixed to the TIPn0 pin. At this time, clear the TPnIOC1.TPnIS1 and TPnIOC1.TPnIS0 bits to 00 (capture trigger input (TIPn0 pin): No edge detected).

Figure 7-34. Configuration in Pulse Width Measurement Mode

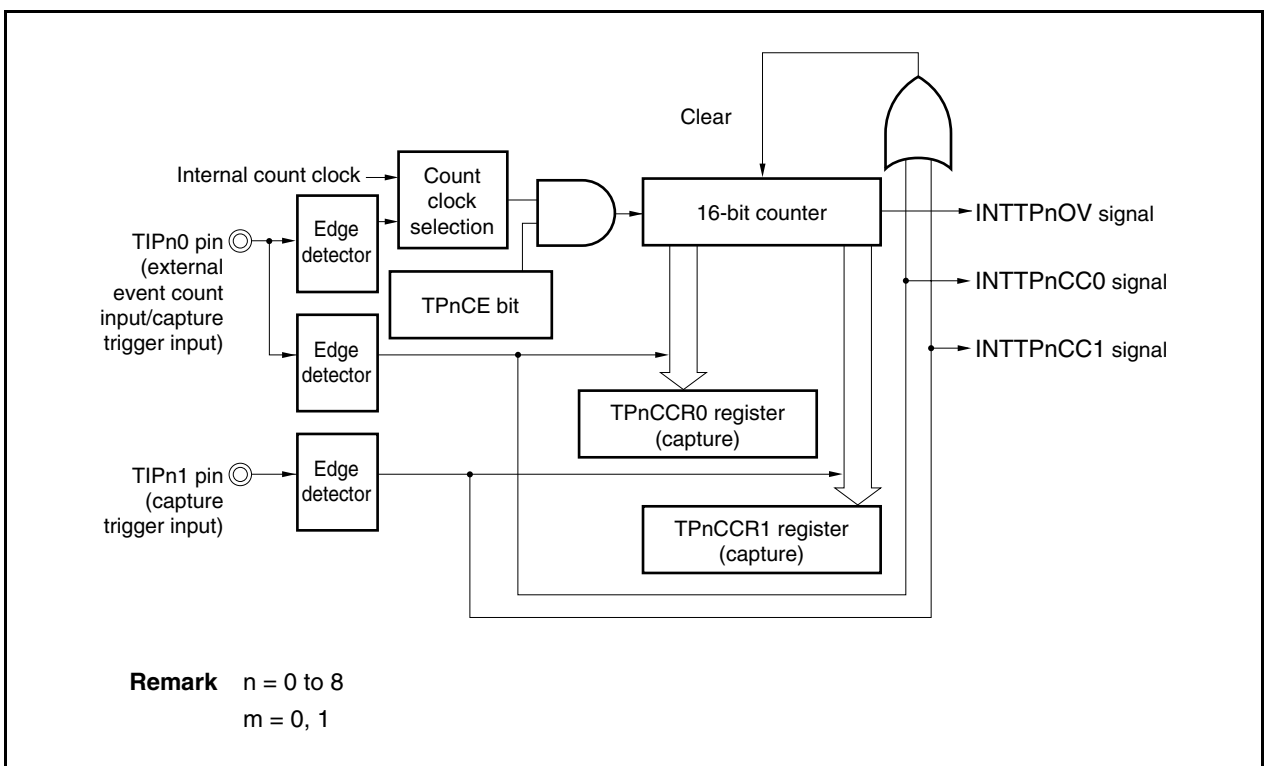
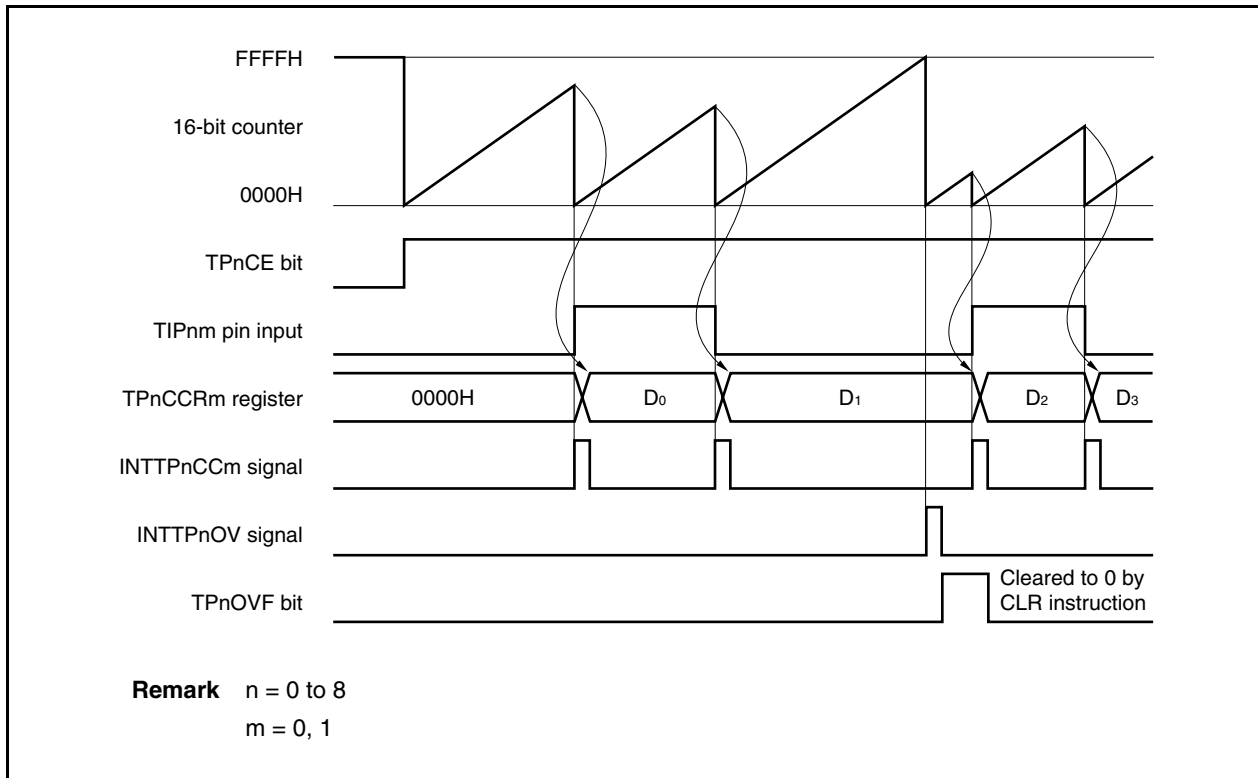


Figure 7-35. Basic Timing in Pulse Width Measurement Mode



When the TPnCE bit is set to 1, the 16-bit counter starts counting. When the valid edge input to the TIPnm pin is later detected, the count value of the 16-bit counter is stored in the TPnCCRm register, the 16-bit counter is cleared to 0000H, and a capture interrupt request signal (INTTPnCCm) is generated.

The pulse width is calculated as follows.

$$\text{Pulse width} = \text{Captured value} \times \text{Count clock cycle}$$

If the valid edge is not input to the TIPnm pin even when the 16-bit counter counted up to FFFFH, an overflow interrupt request signal (INTTPnOV) is generated at the next count clock, and the counter is cleared to 0000H and continues counting. At this time, the overflow flag (TPnOPT0.TPnOVF bit) is also set to 1. Clear the overflow flag to 0 by executing the CLR instruction via software.

If the overflow flag is set to 1, the pulse width can be calculated as follows.

$$\text{Pulse width} = (10000\text{H} \times \text{TPnOVF bit set (1) count} + \text{Captured value}) \times \text{Count clock cycle}$$

Remark n = 0 to 8
m = 0, 1

Figure 7-36. Register Setting in Pulse Width Measurement Mode (1/2)

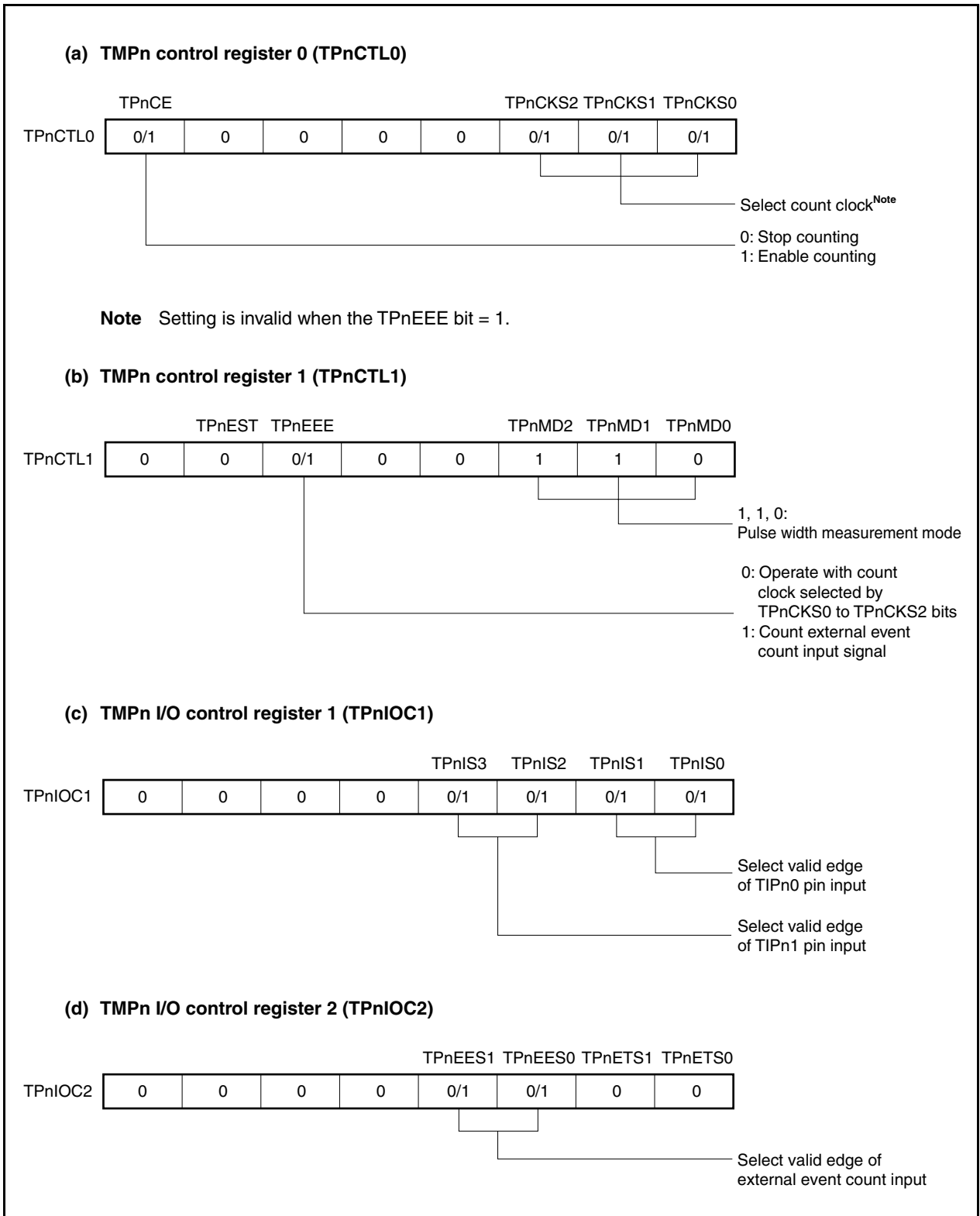
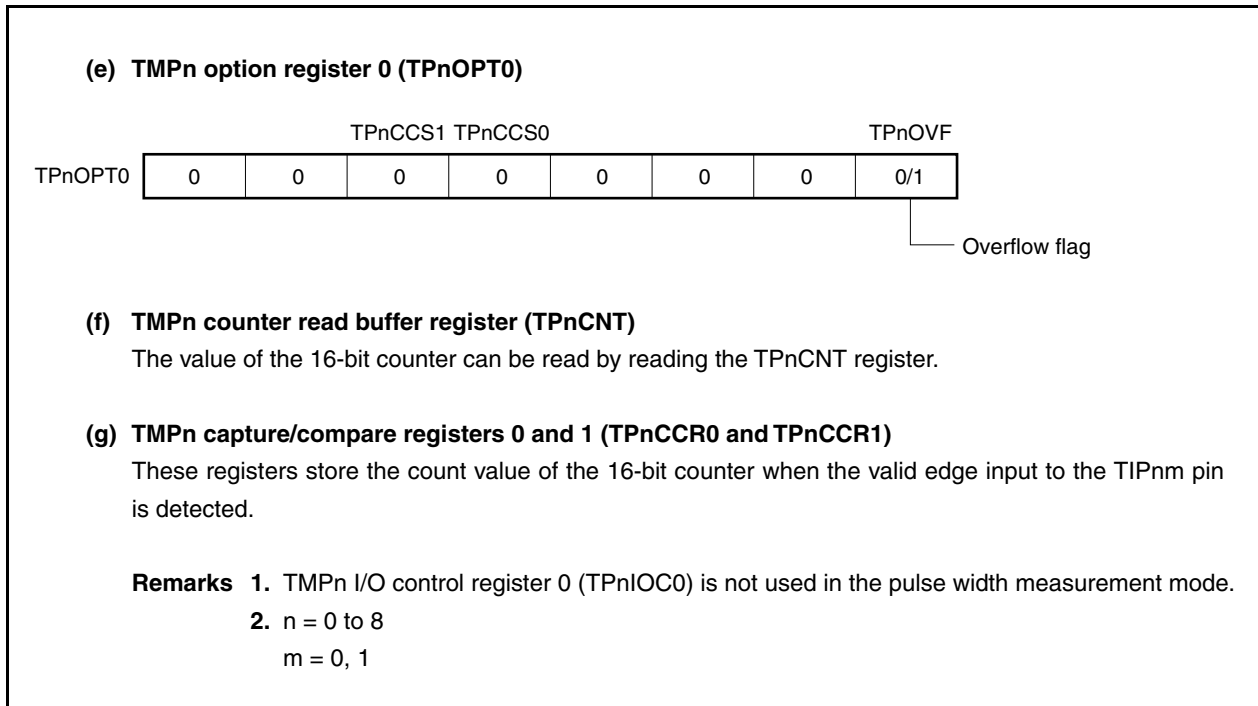
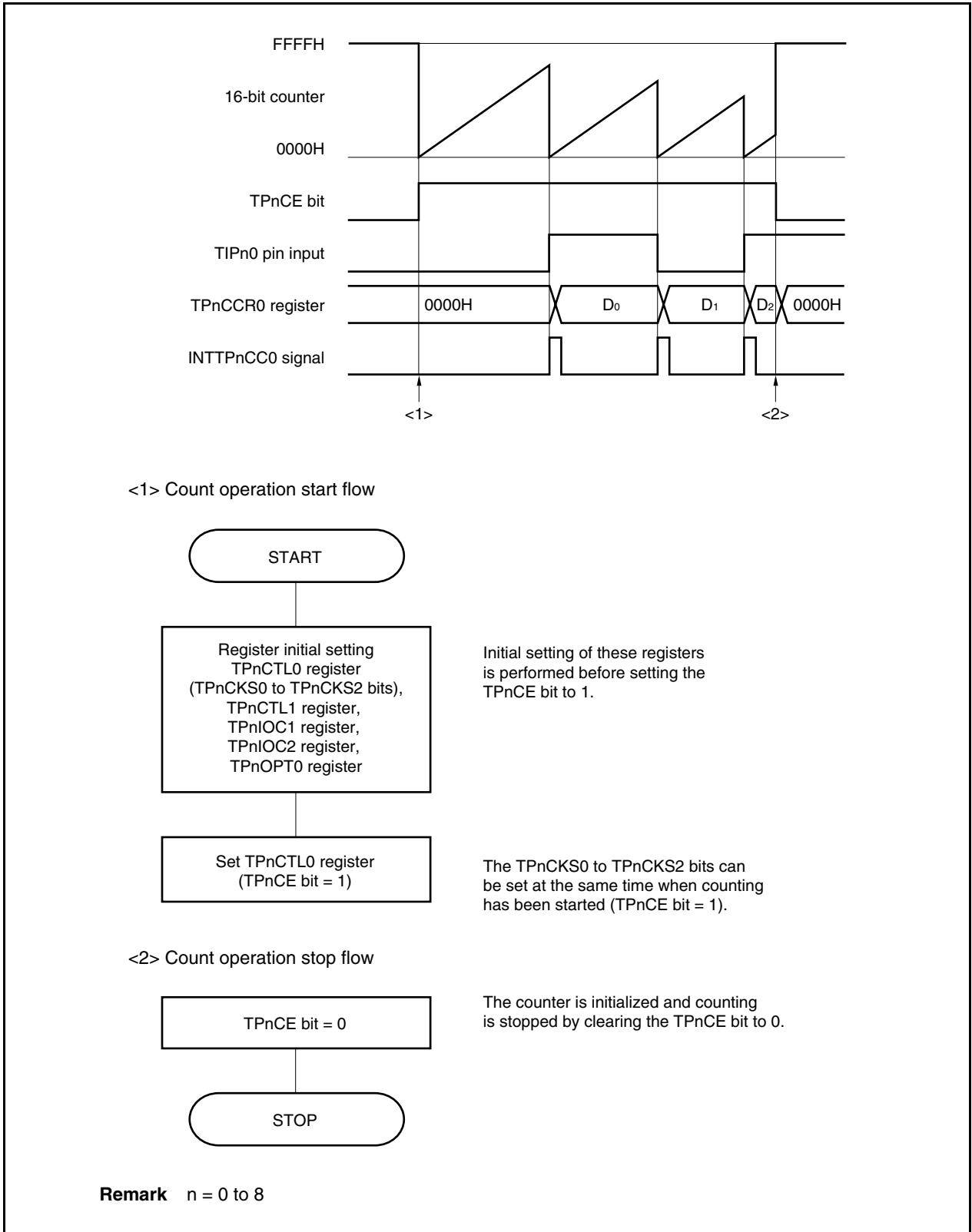


Figure 7-36. Register Setting in Pulse Width Measurement Mode (2/2)



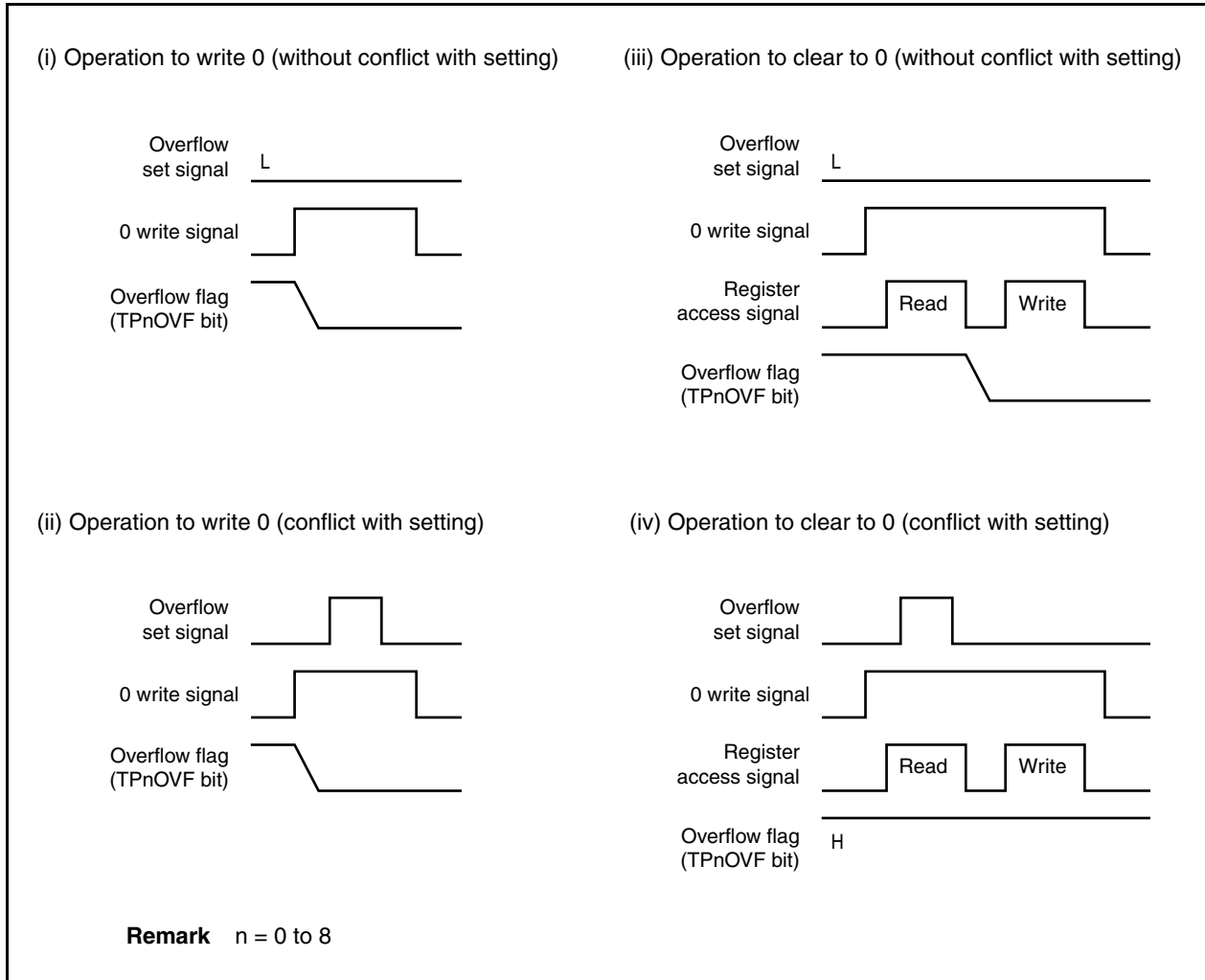
(1) Operation flow in pulse width measurement mode

Figure 7-37. Software Processing Flow in Pulse Width Measurement Mode



(2) Operation timing in pulse width measurement mode**(a) Clearing overflow flag**

The overflow flag can be cleared to 0 by clearing the TPnOVF bit to 0 with the CLR instruction and by writing 8-bit data (bit 0 is 0) to the TPnOPT0 register. To accurately detect an overflow, read the TPnOVF bit when it is 1, and then clear the overflow flag by using a bit manipulation instruction.



To clear the overflow flag to 0, read the overflow flag to check if it is set to 1, and clear it with the CLR instruction. If 0 is written to the overflow flag without checking if the flag is 1, the set information of overflow may be erased by writing 0 ((ii) in the above chart). Therefore, software may judge that no overflow has occurred even when an overflow actually has occurred.

If execution of the CLR instruction conflicts with occurrence of an overflow when the overflow flag is cleared to 0 with the CLR instruction, the overflow flag remains set even after execution of the clear instruction.

7.5.8 Timer output operations

The following table shows the operations and output levels of the TOPn0 and TOPn1 pins.

Table 7-4. Timer Output Control in Each Mode

Operation Mode	TOPn1 Pin	TOPn0 Pin
Interval timer mode	Square wave output	
External event count mode	Square wave output	–
External trigger pulse output mode	External trigger pulse output	Square wave output
One-shot pulse output mode	One-shot pulse output	
PWM output mode	PWM output	
Free-running timer mode	Square wave output (only when compare function is used)	
Pulse width measurement mode	–	

Remark n = 0 to 8

Table 7-5. Truth Table of TOPn0 and TOPn1 Pins Under Control of Timer Output Control Bits

TPnIOC0.TPnOLm Bit	TPnIOC0.TPnOEm Bit	TPnCTL0.TPnCE Bit	Level of TOPnm Pin
0	0	×	Low-level output
	1	0	Low-level output
		1	Low level immediately before counting, high level after counting is started
1	0	×	High-level output
	1	0	High-level output
		1	High level immediately before counting, low level after counting is started

Remark n = 0 to 8
m = 0, 1

7.6 Selector Function

In the V850ES/JJ2, the capture trigger input for TMP1/TMP3 can be selected from the input signal via the port/timer alternate-function pin (TIP10/TIP11/TIP31) and the peripheral I/O (TMP/UARTA) input signal via the UARTA reception alternate-function pin (RXDA0/RXDA1/RXDA3).

This function makes the following possible.

- The TIP10 and TIP11 input signals for TMP1 can be selected from the signals via the port/timer alternate-function pins (TIP10 and TIP11) and the signals via the UARTA reception alternate-function pins (RXDA0 and RXDA1). Similarly, the TIP31 input signal for TMP3 can be selected from the signal via the port/timer alternate-function pin (TIP31) and the signal via the UARTA reception alternate-function pin (RXDA3).
→ When the RXDA0, RXDA1, or RXDA3 signal for UARTA0, for UARTA1, or UARTA3 is selected, the baud rate error of the UARTA LIN reception transfer rate can be calculated.

Cautions 1. When using the selector function, be sure to set the port/timer alternate function pins for TMP to be connected to the capture trigger input.

- 2. Disable the peripheral I/Os to be connected (TMP/UARTA) before setting the selector function.**

The capture trigger input can be selected using the following register.

(1) Selector operation control register 0 (SELCNT0)

The SELCNT0 register is an 8-bit register that selects the capture trigger for TMP1 and TMP3.

This register can be read or written in 8-bit or 1-bit units.

Reset sets this register to 00H.

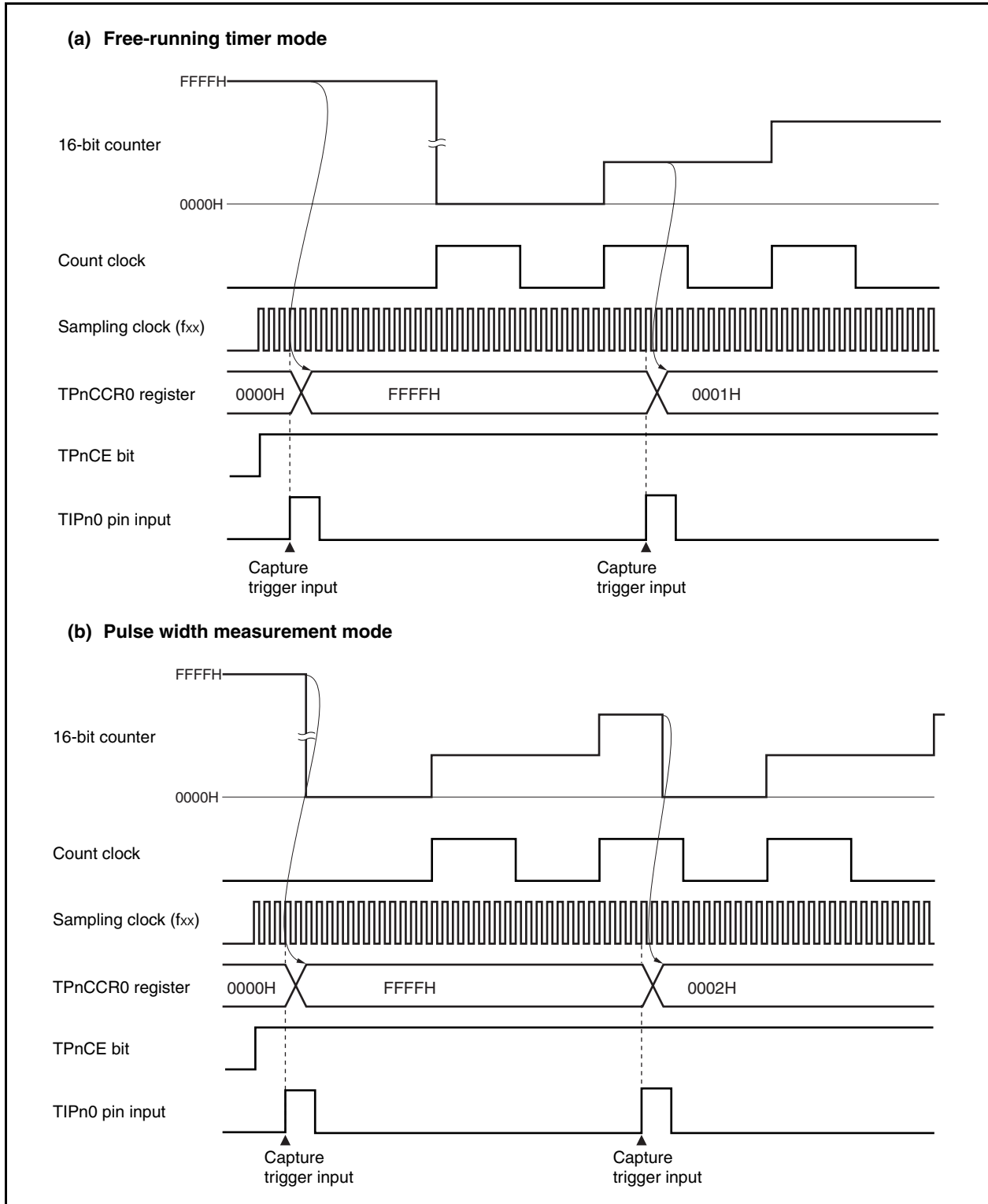
After reset: 00H	R/W	Address: FFFFF308H												
SELCNT0	7	<6>	5	<4>	<3>	2	1	0						
	0	ISEL6	0	ISEL4	ISEL3	0	0	0						
<table border="1" style="border-collapse: collapse; width: 100%;"> <tr> <td style="width: 10%; text-align: center;">ISEL6</td> <td style="text-align: center;">Selection of TIP31 input signal (TMP3)</td> </tr> <tr> <td style="text-align: center;">0</td> <td>TIP31 pin input</td> </tr> <tr> <td style="text-align: center;">1</td> <td>RXDA3 pin input</td> </tr> </table>									ISEL6	Selection of TIP31 input signal (TMP3)	0	TIP31 pin input	1	RXDA3 pin input
ISEL6	Selection of TIP31 input signal (TMP3)													
0	TIP31 pin input													
1	RXDA3 pin input													
<table border="1" style="border-collapse: collapse; width: 100%;"> <tr> <td style="width: 10%; text-align: center;">ISEL4</td> <td style="text-align: center;">Selection of TIP11 input signal (TMP1)</td> </tr> <tr> <td style="text-align: center;">0</td> <td>TIP11 pin input</td> </tr> <tr> <td style="text-align: center;">1</td> <td>RXDA1 pin input</td> </tr> </table>									ISEL4	Selection of TIP11 input signal (TMP1)	0	TIP11 pin input	1	RXDA1 pin input
ISEL4	Selection of TIP11 input signal (TMP1)													
0	TIP11 pin input													
1	RXDA1 pin input													
<table border="1" style="border-collapse: collapse; width: 100%;"> <tr> <td style="width: 10%; text-align: center;">ISEL3</td> <td style="text-align: center;">Selection of TIP10 input signal (TMP1)</td> </tr> <tr> <td style="text-align: center;">0</td> <td>TIP10 pin input</td> </tr> <tr> <td style="text-align: center;">1</td> <td>RXDA0 pin input</td> </tr> </table>									ISEL3	Selection of TIP10 input signal (TMP1)	0	TIP10 pin input	1	RXDA0 pin input
ISEL3	Selection of TIP10 input signal (TMP1)													
0	TIP10 pin input													
1	RXDA0 pin input													

- Cautions**
1. When setting the ISEL3, ISEL4, or ISEL6 bit to 1, be sure to set the corresponding alternate-function pin to the capture trigger input.
 2. Be sure to clear bits 7, 5, 2, 1, and 0 to “0”.

7.7 Cautions

(1) Capture operation

When the capture operation is used and a slow clock is selected as the count clock, FFFFH, not 0000H, may be captured in the TPnCCR0 and TPnCCR1 registers if the capture trigger is input immediately after the TPnCE bit is set to 1.



CHAPTER 8 16-BIT TIMER/EVENT COUNTER Q (TMQ)

Timer Q (TMQ) is a 16-bit timer/event counter.
The V850ES/JJ2 incorporates TMQ0.

8.1 Overview

An outline of TMQ0 is shown below.

- Clock selection: 8 ways
- Capture/trigger input pins: 4
- External event count input pins: 1
- External trigger input pins: 1
- Timer/counters: 1
- Capture/compare registers: 4
- Capture/compare match interrupt request signals: 4
- Timer output pins: 4

8.2 Functions

TMQ0 has the following functions.

- Interval timer
- External event counter
- External trigger pulse output
- One-shot pulse output
- PWM output
- Free-running timer
- Pulse width measurement

8.3 Configuration

TMQ0 includes the following hardware.

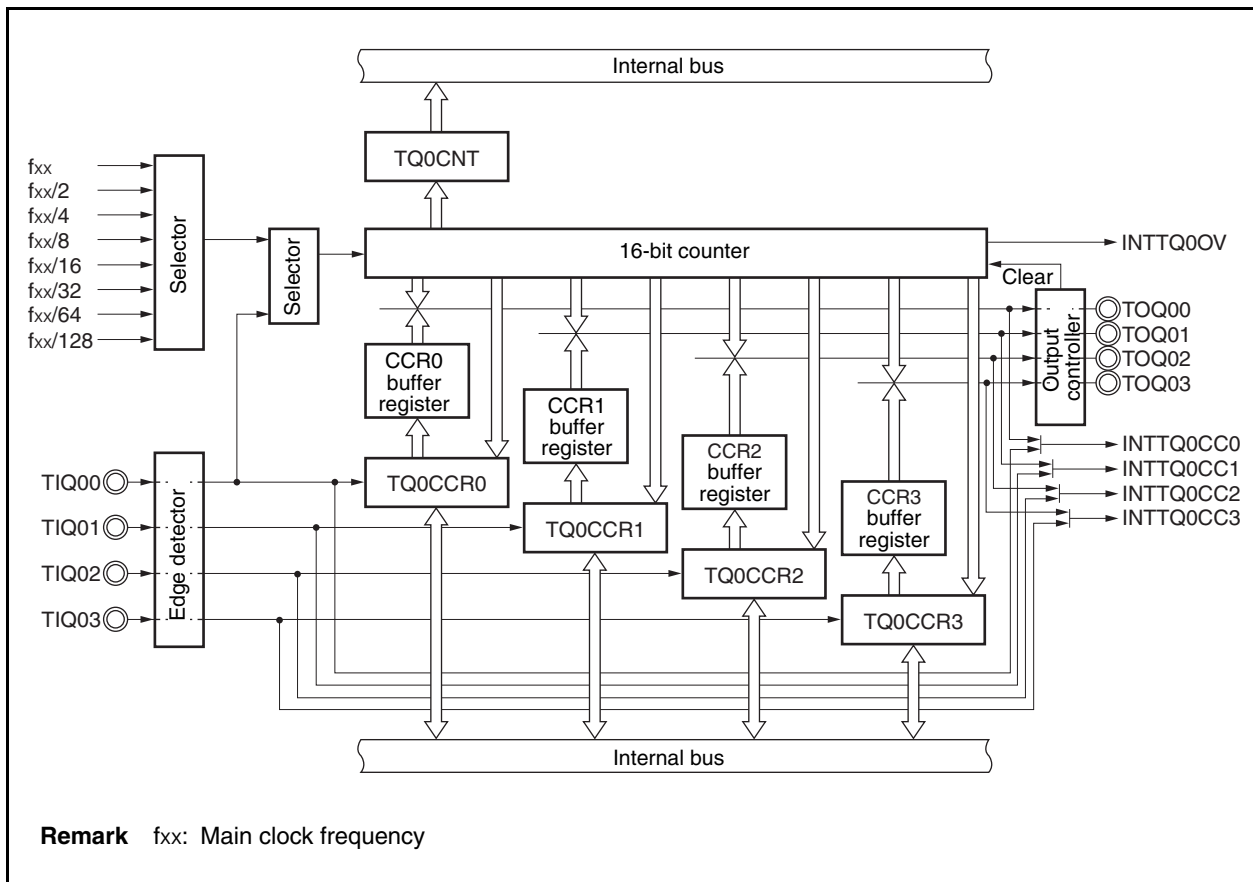
Table 8-1. Configuration of TMQ0

Item	Configuration
Timer register	16-bit counter
Registers	TMQ0 capture/compare registers 0 to 3 (TQ0CCR0 to TQ0CCR3) TMQ0 counter read buffer register (TQ0CNT) CCR0 to CCR3 buffer registers
Timer inputs	4 (TIQ00 ^{Note 1} to TIQ03 pins)
Timer outputs	4 (TOQ00 to TOQ03 pins)
Control registers ^{Note 2}	TMQ0 control registers 0, 1 (TQ0CTL0, TQ0CTL1) TMQ0 I/O control registers 0 to 2 (TQ0IOC0 to TQ0IOC2) TMQ0 option register 0 (TQ0OPT0)

Notes 1. The TIQ00 pin functions alternately as a capture trigger input signal, external event count input signal, and external trigger input signal.

2. When using the functions of the TIQ00 to TIQ03 and TOQ00 to TOQ03 pins, see **Table 4-19 Using Port Pins as Alternate-Function Pins.**

Figure 8-1. Block Diagram of TMQ0



(1) 16-bit counter

This 16-bit counter can count internal clocks or external events.

The count value of this counter can be read by using the TQ0CNT register.

When the TQ0CTL0.TQ0CE bit = 0, the value of the 16-bit counter is FFFFH. If the TQ0CNT register is read at this time, 0000H is read.

Reset sets the TQ0CE bit to 0. Therefore, the 16-bit counter is set to FFFFH.

(2) CCR0 buffer register

This is a 16-bit compare register that compares the count value of the 16-bit counter.

When the TQ0CCR0 register is used as a compare register, the value written to the TQ0CCR0 register is transferred to the CCR0 buffer register. When the count value of the 16-bit counter matches the value of the CCR0 buffer register, a compare match interrupt request signal (INTTQ0CC0) is generated.

The CCR0 buffer register cannot be read or written directly.

The CCR0 buffer register is cleared to 0000H after reset, as the TQ0CCR0 register is cleared to 0000H.

(3) CCR1 buffer register

This is a 16-bit compare register that compares the count value of the 16-bit counter.

When the TQ0CCR1 register is used as a compare register, the value written to the TQ0CCR1 register is transferred to the CCR1 buffer register. When the count value of the 16-bit counter matches the value of the CCR1 buffer register, a compare match interrupt request signal (INTTQ0CC1) is generated.

The CCR1 buffer register cannot be read or written directly.

The CCR1 buffer register is cleared to 0000H after reset, as the TQ0CCR1 register is cleared to 0000H.

(4) CCR2 buffer register

This is a 16-bit compare register that compares the count value of the 16-bit counter.

When the TQ0CCR2 register is used as a compare register, the value written to the TQ0CCR2 register is transferred to the CCR2 buffer register. When the count value of the 16-bit counter matches the value of the CCR2 buffer register, a compare match interrupt request signal (INTTQ0CC2) is generated.

The CCR2 buffer register cannot be read or written directly.

The CCR2 buffer register is cleared to 0000H after reset, as the TQ0CCR2 register is cleared to 0000H.

(5) CCR3 buffer register

This is a 16-bit compare register that compares the count value of the 16-bit counter.

When the TQ0CCR3 register is used as a compare register, the value written to the TQ0CCR3 register is transferred to the CCR3 buffer register. When the count value of the 16-bit counter matches the value of the CCR3 buffer register, a compare match interrupt request signal (INTTQ0CC3) is generated.

The CCR3 buffer register cannot be read or written directly.

The CCR3 buffer register is cleared to 0000H after reset, as the TQ0CCR3 register is cleared to 0000H.

(6) Edge detector

This circuit detects the valid edges input to the TIQ00 and TIQ03 pins. No edge, rising edge, falling edge, or both the rising and falling edges can be selected as the valid edge by using the TQ0IOC1 and TQ0IOC2 registers.

(7) Output controller

This circuit controls the output of the TOQ00 to TOQ03 pins. The output controller is controlled by the TQ0IOC0 register.

(8) Selector

This selector selects the count clock for the 16-bit counter. Eight types of internal clocks or an external event can be selected as the count clock.

8.4 Registers

The registers that control TMQ0 are as follows.

- TMQ0 control register 0 (TQ0CTL0)
- TMQ0 control register 1 (TQ0CTL1)
- TMQ0 I/O control register 0 (TQ0IOC0)
- TMQ0 I/O control register 1 (TQ0IOC1)
- TMQ0 I/O control register 2 (TQ0IOC2)
- TMQ0 option register 0 (TQ0OPT0)
- TMQ0 capture/compare register 0 (TQ0CCR0)
- TMQ0 capture/compare register 1 (TQ0CCR1)
- TMQ0 capture/compare register 2 (TQ0CCR2)
- TMQ0 capture/compare register 3 (TQ0CCR3)
- TMQ0 counter read buffer register (TQ0CNT)

Remark When using the functions of the TIQ00 to TIQ03 and TOQ00 to TOQ03 pins, see **Table 4-19 Using Port Pins as Alternate-Function Pins**.

(1) TMQ0 control register 0 (TQ0CTL0)

The TQ0CTL0 register is an 8-bit register that controls the operation of TMQ0.

This register can be read or written in 8-bit or 1-bit units.

Reset sets this register to 00H.

The same value can always be written to the TQ0CTL0 register by software.

After reset: 00H R/W Address: FFFFF540H

	<7>	6	5	4	3	2	1	0
TQ0CTL0	TQ0CE	0	0	0	0	TQ0CKS2	TQ0CKS1	TQ0CKS0

TQ0CE	TMQ0 operation control
0	TMQ0 operation disabled (TMQ0 reset asynchronously ^{Note}).
1	TMQ0 operation enabled. TMQ0 operation started.

TQ0CKS2	TQ0CKS1	TQ0CKS0	Internal count clock selection
0	0	0	f _{xx}
0	0	1	f _{xx} /2
0	1	0	f _{xx} /4
0	1	1	f _{xx} /8
1	0	0	f _{xx} /16
1	0	1	f _{xx} /32
1	1	0	f _{xx} /64
1	1	1	f _{xx} /128

Note TQ0OPT0.TQ0OVF bit, 16-bit counter, timer output (TOQ00 to TOQ03 pins)

- Cautions**
1. Set the TQ0CKS2 to TQ0CKS0 bits when the TQ0CE bit = 0. When the value of the TQ0CE bit is changed from 0 to 1, the TQ0CKS2 to TQ0CKS0 bits can be set simultaneously.
 2. Be sure to clear bits 3 to 6 to “0”.

Remark f_{xx}: Main clock frequency

(2) TMQ0 control register 1 (TQ0CTL1)

The TQ0CTL1 register is an 8-bit register that controls the operation of TMQ0.

This register can be read or written in 8-bit or 1-bit units.

Reset sets this register to 00H.

After reset: 00H R/W Address: FFFFF541H

	7	<6>	<5>	4	3	2	1	0
TQ0CTL1	0	TQ0EST	TQ0EEE	0	0	TQ0MD2	TQ0MD1	TQ0MD0

TQ0EST	Software trigger control
0	–
1	Generate a valid signal for external trigger input. <ul style="list-style-type: none"> • In one-shot pulse output mode: A one-shot pulse is output with writing 1 to the TQ0EST bit as the trigger. • In external trigger pulse output mode: A PWM waveform is output with writing 1 to the TQ0EST bit as the trigger.

TQ0EEE	Count clock selection
0	Disable operation with external event count input. (Perform counting with the count clock selected by the TQ0CTL0.TQ0CK0 to TQ0CK2 bits.)
1	Enable operation with external event count input. (Perform counting at the valid edge of the external event count input signal.)
The TQ0EEE bit selects whether counting is performed with the internal count clock or the valid edge of the external event count input.	

TQ0MD2	TQ0MD1	TQ0MD0	Timer mode selection
0	0	0	Interval timer mode
0	0	1	External event count mode
0	1	0	External trigger pulse output mode
0	1	1	One-shot pulse output mode
1	0	0	PWM output mode
1	0	1	Free-running timer mode
1	1	0	Pulse width measurement mode
1	1	1	Setting prohibited

- Cautions**
1. The TQ0EST bit is valid only in the external trigger pulse output mode or one-shot pulse output mode. In any other mode, writing 1 to this bit is ignored.
 2. External event count input is selected in the external event count mode regardless of the value of the TQ0EEE bit.
 3. Set the TQ0EEE and TQ0MD2 to TQ0MD0 bits when the TQ0CTL0.TQ0CE bit = 0. (The same value can be written when the TQ0CE bit = 1.) The operation is not guaranteed when rewriting is performed with the TQ0CE bit = 1. If rewriting was mistakenly performed, clear the TQ0CE bit to 0 and then set the bits again.
 4. Be sure to clear bits 3, 4, and 7 to “0”.

<R>

(3) TMQ0 I/O control register 0 (TQ0IOC0)

The TQ0IOC0 register is an 8-bit register that controls the timer output (TOQ00 to TOQ03 pins).

This register can be read or written in 8-bit or 1-bit units.

Reset sets this register to 00H.

After reset: 00H R/W Address: FFFFF542H

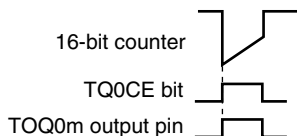
	7	<6>	5	<4>	3	<2>	1	<0>
TQ0IOC0	TQ0OL3	TQ0OE3	TQ0OL2	TQ0OE2	TQ0OL1	TQ0OE1	TQ0OL0	TQ0OE0

TQ0OLm	TOQ0m pin output level setting (m = 0 to 3) ^{Note}
0	TOQ0m pin output starts at high level
1	TOQ0m pin output starts at low level

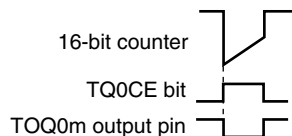
TQ0OE _m	TOQ0m pin output setting (m = 0 to 3)
0	Timer output disabled <ul style="list-style-type: none"> • When TQ0OL_m bit = 0: Low level is output from the TOQ0_m pin • When TQ0OL_m bit = 1: High level is output from the TOQ0_m pin
1	Timer output enabled (a square wave is output from the TOQ0 _m pin).

Note The output level of the timer output pin (TOQ0_m) specified by the TQ0OL_m bit is shown below.

• When TQ0OL_m bit = 0



• When TQ0OL_m bit = 1



Cautions 1. Rewrite the TQ0OL_m and TQ0OE_m bits when the TQ0CTL0.TQ0CE bit = 0. (The same value can be written when the TQ0CE bit = 1.) If rewriting was mistakenly performed, clear the TQ0CE bit to 0 and then set the bits again.

2. Even if the TQ0OL_m bit is manipulated when the TQ0CE and TQ0OE_m bits are 0, the TOQ0_m pin output level varies.

Remark m = 0 to 3

(4) TMQ0 I/O control register 1 (TQ0IOC1)

The TQ0IOC1 register is an 8-bit register that controls the valid edge of the capture trigger input signals (TIQ00 to TIQ03 pins).

This register can be read or written in 8-bit or 1-bit units.

Reset sets this register to 00H.

After reset: 00H R/W Address: FFFFF543H

	7	6	5	4	3	2	1	0
TQ0IOC1	TQ0IS7	TQ0IS6	TQ0IS5	TQ0IS4	TQ0IS3	TQ0IS2	TQ0IS1	TQ0IS0

TQ0IS7	TQ0IS6	Capture trigger input signal (TIQ03 pin) valid edge setting
0	0	No edge detection (capture operation invalid)
0	1	Detection of rising edge
1	0	Detection of falling edge
1	1	Detection of both edges

TQ0IS5	TQ0IS4	Capture trigger input signal (TIQ02 pin) valid edge detection
0	0	No edge detection (capture operation invalid)
0	1	Detection of rising edge
1	0	Detection of falling edge
1	1	Detection of both edges

TQ0IS3	TQ0IS2	Capture trigger input signal (TIQ01 pin) valid edge setting
0	0	No edge detection (capture operation invalid)
0	1	Detection of rising edge
1	0	Detection of falling edge
1	1	Detection of both edges

TQ0IS1	TQ0IS0	Capture trigger input signal (TIQ00 pin) valid edge setting
0	0	No edge detection (capture operation invalid)
0	1	Detection of rising edge
1	0	Detection of falling edge
1	1	Detection of both edges

- Cautions**
1. Rewrite the TQ0IS7 to TQ0IS0 bits when the TQ0CTL0.TQ0CE bit = 0. (The same value can be written when the TQ0CE bit = 1.) If rewriting was mistakenly performed, clear the TQ0CE bit to 0 and then set the bits again.
 2. The TQ0IS7 to TQ0IS0 bits are valid only in the free-running timer mode and the pulse width measurement mode. In all other modes, a capture operation is not possible.

(5) TMQ0 I/O control register 2 (TQ0IOC2)

The TQ0IOC2 register is an 8-bit register that controls the valid edge of the external event count input signal (TIQ00 pin) and external trigger input signal (TIQ00 pin).

This register can be read or written in 8-bit or 1-bit units.

Reset sets this register to 00H.

After reset: 00H		R/W	Address: FFFF544H					
	7	6	5	4	3	2	1	0
TQ0IOC2	0	0	0	0	TQ0EES1	TQ0EES0	TQ0ETS1	TQ0ETS0

TQ0EES1	TQ0EES0	External event count input signal (TIQ00 pin) valid edge setting
0	0	No edge detection (external event count invalid)
0	1	Detection of rising edge
1	0	Detection of falling edge
1	1	Detection of both edges

TQ0ETS1	TQ0ETS0	External trigger input signal (TIQ00 pin) valid edge setting
0	0	No edge detection (external trigger invalid)
0	1	Detection of rising edge
1	0	Detection of falling edge
1	1	Detection of both edges

- Cautions**
1. Rewrite the TQ0EES1, TQ0EES0, TQ0ETS1, and TQ0ETS0 bits when the TQ0CTL0.TQ0CE bit = 0. (The same value can be written when the TQ0CE bit = 1.) If rewriting was mistakenly performed, clear the TQ0CE bit to 0 and then set the bits again.
 2. The TQ0EES1 and TQ0EES0 bits are valid only when the TQ0CTL1.TQ0EEE bit = 1 or when the external event count mode (TQ0CTL1.TQ0MD2 to TQ0CTL1.TQ0MD0 bits = 001) has been set.
 3. The TQ0ETS1 and TQ0ETS0 bits are valid only when the external trigger pulse output mode (TQ0CTL1.TQ0MD2 to TQ0CTL1.TQ0MD0 bits = 010) or the one-shot pulse output mode (TQ0CTL1.TQ0MD2 to TQ0CTL1.TQ0MD0 = 011) is set.

(6) TMQ0 option register 0 (TQ0OPT0)

The TQ0OPT0 register is an 8-bit register used to set the capture/compare operation and detect an overflow. This register can be read or written in 8-bit or 1-bit units. Reset sets this register to 00H.

After reset: 00H R/W Address: FFFFF545H

	7	6	5	4	3	2	1	<0>
TQ0OPT0	TQ0CCS3	TQ0CCS2	TQ0CCS1	TQ0CCS0	0	0	0	TQ0OVF

TQ0CCSm	TQ0CCRm register capture/compare selection
0	Compare register selected
1	Capture register selected
The TQ0CCSm bit setting is valid only in the free-running timer mode.	

TQ0OVF	TMQ0 overflow detection
Set (1)	Overflow occurred
Reset (0)	TQ0OVF bit 0 written or TQ0CTL0.TQ0CE bit = 0
<ul style="list-style-type: none"> • The TQ0OVF bit is set when the 16-bit counter count value overflows from FFFFH to 0000H in the free-running timer mode or the pulse width measurement mode. • An interrupt request signal (INTTQ0OV) is generated at the same time that the TQ0OVF bit is set to 1. The INTTQ0OV signal is not generated in modes other than the free-running timer mode and the pulse width measurement mode. • The TQ0OVF bit is not cleared even when the TQ0OVF bit or the TQ0OPT0 register are read when the TQ0OVF bit = 1. • The TQ0OVF bit can be both read and written, but the TQ0OVF bit cannot be set to 1 by software. Writing 1 has no influence on the operation of TMQ0. 	

- Cautions**
1. Rewrite the TQ0CCS3 to TQ0CCS0 bits when the TQ0CTL0.TQ0CE bit = 0. (The same value can be written when the TQ0CE bit = 1.) If rewriting was mistakenly performed, clear the TQ0CE bit to 0 and then set the bits again.
 2. Be sure to clear bits 1 to 3 to “0”.

Remark m = 0 to 3

(7) TMQ0 capture/compare register 0 (TQ0CCR0)

The TQ0CCR0 register can be used as a capture register or a compare register depending on the mode.

This register can be used as a capture register or a compare register only in the free-running timer mode, depending on the setting of the TQ0OPT0.TQ0CCS0 bit. In the pulse width measurement mode, the TQ0CCR0 register can be used only as a capture register. In any other mode, this register can be used only as a compare register.

The TQ0CCR0 register can be read or written during operation.

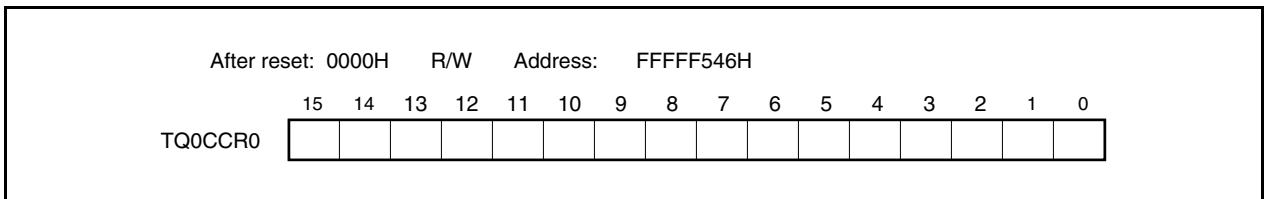
This register can be read or written in 16-bit units.

Reset sets this register to 0000H.

Caution Accessing the TQ0CCR0 register is prohibited in the following statuses. For details, see 3.4.8

(2) Accessing specific on-chip peripheral I/O registers.

- When the CPU operates with the subclock and the main clock oscillation is stopped
- When the CPU operates with the internal oscillation clock



(a) Function as compare register

The TQ0CCR0 register can be rewritten even when the TQ0CTL0.TQ0CE bit = 1.

The set value of the TQ0CCR0 register is transferred to the CCR0 buffer register. When the value of the 16-bit counter matches the value of the CCR0 buffer register, a compare match interrupt request signal (INTTQ0CC0) is generated. If TOQ00 pin output is enabled at this time, the output of the TOQ00 pin is inverted.

When the TQ0CCR0 register is used as a cycle register in the interval timer mode, external event count mode, external trigger pulse output mode, one-shot pulse output mode, or PWM output mode, the value of the 16-bit counter is cleared (0000H) if its count value matches the value of the CCR0 buffer register.

(b) Function as capture register

When the TQ0CCR0 register is used as a capture register in the free-running timer mode, the count value of the 16-bit counter is stored in the TQ0CCR0 register if the valid edge of the capture trigger input pin (TIQ00 pin) is detected. In the pulse-width measurement mode, the count value of the 16-bit counter is stored in the TQ0CCR0 register and the 16-bit counter is cleared (0000H) if the valid edge of the capture trigger input pin (TIQ00 pin) is detected.

Even if the capture operation and reading the TQ0CCR0 register conflict, the correct value of the TQ0CCR0 register can be read.

The following table shows the functions of the capture/compare register in each mode, and how to write data to the compare register.

Table 8-2. Function of Capture/Compare Register in Each Mode and How to Write Compare Register

Operation Mode	Capture/Compare Register	How to Write Compare Register
Interval timer	Compare register	Anytime write
External event counter	Compare register	Anytime write
External trigger pulse output	Compare register	Batch write
One-shot pulse output	Compare register	Anytime write
PWM output	Compare register	Batch write
Free-running timer	Capture/compare register	Anytime write
Pulse width measurement	Capture register	–

(8) TMQ0 capture/compare register 1 (TQ0CCR1)

The TQ0CCR1 register can be used as a capture register or a compare register depending on the mode.

This register can be used as a capture register or a compare register only in the free-running timer mode, depending on the setting of the TQ0OPT0.TQ0CCS1 bit. In the pulse width measurement mode, the TQ0CCR1 register can be used only as a capture register. In any other mode, this register can be used only as a compare register.

The TQ0CCR1 register can be read or written during operation.

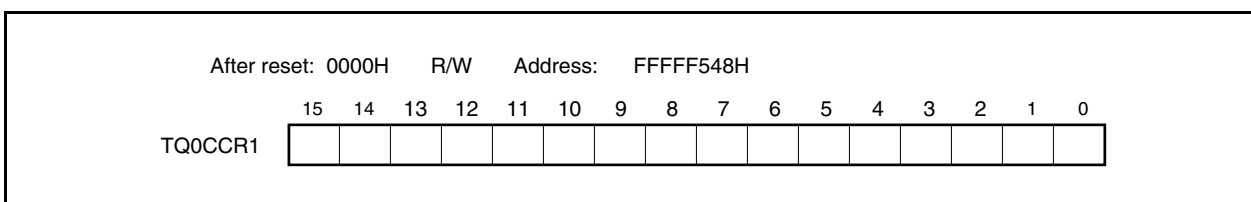
This register can be read or written in 16-bit units.

Reset sets this register to 0000H.

Caution Accessing the TQ0CCR1 register is prohibited in the following statuses. For details, see 3.4.8

(2) Accessing specific on-chip peripheral I/O registers.

- When the CPU operates with the subclock and the main clock oscillation is stopped
- When the CPU operates with the internal oscillation clock



(a) Function as compare register

The TQ0CCR1 register can be rewritten even when the TQ0CTL0.TQ0CE bit = 1.

The set value of the TQ0CCR1 register is transferred to the CCR1 buffer register. When the value of the 16-bit counter matches the value of the CCR1 buffer register, a compare match interrupt request signal (INTTQ0CC1) is generated. If TOQ01 pin output is enabled at this time, the output of the TOQ01 pin is inverted.

(b) Function as capture register

When the TQ0CCR1 register is used as a capture register in the free-running timer mode, the count value of the 16-bit counter is stored in the TQ0CCR1 register if the valid edge of the capture trigger input pin (TIQ01 pin) is detected. In the pulse-width measurement mode, the count value of the 16-bit counter is stored in the TQ0CCR1 register and the 16-bit counter is cleared (0000H) if the valid edge of the capture trigger input pin (TIQ01 pin) is detected.

Even if the capture operation and reading the TQ0CCR1 register conflict, the correct value of the TQ0CCR1 register can be read.

The following table shows the functions of the capture/compare register in each mode, and how to write data to the compare register.

Table 8-3. Function of Capture/Compare Register in Each Mode and How to Write Compare Register

Operation Mode	Capture/Compare Register	How to Write Compare Register
Interval timer	Compare register	Anytime write
External event counter	Compare register	Anytime write
External trigger pulse output	Compare register	Batch write
One-shot pulse output	Compare register	Anytime write
PWM output	Compare register	Batch write
Free-running timer	Capture/compare register	Anytime write
Pulse width measurement	Capture register	–

(9) TMQ0 capture/compare register 2 (TQ0CCR2)

The TQ0CCR2 register can be used as a capture register or a compare register depending on the mode.

This register can be used as a capture register or a compare register only in the free-running timer mode, depending on the setting of the TQ0OPT0.TQ0CCS2 bit. In the pulse width measurement mode, the TQ0CCR2 register can be used only as a capture register. In any other mode, this register can be used only as a compare register.

The TQ0CCR2 register can be read or written during operation.

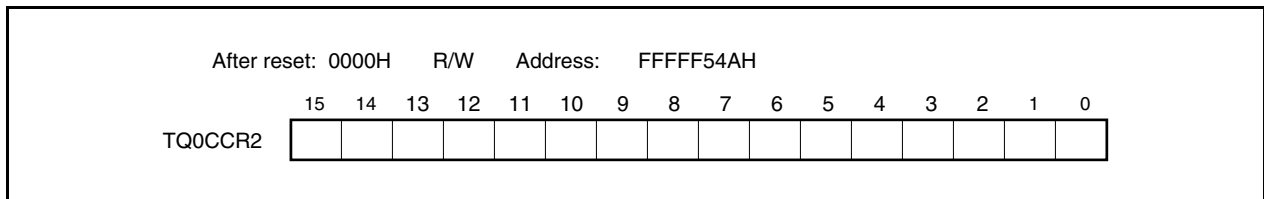
This register can be read or written in 16-bit units.

Reset sets this register to 0000H.

Caution Accessing the TQ0CCR2 register is prohibited in the following statuses. For details, see 3.4.8

(2) Accessing specific on-chip peripheral I/O registers.

- When the CPU operates with the subclock and the main clock oscillation is stopped
- When the CPU operates with the internal oscillation clock



(a) Function as compare register

The TQ0CCR2 register can be rewritten even when the TQ0CTL0.TQ0CE bit = 1.

The set value of the TQ0CCR2 register is transferred to the CCR2 buffer register. When the value of the 16-bit counter matches the value of the CCR2 buffer register, a compare match interrupt request signal (INTTQ0CC2) is generated. If TOQ02 pin output is enabled at this time, the output of the TOQ02 pin is inverted.

(b) Function as capture register

When the TQ0CCR2 register is used as a capture register in the free-running timer mode, the count value of the 16-bit counter is stored in the TQ0CCR2 register if the valid edge of the capture trigger input pin (TIQ02 pin) is detected. In the pulse-width measurement mode, the count value of the 16-bit counter is stored in the TQ0CCR2 register and the 16-bit counter is cleared (0000H) if the valid edge of the capture trigger input pin (TIQ02 pin) is detected.

Even if the capture operation and reading the TQ0CCR2 register conflict, the correct value of the TQ0CCR2 register can be read.

The following table shows the functions of the capture/compare register in each mode, and how to write data to the compare register.

Table 8-4. Function of Capture/Compare Register in Each Mode and How to Write Compare Register

Operation Mode	Capture/Compare Register	How to Write Compare Register
Interval timer	Compare register	Anytime write
External event counter	Compare register	Anytime write
External trigger pulse output	Compare register	Batch write
One-shot pulse output	Compare register	Anytime write
PWM output	Compare register	Batch write
Free-running timer	Capture/compare register	Anytime write
Pulse width measurement	Capture register	–

(10) TMQ0 capture/compare register 3 (TQ0CCR3)

The TQ0CCR3 register can be used as a capture register or a compare register depending on the mode.

This register can be used as a capture register or a compare register only in the free-running timer mode, depending on the setting of the TQ0OPT0.TQ0CCS3 bit. In the pulse width measurement mode, the TQ0CCR3 register can be used only as a capture register. In any other mode, this register can be used only as a compare register.

The TQ0CCR3 register can be read or written during operation.

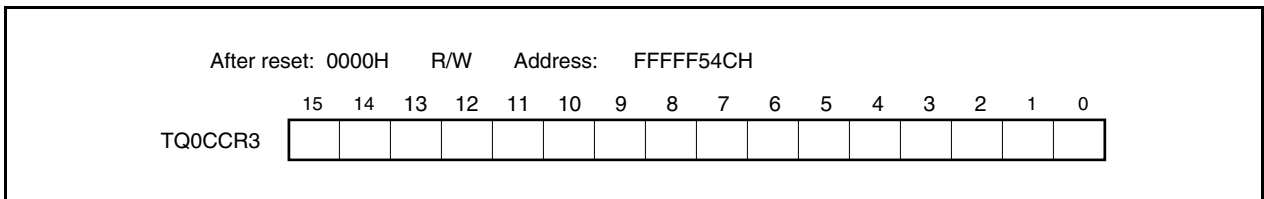
This register can be read or written in 16-bit units.

Reset sets this register to 0000H.

Caution Accessing the TQ0CCR3 register is prohibited in the following statuses. For details, see 3.4.8

(2) Accessing specific on-chip peripheral I/O registers.

- When the CPU operates with the subclock and the main clock oscillation is stopped
- When the CPU operates with the internal oscillation clock



(a) Function as compare register

The TQ0CCR3 register can be rewritten even when the TQ0CTL0.TQ0CE bit = 1.

The set value of the TQ0CCR3 register is transferred to the CCR3 buffer register. When the value of the 16-bit counter matches the value of the CCR3 buffer register, a compare match interrupt request signal (INTTQ0CC3) is generated. If TOQ03 pin output is enabled at this time, the output of the TOQ03 pin is inverted.

(b) Function as capture register

When the TQ0CCR3 register is used as a capture register in the free-running timer mode, the count value of the 16-bit counter is stored in the TQ0CCR3 register if the valid edge of the capture trigger input pin (TIQ03 pin) is detected. In the pulse-width measurement mode, the count value of the 16-bit counter is stored in the TQ0CCR3 register and the 16-bit counter is cleared (0000H) if the valid edge of the capture trigger input pin (TIQ03 pin) is detected.

Even if the capture operation and reading the TQ0CCR3 register conflict, the correct value of the TQ0CCR3 register can be read.

The following table shows the functions of the capture/compare register in each mode, and how to write data to the compare register.

Table 8-5. Function of Capture/Compare Register in Each Mode and How to Write Compare Register

Operation Mode	Capture/Compare Register	How to Write Compare Register
Interval timer	Compare register	Anytime write
External event counter	Compare register	Anytime write
External trigger pulse output	Compare register	Batch write
One-shot pulse output	Compare register	Anytime write
PWM output	Compare register	Batch write
Free-running timer	Capture/compare register	Anytime write
Pulse width measurement	Capture register	–

(11) TMQ0 counter read buffer register (TQ0CNT)

The TQ0CNT register is a read buffer register that can read the count value of the 16-bit counter.

If this register is read when the TQ0CTL0.TQ0CE bit = 1, the count value of the 16-bit timer can be read.

This register is read-only, in 16-bit units.

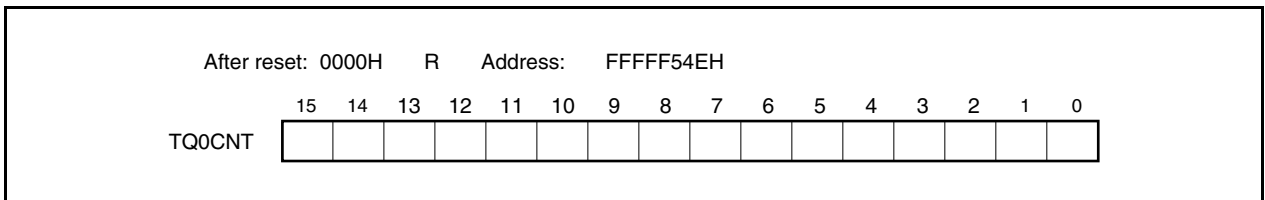
The value of the TQ0CNT register is cleared to 0000H when the TQ0CE bit = 0. If the TQ0CNT register is read at this time, the value of the 16-bit counter (FFFFH) is not read, but 0000H is read.

The value of the TQ0CNT register is cleared to 0000H after reset, as the TQ0CE bit is cleared to 0.

Caution Accessing the TQ0CNT register is prohibited in the following statuses. For details, see 3.4.8

(2) Accessing specific on-chip peripheral I/O registers.

- When the CPU operates with the subclock and the main clock oscillation is stopped
- When the CPU operates with the internal oscillation clock



8.5 Operation

TMQ0 can perform the following operations.

Operation	TQ0CTL1.TQ0EST Bit (Software Trigger Bit)	TIQ00 Pin (External Trigger Input)	Capture/Compare Register Setting	Compare Register Write
Interval timer mode	Invalid	Invalid	Compare only	Anytime write
External event count mode ^{Note 1}	Invalid	Invalid	Compare only	Anytime write
External trigger pulse output mode ^{Note 2}	Valid	Valid	Compare only	Batch write
One-shot pulse output mode ^{Note 2}	Valid	Valid	Compare only	Anytime write
PWM output mode	Invalid	Invalid	Compare only	Batch write
Free-running timer mode	Invalid	Invalid	Switching enabled	Anytime write
Pulse width measurement mode ^{Note 2}	Invalid	Invalid	Capture only	Not applicable

- Notes 1.** To use the external event count mode, specify that the valid edge of the TIQ00 pin capture trigger input is not detected (by clearing the TQ0IOC1.TQ0IS1 and TQ0IOC1.TQ0IS0 bits to "00").
- 2.** When using the external trigger pulse output mode, one-shot pulse output mode, and pulse width measurement mode, select the internal clock as the count clock (by clearing the TQ0CTL1.TQ0EEE bit to 0).

8.5.1 Interval timer mode (TQ0MD2 to TQ0MD0 bits = 000)

In the interval timer mode, an interrupt request signal (INTTQ0CC0) is generated at the specified interval if the TQ0CTL0.TQ0CE bit is set to 1. A square wave whose half cycle is equal to the interval can be output from the TOQ00 pin.

Usually, the TQ0CCR1 to TQ0CCR3 registers are not used in the interval timer mode.

Figure 8-2. Configuration of Interval Timer

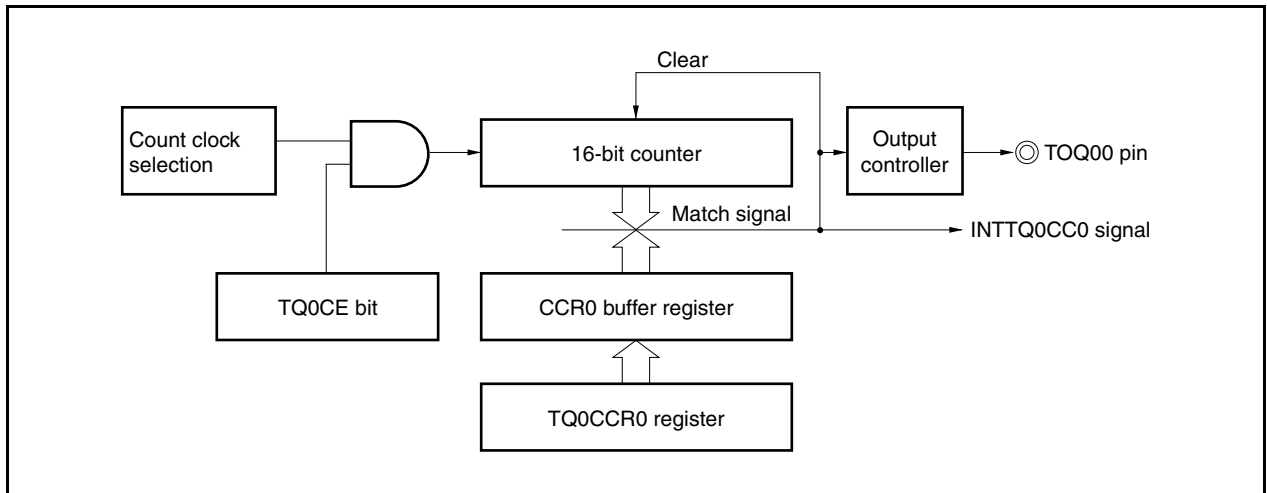
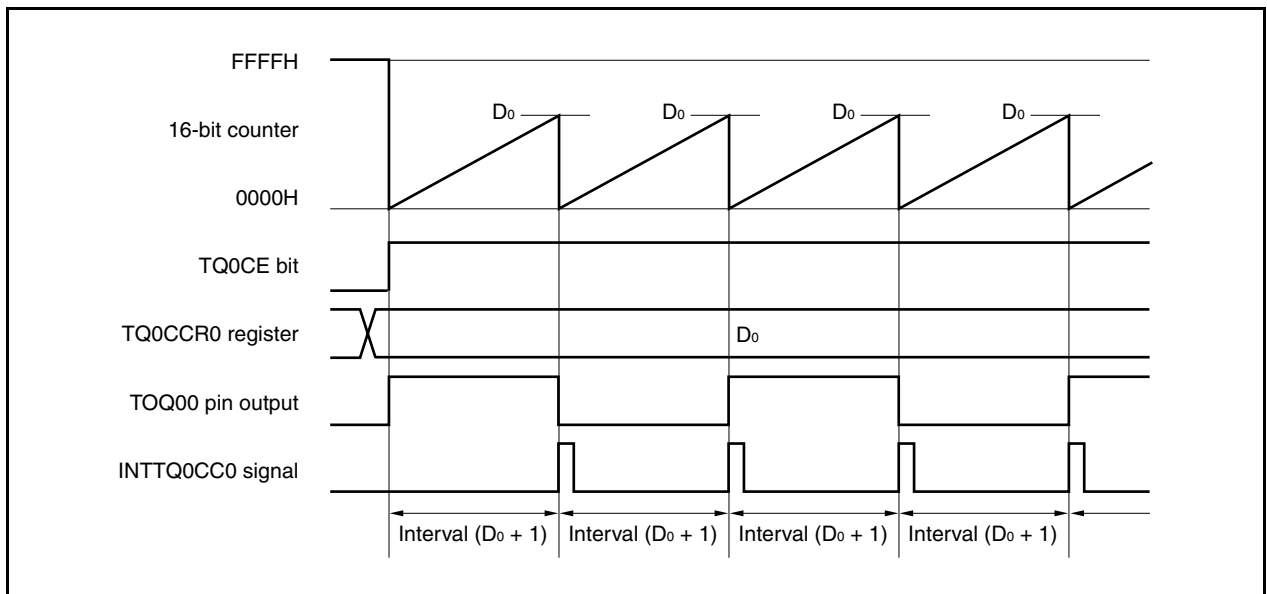


Figure 8-3. Basic Timing of Operation in Interval Timer Mode



When the TQ0CE bit is set to 1, the value of the 16-bit counter is cleared from FFFFH to 0000H in synchronization with the count clock, and the counter starts counting. At this time, the output of the TOQ00 pin is inverted. Additionally, the set value of the TQ0CCR0 register is transferred to the CCR0 buffer register.

When the count value of the 16-bit counter matches the value of the CCR0 buffer register, the 16-bit counter is cleared to 0000H, the output of the TOQ00 pin is inverted, and a compare match interrupt request signal (INTTQ0CC0) is generated.

The interval can be calculated by the following expression.

$$\text{Interval} = (\text{Set value of TQ0CCR0 register} + 1) \times \text{Count clock cycle}$$

Figure 8-4. Register Setting for Interval Timer Mode Operation (1/2)

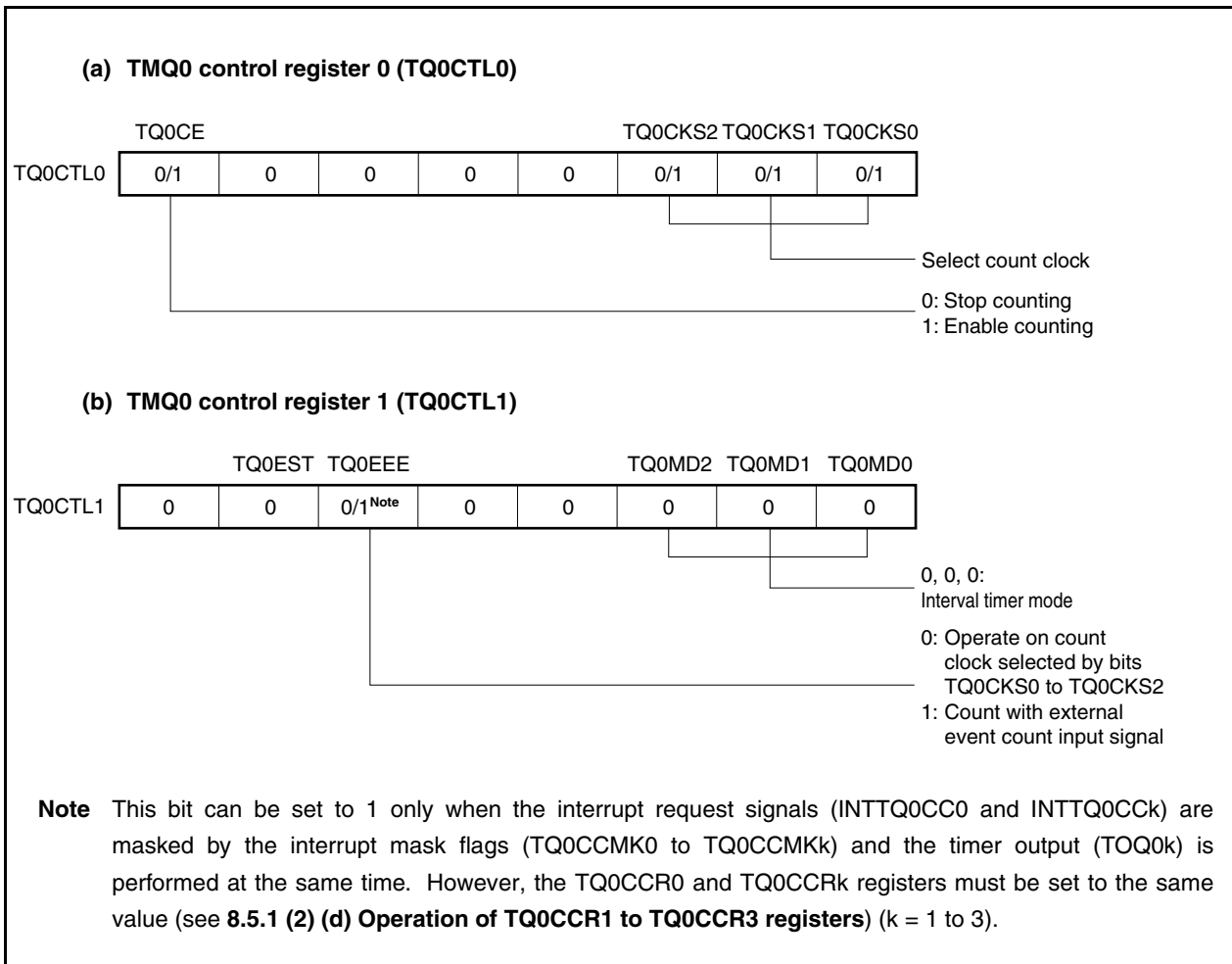
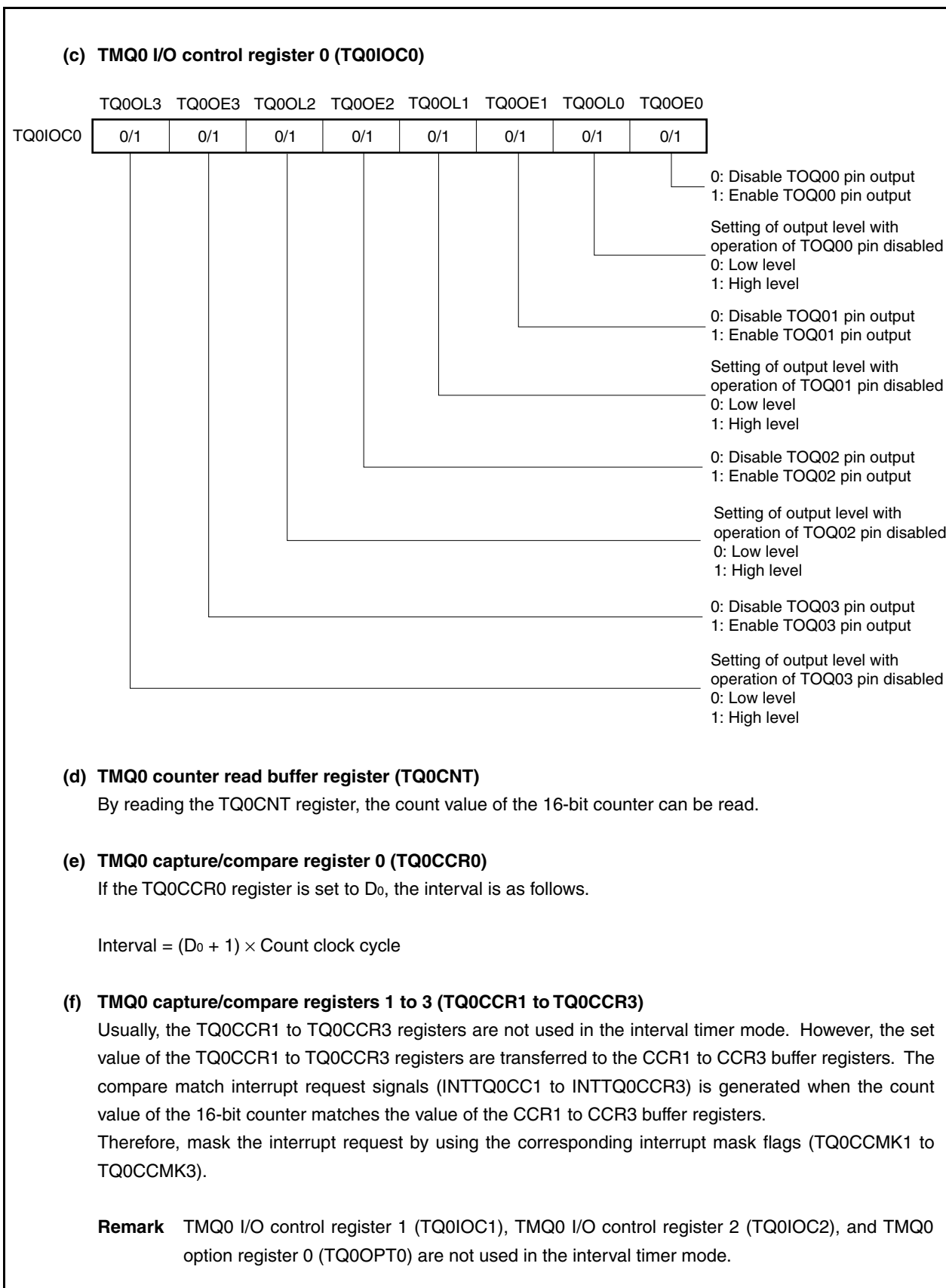
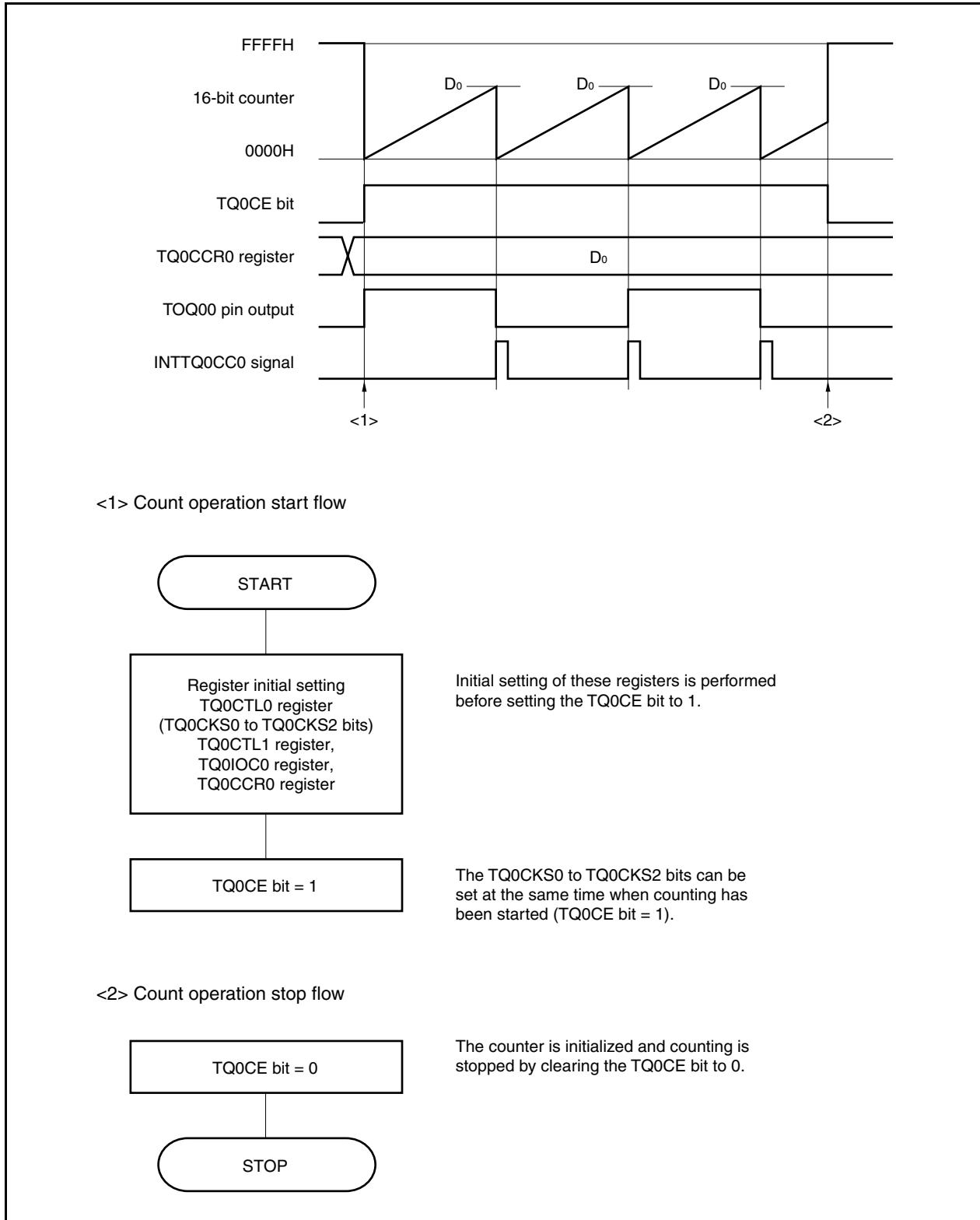


Figure 8-4. Register Setting for Interval Timer Mode Operation (2/2)



(1) Interval timer mode operation flow

Figure 8-5. Software Processing Flow in Interval Timer Mode

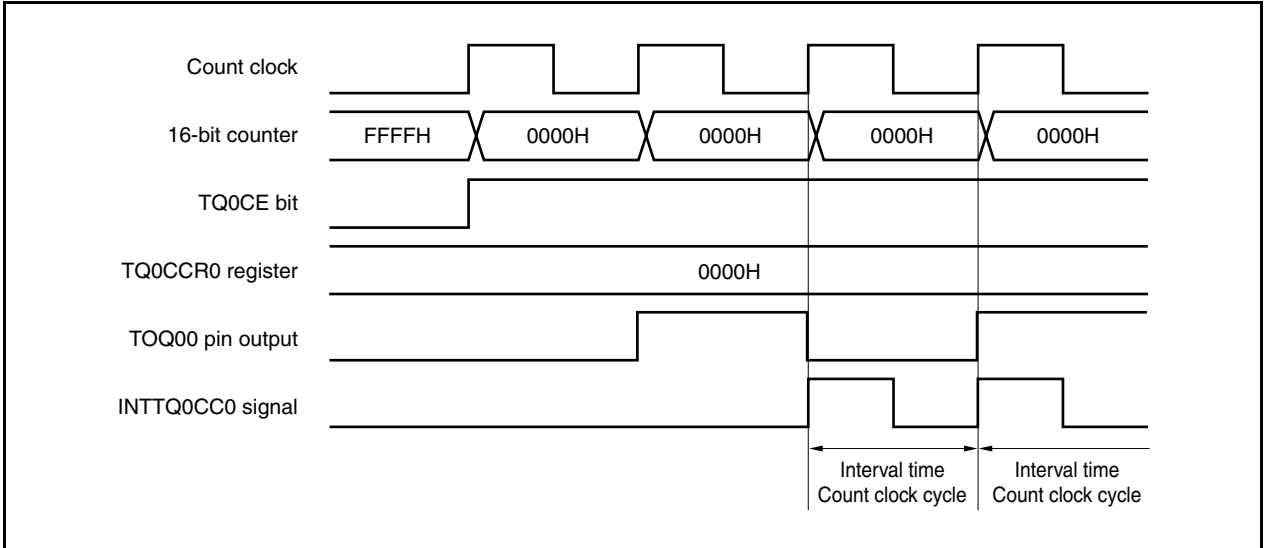


(2) Interval timer mode operation timing

(a) Operation if TQ0CCR0 register is set to 0000H

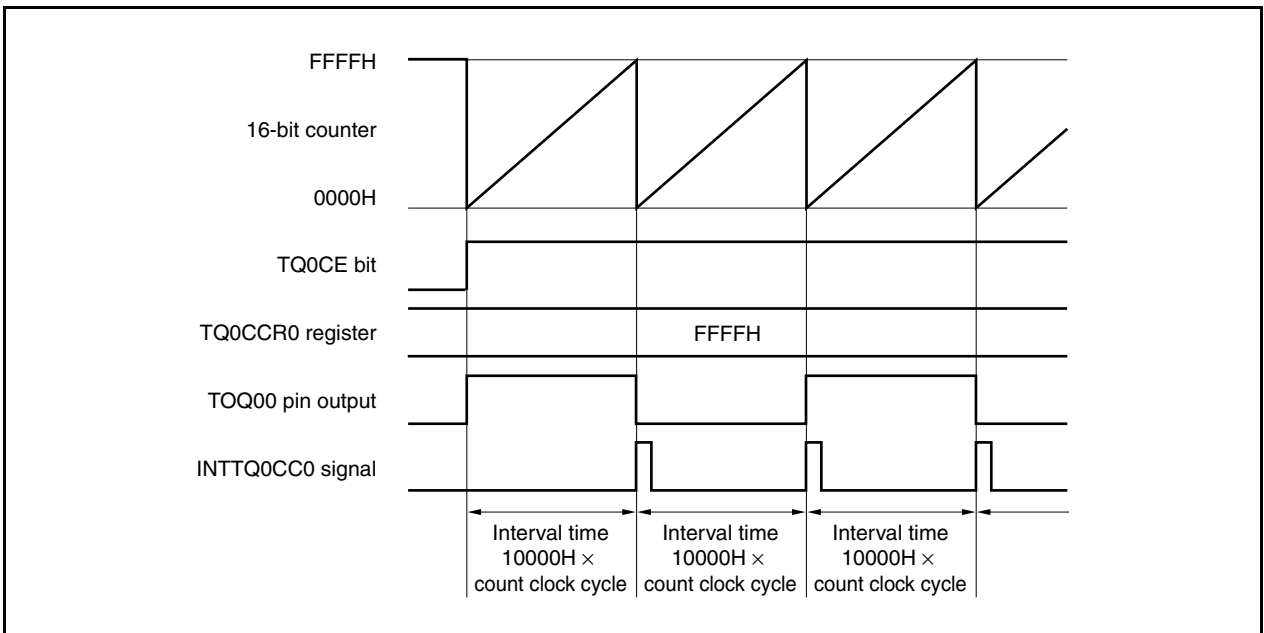
If the TQ0CCR0 register is set to 0000H, the INTTQ0CC0 signal is generated at each count clock subsequent to the first count clock, and the output of the TOQ00 pin is inverted.

The value of the 16-bit counter is always 0000H.



(b) Operation if TQ0CCR0 register is set to FFFFH

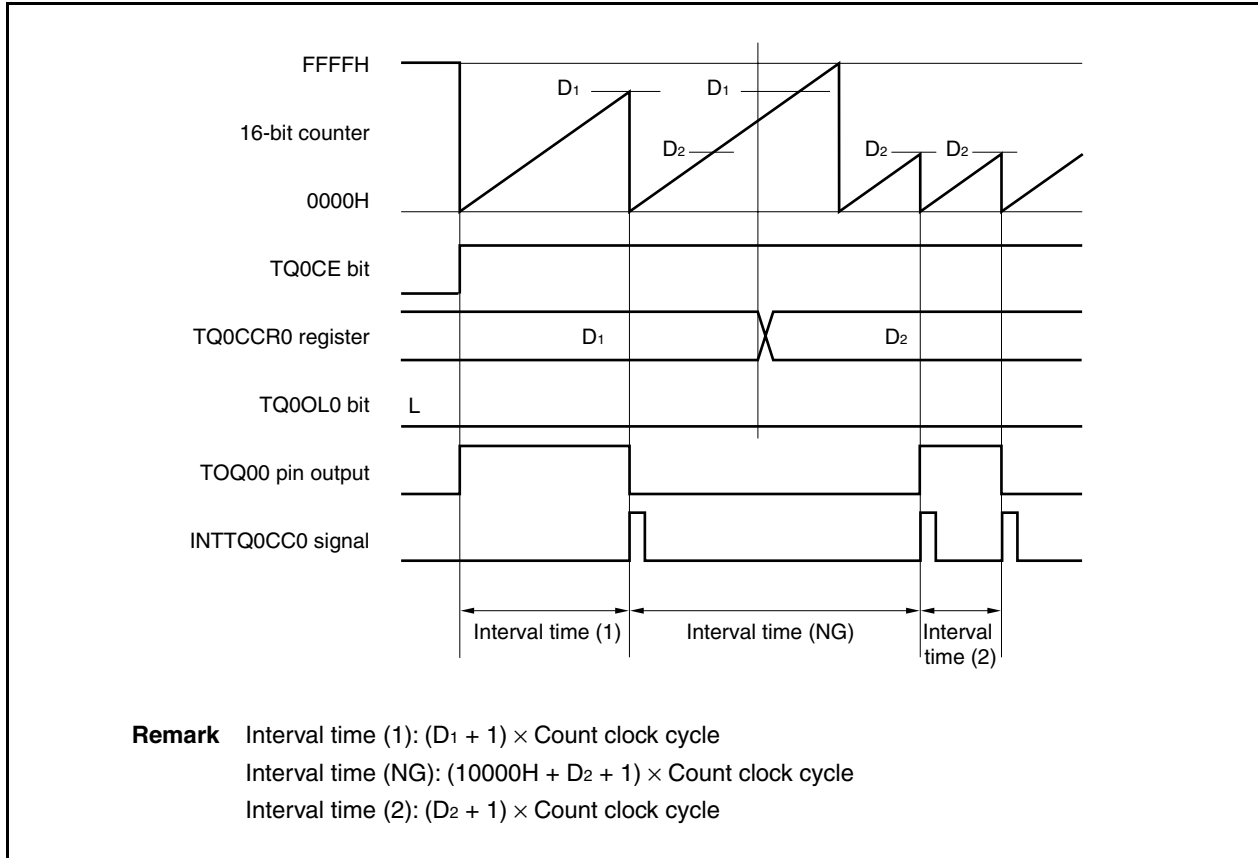
If the TQ0CCR0 register is set to FFFFH, the 16-bit counter counts up to FFFFH. The counter is cleared to 0000H in synchronization with the next count-up timing. The INTTQ0CC0 signal is generated and the output of the TOQ00 pin is inverted. At this time, an overflow interrupt request signal (INTTQ0OV) is not generated, nor is the overflow flag (TQ0OPT0.TQ0OVF bit) set to 1.



(c) Notes on rewriting TQ0CCR0 register

To change the value of the TQ0CCR0 register to a smaller value, stop counting once and then change the set value.

If the value of the TQ0CCR0 register is rewritten to a smaller value during counting, the 16-bit counter may overflow.



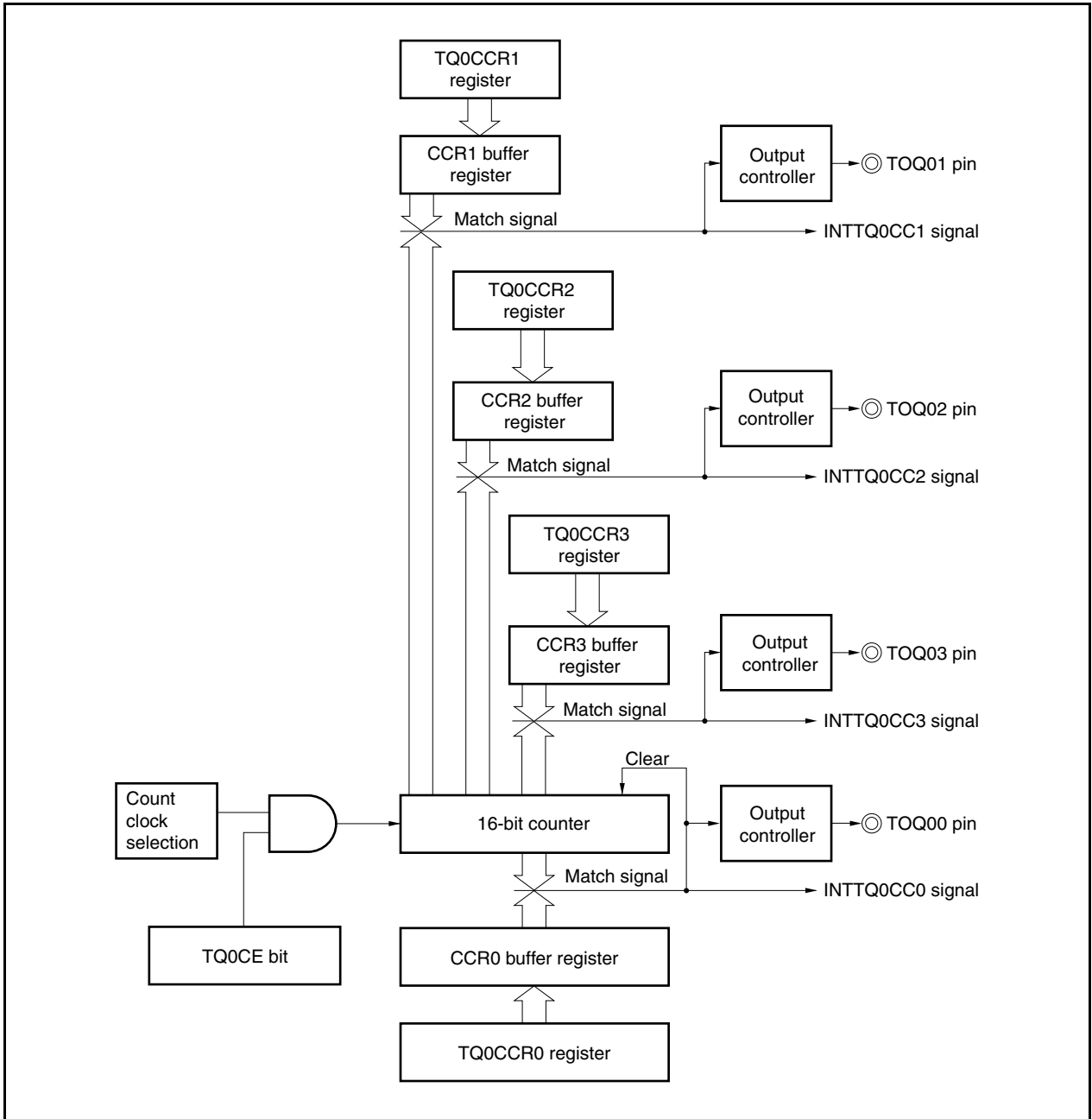
If the value of the TQ0CCR0 register is changed from D_1 to D_2 while the count value is greater than D_2 but less than D_1 , the count value is transferred to the CCR0 buffer register as soon as the TQ0CCR0 register has been rewritten. Consequently, the value of the 16-bit counter that is compared is D_2 .

Because the count value has already exceeded D_2 , however, the 16-bit counter counts up to FFFFH, overflows, and then counts up again from 0000H. When the count value matches D_2 , the INTTQ0CC0 signal is generated and the output of the TOQ00 pin is inverted.

Therefore, the INTTQ0CC0 signal may not be generated at the interval time " $(D_1 + 1) \times \text{Count clock cycle}$ " or " $(D_2 + 1) \times \text{Count clock cycle}$ " originally expected, but may be generated at an interval of " $(10000H + D_2 + 1) \times \text{Count clock period}$ ".

(d) Operation of TQ0CCR1 to TQ0CCR3 registers

Figure 8-6. Configuration of TQ0CCR1 to TQ0CCR3 Registers

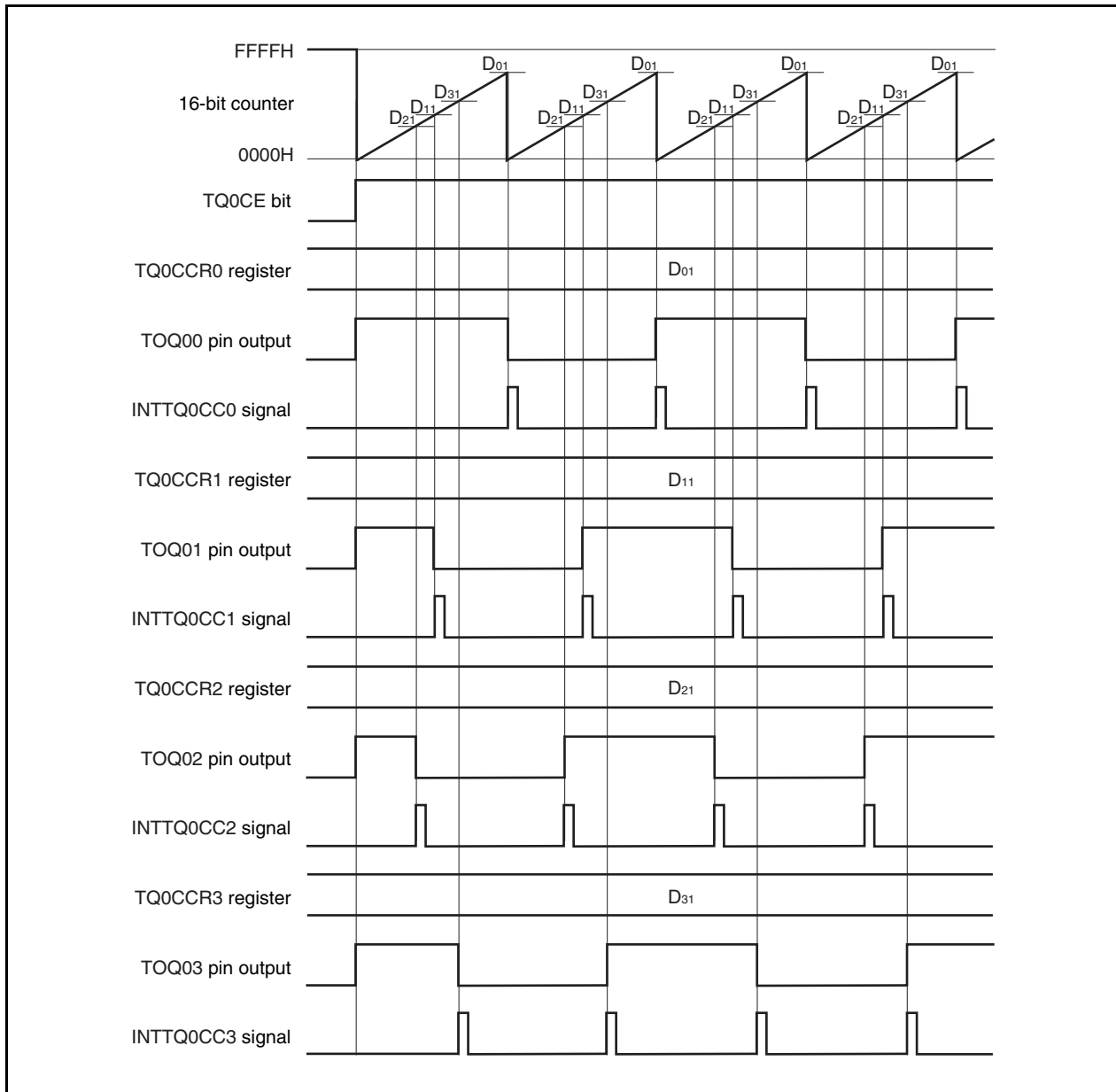


If the set value of the TQ0CCRk register is less than the set value of the TQ0CCR0 register, the INTTQ0CCk signal is generated once per cycle. At the same time, the output of the TOPQ0k pin is inverted.

The TOQ0k pin outputs a square wave with the same cycle as that output by the TOQ00 pin.

Remark k = 1 to 3

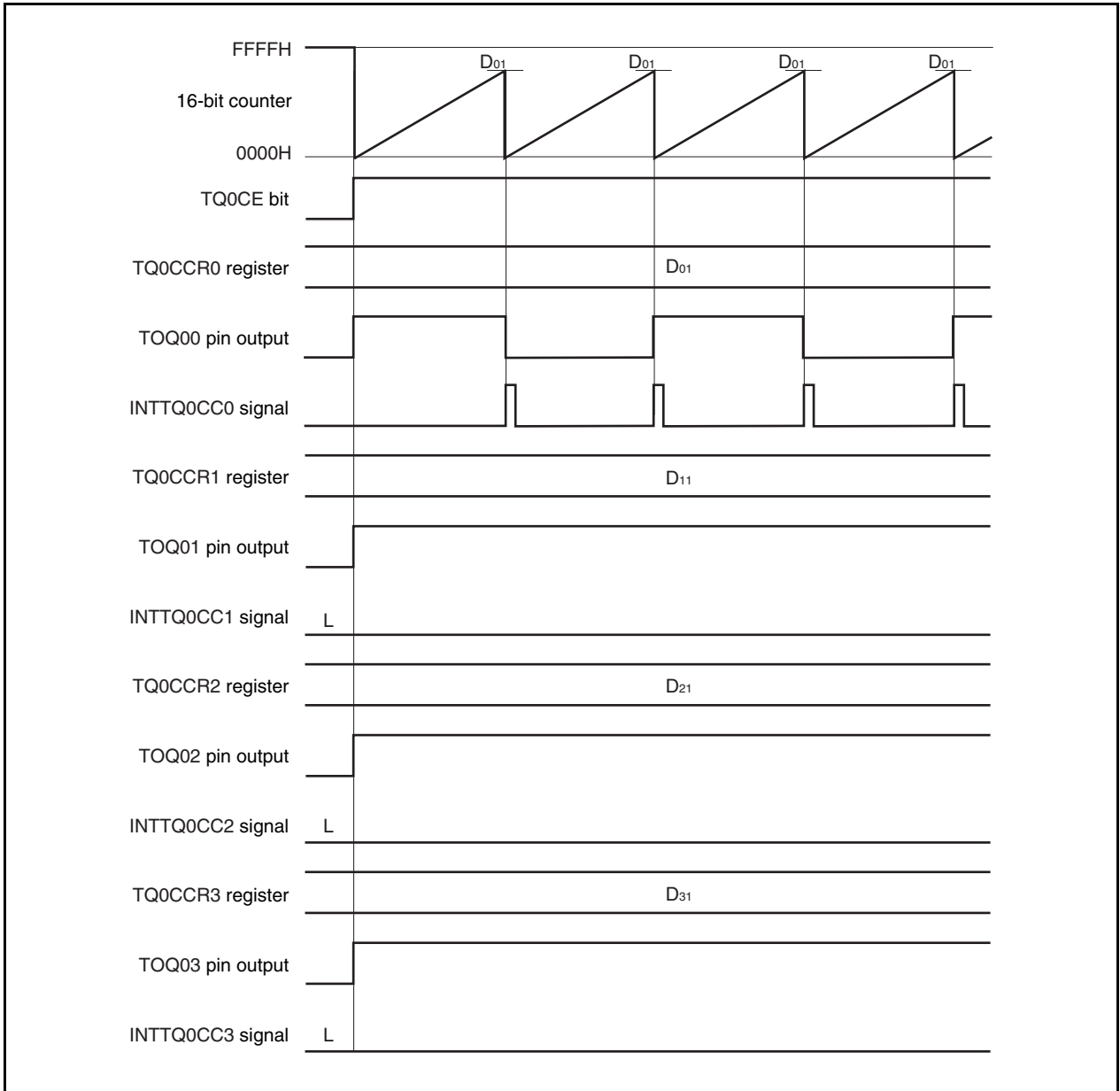
Figure 8-7. Timing Chart When $D_{01} \geq D_{k1}$



If the set value of the TQ0CCRk register is greater than the set value of the TQ0CCR0 register, the count value of the 16-bit counter does not match the value of the TQ0CCRk register. Consequently, the INTTQ0CCk signal is not generated, nor is the output of the TOQ0k pin changed.

Remark k = 1 to 3

Figure 8-8. Timing Chart When $D_{01} < D_{k1}$



8.5.2 External event count mode (TQ0MD2 to TQ0MD0 bits = 001)

In the external event count mode, the valid edge of the external event count input is counted when the TQ0CTL0.TQ0CE bit is set to 1, and an interrupt request signal (INTTQ0CC0) is generated each time the specified number of edges have been counted. The TQ0Q0 pin cannot be used.

Usually, the TQ0CCR1 to TQ0CCR3 registers are not used in the external event count mode.

Figure 8-9. Configuration in External Event Count Mode

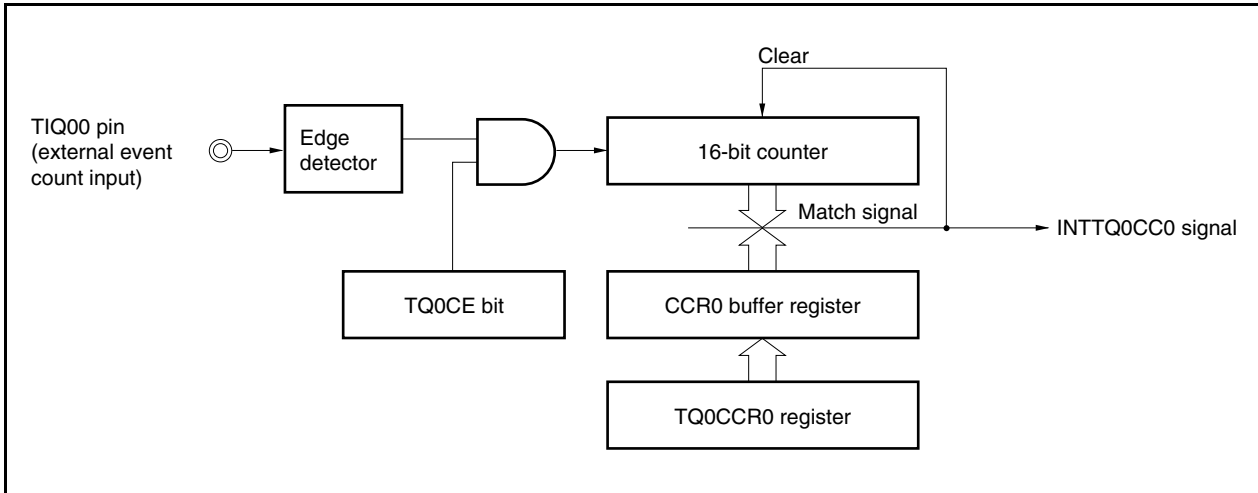
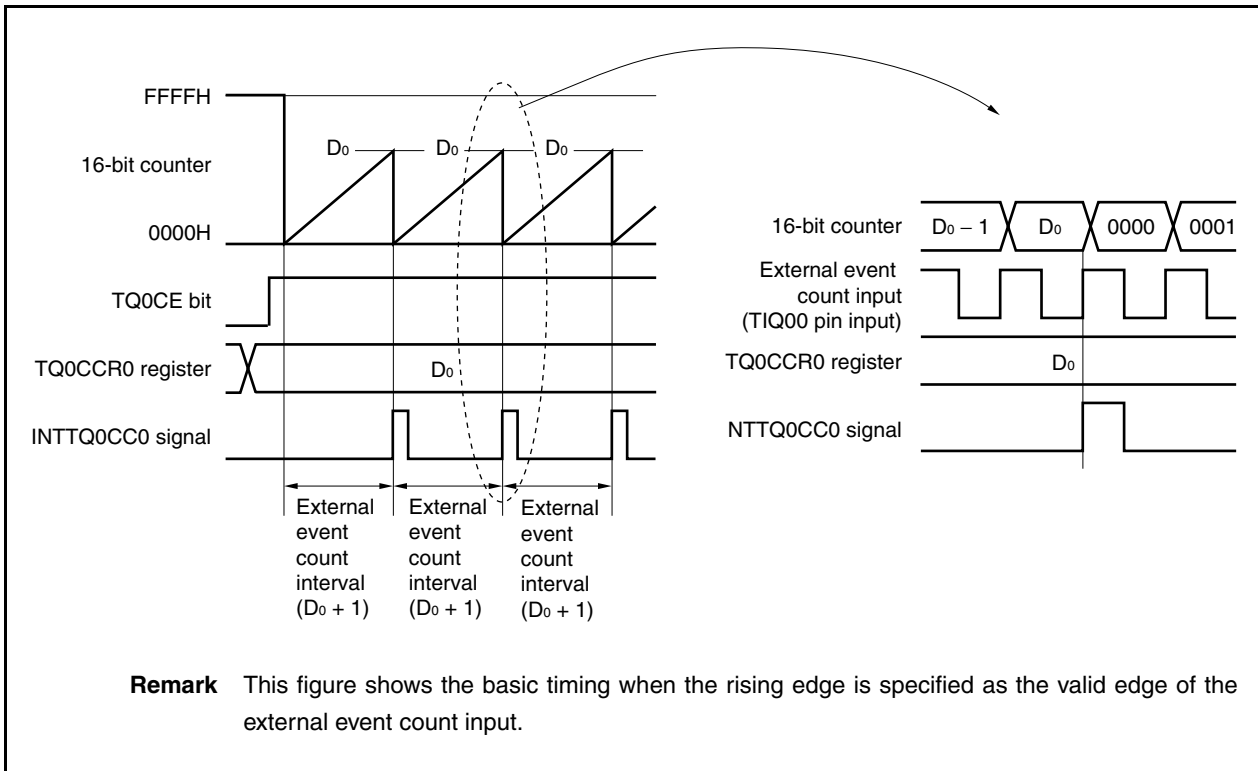


Figure 8-10. Basic Timing in External Event Count Mode



When the TQ0CE bit is set to 1, the value of the 16-bit counter is cleared from FFFFH to 0000H. The counter counts each time the valid edge of external event count input is detected. Additionally, the set value of the TQ0CCR0 register is transferred to the CCR0 buffer register.

When the count value of the 16-bit counter matches the value of the CCR0 buffer register, the 16-bit counter is cleared to 0000H, and a compare match interrupt request signal (INTTQ0CC0) is generated.

The INTTQ0CC0 signal is generated each time the valid edge of the external event count input has been detected (set value of TQ0CCR0 register + 1) times.

Figure 8-11. Register Setting for Operation in External Event Count Mode (1/2)

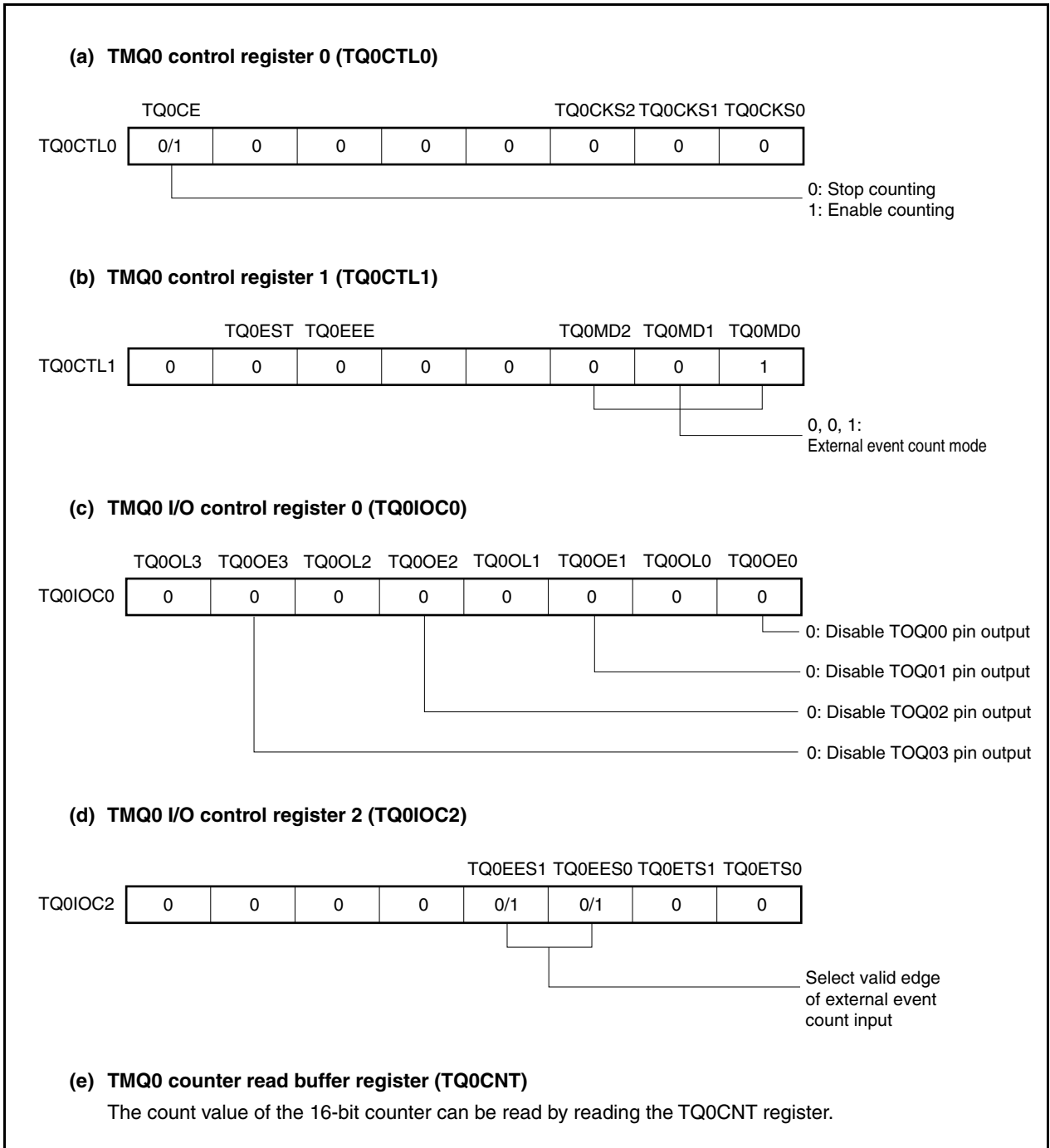


Figure 8-11. Register Setting for Operation in External Event Count Mode (2/2)

(f) TMQ0 capture/compare register 0 (TQ0CCR0)

If D_0 is set to the TQ0CCR0 register, the counter is cleared and a compare match interrupt request signal (INTTQ0CC0) is generated when the number of external event counts reaches ($D_0 + 1$).

(g) TMQ0 capture/compare registers 1 to 3 (TQ0CCR1 to TQ0CCR3)

Usually, the TQ0CCR1 to TQ0CCR3 registers are not used in the external event count mode. However, the set value of the TQ0CCR1 to TQ0CCR3 registers are transferred to the CCR1 to CCR3 buffer registers. When the count value of the 16-bit counter matches the value of the CCR1 to CCR3 buffer registers, compare match interrupt request signals (INTTQ0CC1 to INTTQ0CC3) are generated.

Therefore, mask the interrupt signal by using the interrupt mask flags (TQ0CCMK1 to TQ0CCMK3).

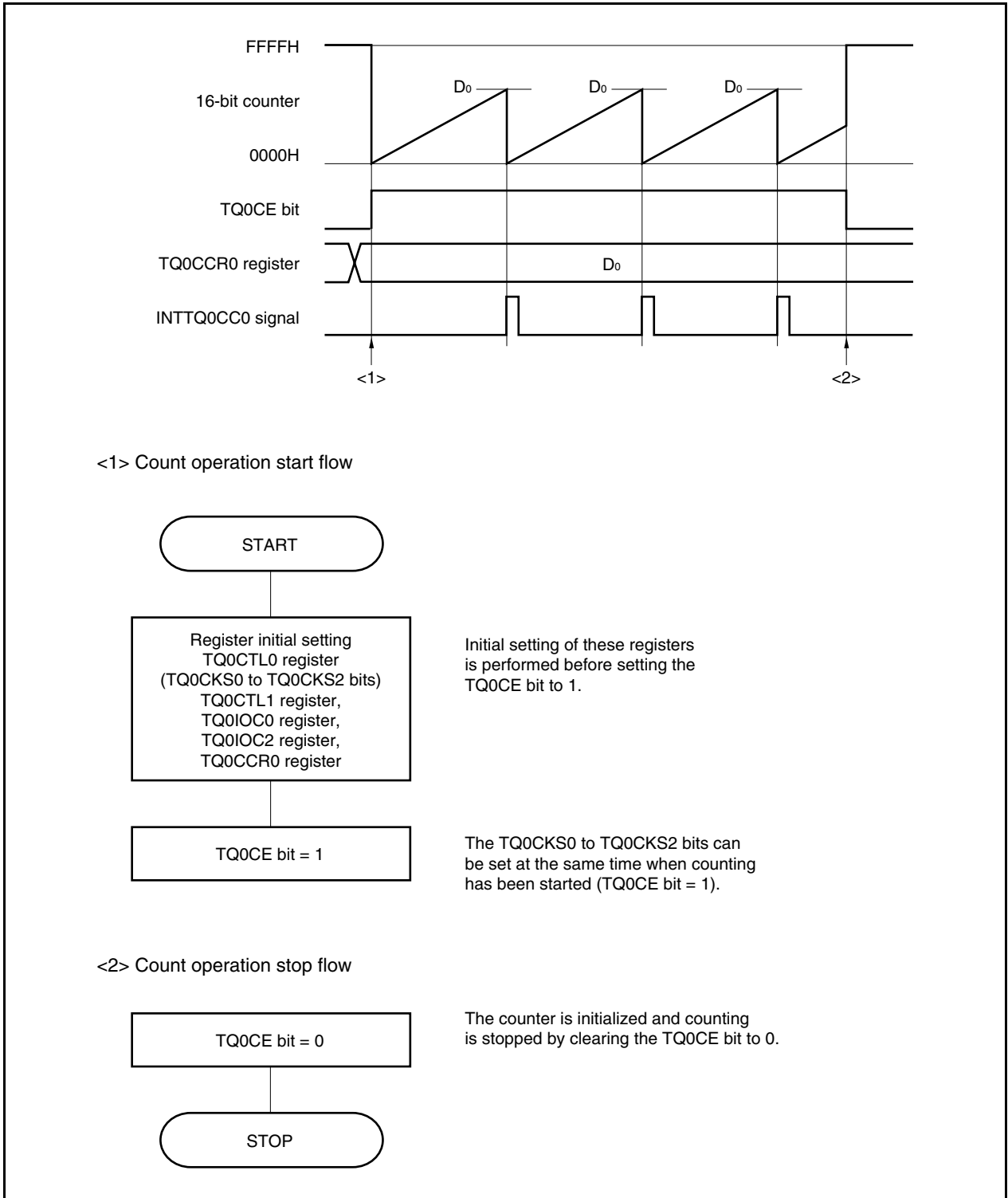
Caution When an external clock is used as the count clock, the external clock can be input only from the TIQ00 pin. At this time, set the TQ0IOC1.TQ0IS1 and TQ0IOC1.TQ0IS0 bits to 00 (capture trigger input (TIQ00 pin): no edge detection).

Remark The TMQ0 I/O control register 1 (TQ0IOC1) and TMQ0 option register 0 (TQ0OPT0) are not used in the external event count mode.

<R>

(1) External event count mode operation flow

Figure 8-12. Flow of Software Processing in External Event Count Mode

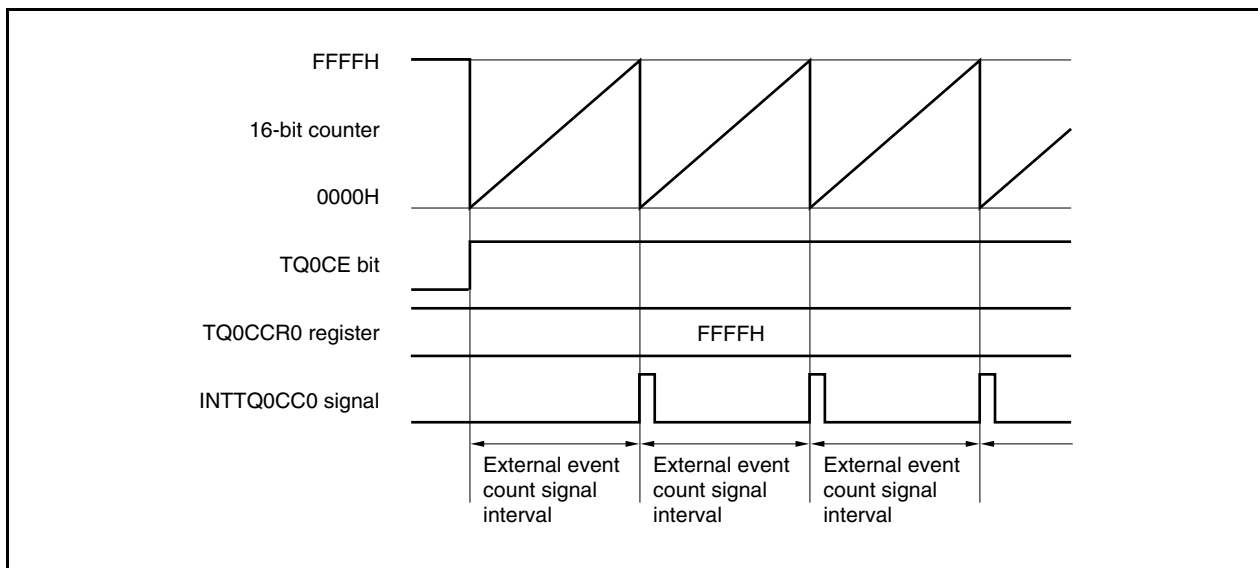


(2) Operation timing in external event count mode

- Cautions**
1. In the external event count mode, do not set the TQ0CCR0 register to 0000H.
 2. In the external event count mode, use of the timer output is disabled. If performing timer output using external event count input, set the interval timer mode, and select the operation enabled by the external event count input for the count clock (TQ0CTL1.TQ0MD2 to TQ0CTL1.TQ0MD0 bits = 000, TQ0CTL1.TQ0EEE bit = 1).

(a) Operation if TQ0CCR0 register is set to FFFFH

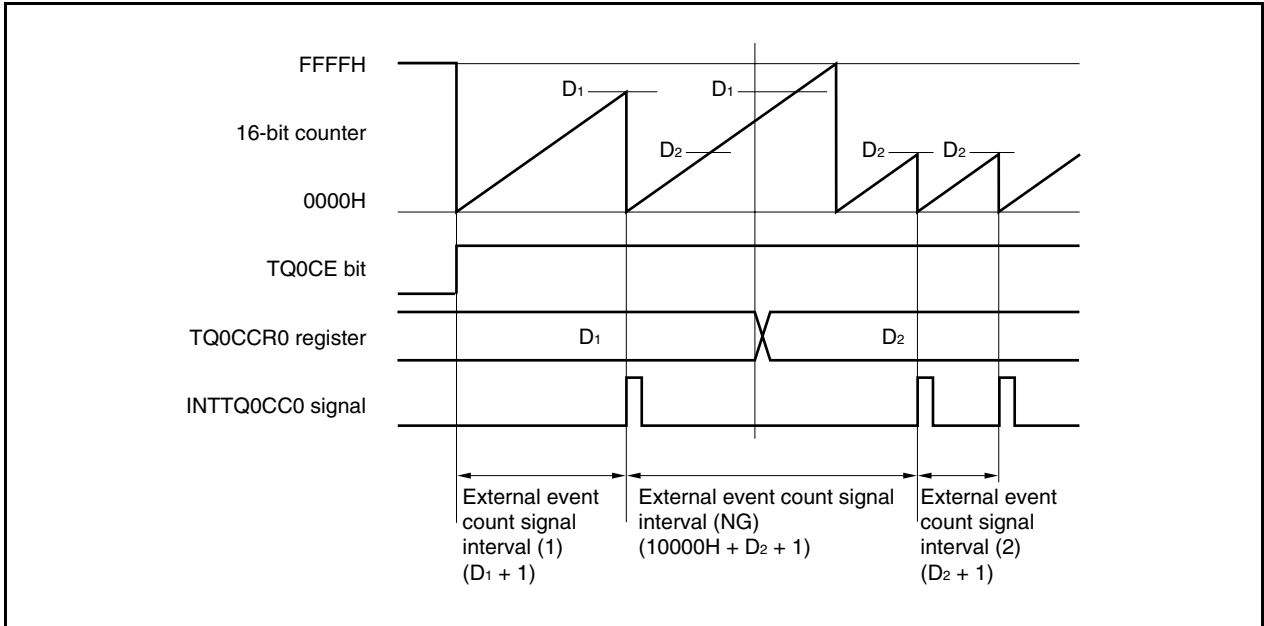
If the TQ0CCR0 register is set to FFFFH, the 16-bit counter counts to FFFFH each time the valid edge of the external event count signal has been detected. The 16-bit counter is cleared to 0000H in synchronization with the next count-up timing, and the INTTQ0CC0 signal is generated. At this time, the TQ0OPT0.TQ0OVF bit is not set.



(b) Notes on rewriting the TQ0CCR0 register

To change the value of the TQ0CCR0 register to a smaller value, stop counting once and then change the set value.

If the value of the TQ0CCR0 register is rewritten to a smaller value during counting, the 16-bit counter may overflow.



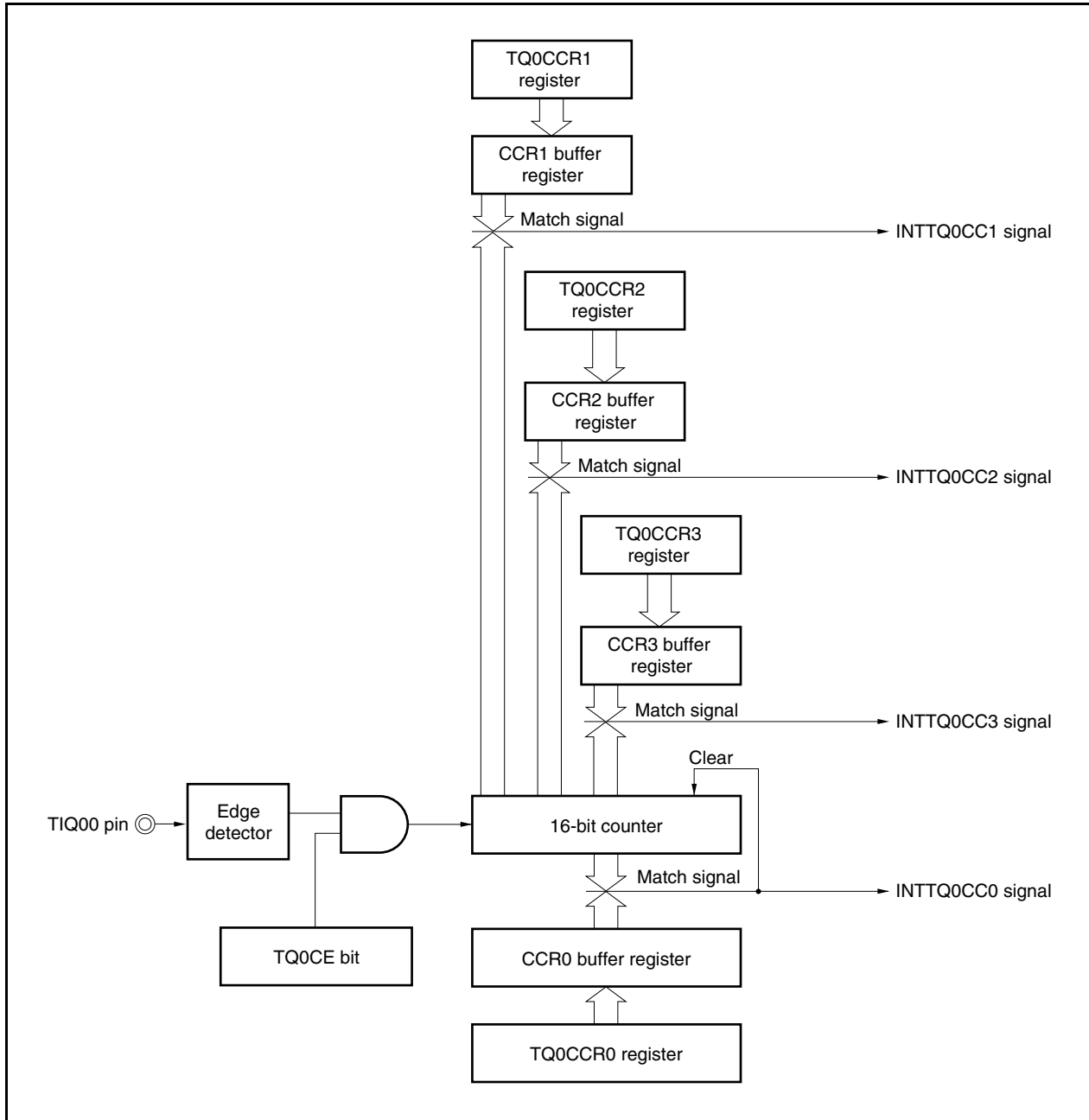
If the value of the TQ0CCR0 register is changed from D_1 to D_2 while the count value is greater than D_2 but less than D_1 , the count value is transferred to the CCR0 buffer register as soon as the TQ0CCR0 register has been rewritten. Consequently, the value that is compared with the 16-bit counter is D_2 .

Because the count value has already exceeded D_2 , however, the 16-bit counter counts up to FFFFH, overflows, and then counts up again from 0000H. When the count value matches D_2 , the INTTQ0CC0 signal is generated.

Therefore, the INTTQ0CC0 signal may not be generated at the valid edge count of " $(D_1 + 1)$ times" or " $(D_2 + 1)$ times" originally expected, but may be generated at the valid edge count of " $(10000H + D_2 + 1)$ times".

(c) Operation of TQ0CCR1 to TQ0CCR3 registers

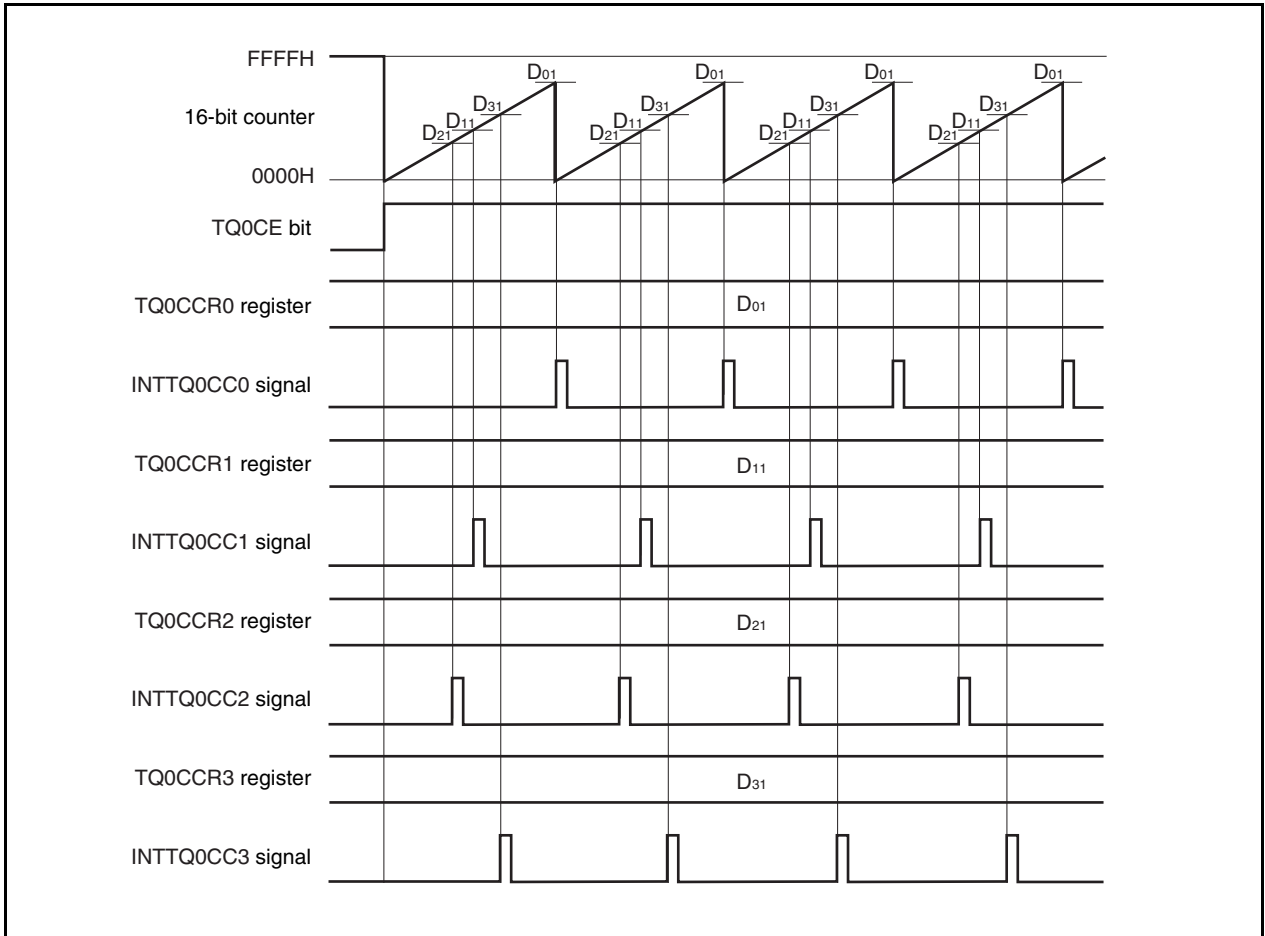
Figure 8-13. Configuration of TQ0CCR1 to TQ0CCR3 Registers



If the set value of the TQ0CCRk register is smaller than the set value of the TQ0CCR0 register, the INTTQ0CCk signal is generated once per cycle.

Remark k = 1 to 3

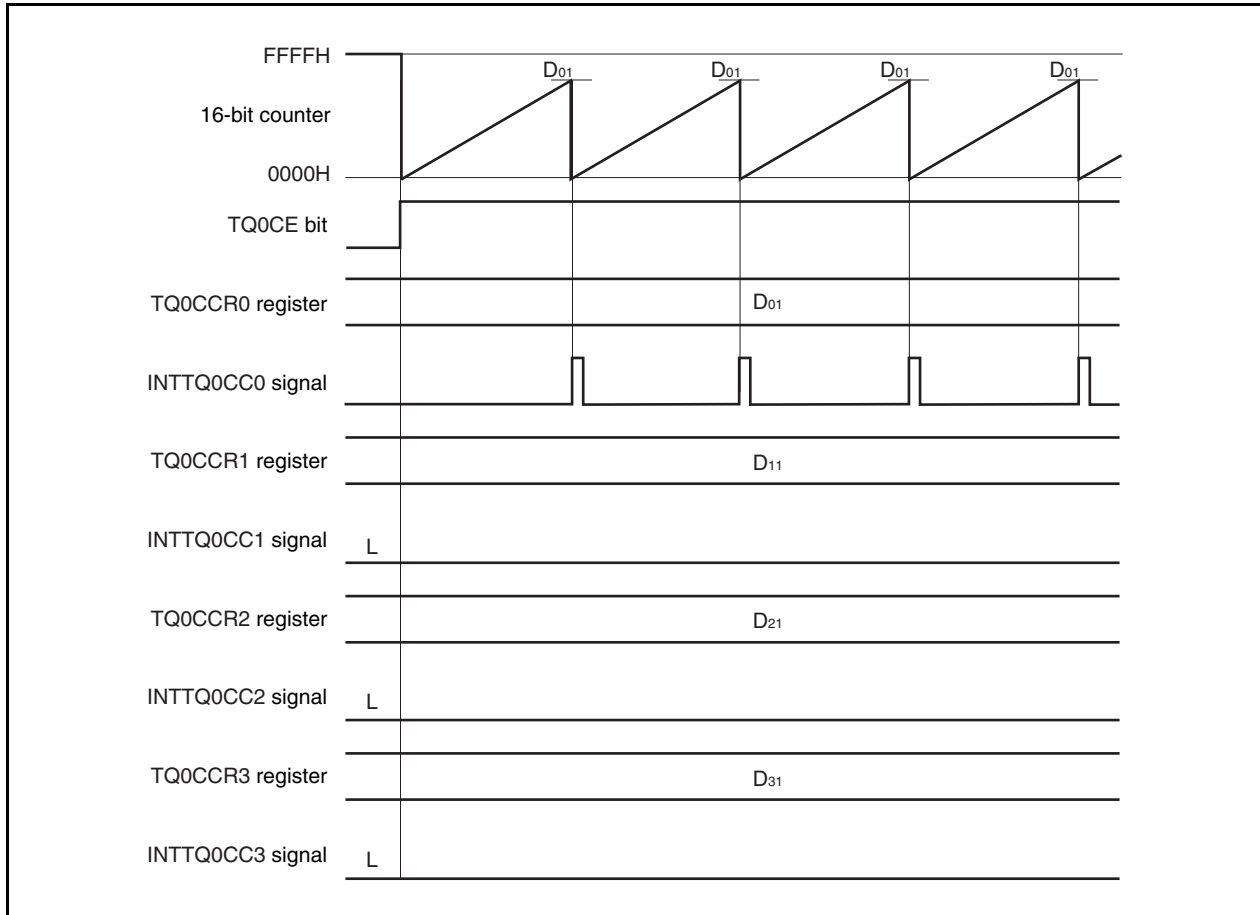
Figure 8-14. Timing Chart When $D_{01} \geq D_{k1}$



If the set value of the TQ0CCRk register is greater than the set value of the TQ0CCR0 register, the INTTQ0CCk signal is not generated because the count value of the 16-bit counter and the value of the TQ0CCRk register do not match.

Remark k = 1 to 3

Figure 8-15. Timing Chart When $D_{01} < D_{k1}$



8.5.3 External trigger pulse output mode (TQ0MD2 to TQ0MD0 bits = 010)

In the external trigger pulse output mode, 16-bit timer/event counter Q waits for a trigger when the TQ0CTL0.TQ0CE bit is set to 1. When the valid edge of an external trigger input signal is detected, 16-bit timer/event counter Q starts counting, and outputs a PWM waveform from the TOQ01 to TOQ03 pins.

Pulses can also be output by generating a software trigger instead of using the external trigger. When using a software trigger, a square wave that has one cycle of the PWM waveform as half its cycle can also be output from the TOQ00 pin.

Figure 8-16. Configuration in External Trigger Pulse Output Mode

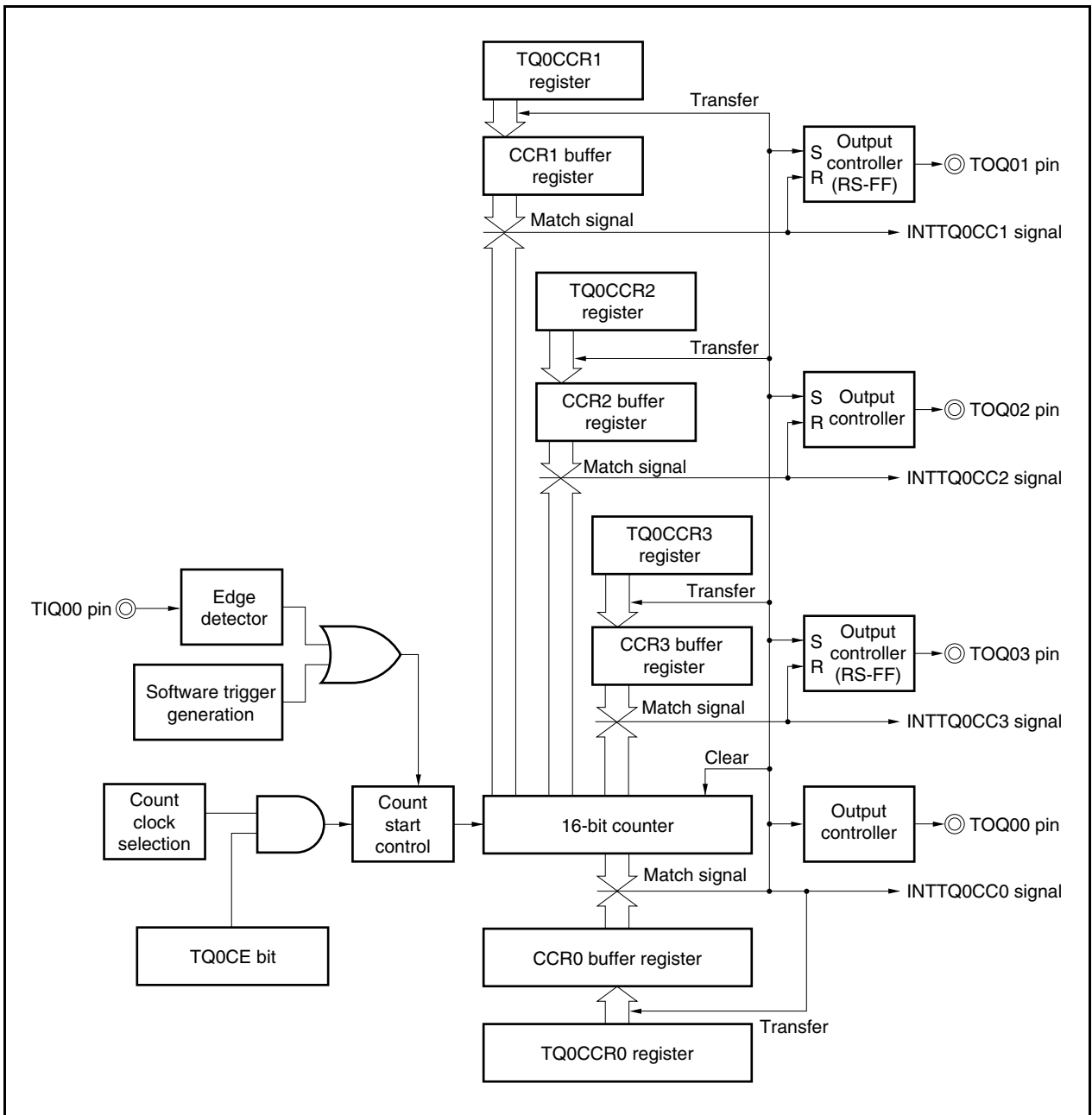
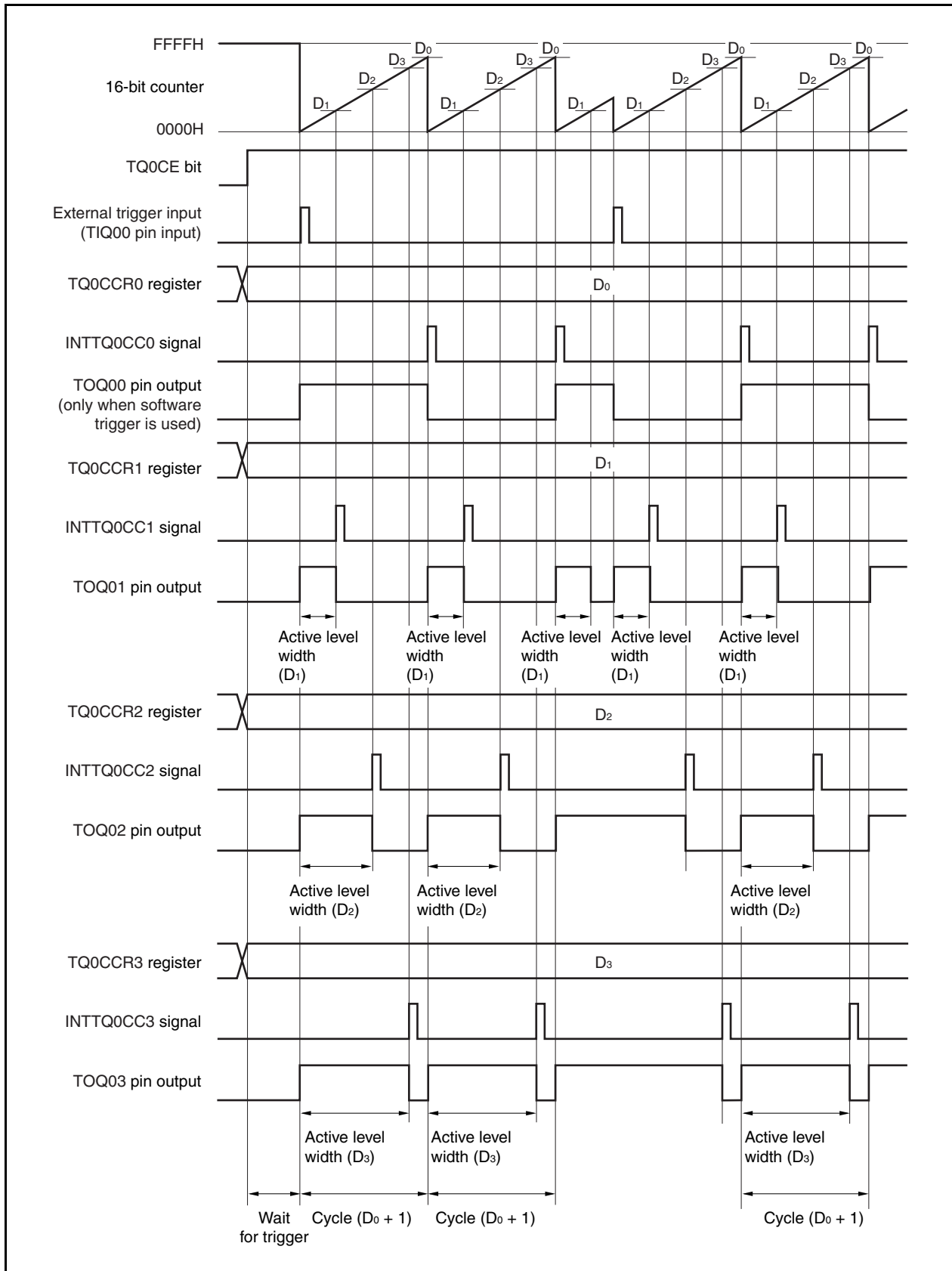


Figure 8-17. Basic Timing in External Trigger Pulse Output Mode



16-bit timer/event counter Q waits for a trigger when the TQ0CE bit is set to 1. When the trigger is generated, the 16-bit counter is cleared from FFFFH to 0000H, starts counting at the same time, and outputs a PWM waveform from the TOQ0k pin. If the trigger is generated again while the counter is operating, the counter is cleared to 0000H and restarted. (The output of the TOQ00 pin is inverted. The TOQ0k pin outputs a high-level regardless of the status (high/low) when a trigger is generated.)

The active level width, cycle, and duty factor of the PWM waveform can be calculated as follows.

$$\text{Active level width} = (\text{Set value of TQ0CCRk register}) \times \text{Count clock cycle}$$

$$\text{Cycle} = (\text{Set value of TQ0CCR0 register} + 1) \times \text{Count clock cycle}$$

$$\text{Duty factor} = (\text{Set value of TQ0CCRk register}) / (\text{Set value of TQ0CCR0 register} + 1)$$

The compare match request signal INTTQ0CC0 is generated when the 16-bit counter counts next time after its count value matches the value of the CCR0 buffer register, and the 16-bit counter is cleared to 0000H. The compare match interrupt request signal INTTQ0CCk is generated when the count value of the 16-bit counter matches the value of the CCRk buffer register.

The value set to the TQ0CCRm register is transferred to the CCRm buffer register when the count value of the 16-bit counter matches the value of the CCR0 buffer register and the 16-bit counter is cleared to 0000H.

The valid edge of an external trigger input signal, or setting the software trigger (TQ0CTL1.TQ0EST bit) to 1 is used as the trigger.

Remark k = 1 to 3, m = 0 to 3

Figure 8-18. Register Setting for Operation in External Trigger Pulse Output Mode (1/3)

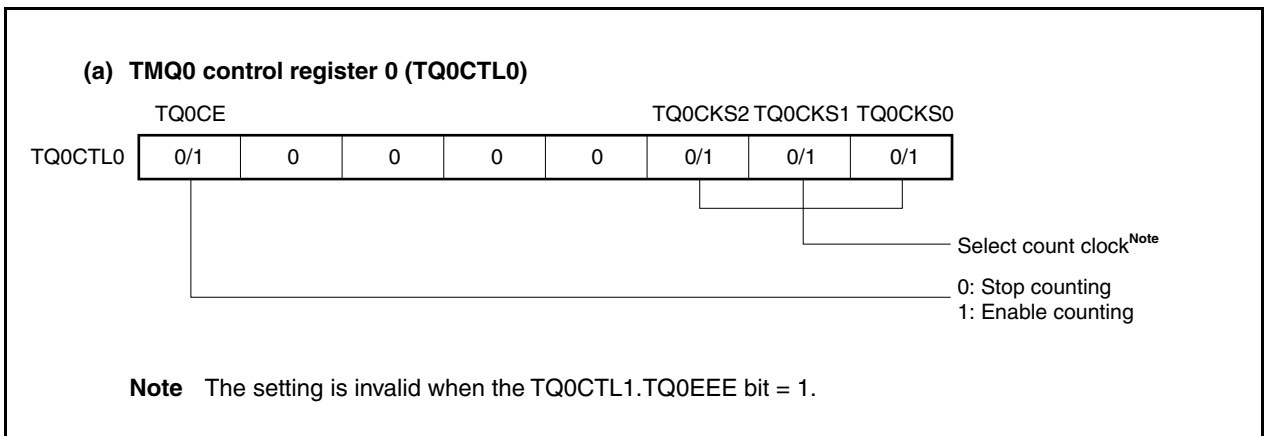
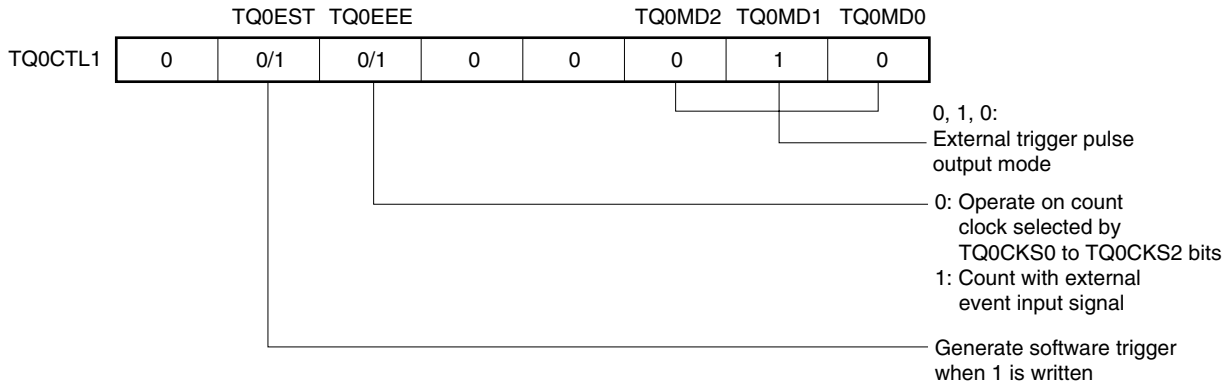
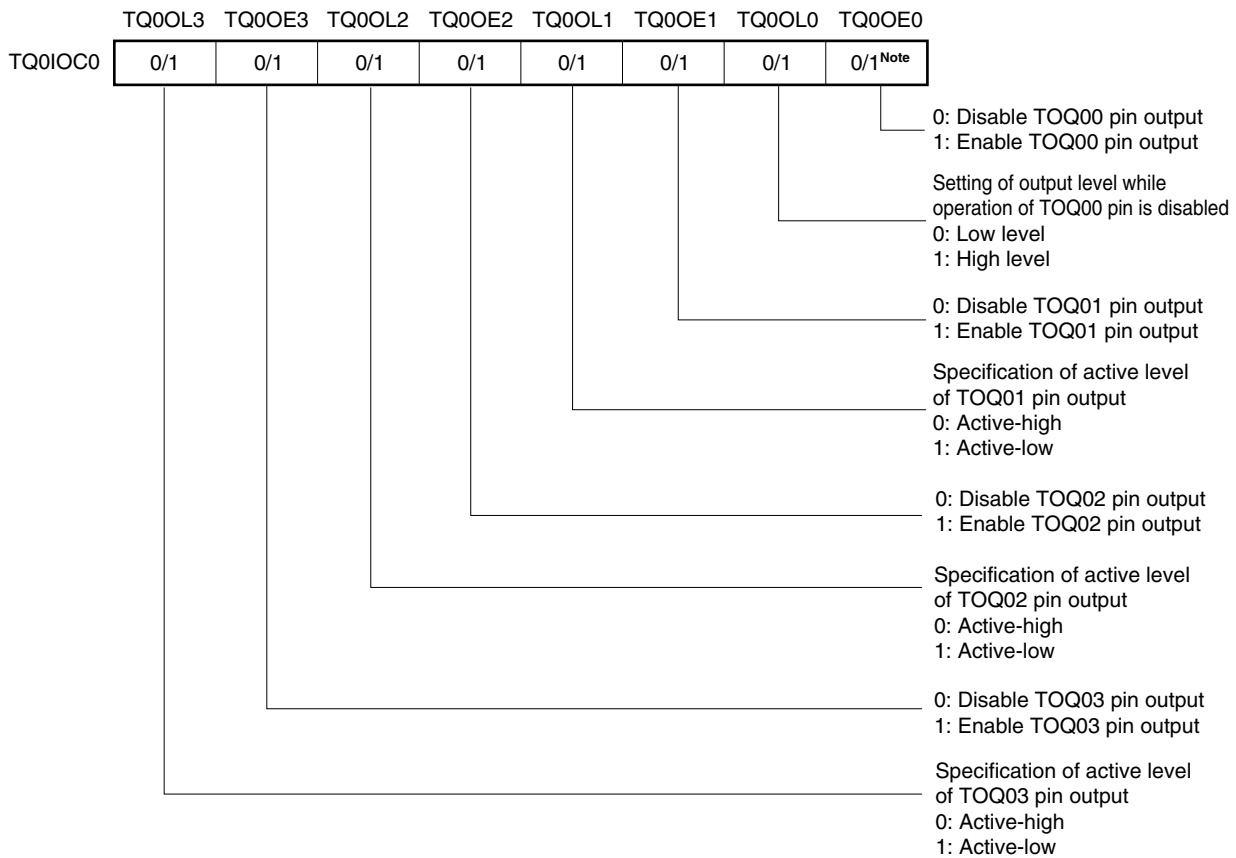


Figure 8-18. Register Setting for Operation in External Trigger Pulse Output Mode (2/3)

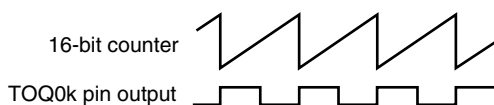
(b) TMQ0 control register 1 (TQ0CTL1)



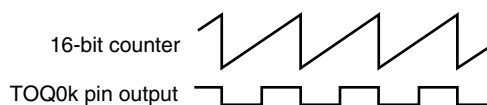
(c) TMQ0 I/O control register 0 (TQ0IOC0)



• When TQ0OLk bit = 0

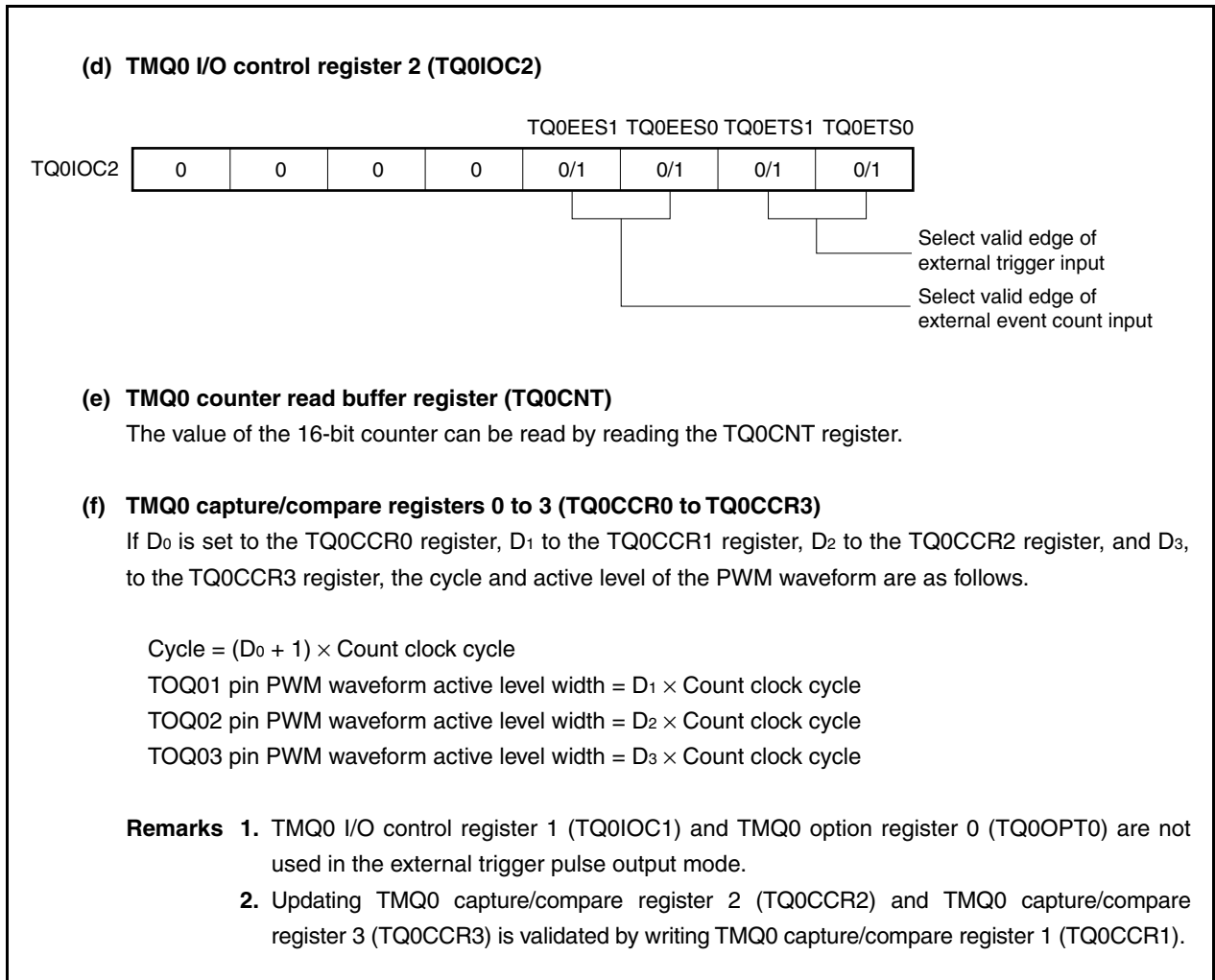


• When TQ0OLk bit = 1



Note Clear this bit to 0 when the TOQ00 pin is not used in the external trigger pulse output mode.

Figure 8-18. Register Setting for Operation in External Trigger Pulse Output Mode (3/3)



(1) Operation flow in external trigger pulse output mode

Figure 8-19. Software Processing Flow in External Trigger Pulse Output Mode (1/2)

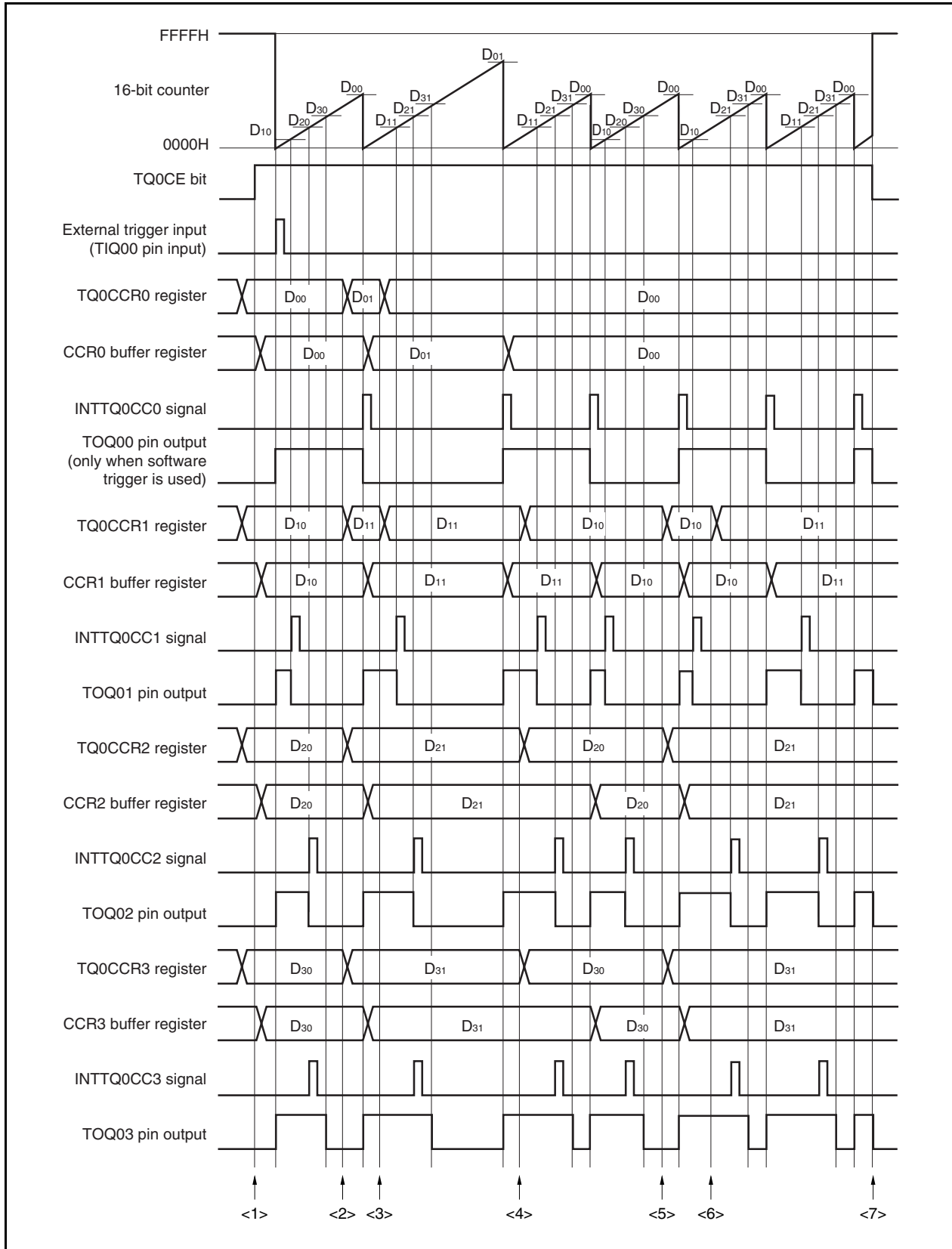
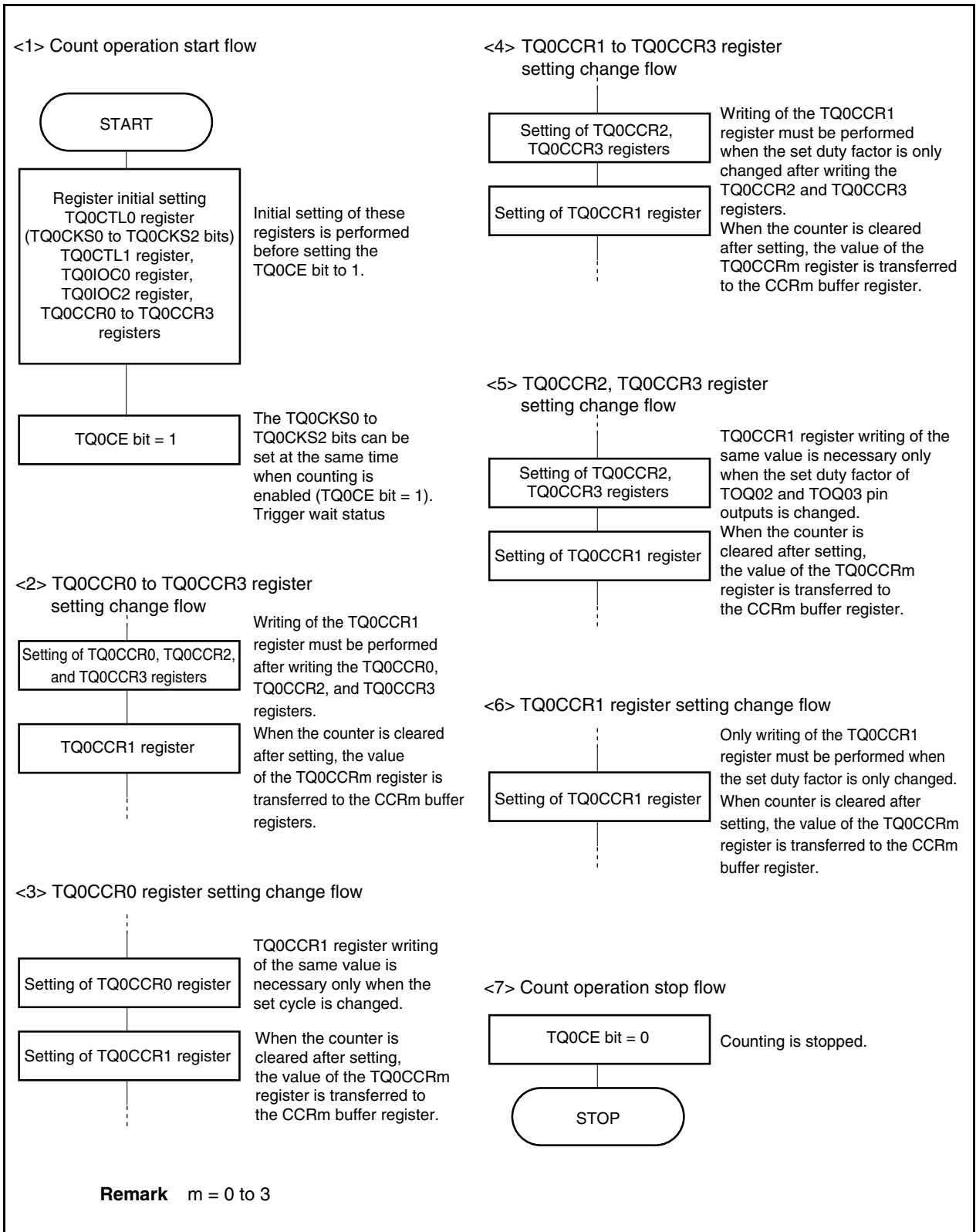


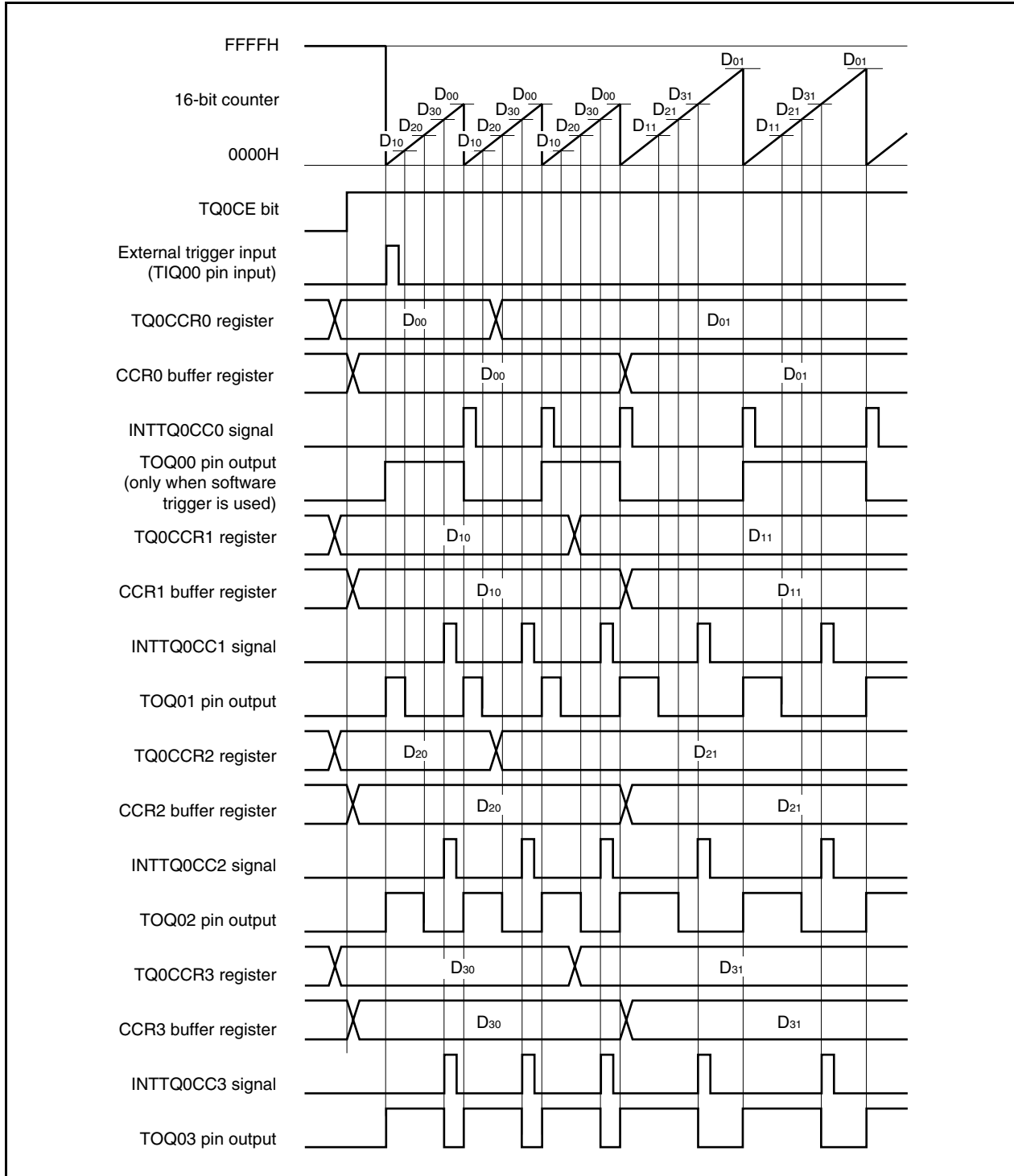
Figure 8-19. Software Processing Flow in External Trigger Pulse Output Mode (2/2)



(2) External trigger pulse output mode operation timing

(a) Note on changing pulse width during operation

To change the PWM waveform while the counter is operating, write the TQ0CCR1 register last.
 Rewrite the TQ0CCRk register after writing the TQ0CCR1 register after the INTTQ0CC0 signal is detected.



In order to transfer data from the TQ0CCRm register to the CCRm buffer register, the TQ0CCR1 register must be written.

To change both the cycle and active level width of the PWM waveform at this time, first set the cycle to the TQ0CCR0 register, set the active level width to the TQ0CCR2 and TQ0CCR3 registers, and then set an active level to the TQ0CCR1 register.

To change only the cycle of the PWM waveform, first set the cycle to the TQ0CCR0 register, and then write the same value to the TQ0CCR1 register.

To change only the active level width (duty factor) of the PWM waveform, first set an active level to the TQ0CCR2 and TQ0CCR3 registers and then set an active level to the TQ0CCR1 register.

To change only the active level width (duty factor) of the PWM waveform output by the TOQ01 pin, only the TQ0CCR1 register has to be set.

To change only the active level width (duty factor) of the PWM waveform output by the TOQ02 and TOQ03 pins, first set an active level width to the TQ0CCR2 and TQ0CCR3 registers, and then write the same value to the TQ0CCR1 register.

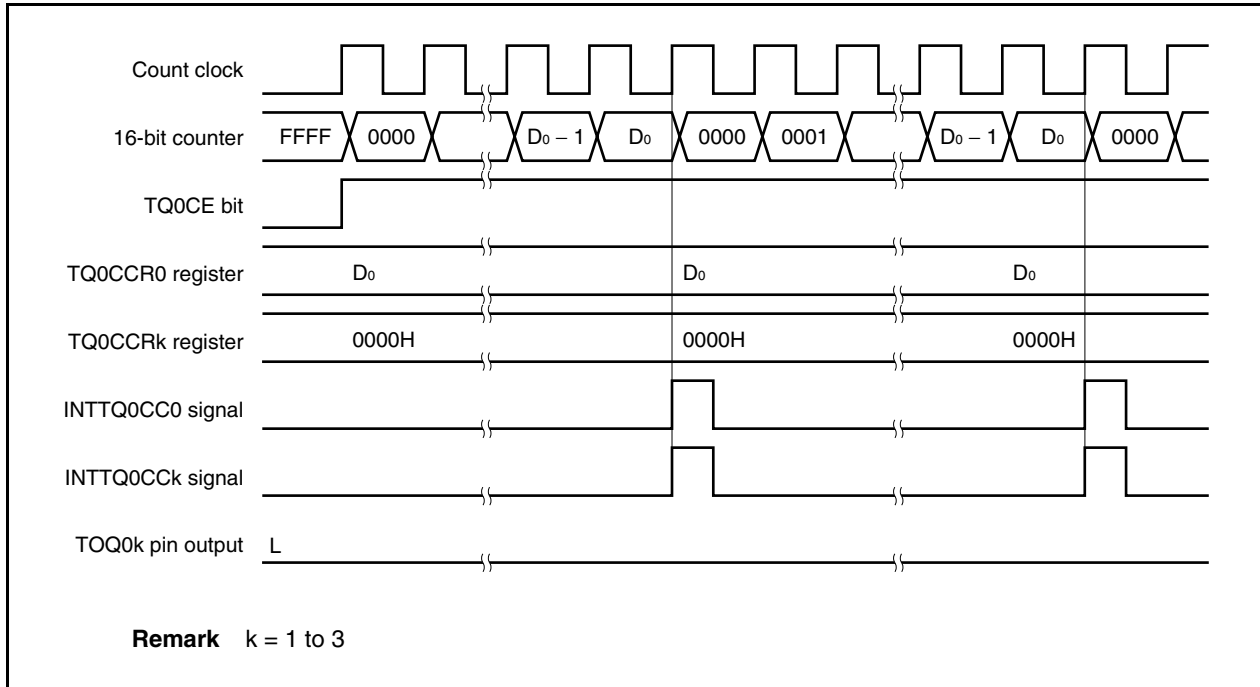
After data is written to the TQ0CCR1 register, the value written to the TQ0CCRm register is transferred to the CCRm buffer register in synchronization with clearing of the 16-bit counter, and is used as the value compared with the 16-bit counter.

To write the TQ0CCR0 to TQ0CCR3 registers again after writing the TQ0CCR1 register once, do so after the INTTQ0CC0 signal is generated. Otherwise, the value of the CCRm buffer register may become undefined because timing of transferring data from the TQ0CCRm register to the CCRm buffer register conflicts with writing the TQ0CCRm register.

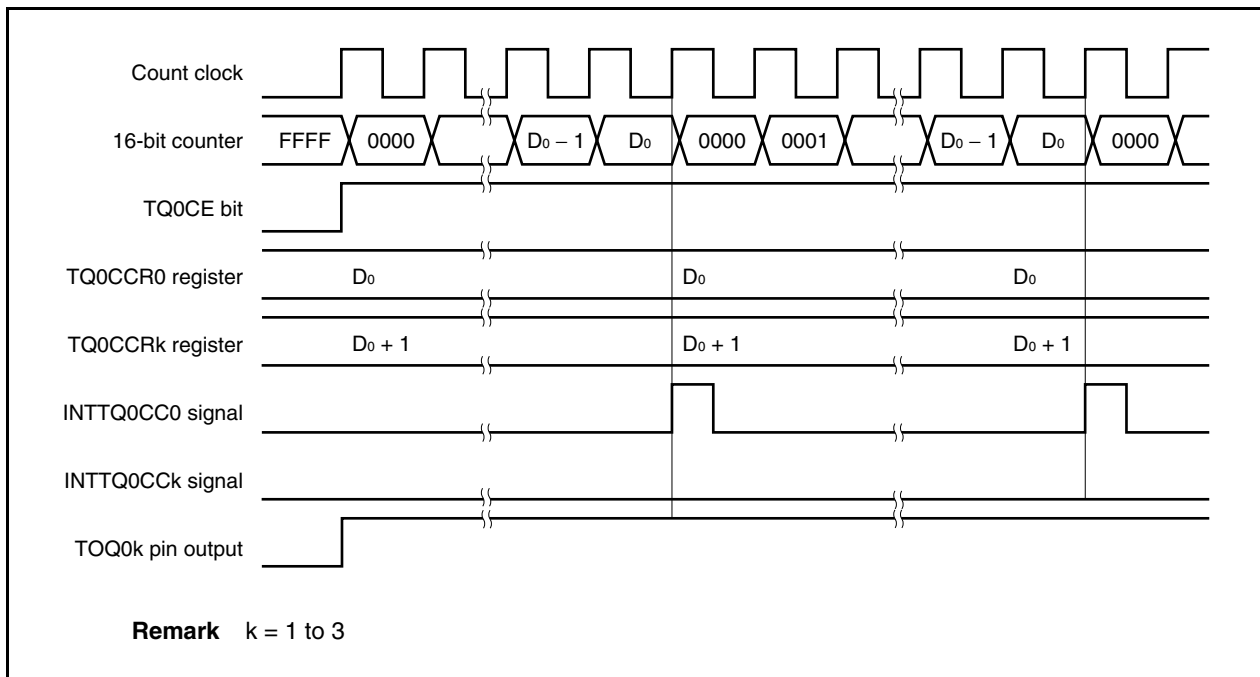
Remark m = 0 to 3

(b) 0%/100% output of PWM waveform

To output a 0% waveform, set the TQ0CCRk register to 0000H. If the set value of the TQ0CCR0 register is FFFFH, the INTTQ0CCk signal is generated periodically.

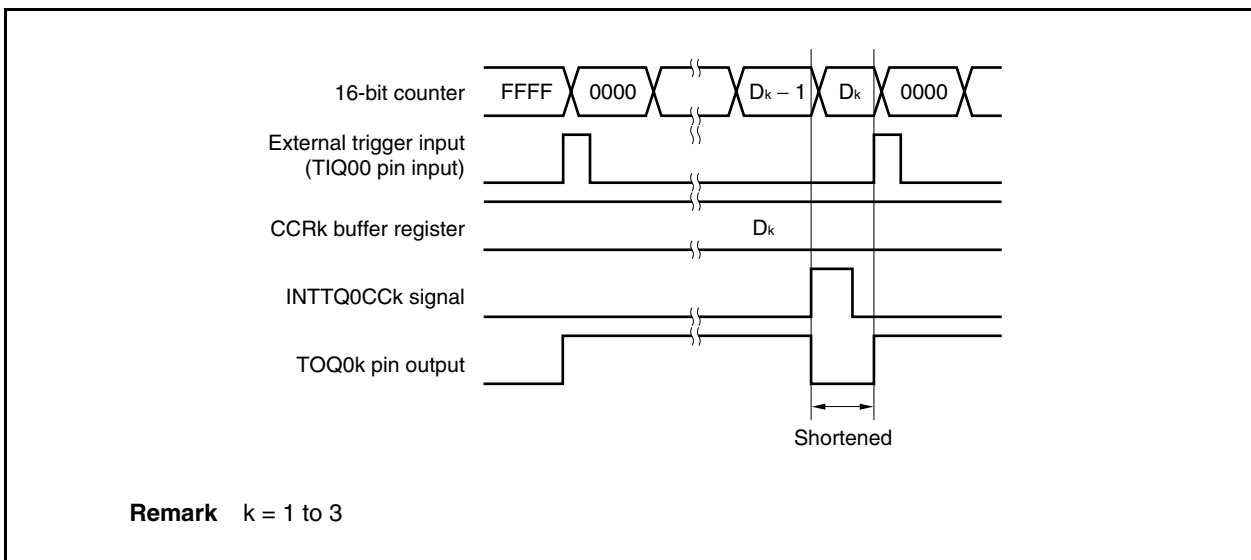


To output a 100% waveform, set a value of (set value of TQ0CCR0 register + 1) to the TQ0CCRk register. If the set value of the TQ0CCR0 register is FFFFH, 100% output cannot be produced.

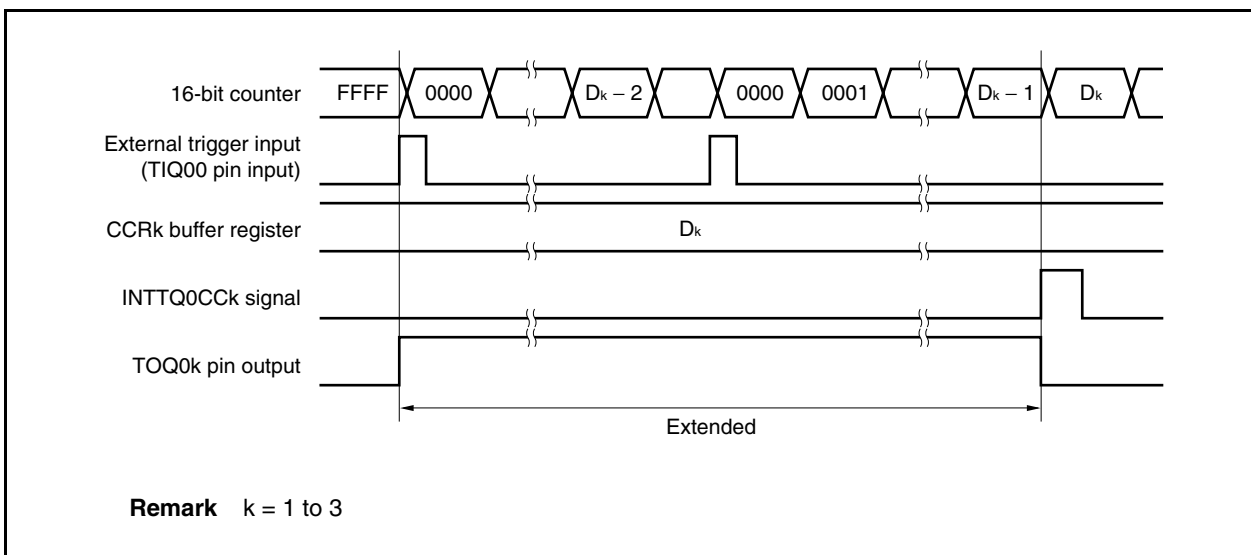


(c) Conflict between trigger detection and match with CCRk buffer register

If the trigger is detected immediately after the INTTQ0CCk signal is generated, the 16-bit counter is immediately cleared to 0000H, the output signal of the TOQ0k pin is asserted, and the counter continues counting. Consequently, the inactive period of the PWM waveform is shortened.

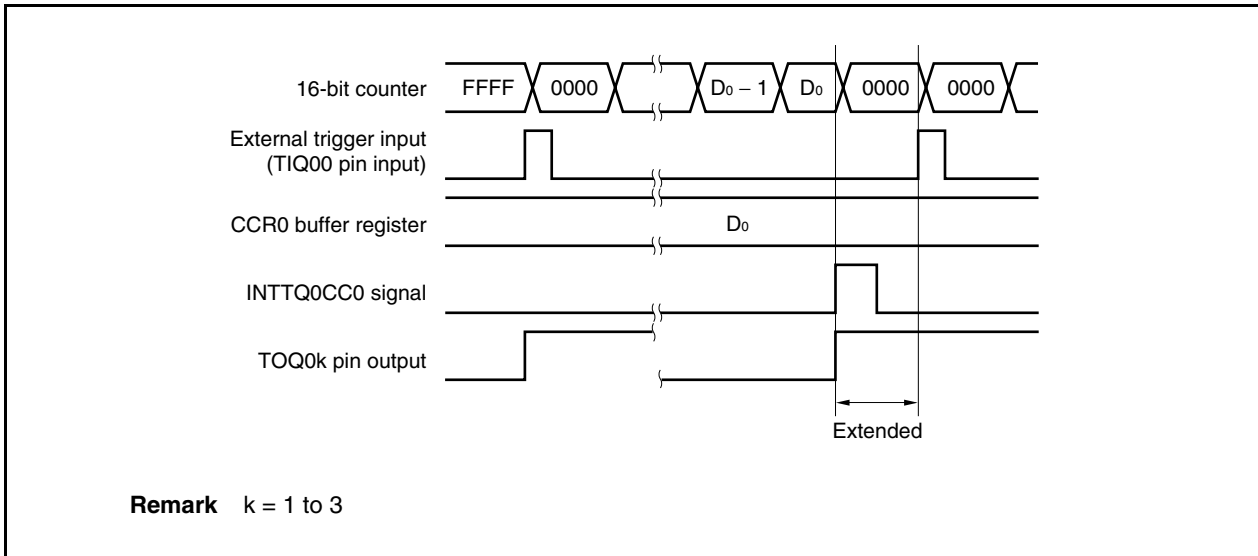


If the trigger is detected immediately before the INTTQ0CCk signal is generated, the INTTQ0CCk signal is not generated, and the 16-bit counter is cleared to 0000H and continues counting. The output signal of the TOQ0k pin remains active. Consequently, the active period of the PWM waveform is extended.

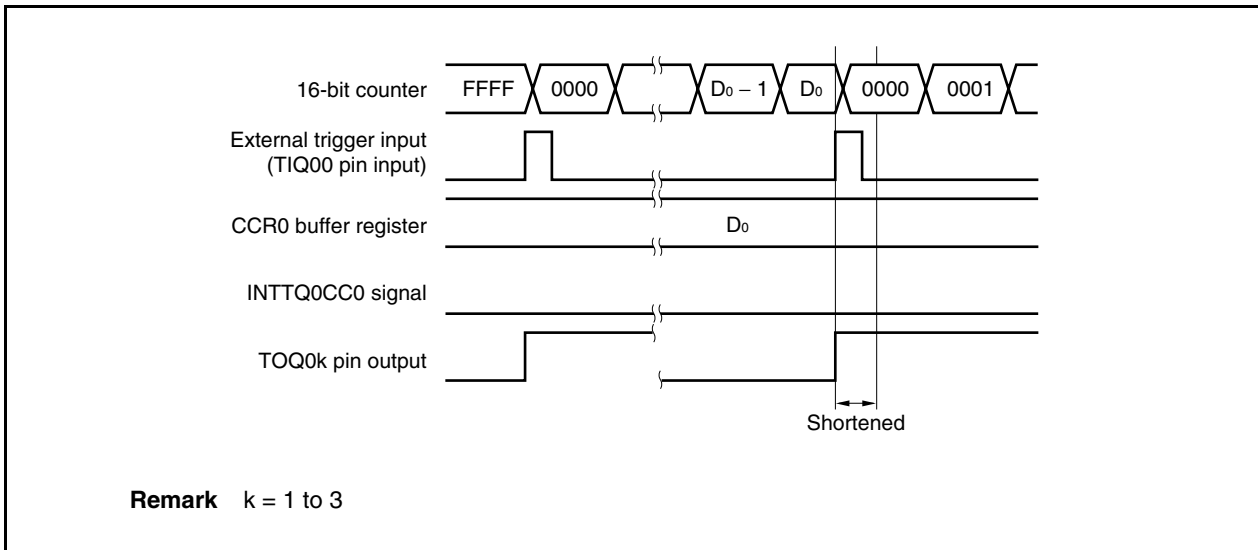


(d) Conflict between trigger detection and match with CCR0 buffer register

If the trigger is detected immediately after the INTTQ0CC0 signal is generated, the 16-bit counter is cleared to 0000H and continues counting up. Therefore, the active period of the TOQ0k pin is extended by time from generation of the INTTQ0CC0 signal to trigger detection.

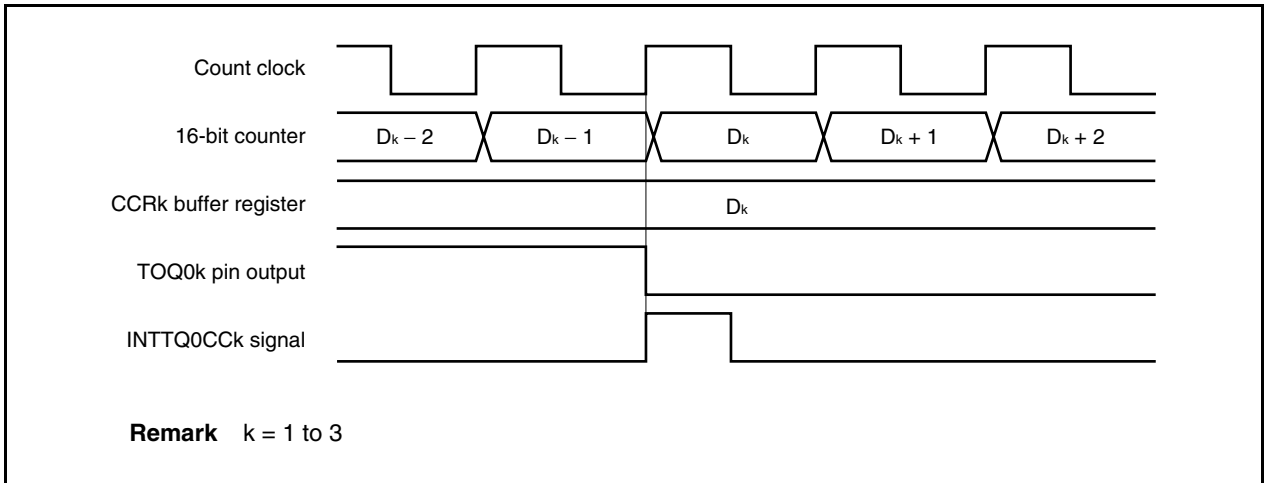


If the trigger is detected immediately before the INTTQ0CC0 signal is generated, the INTTQ0CC0 signal is not generated. The 16-bit counter is cleared to 0000H, the TOQ0k pin is asserted, and the counter continues counting. Consequently, the inactive period of the PWM waveform is shortened.



(e) Generation timing of compare match interrupt request signal (INTTQ0CCk)

The timing of generation of the INTTQ0CCk signal in the external trigger pulse output mode differs from the timing of other INTTQ0CCk signals; the INTTQ0CCk signal is generated when the count value of the 16-bit counter matches the value of the CCRk buffer register.



Usually, the INTTQ0CCk signal is generated in synchronization with the next count up after the count value of the 16-bit counter matches the value of the CCRk buffer register.

In the external trigger pulse output mode, however, it is generated one clock earlier. This is because the timing is changed to match the timing of changing the output signal of the TOQ0k pin.

8.5.4 One-shot pulse output mode (TQ0MD2 to TQ0MD0 bits = 011)

In the one-shot pulse output mode, 16-bit timer/event counter Q waits for a trigger when the TQ0CTL0.TQ0CE bit is set to 1. When the valid edge of an external trigger input is detected, 16-bit timer/event counter Q starts counting, and outputs a one-shot pulse from the TOQ01 to TOQ03 pins.

Instead of the external trigger, a software trigger can also be generated to output the pulse. When the software trigger is used, the TOQ00 pin outputs the active level while the 16-bit counter is counting, and the inactive level when the counter is stopped (waiting for a trigger).

Figure 8-20. Configuration in One-Shot Pulse Output Mode

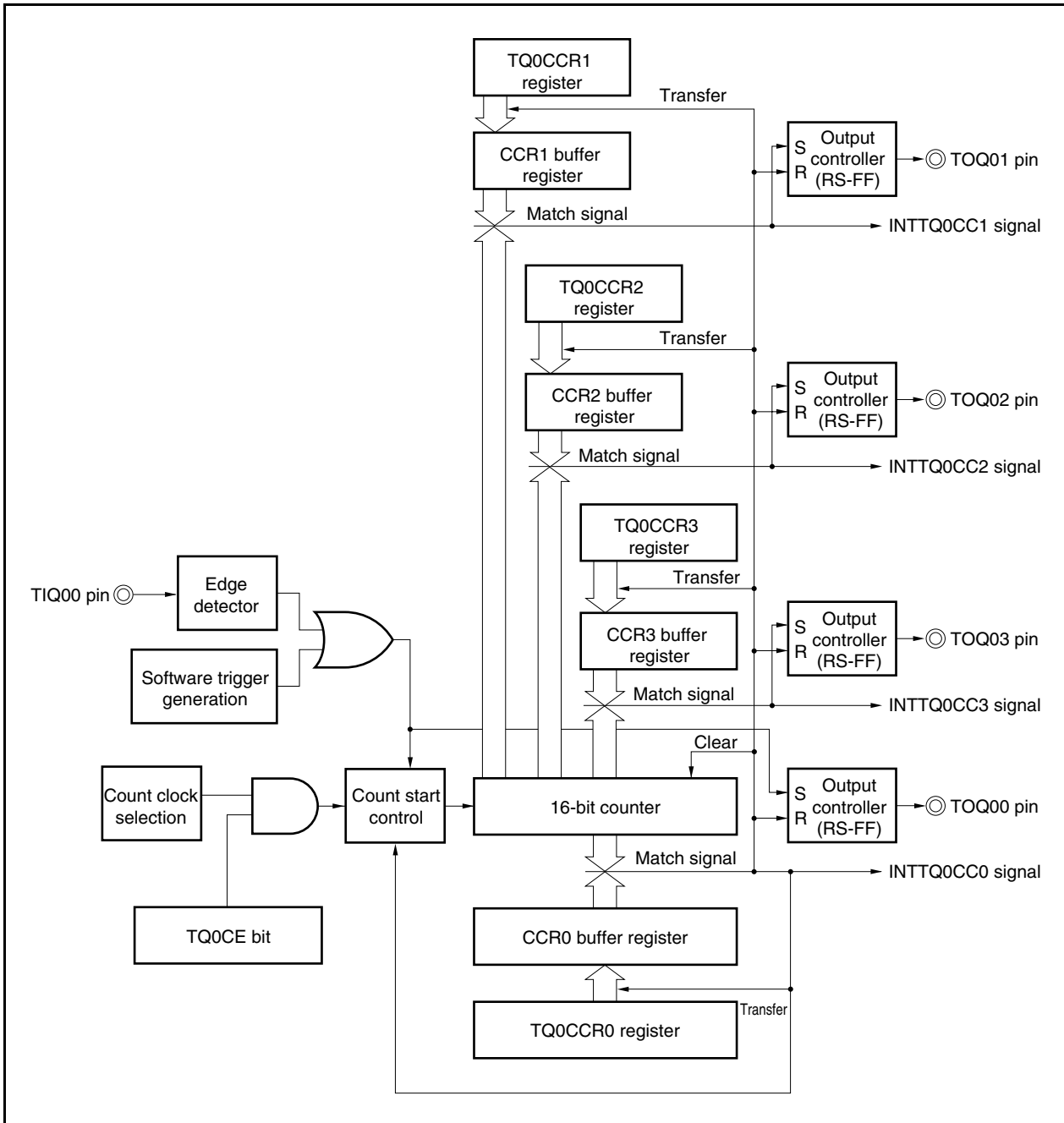
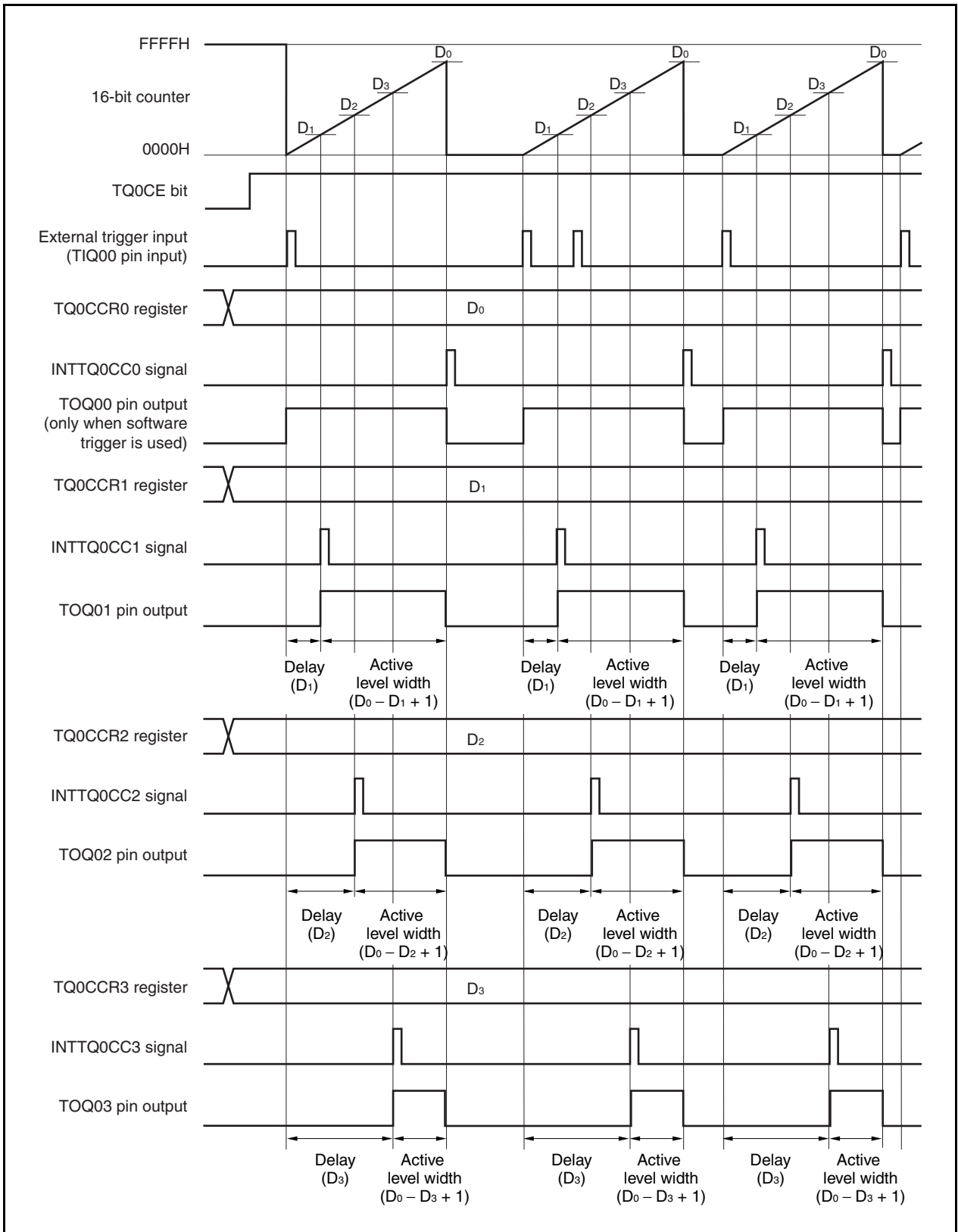


Figure 8-21. Basic Timing in One-Shot Pulse Output Mode



When the TQ0CE bit is set to 1, 16-bit timer/event counter Q waits for a trigger. When the trigger is generated, the 16-bit counter is cleared from FFFFH to 0000H, starts counting, and outputs a one-shot pulse from the TOQ0k pin. After the one-shot pulse is output, the 16-bit counter is set to FFFFH, stops counting, and waits for a trigger. If a trigger is generated again while the one-shot pulse is being output, it is ignored.

The output delay period and active level width of the one-shot pulse can be calculated as follows.

$$\text{Output delay period} = (\text{Set value of TQ0CCRk register}) \times \text{Count clock cycle}$$

$$\text{Active level width} = (\text{Set value of TQ0CCR0 register} - \text{Set value of TQ0CCRk register} + 1) \times \text{Count clock cycle}$$

The compare match interrupt request signal INTTQ0CC0 is generated when the 16-bit counter counts after its count value matches the value of the CCR0 buffer register. The compare match interrupt request signal INTTQ0CCk is generated when the count value of the 16-bit counter matches the value of the CCRk buffer register.

The valid edge of an external trigger input or setting the software trigger (TQ0CTL1.TQ0EST bit) to 1 is used as the trigger.

Remark k = 1 to 3

Figure 8-22. Register Setting for Operation in One-Shot Pulse Output Mode (1/3)

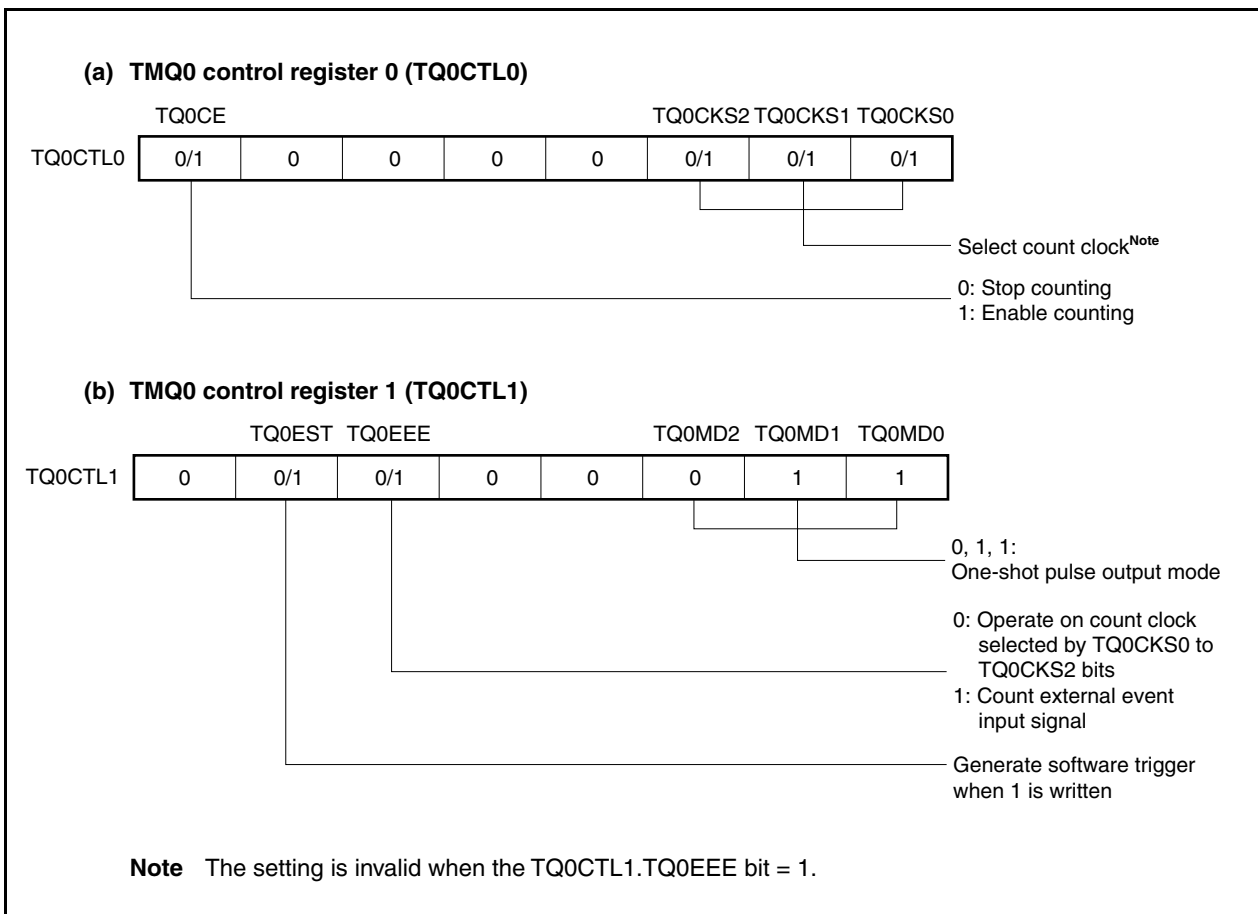


Figure 8-22. Register Setting for Operation in One-Shot Pulse Output Mode (2/3)

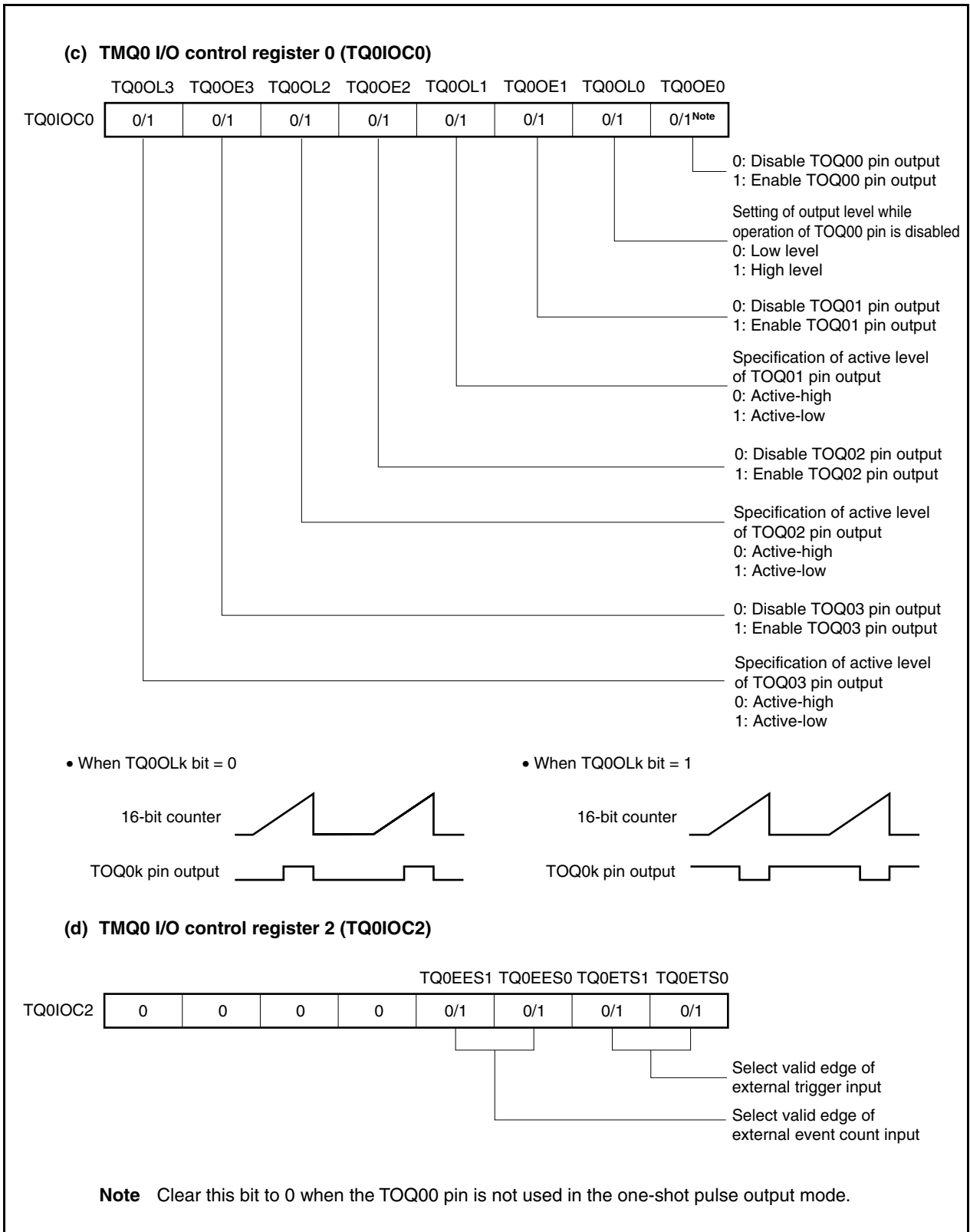


Figure 8-22. Register Setting for Operation in One-Shot Pulse Output Mode (3/3)

(e) TMQ0 counter read buffer register (TQ0CNT)

The value of the 16-bit counter can be read by reading the TQ0CNT register.

(f) TMQ0 capture/compare registers 0 to 3 (TQ0CCR0 to TQ0CCR3)

If D_0 is set to the TQ0CCR0 register and D_k to the TQ0CCRk register, the active level width and output delay period of the one-shot pulse are as follows.

Active level width = $(D_0 - D_k + 1) \times$ Count clock cycle

Output delay period = $(D_k) \times$ Count clock cycle

Caution One-shot pulses are not output even in the one-shot pulse output mode, if the value set in the TQ0CCR1 register is greater than that set in the TQ0CCRk register.

Remarks 1. TMQ0 I/O control register 1 (TQ0IOC1) and TMQ0 option register 0 (TQ0OPT0) are not used in the one-shot pulse output mode.

2. $k = 1$ to 3

<R>

(1) Operation flow in one-shot pulse output mode

Figure 8-23. Software Processing Flow in One-Shot Pulse Output Mode (1/2)

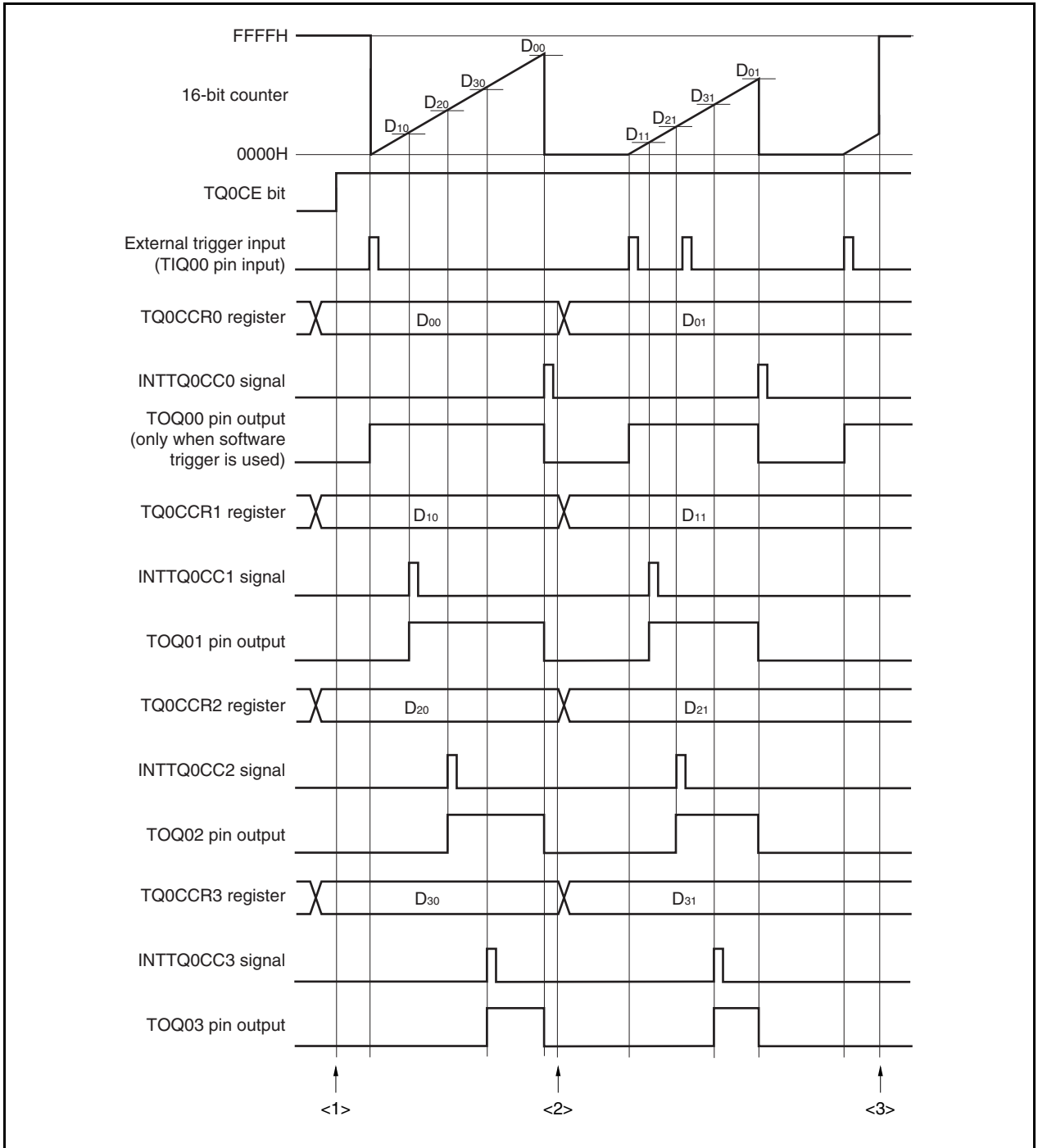
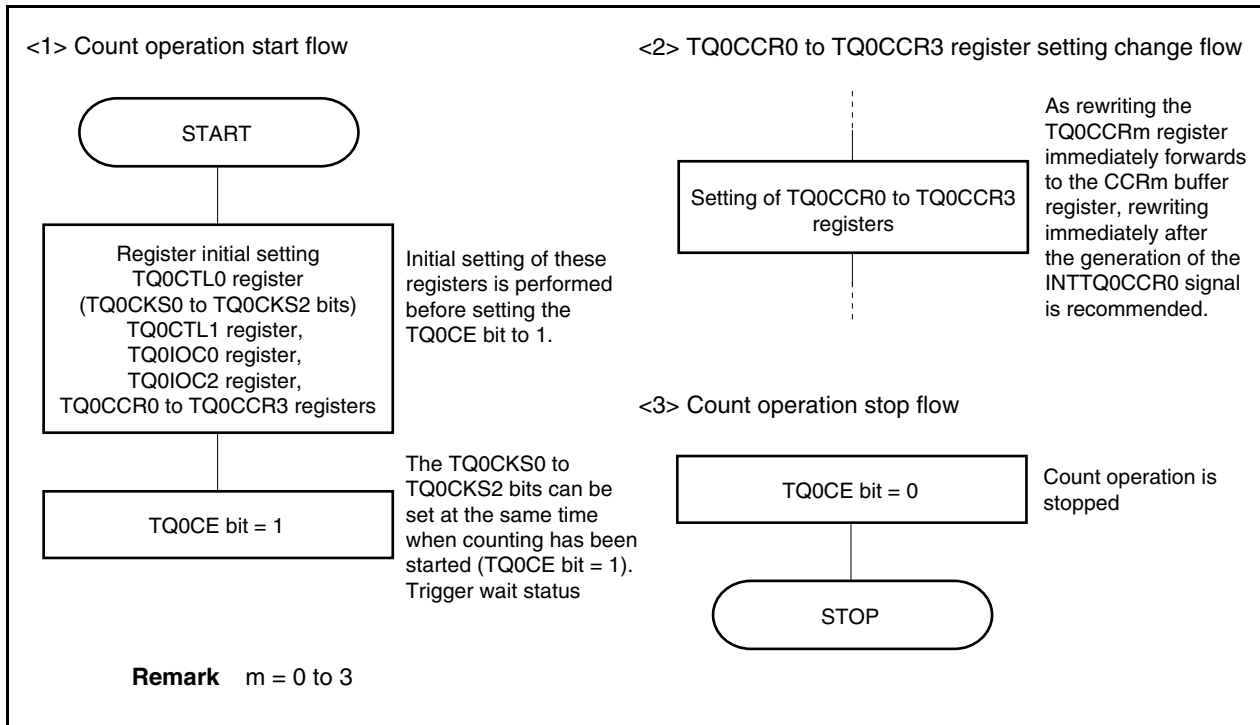


Figure 8-23. Software Processing Flow in One-Shot Pulse Output Mode (2/2)

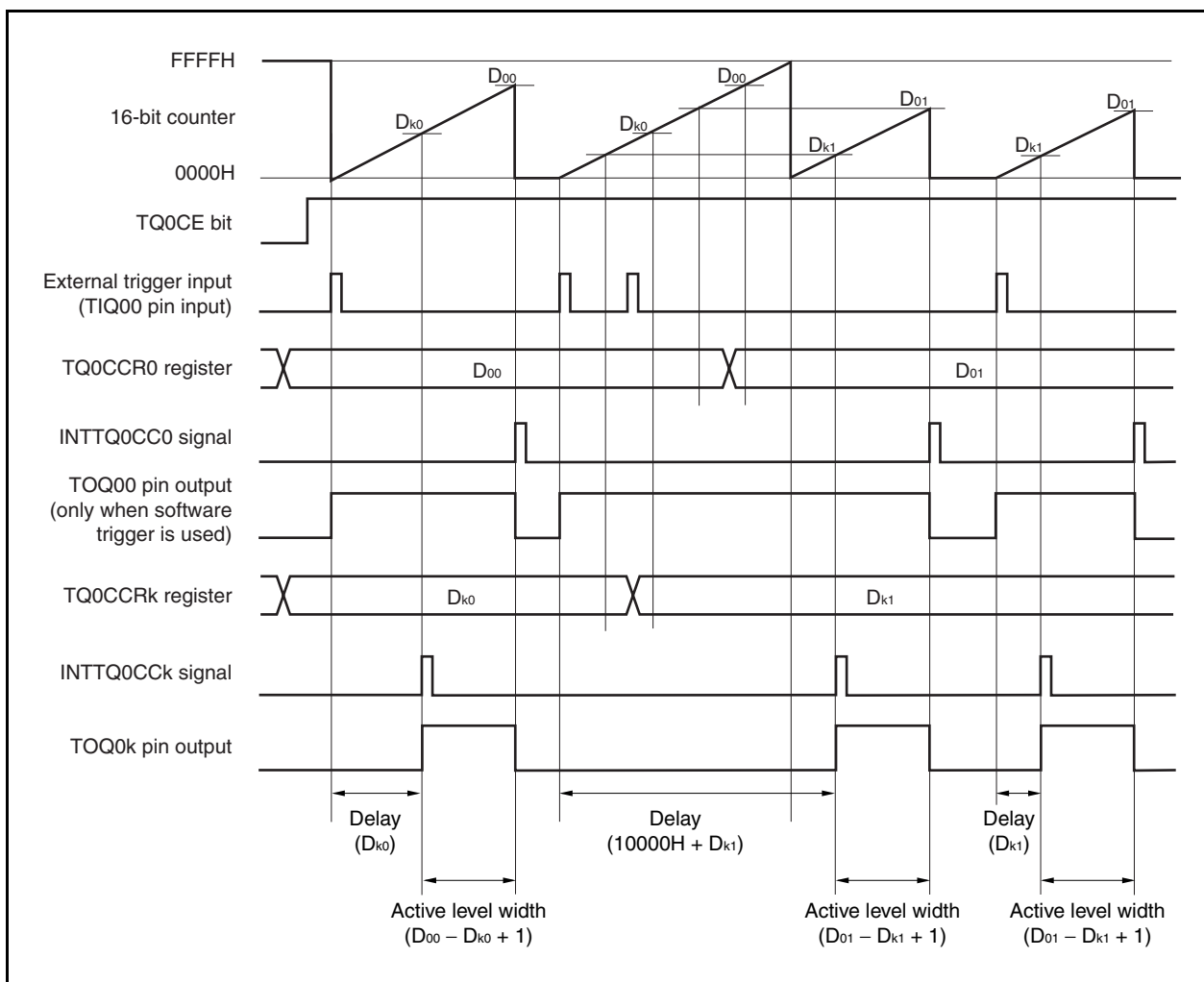


(2) Operation timing in one-shot pulse output mode

(a) Note on rewriting TQ0CCRm register

To change the set value of the TQ0CCRm register to a smaller value, stop counting once, and then change the set value.

If the value of the TQ0CCR0 register is rewritten to a smaller value during counting, the 16-bit counter may overflow.



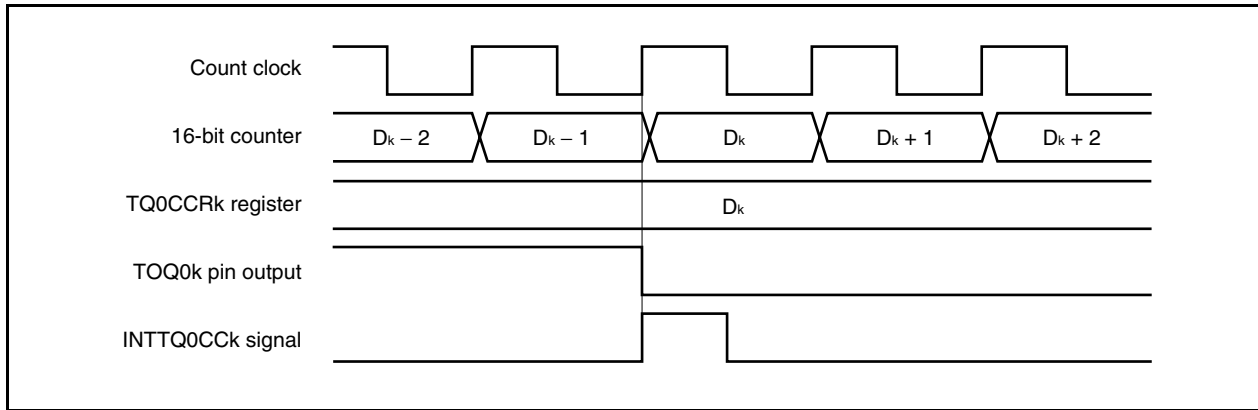
When the TQ0CCR0 register is rewritten from D_{00} to D_{01} and the TQ0CCRk register from D_{k0} to D_{k1} where $D_{00} > D_{01}$ and $D_{k0} > D_{k1}$, if the TQ0CCRk register is rewritten when the count value of the 16-bit counter is greater than D_{k1} and less than D_{k0} and if the TQ0CCR0 register is rewritten when the count value is greater than D_{01} and less than D_{00} , each set value is reflected as soon as the register has been rewritten and compared with the count value. The counter counts up to FFFFH and then counts up again from 0000H. When the count value matches D_{k1} , the counter generates the INTTQ0CCk signal and asserts the TOQ0k pin. When the count value matches D_{01} , the counter generates the INTTQ0CC0 signal, deasserts the TOQ0k pin, and stops counting.

Therefore, the counter may output a pulse with a delay period or active period different from that of the one-shot pulse that is originally expected.

Remark $k = 1$ to 3

(b) Generation timing of compare match interrupt request signal (INTTQ0CCK)

The generation timing of the INTTQ0CCK signal in the one-shot pulse output mode is different from other INTTQ0CCK signals; the INTTQ0CCK signal is generated when the count value of the 16-bit counter matches the value of the TQ0CCRk register.



Usually, the INTTQ0CCK signal is generated when the 16-bit counter counts up next time after its count value matches the value of the TQ0CCRk register.

In the one-shot pulse output mode, however, it is generated one clock earlier. This is because the timing is changed to match the change timing of the TOQ0k pin.

Remark $k = 1$ to 3

8.5.5 PWM output mode (TQ0MD2 to TQ0MD0 bits = 100)

In the PWM output mode, a PWM waveform is output from the TOQ01 to TOQ03 pins when the TQ0CTL0.TQ0CE bit is set to 1.

In addition, a pulse with one cycle of the PWM waveform as half its cycle is output from the TOQ00 pin.

Figure 8-24. Configuration in PWM Output Mode

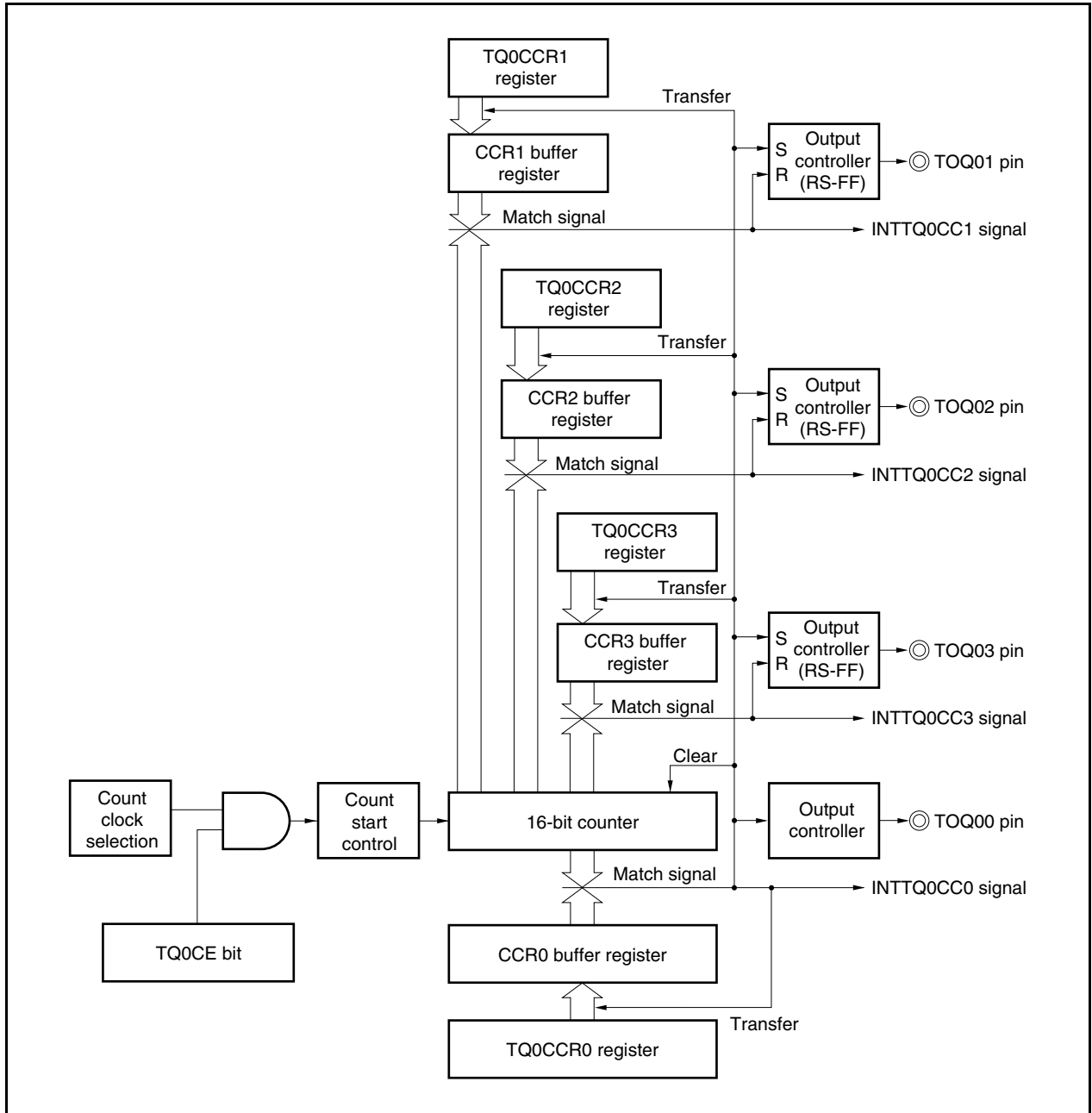
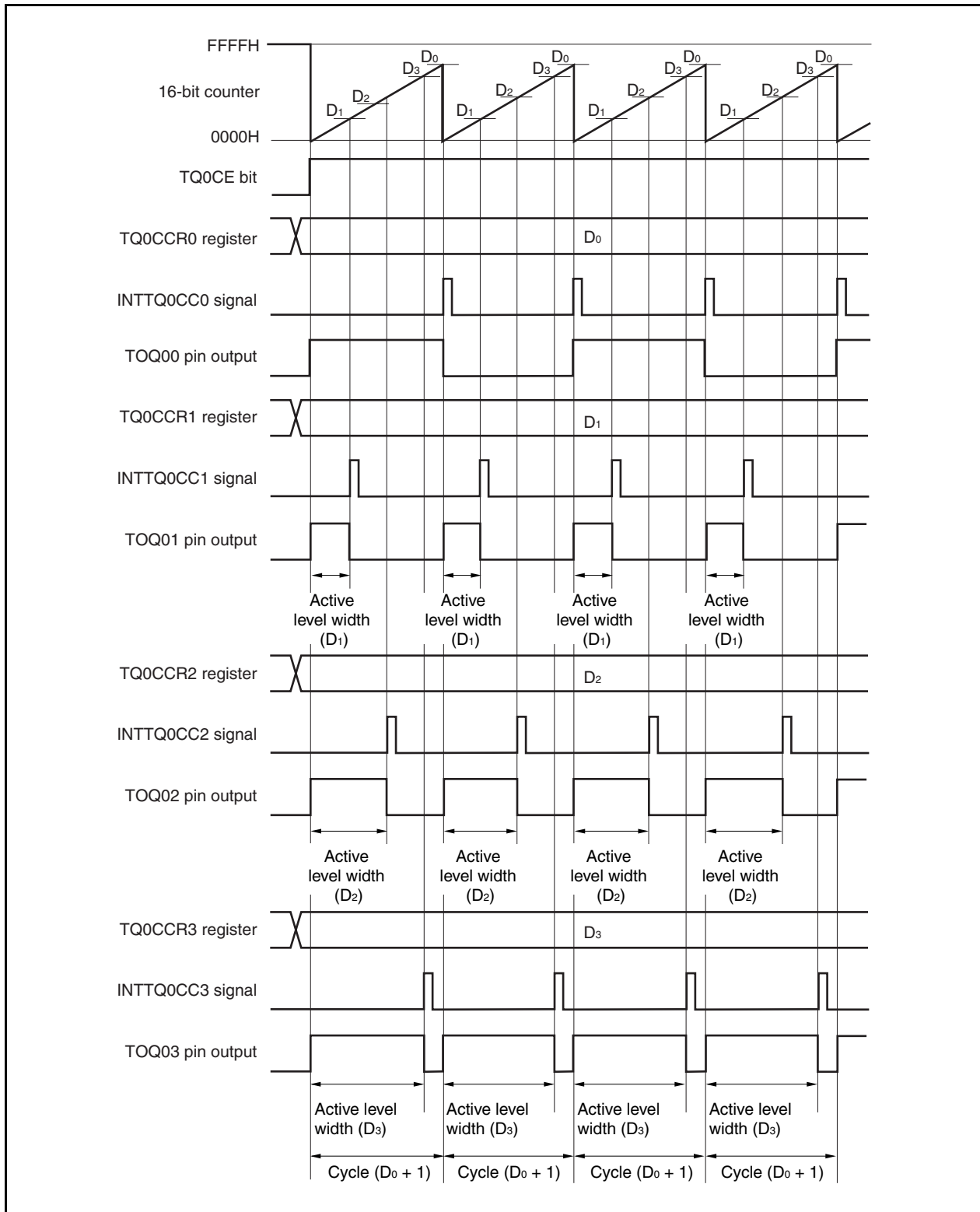


Figure 8-25. Basic Timing in PWM Output Mode



When the TQ0CE bit is set to 1, the 16-bit counter is cleared from FFFFH to 0000H, starts counting, and outputs PWM waveform from the TOQ0k pin.

The active level width, cycle, and duty factor of the PWM waveform can be calculated as follows.

$$\text{Active level width} = (\text{Set value of TQ0CCRk register}) \times \text{Count clock cycle}$$

$$\text{Cycle} = (\text{Set value of TQ0CCR0 register} + 1) \times \text{Count clock cycle}$$

$$\text{Duty factor} = (\text{Set value of TQ0CCRk register}) / (\text{Set value of TQ0CCR0 register} + 1)$$

The PWM waveform can be changed by rewriting the TQ0CCRm register while the counter is operating. The newly written value is reflected when the count value of the 16-bit counter matches the value of the CCR0 buffer register and the 16-bit counter is cleared to 0000H.

The compare match interrupt request signal INTTQ0CC0 is generated when the 16-bit counter counts next time after its count value matches the value of the CCR0 buffer register, and the 16-bit counter is cleared to 0000H. The compare match interrupt request signal INTTQ0CCk is generated when the count value of the 16-bit counter matches the value of the CCRk buffer register.

Remark k = 1 to 3, m = 0 to 3

Figure 8-26. Register Setting for Operation in PWM Output Mode (1/3)

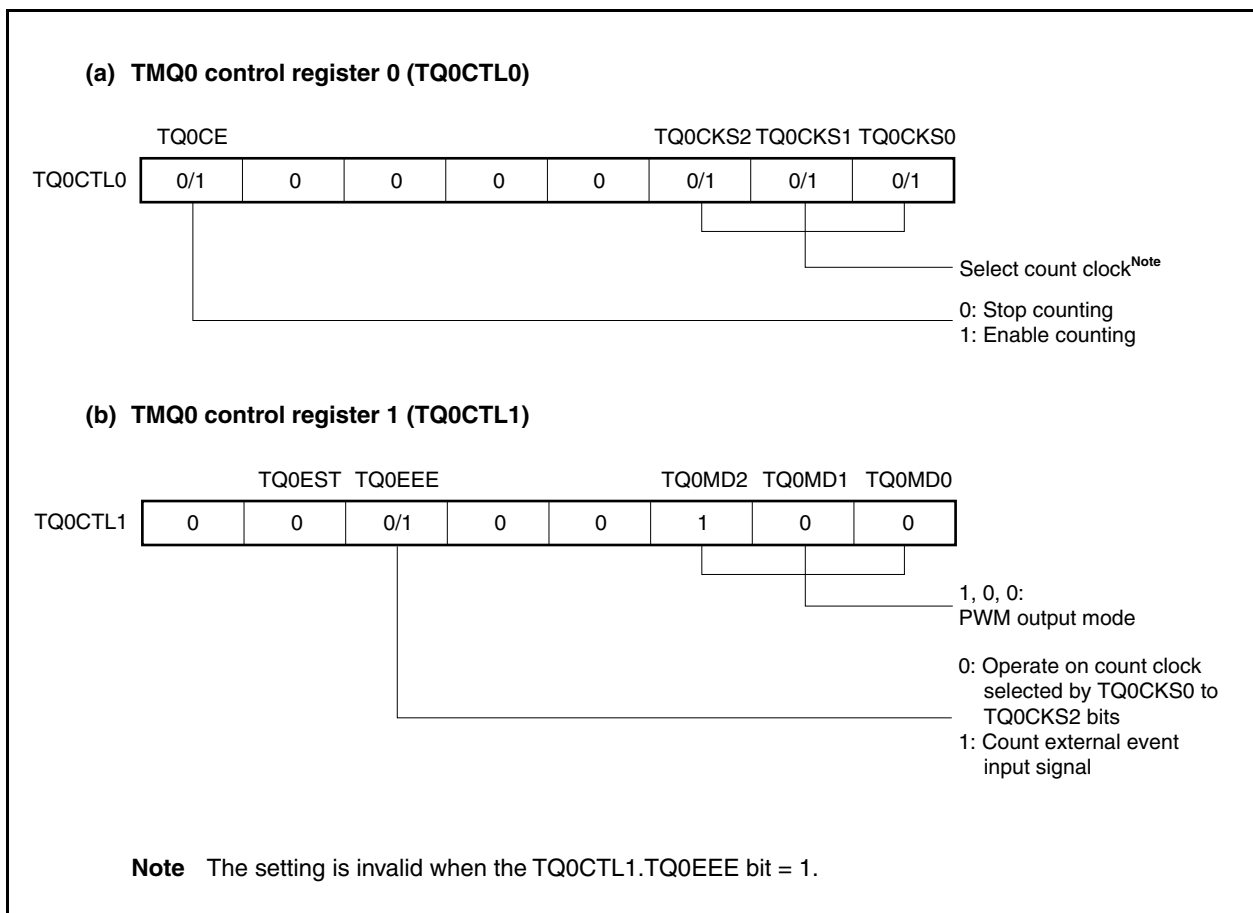


Figure 8-26. Register Setting for Operation in PWM Output Mode (2/3)

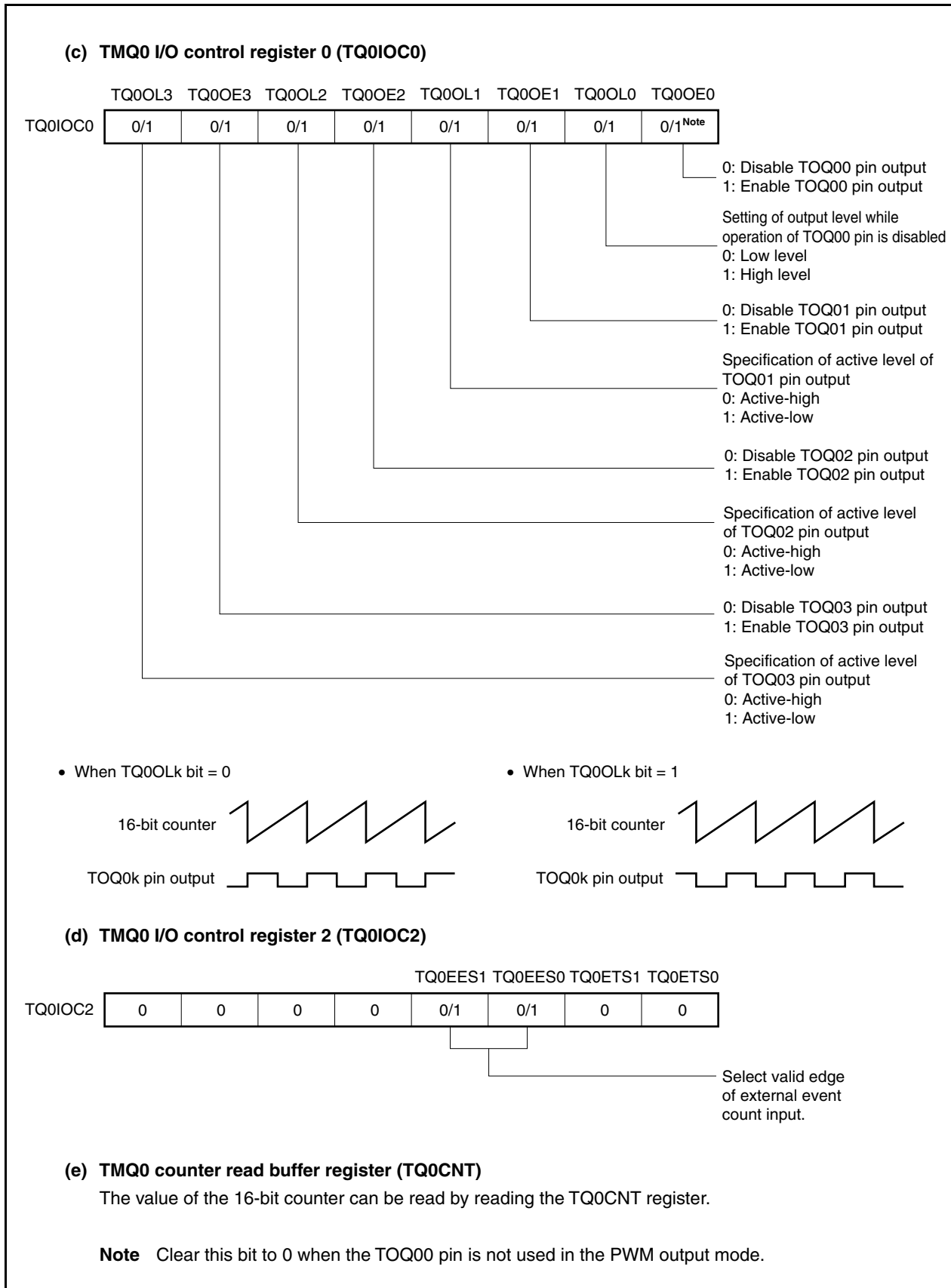


Figure 8-26. Register Setting for Operation in PWM Output Mode (3/3)

(f) TMQ0 capture/compare registers 0 to 3 (TQ0CCR0 to TQ0CCR3)

If D_0 is set to the TQ0CCR0 register and D_k to the TQ0CCR1 register, the cycle and active level of the PWM waveform are as follows.

$$\text{Cycle} = (D_0 + 1) \times \text{Count clock cycle}$$

$$\text{Active level width} = D_k \times \text{Count clock cycle}$$

- Remarks**
1. TMQ0 I/O control register 1 (TQ0IOC1) and TMQ0 option register 0 (TQ0OPT0) are not used in the PWM output mode.
 2. Updating the TMQ0 capture/compare register 2 (TQ0CCR2) and TMQ0 capture/compare register 3 (TQ0CCR3) is validated by writing the TMQ0 capture/compare register 1 (TQ0CCR1).

(1) Operation flow in PWM output mode

Figure 8-27. Software Processing Flow in PWM Output Mode (1/2)

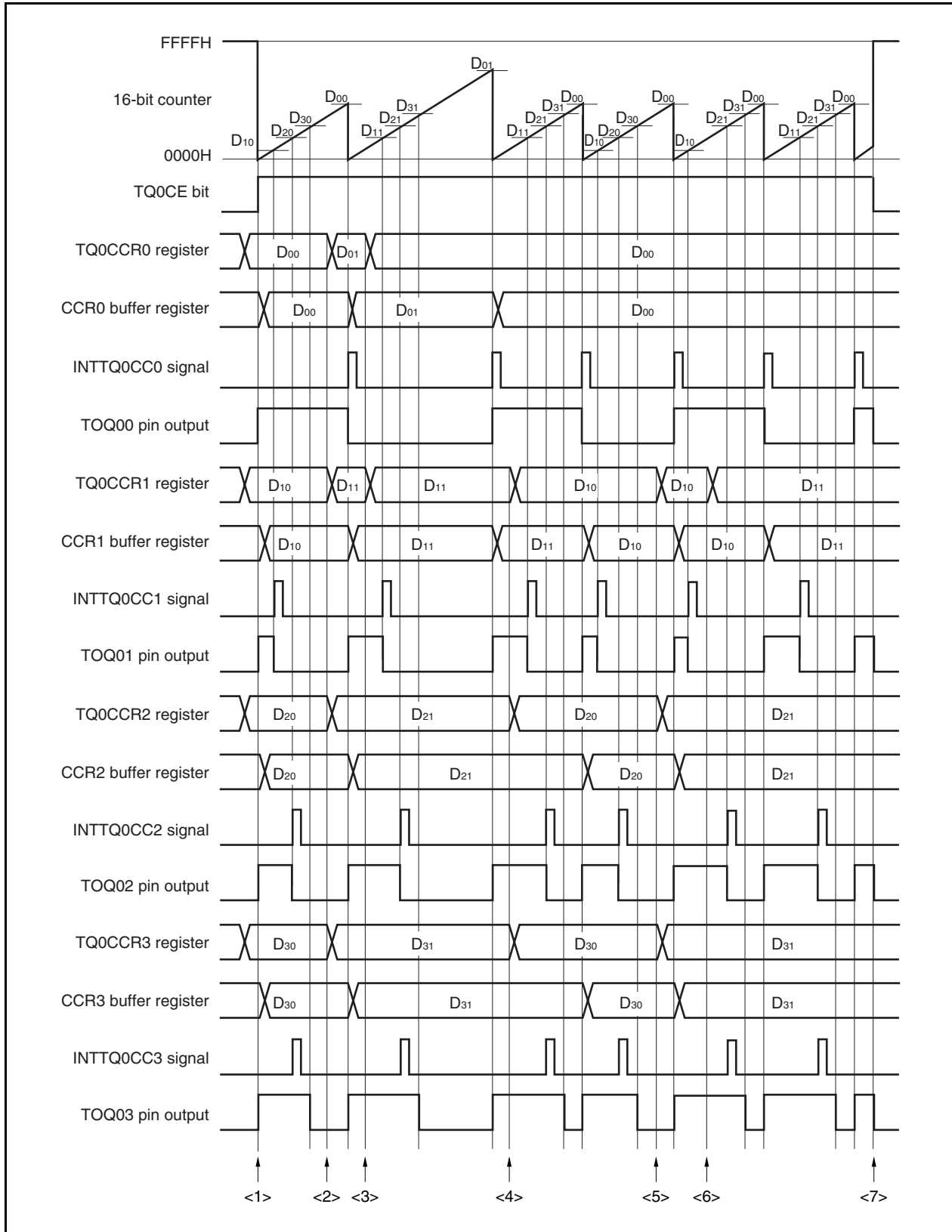
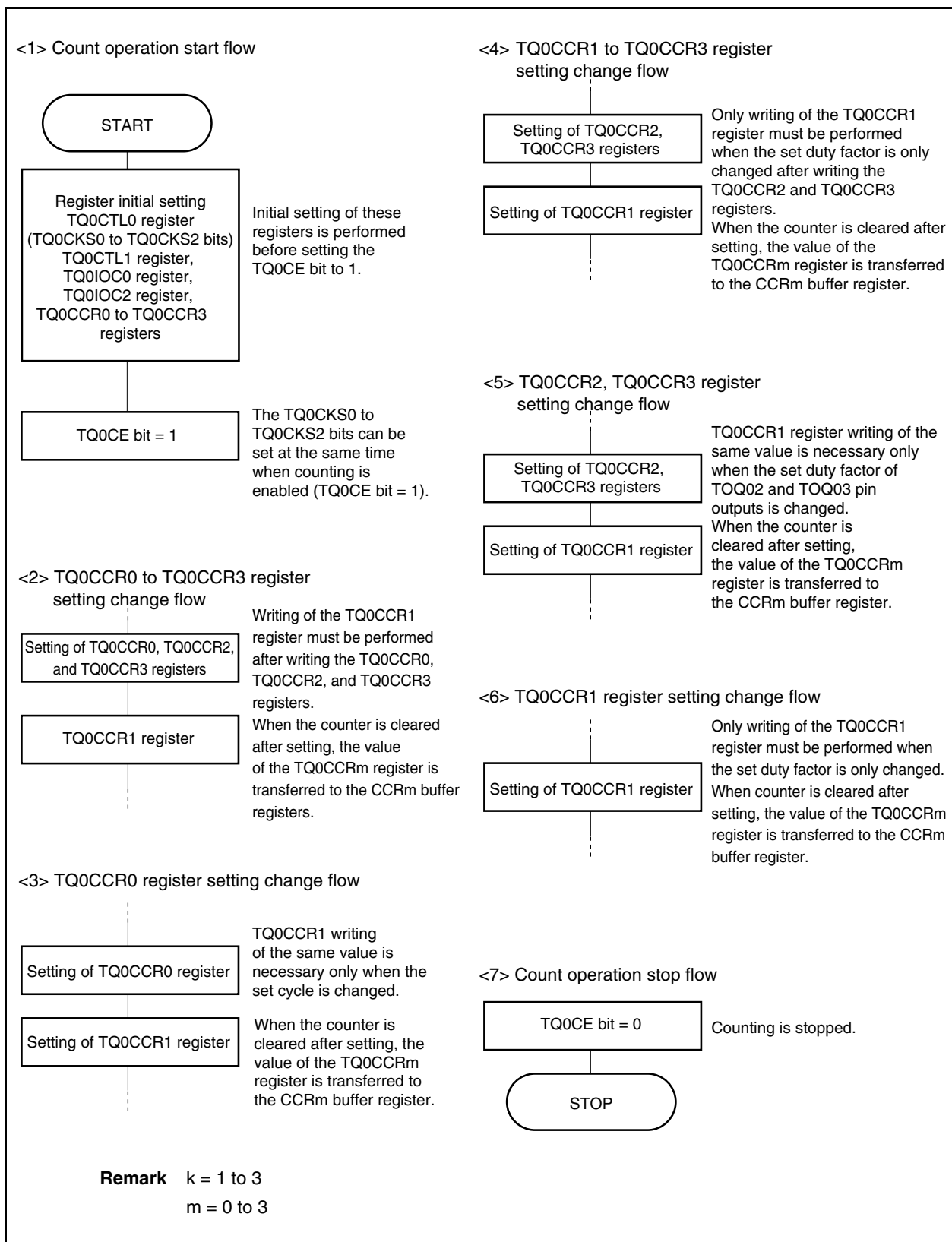


Figure 8-27. Software Processing Flow in PWM Output Mode (2/2)

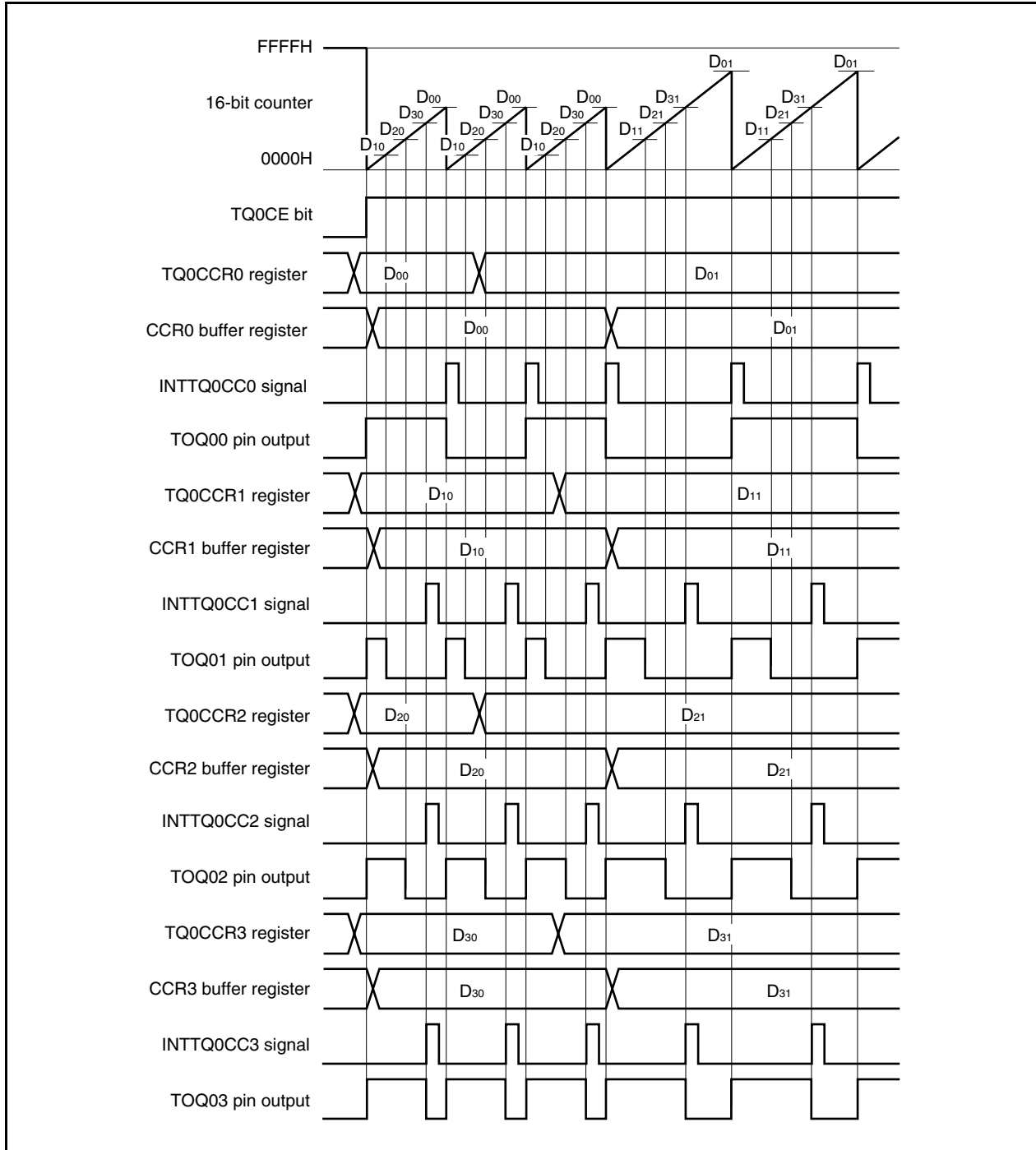


(2) PWM output mode operation timing

(a) Changing pulse width during operation

To change the PWM waveform while the counter is operating, write the TQ0CCR1 register last.

Rewrite the TQ0CCRk register after writing the TQ0CCR1 register after the INTTQ0CC1 signal is detected.



To transfer data from the TQ0CCRm register to the CCRm buffer register, the TQ0CCR1 register must be written.

To change both the cycle and active level of the PWM waveform at this time, first set the cycle to the TQ0CCR0 register, set the active level width to the TQ0CCR2 and TQ0CCR3 registers, and then set an active level width to the TQ0CCR1 register.

To change only the active level width (duty factor) of PWM wave, first set the active level to the TQ0CCR2 and TQ0CCR3 registers, and then set an active level to the TQ0CCR1 register.

To change only the active level width (duty factor) of the PWM waveform output by the TOQ01 pin, only the TQ0CCR1 register has to be set.

To change only the active level width (duty factor) of the PWM waveform output by the TOQ02 and TOQ03 pins, first set an active level width to the TQ0CCR2 and TQ0CCR3 registers, and then write the same value to the TQ0CCR1 register.

After the TQ0CCR1 register is written, the value written to the TQ0CCRm register is transferred to the CCRm buffer register in synchronization with the timing of clearing the 16-bit counter, and is used as a value to be compared with the value of the 16-bit counter.

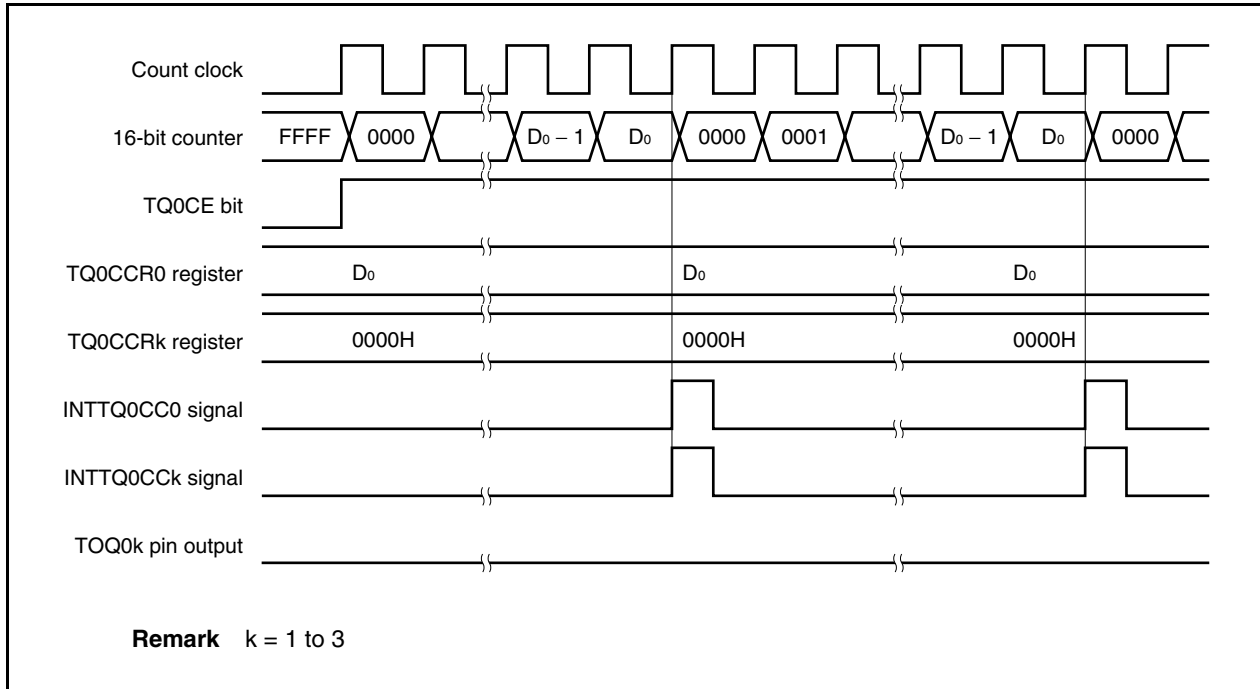
To change only the cycle of the PWM waveform, first set a cycle to the TQ0CCR0 register, and then write the same value to the TQ0CCR1 register.

To write the TQ0CCR0 to TQ0CCR3 registers again after writing the TQ0CCR1 register once, do so after the INTTQ0CC0 signal is generated. Otherwise, the value of the CCRm buffer register may become undefined because the timing of transferring data from the TQ0CCRm register to the CCRm buffer register conflicts with writing the TQ0CCRm register.

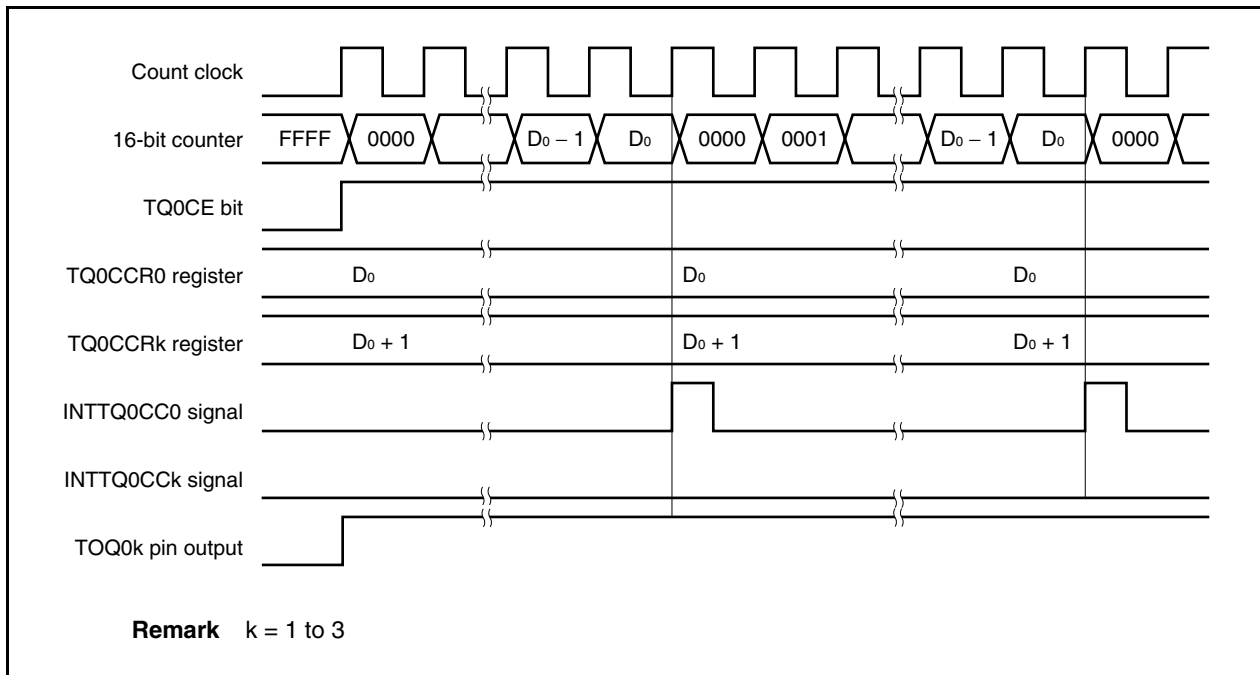
Remark m = 0 to 3

(b) 0%/100% output of PWM waveform

To output a 0% waveform, set the TQ0CCRk register to 0000H. If the set value of the TQ0CCR0 register is FFFFH, the INTTQ0CCk signal is generated periodically.

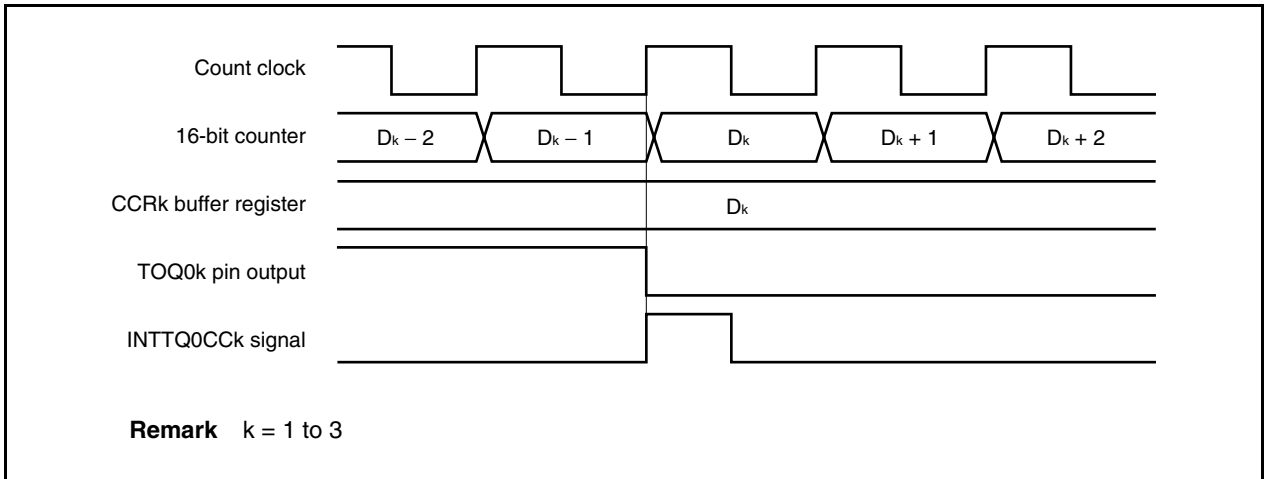


To output a 100% waveform, set a value of (set value of TQ0CCR0 register + 1) to the TQ0CCRk register. If the set value of the TQ0CCR0 register is FFFFH, 100% output cannot be produced.



(c) Generation timing of compare match interrupt request signal (INTTQ0CCk)

The timing of generation of the INTTQ0CCk signal in the PWM output mode differs from the timing of other INTTQ0CCk signals; the INTTQ0CCk signal is generated when the count value of the 16-bit counter matches the value of the TQ0CCRk register.



Usually, the INTTQ0CCk signal is generated in synchronization with the next counting up after the count value of the 16-bit counter matches the value of the TQ0CCRk register.

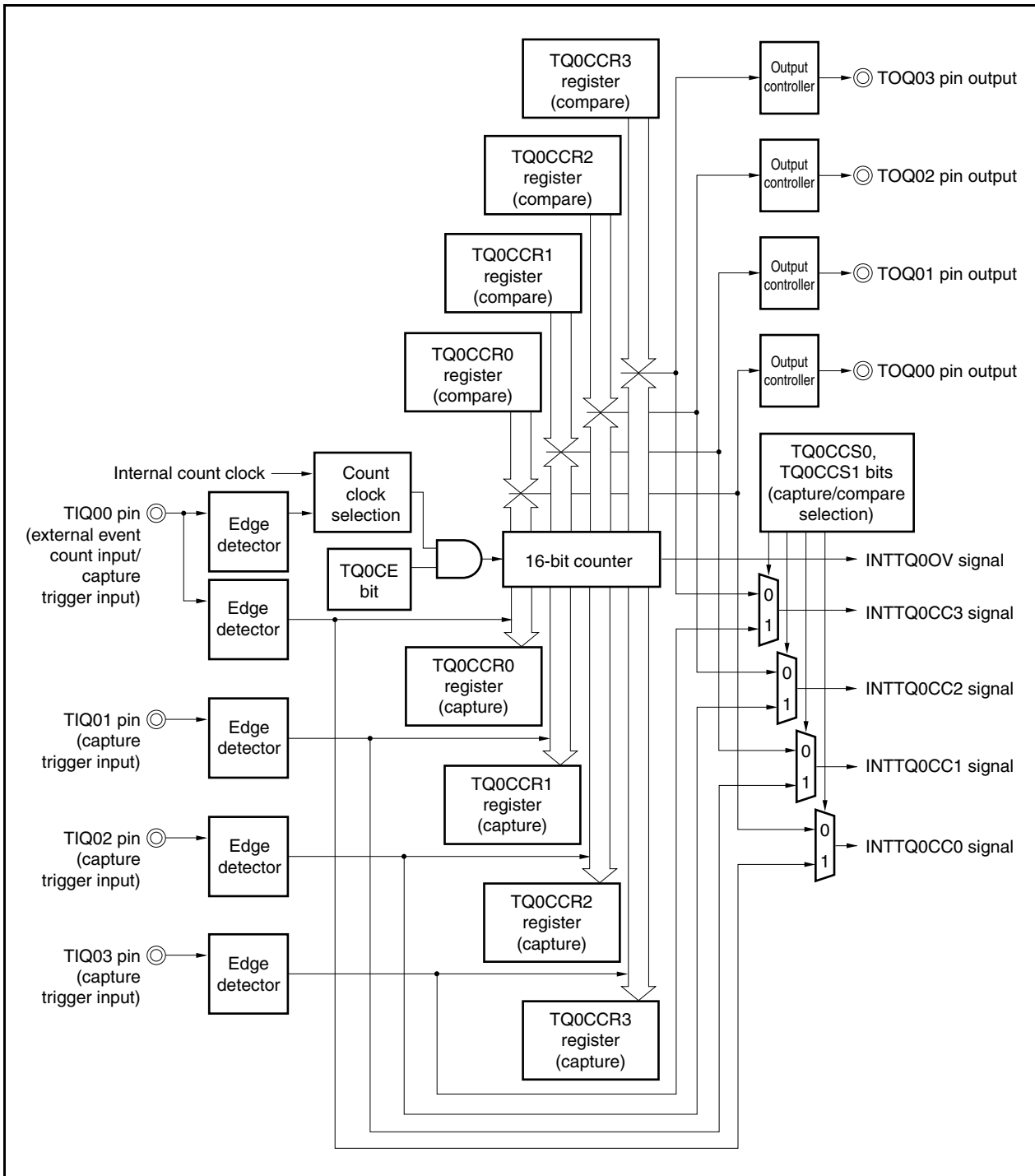
In the PWM output mode, however, it is generated one clock earlier. This is because the timing is changed to match the change timing of the output signal of the TOQ0k pin.

8.5.6 Free-running timer mode (TQ0MD2 to TQ0MD0 bits = 101)

In the free-running timer mode, 16-bit timer/event counter Q starts counting when the TQ0CTL0.TQ0CE bit is set to 1. At this time, the TQ0CCRm register can be used as a compare register or a capture register, depending on the setting of the TQ0OPT0.TQ0CCS0 and TQ0OPT0.TQ0CCS1 bits.

Remark m = 0 to 3

Figure 8-28. Configuration in Free-Running Timer Mode

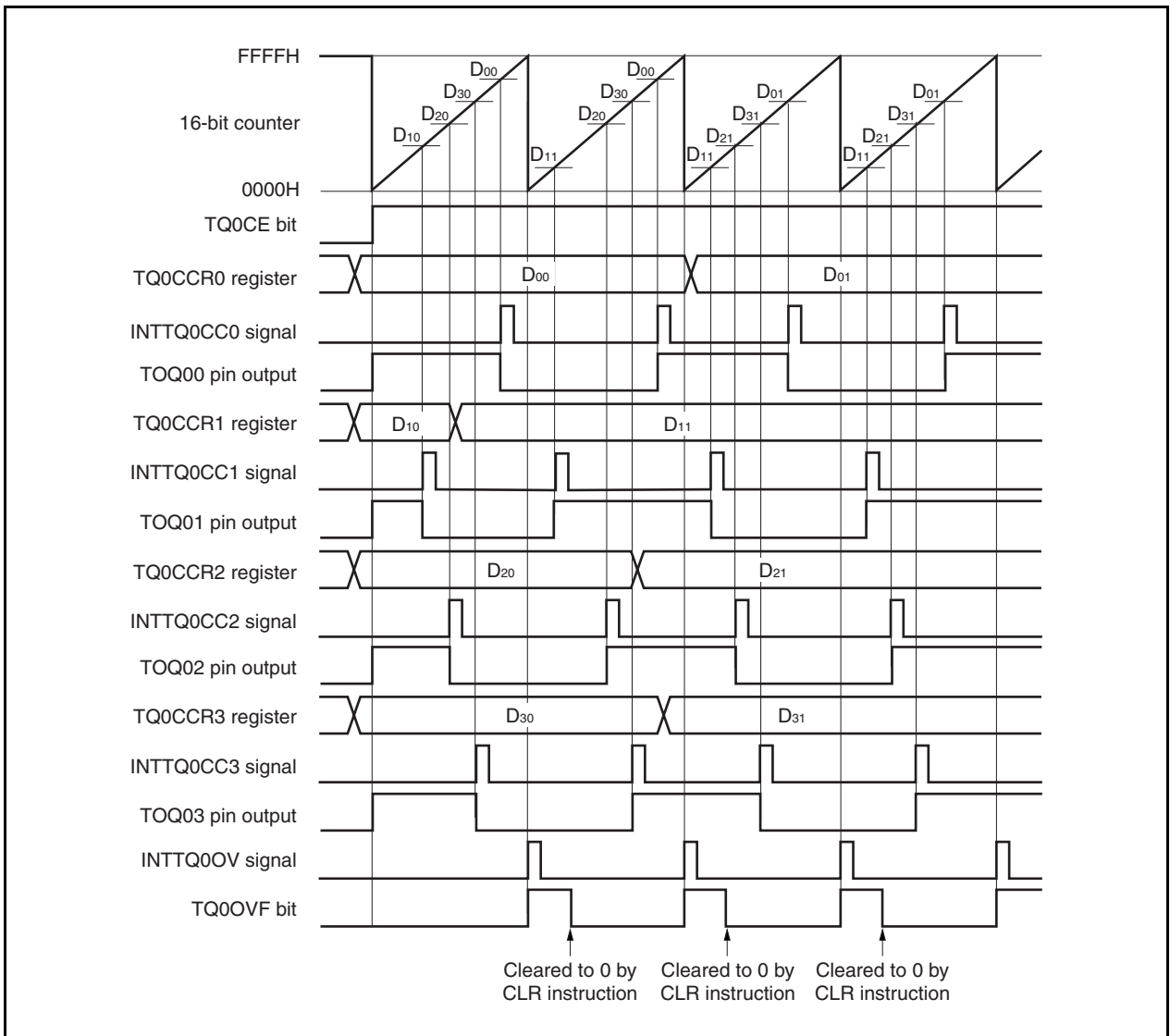


When the TQ0CE bit is set to 1, 16-bit timer/event counter Q starts counting, and the output signals of the TOQ00 to TOQ03 pins are inverted. When the count value of the 16-bit counter later matches the set value of the TQ0CCRm register, a compare match interrupt request signal (INTTQ0CCm) is generated, and the output signal of the TOQ0m pin is inverted.

The 16-bit counter continues counting in synchronization with the count clock. When it counts up to FFFFH, it generates an overflow interrupt request signal (INTTQ0OV) at the next clock, is cleared to 0000H, and continues counting. At this time, the overflow flag (TQ0OPT0.TQ0OVF bit) is also set to 1. Clear the overflow flag to 0 by executing the CLR instruction by software.

The TQ0CCRm register can be rewritten while the counter is operating. If it is rewritten, the new value is reflected at that time, and compared with the count value.

Figure 8-29. Basic Timing in Free-Running Timer Mode (Compare Function)



When the TQ0CE bit is set to 1, the 16-bit counter starts counting. When the valid edge input to the TIQ0m pin is detected, the count value of the 16-bit counter is stored in the TQ0CCRm register, and a capture interrupt request signal (INTTQ0CCm) is generated.

The 16-bit counter continues counting in synchronization with the count clock. When it counts up to FFFFH, it generates an overflow interrupt request signal (INTTQ0OV) at the next clock, is cleared to 0000H, and continues counting. At this time, the overflow flag (TQ0OVF bit) is also set to 1. Clear the overflow flag to 0 by executing the CLR instruction by software.

Figure 8-30. Basic Timing in Free-Running Timer Mode (Capture Function)

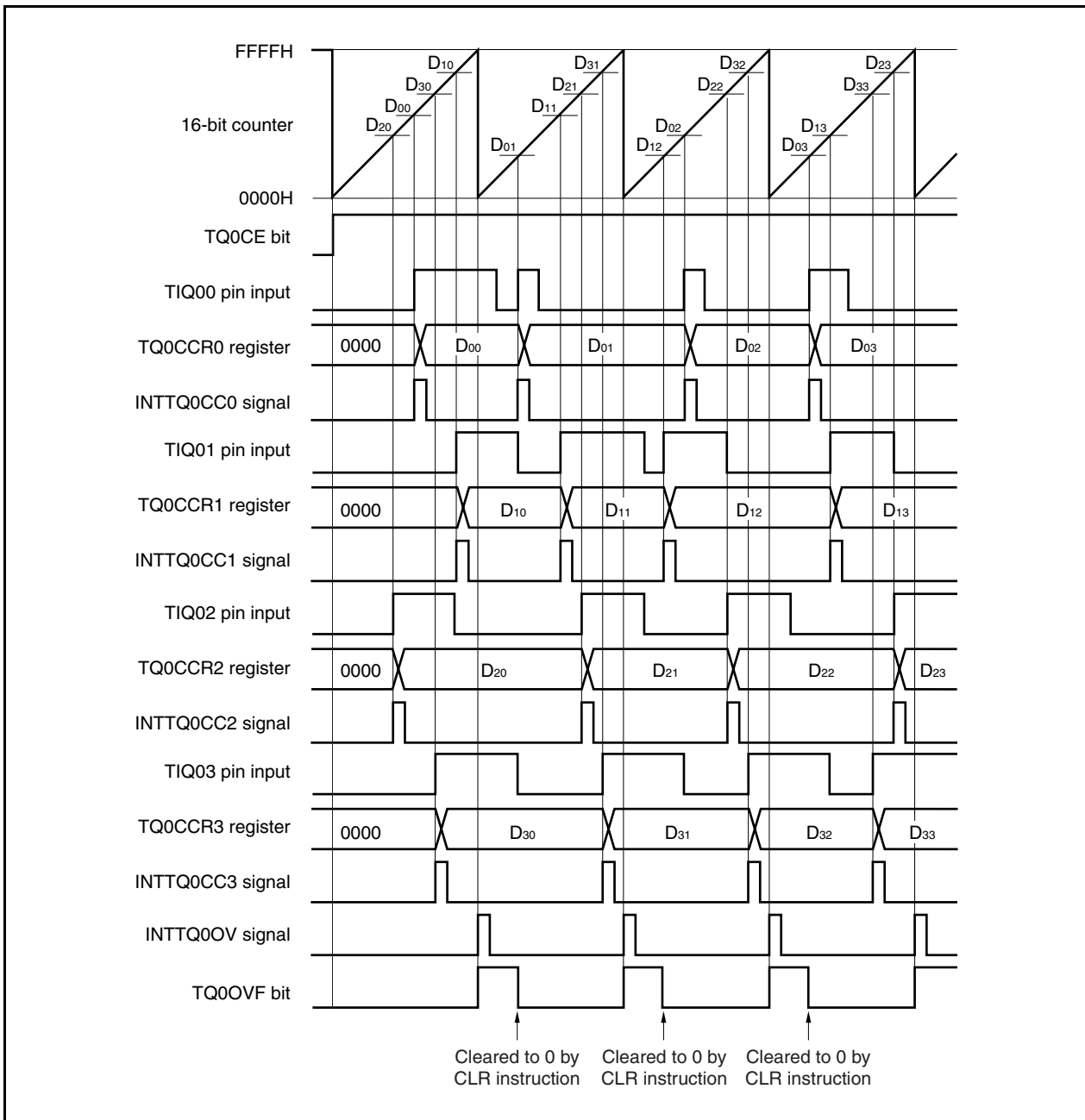


Figure 8-31. Register Setting in Free-Running Timer Mode (1/3)

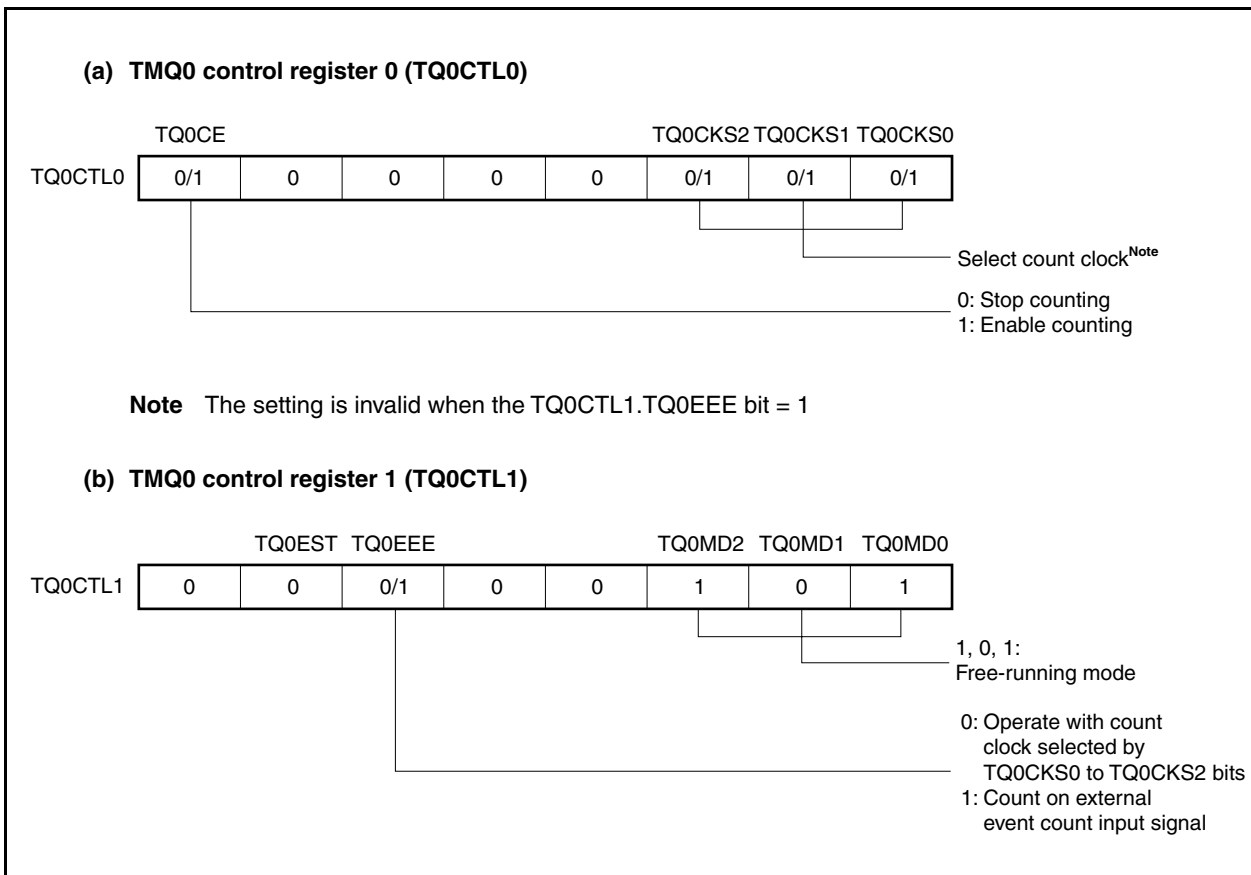


Figure 8-31. Register Setting in Free-Running Timer Mode (2/3)

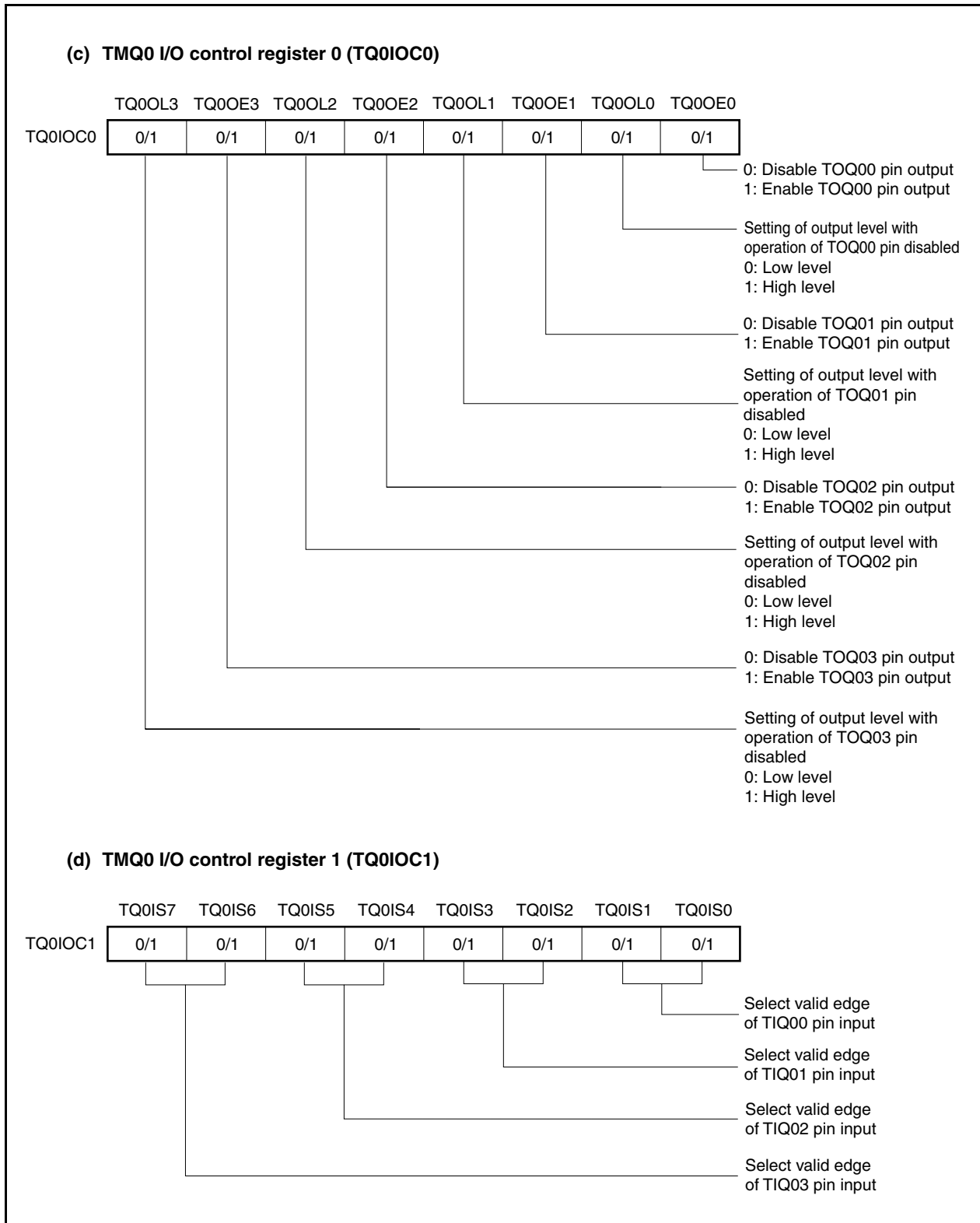
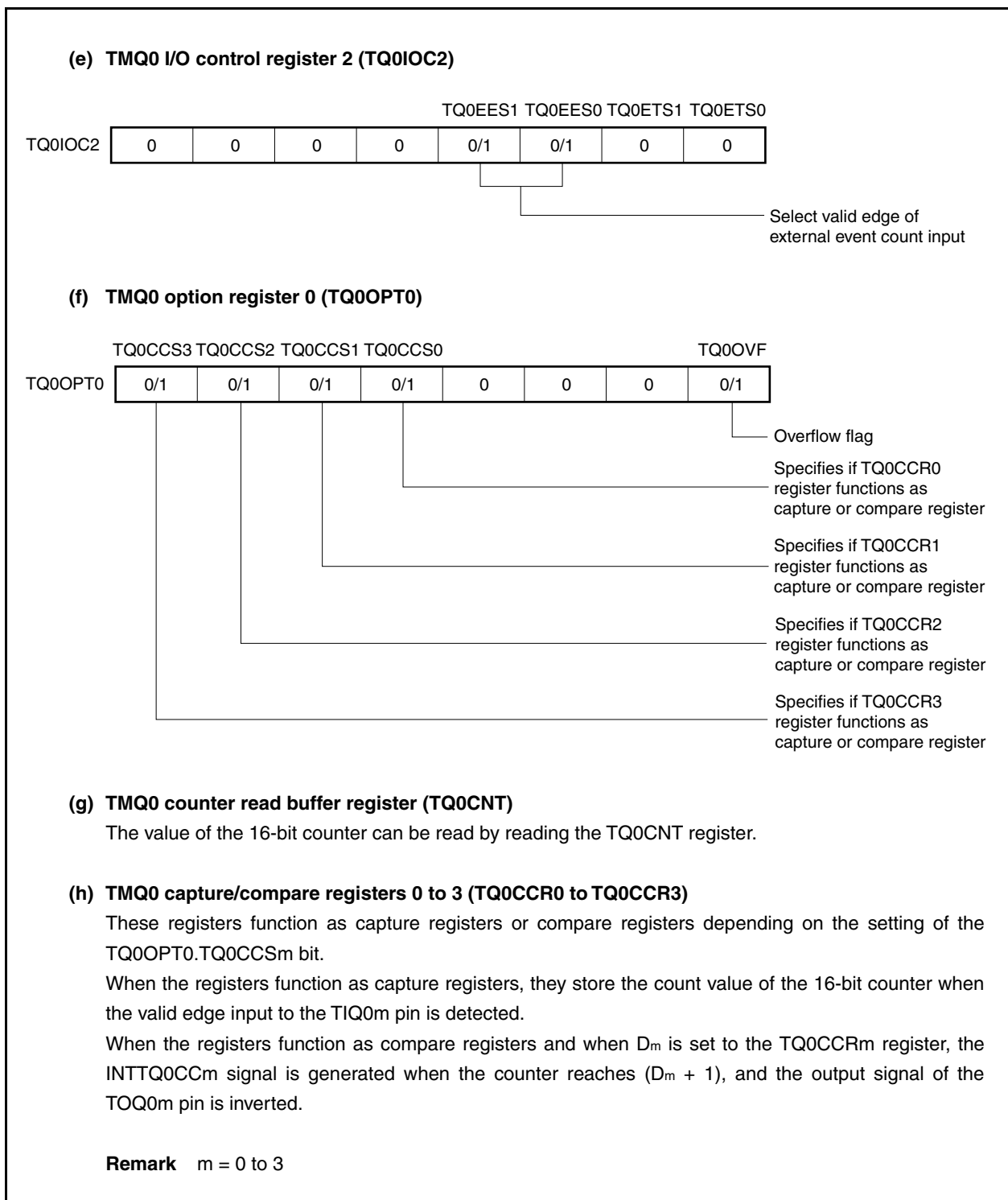


Figure 8-31. Register Setting in Free-Running Timer Mode (3/3)



(1) Operation flow in free-running timer mode

(a) When using capture/compare register as compare register

Figure 8-32. Software Processing Flow in Free-Running Timer Mode (Compare Function) (1/2)

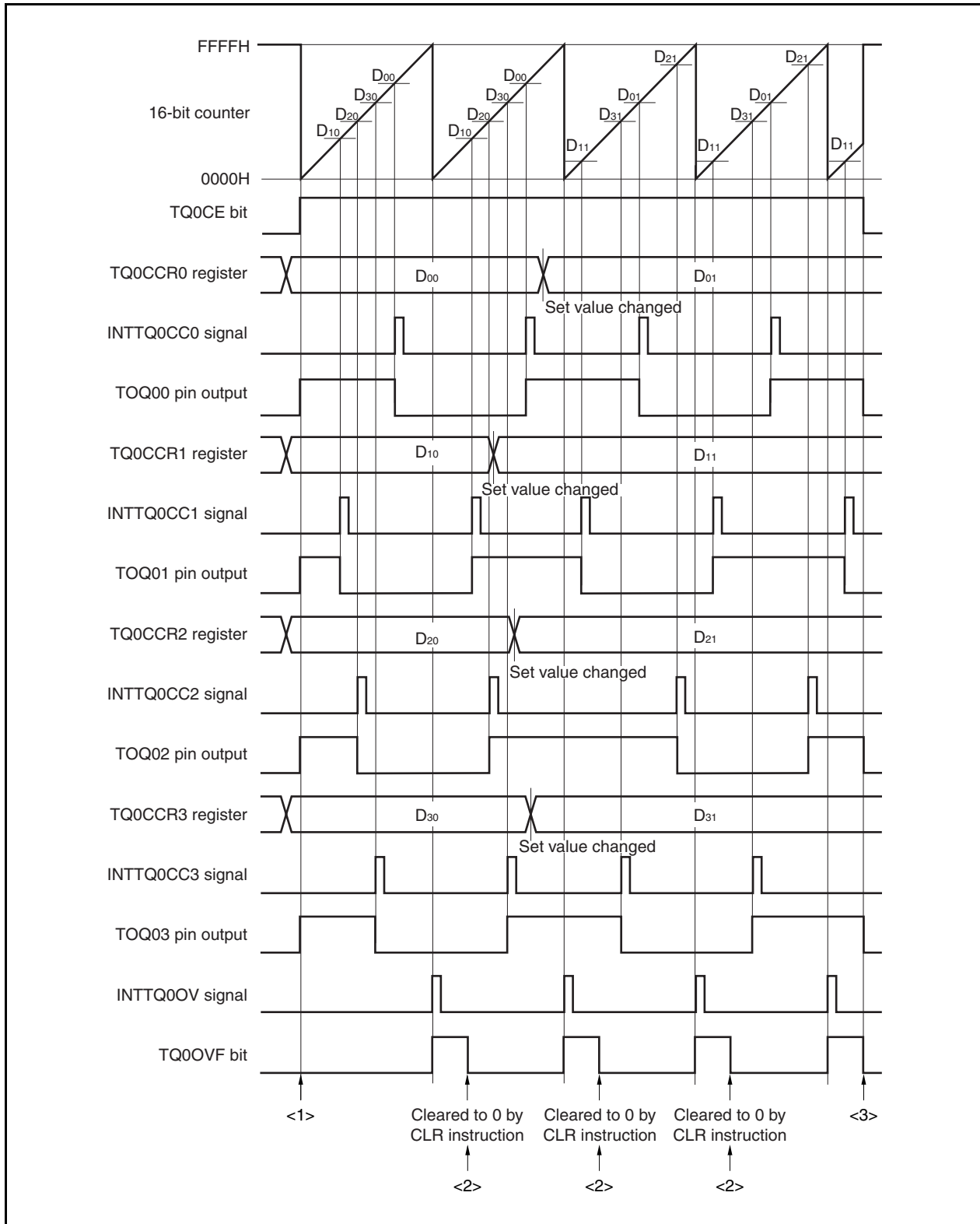
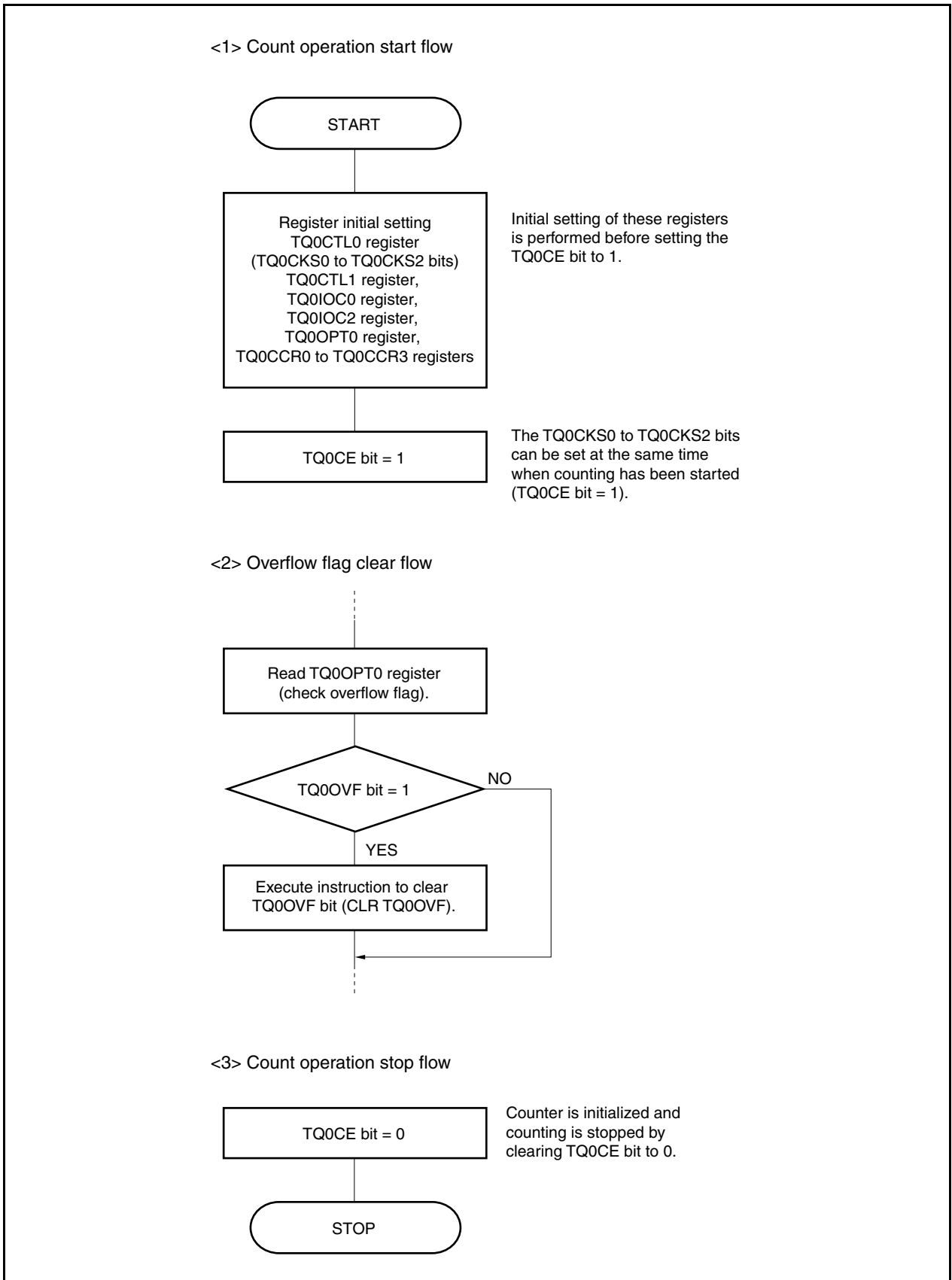


Figure 8-32. Software Processing Flow in Free-Running Timer Mode (Compare Function) (2/2)



(b) When using capture/compare register as capture register

Figure 8-33. Software Processing Flow in Free-Running Timer Mode (Capture Function) (1/2)

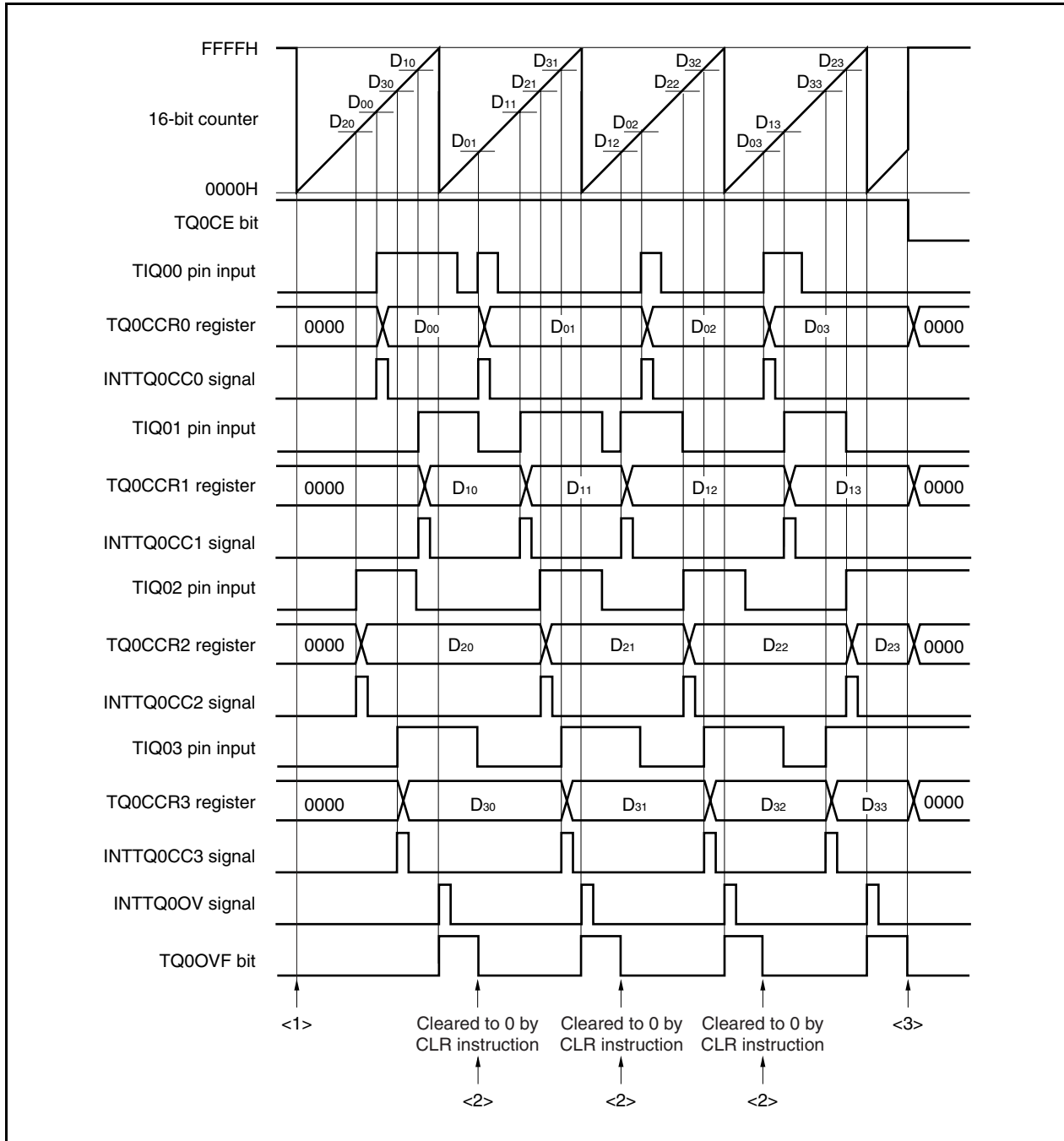
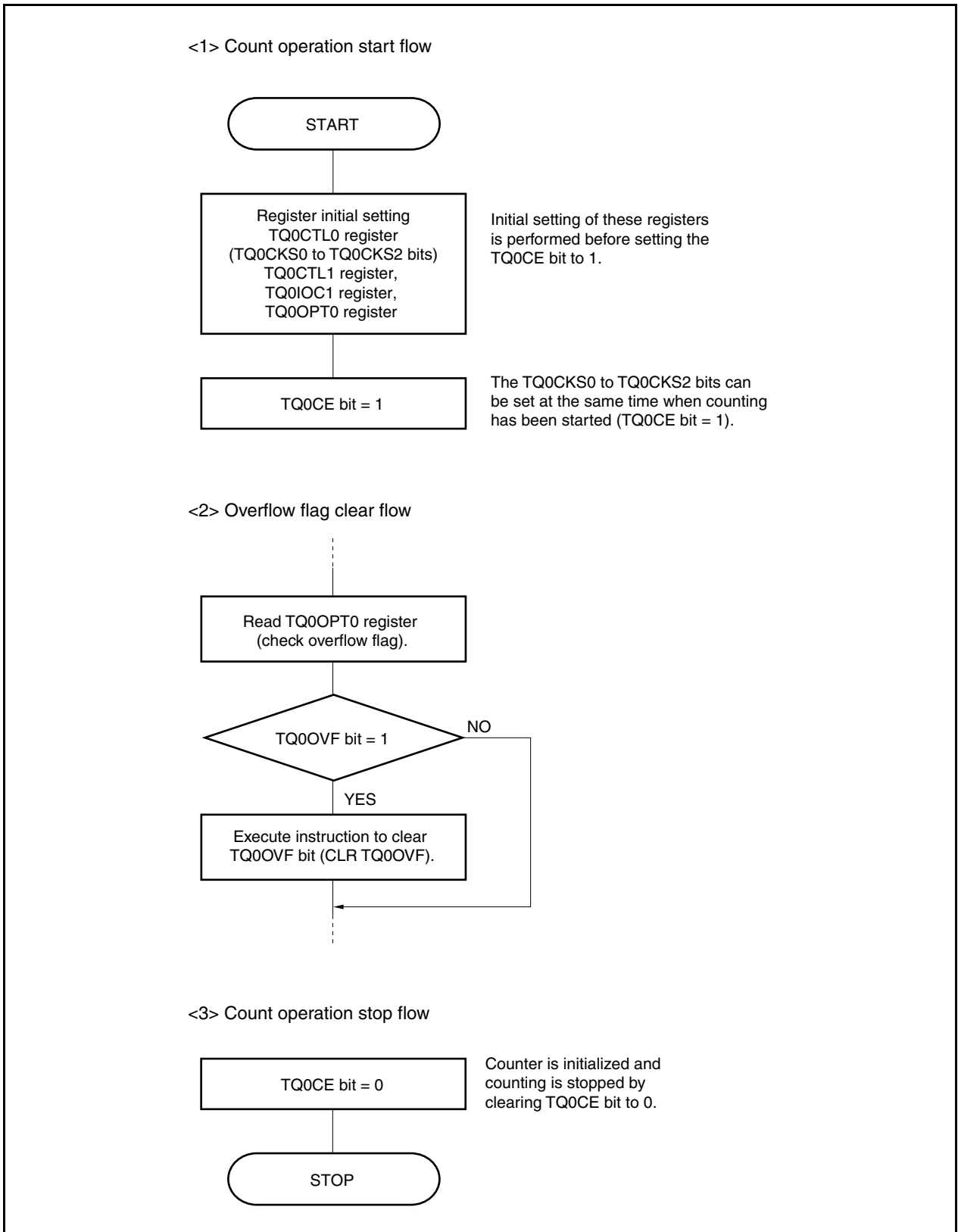


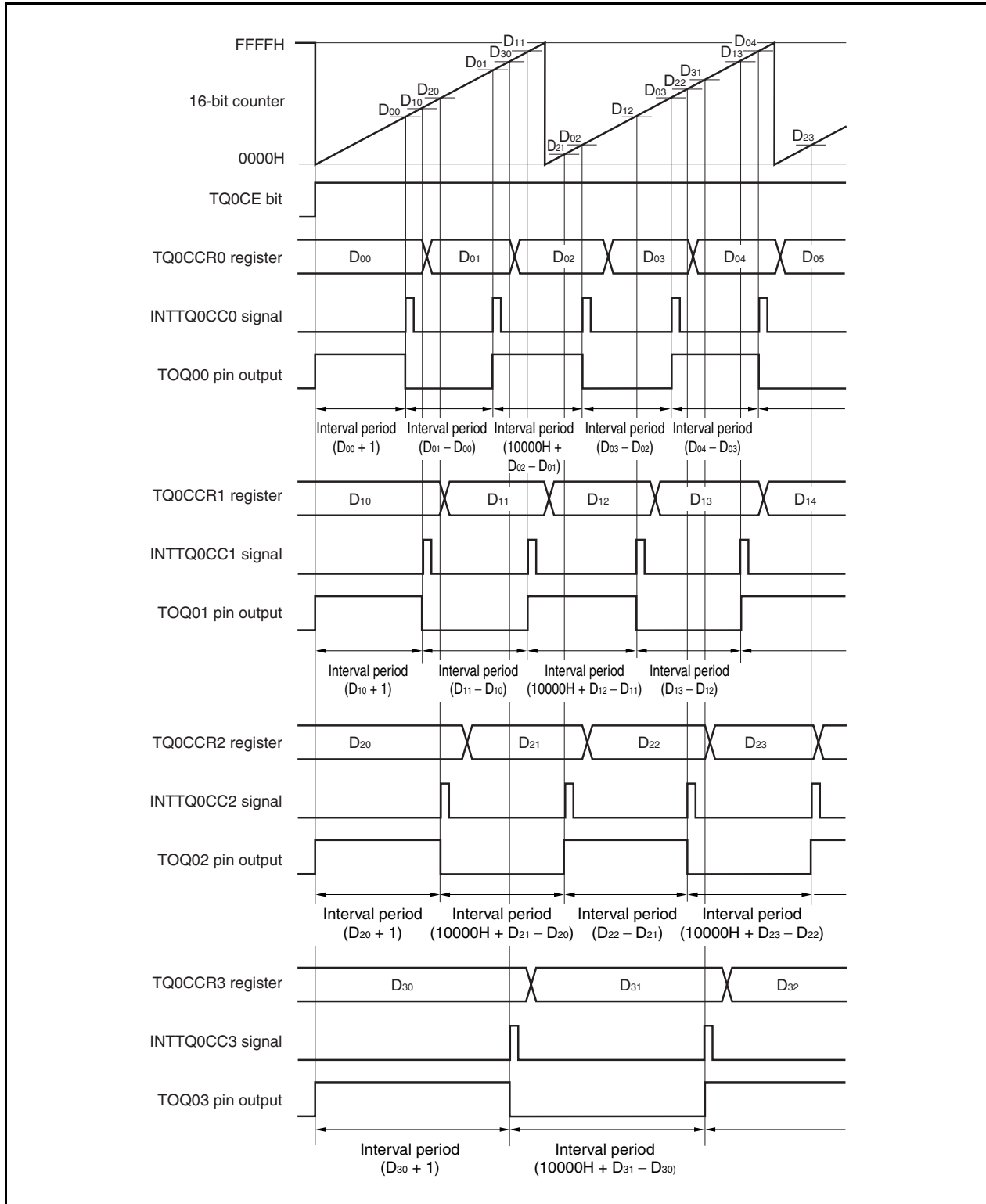
Figure 8-33. Software Processing Flow in Free-Running Timer Mode (Capture Function) (2/2)



(2) Operation timing in free-running timer mode

(a) Interval operation with compare register

When 16-bit timer/event counter Q is used as an interval timer with the TQ0CCRm register used as a compare register, software processing is necessary for setting a comparison value to generate the next interrupt request signal each time the INTTQ0CCm signal has been detected.



When performing an interval operation in the free-running timer mode, two intervals can be set with one channel.

To perform the interval operation, the value of the corresponding TQ0CCR_m register must be re-set in the interrupt servicing that is executed when the INTTQ0CC_m signal is detected.

The set value for re-setting the TQ0CCR_m register can be calculated by the following expression, where "D_m" is the interval period.

Compare register default value: $D_m - 1$

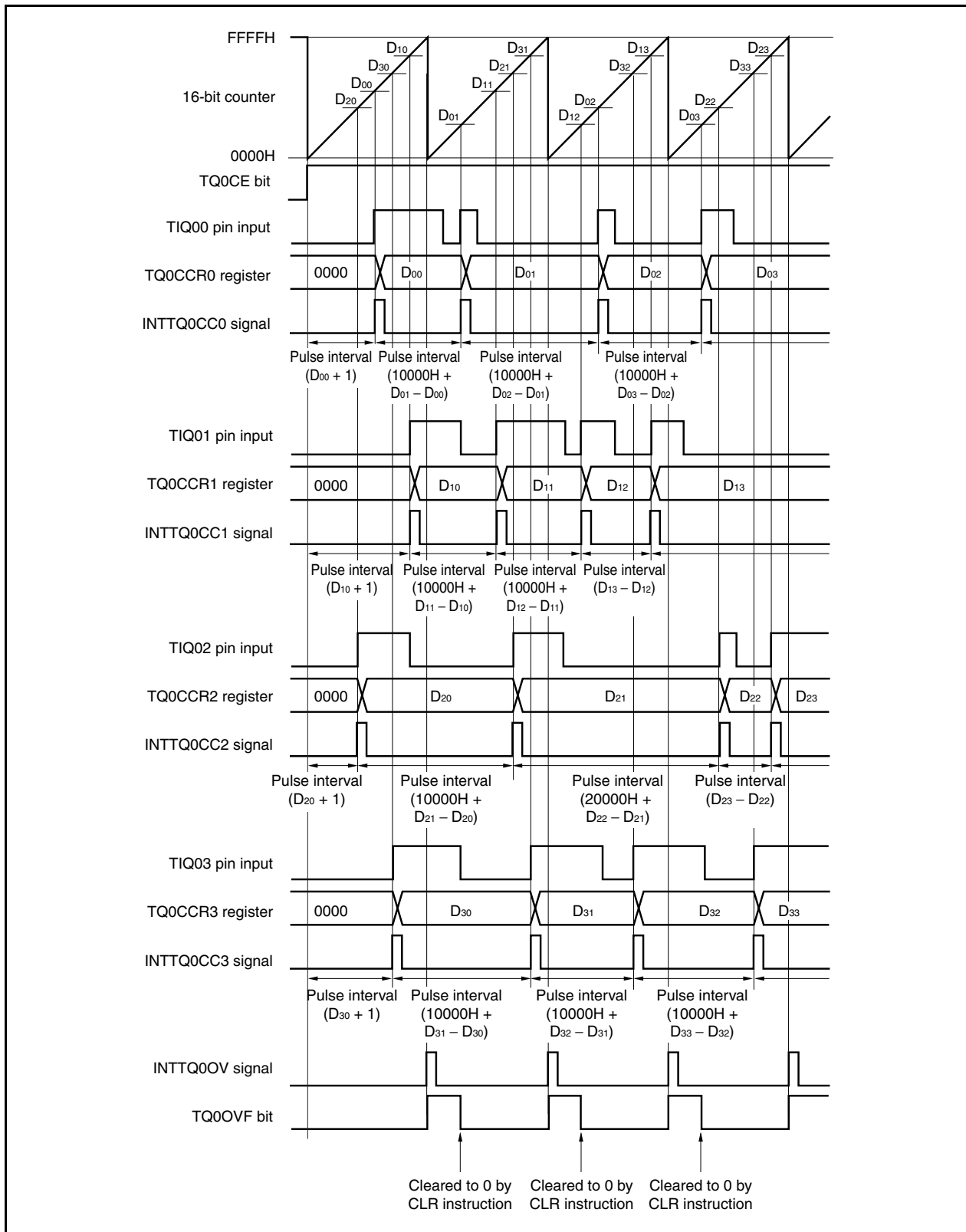
Value set to compare register second and subsequent time: Previous set value + D_m

(If the calculation result is greater than FFFFH, subtract 10000H from the result and set this value to the register.)

Remark $m = 0$ to 3

(b) Pulse width measurement with capture register

When pulse width measurement is performed with the TQ0CCRm register used as a capture register, software processing is necessary for reading the capture register each time the INTTQ0CCm signal has been detected and for calculating an interval.



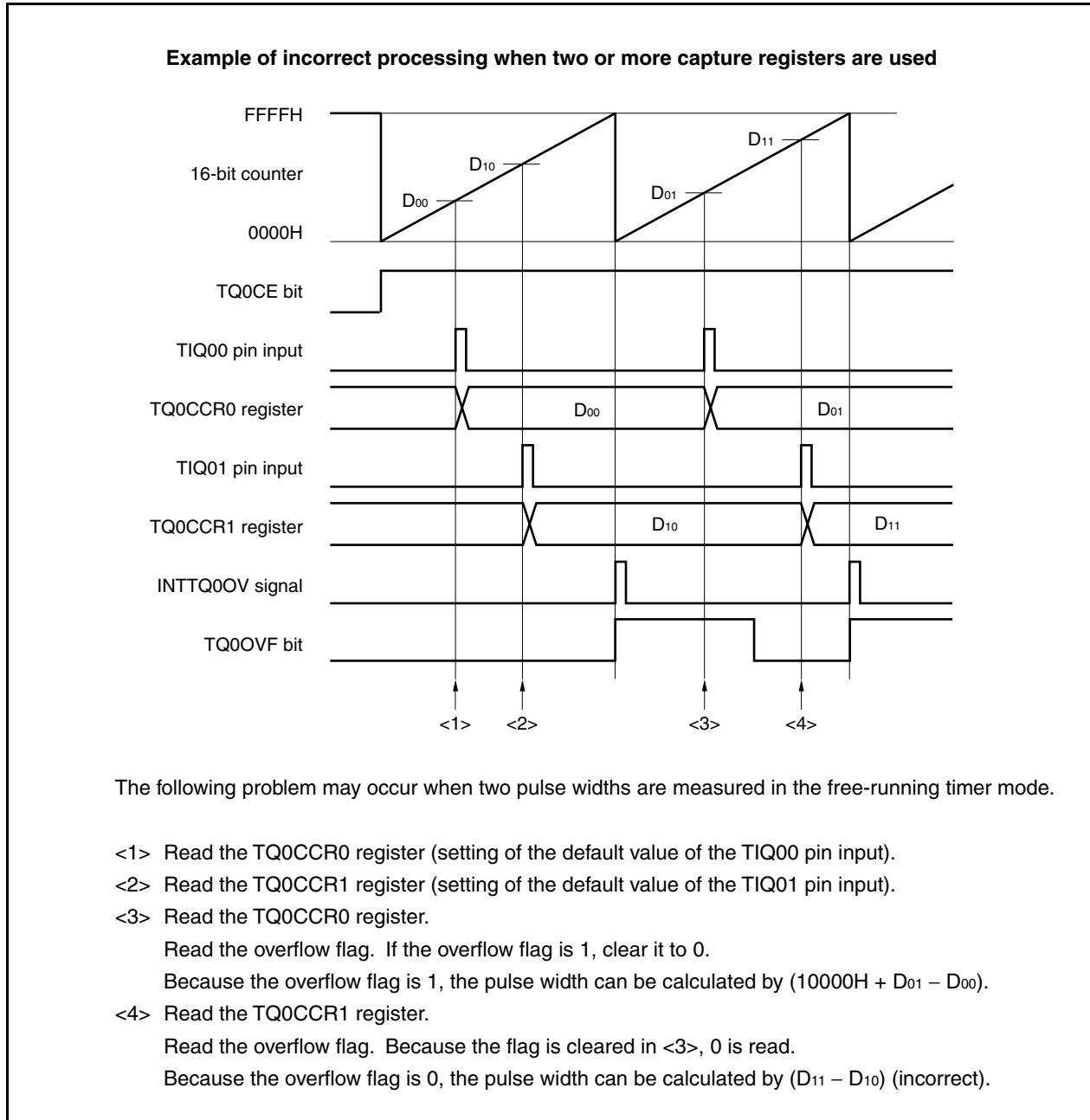
When executing pulse width measurement in the free-running timer mode, four pulse widths can be measured with one channel.

To measure a pulse width, the pulse width can be calculated by reading the value of the TQ0CCRm register in synchronization with the INTTQ0CCm signal, and calculating the difference between the read value and the previously read value.

Remark m = 0 to 3

(c) Processing of overflow when two or more capture registers are used

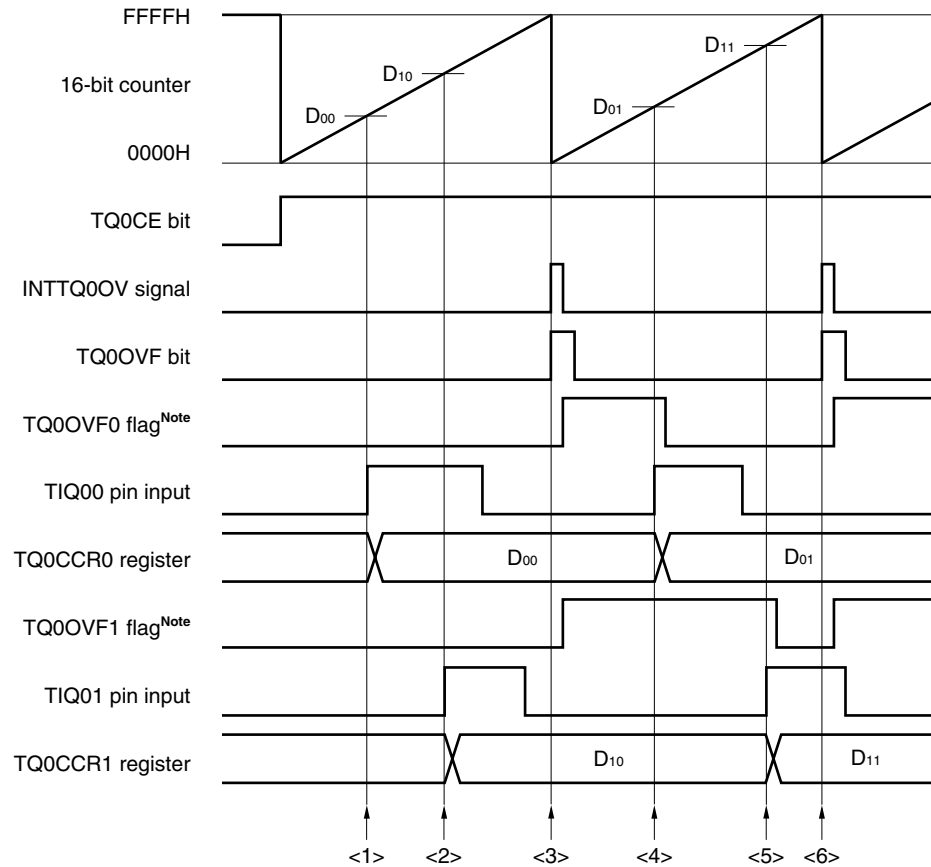
Care must be exercised in processing the overflow flag when two capture registers are used. First, an example of incorrect processing is shown below.



When two capture registers are used, and if the overflow flag is cleared to 0 by one capture register, the other capture register may not obtain the correct pulse width.

Use software when using two capture registers. An example of how to use software is shown below.

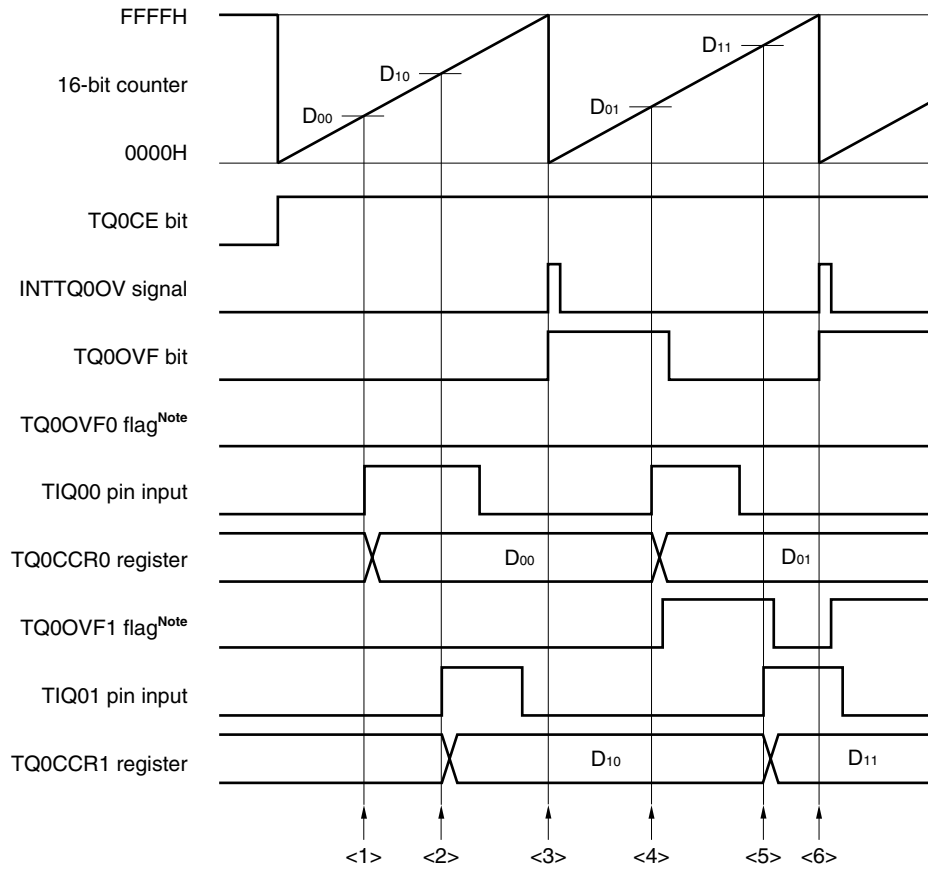
Example when two capture registers are used (using overflow interrupt)



Note The TQ0OVF0 and TQ0OVF1 flags are set on the internal RAM by software.

- <1> Read the TQ0CCR0 register (setting of the default value of the TIQ00 pin input).
- <2> Read the TQ0CCR1 register (setting of the default value of the TIQ01 pin input).
- <3> An overflow occurs. Set the TQ0OVF0 and TQ0OVF1 flags to 1 in the overflow interrupt servicing, and clear the overflow flag to 0.
- <4> Read the TQ0CCR0 register.
Read the TQ0OVF0 flag. If the TQ0OVF0 flag is 1, clear it to 0.
Because the TQ0OVF0 flag is 1, the pulse width can be calculated by $(10000H + D_{01} - D_{00})$.
- <5> Read the TQ0CCR1 register.
Read the TQ0OVF1 flag. If the TQ0OVF1 flag is 1, clear it to 0 (the TQ0OVF0 flag is cleared in <4>, and the TQ0OVF1 flag remains 1).
Because the TQ0OVF1 flag is 1, the pulse width can be calculated by $(10000H + D_{11} - D_{10})$ (correct).
- <6> Same as <3>

Example when two capture registers are used (without using overflow interrupt)

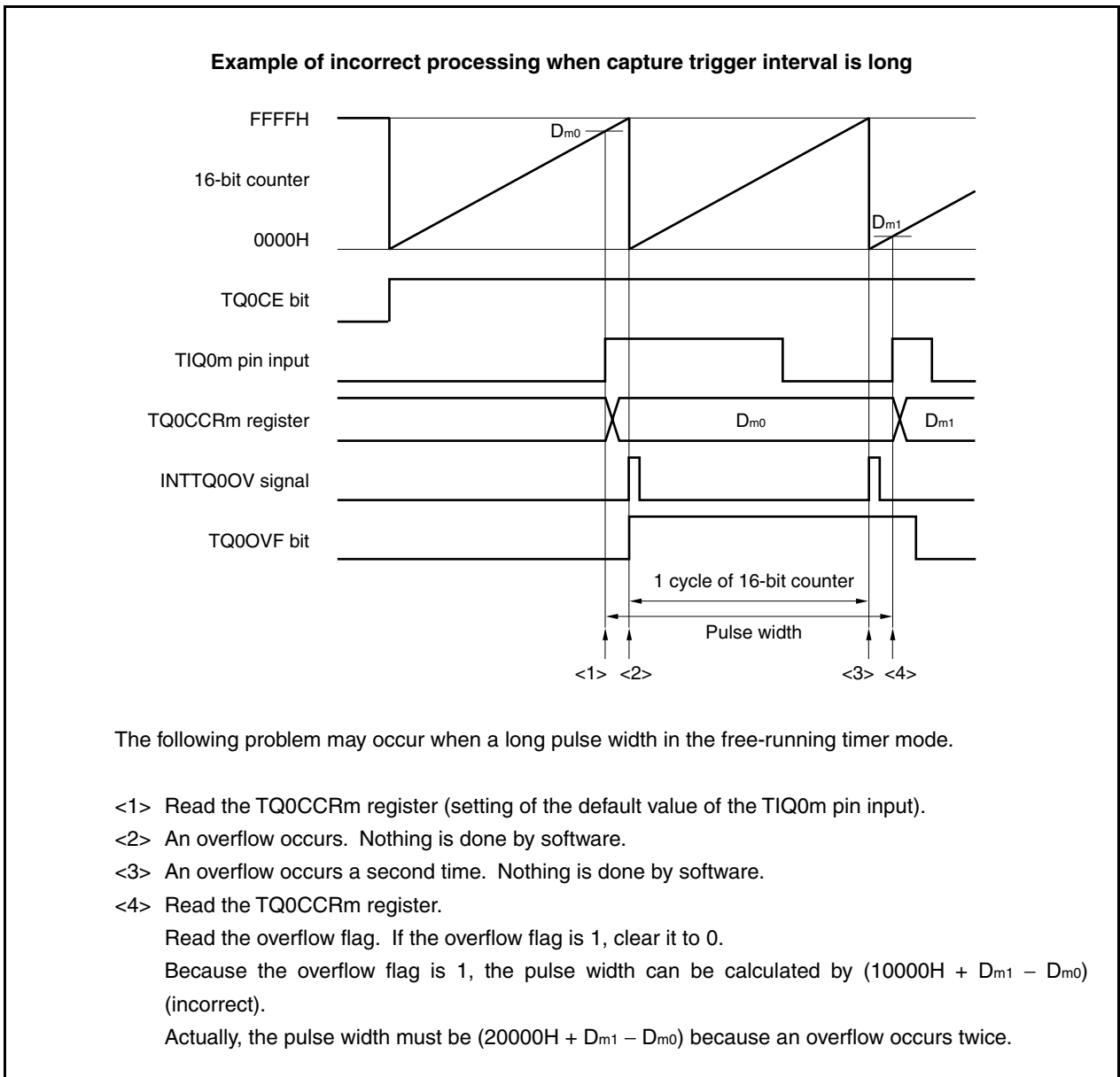


Note The TQ0OVF0 and TQ0OVF1 flags are set on the internal RAM by software.

- <1> Read the TQ0CCR0 register (setting of the default value of the TIQ00 pin input).
- <2> Read the TQ0CCR1 register (setting of the default value of the TIQ01 pin input).
- <3> An overflow occurs. Nothing is done by software.
- <4> Read the TQ0CCR0 register.
Read the overflow flag. If the overflow flag is 1, set only the TQ0OVF1 flag to 1, and clear the overflow flag to 0.
Because the overflow flag is 1, the pulse width can be calculated by $(10000H + D_{01} - D_{00})$.
- <5> Read the TQ0CCR1 register.
Read the overflow flag. Because the overflow flag is cleared in <4>, 0 is read.
Read the TQ0OVF1 flag. If the TQ0OVF1 flag is 1, clear it to 0.
Because the TQ0OVF1 flag is 1, the pulse width can be calculated by $(10000H + D_{11} - D_{10})$ (correct).
- <6> Same as <3>

(d) Processing of overflow if capture trigger interval is long

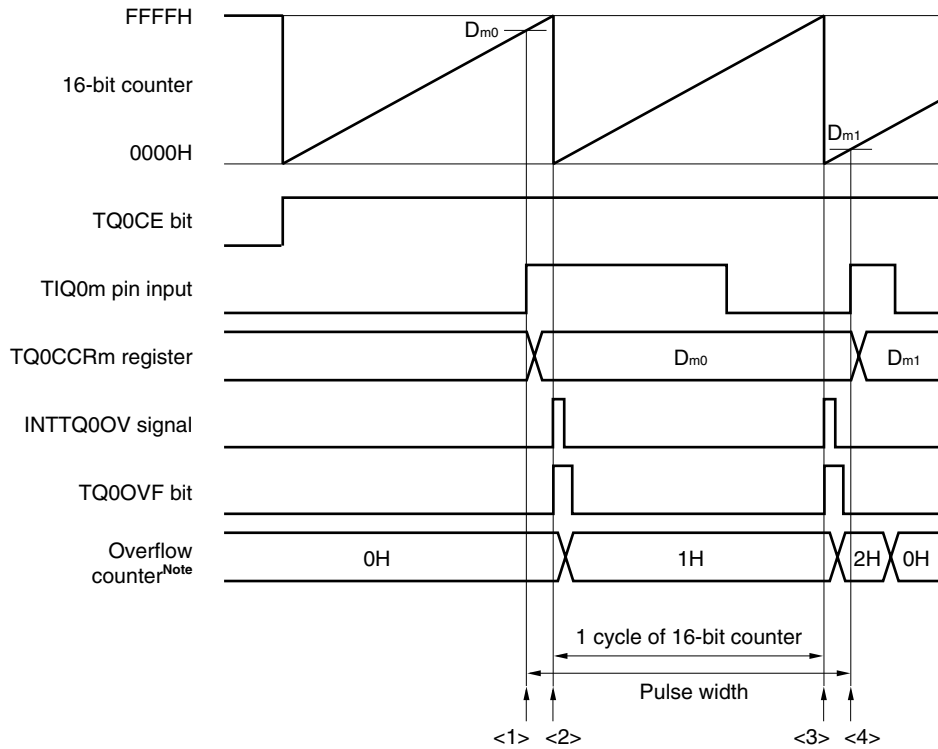
If the pulse width is greater than one cycle of the 16-bit counter, care must be exercised because an overflow may occur more than once from the first capture trigger to the next. First, an example of incorrect processing is shown below.



If an overflow occurs twice or more when the capture trigger interval is long, the correct pulse width may not be obtained.

If the capture trigger interval is long, slow the count clock to lengthen one cycle of the 16-bit counter, or use software. An example of how to use software is shown next.

Example when capture trigger interval is long

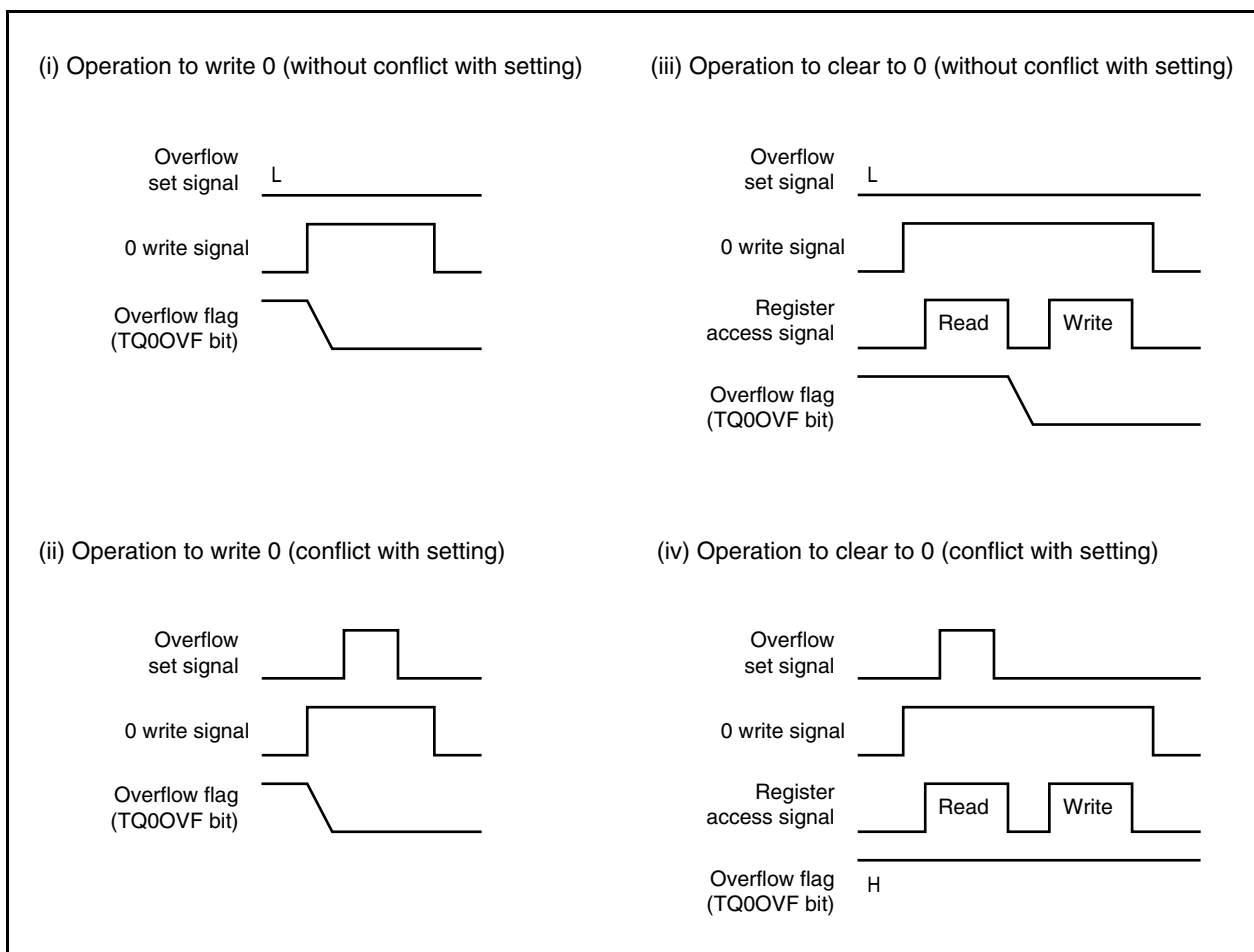


Note The overflow counter is set arbitrarily by software on the internal RAM.

- <1> Read the TQ0CCRm register (setting of the default value of the TIQ0m pin input).
- <2> An overflow occurs. Increment the overflow counter and clear the overflow flag to 0 in the overflow interrupt servicing.
- <3> An overflow occurs a second time. Increment (+1) the overflow counter and clear the overflow flag to 0 in the overflow interrupt servicing.
- <4> Read the TQ0CCRm register.
Read the overflow counter.
→ When the overflow counter is "N", the pulse width can be calculated by $(N \times 10000H + D_{m1} - D_{m0})$.
In this example, the pulse width is $(20000H + D_{m1} - D_{m0})$ because an overflow occurs twice.
Clear the overflow counter (0H).

(e) Clearing overflow flag

The overflow flag can be cleared to 0 by clearing the TQ0OVF bit to 0 with the CLR instruction and by writing 8-bit data (bit 0 is 0) to the TQ0OPT0 register. To accurately detect an overflow, read the TQ0OVF bit when it is 1, and then clear the overflow flag by using a bit manipulation instruction.



To clear the overflow flag to 0, read the overflow flag to check if it is set to 1, and clear it with the CLR instruction. If 0 is written to the overflow flag without checking if the flag is 1, the set information of overflow may be erased by writing 0 ((ii) in the above chart). Therefore, software may judge that no overflow has occurred even when an overflow actually has occurred.

If execution of the CLR instruction conflicts with occurrence of an overflow when the overflow flag is cleared to 0 with the CLR instruction, the overflow flag remains set even after execution of the clear instruction.

8.5.7 Pulse width measurement mode (TQ0MD2 to TQ0MD0 bits = 110)

In the pulse width measurement mode, 16-bit timer/event counter Q starts counting when the TQ0CTL0.TQ0CE bit is set to 1. Each time the valid edge input to the TIQ0m pin has been detected, the count value of the 16-bit counter is stored in the TQ0CCRm register, and the 16-bit counter is cleared to 0000H.

The interval of the valid edge can be measured by reading the TQ0CCRm register after a capture interrupt request signal (INTTQ0CCm) occurs.

Select either of the TIQ00 to TIQ03 pins as the capture trigger input pin. Specify "No edge detected" by using the TQ0IOC1 register for the unused pins.

When an external clock is used as the count clock, measure the pulse width of the TIQ0k pin because the external clock is fixed to the TIQ00 pin. At this time, clear the TQ0IOC1.TQ0IS1 and TQ0IOC1.TQ0IS0 bits to 00 (capture trigger input (TIQ00 pin): No edge detected).

Remark m = 0 to 3
k = 1 to 3

Figure 8-34. Configuration in Pulse Width Measurement Mode

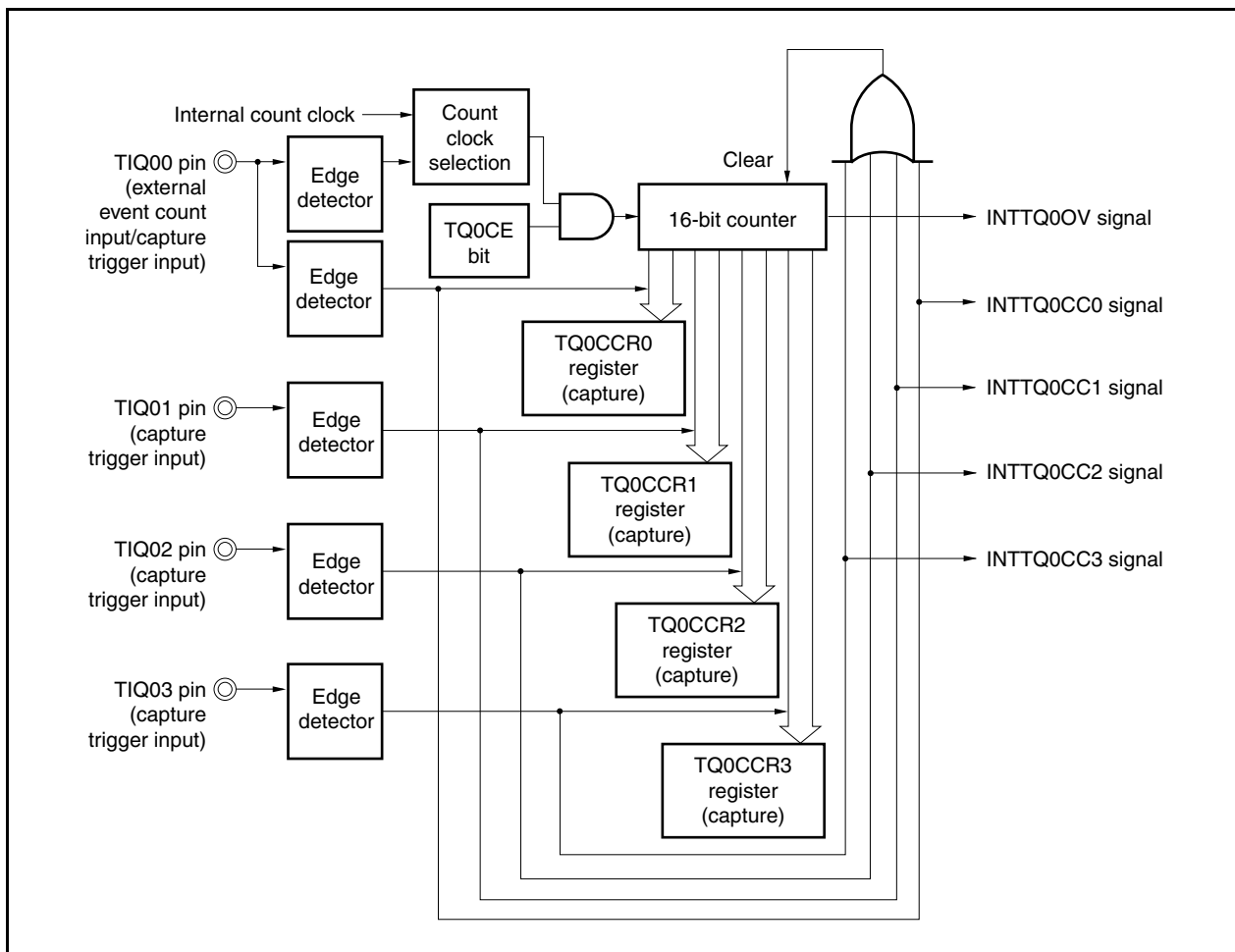
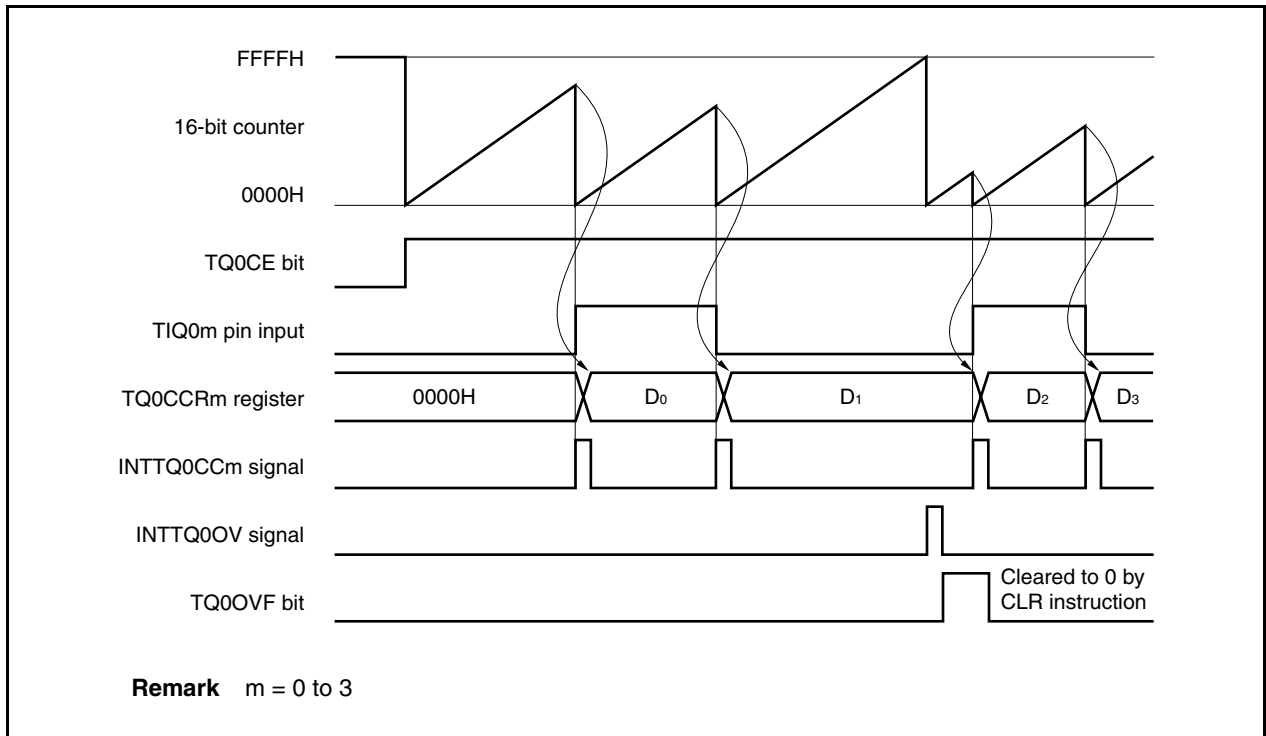


Figure 8-35. Basic Timing in Pulse Width Measurement Mode



When the TQ0CE bit is set to 1, the 16-bit counter starts counting. When the valid edge input to the TIQ0m pin is later detected, the count value of the 16-bit counter is stored in the TQ0CCRm register, the 16-bit counter is cleared to 0000H, and a capture interrupt request signal (INTTQ0CCm) is generated.

The pulse width is calculated as follows.

$$\text{Pulse width} = \text{Captured value} \times \text{Count clock cycle}$$

If the valid edge is not input to the TIQ0m pin even when the 16-bit counter counted up to FFFFH, an overflow interrupt request signal (INTTQ0OV) is generated at the next count clock, and the counter is cleared to 0000H and continues counting. At this time, the overflow flag (TQ0OPT0.TQ0OVf bit) is also set to 1. Clear the overflow flag to 0 by executing the CLR instruction via software.

If the overflow flag is set to 1, the pulse width can be calculated as follows.

$$\text{Pulse width} = (10000\text{H} \times \text{TQ0OVf bit set (1) count} + \text{Captured value}) \times \text{Count clock cycle}$$

Remark m = 0 to 3

Figure 8-36. Register Setting in Pulse Width Measurement Mode (1/2)

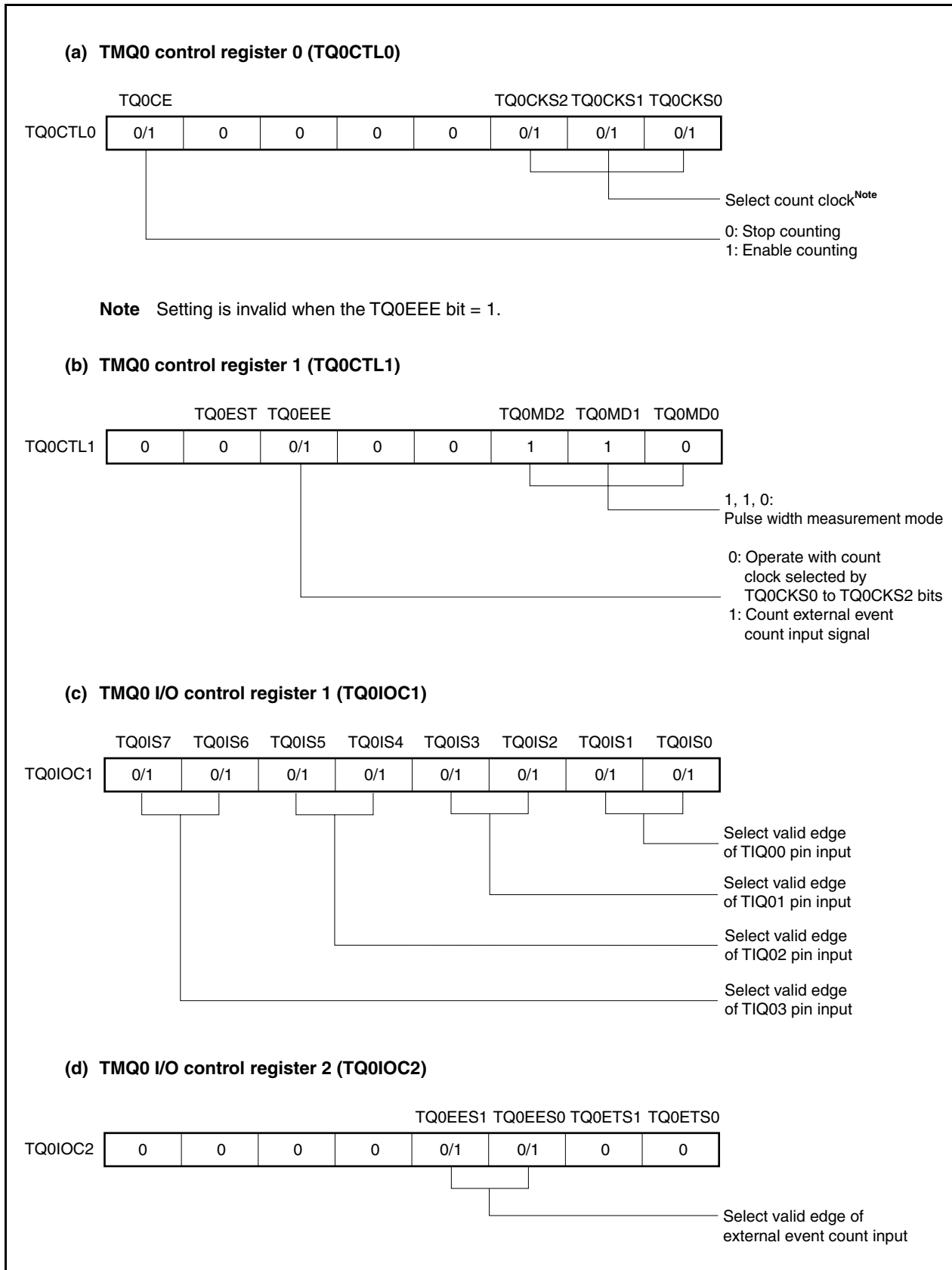
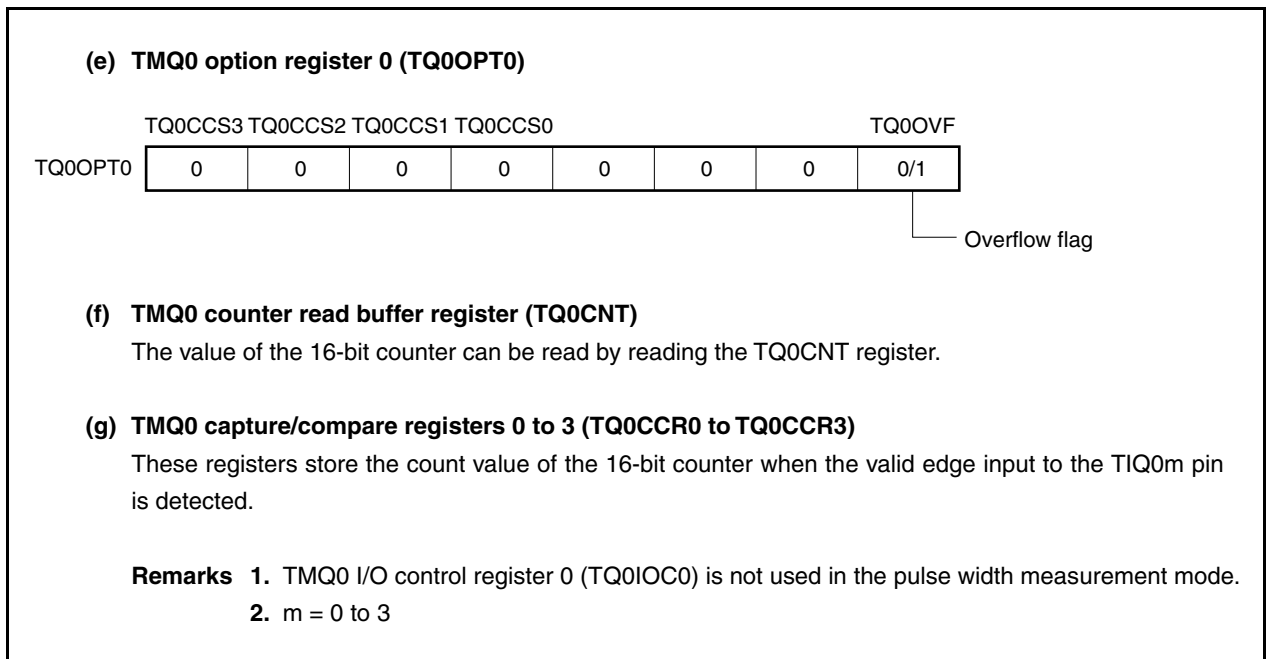
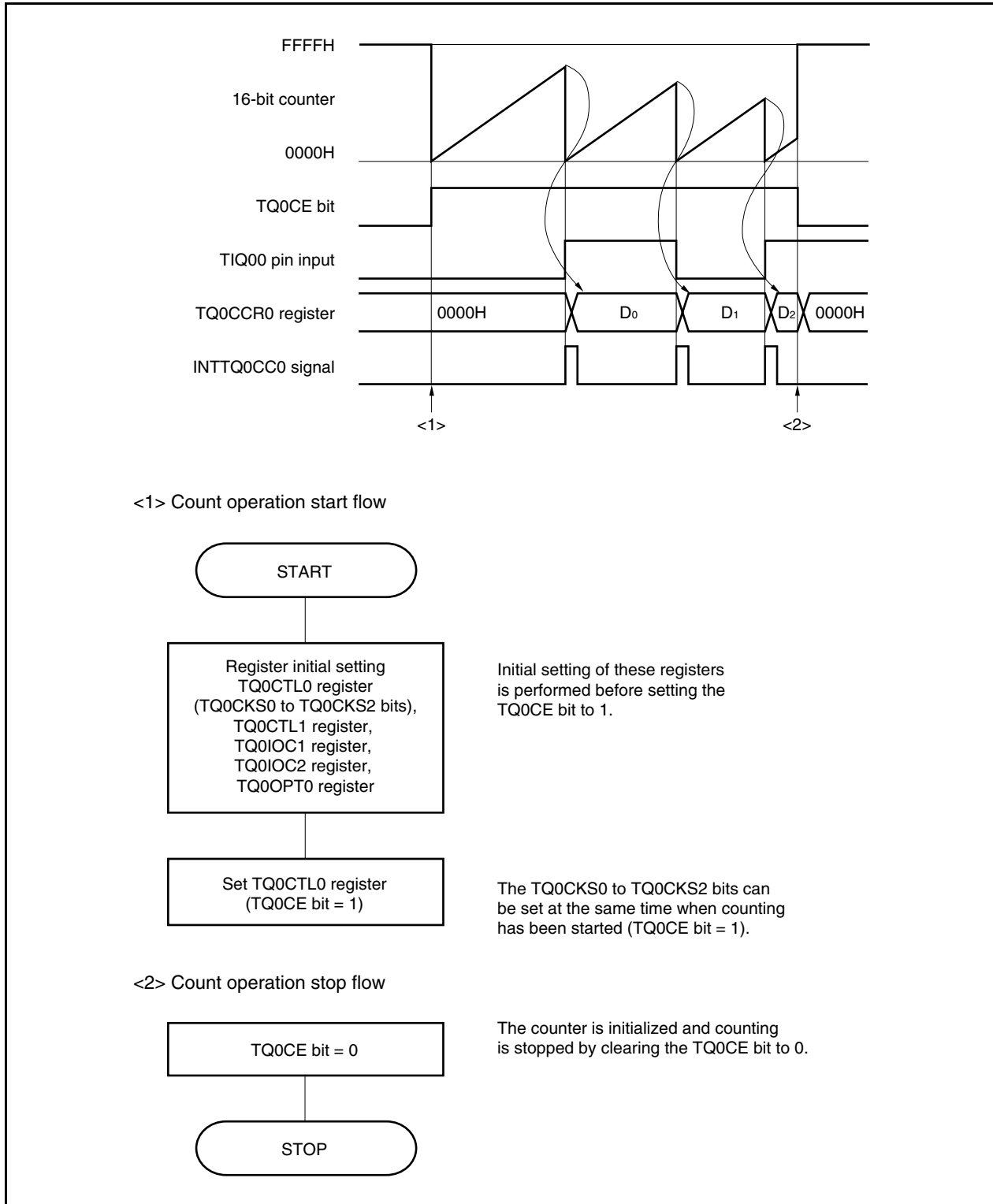


Figure 8-36. Register Setting in Pulse Width Measurement Mode (2/2)



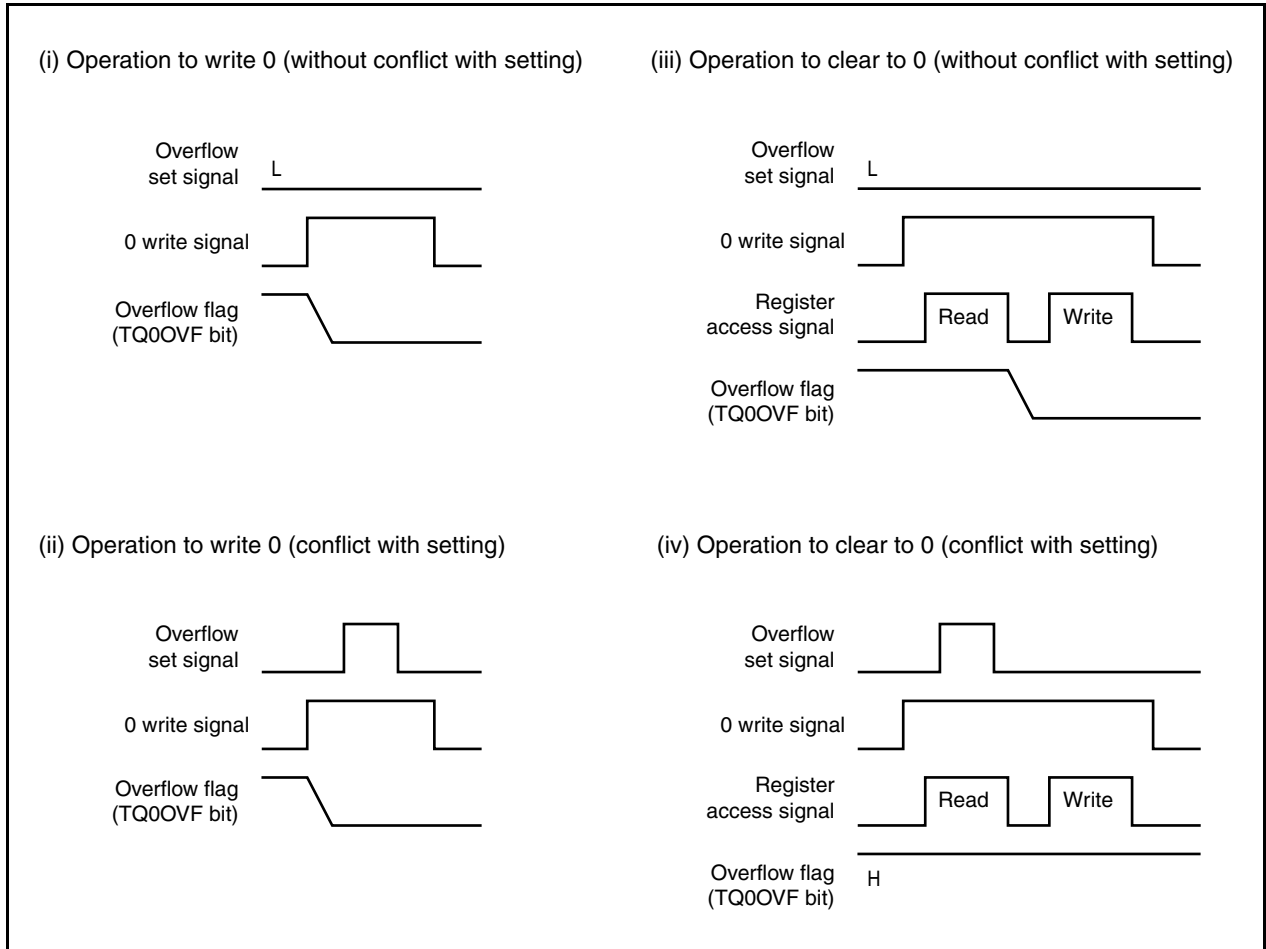
(1) Operation flow in pulse width measurement mode

Figure 8-37. Software Processing Flow in Pulse Width Measurement Mode



(2) Operation timing in pulse width measurement mode**(a) Clearing overflow flag**

The overflow flag can be cleared to 0 by clearing the TQ0OVF bit to 0 with the CLR instruction and by writing 8-bit data (bit 0 is 0) to the TQ0OPT0 register. To accurately detect an overflow, read the TQ0OVF bit when it is 1, and then clear the overflow flag by using a bit manipulation instruction.



To clear the overflow flag to 0, read the overflow flag to check if it is set to 1, and clear it with the CLR instruction. If 0 is written to the overflow flag without checking if the flag is 1, the set information of overflow may be erased by writing 0 ((ii) in the above chart). Therefore, software may judge that no overflow has occurred even when an overflow actually has occurred.

If execution of the CLR instruction conflicts with occurrence of an overflow when the overflow flag is cleared to 0 with the CLR instruction, the overflow flag remains set even after execution of the clear instruction.

8.5.8 Timer output operations

The following table shows the operations and output levels of the TOQ00 to TOQ03 pins.

Table 8-6. Timer Output Control in Each Mode

Operation Mode	TOQ00 Pin	TOQ01 Pin	TOQ02 Pin	TOQ03 Pin
Interval timer mode	Square wave output			
External event count mode	Square wave output	-		
External trigger pulse output mode	Square wave output	External trigger pulse output	External trigger pulse output	External trigger pulse output
One-shot pulse output mode		One-shot pulse output	One-shot pulse output	One-shot pulse output
PWM output mode		PWM output	PWM output	PWM output
Free-running timer mode	Square wave output (only when compare function is used)			
Pulse width measurement mode	-			

Table 8-7. Truth Table of TOQ00 to TOQ03 Pins Under Control of Timer Output Control Bits

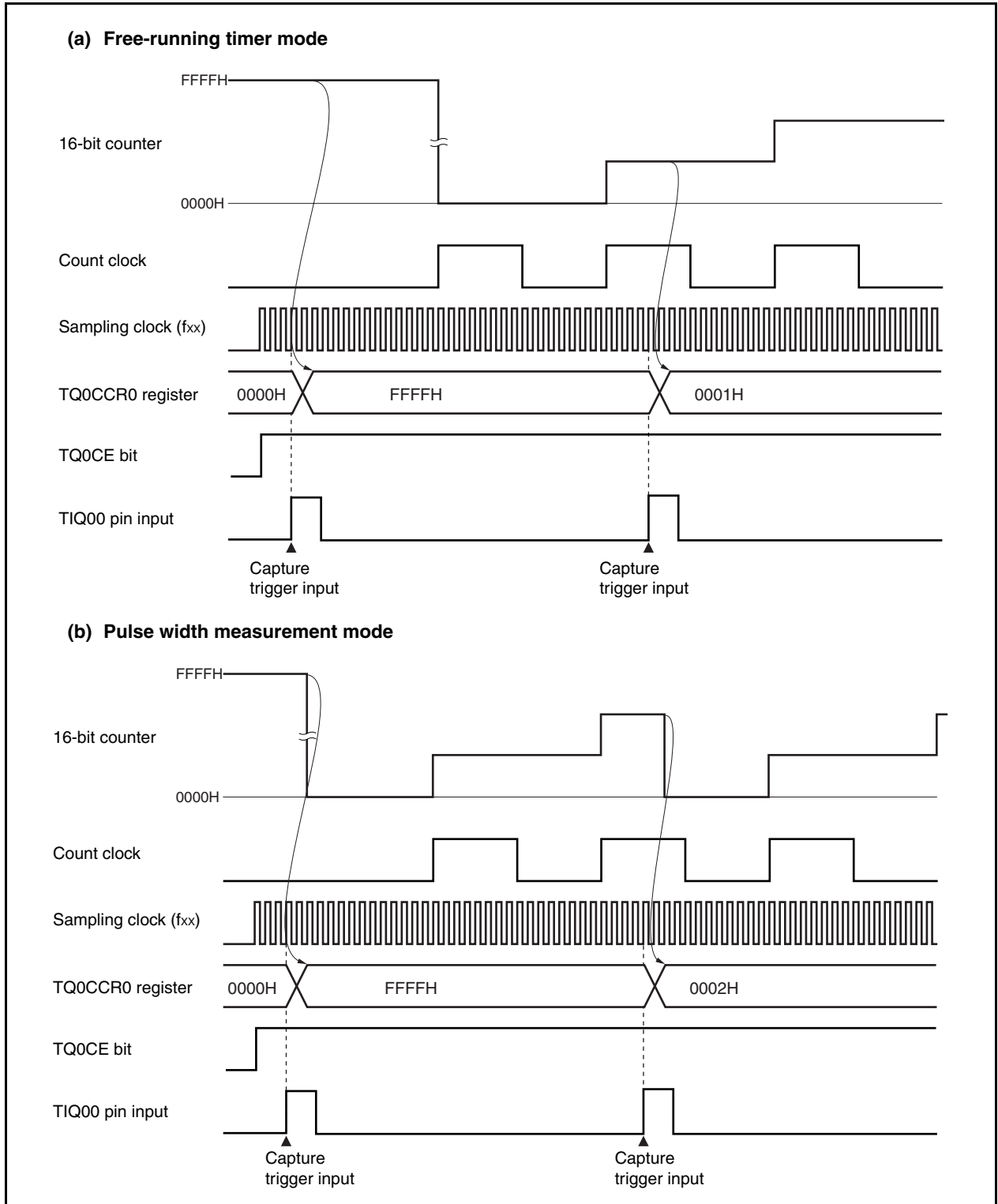
TQ0IOC0.TQ0OLm Bit	TQ0IOC0.TQ0OEm Bit	TQ0CTL0.TQ0CE Bit	Level of TOQ0m Pin
0	0	×	Low-level output
	1	0	Low-level output
		1	Low level immediately before counting, high level after counting is started
1	0	×	High-level output
	1	0	High-level output
		1	High level immediately before counting, low level after counting is started

Remark m = 0 to 3

8.6 Cautions

(1) Capture operation

When the capture operation is used and a slow clock is selected as the count clock, FFFFH, not 0000H, may be captured in the TQ0CCR0, TQ0CCR1, TQ0CCR2, and TQ0CCR3 registers if the capture trigger is input immediately after the TQ0CE bit is set to 1.



CHAPTER 9 16-BIT INTERVAL TIMER M (TMM)

9.1 Overview

- Interval function
- 8 clocks selectable
- 16-bit counter × 1
(The 16-bit counter cannot be read during timer count operation.)
- Compare register × 1
(The compare register cannot be written during timer counter operation.)
- Compare match interrupt × 1

Timer M supports only the clear & start mode. The free-running timer mode is not supported.

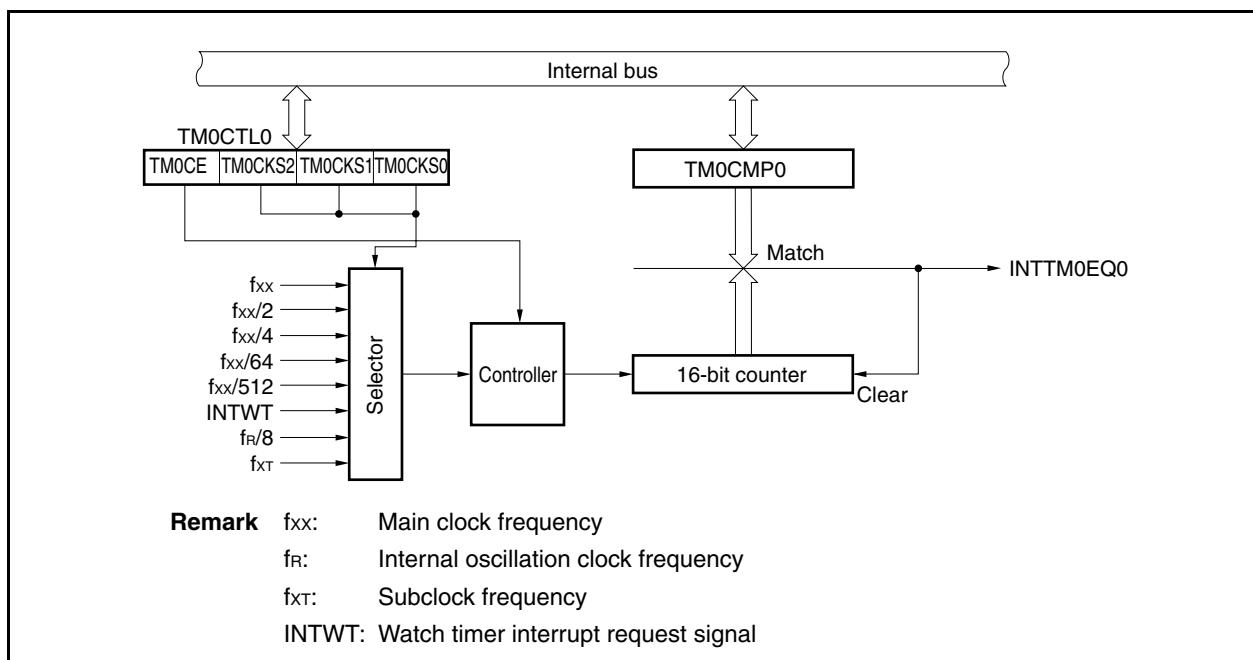
9.2 Configuration

TMM0 includes the following hardware.

Table 9-1. Configuration of TMM0

Item	Configuration
Timer register	16-bit counter
Register	TMM0 compare register 0 (TM0CMP0)
Control register	TMM0 control register 0 (TM0CTL0)

Figure 9-1. Block Diagram of TMM0

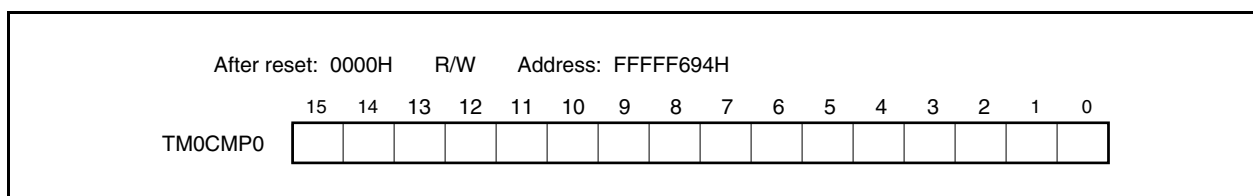


(1) 16-bit counter

This is a 16-bit counter that counts the internal clock.
The 16-bit counter cannot be read or written.

(2) TMM0 compare register 0 (TM0CMP0)

The TM0CMP0 register is a 16-bit compare register.
This register can be read or written in 16-bit units.
Reset sets this register to 0000H.
The same value can always be written to the TM0CMP0 register by software.
TM0CMP0 register rewrite is prohibited when the TM0CTL0.TM0CE bit = 1.



9.3 Register

(1) TMM0 control register (TM0CTL0)

The TM0CTL0 register is an 8-bit register that controls the TMM0 operation.

This register can be read or written in 8-bit or 1-bit units.

Reset sets this register to 00H.

The same value can always be written to the TM0CTL0 register by software.

After reset: 00H R/W Address: FFFFF690H

	<7>	6	5	4	3	2	1	0
TM0CTL0	TM0CE	0	0	0	0	TM0CKS2	TM0CKS1	TM0CKS0

TM0CE	Internal clock operation enable/disable specification
0	TMM0 operation disabled (16-bit counter reset asynchronously). Operation clock application stopped.
1	TMM0 operation enabled. Operation clock application started. TMM0 operation started.
The internal clock control and internal circuit reset for TMM0 are performed asynchronously with the TM0CE bit. When the TM0CE bit is cleared to 0, the internal clock of TMM0 is disabled (fixed to low level) and 16-bit counter is reset asynchronously.	

TM0CKS2	TM0CKS1	TM0CKS0	Count clock selection
0	0	0	f_{xx}
0	0	1	$f_{xx}/2$
0	1	0	$f_{xx}/4$
0	1	1	$f_{xx}/64$
1	0	0	$f_{xx}/512$
1	0	1	INTWT
1	1	0	$f_{R}/8$
1	1	1	f_{XT}

- Cautions**
1. Set the TM0CKS2 to TM0CKS0 bits when TM0CE bit = 0.
When changing the value of TM0CE from 0 to 1, it is not possible to set the value of the TM0CKS2 to TM0CKS0 bits simultaneously.
 2. Be sure to clear bits 3 to 6 to "0".

Remark

f_{xx} : Main clock frequency
 f_{R} : Internal oscillation clock frequency
 f_{XT} : Subclock frequency

9.4 Operation

Caution Do not set the TM0CMP0 register to FFFFH.

9.4.1 Interval timer mode

In the interval timer mode, an interrupt request signal (INTTM0EQ0) is generated at the specified interval if the TM0CTL0.TM0CE bit is set to 1.

Figure 9-2. Configuration of Interval Timer

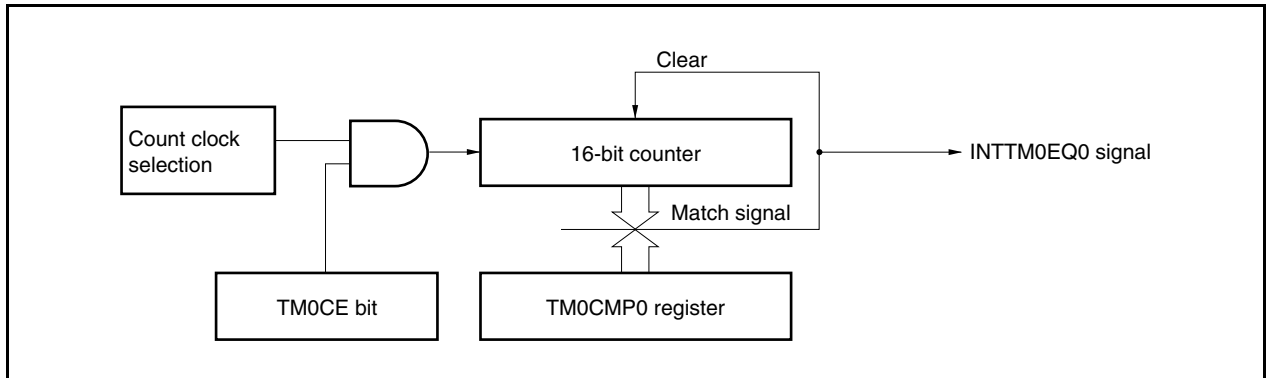
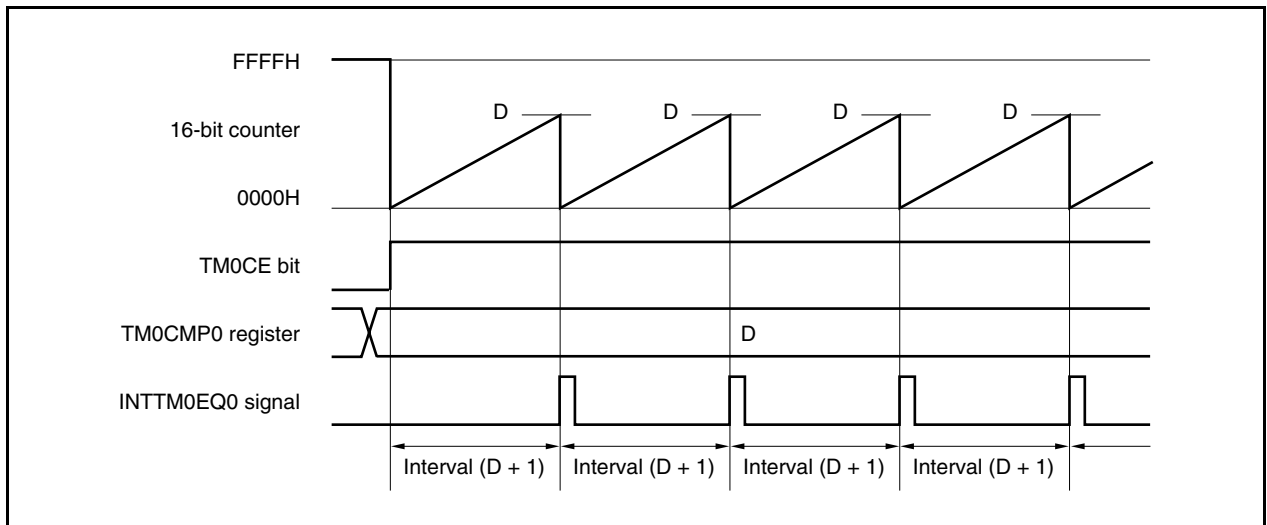


Figure 9-3. Basic Timing of Operation in Interval Timer Mode



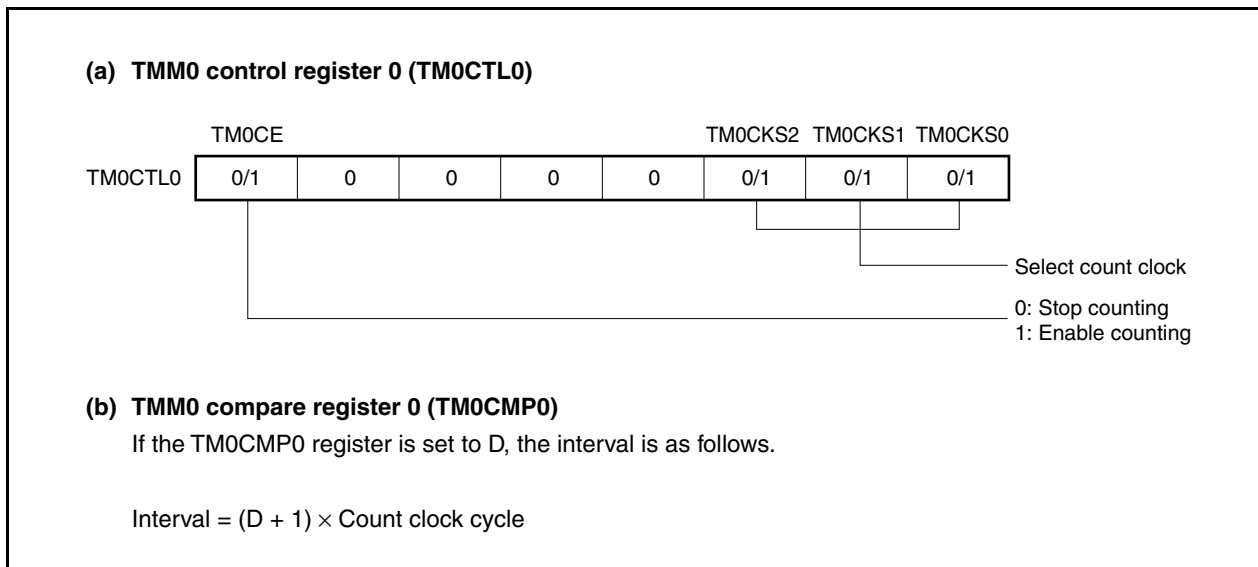
When the TM0CE bit is set to 1, the value of the 16-bit counter is cleared from FFFFH to 0000H in synchronization with the count clock, and the counter starts counting.

When the count value of the 16-bit counter matches the value of the TM0CMP0 register, the 16-bit counter is cleared to 0000H and a compare match interrupt request signal (INTTM0EQ0) is generated.

The interval can be calculated by the following expression.

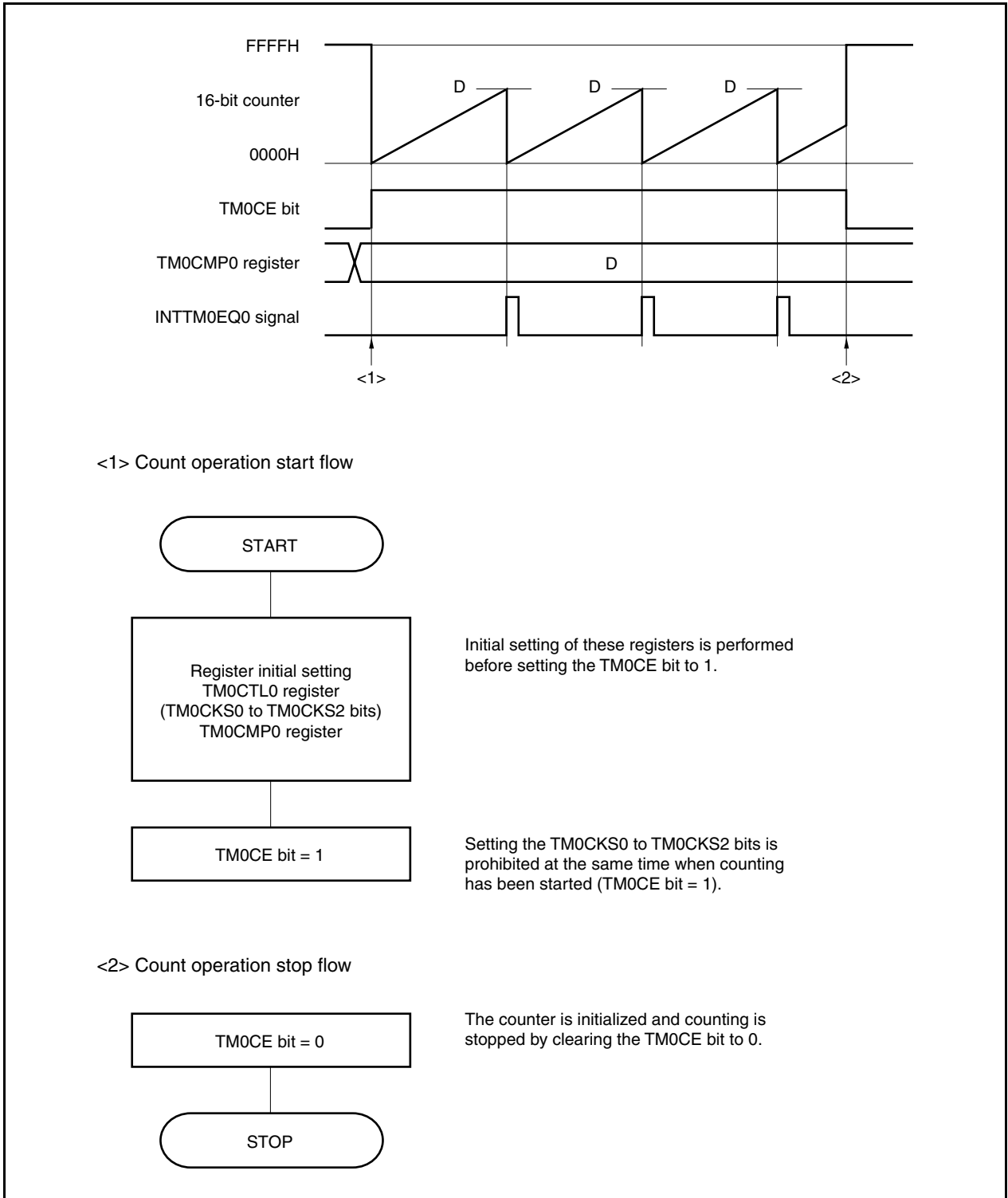
$$\text{Interval} = (\text{Set value of TM0CMP0 register} + 1) \times \text{Count clock cycle}$$

Figure 9-4. Register Setting for Interval Timer Mode Operation



(1) Interval timer mode operation flow

Figure 9-5. Software Processing Flow in Interval Timer Mode

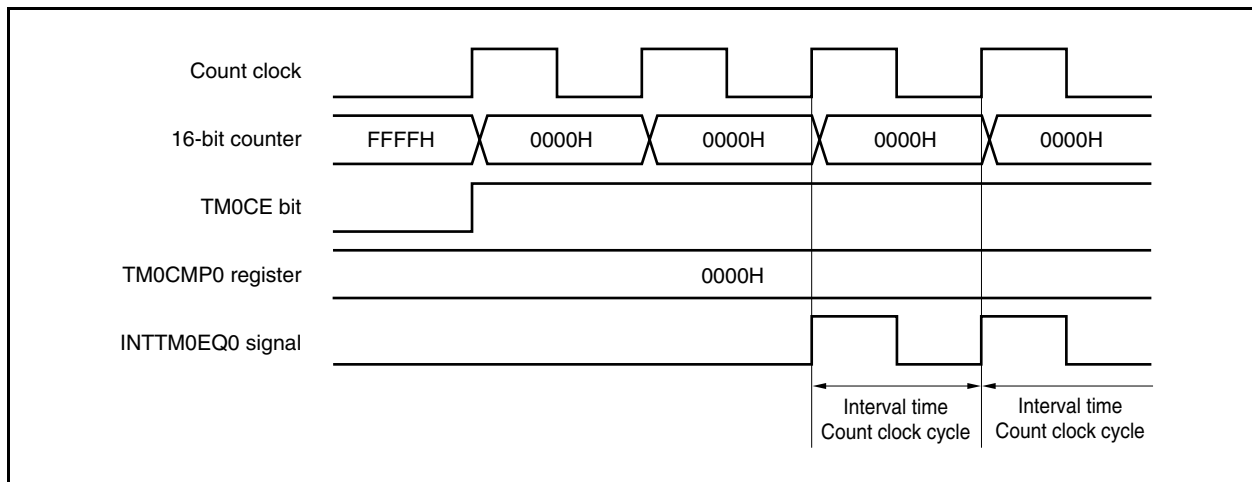


(2) Interval timer mode operation timing

Caution Do not set the TM0CMP0 register to FFFFH.

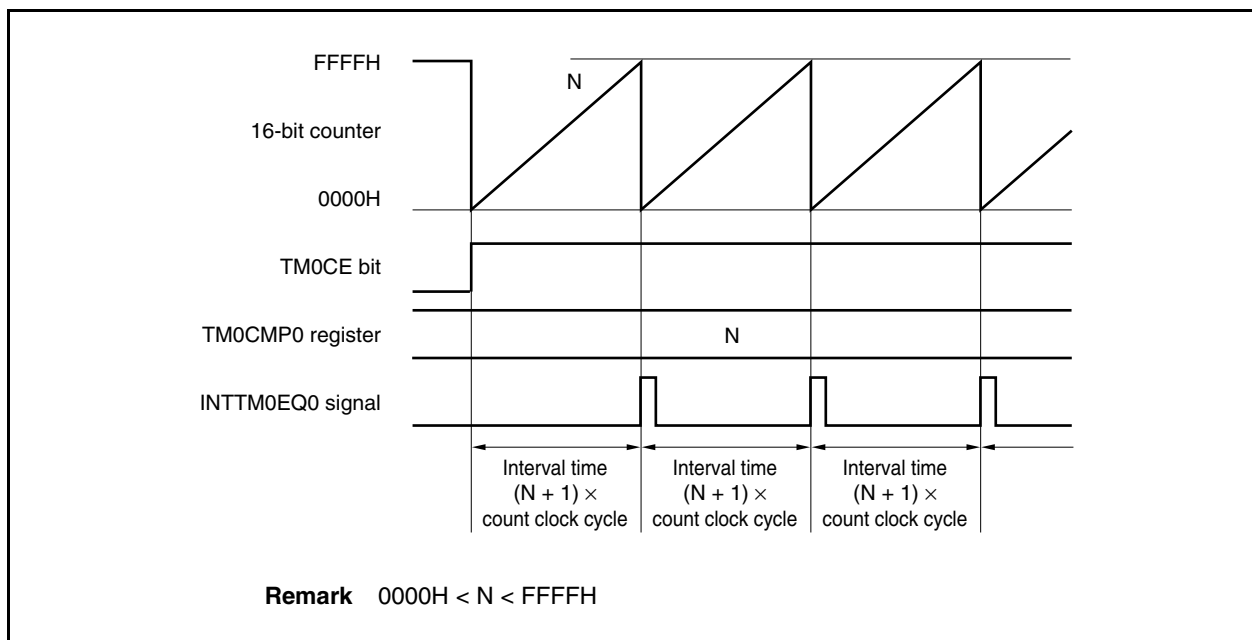
(a) Operation if TM0CMP0 register is set to 0000H

If the TM0CMP0 register is set to 0000H, the INTTM0EQ0 signal is generated at each count clock. The value of the 16-bit counter is always 0000H.



(b) Operation if TM0CMP0 register is set to N

If the TM0CMP0 register is set to N, the 16-bit counter counts up to N. The counter is cleared to 0000H in synchronization with the next count-up timing and the INTTM0EQ0 signal is generated.



9.4.2 Cautions

- (1) It takes the 16-bit counter up to the following time to start counting after the TMOCTL0.TMOCE bit is set to 1, depending on the count clock selected.

Selected Count Clock	Maximum Time Before Counting Start
f_{xx}	$2/f_{xx}$
$f_{xx}/2$	$6/f_{xx}$
$f_{xx}/4$	$24/f_{xx}$
$f_{xx}/64$	$128/f_{xx}$
$f_{xx}/512$	$1024/f_{xx}$
INTWT	Second rising edge of INTWT signal
$f_R/8$	$16/f_R$
f_{XT}	$2/f_{XT}$

- (2) Rewriting the TMOCMP0 and TMOCTL0 registers is prohibited while TMM0 is operating. If these registers are rewritten while the TMOCE bit is 1, the operation cannot be guaranteed. If they are rewritten by mistake, clear the TMOCTL0.TMOCE bit to 0, and re-set the registers.

CHAPTER 10 WATCH TIMER FUNCTIONS

10.1 Functions

The watch timer has the following functions.

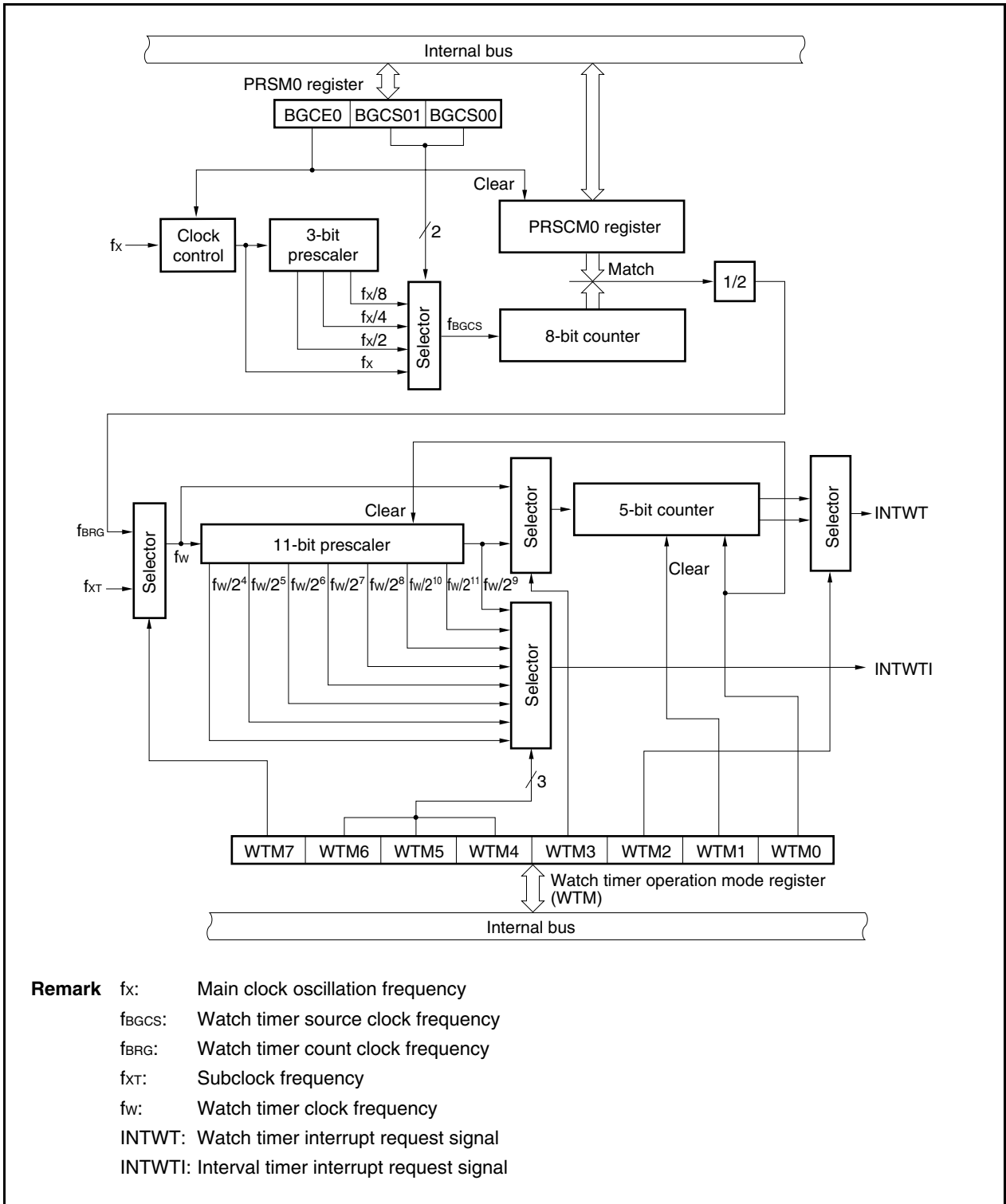
- Watch timer: An interrupt request signal (INTWT) is generated at intervals of 0.5 or 0.25 seconds by using the main clock or subclock.
- Interval timer: An interrupt request signal (INTWTI) is generated at set intervals.

The watch timer and interval timer functions can be used at the same time.

10.2 Configuration

The block diagram of the watch timer is shown below.

Figure 10-1. Block Diagram of Watch Timer



(1) Clock control

This block controls supplying and stopping the operating clock (f_x) when the watch timer operates on the main clock.

(2) 3-bit prescaler

This prescaler divides f_x to generate $f_x/2$, $f_x/4$, or $f_x/8$.

(3) 8-bit counter

This 8-bit counter counts the source clock (f_{BGS}).

(4) 11-bit prescaler

This prescaler divides f_w to generate a clock of $f_w/2^4$ to $f_w/2^{11}$.

(5) 5-bit counter

This counter counts f_w or $f_w/2^9$, and generates a watch timer interrupt request signal at intervals of $2^4/f_w$, $2^5/f_w$, $2^{12}/f_w$, or $2^{14}/f_w$.

(6) Selector

The watch timer has the following five selectors.

- Selector that selects one of f_x , $f_x/2$, $f_x/4$, or $f_x/8$ as the source clock of the watch timer
- Selector that selects the main clock (f_x) or subclock (f_{xT}) as the clock of the watch timer
- Selector that selects f_w or $f_w/2^9$ as the count clock frequency of the 5-bit counter
- Selector that selects $2^4/f_w$, $2^{13}/f_w$, $2^5/f_w$, or $2^{14}/f_w$ as the INTWT signal generation time interval
- Selector that selects $2^4/f_w$ to $2^{11}/f_w$ as the interval timer interrupt request signal (INTWTI) generation time interval

(7) PRSCM register

This is an 8-bit compare register that sets the interval time.

(8) PRSM register

This register controls clock supply to the watch timer.

(9) WTM register

This is an 8-bit register that controls the operation of the watch timer/interval timer, and sets the interrupt request signal generation interval.

10.3 Control Registers

The following registers are provided for the watch timer.

- Prescaler mode register 0 (PRSM0)
- Prescaler compare register 0 (PRSCM0)
- Watch timer operation mode register (WTM)

(1) Prescaler mode register 0 (PRSM0)

The PRSM0 register controls the generation of the watch timer count clock.

This register can be read or written in 8-bit or 1-bit units.

Reset sets this register to 00H.

After reset: 00H R/W Address: FFFFF8B0H

	7	6	5	<4>	3	2	1	0
PRSM0	0	0	0	BGCE0	0	0	BGCS01	BGCS00

BGCE0	Main clock operation enable
0	Disabled
1	Enabled

BGCS01	BGCS00	Selection of watch timer source clock (f_{BGS})	5 MHz	4 MHz
0	0	f_x	200 ns	250 ns
0	1	$f_x/2$	400 ns	500 ns
1	0	$f_x/4$	800 ns	1 μ s
1	1	$f_x/8$	1.6 μ s	2 μ s

Cautions

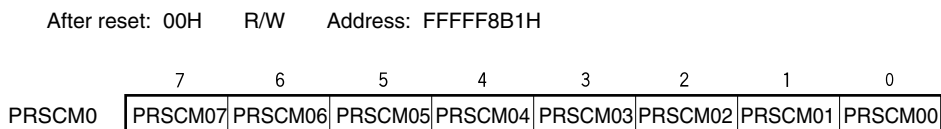
1. Do not change the values of the BGCS00 and BGCS01 bits during watch timer operation.
2. Set the PRSM0 register before setting the BGCE0 bit to 1.
3. Set the PRSM0 and PRSCM0 registers according to the main clock frequency that is used so as to obtain an f_{BRG} frequency of 32.768 kHz.

(2) Prescaler compare register 0 (PRSCM0)

The PRSCM0 register is an 8-bit compare register.

This register can be read or written in 8-bit units.

Reset sets this register to 00H.



- Cautions**
1. Do not rewrite the PRSCM0 register during watch timer operation.
 2. Set the PRSCM0 register before setting the PRSM0.BGCE0 bit to 1.
 3. Set the PRSM0 and PRSCM0 registers according to the main clock frequency that is used so as to obtain an f_{BRG} frequency of 32.768 kHz.

The calculation for f_{BRG} is shown below.

$$f_{BRG} = f_{BGCS}/2N$$

Remark f_{BGCS} : Watch timer source clock set by the PRSM0 register

N: Set value of PRSCM0 register = 1 to 256

However, N = 256 only when PRSCM0 register is set to 00H.

(3) Watch timer operation mode register (WTM)

The WTM register enables or disables the count clock and operation of the watch timer, sets the interval time of the prescaler, controls the operation of the 5-bit counter, and sets the set time of the watch flag.

Set the PRSM0 register before setting the WTM register.

This register can be read or written in 8-bit or 1-bit units.

Reset sets this register to 00H.

(1/2)

After reset: 00H R/W Address: FFFFF680H

7	6	5	4	3	2	<1>	<0>
WTM7	WTM6	WTM5	WTM4	WTM3	WTM2	WTM1	WTM0

WTM7	WTM6	WTM5	WTM4	Selection of interval time of prescaler
0	0	0	0	$2^4/f_w$ (488 μ s: $f_w = f_{XT}$)
0	0	0	1	$2^5/f_w$ (977 μ s: $f_w = f_{XT}$)
0	0	1	0	$2^6/f_w$ (1.95 ms: $f_w = f_{XT}$)
0	0	1	1	$2^7/f_w$ (3.91 ms: $f_w = f_{XT}$)
0	1	0	0	$2^8/f_w$ (7.81 ms: $f_w = f_{XT}$)
0	1	0	1	$2^9/f_w$ (15.6 ms: $f_w = f_{XT}$)
0	1	1	0	$2^{10}/f_w$ (31.3 ms: $f_w = f_{XT}$)
0	1	1	1	$2^{11}/f_w$ (62.5 ms: $f_w = f_{XT}$)
1	0	0	0	$2^4/f_w$ (488 μ s: $f_w = f_{BRG}$)
1	0	0	1	$2^5/f_w$ (977 μ s: $f_w = f_{BRG}$)
1	0	1	0	$2^6/f_w$ (1.95 ms: $f_w = f_{BRG}$)
1	0	1	1	$2^7/f_w$ (3.90 ms: $f_w = f_{BRG}$)
1	1	0	0	$2^8/f_w$ (7.81 ms: $f_w = f_{BRG}$)
1	1	0	1	$2^9/f_w$ (15.6 ms: $f_w = f_{BRG}$)
1	1	1	0	$2^{10}/f_w$ (31.2 ms: $f_w = f_{BRG}$)
1	1	1	1	$2^{11}/f_w$ (62.5 ms: $f_w = f_{BRG}$)

WTM7	WTM3	WTM2	Selection of set time of watch flag
0	0	0	$2^{14}/f_w$ (0.5 s: $f_w = f_{XT}$)
0	0	1	$2^{13}/f_w$ (0.25 s: $f_w = f_{XT}$)
0	1	0	$2^5/f_w$ (977 μ s: $f_w = f_{XT}$)
0	1	1	$2^4/f_w$ (488 μ s: $f_w = f_{XT}$)
1	0	0	$2^{14}/f_w$ (0.5 s: $f_w = f_{BRG}$)
1	0	1	$2^{13}/f_w$ (0.25 s: $f_w = f_{BRG}$)
1	1	0	$2^5/f_w$ (977 μ s: $f_w = f_{BRG}$)
1	1	1	$2^4/f_w$ (488 μ s: $f_w = f_{BRG}$)

WTM1	Control of 5-bit counter operation
0	Clears after operation stops
1	Starts

WTM0	Watch timer operation enable
0	Stops operation (clears both prescaler and 5-bit counter)
1	Enables operation

Caution Rewrite the WTM2 to WTM7 bits while both the WTM0 and WTM1 bits are 0.

- Remarks**
1. f_w : Watch timer clock frequency
 2. Values in parentheses apply to operation with $f_w = 32.768$ kHz

10.4 Operation

10.4.1 Operation as watch timer

The watch timer generates an interrupt request signal (INTWT) at fixed time intervals. The watch timer operates using time intervals of 0.25 or 0.5 seconds with the subclock (32.768 kHz) or main clock.

The count operation starts when the WTM.WTM1 and WTM.WTM0 bits are set to 11. When the WTM0 bit is cleared to 0, the 11-bit prescaler and 5-bit counter are cleared and the count operation stops.

The time of the watch timer can be adjusted by clearing the WTM1 bit to 0 and then the 5-bit counter when operating at the same time as the interval timer. At this time, an error of up to 15.6 ms may occur for the watch timer, but the interval timer is not affected.

If the main clock is used as the count clock of the watch timer, set the count clock using the PRSM0.BGCS01 and BGCS00 bits, the 8-bit comparison value using the PRSCM0 register, and the count clock frequency (f_{BRG}) of the watch timer to 32.768 kHz.

When the PRSM0.BGCE0 bit is set (1), f_{BRG} is supplied to the watch timer.

f_{BRG} can be calculated by the following expression.

$$f_{BRG} = f_x / (2^{m+1} \times N)$$

To set f_{BRG} to 32.768 kHz, perform the following calculation and set the BGCS01 and BGCS00 bits and the PRSCM0 register.

<1> Set $N = f_x / 65,536$. Set $m = 0$.

<2> When the value resulting from rounding up the first decimal place of N is even, set N before the roundup as $N/2$ and m as $m + 1$.

<3> Repeat <2> until N is odd or $m = 3$.

<4> Set the value resulting from rounding up the first decimal place of N to the PRSCM0 register and m to the BGCS01 and BGCS00 bits.

Example: When $f_x = 4.00$ MHz

<1> $N = 4,000,000 / 65,536 = 61.03\dots$, $m = 0$

<2>, <3> Because N (round up the first decimal place) is odd, $N = 61$, $m = 0$.

<4> Set value of PRSCM0 register: 3DH (61), set value of BGCS01 and BGCS00 bits: 00

At this time, the actual f_{BRG} frequency is as follows.

$$\begin{aligned} f_{BRG} &= f_x / (2^{m+1} \times N) = 4,000,000 / (2 \times 61) \\ &= 32.787 \text{ kHz} \end{aligned}$$

Remark m : Division value (set value of BGCS01 and BGCS00 bits) = 0 to 3

N : Set value of PRSCM0 register = 1 to 256

However, $N = 256$ only when PRSCM0 register is set to 00H.

f_x : Main clock oscillation frequency

10.4.2 Operation as interval timer

The watch timer can also be used as an interval timer that repeatedly generates an interrupt request signal (INTWTI) at intervals specified by a preset count value.

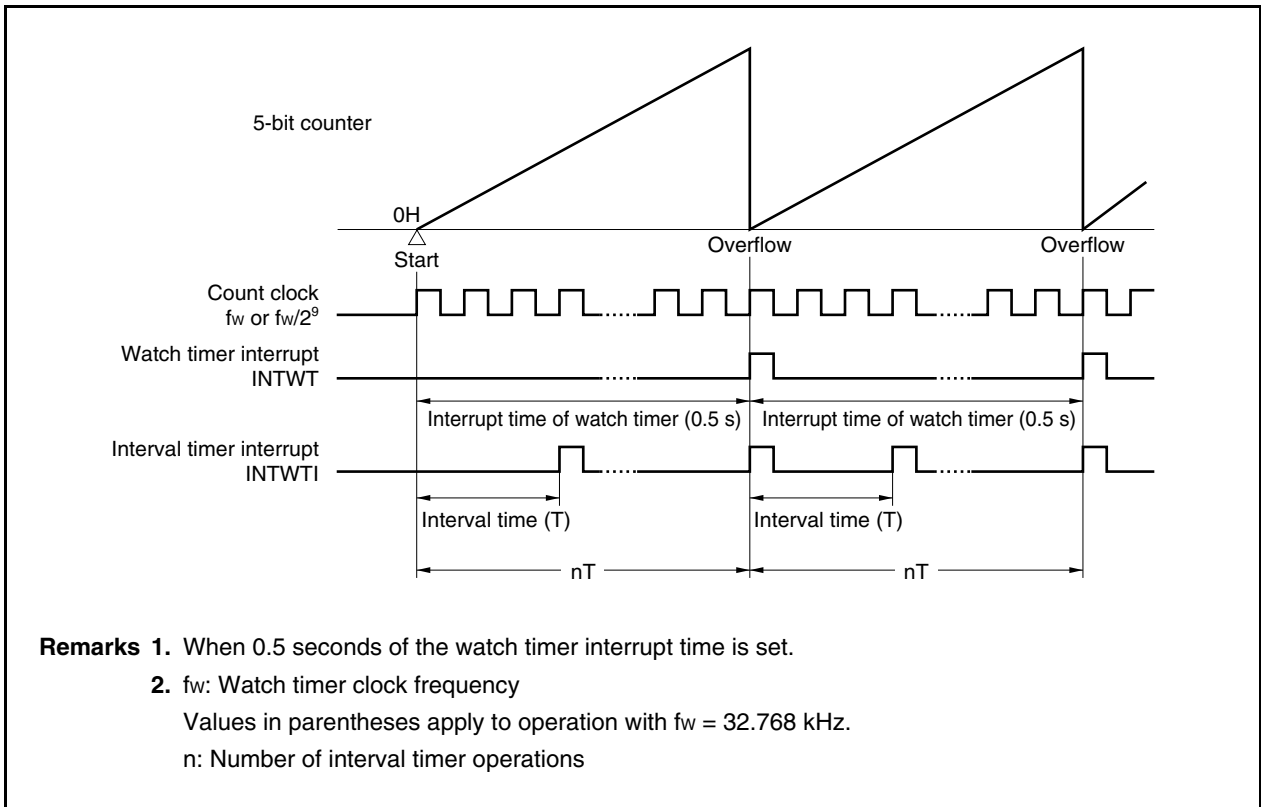
The interval time can be selected by the WTM4 to WTM7 bits of the WTM register.

Table 10-1. Interval Time of Interval Timer

WTM7	WTM6	WTM5	WTM4	Interval Time	
0	0	0	0	$2^1 \times 1/f_w$	488 μ s (operating at $f_w = f_{XT} = 32.768$ kHz)
0	0	0	1	$2^5 \times 1/f_w$	977 μ s (operating at $f_w = f_{XT} = 32.768$ kHz)
0	0	1	0	$2^6 \times 1/f_w$	1.95 ms (operating at $f_w = f_{XT} = 32.768$ kHz)
0	0	1	1	$2^7 \times 1/f_w$	3.91 ms (operating at $f_w = f_{XT} = 32.768$ kHz)
0	1	0	0	$2^8 \times 1/f_w$	7.81 ms (operating at $f_w = f_{XT} = 32.768$ kHz)
0	1	0	1	$2^9 \times 1/f_w$	15.6 ms (operating at $f_w = f_{XT} = 32.768$ kHz)
0	1	1	0	$2^{10} \times 1/f_w$	31.3 ms (operating at $f_w = f_{XT} = 32.768$ kHz)
0	1	1	1	$2^{11} \times 1/f_w$	62.5 ms (operating at $f_w = f_{XT} = 32.768$ kHz)
1	0	0	0	$2^4 \times 1/f_w$	488 μ s (operating at $f_w = f_{BRG} = 32.768$ kHz)
1	0	0	1	$2^5 \times 1/f_w$	977 μ s (operating at $f_w = f_{BRG} = 32.768$ kHz)
1	0	1	0	$2^6 \times 1/f_w$	1.95 ms (operating at $f_w = f_{BRG} = 32.768$ kHz)
1	0	1	1	$2^7 \times 1/f_w$	3.91 ms (operating at $f_w = f_{BRG} = 32.768$ kHz)
1	1	0	0	$2^8 \times 1/f_w$	7.81 ms (operating at $f_w = f_{BRG} = 32.768$ kHz)
1	1	0	1	$2^9 \times 1/f_w$	15.6 ms (operating at $f_w = f_{BRG} = 32.768$ kHz)
1	1	1	0	$2^{10} \times 1/f_w$	31.3 ms (operating at $f_w = f_{BRG} = 32.768$ kHz)
1	1	1	1	$2^{11} \times 1/f_w$	62.5 ms (operating at $f_w = f_{BRG} = 32.768$ kHz)

Remark f_w : Watch timer clock frequency

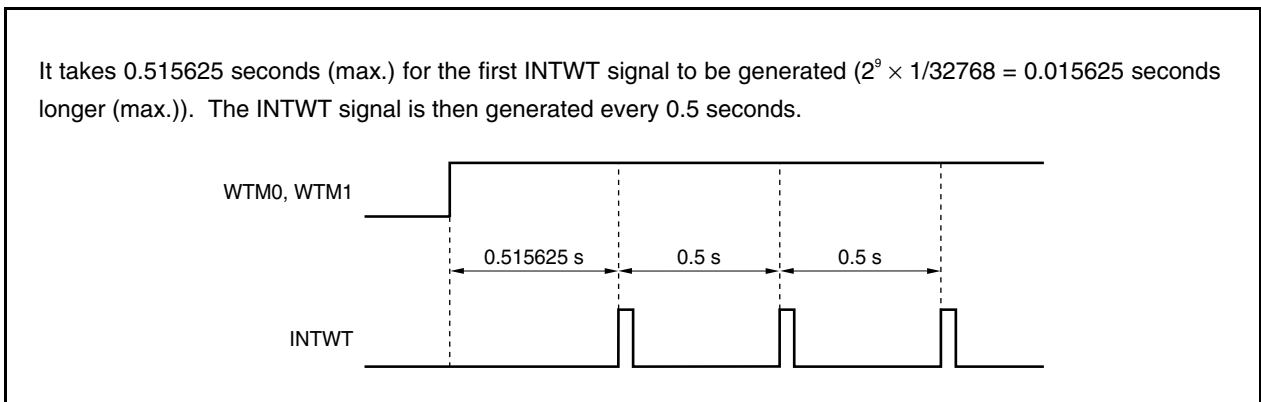
Figure 10-2. Operation Timing of Watch Timer/Interval Timer



10.4.3 Cautions

Some time is required before the first watch timer interrupt request signal (INTWT) is generated after operation is enabled (WTM.WTM1 and WTM.WTM0 bits = 1).

Figure 10-3. Example of Generation of Watch Timer Interrupt Request Signal (INTWT)
(When Interrupt Cycle = 0.5 s)



CHAPTER 11 FUNCTIONS OF WATCHDOG TIMER 2

11.1 Functions

Watchdog timer 2 has the following functions.

- Default-start watchdog timer^{Note 1}
 - Reset mode: Reset operation upon overflow of watchdog timer 2 (generation of WDT2RES signal)
 - Non-maskable interrupt request mode: NMI operation upon overflow of watchdog timer 2 (generation of INTWDT2 signal)^{Note 2}
- Input selectable from main clock, internal oscillation clock, and subclock as the source clock

Notes 1. Watchdog timer 2 automatically starts in the reset mode following reset release.

When watchdog timer 2 is not used, either stop its operation before reset is executed via this function, or clear watchdog timer 2 once and stop it within the next interval time.

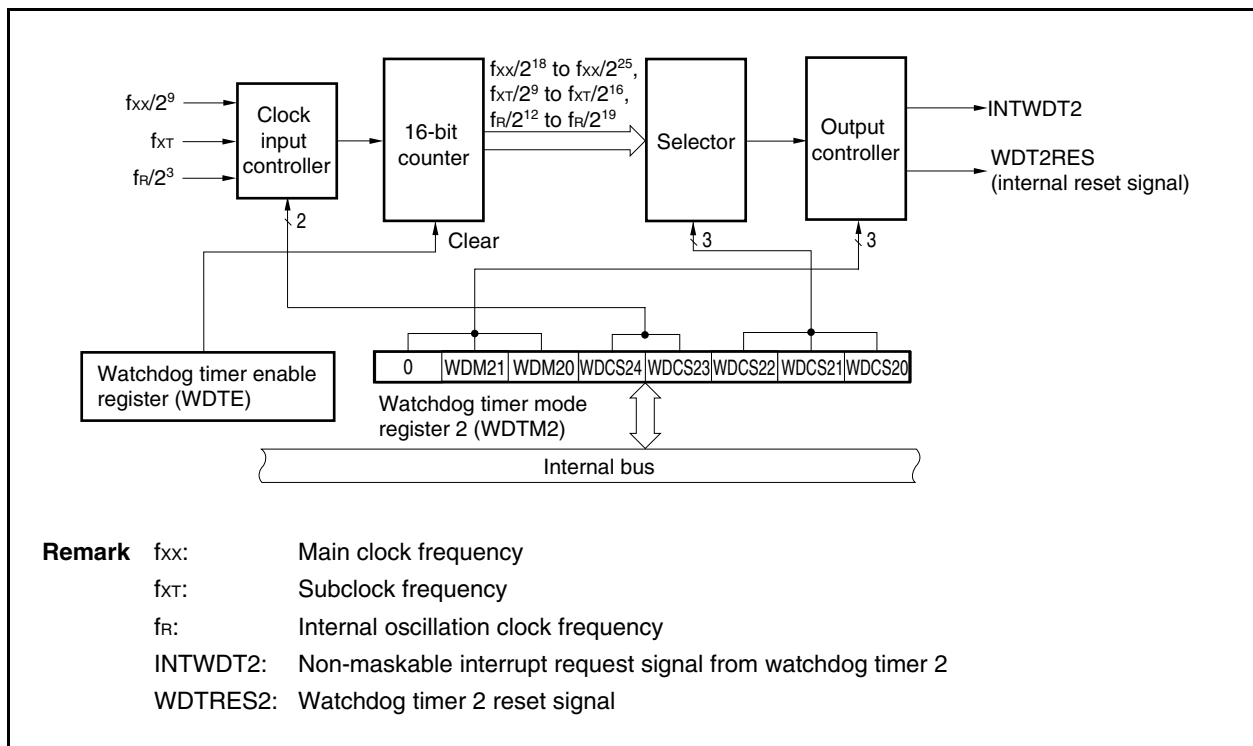
Also, write to the WDTM2 register for verification purposes only once, even if the default settings (reset mode, interval time: $f_R/2^{19}$) do not need to be changed.

2. For the non-maskable interrupt servicing due to a non-maskable interrupt request signal (INTWDT2), see **19.2.2 (2) From INTWDT2 signal**.

11.2 Configuration

The following shows the block diagram of watchdog timer 2.

Figure 11-1. Block Diagram of Watchdog Timer 2



Watchdog timer 2 includes the following hardware.

Table 11-1. Configuration of Watchdog Timer 2

Item	Configuration
Control registers	Watchdog timer mode register 2 (WDTM2) Watchdog timer enable register (WDTE)

11.3 Registers

(1) Watchdog timer mode register 2 (WDTM2)

The WDTM2 register sets the overflow time and operation clock of watchdog timer 2.

This register can be read or written in 8-bit units. This register can be read any number of times, but it can be written only once following reset release.

Reset sets this register to 67H.

Caution Accessing the WDTM2 register is prohibited in the following statuses. For details, see 3.4.8

(2) Accessing specific on-chip peripheral I/O registers.

- When the CPU operates with the subclock and the main clock oscillation is stopped
- When the CPU operates with the internal oscillation clock

After reset: 67H R/W Address: FFFFF6D0H

	7	6	5	4	3	2	1	0
WDTM2	0	WDM21	WDM20	WDCS24	WDCS23	WDCS22	WDCS21	WDCS20

WDM21	WDM20	Selection of operation mode of watchdog timer 2
0	0	Stops operation
0	1	Non-maskable interrupt request mode (generation of INTWDT2 signal)
1	–	Reset mode (generation of WDT2RES signal)

Cautions 1. For details of the WDCS20 to WDCS24 bits, see Table 11-2 Watchdog Timer 2 Clock Selection.

2. Although watchdog timer 2 can be stopped just by stopping the operation of the internal oscillator, clear the WDTM2 register to 00H to securely stop the timer (to avoid selection of the main clock or subclock due to an erroneous write operation).
3. If the WDTM2 register is rewritten twice after reset, an overflow signal is forcibly generated and the counter is reset.
4. To intentionally generate an overflow signal, write data to the WDTM2 register only twice, or write a value other than “ACH” to the WDTE register only once.
However, when watchdog timer 2 is set to stop operation, an overflow signal is not generated even if data is written to the WDTM2 register only twice, or a value other than “ACH” is written to the WDTE register only once.
5. To stop the operation of watchdog timer 2, set the RCM.RSTP bit to 1 (to stop the internal oscillator) and write 00H in the WDTM2 register. If the RCM.RSTP bit cannot be set to 1, set the WDCS23 bit to 1 ($2^n/f_{xx}$ is selected and the clock can be stopped in the IDLE1, IDLW2, sub-IDLE, and subclock operation modes).

<R>

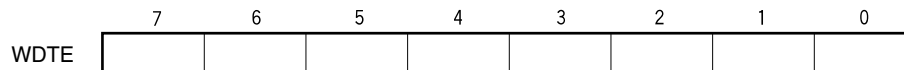
Table 11-2. Watchdog Timer 2 Clock Selection

WDCS24	WDCS23	WDCS22	WDCS21	WDCS20	Selected Clock	100 kHz (MIN.)	200 kHz (TYP.)	400 kHz (MAX.)
0	0	0	0	0	$2^{12}/f_R$	41.0 ms	20.5 ms	10.2 ms
0	0	0	0	1	$2^{13}/f_R$	81.9 ms	41.0 ms	20.5 ms
0	0	0	1	0	$2^{14}/f_R$	163.8 ms	81.9 ms	41.0 ms
0	0	0	1	1	$2^{15}/f_R$	327.7 ms	163.8 ms	81.9 ms
0	0	1	0	0	$2^{16}/f_R$	655.4 ms	327.7 ms	163.8 ms
0	0	1	0	1	$2^{17}/f_R$	1,310.7 ms	655.4 ms	327.7 ms
0	0	1	1	0	$2^{18}/f_R$	2,621.4 ms	1,310.7 ms	655.4 ms
0	0	1	1	1	$2^{19}/f_R$	5,242.9 ms	2,621.47 ms	1,310.7 ms
						$f_{XX} = 20 \text{ MHz}$	$f_{XX} = 16 \text{ MHz}$	$f_{XX} = 10 \text{ MHz}$
0	1	0	0	0	$2^{18}/f_{XX}$	13.1 ms	16.4 ms	26.2 ms
0	1	0	0	1	$2^{19}/f_{XX}$	26.2 ms	32.8 ms	52.4 ms
0	1	0	1	0	$2^{20}/f_{XX}$	52.4 ms	65.5 ms	104.9 ms
0	1	0	1	1	$2^{21}/f_{XX}$	104.9 ms	131.1 ms	209.7 ms
0	1	1	0	0	$2^{22}/f_{XX}$	209.7 ms	262.1 ms	419.4 ms
0	1	1	0	1	$2^{23}/f_{XX}$	419.4 ms	524.3 ms	838.9 ms
0	1	1	1	0	$2^{24}/f_{XX}$	838.9 ms	1,048.6 ms	1,677.7 ms
0	1	1	1	1	$2^{25}/f_{XX}$	1,677.7 ms	2,097.2 ms	3,355.4 ms
						$f_{XT} = 32.768 \text{ kHz}$		
1	×	0	0	0	$2^9/f_{XT}$	15.625 ms		
1	×	0	0	1	$2^{10}/f_{XT}$	31.25 ms		
1	×	0	1	0	$2^{11}/f_{XT}$	62.5 ms		
1	×	0	1	1	$2^{12}/f_{XT}$	125 ms		
1	×	1	0	0	$2^{13}/f_{XT}$	250 ms		
1	×	1	0	1	$2^{14}/f_{XT}$	500 ms		
1	×	1	1	0	$2^{15}/f_{XT}$	1,000 ms		
1	×	1	1	1	$2^{16}/f_{XT}$	2,000 ms		

(2) Watchdog timer enable register (WDTE)

The counter of watchdog timer 2 is cleared and counting restarted by writing "ACH" to the WDTE register.
 The WDTE register can be read or written in 8-bit units.
 Reset sets this register to 9AH.

After reset: 9AH R/W Address: FFFFF6D1H



- Cautions**
1. When a value other than "ACH" is written to the WDTE register, an overflow signal is forcibly output.
 2. When a 1-bit memory manipulation instruction is executed for the WDTE register, an overflow signal is forcibly output.
 3. To intentionally generate an overflow signal, write a value other than "ACH" to the WDTE register only once, or write data to the WDTM2 register only twice.
 However, when the watchdog timer 2 is set to stop operation, an overflow signal is not generated even if data is written to the WDTM2 register only twice, or a value other than "ACH" is written to the WDTE register only once.
 4. The read value of the WDTE register is "9AH" (which differs from written value "ACH").

<R>

11.4 Operation

Watchdog timer 2 automatically starts in the reset mode following reset release.

The WDTM2 register can be written to only once following reset using byte access. To use watchdog timer 2, write the operation mode and the interval time to the WDTM2 register using an 8-bit memory manipulation instruction. After this, the operation of watchdog timer 2 cannot be stopped.

The WDCS24 to WDCS20 bits of the WDTM2 register are used to select the watchdog timer 2 loop detection time interval.

Writing ACH to the WDTE register clears the counter of watchdog timer 2 and starts the count operation again. After the count operation has started, write ACH to WDTE within the loop detection time interval.

If the time interval expires without ACH being written to the WDTE register, a reset signal (WDT2RES) or a non-maskable interrupt request signal (INTWDT2) is generated, depending on the set values of the WDM21 and WDTM2.WDM20 bits.

When the WDTM2.WDM21 bit is set to 1 (reset mode), if a WDT overflow occurs during oscillation stabilization after a reset or standby is released, no internal reset will occur and the CPU clock will switch to the internal oscillation clock.

To not use watchdog timer 2, write 00H to the WDTM2 register.

For the non-maskable interrupt servicing while the non-maskable interrupt request mode is set, see **19.2.2 (2) From INTWDT2 signal.**

CHAPTER 12 REAL-TIME OUTPUT FUNCTION (RTO)

12.1 Function

The real-time output function transfers preset data to the RTBLn and RTBHn registers, and then transfers this data by hardware to an external device via the output latches, upon occurrence of a timer interrupt. The pins through which the data is output to an external device constitute a port called the real-time output function (RTO).

Because RTO can output signals without jitter, it is suitable for controlling a stepper motor.

In the V850ES/JJ2, two 6-bit real-time output port channels are provided.

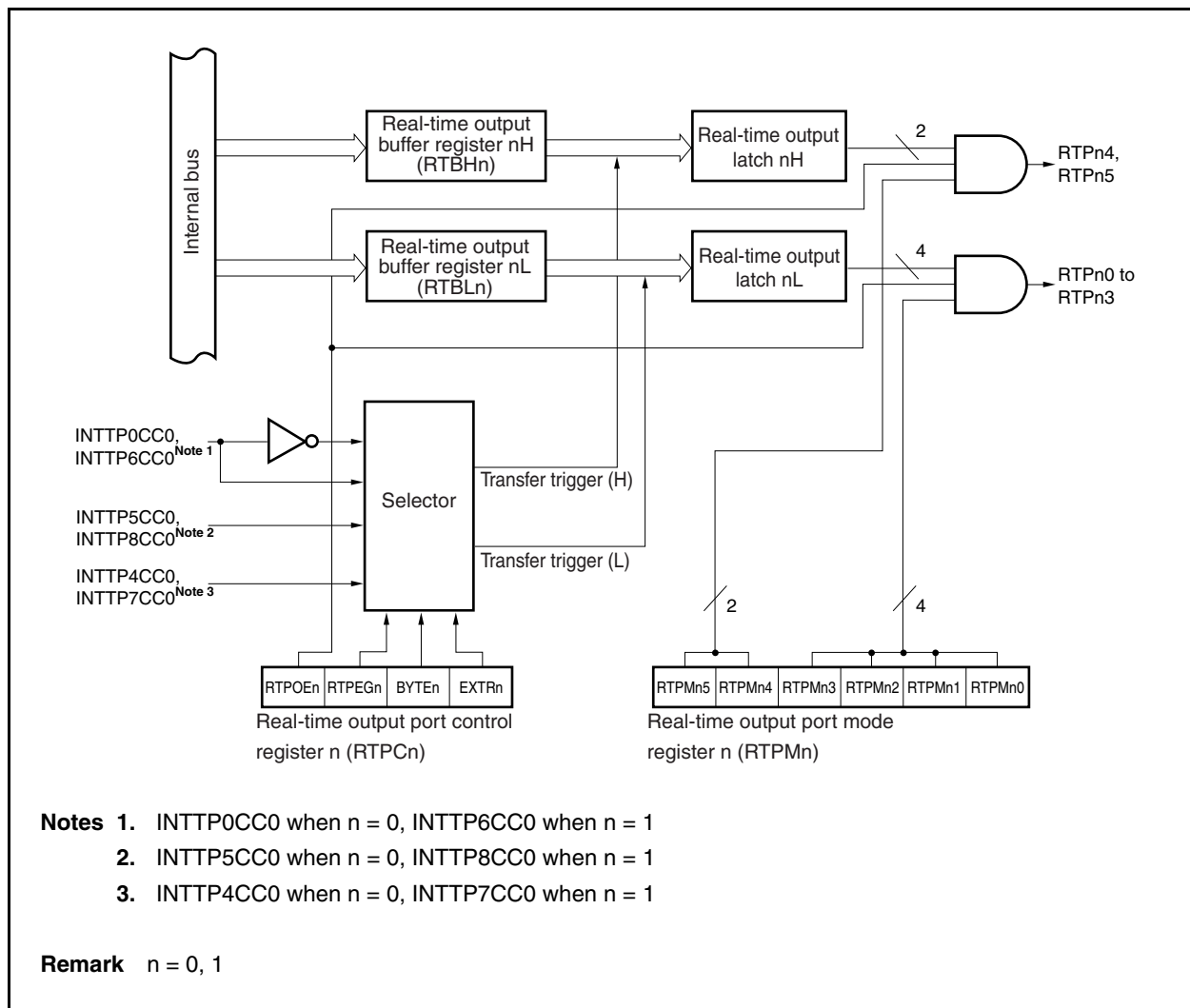
The real-time output port can be set to the port mode or real-time output port mode in 1-bit units.

Remark n = 0, 1

12.2 Configuration

The block diagram of RTO is shown below.

Figure 12-1. Block Diagram of RTO



RTO includes the following hardware.

Table 12-1. Configuration of RTO

Item	Configuration
Registers	Real-time output buffer registers nL, nH (RTBLn, RTBHn)
Control registers	Real-time output port mode register n (RTPMn) Real-time output port control register n (RTPCn)

(1) Real-time output buffer registers nL, nH (RTBLn, RTBHn)

The RTBLn and RTBHn registers are 4-bit registers that hold preset output data.

These registers are mapped to independent addresses in the peripheral I/O register area.

These registers can be read or written in 8-bit or 1-bit units.

Reset sets these registers to 00H.

If an operation mode of 4 bits × 1 channel or 2 bits × 1 channel is specified (RTPCn.BYTE_n bit = 0), data can be individually set to the RTBLn and RTBHn registers. The data of both these registers can be read at once by specifying the address of either of these registers.

If an operation mode of 6 bits × 1 channel is specified (BYTE_n bit = 1), 8-bit data can be set to both the RTBLn and RTBHn registers by writing the data to either of these registers. Moreover, the data of both these registers can be read at once by specifying the address of either of these registers.

Table 12-2 shows the operation when the RTBLn and RTBHn registers are manipulated.

After reset: 00H R/W Address: RTBL0 FFFFF6E0H, RTBH0 FFFFF6E2H,
RTBL1 FFFFF6F0H, RTBH1 FFFFF6F2H

RTBLn	7	6	5	4	3	2	1	0
RTBHn	0	0	RTBHn5	RTBHn4				

Cautions

1. When writing to bits 6 and 7 of the RTBHn register, always write 0.
2. Accessing the RTBLn and RTBHn registers is prohibited in the following statuses. For details, see 3.4.8 (2) Accessing specific on-chip peripheral I/O registers.
 - When the CPU operates with the subclock and the main clock oscillation is stopped
 - When the CPU operates with the internal oscillation clock

Remark n = 0, 1

Table 12-2. Operation During Manipulation of RTBLn and RTBHn Registers

Operation Mode	Register to Be Manipulated	Read		Write ^{Note}	
		Higher 4 Bits	Lower 4 Bits	Higher 4 Bits	Lower 4 Bits
4 bits × 1 channel, 2 bits × 1 channel	RTBLn	RTBHn	RTBLn	Invalid	RTBLn
	RTBHn	RTBHn	RTBLn	RTBHn	Invalid
6 bits × 1 channel	RTBLn	RTBHn	RTBLn	RTBHn	RTBLn
	RTBHn	RTBHn	RTBLn	RTBHn	RTBLn

Note After setting the real-time output port, set output data to the RTBLn and RTBHn registers by the time a real-time output trigger is generated.

12.3 Registers

RTO is controlled using the following two registers.

- Real-time output port mode register n (RTPMn)
- Real-time output port control register n (RTPCn)

(1) Real-time output port mode register n (RTPMn)

The RTPMn register selects the real-time output port mode or port mode in 1-bit units.

This register can be read or written in 8-bit or 1-bit units.

Reset sets this register to 00H.

After reset: 00H R/W Address: RTPM0 FFFFF6E4H, RTPM1 FFFFF6F4H

	7	6	5	4	3	2	1	0
RTPMn (n = 0, 1)	0	0	RTPMn5	RTPMn4	RTPMn3	RTPMn2	RTPMn1	RTPMn0

RTPMnm	Control of real-time output port (m = 0 to 5)
0	Real-time output disabled
1	Real-time output enabled

- Cautions**
1. By enabling the real-time output operation (RTPCn.RTPOEn bit = 1), the bits enabled to real-time output among the RTPn0 to RTPn5 signals perform real-time output, and the bits set to port mode output 0.
 2. If real-time output is disabled (RTPOEn bit = 0), the real-time output pins (RTPn0 to RTPn5) all output 0, regardless of the RTPMn register setting.
 3. In order to use this register as the real-time output pins (RTPn0 to RTPn5), set these pins as real-time output port pins using the PMC and PFC registers.

(2) Real-time output port control register n (RTPCn)

The RTPCn register is a register that sets the operation mode and output trigger of the real-time output port. The relationship between the operation mode and output trigger of the real-time output port is as shown in Tables 12-3 and 12-4.

This register can be read or written in 8-bit or 1-bit units.

Reset sets this register to 00H.

After reset: 00H R/W Address: RTPC0 FFFFF6E5H, RTPC1 FFFFF6F5H

<7>	6	5	4	3	2	1	0
RTPCn (n = 0, 1)	RTPOEn	RTPEGn	BYTEn	EXTRn	0	0	0

RTPOEn	Control of real-time output operation
0	Disables operation ^{Note 1}
1	Enables operation

RTPEGn	Valid edge of INTTPaCC0 (n = 0, a = 0, 4, 5) and INTTPbCC0 (n = 1, b = 6 to 8) signals
0	Falling edge ^{Note 2}
1	Rising edge

BYTEn	Specification of channel configuration for real-time output
0	4 bits × 2 channels, 2 bits × 2 channels
1	6 bits × 2 channels

Notes

1. When the real-time output operation is disabled (RTPOEn bit = 0), all the bits of the real-time output signals (RTPn0 to RTPn5) output "0".
2. The INTTP0CC0 and INTTP6CC0 signals are output for 1 clock of the count clock selected by TMP0 or TMP6.

Caution Set the RTPEGn, BYTEn, and EXTRn bits only when RTPOEn bit = 0.

Table 12-3. Operation Modes and Output Triggers of Real-Time Output Port (n = 0)

BYTE0	EXTR0	Operation Mode	RTBH0 (RTP04, RTP05)	RTBL0 (RTP00 to RTP03)
0	0	4 bits × 1 channel,	INTTP5CC0	INTTP4CC0
	1	2 bits × 1 channel	INTTP4CC0	INTTP0CC0
1	0	6 bits × 1 channel	INTTP4CC0	
	1		INTTP0CC0	

Table 12-4. Operation Modes and Output Triggers of Real-Time Output Port (n = 1)

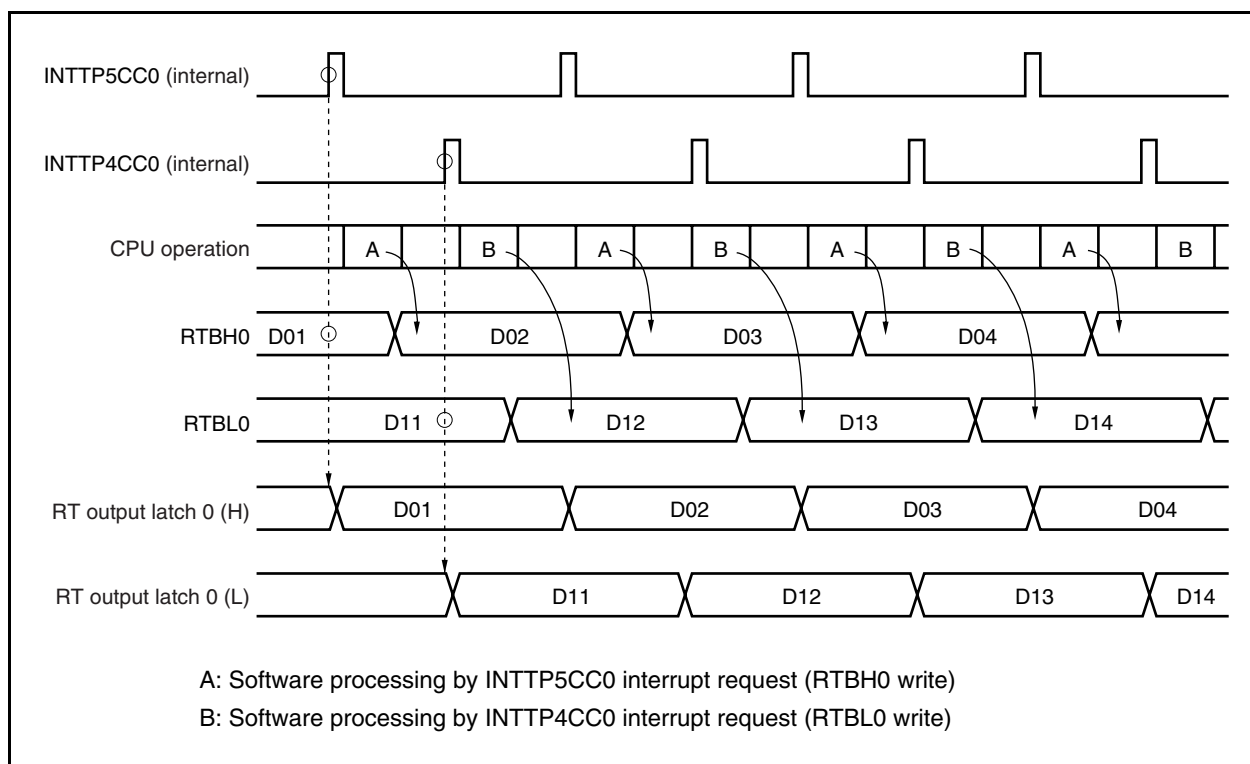
BYTE1	EXTR1	Operation Mode	RTBH1 (RTP14, RTP15)	RTBL1 (RTP10 to RTP13)
0	0	4 bits × 1 channel,	INTTP8CC0	INTTP7CC0
	1	2 bits × 1 channel	INTTP7CC0	INTTP6CC0
1	0	6 bits × 1 channel	INTTP7CC0	
	1		INTTP6CC0	

12.4 Operation

If the real-time output operation is enabled by setting the `RTPCn.RTPOEn` bit to 1, the data of the `RTBHn` and `RTBLn` registers is transferred to the real-time output latch in synchronization with the generation of the selected transfer trigger (set by the `RTPCn.EXTRn` and `RTPCn.BYTEn` bits). Of the transferred data, only the data of the bits for which real-time output is enabled by the `RTPMn` register is output from the `RTPn0` to `RTPn5` bits. The bits for which real-time output is disabled by the `RTPMn` register output 0.

If the real-time output operation is disabled by clearing the `RTPOEn` bit to 0, the `RTPn0` to `RTPn5` signals output 0 regardless of the setting of the `RTPMn` register.

Figure 12-2. Example of Operation Timing of RTO0 (When `EXTR0` Bit = 0, `BYTE0` Bit = 0)



Remark For the operation during standby, see **CHAPTER 21 STANDBY FUNCTION**.

12.5 Usage

- (1) Disable real-time output.
Clear the RTPCn.RTPOEn bit to 0.
- (2) Perform initialization as follows.
 - Set the alternate-function pins of port 5
Set the PFC5.PFC5m bit and PFCE5.PFCE5m bit to 1, and then set the PMC5.PMC5m bit to 1 (m = 0 to 5).
 - Specify the real-time output port mode or port mode in 1-bit units.
Set the RTPMn register.
 - Channel configuration: Select the trigger and valid edge.
Set the RTPCn.EXTRn, RTPCn.BYTEn, and RTPCn.RTPEGn bits.
 - Set the initial values to the RTBHn and RTBLn registers^{Note 1}.
- (3) Enable real-time output.
Set the RTPOEn bit = 1.
- (4) Set the next output value to the RTBHn and RTBLn registers by the time the selected transfer trigger is generated^{Note 2}.
- (5) Set the next real-time output value to the RTBHn and RTBLn registers via interrupt servicing corresponding to the selected trigger.

- Notes 1.** If the RTBHn and RTBLn registers are written when the RTPOEn bit = 0, that value is transferred to real-time output latches nH and nL, respectively.
- 2.** Even if the RTBHn and RTBLn registers are written when the RTPOEn bit = 1, data is not transferred to real-time output latches nH and nL.

12.6 Cautions

- (1) Prevent the following conflicts by software.
 - Conflict between real-time output disable/enable switching (RTPOEn bit) and selected real-time output trigger.
 - Conflict between writing to the RTBHn and RTBLn registers in the real-time output enabled status and the selected real-time output trigger.
- (2) Before performing initialization, disable real-time output (RTPOEn bit = 0).
- (3) Once real-time output has been disabled (RTPOEn bit = 0), be sure to initialize the RTBHn and RTBLn registers before enabling real-time output again (RTPOEn bit = 0 → 1).

CHAPTER 13 A/D CONVERTER

13.1 Overview

The A/D converter converts analog input signals into digital values, has a resolution of 10 bits, and can handle 16 analog input signal channels (ANI0 to ANI15).

The A/D converter has the following features.

- 10-bit resolution
- 16 channels
- Successive approximation method
- Operating voltage: $AV_{REF0} = 3.0$ to 3.6 V
- Analog input voltage: 0 V to AV_{REF0}
- The following functions are provided as operation modes.
 - Continuous select mode
 - Continuous scan mode
 - One-shot select mode
 - One-shot scan mode
- The following functions are provided as trigger modes.
 - Software trigger mode
 - External trigger mode (external, 1)
 - Timer trigger mode
- Power-fail monitor function (conversion result compare function)

13.2 Functions

(1) 10-bit resolution A/D conversion

An analog input channel is selected from ANI0 to ANI15, and an A/D conversion operation is repeated at a resolution of 10 bits. Each time A/D conversion has been completed, an interrupt request signal (INTAD) is generated.

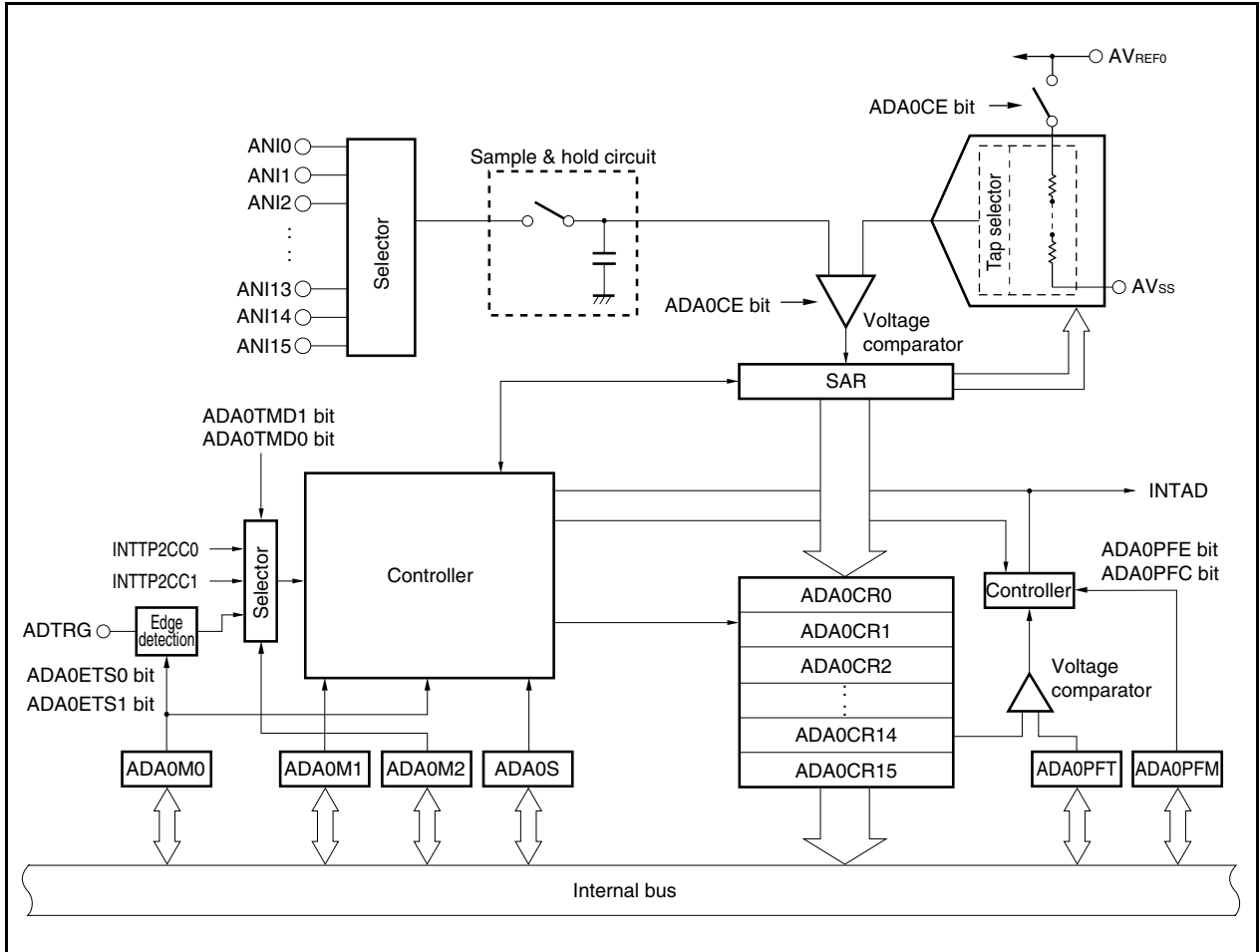
(2) Power-fail detection function

This function is used to detect a drop in the battery voltage. The result of A/D conversion (the value of the ADA0CRnH register) is compared with the value of the ADA0PFT register, and the INTAD signal is generated only when a specified comparison condition is satisfied ($n = 0$ to 15).

13.3 Configuration

The block diagram of the A/D converter is shown below.

Figure 13-1. Block Diagram of A/D Converter



The A/D converter includes the following hardware.

Table 13-1. Configuration of A/D Converter

Item	Configuration
Analog inputs	16 channels (ANI0 to ANI15 pins)
Registers	Successive approximation register (SAR) A/D conversion result registers 0 to 15 (ADA0CR0 to ADA0CR15) A/D conversion result registers 0H to 15H (ADCR0H to ADCR15H): Only higher 8 bits can be read
Control registers	A/D converter mode registers 0 to 2 (ADA0M0 to ADA0M2) A/D converter channel specification register 0 (ADA0S) Power fail compare mode register (ADA0PFM) Power fail compare threshold value register (ADA0PFT)

(1) Successive approximation register (SAR)

The SAR register compares the voltage value of the analog input signal with the voltage tap (compare voltage) value from the series resistor string, and holds the comparison result starting from the most significant bit (MSB).

When the comparison result has been held down to the least significant bit (LSB) (i.e., when A/D conversion is complete), the contents of the SAR register are transferred to the ADA0CRn register.

Remark $n = 0$ to 15

(2) A/D conversion result register n (ADA0CRn), A/D conversion result register nH (ADA0CRnH)

The ADA0CRn register is a 16-bit register that stores the A/D conversion result. ADA0ARn consist of 16 registers and the A/D conversion result is stored in the 10 higher bits of the ADA0CRn register corresponding to analog input. (The lower 6 bits are fixed to 0.)

(3) A/D converter mode register 0 (ADA0M0)

This register specifies the operation mode and controls the conversion operation by the A/D converter.

(4) A/D converter mode register 1 (ADA0M1)

This register sets the conversion time of the analog input signal to be converted.

(5) A/D converter mode register 2 (ADA0M2)

This register sets the hardware trigger mode.

(6) A/D converter channel specification register (ADA0S)

This register sets the input port that inputs the analog voltage to be converted.

(7) Power-fail compare mode register (ADA0PFM)

This register sets the power-fail monitor mode.

(8) Power-fail compare threshold value register (ADA0PFT)

The ADA0PFT register sets a threshold value that is compared with the value of A/D conversion result register nH (ADA0CRnH). The 8-bit data set to the ADA0PFT register is compared with the higher 8 bits of the A/D conversion result register (ADA0CRnH).

(9) Controller

The controller compares the result of the A/D conversion (the value of the ADA0CRnH register) with the value of the ADA0PFT register when A/D conversion is completed or when the power-fail detection function is used, and generates the INTAD signal only when a specified comparison condition is satisfied.

(10) Sample & hold circuit

The sample & hold circuit samples each of the analog input signals selected by the input circuit and sends the sampled data to the voltage comparator. This circuit also holds the sampled analog input signal voltage during A/D conversion.

(11) Voltage comparator

The voltage comparator compares a voltage value that has been sampled and held with the voltage value of the series resistor string.

(12) Series resistor string

This series resistor string is connected between AV_{REF0} and AV_{SS} and generates a voltage for comparison with the analog input signal.

(13) ANI0 to ANI15 pins

These are analog input pins for the 16 A/D converter channels and are used to input analog signals to be converted into digital signals. Pins other than the one selected as the analog input by the ADA0S register can be used as input port pins.

Caution Make sure that the voltages input to the ANI0 to ANI15 pins do not exceed the rated values. In particular if a voltage of AV_{REF0} or higher is input to a channel, the conversion value of that channel becomes undefined, and the conversion values of the other channels may also be affected.

(14) AV_{REF0} pin

This is the pin used to input the reference voltage of the A/D converter. Always make the potential at this pin the same as that at the V_{DD} pin even when the A/D converter is not used. The signals input to the ANI0 to ANI15 pins are converted to digital signals based on the voltage applied between the AV_{REF0} and AV_{SS} pins.

(15) AV_{SS} pin

This is the ground pin of the A/D converter. Always make the potential at this pin the same as that at the V_{SS} pin even when the A/D converter is not used.

13.4 Registers

The A/D converter is controlled by the following registers.

- A/D converter mode registers 0, 1, 2 (ADA0M0, ADA0M1, ADA0M2)
- A/D converter channel specification register 0 (ADA0S)
- Power-fail compare mode register (ADA0PFM)

The following registers are also used.

- A/D conversion result register n (ADA0CRn)
- A/D conversion result register nH (ADA0CRnH)
- Power-fail compare threshold value register (ADA0PFT)

(1) A/D converter mode register 0 (ADA0M0)

The ADA0M0 register is an 8-bit register that specifies the operation mode and controls conversion operations. This register can be read or written in 8-bit or 1-bit units. However, ADA0EF bit is read-only. Reset sets this register to 00H.

Caution Accessing the ADA0M0 register is prohibited in the following statuses. For details, see 3.4.8

(2) Accessing specific on-chip peripheral I/O registers.

- When the CPU operates with the subclock and the main clock oscillation is stopped
- When the CPU operates with the internal oscillation clock

(1/2)

After reset: 00H								R/W	Address: FFFFF200H								
	<7>	6	5	4	3	2	1	<0>									
ADA0M0	ADA0CE	0	ADA0MD1	ADA0MD0	ADA0ETS1	ADA0ETS0	ADA0TMD	ADA0EF									
	ADA0CE	A/D conversion control															
	0	Stops A/D conversion															
	1	Enables A/D conversion															
	ADA0MD1	ADA0MD0	Specification of A/D converter operation mode														
	0	0	Continuous select mode														
	0	1	Continuous scan mode														
	1	0	One-shot select mode														
	1	1	One-shot scan mode														

ADA0ETS1	ADA0ETS0	Specification of external trigger (ADTRG pin) input valid edge
0	0	No edge detection
0	1	Falling edge detection
1	0	Rising edge detection
1	1	Detection of both rising and falling edges

ADA0TMD	Trigger mode specification
0	Software trigger mode
1	External trigger mode/timer trigger mode

ADA0EF	A/D converter status display
0	A/D conversion stopped
1	A/D conversion in progress

- Cautions**
1. A write operation to bit 0 is ignored.
 2. Changing the ADA0M1.ADA0FR2 to ADA0M1.ADA0FR0 bits is prohibited while A/D conversion is enabled (ADA0CE bit = 1).
 3. When writing data to the ADA0M0, ADA0M2, ADA0S, ADA0PFM, or ADA0PFT register in the following modes, stop the A/D conversion by clearing the ADA0CE bit to 0. After the data is written to the register, enable the A/D conversion again by setting the ADA0CE bit to 1.
 - Normal conversion mode
 - One-shot select mode/one-shot scan mode in high-speed conversion mode
 If the ADA0M0, ADA0M2, ADA0S, ADA0PFM, and ADA0PFT registers are written in the other modes during A/D conversion (ADA0EF bit = 1), the following will be performed according to the mode.
 - In software trigger mode
A/D conversion is stopped and started again from the beginning.
 - In hardware trigger mode
A/D conversion is stopped, and the trigger standby status is set.
 4. To select the external trigger mode/timer trigger mode (ADA0TMD bit = 1), set the high-speed conversion mode (ADA0M1.ADA0HS1 bit = 1). Do not input a trigger during stabilization time that is inserted once after the A/D conversion operation is enabled (ADA0CE bit = 1).
 5. When not using the A/D converter, stop the operation by setting the ADA0CE bit to 0 to reduce the power consumption.

(2) A/D converter mode register 1 (ADA0M1)

The ADA0M1 register is an 8-bit register that specifies the conversion time.

This register can be read or written in 8-bit or 1-bit units.

Reset sets this register to 00H.

After reset: 00H R/W Address: FFFFF201H

	7	6	5	4	3	2	1	0
ADA0M1	ADA0HS1	0	0	0	0	ADA0FR2	ADA0FR1	ADA0FR0

ADA0HS1	Specification of normal conversion mode/high-speed mode (A/D conversion time)
0	Normal conversion mode
1	High-speed conversion mode

- Cautions**
1. Changing the ADA0M1 register is prohibited while A/D conversion is enabled (ADA0M0.ADA0CE bit = 1).
 2. To select the external trigger mode/timer trigger mode (ADA0M0.ADA0TMD bit = 1), set the high-speed conversion mode (ADA0HS1 bit = 1). Do not input a trigger during stabilization time that is inserted once after the A/D conversion operation is enabled (ADA0CE bit = 1).
 3. Be sure to clear bits 6 to 3 to "0".

Remark For A/D conversion time setting examples, see **Tables 13-2** and **13-3**.

Table 13-2. Conversion Time Selection in Normal Conversion Mode (ADA0HS1 Bit = 0)

ADA0FR2 to ADA0FR0 Bits	A/D Conversion Time				
	Stabilization Time + Conversion Time + Wait Time	$f_{xx} = 20 \text{ MHz}$	$f_{xx} = 16 \text{ MHz}$	$f_{xx} = 4 \text{ MHz}$	Trigger Response Time
000	$13/f_{xx} + 26/f_{xx} + 26/f_{xx}$	Setting prohibited	Setting prohibited	$16.25 \mu\text{s}$	$4/f_{xx}$
001	$26/f_{xx} + 52/f_{xx} + 52/f_{xx}$	$6.5 \mu\text{s}$	$8.125 \mu\text{s}$	Setting prohibited	$5/f_{xx}$
010	$39/f_{xx} + 78/f_{xx} + 78/f_{xx}$	$9.75 \mu\text{s}$	$12.1875 \mu\text{s}$	Setting prohibited	$6/f_{xx}$
011	$50/f_{xx} + 104/f_{xx} + 104/f_{xx}$	$12.9 \mu\text{s}$	$16.125 \mu\text{s}$	Setting prohibited	$7/f_{xx}$
100	$50/f_{xx} + 130/f_{xx} + 130/f_{xx}$	$15.5 \mu\text{s}$	$19.375 \mu\text{s}$	Setting prohibited	$8/f_{xx}$
101	$50/f_{xx} + 156/f_{xx} + 156/f_{xx}$	$18.1 \mu\text{s}$	$22.625 \mu\text{s}$	Setting prohibited	$9/f_{xx}$
110	$50/f_{xx} + 182/f_{xx} + 182/f_{xx}$	$20.7 \mu\text{s}$	Setting prohibited	Setting prohibited	$10/f_{xx}$
111	$50/f_{xx} + 208/f_{xx} + 208/f_{xx}$	$23.3 \mu\text{s}$	Setting prohibited	Setting prohibited	$11/f_{xx}$

Remark Stabilization time: A/D converter setup time ($1 \mu\text{s}$ or longer)
 Conversion time: Actual A/D conversion time (2.6 to $10.4 \mu\text{s}$)
 Wait time: Wait time inserted before the next conversion
 Trigger response time: If a software trigger, external trigger, or timer trigger is generated after the stabilization time, it is inserted before the conversion time.

In the normal conversion mode, the conversion is started after the stabilization time elapsed from the ADA0M0.ADA0CE bit is set to 1, and A/D conversion is performed only during the conversion time (2.6 to $10.4 \mu\text{s}$). Operation is stopped after the conversion ends and the A/D conversion end interrupt request signal (INTAD) is generated after the wait time is elapsed.

Because the conversion operation is stopped during the wait time, operation current can be reduced.

Cautions 1. Set as $2.6 \mu\text{s} \leq \text{conversion time} \leq 10.4 \mu\text{s}$.

2. During A/D conversion, if the ADA0M0, ADA0M2, ADA0S, ADA0PFM, and ADA0PFT registers are written or trigger is input, reconversion is carried out. However, if the stabilization time end timing conflicts with the writing to these registers, or if the stabilization time end timing conflicts with the trigger input, the stabilization time of 64 clocks is reinserted.

If a conflict occurs again with the reinserted stabilization time end timing, the stabilization time is reinserted. Therefore do not set the trigger input interval and control register write interval to 64 clocks or below.

<R>

Table 13-3. Conversion Time Selection in High-Speed Conversion Mode (ADA0HS1 Bit = 1)

ADA0FR2 to ADA0FR0 Bits	A/D Conversion Time				
	Conversion Time (+ Stabilization Time)	$f_{xx} = 20 \text{ MHz}$	$f_{xx} = 16 \text{ MHz}$	$f_{xx} = 4 \text{ MHz}$	Trigger Response Time
000	$26/f_{xx} (+ 13/f_{xx})$	Setting prohibited	Setting prohibited	$6.5 \mu\text{s}$ (+ $3.25 \mu\text{s}$)	$4/f_{xx}$
001	$52/f_{xx} (+ 26/f_{xx})$	$2.6 \mu\text{s}$ (+ $1.3 \mu\text{s}$)	$3.25 \mu\text{s}$ (+ $1.625 \mu\text{s}$)	Setting prohibited	$5/f_{xx}$
010	$78/f_{xx} (+ 39/f_{xx})$	$3.9 \mu\text{s}$ (+ $1.95 \mu\text{s}$)	$4.875 \mu\text{s}$ (+ $2.4375 \mu\text{s}$)	Setting prohibited	$6/f_{xx}$
011	$104/f_{xx} (+ 50/f_{xx})$	$5.2 \mu\text{s}$ (+ $2.5 \mu\text{s}$)	$6.5 \mu\text{s}$ (+ $3.125 \mu\text{s}$)	Setting prohibited	$7/f_{xx}$
100	$130/f_{xx} (+ 50/f_{xx})$	$6.5 \mu\text{s}$ (+ $2.5 \mu\text{s}$)	$8.125 \mu\text{s}$ (+ $3.125 \mu\text{s}$)	Setting prohibited	$8/f_{xx}$
101	$156/f_{xx} (+ 50/f_{xx})$	$7.8 \mu\text{s}$ (+ $2.5 \mu\text{s}$)	$9.75 \mu\text{s}$ (+ $3.125 \mu\text{s}$)	Setting prohibited	$9/f_{xx}$
110	$182/f_{xx} (+ 50/f_{xx})$	$9.1 \mu\text{s}$ (+ $2.5 \mu\text{s}$)	Setting prohibited	Setting prohibited	$10/f_{xx}$
111	$208/f_{xx} (+ 50/f_{xx})$	$10.4 \mu\text{s}$ (+ $2.5 \mu\text{s}$)	Setting prohibited	Setting prohibited	$11/f_{xx}$

Remark Conversion time: Actual A/D conversion time (2.6 to 10.4 μs)
 Stabilization time: A/D converter setup time (1 μs or longer)
 Trigger response time: If a software trigger, external trigger, or timer trigger is generated after the stabilization time, it is inserted before the conversion time.

In the high-speed conversion mode, the conversion is started after the stabilization time elapsed from the ADA0M0.ADA0CE bit is set to 1, and A/D conversion is performed only during the conversion time (2.6 to 10.4 μs). The A/D conversion end interrupt request signal (INTAD) is generated immediately after the conversion ends.

In continuous conversion mode, the stabilization time is inserted only before the first conversion, and not inserted after the second conversion (the A/D converter remains running).

Cautions 1. Set as $2.6 \mu\text{s} \leq \text{conversion time} \leq 10.4 \mu\text{s}$.

2. In the high-speed conversion mode, rewriting of the ADA0M0, ADA0M2, ADA0S, ADA0PFM, and ADA0PFT registers and trigger input are prohibited during the stabilization time.

<R>

(3) A/D converter mode register 2 (ADA0M2)

The ADA0M2 register specifies the hardware trigger mode.

This register can be read or written in 8-bit or 1-bit units.

Reset sets this register to 00H.

After reset: 00H R/W Address: FFFFF203H

	7	6	5	4	3	2	1	0
ADA0M2	0	0	0	0	0	0	ADA0TMD1	ADA0TMD0

ADA0TMD1	ADA0TMD0	Specification of hardware trigger mode
0	0	External trigger mode (when ADTRG pin valid edge detected)
0	1	Timer trigger mode 0 (when INTTP2CC0 interrupt request generated)
1	0	Timer trigger mode 1 (when INTTP2CC1 interrupt request generated)
1	1	Setting prohibited

Cautions 1. When writing data to the ADA0M2 register in the following modes, stop the A/D conversion by clearing the AD0M0.ADA0CE bit to 0. After the data is written to the register, enable the A/D conversion again by setting the ADA0CE bit to 1.

- Normal conversion mode
- One-shot select mode/one-shot scan mode in high-speed conversion mode

2. Be sure to clear bits 7 to 2 to “0”.

(4) A/D converter channel specification register 0 (ADA0S)

The ADA0S register specifies the pin that inputs the analog voltage to be converted into a digital signal.

This register can be read or written in 8-bit or 1-bit units.

Reset sets this register to 00H.

After reset: 00H R/W Address: FFFFF202H

	7	6	5	4	3	2	1	0
ADA0S	0	0	0	0	ADA0S3	ADA0S2	ADA0S1	ADA0S0

ADA0S3	ADA0S2	ADA0S1	ADA0S0	Select mode	Scan mode
0	0	0	0	ANI0	ANI0
0	0	0	1	ANI1	ANI0, ANI1
0	0	1	0	ANI2	ANI0 to ANI2
0	0	1	1	ANI3	ANI0 to ANI3
0	1	0	0	ANI4	ANI0 to ANI4
0	1	0	1	ANI5	ANI0 to ANI5
0	1	1	0	ANI6	ANI0 to ANI6
0	1	1	1	ANI7	ANI0 to ANI7
1	0	0	0	ANI8	ANI0 to ANI8
1	0	0	1	ANI9	ANI0 to ANI9
1	0	1	0	ANI10	ANI0 to ANI10
1	0	1	1	ANI11	ANI0 to ANI11
1	1	0	0	ANI12	ANI0 to ANI12
1	1	0	1	ANI13	ANI0 to ANI13
1	1	1	0	ANI14	ANI0 to ANI14
1	1	1	1	ANI15	ANI0 to ANI15

Cautions 1. When writing data to the ADA0S register in the following modes, stop the A/D conversion by clearing the AD0M0.ADA0CE bit to 0. After the data is written to the register, enable the A/D conversion again by setting the ADA0CE bit to 1.

- Normal conversion mode
- One-shot select mode/one-shot scan mode in high-speed conversion mode

2. Be sure to clear bits 7 to 4 to “0”.

(5) A/D conversion result registers n, nH (ADA0CRn, ADA0CRnH)

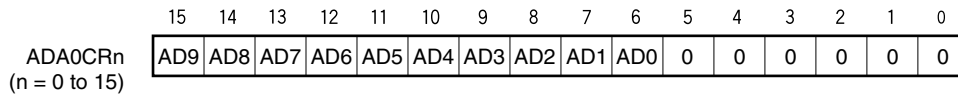
The ADA0CRn and ADA0CRnH registers store the A/D conversion results.

These registers are read-only, in 16-bit or 8-bit units. However, specify the ADA0CRn register for 16-bit access and the ADA0CRnH register for 8-bit access. The 10 bits of the conversion result are read from the higher 10 bits of the ADA0CRn register, and 0 is read from the lower 6 bits. The higher 8 bits of the conversion result are read from the ADA0CRnH register.

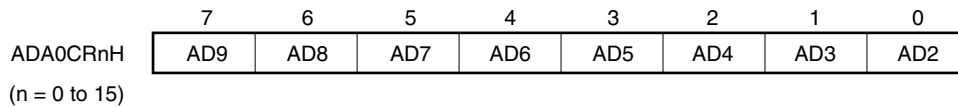
Caution Accessing the ADA0CRn and ADA0CRnH registers is prohibited in the following statuses. For details, see 3.4.8 (2) Accessing specific on-chip peripheral I/O registers.

- When the CPU operates with the subclock and the main clock oscillation is stopped
- When the CPU operates with the internal oscillation clock

After reset: Undefined R Address: ADA0CR0 FFFFF210H, ADA0CR1 FFFFF212H,
 ADA0CR2 FFFFF214H, ADA0CR3 FFFFF216H,
 ADA0CR4 FFFFF218H, ADA0CR5 FFFFF21AH,
 ADA0CR6 FFFFF21CH, ADA0CR7 FFFFF21EH,
 ADA0CR8 FFFFF220H, ADA0CR9 FFFFF222H,
 ADA0CR10 FFFFF224H, ADA0CR11 FFFFF226H,
 ADA0CR12 FFFFF228H, ADA0CR13 FFFFF22AH,
 ADA0CR14 FFFFF22CH, ADA0CR15 FFFFF22EH



After reset: Undefined R Address: ADA0CR0H FFFFF211H, ADA0CR1H FFFFF213H,
 ADA0CR2H FFFFF215H, ADA0CR3H FFFFF217H,
 ADA0CR4H FFFFF219H, ADA0CR5H FFFFF21BH,
 ADA0CR6H FFFFF21DH, ADA0CR7H FFFFF21FH,
 ADA0CR8H FFFFF221H, ADA0CR9H FFFFF223H,
 ADA0CR10H FFFFF225H, ADA0CR11H FFFFF227H,
 ADA0CR12H FFFFF229H, ADA0CR13H FFFFF22BH,
 ADA0CR14H FFFFF22DH, ADA0CR15H FFFFF22FH



Caution A write operation to the ADA0M0 and ADA0S registers may cause the contents of the ADA0CRn register to become undefined. After the conversion, read the conversion result before writing to the ADA0M0 and ADA0S registers. Correct conversion results may not be read if a sequence other than the above is used.

The relationship between the analog voltage input to the analog input pins (ANI0 to ANI15) and the A/D conversion result (ADA0CRn register) is as follows.

$$SAR = INT \left(\frac{V_{IN}}{AV_{REF0}} \times 1,024 + 0.5 \right)$$

$$ADA0CR^{Note} = SAR \times 64$$

Or,

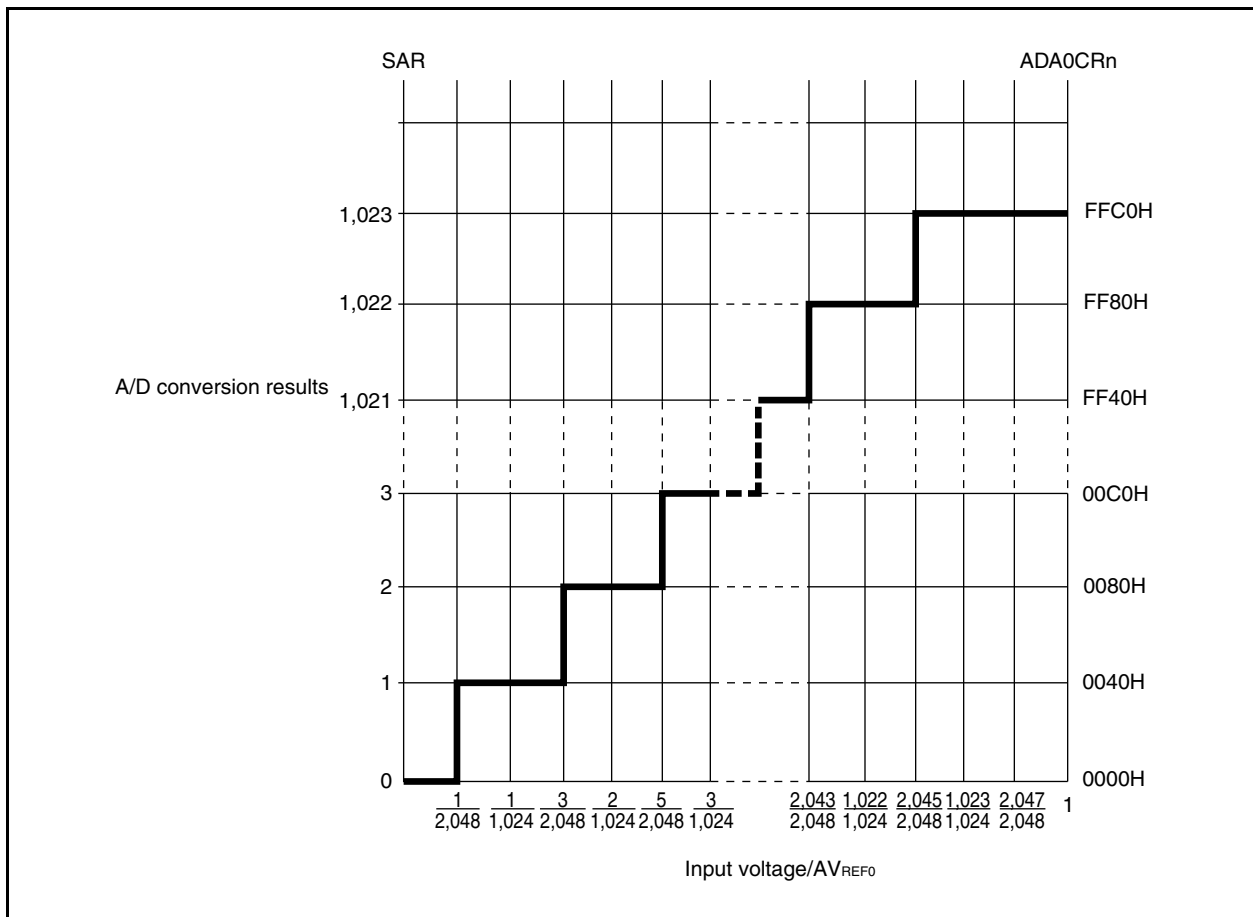
$$(SAR - 0.5) \times \frac{AV_{REF0}}{1,024} \leq V_{IN} < (SAR + 0.5) \times \frac{AV_{REF0}}{1,024}$$

- INT(): Function that returns the integer of the value in ()
- V_{IN}: Analog input voltage
- AV_{REF0}: AV_{REF0} pin voltage
- ADA0CR: Value of ADA0CRn register

Note The lower 6 bits of the ADA0CRn register are fixed to 0.

The following shows the relationship between the analog input voltage and the A/D conversion results.

Figure 13-2. Relationship Between Analog Input Voltage and A/D Conversion Results



(6) Power-fail compare mode register (ADA0PFM)

The ADA0PFM register is an 8-bit register that sets the power-fail compare mode.

This register can be read or written in 8-bit or 1-bit units.

Reset sets this register to 00H.

After reset: 00H R/W Address: FFFFF204H

	<7>	6	5	4	3	2	1	0
ADA0PFM	ADA0PFE	ADA0PFC	0	0	0	0	0	0

ADA0PFE	Selection of power-fail compare enable/disable
0	Power-fail compare disabled
1	Power-fail compare enabled

ADA0PFC	Selection of power-fail compare mode
0	Generates an interrupt request signal (INTAD) when $ADA0CRnH \geq ADA0PFT$
1	Generates an interrupt request signal (INTAD) when $ADA0CRnH < ADA0PFT$

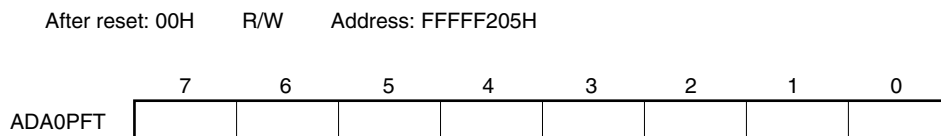
- Cautions 1.** In the select mode, the 8-bit data set to the ADA0PFT register is compared with the value of the ADA0CRnH register specified by the ADA0S register. If the result matches the condition specified by the ADA0PFC bit, the conversion result is stored in the ADA0CRn register and the INTAD signal is generated. If it does not match, however, the interrupt signal is not generated.
- 2.** In the scan mode, the 8-bit data set to the ADA0PFT register is compared with the contents of the ADA0CR0H register. If the result matches the condition specified by the ADA0PFC bit, the conversion result is stored in the ADA0CR0 register and the INTAD signal is generated. If it does not match, however, the INTAD signal is not generated. Regardless of the comparison result, the scan operation is continued and the conversion result is stored in the ADA0CRn register until the scan operation is completed. However, the INTAD signal is not generated after the scan operation has been completed.
- 3.** When writing data to the ADA0PFM register in the following modes, stop the A/D conversion by clearing the AD0M0.ADA0CE bit to 0. After the data is written to the register, enable the A/D conversion again by setting the ADA0CE bit to 1.
- Normal conversion mode
 - One-shot select mode/one-shot scan mode in high-speed conversion mode

(7) Power-fail compare threshold value register (ADA0PFT)

The ADA0PFT register sets the compare value in the power-fail compare mode.

This register can be read or written in 8-bit or 1-bit units.

Reset sets this register to 00H.



Caution When writing data to the ADA0PFT register in the following modes, stop the A/D conversion by clearing the AD0M0.ADA0CE bit to 0. After the data is written to the register, enable the A/D conversion again by setting the ADA0CE bit to 1.

- Normal conversion mode
- One-shot select mode/one-shot scan mode in high-speed conversion mode

13.5 Operation

13.5.1 Basic operation

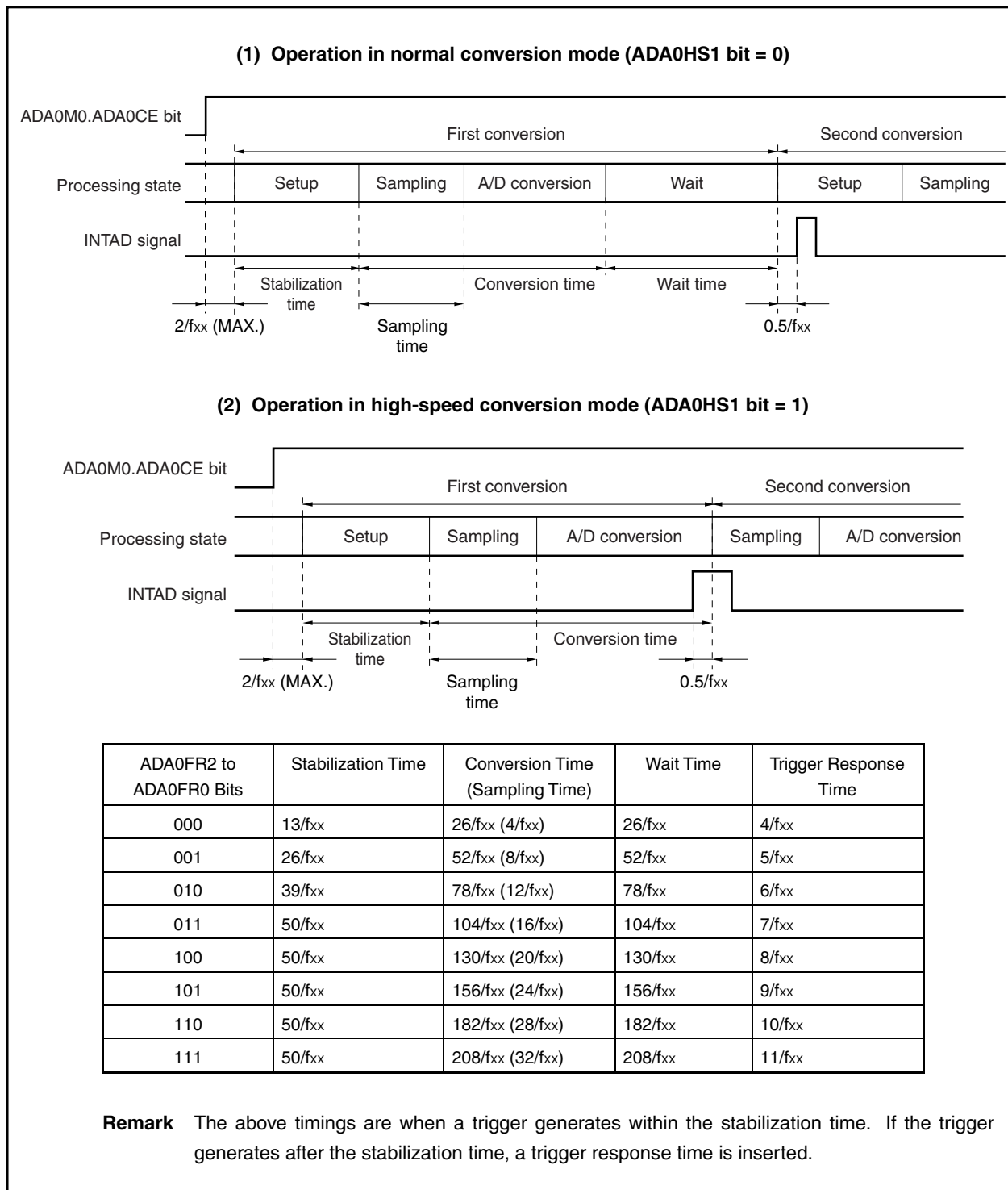
- <1> Set the operation mode, trigger mode, and conversion time for executing A/D conversion by using the ADA0M0, ADA0M1, ADA0M2, and ADA0S registers. When the ADA0CE bit of the ADA0M0 register is set, conversion is started in the software trigger mode and the A/D converter waits for a trigger in the external or timer trigger mode.
- <2> When A/D conversion is started, the voltage input to the selected analog input channel is sampled by the sample & hold circuit.
- <3> When the sample & hold circuit samples the input channel for a specific time, it enters the hold status, and holds the input analog voltage until A/D conversion is complete.
- <4> Set bit 9 of the successive approximation register (SAR). The tap selector selects (1/2) AV_{REF0} as the voltage tap of the series resistor string.
- <5> The voltage difference between the voltage of the series resistor string and the analog input voltage is compared by the voltage comparator. If the analog input voltage is higher than (1/2) AV_{REF0} , the MSB of the SAR register remains set. If it is lower than (1/2) AV_{REF0} , the MSB is reset.
- <6> Next, bit 8 of the SAR register is automatically set and the next comparison is started. Depending on the value of bit 9, to which a result has been already set, the voltage tap of the series resistor string is selected as follows.
 - Bit 9 = 1: (3/4) AV_{REF0}
 - Bit 9 = 0: (1/4) AV_{REF0}
 This voltage tap and the analog input voltage are compared and, depending on the result, bit 8 is manipulated as follows.
 - Analog input voltage \geq Voltage tap: Bit 8 = 1
 - Analog input voltage \leq Voltage tap: Bit 8 = 0
- <7> This comparison is continued to bit 0 of the SAR register.
- <8> When comparison of the 10 bits is complete, the valid digital result is stored in the SAR register, which is then transferred to and stored in the ADA0CRn register. After that, an A/D conversion end interrupt request signal (INTAD) is generated.
- <9> In one-shot select mode, conversion is stopped^{Note}. In one-shot scan mode, conversion is stopped after scanning once^{Note}. In continuous select mode, repeat steps <2> to <8> until the ADA0M0.ADA0CE bit is cleared to 0. In continuous scan mode, repeat steps <2> to <8> for each channel.

Note In the external trigger mode, timer trigger mode 0, or timer trigger mode 1, the trigger standby status is entered.

Remark The trigger standby status means the status after the stabilization time has passed.

13.5.2 Conversion operation timing

Figure 13-3. Conversion Operation Timing (Continuous Conversion)



13.5.3 Trigger mode

The timing of starting the conversion operation is specified by setting a trigger mode. The trigger mode includes a software trigger mode and hardware trigger modes. The hardware trigger modes include timer trigger modes 0 and 1, and external trigger mode. The ADA0M0.ADA0TMD bit is used to set the trigger mode. The hardware trigger modes are set by the ADA0M2.ADA0TMD1 and ADA0M2.ADA0TMD0 bits.

(1) Software trigger mode

When the ADA0M0.ADA0CE bit is set to 1, the signal of the analog input pin (ANI0 to ANI15 pin) specified by the ADA0S register is converted. When conversion is complete, the result is stored in the ADA0CRn register. At the same time, the A/D conversion end interrupt request signal (INTAD) is generated.

If the operation mode specified by the ADA0M0.ADA0MD1 and ADA0M0.ADA0MD0 bits is the continuous select/scan mode, the next conversion is started, unless the ADA0CE bit is cleared to 0 after completion of the first conversion. Conversion is performed once and ends if the operation mode is the one-shot select/scan mode.

When conversion is started, the ADA0M0.ADA0EF bit is set to 1 (indicating that conversion is in progress).

If the ADA0M0, ADA0M2, ADA0S, ADA0PFM, or ADA0PFT register is written during conversion, the conversion is aborted and started again from the beginning. However, writing to these registers is prohibited in the normal conversion mode and one-shot select mode/one-shot scan mode in the high-speed conversion mode.

(2) External trigger mode

In this mode, converting the signal of the analog input pin (ANI0 to ANI15) specified by the ADA0S register is started when an external trigger is input (to the ADTRG pin). Which edge of the external trigger is to be detected (i.e., the rising edge, falling edge, or both rising and falling edges) can be specified by using the ADA0M0.ADA0ETS1 and ADA0M0.ATA0ETS0 bits. When the ADA0CE bit is set to 1, the A/D converter waits for the trigger, and starts conversion after the external trigger has been input.

When conversion is completed, the result of conversion is stored in the ADA0CRn register, regardless of whether the continuous select, continuous scan, one-shot select, or one-shot scan mode is set as the operation mode by the ADA0MD1 and ADA0MD0 bits. At the same time, the INTAD signal is generated, and the A/D converter waits for the trigger again.

When conversion is started, the ADA0EF bit is set to 1 (indicating that conversion is in progress). While the A/D converter is waiting for the trigger, however, the ADA0EF bit is cleared to 0 (indicating that conversion is stopped). If the valid trigger is input during the conversion operation, the conversion is aborted and started again from the beginning.

If the ADA0M0, ADA0M2, ADA0S, ADA0PFM, or ADA0PFT register is written during the conversion operation, the conversion is not aborted, and the A/D converter waits for the trigger again. However, writing to these registers is prohibited in the one-shot select mode/one-shot scan mode.

Caution To select the external trigger mode, set the high-speed conversion mode. Do not input a trigger during stabilization time that is inserted once after the A/D conversion operation is enabled (ADA0M0.ADA0CE bit = 1).

Remark The trigger standby status means the status after the stabilization time has passed.

(3) Timer trigger mode

In this mode, converting the signal of the analog input pin (ANI0 to ANI15) specified by the ADA0S register is started by the compare match interrupt request signal (INTTP2CC0 or INTTP2CC1) of the capture/compare register connected to the timer. The INTTP2CC0 or INTTP2CC1 signal is selected by the ADA0TMD1 and ADA0TMD0 bits, and conversion is started at the rising edge of the specified compare match interrupt request signal. When the ADA0CE bit is set to 1, the A/D converter waits for a trigger, and starts conversion when the compare match interrupt request signal of the timer is input.

When conversion is completed, regardless of whether the continuous select, continuous scan, one-shot select, or one-shot scan mode is set as the operation mode by the ADA0MD1 and ADA0MD0 bits, the result of the conversion is stored in the ADA0CRn register. At the same time, the INTAD signal is generated, and the A/D converter waits for the trigger again.

When conversion is started, the ADA0EF bit is set to 1 (indicating that conversion is in progress). While the A/D converter is waiting for the trigger, however, the ADA0EF bit is cleared to 0 (indicating that conversion is stopped). If the valid trigger is input during the conversion operation, the conversion is aborted and started again from the beginning.

If the ADA0M0, ADA0M2, ADA0S, ADA0PFM, or ADA0PFT register is written during conversion, the conversion is stopped and the A/D converter waits for the trigger again. However, writing to these registers is prohibited in the one-shot select mode/one-shot scan mode.

Caution To select the timer trigger mode, set the high-speed conversion mode. Do not input a trigger during stabilization time that is inserted once after the A/D conversion operation is enabled (ADA0M0.ADA0CE bit = 1).

Remark The trigger standby status means the status after the stabilization time has passed.

13.5.4 Operation mode

Four operation modes are available as the modes in which to set the ANI0 to ANI15 pins: continuous select mode, continuous scan mode, one-shot select mode, and one-shot scan mode.

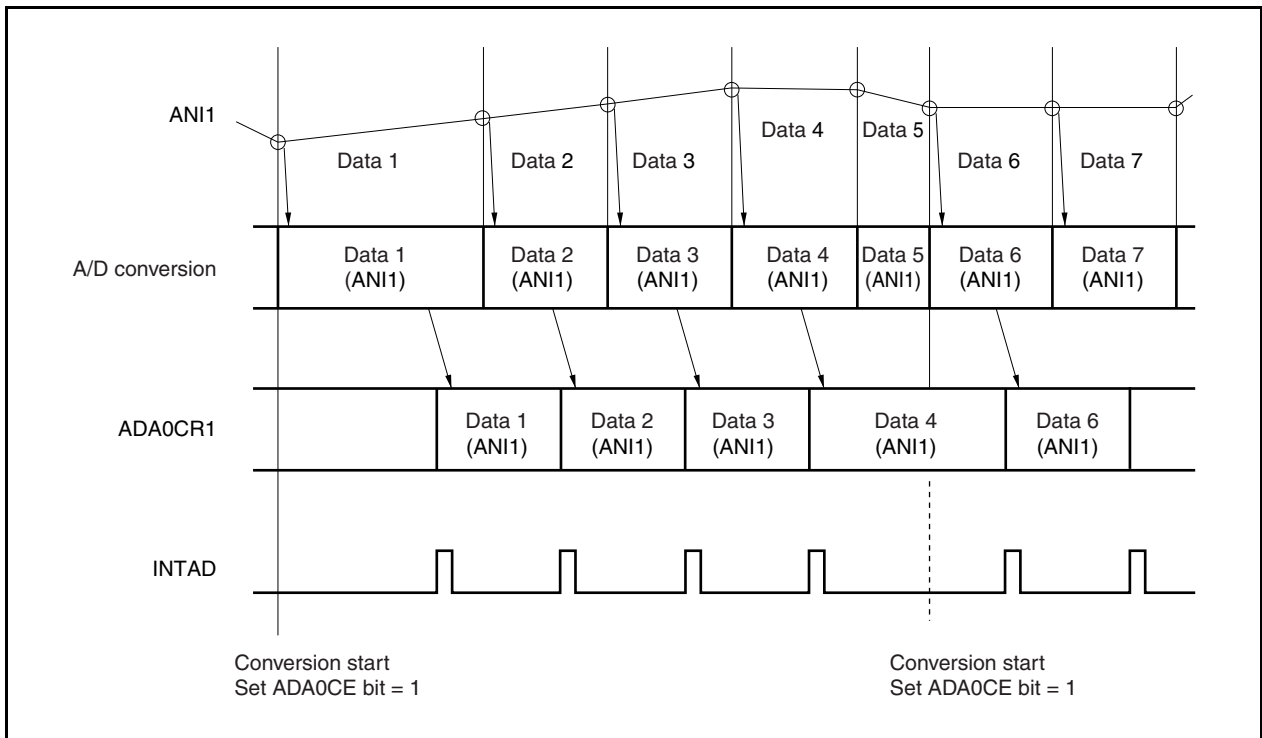
The operation mode is selected by the ADA0M0.ADA0MD1 and ADA0M0.ADA0MD0 bits.

(1) Continuous select mode

In this mode, the voltage of one analog input pin selected by the ADA0S register is continuously converted into a digital value.

The conversion result is stored in the ADA0CRn register corresponding to the analog input pin. In this mode, an analog input pin corresponds to an ADA0CRn register on a one-to-one basis. Each time A/D conversion is completed, the A/D conversion end interrupt request signal (INTAD) is generated. After completion of conversion, the next conversion is started, unless the ADA0M0.ADA0CE bit is cleared to 0 ($n = 0$ to 15).

Figure 13-4. Timing Example of Continuous Select Mode Operation (ADA0S Register = 01H)



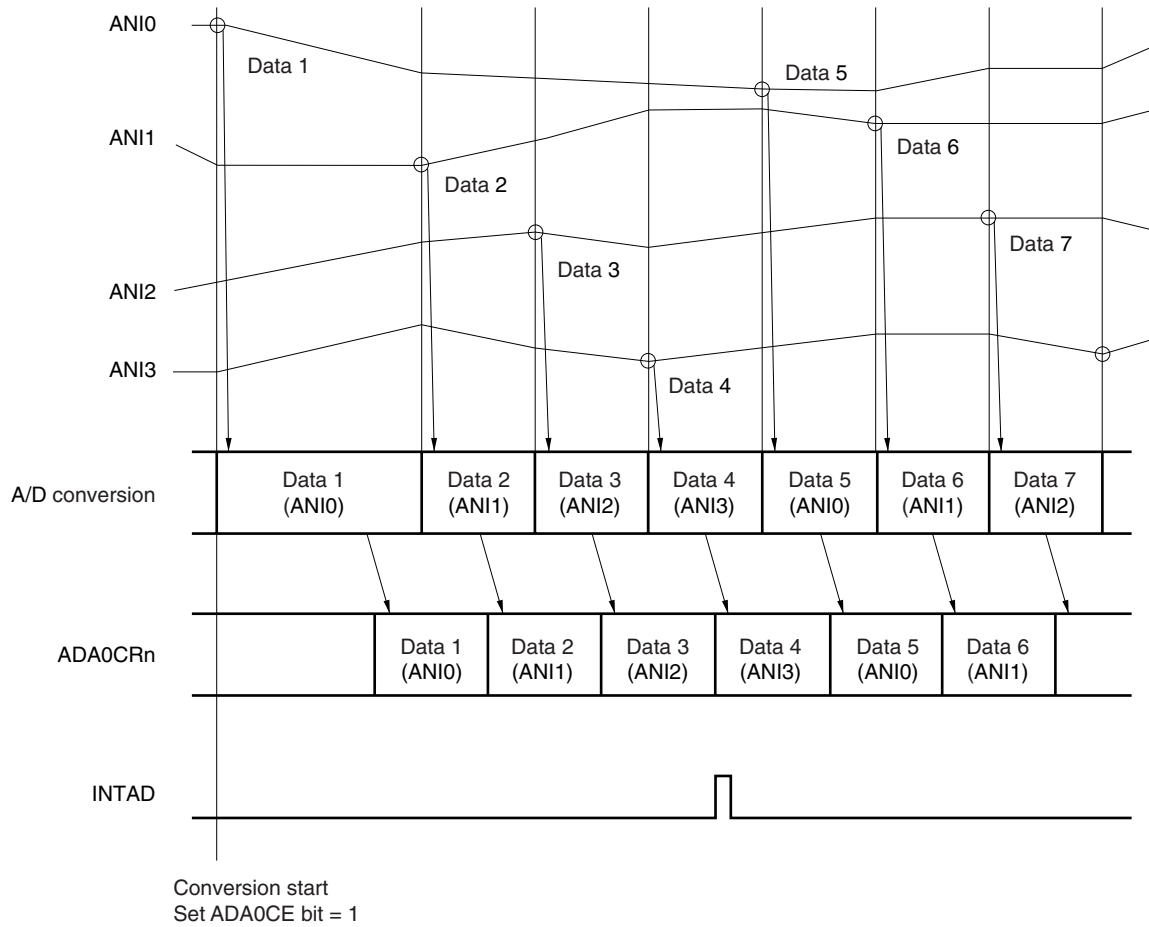
(2) Continuous scan mode

In this mode, analog input pins are sequentially selected, from the ANI0 pin to the pin specified by the ADA0S register, and their values are converted into digital values.

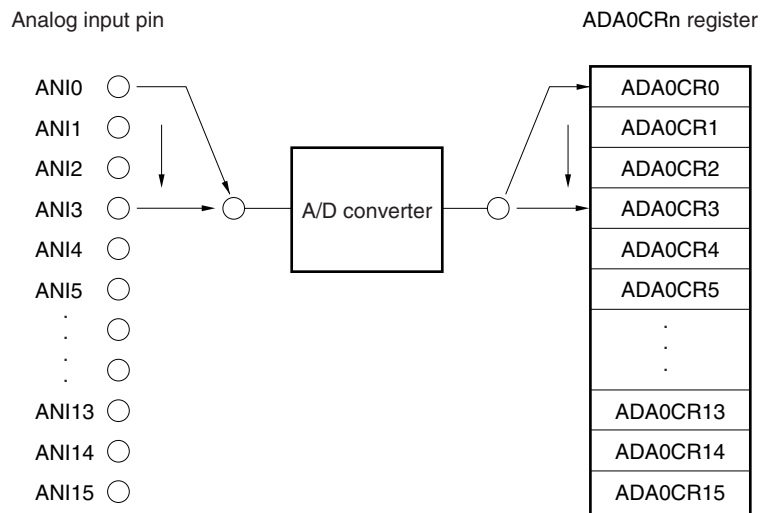
The result of each conversion is stored in the ADA0CRn register corresponding to the analog input pin. When conversion of the analog input pin specified by the ADA0S register is complete, the INTAD signal is generated, and A/D conversion is started again from the ANI0 pin, unless the ADA0CE bit is cleared to 0 ($n = 0$ to 15).

Figure 13-5. Timing Example of Continuous Scan Mode Operation (ADA0S Register = 03H)

(a) Timing example



(b) Block diagram

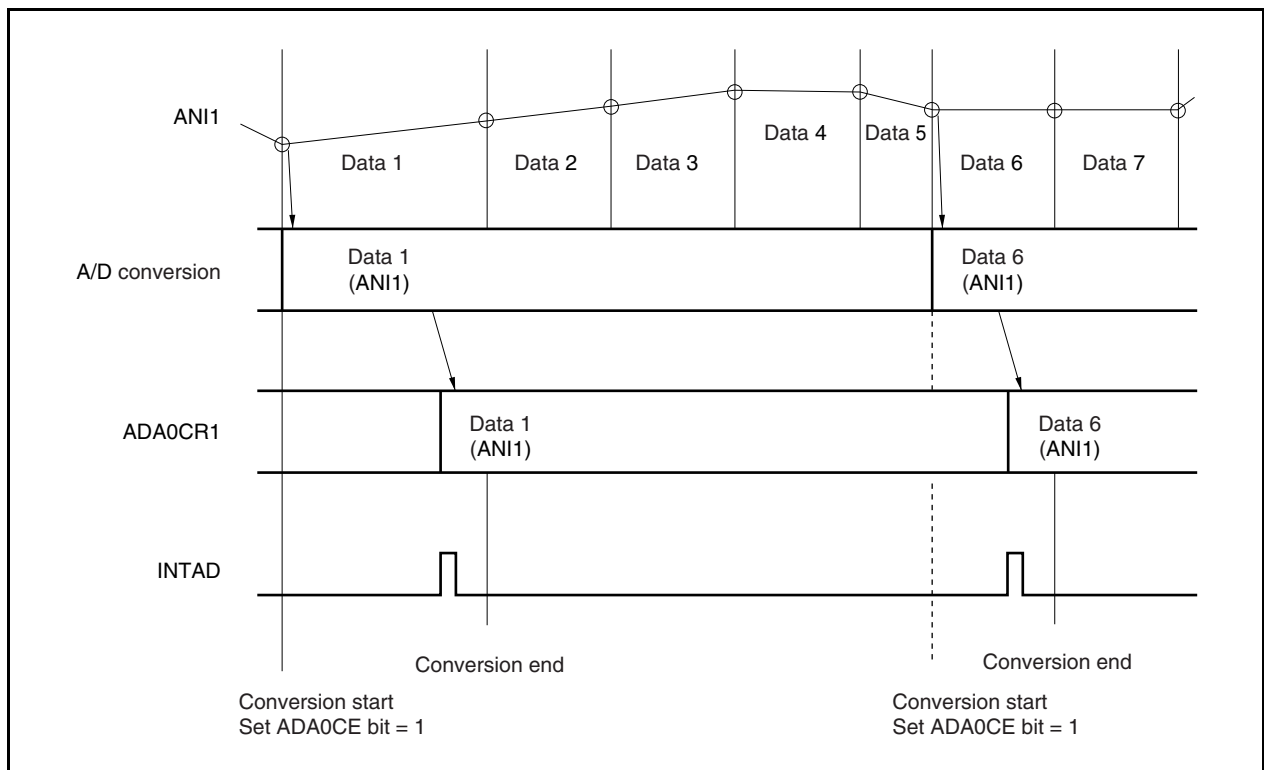


(3) One-shot select mode

In this mode, the voltage on the analog input pin specified by the ADA0S register is converted into a digital value only once.

The conversion result is stored in the ADA0CRn register corresponding to the analog input pin. In this mode, an analog input pin and an ADA0CRn register correspond on a one-to-one basis. When A/D conversion has been completed once, the INTAD signal is generated. The A/D conversion operation is stopped after it has been completed ($n = 0$ to 15).

Figure 13-6. Timing Example of One-Shot Select Mode Operation (ADA0S Register = 01H)

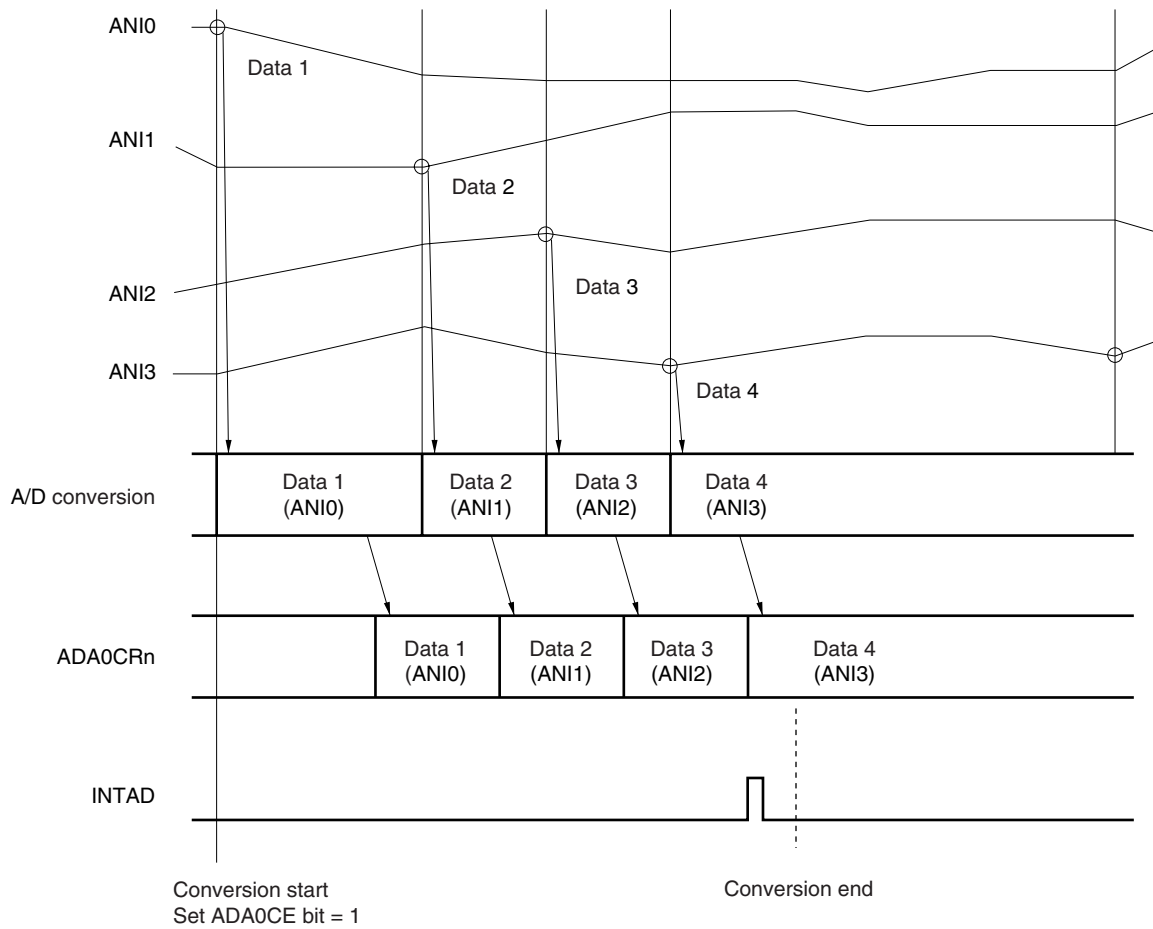
**(4) One-shot scan mode**

In this mode, analog input pins are sequentially selected, from the ANI0 pin to the pin specified by the ADA0S register, and their values are converted into digital values.

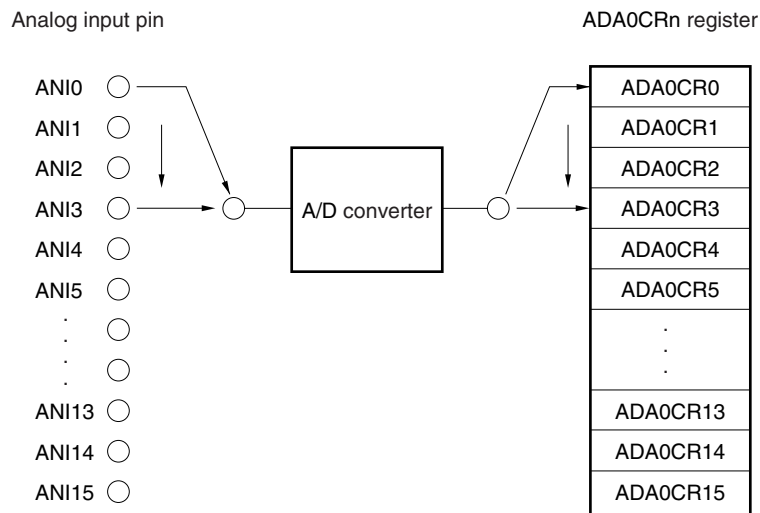
Each conversion result is stored in the ADA0CRn register corresponding to the analog input pin. When conversion of the analog input pin specified by the ADA0S register is complete, the INTAD signal is generated. A/D conversion is stopped after it has been completed ($n = 0$ to 15).

Figure 13-7. Timing Example of One-Shot Scan Mode Operation (ADA0S Register = 03H)

(a) Timing example



(b) Block diagram



13.5.5 Power-fail compare mode

The A/D conversion end interrupt request signal (INTAD) can be controlled as follows by the ADA0PFM and ADA0PFT registers.

- When the ADA0PFM.ADA0PFE bit = 0, the INTAD signal is generated each time conversion is completed (normal use of the A/D converter).
- When the ADA0PFE bit = 1 and when the ADA0PFM.ADA0PFC bit = 0, the value of the ADA0CRnH register is compared with the value of the ADA0PFT register when conversion is completed, and the INTAD signal is generated only if $ADA0CRnH \geq ADA0PFT$.
- When the ADA0PFE bit = 1 and when the ADA0PFC bit = 1, the value of the ADA0CRnH register is compared with the value of the ADA0PFT register when conversion is completed, and the INTAD signal is generated only if $ADA0CRnH < ADA0PFT$.

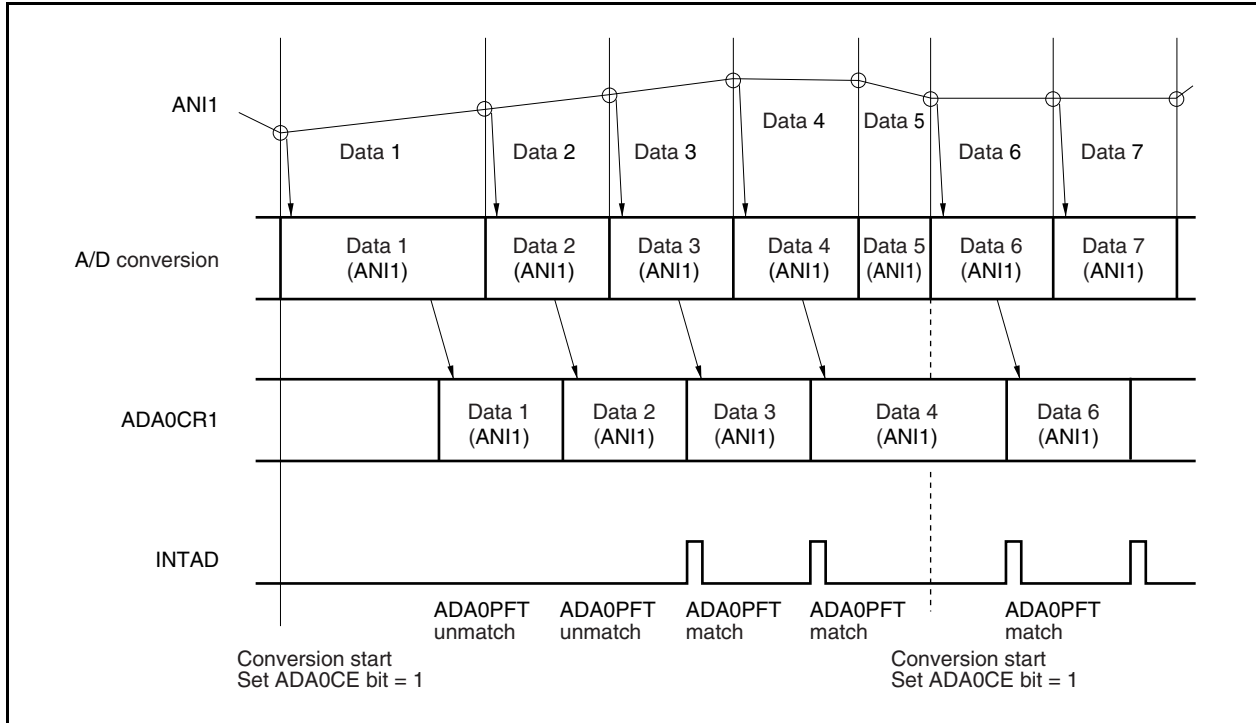
Remark n = 0 to 15

In the power-fail compare mode, four modes are available as modes in which to set the ANI0 to ANI15 pins: continuous select mode, continuous scan mode, one-shot select mode, and one-shot scan mode.

(1) Continuous select mode

In this mode, the result of converting the voltage of the analog input pin specified by the ADA0S register is compared with the set value of the ADA0PFT register. If the result of power-fail comparison matches the condition set by the ADA0PFC bit, the conversion result is stored in the ADA0CRn register, and the INTAD signal is generated. If it does not match, the conversion result is stored in the ADA0CRn register, and the INTAD signal is not generated. After completion of the first conversion, the next conversion is started, unless the ADA0M0.ADA0CE bit is cleared to 0 (n = 0 to 15).

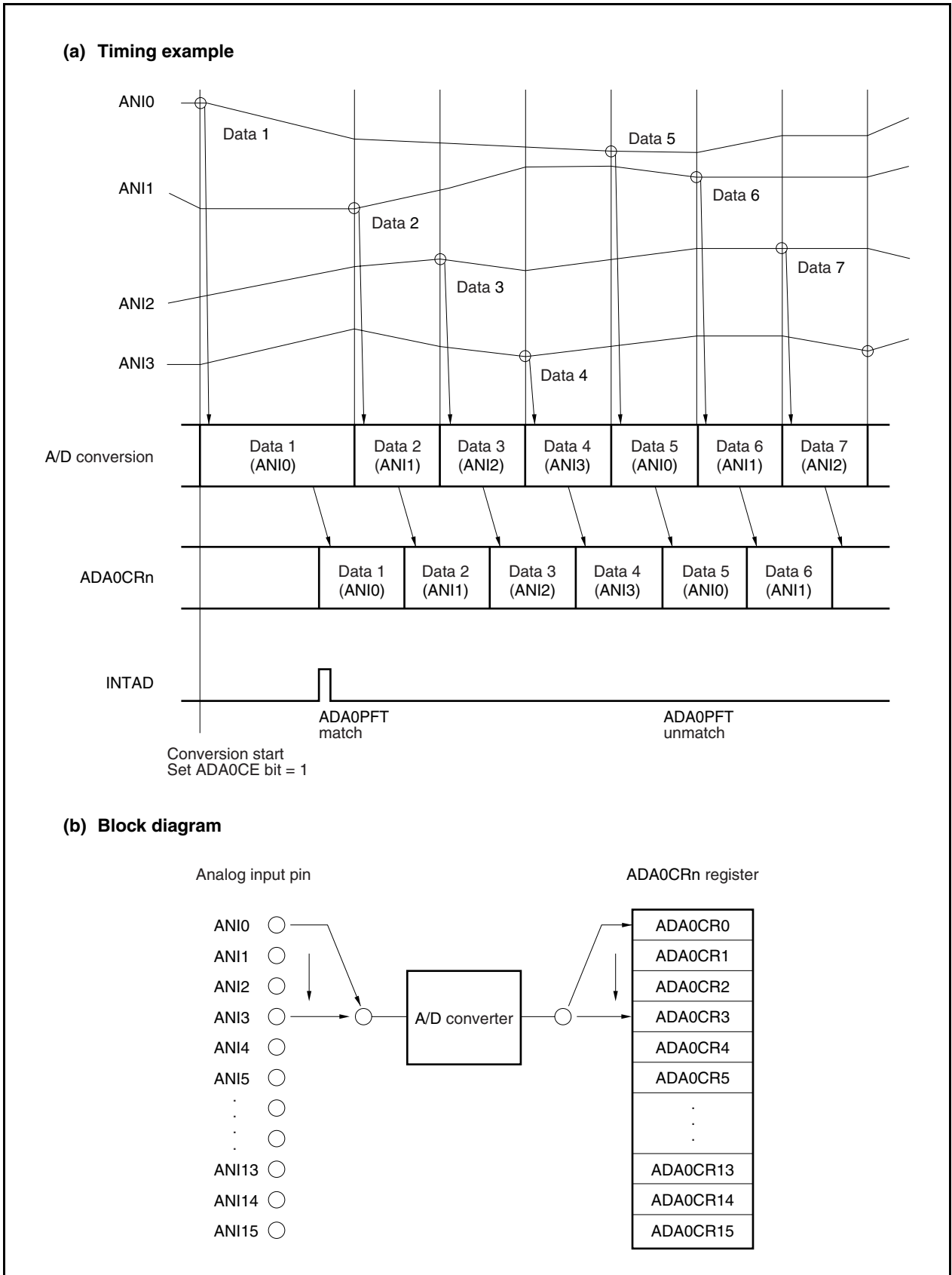
Figure 13-8. Timing Example of Continuous Select Mode Operation
(When Power-Fail Comparison Is Made: ADA0S Register = 01H)

**(2) Continuous scan mode**

In this mode, the results of converting the voltages of the analog input pins sequentially selected from the ANI0 pin to the pin specified by the ADA0S register are stored, and the set value of the ADA0CR0H register of channel 0 is compared with the value of the ADA0PFT register. If the result of power-fail comparison matches the condition set by the ADA0PFC bit, the conversion result is stored in the ADA0CR0 register, and the INTAD signal is generated. If it does not match, the conversion result is stored in the ADA0CR0 register, and the INTAD signal is not generated.

After the result of the first conversion has been stored in the ADA0CR0 register, the results of sequentially converting the voltages on the analog input pins up to the pin specified by the ADA0S register are continuously stored. After completion of conversion, the next conversion is started from the ANI0 pin again, unless the ADA0CE bit is cleared to 0.

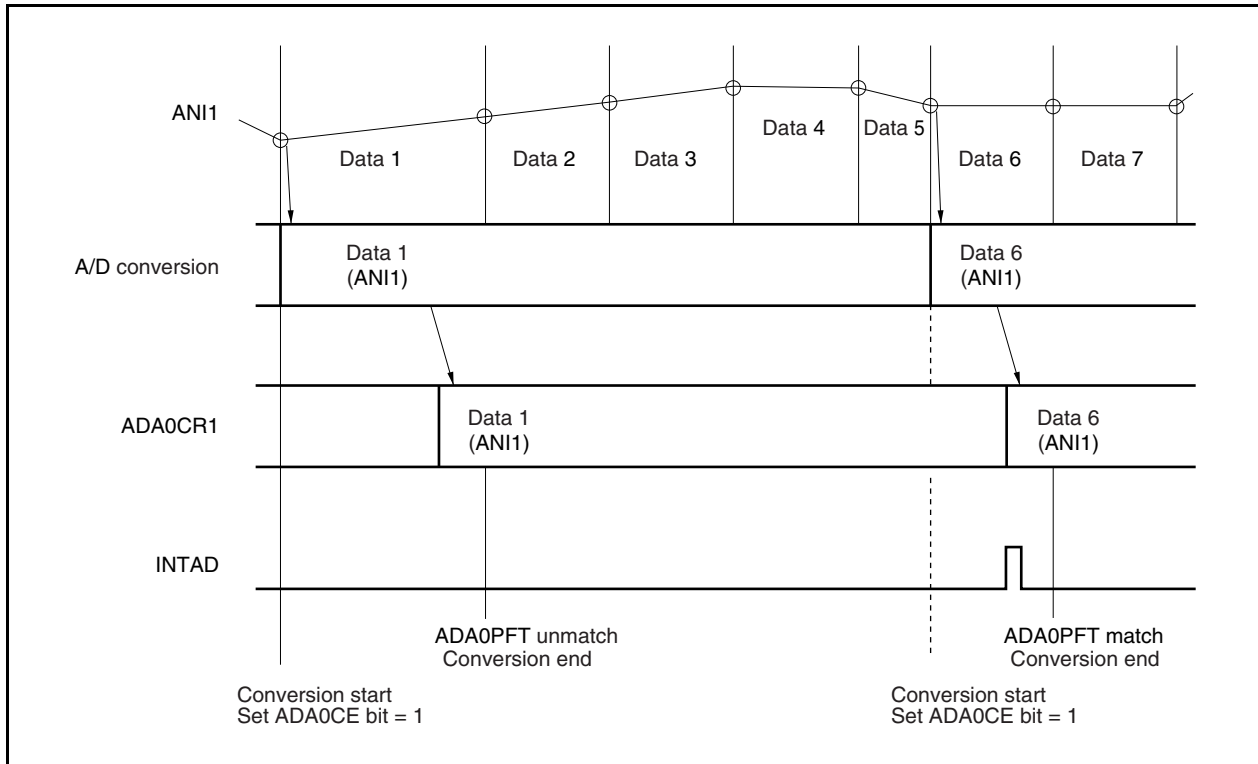
**Figure 13-9. Timing Example of Continuous Scan Mode Operation
(When Power-Fail Comparison Is Made: ADA0S Register = 03H)**



(3) One-shot select mode

In this mode, the result of converting the voltage of the analog input pin specified by the ADA0S register is compared with the set value of the ADA0PFT register. If the result of power-fail comparison matches the condition set by the ADA0PFC bit, the conversion result is stored in the ADA0CRn register, and the INTAD signal is generated. If it does not match, the conversion result is stored in the ADA0CRn register, and the INTAD signal is not generated. Conversion is stopped after it has been completed.

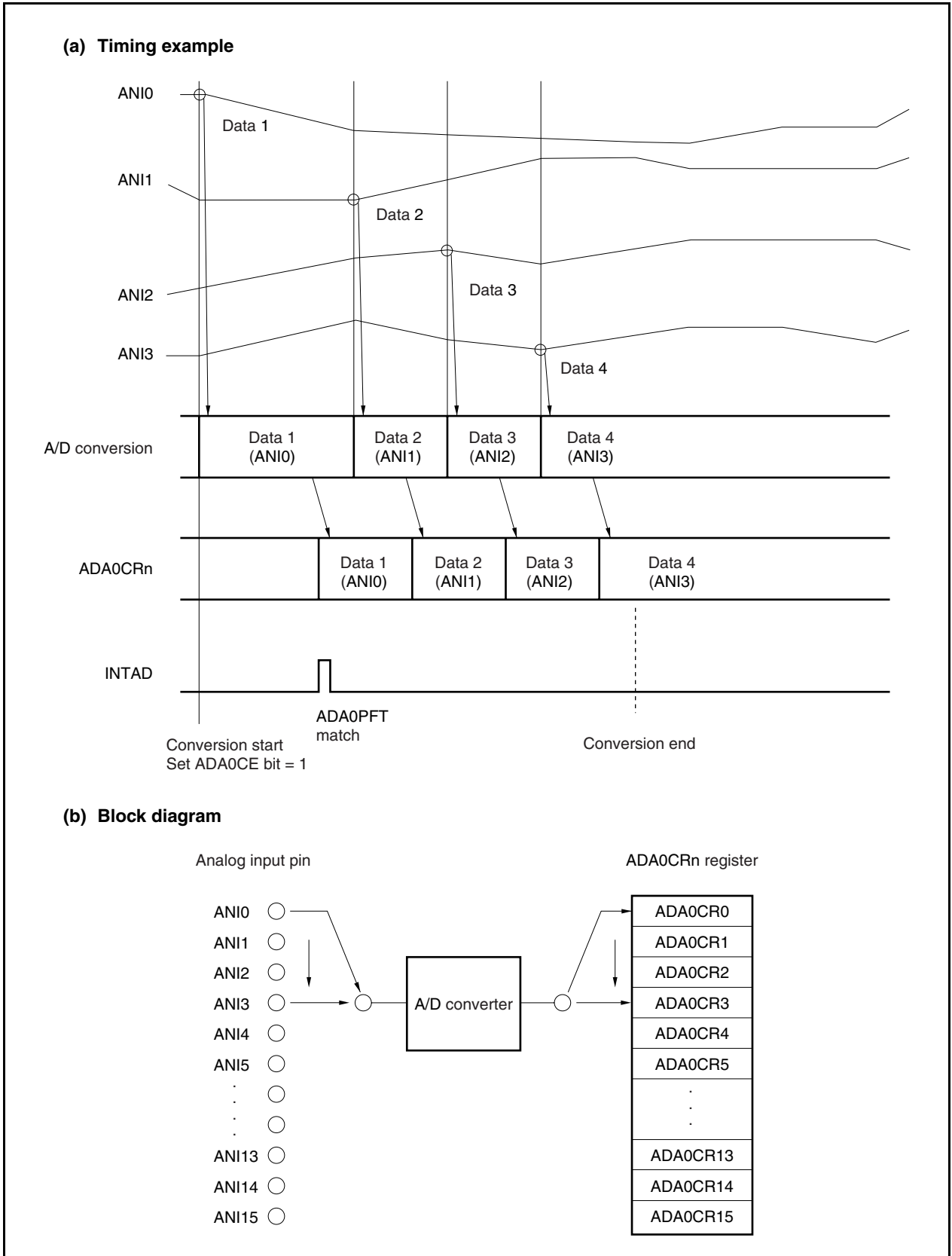
**Figure 13-10. Timing Example of One-Shot Select Mode Operation
(When Power-Fail Comparison Is Made: ADA0S Register = 01H)**



(4) One-shot scan mode

In this mode, the results of converting the voltages of the analog input pins sequentially selected from the ANI0 pin to the pin specified by the ADA0S register are stored, and the set value of the ADA0CR0H register of channel 0 is compared with the set value of the ADA0PFT register. If the result of power-fail comparison matches the condition set by the ADA0PFC bit, the conversion result is stored in the ADA0CR0 register and the INTAD signal is generated. If it does not match, the conversion result is stored in the ADA0CR0 register, and the INTAD0 signal is not generated. After the result of the first conversion has been stored in the ADA0CR0 register, the results of converting the signals on the analog input pins specified by the ADA0S register are sequentially stored. The conversion is stopped after it has been completed.

**Figure 13-11. Timing Example of One-Shot Scan Mode Operation
(When Power-Fail Comparison Is Made: ADA0S Register = 03H)**



13.6 Cautions

(1) When A/D converter is not used

When the A/D converter is not used, the power consumption can be reduced by clearing the ADA0M0.ADA0CE bit to 0.

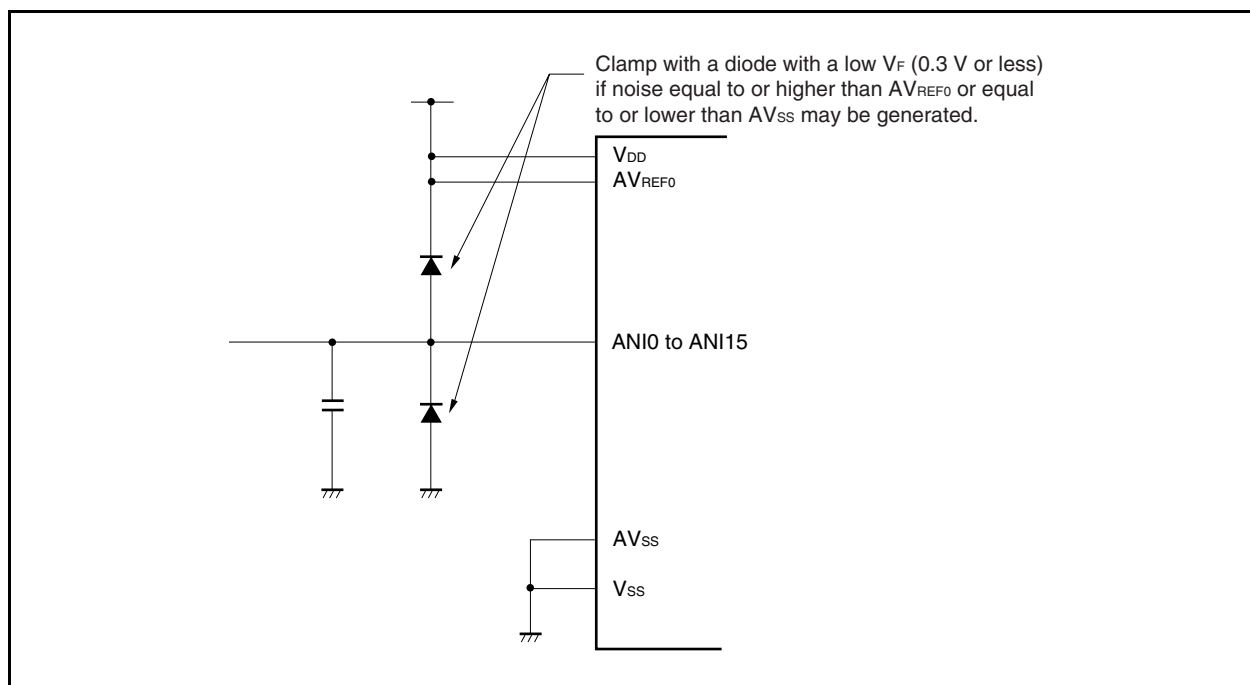
(2) Input range of ANI0 to ANI15 pins

Input the voltage within the specified range to the ANI0 to ANI15 pins. If a voltage equal to or higher than AV_{REF0} or equal to or lower than AV_{SS} (even within the range of the absolute maximum ratings) is input to any of these pins, the conversion value of that channel is undefined, and the conversion value of the other channels may also be affected.

(3) Countermeasures against noise

To maintain the 10-bit resolution, the ANI0 to ANI15 pins must be effectively protected from noise. The influence of noise increases as the output impedance of the analog input source becomes higher. To lower the noise, connecting an external capacitor as shown in Figure 13-12 is recommended.

Figure 13-12. Processing of Analog Input Pin



(4) Alternate I/O

The analog input pins (ANI0 to ANI15) function alternately as port pins. When selecting one of the ANI0 to ANI15 pins to execute A/D conversion, do not execute an instruction to read an input port or write to an output port during conversion as the conversion resolution may drop.

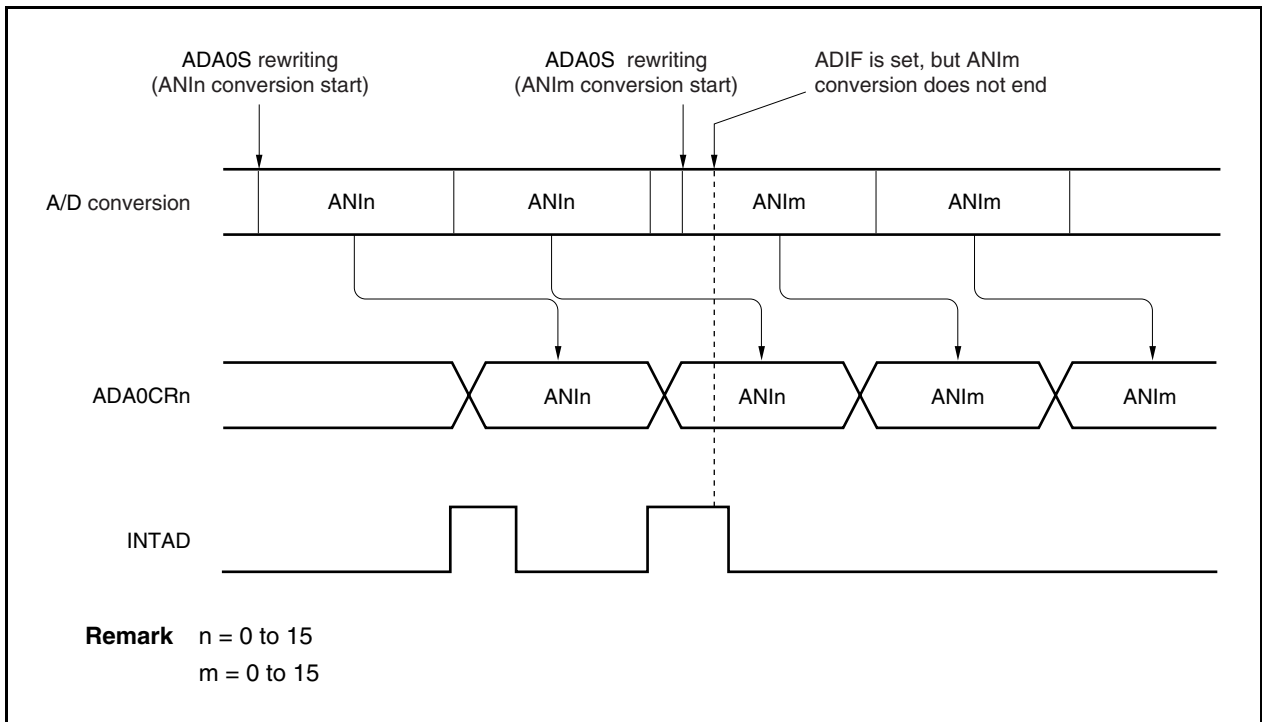
Also the conversion resolution may drop at the pins set as output port pins during A/D conversion if the output current fluctuates due to the effect of the external circuit connected to the port pins.

If a digital pulse is applied to a pin adjacent to the pin whose input signal is being converted, the A/D conversion value may not be as expected due to the influence of coupling noise. Therefore, do not apply a pulse to a pin adjacent to the pin undergoing A/D conversion.

(5) Interrupt request flag (ADIF)

The interrupt request flag (ADIF) is not cleared even if the contents of the ADA0S register are changed. If the analog input pin is changed during A/D conversion, therefore, the result of converting the previously selected analog input signal may be stored and the conversion end interrupt request flag may be set immediately before the ADA0S register is rewritten. If the ADIF flag is read immediately after the ADA0S register is rewritten, the ADIF flag may be set even though the A/D conversion of the newly selected analog input pin has not been completed. When A/D conversion is stopped, clear the ADIF flag before resuming conversion.

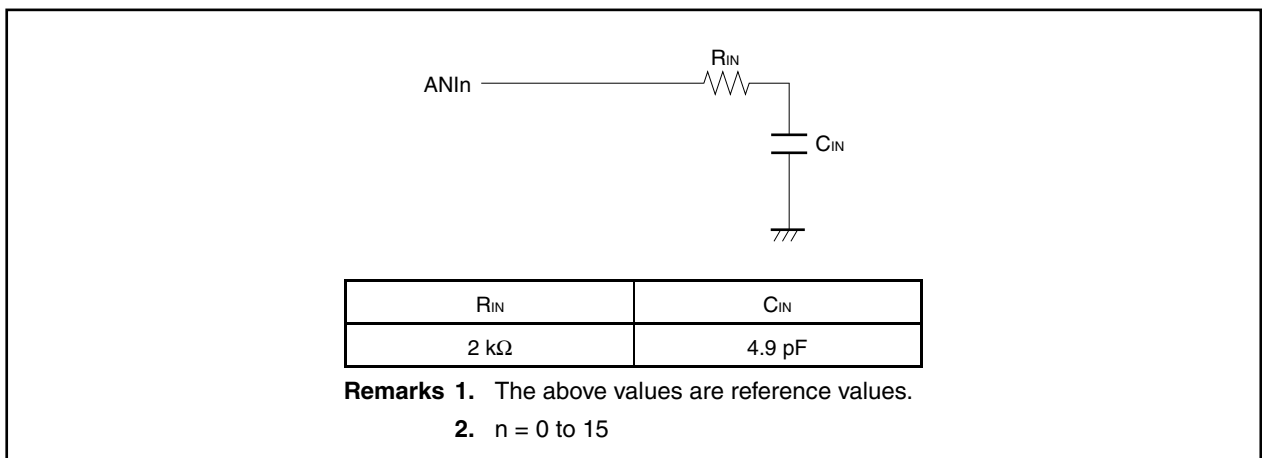
Figure 13-13. Generation Timing of A/D Conversion End Interrupt Request



(6) Internal equivalent circuit

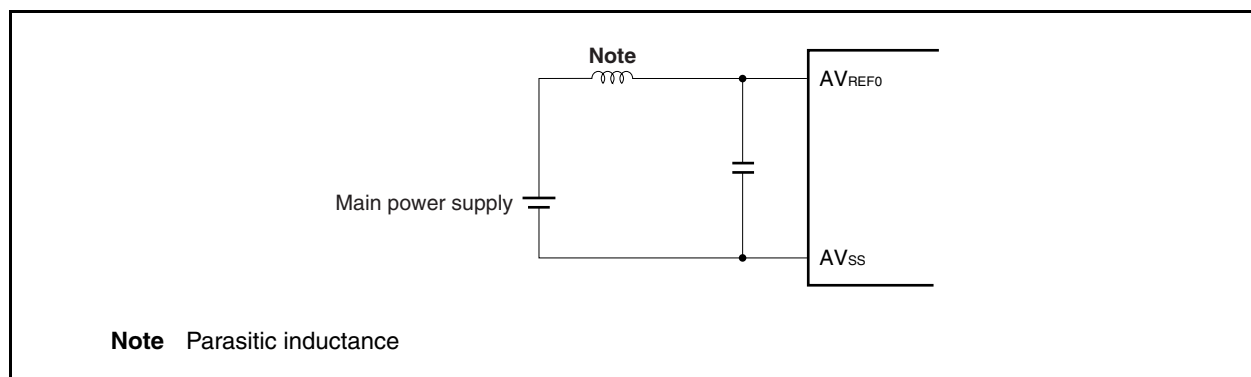
The following shows the equivalent circuit of the analog input block.

Figure 13-14. Internal Equivalent Circuit of ANIn Pin



(7) AV_{REF0} pin

- (a) The AV_{REF0} pin is used as the power supply pin of the A/D converter and also supplies power to the alternate-function ports. In an application where a backup power supply is used, be sure to supply the same voltage as V_{DD} to the AV_{REF0} pin as shown in Figure 13-15.
- (b) The AV_{REF0} pin is also used as the reference voltage pin of the A/D converter. If the source supplying power to the AV_{REF0} pin has a high impedance or if the power supply has a low current supply capability, the reference voltage may fluctuate due to the current that flows during conversion (especially, immediately after the conversion operation enable bit ADA0CE has been set to 1). As a result, the conversion accuracy may drop. To avoid this, it is recommended to connect a capacitor across the AV_{REF0} and AV_{SS} pins to suppress the reference voltage fluctuation as shown in Figure 13-15.
- (c) If the source supplying power to the AV_{REF0} pin has a high DC resistance (for example, because of insertion of a diode), the voltage when conversion is enabled may be lower than the voltage when conversion is stopped, because of a voltage drop caused by the A/D conversion current.

Figure 13-15. AV_{REF0} Pin Processing Example**<R> (8) Reading ADA0CRn register**

When the ADA0M0 to ADA0M2, ADA0S, ADA0PFM, or ADA0PFT register is written, the contents of the ADA0CRn register may be undefined. Read the conversion result after completion of conversion and before writing to the ADA0M0 to ADA0M2, ADA0S, ADA0PFM, or ADA0PFT register. Also, when an external/timer trigger is acknowledged, the contents of the ADA0CRn register may be undefined. Read the conversion result after completion of conversion and before the next external/timer trigger is acknowledged. The correct conversion result may not be read at a timing different from the above.

(9) Standby mode

Because the A/D converter stops operating in the STOP mode, conversion results are invalid, so power consumption can be reduced. Operations are resumed after the STOP mode is released, but the A/D conversion results after the STOP mode is released are invalid. When using the A/D converter after the STOP mode is released, before setting the STOP mode or releasing the STOP mode, clear the ADA0M0.ADA0CE bit to 0 then set the ADA0CE bit to 1 after releasing the STOP mode.

In the IDLE1, IDLE2, or subclock operation mode, operation continues. To lower the power consumption, therefore, clear the ADA0M0.ADA0CE bit to 0. In the IDLE1 and IDLE2 modes, since the analog input voltage value cannot be retained, the A/D conversion results after the IDLE1 and IDLE2 modes are released are invalid. The results of conversions before the IDLE1 and IDLE2 modes were set are valid.

- <R> **(10) High-speed conversion mode**
In the high-speed conversion mode, rewriting of the ADA0M0, ADA0M2, ADA0S, ADA0PFM, and ADA0PFT registers and trigger input during the stabilization time are prohibited.
- <R> **(11) A/D conversion time**
A/D conversion time is the total time of stabilization time, conversion time, wait time, and trigger response time (for details of these times, refer to **Table 13-2 Conversion Time Selection in Normal Conversion Mode (ADA0HS1 Bit = 0)** and **Table 13-3 Conversion Time Selection in High-Speed Conversion Mode (ADA0HS1 Bit = 1)**).
During A/D conversion in the normal conversion mode, if the ADA0M0, ADA0M2, ADA0S, ADA0PFM, and ADA0PFT registers are written or a trigger is input, reconversion is carried out. However, if the stabilization time end timing conflicts with the writing to these registers, or if the stabilization time end timing conflicts with the trigger input, the stabilization time of 64 clocks is reinserted.
If a conflict occurs again with the reinserted stabilization time end timing, the stabilization time is reinserted. Therefore do not set the trigger input interval and control register write interval to 64 clocks or below.
- (12) Variation of A/D conversion results**
The results of the A/D conversion may vary depending on the fluctuation of the supply voltage, or may be affected by noise. To reduce the variation, take counteractive measures with the program such as averaging the A/D conversion results.
- (13) A/D conversion result hysteresis characteristics**
The successive comparison type A/D converter holds the analog input voltage in the internal sample & hold capacitor and then performs A/D conversion. After the A/D conversion has finished, the analog input voltage remains in the internal sample & hold capacitor. As a result, the following phenomena may occur.
- When the same channel is used for A/D conversions, if the voltage is higher or lower than the previous A/D conversion, then hysteresis characteristics may appear where the conversion result is affected by the previous value. Thus, even if the conversion is performed at the same potential, the result may vary.
 - When switching the analog input channel, hysteresis characteristics may appear where the conversion result is affected by the previous channel value. This is because one A/D converter is used for the A/D conversions. Thus, even if the conversion is performed at the same potential, the result may vary.

13.7 How to Read A/D Converter Characteristics Table

This section describes the terms related to the A/D converter.

(1) Resolution

The minimum analog input voltage that can be recognized, i.e., the ratio of an analog input voltage to 1 bit of digital output is called 1 LSB (least significant bit). The ratio of 1 LSB to the full scale is expressed as %FSR (full-scale range). %FSR is the ratio of a range of convertible analog input voltages expressed as a percentage, and can be expressed as follows, independently of the resolution.

$$\begin{aligned} 1\%FSR &= (\text{Maximum value of convertible analog input voltage} - \text{Minimum value of convertible analog input voltage})/100 \\ &= (AV_{REF0} - 0)/100 \\ &= AV_{REF0}/100 \end{aligned}$$

When the resolution is 10 bits, 1 LSB is as follows:

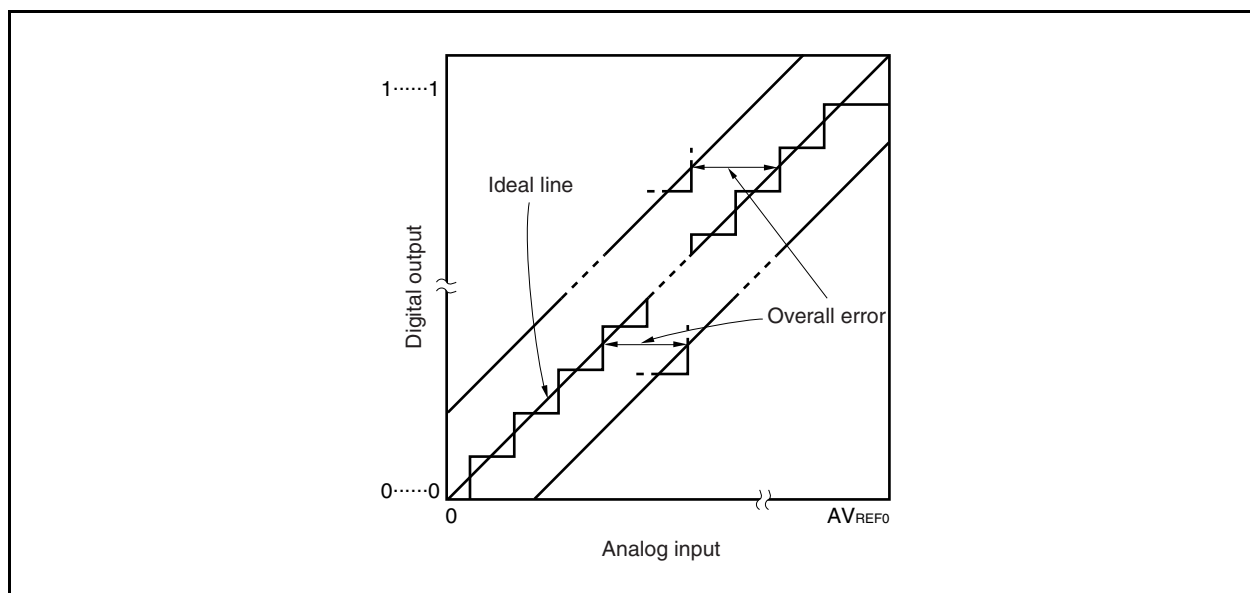
$$\begin{aligned} 1 \text{ LSB} &= 1/2^{10} = 1/1,024 \\ &= 0.098\%FSR \end{aligned}$$

The accuracy is determined by the overall error, independently of the resolution.

(2) Overall error

This is the maximum value of the difference between an actually measured value and a theoretical value. It is a total of zero-scale error, full-scale error, linearity error, and a combination of these errors. The overall error in the characteristics table does not include the quantization error.

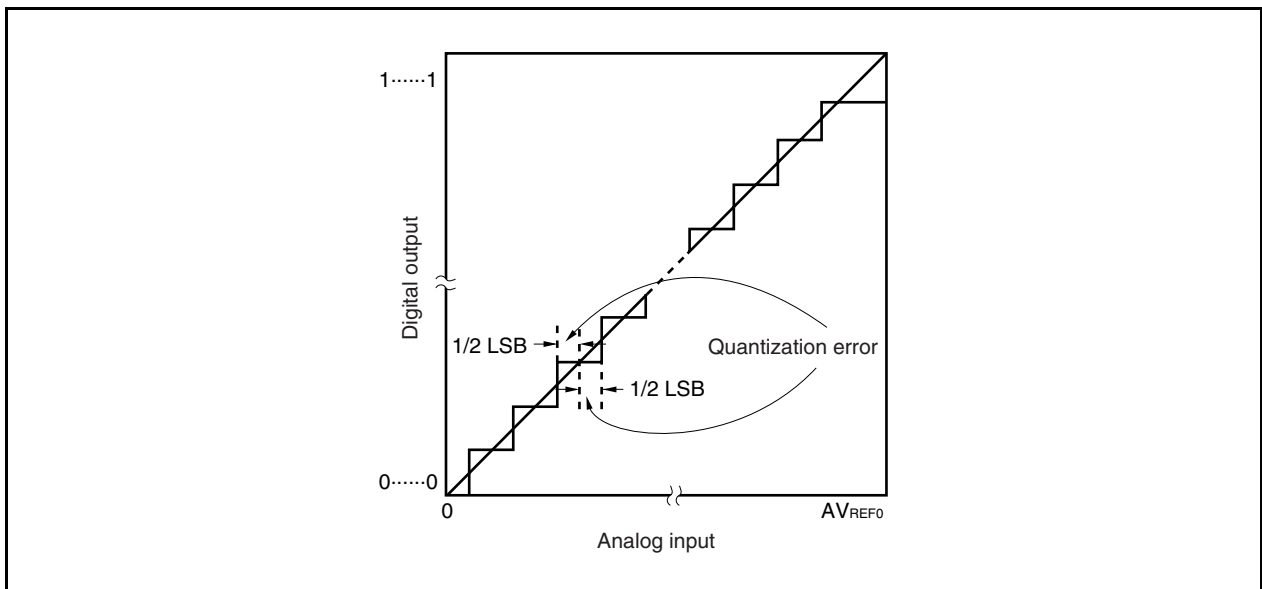
Figure 13-16. Overall Error



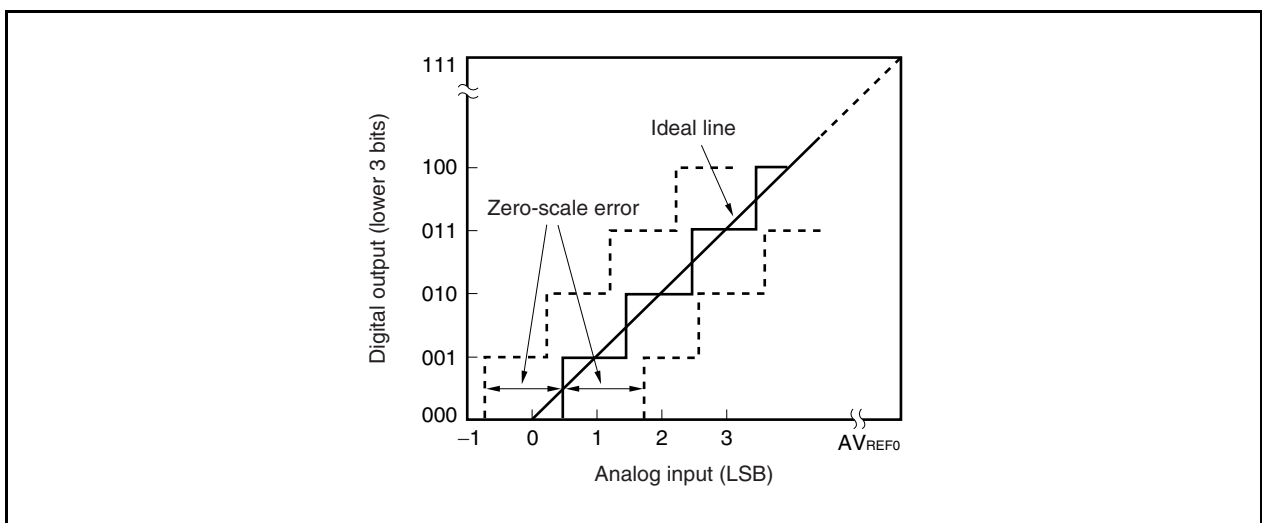
(3) Quantization error

This is an error of $\pm 1/2$ LSB that inevitably occurs when an analog value is converted into a digital value. Because the A/D converter converts analog input voltages in a range of $\pm 1/2$ LSB into the same digital codes, a quantization error is unavoidable.

This error is not included in the overall error, zero-scale error, full-scale error, integral linearity error, or differential linearity error in the characteristics table.

Figure 13-17. Quantization Error**(4) Zero-scale error**

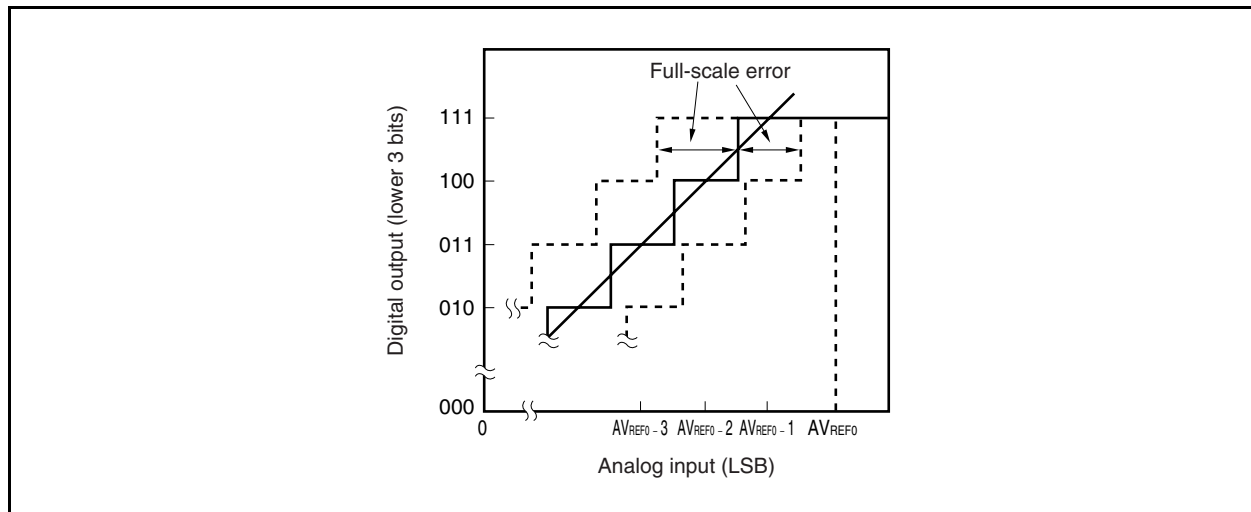
This is the difference between the actually measured analog input voltage and its theoretical value when the digital output changes from 0...000 to 0...001 ($1/2$ LSB).

Figure 13-18. Zero-Scale Error

(5) Full-scale error

This is the difference between the actually measured analog input voltage and its theoretical value when the digital output changes from 1...110 to 1...111 (full scale – 3/2 LSB).

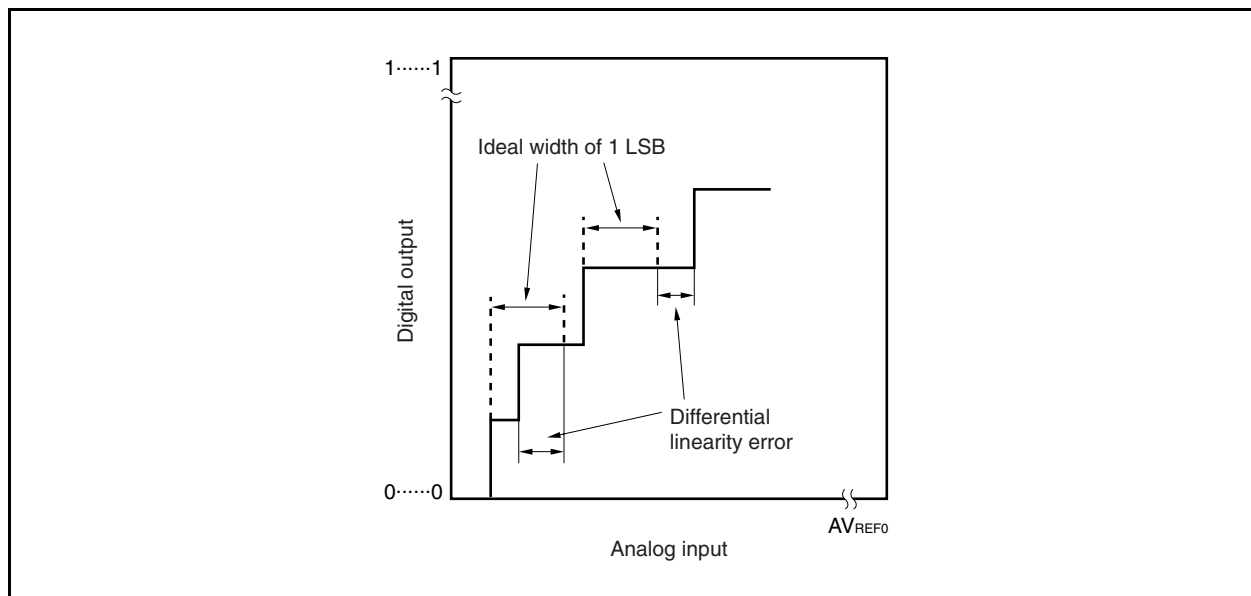
Figure 13-19. Full-Scale Error



(6) Differential linearity error

Ideally, the width to output a specific code is 1 LSB. This error indicates the difference between the actually measured value and its theoretical value when a specific code is output. This indicates the basic characteristics of the A/D conversion when the voltage applied to the analog input pins of the same channel is consistently increased bit by bit from AV_{SS} to AV_{REF0} . When the input voltage is increased or decreased, or when two or more channels are used, see 13.7 (2) Overall error.

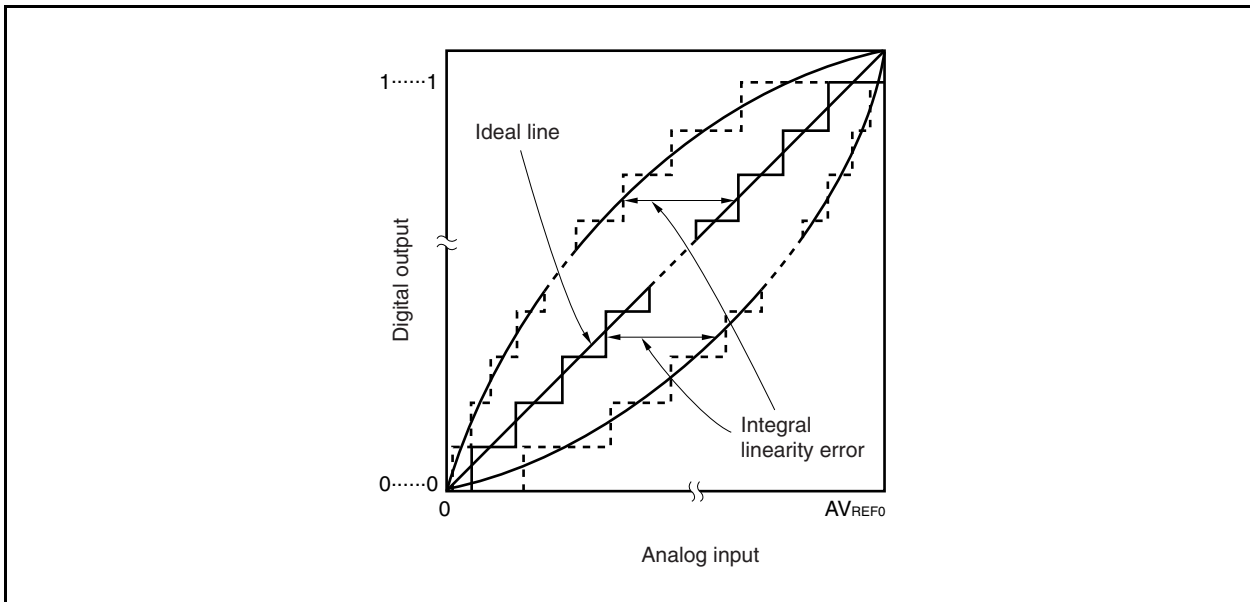
Figure 13-20. Differential Linearity Error



(7) Integral linearity error

This error indicates the extent to which the conversion characteristics differ from the ideal linear relationship. It indicates the maximum value of the difference between the actually measured value and its theoretical value where the zero-scale error and full-scale error are 0.

Figure 13-21. Integral Linearity Error



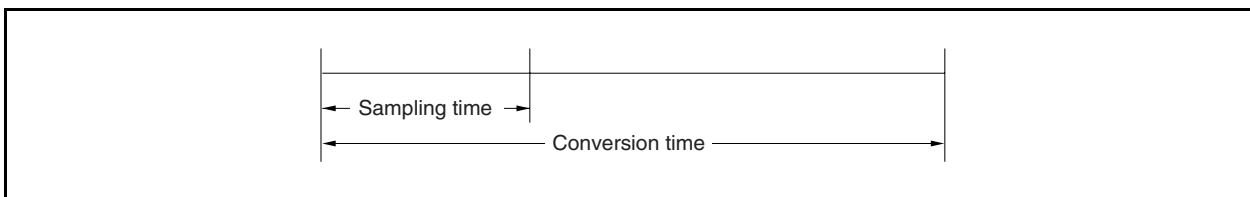
(8) Conversion time

This is the time required to obtain a digital output after each trigger has been generated. The conversion time in the characteristics table includes the sampling time.

(9) Sampling time

This is the time for which the analog switch is ON to load an analog voltage to the sample & hold circuit.

Figure 13-22. Sampling Time



CHAPTER 14 D/A CONVERTER

14.1 Functions

The D/A converter has the following functions.

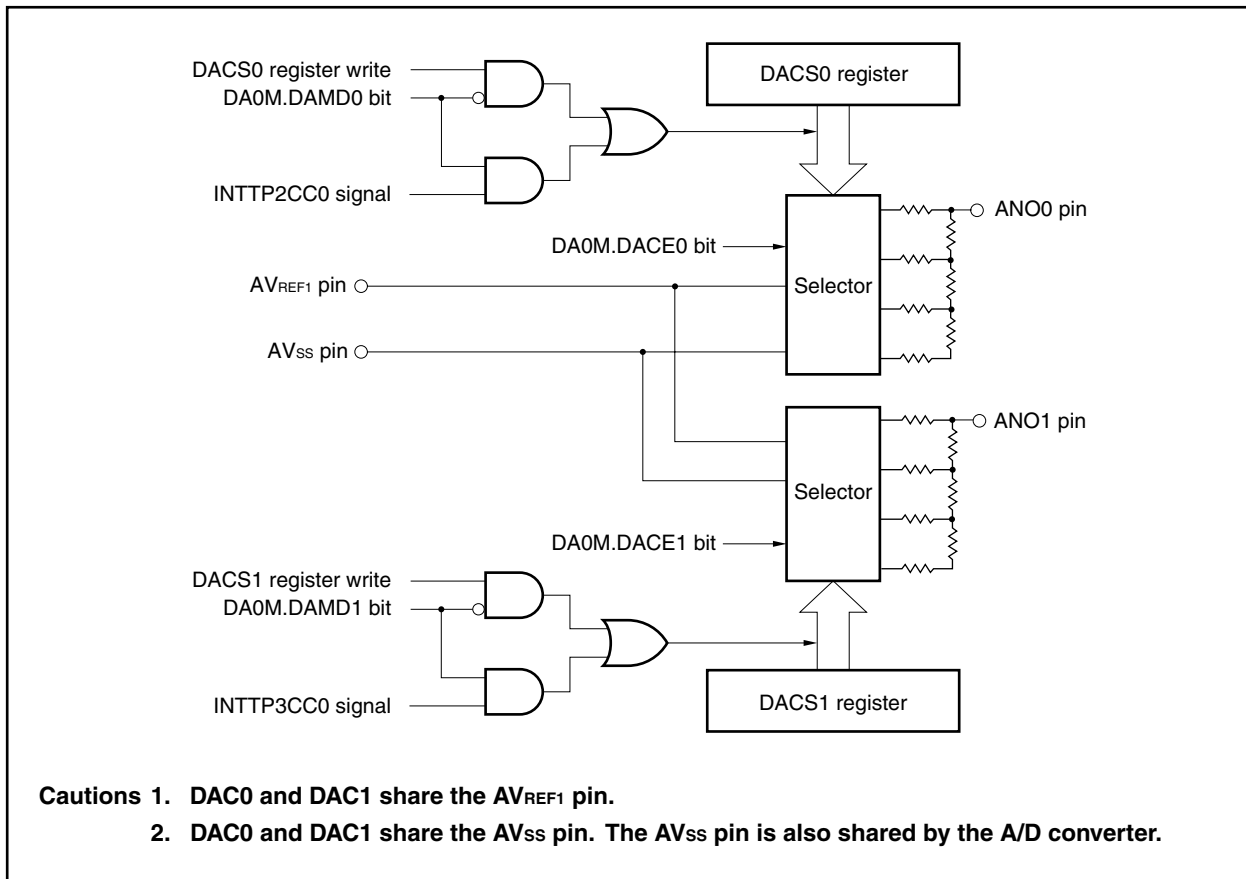
- 8-bit resolution × 2 channels (DA0CS0, DA0CS1)
- R-2R ladder method
- Settling time: 3 μ s max. (when AV_{REF1} is 3.0 to 3.6 V and external load is 20 pF)
- Analog output voltage: $AV_{REF1} \times m/256$ ($m = 0$ to 255; value set to DA0CSn register)
- Operation modes: Normal mode, real-time output mode

Remark $n = 0, 1$

14.2 Configuration

The D/A converter configuration is shown below.

Figure 14-1. Block Diagram of D/A Converter



The D/A converter includes the following hardware.

Table 14-1. Configuration of D/A Converter

Item	Configuration
Control registers	D/A converter mode register (DA0M) D/A conversion value setting registers 0, 1 (DA0CS0, DA0CS1)

14.3 Registers

The registers that control the D/A converter are as follows.

- D/A converter mode register (DA0M)
- D/A conversion value setting registers 0, 1 (DA0CS0, DA0CS1)

(1) D/A converter mode register (DA0M)

The DA0M register controls the operation of the D/A converter.

This register can be read or written in 8-bit or 1-bit units.

Reset sets this register to 00H.

After reset: 00H								R/W	Address: FFFF282H							
	7	6	<5>	<4>	3	2	1	0								
DA0M	0	0	DA0CE1	DA0CE0	0	0	DA0MD1	DA0MD0								
DA0CE _n	Control of D/A converter operation enable/disable (n = 0, 1)															
0	Disables operation															
1	Enables operation															
DA0MD _n	Selection of D/A converter operation mode (n = 0, 1)															
0	Normal mode															
1	Real-time output mode ^{Note}															

Note The output trigger in the real-time output mode (DA0MD_n bit = 1) is as follows.

- When n = 0: INTTP2CC0 signal (see **CHAPTER 7 16-BIT TIMER/EVENT COUNTER P (TMP)**)
- When n = 1: INTTP3CC0 signal (see **CHAPTER 7 16-BIT TIMER/EVENT COUNTER P (TMP)**)

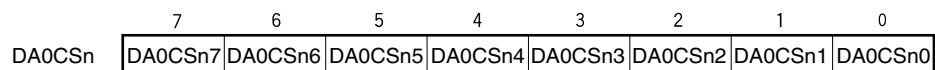
(2) D/A conversion value setting registers 0, 1 (DA0CS0, DA0CS1)

The DA0CS0 and DA0CS1 registers set the analog voltage value output to the ANO0 and ANO1 pins.

These registers can be read or written in 8-bit units.

Reset sets these registers to 00H.

After reset: 00H R/W Address: DA0CS0 FFFFF280H, DA0CS1 FFFFF281H



Caution In the real-time output mode (DA0M.DA0MDn bit = 1), set the DA0CSn register before the INTTP2CC0/INTTP3CC0 signals are generated. D/A conversion starts when the INTTP2CC0/INTTP3CC0 signals are generated.

Remark n = 0, 1

14.4 Operation

14.4.1 Operation in normal mode

D/A conversion is performed using a write operation to the DA0CSn register as the trigger. The setting method is described below.

- <1> Set the DA0M.DA0MDn bit to 0 (normal mode).
- <2> Set the analog voltage value to be output to the ANOn pin to the DA0CSn register.
Steps <1> and <2> above constitute the initial settings.
- <3> Set the DA0M.DA0CEn bit to 1 (D/A conversion enable).
D/A conversion starts when this setting is performed.
- <4> To perform subsequent D/A conversions, write to the DA0CSn register.
The previous D/A conversion result is held until the next D/A conversion is performed.

Remarks 1. For the alternate-function pin settings, see **Table 4-19 Using Port Pins as Alternate-Function Pins.**

- 2. n = 0, 1

14.4.2 Operation in real-time output mode

D/A conversion is performed using the interrupt request signals (INTTP2CC0 and INTTP3CC0) of TMP2 and TMP3 as triggers.

The setting method is described below.

- <1> Set the DA0M.DA0MDn bit to 1 (real-time output mode).
- <2> Set the analog voltage value to be output to the ANOn pin to the DA0CSn register.
- <3> Set the DA0M.DA0CEn bit to 1 (D/A conversion enable).
Steps <1> to <3> above constitute the initial settings.
- <4> Operate TMP2 and TMP3.
- <5> D/A conversion starts when the INTTP2CC0 and INTTP3CC0 signals are generated.
- <6> After that, the value set in DA0CSn register is output every time the INTTP2CC0 and INTTP3CC0 signals are generated.

Remarks 1. The output values of the ANO0 and ANO1 pins up to <5> above are undefined.

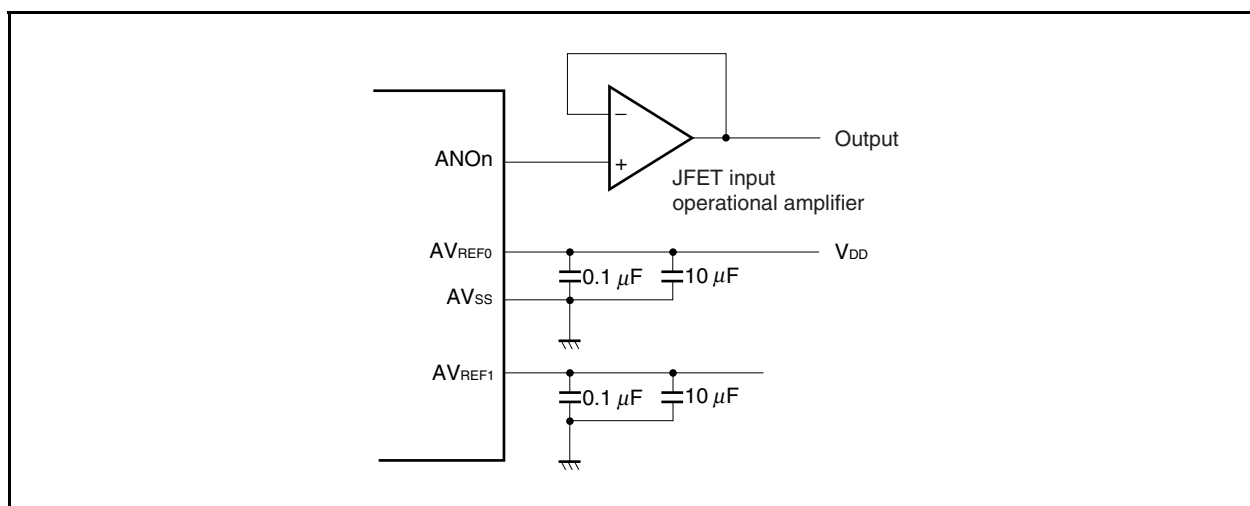
- 2. For the output values of the ANO0 and ANO1 pins in the HALT, IDLE1, IDLE2, and STOP modes, see **CHAPTER 21 STANDBY FUNCTION.**
- 3. For the alternate-function pin settings, see **Table 4-19 Using Port Pins as Alternate-Function Pins.**

14.4.3 Cautions

Observe the following cautions when using the D/A converter of the V850ES/JJ2.

- (1) Do not change the set value of the DA0CSn register while the trigger signal is being issued in the real-time output mode.
- (2) Before changing the operation mode, be sure to clear the DA0M.DA0CEn bit to 0.
- (3) When using one of the P10/AN00 and P11/AN01 pins as an I/O port and the other as a D/A output pin, do so in an application where the port I/O level does not change during D/A output.
- (4) Make sure that $AV_{REF0} = V_{DD} = AV_{REF1} = 3.0$ to 3.6 V. If this range is exceeded, the operation is not guaranteed.
- (5) Apply power to AV_{REF1} at the same timing as AV_{REF0} .
- (6) No current can be output from the ANOn pin ($n = 0, 1$) because the output impedance of the D/A converter is high. When connecting a resistor of 2 M Ω or less, insert a JFET input operational amplifier between the resistor and the ANOn pin.

Figure 14-2. External Pin Connection Example



- (7) Because the D/A converter stops operation in the STOP mode, the ANO0 and ANO1 pins go into a high-impedance state, and the power consumption can be reduced. In the IDLE1, IDLE2, or subclock operation mode, however, the operation continues. To lower the power consumption, therefore, clear the DA0M.DA0CEn bit to 0.

CHAPTER 15 ASYNCHRONOUS SERIAL INTERFACE A (UARTA)

15.1 Mode Switching of UARTA and Other Serial Interfaces

15.1.1 CSIB4 and UARTA0 mode switching

In the V850ES/JJ2, CSIB4 and UARTA0 are alternate functions of the same pin and therefore cannot be used simultaneously. Set UARTA0 in advance, using the PMC3 and PFC3 registers, before use.

Caution The transmit/receive operation of CSIB4 and UARTA0 is not guaranteed if these functions are switched during transmission or reception. Be sure to disable the one that is not used.

Figure 15-1. CSIB4 and UARTA0 Mode Switch Settings

After reset: 0000H R/W Address: FFFFF446H, FFFFF447H

	15	14	13	12	11	10	9	8
PMC3	0	0	0	0	0	0	PMC39	PMC38
	7	6	5	4	3	2	1	0
	0	0	PMC35	PMC34	PMC33	PMC32	PMC31	PMC30

After reset: 0000H R/W Address: FFFFF466H, FFFFF467H

	15	14	13	12	11	10	9	8
PFC3	0	0	0	0	0	0	PFC39	PFC38
	7	6	5	4	3	2	1	0
	0	0	PFC35	PFC34	PFC33	PFC32	PFC31	PFC30

After reset: 00H R/W Address: FFFFF706H

	7	6	5	4	3	2	1	0
PFCE3L	0	0	0	0	0	PFCE32	0	0

PMC32	PFCE32	PFC32	Operation mode
0	×	×	Port I/O mode
1	0	0	ASCKA0 mode
1	0	1	SCKB4 mode

PMC3n	PFC3n	Operation mode
0	×	Port I/O mode
1	0	UARTA0 mode
1	1	CSIB4 mode

Remarks

1. n = 0, 1
2. × = don't care

15.1.2 UARTA2 and I²C00 mode switching

In the V850ES/JJ2, UARTA2 and I²C00 are alternate functions of the same pin and therefore cannot be used simultaneously. Set UARTA2 in advance, using the PMC3 and PFC3 registers, before use.

Caution The transmit/receive operation of UARTA2 and I²C00 is not guaranteed if these functions are switched during transmission or reception. Be sure to disable the one that is not used.

Figure 15-2. UARTA2 and I²C00 Mode Switch Settings

After reset: 0000H R/W Address: FFFFF446H, FFFFF447H

	15	14	13	12	11	10	9	8
PMC3	0	0	0	0	0	0	PMC39	PMC38
	7	6	5	4	3	2	1	0
	0	0	PMC35	PMC34	PMC33	PMC32	PMC31	PMC30

After reset: 0000H R/W Address: FFFFF466H, FFFFF467H

	15	14	13	12	11	10	9	8
PFC3	0	0	0	0	0	0	PFC39	PFC38
	7	6	5	4	3	2	1	0
	0	0	PFC35	PFC34	PFC33	PFC32	PFC31	PFC30

PMC3n	PFC3n	Operation mode
0	×	Port I/O mode
1	0	UARTA2 mode
1	1	I ² C00 mode

Remarks

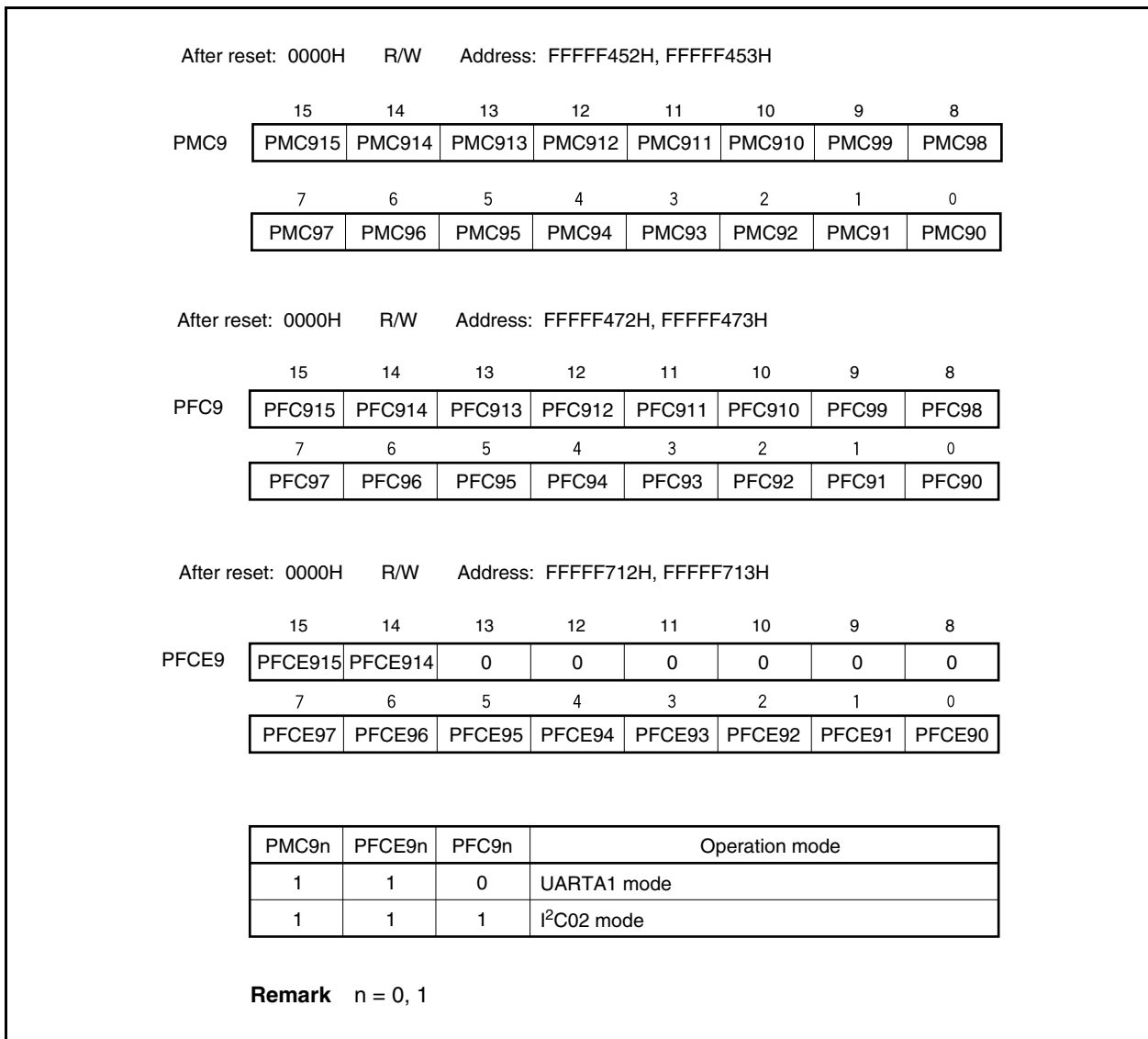
1. n = 8, 9
2. × = don't care

15.1.3 UARTA1 and I²C02 mode switching

In the V850ES/JJ2, UARTA1 and I²C02 are alternate functions of the same pin and therefore cannot be used simultaneously. Set UARTA1 in advance, using the PMC9, PFC9, and PMCE9 registers, before use.

Caution The transmit/receive operation of UARTA1 and I²C02 is not guaranteed if these functions are switched during transmission or reception. Be sure to disable the one that is not used.

Figure 15-3. UARTA1 and I²C02 Mode Switch Settings



15.2 Features

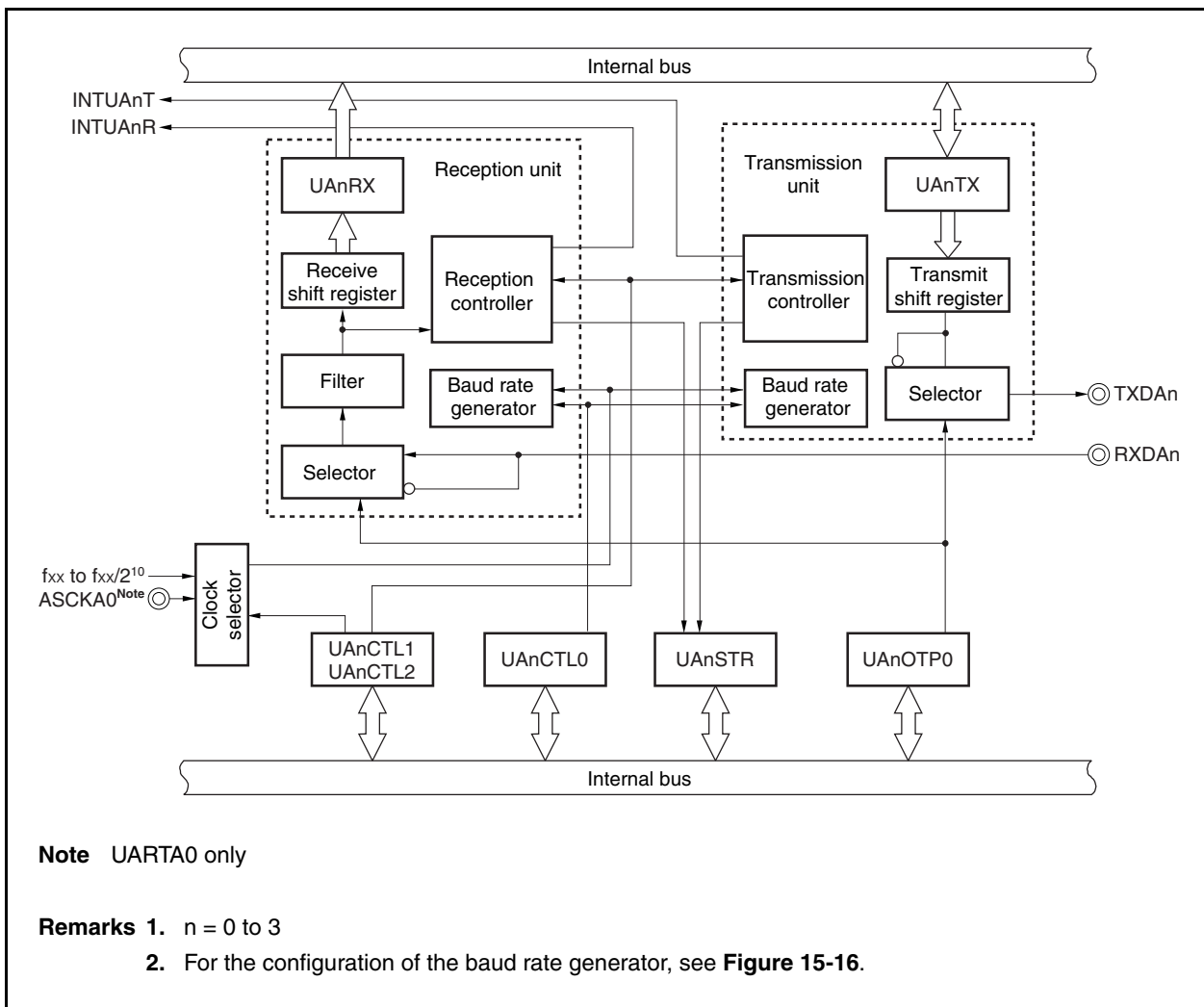
- Transfer rate: 300 bps to 312.5 kbps (using internal system clock of 20 MHz and dedicated baud rate generator)
- Full-duplex communication: Internal UARTAn receive data register (UAnRX)
Internal UARTAn transmit data register (UAnTX)
- 2-pin configuration: TXDAn: Transmit data output pin
RXDAn: Receive data input pin
- Reception error output function
 - Parity error
 - Framing error
 - Overrun error
- Interrupt sources: 2
 - Reception complete interrupt (INTUAnR): This interrupt occurs upon transfer of receive data from the receive shift register to receive data register after serial transfer completion, in the reception enabled status.
 - Transmission enable interrupt (INTUAnT): This interrupt occurs upon transfer of transmit data from the transmit data register to the transmit shift register in the transmission enabled status.
- Character length: 7, 8 bits
- Parity function: Odd, even, 0, none
- Transmission stop bit: 1, 2 bits
- On-chip dedicated baud rate generator
- MSB-/LSB-first transfer selectable
- Transmit/receive data inverted input/output possible
- SBF (Sync Break Field) transmission/reception in the LIN (Local Interconnect Network) communication format possible
 - 13 to 20 bits selectable for SBF transmission
 - Recognition of 11 bits or more possible for SBF reception
 - SBF reception flag provided

Remark n = 0 to 3

15.3 Configuration

The block diagram of the UARTAn is shown below.

Figure 15-4. Block Diagram of Asynchronous Serial Interface An



UARTAn includes the following hardware.

Table 15-1. Configuration of UARTAn

Item	Configuration
Registers	UARTAn control register 0 (UAnCTL0) UARTAn control register 1 (UAnCTL1) UARTAn control register 2 (UAnCTL2) UARTAn option control register 0 (UAnOPT0) UARTAn status register (UAnSTR) UARTAn receive shift register UARTAn receive data register (UAnRX) UARTAn transmit shift register UARTAn transmit data register (UAnTX)

(1) UARTAn control register 0 (UAnCTL0)

The UAnCTL0 register is an 8-bit register used to specify the UARTAn operation.

(2) UARTAn control register 1 (UAnCTL1)

The UAnCTL1 register is an 8-bit register used to select the input clock for the UARTAn.

(3) UARTAn control register 2 (UAnCTL2)

The UAnCTL2 register is an 8-bit register used to control the baud rate for the UARTAn.

(4) UARTAn option control register 0 (UAnOPT0)

The UAnOPT0 register is an 8-bit register used to control serial transfer for the UARTAn.

(5) UARTAn status register (UAnSTR)

The UAnSTRn register consists of flags indicating the error contents when a reception error occurs. Each one of the reception error flags is set (to 1) upon occurrence of a reception error and is reset (to 0) by reading the UAnSTR register.

(6) UARTAn receive shift register

This is a shift register used to convert the serial data input to the RXDAn pin into parallel data. Upon reception of 1 byte of data and detection of the stop bit, the receive data is transferred to the UAnRX register.

This register cannot be manipulated directly.

(7) UARTAn receive data register (UAnRX)

The UAnRX register is an 8-bit register that holds receive data. When 7 characters are received, 0 is stored in the highest bit (when data is received LSB first).

In the reception enabled status, receive data is transferred from the UARTAn receive shift register to the UAnRX register in synchronization with the completion of shift-in processing of 1 frame.

Transfer to the UAnRX register also causes the reception complete interrupt request signal (INTUAnR) to be output.

(8) UARTAn transmit shift register

The transmit shift register is a shift register used to convert the parallel data transferred from the UAnTX register into serial data.

When 1 byte of data is transferred from the UAnTX register, the shift register data is output from the TXDAn pin.

This register cannot be manipulated directly.

(9) UARTAn transmit data register (UAnTX)

The UAnTX register is an 8-bit transmit data buffer. Transmission starts when transmit data is written to the UAnTX register. When data can be written to the UAnTX register (when data of one frame is transferred from the UAnTX register to the UARTAn transmit shift register), the transmission enable interrupt request signal (INTUAnT) is generated.

15.4 Registers

(1) UARTAn control register 0 (UAnCTL0)

The UAnCTL0 register is an 8-bit register that controls the UARTAn serial transfer operation.

This register can be read or written in 8-bit or 1-bit units.

Reset sets this register to 10H.

(1/2)

After reset: 10H								R/W	Address: UA0CTL0 FFFFFFFA00H, UA1CTL0 FFFFFFFA10H, UA2CTL0 FFFFFFFA20H, UA3CTL0 FFFFFFFA30H							
	<7>	<6>	<5>	<4>	3	2	1	0								
UAnCTL0	UAnPWR	UAnTXE	UAnRXE	UAnDIR	UAnPS1	UAnPS0	UAnCL	UAnSL								
(n = 0 to 3)																
UAnPWR	UARTAn operation control															
0	Disable UARTAn operation (UARTAn reset asynchronously)															
1	Enable UARTAn operation															
The UARTAn operation is controlled by the UAnPWR bit. The TXDAn pin output is fixed to high level by clearing the UAnPWR bit to 0 (fixed to low level if UAnOPT0.UAnTDL bit = 1).																
UAnTXE	Transmission operation enable															
0	Disable transmission operation															
1	Enable transmission operation															
<ul style="list-style-type: none"> To start transmission, set the UAnPWR bit to 1 and then set the UAnTXE bit to 1. To stop, transmission clear the UAnTXE bit to 0 and then UAnPWR bit to 0. To initialize the transmission unit, clear the UAnTXE bit to 0, wait for two cycles of the base clock, and then set the UAnTXE bit to 1 again. Otherwise, initialization may not be executed (for the base clock, see 15.7 (1) (a) Base clock). 																
UAnRXE	Reception operation enable															
0	Disable reception operation															
1	Enable reception operation															
<ul style="list-style-type: none"> To start reception, set the UAnPWR bit to 1 and then set the UAnRXE bit to 1. To stop reception, clear the UAnRXE bit to 0 and then UAnPWR bit to 0. To initialize the reception unit, clear the UAnRXE bit to 0, wait for two periods of the base clock, and then set the UAnRXE bit to 1 again. Otherwise, initialization may not be executed (for the base clock, see 15.7 (1) (a) Base clock). 																

<R>

UAnDIR	Transfer direction selection
0	MSB-first transfer
1	LSB-first transfer

- This register can be rewritten only when the UAnPWR bit = 0 or the UAnTXE bit = the UAnRXE bit = 0.
- When transmission and reception are performed in the LIN format, set the UAnDIR bit to 1.

UAnPS1	UAnPS0	Parity selection during transmission	Parity selection during reception
0	0	No parity output	Reception with no parity
0	1	0 parity output	Reception with 0 parity
1	0	Odd parity output	Odd parity check
1	1	Even parity output	Even parity check

- This register is rewritten only when the UAnPWR bit = 0 or the UAnTXE bit = the UAnRXE bit = 0.
- If “Reception with 0 parity” is selected during reception, a parity check is not performed. Therefore, the UAnSTR.UAnPE bit is not set.
- When transmission and reception are performed in the LIN format, clear the UAnPS1 and UAnPS0 bits to 00.

<R>

UAnCL	Specification of data character length of 1 frame of transmit/receive data
0	7 bits
1	8 bits

- This register can be rewritten only when the UAnPWR bit = 0 or the UAnTXE bit = the UAnRXE bit = 0.
- When transmission and reception are performed in the LIN format, set the UAnCL bit to 1.

UAnSL	Specification of length of stop bit for transmit data
0	1 bit
1	2 bits

This register can be rewritten only when the UAnPWR bit = 0 or the UAnTXE bit = the UAnRXE bit = 0.

Remark For details of parity, see **15.6.9 Parity types and operations**.

(2) UARTAn control register 1 (UAnCTL1)

For details, see 15.7 (2) **UARTAn control register 1 (UAnCTL1)**.

(3) UARTAn control register 2 (UAnCTL2)

For details, see 15.7 (3) **UARTAn control register 2 (UAnCTL2)**.

(4) UARTAn option control register 0 (UAnOPT0)

The UAnOPT0 register is an 8-bit register that controls the serial transfer operation of the UARTAn register.

This register can be read or written in 8-bit or 1-bit units.

Reset sets this register to 14H.

(1/2)

After reset: 14H R/W Address: UA0OPT0 FFFFFFFA03H, UA1OPT0 FFFFFFFA13H,
UA2OPT0 FFFFFFFA23H, UA3OPT0 FFFFFFFA33H

	<7>	6	5	4	3	2	1	0
UAnOPT0 (n = 0 to 3)	UAnSRF	UAnSRT	UAnSTT	UAnSLS2	UAnSLS1	UAnSLS0	UAnTDL	UAnRDL

UAnSRF	SBF reception flag
0	When the UAnCTL0.UAnPWR bit = UAnCTL0.UAnRXE bit = 0 are set. Also upon normal end of SBF reception.
1	During SBF reception
<ul style="list-style-type: none"> • SBF (Sync Break Field) reception is judged during LIN communication. • The UAnSRF bit is held at 1 when an SBF reception error occurs, and then SBF reception is started again. • UAnSRF bit is a read-only bit. 	

UAnSRT	SBF reception trigger
0	–
1	SBF reception trigger
<ul style="list-style-type: none"> • This is the SBF reception trigger bit during LIN communication, and when read, “0” is always read. For SBF reception, set the UAnSRT bit (to 1) to enable SBF reception. • Set the UAnSRT bit after setting the UAnPWR bit = UAnRXE bit = 1. 	

UAnSTT	SBF transmission trigger
0	–
1	SBF transmission trigger
<ul style="list-style-type: none"> • This is the SBF transmission trigger bit during LIN communication, and when read, “0” is always read. • Set the UAnSTT bit after setting the UAnPWR bit = UAnTXE bit = 1. 	

Caution Do not set the UAnSRT and UAnSTT bits (to 1) during SBF reception (UAnSRF bit = 1).

<R>

UAnSLS2	UAnSLS1	UAnSLS0	SBF transmit length selection
1	0	1	13-bit output (reset value)
1	1	0	14-bit output
1	1	1	15-bit output
0	0	0	16-bit output
0	0	1	17-bit output
0	1	0	18-bit output
0	1	1	19-bit output
1	0	0	20-bit output

This register can be set when the UAnPWR bit = 0 or when the UAnTXE bit = 0.

UAnTDL	Transmit data level bit
0	Normal output of transfer data
1	Inverted output of transfer data

- The output level of the TXDAn pin can be inverted using the UAnTDL bit.
- This register can be set when the UAnPWR bit = 0 or when the UAnTXE bit = 0.

UAnRDL	Receive data level bit
0	Normal input of transfer data
1	Inverted input of transfer data

- The input level of the RXDAn pin can be inverted using the UAnRDL bit.
- This register can be set when the UAnPWR bit = 0 or the UAnRXE bit = 0.

(5) UARTAn status register (UAnSTR)

The UAnSTR register is an 8-bit register that displays the UARTAn transfer status and reception error contents. This register can be read or written in 8-bit or 1-bit units, but the UAnTSF bit is a read-only bit, while the UAnPE, UAnFE, and UAnOVE bits can both be read and written. However, these bits can only be cleared by writing 0; they cannot be set by writing 1 (even if 1 is written to them, the value is retained).

The initialization conditions are shown below.

Register/Bit	Initialization Conditions
UAnSTR register	<ul style="list-style-type: none"> • Reset • UAnCTL0.UAnPWR = 0
UAnTSF bit	<ul style="list-style-type: none"> • UAnCTL0.UAnTXE = 0
UAnPE, UAnFE, UAnOVE bits	<ul style="list-style-type: none"> • 0 write • UAnCTL0.UAnRXE = 0

After reset: 00H R/W Address: UA0STR FFFFFFFA04H, UA1STR FFFFFFFA14H,
 UA2STR FFFFFFFA24H, UA3STR FFFFFFFA34H

	<7>	6	5	4	3	<2>	<1>	<0>
UAnSTR (n = 0 to 3)	UAnTSF	0	0	0	0	UAnPE	UAnFE	UAnOVE

UAnTSF	Transfer status flag
0	<ul style="list-style-type: none"> When the UAnPWR bit = 0 or the UAnTXE bit = 0 has been set. When, following transfer completion, there was no next data transfer from UAnTX register
1	Write to UAnTX register
<p>The UAnTSF bit is always 1 when performing continuous transmission. When initializing the transmission unit, check that the UAnTSF bit = 0 before performing initialization. The transmit data is not guaranteed when initialization is performed while the UAnTSF bit = 1.</p>	

UAnPE	Parity error flag
0	<ul style="list-style-type: none"> When the UAnPWR bit = 0 or the UAnRXE bit = 0 has been set. When 0 has been written
1	When parity of data and parity bit do not match during reception.
<ul style="list-style-type: none"> The operation of the UAnPE bit is controlled by the settings of the UAnCTL0.UAnPS1 and UAnCTL0.UAnPS0 bits. The UAnPE bit can be read and written, but it can only be cleared by writing 0 to it, and it cannot be set by writing 1 to it. When 1 is written to this bit, the value is retained. 	

UAnFE	Framing error flag
0	<ul style="list-style-type: none"> When the UAnPWR bit = 0 or the UAnRXE bit = 0 has been set When 0 has been written
1	When no stop bit is detected during reception
<ul style="list-style-type: none"> Only the first bit of the receive data stop bits is checked, regardless of the value of the UAnCTL0.UAnSL bit. The UAnFE bit can be both read and written, but it can only be cleared by writing 0 to it, and it cannot be set by writing 1 to it. When 1 is written to this bit, the value is retained. 	

UAnOVE	Overrun error flag
0	<ul style="list-style-type: none"> When the UAnPWR bit = 0 or the UAnRXE bit = 0 has been set. When 0 has been written
1	When receive data has been set to the UAnRX register and the next receive operation is completed before that receive data has been read
<ul style="list-style-type: none"> When an overrun error occurs, the data is discarded without the next receive data being written to the receive buffer. The UAnOVE bit can be both read and written, but it can only be cleared by writing 0 to it. When 1 is written to this bit, the value is retained. 	

(6) UARTAn receive data register (UAnRX)

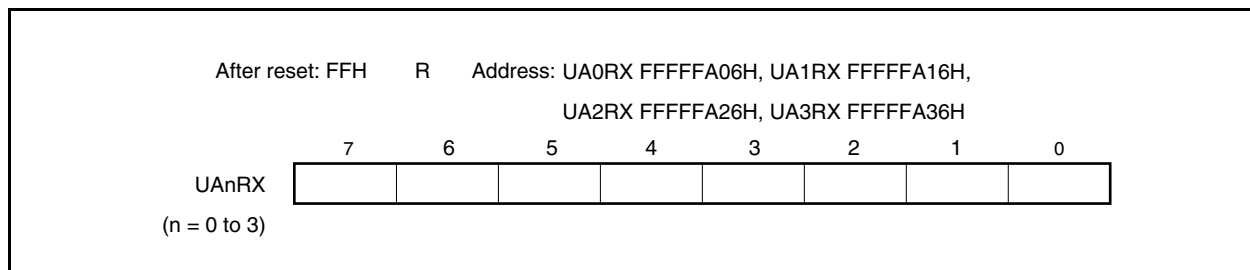
The UAnRX register is an 8-bit buffer register that stores parallel data converted by the receive shift register. The data stored in the receive shift register is transferred to the UAnRX register upon completion of reception of 1 byte of data.

During LSB-first reception when the data length has been specified as 7 bits, the receive data is transferred to bits 6 to 0 of the UAnRX register and the MSB always becomes 0. During MSB-first reception, the receive data is transferred to bits 7 to 1 of the UAnRX register and the LSB always becomes 0.

When an overrun error (UAnOVE) occurs, the receive data at this time is not transferred to the UAnRX register and is discarded.

This register is read-only, in 8-bit units.

In addition to reset input, the UAnRX register can be set to FFH by clearing the UAnCTL0.UAnPWR bit to 0.

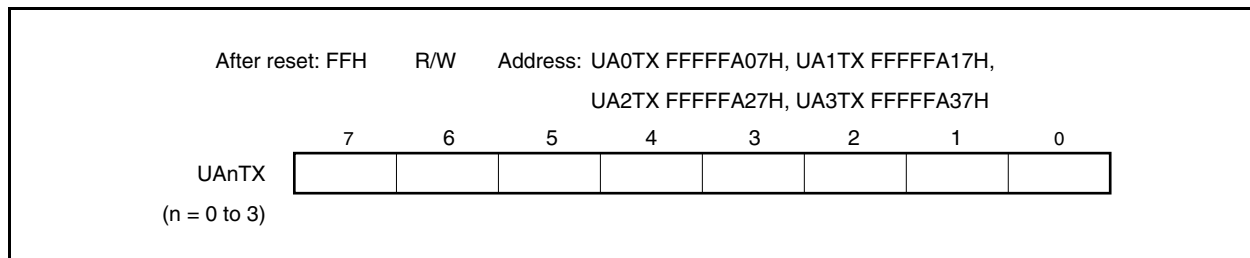


(7) UARTAn transmit data register (UAnTX)

The UAnTX register is an 8-bit register used to set transmit data.

This register can be read or written in 8-bit units.

Reset sets this register to FFH.



15.5 Interrupt Request Signals

The following two interrupt request signals are generated from UARTAn.

- Reception complete interrupt request signal (INTUAnR)
- Transmission enable interrupt request signal (INTUAnT)

The default priority for these two interrupt request signals is reception complete interrupt request signal then transmission enable interrupt request signal.

Table 15-2. Interrupts and Their Default Priorities

Interrupt	Priority
Reception complete	High
Transmission enable	Low

(1) Reception complete interrupt request signal (INTUAnR)

A reception complete interrupt request signal is output when data is shifted into the receive shift register and transferred to the UAnRX register in the reception enabled status.

<R>

A reception complete interrupt request signal is also output when a reception error occurs. Therefore, when a reception complete interrupt request signal is acknowledged and the data is read, read the UAnSTR register and check that the reception result is not an error.

No reception complete interrupt request signal is generated in the reception disabled status.

(2) Transmission enable interrupt request signal (INTUAnT)

If transmit data is transferred from the UAnTX register to the UARTAn transmit shift register with transmission enabled, the transmission enable interrupt request signal is generated.

15.6 Operation

15.6.1 Data format

Full-duplex serial data reception and transmission is performed.

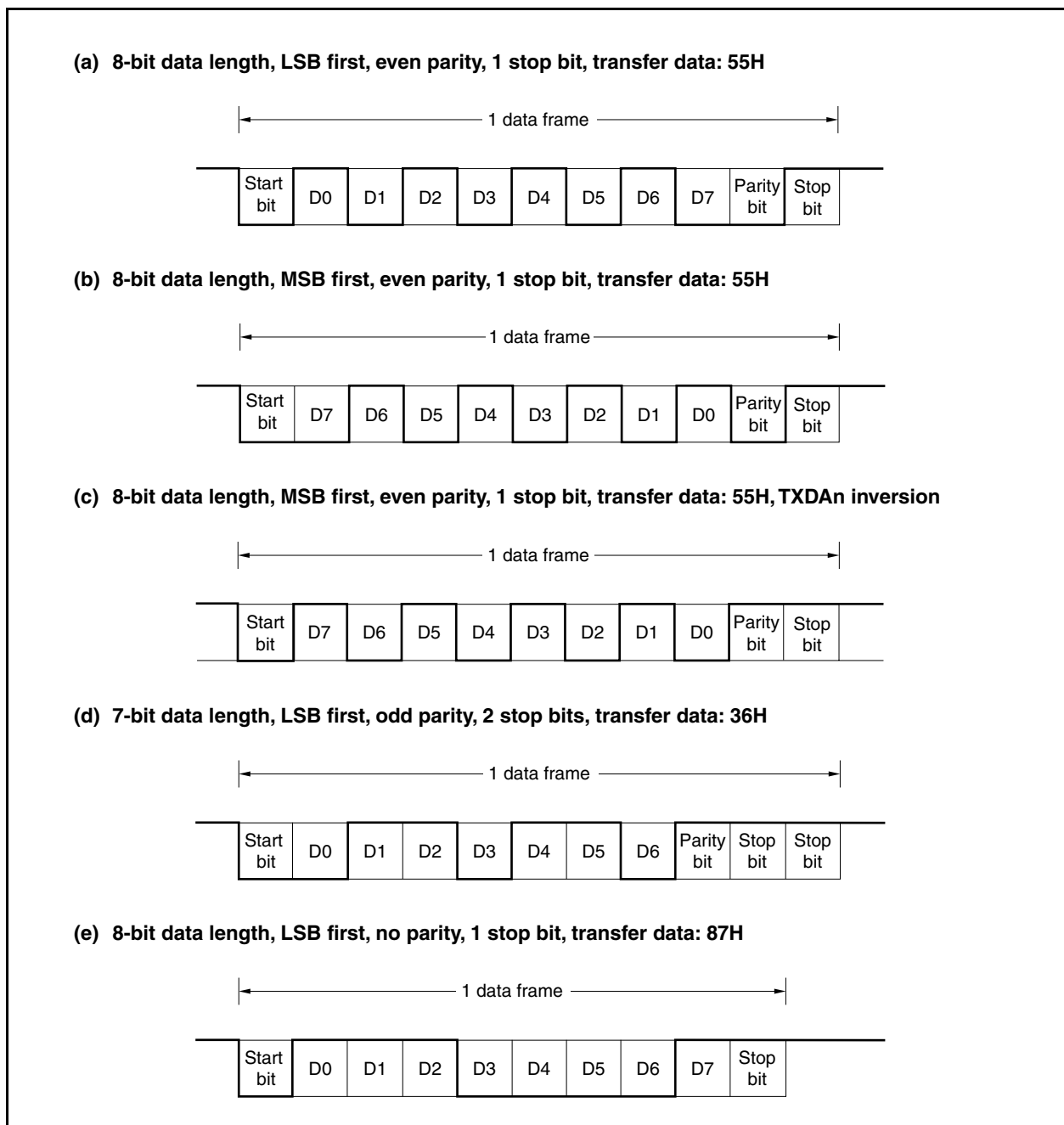
As shown in Figure 15-5, one data frame of transmit/receive data consists of a start bit, character bits, parity bit, and stop bit(s).

Specification of the character bit length within 1 data frame, parity selection, specification of the stop bit length, and specification of MSB/LSB-first transfer are performed using the UAnCTL0 register.

Moreover, control of UART output/inverted output for the TXDAn bit is performed using the UAnOPT0.UAnTDL bit.

- Start bit..... 1 bit
- Character bits 7 bits/8 bits
- Parity bit Even parity/odd parity/0 parity/no parity
- Stop bit 1 bit/2 bits

Figure 15-5. UARTA Transmit/Receive Data Format



15.6.2 SBF transmission/reception format

The V850ES/JJ2 has an SBF (Sync Break Field) transmission/reception control function to enable use of the LIN function.

Remark LIN stands for Local Interconnect Network and is a low-speed (1 to 20 kbps) serial communication protocol intended to aid the cost reduction of an automotive network.

LIN communication is single-master communication, and up to 15 slaves can be connected to one master.

The LIN slaves are used to control the switches, actuators, and sensors, and these are connected to the LIN master via the LIN network.

Normally, the LIN master is connected to a network such as CAN (Controller Area Network).

In addition, the LIN bus uses a single-wire method and is connected to the nodes via a transceiver that complies with ISO9141.

In the LIN protocol, the master transmits a frame with baud rate information and the slave receives it and corrects the baud rate error. Therefore, communication is possible when the baud rate error in the slave is $\pm 15\%$ or less.

Figures 15-6 and 15-7 outline the transmission and reception manipulations of LIN.

Figure 15-6. LIN Transmission Manipulation Outline

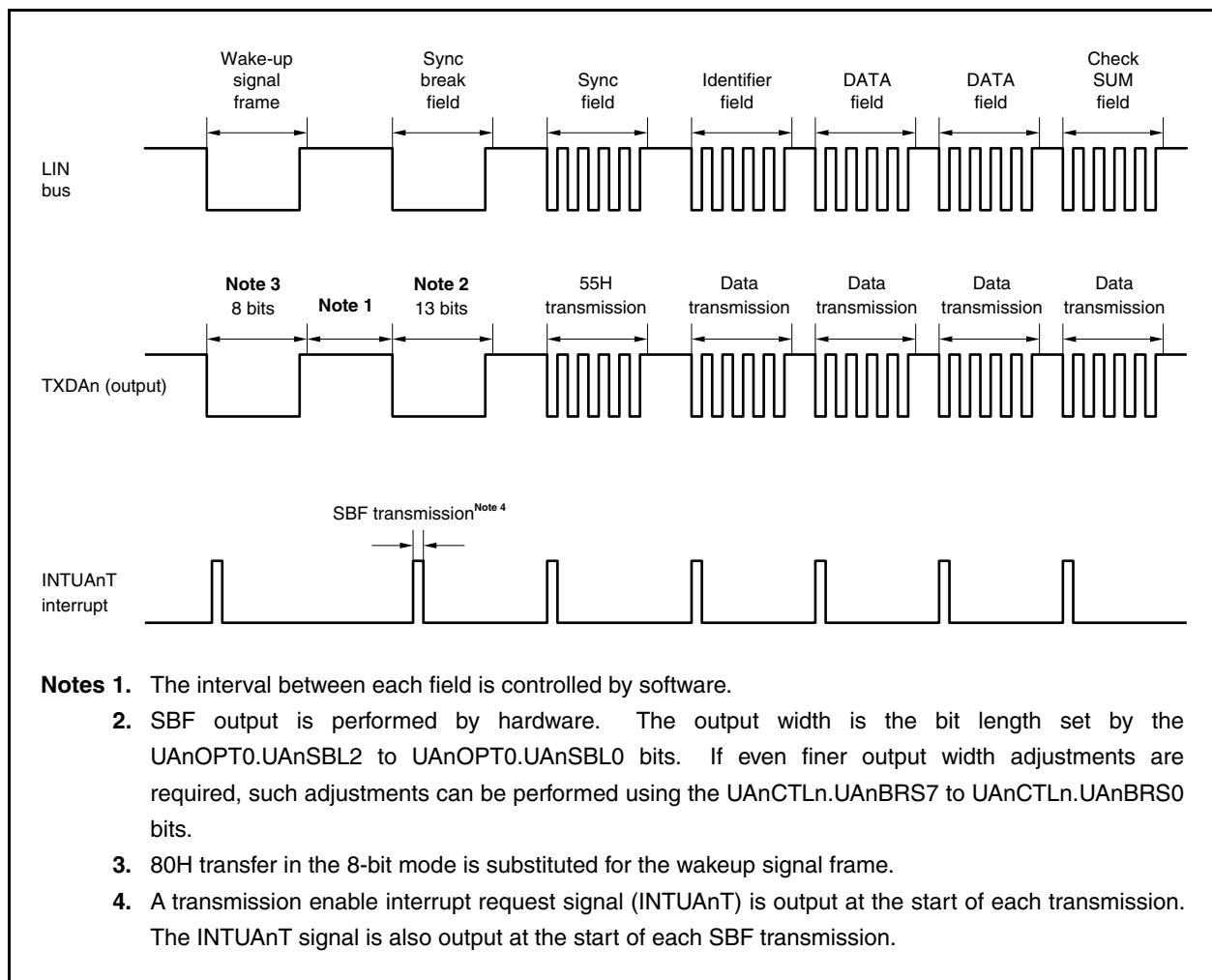
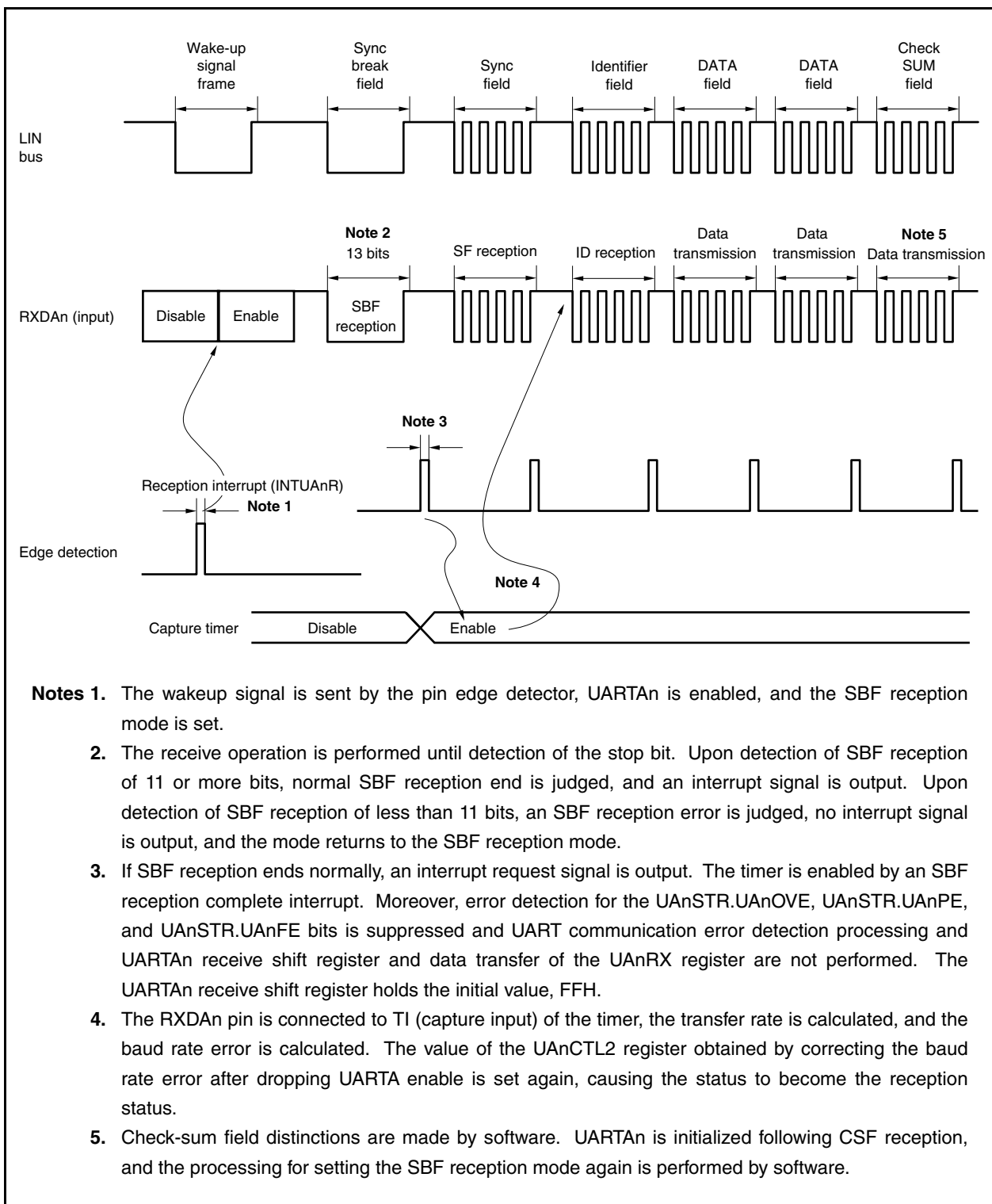


Figure 15-7. LIN Reception Manipulation Outline



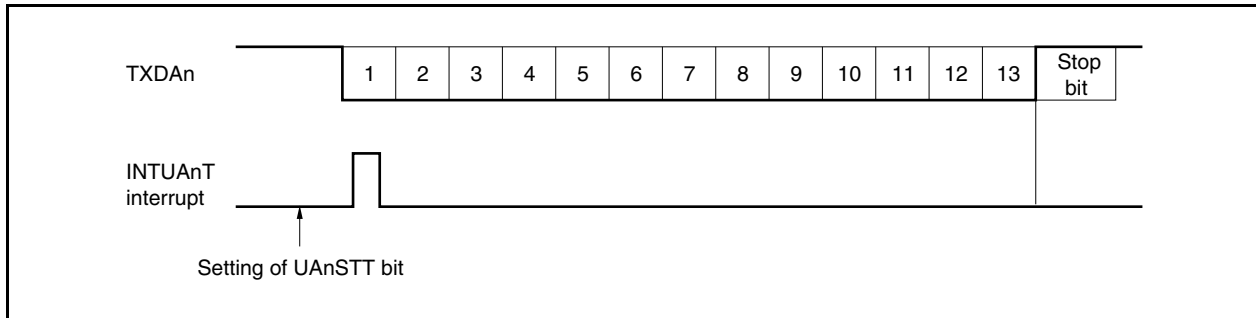
15.6.3 SBF transmission

When the UAnCTL0.UAnPWR bit = UAnCTL0.UAnTXE bit = 1, the transmission enabled status is entered, and SBF transmission is started by setting (to 1) the SBF transmission trigger (UAnOPT0.UAnSTT bit).

Thereafter, a low level the width of bits 13 to 20 specified by the UAnOPT0.UAnSLS2 to UAnOPT0.UAnSLS0 bits is output. A transmission enable interrupt request signal (INTUAnT) is generated upon SBF transmission start. Following the end of SBF transmission, the UAnSTT bit is automatically cleared. Thereafter, the UART transmission mode is restored.

Transmission is suspended until the data to be transmitted next is written to the UAnTX register, or until the SBF transmission trigger (UAnSTT bit) is set.

Figure 15-8. SBF Transmission



15.6.4 SBF reception

The reception enabled status is achieved by setting the UAnCTL0.UAnPWR bit to 1 and then setting the UAnCTL0.UAnRXE bit to 1.

The SBF reception wait status is set by setting the SBF reception trigger (UAnOPT0.UAnSTR bit) to 1.

In the SBF reception wait status, similarly to the UART reception wait status, the RXDAn pin is monitored and start bit detection is performed.

Following detection of the start bit, reception is started and the internal counter counts up according to the set baud rate.

When a stop bit is received, if the SBF width is 11 or more bits, normal processing is judged and a reception complete interrupt request signal (INTUAnR) is output. The UAnOPT0.UAnSRF bit is automatically cleared and SBF reception ends. Error detection for the UAnSTR.UAnOVE, UAnSTR.UAnPE, and UAnSTR.UAnFE bits is suppressed and UART communication error detection processing is not performed. Moreover, data transfer of the UARTAn reception shift register and UAnRX register is not performed and FFH, the initial value, is held. If the SBF width is 10 or fewer bits, reception is terminated as error processing without outputting an interrupt, and the SBF reception mode is returned to. The UAnSRF bit is not cleared at this time.

<R>

Cautions 1. If SBF is transmitted during a data reception, a framing error occurs.

<R>

2. Do not set the SBF reception trigger bit (UAnSRT) and SBF transmission trigger bit (UAnSTT) to 1 during an SBF reception (UAnSRF = 1).

Figure 15-9. SBF Reception (1/2)

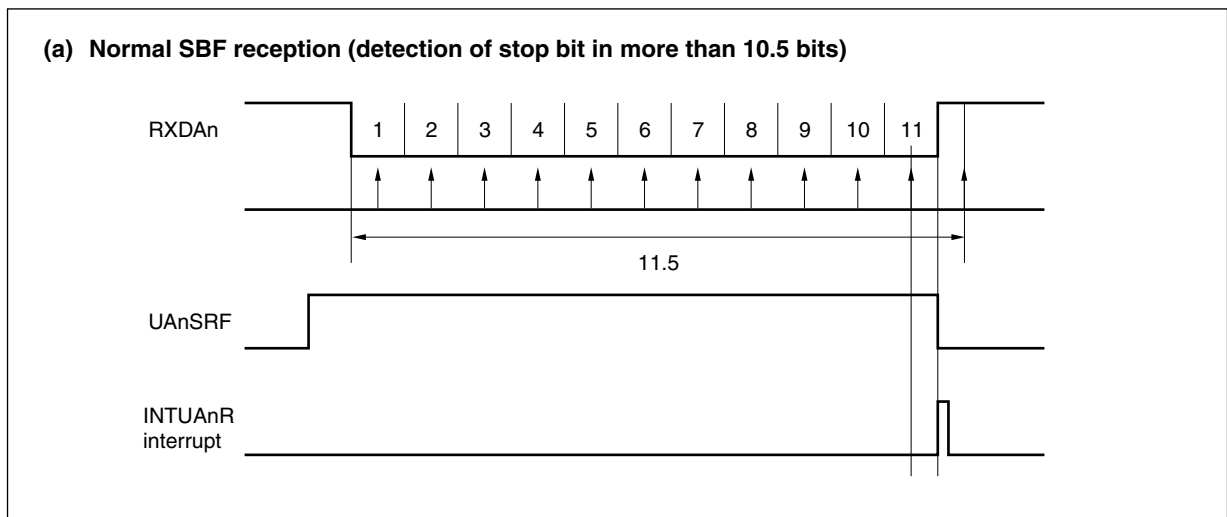
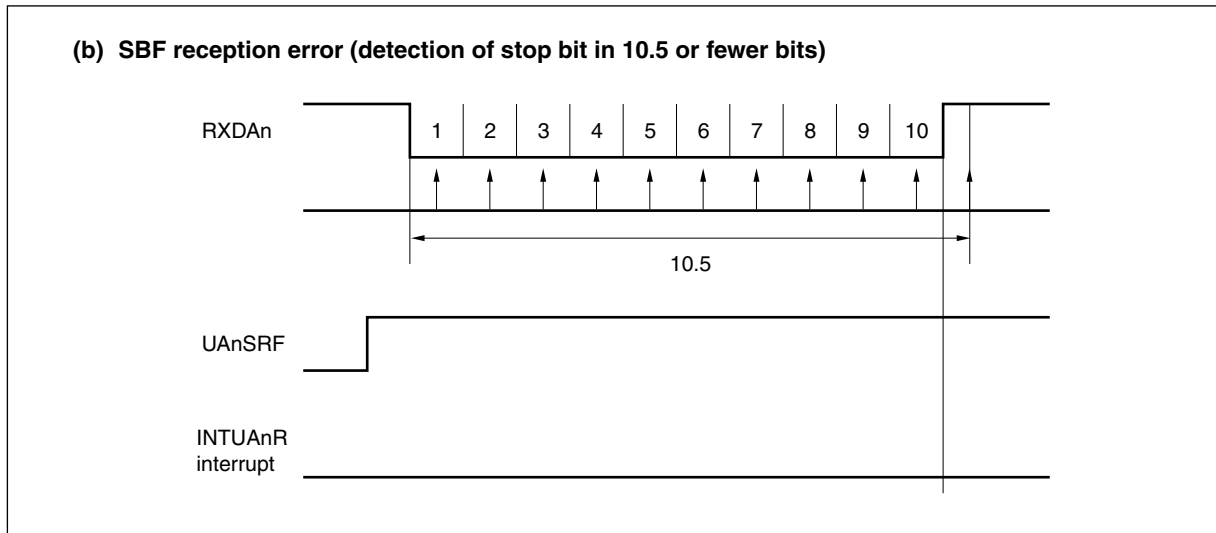


Figure 15-9. SBF Reception (2/2)



15.6.5 UART transmission

A high level is output to the TXDAn pin by setting the UAnCTL0.UAnPWR bit to 1.

Next, the transmission enabled status is set by setting the UAnCTL0.UAnTXE bit to 1, and transmission is started by writing transmit data to the UAnTX register. The start bit, parity bit, and stop bit are automatically added.

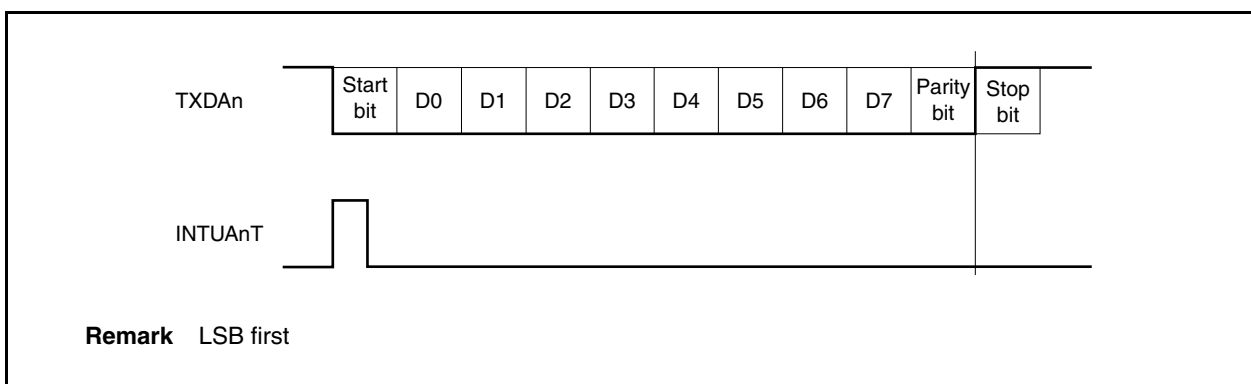
Since the CTS (transmit enable signal) input pin is not provided in UARTAn, use a port to check that reception is enabled at the transmit destination.

The data in the UAnTX register is transferred to the UARTAn transmit shift register upon the start of the transmit operation.

A transmission enable interrupt request signal (INTUAnT) is generated upon completion of transmission of the data of the UAnTX register to the UARTAn transmit shift register, and thereafter the contents of the UARTAn transmit shift register are output to the TXDAn pin.

Write of the next transmit data to the UAnTX register is enabled after the INTUAnT signal is generated.

Figure 15-10. UART Transmission



15.6.6 Continuous transmission procedure

UARTAn can write the next transmit data to the UAnTX register when the UARTAn transmit shift register starts the shift operation. The transmit timing of the UARTAn transmit shift register can be judged from the transmission enable interrupt request signal (INTUAnT).

An efficient communication rate is realized by writing the data to be transmitted next to the UAnTX register during transfer.

Caution When initializing transmissions during the execution of continuous transmissions, make sure that the UAnSTR.UAnTSF bit is 0, then perform the initialization. Transmit data that is initialized when the UAnTSF bit is 1 cannot be guaranteed.

Figure 15-11. Continuous Transmission Processing Flow

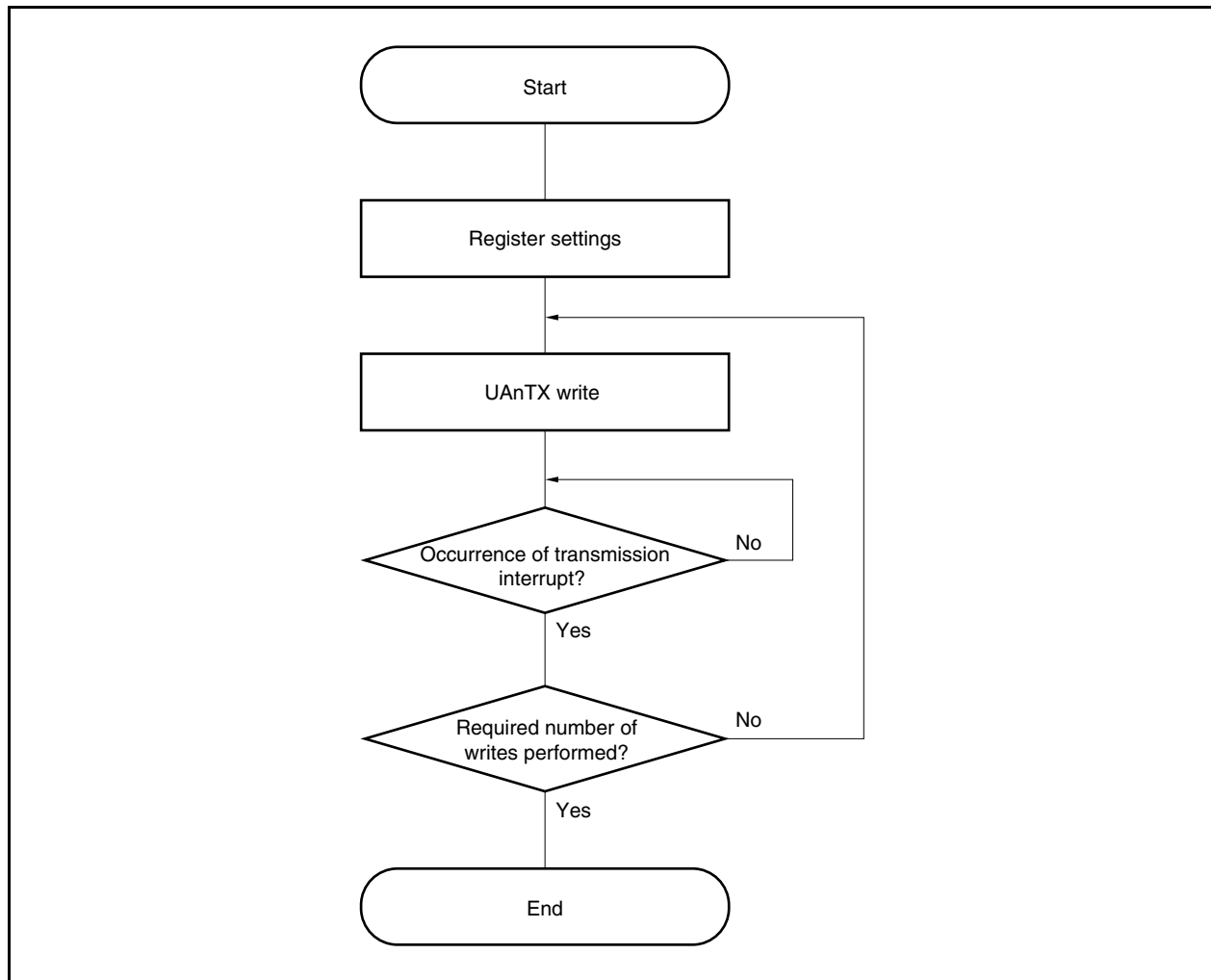
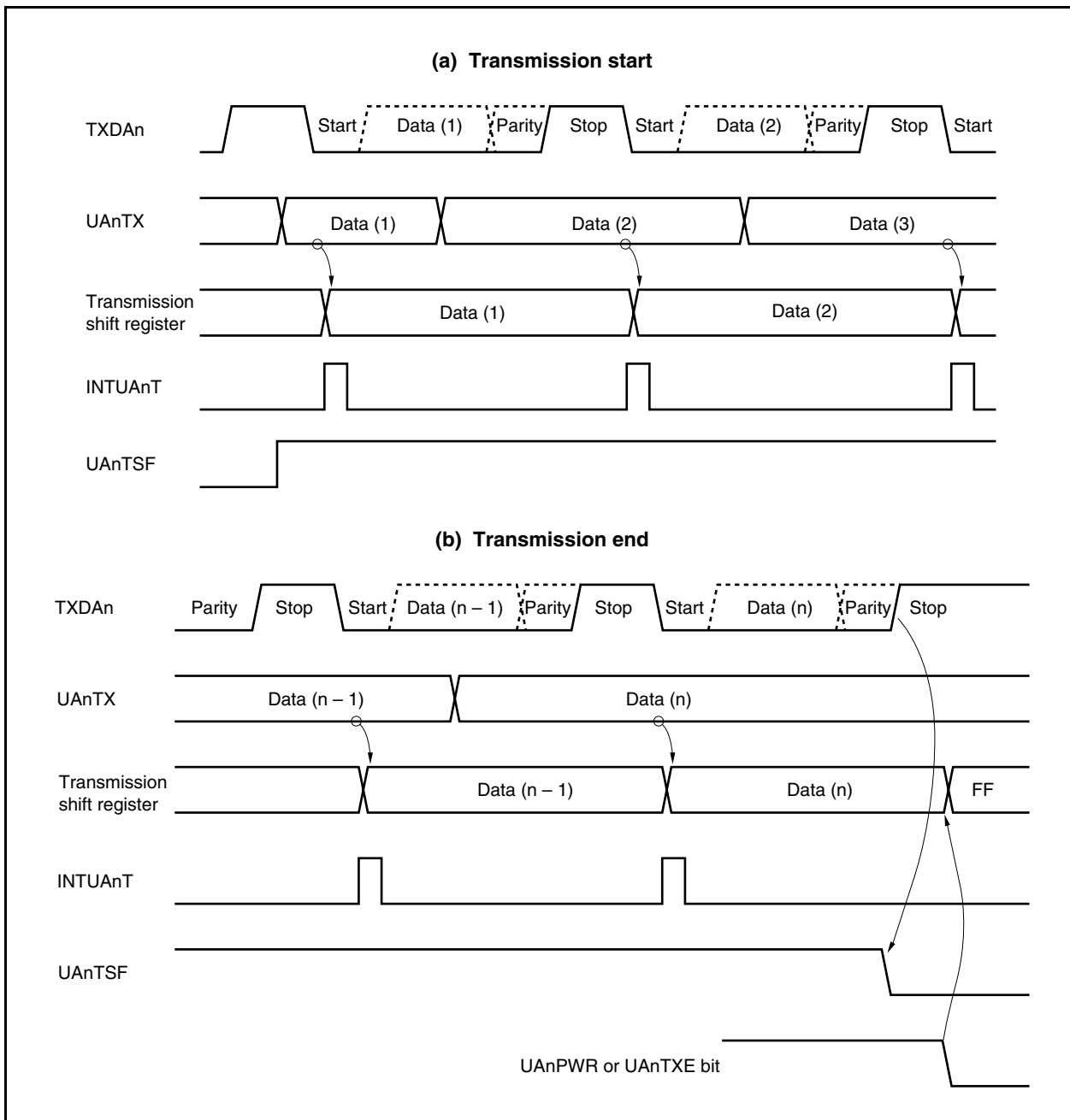


Figure 15-12. Continuous Transmission Operation Timing



15.6.7 UART reception

The reception wait status is set by setting the UAnCTL0.UAnPWR bit to 1 and then setting the UAnCTL0.UAnRXE bit to 1. In the reception wait status, the RXDAn pin is monitored and start bit detection is performed.

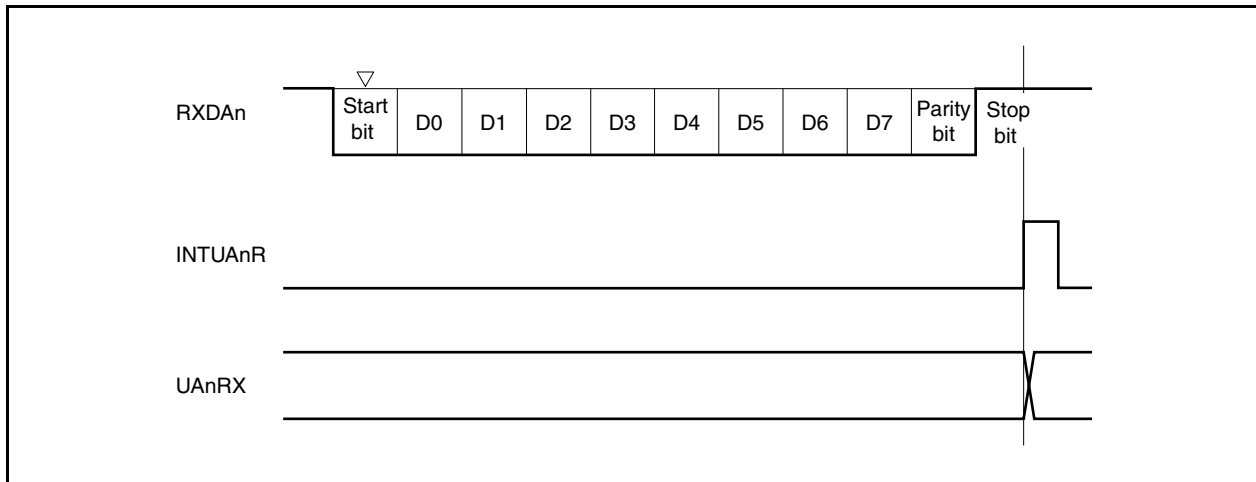
Start bit detection is performed using a two-step detection routine.

First the rising edge of the RXDAn pin is detected and sampling is started at the falling edge. The start bit is recognized if the RXDAn pin is low level at the start bit sampling point. After a start bit has been recognized, the receive operation starts, and serial data is saved to the UARTAn receive shift register according to the set baud rate.

When the reception complete interrupt request signal (INTUAnR) is output upon reception of the stop bit, the data of the UARTAn receive shift register is written to the UAnRX register. However, if an overrun error (UAnSTR.UAnOVE bit) occurs, the receive data at this time is not written to the UAnRX register and is discarded.

Even if a parity error (UAnSTR.UAnPE bit) or a framing error (UAnSTR.UAnFE bit) occurs during reception, reception continues until the reception position of the first stop bit, and INTUAnR is output following reception completion.

Figure 15-13. UART Reception



- Cautions**
1. Be sure to read the UAnRX register even when a reception error occurs. If the UAnRX register is not read, an overrun error occurs during reception of the next data, and reception errors continue occurring indefinitely.
 2. The operation during reception is performed assuming that there is only one stop bit. A second stop bit is ignored.
 3. When reception is completed, read the UAnRX register after the reception complete interrupt request signal (INTUAnR) has been generated, and clear the UAnPWR or UAnRXE bit to 0. If the UAnPWR or UAnRXE bit is cleared to 0 before the INTUAnR signal is generated, the read value of the UAnRX register cannot be guaranteed.
 4. If receive completion processing (INTUAnR signal generation) of UARTAn and the UAnPWR bit = 0 or UAnRXE bit = 0 conflict, the INTUAnR signal may be generated in spite of these being no data stored in the UAnRX register.

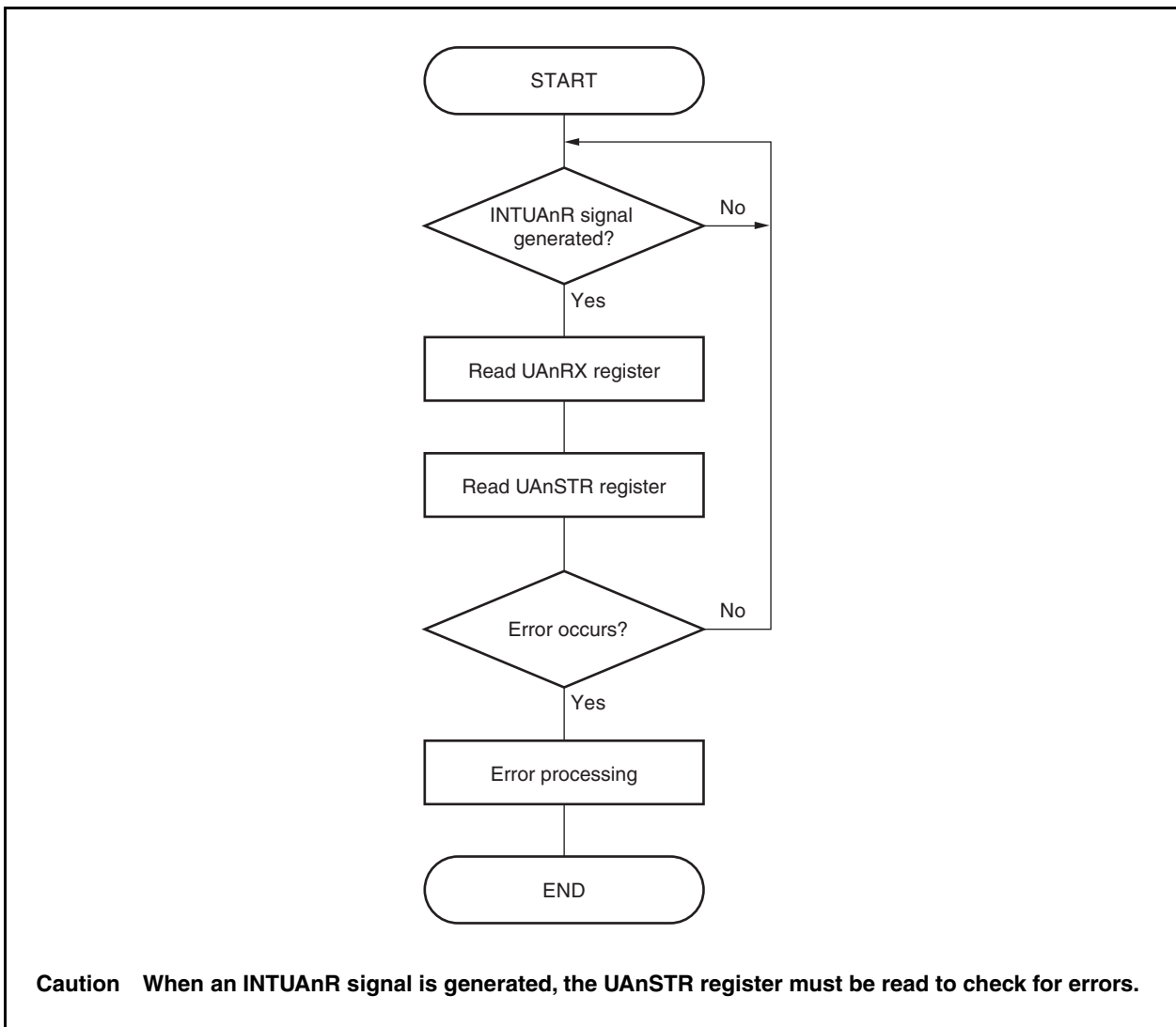
To complete reception without waiting INTUAnR signal generation, be sure to clear (0) the interrupt request flag (UAnRIF) of the UAnRIC register, after setting (1) the interrupt mask flag (UAnRMK) of the interrupt control register (UAnRIC) and then set (1) the UAnPWR bit = 0 or UAnRXE bit = 0.

15.6.8 Reception errors

Errors during a receive operation are of three types: parity errors, framing errors, and overrun errors. Data reception result error flags are set in the UAnSTR register and a reception complete interrupt request signal (INTUAnR) is output when an error occurs.

It is possible to ascertain which error occurred during reception by reading the contents of the UAnSTR register. Clear the reception error flag by writing 0 to it after reading it.

- Receive data read flow



- Reception error causes

Error Flag	Reception Error	Cause
UAnPE	Parity error	Received parity bit does not match the setting
UAnFE	Framing error	Stop bit not detected
UAnOVE	Overrun error	Reception of next data completed before data was read from receive buffer

When reception errors occur, perform the following procedures depending upon the kind of error.

- Parity error
If false data is received due to problems such as noise in the reception line, discard the received data and retransmit.
- Framing error
A baud rate error may have occurred between the reception side and transmission side or the start bit may have been erroneously detected. Since this is a fatal error for the communication format, check the operation stop in the transmission side, perform initialization processing each other, and then start the communication again.
- Overrun error
Since the next reception is completed before reading receive data, 1 frame of data is discarded. If this data was needed, do a retransmission.

Caution If a receive error interrupt occurs during continuous reception, read the contents of the UAnSTR register must be read before the next reception is completed, then perform error processing.

15.6.9 Parity types and operations

Caution When using the LIN function, fix the UAnPS1 and UAnPS0 bits of the UAnCTL0 register to 00.

The parity bit is used to detect bit errors in the communication data. Normally the same parity is used on the transmission side and the reception side.

In the case of even parity and odd parity, it is possible to detect odd-count bit errors. In the case of 0 parity and no parity, errors cannot be detected.

(a) Even parity

(i) During transmission

The number of bits whose value is "1" among the transmit data, including the parity bit, is controlled so as to be an even number. The parity bit values are as follows.

- Odd number of bits whose value is "1" among transmit data: 1
- Even number of bits whose value is "1" among transmit data: 0

(ii) During reception

The number of bits whose value is "1" among the reception data, including the parity bit, is counted, and if it is an odd number, a parity error is output.

(b) Odd parity

(i) During transmission

Opposite to even parity, the number of bits whose value is "1" among the transmit data, including the parity bit, is controlled so that it is an odd number. The parity bit values are as follows.

- Odd number of bits whose value is "1" among transmit data: 0
- Even number of bits whose value is "1" among transmit data: 1

(ii) During reception

The number of bits whose value is "1" among the receive data, including the parity bit, is counted, and if it is an even number, a parity error is output.

(c) 0 parity

During transmission, the parity bit is always made 0, regardless of the transmit data.

During reception, parity bit check is not performed. Therefore, no parity error occurs, regardless of whether the parity bit is 0 or 1.

(d) No parity

No parity bit is added to the transmit data.

Reception is performed assuming that there is no parity bit. No parity error occurs since there is no parity bit.

15.6.10 Receive data noise filter

This filter samples the RXDAn pin using the base clock of the prescaler output.

When the same sampling value is read twice, the match detector output changes and the RXDAn signal is sampled as the input data. Therefore, data not exceeding 2 clock width is judged to be noise and is not delivered to the internal circuit (see **Figure 15-15**). See **15.7 (1) (a) Base clock** regarding the base clock.

Moreover, since the circuit is as shown in Figure 15-14, the processing that goes on within the receive operation is delayed by 3 clocks in relation to the external signal status.

Figure 15-14. Noise Filter Circuit

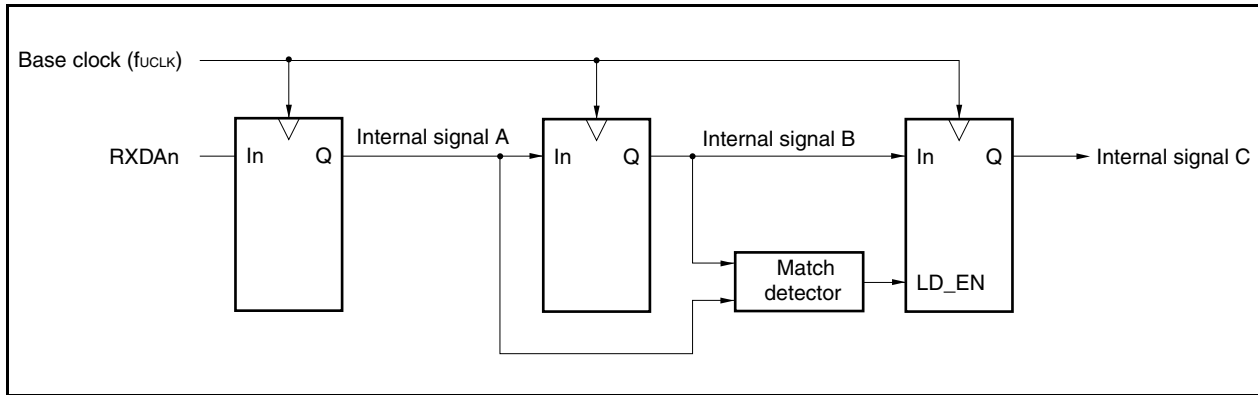
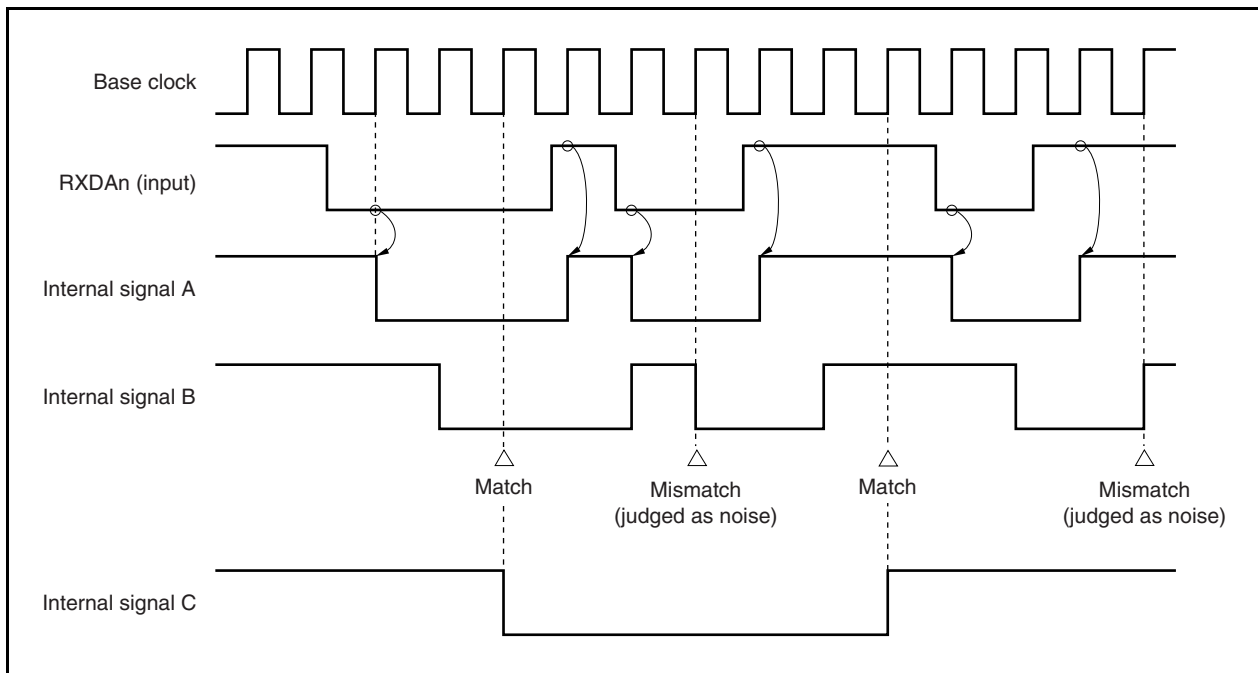


Figure 15-15. Timing of RXDAn Signal Judged as Noise



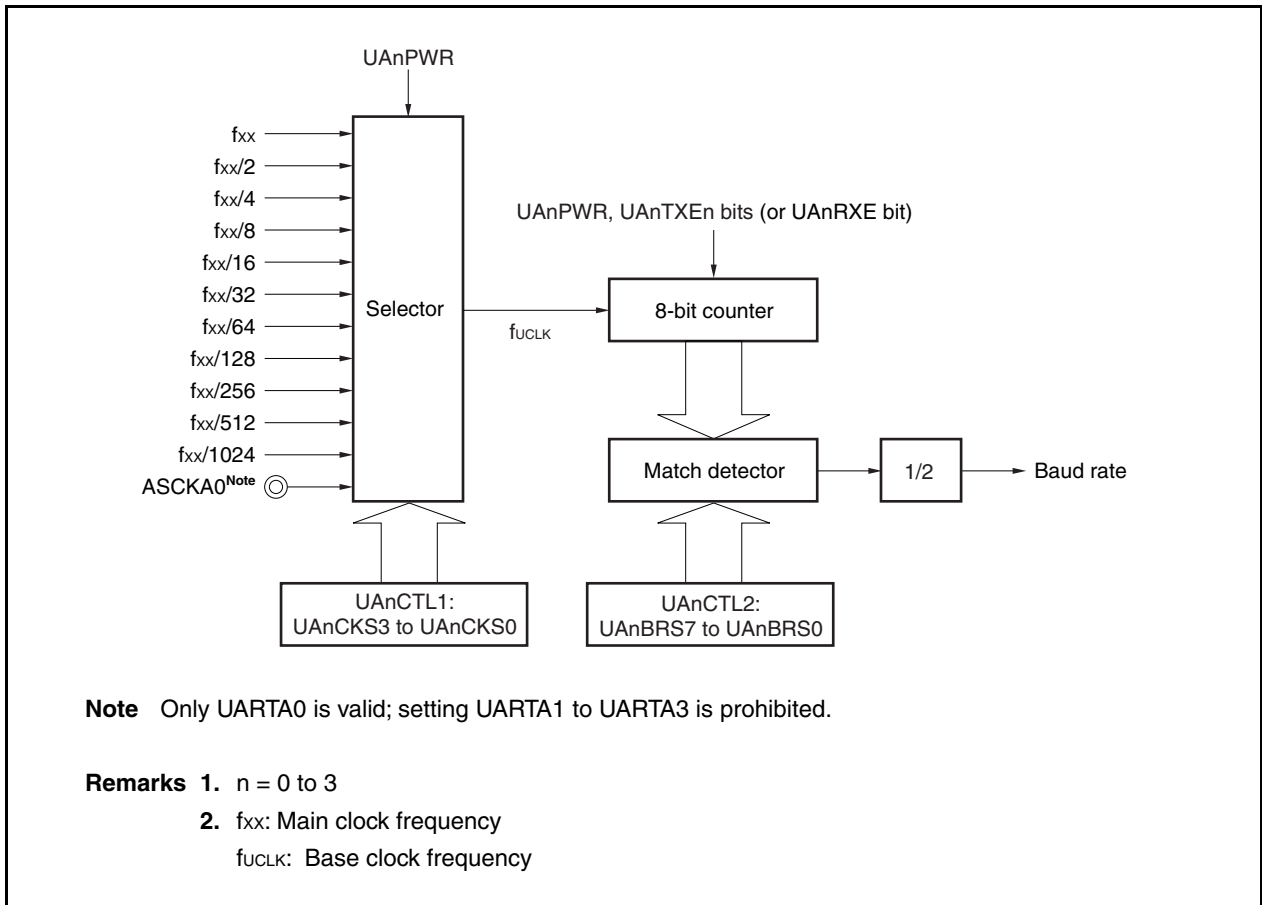
15.7 Dedicated Baud Rate Generator

The dedicated baud rate generator consists of a source clock selector block and an 8-bit programmable counter, and generates a serial clock during transmission and reception with UARTAn. Regarding the serial clock, a dedicated baud rate generator output can be selected for each channel.

There is an 8-bit counter for transmission and another one for reception.

(1) Baud rate generator configuration

Figure 15-16. Configuration of Baud Rate Generator



(a) Base clock

When the UAnCTL0.UAnPWR bit is 1, the clock selected by the UAnCTL1.UAnCKS3 to UAnCTL1.UAnCKS0 bits is supplied to the 8-bit counter. This clock is called the base clock (f_{UCLK}).

(b) Serial clock generation

A serial clock can be generated by setting the UAnCTL1 register and the UAnCTL2 register ($n = 0$ to 3).

The base clock is selected by UAnCTL1.UAnCKS3 to UAnCTL1.UAnCKS0 bits.

The frequency division value for the 8-bit counter can be set using the UAnCTL2.UAnBRS7 to UAnCTL2.UAnBRS0 bits.

(2) UARTAn control register 1 (UAnCTL1)

The UAnCTL1 register is an 8-bit register that selects the UARTAn base clock.

This register can be read or written in 8-bit units.

Reset sets this register to 00H.

Caution Clear the UAnCTL0.UAnPWR bit to 0 before rewriting the UAnCTL1 register.

After reset: 00H R/W Address: UA0CTL1 FFFFFFFA01H, UA1CTL1 FFFFFFFA11H,
 UA2CTL1 FFFFFFFA21H, UA3CTL1 FFFFFFFA31H

	7	6	5	4	3	2	1	0
UAnCTL1	0	0	0	0	UAnCKS3	UAnCKS2	UAnCKS1	UAnCKS0

(n = 0 to 3)

UAnCKS3	UAnCKS2	UAnCKS1	UAnCKS0	Base clock (f _{CLK}) selection
0	0	0	0	f _{xx}
0	0	0	1	f _{xx} /2
0	0	1	0	f _{xx} /4
0	0	1	1	f _{xx} /8
0	1	0	0	f _{xx} /16
0	1	0	1	f _{xx} /32
0	1	1	0	f _{xx} /64
0	1	1	1	f _{xx} /128
1	0	0	0	f _{xx} /256
1	0	0	1	f _{xx} /512
1	0	1	0	f _{xx} /1,024
1	0	1	1	External clock ^{Note} (ASCKA0 pin)
Other than above				Setting prohibited

Note Only UARTA0 is valid; setting UARTA1 to UARTA3 is prohibited.

Remark f_{xx}: Main clock frequency

(3) UARTAn control register 2 (UAnCTL2)

The UAnCTL2 register is an 8-bit register that selects the baud rate (serial transfer speed) clock of UARTAn.

This register can be read or written in 8-bit units.

Reset sets this register to FFH.

Caution Clear the UAnCTL0.UAnPWR bit to 0 or clear the UAnTXE and UAnRXE bits to 00 before rewriting the UAnCTL2 register.

After reset FFH R/W Address: UA0CTL2 FFFFFFFA02H, UA1CTL2 FFFFFFFA12H,
UA2CTL2 FFFFFFFA22H, UA3CTL2 FFFFFFFA32H

7	6	5	4	3	2	1	0		
UAnBRS7	UAnBRS6	UAnBRS5	UAnBRS4	UAnBRS3	UAnBRS2	UAnBRS1	UAnBRS0		

UAnCTL2
(n = 0 to 3)

UAn BRS7	UAn BRS6	UAn BRS5	UAn BRS4	UAn BRS3	UAn BRS2	UAn BRS1	UAn BRS0	Default (k)	Serial clock
0	0	0	0	0	0	×	×	×	Setting prohibited
0	0	0	0	0	1	0	0	4	f _{UCLK} /4
0	0	0	0	0	1	0	1	5	f _{UCLK} /5
0	0	0	0	0	1	1	0	6	f _{UCLK} /6
:	:	:	:	:	:	:	:	:	:
1	1	1	1	1	1	0	0	252	f _{UCLK} /252
1	1	1	1	1	1	0	1	253	f _{UCLK} /253
1	1	1	1	1	1	1	0	254	f _{UCLK} /254
1	1	1	1	1	1	1	1	255	f _{UCLK} /255

Remark f_{UCLK}: Clock frequency selected by the UAnCTL1.UAnCKS3 to UAnCTL1.UAnCKS0 bits

(4) Baud rate

The baud rate is obtained by the following equation.

$$\text{Baud rate} = \frac{f_{\text{UCLK}}}{2 \times k} \text{ [bps]}$$

When using the internal clock, the equation will be as follows (when using the ASCKA0 pin as clock at UARTA0, calculate using the above equation).

$$\text{Baud rate} = \frac{f_{\text{xx}}}{2^{m+1} \times k} \text{ [bps]}$$

Remark f_{UCLK} = Frequency of base clock selected by the UAnCTL1.UAnCKS3 to UAnCTL1.UAnCKS0 bits
 f_{xx} : Main clock frequency
 m = Value set using the UAnCTL1.UAnCKS3 to UAnCTL1.UAnCKS0 bits ($m = 0$ to 10)
 k = Value set using the UAnCTL2.UAnBRS7 to UAnCTL2.UAnBRS0 bits ($k = 4$ to 255)

The baud rate error is obtained by the following equation.

$$\begin{aligned} \text{Error (\%)} &= \left(\frac{\text{Actual baud rate (baud rate with error)}}{\text{Target baud rate (correct baud rate)}} - 1 \right) \times 100 \text{ [\%]} \\ &= \left(\frac{f_{\text{UCLK}}}{2 \times k \times \text{Target baud rate}} - 1 \right) \times 100 \text{ [\%]} \end{aligned}$$

When using the internal clock, the equation will be as follows (when using the ASCKA0 pin as clock at UARTA0, calculate the baud rate error using the above equation).

$$\text{Error (\%)} = \left(\frac{f_{\text{xx}}}{2^{m+1} \times k \times \text{Target baud rate}} - 1 \right) \times 100 \text{ [\%]}$$

- Cautions**
1. The baud rate error during transmission must be within the error tolerance on the receiving side.
 2. The baud rate error during reception must satisfy the range indicated in (5) Allowable baud rate range during reception.

To set the baud rate, perform the following calculation for setting the UAnCTL1 and UAnCTL2 registers (when using internal clock).

- <1> Set k to $f_{xx}/(2 \times \text{target baud rate})$ and m to 0.
- <2> If k is 256 or greater ($k \geq 256$), reduce k to half ($k/2$) and increment m by 1 ($m + 1$).
- <3> Repeat Step <2> until k becomes less than 256 ($k < 256$).
- <4> Round off the first decimal point of k to the nearest whole number.
If k becomes 256 after round-off, perform Step <2> again to set k to 128.
- <5> Set the value of m to UAnCTL1 register and the value of k to the UAnCTL2 register.

Example: When $f_{xx} = 20 \text{ MHz}$ and target baud rate = 153,600 bps

<1> $k = 20,000,000/(2 \times 153,600) = 65.10\dots$, $m = 0$

<2>, <3> $k = 65.10\dots < 256$, $m = 0$

<4> Set value of UAnCTL2 register: $k = 65 = 41\text{H}$, set value of UAnCTL1 register: $m = 0$

Actual baud rate = $20,000,000/(2 \times 65)$
= 153,846 [bps]

Baud rate error = $\{20,000,000/(2 \times 65 \times 153,600) - 1\} \times 100$
= 0.160 [%]

The representative examples of baud rate settings are shown below.

Table 15-3. Baud Rate Generator Setting Data

Baud Rate (bps)	$f_{xx} = 20 \text{ MHz}$			$f_{xx} = 18.874 \text{ MHz}$			$f_{xx} = 16 \text{ MHz}$			$f_{xx} = 10 \text{ MHz}$		
	UAnCTL1	UAnCTL2	ERR (%)	UAnCTL1	UAnCTL2	ERR (%)	UAnCTL1	UAnCTL2	ERR (%)	UAnCTL1	UAnCTL2	ERR (%)
300	08H	82H	0.16	07H	F6H	-0.10	07H	D0H	0.16	07H	82H	0.16
600	07H	82H	0.16	06H	F6H	-0.10	06H	D0H	0.16	06H	82H	0.16
1,200	06H	82H	0.16	05H	F6H	-0.10	05H	D0H	0.16	05H	82H	0.16
2,400	05H	82H	0.16	04H	F6H	-0.10	04H	D0H	0.16	04H	82H	0.16
4,800	04H	82H	0.16	03H	F6H	-0.10	03H	D0H	0.16	03H	82H	0.16
9,600	03H	82H	0.16	02H	F6H	-0.10	02H	D0H	0.16	02H	82H	0.16
19,200	02H	82H	0.16	01H	F6H	-0.10	01H	D0H	0.16	01H	82H	0.16
31,250	01H	A0H	0	01H	97H	-0.01	01H	80H	0	00H	A0H	0
38,400	01H	82H	0.16	00H	F6H	-0.10	00H	D0H	0.16	00H	82H	0.16
76,800	00H	82H	0.16	00H	7BH	-0.10	00H	68H	0.16	00H	41H	0.16
153,600	00H	41H	0.16	00H	3DH	0.72	00H	34H	0.16	00H	21H	-1.36
312,500	00H	20H	0	00H	1EH	0.66	00H	1AH	-1.54	00H	10H	0

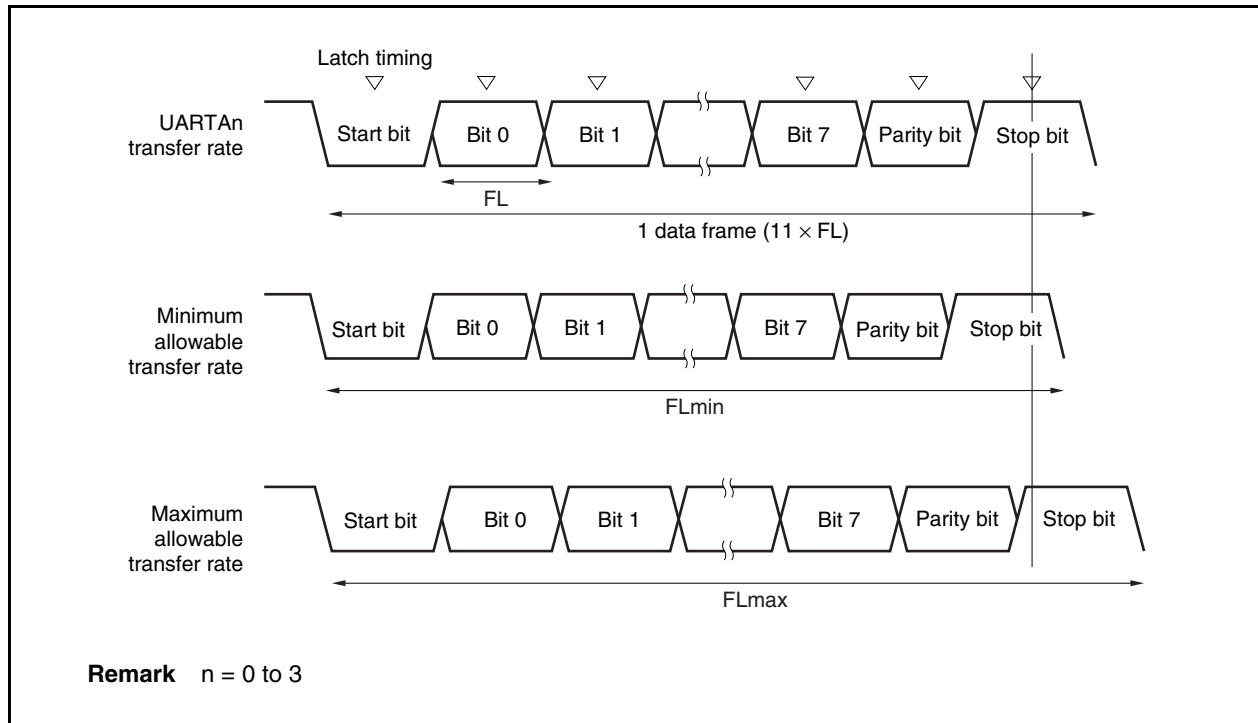
Remark f_{xx} : Main clock frequency
ERR: Baud rate error (%)

(5) Allowable baud rate range during reception

The baud rate error range at the destination that is allowable during reception is shown below.

Caution The baud rate error during reception must be set within the allowable error range using the following equation.

Figure 15-17. Allowable Baud Rate Range During Reception



As shown in Figure 15-17, the receive data latch timing is determined by the counter set using the UAnCTL2 register following start bit detection. The transmit data can be normally received if up to the last data (stop bit) can be received in time for this latch timing.

When this is applied to 11-bit reception, the following is the theoretical result.

$$FL = (\text{Brate})^{-1}$$

Brate: UARTAn baud rate ($n = 0$ to 3)

k: Setting value of UAnCTL2.UAnBRS7 to UAnCTL2.UAnBRS0 bits ($n = 0$ to 3)

FL: 1-bit data length

Latch timing margin: 2 clocks

$$\text{Minimum allowable transfer rate: } FL_{\min} = 11 \times FL - \frac{k-2}{2k} \times FL = \frac{21k+2}{2k} FL$$

Therefore, the maximum baud rate that can be received by the destination is as follows.

$$BR_{max} = (FL_{min}/11)^{-1} = \frac{22k}{21k + 2} \text{ Brate}$$

Similarly, obtaining the following maximum allowable transfer rate yields the following.

$$\frac{10}{11} \times FL_{max} = 11 \times FL - \frac{k + 2}{2 \times k} \times FL = \frac{21k - 2}{2 \times k} FL$$

$$FL_{max} = \frac{21k - 2}{20 k} FL \times 11$$

Therefore, the minimum baud rate that can be received by the destination is as follows.

$$BR_{min} = (FL_{max}/11)^{-1} = \frac{20k}{21k - 2} \text{ Brate}$$

Obtaining the allowable baud rate error for UARTA and the destination from the above-described equations for obtaining the minimum and maximum baud rate values yields the following.

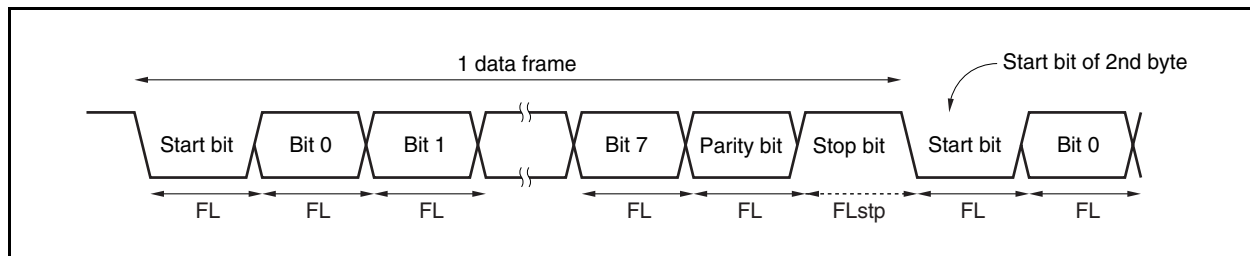
Table 15-4. Maximum/Minimum Allowable Baud Rate Error

Division Ratio (k)	Maximum Allowable Baud Rate Error	Minimum Allowable Baud Rate Error
4	+2.32%	-2.43%
8	+3.52%	-3.61%
20	+4.26%	-4.30%
50	+4.56%	-4.58%
100	+4.66%	-4.67%
255	+4.72%	-4.72%

- Remarks 1.** The reception accuracy depends on the bit count in 1 frame, the input clock frequency, and the division ratio (k). The higher the input clock frequency and the larger the division ratio (k), the higher the accuracy.
- 2.** k: Setting value of UAnCTL2.UAnBRS7 to UAnCTL2.UAnBRS0 bits (n = 0 to 3)

(6) Baud rate during continuous transmission

During continuous transmission, the transfer rate from the stop bit to the next start bit is usually 2 base clocks longer. However, timing initialization is performed via start bit detection by the receiving side, so this has no influence on the transfer result.

Figure 15-18. Transfer Rate During Continuous Transfer

Assuming 1 bit data length: FL; stop bit length: FLstp; and base clock frequency: f_{UCLK} , we obtain the following equation.

$$\text{FLstp} = \text{FL} + 2/f_{\text{UCLK}}$$

Therefore, the transfer rate during continuous transmission is as follows.

$$\text{Transfer rate} = 11 \times \text{FL} + (2/f_{\text{UCLK}})$$

15.8 Cautions

- (1) When the clock supply to UARTAn is stopped (for example, in IDLE1, IDLE2, or STOP mode), the operation stops with each register retaining the value it had immediately before the clock supply was stopped. The TXDAn pin output also holds and outputs the value it had immediately before the clock supply was stopped. However, the operation is not guaranteed after the clock supply is resumed. Therefore, after the clock supply is resumed, the circuits should be initialized by setting the UAnCTL0.UAnPWR, UAnCTL0.UAnRXEn, and UAnCTL0.UAnTXEn bits to 000.
- (2) The RXDA1 and KR7 pins must not be used at the same time. To use the RXDA1 pin, do not use the KR7 pin. To use the KR7 pin, do not use the RXDA1 pin (it is recommended to set the PFC91 bit to 1 and clear PFCE91 bit to 0).
- (3) In UARTAn, the interrupt caused by a communication error does not occur. When performing the transfer of transmit data and receive data using DMA transfer, error processing cannot be performed even if errors (parity, overrun, framing) occur during transfer. Either read the UAnSTR register after DMA transfer has been completed to make sure that there are no errors, or read the UAnSTR register during communication to check for errors.
- (4) Start up the UARTAn in the following sequence.
 - <1> Set the UAnCTL0.UAnPWR bit to 1.
 - <2> Set the ports.
 - <3> Set the UAnCTL0.UAnTXE bit to 1, UAnCTL0.UAnRXE bit to 1.
- (5) Stop the UARTAn in the following sequence.
 - <1> Set the UAnCTL0.UAnTXE bit to 0, UAnCTL0.UAnRXE bit to 0.
 - <2> Set the ports and set the UAnCTL0.UAnPWR bit to 0 (it is not a problem if port setting is not changed).
- (6) In transmit mode (UAnCTL0.UAnPWR bit = 1 and UAnCTL0.UAnTXE bit = 1), do not overwrite the same value to the UAnTX register by software because transmission starts by writing to this register. To transmit the same value continuously, overwrite the same value.
- (7) In continuous transmission, the communication rate from the stop bit to the next start bit is extended 2 base clocks more than usual. However, the reception side initializes the timing by detecting the start bit, so the reception result is not affected.

CHAPTER 16 3-WIRE VARIABLE-LENGTH SERIAL I/O (CSIB)

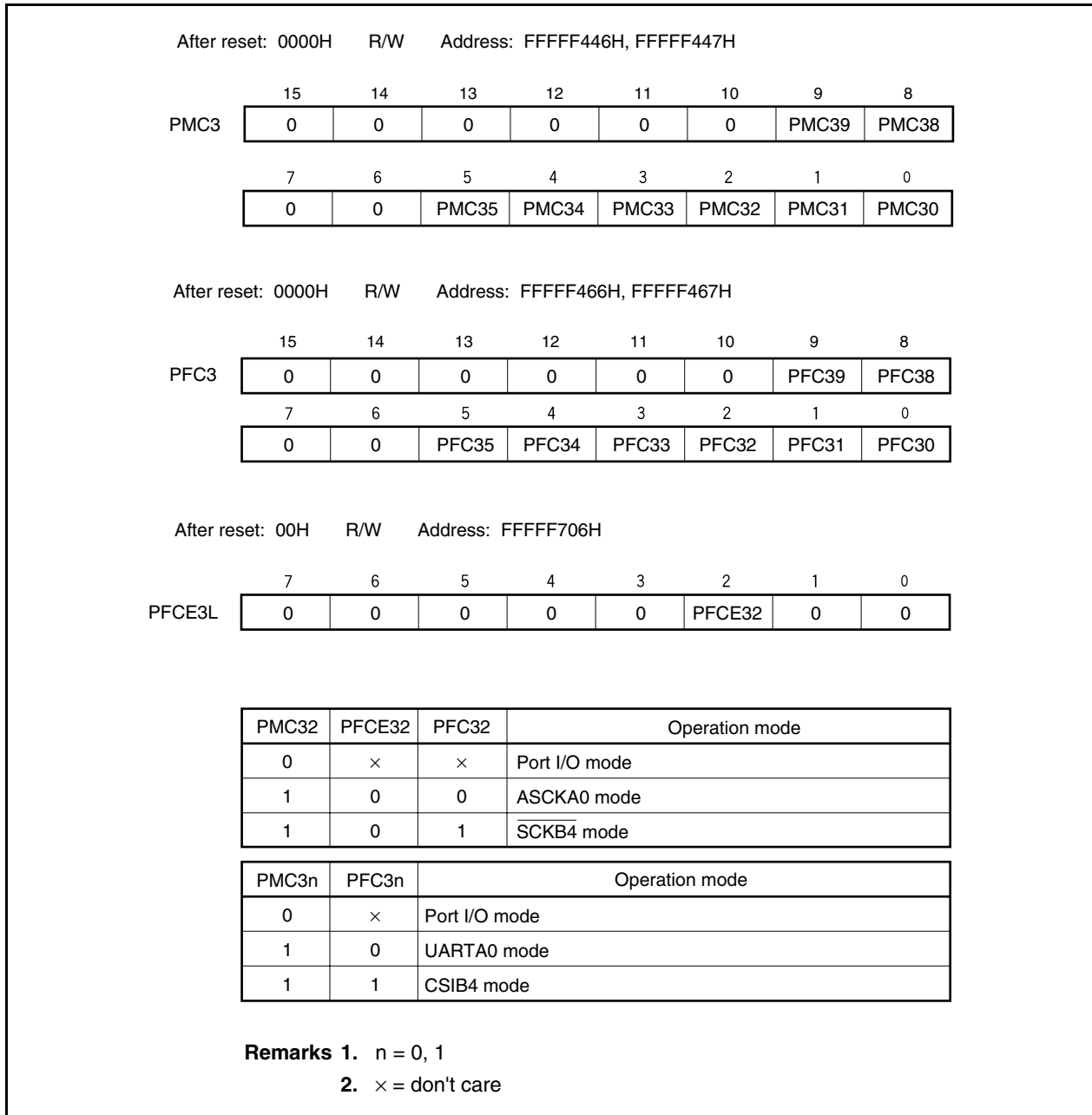
16.1 Mode Switching of CSIB and Other Serial Interfaces

16.1.1 CSIB4 and UARTA0 mode switching

In the V850ES/JJ2, CSIB4 and UARTA0 are alternate functions of the same pin and therefore cannot be used simultaneously. Set CSIB4, in advance, using the PMC3 and PFC3 registers, before use.

Caution The transmit/receive operation of CSIB4 and UARTA0 is not guaranteed if these functions are switched during transmission or reception. Be sure to disable the one that is not used.

Figure 16-1. CSIB4 and UARTA0 Mode Switch Settings

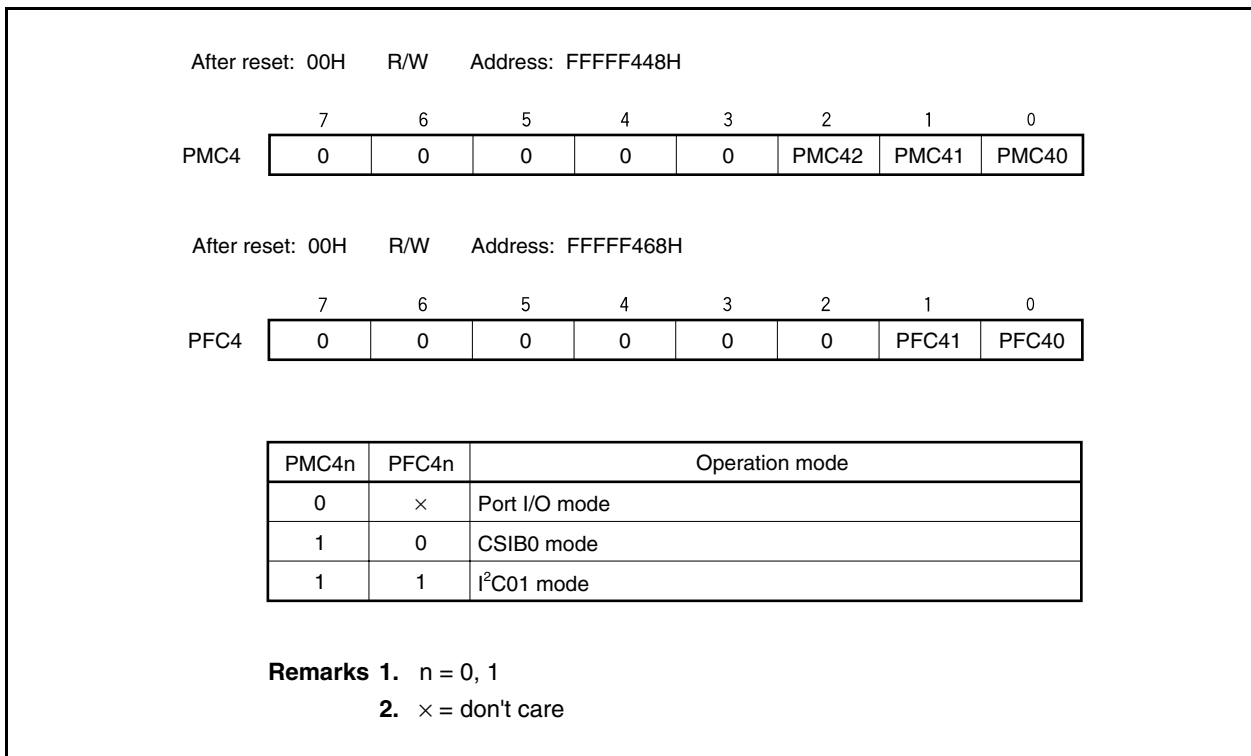


16.1.2 CSIB0 and I²C01 mode switching

In the V850ES/JJ2, CSIB0 and I²C01 are alternate functions of the same pin and therefore cannot be used simultaneously. Set CSIB0 in advance, using the PMC4 and PFC4 registers, before use.

Caution The transmit/receive operation of CSIB0 and I²C01 is not guaranteed if these functions are switched during transmission or reception. Be sure to disable the one that is not used.

Figure 16-2. CSIB0 and I²C01 Mode Switch Settings



16.2 Features

- Transfer rate: 8 Mbps to 4.9 kbps (f_{xx} = 20 MHz, using internal clock)
- Master mode and slave mode selectable
- 8-bit to 16-bit transfer, 3-wire serial interface
- Interrupt request signals (INTCBnT, INTCBnR) × 2
- Serial clock and data phase switchable
- Transfer data length selectable in 1-bit units between 8 and 16 bits
- Transfer data MSB-first/LSB-first switchable
- 3-wire transfer
 - SOBn: Serial data output
 - SIBn: Serial data input
 - SCKBn: Serial clock I/O

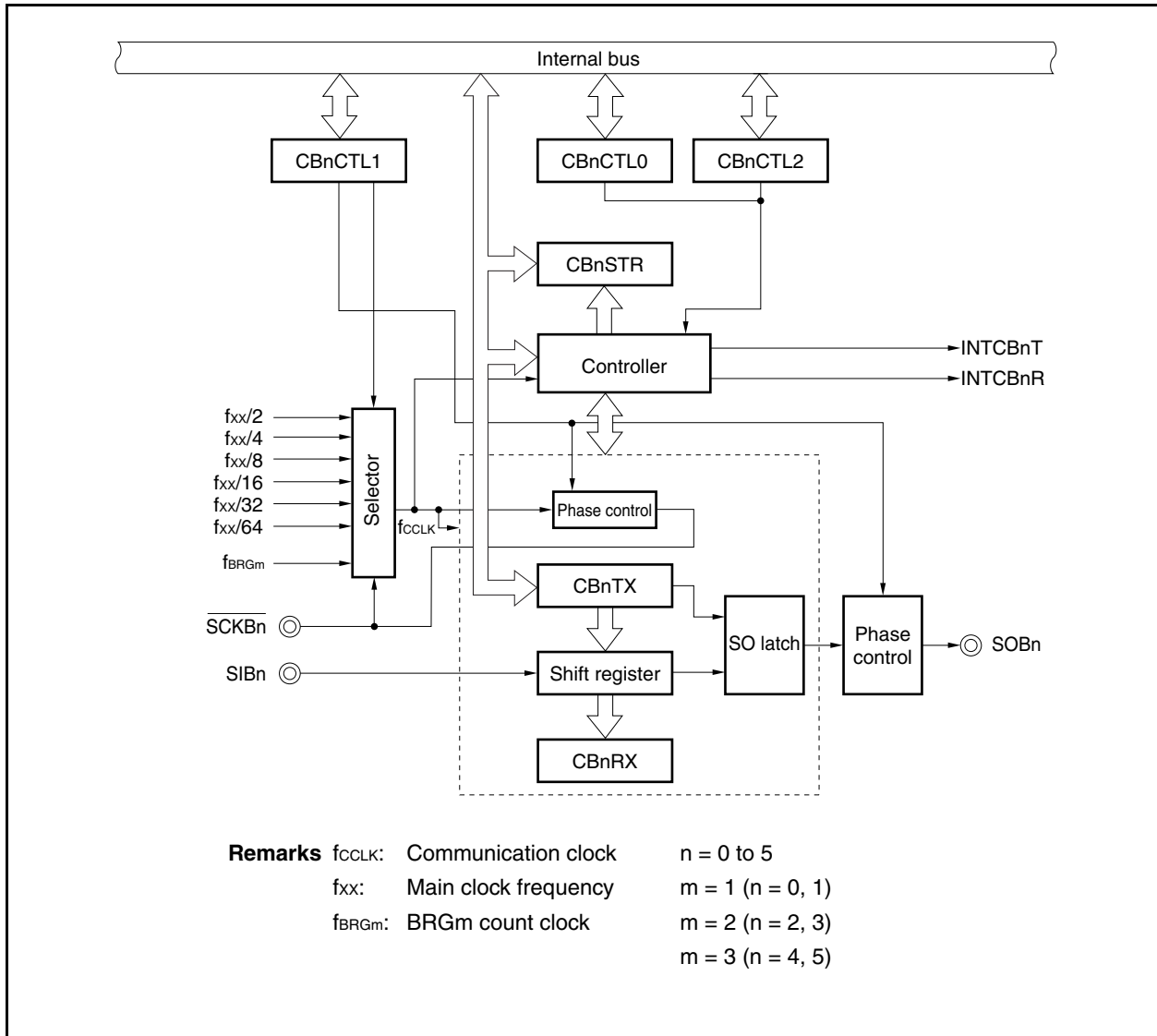
Transmission mode, reception mode, and transmission/reception mode specifiable

Remark n = 0 to 5

16.3 Configuration

The following shows the block diagram of CSIBn.

Figure 16-3. Block Diagram of CSIBn



CSIBn includes the following hardware.

Table 16-1. Configuration of CSIBn

Item	Configuration
Registers	CSIBn receive data register (CBnRX) CSIBn transmit data register (CBnTX)
Control registers	CSIBn control register 0 (CBnCTL0) CSIBn control register 1 (CBnCTL1) CSIBn control register 2 (CBnCTL2) CSIBn status register (CBnSTR)

(1) CSIBn receive data register (CBnRX)

The CBnRX register is a 16-bit buffer register that holds receive data.

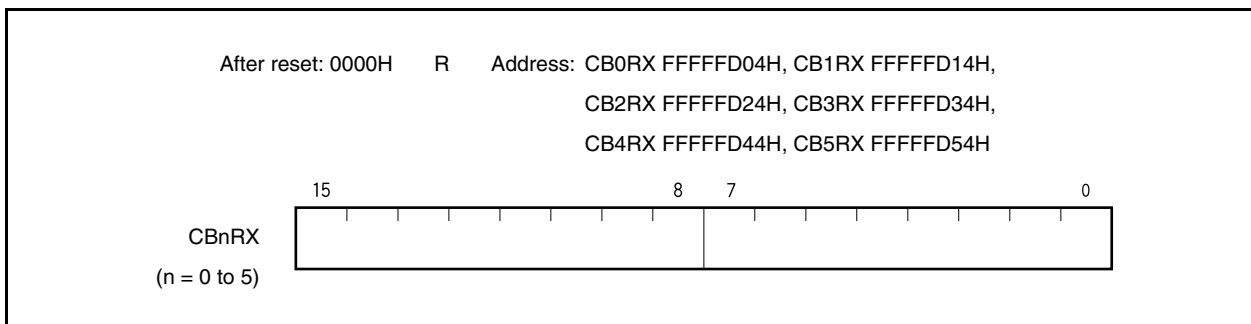
This register is read-only, in 16-bit units.

The receive operation is started by reading the CBnRX register in the reception enabled status.

If the transfer data length is 8 bits, the lower 8 bits of this register are read-only in 8-bit units as the CBnRXL register.

Reset sets this register to 0000H.

In addition to reset input, the CBnRX register can be initialized by clearing (to 0) the CBnPWR bit of the CBnCTL0 register.



(2) CSIBn transmit data register (CBnTX)

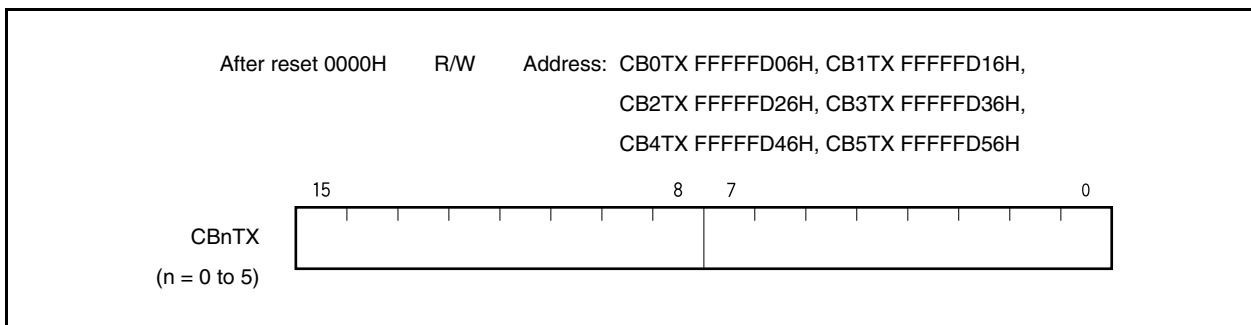
The CBnTX register is a 16-bit buffer register used to write the CSIBn transfer data.

This register can be read or written in 16-bit units.

The transmit operation is started by writing data to the CBnTX register in the transmission enabled status.

If the transfer data length is 8 bits, the lower 8 bits of this register are read-only in 8-bit units as the CBnTXL register.

Reset sets this register to 0000H.



Remark The communication start conditions are shown below.

- Transmission mode (CBnTXE bit = 1, CBnRXE bit = 0): Write to CBnTX register
- Transmission/reception mode (CBnTXE bit = 1, CBnRXE bit = 1): Write to CBnTX register
- Reception mode (CBnTXE bit = 0, CBnRXE bit = 1): Read from CBnRX register

16.4 Registers

The following registers are used to control CSIBn.

- CSIBn control register 0 (CBnCTL0)
- CSIBn control register 1 (CBnCTL1)
- CSIBn control register 2 (CBnCTL2)
- CSIBn status register (CBnSTR)

(1) CSIBn control register 0 (CBnCTL0)

CBnCTL0 is a register that controls the CSIBn serial transfer operation.

This register can be read or written in 8-bit or 1-bit units.

Reset sets this register to 01H.

(1/3)

After reset: 01H R/W Address: CB0CTL0 FFFFFFFD00H, CB1CTL0 FFFFFFFD10H,
CB2CTL0 FFFFFFFD20H, CB3CTL0 FFFFFFFD30H,
CB4CTL0 FFFFFFFD40H, CB5CTL0 FFFFFFFD50H

CBnCTL0 (n = 0 to 5)	<7>	<6>	<5>	<4>	3	2	1	<0>
	CBnPWR	CBnTXE ^{Note}	CBnRXE ^{Note}	CBnDIR ^{Note}	0	0	CBnTMS ^{Note}	CBnSCE

CBnPWR	Specification of CSIBn operation disable/enable
0	Disable CSIBn operation and reset the CBnSTR register
1	Enable CSIBn operation
• The CBnPWR bit controls the CSIBn operation and resets the internal circuit.	

CBnTXE ^{Note}	Specification of transmit operation disable/enable
0	Disable transmit operation
1	Enable transmit operation
• The SOBn output is low level when the CBnTXE bit is 0.	

CBnRXE ^{Note}	Specification of receive operation disable/enable
0	Disable receive operation
1	Enable receive operation
• When the CBnRXE bit is cleared to 0, no reception complete interrupt is output even when the prescribed data is transferred in order to disable the receive operation, and the receive data (CBnRX register) is not updated.	

Note These bits can only be rewritten when the CBnPWR bit = 0. However, CBnPWR bit = 1 can also be set at the same time as rewriting these bits.

Caution To forcibly suspend transmission/reception, clear the CBnPWR bit to 0 instead of the CBnRXE and CBnTXE bits. At this time, the clock output is stopped.

<R>

CBnDIR ^{Note}	Specification of transfer direction mode (MSB/LSB)
0	MSB-first transfer
1	LSB-first transfer

CBnTMS ^{Note}	Transfer mode specification
0	Single transfer mode
1	Continuous transfer mode

[In single transfer mode]

The reception complete interrupt request signal (INTCBnR) is generated.

Even if transmission is enabled (CBnTXE bit = 1), the transmission enable interrupt request signal (INTCBnT) is not generated.

If the next transmit data is written during communication (CBnSTR.CBnTSF bit = 1), it is ignored and the next communication is not started. Also, if reception-only communication is set (CBnTXE bit = 0, CBnRXE bit = 1), the next communication is not started even if the receive data is read during communication (CBnSTR.CBbTSF bit = 1).

[In continuous transfer mode]

The continuous transmission is enabled by writing the next transmit data during communication (CBnSTR.CBnTSF bit = 1). Writing the next transmission data is enabled after a transmission enable interrupt (INTCBnT) occurrence.

If reception-only communication is set (CBnTXE bit = 0, CBnRXE bit = 1) in the continuous transfer mode, the next reception is started continuously after a reception complete interrupt (INTCBnR) regardless of the read operation of the CBnRX register.

Therefore, read immediately the receive data from the CBnRX register. If this read operation is delayed, an overrun error (CBnOVE bit = 1) occurs.

Note These bits can only be rewritten when the CBnPWR bit = 0.
However, CBnPWR bit = 1 can also be set at the same time as rewriting these bits.

CBnSCE	Specification of start transfer disable/enable
0	Communication start trigger invalid
1	Communication start trigger valid

- In master mode
This bit enables or disables the communication start trigger.
 - (a) In single transmission or transmission/reception mode, or continuous transmission or continuous transmission/reception mode
The setting of the CBnSCE bit has no influence on communication operation.
 - (b) In single reception mode
Clear the CBnSCE bit to 0 before reading the last receive data because reception is started by reading the receive data (CBnRX register) to disable the reception startup^{Note 1}.
 - (c) In continuous reception mode
Clear the CBnSCE bit to 0 one communication clock before reception of the last data is completed to disable the reception startup after the last data is received^{Note 2}.
- In slave mode
This bit enables or disables the communication start trigger.
Set the CBnSCE bit to 1.

[Usage of CBnSCE bit]

- In single reception mode
 - <1>When reception of the last data is completed by INTCBnR interrupt servicing, clear the CBnSCE bit to 0 before reading the CBnRX register.
 - <2>After confirming the CBnSTR.CBnTSF bit = 0, clear the CBnRXE bit to 0 to disable reception.
To continue reception, set the CBnSCE bit to 1 to start up the next reception by dummy-reading the CBnRX register.
- In continuous reception mode
 - <1>Clear the CBnSCE bit to 0 during the reception of the last data by INTCBnR interrupt servicing.
 - <2>Read the CBnRX register.
 - <3>Read the last reception data by reading the CBnRX register after acknowledging the CBnTIR interrupt.
 - <4>After confirming the CBnSTR.CBnTSF bit = 0, clear the CBnRXE bit to 0 to disable reception.
To continue reception, set the CBnSCE bit to 1 to wait for the next reception by dummy-reading the CBnRX register.

- Notes**
- If the CBnSCE bit is read while it is 1, the next communication operation is started.
 - The CBnSCE bit is not cleared to 0 one communication clock before the completion of the last data reception, the next communication operation is automatically started.

Caution Be sure to clear bits 3 and 2 to “0”.

(2) CSIBn control register 1 (CBnCTL1)

CBnCTL1 is an 8-bit register that controls the CSIBn serial transfer operation.

This register can be read or written in 8-bit or 1-bit units.

Reset sets this register to 00H.

Caution The CBnCTL1 register can be rewritten only when the CBnCTL0.CBnPWR bit = 0.

After reset 00H R/W Address: CB0CTL1 FFFFFFFD01H, CB1CTL1 FFFFFFFD11H,
 CB2CTL1 FFFFFFFD21H, CB3CTL1 FFFFFFFD31H,
 CB4CTL1 FFFFFFFD41H, CB5CTL1 FFFFFFFD51H

	7	6	5	4	3	2	1	0
CBnCTL1	0	0	0	CBnCKP	CBnDAP	CBnCKS2	CBnCKS1	CBnCKS0
(n = 0 to 5)								

	CBnCKP	CBnDAP	Specification of data transmission/ reception timing in relation to SCKBn
Communication type 1	0	0	
Communication type 2	0	1	
Communication type 3	1	0	
Communication type 4	1	1	

CBnCKS2	CBnCKS1	CBnCKS0	Communication clock (f _{CLK})	Mode
0	0	0	f _{xx} /2	Master mode
0	0	1	f _{xx} /4	Master mode
0	1	0	f _{xx} /8	Master mode
0	1	1	f _{xx} /16	Master mode
1	0	0	f _{xx} /32	Master mode
1	0	1	f _{xx} /64	Master mode
1	1	0	f _{BRGm}	Master mode
1	1	1	External clock (SCKBn)	Slave mode

Remark When n = 0, 1, m = 1
 When n = 2, 3, m = 2
 When n = 4, 5, m = 3
 For details of f_{BRGm}, see 16.8 Baud Rate Generator.

(3) CSIBn control register 2 (CBnCTL2)

CBnCTL2 is an 8-bit register that controls the number of CSIBn serial transfer bits.

This register can be read or written in 8-bit units.

Reset sets this register to 00H.

Caution The CBnCTL2 register can be rewritten only when the CBnCTL0.CBnPWR bit = 0 or when both the CBnTXE and CBnRXE bits = 0.

After reset: 00H R/W Address: CB0CTL2 FFFFFFFD02H, CB1CTL2 FFFFFFFD12H,
 CB2CTL2 FFFFFFFD22H, CB3CTL2 FFFFFFFD32H,
 CB4CTL2 FFFFFFFD42H, CB5CTL2 FFFFFFFD52H

	7	6	5	4	3	2	1	0
CBnCTL2	0	0	0	0	CBnCL3	CBnCL2	CBnCL1	CBnCL0

(n = 0 to 5)

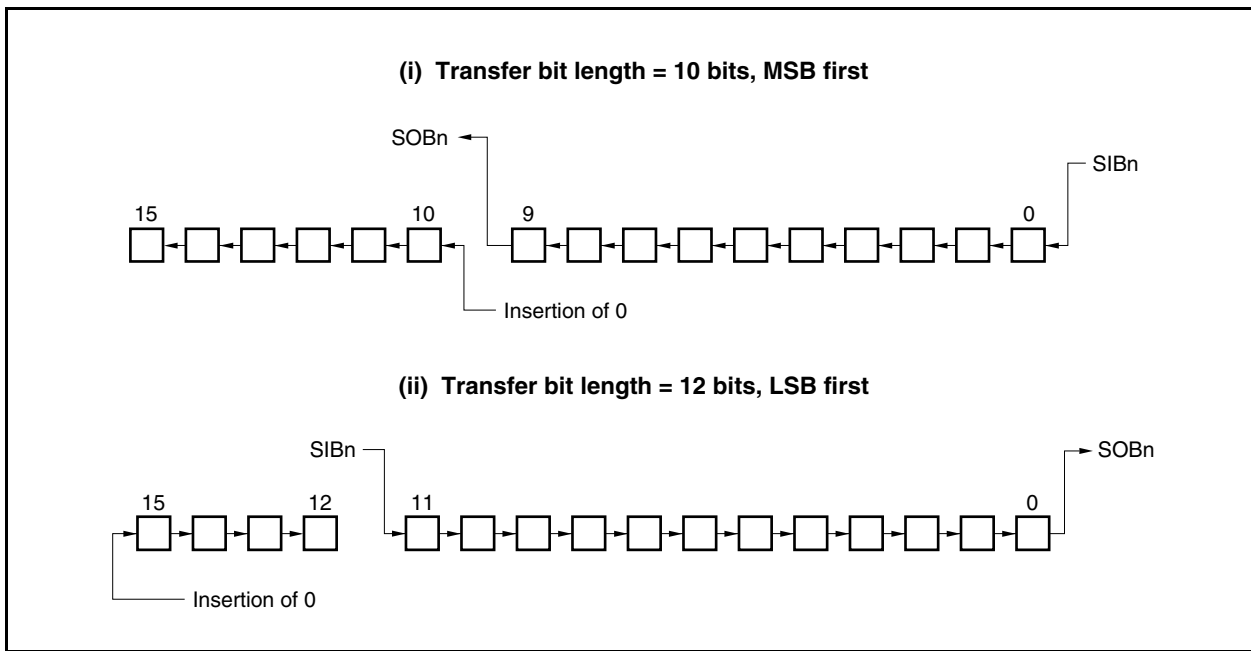
CBnCL3	CBnCL2	CBnCL1	CBnCL0	Serial register bit length
0	0	0	0	8 bits
0	0	0	1	9 bits
0	0	1	0	10 bits
0	0	1	1	11 bits
0	1	0	0	12 bits
0	1	0	1	13 bits
0	1	1	0	14 bits
0	1	1	1	15 bits
1	×	×	×	16 bits

- Remarks**
1. If the number of transfer bits is other than 8 or 16, prepare and use data stuffed from the LSB of the CBnTX and CBnRX registers.
 2. ×: don't care

(a) Transfer data length change function

The CSIB_n transfer data length can be set in 1-bit units between 8 and 16 bits using the CB_nCTL2.CB_nCL3 to CB_nCTL2.CB_nCL0 bits.

When the transfer bit length is set to a value other than 16 bits, set the data to the CB_nTX or CB_nRX register starting from the LSB, regardless of whether the transfer start bit is the MSB or LSB. Any data can be set for the higher bits that are not used, but the receive data becomes 0 following serial transfer.



<R>

16.5 Interrupt Request Signals

CSIBn can generate the following two types of interrupt request signals.

- Reception complete interrupt request signal (INTCBnR)
- Transmission enable interrupt request signal (INTCBnT)

Of these two interrupt request signals, the reception complete interrupt request signal has the higher priority by default, and the priority of the transmission enable interrupt request signal is lower.

Table 16-2. Interrupts and Their Default Priority

Interrupt	Priority
Reception complete	High
Transmission enable	Low

(1) Reception complete interrupt request signal (INTCBnR)

When receive data is transferred to the CBnRX register while reception is enabled, the reception complete interrupt request signal is generated.

This interrupt request signal can also be generated if an overrun error occurs.

When the reception complete interrupt request signal is acknowledged and the data is read, read the CBnSTR register to check that the result of reception is not an error.

In the single transfer mode, the INTCBnR interrupt request signal is generated upon completion of transmission, even when only transmission is executed.

(2) Transmission enable interrupt request signal (INTCBnT)

In the continuous transmission or continuous transmission/reception mode, transmit data is transferred from the CBnTX register and, as soon as writing to CBnTX has been enabled, the transmission enable interrupt request signal is generated.

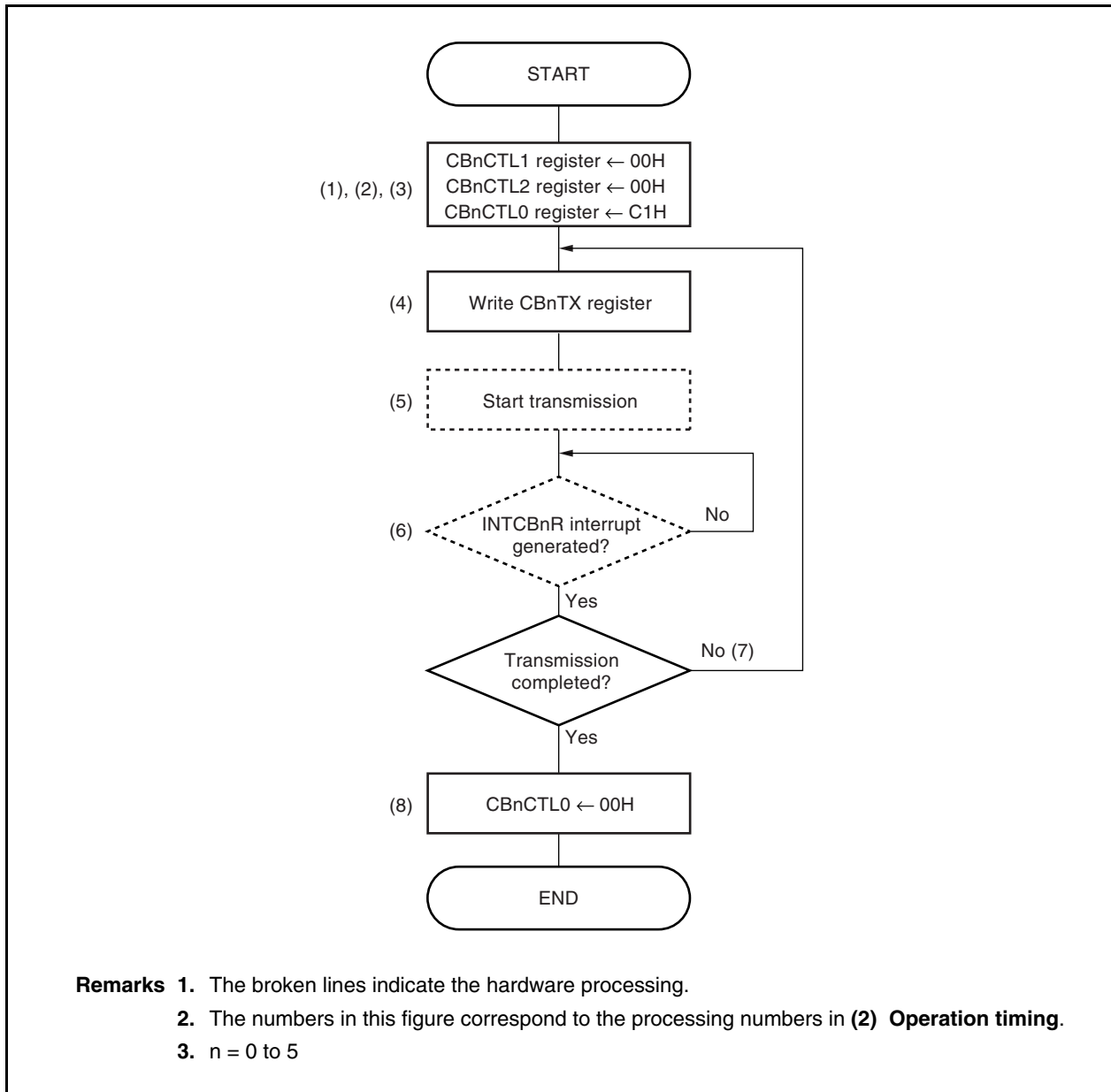
In the single transmission and single transmission/reception modes, the INTCBnT interrupt is not generated.

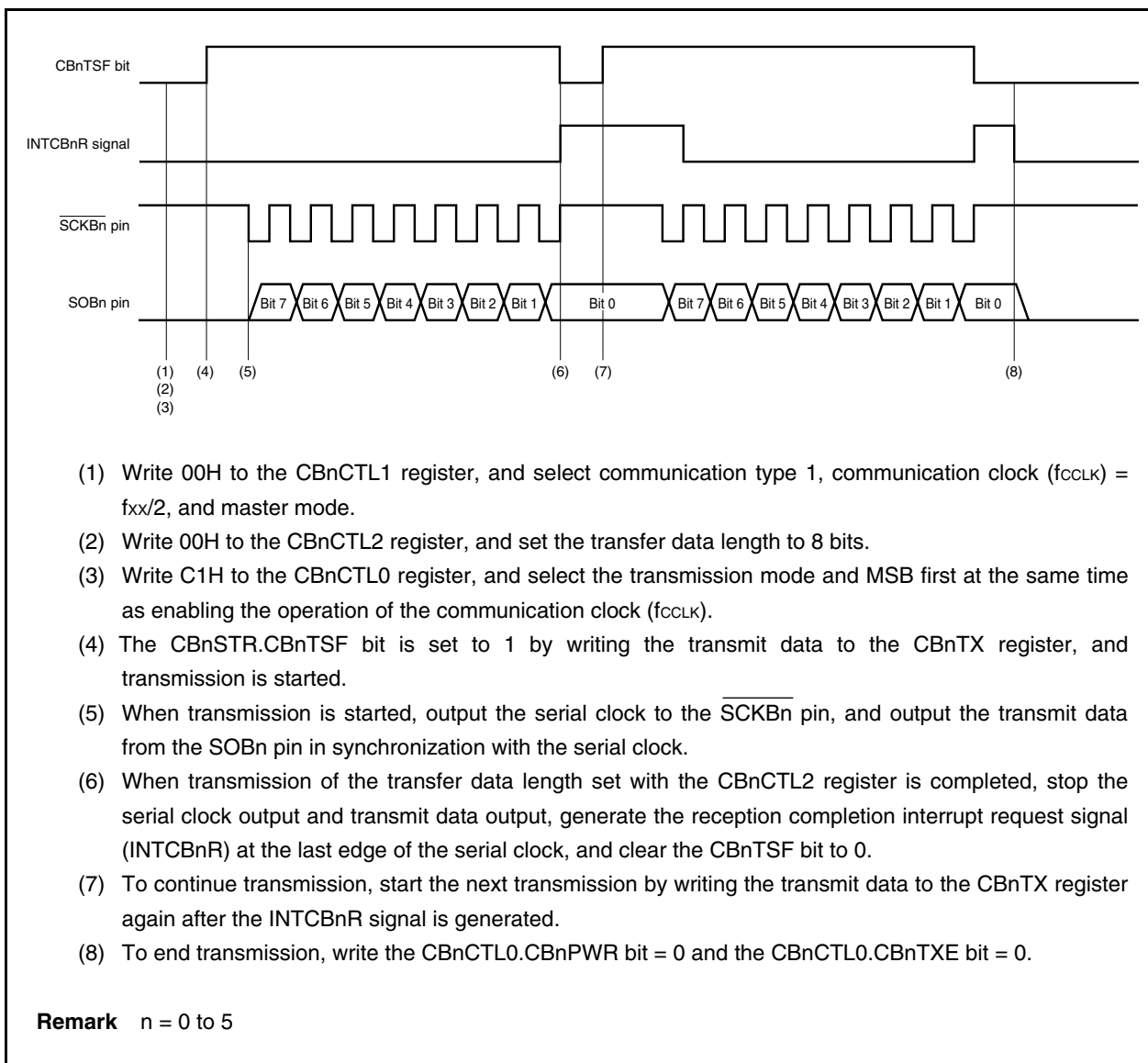
<R> 16.6 Operation

16.6.1 Single transfer mode (master mode, transmission mode)

MSB first (CBnCTL0.CBnDIR bit = 0), communication type 1 (CBnCTL1.CBnCKP and CBnCTL1.CBnDAP bits = 00), communication clock (f_{CLK}) = $f_{\text{XX}}/2$ (CBnCTL1.CBnCKS2 to CBnCTL1.CBnCKS0 bits = 000), transfer data length = 8 bits (CBnCTL2.CBnCL3 to CBnCTL2.CBnCL0 bits = 0000)

(1) Operation flow

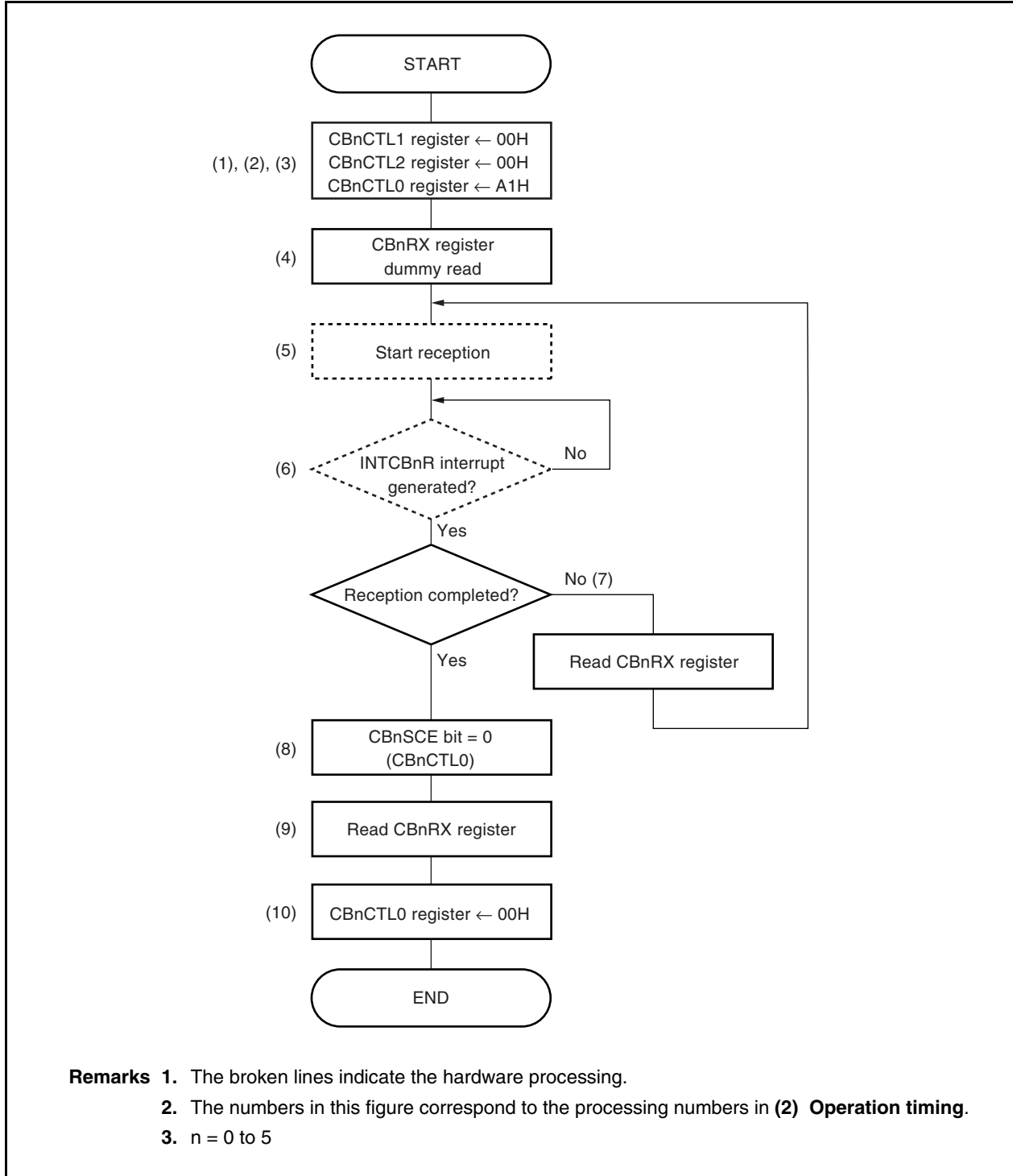


(2) Operation timing

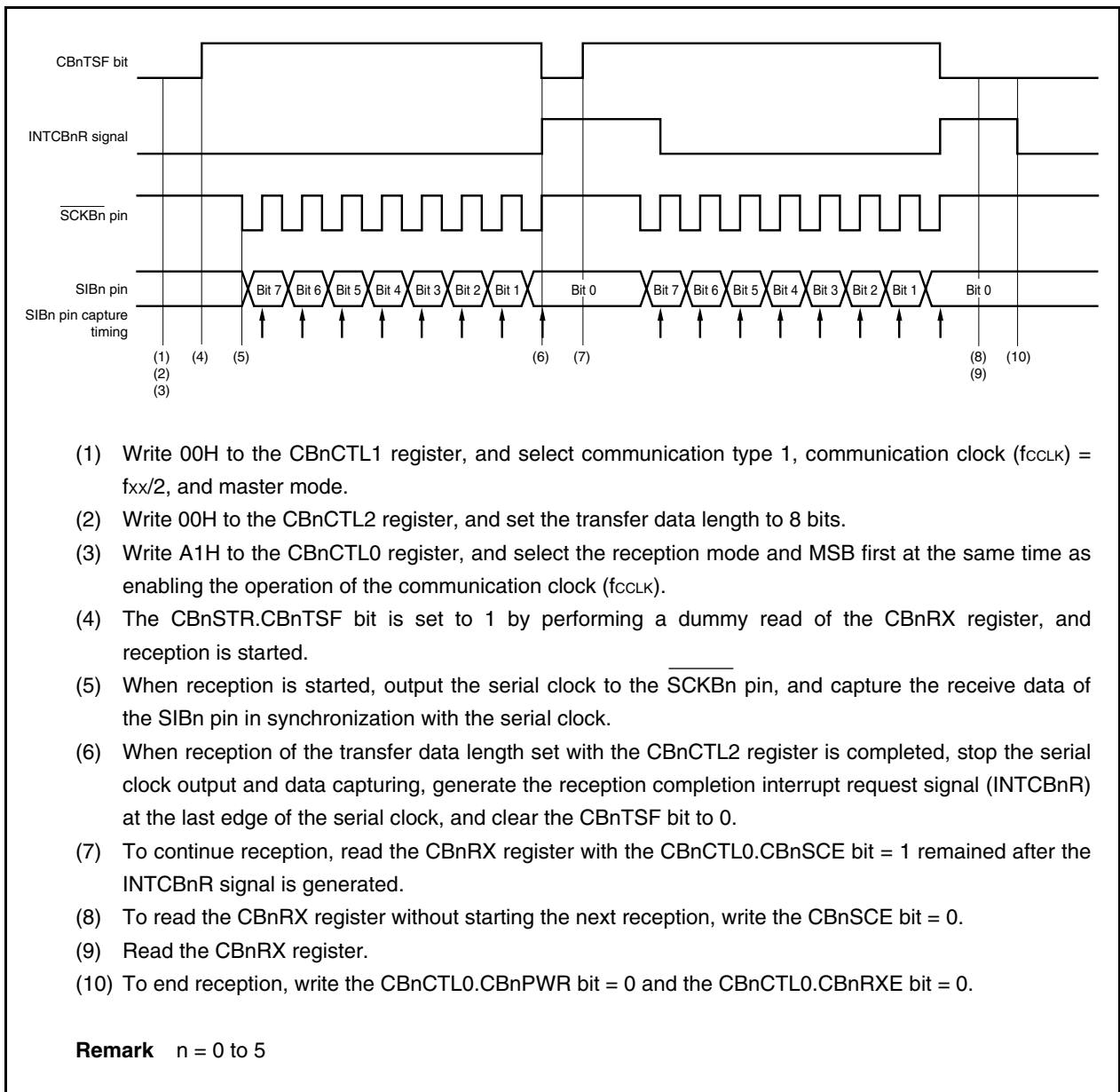
16.6.2 Single transfer mode (master mode, reception mode)

MSB first (CBnCTL0.CBnDIR bit = 0), communication type 1 (CBnCTL1.CBnCKP and CBnCTL1.CBnDAP bits = 00), communication clock (f_{CLK}) = $f_{xx}/2$ (CBnCTL1.CBnCKS2 to CBnCTL1.CBnCKS0 bits = 000), transfer data length = 8 bits (CBnCTL2.CBnCL3 to CBnCTL2.CBnCL0 bits = 0000)

(1) Operation flow

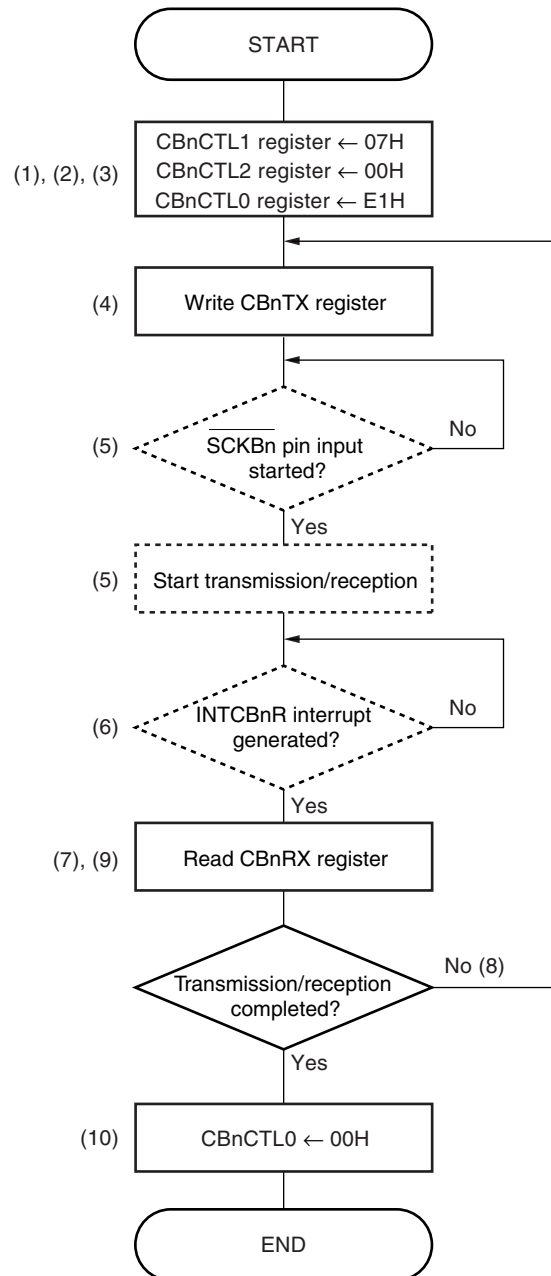


- Remarks**
1. The broken lines indicate the hardware processing.
 2. The numbers in this figure correspond to the processing numbers in **(2) Operation timing**.
 3. n = 0 to 5

(2) Operation timing

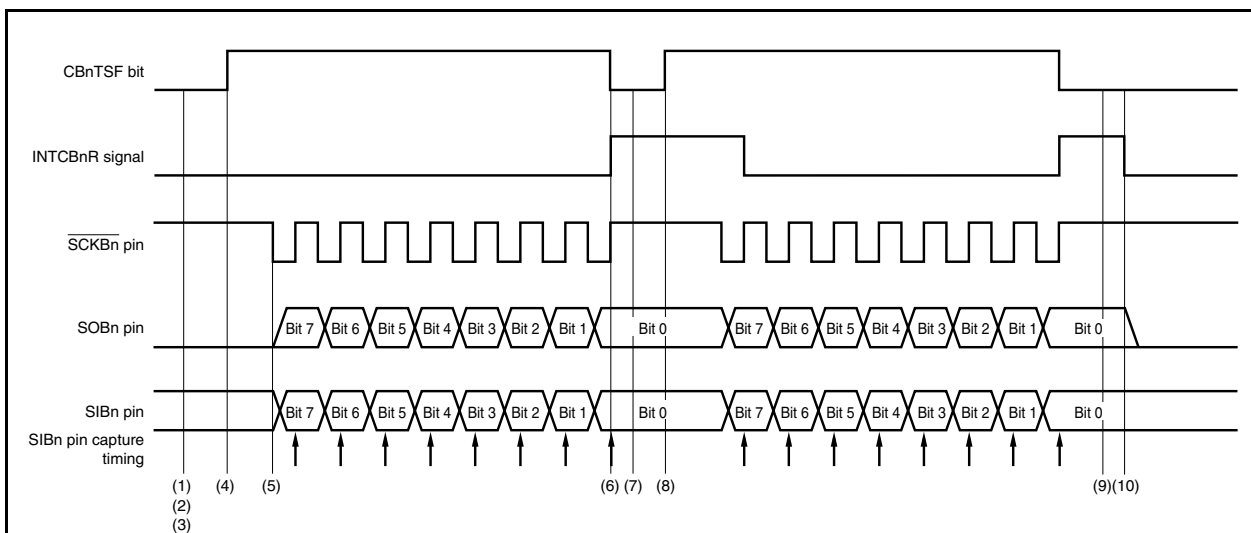
16.6.3 Single transfer mode (master mode, transmission/reception mode)

MSB first (CBnCTL0.CBnDIR bit = 0), communication type 1 (CBnCTL1.CBnCKP and CBnCTL1.CBnDAP bits = 00), communication clock (f_{CLK}) = $f_{XX}/2$ (CBnCTL1.CBnCKS2 to CBnCTL1.CBnCKS0 bits = 000), transfer data length = 8 bits (CBnCTL2.CBnCL3 to CBnCTL2.CBnCL0 bits = 0000)

(1) Operation flow

- Remarks**
1. The broken lines indicate the hardware processing.
 2. The numbers in this figure correspond to the processing numbers in **(2) Operation timing**.
 3. $n = 0$ to 5

(2) Operation timing



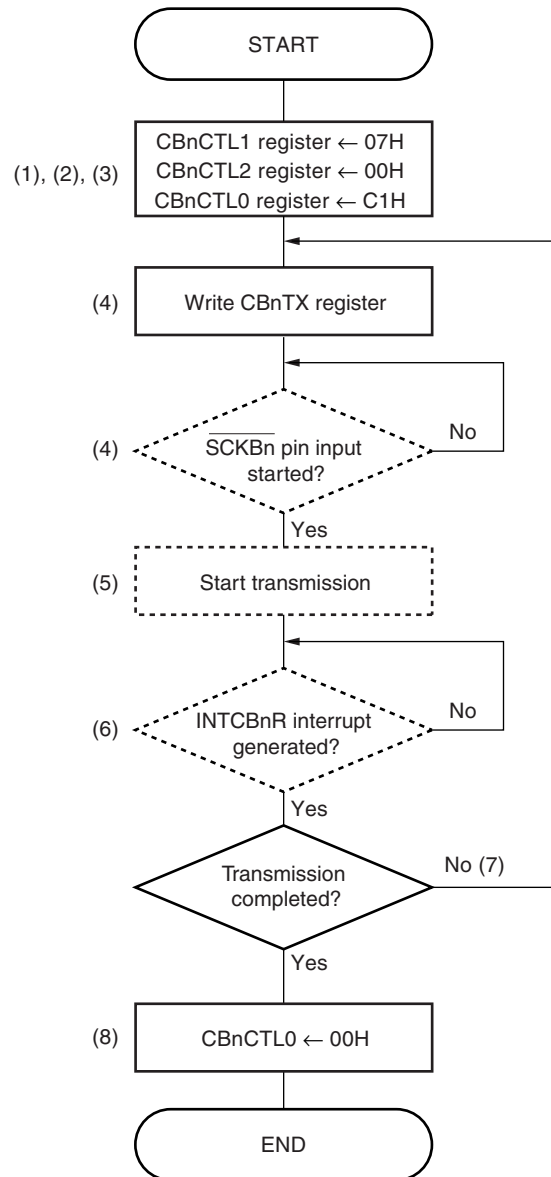
- (1) Write 00H to the CBnCTL1 register, and select communication type 1, communication clock (f_{CLK}) = $f_{\text{xx}}/2$, and master mode.
- (2) Write 00H to the CBnCTL2 register, and set the transfer data length to 8 bits.
- (3) Write E1H to the CBnCTL0 register, and select the transmission/reception mode and MSB first at the same time as enabling the operation of the communication clock (f_{CLK}).
- (4) The CBnSTR.CBnTSF bit is set to 1 by writing the transmit data to the CBnTX register, and transmission/reception is started.
- (5) When transmission/reception is started, output the serial clock to the SCKBn pin, output the transmit data to the SOBn pin in synchronization with the serial clock, and capture the receive data of the SIBn pin.
- (6) When transmission/reception of the transfer data length set with the CBnCTL2 register is completed, stop the serial clock output, transmit data output, and data capturing, generate the reception completion interrupt request signal (INTCBnR) at the last edge of the serial clock, and clear the CBnTSF bit to 0.
- (7) Read the CBnRX register.
- (8) To continue transmission/reception, write the transmit data to the CBnTX register again.
- (9) Read the CBnRX register.
- (10) To end transmission/reception, write the CBnCTL0.CBnPWR bit = 0, the CBnCTL0.CBnTXE bit = 0, and the CBnCTL0.CBnRXE bit = 0.

Remark n = 0 to 5

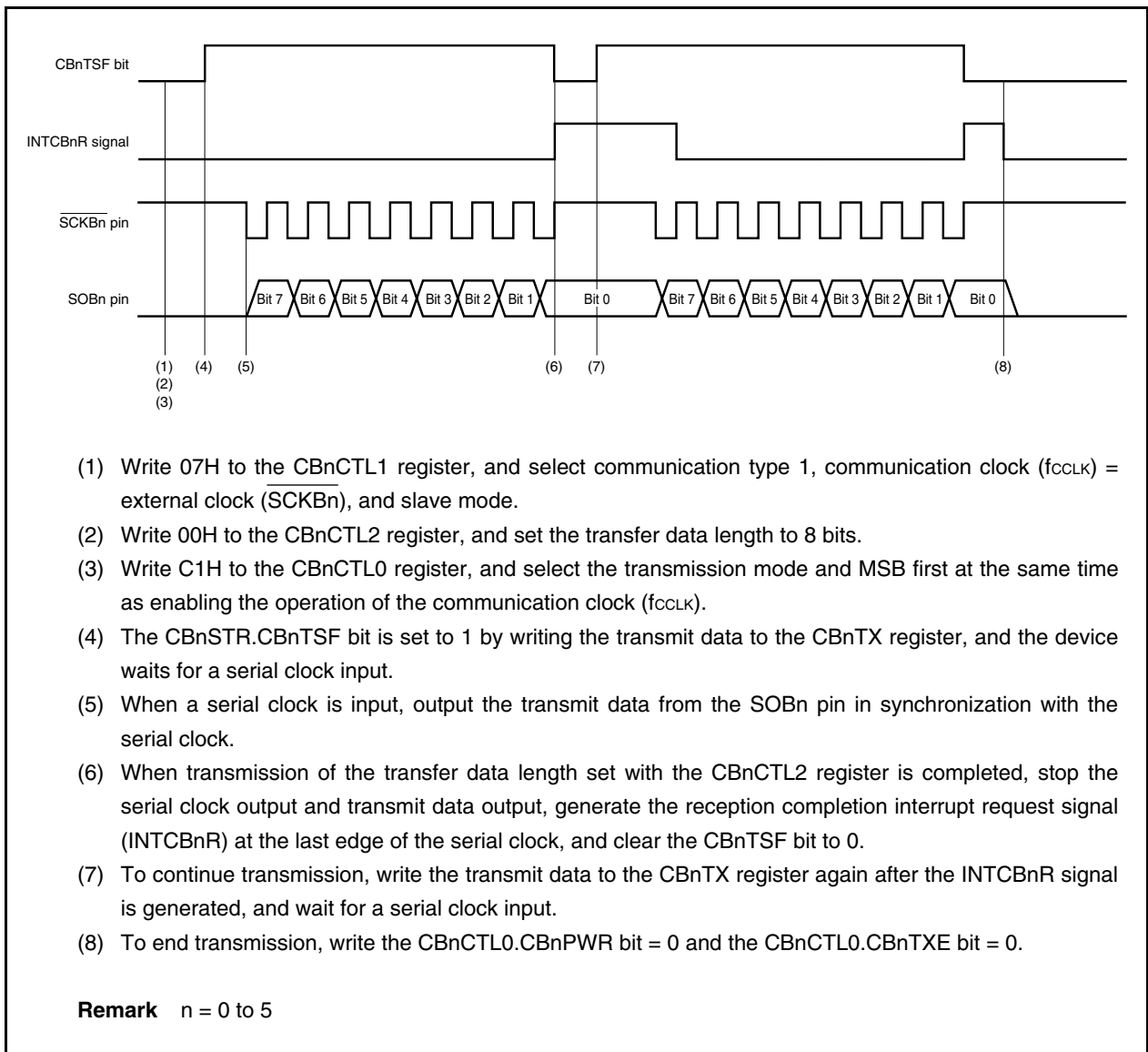
16.6.4 Single transfer mode (slave mode, transmission mode)

MSB first (CBnCTL0.CBnDIR bit = 0), communication type 1 (CBnCTL1.CBnCKP and CBnCTL1.CBnDAP bits = 00), communication clock (f_{CLK}) = external clock ($\overline{\text{SCKBn}}$) (CBnCTL1.CBnCKS2 to CBnCTL1.CBnCKS0 bits = 111), transfer data length = 8 bits (CBnCTL2.CBnCL3 to CBnCTL2.CBnCL0 bits = 0000)

(1) Operation flow



- Remarks**
1. The broken lines indicate the hardware processing.
 2. The numbers in this figure correspond to the processing numbers in (2) **Operation timing**.
 3. $n = 0$ to 5

(2) Operation timing

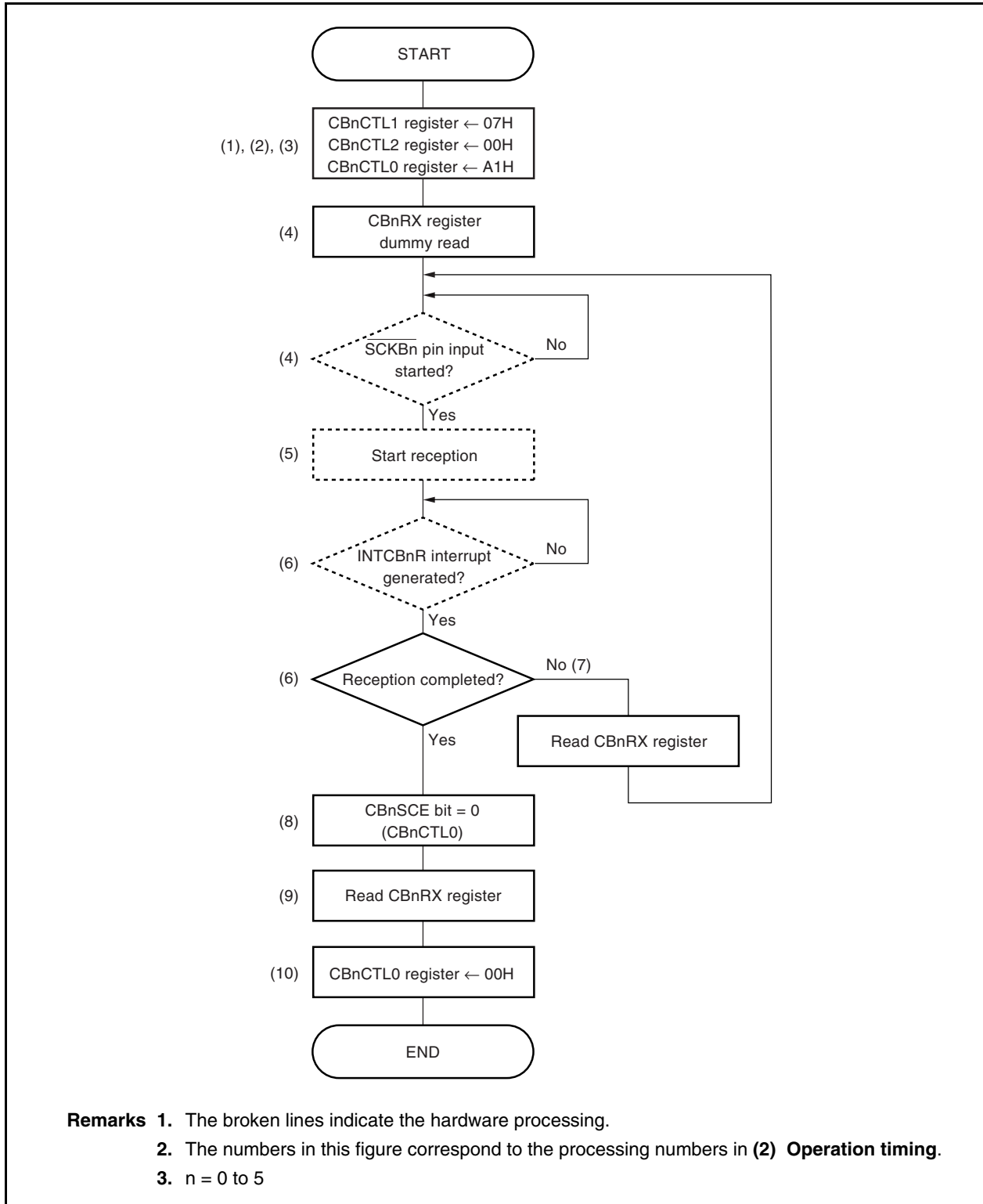
- (1) Write 07H to the CBnCTL1 register, and select communication type 1, communication clock (f_{CCLK}) = external clock (SCKBn), and slave mode.
- (2) Write 00H to the CBnCTL2 register, and set the transfer data length to 8 bits.
- (3) Write C1H to the CBnCTL0 register, and select the transmission mode and MSB first at the same time as enabling the operation of the communication clock (f_{CCLK}).
- (4) The CBnSTR.CBnTSF bit is set to 1 by writing the transmit data to the CBnTX register, and the device waits for a serial clock input.
- (5) When a serial clock is input, output the transmit data from the SOBn pin in synchronization with the serial clock.
- (6) When transmission of the transfer data length set with the CBnCTL2 register is completed, stop the serial clock output and transmit data output, generate the reception completion interrupt request signal (INTcBnR) at the last edge of the serial clock, and clear the CBnTSF bit to 0.
- (7) To continue transmission, write the transmit data to the CBnTX register again after the INTcBnR signal is generated, and wait for a serial clock input.
- (8) To end transmission, write the CBnCTL0.CBnPWR bit = 0 and the CBnCTL0.CBnTXE bit = 0.

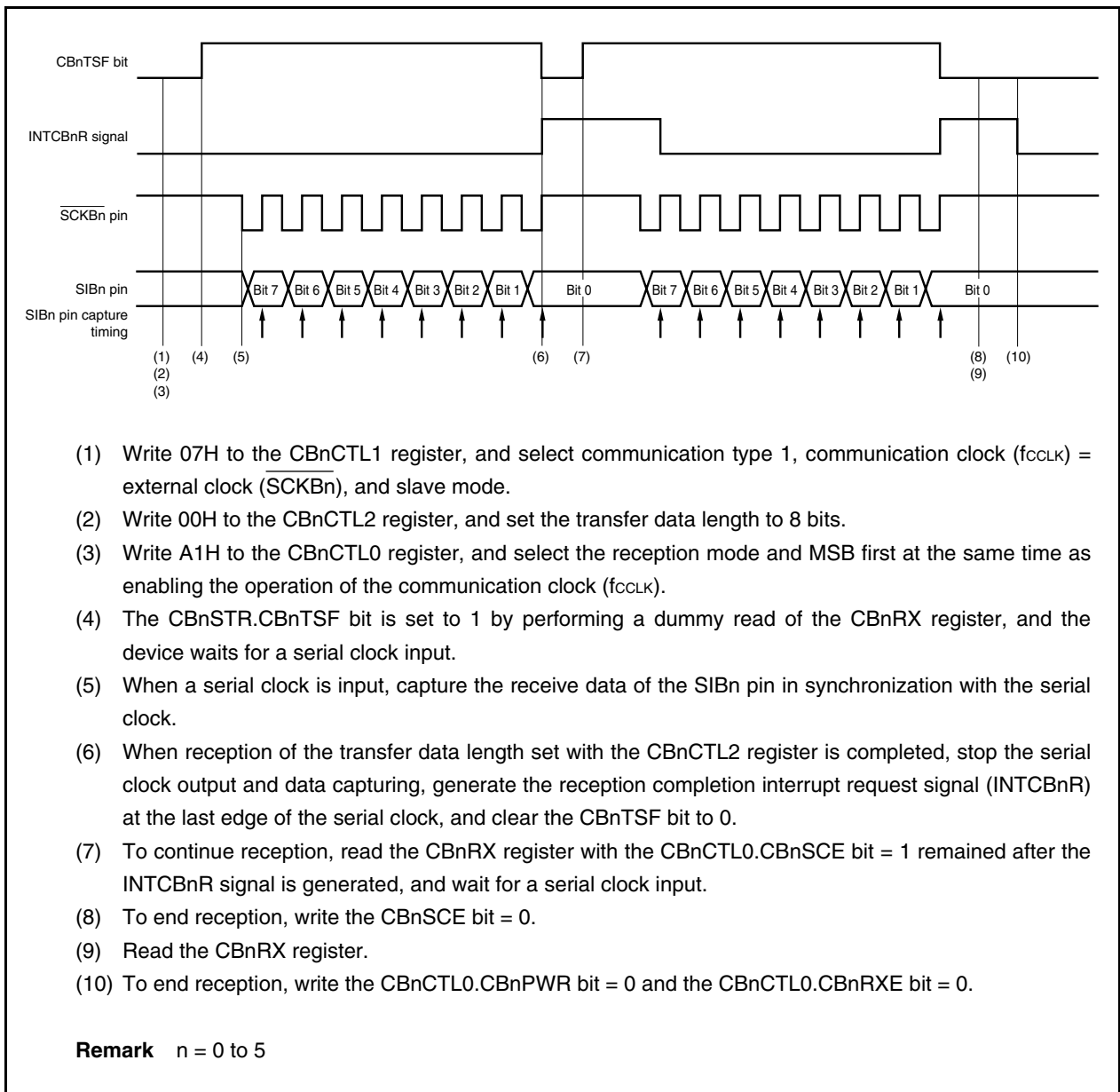
Remark n = 0 to 5

16.6.5 Single transfer mode (slave mode, reception mode)

MSB first (CBnCTL0.CBnDIR bit = 0), communication type 1 (CBnCTL1.CBnCKP and CBnCTL1.CBnDAP bits = 00), communication clock (f_{CCLK}) = external clock (SCKBn) (CBnCTL1.CBnCKS2 to CBnCTL1.CBnCKS0 bits = 111), transfer data length = 8 bits (CBnCTL2.CBnCL3 to CBnCTL2.CBnCL0 bits = 0000)

(1) Operation flow

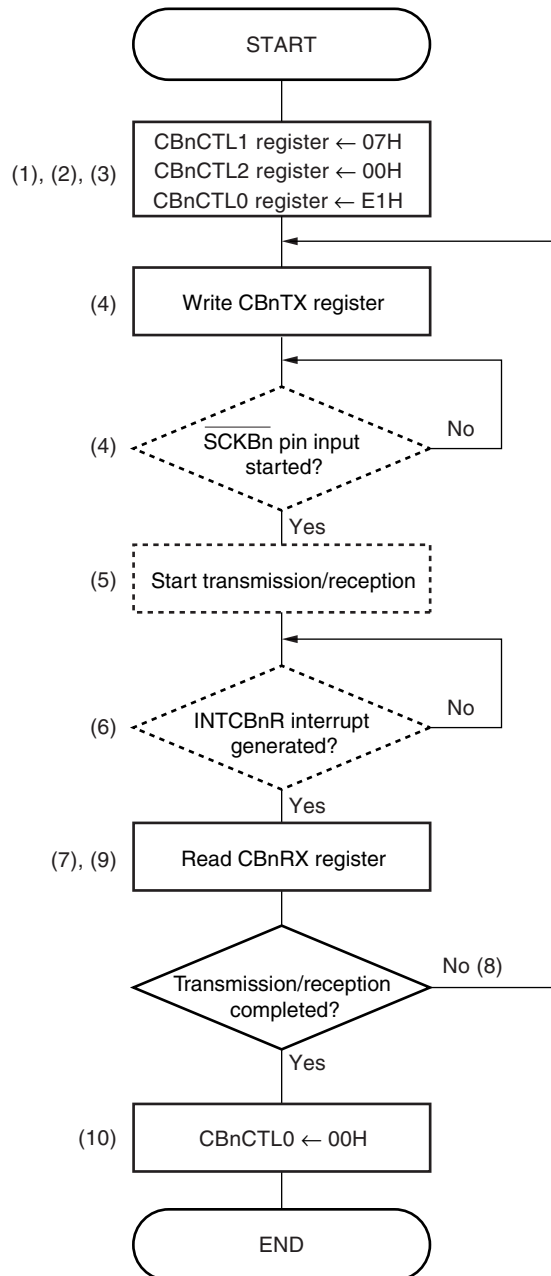


(2) Operation timing

16.6.6 Single transfer mode (slave mode, transmission/reception mode)

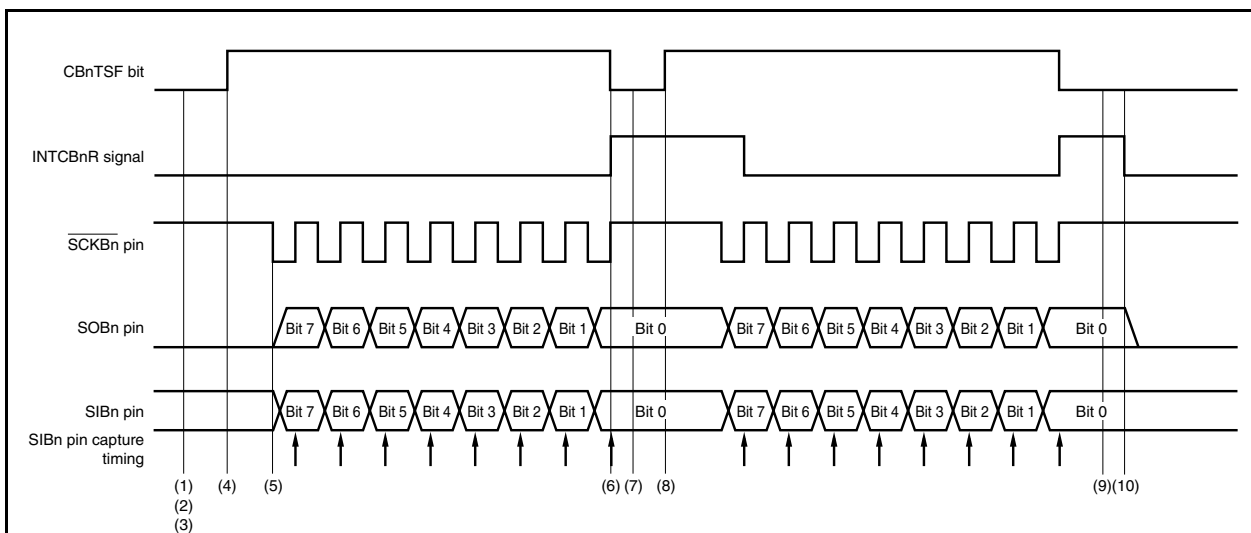
MSB first (CBnCTL0.CBnDIR bit = 0), communication type 1 (CBnCTL1.CBnCKP and CBnCTL1.CBnDAP bits = 00), communication clock (f_{CCLK}) = external clock (SCKBn) (CBnCTL1.CBnCKS2 to CBnCTL1.CBnCKS0 bits = 111), transfer data length = 8 bits (CBnCTL2.CBnCL3 to CBnCTL2.CBnCL0 bits = 0000)

(1) Operation flow



- Remarks**
1. The broken lines indicate the hardware processing.
 2. The numbers in this figure correspond to the processing numbers in **(2) Operation timing**.
 3. n = 0 to 5

(2) Operation timing



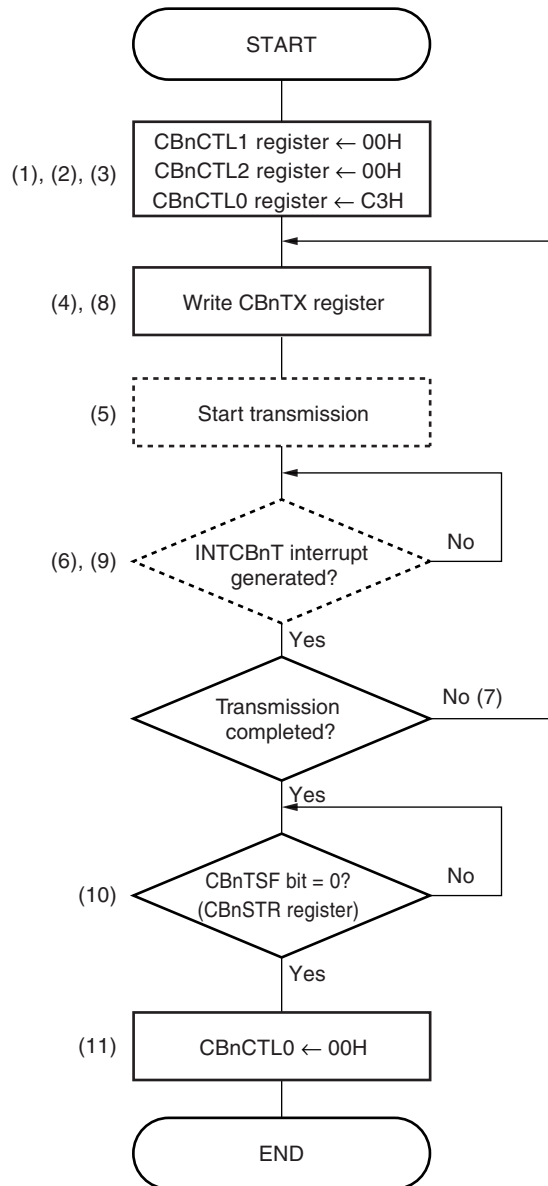
- (1) Write 07H to the CBnCTL1 register, and select communication type 1, communication clock (f_{CLK}) = external clock ($\overline{\text{SCKBn}}$), and slave mode.
- (2) Write 00H to the CBnCTL2 register, and set the transfer data length to 8 bits.
- (3) Write E1H to the CBnCTL0 register, and select the transmission/reception mode and MSB first at the same time as enabling the operation of the communication clock (f_{CLK}).
- (4) The CBnSTR.CBnTSF bit is set to 1 by writing the transmit data to the CBnTX register, and the device waits for a serial clock input.
- (5) When a serial clock is input, output the transmit data to the SOBn pin in synchronization with the serial clock, and capture the receive data of the SIBn pin.
- (6) When transmission/reception of the transfer data length set with the CBnCTL2 register is completed, stop the serial clock output, transmit data output, and data capturing, generate the reception completion interrupt request signal (INTCBnR) at the last edge of the serial clock, and clear the CBnTSF bit to 0.
- (7) Read the CBnRX register.
- (8) To continue transmission/reception, write the transmit data to the CBnTX register again, and wait for a serial clock input.
- (9) Read the CBnRX register.
- (10) To end transmission/reception, write the CBnCTL0.CBnPWR bit = 0, the CBnCTL0.CBnTXE bit = 0, and the CBnCTL0.CBnRXE bit = 0.

Remark n = 0 to 5

16.6.7 Continuous transfer mode (master mode, transmission mode)

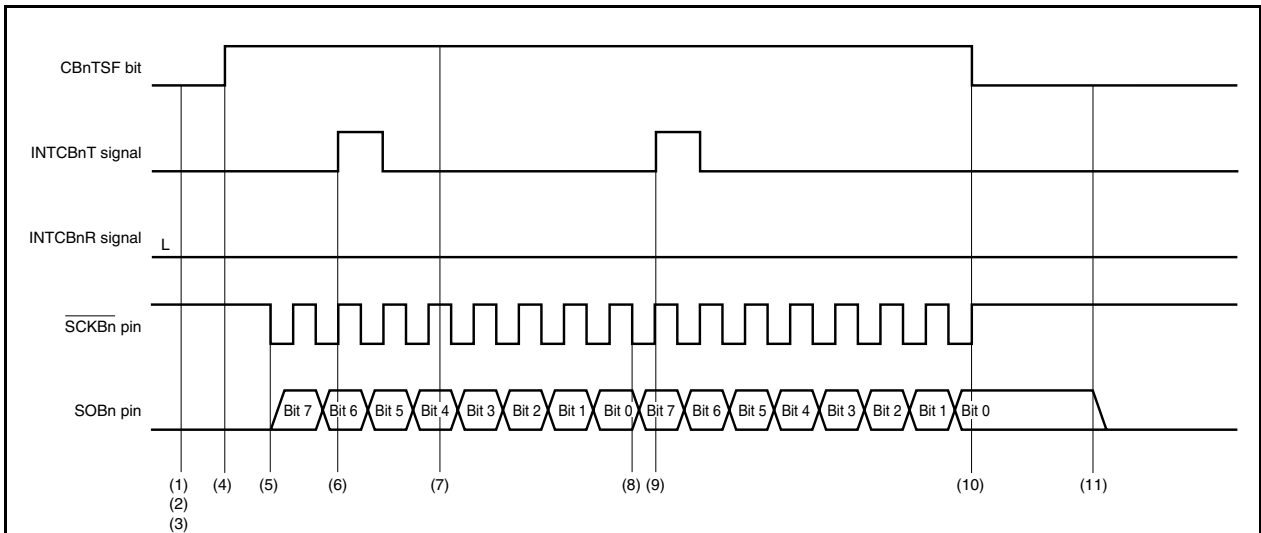
MSB first (CBnCTL0.CBnDIR bit = 0), communication type 1 (CBnCTL1.CBnCKP and CBnCTL1.CBnDAP bits = 00), communication clock (f_{CLK}) = $f_{\text{XX}}/2$ (CBnCTL1.CBnCKS2 to CBnCTL1.CBnCKS0 bits = 000), transfer data length = 8 bits (CBnCTL2.CBnCL3 to CBnCTL2.CBnCL0 bits = 0000)

(1) Operation flow



- Remarks**
1. The broken lines indicate the hardware processing.
 2. The numbers in this figure correspond to the processing numbers in **(2) Operation timing**.
 3. $n = 0$ to 5

(2) Operation timing



- (1) Write 00H to the CBnCTL1 register, and select communication type 1, communication clock ($f_{\text{CCLK}} = f_{\text{xx}}/2$), and master mode.
- (2) Write 00H to the CBnCTL2 register, and set the transfer data length to 8 bits.
- (3) Write C3H to the CBnCTL0 register, and select the transmission mode, MSB first, and continuous transfer mode at the same time as enabling the operation of the communication clock (f_{CCLK}).
- (4) The CBnSTR.CBnTSF bit is set to 1 by writing the transmit data to the CBnTX register, and transmission is started.
- (5) When transmission is started, output the serial clock to the $\overline{\text{SCKBn}}$ pin, and output the transmit data from the SOBn pin in synchronization with the serial clock.
- (6) When transfer of the transmit data from the CBnTX register to the shift register is completed and writing to the CBnTX register is enabled, the transmission enable interrupt request signal (INTCBnT) is generated.
- (7) To continue transmission, write the transmit data to the CBnTX register again after the INTCBnT signal is generated.
- (8) When a new transmit data is written to the CBnTX register before communication completion, the next communication is started following communication completion.
- (9) The transfer of the transmit data from the CBnTX register to the shift register is completed and the INTCBnT signal is generated. To end continuous transmission with the current transmission, do not write to the CBnTX register.
- (10) When the next transmit data is not written to the CBnTX register before transfer completion, stop the serial clock output to the $\overline{\text{SCKBn}}$ pin after transfer completion, and clear the CBnTSF bit to 0.
- (11) To release the transmission enable status, write the CBnCTL0.CBnPWR bit = 0 and the CBnCTL0.CBnTXE bit = 0 after checking that the CBnTSF bit = 0.

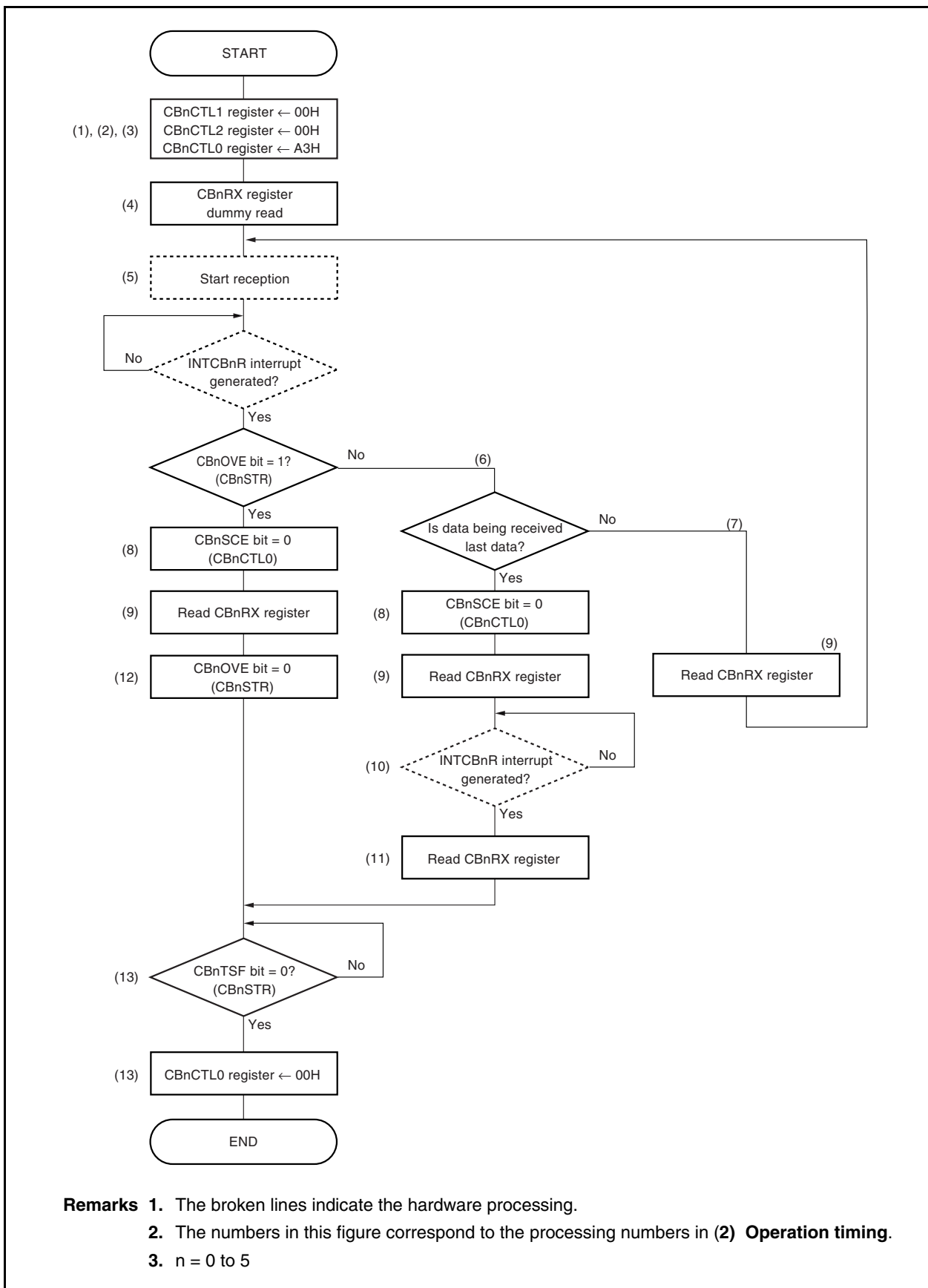
Caution In continuous transmission mode, the reception completion interrupt request signal (INTCBnR) is not generated.

Remark $n = 0$ to 5

16.6.8 Continuous transfer mode (master mode, reception mode)

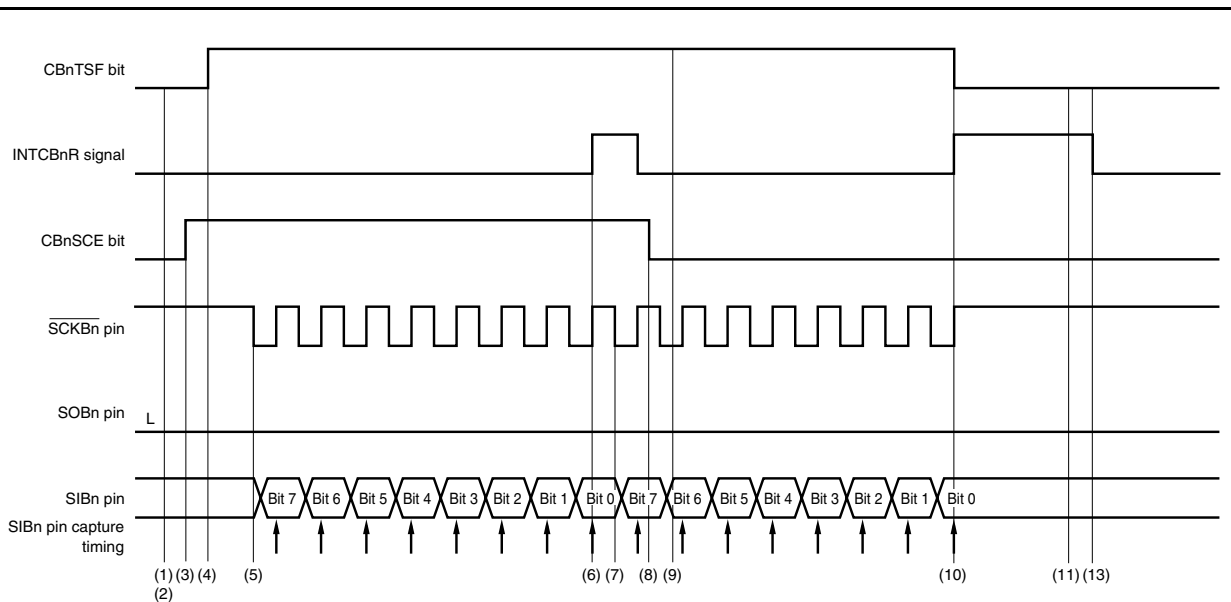
MSB first (CBnCTL0.CBnDIR bit = 0), communication type 1 (CBnCTL1.CBnCKP and CBnCTL1.CBnDAP bits = 00), communication clock (f_{CLK}) = $f_{\text{XX}}/2$ (CBnCTL1.CBnCKS2 to CBnCTL1.CBnCKS0 bits = 000), transfer data length = 8 bits (CBnCTL2.CBnCL3 to CBnCTL2.CBnCL0 bits = 0000)

(1) Operation flow



- Remarks**
1. The broken lines indicate the hardware processing.
 2. The numbers in this figure correspond to the processing numbers in (2) Operation timing.
 3. n = 0 to 5

(2) Operation timing



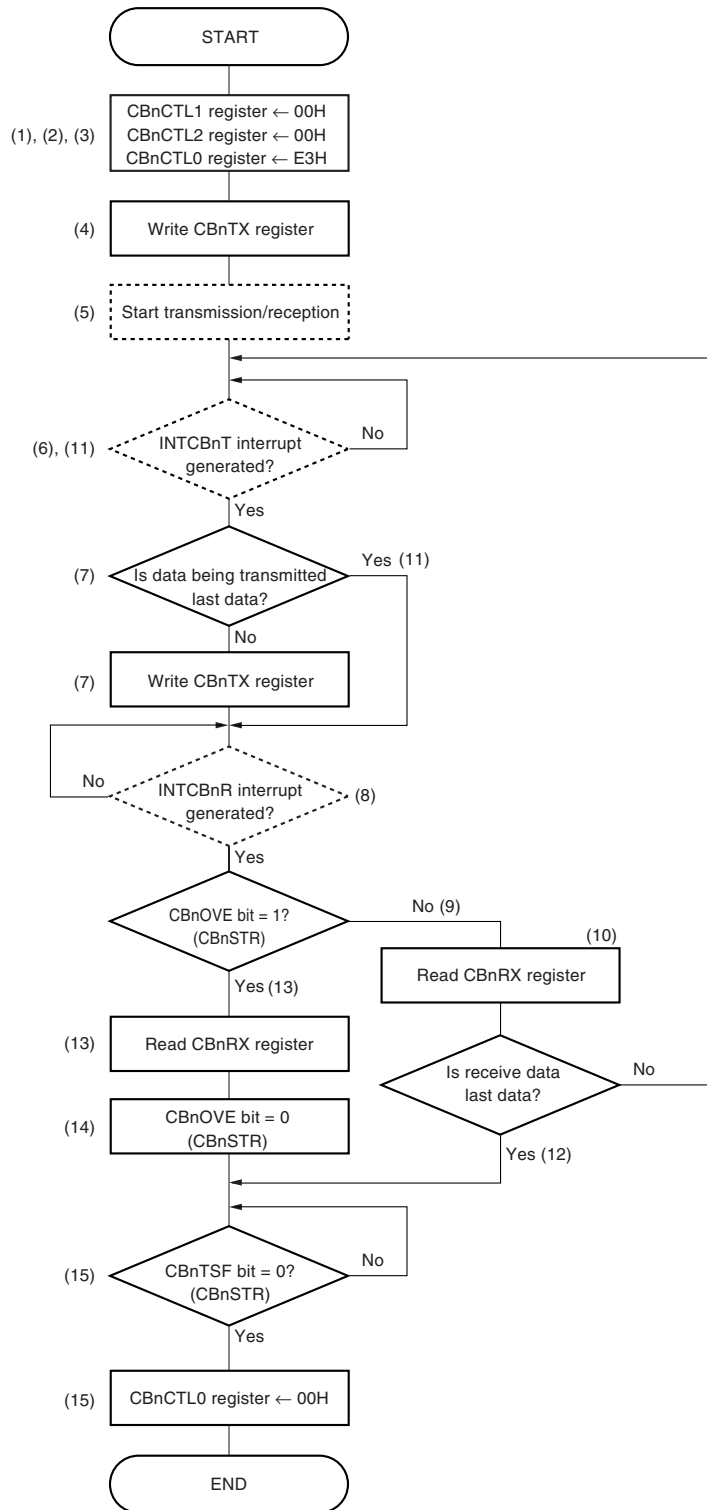
- (1) Write 00H to the CBnCTL1 register, and select communication type 1, communication clock (f_{CLK}) = $f_{\text{xx}}/2$, and master mode.
- (2) Write 00H to the CBnCTL2 register, and set the transfer data length to 8 bits.
- (3) Write A3H to the CBnCTL0 register, and select the reception mode, MSB first, and continuous transfer mode at the same time as enabling the operation of the communication clock (f_{CLK}).
- (4) The CBnSTR.CBnTSM bit is set to 1 by performing a dummy read of the CBnRX register, and reception is started.
- (5) When reception is started, output the serial clock to the $\overline{\text{SCKBn}}$ pin, and capture the receive data of the SIBn pin in synchronization with the serial clock.
- (6) When reception is completed, the reception completion interrupt request signal (INTCBnR) is generated, and reading of the CBnRX register is enabled.
- (7) When the CBnCTL0.CBnSCE bit = 1 upon communication completion, the next communication is started following communication completion.
- (8) To end continuous reception with the current reception, write the CBnSCE bit = 0.
- (9) Read the CBnRX register.
- (10) When reception is completed, the INTCBnR signal is generated, and reading of the CBnRX register is enabled. When the CBnSCE bit = 0 is set before communication completion, stop the serial clock output to the $\overline{\text{SCKBn}}$ pin, and clear the CBnTSM bit to 0, to end the receive operation.
- (11) Read the CBnRX register.
- (12) If an overrun error occurs, write the CBnSTR.CBnOVE bit = 0, and clear the error flag.
- (13) To release the reception enable status, write the CBnCTL0.CBnPWR bit = 0 and the CBnCTL0.CBnRXE bit = 0 after checking that the CBnTSM bit = 0.

Remark n = 0 to 5

16.6.9 Continuous transfer mode (master mode, transmission/reception mode)

MSB first (CBnCTL0.CBnDIR bit = 0), communication type 1 (CBnCTL1.CBnCKP and CBnCTL1.CBnDAP bits = 00), communication clock (f_{CLK}) = $f_{\text{XX}}/2$ (CBnCTL1.CBnCKS2 to CBnCTL1.CBnCKS0 bits = 000), transfer data length = 8 bits (CBnCTL2.CBnCL3 to CBnCTL2.CBnCL0 bits = 0000)

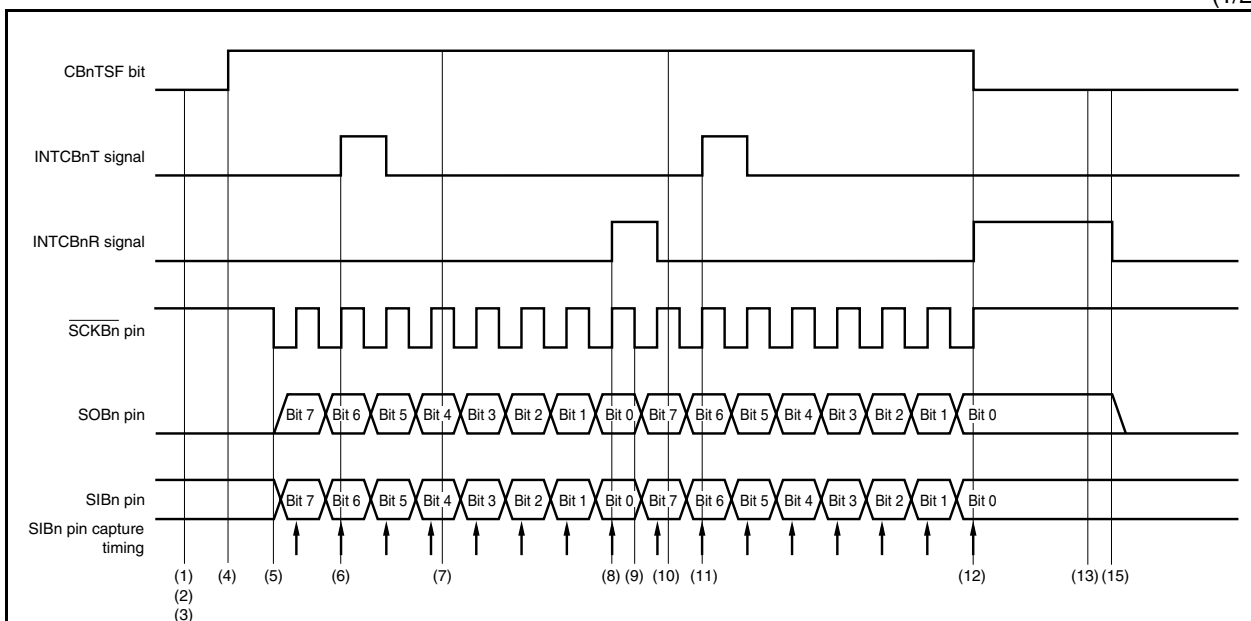
(1) Operation flow



- Remarks**
1. The broken lines indicate the hardware processing.
 2. The numbers in this figure correspond to the processing numbers in (2) **Operation timing**.
 3. n = 0 to 5

(2) Operation timing

(1/2)



- (1) Write 00H to the CBnCTL1 register, and select communication type 1, communication clock (f_{CLK}) = $f_{\text{xx}}/2$, and master mode.
- (2) Write 00H to the CBnCTL2 register, and set the transfer data length to 8 bits.
- (3) Write E3H to the CBnCTL0 register, and select the transmission/reception mode, MSB first, and continuous transfer mode at the same time as enabling the operation of the communication clock (f_{CLK}).
- (4) The CBnSTR.CBnTSF bit is set to 1 by writing the transmit data to the CBnTX register, and transmission/reception is started.
- (5) When transmission/reception is started, output the serial clock to the SCKBn pin, output the transmit data to the SOBn pin in synchronization with the serial clock, and capture the receive data of the SIBn pin.
- (6) When transfer of the transmit data from the CBnTX register to the shift register is completed and writing to the CBnTX register is enabled, the transmission enable interrupt request signal (INTCBnT) is generated.
- (7) To continue transmission/reception, write the transmit data to the CBnTX register again after the INTCBnT signal is generated.
- (8) When one transmission/reception is completed, the reception completion interrupt request signal (INTCBnR) is generated, and reading of the CBnRX register is enabled.
- (9) When a new transmit data is written to the CBnTX register before communication completion, the next communication is started following communication completion.
- (10) Read the CBnRX register.

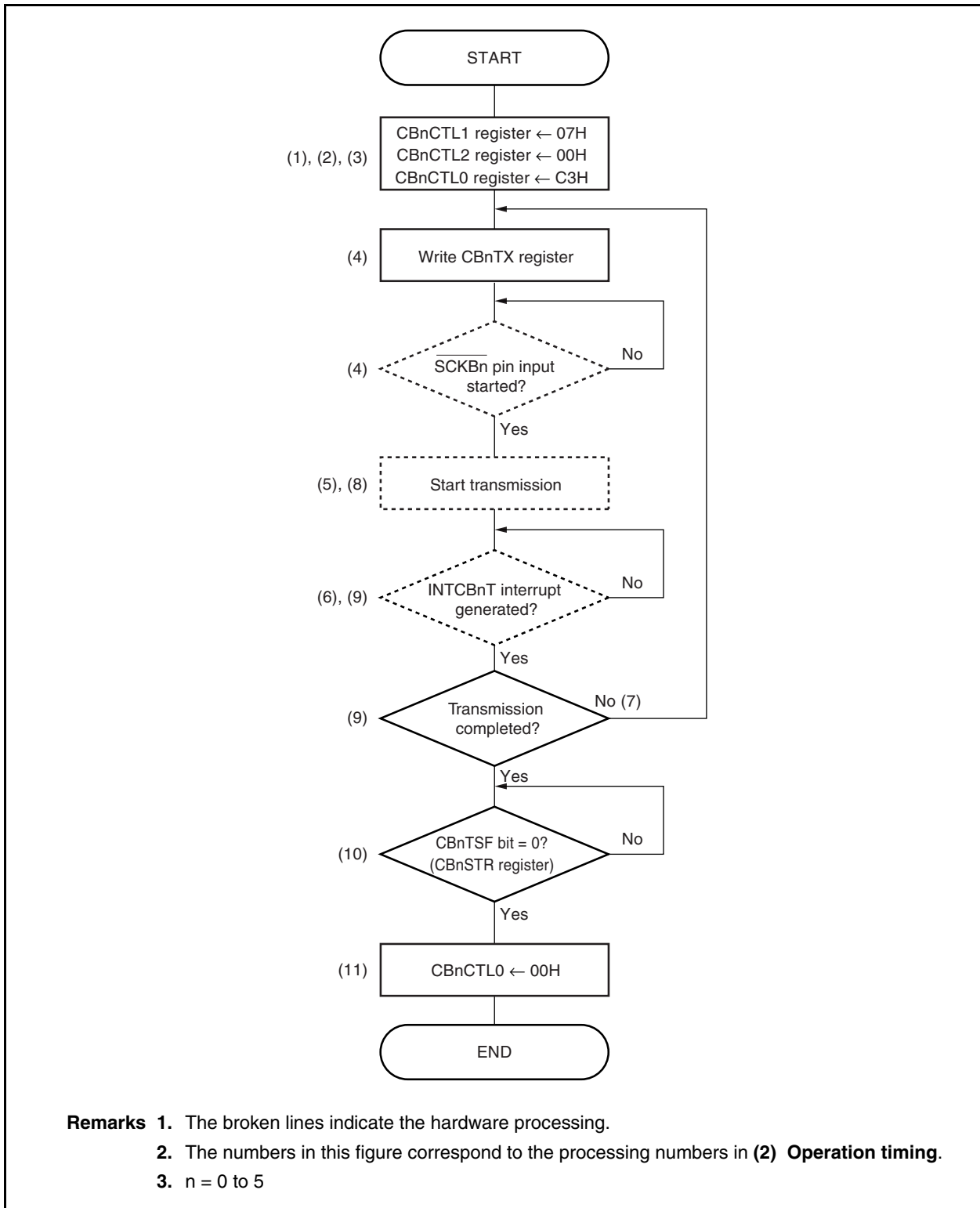
Remark $n = 0$ to 5

- (11) The transfer of the transmit data from the CBnTX register to the shift register is completed and the INTCBnT signal is generated. To end continuous transmission/reception with the current transmission/reception, do not write to the CBnTX register.
- (12) When the next transmit data is not written to the CBnTX register before transfer completion, stop the serial clock output to the $\overline{\text{SCKBn}}$ pin after transfer completion, and clear the CBnTSF bit to 0.
- (13) When the reception error interrupt request signal (INTCBnR) is generated, read the CBnRX register.
- (14) If an overrun error occurs, write the CBnSTR.CBnOVE bit = 0, and clear the error flag.
- (15) To release the transmission/reception enable status, write the CBnCTL0.CBnPWR bit = 0, the CBnCTL0.CBnTXE bit = 0, and the CBnCTL0.CBnRXE bit = 0 after checking that the CBnTSF bit = 0.

Remark n = 0 to 5

16.6.10 Continuous transfer mode (slave mode, transmission mode)

MSB first (CBnCTL0.CBnDIR bit = 0), communication type 1 (CBnCTL1.CBnCKP and CBnCTL1.CBnDAP bits = 00), communication clock (f_{CLK}) = external clock (\overline{SCKBn}) (CBnCTL1.CBnCKS2 to CBnCTL1.CBnCKS0 bits = 111), transfer data length = 8 bits (CBnCTL2.CBnCL3 to CBnCTL2.CBnCL0 bits = 0000)

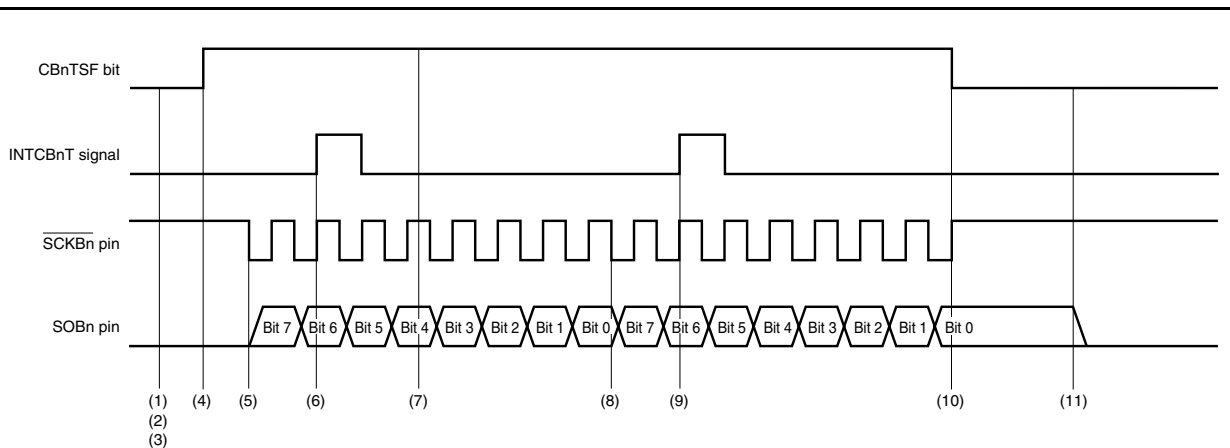
(1) Operation flow

Remarks 1. The broken lines indicate the hardware processing.

2. The numbers in this figure correspond to the processing numbers in **(2) Operation timing**.

3. n = 0 to 5

(2) Operation timing



- (1) Write 07H to the CBNCTL1 register, and select communication type 1, communication clock (f_{CCLK}) = external clock (SCKBn), and slave mode.
- (2) Write 00H to the CBNCTL2 register, and set the transfer data length to 8 bits.
- (3) Write C3H to the CBNCTL0 register, and select the transmission mode, MSB first, and continuous transfer mode at the same time as enabling the operation of the communication clock (f_{CCLK}).
- (4) The CBNSTR.CBN_TSF bit is set to 1 by writing the transmit data to the CBN_TX register, and the device waits for a serial clock input.
- (5) When a serial clock is input, output the transmit data from the SOBn pin in synchronization with the serial clock.
- (6) When transfer of the transmit data from the CBN_TX register to the shift register is completed and writing to the CBN_TX register is enabled, the transmission enable interrupt request signal (INTCBnT) is generated.
- (7) To continue transmission, write the transmit data to the CBN_TX register again after the INTCBnT signal is generated.
- (8) When a serial clock is input following completion of the transmission of the transfer data length set with the CBNCTL2 register, continuous transmission is started.
- (9) When transfer of the transmit data from the CBN_TX register to the shift register is completed and writing to the CBN_TX register is enabled, the INTCBnT signal is generated. To end continuous transmission with the current transmission, do not write to the CBN_TX register.
- (10) When the clock of the transfer data length set with the CBNCTL2 register is input without writing to the CBN_TX register, clear the CBN_TSF bit to 0 to end transmission.
- (11) To release the transmission enable status, write the CBNCTL0.CBN_PWR bit = 0 and the CBNCTL0.CBN_TXE bit = 0 after checking that the CBN_TSF bit = 0.

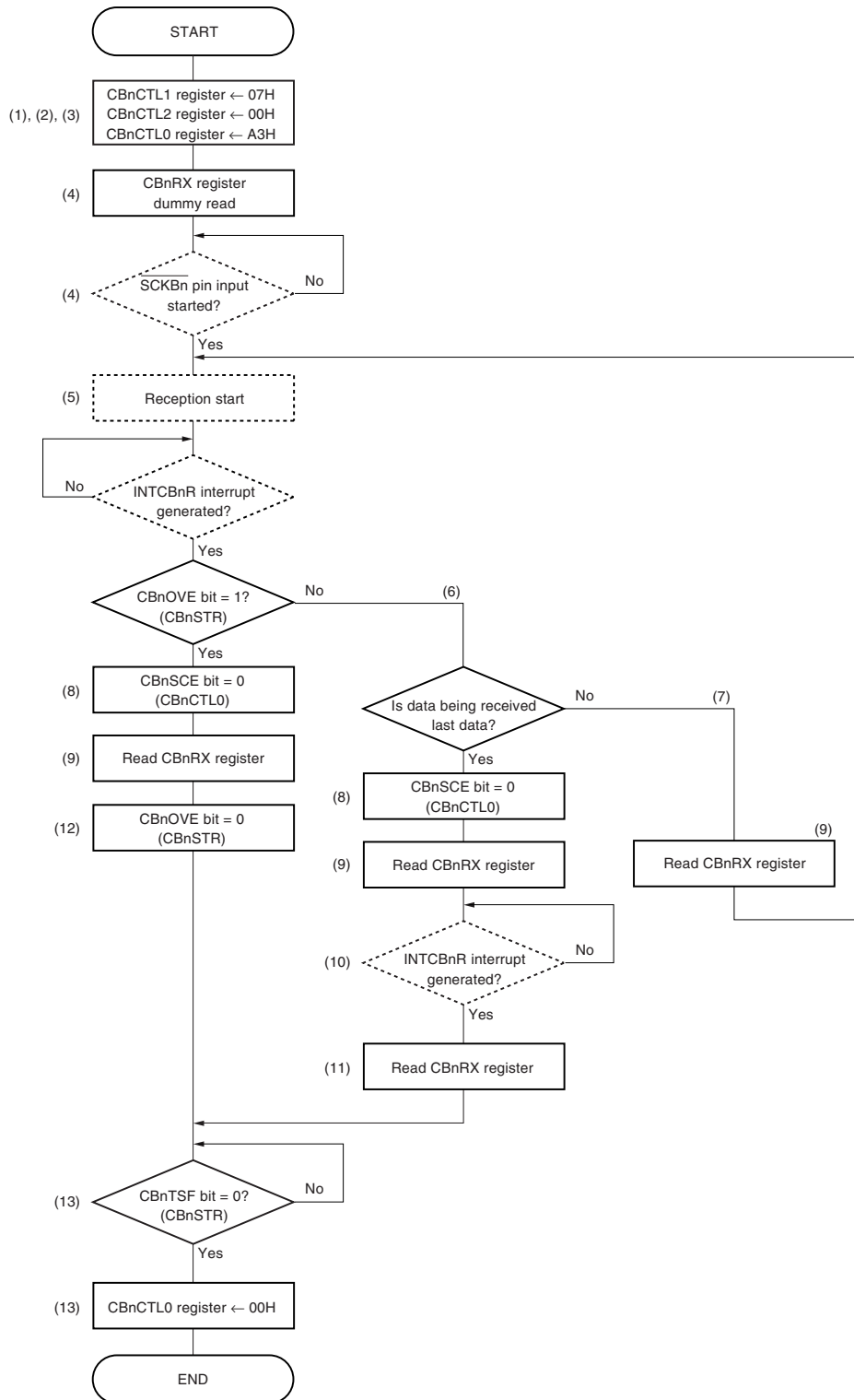
Caution In continuous transmission mode, the reception completion interrupt request signal (INTCBnR) is not generated.

Remark $n = 0$ to 5

16.6.11 Continuous transfer mode (slave mode, reception mode)

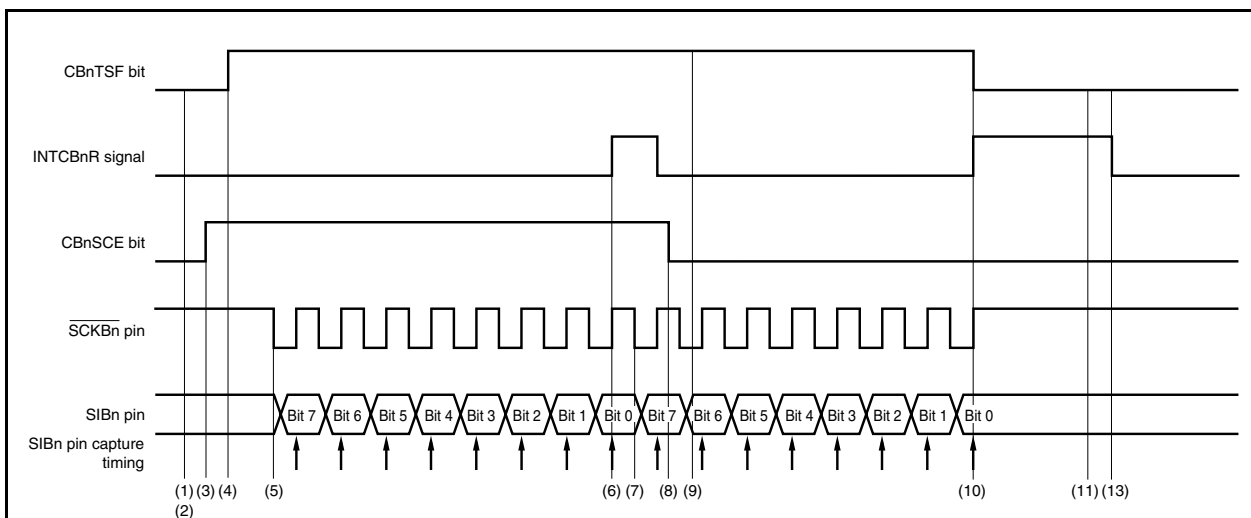
MSB first (CBnCTL0.CBnDIR bit = 0), communication type 1 (CBnCTL1.CBnCKP and CBnCTL1.CBnDAP bits = 00), communication clock (f_{CLK}) = external clock ($\overline{\text{SCKBn}}$) (CBnCTL1.CBnCKS2 to CBnCTL1.CBnCKS0 bits = 111), transfer data length = 8 bits (CBnCTL2.CBnCL3 to CBnCTL2.CBnCL0 bits = 0000)

(1) Operation flow



- Remarks**
1. The broken lines indicate the hardware processing.
 2. The numbers in this figure correspond to the processing numbers in (2) **Operation timing**.
 3. n = 0 to 5

(2) Operation timing



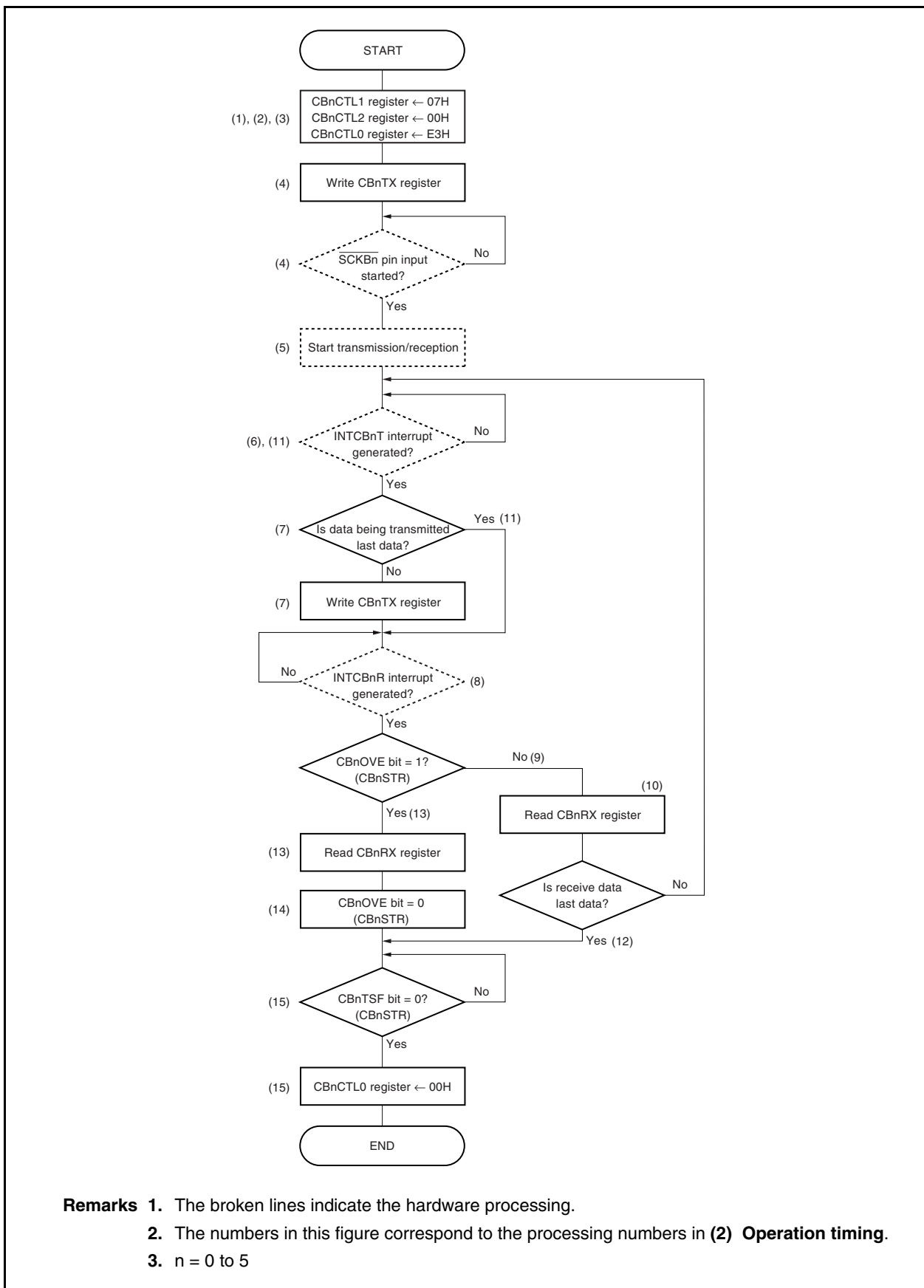
- (1) Write 07H to the CBnCTL1 register, and select communication type 1, communication clock (f_{CLK}) = external clock ($\overline{\text{SCKBn}}$), and slave mode.
- (2) Write 00H to the CBnCTL2 register, and set the transfer data length to 8 bits.
- (3) Write A3H to the CBnCTL0 register, and select the reception mode, MSB first, and continuous transfer mode at the same time as enabling the operation of the communication clock (f_{CLK}).
- (4) The CBnSTR.CBnTSF bit is set to 1 by performing a dummy read of the CBnRX register, and the device waits for a serial clock input.
- (5) When a serial clock is input, capture the receive data of the SIBn pin in synchronization with the serial clock.
- (6) When reception is completed, the reception completion interrupt request signal (INTCBnR) is generated, and reading of the CBnRX register is enabled.
- (7) When a serial clock is input in the CBnCTL0.CBnSCE bit = 1 status, continuous reception is started.
- (8) To end continuous reception with the current reception, write the CBnSCE bit = 0.
- (9) Read the CBnRX register.
- (10) When reception is completed, the INTCBnR signal is generated, and reading of the CBnRX register is enabled. When the CBnSCE bit = 0 is set before communication completion, clear the CBnTSF bit to 0 to end the receive operation.
- (11) Read the CBnRX register.
- (12) If an overrun error occurs, write the CBnSTR.CBnOVE bit = 0, and clear the error flag.
- (13) To release the reception enable status, write the CBnCTL0.CBnPWR bit = 0 and the CBnCTL0.CBnRXE bit = 0 after checking that the CBnTSF bit = 0.

Remark n = 0 to 5

16.6.12 Continuous transfer mode (slave mode, transmission/reception mode)

MSB first (CBnCTL0.CBnDIR bit = 0), communication type 1 (CBnCTL1.CBnCKP and CBnCTL1.CBnDAP bits = 00), communication clock (f_{CCLK}) = external clock ($\overline{\text{SCKBn}}$) (CBnCTL1.CBnCKS2 to CBnCTL1.CBnCKS0 bits = 111), transfer data length = 8 bits (CBnCTL2.CBnCL3 to CBnCTL2.CBnCL0 bits = 0000)

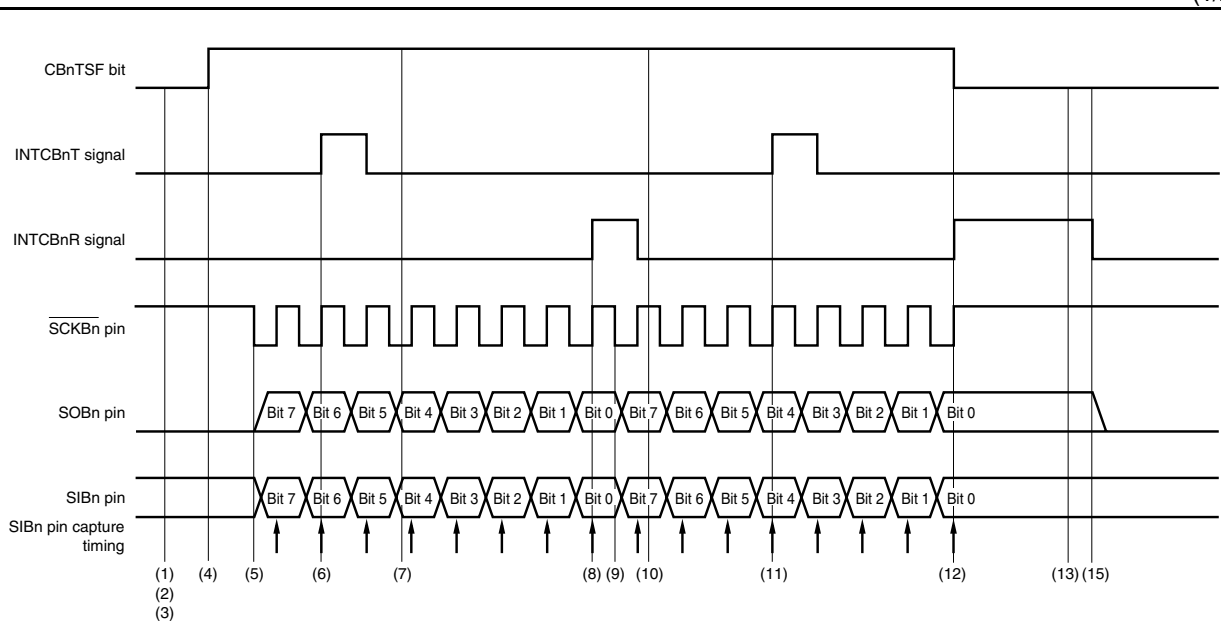
(1) Operation flow



- Remarks**
1. The broken lines indicate the hardware processing.
 2. The numbers in this figure correspond to the processing numbers in (2) **Operation timing**.
 3. n = 0 to 5

(2) Operation timing

(1/2)



- (1) Write 07H to the $\overline{\text{CBnCTL1}}$ register, and select communication type 1, communication clock (f_{CLK}) = external clock (SCKBn), and slave mode.
- (2) Write 00H to the $\overline{\text{CBnCTL2}}$ register, and set the transfer data length to 8 bits.
- (3) Write E3H to the $\overline{\text{CBnCTL0}}$ register, and select the transmission/reception mode, MSB first, and continuous transfer mode at the same time as enabling the operation of the communication clock (f_{CLK}).
- (4) The $\overline{\text{CBnSTR.CBnTSF}}$ bit is set to 1 by writing the transmit data to the $\overline{\text{CBnTX}}$ register, and the device waits for a serial clock input.
- (5) When a serial clock is input, output the transmit data to the SOBn pin in synchronization with the serial clock, and capture the receive data of the SIBn pin.
- (6) When transfer of the transmit data from the $\overline{\text{CBnTX}}$ register to the shift register is completed and writing to the $\overline{\text{CBnTX}}$ register is enabled, the transmission enable interrupt request signal (INTCBnT) is generated.
- (7) To continue transmission, write the transmit data to the $\overline{\text{CBnTX}}$ register again after the INTCBnT signal is generated.
- (8) When reception of the transfer data length set with the $\overline{\text{CBnCTL2}}$ register is completed, the reception completion interrupt request signal (INTCBnR) is generated, and reading of the $\overline{\text{CBnRX}}$ register is enabled.
- (9) When a serial clock is input continuously, continuous transmission/reception is started.
- (10) Read the $\overline{\text{CBnRX}}$ register.
- (11) When transfer of the transmit data from the $\overline{\text{CBnTX}}$ register to the shift register is completed and writing to the $\overline{\text{CBnTX}}$ register is enabled, the INTCBnT signal is generated. To end continuous transmission/reception with the current transmission/reception, do not write to the $\overline{\text{CBnTX}}$ register.

Remark n = 0 to 5

- (12) When the clock of the transfer data length set with the CBnCTL2 register is input without writing to the CBnTX register, the INTCBnR signal is generated. Clear the CBnTSF bit to 0 to end transmission/reception.
- (13) When the INTCBnR signal is generated, read the CBnRX register.
- (14) If an overrun error occurs, write the CBnSTR.CBnOVE bit = 0, and clear the error flag.
- (15) To release the transmission/reception enable status, write the CBnCTL0.CBnPWR bit = 0, the CBnCTL0.CBnTXE bit = 0, and the CBnCTL0.CBnRXE bit = 0 after checking that the CBnTSF bit = 0.

Remark n = 0 to 5

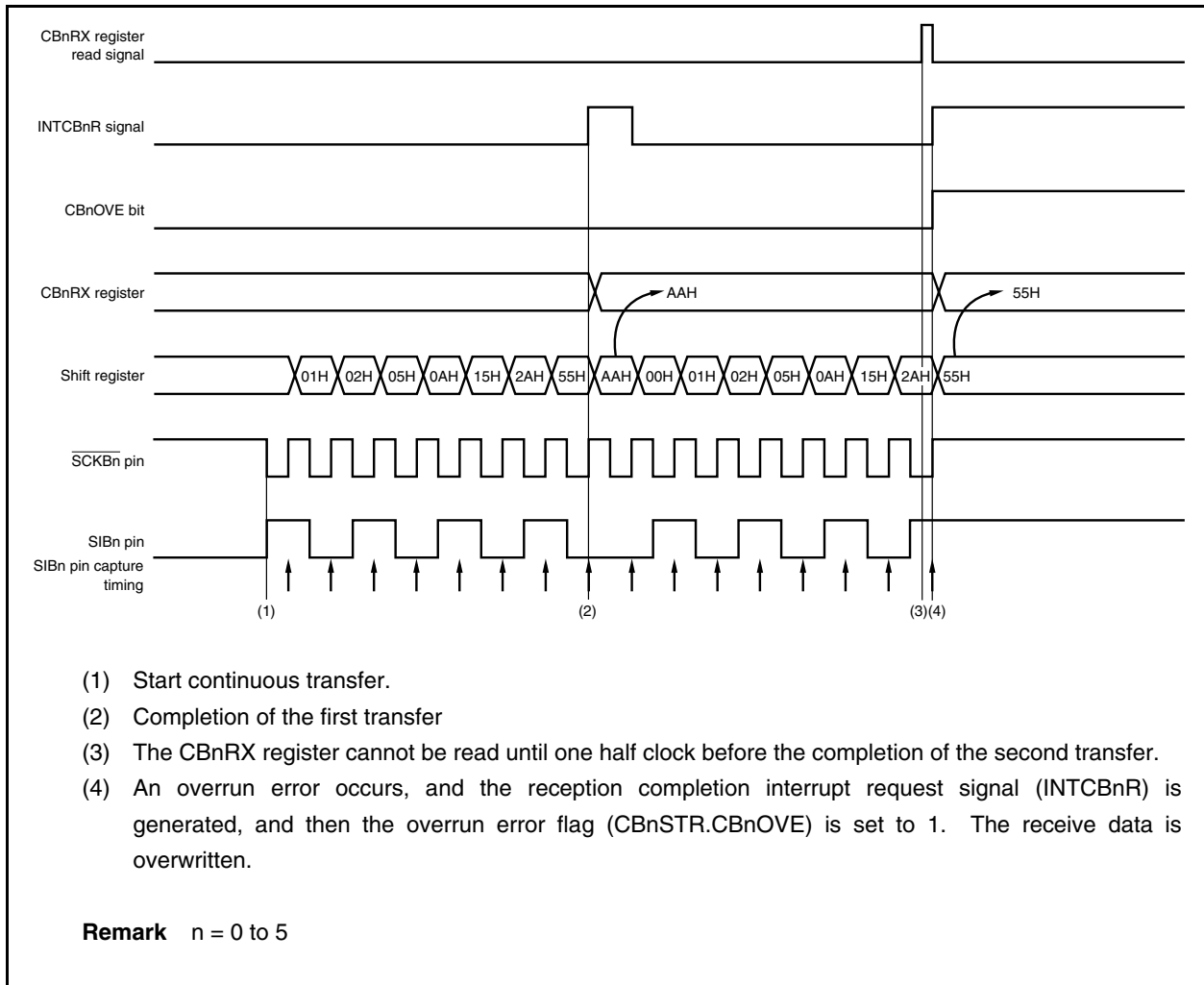
16.6.13 Reception error

When transfer is performed with reception enabled (CBnCTL0.CBnRXE bit = 1) in the continuous transfer mode, the reception completion interrupt request signal (INTCBnR) is generated again when the next receive operation is completed before the CBnRX register is read after the INTCBnR signal is generated, and the overrun error flag (CBnSTR.CBnOVE) is set to 1.

Even if an overrun error has occurred, the previous receive data is lost since the CBnRX register is updated. Even if a reception error has occurred, the INTCBnR signal is generated again upon the next reception completion if the CBnRX register is not read.

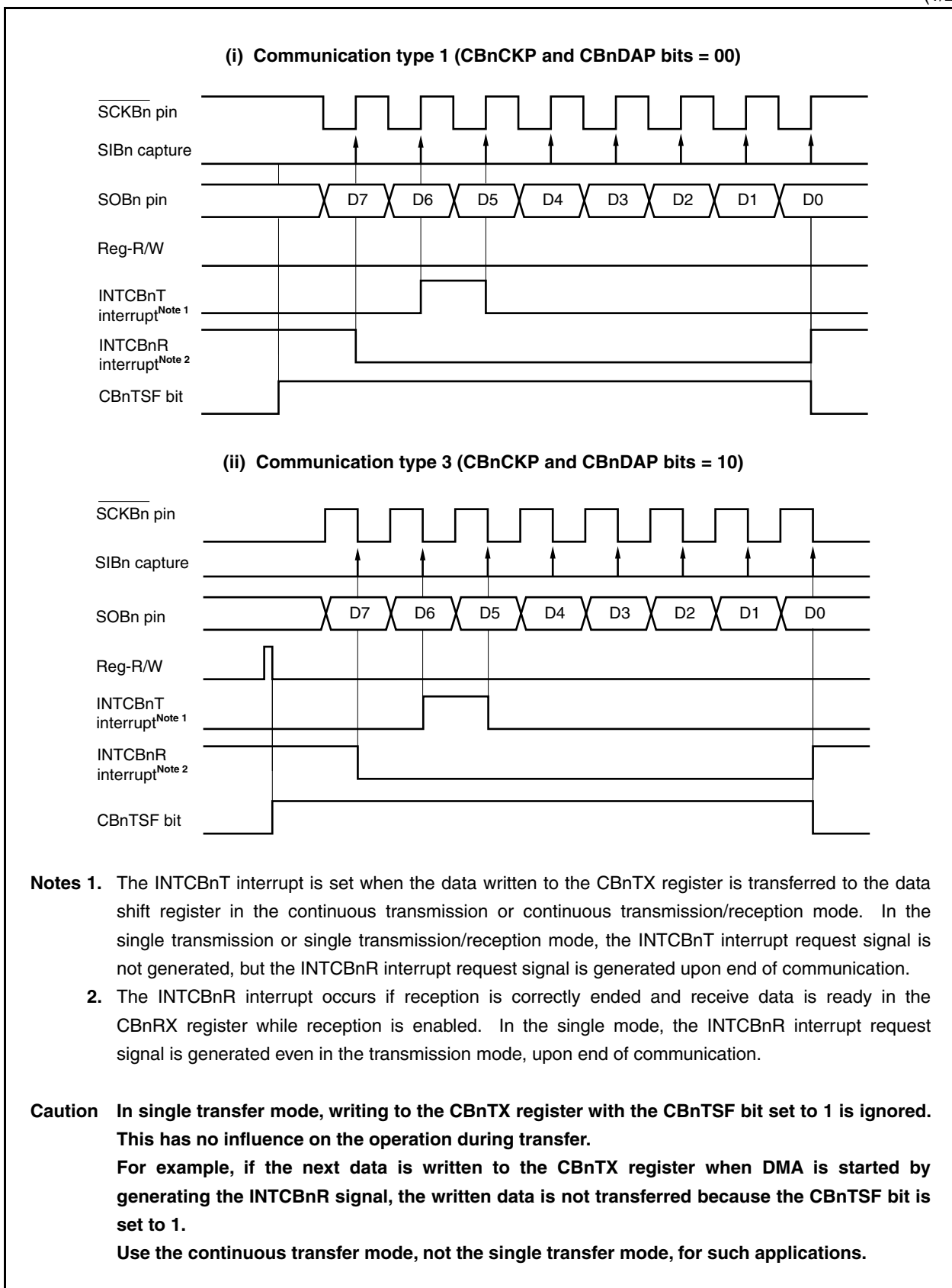
To avoid an overrun error, complete reading the CBnRX register until one half clock before sampling the last bit of the next receive data from the INTCBnR signal generation.

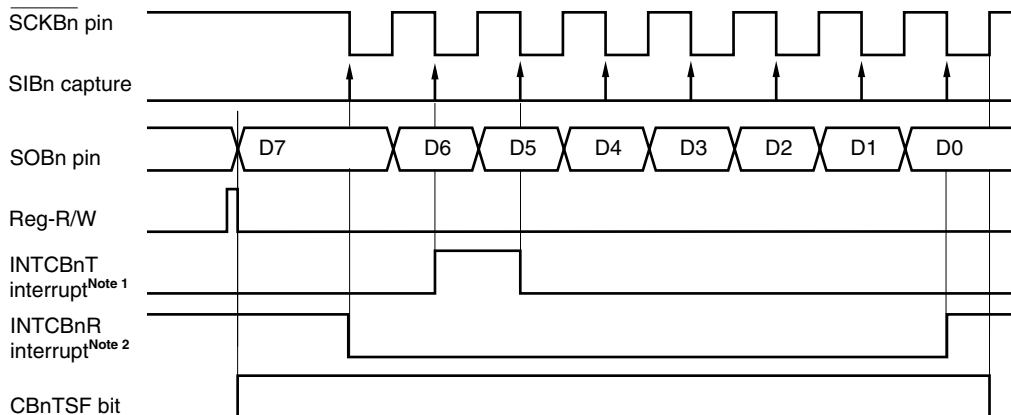
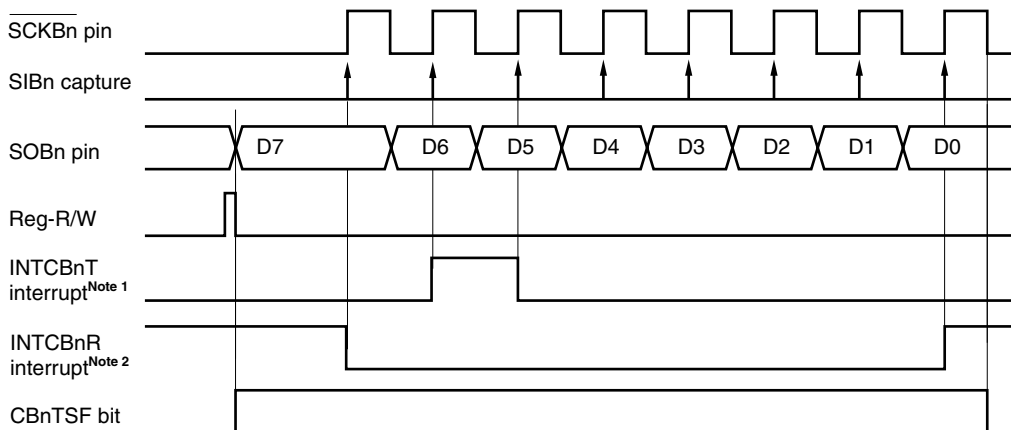
(1) Operation timing



16.6.14 Clock timing

(1/2)



(iii) Communication type 2 (CBnCKP and CBnDAP bits = 01)**(iv) Communication type 4 (CBnCKP and CBnDAP bits = 11)**

- Notes 1.** The INTCBnT interrupt is set when the data written to the CBnTX register is transferred to the data shift register in the continuous transmission or continuous transmission/reception modes. In the single transmission or single transmission/reception modes, the INTCBnT interrupt request signal is not generated, but the INTCBnR interrupt request signal is generated upon end of communication.
- 2.** The INTCBnR interrupt occurs if reception is correctly ended and receive data is ready in the CBnRX register while reception is enabled. In the single mode, the INTCBnR interrupt request signal is generated even in the transmission mode, upon end of communication.

Caution In single transfer mode, writing to the CBnTX register with the CBnTSF bit set to 1 is ignored. This has no influence on the operation during transfer. For example, if the next data is written to the CBnTX register when DMA is started by generating the INTCBnR signal, the written data is not transferred because the CBnTSF bit is set to 1. Use the continuous transfer mode, not the single transfer mode, for such applications.

16.7 Output Pins

(1) $\overline{\text{SCKBn}}$ pin

When CSIBn operation is disabled (CBnCTL0.CBnPWR bit = 0), the $\overline{\text{SCKBn}}$ pin output status is as follows.

CBnCKP	CBnCKS2	CBnCKS1	CBnCKS0	$\overline{\text{SCKBn}}$ Pin Output
0	1	1	1	High impedance
	Other than above			Fixed to high level
1	1	1	1	High impedance
	Other than above			Fixed to low level

Remarks 1. The output level of the $\overline{\text{SCKBn}}$ pin changes if any of the CBnCTL1.CBnCKP and CBnCKS2 to CBnCKS0 bits is rewritten.

2. n = 0 to 5

(2) SOBn pin

When CSIBn operation is disabled (CBnPWR bit = 0), the SOBn pin output status is as follows.

CBnTXE	CBnDAP	CBnDIR	SOBn Pin Output
0	×	×	Fixed to low level
1	0	×	SOBn latch value (low level)
	1	0	CBnTX0 value (MSB)
		1	CBnTX0 value (LSB)

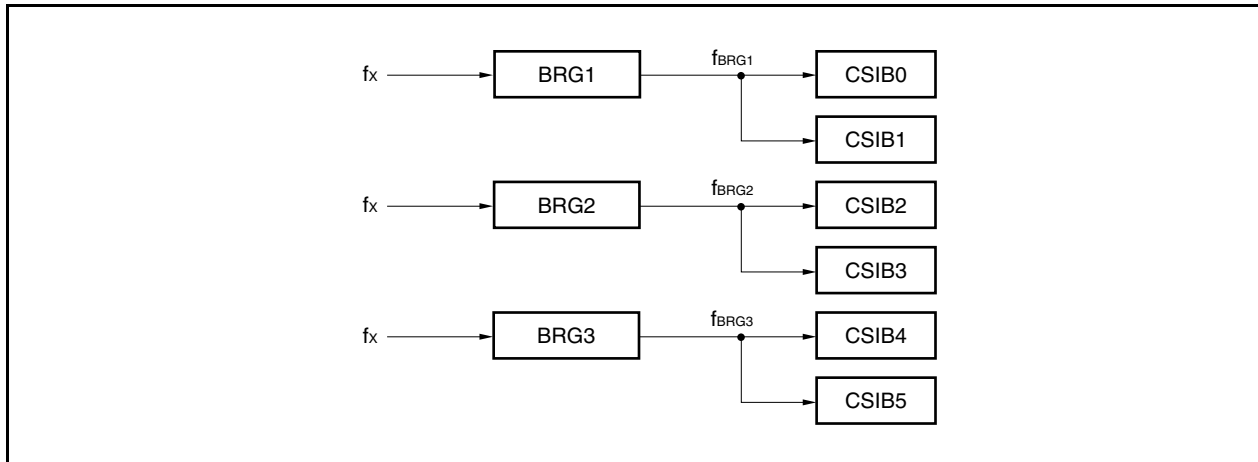
Remarks 1. The SOBn pin output changes when any one of the CBnCTL0.CBnTXE, CBnCTL0.CBnDIR bits, and CBnCTL1.CBnDAP bit is rewritten.

2. ×: Don't care

3. n = 0 to 5

16.8 Baud Rate Generator

The BRG1 to BRG3 and CSIB0 to CSIB5 baud rate generators are connected as shown in the following block diagram.



(1) Prescaler mode registers 1 to 3 (PRSM1 to PRSM3)

The PRSM1 to PRSM3 registers control generation of the baud rate signal for CSIB.

These registers can be read or written in 8-bit or 1-bit units.

Reset sets these registers to 00H.

After reset: 00H R/W Address: PRSM1 FFFF320H, PRSM2 FFFF324H, PRSM3 FFFF328H

	7	6	5	<4>	3	2	1	0
PRSMm (m = 1 to 3)	0	0	0	BGCEm	0	0	BGCSm1	BGCSm0

BGCEm	Baud rate output
0	Disabled
1	Enabled

BGCSm1	BGCSm0	Input clock selection (f_{BGCSm})	Setting value (k)
0	0	f_{xx}	0
0	1	$f_{xx}/2$	1
1	0	$f_{xx}/4$	2
1	1	$f_{xx}/8$	3

Cautions

1. Do not rewrite the PRSMm register during operation.
2. Set the PRSMm register before setting the BGCEm bit to 1.

(2) Prescaler compare registers 1 to 3 (PRSCM1 to PRSCM3)

The PRSCM1 to PRSCM3 registers are 8-bit compare registers.

These registers can be read or written in 8-bit units.

Reset sets these registers to 00H.

After reset: 00H R/W Address: PRSCM1 FFFFF321H, PRSCM2 FFFFF325H,
PRSCM3 FFFFF329H

	7	6	5	4	3	2	1	0
PRSCMm (m = 1 to 3)	PRSCMm7	PRSCMm6	PRSCMm5	PRSCMm4	PRSCMm3	PRSCMm2	PRSCMm1	PRSCMm0

Cautions

1. Do not rewrite the PRSCMm register during operation.
2. Set the PRSCMm register before setting the PRSMm.BGCEm bit to 1.

16.8.1 Baud rate generation

The transmission/reception clock is generated by dividing the main clock. The baud rate generated from the main clock is obtained by the following equation.

$$f_{BRGm} = \frac{f_{xx}}{2^{k+1} \times N}$$

- Remark**
- f_{BRGm}: BRGm count clock
 - f_{xx}: Main clock oscillation frequency
 - k: PRSMm register setting value = 0 to 3
 - N: PRSCMm register setting value = 1 to 256
However, N = 256 only when PRSCMm register is set to 00H.
 - m = 1 to 3

16.9 Cautions

(1) When transferring transmit data and receive data using DMA transfer, error processing cannot be performed even if an overrun error occurs during serial transfer. Check that the no overrun error has occurred by reading the CBnSTR.CBnOVE bit after DMA transfer has been completed.

(2) In regards to registers that are forbidden from being rewritten during operations (CBnCTL0.CBnPWR bit is 1), if rewriting has been carried out by mistake during operations, set the CBnCTL0.CBnPWR bit to 0 once, then initialize CSIBn.

Registers to which rewriting during operation are prohibited are shown below.

- CBnCTL0 register: CBnTXE, CBnRXE, CBnDIR, CBnTMS bits
- CBnCTL1 register: CBnCKP, CBnDAP, CBnCKS2 to CBnCKS0 bits
- CBnCTL2 register: CBnCL3 to CBnCL0 bits

(3) In communication type 2 and 4 (CBnCTL1.CBnDAP bit = 1), the CBnSTR.CBnTSF bit is cleared half a $\overline{\text{SCKBn}}$ clock after occurrence of a reception complete interrupt (INTCBnR).

In the single transfer mode, writing the next transmit data is ignored during communication (CBnTSF bit = 1), and the next communication is not started. Also if reception-only communication (CBnCTL0.CBnTXE bit = 0, CBnCTL0.CBnRXE bit = 1) is set, the next communication is not started even if the receive data is read during communication (CBnTSF bit = 1).

Therefore, when using the single transfer mode with communication type 2 or 4 (CBnDAP bit = 1), pay particular attention to the following.

- To start the next transmission, confirm that CBnTSF bit = 0 and then write the transmit data to the CBnTX register.
- To perform the next reception continuously when reception-only communication (CBnTXE bit = 0, CBnRXE bit = 1) is set, confirm that CBnTSF bit = 0 and then read the CBnRX register.

Or, use the continuous transfer mode instead of the single transfer mode. Use of the continuous transfer mode is recommend especially for using DMA.

Remark n = 0 to 5

CHAPTER 17 I²C BUS

To use the I²C bus function, use the P38/SDA00, P39/SCL00, P40/SDA01, P41/SCL01, P90/SDA02, and P91/SCL02 pins as the serial transmit/receive data I/O pins (SDA00 to SDA02) and serial clock I/O pins (SCL00 to SCL02), respectively, and set them to N-ch open-drain output.

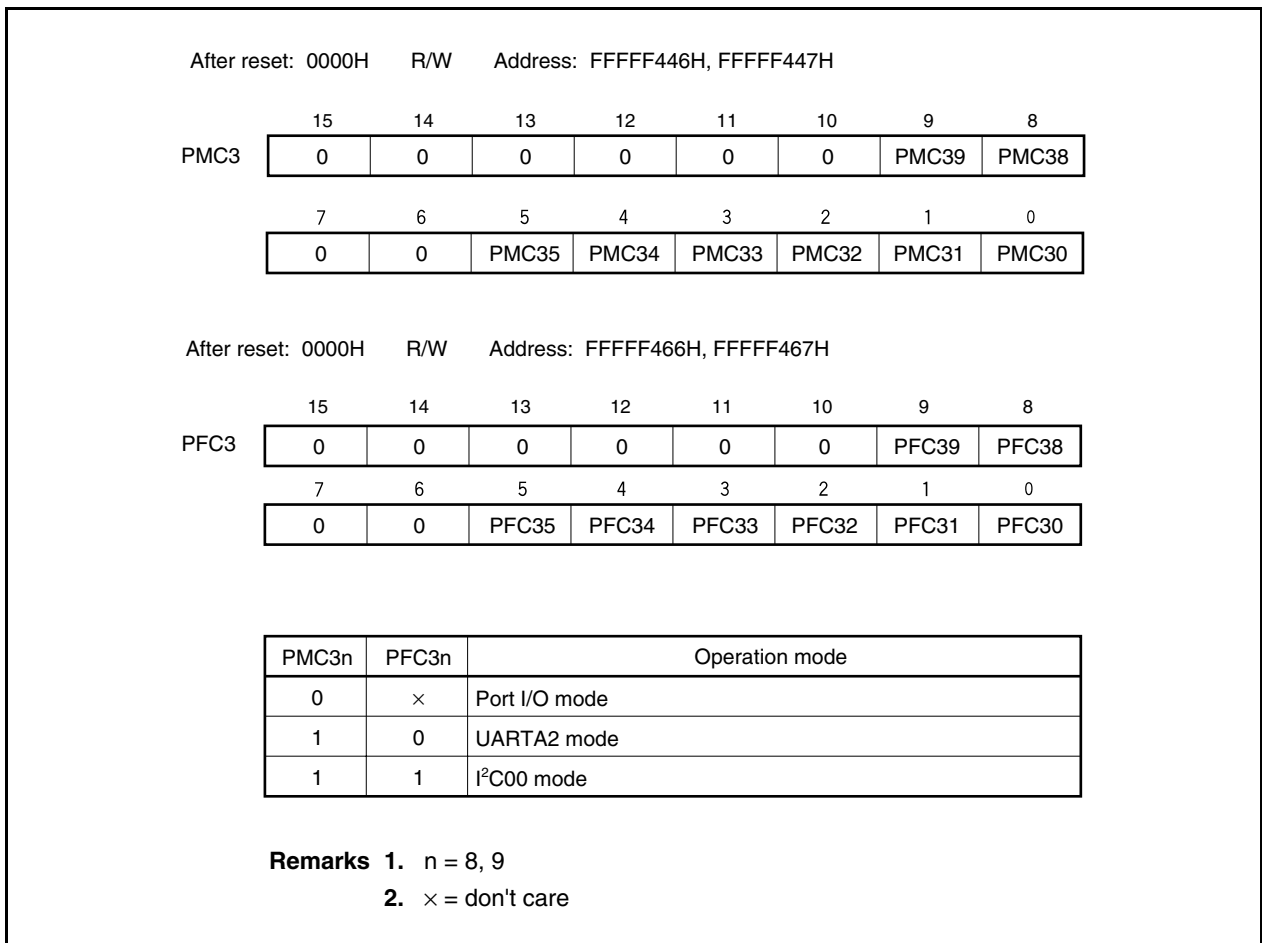
17.1 Mode Switching of I²C Bus and Other Serial Interfaces

17.1.1 UARTA2 and I²C00 mode switching

In the V850ES/JJ2, UARTA2 and I²C00 are alternate functions of the same pin and therefore cannot be used simultaneously. Set I²C00 in advance, using the PMC3 and PFC3 registers, before use.

Caution The transmit/receive operation of UARTA2 and I²C00 is not guaranteed if these functions are switched during transmission or reception. Be sure to disable the one that is not used.

Figure 17-1. UARTA2 and I²C00 Mode Switch Settings

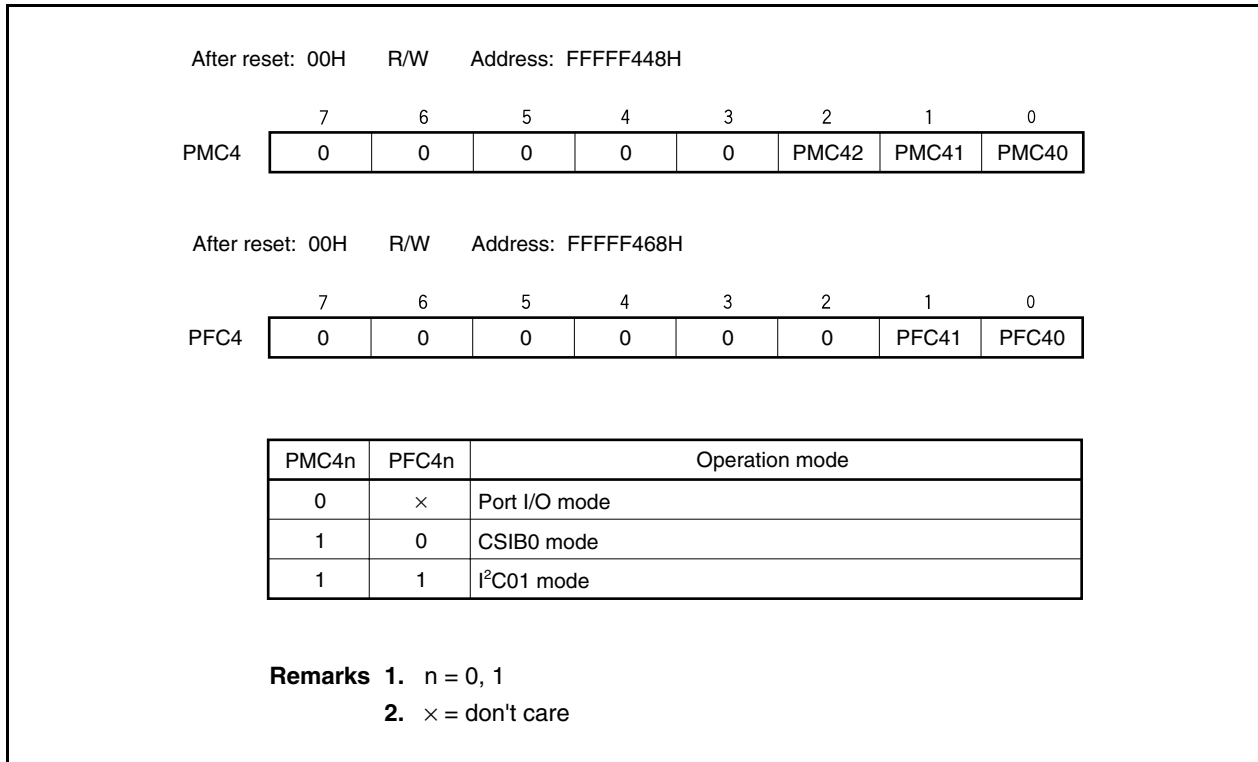


17.1.2 CSIB0 and I²C01 mode switching

In the V850ES/JJ2, CSIB0 and I²C01 are alternate functions of the same pin and therefore cannot be used simultaneously. Set I²C01 in advance, using the PMC4 and PFC4 registers, before use.

Caution The transmit/receive operation of CSIB0 and I²C01 is not guaranteed if these functions are switched during transmission or reception. Be sure to disable the one that is not used.

Figure 17-2. CSIB0 and I²C01 Mode Switch Settings

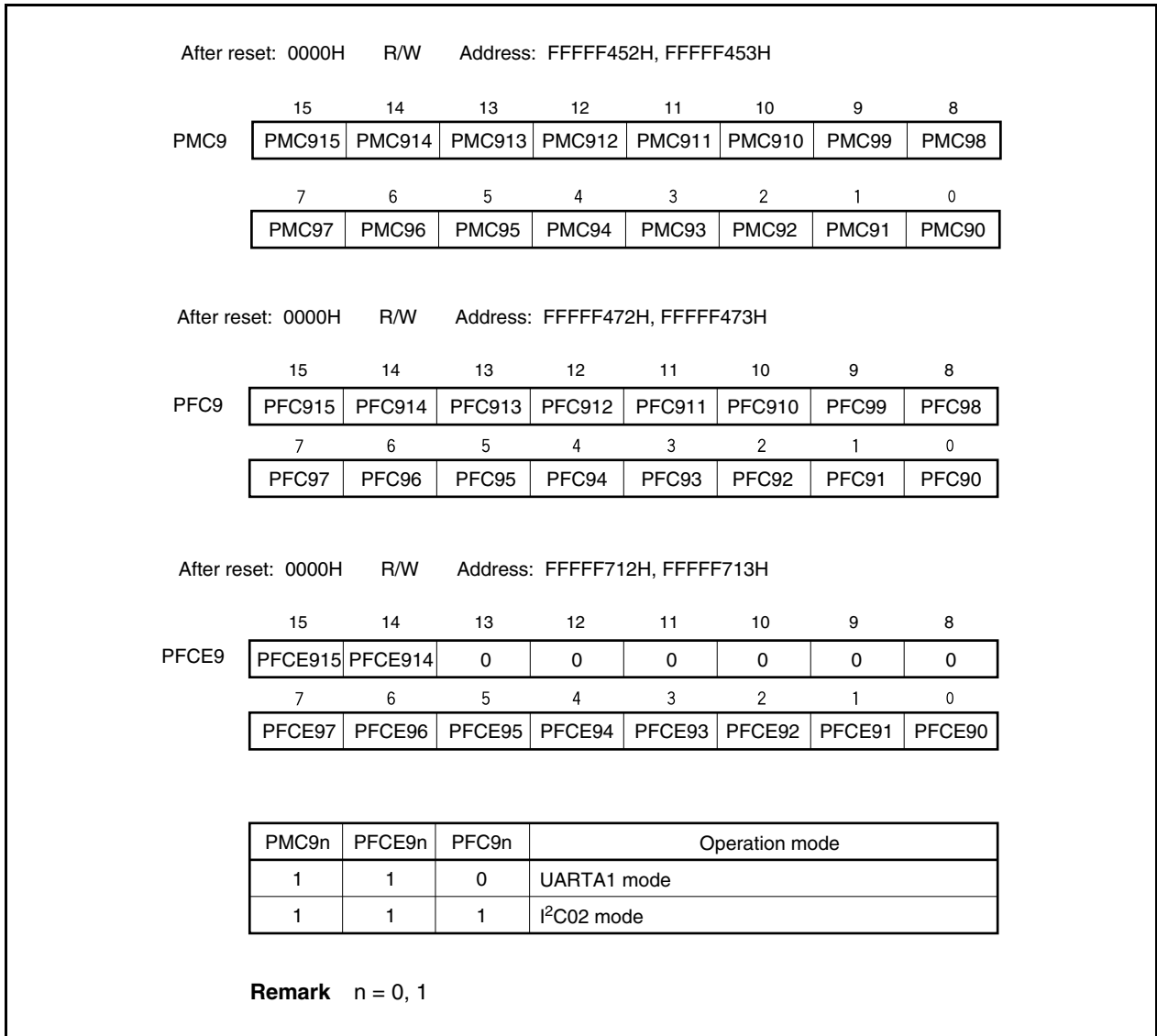


17.1.3 UARTA1 and I²C02 mode switching

In the V850ES/JJ2, UARTA1 and I²C02 are alternate functions of the same pin and therefore cannot be used simultaneously. Set I²C02 in advance, using the PMC9, PFC9, and PMCE9 registers, before use.

Caution The transmit/receive operation of UARTA1 and I²C02 is not guaranteed if these functions are switched during transmission or reception. Be sure to disable the one that is not used.

Figure 17-3. UARTA1 and I²C02 Mode Switch Settings



17.2 Features

I²C00 to I²C02 have the following two modes.

- Operation stopped mode
- I²C (Inter IC) bus mode (multimasters supported)

(1) Operation stopped mode

In this mode, serial transfers are not performed, thus enabling a reduction in power consumption.

(2) I²C bus mode (multimaster support)

This mode is used for 8-bit data transfers with several devices via two lines: a serial clock pin (SCL0n) and a serial data bus pin (SDA0n).

This mode complies with the I²C bus format and the master device can generate "start condition", "address", "transfer direction specification", "data", and "stop condition" data to the slave device via the serial data bus. The slave device automatically detects the received statuses and data by hardware. This function can simplify the part of an application program that controls the I²C bus.

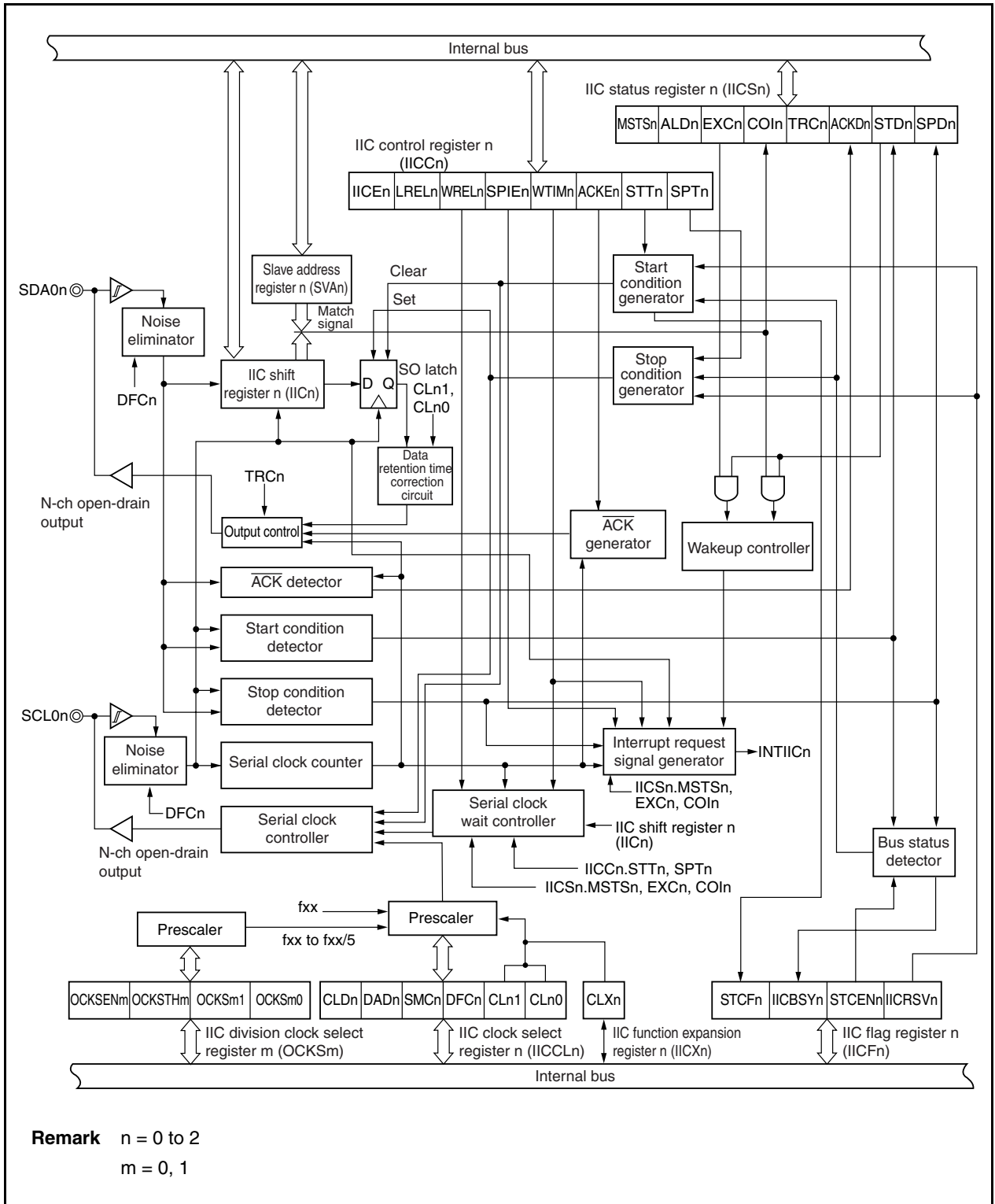
Since SCL0n and SDA0n pins are used for N-ch open-drain outputs, I²C0n requires pull-up resistors for the serial clock line and the serial data bus line.

Remark n = 0 to 2

17.3 Configuration

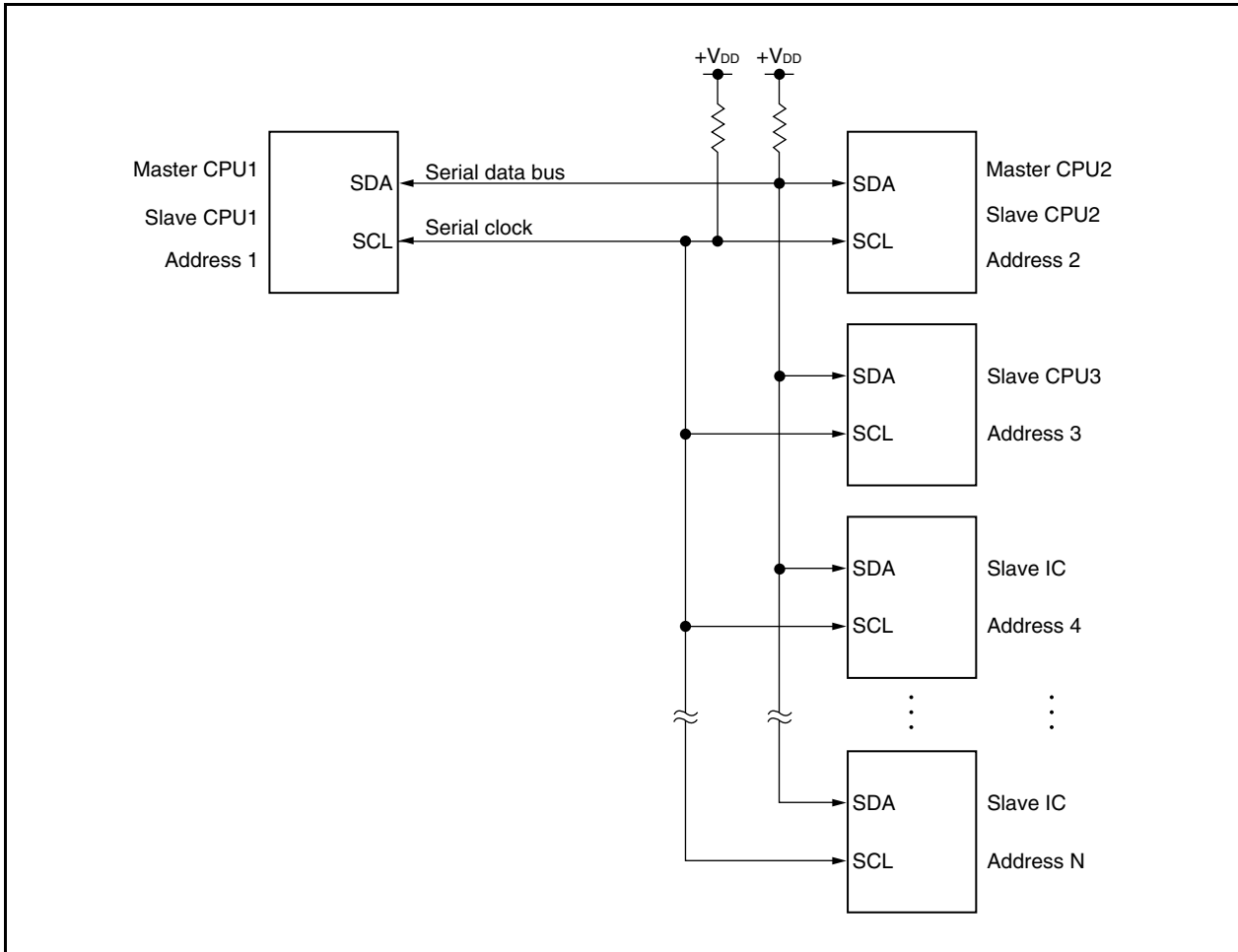
The block diagram of the I²C0n is shown below.

Figure 17-4. Block Diagram of I²C0n



A serial bus configuration example is shown below.

Figure 17-5. Serial Bus Configuration Example Using I²C Bus



I²C_n includes the following hardware (n = 0 to 2).

Table 17-1. Configuration of I²C_n

Item	Configuration
Registers	IIC shift register n (IICn) Slave address register n (SVAn)
Control registers	IIC control register n (IICn) IIC status register n (IICSn) IIC flag register n (IICFn) IIC clock select register n (IICCLn) IIC function expansion register n (IICXn) IIC division clock select registers 0, 1 (OCKS0, OCKS1)

(1) IIC shift register n (IICn)

The IICn register converts 8-bit serial data into 8-bit parallel data and vice versa, and can be used for both transmission and reception (n = 0 to 2).

Write and read operations to the IICn register are used to control the actual transmit and receive operations.

This register can be read or written in 8-bit units.

Reset sets this register to 00H.

(2) Slave address register n (SVAn)

The SVAn register sets local addresses when in slave mode (n = 0 to 2).

This register can be read or written in 8-bit units.

Reset sets this register to 00H.

(3) SO latch

The SO latch is used to retain the output level of the SDA0n pin (n = 0 to 2).

(4) Wakeup controller

This circuit generates an interrupt request signal (INTIICn) when the address received by this register matches the address value set to the SVAn register or when an extension code is received (n = 0 to 2).

(5) Prescaler

This selects the sampling clock to be used.

(6) Serial clock counter

This counter counts the serial clocks that are output and the serial clocks that are input during transmit/receive operations and is used to verify that 8-bit data was transmitted or received.

(7) Interrupt request signal generator

This circuit controls the generation of interrupt request signals (INTIICn).

An I²C interrupt is generated following either of two triggers.

- Falling edge of eighth or ninth clock of the serial clock (set by IICn.WTIMn bit)
- Interrupt occurrence due to stop condition detection (set by IICn.SPIEn bit)

Remark n = 0 to 2

(8) Serial clock controller

In master mode, this circuit generates the clock output via the SCL0n pin from the sampling clock (n = 0 to 2).

(9) Serial clock wait controller

This circuit controls the wait timing.

(10) $\overline{\text{ACK}}$ generator, stop condition detector, start condition detector, and $\overline{\text{ACK}}$ detector

These circuits are used to generate and detect various statuses.

(11) Data hold time correction circuit

This circuit generates the hold time for data corresponding to the falling edge of the SCL0n pin.

(12) Start condition generator

A start condition is generated when the IICn.STTn bit is set.

However, in the communication reservation disabled status (IICFn.IICRSVn bit = 1), this request is ignored and the IICFn.STCFn bit is set to 1 if the bus is not released (IICFn.IICBSYn bit = 1).

(13) Stop condition generator

A stop condition is generated when the IICn.SPTn bit is set.

(14) Bus status detector

Whether the bus is released or not is ascertained by detecting a start condition and stop condition.

However, the bus status cannot be detected immediately after operation, so set the bus status detector to the initial status by using the IICFn.STCENn bit.

17.4 Registers

I²C00 to I²C02 are controlled by the following registers.

- IIC control registers 0 to 2 (IICC0 to IICC2)
- IIC status registers 0 to 2 (IICS0 to IICS2)
- IIC flag registers 0 to 2 (IICF0 to IICF2)
- IIC clock select registers 0 to 2 (IICCL0 to IICCL2)
- IIC function expansion registers 0 to 2 (IICX0 to IICX2)
- IIC division clock select registers 0, 1 (OCKS0, OCKS1)

The following registers are also used.

- IIC shift registers 0 to 2 (IIC0 to IIC2)
- Slave address registers 0 to 2 (SVA0 to SVA2)

Remark For the alternate-function pin settings, see **Table 4-19 Using Port Pins as Alternate-Function Pins**.

(1) IIC control registers 0 to 2 (IICC0 to IICC2)

The IICn register enables/stops I²C0n operations, sets the wait timing, and sets other I²C operations (n = 0 to 2).

This register can be read or written in 8-bit or 1-bit units. However, set the SPIEn, WTIMn, and ACKEn bits when the IICEn bit is 0 or during the wait period. When setting the IICEn bit from "0" to "1", these bits can also be set at the same time.

Reset sets this register to 00H.

After reset: 00H R/W Address: IICC0 FFFFD82H, IICC1 FFFFD92H, IICC2 FFFFD A2H

	<7>	<6>	<5>	<4>	<3>	<2>	<1>	<0>
IICn	IICEn	LRELn	WRELn	SPIEn	WTIMn	ACKEn	STTn	SPTn

(n = 0 to 2)

IICEn	Specification of I ² Cn operation enable/disable
0	Operation stopped. IICSn register reset ^{Note 1} . Internal operation stopped.
1	Operation enabled.
Be sure to set this bit to 1 when the SCL0n and SDA0n lines are high level.	
Condition for clearing (IICEn bit = 0)	
<ul style="list-style-type: none"> • Cleared by instruction • After reset 	
Condition for setting (IICEn bit = 1)	
<ul style="list-style-type: none"> • Set by instruction 	

LRELn ^{Note 2}	Exit from communications
0	Normal operation
1	This exits from the current communication operation and sets standby mode. This setting is automatically cleared after being executed. Its uses include cases in which a locally irrelevant extension code has been received. The SCL0n and SDA0n lines are set to high impedance. The STTn and SPTn bits and the MSTSn, EXCn, COIn, TRCn, ACKDn, and STDn bits of the IICSn register are cleared.
The standby mode following exit from communications remains in effect until the following communication entry conditions are met.	
<ul style="list-style-type: none"> • After a stop condition is detected, restart is in master mode. • An address match occurs or an extension code is received after the start condition. 	
Condition for clearing (LRELn bit = 0)	
<ul style="list-style-type: none"> • Automatically cleared after execution • After reset 	
Condition for setting (LRELn bit = 1)	
<ul style="list-style-type: none"> • Set by instruction 	

WRELn ^{Note 2}	Wait state cancellation control
0	Wait state not canceled
1	Wait state canceled. This setting is automatically cleared after wait state is canceled.
Condition for clearing (WRELn bit = 0)	
<ul style="list-style-type: none"> • Automatically cleared after execution • After reset 	
Condition for setting (WRELn bit = 1)	
<ul style="list-style-type: none"> • Set by instruction 	

- Notes**
1. The IICSn register, IICFn.STCFn and IICFn.IICBSYn bits, and IICCLn.CLDn and IICCLn.DADn bits are reset.
 2. This flag's signal is invalid when the IICEn bit = 0.

Caution If the I²Cn operation is enabled (IICEn bit = 1) when the SCL0n line is high level and the SDA0n line is low level, the start condition is detected immediately. To avoid this, after enabling the I²Cn operation, immediately set the LRELn bit to 1 with a bit manipulation instruction.

Remark The LRELn and WRELn bits are 0 when read after the data has been set.

SPIEn ^{Note}	Enable/disable generation of interrupt request when stop condition is detected	
0	Disabled	
1	Enabled	
Condition for clearing (SPIEn bit = 0)		Condition for setting (SPIEn bit = 1)
<ul style="list-style-type: none"> • Cleared by instruction • After reset 		<ul style="list-style-type: none"> • Set by instruction

WTIMn ^{Note}	Control of wait state and interrupt request generation	
0	Interrupt request is generated at the eighth clock's falling edge. Master mode: After output of eight clocks, clock output is set to low level and the wait state is set. Slave mode: After input of eight clocks, the clock is set to low level and the wait state is set for the master device.	
1	Interrupt request is generated at the ninth clock's falling edge. Master mode: After output of nine clocks, clock output is set to low level and the wait state is set. Slave mode: After input of nine clocks, the clock is set to low level and the wait state is set for the master device.	
During address transfer, an interrupt occurs at the falling edge of the ninth clock regardless of this bit setting. This bit setting becomes valid when the address transfer is completed. In master mode, a wait state is inserted at the falling edge of the ninth clock during address transfer. For a slave device that has received a local address, a wait state is inserted at the falling edge of the ninth clock after ACK is generated. When the slave device has received an extension code, however, a wait state is inserted at the falling edge of the eighth clock.		
Condition for clearing (WTIMn bit = 0)		Condition for setting (WTIMn bit = 1)
<ul style="list-style-type: none"> • Cleared by instruction • After reset 		<ul style="list-style-type: none"> • Set by instruction

ACKEn ^{Note}	Acknowledgment control	
0	Acknowledgment disabled.	
1	Acknowledgment enabled. During the ninth clock period, the SDA0n line is set to low level.	
The ACKEn bit setting is invalid for address reception by the slave device. In this case, $\overline{\text{ACK}}$ is generated when the addresses match. However, the ACKEn bit setting is valid for reception of the extension code. Set the ACKEn bit in the system that receives the extension code.		
Condition for clearing (ACKEn bit = 0)		Condition for setting (ACKEn bit = 1)
<ul style="list-style-type: none"> • Cleared by instruction • After reset 		<ul style="list-style-type: none"> • Set by instruction

Note This flag's signal is invalid when the IICEn bit = 0.

Remark n = 0 to 2

STTn	Start condition trigger				
0	Start condition is not generated.				
1	<p>When bus is released (in STOP mode): A start condition is generated (for starting as master). The SDA0n line is changed from high level to low level while the SCL0n line is high level and then the start condition is generated. Next, after the rated amount of time has elapsed, the SCL0n line is changed to low level.</p> <p>During communication with a third party: If the communication reservation function is enabled (IICFn.IICRSVn bit = 0)</p> <ul style="list-style-type: none"> • This trigger functions as a start condition reserve flag. When set to 1, it releases the bus and then automatically generates a start condition. <p>If the communication reservation function is disabled (IICRSVn = 1)</p> <ul style="list-style-type: none"> • The IICFn.STCFn bit is set to 1 to clear the information set (1) to the STTn bit. This trigger does not generate a start condition. <p>In the wait state (when master device): A restart condition is generated after the wait state is released.</p>				
<p>Cautions concerning set timing</p> <p>For master reception: Cannot be set to 1 during transfer. Can be set to 1 only when the ACKEn bit has been set to 0 and the slave has been notified of final reception.</p> <p>For master transmission: A start condition cannot be generated normally during the \overline{ACK} period. Set to 1 during the wait period that follows output of the ninth clock.</p> <p>For slave: Even when the communication reservation function is disabled (IICRSVn bit = 1), the communication reservation status is entered.</p> <ul style="list-style-type: none"> • Setting to 1 at the same time as the SPTn bit is prohibited. • When the STTn bit is set to 1, setting the STTn bit to 1 again is disabled until the setting is cleared to 0. 					
<table border="1"> <thead> <tr> <th>Condition for clearing (STTn bit = 0)</th> <th>Condition for setting (STTn bit = 1)</th> </tr> </thead> <tbody> <tr> <td> <ul style="list-style-type: none"> • When the STTn bit is set to 1 in the communication reservation disabled status • Cleared by loss in arbitration • Cleared after start condition is generated by master device • When the LRELn bit = 1 (communication save) • When the IICEn bit = 0 (operation stop) • After reset </td> <td> <ul style="list-style-type: none"> • Set by instruction </td> </tr> </tbody> </table>		Condition for clearing (STTn bit = 0)	Condition for setting (STTn bit = 1)	<ul style="list-style-type: none"> • When the STTn bit is set to 1 in the communication reservation disabled status • Cleared by loss in arbitration • Cleared after start condition is generated by master device • When the LRELn bit = 1 (communication save) • When the IICEn bit = 0 (operation stop) • After reset 	<ul style="list-style-type: none"> • Set by instruction
Condition for clearing (STTn bit = 0)	Condition for setting (STTn bit = 1)				
<ul style="list-style-type: none"> • When the STTn bit is set to 1 in the communication reservation disabled status • Cleared by loss in arbitration • Cleared after start condition is generated by master device • When the LRELn bit = 1 (communication save) • When the IICEn bit = 0 (operation stop) • After reset 	<ul style="list-style-type: none"> • Set by instruction 				

- Remarks**
1. The STTn bit is 0 if it is read immediately after data setting.
 2. n = 0 to 2

SPTn	Stop condition trigger				
0	Stop condition is not generated.				
1	Stop condition is generated (termination of master device's transfer). After the SDA0n line goes to low level, either set the SCL0n line to high level or wait until the SCL0n pin goes to high level. Next, after the rated amount of time has elapsed, the SDA0n line is changed from low level to high level and a stop condition is generated.				
<p>Cautions concerning set timing</p> <p>For master reception: Cannot be set to 1 during transfer. Can be set to 1 only when the ACKEn bit has been set to 0 and during the wait period after the slave has been notified of final reception.</p> <p>For master transmission: A stop condition cannot be generated normally during the $\overline{\text{ACK}}$ reception period. Set to 1 during the wait period that follows output of the ninth clock.</p> <ul style="list-style-type: none"> • Cannot be set to 1 at the same time as the STTn bit. • The SPTn bit can be set to 1 only when in master mode^{Note}. • When the WTIMn bit has been set to 0, if the SPTn bit is set to 1 during the wait period that follows output of eight clocks, note that a stop condition will be generated during the high-level period of the ninth clock. The WTIMn bit should be changed from 0 to 1 during the wait period following output of eight clocks, and the SPTn bit should be set to 1 during the wait period that follows output of the ninth clock. • When the SPTn bit is set to 1, setting the SPTn bit to 1 again is disabled until the setting is cleared to 0. 					
<table border="1"> <thead> <tr> <th>Condition for clearing (SPTn bit = 0)</th> <th>Condition for setting (SPTn bit = 1)</th> </tr> </thead> <tbody> <tr> <td> <ul style="list-style-type: none"> • Cleared by loss in arbitration • Automatically cleared after stop condition is detected • When the LRELn bit = 1 (communication save) • When the IICEn bit = 0 (operation stop) • After reset </td> <td> <ul style="list-style-type: none"> • Set by instruction </td> </tr> </tbody> </table>		Condition for clearing (SPTn bit = 0)	Condition for setting (SPTn bit = 1)	<ul style="list-style-type: none"> • Cleared by loss in arbitration • Automatically cleared after stop condition is detected • When the LRELn bit = 1 (communication save) • When the IICEn bit = 0 (operation stop) • After reset 	<ul style="list-style-type: none"> • Set by instruction
Condition for clearing (SPTn bit = 0)	Condition for setting (SPTn bit = 1)				
<ul style="list-style-type: none"> • Cleared by loss in arbitration • Automatically cleared after stop condition is detected • When the LRELn bit = 1 (communication save) • When the IICEn bit = 0 (operation stop) • After reset 	<ul style="list-style-type: none"> • Set by instruction 				

Note Set the SPTn bit to 1 only in master mode. However, when the IICRSVn bit is 0, the SPTn bit must be set to 1 and a stop condition generated before the first stop condition is detected following the switch to the operation enabled status. For details, see **17.15 Cautions**.

Caution When the TRCn bit = 1, the WRELn bit is set to 1 during the ninth clock and the wait state is canceled, after which the TRCn bit is cleared to 0 and the SDA0n line is set to high impedance.

Remarks 1. The SPTn bit is 0 if it is read immediately after data setting.
2. n = 0 to 2

(2) IIC status registers 0 to 2 (IICS0 to IICS2)

The IICS_n register indicates the status of the I²C0_n (n = 0 to 2).

This register is read-only, in 8-bit or 1-bit units. However, the IICS_n register can only be read when the IIC_{Cn}.STT_n bit is 1 or during the wait period.

Reset sets this register to 00H.

Caution Accessing the IICS_n register is prohibited in the following statuses. For details, see 3.4.8 (2) Accessing specific on-chip peripheral I/O registers.

- When the CPU operates with the subclock and the main clock oscillation is stopped
- When the CPU operates with the internal oscillation clock

(1/3)

After reset: 00H	R	Address: IICS0 FFFFD86H, IICS1 FFFFD96H, IICS2 FFFFD6A6H						
IICS _n	<7>	<6>	<5>	<4>	<3>	<2>	<1>	<0>
	MST _n	ALD _n	EXC _n	COI _n	TRC _n	ACK _n	STD _n	SPD _n
(n = 0 to 2)								
MST _n	Master device status							
0	Slave device status or communication standby status							
1	Master device communication status							
Condition for clearing (MST _n bit = 0)				Condition for setting (MST _n bit = 1)				
<ul style="list-style-type: none"> • When a stop condition is detected • When the ALD_n bit = 1 (arbitration loss) • Cleared by LREL_n bit = 1 (communication save) • When the IIC_{En} bit changes from 1 to 0 (operation stop) • After reset 				<ul style="list-style-type: none"> • When a start condition is generated 				
ALD _n	Arbitration loss detection							
0	This status means either that there was no arbitration or that the arbitration result was a "win".							
1	This status indicates the arbitration result was a "loss". The MST _n bit is cleared to 0.							
Condition for clearing (ALD _n bit = 0)				Condition for setting (ALD _n bit = 1)				
<ul style="list-style-type: none"> • Automatically cleared after the IICS_n register is read^{Note} • When the IIC_{En} bit changes from 1 to 0 (operation stop) • After reset 				<ul style="list-style-type: none"> • When the arbitration result is a "loss". 				
EXC _n	Detection of extension code reception							
0	Extension code was not received.							
1	Extension code was received.							
Condition for clearing (EXC _n bit = 0)				Condition for setting (EXC _n bit = 1)				
<ul style="list-style-type: none"> • When a start condition is detected • When a stop condition is detected • Cleared by LREL_n bit = 1 (communication save) • When the IIC_{En} bit changes from 1 to 0 (operation stop) • After reset 				<ul style="list-style-type: none"> • When the higher four bits of the received address data are either "0000" or "1111" (set at the rising edge of the eighth clock). 				
<p>Note The ALD_n bit is also cleared when a bit manipulation instruction is executed for another bit in the IICS_n register.</p>								

COIn	Matching address detection	
0	Addresses do not match.	
1	Addresses match.	
Condition for clearing (COIn bit = 0)		Condition for setting (COIn bit = 1)
<ul style="list-style-type: none"> • When a start condition is detected • When a stop condition is detected • Cleared by LRELn bit = 1 (communication save) • When the IICEn bit changes from 1 to 0 (operation stop) • After reset 		<ul style="list-style-type: none"> • When the received address matches the local address (SVAn register) (set at the rising edge of the eighth clock).

TRCn	Transmit/receive status detection	
0	Receive status (other than transmit status). The SDA0n line is set to high impedance.	
1	Transmit status. The value in the SO latch is enabled for output to the SDA0n line (valid starting at the falling edge of the first byte's ninth clock).	
Condition for clearing (TRCn bit = 0)		Condition for setting (TRCn bit = 1)
<ul style="list-style-type: none"> • When a stop condition is detected • Cleared by LRELn bit = 1 (communication save) • When the IICEn bit changes from 1 to 0 (operation stop) • Cleared by IICn.WRELn bit = 1^{Note} • When the ALDn bit changes from 0 to 1 (arbitration loss) • After reset <p>Master</p> <ul style="list-style-type: none"> • When "1" is output to the first byte's LSB (transfer direction specification bit) <p>Slave</p> <ul style="list-style-type: none"> • When a start condition is detected <p>When not used for communication</p>		<p>Master</p> <ul style="list-style-type: none"> • When a start condition is generated • When "0" is output to the first byte's LSB (transfer direction specification bit) <p>Slave</p> <ul style="list-style-type: none"> • When "1" is input by the first byte's LSB (transfer direction specification bit)

ACKDn	$\overline{\text{ACK}}$ detection	
0	$\overline{\text{ACK}}$ was not detected.	
1	$\overline{\text{ACK}}$ was detected.	
Condition for clearing (ACKDn bit = 0)		Condition for setting (ACKDn bit = 1)
<ul style="list-style-type: none"> • When a stop condition is detected • At the rising edge of the next byte's first clock • Cleared by LRELn bit = 1 (communication save) • When the IICEn bit changes from 1 to 0 (operation stop) • After reset 		<ul style="list-style-type: none"> • After the SDA0n bit is set to low level at the rising edge of the SCL0n pin's ninth clock

Note The TRCn bit is cleared to 0 and SDA0n line becomes high impedance when the WRELn bit is set to 1 and the wait state is canceled to 0 at the ninth clock by TRCn bit = 1.

Remark n = 0 to 2

STDn	Start condition detection	
0	Start condition was not detected.	
1	Start condition was detected. This indicates that the address transfer period is in effect	
Condition for clearing (STDn bit = 0)		Condition for setting (STDn bit = 1)
<ul style="list-style-type: none"> • When a stop condition is detected • At the rising edge of the next byte's first clock following address transfer • Cleared by LRELn bit = 1 (communication save) • When the IICEn bit changes from 1 to 0 (operation stop) • After reset 		<ul style="list-style-type: none"> • When a start condition is detected

SPDn	Stop condition detection	
0	Stop condition was not detected.	
1	Stop condition was detected. The master device's communication is terminated and the bus is released.	
Condition for clearing (SPDn bit = 0)		Condition for setting (SPDn bit = 1)
<ul style="list-style-type: none"> • At the rising edge of the address transfer byte's first clock following setting of this bit and detection of a start condition • When the IICEn bit changes from 1 to 0 (operation stop) • After reset 		<ul style="list-style-type: none"> • When a stop condition is detected

Remark n = 0 to 2

(3) IIC flag registers 0 to 2 (IICF0 to IICF2)

The IICFn register sets the I²C0n operation mode and indicates the I²C bus status.

This register can be read or written in 8-bit or 1-bit units. However, the STCFn and IICBSYn bits are read-only.

IICRSVn enables/disables the communication reservation function (see **17.14 Communication Reservation**).

The initial value of the IICBSYn bit is set by using the STCENn bit (see **17.15 Cautions**).

The IICRSVn and STCENn bits can be written only when operation of I²C0n is disabled (IICcn.IICEn bit = 0).

After operation is enabled, IICFn can be read (n = 0 to 2).

Reset sets this register to 00H.

After reset: 00H R/W^{Note} Address: IICF0 FFFFFFFD8AH, IICF1 FFFFFFFD9AH, IICF2 FFFFFFFDAAH

	<7>	<6>	5	4	3	2	<1>	<0>
IICFn	STCFn	IICBSYn	0	0	0	0	STCENn	IICRSVn

(n = 0 to 2)

STCFn	STTn bit clear
0	Start condition issued
1	Start condition cannot be issued, STTn bit cleared
Condition for clearing (STCFn bit = 0)	
<ul style="list-style-type: none"> • Cleared by IICn.STTn bit = 1 • When the IICn.IICEn bit = 0 • After reset 	
Condition for setting (STCFn bit = 1)	
<ul style="list-style-type: none"> • When start condition is not issued and STTn flag is cleared to 0 during communication reservation is disabled (IICRSVn bit = 1). 	

IICBSYn	I ² C0n bus status
0	Bus released status (default communication status when STCENn bit = 1)
1	Bus communication status (default communication status when STCENn bit = 0)
Condition for clearing (IICBSYn bit = 0)	
<ul style="list-style-type: none"> • When stop condition is detected • When the IICEn bit = 0 • After reset 	
Condition for setting (IICBSYn bit = 1)	
<ul style="list-style-type: none"> • When start condition is detected • By setting the IICEn bit when the STCENn bit = 0 	

STCENn	Initial start enable trigger
0	Start conditions cannot be generated until a stop condition is detected following operation enable (IICEn bit = 1).
1	Start conditions can be generated even if a stop condition is not detected following operation enable (IICEn bit = 1).
Condition for clearing (STCENn bit = 0)	
<ul style="list-style-type: none"> • When start condition is detected • After reset 	
Condition for setting (STCENn bit = 1)	
<ul style="list-style-type: none"> • Setting by instruction 	

IICRSVn	Communication reservation function disable bit
0	Communication reservation enabled
1	Communication reservation disabled
Condition for clearing (IICRSVn bit = 0)	
<ul style="list-style-type: none"> • Clearing by instruction • After reset 	
Condition for setting (IICRSVn bit = 1)	
<ul style="list-style-type: none"> • Setting by instruction 	

Note Bits 6 and 7 are read-only bits.

- Cautions**
1. Write the STCENn bit only when operation is stopped (IICEn bit = 0).
 2. When the STCENn bit = 1, the bus released status (IICBSYn bit = 0) is recognized regardless of the actual bus status immediately after the I²Cn bus operation is enabled. Therefore, to issue the first start condition (STTn bit = 1), it is necessary to confirm that the bus has been released, so as to not disturb other communications.
 3. Write the IICRSVn bit only when operation is stopped (IICEn bit = 0).

(4) IIC clock select registers 0 to 2 (IICCL0 to IICCL2)

The IICCLn register sets the transfer clock for the I²C0n.

This register can be read or written in 8-bit or 1-bit units. However, the CLDn and DADn bits are read-only.

Set the IICCLn register when the IICcn.IICEn bit = 0.

The SMCn, CLn1, and CLn0 bits are set by the combination of the IICXn.CLXn bit and the OCKSTHm, OCKSm1, and OCKSm0 bits of the OCKSm register (see 17.4 (6) I²C0n transfer clock setting method) (n = 0 to 2, m = 0, 1).

Reset sets this register to 00H.

After reset: 00H R/W^{Note} Address: IICCL0 FFFFFD84H, IICCL1 FFFFFD94H, IICCL2 FFFFFDA4H

	7	6	<5>	<4>	3	2	1	0
IICCLn	0	0	CLDn	DADn	SMCn	DFCn	CLn1	CLn0

(n = 0 to 2)

CLDn	Detection of SCL0n pin level (valid only when IICcn.IICEn bit = 1)
0	The SCL0n pin was detected at low level.
1	The SCL0n pin was detected at high level.
Condition for clearing (CLDn bit = 0)	
<ul style="list-style-type: none"> • When the SCL0n pin is at low level • When the IICEn bit = 0 (operation stop) • After reset 	
Condition for setting (CLDn bit = 1)	
<ul style="list-style-type: none"> • When the SCL0n pin is at high level 	

DADn	Detection of SDA0n pin level (valid only when IICEn bit = 1)
0	The SDA0n pin was detected at low level.
1	The SDA0n pin was detected at high level.
Condition for clearing (DADn bit = 0)	
<ul style="list-style-type: none"> • When the SDA0n pin is at low level • When the IICEn bit = 0 (operation stop) • After reset 	
Condition for setting (DADn bit = 1)	
<ul style="list-style-type: none"> • When the SDA0n pin is at high level 	

SMCn	Operation mode switching
0	Operation in standard mode.
1	Operation in high-speed mode.

DFCn	Digital filter operation control
0	Digital filter off.
1	Digital filter on.
<p>The digital filter can be used only in high-speed mode. In high-speed mode, the transfer clock does not vary regardless of the DFCn bit setting (on/off). The digital filter is used to eliminate noise in high-speed mode.</p>	

Note Bits 4 and 5 are read-only bits.

Caution Be sure to clear bits 7 and 6 to “0”.

Remark When the IICcn.IICEn bit = 0, 0 is read when reading the CLDn and DADn bits.

(5) IIC function expansion registers 0 to 2 (IICX0 to IICX2)

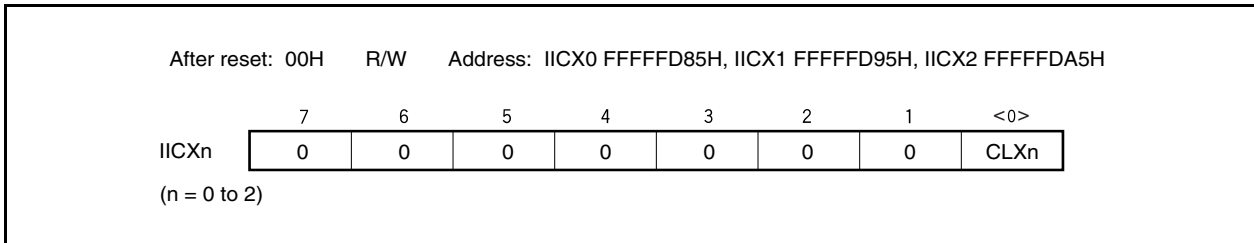
The IICXn register sets I²C0n function expansion (valid only in the high-speed mode).

This register can be read or written in 8-bit or 1-bit units.

Setting of the CLXn bit is performed in combination with the SMCn, CLn1, and CLn0 bits of the IICCLn register and the OCKSTHm, OCKSm1, and OCKSm0 bits of the OCKSm register (see 17.4 (6) I²C0n transfer clock setting method) (m = 0, 1).

Set the IICXn register when the IICcn.IICEn bit = 0.

Reset sets this register to 00H.



(6) I²C0n transfer clock setting method

The I²C0n transfer clock frequency (f_{SCL}) is calculated using the following expression (n = 0 to 2).

$$f_{SCL} = 1 / (m \times T + t_R + t_F)$$

m = 12, 18, 24, 36, 44, 48, 54, 60, 66, 72, 86, 88, 96, 132, 172, 176, 198, 220, 258, 344 (see **Table 17-2 Clock Settings**).

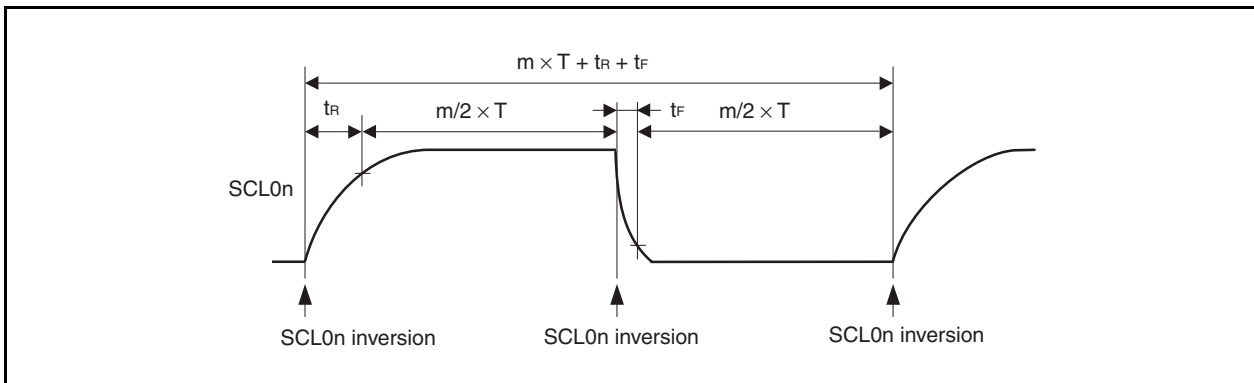
T: 1/f_{xx}

t_R: SCL0n pin rise time

t_F: SCL0n pin fall time

For example, the I²C0n transfer clock frequency (f_{SCL}) when f_{xx} = 19.2 MHz, m = 198, t_R = 200 ns, and t_F = 50 ns is calculated using following expression.

$$f_{SCL} = 1 / (198 \times 52 \text{ ns} + 200 \text{ ns} + 50 \text{ ns}) \cong 94.7 \text{ kHz}$$



The clock to be selected can be set by the combination of the SMCn, CLn1, and CLn0 bits of the IICCLn register, the CLXn bit of the IICXn register, and the OCKSTHm, OCKSm1, and OCKSm0 bits of the OCKSm register (n = 0 to 2, m = 0, 1).

Table 17-2. Clock Settings (1/2)

IICX0	IICCL0			Selection Clock	Transfer Clock	Settable Main Clock Frequency (f _{xx}) Range	Operating Mode
	Bit 0	Bit 3	Bit 1				
CLX0	SMC0	CL01	CL00				
0	0	0	0	f _{xx} (when OCKS0 = 18H set)	f _{xx} /44	2.00 MHz ≤ f _{xx} ≤ 4.19 MHz	Standard mode (SMC0 bit = 0)
				f _{xx} /2 (when OCKS0 = 10H set)	f _{xx} /88	4.00 MHz ≤ f _{xx} ≤ 8.38 MHz	
				f _{xx} /3 (when OCKS0 = 11H set)	f _{xx} /132	6.00 MHz ≤ f _{xx} ≤ 12.57 MHz	
				f _{xx} /4 (when OCKS0 = 12H set)	f _{xx} /176	8.00 MHz ≤ f _{xx} ≤ 16.76 MHz	
				f _{xx} /5 (when OCKS0 = 13H set)	f _{xx} /220	10.00 MHz ≤ f _{xx} ≤ 20.00 MHz	
0	0	0	1	f _{xx} (when OCKS0 = 18H set)	f _{xx} /86	4.19 MHz ≤ f _{xx} ≤ 8.38 MHz	
				f _{xx} /2 (when OCKS0 = 10H set)	f _{xx} /172	8.38 MHz ≤ f _{xx} ≤ 16.76 MHz	
				f _{xx} /3 (when OCKS0 = 11H set)	f _{xx} /258	12.57 MHz ≤ f _{xx} ≤ 20.00 MHz	
				f _{xx} /4 (when OCKS0 = 12H set)	f _{xx} /344	16.76 MHz ≤ f _{xx} ≤ 20.00 MHz	
0	0	1	0	f _{xx} ^{Note}	f _{xx} /86	4.19 MHz ≤ f _{xx} ≤ 8.38 MHz	
0	0	1	1	f _{xx} (when OCKS0 = 18H set)	f _{xx} /66	6.40 MHz	
				f _{xx} /2 (when OCKS0 = 10H set)	f _{xx} /132	12.80 MHz	
				f _{xx} /3 (when OCKS0 = 11H set)	f _{xx} /198	19.20 MHz	
0	1	0	×	f _{xx} (when OCKS0 = 18H set)	f _{xx} /24	4.19 MHz ≤ f _{xx} ≤ 8.38 MHz	High-speed mode (SMC0 bit = 1)
				f _{xx} /2 (when OCKS0 = 10H set)	f _{xx} /48	8.00 MHz ≤ f _{xx} ≤ 16.76 MHz	
				f _{xx} /3 (when OCKS0 = 11H set)	f _{xx} /72	12.00 MHz ≤ f _{xx} ≤ 20.00 MHz	
				f _{xx} /4 (when OCKS0 = 12H set)	f _{xx} /96	16.00 MHz ≤ f _{xx} ≤ 20.00 MHz	
0	1	1	0	f _{xx} ^{Note}	f _{xx} /24	4.00 MHz ≤ f _{xx} ≤ 8.38 MHz	
0	1	1	1	f _{xx} (when OCKS0 = 18H set)	f _{xx} /18	6.40 MHz	
				f _{xx} /2 (when OCKS0 = 10H set)	f _{xx} /36	12.80 MHz	
				f _{xx} /3 (when OCKS0 = 11H set)	f _{xx} /54	19.20 MHz	
1	1	0	×	f _{xx} (when OCKS0 = 18H set)	f _{xx} /12	4.00 MHz ≤ f _{xx} ≤ 4.19 MHz	
				f _{xx} /2 (when OCKS0 = 10H set)	f _{xx} /24	8.00 MHz ≤ f _{xx} ≤ 8.38 MHz	
				f _{xx} /3 (when OCKS0 = 11H set)	f _{xx} /36	12.00 MHz ≤ f _{xx} ≤ 12.57 MHz	
				f _{xx} /4 (when OCKS0 = 12H set)	f _{xx} /48	16.00 MHz ≤ f _{xx} ≤ 16.67 MHz	
				f _{xx} /5 (when OCKS0 = 13H set)	f _{xx} /60	20.00 MHz	
1	1	1	0	f _{xx} ^{Note}	f _{xx} /12	4.00 MHz ≤ f _{xx} ≤ 4.19 MHz	
Other than above				Setting prohibited	–	–	–

Note Since the selection clock is f_{xx} regardless of the value set to the OCKS0 register, clear the OCKS0 register to 00H (I²C division clock stopped status).

Remark ×: don't care

Table 17-2. Clock Settings (2/2)

IICXm	IICCLm			Selection Clock	Transfer Clock	Settable Main Clock Frequency (f _{xx}) Range	Operating Mode
	Bit 0	Bit 3	Bit 1				
CLXm	SMCm	CLm1	CLm0				
0	0	0	0	f _{xx} (when OCKS1 = 18H set)	f _{xx} /44	2.00 MHz ≤ f _{xx} ≤ 4.19 MHz	Standard mode (SMCm bit = 0)
				f _{xx} /2 (when OCKS1 = 10H set)	f _{xx} /88	4.00 MHz ≤ f _{xx} ≤ 8.38 MHz	
				f _{xx} /3 (when OCKS1 = 11H set)	f _{xx} /132	6.00 MHz ≤ f _{xx} ≤ 12.57 MHz	
				f _{xx} /4 (when OCKS1 = 12H set)	f _{xx} /176	8.00 MHz ≤ f _{xx} ≤ 16.76 MHz	
				f _{xx} /5 (when OCKS1 = 13H set)	f _{xx} /220	10.00 MHz ≤ f _{xx} ≤ 20.00 MHz	
0	0	0	1	f _{xx} (when OCKS1 = 18H set)	f _{xx} /86	4.19 MHz ≤ f _{xx} ≤ 8.38 MHz	
				f _{xx} /2 (when OCKS1 = 10H set)	f _{xx} /172	8.38 MHz ≤ f _{xx} ≤ 16.76 MHz	
				f _{xx} /3 (when OCKS1 = 11H set)	f _{xx} /258	12.57 MHz ≤ f _{xx} ≤ 20.00 MHz	
				f _{xx} /4 (when OCKS1 = 12H set)	f _{xx} /344	16.76 MHz ≤ f _{xx} ≤ 20.00 MHz	
0	0	1	0	f _{xx} ^{Note}	f _{xx} /86	4.19 MHz ≤ f _{xx} ≤ 8.38 MHz	
0	0	1	1	f _{xx} (when OCKS1 = 18H set)	f _{xx} /66	6.40 MHz	
				f _{xx} /2 (when OCKS1 = 10H set)	f _{xx} /132	12.80 MHz	
				f _{xx} /3 (when OCKS1 = 11H set)	f _{xx} /198	19.20 MHz	
0	1	0	×	f _{xx} (when OCKS1 = 18H set)	f _{xx} /24	4.19 MHz ≤ f _{xx} ≤ 8.38 MHz	High-speed mode (SMCm bit = 1)
				f _{xx} /2 (when OCKS1 = 10H set)	f _{xx} /48	8.00 MHz ≤ f _{xx} ≤ 16.76 MHz	
				f _{xx} /3 (when OCKS1 = 11H set)	f _{xx} /72	12.00 MHz ≤ f _{xx} ≤ 20.00 MHz	
				f _{xx} /4 (when OCKS1 = 12H set)	f _{xx} /96	16.00 MHz ≤ f _{xx} ≤ 20.00 MHz	
0	1	1	0	f _{xx} ^{Note}	f _{xx} /24	4.00 MHz ≤ f _{xx} ≤ 8.38 MHz	
0	1	1	1	f _{xx} (when OCKS1 = 18H set)	f _{xx} /18	6.40 MHz	
				f _{xx} /2 (when OCKS1 = 10H set)	f _{xx} /36	12.80 MHz	
				f _{xx} /3 (when OCKS1 = 11H set)	f _{xx} /54	19.20 MHz	
1	1	0	×	f _{xx} (when OCKS1 = 18H set)	f _{xx} /12	4.00 MHz ≤ f _{xx} ≤ 4.19 MHz	
				f _{xx} /2 (when OCKS1 = 10H set)	f _{xx} /24	8.00 MHz ≤ f _{xx} ≤ 8.38 MHz	
				f _{xx} /3 (when OCKS1 = 11H set)	f _{xx} /36	12.00 MHz ≤ f _{xx} ≤ 12.57 MHz	
				f _{xx} /4 (when OCKS1 = 12H set)	f _{xx} /48	16.00 MHz ≤ f _{xx} ≤ 16.67 MHz	
				f _{xx} /5 (when OCKS1 = 13H set)	f _{xx} /60	20.00 MHz	
1	1	1	0	f _{xx} ^{Note}	f _{xx} /12	4.00 MHz ≤ f _{xx} ≤ 4.19 MHz	
Other than above				Setting prohibited	–	–	–

Note Since the selection clock is f_{xx} regardless of the value set to the OCKS1 register, clear the OCKS1 register to 00H (I²C division clock stopped status).

- Remarks**
1. m = 1, 2
 2. ×: don't care

(7) IIC division clock select registers 0, 1 (OCKS0, OCKS1)

The OCKSm register controls the I²C0n division clock (n = 0 to 2, m = 0, 1).

This register controls the I²C00 division clock via the OCKS0 register and the I²C01 and I²C02 division clocks via the OCKS1 register.

This register can be read or written in 8-bit units.

Reset sets this register to 00H.

After reset: 00H R/W Address: OCKS0 FFFFF340H, OCKS1 FFFFF344H

	7	6	5	4	3	2	1	0
OCKSm	0	0	0	OCKSENm	OCKSTHm	0	OCKSm1	OCKSm0

(m = 0, 1)

OCKSENm	Operation setting of I ² C division clock		
0	Disable I ² C division clock operation		
1	Enable I ² C division clock operation		

OCKSTHm	OCKSm1	OCKSm0	Selection of I ² C division clock
0	0	0	f _{xx} /2
0	0	1	f _{xx} /3
0	1	0	f _{xx} /4
0	1	1	f _{xx} /5
1	0	0	f _{xx}
Other than above			Setting prohibited

(8) IIC shift registers 0 to 2 (IIC0 to IIC2)

The IICn register is used for serial transmission/reception (shift operations) synchronized with the serial clock.

This register can be read or written in 8-bit units, but data should not be written to the IICn register during a data transfer.

Access (read/write) the IICn register only during the wait period. Accessing this register in communication states other than the wait period is prohibited. However, for the master device, the IICn register can be written once only after the transmission trigger bit (IICn.STTn bit) has been set to 1.

A wait state is released by writing the IICn register during the wait period, and data transfer is started (n = 0 to 2).

Reset sets this register to 00H.

After reset: 00H R/W Address: IIC0 FFFFFD80H, IIC1 FFFFFD90H, IIC2 FFFFFDA0H

	7	6	5	4	3	2	1	0
IICn								

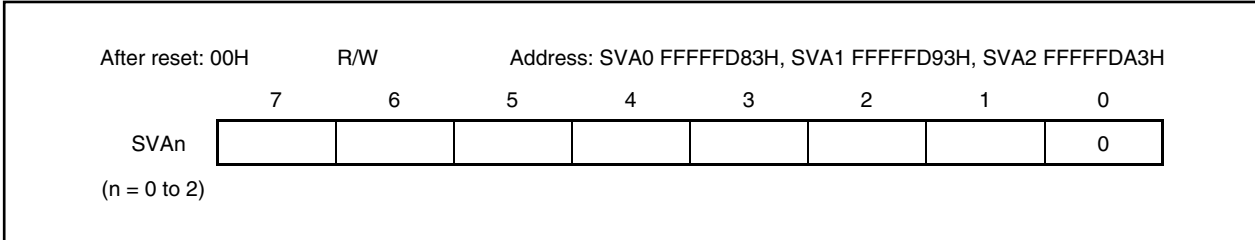
(n = 0 to 2)

(9) Slave address registers 0 to 2 (SVA0 to SVA2)

The SVA_n register holds the I²C bus's slave addresses (n = 0 to 2).

This register can be read or written in 8-bit units, but bit 0 should be fixed to 0. However, rewriting this register is prohibited when the IICSn.STDn bit = 1 (start condition detection).

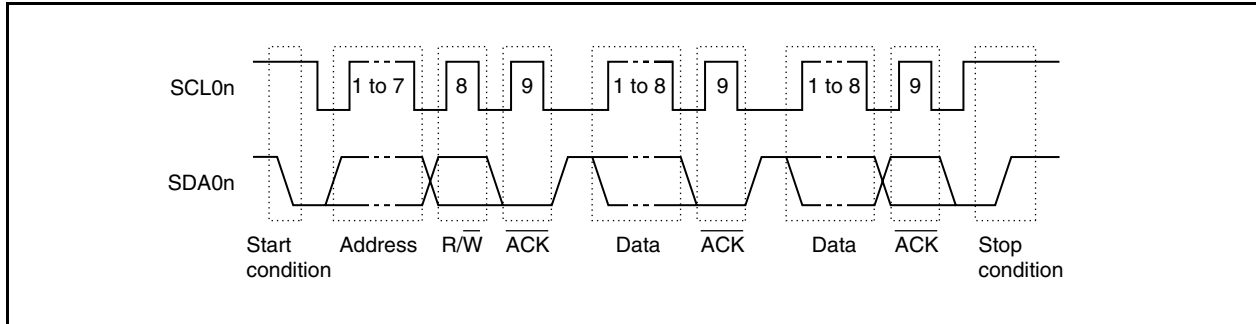
Reset sets this register to 00H.



17.6 I²C Bus Definitions and Control Methods

The following section describes the I²C bus's serial data communication format and the signals used by the I²C bus. The transfer timing for the "start condition", "address", "transfer direction specification", "data", and "stop condition" generated on the I²C bus's serial data bus is shown below.

Figure 17-7. I²C Bus Serial Data Transfer Timing



The master device generates the start condition, slave address, and stop condition.

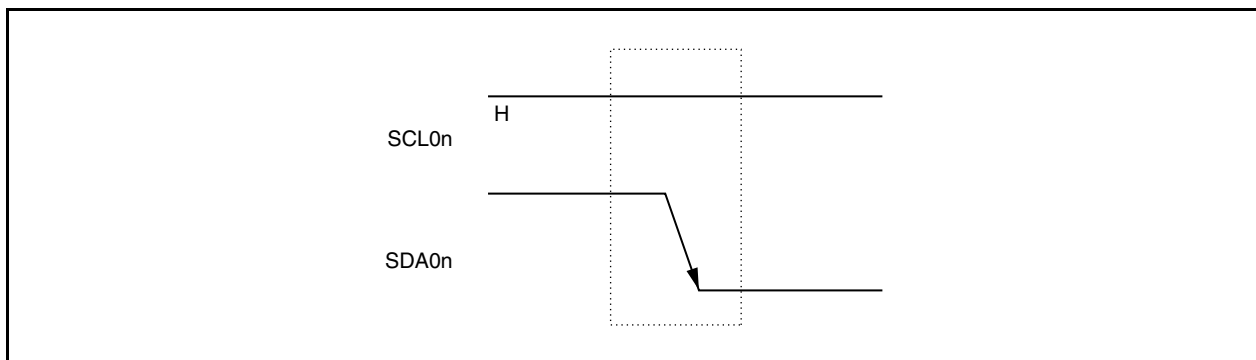
ACK can be generated by either the master or slave device (normally, it is generated by the device that receives 8-bit data).

The serial clock (SCL0n) is continuously output by the master device. However, in the slave device, the SCL0n pin's low-level period can be extended and a wait state can be inserted ($n = 0$ to 2).

17.6.1 Start condition

A start condition is met when the SCL0n pin is high level and the SDA0n pin changes from high level to low level. The start condition for the SCL0n and SDA0n pins is a signal that the master device outputs to the slave device when starting a serial transfer. The slave device can detect the start condition ($n = 0$ to 2).

Figure 17-8. Start Condition



A start condition is output when the IICn.STTn bit is set (1) after a stop condition has been detected (IICn.SPDn bit = 1). When a start condition is detected, the IICn.STDn bit is set (1) ($n = 0$ to 2).

Caution When the IICn.IICEn bit of the V850ES/JJ2 is set to 1 while communications with other devices are in progress, the start condition may be detected depending on the status of the communication line. Be sure to set the IICn.IICEn bit to 1 when the SCL0n and SDA0n lines are high level.

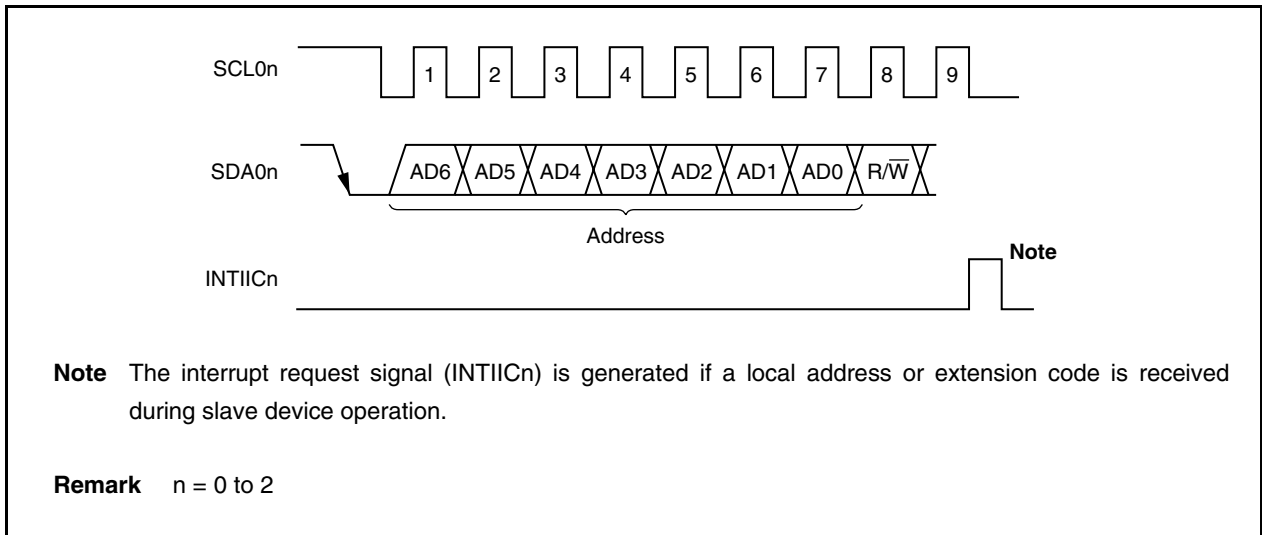
17.6.2 Addresses

The 7 bits of data that follow the start condition are defined as an address.

An address is a 7-bit data segment that is output in order to select one of the slave devices that are connected to the master device via the bus lines. Therefore, each slave device connected via the bus lines must have a unique address.

The slave devices include hardware that detects the start condition and checks whether or not the 7-bit address data matches the data values stored in the SVAn register. If the address data matches the values of the SVAn register, the slave device is selected and communicates with the master device until the master device generates a start condition or stop condition ($n = 0$ to 2).

Figure 17-9. Address



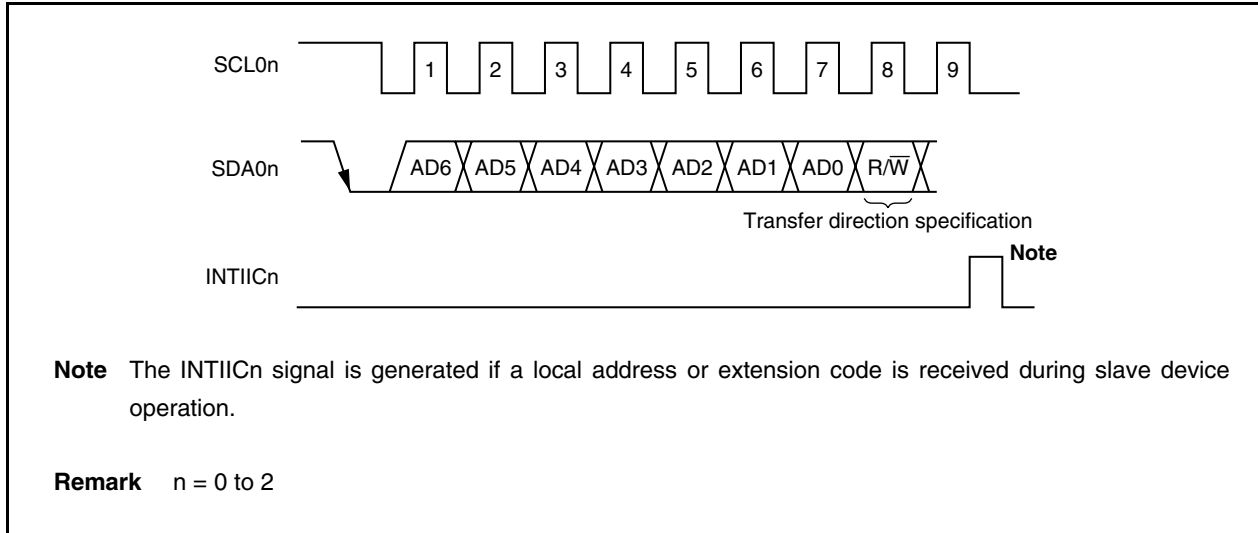
The slave address and the eighth bit, which specifies the transfer direction as described in **17.6.3 Transfer direction specification** below, are written together to IIC shift register n (IICn) and then output. Received addresses are written to the IICn register ($n = 0$ to 2).

The slave address is assigned to the higher 7 bits of the IICn register.

17.6.3 Transfer direction specification

In addition to the 7-bit address data, the master device sends 1 bit that specifies the transfer direction. When this transfer direction specification bit has a value of 0, it indicates that the master device is transmitting data to a slave device. When the transfer direction specification bit has a value of 1, it indicates that the master device is receiving data from a slave device.

Figure 17-10. Transfer Direction Specification



17.6.4 $\overline{\text{ACK}}$

$\overline{\text{ACK}}$ is used to confirm the serial data status of the transmitting and receiving devices.

The receiving device returns $\overline{\text{ACK}}$ for every 8 bits of data it receives.

The transmitting device normally receives $\overline{\text{ACK}}$ after transmitting 8 bits of data. When $\overline{\text{ACK}}$ is returned from the receiving device, the reception is judged as normal and processing continues. The detection of $\overline{\text{ACK}}$ is confirmed with the IICSn.ACKDn bit.

When the master device is the receiving device, after receiving the final data, it does not return $\overline{\text{ACK}}$ and generates the stop condition. When the slave device is the receiving device and does not return $\overline{\text{ACK}}$, the master device generates either a stop condition or a restart condition, and then stops the current transmission. Failure to return $\overline{\text{ACK}}$ may be caused by the following factors.

- (a) Reception was not performed normally.
- (b) The final data was received.
- (c) The receiving device (slave) does not exist for the specified address.

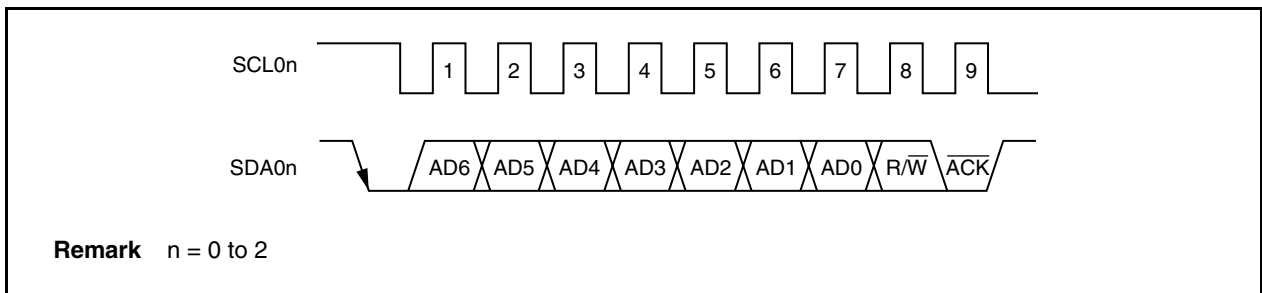
When the receiving device sets the SDA0n line to low level during the ninth clock, $\overline{\text{ACK}}$ is generated (normal reception).

When the IICn.ACKEn bit is set to 1, automatic $\overline{\text{ACK}}$ generation is enabled. Transmission of the eighth bit following the 7 address data bits causes the IICSn.TRcN bit to be set. Normally, set the ACKEn bit to 1 for reception (TRcN bit = 0).

When the slave device is receiving (when TRcN bit = 0), if the slave device cannot receive data or does not need to receive any more data, clear the ACKEn bit to 0 to indicate to the master that no more data can be received.

Similarly, when the master device is receiving (when TRcN bit = 0) and the subsequent data is not needed, clear the ACKEn bit to 0 to prevent $\overline{\text{ACK}}$ from being generated. This notifies the slave device (transmitting device) of the end of the data transmission (transmission stopped).

Figure 17-11. $\overline{\text{ACK}}$



When the local address is received, $\overline{\text{ACK}}$ is automatically generated regardless of the value of the ACKEn bit. No $\overline{\text{ACK}}$ is generated if the received address is not a local address (NACK).

When receiving the extension code, set the ACKEn bit to 1 in advance to generate $\overline{\text{ACK}}$.

The $\overline{\text{ACK}}$ generation method during data reception is based on the wait timing setting, as described by the following.

- When 8-clock wait is selected (IICn.WTIMn bit = 0):
 $\overline{\text{ACK}}$ is generated at the falling edge of the SCL0n pin's eighth clock if the ACKEn bit is set to 1 before the wait state cancellation.
- When 9-clock wait is selected (IICn.WTIMn bit = 1):
 $\overline{\text{ACK}}$ is generated if the ACKEn bit is set to 1 in advance.

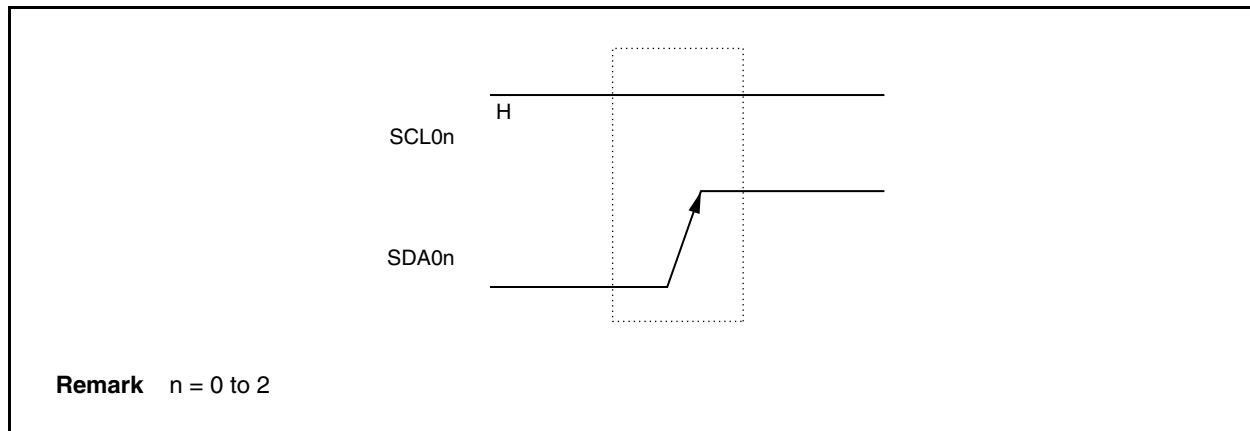
Remark n = 0 to 2

17.6.5 Stop condition

When the SCL0n pin is high level, changing the SDA0n pin from low level to high level generates a stop condition (n = 0 to 2).

A stop condition is generated when serial transfer from the master device to the slave device has been completed. When used as the slave device, the start condition can be detected.

Figure 17-12. Stop Condition



A stop condition is generated when the IICCn.SPTn bit is set to 1. When the stop condition is detected, the IICSn.SPdn bit is set to 1 and the interrupt request signal (INTIICn) is generated when the IICCn.SPIEn bit is set to 1 (n = 0 to 2).

17.6.6 Wait state

A wait state is used to notify the communication partner that a device (master or slave) is preparing to transmit or receive data (i.e., is in a wait state).

Setting the SCL0n pin to low level notifies the communication partner of the wait state. When the wait state has been canceled for both the master and slave devices, the next data transfer can begin (n = 0 to 2).

Figure 17-13. Wait State (1/2)

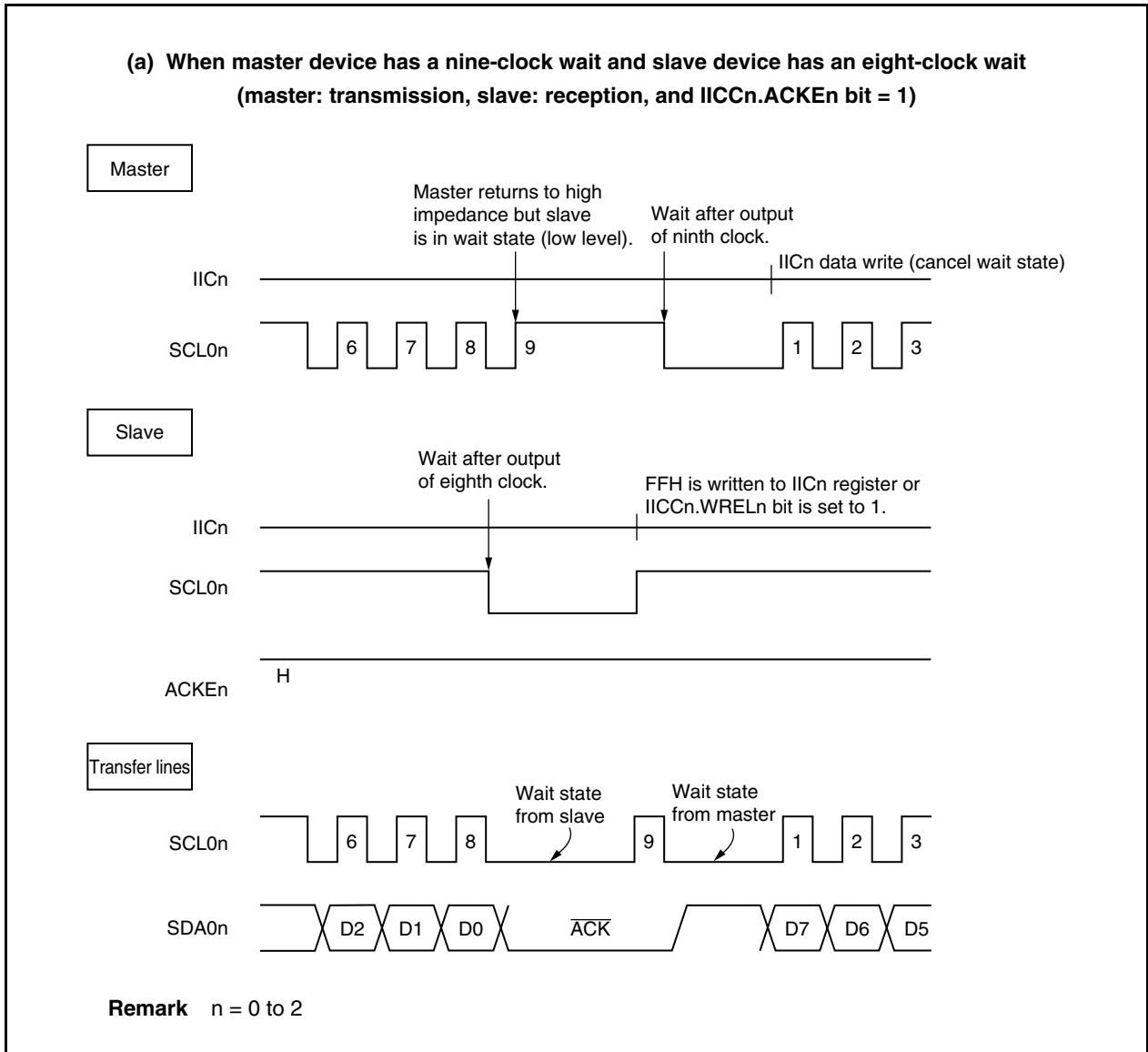
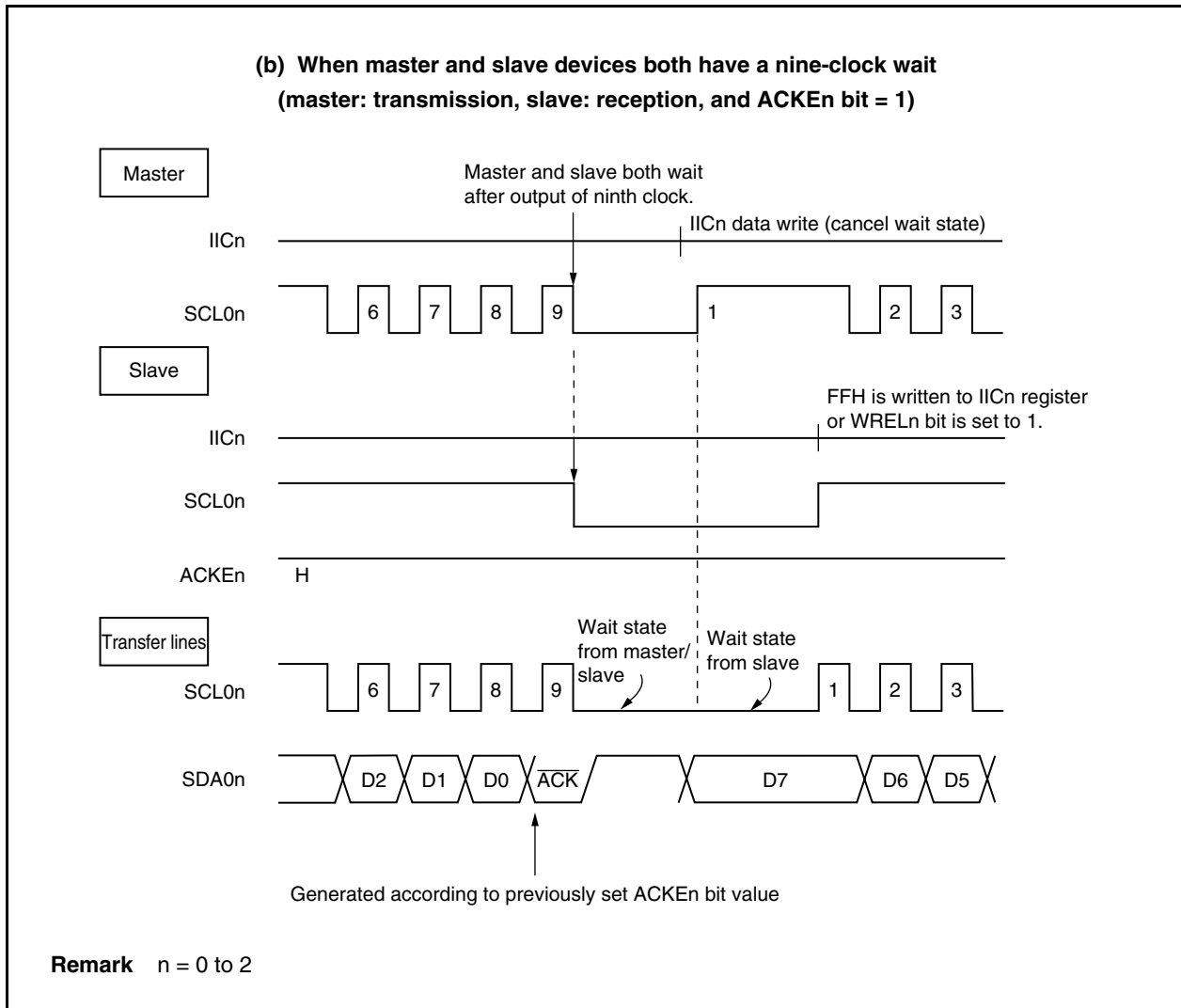


Figure 17-13. Wait State (2/2)



A wait state may be automatically generated depending on the setting of the IICn.WTIMn bit ($n = 0$ to 2).

Normally, when the IICn.WRELn bit is set to 1 or when FFH is written to the IICn register on the receiving side, the wait state is canceled and the transmitting side writes data to the IICn register to cancel the wait state.

The master device can also cancel the wait state via either of the following methods.

- By setting the IICn.STTn bit to 1
- By setting the IICn.SPTn bit to 1

17.6.7 Wait state cancellation method

In the case of I²C0n, wait state can be canceled normally in the following ways (n = 0 to 2).

- By writing data to the IICn register
- By setting the IICn.WRELn bit to 1 (wait state cancellation)
- By setting the IICn.STTn bit to 1 (start condition generation)
- By setting the IICn.SPTn bit to 1 (stop condition generation)

If any of these wait state cancellation actions is performed, I²C0n will cancel wait state and restart communication.

When canceling wait state and sending data (including address), write data to the IICn register.

To receive data after canceling wait state, or to complete data transmission, set the WRELn bit to 1.

To generate a restart condition after canceling wait state, set the STTn bit to 1.

To generate a stop condition after canceling wait state, set the SPTn bit to 1.

Execute cancellation only once for each wait state.

For example, if data is written to the IICn register following wait state cancellation by setting the WRELn bit to 1, conflict between the SDA0n line change timing and IICn register write timing may result in the data output to the SDA0n line may be incorrect.

Even in other operations, if communication is stopped halfway, clearing the IICn.IICEn bit to 0 will stop communication, enabling wait state to be cancelled.

If the I²C bus dead-locks due to noise, etc., setting the IICn.LRELn bit to 1 causes the communication operation to be exited, enabling wait state to be cancelled.

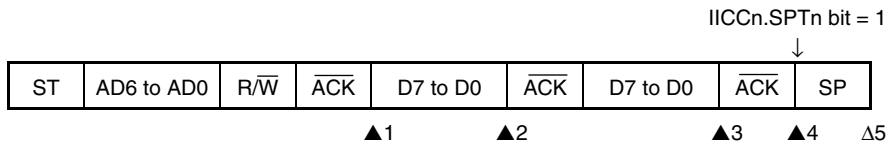
17.7 I²C Interrupt Request Signals (INTIICn)

The following shows the value of the IICSn register at the INTIICn interrupt request signal generation timing and at the INTIICn signal timing (n = 0 to 2).

17.7.1 Master device operation

(1) Start ~ Address ~ Data ~ Data ~ Stop (normal transmission/reception)

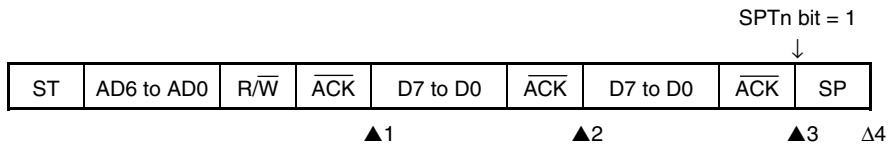
<1> When IICn.WTIMn bit = 0



- ▲1: IICSn register = 1000X110B
- ▲2: IICSn register = 1000X000B
- ▲3: IICSn register = 1000X000B (WTIMn bit = 1)
- ▲4: IICSn register = 1000XX00B
- Δ5: IICSn register = 00000001B

- Remarks 1.** ▲: Always generated
 Δ: Generated only when SPIEn bit = 1
 X: don't care
- 2.** n = 0 to 2

<2> When WTIMn bit = 1

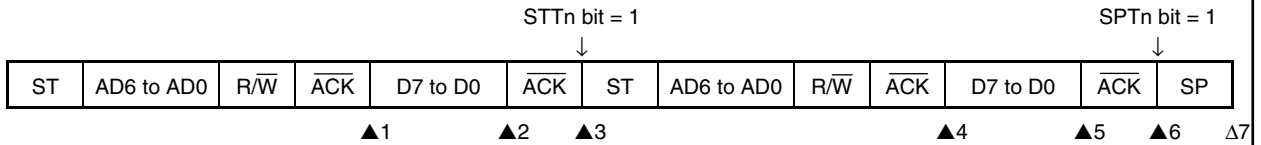


- ▲1: IICSn register = 1000X110B
- ▲2: IICSn register = 1000X100B
- ▲3: IICSn register = 1000XX00B
- Δ4: IICSn register = 00000001B

- Remarks 1.** ▲: Always generated
 Δ: Generated only when SPIEn bit = 1
 X: don't care
- 2.** n = 0 to 2

(2) Start ~ Address ~ Data ~ Start ~ Address ~ Data ~ Stop (restart)

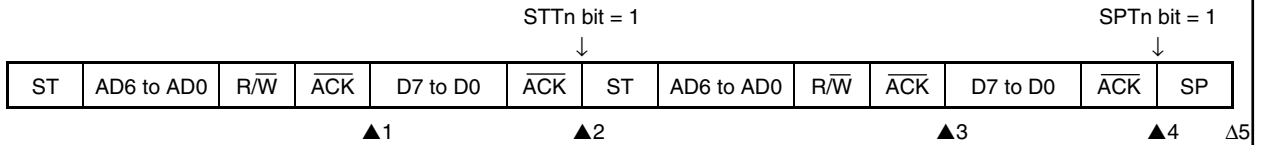
<1> When WTIMn bit = 0



- ▲1: IICSn register = 1000X110B
- ▲2: IICSn register = 1000X000B (WTIMn bit = 1)
- ▲3: IICSn register = 1000XX00B (WTIMn bit = 0)
- ▲4: IICSn register = 1000X110B (WTIMn bit = 0)
- ▲5: IICSn register = 1000X000B (WTIMn bit = 1)
- ▲6: IICSn register = 1000XX00B
- Δ 7: IICSn register = 00000001B

Remarks 1. ▲: Always generated
 Δ: Generated only when SPIEn bit = 1
 X: don't care
 2. n = 0 to 2

<2> When WTIMn bit = 1

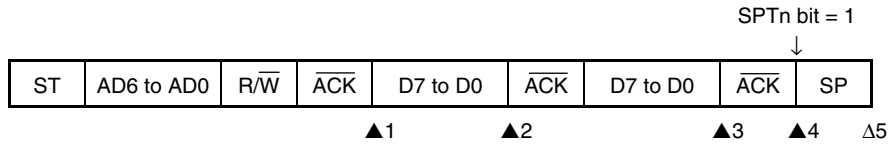


- ▲1: IICSn register = 1000X110B
- ▲2: IICSn register = 1000XX00B
- ▲3: IICSn register = 1000X110B
- ▲4: IICSn register = 1000XX00B
- Δ 5: IICSn register = 00000001B

Remarks 1. ▲: Always generated
 Δ: Generated only when SPIEn bit = 1
 X: don't care
 2. n = 0 to 2

(3) Start ~ Code ~ Data ~ Data ~ Stop (extension code transmission)

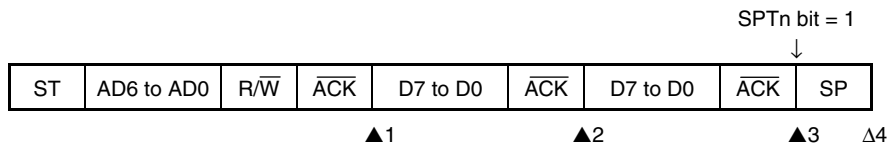
<1> When WTIMn bit = 0



- ▲1: IICSn register = 1010X110B
- ▲2: IICSn register = 1010X000B
- ▲3: IICSn register = 1010X000B (WTIMn bit = 1)
- ▲4: IICSn register = 1010XX00B
- Δ5: IICSn register = 00000001B

Remarks 1. ▲: Always generated
 Δ: Generated only when SPIEn bit = 1
 X: don't care
 2. n = 0 to 2

<2> When WTIMn bit = 1



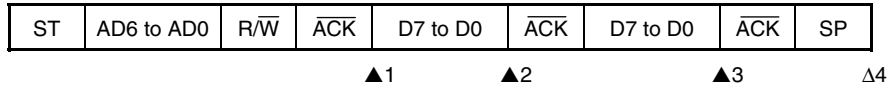
- ▲1: IICSn register = 1010X110B
- ▲2: IICSn register = 1010X100B
- ▲3: IICSn register = 1010XX00B
- Δ4: IICSn register = 00000001B

Remarks 1. ▲: Always generated
 Δ: Generated only when SPIEn bit = 1
 X: don't care
 2. n = 0 to 2

17.7.2 Slave device operation (when receiving slave address data (address match))

(1) Start ~ Address ~ Data ~ Data ~ Stop

<1> When IICn.WTIMn bit = 0



▲1: IICSn register = 0001X110B

▲2: IICSn register = 0001X000B

▲3: IICSn register = 0001X000B

Δ 4: IICSn register = 00000001B

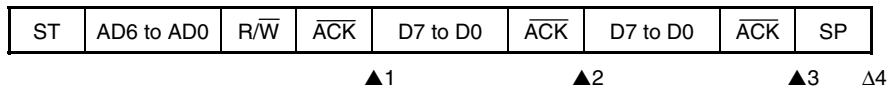
Remarks 1. ▲: Always generated

Δ: Generated only when IICn.SPIEn bit = 1

X: don't care

2. n = 0 to 2

<2> When WTIMn bit = 1



▲1: IICSn register = 0001X110B

▲2: IICSn register = 0001X100B

▲3: IICSn register = 0001XX00B

Δ 4: IICSn register = 00000001B

Remarks 1. ▲: Always generated

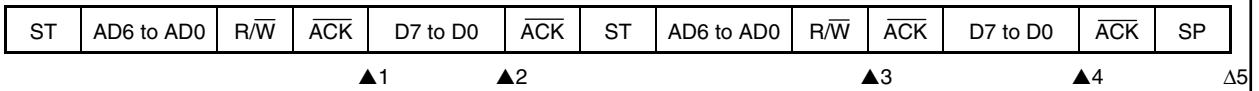
Δ: Generated only when SPIEn bit = 1

X: don't care

2. n = 0 to 2

(3) Start ~ Address ~ Data ~ Start ~ Code ~ Data ~ Stop

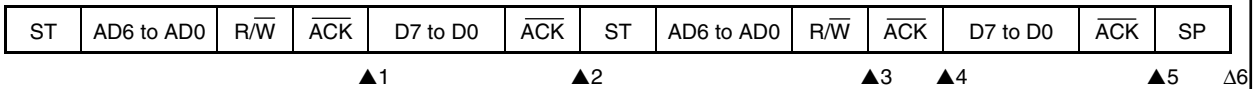
<1> When WTIMn bit = 0 (after restart, extension code reception)



- ▲1: IICSn register = 0001X110B
- ▲2: IICSn register = 0001X000B
- ▲3: IICSn register = 0010X010B
- ▲4: IICSn register = 0010X000B
- Δ 5: IICSn register = 00000001B

Remarks 1. ▲: Always generated
 Δ: Generated only when SPIEn bit = 1
 X: don't care
2. n = 0 to 2

<2> When WTIMn bit = 1 (after restart, extension code reception)

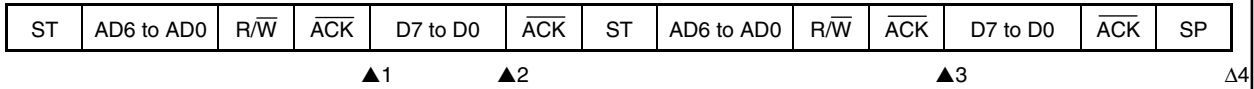


- ▲1: IICSn register = 0001X110B
- ▲2: IICSn register = 0001XX00B
- ▲3: IICSn register = 0010X010B
- ▲4: IICSn register = 0010X110B
- ▲5: IICSn register = 0010XX00B
- Δ 6: IICSn register = 00000001B

Remarks 1. ▲: Always generated
 Δ: Generated only when SPIEn bit = 1
 X: don't care
2. n = 0 to 2

(4) Start ~ Address ~ Data ~ Start ~ Address ~ Data ~ Stop

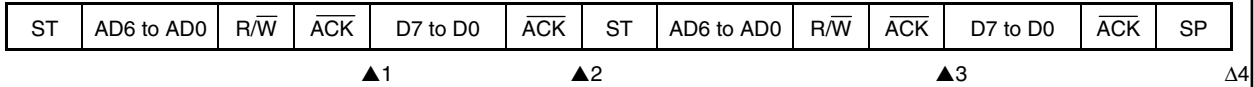
<1> When WTIMn bit = 0 (after restart, address mismatch (= not extension code))



- ▲1: IICSn register = 0001X110B
- ▲2: IICSn register = 0001X000B
- ▲3: IICSn register = 00000X10B
- Δ 4: IICSn register = 00000001B

Remarks 1. ▲: Always generated
 Δ: Generated only when SPIEn bit = 1
 X: don't care
 2. n = 0 to 2

<2> When WTIMn bit = 1 (after restart, address mismatch (= not extension code))



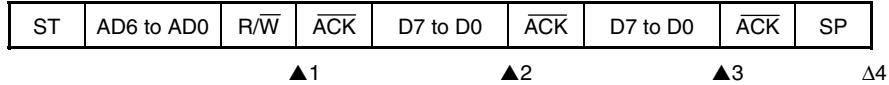
- ▲1: IICSn register = 0001X110B
- ▲2: IICSn register = 0001XX00B
- ▲3: IICSn register = 00000X10B
- Δ 4: IICSn register = 00000001B

Remarks 1. ▲: Always generated
 Δ: Generated only when SPIEn bit = 1
 X: don't care
 2. n = 0 to 2

17.7.3 Slave device operation (when receiving extension code)

(1) Start ~ Code ~ Data ~ Data ~ Stop

<1> When IICn.WTIMn bit = 0



▲1: IICSn register = 0010X010B

▲2: IICSn register = 0010X000B

▲3: IICSn register = 0010X000B

Δ 4: IICSn register = 00000001B

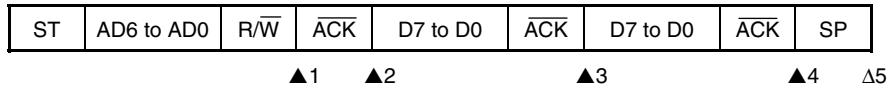
Remarks 1. ▲: Always generated

Δ: Generated only when IICn.SPIEn bit = 1

X: don't care

2. n = 0 to 2

<2> When WTIMn bit = 1



▲1: IICSn register = 0010X010B

▲2: IICSn register = 0010X110B

▲3: IICSn register = 0010X100B

▲4: IICSn register = 0010XX00B

Δ 5: IICSn register = 00000001B

Remarks 1. ▲: Always generated

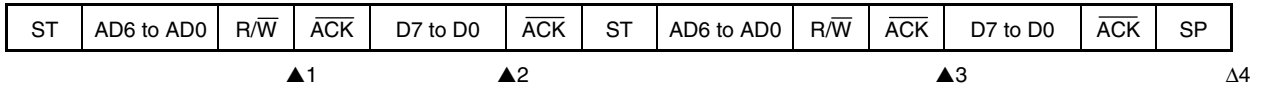
Δ: Generated only when SPIEn bit = 1

X: don't care

2. n = 0 to 2

(4) Start ~ Code ~ Data ~ Start ~ Address ~ Data ~ Stop

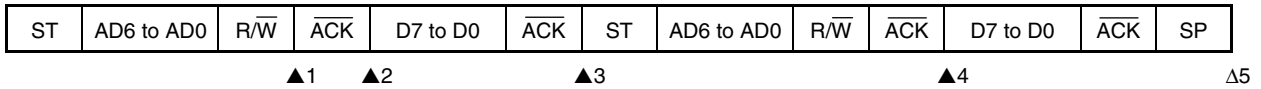
<1> When WTIMn bit = 0 (after restart, address mismatch (= not extension code))



- ▲1: IICSn register = 0010X010B
- ▲2: IICSn register = 0010X000B
- ▲3: IICSn register = 00000X10B
- Δ 4: IICSn register = 00000001B

Remarks 1. ▲: Always generated
 Δ: Generated only when SPIEn bit = 1
 X: don't care
 2. n = 0 to 2

<2> When WTIMn bit = 1 (after restart, address mismatch (= not extension code))

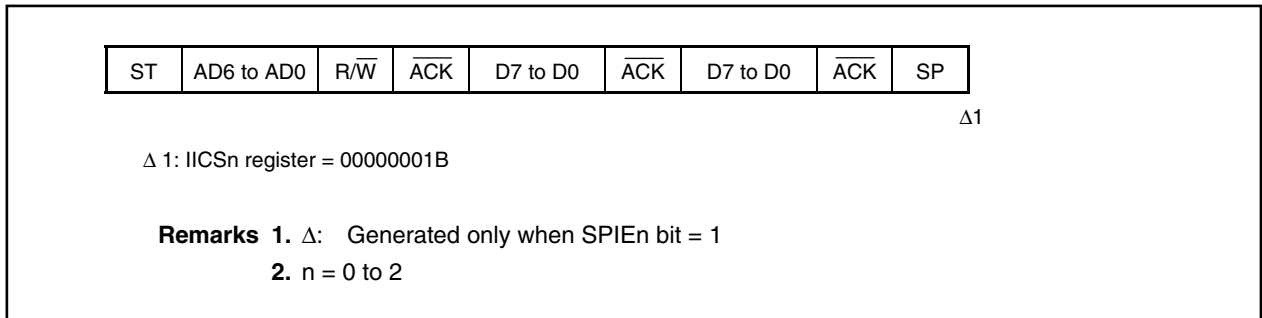


- ▲1: IICSn register = 0010X010B
- ▲2: IICSn register = 0010X110B
- ▲3: IICSn register = 0010XX00B
- ▲4: IICSn register = 00000X10B
- Δ 5: IICSn register = 00000001B

Remarks 1. ▲: Always generated
 Δ: Generated only when SPIEn bit = 1
 X: don't care
 2. n = 0 to 2

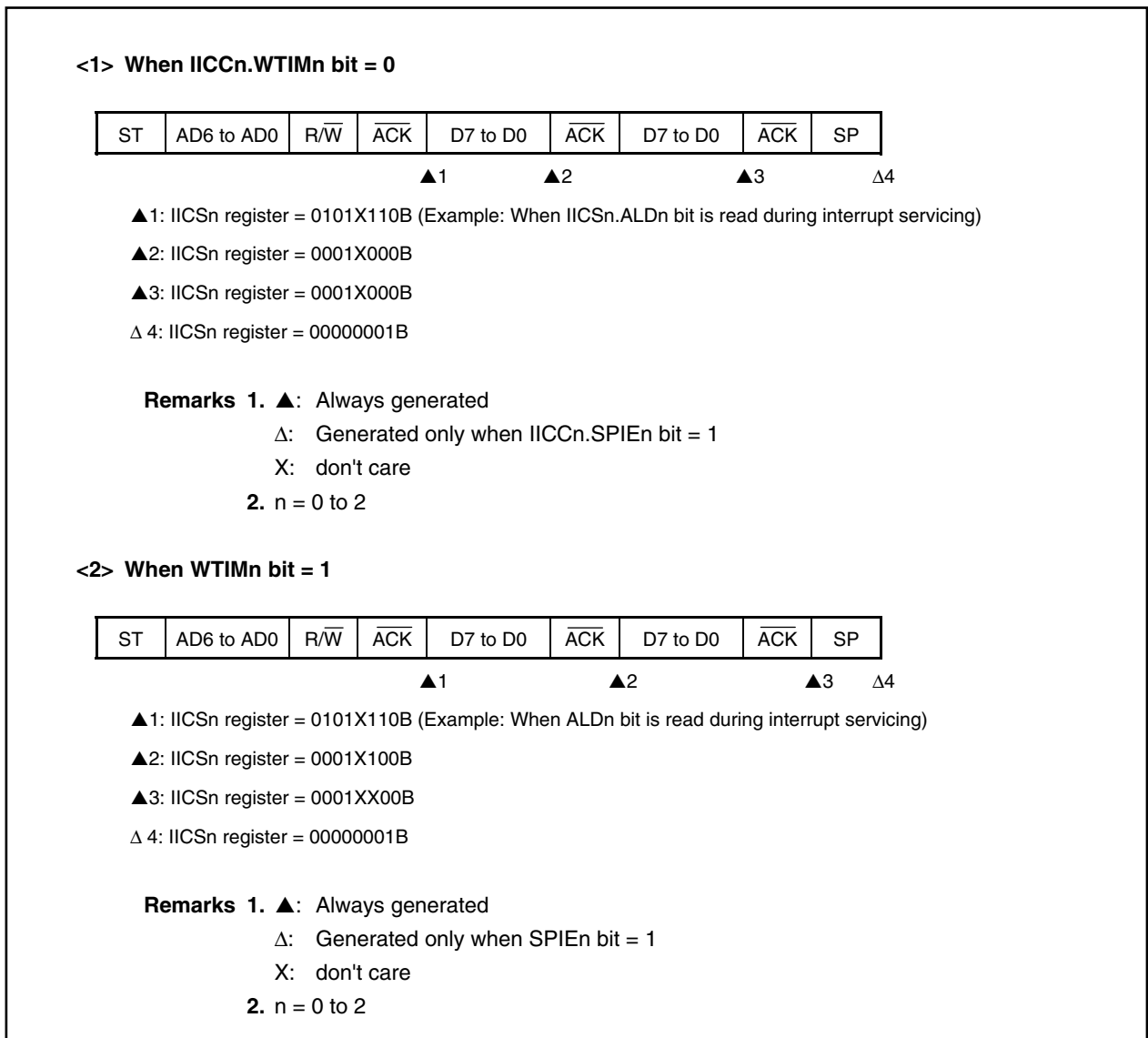
17.7.4 Operation without communication

(1) Start ~ Code ~ Data ~ Data ~ Stop



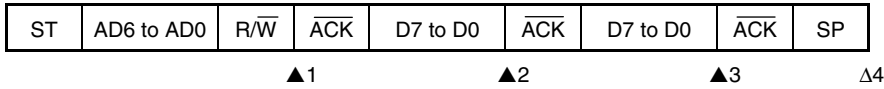
17.7.5 Arbitration loss operation (operation as slave after arbitration loss)

(1) When arbitration loss occurs during transmission of slave address data



(2) When arbitration loss occurs during transmission of extension code

<1> When WTIMn bit = 0



▲1: IICSn register = 0110X010B (Example: When ALDn bit is read during interrupt servicing)

▲2: IICSn register = 0010X000B

▲3: IICSn register = 0010X000B

Δ 4: IICSn register = 00000001B

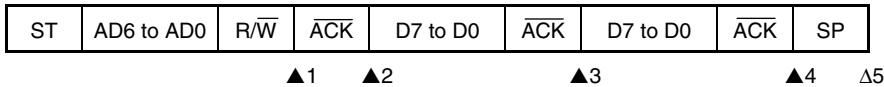
Remarks 1. ▲: Always generated

Δ: Generated only when SPIEn bit = 1

X: don't care

2. n = 0 to 2

<2> When WTIMn bit = 1



▲1: IICSn register = 0110X010B (Example: When ALDn bit is read during interrupt servicing)

▲2: IICSn register = 0010X110B

▲3: IICSn register = 0010X100B

▲4: IICSn register = 0010XX00B

Δ 5: IICSn register = 00000001B

Remarks 1. ▲: Always generated

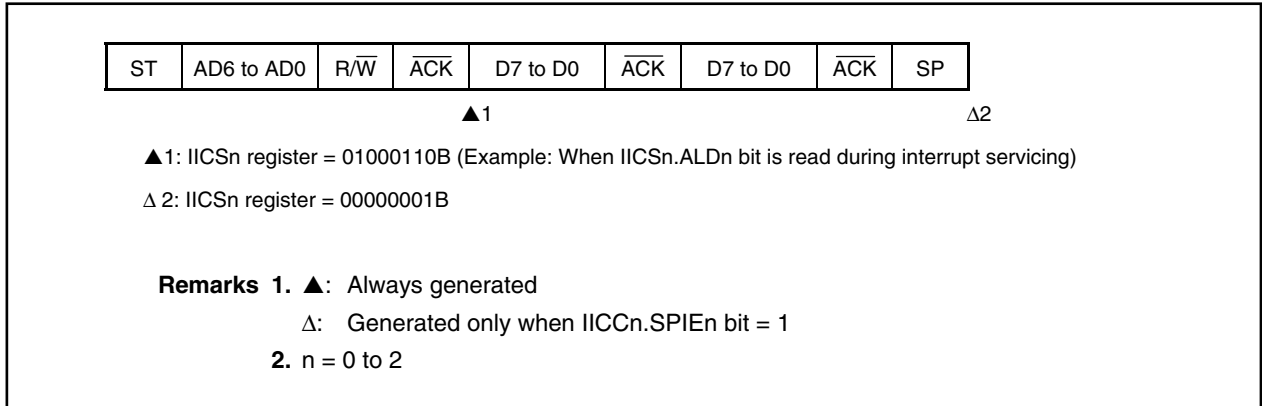
Δ: Generated only when SPIEn bit = 1

X: don't care

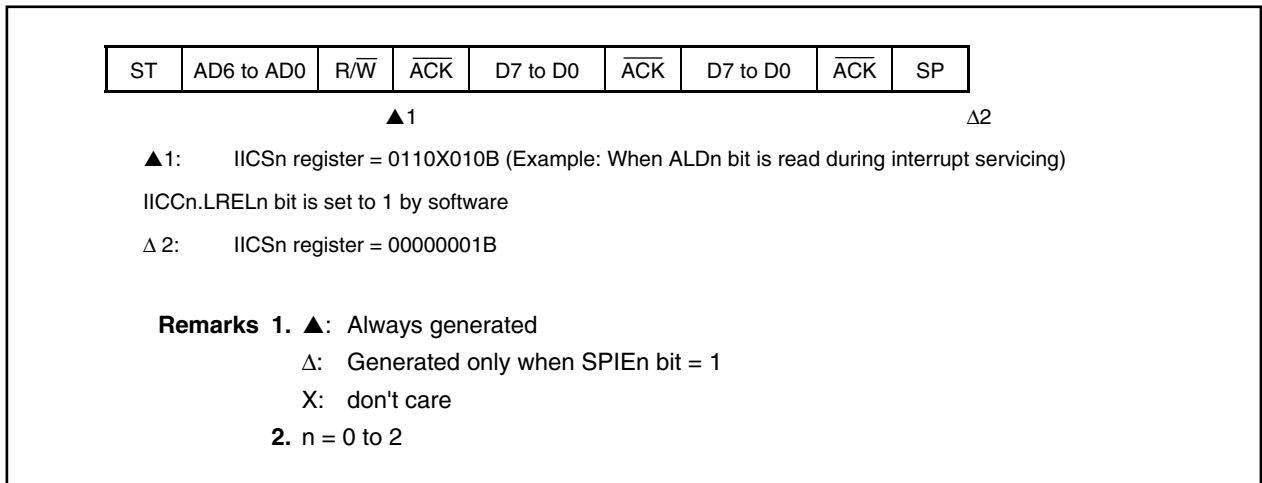
2. n = 0 to 2

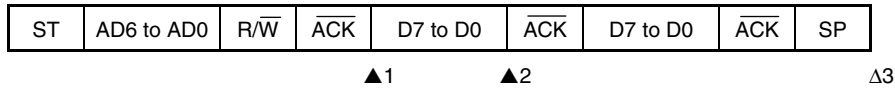
17.7.6 Operation when arbitration loss occurs (no communication after arbitration loss)

(1) When arbitration loss occurs during transmission of slave address data



(2) When arbitration loss occurs during transmission of extension code



(3) When arbitration loss occurs during data transfer**<1> When IICn.WTIMn bit = 0**

▲1: IICSn register = 10001110B

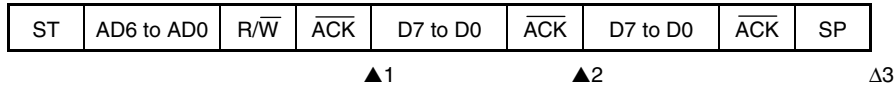
▲2: IICSn register = 01000000B (Example: When ALDn bit is read during interrupt servicing)

Δ3: IICSn register = 00000001B

Remarks 1. ▲: Always generated

Δ: Generated only when SPIEn bit = 1

2. n = 0 to 2

<2> When WTIMn bit = 1

▲1: IICSn register = 10001110B

▲2: IICSn register = 01000100B (Example: When ALDn bit is read during interrupt servicing)

Δ3: IICSn register = 00000001B

Remarks 1. ▲: Always generated

Δ: Generated only when SPIEn bit = 1

2. n = 0 to 2

(4) When arbitration loss occurs due to restart condition during data transfer

<1> Not extension code (Example: Address mismatch)

ST	AD6 to AD0	R/W	ACK	D7 to Dn	ST	AD6 to AD0	R/W	ACK	D7 to D0	ACK	SP
----	------------	-----	-----	----------	----	------------	-----	-----	----------	-----	----

▲1

▲2

Δ3

▲1: IICSn register = 1000X110B

▲2: IICSn register = 01000110B (Example: When ALDn bit is read during interrupt servicing)

Δ 3: IICSn register = 00000001B

Remarks 1. ▲: Always generated

Δ: Generated only when SPIEn bit = 1

X: don't care

2. Dn = D6 to D0

n = 0 to 2

<2> Extension code

ST	AD6 to AD0	R/W	ACK	D7 to Dn	ST	AD6 to AD0	R/W	ACK	D7 to D0	ACK	SP
----	------------	-----	-----	----------	----	------------	-----	-----	----------	-----	----

▲1

▲2

Δ3

▲1: IICSn register = 1000X110B

▲2: IICSn register = 0110X010B (Example: When ALDn bit is read during interrupt servicing)

IICn.LRELn bit is set to 1 by software

Δ 3: IICSn register = 00000001B

Remarks 1. ▲: Always generated

Δ: Generated only when SPIEn bit = 1

X: don't care

2. Dn = D6 to D0

n = 0 to 2

(5) When arbitration loss occurs due to stop condition during data transfer

ST	AD6 to AD0	R/W	\overline{ACK}	D7 to Dn	SP
----	------------	-----	------------------	----------	----

▲1

Δ2

▲1: IICSn register = 1000X110B

Δ2: IICSn register = 01000001B

Remarks 1. ▲: Always generated

Δ: Generated only when SPIEn bit = 1

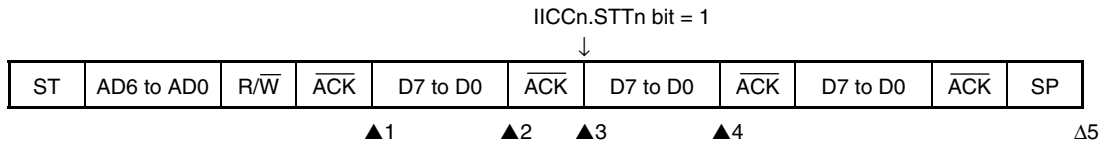
X: don't care

2. Dn = D6 to D0

n = 0 to 2

(6) When arbitration loss occurs due to low level of SDA0n pin when attempting to generate a restart condition

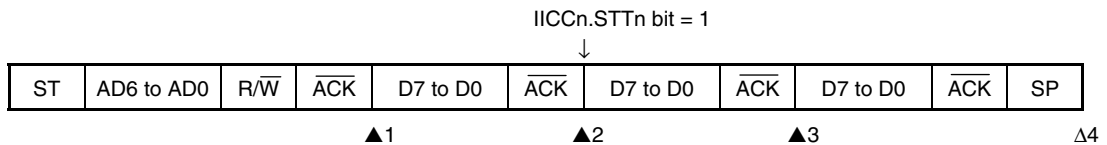
<1> When WTIMn bit = 0



- ▲1: IICSn register = 1000X110B
- ▲2: IICSn register = 1000X000B (WTIMn bit = 1)
- ▲3: IICSn register = 1000XX00B (WTIMn bit = 0)
- ▲4: IICSn register = 01000000B (Example: When ALDn bit is read during interrupt servicing)
- Δ5: IICSn register = 00000001B

Remarks 1. ▲: Always generated
 Δ: Generated only when SPIEn bit = 1
 X: don't care
 2. n = 0 to 2

<2> When WTIMn bit = 1

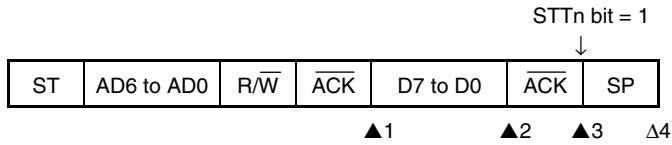


- ▲1: IICSn register = 1000X110B
- ▲2: IICSn register = 1000XX00B
- ▲3: IICSn register = 01000100B (Example: When ALDn bit is read during interrupt servicing)
- Δ4: IICSn register = 00000001B

Remarks 1. ▲: Always generated
 Δ: Generated only when SPIEn bit = 1
 X: don't care
 2. n = 0 to 2

(7) When arbitration loss occurs due to a stop condition when attempting to generate a restart condition

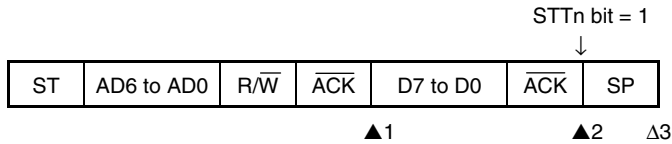
<1> When WTIMn bit = 0



- ▲1: IICSn register = 1000X110B
- ▲2: IICSn register = 1000X000B (WTIMn bit = 1)
- ▲3: IICSn register = 1000XX00B
- Δ 4: IICSn register = 01000001B

Remarks 1. ▲: Always generated
 Δ: Generated only when SPIEn bit = 1
 X: don't care
 2. n = 0 to 2

<2> When WTIMn bit = 1

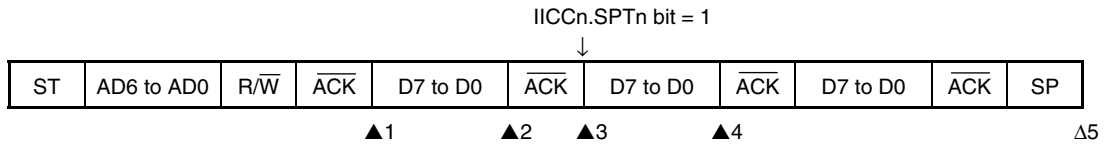


- ▲1: IICSn register = 1000X110B
- ▲2: IICSn register = 1000XX00B
- Δ 3: IICSn register = 01000001B

Remarks 1. ▲: Always generated
 Δ: Generated only when SPIEn bit = 1
 X: don't care
 2. n = 0 to 2

(8) When arbitration loss occurs due to low level of SDA0n pin when attempting to generate a stop condition

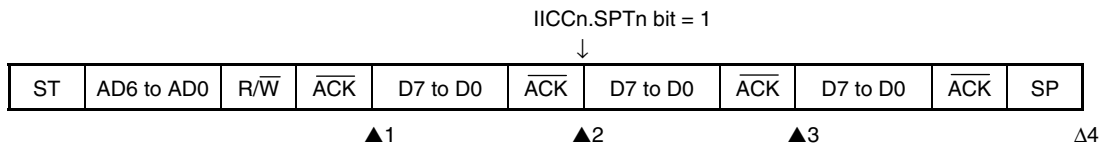
<1> When WTIMn bit = 0



- ▲1: IICSn register = 1000X110B
- ▲2: IICSn register = 1000X000B (WTIMn bit = 1)
- ▲3: IICSn register = 1000XX00B (WTIMn bit = 0)
- ▲4: IICSn register = 01000000B (Example: When ALDn bit is read during interrupt servicing)
- Δ5: IICSn register = 00000001B

Remarks 1. ▲: Always generated
 Δ: Generated only when SPIEn bit = 1
 X: don't care
 2. n = 0 to 2

<2> When WTIMn bit = 1



- ▲1: IICSn register = 1000X110B
- ▲2: IICSn register = 1000XX00B
- ▲3: IICSn register = 01000000B (Example: When ALDn bit is read during interrupt servicing)
- Δ4: IICSn register = 00000001B

Remarks 1. ▲: Always generated
 Δ: Generated only when SPIEn bit = 1
 X: don't care
 2. n = 0 to 2

17.8 Interrupt Request Signal (INTIICn) Generation Timing and Wait Control

The setting of the IICn.WTIMn bit determines the timing by which the INTIICn register is generated and the corresponding wait control, as shown below (n = 0 to 2).

Table 17-3. INTIICn Generation Timing and Wait Control

WTIMn Bit	During Slave Device Operation			During Master Device Operation		
	Address	Data Reception	Data Transmission	Address	Data Reception	Data Transmission
0	g ^{Notes 1, 2}	g ^{Note 2}	g ^{Note 2}	9	8	8
1	g ^{Notes 1, 2}	g ^{Note 2}	g ^{Note 2}	9	9	9

Notes 1. The slave device's INTIICn signal and wait period occur at the falling edge of the ninth clock only when there is a match with the address set to the SVAn register.

At this point, \overline{ACK} is generated regardless of the value set to the IICn.ACKEn bit. For a slave device that has received an extension code, the INTIICn signal occurs at the falling edge of the eighth clock.

When the address does not match after restart, the INTIICn signal is generated at the falling edge of the ninth clock, but no wait occurs.

- 2.** If the received address does not match the contents of the SVAn register and an extension code is not received, neither the INTIICn signal nor a wait state is generated.

Remarks 1. The numbers in the table indicate the number of the serial clock's clock signals. Interrupt requests and wait control are both synchronized with the falling edge of these clock signals.

- 2.** n = 0 to 2

(1) During address transmission/reception

- Slave device operation: Interrupt and wait timing are determined regardless of the WTIMn bit.
- Master device operation: Interrupt and wait timing occur at the falling edge of the ninth clock regardless of the WTIMn bit.

(2) During data reception

- Master/slave device operation: Interrupt and wait timing is determined according to the WTIMn bit.

(3) During data transmission

- Master/slave device operation: Interrupt and wait timing is determined according to the WTIMn bit.

(4) Wait state cancellation method

The four wait state cancellation methods are as follows.

- By setting the IICn.WRELn bit to 1
- By writing to the IICn register
- By start condition setting (IICn.STTn bit = 1)^{Note}
- By stop condition setting (IICn.SPTn bit = 1)^{Note}

Note Master only

When an 8-clock wait has been selected (WTIMn bit = 0), whether or not $\overline{\text{ACK}}$ has been generated must be determined prior to wait cancellation.

Remark n = 0 to 2

(5) Stop condition detection

The INTIICn signal is generated when a stop condition is detected.

Remark n = 0 to 2

17.9 Address Match Detection Method

In I²C bus mode, the master device can select a particular slave device by transmitting the corresponding slave address.

Address match detection is performed automatically by hardware. The INTIICn signal occurs when a local address has been set to the SVAn register and when the address set to the SVAn register matches the slave address sent by the master device, or when an extension code has been received (n = 0 to 2).

17.10 Error Detection

In I²C bus mode, the status of the serial data bus pin (SDA0n) during data transmission is captured by the IICn register of the transmitting device, so the data of the IICn register prior to transmission can be compared with the transmitted IICn data to enable detection of transmission errors. A transmission error is judged as having occurred when the compared data values do not match (n = 0 to 2).

17.11 Extension Code

- (1) When the higher 4 bits of the receive address are either 0000 or 1111, the extension code flag (IICSn.EXCn bit) is set for extension code reception and an interrupt request signal (INTIICn) is issued at the falling edge of the eighth clock (n = 0 to 2).

The local address stored in the SVAn register is not affected.

- (2) If 11110xx0 is set to the SVAn register by a 10-bit address transfer and 11110xx0 is transferred from the master device, the results are as follows. Note that the INTIICn signal occurs at the falling edge of the eighth clock (n = 0 to 2).

- Higher four bits of data match: EXCn bit = 1
- Seven bits of data match: IICSn.COIn bit = 1

- (3) Since the processing after the interrupt request signal occurs differs according to the data that follows the extension code, such processing is performed by software.

For example, when operation as a slave is not desired after the extension code is received, set the IICn.LRELn bit to 1 and the CPU will enter the next communication wait state.

Table 17-4. Extension Code Bit Definitions

Slave Address	R/W Bit	Description
0000 000	0	General call address
0000 000	1	Start byte
0000 001	X	CBUS address
0000 010	X	Address that is reserved for different bus format
1111 0xx	X	10-bit slave address specification

17.12 Arbitration

When several master devices simultaneously generate a start condition (when the IICn.STTn bit is set to 1 before the IICSn.STDn bit is set to 1), communication between the master devices is performed while the number of clocks is adjusted until the data differs. This kind of operation is called arbitration ($n = 0$ to 2).

When one of the master devices loses in arbitration, an arbitration loss flag (IICSn.ALDn bit) is set to 1 via the timing by which the arbitration loss occurred, and the SCL0n and SDA0n lines are both set to high impedance, which releases the bus ($n = 0$ to 2).

Arbitration loss is detected based on the timing of the next interrupt request signal (INTIICn) (the eighth or ninth clock, when a stop condition is detected, etc.) and the setting of the ALDn bit to 1, which is made by software ($n = 0$ to 2).

For details of interrupt request timing, see 17.7 I²C Interrupt Request Signals (INTIICn).

Figure 17-14. Arbitration Timing Example

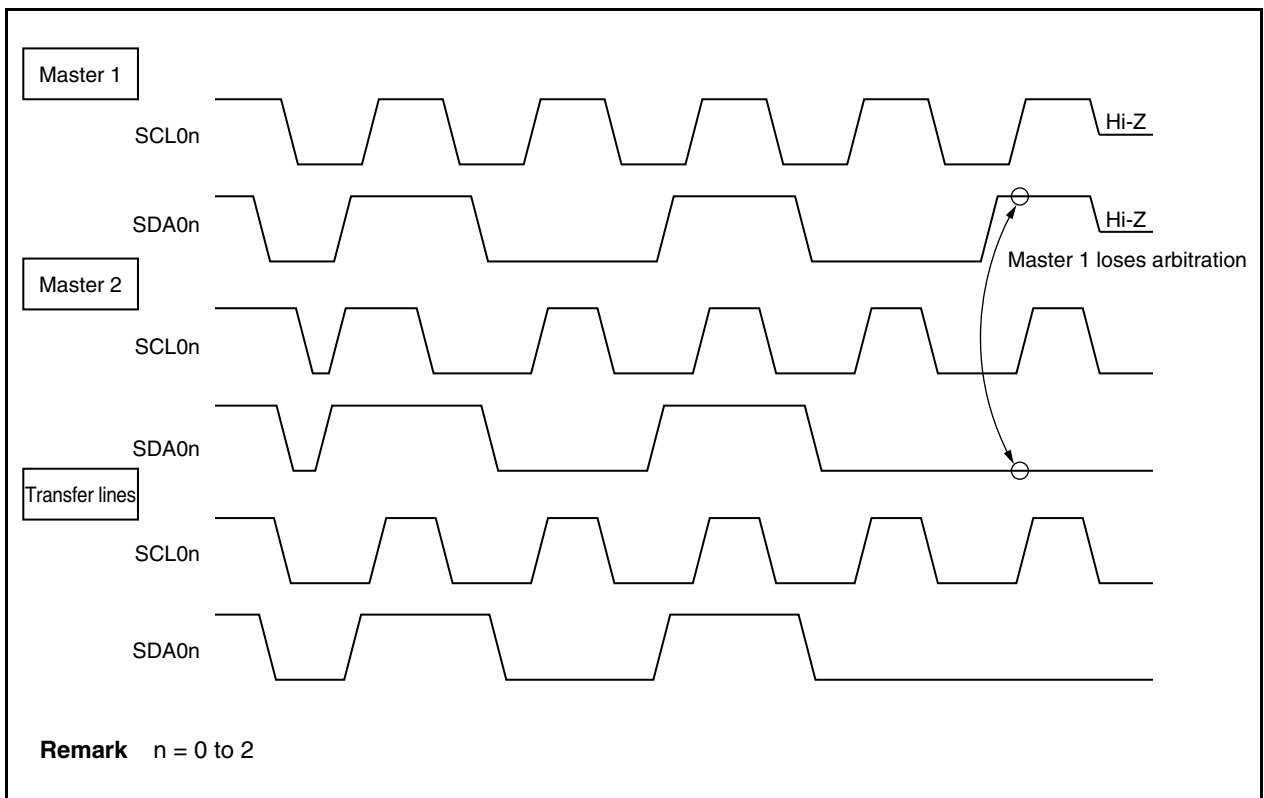


Table 17-5. Status During Arbitration and Interrupt Request Signal Generation Timing

Status During Arbitration	Interrupt Request Generation Timing
Transmitting address transmission	At falling edge of eighth or ninth clock following byte transfer ^{Note 1}
Read/write data after address transmission	
Transmitting extension code	
Read/write data after extension code transmission	
Transmitting data	
ACK transfer period after data reception	
When restart condition is detected during data transfer	
When stop condition is detected during data transfer	When stop condition is generated (when IICn.SPIEn bit = 1) ^{Note 2}
When SDA0n pin is low level while attempting to generate restart condition	At falling edge of eighth or ninth clock following byte transfer ^{Note 1}
When stop condition is detected while attempting to generate restart condition	When stop condition is generated (when IICn.SPIEn bit = 1) ^{Note 2}
When SDA0n pin is low level while attempting to generate stop condition	At falling edge of eighth or ninth clock following byte transfer ^{Note 1}
When SCL0n pin is low level while attempting to generate restart condition	

Notes 1. When the IICn.WTIMn bit = 1, an INTIICn signal occurs at the falling edge of the ninth clock. When the WTIMn bit = 0 and the extension code's slave address is received, an INTIICn signal occurs at the falling edge of the eighth clock (n = 0 to 2).

- 2.** When there is a possibility that arbitration will occur, set the SPIEn bit to 1 for master device operation (n = 0 to 2).

17.13 Wakeup Function

The I²C bus slave function is a function that generates an interrupt request signal (INTIICn) when a local address and extension code have been received.

This function makes processing more efficient by preventing unnecessary the INTIICn signal from occurring when addresses do not match.

When a start condition is detected, wakeup standby mode is set. This wakeup standby mode is in effect while addresses are transmitted due to the possibility that an arbitration loss may change the master device (which has generated a start condition) to a slave device.

However, when a stop condition is detected, the IICn.SPIEn bit is set regardless of the wakeup function, and this determines whether INTIICn signal is enabled or disabled (n = 0 to 2).

17.14 Communication Reservation

17.14.1 When communication reservation function is enabled (IICFn.IICRSVn bit = 0)

To start master device communications when not currently using the bus, a communication reservation can be made to enable transmission of a start condition when the bus is released. There are two modes in which the bus is not used.

- When arbitration results in neither master nor slave operation
- When an extension code is received and slave operation is disabled ($\overline{\text{ACK}}$ is not returned and the bus was released when the IICFn.LRELn bit was set to 1) (n = 0 to 2).

If the IICFn.STTn bit is set to 1 while the bus is not used, a start condition is automatically generated and a wait state is set after the bus is released (after a stop condition is detected).

When the bus release is detected (when a stop condition is detected), writing to the IICFn register causes master address transfer to start. At this point, the IICFn.SPIEn bit should be set to 1 (n = 0 to 2).

When STTn has been set to 1, the operation mode (as start condition or as communication reservation) is determined according to the bus status (n = 0 to 2).

If the bus has been released A start condition is generated

If the bus has not been released (standby mode) Communication reservation

To detect which operation mode has been determined for the STTn bit, set the STTn bit to 1, wait for the wait period, then check the IICFn.MSTS bit (n = 0 to 2).

The wait periods, which should be set via software, are listed in Table 17-6. These wait periods can be set by the SMCn, CLn1, and CLn0 bits of the IICCLn register and the IICFn.CLXn bit (n = 0 to 2).

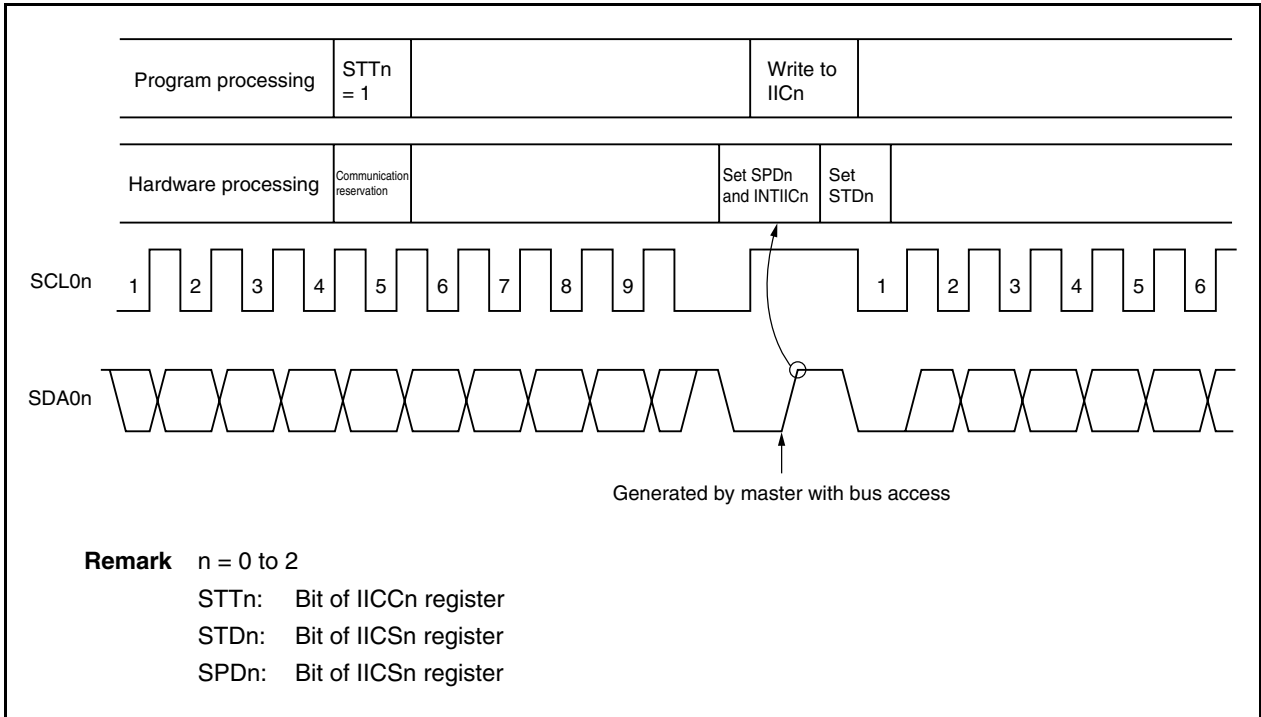
Table 17-6. Wait Periods

	Clock Selection	CLXn	SMCn	CLn1	CLn0	Wait Period
	f _{xx} (when OCKSm = 18H set)	0	0	0	0	26 clocks
	f _{xx} /2 (when OCKSm = 10H set)	0	0	0	0	52 clocks
	f _{xx} /3 (when OCKSm = 11H set)	0	0	0	0	78 clocks
	f _{xx} /4 (when OCKSm = 12H set)	0	0	0	0	104 clocks
	f _{xx} /5 (when OCKSm = 13H set)	0	0	0	0	130 clocks
	f _{xx} (when OCKSm = 18H set)	0	0	0	1	47 clocks
	f _{xx} /2 (when OCKSm = 10H set)	0	0	0	1	94 clocks
	f _{xx} /3 (when OCKSm = 11H set)	0	0	0	1	141 clocks
	f _{xx} /4 (when OCKSm = 12H set)	0	0	0	1	188 clocks
	f _{xx}	0	0	1	0	47 clocks
<R>	f _{xx} (when OCKSm = 18H set)	0	0	1	1	37 clocks
<R>	f _{xx} /2 (when OCKSm = 10H set)	0	0	1	1	74 clocks
<R>	f _{xx} /3 (when OCKSm = 11H set)	0	0	1	1	111 clocks
	f _{xx} (when OCKSm = 18H set)	0	1	0	×	16 clocks
	f _{xx} /2 (when OCKSm = 10H set)	0	1	0	×	32 clocks
	f _{xx} /3 (when OCKSm = 11H set)	0	1	0	×	48 clocks
	f _{xx} /4 (when OCKSm = 12H set)	0	1	0	×	64 clocks
	f _{xx}	0	1	1	0	16 clocks
<R>	f _{xx} (when OCKSm = 18H set)	0	1	1	1	13 clocks
<R>	f _{xx} /2 (when OCKSm = 10H set)	0	1	1	1	26 clocks
<R>	f _{xx} /3 (when OCKSm = 11H set)	0	1	1	1	39 clocks
	f _{xx} (when OCKSm = 18H set)	1	1	0	×	10 clocks
	f _{xx} /2 (when OCKSm = 10H set)	1	1	0	×	20 clocks
	f _{xx} /3 (when OCKSm = 11H set)	1	1	0	×	30 clocks
	f _{xx} /4 (when OCKSm = 12H set)	1	1	0	×	40 clocks
<R>	f _{xx} /5 (when OCKSm = 13H set)	1	1	0	×	50 clocks
	f _{xx}	1	1	1	0	10 clocks

- Remarks 1.** n = 0 to 2
m = 0, 1
2. × = don't care

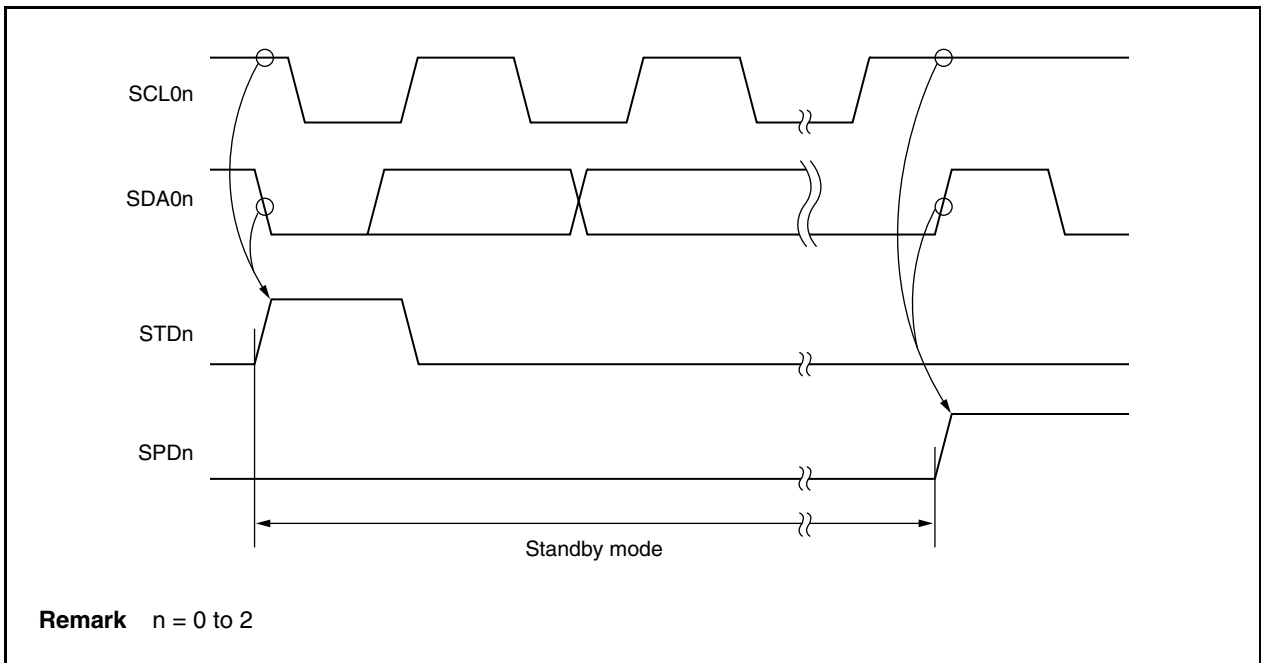
The communication reservation timing is shown below.

Figure 17-15. Communication Reservation Timing



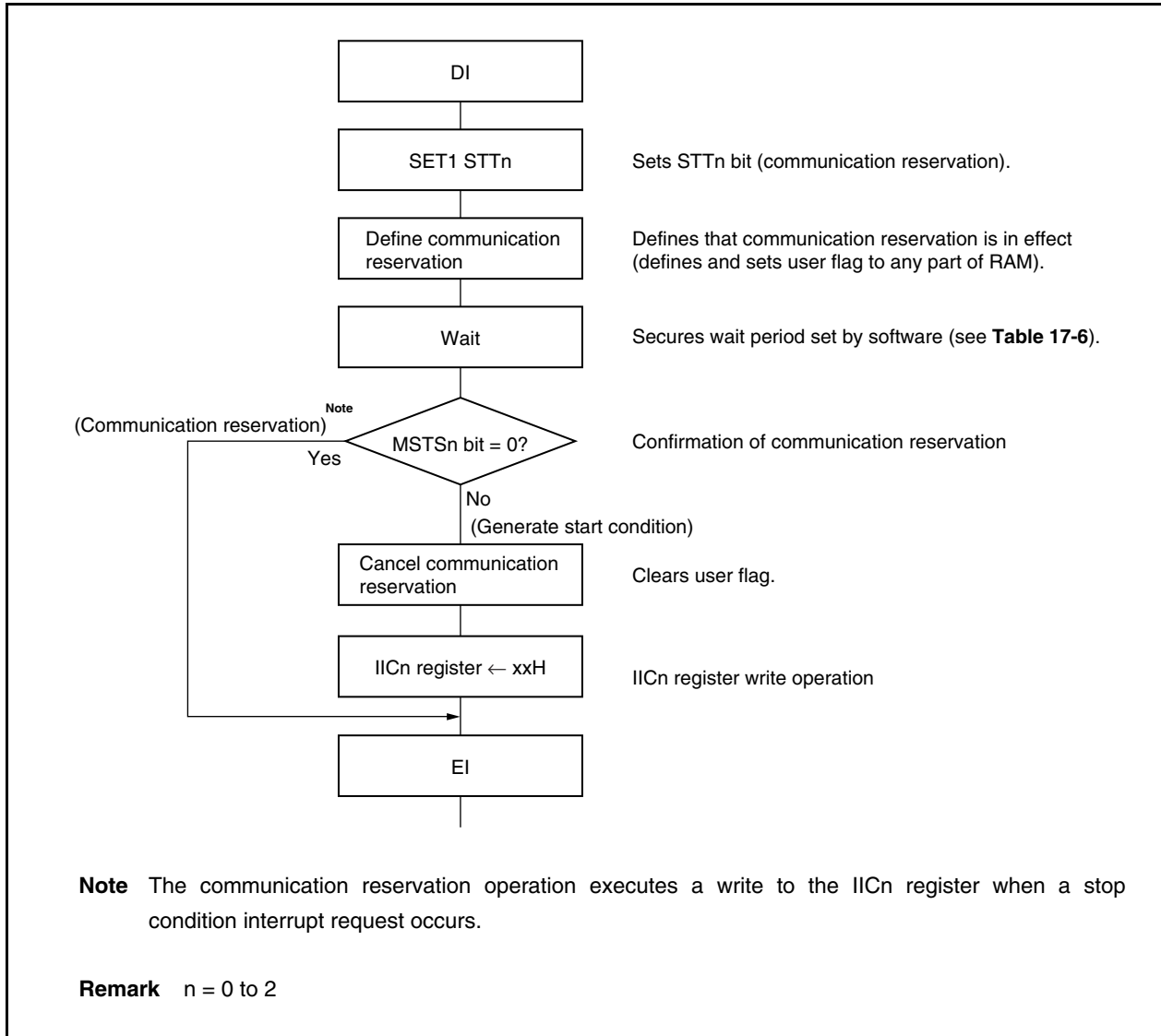
Communication reservations are accepted via the following timing. After the IICSn.STDn bit is set to 1, a communication reservation can be made by setting the IICCn.STTn bit to 1 before a stop condition is detected (n = 0 to 2).

Figure 17-16. Timing for Accepting Communication Reservations



The communication reservation flowchart is illustrated below.

Figure 17-17. Communication Reservation Flowchart



17.14.2 When communication reservation function is disabled (IICFn.IICRSVn bit = 1)

When the IICFn.STTn bit is set when the bus is not used in a communication during bus communication, this request is rejected and a start condition is not generated. There are two modes in which the bus is not used.

- When arbitration results in neither master nor slave operation
- When an extension code is received and slave operation is disabled ($\overline{\text{ACK}}$ is not returned and the bus was released when the IICFn.LRELn bit was set to 1) (n = 0 to 2).

To confirm whether the start condition was generated or request was rejected, check the IICFn.STCFn flag. The time shown in Table 17-7 is required until the STCFn flag is set after setting the STTn bit to 1. Therefore, secure the time by software.

<R>

Table 17-7. Wait Periods

OCKSEn _m	OCKSm ₁	OCKSm ₀	CLn ₁	CLn ₀	Wait Period
1	0	0	0	×	10 clocks
1	0	1	0	×	15 clocks
1	1	0	0	×	20 clocks
1	1	1	0	×	25 clocks
0	0	0	1	0	5 clocks

- Remarks**
1. ×: don't care
 2. n = 0 to 2
m = 0, 1

17.15 Cautions

- (1) When IICFn.STCENn bit = 0

Immediately after the I²C0n operation is enabled, the bus communication status (IICFn.IICBSYn bit = 1) is recognized regardless of the actual bus status. To execute master communication in the status where a stop condition has not been detected, generate a stop condition and then release the bus before starting the master communication.

Use the following sequence for generating a stop condition.

<1> Set the IICCLn register.

<2> Set the IICCN.IICEn bit.

<3> Set the IICCN.SPTn bit.

- (2) When IICFn.STCENn bit = 1

Immediately after I²C0n operation is enabled, the bus released status (IICBSYn bit = 0) is recognized regardless of the actual bus status. To generate the first start condition (IICCN.STTn bit = 1), it is necessary to confirm that the bus has been released, so as to not disturb other communications.

- (3) When the IICCN.IICEn bit of the V850ES/JJ2 is set to 1 while communications among other devices are in progress, the start condition may be detected depending on the status of the communication line. Be sure to set the IICCN.IICEn bit to 1 when the SCL0n and SDA0n lines are high level.
- (4) Determine the operation clock frequency by the IICCLn, IICXn, and OCKSm registers before enabling the operation (IICCN.IICEn bit = 1). To change the operation clock frequency, clear the IICCN.IICEn bit to 0 once.
- (5) After the IICCN.STTn and IICCN.SPTn bits have been set to 1, they must not be re-set without being cleared to 0 first.
- (6) If transmission has been reserved, set the IICCN.SPIEn bit to 1 so that an interrupt request is generated by the detection of a stop condition. After an interrupt request has been generated, the wait state will be released by writing communication data to I²Cn, then transferring will begin. If an interrupt is not generated by the detection of a stop condition, transmission will halt in the wait state because an interrupt request was not generated. However, it is not necessary to set the SPIEn bit to 1 for the software to detect the IICSn.MSTS n bit.

Remark n = 0 to 2
m = 0, 1

17.16 Communication Operations

The following shows three operation procedures with the flowchart.

(1) Master operation in single master system

The flowchart when using the V850ES/JJ2 as the master in a single master system is shown below.

This flowchart is broadly divided into the initial settings and communication processing. Execute the initial settings at startup. If communication with the slave is required, prepare the communication and then execute communication processing.

(2) Master operation in multimaster system

In the I²C0n bus multimaster system, whether the bus is released or used cannot be judged by the I²C bus specifications when the bus takes part in a communication. Here, when data and clock are at a high level for a certain period (1 frame), the V850ES/JJ2 takes part in a communication with bus released state.

This flowchart is broadly divided into the initial settings, communication waiting, and communication processing. The processing when the V850ES/JJ2 loses in arbitration and is specified as the slave is omitted here, and only the processing as the master is shown. Execute the initial settings at startup to take part in a communication. Then, wait for the communication request as the master or wait for the specification as the slave. The actual communication is performed in the communication processing, and it supports the transmission/reception with the slave and the arbitration with other masters.

(3) Slave operation

An example of when the V850ES/JJ2 is used as the slave of the I²C0n bus is shown below.

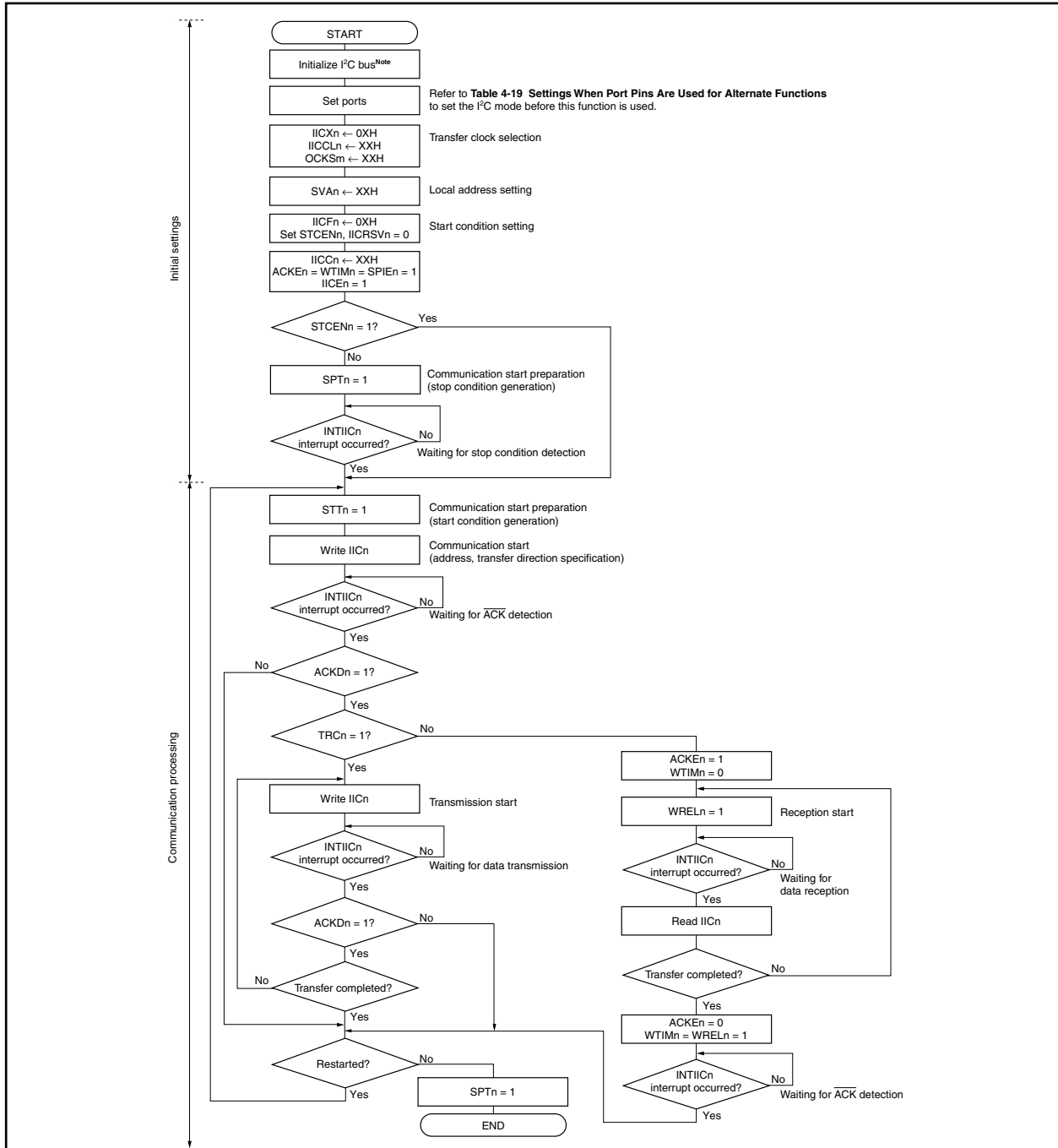
When used as the slave, operation is started by an interrupt. Execute the initial settings at startup, then wait for the INTIICn interrupt occurrence (communication waiting). When the INTIICn interrupt occurs, the communication status is judged and its result is passed as a flag over to the main processing.

By checking the flags, necessary communication processing is performed.

Remark n = 0 to 2

17.16.1 Master operation in single master system

Figure 17-18. Master Operation in Single Master System



Note Release the I²C_{0n} bus (SCL_{0n}, SDA_{0n} pins = high level) in conformity with the specifications of the product in communication.

For example, when the EEPROM™ outputs a low level to the SDA_{0n} pin, set the SCL_{0n} pin to the output port and output clock pulses from that output port until when the SDA_{0n} pin is constantly high level.

Remarks 1. For the transmission and reception formats, conform to the specifications of the product in communication.

2. n = 0 to 2, m = 0, 1

17.16.2 Master operation in multimaster system

Figure 17-19. Master Operation in Multimaster System (1/3)

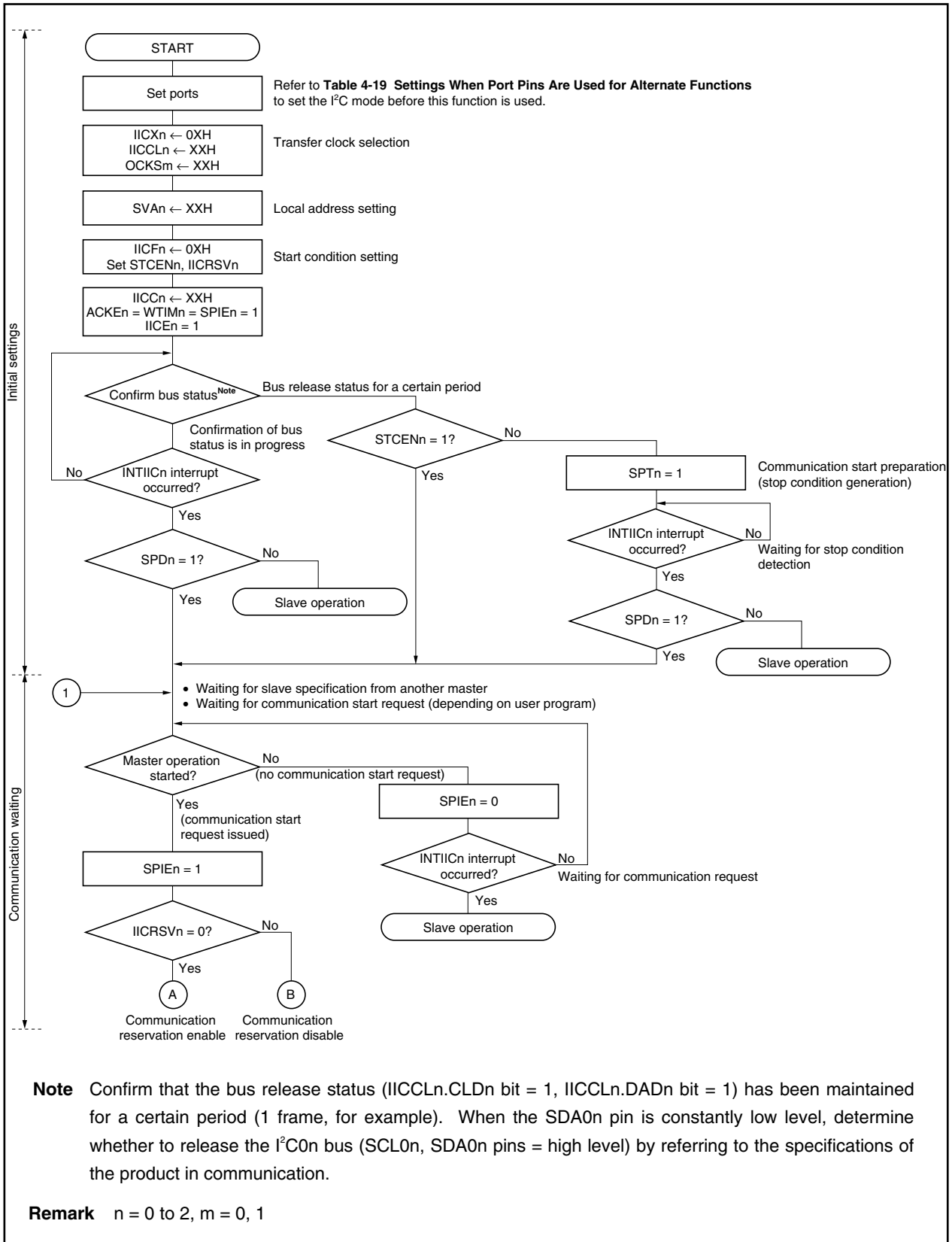


Figure 17-19. Master Operation in Multimaster System (2/3)

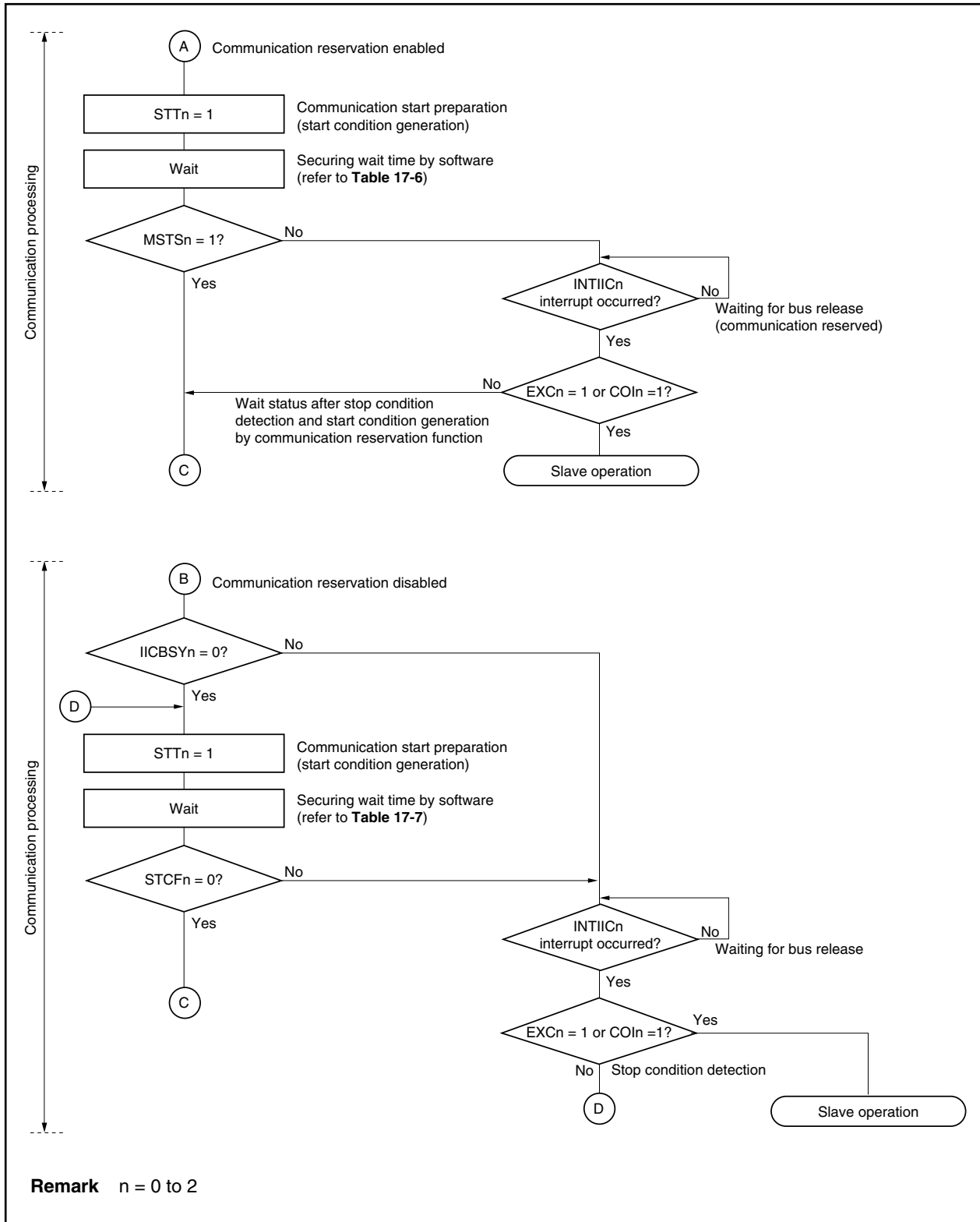
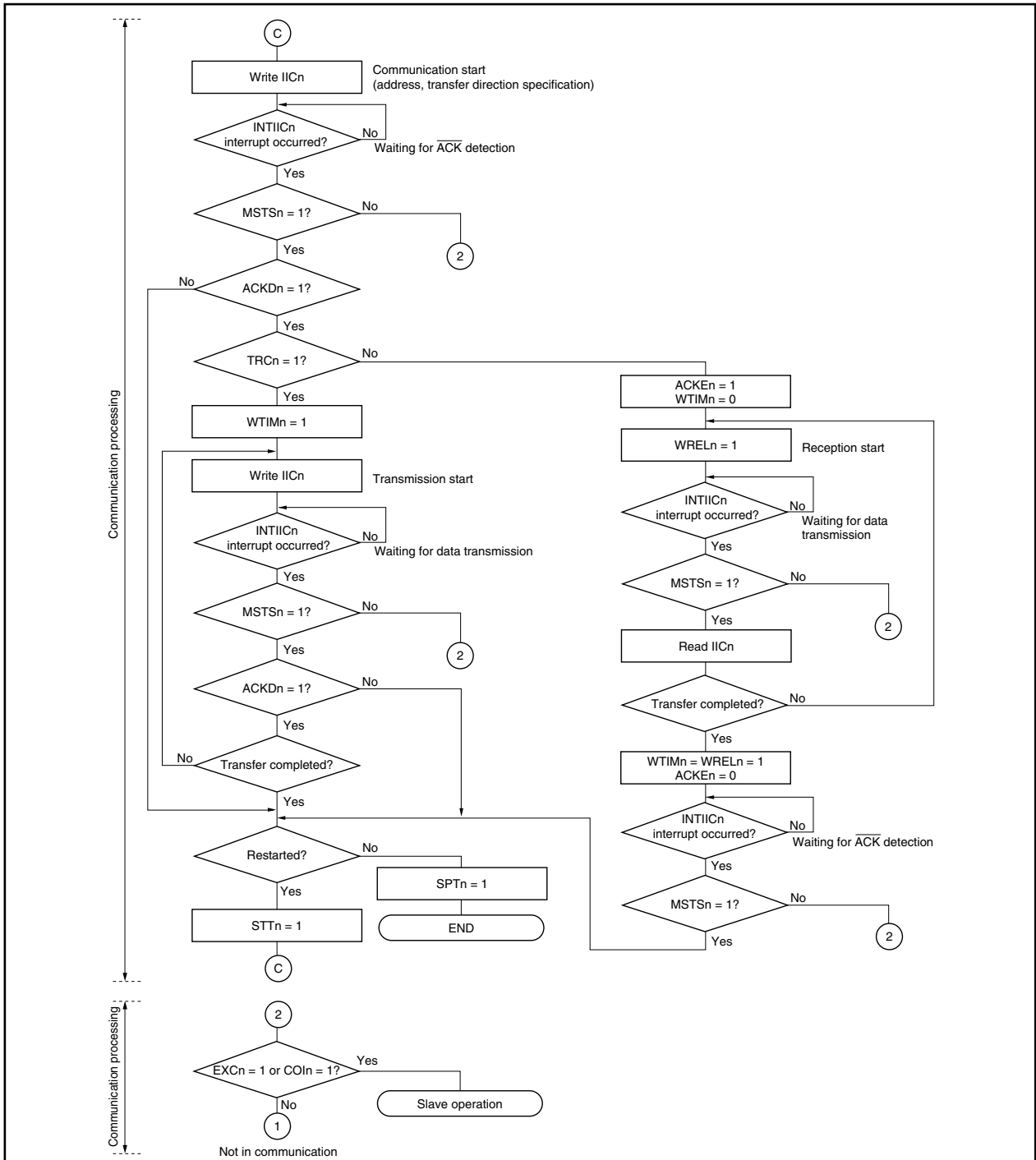


Figure 17-19. Master Operation in Multimaster System (3/3)



- Remarks**
1. Conform the transmission and reception formats to the specifications of the product in communication.
 2. When using the V850ES/JJ2 as the master in the multimaster system, read the IIC_{S_n}.MSTS_n bit for each INTIIC_n interrupt occurrence to confirm the arbitration result.
 3. When using the V850ES/JJ2 as the slave in the multimaster system, confirm the status using the IIC_{S_n} and IIC_{F_n} registers for each INTIIC_n interrupt occurrence to determine the next processing.
 4. n = 0 to 2

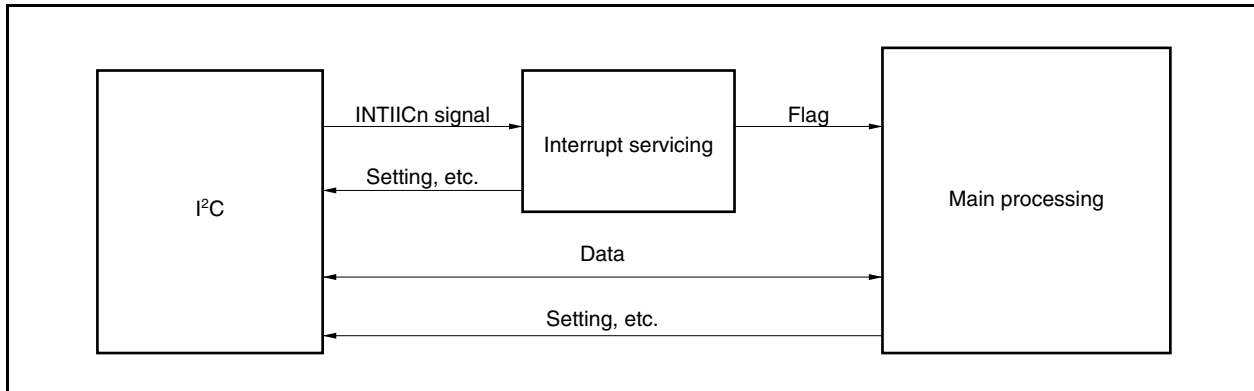
17.16.3 Slave operation

The following shows the processing procedure of the slave operation.

Basically, the operation of the slave device is event-driven. Therefore, processing by an INTIICn interrupt (processing requiring a significant change of the operation status, such as stop condition detection during communication) is necessary.

The following description assumes that data communication does not support extension codes. Also, it is assumed that the INTIICn interrupt servicing performs only status change processing and that the actual data communication is performed during the main processing.

Figure 17-20. Software Outline During Slave Operation



Therefore, the following three flags are prepared so that the data transfer processing can be performed by transmitting these flags to the main processing instead of INTIICn signal.

(1) Communication mode flag

This flag indicates the following communication statuses.

Clear mode: Data communication not in progress

Communication mode: Data communication in progress (valid address detection stop condition detection, $\overline{\text{ACK}}$ from master not detected, address mismatch)

(2) Ready flag

This flag indicates that data communication is enabled. This is the same status as an INTIICn interrupt during normal data transfer. This flag is set in the interrupt processing block and cleared in the main processing block. The ready flag for the first data for transmission is not set in the interrupt processing block, so the first data is transmitted without clear processing (the address match is regarded as a request for the next data).

(3) Communication direction flag

This flag indicates the direction of communication and is the same as the value of IICSn.TRCn bit.

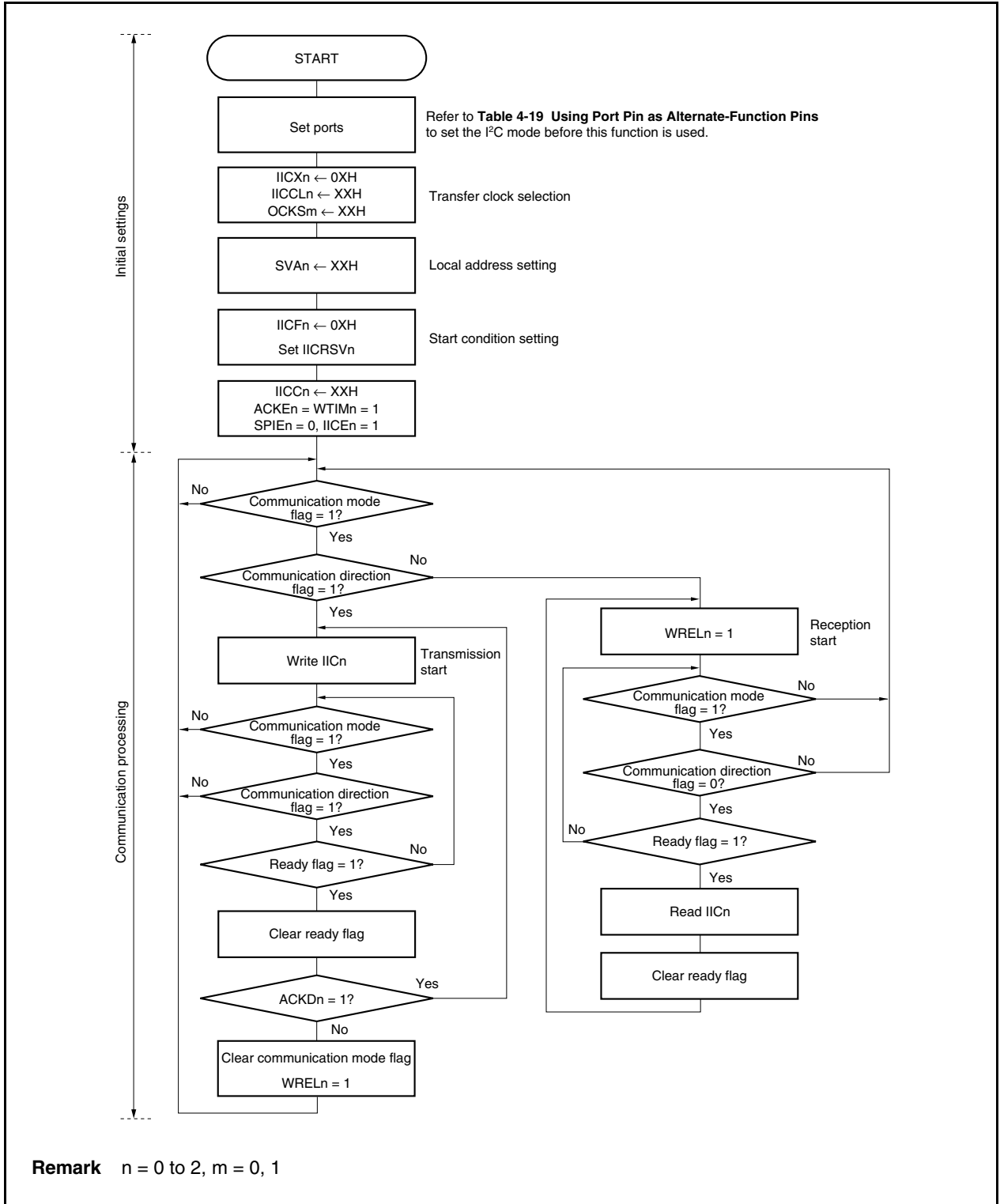
The following shows the operation of the main processing block during slave operation.

Start I²C0n and wait for the communication enabled status. When communication is enabled, perform transfer using the communication mode flag and ready flag (the processing of the stop condition and start condition is performed by interrupts, conditions are confirmed by flags).

For transmission, repeat the transmission operation until the master device stops returning $\overline{\text{ACK}}$. When the master device stops returning $\overline{\text{ACK}}$, transfer is complete.

For reception, receive the required number of data and do not return $\overline{\text{ACK}}$ for the next data immediately after transfer is complete. After that, the master device generates the stop condition or restart condition. This causes exit from communications.

Figure 17-21. Slave Operation Flowchart (1)

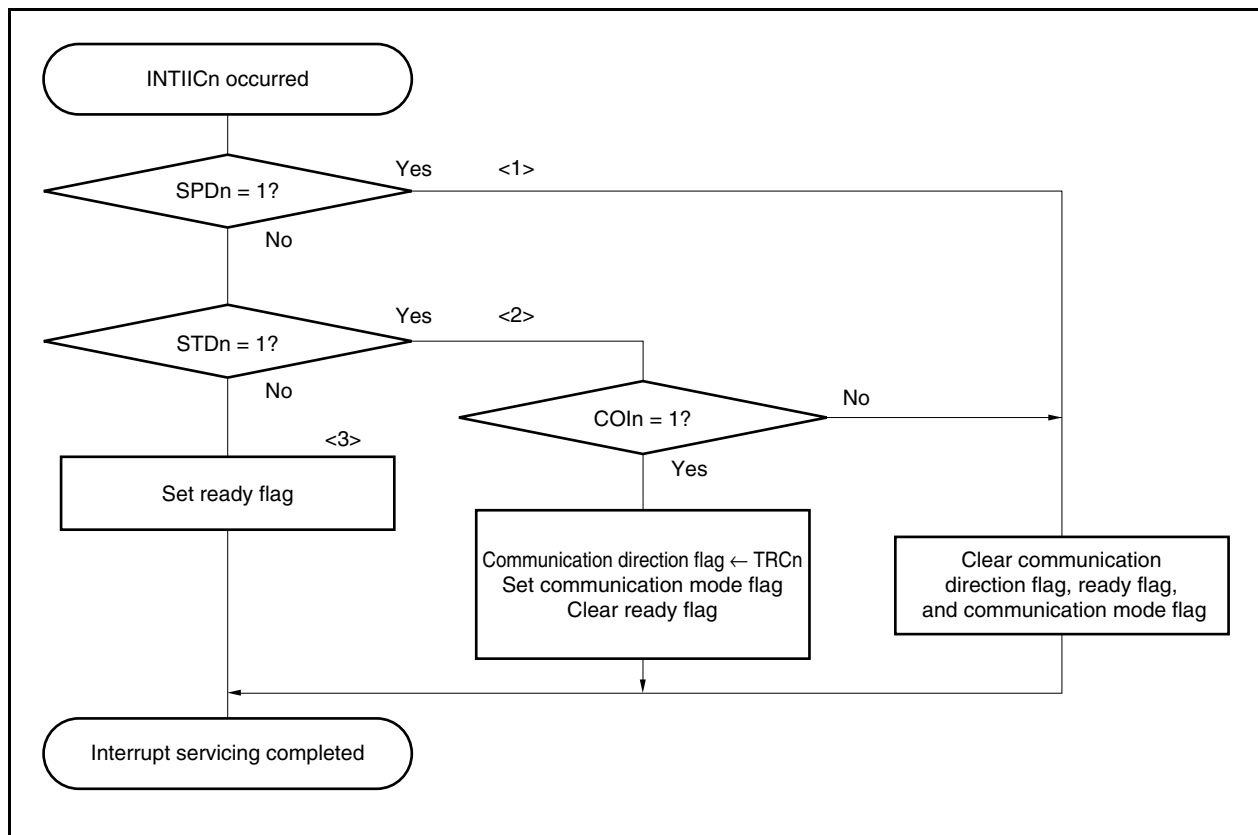


The following shows an example of the processing of the slave device by an INTIICn interrupt (it is assumed that no extension codes are used here). During an INTIICn interrupt, the status is confirmed and the following steps are executed.

- <1> When a stop condition is detected, communication is terminated.
- <2> When a start condition is detected, the address is confirmed. If the address does not match, communication is terminated. If the address matches, the communication mode is set and wait state is released, and operation returns from the interrupt (the ready flag is cleared).
- <3> For data transmission/reception, when the ready flag is set, operation returns from the interrupt while the I²C0n bus remains in the wait state.

Remark <1> to <3> in the above correspond to <1> to <3> in **Figure 17-22 Slave Operation Flowchart (2)**.

Figure 17-22. Slave Operation Flowchart (2)



17.17 Timing of Data Communication

When using I²C bus mode, the master device outputs an address via the serial bus to select one of several slave devices as its communication partner.

After outputting the slave address, the master device transmits the IICSn.TRCn bit, which specifies the data transfer direction, and then starts serial communication with the slave device.

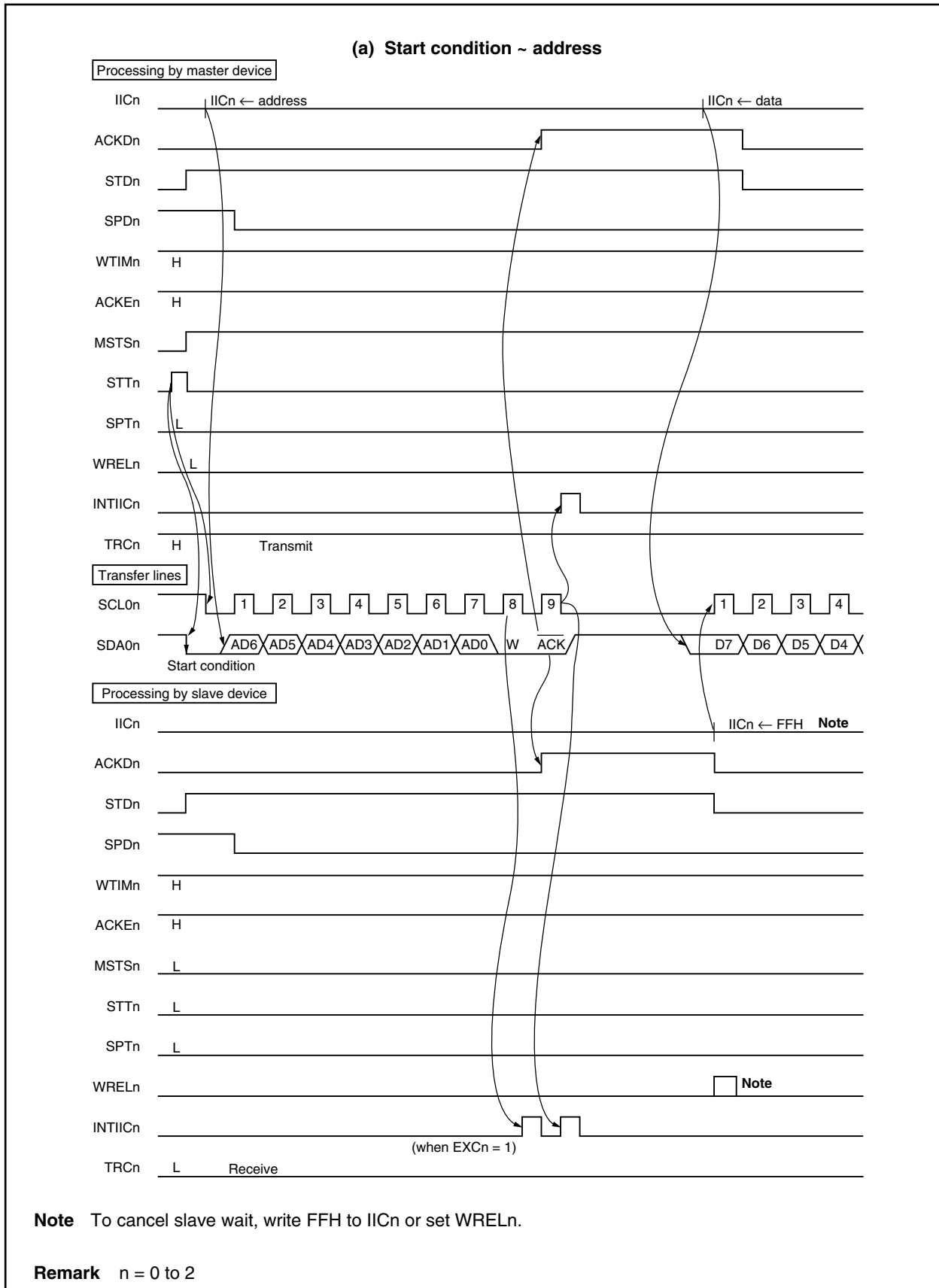
The shift operation of the IICn register is synchronized with the falling edge of the serial clock pin (SCL0n). The transmit data is transferred to the SO latch and is output (MSB first) via the SDA0n pin.

Data input via the SDA0n pin is captured by the IICn register at the rising edge of the SCL0n pin.

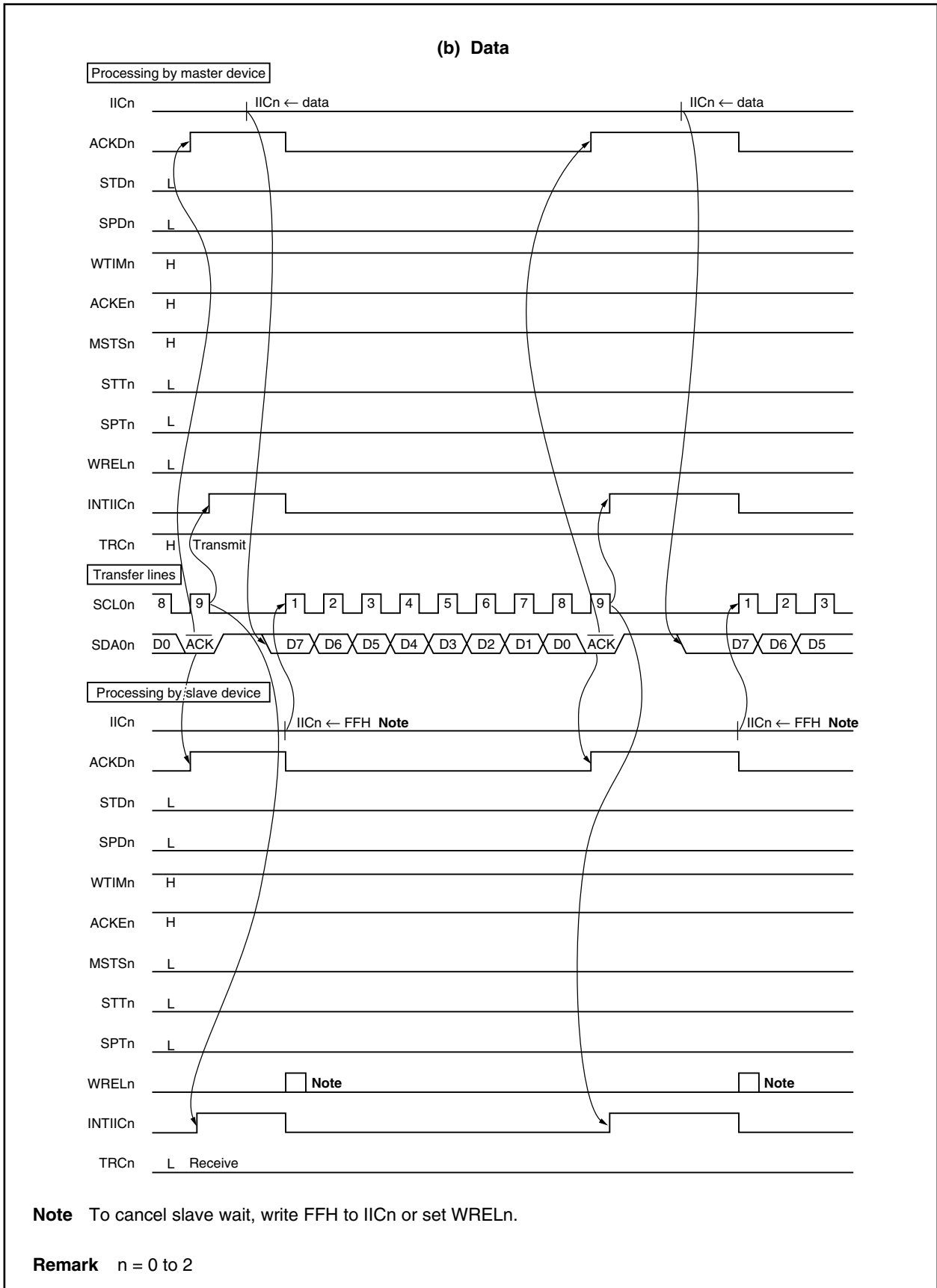
The data communication timing is shown below.

Remark n = 0 to 2

**Figure 17-23. Example of Master to Slave Communication
(When 9-Clock Wait Is Selected for Both Master and Slave) (1/3)**



**Figure 17-23. Example of Master to Slave Communication
(When 9-Clock Wait Is Selected for Both Master and Slave) (2/3)**



**Figure 17-23. Example of Master to Slave Communication
(When 9-Clock Wait Is Selected for Both Master and Slave) (3/3)**

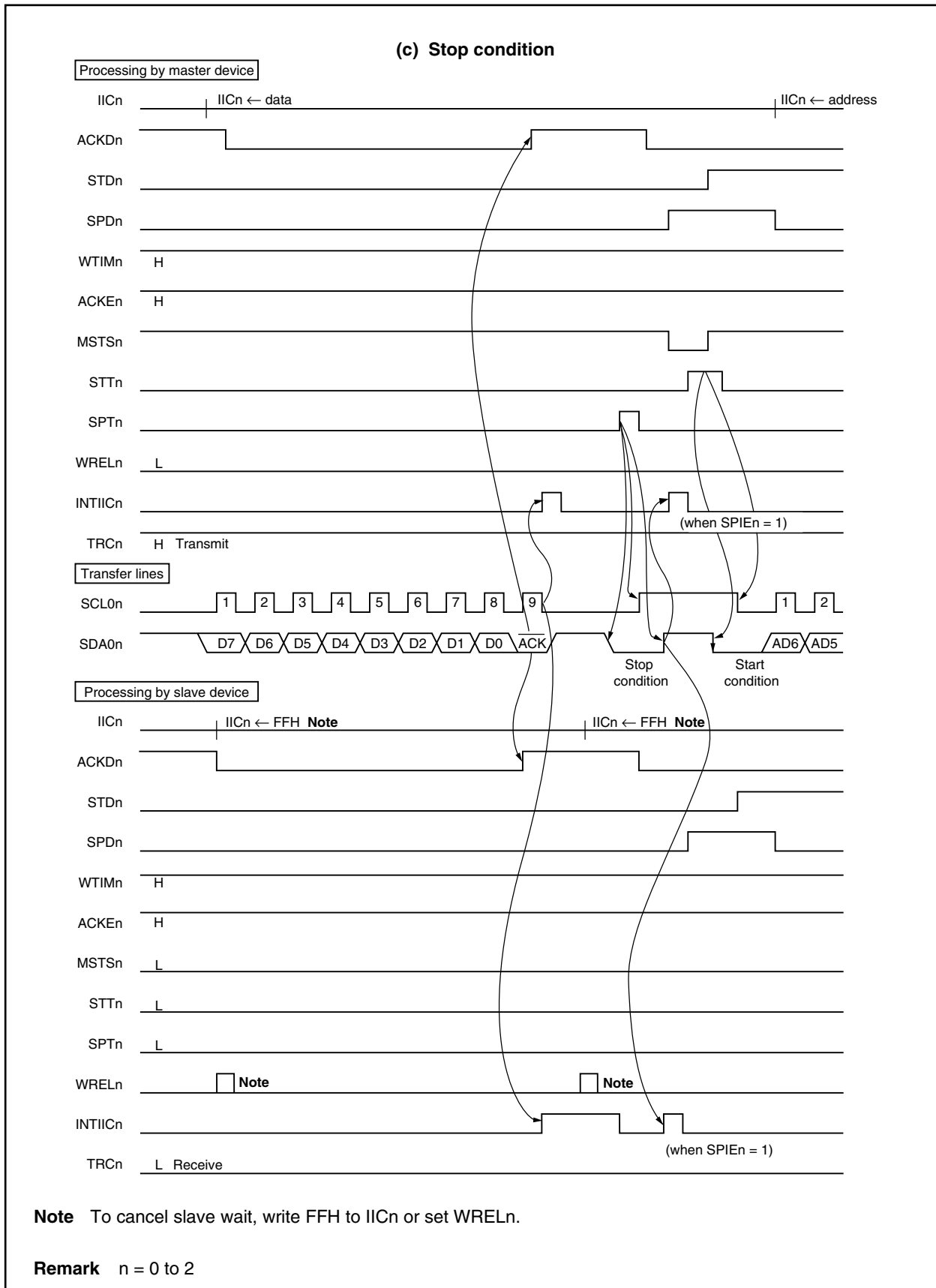


Figure 17-24. Example of Slave to Master Communication
(When 8-Clock Wait for Master and 9-Clock Wait for Slave Are Selected) (1/3)

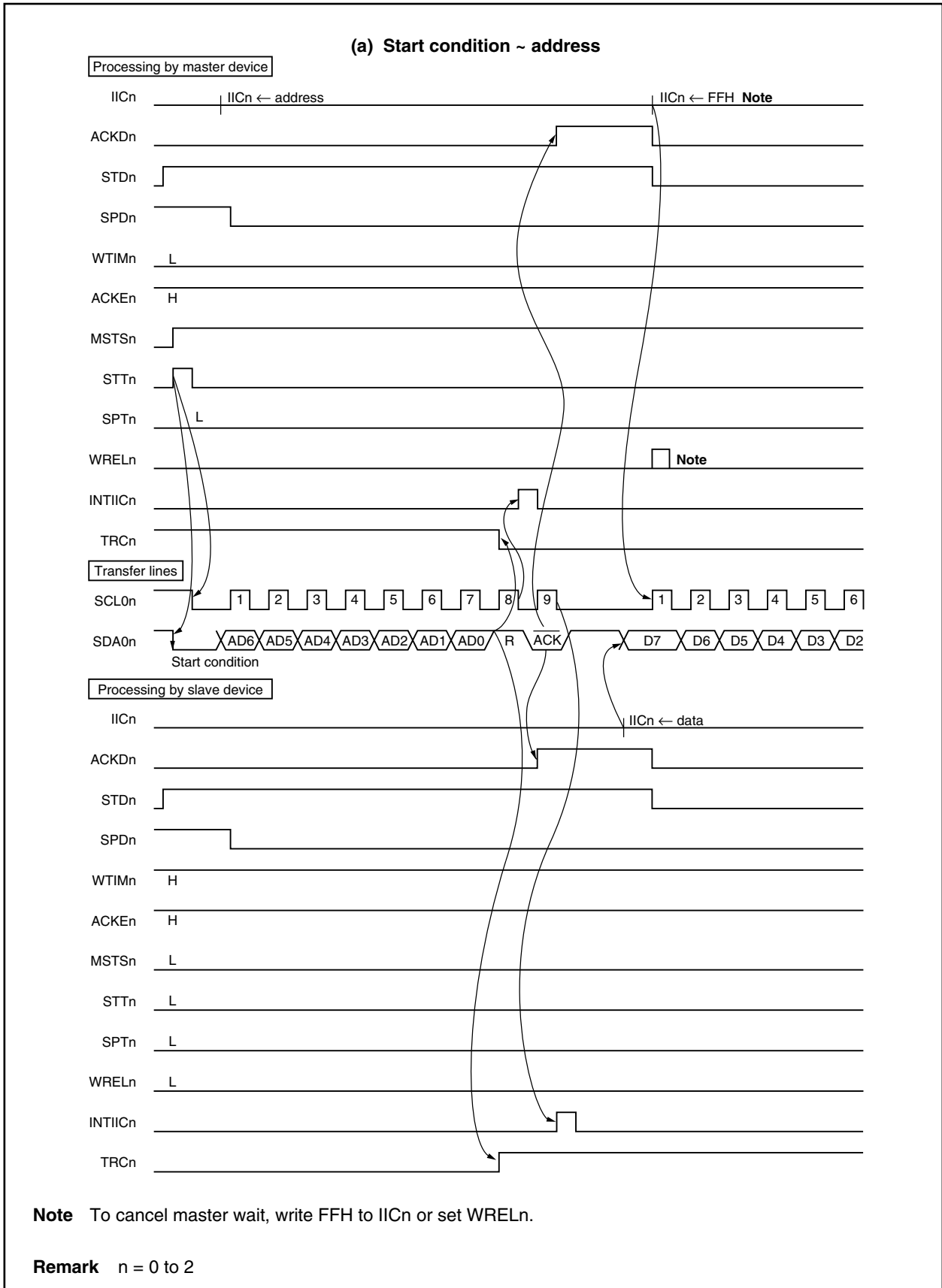
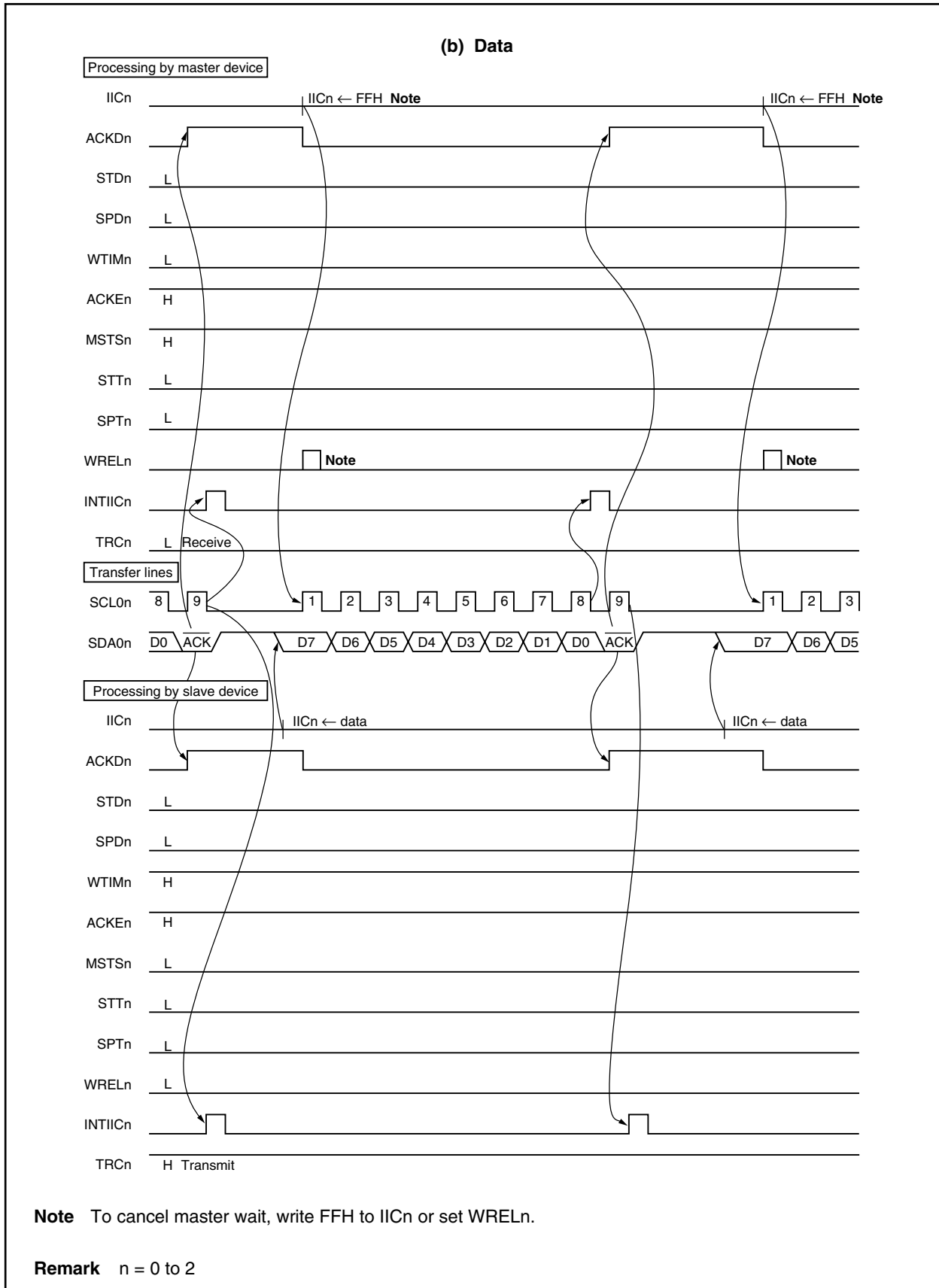
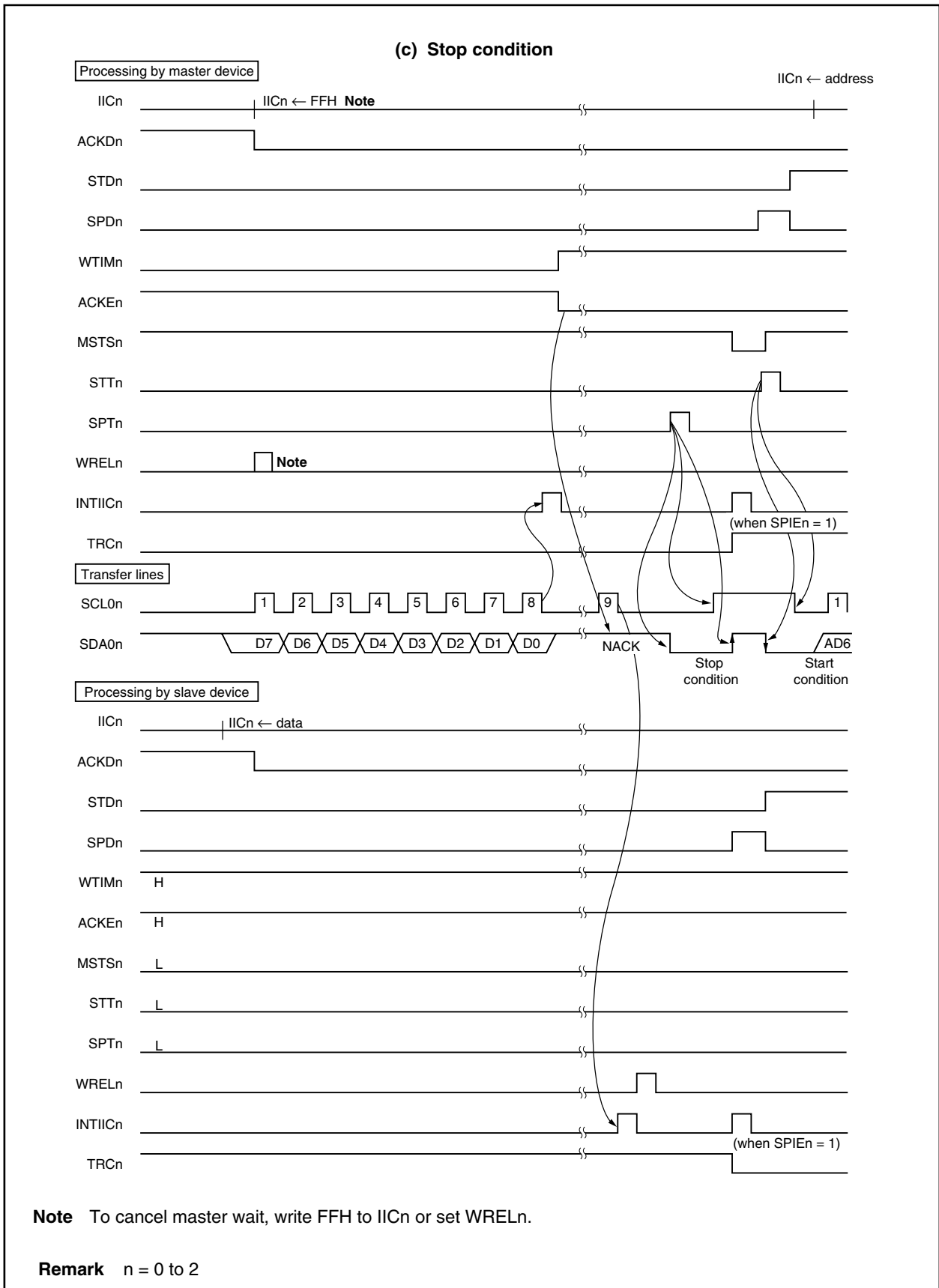


Figure 17-24. Example of Slave to Master Communication
(When 8-Clock Wait for Master and 9-Clock Wait for Slave Are Selected) (2/3)



**Figure 17-24. Example of Slave to Master Communication
(When 8-Clock Wait for Master and 9-Clock Wait for Slave Are Selected) (3/3)**



CHAPTER 18 DMA FUNCTION (DMA CONTROLLER)

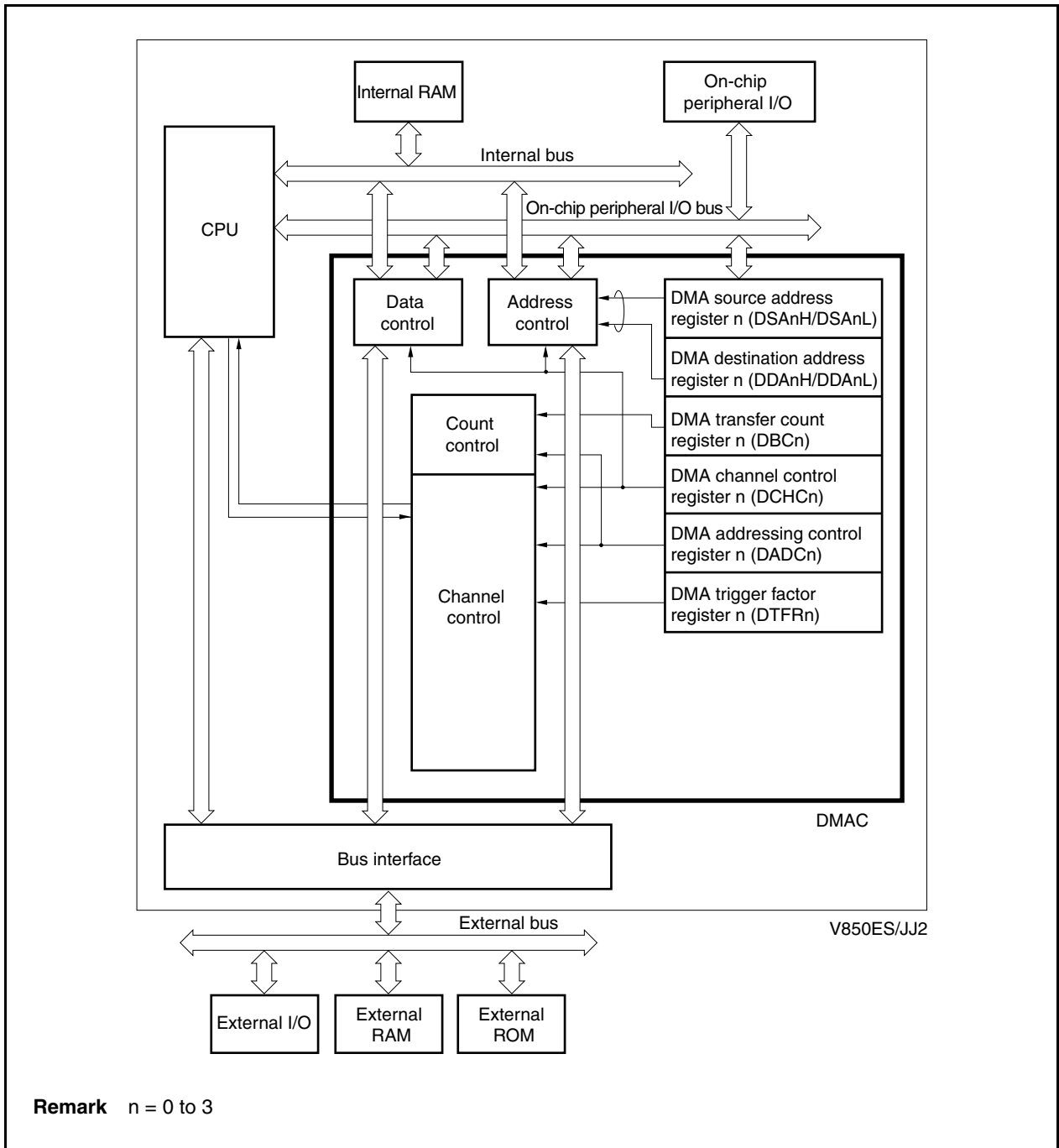
The V850ES/JJ2 includes a direct memory access (DMA) controller (DMAC) that executes and controls DMA transfer.

The DMAC controls data transfer between memory and I/O, between memories, or between I/Os based on DMA requests issued by the on-chip peripheral I/O (serial interface, timer/counter, and A/D converter), interrupts from external input pins, or software triggers (memory refers to internal RAM or external memory).

18.1 Features

- 4 independent DMA channels
- Transfer unit: 8/16 bits
- Maximum transfer count: 65,536 (2^{16})
- Transfer type: Two-cycle transfer
- Transfer mode: Single transfer mode
- Transfer requests
 - Request by interrupts from on-chip peripheral I/O (serial interface, timer/counter, A/D converter) or interrupts from external input pin
 - Requests by software trigger
- Transfer targets
 - Internal RAM ↔ Peripheral I/O
 - Peripheral I/O ↔ Peripheral I/O
 - Internal RAM ↔ External memory
 - External memory ↔ Peripheral I/O
 - External memory ↔ External memory

18.2 Configuration



18.3 Registers

(1) DMA source address registers 0 to 3 (DSA0 to DSA3)

The DSA0 to DSA3 registers set the DMA source addresses (26 bits each) for DMA channel n (n = 0 to 3). These registers are divided into two 16-bit registers, DSAnH and DSAnL. These registers can be read or written in 16-bit units.

After reset: Undefined R/W Address: DSA0H FFFFF082H, DSA1H FFFFF08AH,
 DSA2H FFFFF092H, DSA3H FFFFF09AH,
 DSA0L FFFFF080H, DSA1L FFFFF088H,
 DSA2L FFFFF090H, DSA3L FFFFF098H

	15	14	13	12	11	10	9	8	7	6	5	4	3	2	1	0
DSAnH (n = 0 to 3)	IR	0	0	0	0	0	SA25	SA24	SA23	SA22	SA21	SA20	SA19	SA18	SA17	SA16

	15	14	13	12	11	10	9	8	7	6	5	4	3	2	1	0
DSAnL (n = 0 to 3)	SA15	SA14	SA13	SA12	SA11	SA10	SA9	SA8	SA7	SA6	SA5	SA4	SA3	SA2	SA1	SA0

IR	Specification of DMA transfer source
0	External memory or on-chip peripheral I/O
1	Internal RAM

SA25 to SA16	Set the address (A25 to A16) of the DMA transfer source (default value is undefined). During DMA transfer, the next DMA transfer source address is held. When DMA transfer is completed, the DMA address set first is held.
--------------	---

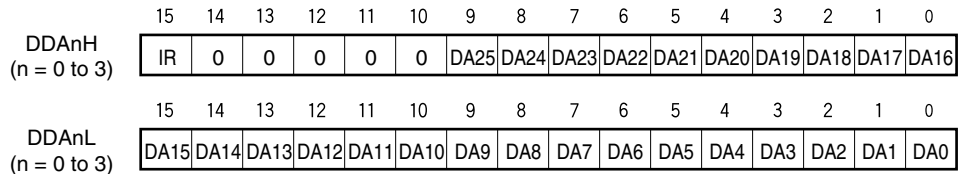
SA15 to SA0	Set the address (A15 to A0) of the DMA transfer source (default value is undefined). During DMA transfer, the next DMA transfer source address is held. When DMA transfer is completed, the DMA address set first is held.
-------------	--

- Cautions**
- Be sure to clear bits 14 to 10 of the DSAnH register to 0.
 - Set the DSAnH and DSAnL registers at the following timing when DMA transfer is disabled (DHCn.Enn bit = 0).
 - Period from after reset to start of first DMA transfer
 - Period from after channel initialization by DHCn.INITn bit to start of DMA transfer
 - Period from after completion of DMA transfer (DHCn.TCn bit = 1) to start of the next DMA transfer
 - When the value of the DSAn register is read, two 16-bit registers, DSAnH and DSAnL, are read. If reading and updating conflict, the value being updated may be read (see 18.13 Cautions).
 - Following reset, set the DSAnH, DSAnL, DDAnH, DDAnL, and DBCn registers before starting DMA transfer. If these registers are not set, the operation when DMA transfer is started is not guaranteed.

(2) DMA destination address registers 0 to 3 (DDA0 to DDA3)

The DDA0 to DDA3 registers set the DMA destination address (26 bits each) for DMA channel n (n = 0 to 3). These registers are divided into two 16-bit registers, DDAnH and DDAnL. These registers can be read or written in 16-bit units.

After reset: Undefined R/W Address: DDA0H FFFFFFF086H, DDA1H FFFFFFF08EH,
 DDA2H FFFFFFF096H, DDA3H FFFFFFF09EH,
 DDA0L FFFFFFF084H, DDA1L FFFFFFF08CH,
 DDA2L FFFFFFF094H, DDA3L FFFFFFF09CH



IR	Specification of DMA transfer destination
0	External memory or on-chip peripheral I/O
1	Internal RAM

DA25 to DA16	Set an address (A25 to A16) of DMA transfer destination (default value is undefined). During DMA transfer, the next DMA transfer destination address is held. When DMA transfer is completed, the DMA transfer source address set first is held.
--------------	---

DA15 to DA0	Set an address (A15 to A0) of DMA transfer destination (default value is undefined). During DMA transfer, the next DMA transfer destination address is held. When DMA transfer is completed, the DMA transfer source address set first is held.
-------------	--

- Cautions**
- Be sure to clear bits 14 to 10 of the DDAnH register to 0.
 - Set the DDAnH and DDAnL registers at the following timing when DMA transfer is disabled (DCHCn.Enn bit = 0).
 - Period from after reset to start of first DMA transfer
 - Period from after channel initialization by DCHCn.INITn bit to start of DMA transfer
 - Period from after completion of DMA transfer (DCHCn.TCn bit = 1) to start of the next DMA transfer
 - When the value of the DDAn register is read, two 16-bit registers, DDAnH and DDAnL, are read. If reading and updating conflict, a value being updated may be read (see 18.13 Cautions).
 - Following reset, set the DSAnH, DSAnL, DDAnH, DDAnL, and DBCn registers before starting DMA transfer. If these registers are not set, the operation when DMA transfer is started is not guaranteed.

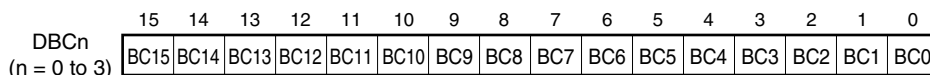
(3) DMA byte count registers 0 to 3 (DBC0 to DBC3)

The DBC0 to DBC3 registers are 16-bit registers that set the byte transfer count for DMA channel n (n = 0 to 3). These registers hold the remaining transfer count during DMA transfer.

These registers are decremented by 1 per one transfer regardless of the transfer data unit (8/16 bits), and the transfer is terminated if a borrow occurs.

These registers can be read or written in 16-bit units.

After reset: Undefined R/W Address: DBC0 FFFF0C0H, DBC1 FFFF0C2H,
 DBC2 FFFF0C4H, DBC3 FFFF0C6H



BC15 to BC0	Byte transfer count setting or remaining byte transfer count during DMA transfer
0000H	Byte transfer count 1 or remaining byte transfer count
0001H	Byte transfer count 2 or remaining byte transfer count
:	:
FFFFH	Byte transfer count 65,536 (2 ¹⁶) or remaining byte transfer count
The number of transfer data set first is held when DMA transfer is complete.	

- Cautions**
- Set the DBC_n register at the following timing when DMA transfer is disabled (DCHC_n.Enn bit = 0).
 - Period from after reset to start of first DMA transfer
 - Period from after channel initialization by DCHC_n.INIT_n bit to start of DMA transfer
 - Period from after completion of DMA transfer (DCHC_n.TC_n bit = 1) to start of the next DMA transfer
 - Following reset, set the DSA_nH, DSA_nL, DDA_nH, DDA_nL, and DBC_n registers before starting DMA transfer. If these registers are not set, the operation when DMA transfer is started is not guaranteed.

(4) DMA addressing control registers 0 to 3 (DADC0 to DADC3)

The DADC0 to DADC3 registers are 16-bit registers that control the DMA transfer mode for DMA channel n (n = 0 to 3).

These registers can be read or written in 16-bit units.

Reset sets these registers to 0000H.

After reset: 0000H R/W Address: DADC0 FFFFF0D0H, DADC1 FFFFF0D2H,
DADC2 FFFFF0D4H, DADC3 FFFFF0D6H

	15	14	13	12	11	10	9	8
DADCn	0	DS0	0	0	0	0	0	0
(n = 0 to 3)								
	7	6	5	4	3	2	1	0
	SAD1	SAD0	DAD1	DAD0	0	0	0	0

DS0	Setting of transfer data size
0	8 bits
1	16 bits

SAD1	SAD0	Setting of count direction of the transfer source address
0	0	Increment
0	1	Decrement
1	0	Fixed
1	1	Setting prohibited

DAD1	DAD0	Setting of count direction of the destination address
0	0	Increment
0	1	Decrement
1	0	Fixed
1	1	Setting prohibited

- Cautions**
- Be sure to clear bits 15, 13 to 8, and 3 to 0 of the DADCn register to “0”.
 - Set the DADCn register at the following timing when DMA transfer is disabled (DCHCn.Enn bit = 0).
 - Period from after reset to start of first DMA transfer
 - Period from after channel initialization by DCHCn.INITn bit to start of DMA transfer
 - Period from after completion of DMA transfer (DCHCn.TCn bit = 1) to start of the next DMA transfer
 - The DS0 bit specifies the size of the transfer data, and does not control bus sizing. If 8-bit data (DS0 bit = 0) is set, therefore, the lower data bus is not always used.
 - If the transfer data size is set to 16 bits (DS0 bit = 1), transfer cannot be started from an odd address. Transfer is always started from an address with the first bit of the lower address aligned to 0.
 - If DMA transfer is executed on an on-chip peripheral I/O register (as the transfer source or destination), be sure to specify the same transfer size as the register size. For example, to execute DMA transfer on an 8-bit register, be sure to specify 8-bit transfer.

(5) DMA channel control registers 0 to 3 (DCHC0 to DCHC3)

The DCHC0 to DCHC3 registers are 8-bit registers that control the DMA transfer operating mode for DMA channel n.

These registers can be read or written in 8-bit or 1-bit units. (However, bit 7 is read-only and bits 1 and 2 are write-only. If bit 1 or 2 is read, the read value is always 0.)

Reset sets these registers to 00H.

After reset: 00H R/W Address: DCHC0 FFFF0E0H, DCHC1 FFFF0E2H,
DCHC2 FFFF0E4H, DCHC3 FFFF0E6H

	<7>	6	5	4	3	<2>	<1>	<0>
DCHCn	TCn ^{Note 1}	0	0	0	0	INITn ^{Note 2}	STGn ^{Note 2}	Enn

(n = 0 to 3)

TCn ^{Note 1}	Status flag indicates whether DMA transfer through DMA channel n has completed or not
0	DMA transfer had not completed.
1	DMA transfer had completed.
It is set to 1 on the last DMA transfer and cleared to 0 when it is read.	

INITn ^{Note 2}	If the INITn bit is set to 1 with DMA transfer disabled (Enn bit = 0), the DMA transfer status can be initialized. When re-setting the DMA transfer status (re-setting the DDAnH, DDAnL, DSAnH, DSAnL, DBCn, and DADCn registers) before DMA transfer is completed (before the TCn bit is set to 1), be sure to initialize the DMA channel. When initializing the DMA controller, however, be sure to observe the procedure described in 18.13 Cautions .
-------------------------	--

STGn ^{Note 2}	This is a software startup trigger of DMA transfer. If this bit is set to 1 in the DMA transfer enable state (TCn bit = 0, Enn bit = 1), DMA transfer is started.
------------------------	--

Enn	Setting of whether DMA transfer through DMA channel n is to be enabled or disabled
0	DMA transfer disabled
1	DMA transfer enabled
DMA transfer is enabled when the Enn bit is set to 1. When DMA transfer is completed (when a terminal count is generated), this bit is automatically cleared to 0. To abort DMA transfer, clear the Enn bit to 0 by software. To resume, set the Enn bit to 1 again. When aborting or resuming DMA transfer, however, be sure to observe the procedure described in 18.13 Cautions .	

Notes 1. The TCn bit is read-only.

2. The INITn and STGn bits are write-only.

Cautions 1. Be sure to clear bits 6 to 3 of the DCHCn register to 0.

2. When DMA transfer is completed (when a terminal count is generated), the Enn bit is cleared to 0 and then the TCn bit is set to 1. If the DCHCn register is read while its bits are being updated, a value indicating "transfer not completed and transfer is disabled" (TCn bit = 0 and Enn bit = 0) may be read.

(6) DMA trigger factor registers 0 to 3 (DTFR0 to DTFR3)

The DTFR0 to DTFR3 registers are 8-bit registers that control the DMA transfer start trigger via interrupt request signals from on-chip peripheral I/O.

The interrupt request signals set by these registers serve as DMA transfer start factors.

These registers can be read or written in 8-bit units. However, DF_n bit can be read or written in 1-bit units.

Reset sets these registers to 00H.

After reset: 00H R/W Address: DTFR0 FFFFF810H, DTFR1 FFFFF812H,
DTFR2 FFFFF814H, DTFR3 FFFFF816H

	<7>	6	5	4	3	2	1	0
DTFR _n	DF _n	0	IFC _n 5	IFC _n 4	IFC _n 3	IFC _n 2	IFC _n 1	IFC _n 0

(n = 0 to 3)

DF _n ^{Note}	DMA transfer request status flag
0	No DMA transfer request
1	DMA transfer request

Note Do not set the DF_n bit to 1 by software. Write 0 to this bit to clear a DMA transfer request if an interrupt that is specified as the cause of starting DMA transfer occurs while DMA transfer is disabled.

Cautions 1. Set the IFC_n5 to IFC_n0 bits at the following timing when DMA transfer is disabled (DCHC_n.Enn bit = 0).

- Period from after reset to start of first DMA transfer
 - Period from after channel initialization by DCHC_n.INIT_n bit to start of DMA transfer
 - Period from after completion of DMA transfer (DCHC_n.TC_n bit = 1) to start of the next DMA transfer
2. An interrupt request that is generated in the standby mode (IDEL1, IDLE2, STOP, or sub-IDLE mode) does not start the DMA transfer cycle (nor is the DF_n bit set to 1).
 3. If a DMA start factor is selected by the IFC_n5 to IFC_n0 bits, the DF_n bit is set to 1 when an interrupt occurs from the selected on-chip peripheral I/O, regardless of whether the DMA transfer is enabled or disabled. If DMA is enabled in this status, DMA transfer is immediately started.

Remark For the IFC_n5 to IFC_n0 bits, see **Table 18-1 DMA Start Factors**.

Table 18-1. DMA Start Factors (1/2)

IFCn5	IFCn4	IFCn3	IFCn2	IFCn1	IFCn0	Interrupt Source
0	0	0	0	0	0	DMA request by interrupt disabled
0	0	0	0	0	1	INTP0
0	0	0	0	1	0	INTP1
0	0	0	0	1	1	INTP2
0	0	0	1	0	0	INTP3
0	0	0	1	0	1	INTP4
0	0	0	1	1	0	INTP5
0	0	0	1	1	1	INTP6
0	0	1	0	0	0	INTP7
0	0	1	0	0	1	INTTQ0OV
0	0	1	0	1	0	INTTQ0CC0
0	0	1	0	1	1	INTTQ0CC1
0	0	1	1	0	0	INTTQ0CC2
0	0	1	1	0	1	INTTQ0CC3
0	0	1	1	1	0	INTTP0OV
0	0	1	1	1	1	INTTP0CC0
0	1	0	0	0	0	INTTP0CC1
0	1	0	0	0	1	INTTP1OV
0	1	0	0	1	0	INTTP1CC0
0	1	0	0	1	1	INTTP1CC1
0	1	0	1	0	0	INTTP2OV
0	1	0	1	0	1	INTTP2CC0
0	1	0	1	1	0	INTTP2CC1
0	1	0	1	1	1	INTTP3CC0
0	1	1	0	0	0	INTTP3CC1
0	1	1	0	0	1	INTTP4CC0
0	1	1	0	1	0	INTTP4CC1
0	1	1	0	1	1	INTTP5CC0
0	1	1	1	0	0	INTTP5CC1
0	1	1	1	0	1	INTTM0EQ0
0	1	1	1	1	0	INTCB0R/INTIIC1
0	1	1	1	1	1	INTCB0T
1	0	0	0	0	0	INTCB1R
1	0	0	0	0	1	INTCB1T
1	0	0	0	1	0	INTCB2R
1	0	0	0	1	1	INTCB2T
1	0	0	1	0	0	INTCB3R
1	0	0	1	0	1	INTCB3T
1	0	0	1	1	0	INTUA0R/INTCB4R
1	0	0	1	1	1	INTUA0T/INTCB4T
1	0	1	0	0	0	INTUA1R/INTIIC2
1	0	1	0	0	1	INTUA1T
1	0	1	0	1	0	INTUA2R/INTIIC0

Remark n = 0 to 3

Table 18-1. DMA Start Factors (2/2)

IFCn5	IFCn4	IFCn3	IFCn2	IFCn1	IFCn0	Interrupt Source
1	0	1	0	1	1	INTUA2T
1	0	1	1	0	0	INTAD
1	0	1	1	0	1	INTKR
1	1	0	0	0	1	INTP8
1	1	0	0	1	0	INTTP6CC0
1	1	0	0	1	1	INTTP6CC1
1	1	0	1	0	0	INTTP7CC0
1	1	0	1	0	1	INTTP7CC1
1	1	0	1	1	0	INTTP8CC0
1	1	0	1	1	1	INTTP8CC1
1	1	1	0	0	0	INTCB5R
1	1	1	0	0	1	INTCB5T
1	1	1	0	1	0	INTUA3R
1	1	1	0	1	1	INTUA3T
Other than above						Setting prohibited

Remark n = 0 to 3

18.4 Transfer Targets

Table 18-2 shows the relationship between the transfer targets (√: Transfer enabled, ×: Transfer disabled).

Table 18-2. Relationship Between Transfer Targets

		Transfer Destination			
		Internal ROM	On-Chip Peripheral I/O	Internal RAM	External Memory
Source	On-chip peripheral I/O	×	√	√	√
	Internal RAM	×	√	×	√
	External memory	×	√	√	√
	Internal ROM	×	×	×	×

Caution The operation is not guaranteed for combinations of transfer destination and source marked with "×" in Table 18-2.

18.5 Transfer Modes

Single transfer is supported as the transfer mode.

In single transfer mode, the bus is released at each byte/halfword transfer. If there is a subsequent DMA transfer request, transfer is performed again once. This operation continues until a terminal count occurs.

When the DMAC has released the bus, if another higher priority DMA transfer request is issued, the higher priority DMA request always takes precedence.

If a new transfer request of the same channel and a transfer request of another channel with a lower priority are generated in a transfer cycle, DMA transfer of the channel with the lower priority is executed after the bus is released to the CPU (the new transfer request of the same channel is ignored in the transfer cycle).

18.6 Transfer Types

As a transfer type, the 2-cycle transfer is supported.

In two-cycle transfer, data transfer is performed in two cycles, a read cycle and a write cycle.

In the read cycle, the transfer source address is output and reading is performed from the source to the DMAC. In the write cycle, the transfer destination address is output and writing is performed from the DMAC to the destination.

An idle cycle of one clock is always inserted between a read cycle and a write cycle. If the data bus width differs between the transfer source and destination for DMA transfer of two cycles, the operation is performed as follows.

<16-bit data transfer>

<1> Transfer from 32-bit bus → 16-bit bus

A read cycle (the higher 16 bits are in a high-impedance state) is generated, followed by generation of a write cycle (16 bits).

<2> Transfer from 16-/32-bit bus to 8-bit bus

A 16-bit read cycle is generated once, and then an 8-bit write cycle is generated twice.

<3> Transfer from 8-bit bus to 16-/32-bit bus

An 8-bit read cycle is generated twice, and then a 16-bit write cycle is generated once.

<4> Transfer between 16-bit bus and 32-bit bus

A 16-bit read cycle is generated once, and then a 16-bit write cycle is generated once.

For DMA transfer executed to an on-chip peripheral I/O register (transfer source/destination), be sure to specify the same transfer size as the register size. For example, for DMA transfer to an 8-bit register, be sure to specify byte (8-bit) transfer.

Remark The bus width of each transfer target (transfer source/destination) is as follows.

- On-chip peripheral I/O: 16-bit bus width
- Internal RAM: 32-bit bus width
- External memory: 8-bit or 16-bit bus width

18.7 DMA Channel Priorities

The DMA channel priorities are fixed as follows.

DMA channel 0 > DMA channel 1 > DMA channel 2 > DMA channel 3

The priorities are checked for every transfer cycle.

18.8 Time Related to DMA Transfer

The time required to respond to a DMA request, and the minimum number of clocks required for DMA transfer are shown below.

Single transfer: DMA response time (<1>) + Transfer source memory access (<2>) + 1^{Note 1} + Transfer destination memory access (<2>)

DMA Cycle		Minimum Number of Execution Clocks
<1> DMA request response time		4 clocks (MIN.) + Noise elimination time ^{Note 2}
<2> Memory access	External memory access	Depends on connected memory.
	Internal RAM access	2 clocks ^{Note 3}
	Peripheral I/O register access	3 clocks + Number of wait cycles specified by VSWC register ^{Note 4}

- Notes**
1. One clock is always inserted between a read cycle and a write cycle in DMA transfer.
 2. If an external interrupt (INTPn) is specified as the trigger to start DMA transfer, noise elimination time is added (n = 0 to 7).
 3. Two clocks are required for a DMA cycle.
 4. More wait cycles are necessary for accessing a specific peripheral I/O register (for details, see **3.4.8 (2)**).

18.9 DMA Transfer Start Factors

There are two types of DMA transfer start factors, as shown below.

(1) Request by software

If the STGn bit is set to 1 while the DCHCn.TCn bit = 1 and Enn bit = 1 (DMA transfer enabled), DMA transfer is started.

To request the next DMA transfer cycle immediately after that, confirm, by using the DBCn register, that the preceding DMA transfer cycle has been completed, and set the STGn bit to 1 again (n = 0 to 3).

TCn bit = 0, Enn bit = 1

↓

STGn bit = 1 ... Starts the first DMA transfer.

↓

Confirm that the contents of the DBCn register have been updated.

STGn bit = 1 ... Starts the second DMA transfer.

↓

:

↓

Generation of terminal count ... Enn bit = 0, TCn bit = 1, and INTDMA_n signal is generated.

(2) Request by on-chip peripheral I/O

If an interrupt request is generated from the on-chip peripheral I/O set by the DTFRn register when the DCHCn.TCn bit = 0 and Enn bit = 1 (DMA transfer enabled), DMA transfer is started.

- Cautions**
1. **Two start factors (software trigger and hardware trigger) cannot be used for one DMA channel. If two start factors are simultaneously generated for one DMA channel, only one of them is valid. The start factor that is valid cannot be identified.**
 2. **A new transfer request that is generated after the preceding DMA transfer request was generated or in the preceding DMA transfer cycle is ignored (cleared).**
 3. **The transfer request interval of the same DMA channel varies depending on the setting of bus wait in the DMA transfer cycle, the start status of the other channels, or the external bus hold request. In particular, as described in Caution 2, a new transfer request that is generated for the same channel before the DMA transfer cycle or during the DMA transfer cycle is ignored. Therefore, the transfer request intervals for the same DMA channel must be sufficiently separated by the system. When the software trigger is used, completion of the DMA transfer cycle that was generated before can be checked by updating the DBCn register.**

18.10 DMA Abort Factors

DMA transfer is aborted if a bus hold occurs.

The same applies if transfer is executed between the internal memory/on-chip peripheral I/O and internal memory/on-chip peripheral I/O.

When the bus hold is cleared, DMA transfer is resumed.

18.11 End of DMA Transfer

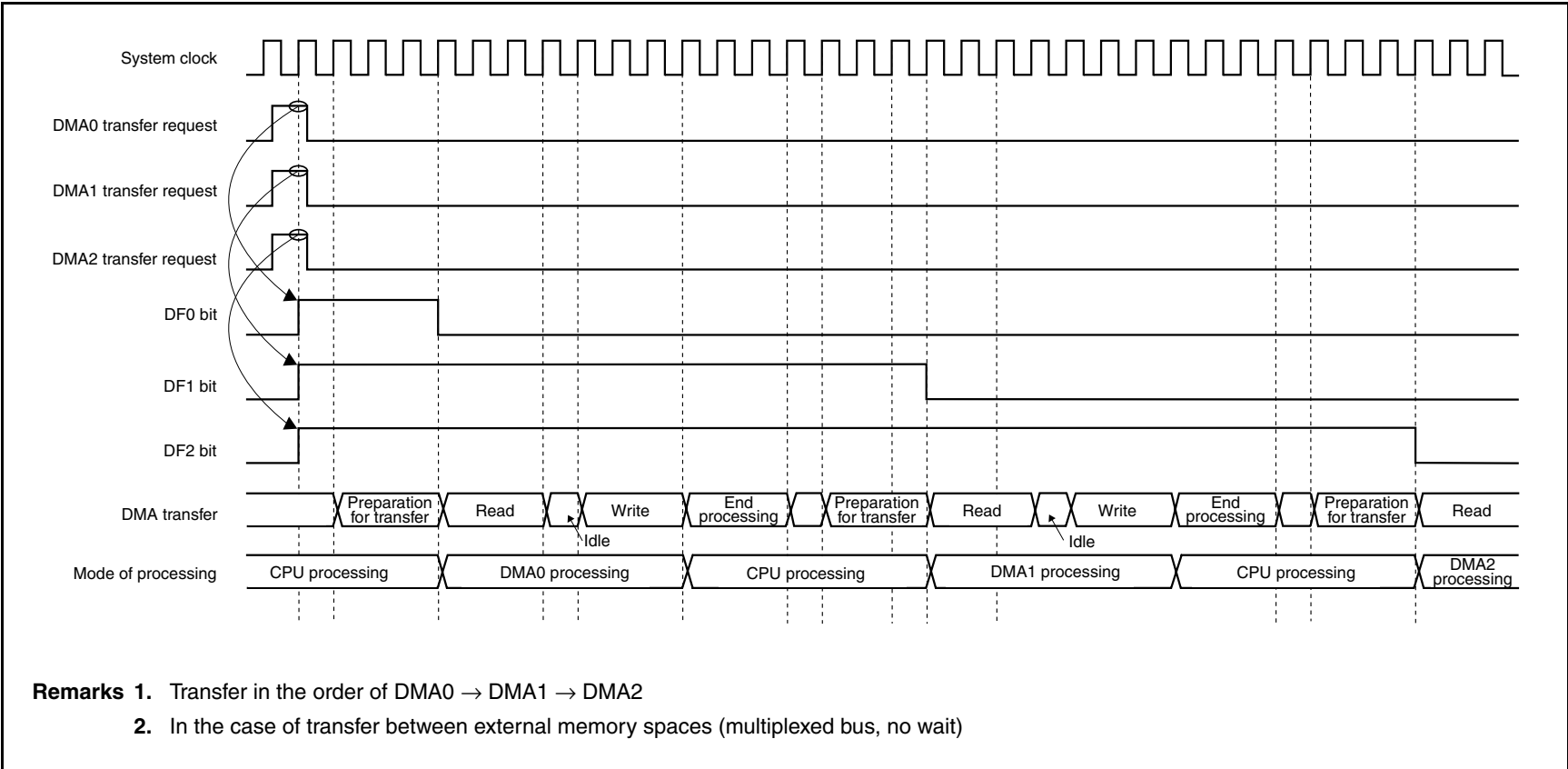
When DMA transfer has been completed the number of times set to the DBCn register and when the DCHCn.Enn bit is cleared to 0 and TCn bit is set to 1, a DMA transfer end interrupt request signal (INTDMA_n) is generated for the interrupt controller (INTC) (n = 0 to 3).

The V850ES/JJ2 does not output a terminal count signal to an external device. Therefore, confirm completion of DMA transfer by using the DMA transfer end interrupt or polling the TCn bit.

18.12 Operation Timing

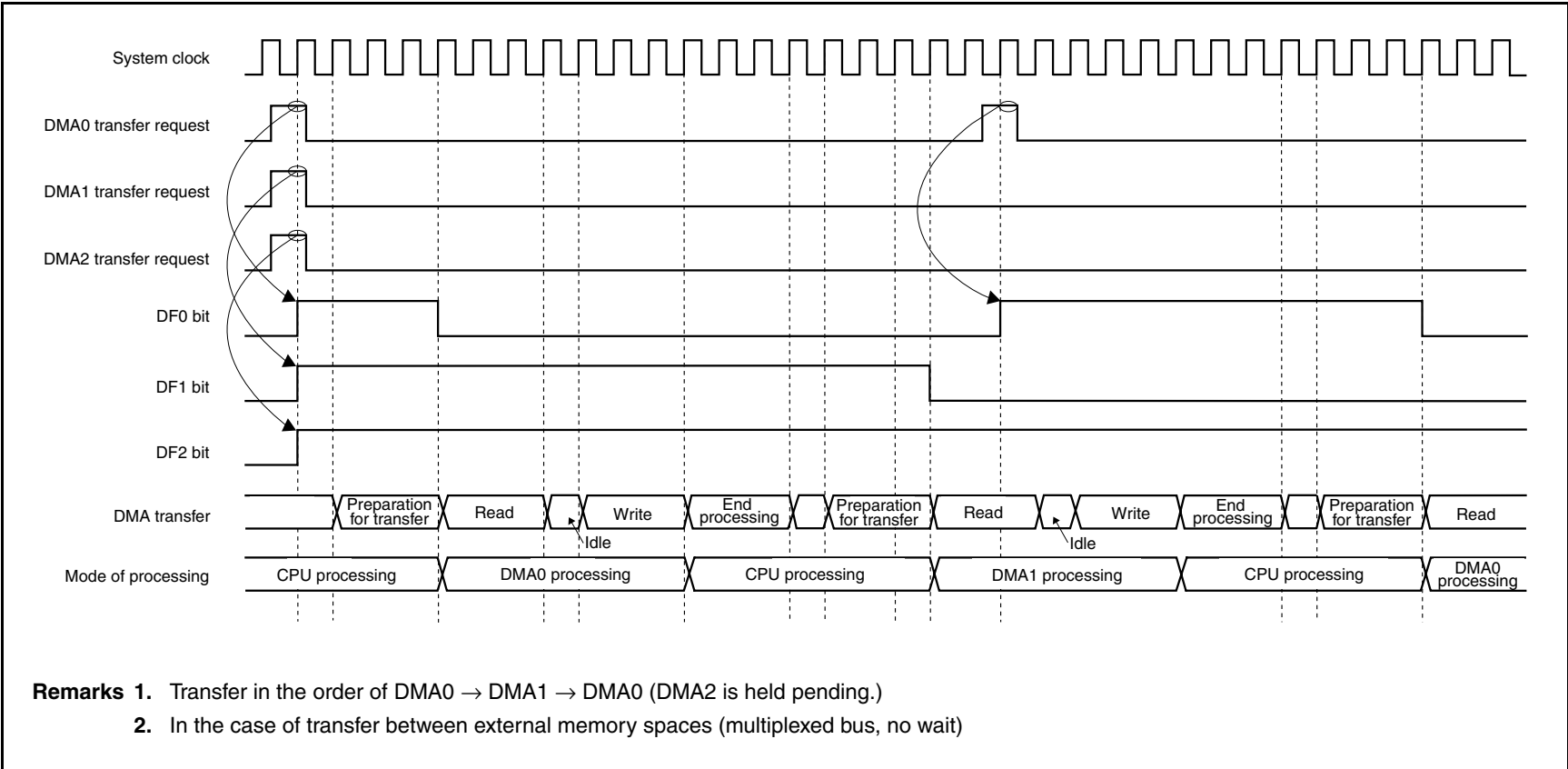
Figures 18-1 to 18-4 show DMA operation timing.

Figure 18-1. Priority of DMA (1)



- Remarks**
1. Transfer in the order of DMA0 → DMA1 → DMA2
 2. In the case of transfer between external memory spaces (multiplexed bus, no wait)

Figure 18-2. Priority of DMA (2)



- Remarks**
1. Transfer in the order of DMA0 → DMA1 → DMA0 (DMA2 is held pending.)
 2. In the case of transfer between external memory spaces (multiplexed bus, no wait)

Figure 18-3. Period in Which DMA Transfer Request Is Ignored (1)

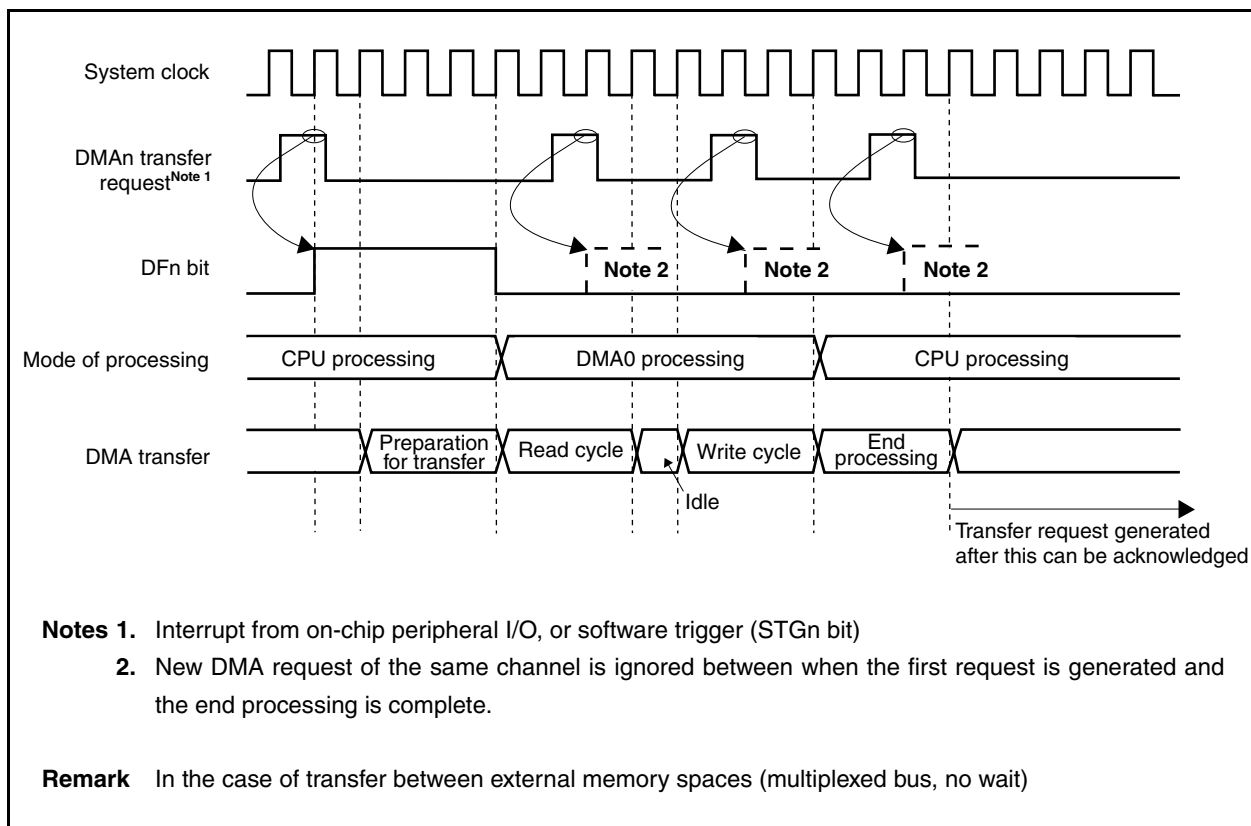
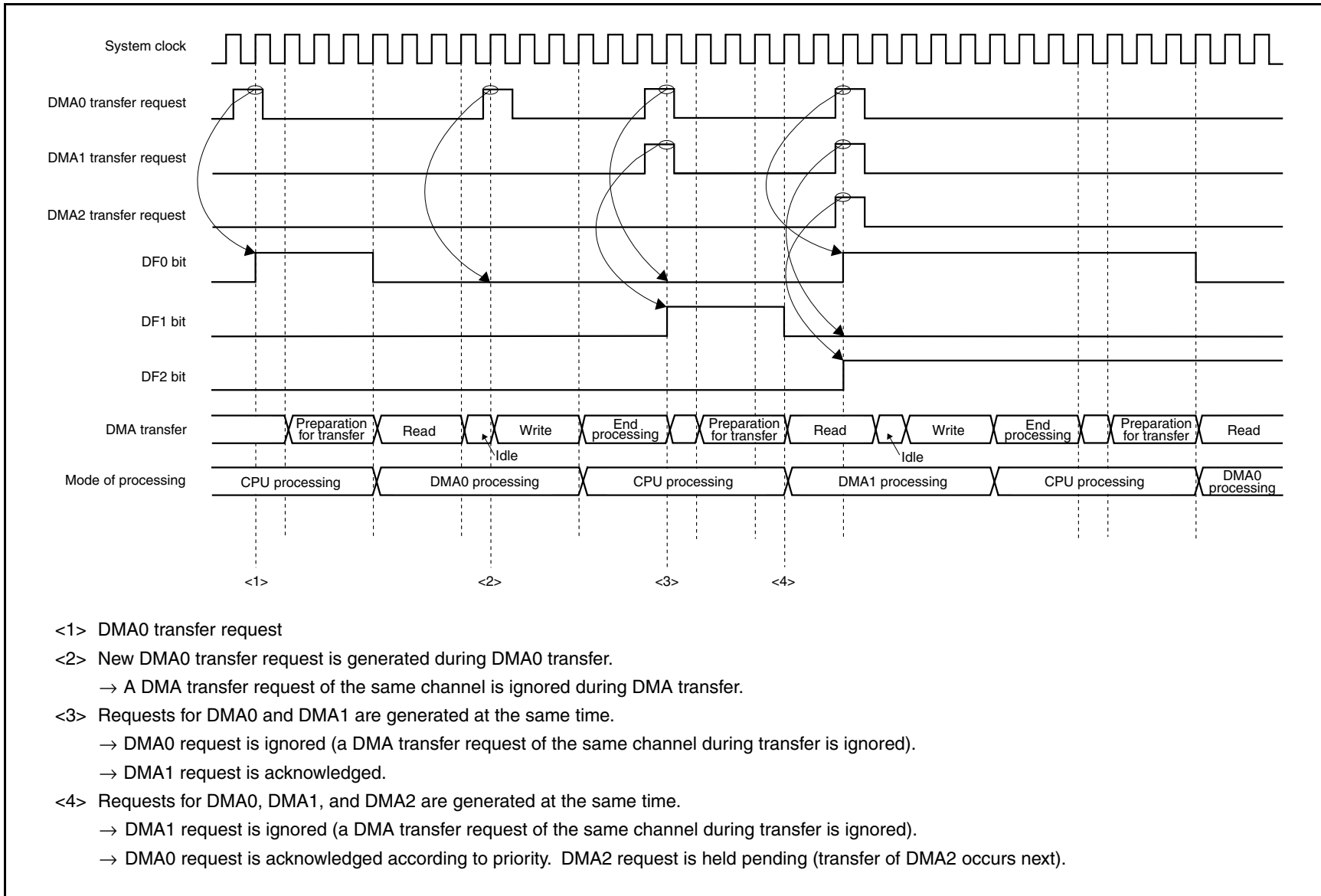


Figure 18-4. Period in Which DMA Transfer Request Is Ignored (2)



18.13 Cautions

(1) Caution for VSWC register

When using the DMAC, be sure to set an appropriate value, in accordance with the operating frequency, to the VSWC register.

When the default value (77H) of the VSWC register is used, or if an inappropriate value is set to the VSWC register, the operation is not correctly performed (for details of the VSWC register, see **3.4.8 (1) (a) System wait control register (VSWC)**).

(2) Caution for DMA transfer executed on internal RAM

When executing the following instructions located in the internal RAM, do not execute a DMA transfer that transfers data to/from the internal RAM (transfer source/destination), because the CPU may not operate correctly afterward.

- Bit manipulation instruction located in internal RAM (SET1, CLR1, or NOT1)
- Data access instruction to misaligned address located in internal RAM

Conversely, when executing a DMA transfer to transfer data to/from the internal RAM (transfer source/destination), do not execute the above two instructions.

(3) Caution for reading DCHCn.TCn bit (n = 0 to 3)

The TCn bit is cleared to 0 when it is read, but it is not automatically cleared even if it is read at a specific timing. To accurately clear the TCn bit, add the following processing.

(a) When waiting for completion of DMA transfer by polling TCn bit

Confirm that the TCn bit has been set to 1 (after TCn bit = 1 is read), and then read the TCn bit three more times.

(b) When reading TCn bit in interrupt servicing routine

Execute reading the TCn bit three times.

(4) DMA transfer initialization procedure (setting DCHCn.INITn bit to 1)

Even if the INITn bit is set to 1 when the channel executing DMA transfer is to be initialized, the channel may not be initialized. To accurately initialize the channel, execute either of the following two procedures.

(a) Temporarily stop transfer of all DMA channels

Initialize the channel executing DMA transfer using the procedure in <1> to <7> below.

Note, however, that TCn bit is cleared to 0 when step <5> is executed. Make sure that the other processing programs do not expect that the TCn bit is 1.

<1> Disable interrupts (DI).

<2> Read the DCHCn.Enn bit of DMA channels other than the one to be forcibly terminated, and transfer the value to a general-purpose register.

<3> Clear the Enn bit of the DMA channels used (including the channel to be forcibly terminated) to 0. To clear the Enn bit of the last DMA channel, execute the clear instruction twice. If the target of DMA transfer (transfer source/destination) is the internal RAM, execute the instruction three times.

Example: Execute instructions in the following order if channels 0, 1, and 2 are used (if the target of transfer is not the internal RAM).

- Clear DCHC0.E00 bit to 0.
- Clear DCHC1.E11 bit to 0.
- Clear DCHC2.E22 bit to 0.
- Clear DCHC2.E22 bit to 0 again.

<4> Set the INITn bit of the channel to be forcibly terminated to 1.

<5> Read the TCn bit of each channel not to be forcibly terminated. If both the TCn bit and the Enn bit read in <2> are 1 (logical product (AND) is 1), clear the saved Enn bit to 0.

<6> After the operation in <5>, write the Enn bit value to the DCHCn register.

<7> Enable interrupts (EI).

Caution Be sure to execute step <5> above to prevent illegal setting of the Enn bit of the channels whose DMA transfer has been normally completed between <2> and <3>.

(b) Repeatedly execute setting INITn bit until transfer is forcibly terminated correctly

- <1> Suppress a request from the DMA request source of the channel to be forcibly terminated (stop operation of the on-chip peripheral I/O).
- <2> Check that the DMA transfer request of the channel to be forcibly terminated is not held pending, by using the DTFRn.DFn bit. If a DMA transfer request is held pending, wait until execution of the pending request is completed.
- <3> When it has been confirmed that the DMA request of the channel to be forcibly terminated is not held pending, clear the Enn bit to 0.
- <4> Again, clear the Enn bit of the channel to be forcibly terminated.
If the target of transfer for the channel to be forcibly terminated (transfer source/destination) is the internal RAM, execute this operation once more.
- <5> Copy the initial number of transfers of the channel to be forcibly terminated to a general-purpose register.
- <6> Set the INITn bit of the channel to be forcibly terminated to 1.
- <7> Read the value of the DBCn register of the channel to be forcibly terminated, and compare it with the value copied in <5>. If the two values do not match, repeat operations <6> and <7>.

- Remarks**
1. When the value of the DBCn register is read in <7>, the initial number of transfers is read if forced termination has been correctly completed. If not, the remaining number of transfers is read.
 2. Note that method (b) may take a long time if the application frequently uses DMA transfer for a channel other than the DMA channel to be forcibly terminated.

(5) Procedure of temporarily stopping DMA transfer (clearing Enn bit)

Stop and resume the DMA transfer under execution using the following procedure.

- <1> Suppress a transfer request from the DMA request source (stop the operation of the on-chip peripheral I/O).
- <2> Check the DMA transfer request is not held pending, by using the DFn bit (check if the DFn bit = 0).
If a request is pending, wait until execution of the pending DMA transfer request is completed.
- <3> If it has been confirmed that no DMA transfer request is held pending, clear the Enn bit to 0 (this operation stops DMA transfer).
- <4> Set the Enn bit to 1 to resume DMA transfer.
- <5> Resume the operation of the DMA request source that has been stopped (start the operation of the on-chip peripheral I/O).

(6) Memory boundary

The operation is not guaranteed if the address of the transfer source or destination exceeds the area of the DMA target (external memory, internal RAM, or on-chip peripheral I/O) during DMA transfer.

(7) Transferring misaligned data

DMA transfer of misaligned data with a 16-bit bus width is not supported.

If an odd address is specified as the transfer source or destination, the least significant bit of the address is forcibly assumed to be 0.

(8) Bus arbitration for CPU

Because the DMA controller has a higher priority bus mastership than the CPU, a CPU access that takes place during DMA transfer is held pending until the DMA transfer cycle is completed and the bus is released to the CPU.

However, the CPU can access the external memory, on-chip peripheral I/O, and internal RAM to/from which DMA transfer is not being executed.

- The CPU can access the internal RAM when DMA transfer is being executed between the external memory and on-chip peripheral I/O.
- The CPU can access the internal RAM and on-chip peripheral I/O when DMA transfer is being executed between the external memory and external memory.

(9) Registers/bits that must not be rewritten during DMA operation

Set the following registers at the following timing when a DMA operation is not under execution.

[Registers]

- DSAnH, DSAnL, DDAnH, DDAnL, DBCn, and DADCn registers
- DTFRn.IFCn5 to DTFRn.IFCn0 bits

[Timing of setting]

- Period from after reset to start of the first DMA transfer
- Time after channel initialization to start of DMA transfer
- Period from after completion of DMA transfer (TCn bit = 1) to start of the next DMA transfer

(10) Be sure to set the following register bits to 0.

- Bits 14 to 10 of DSAnH register
- Bits 14 to 10 of DDAnH register
- Bits 15, 13 to 8, and 3 to 0 of DADCn register
- Bits 6 to 3 of DCHCn register

<R>

(11) DMA start factor

Do not start two or more DMA channels with the same start factor. If two or more channels are started with the same factor, DMA for which a channel has already been set may be started or a DMA channel with a lower priority may be acknowledged earlier than a DMA channel with a higher priority. The operation cannot be guaranteed.

(12) Read values of DSAn and DDAn registers

Values in the middle of updating may be read from the DSAn and DDAn registers during DMA transfer (n = 0 to 3).

For example, if the DSAnH register and then the DSAnL register are read when the DMA transfer source address (DSAn register) is 0000FFFFH and the count direction is incremental (DADCn.SAD1 and DADCn.SAD0 bits = 00), the value of the DSAn register differs as follows, depending on whether DMA transfer is executed immediately after the DSAnH register is read.

(a) If DMA transfer does not occur while DSAn register is read

- <1> Read value of DSAnH register: DSAnH = 0000H
- <2> Read value of DSAnL register: DSAnL = FFFFH

(b) If DMA transfer occurs while DSAn register is read

- <1> Read value of DSAnH register: DSAnH = 0000H
- <2> Occurrence of DMA transfer
- <3> Incrementing DSAn register: DSAn = 00100000H
- <4> Read value of DSAnL register: DSAnL = 0000H

CHAPTER 19 INTERRUPT/EXCEPTION PROCESSING FUNCTION

The V850ES/JJ2 is provided with a dedicated interrupt controller (INTC) for interrupt servicing and can process a total of 71 interrupt requests.

An interrupt is an event that occurs independently of program execution, and an exception is an event whose occurrence is dependent on program execution.

The V850ES/JJ2 can process interrupt request signals from the on-chip peripheral hardware and external sources. Moreover, exception processing can be started by the TRAP instruction (software exception) or by generation of an exception event (i.e. fetching of an illegal opcode) (exception trap).

19.1 Features

- Interrupts
 - Non-maskable interrupts: 2 sources
 - Maskable interrupts: External: 9, Internal: 60 sources
 - 8 levels of programmable priorities (maskable interrupts)
 - Multiple interrupt control according to priority
 - Masks can be specified for each maskable interrupt request.
 - Noise elimination, edge detection, and valid edge specification for external interrupt request signals.
- Exceptions
 - Software exceptions: 32 sources
 - Exception trap: 2 sources (illegal opcode exception, debug trap)

Interrupt/exception sources are listed in Table 19-1.

Table 19-1. Interrupt Source List (1/3)

Type	Classification	Default Priority	Name	Trigger	Generating Unit	Exception Code	Handler Address	Restored PC	Interrupt Control Register
Reset	Interrupt	–	RESET	RESET pin input Reset by internal source	RESET	0000H	00000000H	Undefined	–
Non-maskable	Interrupt	–	NMI	NMI pin valid edge input	Pin	0010H	00000010H	nextPC	–
		–	INTWDT2	WDT2 overflow	WDT2	0020H	00000020H	Note 1	–
Software exception	Exception	–	TRAP0n ^{Note 2}	TRAP instruction	–	004nH ^{Note 2}	00000040H	nextPC	–
		–	TRAP1n ^{Note 2}	TRAP instruction	–	005nH ^{Note 2}	00000050H	nextPC	–
Exception trap	Exception	–	ILGOP/ DBG0	Illegal opcode/DBTRAP instruction	–	0060H	00000060H	nextPC	–
Maskable	Interrupt	0	INTLVI	Low-voltage detection	POCLVI	0080H	00000080H	nextPC	LVIC
		1	INTP0	External interrupt pin input edge detection (INTP0)	Pin	0090H	00000090H	nextPC	PIC0
		2	INTP1	External interrupt pin input edge detection (INTP1)	Pin	00A0H	000000A0H	nextPC	PIC1
		3	INTP2	External interrupt pin input edge detection (INTP2)	Pin	00B0H	000000B0H	nextPC	PIC2
		4	INTP3	External interrupt pin input edge detection (INTP3)	Pin	00C0H	000000C0H	nextPC	PIC3
		5	INTP4	External interrupt pin input edge detection (INTP4)	Pin	00D0H	000000D0H	nextPC	PIC4
		6	INTP5	External interrupt pin input edge detection (INTP5)	Pin	00E0H	000000E0H	nextPC	PIC5
		7	INTP6	External interrupt pin input edge detection (INTP6)	Pin	00F0H	000000F0H	nextPC	PIC6
		8	INTP7	External interrupt pin input edge detection (INTP7)	Pin	0100H	00000100H	nextPC	PIC7
		9	INTTQ0OV	TMQ0 overflow	TMQ0	0110H	00000110H	nextPC	TQ0OVIC
		10	INTTQ0CC0	TMQ0 capture 0/compare 0 match	TMQ0	0120H	00000120H	nextPC	TQ0CCIC0
		11	INTTQ0CC1	TMQ0 capture 1/compare 1 match	TMQ0	0130H	00000130H	nextPC	TQ0CCIC1
		12	INTTQ0CC2	TMQ0 capture 2/compare 2 match	TMQ0	0140H	00000140H	nextPC	TQ0CCIC2
		13	INTTQ0CC3	TMQ0 capture 3/compare 3 match	TMQ0	0150H	00000150H	nextPC	TQ0CCIC3
		14	INTTP0OV	TMP0 overflow	TMP0	0160H	00000160H	nextPC	TP0OVIC
		15	INTTP0CC0	TMP0 capture 0/compare 0 match	TMP0	0170H	00000170H	nextPC	TP0CCIC0
		16	INTTP0CC1	TMP0 capture 1/compare 1 match	TMP0	0180H	00000180H	nextPC	TP0CCIC1
		17	INTTP1OV	TMP1 overflow	TMP1	0190H	00000190H	nextPC	TP1OVIC
		18	INTTP1CC0	TMP1 capture 0/compare 0 match	TMP1	01A0H	000001A0H	nextPC	TP1CCIC0
		19	INTTP1CC1	TMP1 capture 1/compare 1 match	TMP1	01B0H	000001B0H	nextPC	TP1CCIC1
		20	INTTP2OV	TMP2 overflow	TMP2	01C0H	000001C0H	nextPC	TP2OVIC
		21	INTTP2CC0	TMP2 capture 0/compare 0 match	TMP2	01D0H	000001D0H	nextPC	TP2CCIC0
		22	INTTP2CC1	TMP2 capture 1/compare 1 match	TMP2	01E0H	000001E0H	nextPC	TP2CCIC1
		23	INTTP3OV	TMP3 overflow	TMP3	01F0H	000001F0H	nextPC	TP3OVIC
		24	INTTP3CC0	TMP3 capture 0/compare 0 match	TMP3	0200H	00000200H	nextPC	TP3CCIC0
25	INTTP3CC1	TMP3 capture 1/compare 1 match	TMP3	0210H	00000210H	nextPC	TP3CCIC1		

Notes 1. For the restoring in the case of INTWDT2, see 19.2.2 (2) From INTWDT2 signal.

2. n = 0 to FH

Table 19-1. Interrupt Source List (2/3)

Type	Classification	Default Priority	Name	Trigger	Generating Unit	Exception Code	Handler Address	Restored PC	Interrupt Control Register
Maskable	Interrupt	26	INTTP4OV	TMP4 overflow	TMP4	0220H	00000220H	nextPC	TP4OVIC
		27	INTTP4CC0	TMP4 capture 0/compare 0 match	TMP4	0230H	00000230H	nextPC	TP4CCIC0
		28	INTTP4CC1	TMP4 capture 1/compare 1 match	TMP4	0240H	00000240H	nextPC	TP4CCIC1
		29	INTTP5OV	TMP5 overflow	TMP5	0250H	00000250H	nextPC	TP5OVIC
		30	INTTP5CC0	TMP5 capture 0/compare 0 match	TMP5	0260H	00000260H	nextPC	TP5CCIC0
		31	INTTP5CC1	TMP5 capture 1/compare 1 match	TMP5	0270H	00000270H	nextPC	TP5CCIC1
		32	INTTM0EQ0	TMM0 compare match	TMM0	0280H	00000280H	nextPC	TM0EQIC0
		33	INTCB0R/ INTIIC1	CSIB0 reception completion/ CSIB0 reception error/ IIC1 transfer completion	CSIB0/ IIC1	0290H	00000290H	nextPC	CB0RIC/ IIC1C1
		34	INTCB0T	CSIB0 consecutive transmission write enable	CSIB0	02A0H	000002A0H	nextPC	CB0TIC
		35	INTCB1R	CSIB1 reception completion/ CSIB1 reception error	CSIB1	02B0H	000002B0H	nextPC	CB1RIC
		36	INTCB1T	CSIB1 consecutive transmission write enable	CSIB1	02C0H	000002C0H	nextPC	CB1TIC
		37	INTCB2R	CSIB2 reception completion/ CSIB2 reception error	CSIB2	02D0H	000002D0H	nextPC	CB2RIC
		38	INTCB2T	CSIB2 consecutive transmission write enable	CSIB2	02E0H	000002E0H	nextPC	CB2TIC
		39	INTCB3R	CSIB3 reception completion/ CSIB3 reception error	CSIB3	02F0H	000002F0H	nextPC	CB3RIC
		40	INTCB3T	CSIB3 consecutive transmission write enable	CSIB3	0300H	00000300H	nextPC	CB3TIC
		41	INTUA0R/ INTCB4R	UARTA0 reception completion/ CSIB4 reception completion/ CSIB4 reception error	UARTA0/ CSIB4	0310H	00000310H	nextPC	UA0RIC/ CB4RIC
		42	INTUA0T/ INTCB4T	UARTA0 consecutive transmission enable/ CSIB4 consecutive transmission write enable	UARTA0/ CSIB4	0320H	00000320H	nextPC	UA0TIC/ CB4TIC
		43	INTUA1R/ INTIIC2	UARTA1 reception completion/ UARTA1 reception error/ IIC2 transfer completion	UARTA1/ IIC2	0330H	00000330H	nextPC	UA1RIC/ IIC2C2
		44	INTUA1T	UARTA1 consecutive transmission enable	UARTA1	0340H	00000340H	nextPC	UA1TIC
		45	INTUA2R/ INTIIC0	UARTA2 reception completion/ IIC0 transfer completion	UARTA/ IIC0	0350H	00000350H	nextPC	UA2RIC/ IIC0C0
		46	INTUA2T	UARTA2 consecutive transmission enable	UARTA2	0360H	00000360H	nextPC	UA2TIC
		47	INTAD	A/D conversion completion	A/D	0370H	00000370H	nextPC	ADIC
		48	INTDMA0	DMA0 transfer completion	DMA	0380H	00000380H	nextPC	DMAIC0
		49	INTDMA1	DMA1 transfer completion	DMA	0390H	00000390H	nextPC	DMAIC1
		50	INTDMA2	DMA2 transfer completion	DMA	03A0H	000003A0H	nextPC	DMAIC2
		51	INTDMA3	DMA3 transfer completion	DMA	03B0H	000003B0H	nextPC	DMAIC3
		52	INTKR	Key return interrupt	KR	03C0H	000003C0H	nextPC	KRIC
		53	INTWTI	Watch timer interval	WT	03D0H	000003D0H	nextPC	WTIIC
54	INTWT	Watch timer reference time	WT	03E0H	000003E0H	nextPC	WTIC		

Table 19-1. Interrupt Source List (3/3)

Type	Classification	Default Priority	Name	Trigger	Generating Unit	Exception Code	Handler Address	Restored PC	Interrupt Control Register
Maskable	Interrupt	55	INTP8	External interrupt pin input edge detection (INTP8)	Pin	0470H	00000470H	nextPC	PIC8
		56	INTTP6OV	TMP6 overflow	TMP6	0480H	00000480H	nextPC	TP6OVIC
		57	INTTP6CC0	TMP6 capture 0/compare 0 match	TMP6	0490H	00000490H	nextPC	TP6CCIC0
		58	INTTP6CC1	TMP6 capture 1/compare 1 match	TMP6	04A0H	000004A0H	nextPC	TP6CCIC1
		59	INTTP7OV	TMP7 overflow	TMP7	04B0H	000004B0H	nextPC	TP7OVIC
		60	INTTP7CC0	TMP7 capture 1/compare 0 match	TMP7	04C0H	000004C0H	nextPC	TP7CCIC0
		61	INTTP7CC1	TMP7 capture 1/compare 1 match	TMP7	04D0H	000004D0H	nextPC	TP7CCIC1
		62	INTTP8OV	TMP8 overflow	TMP8	04E0H	000004E0H	nextPC	TP8OVIC
		63	INTTP8CC0	TMP8 capture 0/compare 0 match	TMP8	04F0H	000004F0H	nextPC	TP8CCIC0
		64	INTTP8CC1	TMP8 capture 1/compare 1 match	TMP8	0500H	00000500H	nextPC	TP8CCIC1
		65	INTCB5R	CSIB5 reception completion	CSIB5	0510H	00000510H	nextPC	CB5RIC
		66	INTCB5T	CSIB5 consecutive transmission write enable	CSIB5	0520H	00000520H	nextPC	CB5TIC
		67	INTUA3R	UART3 consecutive reception completion	UARTA3	0530H	00000530H	nextPC	UA3RIC
		68	INTUA3T	UARTA3 consecutive transmission enable	UARTA3	0540H	00000540H	nextPC	UA3TIC

Remarks 1. Default Priority: The priority order when two or more maskable interrupt requests occur at the same time. The highest priority is 0.

The priority order of non-maskable interrupt is INTWDT2 > NMI.

Restored PC: The value of the program counter (PC) saved to EIPC, FEPC, or DBPC when interrupt servicing is started. Note, however, that the restored PC when a non-maskable or maskable interrupt is acknowledged while one of the following instructions is being executed does not become the nextPC (if an interrupt is acknowledged during interrupt execution, execution stops, and then resumes after the interrupt servicing has finished).

- Load instructions (SLD.B, SLD.BU, SLD.H, SLD.HU, SLD.W)
- Division instructions (DIV, DIVH, DIVU, DIVHU)
- PREPARE, DISPOSE instructions (only if an interrupt is generated before the stack pointer is updated)

nextPC: The PC value that starts the processing following interrupt/exception processing.

2. The execution address of the illegal instruction when an illegal opcode exception occurs is calculated by (Restored PC – 4).

19.2 Non-Maskable Interrupts

A non-maskable interrupt request signal is acknowledged unconditionally, even when interrupts are in the interrupt disabled (DI) status. An NMI is not subject to priority control and takes precedence over all the other interrupt request signals.

This product has the following two non-maskable interrupt request signals.

- NMI pin input (NMI)
- Non-maskable interrupt request signal generated by overflow of watchdog timer (INTWDT2)

The valid edge of the NMI pin can be selected from four types: "rising edge", "falling edge", "both edges", and "no edge detection".

The non-maskable interrupt request signal generated by overflow of watchdog timer 2 (INTWDT2) functions when the WDTM2.WDM21 and WDTM2.WDM20 bits are set to "01".

If two or more non-maskable interrupt request signals occur at the same time, the interrupt with the higher priority is serviced, as follows (the interrupt request signal with the lower priority is ignored).

INTWDT2 > NMI

If a new NMI or INTWDT2 request signal is issued while an NMI is being serviced, it is serviced as follows.

(1) If new NMI request signal is issued while NMI is being serviced

The new NMI request signal is held pending, regardless of the value of the PSW.NP bit. The pending NMI request signal is acknowledged after the NMI currently under execution has been serviced (after the RETI instruction has been executed).

(2) If INTWDT2 request signal is issued while NMI is being serviced

The INTWDT2 request signal is held pending if the NP bit remains set (1) while the NMI is being serviced. The pending INTWDT2 request signal is acknowledged after the NMI currently under execution has been serviced (after the RETI instruction has been executed).

If the NP bit is cleared (0) while the NMI is being serviced, the newly generated INTWDT2 request signal is executed (the NMI servicing is stopped).

Caution For the non-maskable interrupt servicing executed by the non-maskable interrupt request signal (INTWDT2), see 19.2.2 (2) From INTWDT2 signal.

Figure 19-1. Non-Maskable Interrupt Request Signal Acknowledgment Operation (1/2)

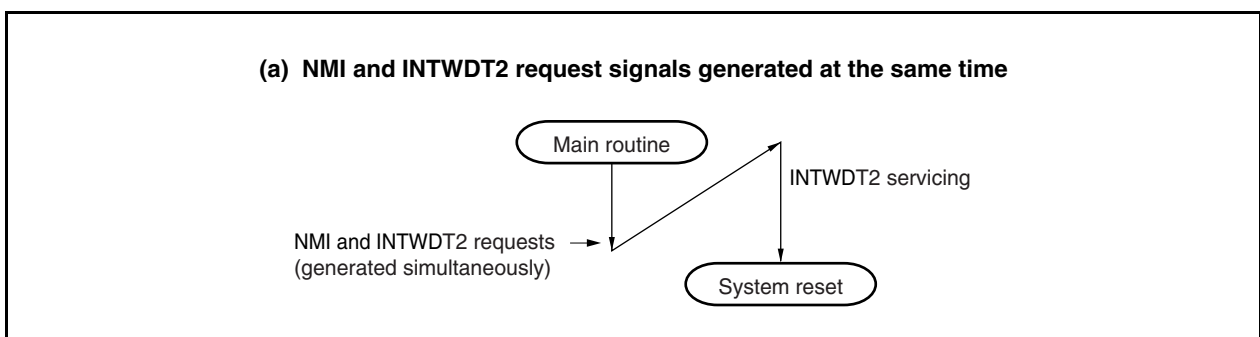
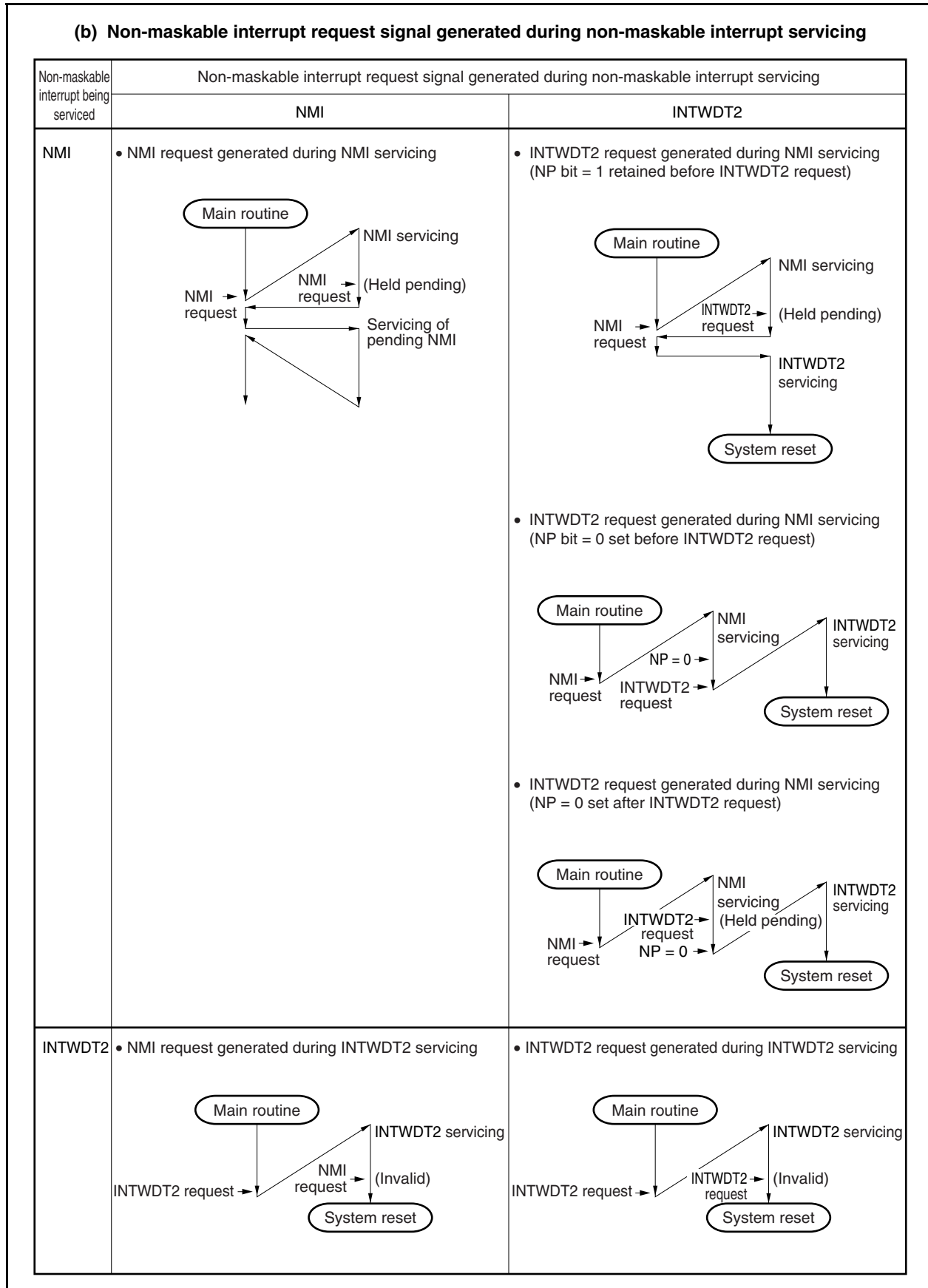


Figure 19-1. Non-Maskable Interrupt Request Signal Acknowledgment Operation (2/2)



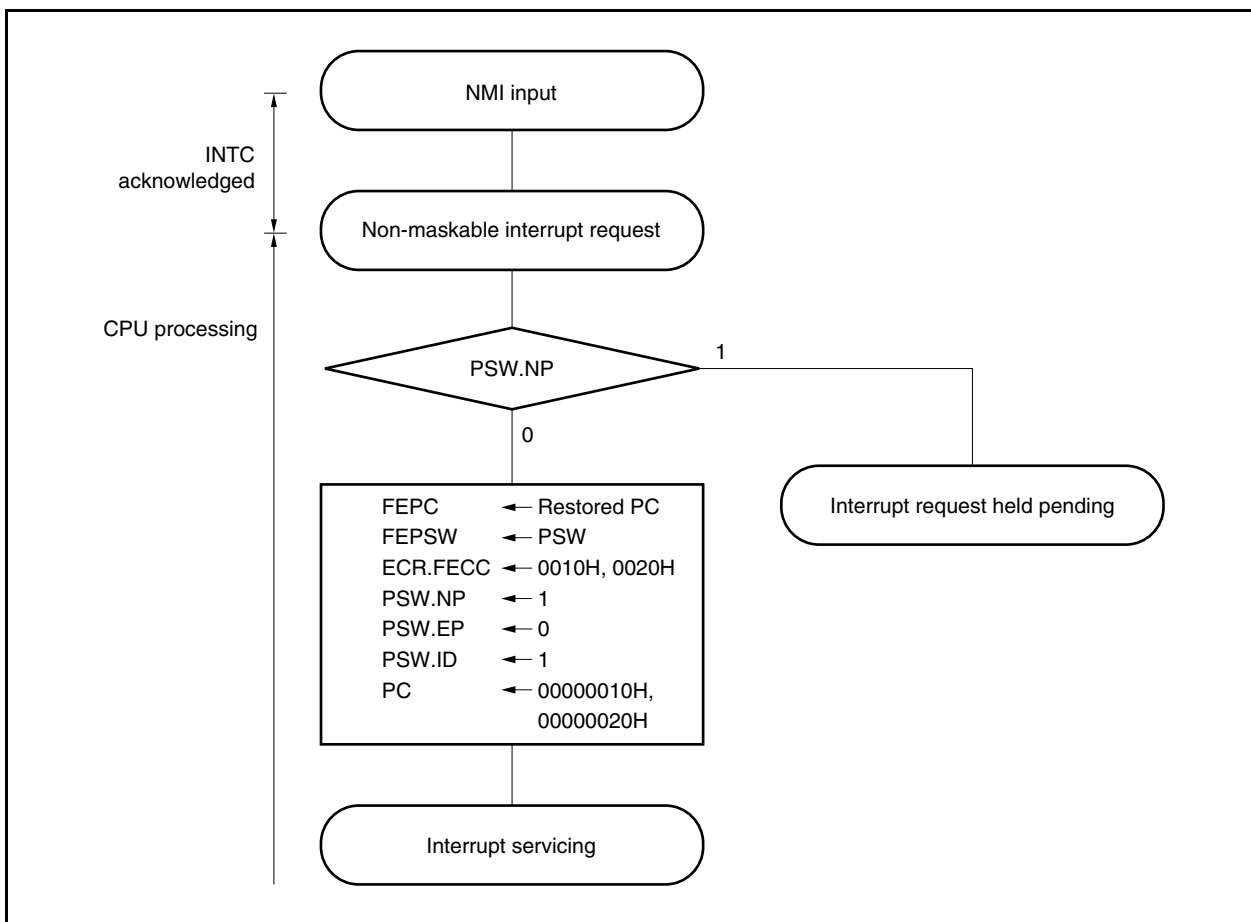
19.2.1 Operation

If a non-maskable interrupt request signal is generated, the CPU performs the following processing, and transfers control to the handler routine.

- <1> Saves the restored PC to FEPC.
- <2> Saves the current PSW to FEPSW.
- <3> Writes exception code (0010H, 0020H) to the higher halfword (FECC) of ECR.
- <4> Sets the PSW.NP and PSW.ID bits to 1 and clears the PSW.EP bit to 0.
- <5> Sets the handler address (00000010H, 00000020H) corresponding to the non-maskable interrupt to the PC, and transfers control.

The servicing configuration of a non-maskable interrupt is shown below.

Figure 19-2. Servicing Configuration of Non-Maskable Interrupt



19.2.2 Restore

(1) From NMI pin input

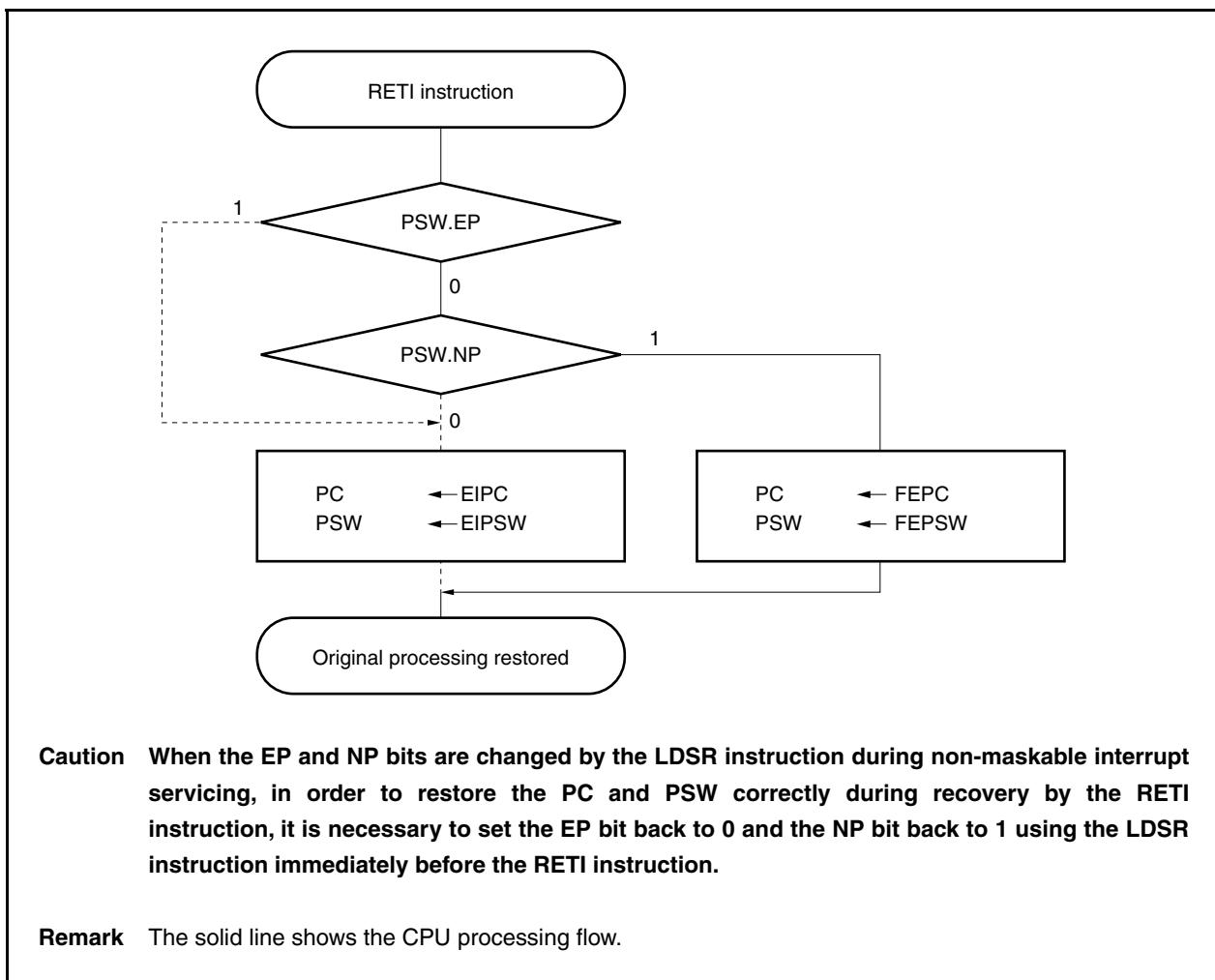
Execution is restored from the NMI servicing by the RETI instruction.

When the RETI instruction is executed, the CPU performs the following processing, and transfers control to the address of the restored PC.

- <1> Loads the restored PC and PSW from FEPC and FEPSW, respectively, because the PSW.EP bit is 0 and the PSW.NP bit is 1.
- <2> Transfers control back to the address of the restored PC and PSW.

The processing of the RETI instruction is shown below.

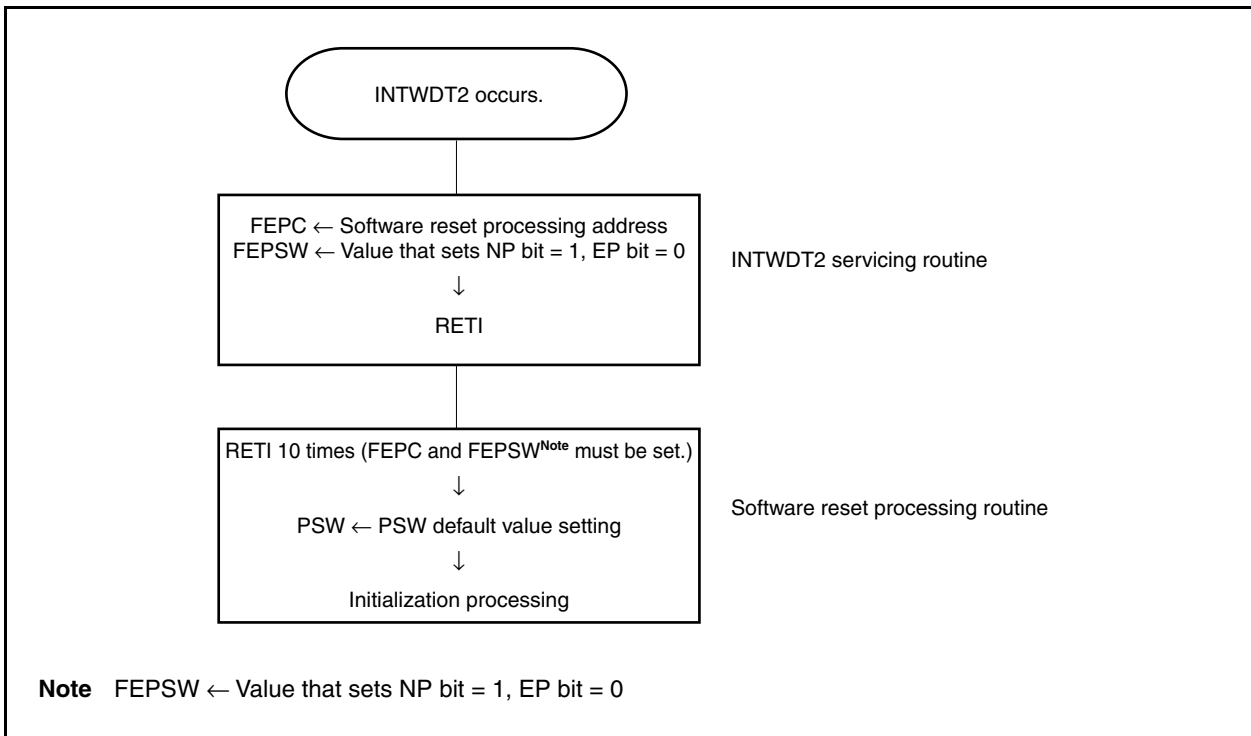
Figure 19-3. RETI Instruction Processing



(2) From INTWDT2 signal

Restoring from non-maskable interrupt servicing executed by the non-maskable interrupt request (INTWDT2) by using the RETI instruction is disabled. Execute the following software reset processing.

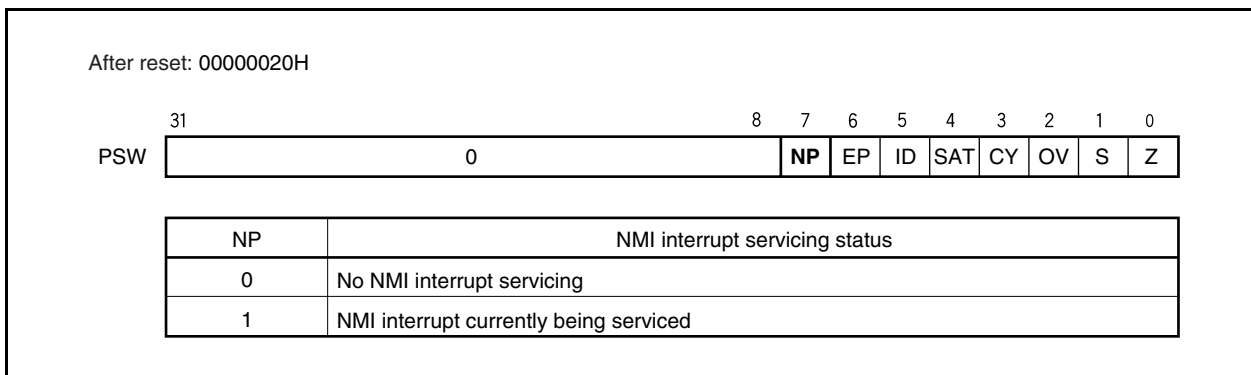
Figure 19-4. Software Reset Processing



19.2.3 NP flag

The NP flag is a status flag that indicates that non-maskable interrupt servicing is under execution.

This flag is set when a non-maskable interrupt request signal has been acknowledged, and masks non-maskable interrupt requests to prohibit multiple interrupts from being acknowledged.



19.3 Maskable Interrupts

Maskable interrupt request signals can be masked by interrupt control registers. The V850ES/JJ2 has 69 maskable interrupt sources.

If two or more maskable interrupt request signals are generated at the same time, they are acknowledged according to the default priority. In addition to the default priority, eight levels of priorities can be specified by using the interrupt control registers (programmable priority control).

When an interrupt request signal has been acknowledged, the acknowledgment of other maskable interrupt request signals is disabled and the interrupt disabled (DI) status is set.

When the EI instruction is executed in an interrupt service routine, the interrupt enabled (EI) status is set, which enables servicing of interrupts having a higher priority than the interrupt request signal in progress (specified by the interrupt control register). Note that only interrupts with a higher priority will have this capability; interrupts with the same priority level cannot be nested.

To enable multiple interrupts, however, save EIPC and EIPSW to memory or general-purpose registers before executing the EI instruction, and execute the DI instruction before the RETI instruction to restore the original values of EIPC and EIPSW.

19.3.1 Operation

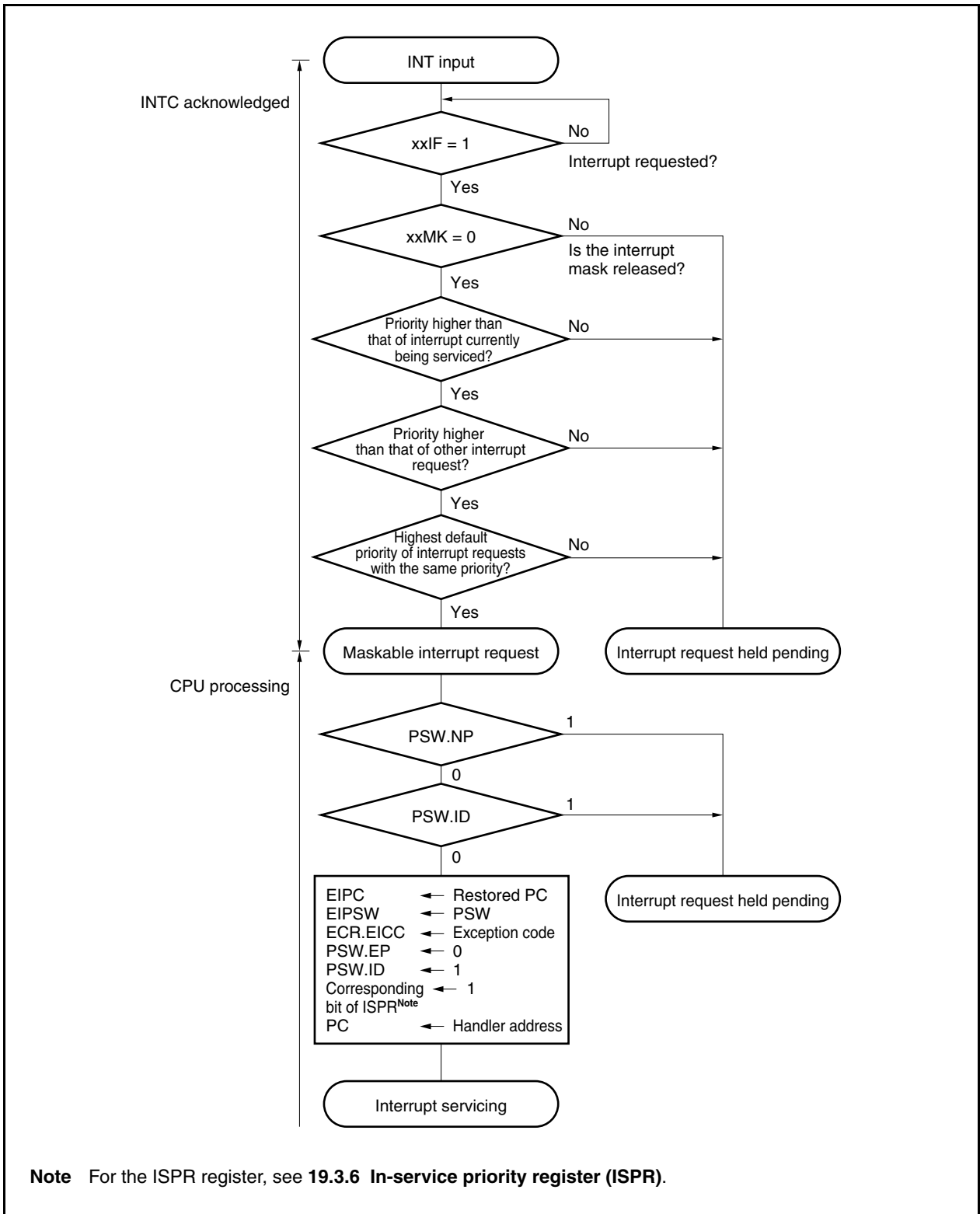
If a maskable interrupt occurs, the CPU performs the following processing, and transfers control to a handler routine.

- <1> Saves the restored PC to EIPC.
- <2> Saves the current PSW to EIPSW.
- <3> Writes an exception code to the lower halfword of ECR (EICC).
- <4> Sets the PSW.ID bit to 1 and clears the PSW.EP bit to 0.
- <5> Sets the handler address corresponding to each interrupt to the PC, and transfers control.

The maskable interrupt request signal masked by INTC and the maskable interrupt request signal generated while another interrupt is being serviced (while the PSW.NP bit = 1 or the PSW.ID bit = 1) are held pending inside INTC. In this case, servicing a new maskable interrupt is started in accordance with the priority of the pending maskable interrupt request signal if either the maskable interrupt is unmasked or the NP and ID bits are cleared to 0 by using the RETI or LDSR instruction.

How maskable interrupts are serviced is illustrated below.

Figure 19-5. Maskable Interrupt Servicing



19.3.2 Restore

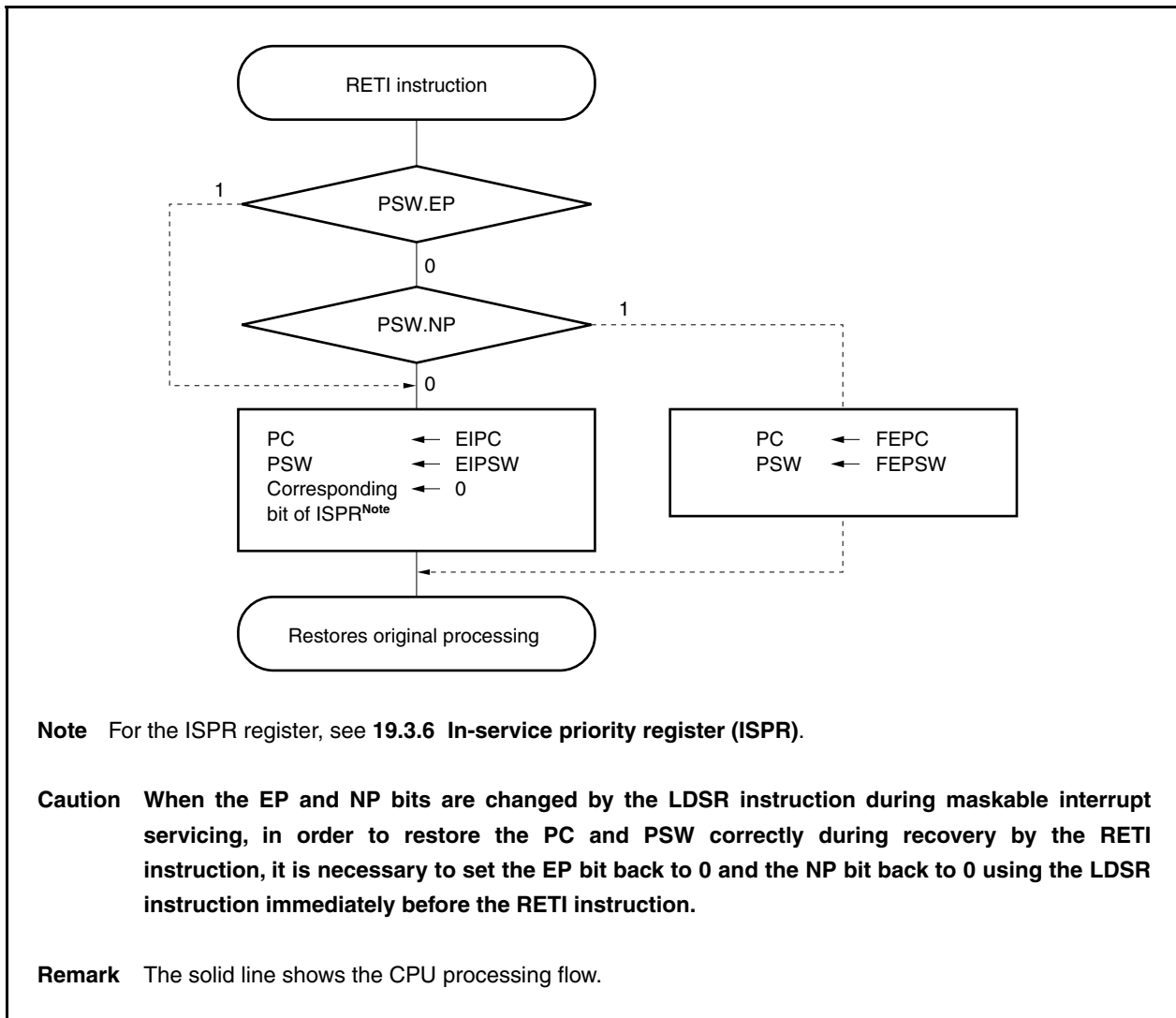
Recovery from maskable interrupt servicing is carried out by the RETI instruction.

When the RETI instruction is executed, the CPU performs the following processing, and transfers control to the address of the restored PC.

- <1> Loads the restored PC and PSW from EIPC and EIPSW, respectively, because the PSW.EP bit is 0 and the PSW.NP bit is 0.
- <2> Transfers control back to the address of the restored PC and PSW.

The processing of the RETI instruction is shown below.

Figure 19-6. RETI Instruction Processing



19.3.3 Priorities of maskable interrupts

The INTC performs multiple interrupt servicing in which an interrupt is acknowledged while another interrupt is being serviced. Multiple interrupts can be controlled by priority levels.

There are two types of priority level control: control based on the default priority levels, and control based on the programmable priority levels that are specified by the interrupt priority level specification bit (xxPRn) of the interrupt control register (xxICn). When two or more interrupts having the same priority level specified by the xxPRn bit are generated at the same time, interrupt request signals are serviced in order depending on the priority level allocated to each interrupt request type (default priority level) beforehand. For more information, see **Table 19-1 Interrupt Source List**. The programmable priority control customizes interrupt request signals into eight levels by setting the priority level specification flag.

Note that when an interrupt request signal is acknowledged, the PSW.ID flag is automatically set to 1. Therefore, when multiple interrupts are to be used, clear the ID flag to 0 beforehand (for example, by placing the EI instruction in the interrupt service program) to set the interrupt enable mode.

Remark xx: Identification name of each peripheral unit (see **Table 19-2 Interrupt Control Register (xxICn)**)
n: Peripheral unit number (see **Table 19-2 Interrupt Control Register (xxICn)**).

Figure 19-7. Example of Processing in Which Another Interrupt Request Signal Is Issued While an Interrupt Is Being Serviced (1/2)

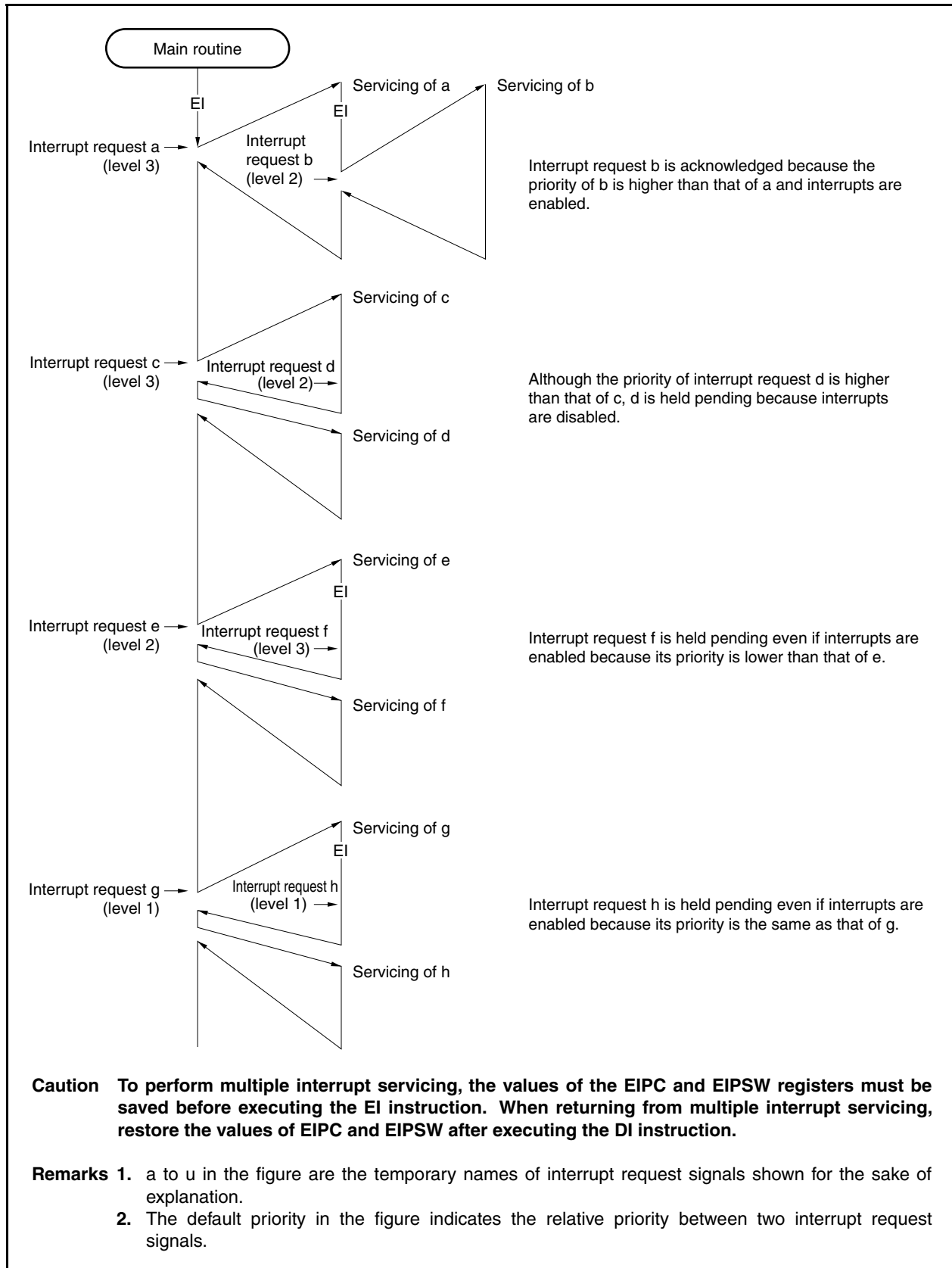


Figure 19-7. Example of Processing in Which Another Interrupt Request Signal Is Issued While an Interrupt Is Being Serviced (2/2)

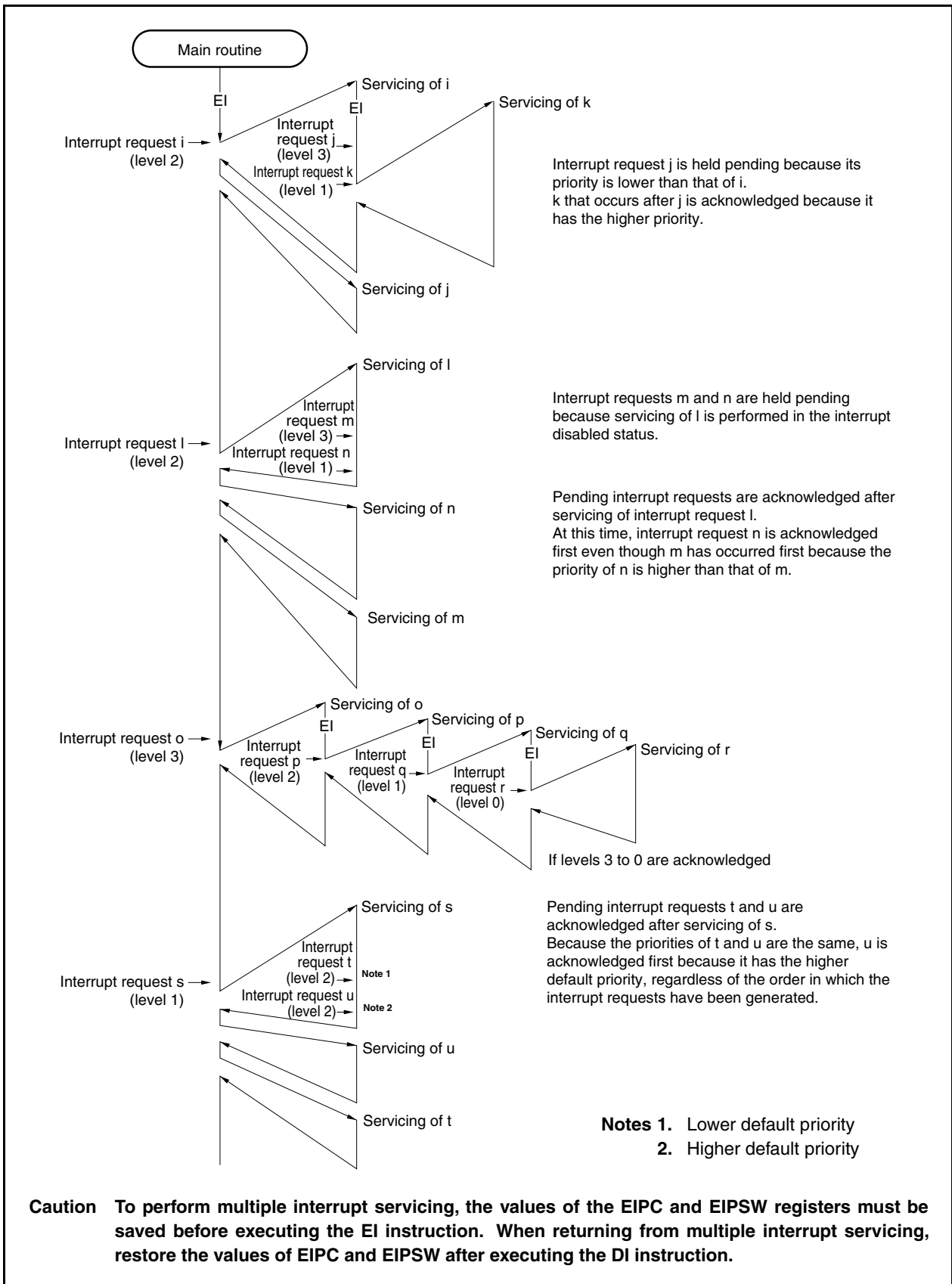
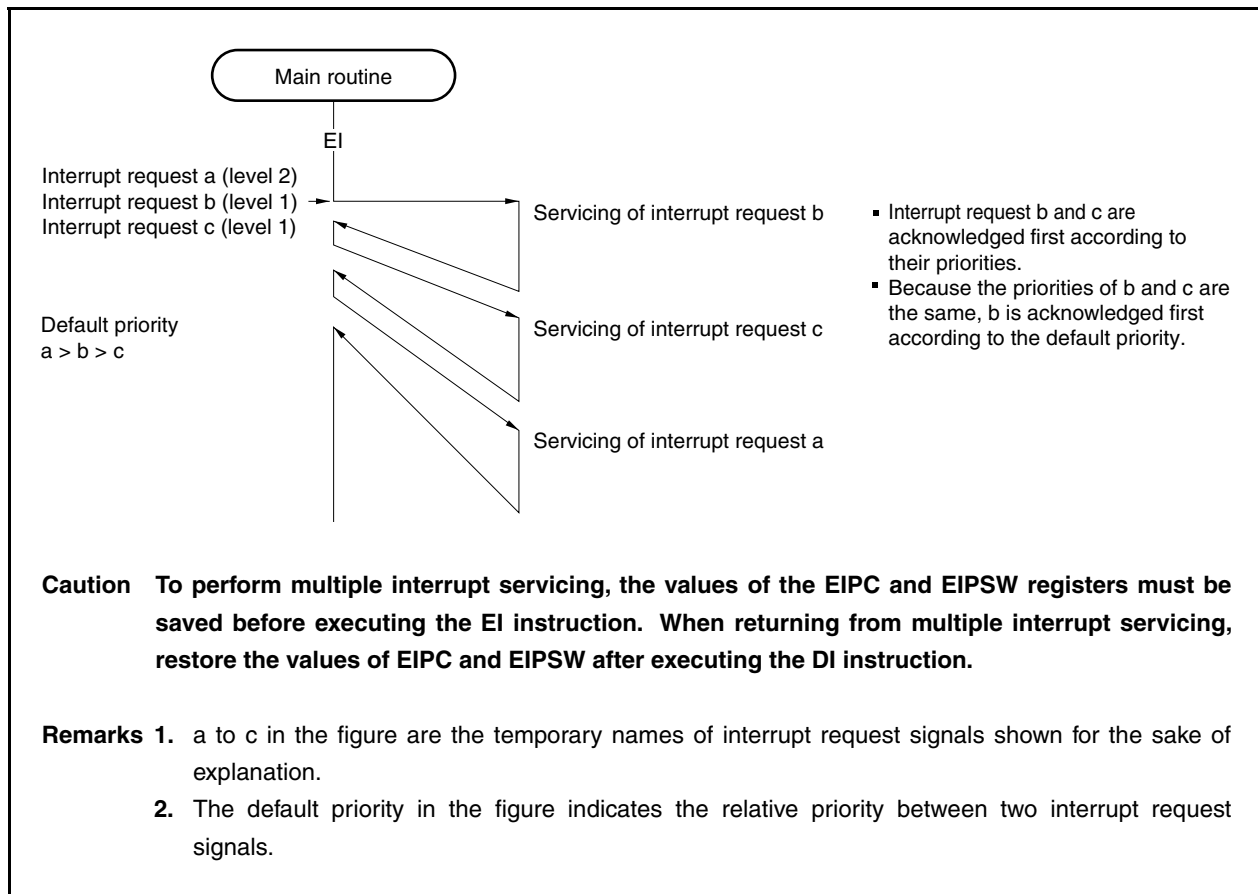


Figure 19-8. Example of Servicing Interrupt Request Signals Simultaneously Generated



19.3.4 Interrupt control register (xxICn)

The xxICn register is assigned to each interrupt request signal (maskable interrupt) and sets the control conditions for each maskable interrupt request.

This register can be read or written in 8-bit or 1-bit units.

Reset sets this register to 47H.

Caution Disable interrupts (DI) or mask the interrupt to read the xxICn.xxIFn bit. If the xxIFn bit is read while interrupts are enabled (EI) or while the interrupt is unmasked, the correct value may not be read when acknowledging an interrupt and reading the bit conflict.

After reset: 47H R/W Address: FFFFF112H to FFFFF1A8H

xxICn	<7>	<6>	5	4	3	2	1	0
	xxIFn	xxMKn	0	0	0	xxPRn2	xxPRn1	xxPRn0

xxIFn	Interrupt request flag ^{Note}
0	Interrupt request not issued
1	Interrupt request issued

xxMKn	Interrupt mask flag
0	Interrupt servicing enabled
1	Interrupt servicing disabled (pending)

xxPRn2	xxPRn1	xxPRn0	Interrupt priority specification bit
0	0	0	Specifies level 0 (highest).
0	0	1	Specifies level 1.
0	1	0	Specifies level 2.
0	1	1	Specifies level 3.
1	0	0	Specifies level 4.
1	0	1	Specifies level 5.
1	1	0	Specifies level 6.
1	1	1	Specifies level 7 (lowest).

Note The flag xxIFn is reset automatically by the hardware if an interrupt request signal is acknowledged.

Remark xx: Identification name of each peripheral unit (see **Table 19-2 Interrupt Control Register (xxICn)**)
n: Peripheral unit number (see **Table 19-2 Interrupt Control Register (xxICn)**).

The addresses and bits of the interrupt control registers are as follows.

Table 19-2. Interrupt Control Register (xxICn) (1/2)

Address	Register	Bit							
		<7>	<6>	5	4	3	2	1	0
FFFFF110H	LVIIIC	LVIIIF	LVIMK	0	0	0	LVIPR2	LVIPR1	LVIPR0
FFFFF112H	PIC0	PIF0	PMK0	0	0	0	PPR02	PPR01	PPR00
FFFFF114H	PIC1	PIF1	PMK1	0	0	0	PPR12	PPR11	PPR10
FFFFF116H	PIC2	PIF2	PMK2	0	0	0	PPR22	PPR21	PPR20
FFFFF118H	PIC3	PIF3	PMK3	0	0	0	PPR32	PPR31	PPR30
FFFFF11AH	PIC4	PIF4	PMK4	0	0	0	PPR42	PPR41	PPR40
FFFFF11CH	PIC5	PIF5	PMK5	0	0	0	PPR52	PPR51	PPR50
FFFFF11EH	PIC6	PIF6	PMK6	0	0	0	PPR62	PPR61	PPR60
FFFFF120H	PIC7	PIF7	PMK7	0	0	0	PPR72	PPR71	PPR70
FFFFF122H	TQ0OVIC	TQ0OVIF	TQ0OVMK	0	0	0	TQ0OVPR2	TQ0OVPR1	TQ0OVPR0
FFFFF124H	TQ0CCIC0	TQ0CCIF0	TQ0CCMK0	0	0	0	TQ0CCPR02	TQ0CCPR01	TQ0CCPR00
FFFFF126H	TQ0CCIC1	TQ0CCIF1	TQ0CCMK1	0	0	0	TQ0CCPR12	TQ0CCPR11	TQ0CCPR10
FFFFF128H	TQ0CCIC2	TQ0CCIF2	TQ0CCMK2	0	0	0	TQ0CCPR22	TQ0CCPR21	TQ0CCPR20
FFFFF12AH	TQ0CCIC3	TQ0CCIF3	TQ0CCMK3	0	0	0	TQ0CCPR32	TQ0CCPR31	TQ0CCPR30
FFFFF12CH	TP0OVIC	TP0OVIF	TP0OVMK	0	0	0	TP0OVPR2	TP0OVPR1	TP0OVPR0
FFFFF12EH	TP0CCIC0	TP0CCIF0	TP0CCMK0	0	0	0	TP0CCPR02	TP0CCPR01	TP0CCPR00
FFFFF130H	TP0CCIC1	TP0CCIF1	TP0CCMK1	0	0	0	TP0CCPR12	TP0CCPR11	TP0CCPR10
FFFFF132H	TP1OVIC	TP1OVIF	TP1OVMK	0	0	0	TP1OVPR2	TP1OVPR1	TP1OVPR0
FFFFF134H	TP1CCIC0	TP1CCIF0	TP1CCMK0	0	0	0	TP1CCPR02	TP1CCPR01	TP1CCPR00
FFFFF136H	TP1CCIC1	TP1CCIF1	TP1CCMK1	0	0	0	TP1CCPR12	TP1CCPR11	TP1CCPR10
FFFFF138H	TP2OVIC	TP2OVIF	TP2OVMK	0	0	0	TP2OVPR2	TP2OVPR1	TP2OVPR0
FFFFF13AH	TP2CCIC0	TP2CCIF0	TP2CCMK0	0	0	0	TP2CCPR02	TP2CCPR01	TP2CCPR00
FFFFF13CH	TP2CCIC1	TP2CCIF1	TP2CCMK1	0	0	0	TP2CCPR12	TP2CCPR11	TP2CCPR10
FFFFF13EH	TP3OVIC	TP3OVIF	TP3OVMK	0	0	0	TP3OVPR2	TP3OVPR1	TP3OVPR0
FFFFF140H	TP3CCIC0	TP3CCIF0	TP3CCMK0	0	0	0	TP3CCPR02	TP3CCPR01	TP3CCPR00
FFFFF142H	TP3CCIC1	TP3CCIF1	TP3CCMK1	0	0	0	TP3CCPR12	TP3CCPR11	TP3CCPR10
FFFFF144H	TP4OVIC	TP4OVIF	TP4OVMK	0	0	0	TP4OVPR2	TP4OVPR1	TP4OVPR0
FFFFF146H	TP4CCIC0	TP4CCIF0	TP4CCMK0	0	0	0	TP4CCPR02	TP4CCPR01	TP4CCPR00
FFFFF148H	TP4CCIC1	TP4CCIF1	TP4CCMK1	0	0	0	TP4CCPR12	TP4CCPR11	TP4CCPR10
FFFFF14AH	TP5OVIC	TP5OVIF	TP5OVMK	0	0	0	TP5OVPR2	TP5OVPR1	TP5OVPR0
FFFFF14CH	TP5CCIC0	TP5CCIF0	TP5CCMK0	0	0	0	TP5CCPR02	TP5CCPR01	TP5CCPR00
FFFFF14EH	TP5CCIC1	TP5CCIF1	TP5CCMK1	0	0	0	TP5CCPR12	TP5CCPR11	TP5CCPR10
FFFFF150H	TM0EQIC0	TM0EQIF0	TM0EQMK0	0	0	0	TM0EQPR02	TM0EQPR01	TM0EQPR00
FFFFF152H	CB0RIC/ IICIC1	CB0RIF/ IICIF1	CB0RMK/ IICMK1	0	0	0	CB0RPR2/ IICPR12	CB0RPR1/ IICPR11	CB0RPR0/ IICPR10
FFFFF154H	CB0TIC	CB0TIF	CB0TMK	0	0	0	CB0TPR2	CB0TPR1	CB0TPR0
FFFFF156H	CB1RIC	CB1RIF	CB1RMK	0	0	0	CB1RPR2	CB1RPR1	CB1RPR0
FFFFF158H	CB1TIC	CB1TIF	CB1TMK	0	0	0	CB1TPR2	CB1TPR1	CB1TPR0
FFFFF15AH	CB2RIC	CB2RIF	CB2RMK	0	0	0	CB2RPR2	CB2RPR1	CB2RPR0
FFFFF15CH	CB2TIC	CB2TIF	CB2TMK	0	0	0	CB2TPR2	CB2TPR1	CB2TPR0
FFFFF15EH	CB3RIC	CB3RIF	CB3RMK	0	0	0	CB3RPR2	CB3RPR1	CB3RPR0
FFFFF160H	CB3TIC	CB3TIF	CB3TMK	0	0	0	CB3TPR2	CB3TPR1	CB3TPR0

Table 19-2. Interrupt Control Register (xxICn) (2/2)

Address	Register	Bit							
		<7>	<6>	5	4	3	2	1	0
FFFFF162H	UA0RIC/ CB4RIC	UA0RIF/ CB4RIF	UA0RMK/ CB4RMK	0	0	0	UA0RPR2/ CB4RPR2	UA0RPR1/ CB4RPR1	UA0RPR0/ CB4RPR0
FFFFF164H	UA0TIC/ CB4TIC	UA0TIF/ CB4TIF	UA0TMK/ CB4TMK	0	0	0	UA0TPR2/ CB4TPR2	UA0TPR1/ CB4TPR1	UA0TPR0/ CB4TPR0
FFFFF166H	UA1RIC/ IICIC2	UA1RIF/ IICIF2	UA1RMK/ IICMK2	0	0	0	UA1RPR2/ IICPR22	UA1RPR1/ IICPR21	UA1RPR0/ IICPR20
FFFFF168H	UA1TIC	UA1TIF	UA1TMK	0	0	0	UA1TPR2	UA1TPR1	UA1TPR0
FFFFF16AH	UA2RIC/ IICIC0	UA2RIF/ IICIF0	UA2RMK/ IICMK0	0	0	0	UA2RPR2/ IICPR02	UA2RPR1/ IICPR01	UA2RPR0/ IICPR00
FFFFF16CH	UA2TIC	UA2TIF	UA2TMK	0	0	0	UA2TPR2	UA2TPR1	UA2TPR0
FFFFF16EH	ADIC	ADIF	ADMK	0	0	0	ADPR2	ADPR1	ADPR0
FFFFF170H	DMAIC0	DMAIF0	DMAMK0	0	0	0	DMAPR02	DMAPR01	DMAPR00
FFFFF172H	DMAIC1	DMAIF1	DMAMK1	0	0	0	DMAPR12	DMAPR11	DMAPR10
FFFFF174H	DMAIC2	DMAIF2	DMAMK2	0	0	0	DMAPR22	DMAPR21	DMAPR20
FFFFF176H	DMAIC3	DMAIF3	DMAMK3	0	0	0	DMAPR32	DMAPR31	DMAPR30
FFFFF178H	KRIC	KRIF	KRMK	0	0	0	KRPR2	KRPR1	KRPR0
FFFFF17AH	WTIC	WTIF	WTMK	0	0	0	WTIPR2	WTIPR1	WTIPR0
FFFFF17CH	WTIC	WTIF	WTMK	0	0	0	WTPR2	WTPR1	WTPR0
FFFFF18EH	PIC8	PIF8	PMK8	0	0	0	PPR82	PPR81	PPR80
FFFFF190H	TP6OVIC	TP6OVIF	TP6OVMK	0	0	0	TP6OVPR2	TP6OVPR1	TP6OVPR0
FFFFF192H	TP6CCIC0	TP6CCIF0	TP6CCMK0	0	0	0	TP6CCPR02	TP6CCPR01	TP6CCPR00
FFFFF194H	TP6CCIC1	TP6CCIF1	TP6CCMK1	0	0	0	TP6CCPR12	TP6CCPR11	TP6CCPR10
FFFFF196H	TP7OVIC	TP7OVIF	TP7OVMK	0	0	0	TP7OVPR2	TP7OVPR1	TP7OVPR0
FFFFF198H	TP7CCIC0	TP7CCIF0	TP7CCMK0	0	0	0	TP7CCPR02	TP7CCPR01	TP7CCPR00
FFFFF19AH	TP7CCIC1	TP7CCIF1	TP7CCMK1	0	0	0	TP7CCPR12	TP7CCPR11	TP7CCPR10
FFFFF19CH	TP8OVIC	TP8OVIF	TP8OVMK	0	0	0	TP8OVPR2	TP8OVPR1	TP8OVPR0
FFFFF19EH	TP8CCIC0	TP8CCIF0	TP8CCMK0	0	0	0	TP8CCPR02	TP8CCPR01	TP8CCPR00
FFFFF1A0H	TP8CCIC1	TP8CCIF1	TP8CCMK1	0	0	0	TP8CCPR12	TP8CCPR11	TP8CCPR10
FFFFF1A2H	CB5RIC	CB5RIF	CB5RMK	0	0	0	CB5RPR2	CB5RPR1	CB5RPR0
FFFFF1A4H	CB5TIC	CB5TIF	CB5TMK	0	0	0	CB5TPR2	CB5TPR1	CB5TPR0
FFFFF1A6H	UA3RIC	UA3RIF	UA3RMK	0	0	0	UA3RPR2	UA3RPR1	UA3RPR0
FFFFF1A8H	UA3TIC	UA3TIF	UA3TMK	0	0	0	UA3TPR2	UA3TPR1	UA3TPR0

19.3.5 Interrupt mask registers 0 to 4 (IMR0 to IMR4)

The IMR0 to IMR4 registers set the interrupt mask state for the maskable interrupts. The xxMKn bit of the IMR0 to IMR4 registers is equivalent to the xxICn.xxMKn bit.

The IMRm register can be read or written in 16-bit units (m = 0 to 4).

If the higher 8 bits of the IMRm register are used as an IMRmH register and the lower 8 bits as an IMRmL register, these registers can be read or written in 8-bit or 1-bit units (m = 0 to 4).

Reset sets these registers to FFFFH.

Caution The device file defines the xxICn.xxMKn bit as a reserved word. If a bit is manipulated using the name of xxMKn, the contents of the xxICn register, instead of the IMRm register, are rewritten (as a result, the contents of the IMRm register are also rewritten).

After reset: FFFFH R/W Address: IMR4 FFFFF108H,
IMR4L FFFFF108H, IMR4H FFFFF109H

	15	14	13	12	11	10	9	8
IMR4 (IMR4H ^{Note})	1	1	1	UA3TMK	UA3RMK	CB5TMK	CB5RMK	TP8CCMK1
	7	6	5	4	3	2	1	0
IMR4L	TP8CCMK0	TP8OVMK	TP7CCMK1	TP7CCMK0	TP7OVMK	TP6CCMK1	TP6CCMK0	TP6OVMK

After reset: FFFFH R/W Address: IMR3 FFFFF106H,
IMR3L FFFFF106H, IMR3H FFFFF107H

	15	14	13	12	11	10	9	8
IMR3 (IMR3H ^{Note})	PMK8	1	1	1	1	1	1	1
	7	6	5	4	3	2	1	0
IMR3L	1	WTMK	WTIMK	KRMK	DMAMK3	DMAMK2	DMAMK1	DMAMK0

After reset: FFFFH R/W Address: IMR2 FFFFF104H,
IMR2L FFFFF104H, IMR2H FFFFF105H

	15	14	13	12	11	10	9	8
IMR2 (IMR2H ^{Note})	ADMK	UA2TMK	UA2RMK/ IICMK0	UA1TMK	UA1RMK/ IIC2MK	UA0TMK/ CB4TMK	UA0RMK/ CB4RMK	CB3TMK
	7	6	5	4	3	2	1	0
IMR2L	CB3RMK	CB2TMK	CB2RMK	CB1TMK	CB1RMK	CB0TMK	CB0RMK/ IICMK1	TM0EQMK0

After reset: FFFFH R/W Address: IMR1 FFFFF102H,
IMR1L FFFFF102H, IMR1H FFFFF103H

	15	14	13	12	11	10	9	8
IMR1 (IMR1H ^{Note})	TP5CCMK1	TP5CCMK0	TP5OVMK	TP4CCMK1	TP4CCMK0	TP4OVMK	TP3CCMK1	TP3CCMK0
	7	6	5	4	3	2	1	0
IMR1L	TP3OVMK	TP2CCMK1	TP2CCMK0	TP2OVMK	TP1CCMK1	TP1CCMK0	TP1OVMK	TP0CCMK1

After reset: FFFFH R/W Address: IMR0 FFFFF100H,
IMR0L FFFFF100H, IMR0H FFFFF101H

	15	14	13	12	11	10	9	8
IMR0 (IMR0H ^{Note})	TP0CCMK0	TP0OVMK	TQ0CCMK3	TQ0CCMK2	TQ0CCMK1	TQ0CCMK0	TQ0OVMK	PMK7
	7	6	5	4	3	2	1	0
IMR0L	PMK6	PMK5	PMK4	PMK3	PMK2	PMK1	PMK0	LVIMK

xxMKn	Setting of interrupt mask flag
0	Interrupt servicing enabled
1	Interrupt servicing disabled

Note To read bits 8 to 15 of the IMR0 to IMR4 registers in 8-bit or 1-bit units, specify them as bits 0 to 7 of IMR0H to IMR4H registers.

Caution Set bits 13 to 15 of the IMR4 register and bits 7 to 14 of the IMR3 register to 1. If the setting of these bits is changed, the operation is not guaranteed.

Remark xx: Identification name of each peripheral unit (see Table 19-2 Interrupt Control Register (xxICn)).

n: Peripheral unit number (see Table 19-2 Interrupt Control Register (xxICn))

19.3.6 In-service priority register (ISPR)

The ISPR register holds the priority level of the maskable interrupt currently acknowledged. When an interrupt request signal is acknowledged, the bit of this register corresponding to the priority level of that interrupt request signal is set to 1 and remains set while the interrupt is serviced.

When the RETI instruction is executed, the bit corresponding to the interrupt request signal having the highest priority is automatically reset to 0 by hardware. However, it is not reset to 0 when execution is returned from non-maskable interrupt servicing or exception processing.

This register is read-only, in 8-bit or 1-bit units.

Reset sets this register to 00H.

Caution If an interrupt is acknowledged while the ISPR register is being read in the interrupt enabled (EI) status, the value of the ISPR register after the bits of the register have been set by acknowledging the interrupt may be read. To accurately read the value of the ISPR register before an interrupt is acknowledged, read the register while interrupts are disabled (DI).

After reset: 00H		R	Address: FFFFF1FAH					
	<7>	<6>	<5>	<4>	<3>	<2>	<1>	<0>
ISPR	ISPR7	ISPR6	ISPR5	ISPR4	ISPR3	ISPR2	ISPR1	ISPR0
ISPRn	Priority of interrupt currently acknowledged							
0	Interrupt request signal with priority n not acknowledged							
1	Interrupt request signal with priority n acknowledged							

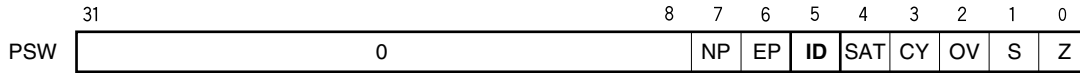
Remark n = 0 to 7 (priority level)

19.3.7 ID flag

This flag controls the maskable interrupt's operating state, and stores control information regarding enabling or disabling of interrupt request signals. An interrupt disable flag (ID) is assigned to the PSW.

Reset sets this flag to 00000020H.

After reset: 00000020H



ID	Specification of maskable interrupt servicing ^{Note}
0	Maskable interrupt request signal acknowledgment enabled
1	Maskable interrupt request signal acknowledgment disabled (pending)

Note Interrupt disable flag (ID) function

This bit is set to 1 by the DI instruction and cleared to 0 by the EI instruction. Its value is also modified by the RETI instruction or LDSR instruction when referencing the PSW.

Non-maskable interrupt request signals and exceptions are acknowledged regardless of this flag. When a maskable interrupt request signal is acknowledged, the ID flag is automatically set to 1 by hardware.

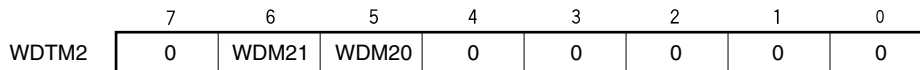
The interrupt request signal generated during the acknowledgment disabled period (ID flag = 1) is acknowledged when the xxICn.xxIFn bit is set to 1, and the ID flag is cleared to 0.

19.3.8 Watchdog timer mode register 2 (WDTM2)

This register can be read or written in 8-bit units (for details, see **CHAPTER 11 FUNCTIONS OF WATCHDOG TIMER 2**).

Reset sets this register to 67H.

After reset: 67H R/W Address: FFFFF6D0H



WDM21	WDM20	Selection of watchdog timer operation mode
0	0	Stops operation
0	1	Non-maskable interrupt request mode
1	×	Reset mode (initial-value)

19.4 Software Exception

A software exception is generated when the CPU executes the TRAP instruction, and can always be acknowledged.

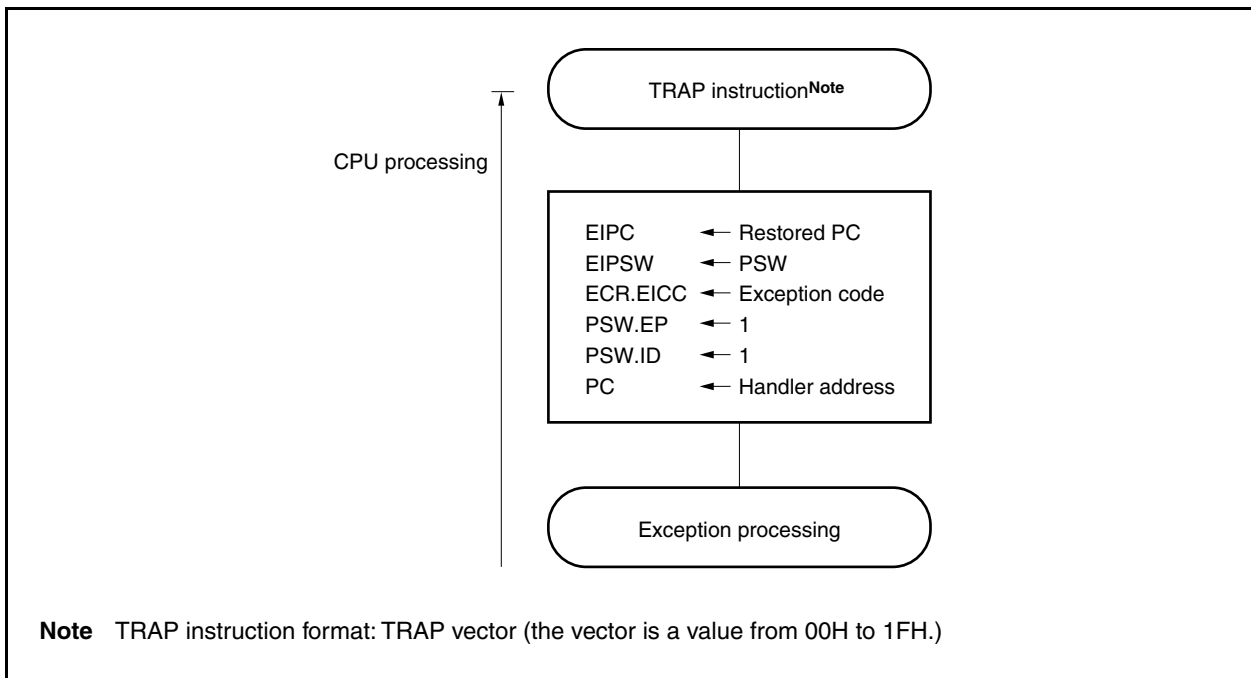
19.4.1 Operation

If a software exception occurs, the CPU performs the following processing, and transfers control to the handler routine.

- <1> Saves the restored PC to EIPC.
- <2> Saves the current PSW to EIPSW.
- <3> Writes an exception code to the lower 16 bits (EICC) of ECR (interrupt source).
- <4> Sets the PSW.EP and PSW.ID bits to 1.
- <5> Sets the handler address (00000040H or 00000050H) corresponding to the software exception to the PC, and transfers control.

The processing of a software exception is shown below.

Figure 19-9. Software Exception Processing



The handler address is determined by the TRAP instruction's operand (vector). If the vector is 00H to 0FH, it becomes 00000040H, and if the vector is 10H to 1FH, it becomes 00000050H.

19.4.2 Restore

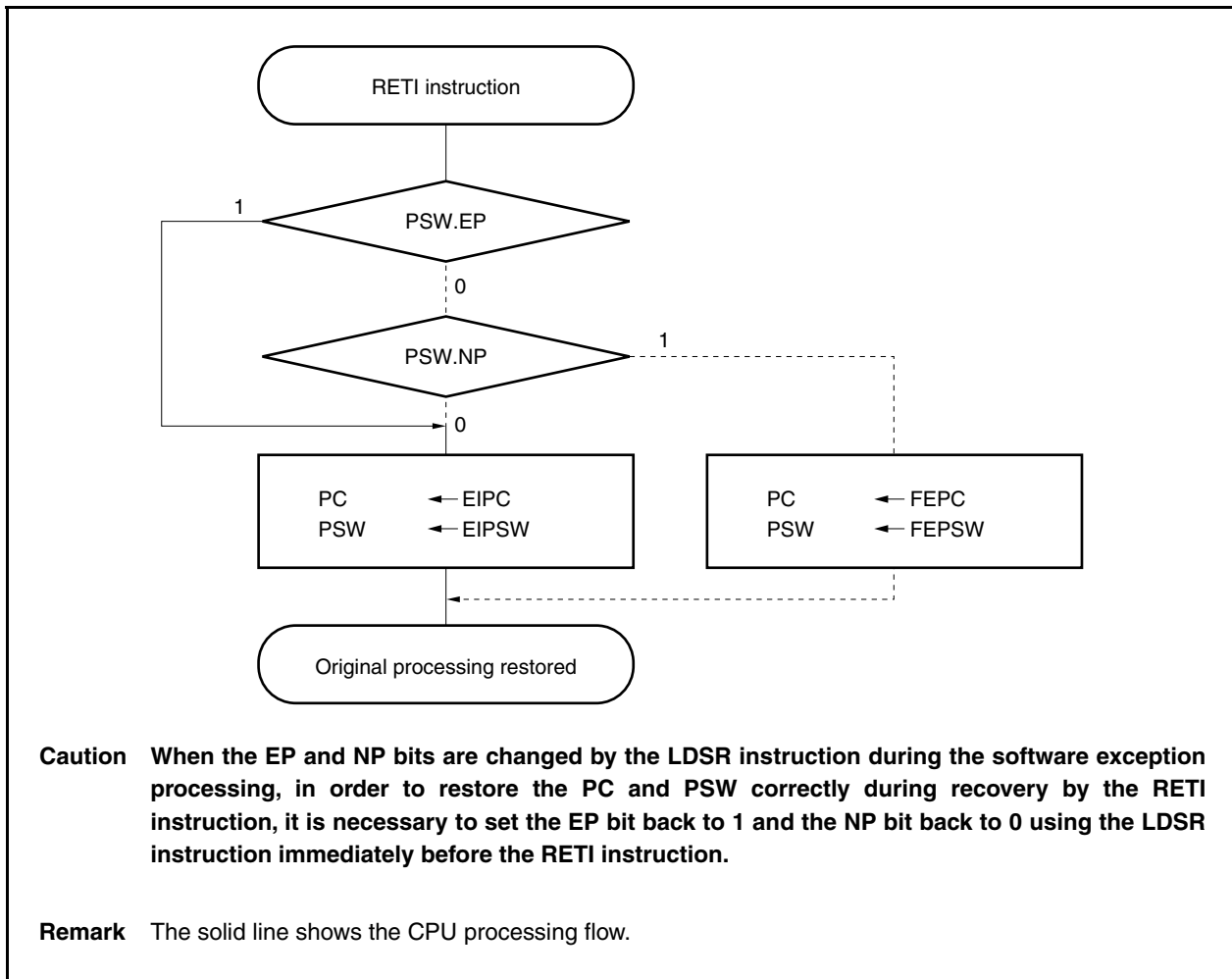
Restoration from software exception processing is carried out by the RETI instruction.

By executing the RETI instruction, the CPU carries out the following processing and shifts control to the restored PC's address.

- <1> Loads the restored PC and PSW from EIPC and EIPSW because the PSW.EP bit is 1.
- <2> Transfers control to the address of the restored PC and PSW.

The processing of the RETI instruction is shown below.

Figure 19-10. RETI Instruction Processing



19.4.3 EP flag

The EP flag is a status flag used to indicate that exception processing is in progress. It is set when an exception occurs.

After reset: 00000020H

	31		8	7	6	5	4	3	2	1	0
PSW	0			NP	EP	ID	SAT	CY	OV	S	Z

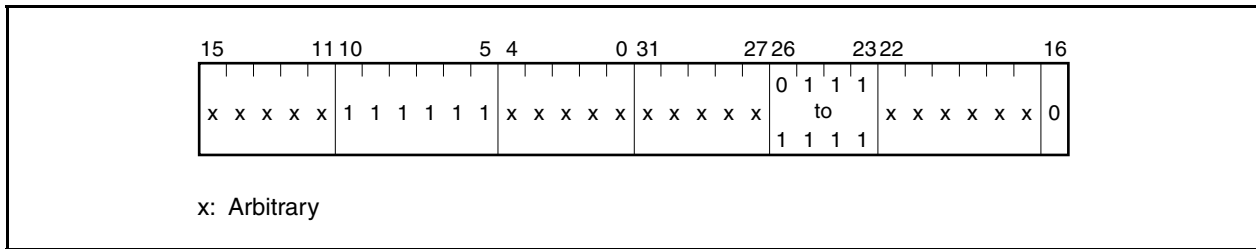
EP	Exception processing status
0	Exception processing not in progress.
1	Exception processing in progress.

19.5 Exception Trap

An exception trap is an interrupt that is requested when the illegal execution of an instruction takes place. In the V850ES/JJ2, an illegal opcode exception (ILGOP: Illegal Opcode Trap) is considered as an exception trap.

19.5.1 Illegal opcode definition

The illegal instruction has an opcode (bits 10 to 5) of 111111B, a sub-opcode (bits 26 to 23) of 0111B to 1111B, and a sub-opcode (bit 16) of 0B. An exception trap is generated when an instruction applicable to this illegal instruction is executed.



Caution Since it is possible to assign this instruction to an illegal opcode in the future, it is recommended that it not be used.

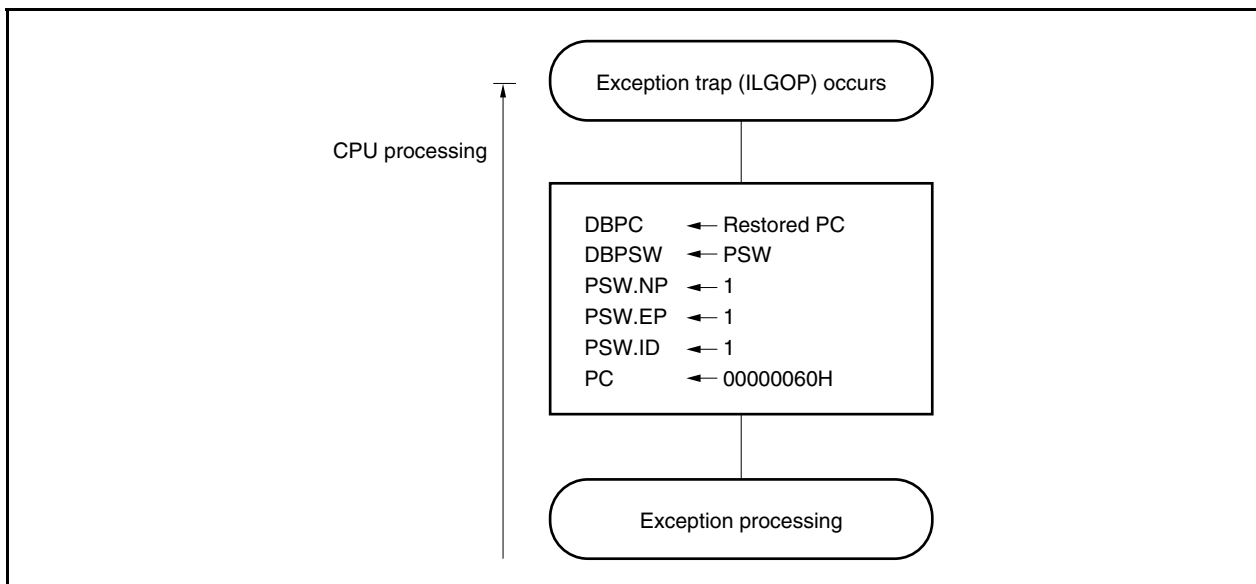
(1) Operation

If an exception trap occurs, the CPU performs the following processing, and transfers control to the handler routine.

- <1> Saves the restored PC to DBPC.
- <2> Saves the current PSW to DBPSW.
- <3> Sets the PSW.NP, PSW.EP, and PSW.ID bits to 1.
- <4> Sets the handler address (00000060H) corresponding to the exception trap to the PC, and transfers control.

The processing of the exception trap is shown below.

Figure 19-11. Exception Trap Processing



(2) Restoration

Restoration from an exception trap is carried out by the DBRET instruction. By executing the DBRET instruction, the CPU carries out the following processing and controls the address of the restored PC.

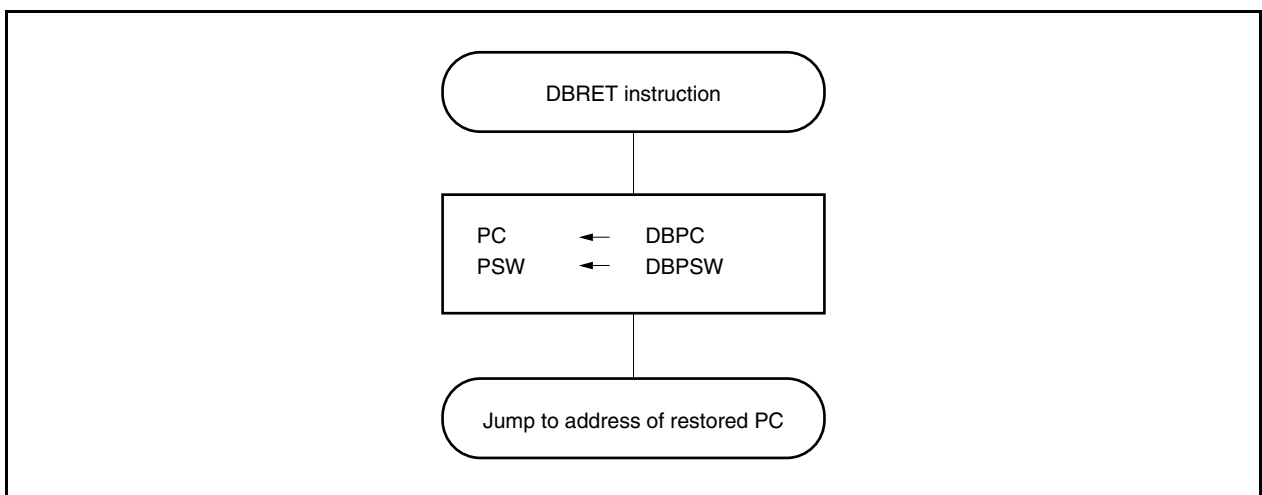
<1> Loads the restored PC and PSW from DBPC and DBPSW.

<2> Transfers control to the address indicated by the restored PC and PSW.

Caution DBPC and DBPSW can be accessed only during the interval between the execution of an illegal opcode and the DBRET instruction.

The restore processing from an exception trap is shown below.

Figure 19-12. Restore Processing from Exception Trap



19.5.2 Debug trap

A debug trap is an exception that is generated when the DBTRAP instruction is executed and is always acknowledged.

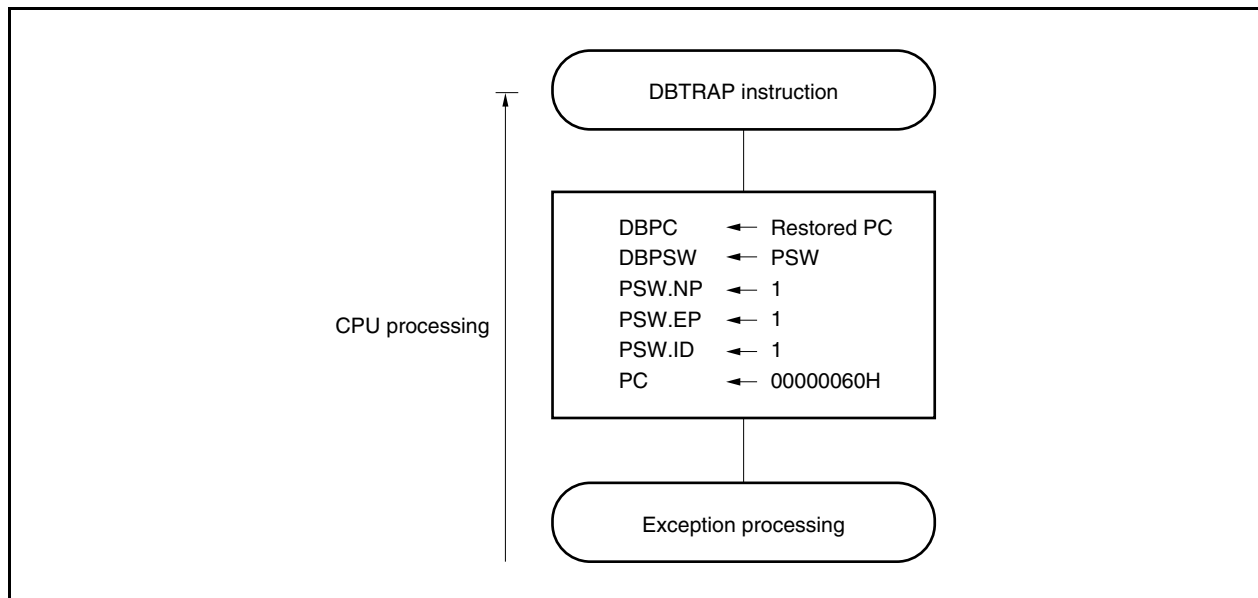
(1) Operation

Upon occurrence of a debug trap, the CPU performs the following processing.

- <1> Saves restored PC to DBPC.
- <2> Saves current PSW to DBPSW.
- <3> Sets the PSW.NP, PSW.EP, and PSW.ID bits to 1.
- <4> Sets handler address (00000060H) for debug trap to PC and transfers control.

The debug trap processing format is shown below.

Figure 19-13. Debug Trap Processing Format



(2) Restoration

Restoration from a debug trap is executed with the DBRET instruction.

With the DBRET instruction, the CPU performs the following steps and transfers control to the address of the restored PC.

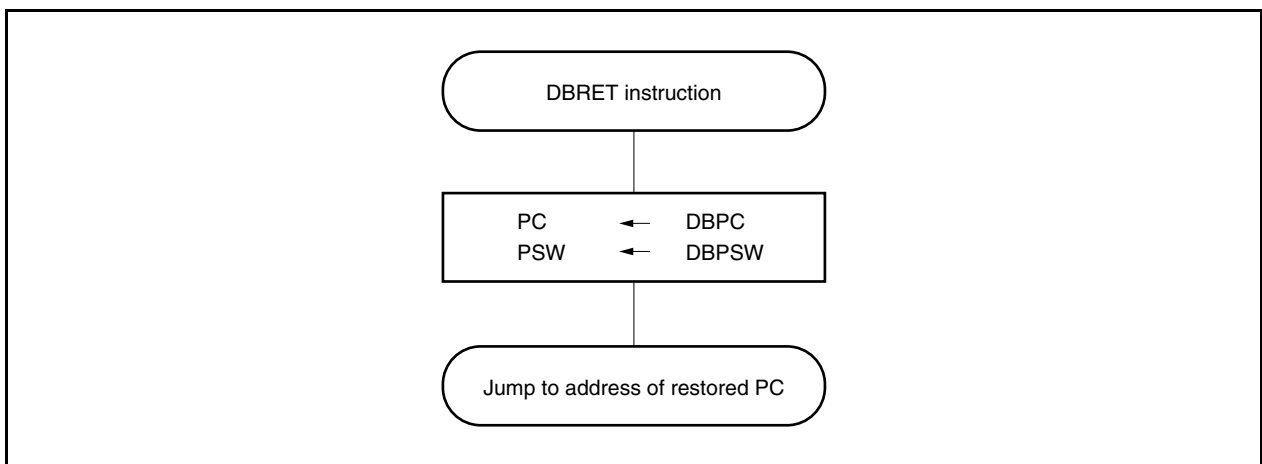
<1> The restored PC and PSW are read from DBPC and DBPSW.

<2> Control is transferred to the fetched address of the restored PC and PSW.

Caution DBPC and DBPSW can be accessed only during the interval between the execution of the DBTRAP instruction and the DBRET instruction.

The processing format for restoration from a debug trap is shown below.

Figure 19-14. Processing Format of Restoration from Debug Trap



19.6 External Interrupt Request Input Pins (NMI and INTP0 to INTP8)

19.6.1 Noise elimination

(1) Eliminating noise on NMI pin

The NMI pin has an internal noise elimination circuit that uses analog delay. Therefore, the input level of the NMI pin is not detected as an edge unless it is maintained for a specific time or longer. Therefore, an edge is detected after specific time.

The NMI pin can be used to release the STOP mode. In the STOP mode, noise is not eliminated by using the system clock because the internal system clock is stopped.

(2) Eliminating noise on INTP0 to INTP8 pins

The INTP0 to INTP8 pins have an internal noise elimination circuit that uses analog delay. Therefore, the input level of the NMI pin is not detected as an edge unless it is maintained for a specific time or longer. Therefore, an edge is detected after specific time.

19.6.2 Edge detection

The valid edge of each of the NMI and INTP0 to INTP8 pins can be selected from the following four.

- Rising edge
- Falling edge
- Both rising and falling edges
- No edge detected

The edge of the NMI pin is not detected after reset. Therefore, the interrupt request signal is not acknowledged unless a valid edge is enabled by using the INTF0 and INTR0 register (the NMI pin functions as a normal port pin).

(1) External interrupt falling, rising edge specification register 0 (INTF0, INTR0)

The INTF0 and INTR0 registers are 8-bit registers that specify detection of the falling and rising edges of the NMI pin via bit 2 and the external interrupt pins (INTP0 to INTP3) via bits 3 to 6.

These registers can be read or written in 8-bit or 1-bit units.

Reset sets these registers to 00H.

Caution When the function is changed from the external interrupt function (alternate function) to the port function, an edge may be detected. Therefore, clear the INTF0n and INTR0n bits to 00, and then set the port mode.

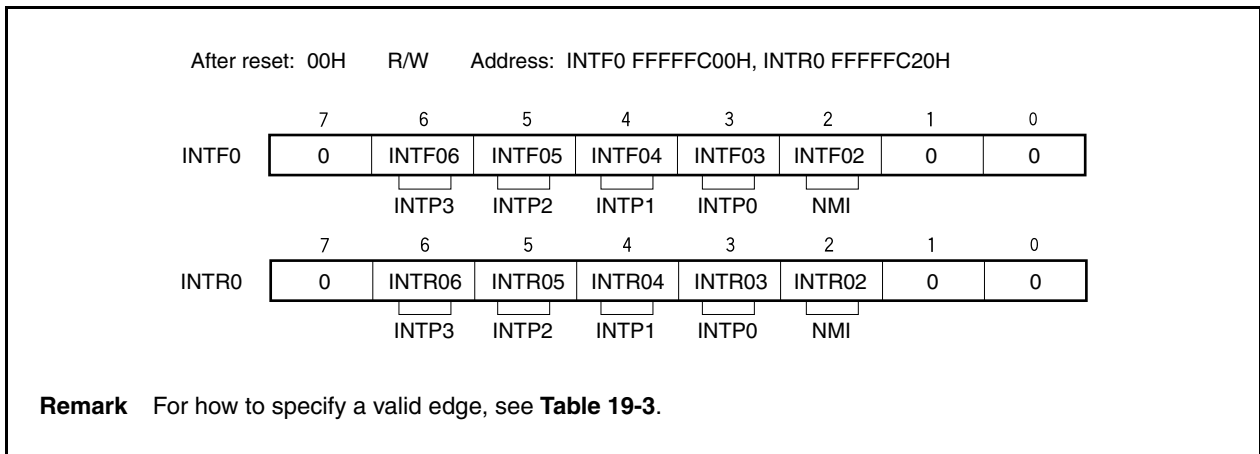


Table 19-3. Valid Edge Specification

INTF0n	INTR0n	Valid Edge Specification (n = 2 to 6)
0	0	No edge detected
0	1	Rising edge
1	0	Falling edge
1	1	Both rising and falling edges

Caution Be sure to clear the INTF0n and INTR0n bits to 00 when these registers are not used as the NMI or INTP0 to INTP3 pins.

Remark n = 2: Control of NMI pin
 n = 3 to 6: Control of INTP0 to INTP3 pins

(2) External interrupt falling, rising edge specification register 3 (INTF3, INTR3)

The INTF3 and INTR3 registers are 8-bit registers that specify detection of the falling and rising edges of the external interrupt pin (INTP7).

These registers can be read or written in 8-bit or 1-bit units.

Reset sets these registers to 00H.

- Cautions**
1. When the function is changed from the external interrupt function (alternate function) to the port function, an edge may be detected. Therefore, clear the INTF31 and INTR31 bits to 00, and then set the port mode.
 2. The INTP7 pin and RXDA0 pin are alternate-function pins. When using the pin as the RXDA0 pin, disable edge detection for the INTP7 alternate-function pin (clear the INTF3.INTF31 bit and the INTR3.INTR31 bit to 0). When using the pin as the INTP7 pin, stop UARTA0 reception (clear the UA0CTL0.UA0RXE bit to 0).

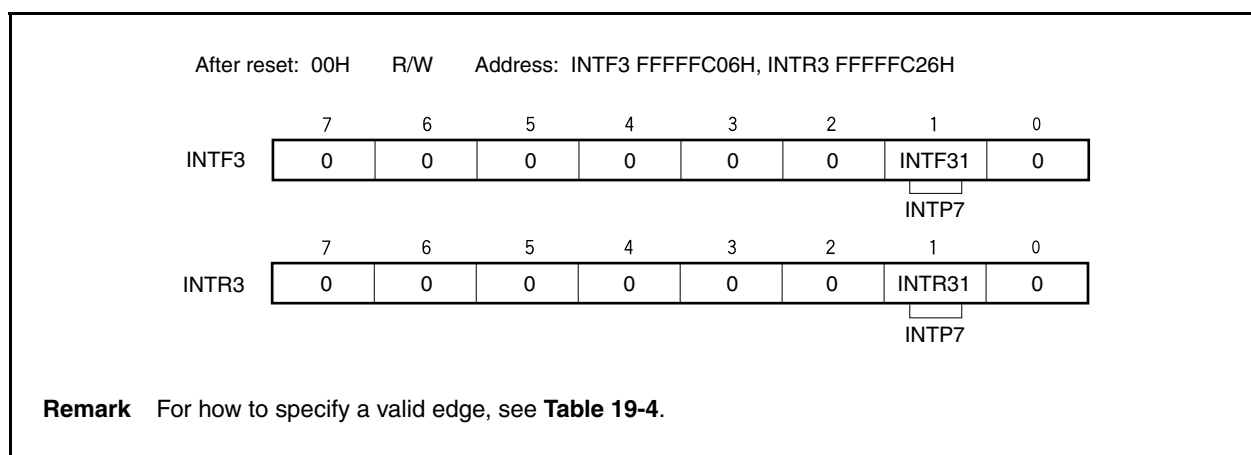


Table 19-4. Valid Edge Specification

INTF31	INTR31	Valid Edge Specification
0	0	No edge detected
0	1	Rising edge
1	0	Falling edge
1	1	Both rising and falling edges

Caution Be sure to clear the INTF31 and INTR31 bits to 00 when these registers are not used as INTP7 pin.

(3) External interrupt falling, rising edge specification register 8 (INTF8, INTR8)

The INTF8 and INTR8 registers are 8-bit registers that specify detection of the falling and rising edges of the external interrupt pin (INTP8).

These registers can be read or written in 8-bit or 1-bit units.

Reset sets these registers to 00H.

Cautions 1. When the function is changed from the external interrupt function (alternate function) to the port function, an edge may be detected. Therefore, clear the INTF80 and INTR80 bits to 00, and then set the port mode.

2. The INTP8 pin and RXDA3 pin are alternate-function pins. When using the pin as the RXDA3 pin, disable edge detection for the INTP8 alternate-function pin (clear the INTF8.INTF80 bit and the INTR8.INTR80 bit to 0). When using the pin as the INTP8 pin, stop UARTA3 reception (clear the UA3CTL0.UA3RXE bit to 0).

After reset: 00H R/W Address: INTF8 FFFFFFFC10H, INTR8 FFFFFFFC30H

	7	6	5	4	3	2	1	0
INTF8	0	0	0	0	0	0	0	INTF80
								INTP8

	7	6	5	4	3	2	1	0
INTR8	0	0	0	0	0	0	0	INTR80
								INTP8

Remark For how to specify a valid edge, see **Table 19-5**.

Table 19-5. Valid Edge Specification

INTF80	INTR80	Valid Edge Specification
0	0	No edge detected
0	1	Rising edge
1	0	Falling edge
1	1	Both rising and falling edges

Caution Be sure to clear the INTF80 and INTR80 bits to 00 when these registers are not used as INTP8 pin.

(4) External interrupt falling, rising edge specification register 9H (INTF9H, INTR9H)

The INTF9H and INTR9H registers are 8-bit registers that specify detection of the falling and rising edges of the external interrupt pins (INTP4 to INTP6).

These registers can be read or written in 8-bit or 1-bit units.

Reset sets these registers to 00H.

Caution When the function is changed from the external interrupt function (alternate function) to the port function, an edge may be detected. Therefore, clear the INTF9n and INTR9n bits to 0, and then set the port mode.

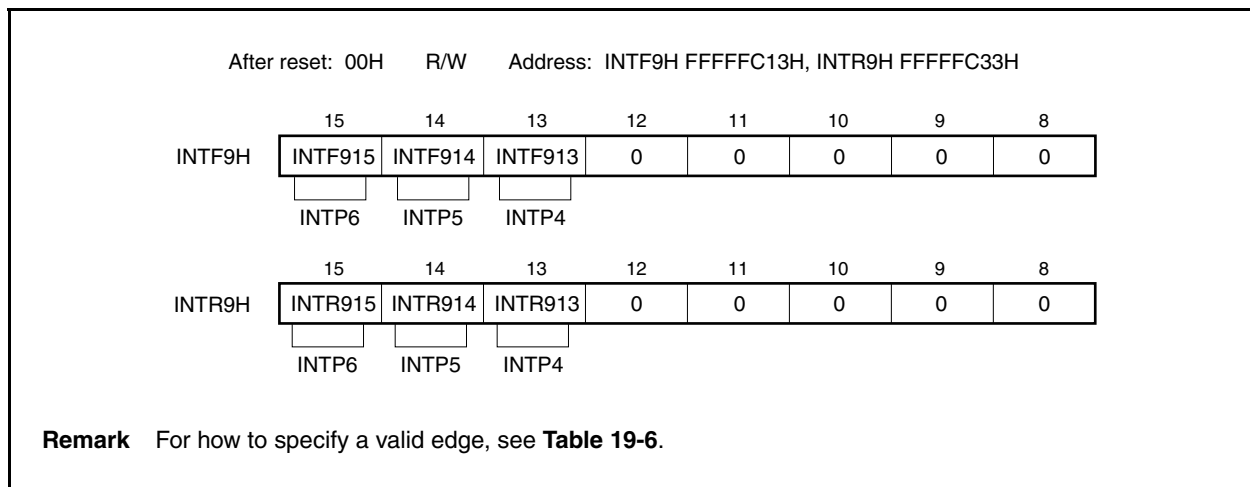


Table 19-6. Valid Edge Specification

INTF9n	INTR9n	Valid Edge Specification (n = 13 to 15)
0	0	No edge detected
0	1	Rising edge
1	0	Falling edge
1	1	Both rising and falling edges

Caution Be sure to clear the INTF9n and INTR9n bits to 00 when these registers are not used as INTP4 to INTP6 pins.

Remark n = 13 to 15: Control of INTP4 to INTP6 pins

(5) Noise elimination control register (NFC)

Digital noise elimination can be selected for the INTP3 pin. The noise elimination settings are performed using the NFC register.

When digital noise elimination is selected, the sampling clock for digital sampling can be selected from among $f_{xx}/64$, $f_{xx}/128$, $f_{xx}/256$, $f_{xx}/512$, $f_{xx}/1,024$, and f_{XT} . Sampling is performed three times.

When digital noise elimination is selected, if the clock that performs sampling in the standby mode is stopped, then the INTP3 interrupt request signal cannot be used for releasing the standby mode. When f_{XT} is used as the sampling clock, the INTP3 interrupt request signal can be used for releasing either the subclock operating mode or the IDLE1/IDLE2/STOP/sub-IDLE mode.

This register can be read or written in 8-bit units.

Reset sets this register to 00H.

Caution After the sampling clock has been changed, it takes 3 sampling clocks to initialize the digital noise eliminator. Therefore, if an INTP3 valid edge is input within these 3 sampling clocks after the sampling clock has been changed, an interrupt request signal may be generated. Therefore, be careful about the following points when using the interrupt and DMA functions.

- When using the interrupt function, after the 3 sampling clocks have elapsed, enable interrupts after the interrupt request flag (PIC3.PIF3 bit) has been cleared.
- When using the DMA function (started by INTP3), enable DMA after 3 sampling clocks have elapsed.

After reset: 00H R/W Address: FFFFF318H

	7	6	5	4	3	2	1	0
NFC	NFEN	0	0	0	0	NFC2	NFC1	NFC0

NFEN	Settings of INTP3 pin noise elimination
0	Analog noise elimination (60 ns (TYP.))
1	Digital noise elimination

NFC2	NFC1	NFC0	Digital sampling clock
0	0	0	$f_{xx}/64$
0	0	1	$f_{xx}/128$
0	1	0	$f_{xx}/256$
0	1	1	$f_{xx}/512$
1	0	0	$f_{xx}/1,024$
1	0	1	f_{XT} (subclock)
Other than above			Setting prohibited

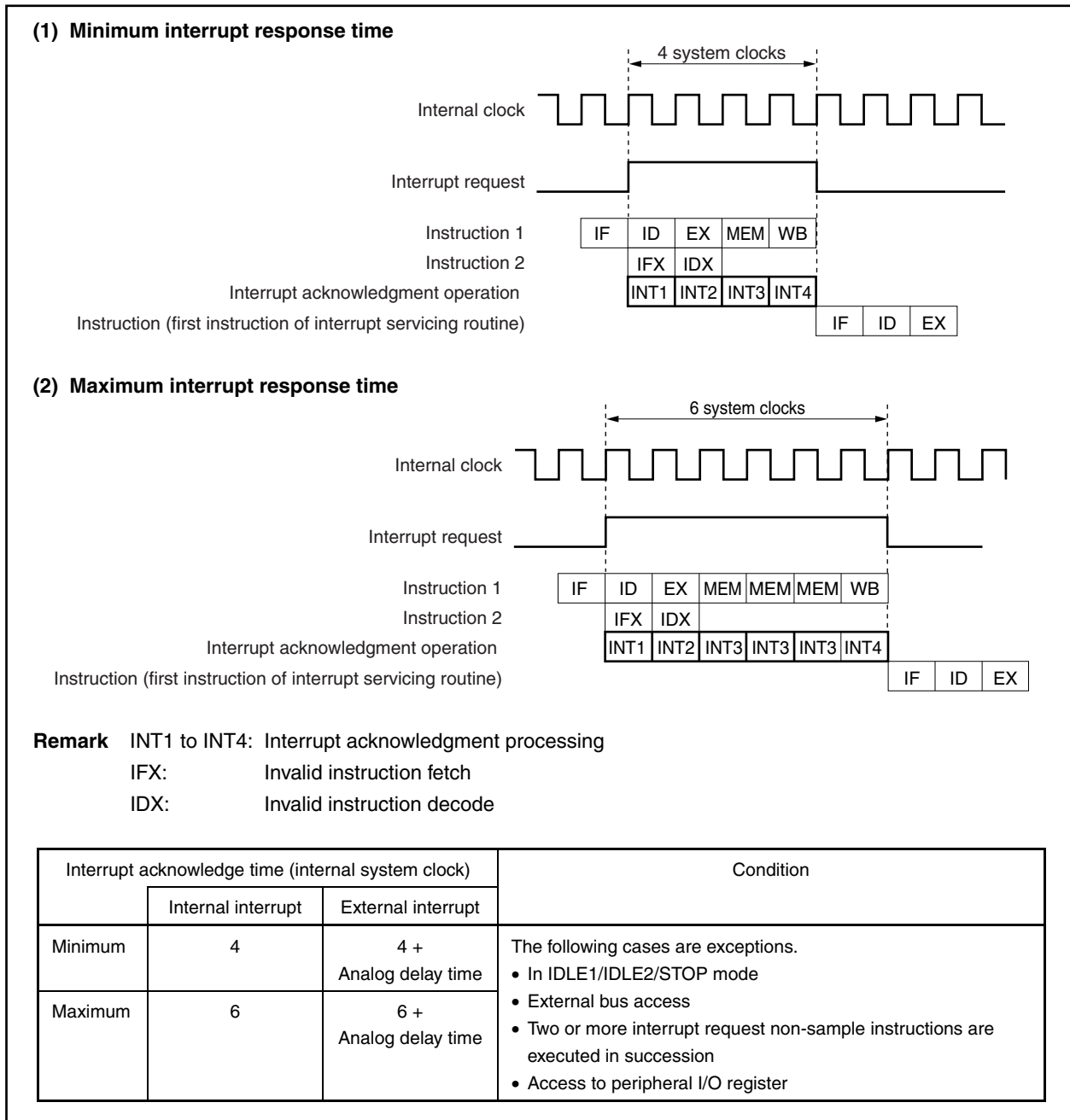
- Remarks**
1. Since sampling is performed three times, the reliably eliminated noise width is 2 sampling clocks.
 2. In the case of noise with a width smaller than 2 sampling clocks, an interrupt request signal is generated if noise synchronized with the sampling clock is input.

19.7 Interrupt Acknowledge Time of CPU

Except the following cases, the interrupt acknowledge time of the CPU is 4 clocks minimum. To input interrupt request signals successively, input the next interrupt request signal at least 5 clocks after the preceding interrupt.

- In IDLE1/IDLE2/STOP mode
- When the external bus is accessed
- When interrupt request non-sampling instructions are successively executed (see 19.8 Periods in Which Interrupts Are Not Acknowledged by CPU.)
- When the interrupt control register is accessed

Figure 19-15. Pipeline Operation at Interrupt Request Signal Acknowledgment (Outline)



19.8 Periods in Which Interrupts Are Not Acknowledged by CPU

An interrupt is acknowledged by the CPU while an instruction is being executed. However, no interrupt will be acknowledged between an interrupt request non-sample instruction and the next instruction (interrupt is held pending).

The interrupt request non-sample instructions are as follows.

- EI instruction
- DI instruction
- LDSR reg2, 0x5 instruction (for PSW)
- The store instruction for the PRCMD register
- The store, SET1, NOT1, or CLR1 instructions for the following registers:
 - Interrupt-related registers:
Interrupt control register (xxICn), interrupt mask registers 0 to 4 (IMR0 to IMR4)
 - Power save control register (PSC)
 - On-chip debug mode register (OCDM)

Remark xx: Identification name of each peripheral unit (see **Table 19-2 Interrupt Control Register (xxICn)**)

n: Peripheral unit number (see **Table 19-2 Interrupt Control Register (xxICn)**).

19.9 Cautions

The NMI pin and P02 pin are an alternate-function pin, and function as a normal port pin after being reset. To enable the NMI pin, validate the NMI pin with the PMC0 register. The initial setting of the NMI pin is "No edge detected". Select the NMI pin valid edge using the INTF0 and INTR0 registers.

CHAPTER 20 KEY INTERRUPT FUNCTION

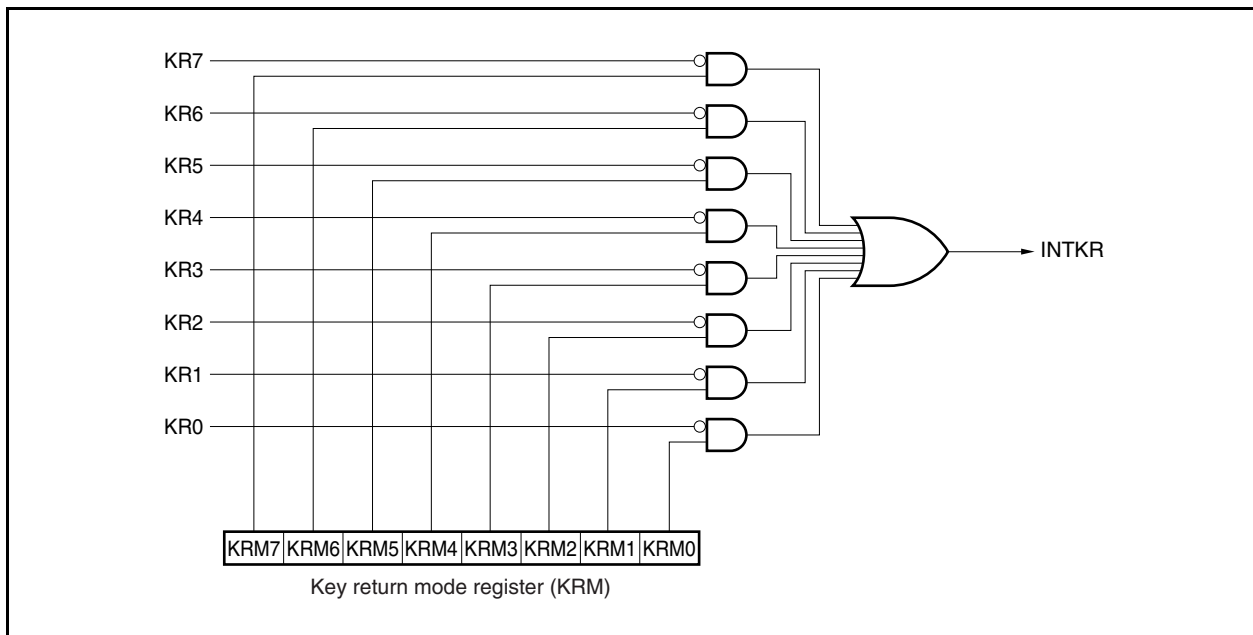
20.1 Function

A key interrupt request signal (INTKR) can be generated by inputting a falling edge to the eight key input pins (KR0 to KR7) by setting the KRM register.

Table 20-1. Assignment of Key Return Detection Pins

Flag	Pin Description
KRM0	Controls KR0 signal in 1-bit units
KRM1	Controls KR1 signal in 1-bit units
KRM2	Controls KR2 signal in 1-bit units
KRM3	Controls KR3 signal in 1-bit units
KRM4	Controls KR4 signal in 1-bit units
KRM5	Controls KR5 signal in 1-bit units
KRM6	Controls KR6 signal in 1-bit units
KRM7	Controls KR7 signal in 1-bit units

Figure 20-1. Key Return Block Diagram



20.2 Register

(1) Key return mode register (KRM)

The KRM register controls the KRM0 to KRM7 bits using the KR0 to KR7 signals.

This register can be read or written in 8-bit or 1-bit units.

Reset sets this register to 00H.

After reset: 00H		R/W	Address: FFFFF300H					
	7	6	5	4	3	2	1	0
KRM	KRM7	KRM6	KRM5	KRM4	KRM3	KRM2	KRM1	KRM0
	KRMn	Control of key return mode						
	0	Does not detect key return signal						
	1	Detects key return signal						

Caution Rewrite the KRM register after once clearing the KRM register to 00H.

Remark For the alternate-function pin settings, see **Table 4-19 Using Port Pins as Alternate-Function Pins**.

20.3 Cautions

- (1) If a low level is input to any of the KR0 to KR7 pins, the INTKR signal is not generated even if the falling edge of another pin is input.
- (2) The RXDA1 and KR7 pins must not be used at the same time. To use the RXDA1 pin, do not use the KR7 pin. To use the KR7 pin, do not use the RXDA1 pin (it is recommended to set the PFC91 bit to 1 and clear PFCE91 bit to 0).
- (3) If the KRM register is changed, an interrupt request signal (INTKR) may be generated. To prevent this, change the KRM register after disabling interrupts (DI) or masking, then clear the interrupt request flag (KRIC.KRIF bit) to 0, and enable interrupts (EI) or clear the mask.
- (4) To use the key interrupt function, be sure to set the port pin to the key return pin and then enable the operation with the KRM register. To switch from the key return pin to the port pin, disable the operation with the KRM register and then set the port pin.

CHAPTER 21 STANDBY FUNCTION

21.1 Overview

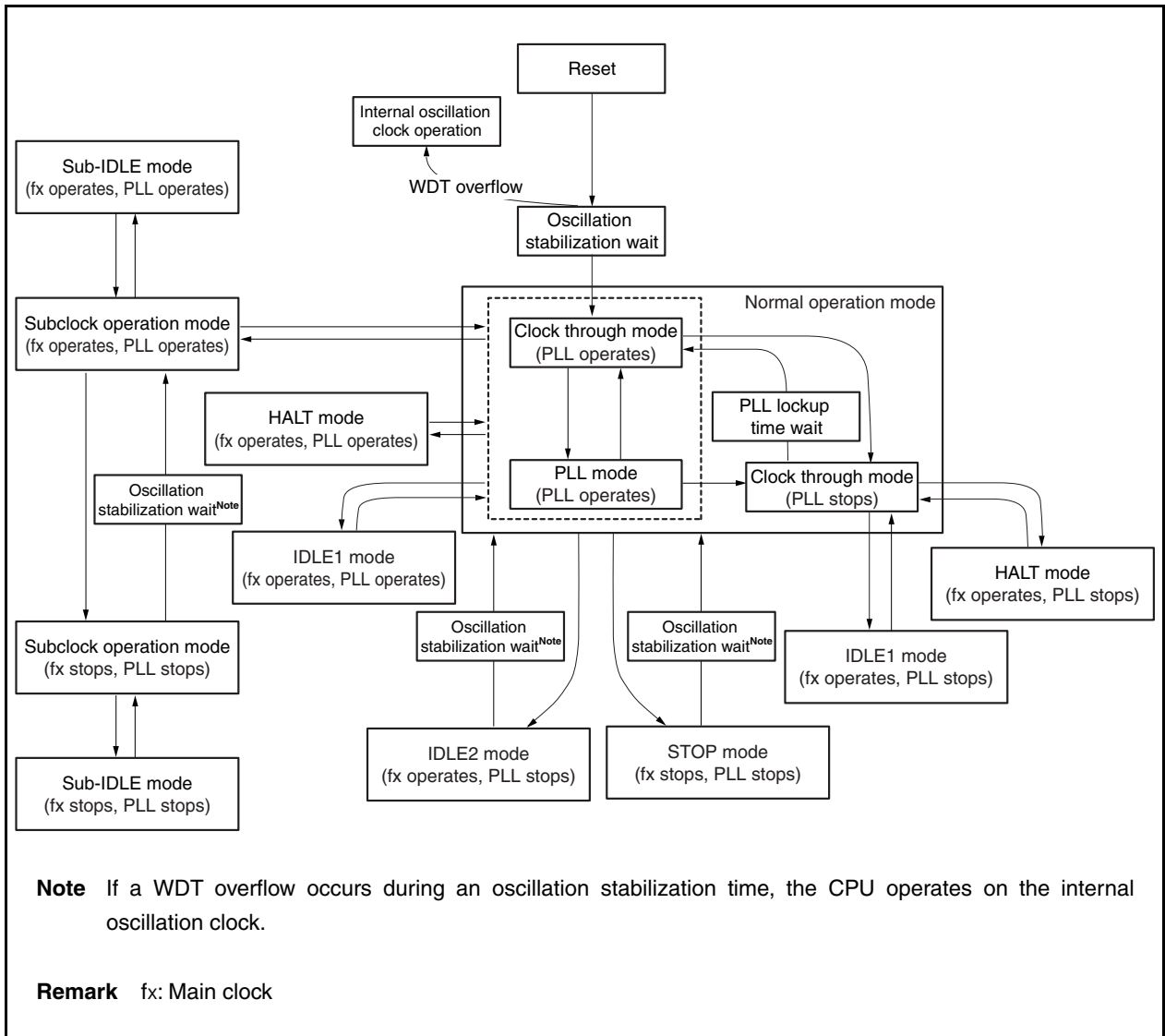
The power consumption of the system can be effectively reduced by using the standby modes in combination and selecting the appropriate mode for the application. The available standby modes are listed in Table 21-1.

Table 21-1. Standby Modes

Mode	Functional Outline
HALT mode	Mode in which only the operating clock of the CPU is stopped
IDLE1 mode	Mode in which all the operations of the internal circuits except the oscillator, PLL ^{Note} , and flash memory are stopped
IDLE2 mode	Mode in which all the operations of internal circuits except the oscillator are stopped
STOP mode	Mode in which all the operations of internal circuits except the subclock oscillator are stopped
Subclock operation mode	Mode in which the subclock is used as the internal system clock
Sub-IDLE mode	Mode in which all the operations of internal circuits except the oscillator are stopped, in the subclock operation mode

Note The PLL holds the previous operating status.

Figure 21-1. Status Transition



21.2 Registers

(1) Power save control register (PSC)

The PSC register is an 8-bit register that controls the standby function. The STP bit of this register is used to specify the STOP mode. This register is a special register that can be written only by the special sequence combinations (see 3.4.7 Special registers).

This register can be read or written in 8-bit or 1-bit units.

Reset sets this register to 00H.

After reset: 00H R/W Address: FFFFF1FEH

	7	<6>	<5>	<4>	3	2	<1>	0
PSC	0	NMI1M	NMI0M	INTM	0	0	STP	0

NMI1M	Control of releasing standby mode by INTWDT2 signal
0	Releasing standby mode by INTWDT2 signal enabled
1	Releasing standby mode by INTWDT2 signal disabled

NMI0M	Control of releasing standby mode by NMI pin input
0	Releasing standby mode by NMI pin input enabled
1	Releasing standby mode by NMI pin input disabled

INTM	Control of releasing standby mode by maskable interrupt request signals
0	Releasing standby mode by maskable interrupt request signals enabled
1	Releasing standby mode by maskable interrupt request signals disabled

STP	Standby mode setting
0	Normal mode
1	Standby mode

Note Standby mode set by STP bit: IDLE1, IDLE2, STOP, or sub-IDLE mode

- Cautions**
1. Before setting the IDLE1, IDLE2, STOP, or sub-IDLE mode, set the PSMR.PSM1 and PSMR.PSM0 bits and then set the STP bit.
 2. Settings of the NMI1M, NMI0M, and INTM bits are invalid when HALT mode is released.
 3. If the NMI1M, NMI0M, or INTM bit is set to 1 at the same time the STP bit is set to 1, the setting of NMI1M, NMI0M, or INTM bit becomes invalid. If there is an unmasked interrupt request signal being held pending when the IDLE1/IDLE2/STOP mode is set, set the bit corresponding to the interrupt request signal (NMI1M, NMI0M, or INTM) to 1, and then set the STP bit to 1.

<R>

(2) Power save mode register (PSMR)

The PSMR register is an 8-bit register that controls the operation status in the power save mode and the clock operation.

This register can be read or written in 8-bit or 1-bit units.

Reset sets this register to 00H.

After reset: 00H R/W Address: FFFFF820H

	7	6	5	4	3	2	<1>	<0>
PSMR	0	0	0	0	0	0	PSM1	PSM0

PSM1	PSM0	Specification of operation in software standby mode
0	0	IDLE1, sub-IDLE modes
0	1	STOP, sub-IDLE modes
1	0	IDLE2, sub-IDLE modes
1	1	STOP mode

Cautions 1. Be sure to clear bits 2 to 7 to “0”.

2. The PSM0 and PSM1 bits are valid only when the PSC.STP bit is 1.

Remark IDLE1: In this mode, all operations except the oscillator operation and some other circuits (flash memory and PLL) are stopped.
After the IDLE1 mode is released, the normal operation mode is restored without needing to secure the oscillation stabilization time, like the HALT mode.

IDLE2: In this mode, all operations except the oscillator operation are stopped.
After the IDLE2 mode is released, the normal operation mode is restored following the lapse of the setup time specified by the OSTS register (flash memory and PLL).

STOP: In this mode, all operations except the subclock oscillator operation are stopped.
After the STOP mode is released, the normal operation mode is restored following the lapse of the oscillation stabilization time specified by the OSTS register.

Sub-IDLE: In this mode, all other operations are halted except for the oscillator. After the IDLE mode has been released by the interrupt request signal, the subclock operation mode will be restored after 12 cycles of the subclock have been secured.

(3) Oscillation stabilization time select register (OSTS)

The wait time until the oscillation stabilizes after the STOP mode is released or the wait time until the on-chip flash memory stabilizes after the IDLE2 mode is released is controlled by the OSTS register.

The OSTS register can be read or written 8-bit units.

Reset sets this register to 06H.

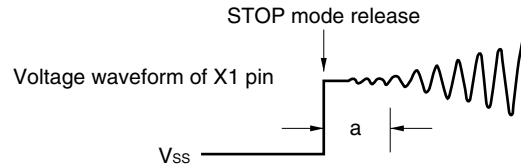
After reset: 06H R/W Address: FFFFF6C0H

	7	6	5	4	3	2	1	0
OSTS	0	0	0	0	0	OSTS2	OSTS1	OSTS0

OSTS2	OSTS1	OSTS0	Selection of oscillation stabilization time/setup time ^{Note}	f _x	
				4 MHz	5 MHz
				0	0
0	0	1	2 ¹¹ /f _x	0.512 ms	0.410 ms
0	1	0	2 ¹² /f _x	1.024 ms	0.819 ms
0	1	1	2 ¹³ /f _x	2.048 ms	1.638 ms
1	0	0	2 ¹⁴ /f _x	4.096 ms	3.277 ms
1	0	1	2 ¹⁵ /f _x	8.192 ms	6.554 ms
1	1	0	2 ¹⁶ /f _x	16.38 ms	13.107 ms
1	1	1	Setting prohibited		

Note The oscillation stabilization time and setup time are required when the STOP mode and IDLE2 mode are released, respectively.

Cautions 1. The wait time following release of the STOP mode does not include the time until the clock oscillation starts ("a" in the figure below) following release of the STOP mode, regardless of whether the STOP mode is released by reset or the occurrence of an interrupt request signal.



- 2. Be sure to clear bits 3 to 7 to "0".
- 3. The oscillation stabilization time following reset release is 2¹⁶/f_x (because the initial value of the OSTS register = 06H).

Remark f_x = Main clock oscillation frequency

21.3 HALT Mode

21.3.1 Setting and operation status

The HALT mode is set when a dedicated instruction (HALT) is executed in the normal operation mode.

In the HALT mode, the clock oscillator continues operating. Only clock supply to the CPU is stopped; clock supply to the other on-chip peripheral functions continues.

As a result, program execution is stopped, and the internal RAM retains the contents before the HALT mode was set. The on-chip peripheral functions that are independent of instruction processing by the CPU continue operating.

Table 21-3 shows the operating status in the HALT mode.

The average current consumption of the system can be reduced by using the HALT mode in combination with the normal operation mode for intermittent operation.

- Cautions**
1. Insert five or more NOP instructions after the HALT instruction.
 2. If the HALT instruction is executed while an unmasked interrupt request signal is being held pending, the status shifts to HALT mode, but the HALT mode is then released immediately by the pending interrupt request.

21.3.2 Releasing HALT mode

The HALT mode is released by a non-maskable interrupt request signal (NMI pin input, INTWDT2 signal), unmasked external interrupt request signal (INTP0 to INTP8 pin input), unmasked internal interrupt request signal from a peripheral function operable in the HALT mode, or reset signal (reset by $\overline{\text{RESET}}$ pin input, WDT2RES signal, low-voltage detector (LVI), or clock monitor (CLM)).

After the HALT mode has been released, the normal operation mode is restored.

(1) Releasing HALT mode by non-maskable interrupt request signal or unmasked maskable interrupt request signal

The HALT mode is released by a non-maskable interrupt request signal or an unmasked maskable interrupt request signal, regardless of the priority of the interrupt request signal. If the HALT mode is set in an interrupt servicing routine, however, an interrupt request signal that is issued later is serviced as follows.

- (a) If an interrupt request signal with a priority lower than that of the interrupt request currently being serviced is issued, the HALT mode is released, but that interrupt request signal is not acknowledged. The interrupt request signal itself is retained.
- (b) If an interrupt request signal with a priority higher than that of the interrupt request currently being serviced is issued (including a non-maskable interrupt request signal), the HALT mode is released and that interrupt request signal is acknowledged.

Table 21-2. Operation After Releasing HALT Mode by Interrupt Request Signal

Release Source	Interrupt Enabled (EI) Status	Interrupt Disabled (DI) Status
Non-maskable interrupt request signal	Execution branches to the handler address.	
Maskable interrupt request signal	Execution branches to the handler address or the next instruction is executed.	The next instruction is executed.

(2) Releasing HALT mode by reset

The same operation as the normal reset operation is performed.

Table 21-3. Operating Status in HALT Mode

Setting of HALT Mode		Operating Status	
		When Subclock Is Not Used	When Subclock Is Used
Main clock oscillator		Oscillation enabled	
Subclock oscillator		–	Oscillation enabled
Internal oscillator		Oscillation enabled	
PLL		Operable	
CPU		Stops operation	
DMA		Operable	
Interrupt controller		Operable	
Timer P (TMP0 to TMP8)		Operable	
Timer Q (TMQ0)		Operable	
Timer M (TMM0)		Operable when a clock other than f_{XT} is selected as the count clock	Operable
Watch timer		Operable when f_x (divided BRG) is selected as the count clock	Operable
Watchdog timer 2		Operable when a clock other than f_{XT} is selected as the count clock	Operable
Serial interface	CSIB0 to CSIB5	Operable	
	I ² C00 to I ² C02	Operable	
	UARTA0 to UARTA3	Operable	
A/D converter		Operable	
D/A converter		Operable	
Real-time output function (RTO)		Operable	
Key interrupt function (KR)		Operable	
External bus interface		See 2.2 Pin States .	
Port function		Retains status before HALT mode was set	
Internal data		The CPU registers, statuses, data, and all other internal data such as the contents of the internal RAM are retained as they were before the HALT mode was set.	

21.4 IDLE1 Mode

21.4.1 Setting and operation status

The IDLE1 mode is set by clearing the PSMR.PSM1 and PSMR.PSM0 bits to 00 and setting the PSC.STP bit to 1 in the normal operation mode.

In the IDLE1 mode, the clock oscillator, PLL, and flash memory continue operating but clock supply to the CPU and other on-chip peripheral functions stops.

As a result, program execution stops and the contents of the internal RAM before the IDLE1 mode was set are retained. The CPU and other on-chip peripheral functions stop operating. However, the on-chip peripheral functions that can operate with the subclock or an external clock continue operating.

Table 21-5 shows the operating status in the IDLE1 mode.

The IDLE1 mode can reduce the power consumption more than the HALT mode because it stops the operation of the on-chip peripheral functions. The main clock oscillator does not stop, so the normal operation mode can be restored without waiting for the oscillation stabilization time after the IDLE1 mode has been released, in the same manner as when the HALT mode is released.

- Cautions**
1. Insert five or more NOP instructions after the instruction that stores data in the PSC register to set the IDLE1 mode.
 2. If the IDLE1 mode is set while an unmasked interrupt request signal is being held pending, the IDLE1 mode is released immediately by the pending interrupt request.

21.4.2 Releasing IDLE1 mode

The IDLE1 mode is released by a non-maskable interrupt request signal (NMI pin input, INTWDT2 signal), unmasked external interrupt request signal (INTP0 to INTP8 pin input), unmasked internal interrupt request signal from a peripheral function operable in the IDLE1 mode, or reset signal (reset by $\overline{\text{RESET}}$ pin input, WDT2RES signal, low-voltage detector (LVI), or clock monitor (CLM)).

After the IDLE1 mode has been released, the normal operation mode is restored.

(1) Releasing IDLE1 mode by non-maskable interrupt request signal or unmasked maskable interrupt request signal

The IDLE1 mode is released by a non-maskable interrupt request signal or an unmasked maskable interrupt request signal, regardless of the priority of the interrupt request signal. If the IDLE1 mode is set in an interrupt servicing routine, however, an interrupt request signal that is issued later is processed as follows.

- (a) If an interrupt request signal with a priority lower than that of the interrupt request currently being serviced is issued, the IDLE1 mode is released, but that interrupt request signal is not acknowledged. The interrupt request signal itself is retained.
- (b) If an interrupt request signal with a priority higher than that of the interrupt request currently being serviced is issued (including a non-maskable interrupt request signal), the IDLE1 mode is released and that interrupt request signal is acknowledged.

Caution An interrupt request signal that is disabled by setting the PSC.NMI1M, PSC.NMI0M, and PSC.INTM bits to 1 becomes invalid and IDLE1 mode is not released.

Table 21-4. Operation After Releasing IDLE1 Mode by Interrupt Request Signal

Release Source	Interrupt Enabled (EI) Status	Interrupt Disabled (DI) Status
Non-maskable interrupt request signal	Execution branches to the handler address.	
Maskable interrupt request signal	Execution branches to the handler address or the next instruction is executed.	The next instruction is executed.

(2) Releasing IDLE1 mode by reset

The same operation as the normal reset operation is performed.

Table 21-5. Operating Status in IDLE1 Mode

Setting of IDLE1 Mode		Operating Status	
		When Subclock Is Not Used	When Subclock Is Used
Main clock oscillator		Oscillation enabled	
Subclock oscillator		–	Oscillation enabled
Internal oscillator		Oscillation enabled	
PLL		Operable	
CPU		Stops operation	
DMA		Stops operation	
Interrupt controller		Stops operation (but standby mode release is possible)	
Timer P (TMP0 to TMP8)		Stops operation	
Timer Q (TMQ0)		Stops operation	
Timer M (TMM0)		Operable when $f_{R/8}$ is selected as the count clock	Operable when $f_{R/8}$ or f_{XT} is selected as the count clock
Watch timer		Operable when f_x (divided BRG) is selected as the count clock	Operable
Watchdog timer 2		Operable when f_R is selected as the count clock	Operable when f_R or f_{XT} is selected as the count clock
Serial interface	CSIB0 to CSIB5	Operable when the \overline{SCKBn} input clock is selected as the count clock ($n = 0$ to 5)	
	I ² C00 to I ² C02	Stops operation	
	UARTA0 to UARTA3	Stops operation (but UARTA0 is operable when the ASCKA0 input clock is selected)	
A/D converter		Holds operation (conversion result held) ^{Note}	
D/A converter		Holds operation (output held) ^{Note}	
Real-time output function (RTO)		Stops operation (output held)	
Key interrupt function (KR)		Operable	
External bus interface		See 2.2 Pin States .	
Port function		Retains status before IDLE1 mode was set	
Internal data		The CPU registers, statuses, data, and all other internal data such as the contents of the internal RAM are retained as they were before the IDLE1 mode was set.	

Note To realize low power consumption, stop the A/D converter and D/A converter before shifting to the IDLE1 mode.

21.5 IDLE2 Mode

21.5.1 Setting and operation status

The IDLE2 mode is set by setting the PSMR.PSM1 and PSMR.PSM0 bits to 10 and setting the PSC.STP bit to 1 in the normal operation mode.

In the IDLE2 mode, the clock oscillator continues operation but clock supply to the CPU, PLL, flash memory, and other on-chip peripheral functions stops.

As a result, program execution stops and the contents of the internal RAM before the IDLE2 mode was set are retained. The CPU, PLL, and other on-chip peripheral functions stop operating. However, the on-chip peripheral functions that can operate with the subclock or an external clock continue operating.

Table 21-7 shows the operating status in the IDLE2 mode.

The IDLE2 mode can reduce the power consumption more than the IDLE1 mode because it stops the operations of the on-chip peripheral functions, PLL, and flash memory. However, because the PLL and flash memory are stopped, a setup time for the PLL and flash memory is required when IDLE2 mode is released.

- Cautions 1. Insert five or more NOP instructions after the instruction that stores data in the PSC register to set the IDLE2 mode.**
- 2. If the IDLE2 mode is set while an unmasked interrupt request signal is being held pending, the IDLE2 mode is released immediately by the pending interrupt request.**

21.5.2 Releasing IDLE2 mode

The IDLE2 mode is released by a non-maskable interrupt request signal (NMI pin input, INTWDT2 signal), unmasked external interrupt request signal (INTP0 to INTP8 pin input), unmasked internal interrupt request signal from the peripheral functions operable in the IDLE2 mode, or reset signal (reset by $\overline{\text{RESET}}$ pin input, WDT2RES signal, low-voltage detector (LVI), or clock monitor (CLM)). The PLL returns to the operating status it was in before the IDLE2 mode was set.

After the IDLE2 mode has been released, the normal operation mode is restored.

(1) Releasing IDLE2 mode by non-maskable interrupt request signal or unmasked maskable interrupt request signal

The IDLE2 mode is released by a non-maskable interrupt request signal or an unmasked maskable interrupt request signal, regardless of the priority of the interrupt request signal. If the IDLE2 mode is set in an interrupt servicing routine, however, an interrupt request signal that is issued later is processed as follows.

- (a) If an interrupt request signal with a priority lower than that of the interrupt request currently being serviced is issued, the IDLE2 mode is released, but that interrupt request signal is not acknowledged. The interrupt request signal itself is retained.
- (b) If an interrupt request signal with a priority higher than that of the interrupt request currently being serviced is issued (including a non-maskable interrupt request signal), the IDLE2 mode is released and that interrupt request signal is acknowledged.

Caution The interrupt request signal that is disabled by setting the PSC.NMI1M, PSC.NMI0M, and PSC.INTM bits to 1 becomes invalid and IDLE2 mode is not released.

Table 21-6. Operation After Releasing IDLE2 Mode by Interrupt Request Signal

Release Source	Interrupt Enabled (EI) Status	Interrupt Disabled (DI) Status
Non-maskable interrupt request signal	Execution branches to the handler address after securing the prescribed setup time.	
Maskable interrupt request signal	Execution branches to the handler address or the next instruction is executed after securing the prescribed setup time.	The next instruction is executed after securing the prescribed setup time.

(2) Releasing IDLE2 mode by reset

The same operation as the normal reset operation is performed.

Table 21-7. Operating Status in IDLE2 Mode

Setting of IDLE2 Mode		Operating Status	
		When Subclock Is Not Used	When Subclock Is Used
Main clock oscillator		Oscillation enabled	
Subclock oscillator		–	Oscillation enabled
Internal oscillator		Oscillation enabled	
PLL		Stops operation	
CPU		Stops operation	
DMA		Stops operation	
Interrupt controller		Stops operation (but standby mode release is possible)	
Timer P (TMP0 to TMP8)		Stops operation	
Timer Q (TMQ0)		Stops operation	
Timer M (TMM0)		Operable when $f_{R/8}$ is selected as the count clock	Operable when $f_{R/8}$ or f_{XT} is selected as the count clock
Watch timer		Operable when f_x (divided BRG) is selected as the count clock	Operable
Watchdog timer 2		Operable when f_R is selected as the count clock	Operable when f_R or f_{XT} is selected as the count clock
Serial interface	CSIB0 to CSIB5	Operable when the \overline{SCKBn} input clock is selected as the count clock ($n = 0$ to 5)	
	I ² C00 to I ² C02	Stops operation	
	UARTA0 to UARTA3	Stops operation (but UARTA0 is operable when the ASCKA0 input clock is selected)	
A/D converter		Holds operation (conversion result held) ^{Note}	
D/A converter		Holds operation (output held) ^{Note}	
Real-time output function (RTO)		Stops operation (output held)	
Key interrupt function (KR)		Operable	
External bus interface		See 2.2 Pin States.	
Port function		Retains status before IDLE2 mode was set	
Internal data		The CPU registers, statuses, data, and all other internal data such as the contents of the internal RAM are retained as they were before the IDLE2 mode was set.	

Note To realize low power consumption, stop the A/D converter and D/A converter before shifting to the IDLE2 mode.

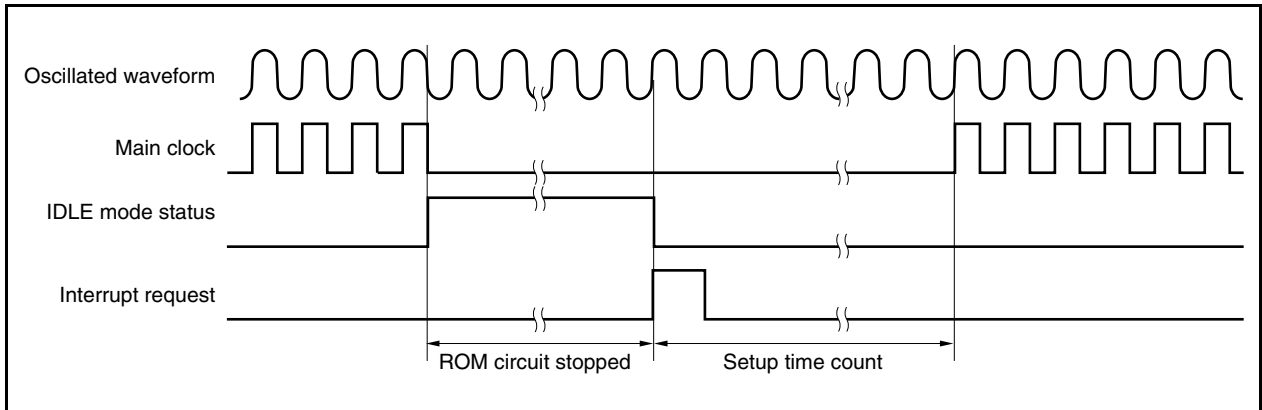
21.5.3 Securing setup time when releasing IDLE2 mode

Secure the setup time for the flash memory after releasing the IDLE2 mode because the operation of the blocks other than the main clock oscillator stops after the IDLE2 mode is set.

(1) Releasing IDLE2 mode by non-maskable interrupt request signal or unmasked maskable interrupt request signal

Secure the specified setup time by setting the OSTS register.

When the releasing source is generated, the dedicated internal timer starts counting according to the OSTS register setting. When it overflows, the normal operation mode is restored.



(2) Release by reset ($\overline{\text{RESET}}$ pin input, WDT2RES generation)

This operation is the same as that of a normal reset.

The oscillation stabilization time is the initial value of the OSTS register, $2^{16}/f_x$.

21.6 STOP Mode

21.6.1 Setting and operation status

The STOP mode is set by setting the PSMR.PSM1 and PSMR.PSM0 bits to 01 or 11 and setting the PSC.STP bit to 1 in the normal operation mode.

In the STOP mode, the subclock oscillator continues operating but the main clock oscillator stops. Clock supply to the CPU and the on-chip peripheral functions is stopped.

As a result, program execution stops, and the contents of the internal RAM before the STOP mode was set are retained. The on-chip peripheral functions that operate with the clock oscillated by the subclock oscillator or an external clock continue operating.

Table 21-9 shows the operating status in the STOP mode.

Because the STOP mode stops operation of the main clock oscillator, it reduces the power consumption to a level lower than the IDLE2 mode. If the subclock oscillator, internal oscillator, and external clock are not used, the power consumption can be minimized with only leakage current flowing.

- Cautions 1. Insert five or more NOP instructions after the instruction that stores data in the PSC register to set the STOP mode.**
- 2. If the STOP mode is set while an unmasked interrupt request signal is being held pending, the STOP mode is released immediately by the pending interrupt request.**

21.6.2 Releasing STOP mode

The STOP mode is released by a non-maskable interrupt request signal (NMI pin input, INTWDT2 signal), unmasked external interrupt request signal (INTP0 to INTP8 pin input), unmasked internal interrupt request signal from the peripheral functions operable in the STOP mode, or reset signal (reset by $\overline{\text{RESET}}$ pin input, WDT2RES signal, or low-voltage detector (LVI)).

After the STOP mode has been released, the normal operation mode is restored after the oscillation stabilization time has been secured.

(1) Releasing STOP mode by non-maskable interrupt request signal or unmasked maskable interrupt request signal

The STOP mode is released by a non-maskable interrupt request signal or an unmasked maskable interrupt request signal, regardless of the priority of the interrupt request signal. If the STOP mode is set in an interrupt servicing routine, however, an interrupt request signal that is issued later is serviced as follows.

- (a) If an interrupt request signal with a priority lower than that of the interrupt request currently being serviced is issued, the STOP mode is released, but that interrupt request signal is not acknowledged. The interrupt request signal itself is retained.
- (b) If an interrupt request signal with a priority higher than that of the interrupt request currently being serviced is issued (including a non-maskable interrupt request signal), the STOP mode is released and that interrupt request signal is acknowledged.

Caution The interrupt request that is disabled by setting the PSC.NMI1M, PSC.NMI0M, and PSC.INTM bits to 1 becomes invalid and STOP mode is not released.

Table 21-8. Operation After Releasing STOP Mode by Interrupt Request Signal

Release Source	Interrupt Enabled (EI) Status	Interrupt Disabled (DI) Status
Non-maskable interrupt request signal	Execution branches to the handler address after securing the oscillation stabilization time.	
Maskable interrupt request signal	Execution branches to the handler address or the next instruction is executed after securing the oscillation stabilization time.	The next instruction is executed after securing the oscillation stabilization time.

(2) Releasing STOP mode by reset

The same operation as the normal reset operation is performed.

Table 21-9. Operating Status in STOP Mode

Setting of STOP Mode		Operating Status	
		When Subclock Is Not Used	When Subclock Is Used
Main clock oscillator		Stops oscillation	
Subclock oscillator		–	Oscillation enabled
Internal oscillator		Oscillation enabled	
PLL		Stops operation	
CPU		Stops operation	
DMA		Stops operation	
Interrupt controller		Stops operation (but standby mode release is possible)	
Timer P (TMP0 to TMP8)		Stops operation	
Timer Q (TMQ0)		Stops operation	
Timer M (TMM0)		Operable when $f_{R/8}$ is selected as the count clock	Operable when $f_{R/8}$ or f_{XT} is selected as the count clock
Watch timer		Stops operation	Operable when f_{XT} is selected as the count clock
Watchdog timer 2		Operable when f_R is selected as the count clock	Operable when f_R or f_{XT} is selected as the count clock
Serial interface	CSIB0 to CSIB5	Operable when the \overline{SCKBn} input clock is selected as the count clock ($n = 0$ to 5)	
	I ² C00 to I ² C02	Stops operation	
	UARTA0 to UARTA3	Stops operation (but UARTA0 is operable when the ASCKA0 input clock is selected)	
A/D converter		Stops operation (conversion result undefined) ^{Notes 1, 2}	
D/A converter		Stops operation ^{Notes 3, 4} (high impedance is output)	
Real-time output function (RTO)		Stops operation (output held)	
Key interrupt function (KR)		Operable	
External bus interface		See 2.2 Pin States .	
Port function		Retains status before STOP mode was set	
Internal data		The CPU registers, statuses, data, and all other internal data such as the contents of the internal RAM are retained as they were before the STOP mode was set.	

Notes 1. If the STOP mode is set while the A/D converter is operating, the A/D converter is automatically stopped and starts operating again after the STOP mode is released. However, in that case, the A/D conversion results after the STOP mode is released are invalid. All the A/D conversion results before the STOP mode is set are invalid.

- 2.** Even if the STOP mode is set while the A/D converter is operating, the power consumption is reduced equivalently to when the A/D converter is stopped before the STOP mode is set.
- 3.** If the STOP mode is set while the D/A converter is operating, the D/A converter is automatically stopped and the pin status becomes high impedance. After the STOP mode is released, D/A conversion resumes, the setting time elapses, and the status returns to the output level before the STOP mode was set.
- 4.** Even if the STOP mode is set while the D/A converter is operating, the power consumption is reduced equivalently to when the D/A converter is stopped before the STOP mode is set.

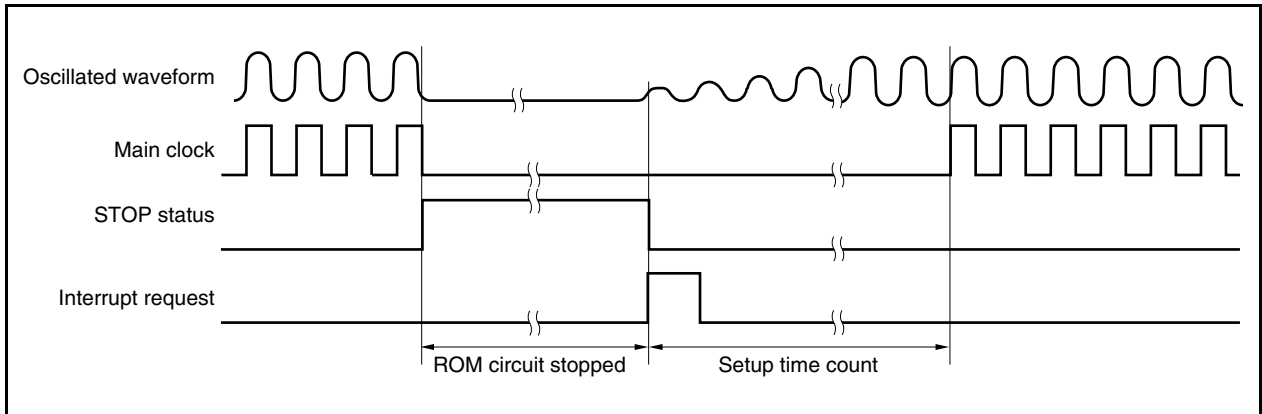
21.6.3 Securing oscillation stabilization time when releasing STOP mode

Secure the oscillation stabilization time for the main clock oscillator after releasing the STOP mode because the operation of the main clock oscillator stops after STOP mode is set.

(1) Releasing STOP mode by non-maskable interrupt request signal or unmasked maskable interrupt request signal

Secure the oscillation stabilization time by setting the OSTS register.

When the releasing source is generated, the dedicated internal timer starts counting according to the OSTS register setting. When it overflows, the normal operation mode is restored.



(2) Release by reset

This operation is the same as that of a normal reset.

The oscillation stabilization time is the initial value of the OSTS register, $2^{16}/f_x$.

21.7 Subclock Operation Mode

21.7.1 Setting and operation status

The subclock operation mode is set by setting the PCC.CK3 bit to 1 in the normal operation mode.

When the subclock operation mode is set, the internal system clock is changed from the main clock to the subclock. Check whether the clock has been switched by using the PCC.CLS bit.

When the PCC.MCK bit is set to 1, the operation of the main clock oscillator is stopped. As a result, the system operates only on the subclock.

In the subclock operation mode, the power consumption can be reduced to a level lower than in the normal operation mode because the subclock is used as the internal system clock. In addition, the power consumption can be further reduced to the level of the STOP mode by stopping the operation of the main clock oscillator.

Table 21-10 shows the operating status in subclock operation mode.

Cautions 1. When manipulating the CK3 bit, do not change the set values of the PCC.CK2 to PCC.CK0 bits (using a bit manipulation instruction to manipulate the bit is recommended). For details of the PCC register, see 6.3 (1) Processor clock control register (PCC).

2. If the following conditions are not satisfied, change the CK2 to CK0 bits so that the conditions are satisfied and set the subclock operation mode.

$$\text{Internal system clock (f}_{\text{CLK}}) > \text{Subclock (f}_{\text{XT}} = 32.768 \text{ kHz}) \times 4$$

Remark Internal system clock (f_{CLK}): Clock generated from main clock (f_{xx}) in accordance with the settings of the CK2 to CK0 bits

21.7.2 Releasing subclock operation mode

The subclock operation mode is released by a reset signal (reset by $\overline{\text{RESET}}$ pin input, WDT2RES signal, low-voltage detector (LVI), or clock monitor (CLM)) when the CK3 bit is cleared to 0.

If the main clock is stopped (MCK bit = 1), set the MCK bit to 1, secure the oscillation stabilization time of the main clock by software, and clear the CK3 bit to 0.

The normal operation mode is restored when the subclock operation mode is released.

Caution When manipulating the CK3 bit, do not change the set values of the CK2 to CK0 bits (using a bit manipulation instruction to manipulate the bit is recommended).

For details of the PCC register, see 6.3 (1) Processor clock control register (PCC).

Table 21-10. Operating Status in Subclock Operation Mode

Setting of Subclock Operation Mode Item		Operating Status	
		When Main Clock Is Oscillating	When Main Clock Is Stopped
Subclock oscillator		Oscillation enabled	
Internal oscillator		Oscillation enabled	
PLL		Operable	Stops operation ^{Note}
CPU		Operable	
DMA		Operable	
Interrupt controller		Operable	
Timer P (TMP0 to TMP8)		Operable	Stops operation
Timer Q (TMQ0)		Operable	Stops operation
Timer M (TMM0)		Operable	Operable when $f_{R/8}$ or f_{XT} is selected as the count clock
Watch timer		Operable	Operable when f_{XT} is selected as the count clock
Watchdog timer 2		Operable	Operable when f_{R} or f_{XT} is selected as the count clock
Serial interface	CSIB0 to CSIB5	Operable	Operable when the SCKBn input clock is selected as the count clock (n = 0 to 5)
	I ² C00 to I ² C02	Operable	Stops operation
	UARTA0 to UARTA3	Operable	Stops operation (but UARTA0 is operable when the ASCKA0 input clock is selected)
A/D converter		Operable	Stops operation
D/A converter		Operable	
Real-time output function (RTO)		Operable	Stops operation (output held)
Key interrupt function (KR)		Operable	
External bus interface		See 2.2 Pin States.	
Port function		Settable	
Internal data		Settable	

Note Be sure to stop the PLL (PLLCTL.PLLON bit = 0) before stopping the main clock.

Caution When the CPU is operating on the subclock and main clock oscillation is stopped, accessing a register in which a wait occurs is disabled. If a wait is generated, it can be released only by reset (see 3.4.8 (2)).

21.8 Sub-IDLE Mode

21.8.1 Setting and operation status

The sub-IDLE mode is set by setting the PSMR.PSM1 and PSMR.PSM0 bits to 00 or 10 and setting the PSC.STP bit to 1 in the subclock operation mode.

In this mode, the clock oscillator continues operating but clock supply to the CPU, flash memory, and the other on-chip peripheral functions is stopped.

As a result, program execution stops and the contents of the internal RAM before the sub-IDLE mode was set are retained. The CPU and the other on-chip peripheral functions are stopped. However, the on-chip peripheral functions that can operate with the subclock or an external clock continue operating.

Because the sub-IDLE mode stops operation of the CPU, flash memory, and other on-chip peripheral functions, it can reduce the power consumption more than the subclock operation mode. If the sub-IDLE mode is set after the main clock has been stopped, the current consumption can be reduced to a level as low as that in the STOP mode.

Table 21-12 shows the operating status in the sub-IDLE mode.

- Cautions**
1. **Following the store instruction to the PSC register to set the sub-IDLE mode, insert the five or more NOP instructions.**
 2. **If the sub-IDLE mode is set while an unmasked interrupt request signal is being held pending, the sub-IDLE mode is then released immediately by the pending interrupt request.**

21.8.2 Releasing sub-IDLE mode

The sub-IDLE mode is released by a non-maskable interrupt request signal (NMI pin input, INTWDT2 signal), unmasked external interrupt request signal (INTP0 to INTP8 pin input), unmasked internal interrupt request signal from the peripheral functions operable in the sub-IDLE mode, or reset signal (reset by $\overline{\text{RESET}}$ pin input, WDT2RES signal, low-voltage detector (LVI), or clock monitor (CLM)). The PLL returns to the operating status it was in before the sub-IDLE mode was set.

When the sub-IDLE mode is released by an interrupt request signal, the subclock operation mode is set.

(1) Releasing sub-IDLE mode by non-maskable interrupt request signal or unmasked maskable interrupt request signal

The sub-IDLE mode is released by a non-maskable interrupt request signal or an unmasked maskable interrupt request signal, regardless of the priority of the interrupt request signal.

If the sub-IDLE mode is set in an interrupt servicing routine, however, an interrupt request signal that is issued later is serviced as follows.

- (a) If an interrupt request signal with a priority lower than that of the interrupt request currently being serviced is issued, the sub-IDLE mode is released, but that interrupt request signal is not acknowledged. The interrupt request signal itself is retained.
- (b) If an interrupt request signal with a priority higher than that of the interrupt request currently being serviced is issued (including a non-maskable interrupt request signal), the sub-IDLE mode is released and that interrupt request signal is acknowledged.

- Cautions**
1. **The interrupt request signal that is disabled by setting the PSC.NMI1M, PSC.NMI0M, and PSC.INTM bits to 1 becomes invalid and sub-IDLE mode is not released.**
 2. **When the sub-IDLE mode is released, 12 cycles of the subclock (about 366 μs) elapse from when the interrupt request signal that releases the sub-IDLE mode is generated to when the mode is released.**

Table 21-11. Operation After Releasing Sub-IDLE Mode by Interrupt Request Signal

Release Source	Interrupt Enabled (EI) Status	Interrupt Disabled (DI) Status
Non-maskable interrupt request signal	Execution branches to the handler address.	
Maskable interrupt request signal	Execution branches to the handler address or the next instruction is executed.	The next instruction is executed.

(2) Releasing sub-IDLE mode by reset

The same operation as the normal reset operation is performed.

Table 21-12. Operating Status in Sub-IDLE Mode

Setting of Sub-IDLE Mode		Operating Status	
		When Main Clock Is Oscillating	When Main Clock Is Stopped
Subclock oscillator	Oscillation enabled		
Internal oscillator	Oscillation enabled		
PLL	Operable	Stops operation ^{Note 1}	
CPU	Stops operation		
DMA	Stops operation		
Interrupt controller	Stops operation (but standby mode release is possible)		
Timer P (TMP0 to TMP8)	Stops operation		
Timer Q (TMQ0)	Stops operation		
Timer M (TMM0)	Operable when $f_{R/8}$ or f_{XT} is selected as the count clock		
Watch timer	Stops operation	Operable when f_{XT} is selected as the count clock	
Watchdog timer 2	Operable when f_{R} or f_{XT} is selected as the count clock		
Serial interface	CSIB0 to CSIB5	Operable when the \overline{SCKBn} input clock is selected as the count clock ($n = 0$ to 5)	
	I ² C00 to I ² C02	Stops operation	
	UARTA0 to UARTA3	Stops operation (but UARTA0 is operable when the ASCKA0 input clock is selected)	
A/D converter	Holds operation (conversion result held) ^{Note 2}		
D/A converter	Holds operation (output held) ^{Note 2}		
Real-time output function (RTO)	Stops operation (output held)		
Key interrupt function (KR)	Operable		
External bus interface	See 2.2 Pin States (same operation status as IDLE1, IDLE2 mode).		
Port function	Retains status before sub-IDLE mode was set		
Internal data	The CPU registers, statuses, data, and all other internal data such as the contents of the internal RAM are retained as they were before the sub-IDLE mode was set.		

Notes 1. Be sure to stop the PLL (PLLCTL.PLLON bit = 0) before stopping the main clock.

2. To realize low power consumption, stop the A/D and D/A converters before shifting to the sub-IDLE mode.

CHAPTER 22 RESET FUNCTIONS

22.1 Overview

The following reset functions are available.

(1) Four kinds of reset sources

- External reset input via the $\overline{\text{RESET}}$ pin
- Reset via the watchdog timer 2 (WDT2) overflow (WDT2RES)
- System reset via the comparison of the low-voltage detector (LVI) supply voltage and detected voltage
- System reset via the detecting clock monitor (CLM) oscillation stop

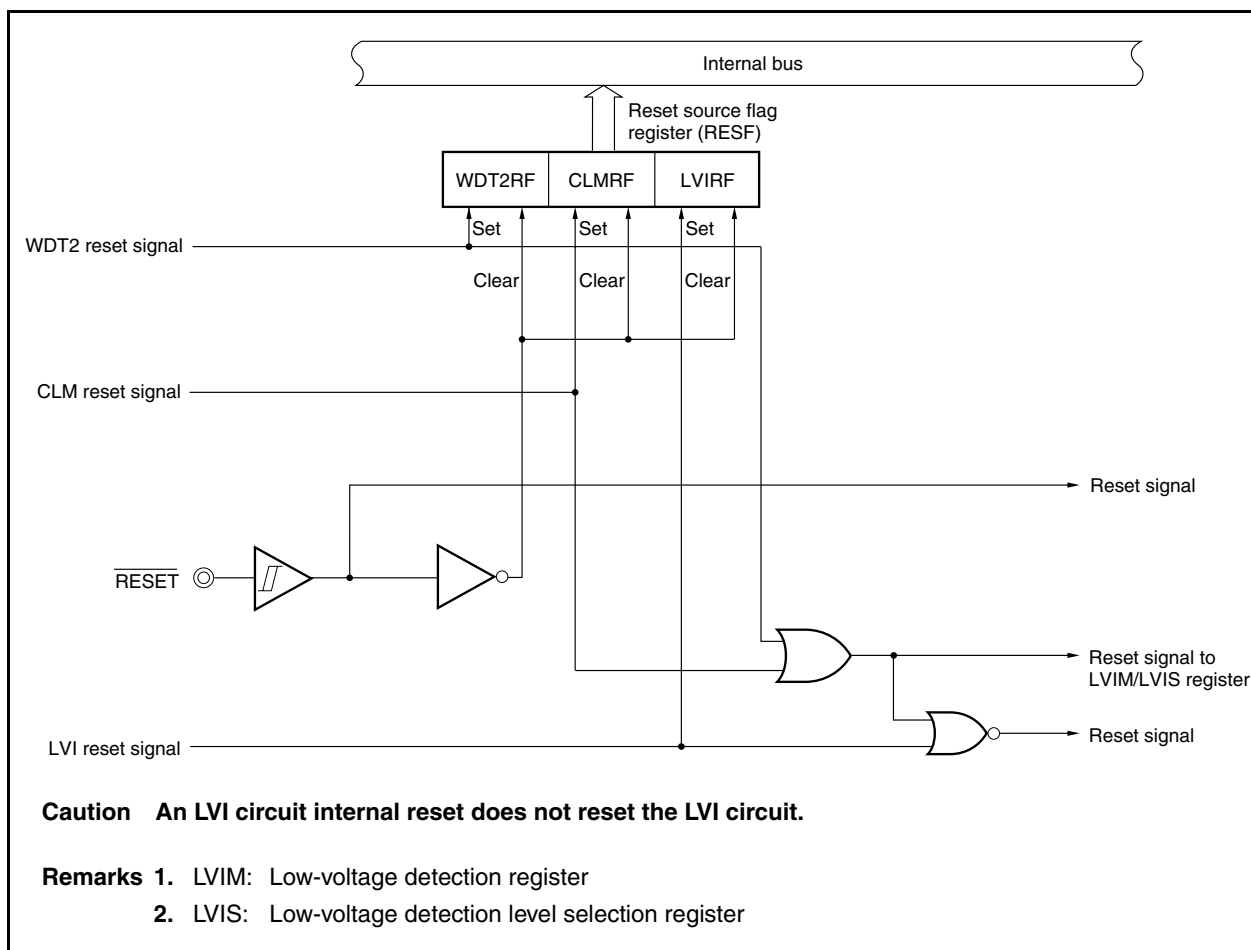
After a reset is released, the source of the reset can be confirmed with the reset source flag register (RESF).

(2) Emergency operation mode

If the WDT2 overflows during the main clock oscillation stabilization time inserted after reset, a main clock oscillation anomaly is judged and the CPU starts operating on the internal oscillation clock.

Caution When the CPU is being operated with the internal oscillation clock, access to the register in which a wait state is generated is prohibited. For the register in which a wait state is generated, see 3.4.8 (2) Accessing specific on-chip peripheral I/O registers.

Figure 22-1. Block Diagram of Reset Function



22.2 Registers to Check Reset Source

The V850ES/JJ2 has four kinds of reset sources. After a reset has been released, the source of the reset that occurred can be checked with the reset source flag register (RESF).

(1) Reset source flag register (RESF)

The RESF register is a special register that can be written only by a combination of specific sequences (see **3.4.7 Special registers**).

The RESF register indicates the source from which a reset signal is generated.

This register is read or written in 8-bit or 1-bit units.

$\overline{\text{RESET}}$ pin input clears this register to 00H. The default value differs if the source of reset is other than the $\overline{\text{RESET}}$ pin signal.

After reset: 00H^{Note} R/W Address: FFFFF888H

	7	6	5	4	3	2	1	0
RESF	0	0	0	WDT2RF	0	0	CLMRF	LVIRF

WDT2RF	Reset signal from WDT2
0	Not generated
1	Generated

CLMRF	Reset signal from CLM
0	Not generated
1	Generated

LVIRF	Reset signal from LVI
0	Not generated
1	Generated

Note The value of the RESF register is cleared to 00H when a reset is executed via the $\overline{\text{RESET}}$ pin. When a reset is executed by the watchdog timer 2 (WDT2), low-voltage detector (LVI), or clock monitor (CLM), the reset flags of this register (WDT2RF bit, CLMRF bit, and LVIRF bit) are set. However, other sources are retained.

Caution Only "0" can be written to each bit of this register. If writing "0" conflicts with setting the flag (occurrence of reset), setting the flag takes precedence.

22.3 Operation

22.3.1 Reset operation via $\overline{\text{RESET}}$ pin

When a low level is input to the $\overline{\text{RESET}}$ pin, the system is reset, and each hardware unit is initialized.

When the level of the $\overline{\text{RESET}}$ pin is changed from low to high, the reset status is released.

Table 22-1. Hardware Status on $\overline{\text{RESET}}$ Pin Input

Item	During Reset	After Reset
Main clock oscillator (fx)	Oscillation stops	Oscillation starts
Subclock oscillator (fxT)	Oscillation continues	
Internal oscillator	Oscillation stops	Oscillation starts
Peripheral clock (fx to fx/1,024)	Operation stops	Operation starts after securing oscillation stabilization time
Internal system clock (fCLK), CPU clock (fCPU)	Operation stops	Operation starts after securing oscillation stabilization time (initialized to fXX/8)
CPU	Initialized	Program execution starts after securing oscillation stabilization time
Watchdog timer 2	Operation stops (initialized to 0)	Counts up from 0 with internal oscillation clock as source clock.
Internal RAM	Undefined if power-on reset or CPU access and reset input conflict (data is damaged). Otherwise value immediately after reset input is retained ^{Note 1} .	
I/O lines (ports/alternate-function pins)	High impedance ^{Note 2}	
On-chip peripheral I/O registers	Initialized to specified status, OCDM register is set (01H).	
Other on-chip peripheral functions	Operation stops	Operation can be started after securing oscillation stabilization time

Notes 1. The firmware of the V850ES/JJ2 uses a part of the internal RAM after the internal system reset status has been released because it supports a boot swap function. Therefore, the contents of some RAM areas are not retained after power-on reset. For details, see **22.3.4 Operation after reset release**.

2. When the power is turned on, the following pins may output an undefined level temporarily, even during reset.

- P10/ANO0 pin
- P11/ANO1 pin
- P53/SIB2/KR3/TIQ00/TOQ00/RTP03/DDO pin

Caution The OCDM register is initialized by the $\overline{\text{RESET}}$ pin input. Therefore, note with caution that, if a high level is input to the P05/ $\overline{\text{DRST}}$ pin after a reset release before the OCDM.OCDM0 bit is cleared, the on-chip debug mode is entered. For details, see **CHAPTER 4 PORT FUNCTIONS**.

Figure 22-2. Timing of Reset Operation by $\overline{\text{RESET}}$ Pin Input

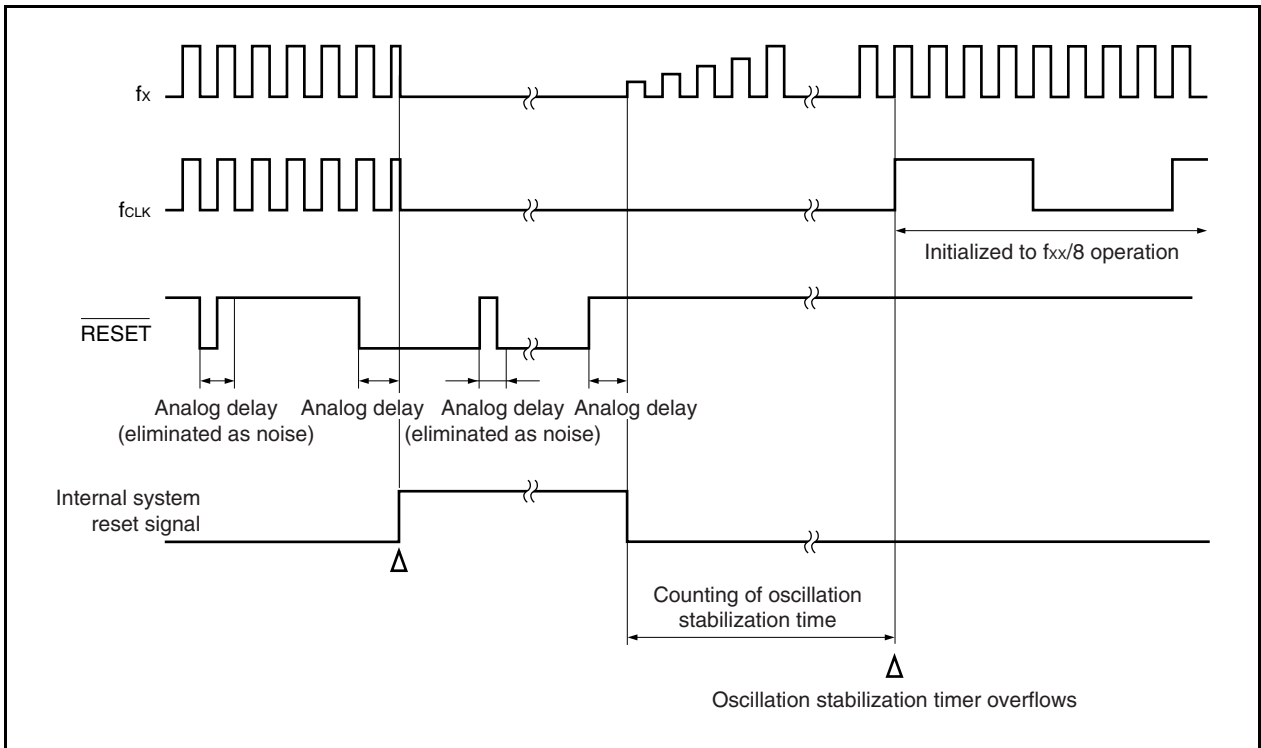
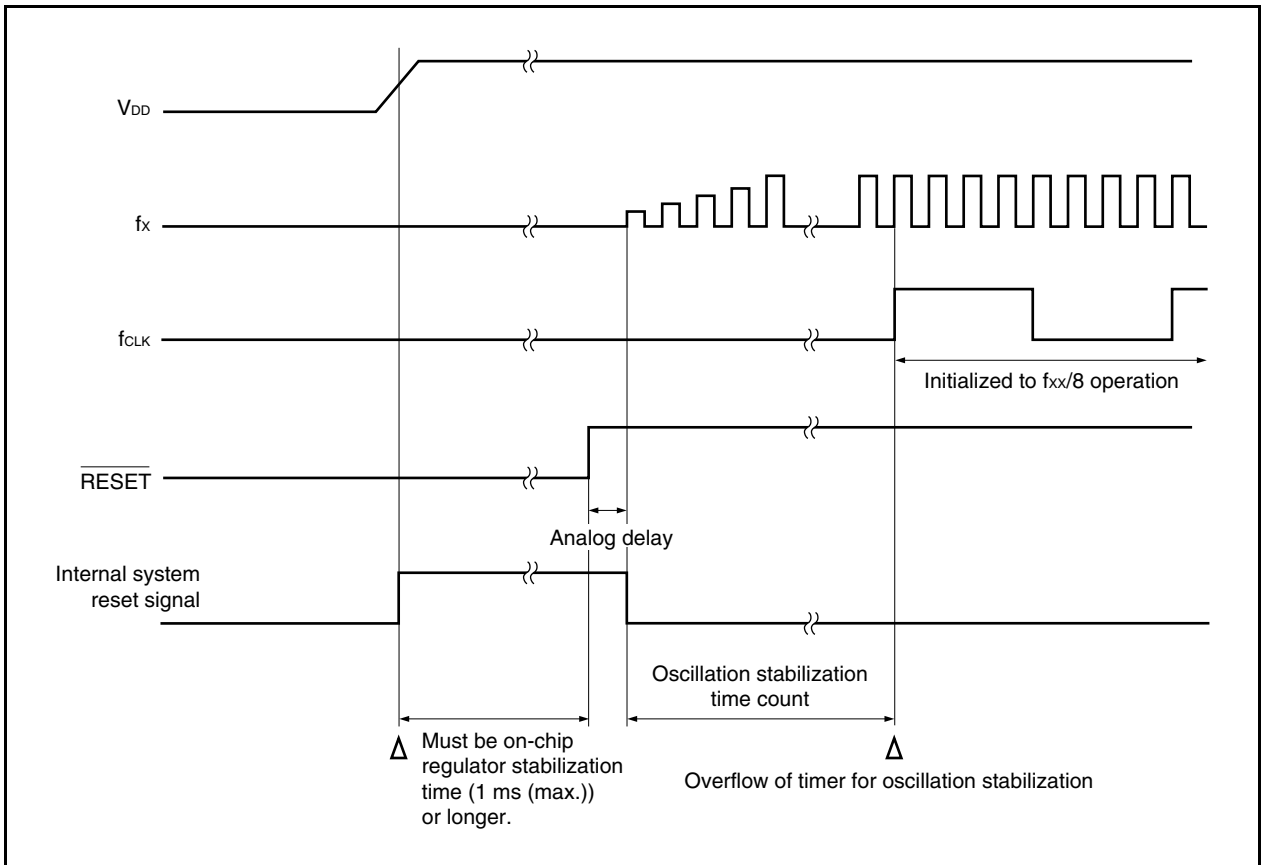


Figure 22-3. Timing of Power-on Reset Operation



22.3.2 Reset operation by watchdog timer 2

When watchdog timer 2 is set to the reset operation mode due to overflow, upon watchdog timer 2 overflow (WDT2RES signal generation), a system reset is executed and the hardware is initialized to the initial status.

Following watchdog timer 2 overflow, the reset status is entered and lasts the predetermined time (analog delay), and the reset status is then automatically released.

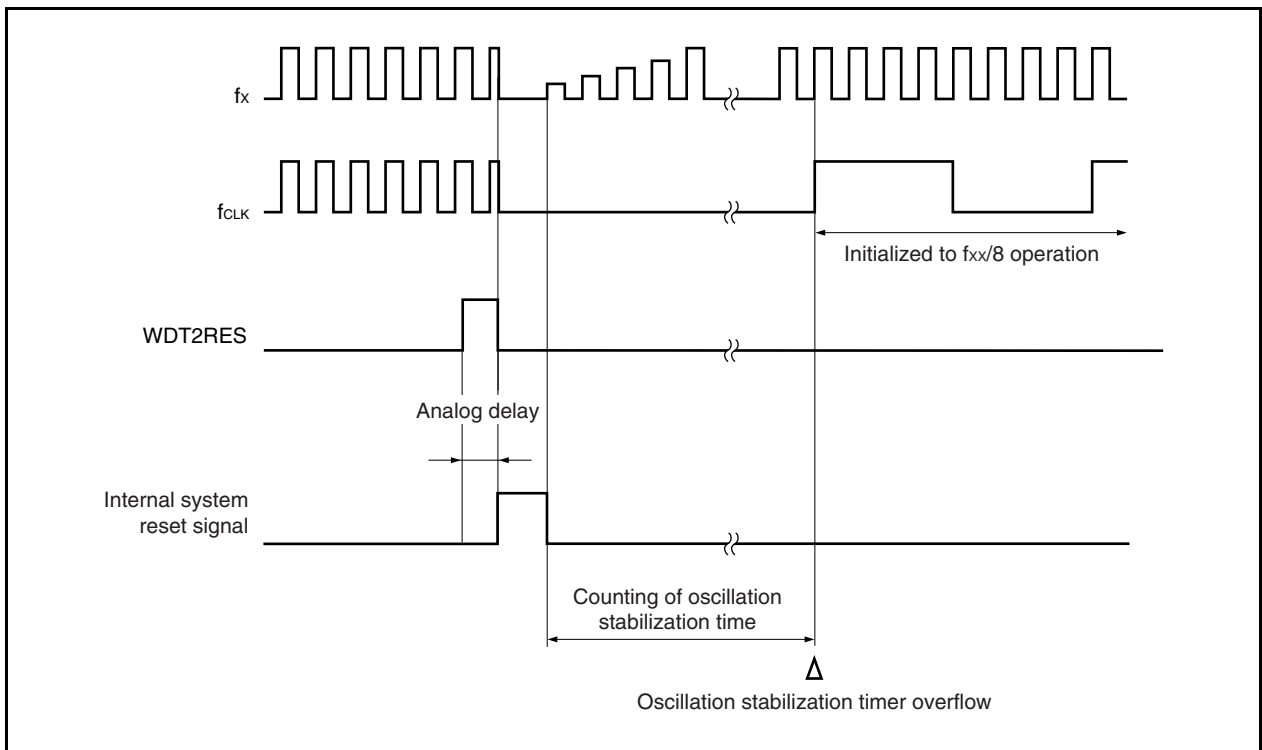
The main clock oscillator is stopped during the reset period.

Table 22-2. Hardware Status During Watchdog Timer 2 Reset Operation

Item	During Reset	After Reset
Main clock oscillator (f_x)	Oscillation stops	Oscillation starts
Subclock oscillator (f_{XT})	Oscillation continues	
Internal oscillator	Oscillation stops	Oscillation starts
Peripheral clock (f_{xx} to $f_{xx}/1,024$)	Operation stops	Operation starts after securing oscillation stabilization time
Internal system clock (f_{xx}), CPU clock (f_{CPU})	Operation stops	Operation starts after securing oscillation stabilization time (initialized to $f_{XX}/8$)
CPU	Initialized	Program execution after securing oscillation stabilization time
Watchdog timer 2	Operation stops (initialized to 0)	Counts up from 0 with internal oscillation clock as source clock.
Internal RAM	Undefined if power-on reset or CPU access and reset input conflict (data is damaged). Otherwise value immediately after reset input is retained ^{Note} .	
I/O lines (ports/alternate-function pins)	High impedance	
On-chip peripheral I/O register	Initialized to specified status, OCDM register retains its value.	
On-chip peripheral functions other than above	Operation stops	Operation can be started after securing oscillation stabilization time.

Note The firmware of the V850ES/JJ2 uses a part of the internal RAM after the internal system reset status has been released because it supports a boot swap function. Therefore, the contents of some RAM areas are not retained after power-on reset. For details, see **22.3.4 Operation after reset release**.

Figure 22-4. Timing of Reset Operation by WDT2RES Signal Generation



22.3.3 Reset operation by low-voltage detector

If the supply voltage falls below the voltage detected by the low-voltage detector when LVI operation is enabled, a system reset is executed (when the LVIM.LVIMD bit is set to 1), and the hardware is initialized to the initial status.

The reset status lasts from when a supply voltage drop has been detected until the supply voltage rises above the LVI detection voltage.

The main clock oscillator is stopped during the reset period.

When the LVIMD bit = 0, an interrupt request signal (INTLVI) is generated if a low voltage is detected.

Table 22-3. Hardware Status During Reset Operation by Low-Voltage Detector

Item	During Reset	After Reset
Main clock oscillator (fx)	Oscillation stops	Oscillation starts
Subclock oscillator (fxT)	Oscillation continues	
Internal oscillator	Oscillation stops	Oscillation starts
Peripheral clock (fx to fx/1,024)	Operation stops	Operation starts after securing oscillation stabilization time
Internal system clock (fxx), CPU clock (fCPU)	Operation stops	Operation starts after securing oscillation stabilization time (initialized to fxx/8)
CPU	Initialized	Program execution starts after securing oscillation stabilization time
WDT2	Operation stops (initialized to 0)	Counts up from 0 with internal oscillation clock as source clock.
Internal RAM	Undefined if power-on reset or CPU access and reset input conflict (data is damaged). Otherwise value immediately after reset input is retained ^{Note} .	
I/O lines (ports/alternate-function pins)	High impedance	
On-chip peripheral I/O register	Initialized to specified status, OCDM register retains its value.	
LVI	Operation continues	
On-chip peripheral functions other than above	Operation stops	Operation can be started after securing oscillation stabilization time.

Note The firmware of the V850ES/JJ2 uses a part of the internal RAM after the internal system reset status has been released because it supports a boot swap function. Therefore, the contents of some RAM areas are not retained after power-on reset. For details, see **22.3.4 Operation after reset release**.

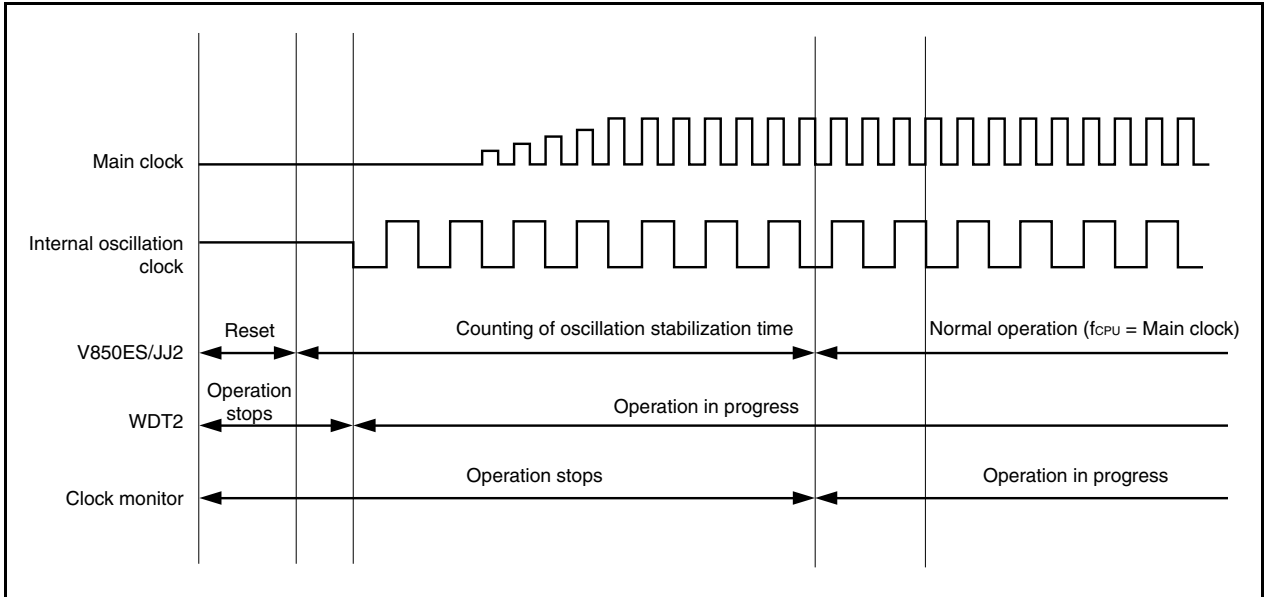
Remark For the reset timing of the low-voltage detector, see **CHAPTER 24 LOW-VOLTAGE DETECTOR (LVI)**.

22.3.4 Operation after reset release

After the reset is released, the main clock starts oscillation and oscillation stabilization time (OSTS register initial value: $2^{16}/f_x$) is secured, and the CPU starts program execution.

WDT2 immediately begins to operate after a reset has been released using the internal oscillation clock as a source clock.

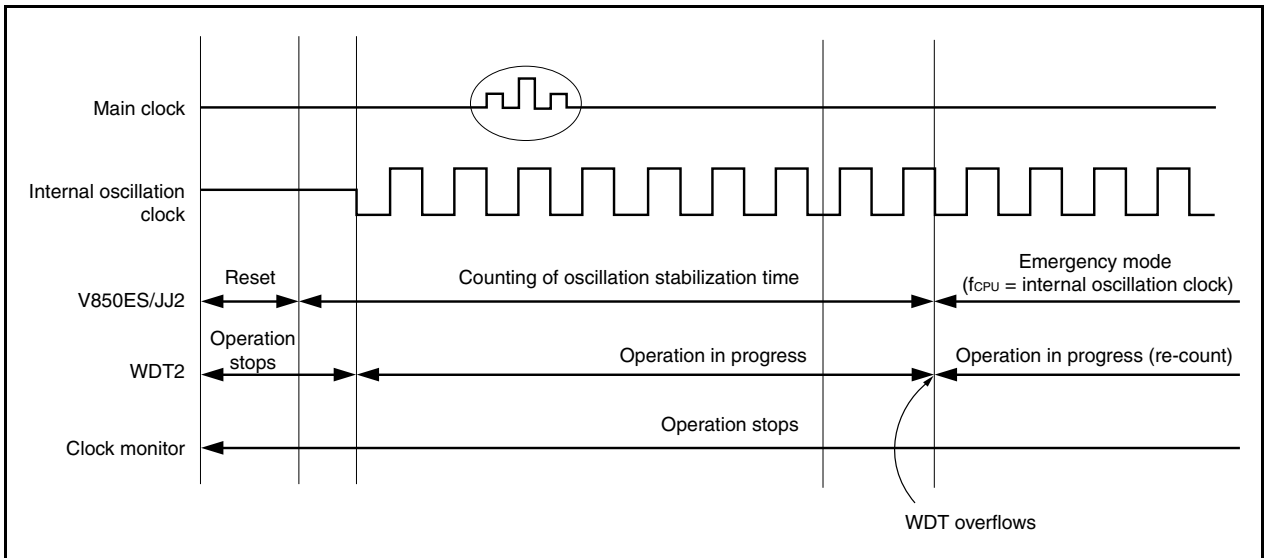
Figure 22-5. Operation After Reset Release



(1) Emergent operation mode

If an anomaly occurs in the main clock before oscillation stabilization time is secured, WDT2 overflows before executing the CPU program. At this time, the CPU starts program execution by using the internal oscillation clock as the source clock.

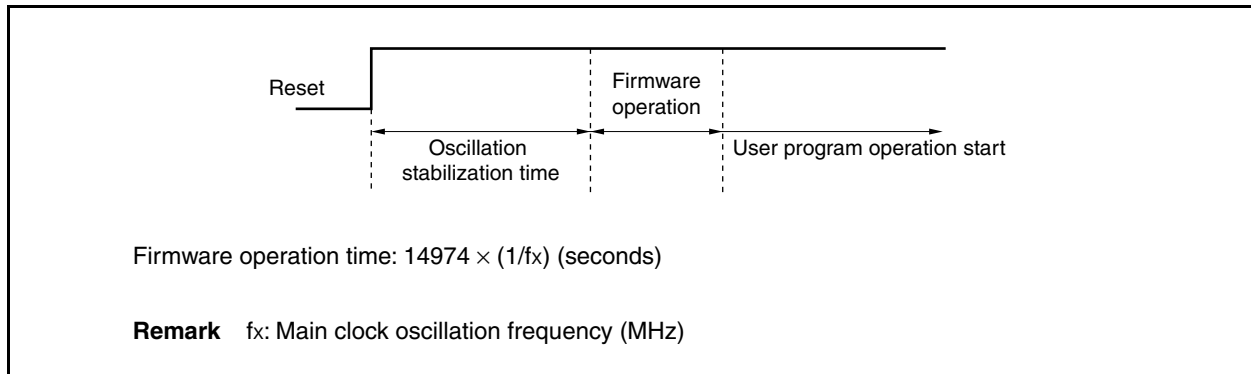
Figure 22-6. Operation After Reset Release



The CPU operation clock states can be checked with the CPU operation clock status register (CCLS).

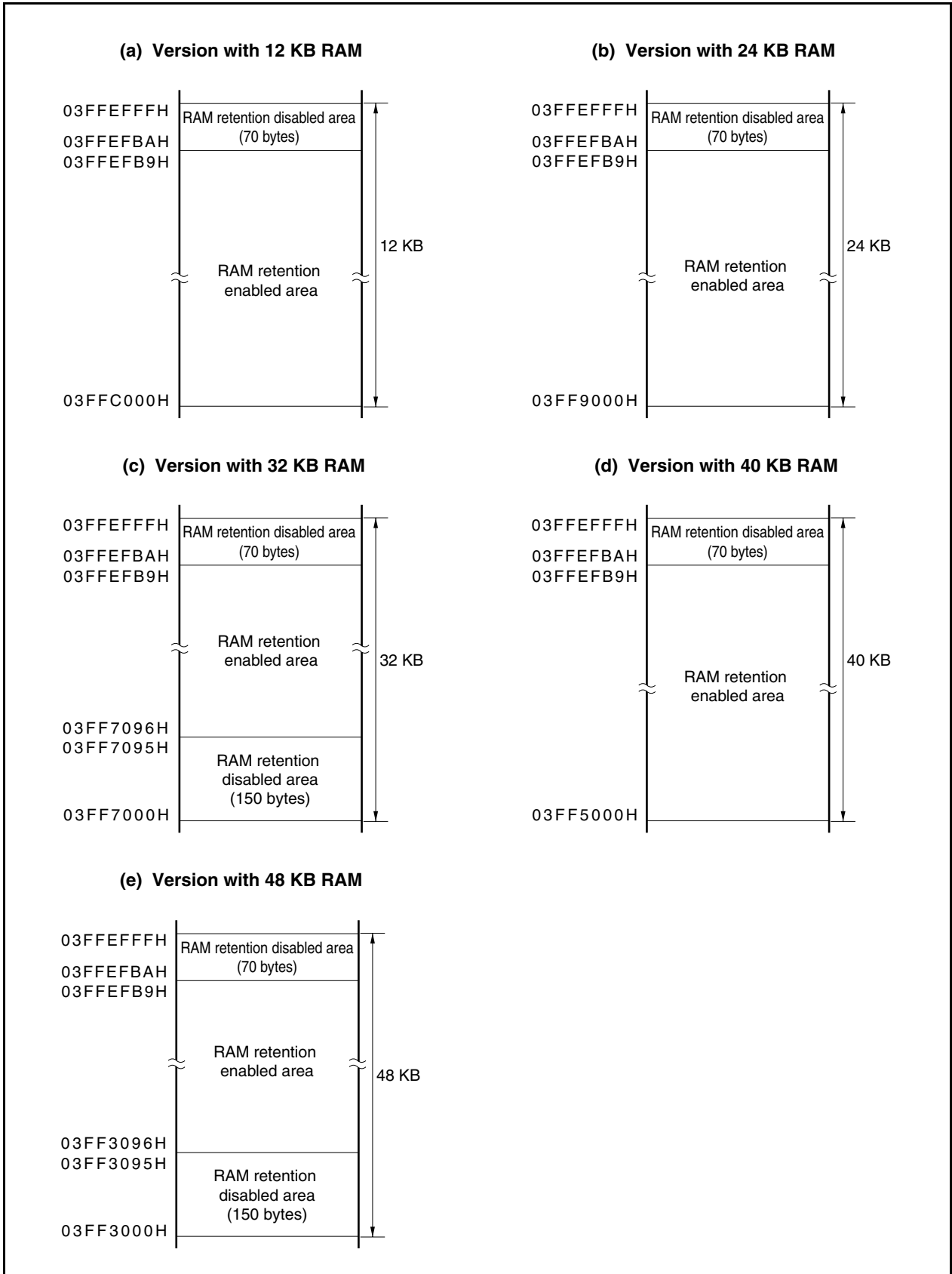
(2) Firmware operation

In the V850ES/JJ2, after the reset status is released, the internal firmware starts operation before the user program is started to support the boot swap function.

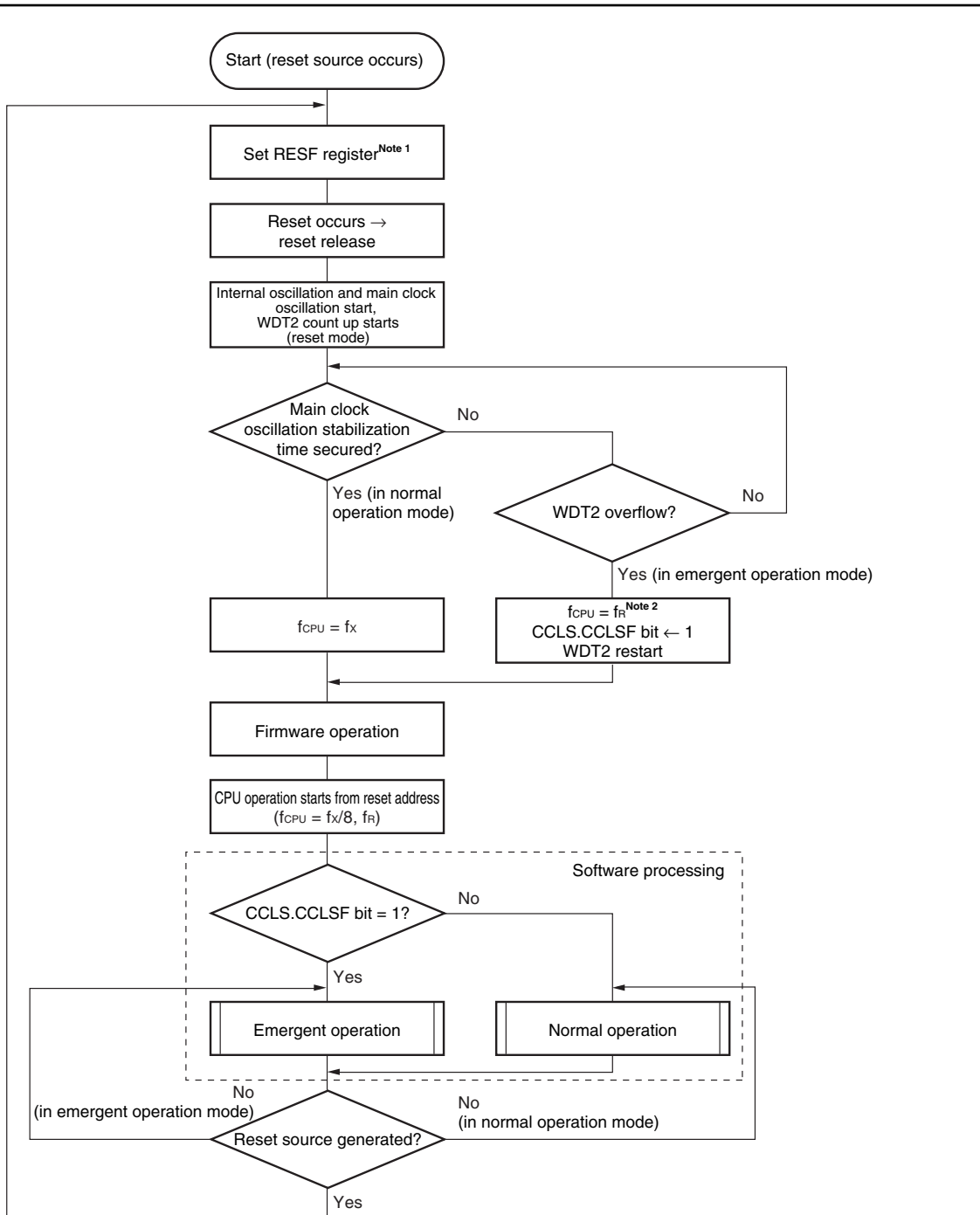


Since the firmware uses a part of the internal RAM, the contents of the following RAM areas are not retained after power-on reset.

- Version with 12 KB RAM: 03FFEFBAH to 03FFEFFFH
- Version with 24 KB RAM: 03FFEFBAH to 03FFEFFFH
- Version with 32 KB RAM: 03FF7000H to 03FF7095H, 03FFEFBAH to 03FFEFFFH
- Version with 40 KB RAM: 03FFEFBAH to 03FFEFFFH
- Version with 48 KB RAM: 03FF3000H to 03FF3095H, 03FFEFBAH to 03FFEFFFH



22.3.5 Reset function operation flow



Notes 1. Bit to be set differs depending on the reset source.

Reset Source	WDT2RF Bit	CRMRF Bit	LVIRF Bit
RESET pin	0	0	0
WDT2	1	Value before reset is retained.	Value before reset is retained.
CLM	Value before reset is retained.	1	Value before reset is retained.
LVI	Value before reset is retained.	Value before reset is retained.	1

2. The internal oscillator cannot be stopped.

CHAPTER 23 CLOCK MONITOR

23.1 Functions

The clock monitor samples the main clock by using the internal oscillation clock and generates a reset request signal when oscillation of the main clock is stopped.

Once the operation of the clock monitor has been enabled by an operation enable flag, it cannot be cleared to 0 by any means other than reset.

When a reset by the clock monitor occurs, the RESF.CLMRF bit is set. For details on the RESF register, see **22.2 Registers to Check Reset Source**.

The clock monitor automatically stops under the following conditions.

- During oscillation stabilization time after STOP mode is released
- When the main clock is stopped (from when the PCC.MCK bit = 1 during subclock operation, until the PCC.CLS bit = 0 during main clock operation)
- When the sampling clock (internal oscillation clock) is stopped
- When the CPU operates with the internal oscillation clock

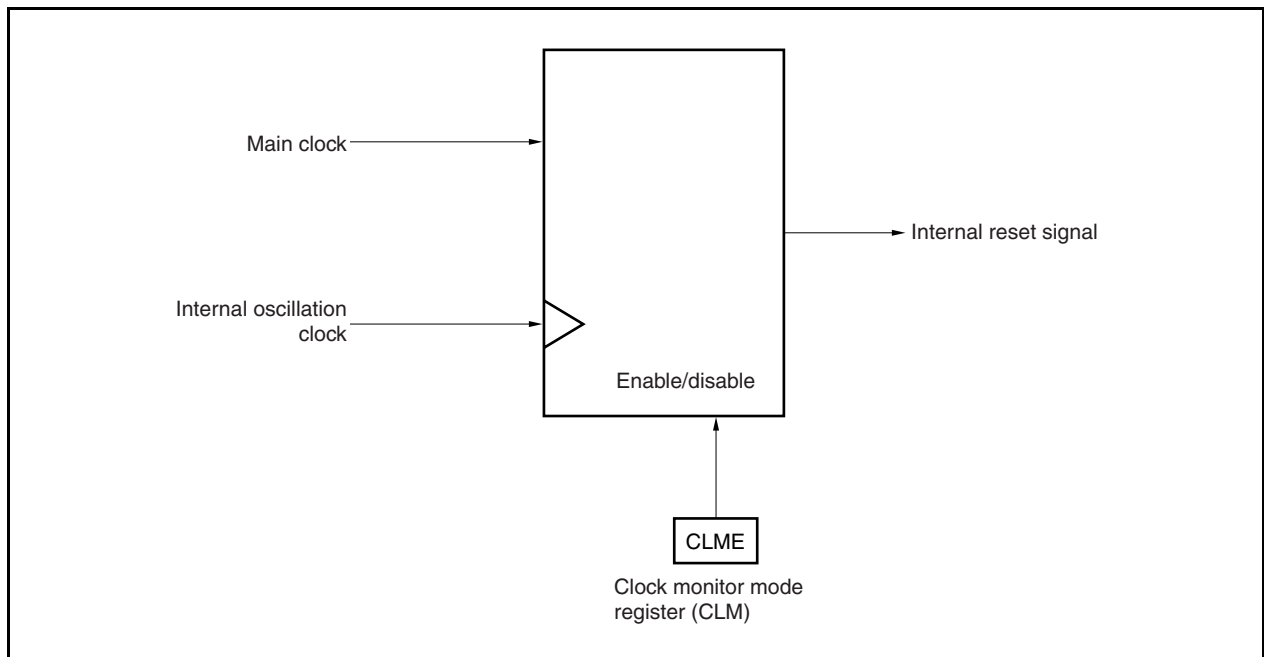
23.2 Configuration

The clock monitor includes the following hardware.

Table 23-1. Configuration of Clock Monitor

Item	Configuration
Control register	Clock monitor mode register (CLM)

Figure 23-1. Timing of Reset via the $\overline{\text{RESET}}$ Pin Input



23.3 Register

The clock monitor is controlled by the clock monitor mode register (CLM).

(1) Clock monitor mode register (CLM)

The CLM register is a special register. This can be written only in a special combination of sequences (see **3.4.7 Special registers**).

This register is used to set the operation mode of the clock monitor.

This register can be read or written in 8-bit or 1-bit units.

Reset sets this register to 00H.

	After reset: 00H	R/W	Address: FFFFF870H					
	7	6	5	4	3	2	1	<0>
CLM	0	0	0	0	0	0	0	CLME
	CLME	Clock monitor operation enable or disable						
	0	Disable clock monitor operation.						
	1	Enable clock monitor operation.						

- Cautions**
1. Once the CLME bit has been set to 1, it cannot be cleared to 0 by any means other than reset.
 2. When a reset by the clock monitor occurs, the CLME bit is cleared to 0 and the RESF.CLMRF bit is set to 1.

23.4 Operation

This section explains the functions of the clock monitor. The start and stop conditions are as follows.

<Start condition>

Enabling operation by setting the CLM.CLME bit to 1

<Stop conditions>

- While oscillation stabilization time is being counted after STOP mode is released
- When the main clock is stopped (from when PCC.MCK bit = 1 during subclock operation to when PCC.CLS bit = 0 during main clock operation)
- When the sampling clock (internal oscillation clock) is stopped
- When the CPU operates using the internal oscillation clock

**Table 23-2. Operation Status of Clock Monitor
(When CLM.CLME Bit = 1, During Internal Oscillation Clock Operation)**

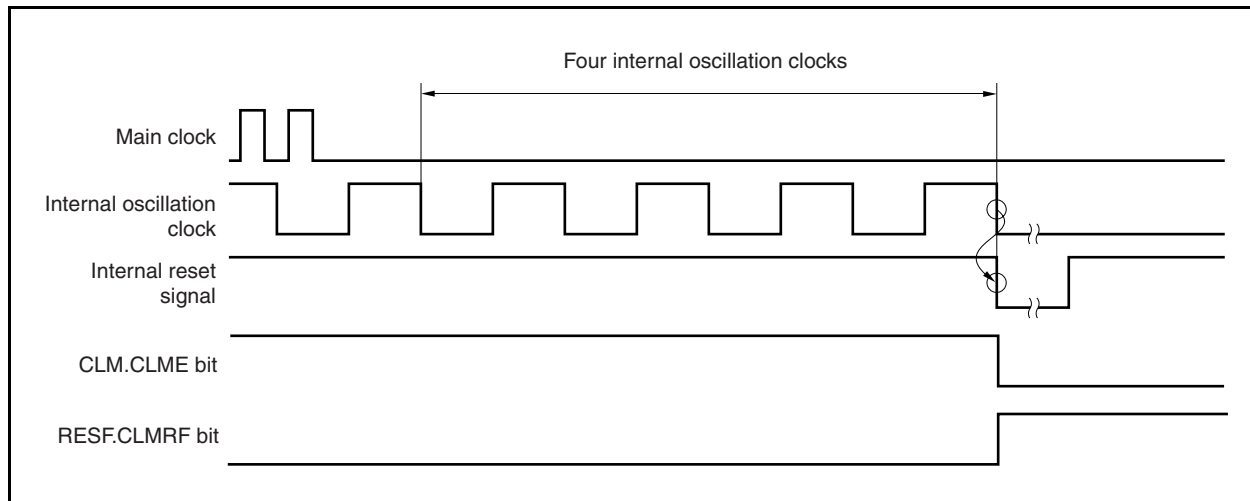
CPU Operating Clock	Operation Mode	Status of Main Clock	Status of Internal Oscillation Clock	Status of Clock Monitor
Main clock	HALT mode	Oscillates	Oscillates ^{Note 1}	Operates ^{Note 2}
	IDLE1, IDLE2 modes	Oscillates	Oscillates ^{Note 1}	Operates ^{Note 2}
	STOP mode	Stops	Oscillates ^{Note 1}	Stops
Subclock (MCK bit of PCC register = 0)	Sub-IDLE mode	Oscillates	Oscillates ^{Note 1}	Operates ^{Note 2}
Subclock (MCK bit of PCC register = 1)	Sub-IDLE mode	Stops	Oscillates ^{Note 1}	Stops
Internal oscillation clock	–	Stops	Oscillates ^{Note 3}	Stops
During reset	–	Stops	Stops	Stops

- Notes**
1. The internal oscillator can be stopped by setting the RCM.RSTOP bit to 1.
 2. The clock monitor is stopped while the internal oscillator is stopped.
 3. The internal oscillator cannot be stopped by software.

(1) Operation when main clock oscillation is stopped (CLME bit = 1)

If oscillation of the main clock is stopped when the CLME bit = 1, an internal reset signal is generated as shown in Figure 23-2.

Figure 23-2. Reset Period Due to That Oscillation of Main Clock Is Stopped

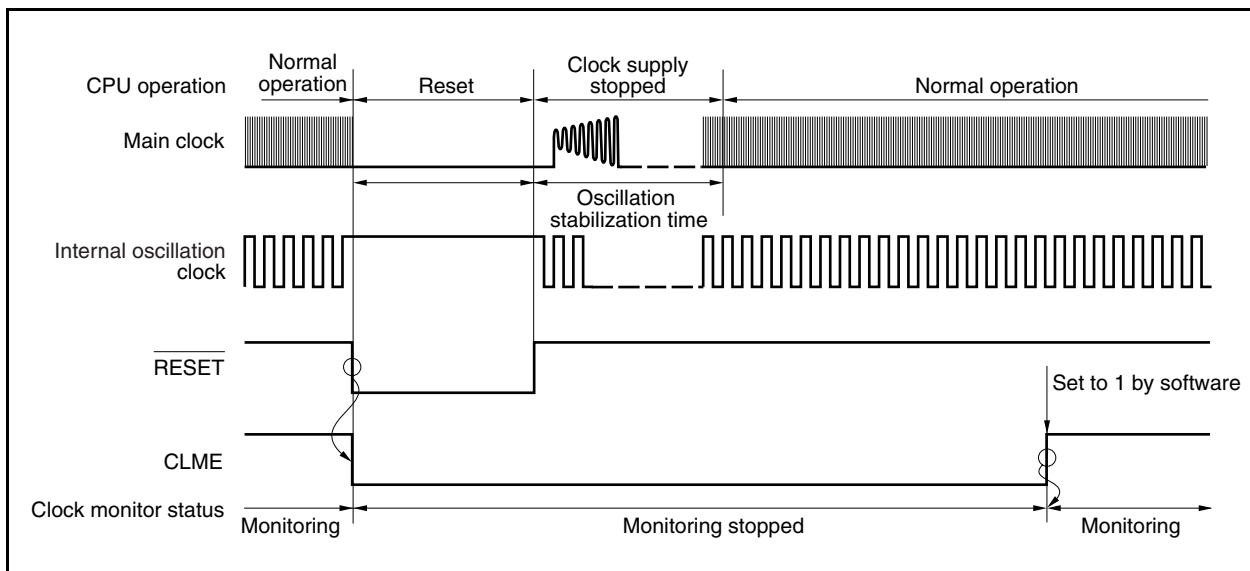


(2) Clock monitor status after $\overline{\text{RESET}}$ input

$\overline{\text{RESET}}$ input clears the CLM.CLME bit to 0 and stops the clock monitor operation. When CLME bit is set to 1 by software at the end of the oscillation stabilization time of the main clock, monitoring is started.

Figure 23-3. Clock Monitor Status After $\overline{\text{RESET}}$ Input

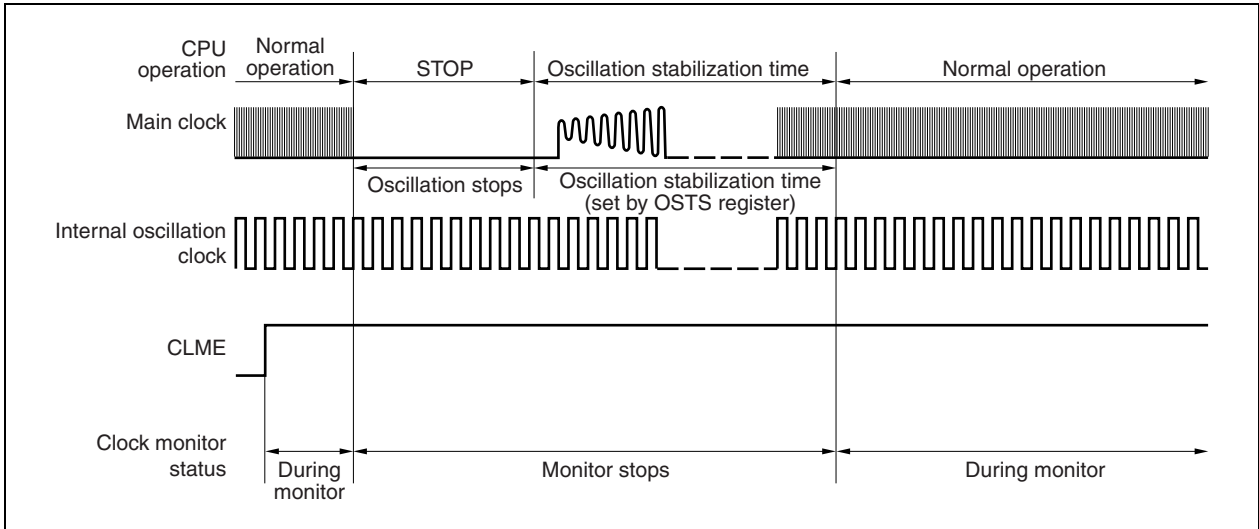
(CLM.CLME bit = 1 is set after $\overline{\text{RESET}}$ input and at the end of main clock oscillation stabilization time)



(3) Operation in STOP mode or after STOP mode is released

If the STOP mode is set with the CLM.CLME bit = 1, the monitor operation is stopped in the STOP mode and while the oscillation stabilization time is being counted. After the oscillation stabilization time, the monitor operation is automatically started.

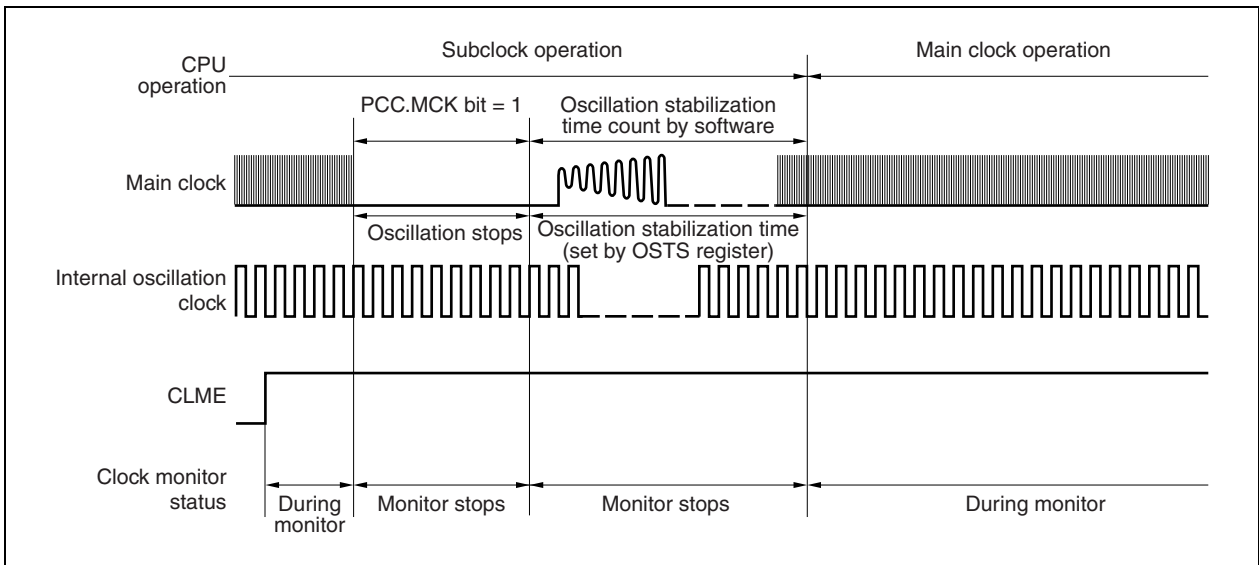
Figure 23-4. Operation in STOP Mode or After STOP Mode Is Released



(4) Operation when main clock is stopped (arbitrary)

During subclock operation (PCC.CLS bit = 1) or when the main clock is stopped by setting the PCC.MCK bit to 1, the monitor operation is stopped until the main clock operation is started (PCC.CLS bit = 0). The monitor operation is automatically started when the main clock operation is started.

Figure 23-5. Operation When Main Clock Is Stopped (Arbitrary)



(5) Operation while CPU is operating on internal oscillation clock (CCLS.CCLS bit = 1)

The monitor operation is not stopped when the CCLS bit is 1, even if the CLME bit is set to 1.

CHAPTER 24 LOW-VOLTAGE DETECTOR (LVI)

24.1 Functions

The low-voltage detector (LVI) has the following functions.

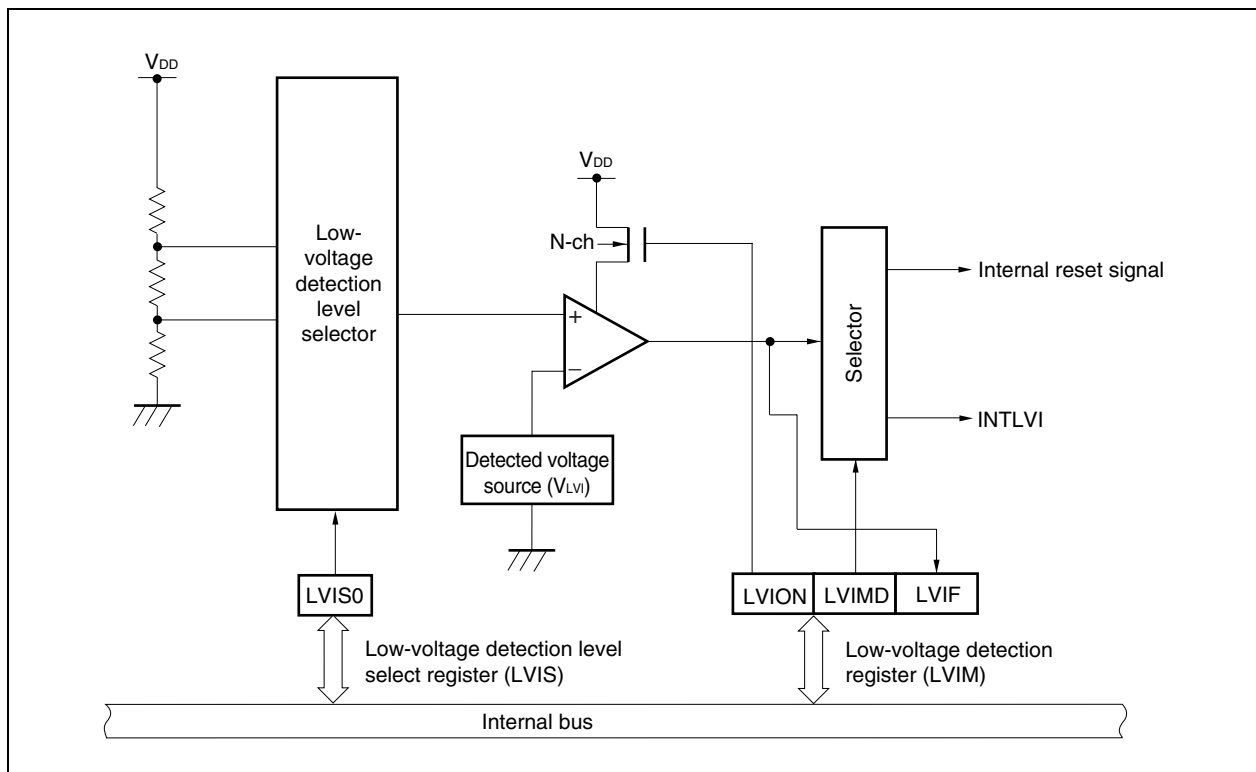
- Continuously compares the supply voltage (V_{DD}) and detected voltage (V_{LVI}), and generates an internal interrupt signal or internal reset signal when V_{DD} drops across V_{LVI} .
- The level of the supply voltage to be detected can be changed by software (in two steps).
- Interrupt or reset signal can be selected by software.
- Can operate in STOP mode.

If the low-voltage detector is used to generate a reset signal, the RESF.LVIRF bit is set to 1 when the reset signal is generated. For details of RESF register, see **22.2 Registers to Check Reset Source**.

24.2 Configuration

The block diagram of the low-voltage detector is shown below.

Figure 24-1. Block Diagram of Low-Voltage Detector



24.3 Registers

The low-voltage detector is controlled by the following registers.

- Low-voltage detection register (LVIM)
- Low-voltage detection level select register (LVIS)

(1) Low-voltage detection register (LVIM)

The LVIM register is a special register. This can be written only in the special combination of the sequences (see 3.4.7 **Special registers**).

The LVIM register is used to enable or disable low-voltage detection, and to set the operation mode of the low-voltage detector.

This register can be read or written in 8-bit or 1-bit units. However, the LVIF bit is read-only.

After reset: **Note 1** R/W Address: FFFFF890H

	<7>	6	5	4	3	2	<1>	<0>
LVIM	LVION	0	0	0	0	0	LVIMD	LVIF

LVION	Low-voltage detection operation enable or disable
0	Disable operation.
1	Enable operation.

LVIMD	Selection of operation mode of low-voltage detection
0	Generate interrupt request signal INTLVI when supply voltage drops across detected voltage value.
1	Generate internal reset signal LVIRES when supply voltage drops across detected voltage value.

LVIF ^{Note 2}	Low-voltage detection flag
0	When supply voltage > detected voltage, or when operation is disabled
1	Supply voltage of connected power supply < detected voltage

Notes 1. Reset by low-voltage detection: 82H

Reset due to other source: 00H

- 2.** The value of the LVIF flag is output as the interrupt request signal INTLVI when the LVION bit = 1 and LVIMD bit = 0.

Cautions 1. When the LVION and LVIMD bits to 1, the low-voltage detector cannot be stopped until the reset request due to other than the low-voltage detection is generated.

- 2.** When the LVION bit is set to 1, the comparator in the LVI circuit starts operating. Wait 0.2 ms or longer by software before checking the voltage at the LVIF bit after the LVION bit is set.

- 3.** Be sure to clear bits 6 to 2 to "0".

(2) Low-voltage detection level select register (LVIS)

The LVIS register is used to select the level of low voltage to be detected.

This register can be read or written in 8-bit or 1-bit units.

After reset: Note	R/W	Address: FFFFF891H							
		7	6	5	4	3	2	1	0
LVIS		0	0	0	0	0	0	0	LVIS0
		Detection level							
		0	3.0 V \pm 0.15 V						
		1	2.85 V \pm 0.15 V (setting prohibited)						

Note Reset by low-voltage detection: Retained
Reset due to other source: 00H

- Cautions**
- This register cannot be written until a reset request due to something other than low-voltage detection is generated after the LVIM.LVION and LVIM.LVIMD bits are set to 1.**
 - Be sure to clear bits 7 to 1 to “0”.**

(3) Internal RAM data status register (RAMS)

The RAMS register is a special register. This can be written only in a special combination of sequences (see **3.4.7 Special registers**).

This register is a flag register that indicates whether the internal RAM is valid or not.

This register can be read or written in 8-bit or 1-bit units.

The set/clear conditions for the RAMF bit are shown below.

- Setting conditions: Detection of voltage lower than specified level
Set by instruction
Generation of reset signal by WDT2 and CLM
Generation of reset signal while RAM is being accessed
Generation of reset signal via the $\overline{\text{RESET}}$ pin while internal RAM is being accessed.
- Clearing condition: Writing of 0 in specific sequence

After reset: 01H ^{Note}	R/W	Address: FFFFF892H							
		7	6	5	4	3	2	1	<0>
RAMS		0	0	0	0	0	0	0	RAMF
		Internal RAM data valid/invalid							
		0	Valid						
		1	Invalid						

Note This register is set to 01H after reset by the $\overline{\text{RESET}}$ pin input (only for RAM access), watchdog timer 2 overflow, or clock monitor. After reset by other sources, the register value at that time is retained.

24.4 Operation

Depending on the setting of the LVIM.VIMD bit, an interrupt signal (INTLVI) or an internal reset signal is generated. How to specify each operation is described below, together with timing charts.

24.4.1 To use for internal reset signal

<To start operation>

<1> Mask the interrupt of LVI.

<2> Select the voltage to be detected by using the LVIS.LVIS0 bit.

<3> Set the LVIM.LVION bit to 1 (to enable operation).

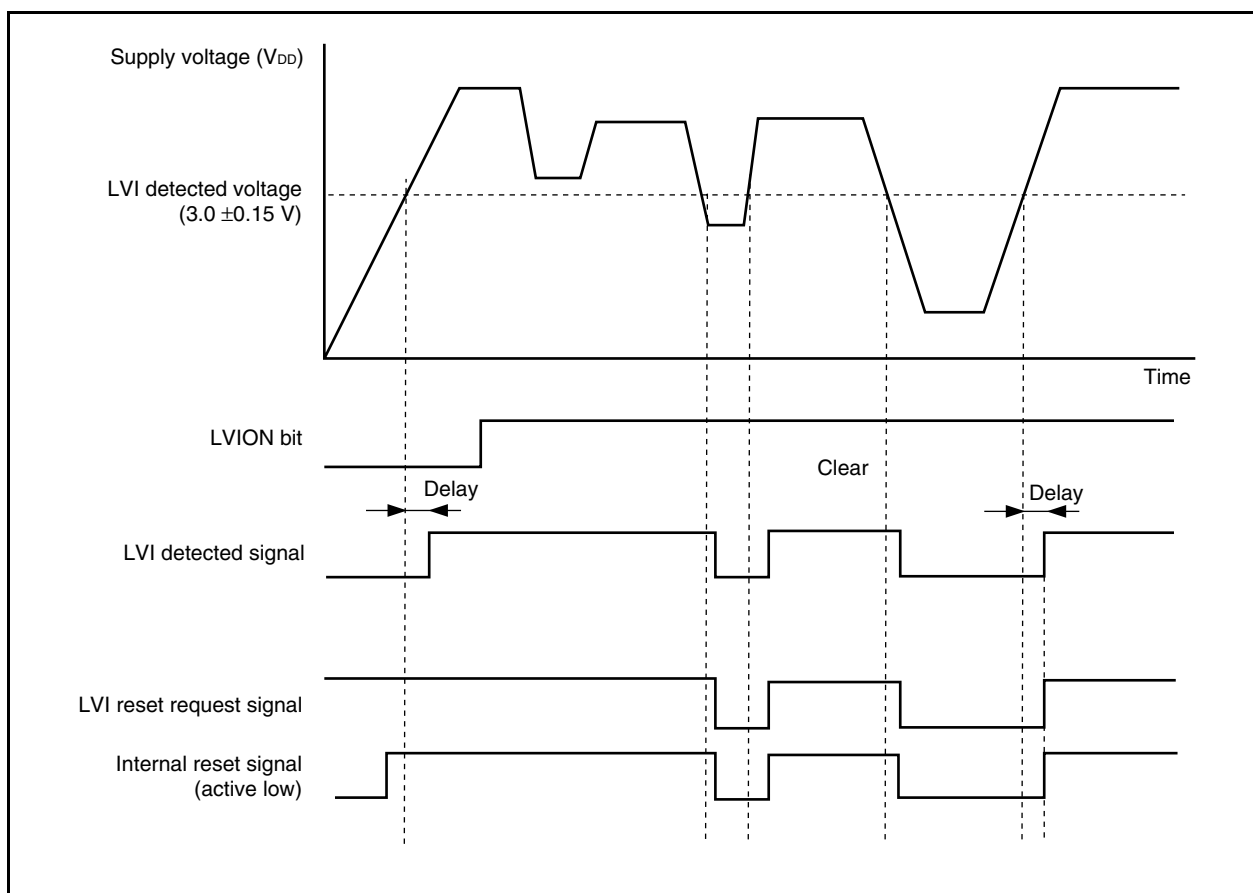
<4> Insert a wait cycle of 0.2 ms (max.) or more by software.

<5> By using the LVIM.LVIF bit, check if the supply voltage > detected voltage.

<6> Set the LVIMD bit to 1 (to generate an internal reset signal).

Caution If the LVIMD bit is set to 1, the contents of the LVIM and LVIS registers cannot be changed until a reset request other than LVI is generated.

Figure 24-2. Operation Timing of Low-Voltage Detector (LVIMD Bit = 1)



24.4.2 To use for interrupt

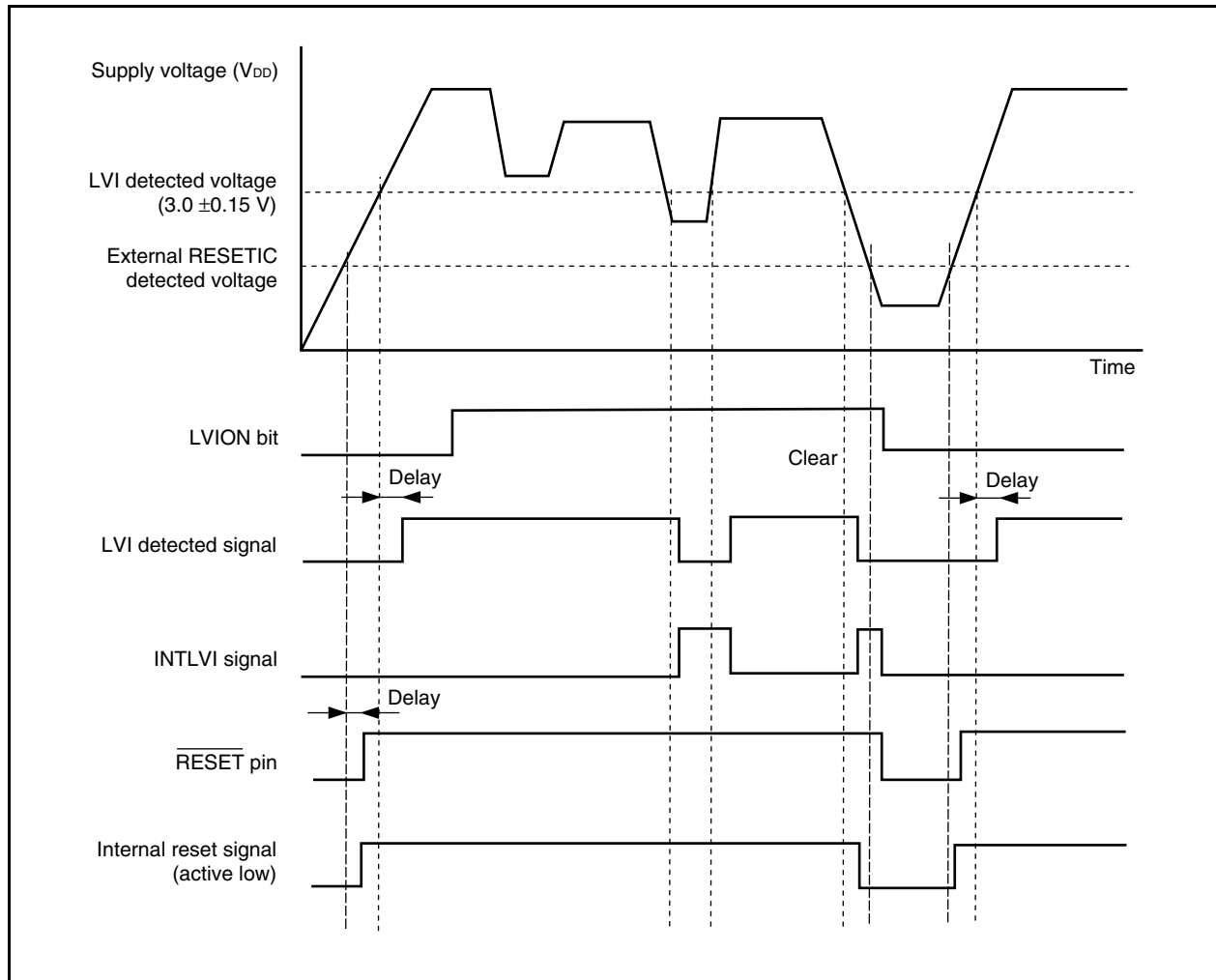
<To start operation>

- <1> Mask the interrupt of LVI.
- <2> Select the voltage to be detected by using the LVIS.LVIS0 bit.
- <3> Set the LVIM.LVION bit to 1 (to enable operation).
- <4> Insert a wait cycle of 0.2 ms (max.) or more by software.
- <5> By using the LVIM.LVIF bit, check if the supply voltage > detected voltage.
- <6> Clear the interrupt request flag of LVI.
- <7> Unmask the interrupt of LVI.

<To stop operation>

Clear the LVION bit to 0.

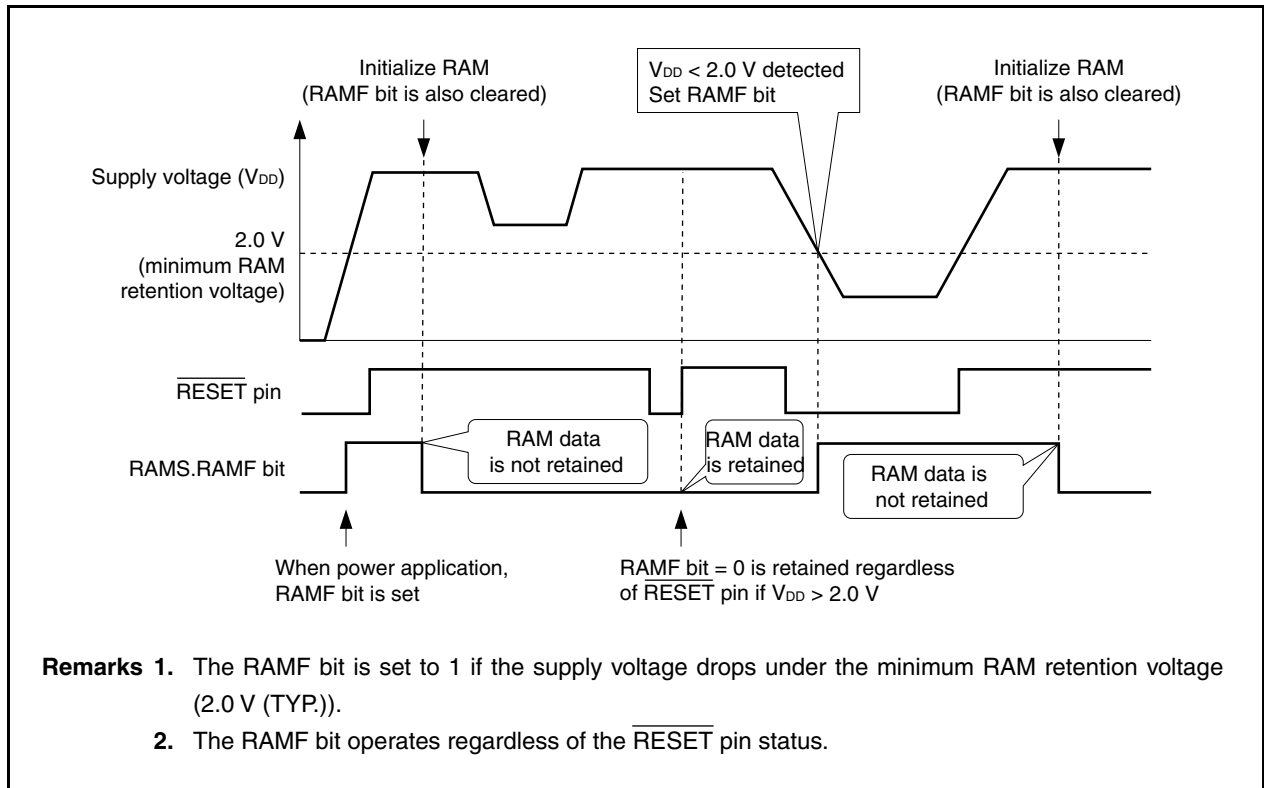
Figure 24-3. Operation Timing of Low-Voltage Detector (LVIMD Bit = 0)



24.5 RAM Retention Voltage Detection Operation

The supply voltage and detected voltage are compared. When the supply voltage drops below the detected voltage (including on power application), the RAMS.RAMF bit is set to 1.

Figure 24-4. Operation Timing of RAM Retention Voltage Detection Function



24.6 Emulation Function

When an in-circuit emulator is used, the operation of the RAM retention flag (RAMS.RAMF bit) can be pseudo-controlled and emulated by manipulating the PEMU1 register on the debugger.

This register is valid only in the emulation mode. It is invalid in the normal mode.

(1) Peripheral emulation register 1 (PEMU1)

After reset: 00H	R/W	Address: FFFFF9FEH							
		7	6	5	4	3	2	1	0
PEMU1		0	0	0	0	0	EVARAMIN	0	0

EVARAMIN	Pseudo specification of RAM retention voltage detection signal
0	Do not detect voltage lower than RAM retention voltage.
1	Detect voltage lower than RAM retention voltage (set RAMF flag).

Caution This bit is not automatically cleared.

[Usage]

When an in-circuit emulator is used, pseudo emulation of RAMF is realized by rewriting this register on the debugger.

<1> CPU break (CPU operation stops.)

<2> Set the EVARAMIN bit to 1 by using a register write command.

By setting the EVARAMIN bit to 1, the RAMF bit is set to 1 on hardware (the internal RAM data is invalid).

<3> Clear the EVARAMIN bit to 0 by using a register write command again.

Unless this operation is performed (clearing the EVARAMIN bit to 0), the RAMF bit cannot be cleared to 0 by a CPU operation instruction.

<4> Run the CPU and resume emulation.

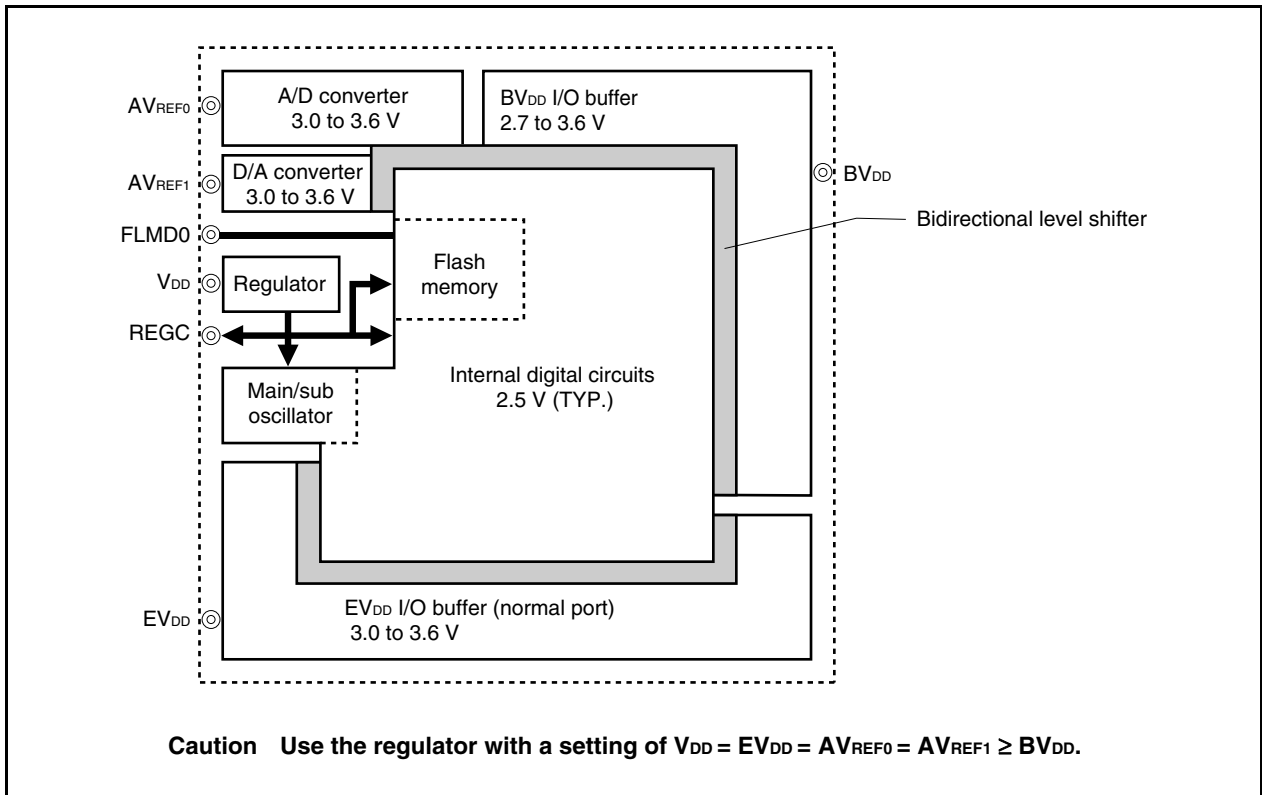
CHAPTER 25 REGULATOR

25.1 Overview

The V850ES/JJ2 includes a regulator to reduce power consumption and noise.

This regulator supplies a stepped-down V_{DD} power supply voltage to the oscillator block and internal logic circuits (except the A/D converter, D/A converter, and output buffers). The regulator output voltage is set to 2.5 V (TYP.).

Figure 25-1. Regulator



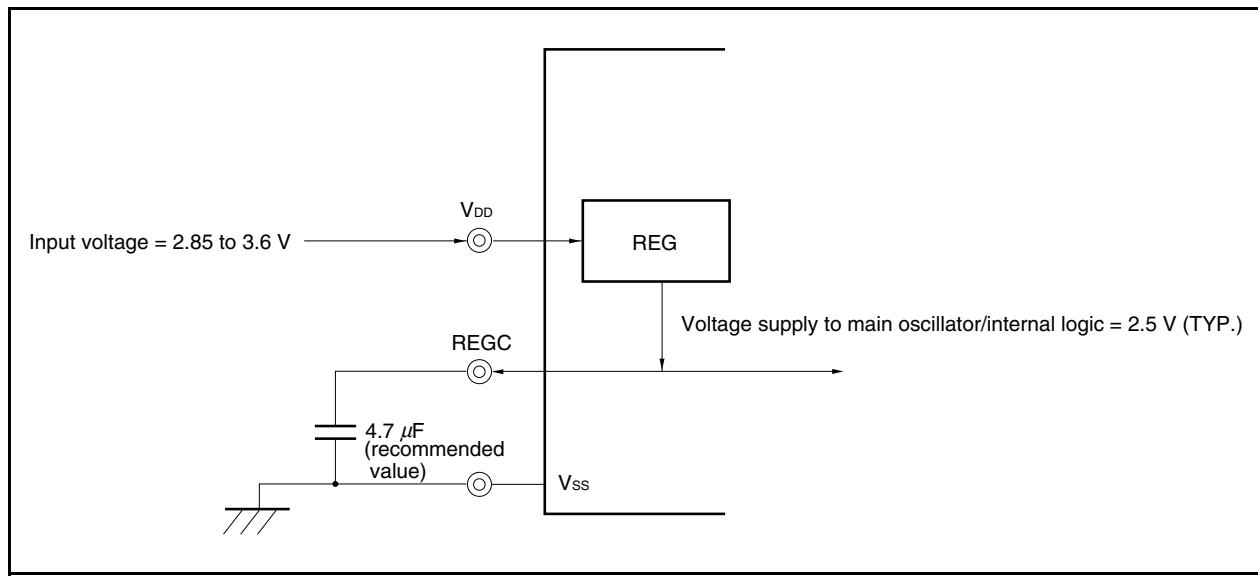
25.2 Operation

The regulator of this product always operates in any mode (normal operation mode, HALT mode, IDLE1 mode, IDLE2 mode, STOP mode, or during reset).

Be sure to connect a capacitor (4.7 μF (recommended value)) to the REGC pin to stabilize the regulator output.

A diagram of the regulator pin connection method is shown below.

Figure 25-2. REGC Pin Connection



CHAPTER 26 FLASH MEMORY

The V850ES/JJ2 incorporates a flash memory.

- μ PD70F3720: 128 KB flash memory
- μ PD70F3721: 256 KB flash memory
- μ PD70F3722: 384 KB flash memory
- μ PD70F3723: 512 KB flash memory
- μ PD70F3724: 640 KB flash memory

Flash memory versions offer the following advantages for development environments and mass production applications.

- For altering software after the V850ES/JJ2 is soldered onto the target system.
- For data adjustment when starting mass production.
- For differentiating software according to the specification in small scale production of various models.
- For facilitating inventory management.
- For updating software after shipment.

26.1 Features

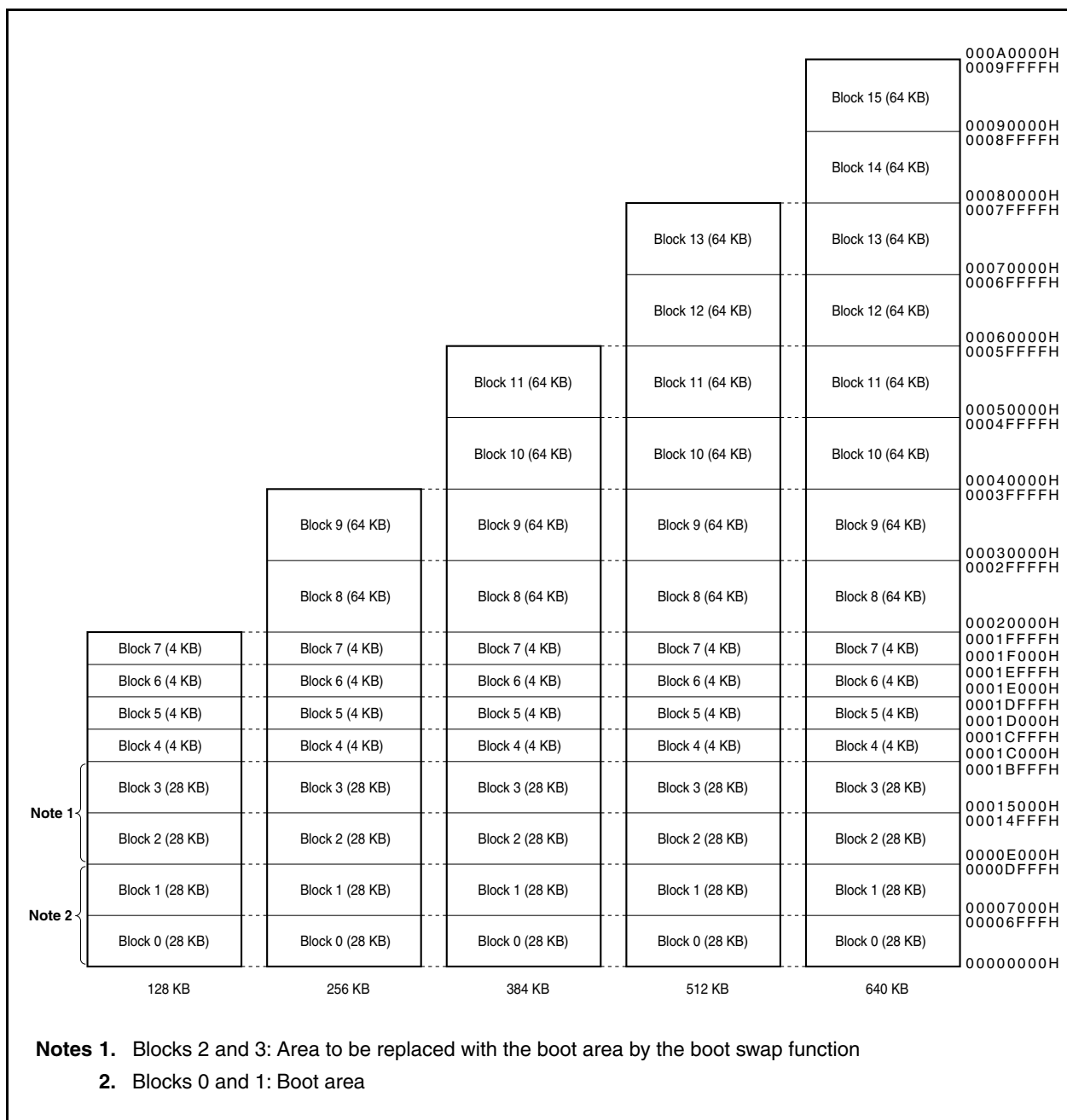
- 4-byte/1-clock access (when instruction is fetched)
- Capacity: 640/512/384/256/128 KB
- Write voltage: Erase/write with a single power supply
- Rewriting method
 - Rewriting by communication with dedicated flash programmer via serial interface (on-board/off-board programming)
 - Rewriting flash memory by user program (self programming)
- Flash memory write prohibit function supported (security function)
- Safe rewriting of entire flash memory area by self programming using boot swap function
- Interrupts can be acknowledged during self programming.

26.2 Memory Configuration

The V850ES/JJ2 internal flash memory area is divided into 16, 14, 12, 10, or 8 blocks and can be programmed/erased in block units. All of the blocks can also be erased at once.

When the boot swap function is used, the physical memory allocated at the addresses of blocks 0 and 1 is replaced by the physical memory allocated at the addresses of blocks 2 and 3. For details of the boot swap function, see **26.5 Rewriting by Self Programming**.

Figure 26-1. Flash Memory Mapping



26.3 Functional Outline

The internal flash memory of the V850ES/JJ2 can be rewritten by using the rewrite function of the dedicated flash programmer, regardless of whether the V850ES/JJ2 has already been mounted on the target system or not (off-board/on-board programming).

In addition, a security function that prohibits rewriting the user program written to the internal flash memory is also supported, so that the program cannot be changed by an unauthorized person.

The rewrite function using the user program (self programming) is ideal for an application where it is assumed that the program is changed after production/shipment of the target system. A boot swap function that rewrites the entire flash memory area safely is also supported. In addition, interrupt servicing is supported during self programming, so that the flash memory can be rewritten under various conditions, such as while communicating with an external device.

Table 26-1. Rewrite Method

Rewrite Method	Functional Outline	Operation Mode
On-board programming	Flash memory can be rewritten after the device is mounted on the target system, by using a dedicated flash programmer.	Flash memory programming mode
Off-board programming	Flash memory can be rewritten before the device is mounted on the target system, by using a dedicated flash programmer and a dedicated program adapter board (FA series).	
Self programming	Flash memory can be rewritten by executing a user program that has been written to the flash memory in advance by means of off-board/on-board programming. (During self-programming, instructions cannot be fetched from or data access cannot be made to the internal flash memory area. Therefore, the rewrite program must be transferred to the internal RAM or external memory in advance.)	Normal operation mode

Remark The FA series is a product of Naito Densai Machida Mfg. Co., Ltd.

Table 26-2. Basic Functions

Function	Functional Outline	Support (√: Supported, ×: Not supported)	
		On-Board/Off-Board Programming	Self Programming
Block erasure	The contents of specified memory blocks are erased.	√	√
Chip erasure	The contents of the entire memory area are erased all at once.	√	×
Write	Writing to specified addresses, and a verify check to see if write level is secured are performed.	√	√
Verify/checksum	Data read from the flash memory is compared with data transferred from the flash programmer.	√	× (Can be read by user program)
Blank check	The erasure status of the entire memory is checked.	√	√
<R> Security setting	Use of the block erase command, chip erase command, and program command can be prohibited.	√	× (Supported only when setting is changed from enable to disable)

The following table lists the security functions. The block erase command prohibit, chip erase command prohibit, and program command prohibit functions are enabled by default after shipment, and security can be set by rewriting via on-board/off-board programming. Each security function can be used in combination with the others at the same time.

<R>

Table 26-3. Security Functions

Function	Function Outline
Block erase command prohibit	Execution of a block erase command on all blocks is prohibited. Setting of prohibition can be initialized by execution of a chip erase command.
Chip erase command prohibit	Execution of block erase and chip erase commands on all the blocks is prohibited. Once prohibition is set, setting of prohibition cannot be initialized because the chip erase command cannot be executed.
Program command prohibit	Execution of program and block erase commands on all the blocks is prohibited. Setting of prohibition can be initialized by execution of the chip erase command.
Read command prohibit	Not supported (permanently prohibited).
Boot area rewrite prohibit	Not supported.

<R>

Table 26-4. Security Setting

Function	Erase, Write, Read Operations When Each Security Is Set (√: Executable, ×: Not Executable, -: Not Supported)		Notes on Security Setting	
	On-Board/ Off-Board Programming	Self Programming	On-Board/ Off-Board Programming	Self Programming
Block erase command prohibit	Block erase command: × Chip erase command: √ Program command: √ Read command: √	Block erasure (FlashBlockErase): √ Chip erasure: – Write (FlashWordWrite): √ Read (FlashWordRead): √	Setting of prohibition can be initialized by chip erase command.	Supported only when setting is changed from enable to prohibit
Chip erase command prohibit	Block erase command: × Chip erase command: × Program command: √ ^{Note} Read command: √	Block erasure (FlashBlockErase): √ Chip erasure: – Write (FlashWordWrite): √ Read (FlashWordRead): √	Setting of prohibition cannot be initialized.	
Program command prohibit	Block erase command: × Chip erase command: √ Program command: × Read command: √	Block erasure (FlashBlockErase): √ Chip erasure: – Write (FlashWordWrite): √ Read (FlashWordRead): √	Setting of prohibition can be initialized by chip erase command.	

Note In this case, since the erase command is invalid, data different from the data already written in the flash memory cannot be written.

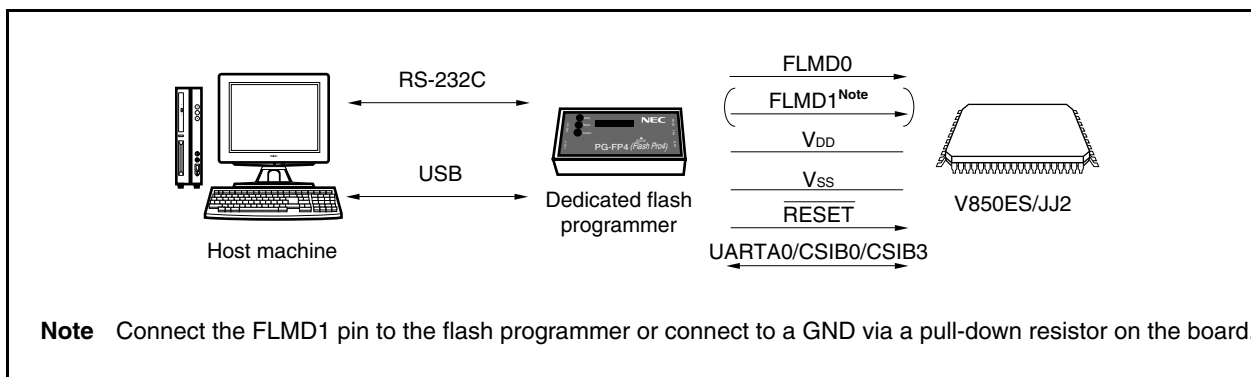
26.4 Rewriting by Dedicated Flash Programmer

The flash memory can be rewritten by using a dedicated flash programmer after the V850ES/JJ2 is mounted on the target system (on-board programming). The flash memory can also be rewritten before the device is mounted on the target system (off-board programming) by using a dedicated program adapter (FA series).

26.4.1 Programming environment

The following shows the environment required for writing programs to the flash memory of the V850ES/JJ2.

Figure 26-2. Environment Required for Writing Programs to Flash Memory



A host machine is required for controlling the dedicated flash programmer.

UARTA0, CSIB0, or CSIB3 is used for the interface between the dedicated flash programmer and the V850ES/JJ2 to perform writing, erasing, etc. A dedicated program adapter (FA series) required for off-board writing.

- FA-70F3724GJ-UEN-MX (already wired)
- FA-144GJ-UEN-A (not wired: wiring required)

Remark The FA series is a product of Naito Densai Machida Mfg. Co., Ltd.

26.4.2 Communication mode

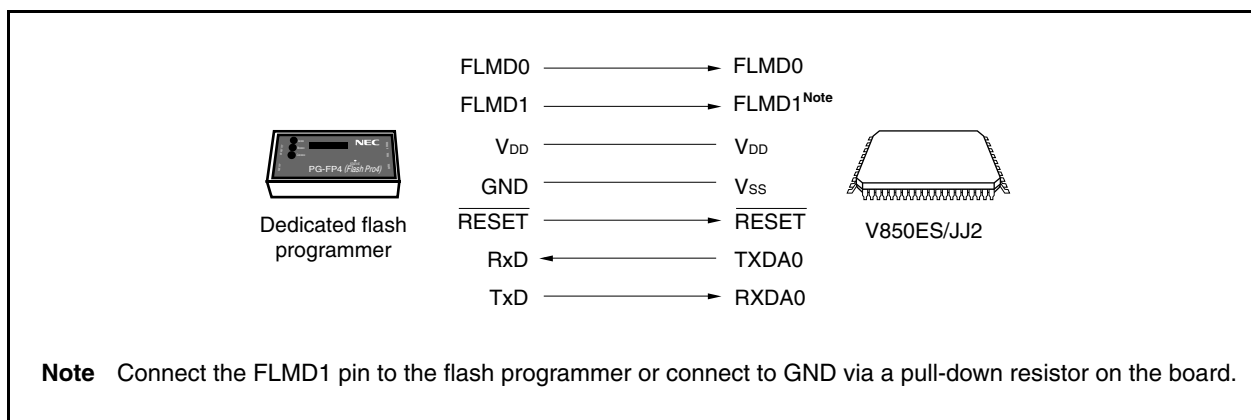
Communication between the dedicated flash programmer and the V850ES/JJ2 is performed by serial communication using the UARTA0, CSIB0, or CSIB3 interfaces of the V850ES/JJ2.

(1) UARTA0

<R>

Transfer rate: 9,600, 19200, 31250, 38400, 76800, 153600 bps
(57600, 115200, and 128000 bps are not supported.)

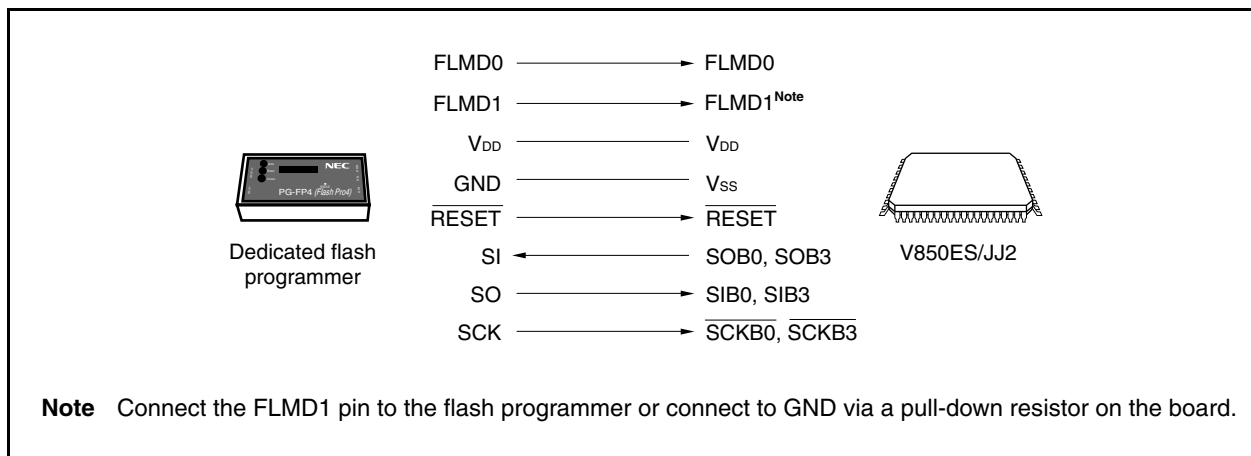
Figure 26-3. Communication with Dedicated Flash Programmer (UARTA0)



(2) CSIB0, CSIB3

Serial clock: 2.4 kHz to 2.5 MHz (MSB first)

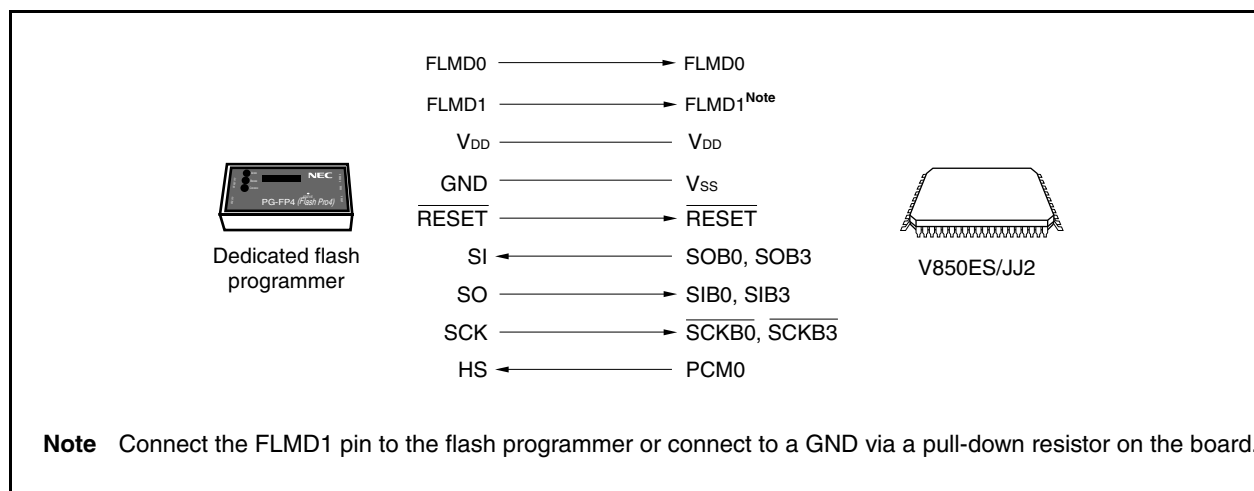
Figure 26-4. Communication with Dedicated Flash Programmer (CSIB0, CSIB3)



(3) CSIB0 + HS, CSIB3 + HS

Serial clock: 2.4 kHz to 2.5 MHz (MSB first)

Figure 26-5. Communication with Dedicated Flash Programmer (CSIB0 + HS, CSIB3 + HS)



The dedicated flash programmer outputs the transfer clock, and the V850ES/JJ2 operates as a slave. When the PG-FP4 is used as the dedicated flash programmer, it generates the following signals to the V850ES/JJ2. For details, refer to the **PG-FP4 User's Manual (U15260E)**.

Table 26-5. Signal Connections of Dedicated Flash Programmer (PG-FP4)

PG-FP4			V850ES/JJ2	Processing for Connection		
Signal Name	I/O	Pin Function	Pin Name	UARTA0	CSIB0, CSIB3	CSIB0 + HS, CSIB3 + HS
FLMD0	Output	Write enable/disable	FLMD0	○	○	○
FLMD1	Output	Write enable/disable	FLMD1	○ ^{Note 1}	○ ^{Note 1}	○ ^{Note 1}
VDD	–	V _{DD} voltage generation/voltage monitor	V _{DD}	○	○	○
GND	–	Ground	V _{SS}	○	○	○
CLK	Output	Clock output to V850ES/JJ2	X1, X2	× ^{Note 2}	× ^{Note 2}	× ^{Note 2}
RESET	Output	Reset signal	RESET	○	○	○
SI/RxD	Input	Receive signal	SOB0, SOB3/ TXDA0	○	○	○
SO/TxD	Output	Transmit signal	SIB0, SIB3/ RXDA0	○	○	○
SCK	Output	Transfer clock	SCKB0, SCKB3	×	○	○
HS	Input	Handshake signal for CSIB0 + HS, CSIB3 + HS communication	PCM0	×	×	○

- Notes 1.** Wire these pins as shown in Figure 26-6, or connect them to GND via pull-down resistor on board.
2. Clock cannot be supplied via the CLK pin of the flash programmer. Create an oscillator on board and supply the clock.

Remark ○: Must be connected.
 ×: Does not have to be connected.

Table 26-6. Wiring of Flash Writing Adapter for V850ES/JJ2 (FA-144GJ-UEN-A) (1/2)

Flash Programmer (PG-FP4) Connection Pins			Pin Name on FA Board	When CSIB0 + HS Is Used		When CSIB0 Is Used		When UARTA0 Is Used	
Signal Name	I/O	Pin Function		Pin Name	Pin No.	Pin Name	Pin No.	Pin Name	Pin No.
SI/RxD	Input	Receive signal	SI	P41/SOB0/SCL01	23	P41/SOB0/SCL01	23	P30/TXD0/SOB4	25
SO/TxD	Output	Transmit signal	SO	P40/SIB0/SDA01	22	P40/SIB0/SDA01	22	P31/RXD0/INTP7/ SIB4	26
SCK	Output	Transfer clock	SCK	P42/ $\overline{\text{SCKB0}}$	24	P42/ $\overline{\text{SCKB0}}$	24	Not necessary	–
CLK	Output	Clock to V850ES/JJ2	X1	Not necessary	–	Not necessary	–	Not necessary	–
			X2	Not necessary	–	Not necessary	–	Not necessary	–
/RESET	Output	Reset signal	/RESET	$\overline{\text{RESET}}$	14	$\overline{\text{RESET}}$	14	$\overline{\text{RESET}}$	14
FLMD0	Output	Write voltage	FLMD0	FLMD0	8	FLMD0	8	FLMD0	8
FLMD1	Output	Write voltage	FLMD1	PDL5/AD5/FLMD1	110	PDL5/AD5/FLMD1	110	PDL5/AD5/FLMD1	110
HS	Input	Handshake signal of CSIO + HS communication	RESERVE/ HS	PCMO/ $\overline{\text{WAIT}}$	85	Not necessary	–	Not necessary	–
VDD	–	VDD voltage generation/ voltage monitor	VDD	V _{DD}	9	V _{DD}	9	V _{DD}	9
				BV _{DD}	104	BV _{DD}	104	BV _{DD}	104
				EV _{DD}	34	EV _{DD}	34	EV _{DD}	34
				AV _{REF0}	1	AV _{REF0}	1	AV _{REF0}	1
				AV _{REF1}	5	AV _{REF1}	5	AV _{REF1}	5
GND	–	Ground	GND	V _{SS}	11	V _{SS}	11	V _{SS}	11
				AV _{SS}	2	AV _{SS}	2	AV _{SS}	2
				BV _{SS}	103	BV _{SS}	103	BV _{SS}	103
				EV _{SS}	33	EV _{SS}	33	EV _{SS}	33

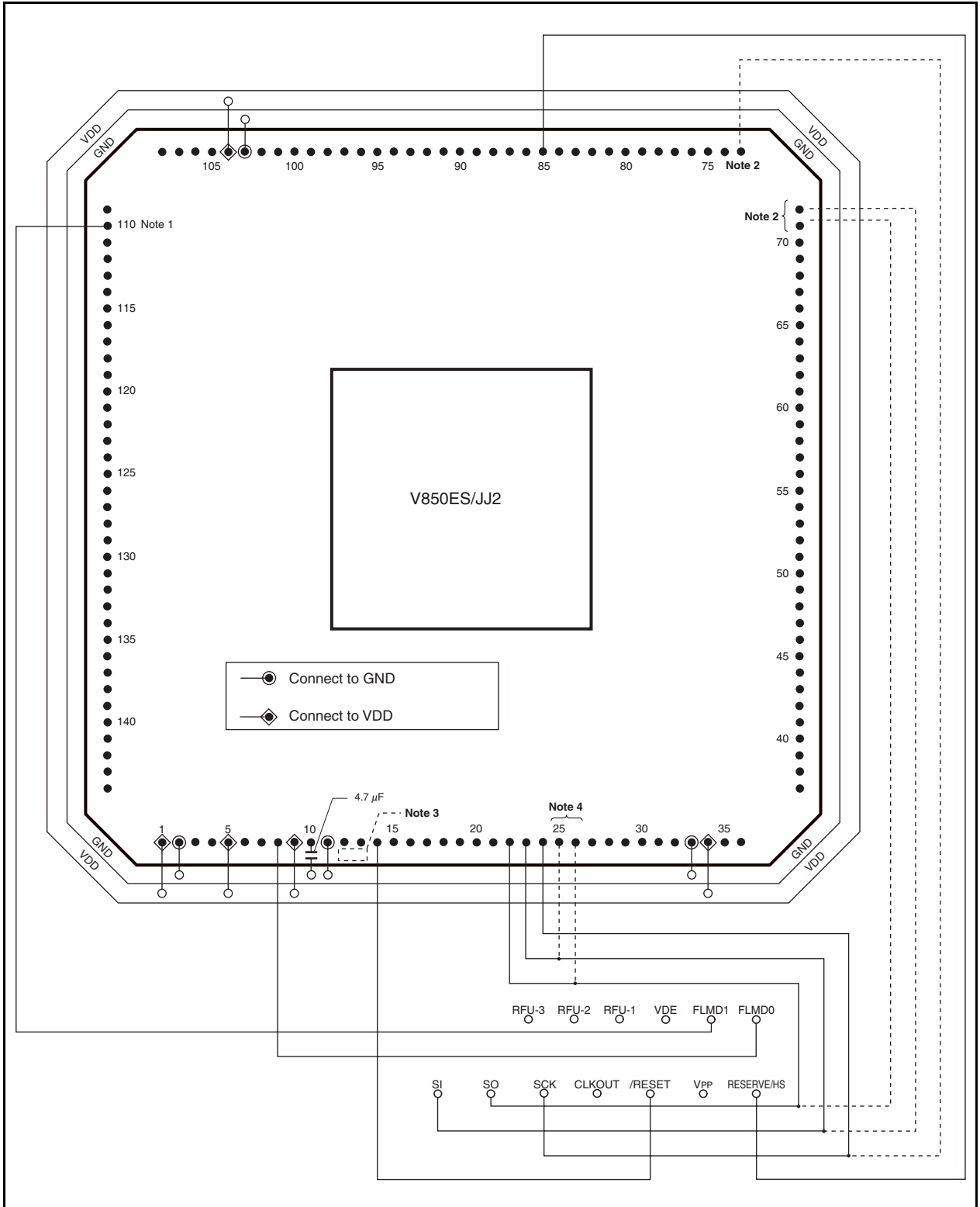
- Cautions**
1. Be sure to connect the REGC pin to GND via a 4.7 μF capacitor.
 2. A clock cannot be supplied from the CLK pin of the flash programmer. Create an oscillator on the board and supply the clock from that oscillator.

Table 26-6. Wiring of Flash Writing Adapter for V850ES/JJ2 (FA-144GJ-UEN-A) (2/2)

Flash Programmer (PG-FP4) Connection Pins			Pin Name on FA Board	When CSIB3 + HS Is Used		When CSIB3 Is Used	
Signal Name	I/O	Pin Function		Pin Name	Pin No.	Pin Name	Pin No.
SI/RxD	Input	Receive signal	SI	P911/A11/SOB3	72	P911/A11/SOB3	72
SO/TxD	Output	Transmit signal	SO	P910/A10/SIB3	71	P910/A10/SIB3	71
SCK	Output	Transfer clock	SCK	P912/A12/ $\overline{\text{SCKB3}}$	73	P912/A12/ $\overline{\text{SCKB3}}$	73
CLK	Output	Clock to V850ES/JJ2	X1	Not necessary	–	Not necessary	–
			X2	Not necessary	–	Not necessary	–
/RESET	Output	Reset signal	/RESET	$\overline{\text{RESET}}$	14	$\overline{\text{RESET}}$	14
FLMD0	Output	Write voltage	FLMD0	FLMD0	8	FLMD0	8
FLMD1	Output	Write voltage	FLMD1	PDL5/AD5/FLMD1	110	PDL5/AD5/FLMD1	110
HS	Input	Handshake signal of CSIO + HS communication	RESERVE/HS	PCM0/ $\overline{\text{WAIT}}$	85	Not necessary	–
VDD	–	VDD voltage generation/ voltage monitor	VDD	V _{DD}	9	V _{DD}	9
				BV _{DD}	104	BV _{DD}	104
				EV _{DD}	34	EV _{DD}	34
				AV _{REF0}	1	AV _{REF0}	1
				AV _{REF1}	5	AV _{REF1}	5
GND	–	Ground	GND	V _{SS}	11	V _{SS}	11
				AV _{SS}	2	AV _{SS}	2
				BV _{SS}	103	BV _{SS}	103
				EV _{SS}	33	EV _{SS}	33

- Cautions**
1. Be sure to connect the REGC pin to GND via a 4.7 μF capacitor.
 2. A clock cannot be supplied from the CLK pin of the flash programmer. Create an oscillator on the board and supply the clock from that oscillator.

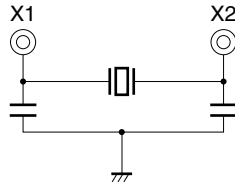
Figure 26-6. Example of Wiring of V850ES/JJ2 Flash Writing Adapter (FA-144GJ-UEN-A)
(in CSIB0 + HS Mode) (1/2)



**Figure 26-6. Example of Wiring of V850ES/JJ2 Flash Writing Adapter (FA-144GJ-UEN-A)
(in CSIB0 + HS Mode) (2/2)**

- Notes**
1. Wire the FLMD1 pin as shown below, or connect it to GND on board via a pull-down resistor.
 2. Pins used when CSIB3 is used
 3. Supply a clock by creating an oscillator on the flash writing adapter (enclosed by the broken lines). Here is an example of the oscillator.

Example



4. Pins used when UARTA0 is used.

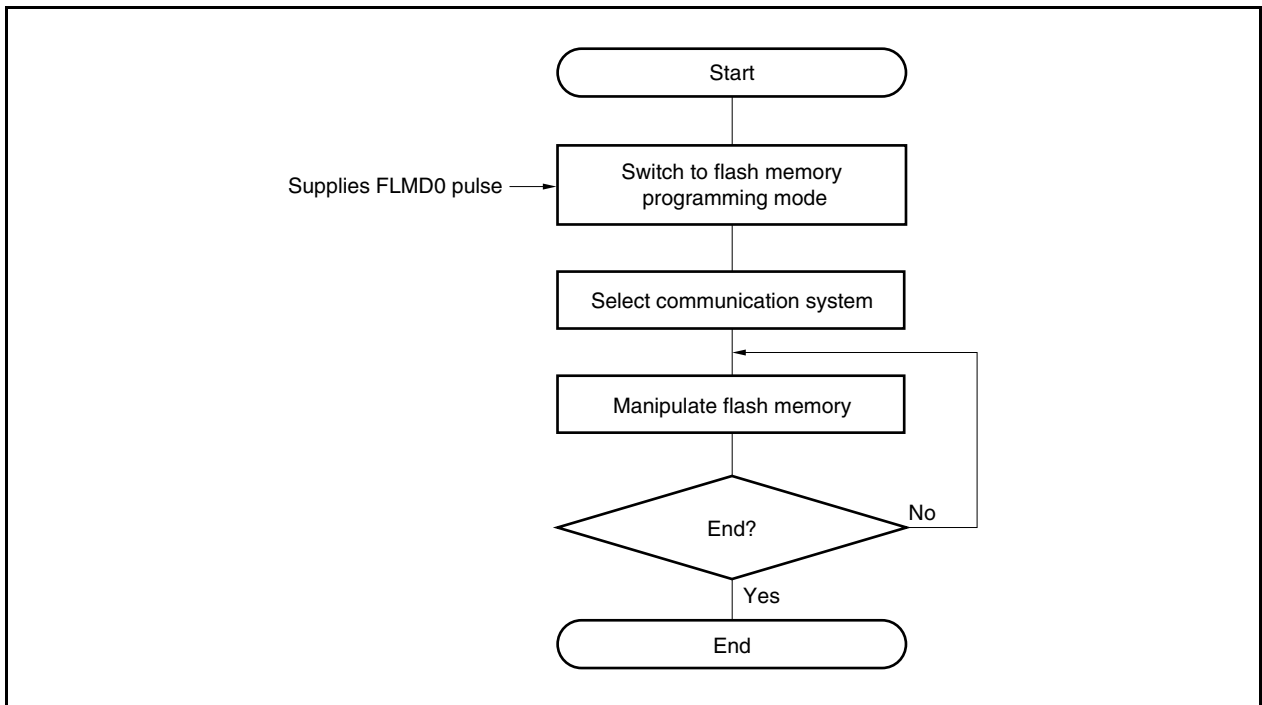
Caution Do not input a high level to the $\overline{\text{DRST}}$ pin.

- Remarks**
1. Process the pins not shown in accordance with processing of unused pins (see 2.3 Pin I/O Circuit Types, I/O Buffer Power Supplies and Handling of Unused Pins).
 2. This adapter is for the 144-pin plastic LQFP package.

26.4.3 Flash memory control

The following shows the procedure for manipulating the flash memory.

Figure 26-7. Procedure for Manipulating Flash Memory

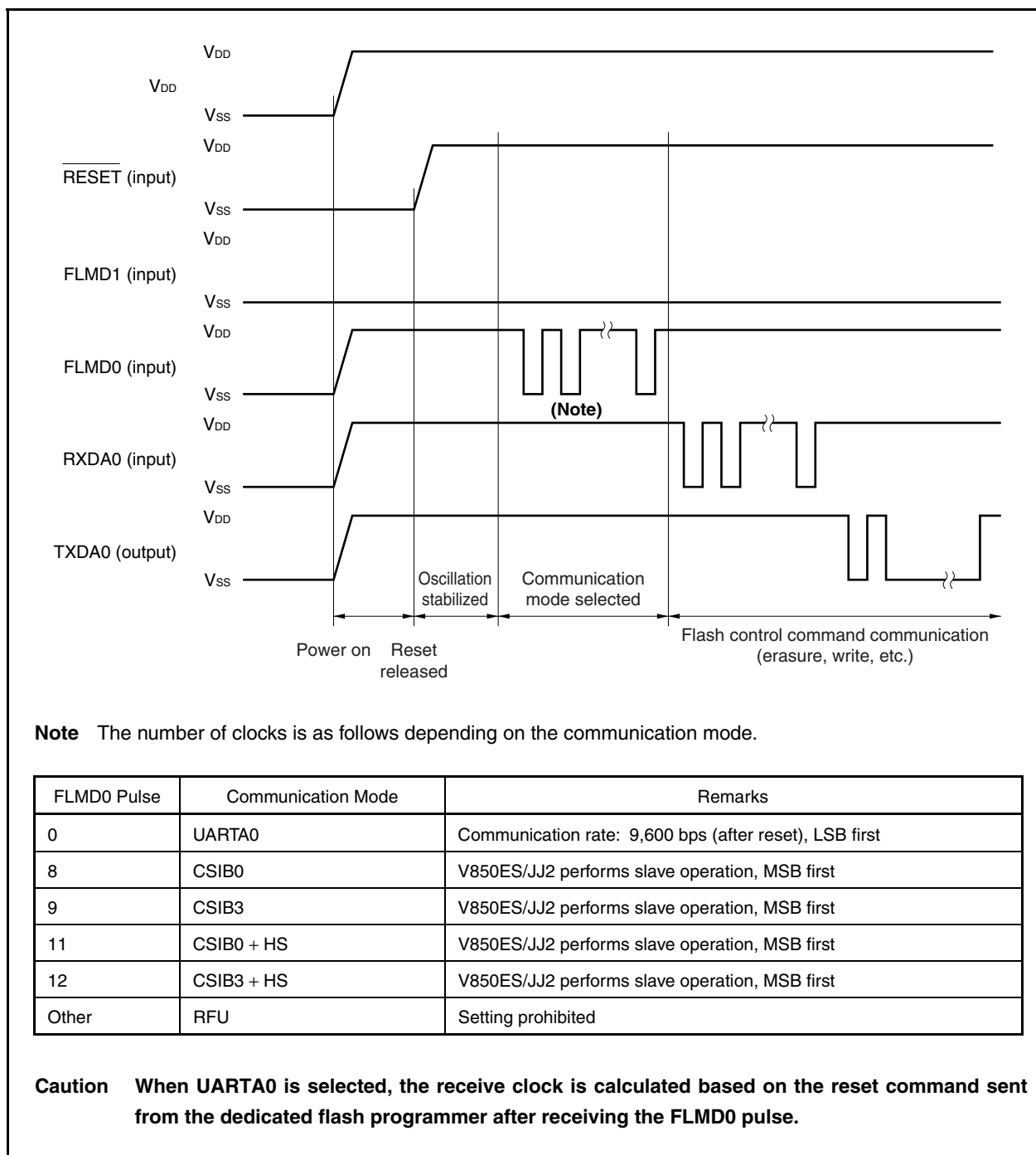


26.4.4 Selection of communication mode

In the V850ES/JJ2, the communication mode is selected by inputting pulses (12 pulses max.) to the FLMD0 pin after switching to the flash memory programming mode. The FLMD0 pulse is generated by the dedicated flash programmer.

The following shows the relationship between the number of pulses and the communication mode.

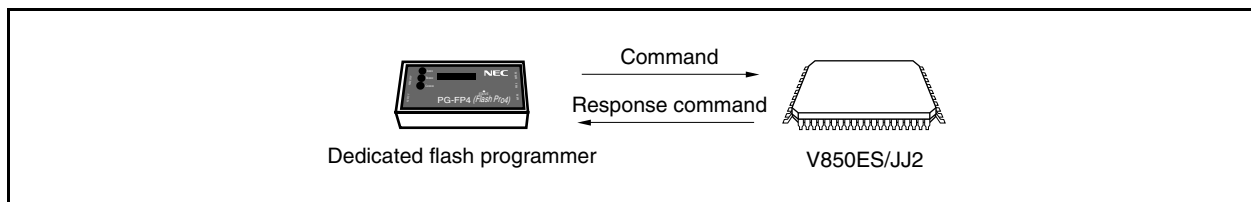
Figure 26-8. Selection of Communication Mode



26.4.5 Communication commands

The V850ES/JJ2 communicates with the dedicated flash programmer by means of commands. The signals sent from the dedicated flash programmer to the V850ES/JJ2 are called "commands". The response signals sent from the V850ES/JJ2 to the dedicated flash programmer are called "response commands".

Figure 26-9. Communication Commands



The following shows the commands for flash memory control in the V850ES/JJ2. All of these commands are issued from the dedicated flash programmer, and the V850ES/JJ2 performs the processing corresponding to the commands.

Table 26-7. Flash Memory Control Commands

Classification	Command Name	Support			Function
		CSIB0, CSIB3	CSIB0 + HS, CSIB3 + HS	UARTA0	
Blank check	Block blank check command	√	√	√	Checks if the contents of the memory in the specified block have been correctly erased.
Erase	Chip erase command	√	√	√	Erases the contents of the entire memory.
	Block erase command	√	√	√	Erases the contents of the memory of the specified block.
Write	Program command	√	√	√	Writes the specified address range, and executes a contents verify check.
Verify	Verify command	√	√	√	Compares the contents of memory in the specified address range with data transferred from the flash programmer.
	Checksum command	√	√	√	Reads the checksum in the specified address range.
System setting, control	Silicon signature command	√	√	√	Reads silicon signature information.
	Security setting command	√	√	√	Disables the chip erase command, block erase command, and program command.

<R>

26.4.6 Pin connection

When performing on-board writing, mount a connector on the target system to connect to the dedicated flash programmer. Also, incorporate a function on-board to switch from the normal operation mode to the flash memory programming mode.

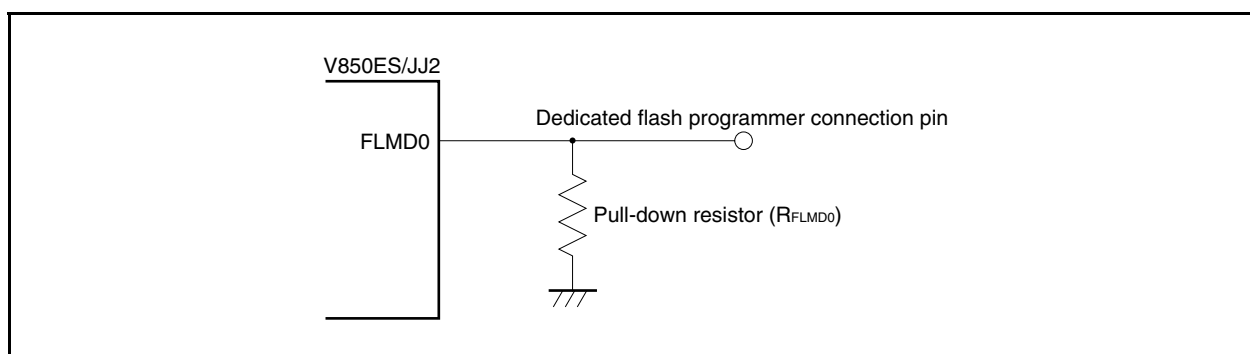
In the flash memory programming mode, all the pins not used for flash memory programming become the same status as that immediately after reset. Therefore, pin handling is required when the external device does not acknowledge the status immediately after a reset.

(1) FLMD0 pin

In the normal operation mode, input a voltage of V_{SS} level to the FLMD0 pin. In the flash memory programming mode, supply a write voltage of V_{DD} level to the FLMD0 pin.

Because the FLMD0 pin serves as a write protection pin in the self programming mode, a voltage of V_{DD} level must be supplied to the FLMD0 pin via port control, etc., before writing to the flash memory. For details, see 26.5.5 (1) FLMD0 pin.

Figure 26-10. FLMD0 Pin Connection Example



(2) FLMD1 pin

When 0 V is input to the FLMD0 pin, the FLMD1 pin does not function. When V_{DD} is supplied to the FLMD0 pin, the flash memory programming mode is entered, so 0 V must be input to the FLMD1 pin. The following shows an example of the connection of the FLMD1 pin.

Figure 26-11. FLMD1 Pin Connection Example

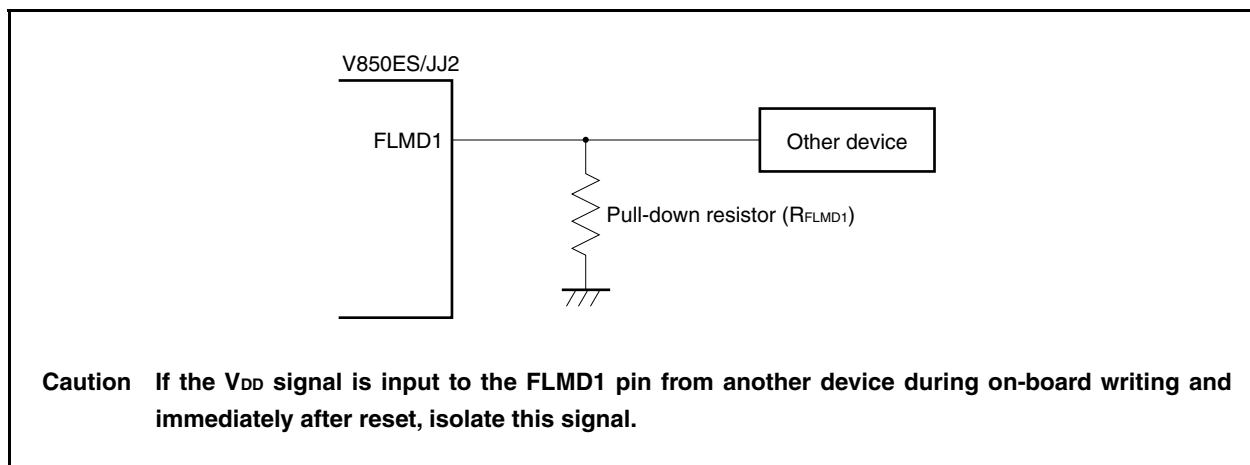


Table 26-8. Relationship Between FLMD0 and FLMD1 Pins and Operation Mode When Reset Is Released

FLMD0	FLMD1	Operation Mode
0	Don't care	Normal operation mode
V _{DD}	0	Flash memory programming mode
V _{DD}	V _{DD}	Setting prohibited

(3) Serial interface pin

The following shows the pins used by each serial interface.

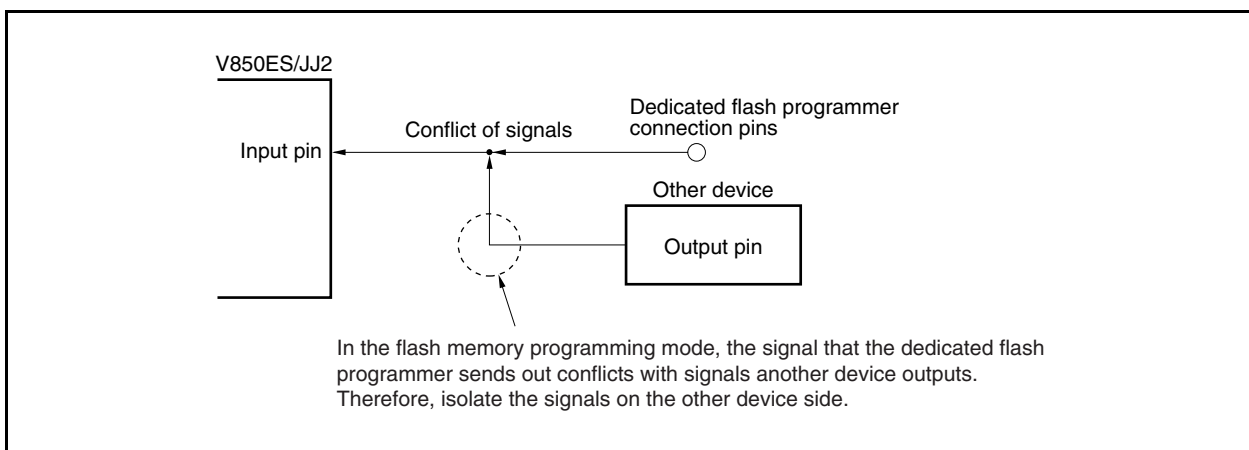
Table 26-9. Pins Used by Serial Interfaces

Serial Interface	Pins Used
UARTA0	TXDA0, RXDA0
CSIB0	SOB0, SIB0, $\overline{\text{SCKB0}}$
CSIB3	SOB3, SIB3, $\overline{\text{SCKB3}}$
CSIB0 + HS	SOB0, SIB0, $\overline{\text{SCKB0}}$, PCM0
CSIB3 + HS	SOB3, SIB3, $\overline{\text{SCKB3}}$, PCM0

When connecting a dedicated flash programmer to a serial interface pin that is connected to another device on-board, care should be taken to avoid conflict of signals and malfunction of the other device.

(a) Conflict of signals

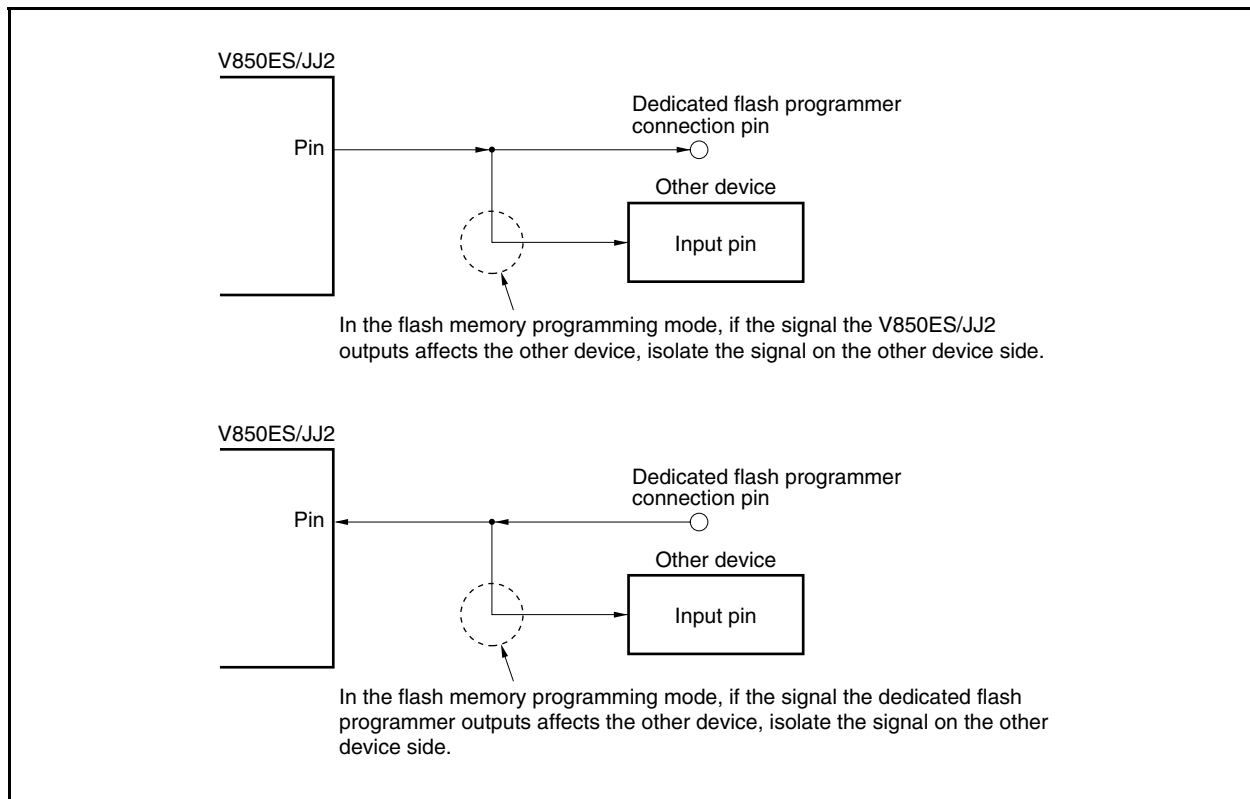
When the dedicated flash programmer (output) is connected to a serial interface pin (input) that is connected to another device (output), a conflict of signals occurs. To avoid the conflict of signals, isolate the connection to the other device or set the other device to the output high-impedance status.

Figure 26-12. Conflict of Signals (Serial Interface Input Pin)

(b) Malfunction of other device

When the dedicated flash programmer (output or input) is connected to a serial interface pin (input or output) that is connected to another device (input), the signal is output to the other device, causing the device to malfunction. To avoid this, isolate the connection to the other device.

Figure 26-13. Malfunction of Other Device

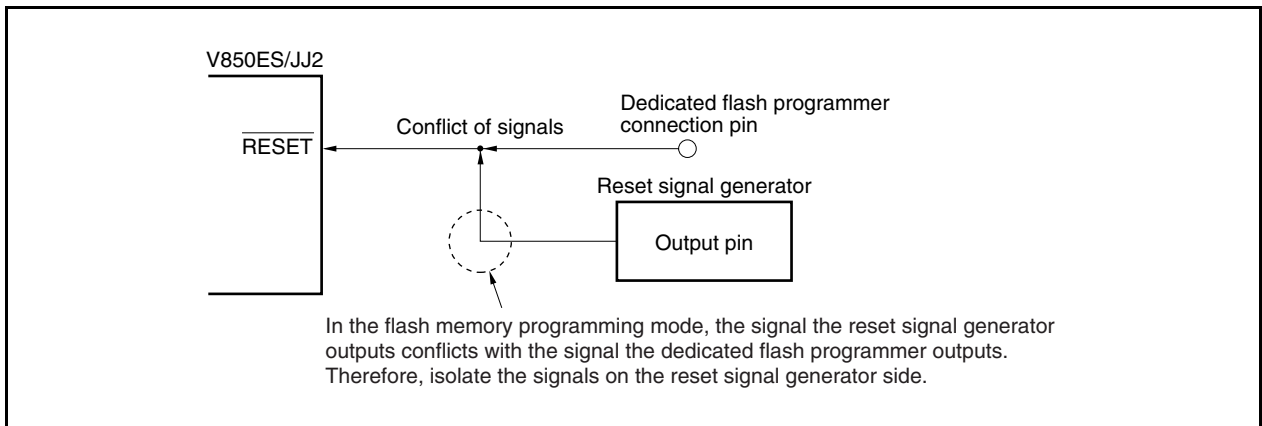


(4) $\overline{\text{RESET}}$ pin

When the reset signals of the dedicated flash programmer are connected to the $\overline{\text{RESET}}$ pin that is connected to the reset signal generator on-board, a conflict of signals occurs. To avoid the conflict of signals, isolate the connection to the reset signal generator.

When a reset signal is input from the user system in the flash memory programming mode, the programming operation will not be performed correctly. Therefore, do not input signals other than the reset signals from the dedicated flash programmer.

Figure 26-14. Conflict of Signals ($\overline{\text{RESET}}$ Pin)

**(5) Port pins (including NMI)**

When the system shifts to the flash memory programming mode, all the pins that are not used for flash memory programming are in the same status as that immediately after reset. If the external device connected to each port does not recognize the status of the port immediately after reset, pins require appropriate processing, such as connecting to V_{DD} via a resistor or connecting to V_{SS} via a resistor.

(6) Other signal pins

Connect X1, X2, XT1, XT2, and REGC in the same status as that in the normal operation mode.

During flash memory programming, input a low level to the $\overline{\text{DRST}}$ pin or leave it open. Do not input a high level.

(7) Power supply

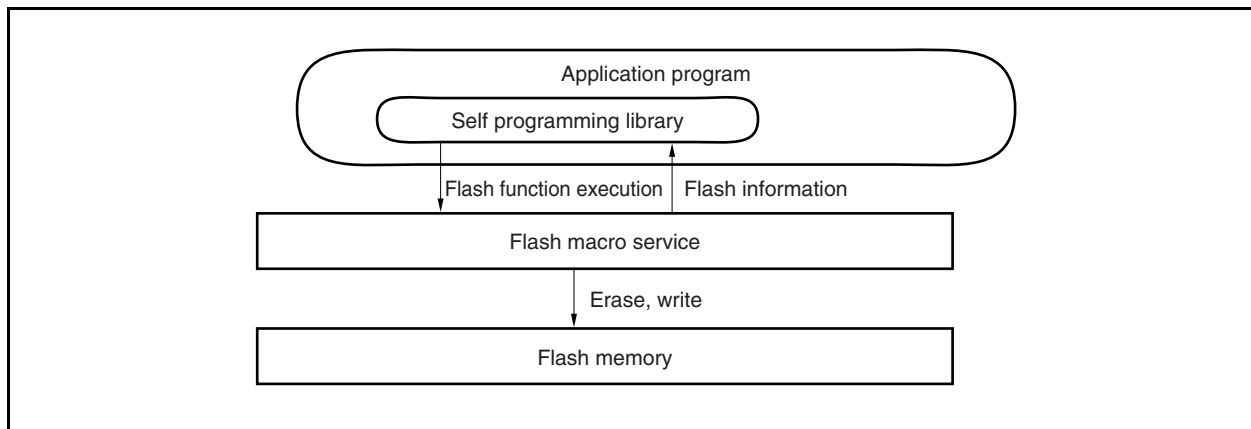
Supply the same power (V_{DD} , V_{SS} , EV_{DD} , EV_{SS} , BV_{DD} , BV_{SS} , AV_{REF0} , AV_{REF1} , AV_{SS}) as in normal operation mode.

26.5 Rewriting by Self Programming

26.5.1 Overview

The V850ES/JJ2 supports a flash macro service that allows the user program to rewrite the internal flash memory by itself. By using this interface and a self programming library that is used to rewrite the flash memory with a user application program, the flash memory can be rewritten by a user application transferred in advance to the internal RAM or external memory. Consequently, the user program can be upgraded and constant data can be rewritten in the field.

Figure 26-15. Concept of Self Programming

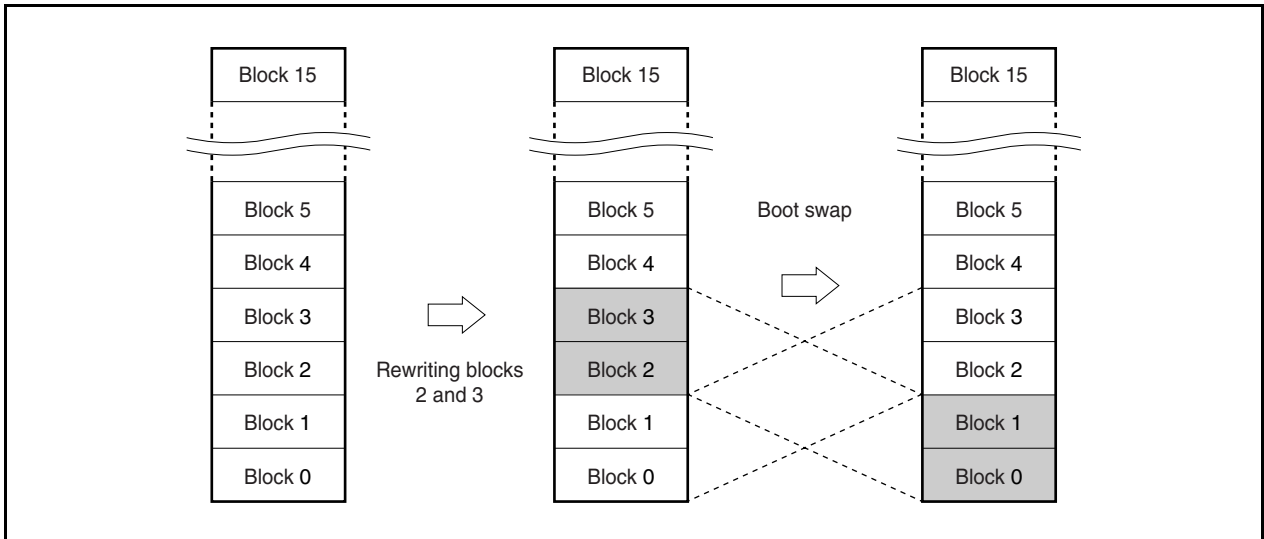


26.5.2 Features

(1) Secure self programming (boot swap function)

The V850ES/JJ2 supports a boot swap function that can exchange the physical memory of blocks 0 and 1 with the physical memory of blocks 2 and 3. By writing the start program to be rewritten to blocks 2 and 3 in advance and then swapping the physical memory, the entire area can be safely rewritten even if a power failure occurs during rewriting because the correct user program always exists in blocks 0 and 1.

Figure 26-16. Rewriting Entire Memory Area (Boot Swap)



(2) Interrupt support

Instructions cannot be fetched from the flash memory during self programming. Conventionally, a user handler written to the flash memory could not be used even if an interrupt occurred.

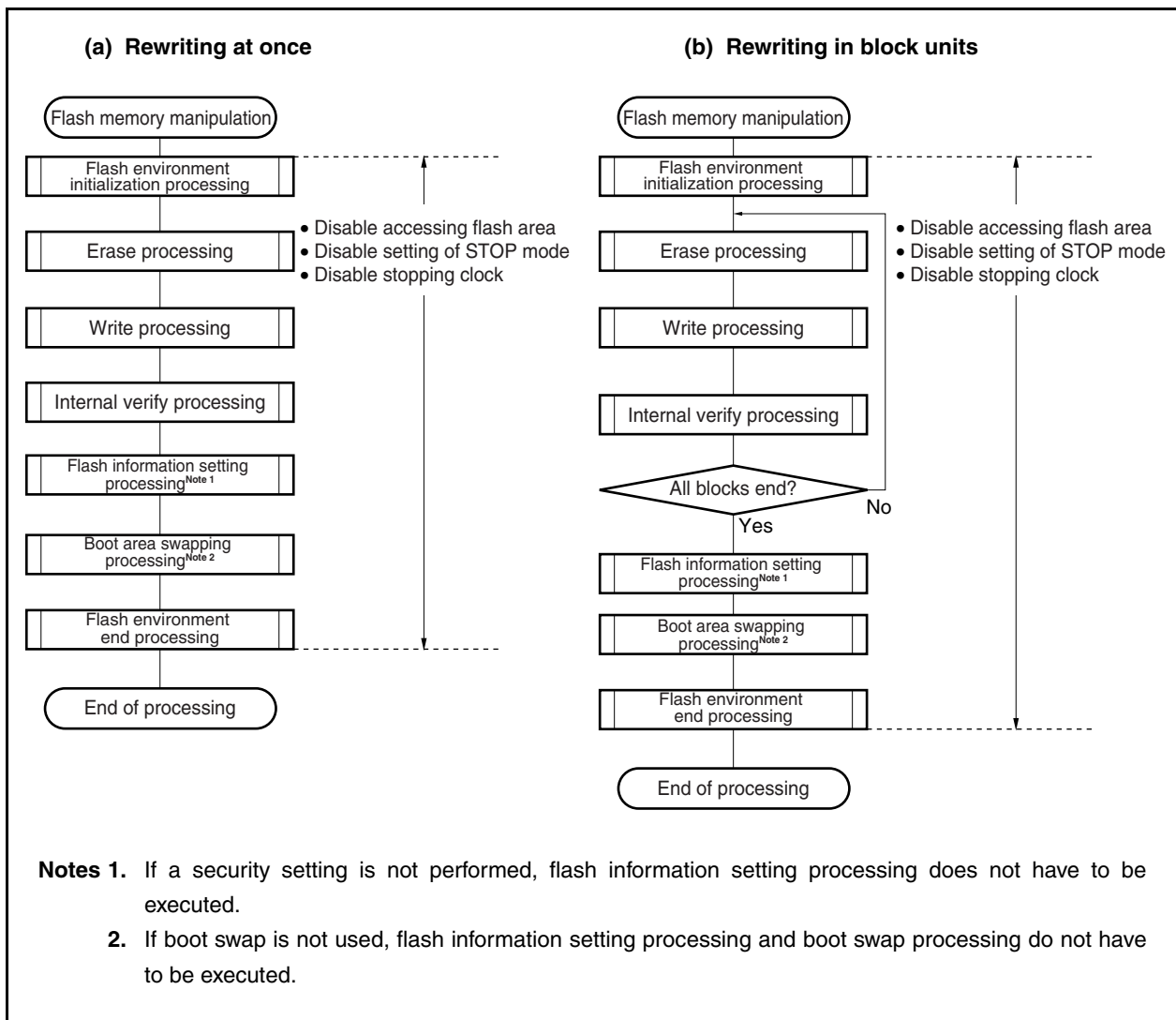
With the V850ES/JJ2, a user handler can be registered to an entry RAM area by using a library function, so that interrupt servicing can be performed by internal RAM or external memory execution.

26.5.3 Standard self programming flow

The entire processing to rewrite the flash memory by flash self programming is illustrated below.

<R>

Figure 26-17. Standard Self Programming Flow



26.5.4 Flash functions

Table 26-10. Flash Function List

Function Name	Outline	Support
FlashEnv	Initialization of flash control macro	√
FlashBlockErase	Erasure of only specified one block	√
FlashWordWrite	Writing from specified address	√
FlashBlockVerify	Internal verification of specified one block	√
FlashBlockBlankCheck	Blank check of specified one block	√
FlashFLMDCheck	Check of FLMD pin	√
FlashStatusCheck	Status check of operation specified immediately before	√
FlashGetInfo	Reading of flash information	√
FlashSetInfo	Setting of flash information	√
FlashBootSwap	Swapping of boot area	√
FlashSetUserHandler	User interrupt handler registration function	√

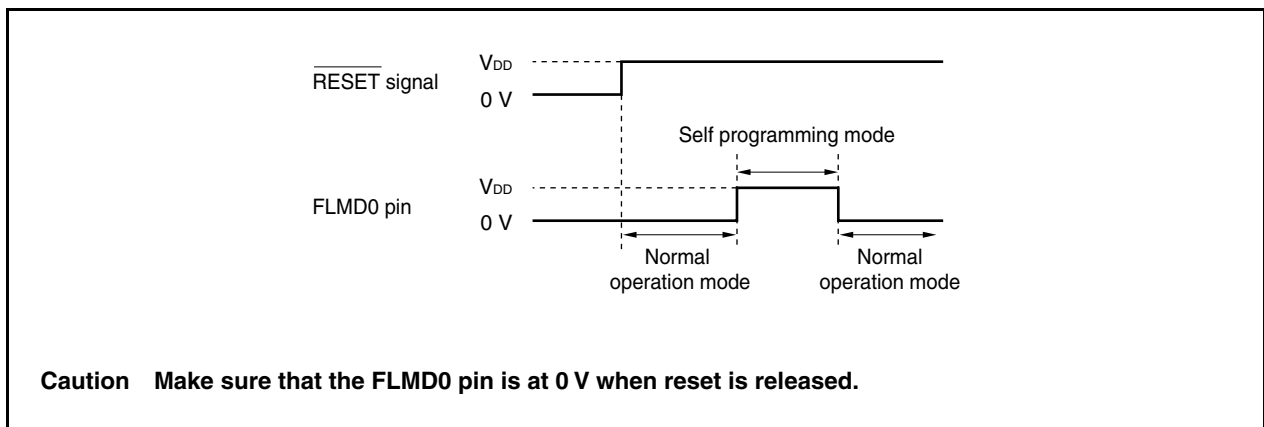
26.5.5 Pin processing

(1) FLMD0 pin

The FLMD0 pin is used to set the operation mode when reset is released and to protect the flash memory from being written during self rewriting. It is therefore necessary to keep the voltage applied to the FLMD0 pin at 0 V when reset is released and a normal operation is executed. It is also necessary to apply a voltage of V_{DD} level to the FLMD0 pin during the self programming mode period via port control before the memory is rewritten.

When self programming has been completed, the voltage on the FLMD0 pin must be returned to 0 V.

Figure 26-18. Mode Change Timing



26.5.6 Internal resources used

The following table lists the internal resources used for self programming. These internal resources can also be used freely for purposes other than self programming.

Table 26-11. Internal Resources Used

Resource Name	Description
Entry RAM area (124 bytes of either internal RAM/external RAM)	Routines and parameters used for the flash macro service are located in this area. The entry program and default parameters are copied by calling a library initialization function.
Stack area (user stack + 300 bytes)	An extension of the stack used by the user is used by the library (can be used in both the internal RAM and external RAM).
Library code (1900 bytes)	Program entity of library (can be used anywhere other than the flash memory block to be manipulated).
Application program	Executed as user application. Calls flash functions.
Maskable interrupt	Can be used in the user application execution status or self programming status. To use this interrupt in the self programming status, the interrupt servicing start address must be registered in advance by a registration function.
NMI interrupt	Can be used in the user application execution status or self programming status. To use this interrupt in the self programming status, the interrupt servicing start address must be registered in advance by a registration function.

CHAPTER 27 ON-CHIP DEBUG FUNCTION

The V850ES/JJ2 on-chip debug function can be implemented by the following two methods.

- Using the DCU (debug control unit)
On-chip debug function is implemented by the on-chip DCU in the V850ES/JJ2, with using the $\overline{\text{DRST}}$, DCK, DMS, DDI, and DDO pins as the debug interface pins.
- Not using the DCU
On-chip debug function is implemented by MINICUBE2 or the like, using the user resources, instead of the DCU.

The following table shows the features of the two on-chip debug functions.

Table 27-1. On-Chip Debug Function Features

		Debugging Using DCU	Debugging Without Using DCU
Debug interface pins		$\overline{\text{DRST}}$, DCK, DMS, DDI, DDO	<ul style="list-style-type: none"> • When UARTA0 is used RXD0, TXD0 • When CSIB0 is used SIB0, SOB0, SCKB0, HS (PCM0) • When CSIB3 is used SIB3, SOB3, SCKB3, HS (PCM0)
Securement of user resources		Not required	Required
Hardware break function		2 points	2 points
Software break function	Internal ROM area	4 points	4 points
	Internal RAM area	2000 points	2000 points
Real-time RAM monitor function ^{Note 1}		Available	Available
Dynamic memory modification (DMM) function ^{Note 2}		Available	Available
Mask function		$\overline{\text{Reset}}$, NMI, INTWDT2, $\overline{\text{HLDRQ}}$, $\overline{\text{WAIT}}$	$\overline{\text{RESET}}$ pin
ROM security function		10-byte ID code authentication	10-byte ID code authentication
Hardware used		NINICUBE [®] , etc.	NINICUBE2, etc.
Trace function		Not supported.	Not supported.
Debug interrupt interface function (DBINT)		Not supported.	Not supported.

Notes 1. This is a function which reads out memory contents during program execution.

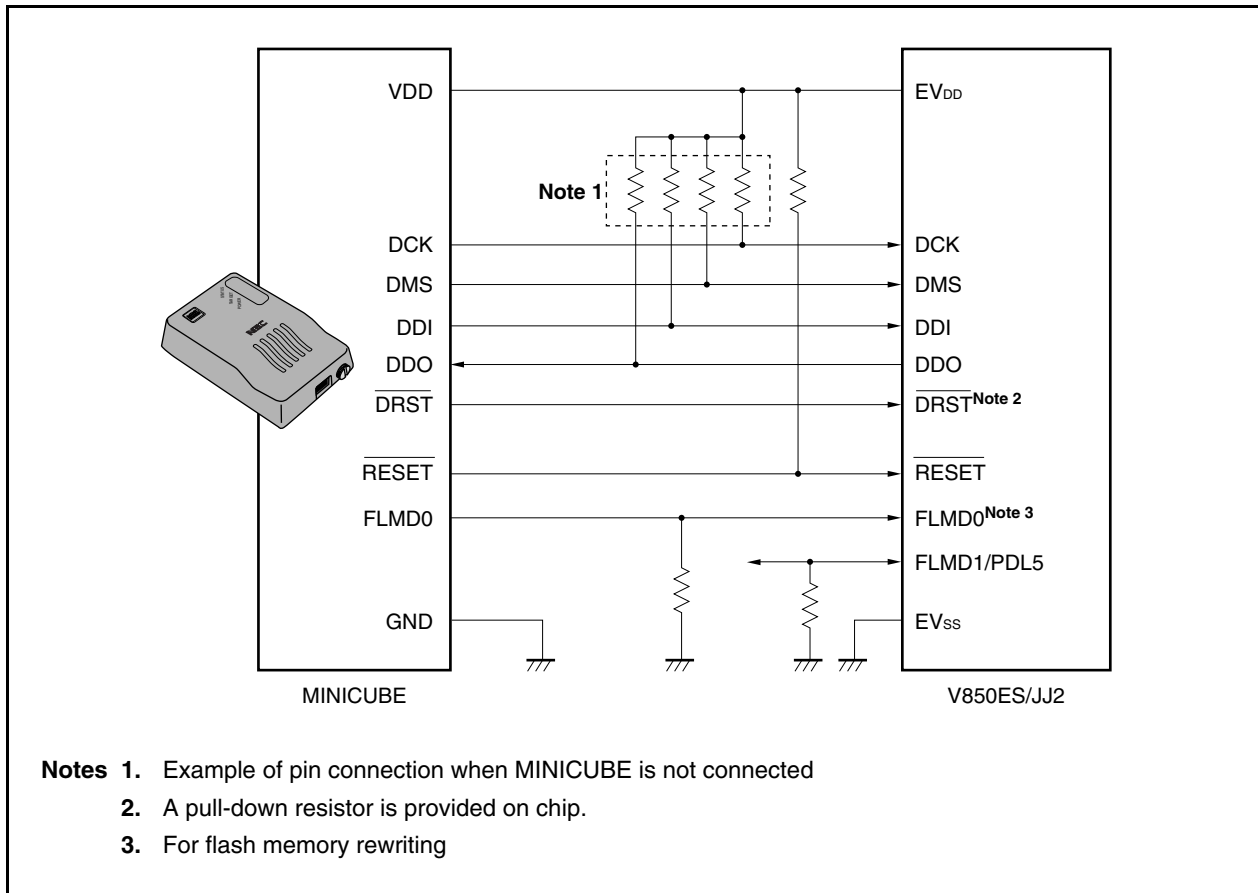
2. This is a function which rewrites RAM contents during program execution.

27.1 Debugging with DCU

Programs can be debugged using the debug interface pins ($\overline{\text{DRST}}$, DCK, DMS, DDI, and DDO) to connect the on-chip debug emulator (MINICUBE).

27.1.1 Connection circuit example

Figure 27-1. Circuit Connection Example When Debug Interface Pins Are Used for Communication Interface



27.1.2 Interface signals

The interface signals are described below.

(1) $\overline{\text{DRST}}$

This is a reset input signal for the on-chip debug unit. It is a negative-logic signal that asynchronously initializes the debug control unit.

MINICUBE raises the $\overline{\text{DRST}}$ signal when it detects V_{DD} of the target system after the integrated debugger is started, and starts the on-chip debug unit of the device.

When the $\overline{\text{DRST}}$ signal goes high, a reset signal is also generated in the CPU.

When starting debugging by starting the integrated debugger, a CPU reset is always generated.

(2) DCK

This is a clock input signal. It supplies a 20 MHz clock from MINICUBE. In the on-chip debug unit, the DMS and DDI signals are sampled at the rising edge of the DCK signal, and the data DDO is output at its falling edge.

(3) DMS

This is a transfer mode select signal. The transfer status in the debug unit changes depending on the level of the DMS signal.

(4) DDI

This is a data input signal. It is sampled in the on-chip debug unit at the rising edge of DCK.

(5) DDO

This is a data output signal. It is output from the on-chip debug unit at the falling edge of the DCK signal.

(6) EV_{DD}

This signal is used to detect VDD of the target system. If VDD from the target system is not detected, the signals output from MINICUBE (\overline{DRST} , DCK, DMS, DDI, FLMD0, and \overline{RESET}) go into a high-impedance state.

(7) FLMD0

The flash self programming function is used for the function to download data to the flash memory via the integrated debugger. During flash self programming, the FLMD0 pin must be kept high. In addition, connect a pull-down resistor to the FLMD0 pin.

The FLMD0 pin can be controlled in either of the following two ways.

<1> To control from MINICUBE

Connect the FLMD0 signal of MINICUBE to the FLMD0 pin.

In the normal mode, nothing is driven by MINICUBE (high impedance).

During a break, MINICUBE raises the FLMD0 pin to the high level when the download function of the integrated debugger is executed.

<2> To control from port

Connect any port of the device to the FLMD0 pin.

The same port as the one used by the user program to realize the flash self programming function may be used.

On the console of the integrated debugger, make a setting to raise the port pin to high level before executing the download function, or lower the port pin after executing the download function.

For details, refer to the **ID850QB Ver. 3.10 Integrated Debugger Operation User's Manual (U17435E)**.

(8) \overline{RESET}

This is a system reset input pin. If the \overline{DRST} pin is made invalid by the value of the OCDM0 bit of the OCDM register set by the user program, on-chip debugging cannot be executed. Therefore, reset is effected by MINICUBE, using the \overline{RESET} pin, to make the \overline{DRST} pin valid (initialization).

27.1.3 Maskable functions

Reset, NMI, INTWDT2, $\overline{\text{WAIT}}$, and $\overline{\text{HLDRQ}}$ signals can be masked.

The maskable functions with the debugger (ID850QB) and the corresponding V850ES/JJ2 functions are listed below.

Table 27-2. Maskable Functions

Maskable Functions with ID850QB	Corresponding V850ES/JJ2 Functions
NMI0	NMI pin input
NMI2	Non-maskable interrupt request signal (INTWDT2) generation
STOP	–
HOLD	$\overline{\text{HLDRQ}}$ pin input
RESET	Reset signal generation by $\overline{\text{RESET}}$ pin input, low-voltage detector, clock monitor, or watchdog timer (WDT2) overflow
WAIT	$\overline{\text{WAIT}}$ pin input

27.1.4 Register

(1) On-chip debug mode register (OCDM)

The OCDM register is used to select the normal operation mode or on-chip debug mode. This register is a special register and can be written only in a combination of specific sequences (see **3.4.7 Special registers**). This register is also used to specify whether a pin provided with an on-chip debug function is used as an on-chip debug pin or as an ordinary port/peripheral function pin. It also is used to disconnect the internal pull-down resistor of the P05/INTP2/ $\overline{\text{DRST}}$ pin.

The OCDM register can be written only while a low level is input to the $\overline{\text{DRST}}$ pin.

This register can be read or written in 8-bit or 1-bit units.

After reset: 01H^{Note} R/W Address: FFFFF9FCH

	7	6	5	4	3	2	1	<0>
OCDM	0	0	0	0	0	0	0	OCDM0

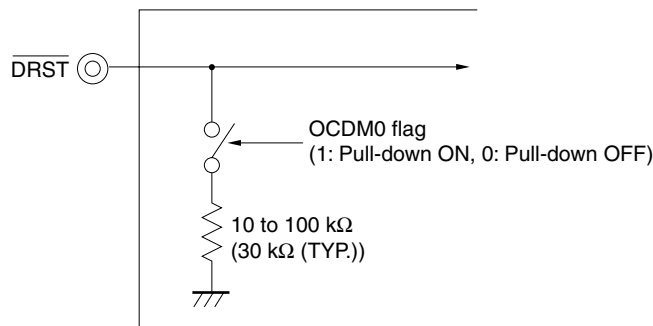
OCDM0	Operation mode
0	Selects normal operation mode (in which a pin that functions alternately as on-chip debug function pin is used as a port/peripheral function pin) and disconnects the on-chip pull-down resistor of the P05/INTP2/ $\overline{\text{DRST}}$ pin.
1	When $\overline{\text{DRST}}$ pin is low: Normal operation mode (in which a pin that functions alternately as an on-chip debug function pin is used as a port/peripheral function pin) When $\overline{\text{DRST}}$ pin is high: On-chip debug mode (in which a pin that functions alternately as an on-chip debug function pin is used as an on-chip debug mode pin)

Note $\overline{\text{RESET}}$ input sets this register to 01H. After reset by the WDT2RES signal, clock monitor (CLM), or low-voltage detector (LVI), however, the value of the OCDM register is retained.

Cautions 1. When using the DDI, DDO, DCK, and DMS pins not as on-chip debug pins but as port pins after external reset, any of the following actions must be taken.

- Input a low level to the P05/INTP2/ $\overline{\text{DRST}}$ pin.
- Set the OCDM0 bit. In this case, take the following actions.
 - <1> Clear the OCDM0 bit to 0.
 - <2> Fix the P05/INTP2/ $\overline{\text{DRST}}$ pin to low level until <1> is completed.

2. The $\overline{\text{DRST}}$ pin has an on-chip pull-down resistor. This resistor is disconnected when the OCDM0 flag is cleared to 0.



27.1.5 Operation

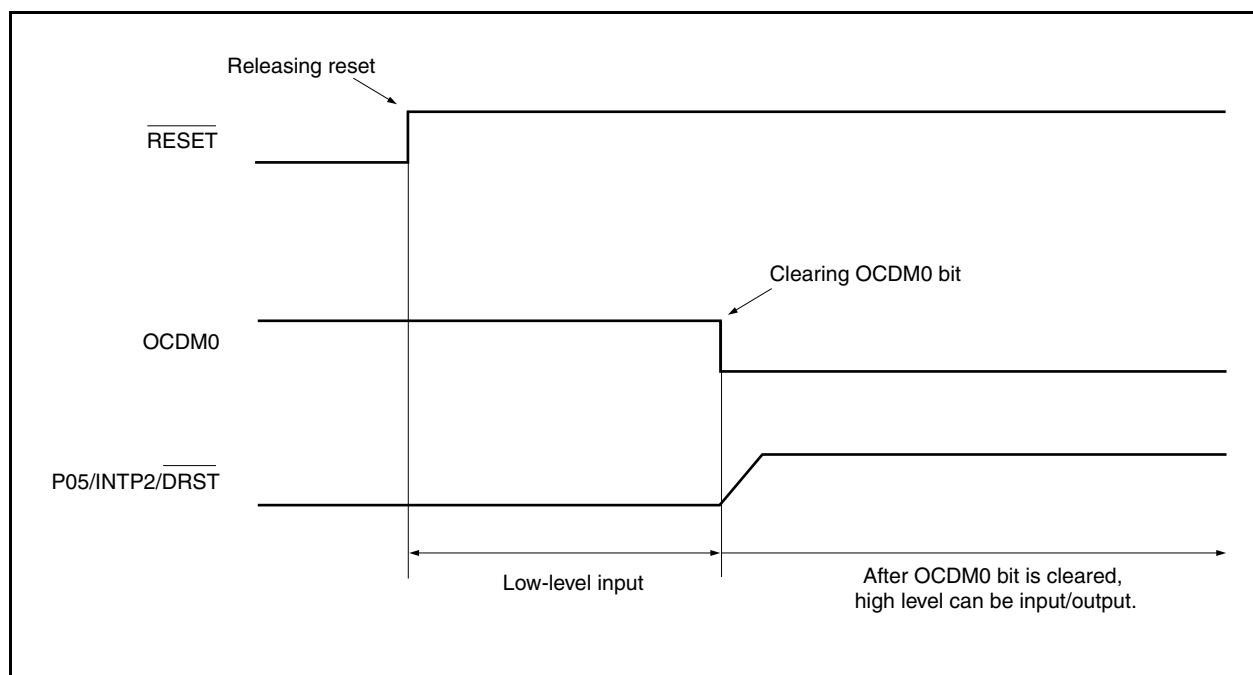
The on-chip debug function is made invalid under the conditions shown in the table below.

When this function is not used, keep the $\overline{\text{DRST}}$ pin low until the OCDM.OCDM0 flag is cleared to 0.

OCDM0 Flag \ $\overline{\text{DRST}}$ Pin	0	1
L	Invalid	Invalid
H	Invalid	Valid

Remark L: Low-level input
H: High-level input

Figure 27-2. Timing When On-Chip Debug Function Is Not Used



27.1.6 Cautions

- (1) If a reset signal is input (from the target system or a reset signal from an internal reset source) during RUN (program execution), the break function may malfunction.
- (2) Even if the reset signal is masked by the mask function, the I/O buffer (port pin) may be reset if a reset signal is input from a pin.
- (3) Because a software breakpoint set in the internal flash memory is made temporarily invalid by target reset or internal reset generated by watchdog timer 2. The breakpoint becomes valid again when a hardware break or forced break occurs, but a software break does not occur until then.
- (4) Pin reset during a break is masked and the CPU and peripheral I/O are not reset. If pin reset or internal reset is generated as soon as the flash memory is rewritten by DMM or read by the RAM monitor function while the user program is being executed, the CPU and peripheral I/O may not be correctly reset.

(5) When the following conditions (a) and (b) are satisfied and operation is stopped on the emulator (IECUBE[®], MINICUBE) due to a break, etc., watchdog timer 2 does not stop and a reset or non-maskable interrupt occurs. When a reset occurs, the debugger hangs up.

- (a) The main clock or subclock is used as the source clock for watchdog timer 2.
- (b) The internal oscillation clock is stopped (RCM.RSTOP bit = 1).

To avoid this, perform either of the following.

- When an emulator is used, use the internal oscillation clock as the source clock.
- When an emulator is used, do not stop the internal oscillator.

(6) When the following conditions (a) and (b) are satisfied and operation is stopped on the emulator (IECUBE, MINICUBE) due to a break, etc., TMM does not stop even if the peripheral break function is set to "Break".

- (a) Either the INTWT, internal oscillation clock ($f_R/8$), or subclock are selected as the TMM source clock.
- (b) The main clock is stopped.

To avoid this, perform either of the following.

- When an emulator is used, the main clock (f_{xx} , $f_{xx}/2$, $f_{xx}/4$, $f_{xx}/64$, $f_{xx}/512$) is used as the source clock.
- When an emulator is used, disable the main clock oscillation.

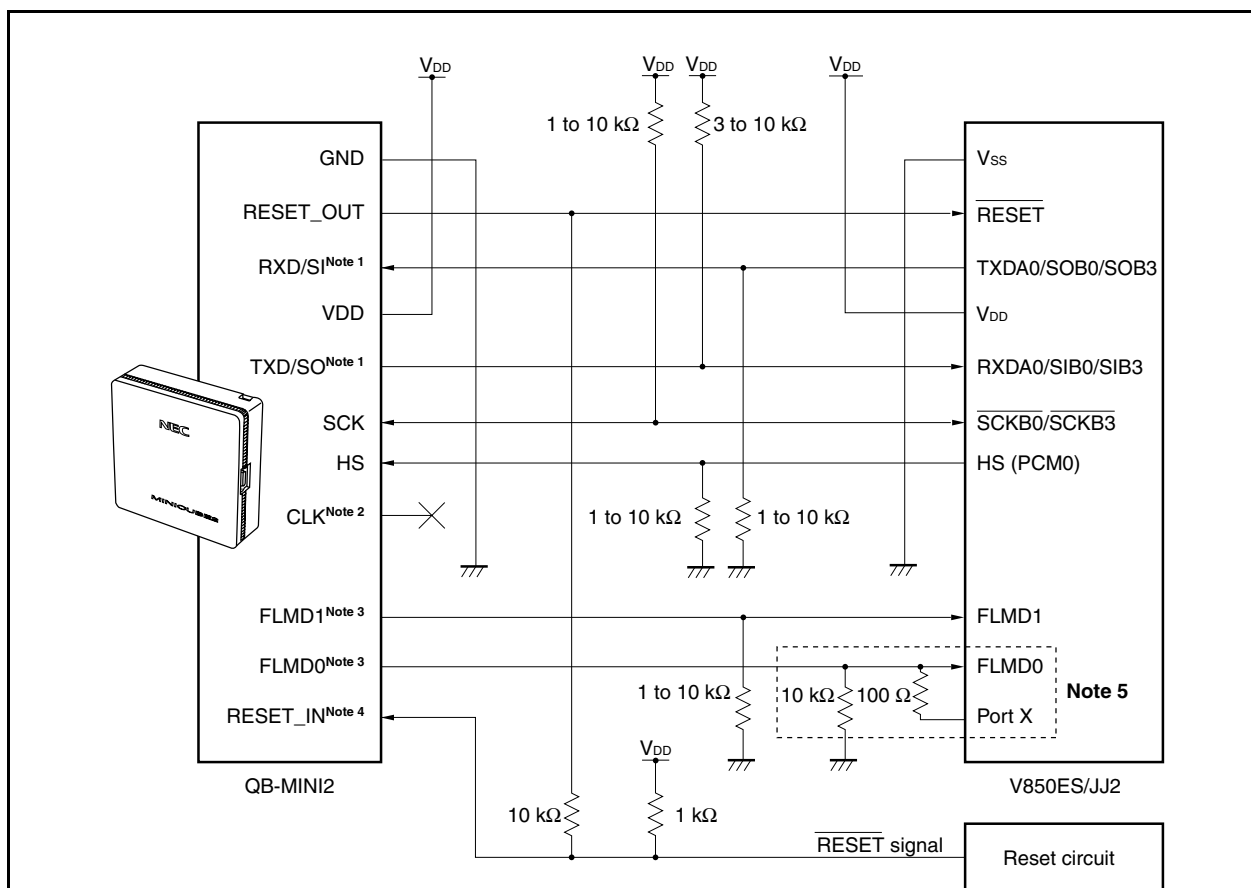
(7) In the on-chip debug mode, the DDO pin is forcibly set to the high-level output.

27.2 Debugging Without Using DCU

The following describes how to implement an on-chip debug function using MINICUBE2 with pins for UARTA0 (RXDA0 and TXDA0), pins for CSIB0 (SIB0, SOB0, $\overline{\text{SCKB0}}$, and HS (PMC0)), or pins for CSIB3 (SIB3, SOB3, $\overline{\text{SCKB3}}$, and HS (PMC0)) as debug interfaces, without using the DCU.

27.2.1 Circuit connection examples

Figure 27-3. Circuit Connection Example When UARTA0/CSIB0/CSIB3 Is Used for Communication Interface



- Notes**
1. Connect TXDA0/SOB0/SOB3 (transmit side) of the V850ES/JJ2 to RXD/SI (receive side) of the target connector, and TXD/SO (transmit side) of the target connector to RXDA0/SIB0/SIB3 (receive side) of the V850ES/JJ2.
 2. This pin may be used to supply a clock from MINICUBE2 during flash memory programming. For details, refer to **CHAPTER 26 FLASH MEMORY**.
 3. The alternate function of this pin can be used because this pin goes to Hi-Z while the memory is not written during a break when debugging.
 4. This connection is designed assuming that the $\overline{\text{RESET}}$ signal is output from the N-ch open-drain buffer (output resistance: 100 Ω or less).
 5. The circuit enclosed by a dashed line is designed for flash self programming, which controls the FLMD0 pin via ports. Use the port for inputting or outputting the high level. When flash self programming is not performed, a pull-down resistance for the FLMD0 pin can be within 1 to 10 k Ω .

Remark Refer to **Table 27-3** for pins used when UARTA0, CSIB0, or CSIB3 is used for communication interface.

Table 27-3. Wiring Between V850ES/JJ2 and MINICUBE2

Pin Configuration of MINICUBE2 (QB-MINI2)			With CSIB0-HS		With CSIB3-HS		With UARTA0	
Signal Name	I/O	Pin Function	Pin Name	Pin No.	Pin Name	Pin No.	Pin Name	Pin No.
SI/RxD	Input	Pin to receive commands and data from V850ES/JJ2	P41/SOB0	23	P911/SOB3	72	P30/TXD0	25
SO/TxD	Output	Pin to transmit commands and data to V850ES/JJ2	P40/SIB0	22	P910/SIB3	71	P31/RXD0	26
SCK	Output	Clock output pin for 3-wire serial communication	P42/SCKB0	24	P912/SCKB3	73	Not needed	–
CLK ^{Note}	Output	Clock output pin to V850ES/JJ2	Not needed ^{Note}	–	Not needed ^{Note}	–	Not needed ^{Note}	–
			Not needed ^{Note}	–	Not needed ^{Note}	–	Not needed ^{Note}	–
RESET_OUT	Output	Reset output pin to V850ES/JJ2	RESET	14	RESET	14	RESET	14
FLMD0	Output	Output pin to set V850ES/JJ2 to debug mode or programming mode	FLMD0	8	FLMD0	8	FLMD0	8
FLMD1	Output	Output pin to set programming mode	PDL5/FLMD1	110	PDL5/FLMD1	110	PDL5/FLMD1	110
HS	Input	Handshake signal for CSIO + HS communication	PCM0/WAIT	85	PCM0/WAIT	85	Not needed	–
GND	–	Ground	V _{SS}	11	V _{SS}	11	V _{SS}	11
			AV _{SS}	2	AV _{SS}	2	AV _{SS}	2
			BV _{SS}	103	BV _{SS}	103	BV _{SS}	103
			EV _{SS}	33	EV _{SS}	33	EV _{SS}	33
RESET_IN	Input	Reset input pin on the target system						

Note It is used as the clock output of the flash programmer for MINICUBE2. For details, refer to **CHAPTER 26 FLASH MEMORY**.

27.2.2 Maskable functions

Only reset signals can be masked.

The maskable functions with the debugger (ID850QB) and the corresponding V850ES/JJ2 functions are listed below.

Table 27-4. Maskable Functions

Maskable Functions with ID850QB	Corresponding V850ES/JJ2 Functions
NMI0	–
NMI1	–
NMI2	–
STOP	–
HOLD	–
RESET	Reset signal generation by RESET pin input
WAIT	–

27.2.3 Securement of user resources

The user must prepare the following to perform communication between MINICUBE2 and the target device and implement each debug function. These items need to be set in the user program or using the compiler options.

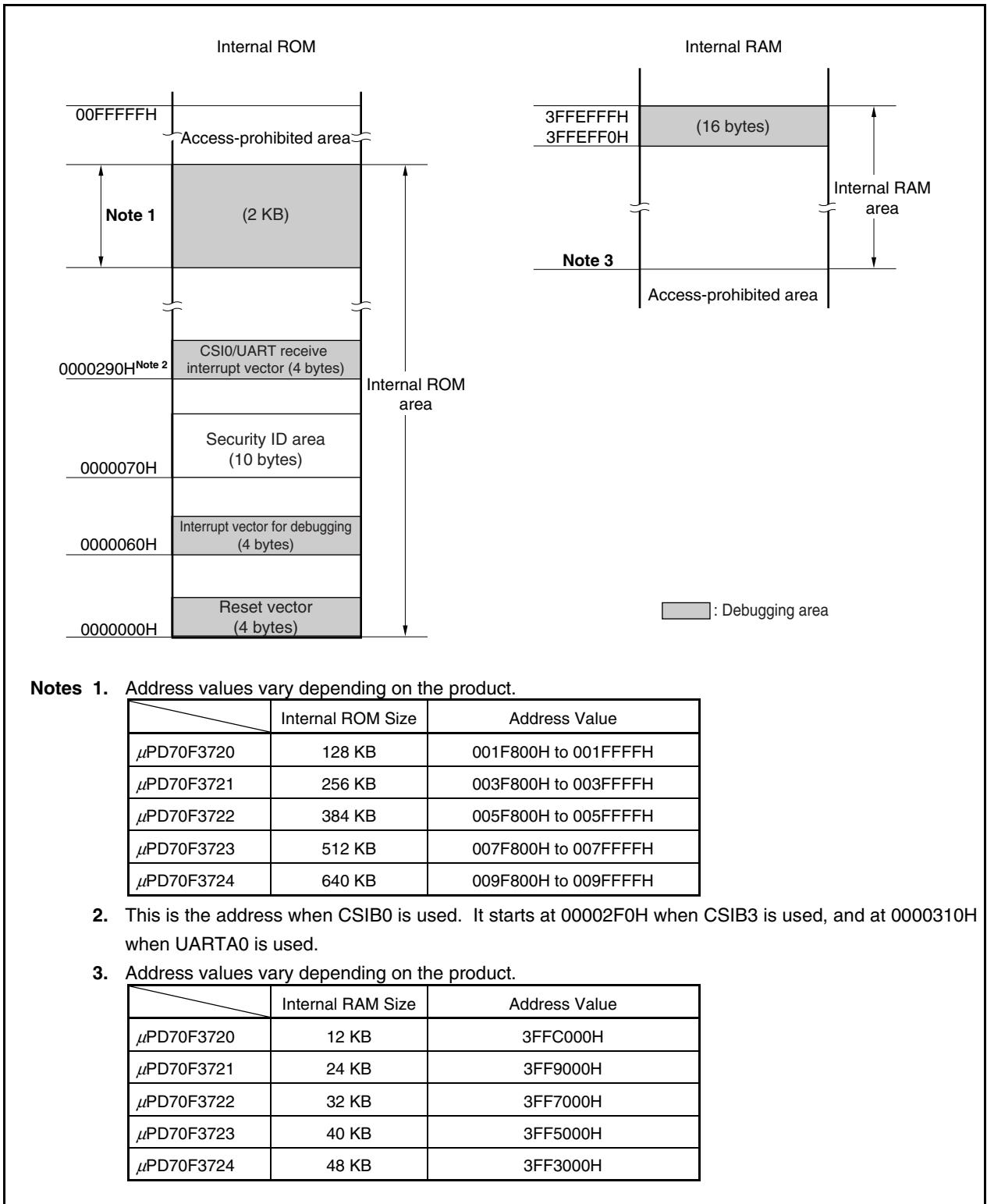
(1) Securement of memory space

The shaded portions in Figure 27-4 are the areas reserved for placing the debug monitor program, so user programs and data cannot be allocated in these spaces. These spaces must be secured so as not to be used by the user program.

(2) Security ID setting

The ID code must be embedded in the area between 0000070H and 0000079H in Figure 27-4, to prevent the memory from being read by an unauthorized person. For details, refer to **27.3 ROM Security Function**.

Figure 27-4. Memory Spaces Where Debug Monitor Programs Are Allocated



Notes 1. Address values vary depending on the product.

	Internal ROM Size	Address Value
μPD70F3720	128 KB	001F800H to 001FFFFH
μPD70F3721	256 KB	003F800H to 003FFFFH
μPD70F3722	384 KB	005F800H to 005FFFFH
μPD70F3723	512 KB	007F800H to 007FFFFH
μPD70F3724	640 KB	009F800H to 009FFFFH

2. This is the address when CSIB0 is used. It starts at 00002F0H when CSIB3 is used, and at 0000310H when UARTA0 is used.

3. Address values vary depending on the product.

	Internal RAM Size	Address Value
μPD70F3720	12 KB	3FFC000H
μPD70F3721	24 KB	3FF9000H
μPD70F3722	32 KB	3FF7000H
μPD70F3723	40 KB	3FF5000H
μPD70F3724	48 KB	3FF3000H

(3) Reset vector

A reset vector includes the jump instruction for the debug monitor program.

[How to secure areas]

It is not necessary to secure this area intentionally. When downloading a program, however, the debugger rewrites the reset vector in accordance with the following cases. If the rewritten pattern does not match the following cases, the debugger generates an error (FOC34 when using the ID850QB).

(a) When two nop instructions are placed in succession from address 0

Before rewriting		After rewriting
0x0 nop	→	Jumps to debug monitor program at 0x0
0x2 nop		0x4 xxxx
0x4 xxxx		

(b) When two 0xFFFF are successively placed from address 0 (already erased device)

Before rewriting		After rewriting
0x0 0xFFFF	→	Jumps to debug monitor program at 0x0
0x2 0xFFFF		0x4 xxxx
0x4 xxxx		

(c) The jr instruction is placed at address 0 (when using CA850)

Before rewriting		After rewriting
0x0 jr disp22	→	Jumps to debug monitor program at 0x0
		0x4 jr disp22 - 4

(d) mov32 and jmp are placed in succession from address 0 (when using IAR compiler ICCV850)

Before rewriting		After rewriting
0x0 mov imm32,reg1	→	Jumps to debug monitor program at 0x0
0x6 jmp [reg1]		0x4 mov imm32,reg1
		0xa jmp [reg1]

(e) The jump instruction for the debug monitor program is placed at address 0

Before rewriting		After rewriting
Jumps to debug monitor program at 0x0	→	No change

(4) Securement of area for debug monitor program

The shaded portions in Figure 27-4 are the areas where the debug monitor program is allocated. The monitor program performs initialization processing for debug communication interface and RUN or break processing for the CPU. The internal ROM area must be filled with 0xFF. This area must not be rewritten by the user program.

[How to secure areas]

It is not necessarily required to secure this area if the user program does not use this area.

To avoid problems that may occur during the debugger startup, however, it is recommended to secure this area in advance, using the compiler.

The following shows examples for securing the area, using the NEC Electronics compiler CA850. Add the assemble source file and link directive code, as shown below.

- Assemble source (Add the following code as an assemble source file.)

```

-- Secures 2 KB space for monitor ROM section
.section "MonitorROM", const
.space 0x800, 0xff

-- Secures interrupt vector for debugging
.section "DBG0"
.space 4, 0xff

-- Secures interrupt vector for serial communication
-- Change the section name according to the serial communication mode used
.section "INTCB0R"
.space 4, 0xff

-- Secures 16-byte space for monitor RAM section
.section "MonitorRAM", bss
.lcomm monitorramsym, 16, 4 -- defines symbol monitorramsym

```

- Link directive (Add the following code to the link directive file.)

The following shows an example when the internal ROM has 256 KB (end address is 003FFFFH) and internal RAM has 24 KB (end address is 3FFEFFFH).

```

MROMSEG      : !LOAD ?R V0x03f800{
              MonitorROM = $PROGBITS ?A MonitorROM;
};

MRAMSEG      : !LOAD ?RW V0x03ffeff0{
              MonitorRAM = $NOBITS ?AW MonitorRAM;
};

```

(5) Securement of communication serial interface

UARTA0, CSIB0, or CSIB3 is used for communication between MINICUBE2 and the target system. The settings related to the serial interface modes are performed by the debug monitor program, but if the setting is changed by the user program, a communication error may occur.

To prevent such a problem from occurring, communication serial interface must be secured in the user program.

[How to secure communication serial interface]

- On-chip debug mode register (OCDM)

For the on-chip debug function using the UARTA0, CSIB0, or CSIB3, set the OCDM register functions to normal mode. Be sure to set as follows.

 - Input low level to the P05/INTP2/ $\overline{\text{DRST}}$ pin.
 - Set the OCDM0 bit as shown below.
 - <1> Clear the OCDM0 bit to 0.
 - <2> Fix the P05/INTP2/ $\overline{\text{DRST}}$ pin input to low level until the processing of <1> is complete.
- Serial interface registers

Do not set the registers related to CSIB0, CSIB3, or UARTA0 in the user program.
- Interrupt mask register

When CSIB0 is used, do not mask the transmit end interrupt (INTCB0R). When CSIB3 is used, do not mask the transmit end interrupt (INTCB3R). When UARTA0 is used, do not mask the receive end interrupt (INTUA0R).

(a) When CSIB0 is used								
	7	6	5	4	3	2	1	0
CB0RIC	×	0	×	×	×	×	×	×
(b) When CSIB3 is used								
	7	6	5	4	3	2	1	0
CB3RIC	×	0	×	×	×	×	×	×
(c) When UARTA0 is used								
	7	6	5	4	3	2	1	0
UA0RIC	×	0	×	×	×	×	×	×
Remark ×: don't care								

- Port registers when UARTA0 is used

When UARTA0 is used, port registers are set to make the TXDA0 and RXDA0 pins valid by the debug monitor program. Do not change the following register settings with the user program during debugging. (The same value can be overwritten.)

	7	6	5	4	3	2	1	0
PFC3	×	×	×	×	×	×	0	0
	7	6	5	4	3	2	1	0
PMC3L	×	×	×	×	×	×	1	1

Remark ×: don't care

- Port registers when CSIB0 is used

When CSIB0 is used, port registers are set to make the SIB0, SOB0, $\overline{\text{SCKB0}}$, and HS (PMC0) pins valid by the debug monitor program. Do not change the following register settings with the user program during debugging. (The same value can be overwritten.)

(a) SIB0, SOB0, and $\overline{\text{SCKB0}}$ settings

	7	6	5	4	3	2	1	0
PMC4	×	×	×	×	×	1	1	1
	7	6	5	4	3	2	1	0
PFC4	×	×	×	×	×	×	0	0

(b) HS (PMC0 pin) settings

	7	6	5	4	3	2	1	0
PMCM	×	×	×	×	×	×	×	0
	7	6	5	4	3	2	1	0
PCM	×	×	×	×	×	×	×	Note

Note Writing to this bit is prohibited.
The port values corresponding to the HS pin are changed by the monitor program according to the debugger status. To perform port register settings in 8-bit units, the user program can usually use read-modify-write. If an interrupt for debugging occurs before writing, however, an unexpected operation may be performed.

Remark ×: don't care

- Port registers when CSIB3 is used

When CSIB3 is used, port registers are set to make the SIB3, SOB3, $\overline{\text{SCKB3}}$, and HS (PMC0) pins valid by the debug monitor program. Do not change the following register settings with the user program during debugging. (The same value can be overwritten.)

(a) SIB3, SOB3, and $\overline{\text{SCKB3}}$ settings

	7	6	5	4	3	2	1	0
PMC9H	×	×	×	1	1	1	×	×

	7	6	5	4	3	2	1	0
PFC9H	×	×	×	1	1	1	×	×

(b) HS (PMC0 pin) settings

	7	6	5	4	3	2	1	0
PMCM	×	×	×	×	×	×	×	0

	7	6	5	4	3	2	1	0
PCM	×	×	×	×	×	×	×	Note

Note Writing to this bit is prohibited.
 The port values corresponding to the HS pin are changed by the monitor program according to the debugger status. To perform port register settings in 8-bit units, the user program can usually use read-modify-write. If an interrupt for debugging occurs before writing, however, an unexpected operation may be performed.

Remark ×: don't care

27.2.4 Cautions

(1) Handling of device that was used for debugging

Do not mount a device that was used for debugging on a mass-produced product, because the flash memory was rewritten during debugging and the number of rewrites of the flash memory cannot be guaranteed. Moreover, do not embed the debug monitor program into mass-produced products.

(2) When breaks cannot be executed

Forced breaks cannot be executed if one of the following conditions is satisfied.

- Interrupts are disabled (DI)
- Interrupts issued for the serial interface, which is used for communication between MINICUBE2 and the target device, are masked
- Standby mode is entered while standby release by a maskable interrupt is prohibited
- Mode for communication between MINICUBE2 and the target device is UARTA0, and the main clock has been stopped

(3) When pseudo real-time RAM monitor (RRM) function and DMM function do not operate

The pseudo RRM function and DMM function do not operate if one of the following conditions is satisfied.

- Interrupts are disabled (DI)
- Interrupts issued for the serial interface, which is used for communication between MINICUBE2 and the target device, are masked
- Standby mode is entered while standby release by a maskable interrupt is prohibited
- Mode for communication between MINICUBE2 and the target device is UARTA0, and the main clock has been stopped
- Mode for communication between MINICUBE2 and the target device is UARTA0, and a clock different from the one specified in the debugger is used for communication

(4) Standby release with pseudo RRM and DMM functions enabled

The standby mode is released by the pseudo RRM function and DMM function if one of the following conditions is satisfied.

- Mode for communication between MINICUBE2 and the target device is CSIB0 or CSIB3
- Mode for communication between MINICUBE2 and the target device is UARTA0, and the main clock has been supplied.

(5) Writing to peripheral I/O registers that requires a specific sequence, using DMM function

Peripheral I/O registers that requires a specific sequence cannot be written with the DMM function.

(6) Devices for which debugger startup becomes slow

Chip erase and writing of the monitor program for debugging are conducted when the debugger is first started up, but this operation takes about a dozen seconds.

(7) Writing of the monitor program for debugging

When CPU operation clock settings are changed with the debugger, the debugger rewrites the monitor program. The time required is the same as that mentioned just above in (6). For the integrated debugger ID850QB, this applies when settings of the Clock column in the configuration dialog box are changed.

(8) Flash self programming

If a space where the debug monitor program is allocated is rewritten by flash self programming, the debugger can no longer operate normally.

27.3 ROM Security Function

27.3.1 Security ID

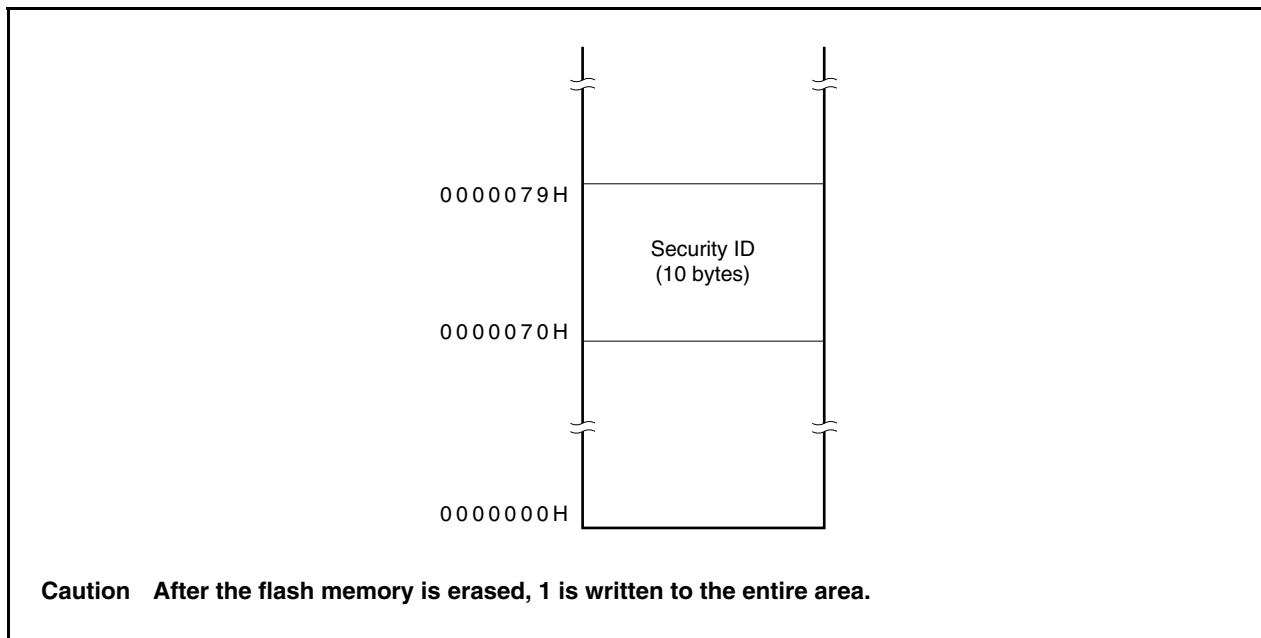
The flash memory versions of the V850ES/JJ2 perform authentication using a 10-byte ID code to prevent the contents of the flash memory from being read by an unauthorized person during on-chip debugging by the on-chip debug emulator.

Set the ID code in the 10-byte on-chip flash memory area from 0000070H to 0000079H to allow the debugger perform ID authentication.

If the IDs match, the security is released and reading flash memory and using the on-chip debug emulator are enabled.

- Set the 10-byte ID code to 0000070H to 0000079H.
- Bit 7 of 0000079H is the on-chip debug emulator enable flag.
(0: Disable, 1: Enable)
- When the on-chip debug emulator is started, the debugger requests ID input. When the ID code input on the debugger and the ID code set in 0000070H to 0000079H match, the debugger starts.
- Debugging cannot be performed if the on-chip debug emulator enable flag is 0, even if the ID codes match.

Figure 27-5. Security ID Area



27.3.2 Setting

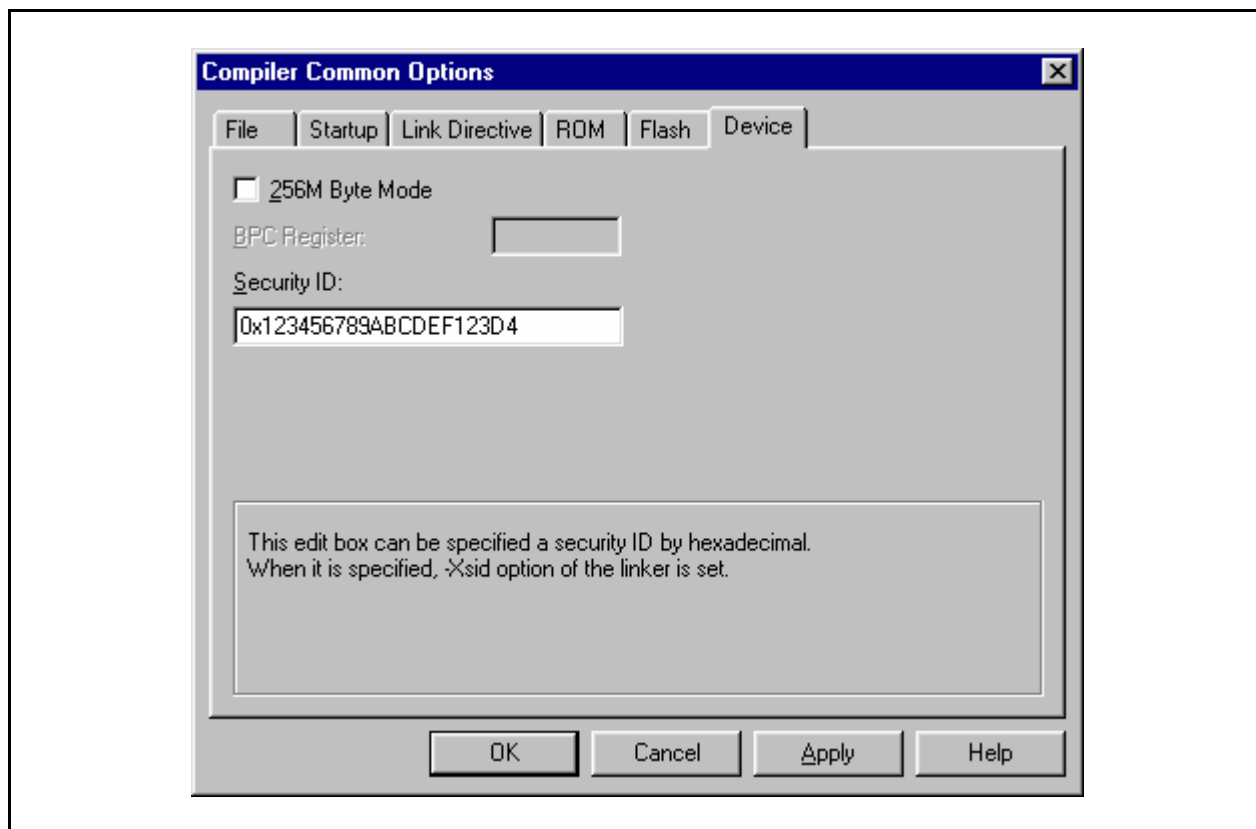
The following shows how to set the ID code as shown in Table 27-5.

When the ID code is set as shown in Table 27-5, the ID code input in the configuration dialog box of the ID850QB is "123456789ABCDEF123D4" (the ID code is case-insensitive).

Table 27-5. ID Code

Address	Value
0x70	0x12
0x71	0x34
0x72	0x56
0x73	0x78
0x74	0x9A
0x75	0xBC
0x76	0xDE
0x77	0XF1
0x78	0x23
0x79	0xD4

The ID code can be specified for the device file that supports CA850 Ver. 3.10 or later and the security ID using the PM+ compiler common option setting.



[Program example (when using CA850 Ver. 3.10 or later)]

```
#-----  
# SECURITYID  
#-----  
    .section "SECURITY_ID" --Interrupt handler address 0x70  
    .word    0x78563412    --0-3 byte code  
    .word    0xF1DEBC9A    --4-7 byte code  
    .hword   0xD423        --8-9 byte code
```

Remark Add the above program example to the startup files.

CHAPTER 28 ELECTRICAL SPECIFICATIONS

Absolute Maximum Ratings (T_A = 25°C) (1/2)

Parameter	Symbol	Conditions	Ratings	Unit
Supply voltage	V _{DD}	V _{DD} = EV _{DD} = AV _{REF0} = AV _{REF1}	-0.5 to +4.6	V
	BV _{DD}		-0.5 to +4.6	V
	EV _{DD}	V _{DD} = EV _{DD} = AV _{REF0} = AV _{REF1}	-0.5 to +4.6	V
	AV _{REF0}	V _{DD} = EV _{DD} = AV _{REF0} = AV _{REF1}	-0.5 to +4.6	V
	AV _{REF1}	V _{DD} = EV _{DD} = AV _{REF0} = AV _{REF1}	-0.5 to +4.6	V
	V _{SS}	V _{SS} = EV _{SS} = BV _{SS} = AV _{SS}	-0.5 to +0.5	V
	AV _{SS}	V _{SS} = EV _{SS} = BV _{SS} = AV _{SS}	-0.5 to +0.5	V
	BV _{SS}	V _{SS} = EV _{SS} = BV _{SS} = AV _{SS}	-0.5 to +0.5	V
	EV _{SS}	V _{SS} = EV _{SS} = BV _{SS} = AV _{SS}	-0.5 to +0.5	V
Input voltage	V _{I1}	RESET, FLMD0	-0.5 to EV _{DD} + 0.5 ^{Note 1}	V
	V _{I2}	PCD0 to PCD3, PCM0 to PCM5, PCS0 to PCS7, PCT0 to PCT7, PDH0 to PDH7, PDL0 to PDL15	-0.5 to BV _{DD} + 0.5 ^{Note 1}	V
	V _{I3}	P10, P11	-0.5 to AV _{REF1} + 0.5 ^{Note 1}	V
	V _{I4}	X1, X2, XT1, XT2	-0.5 to V _{RO} ^{Note 2} + 0.5 ^{Note 1}	V
	V _{I5}	P00 to P06, P30 to P39, P40 to P42, P50 to P55, P60 to P615, P80, P81, P90 to P915	-0.5 to +6.0	V
Analog input voltage	V _{IAN}	P70 to P715	-0.5 to AV _{REF0} + 0.5 ^{Note 1}	V

- Notes**
1. Be sure not to exceed the absolute maximum ratings (MAX. value) of each supply voltage.
 2. On-chip regulator output voltage (2.5 V (TYP.))

Remark Unless specified otherwise, the characteristics of alternate-function pins are the same as those of port pins.

Absolute Maximum Ratings (T_A = 25°C) (2/2)

Parameter	Symbol	Conditions	Ratings	Unit			
Output current, low	I _{OL}	P00 to P06, P30 to P39, P40 to P42, P50 to P55, P60 to P615, P80, P81, P90 to P915	Per pin	4	mA		
			Total of all pins	50	mA		
		PCD0 to PCD3, PCM0 to PCM5, PCS0 to PCS7, PCT0 to PCT7, PDH0 to PDH7, PDL0 to PDL15	Per pin	4	mA		
			Total of all pins	50	mA		
		P10, P11	Per pin	4	mA		
			Total of all pins	8	mA		
		P70 to P715	Per pin	4	mA		
			Total of all pins	20	mA		
		Output current, high	I _{OH}	P00 to P06, P30 to P39, P40 to P42, P50 to P55, P60 to P615, P80, P81, P90 to P915	Per pin	-4	mA
					Total of all pins	-50	mA
PCD0 to PCD3, PCM0 to PCM5, PCS0 to PCS7, PCT0 to PCT7, PDH0 to PDH7, PDL0 to PDL15	Per pin			-4	mA		
	Total of all pins			-50	mA		
P10, P11	Per pin			-4	mA		
	Total of all pins			-8	mA		
P70 to P715	Per pin			-4	mA		
	Total of all pins			-20	mA		
Operating ambient temperature	T _A				-40 to +85	°C	
Storage temperature	T _{stg}				-40 to +125	°C	

Cautions 1. Do not directly connect the output (or I/O) pins of IC products to each other, or to V_{DD}, V_{CC}, and GND. Open-drain pins or open-collector pins, however, can be directly connected to each other.

Direct connection of the output pins between an IC product and an external circuit is possible, if the output pins can be set to the high-impedance state and the output timing of the external circuit is designed to avoid output conflict.

- 2.** Product quality may suffer if the absolute maximum rating is exceeded even momentarily for any parameter. That is, the absolute maximum ratings are rated values at which the product is on the verge of suffering physical damage, and therefore the product must be used under conditions that ensure that the absolute maximum ratings are not exceeded. The ratings and conditions indicated for DC characteristics and AC characteristics represent the quality assurance range during normal operation.

Remark Unless specified otherwise, the characteristics of alternate-function pins are the same as those of port pins.

Capacitance ($T_A = -40$ to $+85^\circ\text{C}$, $BV_{DD} \leq V_{DD} = EV_{DD} = AV_{REF0} = AV_{REF1}$, $V_{SS} = EV_{SS} = BV_{SS} = AV_{SS} = 0\text{ V}$)

Parameter	Symbol	Conditions	MIN.	TYP.	MAX.	Unit
I/O capacitance	C_{io}	$f_x = 1\text{ MHz}$ Unmeasured pins returned to 0 V			10	pF

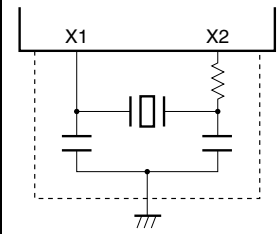
Operating Conditions

($T_A = -40$ to $+85^\circ\text{C}$, $BV_{DD} \leq V_{DD} = EV_{DD} = AV_{REF0} = AV_{REF1}$, $V_{SS} = EV_{SS} = BV_{SS} = AV_{SS} = 0\text{ V}$)

Internal System Clock Frequency	Conditions	Supply Voltage				Unit
		V_{DD}	EV_{DD}	BV_{DD}	AV_{REF0} , AV_{REF1}	
$f_{xx} = 2.5$ to 20 MHz	$C = 4.7\ \mu\text{F}$, A/D converter stopped, D/A converter stopped	2.85 to 3.6	2.85 to 3.6	2.7 to 3.6	2.85 to 3.6	V
	$C = 4.7\ \mu\text{F}$, A/D converter operating, D/A converter operating	3.0 to 3.6	3.0 to 3.6	2.7 to 3.6	3.0 to 3.6	V
$f_{xt} = 32.768\text{ kHz}$	$C = 4.7\ \mu\text{F}$, A/D converter stopped, D/A converter stopped	2.85 to 3.6	2.85 to 3.6	2.7 to 3.6	2.85 to 3.6	V

Main Clock Oscillator Characteristics

(T_A = -40 to +85°C, B_VDD ≤ V_{DD} = E_VDD = A_VREF0 = A_VREF1, V_{SS} = E_VSS = B_VSS = A_VSS = 0 V)

Resonator	Circuit Example	Parameter	Conditions	MIN.	TYP.	MAX.	Unit
Ceramic resonator/ Crystal resonator		Oscillation frequency (f _x) ^{Note 1}		2.5		10	MHz
		Oscillation stabilization time ^{Note 2}	After reset is released		2 ¹⁶ /f _x		s
			After STOP mode is released	1 ^{Note 4}	Note 3		ms
After IDLE2 mode is released	350 ^{Note 4}	Note 3		μs			

Notes 1. The oscillation frequency shown above indicates only oscillator characteristics. Use the V850ES/JJ2 so that the internal operation conditions do not exceed the ratings shown in **AC Characteristics** and **DC Characteristics**.

2. Time required from start of oscillation until the resonator stabilizes.
3. The value varies depending on the setting of the OSTS register.
4. Time required to set up the flash memory. Secure the setup time using the OSTS register.

Cautions 1. When using the main clock oscillator, wire as follows in the area enclosed by the broken lines in the above figure to avoid an adverse effect from wiring capacitance.

- Keep the wiring length as short as possible.
 - Do not cross the wiring with the other signal lines.
 - Do not route the wiring near a signal line through which a high fluctuating current flows.
 - Always make the ground point of the oscillator capacitor the same potential as V_{SS}.
 - Do not ground the capacitor to a ground pattern through which a high current flows.
 - Do not fetch signals from the oscillator.
2. When the main clock is stopped and the device is operating on the subclock, wait until the oscillation stabilization time has been secured by the program before switching back to the main clock.

<R>

(i) KYOCERA KINSEKI CORPORATION: Crystal resonator ($T_A = -40$ to $+85^\circ\text{C}$)

Manufacturer (Part Number)	Circuit Example	Oscillation Frequency f_x (kHz)	Recommended Circuit Constant			Oscillation Voltage Range	
			C1 (pF)	C2 (pF)	Rd (k Ω)	MIN. (V)	MAX. (V)
KYOCERA KINSEKI, CORPORATION (HC-49/U-S)		4,000	12	12	1	2.85	3.6
		5,000	10	10	1	2.85	3.6
		8,000	8	8	0	2.85	3.6
		10,000	8	8	0	2.85	3.6
		3,145.72	12	12	1	2.85	3.6
		4,718.592	10	10	0	2.85	3.6
		6,291.456	8	8	0	2.85	3.6

Caution This oscillator constant is a reference value based on evaluation under a specific environment by the resonator manufacturer.

If optimization of oscillator characteristics is necessary in the actual application, apply to the resonator manufacturer for evaluation on the implementation circuit.

The oscillation voltage and oscillation frequency indicate only oscillator characteristics. Use the V850ES/JJ2 so that the internal operating conditions are within the specifications of the DC and AC characteristics.

<R>

(ii) Murata Mfg. Co. Ltd.: Ceramic resonator ($T_A = -40$ to $+85^\circ\text{C}$)

Type	Circuit Example	Part Number	Oscillation Frequency f_x (MHz)	Recommended Circuit Constant			Oscillation Voltage Range	
				C1 (pF)	C2 (pF)	Rd (k Ω)	MIN. (V)	MAX. (V)
Surface mounting		CSTCR4M00G55-R0	4.000	(39)	(39)	0	2.85	3.60
		CSTCR5M00G55-R0	5.000	(39)	(39)	0	2.85	3.60
		CSTCR6M00G55-R0	6.000	(39)	(39)	0	2.85	3.60
		CSTCE8M00G55-R0	8.000	(33)	(33)	0	2.85	3.60
		CSTCE10M0G55-R0	10.000	(33)	(33)	0	2.85	3.60
Lead		CSTLS4M00G56-B0	4.000	(47)	(47)	0	2.85	3.60
		CSTLS5M00G53-B0	5.000	(15)	(15)	0	2.85	3.60
		CSTLS6M00G53-B0	6.000	(15)	(15)	0	2.85	3.60
		CSTLS8M00G53-B0	8.000	(15)	(15)	0	2.85	3.60
		CSTLS10M0G53-B0	10.000	(15)	(15)	0	2.85	3.60

Caution This oscillator constant is a reference value based on evaluation under a specific environment by the resonator manufacturer.

If optimization of oscillator characteristics is necessary in the actual application, apply to the resonator manufacturer for evaluation on the implementation circuit.

The oscillation voltage and oscillation frequency indicate only oscillator characteristics. Use the V850ES/JJ2 so that the internal operating conditions are within the specifications of the DC and AC characteristics.

Remark Figures in parentheses in columns C1 and C2 indicate the capacitance incorporated in the resonator.

Subclock Oscillator Characteristics(T_A = -40 to +85°C, B_V_{DD} ≤ V_{DD} = E_V_{DD} = A_V_{REF0} = A_V_{REF1}, V_{SS} = E_V_{SS} = B_V_{SS} = A_V_{SS} = 0 V)

Resonator	Circuit Example	Parameter	Conditions	MIN.	TYP.	MAX.	Unit
Crystal resonator		Oscillation frequency (f _{XT}) ^{Note 1}		32	32.768	35	kHz
		Oscillation stabilization time ^{Note 2}				10	s

Notes 1. The oscillation frequency shown above indicates only oscillator characteristics. Use the V850ES/JJ2 so that the internal operation conditions do not exceed the ratings shown in **AC Characteristics** and **DC Characteristics**.

2. Time required from when V_{DD} reaches the oscillation voltage range (2.85 V (MIN.)) to when the crystal resonator stabilizes.

Cautions 1. When using the subclock oscillator, wire as follows in the area enclosed by the broken lines in the above figures to avoid an adverse effect from wiring capacitance.

- Keep the wiring length as short as possible.
 - Do not cross the wiring with the other signal lines.
 - Do not route the wiring near a signal line through which a high fluctuating current flows.
 - Always make the ground point of the oscillator capacitor the same potential as V_{SS}.
 - Do not ground the capacitor to a ground pattern through which a high current flows.
 - Do not fetch signals from the oscillator.
2. The subclock oscillator is designed as a low-amplitude circuit for reducing power consumption, and is more prone to malfunction due to noise than the main clock oscillator. Particular care is therefore required with the wiring method when the subclock is used.
3. For the resonator selection and oscillator constant, customers are requested to either evaluate the oscillation themselves or apply to the resonator manufacturer for evaluation.

PLL Characteristics

($T_A = -40$ to $+85^\circ\text{C}$, $BV_{DD} \leq V_{DD} = EV_{DD} = AV_{REF0} = AV_{REF1}$, $V_{SS} = EV_{SS} = BV_{SS} = AV_{SS} = 0$ V)

Parameter	Symbol	Conditions	MIN.	TYP.	MAX.	Unit
Input frequency	f_x	$\times 4$ mode	2.5		5	MHz
		$\times 8$ mode	2.5		2.5	MHz
Output frequency	f_{xx}	$\times 4$ mode	10		20	MHz
		$\times 8$ mode	20		20	MHz
Lock time	t_{PLL}	After V_{DD} reaches 2.85 V (MIN.)			800	μs

Internal Oscillator Characteristics

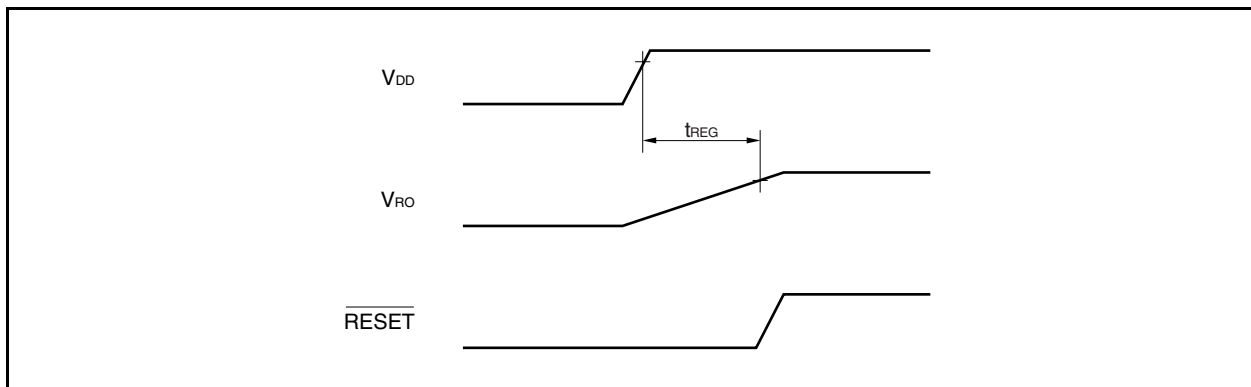
($T_A = -40$ to $+85^\circ\text{C}$, $BV_{DD} \leq V_{DD} = EV_{DD} = AV_{REF0} = AV_{REF1}$, $V_{SS} = EV_{SS} = BV_{SS} = AV_{SS} = 0$ V)

Parameter	Symbol	Conditions	MIN.	TYP.	MAX.	Unit
Output frequency	f_R		100	200	400	kHz

Regulator Characteristics

($T_A = -40$ to $+85^\circ\text{C}$, $BV_{DD} \leq V_{DD} = EV_{DD} = AV_{REF0} = AV_{REF1}$, $V_{SS} = EV_{SS} = BV_{SS} = AV_{SS} = 0$ V)

Parameter	Symbol	Conditions	MIN.	TYP.	MAX.	Unit
Input voltage	V_{DD}	$f_{xx} = 20$ MHz (MAX.)	2.85		3.6	V
Output voltage	V_{RO}			2.5		V
Regulator output stabilization time	t_{REG}	After V_{DD} reaches 2.85 V (MIN.), Stabilization capacitance $C = 4.7 \mu\text{F}$ connected to REGC pin			1	ms



DC Characteristics

(T_A = -40 to +85°C, V_{DD} ≤ V_{DD} = E_{VDD} = A_{VREF0} = A_{VREF1}, V_{SS} = E_{VSS} = B_{VSS} = A_{VSS} = 0 V) (1/3)

Parameter	Symbol	Conditions	MIN.	TYP.	MAX.	Unit
Input voltage, high	V _{IH1}	RESET, FLMD0	0.8E _{VDD}		E _{VDD}	V
	V _{IH2}	P00 to P06, P30 to P37, P42, P50 to P55, P60 to P615, P80, P81, P92 to P915	0.8E _{VDD}		5.5	V
	V _{IH3}	P38, P39, P40, P41, P90, P91	0.7E _{VDD}		5.5	V
	V _{IH4}	PCD0 to PCD3, PCM0 to PCM5, PCS0 to PCS7, PCT0 to PCT7, PDH0 to PDH7, PDL0 to PDL15	0.7B _{VDD}		B _{VDD}	V
	V _{IH5}	P70 to P715	0.7A _{VREF0}		A _{VREF0}	V
	V _{IH6}	P10, P11	0.7A _{VREF1}		A _{VREF1}	V
Input voltage, low	V _{IL1}	RESET, FLMD0	E _{VSS}		0.2E _{VDD}	V
	V _{IL2}	P00 to P06, P30 to P37, P42, P50 to P55, P60 to P615, P80, P81, P92 to P915	E _{VSS}		0.2E _{VDD}	V
	V _{IL3}	P38, P39, P40, P41, P90, P91	E _{VSS}		0.3E _{VDD}	V
	V _{IL4}	PCD0 to PCD3, PCM0 to PCM5, PCS0 to PCS7, PCT0 to PCT7, PDH0 to PDH7, PDL0 to PDL15	B _{VSS}		0.3B _{VDD}	V
	V _{IL5}	P70 to P715	A _{VSS}		0.3A _{VREF0}	V
	V _{IL6}	P10, P11	A _{VSS}		0.3A _{VREF1}	V
Input leakage current, high	I _{LIH}	V _I = V _{DD} = E _{VDD} = B _{VDD} = A _{VREF0} = A _{VREF1}			5	μA
Input leakage current, low	I _{LIL}	V _I = 0 V			-5	μA
Output leakage current, high	I _{LOH}	V _O = V _{DD} = E _{VDD} = B _{VDD} = A _{VREF0} = A _{VREF1}			5	μA
Output leakage current, low	I _{LOL}	V _O = 0 V			-5	μA

Remark Unless specified otherwise, the characteristics of alternate-function pins are the same as those of port pins.

DC Characteristics

(T_A = -40 to +85°C, BV_{DD} ≤ V_{DD} = EV_{DD} = AV_{REF0} = AV_{REF1}, V_{SS} = EV_{SS} = BV_{SS} = AV_{SS} = 0 V) (2/3)

Parameter	Symbol	Conditions			MIN.	TYP.	MAX.	Unit
Output voltage, high	V _{OH1}	P00 to P06, P30 to P39, P40 to P42, P50 to P55, P60 to P615, P80, P81, P90 to P915	Per pin I _{OH} = -1.0 mA	Total of all pins -20 mA	EV _{DD} - 1.0		EV _{DD}	V
			Per pin I _{OH} = -100 μA	Total of all pins -6.0 mA	EV _{DD} - 0.5		EV _{DD}	V
	V _{OH2}	PCD0 to PCD3, PCM0 to PCM5, PCS0 to PCS7, PCT0 to PCT7, PDH0 to PDH7, PDL0 to PDL15	Per pin I _{OH} = -1.0 mA	Total of all pins -20 mA	BV _{DD} - 1.0		BV _{DD}	V
			Per pin I _{OH} = -100 μA	Total of all pins -5.0 mA	BV _{DD} - 0.5		BV _{DD}	V
	V _{OH3}	P70 to P715	Per pin I _{OH} = -0.4 mA	Total of all pins -6.4 mA	AV _{REF0} - 1.0		AV _{REF0}	V
			Per pin I _{OH} = -100 μA	Total of all pins -1.6 mA	AV _{REF0} - 0.5		AV _{REF0}	V
	V _{OH4}	P10, P11	Per pin I _{OH} = -0.4 mA	Total of all pins -0.8 mA	AV _{REF1} - 1.0		AV _{REF1}	V
			Per pin I _{OH} = -100 μA	Total of all pins -0.2 mA	AV _{REF1} - 0.5		AV _{REF1}	V
Output voltage, low	V _{OL1}	P00 to P06, P30 to P37, P42, P50 to P55, P60 to P615, P80, P81, P92 to P915	Per pin I _{OL} = 1.0 mA	Total of all pins 20 mA	0		0.4	V
	V _{OL2}	P38, P39, P40, P41, P90, P91	Per pin I _{OL} = 3.0 mA		0		0.4	V
	V _{OL3}	PCD0 to PCD3, PCM0 to PCM5, PCS0 to PCS7, PCT0 to PCT7, PDH0 to PDH7, PDL0 to PDL15	Per pin I _{OL} = 1.0 mA	Total of all pins 20 mA	0		0.4	V
	V _{OL4}	P10, P11, P70 to P715	Per pin I _{OL} = 0.4 mA	Total of all pins 7.2 mA	0		0.4	V
Software pull-down resistor	R ₁	P05	V _I = V _{DD}		10	30	100	kΩ

- Remarks 1.** Unless specified otherwise, the characteristics of alternate-function pins are the same as those of port pins.
- 2.** When the I_{OH} and I_{OL} conditions are not satisfied for a pin but the total value of all pins is satisfied, only that pin does not satisfy the DC characteristics.

DC Characteristics

($T_A = -40$ to $+85^\circ\text{C}$, $BV_{DD} \leq V_{DD} = EV_{DD} = AV_{REF0} = AV_{REF1}$, $V_{SS} = EV_{SS} = BV_{SS} = AV_{SS} = 0\text{ V}$) (3/3)

Parameter	Symbol	Conditions		MIN.	TYP.	MAX.	Unit	
Supply current ^{Note 1}	I _{DD1}	Normal operation	f _{xx} = 20 MHz (f _x = 5 MHz)	Note 2		35	55	mA
				Note 3		34	54	mA
	I _{DD2}	HALT mode	f _{xx} = 20 MHz (f _x = 5 MHz)	Note 2		20	30	mA
				Note 3		19	28	mA
	I _{DD3}	IDLE1 mode	f _{xx} = 5 MHz (f _x = 5 MHz), PLL off			0.8	1.6	mA
	I _{DD4}	IDLE2 mode	f _{xx} = 5 MHz (f _x = 5 MHz), PLL off			0.3	0.8	mA
	I _{DD5}	Subclock operating mode	f _{XT} = 32.768 kHz, main clock, internal oscillator stopped	Note 2		300	600	μA
				Note 3		200	400	μA
	I _{DD6}	Sub-IDLE mode	f _{XT} = 32.768 kHz, main clock, internal oscillator stopped	Note 2		18	100	μA
				Note 3		18	80	μA
	I _{DD7}	STOP mode	Subclock stopped, internal oscillator stopped			7	50	μA
			Subclock operating, internal oscillator stopped			10	60	μA
			Subclock stopped, internal oscillator operating			10	60	μA
	I _{DD8}	Flash memory programming mode	f _{xx} = 20 MHz (f _x = 5 MHz)	Note 2		38	61	mA
Note 3					37	60	mA	

- Notes**
1. Total of V_{DD}, EV_{DD}, and BV_{DD} currents. Current flowing through the output buffers, A/D converter, D/A converter, and on-chip pull-down resistor is not included.
 2. μPD70F3723, 70F3724
 3. μPD70F3720, 70F3721, 70F3722

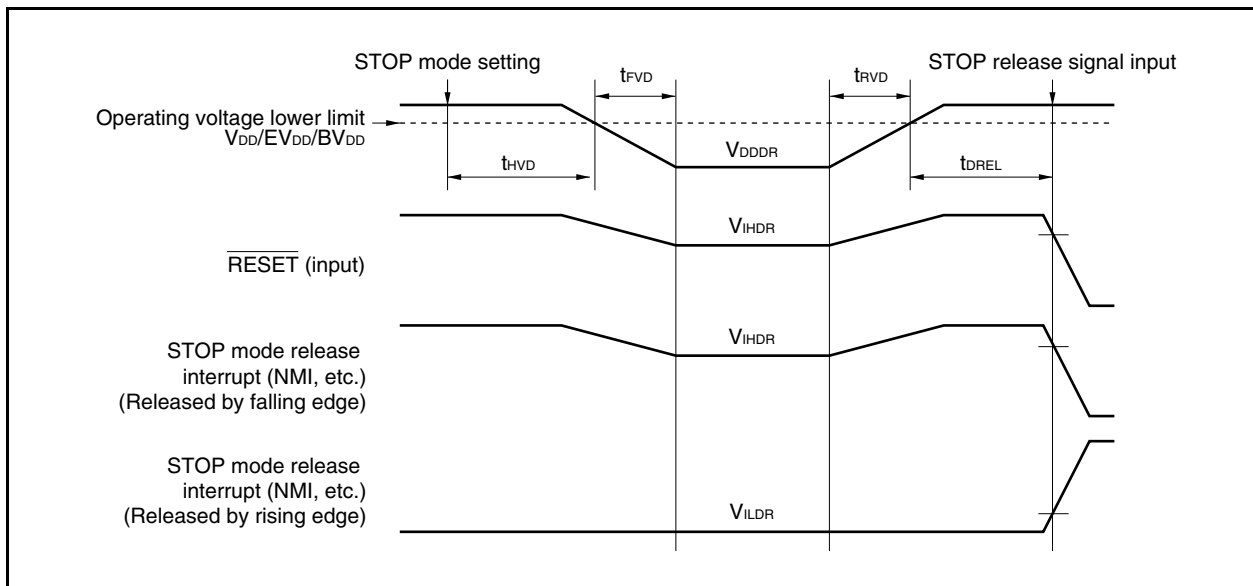
Data Retention Characteristics

In STOP mode

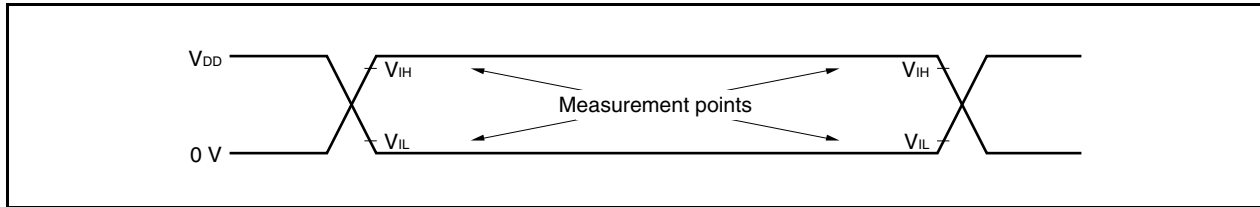
($T_A = -40$ to $+85^\circ\text{C}$, $BV_{DD} \leq V_{DD} = EV_{DD} = AV_{REF0} = AV_{REF1}$, $V_{SS} = EV_{SS} = BV_{SS} = AV_{SS} = 0\text{ V}$)

Parameter	Symbol	Conditions	MIN.	TYP.	MAX.	Unit
Data retention voltage	V_{DDDR}	STOP mode (all functions stopped)	1.9		3.6	V
Data retention current	I_{DDDR}	STOP mode (all functions stopped)		7	50	μA
Supply voltage rise time	t_{rVD}		200			μs
Supply voltage fall time	t_{fVD}		200			μs
Supply voltage retention time	t_{hVD}	After STOP mode setting	0			ms
STOP release signal input time	t_{dREL}	After V_{DD} reaches 2.85 V (MIN.)	0			ms
Data retention input voltage, high	V_{IHDR}	$V_{DD} = EV_{DD} = BV_{DD} = V_{DDDR}$	$0.9V_{DDDR}$		V_{DDDR}	V
Data retention input voltage, low	V_{ILDR}	$V_{DD} = EV_{DD} = BV_{DD} = V_{DDDR}$	0		$0.1V_{DDDR}$	V

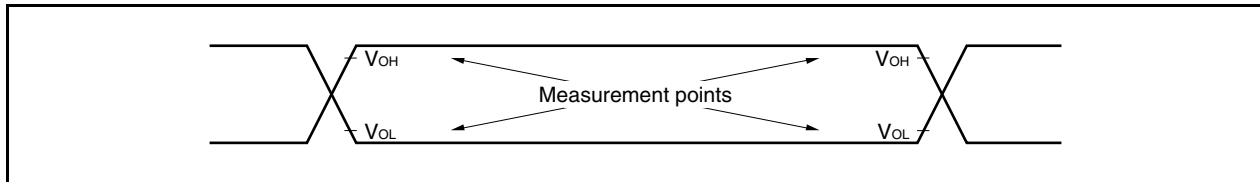
Caution Shifting to STOP mode and restoring from STOP mode must be performed within the rated operating range.



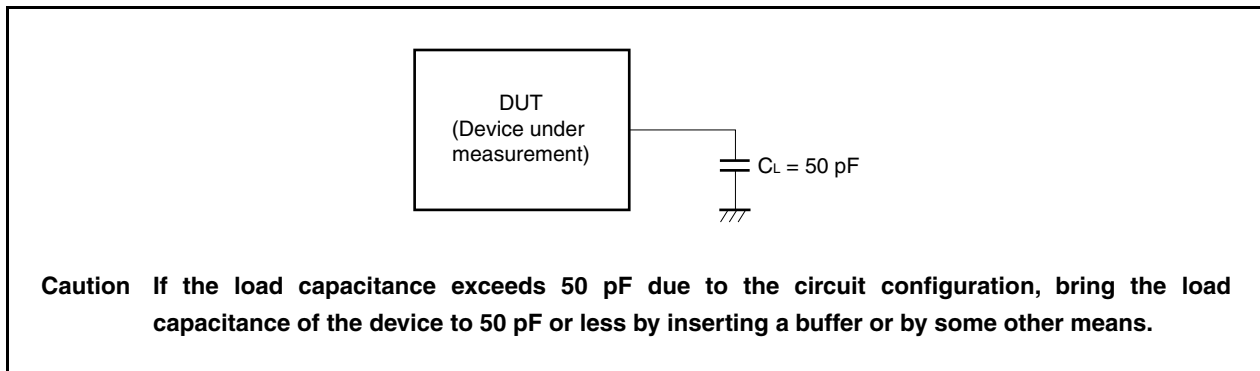
AC Characteristics

AC Test Input Measurement Points (V_{DD} , AV_{REF0} , AV_{REF1} , EV_{DD} , BV_{DD})

AC Test Output Measurement Points



Load Conditions

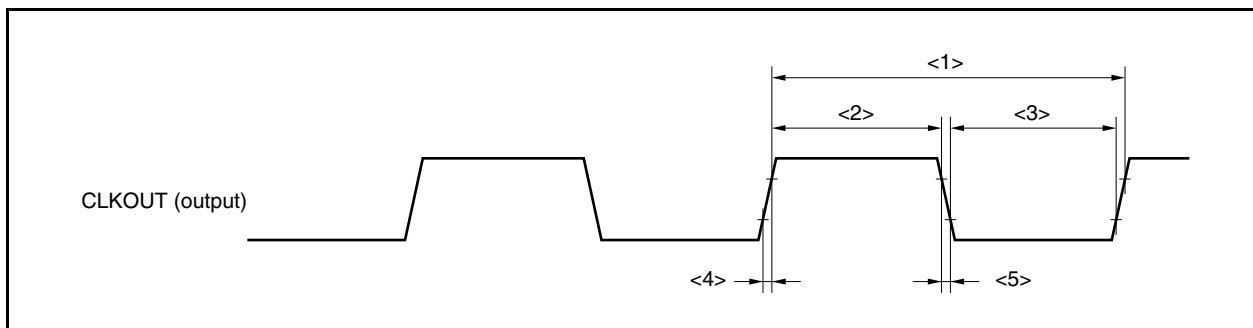


CLKOUT Output Timing

($T_A = -40$ to $+85^\circ\text{C}$, $BV_{DD} \leq V_{DD} = EV_{DD} = AV_{REF0} = AV_{REF1}$, $V_{SS} = EV_{SS} = BV_{SS} = AV_{SS} = 0\text{ V}$)

Parameter	Symbol	Conditions	MIN.	MAX.	Unit
Output cycle	t_{CYK}	<1>	50 ns	31.25 μs	
High-level width	t_{WKH}	<2>	$t_{CYK}/2 - 10$		ns
Low-level width	t_{WKL}	<3>	$t_{CYK}/2 - 10$		ns
Rise time	t_{KR}	<4>		10	ns
Fall time	t_{KF}	<5>		10	ns

Clock Timing



Bus Timing
(1) In multiplexed bus mode
(a) Read/write cycle (CLKOUT asynchronous)
($T_A = -40$ to $+85^\circ\text{C}$, $BV_{DD} \leq V_{DD} = EV_{DD} = AV_{REF0} = AV_{REF1}$, $V_{SS} = EV_{SS} = BV_{SS} = AV_{SS} = 0$ V, $C_L = 50$ pF)

Parameter	Symbol	Conditions	MIN.	MAX.	Unit
Address setup time (to $ASTB\downarrow$)	t_{SAST}	<6>	$(0.5 + t_{ASW})T - 20$		ns
Address hold time (from $ASTB\downarrow$)	t_{HSTA}	<7>	$(0.5 + t_{AHW})T - 15$		ns
Delay time from $\overline{RD}\downarrow$ to address float	t_{FRDA}	<8>		16	ns
Data input setup time from address	t_{SAID}	<9>		$(2 + n + t_{ASW} + t_{AHW})T - 35$	ns
Data input setup time from $\overline{RD}\downarrow$	t_{SRID}	<10>		$(1 + n)T - 25$	ns
Delay time from $ASTB\downarrow$ to \overline{RD} , $\overline{WRm}\downarrow$	$t_{DSTRDWR}$	<11>	$(0.5 + t_{AHW})T - 15$		ns
Data input hold time (from $\overline{RD}\uparrow$)	t_{HRDID}	<12>	0		ns
Address output time from $\overline{RD}\uparrow$	t_{DRDA}	<13>	$(1 + i)T - 15$		ns
Delay time from \overline{RD} , $\overline{WRm}\uparrow$ to $ASTB\uparrow$	$t_{DRDWRST}$	<14>	$0.5T - 15$		ns
Delay time from $\overline{RD}\uparrow$ to $ASTB\downarrow$	t_{DRDST}	<15>	$(1.5 + i + t_{ASW})T - 15$		ns
\overline{RD} , \overline{WRm} low-level width	t_{WRDWRL}	<16>	$(1 + n)T - 15$		ns
$ASTB$ high-level width	t_{WSTH}	<17>	$(1 + i + t_{ASW})T - 15$		ns
Data output time from $\overline{WRm}\downarrow$	t_{DWROD}	<18>		15	ns
Data output setup time (to $\overline{WRm}\uparrow$)	t_{SODWR}	<19>	$(1 + n)T - 20$		ns
Data output hold time (from $\overline{WRm}\uparrow$)	t_{HWROD}	<20>	$T - 15$		ns
\overline{WAIT} setup time (to address)	t_{SAWT1}	<21>	$n \geq 1$	$(1.5 + t_{ASW} + t_{AHW})T - 35$	ns
	t_{SAWT2}	<22>		$(1.5 + n + t_{ASW} + t_{AHW})T - 35$	ns
\overline{WAIT} hold time (from address)	t_{HAWT1}	<23>	$n \geq 1$	$(0.5 + n + t_{ASW} + t_{AHW})T$	ns
	t_{HAWT2}	<24>		$(1.5 + n + t_{ASW} + t_{AHW})T$	ns
\overline{WAIT} setup time (to $ASTB\downarrow$)	t_{SSTWT1}	<25>	$n \geq 1$	$(1 + t_{AHW})T - 25$	ns
	t_{SSTWT2}	<26>		$(1 + n + t_{AHW})T - 25$	ns
\overline{WAIT} hold time (from $ASTB\downarrow$)	t_{HSTWT1}	<27>	$n \geq 1$	$(n + t_{AHW})T$	ns
	t_{HSTWT2}	<28>		$(1 + n + t_{AHW})T$	ns

Remarks 1. t_{ASW} : Number of address setup wait clocks

 t_{AHW} : Number of address hold wait clocks

2. $T = 1/f_{CPU}$ (f_{CPU} : CPU operating clock frequency)

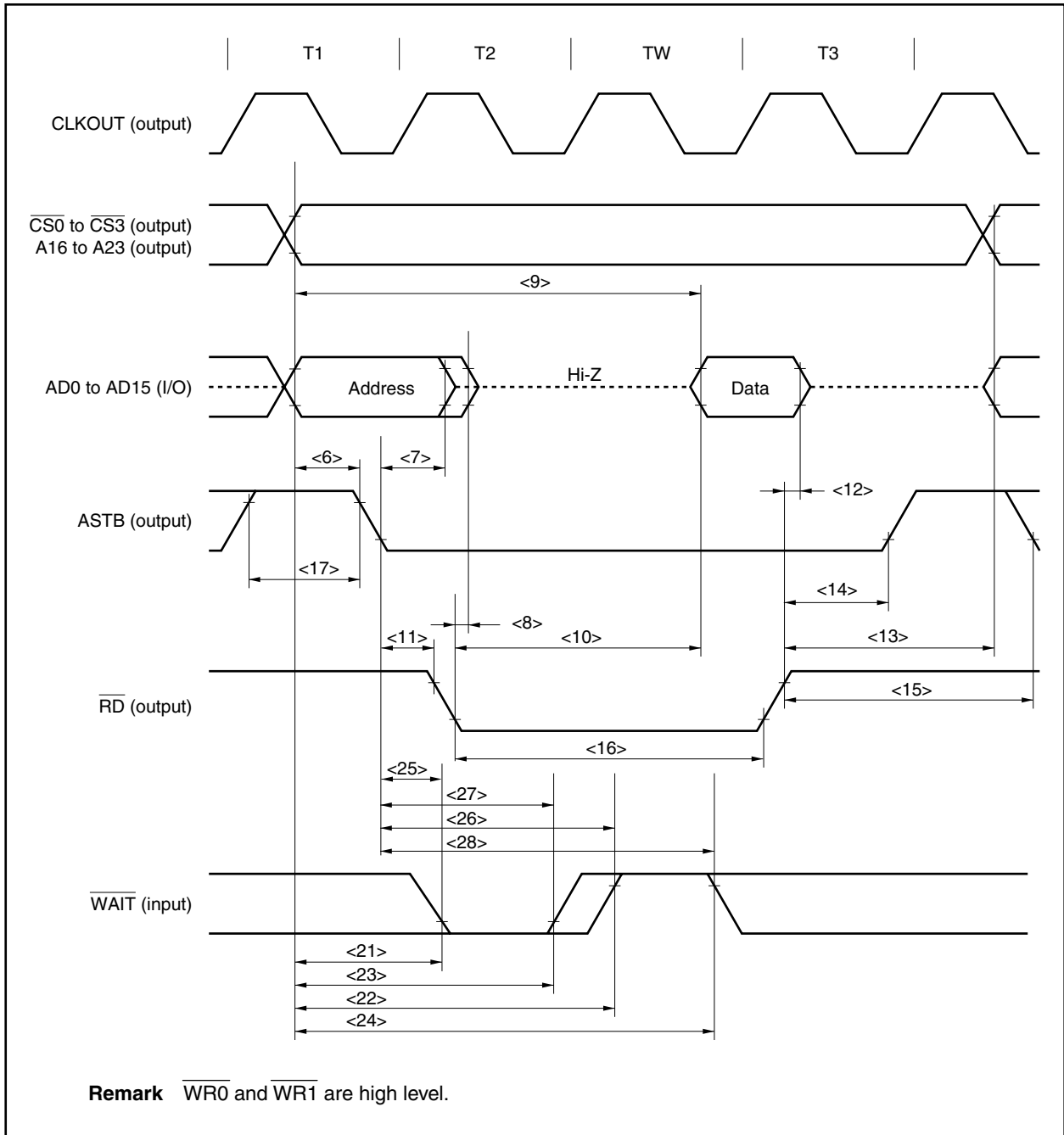
3. n : Number of wait clocks inserted in the bus cycle

The sampling timing changes when a programmable wait is inserted.

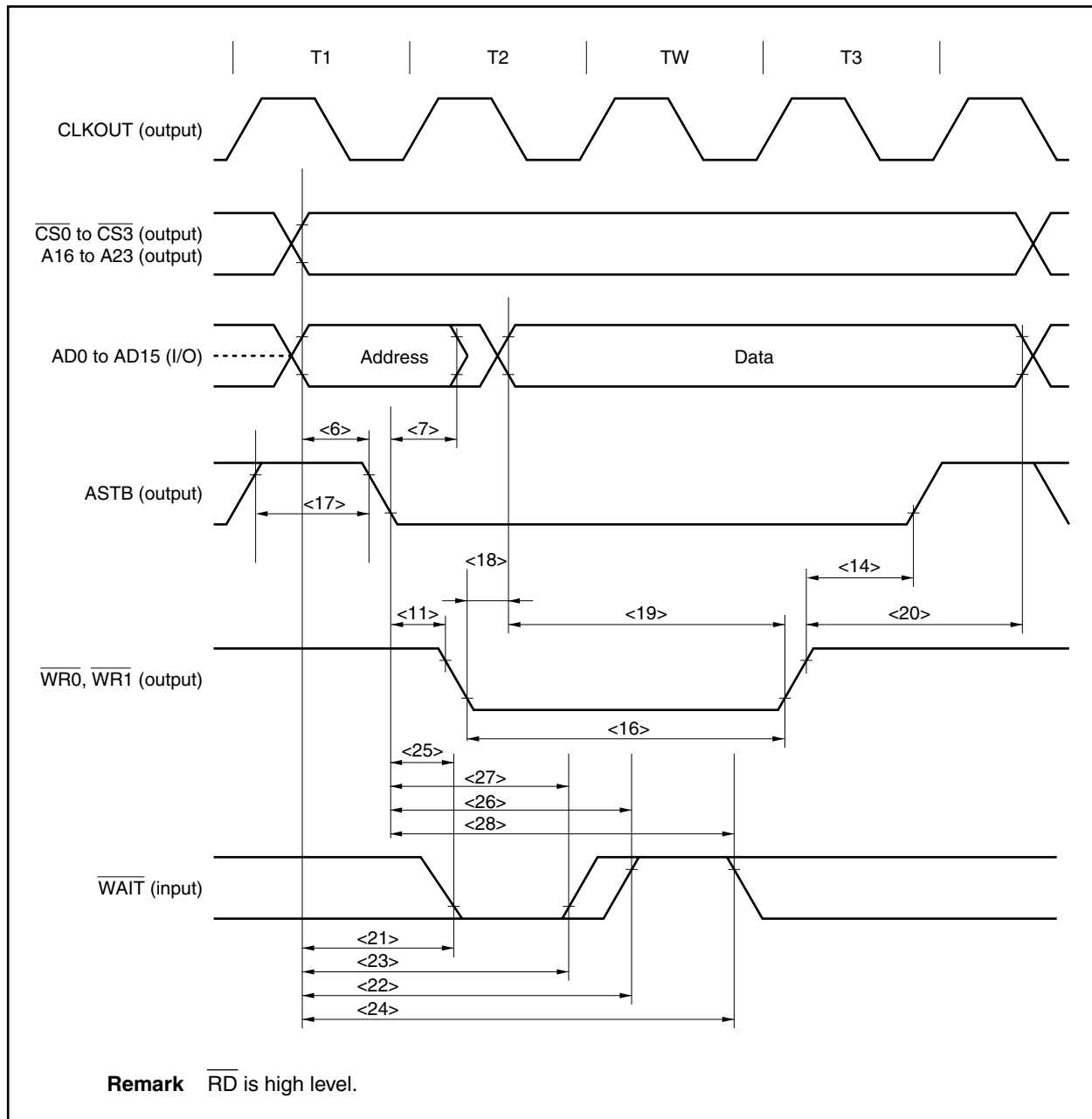
4. $m = 0, 1$
5. i : Number of idle states inserted after a read cycle (0 or 1)

6. The values in the above specifications are values for when clocks with a 1:1 duty ratio are input from X1.

Read Cycle (CLKOUT Asynchronous): In Multiplexed Bus Mode



Write Cycle (CLKOUT Asynchronous): In Multiplexed Bus Mode



(b) Read/write cycle (CLKOUT synchronous): In multiplexed bus mode

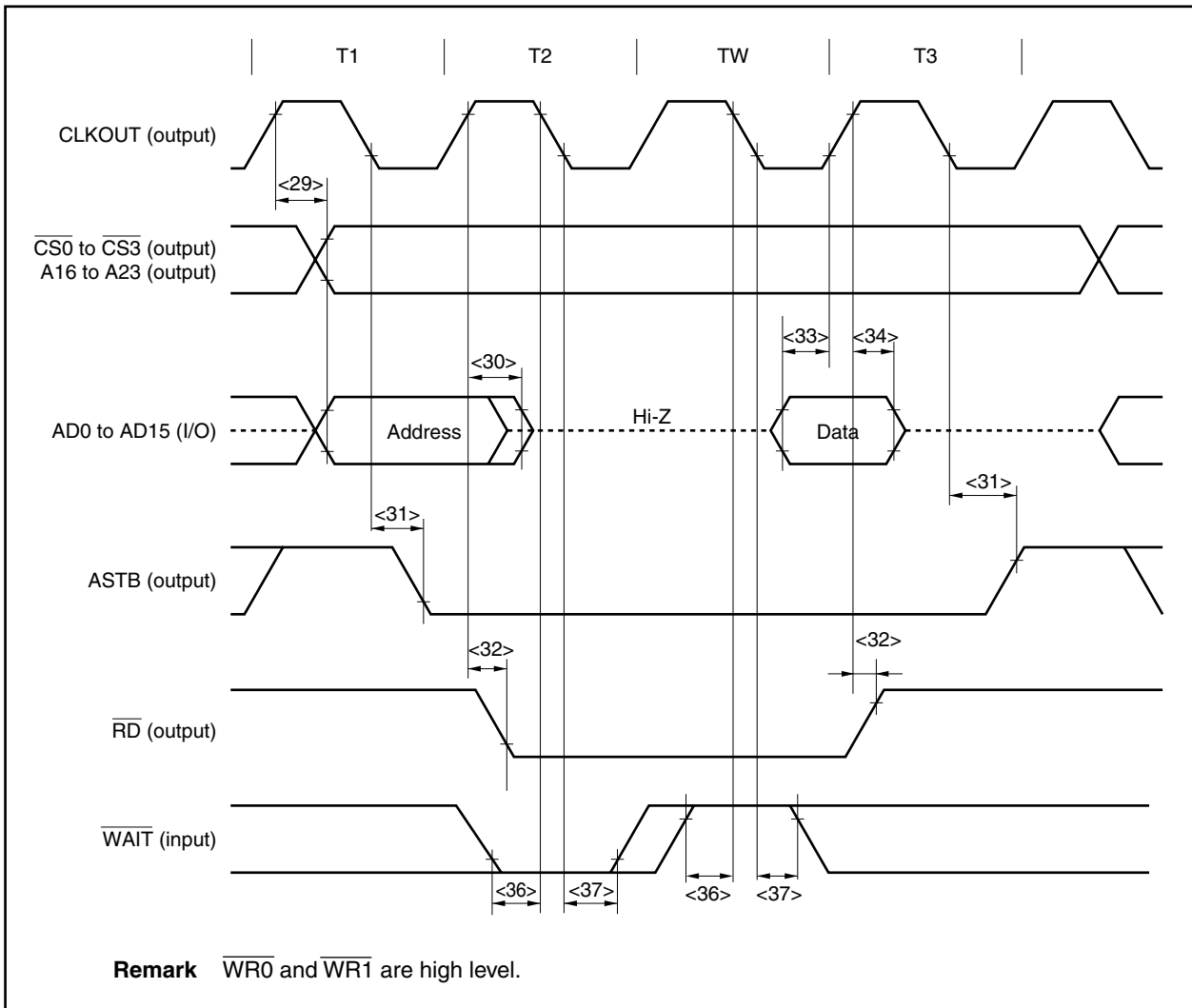
($T_A = -40$ to $+85^\circ\text{C}$, $BV_{DD} \leq V_{DD} = EV_{DD} = AV_{REF0} = AV_{REF1}$, $V_{SS} = EV_{SS} = BV_{SS} = AV_{SS} = 0$ V, $C_L = 50$ pF)

Parameter	Symbol	Conditions	MIN.	MAX.	Unit
Delay time from CLKOUT \uparrow to address	t_{DKA}	<29>	0	25	ns
Delay time from CLKOUT \uparrow to address float	t_{FKA}	<30>	0	19	ns
Delay time from CLKOUT \downarrow to ASTB	t_{DKST}	<31>	-12	7	ns
Delay time from CLKOUT \uparrow to \overline{RD} , \overline{WR}_m	t_{DKRDWR}	<32>	-5	14	ns
Data input setup time (to CLKOUT \uparrow)	t_{SIDK}	<33>	15		ns
Data input hold time (from CLKOUT \uparrow)	t_{HKID}	<34>	5		ns
Data output delay time from CLKOUT \uparrow	t_{DKOD}	<35>		19	ns
\overline{WAIT} setup time (to CLKOUT \downarrow)	t_{SWTK}	<36>	20		ns
\overline{WAIT} hold time (from CLKOUT \downarrow)	t_{HKWT}	<37>	5		ns

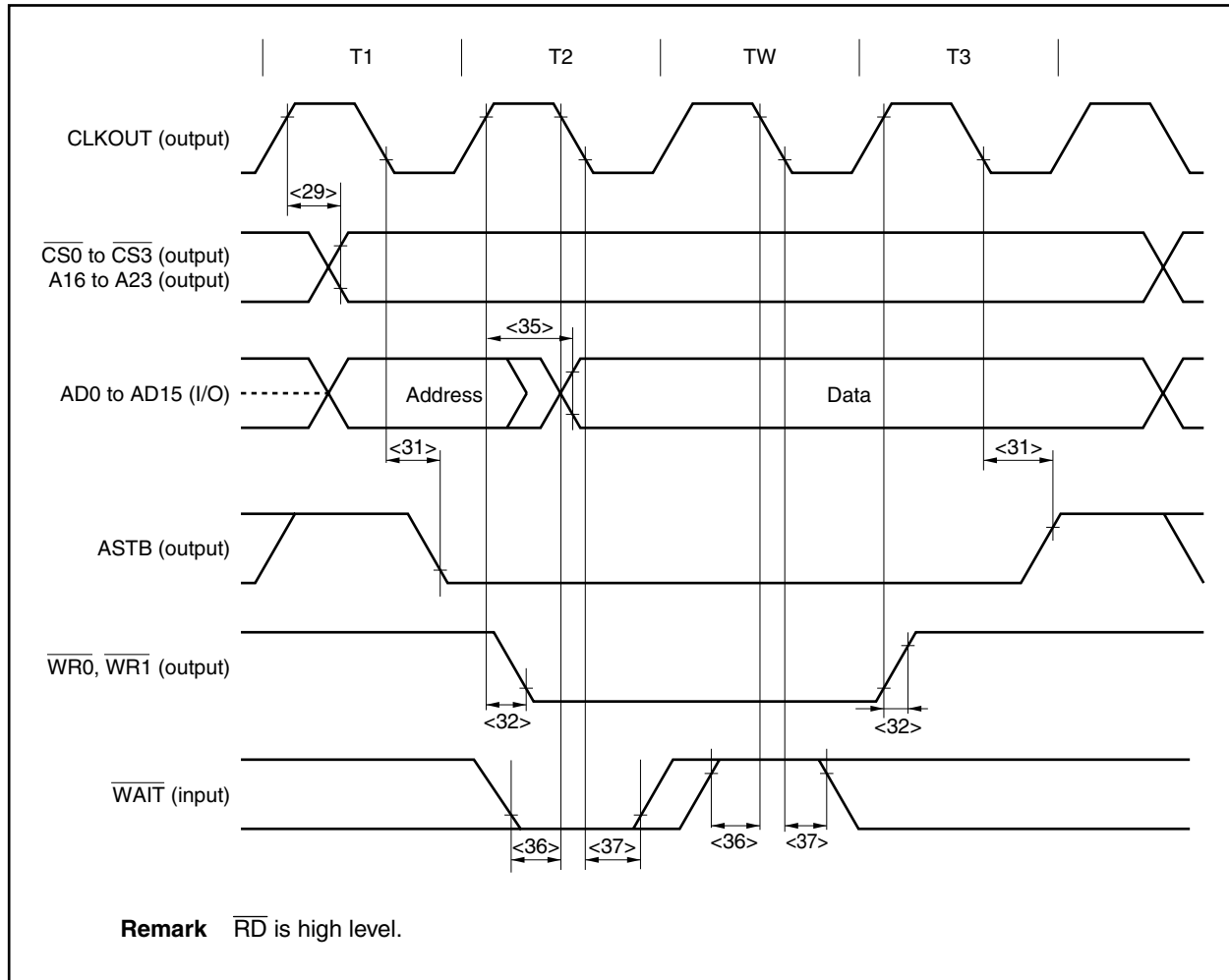
Remarks 1. $m = 0, 1$

2. The values in the above specifications are values for when clocks with a 1:1 duty ratio are input from X1.

Read Cycle (CLKOUT Synchronous): In Multiplexed Bus Mode



Write Cycle (CLKOUT Synchronous): In Multiplexed Bus Mode



(2) In separate bus mode
(a) Read cycle (CLKOUT asynchronous): In separate bus mode
($T_A = -40$ to $+85^\circ\text{C}$, $BV_{DD} \leq V_{DD} = EV_{DD} = AV_{REF0} = AV_{REF1}$, $V_{SS} = EV_{SS} = BV_{SS} = AV_{SS} = 0$ V, $C_L = 50$ pF)

Parameter	Symbol	Conditions	MIN.	MAX.	Unit
Address setup time (to $\overline{RD}\downarrow$)	t_{SARD}	<38>	$(0.5 + t_{ASW})T - 23$		ns
Address hold time (from $\overline{RD}\uparrow$)	t_{HARD}	<39>	$iT + 1$		ns
\overline{RD} low-level width	t_{WRDL}	<40>	$(1.5 + n + t_{AHW})T - 10$		ns
Data setup time (to $\overline{RD}\uparrow$)	t_{SISD}	<41>	23		ns
Data hold time (from $\overline{RD}\uparrow$)	t_{HISD}	<42>	0		ns
Data setup time (to address)	t_{SAID}	<43>		$(2 + n + t_{ASW} + t_{AHW})T - 40$	ns
\overline{WAIT} setup time (to $\overline{RD}\downarrow$)	t_{SRDWT1}	<44>		$(0.5 + t_{AHW})T - 25$	ns
	t_{SRDWT2}	<45>		$(0.5 + n + t_{AHW})T - 25$	ns
\overline{WAIT} hold time (from $\overline{RD}\downarrow$)	t_{HRDWT1}	<46>	$(n - 0.5 + t_{AHW})T$		ns
	t_{HRDWT2}	<47>	$(n + 0.5 + t_{AHW})T$		ns
\overline{WAIT} setup time (to address)	t_{SAWT1}	<48>		$(1 + t_{ASW} + t_{AHW})T - 45$	ns
	t_{SAWT2}	<49>		$(1 + n + t_{ASW} + t_{AHW})T - 45$	ns
\overline{WAIT} hold time (from address)	t_{HAWT1}	<50>	$(n + t_{ASW} + t_{AHW})T$		ns
	t_{HAWT2}	<51>	$(1 + n + t_{ASW} + t_{AHW})T$		ns

Remarks 1. t_{ASW} : Number of address setup wait clocks

 t_{AHW} : Number of address hold wait clocks

2. $T = 1/f_{CPU}$ (f_{CPU} : CPU operating clock frequency)

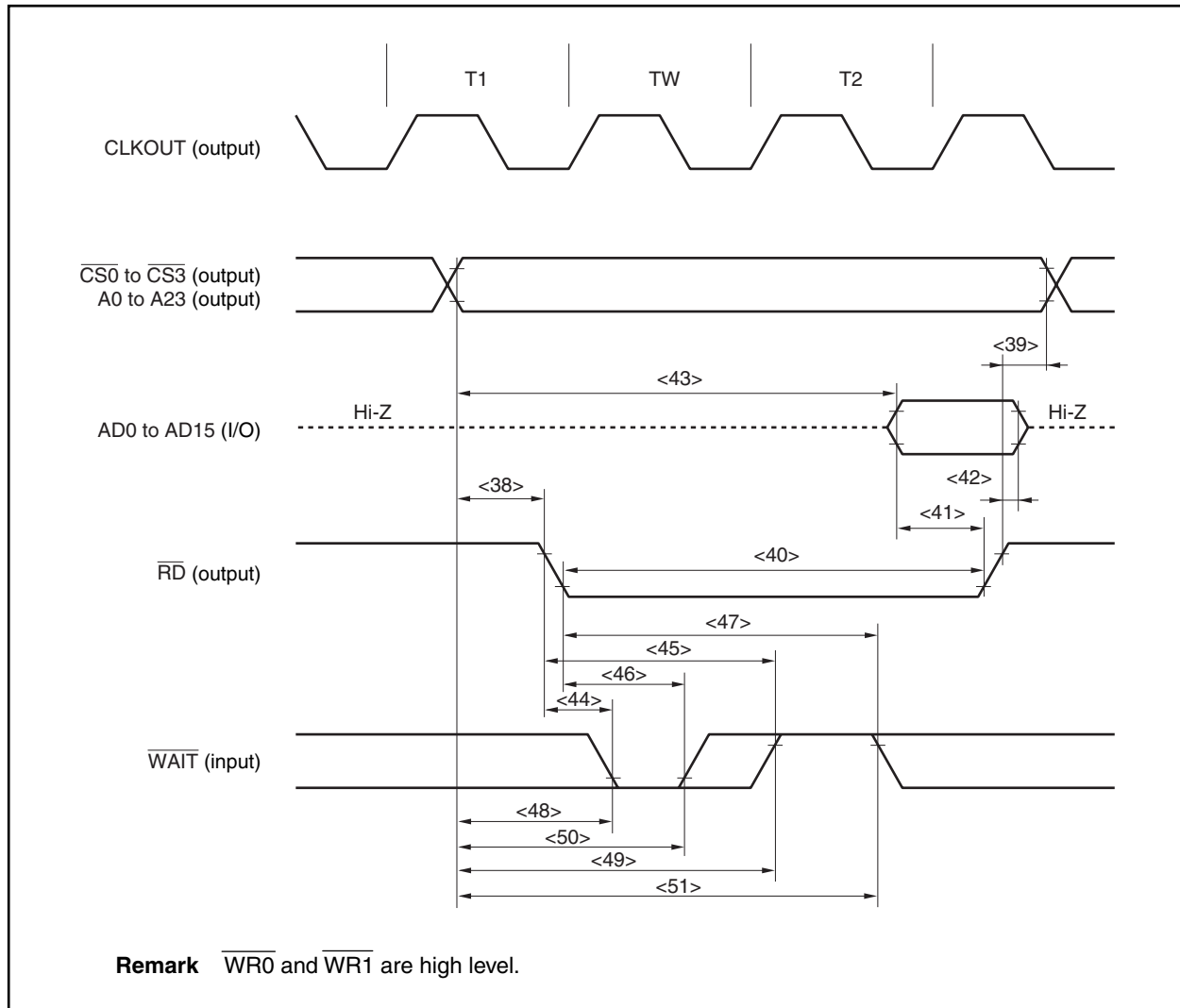
3. n : Number of wait clocks inserted in the bus cycle

The sampling timing changes when a programmable wait is inserted

4. i : Number of idle states inserted after a read cycle (0 or 1)

5. The values in the above specifications are values for when clocks with a 1:1 duty ratio are input from X1.

Read Cycle (CLKOUT Asynchronous): In Separate Bus Mode



(b) Write cycle (CLKOUT asynchronous): In separate bus mode**($T_A = -40$ to $+85^\circ\text{C}$, $BV_{DD} \leq V_{DD} = EV_{DD} = AV_{REF0} = AV_{REF1}$, $V_{SS} = EV_{SS} = BV_{SS} = AV_{SS} = 0\text{ V}$, $C_L = 50\text{ pF}$)**

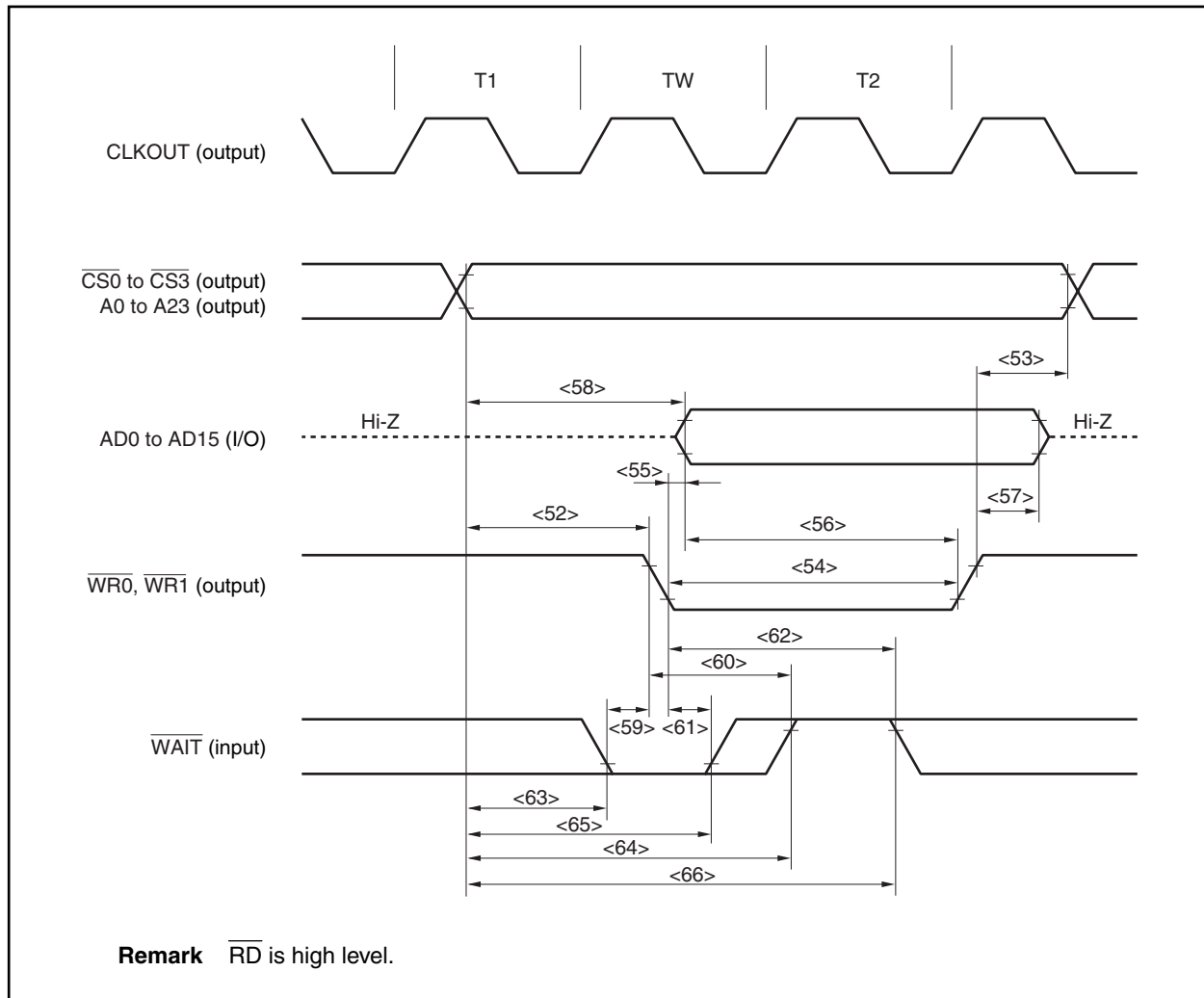
Parameter	Symbol		Conditions	MIN.	MAX.	Unit
Address setup time (to $\overline{WRm}\downarrow$)	t_{SAWR}	<52>		$(1 + t_{ASW} + t_{AHW})T - 23$		ns
Address hold time (from $\overline{WRm}\uparrow$)	t_{HAWR}	<53>		$0.5T - 10$		ns
\overline{WRm} low-level width	t_{WWRL}	<54>		$(0.5 + n)T - 10$		ns
Data output time from $\overline{WRm}\downarrow$	t_{DOSDW}	<55>		-5		ns
Data setup time (to $\overline{WRm}\uparrow$)	t_{SOSDW}	<56>		$(0.5 + n)T - 20$		ns
Data hold time (from $\overline{WRm}\uparrow$)	t_{HOSDW}	<57>		$0.5T - 10$		ns
Data setup time (to address)	t_{SAOD}	<58>		$(1 + t_{ASW} + t_{AHW})T - 25$		ns
\overline{WAIT} setup time (to $\overline{WRm}\downarrow$)	t_{SWRWT1}	<59>		22		ns
	t_{SWRWT2}	<60>			$nT - 22$	ns
\overline{WAIT} hold time (from $\overline{WRm}\downarrow$)	t_{HWRWT1}	<61>		0		ns
	t_{HWRWT2}	<62>		nT		ns
\overline{WAIT} setup time (to address)	t_{SAWT1}	<63>			$(1 + t_{ASW} + t_{AHW})T - 45$	ns
	t_{SAWT2}	<64>			$(1 + n + t_{ASW} + t_{AHW})T - 45$	ns
\overline{WAIT} hold time (from address)	t_{HAWT1}	<65>		$(n + t_{ASW} + t_{AHW})T$		ns
	t_{HAWT2}	<66>		$(1 + n + t_{ASW} + t_{AHW})T$		ns

Remarks 1. $m = 0, 1$ 2. t_{ASW} : Number of address setup wait clocks t_{AHW} : Number of address hold wait clocks3. $T = 1/f_{CPU}$ (f_{CPU} : CPU operating clock frequency)4. n : Number of wait clocks inserted in the bus cycle

The sampling timing changes when a programmable wait is inserted.

5. The values in the above specifications are values for when clocks with a 1:1 duty ratio are input from X1.

Write Cycle (CLKOUT Asynchronous): In Separate Bus Mode



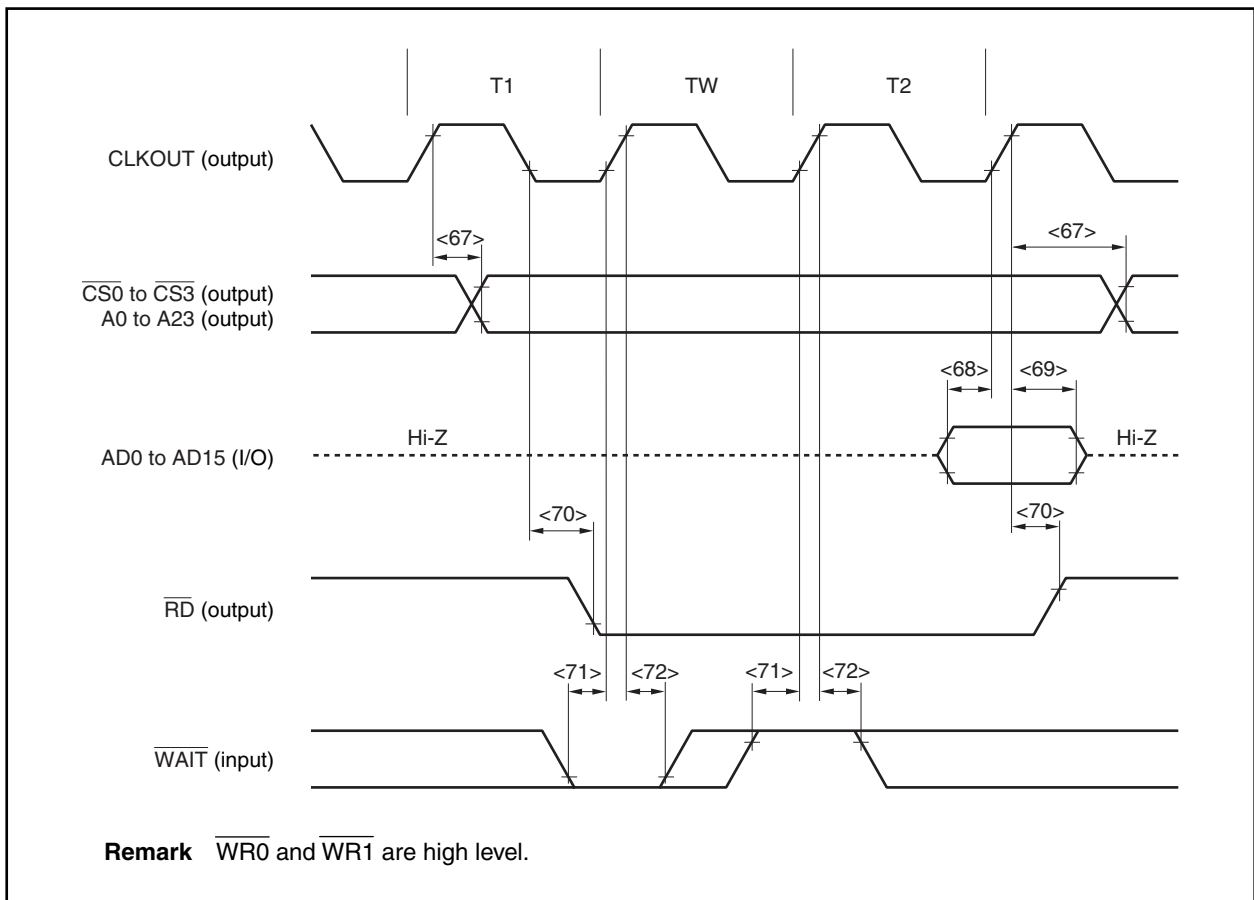
(c) Read cycle (CLKOUT synchronous): In separate bus mode

($T_A = -40$ to $+85^\circ\text{C}$, $BV_{DD} \leq V_{DD} = EV_{DD} = AV_{REF0} = AV_{REF1}$, $V_{SS} = EV_{SS} = BV_{SS} = AV_{SS} = 0$ V, $C_L = 50$ pF)

Parameter	Symbol	Conditions	MIN.	MAX.	Unit
Delay time from CLKOUT \uparrow to address, CS	t_{DKSA}	<67>	2	25	ns
Data input setup time (to CLKOUT \uparrow)	t_{SISDK}	<68>	20		ns
Data input hold time (from CLKOUT \uparrow)	t_{HKISD}	<69>	0		ns
Delay time from CLKOUT \downarrow to \overline{RD}	t_{DKSR}	<70>	-2	12	ns
\overline{WAIT} setup time (to CLKOUT \uparrow)	t_{SWTK}	<71>	20		ns
\overline{WAIT} hold time (from CLKOUT \uparrow)	t_{HKWT}	<72>	0		ns

Remark The values in the above specifications are values for when clocks with a 1:1 duty ratio are input from X1.

Read Cycle (CLKOUT Synchronous, 1 Wait): In Separate Bus Mode



(d) Write cycle (CLKOUT synchronous): In separate bus mode

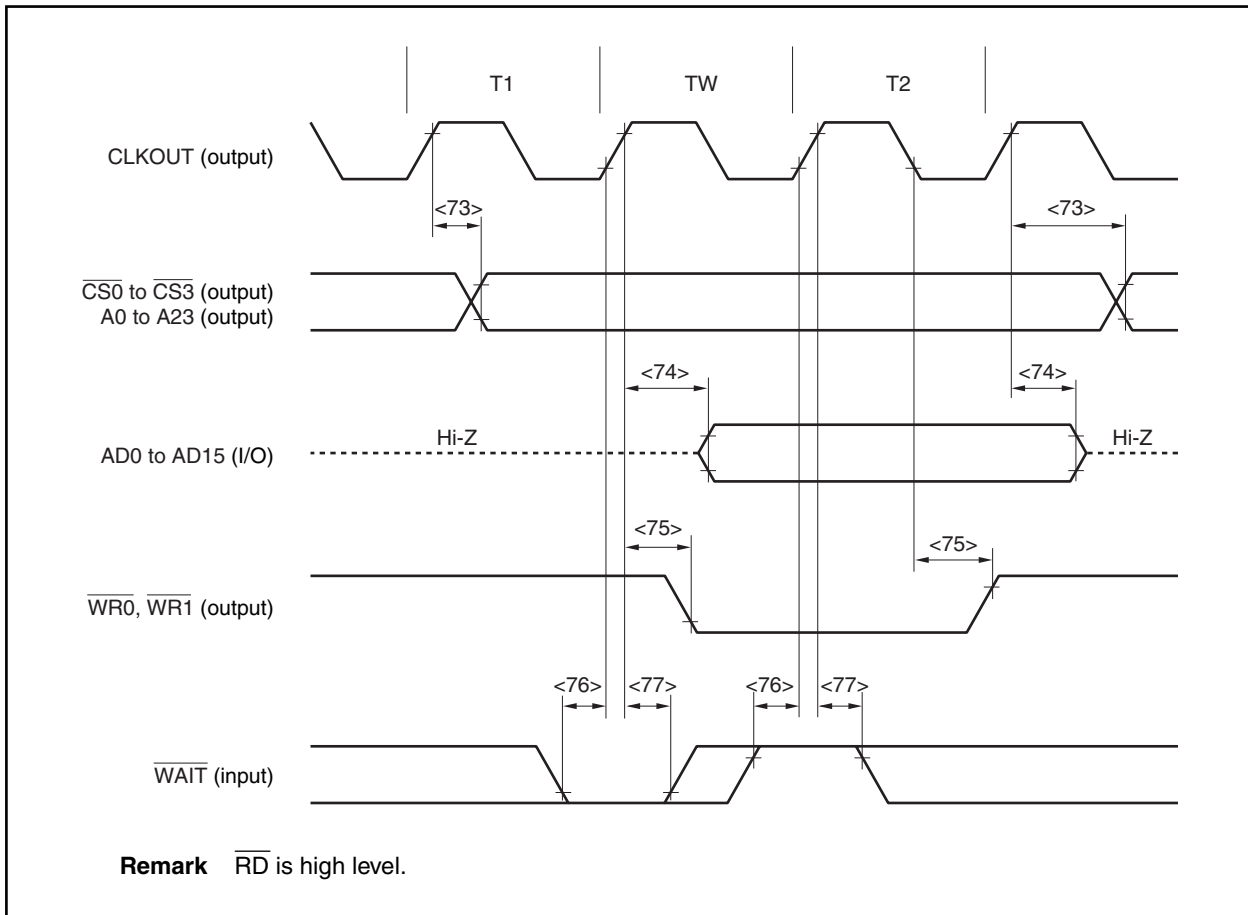
($T_A = -40$ to $+85^\circ\text{C}$, $BV_{DD} \leq V_{DD} = EV_{DD} = AV_{REF0} = AV_{REF1}$, $V_{SS} = EV_{SS} = BV_{SS} = AV_{SS} = 0$ V, $C_L = 50$ pF)

Parameter	Symbol	Conditions	MIN.	MAX.	Unit
Delay time from CLKOUT \uparrow to address, CS	t_{DKSA}	<73>	2	25	ns
Delay time from CLKOUT \uparrow to data output	t_{DKSD}	<74>	2	15	ns
Delay time from CLKOUT $\uparrow\downarrow$ to \overline{WR}_m	t_{DKSW}	<75>	-2	12	ns
\overline{WAIT} setup time (to CLKOUT \uparrow)	t_{SWTK}	<76>	20		ns
\overline{WAIT} hold time (from CLKOUT \uparrow)	t_{HKWT}	<77>	0		ns

Remarks 1. $m = 0, 1$

2. The values in the above specifications are values for when clocks with a 1:1 duty ratio are input from X1.

Write Cycle (CLKOUT Synchronous): In Separate Bus Mode



(3) Bus hold

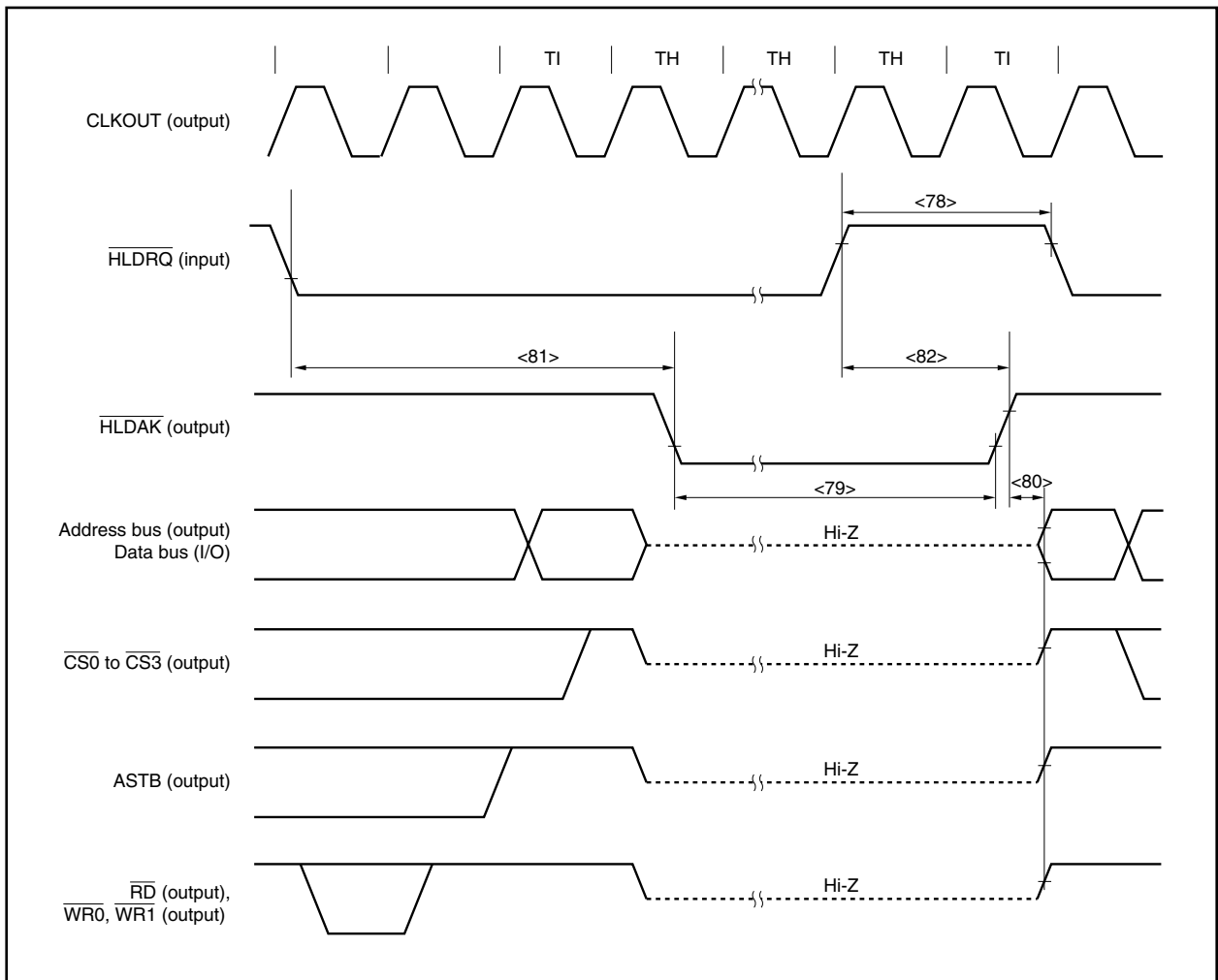
(a) CLKOUT asynchronous

($T_A = -40$ to $+85^\circ\text{C}$, $BV_{DD} \leq V_{DD} = EV_{DD} = AV_{REF0} = AV_{REF1}$, $V_{SS} = EV_{SS} = BV_{SS} = AV_{SS} = 0\text{ V}$, $C_L = 50\text{ pF}$)

Parameter	Symbol	Conditions	MIN.	MAX.	Unit
H $\overline{\text{LDRQ}}$ high-level width	t_{WHQH}	<78>	$T + 10$		ns
H $\overline{\text{LDAK}}$ low-level width	t_{WHAL}	<79>	$T - 15$		ns
Delay time from H $\overline{\text{LDAK}}\uparrow$ to bus output	t_{DHAC}	<80>	-3		ns
Delay time from H $\overline{\text{LDRQ}}\downarrow$ to H $\overline{\text{LDAK}}\downarrow$	t_{DHQA1}	<81>		$(2n + 7.5)T + 25$	ns
Delay time from H $\overline{\text{LDRQ}}\uparrow$ to H $\overline{\text{LDAK}}\uparrow$	t_{DHQA2}	<82>	$0.5T$	$1.5T + 25$	ns

- Remarks**
- $T = 1/f_{\text{CPU}}$ (f_{CPU} : CPU operating clock frequency)
 - n: Number of wait clocks inserted in the bus cycle
The sampling timing changes when a programmable wait is inserted.
 - The values in the above specifications are values for when clocks with a 1:1 duty ratio are input from X1.

Bus Hold (CLKOUT Asynchronous)



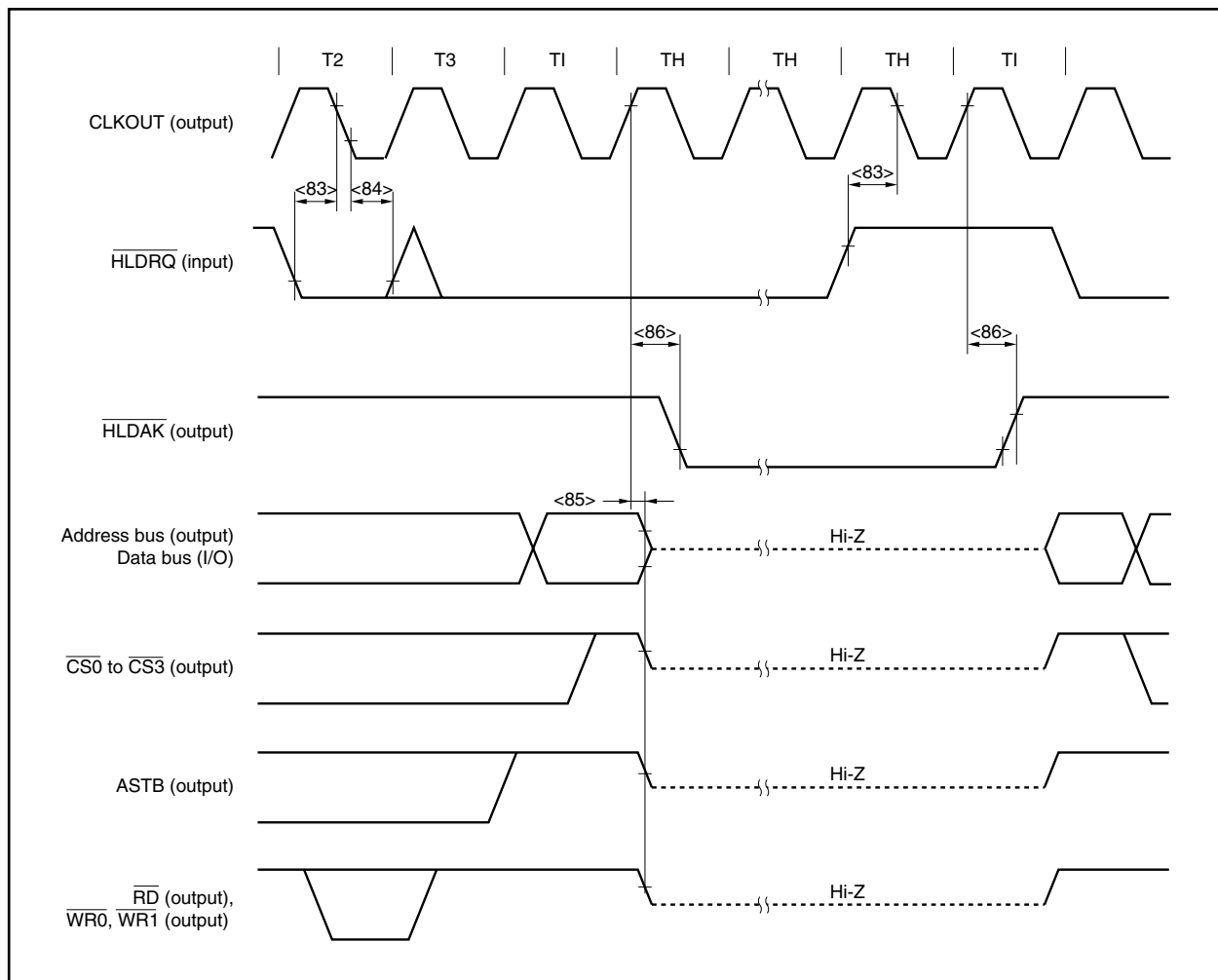
(b) CLKOUT synchronous

($T_A = -40$ to $+85^\circ\text{C}$, $BV_{DD} \leq V_{DD} = EV_{DD} = AV_{REF0} = AV_{REF1}$, $V_{SS} = EV_{SS} = BV_{SS} = AV_{SS} = 0$ V, $C_L = 50$ pF)

Parameter	Symbol	Conditions	MIN.	MAX.	Unit
HLD $\overline{\text{RQ}}$ setup time (to CLKOUT \downarrow)	t_{SHQK}	<83>	20		ns
HLD $\overline{\text{RQ}}$ hold time (from CLKOUT \downarrow)	t_{HKHQ}	<84>	5		ns
Delay time from CLKOUT \uparrow to bus float	t_{DKF}	<85>		19	ns
Delay time from CLKOUT \uparrow to HLD $\overline{\text{AK}}$	t_{DKHA}	<86>		19	ns

Remark The values in the above specifications are values for when clocks with a 1:1 duty ratio are input from X1.

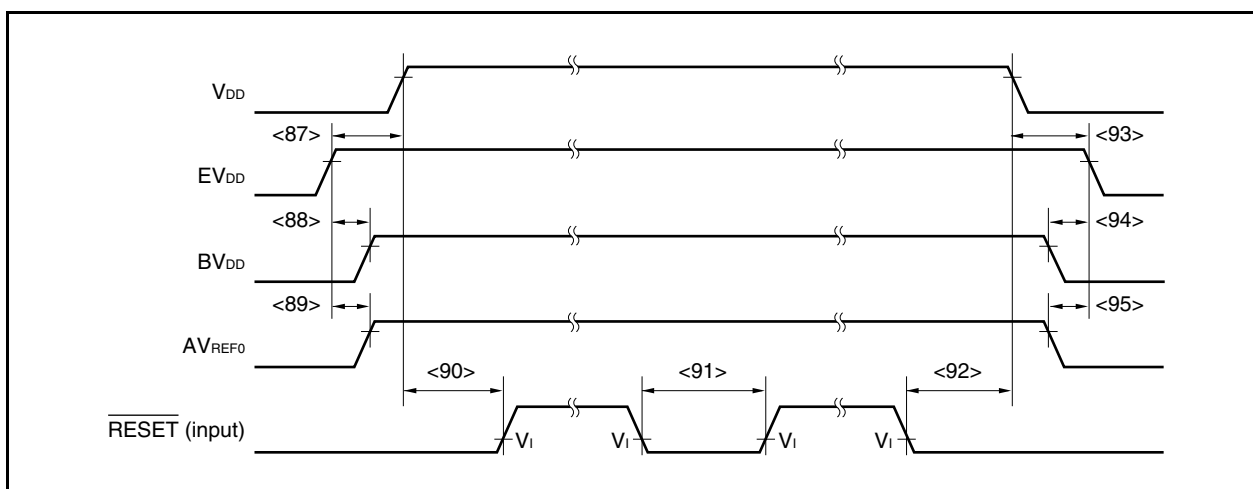
Bus Hold (CLKOUT Synchronous)



Power On/Power Off/Reset Timing

 (T_A = -40 to +85°C, V_{SS} = AV_{SS} = BV_{SS} = EV_{SS} = 0 V, C_L = 50 pF)

Parameter	Symbol	Conditions	MIN.	MAX.	Unit
EV _{DD} ↑ → V _{DD} ↑	t _{REL} <87>		0		ns
EV _{DD} ↑ → BV _{DD} ↑	t _{REB} <88>		0	t _{REL}	ns
EV _{DD} ↑ → AV _{REF0} , AV _{REF1} ↑	t _{REA} <89>		0	t _{REL}	ns
EV _{DD} ↑ → RESET↑	t _{REB} <90>		500 + t _{REG} ^{Note}		ns
RESET low-level width	t _{WRSL} <91>	Analog noise elimination (during flash erase/ writing)	500		ns
		Analog noise elimination	500		ns
RESET↓ → V _{DD} ↓	t _{FRE} <92>		500		ns
V _{DD} ↓ → EV _{DD} ↓	t _{FEL} <93>		0		ns
BV _{DD} ↓ → EV _{DD} ↓	t _{FEB} <94>		0	t _{FEL}	ns
AV _{REF0} ↓ → EV _{DD} ↓	t _{FEA} <95>		0	t _{FEL}	ns

Note Depends on the on-chip regulator characteristics.

Interrupt, FLMD0 Pin Timing

 (T_A = -40 to +85°C, BV_{DD} ≤ V_{DD} = EV_{DD} = AV_{REF0} = AV_{REF1}, V_{SS} = EV_{SS} = BV_{SS} = AV_{SS} = 0 V, C_L = 50 pF)

Parameter	Symbol	Conditions	MIN.	MAX.	Unit
NMI high-level width	t _{WNH}	Analog noise elimination	500		ns
NMI low-level width	t _{WNL}	Analog noise elimination	500		ns
INTP _n high-level width	t _{WITH}	n = 0 to 8 (Analog noise elimination)	500		ns
		n = 3 (Digital noise elimination)	3T _{SMP} + 20		ns
INTP _n low-level width	t _{WITL}	n = 0 to 8 (Analog noise elimination)	500		ns
		n = 3 (Digital noise elimination)	3T _{SMP} + 20		ns
FLMD0 high-level width	t _{WMDH}		500		ns
FLMD0 low-level width	t _{WMDL}		500		ns

Remark T_{SMP}: Noise elimination sampling clock cycle

Key Return Timing

($T_A = -40$ to $+85^\circ\text{C}$, $BV_{DD} \leq V_{DD} = EV_{DD} = AV_{REF0} = AV_{REF1}$, $V_{SS} = EV_{SS} = BV_{SS} = AV_{SS} = 0$ V, $C_L = 50$ pF)

Parameter	Symbol	Conditions	MIN.	MAX.	Unit
KRn high-level width	t_{WKRH}	Analog noise elimination	500		ns
KRn low-level width	t_{WKRL}	Analog noise elimination	500		ns

Remark n = 0 to 7

Timer Timing

($T_A = -40$ to $+85^\circ\text{C}$, $BV_{DD} \leq V_{DD} = EV_{DD} = AV_{REF0} = AV_{REF1}$, $V_{SS} = EV_{SS} = BV_{SS} = AV_{SS} = 0$ V, $C_L = 50$ pF)

Parameter	Symbol	Conditions	MIN.	MAX.	Unit
Tl high-level width	t_{TIH}	TIP00, TIP01, TIP10, TIP11, TIP20, TIP21, TIP30, TIP31, TIP40, TIP41, TIP50, TIP51, TIP60, TIP61, TIP70, TIP71, TIP80, TIP81, TIQ00 to TIQ03	$2T + 20$		ns
Tl low-level width	t_{TIL}		$2T + 20$		ns

Remark T = 1/f_{xx}

UART Timing

($T_A = -40$ to $+85^\circ\text{C}$, $BV_{DD} \leq V_{DD} = EV_{DD} = AV_{REF0} = AV_{REF1}$, $V_{SS} = EV_{SS} = BV_{SS} = AV_{SS} = 0$ V, $C_L = 50$ pF)

Parameter	Symbol	Conditions	MIN.	MAX.	Unit
Transmit rate				312.5	kbps
ASCK0 cycle time				10	MHz

CSIB Timing

(1) Master mode

($T_A = -40$ to $+85^\circ\text{C}$, $BV_{DD} \leq V_{DD} = EV_{DD} = AV_{REF0} = AV_{REF1}$, $V_{SS} = EV_{SS} = BV_{SS} = AV_{SS} = 0$ V, $C_L = 50$ pF)

Parameter	Symbol	Conditions	MIN.	MAX.	Unit
$\overline{\text{SCKBn}}$ cycle time	t_{CY1}	<96>	125		ns
$\overline{\text{SCKBn}}$ high-/low-level width	t_{KH1} , t_{KL1}	<97>	$t_{\text{CY1}}/2 - 5$		ns
SIBn setup time (to $\overline{\text{SCKBn}}\uparrow$)	t_{SIK1}	<98>	30		ns
SIBn hold time (from $\overline{\text{SCKBn}}\uparrow$)	t_{KSI1}	<99>	30		ns
Delay time from $\overline{\text{SCKBn}}\downarrow$ to SOBn output	t_{KS01}	<100>		30	ns

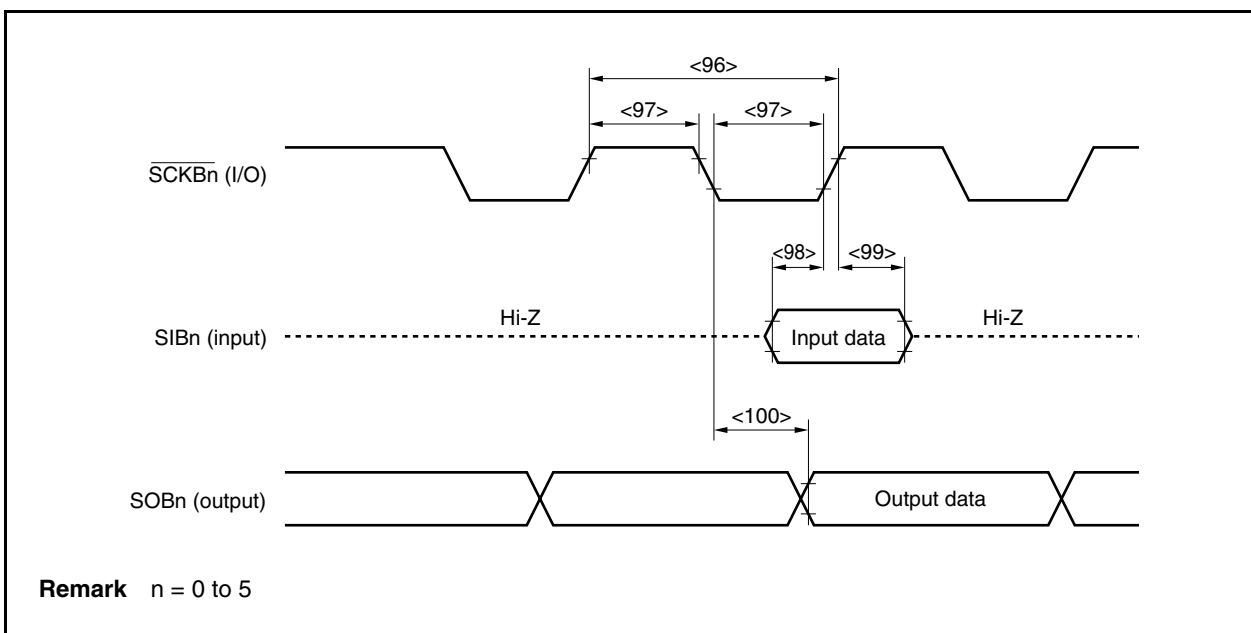
Remark n = 0 to 5

(2) Slave mode

($T_A = -40$ to $+85^\circ\text{C}$, $BV_{DD} \leq V_{DD} = EV_{DD} = AV_{REF0} = AV_{REF1}$, $V_{SS} = EV_{SS} = BV_{SS} = AV_{SS} = 0$ V, $C_L = 50$ pF)

Parameter	Symbol	Conditions	MIN.	MAX.	Unit
$\overline{\text{SCKBn}}$ cycle time	t_{CY2}	<96>	125		ns
$\overline{\text{SCKBn}}$ high-/low-level width	t_{KH2} , t_{KL2}	<97>	57.5		ns
SIBn setup time (to $\overline{\text{SCKBn}}\uparrow$)	t_{SIK2}	<98>	30		ns
SIBn hold time (from $\overline{\text{SCKBn}}\uparrow$)	t_{KSI2}	<99>	30		ns
Delay time from $\overline{\text{SCKBn}}\downarrow$ to SOBn output	t_{KS02}	<100>		30	ns

Remark n = 0 to 5

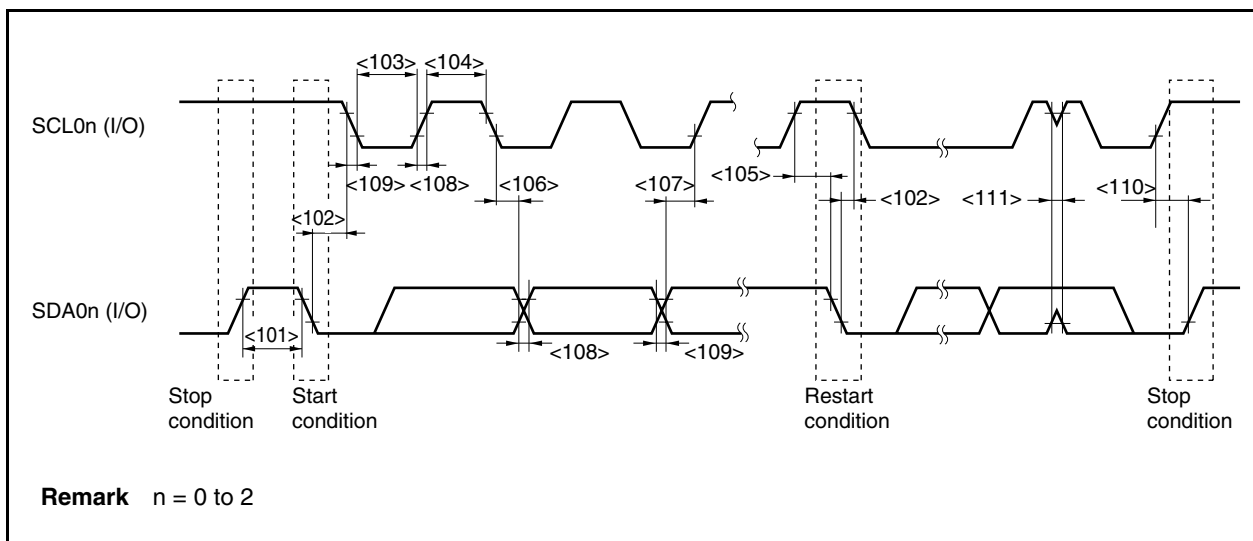


I²C Bus Mode (T_A = -40 to +85°C, BV_{DD} ≤ V_{DD} = EV_{DD} = AV_{REF0} = AV_{REF1}, V_{SS} = EV_{SS} = BV_{SS} = AV_{SS} = 0 V, C_L = 50 pF)

Parameter	Symbol		Normal Mode		High-Speed Mode		Unit	
			MIN.	MAX.	MIN.	MAX.		
SCL0n clock frequency	f _{CLK}		0	100	0	400	kHz	
Bus free time (Between start and stop conditions)	t _{BUF}	<101>	4.7	–	1.3	–	μs	
Hold time ^{Note 1}	t _{HD: STA}	<102>	4.0	–	0.6	–	μs	
SCL0n clock low-level width	t _{LOW}	<103>	4.7	–	1.3	–	μs	
SCL0n clock high-level width	t _{HIGH}	<104>	4.0	–	0.6	–	μs	
Setup time for start/restart conditions	t _{SU: STA}	<105>	4.7	–	0.6	–	μs	
Data hold time	CBUS compatible master	t _{HD: DAT}	<106>	5.0	–	–	–	μs
	I ² C mode			0 ^{Note 2}	–	0 ^{Note 2}	0.9 ^{Note 3}	μs
Data setup time	t _{SU: DAT}	<107>	250	–	100 ^{Note 4}	–	ns	
SDA0n and SCL0n signal rise time	t _R	<108>	–	1000	20 + 0.1Cb ^{Note 5}	300	ns	
SDA0n and SCL0n signal fall time	t _F	<109>	–	300	20 + 0.1Cb ^{Note 5}	300	ns	
Stop condition setup time	t _{SU: STO}	<110>	4.0	–	0.6	–	μs	
Pulse width of spike suppressed by input filter	t _{SP}	<111>	–	–	0	50	ns	
Capacitance load of each bus line	Cb		–	400	–	400	pF	

- Notes**
- At the start condition, the first clock pulse is generated after the hold time.
 - The system requires a minimum of 300 ns hold time internally for the SDA0n signal (at V_{IHmin.} of SCL0n signal) in order to occupy the undefined area at the falling edge of SCL0n.
 - If the system does not extend the SCL0n signal low hold time (t_{LOW}), only the maximum data hold time (t_{HD:DAT}) needs to be satisfied.
 - The high-speed mode I²C bus can be used in the normal-mode I²C bus system. In this case, set the high-speed mode I²C bus so that it meets the following conditions.
 - If the system does not extend the SCL0n signal's low state hold time:
t_{SU:DAT} ≥ 250 ns
 - If the system extends the SCL0n signal's low state hold time:
Transmit the following data bit to the SDA0n line prior to the SCL0n line release (t_{Rmax.} + t_{SU:DAT} = 1,000 + 250 = 1,250 ns: Normal mode I²C bus specification).
 - Cb: Total capacitance of one bus line (unit: pF)

Remark n = 0 to 2

I²C Bus Mode

A/D Converter

($T_A = -40$ to $+85^\circ\text{C}$, $BV_{DD} \leq V_{DD} = EV_{DD} = AV_{REF0} = AV_{REF1}$, $3.0\text{ V} \leq AV_{REF0} \leq 3.6\text{ V}$, $V_{SS} = EV_{SS} = BV_{SS} = AV_{SS} = 0\text{ V}$, $C_L = 50\text{ pF}$)

Parameter	Symbol	Conditions	MIN.	TYP.	MAX.	Unit
Resolution					10	bit
Overall error ^{Note}		$3.0 \leq AV_{REF0} \leq 3.6\text{ V}$			± 0.6	%FSR
Conversion time	t_{CONV}		2.6		24	μs
Zero scale error					± 0.5	%FSR
Full scale error					± 0.5	%FSR
Non-linearity error					± 4.0	LSB
Differential linearity error					± 4.0	LSB
Analog input voltage	V_{IAN}		AV_{SS}		AV_{REF0}	V
Reference voltage	AV_{REF0}		3.0		3.6	V
AV_{REF0} current	AI_{REF0}	Normal conversion mode		3	6.5	mA
		High-speed conversion mode		4	10	mA
		When A/D converter unused			5	μA

Note Excluding quantization error ($\pm 0.05\%$ FSR).

Caution Do not set (read/write) alternate-function ports during A/D conversion; otherwise the conversion resolution may be degraded.

Remark LSB: Least Significant Bit
FSR: Full Scale Range

D/A Converter

($T_A = -40$ to $+85^\circ\text{C}$, $BV_{DD} \leq V_{DD} = EV_{DD} = AV_{REF0} = AV_{REF1}$, $3.0\text{ V} \leq AV_{REF1} \leq 3.6\text{ V}$, $V_{SS} = EV_{SS} = BV_{SS} = AV_{SS} = 0\text{ V}$, $C_L = 50\text{ pF}$)

Parameter	Symbol	Conditions	MIN.	TYP.	MAX.	Unit
Resolution					8	bit
Overall error ^{Note 1}		$R = 2\text{ M}\Omega$			± 1.2	%FSR
Settling time		$C = 20\text{ pF}$			3	μs
Output resistor	R_o	Output data 55H		3.5		$\text{k}\Omega$
Reference voltage	AV_{REF1}		3.0		3.6	V
AV_{REF1} current ^{Note 2}	AI_{REF1}	D/A conversion operating		1	2.5	mA
		D/A conversion stopped			5	μA

Notes 1. Excluding quantization error (± 0.5 LSB).

2. Value of 1 channel of D/A converter

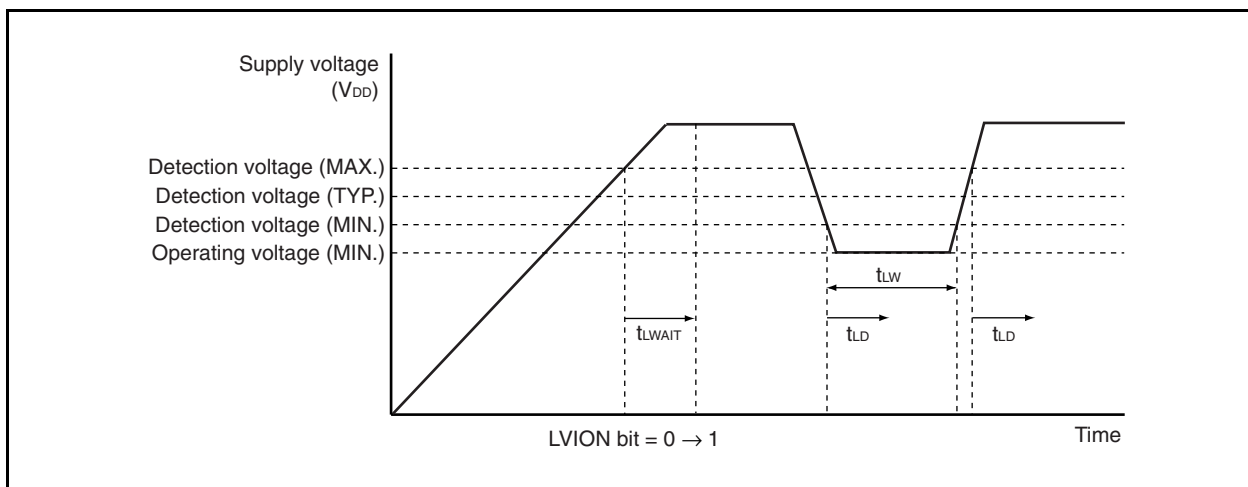
Remark R is the output pin load resistance and C is the output pin load capacitance.

LVI Circuit Characteristics

($T_A = -40$ to $+85^\circ\text{C}$, $BV_{DD} \leq V_{DD} = EV_{DD} = AV_{REF0} = AV_{REF1}$, $V_{SS} = EV_{SS} = BV_{SS} = AV_{SS} = 0\text{ V}$, $C_L = 50\text{ pF}$)

Parameter	Symbol	Conditions	MIN.	TYP.	MAX.	Unit
Detection voltage	V_{LV10}		2.85	3.0	3.15	V
Response time ^{Note}	t_{LD}	After V_{DD} reaches V_{LV10} (MAX.), or after V_{DD} has dropped to V_{LV10} (MAX.)		0.2	2.0	ms
Minimum pulse width	t_{LW}		0.2			ms
Reference voltage stabilization wait time	t_{LWAIT}	After V_{DD} reaches 2.85 V (MIN.)		0.1	0.2	ms

Note Time required to detect the detection voltage and output an interrupt or reset signal.

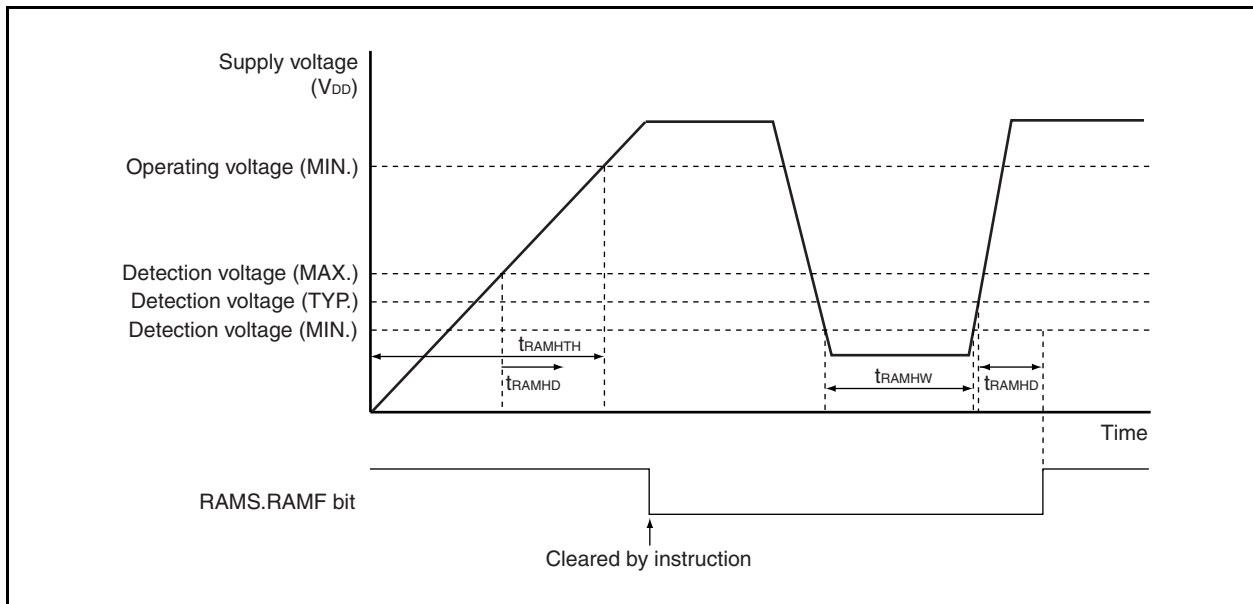


RAM Retention Detection

($T_A = -40$ to $+85^\circ\text{C}$, $BV_{DD} \leq V_{DD} = EV_{DD} = AV_{REF0} = AV_{REF1}$, $V_{SS} = EV_{SS} = BV_{SS} = AV_{SS} = 0$ V, $C_L = 50$ pF)

Parameter	Symbol	Conditions	MIN.	TYP.	MAX.	Unit
Detection voltage	V_{RAMH}		1.9	2.0	2.1	V
Supply voltage rise time	t_{RAMHTH}	$V_{DD} = 0$ to 2.85 V	0.002			ms
Response time ^{Note}	t_{RAMHD}	After V_{DD} reaches 2.1 V		0.2	2.0	ms
Minimum pulse width	t_{RAMHW}		0.2			ms

Note Time required to detect the detection voltage and set the RAMS.RAMF bit.



Flash Memory Programming Characteristics

($T_A = -40$ to $+85^\circ\text{C}$, $BV_{DD} \leq V_{DD} = EV_{DD} = AV_{REF0} = AV_{REF1}$, $V_{SS} = EV_{SS} = BV_{SS} = AV_{SS} = 0\text{ V}$, $C_L = 50\text{ pF}$)

(1) Basic characteristics

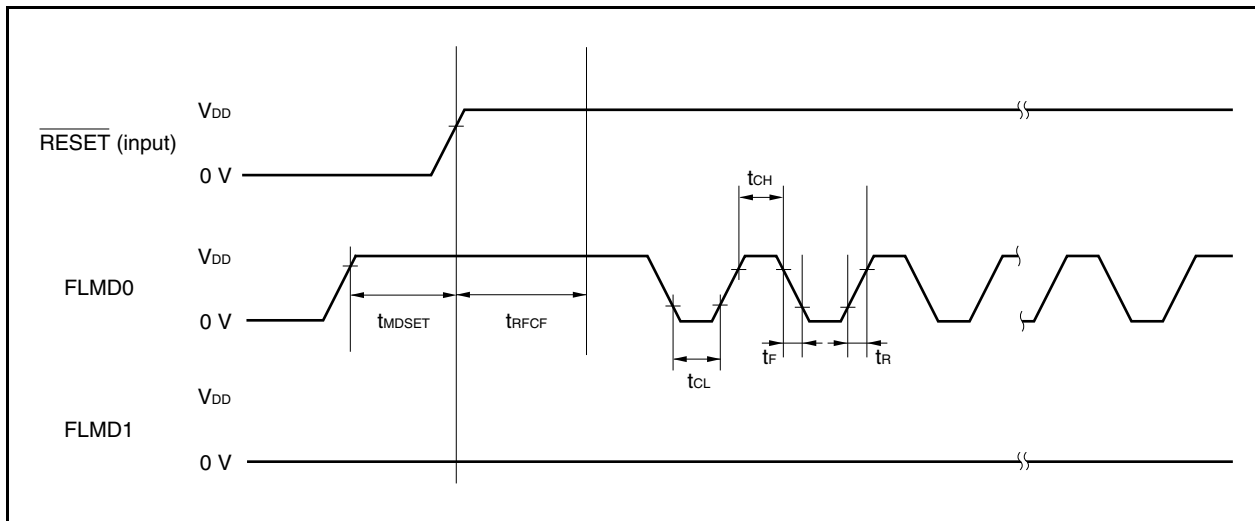
Parameter	Symbol	Conditions	MIN.	TYP.	MAX.	Unit
Operating frequency	f_{CPU}		2.5		20	MHz
Supply voltage	V_{DD}		2.85		3.6	V
Number of rewrites	C_{WRT}				100	times
Programming temperature	t_{PRG}		-40		+85	$^\circ\text{C}$

(2) Serial write operation characteristics

Parameter	Symbol	Conditions	MIN.	TYP.	MAX.	Unit
FLMD0, FLMD1 setup time	t_{MDSET}		2		3000	ms
FLMD0 count start time from $\overline{\text{RESET}}\uparrow$	t_{RFCF}	$f_x = 2.5$ to 10 MHz	$17855/f_x + \alpha$			s
FLMD0 counter high-level width/ low-level width	$t_{\text{CH}}/t_{\text{CL}}$		10	100		μs
FLMD0 counter rise time/fall time	$t_{\text{R}}/t_{\text{F}}$				50	μs

Remark α = oscillation stabilization time

Flash write mode setup timing



(3) Programming characteristics

Parameter	Symbol	Conditions	MIN.	TYP.	MAX.	Unit
Block erase time		f _{xx} = 20 MHz	Note 1	304		ms
			Note 2	1405		ms
			Note 3	3057		ms
Write time per 256 bytes		f _{xx} = 20 MHz		8.1		ms
Block internal verify time		f _{xx} = 20 MHz	Note 1	20		ms
			Note 2	141		ms
			Note 3	322		ms
Block blank check time		f _{xx} = 20 MHz	Note 1	9.2		ms
			Note 2	64		ms
			Note 3	147		ms
Flash memory information setting time		f _{xx} = 20 MHz		1.0		ms

- Notes**
1. Block size = 4 KB
 2. Block size = 28 KB
 3. Block size = 64 KB

Caution When writing initially to shipped products, it is counted as one rewrite for both "erase to write" and "write only".

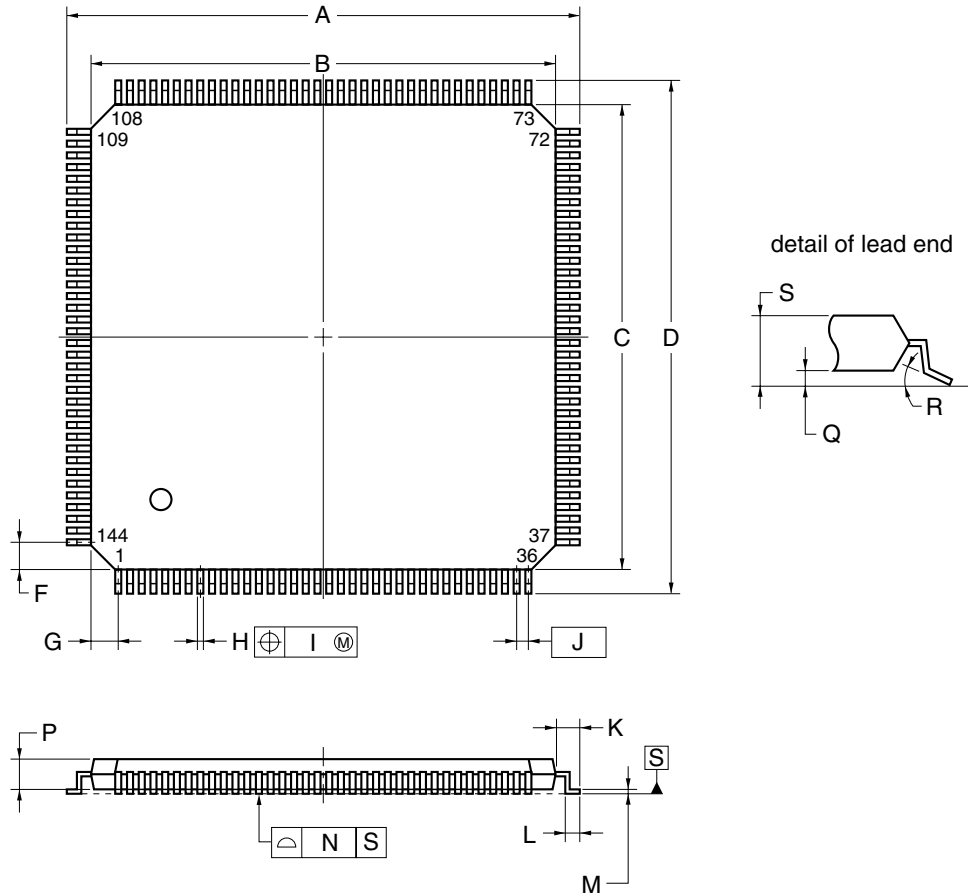
Example (P: Write, E: Erase)

Shipped product → P → E → P → E → P: 3 rewrites

Shipped product → E → P → E → P → E → P: 3 rewrites

CHAPTER 29 PACKAGE DRAWING

144-PIN PLASTIC LQFP (FINE PITCH) (20x20)



NOTE

Each lead centerline is located within 0.08 mm of its true position (T.P.) at maximum material condition.

ITEM	MILLIMETERS
A	22.0±0.2
B	20.0±0.2
C	20.0±0.2
D	22.0±0.2
F	1.25
G	1.25
H	0.22±0.05
I	0.08
J	0.5 (T.P.)
K	1.0±0.2
L	0.5±0.2
M	0.17 ^{+0.03} _{-0.07}
N	0.08
P	1.4
Q	0.10±0.05
R	3° ^{+4°} _{-3°}
S	1.5±0.1

S144GJ-50-UEN

CHAPTER 30 RECOMMENDED SOLDERING CONDITIONS

The V850ES/JJ2 should be soldered and mounted under the following recommended conditions. For technical information, see the following website.

Semiconductor Device Mount Manual (<http://www.necel.com/pkg/en/mount/index.html>)

Table 30-1. Surface Mounting Type Soldering Conditions

μPD70F3720GJ-UEN-A: 144-pin plastic LQFP (fine pitch) (20 × 20)
μPD70F3721GJ-UEN-A: 144-pin plastic LQFP (fine pitch) (20 × 20)
μPD70F3722GJ-UEN-A: 144-pin plastic LQFP (fine pitch) (20 × 20)
μPD70F3723GJ-UEN-A: 144-pin plastic LQFP (fine pitch) (20 × 20)
μPD70F3724GJ-UEN-A: 144-pin plastic LQFP (fine pitch) (20 × 20)

Soldering Method	Soldering Conditions	Recommended Condition Symbol
Infrared reflow	Package peak temperature: 260°C, Time: 60 seconds max. (at 220°C or higher), Count: Three times or less, Exposure limit: 7 days ^{Note} (after that, prebake at 125°C for 20 to 72 hours)	IR60-207-3
Partial heating	Pin temperature: 350°C max., Time: 3 seconds max. (per pin row)	—

Note After opening the dry pack, store it at 25°C or less and 65% RH or less for the allowable storage period.

Caution Do not use different soldering methods together (except for partial heating).

Remarks 1. Products with -A at the end of the part number are lead-free products.

2. For soldering methods and conditions other than those recommended above, please contact an NEC Electronics sales representative.

APPENDIX A DEVELOPMENT TOOLS

The following development tools are available for the development of systems that employ the V850ES/JJ2. Figure A-1 shows the development tool configuration.

- **Support for PC98-NX series**

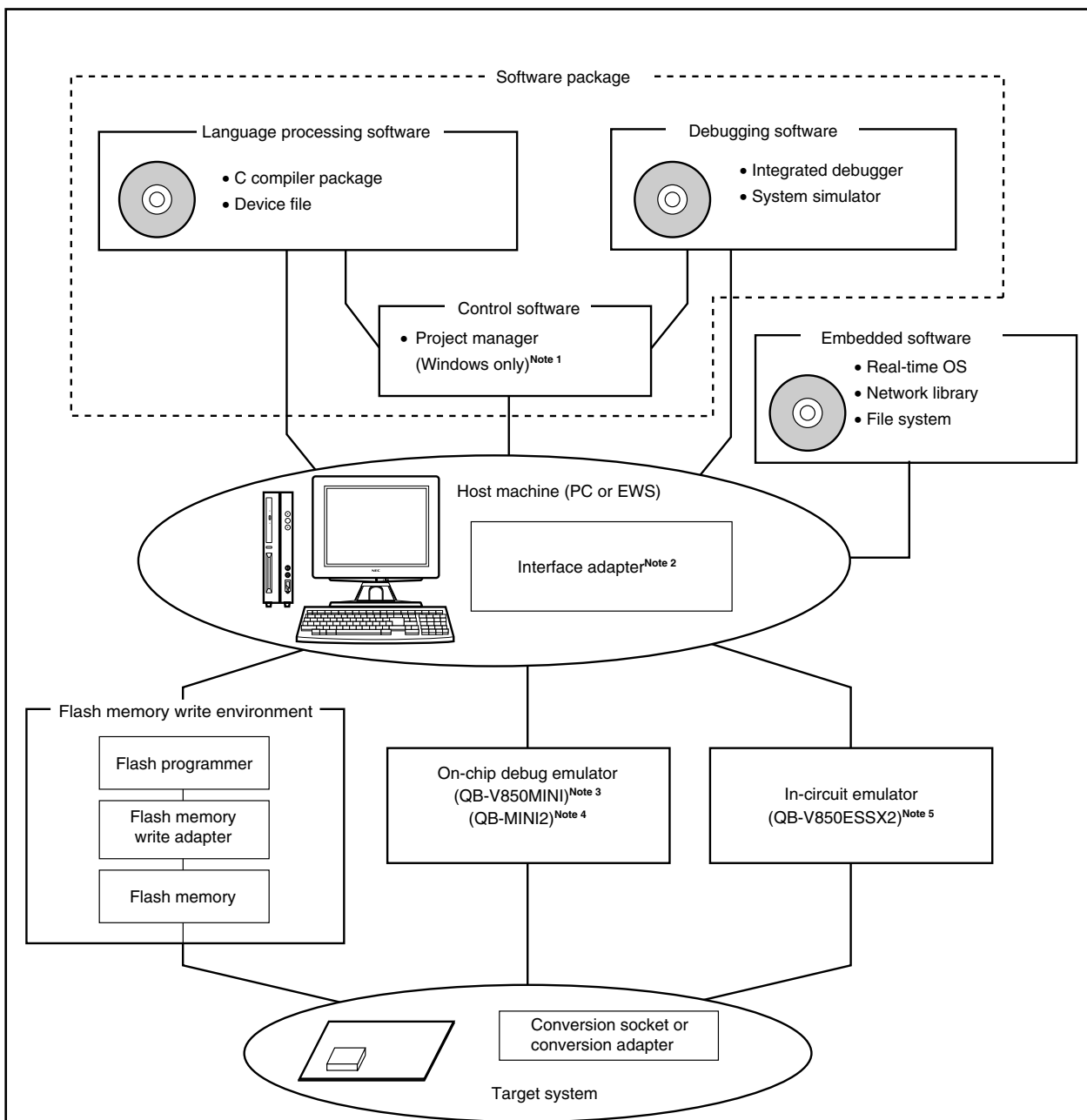
Unless otherwise specified, products supported by IBM PC/AT™ compatibles are compatible with PC98-NX series computers. When using PC98-NX series computers, refer to the explanation for IBM PC/AT compatibles.

- **Windows™**

Unless otherwise specified, "Windows" means the following OSs.

- Windows 98, 2000
- Windows Me
- Windows XP
- Windows NT™ Ver. 4.0

Figure A-1. Development Tool Configuration



- Notes**
1. Project manager PM+ is included in the C compiler package. PM+ is only used in Windows.
 2. The QB-V850MINI, QB-MINI2, and QB-V850ESSX2 support the USB interface only.
 3. The QB-V850MINI is supplied with the ID850QB, USB interface cable, OCD cable, self-check board, KEL adapter, and KEL connector. All other products are optional.
 4. The QB-MINI2 is supplied with USB interface cable, 16-pin target cable, 10-pin target cable, and 78K0-OCD board (integrated debugger is not supplied.) All other products are optional.
 5. The QB-V850ESSX2 is supplied with the ID850QB, flash memory programmer PG-FPL, power supply unit, and USB interface adapter. All other products are optional.

A.1 Software Package

SP850 Software package for V850 microcontrollers	Development tools (software) commonly used with V850 microcontrollers are included this package.
	Part number: μ SxxxxSP850

Remark xxxx in the part number differs depending on the host machine and OS used.

μ SxxxxSP850

xxxx	Host Machine	OS	Supply Medium
AB17	PC-9800 series, IBM PC/AT compatibles	Windows (Japanese version)	CD-ROM
BB17		Windows (English version)	

A.2 Language Processing Software

CA850 C compiler package	This compiler converts programs written in C into object codes executable with a microcontroller. This compiler is started from project manager PM+.
	Part number: μ SxxxxCA703000
DF703724 Device file	This file contains information peculiar to the device. This device file should be used in combination with a tool (CA850, SM+ for V850ES/Jx2, or ID850QB). The corresponding OS and host machine differ depending on the tool to be used.

Remark xxxx in the part number differs depending on the host machine and OS used.

μ SxxxxCA703000

xxxx	Host Machine	OS	Supply Medium
AB17	PC-9800 series, IBM PC/AT compatibles	Windows (Japanese version)	CD-ROM
BB17		Windows (English version)	
3K17	SPARCstation™	SunOS™ (Rel. 4.1.4), Solaris™ (Rel. 2.5.1)	

A.3 Control Software

PM+ Project manager	This is control software designed to enable efficient user program development in the Windows environment. All operations used in development of a user program, such as starting the editor, building, and starting the debugger, can be performed from PM+. <Caution> PM+ is included in C compiler package CA850. It can only be used in Windows.
------------------------	--

A.4 Debugging Tools (Hardware)

A.4.1 When using IECUBE QB-V850ESSX2

The system configuration when connecting the QB-V850ESSX2 to the host machine (PC-9821 series, PC/AT compatible) is shown below. Even if optional products are not prepared, connection is possible.

Figure A-2. System Configuration (When Using QB-V850ESSX2) (1/2)

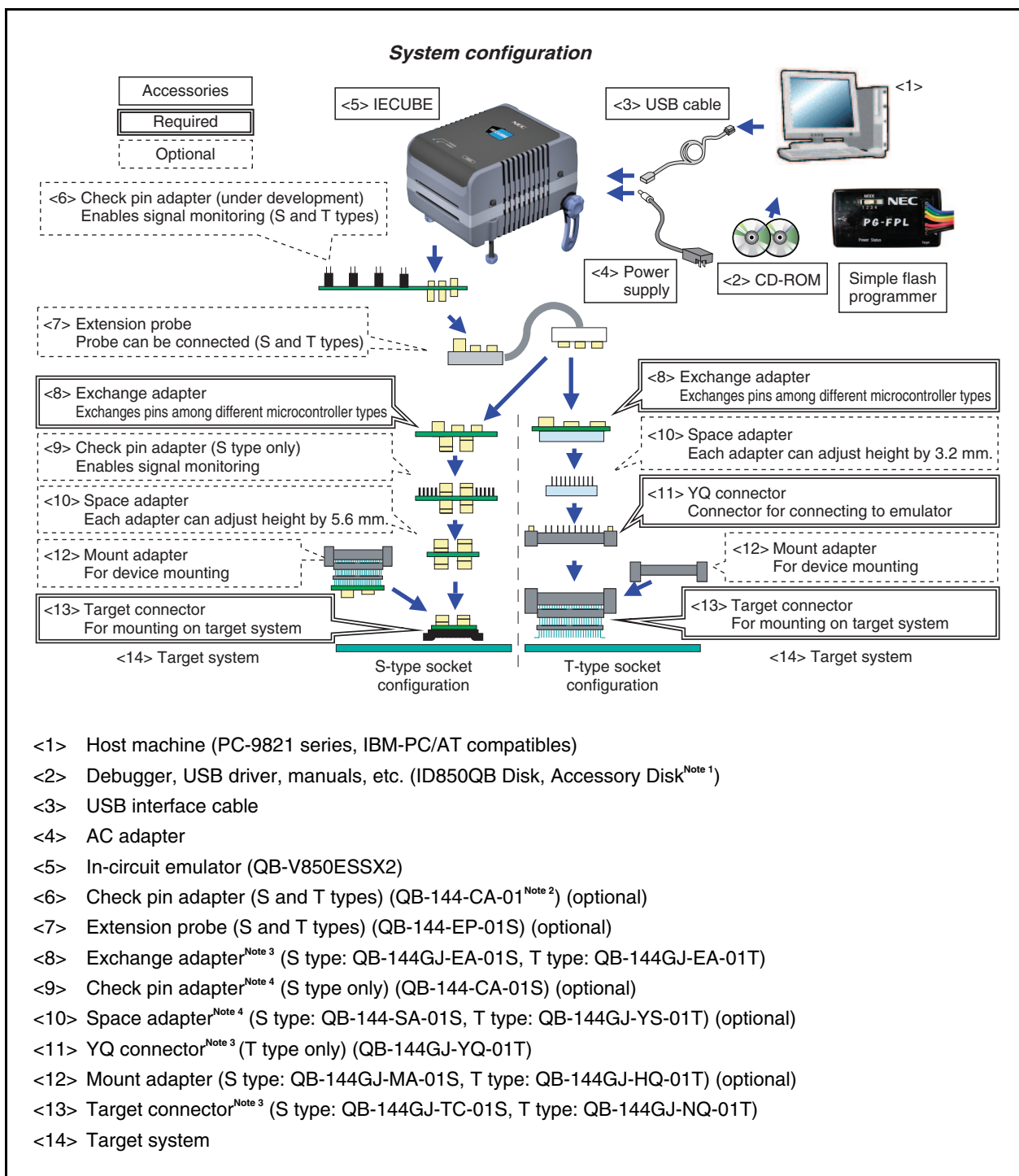


Figure A-2. System Configuration (When Using QB-V850ESSX2) (2/2)

- Notes**
1. Download the device file from the NEC Electronics website.
<http://www.necel.com/micro/ods/eng/>
 2. Under development
 3. Supplied with the device depending on the ordering number.
 - When QB-V850ESSX2-ZZZ is ordered
 The exchange adapter and the target connector are not supplied.
 - When QB-V850ESSX2-S144GJ is ordered
 The QB-144GJ-EA-01S and QB-144GJ-TC-01S are supplied.
 - When QB-V850ESSX2-T144GJ is ordered
 The QB-144GJ-EA-01T, QB-144GJ-YQ-01T, and QB-144GJ-NQ-01T are supplied.
 4. When using both <9> and <10>, the order between <9> and <10> is not cared.

<5> QB-V850ESSX2 ^{Note} In-circuit emulator	The in-circuit emulator serves to debug hardware and software when developing application systems using the V850ES/JJ2. It supports to the integrated debugger ID850QB. This emulator should be used in combination with a power supply unit and emulation probe. Use the USB interface cable to connect this emulator to the host machine.
<3> USB interface cable	Cable to connect the host machine and the QB-V850ESSX2.
<4> AC adapter	100 to 240 V can be supported by replacing the AC plug.
<8> QB-144GJ-EA-01S QB-144GJ-EA-01T Exchange adapter	Adapter to perform pin conversion.
<9> QB-144-CA-01S Check pin adapter	Adapter used in waveform monitoring using the oscilloscope, etc.
<10> QB-144-SA-01S QB-144GJ-YS-01T Space adapter	Adapter to adjust the height.
<12> QB-144GJ-MA-01S QB-144GJ-HQ-01T Mount adapter	Adapter to mount the V850ES/JJ2 with socket.
<13> QB-144GJ-TC-01S QB-144GJ-NQ-01T Target connector	Connector to solder on the target system.

Note The QB-V850ESSX2 is supplied with a power supply unit, USB interface cable, and simple programmer PG-FPL. It is also supplied with integrated debugger ID850QB as control software.

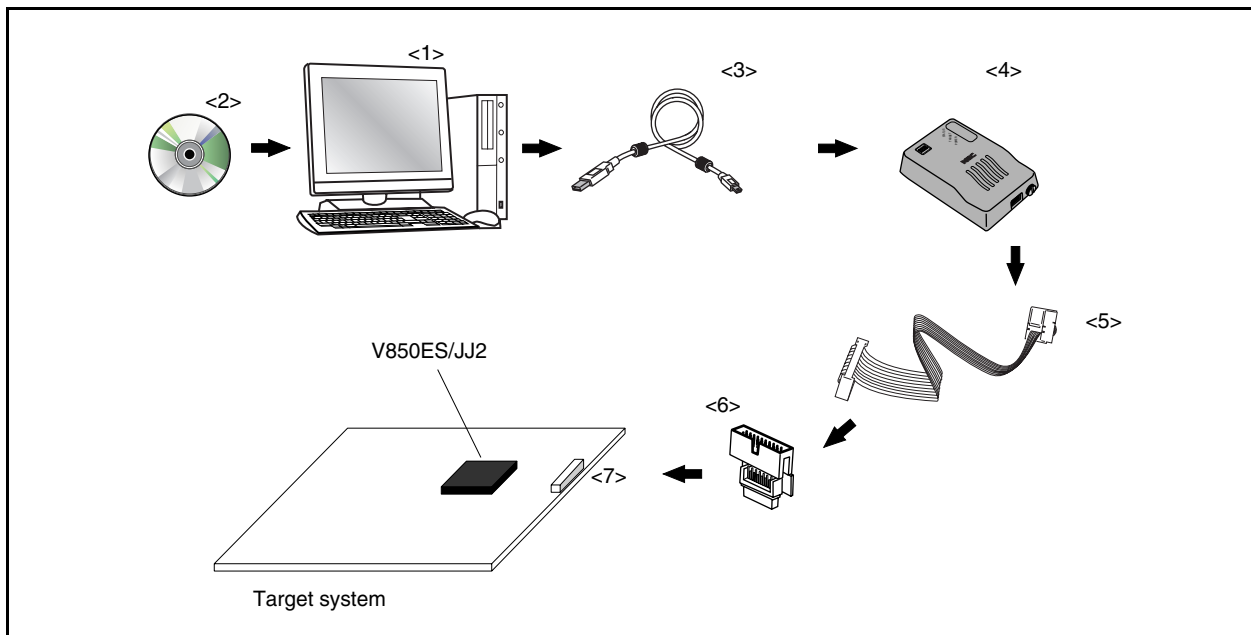
Remark The numbers in the angle brackets correspond to the numbers in Figure A-2.

A.4.2 When using MINICUBE QB-V850MINI

(1) On-chip emulation using MINICUBE

The system configuration when connecting MINICUBE to the host machine (PC-9821 series, PC/AT compatible) is shown below.

Figure A-3. On-Chip Emulation System Configuration



<1> Host machine	PC with USB ports
<2> CD-ROM ^{Note 1}	Contents such as integrated debugger ID850QB, N-Wire Checker, device driver, and documents are included in CD-ROM. It is supplied with MINICUBE.
<3> USB interface cable	USB cable to connect the host machine and MINICUBE. It is supplied with MINICUBE. The cable length is approximately 2 m.
<4> MINICUBE On-chip debug emulator	This on-chip debug emulator serves to debug hardware and software when developing application systems using the V850ES/JJ2. It supports integrated debugger ID850QB.
<5> OCD cable	Cable to connect MINICUBE and the target system. It is supplied with MINICUBE. The cable length is approximately 20 cm.
<6> Connector conversion board KEL adapter	This conversion board is supplied with MINICUBE.
<7> MINICUBE connector KEL connector ^{Note 2}	8830E-026-170S (supplied with MINICUBE) 8830E-026-170L (sold separately)

Notes 1. Download the device file from the NEC Electronics website.

<http://www.necel.com/micro/ods/eng/index.html>

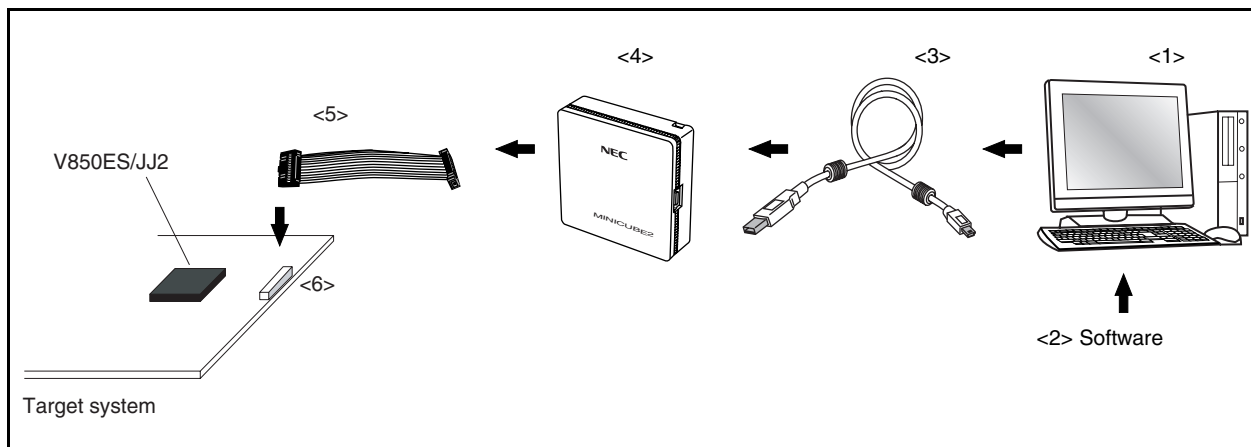
2. Product of KEL Corporation

Remark The numbers in the angular brackets correspond to the numbers in Figure A-3.

A.4.3 When using MINICUBE2 QB-MINI2

The system configuration when connecting MINICUBE2 to the host machine (PC-9821 series, PC/AT compatible) is shown below.

Figure A-4. System Configuration of On-Chip Emulation System



<1> Host machine	PC with USB ports
<2> Software	The integrated debugger ID850QB, device file, etc. Download the device file from the NEC Electronics website. http://www.necel.com/micro/ods/eng/
<3> USB interface cable	USB cable to connect the host machine and MINICUBE. It is supplied with MINICUBE. The cable length is approximately 2 m.
<4> MINICUBE2 On-chip debug emulator	This on-chip debug emulator serves to debug hardware and software when developing application systems using the V850ES/JJ2. It supports integrated debugger ID850QB.
<5> 16-pin target cable	Cable to connect MINICUBE2 and the target system. It is supplied with MINICUBE. The cable length is approximately 15 cm.
<6> Target connector (sold separately)	Use a 16-pin general-purpose connector with 2.54 mm pitch.

Remark The numbers in the angular brackets correspond to the numbers in Figure A-4.

A.5 Debugging Tools (Software)

<p>SM+ for V850ES/Jx2 (under development) System simulator</p>	<p>This simulator is used with V850 microcontrollers. SM+ for V850ES/Jx2 is Windows-based software. Debugging of C source and assembler files is possible during simulation of the target system operation on the host machine. By using SM+ for V850ES/Jx2, logic verification and performance verification of applications can be performed independently from hardware development. Therefore, development efficiency and software quality can be improved. It should be used in combination with the device file.</p> <p>Part number: μSxxxxSM703724-B</p>
<p>ID850QB Integrated debugger</p>	<p>This debugger supports the in-circuit emulators for V850 microcontrollers. The ID850QB is Windows-based software. It has improved C-compatible debugging functions and can display the results of tracing with the source program using an integrating window function that associates the source program, disassemble display, and memory display with the trace result. It should be used in combination with the device file.</p> <p>Part number: μSxxxx ID703000-QB (ID850QB)</p>

Remark xxxx in the part number differs depending on the host machine and OS used.

μ SxxxxID703000-QB

xxxx	Host Machine	OS	Supply Medium
AB17	PC-9800 series,	Windows (Japanese version)	CD-ROM
BB17	IBM PC/AT compatibles	Windows (English version)	

A.6 Embedded Software

RX850, RX850 Pro Real-time OS	The RX850 and RX850 Pro are real-time OSs conforming to μ ITRON 3.0 specifications. A tool (configurator) for generating multiple information tables is supplied. RX850 Pro has more functions than the RX850.
	Part number: μ SxxxxRX703000- $\Delta\Delta\Delta\Delta$ (RX850) μ SxxxxRX703100- $\Delta\Delta\Delta\Delta$ (RX850 Pro)
Applilet ^{Note}	This is a driver configurator that automatically generates sample programs for the V850ES/JJ2.
RX-FS850 (File system)	This is a FAT file system function. It is a file system that supports the CD-ROM file system function. This file system is used with the real-time OS RX850 Pro.

Note For how to obtain Applilet, consult an NEC Electronics sales representative.

Caution To purchase the RX850 or RX850 Pro, first fill in the purchase application form and sign the license agreement.

Remark xxxx and $\Delta\Delta\Delta\Delta$ in the part number differ depending on the host machine and OS used.

μ SxxxxRX703000- $\Delta\Delta\Delta\Delta$

μ SxxxxRX703100- $\Delta\Delta\Delta\Delta$

$\Delta\Delta\Delta\Delta$	Product Outline	Maximum Number for Use in Mass Production
001	Evaluation object	Do not use for mass-produced product.
100K	Mass-production object	0.1 million units
001M		1 million units
010M		10 million units
S01	Source program	Object source program for mass production

xxxx	Host Machine	OS	Supply Medium
AB17	PC-9800 series, IBM PC/AT compatibles	Windows (Japanese version)	CD-ROM
BB17		Windows (English version)	
3K17	SPARCstation	Solaris (Rel. 2.5.1)	

A.7 Flash Memory Writing Tools

Flashpro IV (part number: PG-FP4) Flash programmer	Flash programmer dedicated to microcontrollers with on-chip flash memory.
QB-MINI2 (MINICUBE2)	On-chip debug emulator with programming function.
FA-144GJ-UEN-A Flash memory writing adapter	Flash memory writing adapter used connected to the Flashpro IV, etc. (not wired).
FA-70F3724GJ-UEN-MX Flash memory writing adapter	Flash memory writing adapter used connected to the Flashpro IV, etc. (already wired).

Remark FA-144GJ-UEN-A and FA-70F3724GJ-UEN-MX are products of Naito Densai Machida Mfg. Co., Ltd.
TEL: +81-42-750-4172

APPENDIX B REGISTER INDEX

(1/12)

Symbol	Name	Unit	Page
ADA0CR0	A/D conversion result register 0	ADC	455
ADA0CR0H	A/D conversion result register 0H	ADC	455
ADA0CR1	A/D conversion result register 1	ADC	455
ADA0CR1H	A/D conversion result register 1H	ADC	455
ADA0CR2	A/D conversion result register 2	ADC	455
ADA0CR2H	A/D conversion result register 2H	ADC	455
ADA0CR3	A/D conversion result register 3	ADC	455
ADA0CR3H	A/D conversion result register 3H	ADC	455
ADA0CR4	A/D conversion result register 4	ADC	455
ADA0CR4H	A/D conversion result register 4H	ADC	455
ADA0CR5	A/D conversion result register 5	ADC	455
ADA0CR5H	A/D conversion result register 5H	ADC	455
ADA0CR6	A/D conversion result register 6	ADC	455
ADA0CR6H	A/D conversion result register 6H	ADC	455
ADA0CR7	A/D conversion result register 7	ADC	455
ADA0CR7H	A/D conversion result register 7H	ADC	455
ADA0CR8	A/D conversion result register 8	ADC	455
ADA0CR8H	A/D conversion result register 8H	ADC	455
ADA0CR9	A/D conversion result register 9	ADC	455
ADA0CR9H	A/D conversion result register 9H	ADC	455
ADA0CR10	A/D conversion result register 10	ADC	455
ADA0CR10H	A/D conversion result register 10H	ADC	455
ADA0CR11	A/D conversion result register 11	ADC	455
ADA0CR11H	A/D conversion result register 11H	ADC	455
ADA0CR12	A/D conversion result register 12	ADC	455
ADA0CR12H	A/D conversion result register 12H	ADC	455
ADA0CR13	A/D conversion result register 13	ADC	455
ADA0CR13H	A/D conversion result register 13H	ADC	455
ADA0CR14	A/D conversion result register 14	ADC	455
ADA0CR14H	A/D conversion result register 14H	ADC	455
ADA0CR15	A/D conversion result register 15	ADC	455
ADA0CR15H	A/D conversion result register 15H	ADC	455
ADA0M0	A/D converter mode register 0	ADC	448
ADA0M1	A/D converter mode register 1	ADC	450
ADA0M2	A/D converter mode register 2	ADC	453
ADA0PFM	Power-fail compare mode register	ADC	457
ADA0PFT	Power-fail compare threshold value register	ADC	458
ADA0S	A/D converter channel specification register	ADC	454
ADIC	Interrupt control register	INTC	691
AWC	Address wait control register	BCU	202
BCC	Bus cycle control register	BCU	203
BSC	Bus size configuration register	BCU	191

Symbol	Name	Unit	Page
CB0CTL0	CSIB0 control register 0	CSI	526
CB0CTL1	CSIB0 control register 1	CSI	529
CB0CTL2	CSIB0 control register 2	CSI	530
CB0RIC	Interrupt control register	INTC	690
CB0RX	CSIB0 receive data register	CSI	525
CB0RXL	CSIB0 receive data register L	CSI	525
CB0STR	CSIB0 status register	CSI	532
CB0TIC	Interrupt control register	INTC	690
CB0TX	CSIB0 transmit data register	CSI	525
CB0TXL	CSIB0 transmit data register L	CSI	525
CB1CTL0	CSIB1 control register 0	CSI	526
CB1CTL1	CSIB1 control register 1	CSI	529
CB1CTL2	CSIB1 control register 2	CSI	530
CB1RIC	Interrupt control register	INTC	690
CB1RX	CSIB1 receive data register	CSI	525
CB1RXL	CSIB1 receive data register L	CSI	525
CB1STR	CSIB1 status register	CSI	532
CB1TIC	Interrupt control register	INTC	690
CB1TX	CSIB1 transmit data register	CSI	525
CB1TXL	CSIB1 transmit data register L	CSI	525
CB2CTL0	CSIB2 control register 0	CSI	526
CB2CTL1	CSIB2 control register 1	CSI	529
CB2CTL2	CSIB2 control register 2	CSI	530
CB2RIC	Interrupt control register	INTC	690
CB2RX	CSIB2 receive data register	CSI	525
CB2RXL	CSIB2 receive data register L	CSI	525
CB2STR	CSIB2 status register	CSI	532
CB2TIC	Interrupt control register	INTC	690
CB2TX	CSIB2 transmit data register	CSI	525
CB2TXL	CSIB2 transmit data register L	CSI	525
CB3CTL0	CSIB3 control register 0	CSI	526
CB3CTL1	CSIB3 control register 1	CSI	529
CB3CTL2	CSIB3 control register 2	CSI	530
CB3RIC	Interrupt control register	INTC	690
CB3RX	CSIB3 receive data register	CSI	525
CB3RXL	CSIB3 receive data register L	CSI	525
CB3STR	CSIB3 status register	CSI	532
CB3TIC	Interrupt control register	INTC	690
CB3TX	CSIB3 transmit data register	CSI	525
CB3TXL	CSIB3 transmit data register L	CSI	525
CB4CTL0	CSIB4 control register 0	CSI	526
CB4CTL1	CSIB4 control register 1	CSI	529
CB4CTL2	CSIB4 control register 2	CSI	530
CB4RIC	Interrupt control register	INTC	691
CB4RX	CSIB4 receive data register	CSI	525

Symbol	Name	Unit	Page
CB4RXL	CSIB4 receive data register L	CSI	525
CB4STR	CSIB4 status register	CSI	532
CB4TIC	Interrupt control register	INTC	691
CB4TX	CSIB4 transmit data register	CSI	525
CB4TXL	CSIB4 transmit data register L	CSI	525
CB5CTL0	CSIB5 control register 0	CSI	526
CB5CTL1	CSIB5 control register 1	CSI	529
CB5CTL2	CSIB5 control register 2	CSI	530
CB5RIC	Interrupt control register	INTC	691
CB5RX	CSIB5 receive data register	CSI	525
CB5RXL	CSIB5 receive data register L	CSI	525
CB5STR	CSIB5 status register	CSI	532
CB5TIC	Interrupt control register	INTC	691
CB5TX	CSIB5 transmit data register	CSI	525
CB5TXL	CSIB5 transmit data register L	CSI	525
CCLS	CPU operation clock status register	CG	220
CKC	Clock control register	CLM	223
CLM	Clock monitor mode register	CG	744
CTBP	CALLT base pointer	CPU	55
CTPC	CALLT execution status saving register	CPU	54
CTPSW	CALLT execution status saving register	CPU	54
DA0CS0	D/A conversion value setting register 0	DAC	482
DA0CS1	D/A conversion value setting register 1	DAC	482
DA0M	D/A converter mode register	DAC	481
DADC0	DMA addressing control register 0	DMA	655
DADC1	DMA addressing control register 1	DMA	655
DADC2	DMA addressing control register 2	DMA	655
DADC3	DMA addressing control register 3	DMA	655
DBC0	DMA transfer count register 0	DMA	654
DBC1	DMA transfer count register 1	DMA	654
DBC2	DMA transfer count register 2	DMA	654
DBC3	DMA transfer count register 3	DMA	654
DBPC	Exception/debug trap status saving register	CPU	55
DBPSW	Exception/debug trap status saving register	CPU	55
DCHC0	DMA channel control register 0	DMA	656
DCHC1	DMA channel control register 1	DMA	656
DCHC2	DMA channel control register 2	DMA	656
DCHC3	DMA channel control register 3	DMA	656
DDA0H	DMA destination address register 0H	DMA	653
DDA0L	DMA destination address register 0L	DMA	653
DDA1H	DMA destination address register 1H	DMA	653
DDA1L	DMA destination address register 1L	DMA	653
DDA2H	DMA destination address register 2H	DMA	653
DDA2L	DMA destination address register 2L	DMA	653
DDA3H	DMA destination address register 3H	DMA	653

Symbol	Name	Unit	Page
DDA3L	DMA destination address register 3L	DMA	653
DMAIC0	Interrupt control register	INTC	691
DMAIC1	Interrupt control register	INTC	691
DMAIC2	Interrupt control register	INTC	691
DMAIC3	Interrupt control register	INTC	691
DSA0H	DMA source address register 0H	DMA	652
DSA0L	DMA source address register 0L	DMA	652
DSA1H	DMA source address register 1H	DMA	652
DSA1L	DMA source address register 1L	DMA	652
DSA2H	DMA source address register 2H	DMA	652
DSA2L	DMA source address register 2L	DMA	652
DSA3H	DMA source address register 3H	DMA	652
DSA3L	DMA source address register 3L	DMA	652
DTFR0	DMA trigger factor register 0	DMA	657
DTFR1	DMA trigger factor register 1	DMA	657
DTFR2	DMA trigger factor register 2	DMA	657
DTFR3	DMA trigger factor register 3	DMA	657
DWC0	Data wait control register 0	BCU	199
ECR	Interrupt source register	CPU	52
EIPC	Interrupt status saving register	CPU	51
EIPSW	Interrupt status saving register	CPU	51
EXIMC	External bus interface mode control register	BCU	190
FEPC	NMI status saving register	CPU	52
FEPSW	NMI status saving register	CPU	52
IIC0	IIC shift register 0	I ² C	593
IIC1	IIC shift register 1	I ² C	593
IIC2	IIC shift register 2	I ² C	593
IICC0	IIC control register 0	I ² C	579
IICC1	IIC control register 1	I ² C	579
IICC2	IIC control register 2	I ² C	579
IICCL0	IIC clock select register 0	I ² C	589
IICCL1	IIC clock select register 1	I ² C	589
IICCL2	IIC clock select register 2	I ² C	589
IICF0	IIC flag register 0	I ² C	587
IICF1	IIC flag register 1	I ² C	587
IICF2	IIC flag register 2	I ² C	587
IICIC0	Interrupt control register	INTC	691
IICIC1	Interrupt control register	INTC	690
IICIC2	Interrupt control register	INTC	691
IICS0	IIC status register 0	I ² C	584
IICS1	IIC status register 1	I ² C	584
IICS2	IIC status register 2	I ² C	584
IICX0	IIC function expansion register 0	I ² C	590
IICX1	IIC function expansion register 1	I ² C	590
IICX2	IIC function expansion register 2	I ² C	590

Symbol	Name	Unit	Page
IMR0	Interrupt mask register 0	INTC	691
IMR0H	Interrupt mask register 0H	INTC	691
IMR0L	Interrupt mask register 0L	INTC	691
IMR1	Interrupt mask register 1	INTC	691
IMR1H	Interrupt mask register 1H	INTC	691
IMR1L	Interrupt mask register 1L	INTC	691
IMR2	Interrupt mask register 2	INTC	691
IMR2H	Interrupt mask register 2H	INTC	691
IMR2L	Interrupt mask register 2L	INTC	691
IMR3	Interrupt mask register 3	INTC	691
IMR3H	Interrupt mask register 3H	INTC	691
IMR3L	Interrupt mask register 3L	INTC	691
IMR4	Interrupt mask register 4	INTC	691
IMR4H	Interrupt mask register 4H	INTC	691
IMR4L	Interrupt mask register 4L	INTC	691
INTF0	External falling edge specification register 0	INTC	703
INTF3	External falling edge specification register 3	INTC	704
INTF8	External falling edge specification register 8	INTC	705
INTF9H	External falling edge specification register 9H	INTC	706
INTR0	External rising edge specification register 0	INTC	703
INTR3	External rising edge specification register 3	INTC	704
INTR8	External rising edge specification register 8	INTC	705
INTR9H	External rising edge specification register 9H	INTC	706
ISPR	In-service priority register	INTC	693
KRIC	Interrupt control register	INTC	691
KRM	Key return mode register	KR	711
LOCKR	Lock register	CG	224
LVIIC	Interrupt control register	INTC	690
LVIM	Low-voltage detection register	LVI	749
LVIS	Low-voltage detection level select register	LVI	750
NFC	Noise elimination control register	INTC	707
OCDM	On-chip debug mode register	DCU	784
OCKS0	IIC division clock select register 0	I ² C	593
OCKS1	IIC division clock select register 1	I ² C	593
OSTS	Oscillation stabilization time select register	WDT	716
P0	Port 0 register	Port	97
P1	Port 1 register	Port	100
P3	Port 3 register	Port	102
P3H	Port 3 register H	Port	102
P3L	Port 3 register L	Port	102
P4	Port 4 register	Port	107
P5	Port 5 register	Port	109
P6	Port 6 register	Port	114
P6H	Port 6 register H	Port	114
P6L	Port 6 register L	Port	114

Symbol	Name	Unit	Page
P7H	Port 7 register H	Port	118
P7L	Port 7 register L	Port	118
P8	Port 8 register	Port	119
P9	Port 9 register	Port	122
P9H	Port 9 register H	Port	122
P9L	Port 9 register L	Port	122
PC	Program counter	CPU	49
PCC	Processor clock control register	CG	216
PCD	Port CD register	Port	129
PCM	Port CM register	Port	130
PCS	Port CS register	Port	132
PCT	Port CT register	Port	134
PDH	Port DH register	Port	136
PDL	Port DL register	Port	139
PDLH	Port DL register H	Port	139
PDLL	Port DL register L	Port	139
PEMU1	Peripheral emulation register 1	CPU	754
PF0	Port 0 function register	Port	99
PF3	Port 3 function register	Port	106
PF3H	Port 3 function register H	Port	106
PF3L	Port 3 function register L	Port	106
PF4	Port 4 function register	Port	108
PF5	Port 5 function register	Port	112
PF6	Port 6 function register	Port	116
PF6H	Port 6 function register H	Port	116
PF6L	Port 6 function register L	Port	116
PF8	Port 8 function register	Port	120
PF9	Port 9 function register	Port	128
PF9H	Port 9 function register H	Port	128
PF9L	Port 9 function register L	Port	128
PFC0	Port 0 function control register	Port	99
PFC3	Port 3 function control register	Port	104
PFC3H	Port 3 function control register H	Port	104
PFC3L	Port 3 function control register L	Port	104
PFC4	Port 4 function control register	Port	108
PFC5	Port 5 function control register	Port	110
PFC6H	Port 6 function control register H	Port	116
PFC9	Port 9 function control register	Port	125
PFC9H	Port 9 function control register H	Port	125
PFC9L	Port 9 function control register L	Port	125
PFCE3L	Port 3 function control expansion register L	Port	104
PFCE5	Port 5 function control expansion register	Port	111
PFCE9	Port 9 function control expansion register	Port	125
PFCE9H	Port 9 function control expansion register H	Port	125
PFCE9L	Port 9 function control expansion register L	Port	125

Symbol	Name	Unit	Page
PIC0	Interrupt control register	INTC	690
PIC1	Interrupt control register	INTC	690
PIC2	Interrupt control register	INTC	690
PIC3	Interrupt control register	INTC	690
PIC4	Interrupt control register	INTC	690
PIC5	Interrupt control register	INTC	690
PIC6	Interrupt control register	INTC	690
PIC7	Interrupt control register	INTC	690
PIC8	Interrupt control register	INTC	691
PLLCTL	PLL control register	CG	222
PLLS	PLL lockup time specification register	CG	225
PM0	Port 0 mode register	Port	97
PM1	Port 1 mode register	Port	100
PM3	Port 3 mode register	Port	102
PM3H	Port 3 mode register H	Port	102
PM3L	Port 3 mode register L	Port	102
PM4	Port 4 mode register	Port	107
PM5	Port 5 mode register	Port	109
PM6	Port 6 mode register	Port	114
PM6H	Port 6 mode register H	Port	114
PM6L	Port 6 mode register L	Port	114
PM7H	Port 7 mode register H	Port	118
PM7L	Port 7 mode register L	Port	118
PM8	Port 8 mode register	Port	119
PM9	Port 9 mode register	Port	122
PM9H	Port 9 mode register H	Port	122
PM9L	Port 9 mode register L	Port	122
PMC0	Port 0 mode control register	Port	98
PMC3	Port 3 mode control register	Port	103
PMC3H	Port 3 mode control register H	Port	103
PMC3L	Port 3 mode control register L	Port	103
PMC4	Port 4 mode control register	Port	108
PMC5	Port 5 mode control register	Port	110
PMC6	Port 6 mode control register	Port	115
PMC6H	Port 6 mode control register H	Port	115
PMC6L	Port 6 mode control register L	Port	115
PMC8	Port 8 mode control register	Port	120
PMC9	Port 9 mode control register	Port	123
PMC9H	Port 9 mode control register H	Port	123
PMC9L	Port 9 mode control register L	Port	123
PMCCM	Port CM mode control register	Port	131
PMCCS	Port CS mode control register	Port	133
PM CCT	Port CT mode control register	Port	135
PMCD	Port CD mode register	Port	129
PMCDH	Port DH mode control register	Port	137

Symbol	Name	Unit	Page
PMCDL	Port DL mode control register	Port	140
PMCDLH	Port DL mode control register H	Port	140
PMCDLL	Port DL mode control register L	Port	140
PMCM	Port CM mode register	Port	130
PMCS	Port CS mode register	Port	132
PMCT	Port CT mode register	Port	134
PMDH	Port DH mode register	Port	136
PMDL	Port DL mode register	Port	139
PMDLH	Port DL mode register H	Port	139
PMDLL	Port DL mode register L	Port	139
PRCMD	Command register	CPU	85
PRSCM0	Prescaler compare register 0	WT	426
PRSCM1	Prescaler compare register 1	CSI	569
PRSCM2	Prescaler compare register 2	CSI	569
PRSCM3	Prescaler compare register 3	CSI	569
PRSM0	Prescaler mode register 0	WT	425
PRSM1	Prescaler mode register 1	CSI	568
PRSM2	Prescaler mode register 2	CSI	568
PRSM3	Prescaler mode register 3	CSI	568
PSC	Power save control register	CG	714
PSMR	Power save mode register	CG	715
PSW	Program status word	CPU	53
r0 to r31	General-purpose registers	CPU	49
RAMS	Internal RAM data status register	CG	750
RCM	Internal oscillation mode register	CG	220
RESF	Reset source flag register	Reset	733
RTBH0	Real-time output buffer register 0H	RTP	439
RTBH1	Real-time output buffer register 1H	RTP	439
RTBL0	Real-time output buffer register 0L	RTP	439
RTBL1	Real-time output buffer register 1L	RTP	439
RTPC0	Real-time output port control register 0	RTP	441
RTPC1	Real-time output port control register 1	RTP	441
RTPM0	Real-time output port mode register 0	RTP	440
RTPM1	Real-time output port mode register 1	RTP	440
SELCNT0	Selector operation control register 0	Timer	313
SVA0	Slave address register 0	I ² C	594
SVA1	Slave address register 1	I ² C	594
SVA2	Slave address register 2	I ² C	594
SYS	System status register	CPU	86
TM0CMP0	TMM0 compare register 0	Timer	415
TM0CTL0	TMM0 control register 0	Timer	416
TM0EQIC0	Interrupt control register	INTC	690
TP0CCIC0	Interrupt control register	INTC	690
TP0CCIC1	Interrupt control register	INTC	690
TP0CCR0	TMP0 capture/compare register 0	Timer	236

Symbol	Name	Unit	Page
TP0CCR1	TMP0 capture/compare register 1	Timer	238
TP0CNT	TMP0 counter read buffer register	Timer	240
TP0CTL0	TMP0 control register 0	Timer	230
TP0CTL1	TMP0 control register 1	Timer	230
TP0IOC0	TMP0 I/O control register 0	Timer	232
TP0IOC1	TMP0 I/O control register 1	Timer	233
TP0IOC2	TMP0 I/O control register 2	Timer	234
TP0OPT0	TMP0 option register 0	Timer	235
TP0OVIC	Interrupt control register	INTC	690
TP1CCIC0	Interrupt control register	INTC	690
TP1CCIC1	Interrupt control register	INTC	690
TP1CCR0	TMP1 capture/compare register 0	Timer	236
TP1CCR1	TMP1 capture/compare register 1	Timer	238
TP1CNT	TMP1 counter read buffer register	Timer	240
TP1CTL0	TMP1 control register 0	Timer	230
TP1CTL1	TMP1 control register 1	Timer	230
TP1IOC0	TMP1 I/O control register 0	Timer	232
TP1IOC1	TMP1 I/O control register 1	Timer	233
TP1IOC2	TMP1 I/O control register 2	Timer	234
TP1OPT0	TMP1 option register 0	Timer	235
TP1OVIC	Interrupt control register	INTC	690
TP2CCIC0	Interrupt control register	INTC	690
TP2CCIC1	Interrupt control register	INTC	690
TP2CCR0	TMP2 capture/compare register 0	Timer	236
TP2CCR1	TMP2 capture/compare register 1	Timer	238
TP2CNT	TMP2 counter read buffer register	Timer	240
TP2CTL0	TMP2 control register 0	Timer	230
TP2CTL1	TMP2 control register 1	Timer	230
TP2IOC0	TMP2 I/O control register 0	Timer	232
TP2IOC1	TMP2 I/O control register 1	Timer	233
TP2IOC2	TMP2 I/O control register 2	Timer	234
TP2OPT0	TMP2 option register 0	Timer	235
TP2OVIC	Interrupt control register	INTC	690
TP3CCIC0	Interrupt control register	INTC	690
TP3CCIC1	Interrupt control register	INTC	690
TP3CCR0	TMP3 capture/compare register 0	Timer	236
TP3CCR1	TMP3 capture/compare register 1	Timer	238
TP3CNT	TMP3 counter read buffer register	Timer	240
TP3CTL0	TMP3 control register 0	Timer	230
TP3CTL1	TMP3 control register 1	Timer	230
TP3IOC0	TMP3 I/O control register 0	Timer	232
TP3IOC1	TMP3 I/O control register 1	Timer	233
TP3IOC2	TMP3 I/O control register 2	Timer	234
TP3OPT0	TMP3 option register 0	Timer	235
TP3OVIC	Interrupt control register	INTC	690

Symbol	Name	Unit	Page
TP4CCIC0	Interrupt control register	INTC	690
TP4CCIC1	Interrupt control register	INTC	690
TP4CCR0	TMP4 capture/compare register 0	Timer	236
TP4CCR1	TMP4 capture/compare register 1	Timer	238
TP4CNT	TMP4 counter read buffer register	Timer	240
TP4CTL0	TMP4 control register 0	Timer	230
TP4CTL1	TMP4 control register 1	Timer	230
TP4IOC0	TMP4 I/O control register 0	Timer	232
TP4IOC1	TMP4 I/O control register 1	Timer	233
TP4IOC2	TMP4 I/O control register 2	Timer	234
TP4OPT0	TMP4 option register 0	Timer	235
TP4OVIC	Interrupt control register	INTC	690
TP5CCIC0	Interrupt control register	INTC	690
TP5CCIC1	Interrupt control register	INTC	690
TP5CCR0	TMP5 capture/compare register 0	Timer	236
TP5CCR1	TMP5 capture/compare register 1	Timer	238
TP5CNT	TMP5 counter read buffer register	Timer	240
TP5CTL0	TMP5 control register 0	Timer	230
TP5CTL1	TMP5 control register 1	Timer	230
TP5IOC0	TMP5 I/O control register 0	Timer	232
TP5IOC1	TMP5 I/O control register 1	Timer	233
TP5IOC2	TMP5 I/O control register 2	Timer	234
TP5OPT0	TMP5 option register 0	Timer	235
TP5OVIC	Interrupt control register	INTC	690
TP6CCIC0	Interrupt control register	INTC	691
TP6CCIC1	Interrupt control register	INTC	691
TP6CCR0	TMP6 capture/compare register 0	Timer	236
TP6CCR1	TMP6 capture/compare register 1	Timer	238
TP6CNT	TMP6 counter read buffer register	Timer	240
TP6CTL0	TMP6 control register 0	Timer	230
TP6CTL1	TMP6 control register 1	Timer	230
TP6IOC0	TMP6 I/O control register 0	Timer	232
TP6IOC1	TMP6 I/O control register 1	Timer	233
TP6IOC2	TMP6 I/O control register 2	Timer	234
TP6OPT0	TMP6 option register 0	Timer	235
TP6OVIC	Interrupt control register	INTC	691
TP7CCIC0	Interrupt control register	INTC	691
TP7CCIC1	Interrupt control register	INTC	691
TP7CCR0	TMP7 capture/compare register 0	Timer	236
TP7CCR1	TMP7 capture/compare register 1	Timer	238
TP7CNT	TMP7 counter read buffer register	Timer	240
TP7CTL0	TMP7 control register 0	Timer	230
TP7CTL1	TMP7 control register 1	Timer	230
TP7IOC0	TMP7 I/O control register 0	Timer	232
TP7IOC1	TMP7 I/O control register 1	Timer	233

Symbol	Name	Unit	Page
TP7IOC2	TMP7 I/O control register 2	Timer	234
TP7OPT0	TMP7 option register 0	Timer	235
TP7OVIC	Interrupt control register	INTC	691
TP8CCIC0	Interrupt control register	INTC	691
TP8CCIC1	Interrupt control register	INTC	691
TP8CCR0	TMP8 capture/compare register 0	Timer	236
TP8CCR1	TMP8 capture/compare register 1	Timer	238
TP8CNT	TMP8 counter read buffer register	Timer	240
TP8CTL0	TMP8 control register 0	Timer	230
TP8CTL1	TMP8 control register 1	Timer	230
TP8IOC0	TMP8 I/O control register 0	Timer	232
TP8IOC1	TMP8 I/O control register 1	Timer	233
TP8IOC2	TMP8 I/O control register 2	Timer	234
TP8OPT0	TMP8 option register 0	Timer	235
TP8OVIC	Interrupt control register	INTC	691
TQ0CCIC0	Interrupt control register	INTC	690
TQ0CCIC1	Interrupt control register	INTC	690
TQ0CCIC2	Interrupt control register	INTC	690
TQ0CCIC3	Interrupt control register	INTC	690
TQ0CCR0	TMQ0 capture/compare register 0	Timer	325
TQ0CCR1	TMQ0 capture/compare register 1	Timer	327
TQ0CCR2	TMQ0 capture/compare register 2	Timer	329
TQ0CCR3	TMQ0 capture/compare register 3	Timer	331
TQ0CNT	TMQ0 counter read buffer register	Timer	333
TQ0CTL0	TMQ0 control register 0	Timer	319
TQ0CTL1	TMQ0 control register 1	Timer	320
TQ0IOC0	TMQ0 I/O control register 0	Timer	321
TQ0IOC1	TMQ0 I/O control register 1	Timer	322
TQ0IOC2	TMQ0 I/O control register 2	Timer	323
TQ0OPT0	TMQ0 option register 0	Timer	324
TQ0OVIC	Interrupt control register	INTC	690
UA0CTL0	UARTA0 control register 0	UART	491
UA0CTL1	UARTA0 control register 1	UART	514
UA0CTL2	UARTA0 control register 2	UART	515
UA0OPT0	UARTA0 option control register 0	UART	493
UA0RIC	Interrupt control register	INTC	691
UA0RX	UARTA0 receive data register	UART	496
UA0STR	UARTA0 status register	UART	494
UA0TIC	Interrupt control register	INTC	691
UA0TX	UARTA0 transmit data register	UART	496
UA1CTL0	UARTA1 control register 0	UART	491
UA1CTL1	UARTA1 control register 1	UART	514
UA1CTL2	UARTA1 control register 2	UART	515
UA1OPT0	UARTA1 option control register 0	UART	493
UA1RIC	Interrupt control register	INTC	691

Symbol	Name	Unit	Page
UA1RX	UARTA1 receive data register	UART	496
UA1STR	UARTA1 status register	UART	495
UA1TIC	Interrupt control register	INTC	691
UA1TX	UARTA1 transmit data register	UART	496
UA2CTL0	UARTA2 control register 0	UART	491
UA2CTL1	UARTA2 control register 1	UART	514
UA2CTL2	UARTA2 control register 2	UART	515
UA2OPT0	UARTA2 option control register 0	UART	493
UA2RIC	Interrupt control register	INTC	691
UA2RX	UARTA2 receive data register	UART	496
UA2STR	UARTA2 status register	UART	494
UA2TIC	Interrupt control register	INTC	691
UA2TX	UARTA2 transmit data register	UART	496
UA3CTL0	UARTA3 control register 0	UART	491
UA3CTL1	UARTA3 control register 1	UART	514
UA3CTL2	UARTA3 control register 2	UART	515
UA3OPT0	UARTA3 option control register 0	UART	493
UA3RIC	Interrupt control register	INTC	691
UA3RX	UARTA3 receive data register	UART	496
UA3STR	UARTA3 status register	UART	495
UA3TIC	Interrupt control register	INTC	691
UA3TX	UARTA3 transmit data register	UART	496
VSWC	System wait control register	CPU	87
WDTE	Watchdog timer enable register	WDT	435
WDTM2	Watchdog timer mode register 2	WDT	434
WTIC	Interrupt control register	INTC	691
WTIIC	Interrupt control register	INTC	691
WTM	Watch timer operation mode register	WT	427

APPENDIX C INSTRUCTION SET LIST

C.1 Conventions

(1) Register symbols used to describe operands

Register Symbol	Explanation
reg1	General-purpose registers: Used as source registers.
reg2	General-purpose registers: Used mainly as destination registers. Also used as source register in some instructions.
reg3	General-purpose registers: Used mainly to store the remainders of division results and the higher 32 bits of multiplication results.
bit#3	3-bit data for specifying the bit number
immX	X bit immediate data
dispX	X bit displacement data
regID	System register number
vector	5-bit data that specifies the trap vector (00H to 1FH)
cccc	4-bit data that shows the conditions code
sp	Stack pointer (r3)
ep	Element pointer (r30)
listX	X item register list

(2) Register symbols used to describe opcodes

Register Symbol	Explanation
R	1-bit data of a code that specifies reg1 or regID
r	1-bit data of the code that specifies reg2
w	1-bit data of the code that specifies reg3
d	1-bit displacement data
l	1-bit immediate data (indicates the higher bits of immediate data)
i	1-bit immediate data
cccc	4-bit data that shows the condition codes
CCCC	4-bit data that shows the condition codes of Bcond instruction
bbb	3-bit data for specifying the bit number
L	1-bit data that specifies a program register in the register list

(3) Register symbols used in operations

Register Symbol	Explanation
←	Input for
GR []	General-purpose register
SR []	System register
zero-extend (n)	Expand n with zeros until word length.
sign-extend (n)	Expand n with signs until word length.
load-memory (a, b)	Read size b data from address a.
store-memory (a, b, c)	Write data b into address a in size c.
load-memory-bit (a, b)	Read bit b of address a.
store-memory-bit (a, b, c)	Write c to bit b of address a.
saturated (n)	Execute saturated processing of n (n is a 2's complement). If, as a result of calculations, n ≥ 7FFFFFFFH, let it be 7FFFFFFFH. n ≤ 80000000H, let it be 80000000H.
result	Reflects the results in a flag.
Byte	Byte (8 bits)
Halfword	Half word (16 bits)
Word	Word (32 bits)
+	Addition
−	Subtraction
	Bit concatenation
×	Multiplication
÷	Division
%	Remainder from division results
AND	Logical product
OR	Logical sum
XOR	Exclusive OR
NOT	Logical negation
logically shift left by	Logical shift left
logically shift right by	Logical shift right
arithmetically shift right by	Arithmetic shift right

(4) Register symbols used in execution clock

Register Symbol	Explanation
i	If executing another instruction immediately after executing the first instruction (issue).
r	If repeating execution of the same instruction immediately after executing the first instruction (repeat).
l	If using the results of instruction execution in the instruction immediately after the execution (latency).

(5) Register symbols used in flag operations

Identifier	Explanation
(Blank)	No change
0	Clear to 0
X	Set or cleared in accordance with the results.
R	Previously saved values are restored.

(6) Condition codes

Condition Code (cccc)	Condition Formula	Explanation
0 0 0 0	$OV = 1$	Overflow
1 0 0 0	$OV = 0$	No overflow
0 0 0 1	$CY = 1$	Carry Lower (Less than)
1 0 0 1	$CY = 0$	No carry Not lower (Greater than or equal)
0 0 1 0	$Z = 1$	Zero
1 0 1 0	$Z = 0$	Not zero
0 0 1 1	$(CY \text{ or } Z) = 1$	Not higher (Less than or equal)
1 0 1 1	$(CY \text{ or } Z) = 0$	Higher (Greater than)
0 1 0 0	$S = 1$	Negative
1 1 0 0	$S = 0$	Positive
0 1 0 1	–	Always (Unconditional)
1 1 0 1	$SAT = 1$	Saturated
0 1 1 0	$(S \text{ xor } OV) = 1$	Less than signed
1 1 1 0	$(S \text{ xor } OV) = 0$	Greater than or equal signed
0 1 1 1	$((S \text{ xor } OV) \text{ or } Z) = 1$	Less than or equal signed
1 1 1 1	$((S \text{ xor } OV) \text{ or } Z) = 0$	Greater than signed

C.2 Instruction Set (in Alphabetical Order)

(1/6)

Mnemonic	Operand	Opcode	Operation	Execution Clock			Flags					
				i	r	l	CY	OV	S	Z	SAT	
ADD	reg1,reg2	rrrrr001110RRRRR	$GR[reg2] \leftarrow GR[reg2] + GR[reg1]$	1	1	1	x	x	x	x		
	imm5,reg2	rrrrr010010iiii	$GR[reg2] \leftarrow GR[reg2] + \text{sign-extend}(imm5)$	1	1	1	x	x	x	x		
ADDI	imm16,reg1,reg2	rrrrr110000RRRRR iiiiiiiiiiiiiiii	$GR[reg2] \leftarrow GR[reg1] + \text{sign-extend}(imm16)$	1	1	1	x	x	x	x		
AND	reg1,reg2	rrrrr001010RRRRR	$GR[reg2] \leftarrow GR[reg2] \text{AND } GR[reg1]$	1	1	1		0	x	x		
ANDI	imm16,reg1,reg2	rrrrr110110RRRRR iiiiiiiiiiiiiiii	$GR[reg2] \leftarrow GR[reg1] \text{AND zero-extend}(imm16)$	1	1	1		0	x	x		
Bcond	disp9	dddd1011dddcccc Note 1	if conditions are satisfied then $PC \leftarrow PC + \text{sign-extend}(disp9)$	When conditions are satisfied	2	2	2					
				When conditions are not satisfied	1	1	1					
BSH	reg2,reg3	rrrrr1111100000 wwwww01101000010	$GR[reg3] \leftarrow GR[reg2] (23 : 16) \parallel GR[reg2] (31 : 24) \parallel$ $GR[reg2] (7 : 0) \parallel GR[reg2] (15 : 8)$	1	1	1	x	0	x	x		
BSW	reg2,reg3	rrrrr1111100000 wwwww01101000000	$GR[reg3] \leftarrow GR[reg2] (7 : 0) \parallel GR[reg2] (15 : 8) \parallel GR$ $[reg2] (23 : 16) \parallel GR[reg2] (31 : 24)$	1	1	1	x	0	x	x		
CALLT	imm6	0000001000iiii	$CTPC \leftarrow PC + 2(\text{return } PC)$ $CTPSW \leftarrow PSW$ $adr \leftarrow CTBP + \text{zero-extend}(imm6 \text{ logically shift left by } 1)$ $PC \leftarrow CTBP + \text{zero-extend}(\text{Load-memory}(adr, \text{Halfword}))$	4	4	4						
CLR1	bit#3,disp16[reg1]	10bbb11110RRRRR dddddddddddd	$adr \leftarrow GR[reg1] + \text{sign-extend}(disp16)$ $Z \text{ flag} \leftarrow \text{Not}(\text{Load-memory-bit}(adr, bit\#3))$ $\text{Store-memory-bit}(adr, bit\#3, 0)$	3	3	3				x		
	reg2,[reg1]	rrrrr11111RRRRR 0000000011100100	$adr \leftarrow GR[reg1]$ $Z \text{ flag} \leftarrow \text{Not}(\text{Load-memory-bit}(adr, reg2))$ $\text{Store-memory-bit}(adr, reg2, 0)$	3	3	3				x		
CMOV	cccc,imm5,reg2,reg3	rrrrr11111iiii wwwww01100cccc0	if conditions are satisfied then $GR[reg3] \leftarrow \text{sign-extended}(imm5)$ else $GR[reg3] \leftarrow GR[reg2]$	1	1	1						
	cccc,reg1,reg2,reg3	rrrrr11111RRRR wwwww011001cccc0	if conditions are satisfied then $GR[reg3] \leftarrow GR[reg1]$ else $GR[reg3] \leftarrow GR[reg2]$	1	1	1						
CMP	reg1,reg2	rrrrr001111RRRRR	$result \leftarrow GR[reg2] - GR[reg1]$	1	1	1	x	x	x	x		
	imm5,reg2	rrrrr010011iiii	$result \leftarrow GR[reg2] - \text{sign-extend}(imm5)$	1	1	1	x	x	x	x		
CTRET		000001111100000 0000000101000100	$PC \leftarrow CTPC$ $PSW \leftarrow CTPSW$	3	3	3	R	R	R	R	R	
DBRET		000001111100000 0000000101000110	$PC \leftarrow DBPC$ $PSW \leftarrow DBPSW$	3	3	3	R	R	R	R	R	

APPENDIX C INSTRUCTION SET LIST

(2/6)

Mnemonic	Operand	Opcode	Operation	Execution Clock			Flags					
				i	r	l	CY	OV	S	Z	SAT	
DBTRAP		1111100001000000	DBPC←PC+2 (restored PC) DBPSW←PSW PSW.NP←1 PSW.EP←1 PSW.ID←1 PC←00000060H	3	3	3						
DI		0000011111100000 0000000101100000	PSW.ID←1	1	1	1						
DISPOSE	imm5,list12	0000011001iiiiL LLLLLLLLLLLL00000	sp←sp+zero-extend(imm5 logically shift left by 2) GR[reg in list12]←Load-memory(sp,Word) sp←sp+4 repeat 2 steps above until all regs in list12 is loaded	n+1 Note 4	n+1 Note 4	n+1 Note 4						
	imm5,list12,[reg1]	0000011001iiiiL LLLLLLLLLLLLRRRRR Note 5	sp←sp+zero-extend(imm5 logically shift left by 2) GR[reg in list12]←Load-memory(sp,Word) sp←sp+4 repeat 2 steps above until all regs in list12 is loaded PC←GR[reg1]	n+3 Note 4	n+3 Note 4	n+3 Note 4						
DIV	reg1,reg2,reg3	rrrrr11111RRRRR wwwww01011000000	GR[reg2]←GR[reg2]÷GR[reg1] GR[reg3]←GR[reg2]%GR[reg1]	35	35	35		×	×	×		
DIVH	reg1,reg2	rrrrr000010RRRRR	GR[reg2]←GR[reg2]÷GR[reg1] ^{Note 6}	35	35	35		×	×	×		
	reg1,reg2,reg3	rrrrr11111RRRRR wwwww01010000000	GR[reg2]←GR[reg2]÷GR[reg1] ^{Note 6} GR[reg3]←GR[reg2]%GR[reg1]	35	35	35		×	×	×		
DIVHU	reg1,reg2,reg3	rrrrr11111RRRRR wwwww01010000010	GR[reg2]←GR[reg2]÷GR[reg1] ^{Note 6} GR[reg3]←GR[reg2]%GR[reg1]	34	34	34		×	×	×		
DIVU	reg1,reg2,reg3	rrrrr11111RRRRR wwwww01011000010	GR[reg2]←GR[reg2]÷GR[reg1] GR[reg3]←GR[reg2]%GR[reg1]	34	34	34		×	×	×		
EI		1000011111100000 0000000101100000	PSW.ID←0	1	1	1						
HALT		0000011111100000 0000000100100000	Stop	1	1	1						
HSW	reg2,reg3	rrrrr11111100000 wwwww01101000100	GR[reg3]←GR[reg2](15 : 0) GR[reg2] (31 : 16)	1	1	1	×	0	×	×		
JARL	disp22,reg2	rrrrr11110dddddd ddddddddddddddd0 Note 7	GR[reg2]←PC+4 PC←PC+sign-extend(disp22)	2	2	2						
JMP	[reg1]	0000000011RRRRR	PC←GR[reg1]	3	3	3						
JR	disp22	0000011110dddddd ddddddddddddddd0 Note 7	PC←PC+sign-extend(disp22)	2	2	2						
LD.B	disp16[reg1],reg2	rrrrr111000RRRRR ddddddddddddddd	adr←GR[reg1]+sign-extend(disp16) GR[reg2]←sign-extend(Load-memory(adr,Byte))	1	1	Note 11						
LD.BU	disp16[reg1],reg2	rrrrr11110bRRRRR ddddddddddddddd1 Notes 8, 10	adr←GR[reg1]+sign-extend(disp16) GR[reg2]←zero-extend(Load-memory(adr,Byte))	1	1	Note 11						

Mnemonic	Operand	Opcode	Operation	Execution Clock			Flags					
				i	r	l	CY	OV	S	Z	SAT	
LD.H	disp16[reg1],reg2	rrrrr111001RRRRR ddddddddddddddd0 Note 8	adr←GR[reg1]+sign-extend(dispatch16) GR[reg2]←sign-extend(Load-memory(adr,Halfword))	1	1	Note 11						
LDSR	reg2,regID	rrrrr111111RRRRR 0000000000100000 Note 12	SR[regID]←GR[reg2]	Other than regID = PSW	1	1	1					
				regID = PSW	1	1	1	×	×	×	×	×
LD.HU	disp16[reg1],reg2	rrrrr111111RRRRR ddddddddddddddd1 Note 8	adr←GR[reg1]+sign-extend(dispatch16) GR[reg2]←zero-extend(Load-memory(adr,Halfword))	1	1	Note 11						
LD.W	disp16[reg1],reg2	rrrrr111001RRRRR ddddddddddddddd1 Note 8	adr←GR[reg1]+sign-extend(dispatch16) GR[reg2]←Load-memory(adr,Word)	1	1	Note 11						
MOV	reg1,reg2	rrrrr00000RRRRR	GR[reg2]←GR[reg1]	1	1	1						
	imm5,reg2	rrrrr010000iiii	GR[reg2]←sign-extend(imm5)	1	1	1						
	imm32,reg1	00000110001RRRRR iiiiiiiiiiiiiiii llllllllllllllllll	GR[reg1]←imm32	2	2	2						
MOVEA	imm16,reg1,reg2	rrrrr110001RRRRR iiiiiiiiiiiiiiii	GR[reg2]←GR[reg1]+sign-extend(imm16)	1	1	1						
MOVHI	imm16,reg1,reg2	rrrrr110010RRRRR iiiiiiiiiiiiiiii	GR[reg2]←GR[reg1]+(imm16 ll 0 ¹⁶)	1	1	1						
MUL	reg1,reg2,reg3	rrrrr111111RRRRR wwwww01000100000 Note 14	GR[reg3] ll GR[reg2]←GR[reg2]xGR[reg1]	1	4	5						
	imm9,reg2,reg3	rrrrr111111iiii wwwww01001lllll00 Note 13	GR[reg3] ll GR[reg2]←GR[reg2]xsign-extend(imm9)	1	4	5						
MULH	reg1,reg2	rrrrr000111RRRRR	GR[reg2]←GR[reg2] ^{Note 6} xGR[reg1] ^{Note 6}	1	1	2						
	imm5,reg2	rrrrr010111iiii	GR[reg2]←GR[reg2] ^{Note 6} xsign-extend(imm5)	1	1	2						
MULHI	imm16,reg1,reg2	rrrrr110111RRRRR iiiiiiiiiiiiiiii	GR[reg2]←GR[reg1] ^{Note 6} ximm16	1	1	2						
MULU	reg1,reg2,reg3	rrrrr111111RRRRR wwwww01000100010 Note 14	GR[reg3] ll GR[reg2]←GR[reg2]xGR[reg1]	1	4	5						
	imm9,reg2,reg3	rrrrr111111iiii wwwww01001lllll10 Note 13	GR[reg3] ll GR[reg2]←GR[reg2]xzero-extend(imm9)	1	4	5						
NOP		0000000000000000	Pass at least one clock cycle doing nothing.	1	1	1						
NOT	reg1,reg2	rrrrr000001RRRRR	GR[reg2]←NOT(GR[reg1])	1	1	1	0	×	×			
NOT1	bit#3,disp16[reg1]	01bbb111110RRRRR ddddddddddddddd Note 3	adr←GR[reg1]+sign-extend(dispatch16) Z flag←Not(Load-memory-bit(adr,bit#3)) Store-memory-bit(adr,bit#3,Z flag)	3	3	3				×		
	reg2,[reg1]	rrrrr111111RRRRR 0000000011100010 Note 3	adr←GR[reg1] Z flag←Not(Load-memory-bit(adr,reg2)) Store-memory-bit(adr,reg2,Z flag)	3	3	3				×		

APPENDIX C INSTRUCTION SET LIST

(4/6)

Mnemonic	Operand	Opcode	Operation	Execution Clock			Flags				
				i	r	l	CY	OV	S	Z	SAT
OR	reg1,reg2	rrrrr001000RRRRR	GR[reg2]←GR[reg2]OR GR[reg1]	1	1	1		0	×	×	
ORI	imm16,reg1,reg2	rrrrr110100RRRRR iiiiiiiiiiiiiiii	GR[reg2]←GR[reg1]OR zero-extend(imm16)	1	1	1		0	×	×	
PREPARE	list12,imm5	0000011110iiiiL LLLLLLLLLLLL00001	Store-memory(sp-4,GR[reg in list12],Word) sp←sp-4 repeat 1 step above until all regs in list12 is stored sp←sp-zero-extend(imm5)	n+1 Note 4	n+1 Note 4	n+1 Note 4					
	list12,imm5, sp/imm ^{Note 15}	0000011110iiiiL LLLLLLLLLLLLff011 imm16/imm32 Note 16	Store-memory(sp-4,GR[reg in list12],Word) sp←sp+4 repeat 1 step above until all regs in list12 is stored sp←sp-zero-extend (imm5) ep←sp/imm	n+2 Note 4 Note 17	n+2 Note 4 Note 17	n+2 Note 4 Note 17					
RETI		000001111100000 0000000101000000	if PSW.EP=1 then PC ←EIPC PSW ←EIPSW else if PSW.NP=1 then PC ←FEPC PSW ←FEPSW else PC ←EIPC PSW ←EIPSW	3	3	3	R	R	R	R	R
SAR	reg1,reg2	rrrrr111111RRRRR 0000000010100000	GR[reg2]←GR[reg2]arithmetically shift right by GR[reg1]	1	1	1	×	0	×	×	
	imm5,reg2	rrrrr010101iiii	GR[reg2]←GR[reg2]arithmetically shift right by zero-extend (imm5)	1	1	1	×	0	×	×	
SASF	cccc,reg2	rrrrr1111110cccc 0000001000000000	if conditions are satisfied then GR[reg2]←(GR[reg2]Logically shift left by 1) OR 00000001H else GR[reg2]←(GR[reg2]Logically shift left by 1) OR 00000000H	1	1	1					
SATADD	reg1,reg2	rrrrr000110RRRRR	GR[reg2]←saturated(GR[reg2]+GR[reg1])	1	1	1	×	×	×	×	×
	imm5,reg2	rrrrr010001iiii	GR[reg2]←saturated(GR[reg2]+sign-extend(imm5))	1	1	1	×	×	×	×	×
SATSUB	reg1,reg2	rrrrr000101RRRRR	GR[reg2]←saturated(GR[reg2]-GR[reg1])	1	1	1	×	×	×	×	×
SATSUBI	imm16,reg1,reg2	rrrrr110011RRRRR iiiiiiiiiiiiiiii	GR[reg2]←saturated(GR[reg1]-sign-extend(imm16))	1	1	1	×	×	×	×	×
SATSUBR	reg1,reg2	rrrrr000100RRRRR	GR[reg2]←saturated(GR[reg1]-GR[reg2])	1	1	1	×	×	×	×	×
SETF	cccc,reg2	rrrrr1111110cccc 0000000000000000	If conditions are satisfied then GR[reg2]←00000001H else GR[reg2]←00000000H	1	1	1					

APPENDIX C INSTRUCTION SET LIST

(5/6)

Mnemonic	Operand	Opcode	Operation	Execution Clock			Flags					
				i	r	l	CY	OV	S	Z	SAT	
SET1	bit#3,disp16[reg1]	00bbb111110RRRRR dddddddddddddd	adr←GR[reg1]+sign-extend(disp16) Z flag←Not (Load-memory-bit(adr,bit#3)) Store-memory-bit(adr,bit#3,1)	3 Note 3	3 Note 3	3 Note 3					×	
	reg2,[reg1]	rrrrr11111RRRRR 0000000011100000	adr←GR[reg1] Z flag←Not(Load-memory-bit(adr,reg2)) Store-memory-bit(adr,reg2,1)	3 Note 3	3 Note 3	3 Note 3					×	
SHL	reg1,reg2	rrrrr11111RRRRR 0000000011000000	GR[reg2]←GR[reg2] logically shift left by GR[reg1]	1	1	1	×	0	×	×		
	imm5,reg2	rrrrr010110iiii	GR[reg2]←GR[reg2] logically shift left by zero-extend(imm5)	1	1	1	×	0	×	×		
SHR	reg1,reg2	rrrrr11111RRRRR 0000000010000000	GR[reg2]←GR[reg2] logically shift right by GR[reg1]	1	1	1	×	0	×	×		
	imm5,reg2	rrrrr010100iiii	GR[reg2]←GR[reg2] logically shift right by zero-extend(imm5)	1	1	1	×	0	×	×		
SLD.B	disp7[ep],reg2	rrrrr0110dddddd	adr←ep+zero-extend(disp7) GR[reg2]←sign-extend(Load-memory(adr,Byte))	1	1	Note 9						
SLD.BU	disp4[ep],reg2	rrrrr0000110dddd Note 18	adr←ep+zero-extend(disp4) GR[reg2]←zero-extend(Load-memory(adr,Byte))	1	1	Note 9						
SLD.H	disp8[ep],reg2	rrrrr1000dddddd Note 19	adr←ep+zero-extend(disp8) GR[reg2]←sign-extend(Load-memory(adr,Halfword))	1	1	Note 9						
SLD.HU	disp5[ep],reg2	rrrrr0000111dddd Notes 18, 20	adr←ep+zero-extend(disp5) GR[reg2]←zero-extend(Load-memory(adr,Halfword))	1	1	Note 9						
SLD.W	disp8[ep],reg2	rrrrr1010dddddd0 Note 21	adr←ep+zero-extend(disp8) GR[reg2]←Load-memory(adr,Word)	1	1	Note 9						
SST.B	reg2,disp7[ep]	rrrrr0111dddddd	adr←ep+zero-extend(disp7) Store-memory(adr,GR[reg2],Byte)	1	1	1						
SST.H	reg2,disp8[ep]	rrrrr1001dddddd Note 19	adr←ep+zero-extend(disp8) Store-memory(adr,GR[reg2],Halfword)	1	1	1						
SST.W	reg2,disp8[ep]	rrrrr1010dddddd1 Note 21	adr←ep+zero-extend(disp8) Store-memory(adr,GR[reg2],Word)	1	1	1						
ST.B	reg2,disp16[reg1]	rrrrr111010RRRRR dddddddddddddd	adr←GR[reg1]+sign-extend(disp16) Store-memory(adr,GR[reg2],Byte)	1	1	1						
ST.H	reg2,disp16[reg1]	rrrrr111011RRRRR dddddddddddddd0 Note 8	adr←GR[reg1]+sign-extend(disp16) Store-memory (adr,GR[reg2], Halfword)	1	1	1						
ST.W	reg2,disp16[reg1]	rrrrr111011RRRRR dddddddddddddd1 Note 8	adr←GR[reg1]+sign-extend(disp16) Store-memory (adr,GR[reg2], Word)	1	1	1						
STSR	regID,reg2	rrrrr11111RRRRR 0000000010000000	GR[reg2]←SR[regID]	1	1	1						

Notes 12. In this instruction, for convenience of mnemonic description, the source register is made reg2, but the reg1 field is used in the opcode. Therefore, the meaning of register specification in the mnemonic description and in the opcode differs from other instructions.

rrrrr = regID specification

RRRRR = reg2 specification

13. iiiii: Lower 5 bits of imm9.

IIII: Higher 4 bits of imm9.

14. Do not specify the same register for general-purpose registers reg1 and reg3.

15. sp/imm: specified by bits 19 and 20 of the sub-opcode.

16. ff = 00: Load sp in ep.

01: Load sign expanded 16-bit immediate data (bits 47 to 32) in ep.

10: Load 16-bit logically left shifted 16-bit immediate data (bits 47 to 32) in ep.

11: Load 32-bit immediate data (bits 63 to 32) in ep.

17. If imm = imm32, n + 3 clocks.

18. rrrrr: Other than 00000.

19. ddddddd: Higher 7 bits of disp8.

20. dddd: Higher 4 bits of disp5.

21. ddddddd: Higher 6 bits of disp8.

APPENDIX D LIST OF CAUTIONS

This appendix lists cautions described in this document.

“Classification (hard/soft)” in table is as follows.

Hard: Cautions for microcontroller internal/external hardware

Soft: Cautions for software such as register settings or programs

(1/37)

Chapter	Classification	Function	Details of Function	Cautions	Page
Chapter 1	Hard	Introduction	FLMD0	Connect these pins to V _{SS} in the normal mode.	p. 24 <input type="checkbox"/>
			REGC	Connect the REGC pin to V _{SS} via a 4.7 μF capacitor.	p. 24 <input type="checkbox"/>
Chapter 2	Soft	Pin functions	P05	Incorporates a pull-down resistor. It can be disconnected by clearing the OCDM.OCDM0 bit.	p. 31 <input type="checkbox"/>
			DDO	In the on-chip debug mode, high-level output is forcibly set.	p. 36 <input type="checkbox"/>
	Hard		KR0 to KR7	Connect a pull-up resistor externally.	p. 37 <input type="checkbox"/>
			NMI	The NMI pin alternately functions as the P02 pin. If functions as the P02 pin after reset. To enable the NMI pin, set the PMC0.PMC02 bit to 1. The initial setting of the NMI pin is “No edge detected”. Select the NMI pin valid edge using INTF0 and INTR0 registers.	p. 37 <input type="checkbox"/>
			When power is turned on	When the power is turned on, the following pins may output an undefined level temporarily, even during reset. <ul style="list-style-type: none"> • P10/ANO0 pin • P11/ANO1 pin • P53/SIB2/KR3/TIQ00/TOQ00/RTP03/DDO pin 	p. 46 <input type="checkbox"/>
Chapter 3	Soft	CPU functions	EIPC register, EIPSW register, FEPC register, FEPSW register	Because only one set of these registers is available, the contents of these registers must be saved by program if multiple interrupts are enabled.	p. 50 <input type="checkbox"/>
			EIPC, FEPC, CTPC	Even if EIPC or FEPC, or bit 0 of CTPC is set to 1 by the LDSR instruction, bit 0 is ignored when execution is returned to the main routine by the RETI instruction after interrupt servicing (this is because bit 0 of the PC is fixed to 0). Set an even value to EIPC, FEPC, and CTPC (bit 0 = 0).	p. 50 <input type="checkbox"/>
			Program space	Because the 4 KB area of addresses 03FFF00H to 03FFFFFFH is an on-chip peripheral I/O area, instructions cannot be fetched from this area. Therefore, do not execute an operation in which the result of a branch address calculation affects this area.	p. 58 <input type="checkbox"/>
			On-chip peripheral I/O area	When a register is accessed in word units, a word area is accessed twice in halfword units in the order of lower area and higher area, with the lower 2 bits of the address ignored.	p. 67 <input type="checkbox"/>
				If a register that can be accessed in byte units is accessed in halfword units, the higher 8 bits are undefined when the register is read, and data is written to the lower 8 bits.	p. 67 <input type="checkbox"/>
				Addresses not defined as registers are reserved for future expansion. The operation is undefined and not guaranteed when these addresses are accessed.	p. 67 <input type="checkbox"/>
			Internal RAM area	If a branch instruction is at the upper limit of the internal RAM area, a prefetch operation (invalid fetch) straddling the on-chip peripheral I/O area does not occur.	p. 68 <input type="checkbox"/>

Chapter	Classification	Function	Details of Function	Cautions	Page
Chapter 3	Soft	CPU functions	Setting data to special registers	Five NOP instructions or more must be inserted immediately after setting the IDLE1 mode, IDLE2 mode, or STOP mode (by setting the PSC.STP bit to 1).	p. 84 <input type="checkbox"/>
				When a store instruction is executed to store data in the command register, interrupts are not acknowledged. This is because it is assumed that steps <3> and <4> above are performed by successive store instructions. If another instruction is placed between <3> and <4>, and if an interrupt is acknowledged by that instruction, the above sequence may not be established, causing malfunction.	p. 84 <input type="checkbox"/>
				Although dummy data is written to the PRCMD register, use the same general-purpose register used to set the special register (<4> in Example) to write data to the PRCMD register (<3> in Example). The same applies when a general-purpose register is used for addressing.	p. 84 <input type="checkbox"/>
			SYS register	If 0 is written to the PRERR bit of the SYS register, which is not a special register, immediately after a write access to the PRCMD register, the PRERR bit is cleared to 0 (the write access takes precedence).	p. 86 <input type="checkbox"/>
				If data is written to the PRCMD register, which is not a special register, immediately after a write access to the PRCMD register, the PRERR bit is set to 1.	p. 86 <input type="checkbox"/>
			Registers to be set first	Be sure to set the following registers first when using the V850ES/JJ2. <ul style="list-style-type: none"> • System wait control register (VSWC) • On-chip debug mode register (OCDM) • Watchdog timer mode register 2 (WDTM2) 	p. 87 <input type="checkbox"/>
			VSWC register	Three clocks are required to access an on-chip peripheral I/O register (without a wait cycle). The V850ES/JJ2 requires wait cycles according to the operating frequency. Set the following value to the VSWC register in accordance with the frequency used.	p. 87 <input type="checkbox"/>
	Accessing specific on-chip peripheral I/O registers	Accessing the above registers is prohibited in the following statuses. If a wait cycle is generated, it can only be cleared by a reset. <ul style="list-style-type: none"> • When the CPU operates with the subclock and the main clock oscillation is stopped • When the CPU operates with the internal oscillation clock 	p. 88 <input type="checkbox"/>		
	Hard	System reserved area	In the V850ES/JJ2, 0000007AH to 0000007FH is a system reserved area for function expansion, and therefore it is recommended that this area not be used.	p. 89 <input type="checkbox"/>	
			When the data in the flash memory has been deleted, all the bits are cleared to 1.	p. 89 <input type="checkbox"/>	
Chapter 4	Hard	Port functions	Basic port configuration	Ports 0, 3 to 6, 8, and 9 are 5 V tolerant.	p. 91 <input type="checkbox"/>
	Soft		PFn register	The PFnm bit of the PFn register is valid only when the PMnm bit of the PMn register is 0 (when the output mode is specified) in port mode (PMCnm bit = 0). When the PMnm bit is 1 (when the input mode is specified), the set value of the PFn register is invalid.	p. 95 <input type="checkbox"/>
	Hard, soft		Port 0	The $\overline{\text{DRST}}$ pin is used for on-chip debugging. If on-chip debugging is not used, fix the P05/INTP2/ $\overline{\text{DRST}}$ pin to low level between when the reset signal of the RESET pin is released and when the OCDM.OCDM0 bit is cleared (0). For details, see 4.6.3 Cautions on on-chip debug pins .	p. 97 <input type="checkbox"/>
				The P00 to P06 pins have hysteresis characteristics in the input mode of the alternate function, but do not have hysteresis characteristics in the port mode.	p. 97 <input type="checkbox"/>
	Soft		PMC0 register	The P05/INTP2/ $\overline{\text{DRST}}$ pin becomes the $\overline{\text{DRST}}$ pin regardless of the value of the PMC05 bit when the OCDM.OCDM0 bit = 1.	p. 98 <input type="checkbox"/>
			PF0 register	When an output pin is pulled up at EV _{DD} or higher, be sure to set the PF0n bit to 1.	p. 99 <input type="checkbox"/>

Chapter	Classification	Function	Details of Function	Cautions	Page
Chapter 4	Hard	Port functions	Port 1	When the power is turned on, the P10 and P11 pins may output an undefined level temporarily, even during reset.	p. 100 <input type="checkbox"/>
			P1 register	Do not read or write the P1 register during D/A conversion (see 14.4.3 Cautions).	p. 100 <input type="checkbox"/>
	Soft		PM1 register	When using P1n as alternate functions (ANOn pin output), set the PM1n bit to 1.	p. 100 <input type="checkbox"/>
				When using one of the P10 and P11 pins as an I/O port and the other as a D/A output pin, do so in an application where the port I/O level does not change during D/A output.	p. 100 <input type="checkbox"/>
	Hard		Port 3	The P31 to P35, P38, and P39 pins have hysteresis characteristics in the input mode of the alternate-function pin, but do not have the hysteresis characteristics in the port mode.	p. 101 <input type="checkbox"/>
				P3 register	To read/write bits 8 to 15 of the P3 register in 8-bit or 1-bit units, specify them as bits 0 to 7 of the P3H register.
	Soft		PM3 register	To read/write bits 8 to 15 of the PM3 register in 8-bit or 1-bit units, specify them as bits 0 to 7 of the PM3H register.	p. 102 <input type="checkbox"/>
				PMC3 register	Be sure to clear bits 15 to 10, 7, and 6 to "0". To read/write bits 8 to 15 of the PMC3 register in 8-bit or 1-bit units, specify them as bits 0 to 7 of the PMC3H register.
	Soft		PFC3 register	To read/write bits 8 to 15 of the PFC3 register in 8-bit or 1-bit units, specify them as bits 0 to 7 of the PFC3H register.	p. 104 <input type="checkbox"/>
				PFCE3L register	Be sure to clear bits 7 to 3, 1, and 0 to "0".
	Soft		PFC31/RXDA0 input/INTP7 input	The INTP7 pin and RXDA0 pin are alternate-function pins. When using the pin as the RXDA0 pin, disable edge detection for the INTP7 alternate-function pin. (Clear the INTF3.INTF31 bit and the INTR3.INTR31 bit to 0.) When using the pin as the INTP7 pin, stop UARTA0 reception. (Clear the UA0CTL0.UA0RXE bit to 0.)	p. 105 <input type="checkbox"/>
				PF3 register	When an output pin is pulled up at EV _{DD} or higher, be sure to set the PF3n bit to 1. To read/write bits 8 to 15 of the PF3 register in 8-bit or 1-bit units, specify them as bits 0 to 7 of the PF3H register.
	Hard		Port 4	The P40 to P42 pins have hysteresis characteristics in the input mode of the alternate-function pin, but do not have the hysteresis characteristics in the port mode.	p. 107 <input type="checkbox"/>
				PF4 register	When an output pin is pulled up at EV _{DD} or higher, be sure to set the PF4n bit to 1.
	Hard, soft		Port 5	The DDI, DDO, DCK, and DMS pins are used for on-chip debugging. If on-chip debugging is not used, fix the P05/INTP2/ \overline{DRST} pin to low level between when the reset signal of the \overline{RESET} pin is released and when the OCDM.OCDM0 bit is cleared (0). For details, see 4.6.3 Cautions on on-chip debug pins .	p. 109 <input type="checkbox"/>
				When the power is turned on, the P53 pin may output undefined level temporarily, even during reset.	p. 109 <input type="checkbox"/>
	Hard		Port 5	The P50 to P55 pins have hysteresis characteristics in the input mode of the alternate function, but do not have hysteresis characteristics in the port mode.	p. 109 <input type="checkbox"/>
				Port 5 alternate function specifications	The KRn pin and TIQ0m pin are alternate-function pins. When using the pin as the TIQ0m pin, disable KRn pin key return detection, which is the alternate function. (Clear the KRM.KRMn bit to 0.) Also, when using the pin as the KRn pin, disable TIQ0m pin edge detection, which is the alternate function (n = 0 to 3, m = 0 to 3).
	Soft		PF5 register	When an output pin is pulled up at EV _{DD} or higher, be sure to set the PF5n bit to 1.	p. 112 <input type="checkbox"/>

Chapter	Chapter Classification	Function	Details of Function	Cautions	Page			
Chapter 4	Hard	Port functions	Port 6	The P66, P68 to P610, P612, and P613 pins have hysteresis characteristics in the input mode of the alternate-function pin, but do not have the hysteresis characteristics in the port mode.	p. 113	<input type="checkbox"/>		
			P6 register	To read/write bits 8 to 15 of the P6 register in 8-bit or 1-bit units, specify them as bits 0 to 7 of the P6H register.	p. 114	<input type="checkbox"/>		
			PM6 register	To read/write bits 8 to 15 of the PM6 register in 8-bit or 1-bit units, specify them as bits 0 to 7 of the PM6H register.	p. 114	<input type="checkbox"/>		
			PMC6 register	To read/write bits 8 to 15 of the PMC6 register in 8-bit or 1-bit units, specify them as bits 0 to 7 of the PMC6H register.	p. 115	<input type="checkbox"/>		
			PF6 register	When an output pin is pulled up at EV _{DD} or higher, be sure to set the PF6n bit to 1.	p. 116	<input type="checkbox"/>		
				To read/write bits 8 to 15 of the PF6 register in 8-bit or 1-bit units, specify them as bits 0 to 7 of the PF6H register.	p. 116	<input type="checkbox"/>		
			P7H register, P7L register	Do not read or write the P7H and P7L registers during A/D conversion (see 13.6 (4) Alternate I/O).	p. 118	<input type="checkbox"/>		
			PM7H register, PM7L register	When using the P7n pin as its alternate function (ANIn pin), set the PM7n bit to 1.	p. 118	<input type="checkbox"/>		
			Soft	Port 8	Port 8	The P80 pin has hysteresis characteristics in the input mode of the alternate-function pin, but does not have the hysteresis characteristics in the port mode.	p. 119	<input type="checkbox"/>
					PMC8 register	The INTP8 and RXDA3 pins are alternate-function pins. When using the RXDA3 pin, disable detection of the edge of the INTP8 pin (INTF8.INTF80 bit = 0 and INTR8.INTR80 bit = 0). When using the INTP8 pin, stop the reception operation of UARTA3 (UA3CTL0.UA3RXE bit = 0).	p. 120	<input type="checkbox"/>
					PF8 register	When an output pin is pulled up at EV _{DD} or higher, be sure to set the PF8n bit to 1.	p. 120	<input type="checkbox"/>
			Hard	Port 9	Port 9	The P90 to P97, P99, P910, and P912 to P915 pins have hysteresis characteristics in the input mode of the alternate-function pin, but do not have the hysteresis characteristics in the port mode.	p. 121	<input type="checkbox"/>
	P9 register	To read/write bits 8 to 15 of the P9 register in 8-bit or 1-bit units, specify them as bits 0 to 7 of the P9H register.			p. 122	<input type="checkbox"/>		
	PM9 register	To read/write bits 8 to 15 of the PM9 register in 8-bit or 1-bit units, specify them as bits 0 to 7 of the PM9H register.			p. 122	<input type="checkbox"/>		
	PMC9 register	To read/write bits 8 to 15 of the PMC9 register in 8-bit or 1-bit units, specify them as bits 0 to 7 of the PMC9H register.			p. 123	<input type="checkbox"/>		
		Only when using the A0 to A15 pins as the alternate functions of the P90 to P915 pins, set all 16 bits of the PMC9 register to FFFFH at once.			p. 124	<input type="checkbox"/>		
	PFC9 register	When performing separate address bus output (A0 to A15), set the PMC9 register to FFFFH for all 16 bits at once after clearing the PFC9 register to 0000H.			p. 125	<input type="checkbox"/>		
		To read/write bits 8 to 15 of the PFC9 register in 8-bit or 1-bit units, specify them as bits 0 to 7 of the PFC9H register.			p. 125	<input type="checkbox"/>		
	PFCE9 register	To read/write bits 8 to 15 of the PFCE9 register in 8-bit or 1-bit units, specify them as bits 0 to 7 of the PFCE9H register.			p. 125	<input type="checkbox"/>		
	Soft	Specification of port 9 alternate function			The RXDA1 and KR7 pins must not be used at the same time. When using the RXDA1 pin, do not use the KR7 pin. When using the KR7 pin, do not use the RXDA1 pin (it is recommended to set the PFC91 bit to 1 and clear the PFCE91 bit to 0).	p. 127	<input type="checkbox"/>	
					PF9 register	When an output pin is pulled up at EV _{DD} or higher, be sure to set the PF9n bit to 1.	p. 128	<input type="checkbox"/>
		To read/write bits 8 to 15 of the PF9 register in 8-bit or 1-bit units, specify them as bits 0 to 7 of the PF9H register.				p. 128	<input type="checkbox"/>	

Chapter	Classification	Function	Details of Function	Cautions	Page
Chapter 4	Soft	Port functions	PDL register	To read/write bits 8 to 15 of the PDL register in 8-bit or 1-bit units, specify them as bits 0 to 7 of the PDLH register.	p. 139 <input type="checkbox"/>
			PMDL register	To read/write bits 8 to 15 of the PMDL register in 8-bit or 1-bit units, specify them as bits 0 to 7 of the PMDLH register.	p. 139 <input type="checkbox"/>
			PMCDL register	When the SMSEL bit of the EXIMC register = 1 (separate mode) and the BS30 to BS00 bits of the BSC register = 0 (8-bit bus width), do not specify the AD8 to AD15 pins.	p. 140 <input type="checkbox"/>
				To read/write bits 8 to 15 of the PMCDL register in 8-bit or 1-bit units, specify them as bits 0 to 7 of the PMCDLH register.	p. 140 <input type="checkbox"/>
			Using port pins as alternate-function pins	The INTP7 pin and RXDA0 pin are alternate-function pins. When using the pin as the RXDA0 pin, disable edge detection for the INTP7 alternate-function pin. (Clear the INTF3.INTF31 bit and the INRT3.INTR31 bit to 0.) When using the pin as the INTP7 pin, stop UARTA0 reception. (Clear the UA0CTL0.UA0RXE bit to 0.)	p. 174 <input type="checkbox"/>
				Between the P10 and P11 pins, when one pin is used as the I/O port, and the other pin is used as the D/A output pin (ANO0, ANO1), make sure that the port I/O level does not change during D/A output.	p. 174 <input type="checkbox"/>
				The INTP8 pin and RXDA3 pin are alternate-function pins. When using the pin as the RXDA3 pin, disable edge detection for the INTP8 alternate-function pin. (Clear the INTF8.INTF80 bit and the INTR8.INTR80 bit to 0.) When using the pin as the INTP8 pin, stop UARTA3 reception. (Clear the UA0CTL3.UA3RXE bit to 0.)	p. 177 <input type="checkbox"/>
				When setting pins A0 to A15 as the alternate function, set the PMC9 register to FFFFH for all 16 bits at once.	p. 178 <input type="checkbox"/>
				The RXDA1 and KR7 pins must not be used at the same time. When using the RXDA1 pin, do not use the KR7 pin. When using the KR7 pin, do not use the RXDA1 pin (it is recommended to set the PFC91 bit to 1 and clear the PFCE91 bit to 0).	p. 178 <input type="checkbox"/>
				When setting pins A0 to A15 as the alternate function, set the PMC9 register to FFFFH for all 16 bits at once.	p. 179 <input type="checkbox"/>
				Cautions on switching from port mode to alternate-function mode	To switch from the port mode to alternate-function mode in the following order. <1> Set the PFn registerNote: N-ch open-drain setting <2> Set the PFCn and PFCEn registers: Alternate-function selection <3> Set the corresponding bit of the PMCn register to 1: Switch to alternate-function mode If the PMCn register is set first, note with caution that, at that moment or depending on the change of the pin states in accordance with the setting of the PFn, PFCn, and PFCEn registers, unexpected operations may occur.
			Regardless of the port mode/alternate-function mode, the Pn register is read and written as follows. • Pn register read: Read the port output latch value (when PMn.PMnm bit = 0), or read the pin states (PMn.PMnm bit = 1). • Pn register write: Write to the port output latch		p. 182 <input type="checkbox"/>

Chapter	Chapter Classification	Function	Details of Function	Cautions	Page				
Chapter 4	Soft	Port functions	Caution on alternate-function mode (input)	The input signal to the alternate-function block is low level when the PMCn.PMCnm bit is 0 due to the output of the PMCn register set value and the pin level. Thus, depending on the port setting and alternatefunction operation enable timing, unexpected operations may occur. Therefore, switch between the mode and alternate-function mode in the following sequence. <ul style="list-style-type: none"> To switch from port mode to alternate-function mode (input) Set the pins to the alternate-function mode using the PMCn register and then enable the alternatefunction operation. To switch from alternate-function mode (input) to port mode Stop the alternate-function operation and then switch the pins to the port mode. 	p. 183 <input type="checkbox"/>				
			PFn.PFnm bit in port mode	In port mode, the PFn.PFnm bit is valid only in the output mode (PMn.PMnm bit = 0). In the input mode (PMnm bit = 1), the value of the PFnm bit is not reflected in the buffer.	p. 184 <input type="checkbox"/>				
			Caution on bit manipulation instruction for port n register (Pn)	When a 1-bit manipulation instruction is executed on a port that provides both input and output functions, the value of the output latch of an input port that is not subject to manipulation may be written in addition to the targeted bit. Therefore, it is recommended to rewrite the output latch when switching a port from input mode to output mode.	p. 185 <input type="checkbox"/>				
	Hard, soft	Hard		Caution on on-chip debug pins	The following action must be taken if on-chip debugging is not used. <ul style="list-style-type: none"> Clear the OCDM0 bit of the OCDM register (special register) (0) At this time, fix the P05/INTP2/DRST pin to low level from when reset by the RESET pin is released until the above action is taken. If a high level is input to the DRST pin before the above action is taken, it may cause a malfunction (CPU deadlock). Handle the P05 pin with the utmost care. 	p. 186 <input type="checkbox"/>			
					After reset by the WDT2RES signal, clock monitor (CLM), or low-voltage detector (LVI), the P05/INTP2/DRST pin is not initialized to function as an on-chip debug pin (DRST). The OCDM register holds the current value.	p. 186 <input type="checkbox"/>			
				Caution on P05/INTP2/DRST pin	The P05/INTP2/DRST pin has an internal pull-down resistor (30 kΩ TYP.). After a reset by the RESET pin, a pull-down resistor is connected. The pull-down resistor is disconnected when the OCDM0 bit is cleared (0).	p. 186 <input type="checkbox"/>			
				Caution on P10, P11, and P53 pins when power is turned on	When the power is turned on, the following pins may output an undefined level temporarily, even during reset. <ul style="list-style-type: none"> P10/ANO0 pin P11/ANO1 pin P53/SIB2/KR3/TIQ00/TOQ00/RTP03/DDO pin 	p. 186 <input type="checkbox"/>			
				Hysteresis characteristics	In port mode, the following port pins do not have hysteresis characteristics. <ul style="list-style-type: none"> P00 to P06 P31 to P35, P38, P39 P40 to P42 P50 to P55 P66, P68 to P610, P612, P613 P80 P90 to P97, P99, P910, P912 to P915 	p. 186 <input type="checkbox"/>			
				Chapter 5	Soft	Bus control functions	Pin status when internal ROM	When a write access is performed to the internal ROM area, address, data, and control signals are activated in the same way as access to the external memory area.	p. 188 <input type="checkbox"/>
							EXIMC register	Set the EXIMC register from the internal ROM or internal RAM area before making an external access. After setting the EXIMC register, be sure to insert a NOP instruction.	p. 190 <input type="checkbox"/>

Chapter	Classification	Function	Details of Function	Cautions	Page			
Chapter 5	Soft	Bus control functions	BSC register	Write to the BSC register after reset, and then do not change the set values. Also, do not access an external memory area until the initial settings of the BSC register are complete.	p. 191 <input type="checkbox"/>			
				Be sure to set bits 14, 12, 10, and 8 to "1", and clear bits 15, 13, 11, 9, 7, 5, 3, and 1 to "0".	p. 191 <input type="checkbox"/>			
			DWC0 register	The internal ROM and internal RAM areas are not subject to programmable wait, and are always accessed without a wait state. The on-chip peripheral I/O area is also not subject to programmable wait, and only wait control from each peripheral function is performed.	p. 199 <input type="checkbox"/>			
				Write to the DWC0 register after reset, and then do not change the set values. Also, do not access an external memory area until the initial settings of the DWC0 register are complete.	p. 199 <input type="checkbox"/>			
				Be sure to clear bits 15, 11, 7, and 3 to "0".	p. 199 <input type="checkbox"/>			
			AWC register	Address setup wait and address hold wait cycles are not inserted when the internal ROM area, internal RAM area, and on-chip peripheral I/O areas are accessed.	p. 202 <input type="checkbox"/>			
				Write to the AWC register after reset, and then do not change the set values. Also, do not access an external memory area until the initial settings of the AWC register are complete.	p. 202 <input type="checkbox"/>			
				Be sure to set bits 15 to 8 to "1".	p. 202 <input type="checkbox"/>			
			BCC register	The internal ROM, internal RAM, and on-chip peripheral I/O areas are not subject to idle state insertion.	p. 203 <input type="checkbox"/>			
				Write to the BCC register after reset, and then do not change the set values. Also, do not access an external memory area until the initial settings of the BCC register are complete.	p. 203 <input type="checkbox"/>			
				Be sure to set bits 15, 13, 11, and 9 to "1", and clear bits 14, 12, 10, 8, 6, 4, 2, and 0 to "0".	p. 203 <input type="checkbox"/>			
			Chapter 6	Soft	Clock generation function	PCC register	Do not change the CPU clock (by using the CK3 to CK0 bits) while CLKOUT is being output.	p. 217 <input type="checkbox"/>
							Use a bit manipulation instruction to manipulate the CK3 bit. When using an 8-bit manipulation instruction, do not change the set values of the CK2 to CK0 bits.	p. 217 <input type="checkbox"/>
							When stopping the main clock, stop the PLL. Also stop the operations of the on-chip peripheral functions operating with the main clock.	p. 218 <input type="checkbox"/>
If the following conditions are not satisfied, change the CK2 to CK0 bits so that the conditions are satisfied, then change to the subclock operation mode. Internal system clock (f_{CLK}) > Subclock (f_{XT} : 32.768 kHz) × 4	p. 218 <input type="checkbox"/>							
Enable operation of the on-chip peripheral functions operating with the main clock only after the oscillation of the main clock stabilizes. If their operations are enabled before the lapse of the oscillation stabilization time, a malfunction may occur.	p. 219 <input type="checkbox"/>							
RCM register	The internal oscillator cannot be stopped while the CPU is operating on the internal oscillation clock (CCLS.CCLSF bit = 1). Do not set the RSTOP bit to 1.	p. 220 <input type="checkbox"/>						
	The internal oscillator oscillates if the CCLS.CCLSF bit is set to 1 (when WDT overflow occurs during oscillation stabilization) even when the RSTOP bit is set to 1. At this time, the RSTOP bit remains being set to 1.	p. 220 <input type="checkbox"/>						
PLLCTL register	When the PLLON bit is cleared to 0, the SELPLL bit is automatically cleared to 0 (clockthrough mode).	p. 222 <input type="checkbox"/>						
	The SELPLL bit can be set to 1 only when the PLL clock frequency is stabilized. If not (unlocked), "0" is written to the SELPLL bit if data is written to it.	p. 222 <input type="checkbox"/>						

Chapter	Chapter Classification	Function	Details of Function	Cautions	Page
Chapter 6	Soft	Clock generation function	CKC register	The PLL mode cannot be used at $f_x = 5.0$ to 10.0 MHz.	p. 223 <input type="checkbox"/>
				Before changing the multiplication factor between 4 and 8 by using the CKC register, set the clock-through mode and stop the PLL.	p. 223 <input type="checkbox"/>
				Be sure to set bits 3 and 1 to "1" and clear bits 7 to 4 and 2 to "0".	p. 223 <input type="checkbox"/>
			LOCKR register	The LOCK register does not reflect the lock status of the PLL in real time.	p. 224 <input type="checkbox"/>
			PLLS register	Set so that the lockup time is $800 \mu\text{s}$ or longer.	p. 225 <input type="checkbox"/>
				Do not change the PLLS register setting during the lockup period.	p. 225 <input type="checkbox"/>
Chapter 7	Soft	16-bit timer/event counter P (TMP)	TPnCTL0 register	Set the TPnCKS2 to TPnCKS0 bits when the TPnCE bit = 0. When the value of the TPnCE bit is changed from 0 to 1, the TPnCKS2 to TPnCKS0 bits can be set simultaneously.	p. 230 <input type="checkbox"/>
				Be sure to clear bits 3 to 6 to "0".	p. 230 <input type="checkbox"/>
			TPnCTL1 register	The TPnEST bit is valid only in the external trigger pulse output mode or one-shot pulse output mode. In any other mode, writing 1 to this bit is ignored.	p. 231 <input type="checkbox"/>
				External event count input is selected in the external event count mode regardless of the value of the TPnEEE bit.	p. 231 <input type="checkbox"/>
				Set the TPnEEE and TPnMD2 to TPnMD0 bits when the TPnCTL0.TPnCE bit = 0. (The same value can be written when the TPnCE bit = 1.) The operation is not guaranteed when rewriting is performed with the TPnCE bit = 1. If rewriting was mistakenly performed, clear the TPnCE bit to 0 and then set the bits again.	p. 231 <input type="checkbox"/>
				Be sure to clear bits 3, 4, and 7 to "0".	p. 231 <input type="checkbox"/>
			TPnIOC0 register	Rewrite the TPnOL1, TPnOE1, TPnOLO, and TPnOE0 bits when the TPnCTL0.TPnCE bit = 0. (The same value can be written when the TPnCE bit = 1.) If rewriting was mistakenly performed, clear the TPnCE bit to 0 and then set the bits again.	p. 232 <input type="checkbox"/>
				Even if the TPnOLm bit is manipulated when the TPnCE and TPnOEm bits are 0, the TOPnm pin output level varies ($m = 0, 1$).	p. 232 <input type="checkbox"/>
			TPnIOC1 register	Rewrite the TPnIS3 to TPnIS0 bits when the TPnCTL0.TPnCE bit = 0. (The same value can be written when the TPnCE bit = 1.) If rewriting was mistakenly performed, clear the TPnCE bit to 0 and then set the bits again.	p. 233 <input type="checkbox"/>
				The TPnIS3 to TPnIS0 bits are valid only in the freerunning timer mode and the pulse width measurement mode. In all other modes, a capture operation is not possible.	p. 233 <input type="checkbox"/>
			TPnIOC2 register	Rewrite the TPnEES1, TPnEES0, TPnETS1, and TPnETS0 bits when the TPnCTL0.TPnCE bit = 0. (The same value can be written when the TPnCE bit = 1.) If rewriting was mistakenly performed, clear the TPnCE bit to 0 and then set the bits again.	p. 234 <input type="checkbox"/>
				The TPnEES1 and TPnEES0 bits are valid only when the TPnCTL1.TPnEEE bit = 1 or when the external event count mode (TPnCTL1.TPnMD2 to TPnCTL1.TPnMD0 bits = 001) has been set.	p. 234 <input type="checkbox"/>
				The TPnETS1 and TPnETS0 bits are valid only when the external trigger pulse output mode (TPnCTL1.TPnMD2 to TPnCTL1.TPnMD0 bits = 010) or the one-shot pulse output mode (TPnCTL1.TPnMD2 to TPnCTL1.TPnMD0 = 011) is set.	p. 234 <input type="checkbox"/>
TPnOPT0 register	Rewrite the TPnCCS1 and TPnCCS0 bits when the TPnCE bit = 0. (The same value can be written when the TPnCE bit = 1.) If rewriting was mistakenly performed, clear the TPnCE bit to 0 and then set the bits again.	p. 235 <input type="checkbox"/>			
	Be sure to clear bits 1 to 3, 6, and 7 to "0".	p. 235 <input type="checkbox"/>			

Chapter	Classification	Function	Details of Function	Cautions	Page
Chapter 7	Soft	16-bit timer/event counter P (TMP)	TPnCCR0 register	Accessing the TPnCCR0 register is prohibited in the following statuses. For details, see 3.4.8 (2) Accessing specific on-chip peripheral I/O registers . <ul style="list-style-type: none"> When the CPU operates with the subclock and the main clock oscillation is stopped When the CPU operates with the internal oscillation clock 	p. 236 <input type="checkbox"/>
			TPnCCR1 register	Accessing the TPnCCR1 register is prohibited in the following statuses. For details, see 3.4.8 (2) Accessing specific on-chip peripheral I/O registers . <ul style="list-style-type: none"> When the CPU operates with the subclock and the main clock oscillation is stopped When the CPU operates with the internal oscillation clock 	p. 238 <input type="checkbox"/>
			TPnCNT register	Accessing the TPnCNT register is prohibited in the following statuses. For details, see 3.4.8 (2) Accessing specific on-chip peripheral I/O registers . <ul style="list-style-type: none"> When the CPU operates with the subclock and the main clock oscillation is stopped When the CPU operates with the internal oscillation clock 	p. 240 <input type="checkbox"/>
			Operation	To use the external event count mode, specify that the valid edge of the TIPn0 pin capture trigger input is not detected (by clearing the TPnIOC1.TPnIS1 and TPnIOC1.TPnIS0 bits to "00").	p. 241 <input type="checkbox"/>
				When using the external trigger pulse output mode, one-shot pulse output mode, and pulse width measurement mode, select the internal clock as the count clock (by clearing the TPnCTL1.TPnEEE bit to 0).	p. 241 <input type="checkbox"/>
			Interval timer mode (TPnMD2 to TPnMD0 bits = 000)	This bit can be set to 1 only when the interrupt request signals (INTTPnCC0 and INTTPnCC1) are masked by the interrupt mask flags (TPnCCMK0 and TPnCCMK1) and timer output (TOPn1) is performed at the same time. However, set the TPnCCR0 and TPnCCR1 registers to the same value (see 7.5.1 (2) (d) Operation of TPnCCR1 register).	p. 243 <input type="checkbox"/>
			Notes on rewriting TPnCCR0 register	To change the value of the TPnCCR0 register to a smaller value, stop counting once and then change the set value. If the value of the TPnCCR0 register is rewritten to a smaller value during counting, the 16-bit counter may overflow.	p. 248 <input type="checkbox"/>
			Register setting for operation in external event count mode	When an external clock is used as the count clock, the external clock can be input only from the TIPn0 pin. At this time, set the TPnIOC1.TPnIS1 and TPnIOC1.TPnIS0 bits to 00 (capture trigger input (TIPn0 pin): no edge detection).	p. 254 <input type="checkbox"/>
			External event count mode (TPnMD2 to TPnMD0 bits = 001)	In the external event count mode, do not set the TPnCCR0 register to 0000H.	p. 256 <input type="checkbox"/>
				In the external event count mode, use of the timer output is disabled. If performing timer output using external event count input, set the interval timer mode, and select the operation enabled by the external event count input for the count clock (TPnCTL1.TPnMD2 to TPnCTL1.TPnMD0 bits = 000, TPnCTL1.TPnEEE bit = 1).	p. 256 <input type="checkbox"/>
			Notes on rewriting the TPnCCR0 register	To change the value of the TPnCCR0 register to a smaller value, stop counting once and then change the set value. If the value of the TPnCCR0 register is rewritten to a smaller value during counting, the 16-bit counter may overflow.	p. 257 <input type="checkbox"/>
			TPnIOC0, TPnOE0, TPnOLO bits	Clear this bit to 0 when the TOPn0 pin is not used in the external trigger pulse output mode.	p. 262 <input type="checkbox"/>
			Note on changing pulse width during operation	To change the PWM waveform while the counter is operating, write the TPnCCR1 register last. Rewrite the TPnCCRm register after writing the TPnCCR1 register after the INTTPnCC0 signal is detected.	p. 266 <input type="checkbox"/>
TPnIOC0.TPnOE0, TPnOLO bits	Clear this bit to 0 when the TOPn0 pin is not used in the one-shot pulse output mode.	p. 274 <input type="checkbox"/>			

Chapter	Chapter Classification	Function	Details of Function	Cautions	Page			
Chapter 7	Soft	16-bit timer/event counter P (TMP)	Register setting for operation in one-shot pulse output mode	One-shot pulses are not output even in the one-shot pulse output mode, if the value set in the TPnCCR1 register is greater than that set in the TPnCCR0 register.	p. 275 <input type="checkbox"/>			
			Note on rewriting TPnCCRM register	To change the set value of the TPnCCRM register to a smaller value, stop counting once, and then change the set value. If the value of the TPnCCRM register is rewritten to a smaller value during counting, the 16-bit counter may overflow.	p. 277 <input type="checkbox"/>			
			TPnIOC0.TPnOE0, TPnOL0 bits	Clear this bit to 0 when the TOPn0 pin is not used in the PWM output mode.	p. 281 <input type="checkbox"/>			
			Selector function	When using the selector function, be sure to set the port/timer alternate function pins for TMP to be connected to the capture trigger input.	p. 312 <input type="checkbox"/>			
				Disable the peripheral I/Os to be connected (TMP/UARTA) before setting the selector function.	p. 312 <input type="checkbox"/>			
			SELCNT0 register	When setting the ISEL3, ISEL4, or ISEL6 bit to 1, be sure to set the corresponding alternate-function pin to the capture trigger input.	p. 313 <input type="checkbox"/>			
				Be sure to clear bits 7, 5, 2, 1, and 0 to "0".	p. 313 <input type="checkbox"/>			
			Capture operation	When the capture operation is used and a slow clock is selected as the count clock, FFFFH, not 0000H, may be captured in the TPnCCR0 and TPnCCR1 registers if the capture trigger is input immediately after the TPnCE bit is set to 1.	p. 314 <input type="checkbox"/>			
			Chapter 8	Soft	16-bit timer/event counter Q (TMQ)	TQ0CTL0 register	Set the TQ0CKS2 to TQ0CKS0 bits when the TQ0CE bit = 0. When the value of the TQ0CE bit is changed from 0 to 1, the TQ0CKS2 to TQ0CKS0 bits can be set simultaneously.	p. 319 <input type="checkbox"/>
							Be sure to clear bits 3 to 6 to "0".	p. 319 <input type="checkbox"/>
TQ0CTL1 register	The TQ0EST bit is valid only in the external trigger pulse output mode or one-shot pulse output mode. In any other mode, writing 1 to this bit is ignored.	p. 320 <input type="checkbox"/>						
	External event count input is selected in the external event count mode regardless of the value of the TQ0EEE bit.	p. 320 <input type="checkbox"/>						
	Set the TQ0EEE and TQ0MD2 to TQ0MD0 bits when the TQ0CTL0.TQ0CE bit = 0. (The same value can be written when the TQ0CE bit = 1.) The operation is not guaranteed when rewriting is performed with the TQ0CE bit = 1. If rewriting was mistakenly performed, clear the TQ0CE bit to 0 and then set the bits again.	p. 320 <input type="checkbox"/>						
	Be sure to clear bits 3, 4, and 7 to "0".	p. 320 <input type="checkbox"/>						
TQ0IOC0 register	Rewrite the TQ0OLm and TQ0OEm bits when the TQ0CTL0.TQ0CE bit = 0. (The same value can be written when the TQ0CE bit = 1.) If rewriting was mistakenly performed, clear the TQ0CE bit to 0 and then set the bits again.	p. 321 <input type="checkbox"/>						
	Even if the TQ0OLm bit is manipulated when the TQ0CE and TQ0OEm bits are 0, the TQ0m pin output level varies.	p. 321 <input type="checkbox"/>						
TQ0IOC1 register	Rewrite the TQ0IS7 to TQ0IS0 bits when the TQ0CTL0.TQ0CE bit = 0. (The same value can be written when the TQ0CE bit = 1.) If rewriting was mistakenly performed, clear the TQ0CE bit to 0 and then set the bits again.	p. 322 <input type="checkbox"/>						
	The TQ0IS7 to TQ0IS0 bits are valid only in the freerunning timer mode and the pulse width measurement mode. In all other modes, a capture operation is not possible.	p. 322 <input type="checkbox"/>						

Chapter	Chapter Classification	Function	Details of Function	Cautions	Page
Chapter 8	Soft	16-bit timer/event counter Q (TMQ)	TQ0IOC2 register	Rewrite the TQ0EES1, TQ0EES0, TQ0ETS1, and TQ0ETS0 bits when the TQ0CTL0.TQ0CE bit = 0. (The same value can be written when the TQ0CE bit = 1.) If rewriting was mistakenly performed, clear the TQ0CE bit to 0 and then set the bits again.	p. 323 <input type="checkbox"/>
				The TQ0EES1 and TQ0EES0 bits are valid only when the TQ0CTL1.TQ0EEE bit = 1 or when the external event count mode (TQ0CTL1.TQ0MD2 to TQ0CTL1.TQ0MD0 bits = 001) has been set.	p. 323 <input type="checkbox"/>
				The TQ0ETS1 and TQ0ETS0 bits are valid only when the external trigger pulse output mode (TQ0CTL1.TQ0MD2 to TQ0CTL1.TQ0MD0 bits = 010) or the one-shot pulse output mode (TQ0CTL1.TQ0MD2 to TQ0CTL1.TQ0MD0 = 011) is set.	p. 323 <input type="checkbox"/>
		TQ0OPT0 register	Rewrite the TQ0CCS3 to TQ0CCS0 bits when the TQ0CTL0.TQ0CE bit = 0. (The same value can be written when the TQ0CE bit = 1.) If rewriting was mistakenly performed, clear the TQ0CE bit to 0 and then set the bits again.	p. 324 <input type="checkbox"/>	
			Be sure to clear bits 1 to 3 to "0".	p. 324 <input type="checkbox"/>	
		TQ0CCR0 register	Accessing the TQ0CCR0 register is prohibited in the following statuses. For details, see 3.4.8 (2) Accessing specific on-chip peripheral I/O registers.	p. 325 <input type="checkbox"/>	
		TQ0CCR1 register	<ul style="list-style-type: none"> When the CPU operates with the subclock and the main clock oscillation is stopped When the CPU operates with the internal oscillation clock 		
			Accessing the TQ0CCR1 register is prohibited in the following statuses. For details, see 3.4.8 (2) Accessing specific on-chip peripheral I/O registers.	p. 327 <input type="checkbox"/>	
		TQ0CCR2 register	<ul style="list-style-type: none"> When the CPU operates with the subclock and the main clock oscillation is stopped When the CPU operates with the internal oscillation clock 		
			Accessing the TQ0CCR2 register is prohibited in the following statuses. For details, see 3.4.8 (2) Accessing specific on-chip peripheral I/O registers.	p. 329 <input type="checkbox"/>	
		TQ0CCR3 register	<ul style="list-style-type: none"> When the CPU operates with the subclock and the main clock oscillation is stopped When the CPU operates with the internal oscillation clock 		
Accessing the TQ0CCR3 register is prohibited in the following statuses. For details, see 3.4.8 (2) Accessing specific on-chip peripheral I/O registers.	p. 331 <input type="checkbox"/>				
TQ0CNT register	Accessing the TQ0CNT register is prohibited in the following statuses. For details, see 3.4.8 (2) Accessing specific on-chip peripheral I/O registers.	p. 333 <input type="checkbox"/>			
External event count mode	To use the external event count mode, specify that the valid edge of the TIQ00 pin capture trigger input is not detected (by clearing the TQ0IOC1.TQ0IS1 and TQ0IOC1.TQ0IS0 bits to "00").	p. 334 <input type="checkbox"/>			
External trigger pulse output mode, one-shot pulse output mode, pulse width measurement mode	When using the external trigger pulse output mode, one-shot pulse output mode, and pulse width measurement mode, select the internal clock as the count clock (by clearing the TQ0CTL1.TQ0EEE bit to 0).	p. 334 <input type="checkbox"/>			

Chapter	Chapter Classification	Function	Details of Function	Cautions	Page	
Chapter 8	Soft	16-bit timer/event counter Q (TMQ)	TQ0CTL1.TQ0EEE bit	This bit can be set to 1 only when the interrupt request signals (INTTQ0CC0 and INTTQ0CCK) are masked by the interrupt mask flags (TQ0CCMK0 to TQ0CCMKk) and the timer output (TOQ0k) is performed at the same time. However, the TQ0CCR0 and TQ0CCRk registers must be set to the same value (see 8.5.1 (2) (d) Operation of TQ0CCR1 to TQ0CCR3 registers).	p. 336	<input type="checkbox"/>
			Notes on rewriting TQ0CCR0 register	To change the value of the TQ0CCR0 register to a smaller value, stop counting once and then change the set value. If the value of the TQ0CCR0 register is rewritten to a smaller value during counting, the 16-bit counter may overflow.	pp. 340, 349	<input type="checkbox"/>
			Register setting for operation in external event count mode	When an external clock is used as the count clock, the external clock can be input only from the TIQ00 pin. At this time, set the TQ0IOC1.TQ0IS1 and TQ0IOC1.TQ0IS0 bits to 00 (capture trigger input (TIQ00 pin): no edge detection).	p. 346	<input type="checkbox"/>
			External event count mode (TQ0MD2 to TQ0MD0 bits = 001)	In the external event count mode, do not set the TQ0CCR0 register to 0000H.	p. 348	<input type="checkbox"/>
				In the external event count mode, use of the timer output is disabled. If performing timer output using external event count input, set the interval timer mode, and select the operation enabled by the external event count input for the count clock (TQ0CTL1.TQ0MD2 to TQ0CTL1.TQ0MD0 bits = 000, TQ0CTL1.TQ0EEE bit = 1).	p. 348	<input type="checkbox"/>
			TQ0IOC0.TQ0OE0, TQ0OL0 bits	Clear this bit to 0 when the TOQ00 pin is not used in the external trigger pulse output mode.	p. 356	<input type="checkbox"/>
			Note on changing pulse width during operation	To change the PWM waveform while the counter is operating, write the TQ0CCR1 register last. Rewrite the TQ0CCRk register after writing the TQ0CCR1 register after the INTTQ0CC0 signal is detected.	p. 360	<input type="checkbox"/>
			TQ0IOC0.TQ0OE0, TQ0OL0 bits	Clear this bit to 0 when the TOQ00 pin is not used in the one-shot pulse output mode.	p. 369	<input type="checkbox"/>
			Register setting for operation in one-shot pulse output mode	One-shot pulses are not output even in the one-shot pulse output mode, if the value set in the TQ0CCR1 register is greater than that set in the TQ0CCRk register.	p. 370	<input type="checkbox"/>
			Note on rewriting TQ0CCRm register	To change the set value of the TQ0CCRm register to a smaller value, stop counting once, and then change the set value. If the value of the TQ0CCR0 register is rewritten to a smaller value during counting, the 16-bit counter may overflow.	p. 373	<input type="checkbox"/>
Chapter 9	Soft	16-bit interval timer M (TMM)	TMOCTL0 register	Set the TMOCKS2 to TMOCKS0 bits when TMOCE bit = 0. When changing the value of TMOCE from 0 to 1, it is not possible to set the value of the TMOCKS2 to TMOCKS0 bits simultaneously. Be sure to clear bits 3 to 6 to "0".	p. 416	<input type="checkbox"/>
				p. 416	<input type="checkbox"/>	
			Operation in interval timer mode	Do not set the TMOCMP0 register to FFFFH.	pp. 417, 420	<input type="checkbox"/>
			Count start	It takes the 16-bit counter up to the following time to start counting after the TMOCTL0.TMOCE bit is set to 1, depending on the count clock selected.	p. 421	<input type="checkbox"/>

Chapter	Classification	Function	Details of Function	Cautions	Page
Chapter 9	Soft	16-bit interval timer M (TMM)	TM0CMP0, TM0CTL0 registers	Rewriting the TM0CMP0 and TM0CTL0 registers is prohibited while TMM0 is operating. If these registers are rewritten while the TMOCE bit is 1, the operation cannot be guaranteed. If they are rewritten by mistake, clear the TM0CTL0.TMOCE bit to 0, and re-set the registers.	p. 421 <input type="checkbox"/>
Chapter 10	Soft	Watch timer functions	PRSM0 register	Do not change the values of the BGCS00 and BGCS01 bits during watch timer operation.	p. 425 <input type="checkbox"/>
				Set the PRSM0 register before setting the BGCE0 bit to 1.	p. 425 <input type="checkbox"/>
				Set the PRSM0 and PRSCM0 registers according to the main clock frequency that is used so as to obtain an f_{BRG} frequency of 32.768 kHz.	p. 425 <input type="checkbox"/>
			PRSCM0 register	Do not rewrite the PRSCM0 register during watch timer operation.	p. 426 <input type="checkbox"/>
				Set the PRSCM0 register before setting the PRSM0.BGCE0 bit to 1.	p. 426 <input type="checkbox"/>
				Set the PRSM0 and PRSCM0 registers according to the main clock frequency that is used so as to obtain an f_{BRG} frequency of 32.768 kHz.	p. 426 <input type="checkbox"/>
	WTM register	Rewrite the WTM2 to WTM7 bits while both the WTM0 and WTM1 bits are 0.	p. 428 <input type="checkbox"/>		
	Hard	Cautions	Some time is required before the first watch timer interrupt request signal (INTWT) is generated after operation is enabled (WTM.WTM1 and WTM.WTM0 bits = 1).	p. 431 <input type="checkbox"/>	
			It takes 0.515625 seconds (max.) for the first INTWT signal to be generated ($2^9 \times 1/32768 = 0.015625$ seconds longer (max.)). The INTWT signal is then generated every 0.5 seconds.	p. 431 <input type="checkbox"/>	
	Chapter 11	Soft	Watchdog timer 2 function	Default-start watchdog timer	Watchdog timer 2 automatically starts in the reset mode following reset release. When watchdog timer 2 is not used, either stop its operation before reset is executed via this function, or clear watchdog timer 2 once and stop it within the next interval time. Also, write to the WDTM2 register for verification purposes only once, even if the default settings (reset mode, interval time: $f_{R}/2^{19}$) do not need to be changed.
For the non-maskable interrupt servicing due to a non-maskable interrupt request signal (INTWDT2), see 19.2.2 (2) From INTWDT2 signal .					p. 432 <input type="checkbox"/>
WDTM2 register				Accessing the WDTM2 register is prohibited in the following statuses. For details, see 3.4.8 (2) Accessing specific on-chip peripheral I/O registers . <ul style="list-style-type: none"> When the CPU operates with the subclock and the main clock oscillation is stopped When the CPU operates with the internal oscillation clock 	p. 434 <input type="checkbox"/>
				For details of the WDCS20 to WDCS24 bits, see Table 11-2 Watchdog Timer 2 Clock Selection .	p. 434 <input type="checkbox"/>
				Although watchdog timer 2 can be stopped just by stopping the operation of the internal oscillator, clear the WDTM2 register to 00H to securely stop the timer (to avoid selection of the main clock or subclock due to an erroneous write operation).	p. 434 <input type="checkbox"/>
				If the WDTM2 register is rewritten twice after reset, an overflow signal is forcibly generated and the counter is reset.	p. 434 <input type="checkbox"/>
				To intentionally generate an overflow signal, write data to the WDTM2 register only twice, or write a value other than "ACH" to the WDTE register only once. However, when watchdog timer 2 is set to stop operation, an overflow signal is not generated even if data is written to the WDTM2 register only twice, or a value other than "ACH" is written to the WDTE register only once.	p. 434 <input type="checkbox"/>

Chapter	Classification	Function	Details of Function	Cautions	Page
Chapter 11	Soft	Watchdog timer 2 function	WDTM2 register	To stop the operation of watchdog timer 2, set the RCM.RSTP bit to 1 (to stop the internal oscillator) and write 00H in the WDTM2 register. If the RCM.RSTP bit cannot be set to 1, set the WDSCS23 bit to 1 (2 ⁿ /f _{xx} is selected and the clock can be stopped in the IDLE1, IDLW2, sub-IDLE, and subclock operation modes).	p. 434 <input type="checkbox"/>
			WDTE register	When a value other than "ACH" is written to the WDTE register, an overflow signal is forcibly output.	p. 435 <input type="checkbox"/>
				When a 1-bit memory manipulation instruction is executed for the WDTE register, an overflow signal is forcibly output.	p. 435 <input type="checkbox"/>
				To intentionally generate an overflow signal, write a value other than "ACH" to the WDTE register only once, or write data to the WDTM2 register only twice. However, when the watchdog timer 2 is set to stop operation, an overflow signal is not generated even if data is written to the WDTM2 register only twice, or a value other than "ACH" is written to the WDTE register only once.	p. 435 <input type="checkbox"/>
				The read value of the WDTE register is "9AH" (which differs from written value "ACH").	p. 435 <input type="checkbox"/>
Chapter 12	Soft	Real-time output function (RTO)	RTBLn, RTBHn registers	When writing to bits 6 and 7 of the RTBHn register, always write 0.	p. 439 <input type="checkbox"/>
				Accessing the RTBLn and RTBHn registers is prohibited in the following statuses. For details, see 3.4.8 (2) Accessing specific on-chip peripheral I/O registers . <ul style="list-style-type: none"> When the CPU operates with the subclock and the main clock oscillation is stopped When the CPU operates with the internal oscillation clock 	p. 439 <input type="checkbox"/>
				After setting the real-time output port, set output data to the RTBLn and RTBHn registers by the time a realtime output trigger is generated.	p. 439 <input type="checkbox"/>
			RTPMn register	By enabling the real-time output operation (RTPCn.RTPOEn bit = 1), the bits enabled to real-time output among the RTPn0 to RTPn5 signals perform realtime output, and the bits set to port mode output 0.	p. 440 <input type="checkbox"/>
				If real-time output is disabled (RTPOEn bit = 0), the real-time output pins (RTPn0 to RTPn5) all output 0, regardless of the RTPMn register setting.	p. 440 <input type="checkbox"/>
				In order to use this register as the real-time output pins (RTPn0 to RTPn5), set these pins as real-time output port pins using the PMC and PFC registers.	p. 440 <input type="checkbox"/>
			RTPCn register	Set the RTPEGn, BYTEn, and EXTRn bits only when RTPOEn bit = 0.	p. 441 <input type="checkbox"/>
			Realtime output operation	Prevent the following conflicts by software. <ul style="list-style-type: none"> Conflict between real-time output disable/enable switching (RTPOEn bit) and selected real-time output trigger. Conflict between writing to the RTBHn and RTBLn registers in the real-time output enabled status and the selected real-time output trigger. 	p. 443 <input type="checkbox"/>
			Initialization	Before performing initialization, disable real-time output (RTPOEn bit = 0).	p. 443 <input type="checkbox"/>
			RTBHn, RTBLn registers	Once real-time output has been disabled (RTPOEn bit = 0), be sure to initialize the RTBHn and RTBLn registers before enabling real-time output again (RTPOEn bit = 0 → 1).	p. 443 <input type="checkbox"/>
Chapter 13	Hard	A/D converter	ANI0 to ANI15 pins	Make sure that the voltages input to the ANI0 to ANI15 pins do not exceed the rated values. In particular if a voltage of AV _{REF0} or higher is input to a channel, the conversion value of that channel becomes undefined, and the conversion values of the other channels may also be affected.	p. 447 <input type="checkbox"/>
	Soft		ADA0M0 register	Accessing the ADA0M0 register is prohibited in the following statuses. For details, see 3.4.8 (2) Accessing specific on-chip peripheral I/O registers . <ul style="list-style-type: none"> When the CPU operates with the subclock and the main clock oscillation is stopped When the CPU operates with the internal oscillation clock 	p. 448 <input type="checkbox"/>

Chapter	Classification	Function	Details of Function	Cautions	Page
Chapter 13	Soft	A/D converter	ADA0M0 register	A write operation to bit 0 is ignored.	p. 449 <input type="checkbox"/>
				Changing the ADA0M1.ADA0FR2 to ADA0M1.ADA0FR0 bits is prohibited while A/D conversion is enabled (ADA0CE bit = 1).	p. 449 <input type="checkbox"/>
				When writing data to the ADA0M0, ADA0M2, ADA0S, ADA0PFM, or ADA0PFT register in the following modes, stop the A/D conversion by clearing the ADA0CE bit to 0. After the data is written to the register, enable the A/D conversion again by setting the ADA0CE bit to 1. <ul style="list-style-type: none"> • Normal conversion mode • One-shot select mode/one-shot scan mode in high-speed conversion mode If the ADA0M0, ADA0M2, ADA0S, ADA0PFM, and ADA0PFT registers are written in the other modes during A/D conversion (ADA0EF bit = 1), the following will be performed according to the mode. <ul style="list-style-type: none"> • In software trigger mode A/D conversion is stopped and started again from the beginning. • In hardware trigger mode A/D conversion is stopped, and the trigger standby status is set. 	p. 449 <input type="checkbox"/>
				To select the external trigger mode/timer trigger mode (ADA0TMD bit = 1), set the high-speed conversion mode (ADA0M1.ADA0HS1 bit = 1). Do not input a trigger during stabilization time that is inserted once after the A/D conversion operation is enabled (ADA0CE bit = 1).	p. 449 <input type="checkbox"/>
				When not using the A/D converter, stop the operation by setting the ADA0CE bit to 0 to reduce the power consumption.	p. 449 <input type="checkbox"/>
			ADA0M1 register	Changing the ADA0M1 register is prohibited while A/D conversion is enabled (ADA0M0.ADA0CE bit = 1).	p. 450 <input type="checkbox"/>
				To select the external trigger mode/timer trigger mode (ADA0M0.ADA0TMD bit = 1), set the high-speed conversion mode (ADA0HS1 bit = 1). Do not input a trigger during stabilization time that is inserted once after the A/D conversion operation is enabled (ADA0CE bit = 1).	p. 450 <input type="checkbox"/>
				Be sure to clear bits 6 to 3 to "0".	p. 450 <input type="checkbox"/>
			Conversion time selection in normal conversion mode (ADA0HS1 bit = 0)	Set as $2.6 \mu\text{s} \leq \text{conversion time} \leq 10.4 \mu\text{s}$.	p. 451 <input type="checkbox"/>
				During A/D conversion, if the ADA0M0, ADA0M2, ADA0S, ADA0PFM, and ADA0PFT registers are written or trigger is input, reconversion is carried out. However, if the stabilization time end timing conflicts with the writing to these registers, or if the stabilization time end timing conflicts with the trigger input, the stabilization time of 64 clocks is reinserted. If a conflict occurs again with the reinserted stabilization time end timing, the stabilization time is reinserted. Therefore do not set the trigger input interval and control register write interval to 64 clocks or below.	p. 451 <input type="checkbox"/>
			Conversion time selection in high-speed conversion mode (ADA0HS1 bit = 1)	Set as $2.6 \mu\text{s} \leq \text{conversion time} \leq 10.4 \mu\text{s}$.	p. 452 <input type="checkbox"/>
				In the high-speed conversion mode, rewriting of the ADA0M0, ADA0M2, ADA0S, ADA0PFM, and ADA0PFT registers and trigger input are prohibited during the stabilization time.	p. 452 <input type="checkbox"/>
			ADA0M2 register	When writing data to the ADA0M2 register in the following modes, stop the A/D conversion by clearing the ADA0M0.ADA0CE bit to 0. After the data is written to the register, enable the A/D conversion again by setting the ADA0CE bit to 1. <ul style="list-style-type: none"> • Normal conversion mode • One-shot select mode/one-shot scan mode in high-speed conversion mode 	p. 453 <input type="checkbox"/>
				Be sure to clear bits 7 to 2 to "0".	p. 453 <input type="checkbox"/>

Chapter	Classification	Function	Details of Function	Cautions	Page
Chapter 13	Soft	A/D converter	ADA0S register	When writing data to the ADA0S register in the following modes, stop the A/D conversion by clearing the AD0M0.ADA0CE bit to 0. After the data is written to the register, enable the A/D conversion again by setting the ADA0CE bit to 1. <ul style="list-style-type: none"> • Normal conversion mode • One-shot select mode/one-shot scan mode in high-speed conversion mode 	p. 454 <input type="checkbox"/>
				Be sure to clear bits 7 to 4 to "0".	p. 454 <input type="checkbox"/>
			ADA0CRn, ADA0CRnH registers	Accessing the ADA0CRn and ADA0CRnH registers is prohibited in the following statuses. For details, see 3.4.8 (2) Accessing specific on-chip peripheral I/O registers . <ul style="list-style-type: none"> • When the CPU operates with the subclock and the main clock oscillation is stopped • When the CPU operates with the internal oscillation clock 	p. 455 <input type="checkbox"/>
				A write operation to the ADA0M0 and ADA0S registers may cause the contents of the ADA0CRn register to become undefined. After the conversion, read the conversion result before writing to the ADA0M0 and ADA0S registers. Correct conversion results may not be read if a sequence other than the above is used.	p. 455 <input type="checkbox"/>
			ADA0PFM register	In the select mode, the 8-bit data set to the ADA0PFT register is compared with the value of the ADA0CRnH register specified by the ADA0S register. If the result matches the condition specified by the ADA0PFC bit, the conversion result is stored in the ADA0CRn register and the INTAD signal is generated. If it does not match, however, the interrupt signal is not generated.	p. 457 <input type="checkbox"/>
				In the scan mode, the 8-bit data set to the ADA0PFT register is compared with the contents of the ADA0CR0H register. If the result matches the condition specified by the ADA0PFC bit, the conversion result is stored in the ADA0CR0 register and the INTAD signal is generated. If it does not match, however, the INTAD signal is not generated. Regardless of the comparison result, the scan operation is continued and the conversion result is stored in the ADA0CRn register until the scan operation is completed. However, the INTAD signal is not generated after the scan operation has been completed.	p. 457 <input type="checkbox"/>
				When writing data to the ADA0PFM register in the following modes, stop the A/D conversion by clearing the AD0M0.ADA0CE bit to 0. After the data is written to the register, enable the A/D conversion again by setting the ADA0CE bit to 1. <ul style="list-style-type: none"> • Normal conversion mode • One-shot select mode/one-shot scan mode in high-speed conversion mode 	p. 457 <input type="checkbox"/>
			ADA0PFT register	When writing data to the ADA0PFT register in the following modes, stop the A/D conversion by clearing the AD0M0.ADA0CE bit to 0. After the data is written to the register, enable the A/D conversion again by setting the ADA0CE bit to 1. <ul style="list-style-type: none"> • Normal conversion mode • One-shot select mode/one-shot scan mode in high-speed conversion mode 	p. 458 <input type="checkbox"/>
			External trigger mode	To select the external trigger mode, set the high-speed conversion mode. Do not input a trigger during stabilization time that is inserted once after the A/D conversion operation is enabled (ADA0M0.ADA0CE bit = 1).	p. 461 <input type="checkbox"/>
			Timer trigger mode	To select the timer trigger mode, set the high-speed conversion mode. Do not input a trigger during stabilization time that is inserted once after the A/D conversion operation is enabled (ADA0M0.ADA0CE bit = 1).	p. 462 <input type="checkbox"/>
When A/D converter is not used	When the A/D converter is not used, the power consumption can be reduced by clearing the ADA0M0.ADA0CE bit to 0.	p. 472 <input type="checkbox"/>			

Chapter	Classification	Function	Details of Function	Cautions	Page
Chapter 13	Soft	A/D converter	Input range of ANI0 to ANI15 pins	Input the voltage within the specified range to the ANI0 to ANI15 pins. If a voltage equal to or higher than AV_{REF0} or equal to or lower than AV_{SS} (even within the range of the absolute maximum ratings) is input to any of these pins, the conversion value of that channel is undefined, and the conversion value of the other channels may also be affected.	p. 472 <input type="checkbox"/>
			Countermeasures against noise	To maintain the 10-bit resolution, the ANI0 to ANI15 pins must be effectively protected from noise. The influence of noise increases as the output impedance of the analog input source becomes higher. To lower the noise, connecting an external capacitor as shown in Figure 13-12 is recommended.	p. 472 <input type="checkbox"/>
			Alternate I/O	The analog input pins (ANI0 to ANI15) function alternately as port pins. When selecting one of the ANI0 to ANI15 pins to execute A/D conversion, do not execute an instruction to read an input port or write to an output port during conversion as the conversion resolution may drop. Also the conversion resolution may drop at the pins set as output port pins during A/D conversion if the output current fluctuates due to the effect of the external circuit connected to the port pins. If a digital pulse is applied to a pin adjacent to the pin whose input signal is being converted, the A/D conversion value may not be as expected due to the influence of coupling noise. Therefore, do not apply a pulse to a pin adjacent to the pin undergoing A/D conversion.	p. 472 <input type="checkbox"/>
			Interrupt request flag (ADIF)	The interrupt request flag (ADIF) is not cleared even if the contents of the ADA0S register are changed. If the analog input pin is changed during A/D conversion, therefore, the result of converting the previously selected analog input signal may be stored and the conversion end interrupt request flag may be set immediately before the ADA0S register is rewritten. If the ADIF flag is read immediately after the ADA0S register is rewritten, the ADIF flag may be set even though the A/D conversion of the newly selected analog input pin has not been completed. When A/D conversion is stopped, clear the ADIF flag before resuming conversion.	p. 473 <input type="checkbox"/>
	Hard	AV _{REF0} pin	(a) The AV _{REF0} pin is used as the power supply pin of the A/D converter and also supplies power to the alternate-function ports. In an application where a backup power supply is used, be sure to supply the same voltage as V _{DD} to the AV _{REF0} pin as shown in Figure 13-15. (b) The AV _{REF0} pin is also used as the reference voltage pin of the A/D converter. If the source supplying power to the AV _{REF0} pin has a high impedance or if the power supply has a low current supply capability, the reference voltage may fluctuate due to the current that flows during conversion (especially, immediately after the conversion operation enable bit ADA0CE has been set to 1). As a result, the conversion accuracy may drop. To avoid this, it is recommended to connect a capacitor across the AV _{REF0} and AV _{SS} pins to suppress the reference voltage fluctuation as shown in Figure 13-15. (c) If the source supplying power to the AV _{REF0} pin has a high DC resistance (for example, because of insertion of a diode), the voltage when conversion is enabled may be lower than the voltage when conversion is stopped, because of a voltage drop caused by the A/D conversion current.	p. 474 <input type="checkbox"/>	
			Reading ADA0CRn register	When the ADA0M0 to ADA0M2, ADA0S, ADA0PFM, or ADA0PFT register is written, the contents of the ADA0CRn register may be undefined. Read the conversion result after completion of conversion and before writing to the ADA0M0 to ADA0M2, ADA0S, ADA0PFM, or ADA0PFT register. Also, when an external/timer trigger is acknowledged, the contents of the ADA0CRn register may be undefined. Read the conversion result after completion of conversion and before the next external/timer trigger is acknowledged. The correct conversion result may not be read at a timing different from the above.	p. 474 <input type="checkbox"/>
		Soft			

Chapter	Classification	Function	Details of Function	Caution	Page
Chapter 13	Soft	A/D converter	Standby mode	<p>Because the A/D converter stops operating in the STOP mode, conversion results are invalid, so power consumption can be reduced. Operations are resumed after the STOP mode is released, but the A/D conversion results after the STOP mode is released are invalid. When using the A/D converter after the STOP mode is released, before setting the STOP mode or releasing the STOP mode, clear the ADA0M0.ADA0CE bit to 0 then set the ADA0CE bit to 1 after releasing the STOP mode.</p> <p>In the IDLE1, IDLE2, or subclock operation mode, operation continues. To lower the power consumption, therefore, clear the ADA0M0.ADA0CE bit to 0. In the IDLE1 and IDLE2 modes, since the analog input voltage value cannot be retained, the A/D conversion results after the IDLE1 and IDLE2 modes are released are invalid.</p> <p>The results of conversions before the IDLE1 and IDLE2 modes were set are valid.</p>	p. 474 <input type="checkbox"/>
			High-speed conversion mode	In the high-speed conversion mode, rewriting of the ADA0M0, ADA0M2, ADA0S, ADA0PFM, and ADA0PFT registers and trigger input during the stabilization time are prohibited.	p. 475 <input type="checkbox"/>
			A/D conversion time	<p>A/D conversion time is the total time of stabilization time, conversion time, wait time, and trigger response time (for details of these times, refer to Table 13-2 Conversion Time Selection in Normal Conversion Mode (ADA0HS1 Bit = 0) and Table 13-3 Conversion Time Selection in High-Speed Conversion Mode (ADA0HS1 Bit = 1)).</p> <p>During A/D conversion in the normal conversion mode, if the ADA0M0, ADA0M2, ADA0S, ADA0PFM, and ADA0PFT registers are written or a trigger is input, reconversion is carried out. However, if the stabilization time end timing conflicts with the writing to these registers, or if the stabilization time end timing conflicts with the trigger input, the stabilization time of 64 clocks is reinserted.</p> <p>If a conflict occurs again with the reinserted stabilization time end timing, the stabilization time is reinserted.</p> <p>Therefore do not set the trigger input interval and control register write interval to 64 clocks or below.</p>	p. 475 <input type="checkbox"/>
			Variation of A/D conversion results	The results of the A/D conversion may vary depending on the fluctuation of the supply voltage, or may be affected by noise. To reduce the variation, take counteractive measures with the program such as averaging the A/D conversion results.	p. 475 <input type="checkbox"/>
	Hard		A/D conversion result hysteresis characteristics	<p>The successive comparison type A/D converter holds the analog input voltage in the internal sample & hold capacitor and then performs A/D conversion. After the A/D conversion has finished, the analog input voltage remains in the internal sample & hold capacitor. As a result, the following phenomena may occur.</p> <ul style="list-style-type: none"> When the same channel is used for A/D conversions, if the voltage is higher or lower than the previous A/D conversion, then hysteresis characteristics may appear where the conversion result is affected by the previous value. Thus, even if the conversion is performed at the same potential, the result may vary. When switching the analog input channel, hysteresis characteristics may appear where the conversion result is affected by the previous channel value. This is because one A/D converter is used for the A/D conversions. Thus, even if the conversion is performed at the same potential, the result may vary. 	p. 475 <input type="checkbox"/>
Chapter 14	Hard	D/A converter	D/A converter	DAC0 and DAC1 share the AV _{REF1} pin.	p. 480 <input type="checkbox"/>
				DAC0 and DAC1 share the AV _{SS} pin. The AV _{SS} pin is also shared by the A/D converter.	p. 480 <input type="checkbox"/>

Chapter	Classification	Function	Details of Function	Cautions	Page	
Chapter 14	Hard	D/A converter	DA0M register	The output trigger in the real-time output mode (DA0MDn bit = 1) is as follows. <ul style="list-style-type: none"> When n = 0: INTTP2CC0 signal (see CHAPTER 7 16-BIT TIMER/EVENT COUNTER P (TMP)) When n = 1: INTTP3CC0 signal (see CHAPTER 7 16-BIT TIMER/EVENT COUNTER P (TMP)) 	p. 481 <input type="checkbox"/>	
			Soft	DA0CS0, DA0CS1 registers	In the real-time output mode (DA0M.DA0MDn bit = 1), set the DA0CSn register before the INTTP2CC0/INTTP3CC0 signals are generated. D/A conversion starts when the INTTP2CC0/INTTP3CC0 signals are generated.	p. 482 <input type="checkbox"/>
				Cautions	Do not change the set value of the DA0CSn register while the trigger signal is being issued in the real-time output mode.	p. 484 <input type="checkbox"/>
	Before changing the operation mode, be sure to clear the DA0M.DA0CEn bit to 0.		p. 484 <input type="checkbox"/>			
	When using one of the P10/AN00 and P11/AN01 pins as an I/O port and the other as a D/A output pin, do so in an application where the port I/O level does not change during D/A output.		p. 484 <input type="checkbox"/>			
	Make sure that AVREF0 = VDD = AVREF1 = 3.0 to 3.6 V. If this range is exceeded, the operation is not guaranteed.		p. 484 <input type="checkbox"/>			
	Apply power to AVREF1 at the same timing as AVREF0.		p. 484 <input type="checkbox"/>			
	Hard		No current can be output from the ANOn pin (n = 0, 1) because the output impedance of the D/A converter is high. When connecting a resistor of 2 MΩ or less, insert a JFET input operational amplifier between the resistor and the ANOn pin.	p. 484 <input type="checkbox"/>		
			Soft	Because the D/A converter stops operation in the STOP mode, the ANO0 and ANO1 pins go into a highimpedance state, and the power consumption can be reduced. In the IDLE1, IDLE2, or subclock operation mode, however, the operation continues. To lower the power consumption, therefore, clear the DA0M.DA0CEn bit to 0.	p. 484 <input type="checkbox"/>	
	Chapter 15			Soft	Asynchronous serial interface A (UARTA)	CSIB4 and UARTA0 mode switching
UARTA2 and I ² C00 mode switching		The transmit/receive operation of UARTA2 and I ² C00 is not guaranteed if these functions are switched during transmission or reception. Be sure to disable the one that is not used.	p. 486 <input type="checkbox"/>			
UARTA1 and I ² C02 mode switching		The transmit/receive operation of UARTA1 and I ² C02 is not guaranteed if these functions are switched during transmission or reception. Be sure to disable the one that is not used.	p. 487 <input type="checkbox"/>			
UAnOPT0 register		Do not set the UAnSRT and UAnSTT bits (to 1) during SBF reception (UAnSRF bit = 1).	p. 493 <input type="checkbox"/>			
SBF reception		If SBF is transmitted during a data reception, a framing error occurs.	p. 503 <input type="checkbox"/>			
		Do not set the SBF reception trigger bit (UAnSRT) and SBF transmission trigger bit (UAnSTT) to 1 during an SBF reception (UAnSRF = 1).	p. 503 <input type="checkbox"/>			
Continuous transmission		When initializing transmissions during the execution of continuous transmissions, make sure that the UAnSTR.UAnTSF bit is 0, then perform the initialization. Transmit data that is initialized when the UAnTSF bit is 1 cannot be guaranteed.	p. 506 <input type="checkbox"/>			
UART reception		Be sure to read the UAnRX register even when a reception error occurs. If the UAnRX register is not read, an overrun error occurs during reception of the next data, and reception errors continue occurring indefinitely.	p. 508 <input type="checkbox"/>			
	The operation during reception is performed assuming that there is only one stop bit. A second stop bit is ignored.	p. 508 <input type="checkbox"/>				

Chapter	Classification	Function	Details of Function	Cautions	Page
Chapter 15	Soft	Asynchronous serial interface A (UARTA)	UART reception	When reception is completed, read the UAnRX register after the reception complete interrupt request signal (INTUAnR) has been generated, and clear the UAnPWR or UAnRXE bit to 0. If the UAnPWR or UAnRXE bit is cleared to 0 before the INTUAnR signal is generated, the read value of the UAnRX register cannot be guaranteed.	p. 508 <input type="checkbox"/>
				If receive completion processing (INTUAnR signal generation) of UARTAn and the UAnPWR bit = 0 or UAnRXE bit = 0 conflict, the INTUAnR signal may be generated in spite of these being no data stored in the UAnRX register. To complete reception without waiting INTUAnR signal generation, be sure to clear (0) the interrupt request flag (UAnRIF) of the UAnRIC register, after setting (1) the interrupt mask flag (UAnRMK) of the interrupt control register (UAnRIC) and then set (1) the UAnPWR bit = 0 or UAnRXE bit = 0.	p. 508 <input type="checkbox"/>
			Reception errors	When an INTUAnR signal is generated, the UAnSTR register must be read to check for errors.	p. 509 <input type="checkbox"/>
				If a receive error interrupt occurs during continuous reception, read the contents of the UAnSTR register must be read before the next reception is completed, then perform error processing.	p. 510 <input type="checkbox"/>
			LIN function	When using the LIN function, fix the UAnPS1 and UAnPS0 bits of the UAnCTL0 register to 00.	p. 511 <input type="checkbox"/>
			UAnCTL1 register	Clear the UAnCTL0.UAnPWR bit to 0 before rewriting the UAnCTL1 register.	p. 514 <input type="checkbox"/>
			UAnCTL2 register	Clear the UAnCTL0.UAnPWR bit to 0 or clear the UAnTXE and UAnRXE bits to 00 before rewriting the UAnCTL2 register.	p. 515 <input type="checkbox"/>
			Baud rate error	The baud rate error during transmission must be within the error tolerance on the receiving side.	p. 516 <input type="checkbox"/>
				The baud rate error during reception must satisfy the range indicated in (5) Allowable baud rate range during reception.	p. 516 <input type="checkbox"/>
			Allowable baud rate range during reception	The baud rate error during reception must be set within the allowable error range using the following equation.	p. 518 <input type="checkbox"/>
			When the clock supply to UARTAn is stopped	When the clock supply to UARTAn is stopped (for example, in IDLE1, IDLE2, or STOP mode), the operation stops with each register retaining the value it had immediately before the clock supply was stopped. The TXDAn pin output also holds and outputs the value it had immediately before the clock supply was stopped. However, the operation is not guaranteed after the clock supply is resumed. Therefore, after the clock supply is resumed, the circuits should be initialized by setting the UAnCTL0.UAnPWR, UAnCTL0.UAnRXEn, and UAnCTL0.UAnTXEn bits to 000.	p. 521 <input type="checkbox"/>
			RXDA1 pin KR7 pin	The RXDA1 and KR7 pins must not be used at the same time. To use the RXDA1 pin, do not use the KR7 pin. To use the KR7 pin, do not use the RXDA1 pin (it is recommended to set the PFC91 bit to 1 and clear PFCE91 bit to 0).	p. 521 <input type="checkbox"/>
			Performing the transfer of transmit data and receive data using DMA transfer	In UARTAn, the interrupt caused by a communication error does not occur. When performing the transfer of transmit data and receive data using DMA transfer, error processing cannot be performed even if errors (parity, overrun, framing) occur during transfer. Either read the UAnSTR register after DMA transfer has been completed to make sure that there are no errors, or read the UAnSTR register during communication to check for errors.	p. 521 <input type="checkbox"/>

Chapter	Classification	Function	Details of Function	Cautions	Page
Chapter 15	Soft	Asynchronous serial interface A (UARTA)	Start up UARTAn	Start up the UARTAn in the following sequence. <1> Set the UAnCTL0.UAnPWR bit to 1. <2> Set the ports. <3> Set the UAnCTL0.UAnTXE bit to 1, UAnCTL0.UAnRXE bit to 1.	p. 521 <input type="checkbox"/>
			Stop UARTAn	Stop the UARTAn in the following sequence. <1> Set the UAnCTL0.UAnTXE bit to 0, UAnCTL0.UAnRXE bit to 0. <2> Set the ports and set the UAnCTL0.UAnPWR bit to 0 (it is not a problem if port setting is not changed).	p. 521 <input type="checkbox"/>
			Transmit mode	In transmit mode (UAnCTL0.UAnPWR bit = 1 and UAnCTL0.UAnTXE bit = 1), do not overwrite the same value to the UAnTX register by software because transmission starts by writing to this register. To transmit the same value continuously, overwrite the same value.	p. 521 <input type="checkbox"/>
			Continuous transmission	In continuous transmission, the communication rate from the stop bit to the next start bit is extended 2 base clocks more than usual. However, the reception side initializes the timing by detecting the start bit, so the reception result is not affected.	p. 521 <input type="checkbox"/>
Chapter 16	Soft	3-wire variable-length serial I/O (CSIB)	CSIB4 and UARTA0 mode switching	The transmit/receive operation of CSIB4 and UARTA0 is not guaranteed if these functions are switched during transmission or reception. Be sure to disable the one that is not used.	p. 522 <input type="checkbox"/>
			CSIB0 and I ² C01 mode switching	The transmit/receive operation of CSIB0 and I ² C01 is not guaranteed if these functions are switched during transmission or reception. Be sure to disable the one that is not used.	p. 523 <input type="checkbox"/>
			CBnCTL0 register	To forcibly suspend transmission/reception, clear the CBnPWR bit to 0 instead of the CBnRXE and CBnTXE bits. At this time, the clock output is stopped.	p. 526 <input type="checkbox"/>
				Be sure to clear bits 3 and 2 to "0".	p. 528 <input type="checkbox"/>
			CBnCTL1 register	The CBnCTL1 register can be rewritten only when the CBnCTL0.CBnPWR bit = 0.	p. 529 <input type="checkbox"/>
			CBnCTL2 register	The CBnCTL2 register can be rewritten only when the CBnCTL0.CBnPWR bit = 0 or when both the CBnTXE and CBnRXE bits = 0.	p. 530 <input type="checkbox"/>
			Continuous transfer mode (master mode, transmission mode)	In continuous transmission mode, the reception completion interrupt request signal (INTCBnR) is not generated.	p. 547 <input type="checkbox"/>
			Continuous transfer mode (slave mode, transmission mode)	In continuous transmission mode, the reception completion interrupt request signal (INTCBnR) is not generated.	p. 556 <input type="checkbox"/>
			Clock timing	In single transfer mode, writing to the CBnTX register with the CBnTSF bit set to 1 is ignored. This has no influence on the operation during transfer. For example, if the next data is written to the CBnTX register when DMA is started by generating the INTCBnR signal, the written data is not transferred because the CBnTSF bit is set to 1. Use the continuous transfer mode, not the single transfer mode, for such applications.	p. 565 <input type="checkbox"/>
			PRSM1 to PRSM3 registers	Do not rewrite the PRSMm register during operation.	p. 568 <input type="checkbox"/>
Set the PRSMm register before setting the BGCEm bit to 1.	p. 568 <input type="checkbox"/>				
PRSCM1 to PRSCM3 registers	Do not rewrite the PRSCMm register during operation.	p. 569 <input type="checkbox"/>			
	Set the PRSCMm register before setting the PRSMm.BGCEm bit to 1.	p. 569 <input type="checkbox"/>			

Chapter	Classification	Function	Details of Function	Cautions	Page
Chapter 16	Soft	3-wire variable-length serial I/O (CSIB)	When transferring transmit data and receive data using DMA transfer	When transferring transmit data and receive data using DMA transfer, error processing cannot be performed even if an overrun error occurs during serial transfer. Check that the no overrun error has occurred by reading the CBnSTR.CBnOVE bit after DMA transfer has been completed.	p. 570 <input type="checkbox"/>
			CBnCTL0 register CBnCTL1 register CBnCTL2 register	In regards to registers that are forbidden from being rewritten during operations (CBnCTL0.CBnPWR bit is 1), if rewriting has been carried out by mistake during operations, set the CBnCTL0.CBnPWR bit to 0 once, then initialize CSIBn. Registers to which rewriting during operation are prohibited are shown below. <ul style="list-style-type: none"> • CBnCTL0 register: CBnTXE, CBnRXE, CBnDIR, CBnTMS bits • CBnCTL1 register: CBnCKP, CBnDAP, CBnCKS2 to CBnCKS0 bits • CBnCTL2 register: CBnCL3 to CBnCL0 bits 	p. 570 <input type="checkbox"/>
			Communication types 2, 4	In communication type 2 and 4 (CBnCTL1.CBnDAP bit = 1), the CBnSTR.CBnTSF bit is cleared half a SCKBn clock after occurrence of a reception complete interrupt (INTCBnR). In the single transfer mode, writing the next transmit data is ignored during communication (CBnTSF bit = 1), and the next communication is not started. Also if reception-only communication (CBnCTL0.CBnTXE bit = 0, CBnCTL0.CBnRXE bit = 1) is set, the next communication is not started even if the receive data is read during communication (CBnTSF bit = 1). Therefore, when using the single transfer mode with communication type 2 or 4 (CBnDAP bit = 1), pay particular attention to the following. <ul style="list-style-type: none"> • To start the next transmission, confirm that CBnTSF bit = 0 and then write the transmit data to the CBnTX register. • To perform the next reception continuously when reception-only communication (CBnTXE bit = 0, CBnRXE bit = 1) is set, confirm that CBnTSF bit = 0 and then read the CBnRX register. Or, use the continuous transfer mode instead of the single transfer mode. Use of the continuous transfer mode is recommend especially for using DMA.	p. 570 <input type="checkbox"/>
Chapter 17	Soft	I ² C bus	I ² C bus	To use the I ² C bus function, use the P38/SDA00, P39/SCL00, P40/SDA01, P41/SCL01, P90/SDA02, and P91/SCL02 pins as the serial transmit/receive data I/O pins (SDA00 to SDA02) and serial clock I/O pins (SCL00 to SCL02), respectively, and set them to N-ch open-drain output.	p. 571 <input type="checkbox"/>
			UARTA2 and I ² C00 mode switching	The transmit/receive operation of UARTA2 and I ² C00 is not guaranteed if these functions are switched during transmission or reception. Be sure to disable the one that is not used.	p. 571 <input type="checkbox"/>
			CSIB0 and I ² C01 mode switching	The transmit/receive operation of CSIB0 and I ² C01 is not guaranteed if these functions are switched during transmission or reception. Be sure to disable the one that is not used.	p. 572 <input type="checkbox"/>
			UARTA1 and I ² C02 mode switching	The transmit/receive operation of UARTA1 and I ² C02 is not guaranteed if these functions are switched during transmission or reception. Be sure to disable the one that is not used.	p. 573 <input type="checkbox"/>
			IICC0 to IICC2 registers	If the I ² Cn operation is enabled (IICEn bit = 1) when the SCL0n line is high level and the SDA0n line is low level, the start condition is detected immediately. To avoid this, after enabling the I ² Cn operation, immediately set the LRELn bit to 1 with a bit manipulation instruction. Set the SPTn bit to 1 only in master mode. However, when the IICRSVn bit is 0, the SPTn bit must be set to 1 and a stop condition generated before the first stop condition is detected following the switch to the operation enabled status. For details, see 17.15 Cautions .	p. 580 <input type="checkbox"/> p. 583 <input type="checkbox"/>

Chapter	Chapter Classification	Function	Details of Function	Cautions	Page
Chapter 17	Soft	I ² C bus	IICC0 to IICC2 registers	When the TRCn bit = 1, the WRELn bit is set to 1 during the ninth clock and the wait state is canceled, after which the TRCn bit is cleared to 0 and the SDA0n line is set to high impedance.	p. 583 <input type="checkbox"/>
			IICS0 to IICS2 registers	Accessing the IICSn register is prohibited in the following statuses. For details, see 3.4.8 (2) Accessing specific on-chip peripheral I/O registers .	p. 584 <input type="checkbox"/>
				<ul style="list-style-type: none"> • When the CPU operates with the subclock and the main clock oscillation is stopped • When the CPU operates with the internal oscillation clock 	
			IICF0 to IICF2 registers	The TRCn bit is cleared to 0 and SDA0n line becomes high impedance when the WRELn bit is set to 1 and the wait state is canceled to 0 at the ninth clock by TRCn bit = 1.	p. 585 <input type="checkbox"/>
				Write the STCENn bit only when operation is stopped (IICEn bit = 0).	p. 588 <input type="checkbox"/>
				When the STCENn bit = 1, the bus released status (IICBSYn bit = 0) is recognized regardless of the actual bus status immediately after the I ² Cn bus operation is enabled. Therefore, to issue the first start condition (STTn bit = 1), it is necessary to confirm that the bus has been released, so as to not disturb other communications.	p. 588 <input type="checkbox"/>
			IICRSVn bit	Write the IICRSVn bit only when operation is stopped (IICEn bit = 0).	p. 588 <input type="checkbox"/>
				IICCL0 to IICCL2 registers	Be sure to clear bits 7 and 6 to "0".
			I ² C0n transfer clock setting method	Since the selection clock is f _{xx} regardless of the value set to the OCKS0 register, clear the OCKS0 register to 00H (I ² C division clock stopped status).	p. 591 <input type="checkbox"/>
				Since the selection clock is f _{xx} regardless of the value set to the OCKS1 register, clear the OCKS1 register to 00H (I ² C division clock stopped status).	p. 592 <input type="checkbox"/>
			Start condition	When the IICn.IICEn bit of the V850ES/JJ2 is set to 1 while communications with other devices are in progress, the start condition may be detected depending on the status of the communication line. Be sure to set the IICn.IICEn bit to 1 when the SCL0n and SDA0n lines are high level.	p. 596 <input type="checkbox"/>
			Status during arbitration and interrupt request signal generation timing	When the IICn.WTIMn bit = 1, an INTIICn signal occurs at the falling edge of the ninth clock. When the WTIMn bit = 0 and the extension code's slave address is received, an INTIICn signal occurs at the falling edge of the eighth clock (n = 0 to 2).	p. 628 <input type="checkbox"/>
				When there is a possibility that arbitration will occur, set the SPIEn bit to 1 for master device operation (n = 0 to 2).	p. 628 <input type="checkbox"/>
			When IICFn.STCENn bit = 0	Immediately after the I ² C0n operation is enabled, the bus communication status (IICFn.IICBSYn bit = 1) is recognized regardless of the actual bus status. To execute master communication in the status where a stop condition has not been detected, generate a stop condition and then release the bus before starting the master communication. Use the following sequence for generating a stop condition. <1> Set the IICCLn register. <2> Set the IICn.IICEn bit. <3> Set the IICn.SPTn bit.	p. 634 <input type="checkbox"/>
When IICFn.STCENn bit = 1	Immediately after I ² C0n operation is enabled, the bus released status (IICBSYn bit = 0) is recognized regardless of the actual bus status. To generate the first start condition (IICn.STTn bit = 1), it is necessary to confirm that the bus has been released, so as to not disturb other communications.	p. 634 <input type="checkbox"/>			
When communication among other devices are in progress	When the IICn.IICEn bit of the V850ES/JJ2 is set to 1 while communications among other devices are in progress, the start condition may be detected depending on the status of the communication line. Be sure to set the IICn.IICEn bit to 1 when the SCL0n and SDA0n lines are high level.	p. 634 <input type="checkbox"/>			

Chapter	Chapter Classification	Function	Details of Function	Cautions	Page
Chapter 17	Soft	I ² C bus	Operation enable	Determine the operation clock frequency by the IICCLn, IICXn, and OCKSm registers before enabling the operation (IICCN.IICEn bit = 1). To change the operation clock frequency, clear the IICCN.IICEn bit to 0 once.	p. 634 <input type="checkbox"/>
			IICCN.STTn, SPTn bits	After the IICCN.STTn and IICCN.SPTn bits have been set to 1, they must not be re-set without being cleared to 0 first.	p. 634 <input type="checkbox"/>
			Transmission reservation	If transmission has been reserved, set the IICCN.SPIEn bit to 1 so that an interrupt request is generated by the detection of a stop condition. After an interrupt request has been generated, the wait state will be released by writing communication data to I ² Cn, then transferring will begin. If an interrupt is not generated by the detection of a stop condition, transmission will halt in the wait state because an interrupt request was not generated. However, it is not necessary to set the SPIEn bit to 1 for the software to detect the IICSn.MSTS bit.	p. 634 <input type="checkbox"/>
			Master operation in single master system	Release the I ² C0n bus (SCL0n, SDA0n pins = high level) in conformity with the specifications of the product in communication. For example, when the EEPROM outputs a low level to the SDA0n pin, set the SCL0n pin to the output port and output clock pulses from that output port until when the SDA0n pin is constantly high level.	p. 636 <input type="checkbox"/>
			Master operation in multimaster system	Confirm that the bus release status (IICCLn.CLDn bit = 1, IICCLn.DADn bit = 1) has been maintained for a certain period (1 frame, for example). When the SDA0n pin is constantly low level, determine whether to release the I ² C0n bus (SCL0n, SDA0n pins = high level) by referring to the specifications of the product in communication.	p. 637 <input type="checkbox"/>
				Conform the transmission and reception formats to the specifications of the product in communication.	p. 639 <input type="checkbox"/>
				When using the V850ES/JJ2 as the master in the multimaster system, read the IICSn.MSTS bit for each INTIICn interrupt occurrence to confirm the arbitration result.	p. 639 <input type="checkbox"/>
				When using the V850ES/JJ2 as the slave in the multimaster system, confirm the status using the IICSn and IICFn registers for each INTIICn interrupt occurrence to determine the next processing.	p. 639 <input type="checkbox"/>
			Slave wait cancellation	To cancel slave wait, write FFH to IICn or set WRELn.	pp. 644 to 646 <input type="checkbox"/>
			Master wait cancellation	To cancel master wait, write FFH to IICn or set WRELn.	pp. 647 to 649 <input type="checkbox"/>
Chapter 18	Soft	DMA function (DMA controller)	DSA0 to DSA3 registers	Be sure to clear bits 14 to 10 of the DSAnH register to 0.	p. 652 <input type="checkbox"/>
				Set the DSAnH and DSAnL registers at the following timing when DMA transfer is disabled (DCHCn.Enn bit = 0). <ul style="list-style-type: none"> • Period from after reset to start of first DMA transfer • Period from after channel initialization by DCHCn.INITn bit to start of DMA transfer • Period from after completion of DMA transfer (DCHCn.TCn bit = 1) to start of the next DMA transfer 	p. 652 <input type="checkbox"/>
				When the value of the DSAn register is read, two 16-bit registers, DSAnH and DSAnL, are read. If reading and updating conflict, the value being updated may be read (see 18.13 Cautions).	p. 652 <input type="checkbox"/>
				Following reset, set the DSAnH, DSAnL, DDAnH, DDAnL, and DBCn registers before starting DMA transfer. If these registers are not set, the operation when DMA transfer is started is not guaranteed.	p. 652 <input type="checkbox"/>

Chapter	Classification	Function	Details of Function	Cautions	Page
Chapter 18	Soft	DMA function (DMA controller)	DDA0 to DDA3 registers	Be sure to clear bits 14 to 10 of the DDAnH register to 0.	p. 653 <input type="checkbox"/>
				Set the DDAnH and DDAnL registers at the following timing when DMA transfer is disabled (DCHCn.Enn bit = 0). <ul style="list-style-type: none"> • Period from after reset to start of first DMA transfer • Period from after channel initialization by DCHCn.INITn bit to start of DMA transfer • Period from after completion of DMA transfer (DCHCn.TCn bit = 1) to start of the next DMA transfer 	p. 653 <input type="checkbox"/>
				When the value of the DDAn register is read, two 16-bit registers, DDAnH and DDAnL, are read. If reading and updating conflict, a value being updated may be read (see 18.13 Cautions).	p. 653 <input type="checkbox"/>
				Following reset, set the DSAnH, DSAnL, DDAnH, DDAnL, and DBCn registers before starting DMA transfer. If these registers are not set, the operation when DMA transfer is started is not guaranteed.	p. 653 <input type="checkbox"/>
			DBC0 to DBC3 registers	Set the DBCn register at the following timing when DMA transfer is disabled (DCHCn.Enn bit = 0). <ul style="list-style-type: none"> • Period from after reset to start of first DMA transfer • Period from after channel initialization by DCHCn.INITn bit to start of DMA transfer • Period from after completion of DMA transfer (DCHCn.TCn bit = 1) to start of the next DMA transfer 	p. 654 <input type="checkbox"/>
				Following reset, set the DSAnH, DSAnL, DDAnH, DDAnL, and DBCn registers before starting DMA transfer. If these registers are not set, the operation when DMA transfer is started is not guaranteed.	p. 654 <input type="checkbox"/>
				DADC0 to DADC3 registers	Be sure to clear bits 15, 13 to 8, and 3 to 0 of the DADCn register to "0".
			Set the DADCn register at the following timing when DMA transfer is disabled (DCHCn.Enn bit = 0). <ul style="list-style-type: none"> • Period from after reset to start of first DMA transfer • Period from after channel initialization by DCHCn.INITn bit to start of DMA transfer • Period from after completion of DMA transfer (DCHCn.TCn bit = 1) to start of the next DMA transfer 		p. 655 <input type="checkbox"/>
			The DS0 bit specifies the size of the transfer data, and does not control bus sizing. If 8-bit data (DS0 bit = 0) is set, therefore, the lower data bus is not always used.		p. 655 <input type="checkbox"/>
			If the transfer data size is set to 16 bits (DS0 bit = 1), transfer cannot be started from an odd address. Transfer is always started from an address with the first bit of the lower address aligned to 0.		p. 655 <input type="checkbox"/>
			If DMA transfer is executed on an on-chip peripheral I/O register (as the transfer source or destination), be sure to specify the same transfer size as the register size. For example, to execute DMA transfer on an 8-bit register, be sure to specify 8-bit transfer.		p. 655 <input type="checkbox"/>
			DCHC0 to DCHC3 registers		The TCn bit is read-only.
				The INITn and STGn bits are write-only.	p. 656 <input type="checkbox"/>
				Be sure to clear bits 6 to 3 of the DCHCn register to 0.	p. 656 <input type="checkbox"/>
				When DMA transfer is completed (when a terminal count is generated), the Enn bit is cleared to 0 and then the TCn bit is set to 1. If the DCHCn register is read while its bits are being updated, a value indicating "transfer not completed and transfer is disabled" (TCn bit = 0 and Enn bit = 0) may be read.	p. 656 <input type="checkbox"/>

Chapter	Chapter Classification	Function	Details of Function	Cautions	Page
Chapter 18	Soft	DMA function (DMA controller)	DTFR0 to DTFR3 registers	Do not set the DF _n bit to 1 by software. Write 0 to this bit to clear a DMA transfer request if an interrupt that is specified as the cause of starting DMA transfer occurs while DMA transfer is disabled.	p. 657 <input type="checkbox"/>
				Set the IFC _n 5 to IFC _n 0 bits at the following timing when DMA transfer is disabled (DCHC _n .Enn bit = 0). <ul style="list-style-type: none"> • Period from after reset to start of first DMA transfer • Period from after channel initialization by DCHC_n.INIT_n bit to start of DMA transfer • Period from after completion of DMA transfer (DCHC_n.TC_n bit = 1) to start of the next DMA transfer 	p. 657 <input type="checkbox"/>
				An interrupt request that is generated in the standby mode (IDEL1, IDLE2, STOP, or sub-IDLE mode) does not start the DMA transfer cycle (nor is the DF _n bit set to 1).	p. 657 <input type="checkbox"/>
				If a DMA start factor is selected by the IFC _n 5 to IFC _n 0 bits, the DF _n bit is set to 1 when an interrupt occurs from the selected on-chip peripheral I/O, regardless of whether the DMA transfer is enabled or disabled. If DMA is enabled in this status, DMA transfer is immediately started.	p. 657 <input type="checkbox"/>
			Relationship between transfer targets	The operation is not guaranteed for combinations of transfer destination and source marked with “x” in Table 18-2.	p. 659 <input type="checkbox"/>
			Request by on-chip peripheral I/O	Two start factors (software trigger and hardware trigger) cannot be used for one DMA channel. If two start factors are simultaneously generated for one DMA channel, only one of them is valid. The start factor that is valid cannot be identified.	p. 662 <input type="checkbox"/>
				A new transfer request that is generated after the preceding DMA transfer request was generated or in the preceding DMA transfer cycle is ignored (cleared).	p. 662 <input type="checkbox"/>
				The transfer request interval of the same DMA channel varies depending on the setting of bus wait in the DMA transfer cycle, the start status of the other channels, or the external bus hold request. In particular, as described in Caution 2, a new transfer request that is generated for the same channel before the DMA transfer cycle or during the DMA transfer cycle is ignored. Therefore, the transfer request intervals for the same DMA channel must be sufficiently separated by the system. When the software trigger is used, completion of the DMA transfer cycle that was generated before can be checked by updating the DBC _n register.	p. 662 <input type="checkbox"/>
			Caution for VSWC register	When using the DMAC, be sure to set an appropriate value, in accordance with the operating frequency, to the VSWC register. When the default value (77H) of the VSWC register is used, or if an inappropriate value is set to the VSWC register, the operation is not correctly performed (for details of the VSWC register, see 3.4.8 (1) (a) System wait control register (VSWC)).	p. 668 <input type="checkbox"/>
			Caution for DMA transfer executed on internal RAM	When executing the following instructions located in the internal RAM, do not execute a DMA transfer that transfers data to/from the internal RAM (transfer source/destination), because the CPU may not operate correctly afterward. <ul style="list-style-type: none"> • Bit manipulation instruction located in internal RAM (SET1, CLR1, or NOT1) • Data access instruction to misaligned address located in internal RAM Conversely, when executing a DMA transfer to transfer data to/from the internal RAM (transfer source/destination), do not execute the above two instructions.	p. 668 <input type="checkbox"/>

Chapter	Classification	Function	Details of Function	Cautions	Page
Chapter 18	Soft	DMA function (DMA controller)	Caution for reading DCHCn.TCn bit	<p>The TCn bit is cleared to 0 when it is read, but it is not automatically cleared even if it is read at a specific timing. To accurately clear the TCn bit, add the following processing.</p> <p>(a) When waiting for completion of DMA transfer by polling TCn bit Confirm that the TCn bit has been set to 1 (after TCn bit = 1 is read), and then read the TCn bit three more times.</p> <p>(b) When reading TCn bit in interrupt servicing routine Execute reading the TCn bit three times.</p>	p. 668 <input type="checkbox"/>
			DMA transfer initialization procedure (setting DCHCn.INITn bit to 1)	<p>Even if the INITn bit is set to 1 when the channel executing DMA transfer is to be initialized, the channel may not be initialized. To accurately initialize the channel, execute either of the following two procedures.</p> <p>(a) Temporarily stop transfer of all DMA channels Initialize the channel executing DMA transfer using the procedure in <1> to <7> below.</p> <p>Note, however, that TCn bit is cleared to 0 when step <5> is executed. Make sure that the other processing programs do not expect that the TCn bit is 1.</p> <p><1> Disable interrupts (DI).</p> <p><2> Read the DCHCn.Enn bit of DMA channels other than the one to be forcibly terminated, and transfer the value to a general-purpose register.</p> <p><3> Clear the Enn bit of the DMA channels used (including the channel to be forcibly terminated) to 0. To clear the Enn bit of the last DMA channel, execute the clear instruction twice. If the target of DMA transfer (transfer source/destination) is the internal RAM, execute the instruction three times.</p> <p>Example: Execute instructions in the following order if channels 0, 1, and 2 are used (if the target of transfer is not the internal RAM).</p> <ul style="list-style-type: none"> • Clear DCHC0.E00 bit to 0. • Clear DCHC1.E11 bit to 0. • Clear DCHC2.E22 bit to 0. • Clear DCHC2.E22 bit to 0 again. <p><4> Set the INITn bit of the channel to be forcibly terminated to 1.</p> <p><5> Read the TCn bit of each channel not to be forcibly terminated. If both the TCn bit and the Enn bit read in <2> are 1 (logical product (AND) is 1), clear the saved Enn bit to 0.</p> <p><6> After the operation in <5>, write the Enn bit value to the DCHCn register.</p> <p><7> Enable interrupts (EI).</p>	p. 669 <input type="checkbox"/>
			Be sure to execute step <5> above to prevent illegal setting of the Enn bit of the channels whose DMA transfer has been normally completed between <2> and <3>.	p. 669 <input type="checkbox"/>	
			<p>(b) Repeatedly execute setting INITn bit until transfer is forcibly terminated correctly</p> <p><1> Suppress a request from the DMA request source of the channel to be forcibly terminated (stop operation of the on-chip peripheral I/O).</p> <p><2> Check that the DMA transfer request of the channel to be forcibly terminated is not held pending, by using the DTFRn.DFn bit. If a DMA transfer request is held pending, wait until execution of the pending request is completed.</p> <p><3> When it has been confirmed that the DMA request of the channel to be forcibly terminated is not held pending, clear the Enn bit to 0.</p> <p><4> Again, clear the Enn bit of the channel to be forcibly terminated. If the target of transfer for the channel to be forcibly terminated (transfer source/destination) is the internal RAM, execute this operation once more.</p> <p><5> Copy the initial number of transfers of the channel to be forcibly terminated to a general-purpose register.</p> <p><6> Set the INITn bit of the channel to be forcibly terminated to 1.</p> <p><7> Read the value of the DBCn register of the channel to be forcibly terminated, and compare it with the value copied in <5>. If the two values do not match, repeat operations <6> and <7>.</p>	p. 670 <input type="checkbox"/>	

Chapter	Chapter Classification	Function	Details of Function	Cautions	Page
Chapter 18	Soft	DMA function (DMA controller)	Procedure of temporarily stopping DMA transfer (clearing Enn bit)	<p>Stop and resume the DMA transfer under execution using the following procedure.</p> <p><1> Suppress a transfer request from the DMA request source (stop the operation of the on-chip peripheral I/O).</p> <p><2> Check the DMA transfer request is not held pending, by using the DF_n bit (check if the DF_n bit = 0). If a request is pending, wait until execution of the pending DMA transfer request is completed.</p> <p><3> If it has been confirmed that no DMA transfer request is held pending, clear the Enn bit to 0 (this operation stops DMA transfer).</p> <p><4> Set the Enn bit to 1 to resume DMA transfer.</p> <p><5> Resume the operation of the DMA request source that has been stopped (start the operation of the onchip peripheral I/O).</p>	p. 670 <input type="checkbox"/>
			Memory boundary	The operation is not guaranteed if the address of the transfer source or destination exceeds the area of the DMA target (external memory, internal RAM, or on-chip peripheral I/O) during DMA transfer.	p. 670 <input type="checkbox"/>
			Transferring misaligned data	DMA transfer of misaligned data with a 16-bit bus width is not supported. If an odd address is specified as the transfer source or destination, the least significant bit of the address is forcibly assumed to be 0.	p. 670 <input type="checkbox"/>
			Bus arbitration for CPU	<p>Because the DMA controller has a higher priority bus mastership than the CPU, a CPU access that takes place during DMA transfer is held pending until the DMA transfer cycle is completed and the bus is released to the CPU.</p> <p>However, the CPU can access the external memory, on-chip peripheral I/O, and internal RAM to/from which DMA transfer is not being executed.</p> <ul style="list-style-type: none"> The CPU can access the internal RAM when DMA transfer is being executed between the external memory and on-chip peripheral I/O. The CPU can access the internal RAM and on-chip peripheral I/O when DMA transfer is being executed between the external memory and external memory. 	p. 671 <input type="checkbox"/>
			Registers/bits that must not be rewritten during DMA operation	<p>Set the following registers at the following timing when a DMA operation is not under execution.</p> <p>[Registers]</p> <ul style="list-style-type: none"> DSAnH, DSAnL, DDAnH, DDAnL, DBCn, and DADCn registers DTFRn.IFCn5 to DTFRn.IFCn0 bits <p>[Timing of setting]</p> <ul style="list-style-type: none"> Period from after reset to start of the first DMA transfer Time after channel initialization to start of DMA transfer Period from after completion of DMA transfer (TCn bit = 1) to start of the next DMA transfer 	p. 671 <input type="checkbox"/>
			DSAnH register DDAnH register DADCn register DCHCn register	<p>Be sure to set the following register bits to 0.</p> <ul style="list-style-type: none"> Bits 14 to 10 of DSAnH register Bits 14 to 10 of DDAnH register Bits 15, 13 to 8, and 3 to 0 of DADCn register Bits 6 to 3 of DCHCn register 	p. 671 <input type="checkbox"/>
			DMA start factor	Do not start two or more DMA channels with the same start factor. If two or more channels are started with the same factor, DMA for which a channel has already been set may be started or a DMA channel with a lower priority may be acknowledged earlier than a DMA channel with a higher priority. The operation cannot be guaranteed.	p. 671 <input type="checkbox"/>

Chapter	Classification	Function	Details of Function	Cautions	Page
Chapter 18	Soft	DMA function (DMA controller)	Read values of DSAn and DDAn registers	<p>Values in the middle of updating may be read from the DSAn and DDAn registers during DMA transfer (n = 0 to 3). For example, if the DSAnH register and then the DSAnL register are read when the DMA transfer source address (DSAn register) is 0000FFFFH and the count direction is incremental (DADCn.SAD1 and DADCn.SAD0 bits = 00), the value of the DSAn register differs as follows, depending on whether DMA transfer is executed immediately after the DSAnH register is read.</p> <p>(a) If DMA transfer does not occur while DSAn register is read <1> Read value of DSAnH register: DSAnH = 0000H <2> Read value of DSAnL register: DSAnL = FFFFH</p> <p>(b) If DMA transfer occurs while DSAn register is read <1> Read value of DSAnH register: DSAnH = 0000H <2> Occurrence of DMA transfer <3> Incrementing DSAn register: DSAn = 00100000H <4> Read value of DSAnL register: DSAnL = 0000H</p>	p. 672 <input type="checkbox"/>
Chapter 19	Soft	Interrupt/exception processing function	Non-maskable interrupts	<p>For the non-maskable interrupt servicing executed by the non-maskable interrupt request signal (INTWDT2), see 19.2.2 (2) From INTWDT2 signal.</p> <p>When the EP and NP bits are changed by the LDSR instruction during non-maskable interrupt servicing, in order to restore the PC and PSW correctly during recovery by the RETI instruction, it is necessary to set the EP bit back to 0 and the NP bit back to 1 using the LDSR instruction immediately before the RETI instruction.</p>	p. 677 <input type="checkbox"/>
			Maskable interrupt	<p>When the EP and NP bits are changed by the LDSR instruction during maskable interrupt servicing, in order to restore the PC and PSW correctly during recovery by the RETI instruction, it is necessary to set the EP bit back to 0 and the NP bit back to 0 using the LDSR instruction immediately before the RETI instruction.</p>	p. 680 <input type="checkbox"/>
			Multiple interrupt	<p>To perform multiple interrupt servicing, the values of the EIPC and EIPSW registers must be saved before executing the EI instruction. When returning from multiple interrupt servicing, restore the values of EIPC and EIPSW after executing the DI instruction.</p>	pp. 686 to 688 <input type="checkbox"/>
			Interrupt control register	<p>Disable interrupts (DI) or mask the interrupt to read the xxlCn.xxIFn bit. If the xxIFn bit is read while interrupts are enabled (EI) or while the interrupt is unmasked, the correct value may not be read when acknowledging an interrupt and reading the bit conflict.</p>	p. 689 <input type="checkbox"/>
				<p>The flag xxIFn is reset automatically by the hardware if an interrupt request signal is acknowledged.</p>	p. 689 <input type="checkbox"/>
			IMR0 to IMR4 registers	<p>The device file defines the xxlCn.xxMKn bit as a reserved word. If a bit is manipulated using the name of xxMKn, the contents of the xxlCn register, instead of the IMRm register, are rewritten (as a result, the contents of the IMRm register are also rewritten).</p>	p. 691 <input type="checkbox"/>
				<p>To read bits 8 to 15 of the IMR0 to IMR4 registers in 8-bit or 1-bit units, specify them as bits 0 to 7 of IMR0H to IMR4H registers.</p>	p. 692 <input type="checkbox"/>
				<p>Set bits 13 to 15 of the IMR4 register and bits 7 to 14 of the IMR3 register to 1. If the setting of these bits is changed, the operation is not guaranteed.</p>	p. 692 <input type="checkbox"/>
ISPR register	<p>If an interrupt is acknowledged while the ISPR register is being read in the interrupt enabled (EI) status, the value of the ISPR register after the bits of the register have been set by acknowledging the interrupt may be read. To accurately read the value of the ISPR register before an interrupt is acknowledged, read the register while interrupts are disabled (DI).</p>	p. 693 <input type="checkbox"/>			

Chapter	Classification	Function	Details of Function	Cautions	Page
Chapter 19	Soft	Interrupt/exception processing function	Restoration from software exception processing	When the EP and NP bits are changed by the LDSR instruction during the software exception processing, in order to restore the PC and PSW correctly during recovery by the RETI instruction, it is necessary to set the EP bit back to 1 and the NP bit back to 0 using the LDSR instruction immediately before the RETI instruction.	p. 696 <input type="checkbox"/>
			Illegal opcode definition	Since it is possible to assign this instruction to an illegal opcode in the future, it is recommended that it not be used.	p. 698 <input type="checkbox"/>
			Restoration from exception trap	DBPC and DBPSW can be accessed only during the interval between the execution of an illegal opcode and the DBRET instruction.	p. 699 <input type="checkbox"/>
			Restoration from debug trap	DBPC and DBPSW can be accessed only during the interval between the execution of the DBTRAP instruction and the DBRET instruction.	p. 701 <input type="checkbox"/>
			INTF0, INTR0 registers	When the function is changed from the external interrupt function (alternate function) to the port function, an edge may be detected. Therefore, clear the INTF0n and INTR0n bits to 00, and then set the port mode.	p. 703 <input type="checkbox"/>
				Be sure to clear the INTF0n and INTR0n bits to 00 when these registers are not used as the NMI or INTP0 to INTP3 pins.	p. 703 <input type="checkbox"/>
			INTF3, INTR3 registers	When the function is changed from the external interrupt function (alternate function) to the port function, an edge may be detected. Therefore, clear the INTF31 and INTR31 bits to 00, and then set the port mode.	p. 704 <input type="checkbox"/>
				The INTP7 pin and RXDA0 pin are alternate-function pins. When using the pin as the RXDA0 pin, disable edge detection for the INTP7 alternate-function pin (clear the INTF3.INTF31 bit and the INTR3.INTR31 bit to 0). When using the pin as the INTP7 pin, stop UARTA0 reception (clear the UA0CTL0.UA0RXE bit to 0).	p. 704 <input type="checkbox"/>
				Be sure to clear the INTF31 and INTR31 bits to 00 when these registers are not used as INTP7 pin.	p. 704 <input type="checkbox"/>
			INTF8, INTR8 registers	When the function is changed from the external interrupt function (alternate function) to the port function, an edge may be detected. Therefore, clear the INTF80 and INTR80 bits to 00, and then set the port mode.	p. 705 <input type="checkbox"/>
				The INTP8 pin and RXDA3 pin are alternate-function pins. When using the pin as the RXDA3 pin, disable edge detection for the INTP8 alternate-function pin (clear the INTF8.INTF80 bit and the INTR8.INTR80 bit to 0). When using the pin as the INTP8 pin, stop UARTA3 reception (clear the UA3CTL0.UA3RXE bit to 0).	p. 705 <input type="checkbox"/>
				Be sure to clear the INTF80 and INTR80 bits to 00 when these registers are not used as INTP8 pin.	p. 705 <input type="checkbox"/>
			INTF9H, INTR9H registers	When the function is changed from the external interrupt function (alternate function) to the port function, an edge may be detected. Therefore, clear the INTF9n and INTR9n bits to 0, and then set the port mode.	p. 706 <input type="checkbox"/>
				Be sure to clear the INTF9n and INTR9n bits to 00 when these registers are not used as INTP4 to INTP6 pins.	p. 706 <input type="checkbox"/>
			NFC register	After the sampling clock has been changed, it takes 3 sampling clocks to initialize the digital noise eliminator. Therefore, if an INTP3 valid edge is input within these 3 sampling clocks after the sampling clock has been changed, an interrupt request signal may be generated. Therefore, be careful about the following points when using the interrupt and DMA functions. <ul style="list-style-type: none"> • When using the interrupt function, after the 3 sampling clocks have elapsed, enable interrupts after the interrupt request flag (PIC3.PIF3 bit) has been cleared. • When using the DMA function (started by INTP3), enable DMA after 3 sampling clocks have elapsed. 	p. 707 <input type="checkbox"/>

Chapter	Classification	Function	Details of Function	Cautions	Page
Chapter 19	Soft	Interrupt/exception processing function	NMI pin	The NMI pin and P02 pin are an alternate-function pin, and function as a normal port pin after being reset. To enable the NMI pin, validate the NMI pin with the PMCO register. The initial setting of the NMI pin is "No edge detected". Select the NMI pin valid edge using the INTF0 and INTR0 registers.	p. 709 <input type="checkbox"/>
Chapter 20	Soft	Key interrupt function	KRM register	Rewrite the KRM register after once clearing the KRM register to 00H. If the KRM register is changed, an interrupt request signal (INTKR) may be generated. To prevent this, change the KRM register after disabling interrupts (DI) or masking, then clear the interrupt request flag (KRIC.KRIF bit) to 0, and enable interrupts (EI) or clear the mask.	p. 711 <input type="checkbox"/> p. 711 <input type="checkbox"/>
			KR0 to KR7 pins	If a low level is input to any of the KR0 to KR7 pins, the INTKR signal is not generated even if the falling edge of another pin is input.	p. 711 <input type="checkbox"/>
			RXDA1 pin KR7 pin	The RXDA1 and KR7 pins must not be used at the same time. To use the RXDA1 pin, do not use the KR7 pin. To use the KR7 pin, do not use the RXDA1 pin (it is recommended to set the PFC91 bit to 1 and clear PFCE91 bit to 0).	p. 711 <input type="checkbox"/>
			Use the key interrupt function	To use the key interrupt function, be sure to set the port pin to the key return pin and then enable the operation with the KRM register. To switch from the key return pin to the port pin, disable the operation with the KRM register and then set the port pin.	p. 711 <input type="checkbox"/>
			PSC register	Before setting the IDLE1, IDLE2, STOP, or sub-IDLE mode, set the PSMR.PSM1 and PSMR.PSM0 bits and then set the STP bit. Settings of the NMI1M, NMI0M, and INTM bits are invalid when HALT mode is released. If the NMI1M, NMI0M, or INTM bit is set to 1 at the same time the STP bit is set to 1, the setting of NMI1M, NMI0M, or INTM bit becomes invalid. If there is an unmasked interrupt request signal being held pending when the IDLE1/IDLE2/STOP mode is set, set the bit corresponding to the interrupt request signal (NMI1M, NMI0M, or INTM) to 1, and then set the STP bit to 1.	p. 714 <input type="checkbox"/> p. 714 <input type="checkbox"/> p. 714 <input type="checkbox"/>
Chapter 21	Soft	Standby function	PSMR register	Be sure to clear bits 2 to 7 to "0". The PSM0 and PSM1 bits are valid only when the PSC.STP bit is 1.	p. 715 <input type="checkbox"/> p. 715 <input type="checkbox"/>
			OSTS register	The wait time following release of the STOP mode does not include the time until the clock oscillation starts ("a" in the figure below) following release of the STOP mode, regardless of whether the STOP mode is released by reset or the occurrence of an interrupt request signal. Be sure to clear bits 3 to 7 to "0". The oscillation stabilization time following reset release is $2^{16}/f_x$ (because the initial value of the OSTS register = 06H).	p. 716 <input type="checkbox"/> p. 716 <input type="checkbox"/> p. 716 <input type="checkbox"/>
			HALT mode	Insert five or more NOP instructions after the HALT instruction. If the HALT instruction is executed while an unmasked interrupt request signal is being held pending, the status shifts to HALT mode, but the HALT mode is then released immediately by the pending interrupt request.	p. 717 <input type="checkbox"/> p. 717 <input type="checkbox"/>
			IDLE1 mode	Insert five or more NOP instructions after the instruction that stores data in the PSC register to set the IDLE1 mode. If the IDLE1 mode is set while an unmasked interrupt request signal is being held pending, the IDLE1 mode is released immediately by the pending interrupt request.	p. 719 <input type="checkbox"/> p. 719 <input type="checkbox"/>
			Releasing IDLE1 mode	An interrupt request signal that is disabled by setting the PSC.NMI1M, PSC.NMI0M, and PSC.INTM bits to 1 becomes invalid and IDLE1 mode is not released.	p. 719 <input type="checkbox"/>

Chapter	Chapter Classification	Function	Details of Function	Cautions	Page
Chapter 21	Soft	Standby function	IDLE2 mode	Insert five or more NOP instructions after the instruction that stores data in the PSC register to set the IDLE2 mode.	p. 721 <input type="checkbox"/>
				If the IDLE2 mode is set while an unmasked interrupt request signal is being held pending, the IDLE2 mode is released immediately by the pending interrupt request.	p. 721 <input type="checkbox"/>
			Releasing IDLE2 mode	The interrupt request signal that is disabled by setting the PSC.NMI1M, PSC.NMI0M, and PSC.INTM bits to 1 becomes invalid and IDLE2 mode is not released.	p. 721 <input type="checkbox"/>
			STOP mode	Insert five or more NOP instructions after the instruction that stores data in the PSC register to set the STOP mode.	p. 724 <input type="checkbox"/>
				If the STOP mode is set while an unmasked interrupt request signal is being held pending, the STOP mode is released immediately by the pending interrupt request.	p. 724 <input type="checkbox"/>
			Releasing STOP mode	The interrupt request that is disabled by setting the PSC.NMI1M, PSC.NMI0M, and PSC.INTM bits to 1 becomes invalid and STOP mode is not released.	p. 724 <input type="checkbox"/>
			Subclock operation mode	When manipulating the CK3 bit, do not change the set values of the PCC.CK2 to PCC.CK0 bits (using a bit manipulation instruction to manipulate the bit is recommended). For details of the PCC register, see 6.3 (1) Processor clock control register (PCC) .	p. 728 <input type="checkbox"/>
				If the following conditions are not satisfied, change the CK2 to CK0 bits so that the conditions are satisfied and set the subclock operation mode. Internal system clock (f_{CLK}) > Subclock ($f_{XT} = 32.768 \text{ kHz}$) \times 4	p. 728 <input type="checkbox"/>
			Releasing subclock operation mode	When manipulating the CK3 bit, do not change the set values of the CK2 to CK0 bits (using a bit manipulation instruction to manipulate the bit is recommended). For details of the PCC register, see 6.3 (1) Processor clock control register (PCC) .	p. 728 <input type="checkbox"/>
				Be sure to stop the PLL (PLLCTL.PLLON bit = 0) before stopping the main clock.	p. 729 <input type="checkbox"/>
				When the CPU is operating on the subclock and main clock oscillation is stopped, accessing a register in which a wait occurs is disabled. If a wait is generated, it can be released only by reset (see 3.4.8 (2)).	p. 729 <input type="checkbox"/>
			Sub-IDLE mode	Following the store instruction to the PSC register to set the sub-IDLE mode, insert the five or more NOP instructions.	p. 730 <input type="checkbox"/>
				If the sub-IDLE mode is set while an unmasked interrupt request signal is being held pending, the sub-IDLE mode is then released immediately by the pending interrupt request.	p. 730 <input type="checkbox"/>
			Releasing sub-IDLE mode	The interrupt request signal that is disabled by setting the PSC.NMI1M, PSC.NMI0M, and PSC.INTM bits to 1 becomes invalid and sub-IDLE mode is not released.	p. 730 <input type="checkbox"/>
				When the sub-IDLE mode is released, 12 cycles of the subclock (about 366 μ s) elapse from when the interrupt request signal that releases the sub-IDLE mode is generated to when the mode is released.	p. 730 <input type="checkbox"/>
Operating status in sub-IDLE mode	Be sure to stop the PLL (PLLCTL.PLLON bit = 0) before stopping the main clock.	p. 731 <input type="checkbox"/>			
	To realize low power consumption, stop the A/D and D/A converters before shifting to the sub-IDLE mode.	p. 731 <input type="checkbox"/>			
Chapter 22	Soft	Reset function	Emergency operation mode	When the CPU is being operated with the internal oscillation clock, access to the register in which a wait state is generated is prohibited. For the register in which a wait state is generated, see 3.4.8 (2) Accessing specific on-chip peripheral I/O registers .	p. 732 <input type="checkbox"/>
			Reset function	An LVI circuit internal reset does not reset the LVI circuit.	p. 732 <input type="checkbox"/>

Chapter	Classification	Function	Details of Function	Cautions	Page
Chapter 22	Soft	Reset function	RESF register	Only "0" can be written to each bit of this register. If writing "0" conflicts with setting the flag (occurrence of reset), setting the flag takes precedence.	p. 733 <input type="checkbox"/>
	Hard		Internal RAM status after reset	The firmware of the V850ES/JJ2 uses a part of the internal RAM after the internal system reset status has been released because it supports a boot swap function. Therefore, the contents of some RAM areas are not retained after power-on reset. For details, see 22.3.4 Operation after reset release .	pp. 734, 736, 738 <input type="checkbox"/>
	Hard, Soft		Hardware status on $\overline{\text{RESET}}$ pin input	When the power is turned on, the following pins may output an undefined level temporarily, even during reset. <ul style="list-style-type: none"> • P10/ANO0 pin • P11/ANO1 pin • P53/SIB2/KR3/TIQ00/TOQ00/RTP03/DDO pin 	p. 734 <input type="checkbox"/>
			The OCDM register is initialized by the $\overline{\text{RESET}}$ pin input. Therefore, note with caution that, if a high level is input to the P05/ $\overline{\text{DRST}}$ pin after a reset release before the OCDM.OCDM0 bit is cleared, the on-chip debug mode is entered. For details, see CHAPTER 4 PORT FUNCTIONS .	p. 734 <input type="checkbox"/>	
Chapter 23	Soft	Clock monitor	CLM register	Once the CLME bit has been set to 1, it cannot be cleared to 0 by any means other than reset.	p. 744 <input type="checkbox"/>
			When a reset by the clock monitor occurs, the CLME bit is cleared to 0 and the RESF.CLMRF bit is set to 1.	p. 744 <input type="checkbox"/>	
		Internal oscillator	The internal oscillator can be stopped by setting the RCM.RSTOP bit to 1.	p. 745 <input type="checkbox"/>	
			The clock monitor is stopped while the internal oscillator is stopped.	p. 745 <input type="checkbox"/>	
The internal oscillator cannot be stopped by software.	p. 745 <input type="checkbox"/>				
Chapter 24	Soft	Low-voltage detector (LVI)	LVIM register	When the LVION and LVIMD bits to 1, the low-voltage detector cannot be stopped until the reset request due to other than the low-voltage detection is generated.	p. 749 <input type="checkbox"/>
			When the LVION bit is set to 1, the comparator in the LVI circuit starts operating. Wait 0.2 ms or longer by software before checking the voltage at the LVIF bit after the LVION bit is set.	p. 749 <input type="checkbox"/>	
			Be sure to clear bits 6 to 2 to "0".	p. 749 <input type="checkbox"/>	
		LVIS register	This register cannot be written until a reset request due to something other than low-voltage detection is generated after the LVIM.LVION and LVIM.LVIMD bits are set to 1.	p. 750 <input type="checkbox"/>	
			Be sure to clear bits 7 to 1 to "0".	p. 750 <input type="checkbox"/>	
		To use for internal reset signal	If the LVIMD bit is set to 1, the contents of the LVIM and LVIS registers cannot be changed until a reset request other than LVI is generated.	p. 751 <input type="checkbox"/>	
PEMU1 register	This bit is not automatically cleared.	p. 754 <input type="checkbox"/>			
Chapter 25	Hard	Regulator	Regulator	Use the regulator with a setting of $V_{DD} = EV_{DD} = AV_{REF0} = AV_{REF1} \geq BV_{DD}$.	p. 755 <input type="checkbox"/>
Chapter 26	Hard	Flash memory	FLMD1 pin	Connect the FLMD1 pin to the flash programmer or connect to a GND via a pull-down resistor on the board.	pp. 762 to 764 <input type="checkbox"/>
			PG-FP4	Wire these pins as shown in Figure 26-6, or connect them to GND via pull-down resistor on board.	p. 764 <input type="checkbox"/>
				Clock cannot be supplied via the CLK pin of the flash programmer. Create an oscillator on board and supply the clock.	p. 764 <input type="checkbox"/>
			FA-144GJ-UEN-A	Be sure to connect the REGC pin to GND via a 4.7 μF capacitor.	pp. 765, 766 <input type="checkbox"/>
A clock cannot be supplied from the CLK pin of the flash programmer. Create an oscillator on the board and supply the clock from that oscillator.	pp. 765, 766 <input type="checkbox"/>				

Chapter	Chapter Classification	Function	Details of Function	Caution	Page	
Chapter 26	Hard	Flash memory	FA-144GJ-UEN-A	Wire the FLMD1 pin as shown below, or connect it to GND on board via a pull-down resistor.	p. 768 <input type="checkbox"/>	
				Supply a clock by creating an oscillator on the flash writing adapter (enclosed by the broken lines).	p. 768 <input type="checkbox"/>	
				Do not input a high level to the \overline{DRST} pin.	p. 768 <input type="checkbox"/>	
				Selection of communication mode	When UARTA0 is selected, the receive clock is calculated based on the reset command sent from the dedicated flash programmer after receiving the FLMD0 pulse.	p. 770 <input type="checkbox"/>
				FLMD1 pin	If the V_{DD} signal is input to the FLMD1 pin from another device during on-board writing and immediately after reset, isolate this signal.	p. 772 <input type="checkbox"/>
				FLMD0 pin	Make sure that the FLMD0 pin is at 0 V when reset is released.	p. 779 <input type="checkbox"/>
Chapter 27	Hard, soft	On-chip debug function	OCDM register	When using the DDI, DDO, DCK, and DMS pins not as on-chip debug pins but as port pins after external reset, any of the following actions must be taken. <ul style="list-style-type: none"> Input a low level to the P05/INTP2/\overline{DRST} pin. Set the OCDM0 bit. In this case, take the following actions. <ul style="list-style-type: none"> <1> Clear the OCDM0 bit to 0. <2> Fix the P05/INTP2/\overline{DRST} pin to low level until <1> is completed. 	p. 785 <input type="checkbox"/>	
				The \overline{DRST} pin has an on-chip pull-down resistor. This resistor is disconnected when the OCDM0 flag is cleared to 0.	p. 785 <input type="checkbox"/>	
	Soft		Cautions (DUC)	If a reset signal is input (from the target system or a reset signal from an internal reset source) during RUN (program execution), the break function may malfunction.	p. 786 <input type="checkbox"/>	
				Even if the reset signal is masked by the mask function, the I/O buffer (port pin) may be reset if a reset signal is input from a pin.	p. 786 <input type="checkbox"/>	
				Because a software breakpoint set in the internal flash memory is made temporarily invalid by target reset or internal reset generated by watchdog timer 2. The breakpoint becomes valid again when a hardware break or forced break occurs, but a software break does not occur until then.	p. 786 <input type="checkbox"/>	
				Pin reset during a break is masked and the CPU and peripheral I/O are not reset. If pin reset or internal reset is generated as soon as the flash memory is rewritten by DMM or read by the RAM monitor function while the user program is being executed, the CPU and peripheral I/O may not be correctly reset.	p. 786 <input type="checkbox"/>	
				When the following conditions (a) and (b) are satisfied and operation is stopped on the emulator (IECUBE, MINICUBE) due to a break, etc., watchdog timer 2 does not stop and a reset or non-maskable interrupt occurs. When a reset occurs, the debugger hangs up. <ul style="list-style-type: none"> (a) The main clock or subclock is used as the source clock for watchdog timer 2. (b) The internal oscillation clock is stopped (RCM.RSTOP bit = 1). To avoid this, perform either of the following. <ul style="list-style-type: none"> When an emulator is used, use the internal oscillation clock as the source clock. When an emulator is used, do not stop the internal oscillator. 	p. 787 <input type="checkbox"/>	
				When the following conditions (a) and (b) are satisfied and operation is stopped on the emulator (IECUBE, MINICUBE) due to a break, etc., TMM does not stop even if the peripheral break function is set to "Break". <ul style="list-style-type: none"> (a) Either the INTWT, internal oscillation clock ($f_{i}/8$), or subclock are selected as the TMM source clock. (b) The main clock is stopped. To avoid this, perform either of the following. <ul style="list-style-type: none"> When an emulator is used, the main clock (f_{xx}, $f_{xx}/2$, $f_{xx}/4$, $f_{xx}/64$, $f_{xx}/512$) is used as the source clock. When an emulator is used, disable the main clock oscillation. 	p. 787 <input type="checkbox"/>	

Chapter	Classification	Function	Details of Function	Cautions	Page
Chapter 27	Hard	On-chip debug function	Cautions (DUC)	In the on-chip debug mode, the DDO pin is forcibly set to the high-level output.	p. 787 <input type="checkbox"/>
			Cautions (other than DUC)	Do not mount a device that was used for debugging on a mass-produced product, because the flash memory was rewritten during debugging and the number of rewrites of the flash memory cannot be guaranteed. Moreover, do not embed the debug monitor program into mass-produced products.	p. 796 <input type="checkbox"/>
	Soft		Forced breaks cannot be executed if one of the following conditions is satisfied.	p. 796 <input type="checkbox"/>	
			<ul style="list-style-type: none"> • Interrupts are disabled (DI) • Interrupts issued for the serial interface, which is used for communication between MINICUBE2 and the target device, are masked • Standby mode is entered while standby release by a maskable interrupt is prohibited • Mode for communication between MINICUBE2 and the target device is UARTA0, and the main clock has been stopped 		
			The pseudo RRM function and DMM function do not operate if one of the following conditions is satisfied.	p. 797 <input type="checkbox"/>	
			<ul style="list-style-type: none"> • Interrupts are disabled (DI) • Interrupts issued for the serial interface, which is used for communication between MINICUBE2 and the target device, are masked • Standby mode is entered while standby release by a maskable interrupt is prohibited • Mode for communication between MINICUBE2 and the target device is UARTA0, and the main clock has been stopped • Mode for communication between MINICUBE2 and the target device is UARTA0, and a clock different from the one specified in the debugger is used for communication 		
			The standby mode is released by the pseudo RRM function and DMM function if one of the following conditions is satisfied.	p. 797 <input type="checkbox"/>	
			<ul style="list-style-type: none"> • Mode for communication between MINICUBE2 and the target device is CSIB0 or CSIB3 • Mode for communication between MINICUBE2 and the target device is UARTA0, and the main clock has been supplied. 		
			Peripheral I/O registers that requires a specific sequence cannot be written with the DMM function.	p. 797 <input type="checkbox"/>	
			Chip erase and writing of the monitor program for debugging are conducted when the debugger is first started up, but this operation takes about a dozen seconds.	p. 797 <input type="checkbox"/>	
When CPU operation clock settings are changed with the debugger, the debugger rewrites the monitor program. The time required is the same as that mentioned just above in (6). For the integrated debugger ID850QB, this applies when settings of the Clock column in the configuration dialog box are changed.	p. 797 <input type="checkbox"/>				
If a space where the debug monitor program is allocated is rewritten by flash self programming, the debugger can no longer operate normally.	p. 797 <input type="checkbox"/>				
		Security ID	After the flash memory is erased, 1 is written to the entire area.	p. 798 <input type="checkbox"/>	
Chapter 28	Hard	Electrical specifications	Absolute maximum ratings	Be sure not to exceed the absolute maximum ratings (MAX. value) of each supply voltage.	p. 801 <input type="checkbox"/>
				Do not directly connect the output (or I/O) pins of IC products to each other, or to V _{DD} , V _{CC} , and GND. Open-drain pins or open-collector pins, however, can be directly connected to each other. Direct connection of the output pins between an IC product and an external circuit is possible, if the output pins can be set to the high-impedance state and the output timing of the external circuit is designed to avoid output conflict.	p. 802 <input type="checkbox"/>

Chapter	Chapter Classification	Function	Details of Function	Cautions	Page			
Chapter 28	Hard	Electrical specifications	Absolute maximum ratings	Product quality may suffer if the absolute maximum rating is exceeded even momentarily for any parameter. That is, the absolute maximum ratings are rated values at which the product is on the verge of suffering physical damage, and therefore the product must be used under conditions that ensure that the absolute maximum ratings are not exceeded. The ratings and conditions indicated for DC characteristics and AC characteristics represent the quality assurance range during normal operation.	p. 802 <input type="checkbox"/>			
			Main clock oscillator characteristics	The oscillation frequency shown above indicates only oscillator characteristics. Use the V850ES/JJ2 so that the internal operation conditions do not exceed the ratings shown in AC Characteristics and DC Characteristics.	p. 804 <input type="checkbox"/>			
				Time required to set up the flash memory. Secure the setup time using the OSTs register.	p. 804 <input type="checkbox"/>			
				When using the main clock oscillator, wire as follows in the area enclosed by the broken lines in the above figure to avoid an adverse effect from wiring capacitance. <ul style="list-style-type: none"> • Keep the wiring length as short as possible. • Do not cross the wiring with the other signal lines. • Do not route the wiring near a signal line through which a high fluctuating current flows. • Always make the ground point of the oscillator capacitor the same potential as V_{SS}. • Do not ground the capacitor to a ground pattern through which a high current flows. • Do not fetch signals from the oscillator. 	p. 804 <input type="checkbox"/>			
			When the main clock is stopped and the device is operating on the subclock, wait until the oscillation stabilization time has been secured by the program before switching back to the main clock.	p. 804 <input type="checkbox"/>				
	Soft			Crystal resonator Ceramic resonator	This oscillator constant is a reference value based on evaluation under a specific environment by the resonator manufacturer. If optimization of oscillator characteristics is necessary in the actual application, apply to the resonator manufacturer for evaluation on the implementation circuit. The oscillation voltage and oscillation frequency indicate only oscillator characteristics. Use the V850ES/JJ2 so that the internal operating conditions are within the specifications of the DC and AC characteristics.	p. 805 <input type="checkbox"/>		
				Subclock oscillator characteristics	The oscillation frequency shown above indicates only oscillator characteristics. Use the V850ES/JJ2 so that the internal operation conditions do not exceed the ratings shown in AC Characteristics and DC Characteristics.	p. 806 <input type="checkbox"/>		
					When using the subclock oscillator, wire as follows in the area enclosed by the broken lines in the above figures to avoid an adverse effect from wiring capacitance. <ul style="list-style-type: none"> • Keep the wiring length as short as possible. • Do not cross the wiring with the other signal lines. • Do not route the wiring near a signal line through which a high fluctuating current flows. • Always make the ground point of the oscillator capacitor the same potential as V_{SS}. • Do not ground the capacitor to a ground pattern through which a high current flows. • Do not fetch signals from the oscillator. 	p. 806 <input type="checkbox"/>		
				Hard				

Chapter	Classification	Function	Details of Function	Cautions	Page
Chapter 28	Hard	Electrical specifications	Subclock oscillator characteristics	The subclock oscillator is designed as a low-amplitude circuit for reducing power consumption, and is more prone to malfunction due to noise than the main clock oscillator. Particular care is therefore required with the wiring method when the subclock is used.	p. 806 <input type="checkbox"/>
				For the resonator selection and oscillator constant, customers are requested to either evaluate the oscillation themselves or apply to the resonator manufacturer for evaluation.	p. 806 <input type="checkbox"/>
			Data retention characteristics	Shifting to STOP mode and restoring from STOP mode must be performed within the rated operating range.	p. 811 <input type="checkbox"/>
			AC characteristics	If the load capacitance exceeds 50 pF due to the circuit configuration, bring the load capacitance of the device to 50 pF or less by inserting a buffer or by some other means.	p. 812 <input type="checkbox"/>
	Soft	I ² C bus mode	At the start condition, the first clock pulse is generated after the hold time.	p. 830 <input type="checkbox"/>	
			The system requires a minimum of 300 ns hold time internally for the SDA0n signal (at V _{IHmin.} of SCL0n signal) in order to occupy the undefined area at the falling edge of SCL0n.	p. 830 <input type="checkbox"/>	
			If the system does not extend the SCL0n signal low hold time (t _{LOW}), only the maximum data hold time (t _{HD:DAT}) needs to be satisfied.	p. 830 <input type="checkbox"/>	
			The high-speed mode I ² C bus can be used in the normal-mode I ² C bus system. In this case, set the high-speed mode I ² C bus so that it meets the following conditions. <ul style="list-style-type: none"> • If the system does not extend the SCL0n signal's low state hold time: $t_{SU:DAT} \geq 250 \text{ ns}$ • If the system extends the SCL0n signal's low state hold time: Transmit the following data bit to the SDA0n line prior to the SCL0n line release ($t_{Rmax.} + t_{SU:DAT} = 1,000 + 250 = 1,250 \text{ ns}$: Normal mode I²C bus specification). 	p. 830 <input type="checkbox"/>	
			A/D converter	Do not set (read/write) alternate-function ports during A/D conversion; otherwise the conversion resolution may be degraded.	p. 831 <input type="checkbox"/>
			Programming characteristics	When writing initially to shipped products, it is counted as one rewrite for both "erase to write" and "write only". Example (P: Write, E: Erase) Shipped product →P→E→P→E→P: 3 rewrites Shipped product →E→P→E→P→E→P: 3 rewrites	p. 835 <input type="checkbox"/>
Chapter 30	Hard	Recommended soldering conditions	Recommended soldering conditions	Do not use different soldering methods together (except for partial heating).	p. 837 <input type="checkbox"/>
Appendix A	Soft	Development tool	RX850, RX850 Pro	To purchase the RX850 or RX850 Pro, first fill in the purchase application form and sign the license agreement.	p. 846 <input type="checkbox"/>
Appendix C	Soft	Instruction set list	Instruction set	Do not specify the same register for general-purpose registers reg1 and reg3.	p. 869 <input type="checkbox"/>

APPENDIX E REVISION HISTORY

E.1 Major Revisions in This Edition

Page	Description
p. 232	Modification of 7.4 (3) TMPn I/O control register 0 (TPnIOC0)
p. 254	Addition of Caution to Figure 7-11 Register Setting for Operation in External Event Count Mode
p. 275	Addition of Caution to Figure 7-22 Register Setting for Operation in One-Shot Pulse Output Mode
p. 321	Addition of Note to 8.4 (3) TMQ0 I/O control register 0 (TQ0IOC0)
p. 346	Addition of Caution to Figure 8-11 Register Setting for Operation in External Event Count Mode
p. 370	Addition of Caution to Figure 8-22 Register Setting for Operation in One-Shot Pulse Output Mode
p. 434	Modification of Caution 4 in 11.3 (1) Watchdog timer mode register 2 (WDTM2)
p. 435	Modification of Caution 3 in 11.3 (2) Watchdog timer enable register (WDTE)
p. 451	Addition of Caution 2 to Table 13-2 Conversion Time Selection in Normal Conversion Mode (ADA0HS1 Bit = 0)
p. 452	Addition of Caution 2 to Table 13-3. Conversion Time Selection in High-Speed Conversion Mode (ADA0HS1 Bit = 1)
p. 474	Addition of description to 13.6 (8) Reading ADA0CRn register
p. 475	Modification of 13.6 (10) High-speed conversion mode
p. 475	Addition of 13.6 (11) A/D conversion time
p. 492	Modification of description on UAnDIR bit and UAnCL bit in 15.4 (1) UARTAn control register 0 (UAnCTL0)
p. 493	Modification of description on UAnSRF bit in 15.4 (4) UARTAn option control register 0 (UAnOPT0)
p. 497	Modification of description in 15.5 (1) Reception complete interrupt request signal (INTUANR)
p. 503	Addition of Cautions 1, 2 to 15.6.4 SBF reception
p. 526	Modification of Caution in 16.4 (1) CSIBn control register 0 (CBnCTL0)
p. 533	Addition of 16.5 Interrupt Request Signals
p. 534	Modification of 16.6 Operation
p. 630	Modification of Table 17-6 Wait Periods
p. 633	Modification of Table 17-7 Wait Periods
p. 671	Modification of Caution in 18.13 (11) DMA start factor
p. 714	Addition of Caution 3 to 21.2 (1) Power save control register (PSC)
p. 760	Modification of Table 26-2 Basic Functions
p. 760	Modification of Table 26-3 Security Functions
p. 761	Addition of Table 26-4. Security Setting
p. 763	Modification of transfer rate in 26.4.2 (1) UARTA0
p. 771	Modification of Table 26-7 Flash Memory Control Commands
p. 778	Modification of Figure 26-17 Standard Self Programming Flow
p. 781	Modification of CHAPTER 27 ON-CHIP DEBUG FUNCTION
p. 805	Addition of (i) KYOCERA KINSEKI CORPORATION: Crystal resonator (TA = -40 to +85°C)
p. 805	Addition of (ii) Murata Mfg. Co. Ltd.: Ceramic resonator (TA = -40 to +85°C)
p. 837	Addition of CHAPTER 30 RECOMMENDED SOLDERING CONDITIONS
p. 838	Addition of APPENDIX A DEVELOPMENT TOOLS
p. 870	Addition of APPENDIX D LIST OF CAUTIONS
p. 907	Addition of APPENDIX E REVISION HISTORY

*For further information,
please contact:*

NEC Electronics Corporation

1753, Shimonumabe, Nakahara-ku,
Kawasaki, Kanagawa 211-8668,
Japan
Tel: 044-435-5111
<http://www.necel.com/>

[America]

NEC Electronics America, Inc.

2880 Scott Blvd.
Santa Clara, CA 95050-2554, U.S.A.
Tel: 408-588-6000
800-366-9782
<http://www.am.necel.com/>

[Europe]

NEC Electronics (Europe) GmbH

Arcadiastrasse 10
40472 Düsseldorf, Germany
Tel: 0211-65030
<http://www.eu.necel.com/>

Hanover Office

Podbielskistrasse 166 B
30177 Hannover
Tel: 0 511 33 40 2-0

Munich Office

Werner-Eckert-Strasse 9
81829 München
Tel: 0 89 92 10 03-0

Stuttgart Office

Industriestrasse 3
70565 Stuttgart
Tel: 0 711 99 01 0-0

United Kingdom Branch

Cygnus House, Sunrise Parkway
Linford Wood, Milton Keynes
MK14 6NP, U.K.
Tel: 01908-691-133

Succursale Française

9, rue Paul Dautier, B.P. 52180
78142 Velizy-Villacoublay Cédex
France
Tel: 01-3067-5800

Sucursal en España

Juan Esplandiú, 15
28007 Madrid, Spain
Tel: 091-504-2787

Tyskland Filial

Täby Centrum
Entrance S (7th floor)
18322 Täby, Sweden
Tel: 08 638 72 00

Filiale Italiana

Via Fabio Filzi, 25/A
20124 Milano, Italy
Tel: 02-667541

Branch The Netherlands

Steijgerweg 6
5616 HS Eindhoven
The Netherlands
Tel: 040 265 40 10

[Asia & Oceania]

NEC Electronics (China) Co., Ltd

7th Floor, Quantum Plaza, No. 27 ZhiChunLu Haidian
District, Beijing 100083, P.R.China
Tel: 010-8235-1155
<http://www.cn.necel.com/>

NEC Electronics Shanghai Ltd.

Room 2509-2510, Bank of China Tower,
200 Yincheng Road Central,
Pudong New Area, Shanghai P.R. China P.C:200120
Tel: 021-5888-5400
<http://www.cn.necel.com/>

NEC Electronics Hong Kong Ltd.

12/F., Cityplaza 4,
12 Taikoo Wan Road, Hong Kong
Tel: 2886-9318
<http://www.hk.necel.com/>

Seoul Branch

11F., Samik Lavied'or Bldg., 720-2,
Yeoksam-Dong, Kangnam-Ku,
Seoul, 135-080, Korea
Tel: 02-558-3737

NEC Electronics Taiwan Ltd.

7F, No. 363 Fu Shing North Road
Taipei, Taiwan, R. O. C.
Tel: 02-8175-9600
<http://www.tw.necel.com/>

NEC Electronics Singapore Pte. Ltd.

238A Thomson Road,
#12-08 Novena Square,
Singapore 307684
Tel: 6253-8311
<http://www.sg.necel.com/>