

REV	REF	DATE	DRAWN BY
1	TRAC#1761	26.11.2010	SHN
2	TRAC#1829	03.02.2011	SHN
3	RSK#1829	25.07.2011	MAB
4	RSK#2990	07.01.2013	MAB
5	RSK#3339	21.05.2013	MAB

RSKRX210B STARTER KIT SCHEMATICS

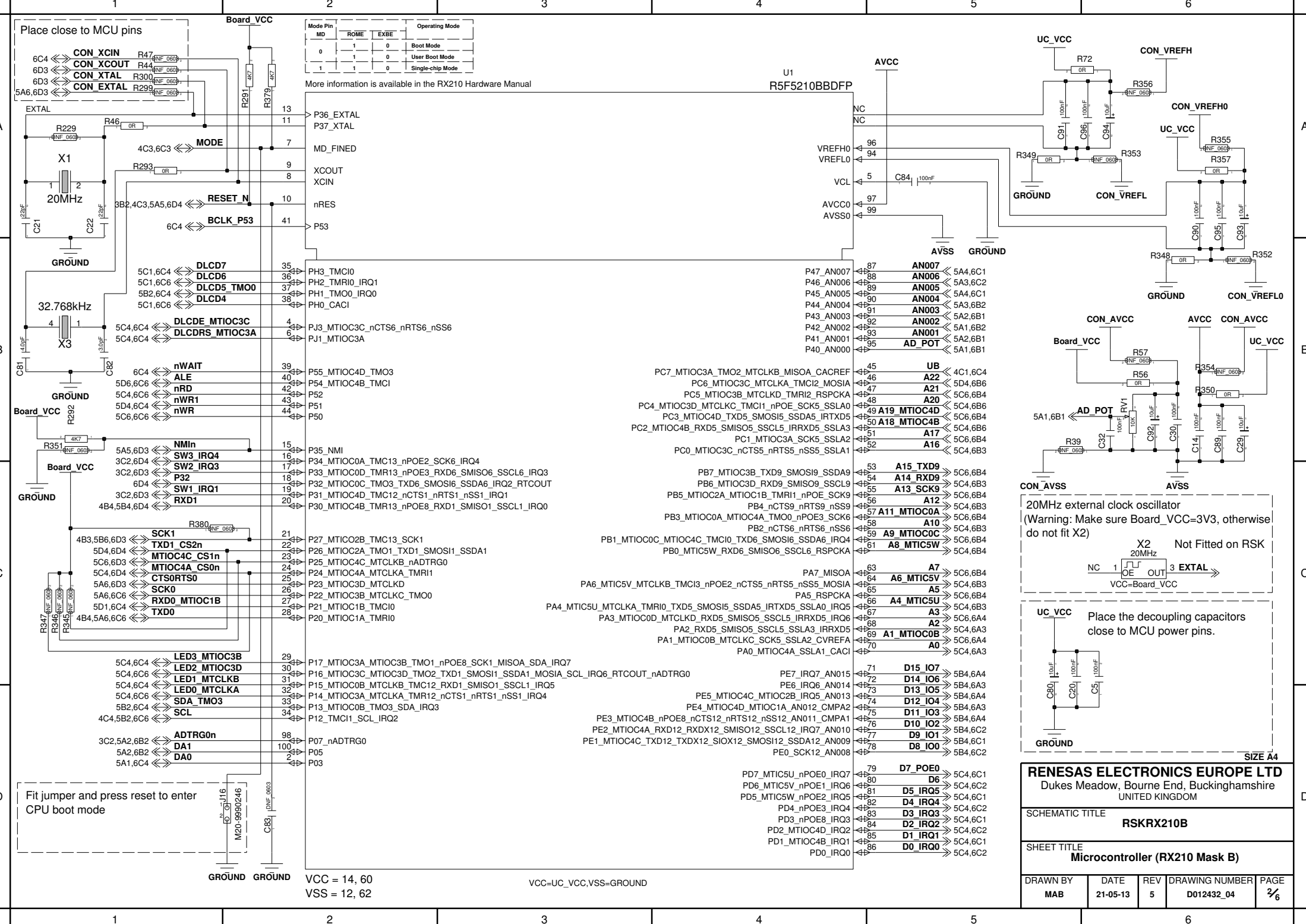
PAGE	DESCRIPTION
1	Index
2	Microcontroller RX210B
3	Power, Switches, LEDs and Reset
4	Serial, E1 and IIC EEPROM
5	LCD, Option link and Application headers
6	MCU Ring headers

Note :

- R** : Resistor
- RV** : Potentiometer
- L** : Inductor
- U** : Integrated Circuit
- X** : Crystal
- RES** : Reset Switch
- SW** : Switch
- LED** : Light Emitting Diode
- PWR** : Power Jack
- J** : Connector

SIZE A4

RENESAS ELECTRONICS EUROPE LTD Dukes Meadow, Bourne End, Buckinghamshire UNITED KINGDOM				
SCHEMATIC TITLE RSKRX210B				
SHEET TITLE Index				
DRAWN BY MAB	DATE 21-05-13	REV 5	DRAWING NUMBER D012432_04	PAGE 1/6



Mode Pin			Operating Mode		
MD	ROME	EXBE	Boot Mode		
0	1	0	User Boot Mode		
1	1	0	Single-chip Mode		

More information is available in the RX210 Hardware Manual

20MHz external clock oscillator
(Warning: Make sure Board_VCC=3V3, otherwise do not fit X2)

X2 20MHz Not Fitted on RSK
VCC=Board_VCC

Place the decoupling capacitors close to MCU power pins.

RENESAS ELECTRONICS EUROPE LTD
Dukes Meadow, Bourne End, Buckinghamshire
UNITED KINGDOM

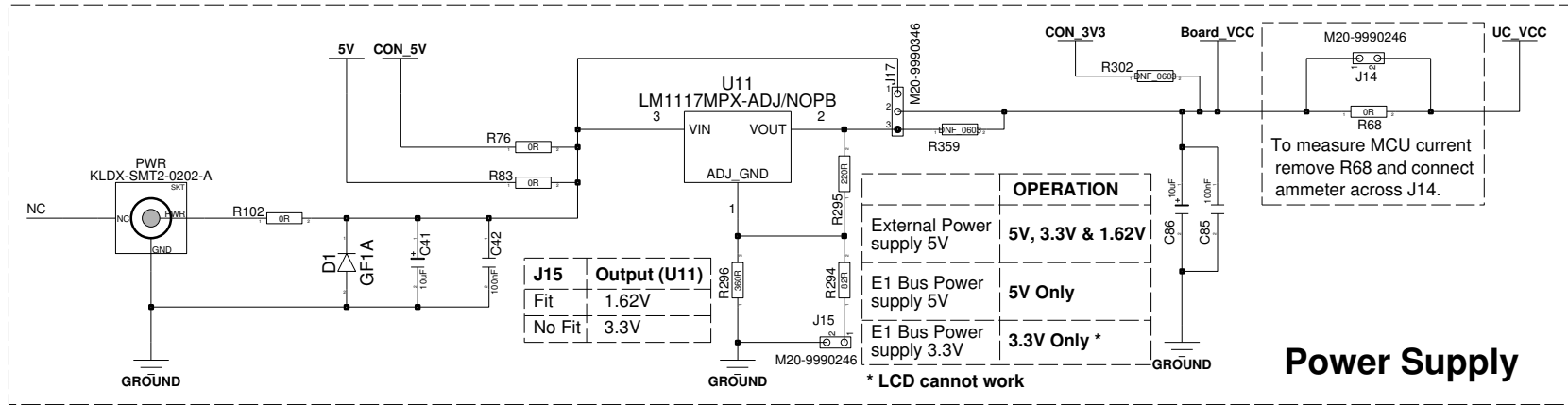
SCHEMATIC TITLE
RSKRX210B

SHEET TITLE
Microcontroller (RX210 Mask B)

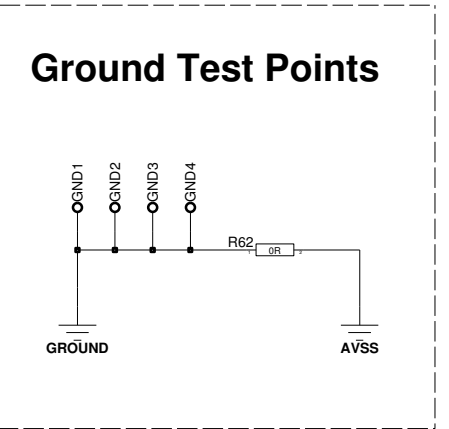
DRAWN BY	DATE	REV	DRAWING NUMBER	PAGE
MAB	21-05-13	5	D012432_04	2/6

VCC = 14, 60
VSS = 12, 62
VCC=UC_VCC,VSS=GROUND

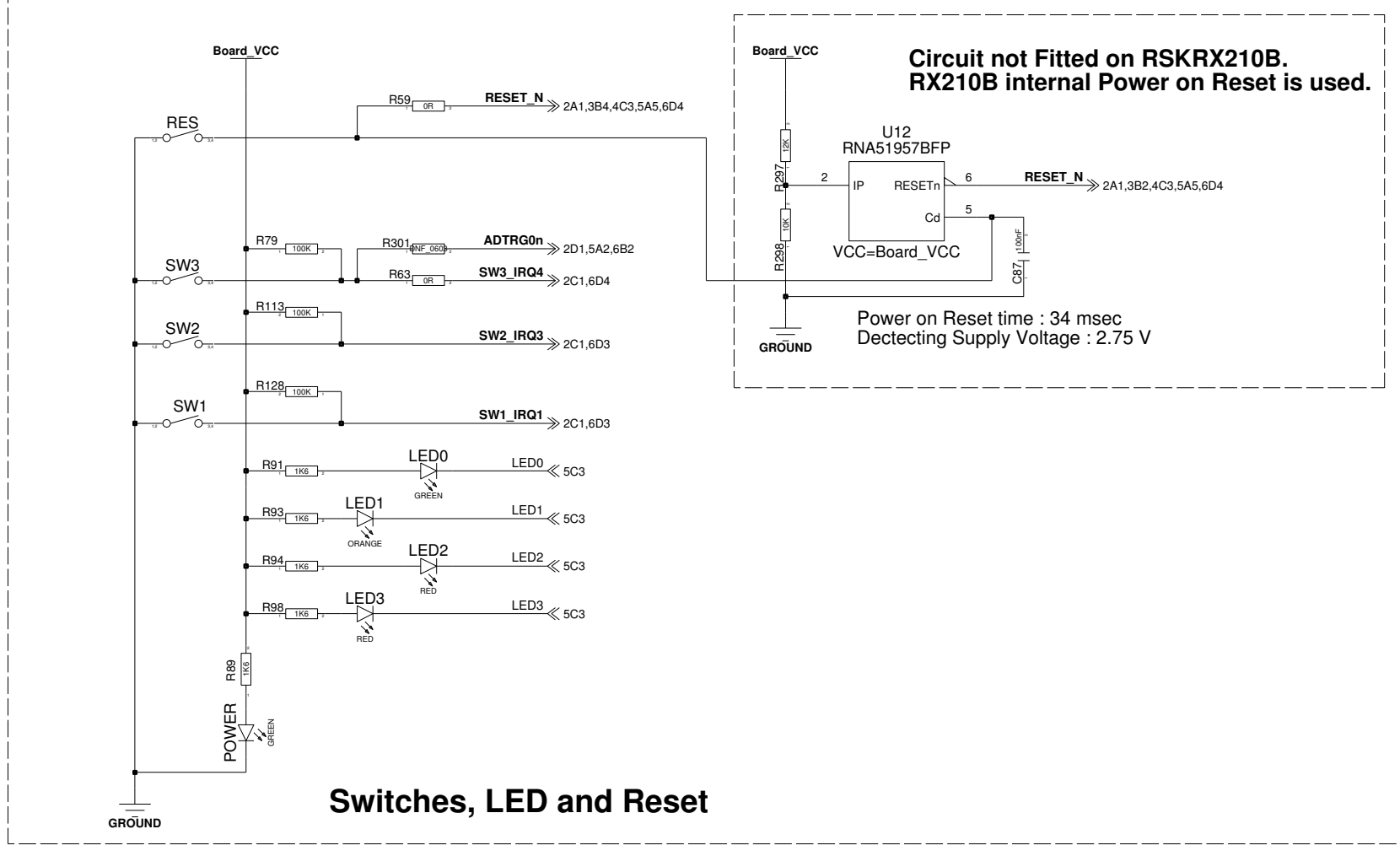
SIZE A4



Power Supply



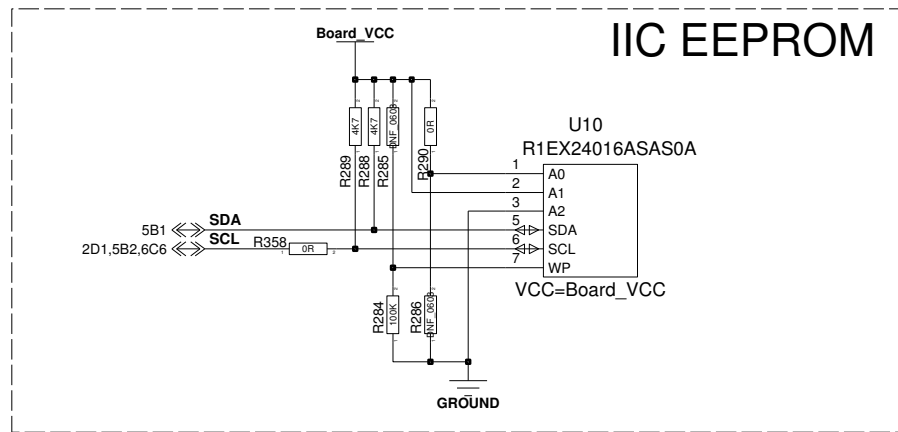
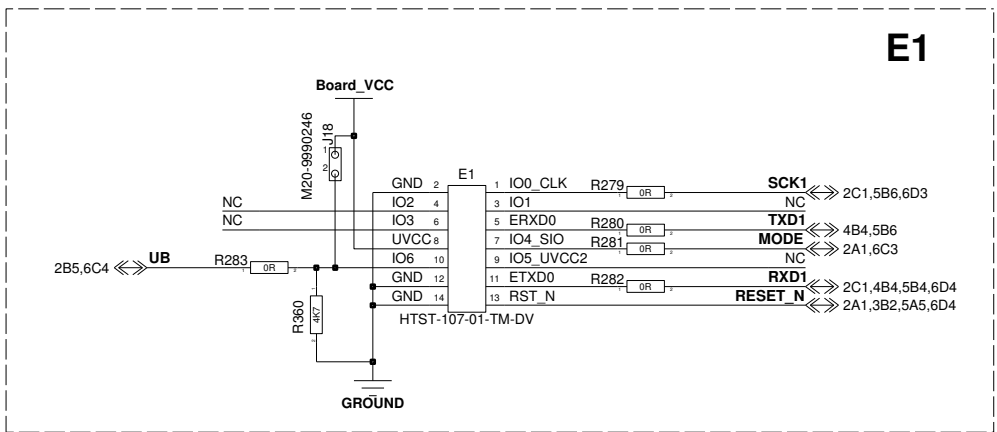
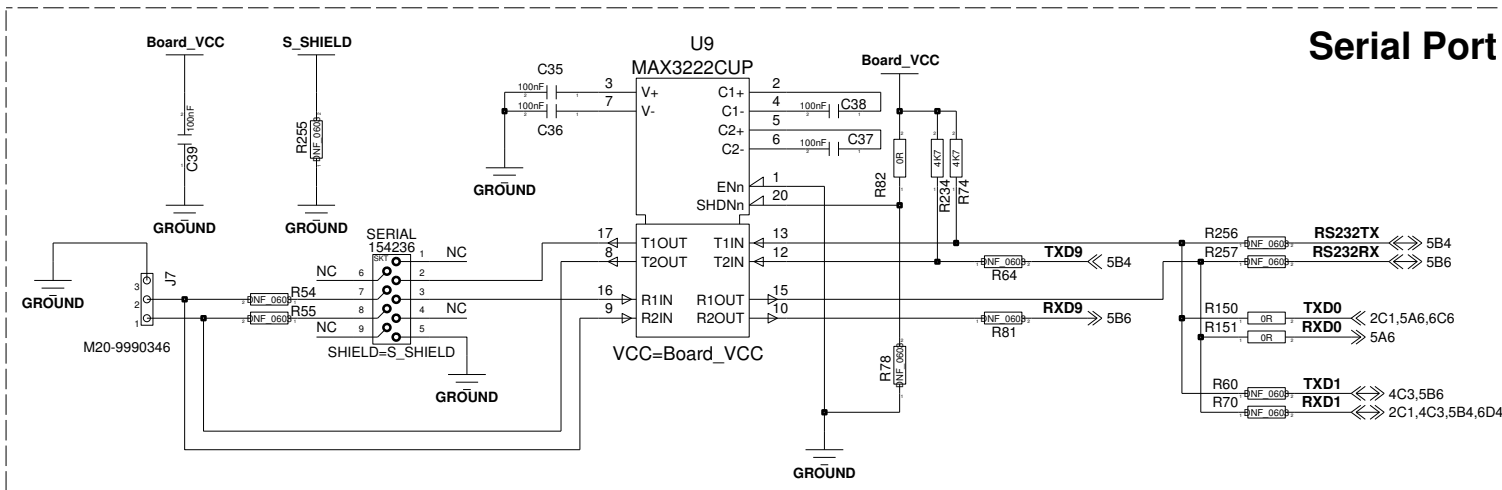
Ground Test Points



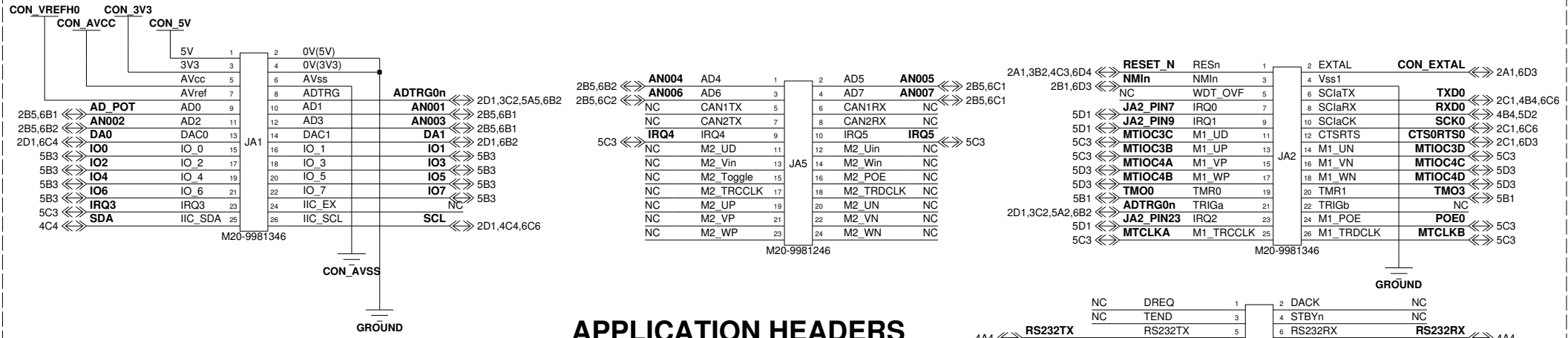
Switches, LED and Reset

SIZE A4

RENESAS ELECTRONICS EUROPE LTD Dukes Meadow, Bourne End, Buckinghamshire UNITED KINGDOM				
SCHEMATIC TITLE RSKRX210B				
SHEET TITLE Power, Switches, LEDs and Reset				
DRAWN BY MAB	DATE 21-05-13	REV 5	DRAWING NUMBER D012432_04	PAGE 3/6

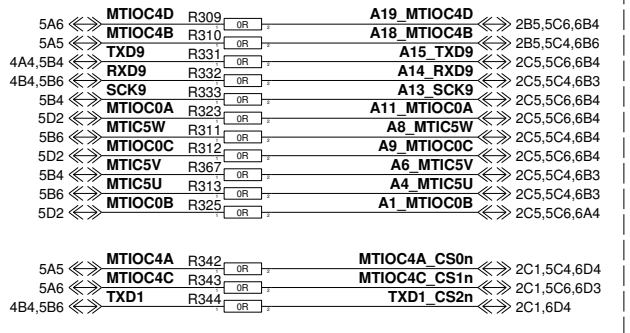
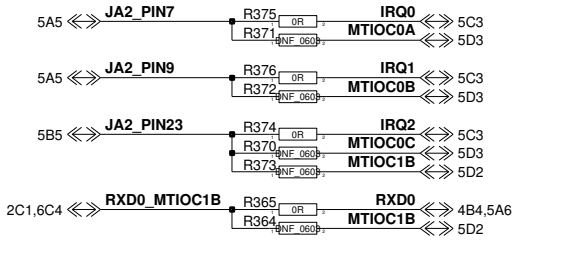
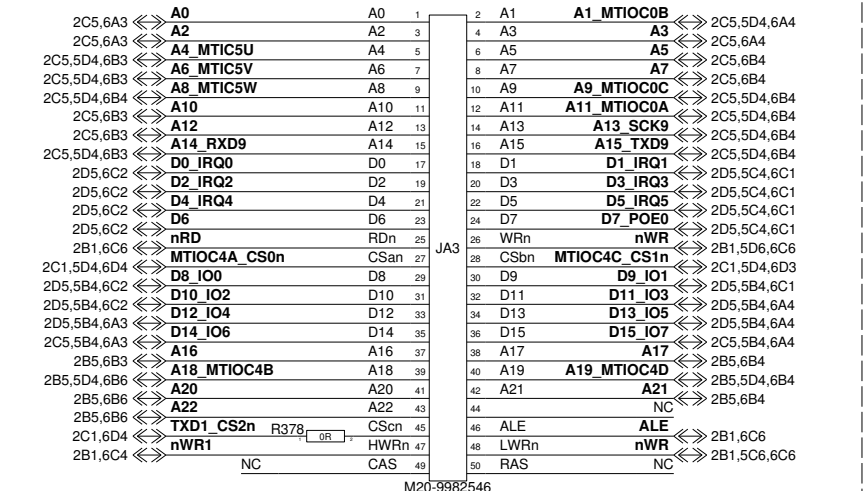
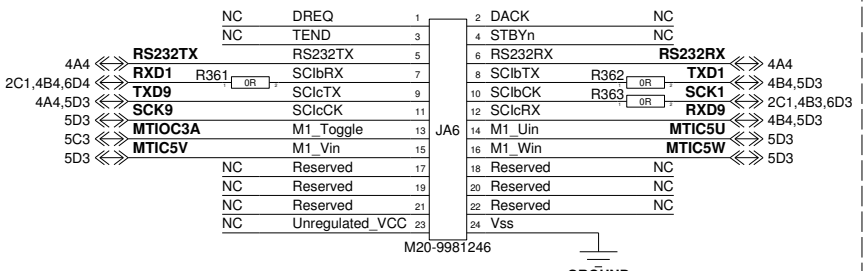
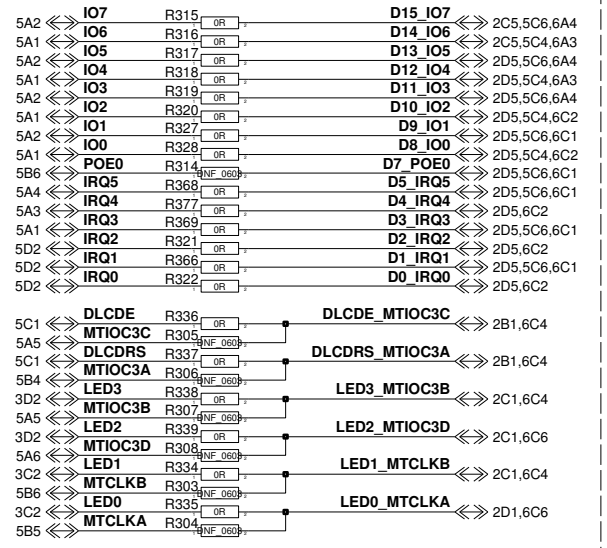
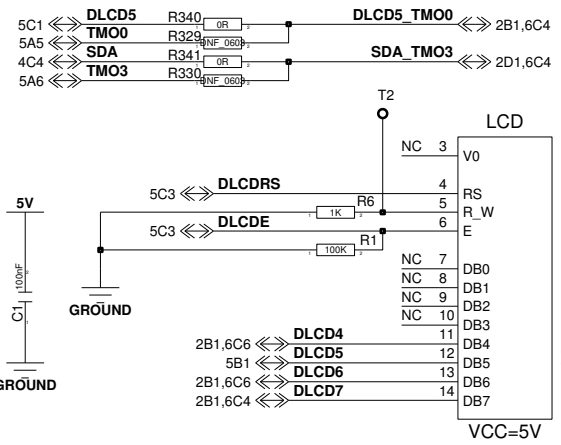


SIZE A4				
RENESAS ELECTRONICS EUROPE LTD Dukes Meadow, Bourne End, Buckinghamshire UNITED KINGDOM				
SCHEMATIC TITLE RSKRX210B				
SHEET TITLE Serial, E1 and IIC EEPROM				
DRAWN BY MAB	DATE 21-05-13	REV 5	DRAWING NUMBER D012432_04	PAGE 4/6



APPLICATION HEADERS

DEBUG LCD and OPTION LINKS



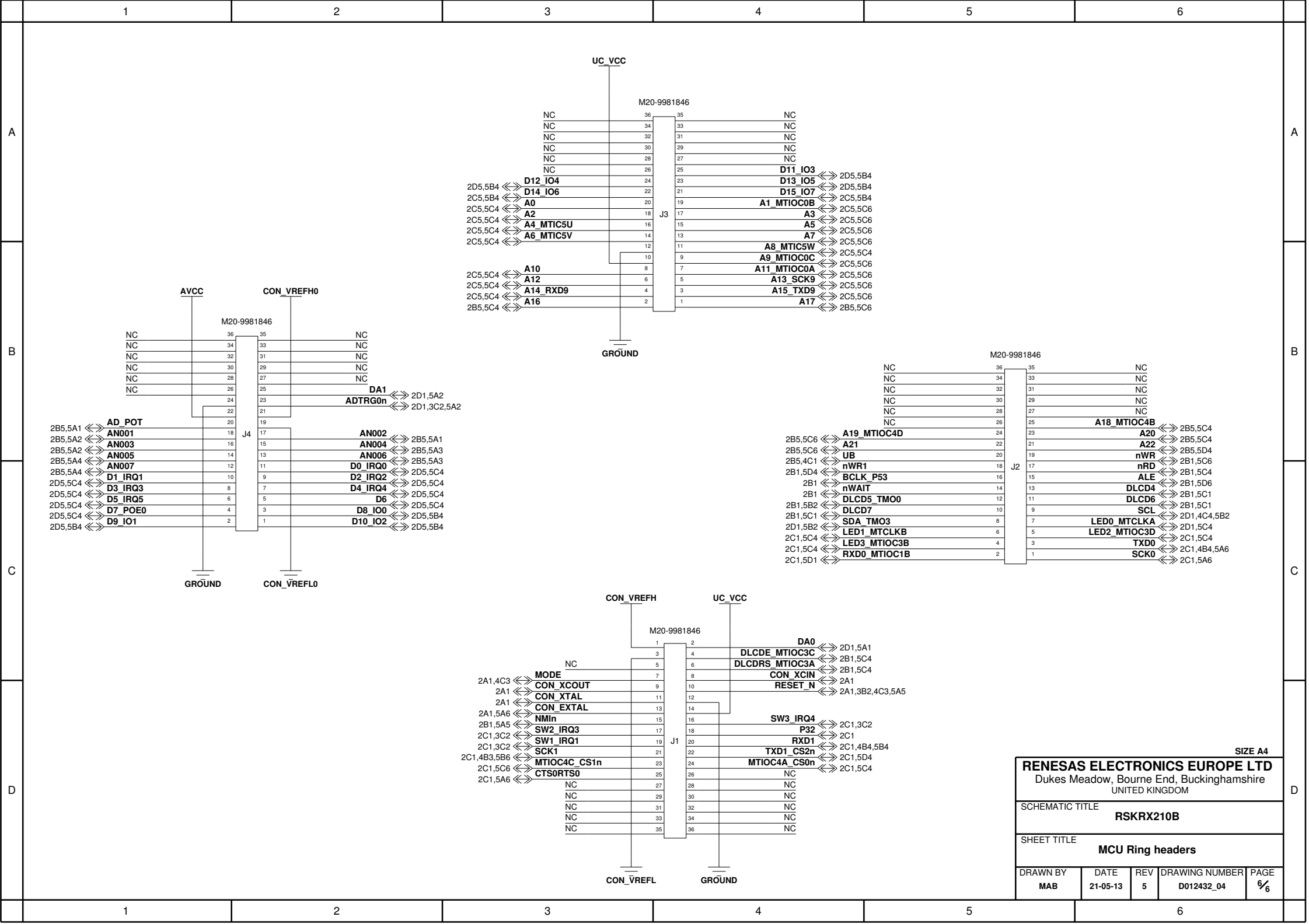
SIZE A4

RENESAS ELECTRONICS EUROPE LTD
 Dukess Meadow, Bourne End, Buckinghamshire
 UNITED KINGDOM

SCHEMATIC TITLE
RSKRX210B

SHEET TITLE
LCD, Option link and Application headers

DRAWN BY MAB	DATE 21-05-13	REV 5	DRAWING NUMBER D012432_04	PAGE 5/6
------------------------	------------------	----------	------------------------------	-------------



SIZE A4

RENESAS ELECTRONICS EUROPE LTD
 Dukess Meadow, Bourne End, Buckinghamshire
 UNITED KINGDOM

SCHEMATIC TITLE
RSRX210B

SHEET TITLE
MCU Ring headers

DRAWN BY MAB	DATE 21-05-13	REV 5	DRAWING NUMBER D012432_04	PAGE 6/6
-----------------	------------------	----------	------------------------------	-------------