

To our customers,

Old Company Name in Catalogs and Other Documents

On April 1st, 2010, NEC Electronics Corporation merged with Renesas Technology Corporation, and Renesas Electronics Corporation took over all the business of both companies. Therefore, although the old company name remains in this document, it is a valid Renesas Electronics document. We appreciate your understanding.

Renesas Electronics website: <http://www.renesas.com>

April 1st, 2010
Renesas Electronics Corporation

Issued by: Renesas Electronics Corporation (<http://www.renesas.com>)

Send any inquiries to <http://www.renesas.com/inquiry>.

Notice

1. All information included in this document is current as of the date this document is issued. Such information, however, is subject to change without any prior notice. Before purchasing or using any Renesas Electronics products listed herein, please confirm the latest product information with a Renesas Electronics sales office. Also, please pay regular and careful attention to additional and different information to be disclosed by Renesas Electronics such as that disclosed through our website.
2. Renesas Electronics does not assume any liability for infringement of patents, copyrights, or other intellectual property rights of third parties by or arising from the use of Renesas Electronics products or technical information described in this document. No license, express, implied or otherwise, is granted hereby under any patents, copyrights or other intellectual property rights of Renesas Electronics or others.
3. You should not alter, modify, copy, or otherwise misappropriate any Renesas Electronics product, whether in whole or in part.
4. Descriptions of circuits, software and other related information in this document are provided only to illustrate the operation of semiconductor products and application examples. You are fully responsible for the incorporation of these circuits, software, and information in the design of your equipment. Renesas Electronics assumes no responsibility for any losses incurred by you or third parties arising from the use of these circuits, software, or information.
5. When exporting the products or technology described in this document, you should comply with the applicable export control laws and regulations and follow the procedures required by such laws and regulations. You should not use Renesas Electronics products or the technology described in this document for any purpose relating to military applications or use by the military, including but not limited to the development of weapons of mass destruction. Renesas Electronics products and technology may not be used for or incorporated into any products or systems whose manufacture, use, or sale is prohibited under any applicable domestic or foreign laws or regulations.
6. Renesas Electronics has used reasonable care in preparing the information included in this document, but Renesas Electronics does not warrant that such information is error free. Renesas Electronics assumes no liability whatsoever for any damages incurred by you resulting from errors in or omissions from the information included herein.
7. Renesas Electronics products are classified according to the following three quality grades: “Standard”, “High Quality”, and “Specific”. The recommended applications for each Renesas Electronics product depends on the product’s quality grade, as indicated below. You must check the quality grade of each Renesas Electronics product before using it in a particular application. You may not use any Renesas Electronics product for any application categorized as “Specific” without the prior written consent of Renesas Electronics. Further, you may not use any Renesas Electronics product for any application for which it is not intended without the prior written consent of Renesas Electronics. Renesas Electronics shall not be in any way liable for any damages or losses incurred by you or third parties arising from the use of any Renesas Electronics product for an application categorized as “Specific” or for which the product is not intended where you have failed to obtain the prior written consent of Renesas Electronics. The quality grade of each Renesas Electronics product is “Standard” unless otherwise expressly specified in a Renesas Electronics data sheets or data books, etc.
 - “Standard”: Computers; office equipment; communications equipment; test and measurement equipment; audio and visual equipment; home electronic appliances; machine tools; personal electronic equipment; and industrial robots.
 - “High Quality”: Transportation equipment (automobiles, trains, ships, etc.); traffic control systems; anti-disaster systems; anti-crime systems; safety equipment; and medical equipment not specifically designed for life support.
 - “Specific”: Aircraft; aerospace equipment; submersible repeaters; nuclear reactor control systems; medical equipment or systems for life support (e.g. artificial life support devices or systems), surgical implantations, or healthcare intervention (e.g. excision, etc.), and any other applications or purposes that pose a direct threat to human life.
8. You should use the Renesas Electronics products described in this document within the range specified by Renesas Electronics, especially with respect to the maximum rating, operating supply voltage range, movement power voltage range, heat radiation characteristics, installation and other product characteristics. Renesas Electronics shall have no liability for malfunctions or damages arising out of the use of Renesas Electronics products beyond such specified ranges.
9. Although Renesas Electronics endeavors to improve the quality and reliability of its products, semiconductor products have specific characteristics such as the occurrence of failure at a certain rate and malfunctions under certain use conditions. Further, Renesas Electronics products are not subject to radiation resistance design. Please be sure to implement safety measures to guard them against the possibility of physical injury, and injury or damage caused by fire in the event of the failure of a Renesas Electronics product, such as safety design for hardware and software including but not limited to redundancy, fire control and malfunction prevention, appropriate treatment for aging degradation or any other appropriate measures. Because the evaluation of microcomputer software alone is very difficult, please evaluate the safety of the final products or system manufactured by you.
10. Please contact a Renesas Electronics sales office for details as to environmental matters such as the environmental compatibility of each Renesas Electronics product. Please use Renesas Electronics products in compliance with all applicable laws and regulations that regulate the inclusion or use of controlled substances, including without limitation, the EU RoHS Directive. Renesas Electronics assumes no liability for damages or losses occurring as a result of your noncompliance with applicable laws and regulations.
11. This document may not be reproduced or duplicated, in any form, in whole or in part, without prior written consent of Renesas Electronics.
12. Please contact a Renesas Electronics sales office if you have any questions regarding the information contained in this document or Renesas Electronics products, or if you have any other inquiries.

(Note 1) “Renesas Electronics” as used in this document means Renesas Electronics Corporation and also includes its majority-owned subsidiaries.

(Note 2) “Renesas Electronics product(s)” means any product developed or manufactured by or for Renesas Electronics.

R8C/35A Group

Hardware Manual

RENESAS MCU

R8C FAMILY / R8C/3x SERIES

Preliminary

All information contained in these materials, including products and product specifications, represents information on the product at the time of publication and is subject to change by Renesas Electronics Corp. without notice. Please review the latest information published by Renesas Electronics Corp. through various means, including the Renesas Electronics Corp. website (<http://www.renesas.com>).

Notes regarding these materials

1. This document is provided for reference purposes only so that Renesas customers may select the appropriate Renesas products for their use. Renesas neither makes warranties or representations with respect to the accuracy or completeness of the information contained in this document nor grants any license to any intellectual property rights or any other rights of Renesas or any third party with respect to the information in this document.
2. Renesas shall have no liability for damages or infringement of any intellectual property or other rights arising out of the use of any information in this document, including, but not limited to, product data, diagrams, charts, programs, algorithms, and application circuit examples.
3. You should not use the products or the technology described in this document for the purpose of military applications such as the development of weapons of mass destruction or for the purpose of any other military use. When exporting the products or technology described herein, you should follow the applicable export control laws and regulations, and procedures required by such laws and regulations.
4. All information included in this document such as product data, diagrams, charts, programs, algorithms, and application circuit examples, is current as of the date this document is issued. Such information, however, is subject to change without any prior notice. Before purchasing or using any Renesas products listed in this document, please confirm the latest product information with a Renesas sales office. Also, please pay regular and careful attention to additional and different information to be disclosed by Renesas such as that disclosed through our website. (<http://www.renesas.com>)
5. Renesas has used reasonable care in compiling the information included in this document, but Renesas assumes no liability whatsoever for any damages incurred as a result of errors or omissions in the information included in this document.
6. When using or otherwise relying on the information in this document, you should evaluate the information in light of the total system before deciding about the applicability of such information to the intended application. Renesas makes no representations, warranties or guaranties regarding the suitability of its products for any particular application and specifically disclaims any liability arising out of the application and use of the information in this document or Renesas products.
7. With the exception of products specified by Renesas as suitable for automobile applications, Renesas products are not designed, manufactured or tested for applications or otherwise in systems the failure or malfunction of which may cause a direct threat to human life or create a risk of human injury or which require especially high quality and reliability such as safety systems, or equipment or systems for transportation and traffic, healthcare, combustion control, aerospace and aeronautics, nuclear power, or undersea communication transmission. If you are considering the use of our products for such purposes, please contact a Renesas sales office beforehand. Renesas shall have no liability for damages arising out of the uses set forth above.
8. Notwithstanding the preceding paragraph, you should not use Renesas products for the purposes listed below:
 - (1) artificial life support devices or systems
 - (2) surgical implantations
 - (3) healthcare intervention (e.g., excision, administration of medication, etc.)
 - (4) any other purposes that pose a direct threat to human lifeRenesas shall have no liability for damages arising out of the uses set forth in the above and purchasers who elect to use Renesas products in any of the foregoing applications shall indemnify and hold harmless Renesas Technology Corp., its affiliated companies and their officers, directors, and employees against any and all damages arising out of such applications.
9. You should use the products described herein within the range specified by Renesas, especially with respect to the maximum rating, operating supply voltage range, movement power voltage range, heat radiation characteristics, installation and other product characteristics. Renesas shall have no liability for malfunctions or damages arising out of the use of Renesas products beyond such specified ranges.
10. Although Renesas endeavors to improve the quality and reliability of its products, IC products have specific characteristics such as the occurrence of failure at a certain rate and malfunctions under certain use conditions. Please be sure to implement safety measures to guard against the possibility of physical injury, and injury or damage caused by fire in the event of the failure of a Renesas product, such as safety design for hardware and software including but not limited to redundancy, fire control and malfunction prevention, appropriate treatment for aging degradation or any other applicable measures. Among others, since the evaluation of microcomputer software alone is very difficult, please evaluate the safety of the final products or system manufactured by you.
11. In case Renesas products listed in this document are detached from the products to which the Renesas products are attached or affixed, the risk of accident such as swallowing by infants and small children is very high. You should implement safety measures so that Renesas products may not be easily detached from your products. Renesas shall have no liability for damages arising out of such detachment.
12. This document may not be reproduced or duplicated, in any form, in whole or in part, without prior written approval from Renesas.
13. Please contact a Renesas sales office if you have any questions regarding the information contained in this document, Renesas semiconductor products, or if you have any other inquiries.

General Precautions in the Handling of MPU/MCU Products

The following usage notes are applicable to all MPU/MCU products from Renesas. For detailed usage notes on the products covered by this manual, refer to the relevant sections of the manual. If the descriptions under General Precautions in the Handling of MPU/MCU Products and in the body of the manual differ from each other, the description in the body of the manual takes precedence.

1. Handling of Unused Pins

Handle unused pins in accord with the directions given under Handling of Unused Pins in the manual.

- The input pins of CMOS products are generally in the high-impedance state. In operation with an unused pin in the open-circuit state, extra electromagnetic noise is induced in the vicinity of LSI, an associated shoot-through current flows internally, and malfunctions occur due to the false recognition of the pin state as an input signal become possible. Unused pins should be handled as described under Handling of Unused Pins in the manual.

2. Processing at Power-on

The state of the product is undefined at the moment when power is supplied.

- The states of internal circuits in the LSI are indeterminate and the states of register settings and pins are undefined at the moment when power is supplied.

In a finished product where the reset signal is applied to the external reset pin, the states of pins are not guaranteed from the moment when power is supplied until the reset process is completed.

In a similar way, the states of pins in a product that is reset by an on-chip power-on reset function are not guaranteed from the moment when power is supplied until the power reaches the level at which resetting has been specified.

3. Prohibition of Access to Reserved Addresses

Access to reserved addresses is prohibited.

- The reserved addresses are provided for the possible future expansion of functions. Do not access these addresses; the correct operation of LSI is not guaranteed if they are accessed.

4. Clock Signals

After applying a reset, only release the reset line after the operating clock signal has become stable. When switching the clock signal during program execution, wait until the target clock signal has stabilized.

- When the clock signal is generated with an external resonator (or from an external oscillator) during a reset, ensure that the reset line is only released after full stabilization of the clock signal. Moreover, when switching to a clock signal produced with an external resonator (or by an external oscillator) while program execution is in progress, wait until the target clock signal is stable.

5. Differences between Products

Before changing from one product to another, i.e. to one with a different part number, confirm that the change will not lead to problems.

- The characteristics of MPU/MCU in the same group but having different part numbers may differ because of the differences in internal memory capacity and layout pattern. When changing to products of different part numbers, implement a system-evaluation test for each of the products.

How to Use This Manual

1. Purpose and Target Readers

This manual is designed to provide the user with an understanding of the hardware functions and electrical characteristics of the MCU. It is intended for users designing application systems incorporating the MCU. A basic knowledge of electric circuits, logical circuits, and MCUs is necessary in order to use this manual.

The manual comprises an overview of the product; descriptions of the CPU, system control functions, peripheral functions, and electrical characteristics; and usage notes.

Particular attention should be paid to the precautionary notes when using the manual. These notes occur within the body of the text, at the end of each section, and in the Usage Notes section.

The revision history summarizes the locations of revisions and additions. It does not list all revisions. Refer to the text of the manual for details.

The following documents apply to the R8C/35A Group. Make sure to refer to the latest versions of these documents. The newest versions of the documents listed may be obtained from the Renesas Technology Web site.

Document Type	Description	Document Title	Document No.
Datasheet	Hardware overview and electrical characteristics	R8C/35A Group Datasheet	REJ03B0225
Hardware manual	Hardware specifications (pin assignments, memory maps, peripheral function specifications, electrical characteristics, timing charts) and operation description Note: Refer to the application notes for details on using peripheral functions.	R8C/35A Group Hardware Manual	This hardware manual
Software manual	Description of CPU instruction set	R8C/Tiny Series Software Manual	REJ09B0001
Application note	Information on using peripheral functions and application examples Sample programs Information on writing programs in assembly language and C	Available from Renesas Technology Web site.	
Renesas technical update	Product specifications, updates on documents, etc.		

2. Notation of Numbers and Symbols

The notation conventions for register names, bit names, numbers, and symbols used in this manual are described below.

(1) Register Names, Bit Names, and Pin Names

Registers, bits, and pins are referred to in the text by symbols. The symbol is accompanied by the word “register,” “bit,” or “pin” to distinguish the three categories.

Examples the PM03 bit in the PM0 register
 P3_5 pin, VCC pin

(2) Notation of Numbers

The indication “b” is appended to numeric values given in binary format. However, nothing is appended to the values of single bits. The indication “h” is appended to numeric values given in hexadecimal format. Nothing is appended to numeric values given in decimal format.

Examples Binary: 11b
 Hexadecimal: EFA0h
 Decimal: 1234

3. Register Notation

The symbols and terms used in register diagrams are described below.

x.x.x XXX Register (Symbol)

Address XXXXh

Bit	b7	b6	b5	b4	b3	b2	b1	b0	
Symbol	XXX7	XXX6	XXX5	XXX4	—	—	XXX1	XXX0	*1
After Reset	0	0	0	0	0	0	0	0	

Bit	Symbol	Bit Name	Function	R/W
b0	XXX0	XXX bit	b1 b0 0 0: XXX 0 1: XXX 1 0: Do not set. 1 1: XXX	R/W
b1	XXX1			R/W
b2	—	Nothing is assigned. If necessary, set to 0. When read, the content is undefined.		—
b3	—	Reserved bit	Set to 0.	R/W
b4	XXX4	XXX bit	Function varies according to the operating mode.	R/W
b5	XXX5			W
b6	XXX6			R/W
b7	XXX7	XXX bit	0: XXX 1: XXX	R

*1

- R/W: Read and write.
- R: Read only.
- W: Write only.
- : Nothing is assigned.

*2

- Reserved bit
Reserved bit. Set to specified value.

*3

- Nothing is assigned.
Nothing is assigned to the bit. As the bit may be used for future functions, if necessary, set to 0.
- Do not set to a value.
Operation is not guaranteed when a value is set.
- Function varies according to the operating mode.
The function of the bit varies with the peripheral function mode. Refer to the register diagram for information on the individual modes.

4. List of Abbreviations and Acronyms

Abbreviation	Full Form
ACIA	Asynchronous Communication Interface Adapter
bps	bits per second
CRC	Cyclic Redundancy Check
DMA	Direct Memory Access
DMAC	Direct Memory Access Controller
GSM	Global System for Mobile Communications
Hi-Z	High Impedance
IEBus	Inter Equipment Bus
I/O	Input/Output
IrDA	Infrared Data Association
LSB	Least Significant Bit
MSB	Most Significant Bit
NC	Non-Connection
PLL	Phase Locked Loop
PWM	Pulse Width Modulation
SFR	Special Function Register
SIM	Subscriber Identity Module
UART	Universal Asynchronous Receiver/Transmitter
VCO	Voltage Controlled Oscillator

Table of Contents

SFR Page Reference	B - 1
1. Overview	1
1.1 Features	1
1.1.1 Applications	1
1.1.2 Specifications	2
1.2 Product List	4
1.3 Block Diagram	5
1.4 Pin Assignment	6
1.5 Pin Functions	9
2. Central Processing Unit (CPU)	11
2.1 Data Registers (R0, R1, R2, and R3)	12
2.2 Address Registers (A0 and A1)	12
2.3 Frame Base Register (FB)	12
2.4 Interrupt Table Register (INTB)	12
2.5 Program Counter (PC)	12
2.6 User Stack Pointer (USP) and Interrupt Stack Pointer (ISP)	12
2.7 Static Base Register (SB)	12
2.8 Flag Register (FLG)	12
2.8.1 Carry Flag (C)	12
2.8.2 Debug Flag (D)	12
2.8.3 Zero Flag (Z)	12
2.8.4 Sign Flag (S)	12
2.8.5 Register Bank Select Flag (B)	12
2.8.6 Overflow Flag (O)	12
2.8.7 Interrupt Enable Flag (I)	13
2.8.8 Stack Pointer Select Flag (U)	13
2.8.9 Processor Interrupt Priority Level (IPL)	13
2.8.10 Reserved Bit	13
3. Memory	14
3.1 R8C/35A Group	14
4. Special Function Registers (SFRs)	15
5. Resets	27
5.1 Registers	29
5.1.1 Processor Mode Register 0 (PM0)	29
5.1.2 Reset Source Determination Register (RSTFR)	29
5.1.3 Option Function Select Register (OFS)	30
5.1.4 Option Function Select Register 2 (OFS2)	31
5.2 Hardware Reset	32
5.2.1 When Power Supply is Stable	32
5.2.2 Power On	32
5.3 Power-On Reset Function	34
5.4 Voltage Monitor 0 Reset	35
5.5 Watchdog Timer Reset	36
5.6 Software Reset	36

5.7	Cold Start-Up/Warm Start-Up Determination Function	37
5.8	Reset Source Determination Function	37
6.	Voltage Detection Circuit	38
6.1	Overview	38
6.2	Registers	42
6.2.1	Voltage Monitor Circuit/Comparator A Control Register (CMPA)	42
6.2.2	Voltage Monitor Circuit Edge Select Register (VCAC)	43
6.2.3	Voltage Detect Register 1 (VCA1)	43
6.2.4	Voltage Detect Register 2 (VCA2)	44
6.2.5	Voltage Detection 1 Level Select Register (VD1LS)	45
6.2.6	Voltage Monitor 0 Circuit Control Register (VW0C)	46
6.2.7	Voltage Monitor 1 Circuit Control Register (VW1C)	47
6.2.8	Voltage Monitor 2 Circuit Control Register (VW2C)	48
6.2.9	Option Function Select Register (OFS)	49
6.3	VCC Input Voltage	50
6.3.1	Monitoring Vdet0	50
6.3.2	Monitoring Vdet1	50
6.3.3	Monitoring Vdet2	50
6.4	Voltage Monitor 0 Reset	51
6.5	Voltage Monitor 1 Interrupt	52
6.6	Voltage Monitor 2 Interrupt	54
7.	I/O Ports	56
7.1	Functions of I/O Ports	56
7.2	Effect on Peripheral Functions	57
7.3	Pins Other than I/O Ports	57
7.4	Registers	74
7.4.1	Port Pi Direction Register (PDi) (i = 0 to 6)	74
7.4.2	Port Pi Register (Pi) (i = 0 to 6)	75
7.4.3	Timer RA Pin Select Register (TRASR)	76
7.4.4	Timer RB/RC Pin Select Register (TRBRCR)	76
7.4.5	Timer RC Pin Select Register 0 (TRCPSR0)	77
7.4.6	Timer RC Pin Select Register 1 (TRCPSR1)	78
7.4.7	Timer RD Pin Select Register 0 (TRDPSR0)	79
7.4.8	Timer RD Pin Select Register 1 (TRDPSR1)	79
7.4.9	Timer Pin Select Register (TIMSR)	80
7.4.10	UART0 Pin Select Register (U0SR)	81
7.4.11	UART1 Pin Select Register (U1SR)	81
7.4.12	UART2 Pin Select Register 0 (U2SR0)	82
7.4.13	UART2 Pin Select Register 1 (U2SR1)	82
7.4.14	SSU/IIC Pin Select Register (SSUIICR)	83
7.4.15	INT Interrupt Input Pin Select Register (INTSR)	84
7.4.16	I/O Function Pin Select Register (PINSR)	85
7.4.17	Pull-Up Control Register 0 (PUR0)	86
7.4.18	Pull-Up Control Register 1 (PUR1)	86
7.4.19	Port P1 Drive Capacity Control Register (P1DRR)	87
7.4.20	Port P2 Drive Capacity Control Register (P2DRR)	87
7.4.21	Drive Capacity Control Register 0 (DRR0)	88

7.4.22	Drive Capacity Control Register 1 (DRR1)	89
7.4.23	Input Threshold Control Register 0 (VLT0)	90
7.4.24	Input Threshold Control Register 1 (VLT1)	91
7.5	Port Settings	92
7.6	Unassigned Pin Handling	113
8.	Bus	114
9.	Clock Generation Circuit	116
9.1	Overview	116
9.2	Registers	119
9.2.1	System Clock Control Register 0 (CM0)	119
9.2.2	System Clock Control Register 1 (CM1)	120
9.2.3	System Clock Control Register 3 (CM3)	121
9.2.4	Oscillation Stop Detection Register (OCD)	122
9.2.5	High-Speed On-Chip Oscillator Control Register 7 (FRA7)	122
9.2.6	High-Speed On-Chip Oscillator Control Register 0 (FRA0)	123
9.2.7	High-Speed On-Chip Oscillator Control Register 1 (FRA1)	123
9.2.8	High-Speed On-Chip Oscillator Control Register 2 (FRA2)	124
9.2.9	Clock Prescaler Reset Flag (CPSRF)	124
9.2.10	High-Speed On-Chip Oscillator Control Register 4 (FRA4)	125
9.2.11	High-Speed On-Chip Oscillator Control Register 5 (FRA5)	125
9.2.12	High-Speed On-Chip Oscillator Control Register 6 (FRA6)	125
9.2.13	High-Speed On-Chip Oscillator Control Register 3 (FRA3)	125
9.2.14	Voltage Detect Register 2 (VCA2)	126
9.2.15	I/O Function Pin Select Register (PINSR)	127
9.3	XIN Clock	129
9.4	On-Chip Oscillator Clock	130
9.4.1	Low-Speed On-Chip Oscillator Clock	130
9.4.2	High-Speed On-Chip Oscillator Clock	130
9.5	XCIN Clock	131
9.6	CPU Clock and Peripheral Function Clock	132
9.6.1	System Clock	132
9.6.2	CPU Clock	132
9.6.3	Peripheral Function Clock (f1, f2, f4, f8, and f32)	132
9.6.4	fOCO	132
9.6.5	fOCO40M	132
9.6.6	fOCO-F	132
9.6.7	fOCO-S	133
9.6.8	fOCO128	133
9.6.9	fC, fC2, fC4, and fC32	133
9.6.10	fOCO-WDT	133
9.7	Power Control	134
9.7.1	Standard Operating Mode	134
9.7.2	Wait Mode	136
9.7.3	Stop Mode	140
9.8	Oscillation Stop Detection Function	143
9.8.1	How to Use Oscillation Stop Detection Function	144
9.9	Notes on Clock Generation Circuit	147

9.9.1	Stop Mode	147
9.9.2	Wait Mode	147
9.9.3	Oscillation Stop Detection Function	147
9.9.4	Oscillation Circuit Constants	147
10.	Protection	148
10.1	Register	148
10.1.1	Protect Register (PRCR)	148
11.	Interrupts	149
11.1	Overview	149
11.1.1	Types of Interrupts	149
11.1.2	Software Interrupts	150
11.1.3	Special Interrupts	151
11.1.4	Peripheral Function Interrupts	151
11.1.5	Interrupts and Interrupt Vectors	152
11.2	Registers	154
11.2.1	Interrupt Control Register (TREIC, S2TIC, S2RIC, KUPIC, ADIC, S0TIC, S0RIC, S1TIC, S1RIC, TRAIC, TRBIC, U2BCNIC, VCMP1IC, VCMP2IC)	154
11.2.2	Interrupt Control Register (FMRDYIC, TRCIC, TRD0IC, TRD1IC, SSUIC/IICIC)	155
11.2.3	INT _i Interrupt Control Register (INT _i IC) (i = 0 to 4)	156
11.3	Interrupt Control	157
11.3.1	I Flag	157
11.3.2	IR Bit	157
11.3.3	Bits ILVL2 to ILVL0, IPL	157
11.3.4	Interrupt Sequence	158
11.3.5	Interrupt Response Time	159
11.3.6	IPL Change when Interrupt Request is Acknowledged	159
11.3.7	Saving Registers	160
11.3.8	Returning from Interrupt Routine	162
11.3.9	Interrupt Priority	162
11.3.10	Interrupt Priority Level Selection Circuit	163
11.4	$\overline{\text{INT}}$ Interrupt	164
11.4.1	$\overline{\text{INT}}_i$ Interrupt (i = 0 to 4)	164
11.4.2	INT Interrupt Input Pin Select Register (INTSR)	164
11.4.3	External Input Enable Register 0 (INTEN)	165
11.4.4	External Input Enable Register 1 (INTEN1)	165
11.4.5	INT Input Filter Select Register 0 (INTF)	166
11.4.6	INT Input Filter Select Register 1 (INTF1)	166
11.4.7	$\overline{\text{INT}}_i$ Input Filter (i = 0 to 4)	167
11.5	Key Input Interrupt	168
11.5.1	Key Input Enable Register 0 (KIEN)	169
11.6	Address Match Interrupt	170
11.6.1	Address Match Interrupt Enable Register i (AIER _i) (i = 0 or 1)	171
11.6.2	Address Match Interrupt Register i (RMAD _i) (i = 0 or 1)	171
11.7	Timer RC Interrupt, Timer RD Interrupt, Synchronous Serial Communication Unit Interrupt, I ² C bus Interface Interrupt, and Flash Memory Interrupt (Interrupts with Multiple Interrupt Request Sources)	172

11.8	Notes on Interrupts	174
11.8.1	Reading Address 00000h	174
11.8.2	SP Setting	174
11.8.3	External Interrupt and Key Input Interrupt	174
11.8.4	Changing Interrupt Sources	175
11.8.5	Rewriting Interrupt Control Register	176
12.	ID Code Areas	177
12.1	Overview	177
12.2	Functions	178
12.3	Forced Erase Function	179
12.4	Standard Serial II/O Mode Disabled Function	179
12.5	Notes on ID Code Areas	180
12.5.1	Setting Example of ID Code Areas	180
13.	Option Function Select Area	181
13.1	Overview	181
13.2	Registers	182
13.2.1	Option Function Select Register (OFS)	182
13.2.2	Option Function Select Register 2 (OFS2)	183
13.3	Notes on Option Function Select Area	184
13.3.1	Setting Example of Option Function Select Area	184
14.	Watchdog Timer	185
14.1	Overview	185
14.2	Registers	187
14.2.1	Processor Mode Register 1 (PM1)	187
14.2.2	Watchdog Timer Reset Register (WDTR)	187
14.2.3	Watchdog Timer Start Register (WDTS)	187
14.2.4	Watchdog Timer Control Register (WDTC)	188
14.2.5	Count Source Protection Mode Register (CSPR)	188
14.2.6	Option Function Select Register (OFS)	189
14.2.7	Option Function Select Register 2 (OFS2)	190
14.3	Functional Description	191
14.3.1	Common Items for Multiple Modes	191
14.3.2	Count Source Protection Mode Disabled	192
14.3.3	Count Source Protection Mode Enabled	193
15.	DTC	194
15.1	Overview	194
15.2	Registers	195
15.2.1	DTC Control Register j (DTCCRj) (j = 0 to 23)	196
15.2.2	DTC Block Size Register j (DTBLSj) (j = 0 to 23)	196
15.2.3	DTC Transfer Count Register j (DTCCTj) (j = 0 to 23)	197
15.2.4	DTC Transfer Count Reload Register j (DTRLdj) (j = 0 to 23)	197
15.2.5	DTC Source Address Register j (DTSARj) (j = 0 to 23)	197
15.2.6	DTC Destination Register j (DTDARj) (j = 0 to 23)	197
15.2.7	DTC Activation Enable Register i (DTCENi) (i = 0 to 6)	198
15.2.8	DTC Activation Control Register (DTCTL)	199

15.3	Function Description	200
15.3.1	Overview	200
15.3.2	Activation Sources	200
15.3.3	Control Data Allocation and DTC Vector Table	202
15.3.4	Normal Mode	207
15.3.5	Repeat Mode	208
15.3.6	Chain Transfers	209
15.3.7	Interrupt Sources	209
15.3.8	Operation Timings	210
15.3.9	Number of DTC Execution Cycles	211
15.3.10	DTC Activation Source Acknowledgement and Interrupt Source Flags	212
15.4	Notes on DTC	214
15.4.1	DTC activation source	214
15.4.2	DTCEN _i (i = 0 to 6) Registers	214
15.4.3	Peripheral Modules	214
15.4.4	Interrupt Request	214
16.	General Overview of Timers	215
17.	Timer RA	217
17.1	Overview	217
17.2	Registers	218
17.2.1	Timer RA Control Register (TRACR)	218
17.2.2	Timer RA I/O Control Register (TRAIOC)	218
17.2.3	Timer RA Mode Register (TRAMR)	219
17.2.4	Timer RA Prescaler Register (TRAPRE)	219
17.2.5	Timer RA Register (TRA)	220
17.2.6	Timer RA Pin Select Register (TRASR)	220
17.3	Timer Mode	221
17.3.1	Timer RA I/O Control Register (TRAIOC) in Timer Mode	221
17.3.2	Timer Write Control during Count Operation	222
17.4	Pulse Output Mode	223
17.4.1	Timer RA I/O Control Register (TRAIOC) in Pulse Output Mode	224
17.5	Event Counter Mode	225
17.5.1	Timer RA I/O Control Register (TRAIOC) in Event Counter Mode	226
17.6	Pulse Width Measurement Mode	227
17.6.1	Timer RA I/O Control Register (TRAIOC) in Pulse Width Measurement Mode	228
17.6.2	Operating Example	229
17.7	Pulse Period Measurement Mode	230
17.7.1	Timer RA I/O Control Register (TRAIOC) in Pulse Period Measurement Mode	231
17.7.2	Operating Example	232
17.8	Notes on Timer RA	233
18.	Timer RB	234
18.1	Overview	234
18.2	Registers	235
18.2.1	Timer RB Control Register (TRBCR)	235
18.2.2	Timer RB One-Shot Control Register (TRBOCR)	235
18.2.3	Timer RB I/O Control Register (TRBIOC)	236

18.2.4	Timer RB Mode Register (TRBMR)	236
18.2.5	Timer RB Prescaler Register (TRBPRES)	237
18.2.6	Timer RB Secondary Register (TRBSC)	237
18.2.7	Timer RB Primary Register (TRBPR)	238
18.2.8	Timer RB/RC Pin Select Register (TRBRCSR)	238
18.3	Timer Mode	239
18.3.1	Timer RB I/O Control Register (TRBIOC) in Timer Mode	239
18.3.2	Timer Write Control during Count Operation	240
18.4	Programmable Waveform Generation Mode	242
18.4.1	Timer RB I/O Control Register (TRBIOC) in Programmable Waveform Generation Mode	243
18.4.2	Operating Example	244
18.5	Programmable One-shot Generation Mode	245
18.5.1	Timer RB I/O Control Register (TRBIOC) in Programmable One-Shot Generation Mode	246
18.5.2	Operating Example	247
18.5.3	One-Shot Trigger Selection	248
18.6	Programmable Wait One-Shot Generation Mode	249
18.6.1	Timer RB I/O Control Register (TRBIOC) in Programmable Wait One-Shot Generation Mode	250
18.6.2	Operating Example	251
18.7	Notes on Timer RB	252
18.7.1	Timer Mode	252
18.7.2	Programmable Waveform Generation Mode	252
18.7.3	Programmable One-shot Generation Mode	253
18.7.4	Programmable Wait One-shot Generation Mode	253
19.	Timer RC	254
19.1	Overview	254
19.2	Registers	256
19.2.1	Module Standby Control Register (MSTCR)	257
19.2.2	Timer RC Mode Register (TRCMR)	257
19.2.3	Timer RC Control Register 1 (TRCCR1)	258
19.2.4	Timer RC Interrupt Enable Register (TRCIER)	258
19.2.5	Timer RC Status Register (TRCSR)	259
19.2.6	Timer RC I/O Control Register 0 (TRCIOR0)	260
19.2.7	Timer RC I/O Control Register 1 (TRCIOR1)	260
19.2.8	Timer RC Counter (TRC)	261
19.2.9	Timer RC General Registers A, B, C, and D (TRCGRA, TRCGRB, TRCGRC, TRCGRD)	261
19.2.10	Timer RC Control Register 2 (TRCCR2)	262
19.2.11	Timer RC Digital Filter Function Select Register (TRCDF)	262
19.2.12	Timer RC Output Master Enable Register (TRCOER)	263
19.2.13	Timer RC Trigger Control Register (TRCADCR)	263
19.2.14	Timer RB/RC Pin Select Register (TRBRCSR)	264
19.2.15	Timer RC Pin Select Register 0 (TRCPSR0)	265
19.2.16	Timer RC Pin Select Register 1 (TRCPSR1)	266
19.3	Common Items for Multiple Modes	267
19.3.1	Count Source	267
19.3.2	Buffer Operation	268
19.3.3	Digital Filter	270
19.3.4	Forced Cutoff of Pulse Output	271
19.4	Timer Mode (Input Capture Function)	273

19.4.1	Timer RC I/O Control Register 0 (TRCIOR0) for Input Capture Function	275
19.4.2	Timer RC I/O Control Register 1 (TRCIOR1) for Input Capture Function	276
19.4.3	Operating Example	277
19.5	Timer Mode (Output Compare Function)	278
19.5.1	Timer RC Control Register 1 (TRCCR1) for Output Compare Function	280
19.5.2	Timer RC I/O Control Register 0 (TRCIOR0) for Output Compare Function	281
19.5.3	Timer RC I/O Control Register 1 (TRCIOR1) for Output Compare Function	282
19.5.4	Timer RC Control Register 2 (TRCCR2) for Output Compare Function	283
19.5.5	Operating Example	284
19.5.6	Changing Output Pins in Registers TRCGRC and TRCGRD	285
19.6	PWM Mode	287
19.6.1	Timer RC Control Register 1 (TRCCR1) in PWM Mode	289
19.6.2	Timer RC Control Register 2 (TRCCR2) in PWM Mode	289
19.6.3	Operating Example	291
19.7	PWM2 Mode	293
19.7.1	Timer RC Control Register 1 (TRCCR1) in PWM2 Mode	295
19.7.2	Timer RC Control Register 2 (TRCCR2) in PWM2 Mode	296
19.7.3	Timer RC Digital Filter Function Select Register (TRCDF) in PWM2 Mode	296
19.7.4	Operating Example	298
19.8	Timer RC Interrupt	301
19.9	Notes on Timer RC	302
19.9.1	TRC Register	302
19.9.2	TRCSR Register	302
19.9.3	TRCCR1 Register	302
19.9.4	Count Source Switching	302
19.9.5	Input Capture Function	303
19.9.6	TRCMR Register in PWM2 Mode	303
19.9.7	Count Source fOCO40M	303
20.	Timer RD	304
20.1	Overview	304
20.2	Common Items for Multiple Modes	306
20.2.1	Count Sources	306
20.2.2	Buffer Operation	307
20.2.3	Synchronous Operation	309
20.2.4	Pulse Output Forced Cutoff	310
20.3	Input Capture Function	312
20.3.1	Module Standby Control Register (MSTCR)	314
20.3.2	Timer RD Control Expansion Register (TRDECR)	314
20.3.3	Timer RD Start Register (TRDSTR) in Input Capture Function	315
20.3.4	Timer RD Mode Register (TRDMR) in Input Capture Function	315
20.3.5	Timer RD PWM Mode Register (TRDPMR) in Input Capture Function	316
20.3.6	Timer RD Function Control Register (TRDFCR) in Input Capture Function	316
20.3.7	Timer RD Digital Filter Function Select Register i (TRDDFi) (i = 0 or 1) in Input Capture Function	317
20.3.8	Timer RD Control Register i (TRDCRi) (i = 0 or 1) in Input Capture Function	318
20.3.9	Timer RD I/O Control Register Ai (TRDIORAi) (i = 0 or 1) in Input Capture Function	319
20.3.10	Timer RD I/O Control Register Ci (TRDIORCi) (i = 0 or 1) in Input Capture Function	320
20.3.11	Timer RD Status Register i (TRDSRi) (i = 0 or 1) in Input Capture Function	321

20.3.12	Timer RD Interrupt Enable Register i (TRDIERi) (i = 0 or 1) in Input Capture Function	322
20.3.13	Timer RD Counter i (TRDi) (i = 0 or 1) in Input Capture Function	322
20.3.14	Timer RD General Registers Ai, Bi, Ci, and Di (TRDGRAi, TRDGRBi, TRDGRCi, TRDGRDi) (i = 0 or 1) in Input Capture Function	323
20.3.15	Timer RD Pin Select Register 0 (TRDPSR0)	324
20.3.16	Timer RD Pin Select Register 1 (TRDPSR1)	324
20.3.17	Operating Example	325
20.3.18	Digital Filter	326
20.4	Output Compare Function	327
20.4.1	Module Standby Control Register (MSTCR)	329
20.4.2	Timer RD Control Expansion Register (TRDECR)	329
20.4.3	Timer RD Trigger Control Register (TRDADCR)	330
20.4.4	Timer RD Start Register (TRDSTR) in Output Compare Function	331
20.4.5	Timer RD Mode Register (TRDMMR) in Output Compare Function	332
20.4.6	Timer RD PWM Mode Register (TRDPMR) in Output Compare Function	333
20.4.7	Timer RD Function Control Register (TRDFCR) in Output Compare Function	333
20.4.8	Timer RD Output Master Enable Register 1 (TRDOER1) in Output Compare Function	334
20.4.9	Timer RD Output Master Enable Register 2 (TRDOER2) in Output Compare Function	334
20.4.10	Timer RD Output Control Register (TRDOCR) in Output Compare Function	335
20.4.11	Timer RD Control Register i (TRDCRi) (i = 0 or 1) in Output Compare Function	336
20.4.12	Timer RD I/O Control Register Ai (TRDIORAi) (i = 0 or 1) in Output Compare Function	337
20.4.13	Timer RD I/O Control Register Ci (TRDIORCi) (i = 0 or 1) in Output Compare Function	338
20.4.14	Timer RD Status Register i (TRDSRi) (i = 0 or 1) in Output Compare Function	339
20.4.15	Timer RD Interrupt Enable Register i (TRDIERi) (i = 0 or 1) in Output Compare Function	340
20.4.16	Timer RD Counter i (TRDi) (i = 0 or 1) in Output Compare Function	340
20.4.17	Timer RD General Registers Ai, Bi, Ci, and Di (TRDGRAi, TRDGRBi, TRDGRCi, TRDGRDi) (i = 0 or 1) in Output Compare Function	341
20.4.18	Timer RD Pin Select Register 0 (TRDPSR0)	342
20.4.19	Timer RD Pin Select Register 1 (TRDPSR1)	342
20.4.20	Operating Example	343
20.4.21	Changing Output Pins in Registers TRDGRCi (i = 0 or 1) and TRDGRDi	344
20.4.22	A/D Trigger Generation	346
20.5	PWM Mode	347
20.5.1	Module Standby Control Register (MSTCR)	349
20.5.2	Timer RD Control Expansion Register (TRDECR)	349
20.5.3	Timer RD Trigger Control Register (TRDADCR)	350
20.5.4	Timer RD Start Register (TRDSTR) in PWM Mode	351
20.5.5	Timer RD Mode Register (TRDMMR) in PWM Mode	351
20.5.6	Timer RD PWM Mode Register (TRDPMR) in PWM Mode	352
20.5.7	Timer RD Function Control Register (TRDFCR) in PWM Mode	352
20.5.8	Timer RD Output Master Enable Register 1 (TRDOER1) in PWM Mode	353
20.5.9	Timer RD Output Master Enable Register 2 (TRDOER2) in PWM Mode	353
20.5.10	Timer RD Output Control Register (TRDOCR) in PWM Mode	354
20.5.11	Timer RD Control Register i (TRDCRi) (i = 0 or 1) in PWM Mode	354
20.5.12	Timer RD Status Register i (TRDSRi) (i = 0 or 1) in PWM Mode	355
20.5.13	Timer RD Interrupt Enable Register i (TRDIERi) (i = 0 or 1) in PWM Mode	356
20.5.14	Timer RD PWM Mode Output Level Control Register i (TRDPOCRi) (i = 0 or 1) in PWM Mode	356
20.5.15	Timer RD Counter i (TRDi) (i = 0 or 1) in PWM Mode	357

20.5.16	Timer RD General Registers Ai, Bi, Ci, and Di (TRDGRAi, TRDGRBi, TRDGRCi, TRDGRDi) (i = 0 or 1) in PWM Mode	357
20.5.17	Timer RD Pin Select Register 0 (TRDPSR0)	358
20.5.18	Timer RD Pin Select Register 1 (TRDPSR1)	358
20.5.19	Operating Example	359
20.5.20	A/D Trigger Generation	361
20.6	Reset Synchronous PWM Mode	362
20.6.1	Module Standby Control Register (MSTCR)	364
20.6.2	Timer RD Control Expansion Register (TRDECR)	364
20.6.3	Timer RD Trigger Control Register (TRDADCR)	365
20.6.4	Timer RD Start Register (TRDSTR) in Reset Synchronous PWM Mode	366
20.6.5	Timer RD Mode Register (TRDMR) in Reset Synchronous PWM Mode	366
20.6.6	Timer RD Function Control Register (TRDFCR) in Reset Synchronous PWM Mode	367
20.6.7	Timer RD Output Master Enable Register 1 (TRDOER1) in Reset Synchronous PWM Mode	368
20.6.8	Timer RD Output Master Enable Register 2 (TRDOER2) in Reset Synchronous PWM Mode	368
20.6.9	Timer RD Control Register 0 (TRDCR0) in Reset Synchronous PWM Mode	369
20.6.10	Timer RD Status Register i (TRDSRi) (i = 0 or 1) in Reset Synchronous PWM Mode	370
20.6.11	Timer RD Interrupt Enable Register i (TRDIERi) (i = 0 or 1) in Reset Synchronous PWM Mode	371
20.6.12	Timer RD Counter 0 (TRD0) in Reset Synchronous PWM Mode	371
20.6.13	Timer RD General Registers Ai, Bi, Ci, and Di (TRDGRAi, TRDGRBi, TRDGRCi, TRDGRDi) (i = 0 or 1) in Reset Synchronous PWM Mode	372
20.6.14	Timer RD Pin Select Register 0 (TRDPSR0)	373
20.6.15	Timer RD Pin Select Register 1 (TRDPSR1)	373
20.6.16	Operating Example	374
20.6.17	A/D Trigger Generation	375
20.7	Complementary PWM Mode	376
20.7.1	Module Standby Control Register (MSTCR)	378
20.7.2	Timer RD Control Expansion Register (TRDECR)	378
20.7.3	Timer RD Trigger Control Register (TRDADCR)	379
20.7.4	Timer RD Start Register (TRDSTR) in Complementary PWM Mode	380
20.7.5	Timer RD Mode Register (TRDMR) in Complementary PWM Mode	380
20.7.6	Timer RD Function Control Register (TRDFCR) in Complementary PWM Mode	381
20.7.7	Timer RD Output Master Enable Register 1 (TRDOER1) in Complementary PWM Mode	382
20.7.8	Timer RD Output Master Enable Register 2 (TRDOER2) in Complementary PWM Mode	382
20.7.9	Timer RD Control Register i (TRDCRi) (i = 0 or 1) in Complementary PWM Mode	383
20.7.10	Timer RD Status Register i (TRDSRi) (i = 0 or 1) in Complementary PWM Mode	384
20.7.11	Timer RD Interrupt Enable Register i (TRDIERi) (i = 0 or 1) in Complementary PWM Mode	385
20.7.12	Timer RD Counter 0 (TRD0) in Complementary PWM Mode	386
20.7.13	Timer RD Counter 1 (TRD1) in Complementary PWM Mode	386
20.7.14	Timer RD General Registers Ai, Bi, C1, and Di (TRDGRAi, TRDGRBi, TRDGRC1, TRDGRDi) (i = 0 or 1) in Complementary PWM Mode	387
20.7.15	Timer RD Pin Select Register 0 (TRDPSR0)	389
20.7.16	Timer RD Pin Select Register 1 (TRDPSR1)	389
20.7.17	Operating Example	390
20.7.18	Transfer Timing from Buffer Register	392
20.7.19	A/D Trigger Generation	392
20.8	PWM3 Mode	393
20.8.1	Module Standby Control Register (MSTCR)	395

20.8.2	Timer RD Control Expansion Register (TRDECR)	395
20.8.3	Timer RD Trigger Control Register (TRDADCR)	396
20.8.4	Timer RD Start Register (TRDSTR) in PWM3 Mode	397
20.8.5	Timer RD Mode Register (TRDMR) in PWM3 Mode	397
20.8.6	Timer RD Function Control Register (TRDFCR) in PWM3 Mode	398
20.8.7	Timer RD Output Master Enable Register 1 (TRDOER1) in PWM3 Mode	399
20.8.8	Timer RD Output Master Enable Register 2 (TRDOER2) in PWM3 Mode	399
20.8.9	Timer RD Output Control Register (TRDOCR) in PWM3 Mode	400
20.8.10	Timer RD Control Register 0 (TRDCR0) in PWM3 Mode	401
20.8.11	Timer RD Status Register i (TRDSRi) (i = 0 or 1) in PWM3 Mode	402
20.8.12	Timer RD Interrupt Enable Register i (TRDIERi) (i = 0 or 1) in PWM3 Mode	403
20.8.13	Timer RD Counter 0 (TRD0) in PWM3 Mode	403
20.8.14	Timer RD General Registers Ai, Bi, Ci, and Di (TRDGRAi, TRDGRBi, TRDGRCi, TRDGRDi) (i = 0 or 1) in PWM3 Mode	404
20.8.15	Timer RD Pin Select Register 0 (TRDPSR0)	406
20.8.16	Timer RD Pin Select Register 1 (TRDPSR1)	406
20.8.17	Operating Example	407
20.8.18	A/D Trigger Generation	408
20.9	Timer RD Interrupt	409
20.10	Notes on Timer RD	410
20.10.1	TRDSTR Register	410
20.10.2	TRDi Register (i = 0 or 1)	410
20.10.3	TRDSRi Register (i = 0 or 1)	410
20.10.4	TRDCRi Register (i = 0 or 1)	410
20.10.5	Count Source Switch	411
20.10.6	Input Capture Function	411
20.10.7	Reset Synchronous PWM Mode	411
20.10.8	Complementary PWM Mode	412
20.10.9	Count Source fOCO40M	415
21.	Timer RE	416
21.1	Overview	416
21.2	Real-Time Clock Mode	417
21.2.1	Timer RE Second Data Register (TRESEC) in Real-Time Clock Mode	419
21.2.2	Timer RE Minute Data Register (TREMIn) in Real-Time Clock Mode	419
21.2.3	Timer RE Hour Data Register (TREHR) in Real-Time Clock Mode	420
21.2.4	Timer RE Day of Week Data Register (TREWk) in Real-Time Clock Mode	420
21.2.5	Timer RE Control Register 1 (TREC1) in Real-Time Clock Mode	421
21.2.6	Timer RE Control Register 2 (TREC2) in Real-Time Clock Mode	422
21.2.7	Timer RE Count Source Select Register (TRECsr) in Real-Time Clock Mode	423
21.2.8	Timer Pin Select Register (TIMSR)	423
21.2.9	Operating Example	424
21.3	Output Compare Mode	425
21.3.1	Timer RE Counter Data Register (TRESEC) in Output Compare Mode	427
21.3.2	Timer RE Compare Data Register (TREMIn) in Output Compare Mode	427
21.3.3	Timer RE Control Register 1 (TREC1) in Output Compare Mode	428
21.3.4	Timer RE Control Register 2 (TREC2) in Output Compare Mode	428
21.3.5	Timer RE Count Source Select Register (TRECsr) in Output Compare Mode	429
21.3.6	Timer Pin Select Register (TIMSR)	429

21.3.7	Operating Example	430
21.4	Notes on Timer RE	431
21.4.1	Starting and Stopping Count	431
21.4.2	Register Setting	431
21.4.3	Time Reading Procedure of Real-Time Clock Mode	433
22.	Serial Interface (UARTi (i = 0 or 1))	434
22.1	Overview	434
22.2	Registers	436
22.2.1	UARTi Transmit/Receive Mode Register (UiMR) (i = 0 or 1)	436
22.2.2	UARTi Bit Rate Register (UiBRG) (i = 0 or 1)	436
22.2.3	UARTi Transmit Buffer Register (UiTB) (i = 0 or 1)	437
22.2.4	UARTi Transmit/Receive Control Register 0 (UiC0) (i = 0 or 1)	438
22.2.5	UARTi Transmit/Receive Control Register 1 (UiC1) (i = 0 or 1)	438
22.2.6	UARTi Receive Buffer Register (UiRB) (i = 0 or 1)	439
22.2.7	UART0 Pin Select Register (U0SR)	440
22.2.8	UART1 Pin Select Register (U1SR)	440
22.3	Clock Synchronous Serial I/O Mode	441
22.3.1	Measure for Dealing with Communication Errors	445
22.3.2	Polarity Select Function	446
22.3.3	LSB First/MSB First Select Function	446
22.3.4	Continuous Receive Mode	447
22.4	Clock Asynchronous Serial I/O (UART) Mode	448
22.4.1	Bit Rate	453
22.4.2	Measure for Dealing with Communication Errors	454
22.5	Notes on Serial Interface (UARTi (i = 0 or 1))	455
23.	Serial Interface (UART2)	456
23.1	Overview	456
23.2	Registers	458
23.2.1	UART2 Transmit/Receive Mode Register (U2MR)	458
23.2.2	UART2 Bit Rate Register (U2BRG)	458
23.2.3	UART2 Transmit Buffer Register (U2TB)	459
23.2.4	UART2 Transmit/Receive Control Register 0 (U2C0)	460
23.2.5	UART2 Transmit/Receive Control Register 1 (U2C1)	461
23.2.6	UART2 Receive Buffer Register (U2RB)	462
23.2.7	UART2 Digital Filter Function Select Register (URXDF)	463
23.2.8	UART2 Special Mode Register 5 (U2SMR5)	463
23.2.9	UART2 Special Mode Register 4 (U2SMR4)	464
23.2.10	UART2 Special Mode Register 3 (U2SMR3)	464
23.2.11	UART2 Special Mode Register 2 (U2SMR2)	465
23.2.12	UART2 Special Mode Register (U2SMR)	465
23.2.13	UART2 Pin Select Register 0 (U2SR0)	466
23.2.14	UART2 Pin Select Register 1 (U2SR1)	466
23.3	Clock Synchronous Serial I/O Mode	467
23.3.1	Measure for Dealing with Communication Errors	471
23.3.2	CLK Polarity Select Function	471
23.3.3	LSB First/MSB First Select Function	472
23.3.4	Continuous Receive Mode	472

23.3.5	Serial Data Logic Switching Function	473
23.3.6	CTS/RTS Function	473
23.4	Clock Asynchronous Serial I/O (UART) Mode	474
23.4.1	Bit Rate	478
23.4.2	Measure for Dealing with Communication Errors	479
23.4.3	LSB First/MSB First Select Function	479
23.4.4	Serial Data Logic Switching Function	480
23.4.5	TXD and RXD I/O Polarity Inverse Function	480
23.4.6	CTS/RTS Function	481
23.4.7	RXD2 Digital Filter Select Function	481
23.5	Special Mode 1 (I ² C Mode)	482
23.5.1	Detection of Start and Stop Conditions	488
23.5.2	Output of Start and Stop Conditions	489
23.5.3	Transfer Clock	490
23.5.4	SDA Output	490
23.5.5	SDA Input	490
23.5.6	ACK and NACK	490
23.5.7	Initialization of Transmission/Reception	491
23.6	Multiprocessor Communication Function	492
23.6.1	Multiprocessor Transmission	495
23.6.2	Multiprocessor Reception	496
23.6.3	RXD2 Digital Filter Select Function	498
23.7	Notes on Serial Interface (UART2)	499
23.7.1	Clock Synchronous Serial I/O Mode	499
23.7.2	Clock Asynchronous Serial I/O (UART) Mode	500
23.7.3	Special Mode 1 (I ² C Mode)	500
24.	Clock Synchronous Serial Interface	501
24.1	Mode Selection	501
25.	Synchronous Serial Communication Unit (SSU)	502
25.1	Overview	502
25.2	Registers	504
25.2.1	Module Standby Control Register (MSTCR)	504
25.2.2	SSU/IIC Pin Select Register (SSUIICSR)	504
25.2.3	SS Bit Counter Register (SSBR)	505
25.2.4	SS Transmit Data Register (SSTDR)	505
25.2.5	SS Receive Data Register (SSRDR)	506
25.2.6	SS Control Register H (SSCRH)	506
25.2.7	SS Control Register L (SSCRL)	507
25.2.8	SS Mode Register (SSMR)	508
25.2.9	SS Enable Register (SSER)	509
25.2.10	SS Status Register (SSSR)	510
25.2.11	SS Mode Register 2 (SSMR2)	511
25.3	Common Items for Multiple Modes	512
25.3.1	Transfer Clock	512
25.3.2	SS Shift Register (SSTRSR)	514
25.3.3	Interrupt Requests	515
25.3.4	Communication Modes and Pin Functions	516

25.4	Clock Synchronous Communication Mode	517
25.4.1	Initialization in Clock Synchronous Communication Mode	517
25.4.2	Data Transmission	518
25.4.3	Data Reception	520
25.5	Operation in 4-Wire Bus Communication Mode	524
25.5.1	Initialization in 4-Wire Bus Communication Mode	525
25.5.2	Data Transmission	526
25.5.3	Data Reception	528
25.5.4	$\overline{\text{SCS}}$ Pin Control and Arbitration	530
25.6	Notes on Synchronous Serial Communication Unit	531
26.	I ² C bus Interface	532
26.1	Overview	532
26.2	Registers	535
26.2.1	Module Standby Control Register (MSTCR)	535
26.2.2	SSU/IIC Pin Select Register (SSUICSR)	535
26.2.3	I/O Function Pin Select Register (PINSR)	536
26.2.4	IIC bus Transmit Data Register (ICDRT)	537
26.2.5	IIC bus Receive Data Register (ICDRR)	537
26.2.6	IIC bus Control Register 1 (ICCR1)	538
26.2.7	IIC bus Control Register 2 (ICCR2)	539
26.2.8	IIC bus Mode Register (ICMR)	540
26.2.9	IIC bus Interrupt Enable Register (ICIER)	541
26.2.10	IIC bus Status Register (ICSR)	542
26.2.11	Slave Address Register (SAR)	543
26.2.12	IIC bus Shift Register (ICDRS)	543
26.3	Common Items for Multiple Modes	544
26.3.1	Transfer Clock	544
26.3.2	SDA Pin Digital Delay Selection	546
26.3.3	Interrupt Requests	547
26.4	I ² C bus Interface Mode	548
26.4.1	I ² C bus Format	548
26.4.2	Master Transmit Operation	549
26.4.3	Master Receive Operation	551
26.4.4	Slave Transmit Operation	554
26.4.5	Slave Receive Operation	557
26.5	Clock Synchronous Serial Mode	559
26.5.1	Clock Synchronous Serial Format	559
26.5.2	Transmit Operation	560
26.5.3	Receive Operation	561
26.6	Examples of Register Setting	562
26.7	Noise Canceller	566
26.8	Bit Synchronization Circuit	567
26.9	Notes on I ² C bus Interface	568
27.	Hardware LIN	569
27.1	Overview	569
27.2	Input/Output Pins	570
27.3	Registers	571

27.3.1	LIN Control Register 2 (LINCR2)	571
27.3.2	LIN Control Register (LINCR)	572
27.3.3	LIN Status Register (LINST)	572
27.4	Function Description	573
27.4.1	Master Mode	573
27.4.2	Slave Mode	576
27.4.3	Bus Collision Detection Function	580
27.4.4	Hardware LIN End Processing	581
27.5	Interrupt Requests	582
27.6	Notes on Hardware LIN	583
28.	A/D Converter	584
28.1	Overview	584
28.2	Registers	586
28.2.1	On-Chip Reference Voltage Control Register (OCVREFCR)	586
28.2.2	A/D Register i (ADi) (i = 0 to 7)	587
28.2.3	A/D Mode Register (ADMOD)	588
28.2.4	A/D Input Select Register (ADINSEL)	589
28.2.5	A/D Control Register 0 (ADCON0)	590
28.2.6	A/D Control Register 1 (ADCON1)	591
28.3	Common Items for Multiple Modes	592
28.3.1	Input/Output Pins	592
28.3.2	A/D Conversion Cycles	592
28.3.3	A/D Conversion Start Condition	594
28.3.4	A/D Conversion Result	596
28.3.5	Low Current Consumption Function	596
28.3.6	Extended Analog Input Pins	596
28.3.7	A/D Open-Circuit Detection Assist Function	596
28.4	One-Shot Mode	598
28.5	Repeat Mode 0	599
28.6	Repeat Mode 1	600
28.7	Single Sweep Mode	602
28.8	Repeat Sweep Mode	604
28.9	Output Impedance of Sensor under A/D Conversion	606
28.10	Notes on A/D Converter	607
29.	D/A Converter	608
29.1	Overview	608
29.2	Registers	610
29.2.1	D/Ai Register (DAi) (i = 0 or 1)	610
29.2.2	D/A Control Register (DACON)	610
30.	Comparator A	611
30.1	Overview	611
30.2	Registers	613
30.2.1	Voltage Monitor Circuit/Comparator A Control Register (CMPA)	613
30.2.2	Voltage Monitor Circuit Edge Select Register (VCAC)	613
30.2.3	Voltage Detect Register (VCA1)	614
30.2.4	Voltage Detect Register 2 (VCA2)	615

30.2.5	Voltage Monitor 1 Circuit Control Register (VW1C)	616
30.2.6	Voltage Monitor 2 Circuit Control Register (VW2C)	617
30.3	Monitoring Comparison Results	618
30.3.1	Monitoring Comparator A1	618
30.3.2	Monitoring Comparator A2	618
30.4	Functional Description	619
30.4.1	Comparator A1	619
30.4.2	Comparator A2	622
30.5	Comparator A1 and Comparator A2 Interrupts	625
30.5.1	Non-Maskable Interrupts	625
30.5.2	Maskable Interrupts	625
31.	Comparator B	626
31.1	Overview	626
31.2	Registers	628
31.2.1	Comparator B Control Register 0 (INTCMP)	628
31.2.2	External Input Enable Register 0 (INTEN)	628
31.2.3	INT Input Filter Select Register 0 (INTF)	629
31.3	Functional Description	630
31.3.1	Comparator Bi Digital Filter (i = 1 or 3)	631
31.4	Comparator B1 and Comparator B3 Interrupts	632
32.	Flash Memory	633
32.1	Overview	633
32.2	Memory Map	634
32.3	Functions to Prevent Flash Memory from being Rewritten	636
32.3.1	ID Code Check Function	636
32.3.2	ROM Code Protect Function	637
32.3.3	Option Function Select Register (OFS)	637
32.4	CPU Rewrite Mode	638
32.4.1	Flash Memory Status Register (FST)	639
32.4.2	Flash Memory Control Register 0 (FMR0)	641
32.4.3	Flash Memory Control Register 1 (FMR1)	643
32.4.4	Flash Memory Control Register 2 (FMR2)	645
32.4.5	EW0 Mode	646
32.4.6	EW1 Mode	646
32.4.7	Suspend Operation	647
32.4.8	How to Set and Exit Each Mode	648
32.4.9	BGO (BackGround Operation) Function	649
32.4.10	Data Protect Function	650
32.4.11	Software Commands	651
32.4.12	Full Status Check	661
32.5	Standard Serial I/O Mode	663
32.5.1	ID Code Check Function	663
32.6	Parallel I/O Mode	666
32.6.1	ROM Code Protect Function	666
32.7	Notes on Flash Memory	667
32.7.1	CPU Rewrite Mode	667

33.	Reducing Power Consumption	671
33.1	Overview	671
33.2	Key Points and Processing Methods for Reducing Power Consumption	671
33.2.1	Voltage Detection Circuit	671
33.2.2	Ports	671
33.2.3	Clocks	671
33.2.4	Wait Mode, Stop Mode	671
33.2.5	Stopping Peripheral Function Clocks	671
33.2.6	Timers	671
33.2.7	A/D Converter	671
33.2.8	Clock Synchronous Serial Interface	671
33.2.9	Reducing Internal Power Consumption	672
33.2.10	Stopping Flash Memory	673
33.2.11	Low-Current-Consumption Read Mode	674
34.	Electrical Characteristics	675
35.	Usage Notes	702
35.1	Notes on Clock Generation Circuit	702
35.1.1	Stop Mode	702
35.1.2	Wait Mode	702
35.1.3	Oscillation Stop Detection Function	702
35.1.4	Oscillation Circuit Constants	702
35.2	Notes on Interrupts	703
35.2.1	Reading Address 00000h	703
35.2.2	SP Setting	703
35.2.3	External Interrupt and Key Input Interrupt	703
35.2.4	Changing Interrupt Sources	704
35.2.5	Rewriting Interrupt Control Register	705
35.3	Notes on ID Code Areas	706
35.3.1	Setting Example of ID Code Areas	706
35.4	Notes on Option Function Select Area	706
35.4.1	Setting Example of Option Function Select Area	706
35.5	Notes on DTC	707
35.5.1	DTC activation source	707
35.5.2	DTCEN _i (i = 0 to 6) Registers	707
35.5.3	Peripheral Modules	707
35.5.4	Interrupt Request	707
35.6	Notes on Timer RA	708
35.7	Notes on Timer RB	709
35.7.1	Timer Mode	709
35.7.2	Programmable Waveform Generation Mode	709
35.7.3	Programmable One-shot Generation Mode	710
35.7.4	Programmable Wait One-shot Generation Mode	710
35.8	Notes on Timer RC	711
35.8.1	TRC Register	711
35.8.2	TRCSR Register	711
35.8.3	TRCCR1 Register	711
35.8.4	Count Source Switching	711

35.8.5	Input Capture Function	712
35.8.6	TRCMR Register in PWM2 Mode	712
35.8.7	Count Source fOCO40M	712
35.9	Notes on Timer RD	713
35.9.1	TRDSTR Register	713
35.9.2	TRDi Register (i = 0 or 1)	713
35.9.3	TRDSRi Register (i = 0 or 1)	713
35.9.4	TRDCRi Register (i = 0 or 1)	713
35.9.5	Count Source Switch	714
35.9.6	Input Capture Function	714
35.9.7	Reset Synchronous PWM Mode	714
35.9.8	Complementary PWM Mode	715
35.9.9	Count Source fOCO40M	718
35.10	Notes on Timer RE	719
35.10.1	Starting and Stopping Count	719
35.10.2	Register Setting	719
35.10.3	Time Reading Procedure of Real-Time Clock Mode	721
35.11	Notes on Serial Interface (UARTi (i = 0 or 1))	722
35.12	Notes on Serial Interface (UART2)	723
35.12.1	Clock Synchronous Serial I/O Mode	723
35.12.2	Clock Asynchronous Serial I/O (UART) Mode	724
35.12.3	Special Mode 1 (I ² C Mode)	724
35.13	Notes on Synchronous Serial Communication Unit	725
35.14	Notes on I ² C bus Interface	725
35.15	Notes on Hardware LIN	725
35.16	Notes on A/D Converter	725
35.17	Notes on Flash Memory	726
35.17.1	CPU Rewrite Mode	726
35.18	Notes on Noise	730
35.18.1	Inserting a Bypass Capacitor between VCC and VSS Pins as a Countermeasure against Noise and Latch-up	730
35.18.2	Countermeasures against Noise Error of Port Control Registers	730
36.	Notes on On-Chip Debugger	731
	Appendix 1. Package Dimensions	732
	Appendix 2. Connection Examples between Serial Writer and On-Chip Debugging Emulator	733
	Appendix 3. Example of Oscillation Evaluation Circuit	734
	Index	735

SFR Page Reference

Address	Register	Symbol	Page
0000h			
0001h			
0002h			
0003h			
0004h	Processor Mode Register 0	PM0	29
0005h	Processor Mode Register 1	PM1	187
0006h	System Clock Control Register 0	CM0	119
0007h	System Clock Control Register 1	CM1	120
0008h	Module Standby Control Register	MSTCR	257, 314, 329, 349, 364, 378, 395, 504, 535
0009h	System Clock Control Register 3	CM3	121
000Ah	Protect Register	PRCR	148
000Bh	Reset Source Determination Register	RSTFR	29
000Ch	Oscillation Stop Detection Register	OSD	122
000Dh	Watchdog Timer Reset Register	WDTR	187
000Eh	Watchdog Timer Start Register	WDTS	187
000Fh	Watchdog Timer Control Register	WDTC	188
0010h			
0011h			
0012h			
0013h			
0014h			
0015h	High-Speed On-Chip Oscillator Control Register 7	FRA7	122
0016h			
0017h			
0018h			
0019h			
001Ah			
001Bh			
001Ch	Count Source Protection Mode Register	CSPR	188
001Dh			
001Eh			
001Fh			
0020h			
0021h			
0022h			
0023h	High-Speed On-Chip Oscillator Control Register 0	FRA0	123
0024h	High-Speed On-Chip Oscillator Control Register 1	FRA1	123
0025h	High-Speed On-Chip Oscillator Control Register 2	FRA2	124
0026h	On-Chip Reference Voltage Control Register	OCVREFCR	586
0027h			
0028h	Clock Prescaler Reset Flag	CPSRF	124
0029h	High-Speed On-Chip Oscillator Control Register 4	FRA4	125
002Ah	High-Speed On-Chip Oscillator Control Register 5	FRA5	125
002Bh	High-Speed On-Chip Oscillator Control Register 6	FRA6	125
002Ch			
002Dh			
002Eh			
002Fh	High-Speed On-Chip Oscillator Control Register 3	FRA3	125
0030h	Voltage Monitor Circuit/Comparator A Control Register	CMPA	42, 613
0031h	Voltage Monitor Circuit Edge Select Register	VCAC	43, 613
0032h			
0033h	Voltage Detect Register 1	VCA1	43, 614
0034h	Voltage Detect Register 2	VCA2	44, 126, 615
0035h			
0036h	Voltage Detection 1 Level Select Register	VD1LS	45
0037h			
0038h	Voltage Monitor 0 Circuit Control Register	VW0C	46
0039h	Voltage Monitor 1 Circuit Control Register	VW1C	47, 616
003Ah	Voltage Monitor 2 Circuit Control Register	VW2C	48, 617
003Bh			
003Ch			
003Dh			
003Eh			
003Fh			

Address	Register	Symbol	Page
0040h			
0041h	Flash Memory Ready Interrupt Control Register	FMRDYIC	155
0042h			
0043h			
0044h			
0045h			
0046h	INT4 Interrupt Control Register	INT4IC	156
0047h	Timer RC Interrupt Control Register	TRCIC	155
0048h	Timer RD0 Interrupt Control Register	TRD0IC	155
0049h	Timer RD1 Interrupt Control Register	TRD1IC	155
004Ah	Timer RE Interrupt Control Register	TREIC	154
004Bh	UART2 Transmit Interrupt Control Register	S2TIC	154
004Ch	UART2 Receive Interrupt Control Register	S2RIC	154
004Dh	Key Input Interrupt Control Register	KUPIC	154
004Eh	A/D Conversion Interrupt Control Register	ADIC	154
004Fh	SSU Interrupt Control Register / IIC bus Interrupt Control Register	SSUIC/IICIC	155
0050h			
0051h	UART0 Transmit Interrupt Control Register	S0TIC	154
0052h	UART0 Receive Interrupt Control Register	S0RIC	154
0053h	UART1 Transmit Interrupt Control Register	S1TIC	154
0054h	UART1 Receive Interrupt Control Register	S1RIC	154
0055h	INT2 Interrupt Control Register	INT2IC	156
0056h	Timer RA Interrupt Control Register	TRAIC	154
0057h			
0058h	Timer RB Interrupt Control Register	TRBIC	154
0059h	INT1 Interrupt Control Register	INT1IC	156
005Ah	INT3 Interrupt Control Register	INT3IC	156
005Bh			
005Ch			
005Dh	INT0 Interrupt Control Register	INT0IC	156
005Eh	UART2 Bus Collision Detection Interrupt Control Register	U2BCNIC	154
005Fh			
0060h			
0061h			
0062h			
0063h			
0064h			
0065h			
0066h			
0067h			
0068h			
0069h			
006Ah			
006Bh			
006Ch			
006Dh			
006Eh			
006Fh			
0070h			
0071h			
0072h	Voltage Monitor 1/Comparator A1 Interrupt Control Register	VCMP1IC	154
0073h	Voltage Monitor 2/Comparator A2 Interrupt Control Register	VCMP2IC	154
0074h			
0075h			
0076h			
0077h			
0078h			
0079h			
007Ah			
007Bh			
007Ch			
007Dh			
007Eh			
007Fh			

Note:

1. The blank regions are reserved. Do not access locations in these regions.

Address	Register	Symbol	Page
0080h	DTC Activation Control Register	DTCTL	199
0081h			
0082h			
0083h			
0084h			
0085h			
0086h			
0087h			
0088h	DTC Activation Enable Register 0	DTCEN0	198
0089h	DTC Activation Enable Register 1	DTCEN1	198
008Ah	DTC Activation Enable Register 2	DTCEN2	198
008Bh	DTC Activation Enable Register 3	DTCEN3	198
008Ch	DTC Activation Enable Register 4	DTCEN4	198
008Dh	DTC Activation Enable Register 5	DTCEN5	198
008Eh	DTC Activation Enable Register 6	DTCEN6	198
008Fh			
0090h			
0091h			
0092h			
0093h			
0094h			
0095h			
0096h			
0097h			
0098h			
0099h			
009Ah			
009Bh			
009Ch			
009Dh			
009Eh			
009Fh			
00A0h	UART0 Transmit/Receive Mode Register	U0MR	436
00A1h	UART0 Bit Rate Register	U0BRG	436
00A2h	UART0 Transmit Buffer Register	U0TB	437
00A3h			
00A4h	UART0 Transmit/Receive Control Register 0	U0C0	438
00A5h	UART0 Transmit/Receive Control Register 1	U0C1	438
00A6h	UART0 Receive Buffer Register	U0RB	439
00A7h			
00A8h	UART2 Transmit/Receive Mode Register	U2MR	458
00A9h	UART2 Bit Rate Register	U2BRG	458
00AAh	UART2 Transmit Buffer Register	U2TB	459
00ABh			
00ACh	UART2 Transmit/Receive Control Register 0	U2C0	460
00ADh	UART2 Transmit/Receive Control Register 1	U2C1	461
00AEh	UART2 Receive Buffer Register	U2RB	462
00AFh			
00B0h	UART2 Digital Filter Function Select Register	URXDF	463
00B1h			
00B2h			
00B3h			
00B4h			
00B5h			
00B6h			
00B7h			
00B8h			
00B9h			
00BAh			
00BBh	UART2 Special Mode Register 5	U2SMR5	463
00BCh	UART2 Special Mode Register 4	U2SMR4	464
00BDh	UART2 Special Mode Register 3	U2SMR3	464
00BEh	UART2 Special Mode Register 2	U2SMR2	465
00BFh	UART2 Special Mode Register	U2SMR	465

Address	Register	Symbol	Page
00C0h	A/D Register 0	AD0	587
00C1h			
00C2h	A/D Register 1	AD1	587
00C3h			
00C4h	A/D Register 2	AD2	587
00C5h			
00C6h	A/D Register 3	AD3	587
00C7h			
00C8h	A/D Register 4	AD4	587
00C9h			
00CAh	A/D Register 5	AD5	587
00CBh			
00CCh	A/D Register 6	AD6	587
00CDh			
00CEh	A/D Register 7	AD7	587
00CFh			
00D0h			
00D1h			
00D2h			
00D3h			
00D4h	A/D Mode Register	ADMOD	588
00D5h	A/D Input Select Register	ADINSEL	589
00D6h	A/D Control Register 0	ADCON0	590
00D7h	A/D Control Register 1	ADCON1	591
00D8h	D/A0 Register	DA0	610
00D9h	D/A1 Register	DA1	610
00DAh			
00DBh			
00DCh	D/A Control Register	DACON	610
00DDh			
00DEh			
00DFh			
00E0h	Port P0 Register	P0	75
00E1h	Port P1 Register	P1	75
00E2h	Port P0 Direction Register	PD0	74
00E3h	Port P1 Direction Register	PD1	74
00E4h	Port P2 Register	P2	75
00E5h	Port P3 Register	P3	75
00E6h	Port P2 Direction Register	PD2	74
00E7h	Port P3 Direction Register	PD3	74
00E8h	Port P4 Register	P4	75
00E9h	Port P5 Register	P5	75
00EAh	Port P4 Direction Register	PD4	74
00EBh	Port P5 Direction Register	PD5	74
00ECh	Port P6 Register	P6	75
00EDh			
00EEh	Port P6 Direction Register	PD6	74
00EFh			
00F0h			
00F1h			
00F2h			
00F3h			
00F4h			
00F5h			
00F6h			
00F7h			
00F8h			
00F9h			
00FAh			
00FBh			
00FCh			
00FDh			
00FEh			
00FFh			

Note:

1. The blank regions are reserved. Do not access locations in these regions.

Address	Register	Symbol	Page
0100h	Timer RA Control Register	TRACR	218
0101h	Timer RA I/O Control Register	TRAIOC	218, 221, 224, 226, 228, 231
0102h	Timer RA Mode Register	TRAMR	219
0103h	Timer RA Prescaler Register	TRAPRE	219
0104h	Timer RA Register	TRA	220
0105h	LIN Control Register 2	LINCR2	571
0106h	LIN Control Register	LINCR	572
0107h	LIN Status Register	LINST	572
0108h	Timer RB Control Register	TRBCR	235
0109h	Timer RB One-Shot Control Register	TRBOCR	235
010Ah	Timer RB I/O Control Register	TRBIOC	236, 239, 243, 246, 250
010Bh	Timer RB Mode Register	TRBMR	236
010Ch	Timer RB Prescaler Register	TRBPRE	237
010Dh	Timer RB Secondary Register	TRBSC	237
010Eh	Timer RB Primary Register	TRBPR	238
010Fh			
0110h			
0111h			
0112h			
0113h			
0114h			
0115h			
0116h			
0117h			
0118h	Timer RE Second Data Register / Counter Data Register	TRESEC	419, 427
0119h	Timer RE Minute Data Register / Compare Data Register	TREMIN	419, 427
011Ah	Timer RE Hour Data Register	TREHR	420
011Bh	Timer RE Day of Week Data Register	TREWK	420
011Ch	Timer RE Control Register 1	TRECR1	421, 428
011Dh	Timer RE Control Register 2	TRECR2	422, 428
011Eh	Timer RE Count Source Select Register	TRECSR	423, 429
011Fh			
0120h	Timer RC Mode Register	TRCMR	257
0121h	Timer RC Control Register 1	TRCCR1	258, 280, 289, 295
0122h	Timer RC Interrupt Enable Register	TRCIER	258
0123h	Timer RC Status Register	TRCSR	259
0124h	Timer RC I/O Control Register 0	TRCIOR0	260, 275, 281
0125h	Timer RC I/O Control Register 1	TRCIOR1	260, 276, 282
0126h	Timer RC Counter	TRC	261
0127h			
0128h	Timer RC General Register A	TRCGRA	261
0129h			
012Ah	Timer RC General Register B	TRCGRB	261
012Bh			
012Ch	Timer RC General Register C	TRCGRC	261
012Dh			
012Eh	Timer RC General Register D	TRCGRD	261
012Fh			

Note:

- The blank regions are reserved. Do not access locations in these regions.

Address	Register	Symbol	Page
0130h	Timer RC Control Register 2	TRCCR2	262, 289, 296
0131h	Timer RC Digital Filter Function Select Register	TRCDF	262, 296
0132h	Timer RC Output Master Enable Register	TRCOER	263
0133h	Timer RC Trigger Control Register	TRCADCR	263
0134h			
0135h	Timer RD Control Expansion Register	TRDECR	314, 329, 349, 364, 378, 395
0136h	Timer RD Trigger Control Register	TRDADCR	330, 350, 365, 396
0137h	Timer RD Start Register	TRDSTR	315, 331, 351, 366, 380, 397
0138h	Timer RD Mode Register	TRDMR	315, 332, 351, 366, 380, 397
0139h	Timer RD PWM Mode Register	TRDPMR	316, 333, 352
013Ah	Timer RD Function Control Register	TRDFCR	316, 333, 352, 367, 381, 398
013Bh	Timer RD Output Master Enable Register 1	TRDOER1	334, 353, 368, 382, 399
013Ch	Timer RD Output Master Enable Register 2	TRDOER2	334, 353, 368, 382, 399
013Dh	Timer RD Output Control Register	TRDOCR	335, 354, 400
013Eh	Timer RD Digital Filter Function Select Register 0	TRDDF0	317
013Fh	Timer RD Digital Filter Function Select Register 1	TRDDF1	317
0140h	Timer RD Control Register 0	TRDCR0	318, 336, 354, 369, 383, 401
0141h	Timer RD I/O Control Register A0	TRDIORA0	319, 337
0142h	Timer RD I/O Control Register C0	TRDIORC0	320, 338
0143h	Timer RD Status Register 0	TRDSR0	321, 339, 355, 370, 384, 402
0144h	Timer RD Interrupt Enable Register 0	TRDIER0	322, 340, 356, 371, 385, 403
0145h	Timer RD PWM Mode Output Level Control Register 0	TRDPOCR0	356
0146h	Timer RD Counter 0	TRD0	322, 340, 357, 371, 386, 403
0147h			
0148h	Timer RD General Register A0	TRDGRA0	323, 341, 357, 372, 387, 404
0149h			
014Ah	Timer RD General Register B0	TRDGRB0	323, 341, 357, 372, 387, 404
014Bh			
014Ch	Timer RD General Register C0	TRDGRC0	323, 341, 357, 372, 404
014Dh			
014Eh	Timer RD General Register D0	TRDGRD0	323, 341, 357, 372, 387, 404
014Fh			
0150h	Timer RD Control Register 1	TRDCR1	318, 336, 354, 383
0151h	Timer RD I/O Control Register A1	TRDIORA1	319, 337
0152h	Timer RD I/O Control Register C1	TRDIORC1	320, 338
0153h	Timer RD Status Register 1	TRDSR1	321, 339, 355, 370, 384, 402
0154h	Timer RD Interrupt Enable Register 1	TRDIER1	322, 340, 356, 371, 385, 403
0155h	Timer RD PWM Mode Output Level Control Register 1	TRDPOCR1	356
0156h	Timer RD Counter 1	TRD1	322, 340, 357, 386
0157h			
0158h	Timer RD General Register A1	TRDGRA1	323, 341, 357, 372, 387, 404
0159h			
015Ah	Timer RD General Register B1	TRDGRB1	323, 341, 357, 372, 387, 404
015Bh			
015Ch	Timer RD General Register C1	TRDGRC1	323, 341, 357, 372, 387, 404
015Dh			
015Eh	Timer RD General Register D1	TRDGRD1	323, 341, 357, 372, 387, 404
015Fh			

Address	Register	Symbol	Page
0160h	UART1 Transmit/Receive Mode Register	U1MR	436
0161h	UART1 Bit Rate Register	U1BRG	436
0162h	UART1 Transmit Buffer Register	U1TB	437
0163h			
0164h	UART1 Transmit/Receive Control Register 0	U1C0	438
0165h	UART1 Transmit/Receive Control Register 1	U1C1	438
0166h	UART1 Receive Buffer Register	U1RB	439
0167h			
0168h			
0169h			
016Ah			
016Bh			
016Ch			
016Dh			
016Eh			
016Fh			
0170h			
0171h			
0172h			
0173h			
0174h			
0175h			
0176h			
0177h			
0178h			
0179h			
017Ah			
017Bh			
017Ch			
017Dh			
017Eh			
017Fh			
0180h	Timer RA Pin Select Register	TRASR	76, 220
0181h	Timer RB/RC Pin Select Register	TRBRCR	76, 238, 264
0182h	Timer RC Pin Select Register 0	TRCPSR0	77, 265
0183h	Timer RC Pin Select Register 1	TRCPSR1	78, 266
0184h	Timer RD Pin Select Register 0	TRDPSR0	79, 324, 342, 358, 373, 389, 406
0185h	Timer RD Pin Select Register 1	TRDPSR1	79, 324, 342, 358, 373, 389, 406
0186h	Timer Pin Select Register	TIMSR	80, 423, 429
0187h			
0188h	UART0 Pin Select Register	U0SR	81, 440
0189h	UART1 Pin Select Register	U1SR	81, 440
018Ah	UART2 Pin Select Register 0	U2SR0	82, 466
018Bh	UART2 Pin Select Register 1	U2SR1	82, 466
018Ch	SSU/IIC Pin Select Register	SSUICSR	83, 504, 535
018Dh			
018Eh	INT Interrupt Input Pin Select Register	INTSR	84, 164
018Fh	I/O Function Pin Select Register	PINSR	85, 127, 536
0190h			
0191h			
0192h			
0193h	SS Bit Counter Register	SSBR	505
0194h	SS Transmit Data Register L / IIC bus Transmit Data Register	SSTDR / ICDRT	505, 537
0195h	SS Transmit Data Register H	SSTDRH	
0196h	SS Receive Data Register L / IIC bus Receive Data Register	SSRDR / ICDRR	506, 537
0197h	SS Receive Data Register H	SSRDRH	
0198h	SS Control Register H / IIC bus Control Register 1	SSCRH / ICCR1	506, 538
0199h	SS Control Register L / IIC bus Control Register 2	SSCRL / ICCR2	507, 539
019Ah	SS Mode Register / IIC bus Mode Register	SSMR / ICMR	508, 540
019Bh	SS Enable Register / IIC bus Interrupt Enable Register	SSER / ICIER	509, 541
019Ch	SS Status Register / IIC bus Status Register	SSSR / ICSR	510, 542
019Dh	SS Mode Register 2 / Slave Address Register	SSMR2 / SAR	511, 543
019Eh			
019Fh			

Address	Register	Symbol	Page
01A0h			
01A1h			
01A2h			
01A3h			
01A4h			
01A5h			
01A6h			
01A7h			
01A8h			
01A9h			
01AAh			
01ABh			
01ACh			
01ADh			
01AEh			
01AFh			
01B0h			
01B1h			
01B2h	Flash Memory Status Register	FST	639
01B3h			
01B4h	Flash Memory Control Register 0	FMR0	641
01B5h	Flash Memory Control Register 1	FMR1	643
01B6h	Flash Memory Control Register 2	FMR2	645
01B7h			
01B8h			
01B9h			
01BAh			
01BBh			
01BCh			
01BDh			
01BEh			
01C0h	Address Match Interrupt Register 0	RMAD0	171
01C1h			
01C2h			
01C3h	Address Match Interrupt Enable Register 0	AIER0	171
01C4h	Address Match Interrupt Register 1	RMAD1	171
01C5h			
01C6h			
01C7h	Address Match Interrupt Enable Register 1	AIER1	171
01C8h			
01C9h			
01CAh			
01CBh			
01CCh			
01CDh			
01CEh			
01CFh			
01D0h			
01D1h			
01D2h			
01D3h			
01D4h			
01D5h			
01D6h			
01D7h			
01D8h			
01D9h			
01DAh			
01DBh			
01DCh			
01DDh			
01DEh			
01DFh			

Note:

1. The blank regions are reserved. Do not access locations in these regions.

Address	Register	Symbol	Page
01E0h	Pull-Up Control Register 0	PUR0	86
01E1h	Pull-Up Control Register 1	PUR1	86
01E2h			
01E3h			
01E4h			
01E5h			
01E6h			
01E7h			
01E8h			
01E9h			
01EAh			
01EBh			
01ECh			
01EDh			
01EEh			
01EFh			
01F0h	Port P1 Drive Capacity Control Register	P1DRR	87
01F1h	Port P2 Drive Capacity Control Register	P2DRR	87
01F2h	Drive Capacity Control Register 0	DRR0	88
01F3h	Drive Capacity Control Register 1	DRR1	89
01F4h			
01F5h	Input Threshold Control Register 0	VLT0	90
01F6h	Input Threshold Control Register 1	VLT1	91
01F7h			
01F8h	Comparator B Control Register 0	INTCMP	628
01F9h			
01FAh	External Input Enable Register 0	INTEN	165, 628
01FBh	External Input Enable Register 1	INTEN1	165
01FCh	INT Input Filter Select Register 0	INTF	166, 629
01FDh	INT Input Filter Select Register 1	INTF1	166
01FEh	Key Input Enable Register 0	KIEN	169
01FFh			
2C00h	DTC Transfer Vector Area		
2C01h	DTC Transfer Vector Area		
2C02h	DTC Transfer Vector Area		
2C03h	DTC Transfer Vector Area		
2C04h	DTC Transfer Vector Area		
2C05h	DTC Transfer Vector Area		
2C06h	DTC Transfer Vector Area		
2C07h	DTC Transfer Vector Area		
2C08h	DTC Transfer Vector Area		
2C09h	DTC Transfer Vector Area		
2C0Ah	DTC Transfer Vector Area		
:	DTC Transfer Vector Area		
:	DTC Transfer Vector Area		
2C3Ah	DTC Transfer Vector Area		
2C3Bh	DTC Transfer Vector Area		
2C3Ch	DTC Transfer Vector Area		
2C3Dh	DTC Transfer Vector Area		
2C3Eh	DTC Transfer Vector Area		
2C3Fh	DTC Transfer Vector Area		
2C40h	DTC Control Data 0	DTCD0	
2C41h			
2C42h			
2C43h			
2C44h			
2C45h			
2C46h			
2C47h			
2C48h	DTC Control Data 1	DTCD1	
2C49h			
2C4Ah			
2C4Bh			
2C4Ch			
2C4Dh			
2C4Eh			
2C4Fh			

Note:

1. The blank regions are reserved. Do not access locations in these regions.

Address	Register	Symbol	Page
2C50h	DTC Control Data 2	DTCD2	
2C51h			
2C52h			
2C53h			
2C54h			
2C55h			
2C56h			
2C57h			
2C58h	DTC Control Data 3	DTCD3	
2C59h			
2C5Ah			
2C5Bh			
2C5Ch			
2C5Dh			
2C5Eh			
2C5Fh			
2C60h	DTC Control Data 4	DTCD4	
2C61h			
2C62h			
2C63h			
2C64h			
2C65h			
2C66h			
2C67h			
2C68h	DTC Control Data 5	DTCD5	
2C69h			
2C6Ah			
2C6Bh			
2C6Ch			
2C6Dh			
2C6Eh			
2C6Fh			
2C70h	DTC Control Data 6	DTCD6	
2C71h			
2C72h			
2C73h			
2C74h			
2C75h			
2C76h			
2C77h			
2C78h	DTC Control Data 7	DTCD7	
2C79h			
2C7Ah			
2C7Bh			
2C7Ch			
2C7Dh			
2C7Eh			
2C7Fh			
2C80h	DTC Control Data 8	DTCD8	
2C81h			
2C82h			
2C83h			
2C84h			
2C85h			
2C86h			
2C87h			
2C88h	DTC Control Data 9	DTCD9	
2C89h			
2C8Ah			
2C8Bh			
2C8Ch			
2C8Dh			
2C8Eh			
2C8Fh			

Address	Register	Symbol	Page
2C90h	DTC Control Data 10	DTCD10	
2C91h			
2C92h			
2C93h			
2C94h			
2C95h			
2C96h			
2C97h			
2C98h	DTC Control Data 11	DTCD11	
2C99h			
2C9Ah			
2C9Bh			
2C9Ch			
2C9Dh			
2C9Eh			
2C9Fh			
2CA0h	DTC Control Data 12	DTCD12	
2CA1h			
2CA2h			
2CA3h			
2CA4h			
2CA5h			
2CA6h			
2CA7h			
2CA8h	DTC Control Data 13	DTCD13	
2CA9h			
2CAAh			
2CABh			
2CACH			
2CADh			
2CAEh			
2CAFh			
2CB0h	DTC Control Data 14	DTCD14	
2CB1h			
2CB2h			
2CB3h			
2CB4h			
2CB5h			
2CB6h			
2CB7h			
2CB8h	DTC Control Data 15	DTCD15	
2CB9h			
2CAh			
2CBh			
2CBCh			
2CBDh			
2CBEh			
2CBFh			
2CC0h	DTC Control Data 16	DTCD16	
2CC1h			
2CC2h			
2CC3h			
2CC4h			
2CC5h			
2CC6h			
2CC7h			
2CC8h	DTC Control Data 17	DTCD17	
2CC9h			
2CCAh			
2CCBh			
2CCCh			
2CCDh			
2CCEh			
2CCFh			

Address	Register	Symbol	Page
2CD0h	DTC Control Data 18	DTCD18	
2CD1h			
2CD2h			
2CD3h			
2CD4h			
2CD5h			
2CD6h			
2CD7h			
2CD8h	DTC Control Data 19	DTCD19	
2CD9h			
2CDAh			
2CDBh			
2CDCCh			
2CDDh			
2CDEh			
2CDFh			
2CE0h	DTC Control Data 20	DTCD20	
2CE1h			
2CE2h			
2CE3h			
2CE4h			
2CE5h			
2CE6h			
2CE7h			
2CE8h	DTC Control Data 21	DTCD21	
2CE9h			
2CEAh			
2CEBh			
2CECh			
2CEDh			
2CEEh			
2CEFh			
2CF0h	DTC Control Data 22	DTCD22	
2CF1h			
2CF2h			
2CF3h			
2CF4h			
2CF5h			
2CF6h			
2CF7h			
2CF8h	DTC Control Data 23	DTCD23	
2CF9h			
2CFAh			
2CFBh			
2CFCh			
2CFDh			
2CFEh			
2CFFh			
2D00h			
2D01h			

FFDBh	Option Function Select Register 2	OFS2	31, 183, 190
-------	-----------------------------------	------	--------------

:

FFFFh	Option Function Select Register	OFS	30, 49, 182, 189, 637
-------	---------------------------------	-----	-----------------------

Note:

1. The blank regions are reserved. Do not access locations in these regions.

1. Overview

1.1 Features

The R8C/35A Group of single-chip MCUs incorporates the R8C CPU core, employing sophisticated instructions for a high level of efficiency. With 1 Mbyte of address space, and it is capable of executing instructions at high speed. In addition, the CPU core boasts a multiplier for high-speed operation processing.

Power consumption is low, and the supported operating modes allow additional power control. These MCUs are designed to maximize EMI/EMS performance.

Integration of many peripheral functions, including multifunction timer and serial interface, reduces the number of system components.

The R8C/35A Group has data flash (1 KB × 4 blocks) with the background operation (BGO) function.

1.1.1 Applications

Electronic household appliances, office equipment, audio equipment, consumer equipment, etc.

1.1.2 Specifications

Tables 1.1 and 1.2 outline the Specifications for R8C/35A Group.

Table 1.1 Specifications for R8C/35A Group (1)

Item	Function	Specification
CPU	Central processing unit	<p>R8C CPU core</p> <ul style="list-style-type: none"> Number of fundamental instructions: 89 Minimum instruction execution time: <ul style="list-style-type: none"> 50 ns ($f(XIN) = 20$ MHz, $VCC = 2.7$ to 5.5 V) 200 ns ($f(XIN) = 5$ MHz, $VCC = 1.8$ to 5.5 V) Multiplier: 16 bits \times 16 bits \rightarrow 32 bits Multiply-accumulate instruction: 16 bits \times 16 bits + 32 bits \rightarrow 32 bits Operation mode: Single-chip mode (address space: 1 Mbyte)
Memory	ROM, RAM, Data flash	Refer to Table 1.3 Product List for R8C/35A Group .
Power Supply Voltage Detection	Voltage detection circuit	<ul style="list-style-type: none"> Power-on reset Voltage detection 3 (detection level of voltage detection 0 and voltage detection 1 selectable)
I/O Ports	Programmable I/O ports	<ul style="list-style-type: none"> Input-only: 1 pin CMOS I/O ports: 47, selectable pull-up resistor High current drive ports: 47
Clock	Clock generation circuits	<p>4 circuits: XIN clock oscillation circuit, XCIN clock oscillation circuit (32 kHz), High-speed on-chip oscillator (with frequency adjustment function), Low-speed on-chip oscillator</p> <ul style="list-style-type: none"> Oscillation stop detection: XIN clock oscillation stop detection function Frequency divider circuit: Dividing selectable 1, 2, 4, 8, and 16 Low power consumption modes: <ul style="list-style-type: none"> Standard operating mode (high-speed clock, low-speed clock, high-speed on-chip oscillator, low-speed on-chip oscillator), wait mode, stop mode <p>Real-time clock (timer RE)</p>
Interrupts		<ul style="list-style-type: none"> Number of interrupt vectors: 69 External Interrupt: 9 ($INT \times 5$, Key input $\times 4$) Priority levels: 7 levels
Watchdog Timer		<ul style="list-style-type: none"> 14 bits \times 1 (with prescaler) Reset start selectable Low-speed on-chip oscillator for watchdog timer selectable
DTC (Data Transfer Controller)		<ul style="list-style-type: none"> 1 channel Activation sources: 33 Transfer modes: 2 (normal mode, repeat mode)
Timer	Timer RA	<p>8 bits \times 1 (with 8-bit prescaler)</p> <p>Timer mode (period timer), pulse output mode (output level inverted every period), event counter mode, pulse width measurement mode, pulse period measurement mode</p>
	Timer RB	<p>8 bits \times 1 (with 8-bit prescaler)</p> <p>Timer mode (period timer), programmable waveform generation mode (PWM output), programmable one-shot generation mode, programmable wait one-shot generation mode</p>
	Timer RC	<p>16 bits \times 1 (with 4 capture/compare registers)</p> <p>Timer mode (input capture function, output compare function), PWM mode (output 3 pins), PWM2 mode (PWM output pin)</p>
	Timer RD	<p>16 bits \times 2 (with 4 capture/compare registers)</p> <p>Timer mode (input capture function, output compare function), PWM mode (output 6 pins), reset synchronous PWM mode (output three-phase waveforms (6 pins), sawtooth wave modulation), complementary PWM mode (output three-phase waveforms (6 pins), triangular wave modulation), PWM3 mode (PWM output 2 pins with fixed period)</p>
	Timer RE	<p>8 bits \times 1</p> <p>Real-time clock mode (count seconds, minutes, hours, days of week), output compare mode</p>

Table 1.2 Specifications for R8C/35A Group (2)

Item	Function	Specification
Serial Interface	UART0, UART1	Clock synchronous serial I/O/UART x 2 channel
	UART2	Clock synchronous serial I/O/UART, I ² C mode (I ² C-bus), multiprocessor communication function
Synchronous Serial Communication Unit (SSU)		1 (shared with I ² C-bus)
I ² C bus		1 (shared with SSU)
LIN Module		Hardware LIN: 1 (timer RA, UART0)
A/D Converter		10-bit resolution x 12 channels, includes sample and hold function, with sweep mode
D/A Converter		8-bit resolution x 2 circuits
Comparator A		<ul style="list-style-type: none"> • 2 circuits (shared with voltage monitor 1 and voltage monitor 2) • External reference voltage input available
Comparator B		2 circuits
Flash Memory		<ul style="list-style-type: none"> • Programming and erasure voltage: VCC = 2.7 to 5.5 V • Programming and erasure endurance: 10,000 times (data flash) 1,000 times (program ROM) • Program security: ROM code protect, ID code check • Debug functions: On-chip debug, on-board flash rewrite function • Background operation (BGO) function
Operating Frequency/Supply Voltage		f(XIN) = 20 MHz (VCC = 2.7 to 5.5 V) f(XIN) = 5 MHz (VCC = 1.8 to 5.5 V)
Current consumption		Typ. 6.5 mA (VCC = 5.0 V, f(XIN) = 20 MHz) Typ. 3.5 mA (VCC = 3.0 V, f(XIN) = 10 MHz) Typ. 3.5 μA (VCC = 3.0 V, wait mode (f(XCIN) = 32 kHz)) Typ. 2.0 μA (VCC = 3.0 V, stop mode)
Operating Ambient Temperature		-20 to 85°C (N version) -40 to 85°C (D version) ⁽¹⁾
Package		52-pin LQFP Package code: PLQP0052JA-A (previous code: 52P6A-A)

Note:

1. Specify the D version if D version functions are to be used.

1.2 Product List

Table 1.3 lists Product List for R8C/35A Group, and Figure 1.1 shows a Part Number, Memory Size, and Package of R8C/35A Group.

Table 1.3 Product List for R8C/35A Group **Current of Dec. 2008**

Part No.	ROM Capacity		RAM Capacity	Package Type	Remarks
	Program ROM	Data flash			
R5F21354ANFP (D)	16 Kbytes	1 Kbyte × 4	1.5 Kbytes	PLQP0052JA-A	N version
R5F21355ANFP (D)	24 Kbytes	1 Kbyte × 4	2 Kbytes	PLQP0052JA-A	
R5F21356ANFP (D)	32 Kbytes	1 Kbyte × 4	2.5 Kbytes	PLQP0052JA-A	
R5F21357ANFP (P)	48 Kbytes	1 Kbyte × 4	4 Kbytes	PLQP0052JA-A	
R5F21358ANFP (P)	64 Kbytes	1 Kbyte × 4	6 Kbytes	PLQP0052JA-A	
R5F2135AANFP (P)	96 Kbytes	1 Kbyte × 4	8 Kbytes	PLQP0052JA-A	
R5F2135CANFP (P)	128 Kbytes	1 Kbyte × 4	10 Kbytes	PLQP0052JA-A	
R5F21354ADFP (D)	16 Kbytes	1 Kbyte × 4	1.5 Kbytes	PLQP0052JA-A	D version
R5F21355ADFP (D)	24 Kbytes	1 Kbyte × 4	2 Kbytes	PLQP0052JA-A	
R5F21356ADFP (D)	32 Kbytes	1 Kbyte × 4	2.5 Kbytes	PLQP0052JA-A	
R5F21357ADFP (P)	48 Kbytes	1 Kbyte × 4	4 Kbytes	PLQP0052JA-A	
R5F21358ADFP (P)	64 Kbytes	1 Kbyte × 4	6 Kbytes	PLQP0052JA-A	
R5F2135AADFP (P)	96 Kbytes	1 Kbyte × 4	8 Kbytes	PLQP0052JA-A	
R5F2135CADFP (P)	128 Kbytes	1 Kbyte × 4	10 Kbytes	PLQP0052JA-A	

(D): Under development

(P): Under planning

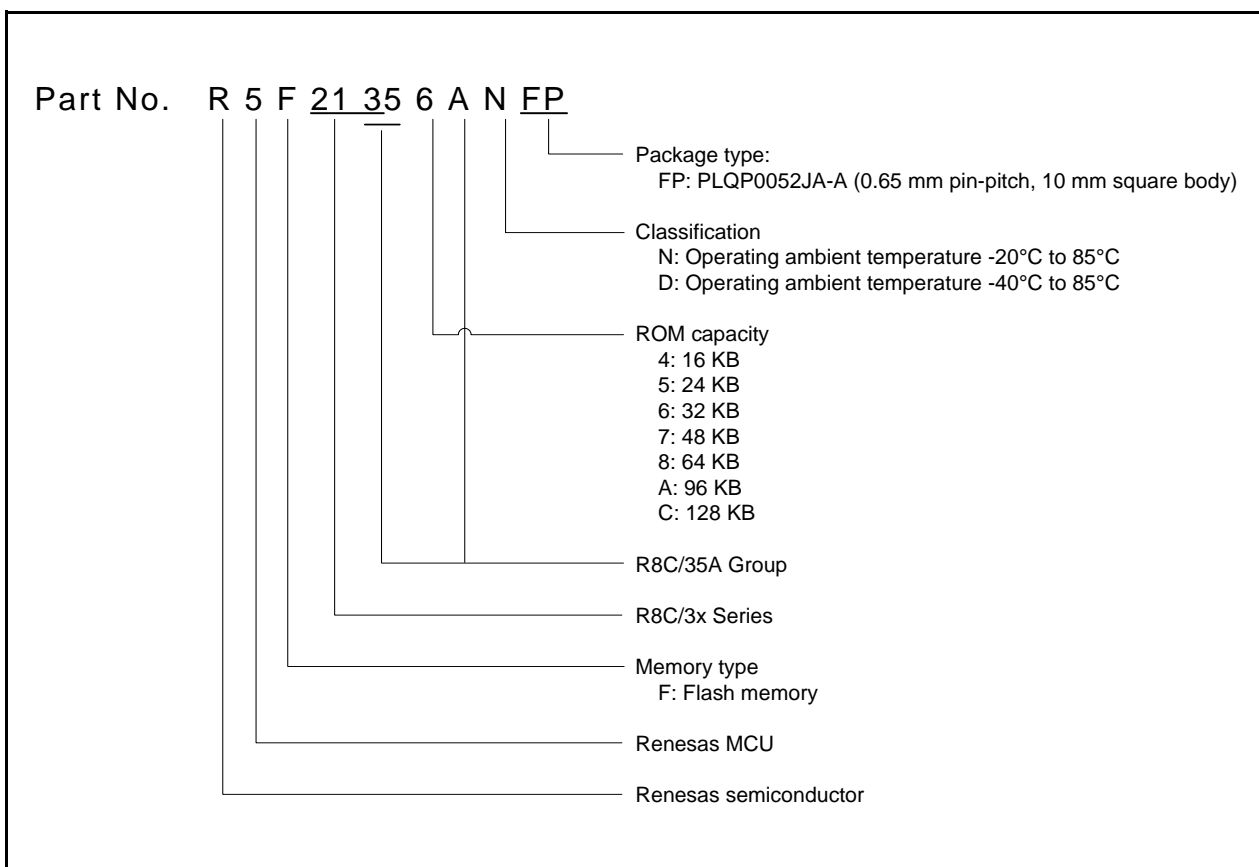


Figure 1.1 Part Number, Memory Size, and Package of R8C/35A Group

1.3 Block Diagram

Figure 1.2 shows a Block Diagram.

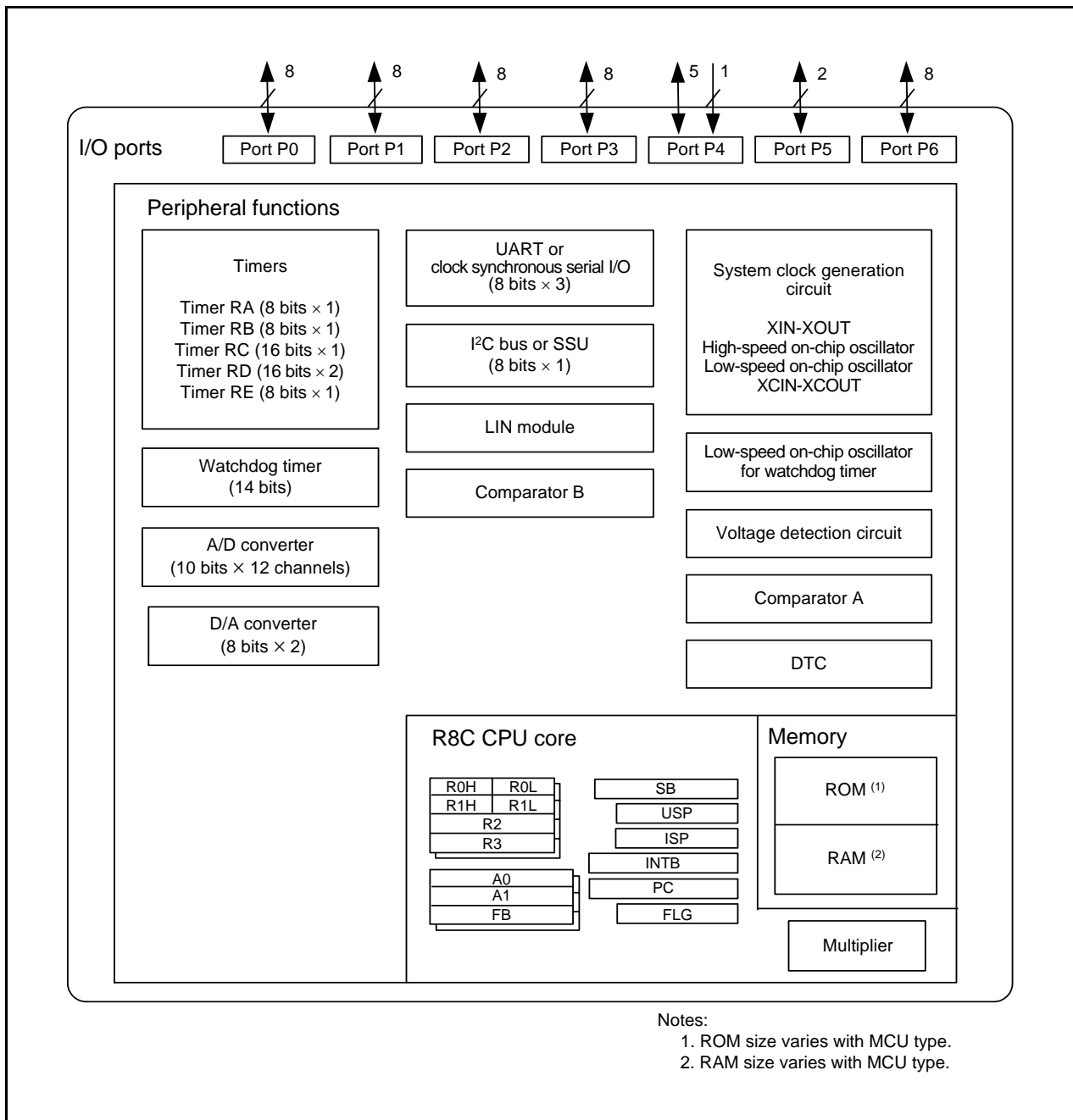


Figure 1.2 Block Diagram

1.4 Pin Assignment

Figure 1.3 shows the Pin Assignment (Top View). Tables 1.4 and 1.5 outlines the Pin Name Information by Pin Number.

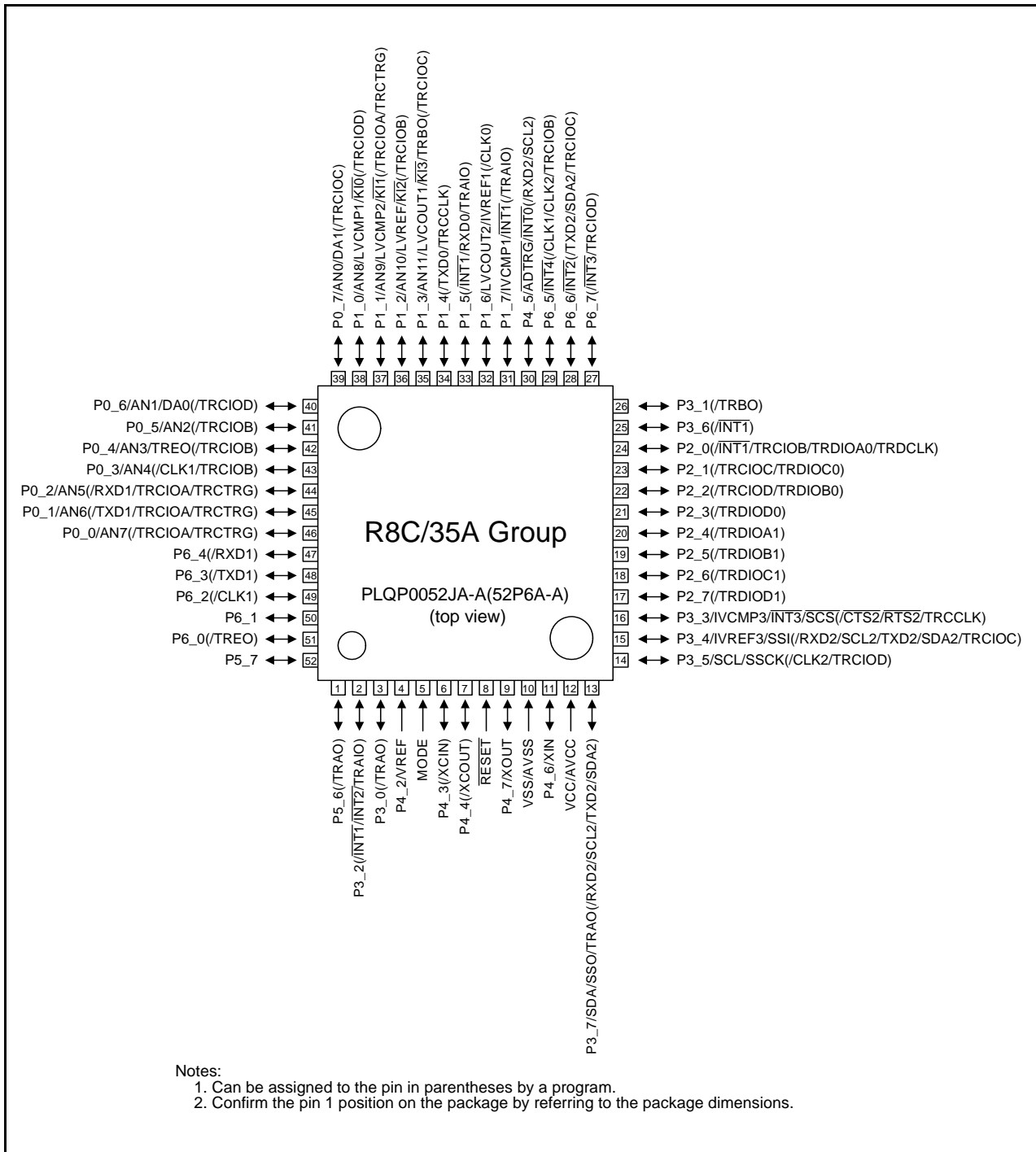


Figure 1.3 Pin Assignment (Top View)

Table 1.4 Pin Name Information by Pin Number (1)

Pin Number	Control Pin	Port	I/O Pin Functions for Peripheral Modules					
			Interrupt	Timer	Serial Interface	SSU	I ² C bus	A/D Converter, D/A Converter, Comparator A, Comparator B, Voltage Detection Circuit
1		P5_6		(TRAO)				
2		P3_2	($\overline{\text{INT1/INT2}}$)	(TRAIO)				
3		P3_0		(TRAO)				
4		P4_2						VREF
5	MODE							
6	(XCIN)	P4_3						
7	(XCOUT)	P4_4						
8	$\overline{\text{RESET}}$							
9	XOUT	P4_7						
10	VSS/AVSS							
11	XIN	P4_6						
12	VCC/AVCC							
13		P3_7		TRAO	(RXD2/SCL2/ TXD2/SDA2)	SSO	SDA	
14		P3_5		(TRCIOD)	(CLK2)	SSCK	SCL	
15		P3_4		(TRCIOC)	(RXD2/SCL2/ TXD2/SDA2)	SSI		IVREF3
16		P3_3	$\overline{\text{INT3}}$	(TRCCLK)	($\overline{\text{CTS2/RTS2}}$)	$\overline{\text{SCS}}$		IVCMP3
17		P2_7		(TRDIOD1)				
18		P2_6		(TRDIOC1)				
19		P2_5		(TRDIOB1)				
20		P2_4		(TRDIOA1)				
21		P2_3		(TRDIOD0)				
22		P2_2		(TRCIOD/ TRDIOB0)				
23		P2_1		(TRCIOC/ TRDIOC0)				
24		P2_0	($\overline{\text{INT1}}$)	(TRCIOB/ TRDIOA0/ TRDCLK)				
25		P3_6	($\overline{\text{INT1}}$)					
26		P3_1		(TRBO)				
27		P6_7	($\overline{\text{INT3}}$)	(TRCIOD)				
28		P6_6	$\overline{\text{INT2}}$	(TRCIOC)	(TXD2/SDA2)			
29		P6_5	$\overline{\text{INT4}}$	(TRCIOB)	(CLK1/CLK2)			
30		P4_5	$\overline{\text{INT0}}$		(RXD2/SCL2)			$\overline{\text{ADTRG}}$
31		P1_7	$\overline{\text{INT1}}$	(TRAIO)				IVCMP1
32		P1_6			(CLK0)			LVCOUT2/IVREF1
33		P1_5	($\overline{\text{INT1}}$)	(TRAIO)	(RXD0)			
34		P1_4		(TRCCLK)	(TXD0)			
35		P1_3	$\overline{\text{KI3}}$	TRBO/ (TRCIOC)				AN11/LVCOUT1

Note:

1. Can be assigned to the pin in parentheses by a program.

Table 1.5 Pin Name Information by Pin Number (2)

Pin Number	Control Pin	Port	I/O Pin Functions for Peripheral Modules					
			Interrupt	Timer	Serial Interface	SSU	I ² C bus	A/D Converter, D/A Converter, Comparator A, Comparator B, Voltage Detection Circuit
36		P1_2	$\overline{KI2}$	(TRCIOB)				AN10/LVREF
37		P1_1	$\overline{KI1}$	(TRCIOA/ TRCTRG)				AN9/LVCMP2
38		P1_0	$\overline{KI0}$	(TRCIOD)				AN8/LVCMP1
39		P0_7		(TRCIOC)				AN0/DA1
40		P0_6		(TRCIOD)				AN1/DA0
41		P0_5		(TRCIOB)				AN2
42		P0_4		TREO (/TRCIOB)				AN3
43		P0_3		(TRCIOB)	(CLK1)			AN4
44		P0_2		(TRCIOA/ TRCTRG)	(RXD1)			AN5
45		P0_1		(TRCIOA/ TRCTRG)	(TXD1)			AN6
46		P0_0		(TRCIOA/ TRCTRG)				AN7
47		P6_4			(RXD1)			
48		P6_3			(TXD1)			
49		P6_2			(CLK1)			
50		P6_1						
51		P6_0		(TREO)				
52		P5_7						

Note:

1. Can be assigned to the pin in parentheses by a program.

1.5 Pin Functions

Tables 1.6 and 1.7 list Pin Functions.

Table 1.6 Pin Functions (1)

Item	Pin Name	I/O Type	Description
Power supply input	VCC, VSS	–	Apply 1.8 V to 5.5 V to the VCC pin. Apply 0 V to the VSS pin.
Analog power supply input	AVCC, AVSS	–	Power supply for the A/D converter. Connect a capacitor between AVCC and AVSS.
Reset input	$\overline{\text{RESET}}$	I	Input “L” on this pin resets the MCU.
MODE	MODE	I	Connect this pin to VCC via a resistor.
XIN clock input	XIN	I	These pins are provided for XIN clock generation circuit I/O. Connect a ceramic resonator or a crystal oscillator between the XIN and XOUT pins ⁽¹⁾ . To use an external clock, input it to the XOUT pin and leave the XIN pin open.
XIN clock output	XOUT	I/O (2)	
XCIN clock input	XCIN	I	These pins are provided for XCIN clock generation circuit I/O. Connect a crystal oscillator between the XCIN and XCOU ^T pins ⁽¹⁾ . To use an external clock, input it to the XCIN pin and leave the XCOU ^T pin open.
XCIN clock output	XCOU ^T	O	
$\overline{\text{INT}}$ interrupt input	$\overline{\text{INT0}}$ to $\overline{\text{INT4}}$	I	$\overline{\text{INT}}$ interrupt input pins. $\overline{\text{INT0}}$ is timer RB, RC and RD input pin.
Key input interrupt	$\overline{\text{KI0}}$ to $\overline{\text{KI3}}$	I	Key input interrupt input pins
Timer RA	TRAIO	I/O	Timer RA I/O pin
	TRAO	O	Timer RA output pin
Timer RB	TRBO	O	Timer RB output pin
Timer RC	TRCLK	I	External clock input pin
	TRCTR ^G	I	External trigger input pin
	TRCIOA, TRCIOB, TRCIO ^C , TRCIO ^D	I/O	Timer RC I/O pins
Timer RD	TRDIOA0, TRDIOA1, TRDIOB0, TRDIOB1, TRDIOC0, TRDIOC1, TRDIOD0, TRDIOD1	I/O	Timer RD I/O pins
	TRDCLK	I	External clock input pin
Timer RE	TREO	O	Divided clock output pin
Serial interface	CLK0, CLK1, CLK2	I/O	Transfer clock I/O pins
	RXD0, RXD1, RXD2	I	Serial data input pins
	TXD0, TXD1, TXD2	O	Serial data output pins
	$\overline{\text{CTS}}$	I	Transmission control input pin
	$\overline{\text{RTS}}$	O	Reception control output pin
	SCL2	I/O	I ² C mode clock I/O pin
	SDA2	I/O	I ² C mode data I/O pin
I ² C bus	SCL	I/O	Clock I/O pin
	SDA	I/O	Data I/O pin
SSU	SSI	I/O	Data I/O pin
	$\overline{\text{SCS}}$	I/O	Chip-select signal I/O pin
	SSCK	I/O	Clock I/O pin
	SSO	I/O	Data I/O pin

I: Input O: Output I/O: Input and output

Notes:

1. Refer to the oscillator manufacturer for oscillation characteristics.
2. To use an externally generated clock, input it to XOUT.

Table 1.7 Pin Functions (2)

Item	Pin Name	I/O Type	Description
Reference voltage input	VREF	I	Reference voltage input pin to A/D converter and D/A converter
A/D converter	AN0 to AN11	I	Analog input pins to A/D converter
	$\overline{\text{ADTRG}}$	I	AD external trigger input pin
D/A converter	DA0, DA1	O	D/A converter output pins
Comparator A	LVCMP1, LVCMP2	I	Comparator A analog voltage input pins
	LVREF	I	Comparator A reference voltage input pin
	LVCOUT1, LVCOUT2	O	Comparator A output pins
Comparator B	IVCMP1, IVCMP3	I	Comparator B analog voltage input pins
	IVREF1, IVREF3	I	Comparator B reference voltage input pins
Voltage detection circuit	LVCMP2	I	Detection voltage input pin for voltage detection 2
I/O port	P0_0 to P0_7, P1_0 to P1_7, P2_0 to P2_7, P3_0 to P3_7, P4_3 to P4_7, P5_6, P5_7, P6_0 to P6_7	I/O	CMOS I/O ports. Each port has an I/O select direction register, allowing each pin in the port to be directed for input or output individually. Any port set to input can be set to use a pull-up resistor or not by a program. All ports can be used as LED drive ports.
Input port	P4_2	I	Input-only port

I: Input O: Output I/O: Input and output

2. Central Processing Unit (CPU)

Figure 2.1 shows the CPU Registers. The CPU contains 13 registers. R0, R1, R2, R3, A0, A1, and FB configure a register bank. There are two sets of register bank.

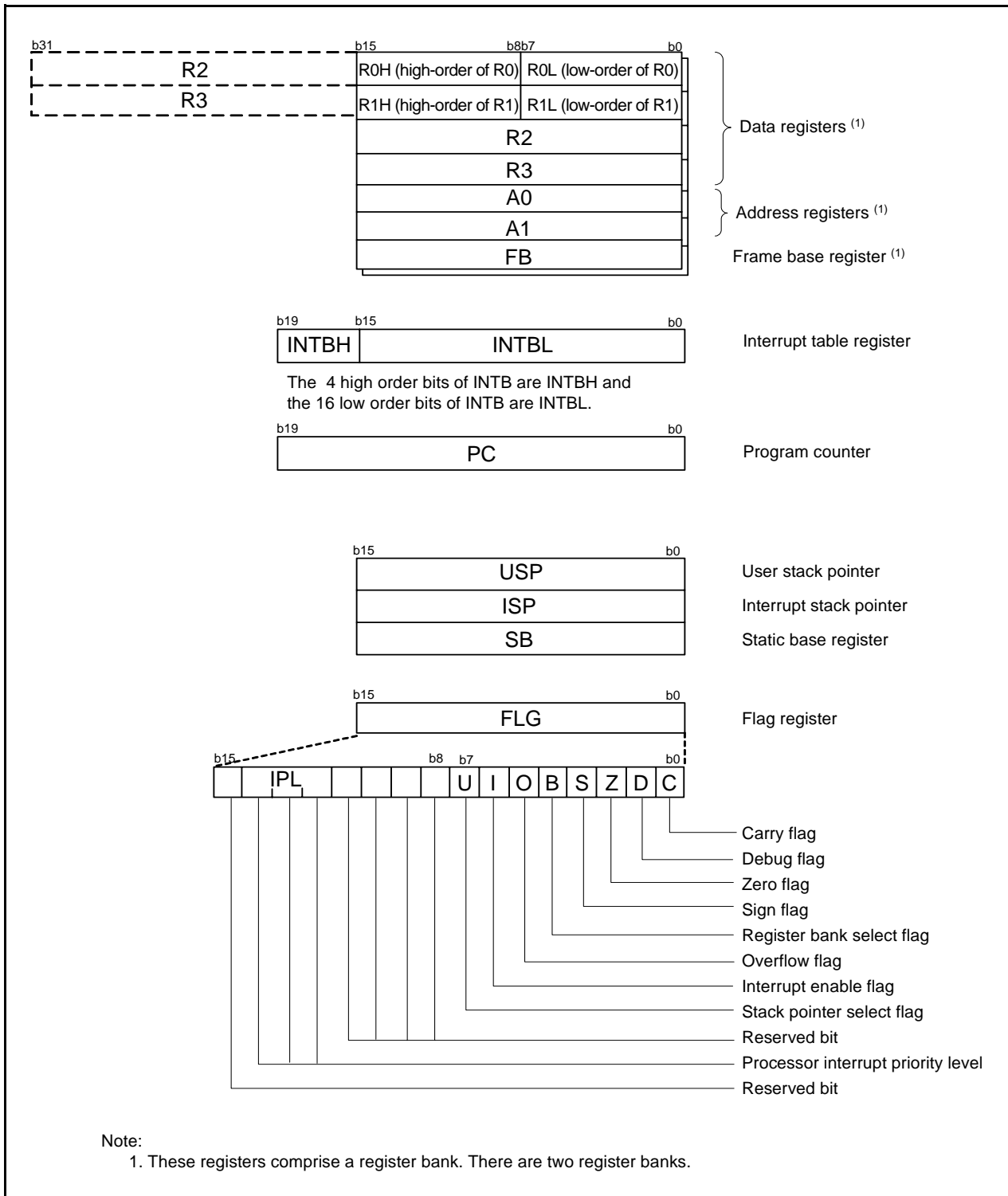


Figure 2.1 CPU Registers

2.1 Data Registers (R0, R1, R2, and R3)

R0 is a 16-bit register for transfer, arithmetic, and logic operations. The same applies to R1 to R3. R0 can be split into high-order bits (R0H) and low-order bits (R0L) to be used separately as 8-bit data registers. R1H and R1L are analogous to R0H and R0L. R2 can be combined with R0 and used as a 32-bit data register (R2R0). R3R1 is analogous to R2R0.

2.2 Address Registers (A0 and A1)

A0 is a 16-bit register for address register indirect addressing and address register relative addressing. It is also used for transfer, arithmetic, and logic operations. A1 is analogous to A0. A1 can be combined with A0 and as a 32-bit address register (A1A0).

2.3 Frame Base Register (FB)

FB is a 16-bit register for FB relative addressing.

2.4 Interrupt Table Register (INTB)

INTB is a 20-bit register that indicates the starting address of an interrupt vector table.

2.5 Program Counter (PC)

PC is 20 bits wide and indicates the address of the next instruction to be executed.

2.6 User Stack Pointer (USP) and Interrupt Stack Pointer (ISP)

The stack pointers (SP), USP and ISP, are each 16 bits wide. The U flag of FLG is used to switch between USP and ISP.

2.7 Static Base Register (SB)

SB is a 16-bit register for SB relative addressing.

2.8 Flag Register (FLG)

FLG is an 11-bit register indicating the CPU state.

2.8.1 Carry Flag (C)

The C flag retains carry, borrow, or shift-out bits that have been generated by the arithmetic and logic unit.

2.8.2 Debug Flag (D)

The D flag is for debugging only. Set it to 0.

2.8.3 Zero Flag (Z)

The Z flag is set to 1 when an arithmetic operation results in 0; otherwise to 0.

2.8.4 Sign Flag (S)

The S flag is set to 1 when an arithmetic operation results in a negative value; otherwise to 0.

2.8.5 Register Bank Select Flag (B)

Register bank 0 is selected when the B flag is 0. Register bank 1 is selected when this flag is set to 1.

2.8.6 Overflow Flag (O)

The O flag is set to 1 when an operation results in an overflow; otherwise to 0.

2.8.7 Interrupt Enable Flag (I)

The I flag enables maskable interrupts.

Interrupts are disabled when the I flag is set to 0, and are enabled when the I flag is set to 1. The I flag is set to 0 when an interrupt request is acknowledged.

2.8.8 Stack Pointer Select Flag (U)

ISP is selected when the U flag is set to 0; USP is selected when the U flag is set to 1.

The U flag is set to 0 when a hardware interrupt request is acknowledged or the INT instruction of software interrupt numbers 0 to 31 is executed.

2.8.9 Processor Interrupt Priority Level (IPL)

IPL is 3 bits wide and assigns processor interrupt priority levels from level 0 to level 7.

If a requested interrupt has higher priority than IPL, the interrupt is enabled.

2.8.10 Reserved Bit

If necessary, set to 0. When read, the content is undefined.

3. Memory

3.1 R8C/35A Group

Figure 3.1 is a Memory Map of R8C/35A Group. The R8C/35A Group has a 1-Mbyte address space from addresses 00000h to FFFFFh. The internal ROM (program ROM) is allocated lower addresses, beginning with address 00000h. For example, a 32-Kbyte internal ROM area is allocated addresses 08000h to 0FFFFh.

The fixed interrupt vector table is allocated addresses 0FFDCh to 0FFFFh. The starting address of each interrupt routine is stored here.

The internal ROM (data flash) is allocated addresses 03000h to 03FFFh.

The internal RAM is allocated higher addresses, beginning with address 00400h. For example, a 2.5-Kbyte internal RAM area is allocated addresses 00400h to 00DFFh. The internal RAM is used not only for data storage but also as a stack area when a subroutine is called or when an interrupt request is acknowledged.

Special function registers (SFRs) are allocated addresses 00000h to 002FFh and 02C00h to 02FFFh. Peripheral function control registers are allocated here. All unallocated spaces within the SFRs are reserved and cannot be accessed by users.

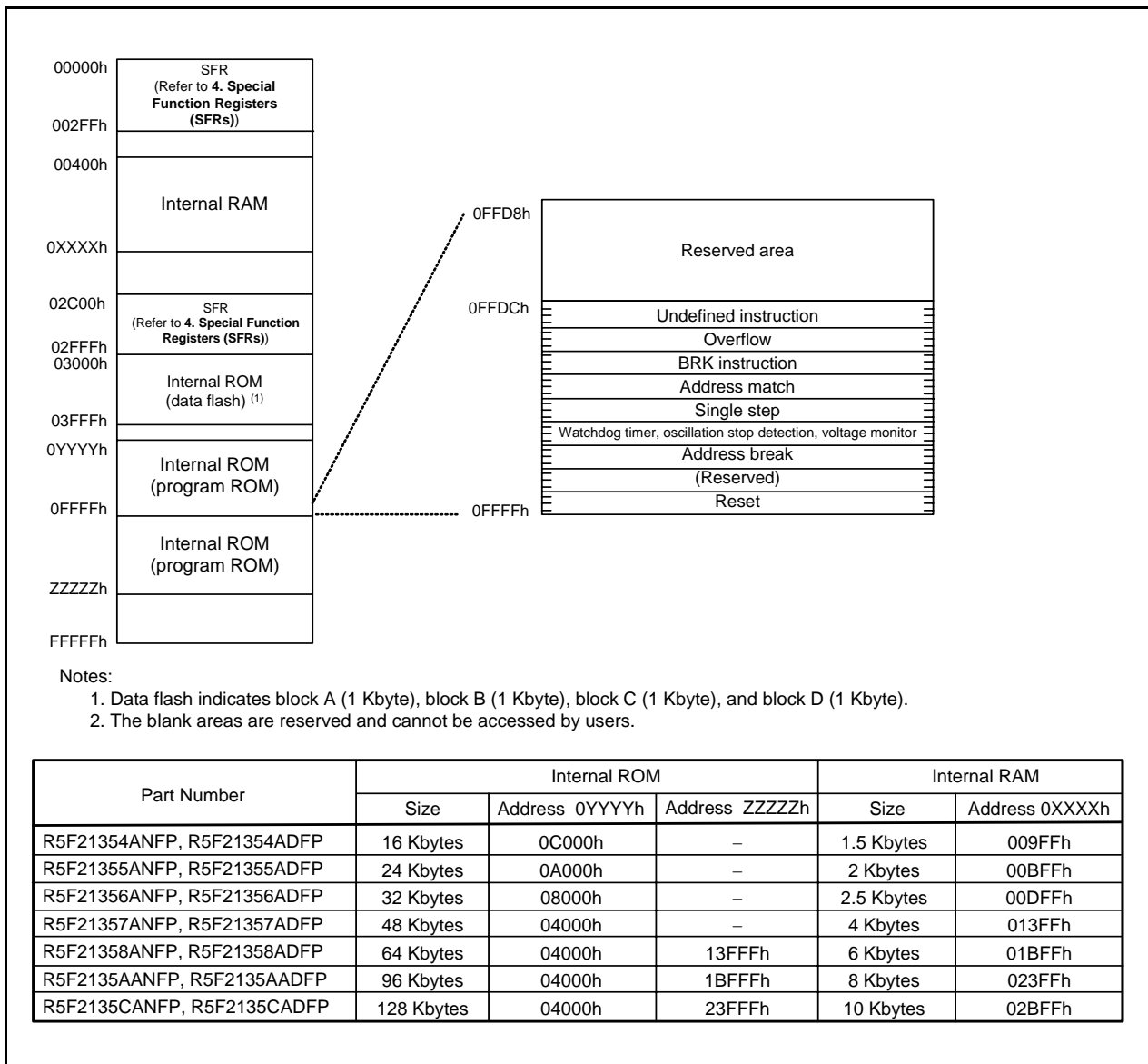


Figure 3.1 Memory Map of R8C/35A Group

4. Special Function Registers (SFRs)

An SFR (special function register) is a control register for a peripheral function. Tables 4.1 to 4.12 list the special function registers.

Table 4.1 SFR Information (1) (1)

Address	Register	Symbol	After Reset
0000h			
0001h			
0002h			
0003h			
0004h	Processor Mode Register 0	PM0	00h
0005h	Processor Mode Register 1	PM1	00h
0006h	System Clock Control Register 0	CM0	00101000b
0007h	System Clock Control Register 1	CM1	00100000b
0008h	Module Standby Control Register	MSTCR	00h
0009h	System Clock Control Register 3	CM3	00h
000Ah	Protect Register	PRCR	00h
000Bh	Reset Source Determination Register	RSTFR	0XXXXXXb (2)
000Ch	Oscillation Stop Detection Register	OCD	00000100b
000Dh	Watchdog Timer Reset Register	WDTR	XXh
000Eh	Watchdog Timer Start Register	WDTS	XXh
000Fh	Watchdog Timer Control Register	WDTC	00111111b
0010h			
0011h			
0012h			
0013h			
0014h			
0015h	High-Speed On-Chip Oscillator Control Register 7	FRA7	When shipping
0016h			
0017h			
0018h			
0019h			
001Ah			
001Bh			
001Ch	Count Source Protection Mode Register	CSPR	00h 10000000b (3)
001Dh			
001Eh			
001Fh			
0020h			
0021h			
0022h			
0023h	High-Speed On-Chip Oscillator Control Register 0	FRA0	00h
0024h	High-Speed On-Chip Oscillator Control Register 1	FRA1	When shipping
0025h	High-Speed On-Chip Oscillator Control Register 2	FRA2	00h
0026h	On-Chip Reference Voltage Control Register	OCVREFCR	00h
0027h			
0028h	Clock Prescaler Reset Flag	CPSRF	00h
0029h	High-Speed On-Chip Oscillator Control Register 4	FRA4	When Shipping
002Ah	High-Speed On-Chip Oscillator Control Register 5	FRA5	When Shipping
002Bh	High-Speed On-Chip Oscillator Control Register 6	FRA6	When Shipping
002Ch			
002Dh			
002Eh			
002Fh	High-Speed On-Chip Oscillator Control Register 3	FRA3	When shipping
0030h	Voltage Monitor Circuit/Comparator A Control Register	CMPA	00h
0031h	Voltage Monitor Circuit Edge Select Register	VCAC	00h
0032h			
0033h	Voltage Detect Register 1	VCA1	00001000b
0034h	Voltage Detect Register 2	VCA2	00h (4) 00100000b (5)
0035h			
0036h	Voltage Detection 1 Level Select Register	VD1LS	00000111b
0037h			
0038h	Voltage Monitor 0 Circuit Control Register	VW0C	1100X010b (4) 1100X011b (5)
0039h	Voltage Monitor 1 Circuit Control Register	VW1C	10001010b

X: Undefined

Notes:

1. The blank areas are reserved and cannot be accessed by users.
2. The CWR bit in the RSTFR register is set to 0 after power-on and voltage monitor 0 reset. Hardware reset, software reset, or watchdog timer reset does not affect this bit.
3. The CSPROINI bit in the OFS register is set to 0.
4. The LVDAS bit in the OFS register is set to 1.
5. The LVDAS bit in the OFS register is set to 0.

Table 4.2 SFR Information (2) (1)

Address	Register	Symbol	After Reset
003Ah	Voltage Monitor 2 Circuit Control Register	VW2C	1000010b
003Bh			
003Ch			
003Dh			
003Eh			
003Fh			
0040h			
0041h	Flash Memory Ready Interrupt Control Register	FMRDYIC	XXXXX000b
0042h			
0043h			
0044h			
0045h			
0046h	INT4 Interrupt Control Register	INT4IC	XX00X000b
0047h	Timer RC Interrupt Control Register	TRCIC	XXXXX000b
0048h	Timer RD0 Interrupt Control Register	TRD0IC	XXXXX000b
0049h	Timer RD1 Interrupt Control Register	TRD1IC	XXXXX000b
004Ah	Timer RE Interrupt Control Register	TREIC	XXXXX000b
004Bh	UART2 Transmit Interrupt Control Register	S2TIC	XXXXX000b
004Ch	UART2 Receive Interrupt Control Register	S2RIC	XXXXX000b
004Dh	Key Input Interrupt Control Register	KUPIC	XXXXX000b
004Eh	A/D Conversion Interrupt Control Register	ADIC	XXXXX000b
004Fh	SSU Interrupt Control Register / IIC bus Interrupt Control Register (2)	SSUIC / IICIC	XXXXX000b
0050h			
0051h	UART0 Transmit Interrupt Control Register	S0TIC	XXXXX000b
0052h	UART0 Receive Interrupt Control Register	S0RIC	XXXXX000b
0053h	UART1 Transmit Interrupt Control Register	S1TIC	XXXXX000b
0054h	UART1 Receive Interrupt Control Register	S1RIC	XXXXX000b
0055h	INT2 Interrupt Control Register	INT2IC	XX00X000b
0056h	Timer RA Interrupt Control Register	TRAIC	XXXXX000b
0057h			
0058h	Timer RB Interrupt Control Register	TRBIC	XXXXX000b
0059h	INT1 Interrupt Control Register	INT1IC	XX00X000b
005Ah	INT3 Interrupt Control Register	INT3IC	XX00X000b
005Bh			
005Ch			
005Dh	INT0 Interrupt Control Register	INT0IC	XX00X000b
005Eh	UART2 Bus Collision Detection Interrupt Control Register	U2BCNIC	XXXXX000b
005Fh			
0060h			
0061h			
0062h			
0063h			
0064h			
0065h			
0066h			
0067h			
0068h			
0069h			
006Ah			
006Bh			
006Ch			
006Dh			
006Eh			
006Fh			
0070h			
0071h			
0072h	Voltage Monitor 1/Comparator A1 Interrupt Control Register	VCMP1IC	XXXXX000b
0073h	Voltage Monitor 2/Comparator A2 Interrupt Control Register	VCMP2IC	XXXXX000b
0074h			
0075h			
0076h			
0077h			
0078h			
0079h			
007Ah			
007Bh			
007Ch			
007Dh			
007Eh			
007Fh			

X: Undefined

Notes:

1. The blank areas are reserved and cannot be accessed by users.
2. Selectable by the IICSEL bit in the SSUICSR register.

Table 4.3 SFR Information (3) (1)

Address	Register	Symbol	After Reset
0080h	DTC Activation Control Register	DTCTL	00h
0081h			
0082h			
0083h			
0084h			
0085h			
0086h			
0087h			
0088h	DTC Activation Enable Register 0	DTCEN0	00h
0089h	DTC Activation Enable Register 1	DTCEN1	00h
008Ah	DTC Activation Enable Register 2	DTCEN2	00h
008Bh	DTC Activation Enable Register 3	DTCEN3	00h
008Ch	DTC Activation Enable Register 4	DTCEN4	00h
008Dh	DTC Activation Enable Register 5	DTCEN5	00h
008Eh	DTC Activation Enable Register 6	DTCEN6	00h
008Fh			
0090h			
0091h			
0092h			
0093h			
0094h			
0095h			
0096h			
0097h			
0098h			
0099h			
009Ah			
009Bh			
009Ch			
009Dh			
009Eh			
009Fh			
00A0h	UART0 Transmit/Receive Mode Register	U0MR	00h
00A1h	UART0 Bit Rate Register	U0BRG	XXh
00A2h	UART0 Transmit Buffer Register	U0TB	XXh
00A3h			XXh
00A4h	UART0 Transmit/Receive Control Register 0	U0C0	00001000b
00A5h	UART0 Transmit/Receive Control Register 1	U0C1	00000010b
00A6h	UART0 Receive Buffer Register	U0RB	XXh
00A7h			XXh
00A8h	UART2 Transmit/Receive Mode Register	U2MR	00h
00A9h	UART2 Bit Rate Register	U2BRG	XXh
00AAh	UART2 Transmit Buffer Register	U2TB	XXh
00ABh			XXh
00ACh	UART2 Transmit/Receive Control Register 0	U2C0	00001000b
00ADh	UART2 Transmit/Receive Control Register 1	U2C1	00000010b
00AEh	UART2 Receive Buffer Register	U2RB	XXh
00AFh			XXh
00B0h	UART2 Digital Filter Function Select Register	URXDF	00h
00B1h			
00B2h			
00B3h			
00B4h			
00B5h			
00B6h			
00B7h			
00B8h			
00B9h			
00BAh			
00BBh	UART2 Special Mode Register 5	U2SMR5	00h
00BCh	UART2 Special Mode Register 4	U2SMR4	00h
00BDh	UART2 Special Mode Register 3	U2SMR3	000X0X0Xb
00BEh	UART2 Special Mode Register 2	U2SMR2	X0000000b
00BFh	UART2 Special Mode Register	U2SMR	X0000000b

X: Undefined

Note:

1. The blank areas are reserved and cannot be accessed by users.

Table 4.4 SFR Information (4) (1)

Address	Register	Symbol	After Reset
00C0h	A/D Register 0	AD0	XXh 000000XXb
00C1h	A/D Register 1	AD1	XXh
00C2h			000000XXb
00C3h	A/D Register 2	AD2	XXh
00C4h			000000XXb
00C5h	A/D Register 3	AD3	XXh
00C6h			000000XXb
00C7h	A/D Register 4	AD4	XXh
00C8h			000000XXb
00C9h	A/D Register 5	AD5	XXh
00CAh			000000XXb
00CBh	A/D Register 6	AD6	XXh
00CCh			000000XXb
00CDh	A/D Register 7	AD7	XXh
00CEh			000000XXb
00CFh			
00D0h			
00D1h			
00D2h			
00D3h			
00D4h	A/D Mode Register	ADMOD	00h
00D5h	A/D Input Select Register	ADINSEL	11000000b
00D6h	A/D Control Register 0	ADCON0	00h
00D7h	A/D Control Register 1	ADCON1	00h
00D8h	D/A0 Register	DA0	00h
00D9h	D/A1 Register	DA1	00h
00DAh			
00DBh			
00DCh	D/A Control Register	DACON	00h
00DDh			
00DEh			
00DFh			
00E0h	Port P0 Register	P0	XXh
00E1h	Port P1 Register	P1	XXh
00E2h	Port P0 Direction Register	PD0	00h
00E3h	Port P1 Direction Register	PD1	00h
00E4h	Port P2 Register	P2	XXh
00E5h	Port P3 Register	P3	XXh
00E6h	Port P2 Direction Register	PD2	00h
00E7h	Port P3 Direction Register	PD3	00h
00E8h	Port P4 Register	P4	XXh
00E9h	Port P5 Register	P5	XXh
00EAh	Port P4 Direction Register	PD4	00h
00EBh	Port P5 Direction Register	PD5	00h
00ECh	Port P6 Register	P6	XXh
00EDh			
00EEh	Port P6 Direction Register	PD6	00h
00EFh			
00F0h			
00F1h			
00F2h			
00F3h			
00F4h			
00F5h			
00F6h			
00F7h			
00F8h			
00F9h			
00FAh			
00FBh			
00FCh			
00FDh			
00FEh			
00FFh			

X: Undefined

Note:

1. The blank areas are reserved and cannot be accessed by users.

Table 4.5 SFR Information (5) (1)

Address	Register	Symbol	After Reset
0100h	Timer RA Control Register	TRACR	00h
0101h	Timer RA I/O Control Register	TRAIOC	00h
0102h	Timer RA Mode Register	TRAMR	00h
0103h	Timer RA Prescaler Register	TRAPRE	FFh
0104h	Timer RA Register	TRA	FFh
0105h	LIN Control Register 2	LINCR2	00h
0106h	LIN Control Register	LINCR	00h
0107h	LIN Status Register	LINST	00h
0108h	Timer RB Control Register	TRBCR	00h
0109h	Timer RB One-Shot Control Register	TRBOCR	00h
010Ah	Timer RB I/O Control Register	TRBIOC	00h
010Bh	Timer RB Mode Register	TRBMR	00h
010Ch	Timer RB Prescaler Register	TRBPRE	FFh
010Dh	Timer RB Secondary Register	TRBSC	FFh
010Eh	Timer RB Primary Register	TRBPR	FFh
010Fh			
0110h			
0111h			
0112h			
0113h			
0114h			
0115h			
0116h			
0117h			
0118h	Timer RE Second Data Register / Counter Data Register	TRESEC	00h
0119h	Timer RE Minute Data Register / Compare Data Register	TREMIN	00h
011Ah	Timer RE Hour Data Register	TREHR	00h
011Bh	Timer RE Day of Week Data Register	TREWK	00h
011Ch	Timer RE Control Register 1	TRECR1	00h
011Dh	Timer RE Control Register 2	TRECR2	00h
011Eh	Timer RE Count Source Select Register	TRECSR	00001000b
011Fh			
0120h	Timer RC Mode Register	TRCMR	01001000b
0121h	Timer RC Control Register 1	TRCCR1	00h
0122h	Timer RC Interrupt Enable Register	TRCIER	01110000b
0123h	Timer RC Status Register	TRCSR	01110000b
0124h	Timer RC I/O Control Register 0	TRCIOR0	10001000b
0125h	Timer RC I/O Control Register 1	TRCIOR1	10001000b
0126h	Timer RC Counter	TRC	00h
0127h			00h
0128h	Timer RC General Register A	TRCGRA	FFh
0129h			FFh
012Ah	Timer RC General Register B	TRCGRB	FFh
012Bh			FFh
012Ch	Timer RC General Register C	TRCGRC	FFh
012Dh			FFh
012Eh	Timer RC General Register D	TRCGRD	FFh
012Fh			FFh
0130h	Timer RC Control Register 2	TRCCR2	00011000b
0131h	Timer RC Digital Filter Function Select Register	TRCDF	00h
0132h	Timer RC Output Master Enable Register	TRCOER	01111111b
0133h	Timer RC Trigger Control Register	TRCADCR	00h
0134h			
0135h	Timer RD Control Expansion Register	TRDECR	00h
0136h	Timer RD Trigger Control Register	TRDADCR	00h
0137h	Timer RD Start Register	TRDSTR	11111100b
0138h	Timer RD Mode Register	TRDMR	00001110b
0139h	Timer RD PWM Mode Register	TRDPMR	10001000b
013Ah	Timer RD Function Control Register	TRDFCR	10000000b
013Bh	Timer RD Output Master Enable Register 1	TRDOER1	FFh
013Ch	Timer RD Output Master Enable Register 2	TRDOER2	01111111b
013Dh	Timer RD Output Control Register	TRDOCR	00h
013Eh	Timer RD Digital Filter Function Select Register 0	TRDDF0	00h
013Fh	Timer RD Digital Filter Function Select Register 1	TRDDF1	00h

Note:

1. The blank areas are reserved and cannot be accessed by users.

Table 4.6 SFR Information (6) (1)

Address	Register	Symbol	After Reset
0140h	Timer RD Control Register 0	TRDCR0	00h
0141h	Timer RD I/O Control Register A0	TRDIORA0	10001000b
0142h	Timer RD I/O Control Register C0	TRDIORC0	10001000b
0143h	Timer RD Status Register 0	TRDSR0	11100000b
0144h	Timer RD Interrupt Enable Register 0	TRDIER0	11100000b
0145h	Timer RD PWM Mode Output Level Control Register 0	TRDPOCR0	11111000b
0146h	Timer RD Counter 0	TRD0	00h
0147h			00h
0148h	Timer RD General Register A0	TRDGRA0	FFh
0149h			FFh
014Ah	Timer RD General Register B0	TRDGRB0	FFh
014Bh			FFh
014Ch	Timer RD General Register C0	TRDGRC0	FFh
014Dh			FFh
014Eh	Timer RD General Register D0	TRDGRD0	FFh
014Fh			FFh
0150h	Timer RD Control Register 1	TRDCR1	00h
0151h	Timer RD I/O Control Register A1	TRDIORA1	10001000b
0152h	Timer RD I/O Control Register C1	TRDIORC1	10001000b
0153h	Timer RD Status Register 1	TRDSR1	11000000b
0154h	Timer RD Interrupt Enable Register 1	TRDIER1	11100000b
0155h	Timer RD PWM Mode Output Level Control Register 1	TRDPOCR1	11111000b
0156h	Timer RD Counter 1	TRD1	00h
0157h			00h
0158h	Timer RD General Register A1	TRDGRA1	FFh
0159h			FFh
015Ah	Timer RD General Register B1	TRDGRB1	FFh
015Bh			FFh
015Ch	Timer RD General Register C1	TRDGRC1	FFh
015Dh			FFh
015Eh	Timer RD General Register D1	TRDGRD1	FFh
015Fh			FFh
0160h	UART1 Transmit/Receive Mode Register	U1MR	00h
0161h	UART1 Bit Rate Register	U1BRG	XXh
0162h	UART1 Transmit Buffer Register	U1TB	XXh
0163h			XXh
0164h	UART1 Transmit/Receive Control Register 0	U1C0	00001000b
0165h	UART1 Transmit/Receive Control Register 1	U1C1	00000010b
0166h	UART1 Receive Buffer Register	U1RB	XXh
0167h			XXh
0168h			
0169h			
016Ah			
016Bh			
016Ch			
016Dh			
016Eh			
016Fh			
0170h			
0171h			
0172h			
0173h			
0174h			
0175h			
0176h			
0177h			
0178h			
0179h			
017Ah			
017Bh			
017Ch			
017Dh			
017Eh			
017Fh			

X: Undefined

Note:

1. The blank areas are reserved and cannot be accessed by users.

Table 4.7 SFR Information (7) (1)

Address	Register	Symbol	After Reset
0180h	Timer RA Pin Select Register	TRASR	00h
0181h	Timer RB/RC Pin Select Register	TRBRCSR	00h
0182h	Timer RC Pin Select Register 0	TRCPSR0	00h
0183h	Timer RC Pin Select Register 1	TRCPSR1	00h
0184h	Timer RD Pin Select Register 0	TRDPSR0	00h
0185h	Timer RD Pin Select Register 1	TRDPSR1	00h
0186h	Timer Pin Select Register	TIMSR	00h
0187h			
0188h	UART0 Pin Select Register	U0SR	00h
0189h	UART1 Pin Select Register	U1SR	00h
018Ah	UART2 Pin Select Register 0	U2SR0	00h
018Bh	UART2 Pin Select Register 1	U2SR1	00h
018Ch	SSU/IIC Pin Select Register	SSUICSR	00h
018Dh			
018Eh	INT Interrupt Input Pin Select Register	INTSR	00h
018Fh	I/O Function Pin Select Register	PINSR	00h
0190h			
0191h			
0192h			
0193h	SS Bit Counter Register	SSBR	11111000b
0194h	SS Transmit Data Register L / IIC bus Transmit Data Register (2)	SSTDR / ICDRT	FFh
0195h	SS Transmit Data Register H	SSTDRH	FFh
0196h	SS Receive Data Register L / IIC bus Receive Data Register (2)	SSDR / ICDRR	FFh
0197h	SS Receive Data Register H (2)	SSDRH	FFh
0198h	SS Control Register H / IIC bus Control Register 1 (2)	SSCRH / ICCR1	00h
0199h	SS Control Register L / IIC bus Control Register 2 (2)	SSCRL / ICCR2	0111101b
019Ah	SS Mode Register / IIC bus Mode Register (2)	SSMR / ICMR	00010000b / 00011000b
019Bh	SS Enable Register / IIC bus Interrupt Enable Register (2)	SSER / ICIER	00h
019Ch	SS Status Register / IIC bus Status Register (2)	SSSR / ICSR	00h / 0000X000b
019Dh	SS Mode Register 2 / Slave Address Register (2)	SSMR2 / SAR	00h
019Eh			
019Fh			
01A0h			
01A1h			
01A2h			
01A3h			
01A4h			
01A5h			
01A6h			
01A7h			
01A8h			
01A9h			
01AAh			
01ABh			
01ACh			
01ADh			
01AEh			
01AFh			
01B0h			
01B1h			
01B2h	Flash Memory Status Register	FST	10000X00b
01B3h			
01B4h	Flash Memory Control Register 0	FMR0	00h
01B5h	Flash Memory Control Register 1	FMR1	00h
01B6h	Flash Memory Control Register 2	FMR2	00h
01B7h			
01B8h			
01B9h			
01BAh			
01BBh			
01BCh			
01BDh			
01BEh			
01BFh			

X: Undefined

Notes:

1. The blank areas are reserved and cannot be accessed by users.
2. Selectable by the IICSEL bit in the SSUICSR register.

Table 4.8 SFR Information (8) (1)

Address	Register	Symbol	After Reset
01C0h	Address Match Interrupt Register 0	RMAD0	XXh
01C1h			XXh
01C2h			0000XXXXb
01C3h	Address Match Interrupt Enable Register 0	AIER0	00h
01C4h	Address Match Interrupt Register 1	RMAD1	XXh
01C5h			XXh
01C6h			0000XXXXb
01C7h			00h
01C8h	Address Match Interrupt Enable Register 1	AIER1	00h
01C9h			
01CAh			
01CBh			
01CCh			
01CDh			
01CEh			
01CFh			
01D0h			
01D1h			
01D2h			
01D3h			
01D4h			
01D5h			
01D6h			
01D7h			
01D8h			
01D9h			
01DAh			
01DBh			
01DCh			
01DDh			
01DEh			
01DFh			
01E0h	Pull-Up Control Register 0	PUR0	00h
01E1h	Pull-Up Control Register 1	PUR1	00h
01E2h			
01E3h			
01E4h			
01E5h			
01E6h			
01E7h			
01E8h			
01E9h			
01EAh			
01EBh			
01ECh			
01EDh			
01EEh			
01EFh			
01F0h	Port P1 Drive Capacity Control Register	P1DRR	00h
01F1h	Port P2 Drive Capacity Control Register	P2DRR	00h
01F2h	Drive Capacity Control Register 0	DRR0	00h
01F3h	Drive Capacity Control Register 1	DRR1	00h
01F4h			
01F5h	Input Threshold Control Register 0	VLT0	00h
01F6h	Input Threshold Control Register 1	VLT1	00h
01F7h			
01F8h	Comparator B Control Register 0	INTCMP	00h
01F9h			
01FAh	External Input Enable Register 0	INTEN	00h
01FBh	External Input Enable Register 1	INTEN1	00h
01FCh	INT Input Filter Select Register 0	INTF	00h
01FDh	INT Input Filter Select Register 1	INTF1	00h
01FEh	Key Input Enable Register 0	KIEN	00h
01FFh			

X: Undefined

Note:

1. The blank areas are reserved and cannot be accessed by users.

Table 4.9 SFR Information (9) (1)

Address	Register	Symbol	After Reset
2C00h	DTC Transfer Vector Area		XXh
2C01h	DTC Transfer Vector Area		XXh
2C02h	DTC Transfer Vector Area		XXh
2C03h	DTC Transfer Vector Area		XXh
2C04h	DTC Transfer Vector Area		XXh
2C05h	DTC Transfer Vector Area		XXh
2C06h	DTC Transfer Vector Area		XXh
2C07h	DTC Transfer Vector Area		XXh
2C08h	DTC Transfer Vector Area		XXh
2C09h	DTC Transfer Vector Area		XXh
2C0Ah	DTC Transfer Vector Area		XXh
:	DTC Transfer Vector Area		XXh
:	DTC Transfer Vector Area		XXh
2C3Ah	DTC Transfer Vector Area		XXh
2C3Bh	DTC Transfer Vector Area		XXh
2C3Ch	DTC Transfer Vector Area		XXh
2C3Dh	DTC Transfer Vector Area		XXh
2C3Eh	DTC Transfer Vector Area		XXh
2C3Fh	DTC Transfer Vector Area		XXh
2C40h	DTC Control Data 0	DTCD0	XXh
2C41h			XXh
2C42h			XXh
2C43h			XXh
2C44h			XXh
2C45h			XXh
2C46h			XXh
2C47h			XXh
2C48h	DTC Control Data 1	DTCD1	XXh
2C49h			XXh
2C4Ah			XXh
2C4Bh			XXh
2C4Ch			XXh
2C4Dh			XXh
2C4Eh			XXh
2C4Fh			XXh
2C50h	DTC Control Data 2	DTCD2	XXh
2C51h			XXh
2C52h			XXh
2C53h			XXh
2C54h			XXh
2C55h			XXh
2C56h			XXh
2C57h			XXh
2C58h	DTC Control Data 3	DTCD3	XXh
2C59h			XXh
2C5Ah			XXh
2C5Bh			XXh
2C5Ch			XXh
2C5Dh			XXh
2C5Eh			XXh
2C5Fh			XXh
2C60h	DTC Control Data 4	DTCD4	XXh
2C61h			XXh
2C62h			XXh
2C63h			XXh
2C64h			XXh
2C65h			XXh
2C66h			XXh
2C67h			XXh
2C68h	DTC Control Data 5	DTCD5	XXh
2C69h			XXh
2C6Ah			XXh
2C6Bh			XXh
2C6Ch			XXh
2C6Dh			XXh
2C6Eh			XXh
2C6Fh			XXh

X: Undefined

Note:

1. The blank areas are reserved and cannot be accessed by users.

Table 4.10 SFR Information (10) (1)

Address	Register	Symbol	After Reset
2C70h	DTC Control Data 6	DTCD6	XXh
2C71h			XXh
2C72h			XXh
2C73h			XXh
2C74h			XXh
2C75h			XXh
2C76h			XXh
2C77h			XXh
2C78h	DTC Control Data 7	DTCD7	XXh
2C79h			XXh
2C7Ah			XXh
2C7Bh			XXh
2C7Ch			XXh
2C7Dh			XXh
2C7Eh			XXh
2C7Fh			XXh
2C80h	DTC Control Data 8	DTCD8	XXh
2C81h			XXh
2C82h			XXh
2C83h			XXh
2C84h			XXh
2C85h			XXh
2C86h			XXh
2C87h			XXh
2C88h	DTC Control Data 9	DTCD9	XXh
2C89h			XXh
2C8Ah			XXh
2C8Bh			XXh
2C8Ch			XXh
2C8Dh			XXh
2C8Eh			XXh
2C8Fh			XXh
2C90h	DTC Control Data 10	DTCD10	XXh
2C91h			XXh
2C92h			XXh
2C93h			XXh
2C94h			XXh
2C95h			XXh
2C96h			XXh
2C97h			XXh
2C98h	DTC Control Data 11	DTCD11	XXh
2C99h			XXh
2C9Ah			XXh
2C9Bh			XXh
2C9Ch			XXh
2C9Dh			XXh
2C9Eh			XXh
2C9Fh			XXh
2CA0h	DTC Control Data 12	DTCD12	XXh
2CA1h			XXh
2CA2h			XXh
2CA3h			XXh
2CA4h			XXh
2CA5h			XXh
2CA6h			XXh
2CA7h			XXh
2CA8h	DTC Control Data 13	DTCD13	XXh
2CA9h			XXh
2CAAh			XXh
2CABh			XXh
2CACH			XXh
2CADh			XXh
2CAEh			XXh
2CAFh			XXh

X: Undefined

Note:

1. The blank areas are reserved and cannot be accessed by users.

Table 4.11 SFR Information (11) (1)

Address	Register	Symbol	After Reset
2CB0h	DTC Control Data 14	DTCD14	XXh
2CB1h			XXh
2CB2h			XXh
2CB3h			XXh
2CB4h			XXh
2CB5h			XXh
2CB6h			XXh
2CB7h			XXh
2CB8h	DTC Control Data 15	DTCD15	XXh
2CB9h			XXh
2CBAh			XXh
2CBBh			XXh
2CBCh			XXh
2CBDh			XXh
2CBEh			XXh
2CBFh			XXh
2CC0h	DTC Control Data 16	DTCD16	XXh
2CC1h			XXh
2CC2h			XXh
2CC3h			XXh
2CC4h			XXh
2CC5h			XXh
2CC6h			XXh
2CC7h			XXh
2CC8h	DTC Control Data 17	DTCD17	XXh
2CC9h			XXh
2CCAh			XXh
2CCBh			XXh
2CCCh			XXh
2CCDh			XXh
2CCEh			XXh
2CCFh			XXh
2CD0h	DTC Control Data 18	DTCD18	XXh
2CD1h			XXh
2CD2h			XXh
2CD3h			XXh
2CD4h			XXh
2CD5h			XXh
2CD6h			XXh
2CD7h			XXh
2CD8h	DTC Control Data 19	DTCD19	XXh
2CD9h			XXh
2CDAh			XXh
2CDBh			XXh
2CDCh			XXh
2CDDh			XXh
2CDEh			XXh
2CDFh			XXh
2CE0h	DTC Control Data 20	DTCD20	XXh
2CE1h			XXh
2CE2h			XXh
2CE3h			XXh
2CE4h			XXh
2CE5h			XXh
2CE6h			XXh
2CE7h			XXh
2CE8h	DTC Control Data 21	DTCD21	XXh
2CE9h			XXh
2CEAh			XXh
2CEBh			XXh
2CECh			XXh
2CEDh			XXh
2CEEh			XXh
2CEFh			XXh

X: Undefined

Note:

1. The blank areas are reserved and cannot be accessed by users.

Table 4.12 SFR Information (12) (1)

Address	Register	Symbol	After Reset		
2CF0h	DTC Control Data 22	DTCD22	XXh		
2CF1h			XXh		
2CF2h			XXh		
2CF3h			XXh		
2CF4h			XXh		
2CF5h			XXh		
2CF6h			XXh		
2CF7h			XXh		
2CF8h			DTC Control Data 23	DTCD23	XXh
2CF9h					XXh
2CFAh	XXh				
2CFBh	XXh				
2CFCh	XXh				
2CFDh	XXh				
2CFEh	XXh				
2CFFh	XXh				
2D00h					
2D01h					
FFDBh	Option Function Select Register 2	OFS2	(Note 2)		
:					
FFFh	Option Function Select Register	OFS	(Note 2)		

X: Undefined

Notes:

1. The blank areas are reserved and cannot be accessed by users.
2. This register cannot be changed by a program. Use a flash programmer to write to it.

5. Resets

The following resets are implemented: hardware reset, power-on reset, voltage monitor 0 reset, watchdog timer reset, and software reset.

Table 5.1 lists the Reset Names and Sources.

Table 5.1 Reset Names and Sources

Reset Name	Source
Hardware reset	Input voltage of $\overline{\text{RESET}}$ pin is held "L"
Power-on reset	VCC rises
Voltage monitor 0 reset	VCC falls (monitor voltage: Vdet0)
Watchdog timer reset	Underflow of watchdog timer
Software reset	Write 1 to PM03 bit in PM0 register

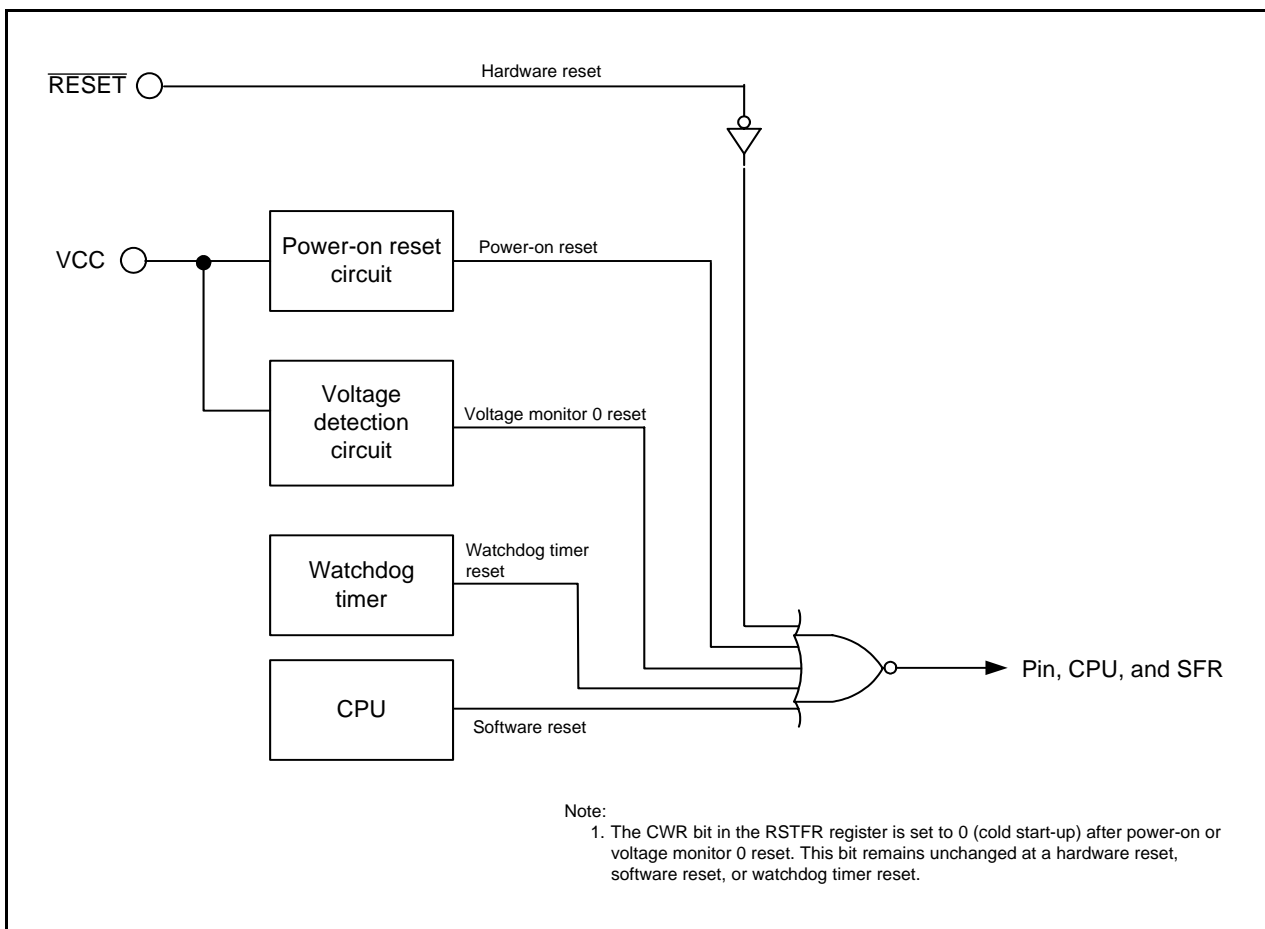


Figure 5.1 Block Diagram of Reset Circuit

Table 5.2 shows the Pin Functions while $\overline{\text{RESET}}$ Pin Level is "L", Figure 5.2 shows the CPU Register Status after Reset, Figure 5.3 shows the Reset Sequence.

Table 5.2 Pin Functions while $\overline{\text{RESET}}$ Pin Level is "L"

Pin Name	Pin Function
P0 to P3, P6	Input port
P4_2 to P4_7	Input port
P5_6 to P5_7	Input port

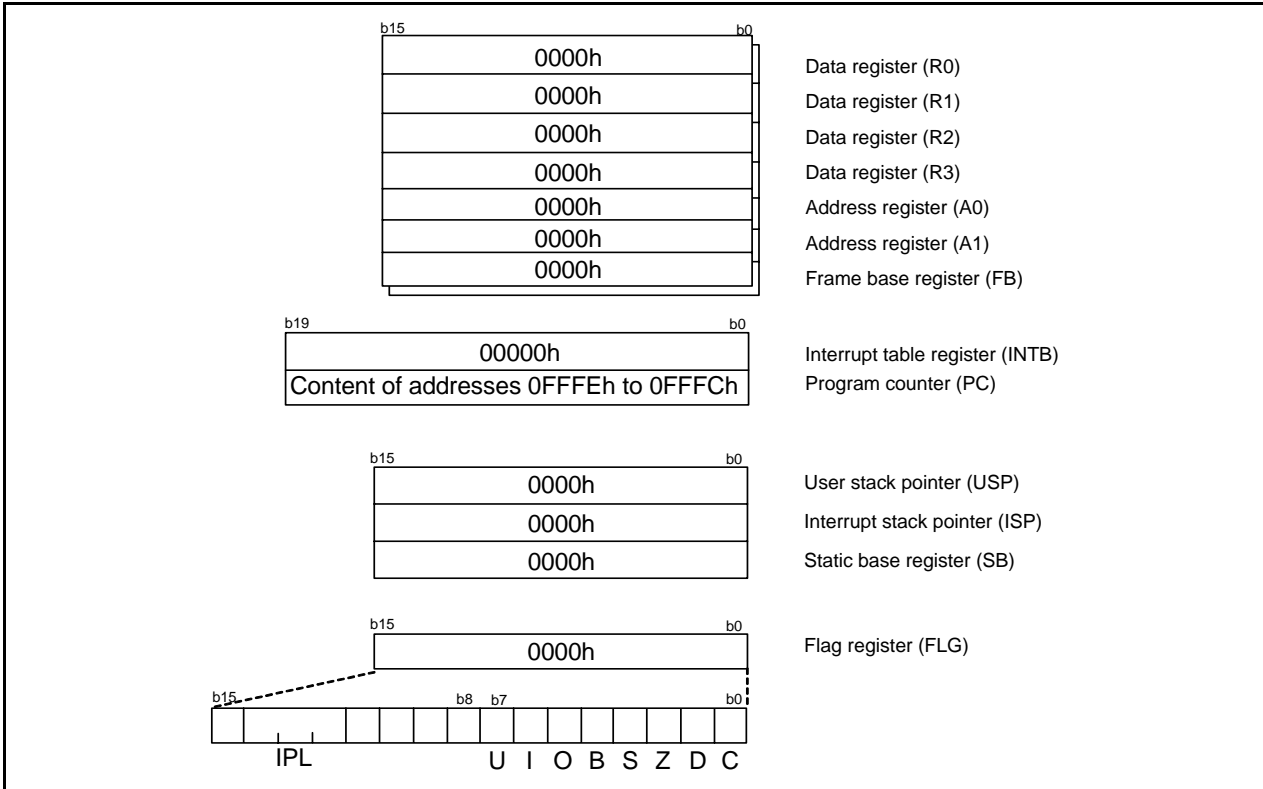


Figure 5.2 CPU Register Status after Reset

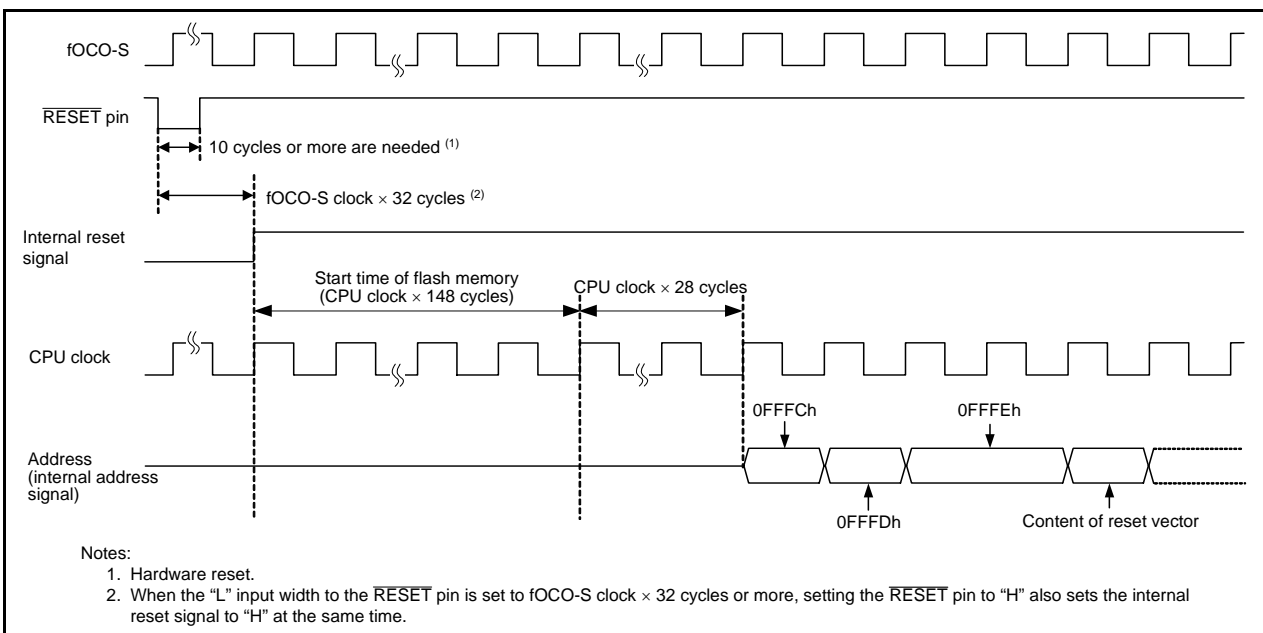


Figure 5.3 Reset Sequence

5.1 Registers

5.1.1 Processor Mode Register 0 (PM0)

Address 0004h

Bit	b7	b6	b5	b4	b3	b2	b1	b0
Symbol	—	—	—	—	PM03	—	—	—
After Reset	0	0	0	0	0	0	0	0

Bit	Symbol	Bit Name	Function	R/W
b0	—	Reserved bits	Set to 0.	R/W
b1	—			
b2	—			
b3	PM03	Software reset bit	The MCU is reset when this bit is set to 1. When read, the content is 0.	R/W
b4	—	Nothing is assigned. If necessary, set to 0. When read, the content is 0.		—
b5	—			
b6	—			
b7	—			

Set the PRC1 bit in the PRCR register to 1 (write enabled) before rewriting the PM0 register.

5.1.2 Reset Source Determination Register (RSTFR)

Address 000Bh

Bit	b7	b6	b5	b4	b3	b2	b1	b0
Symbol	—	—	—	—	WDR	SWR	HWR	CWR
After Reset	0	X	X	X	X	X	X	X

(Note 1)

Bit	Symbol	Bit Name	Function	R/W
b0	CWR	Cold start-up/warm start-up determine flag (2, 3)	0: Cold start-up 1: Warm start-up	R/W
b1	HWR	Hardware reset detect flag	0: Not detected 1: Detected	R
b2	SWR	Software reset detect flag	0: Not detected 1: Detected	R
b3	WDR	Watchdog timer reset detect flag	0: Not detected 1: Detected	R
b4	—	Reserved bits	When read, the content is undefined.	R
b5	—			
b6	—			
b7	—	Reserved bit	Set to 0.	R/W

Notes:

1. The CWR bit is set to 0 (cold start-up) after power-on or voltage monitor 0 reset. This bit remains unchanged at a hardware reset, software reset, or watchdog timer reset.
2. If 1 is written to the CWR bit by a program, it is set to 1. (Writing 0 does not affect this bit.)
3. When the VWOC0 bit in the VWOC register is set to 0 (voltage monitor 0 reset disabled), the CWR bit value is undefined.

5.1.3 Option Function Select Register (OFS)

Address 0FFFFh

Bit	b7	b6	b5	b4	b3	b2	b1	b0	
Symbol	CSPROINI	LVDAS	VDSEL1	VDSEL0	ROMCP1	ROMCR	—	WDTON	
When shipping	1	1	1	1	1	1	1	1	(Note 1)

Bit	Symbol	Bit Name	Function	R/W
b0	WDTON	Watchdog timer start select bit	0: Watchdog timer automatically starts after reset. 1: Watchdog timer is stopped after reset.	R/W
b1	—	Reserved bit	Set to 1.	R/W
b2	ROMCR	ROM code protect disable bit	0: ROM code protect disabled 1: ROMCP1 bit enabled	R/W
b3	ROMCP1	ROM code protect bit	0: ROM code protect enabled 1: ROM code protect disabled	R/W
b4	VDSEL0	Voltage detection 0 level select bit (2)	b5 b4 0 0: 3.80 V selected (Vdet0_3) 0 1: 2.85 V selected (Vdet0_2) 1 0: 2.35 V selected (Vdet0_1) 1 1: 1.90 V selected (Vdet0_0)	R/W
b5	VDSEL1			R/W
b6	LVDAS	Voltage detection 0 circuit start bit (3)	0: Voltage monitor 0 reset enabled after reset 1: Voltage monitor 0 reset disabled after reset	R/W
b7	CSPROINI	Count source protection mode after reset select bit	0: Count source protect mode enabled after reset 1: Count source protect mode disabled after reset	R/W

Notes:

1. If the block including the OFS register is erased, the OFS register value is set to FFh.
2. The same level of the voltage detection 0 level selected by bits VDSEL0 and VDES1 is set in both functions of voltage monitor 0 reset and power-on reset.
3. To use power-on reset and voltage monitor 0 reset, set the LVDAS bit to 0 (voltage monitor 0 reset enabled after reset).

The OFS register is allocated in the flash memory. Write to this register with a program.
 After writing, do not write additions to this register.

LVDAS Bit (Voltage Detection 0 Circuit Start Bit)

The Vdet0 voltage to be monitored by the voltage detection 0 circuit is selected by bits VDSEL0 and VDSEL1.

5.1.4 Option Function Select Register 2 (OFS2)

Address 0FFDBh

Bit	b7	b6	b5	b4	b3	b2	b1	b0	
Symbol	—	—	—	—	WDTRCS1	WDTRCS0	WDTUFS1	WDTUFS0	
When shipping	1	1	1	1	1	1	1	1	(Note 1)

Bit	Symbol	Bit Name	Function	R/W
b0	WDTUFS0	Watchdog timer underflow period set bit	b1 b0 0 0: 03FFh 0 1: 0FFFh 1 0: 1FFFh 1 1: 3FFFh	R/W
b1	WDTUFS1			R/W
b2	WDTRCS0	Watchdog timer refresh acknowledgement period set bit	b3 b2 0 0: 25% 0 1: 50% 1 0: 75% 1 1: 100%	R/W
b3	WDTRCS1			R/W
b4	—	Reserved bits	Set to 1.	R/W
b5	—			
b6	—			
b7	—			

Note:

1. If the block including the OFS2 register is erased, the OFS2 register value is set to FFh.

The OFS2 register is located on the flash memory. Write to this register with a program. After writing, do not write additions to this register.

Bits WDTRCS0 and WDTRCS1 (Watchdog Timer Refresh Acknowledgement Period Set Bit)

Assuming that the period from when the watchdog timer starts counting until it underflows is 100%, the refresh acknowledgement period for the watchdog timer can be selected.

For details, refer to **14.3.1.1 Refresh Acknowledgment Period**.

5.2 Hardware Reset

A reset is applied using the $\overline{\text{RESET}}$ pin. When an “L” signal is applied to the $\overline{\text{RESET}}$ pin while the supply voltage meets the recommended operating conditions, pins, CPU, and SFRs are all reset (refer to **Table 5.2 Pin Functions while RESET Pin Level is “L”**). When the input level applied to the $\overline{\text{RESET}}$ pin changes from “L” to “H”, a program is executed beginning with the address indicated by the reset vector. After reset, the low-speed on-chip oscillator clock with no division is automatically selected as the CPU clock.

Refer to **4. Special Function Registers (SFRs)** for the states of the SFRs after reset.

The internal RAM is not reset. If the $\overline{\text{RESET}}$ pin is pulled “L” while writing to the internal RAM is in progress, the contents of internal RAM will be undefined.

Figure 5.4 shows an Example of Hardware Reset Circuit and Operation and Figure 5.5 shows an Example of Hardware Reset Circuit (Usage Example of External Supply Voltage Detection Circuit) and Operation.

5.2.1 When Power Supply is Stable

- (1) Apply “L” to the $\overline{\text{RESET}}$ pin.
- (2) Wait for 10 μs .
- (3) Apply “H” to the $\overline{\text{RESET}}$ pin.

5.2.2 Power On

- (1) Apply “L” to the $\overline{\text{RESET}}$ pin.
- (2) Let the supply voltage increase until it meets the recommended operating conditions.
- (3) Wait for $t_d(\text{P-R})$ or more to allow the internal power supply to stabilize (refer to **34. Electrical Characteristics**).
- (4) Wait for 10 μs .
- (5) Apply “H” to the $\overline{\text{RESET}}$ pin.

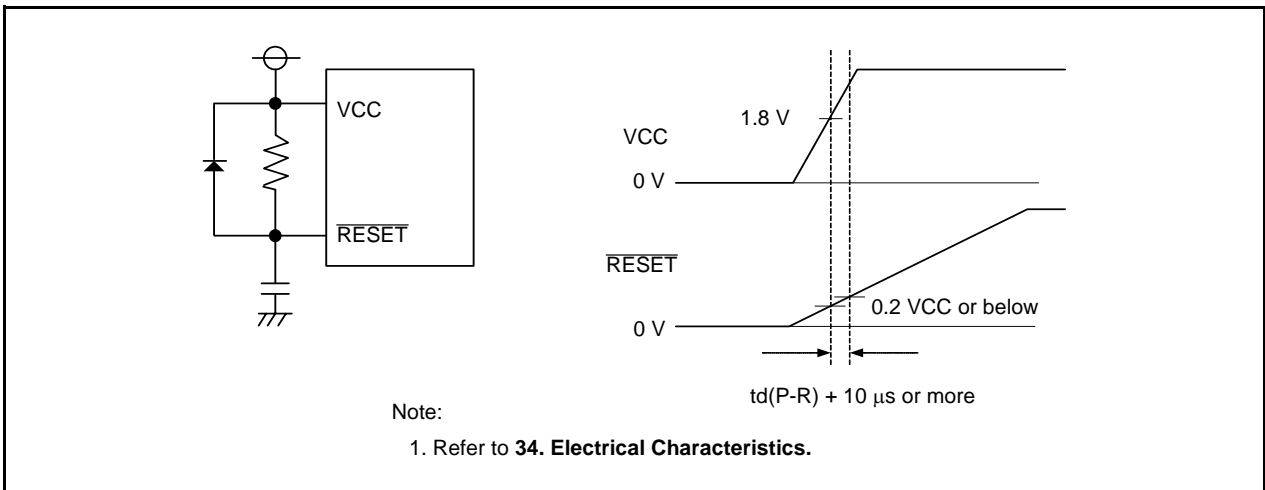


Figure 5.4 Example of Hardware Reset Circuit and Operation

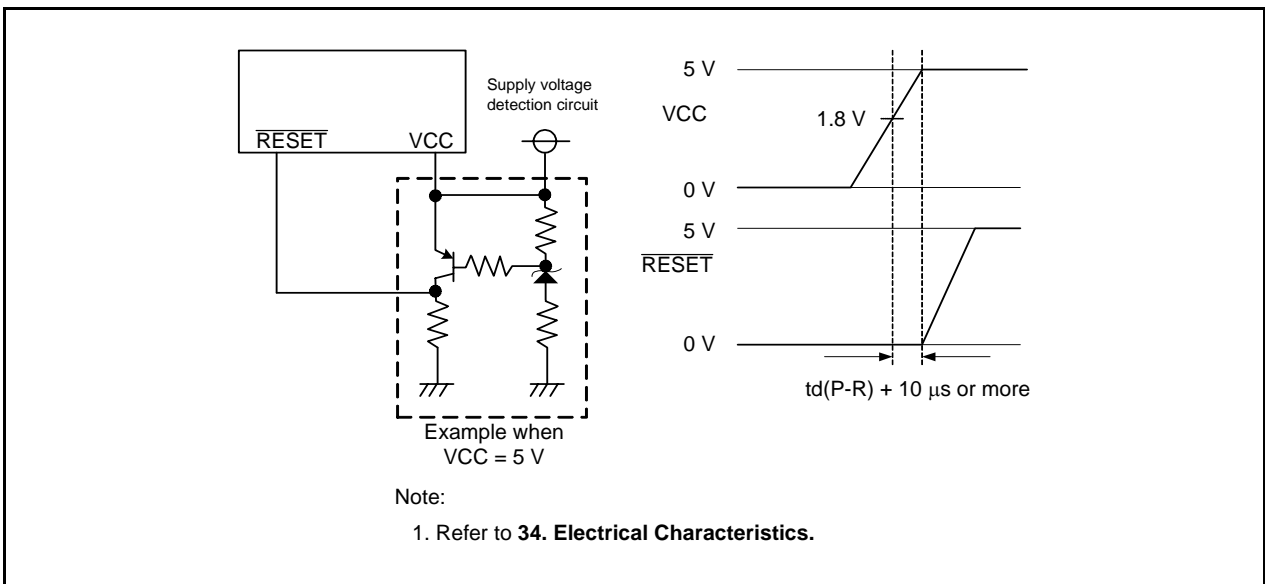


Figure 5.5 Example of Hardware Reset Circuit (Usage Example of External Supply Voltage Detection Circuit) and Operation

5.3 Power-On Reset Function

When the $\overline{\text{RESET}}$ pin is connected to the VCC pin via a pull-up resistor, and the VCC pin voltage level rises, the power-on reset function is enabled and the MCU resets its pins, CPU, and SFR. When a capacitor is connected to the $\overline{\text{RESET}}$ pin, too, always keep the voltage to the $\overline{\text{RESET}}$ pin $0.8V_{\text{CC}}$ or more.

When the input voltage to the VCC pin reaches the V_{det0} level or above, the low-speed on-chip oscillator clock starts counting. When the low-speed on-chip oscillator clock count reaches 32, the internal reset signal is held “H” and the MCU enters the reset sequence (refer to Figure 5.3). The low-speed on-chip oscillator clock with no division is automatically selected as the CPU clock after reset.

Refer to 4. Special Function Registers (SFRs) for the states of the SFR after power-on reset.

To use the power-on reset function, enable voltage monitor 0 reset by setting the LVDAS bit in the OFS register to 0.

Figure 5.6 shows an Example of Power-On Reset Circuit and Operation.

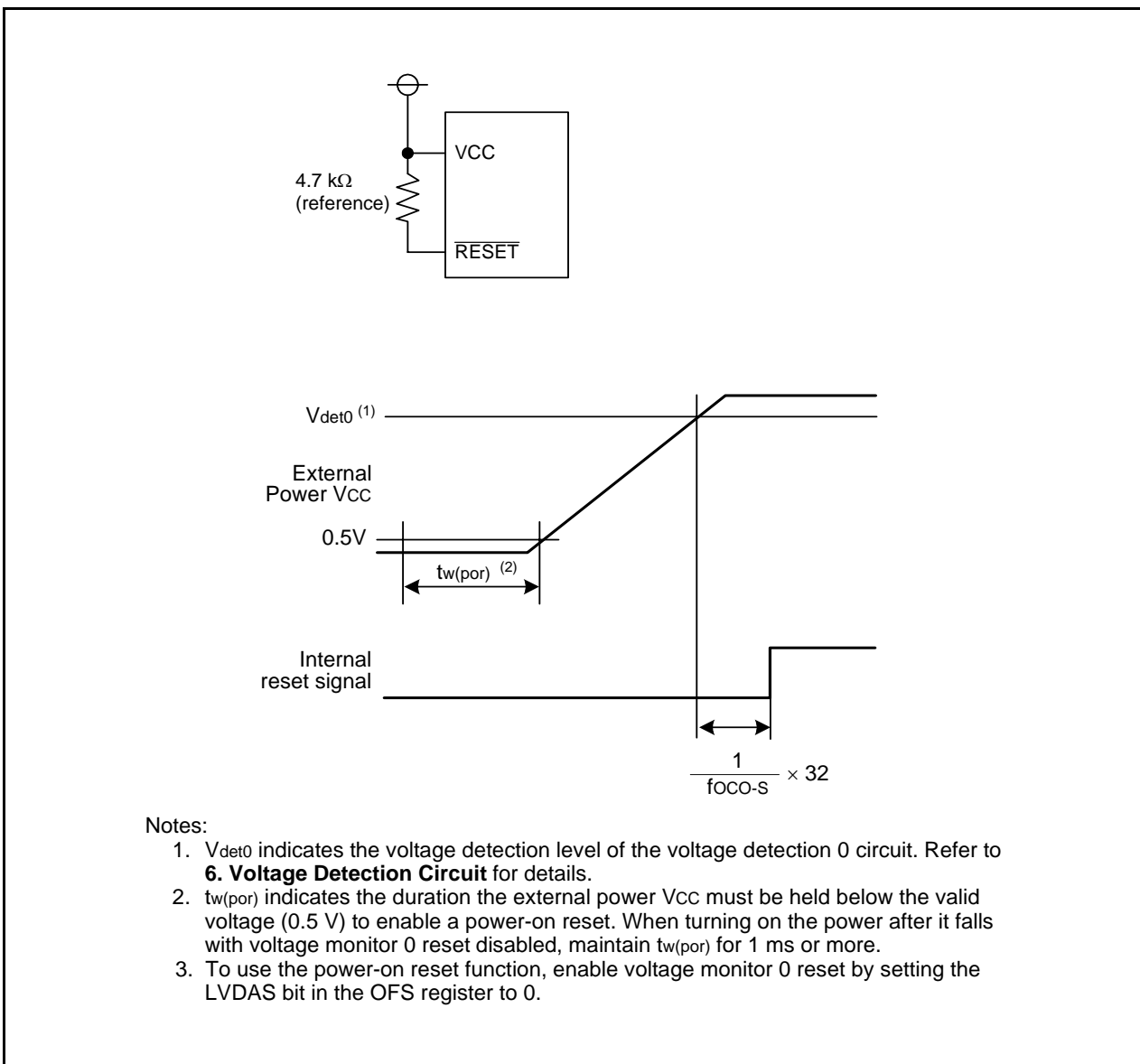


Figure 5.6 Example of Power-On Reset Circuit and Operation

5.4 Voltage Monitor 0 Reset

A reset is applied using the on-chip voltage detection 0 circuit. The voltage detection 0 circuit monitors the input voltage to the VCC pin. The voltage to monitor is Vdet0. To use voltage monitor 0 reset, set the LVDAS bit in the OFS register to 0 (voltage monitor 0 reset enabled after reset). The Vdet0 voltage detection level can be changed by the settings of bits VDSEL0 to VDSEL1 in the OFS register.

When the input voltage to the VCC pin reaches the Vdet0 level or below, the pins, CPU, and SFR are reset.

When the input voltage to the VCC pin reaches the Vdet0 level or above, the low-speed on-chip oscillator clock start counting. When the low-speed on-chip oscillator clock count reaches 32, the internal reset signal is held “H” and the MCU enters the reset sequence (refer to Figure 5.3). The low-speed on-chip oscillator clock with no division is automatically selected as the CPU clock after reset.

To use the power-on reset function, enable voltage monitor 0 reset by setting the LVDAS bit in the OFS register to 0.

Bits VDSEL0 to VDSEL1 and LVDAS cannot be changed by a program. To set these bits, write values to b4 to b6 of address 0FFFFh using a flash programmer.

Refer to **5.1.3 Option Function Select Register (OFS)** for details of the OFS register.

Refer to **4. Special Function Registers (SFRs)** for the status of the SFR after voltage monitor 0 reset.

The internal RAM is not reset. When the input voltage to the VCC pin reaches the Vdet0 level or below while writing to the internal RAM is in progress, the contents of internal RAM are undefined.

Refer to **6. Voltage Detection Circuit** for details of voltage monitor 0 reset.

Figure 5.7 shows an Example of Voltage Monitor 0 Reset Circuit and Operation.

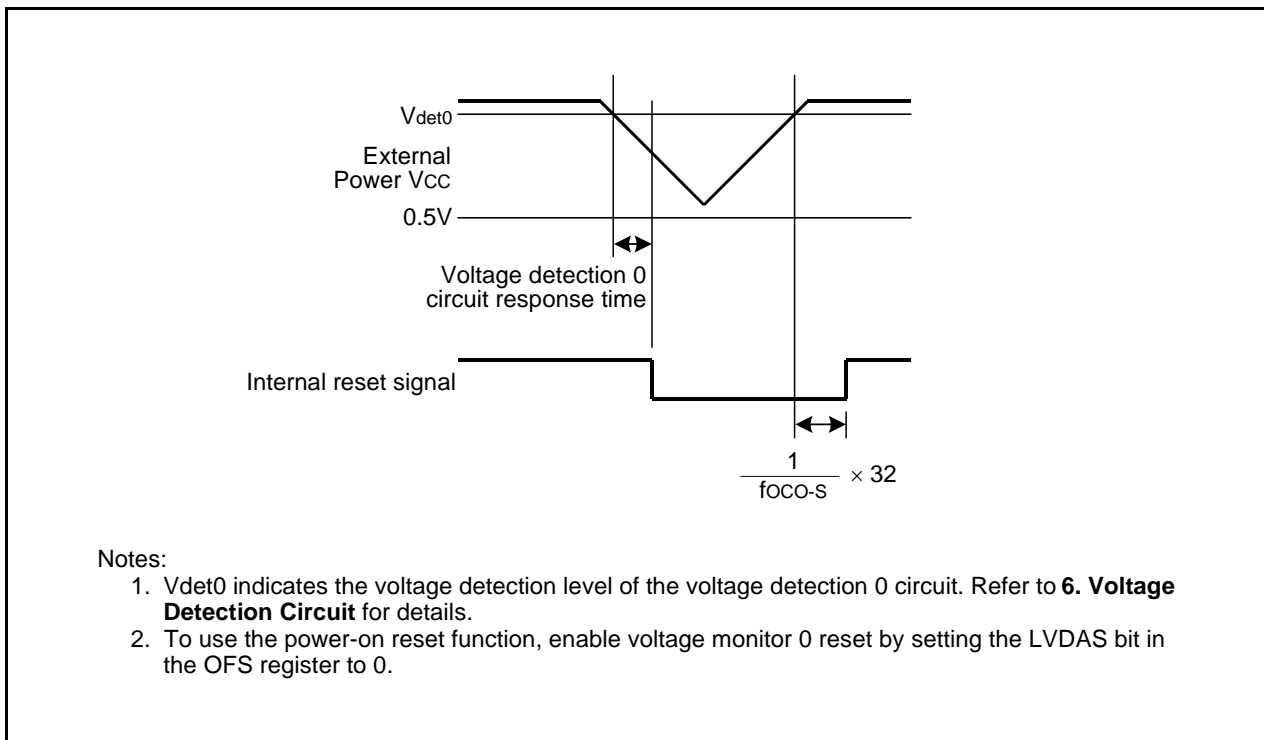


Figure 5.7 Example of Voltage Monitor 0 Reset Circuit and Operation

5.5 Watchdog Timer Reset

When the PM12 bit in the PM1 register is set to 1 (reset when watchdog timer underflows), the MCU resets its pins, CPU, and SFR if the watchdog timer underflows. Then the program beginning with the address indicated by the reset vector is executed. After reset, the low-speed on-chip oscillator clock with no division is automatically selected as the CPU clock.

Refer to **4. Special Function Registers (SFRs)** for the states of the SFRs after watchdog timer reset.

The internal RAM is not reset. When the watchdog timer underflows, the contents of internal RAM are undefined. The underflow period and refresh acknowledge period for the watchdog timer can be set by bits WDTUFS0 to WDTUFS1 and bits WDTRCS0 to WDTRCS1 in the OFS2 register, respectively.

Refer to **14. Watchdog Timer** for details of the watchdog timer.

5.6 Software Reset

When the PM03 bit in the PM0 register is set to 1 (MCU reset), the MCU resets its pins, CPU, and SFR. The program beginning with the address indicated by the reset vector is executed. After reset, the low-speed on-chip oscillator clock with no division is automatically selected for the CPU clock.

Refer to **4. Special Function Registers (SFRs)** for the states of the SFRs after software reset.

The internal RAM is not reset.

5.7 Cold Start-Up/Warm Start-Up Determination Function

The cold start-up/warm start-up determination function uses the CWR bit in the RSTFR register to determine cold start-up (reset process) at power-on and warm start-up (reset process) when a reset occurred during operation.

The CWR bit is set to 0 (cold start-up) at power-on and also set to 0 at a voltage monitor 0 reset. If 1 is written to the CWR bit by a program, it is set to 1. This bit remains unchanged at a hardware reset, software reset, or watchdog timer reset.

The cold start-up/warm start-up determination function uses voltage monitor 0 reset.

Figure 5.8 shows an Operating Example of Cold Start-Up/Warm Start-Up Function

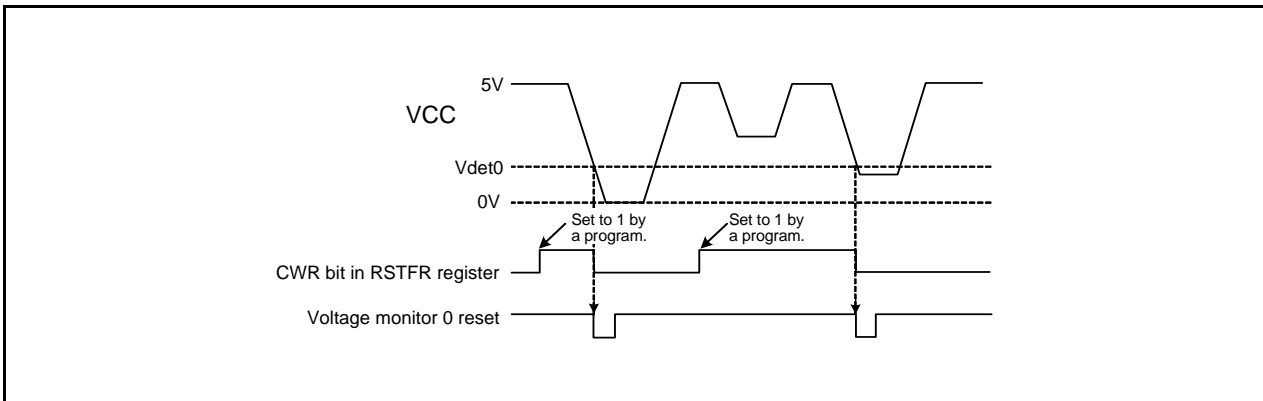


Figure 5.8 Operating Example of Cold Start-Up/Warm Start-Up Function

5.8 Reset Source Determination Function

The RSTFR register can be used to detect whether a hardware reset, software reset, or watchdog timer reset has occurred.

If a hardware reset occurs, the HWR bit is set to 1 (detected). If a software reset occurs, the SWR bit is set to 1 (detected). If a watchdog timer reset occurs, the WDR bit is set to 1 (detected).

6. Voltage Detection Circuit

The voltage detection circuit monitors the voltage input to the VCC pin. This circuit can be used to monitor the VCC input voltage by a program.

6.1 Overview

The detection voltage of voltage detection 0 can be selected among four levels using the OFS register.
 The detection voltage of voltage detection 1 can be selected among 16 levels using the VD1LS register.
 As a detection target, the voltage input to VCC and the LVCMP2 pin can be switched for voltage detection 2 only.
 The voltage monitor 0 reset, and voltage monitor 1 interrupt and voltage monitor 2 interrupt can also be used.
 Note that voltage monitor 1 and voltage monitor 2 share the voltage detection circuit with comparator A1 and comparator A2. Either voltage monitor 1 and voltage monitor 2 or comparator A1 and comparator A2 can be selected.

Table 6.1 Voltage Detection Circuit Specifications

Item		Voltage Monitor 0	Voltage Monitor 1	Voltage Monitor 2	
VCC monitor	Voltage to monitor	Vdet0	Vdet1	Vdet2	
	Detection target	Whether passing through Vdet0 by falling	Whether passing through Vdet1 by rising or falling	Whether passing through Vdet2 by rising or falling The input voltage to VCC and the LVCMP2 pin can be switched by the VCA24 bit in the VCA2 register.	
	Detection voltage	Selectable among 4 levels using the OFS register.	Selectable among 16 levels using the VD1LS register.	The detection voltage level varies depending on when VCC is selected or when LVCMP2 is selected. Each value is set as the fixed level.	
	Monitor	None	None	The VW1C3 bit in the VW1C register	The VCA13 bit in the VCA1 register
				Whether VCC is higher or lower than Vdet1	Whether VCC or LVCMP2 input voltage is higher or lower than Vdet2
Process at voltage detection	Reset	Voltage monitor 0 reset	None	None	
		Reset at Vdet0 > VCC; CPU operation restarts at VCC > Vdet0			
	Interrupts	None	Voltage monitor 1 interrupt Non-maskable or maskable selectable Interrupt request at: Vdet1 > VCC and/or VCC > Vdet1	Voltage monitor 2 interrupt Non-maskable or maskable selectable Interrupt request at: Vdet2 > VCC (LVCMP2) and/or VCC (LVCMP2) > Vdet2	
Digital filter	Switching enable/disable	No digital filter function	Supported	Supported	
	Sampling time	—	(fOCO-S divided by n) × 2 n: 1, 2, 4, and 8	(fOCO-S divided by n) × 2 n: 1, 2, 4, and 8	

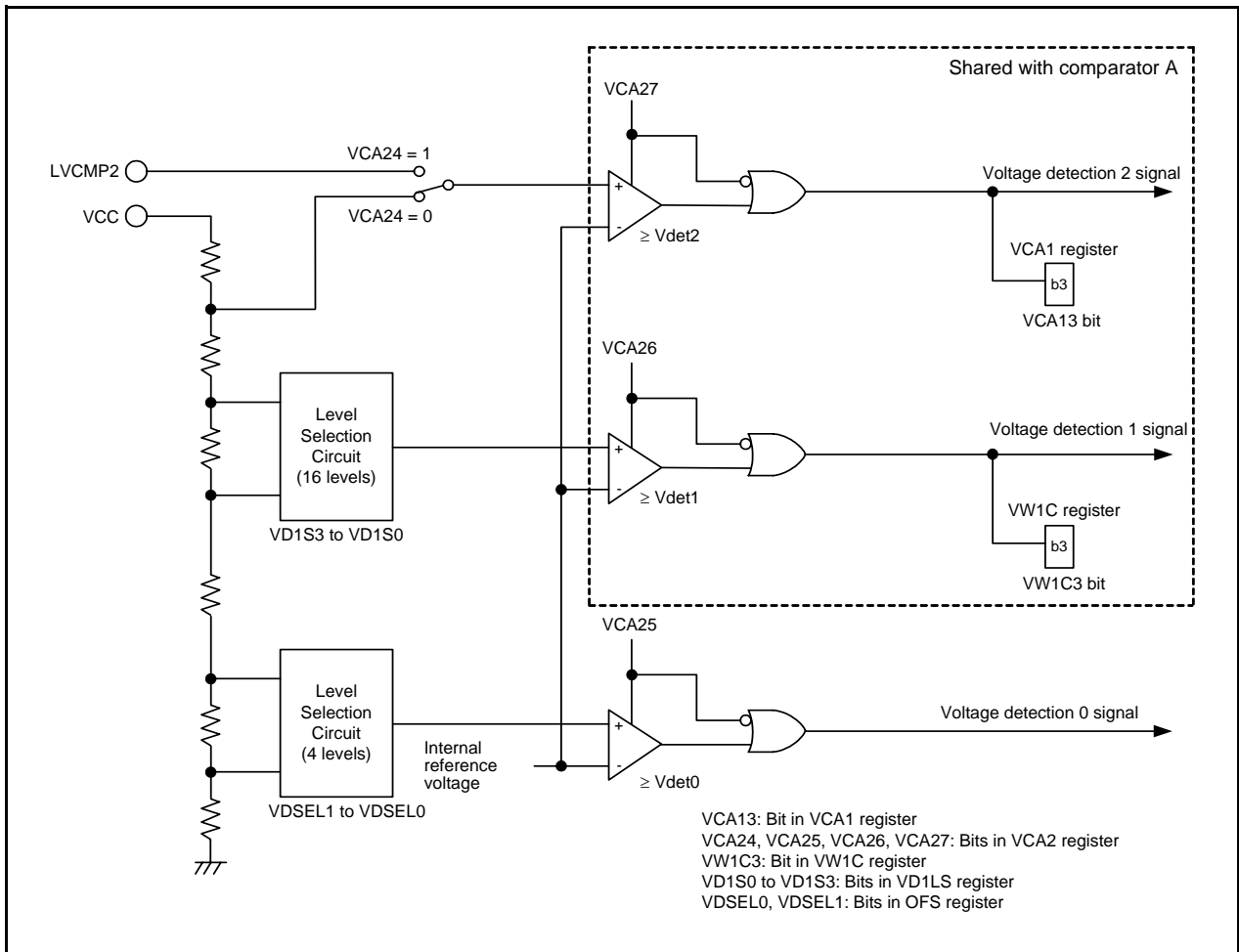


Figure 6.1 Voltage Detection Circuit Block Diagram

Table 6.2 Pin Configuration of Voltage Detection Circuit

Pin Name	I/O	Function
LVCMP2	Input	Detection target voltage pin for voltage detection 2

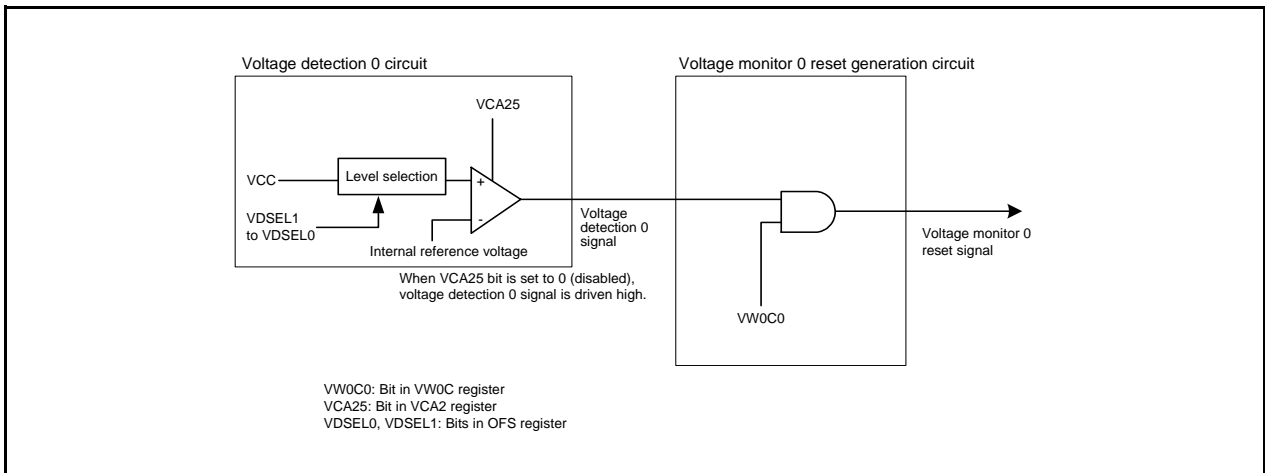


Figure 6.2 Block Diagram of Voltage Monitor 0 Reset Generation Circuit

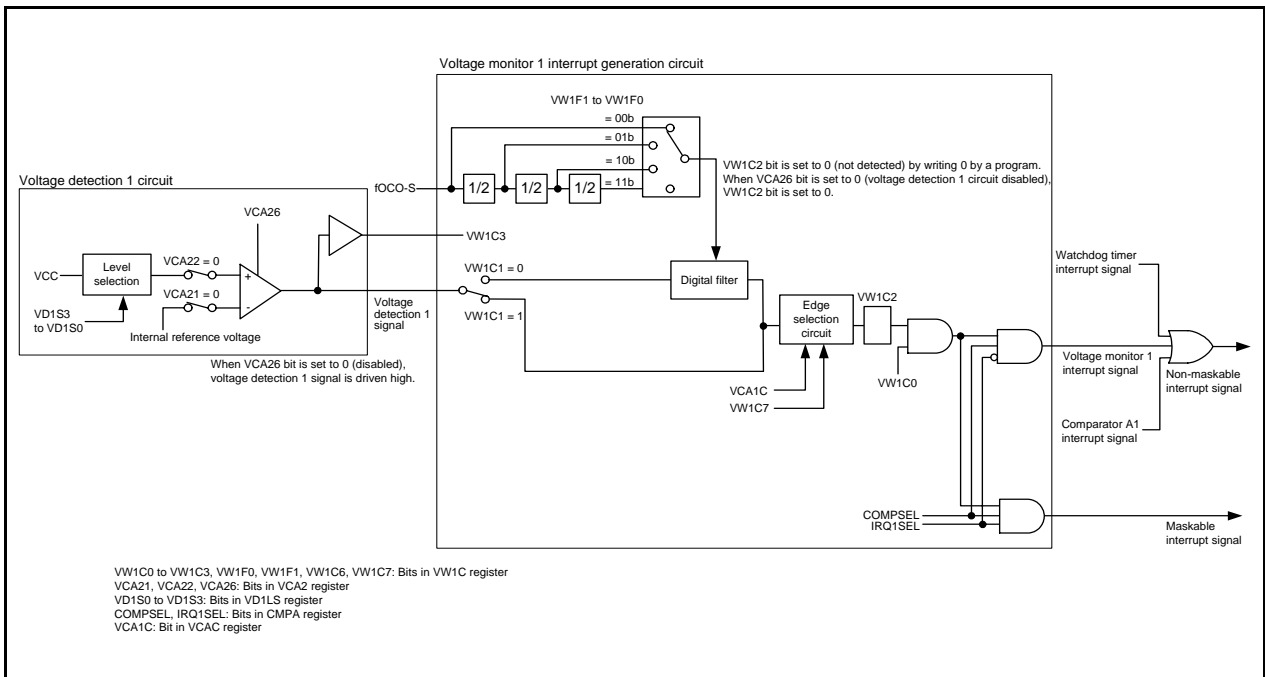


Figure 6.3 Block Diagram of Voltage Monitor 1 Interrupt Generation Circuit

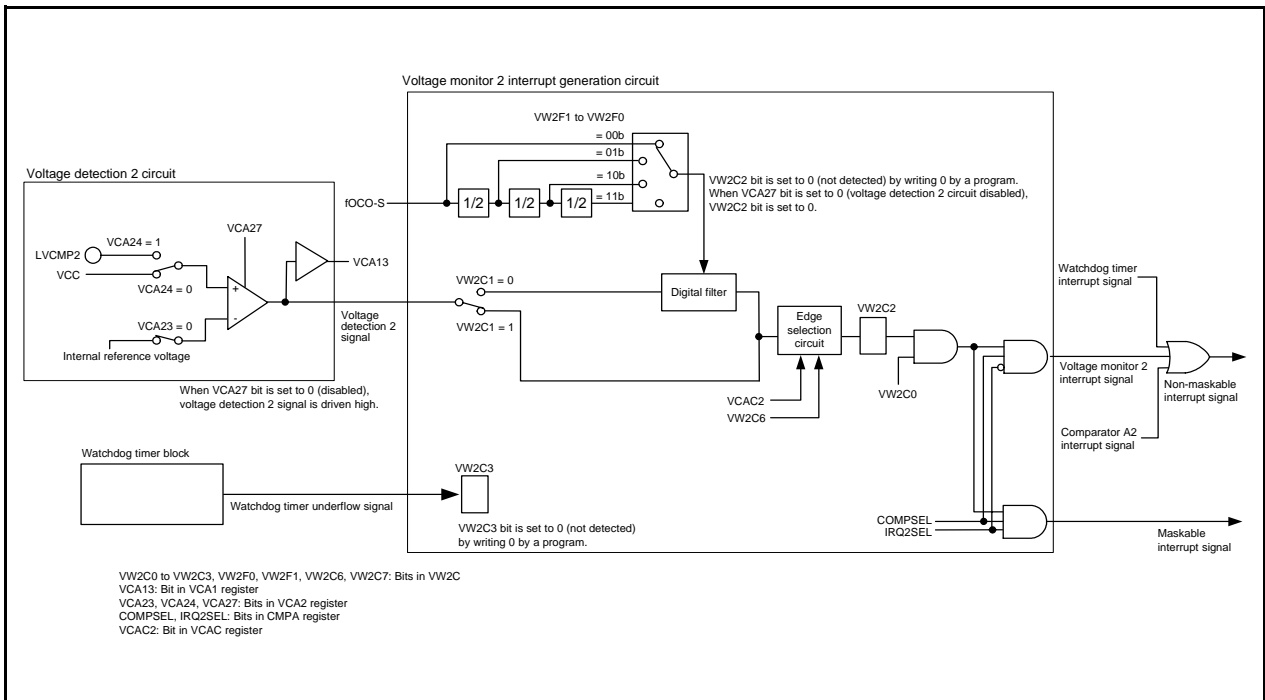


Figure 6.4 Block Diagram of Voltage Monitor 2 Interrupt Generation Circuit

6.2 Registers

6.2.1 Voltage Monitor Circuit/Comparator A Control Register (CMPA)

Address 0030h

Bit	b7	b6	b5	b4	b3	b2	b1	b0
Symbol	COMPSEL	—	IRQ2SEL	IRQ1SEL	CM2OE	CM1OE	CM2POR	CM1POR
After Reset	0	0	0	0	0	0	0	0

Bit	Symbol	Bit Name	Function	R/W
b0	CM1POR	LVCOUT1 output polarity select bit	0: Non-inverted comparator A1 comparison result is output to LVCOUT1. 1: Inverted comparator A1 comparison result is output to LVCOUT1.	R/W
b1	CM2POR	LVCOUT2 output polarity select bit	0: Non-inverted Comparator A2 comparison result is output to LVCOUT2. 1: Inverted comparator A2 comparison result is output to LVCOUT2.	R/W
b2	CM1OE	LVCOUT1 output enable bit	0: Output disabled 1: Output enabled	R/W
b3	CM2OE	LVCOUT2 output enable bit	0: Output disabled 1: Output enabled	R/W
b4	IRQ1SEL	Voltage monitor 1/comparator A1 interrupt type select bit	0: Non-maskable interrupt 1: Maskable interrupt	R/W
b5	IRQ2SEL	Voltage monitor 2/comparator A2 interrupt type select bit	0: Non-maskable interrupt 1: Maskable interrupt	R/W
b6	—	Reserved bit	Set to 0.	R/W
b7	COMPSEL	Voltage monitor/comparator A interrupt type selection enable bit	0: Bits IRQ1SEL and IRQ2SEL disabled 1: Bits IRQ1SEL and IRQ2SEL enabled	R/W

6.2.2 Voltage Monitor Circuit Edge Select Register (VCAC)

Address 0031h

Bit	b7	b6	b5	b4	b3	b2	b1	b0
Symbol	—	—	—	—	—	VCAC2	VCAC1	—
After Reset	0	0	0	0	0	0	0	0

Bit	Symbol	Bit Name	Function	R/W
b0	—	Nothing is assigned. If necessary, set to 0. When read, the content is 0.		—
b1	VCAC1	Voltage monitor 1 circuit edge select bit ⁽¹⁾	0: One edge 1: Both edges	R/W
b2	VCAC2	Voltage monitor 2 circuit edge select bit ⁽²⁾	0: One edge 1: Both edges	R/W
b3	—	Nothing is assigned. If necessary, set to 0. When read, the content is 0.		—
b4	—			
b5	—			
b6	—			
b7	—			

Notes:

- When the VCA1 bit is set to 0 (one edge), the VW1C7 bit in the VW1C register is enabled. Set the VW1C7 bit after setting the VCAC1 bit to 0.
- When the VCA2 bit is set to 0 (one edge), the VW2C7 bit in the VW2C register is enabled. Set the VW2C7 bit after setting the VCAC2 bit to 0.

6.2.3 Voltage Detect Register 1 (VCA1)

Address 0033h

Bit	b7	b6	b5	b4	b3	b2	b1	b0
Symbol	—	—	—	—	VCA13	—	—	—
After Reset	0	0	0	0	1	0	0	0

Bit	Symbol	Bit Name	Function	R/W
b0	—	Reserved bits	Set to 0.	R/W
b1	—			
b2	—			
b3	VCA13	Voltage detection 2 signal monitor flag ⁽¹⁾	0: VCC < Vdet2 1: VCC ≥ Vdet2 or voltage detection 2 circuit disabled	R
b4	—	Reserved bits	Set to 0.	R/W
b5	—			
b6	—			
b7	—			

Note:

- When the VCA27 bit in the VCA2 register is set to 1 (voltage detection 2 circuit enabled), the VCA13 bit is enabled.
 When the VCA27 bit in the VCA2 register is set to 0 (voltage detection 2 circuit disabled), the VCA13 bit is set to 1 (VCC ≥ Vdet2).

6.2.4 Voltage Detect Register 2 (VCA2)

Address 0034h

Bit	b7	b6	b5	b4	b3	b2	b1	b0
Symbol	VCA27	VCA26	VCA25	VCA24	VCA23	VCA22	VCA21	VCA20
After Reset	The LVDAS bit in the OFS register is set to 1.							
	0	0	0	0	0	0	0	0
After Reset	The LVDAS bit in the OFS register is set to 0.							
	0	0	1	0	0	0	0	0

Bit	Symbol	Bit Name	Function	R/W
b0	VCA20	Internal power low consumption enable bit (1)	0: Low consumption disabled 1: Low consumption enabled (2)	R/W
b1	VCA21	Comparator A1 reference voltage input select bit	0: Internal reference voltage 1: LVREF pin input voltage	R/W
b2	VCA22	LVCMP1 comparison voltage external input select bit	0: Supply voltage (VCC) 1: LVCMP1 pin input voltage	R/W
b3	VCA23	Comparator A2 reference voltage input select bit	0: Internal reference voltage 1: LVREF pin input voltage	R/W
b4	VCA24	LVCMP2 comparison voltage external input select bit	0: Supply voltage (VCC) (Vdet2_0) 1: LVCMP2 pin input voltage (Vdet2_EXT)	R/W
b5	VCA25	Voltage detection 0 enable bit (3)	0: Voltage detection 0 circuit disabled 1: Voltage detection 0 circuit enabled	R/W
b6	VCA26	Voltage detection 1/comparator A1 enable bit (4)	0: Voltage detection 1/comparator A1 circuit disabled 1: Voltage detection 1/comparator A1 circuit enabled	R/W
b7	VCA27	Voltage detection 2/comparator A2 enable bit (5)	0: Voltage detection 2/comparator A2 circuit disabled 1: Voltage detection 2/comparator A2 circuit enabled	R/W

Notes:

- Use the VCA20 bit only when the MCU enters wait mode. To set the VCA20 bit, follow the procedure shown in **Figure 9.3 Procedure for Reducing Internal Power Consumption Using VCA20 bit**.
- When the VCA20 bit is set to 1 (low consumption enabled), do not set the CM10 bit in the CM1 register to 1 (stop mode).
- When writing to the VCA25 bit, set a value after reset.
- To use the voltage detection 1/comparator A1 interrupt or the VW1C3 bit in the VW1C register, set the VCA26 bit to 1.
After the VCA26 bit is set to 1 from 0, allow td(E-A) to elapse before the voltage detection 1/comparator A1 circuit starts operation.
- To use the voltage detection 2/comparator A2 interrupt or the VCAC13 bit in the VCA1 register, set the VCA27 bit to 1.
After the VCA27 bit is set to 1 from 0, allow td(E-A) to elapse before the voltage detection 2/comparator A2 circuit starts operation.

Set the PRC3 bit in the PRCR register to 1 (write enabled) before rewriting the VCA2 register.

6.2.5 Voltage Detection 1 Level Select Register (VD1LS)

Address 0036h

Bit	b7	b6	b5	b4	b3	b2	b1	b0
Symbol	—	—	—	—	VD1S3	VD1S2	VD1S1	VD1S0
After Reset	0	0	0	0	0	1	1	1

Bit	Symbol	Bit Name	Function	R/W
b0	VD1S0	Voltage detection 1 level select bit (Reference voltage when the voltage falls)	b3 b2 b1 b0 0 0 0 0: 2.20 V (Vdet1_0)	R/W
b1	VD1S1		0 0 0 1: 2.35 V (Vdet1_1)	R/W
b2	VD1S2		0 0 1 0: 2.50 V (Vdet1_2)	R/W
b3	VD1S3		0 0 1 1: 2.65 V (Vdet1_3)	R/W
			0 1 0 0: 2.80 V (Vdet1_4)	
			0 1 0 1: 2.95 V (Vdet1_5)	
			0 1 1 0: 3.10 V (Vdet1_6)	
			0 1 1 1: 3.25 V (Vdet1_7)	
			1 0 0 0: 3.40 V (Vdet1_8)	
		1 0 0 1: 3.55 V (Vdet1_9)		
		1 0 1 0: 3.70 V (Vdet1_A)		
		1 0 1 1: 3.85 V (Vdet1_B)		
		1 1 0 0: 4.00 V (Vdet1_C)		
		1 1 0 1: 4.15 V (Vdet1_D)		
		1 1 1 0: 4.30 V (Vdet1_E)		
		1 1 1 1: 4.45 V (Vdet1_F)		
b4	—	Reserved bits	Set to 0.	R/W
b5	—			
b6	—			
b7	—			

Set the PRC3 bit in the PRCR register to 1 (write enabled) before rewriting the VD1LS register.

6.2.6 Voltage Monitor 0 Circuit Control Register (VW0C)

Address 0038h

Bit	b7	b6	b5	b4	b3	b2	b1	b0
Symbol	—	—	—	—	—	—	—	VW0C0
After Reset	The LVDAS bit in the OFS register is set to 1.							
	1	1	0	0	X	0	1	0
After Reset	The LVDAS bit in the OFS register is set to 0.							
	1	1	0	0	X	0	1	1

Bit	Symbol	Bit Name	Function	R/W
b0	VW0C0	Voltage monitor 0 reset enable bit ⁽¹⁾	0: Disabled 1: Enabled	R/W
b1	—	Reserved bit	Set to 1.	R/W
b2	—	Reserved bit	Set to 0.	R/W
b3	—	Reserved bit	When read, the content is undefined.	R
b4	—	Reserved bits	Set to 0.	R/W
b5	—			
b6	—	Reserved bits	Set to 1.	R/W
b7	—			

Note:

1. The VW0C0 bit is enabled when the VCA25 bit in the VCA2 register is set to 1 (voltage detection 0 circuit enabled). When writing to the VW0C0 bit, set a value after reset.

Set the PRC3 bit in the PRCR register to 1 (write enabled) before writing the VW0C register.

6.2.7 Voltage Monitor 1 Circuit Control Register (VW1C)

Address 0039h

Bit	b7	b6	b5	b4	b3	b2	b1	b0
Symbol	VW1C7	—	VW1F1	VW1F0	VW1C3	VW1C2	VW1C1	VW1C0
After Reset	1	0	0	0	1	0	1	0

Bit	Symbol	Bit Name	Function	R/W
b0	VW1C0	Voltage monitor 1 reset enable bit ⁽¹⁾	0: Disabled 1: Enabled	R/W
b1	VW1C1	Voltage monitor 0 digital filter disable mode select bit ⁽²⁾	0: Digital filter enabled mode (digital filter circuit enabled) 1: Digital filter disable mode (digital filter circuit disabled)	R/W
b2	VW1C2	Voltage change detection flag ^(3, 4)	0: Not detected 1: Vdet1 passing detected	R/W
b3	VW1C3	Voltage detection 1 signal monitor flag ⁽³⁾	0: VCC < Vdet1 1: VCC ≥ Vdet1 or voltage detection 1 circuit disabled	R
b4	VW1F0	Sampling clock select bit	b5 b4 0 0: fOCO-S divided by 1 0 1: fOCO-S divided by 2 1 0: fOCO-S divided by 4 1 1: fOCO-S divided by 8	R/W
b5	VW1F1			R/W
b6	—	Reserved bit	Set to 0.	R/W
b7	VW1C7	Voltage monitor 1 reset generation condition select bit ⁽⁵⁾	0: When VCC reaches Vdet1 or above. 1: When VCC reaches Vdet1 or below.	R/W

Notes:

- The VW1C0 is enabled when the VCA26 bit in the VCA2 register is set to 1 (voltage detection 1 circuit enabled). Set the VW1C0 bit to 0 (disabled) when the VCA26 bit is set to 0 (voltage detection 1 circuit disabled). To set the VW1C0 bit to 1 (enabled), follow the procedure shown in **Table 6.3 Procedure for Setting Bits Associated with Voltage Monitor 1 Interrupt**.
- To use the voltage monitor 1 interrupt to exit stop mode and to return again, write 0 and then 1 to the VW1C1 bit.
- Bits VW1C2 and VW1C3 are enabled when the VCA26 bit in the VCA2 register is set to 1 (voltage detection 1 circuit enabled).
- Set the VW1C2 bit to 0 by a program. When 0 is written by a program, this bit is set to 0 (and remains unchanged even if 1 is written to it).
- The VW1C7 bit is enabled when the VCAC1 bit in the VCAC register is set to 0 (one edge). After setting the VCAC1 bit to 0, set the VW1C7 bit.

Set the PRC3 bit in the PRCR register to 1 (write enabled) before writing the VW1C register.

Rewriting the VW1C register may set the VW1C2 bit to 1. Set the VW1C2 bit to 0 after rewriting the VW1C register.

6.2.8 Voltage Monitor 2 Circuit Control Register (VW2C)

Address 003Ah

Bit	b7	b6	b5	b4	b3	b2	b1	b0
Symbol	VW2C7	—	VW2F1	VW2F0	VW2C3	VW2C2	VW2C1	VW2C0
After Reset	1	0	0	0	0	0	1	0

Bit	Symbol	Bit Name	Function	R/W
b0	VW2C0	Voltage monitor 2 interrupt enable bit ⁽¹⁾	0: Disabled 1: Enabled	R/W
b1	VW2C1	Voltage monitor 2 digital filter disable mode select bit ⁽²⁾	0: Digital filter enable mode (digital filter circuit enabled) 1: Digital filter disable mode (digital filter circuit disabled)	R/W
b2	VW2C2	Voltage change detection flag ^(3, 4)	0: Not detected 1: Vdet2 passing detected	R/W
b3	VW2C3	WDT detection monitor flag ⁽⁴⁾	0: Not detected 1: Detected	R/W
b4	VW2F0	Sampling clock select bit	b5 b4 0 0: fOCO-S divided by 1 0 1: fOCO-S divided by 2 1 0: fOCO-S divided by 4 1 1: fOCO-S divided by 8	R/W
b5	VW2F1			R/W
b6	—	Reserved bit	Set to 0.	R/W
b7	VW2C7	Voltage monitor 2 interrupt generation condition select bit ⁽⁵⁾	0: When VCC or LVCMP2 reaches Vdet2 or above. 1: When VCC or LVCMP2 reaches Vdet2 or below.	R/W

Notes:

1. The VW2C0 is enabled when the VCA27 bit in the VCA2 register is set to 1 (voltage detection 2 circuit enabled). Set the VW2C0 bit to 0 (disabled) when the VCA27 bit is set to 0 (voltage detection 2 circuit disabled). To set the VW2C0 bit to 1 (enabled), follow the procedure shown in **Table 6.4 Procedure for Setting Bits Associated with Voltage Monitor 2 Interrupt**.
2. To use the voltage monitor 2 interrupt to exit stop mode and to return again, write 0 and then 1 to the VW2C1 bit.
3. The VW2C2 bit is enabled when the VCA27 bit in the VCA2 register is set to 1 (voltage detection 2 circuit enabled).
4. Set this bit to 0 by a program. When 0 is written by a program, this bit is set to 0 (and remains unchanged even if 1 is written to it).
5. The VW2C7 bit is enabled when the VCAC2 bit in the VCAC register is set to 0 (one edge). After setting the VCAC2 bit to 0, set the VW2C7 bit.

Set the PRC3 bit in the PRCR register to 1 (write enabled) before rewriting the VW2C register.

Rewriting the VW2C register may set the VW2C2 bit to 1. After rewriting this register, set the VW2C2 bit to 0.

6.2.9 Option Function Select Register (OFS)

Address 0FFFFh

Bit	b7	b6	b5	b4	b3	b2	b1	b0
Symbol	CSPROINI	LVDAS	VDSEL1	VDSEL0	ROMCP1	ROMCR	—	WDTON
When shipping	1	1	1	1	1	1	1	1 (Note 1)

Bit	Symbol	Bit Name	Function	R/W
b0	WDTON	Watchdog timer start select bit	0: Watchdog timer automatically starts after reset. 1: Watchdog timer is stopped after reset.	R/W
b1	—	Reserved bit	Set to 1.	R/W
b2	ROMCR	ROM code protect disable bit	0: ROM code protect disabled 1: ROMCP1 bit enabled	R/W
b3	ROMCP1	ROM code protect bit	0: ROM code protect enabled 1: ROM code protect disabled	R/W
b4	VDSEL0	Voltage detection 0 level select bit (2)	b5 b4 0 0: 3.80 V selected (Vdet0_3) 0 1: 2.85 V selected (Vdet0_2) 1 0: 2.35 V selected (Vdet0_1) 1 1: 1.90 V selected (Vdet0_0)	R/W
b5	VDSEL1			R/W
b6	LVDAS	Voltage detection 0 circuit start bit (3)	0: Voltage monitor 0 reset enabled after reset 1: Voltage monitor 0 reset disabled after reset	R/W
b7	CSPROINI	Count source protection mode after reset select bit	0: Count source protect mode enabled after reset 1: Count source protect mode disabled after reset	R/W

Notes:

1. If the block including the OFS register is erased, the OFS register value is set to FFh.
2. The same level of the voltage detection 0 level selected by bits VDSEL0 and VDES1 is set in both functions of voltage monitor 0 reset and power-on reset.
3. To use power-on reset and voltage monitor 0 reset, set the LVDAS bit to 0 (voltage monitor 0 reset enabled after reset).

The OFS register is allocated in the flash memory. Write to this register with a program.
 After writing, do not write additions to this register.

LVDAS Bit (Voltage Detection 0 Circuit Start Bit)

The Vdet0 voltage to be monitored by the voltage detection 0 circuit is selected by bits VDSEL0 and VDSEL1.

6.3 VCC Input Voltage

6.3.1 Monitoring Vdet0

Vdet0 cannot be monitored.

6.3.2 Monitoring Vdet1

Once the following settings are made, the comparison result of voltage monitor 1 can be monitored by the VW1C3 bit in the VW1C register after $t_d(E-A)$ has elapsed (refer to **34. Electrical Characteristics**).

- (1) Set bits VD1S3 to VD1S0 in the VD1LS register (voltage detection 1 detection voltage).
- (2) Set the VCA21 bit in the VCA2 register to 0 (internal reference voltage).
- (3) Set the VCA22 bit in the VCA2 register to 0 (VCC voltage).
- (4) Set the VCA26 bit in the VCA2 register to 1 (voltage detection 1 circuit enabled).

6.3.3 Monitoring Vdet2

Once the following settings are made, the comparison result of voltage monitor 2 can be monitored by the VCA13 bit in the VCA1 register after $t_d(E-A)$ has elapsed (refer to **34. Electrical Characteristics**).

- (1) Set the VCA23 bit in the VCA2 register to 0 (internal reference voltage).
- (2) Set the VCA24 bit in the VCA2 register to 0 (VCC voltage), or 1 (LVCMP2 pin input voltage).
- (3) Set the VCA27 bit in the VCA2 register to 1 (voltage detection 2 circuit enabled).

6.4 Voltage Monitor 0 Reset

To use voltage monitor 0 reset, set the LVDAS bit in the OFS register to 0 (voltage monitor 0 reset enabled after reset).

Figure 6.5 shows an Operating Example of Voltage Monitor 0 Reset.

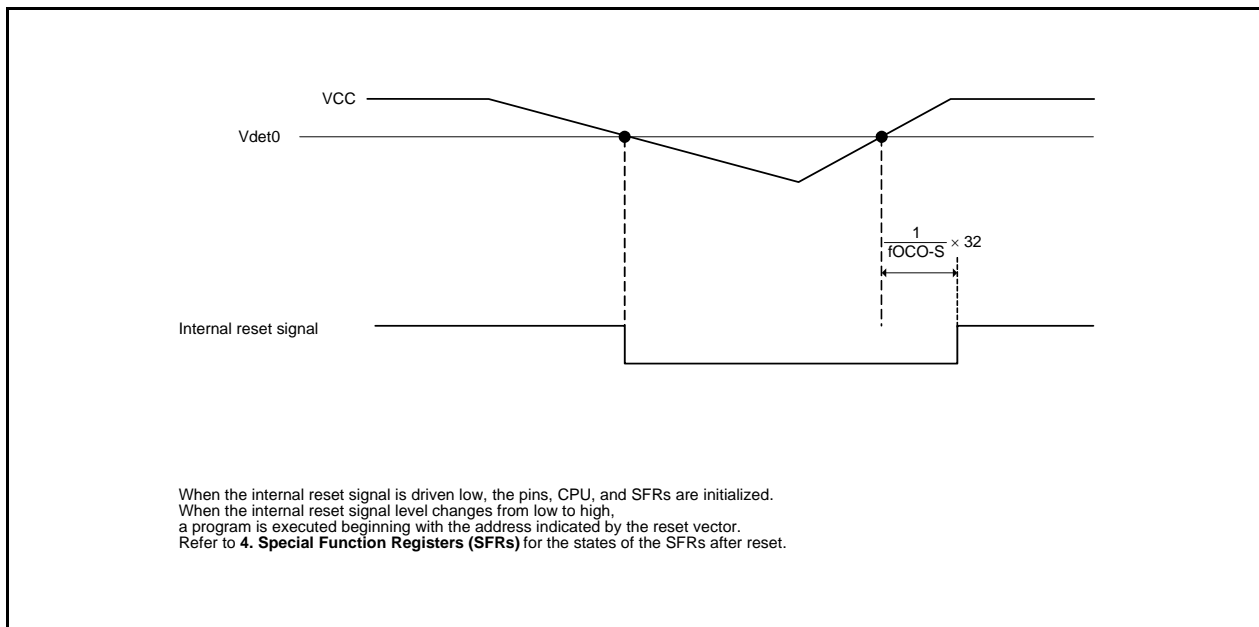


Figure 6.5 Operating Example of Voltage Monitor 0 Reset

6.5 Voltage Monitor 1 Interrupt

Table 6.3 lists the Procedure for Setting Bits Associated with Voltage Monitor 1 Interrupt. Figure 6.6 shows an Operating Example of Voltage Monitor 1 Interrupt.

To use the voltage monitor 1 interrupt to exit stop mode, set the VW1C1 bit in the VW1C register to 1 (digital filter disabled).

Table 6.3 Procedure for Setting Bits Associated with Voltage Monitor 1 Interrupt

Step	When Using Digital Filter	When Using No Digital Filter
1	Select the voltage detection 1 detection voltage by bits VD1S3 to VD1S0 in the VD1LS register.	
2	Set the VCA21 bit in the VCA2 register to 0 (internal reference voltage).	
3 (1)	Set the VCA22 bit in the VCA2 register to 0 (VCC voltage).	
4 (1)	Set the VCA26 bit in the VCA2 register to 1 (voltage detection 1 circuit enabled).	
5	Wait for td(E-A).	
6	Set the COMPSEL bit in the CMPA register to 1.	
7 (2)	Select the interrupt type by the IRQ1SEL in the CMPA register.	
8	Select the sampling clock of the digital filter by bits VW1F0 and VW1F1 in the VW1C register.	Set the VW1C1 bit in the VW1C register to 1 (digital filter disabled).
9 (3)	Set the VW1C1 bit in the VW1C register to 0 (digital filter enabled).	–
10	Select the interrupt request timing by the VCAC1 bit in the VCAC register and the VW1C7 bit in the VW1C register.	
11	Set the VW1C2 bit in the VW1C register to 0.	
12	Set the CM14 bit in the CM1 register to 0 (low-speed on-chip oscillator on)	–
13	Wait for 2 cycles of the sampling clock of the digital filter	– (No wait time required)
14 (4)	Set the VW1C0 bit in the VW1C register to 1 (voltage monitor 1 interrupt enabled)	

Notes:

- When the VW1C0 bit is set to 0, steps 2, 3 and 4 can be executed simultaneously (with one instruction).
- When the VW1C0 bit is set to 0, steps 6 and 7 can be executed simultaneously (with one instruction).
- When the VW1C0 bit is set to 0, steps 8 and 9 can be executed simultaneously (with one instruction).
- If $VCC \leq V_{det1}$ (or $VCC \geq V_{det1}$) is detected and the VW1C2 bit is set to 1 before enabling the voltage monitor 1 interrupt, no interrupt request is generated.
 Read the VW1C2 bit and perform the processing to be executed when $VCC \leq V_{det1}$ (or $VCC \geq V_{det1}$) is detected.

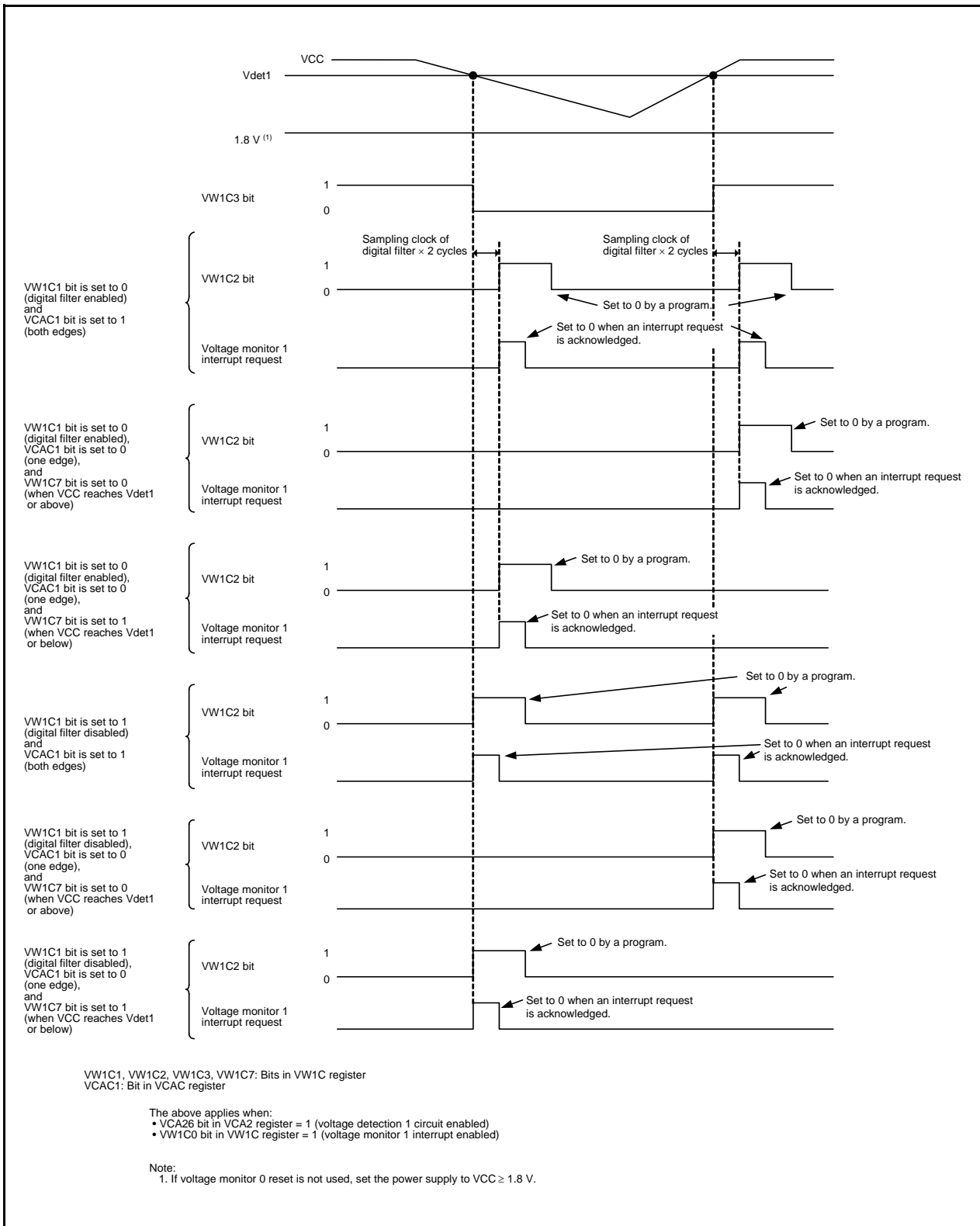


Figure 6.6 Operating Example of Voltage Monitor 1 Interrupt

6.6 Voltage Monitor 2 Interrupt

Table 6.4 lists the Procedure for Setting Bits Associated with Voltage Monitor 2 Interrupt. Figure 6.7 shows an Operating Example of Voltage Monitor 2 Interrupt.

To use the voltage monitor 2 interrupt to exit stop mode, set the VW2C1 bit in the VW2C register to 1 (digital filter disabled).

Table 6.4 Procedure for Setting Bits Associated with Voltage Monitor 2 Interrupt

Step	When Using Digital Filter	When Using No Digital Filter
1	Set the VCA23 bit in the VCA2 register to 0 (internal reference voltage).	
2 (1)	Set the VCA24 bit in the VCA2 register to 0 (VCC voltage) or 1 (LCVCOMP2 pin input voltage).	
3 (1)	Set the VCA27 bit in the VCA2 register to 1 (voltage detection 2 circuit enabled).	
4	Wait for $t_d(E-A)$.	
5	Set the COMPSEL bit in the CMPA register to 1.	
6 (2)	Select the interrupt type by the IRQ2SEL in the CMPA register.	
7	Select the sampling clock of the digital filter by bits VW2F0 and VW2F1 in the VW2C register.	Set the VW2C1 bit in the VW2C register to 1 (digital filter disabled).
8 (3)	Set the VW2C1 bit in the VW2C register to 0 (digital filter enabled).	–
9	Select the interrupt request timing by the VCAC2 bit in the VCAC register and the VW2C7 bit in the VW2C register.	
10	Set the VW2C2 bit in the VW2C register to 0.	
11	Set the CM14 bit in the CM1 register to 0 (low-speed on-chip oscillator on).	–
12	Wait for 2 cycles of the sampling clock of the digital filter.	– (No wait time required)
13 (4)	Set the VW2C0 bit in the VW2C register to 1 (voltage monitor 2 interrupt enabled).	

Notes:

1. When the VW2C0 bit is set to 0, steps 1, 2 and 3 can be executed simultaneously (with one instruction).
2. When the VW2C0 bit is set to 0, steps 5 and 6 can be executed simultaneously (with one instruction).
3. When the VW2C0 bit is set to 0, steps 7 and 8 can be executed simultaneously (with one instruction).
4. If $VCC \leq V_{det2}$ (or $VCC \geq V_{det2}$) is detected and the VW2C2 bit is set to 1 before enabling the voltage monitor 2 interrupt, no interrupt request is generated.
 Read the VW2C2 bit and perform the processing to be executed when $VCC \leq V_{det2}$ (or $VCC \geq V_{det2}$) is detected.

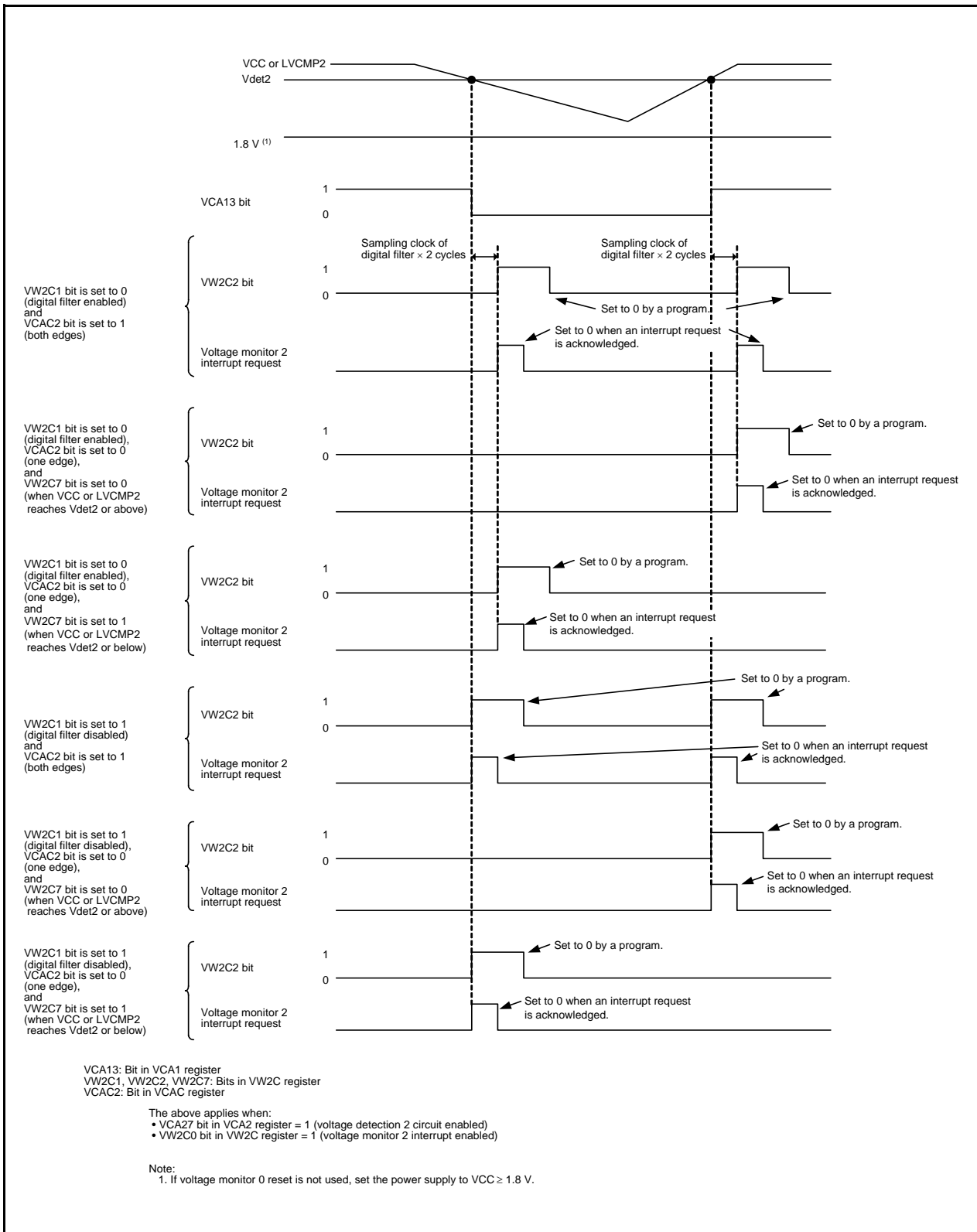


Figure 6.7 Operating Example of Voltage Monitor 2 Interrupt

7. I/O Ports

There are 47 I/O ports P0 to P3, P4_3 to P4_7, P5_6, P5_7, and P6 (P4_3 and P4_4 can be used as I/O ports if the XCIN clock oscillation circuit is not used. P4_6 and P4_7 can be used as I/O ports if the XIN clock oscillation circuit is not used.).

If the A/D converter and the D/A converter are not used, P4_2 can be used as an input-only port.

Table 7.1 lists an Overview of I/O Ports.

Table 7.1 Overview of I/O Ports

Ports	I/O	Type of Output	I/O Setting	Internal Pull-Up Resister	Drive Capacity Switch	Input Level Switch
P0, P3, P6	I/O	CMOS3 state	Set in 1-bit units	Set in 4-bit units (1)	Set in 4-bit units (3)	Set in 8-bit units (4)
P1, P2	I/O	CMOS3 state	Set in 1-bit units	Set in 4-bit units (1)	Set in 1-bit units (2)	Set in 8-bit units (4)
P4_3 (5)	I/O	CMOS3 state	Set in 1-bit units	Set in 1-bit units (1)	Set in 1-bit units (3)	Set in 6-bit units (4)
P4_4 (5), P4_5, P4_6 (6), P4_7 (6)	I/O	CMOS3 state	Set in 1-bit units	Set in 4-bit units (1)	Set in 4-bit units (3)	
P4_2 (7)	I	(No output function)	None	None	None	
P5_6, P5_7	I/O	CMOS3 state	Set in 1-bit units	Set in 2-bit units (1)	Set in 2-bit units (3)	Set in 2-bit units (4)

Notes:

1. In input mode, whether an internal pull-up resistor is connected or not can be selected by registers PUR0 and PUR1.
2. Whether the drive capacity of the output transistor is set to low or high can be selected using registers P1DRR and P2DRR.
3. Whether the drive capacity of the output transistor is set to low or high can be selected using registers DRR0 and DRR1.
4. The input threshold value can be selected among three voltage levels (0.35 VCC, 0.50 VCC, and 0.70 VCC) using registers VLT0 and VLT1.
5. When the XCIN clock oscillation circuit is not used, these ports can be used as an I/O ports.
6. When the XIN clock oscillation circuit is not used, these ports can be used as I/O ports.
7. When the A/D converter and the D/A converter are not used, this port can be used as an input-only ports.

7.1 Functions of I/O Ports

The PDi_j (j = 0 to 7) bit in the PDi (i = 0 to 6) register controls I/O of the ports P0 to P3, P4_3 to P4_7, P5_6, P5_7, and P6. The Pi register consists of a port latch to hold output data and a circuit to read pin states.

Figures 7.1 to 7.16 show the Configurations of I/O Ports. Table 7.2 lists the Functions of I/O Ports.

Table 7.2 Functions of I/O Ports

Operation When Accessing Pi Register	Value of PDi_j Bit in PDi Register (1)	
	When PDi_j Bit is Set to 0 (Input Mode)	When PDi_j Bit is Set to 1 (Output Mode)
Read	Read the pin input level.	Read the port latch.
Write	Write to the port latch.	Write to the port latch. The value written to the port latch is output from the pin.

i = 0 to 6, j = 0 to 7

Note:

1. Nothing is assigned to bits PD4_0 to PD4_2, PD5_0 to PD5_2, and PD5_5. Also, bits PD5_3 and PD5_4 are reserved bits.

7.2 Effect on Peripheral Functions

I/O ports function as I/O ports for peripheral functions (Refer to **Table 1.4 Pin Name Information by Pin Number (1)** and **Table 1.5 Pin Name Information by Pin Number (2)**).

Table 7.3 lists the Setting of PDi_j Bit when Functioning as I/O Ports for Peripheral Functions (i = 0 to 6, j = 0 to 7).

Refer to the description of each function for information on how to set peripheral functions.

Table 7.3 Setting of PDi_j Bit when Functioning as I/O Ports for Peripheral Functions (i = 0 to 6, j = 0 to 7)

I/O of Peripheral Function	PDi _j Bit Settings for Shared Pin Function
Input	Set this bit to 0 (input mode).
Output	This bit can be set to either 0 or 1 (output regardless of the port setting).

7.3 Pins Other than I/O Ports

Figure 7.17 shows the Configuration of I/O Pins.

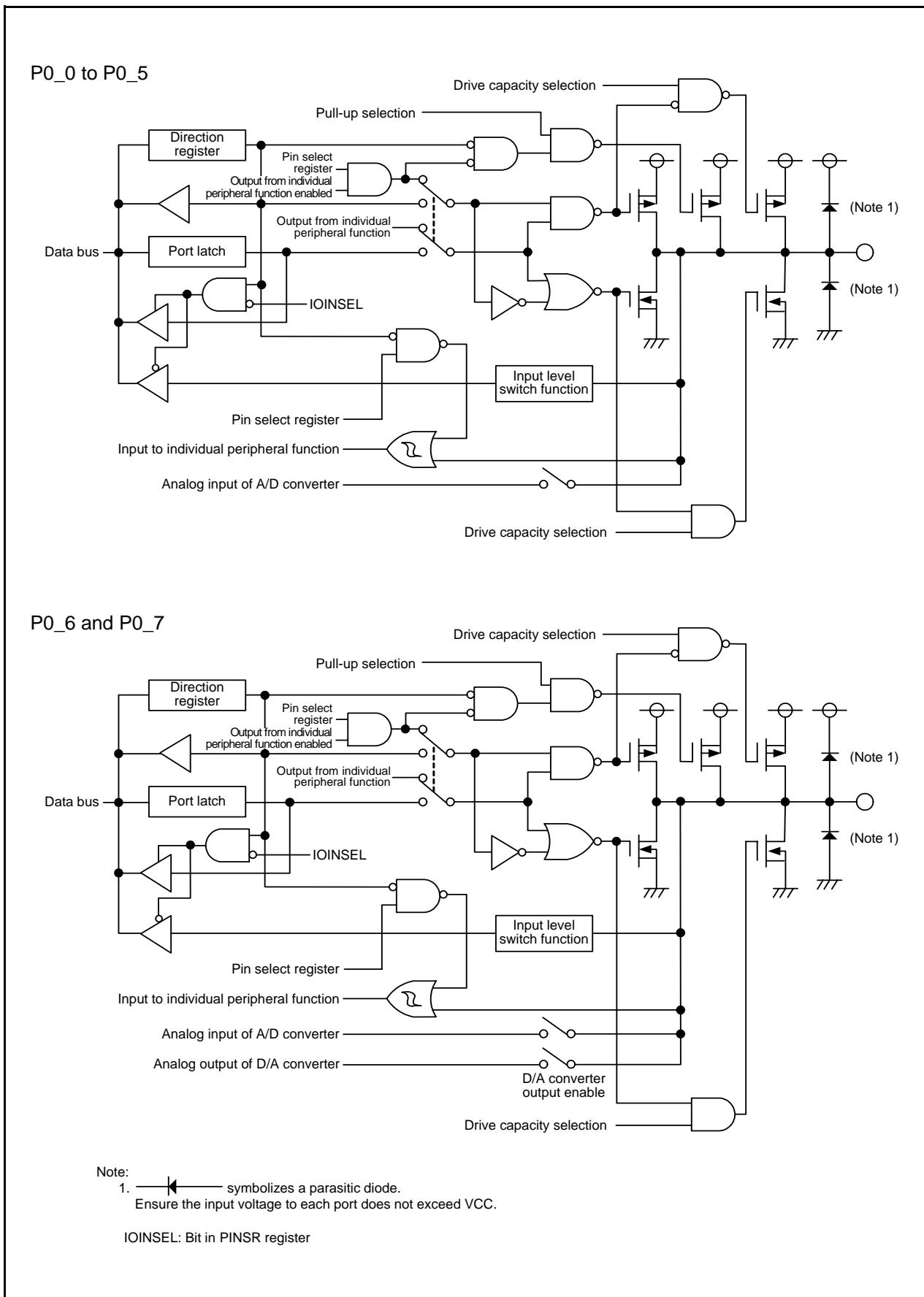


Figure 7.1 Configuration of I/O Ports (1)

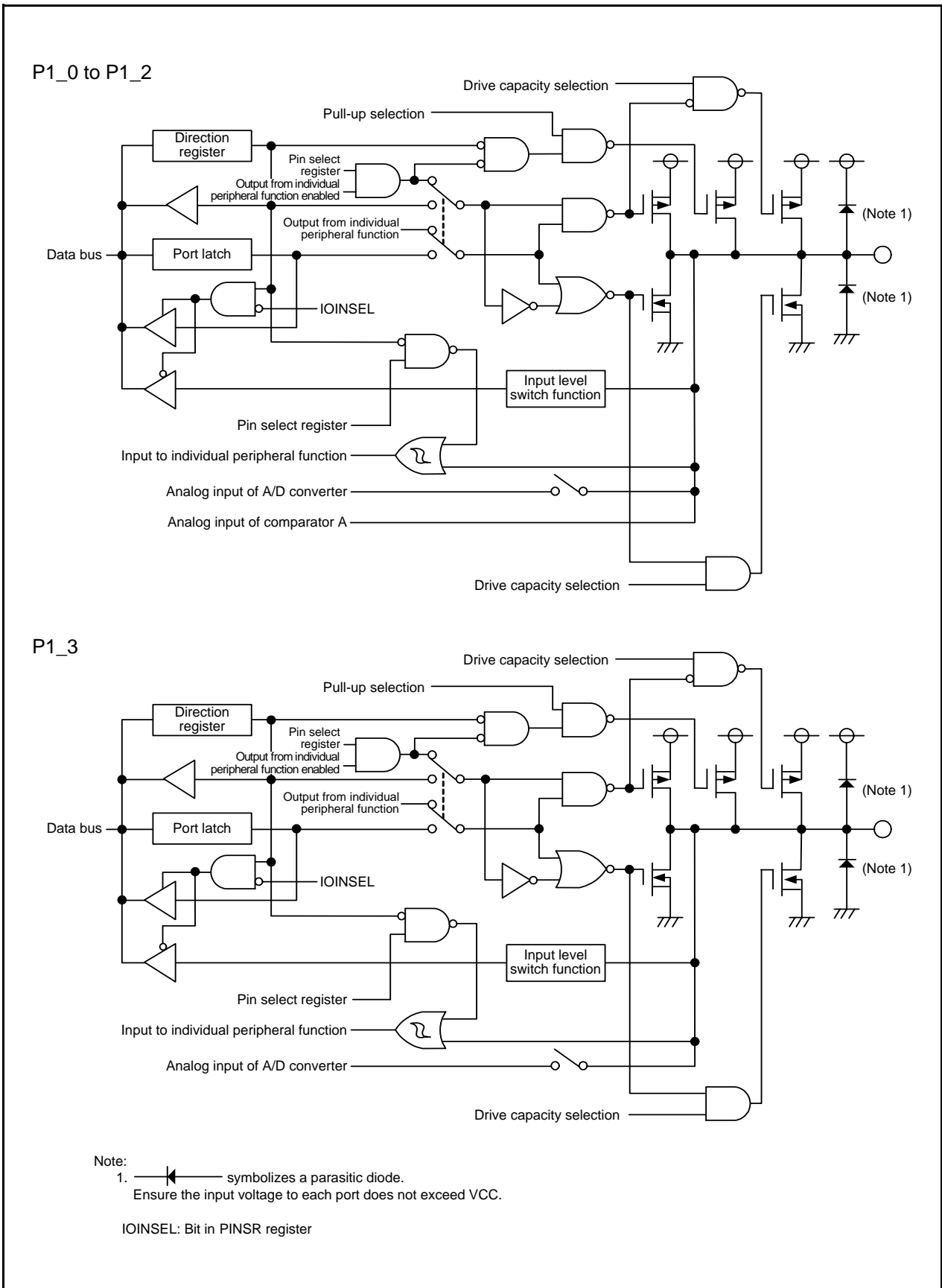


Figure 7.2 Configuration of I/O Ports (2)

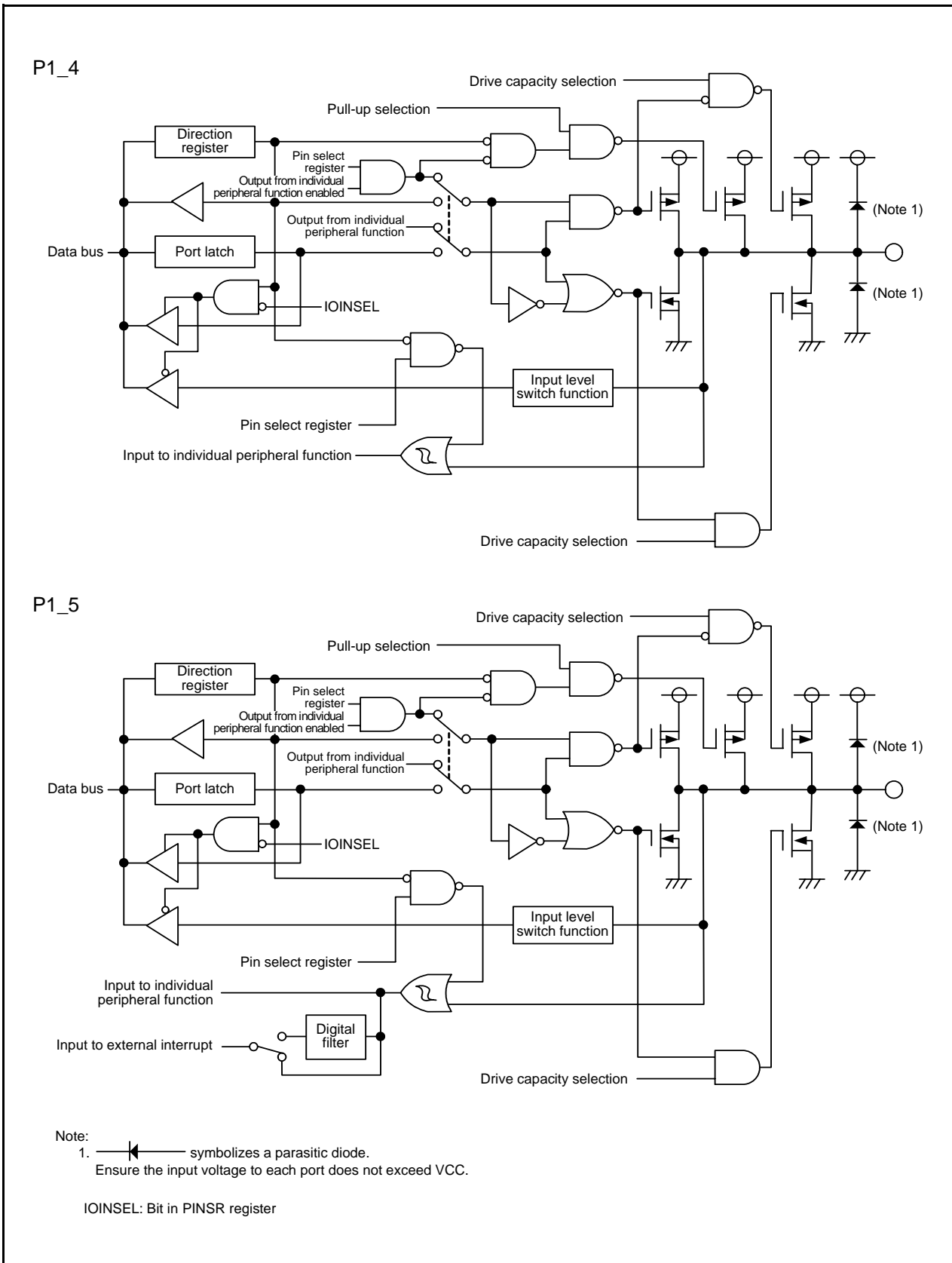


Figure 7.3 Configuration of I/O Ports (3)

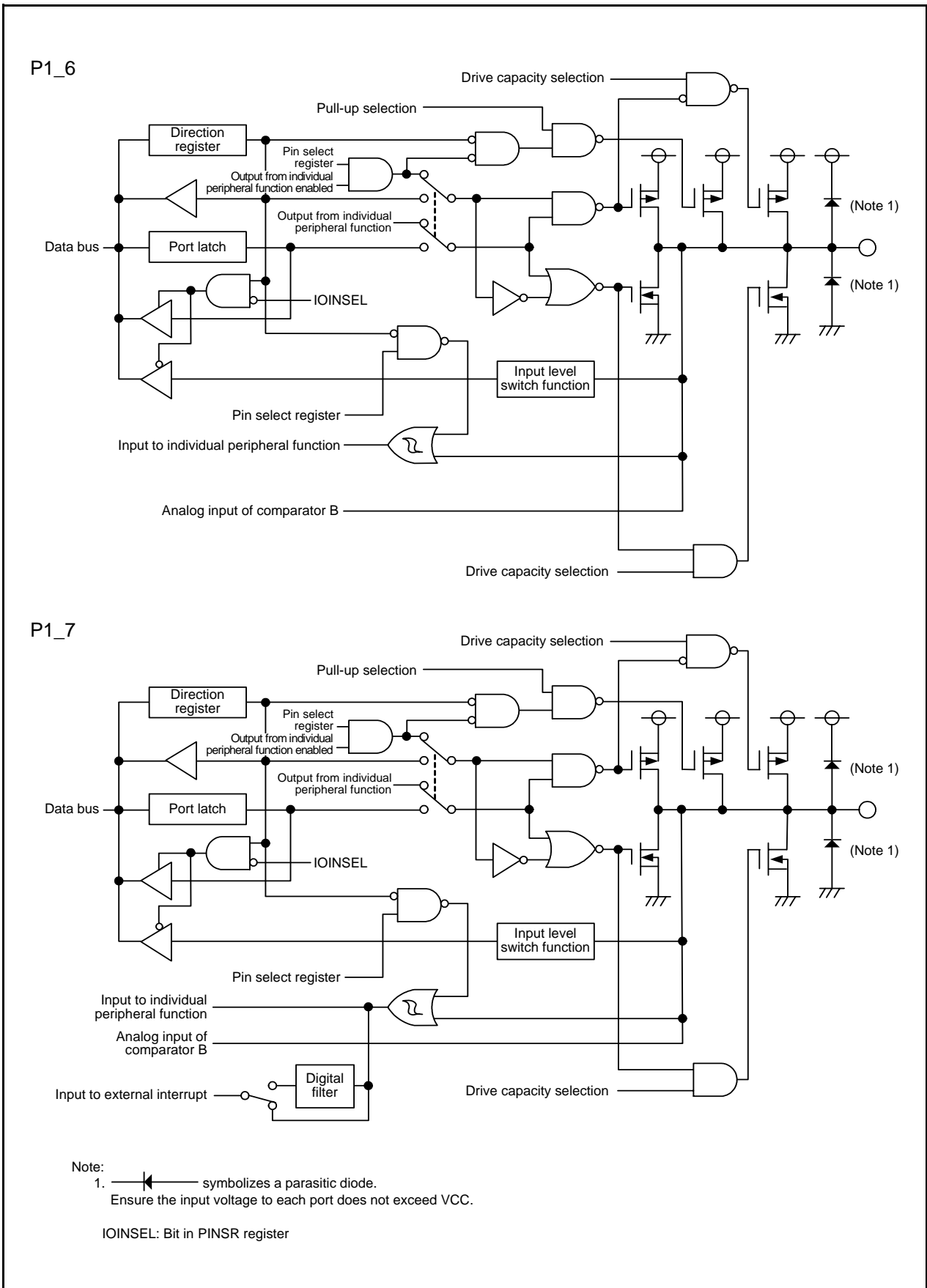


Figure 7.4 Configuration of I/O Ports (4)

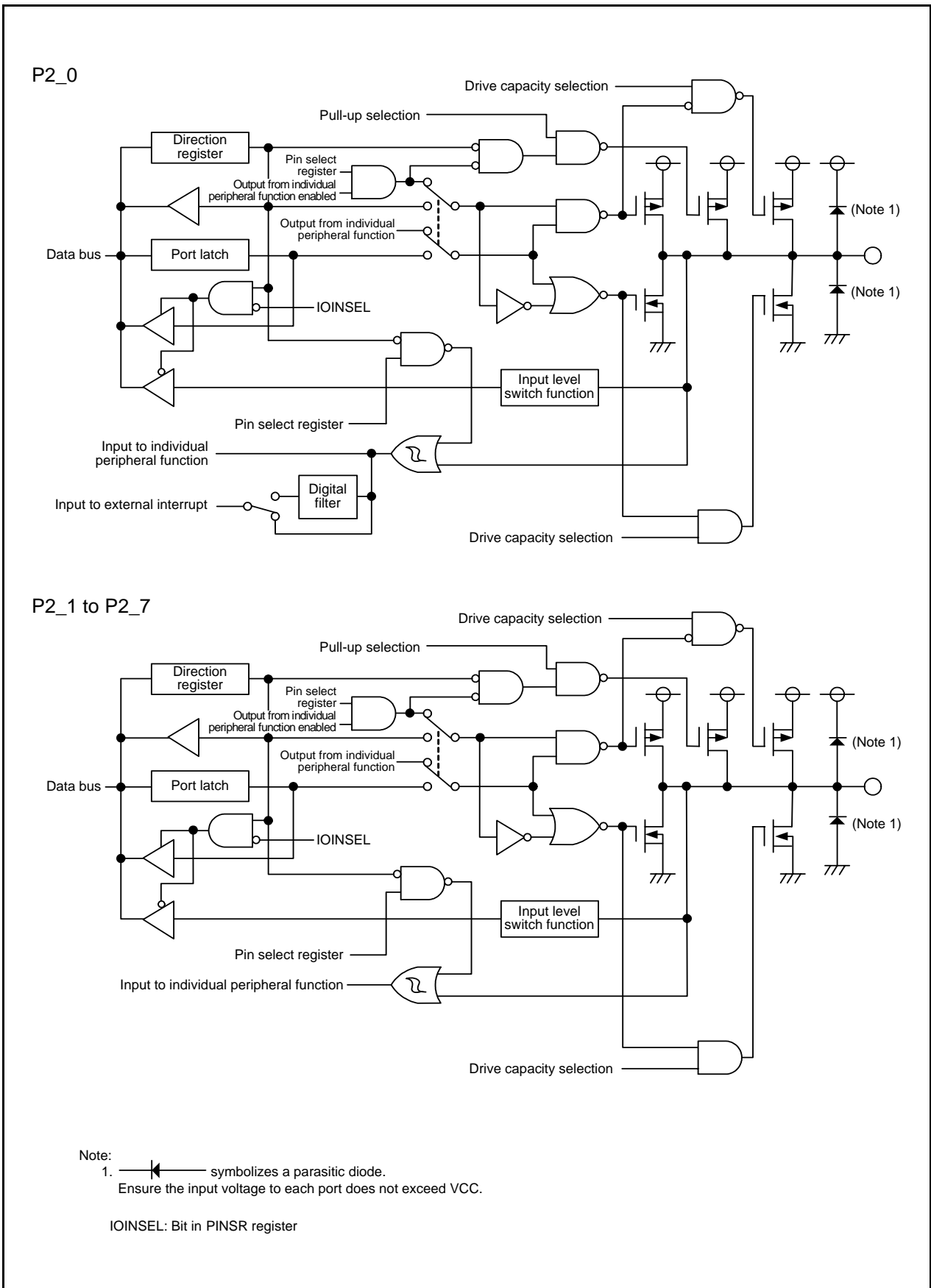


Figure 7.5 Configuration of I/O Ports (5)

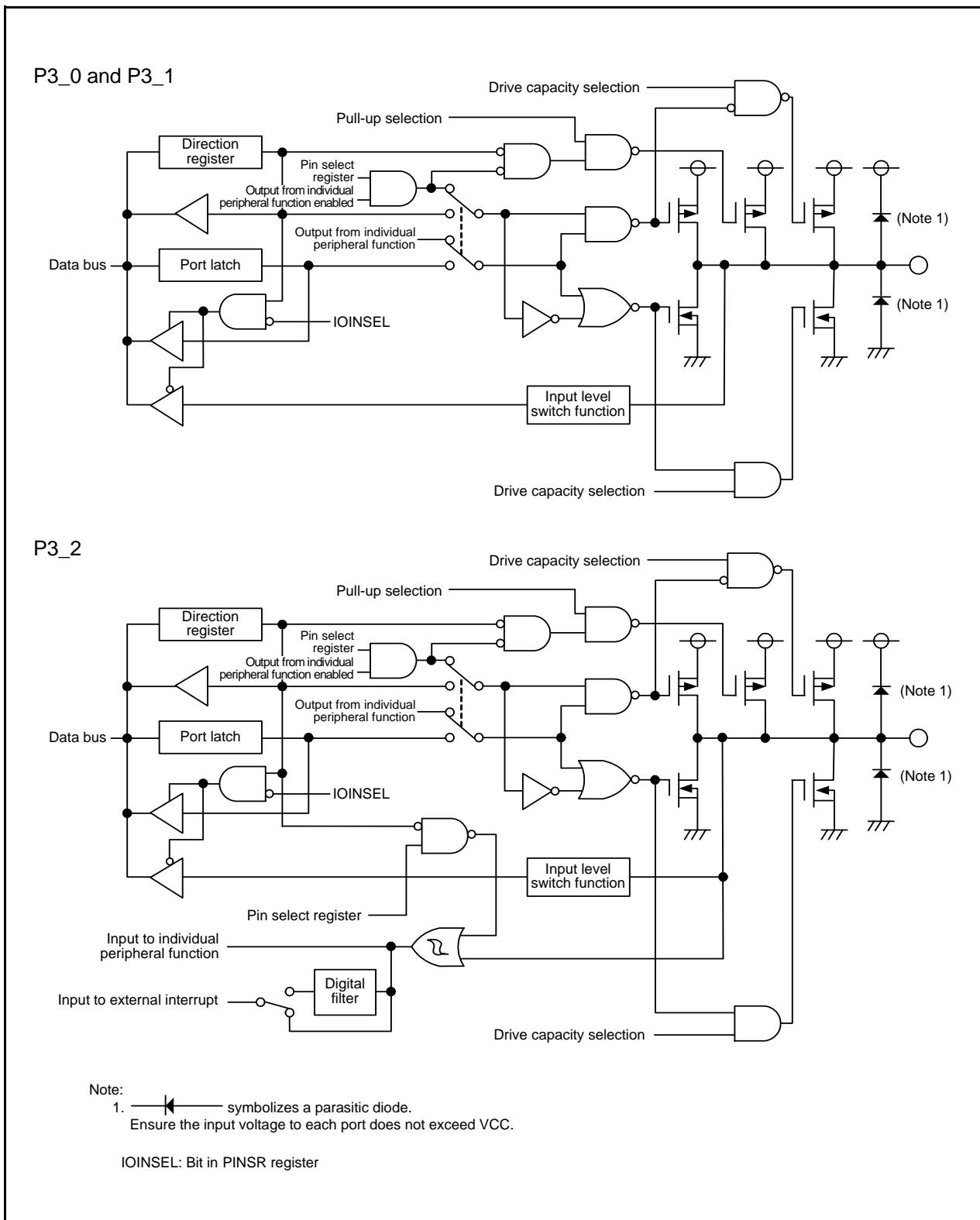


Figure 7.6 Configuration of I/O Ports (6)

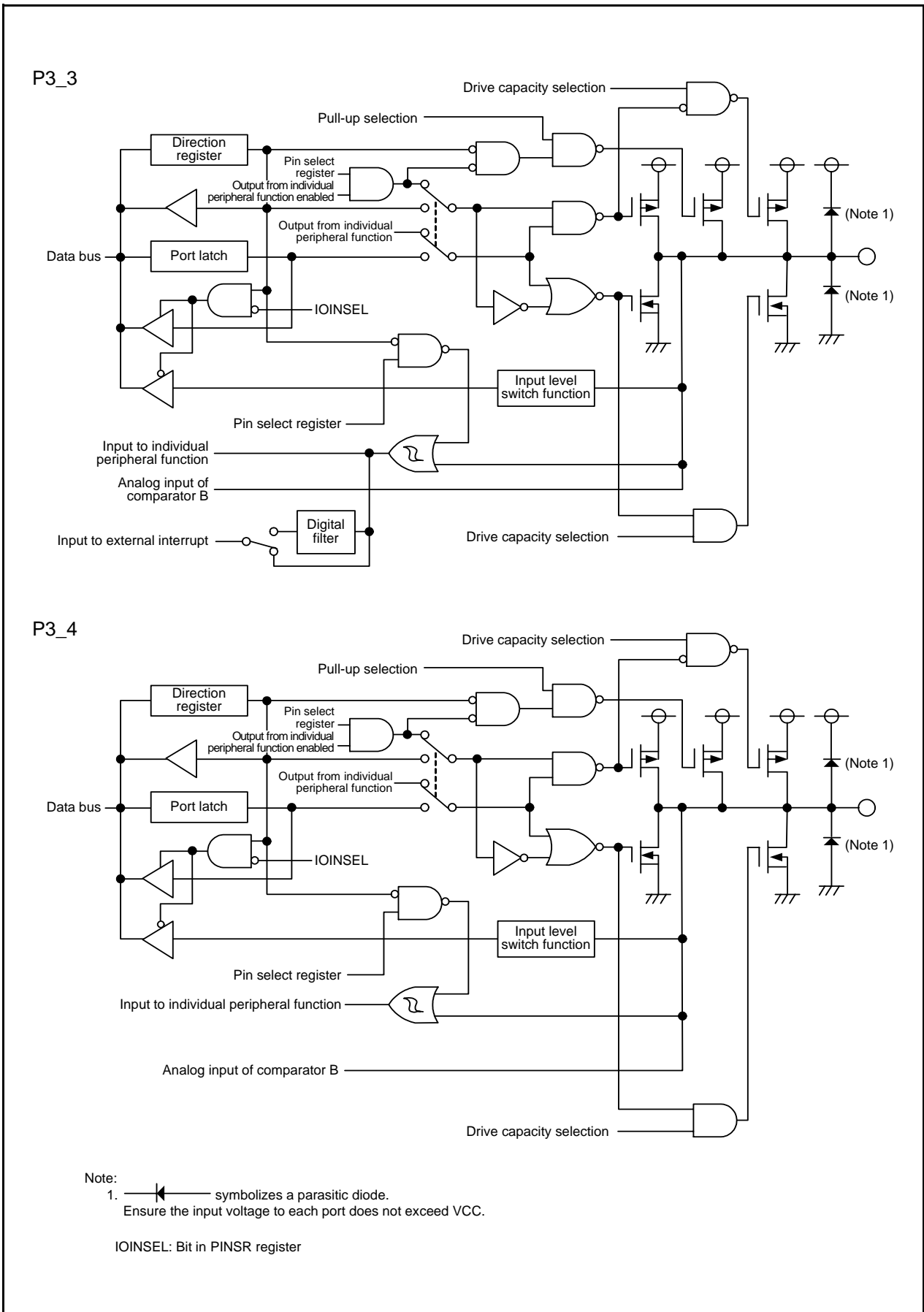


Figure 7.7 Configuration of I/O Ports (7)

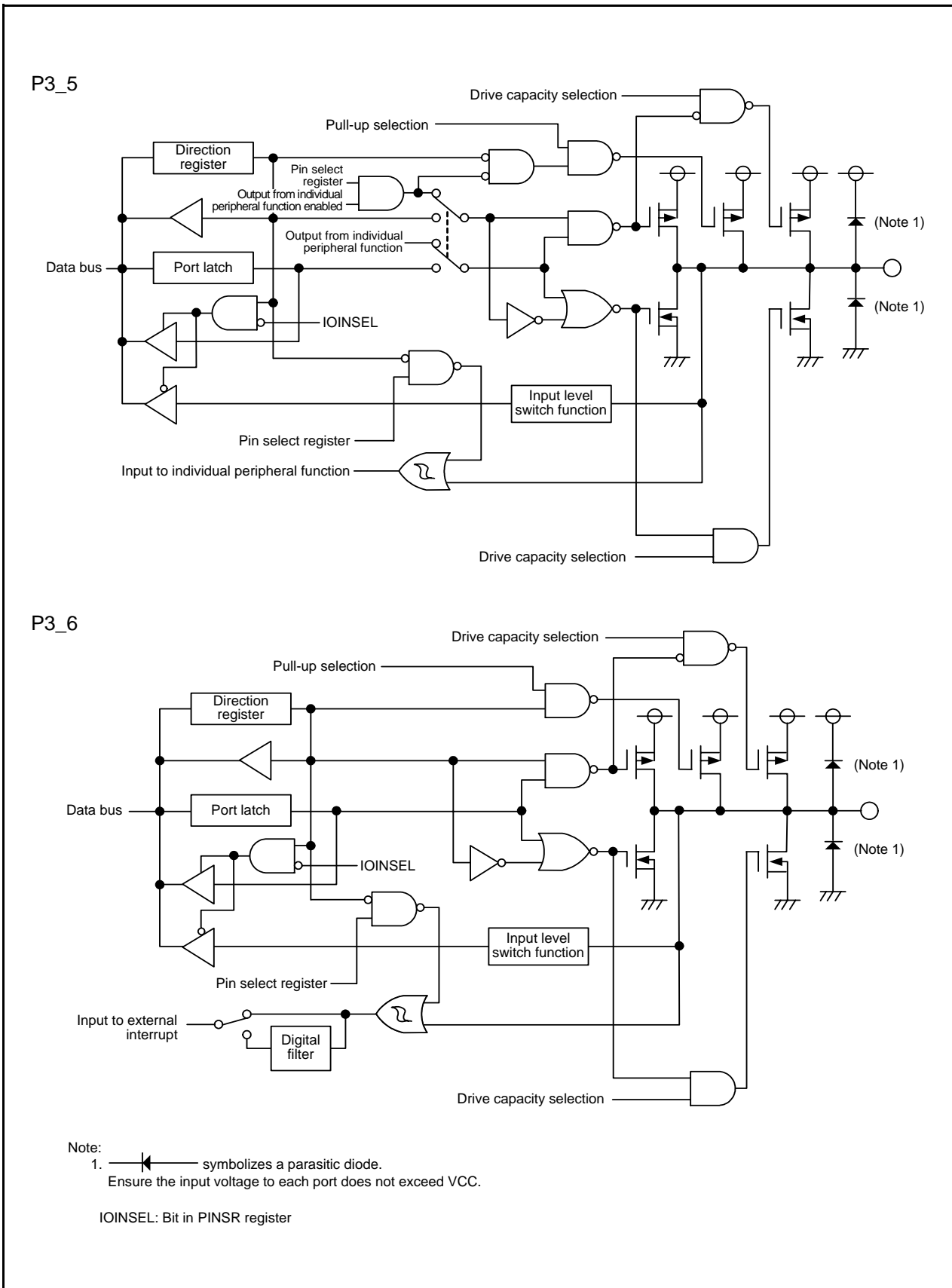


Figure 7.8 Configuration of I/O Ports (8)

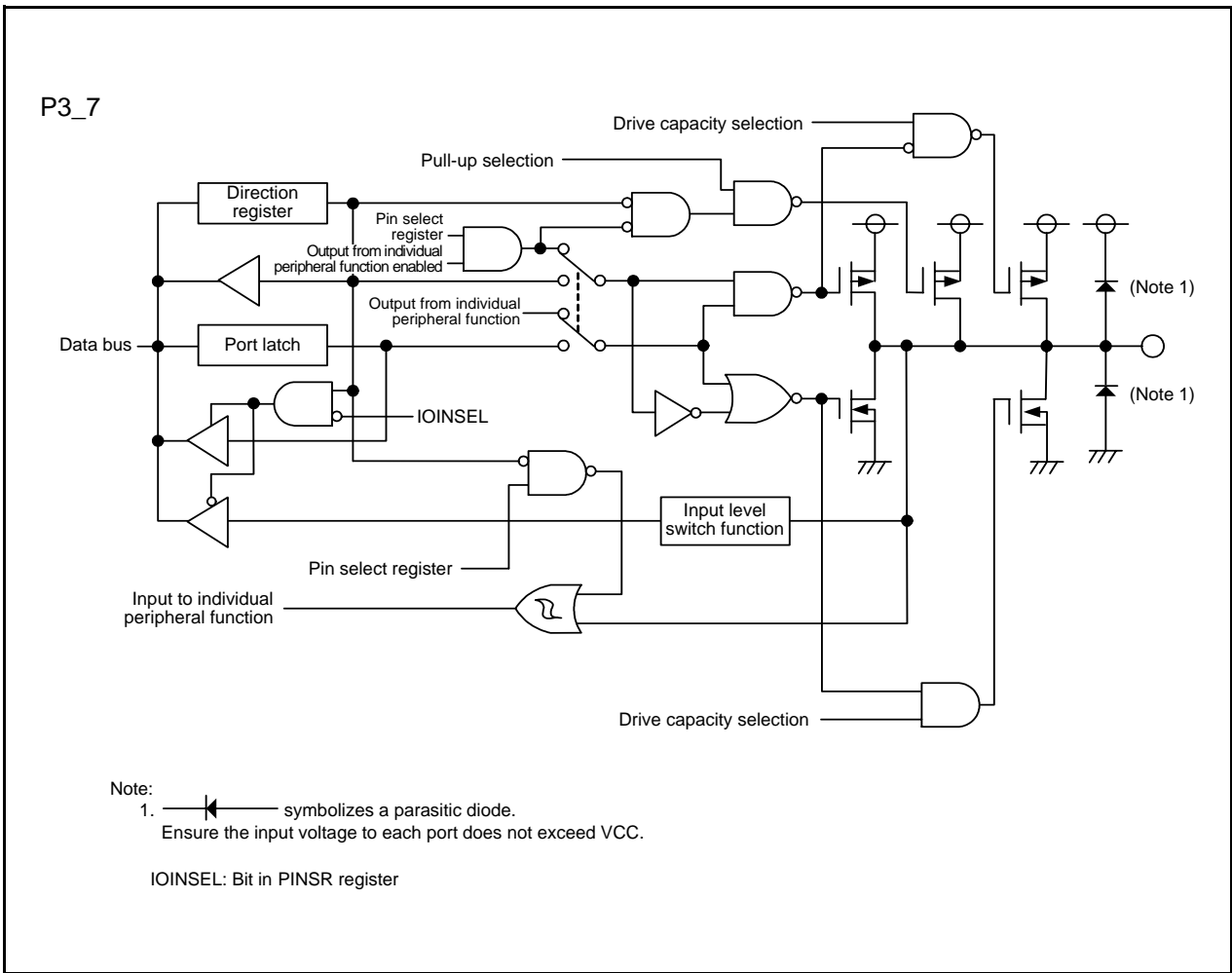


Figure 7.9 Configuration of I/O Ports (9)

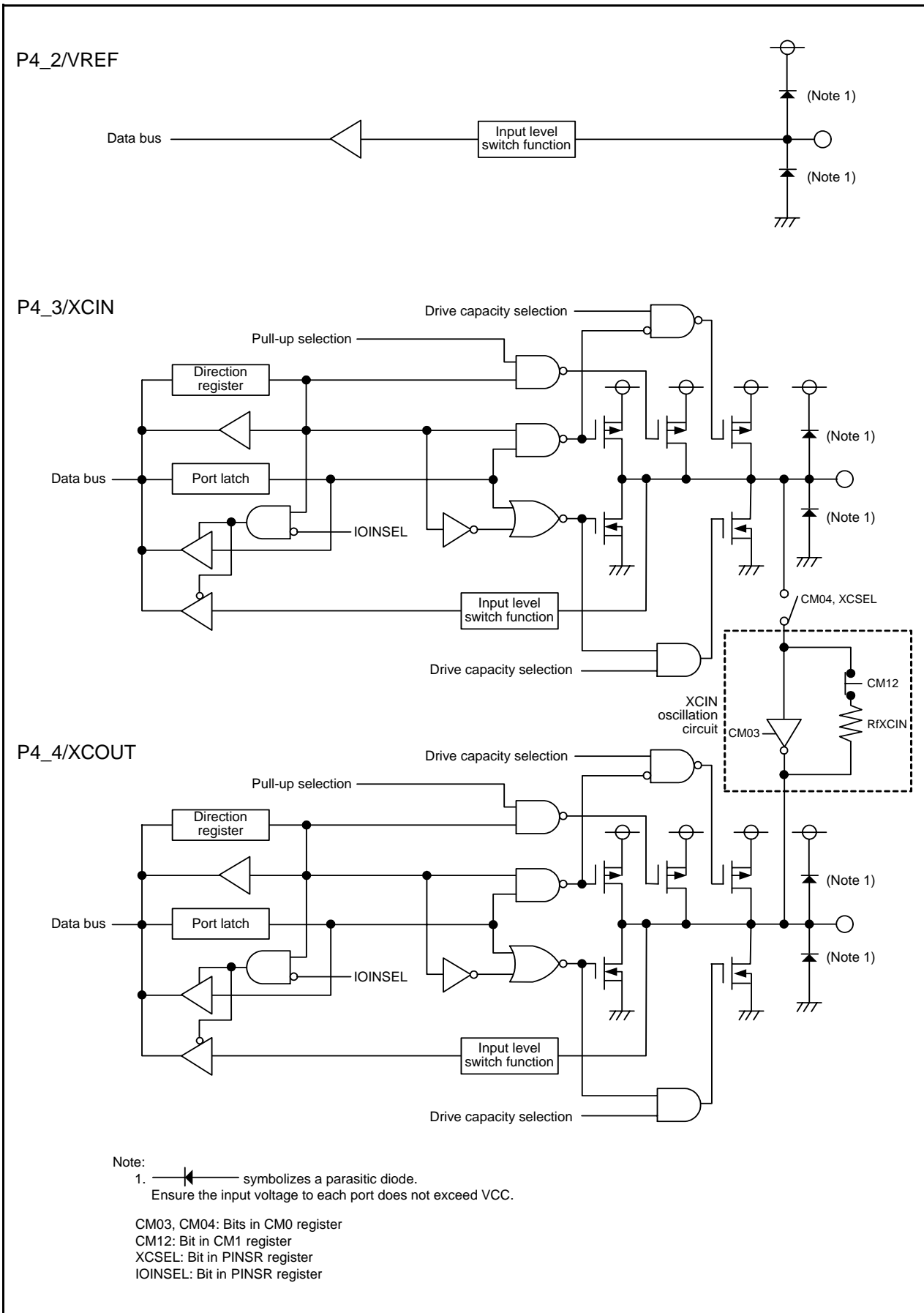


Figure 7.10 Configuration of I/O Ports (10)

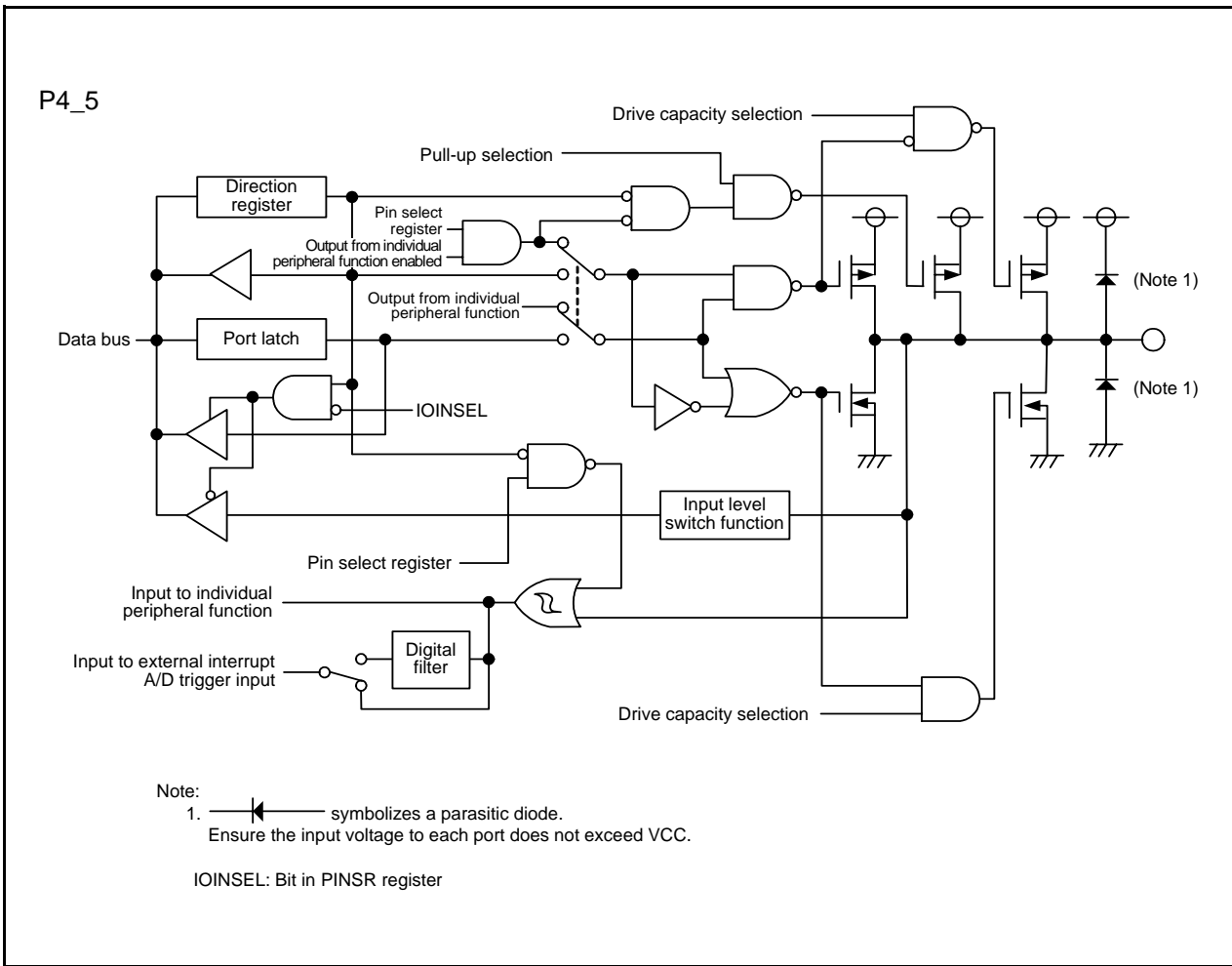


Figure 7.11 Configuration of I/O Ports (11)

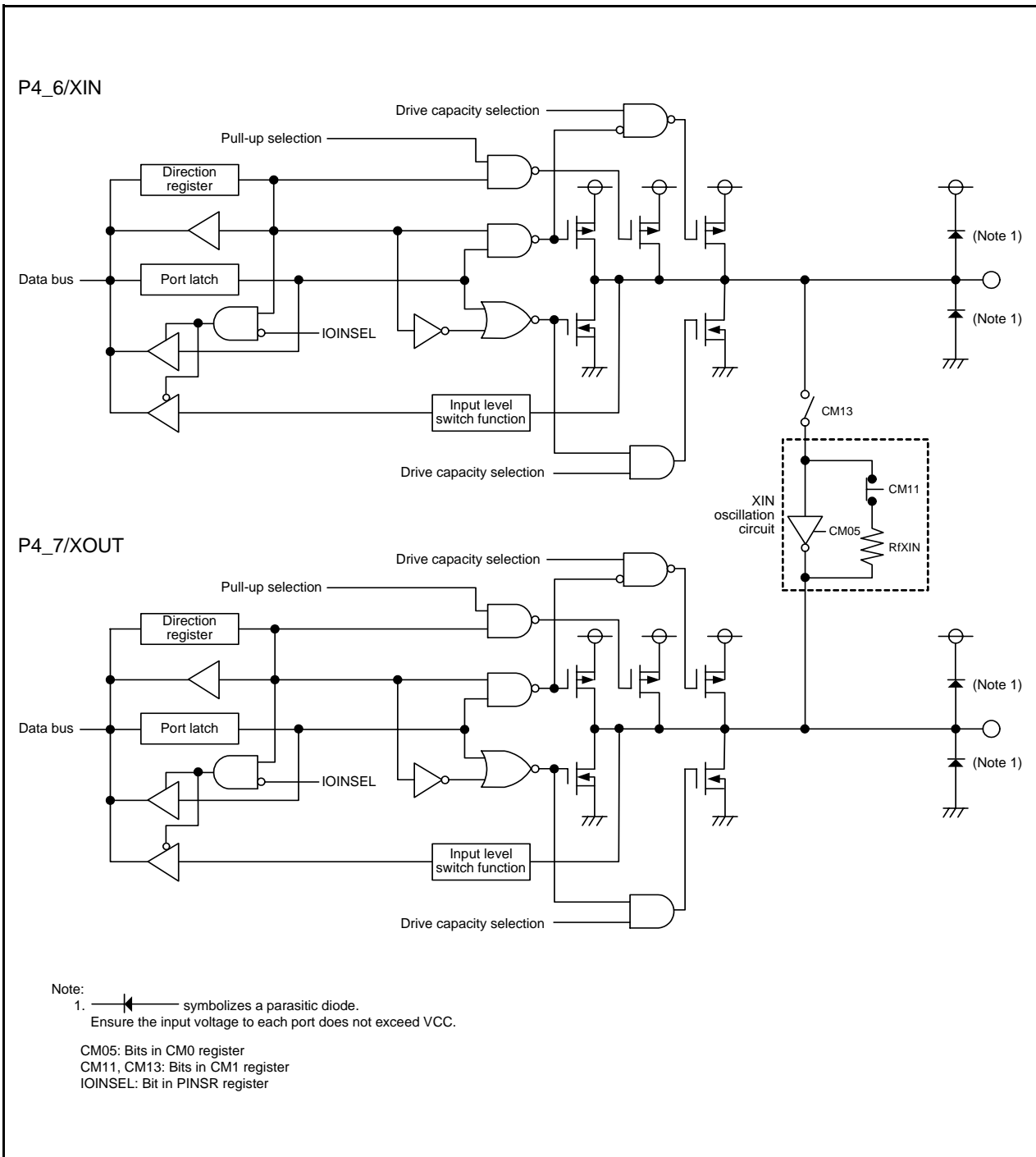


Figure 7.12 Configuration of I/O Ports (12)

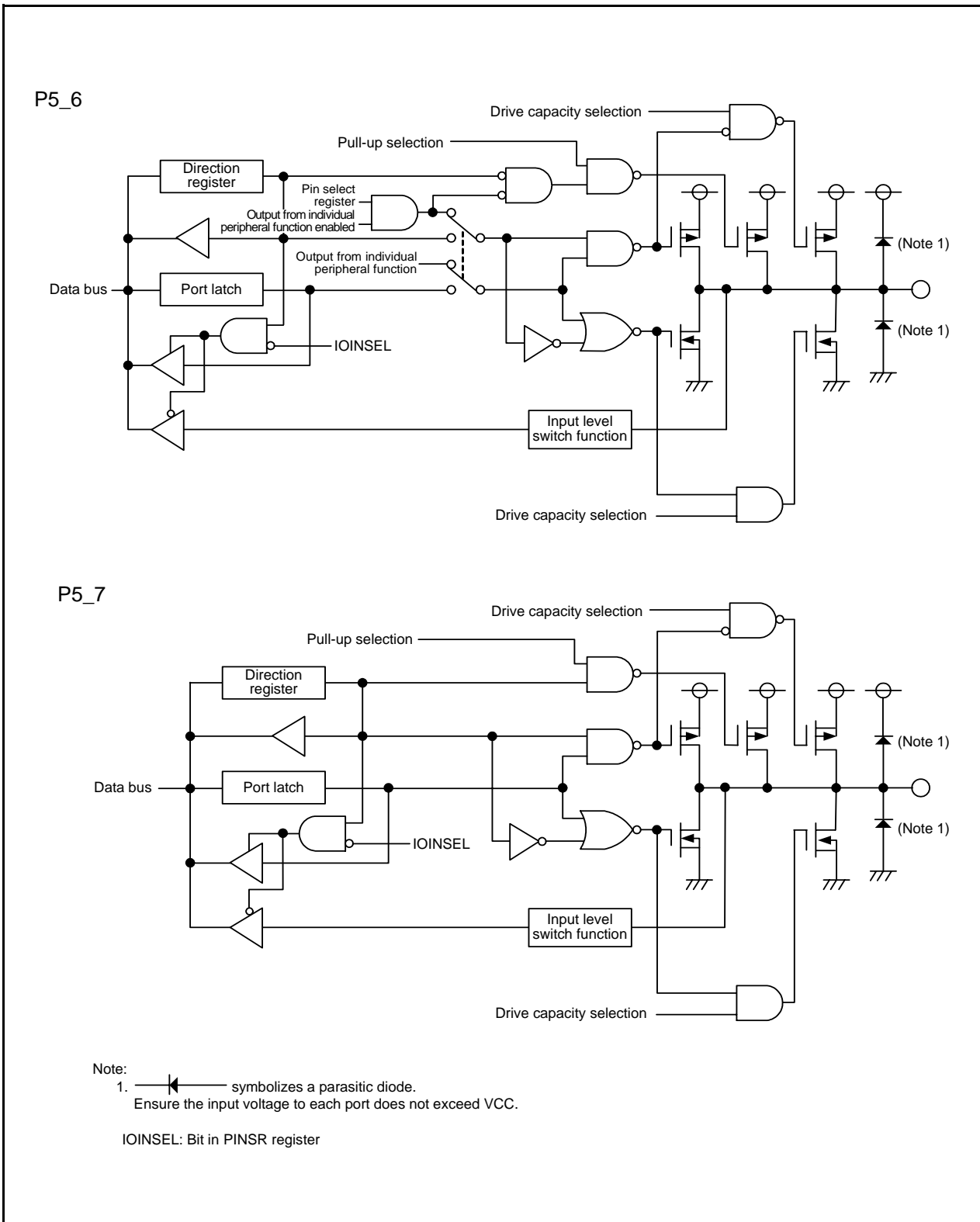


Figure 7.13 Configuration of I/O Ports (13)

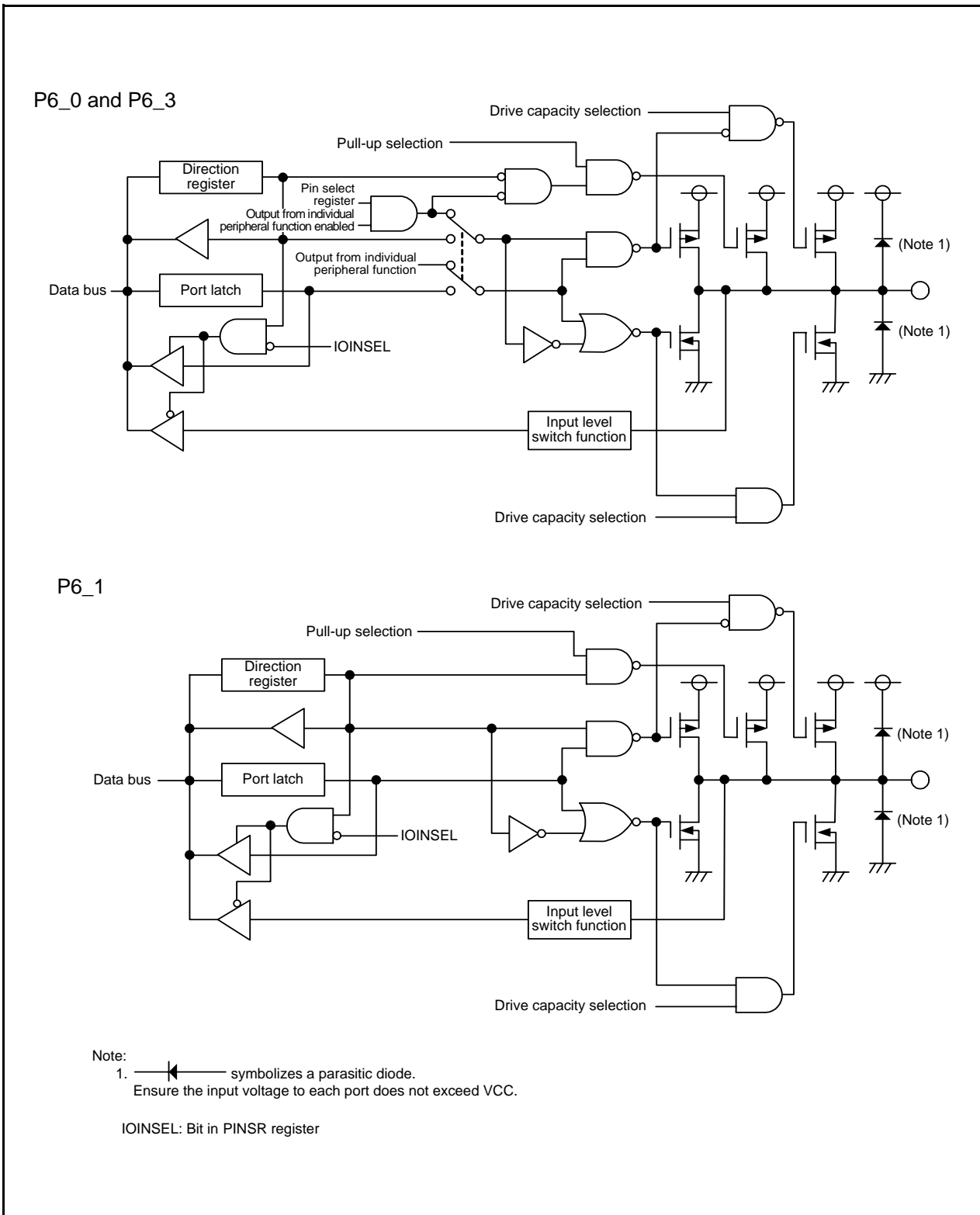


Figure 7.14 Configuration of I/O Ports (14)

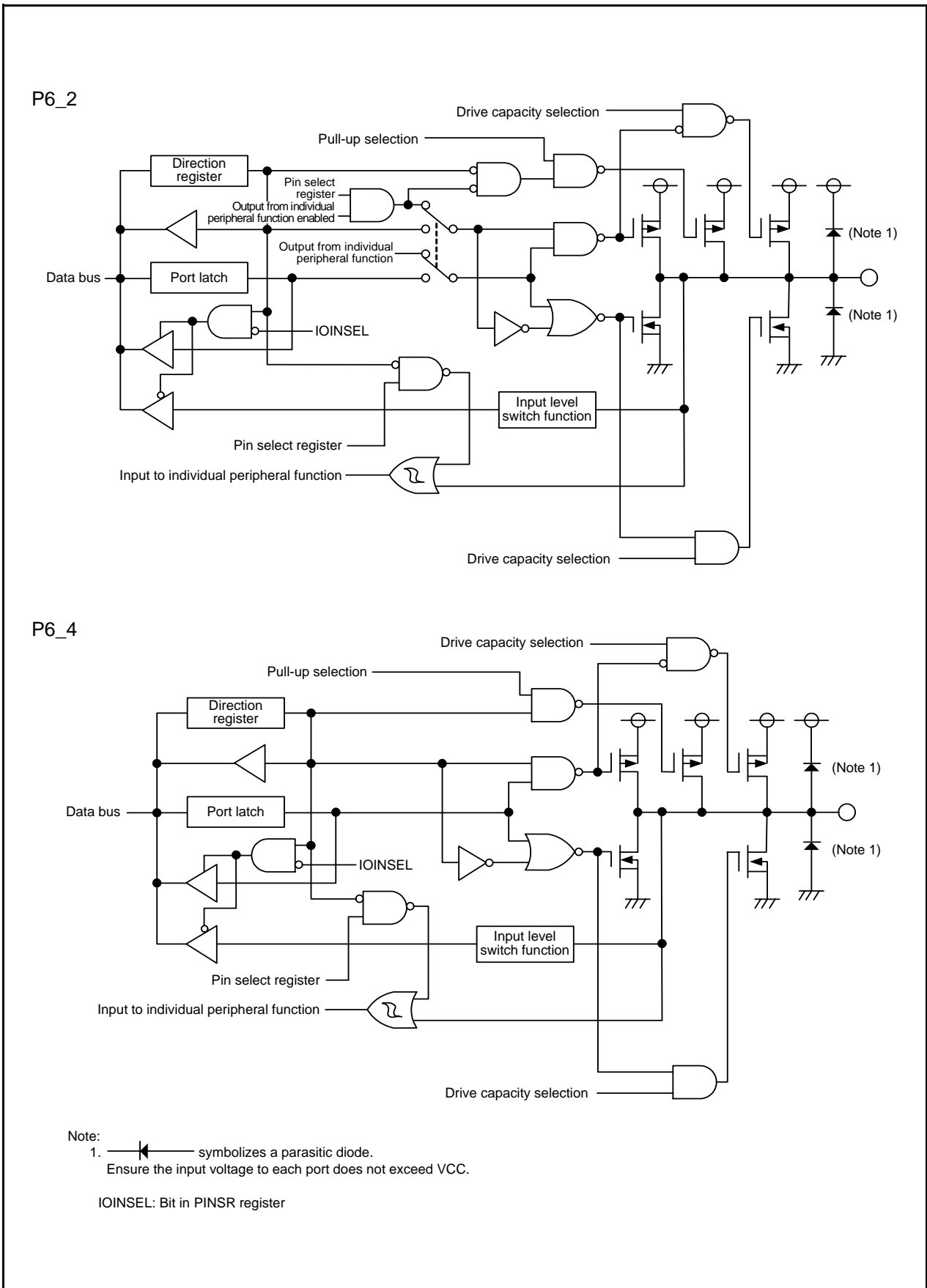


Figure 7.15 Configuration of I/O Ports (15)

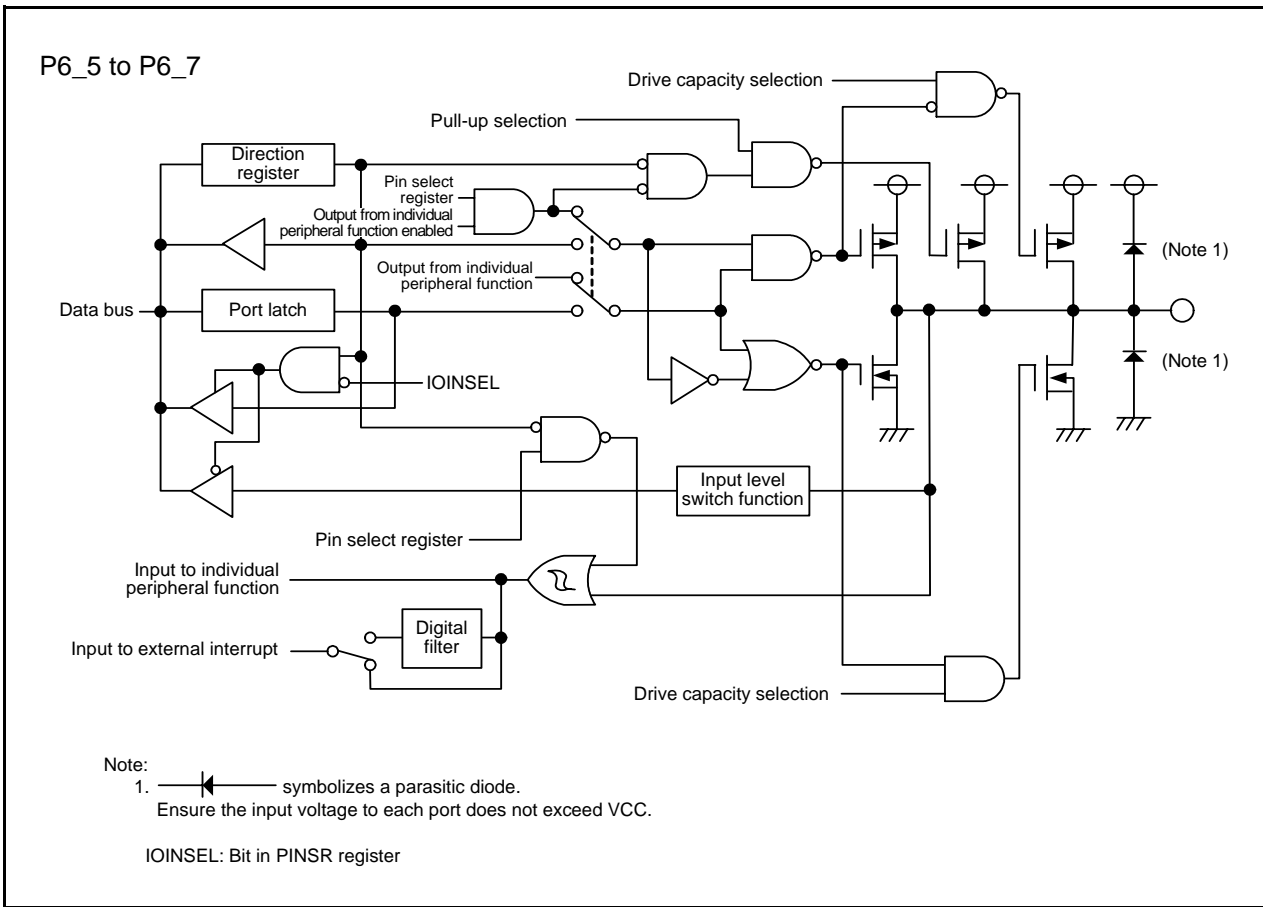


Figure 7.16 Configuration of I/O Ports (16)

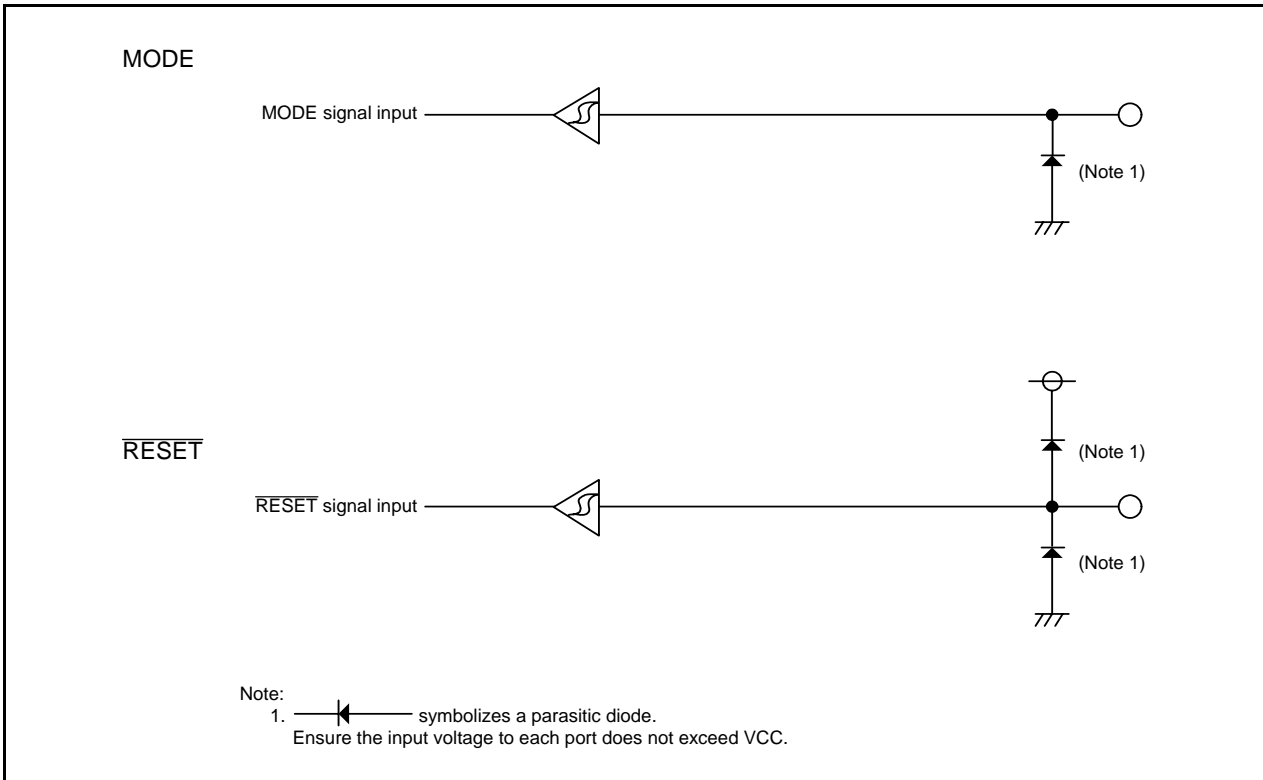


Figure 7.17 Configuration of I/O Pins

7.4 Registers

7.4.1 Port Pi Direction Register (PDi) (i = 0 to 6)

Address 00E2h (PD0 ⁽¹⁾), 00E3h (PD1), 00E6h (PD2), 00E7h (PD3), 00EAh (PD4 ⁽²⁾), 00EBh (PD5 ⁽³⁾), 00EEh (PD6),

Bit	b7	b6	b5	b4	b3	b2	b1	b0
Symbol	PDi_7	PDi_6	PDi_5	PDi_4	PDi_3	PDi_2	PDi_1	PDi_0
After Reset	0	0	0	0	0	0	0	0

Bit	Symbol	Bit Name	Function	R/W
b0	PDi_0	Port Pi_0 direction bit	0: Input mode (functions as an input port) 1: Output mode (functions as an output port)	R/W
b1	PDi_1	Port Pi_1 direction bit		R/W
b2	PDi_2	Port Pi_2 direction bit		R/W
b3	PDi_3	Port Pi_3 direction bit		R/W
b4	PDi_4	Port Pi_4 direction bit		R/W
b5	PDi_5	Port Pi_5 direction bit		R/W
b6	PDi_6	Port Pi_6 direction bit		R/W
b7	PDi_7	Port Pi_7 direction bit		R/W

Notes:

1. Write to the PD0 register with the next instruction after that used to set the PRC2 bit in the PRCR register to 1 (write enabled).
2. Bits PD4_0 to PD4_2 in the PD4 register are unavailable on this MCU. If it is necessary to set bits PD4_0 to PD4_2 set to 0. When read, the content is 0.
3. Bits PD5_0 to PD5_2, and PD5_5 in the PD5 register are unavailable on this MCU. If it is necessary to set bits PD5_0 to PD5_2, and PD5_5, set to 0. When read, the content is 0. Also, bits PD5_3 and PD5_4 are reserved bits. If it is necessary to set bits PD5_3 and PD5_4, set to 0. When read, the content is undefined.

The PDi register selects whether I/O ports are used for input or output. Each bit in the PDi register corresponds to one port.

7.4.2 Port Pi Register (Pi) (i = 0 to 6)

Address 00E0h(P0), 00E1h(P1), 00E4h(P2), 00E5h(P3), 00E8h(P4 ⁽¹⁾), 00E9h(P5 ⁽²⁾), 00ECh(P6),

Bit	b7	b6	b5	b4	b3	b2	b1	b0
Symbol	Pi_7	Pi_6	Pi_5	Pi_4	Pi_3	Pi_2	Pi_1	Pi_0
After Reset	X	X	X	X	X	X	X	X

Bit	Symbol	Bit Name	Function	R/W
b0	Pi_0	Port Pi_0 bit	0: "L" level 1: "H" level	R/W
b1	Pi_1	Port Pi_1 bit		R/W
b2	Pi_2	Port Pi_2 bit		R/W
b3	Pi_3	Port Pi_3 bit		R/W
b4	Pi_4	Port Pi_4 bit		R/W
b5	Pi_5	Port Pi_5 bit		R/W
b6	Pi_6	Port Pi_6 bit		R/W
b7	Pi_7	Port Pi_7 bit		R/W

Notes:

1. Bits P4_0 to P4_1 in the P4 register are unavailable on this MCU. If it is necessary to set bits P4_0 to P4_1 set to 0. When read, the content is 0.
2. Bits P5_0 to P5_2, and P5_5 in the P5 register are unavailable on this MCU. If it is necessary to set bits P5_0 to P5_2, and P5_5, set to 0. When read, the content is 0. Also, bits P5_3 and P5_4 are reserved bits. If it is necessary to set bits P5_3 and P5_4, set to 0. When read, the content is undefined.

Data input and output to and from external devices are accomplished by reading and writing to the Pi register. The Pi register consists of a port latch to retain output data and a circuit to read the pin status. The value written in the port latch is output from the pin. Each bit in the Pi register corresponds to one port.

Pi_j Bit (i = 0 to 6, j = 0 to 7) (Port Pi_0 Bit)

The pin level of any I/O port which is set to input mode can be read by reading the corresponding bit in this register. The pin level of any I/O port which is set to output mode can be controlled by writing to the corresponding bit in this register.

7.4.3 Timer RA Pin Select Register (TRASR)

Address 0180h

Bit	b7	b6	b5	b4	b3	b2	b1	b0
Symbol	—	—	—	TRAOSEL1	TRAOSEL0	—	TRAIOSSEL1	TRAIOSSEL0
After Reset	0	0	0	0	0	0	0	0

Bit	Symbol	Bit Name	Function	R/W
b0	TRAIOSSEL0	TRAI0 pin select bit	b1 b0 0 0: TRAI0 pin not used 0 1: P1_7 assigned 1 0: P1_5 assigned 1 1: P3_2 assigned	R/W
b1	TRAIOSSEL1			R/W
b2	—	Reserved bit	Set to 0.	R/W
b3	TRAOSEL0	TRAO pin select bit	b4 b3 0 0: P3_7 assigned 0 1: P3_0 assigned 1 0: P5_6 assigned 1 1: Do not set.	R/W
b4	TRAOSEL1			R/W
b5	—	Nothing is assigned. If necessary, set to 0. When read, the content is 0.		—
b6	—			
b7	—			

The TRASR register selects which pin is assigned to the timer RA I/O. To use the I/O pin for timer RA, set this register.

Set the TRASR register before setting the timer RA associated registers. Also, do not change the setting value in this register during timer RA operation.

7.4.4 Timer RB/RC Pin Select Register (TRBRCSR)

Address 0181h

Bit	b7	b6	b5	b4	b3	b2	b1	b0
Symbol	—	—	TRCCLKSEL1	TRCCLKSEL0	—	—	—	TRBOSEL0
After Reset	0	0	0	0	0	0	0	0

Bit	Symbol	Bit Name	Function	R/W
b0	TRBOSEL0	TRBO pin select bit	0: P1_3 assigned 1: P3_1 assigned	R/W
b1	—	Reserved bit	Set to 0.	R/W
b2	—	Nothing is assigned. If necessary, set to 0. When read, the content is 0.		—
b3	—			
b4	TRCCLKSEL0	TRCCLK pin select bit	b5 b4 0 0: TRCCLK pin not used 0 1: P1_4 assigned 1 0: P3_3 assigned 1 1: Do not set.	R/W
b5	TRCCLKSEL1			R/W
b6	—	Reserved bit	Set to 0.	R/W
b7	—	Nothing is assigned. If necessary, set to 0. When read, the content is 0.		—

The TRBRCSR register selects which pin is assigned to the timer RB and timer RC I/O. To use the I/O pin for timer RB and timer RC, set this register.

Set the TRBOSEL0 bit before setting the timer RB associated registers. Set bits TRCCLKSEL0 and TRCCLKSEL1 before setting the timer RC associated registers. Also, do not change the setting values of the TRBOSEL0 bit during timer RB operation. Do not change the setting values of bits TRCCLKSEL0 and TRCCLKSEL1 during timer RC operation.

7.4.5 Timer RC Pin Select Register 0 (TRCPSR0)

Address 0182h

Bit	b7	b6	b5	b4	b3	b2	b1	b0
Symbol	—	TRCIOBSEL2	TRCIOBSEL1	TRCIOBSEL0	—	TRCIOASEL2	TRCIOASEL1	TRCIOASEL0
After Reset	0	0	0	0	0	0	0	0

Bit	Symbol	Bit Name	Function	R/W
b0	TRCIOASEL0	TRCIOA/TRCTRG pin select bit	b2 b1 b0 0 0 0: TRCIOA/TRCTRG pin not used 0 0 1: P1_1 assigned 0 1 0: P0_0 assigned 0 1 1: P0_1 assigned 1 0 0: P0_2 assigned Other than above: Do not set.	R/W
b1	TRCIOASEL1			R/W
b2	TRCIOASEL2			R/W
b3	—	Nothing is assigned. If necessary, set to 0. When read, the content is 0.		—
b4	TRCIOBSEL0	TRCIOB pin select bit	b6 b5 b4 0 0 0: TRCIOB pin not used 0 0 1: P1_2 assigned 0 1 0: P0_3 assigned 0 1 1: P0_4 assigned 1 0 0: P0_5 assigned 1 0 1: P2_0 assigned 1 1 0: P6_5 assigned Other than above: Do not set.	R/W
b5	TRCIOBSEL1			R/W
b6	TRCIOBSEL2			R/W
b7	—	Nothing is assigned. If necessary, set to 0. When read, the content is 0.		—

The TRCPSR0 register selects which pin is assigned to the timer RC I/O. To use the I/O pin for timer RC, set this register.

Set the TRCPSR0 register before setting the timer RC associated registers. Also, do not change the setting value in this register during timer RC operation.

7.4.6 Timer RC Pin Select Register 1 (TRCPSR1)

Address 0183h

Bit	b7	b6	b5	b4	b3	b2	b1	b0
Symbol	—	TRCIODSEL2	TRCIODSEL1	TRCIODSEL0	—	TRCIOSEL2	TRCIOSEL1	TRCIOSEL0
After Reset	0	0	0	0	0	0	0	0

Bit	Symbol	Bit Name	Function	R/W
b0	TRCIOSEL0	TRCIO pin select bit	b2 b1 b0 0 0 0: TRCIO pin not used 0 0 1: P1_3 assigned 0 1 0: P3_4 assigned 0 1 1: P0_7 assigned 1 0 0: P2_1 assigned 1 0 1: P6_6 assigned Other than above: Do not set.	R/W
b1	TRCIOSEL1			R/W
b2	TRCIOSEL2			R/W
b3	—	Nothing is assigned. If necessary, set to 0. When read, the content is 0.		—
b4	TRCIODSEL0	TRCIOD pin select bit	b6 b5 b4 0 0 0: TRCIOD pin not used 0 0 1: P1_0 assigned 0 1 0: P3_5 assigned 0 1 1: P0_6 assigned 1 0 0: P2_2 assigned 1 0 1: P6_7 assigned Other than above: Do not set.	R/W
b5	TRCIODSEL1			R/W
b6	TRCIODSEL2			R/W
b7	—	Nothing is assigned. If necessary, set to 0. When read, the content is 0.		—

The TRCPSR1 register selects which pin is assigned to the timer RC I/O. To use the I/O pin for timer RC, set this register.

Set the TRCPSR1 register before setting the timer RC associated registers. Also, do not change the setting value in this register during timer RC operation.

7.4.7 Timer RD Pin Select Register 0 (TRDPSR0)

Address 0184h

Bit	b7	b6	b5	b4	b3	b2	b1	b0
Symbol	—	TRDIOD0SEL0	TRDIOC0SEL1	TRDIOC0SEL0	TRDIOB0SEL1	TRDIOB0SEL0	—	TRDIOA0SEL0
After Reset	0	0	0	0	0	0	0	0

Bit	Symbol	Bit Name	Function	R/W
b0	TRDIOA0SEL0	TRDIOA0/TRDCLK pin select bit	0: TRDIOA0/TRDCLK pin not used 1: P2_0 assigned	R/W
b1	—	Nothing is assigned. If necessary, set to 0. When read, the content is 0.		—
b2	TRDIOB0SEL0	TRDIOB0 pin select bit	b3 b2 0 0: TRDIOB0 pin not used 0 1: Do not set. 1 0: P2_2 assigned 1 1: Do not set.	R/W
b3	TRDIOB0SEL1			R/W
b4	TRDIOC0SEL0	TRDIOC0 pin select bit	b5 b4 0 0: TRDIOC0 pin not used 0 1: Do not set. 1 0: P2_1 assigned 1 1: Do not set.	R/W
b5	TRDIOC0SEL1			R/W
b6	TRDIOD0SEL0	TRDIOD0 pin select bit	0: TRDIOD0 pin not used 1: P2_3 assigned	R/W
b7	—	Nothing is assigned. If necessary, set to 0. When read, the content is 0.		—

The TRDPSR0 register selects which pin is assigned to the timer RD I/O. To use the I/O pin for timer RD, set this register.

Set the TRDPSR0 register before setting the timer RD associated registers. Also, do not change the setting value in this register during timer RD operation.

7.4.8 Timer RD Pin Select Register 1 (TRDPSR1)

Address 0185h

Bit	b7	b6	b5	b4	b3	b2	b1	b0
Symbol	—	TRDIOD1SEL0	—	TRDIOC1SEL0	—	TRDIOB1SEL0	—	TRDIOA1SEL0
After Reset	0	0	0	0	0	0	0	0

Bit	Symbol	Bit Name	Function	R/W
b0	TRDIOA1SEL0	TRDIOA1 pin select bit	0: TRDIOA1 pin not used 1: P2_4 assigned	R/W
b1	—	Nothing is assigned. If necessary, set to 0. When read, the content is 0.		—
b2	TRDIOB1SEL0	TRDIOB1 pin select bit	0: TRDIOB1 pin not used 1: P2_5 assigned	R/W
b3	—	Nothing is assigned. If necessary, set to 0. When read, the content is 0.		—
b4	TRDIOC1SEL0	TRDIOC1 pin select bit	0: TRDIOC1 pin not used 1: P2_6 assigned	R/W
b5	—	Reserved bit	Set to 0.	R/W
b6	TRDIOD1SEL0	TRDIOD1 pin select bit	0: TRDIOD1 pin not used 1: P2_7 assigned	R/W
b7	—	Reserved bit	Set to 0.	R/W

The TRDPSR1 register selects which pin is assigned to the timer RD I/O. To use the I/O pin for timer RD, set this register.

Set the TRDPSR1 register before setting the timer RD associated registers. Also, do not change the setting value in this register during timer RD operation.

7.4.9 Timer Pin Select Register (TIMSR)

Address 0186h

Bit	b7	b6	b5	b4	b3	b2	b1	b0
Symbol	—	—	—	—	—	—	—	TREOSEL0
After Reset	0	0	0	0	0	0	0	0

Bit	Symbol	Bit Name	Function	R/W
b0	TREOSEL0	TREO pin select bit	0: P0_4 assigned 1: P6_0 assigned	R/W
b1	—	Nothing is assigned. If necessary, set to 0. When read, the content is 0.		—
b2	—			
b3	—			
b4	—			
b5	—			
b6	—			
b7	—			

The TIMSR register selects which pin is assigned to the timer RE output. To use the output pin for timer RE, set this register.

Set the TIMSR register before setting the timer RE associated registers. Also, do not change the setting value in this register during timer RE operation.

7.4.10 UART0 Pin Select Register (U0SR)

Address 0188h

Bit	b7	b6	b5	b4	b3	b2	b1	b0
Symbol	—	—	—	CLK0SELO	—	RXD0SELO	—	TXD0SELO
After Reset	0	0	0	0	0	0	0	0

Bit	Symbol	Bit Name	Function	R/W
b0	TXD0SELO	TXD0 pin select bit	0: TXD0 pin not used 1: P1_4 assigned	R/W
b1	—	Nothing is assigned. If necessary, set to 0. When read, the content is 0.		—
b2	RXD0SELO	RXD0 pin select bit	0: RXD0 pin not used 1: P1_5 assigned	R/W
b3	—	Nothing is assigned. If necessary, set to 0. When read, the content is 0.		—
b4	CLK0SELO	CLK0 pin select bit	0: CLK0 pin not used 1: P1_6 assigned	R/W
b5	—	Nothing is assigned. If necessary, set to 0. When read, the content is 0.		—
b6	—			
b7	—			

The U0SR register selects which pin is assigned to the UART0 I/O. To use the I/O pin for UART0, set this register.

Set the U0SR register before setting the UART0 associated registers. Also, do not change the setting value in this register during UART0 operation.

7.4.11 UART1 Pin Select Register (U1SR)

Address 0189h

Bit	b7	b6	b5	b4	b3	b2	b1	b0
Symbol	—	—	CLK1SEL1 CLK1SELO	RXD1SEL1 RXD1SELO	TXD1SEL1 TXD1SELO	—	—	—
After Reset	0	0	0	0	0	0	0	0

Bit	Symbol	Bit Name	Function	R/W
b0	TXD1SELO	TXD1 pin select bit	b1 b0 0 0: TXD1 pin not used 0 1: P0_1 assigned 1 0: P6_3 assigned 1 1: Do not set.	R/W
b1	TXD1SEL1			R/W
b2	RXD1SELO	RXD1 pin select bit	b3 b2 0 0: RXD1 pin not used 0 1: P0_2 assigned 1 0: P6_4 assigned 1 1: Do not set.	R/W
b3	RXD1SEL1			R/W
b4	CLK1SELO	CLK1 pin select bit	b5 b4 0 0: CLK1 pin not used 0 1: P0_3 assigned 1 0: P6_2 assigned 1 1: P6_5 assigned	R/W
b5	CLK1SEL1			R/W
b6	—	Nothing is assigned. If necessary, set to 0. When read, the content is 0.		—
b7	—			

The U1SR register selects which pin is assigned to the UART1 I/O. To use the I/O pin for UART1, set this register.

Set the U1SR register before setting the UART1 associated registers. Also, do not change the setting value in this register during UART1 operation.

7.4.12 UART2 Pin Select Register 0 (U2SR0)

Address 018Ah

Bit	b7	b6	b5	b4	b3	b2	b1	b0
Symbol	—	—	RXD2SEL1	RXD2SEL0	—	TXD2SEL2	TXD2SEL1	TXD2SEL0
After Reset	0	0	0	0	0	0	0	0

Bit	Symbol	Bit Name	Function	R/W
b0	TXD2SEL0	TXD2/SDA2 pin select bit	^{b2 b1 b0} 0 0 0: TXD2/SDA2 pin not used 0 0 1: P3_7 assigned 0 1 0: P3_4 assigned 0 1 1: Do not set. 1 0 0: Do not set. 1 0 1: P6_6 assigned 1 1 0: Do not set. 1 1 1: Do not set.	R/W
b1	TXD2SEL1			R/W
b2	TXD2SEL2			R/W
b3	—	Nothing is assigned. If necessary, set to 0. When read, the content is 0.		—
b4	RXD2SEL0	RXD2/SCL2 pin select bit	^{b5 b4} 0 0: RXD2/SCL2 pin not used 0 1: P3_4 assigned 1 0: P3_7 assigned 1 1: P4_5 assigned	R/W
b5	RXD2SEL1			R/W
b6	—	Reserved bit	Set to 0.	R/W
b7	—	Nothing is assigned. If necessary, set to 0. When read, the content is 0.		—

The U2SR0 register selects which pin is assigned to the UART2 I/O. To use the I/O pin for UART2, set this register.

Set the U2SR0 register before setting the UART2 associated registers. Also, do not change the setting value in this register during UART2 operation.

7.4.13 UART2 Pin Select Register 1 (U2SR1)

Address 018Bh

Bit	b7	b6	b5	b4	b3	b2	b1	b0
Symbol	—	—	—	CTS2SEL0	—	—	CLK2SEL1	CLK2SEL0
After Reset	0	0	0	0	0	0	0	0

Bit	Symbol	Bit Name	Function	R/W
b0	CLK2SEL0	CLK2 pin select bit	^{b1 b0} 0 0: CLK2 pin not used 0 1: P3_5 assigned 1 0: Do not set. 1 1: P6_5 assigned	R/W
b1	CLK2SEL1			R/W
b2	—	Nothing is assigned. If necessary, set to 0. When read, the content is 0.		—
b3	—			—
b4	CTS2SEL0	CTS2/RTS2 pin select bit	0: CTS2/RTS2 pin not used 1: P3_3 assigned	R/W
b5	—	Reserved bit	Set to 0.	R/W
b6	—	Nothing is assigned. If necessary, set to 0. When read, the content is 0.		—
b7	—			—

The U2SR1 register selects which pin is assigned to the UART2 I/O. To use the I/O pin for UART2, set this register.

Set the U2SR1 register before setting the UART2 associated registers. Also, do not change the setting value in this register during UART2 operation.

7.4.14 SSU/IIC Pin Select Register (SSUICSR)

Address 018Ch

Bit	b7	b6	b5	b4	b3	b2	b1	b0
Symbol	—	—	—	—	—	—	—	IICSEL
After Reset	0	0	0	0	0	0	0	0

Bit	Symbol	Bit Name	Function	R/W
b0	IICSEL	SSU/I ² C bus switch bit	0: SSU function selected 1: I ² C bus function selected	R/W
b1	—	Reserved bit	Set to 0.	R/W
b2	—	Nothing is assigned. If necessary, set to 0. When read, the content is 0.		—
b3	—			
b4	—			
b4	—	Reserved bits	Set to 0.	R/W
b5	—			
b6	—			
b7	—			

7.4.15 INT Interrupt Input Pin Select Register (INTSR)

Address 018Eh

Bit	b7	b6	b5	b4	b3	b2	b1	b0
Symbol	INT3SEL1	INT3SEL0	—	INT2SEL0	INT1SEL2	INT1SEL1	INT1SEL0	—
After Reset	0	0	0	0	0	0	0	0

Bit	Symbol	Bit Name	Function	R/W
b0	—	Nothing is assigned. If necessary, set to 0. When read, the content is 0.		—
b1	INT1SEL0	INT1 pin select bit	b3 b2 b1 0 0 0: P1_7 assigned 0 0 1: P1_5 assigned 0 1 0: P2_0 assigned 0 1 1: P3_6 assigned 1 0 0: P3_2 assigned Other than above: Do not set.	R/W
b2	INT1SEL1			R/W
b3	INT1SEL2			R/W
b4	INT2SEL0	INT2 pin select bit	0: P6_6 assigned 1: P3_2 assigned	R/W
b5	—	Nothing is assigned. If necessary, set to 0. When read, the content is 0.		—
b6	INT3SEL0	INT3 pin select bit	b7 b6 0 0: P3_3 assigned 0 1: Do not set. 1 0: P6_7 assigned 1 1: Do not set.	R/W
b7	INT3SEL1			R/W

The INTSR register selects which pin is assigned to the \overline{INT}_i ($i = 1$ to 3) input. To use \overline{INT}_i , set this register. Set the INTSR register before setting the \overline{INT}_i associated registers. Also, do not change the setting values in this register during \overline{INT}_i operation.

7.4.16 I/O Function Pin Select Register (PINSR)

Address 018Fh

Bit	b7	b6	b5	b4	b3	b2	b1	b0
Symbol	SDADLY1	SDADLY0	IICTCHALF	IICTCTWI	IOINSEL	—	—	XCSEL
After Reset	0	0	0	0	0	0	0	0

Bit	Symbol	Bit Name	Function	R/W
b0	XCSEL	XCIN/XCOUT pin connect bit	0: XCIN not connected to P4_3, XCOUT not connected to P4_4 1: XCIN connected to P4_3, XCOUT connected to P4_4	R/W
b1	—	Reserved bit	Set to 0.	R/W
b2	—	Nothing is assigned. If necessary, set to 0. When read, the content is 0.		—
b3	IOINSEL	I/O port input function select bit	0: The I/O port input function depends on the PDi (i = 0 to 6) register. When the PDi_j (j = 0 to 7) bit in the PDi register is set to 0 (input mode), the pin input level is read. When the PDi_j bit in the PDi register is set to 1 (output mode), the port latch is read. 1: The I/O port input function reads the pin input level regardless of the PDi register.	R/W
b4	IICTCTWI	I ² C double transfer rate select bit	0: Transfer rate is the same as the value set with bits CKS0 to CKS3 in the ICCR1 register 1: Transfer rate is twice the value set with bits CKS0 to CKS3 in the ICCR1 register	R/W
b5	IICTCHALF	I ² C half transfer rate select bit	0: Transfer rate is the same as the value set with bits CKS0 to CKS3 in the ICCR1 register 1: Transfer rate is half the value set with bits CKS0 to CKS3 in the ICCR1 register	R/W
b6	SDADLY0	SDA digital delay select bit	b7 b6 0 0: Digital delay of 3 × f1 cycles 0 1: Digital delay of 11 × f1 cycles 1 0: Digital delay of 19 × f1 cycles 1 1: Do not set.	R/W
b7	SDADLY1			R/W

XCSEL Bit (XCIN/XCOUT pin connect bit)

The XCSEL bit is used to connect XCIN and XCOUT to P4_3 and P4_4, respectively. When this bit is set to 1, XCIN is connected to P4_3 and XCOUT is connected to P4_4. For how to set XCIN and XCOUT, refer to **9. Clock Generation Circuit**.

IOINSEL Bit (I/O port input function select bit)

The IOINSEL bit is used to select the pin level of an I/O port when the PDi_j (j = 0 to 7) bit in the PDi (i = 0 to 6) register is set to 1 (output mode). When this bit is set to 1, the I/O port input function reads the pin input level regardless of the PDi register.

Table 7.4 lists I/O Port Values Read by Using IOINSEL Bit. The IOINSEL bit can be used to change the input function of all I/O ports except P4_2.

Table 7.4 I/O Port Values Read by Using IOINSEL Bit

PDi_j bit in PDi register	0 (input mode)		1 (output mode)		
	IOINSEL bit	0	1	0	1
I/O port values read		Pin input level	Port latch value	Pin input level	

7.4.17 Pull-Up Control Register 0 (PUR0)

Address 01E0h

Bit	b7	b6	b5	b4	b3	b2	b1	b0
Symbol	PU07	PU06	PU05	PU04	PU03	PU02	PU01	PU00
After Reset	0	0	0	0	0	0	0	0

Bit	Symbol	Bit Name	Function	R/W
b0	PU00	P0_0 to P0_3 pull-up	0: Not pulled up 1: Pulled up ⁽¹⁾	R/W
b1	PU01	P0_4 to P0_7 pull-up		R/W
b2	PU02	P1_0 to P1_3 pull-up		R/W
b3	PU03	P1_4 to P1_7 pull-up		R/W
b4	PU04	P2_0 to P2_3 pull-up		R/W
b5	PU05	P2_4 to P2_7 pull-up		R/W
b6	PU06	P3_0 to P3_3 pull-up		R/W
b7	PU07	P3_4 to P3_7 pull-up		R/W

Note:

- When this bit is set to 1 (pulled up), the pin whose port direction bit is set to 0 (input mode) is pulled up.

For pins used as input, the setting values in the PUR0 register are valid.

7.4.18 Pull-Up Control Register 1 (PUR1)

Address 01E1h

Bit	b7	b6	b5	b4	b3	b2	b1	b0
Symbol	—	—	PU15	PU14	PU13	—	PU11	PU10
After Reset	0	0	0	0	0	0	0	0

Bit	Symbol	Bit Name	Function	R/W
b0	PU10	P4_3 pull-up	0: Not pulled up 1: Pulled up ⁽¹⁾	R/W
b1	PU11	P4_4 to P4_7 pull-up		R/W
b2	—	Reserved bit	Set to 0.	R/W
b3	PU13	P5_6 and P5_7 pull-up	0: Not pulled up 1: Pulled up ⁽¹⁾	R/W
b4	PU14	P6_0 to P6_3 pull-up		R/W
b5	PU15	P6_4 to P6_7 pull-up		R/W
b6	—	Nothing is assigned. If necessary, set to 0. When read, the content is undefined.		—
b7	—			

Note:

- When this bit is set to 1 (pulled up), the pin whose port direction bit is set to 0 (input mode) is pulled up.

For pins used as input, the setting values in the PUR1 register are valid.

7.4.19 Port P1 Drive Capacity Control Register (P1DRR)

Address 01F0h

Bit	b7	b6	b5	b4	b3	b2	b1	b0
Symbol	P1DRR7	P1DRR6	P1DRR5	P1DRR4	P1DRR3	P1DRR2	P1DRR1	P1DRR0
After Reset	0	0	0	0	0	0	0	0

Bit	Symbol	Bit Name	Function	R/W
b0	P1DRR0	P1_0 drive capacity	0: Low 1: High ⁽¹⁾	R/W
b1	P1DRR1	P1_1 drive capacity		R/W
b2	P1DRR2	P1_2 drive capacity		R/W
b3	P1DRR3	P1_3 drive capacity		R/W
b4	P1DRR4	P1_4 drive capacity		R/W
b5	P1DRR5	P1_5 drive capacity		R/W
b6	P1DRR6	P1_6 drive capacity		R/W
b7	P1DRR7	P1_7 drive capacity		R/W

Note:

- Both "H" and "L" output are set to high drive capacity.

The P1DRR register selects whether the drive capacity of the P1 output transistor is set to low or high.

The P1DRR_i bit (i = 0 to 7) is used to select whether the drive capacity of the output transistor is set to low or high for each pin.

For pins used as output, the setting values in the P1DRR register are valid.

7.4.20 Port P2 Drive Capacity Control Register (P2DRR)

Address 01F1h

Bit	b7	b6	b5	b4	b3	b2	b1	b0
Symbol	P2DRR7	P2DRR6	P2DRR5	P2DRR4	P2DRR3	P2DRR2	P2DRR1	P2DRR0
After Reset	0	0	0	0	0	0	0	0

Bit	Symbol	Bit Name	Function	R/W
b0	P2DRR0	P2_0 drive capacity	0: Low 1: High ⁽¹⁾	R/W
b1	P2DRR1	P2_1 drive capacity		R/W
b2	P2DRR2	P2_2 drive capacity		R/W
b3	P2DRR3	P2_3 drive capacity		R/W
b4	P2DRR4	P2_4 drive capacity		R/W
b5	P2DRR5	P2_5 drive capacity		R/W
b6	P2DRR6	P2_6 drive capacity		R/W
b7	P2DRR7	P2_7 drive capacity		R/W

Note:

- Both "H" and "L" output are set to high drive capacity.

The P2DRR register selects whether the drive capacity of the P2 output transistor is set to low or high. The P2DRR_i bit (i = 0 to 7) is used to select whether the drive capacity of the output transistor is set to low or high for each pin.

For pins used as output, the setting values in the P2DRR register are valid.

7.4.21 Drive Capacity Control Register 0 (DRR0)

Address 01F2h

Bit	b7	b6	b5	b4	b3	b2	b1	b0
Symbol	DRR07	DRR06	—	—	—	—	DRR01	DRR00
After Reset	0	0	0	0	0	0	0	0

Bit	Symbol	Bit Name	Function	R/W
b0	DRR00	P0_0 to P0_3 drive capacity	0: Low	R/W
b1	DRR01	P0_4 to P0_7 drive capacity	1: High ⁽¹⁾	R/W
b2	—	Nothing is assigned. If necessary, set to 0. When read, the content is 0.		—
b3	—			
b4	—			
b5	—			
b6	DRR06	P3_0 to P3_3 drive capacity	0: Low	R/W
b7	DRR07	P3_4 to P3_7 drive capacity	1: High ⁽¹⁾	R/W

Note:

- Both “H” and “L” output are set to high drive capacity.

For pins used as output, the setting values in the DRR0 register are valid.

DRR00 Bit (P0_0 to P0_3 drive capacity)

The DRR00 bit selects whether the drive capacity of the P0_0 to P0_3 output transistors is set to low or high. This bit is used to select whether the drive capacity of the output transistors is set to low or high for four pins.

DRR01 Bit (P0_4 to P0_7 drive capacity)

The DRR01 bit selects whether the drive capacity of the P0_4 to P0_7 output transistors is set to low or high. This bit is used to select whether the drive capacity of the output transistors is set to low or high for four pins.

DRR06 Bit (P3_0 to P3_3 drive capacity)

The DRR06 bit selects whether the drive capacity of the P3_0 to P3_3 output transistors is set to low or high. This bit is used to select whether the drive capacity of the output transistors is set to low or high for four pins.

DRR07 Bit (P3_4 to P3_7 drive capacity)

The DRR07 bit selects whether the drive capacity of the P3_4 to P3_7 output transistors is set to low or high. This bit is used to select whether the drive capacity of the output transistors is set to low or high for four pins.

7.4.22 Drive Capacity Control Register 1 (DRR1)

Address 01F3h

Bit	b7	b6	b5	b4	b3	b2	b1	b0
Symbol	—	—	DRR15	DRR14	DRR13	—	DRR11	DRR10
After Reset	0	0	0	0	0	0	0	0

Bit	Symbol	Bit Name	Function	R/W
b0	DRR10	P4_3 drive capacity	0: Low	R/W
b1	DRR11	P4_4 to P4_7 drive capacity	1: High ⁽¹⁾	R/W
b2	—	Nothing is assigned. If necessary, set to 0. When read, the content is 0.		—
b3	DRR13	P5_6 and P5_7 drive capacity	0: Low	R/W
b4	DRR14	P6_0 to P6_3 drive capacity	1: High ⁽¹⁾	R/W
b5	DRR15	P6_4 to P6_7 drive capacity		R/W
b6	—	Nothing is assigned. If necessary, set to 0. When read, the content is 0.		—
b7	—			

Note:

- Both “H” and “L” output are set to high drive capacity.

For pins used as output, the setting values in the DRR1 register are valid.

DRR10 Bit (P4_3 drive capacity)

The DRR10 bit selects whether the drive capacity of the P4_3 output transistor is set to low or high. This bit is used to select whether the drive capacity of the output transistor is set to low or high for one pin.

DRR11 Bit (P4_4 to P4_7 drive capacity)

The DRR11 bit selects whether the drive capacity of the P4_4 to P4_7 output transistors is set to low or high. This bit is used to select whether the drive capacity of the output transistors is set to low or high for four pins.

DRR13 Bit (P5_6 and P5_7 drive capacity)

The DRR13 bit selects whether the drive capacity of the P5_6 and P5_7 output transistors is set to low or high. This bit is used to select whether the drive capacity of the output transistors is set to low or high for two pins.

DRR14 Bit (P6_0 to P6_3 drive capacity)

The DRR14 bit selects whether the drive capacity of the P6_0 and P6_3 output transistors is set to low or high. This bit is used to select whether the drive capacity of the output transistors is set to low or high for four pins.

DRR15 Bit (P6_4 to P6_7 drive capacity)

The DRR15 bit selects whether the drive capacity of the P6_4 and P6_7 output transistors is set to low or high. This bit is used to select whether the drive capacity of the output transistors is set to low or high for four pins.

7.4.23 Input Threshold Control Register 0 (VLT0)

Address 01F5h

Bit	b7	b6	b5	b4	b3	b2	b1	b0
Symbol	VLT07	VLT06	VLT05	VLT04	VLT03	VLT02	VLT01	VLT00
After Reset	0	0	0	0	0	0	0	0

Bit	Symbol	Bit Name	Function	R/W
b0	VLT00	P0 input level select bit	^{b1 b0} 0 0: 0.50 × VCC 0 1: 0.35 × VCC 1 0: 0.70 × VCC 1 1: Do not set.	R/W
b1	VLT01			R/W
b2	VLT02	P1 input level select bit	^{b3 b2} 0 0: 0.50 × VCC 0 1: 0.35 × VCC 1 0: 0.70 × VCC 1 1: Do not set.	R/W
b3	VLT03			R/W
b4	VLT04	P2 input level select bit	^{b5 b4} 0 0: 0.50 × VCC 0 1: 0.35 × VCC 1 0: 0.70 × VCC 1 1: Do not set.	R/W
b5	VLT05			R/W
b6	VLT06	P3 input level select bit	^{b7 b6} 0 0: 0.50 × VCC 0 1: 0.35 × VCC 1 0: 0.70 × VCC 1 1: Do not set.	R/W
b7	VLT07			R/W

The VLT0 register selects the voltage level of the input threshold values for ports P0 to P3. Bits VLT00 to VLT07 are used to select the input threshold values among three voltage levels (0.35 VCC, 0.50 VCC, and 0.70 VCC) for every eight pins.

7.4.24 Input Threshold Control Register 1 (VLT1)

Address 01F6h

Bit	b7	b6	b5	b4	b3	b2	b1	b0
Symbol	—	—	VLT15	VLT14	VLT13	VLT12	VLT11	VLT10
After Reset	0	0	0	0	0	0	0	0

Bit	Symbol	Bit Name	Function	R/W
b0	VLT10	P4_2 to P4_7 input level select bit	^{b1 b0} 0 0: 0.50 × VCC 0 1: 0.35 × VCC 1 0: 0.70 × VCC 1 1: Do not set.	R/W
b1	VLT11			R/W
b2	VLT12	P5_6 and P5_7 input level select bit	^{b3 b2} 0 0: 0.50 × VCC 0 1: 0.35 × VCC 1 0: 0.70 × VCC 1 1: Do not set.	R/W
b3	VLT13			R/W
b4	VLT14	P6 input level select bit	^{b5 b4} 0 0: 0.50 × VCC 0 1: 0.35 × VCC 1 0: 0.70 × VCC 1 1: Do not set.	R/W
b5	VLT15			R/W
b6	—	Nothing is assigned. If necessary, set to 0. When read, the content is 0.		—
b7	—			—

The VLT1 register selects the voltage level of the input threshold values for ports P4_2 to P4_7, P5_6, P5_7, and P6. Bits VLT10 to VLT15 are used to select the input threshold values among three voltage levels (0.35 VCC, 0.50 VCC, and 0.70 VCC).

7.5 Port Settings

Tables 7.5 to 7.65 list the port settings.

Table 7.5 Port P0_0/AN7/TRCIOA/TRCTRG

Register	PD0	ADINSEL					TRCPSR0			Timer RC Setting	Function
Bit	PD0_0	CH			ADGSEL		TRCIOASEL			—	
		2	1	0	1	0	2	1	0		
Setting Value	0	X	X	X	X	X	Other than 010b			X	Input port ⁽¹⁾
	1	X	X	X	X	X	Other than 010b			X	Output port ⁽²⁾
	0	1	1	1	0	0	Other than 010b			X	A/D converter input (AN7) ⁽¹⁾
	0	X	X	X	X	X	0	1	0	Refer to Table 7.54 TRCIOA Pin Setting	TRCIOA input ⁽¹⁾
	X	X	X	X	X	X	0	1	0	Refer to Table 7.54 TRCIOA Pin Setting	TRCIOA output ⁽²⁾

X: 0 or 1

Notes:

1. Pulled up by setting the PU00 bit in the PUR0 register to 1.
2. Output drive capacity high by setting the DRR00 bit in the DRR0 register to 1.

Table 7.6 Port P0_1/AN6/TXD1/TRCIOA/TRCTRG

Register	PD0	ADINSEL					U1SR	U1MR	TRCPSR0			Timer RC Setting	Function			
Bit	PD0_1	CH			ADGSEL		TXD1SEL	SMD		TRCIOASEL				—		
		2	1	0	1	0	1	0	2	1	0					
Setting Value	0	X	X	X	X	X	Other than 01b	X	X	X	Other than 011b			X	Input port ⁽¹⁾	
	1	X	X	X	X	X	Other than 01b	X	X	X	Other than 011b			X	Output port ⁽²⁾	
	0	1	1	0	0	0	Other than 01b	X	X	X	Other than 011b			X	A/D converter input (AN6) ⁽¹⁾	
	X	X	X	X	X	X	0	1	0	1	0	X	X	X	X	TXD1 output ^(2, 3)
	0	X	X	X	X	X	Other than 01b	X	X	X	0	1	1	Refer to Table 7.54 TRCIOA Pin Setting	TRCIOA input ⁽¹⁾	
	X	X	X	X	X	X	Other than 01b	X	X	X	0	1	1	Refer to Table 7.54 TRCIOA Pin Setting	TRCIOA output ⁽²⁾	

X: 0 or 1

Notes:

1. Pulled up by setting the PU00 bit in the PUR0 register to 1.
2. Output drive capacity high by setting the DRR00 bit in the DRR0 register to 1.
3. N-channel open-drain output by setting the NCH bit in the U1C0 register to 1.

Table 7.7 Port P0_2/AN5/RXD1/TRCIOA/TRCTRG

Register	PD0	ADINSEL					U1SR	TRCPSR0			Timer RC Setting	Function	
Bit	PD0_2	CH			ADGSEL		RXD1SEL	TRCIOASEL			—		
		2	1	0	1	0	1	0	2	1			0
Setting Value	0	X	X	X	X	X	X	X	Other than 100b			X	Input port ⁽¹⁾
	1	X	X	X	X	X	X	X	Other than 100b			X	Output port ⁽²⁾
	0	1	0	1	0	0	Other than 01b	Other than 100b			X	A/D converter input (AN5) ⁽¹⁾	
	0	X	X	X	X	X	0	1	Other than 100b			X	RXD1 input ⁽¹⁾
	0	X	X	X	X	X	X	X	1	0	0	Refer to Table 7.54 TRCIOA Pin Setting	TRCIOA input ⁽¹⁾
	X	X	X	X	X	X	X	X	1	0	0	Refer to Table 7.54 TRCIOA Pin Setting	TRCIOA output ⁽²⁾

X: 0 or 1

Notes:

1. Pulled up by setting the PU00 bit in the PUR0 register to 1.
2. Output drive capacity high by setting the DRR00 bit in the DRR0 register to 1.

Table 7.8 Port P0_3/AN4/CLK1/TRCIOB

Register	PD0	ADINSEL					U1SR		U1MR			TRCPSR0			Timer RC Setting	Function	
Bit	PD0_3	CH			ADGSEL		CLK1SEL		SMD			CKDIR	TRCIOBSEL				—
		2	1	0	1	0	1	0	2	1	0		2	1	0		
Setting Value	0	X	X	X	X	X	Other than 01b		X	X	X	X	Other than 010b			X	Input port (1)
	1	X	X	X	X	X	Other than 01b		X	X	X	X	Other than 010b			X	Output port (2)
	0	1	0	0	0	0	Other than 01b		X	X	X	X	Other than 010b			X	A/D converter input (AN4) (1)
	0	X	X	X	X	X	0	1	X	X	X	1	X	X	X	X	CLK1 (external clock) input (1)
	X	X	X	X	X	X	0	1	0	0	1	0	X	X	X	X	CLK1 (internal clock) output (2)
	0	X	X	X	X	X	Other than 01b		X	X	X	X	0	1	0	Refer to Table 7.55 TRCIOB Pin Setting	TRCIOB input (1)
	X	X	X	X	X	X	Other than 01b		X	X	X	X	0	1	0	Refer to Table 7.55 TRCIOB Pin Setting	TRCIOB output (2)

X: 0 or 1

Notes:

1. Pulled up by setting the PU00 bit in the PUR0 register to 1.
2. Output drive capacity high by setting the DRR00 bit in the DRR0 register to 1.

Table 7.9 Port P0_4/AN3/TREO/TRCIOB

Register	PD0	ADINSEL					TIMSR		TRECR1	TRCPSR0			Timer RC Setting	Function
Bit	PD0_4	CH			ADGSEL		TREOSEL0		TOENA	TRCIOBSEL			—	
		2	1	0	1	0				2	1	0		
Setting Value	0	X	X	X	X	X	Other than 01b			Other than 011b			X	Input port (1)
	1	X	X	X	X	X	Other than 01b			Other than 011b			X	Output port (2)
	0	0	1	1	0	0	Other than 01b			Other than 011b			X	A/D converter input (AN3) (1)
	X	X	X	X	X	X	0		1	Other than 011b			X	TREO output (2)
	0	X	X	X	X	X	X		X	0	1	1	Refer to Table 7.55 TRCIOB Pin Setting	TRCIOB input (1)
	X	X	X	X	X	X	X		X	0	1	1	Refer to Table 7.55 TRCIOB Pin Setting	TRCIOB output (2)

X: 0 or 1

Notes:

1. Pulled up by setting the PU01 bit in the PUR0 register to 1.
2. Output drive capacity high by setting the DRR01 bit in the DRR0 register to 1.

Table 7.10 Port P0_5/AN2/TRCIOB

Register	PD0	ADINSEL					TRCPSR0			Timer RC Setting	Function
Bit	PD0_5	CH			ADGSEL		TRCIOBSEL			—	
		2	1	0	1	0	2	1	0		
Setting Value	0	X	X	X	X	X	Other than 100b			X	Input port (1)
	1	X	X	X	X	X	Other than 100b			X	Output port (2)
	0	0	1	0	0	0	Other than 100b			X	A/D converter input (AN2) (1)
	0	X	X	X	X	X	1	0	0	Refer to Table 7.55 TRCIOB Pin Setting	TRCIOB input (1)
	X	X	X	X	X	X	1	0	0	Refer to Table 7.55 TRCIOB Pin Setting	TRCIOB output (2)

X: 0 or 1

Notes:

1. Pulled up by setting the PU01 bit in the PUR0 register to 1.
2. Output drive capacity high by setting the DRR01 bit in the DRR0 register to 1.

Table 7.11 Port P0_6/AN1/DA0/TRCIOD

Register	PD0	ADINSEL					DACON	TRCPSR1			Timer RC Setting	Function
Bit	PD0_6	CH			ADGSEL		DA0E	TRCIODSEL			—	
		2	1	0	1	0		2	1	0		
Setting Value	0	X	X	X	X	X	0	Other than 011b			X	Input port (1)
	1	X	X	X	X	X	0	Other than 011b			X	Output port (2)
	0	0	0	1	0	0	0	Other than 011b			X	A/D converter input (AN1) (1)
	0	X	X	X	X	X	1	Other than 011b			X	D/A converter output (DA0) (1)
	0	X	X	X	X	X	0	0	1	1	Refer to Table 7.57 TRCIOD Pin Setting	TRCIOD input (1)
	X	X	X	X	X	X	0	0	1	1	Refer to Table 7.57 TRCIOD Pin Setting	TRCIOD output (2)

X: 0 or 1

Notes:

1. Pulled up by setting the PU01 bit in the PUR0 register to 1.
2. Output drive capacity high by setting the DRR01 bit in the DRR0 register to 1.

Table 7.12 Port P0_7/AN0/DA1/TRCIOC

Register	PD0	ADINSEL					DACON	TRCPSR1			Timer RC Setting	Function
Bit	PD0_7	CH			ADGSEL		DA1E	TRCIOCSEL			—	
		2	1	0	1	0		2	1	0		
Setting Value	0	X	X	X	X	X	0	Other than 011b			X	Input port (1)
	1	X	X	X	X	X	0	Other than 011b			X	Output port (2)
	0	0	0	0	0	0	0	Other than 011b			X	A/D converter input (AN0) (1)
	0	X	X	X	X	X	1	Other than 011b			X	D/A converter output (DA1) (1)
	0	X	X	X	X	X	0	0	1	1	Refer to Table 7.56 TRCIOC Pin Setting	TRCIOC input (1)
	X	X	X	X	X	X	0	0	1	1	Refer to Table 7.56 TRCIOC Pin Setting	TRCIOC output (2)

X: 0 or 1

Notes:

1. Pulled up by setting the PU01 bit in the PUR0 register to 1.
2. Output drive capacity high by setting the DRR01 bit in the DRR0 register to 1.

Table 7.13 Port P1_0/KI0/AN8/TRCIOD/LVCMP1

Register	PD1	KIEN	ADINSEL					TRCPSR1			VCA2	Timer RC Setting	Function
Bit	PD1_0	KI0EN	CH			ADGSEL		TRCIODSEL			VCA22	—	
			2	1	0	1	0	2	1	0			
Setting Value	0	X	X	X	X	X	X	Other than 001b			X	X	Input port (1)
	1	X	X	X	X	X	X	Other than 001b			X	X	Output port (2)
	0	1	X	X	X	X	X	Other than 001b			X	X	$\overline{\text{KI0}}$ input (1)
	0	0	0	0	0	0	1	Other than 001b			X	X	A/D converter input (AN8) (1)
	0	X	X	X	X	X	X	0	0	1	X	Refer to Table 7.57 TRCIOD Pin Setting	TRCIOD input (1)
	X	X	X	X	X	X	X	0	0	1	X	Refer to Table 7.57 TRCIOD Pin Setting	TRCIOD output (2)
	0	0	X	X	X	X	X	Other than 001b			1	X	Comparator A1 input (LVCMP1)

X: 0 or 1

Notes:

1. Pulled up by setting the PU02 bit in the PUR0 register to 1.
2. Output drive capacity high by setting the P1DRR0 bit in the P1DRR register to 1.

Table 7.14 Port P1_1/ $\overline{\text{KI1}}$ /AN9/TRCIOA/TRCTR $\overline{\text{G}}$ /LVCMP2

Register	PD1	KIEN	ADINSEL					TRCPSR0			VCA2	Timer RC Setting	Function
Bit	PD1_1	KI1EN	CH			ADGSEL		TRCIOASEL			VCA24	—	
			2	1	0	1	0	2	1	0			
Setting Value	0	X	X	X	X	X	X	Other than 001b			X	X	Input port (1)
	1	X	X	X	X	X	X	Other than 001b			X	X	Output port (2)
	0	1	X	X	X	X	X	Other than 001b			X	X	$\overline{\text{KI1}}$ input (1)
	0	0	0	0	1	0	1	Other than 001b			X	X	A/D converter input (AN9) (1)
	0	X	X	X	X	X	X	0	0	1	X	Refer to Table 7.54 TRCIOA Pin Setting	TRCIOA input (1)
	X	X	X	X	X	X	X	0	0	1	X	Refer to Table 7.54 TRCIOA Pin Setting	TRCIOA output (2)
	0	0	X	X	X	X	X	Other than 001b			1	X	Comparator A2 input (LVCMP2)

X: 0 or 1

Notes:

1. Pulled up by setting the PU02 bit in the PUR0 register to 1.
2. Output drive capacity high by setting the P1DRR1 bit in the P1DRR register to 1.

Table 7.15 Port P1_2/ $\overline{\text{KI2}}$ /AN10/TRCIOB/LVREF

Register	PD1	KIEN	ADINSEL					TRCPSR0			VCA2		Timer RC Setting	Function
Bit	PD1_2	KI2EN	CH			ADGSEL		TRCIOBSEL			VCA21	VCA23	—	
			2	1	0	1	0	2	1	0				
Setting Value	0	X	X	X	X	X	X	Other than 001b			X	X	X	Input port (1)
	1	X	X	X	X	X	X	Other than 001b			X	X	X	Output port (2)
	0	1	X	X	X	X	X	Other than 001b			X	X	X	$\overline{\text{KI2}}$ input (1)
	0	0	0	1	0	0	1	Other than 001b			X	X	X	A/D converter input (AN10) (1)
	0	X	X	X	X	X	X	0	0	1	X	X	Refer to Table 7.55 TRCIOB Pin Setting	TRCIOB input (1)
	X	X	X	X	X	X	X	0	0	1	X	X	Refer to Table 7.55 TRCIOB Pin Setting	TRCIOB output (2)
	0	0	X	X	X	X	X	Other than 001b			1	X	X	Comparator A1 reference voltage input (LVREF)
	0	0	X	X	X	X	X	Other than 001b			X	1	X	Comparator A2 reference voltage input (LVREF)

X: 0 or 1

Notes:

1. Pulled up by setting the PU02 bit in the PUR0 register to 1.
2. Output drive capacity high by setting the P1DRR2 bit in the P1DRR register to 1.

Table 7.16 Port P1_3/KI3/AN11/TRCIOCLVLCOUT1

Register	PD1	KIEN	ADINSEL				TRBRCSR	TRCPSR1	ACMR	Timer RB Setting	Timer RC Setting	Function			
Bit	PD1_3	KI3EN	CH		ADGSEL		TRBOSEL0	TRCIOSEL			CM10E	—	—		
			2	1	0	1		0	2	1					0
Setting Value	0	X	X	X	X	X	X	1	Other than 001b			0	X	X	Input port (1)
								X							
	1	X	X	X	X	X	X	1	Other than 001b			0	X	X	Output port (2)
								X							
	0	1	X	X	X	X	X	1	Other than 001b			0	X	X	KI3 input (1)
								X							
	0	0	0	1	1	0	1	1	Other than 001b			0	X	X	A/D converter input (AN11) (1)
								X							
X	X	X	X	X	X	X	0	X	X	X	0	X	X	Refer to Table 7.53 TRBO Pin Setting	TRBO output (2)
0	X	X	X	X	X	X	1	0	0	1	0	X	X	Refer to Table 7.55 TRCIOB Pin Setting	TRCIOCL input (1)
							X								
X	X	X	X	X	X	X	1	0	0	1	0	X	X	Refer to Table 7.55 TRCIOB Pin Setting	TRCIOCL output (2)
							X								
X	X	X	X	X	X	X	X	X	X	X	1	X	X		Comparator A1 output (LVLCOUT1)

X: 0 or 1

Notes:

1. Pulled up by setting the PU02 bit in the PUR0 register to 1.
2. Output drive capacity high by setting the P1DRR3 bit in the P1DRR register to 1.

Table 7.17 Port P1_4/TXD0/TRCCLK

Register	PD1	U0SR	U1MR			TRBRCSR	TRCCR1				Function		
Bit	PD1_4	TXD0SEL0	SMD			TRCCLKSEL		TCK					
			2	1	0	1	0	2	1	0			
Setting Value	0	0	X	X	X	X	X	X	X	X	X	Input port (1)	
	1	0	X	X	X	X	X	X	X	X	X	Output port (2)	
	X	1	1	0	1	X	X	X	X	X	X	X	TXD0 output (2, 3)
					0								
					1								
					0								
0	0	X	X	X	0	1	1	0	1	1	TRCCLK input (1)		

X: 0 or 1

Notes:

1. Pulled up by setting the PU03 bit in the PUR0 register to 1.
2. Output drive capacity high by setting the P1DRR4 bit in the P1DRR register to 1.
3. N-channel open-drain output by setting the NODC bit in the U0C0 register to 1.

Table 7.18 Port P1_5/RXD0/TRAIO/ $\overline{\text{INT1}}$

Register	PD1	U0SR	TRASR		TRAIOC	TRAMR			INTSR			INTEN	INTCMP	Function
Bit	PD1_5	RXD0SEL0	TRAIOSEL		TOPCR	TMOD			INT1SEL			INT1EN	INT1CP0	
			1	0		2	1	0	2	1	0			
Setting Value	0	X	Other than 10b		X	X	X	X	X	X	X	X	X	Input port (1)
	1	X	Other than 10b		X	X	X	X	X	X	X	X	X	Output port (2)
	0	1	Other than 10b		X	X	X	X	X	X	X	X	X	RXD0 input (1)
	0	X	1	0	0	Other than 000b, 001b			X	X	X	X	X	TRAIO input (1)
	0	X	Other than 10b		X	X	X	X	0	0	1	1	0	$\overline{\text{INT1}}$ input (1)
	0	X	1	0	0	Other than 000b, 001b			0	0	1	1	0	TRAIO/ $\overline{\text{INT1}}$ input (1)
	X	X	1	0	0	0	0	1	X	X	X	X	X	TRAIO pulse output (2)

X: 0 or 1

Notes:

1. Pulled up by setting the PU03 bit in the PUR0 register to 1.
2. Output drive capacity high by setting the P1DRR5 bit in the P1DRR register to 1.

Table 7.19 Port P1_6/CLK0/IVREF1/LVCOUT2

Register	PD1	U0SR	U0MR				INTCMP	ACMR	Function
Bit	PD1_6	CLK0SEL0	SMD			CKDIR	INT1CP0	CM10E	
			2	1	0				
Setting Value	0	0	X	X	X	X	X	0	Input port (1)
	1	0	X	X	X	X	X	0	Output port (2)
	0	1	X	X	X	1	X	0	CLK0 (external clock) input (1)
	X	1	0	0	1	0	X	0	CLK0 (internal clock) output (2)
	0	0	X	X	X	X	1	0	Comparator B1 reference voltage input (IVREF1)
	X	X	X	X	X	X	X	1	Comparator A2 output (2)

X: 0 or 1

Notes:

1. Pulled up by setting the PU03 bit in the PUR0 register to 1.
2. Output drive capacity high by setting the P1DRR6 bit in the P1DRR register to 1.

Table 7.20 Port P1_7/ $\overline{\text{INT1}}$ /TRAIO/IVCMP1

Register	PD1	TRASR		TRAIOC	TRAMR			INTSR			INTEN	INTCMP	Function	
Bit	PD1_7	TRAIOSEL		TOPCR	TMOD			INT1SEL			INT1EN	INT1CP0		
		1	0		2	1	0	2	1	0				
Setting Value	0	Other than 01b		X	X	X	X	X	X	X	X	X	Input port (1)	
	1	Other than 01b		X	X	X	X	X	X	X	X	X	Output port (2)	
	0	0	1	0	Other than 000b, 001b			X	X	X	X	X	TRAIO input (1)	
	0	Other than 01b		X	X	X	X	0	0	0	1	0	$\overline{\text{INT1}}$ input (1)	
	0	0	1	0	Other than 000b, 001b			0	0	0	1	0	TRAIO/ $\overline{\text{INT1}}$ input (1)	
	X	0	1	0	0	0	1	X	X	X	X	X	X	TRAIO pulse output (2)
	0	Other than 01b		X	X	X	X	X	X	X	1	1	1	Comparator B1 input (IVCMP1)

X: 0 or 1

Notes:

1. Pulled up by setting the PU03 bit in the PUR0 register to 1.
2. Output drive capacity high by setting the P1DRR7 bit in the P1DRR register to 1.

Table 7.21 Port P2_0/TRDIOA0/TRDCLK/INT1/TRCIOB

Register	PD2	TRDPSR0	INTSR			INTEN	INTCMP	TRCPSR0			Timer RC Setting	Timer RD Setting	Function
Bit	PD2_0	TRDIOA0SEL0	INT1SEL			INT1EN	INT1CP	TRCIOBSEL			—	—	
			2	1	0		0	2	1	0			
Setting Value	0	0	X	X	X	X	X	Other than 101b			X	X	Input port (1)
	1	0	X	X	X	X	X	Other than 101b			X	X	Output port (2)
	0	1	X	X	X	X	X	Other than 101b			X	Refer to Table 7.58 TRDIOA0 Pin Setting	TRDIOA0 input (1)
	X	1	X	X	X	X	X	Other than 101b			X	Refer to Table 7.58 TRDIOA0 Pin Setting	TRDIOA0 output (2)
	0	0	0	1	0	1	0	Other than 101b			X	X	INT1 input (1)
	0	X	X	X	X	X	X	1	0	1	Refer to Table 7.55 TRCIOB Pin Setting	X	TRCIOB input (1)
	X	X	X	X	X	X	X	1	0	1	Refer to Table 7.55 TRCIOB Pin Setting	X	TRCIOB output (2)

X: 0 or 1

Notes:

1. Pulled up by setting the PU04 bit in the PUR0 register to 1.
2. Output drive capacity high by setting the P2DRR0 bit in the P2DRR register to 1.

Table 7.22 Port P2_1/TRDIOC0/TRCIOC

Register	PD2	TRDPSR0		TRCPSR1			Timer RC Setting	Timer RD Setting	Function
Bit	PD2_1	TRDIOC0SEL		TRCIOCSEL			—	—	
		1	0	2	1	0			
Setting Value	0	Other than 10b		Other than 100b			X	X	Input port (1)
	1	Other than 10b		Other than 100b			X	X	Output port (2)
	0	1	0	Other than 100b			X	Refer to Table 7.60 TRDIOC0 Pin Setting	TRDIOC0 input (1)
	X	1	0	Other than 100b			X	Refer to Table 7.60 TRDIOC0 Pin Setting	TRDIOC0 output (2)
	0	X	X	1	0	0	Refer to Table 7.56 TRCIOC Pin Setting	X	TRCIOC input (1)
	X	X	X	1	0	0	Refer to Table 7.56 TRCIOC Pin Setting	X	TRCIOC output (2)

X: 0 or 1

Notes:

1. Pulled up by setting the PU04 bit in the PUR0 register to 1.
2. Output drive capacity high by setting the P2DRR1 bit in the P2DRR register to 1.

Table 7.23 Port P2_2/TRDIOB0/TRCIOD

Register	PD2	TRDPSR0		TRCPSR1			Timer RC Setting	Timer RD Setting	Function
Bit	PD2_2	TRDIOB0SEL		TRCIODSEL					
		1	0	2	1	0	—	—	
Setting Value	0	Other than 10b		Other than 100b			X	X	Input port (1)
	1	Other than 10b		Other than 100b			X	X	Output port (2)
	0	1	0	Other than 100b			X	Refer to Table 7.59 TRDIOB0 Pin Setting	TRDIOB0 input (1)
	X	1	0	Other than 100b			X	Refer to Table 7.59 TRDIOB0 Pin Setting	TRDIOB0 output (2)
	0	X	X	1	0	0	Refer to Table 7.57 TRCIOD Pin Setting	X	TRCIOD input (1)
	X	X	X	1	0	0	Refer to Table 7.57 TRCIOD Pin Setting	X	TRCIOD output (2)

X: 0 or 1

Notes:

1. Pulled up by setting the PU04 bit in the PUR0 register to 1.
2. Output drive capacity high by setting the P2DRR2 bit in the P2DRR register to 1.

Table 7.24 Port P2_3/TRDIOD0

Register	PD2	TRDPSR0	Timer RD Setting	Function
Bit	PD2_3	TRDIOD0SEL0	—	
Setting Value	0	0	X	Input port (1)
	1	0	X	Output port (2)
	0	1	Refer to Table 7.61 TRDIOD0 Pin Setting	TRDIOD0 input (1)
	X	1	Refer to Table 7.61 TRDIOD0 Pin Setting	TRDIOD0 output (2)

X: 0 or 1

Notes:

1. Pulled up by setting the PU04 bit in the PUR0 register to 1.
2. Output drive capacity high by setting the P2DRR3 bit in the P2DRR register to 1.

Table 7.25 Port P2_4/TRDIOA1

Register	PD2	TRDPSR1	Timer RD Setting	Function
Bit	PD2_4	TRDIOA1SEL0	—	
Setting Value	0	0	X	Input port (1)
	1	0	X	Output port (2)
	0	1	Refer to Table 7.62 TRDIOA1 Pin Setting	TRDIOA1 input (1)
	X	1	Refer to Table 7.62 TRDIOA1 Pin Setting	TRDIOA1 output (2)

X: 0 or 1

Notes:

1. Pulled up by setting the PU05 bit in the PUR0 register to 1.
2. Output drive capacity high by setting the P2DRR4 bit in the P2DRR register to 1.

Table 7.26 Port P2_5/TRDIOB1

Register	PD2	TRDPSR1	Timer RD Setting	Function
Bit	PD2_5	TRDIOB1SEL0	—	
Setting Value	0	0	X	Input port (1)
	1	0	X	Output port (2)
	0	1	Refer to Table 7.63 TRDIOB1 Pin Setting	TRDIOB1 input (1)
	X	1	Refer to Table 7.63 TRDIOB1 Pin Setting	TRDIOB1 output (2)

X: 0 or 1

Notes:

1. Pulled up by setting the PU05 bit in the PUR0 register to 1.
2. Output drive capacity high by setting the P2DRR5 bit in the P2DRR register to 1.

Table 7.27 Port P2_6/TRDIOC1

Register	PD2	TRDPSR1	Timer RD Setting	Function
Bit	PD2_6	TRDIOC1SEL0	—	
Setting Value	0	0	X	Input port ⁽¹⁾
	1	0	X	Output port ⁽²⁾
	0	1	Refer to Table 7.64 TRDIOC1 Pin Setting	TRDIOC1 input ⁽¹⁾
	X	1	Refer to Table 7.64 TRDIOC1 Pin Setting	TRDIOC1 output ⁽²⁾

X: 0 or 1

Notes:

1. Pulled up by setting the PU05 bit in the PUR0 register to 1.
2. Output drive capacity high by setting the P2DRR6 bit in the P2DRR register to 1.

Table 7.28 Port P2_7/TRDIOD1

Register	PD2	TRDPSR1	Timer RD Setting	Function
Bit	PD2_7	TRDIOD1SEL0	—	
Setting Value	0	0	X	Input port ⁽¹⁾
	1	0	X	Output port ⁽²⁾
	0	1	Refer to Table 7.65 TRDIOD1 Pin Setting	TRDIOD1 input ⁽¹⁾
	X	1	Refer to Table 7.65 TRDIOD1 Pin Setting	TRDIOD1 output ⁽²⁾

X: 0 or 1

Notes:

1. Pulled up by setting the PU05 bit in the PUR0 register to 1.
2. Output drive capacity high by setting the P2DRR7 bit in the P2DRR register to 1.

Table 7.29 Port P3_0/TRAO

Register	PD3	TRASR		TRAIOC	Function
Bit	PD3_0	TRAOSSEL		TOENA	
		1	0		
Setting Value	0	Other than 01b		X	Input port ⁽¹⁾
	1	Other than 01b		X	Output port ⁽²⁾
	X	0	1	1	TRAO output ⁽²⁾

X: 0 or 1

Notes:

1. Pulled up by setting the PU06 bit in the PUR0 register to 1.
2. Output drive capacity high by setting the DRR06 bit in the DRR0 register to 1.

Table 7.30 Port P3_1/TRBO

Register	PD3	TRBRCSR	Timer RB Setting	Function
Bit	PD3_1	TRBOSEL0	—	
Setting Value	0	0	X	Input port ⁽¹⁾
	1	0	X	Output port ⁽²⁾
	X	1	Refer to Table 7.53 TRBO Pin Setting	TRBO output ⁽²⁾

X: 0 or 1

Notes:

1. Pulled up by setting the PU06 bit in the PUR0 register to 1.
2. Output drive capacity high by setting the DRR06 bit in the DRR0 register to 1.

Table 7.31 Port P3_2/INT2/TRAIO/INT1

Register	PD3	TRASR		TRAI0C	TRAMR			INTSR			INTEN		INTCMP	Function	
Bit	PD3_2	TRAI0SEL		TOPCR	TMOD			INT1SEL			INT2SEL0	INT1EN	INT2EN		INT1CP0
		1	0		2	1	0	2	1	0					
Setting Value	0	Other than 11b		X	X	X	X	X	X	X	X	X	X	Input port (1)	
	1	Other than 11b		X	X	X	X	X	X	X	X	X	X	Output port (2)	
	0	Other than 11b		X	X	X	X	X	X	1	X	1	X	INT2 input (1)	
	0	1	1	0	Other than 000b, 001b			X	X	X	X	X	X	X	TRAIO input (1)
	0	Other than 11b		X	X	X	X	1	0	0	X	1	X	0	INT1 input (1)
	0	1	1	0	Other than 000b, 001b			1	0	0	X	1	X	0	TRAIO/INT1 input (1)
	X	1	1	0	0	0	1	X	X	X	X	X	X	X	TRAIO pulse output (2)

X: 0 or 1

Notes:

1. Pulled up by setting the PU06 bit in the PUR0 register to 1.
2. Output drive capacity high by setting the DRR06 bit in the DRR0 register to 1.

Table 7.32 Port P3_3/INT3/TRCCLK/SCS/CTS2/RTS2/IVCMP3

Register	PD3	SSMR2		INTSR		INTEN	TRBRCSR		TRCCR1			U2SR1		U2MR			U2CO		INTCMP	Function
Bit	PD3_3	CSS		INT3SEL		INT3EN	TRCCLKSEL		TCK			CTS2SEL0	SMD			CRS	CRD	INT3CP0		
		1	0	1	0		1	0	2	1	0		2	1	0					
Setting Value	0	0	0	X	X	X	X	X	X	X	X	0	X	X	X	X	X	X	Input port (1)	
	1	0	0	X	X	X	X	X	X	X	X	0	X	X	X	X	X	X	Output port (2)	
	0	0	0	0	0	1	X	X	X	X	X	0	X	X	X	X	X	0	INT3 input (1)	
	0	0	0	X	X	X	1	0	1	0	1	0	X	X	X	X	X	X	TRCCLK input (1)	
	X	0	1	X	X	X	X	X	X	X	X	X	X	X	X	X	X	X	X	SCS input (1)
	X	1	0	X	X	X	X	X	X	X	X	X	X	X	X	X	X	X	X	SCS output (2, 3)
	0	1	1	X	X	X	X	X	X	X	X	X	X	X	X	X	X	X	X	SCS output (2, 3)
	0	0	0	X	X	X	X	X	X	X	X	1	Other than 000b	0	0	0	0	X	CTS2 input (1)	
	X	0	0	X	X	X	X	X	X	X	X	1	Other than 000b	1	0	0	0	X	RTS2 output (2)	
0	0	0	X	X	1	Other than 10b		X	X	X	0	X	X	X	X	X	1	1	Comparator B3 input (IVCMP3)	

X: 0 or 1

Notes:

1. Pulled up by setting the PU06 bit in the PUR0 register to 1.
2. Output drive capacity high by setting the DRR06 bit in the DRR0 register to 1.
3. N-channel open-drain output by setting the CSOS bit in the SSMR2 register to 1 (N-channel open-drain output).

Table 7.33 Port P3_4/TRCIOC/SSI/RXD2/SCL2/TXD2/SDA2/IVREF3

Register	PD3	SSUICSR	Synchronous Serial Communication Unit (Refer to Table 25.4 Association between Communication Modes and I/O Pins.)		TRCPSR1	U2SR0			U2MR			U2SMR	INTCMP	Timer RC Setting	Function							
Bit	PD3_4	IICSEL	SSI output control	SSI input control	TRCIOC SEL			RXD2 SEL			TXD2 SEL			SMD			IICM	INT3 CP0	—			
					2	1	0	1	0	2	1	0	2	1		0				2	1	0
Setting Value	0	X	0	0	Other than 010b			Other than 01b			Other than 010b			X	X	X	X	X	X	X	Input port (1)	
	1	X	0	0	Other than 010b			Other than 01b			Other than 010b			X	X	X	X	X	X	X	Output port (2)	
	0	X	0	0	0	1	0	Other than 01b			Other than 010b			X	X	X	X	X	X	Refer to Table 7.56 TRCIOC Pin Setting	TRCIOC input (1)	
	X	X	0	0	0	1	0	Other than 01b			Other than 010b			X	X	X	X	X	X	Refer to Table 7.56 TRCIOC Pin Setting	TRCIOC output (2)	
	X	0	0	1	X	X	X	X	X	X	X	X	X	X	X	X	X	X	X	X	SSI input (1)	
	X	0	1	0	X	X	X	X	X	X	X	X	X	X	X	X	X	X	X	X	SSI output (2, 3)	
	0	X	0	0	Other than 010b			0	1	Other than 010b			X	X	X	X	X	X	X	X	RXD2 input (1)	
	0	X	0	0	X	X	X	0	1	Other than 010b			0	1	0	1	X	X	X	X	X	SCL2 input/output (2, 4)
	X	X	0	0	X	X	X	X	X	0	1	0	0	1	0	1	X	X	X	X	X	TXD2 output (2, 4)
	0	X	0	0	X	X	X	X	X	0	1	0	0	1	0	1	X	X	X	X	X	SDA2 input/output (2, 4)
0	X	0	0	Other than 010b			Other than 01b			Other than 010b			X	X	X	X	1	X	X	X	Comparator B3 reference voltage input (IVREF3)	

X: 0 or 1

Notes:

1. Pulled up by setting the PU07 bit in the PUR0 register to 1.
2. Output drive capacity high by setting the DRR07 bit in the DRR0 register to 1.
3. N-channel open-drain output by setting the SOOS bit in the SSMR2 register to 1 (N-channel open-drain output) and setting the BIDE bit in the SSMR2 register to 0 (standard mode).
4. N-channel open-drain output by setting the NCH bit in the U2C0 register to 1.

Table 7.34 Port P3_5/SCL/SSCK/TRCIOD/CLK2

Register	PD3	SSUICSR	ICCR1	Synchronous Serial Communication Unit (Refer to Table 25.4 Association between Communication Modes and I/O Pins.)		TRCPSR1	U2SR1	U2MR			Timer RC Setting	Function					
Bit	PD3_5	IICSEL	ICE	SSCK output control	SSCK input control	TRCIODSEL			CLK2SEL		SMD		CKDIR	—			
						2	1	0	1	0	2	1	0				
Setting Value	0	0	X	0	0	Other than 010b			Other than 01b		X	X	X	X	X	Input port (1)	
		1	0	X	X	Other than 010b			Other than 01b		X	X	X	X	X	Output port (2)	
	1	0	X	0	0	X	X	X	X	X	X	X	X	X	X	X	SCL input/output (2)
		1	0	X	X	X	X	X	X	X	X	X	X	X	X	X	SSCK input (1)
	X	0	X	1	0	X	X	X	X	X	X	X	X	X	X	X	SSCK output (2, 3)
		1	0	X	X	0	1	0	Other than 01b		X	X	X	X	X	Refer to Table 7.57 TRCIOD Pin Setting	TRCIOD input (1)
	X	0	X	0	0	0	1	0	Other than 01b		X	X	X	X	X	Refer to Table 7.57 TRCIOD Pin Setting	TRCIOD output (2)
		1	0	X	X	X	X	X	0	1	X	X	X	1	X	CLK2 input (2)	
	0	0	X	0	0	X	X	X	0	1	X	X	X	1	X	CLK2 input (2)	
		1	0	X	X	X	X	X	0	1	0	0	1	0	X	CLK2 output (2, 4)	
	X	0	X	0	0	X	X	X	0	1	0	0	1	0	X	CLK2 output (2, 4)	
		1	0	X	X	X	X	X	0	1	0	0	1	0	X	CLK2 output (2, 4)	

X: 0 or 1

Notes:

1. Pulled up by setting the PU07 bit in the PUR0 register to 1.
2. Output drive capacity high by setting the DRR07 bit in the DRR0 register to 1.
3. N-channel open-drain output by setting the SCKOS bit in the SSMR2 register to 1 (N-channel open-drain output).
4. N-channel open-drain output by setting the NODC bit in the U2SMR3 register to 1.

Table 7.35 Port P3_6/INT1

Register	PD3	INTSR			INTEN	INTCMP	Function
Bit	PD3_6	INT1SEL			INT1EN	INT1CP0	
		2	1	0			
Setting Value	0	X	X	X	X	X	Input port (1)
	1	X	X	X	X	X	Output port (2)
	0	0	1	1	1	0	INT1 input (1)

X: 0 or 1

Notes:

1. Pulled up by setting the PU07 bit in the PUR0 register to 1.
2. Output drive capacity high by setting the DRR07 bit in the DRR0 register to 1.

Table 7.36 Port P3_7/SSO/TXD2/SDA2/RXD2/SCL2/TRAO/SDA

Register	PD3	SSUIICSR	ICCR1	Synchronous Serial Communication Unit (Refer to Table 25.4 Association between Communication Modes and I/O Pins.)		U2SR0			U2MR			U2SMR			TRASR		TRAIOC		Function			
				Bit	PD3_7	IICSEL	ICE	SSO output control	SSO input control	RXD2SEL		TXD2SEL			SMD			IICM		TRAOSEL		TOENA
										1	0	2	1	0	2	1	0			1	0	
Setting Value	0	1	0	X	X	Other than 10b		Other than 001b			X	X	X	X	Other than 001b				Input port (1)			
		0	X	0	0																	
	1	1	0	X	X	Other than 10b		Other than 001b			X	X	X	X	Other than 001b				Output port (2)			
		0	X	0	0																	
	X	1	1	X	X	X	X	X	X	X	X	X	X	X	X	X	X	X	SDA input/output (2)			
	X	0	X	0	1	X	X	X	X	X	X	X	X	X	X	X	X	X	SSO input (1)			
	X	0	X	1	0	X	X	X	X	X	X	X	X	X	X	X	X	X	SSO output (2, 3)			
	0	1	0	X	X	1	0	Other than 001b			X	X	X	X	Other than 001b				RXD2 input (1)			
		0	X	0	0																	
	0	1	0	X	X	1	0	Other than 001b			0	1	0	1	X	X	X			SCL2 input/output (2, 4)		
		0	X	0	0																	
	X	1	0	X	X	X	X	0	0	1	1	0	1	0	X	X	X	X		TXD2 output (2, 4)		
0		X	0	0	1			0														
0	1	0	X	X	X	X	0	0	1	0	1	0	1	X	X	X	X		SDA2 input/output (2, 4)			
	0	X	0	0			1	0														
X	1	0	X	X	Other than 01b	Other than 001b	X	X	X	X	X	X	X	X	0	0	1		TRAO output (2)			
	0	X	0	0																1	0	

X: 0 or 1

Notes:

1. Pulled up by setting the PU07 bit in the PUR0 register to 1.
2. Output drive capacity high by setting the DRR07 bit in the DRR0 register to 1.
3. N-channel open-drain output by setting the SOOS bit in the SSMR2 register to 1 (N-channel open-drain output).
4. N-channel open-drain output by setting the NCH bit in the U2C0 register to 1.

Table 7.37 Port P4_2/VREF

Register	ADCON1	DACON		Function
Bit	ADSTBY	DA0E	DA1E	
Setting Value	0	0	0	Input port
	Other than 000b			Input port/VREF input

Table 7.38 Port P4_3/XCIN

Register	PD4	PINSR	CM0		CM1		Circuit specifications		Function
Bit	PD4_3	XCSEL	CM03	CM04	CM10	CM12	Oscillation buffer	Feedback resistor	
	0	0	X	X	X	X	OFF	OFF	Input port ⁽¹⁾
		1		0					
	1	0	X	X	X	X	OFF	OFF	Output port ⁽²⁾
		1		0					
Setting Value	0	1	0	1	0	0	ON	ON	XCIN-XCOUT oscillation (on-chip feedback resistor enabled) ⁽³⁾
						1	ON	OFF	XCIN-XCOUT oscillation (on-chip feedback resistor disabled) ⁽³⁾
			1			0	OFF	ON	XCIN-XCOUT oscillation stop (on-chip feedback resistor enabled)
						1	OFF	OFF	XCIN-XCOUT oscillation stop (on-chip feedback resistor disabled)
			X			X	X	X	1

X: 0 or 1

Notes:

1. Pulled up by setting the PU10 bit in the PUR1 register to 1.
2. Output drive capacity high by setting the DRR10 bit in the DRR1 register to 1.
3. When the XCIN clock is used, set the PU10 bit in the PUR1 register to 0 (not pulled up).

Table 7.39 Port P4_4/XCOUT

Register	PD4	PINSR	CM0		CM1		Circuit specifications		Function
Bit	PD4_4	XCSEL	CM03	CM04	CM10	CM12	Oscillation buffer	Feedback resistor	
	0	0	X	X	X	X	OFF	OFF	Input port ⁽¹⁾
		1		0					
	1	0	X	X	X	X	OFF	OFF	Output port ⁽²⁾
		1		0					
Setting Value	0	1	0	1	0	0	ON	ON	XCIN-XCOUT oscillation (on-chip feedback resistor enabled) ^(3, 4)
						1	ON	OFF	XCIN-XCOUT oscillation (on-chip feedback resistor disabled) ^(3, 4)
			1			0	OFF	ON	XCIN-XCOUT oscillation stop (on-chip feedback resistor enabled)
						1	OFF	OFF	XCIN-XCOUT oscillation stop (on-chip feedback resistor disabled)
			X			X	X	X	1

X: 0 or 1

Notes:

1. Pulled up by setting the PU11 bit in the PUR1 register to 1.
2. Output drive capacity high by setting the DRR11 bit in the DRR1 register to 1.
3. Since the XCIN-XCOUT oscillation buffer operates with internal step-down power, the XCOUT output level cannot be used as the CMOS level signal directly.
4. When the XCIN clock is used, set the PU11 bit in the PUR1 register to 0 (not pulled up).

Table 7.40 Port P4_5/INT0/RXD2/SCL2/ADTRG

Register	PD4	INTEN	U2SR0		U2MR			U2SMR	ADM0D		Function
Bit	PD4_5	INT0EN	RXD2SEL		SMD			IICM	ADCAP		
			1	0	2	1	0		1	0	
Setting Value	0	X	Other than 11b		X	X	X	X	X	X	Input port (1)
	1	X	Other than 11b		X	X	X	X	X	X	Output port (2)
	0	1	Other than 11b		X	X	X	X	X	X	$\overline{\text{INT0}}$ input (1)
	0	X	1	1	X	X	X	X	X	X	RXD2 input (1)
	0	X	1	1	0	1	0	1	X	X	SCL2 input/output (2, 3)
	0	1	Other than 11b		X	X	X	X	X	1	1

X: 0 or 1

Notes:

1. Pulled up by setting the PU11 bit in the PUR1 register to 1.
2. Output drive capacity high by setting the DRR11 bit in the DRR1 register to 1.
3. N-channel open-drain output by setting the NCH bit in the U2C0 register to 1.

Table 7.41 Port P4_6/XIN

Register	PD4	PINSR	CM0			CM1				Circuit specifications		Function
Bit	PD4_6	XCSEL	CM03	CM04	CM05	CM10	CM11	CM12	CM13	Oscillation buffer	Feedback resistor	
Setting Value	0	0	X	0	X	0	X	X	0	OFF	OFF	Input port (1)
		1		X								
Setting Value	1	0	X	0	X	0	X	X	0	OFF	OFF	Output port (2)
		1		X								
Setting Value	X	X	X	X	0	0	X	X	1	ON	ON	XIN-XOUT oscillation (on-chip feedback resistor enabled)
										ON	OFF	XIN-XOUT oscillation (on-chip feedback resistor disabled)
										OFF	ON	XIN-XOUT oscillation stop (on-chip feedback resistor enabled)
										OFF	OFF	XIN-XOUT oscillation stop (on-chip feedback resistor disabled)
										OFF	OFF	Oscillation stop (STOP mode)

X: 0 or 1

Notes:

1. Pulled up by setting the PU11 bit in the PUR1 register to 1.
2. Output drive capacity high by setting the DRR11 bit in the DRR1 register to 1.

Table 7.42 Port P4_7/XOUT

Register	PD4	PINSR	CM0			CM1				Circuit specifications		Function
Bit	PD4_7	XCSEL	CM03	CM04	CM05	CM10	CM11	CM12	CM13	Oscillation buffer	Feedback resistor	
Setting Value	0	0	X	0	X	0	X	X	0	OFF	OFF	Input port (1)
		1		X								
Setting Value	1	0	X	0	X	0	X	X	0	OFF	OFF	Output port (2)
		1		X								
Setting Value	X	X	X	X	0	0	X	X	1	ON	ON	XIN-XOUT oscillation (on-chip feedback resistor enabled)
										ON	OFF	XIN-XOUT oscillation (on-chip feedback resistor disabled)
										OFF	ON	XIN-XOUT oscillation stop (on-chip feedback resistor enabled)
										OFF	OFF	XIN-XOUT oscillation stop (on-chip feedback resistor disabled)
										OFF	OFF	Oscillation stop (STOP mode)

X: 0 or 1

Notes:

1. Pulled up by setting the PU11 bit in the PUR1 register to 1.
2. Output drive capacity high by setting the DRR11 bit in the DRR1 register to 1.
3. Since the XCIN-XCOUT oscillation buffer operates with internal step-down power, the XCOUT output level cannot be used as the CMOS level signal directly.

Table 7.43 Port P5_6/TRAO

Register	PD5	TRASR		TRAIOC	Function
Bit	PD5_6	TRAOSEL1	TRAOSEL0	TOENA	
Setting Value	0	Other than 10b		X	Input port ⁽¹⁾
	1	Other than 10b		X	Output port ⁽²⁾
	X	1	0	1	TRAO output ⁽¹⁾

X: 0 or 1

Notes:

1. Pulled up by setting the PU13 bit in the PUR1 register to 1.
2. Output drive capacity high by setting the DRR13 bit in the DRR1 register to 1.

Table 7.44 Port P5_7

Register	PD5	Function
Bit	PD5_7	
Setting Value	0	Input port ⁽¹⁾
	1	Output port ⁽²⁾

X: 0 or 1

Notes:

1. Pulled up by setting the PU13 bit in the PUR1 register to 1.
2. Output drive capacity high by setting the DRR13 bit in the DRR1 register to 1.

Table 7.45 Port P6_0/TREO

Register	PD6	TIMSR	TRECR1	Function
Bit	PD6_0	TREOSEL0	TOENA	
Setting Value	0	Other than 11b		Input port ⁽¹⁾
	1	Other than 11b		Output port ⁽²⁾
	X	1	1	TREO output ⁽²⁾

X: 0 or 1

Notes:

1. Pulled up by setting the PU14 bit in the PUR1 register to 1.
2. Output drive capacity high by setting the DRR14 bit in the DRR1 register to 1.

Table 7.46 Port P6_1

Register	PD6	Function
Bit	PD6_1	
Setting Value	0	Input port ⁽¹⁾
	1	Output port ⁽²⁾

Notes:

1. Pulled up by setting the PU14 bit in the PUR1 register to 1.
2. Output drive capacity high by setting the DRR14 bit in the DRR1 register to 1.

Table 7.47 Port P6_2/CLK1

Register	PD6	U1SR		U1MR				Function
Bit	PD6_2	CLK1SEL1	CLK1SEL0	SMD2	SMD1	SMD0	CKDIR	
Setting Value	0	Other than 10b		X	X	X	X	Input port ⁽¹⁾
	1	Other than 10b		X	X	X	X	Output port ⁽²⁾
	0	1	0	X	X	X	1	CLK1 (external clock) input ⁽¹⁾
	X	1	0	0	0	1	0	CLK1 (internal clock) output ⁽²⁾

X: 0 or 1

Notes:

1. Pulled up by setting the PU14 bit in the PUR1 register to 1.
2. Output drive capacity high by setting the DRR14 bit in the DRR1 register to 1.

Table 7.48 Port P6_3/TXD1

Register	PD6	U1SR		U1MR			Function
Bit	PD6_3	TXD1SEL1	TXD1SEL0	SMD2	SMD1	SMD0	
Setting Value	0	Other than 10b		X	X	X	Input port (1)
	1	Other than 10b		X	X	X	Output port (2)
	X	1	0	0	0	1	TXD1 output (2, 3)
				1		0	
				1		0	

X: 0 or 1

Notes:

1. Pulled up by setting the PU14 bit in the PUR1 register to 1.
2. Output drive capacity high by setting the DRR14 bit in the DRR1 register to 1.
3. N-channel open-drain output by setting the NCH bit in the U1C0 register to 1.

Table 7.49 Port P6_4/RXD1

Register	PD6	U1SR		Function
Bit	PD6_4	RXD1SEL1	RXD1SEL0	
Setting Value	0	X	X	Input port (1)
	1	X	X	Output port (2)
	0	1	0	RXD1 output (1)

X: 0 or 1

Notes:

1. Pulled up by setting the PU15 bit in the PUR1 register to 1.
2. Output drive capacity high by setting the DRR15 bit in the DRR1 register to 1.

Table 7.50 Port P6_5/INT4/CLK2/CLK1/TRCIOB

Register	PD6	INTEN1	U2SR1		U2MR			U1SR		U1MR			TRCPSR0			Timer RC Setting	Function			
Bit	PD6_5	INT4EN	CLK2SEL		SMD			CKDIR	CLK1SEL		SMD			CKDIR	TRCIOBSEL			—		
			1	0	2	1	0		1	0	2	1	0		2	1			0	
Setting Value	0	X	Other than 11b		X	X	X	X	Other than 11b		X	X	X	X	Other than 110b			X	Input port (1)	
	1	X	Other than 11b		X	X	X	X	Other than 11b		X	X	X	X	Other than 110b			X	Output port (2)	
	0	1	Other than 11b		X	X	X	X	Other than 11b		X	X	X	X	Other than 110b			X	INT4 input (1)	
	0	X	1	1	X	X	X	1	Other than 11b		X	X	X	X	X	X	X	X	X	CLK2 (external clock) input (1)
	X	X	1	1	0	0	1	0	Other than 11b		X	X	X	X	X	X	X	X	X	CLK2 (internal clock) output (2, 3)
	0	X	X	X	X	X	X	X	1	1	X	X	X	1	X	X	X	X	X	CLK1 (external clock) input (1)
	X	X	X	X	X	X	X	X	1	1	0	0	1	0	X	X	X	X	X	CLK1 (internal clock) output (2)
	0	X	Other than 11b		X	X	X	X	Other than 11b		X	X	X	X	1	1	0	Refer to Table 7.55 TRCIOB Pin Setting		TRCIOB input (1)
	X	X	Other than 11b		X	X	X	X	Other than 11b		X	X	X	X	1	1	0	Refer to Table 7.55 TRCIOB Pin Setting		TRCIOB output (2)

X: 0 or 1

Notes:

1. Pulled up by setting the PU15 bit in the PUR1 register to 1.
2. Output drive capacity high by setting the DRR15 bit in the DRR1 register to 1.
3. N-channel open-drain output by setting the NODC bit in the U2SMR3 register to 1.

Table 7.51 Port P6_6/INT2/TXD2/SDA2/TRCIO

Register	PD6	INTSR	INTEN	U2SR0			U2MR			U2SMR			TRCPSR1			Timer RC Setting	Function
Bit	PD6_6	INT2SEL0	INT2EN	TXD2SEL			SMD			IICM	TRCIOSEL			—			
				2	1	0	2	1	0		2	1	0				
Setting Value	0	X	X	Other than 101b			X	X	X	X	Other than 101b			X	Input port (1)		
	1	X	X	Other than 101b			X	X	X	X	Other than 101b			X	Output port (2)		
	0	0	1	Other than 101b			X	X	X	X	Other than 101b			X	$\overline{\text{INT2}}$ input (1)		
	X	X	X	X	1	0	1	0	1	X	X	X	X	X	X	TXD2 output (2, 3)	
								0	0								
								1	1								
	0	X	X	X	1	0	1	0	1	0	1	X	X	X	X	SDA2 input/output (2, 3)	
0	X	X	Other than 101b			X	X	X	X	1	0	1	Refer to Table 7.56 TRCIO Pin Setting			TRCIO input (1)	
X	X	X	Other than 101b			X	X	X	X	1	0	1	Refer to Table 7.56 TRCIO Pin Setting			TRCIO output (2)	

X: 0 or 1

Notes:

1. Pulled up by setting the PU15 bit in the PUR1 register to 1.
2. Output drive capacity high by setting the DRR15 bit in the DRR1 register to 1.
3. N-channel open-drain output by setting the NCH bit in the U2C0 register to 1.

Table 7.52 Port P6_7/INT3/TRCIOD

Register	PD6	INTSR		INTEN	INTCMP	TRCPSR1			Timer RC Setting	Function		
Bit	PD6_7	INT3SEL		INT3EN	INT3CP0	TRCIODSEL			—			
		1	0			2	1	0				
Setting Value	0	X	X	X	X	Other than 101b			X	Input port (1)		
	1	X	X	X	X	Other than 101b			X	Output port (2)		
	0	1	0	1	0	Other than 101b			X	$\overline{\text{INT3}}$ input (1)		
	0	X	X	X	X	1	0	1	Refer to Table 7.57 TRCIOD Pin Setting			TRCIOD input (1)
	X	X	X	X	X	X	1	0	1	Refer to Table 7.57 TRCIOD Pin Setting		

X: 0 or 1

Notes:

1. Pulled up by setting the PU15 bit in the PUR1 register to 1.
2. Output drive capacity high by setting the DRR15 bit in the DRR1 register to 1.

Table 7.53 TRBO Pin Setting

Register	TRBIOC	TRBMR		Function
Bit	TOCNT (1)	TMOD1	TMOD0	
Setting value	0	0	1	Programmable waveform generation mode
	0	1	0	Programmable one-shot generation mode
	0	1	1	Programmable wait one-shot generation mode
	1	0	1	Programmable output port

Note:

1. Set the TOCNT bit in the TRBIOC register to 0 in modes except for programmable waveform generation mode.

Table 7.54 TRCIOA Pin Setting

Register	TRCOER	TRCMR	TRCIOR0			TRCCR2		Function
Bit	EA	PWM2	IOA2	IOA1	IOA0	TCEG1	TCEG0	
Setting Value	0	1	0	0	1	X	X	Timer waveform output (output compare function)
				1	X			
	1	0	X	X	X	X	X	Timer mode (input capture function)
1	0	X	X	X	0	1	PWM2 mode TRCTRIG input	
					1	X		

X: 0 or 1

Table 7.55 TRCIOB Pin Setting

Register	TRCOER	TRCMR		TRCIOR0			Function	
Bit	EB	PWM2	PWMB	IOB2	IOB1	IOB0		
Setting Value	0	0	X	X	X	X	PWM2 mode waveform output	
	0	1	1	X	X	X	PWM mode waveform output	
	0	1	0	0	0	1	X	Timer waveform output (output compare function)
					1	X		
	1	0	1	1	X	X	Timer mode (input capture function)	

X: 0 or 1

Table 7.56 TRCIOA Pin Setting

Register	TRCOER	TRCMR		TRCIOR1			Function
Bit	EC	PWM2	PWMC	IOC2	IOC1	IOC0	
Setting Value	0	1	1	X	X	X	PWM mode waveform output
	0	1	0	0	0	1	Timer waveform output (output compare function)
					1	X	
	0	1	0	1	X	X	Timer mode (input capture function)
1							

X: 0 or 1

Table 7.57 TRCIOD Pin Setting

Register	TRCOER	TRCMR		TRCIOR1			Function
Bit	ED	PWM2	PWMD	IOD2	IOD1	IOD0	
Setting Value	0	1	1	X	X	X	PWM mode waveform output
	0	1	0	0	0	1	Timer waveform output (output compare function)
					1	X	
	0	1	0	1	X	X	Timer mode (input capture function)
1							

X: 0 or 1

Table 7.58 TRDIOA0 Pin Setting

Register	TRDOER1	TRDFCR				TRDIORA0			Function
Bit	EA0	CMD1	CMD0	STCLK	PWM3	IOA2	IOA1	IOA0	
Setting Value	X	0	0	0	1	1	X	X	Timer mode (input capture function)
	X	X	X	1	1	0	0	0	External clock input (TRDCLK)
	0	0	0	0	0	X	X	X	PWM3 mode waveform output
	0	0	0	0	1	0	0	1	Timer mode waveform output (output compare function)
						1	X		

X: 0 or 1

Table 7.59 TRDIOB0 Pin Setting

Register	TRDOER1	TRDFCR			TRDPMR	TRDIORA0			Function
Bit	EB0	CMD1	CMD0	PWM3	PWMB0	IOB2	IOB1	IOB0	
Setting Value	X	0	0	1	0	1	X	X	Timer mode (input capture function)
	0	1	0	X	X	X	X	X	Complementary PWM mode waveform output
			1						
	0	0	1	X	X	X	X	X	Reset synchronous PWM mode waveform output
	0	0	0	0	X	X	X	X	PWM3 mode waveform output
	0	0	0	1	1	X	X	X	PWM mode waveform output
0	0	0	1	0	0	0	1	X	Timer mode waveform output (output compare function)
						1	X		

X: 0 or 1

Table 7.60 TRDIOC0 Pin Setting

Register	TRDOER1	TRDFCR			TRDPMR	TRDIORC0			Function
Bit	EC0	CMD1	CMD0	PWM3	PWMC0	IOC2	IOC1	IOC0	
Setting Value	X	0	0	1	0	1	X	X	Timer mode (input capture function)
	0	1	0	X	X	X	X	X	Complementary PWM mode waveform output
			1						
	0	0	1	X	X	X	X	X	Reset synchronous PWM mode waveform output
	0	0	0	1	1	X	X	X	PWM mode waveform output
0	0	0	1	0	0	0	1	X	Timer mode waveform output (output compare function)
						1	X		

X: 0 or 1

Table 7.61 TRDIOD0 Pin Setting

Register	TRDOER1	TRDFCR			TRDPMR	TRDIORC0			Function
Bit	ED0	CMD1	CMD0	PWM3	PWMD0	IOD2	IOD1	IOD0	
Setting Value	X	0	0	1	0	1	X	X	Timer mode (input capture function)
	0	1	0	X	X	X	X	X	Complementary PWM mode waveform output
			1						
	0	0	1	X	X	X	X	X	Reset synchronous PWM mode waveform output
	0	0	0	1	1	X	X	X	PWM mode waveform output
0	0	0	1	0	0	0	1	X	Timer mode waveform output (output compare function)
						1	X		

X: 0 or 1

Table 7.62 TRDIOA1 Pin Setting

Register	TRDOER1	TRDFCR			TRDIOA1			Function
Bit	EA1	CMD1	CMD0	PWM3	IOA2	IOA1	IOA0	
Setting Value	X	0	0	1	1	X	X	Timer mode (input capture function)
	0	1	0	X	X	X	X	Complementary PWM mode waveform output
			1					
	0	0	1	X	X	X	X	Reset synchronous PWM mode waveform output
0	0	0	1	0	0	1	Complementary PWM mode waveform output (output compare function)	
					1	X		

X: 0 or 1

Table 7.63 TRDIOB1 Pin Setting

Register	TRDOER1	TRDFCR			TRDPMR	TRDIOA1			Function
Bit	EB1	CMD1	CMD0	PWM3	PWMB1	IOB2	IOB1	IOB0	
Setting Value	X	0	0	1	0	1	X	X	Timer mode (input capture function)
	0	1	0	X	X	X	X	X	Complementary PWM mode waveform output
			1						
	0	0	1	X	X	X	X	X	Reset synchronous PWM mode waveform output
	0	0	0	1	1	X	X	X	PWM mode waveform output
0	0	0	1	0	0	0	1	Complementary PWM mode waveform output (output compare function)	
						1	X		

X: 0 or 1

Table 7.64 TRDIOC1 Pin Setting

Register	TRDOER1	TRDFCR			TRDPMR	TRDIOA1			Function
Bit	EC1	CMD1	CMD0	PWM3	PWMC1	IOC2	IOC1	IOC0	
Setting Value	X	0	0	1	0	1	X	X	Timer mode (input capture function)
	0	1	0	X	X	X	X	X	Complementary PWM mode waveform output
			1						
	0	0	1	X	X	X	X	X	Reset synchronous PWM mode waveform output
	0	0	0	1	1	X	X	X	PWM mode waveform output
0	0	0	1	0	0	0	1	Complementary PWM mode waveform output (output compare function)	
						1	X		

X: 0 or 1

Table 7.65 TRDIOD1 Pin Setting

Register	TRDOER1	TRDFCR			TRDPMR	TRDIOA1			Function
Bit	ED1	CMD1	CMD0	PWM3	PWMD1	IOD2	IOD1	IOD0	
Setting Value	X	0	0	1	0	1	X	X	Timer mode (input capture function)
	0	1	0	X	X	X	X	X	Complementary PWM mode waveform output
			1						
	0	0	1	X	X	X	X	X	Reset synchronous PWM mode waveform output
	0	0	0	1	1	X	X	X	PWM mode waveform output
0	0	0	1	0	0	0	1	Complementary PWM mode waveform output (output compare function)	
						1	X		

X: 0 or 1

7.6 Unassigned Pin Handling

Table 7.66 lists Unassigned Pin Handling.

Table 7.66 Unassigned Pin Handling

Pin Name	Connection
Ports P0, P1, P2, P3, P4_3 to P4_7, P5_6, P5_7, P6	<ul style="list-style-type: none"> • After setting to input mode, connect each pin to VSS via a resistor (pull-down) or connect each pin to VCC via a resistor (pull-up). (2) • After setting to output mode, leave these pins open. (1, 2)
Port P4_2/VREF	Connect to VCC
RESET (3)	Connect to VCC via a pull-up resistor (2)

Notes:

1. If these ports are set to output mode and left open, they remain in input mode until they are switched to output mode by a program. The voltage level of these pins may be undefined and the power current may increase while the ports remain in input mode. The content of the direction registers may change due to noise or program runaway caused by noise. In order to enhance program reliability, the program should periodically repeat the setting of the direction registers.
2. Connect these unassigned pins to the MCU using the shortest wire length (2 cm or less) possible.
3. When the power-on reset function is in use.

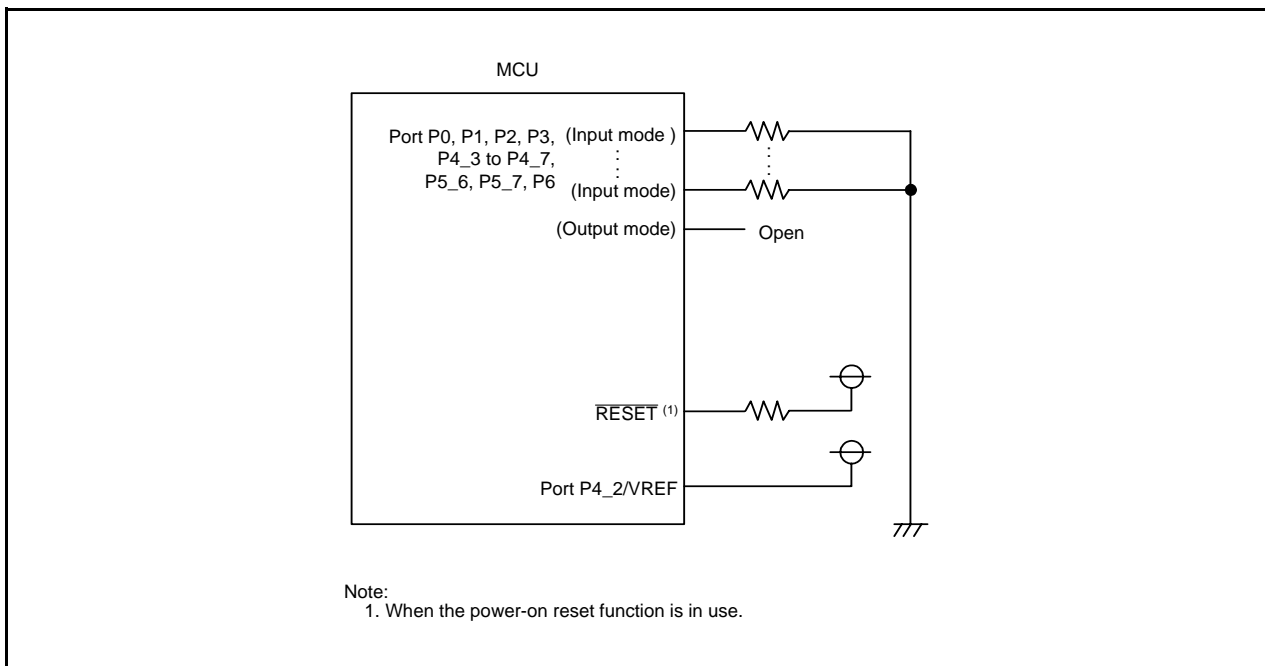


Figure 7.18 Unassigned Pin Handling

8. Bus

The bus cycles differ when accessing ROM/RAM and when accessing SFR.

Table 8.1 lists Bus Cycles by Access Area of R8C/35A Group (with Data Flash).



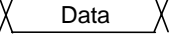




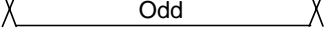
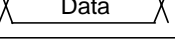

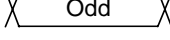
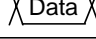



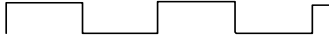



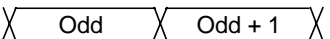

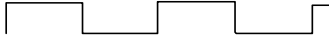
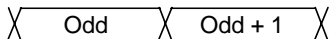

ROM/RAM and SFR are connected to the CPU by an 8-bit bus. When accessing in word (16-bit) units, these areas are accessed twice in 8-bit units.

Table 8.2 shows Access Units and Bus Operations.

Table 8.1 Bus Cycles by Access Area of R8C/35A Group (with Data Flash)

Access Area	Bus Cycle
SFR/Data flash	2 cycles of CPU clock
Program ROM/RAM	1 cycle of CPU clock

Table 8.2 Access Units and Bus Operations

Area	SFR, Data flash	ROM (program ROM), RAM
Even address Byte access	CPU clock  Address  Data 	CPU clock  Address  Data 
Odd address Byte access	CPU clock  Address  Data 	CPU clock  Address  Data 
Even address Word access	CPU clock  Address  Data 	CPU clock  Address  Data 
Odd address Word access	CPU clock  Address  Data 	CPU clock  Address  Data 

However, only the following SFRs are connected with the 16-bit bus:

Interrupts: Each interrupt control register

Timer RC: Registers TRC, TRCGRA, TRCGRB, TRCGRC, and TRCGRD

Timer RD: Registers TRDi (i = 0, 1), TRDGRAi, TRDGRBi, TRDGRCi, and TRDGRDi

SSU: Registers SSTDR, SSTDRH, SSRDR, and SSRDRH

UART2: Registers U2MR, U2BRG, U2TB, U2C0, U2C1, U2RB, U2SMR5, U2SMR4, U2SMR3, U2SMR2,
and U2SMR

A/D converter: Registers AD0, AD1, AD2, AD3, AD4, AD5, AD6, AD7, ADMOD, ADINSEL, ADCON0,
and ADCON1

D/A converter: Registers DA0 and DA1

Address match interrupt: Registers RMAD0, AIER0, RMAD1, and AIER1

Therefore, they are accessed once in 16-bit units. The bus operation is the same as “Area: SFR, Data flash, Even address Byte Access” in Table 8.2 Access Units and Bus Operations, and 16-bit data is accessed at a time.

9. Clock Generation Circuit

The following five circuits are incorporated in the clock generation circuit:

- XIN clock oscillation circuit
- XCIN clock oscillation circuit
- Low-speed on-chip oscillator
- High-speed on-chip oscillator
- Low-speed on-chip oscillator for watchdog timer

9.1 Overview

Table 9.1 lists the Specification Overview of Clock Generation Circuit. Figure 9.1 shows a Clock Generation Circuit, Figure 9.2 shows a Peripheral Function Clock and Figure 9.3 shows a Procedure for Reducing Internal Power Consumption Using VCA20 bit.

Table 9.1 Specification Overview of Clock Generation Circuit

Item	XIN Clock Oscillation Circuit	XCIN Clock Oscillation Circuit	On-Chip Oscillator		Low-Speed On-Chip Oscillator for Watchdog Timer
			High-Speed On-Chip Oscillator	Low-Speed On-Chip Oscillator	
Applications	<ul style="list-style-type: none"> • CPU clock source • Peripheral function clock source 	<ul style="list-style-type: none"> • CPU clock source • Peripheral function clock source 	<ul style="list-style-type: none"> • CPU clock source • Peripheral function clock source • CPU and peripheral function clock source when XIN clock stops oscillating 	<ul style="list-style-type: none"> • CPU clock source • Peripheral function clock source • CPU and peripheral function clock source when XIN clock stops oscillating 	<ul style="list-style-type: none"> • Watchdog timer clock source
Clock frequency	0 to 20 MHz	32.768 kHz	Approx. 40 MHz (4)	Approx. 125 kHz	Approx. 125 kHz
Connectable oscillator	<ul style="list-style-type: none"> • Ceramic resonator • Crystal oscillator 	<ul style="list-style-type: none"> • Crystal oscillator 	–	–	–
Oscillator connect pins	XIN, XOUT (1)	XCIN, XCOU (2)	– (1)	– (1)	–
Oscillation stop, restart function	Usable	Usable	Usable	Usable	Usable
Oscillator status after reset	Stop	Stop	Stop	Oscillate	Stop (5) Oscillate (6)
Others	Externally generated clock can be input (3)	<ul style="list-style-type: none"> • Externally generated clock can be input • On-chip feedback resistor Rf (connected/not connected selectable) 	–	–	–

Notes:

1. These pins can be used as P4_6 and P4_7 when using the XCIN clock oscillation circuit or on-chip oscillator clock as the CPU clock while the XIN clock oscillation circuit is not used.
2. These pins can be used as P4_3 and P4_4 when using the XIN clock oscillation circuit or on-chip oscillator clock as the CPU clock while the XCIN clock oscillation circuit is not used.
3. To input an external clock, set the CM05 bit in the CM0 register to 1 (XIN clock stops), the CM11 bit in the CM1 register to 1 (internal feedback resistor disabled), and the CM13 bit to 1 (XIN-XOUT pin).
4. The clock frequency is automatically set to up to 20 MHz by a divider when using the high-speed on-chip oscillator as the CPU clock source.
5. This applies when the CSPROINI bit in the OFS register is set to 1 (count source protection mode disabled after reset).
6. This applies when the CSPROINI bit in the OFS register is set to 0 (count source protection mode enabled after reset).

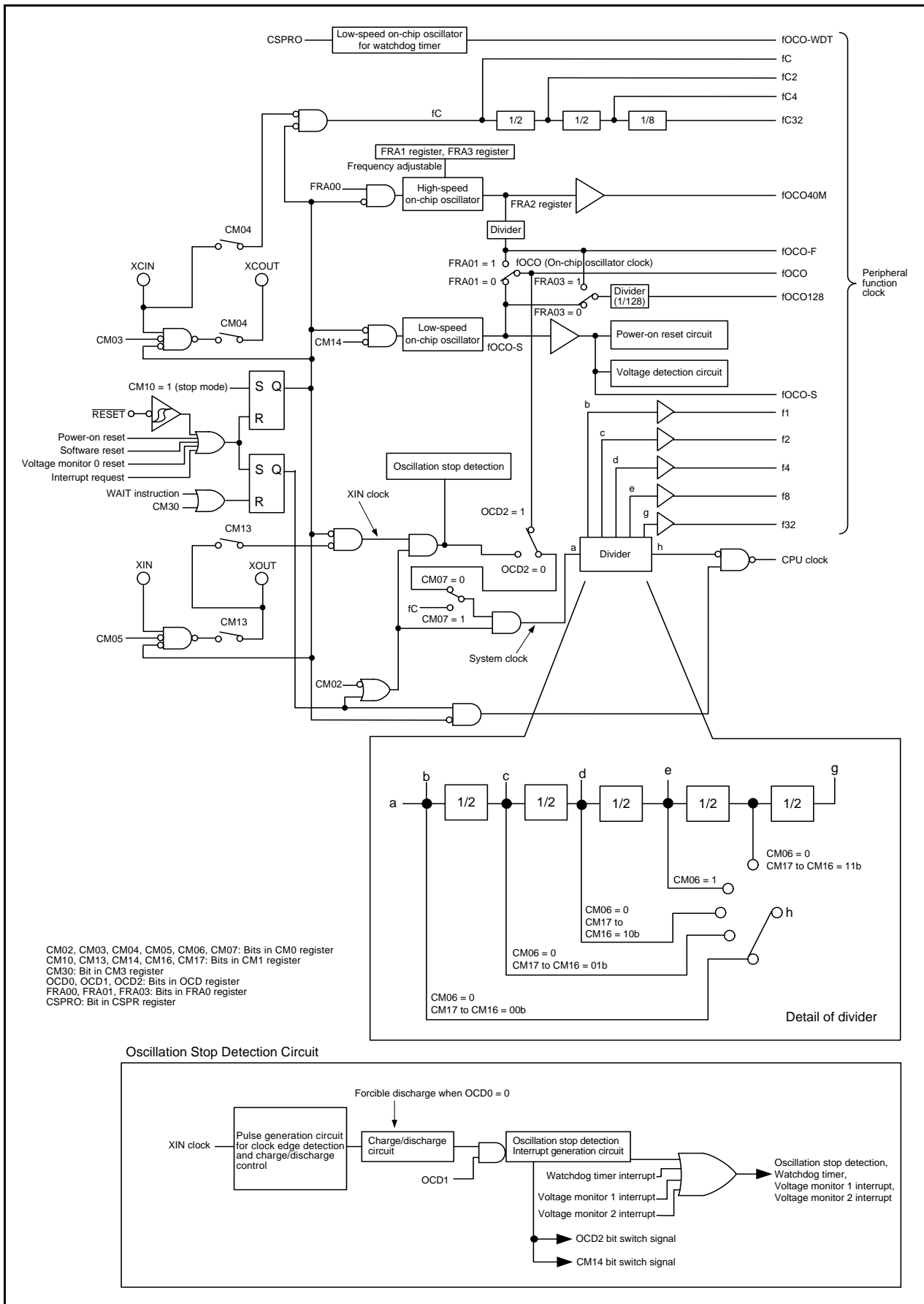


Figure 9.1 Clock Generation Circuit

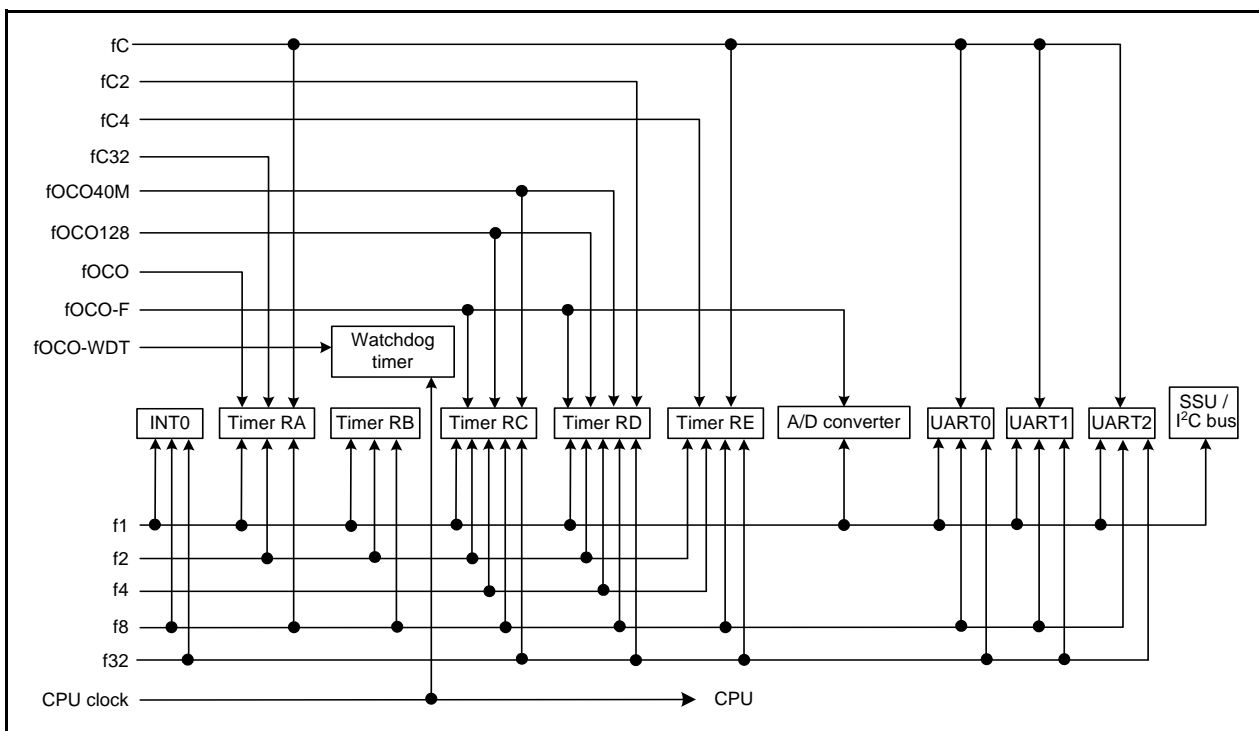


Figure 9.2 Peripheral Function Clock

9.2 Registers

9.2.1 System Clock Control Register 0 (CM0)

Address 0006h

Bit	b7	b6	b5	b4	b3	b2	b1	b0
Symbol	CM07	CM06	CM05	CM04	CM03	CM02	—	—
After Reset	0	0	1	0	1	0	0	0

Bit	Symbol	Bit Name	Function	R/W
b0	—	Reserved bits	Set to 0.	R/W
b1	—			
b2	CM02	Wait mode peripheral function clock stop bit	0: Peripheral function clock does not stop in wait mode 1: Peripheral function clock stops in wait mode	R/W
b3	CM03	XCIN clock stop bit	0: XCIN clock oscillates 1: XCIN clock stops	R/W
b4	CM04	Port/XCIN-XCOUT switch bit ⁽⁵⁾	0: I/O ports P4_3 and P4_4 1: XCIN-XCOUT pin ⁽⁶⁾	R/W
b5	CM05	XIN clock (XIN-XOUT) stop bit ^(1, 3)	0: XIN clock oscillates 1: XIN clock stops ⁽²⁾	R/W
b6	CM06	CPU clock division select bit 0 ⁽⁴⁾	0: Bits CM16 and CM17 in CM1 register enabled 1: Divide-by-8 mode	R/W
b7	CM07	XIN, XCIN clock select bit ⁽⁷⁾	0: XIN clock 1: XCIN clock	R/W

Notes:

- The CM05 bit stops the XIN clock when the high-speed on-chip oscillator mode or low-speed on-chip oscillator mode is selected. This bit cannot be used to detect whether the XIN clock has stopped. To stop the XIN clock, set the bits in the following order:
 - Set bits OCD1 to OCD0 in the OCD register to 00b.
 - Set the OCD2 bit to 1 (on-chip oscillator clock selected).
- During external clock input, only the clock oscillation buffer stops and clock input is acknowledged.
- Only when the CM05 bit is set to 1 (XIN clock stops) and the CM13 bit in the CM1 register is set to 0 (P4_6 and P4_7), P4_6 and P4_7 can be used as I/O ports.
- When the MCU enters stop mode, the CM06 bit is set to 1 (divide-by-8 mode).
- The CM04 bit can be set to 1 by a program but cannot be set to 0.
- To use the XCIN clock, set the CM04 bit to 1 and the XCSEL bit in the PINSR register to 1. Also, set ports P4_3 and P4_4 as input ports without pull-up.
- Set the CM07 bit to 1 (XCIN clock) from 0 after setting the CM04 bit to 1 (XCIN-XCOUT pin) and allowing XCIN clock oscillation to stabilize.

Set the PRC0 bit in the PRCR register to 1 (write enabled) before rewriting the CM0 register.

9.2.2 System Clock Control Register 1 (CM1)

Address 0007h

Bit	b7	b6	b5	b4	b3	b2	b1	b0
Symbol	CM17	CM16	—	CM14	CM13	CM12	CM11	CM10
After Reset	0	0	1	0	0	0	0	0

Bit	Symbol	Bit Name	Function	R/W
b0	CM10	All clock stop control bit ⁽²⁾	0: Clock oscillates 1: All clocks stop (stop mode)	R/W
b1	CM11	XIN-XOUT on-chip feedback resistor select bit	0: On-chip feedback resistor enabled 1: On-chip feedback resistor disabled	R/W
b2	CM12	XCIN-XCOUT on-chip feedback resistor select bit	0: On-chip feedback resistor enabled 1: On-chip feedback resistor disabled	R/W
b3	CM13	Port/XCIN-XCOUT switch bit ⁽⁵⁾	0: I/O ports P4_6 and P4_7 1: XIN-XOUT pin	R/W
b4	CM14	Low-speed on-chip oscillator stop bit ^(3, 4)	0: Low-speed on-chip oscillator on 1: Low-speed on-chip oscillator off	R/W
b5	—	Reserved bit	Set to 1.	R/W
b6	CM16	CPU clock division select bit 1 ⁽¹⁾	^{b7 b6} 0 0: No division mode 0 1: Divide-by-2 mode 1 0: Divide-by-4 mode 1 1: Divide-by-16 mode	R/W
b7	CM17			R/W

Notes:

1. When the CM06 bit is set to 0 (bits CM16 and CM17 enabled), bits CM16 and CM17 are enabled.
2. If the CM10 bit is set to 1 (stop mode), the on-chip feedback resistor is disabled.
3. When the OCD2 bit is set to 0 (XIN clock selected), the CM14 bit can be set to 1 (low-speed on-chip oscillator off). When the OCD2 bit is set to 1 (on-chip oscillator clock selected), the CM14 bit is set to 0 (low-speed on-chip oscillator on). It remains unchanged even if 1 is written to it.
4. To use the voltage monitor 1 interrupt or voltage monitor 2 interrupt (when the digital filter is used), set the CM14 bit to 0 (low-speed on-chip oscillator on).
5. Once the CM13 bit is set to 1 by a program, it cannot be set to 0.

Set the PRC0 bit in the PRCR register to 1 (write enabled) before rewriting the CM1 register.

9.2.3 System Clock Control Register 3 (CM3)

Address 0009h

Bit	b7	b6	b5	b4	b3	b2	b1	b0
Symbol	CM37	CM36	CM35	—	—	—	—	CM30
After Reset	0	0	0	0	0	0	0	0

Bit	Symbol	Bit Name	Function	R/W
b0	CM30	Wait control bit ⁽¹⁾	0: Other than wait mode 1: MCU enters wait mode	R/W
b1	—	Nothing is assigned. If necessary, set to 0. When read, the content is 0.		—
b2	—			
b3	—	Reserved bits	Set to 0.	R/W
b4	—			
b5	CM35	CPU clock division when exiting wait mode select bit ⁽²⁾	0: Following settings are enabled: CM06 bit in CM0 register Bits CM16 and CM17 in CM1 register 1: No division	R/W
b6	CM36	System clock when exiting wait mode or stop mode select bit	^{b7 b6} 0 0: MCU exits with the CPU clock immediately before entering wait or stop mode. 0 1: Do not set. 1 0: High-speed on-chip oscillator clock selected ⁽³⁾ 1 1: XIN clock selected ⁽⁴⁾	R/W
b7	CM37			R/W

Notes:

- When the MCU exits wait mode by a peripheral function interrupt, the CM30 bit is set to 0 (other than wait mode).
- Set the CM35 bit to 0 in stop mode. When the MCU enters wait mode, if the CM35 bit is set to 1 (no division), the CM06 bit in the CM0 register is set to 0 (bits CM16 and CM17 enabled) and bits CM17 and CM16 in the CM1 register is set to 00b (no division mode).
- When bits CM37 and CM36 are set to 10b (high-speed on-chip oscillator clock selected), the following will be set when the MCU exits wait mode or stop mode.
 - OCD2 bit in OCD register = 1 (on-chip oscillator selected)
 - FRA00 bit in FRA0 register = 1 (high-speed on-chip oscillator on)
 - FRA01 bit in FRA0 register = 1 (high-speed on-chip oscillator selected)
- When bits CM37 and CM36 are set to 11b (XIN clock selected), the following will be set when the MCU exits wait mode or stop mode.
 - OM05 bit in OM0 register = 1 (XIN clock oscillates)
 - OM13 bit in OM1 register = 1 (XIN-XOUT pin)
 - OCD2 bit in OCD register = 0 (XIN clock selected)

When the MCU enters wait mode while the CM05 bit in the CM0 register is 1 (XIN clock stops), if the XIN clock is selected as the CPU clock when exiting wait mode, set the CM06 bit to 1 (divide-by-8 mode) and the CM35 bit to 0.

However, if an externally generated clock is used as the XIN clock, do not set bits CM37 to CM36 to 11b (XIN clock selected).

Set the PRC0 bit in the PRCR register to 1 (write enabled) before rewriting the CM3 register.

CM30 bit (Wait Control Bit)

When the CM30 bit is set to 1 (MCU enters wait mode), the CPU clock stops (wait mode). Since the XIN clock, XCIN clock, and the on-chip oscillator clock do not stop, the peripheral functions using these clocks continue operating. To set the CM30 bit to 1, set the I flag to 0 (maskable interrupt disabled).

The MCU exits wait mode by a reset or peripheral function interrupt. When the MCU exits wait mode by a peripheral function interrupt, it resumes executing the instruction immediately after the instruction to set the CM30 bit to 1.

When the MCU enters wait mode with the WAIT instruction, make sure to set the I flag to 1 (maskable interrupt enabled). With this setting, interrupt handling is performed by the CPU when the MCU exits wait mode.

9.2.4 Oscillation Stop Detection Register (OCD)

Address 000Ch

Bit	b7	b6	b5	b4	b3	b2	b1	b0
Symbol	—	—	—	—	OCD3	OCD2	OCD1	OCD0
After Reset	0	0	0	0	0	1	0	0

Bit	Symbol	Bit Name	Function	R/W
b0	OCD0	Oscillation stop detection enable bit ⁽⁶⁾	0: Oscillation stop detection function disabled ⁽¹⁾ 1: Oscillation stop detection function enabled	R/W
b1	OCD1	Oscillation stop detection interrupt enable bit	0: Disabled ⁽¹⁾ 1: Enabled	R/W
b2	OCD2	System clock select bit ⁽³⁾	0: XIN clock selected ⁽⁶⁾ 1: On-chip oscillator clock selected ⁽²⁾	R/W
b3	OCD3	Clock monitor bit ^(4, 5)	0: XIN clock oscillates 1: XIN clock stops	R
b4	—	Reserved bits	Set to 0.	R/W
b5	—			
b6	—			
b7	—			

Notes:

- Set bits OCD1 to OCD0 to 00b before the MCU enters stop mode, high-speed on-chip oscillator mode, or low-speed on-chip oscillator mode (XIN clock stops).
- If the OCD2 bit is set to 1 (on-chip oscillator clock selected), the CM14 bit is set to 0 (low-speed on-chip oscillator on).
- The OCD2 bit is automatically set to 1 (on-chip oscillator clock selected) if XIN clock oscillation stop is detected while bits OCD1 to OCD0 are set to 11b. If the OCD3 bit is set to 1 (XIN clock stops), the OCD2 bit remains unchanged even when set to 0 (XIN clock selected).
- The OCD3 bit is enabled when the OCD0 bit is set to 1 (oscillation stop detection function enabled).
- The OCD3 bit remains 0 (XIN clock oscillates) if bits OCD1 to OCD0 are set to 00b.
- Refer to **Figure 9.10 Procedure for Switching Clock Source from Low-Speed On-Chip Oscillator to XIN Clock** for the switching procedure when the XIN clock re-oscillates after detecting oscillation stop.

Set the PRC0 bit in the PRCR register to 1 (write enabled) before rewriting the OCD register.

9.2.5 High-Speed On-Chip Oscillator Control Register 7 (FRA7)

Address 0015h

Bit	b7	b6	b5	b4	b3	b2	b1	b0
Symbol	—	—	—	—	—	—	—	—
After Reset	When shipping							

Bit	Function	R/W
b7-b0	32 MHz frequency correction data is stored. The frequency can be adjusted by transferring this value to the FRA3 register and by transferring the correction value in the FRA6 register to the FRA1 register.	R

9.2.6 High-Speed On-Chip Oscillator Control Register 0 (FRA0)

Address 0023h

Bit	b7	b6	b5	b4	b3	b2	b1	b0
Symbol	—	—	—	—	FRA03	—	FRA01	FRA00
After Reset	0	0	0	0	0	0	0	0

Bit	Symbol	Bit Name	Function	R/W
b0	FRA00	High-speed on-chip oscillator enable bit	0: High-speed on-chip oscillator off 1: High-speed on-chip oscillator on	R/W
b1	FRA01	High-speed on-chip oscillator select bit ⁽¹⁾	0: Low-speed on-chip oscillator selected ⁽²⁾ 1: High-speed on-chip oscillator selected	R/W
b2	—	Reserved bit	Set to 0.	R/W
b3	FRA03	fOCO128 clock select bit	0: fOCO-S divided by 128 selected 1: fOCO-F divided by 128 selected	R/W
b4	—	Nothing is assigned. If necessary, set to 0. When read, the content is 0.		—
b5	—			
b6	—			
b7	—			

Notes:

- Change the FRA01 bit in the following conditions.
 - FRA00 = 1 (high-speed on-chip oscillator on)
 - The CM14 bit in the CM1 register = 0 (low-speed on-chip oscillator on)
 - Bits FRA22 to FRA20 in the FRA2 register:
 - All division mode can be set when VCC = 2.7 V to 5.5 V 000b to 111b
 - Divide ratio of 8 or more when VCC = 1.8 V to 5.5 V 110b to 111b (divide-by-8 or more)
- When setting the FRA01 bit to 0 (low-speed on-chip oscillator selected), do not set the FRA00 bit to 0 (high-speed on-chip oscillator off) at the same time. Set the FRA00 bit to 0 after setting the FRA01 bit to 0.

Set the PRC0 bit in the PRCR register to 1 (write enabled) before rewriting the FRA0 register.

9.2.7 High-Speed On-Chip Oscillator Control Register 1 (FRA1)

Address 0024h

Bit	b7	b6	b5	b4	b3	b2	b1	b0
Symbol	—	—	—	—	—	—	—	—
After Reset	When shipping							

Bit	Function	R/W
b7-b0	The frequency of the high-speed on-chip oscillator can be adjusted by setting as follows: 40 MHz: FRA1 = FRA3 = value after reset 36.864 MHz: Transfer the value in the FRA4 register to the FRA1 register and the value in the FRA5 register to the FRA3 register. 32 MHz: Transfer the value in the FRA6 register to the FRA1 register and the value in the FRA7 register to the FRA3 register.	R/W

Set the PRC0 bit in the PRCR register to 1 (write enabled) before rewriting the FRA1 register.

Also, rewrite the FRA1 register when the FRA00 bit in the FRA0 register is set 0 (high-speed on-chip oscillator off).

9.2.8 High-Speed On-Chip Oscillator Control Register 2 (FRA2)

Address 0025h

Bit	b7	b6	b5	b4	b3	b2	b1	b0
Symbol	—	—	—	—	—	FRA22	FRA21	FRA20
After Reset	0	0	0	0	0	0	0	0

Bit	Symbol	Bit Name	Function	R/W
b0	FRA20	High-speed on-chip oscillator frequency switching bit	Division selection These bits select the division ratio for the high-speed on-chip oscillator clock. b2 b1 b0 0 0 0: Divide-by-2 mode 0 0 1: Divide-by-3 mode 0 1 0: Divide-by-4 mode 0 1 1: Divide-by-5 mode 1 0 0: Divide-by-6 mode 1 0 1: Divide-by-7 mode 1 1 0: Divide-by-8 mode 1 1 1: Divide-by-9 mode	R/W
b1	FRA21			R/W
b2	FRA22			R/W
b3	—	Reserved bits	Set to 0.	R/W
b4	—			
b5	—			
b6	—			
b7	—			

Set the PRC0 bit in the PRCR register to 1 (write enabled) before rewriting the FRA2 register.

9.2.9 Clock Prescaler Reset Flag (CPSRF)

Address 0028h

Bit	b7	b6	b5	b4	b3	b2	b1	b0
Symbol	CPSR	—	—	—	—	—	—	—
After Reset	0	0	0	0	0	0	0	0

Bit	Symbol	Bit Name	Function	R/W
b0	—	Reserved bits	Set to 0.	R/W
b1	—			
b2	—			
b3	—			
b4	—			
b5	—			
b6	—	Clock prescaler reset flag	Setting this bit to 1 initializes the clock prescaler. (When read, the content is 0)	R/W
b7	CPSR			

9.2.10 High-Speed On-Chip Oscillator Control Register 4 (FRA4)

Address 0029h

Bit	b7	b6	b5	b4	b3	b2	b1	b0
Symbol	—	—	—	—	—	—	—	—

After Reset When shipping

Bit	Function	R/W
b7-b0	36.864 MHz frequency correction data is stored. The frequency can be adjusted by transferring this value to the FRA1 register and by transferring the correction value in the FRA5 register to the FRA3 register.	R

9.2.11 High-Speed On-Chip Oscillator Control Register 5 (FRA5)

Address 002Ah

Bit	b7	b6	b5	b4	b3	b2	b1	b0
Symbol	—	—	—	—	—	—	—	—

After Reset When shipping

Bit	Function	R/W
b7-b0	36.864 MHz frequency correction data is stored. The frequency can be adjusted by transferring this value to the FRA3 register and by transferring the correction value in the FRA4 register to the FRA1 register.	R

9.2.12 High-Speed On-Chip Oscillator Control Register 6 (FRA6)

Address 002Bh

Bit	b7	b6	b5	b4	b3	b2	b1	b0
Symbol	—	—	—	—	—	—	—	—

After Reset When shipping

Bit	Function	R/W
b7-b0	32 MHz frequency correction data is stored. The frequency can be adjusted by transferring this value to the FRA1 register and by transferring the correction value in the FRA7 register to the FRA3 register.	R

9.2.13 High-Speed On-Chip Oscillator Control Register 3 (FRA3)

Address 002Fh

Bit	b7	b6	b5	b4	b3	b2	b1	b0
Symbol	—	—	—	—	—	—	—	—

After Reset When shipping

Bit	Function	R/W
b7-b0	The frequency of the high-speed on-chip oscillator can be adjusted by setting as follows: 40 MHz: FRA1 = FRA3 = value after reset 36.864 MHz: Transfer the value in the FRA4 register to the FRA1 register and the value in the FRA5 register to the FRA3 register. 32 MHz: Transfer the value in the FRA6 register to the FRA1 register and the value in the FRA7 register to the FRA3 register.	R/W

Set the PRC0 bit in the PRCR register to 1 (write enabled) before rewriting the FRA3 register.
 Also, rewrite the FRA3 register when the FRA00 bit in the FRA0 register is set 0 (high-speed on-chip oscillator off).

9.2.14 Voltage Detect Register 2 (VCA2)

Address 0034h

Bit	b7	b6	b5	b4	b3	b2	b1	b0
Symbol	VCA27	VCA26	VCA25	VCA24	VCA23	VCA22	VCA21	VCA20
After Reset	The LVDAS bit in the OFS register is set to 1.							
	0	0	0	0	0	0	0	0
After Reset	The LVDAS bit in the OFS register is set to 0.							
	0	0	1	0	0	0	0	0

Bit	Symbol	Bit Name	Function	R/W
b0	VCA20	Internal power low consumption enable bit ⁽¹⁾	0: Low consumption disabled 1: Low consumption enabled ⁽²⁾	R/W
b1	VCA21	Comparator A1 reference voltage input select bit	0: Internal reference voltage 1: LVREF pin input voltage	R/W
b2	VCA22	LVCMP1 comparison voltage external input select bit	0: Supply voltage (VCC) 1: LVCMP1 pin input voltage	R/W
b3	VCA23	Comparator A2 reference voltage input select bit	0: Internal reference voltage 1: LVREF pin input voltage	R/W
b4	VCA24	LVCMP2 comparison voltage external input select bit	0: Supply voltage (VCC) (Vdet2_0) 1: LVCMP2 pin input voltage (Vdet2_EXT)	R/W
b5	VCA25	Voltage detection 0 enable bit ⁽³⁾	0: Voltage detection 0 circuit disabled 1: Voltage detection 0 circuit enabled	R/W
b6	VCA26	Voltage detection 1/comparator A1 enable bit ⁽⁴⁾	0: Voltage detection 1/comparator A1 circuit disabled 1: Voltage detection 1/comparator A1 circuit enabled	R/W
b7	VCA27	Voltage detection 2/comparator A2 enable bit ⁽⁵⁾	0: Voltage detection 2/comparator A2 circuit disabled 1: Voltage detection 2/comparator A2 circuit enabled	R/W

Notes:

- Use the VCA20 bit only when the MCU enters wait mode. To set the VCA20 bit, follow the procedure shown in **Figure 9.3 Procedure for Reducing Internal Power Consumption Using VCA20 bit**.
- When the VCA20 bit is set to 1 (low consumption enabled), do not set the CM10 bit in the CM1 register to 1 (stop mode).
- When writing to the VCA25 bit, set a value after reset.
- To use the voltage detection 1/comparator A1 interrupt or the VW1C3 bit in the VW1C register, set the VCA26 bit to 1.
After the VCA26 bit is set to 1 from 0, allow td(E-A) to elapse before the voltage detection 1/comparator A1 circuit starts operation.
- To use the voltage detection 2/comparator A2 interrupt or the VCAC13 bit in the VCA1 register, set the VCA27 bit to 1.
After the VCA27 bit is set to 1 from 0, allow td(E-A) to elapse before the voltage detection 2/comparator A2 circuit starts operation.

Set the PRC3 bit in the PRCR register to 1 (write enabled) before rewriting the VCA2 register.

9.2.15 I/O Function Pin Select Register (PINSR)

Address 018Fh

Bit	b7	b6	b5	b4	b3	b2	b1	b0
Symbol	SDADLY1	SDADLY0	IICTCHALF	IICTCTWI	IOINSEL	—	—	XCSEL
After Reset	0	0	0	0	0	0	0	0

Bit	Symbol	Bit Name	Function	R/W
b0	XCSEL	XCIN/XCOUT pin connect bit	0: XCIN not connected to P4_3, XCOUT not connected to P4_4 1: XCIN connected to P4_3, XCOUT connected to P4_4	R/W
b1	—	Reserved bit	Set to 0.	R/W
b2	—	Nothing is assigned. If necessary, set to 0. When read, the content is 0.		—
b3	IOINSEL	I/O port input function select bit	0: The I/O port input function depends on the PDi (i = 0 to 6) register. When the PDi_j (j = 0 to 7) bit in the PDi register is set to 0 (input mode), the pin input level is read. When the PDi_j bit in the PDi register is set to 1 (output mode), the port latch is read. 1: The I/O port input function reads the pin input level regardless of the PDi register.	R/W
b4	IICTCTWI	I ² C double transfer rate select bit	0: Transfer rate is the same as the value set with bits CKS0 to CKS3 in the ICCR1 register 1: Transfer rate is twice the value set with bits CKS0 to CKS3 in the ICCR1 register	R/W
b5	IICTCHALF	I ² C half transfer rate select bit	0: Transfer rate is the same as the value set with bits CKS0 to CKS3 in the ICCR1 register 1: Transfer rate is half the value set with bits CKS0 to CKS3 in the ICCR1 register	R/W
b6	SDADLY0	SDA digital delay select bit	b7 b6 0 0: Digital delay of 3 × f1 cycles 0 1: Digital delay of 11 × f1 cycles 1 0: Digital delay of 19 × f1 cycles 1 1: Do not set.	R/W
b7	SDADLY1			R/W

XCSEL Bit (XCIN/XCOUT pin connect bit)

The XCSEL bit is used to connect XCIN and XCOUT to P4_3 and P4_4, respectively. When this bit is set to 1, XCIN is connected to P4_3 and XCOUT is connected to P4_4. For how to set XCIN and XCOUT, refer to **9. Clock Generation Circuit**.

IOINSEL Bit (I/O port input function select bit)

The IOINSEL bit is used to select the pin level of an I/O port when the PDi_j (j = 0 to 7) bit in the PDi (i = 0 to 6) register is set to 1 (output mode). When this bit is set to 1, the I/O port input function reads the pin input level regardless of the PDi register.

Table 9.2 lists I/O Port Values Read by Using IOINSEL Bit. The IOINSEL bit can be used to change the input function of all I/O ports except P4_2.

Table 9.2 I/O Port Values Read by Using IOINSEL Bit

PDi_j bit in PDi register	0 (input mode)		1 (output mode)		
	IOINSEL bit	0	1	0	1
I/O port values read		Pin input level	Port latch value	Pin input level	

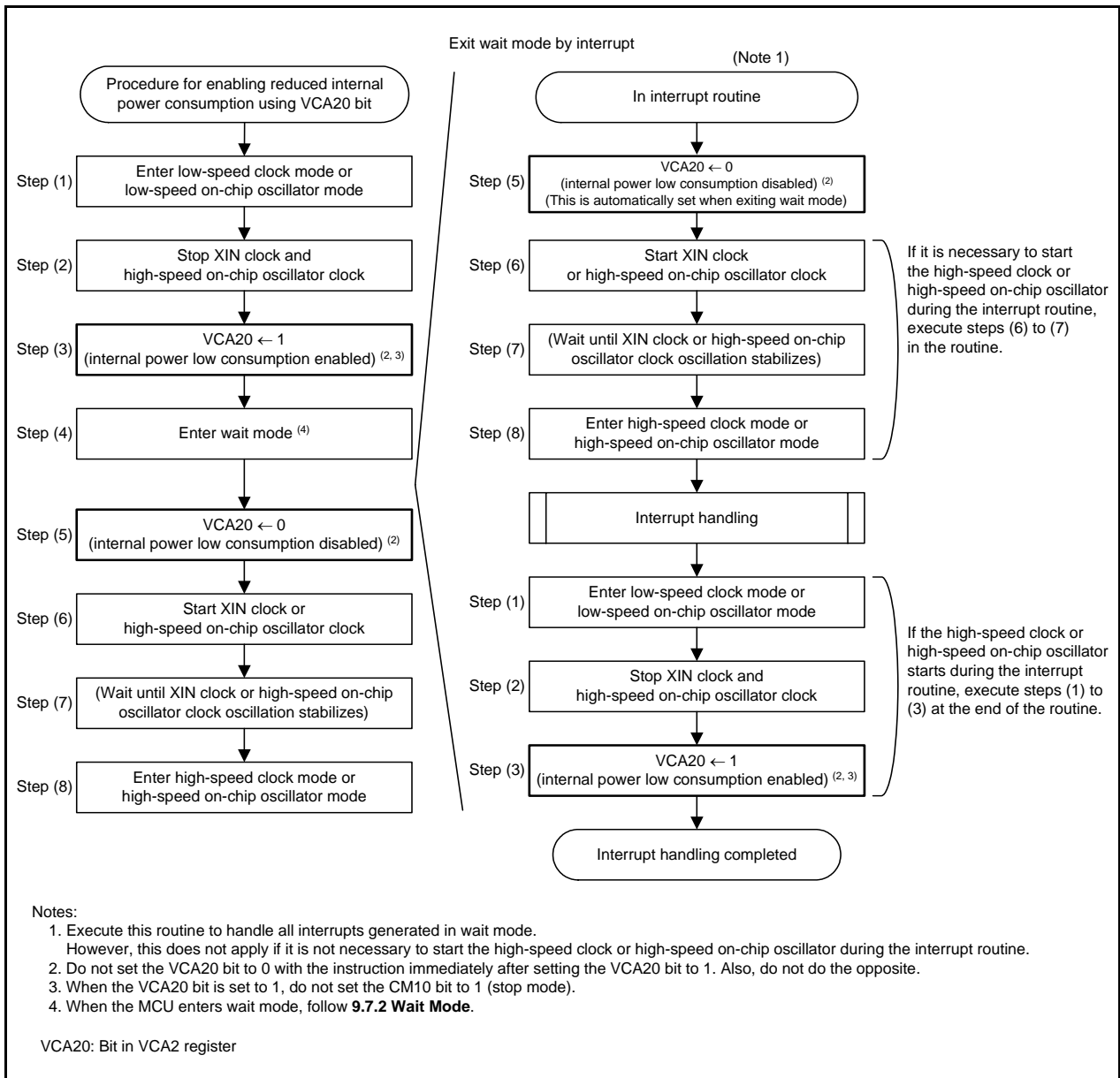


Figure 9.3 Procedure for Reducing Internal Power Consumption Using VCA20 bit

The clocks generated by the clock generation circuits are described below.

9.3 XIN Clock

The XIN clock is supplied by the XIN clock oscillation circuit. This clock is used as the clock source for the CPU and peripheral function clocks. The XIN clock oscillation circuit is configured by connecting a resonator between pins XIN and XOUT. The XIN clock oscillation circuit includes an on-chip feedback resistor, which is disconnected from the oscillation circuit in stop mode in order to reduce the amount of power consumed by the chip. The XIN clock oscillation circuit may also be configured by feeding an externally generated clock to the XOUT pin.

Figure 9.4 shows Examples of XIN Clock Connection Circuit.

During and after a reset, the XIN clock stops.

After setting the CM13 bit in the CM1 register to 1 (XIN-XOUT pin), the XIN clock starts oscillating when the CM05 bit in the CM0 register is set to 0 (XIN clock oscillates). After the XIN clock oscillation stabilizes, the XIN clock is used as the CPU clock source when the OCD2 bit in the OCD register is set to 0 (XIN clock selected).

The power consumption can be reduced by setting the CM05 bit in the CM0 register to 1 (XIN clock stops) if the OCD2 bit is set to 1 (on-chip oscillator clock selected).

When an externally generated clock is input to the XOUT pin, the XIN clock does not stop even if the CM05 bit is set to 1. If necessary, use an external circuit to stop the clock.

In stop mode, all clocks including the XIN clock stop. Refer to **9.7 Power Control** for details.

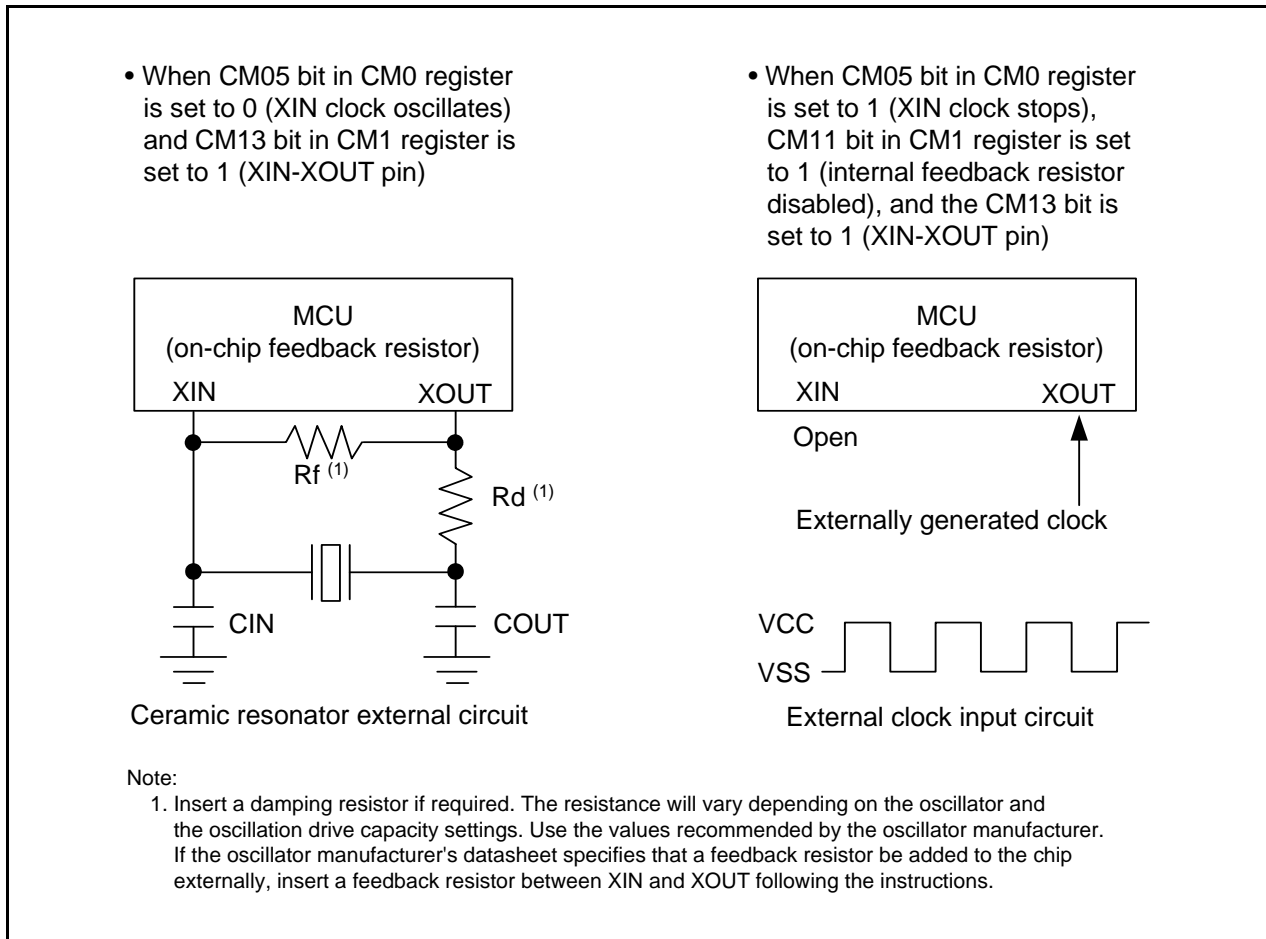


Figure 9.4 Examples of XIN Clock Connection Circuit

9.4 On-Chip Oscillator Clock

The on-chip oscillator clock is supplied by the on-chip oscillator (high-speed on-chip oscillator or low-speed on-chip oscillator). This clock is selected by the FRA01 bit in the FRA0 register.

9.4.1 Low-Speed On-Chip Oscillator Clock

The clock generated by the low-speed on-chip oscillator is used as the clock source for the CPU clock, peripheral function clock, fOCO, fOCO-S, and fOCO128.

After a reset, the on-chip oscillator clock generated by the low-speed on-chip oscillator divided by 1 (no division) is selected as the CPU clock.

If the XIN clock stops oscillating when bits OCD1 to OCD0 in the OCD register are set to 11b, the low-speed on-chip oscillator automatically starts operating and supplies the necessary clock for the MCU.

The frequency of the low-speed on-chip oscillator varies depending on the supply voltage and the operating ambient temperature. Application products must be designed with sufficient margin to allow for frequency changes.

9.4.2 High-Speed On-Chip Oscillator Clock

The clock generated by the high-speed on-chip oscillator is used as the clock source for the CPU clock, peripheral function clock, fOCO, fOCO-F, fOCO40M, and fOCO128.

To use the high-speed on-chip oscillator clock as the clock source for the CPU clock, peripheral clock, fOCO, and fOCO-F, set bits FRA20 to FRA22 in the FRA2 register as follows:

- All division mode can be set when VCC = 2.7 V to 5.5 V 000b to 111b
- Divide ratio of 8 or more when VCC = 1.8 V to 5.5 V 110b to 111b (divide by 8 or more)

After a reset, the on-chip oscillator clock generated by the high-speed on-chip oscillator stops. Oscillation is started by setting the FRA00 bit in the FRA0 register to 1 (high-speed on-chip oscillator on).

Frequency correction data is stored in registers FRA4 to FRA7.

To adjust the frequency of the high-speed on-chip oscillator clock to 36.864 MHz, first transfer the correction value in the FRA4 register to the FRA1 register and the correction value in the FRA5 register to the FRA3 register before using the values. This enables the setting errors of bit rates such as 9600 bps and 38400 bps to be 0% when the serial interface is used in UART mode (refer to **Table 22.8** and **Table 23.8 Bit Rate Setting Example in UART Mode**).

To adjust the frequency of the high-speed on-chip oscillator clock to 32 MHz, first transfer the correction value in the FRA6 register to the FRA1 register and the correction value in the FRA7 register to the FRA3 register before using the values.

9.5 XCIN Clock

The XCIN clock is supplied by the XCIN clock oscillation circuit. This clock is used as the clock source for the CPU and peripheral function clocks. The XCIN clock oscillation circuit is configured by connecting a resonator between the XCIN and XCOUT pins. The XCIN clock oscillation circuit includes an on-chip a feedback resistor, which is disconnected from the oscillation circuit in stop mode in order to reduce the amount of power consumed by the chip. The XCIN clock oscillation circuit may also be configured by feeding an externally generated clock to the XCIN pin.

Figure 9.5 shows Examples of XCIN Clock Connection Circuits.

During and after a reset, the XCIN clock stops.

After setting the XCSEL bit in the PINSR register to 1 (XCIN connected to P4_3, XCOUT connected to P4_4) and the CM04 bit in the CM0 register to 1 (XCIN-XCOUT pin), the XCIN clock starts oscillating when the CM03 bit in the CM0 register is set to 0 (XCIN clock oscillates). After the XCIN clock oscillation stabilizes, the XCIN clock is used as the CPU clock source when the CM07 bit in the CM0 register is set to 1 (XCIN clock). To input an externally generated clock to the XCIN pin, also set the CM04 bit in the CM0 register to 1 (XCIN-XCOUT pin). Leave the XCOUT pin open at this time.

This MCU has an on-chip feedback resistor, which can be disabled/enabled by the CM12 bit in the CM1 register. In stop mode, all clocks including the XCIN clock stop. Refer to **9.7 Power Control** for details.

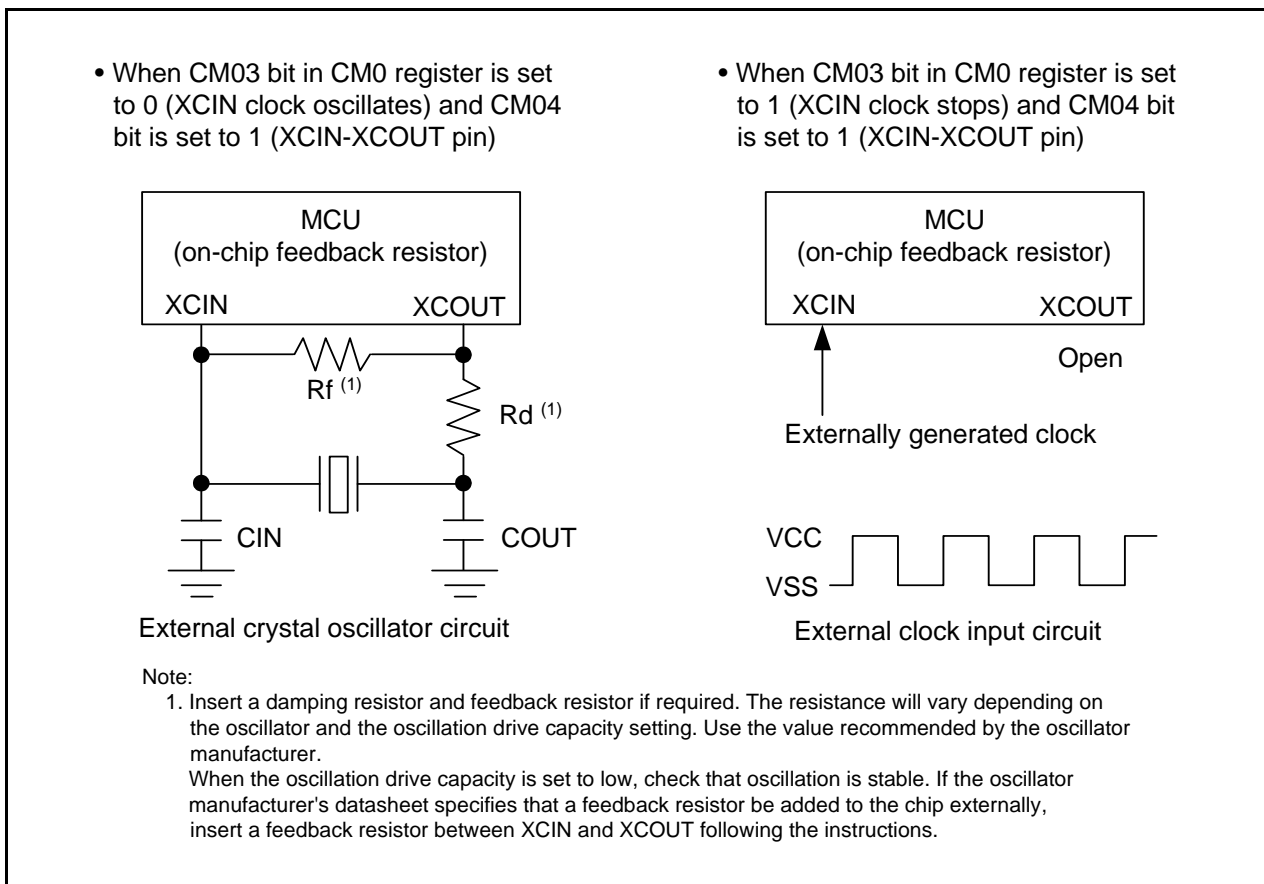


Figure 9.5 Examples of XCIN Clock Connection Circuits

9.6 CPU Clock and Peripheral Function Clock

There are a CPU clock to operate the CPU and a peripheral function clock to operate the peripheral functions. Refer to **Figure 9.1 Clock Generation Circuit**.

9.6.1 System Clock

The system clock is the clock source for the CPU and peripheral function clocks. The XIN clock, the XCIN clock, or the on-chip oscillator clock can be selected.

9.6.2 CPU Clock

The CPU clock is an operating clock for the CPU and the watchdog timer.

The system clock divided by 1 (no division), 2, 4, 8, or 16 is used as the CPU clock. Use the CM06 bit in the CM0 register and bits CM16 and CM17 in the CM1 register to select the value of the division.

Also, use the XCIN clock while the XCIN clock oscillation stabilizes.

After a reset, the low-speed on-chip oscillator clock divided by 1 (no division) is used as the CPU clock.

When the MCU enters stop mode, the CM06 bit is set to 1 (divide-by-8 mode). To enter stop mode, set the CM35 bit in the CM3 register to 0 (settings of CM06 in CM0 register and bits CM16 and CM17 in CM1 register enabled).

9.6.3 Peripheral Function Clock (f1, f2, f4, f8, and f32)

The peripheral function clock is an operating clock for the peripheral functions.

The f_i ($i = 1, 2, 4, 8,$ and 32) clock is generated by the system clock divided by i . It is used for timers RA, RB, RC, RD, RE, the serial interface, and the A/D converter.

If the MCU enters wait mode after the CM02 bit in the CM0 register is set to 1 (peripheral function clock stops in wait mode), the f_i clock stops.

9.6.4 fOCO

fOCO is an operating clock for the peripheral functions.

This clock runs at the same frequency as the on-chip oscillator clock and can be used as the source for timer RA.

In wait mode, the fOCO clock does not stop.

9.6.5 fOCO40M

fOCO40M is used as the count source for timers RC and RD.

This clock is generated by the high-speed on-chip oscillator and supplied by setting the FRA00 bit to 1.

In wait mode, the fOCO40M clock does not stop.

This clock can be used with supply voltage $VCC = 3.0$ to 5.5 V.

9.6.6 fOCO-F

fOCO-F is used as the count source for timers RC, RD and the A/D converter.

fOCO-F is a clock generated by the high-speed on-chip oscillator and divided by i ($i = 2, 3, 4, 5, 6, 7, 8,$ and 9 ; divide ratio selected by the FRA2 register). This clock is supplied by setting the FRA00 bit to 1.

In wait mode, the fOCO-F clock does not stop.

9.6.7 fOCO-S

fOCO-S is an operating clock for the voltage detection circuit.

This clock is generated by the low-speed on-chip oscillator and supplied by setting the CM14 bit to 0 (low-speed on-chip oscillator on).

In wait mode, the fOCO-S clock does not stop.

9.6.8 fOCO128

fOCO128 is a clock generated by dividing fOCO-S or fOCO-F by 128. When the FRA03 bit is set to 0, fOCO-S divided by 128 is selected. When this bit is set to 1, fOCO-F divided by 128 is selected.

fOCO128 is configured as the capture signal used in the TRCGRA register for timer RC and timer RD0 for timer RD.

9.6.9 fC, fC2, fC4, and fC32

fC, fC2, fC4, and fC32 are used for timers RA, RD, RE, and the serial interface.

Use these clocks while the XCIN clock oscillation stabilizes.

9.6.10 fOCO-WDT

fOCO-WDT is an operating clock for the watchdog timer.

This clock is generated by the low-speed on-chip oscillator for the watchdog timer and supplied by setting the CSPRO bit in the CSPR register to 1 (count source protect mode enabled).

In count source protection mode for the watchdog timer, the fOCO-WDT clock does not stop.

9.7 Power Control

There are three power control modes. All modes other than wait mode and stop mode are referred to as standard operating mode.

9.7.1 Standard Operating Mode

Standard operating mode is further separated into four modes.

In standard operating mode, the CPU and peripheral function clocks are supplied to operate the CPU and the peripheral functions. Power consumption control is enabled by controlling the CPU clock frequency. The higher the CPU clock frequency, the more processing power increases. The lower the CPU clock frequency, the more power consumption decreases. If unnecessary oscillator circuits stop, power consumption is further reduced.

Before the clock sources for the CPU clock can be switched over, the new clock source needs to be oscillating and stable. Allow sufficient wait time in a program until oscillation stabilizes before switching the clock.

Table 9.3 Settings and Modes of Clock Associated Bits

Modes		OCD Register	CM1 Register			CM0 Register					FRA0 Register	
		OCD2	CM17, CM16	CM14	CM13	CM07	CM06	CM05	CM04	CM03	FRA01	FRA00
High-speed clock mode	No division	0	00b	–	1	0	0	0	–	–	–	–
	Divide-by-2	0	01b	–	1	0	0	0	–	–	–	–
	Divide-by-4	0	10b	–	1	0	0	0	–	–	–	–
	Divide-by-8	0	–	–	1	0	1	0	–	–	–	–
	Divide-by-16	0	11b	–	1	0	0	0	–	–	–	–
Low-speed clock mode	No division	–	00b	–	–	1	0	–	1	0	–	–
	Divide-by-2	–	01b	–	–	1	0	–	1	0	–	–
	Divide-by-4	–	10b	–	–	1	0	–	1	0	–	–
	Divide-by-8	–	–	–	–	1	1	–	1	0	–	–
	Divide-by-16	–	11b	–	–	1	0	–	1	0	–	–
High-speed on-chip oscillator mode	No division	1	00b	–	–	0	0	–	–	–	1	1
	Divide-by-2	1	01b	–	–	0	0	–	–	–	1	1
	Divide-by-4	1	10b	–	–	0	0	–	–	–	1	1
	Divide-by-8	1	–	–	–	0	1	–	–	–	1	1
	Divide-by-16	1	11b	–	–	0	0	–	–	–	1	1
Low-speed on-chip oscillator mode	No division	1	00b	0	–	0	0	–	–	–	0	–
	Divide-by-2	1	01b	0	–	0	0	–	–	–	0	–
	Divide-by-4	1	10b	0	–	0	0	–	–	–	0	–
	Divide-by-8	1	–	0	–	0	1	–	–	–	0	–
	Divide-by-16	1	11b	0	–	0	0	–	–	–	0	–

–: Indicates that either 0 or 1 can be set.

9.7.1.1 High-Speed Clock Mode

The XIN clock divided by 1 (no division), 2, 4, 8, or 16 is used as the CPU clock. If the CM14 bit is set to 0 (low-speed on-chip oscillator on) or the FRA00 bit in the FRA0 register is set to 1 (high-speed on-chip oscillator on), fOCO can be used for timer RA.

Also, if the FRA00 bit is set to 1, fOCO40M can be used for timer RC and timer RD.

If the CM14 bit is set to 0 (low-speed on-chip oscillator on), fOCO-S can be used for the voltage detection circuit.

9.7.1.2 Low-Speed Clock Mode

The XCIN clock divided by 1 (no division), 2, 4, 8, or 16 is used as the CPU clock.

In this mode, low consumption operation is enabled by stopping the XIN clock and the high-speed on-chip oscillator, and by setting the FMR27 bit in the FMR2 register to 1 (flash memory low-consumption-current read mode enabled).

Also, if the FRA00 bit is set to 1, fOCO40M can be used for timer RC and timer RD.

If the CM14 bit is set to 0 (low-speed on-chip oscillator on), fOCO-S can be used for the voltage detection circuit.

To enter wait mode from low-speed clock mode, lower consumption current in wait mode is enabled by setting the VCA20 bit in the VCA2 register to 1 (internal power low consumption enabled).

To reduce the power consumption, refer to **33. Reducing Power Consumption**.

9.7.1.3 High-Speed On-Chip Oscillator Mode

The high-speed on-chip oscillator is used as the on-chip oscillator clock when the FRA00 bit in the FRA0 register is set to 1 (high-speed on-chip oscillator on) and the FRA01 bit in the FRA0 register is set to 1. The on-chip oscillator divided by 1 (no division), 2, 4, 8, or 16 is used as the CPU clock. If the FRA00 bit is set to 1, fOCO40M can be used for timer RC and timer RD.

Also, if the CM14 bit is set to 0 (low-speed on-chip oscillator on), fOCO-S can be used for the voltage detection circuit.

9.7.1.4 Low-Speed On-Chip Oscillator Mode

If the CM14 bit in the CM1 register is set to 0 (low-speed on-chip oscillator on) and the FRA01 bit in the FRA0 register is set to 0, the low-speed on-chip oscillator is used as the on-chip oscillator clock. At this time, the on-chip oscillator clock divided by 1 (no division), 2, 4, 8 or 16 is used as the CPU clock. The on-chip oscillator clock is also the clock source for the peripheral function clocks. If the FRA00 bit is set to 1, fOCO40M can be used for timer RC and timer RD.

Also, if the CM14 bit is set to 0 (low-speed on-chip oscillator on), fOCO-S can be used for the voltage detection circuit.

In this mode, low consumption operation is enabled by stopping the XIN clock and the high-speed on-chip oscillator, and by setting the FMR27 bit in the FMR2 register to 1 (flash memory low-consumption-current read mode enabled).

To enter wait mode from low-speed clock mode, lower consumption current in wait mode is enabled by setting the VCA20 bit in the VCA2 register to 1 (internal power low consumption enabled).

To reduce the power consumption, refer to **33. Reducing Power Consumption**.

9.7.2 Wait Mode

Since the CPU clock stops in wait mode, the CPU operating with the CPU clock and the watchdog timer when count source protection mode is disabled stop. Since the XIN clock, XCIN clock, and on-chip oscillator clock do not stop, the peripheral functions using these clocks continue operating.

9.7.2.1 Peripheral Function Clock Stop Function

If the CM02 bit is set to 1 (peripheral function clock stops in wait mode), the f1, f2, f4, f8, and f32 clocks stop in wait mode. This reduces power consumption.

9.7.2.2 Entering Wait Mode

The MCU enters wait mode by executing the WAIT instruction or setting the CM30 bit in the CM3 register to 1 (MCU enters wait mode).

When the OCD2 bit in the OCD register is set to 1 (on-chip oscillator selected as system clock), set the OCD1 bit in the OCD register to 0 (oscillation stop detection interrupt disabled) before executing the WAIT instruction or setting the CM30 bit in the CM3 register to 1 (MCU enters wait mode).

If the MCU enters wait mode while the OCD1 bit is set to 1 (oscillation stop detection interrupt enabled), current consumption is not reduced because the CPU clock does not stop.

9.7.2.3 Pin Status in Wait Mode

The I/O port retains the status immediately before the MCU enters wait mode.

9.7.2.4 Exiting Wait Mode

The MCU exits wait mode by a reset or peripheral function interrupt.

The peripheral function interrupts are affected by the CM02 bit. When the CM02 bit is set to 0 (peripheral function clock does not stop in wait mode), the peripheral function interrupts other than A/D conversion interrupts can be used to exit wait mode. When the CM02 bit is set to 1 (peripheral function clock stops in wait mode), the peripheral functions using the peripheral function clock stop and the peripheral functions operating with external signals or the on-chip oscillator clock can be used to exit wait mode.

Table 9.4 lists Interrupts to Exit Wait Mode and Usage Conditions.

Table 9.4 Interrupts to Exit Wait Mode and Usage Conditions

Interrupt	CM02 = 0	CM02 = 1
Serial interface interrupt	Usable when operating with internal or external clock	Usable when operating with external clock
Synchronous serial communication unit interrupt / I ² C bus interface interrupt	Usable in all modes	(Do not use)
Key input interrupt	Usable	Usable
A/D conversion interrupt	(Do not use)	(Do not use)
Timer RA interrupt	Usable in all modes	Usable if there is no filter in event counter mode. Usable by selecting fOCO, fC, or fC32 as count source.
Timer RB interrupt	Usable in all modes	(Do not use)
Timer RC interrupt	Usable in all modes	(Do not use)
Timer RD interrupt	Usable in all modes	Usable by selecting fOCO40M or fC2 as count source
Timer RE interrupt	Usable in all modes	Usable when operating in real time clock mode
INT interrupt	Usable	Usable (INT0 to INT4 can be used if there is no filter.)
Voltage monitor 1 interrupt	Usable	Usable
Voltage monitor 2 interrupt	Usable	Usable
Oscillation stop detection interrupt	Usable	(Do not use)
Comparator A1 interrupt	Usable	Usable
Comparator A2 interrupt	Usable	Usable

Figure 9.6 shows the Time from Wait Mode to First Instruction Execution following Exit after CM30 Bit in CM3 Register is Set to 1 (MCU Enters Wait Mode).

To use a peripheral function interrupt to exit wait mode, set up the following before setting the CM30 bit to 1.

- (1) Set the I flag to 0 (maskable interrupt disabled).
- (2) Set the interrupt priority level in bits ILVL2 to ILVL0 in the interrupt control registers of the peripheral function interrupts to be used for exiting wait mode. Set bits ILVL2 to ILVL0 of the peripheral function interrupts that are not to be used for exiting wait mode to 000b (interrupt disabled).
- (3) Operate the peripheral function to be used for exiting wait mode.

When the MCU exits by a peripheral function interrupt, the time (number of cycles) between interrupt request generation and interrupt routine execution is determined by the settings of the FMSTP bit in the FMR0 register and the VCA20 bit in the VCA2 register, as shown in Figure 9.6.

The clock set by bits CM35, CM36, and CM37 in the CM3 register is used as the CPU clock when the MCU exits wait mode by a peripheral function interrupt. At this time, the CM06 bit in the CM0 register and bits CM16 and CM17 in the CM1 register automatically change.

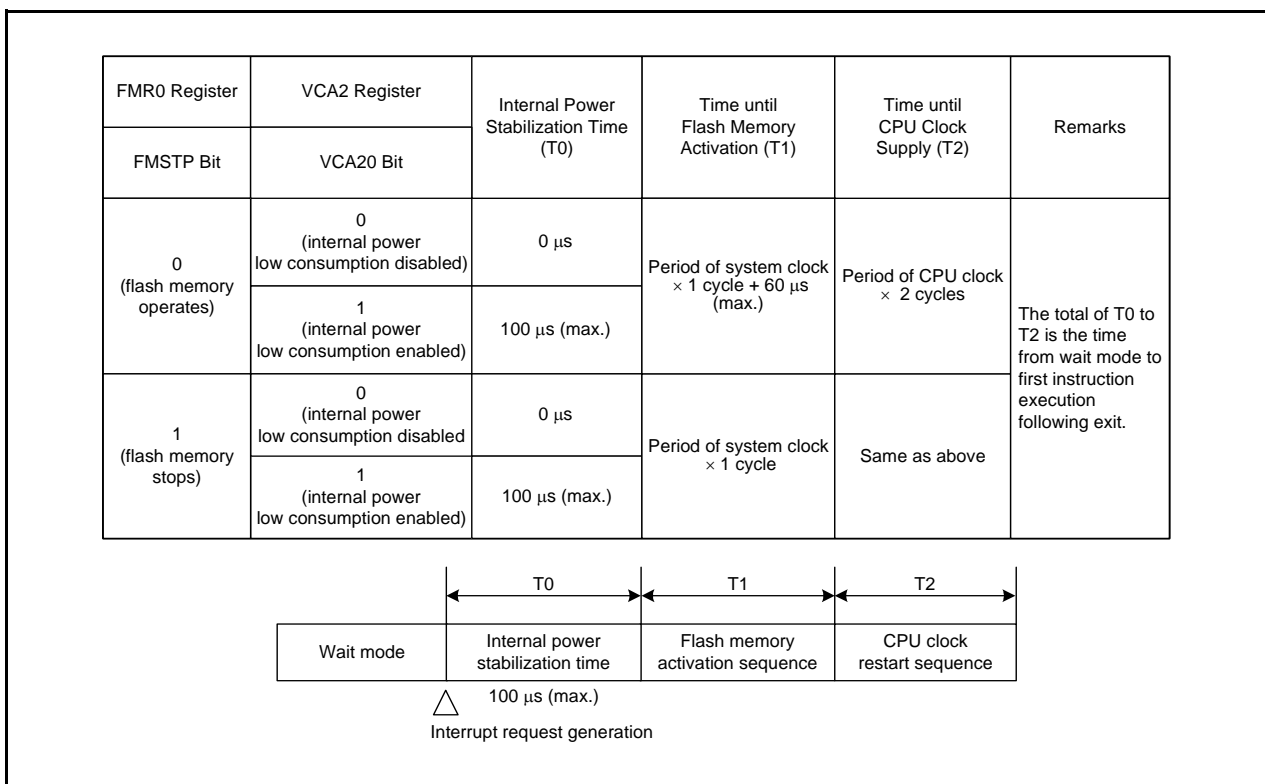


Figure 9.6 Time from Wait Mode to First Instruction Execution following Exit after CM30 Bit in CM3 Register is Set to 1 (MCU Enters Wait Mode)

Figure 9.7 shows the Time from Wait Mode to Interrupt Routine Execution after WAIT instruction is Executed. To use a peripheral function interrupt to exit wait mode, set up the following before executing the WAIT instruction.

- (1) Set the interrupt priority level in bits ILVL2 to ILVL0 of the peripheral function interrupts to be used for exiting stop mode. Set bits ILVL2 to ILVL0 of the peripheral function interrupts that are not to be used for exiting stop mode to 000b (interrupt disabled).
- (2) Set the I flag to 1.
- (3) Operate the peripheral function to be used for exiting stop mode.

When the MCU exits by a peripheral function interrupt, the time (number of cycles) between interrupt request generation and interrupt routine execution is determined by the settings of the FMSTP bit in the FMR0 register and the VCA20 bit in the VCA2 register, as shown in Figure 9.7.

The clock set by bits CM35, CM36, and CM37 in the CM3 register is used as the CPU clock when the MCU exits wait mode by a peripheral function interrupt. At this time, the CM06 bit in the CM0 register and bits CM16 and CM17 in the CM1 register automatically change.

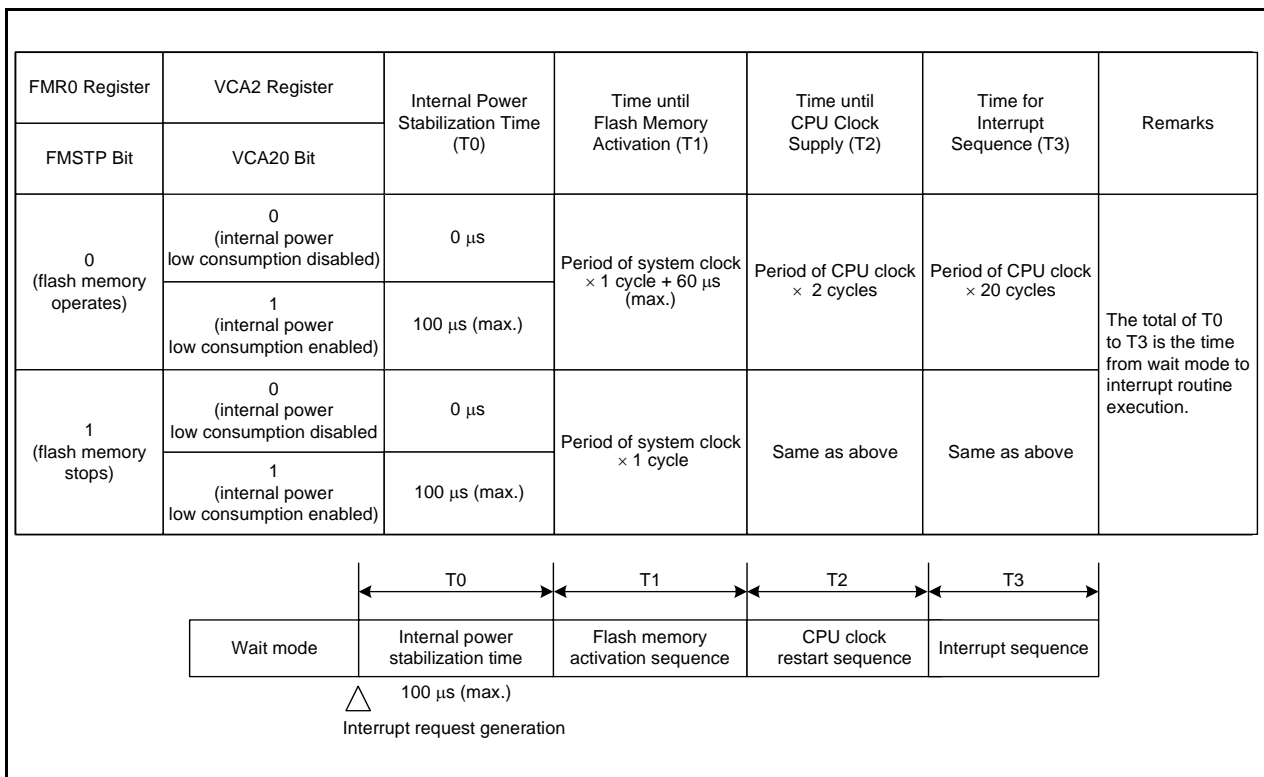


Figure 9.7 Time from Wait Mode to Interrupt Routine Execution after WAIT instruction is Executed

9.7.3 Stop Mode

Since all oscillator circuits except fOCO-WDT stop in stop mode, the CPU and peripheral function clocks stop and the CPU and the peripheral functions operating with these clocks also stop. The least power required to operate the MCU is in stop mode. If the voltage applied to the VCC pin is VRAM or more, the contents of internal RAM is retained.

The peripheral functions clocked by external signals continue operating.

Table 9.5 lists Interrupts to Exit Stop Mode and Usage Conditions.

Table 9.5 Interrupts to Exit Stop Mode and Usage Conditions

Interrupt	Usage Conditions
Key input interrupt	Usable
$\overline{\text{INT0}}$ to $\overline{\text{INT4}}$ interrupt	Usable if there is no filter
Timer RA interrupt	Usable if there is no filter when external pulse is counted in event counter mode
Serial interface interrupt	When external clock selected
Voltage monitor 1 interrupt	Usable in digital filter disabled mode (VW1C1 bit in VW1C register is set to 1)
Voltage monitor 2 interrupt	Usable in digital filter disabled mode (VW2C1 bit in VW2C register is set to 1)
Comparator A1 interrupt	Usable in digital filter disabled mode (VW1C1 bit in VW1C register is set to 1)
Comparator A2 interrupt	Usable in digital filter disabled mode (VW2C1 bit in VW2C register is set to 1)

9.7.3.1 Entering Stop Mode

The MCU enters stop mode when the CM10 bit in the CM1 register is set to 1 (all clocks stop). At the same time, the CM06 bit in the CM0 register is set to 1 (divide-by-8 mode).

To use stop mode, set the following before the MCU enters stop mode:

- Bits OCD1 to OCD0 in the OCD register = 00b
- CM35 bit in CM3 register = 0 (settings of CM06 bit in CM0 register and bits CM16 and CM17 in CM1 register enabled)

9.7.3.2 Pin Status in Stop Mode

The I/O port retains the status before the MCU enters wait mode.

However, when the CM13 bit in the CM1 register is set to 1 (XIN-XOUT pin), the XOUT(P4_7) pin is held "H". When the CM13 bit is set to 0 (input ports P4_6 and P4_7), the P4_7(XOUT pin) is held in an input status.

9.7.3.3 Exiting Stop Mode

The MCU exits stop mode by a reset or peripheral function interrupt.

Figure 9.8 shows the Time from Stop Mode to Interrupt Routine Execution.

To use a peripheral function interrupt to exit stop mode, set up the following before setting the CM10 bit to 1.

- (1) Set the interrupt priority level in bits ILVL2 to ILVL0 of the peripheral function interrupts to be used for exiting stop mode. Set bits ILVL2 to ILVL0 of the peripheral function interrupts that are not to be used for exiting stop mode to 000b (interrupt disabled).
- (2) Set the I flag to 1.
- (3) Operate the peripheral function to be used for exiting stop mode.

When the MCU exits stop mode by a peripheral function interrupt, the interrupt sequence is executed when an interrupt request is generated and the CPU clock supply starts.

The clock used immediately before stop mode divided by 8 is used as the CPU clock when the MCU exits stop mode by a peripheral function interrupt. To enter stop mode, set the CM35 bit in the CM3 register to 0 (settings of CM06 bit in CM0 register and bits CM16 and CM17 in CM1 register enabled)

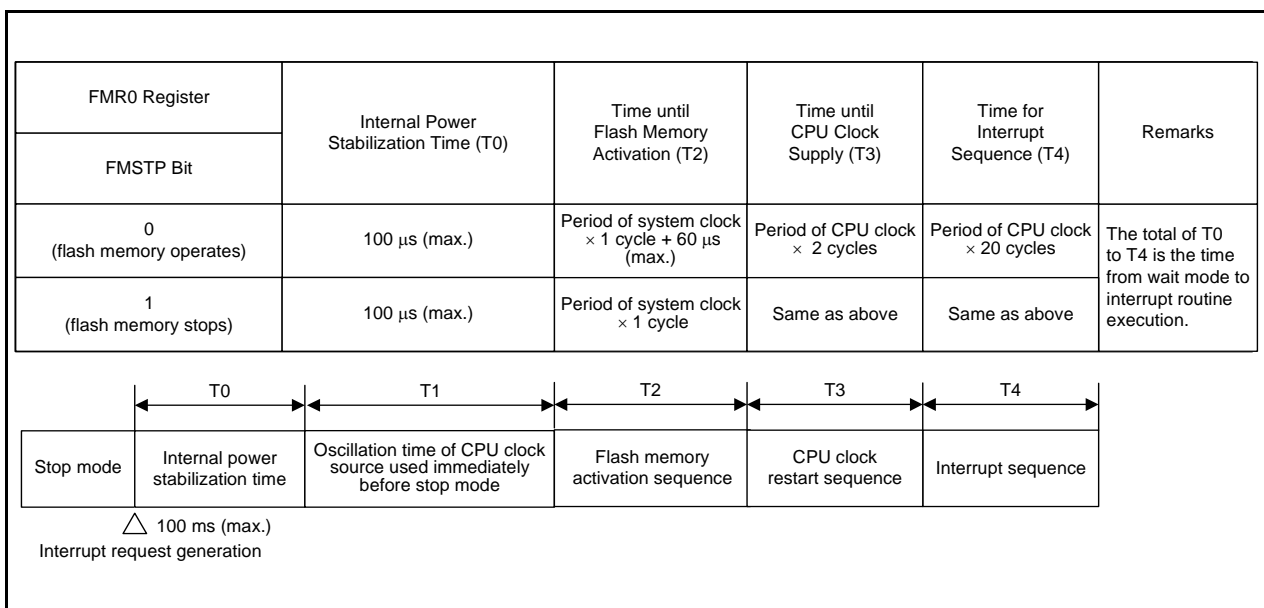


Figure 9.8 Time from Stop Mode to Interrupt Routine Execution

Figure 9.9 shows the State Transitions in Power Control Mode.

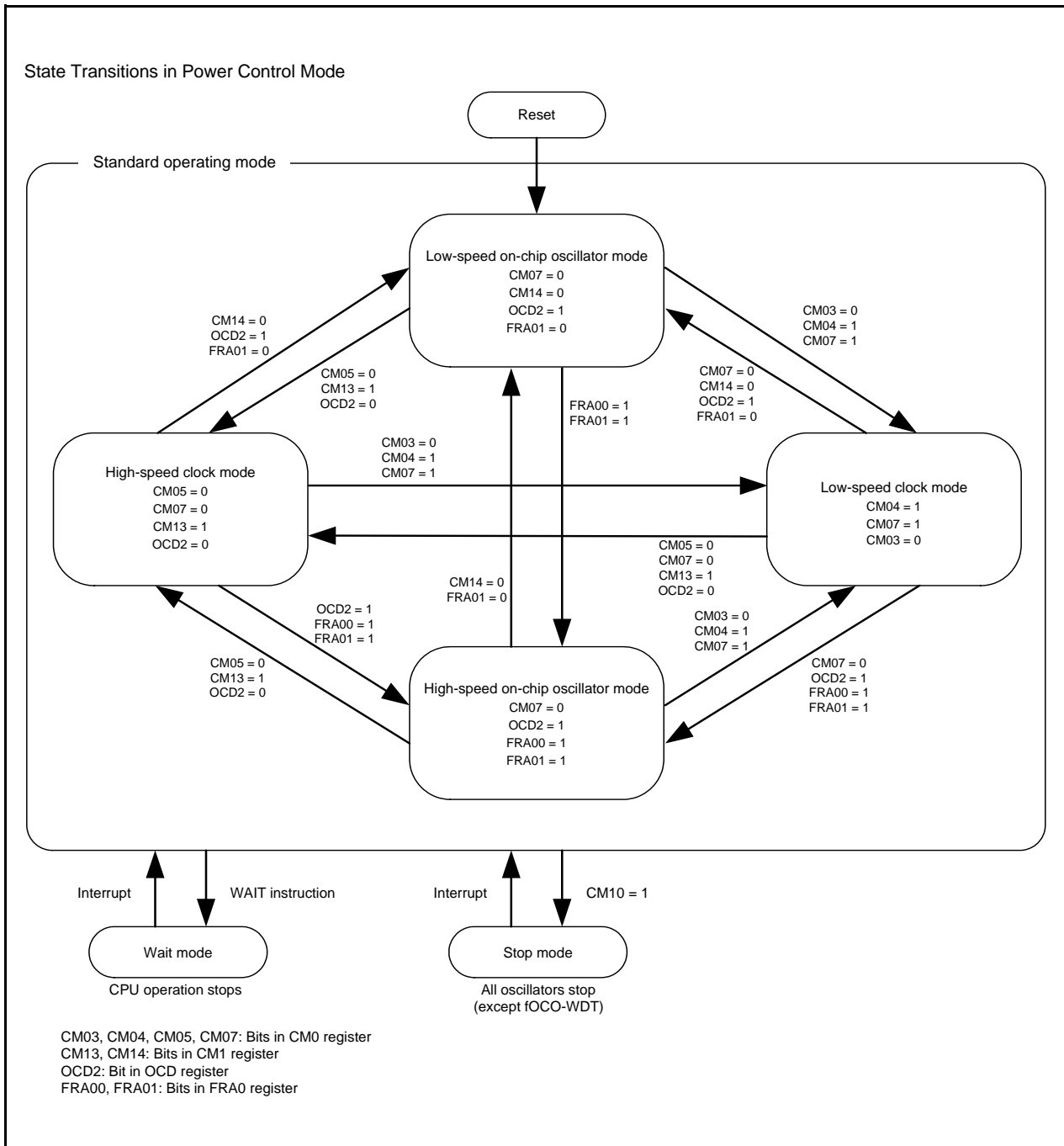


Figure 9.9 State Transitions in Power Control Mode

9.8 Oscillation Stop Detection Function

The oscillation stop detection function detects the stop of the XIN clock oscillating circuit.

The oscillation stop detection function can be enabled and disabled by the OCD0 bit in the OCD register.

Table 9.6 lists the Specifications of Oscillation Stop Detection Function.

When the XIN clock is the CPU clock source and bits OCD1 to OCD0 are set to 11b, the MCU is placed in the following state if the XIN clock stops.

- OCD2 bit in OCD register = 1 (on-chip oscillator clock selected)
- OCD3 bit in OCD register = 1 (XIN clock stops)
- CM14 bit in CM1 register = 0 (low-speed on-chip oscillator oscillates)
- Oscillation stop detection interrupt request is generated

Table 9.6 Specifications of Oscillation Stop Detection Function

Item	Specification
Oscillation stop detection clock and frequency bandwidth	$f(\text{XIN}) \geq 2 \text{ MHz}$
Enabled condition for oscillation stop detection function	Bits OCD1 to OCD0 set to 11b
Operation at oscillation stop detection	Oscillation stop detection interrupt generated

9.8.1 How to Use Oscillation Stop Detection Function

- The oscillation stop detection interrupt shares a vector with the voltage monitor 1 interrupt, the voltage monitor 2 interrupt, and the watchdog timer interrupt. To use the oscillation stop detection interrupt and watchdog timer interrupt, the interrupt source needs to be determined.

Table 9.7 lists the Determination of Interrupt Sources for Oscillation Stop Detection, Watchdog Timer, Voltage Monitor 1, or Voltage Monitor 2 Interrupt. Figure 9.11 shows an Example of Determining Interrupt Sources for Oscillation Stop Detection, Watchdog Timer, Voltage Monitor 1, or Voltage Monitor 2 Interrupt.

- When the XIN clock restarts after oscillation stop, switch the XIN clock to the clock source for the CPU clock and the peripheral functions by a program.

Figure 9.10 shows the Procedure for Switching Clock Source from Low-Speed On-Chip Oscillator to XIN Clock.

- To enter wait mode while the oscillation stop detection function is used, set the CM02 bit to 0 (peripheral function clock does not stop in wait mode).
- Since the oscillation stop detection function is a function for cases where the XIN clock is stopped by an external cause, set bits OCD1 to OCD0 to 00b to stop or start the XIN clock by a program (select stop mode or change the CM05 bit).
- This function cannot be used when the XIN clock frequency is below 2 MHz. In this case, set bits OCD1 to OCD0 to 00b.
- To use the low-speed on-chip oscillator clock as the clock source for the CPU clock and the peripheral functions after detecting the oscillation stop, set the FRA01 bit in the FRA0 register to 0 (low-speed on-chip oscillator selected) and bits OCD1 to OCD0 to 11b.
To use the high-speed on-chip oscillator clock as the clock source for the CPU clock and the peripheral functions after detecting the oscillation stop, first set the FRA00 bit to 1 (high-speed on-chip oscillator oscillates) and the FRA01 bit to 1 (high-speed on-chip oscillator selected). Then set bits OCD1 to OCD0 to 11b.

Table 9.7 Determination of Interrupt Sources for Oscillation Stop Detection, Watchdog Timer, Voltage Monitor 1, or Voltage Monitor 2 Interrupt

Generated Interrupt Source	Bit Indicating Interrupt Source
Oscillation stop detection ((a) or (b))	(a) OCD3 bit in OCD register = 1
	(b) OCD1 to OCD0 bits in OCD register = 11b and OCD2 bit = 1
Watchdog timer	VW2C3 bit in VW2C register = 1
Voltage monitor 1	VW1C2 bit in VW1C register = 1
Voltage monitor 2	VW2C2 bit in VW2C register = 1

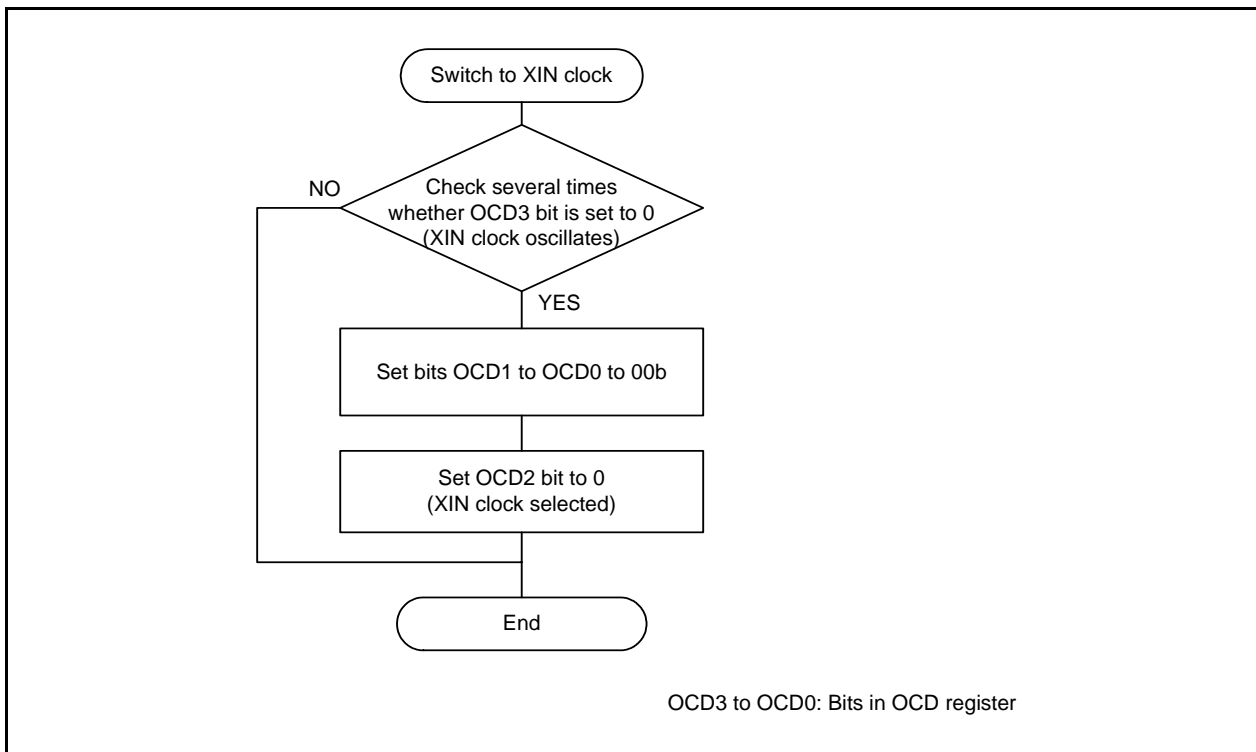


Figure 9.10 Procedure for Switching Clock Source from Low-Speed On-Chip Oscillator to XIN Clock

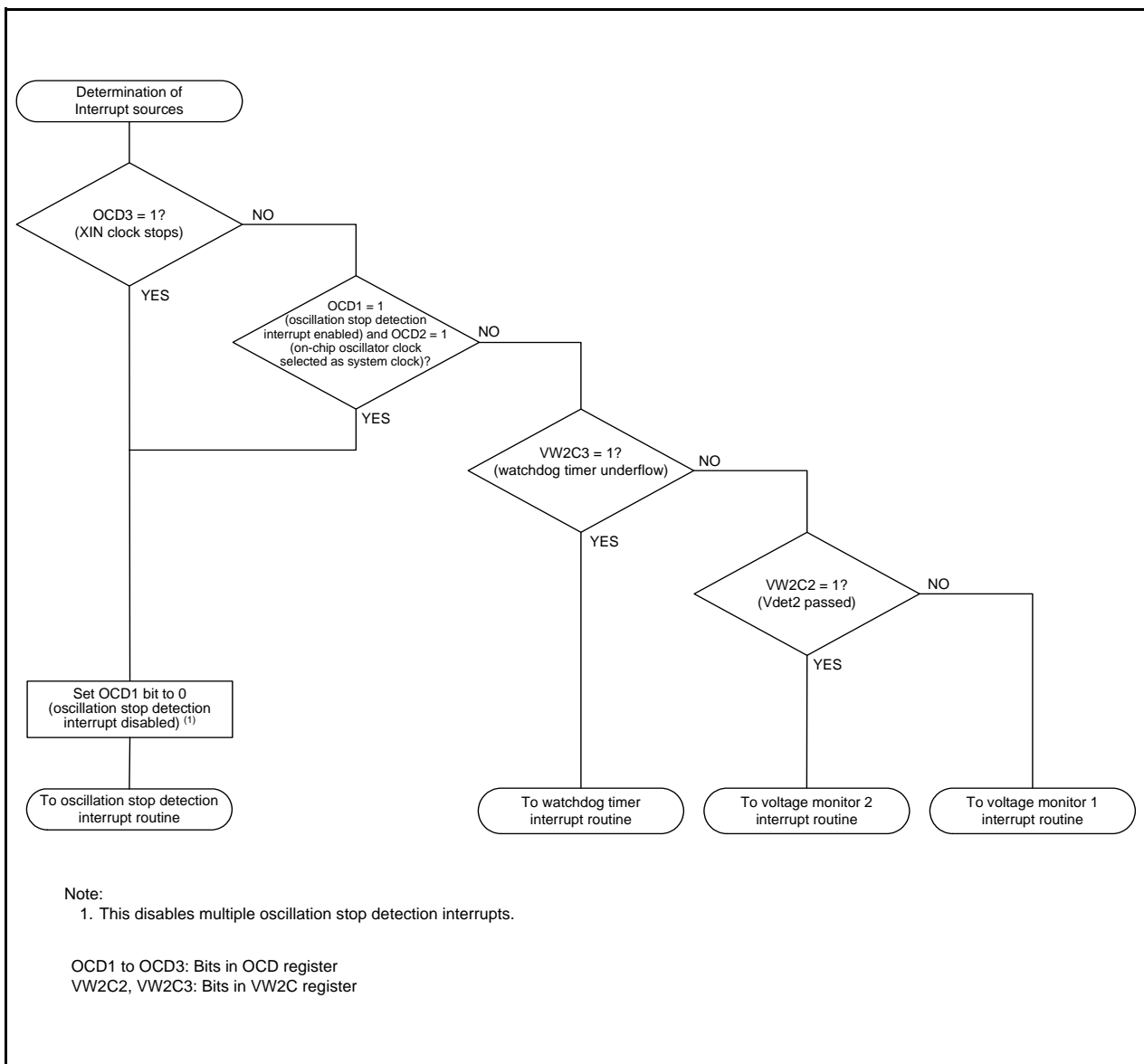


Figure 9.11 Example of Determining Interrupt Sources for Oscillation Stop Detection, Watchdog Timer, Voltage Monitor 1, or Voltage Monitor 2 Interrupt

9.9 Notes on Clock Generation Circuit

9.9.1 Stop Mode

To enter stop mode, set the FMR01 bit in the FMR0 register to 0 (CPU rewrite mode disabled) and then the CM10 bit in the CM1 register to 1 (stop mode). An instruction queue pre-reads 4 bytes from the instruction which sets the CM10 bit to 1 (stop mode) and the program stops.

Insert at least four NOP instructions following the JMP.B instruction after the instruction which sets the CM10 bit to 1.

- Program example to enter stop mode

```
BCLR    1,FMR0      ; CPU rewrite mode disabled
BSET    0,PRCR     ; Protect disabled
FSET    I          ; Enable interrupt
BSET    0,CM1      ; Stop mode
JMP.B   LABEL_001
LABEL_001:
NOP
NOP
NOP
NOP
```

9.9.2 Wait Mode

To enter wait mode by setting the CM30 bit to 1, set the FMR01 bit in the FMR0 register to 0 (CPU rewrite mode disabled) before setting the CM30 bit to 1.

To enter wait mode with the WAIT instruction, set the FMR01 bit in the FMR0 register to 0 (CPU rewrite mode disabled) and then execute the WAIT instruction. An instruction queue pre-reads 4 bytes from the WAIT instruction and the program stops. Insert at least four NOP instructions after the WAIT instruction.

- Program example to execute the WAIT instruction

```
BCLR    1,FMR0      ; CPU rewrite mode disabled
FSET    I          ; Enable interrupt
WAIT    ; Wait mode
NOP
NOP
NOP
NOP
```

9.9.3 Oscillation Stop Detection Function

Since the oscillation stop detection function cannot be used if the XIN clock frequency is below 2 MHz, set bits OCD1 to OCD0 to 00b.

9.9.4 Oscillation Circuit Constants

Consult the oscillator manufacturer to determine the optimal oscillation circuit constants for the user system.

To use the MCU with supply voltage below $VCC = 2.7$ V, it is recommended to set the CM11 bit in the CM1 register to 1 (on-chip feedback resistor disabled) and connect the feedback resistor to the chip externally.

10. Protection

The protection function protects important registers from being easily overwritten if a program runs out of control.

The registers protected by the PRCR register are as follows:

- Registers protected by PRC0 bit: Registers CM0, CM1, CM3, OCD, FRA0, FRA1, FRA2, and FRA3
- Registers protected by PRC1 bit: Registers PM0 and PM1
- Registers protected by PRC2 bit: PD0 register
- Registers protected by PRC3 bit: Registers OCVREFCR, VCA2, VD1LS, VW0C, VW1C, and VW2C

10.1 Register

10.1.1 Protect Register (PRCR)

Address 000Ah

Bit	b7	b6	b5	b4	b3	b2	b1	b0
Symbol	—	—	—	—	PRC3	PRC2	PRC1	PRC0
After Reset	0	0	0	0	0	0	0	0

Bit	Symbol	Bit Name	Function	R/W
b0	PRC0	Protect bit 0	Enables writing to registers CM0, CM1, CM3, OCD, FRA0, FRA1, FRA2, and FRA3. 0: Write disabled 1: Write enabled	R/W
b1	PRC1	Protect bit 1	Enables writing to registers PM0 and PM1. 0: Write disabled 1: Write enabled	R/W
b2	PRC2	Protect bit 2	Enables writing to the PD0 register. 0: Write disabled 1: Write enabled (1)	R/W
b3	PRC3	Protect bit 3	Enables writing to registers OCVREFCR, VCA2, VD1LS, VW0C, VW1C, and VW2C. 0: Write disabled 1: Write enabled	R/W
b4	—	Reserved bits	Set to 0.	R/W
b5	—			
b6	—			
b7	—	Nothing is assigned. If necessary, set to 0. When read, the content is 0.		—

Note:

1. The PRC2 bit is set to 0 after writing 1 to it and executing a write to any address. Since the other bits are not set to 0, set them to 0 by a program.

11. Interrupts

11.1 Overview

11.1.1 Types of Interrupts

Figure 11.1 shows the Types of Interrupts.

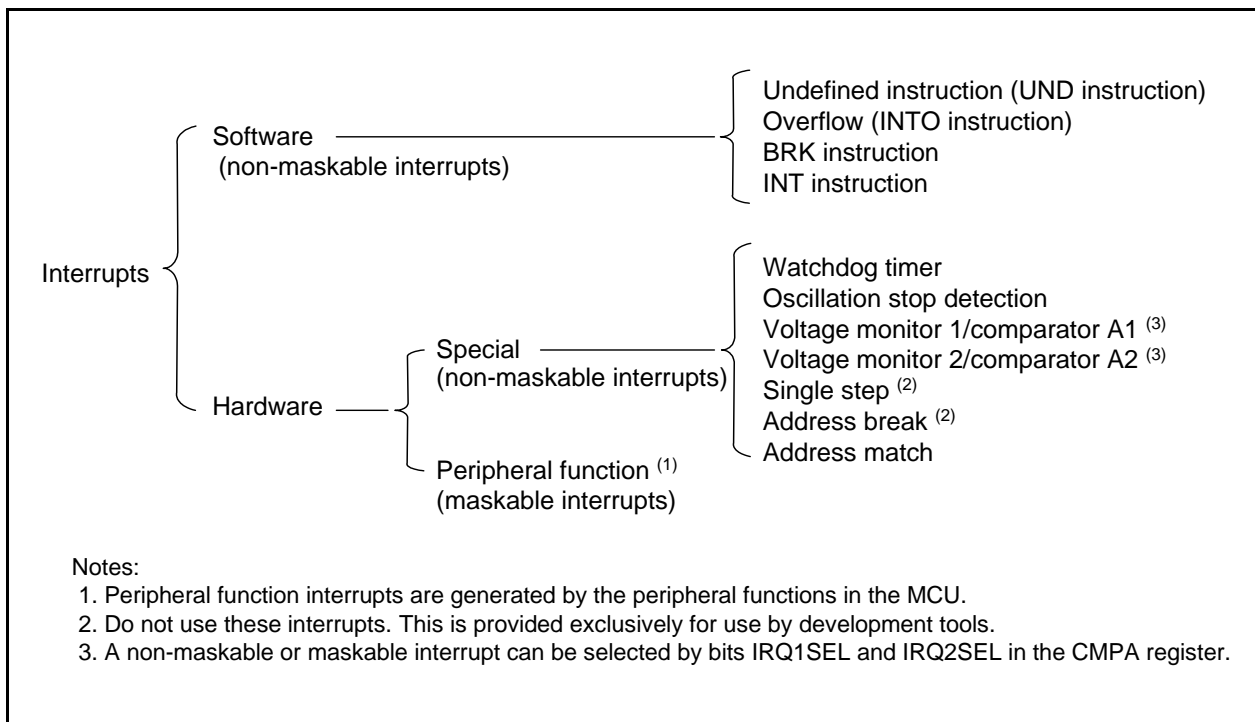


Figure 11.1 Types of Interrupts

- Maskable interrupts: These interrupts are enabled or disabled by the interrupt enable flag (I flag). The interrupt priority **can be changed** based on the interrupt priority level.
- Non-maskable interrupts: These interrupts are not enabled or disabled by the interrupt enable flag (I flag). The interrupt priority **cannot be changed** based on the interrupt priority level.

11.1.2 Software Interrupts

A software interrupt is generated when an instruction is executed. Software interrupts are non-maskable.

11.1.2.1 Undefined Instruction Interrupt

An undefined instruction interrupt is generated when the UND instruction is executed.

11.1.2.2 Overflow Interrupt

An overflow interrupt is generated when the O flag is set to 1 (arithmetic operation overflow) and the INTO instruction is executed. Instructions that set the O flag are as follows:

ABS, ADC, ADCF, ADD, CMP, DIV, DIVU, DIVX, NEG, RMPA, SBB, SHA, and SUB.

11.1.2.3 BRK Interrupt

A BRK interrupt is generated when the BRK instruction is executed.

11.1.2.4 INT Instruction Interrupt

An INT instruction interrupt is generated when the INT instruction is executed. Software interrupt numbers 0 to 63 can be specified with the INT instruction. Because some software interrupt numbers are assigned to peripheral function interrupts, the same interrupt routine as for peripheral function interrupts can be executed by executing the INT instruction.

For software interrupt numbers 0 to 31, the U flag is saved on the stack during instruction execution and the U flag is set to 0 (ISP selected) before the interrupt sequence is executed. The U flag is restored from the stack when returning from the interrupt routine. For software interrupt numbers 32 to 63, the U flag does not change state during instruction execution, and the selected SP is used.

11.1.3 Special Interrupts

Special interrupts are non-maskable.

11.1.3.1 Watchdog Timer Interrupt

A watchdog timer interrupt is generated by the watchdog timer. For details, refer to **14. Watchdog Timer**.

11.1.3.2 Oscillation Stop Detection Interrupt

An oscillation stop detection interrupt is generated by the oscillation stop detection function. For details of the oscillation stop detection function, refer to **9. Clock Generation Circuit**.

11.1.3.3 Voltage Monitor 1/Comparator A1 Interrupt

A voltage monitor 1/comparator A1 interrupt is generated by the voltage detection circuit or the comparator A. A non-maskable or maskable interrupt can be selected by IRQ1SEL bit in the CMPA register. For details of the voltage detection circuit, refer to **6. Voltage Detection Circuit** and for details of the comparator A, refer to **30. Comparator A**.

11.1.3.4 Voltage Monitor 2/Comparator A2 Interrupt

A voltage monitor 2/comparator A2 interrupt is generated by the voltage detection circuit or the comparator A. A non-maskable or maskable interrupt can be selected by IRQ2SEL bit in the CMPA register. For details of the voltage detection circuit, refer to **6. Voltage Detection Circuit** and for details of the comparator A, refer to **30. Comparator A**.

11.1.3.5 Single-Step Interrupt, and Address Break Interrupt

Do not use these interrupts. They are provided exclusively for use by development tools.

11.1.3.6 Address Match Interrupt

An address match interrupt is generated immediately before executing an instruction that is stored at an address indicated by registers RMAD0 to RMAD1 if the AIER00 bit in the AIER0 register or the AIER10 bit in the AIER1 register is set to 1 (address match interrupt enabled).

For details of the address match interrupt, refer to **11.6 Address Match Interrupt**.

11.1.4 Peripheral Function Interrupts

A peripheral function interrupt is generated by a peripheral function in the MCU. Peripheral function interrupts are maskable. Refer to **Table 11.2 Relocatable Vector Tables** for sources of the corresponding peripheral function interrupt. For details of peripheral functions, refer to the descriptions of individual peripheral functions.

11.1.5 Interrupts and Interrupt Vectors

There are 4 bytes in each vector. Set the starting address of an interrupt routine in each interrupt vector. When an interrupt request is acknowledged, the CPU branches to the address set in the corresponding interrupt vector. Figure 11.2 shows an Interrupt Vector.

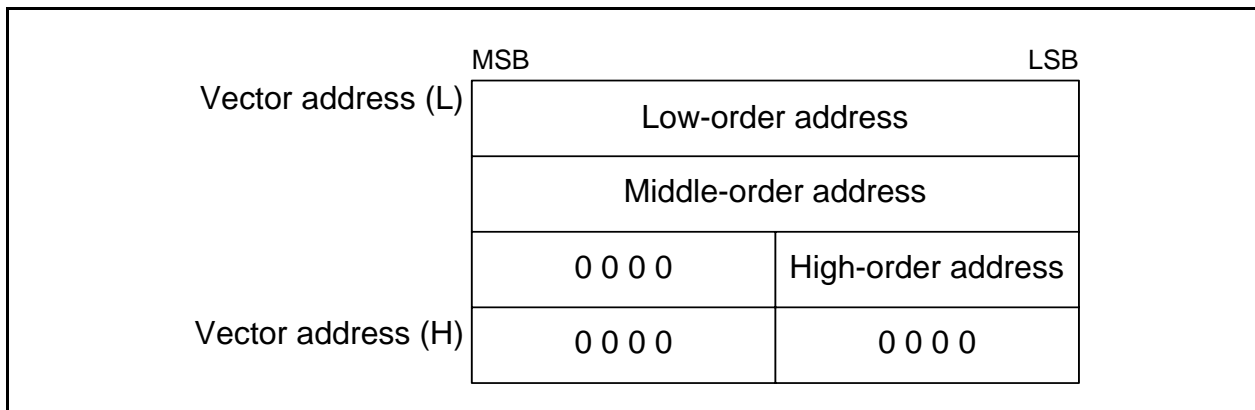


Figure 11.2 Interrupt Vector

11.1.5.1 Fixed Vector Tables

The fixed vector tables are allocated addresses 0FFDCh to 0FFFFh.

Table 11.1 lists the Fixed Vector Tables. The vector addresses (H) of fixed vectors are used by the ID code check function. For details, refer to **32.3 Functions to Prevent Flash Memory from being Rewritten**.

Table 11.1 Fixed Vector Tables

Interrupt Source	Vector Addresses Address (L) to (H)	Remarks	Reference
Undefined instruction	0FFDCh to 0FFDFh	Interrupt with UND instruction	R8C/Tiny Series Software Manual
Overflow	0FFE0h to 0FFE3h	Interrupt with INTO instruction	
BRK instruction	0FFE4h to 0FFE7h	If the content of address 0FFE7h is FFh, program execution starts from the address shown by the vector in the relocatable vector table.	
Address match	0FFE8h to 0FFEBh		11.6 Address Match Interrupt
Single step ⁽¹⁾	0FFEC h to 0FFEFh		
Watchdog timer, Oscillation stop detection, Voltage monitor 1/comparator A1, Voltage monitor 2/comparator A2	0FFF0h to 0FFF3h		14. Watchdog Timer 9. Clock Generation Circuit 6. Voltage Detection Circuit 30. Comparator A
Address break ⁽¹⁾	0FFF4h to 0FFF7h		
(Reserved)	0FFF8h to 0FFFBh		
Reset	0FFFCh to 0FFFFh		5. Resets

Note:

1. Do not use these interrupts. They are provided exclusively for use by development tools.

11.1.5.2 Relocatable Vector Tables

The relocatable vector tables occupy 256 bytes beginning from the starting address set in the INTB register. Table 11.2 lists the Relocatable Vector Tables.

Table 11.2 Relocatable Vector Tables

Interrupt Source	Vector Addresses (1) Address (L) to Address (H)	Software Interrupt Number	Interrupt Control Register	Reference
BRK instruction (3)	+0 to +3 (0000h to 0003h)	0	–	R8C/Tiny Series Software Manual
Flash memory ready	+4 to +7 (0004h to 0007h)	1	FMRDYIC	32. Flash Memory
(Reserved)		2 to 5	–	–
$\overline{\text{INT}}4$	+24 to +27 (0018h to 001Bh)	6	INT4IC	11.4 $\overline{\text{INT}}$ Interrupt
Timer RC	+28 to +31 (001Ch to 001Fh)	7	TRCIC	19. Timer RC
Timer RD0	+32 to +35 (0020h to 0023h)	8	TRD0IC	20. Timer RD
Timer RD1	+36 to +39 (0024h to 0027h)	9	TRD1IC	
Timer RE	+40 to +43 (0028h to 002Bh)	10	TREIC	
UART2 transmit/NACK2	+44 to +47 (002Ch to 002Fh)	11	S2TIC	23. Serial Interface (UART2)
UART2 receive/ACK2	+48 to +51 (0030h to 0033h)	12	S2RIC	
Key input	+52 to +55 (0034h to 0037h)	13	KUPIC	11.5 Key Input Interrupt
A/D conversion	+56 to +59 (0038h to 003Bh)	14	ADIC	28. A/D Converter
Synchronous serial communication unit / I ² C bus interface (2)	+60 to +63 (003Ch to 003Fh)	15	SSUIC/IICIC	25. Synchronous Serial Communication Unit (SSU), 26. I ² C bus Interface
(Reserved)		16	–	–
UART0 transmit	+68 to +71 (0044h to 0047h)	17	S0TIC	22. Serial Interface (UARTi (i = 0 or 1))
UART0 receive	+72 to +75 (0048h to 004Bh)	18	S0RIC	
UART1 transmit	+76 to +79 (004Ch to 004Fh)	19	S1TIC	
UART1 receive	+80 to +83 (0050h to 0053h)	20	S1RIC	
$\overline{\text{INT}}2$	+84 to +87 (0054h to 0057h)	21	INT2IC	
Timer RA	+88 to +91 (0058h to 005Bh)	22	TRAIC	17. Timer RA
(Reserved)		23	–	–
Timer RB	+96 to +99 (0060h to 0063h)	24	TRBIC	18. Timer RB
$\overline{\text{INT}}1$	+100 to +103 (0064h to 0067h)	25	INT1IC	11.4 $\overline{\text{INT}}$ Interrupt
$\overline{\text{INT}}3$	+104 to +107 (0068h to 006Bh)	26	INT3IC	
(Reserved)		27	–	–
(Reserved)		28	–	–
$\overline{\text{INT}}0$	+116 to +119 (0074h to 0077h)	29	INT0IC	11.4 $\overline{\text{INT}}$ Interrupt
UART2 bus collision detection	+120 to +123 (0078h to 007Bh)	30	U2BCNIC	23. Serial Interface (UART2)
(Reserved)		31	–	–
Software (3)	+128 to +131 (0080h to 0083h) to +164 to +167 (00A4h to 00A7h)	32 to 41	–	R8C/Tiny Series Software Manual
(Reserved)		42 to 49	–	–
Voltage monitor 1/ comparator A1	+200 to +203 (00C8h to 00CBh)	50	VCMP1IC	6. Voltage Detection Circuit
Voltage monitor 2/ comparator A2	+204 to +207 (00CCh to 00CFh)	51	VCMP2IC	30. Comparator A
(Reserved)		52 to 55	–	–
Software (3)	+224 to +227 (00E0h to 00E3h) to +252 to +255 (00FCh to 00FFh)	56 to 63	–	R8C/Tiny Series Software Manual

Notes:

1. These addresses are relative to those in the INTB register.
2. Selectable by the IICSEL bit in the SSUIICSR register.
3. These interrupts are not disabled by the I flag.

11.2 Registers

11.2.1 Interrupt Control Register (TREIC, S2TIC, S2RIC, KUPIC, ADIC, S0TIC, S0RIC, S1TIC, S1RIC, TRAIC, TRBIC, U2BCNIC, VCMP1IC, VCMP2IC)

Address 004Ah (TREIC), 004Bh (S2TIC), 004Ch (S2RIC), 004Dh (KUPIC), 004Eh (ADIC),
 0051h (S0TIC), 0052h (S0RIC), 0053h (S1TIC), 0054h (S1RIC), 0056h (TRAIC),
 0058h (TRBIC), 005Eh (U2BCNIC), 0072h (VCMP1IC), 0073h (VCMP2IC),

Bit	b7	b6	b5	b4	b3	b2	b1	b0
Symbol	—	—	—	—	IR	ILVL2	ILVL1	ILVL0
After Reset	X	X	X	X	X	0	0	0

Bit	Symbol	Bit Name	Function	R/W
b0	ILVL0	Interrupt priority level select bit	b2 b1 b0 0 0 0: Level 0 (interrupt disabled) 0 0 1: Level 1 0 1 0: Level 2 0 1 1: Level 3 1 0 0: Level 4 1 0 1: Level 5 1 1 0: Level 6 1 1 1: Level 7	R/W
b1	ILVL1			R/W
b2	ILVL2			R/W
b3	IR	Interrupt request bit	0: No interrupt requested 1: Interrupt requested	R/W (1)
b4	—	Nothing is assigned. If necessary, set to 0. When read, the content is undefined.		—
b5	—			
b6	—			
b7	—			

Note:

1. Only 0 can be written to the IR bit. Do not write 1 to this bit.

Rewrite the interrupt control register when an interrupt request corresponding to the register is not generated.
 Refer to **11.8.5 Rewriting Interrupt Control Register**.

11.2.2 Interrupt Control Register (FMRDYIC, TRCIC, TRD0IC, TRD1IC, SSUIC/IICIC)

Address 0041h (FMRDYIC), 0047h (TRCIC), 0048h (TRD0IC), 0049h (TRD1IC), 004Fh (SSUIC/IICIC ⁽¹⁾)

Bit	b7	b6	b5	b4	b3	b2	b1	b0
Symbol	—	—	—	—	IR	ILVL2	ILVL1	ILVL0
After Reset	X	X	X	X	X	0	0	0

Bit	Symbol	Bit Name	Function	R/W
b0	ILVL0	Interrupt priority level select bit	b2 b1 b0 0 0 0: Level 0 (interrupt disabled) 0 0 1: Level 1 0 1 0: Level 2 0 1 1: Level 3 1 0 0: Level 4 1 0 1: Level 5 1 1 0: Level 6 1 1 1: Level 7	R/W
b1	ILVL1			R/W
b2	ILVL2			R/W
b3	IR			Interrupt request bit
b4	—	Nothing is assigned. If necessary, set to 0. When read, the content is undefined.		—
b5	—			
b6	—			
b7	—			

Note:

1. Selectable by the IICSEL bit in the SSUICSR register.

Rewrite the interrupt control register when an interrupt request corresponding to the register is not generated.
 Refer to **11.8.5 Rewriting Interrupt Control Register**.

11.2.3 INT_i Interrupt Control Register (INT_iIC) (i = 0 to 4)

Address 0046h (INT4IC), 0055h (INT2IC), 0059h (INT1IC), 005Ah (INT3IC),
 005Dh (INT0IC)

Bit	b7	b6	b5	b4	b3	b2	b1	b0
Symbol	—	—	—	POL	IR	ILVL2	ILVL1	ILVL0
After Reset	X	X	0	0	X	0	0	0

Bit	Symbol	Bit Name	Function	R/W
b0	ILVL0	Interrupt priority level select bit	b2 b1 b0 0 0 0: Level 0 (interrupt disabled) 0 0 1: Level 1 0 1 0: Level 2 0 1 1: Level 3 1 0 0: Level 4 1 0 1: Level 5 1 1 0: Level 6 1 1 1: Level 7	R/W
b1	ILVL1			R/W
b2	ILVL2			R/W
b3	IR			Interrupt request bit
b4	POL	Polarity switch bit ⁽³⁾	0: Falling edge selected 1: Rising edge selected ⁽²⁾	R/W
b5	—	Reserved bit	Set to 0.	R/W
b6	—	Nothing is assigned. If necessary, set to 0.		—
b7	—	When read, the content is undefined.		—

Notes:

1. Only 0 can be written to the IR bit. Do not write 1 to this bit.
2. If the INT_iPL bit in the INTEN register is set to 1 (both edges), set the POL bit to 0 (falling edge selected).
3. The IR bit may be set to 1 (interrupt requested) when the POL bit is rewritten. Refer to **11.8.4 Changing Interrupt Sources**.

Rewrite the interrupt control register when an interrupt request corresponding to the register is not generated. Refer to **11.8.5 Rewriting Interrupt Control Register**.

11.3 Interrupt Control

The following describes enabling and disabling maskable interrupts and setting the acknowledgement priority. This description does not apply to non-maskable interrupts.

Use the I flag in the FLG register, IPL, and bits ILVL2 to ILVL0 in the corresponding interrupt control register to enable or disable a maskable interrupt. Whether an interrupt is requested or not is indicated by the IR bit in the corresponding interrupt control register.

11.3.1 I Flag

The I flag enables or disables maskable interrupts. Setting the I flag to 1 (enabled) enables maskable interrupts. Setting the I flag to 0 (disabled) disables all maskable interrupts.

11.3.2 IR Bit

The IR bit is set to 1 (interrupt requested) when an interrupt request is generated. After the interrupt request is acknowledged and the CPU branches to the corresponding interrupt vector, the IR bit is set to 0 (no interrupt requested).

The IR bit can be set to 0 by a program. Do not write 1 to this bit.

However, the IR bit operations of the timer RC interrupt, the timer RD interrupt, the synchronous serial communication unit interrupt, the I²C bus interface interrupt, and the flash memory interrupt are different. Refer to **11.7 Timer RC Interrupt, Timer RD Interrupt, Synchronous Serial Communication Unit Interrupt, I²C bus Interface Interrupt, and Flash Memory Interrupt (Interrupts with Multiple Interrupt Request Sources)**.

11.3.3 Bits ILVL2 to ILVL0, IPL

Interrupt priority levels can be set using bits ILVL2 to ILVL0.

Table 11.3 lists the Settings of Interrupt Priority Levels and Table 11.4 lists the Interrupt Priority Levels Enabled by IPL.

The following are the conditions when an interrupt is acknowledged:

- I flag = 1
- IR bit = 1
- Interrupt priority level > IPL

The I flag, IR bit, bits ILVL2 to ILVL0, and IPL are independent of each other. They do not affect one another.

Table 11.3 Settings of Interrupt Priority Levels


Bits ILVL2 to ILVL0	Interrupt Priority Level	Priority
000b	Level 0 (interrupt disabled)	–
001b	Level 1	Low  High
010b	Level 2	
011b	Level 3	
100b	Level 4	
101b	Level 5	
110b	Level 6	
111b	Level 7	

Table 11.4 Interrupt Priority Levels Enabled by IPL

IPL	Enabled Interrupt Priority Level
000b	Interrupt level 1 and above
001b	Interrupt level 2 and above
010b	Interrupt level 3 and above
011b	Interrupt level 4 and above
100b	Interrupt level 5 and above
101b	Interrupt level 6 and above
110b	Interrupt level 7 and above
111b	All maskable interrupts are disabled

11.3.4 Interrupt Sequence

The following describes an interrupt sequence which is performed from when an interrupt request is acknowledged until the interrupt routine is executed.

When an interrupt request is generated while an instruction is being executed, the CPU determines its interrupt priority level after the instruction is completed. The CPU starts the interrupt sequence from the following cycle. However, for the SMOVB, SMOVF, SSTR, or RMPA instruction, if an interrupt request is generated while the instruction is being executed, the MCU suspends the instruction to start the interrupt sequence. The interrupt sequence is performed as indicated below.

Figure 11.3 shows the Time Required for Executing Interrupt Sequence.

- (1) The CPU obtains interrupt information (interrupt number and interrupt request level) by reading address 00000h. The IR bit for the corresponding interrupt is set to 0 (no interrupt requested). ⁽²⁾
- (2) The FLG register is saved to a temporary register ⁽¹⁾ in the CPU immediately before entering the interrupt sequence.
- (3) The I, D and U flags in the FLG register are set as follows:
 The I flag is set to 0 (interrupts disabled).
 The D flag is set to 0 (single-step interrupt disabled).
 The U flag is set to 0 (ISP selected).
 However, the U flag does not change state if an INT instruction for software interrupt number 32 to 63 is executed.
- (4) The CPU internal temporary register ⁽¹⁾ is saved on the stack.
- (5) The PC is saved on the stack.
- (6) The interrupt priority level of the acknowledged interrupt is set in the IPL.
- (7) The starting address of the interrupt routine set in the interrupt vector is stored in the PC.

After the interrupt sequence is completed, instructions are executed from the starting address of the interrupt routine.

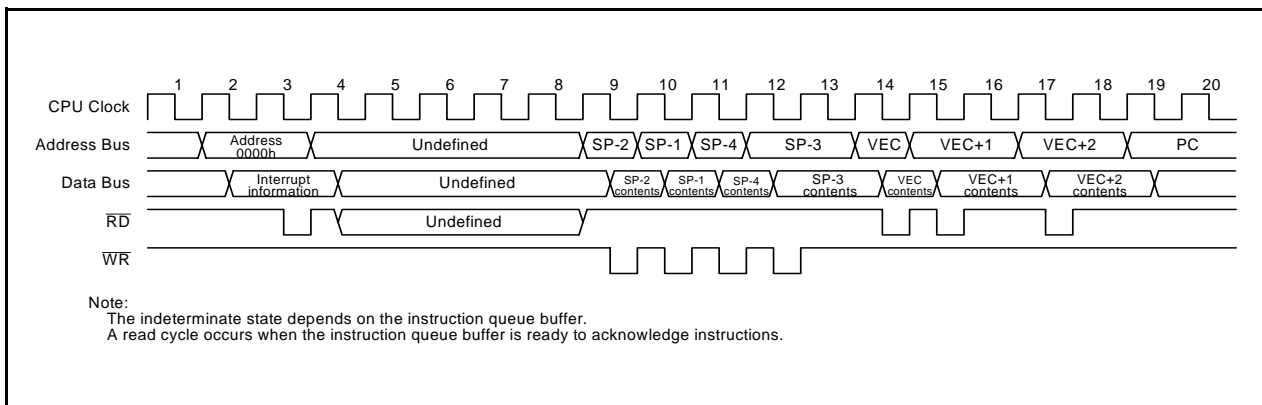


Figure 11.3 Time Required for Executing Interrupt Sequence

Notes:

1. These registers cannot be accessed by the user.
2. Refer to **11.7 Timer RC Interrupt, Timer RD Interrupt, Synchronous Serial Communication Unit Interrupt, I²C bus Interface Interrupt, and Flash Memory Interrupt (Interrupts with Multiple Interrupt Request Sources)** for the IR bit operations of the timer RC Interrupt, timer RD Interrupt, Synchronous Serial Communication unit Interrupt, and the I²C bus Interface Interrupt.

11.3.5 Interrupt Response Time

Figure 11.4 shows the Interrupt Response Time. The interrupt response time is the period from when an interrupt request is generated until the first instruction in the interrupt routine is executed. The interrupt response time includes the period from when an interrupt request is generated until the currently executing instruction is completed (refer to (a) in Figure 11.4) and the period required for executing the interrupt sequence (20 cycles, refer to (b) in Figure 11.4).

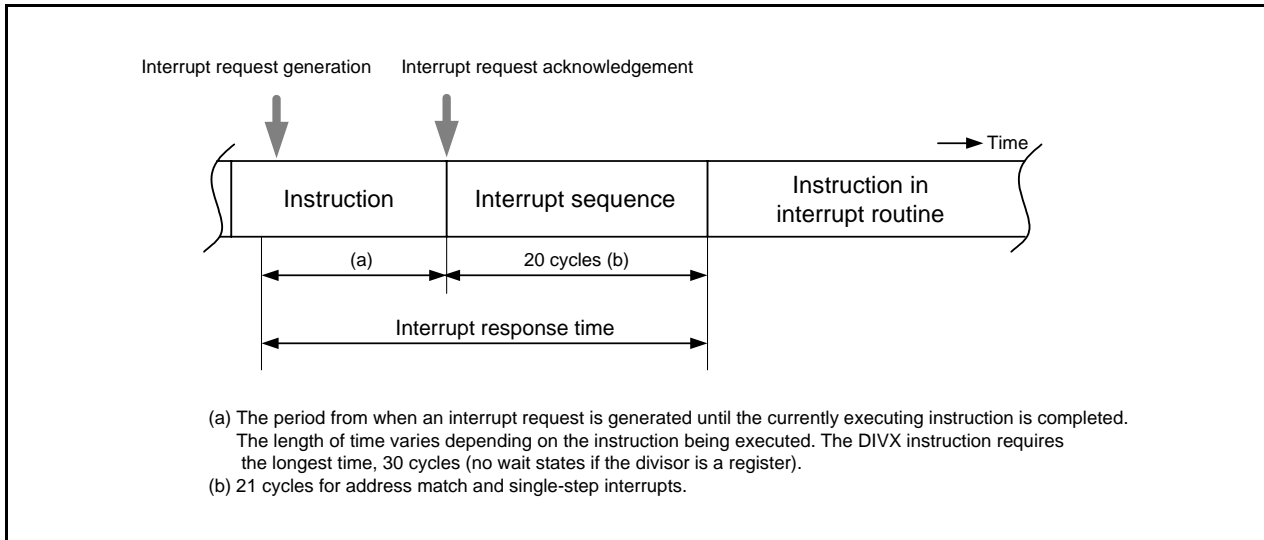


Figure 11.4 Interrupt Response Time

11.3.6 IPL Change when Interrupt Request is Acknowledged

When a maskable interrupt request is acknowledged, the interrupt priority level of the acknowledged interrupt is set in the IPL.

When a software interrupt or special interrupt request is acknowledged, the level listed in Table 11.5 is set in the IPL.

Table 11.5 lists the IPL Value When Software or Special Interrupt is Acknowledged.

Table 11.5 IPL Value When Software or Special Interrupt is Acknowledged

Interrupt Source without Interrupt Priority Level	Value Set in IPL
Watchdog timer, oscillation stop detection, voltage monitor 1/comparator A1, voltage monitor 2/comparator A2, address break	7
Software, address match, single-step	Not changed

11.3.7 Saving Registers

In the interrupt sequence, the FLG register and PC are saved on the stack.

After an extended 16 bits, 4 high-order bits in the PC and 4 high-order (IPL) and 8 low-order bits in the FLG register, are saved on the stack, the 16 low-order bits in the PC are saved.

Figure 11.5 shows the Stack State Before and After Acknowledgement of Interrupt Request.

The other necessary registers should be saved by a program at the beginning of the interrupt routine. The PUSHM instruction can save several registers in the register bank being currently used ⁽¹⁾ with a single instruction.

Note:

1. Selectable from registers R0, R1, R2, R3, A0, A1, SB, and FB.

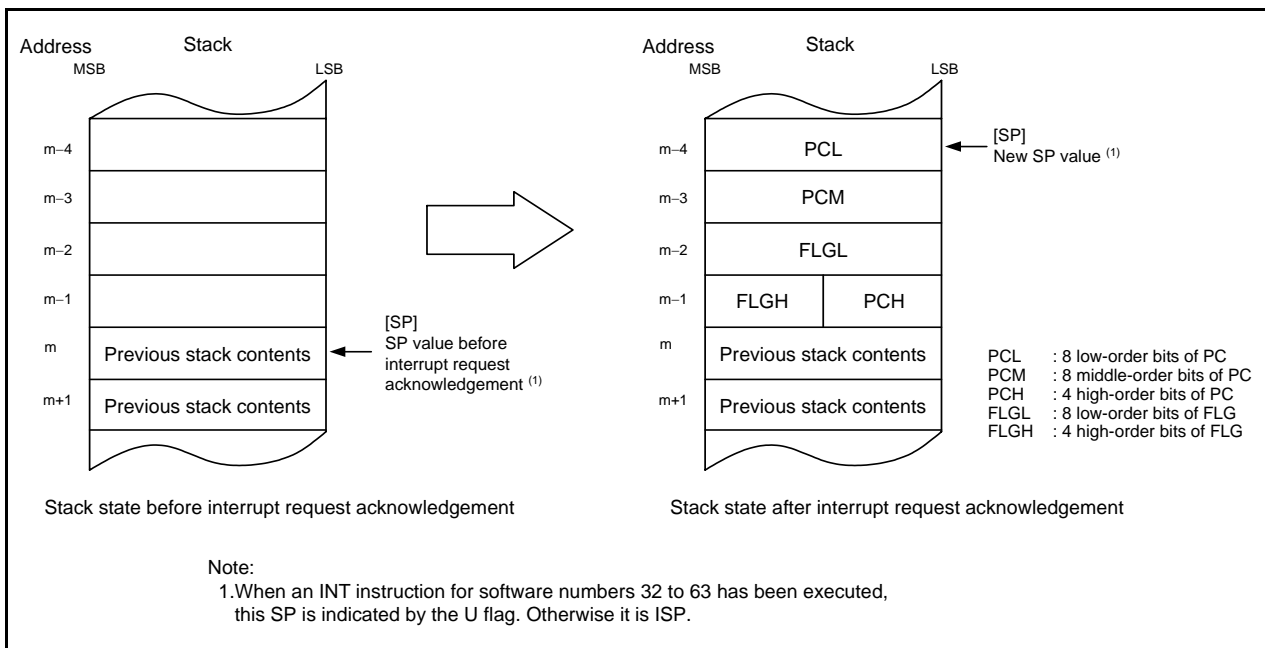


Figure 11.5 Stack State Before and After Acknowledgement of Interrupt Request

The register saving operation, which is performed as part of the interrupt sequence, saved in 8 bits at a time in four steps.

Figure 11.6 shows the Register Saving Operation.

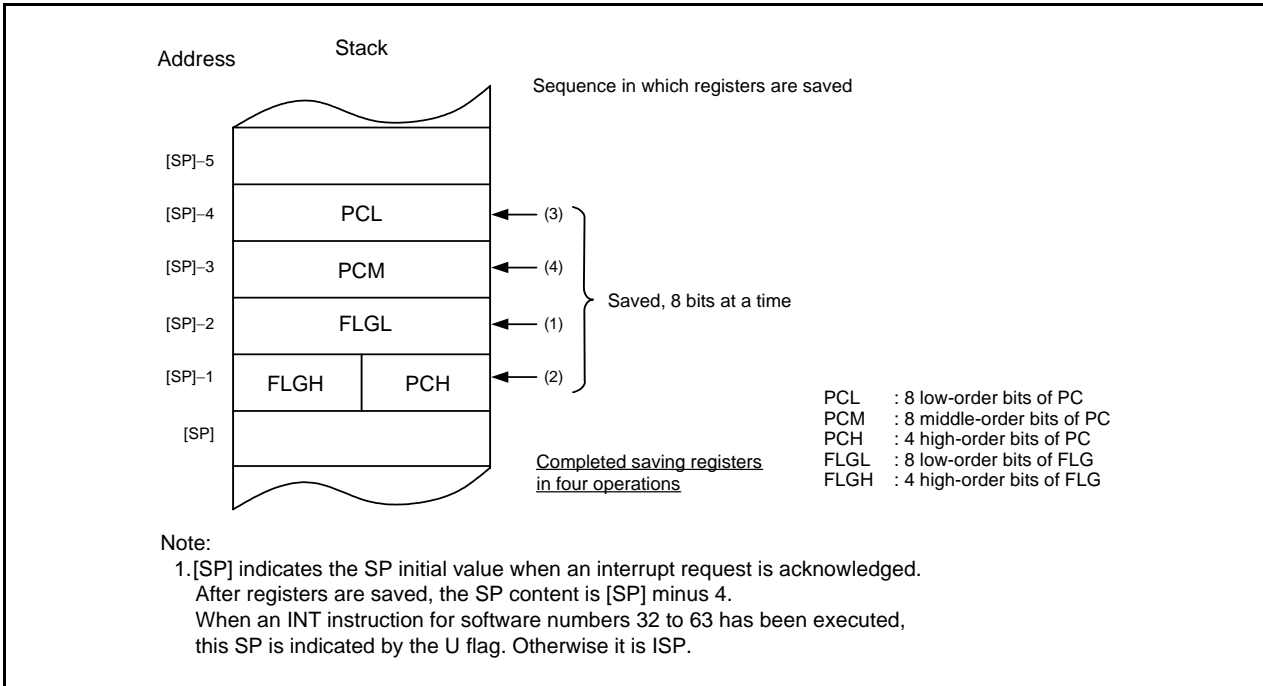


Figure 11.6 Register Saving Operation

11.3.8 Returning from Interrupt Routine

When the REIT instruction is executed at the end of an interrupt routine, the FLG register and PC, which have been saved on the stack, are automatically restored. The program, that was running before the interrupt request was acknowledged, starts running again.

Registers saved by a program in an interrupt routine should be saved using the POPM instruction or a similar instruction before executing the REIT instruction.

11.3.9 Interrupt Priority

If two or more interrupt requests are generated while a single instruction is being executed, the interrupt with the higher priority is acknowledged.

Set bits ILVL2 to ILVL0 to select any priority level for maskable interrupts (peripheral function). However, if two or more maskable interrupts have the same priority level, their interrupt priority is resolved by hardware, with the higher priority interrupts acknowledged.

The priority of watchdog timer and other special interrupts is set by hardware.

Figure 11.7 shows the Hardware Interrupt Priority.

Software interrupts are not affected by the interrupt priority. If an instruction is executed, the MCU executes the interrupt routine.

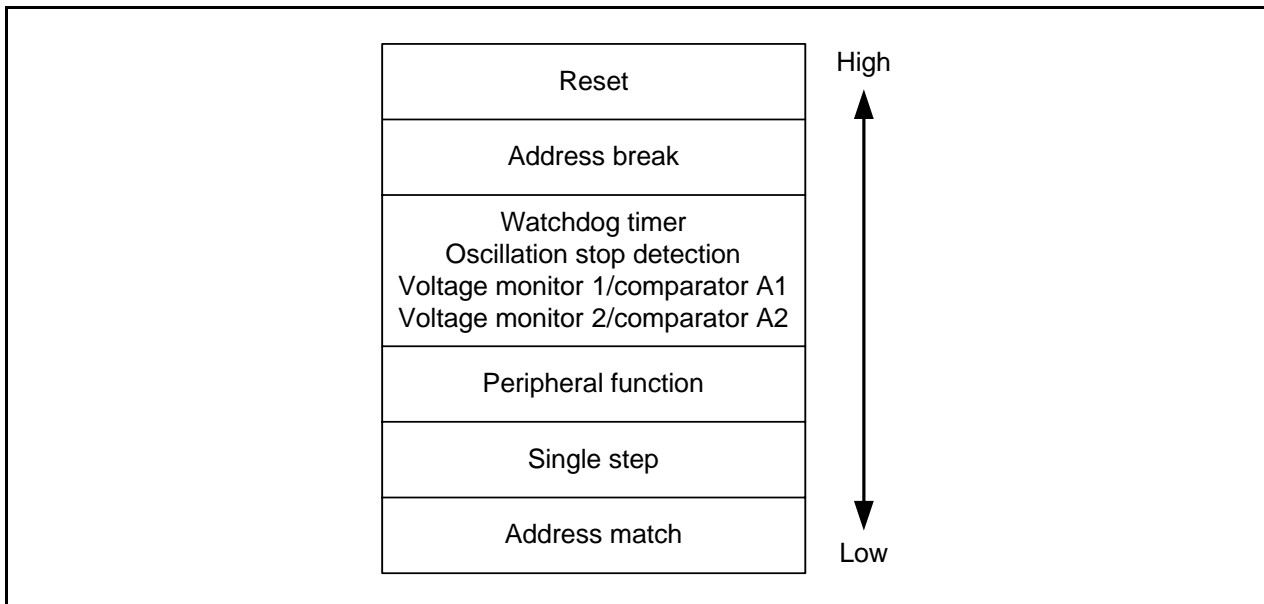


Figure 11.7 Hardware Interrupt Priority

11.3.10 Interrupt Priority Level Selection Circuit

The interrupt priority level selection circuit is used to select the highest priority interrupt. Figure 11.8 shows the Interrupt Priority Level Selection Circuit.

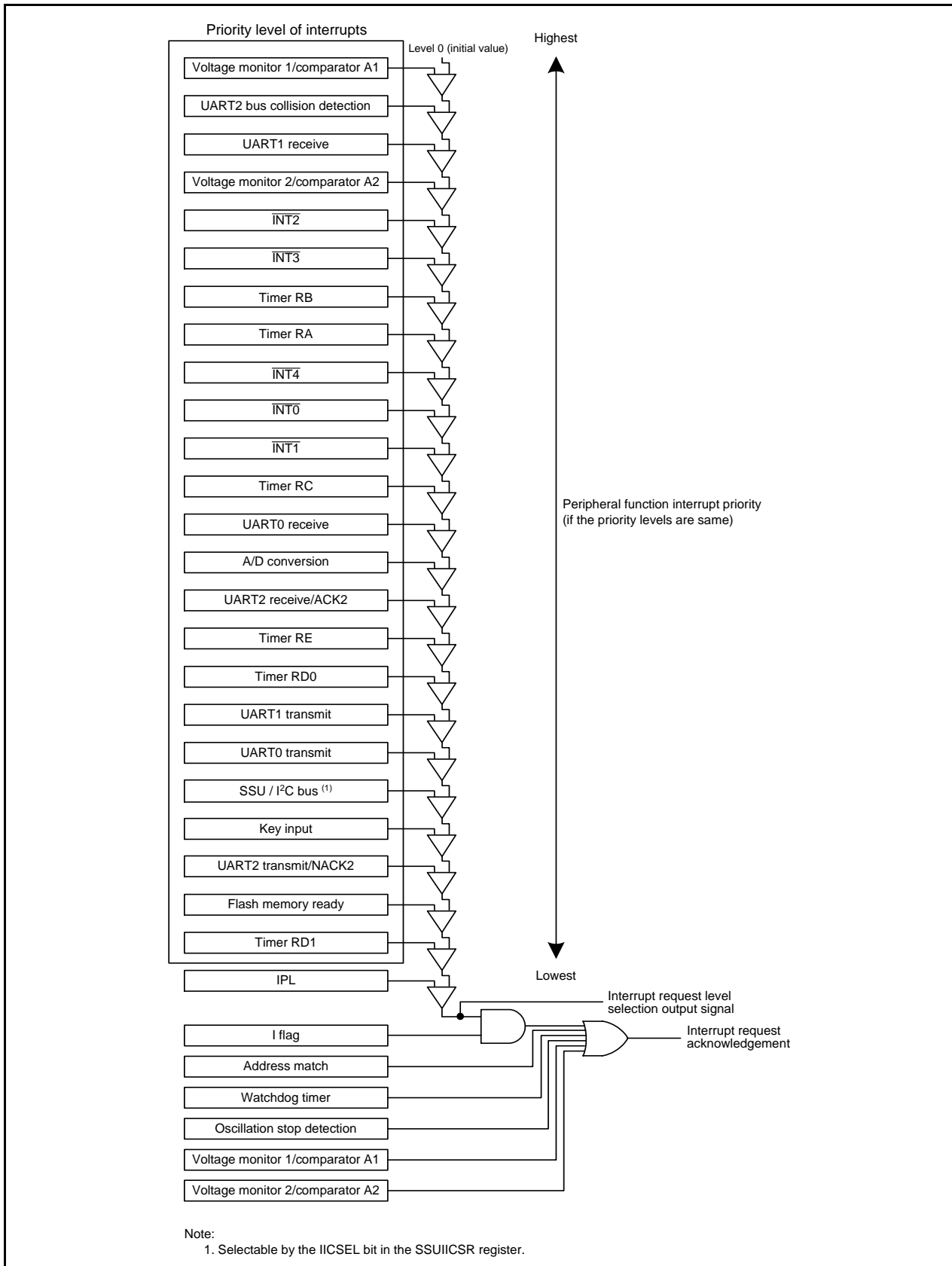


Figure 11.8 Interrupt Priority Level Selection Circuit

11.4 $\overline{\text{INT}}$ Interrupt

11.4.1 $\overline{\text{INT}}_i$ Interrupt ($i = 0$ to 4)

The $\overline{\text{INT}}_i$ interrupt is generated by an $\overline{\text{INT}}_i$ input. To use the $\overline{\text{INT}}_i$ interrupt, set the INT_iEN bit in the INTEN register is to 1 (enabled). The edge polarity is selected using the INT_iPL bit in the INTEN register and the POL bit in the INT_iIC register. The input pins used as the $\overline{\text{INT}}_1$ to $\overline{\text{INT}}_3$ input can be selected.

Also, inputs can be passed through a digital filter with three different sampling clocks.

The $\overline{\text{INT}}_0$ pin is shared with the pulse output forced cutoff input of timer RC and timer RD, and the external trigger input of timer RB.

Table 11.6 lists the Pin Configuration of $\overline{\text{INT}}$ Interrupt.

Table 11.6 Pin Configuration of $\overline{\text{INT}}$ Interrupt

Pin Name	Assigned Pin	I/O	Function
$\overline{\text{INT}}_0$	P4_5	Input	$\overline{\text{INT}}_0$ interrupt input, timer RB external trigger input, timer RC and timer RD pulse output forced cutoff input
$\overline{\text{INT}}_1$	P1_5, P1_7, P2_0, P3_2, or P3_6	Input	$\overline{\text{INT}}_1$ interrupt input
$\overline{\text{INT}}_2$	P3_2 or P6_6	Input	$\overline{\text{INT}}_2$ interrupt input
$\overline{\text{INT}}_3$	P3_3 or P6_7	Input	$\overline{\text{INT}}_3$ interrupt input
$\overline{\text{INT}}_4$	P6_5	Input	$\overline{\text{INT}}_4$ interrupt input

11.4.2 $\overline{\text{INT}}$ Interrupt Input Pin Select Register (INTSR)

Address 018Eh

Bit	b7	b6	b5	b4	b3	b2	b1	b0
Symbol	INT3SEL1	INT3SEL0	—	INT2SEL0	INT1SEL2	INT1SEL1	INT1SEL0	—
After Reset	0	0	0	0	0	0	0	0

Bit	Symbol	Bit Name	Function	R/W
b0	—	Nothing is assigned. If necessary, set to 0. When read, the content is 0.		—
b1	INT1SEL0	$\overline{\text{INT}}_1$ pin select bit	$b_3 b_2 b_1$ 0 0 0: P1_7 assigned 0 0 1: P1_5 assigned 0 1 0: P2_0 assigned 0 1 1: P3_6 assigned 1 0 0: P3_2 assigned Other than above: Do not set.	R/W
b2	INT1SEL1			R/W
b3	INT1SEL2			R/W
b4	INT2SEL0	$\overline{\text{INT}}_2$ pin select bit	0: P6_6 assigned 1: P3_2 assigned	R/W
b5	—	Nothing is assigned. If necessary, set to 0. When read, the content is 0.		—
b6	INT3SEL0	$\overline{\text{INT}}_3$ pin select bit	$b_7 b_6$ 0 0: P3_3 assigned 0 1: Do not set. 1 0: P6_7 assigned 1 1: Do not set.	R/W
b7	INT3SEL1			R/W

The INTSR register selects which pin is assigned to the $\overline{\text{INT}}_i$ ($i = 1$ to 3) input. To use $\overline{\text{INT}}_i$, set this register.

Set the INTSR register before setting the $\overline{\text{INT}}_i$ associated registers. Also, do not change the setting values in this register during $\overline{\text{INT}}_i$ operation.

11.4.3 External Input Enable Register 0 (INTEN)

Address 01FAh

Bit	b7	b6	b5	b4	b3	b2	b1	b0
Symbol	INT3PL	INT3EN	INT2PL	INT2EN	INT1PL	INT1EN	INT0PL	INT0EN
After Reset	0	0	0	0	0	0	0	0

Bit	Symbol	Bit Name	Function	R/W
b0	INT0EN	$\overline{\text{INT0}}$ input enable bit	0: Disabled 1: Enabled	R/W
b1	INT0PL	$\overline{\text{INT0}}$ input polarity select bit (1, 2)	0: One edge 1: Both edges	R/W
b2	INT1EN	$\overline{\text{INT1}}$ input enable bit	0: Disabled 1: Enabled	R/W
b3	INT1PL	$\overline{\text{INT1}}$ input polarity select bit (1, 2)	0: One edge 1: Both edges	R/W
b4	INT2EN	$\overline{\text{INT2}}$ input enable bit	0: Disabled 1: Enabled	R/W
b5	INT2PL	$\overline{\text{INT2}}$ input polarity select bit (1, 2)	0: One edge 1: Both edges	R/W
b6	INT3EN	$\overline{\text{INT3}}$ input enable bit	0: Disabled 1: Enabled	R/W
b7	INT3PL	$\overline{\text{INT3}}$ input polarity select bit (1, 2)	0: One edge 1: Both edges	R/W

Notes:

- To set the INTiPL bit (i = 0 to 3) to 1 (both edges), set the POL bit in the INTiIC register to 0 (falling edge selected).
- The IR bit in the INTiIC register may be set to 1 (interrupt requested) if the INTiPL bit is rewritten. Refer to **11.8.4 Changing Interrupt Sources**.

11.4.4 External Input Enable Register 1 (INTEN1)

Address 01FBh

Bit	b7	b6	b5	b4	b3	b2	b1	b0
Symbol	—	—	—	—	—	—	INT4PL	INT4EN
After Reset	0	0	0	0	0	0	0	0

Bit	Symbol	Bit Name	Function	R/W
b0	INT4EN	$\overline{\text{INT4}}$ input enable bit	0: Disabled 1: Enabled	R/W
b1	INT4PL	$\overline{\text{INT4}}$ input polarity select bit(1, 2)	0: One edge 1: Both edges	R/W
b2	—	Nothing is assigned. If necessary, set to 0. When read, the content is 0.		—
b3	—			
b4	—			
b5	—			
b6	—			
b7	—			

Notes:

- To set the INT4PL bit to 1 (both edges), set the POL bit in the INT4IC register to 0 (falling edge selected).
- The IR bit in the INT4IC register may be set to 1 (interrupt requested) if the INT4PL bit is rewritten. Refer to **11.8.4 Changing Interrupt Sources**.

11.4.5 INT Input Filter Select Register 0 (INTF)

Address 01FC_h

Bit	b7	b6	b5	b4	b3	b2	b1	b0
Symbol	INT3F1	INT3F0	INT2F1	INT2F0	INT1F1	INT1F0	INT0F1	INT0F0
After Reset	0	0	0	0	0	0	0	0

Bit	Symbol	Bit Name	Function	R/W
b0	INT0F0	INT0 input filter select bit	b1 b0 0 0: No filter 0 1: Filter with f1 sampling 1 0: Filter with f8 sampling 1 1: Filter with f32 sampling	R/W
b1	INT0F1			R/W
b2	INT1F0	INT1 input filter select bit	b3 b2 0 0: No filter 0 1: Filter with f1 sampling 1 0: Filter with f8 sampling 1 1: Filter with f32 sampling	R/W
b3	INT1F1			R/W
b4	INT2F0	INT2 input filter select bit	b5 b4 0 0: No filter 0 1: Filter with f1 sampling 1 0: Filter with f8 sampling 1 1: Filter with f32 sampling	R/W
b5	INT2F1			R/W
b6	INT3F0	INT3 input filter select bit	b7 b6 0 0: No filter 0 1: Filter with f1 sampling 1 0: Filter with f8 sampling 1 1: Filter with f32 sampling	R/W
b7	INT3F1			R/W

11.4.6 INT Input Filter Select Register 1 (INTF1)

Address 01FD_h

Bit	b7	b6	b5	b4	b3	b2	b1	b0
Symbol	—	—	—	—	—	—	INT4F1	INT4F0
After Reset	0	0	0	0	0	0	0	0

Bit	Symbol	Bit Name	Function	R/W
b0	INT4F0	INT4 input filter select bit	b1 b0 0 0: No filter 0 1: Filter with f1 sampling 1 0: Filter with f8 sampling 1 1: Filter with f32 sampling	R/W
b1	INT4F1			R/W
b2	—	Nothing is assigned. If necessary, set to 0. When read, the content is 0.		—
b3	—			
b4	—			
b5	—			
b6	—			
b7	—			

11.4.7 $\overline{\text{INT}}_i$ Input Filter (i = 0 to 4)

The $\overline{\text{INT}}_i$ input contains a digital filter. The sampling clock is selected using bits INTiF1 and INTiF0 in registers INTF and INTF1 . The $\overline{\text{INT}}_i$ level is sampled every sampling clock cycle and if the sampled input level matches three times, the IR bit in the INTiC register is set to 1 (interrupt requested).

Figure 11.9 shows the $\overline{\text{INT}}_i$ Input Filter Configuration. Figure 11.10 shows an Operating Example of $\overline{\text{INT}}_i$ Input Filter.

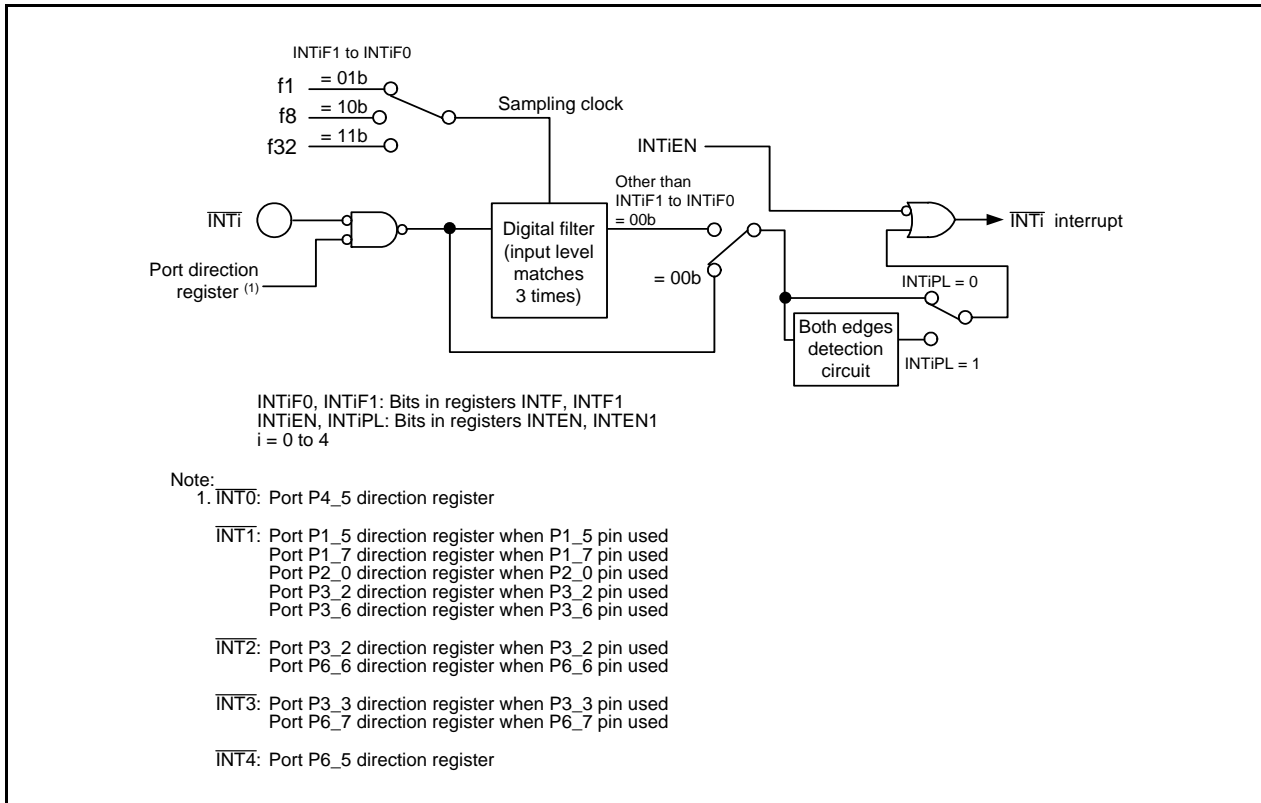


Figure 11.9 $\overline{\text{INT}}_i$ Input Filter Configuration

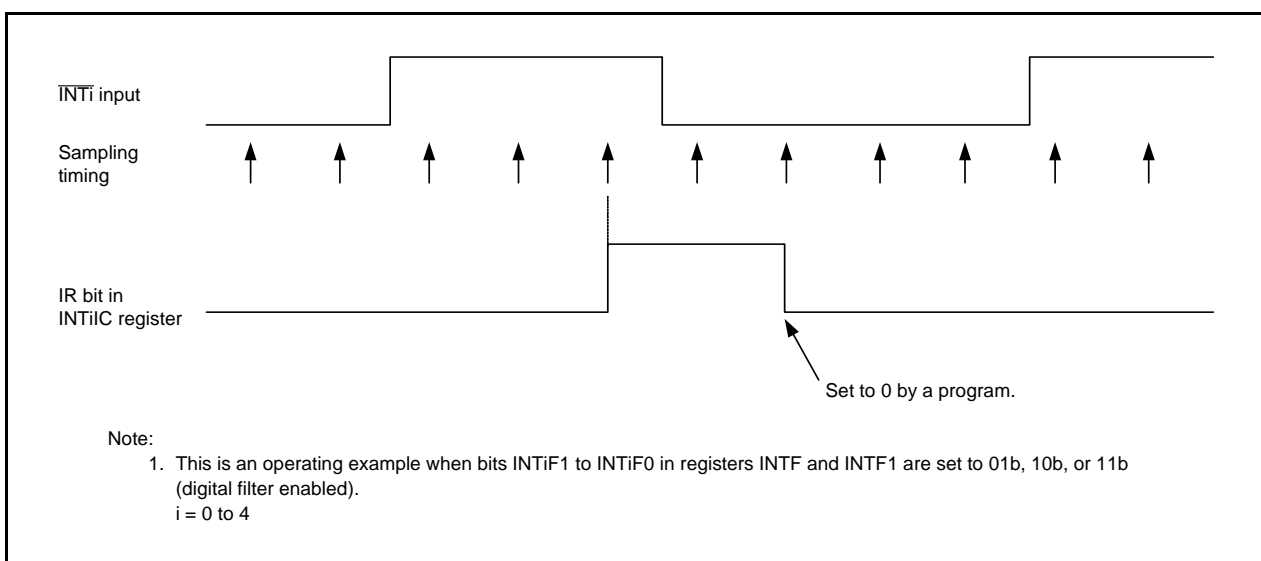


Figure 11.10 Operating Example of $\overline{\text{INT}}_i$ Input Filter

11.5 Key Input Interrupt

A key input interrupt request is generated by one of the input edges of pins $\overline{K10}$ to $\overline{K13}$. The key input interrupt can be used as a key-on wake-up function to exit wait or stop mode.

The $KIiEN$ ($i = 0$ to 3) bit in the $KIEN$ register is used to select whether or not the pins are used as the \overline{KIi} input. The $KIiPL$ bit in the $KIEN$ register is also used to select the input polarity.

When inputting “L” to the \overline{KIi} pin, which sets the $KIiPL$ bit to 0 (falling edge), the input to the other pins $\overline{K10}$ to $\overline{K13}$ is not detected as interrupts. When inputting “H” to the \overline{KIi} pin, which sets the $KIiPL$ bit to 1 (rising edge), the input to the other pins $\overline{K10}$ to $\overline{K13}$ is not also detected as interrupts.

Figure 11.11 shows a Block Diagram of Key Input Interrupt. Table 11.7 lists the Pin Configuration of Key Input Interrupt.

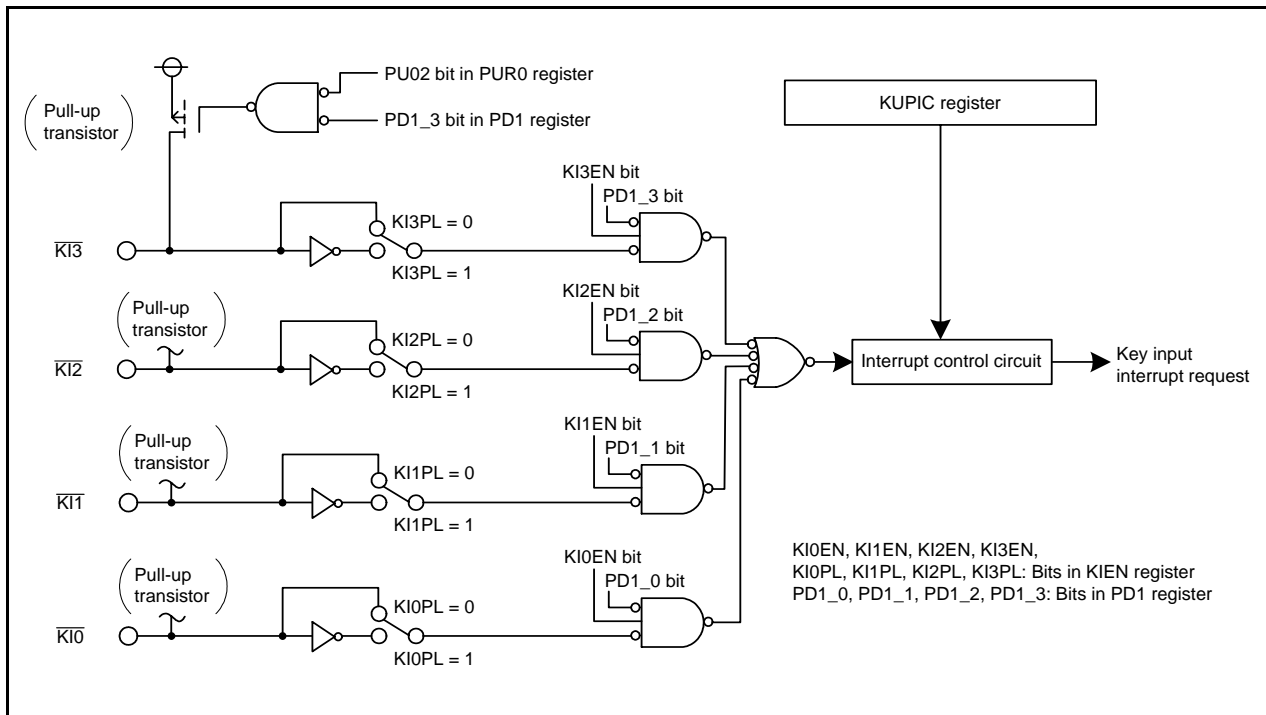


Figure 11.11 Block Diagram of Key Input Interrupt

Table 11.7 Pin Configuration of Key Input Interrupt

Pin Name	I/O	Function
$\overline{K10}$	Input	$\overline{K10}$ interrupt input
$\overline{K11}$	Input	$\overline{K11}$ interrupt input
$\overline{K12}$	Input	$\overline{K12}$ interrupt input
$\overline{K13}$	Input	$\overline{K13}$ interrupt input

11.5.1 Key Input Enable Register 0 (KIEN)

Address 01FEh

Bit	b7	b6	b5	b4	b3	b2	b1	b0
Symbol	KI3PL	KI3EN	KI2PL	KI2EN	KI1PL	KI1EN	KI0PL	KI0EN
After Reset	0	0	0	0	0	0	0	0

Bit	Symbol	Bit Name	Function	R/W
b0	KI0EN	KI0 input enable bit	0: Disabled 1: Enabled	R/W
b1	KI0PL	KI0 input polarity select bit	0: Falling edge 1: Rising edge	R/W
b2	KI1EN	KI1 input enable bit	0: Disabled 1: Enabled	R/W
b3	KI1PL	KI1 input polarity select bit	0: Falling edge 1: Rising edge	R/W
b4	KI2EN	KI2 input enable bit	0: Disabled 1: Enabled	R/W
b5	KI2PL	KI2 input polarity select bit	0: Falling edge 1: Rising edge	R/W
b6	KI3EN	KI3 input enable bit	0: Disabled 1: Enabled	R/W
b7	KI3PL	KI3 input polarity select bit	0: Falling edge 1: Rising edge	R/W

The IR bit in the KUPIC register may be set to 1 (interrupt requested) when the KIEN register is rewritten.
 Refer to **11.8.4 Changing Interrupt Sources**.

11.6 Address Match Interrupt

An address match interrupt request is generated immediately before execution of the instruction at the address indicated by the RMADi register (i = 0 or 1). This interrupt is used as a break function by the debugger. When the on-chip debugger is used, do not set an address match interrupt (registers AIER0, AIER1, RMAD0, and RMAD1, and fixed vector tables) in the user system.

Set the starting address of any instruction in the RMADi register (i = 0 or 1). The AIERi0 bit in the AIERi register can be used to select enable or disable the interrupt. The address match interrupt is not affected by the I flag and IPL.

The PC value (Refer to **11.3.7 Saving Registers**) which is saved on the stack when an address match interrupt request is acknowledged varies depending on the instruction at the address indicated by the RMADi register. (The appropriate return address is not saved on the stack.) When returning from the address match interrupt, follow one of the following means:

- Rewrite the contents of the stack and use the REIT instruction to return.
- Use an instruction such as POP to restore the stack to its previous state before the interrupt request was acknowledged. Then use a jump instruction to return.

Table 11.8 lists the PC Value Saved on Stack When Address Match Interrupt Request is Acknowledged.

Table 11.8 PC Value Saved on Stack When Address Match Interrupt Request is Acknowledged

Address Indicated by RMADi Register (i = 0 or 1)	PC Value Saved ⁽¹⁾
<ul style="list-style-type: none"> • Instruction with 2-byte operation code ⁽²⁾ • Instruction with 1-byte operation code ⁽²⁾ ADD.B:S #IMM8,dest SUB.B:S #IMM8,dest AND.B:S #IMM8,dest OR.B:S #IMM8,dest MOV.B:S #IMM8,dest STZ #IMM8,dest STNZ #IMM8,dest STZX #IMM81,#IMM82,dest CMP.B:S #IMM8,dest PUSHM src POPM dest JMPS #IMM8 JSRS #IMM8 MOV.B:S #IMM,dest (however, dest = A0 or A1)	Address indicated by RMADi register + 2
<ul style="list-style-type: none"> • Instructions other than above 	Address indicated by RMADi register + 1

Notes:

1. Refer to the **11.3.7 Saving Registers**.
2. Operation code: Refer to the **R8C/Tiny Series Software Manual (REJ09B0001)**.

Chapter 4. Instruction Code/Number of Cycles contains diagrams showing operation code below each syntax. Operation code is shown in the bold frame in the diagrams.

Table 11.9 Correspondence Between Address Match Interrupt Sources and Associated Registers

Address Match Interrupt Source	Address Match Interrupt Enable Bit	Address Match Interrupt Register
Address match interrupt 0	AIER0	RMAD0
Address match interrupt 1	AIER1	RMAD1

11.6.1 Address Match Interrupt Enable Register i (AIERi) (i = 0 or 1)

Address 01C3h (AIER0), 01C7h (AIER1)

Bit	b7	b6	b5	b4	b3	b2	b1	b0	
Symbol	—	—	—	—	—	—	—	AIER00	AIER0 register
After Reset	0	0	0	0	0	0	0	0	

Symbol	—	—	—	—	—	—	—	AIER10	AIER1 register
After Reset	0	0	0	0	0	0	0	0	

Bit	Symbol	Bit Name	Function	R/W
b0	AIERi0	Address match interrupt i enable bit	0: Disabled 1: Enabled	R/W
b1	—	Nothing is assigned. If necessary, set to 0. When read, the content is 0.		—
b2	—			
b3	—			
b4	—			
b5	—			
b6	—			
b7	—			

11.6.2 Address Match Interrupt Register i (RMADi) (i = 0 or 1)

Address 01C2h to 01C0h (RMAD0), 01C6h to 01C4h (RMAD1)

Bit	b7	b6	b5	b4	b3	b2	b1	b0
Symbol	—	—	—	—	—	—	—	—
After Reset	X	X	X	X	X	X	X	X

Bit	b15	b14	b13	b12	b11	b10	b9	b8
Symbol	—	—	—	—	—	—	—	—
After Reset	X	X	X	X	X	X	X	X

Bit	b23	b22	b21	b20	b19	b18	b17	b16
Symbol	—	—	—	—	—	—	—	—
After Reset	0	0	0	0	X	X	X	X

Bit	Symbol	Function	Setting Range	R/W
b19 to b0	—	Address setting register for address match interrupt	00000h to FFFFFh	R/W
b20	—	Nothing is assigned. If necessary, set to 0. When read, the content is 0.		—
b21	—			
b22	—			
b23	—			

11.7 Timer RC Interrupt, Timer RD Interrupt, Synchronous Serial Communication Unit Interrupt, I²C bus Interface Interrupt, and Flash Memory Interrupt (Interrupts with Multiple Interrupt Request Sources)

The timer RC, timer RD (timer RD0) interrupt, timer RD (timer RD1) interrupt, synchronous serial communication unit interrupt, I²C bus interface interrupt, and flash memory interrupt each have multiple interrupt request sources. An interrupt request is generated by the logical OR of several interrupt request sources and is reflected in the IR bit in the corresponding interrupt control register. Therefore, each of these peripheral functions has its own interrupt request source status register (status register) and interrupt request source enable register (enable register) to control the generation of interrupt requests (change of the IR bit in the interrupt control register). Table 11.10 lists the Registers Associated with Timer RC Interrupt, Timer RD Interrupt, Synchronous Serial Communication Unit Interrupt, I²C bus Interface Interrupt, and Flash Memory Interrupt and Figure 11.12 shows a Block Diagram of Timer RD Interrupt.

Table 11.10 Registers Associated with Timer RC Interrupt, Timer RD Interrupt, Synchronous Serial Communication Unit Interrupt, I²C bus Interface Interrupt, and Flash Memory Interrupt

Peripheral Function Name	Status Register of Interrupt Request Source	Enable Register of Interrupt Request Source	Interrupt Control Register
Timer RC	TRCSR	TRCIER	TRCIC
Timer RD	Timer RD0	TRDSR0	TRD0IC
	Timer RD1	TRDSR1	TRD1IC
Synchronous serial communication unit	SSSR	SSER	SSUIC
I ² C bus interface	ICSR	ICIER	IICIC
Flash memory	RDYSTI	RDYSTIE	FMRDYIC
	BSYAEI	BSYAEIE	
		CMDERIE	

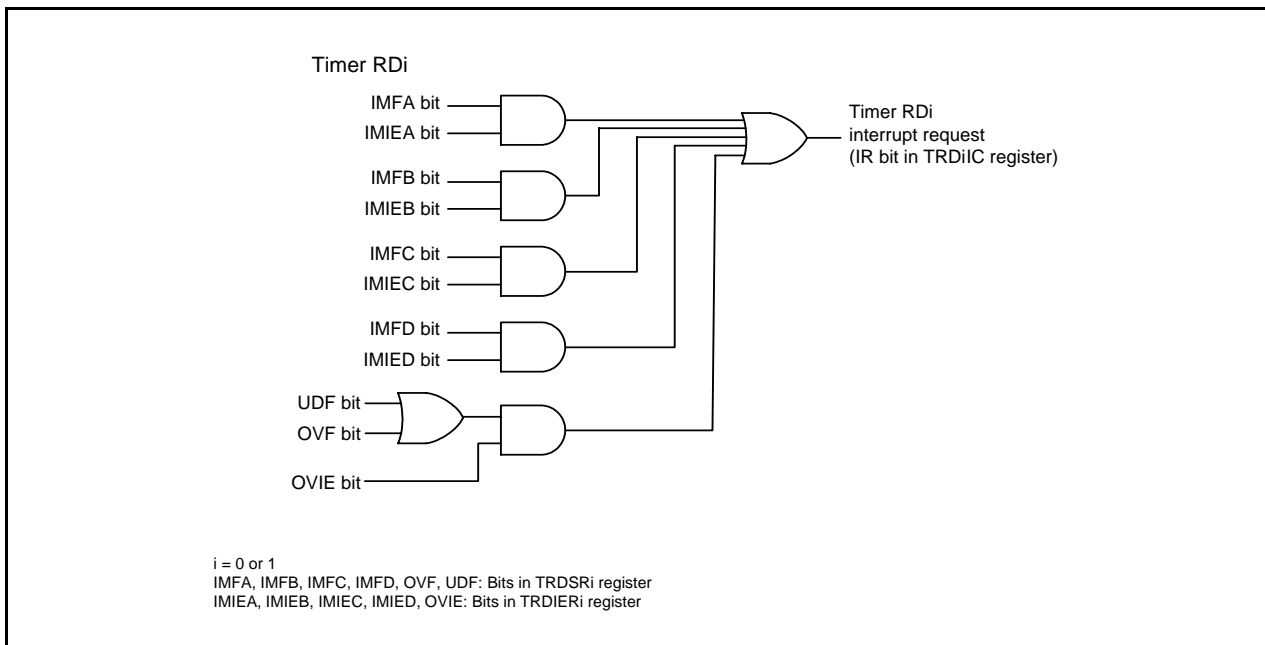


Figure 11.12 Block Diagram of Timer RD Interrupt

As with other maskable interrupts, the timer RC, timer RD (timer RD0) interrupt, timer RD (timer RD1) interrupt, synchronous serial communication unit interrupt, I²C bus interface interrupt, and flash memory interrupt are controlled by the combination of the I flag, IR bit, bits ILVL0 to ILVL2, and IPL. However, since each interrupt source is generated by a combination of multiple interrupt request sources, the following differences from other maskable interrupts apply:

- When bits in the enable register are set to 1 and the corresponding bits in the status register are set to 1 (interrupt enabled), the IR bit in the interrupt control register is set to 1 (interrupt requested).
- When either bits in the status register or the corresponding bits in the enable register, or both are set to 0, the IR bit is set to 0 (no interrupt requested).
That is, even if the interrupt is not acknowledged after the IR bit is set to 1, the interrupt request will not be retained.
Also, the IR bit is not set to 0 even if 0 is written to this bit.
- Individual bits in the status register are not automatically set to 0 even if the interrupt is acknowledged.
The IR bit is also not automatically set to 0 when the interrupt is acknowledged.
Set individual bits in the status register to 0 in the interrupt routine. Refer to the status register figure for how to set individual bits in the status register to 0.
- When multiple bits in the enable register are set to 1 and other request sources are generated after the IR bit is set to 1, the IR bit remains 1.
- When multiple bits in the enable register are set to 1, use the status register to determine which request source causes an interrupt.

Refer to chapters of the individual peripheral functions (**19. Timer RC**, **20. Timer RD**, **25. Synchronous Serial Communication Unit (SSU)**, **26. I²C bus Interface**, and **32. Flash Memory**) for the status register and enable register.

For the interrupt control register, refer to **11.3 Interrupt Control**.

11.8 Notes on Interrupts

11.8.1 Reading Address 00000h

Do not read address 00000h by a program. When a maskable interrupt request is acknowledged, the CPU reads interrupt information (interrupt number and interrupt request level) from 00000h in the interrupt sequence. At this time, the IR bit for the acknowledged interrupt is set to 0.

If address 00000h is read by a program, the IR bit for the interrupt which has the highest priority among the enabled interrupts is set to 0. This may cause the interrupt to be canceled, or an unexpected interrupt to be generated.

11.8.2 SP Setting

Set a value in the SP before an interrupt is acknowledged. The SP is set to 0000h after a reset. If an interrupt is acknowledged before setting a value in the SP, the program may run out of control.

11.8.3 External Interrupt and Key Input Interrupt

Either the “L” level width or “H” level width shown in the Electrical Characteristics is required for the signal input to pins $\overline{\text{INT0}}$ to $\overline{\text{INT4}}$ and pins $\overline{\text{KI0}}$ to $\overline{\text{KI3}}$, regardless of the CPU clock.

For details, refer to **Table 34.23** (VCC = 5V), **Table 34.29** (VCC = 3V), **Table 34.35** (VCC = 2.2V) **External Interrupt INTi (i = 0 to 4) Input, Key Input Interrupt KIi (i = 0 to 3)**.

11.8.4 Changing Interrupt Sources

The IR bit in the interrupt control register may be set to 1 (interrupt requested) when the interrupt source changes. To use an interrupt, set the IR bit to 0 (no interrupt requested) after changing interrupt sources. Changing interrupt sources as referred to here includes all factors that change the source, polarity, or timing of the interrupt assigned to a software interrupt number. Therefore, if a mode change of a peripheral function involves the source, polarity, or timing of an interrupt, set the IR bit to 0 (no interrupt requested) after making these changes. Refer to the descriptions of the individual peripheral functions for related interrupts. Figure 11.13 shows a Procedure Example for Changing Interrupt Sources.

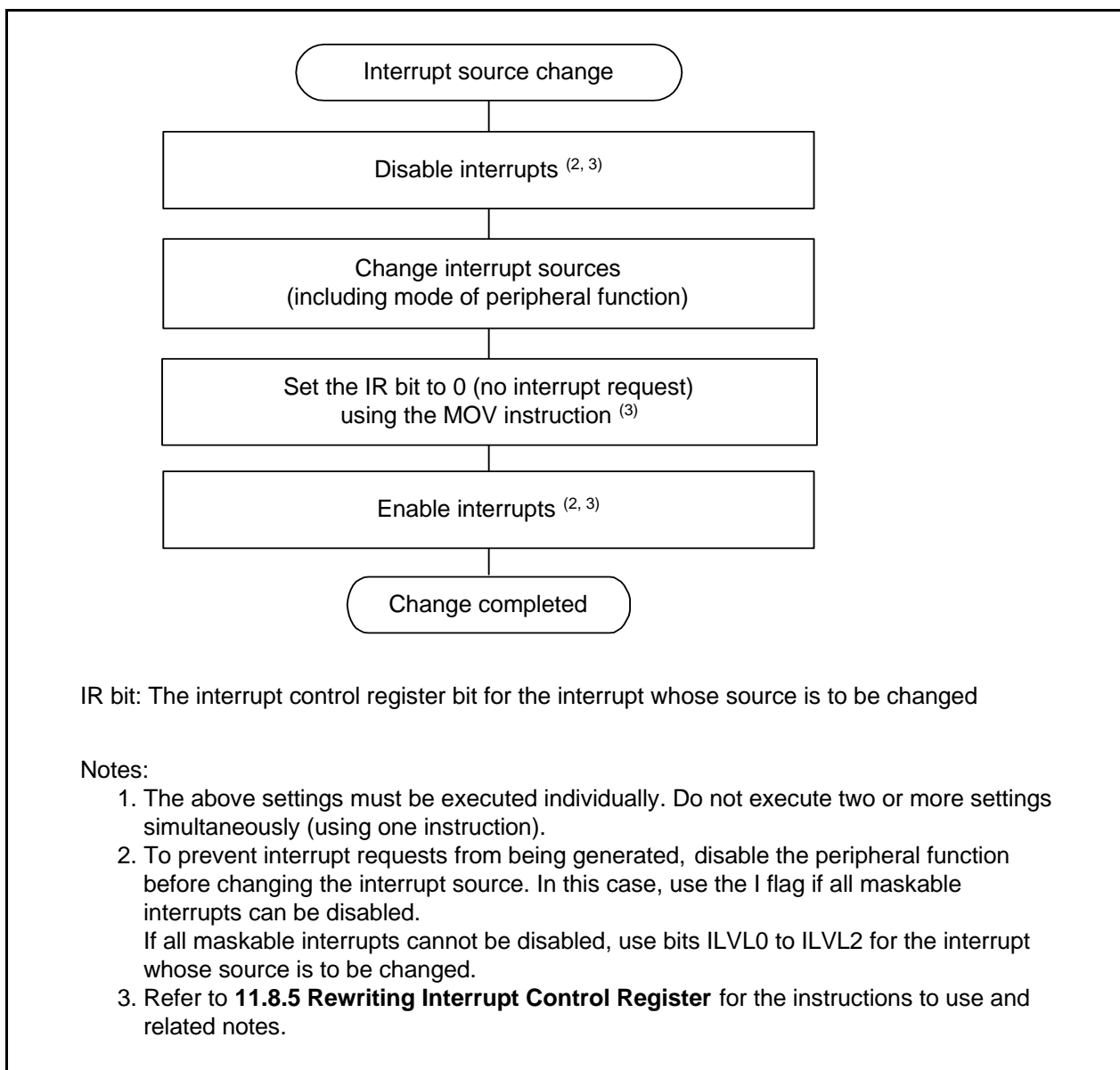


Figure 11.13 Procedure Example for Changing Interrupt Sources

11.8.5 Rewriting Interrupt Control Register

- (a) The contents of the interrupt control register can be rewritten only while no interrupt requests corresponding to that register are generated. If an interrupt request may be generated, disable the interrupt before rewriting the contents of the interrupt control register.
- (b) When rewriting the contents of the interrupt control register after disabling the interrupt, be careful to choose appropriate instructions.

Changing any bit other than the IR bit

If an interrupt request corresponding to the register is generated while executing the instruction, the IR bit may not be set to 1 (interrupt requested), and the interrupt may be ignored. If this causes a problem, use one of the following instructions to rewrite the contents of the register: AND, OR, BCLR, and BSET.

Changing the IR bit

Depending on the instruction used, the IR bit may not be set to 0 (no interrupt requested). Use the MOV instruction to set the IR bit to 0.

- (c) When using the I flag to disable an interrupt, set the I flag as shown in the sample programs below. Refer to (b) regarding rewriting the contents of interrupt control registers using the sample programs.

Examples 1 to 3 shows how to prevent the I flag from being set to 1 (interrupts enabled) before the contents of the interrupt control register are rewritten for the effects of the internal bus and the instruction queue buffer.

Example 1: Use the NOP instructions to pause program until the interrupt control register is rewritten

```
INT_SWITCH1:
  FCLR   I           ; Disable interrupts
  AND.B  #00H,0056H ; Set the TRAIC register to 00h
  NOP    ;
  NOP    ;
  FSET   I           ; Enable interrupts
```

Example 2: Use a dummy read to delay the FSET instruction

```
INT_SWITCH2:
  FCLR   I           ; Disable interrupts
  AND.B  #00H,0056H ; Set the TRAIC register to 00h
  MOV.W  MEM,R0     ; Dummy read
  FSET   I           ; Enable interrupts
```

Example 3: Use the POPC instruction to change the I flag

```
INT_SWITCH3:
  PUSHC  FLG
  FCLR   I           ; Disable interrupts
  AND.B  #00H,0056H ; Set the TRAIC register to 00h
  POPC   FLG        ; Enable interrupts
```

12. ID Code Areas

The ID code areas are used to implement a function that prevents the flash memory from being rewritten in standard serial I/O mode. This function prevents the flash memory from being read, rewritten, or erased.

12.1 Overview

The ID code areas are assigned to 0FFDFh, 0FFE3h, 0FFE8h, 0FEFh, 0FFF3h, 0FFF7h, and 0FFFBh of the respective vector highest-order addresses of the fixed vector table. Figure 12.1 shows the ID Code Areas.

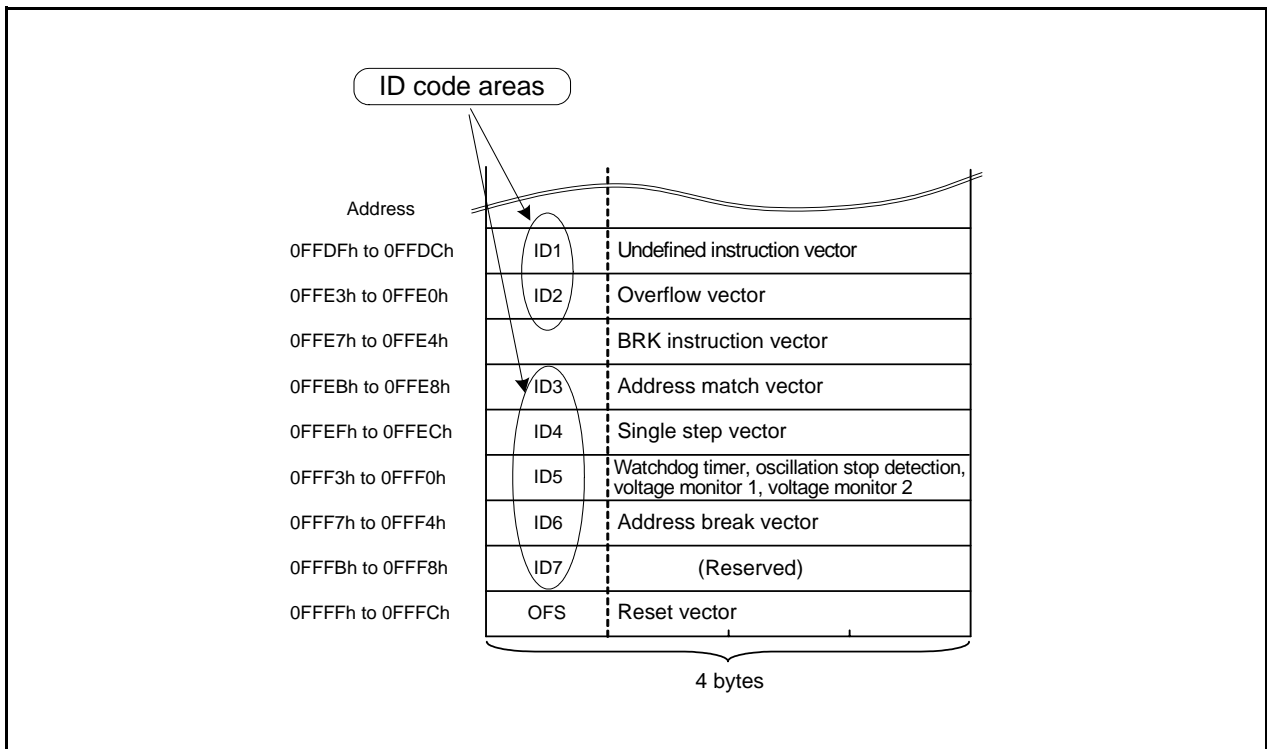


Figure 12.1 ID Code Areas

12.2 Functions

The ID code areas are used in standard serial I/O mode. Unless 3 bytes (addresses 0FFFCh to 0FFFEh) of the reset vector are set to FFFFFFFh, the ID codes stored in the ID code areas and the ID codes sent from the serial programmer or the on-chip debugging emulator are checked to see if they match. If the ID codes match, the commands sent from the serial programmer or the on-chip debugging emulator are acknowledged. If the ID codes do not match, the commands are not acknowledged. To use the serial programmer or the on-chip debugging emulator, first write predetermined ID codes to the ID code areas.

If 3 bytes (addresses 0FFFCh to 0FFFEh) of the reset vector are set to FFFFFFFh, the ID codes are not checked and all commands are accepted.

As the ID code areas are allocated in the flash memory (not in the SFRs), they cannot be rewritten by executing an instruction. Write appropriate values when creating a program.

The character sequence of the ASCII codes “ALeRASE” is the reserved word used for the forced erase function. The character sequence of the ASCII codes “Protect” is the reserved word used for the standard serial I/O mode disabled function. Table 12.1 shows the ID Code Reserved Word. The reserved word is a set of reserved characters when all the addresses and data in the ID code storage addresses sequentially match Table 12.1. When the forced erase function or standard serial I/O mode disabled function is not used, use another character sequence of the ASCII codes.

Table 12.1 ID Code Reserved Word

ID Code Storage Address		ID Code Reserved Word (ASCII) ⁽¹⁾	
		ALeRASE	Protect
0FFDFh	ID1	41h (upper-case “A”)	50h (upper-case “P”)
0FFE3h	ID2	4Ch (upper-case “L”)	72h (lower-case “r”)
0FFEbH	ID3	65h (lower-case “e”)	6Fh (lower-case “o”)
0FFEFh	ID4	52h (upper-case “R”)	74h (lower-case “t”)
0FFF3h	ID5	41h (upper-case “A”)	65h (lower-case “e”)
0FFF7h	ID6	53h (upper-case “S”)	63h (lower-case “c”)
0FFFBh	ID7	45h (upper-case “E”)	74h (lower-case “t”)

Note:

1. Reserve word: A set of characters when all the addresses and data in the ID code storage addresses sequentially match Table 12.1.

12.3 Forced Erase Function

This function is used in standard serial I/O mode. When the ID codes sent from the serial programmer or the on-chip debugging emulator are “ALeRASE” in ASCII code, the content of the user ROM area will be erased at once. However, if the contents of the ID code addresses are set to other than “ALeRASE” (other than **Table 12.1 ID Code Reserved Word**) when the ROMCR bit in the OFS register is set to 1 and the ROMCP1 bit is set to 0 (ROM code protect enabled), forced erasure is not executed and the ID codes are checked with the ID code check function. Table 12.2 lists the Conditions and Operations of Forced Erase Function.

Also, when the contents of the ID code addresses are set to “ALeRASE” in ASCII code, if the ID codes sent from the serial programmer or the on-chip debugging emulator are “ALeRASE”, the content of the user ROM area will be erased. If the ID codes sent from the serial programmer are other than “ALeRASE”, the ID codes do not match and no command is acknowledged, thus the user ROM area remains protected.

Table 12.2 Conditions and Operations of Forced Erase Function

Condition			Operation
ID code from serial programmer or the on-chip debugging emulator	ID code in ID code storage address	Bits ROMCP1 and ROMCR in OFS register	
ALeRASE	ALeRASE	–	All erasure of user ROM area (forced erase function)
	Other than ALeRASE (1)	Other than 01b (ROM code protect disabled)	
		01b (ROM code protect enabled)	ID code check (ID code check function)
Other than ALeRASE	ALeRASE	–	ID code check (ID code check function. No ID code match.)
	Other than ALeRASE (1)	–	ID code check (ID code check function)

Note:

1. For “Protect”, refer to **12.4 Standard Serial I/O Mode Disabled Function**.

12.4 Standard Serial I/O Mode Disabled Function

This function is used in standard serial I/O mode. When the I/D codes in the ID code storage addresses are set to the reserved character sequence of the ASCII codes “Protect” (refer to **Table 12.1 ID Code Reserved Word**), communication with the serial programmer or the on-chip debugging emulator is not performed. This does not allow the flash memory to be read, rewritten, or erased using the serial programmer or the on-chip debugging emulator.

Also, if the ID codes are also set to the reserved character sequence of the ASCII codes “Protect” when the ROMCR bit in the OFS register is set to 1 and the ROMCP1 bit is set to 0 (ROM code protect enabled), ROM code protection cannot be disabled using the serial programmer or the on-chip debugging emulator. This prevents the flash memory from being read, rewritten, or erased using the serial programmer, the on-chip debugging emulator, or parallel programmer.

12.5 Notes on ID Code Areas

12.5.1 Setting Example of ID Code Areas

As the ID code areas are allocated in the flash memory (not in the SFRs), they cannot be rewritten by executing an instruction. Write appropriate values when creating a program. The following shows a setting example.

- To set 55h in all of the ID code areas

```
.org 00FFDCH
```

```
.lword dummy | (55000000h) ; UND
```

```
.lword dummy | (55000000h) ; INTO
```

```
.lword dummy ; BREAK
```

```
.lword dummy | (55000000h) ; ADDRESS MATCH
```

```
.lword dummy | (55000000h) ; SET SINGLE STEP
```

```
.lword dummy | (55000000h) ; WDT
```

```
.lword dummy | (55000000h) ; ADDRESS BREAK
```

```
.lword dummy | (55000000h) ; RESERVE
```

(Programming formats vary depending on the compiler. Check the compiler manual.)

13. Option Function Select Area

13.1 Overview

The option function select area is used to select the MCU state after a reset, the function to prevent rewriting in parallel I/O mode, or the watchdog timer operation. The reset vector highest-order-address, 0FFFFh and 0FFDBh, are assigned as the option function select area. Figure 13.1 shows the Option Function Select Area.

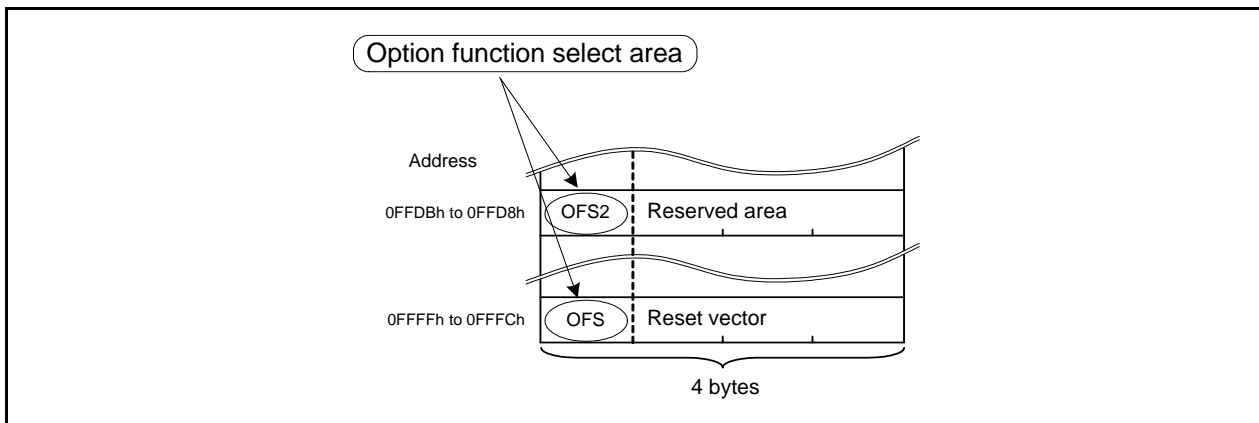


Figure 13.1 Option Function Select Area

13.2 Registers

Registers OFS and OFS2 are used to select the MCU state after a reset, the function to prevent rewriting in parallel I/O mode, or the watchdog timer operation.

13.2.1 Option Function Select Register (OFS)

Address 0FFFFh

Bit	b7	b6	b5	b4	b3	b2	b1	b0	
Symbol	CSPROINI	LVDAS	VDSEL1	VDSEL0	ROMCP1	ROMCR	—	WDTON	
When shipping	1	1	1	1	1	1	1	1	(Note 1)

Bit	Symbol	Bit Name	Function	R/W
b0	WDTON	Watchdog timer start select bit	0: Watchdog timer automatically starts after reset. 1: Watchdog timer is stopped after reset.	R/W
b1	—	Reserved bit	Set to 1.	R/W
b2	ROMCR	ROM code protect disable bit	0: ROM code protect disabled 1: ROMCP1 bit enabled	R/W
b3	ROMCP1	ROM code protect bit	0: ROM code protect enabled 1: ROM code protect disabled	R/W
b4	VDSEL0	Voltage detection 0 level select bit (2)	b5 b4 0 0: 3.80 V selected (Vdet0_3) 0 1: 2.85 V selected (Vdet0_2) 1 0: 2.35 V selected (Vdet0_1) 1 1: 1.90 V selected (Vdet0_0)	R/W
b5	VDSEL1			R/W
b6	LVDAS	Voltage detection 0 circuit start bit (3)	0: Voltage monitor 0 reset enabled after reset 1: Voltage monitor 0 reset disabled after reset	R/W
b7	CSPROINI	Count source protection mode after reset select bit	0: Count source protect mode enabled after reset 1: Count source protect mode disabled after reset	R/W

Notes:

1. If the block including the OFS register is erased, the OFS register value is set to FFh.
2. The same level of the voltage detection 0 level selected by bits VDSEL0 and VDSEL1 is set in both functions of voltage monitor 0 reset and power-on reset.
3. To use power-on reset and voltage monitor 0 reset, set the LVDAS bit to 0 (voltage monitor 0 reset enabled after reset).

The OFS register is allocated in the flash memory. Write to this register with a program.
 After writing, do not write additions to this register.

LVDAS Bit (Voltage Detection 0 Circuit Start Bit)

The Vdet0 voltage to be monitored by the voltage detection 0 circuit is selected by bits VDSEL0 and VDSEL1.

13.2.2 Option Function Select Register 2 (OFS2)

Address 0FFDBh

Bit	b7	b6	b5	b4	b3	b2	b1	b0	
Symbol	—	—	—	—	WDTRCS1	WDTRCS0	WDTUFS1	WDTUFS0	
When shipping	1	1	1	1	1	1	1	1	(Note 1)

Bit	Symbol	Bit Name	Function	R/W
b0	WDTUFS0	Watchdog timer underflow period set bit	b1 b0 0 0: 03FFh 0 1: 0FFFh 1 0: 1FFFh 1 1: 3FFFh	R/W
b1	WDTUFS1			R/W
b2	WDTRCS0	Watchdog timer refresh acknowledgement period set bit	b3 b2 0 0: 25% 0 1: 50% 1 0: 75% 1 1: 100%	R/W
b3	WDTRCS1			R/W
b4	—	Reserved bits	Set to 1.	R/W
b5	—			
b6	—			
b7	—			

Note:

1. If the block including the OFS2 register is erased, the OFS2 register value is set to FFh.

The OFS2 register is located on the flash memory. Write to this register with a program. After writing, do not write additions to this register.

Bits WDTRCS0 and WDTRCS1 (Watchdog Timer Refresh Acknowledgement Period Set Bit)

Assuming that the period from when the watchdog timer starts counting until it underflows is 100%, the refresh acknowledgement period for the watchdog timer can be selected.

For details, refer to **14.3.1.1 Refresh Acknowledgment Period**.

13.3 Notes on Option Function Select Area

13.3.1 Setting Example of Option Function Select Area

As the option function select area is allocated in the flash memory (not in the SFRs), they cannot be rewritten by executing an instruction. Write appropriate values when creating a program. The following shows a setting example.

- To set FFh in the OFS register

```
.org 00FFFCH
```

```
.lword reset | (0FF00000h) ; RESET
```

(Programming formats vary depending on the compiler. Check the compiler manual.)

14. Watchdog Timer

The watchdog timer is a function that detects when a program is out of control. Use of the watchdog timer is recommended to improve the reliability of the system.

14.1 Overview

The watchdog timer contains a 14-bit counter and allows selection of count source protection mode enable or disable.

Table 14.1 lists the Watchdog Timer Specifications.

Refer to **5.5 Watchdog Timer Reset** for details of the watchdog timer reset.

Figure 14.1 shows a Watchdog Timer Block Diagram.

Table 14.1 Watchdog Timer Specifications

Item	Count Source Protection Mode Disabled	Count Source Protection Mode Enabled
Count source	CPU clock	Low-speed on-chip oscillator clock for the watchdog timer
Count operation	Decrement	
Count start condition	Either of the following can be selected: <ul style="list-style-type: none"> • After a reset, count starts automatically. • Count starts by writing to the WDTS register. 	
Count stop condition	Stop mode, wait mode	None
Watchdog timer initialization conditions	<ul style="list-style-type: none"> • Reset • Write 00h and then FFh to the WDTR register (with acknowledgement period setting). ⁽¹⁾ • Underflow 	
Operations at underflow	Watchdog timer interrupt or watchdog timer reset	Watchdog timer reset
Selectable functions	<ul style="list-style-type: none"> • Division ratio of the prescaler Selected by the WDTC7 bit in the WDTC register or the CM07 bit in the CM0 register. • Count source protection mode Whether count source protection mode is enabled or disabled after a reset can be selected by the CSPROINI bit in the OFS register (flash memory). If count source protection mode is disabled after a reset, it can be enabled or disabled by the CSPRO bit in the CSPR register (program). • Start or stop of the watchdog timer after a reset Selected by the WDTON bit in the OFS register (flash memory). • Initial value of the watchdog timer Selectable by bits WDTUFS0 and WDTUFS1 in the OFS2 register. • Refresh acknowledgement period for the watchdog timer Selectable by bits WDTRCS0 and WDTRCS1 in the OFS2 register. 	

Note:

1. Write the WDTR register during the count operation of the watchdog timer.

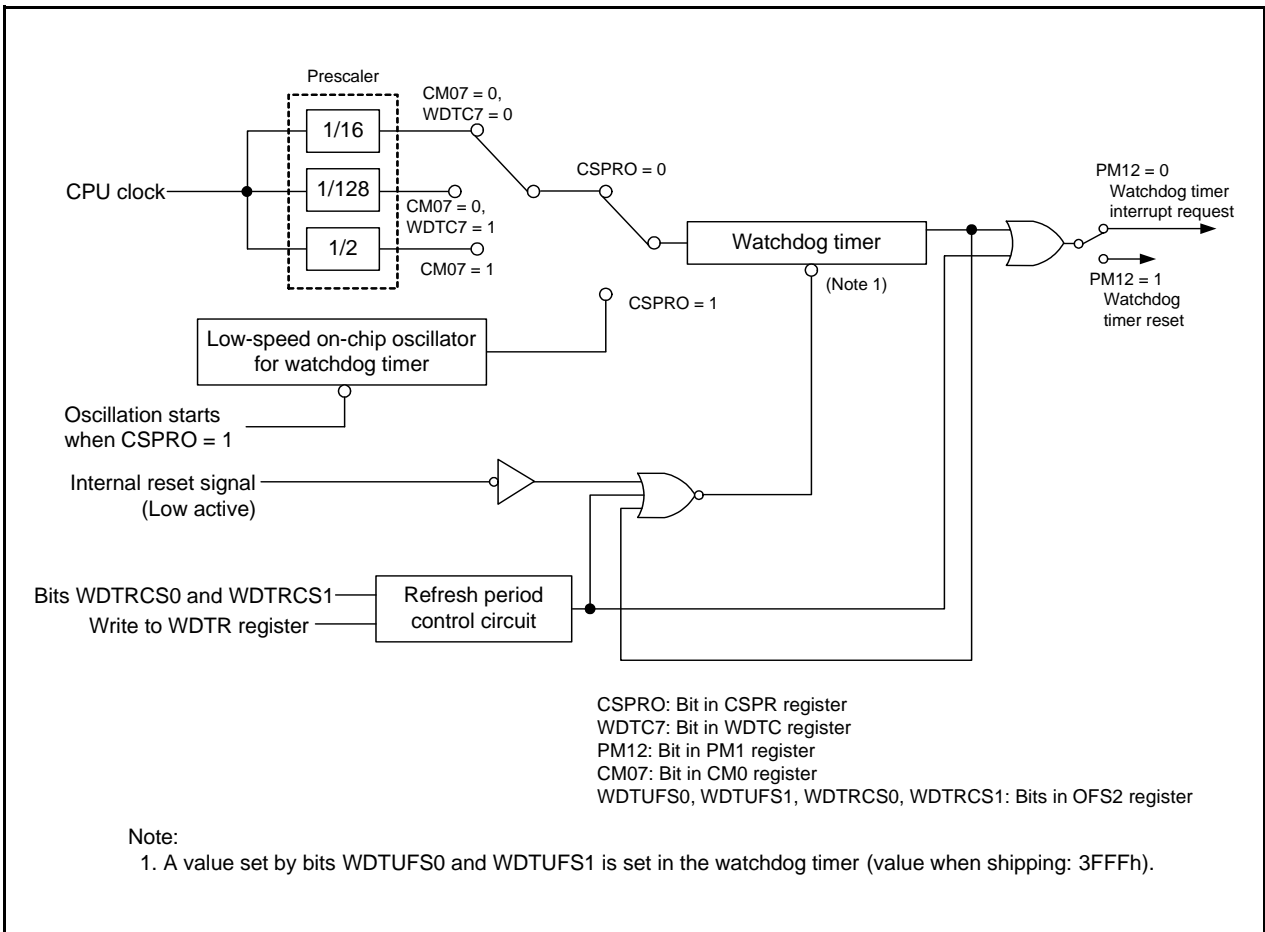


Figure 14.1 Watchdog Timer Block Diagram

14.2 Registers

14.2.1 Processor Mode Register 1 (PM1)

Address 0005h

Bit	b7	b6	b5	b4	b3	b2	b1	b0
Symbol	—	—	—	—	—	PM12	—	—
After Reset	0	0	0	0	0	0	0	0

Bit	Symbol	Bit Name	Function	R/W
b0	—	Reserved bits	Set to 0.	R/W
b1	—			
b2	PM12	WDT interrupt/reset switch bit	0: Watchdog timer interrupt 1: Watchdog timer reset ⁽¹⁾	R/W
b3	—	Nothing is assigned. If necessary, set to 0. When read, the content is 0.		—
b4	—			
b5	—			
b6	—			
b7	—	Reserved bit	Set to 0.	R/W

Note:

- The PM12 bit is set to 1 when 1 is written by a program (and remains unchanged even if 0 is written to it). This bit is automatically set to 1 when the CSPRO bit in the CSPR register is set to 1 (count source protection mode enabled).

Set the PRC1 bit in the PRCR register to 1 (write enabled) before rewriting the PM1 register.

14.2.2 Watchdog Timer Reset Register (WDTR)

Address 000Dh

Bit	b7	b6	b5	b4	b3	b2	b1	b0
Symbol	—	—	—	—	—	—	—	—
After Reset	X	X	X	X	X	X	X	X

Bit	Function	R/W
b7 to b0	Writing 00h and then FFh to this register initializes the watchdog timer. The initial value of the watchdog timer is specified by bits WDTUFS0 and WDTUF1 in the OFS2 register. ⁽¹⁾	W

Note:

- Write the WDTR register during the count operation of the watchdog timer.

14.2.3 Watchdog Timer Start Register (WDTs)

Address 000Eh

Bit	b7	b6	b5	b4	b3	b2	b1	b0
Symbol	—	—	—	—	—	—	—	—
After Reset	X	X	X	X	X	X	X	X

Bit	Function	R/W
b7 to b0	A write instruction to this register starts the watchdog timer.	W

14.2.4 Watchdog Timer Control Register (WDTC)

Address 000Fh

Bit	b7	b6	b5	b4	b3	b2	b1	b0
Symbol	WDTC7	—	—	—	—	—	—	—
After Reset	0	0	1	1	1	1	1	1

Bit	Symbol	Bit Name	Function	R/W
b0	—	The following bits of the watchdog timer can be read.		R
b1	—	When bits WDTUFS1 to WDTUFS0 in the OFS2 register are		R
b2	—	00b (03FFh): b5 to b0		R
b3	—	01b (0FFFh): b8 to b3		R
b4	—	10b (1FFFh): b9 to b4		R
b5	—	11b (3FFFh): b10 to b5		R
b6	—	Reserved bit	When read, the content is 0.	R
b7	WDTC7	Prescaler select bit	0: Divided-by-16 1: Divided-by-128	R/W

14.2.5 Count Source Protection Mode Register (CSPR)

Address 001Ch

Bit	b7	b6	b5	b4	b3	b2	b1	b0
Symbol	CSPRO	—	—	—	—	—	—	—
After Reset	0	0	0	0	0	0	0	0 (Note 1)

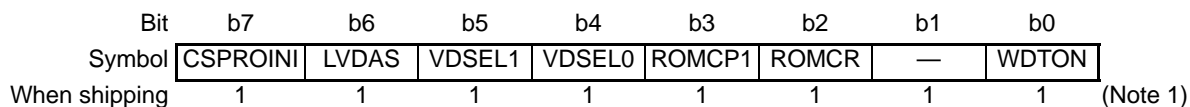
Bit	Symbol	Bit Name	Function	R/W
b0	—	Reserved bits		Set to 0.
b1	—			
b2	—			
b3	—			
b4	—			
b5	—			
b6	—			
b7	CSPRO	Count source protection mode select bit ⁽²⁾	0: Count source protection mode disabled 1: Count source protection mode enabled	R/W

Notes:

1. When 0 is written to the CSPROINI bit in the OFS register, the value after reset is 10000000b.
2. To set the CSPRO bit to 1, write 0 and then 1 to it. This bit cannot be set to 0 by a program.

14.2.6 Option Function Select Register (OFS)

Address 0FFFFh



Bit	Symbol	Bit Name	Function	R/W
b0	WDTON	Watchdog timer start select bit	0: Watchdog timer automatically starts after reset. 1: Watchdog timer is stopped after reset.	R/W
b1	—	Reserved bit	Set to 1.	R/W
b2	ROMCR	ROM code protect disable bit	0: ROM code protect disabled 1: ROMCP1 bit enabled	R/W
b3	ROMCP1	ROM code protect bit	0: ROM code protect enabled 1: ROM code protect disabled	R/W
b4	VDSEL0	Voltage detection 0 level select bit (2)	b5 b4 0 0: 3.80 V selected (Vdet0_3) 0 1: 2.85 V selected (Vdet0_2) 1 0: 2.35 V selected (Vdet0_1) 1 1: 1.90 V selected (Vdet0_0)	R/W
b5	VDSEL1			R/W
b6	LVDAS	Voltage detection 0 circuit start bit (3)	0: Voltage monitor 0 reset enabled after reset 1: Voltage monitor 0 reset disabled after reset	R/W
b7	CSPROINI	Count source protection mode after reset select bit	0: Count source protect mode enabled after reset 1: Count source protect mode disabled after reset	R/W

Notes:

1. If the block including the OFS register is erased, the OFS register value is set to FFh.
2. The same level of the voltage detection 0 level selected by bits VDSEL0 and VDES1 is set in both functions of voltage monitor 0 reset and power-on reset.
3. To use power-on reset and voltage monitor 0 reset, set the LVDAS bit to 0 (voltage monitor 0 reset enabled after reset).

The OFS register is allocated in the flash memory. Write to this register with a program.
 After writing, do not write additions to this register.

LVDAS Bit (Voltage Detection 0 Circuit Start Bit)

The Vdet0 voltage to be monitored by the voltage detection 0 circuit is selected by bits VDSEL0 and VDSEL1.

14.2.7 Option Function Select Register 2 (OFS2)

Address 0FFDBh

Bit	b7	b6	b5	b4	b3	b2	b1	b0	
Symbol	—	—	—	—	WDTRCS1	WDTRCS0	WDTUFS1	WDTUFS0	
When shipping	1	1	1	1	1	1	1	1	(Note 1)

Bit	Symbol	Bit Name	Function	R/W
b0	WDTUFS0	Watchdog timer underflow period set bit	b1 b0 0 0: 03FFh 0 1: 0FFFh 1 0: 1FFFh 1 1: 3FFFh	R/W
b1	WDTUFS1			R/W
b2	WDTRCS0	Watchdog timer refresh acknowledgement period set bit	b3 b2 0 0: 25% 0 1: 50% 1 0: 75% 1 1: 100%	R/W
b3	WDTRCS1			R/W
b4	—	Reserved bits	Set to 1.	R/W
b5	—			
b6	—			
b7	—			

Note:

1. If the block including the OFS2 register is erased, the OFS2 register value is set to FFh.

The OFS2 register is located on the flash memory. Write to this register with a program. After writing, do not write additions to this register.

Bits WDTRCS0 and WDTRCS1 (Watchdog Timer Refresh Acknowledgement Period Set Bit)

Assuming that the period from when the watchdog timer starts counting until it underflows is 100%, the refresh acknowledgement period for the watchdog timer can be selected.

For details, refer to **14.3.1.1 Refresh Acknowledgment Period**.

14.3 Functional Description

14.3.1 Common Items for Multiple Modes

14.3.1.1 Refresh Acknowledgment Period

The period for acknowledging refreshment operation to the watchdog timer (write to the WDTR register) can be selected by bits WDTRCS0 and WDTRCS1 in the OFS2 register. Figure 14.2 shows the Refresh Acknowledgement Period for Watchdog Timer.

Assuming that the period from when the watchdog timer starts counting until it underflows is 100%, a refresh operation executed during the refresh acknowledgement period is acknowledged. Any refresh operation executed during the period other than the above is processed as an incorrect write, and a watchdog timer interrupt or watchdog timer reset (selectable by the PM12 bit in the PM1 register) is generated.

Do not execute any refresh operation while the count operation of the watchdog timer is stopped.

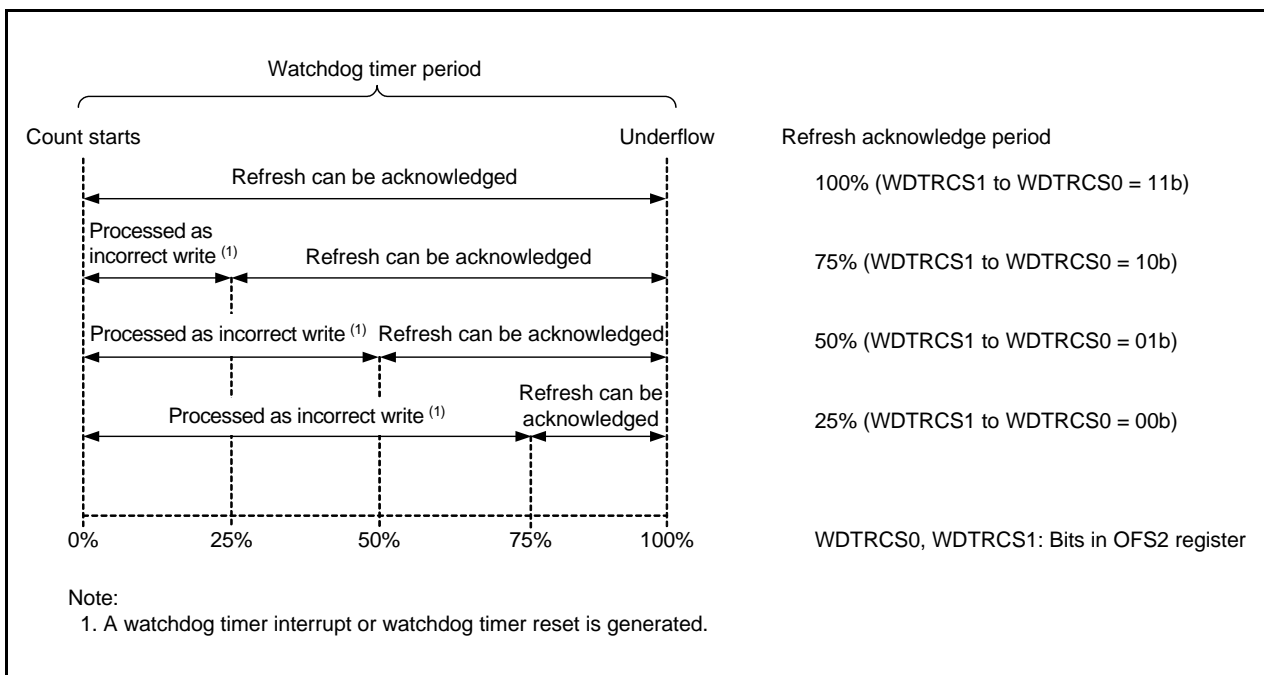


Figure 14.2 Refresh Acknowledgement Period for Watchdog Timer

14.3.2 Count Source Protection Mode Disabled

The count source for the watchdog timer is the CPU clock when count source protection mode is disabled. Table 14.2 lists the Watchdog Timer Specifications (Count Source Protection Mode Disabled).

Table 14.2 Watchdog Timer Specifications (Count Source Protection Mode Disabled)

Item	Specification
Count source	CPU clock
Count operation	Decrement
Period	<p>Division ratio of prescaler (n) × count value of watchdog timer (m) ⁽¹⁾ CPU clock</p> <p>n: 16 or 128 (selected by the WDTC7 bit in the WDTC register), or 2 when selecting the low-speed clock (CM07 bit in CM0 register = 1) m: Value set by bits WDTUFS0 and WDTUFS1 in the OFS2 register</p> <p>Example: The period is approximately 13.1 ms when: - The CPU clock frequency is set to 20 MHz. - The prescaler is divided by 16. - Bits WDTUFS1 to WDTUFS0 are set to 11b (3FFFh).</p>
Watchdog timer initialization conditions	<ul style="list-style-type: none"> • Reset • Write 00h and then FFh to the WDTR register. ⁽³⁾ • Underflow
Count start conditions	<p>The operation of the watchdog timer after a reset is selected by the WDTON bit ⁽²⁾ in the OFS register (address 0FFFFh).</p> <ul style="list-style-type: none"> • When the WDTON bit is set to 1 (watchdog timer is stopped after reset). The watchdog timer and prescaler are stopped after a reset and start counting when the WDTS register is written to. • When the WDTON bit is set to 0 (watchdog timer starts automatically after reset). The watchdog timer and prescaler start counting automatically after a reset.
Count stop condition	Stop mode, wait mode (Count resumes from the retained value after exiting.)
Operations at underflow	<ul style="list-style-type: none"> • When the PM12 bit in the PM1 register is set to 0. Watchdog timer interrupt • When the PM12 bit in the PM1 register is set to 1. Watchdog timer reset (refer to 5.5 Watchdog Timer Reset)

Notes:

1. The watchdog timer is initialized when 00h and then FFh is written to the WDTR register. The prescaler is initialized after a reset. This may cause some errors due to the prescaler during the watchdog timer period.
2. The WDTON bit cannot be changed by a program. To set this bit, write 0 to bit 0 of address 0FFFFh with a flash programmer.
3. Write the WDTR register during the count operation of the watchdog timer.

14.3.3 Count Source Protection Mode Enabled

The count source for the watchdog timer is the low-speed on-chip oscillator clock for the watchdog timer when count source protection mode is enabled. If the CPU clock stops when a program is out of control, the clock can still be supplied to the watchdog timer.

Table 14.3 lists the Watchdog Timer Specifications (Count Source Protection Mode Enabled).

Table 14.3 Watchdog Timer Specifications (Count Source Protection Mode Enabled)

Item	Specification
Count source	Low-speed on-chip oscillator clock
Count operation	Decrement
Period	<p style="text-align: center;">Count value of watchdog timer (m)</p> <p>Low-speed on-chip oscillator clock for the watchdog timer m: Value set by bits WDTUFS0 and WDTUFS1 in the OFS2 register Example: The period is approximately 8.2 ms when: - The on-chip oscillator clock for the watchdog timer is set to 125 kHz. - Bits WDTUFS1 to WDTUFS0 are set to 00b (03FFh).</p>
Watchdog timer initialization conditions	<ul style="list-style-type: none"> • Reset • Write 00h and then FFh to the WDTR register. ⁽³⁾ • Underflow
Count start conditions	<p>The operation of the watchdog timer after a reset is selected by the WDTON bit ⁽¹⁾ in the OFS register (address 0FFFFh).</p> <ul style="list-style-type: none"> • When the WDTON bit is set to 1 (watchdog timer is stopped after reset). The watchdog timer and prescaler are stopped after a reset and start counting when the WDTS register is written to. • When the WDTON bit is set to 0 (watchdog timer starts automatically after reset). The watchdog timer and prescaler start counting automatically after a reset.
Count stop condition	None (Count does not stop even in wait mode and stop mode once it starts.)
Operation at underflow	Watchdog timer reset (Refer to 5.5 Watchdog Timer Reset.)
Registers, bits	<ul style="list-style-type: none"> • When the CSPPRO bit in the CSPR register is set to 1 (count source protection mode enabled) ⁽²⁾, the following are set automatically: <ul style="list-style-type: none"> - The low-speed on-chip oscillator for the watchdog timer is on. - The PM12 bit in the PM1 register is set to 1 (watchdog timer reset when the watchdog timer underflows).

Notes:

1. The WDTON bit cannot be changed by a program. To set this bit, write 0 to bit 0 of address 0FFFFh with a flash programmer.
2. Even if 0 is written to the CSPROINI bit in the OFS register, the CSPRO bit is set to 1. The CSPROINI bit cannot be changed by a program. To set this bit, write 0 to bit 7 of address 0FFFFh with a flash programmer.
3. Write the WDTR register during the count operation of the watchdog timer.

15. DTC

The DTC (data transfer controller) is a function that transfers data between the SFR and on-chip memory without using the CPU. This chip incorporates one DTC channel. The DTC is activated by a peripheral function interrupt to perform data transfers. The DTC and CPU use the same bus, and the DTC takes priority over the CPU in using the bus.

To control DTC data transfers, control data comprised of a transfer source address, a transfer destination address, and operating modes are allocated in the DTC control data area. Each time the DTC is activated, the DTC reads control data to perform data transfers.

15.1 Overview

Table 15.1 shows the DTC Specifications.

Table 15.1 DTC Specifications

Item		Specification
Activation sources		33 sources
Allocatable control data		24 sets
Address space which can be transferred		64 Kbytes (00000h to 0FFFFh)
Maximum number of transfer times	Normal mode	256 times
	Repeat mode	255 times
Maximum size of block to be transferred	Normal mode	256 bytes
	Repeat mode	255 bytes
Unit of transfers		Byte
Transfer mode	Normal mode	Transfers end on completion of the transfer causing the DTCCTj register value to change from 1 to 0.
	Repeat mode	On completion of the transfer causing the DTCCTj register value to change from 1 to 0, the repeat area address is initialized and the DTRLDj register value is reloaded to the DTCCTj register to continue transfers.
Address control	Normal mode	Fixed or incremented
	Repeat mode	Addresses of the area not selected as the repeat area are fixed or incremented.
Priority of activation sources		See Table 15.5 DTC Activation Sources and DTC Vector Addresses .
Interrupt request	Normal mode	When the data transfer causing the DTCCTj register value to change from 1 to 0 is performed, the activation source interrupt request is generated for the CPU, and interrupt handling is performed on completion of the data transfer.
	Repeat mode	When the data transfer causing the DTCCTj register value to change from 1 to 0 is performed while the RPTINT bit in the DTCCRj register is 1 (interrupt generation enabled), the activation source interrupt request is generated for the CPU, and interrupt handling is performed on completion of the transfer.
Transfer start		When bits DTCENi0 to DTCENi7 in the DTCENi registers are 1 (activation enabled), data transfer is started each time the corresponding DTC activation sources are generated.
Transfer stop	Normal mode	<ul style="list-style-type: none"> • When bits DTCENi0 to DTCENi7 are set to 0 (activation disabled). • When the data transfer causing the DTCCTj register value to change from 1 to 0 is completed.
	Repeat mode	<ul style="list-style-type: none"> • When bits DTCENi0 to DTCENi7 are set to 0 (activation disabled). • When the data transfer causing the DTCCTj register value to change from 1 to 0 is completed while the RPTINT bit is 1 (interrupt generation enabled).

i = 0 to 6, j = 0 to 23

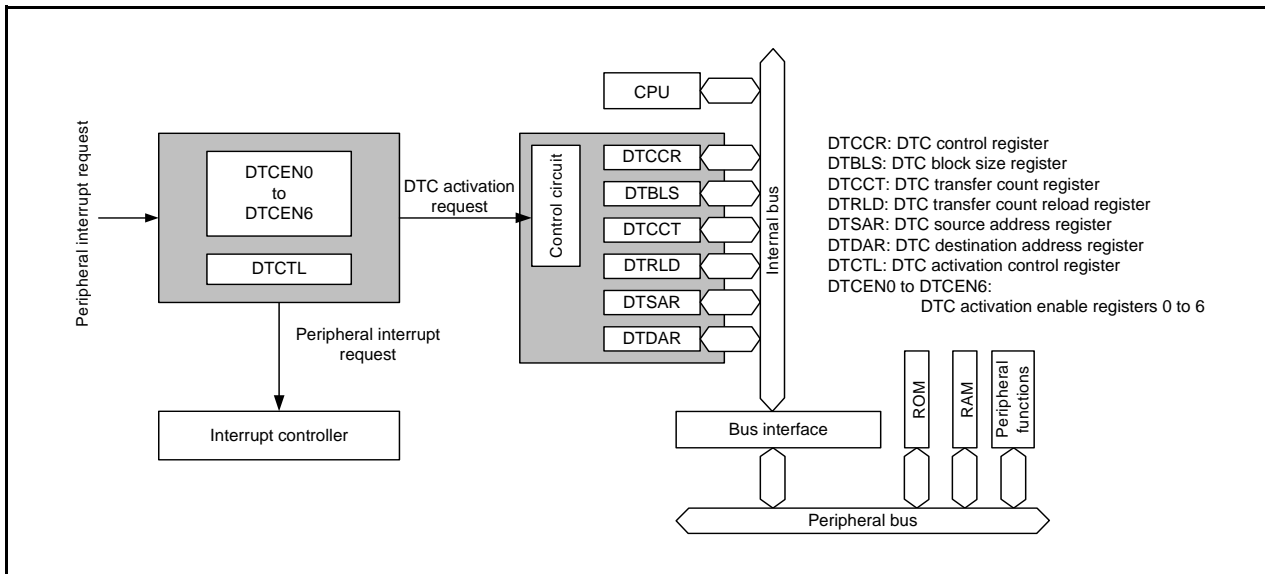


Figure 15.1 DTC Block Diagram

15.2 Registers

When the DTC is activated, control data (DTCCR_j, DTBLS_j, DTCCT_j, DTRLD_j, DTSAR_j, and DTDAR_j, j = 0 to 23) allocated in the control data area is read, and then transferred to the control registers (DTCCR, DTBLS, DTCCT, DTRLD, DTSAR, and DTDAR) in the DTC. On completion of the DTC data transfer, the contents of the DTC control registers are written back to the control data area.

Each DTCCR, DTBLS, DTCCT, DTRLD, DTSAR, and DTDAR register cannot be directly read or written to. DTCCR_j, DTBLS_j, DTCCT_j, DTRLD_j, DTSAR_j, and DTDAR_j are allocated as control data at addresses from 2C40h to 2CFFh in the DTC control data area, and can be directly accessed.

Also, registers DTCTL and DTCEN_i (i = 0 to 6) can be directly accessed.

15.2.1 DTC Control Register j (DTCCRj) (j = 0 to 23)

Address See **Table 15.4 Control Data Allocation Addresses**.

Bit	b7	b6	b5	b4	b3	b2	b1	b0
Symbol	—	—	RPTINT	CHNE	DAMOD	SAMOD	RPTSEL	MODE
After Reset	X	X	X	X	X	X	X	X

Bit	Symbol	Bit Name	Function	R/W
b0	MODE	Transfer mode select bit	0: Normal mode 1: Repeat mode	R/W
b1	RPTSEL	Repeat area select bit ⁽¹⁾	0: Transfer destination is the repeat area. 1: Transfer source is the repeat area.	R/W
b2	SAMOD	Source address control bit ⁽²⁾	0: Fixed 1: Incremented	R/W
b3	DAMOD	Destination address control bit ⁽²⁾	0: Fixed 1: Incremented	R/W
b4	CHNE	Chain transfer enable bit ⁽³⁾	0: Chain transfers disabled 1: Chain transfers enabled	R/W
b5	RPTINT	Repeat mode interrupt enable bit ⁽¹⁾	0: Interrupt generation disabled 1: Interrupt generation enabled	R/W
b6	—	Reserved bits	Set to 0.	R/W
b7	—			

Notes:

1. This bit is valid when the MODE bit is 1 (repeat mode).
2. Settings of bits SAMOD and DAMOD are invalid for the repeat area.
3. Set the CHNE bit in the DTCCR23 register to 0 (chain transfers disabled).

15.2.2 DTC Block Size Register j (DTBLSj) (j = 0 to 23)

Address See **Table 15.4 Control Data Allocation Addresses**.

Bit	b7	b6	b5	b4	b3	b2	b1	b0
Symbol	—	—	—	—	—	—	—	—
After Reset	X	X	X	X	X	X	X	X

Bit	Function	Setting Range	R/W
b7 to b0	These bits specify the size of the data block to be transferred by one activation.	00h to FFh ⁽¹⁾	R/W

Note:

1. When the DTBLS register is set to 00h, the block size is 256 bytes.

15.2.3 DTC Transfer Count Register j (DTCCTj) (j = 0 to 23)

Address See Table 15.4 Control Data Allocation Addresses.

Bit	b7	b6	b5	b4	b3	b2	b1	b0
Symbol	—	—	—	—	—	—	—	—
After Reset	X	X	X	X	X	X	X	X

Bit	Function	Setting Range	R/W
b7 to b0	These bits specify the number of times of DTC data transfers.	00h to FFh ⁽¹⁾	R/W

Note:

- When the DTCCT register is set to 00h, the number of transfer times is 256. Each time the DTC is activated, the DTCCT register is decremented by 1.

15.2.4 DTC Transfer Count Reload Register j (DTRL Dj) (j = 0 to 23)

Address See Table 15.4 Control Data Allocation Addresses.

Bit	b7	b6	b5	b4	b3	b2	b1	b0
Symbol	—	—	—	—	—	—	—	—
After Reset	X	X	X	X	X	X	X	X

Bit	Function	Setting Range	R/W
b7 to b0	This register value is reloaded to the DTCCT register in repeat mode.	00h to FFh ⁽¹⁾	R/W

Note:

- Set the initial value for the DTCCT register.

15.2.5 DTC Source Address Register j (DTSARj) (j = 0 to 23)

Address See Table 15.4 Control Data Allocation Addresses.

Bit	b7	b6	b5	b4	b3	b2	b1	b0
Symbol	—	—	—	—	—	—	—	—
After Reset	X	X	X	X	X	X	X	X

Bit	b15	b14	b13	b12	b11	b10	b9	b8
Symbol	—	—	—	—	—	—	—	—
After Reset	X	X	X	X	X	X	X	X

Bit	Function	Setting Range	R/W
b15 to b0	These bits specify a transfer source address for data transfer.	0000h to FFFFh	R/W

15.2.6 DTC Destination Register j (DTDARj) (j = 0 to 23)

Address See Table 15.4 Control Data Allocation Addresses.

Bit	b7	b6	b5	b4	b3	b2	b1	b0
Symbol	—	—	—	—	—	—	—	—
After Reset	X	X	X	X	X	X	X	X

Bit	b15	b14	b13	b12	b11	b10	b9	b8
Symbol	—	—	—	—	—	—	—	—
After Reset	X	X	X	X	X	X	X	X

Bit	Function	Setting Range	R/W
b15 to b0	These bits specify a transfer destination address for data transfer.	0000h to FFFFh	R/W

15.2.7 DTC Activation Enable Register i (DTCENi) (i = 0 to 6)

Address 0088h (DTCEN0), 0089h (DTCEN1), 008Ah (DTCEN2), 008Bh (DTCEN3), 008Ch (DTCEN4), 008Dh (DTCEN5), 008Eh (DTCEN6)

Bit	b7	b6	b5	b4	b3	b2	b1	b0
Symbol	DTCENi7	DTCENi6	DTCENi5	DTCENi4	DTCENi3	DTCENi2	DTCENi1	DTCENi0
After Reset	0	0	0	0	0	0	0	0

Bit	Symbol	Bit Name	Function	R/W
b0	DTCENi0	DTC activation enable bit	0: Activation disabled 1: Activation enabled	R/W
b1	DTCENi1			R/W
b2	DTCENi2			R/W
b3	DTCENi3			R/W
b4	DTCENi4			R/W
b5	DTCENi5			R/W
b6	DTCENi6			R/W
b7	DTCENi7			R/W

i = 0 to 6

The DTCENi registers enable/disable DTC activation by interrupt sources. Table 15.2 shows Correspondences between Bits DTCENi0 to DTCENi7 (i = 0 to 6) and Interrupt Sources.

Table 15.2 Correspondences between Bits DTCENi0 to DTCENi7 (i = 0 to 6) and Interrupt Sources

Register	DTCENi7 Bit	DTCENi6 Bit	DTCENi5 Bit	DTCENi4 Bit	DTCENi3 Bit	DTCENi2 Bit	DTCENi1 Bit	DTCENi0 Bit
DTCEN0	INT0	INT1	INT2	INT3	INT4	—	—	—
DTCEN1	Key input	A/D conversion	UART0 reception	UART0 transmission	UART1 reception	UART1 transmission	UART2 reception	UART2 transmission
DTCEN2	SSU/I ² C bus receive data full	SSU/I ² C bus transmit data empty	Voltage Monitor 2/ comparator A2	Voltage Monitor 1/ comparator A1	—	—	Timer RC input-capture/compare-match A	Timer RC input-capture/compare-match B
DTCEN3	Timer RD1 input-capture/compare-match C	Timer RC input-capture/compare-match D	Timer RD0 input-capture/compare-match A	Timer RD0 input-capture/compare-match B	Timer RD0 input-capture/compare-match C	Timer RD0 input-capture/compare-match D	Timer RD1 input-capture/compare-match A	Timer RD1 input-capture/compare-match B
DTCEN4	Timer RD1 input-capture/compare-match C	Timer RD1 input-capture/compare-match D	—	—	—	—	—	—
DTCEN5	—	—	Timer RE	—	—	—	—	—
DTCEN6	—	Timer RA	—	Timer RB	Flash ready status	—	—	—

15.2.8 DTC Activation Control Register (DTCTL)

Address 0080h

Bit	b7	b6	b5	b4	b3	b2	b1	b0
Symbol	—	—	—	—	—	—	NMIF	—
After Reset	0	0	0	0	0	0	0	0

Bit	Symbol	Bit Name	Function	R/W
b0	—	Reserved bit	Set to 0.	R/W
b1	NMIF	Non-maskable interrupt generation bit (1)	0: Non-maskable interrupts not generated 1: Non-maskable interrupts generated	R/W
b2	—	Nothing is assigned. If necessary, set to 0. When read, the content is 0.		—
b3	—			
b4	—			
b5	—			
b6	—			
b7	—			

Note:

1. This bit is set to 0 when the read result is 1 and 0 is written to the same bit. This bit remains unchanged even if the read result is 0 and 0 is written to the same bit. This bit remains unchanged if 1 is written to it.

The DTCTL register controls DTC activation when a non-maskable interrupt (an interrupt by the watchdog timer, oscillation stop detection, voltage monitor 1, or voltage monitor 2) is generated.

NMIF Bit (Non-Maskable Interrupt Generation Bit)

The NMIF bit is set to 1 when a watchdog timer interrupt, an oscillation stop detection interrupt, a voltage monitor 1 interrupt, or a voltage monitor 2 interrupt is generated.

When the NMIF bit is 1, the DTC is not activated even if the interrupt which enables DTC activation is generated. If the NMIF bit is changed to 1 during DTC transfer, the transfer is continued until it is completed.

When an interrupt source is the watchdog timer, wait for the following cycles before writing 0 to the NMIF bit:
 If the WDTC7 bit in the WDTC register is set to 0 (divide-by-16 using the prescaler), wait for 16 cycles of the CPU clock after the interrupt source is generated.

If the WDTC7 bit is set to 1 (divide-by-128 using the prescaler), wait for 128 cycles of the CPU clock after the interrupt source is generated.

When an interrupt source is oscillation stop detection, set to the OCD1 bit in the OCD register to 0 (oscillation stop detection interrupt disabled) before writing 0 to the NMIF bit.

15.3 Function Description

15.3.1 Overview

When the DTC is activated, control data is read from the DTC control data area to perform data transfers and control data after data transfer is written back to the DTC control data area. Twenty-four sets of control data can be stored in the DTC control data area, which allows 24 types of data transfers to be performed.

There are two transfer modes: normal mode and repeat mode. When the CHNE bit in the DTCCRj (j = 0 to 23) register is set to 1 (chain transfers enabled), multiple control data is read and data transfers are continuously performed by one activation source (chain transfers).

A transfer source address is specified by the 16-bit register DTSARj, and a transfer destination address is specified by the 16-bit register DTDARj. The values in the registers DTSARj and DTDARj are separately fixed or incremented according to the control data on completion of the data transfer.

15.3.2 Activation Sources

The DTC is activated by an interrupt source. Figure 15.2 is a Block Diagram Showing Control of DTC Activation Sources.

The interrupt sources to activate the DTC are selected with the DTCENi (i = 0 to 6) registers.

The DTC sets 0 (activation disabled) to the corresponding bit among bits DTCENi0 to DTCENi7 in the DTCENi register during operation when the setting of data transfer (the first transfer in chain transfers) is either of the following:

- Transfer causing the DTCCTj (j = 0 to 23) register value to change to 0 in normal mode
- Transfer causing the DTCCTj register value to change to 0 while the RPTINT bit in the DTCCRj register is 1 (interrupt generation enabled) in repeat mode

If the data transfer setting is not either of the above and the activation source is an interrupt source for timer RC, timer RD, or the flash memory, the DTC sets 0 to the interrupt source flag corresponding to the activation source during operation.

Table 15.3 shows the DTC Activation Sources and Interrupt Source Flags for Setting to 0 during DTC Operation.

If multiple activation sources are simultaneously generated, the DTC activation will be performed according to the DTC activation source priority.

If multiple activation sources are simultaneously generated on completion of DTC operation, the next transfer will be performed according to the priority.

DTC activation is not affected by the I flag or interrupt control register, unlike with interrupt request operation. Therefore, even if interrupt requests cannot be acknowledged because interrupts are disabled, DTC activation requests can be acknowledged. The IR bit in the interrupt control register does not change even when an interrupt source to enable DTC activation is generated.

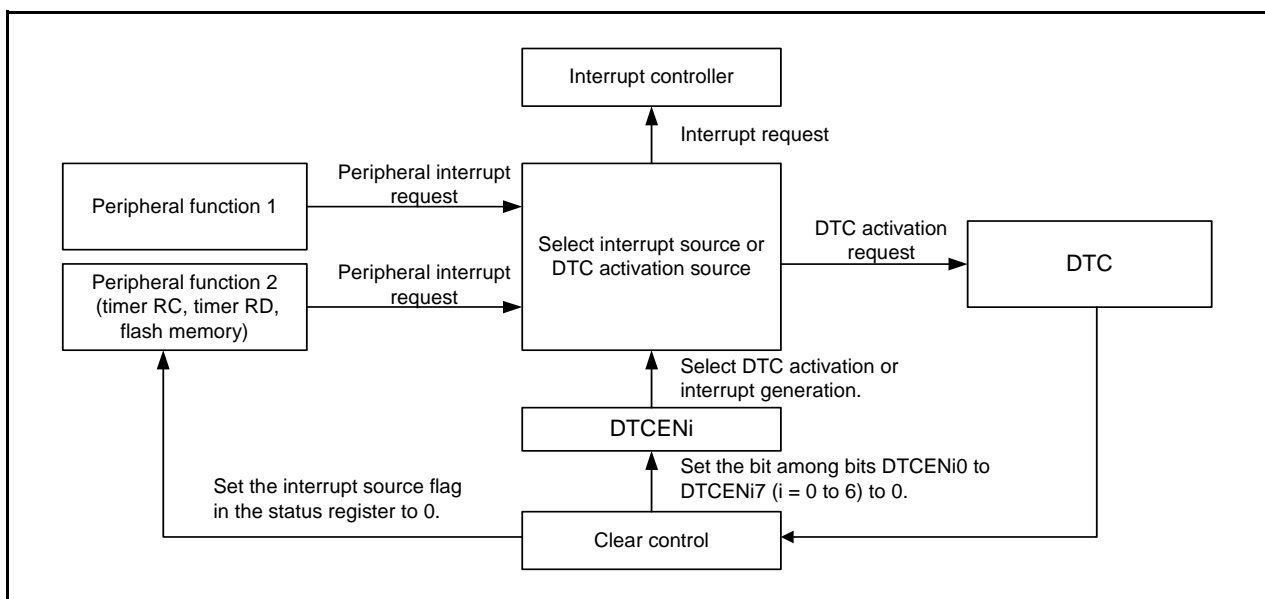


Figure 15.2 Block Diagram Showing Control of DTC Activation Sources

Table 15.3 DTC Activation Sources and Interrupt Source Flags for Setting to 0 during DTC Operation

DTC activation source generation	Interrupt Source Flag for Setting to 0
Timer RC input-capture/compare-match A	IMFA bit in TRCSR register
Timer RC input-capture/compare-match B	IMFB bit in TRCSR register
Timer RC input-capture/compare-match C	IMFC bit in TRCSR register
Timer RC input-capture/compare-match D	IMFD bit in TRCSR register
Timer RD0 input-capture/compare-match A	IMFA bit in TRDSR0 register
Timer RD0 input-capture/compare-match B	IMFB bit in TRDSR0 register
Timer RD0 input-capture/compare-match C	IMFC bit in TRDSR0 register
Timer RD0 input-capture/compare-match D	IMFD bit in TRDSR0 register
Timer RD1 input-capture/compare-match A	IMFA bit in TRDSR1 register
Timer RD1 input-capture/compare-match B	IMFB bit in TRDSR1 register
Timer RD1 input-capture/compare-match C	IMFC bit in TRDSR1 register
Timer RD1 input-capture/compare-match D	IMFD bit in TRDSR1 register
Flash ready status	RDYSTI bit in FST register

15.3.3 Control Data Allocation and DTC Vector Table

Control data is allocated in the order: Registers DTCCRj, DTBLSj, DTCCTj, DTRLDj, DTSARj, and DTDARj (j = 0 to 23). Table 15.4 shows the Control Data Allocation Addresses.

Table 15.4 Control Data Allocation Addresses

Register Symbol	Control Data No.	Address	DTCCRj Register	DTBLSj Register	DTCCTj Register	DTRLDj Register	DTSARj Register (Lower 8 Bits)	DTSARj Register (Higher 8 Bits)	DTDARj Register (Lower 8 Bits)	DTDARj Register (Higher 8 Bits)
DTCD0	Control Data 0	2C40h to 2C47h	2C40h	2C41h	2C42h	2C43h	2C44h	2C45h	2C46h	2C47h
DTCD1	Control Data 1	2C48h to 2C4Fh	2C48h	2C49h	2C4Ah	2C4Bh	2C4Ch	2C4Dh	2C4Eh	2C4Fh
DTCD2	Control Data 2	2C50h to 2C57h	2C50h	2C51h	2C52h	2C53h	2C54h	2C55h	2C56h	2C57h
DTCD3	Control Data 3	2C58h to 2C5Fh	2C58h	2C59h	2C5Ah	2C5Bh	2C5Ch	2C5Dh	2C5Eh	2C5Fh
DTCD4	Control Data 4	2C60h to 2C67h	2C60h	2C61h	2C62h	2C63h	2C64h	2C65h	2C66h	2C67h
DTCD5	Control Data 5	2C68h to 2C6Fh	2C68h	2C69h	2C6Ah	2C6Bh	2C6Ch	2C6Dh	2C6Eh	2C6Fh
DTCD6	Control Data 6	2C70h to 2C77h	2C70h	2C71h	2C72h	2C73h	2C74h	2C75h	2C76h	2C77h
DTCD7	Control Data 7	2C78h to 2C7Fh	2C78h	2C79h	2C7Ah	2C7Bh	2C7Ch	2C7Dh	2C7Eh	2C7Fh
DTCD8	Control Data 8	2C80h to 2C87h	2C80h	2C81h	2C82h	2C83h	2C84h	2C85h	2C86h	2C87h
DTCD9	Control Data 9	2C88h to 2C8Fh	2C88h	2C89h	2C8Ah	2C8Bh	2C8Ch	2C8Dh	2C8Eh	2C8Fh
DTCD10	Control Data 10	2C90h to 2C97h	2C90h	2C91h	2C92h	2C93h	2C94h	2C95h	2C96h	2C97h
DTCD11	Control Data 11	2C98h to 2C9Fh	2C98h	2C99h	2C9Ah	2C9Bh	2C9Ch	2C9Dh	2C9Eh	2C9Fh
DTCD12	Control Data 12	2CA0h to 2CA7h	2CA0h	2CA1h	2CA2h	2CA3h	2CA4h	2CA5h	2CA6h	2CA7h
DTCD13	Control Data 13	2CA8h to 2CAFh	2CA8h	2CA9h	2CAAh	2CABh	2CACH	2CADh	2CAEh	2CAFh
DTCD14	Control Data 14	2CB0h to 2CB7h	2CB0h	2CB1h	2CB2h	2CB3h	2CB4h	2CB5h	2CB6h	2CB7h
DTCD15	Control Data 15	2CB8h to 2CBFh	2CB8h	2CB9h	2CBAh	2CBBh	2CBCh	2CBDh	2CBEh	2CBFh
DTCD16	Control Data 16	2CC0h to 2CC7h	2CC0h	2CC1h	2CC2h	2CC3h	2CC4h	2CC5h	2CC6h	2CC7h
DTCD17	Control Data 17	2CC8h to 2CCFh	2CC8h	2CC9h	2CCAh	2CCBh	2CCCh	2CCDh	2CCEh	2CCFh
DTCD18	Control Data 18	2CD0h to 2CD7h	2CD0h	2CD1h	2CD2h	2CD3h	2CD4h	2CD5h	2CD6h	2CD7h
DTCD19	Control Data 19	2CD8h to 2CDFh	2CD8h	2CD9h	2CDAh	2CDBh	2CDCh	2CDDh	2CDEh	2CDFh
DTCD20	Control Data 20	2CE0h to 2CE7h	2CE0h	2CE1h	2CE2h	2CE3h	2CE4h	2CE5h	2CE6h	2CE7h
DTCD21	Control Data 21	2CE8h to 2CEFh	2CE8h	2CE9h	2CEAh	2CEBh	2CECh	2CEDh	2CEEh	2CEFh
DTCD22	Control Data 22	2CF0h to 2CF7h	2CF0h	2CF1h	2CF2h	2CF3h	2CF4h	2CF5h	2CF6h	2CF7h
DTCD23	Control Data 23	2CF8h to 2CFFh	2CF8h	2CF9h	2CFAh	2CFBh	2CFCh	2CFDh	2CFEh	2CFFh

j = 0 to 23

When the DTC is activated, one control data is selected according to the data read from the vector table which has been assigned to each activation source, and the selected control data is read from the DTC control data area.

Table 15.5 shows the DTC Activation Sources and DTC Vector Addresses. A one-byte vector table area is assigned to each activation source and one value from 00000000b to 00010111b (control data numbers in Table 15.4) is stored in each area to select one of the 24 control data sets.

Figures 15.3 to 15.7 show the DTC Internal Operation Flowchart.

Table 15.5 DTC Activation Sources and DTC Vector Addresses

Interrupt Request Source	Interrupt Name	Source No.	DTC Vector Address	Priority
External input	INT0	0	2C00h	
	INT1	1	2C01h	
	INT2	2	2C02h	
	INT3	3	2C03h	
	INT4	4	2C04h	
Key input	Key input	8	2C08h	
A/D	A/D conversion	9	2C09h	
UART0	UART0 reception	10	2C0Ah	
	UART0 transmission	11	2C0Bh	
UART1	UART1 reception	12	2C0Ch	
	UART1 transmission	13	2C0Dh	
UART2	UART2 reception	14	2C0Eh	
	UART2 transmission	15	2C0Fh	
SSU/I ² C bus	Receive data full	16	2C10h	
	Transmit data empty	17	2C11h	
Voltage detection circuit	Voltage monitor 2/comparator A2	18	2C12h	
	Voltage monitor 1/comparator A1	19	2C13h	
Timer RC	Input-capture/compare-match A	22	2C16h	
	Input-capture/compare-match B	23	2C17h	
	Input-capture/compare-match C	24	2C18h	
	Input-capture/compare-match D	25	2C19h	
Timer RD0	Input-capture/compare-match A	26	2C1Ah	
	Input-capture/compare-match B	27	2C1Bh	
	Input-capture/compare-match C	28	2C1Ch	
	Input-capture/compare-match D	29	2C1Dh	
Timer RD1	Input-capture/compare-match A	30	2C1Eh	
	Input-capture/compare-match B	31	2C1Fh	
	Input-capture/compare-match C	32	2C20h	
	Input-capture/compare-match D	33	2C21h	
Timer RE	Timer RE	42	2C2Ah	
Timer RA	Timer RA	49	2C31h	
Timer RB	Timer RB	51	2C33h	
Flash memory	Flash ready status	52	2C34h	

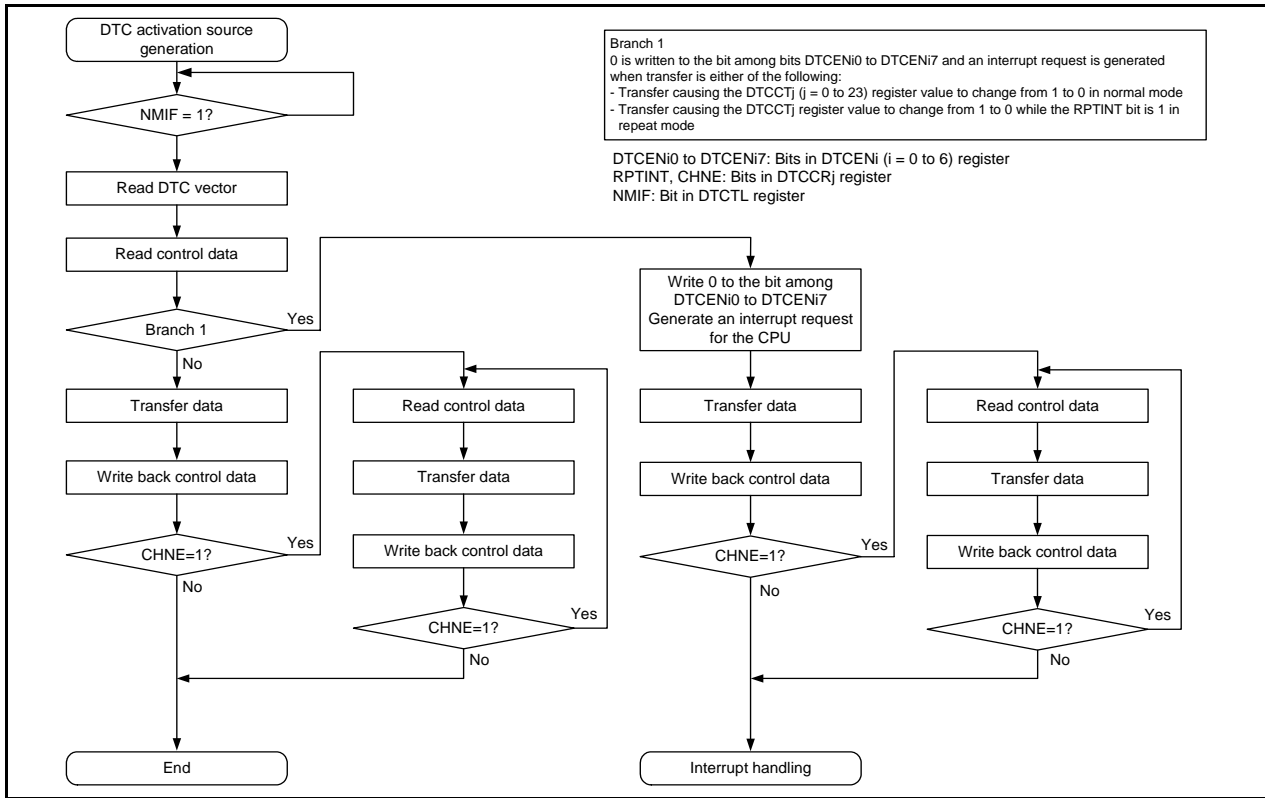


Figure 15.3 DTC Internal Operation Flowchart When DTC Activation Source is not SSU/I²C bus, Timer RC, Timer RD, or Flash Memory Interrupt Source

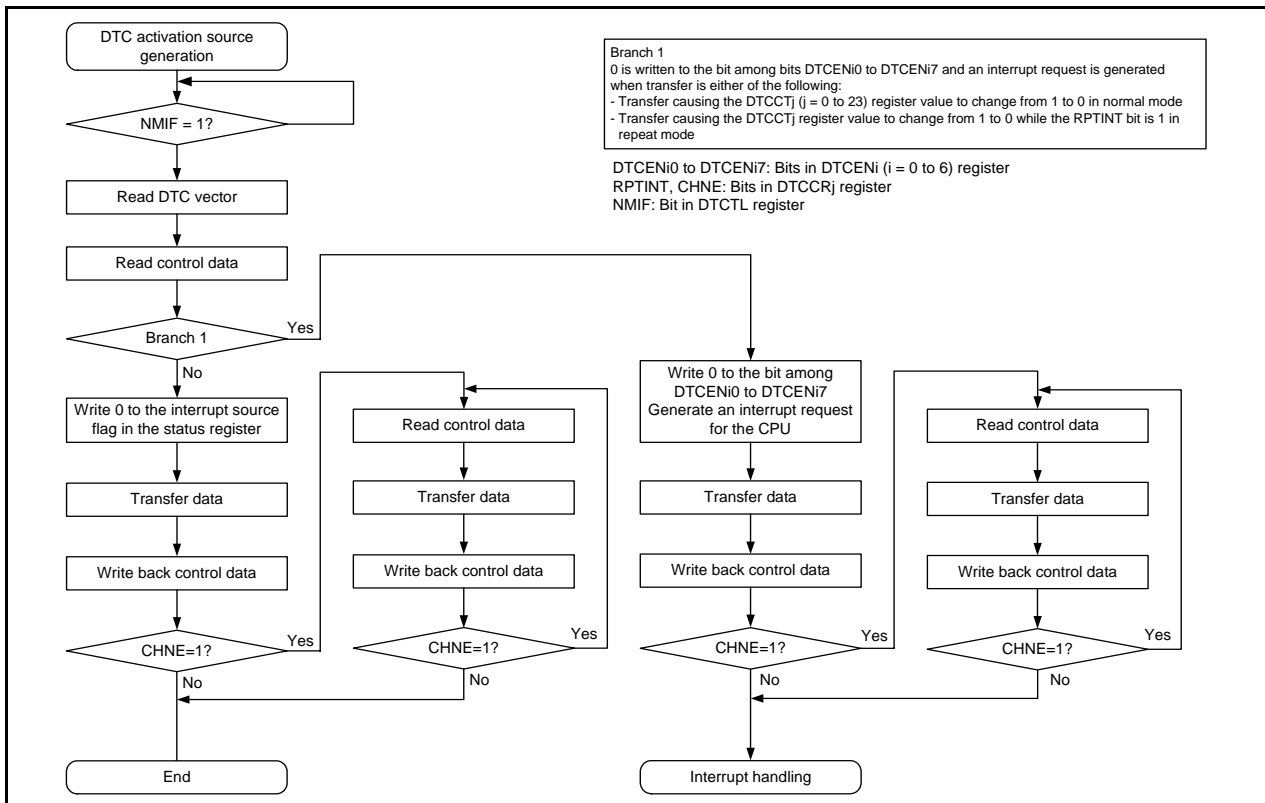


Figure 15.4 DTC Internal Operation Flowchart When DTC Activation Source is Timer RC or Timer RD Interrupt Source

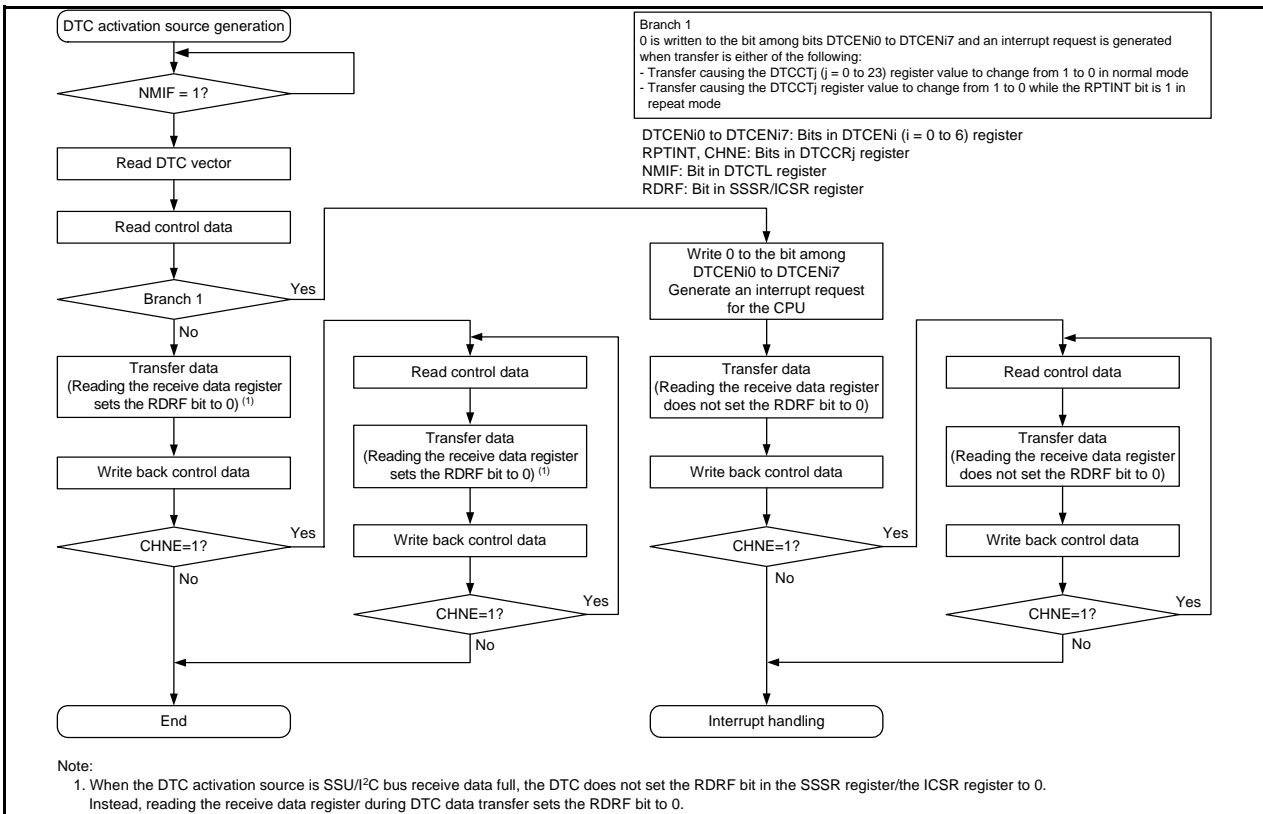


Figure 15.5 DTC Internal Operation Flowchart When DTC Activation Source is SSU/I²C bus Receive Data Full

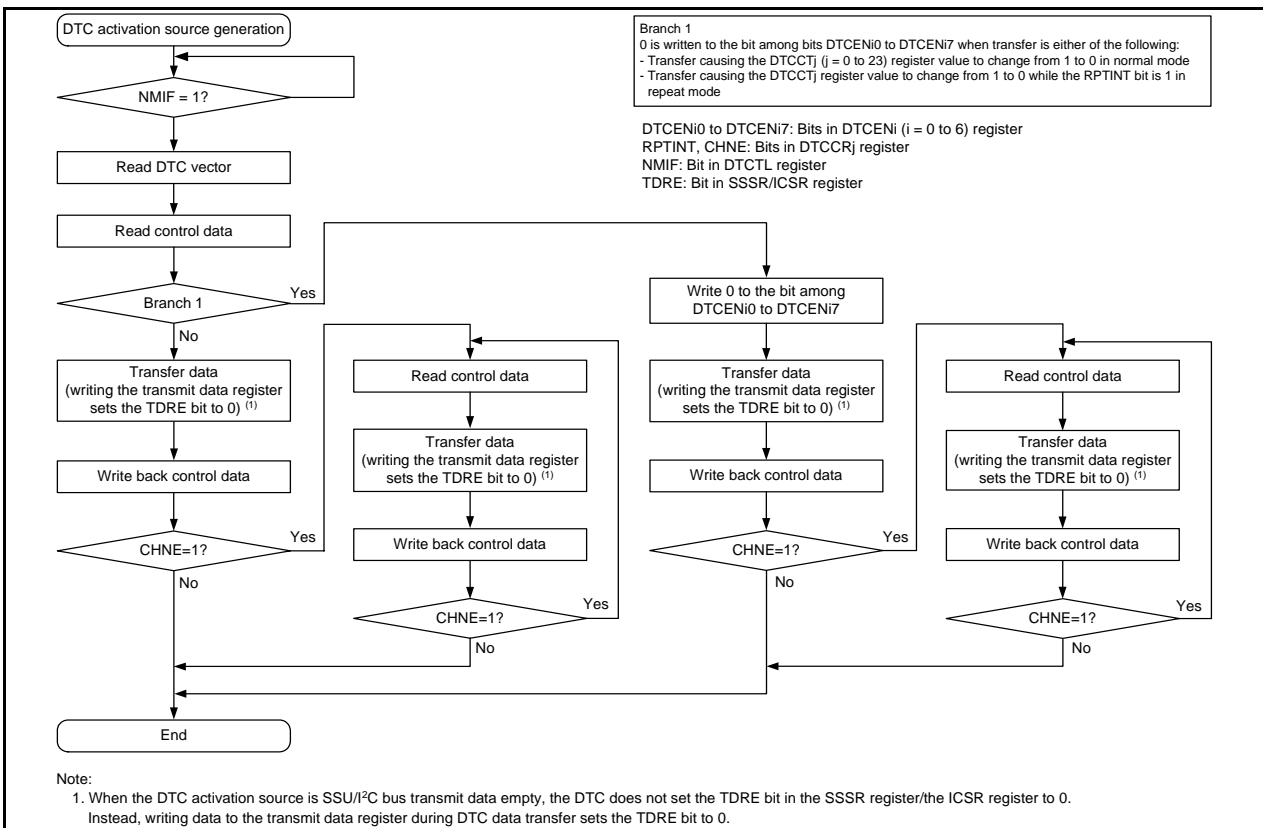


Figure 15.6 DTC Internal Operation Flowchart When DTC Activation Source is SSU/I²C bus Transmit Data Empty

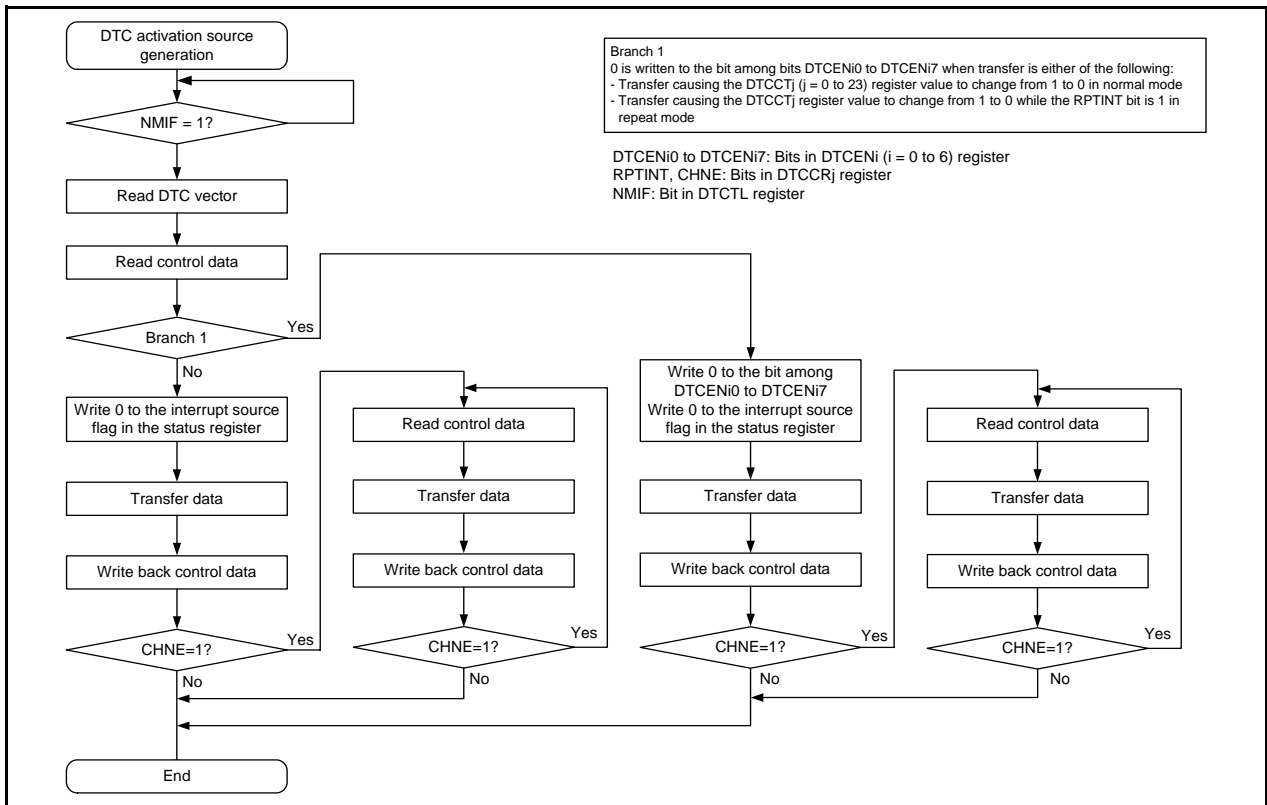


Figure 15.7 DTC Internal Operation Flowchart When DTC Activation Source is Flash ready status

15.3.4 Normal Mode

One to 256 bytes of data are transferred by one activation. The number of transfer times can be 1 to 256. When the data transfer causing the DTCCTj (j = 0 to 23) register value to change to 0 is performed, an interrupt request for the CPU is generated during DTC operation.

Table 15.6 shows Register Functions in Normal Mode.

Figure 15.8 shows Data Transfers in Normal Mode.

Table 15.6 Register Functions in Normal Mode

Register	Symbol	Function
DTC block size register j	DTBLSj	Size of the data block to be transferred by one activation
DTC transfer count register j	DTCCTj	Number of times of data transfers
DTC transfer count reload register j	DTRLDj	Not used
DTC source address register j	DTSARj	Data transfer source address
DTC destination address register j	DTDARj	Data transfer destination address

j = 0 to 23

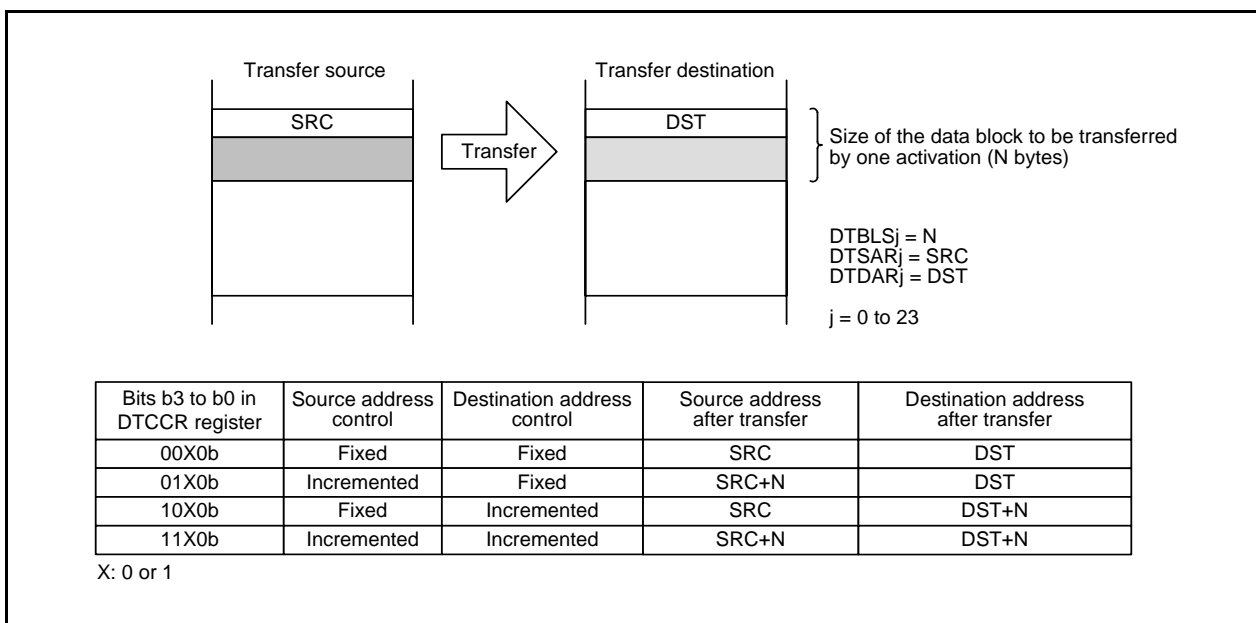


Figure 15.8 Data Transfers in Normal Mode

15.3.5 Repeat Mode

One to 255 bytes of data are transferred by one activation. Either of the transfer source or destination should be specified as the repeat area. The number of transfer times can be 1 to 255. On completion of the specified number of transfer times, the DTCCT_j (i = 0 to 23) register and the address specified for the repeat area are initialized to continue transfers. When the data transfer causing the DTCCT_j register value to change to 0 is performed while the RPTINT bit in the DTCCR_j register is 1 (interrupt generation enabled), an interrupt request for the CPU is generated during DTC operation.

The lower 8 bits of the initial value for the repeat area address must be 00h. The size of data to be transferred must be set to 255 bytes or less before the specified number of transfer times is completed.

Table 15.7 shows Register Functions in Repeat Mode.

Figure 15.9 shows Data Transfers in Repeat Mode.

Table 15.7 Register Functions in Repeat Mode

Register	Symbol	Function
DTC block size register j	DTBLS _j	Size of the data block to be transferred by one activation
DTC transfer count register j	DTCCT _j	Number of times of data transfers
DTC transfer count reload register j	DTRLD _j	This register value is reloaded to the DTCCT register. (Data transfer count is initialized.)
DTC source address register j	DTSAR _j	Data transfer source address
DTC destination address register j	DTDAR _j	Data transfer destination address

j = 0 to 23

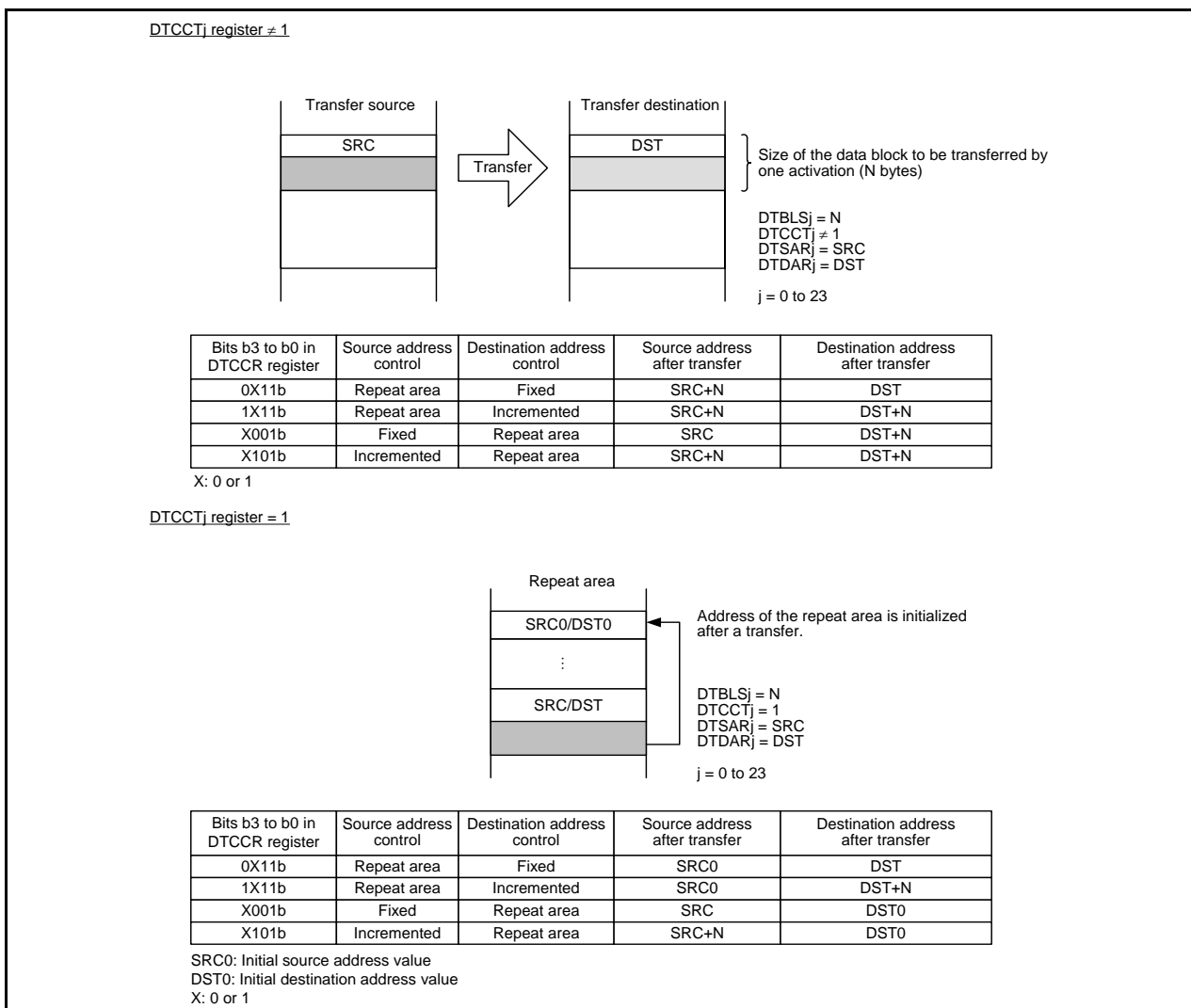


Figure 15.9 Data Transfers in Repeat Mode

15.3.6 Chain Transfers

When the CHNE bit in the DTCCRj (j = 0 to 22) register is 1 (chain transfers enabled), multiple data transfers can be continuously performed by one activation source. Figure 15.10 shows a Flow of Chain Transfers.

When the DTC is activated, one control data is selected according to the data read from the DTC vector address corresponding to the activation source, and the selected control data is read from the DTC control data area. When the CHNE bit for the control data is 1 (chain transfers enabled), the next control data immediately following the current control data is read and transferred after the current transfer is completed. This operation is repeated until the data transfer with the control data for which the CHNE bit is 0 (chain transfers disabled) is completed.

Set the CHNE bit in the DTCCR23 register to 0 (chain transfers disabled).

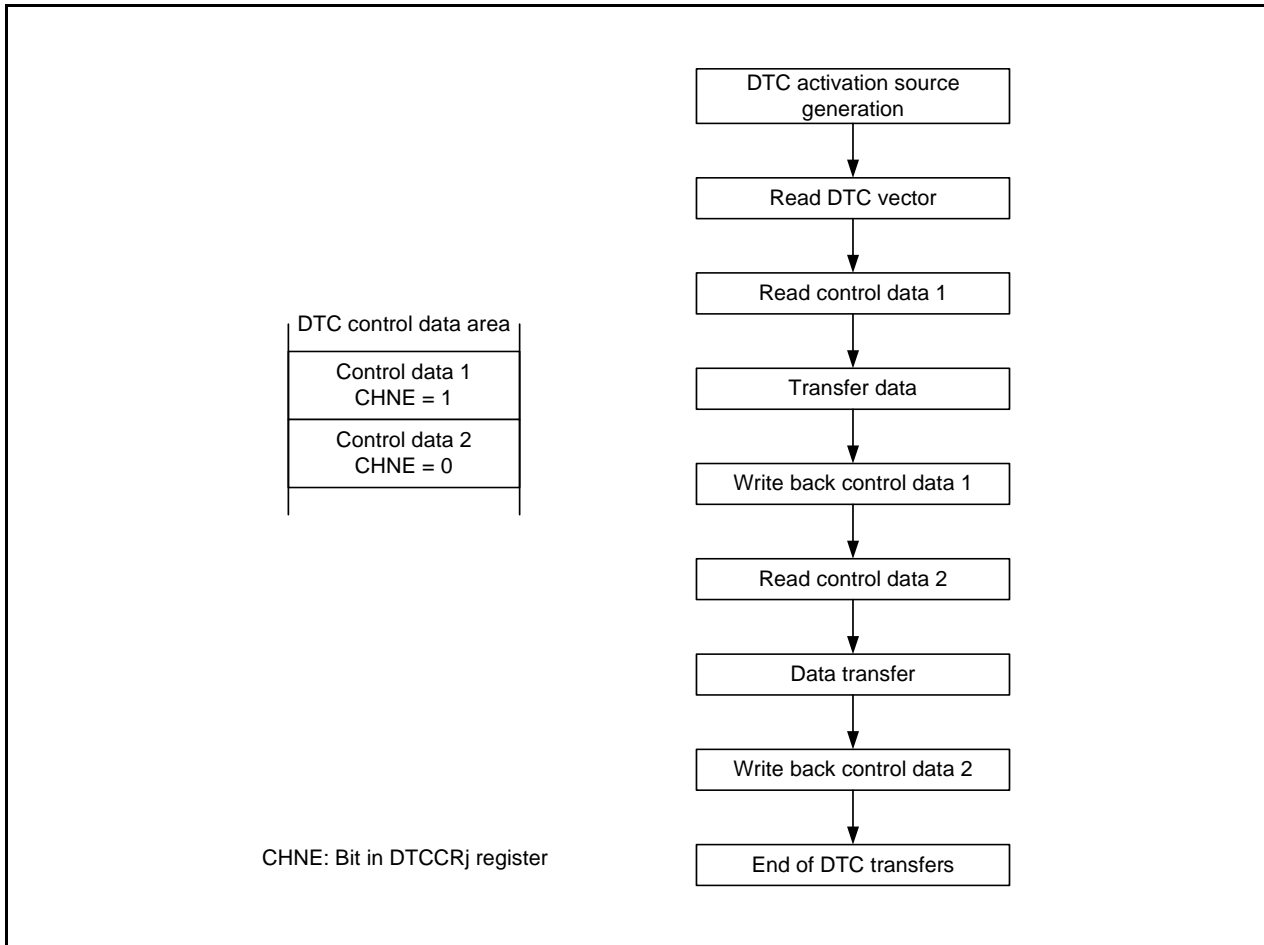


Figure 15.10 Flow of Chain Transfers

15.3.7 Interrupt Sources

When the data transfer causing the DTCCTj (j = 0 to 23) register value to change to 0 is performed in normal mode, and when the data transfer causing the DTCCTj register value to change to 0 is performed while the RPTINT bit in the DTCCRj register is 1 (interrupt generation enabled) in repeat mode, the interrupt request corresponding to the activation source is generated for the CPU during DTC operation. However, no interrupt request is generated for the CPU when the activation source is SSU/I²C bus transmit data empty or flash ready status.

Interrupt requests for the CPU are affected by the I flag or interrupt control register. In chain transfers, whether the interrupt request is generated or not is determined either by the number of transfer times specified for the first type of the transfer or the RPTINT bit. When an interrupt request is generated for the CPU, the bit among bits DTCENi0 to DTCENi7 in the DTCENi (i = 0 to 6) registers corresponding to the activation source are set to 0 (activation disabled).

15.3.8 Operation Timings

The DTC requires four clock cycles to read control data allocated in the DTC control data area. The number of clock cycles required to write back control data differs depending on the control data settings.

Figure 15.11 shows an Example of DTC Operation Timings and Figure 15.12 shows an Example of DTC Operation Timings in Chain Transfers.

Table 15.8 shows the Specifications of Control Data Write-Back Operation.

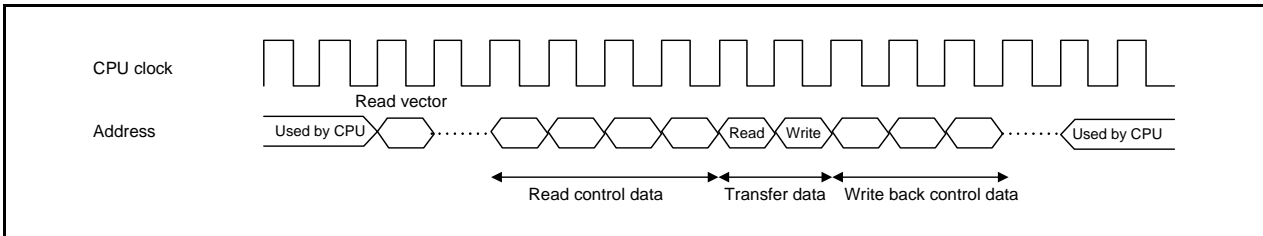


Figure 15.11 Example of DTC Operation Timings

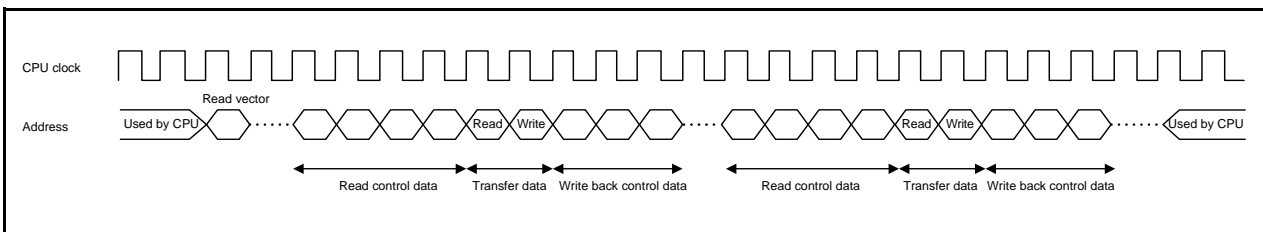


Figure 15.12 Example of DTC Operation Timings in Chain Transfers

Table 15.8 Specifications of Control Data Write-Back Operation

Bits b3 to b0 in DTCCR Register	Operating Mode	Address Control		Control Data to be Written Back				Number of Clock Cycles
		Source	Destination	DTCCT _j Register	DTRL _{Dj} Register	DTSAR _j Register	DTDAR _j Register	
00X0b	Normal mode	Fixed	Fixed	Written back	Written back	Not written back	Not written back	1
01X0b		Incremented	Fixed	Written back	Written back	Written back	Not written back	2
10X0b		Fixed	Incremented	Written back	Written back	Not written back	Written back	2
11X0b		Incremented	Incremented	Written back	Written back	Written back	Written back	3
0X11b	Repeat mode	Repeat area	Fixed	Written back	Written back	Written back	Not written back	2
1X11b			Incremented	Written back	Written back	Written back	Written back	3
X001b		Fixed	Repeat area	Written back	Written back	Not written back	Written back	2
X101b				Incremented	Written back	Written back	Written back	Written back

j = 0 to 23
 X: 0 or 1

15.3.9 Number of DTC Execution Cycles

Table 15.9 shows the Operations Following DTC Activation and Required Number of Cycles for each operation.

Table 15.10 shows the Number of Clock Cycles Required for Data Transfers.

Table 15.9 Operations Following DTC Activation and Required Number of Cycles

Vector Read	Control Data Read Write (J)	Data Read	Data Write	Internal Operation
1	5 to 7	(Note 1)	(Note 1)	2
1	5 to 7	(Note 1)	(Note 1)	2

Note:

- For the number of clock cycles required for data read/write, see **Table 15.10 Number of Clock Cycles Required for Data Transfers**.

Data is transferred as described below, when the DTBLSj (j = 0 to 23) register = N,

- When $N = 2n$ (even), two-byte transfers are performed n times.
- When $N = 2n + 1$ (odd), two-byte transfers are performed n times followed by one time of one-byte transfer.

Table 15.10 Number of Clock Cycles Required for Data Transfers

Operation	Unit of Transfers	Internal RAM (During DTC Transfers)		Internal ROM (Program ROM)	Internal ROM (Data flash)	SFR (Word Access)		SFR (Byte Access)	SFR (DTC control data area)	
		Even Address	Odd Address			Even Address	Odd Address		Even Address	Odd Address
Data read	1-byte SK1	1		1	2	2		2	1	
	2-byte SK2	1	2	2	4	2	4	4	1	2
Data write	1-byte SL1	1		—	—	2		2	1	
	2-byte SL2	1	2	—	—	2	4	4	1	2

From Tables 15.9 and 15.10, the total number of required execution cycles can be obtained by the following formula:

$$\text{Number of required execution cycles} = 1 + \Sigma[\text{formula A}] + 2$$

Σ : Sum of the cycles for the number of transfer times performed by one activation source ([the number of transfer times for which CHNE is set to 1] + 1)

- For $N = 2n$ (even)
 Formula A = $J + n \cdot SK2 + n \cdot SL2$
- For $N = 2n+1$ (odd)
 Formula A = $J + n \cdot SK2 + 1 \cdot SK1 + n \cdot SL2 + 1 \cdot SL1$

J: Number of cycles required to read or write back control data

To read data from or write data to the register that to be accessed in 16-bit units, set an even value of 2 or greater to the DTBLSj (j = 0 to 23) register.

The DTC performs accesses in 16-bit units.

15.3.10 DTC Activation Source Acknowledgement and Interrupt Source Flags

15.3.10.1 Interrupt Sources Except for Flash Memory, Timer RC, Timer RD, and Synchronous Serial Communication Unit (SSU)/I²C bus

When the DTC activation source is an interrupt source except for the flash memory, timer RC, timer RD, or the synchronous serial communication unit/I²C bus, the same DTC activation source cannot be acknowledged for 8 to 12 cycles of the CPU clock after the interrupt source is generated. If an interrupt source is generated when a software command is executed, the same DTC activation source cannot be acknowledged for 9 to 16 cycles of the CPU clock. If a DTC activation source is generated during DTC operation and acknowledged, the same DTC activation source cannot be acknowledged for 8 to 12 cycles of the CPU clock on completion of the DTC transfer immediately before the DTC is activated by the source. When a software command is executed on completion of the DTC transfer immediately before the DTC is activated, the same DTC activation source cannot be acknowledged for 16 cycles of the CPU clock.

15.3.10.2 Flash Memory

When the DTC activation source is flash ready status, even if a flash ready status interrupt request is generated, it is not acknowledged as the DTC activation source after the RDYSTI bit in the FST register is set to 1 (flash ready status interrupt request) and before the DTC sets the RDYSTI bit to 0 (no flash ready status interrupt request). If a flash ready status interrupt request is generated after the DTC sets the RDYSTI bit to 0, the DTC acknowledges it as the activation source. 8 to 12 cycles of the CPU clock are required after the RDYSTI bit is set to 1 and before the DTC sets the interrupt request flag to 0. If a flash ready status interrupt is generated when a software command is executed, 9 to 16 cycles of the CPU clock are required before the DTC sets the interrupt source flag to 0. If a flash ready status interrupt request is generated during DTC operation and acknowledged as the DTC activation source, the RDYSTI bit is set to 0 after 8 to 12 cycles of the CPU clock on completion of the DTC transfer immediately before the DTC is activated by the source. When a software command is executed on completion of the DTC transfer immediately before the DTC is activated, the RDYSTI bit is set to 0 after 16 cycles of the CPU clock.

15.3.10.3 Timer RC, Timer RD

When the DTC activation source is an interrupt source for timer RC or timer RD, even if an input capture/compare match in individual timers occurs, it is not acknowledged as the DTC activation source after the interrupt source flag is set to 1 and before the DTC sets the flag to 0. If an input capture/compare match occurs after the DTC sets the interrupt source flag to 0, the DTC acknowledges it as the activation source. 8 to 12 cycles of the CPU clock plus 0.5 to 1.5 cycles of the timer operating clock are required after the interrupt source flag is set to 1 and before the DTC sets the flag to 0. If the interrupt request flag is set to 1 when a software command is executed, 9 to 16 cycles of the CPU clock plus 0.5 to 1.5 cycles of the timer operating clock are required before the DTC sets the interrupt source flag to 0. If individual DTC activation sources are generated for timer RC and timer RD during DTC operation and acknowledged, the interrupt source flag is set to 0 after 8 to 12 cycles of the CPU clock plus 0.5 to 1.5 cycles of the timer operating clock on completion of the DTC transfer immediately before the DTC is activated by the source. When a software command is executed on completion of the DTC transfer immediately before the DTC is activated, the interrupt source flag is set to 0 after 16 cycles of the CPU clock plus 0.5 to 1.5 cycles of the timer operating clock.

15.3.10.4 SSU/I²C bus Receive Data Full

When the DTC activation source is SSU/I²C bus receive data full, read the SSRDR register/the ICDRR register using a data transfer. The RDRF bit in the SSSR register/the ICSR register is set to 0 (no data in SSRDR/ICDRR register) by reading the SSRDR register/ the ICDRR register. If an interrupt source for receive data full is subsequently generated, the DTC acknowledges it as the activation source.

15.3.10.5 SSU/I²C bus Transmit Data Empty

When the DTC activation source is SSU/I²C bus transmit data empty, write to the SSTDR register/the ICDRT register using a data transfer. The TDRE bit in the SSSR register/the ICSR register is set to 0 (data is not transferred from registers SSTDR/ICDRT to SSTRSR/ICDRS) by writing to the SSTDR register/the ICDRT register. If an interrupt source for transmit data empty is subsequently generated, the DTC acknowledges it as the activation source.

15.4 Notes on DTC

15.4.1 DTC activation source

- Do not generate any DTC activation sources before entering wait mode or during wait mode.
- Do not generate any DTC activation sources before entering stop mode or during stop mode.

15.4.2 DTCENi (i = 0 to 6) Registers

- Modify bits DTCENi0 to DTCENi7 only while an interrupt request corresponding to the bit is not generated.
- When the interrupt source flag in the status register for the peripheral function is 1, do not modify the corresponding activation source bit among bits DTCENi0 to DTCENi7.
- Do not access the DTCENi registers using DTC transfers.

15.4.3 Peripheral Modules

- Do not set the status register bit for the peripheral function to 0 using a DTC transfer.
- When the DTC activation source is SSU/I²C bus receive data full, read the SSRDR register/the ICDRR register using a DTC transfer.
The RDRF bit in the SSSR register/the ICSR register is set to 0 (no data in SSRDR/ICDRR register) by reading the SSRDR register/the ICDRR register.
However, the RDRF bit is not set to 0 by reading the SSRDR register/the ICDRR register when the DTC data transfer setting is either of the following:
 - Transfer causing the DTCCTj (j = 0 to 23) register value to change from 1 to 0 in normal mode
 - Transfer causing the DTCCRj register value to change from 1 to 0 while the RPTINT bit in the DTCCRj register is 1 (interrupt generation enabled) in repeat mode
- When the DTC activation source is SSU/I²C bus transmit data empty, write to the SSTDR register/the ICDRT register using a DTC transfer. The TDRE bit in the SSSR register/the ICSR register is set to 0 (data is not transferred from registers SSTDR/ICDRT to SSTRSR/ICDRS) by writing to the SSTDR register/the ICDRT register.

15.4.4 Interrupt Request

No interrupt is generated for the CPU during DTC operation in any of the following cases:

- When the DTC activation source is SSU/I²C transmit data empty or flash ready status
- When performing the data transfer causing the DTCCTj (j = 0 to 23) register value to change to 0 in normal mode
- When performing the data transfer causing the DTCCRj register value to change to 0 while the RPTINT bit in the DTCCRj register is 1 (interrupt generation enabled) in repeat mode

16. General Overview of Timers

The MCU has two 8-bit timers with 8-bit prescalers, three 16-bit timers, and a timer with a 4-bit counter and an 8-bit counter. The two 8-bit timers with 8-bit prescalers are timer RA and timer RB. These timers contain a reload register to store the default value of the counter. The one 16-bit timer is timer RC, and the two 16-bit timers are timer RD, and have input capture and output compare functions. The 4-bit and 8-bit counters are timer RE, and has an output compare function. All the timers operate independently.

Table 16.1 lists Functional Comparison of Timers.

Table 16.1 Functional Comparison of Timers

Item		Timer RA	Timer RB	Timer RC	Timer RD	Timer RE
Configuration		8-bit timer with 8-bit prescaler (with reload register)	8-bit timer with 8-bit prescaler (with reload register)	16-bit timer (with input capture and output compare)	16-bit timer × 2 (with input capture and output compare)	4-bit counter 8-bit counter
Count		Decrement	Decrement	Increment	Increment/Decrement	Increment
Count sources		<ul style="list-style-type: none"> • f1 • f2 • f8 • fOCO • fC32 • fC 	<ul style="list-style-type: none"> • f1 • f2 • f8 • Timer RA underflow 	<ul style="list-style-type: none"> • f1 • f2 • f4 • f8 • f32 • fOCO40M • fOCO-F • TRCCLK 	<ul style="list-style-type: none"> • f1 • f2 • f4 • f8 • f32 • fC2 • fOCO40M • fOCO-F • TRDCLK 	<ul style="list-style-type: none"> • f4 • f8 • f32 • fC4
Function	Count of the internal count source	Timer mode	Timer mode	Timer mode (output compare function)	Timer mode (output compare function)	—
	Count of the external count source	Event counter mode	—	Timer mode (output compare function)	Timer mode (output compare function)	—
	External pulse width/period measurement	Pulse width measurement mode, pulse period measurement mode	—	Timer mode (input capture function; 4 pins)	Timer mode (input capture function; 2 × 4 pins)	—
	PWM output	Pulse output mode ⁽¹⁾ , Event counter mode ⁽¹⁾	Programmable waveform generation mode	Timer mode (output compare function; 4 pins) ⁽¹⁾ , PWM mode (3 pins), PWM2 mode (1 pin)	Timer mode (output compare function; 2 × 4 pins) ⁽¹⁾ , PWM mode (2 × 3 pins), PWM3 mode (2 × 2 pins)	Output compare mode ⁽¹⁾
	One-shot waveform output	—	Programmable one-shot generation mode, Programmable wait one-shot generation mode	PWM mode (3 pins)	PWM mode (2 × 3 pins)	—
	Three-phase waveforms output	—	—	—	Reset synchronous PWM mode (2 × 3 pins, Sawtooth wave modulation), Complementary PWM mode (2 × 3 pins, triangular wave modulation, dead time)	—
	Timer	Timer mode (only fC32 count)	—	—	—	Real-time clock mode
Input pin		TRAIO	INT0	INT0, TRCCLK, TRCTRG, TRCIOA, TRCIOB, TRCIOC, TRCIOD	INT0, TRDCLK, TRDIOA0, TRDIOA1, TRDIOB0, TRDIOB1, TRDIOC0, TRDIOC1, TRDIOD0, TRDIOD1	—
Output pin		TRA0 TRAIO	TRBO	TRCIOA, TRCIOB, TRCIOC, TRCIOD	TRDIOA0, TRDIOA1, TRDIOB0, TRDIOB1, TRDIOC0, TRDIOC1, TRDIOD0, TRDIOD1	TREO
Related interrupt		Timer RA interrupt	Timer RB interrupt, INT0 interrupt	Compare match/input capture A to D interrupt, Overflow interrupt, INT0 interrupt	Compare match/input capture A0 to D0 interrupt, Compare match/input capture A1 to D1 interrupt, Overflow interrupt, Underflow interrupt ⁽²⁾ , INT0 interrupt	Timer RE interrupt
Timer stop		Provided	Provided	Provided	Provided	Provided

Notes:

1. Rectangular waves are output in these modes. Since the waves are inverted at each overflow, the “H” and “L” level widths of the pulses are the same.
2. The underflow interrupt can be set to timer RD1.

17.2 Registers

17.2.1 Timer RA Control Register (TRACR)

Address 0100h

Bit	b7	b6	b5	b4	b3	b2	b1	b0
Symbol	—	—	TUNDF	TEDGF	—	TSTOP	TCSTF	TSTART
After Reset	0	0	0	0	0	0	0	0

Bit	Symbol	Bit Name	Function	R/W
b0	TSTART	Timer RA count start bit (1)	0: Count stops 1: Count starts	R/W
b1	TCSTF	Timer RA count status flag (1)	0: Count stops 1: During count	R
b2	TSTOP	Timer RA count forcible stop bit (2)	When this bit is set to 1, the count is forcibly stopped. When read, its content is 0.	R/W
b3	—	Nothing is assigned. If necessary, set to 0. When read, the content is 0.		—
b4	TEDGF	Active edge judgment flag (3, 4)	0: Active edge not received 1: Active edge received (end of measurement period)	R/W
b5	TUNDF	Timer RA underflow flag (3, 4)	0: No underflow 1: Underflow	R/W
b6	—	Nothing is assigned. If necessary, set to 0. When read, the content is 0.		—
b7	—			

Notes:

1. Refer to **17.8 Notes on Timer RA** for precautions regarding bits TSTART and TCSTF.
2. When the TSTOP bit is set to 1, bits TSTART and TCSTF and registers TRAPRE and TRA are set to the values after a reset.
3. Bits TEDGF and TUNDF can be set to 0 by writing 0 to these bits by a program. However, their value remains unchanged when 1 is written.
4. Set to 0 in timer mode, pulse output mode, and event counter mode.

In pulse width measurement mode and pulse period measurement mode, use the MOV instruction to set the TRACR register. If it is necessary to avoid changing the values of bits TEDGF and TUNDF, write 1 to them.

17.2.2 Timer RA I/O Control Register (TRAIOC)

Address 0101h

Bit	b7	b6	b5	b4	b3	b2	b1	b0
Symbol	TIOGT1	TIOGT0	TIPF1	TIPF0	TIOSEL	TOENA	TOPCR	TEDGSEL
After Reset	0	0	0	0	0	0	0	0

Bit	Symbol	Bit Name	Function	R/W
b0	TEDGSEL	TRAI0 polarity switch bit	Function varies according to the operating mode.	R/W
b1	TOPCR	TRAI0 output control bit		R/W
b2	TOENA	TRAI0 output enable bit		R/W
b3	TIOSEL	Hardware LIN function select bit		R/W
b4	TIPF0	TRAI0 input filter select bit		R/W
b5	TIPF1			R/W
b6	TIOGT0	TRAI0 event input control bit		R/W
b7	TIOGT1			R/W

17.2.3 Timer RA Mode Register (TRAMR)

Address 0102h

Bit	b7	b6	b5	b4	b3	b2	b1	b0
Symbol	TCKCUT	TCK2	TCK1	TCK0	—	TMOD2	TMOD1	TMOD0
After Reset	0	0	0	0	0	0	0	0

Bit	Symbol	Bit Name	Function	R/W
b0	TMOD0	Timer RA operating mode select bit	b2 b1 b0 0 0 0: Timer mode 0 0 1: Pulse output mode 0 1 0: Event counter mode 0 1 1: Pulse width measurement mode 1 0 0: Pulse period measurement mode 1 0 1: Do not set. 1 1 0: Do not set. 1 1 1: Do not set.	R/W
b1	TMOD1			R/W
b2	TMOD2			R/W
b3	—			Nothing is assigned. If necessary, set to 0. When read, the content is 0.
b4	TCK0	Timer RA count source select bit	b6 b5 b4 0 0 0: f1 0 0 1: f8 0 1 0: fOCO 0 1 1: f2 1 0 0: fC32 1 0 1: Do not set. 1 1 0: fC 1 1 1: Do not set.	R/W
b5	TCK1			R/W
b6	TCK2			R/W
b7	TCKCUT	Timer RA count source cutoff bit	0: Provides count source 1: Cuts off count source	R/W

When both the TSTART and TCSTF bits in the TRACR register are set to 0 (count stops), rewrite this register.

17.2.4 Timer RA Prescaler Register (TRAPRE)

Address 0103h

Bit	b7	b6	b5	b4	b3	b2	b1	b0
Symbol	—	—	—	—	—	—	—	—
After Reset	1	1	1	1	1	1	1	1 (Note 1)

Bit	Mode	Function	Setting Range	R/W
b7 to b0	Timer mode	Counts an internal count source	00h to FFh	R/W
	Pulse output mode			R/W
	Event counter mode	Counts an external count source	00h to FFh	R/W
	Pulse width measurement mode	Measure pulse width of input pulses from external (counts internal count source)	00h to FFh	R/W
	Pulse period measurement mode	Measure pulse period of input pulses from external (counts internal count source)	00h to FFh	R/W

Note:

- When the TSTOP bit in the TRACR register is set to 1, the TRAPRE register is set to FFh.

17.2.5 Timer RA Register (TRA)

Address 0104h

Bit	b7	b6	b5	b4	b3	b2	b1	b0
Symbol	—	—	—	—	—	—	—	—
After Reset	1	1	1	1	1	1	1	1 (Note 1)

Bit	Mode	Function	Setting Range	R/W
b7 to b0	All modes	Counts on underflow of TRAPRE register	00h to FFh	R/W

Note:

- When the TSTOP bit in the TRACR register is set to 1, the TRAPRE register is set to FFh.

17.2.6 Timer RA Pin Select Register (TRASR)

Address 0180h

Bit	b7	b6	b5	b4	b3	b2	b1	b0
Symbol	—	—	—	TRAOSEL1	TRAOSEL0	—	TRATIOSEL1	TRATIOSEL0
After Reset	0	0	0	0	0	0	0	0

Bit	Symbol	Bit Name	Function	R/W
b0	TRATIOSEL0	TRAO pin select bit	b1 b0 0 0: TRAO pin not used 0 1: P1_7 assigned 1 0: P1_5 assigned 1 1: P3_2 assigned	R/W
b1	TRATIOSEL1			R/W
b2	—	Reserved bit	Set to 0.	R/W
b3	TRAOSEL0	TRAO pin select bit	b4 b3 0 0: P3_7 assigned 0 1: P3_0 assigned 1 0: P5_6 assigned 1 1: Do not set.	R/W
b4	TRAOSEL1			R/W
b5	—	Nothing is assigned. If necessary, set to 0. When read, the content is 0.		—
b6	—			
b7	—			

The TRASR register selects which pin is assigned to the timer RA I/O. To use the I/O pin for timer RA, set this register.

Set the TRASR register before setting the timer RA associated registers. Also, do not change the setting value in this register during timer RA operation.

17.3 Timer Mode

In this mode, the timer counts an internally generated count source (refer to **Table 17.2 Timer Mode Specifications**).

Table 17.2 Timer Mode Specifications

Item	Specification
Count sources	f1, f2, f8, fOCO, fC32, fC
Count operations	<ul style="list-style-type: none"> Decrement When the timer underflows, the contents of the reload register are reloaded and the count is continued.
Divide ratio	$1/(n+1)(m+1)$ n: Value set in TRAPRE register, m: Value set in TRA register
Count start condition	1 (count starts) is written to the TSTART bit in the TRACR register.
Count stop conditions	<ul style="list-style-type: none"> 0 (count stops) is written to the TSTART bit in the TRACR register. 1 (count forcibly stops) is written to the TSTOP bit in the TRACR register.
Interrupt request generation timing	When timer RA underflows [timer RA interrupt].
TRAIO pin function	Programmable I/O port
TRAO pin function	Programmable I/O port
Read from timer	The count value can be read by reading registers TRA and TRAPRE.
Write to timer	<ul style="list-style-type: none"> When registers TRAPRE and TRA are written while the count is stopped, values are written to both the reload register and counter. When registers TRAPRE and TRA are written during the count, values are written to the reload register and counter (refer to 17.3.2 Timer Write Control during Count Operation).

17.3.1 Timer RA I/O Control Register (TRAIOC) in Timer Mode

Address 0101h

Bit	b7	b6	b5	b4	b3	b2	b1	b0
Symbol	TIOGT1	TIOGT0	TIPF1	TIPF0	TIOSEL	TOENA	TOPCR	TEDGSEL
After Reset	0	0	0	0	0	0	0	0

Bit	Symbol	Bit Name	Function	R/W
b0	TEDGSEL	TRAIO polarity switch bit	Set to 0 in timer mode.	R/W
b1	TOPCR	TRAIO output control bit		R/W
b2	TOENA	TRAO output enable bit		R/W
b3	TIOSEL	Hardware LIN function select bit	Set to 0. However, set to 1 when the hardware LIN function is used.	R/W
b4	TIPF0	TRAIO input filter select bit	Set to 0 in timer mode.	R/W
b5	TIPF1			R/W
b6	TIOGT0	TRAIO event input control bit		R/W
b7	TIOGT1			R/W

17.3.2 Timer Write Control during Count Operation

Timer RA has a prescaler and a timer (which counts the prescaler underflows). The prescaler and timer each consist of a reload register and a counter. When writing to the prescaler or timer, values are written to both the reload register and counter.

However, values are transferred from the reload register to the counter of the prescaler in synchronization with the count source. In addition, values are transferred from the reload register to the counter of the timer in synchronization with prescaler underflows. Therefore, if the prescaler or timer is written to when count operation is in progress, the counter value is not updated immediately after the WRITE instruction is executed. Figure 17.2 shows an Operating Example of Timer RA when Counter Value is Rewritten during Count Operation.

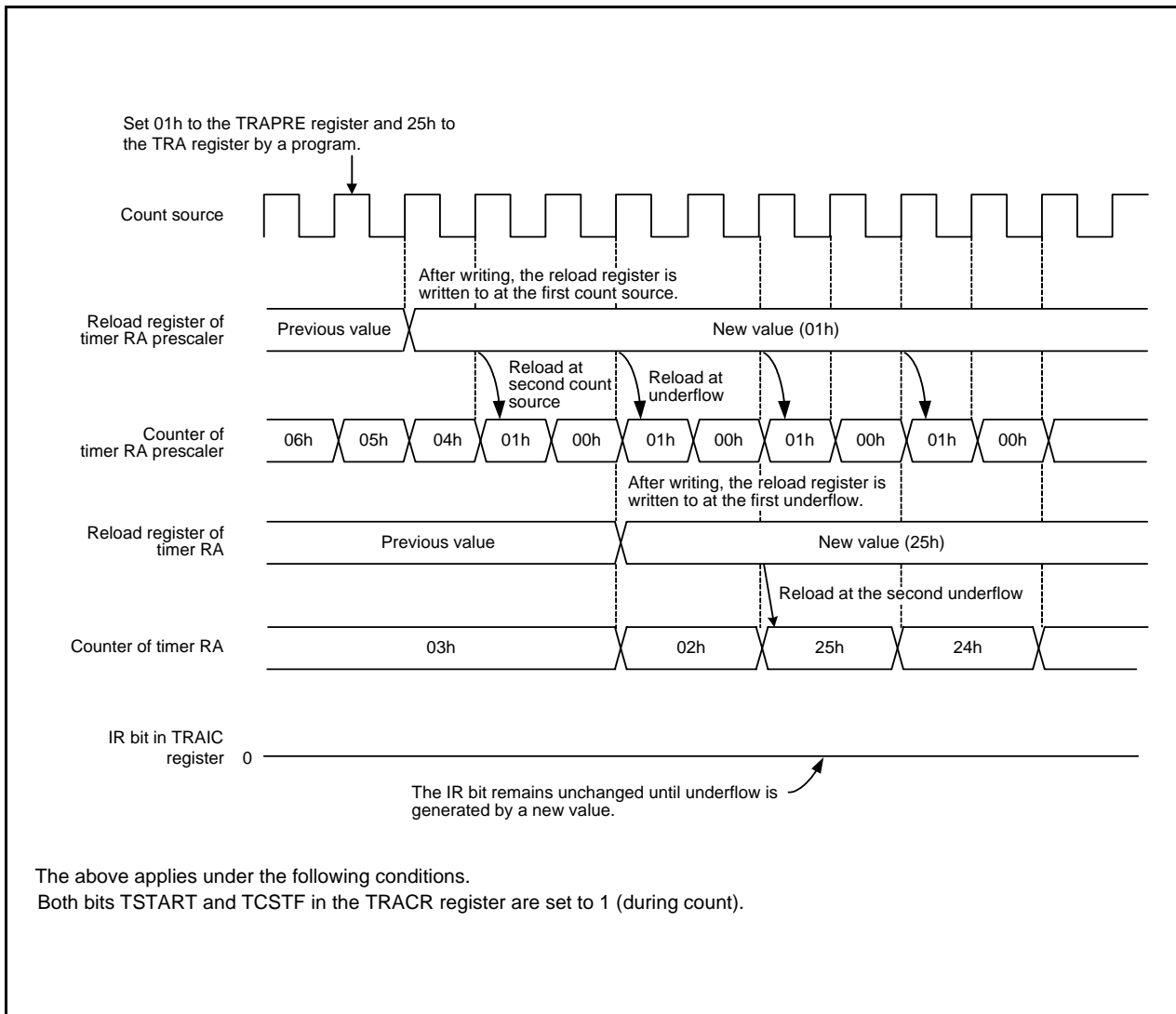


Figure 17.2 Operating Example of Timer RA when Counter Value is Rewritten during Count Operation

17.4 Pulse Output Mode

In pulse output mode, the internally generated count source is counted, and a pulse with inverted polarity is output from the TRAI0 pin each time the timer underflows (refer to **Table 17.3 Pulse Output Mode Specifications**).

Table 17.3 Pulse Output Mode Specifications

Item	Specification
Count sources	f1, f2, f8, fOCO, fC32, fC
Count operations	<ul style="list-style-type: none"> • Decrement • When the timer underflows, the contents in the reload register is reloaded and the count is continued.
Divide ratio	$1/(n+1)(m+1)$ n: Value set in TRAPRE register, m: Value set in TRA register
Count start condition	1 (count starts) is written to the TSTART bit in the TRACR register.
Count stop conditions	<ul style="list-style-type: none"> • 0 (count stops) is written to the TSTART bit in the TRACR register. • 1 (count forcibly stops) is written to the TSTOP bit in the TRACR register.
Interrupt request generation timing	When timer RA underflows [timer RA interrupt].
TRAI0 pin function	Pulse output, programmable output port
TRAO pin function	Programmable I/O port or inverted output of TRAI0
Read from timer	The count value can be read by reading registers TRA and TRAPRE.
Write to timer	<ul style="list-style-type: none"> • When registers TRAPRE and TRA are written while the count is stopped, values are written to both the reload register and counter. • When registers TRAPRE and TRA are written during the count, values are written to the reload register and counter (refer to 17.3.2 Timer Write Control during Count Operation).
Selectable functions	<ul style="list-style-type: none"> • TRAI0 signal polarity switch function The level when the pulse output starts is selected by the TEDGSEL bit in the TRAI0C register. ⁽¹⁾ • TRAO output function Pulses inverted from the TRAI0 output polarity can be output from the TRAO pin (selectable by the TOENA bit in the TRAI0C register). • Pulse output stop function Output from the TRAI0 pin is stopped by the TOPCR bit in the TRAI0C register. • TRAI0 pin select function P1_5, P1_7, or P3_2 is selected by bits TRAI0SEL0 to TRAI0SEL1 in the TRASR register. • TRAO pin select function P3_0, P3_7, or P5_6 is selected by bits TRAOSEL0 to TRAOSEL1 in the TRASR register.

Note:

1. The level of the output pulse becomes the level when the pulse output starts when the TRAMR register is written to.

17.4.1 Timer RA I/O Control Register (TRAIOC) in Pulse Output Mode

Address 0101h

Bit	b7	b6	b5	b4	b3	b2	b1	b0
Symbol	TIOGT1	TIOGT0	TIPF1	TIPF0	TIOSEL	TOENA	TOPCR	TEDGSEL
After Reset	0	0	0	0	0	0	0	0

Bit	Symbol	Bit Name	Function	R/W
b0	TEDGSEL	TRAIO polarity switch bit	0: TRAIO output starts at "H" 1: TRAIO output starts at "L"	R/W
b1	TOPCR	TRAIO output control bit	0: TRAIO output 1: Port P1_5, P1_7, or P3_2	R/W
b2	TOENA	TRAIO output enable bit	0: Port P3_0, P3_7, or P5_6 1: TRAIO output (inverted TRAIO output from P3_0, P3_7, or P5_6)	R/W
b3	TIOSEL	Hardware LIN function select bit	Set to 0.	R/W
b4	TIPF0	TRAIO input filter select bit	Set to 0 in pulse output mode.	R/W
b5	TIPF1			R/W
b6	TIOGT0			R/W
b7	TIOGT1	TRAIO event input control bit		R/W

17.5 Event Counter Mode

In event counter mode, external signal inputs to the TRAI0 pin are counted (refer to **Table 17.4 Event Counter Mode Specifications**).

Table 17.4 Event Counter Mode Specifications

Item	Specification
Count source	External signal which is input to TRAI0 pin (active edge selectable by a program)
Count operations	<ul style="list-style-type: none"> • Decrement • When the timer underflows, the contents of the reload register are reloaded and the count is continued.
Divide ratio	$1/(n+1)(m+1)$ n: setting value of TRAPRE register, m: setting value of TRA register
Count start condition	1 (count starts) is written to the TSTART bit in the TRACR register.
Count stop conditions	<ul style="list-style-type: none"> • 0 (count stops) is written to the TSTART bit in the TRACR register. • 1 (count forcibly stops) is written to the TSTOP bit in the TRACR register.
Interrupt request generation timing	When timer RA underflows [timer RA interrupt].
TRAI0 pin function	Count source input
TRAO pin function	Programmable I/O port or pulse output ⁽¹⁾
Read from timer	The count value can be read by reading registers TRA and TRAPRE.
Write to timer	<ul style="list-style-type: none"> • When registers TRAPRE and TRA are written while the count is stopped, values are written to both the reload register and counter. • When registers TRAPRE and TRA are written during the count, values are written to the reload register and counter (refer to 17.3.2 Timer Write Control during Count Operation).
Selectable functions	<ul style="list-style-type: none"> • INT1 input polarity switch function The active edge of the count source is selected by the TEDGSEL bit in the TRAI0C register. • Count source input pin select function P1_5, P1_7, or P3_2 is selected by bits TRAI0SEL0 to TRAI0SEL1 in the TRASR register. • Pulse output function Pulses of inverted polarity can be output from the TRAO pin each time the timer underflows (selectable by the TOENA bit in the TRAI0C register). ⁽¹⁾ • TRAO pin select function P3_0, P3_7, or P5_6 is selected by bits TRAOSEL0 to TRAOSEL1 in the TRASR register. • Digital filter function Whether enabling or disabling the digital filter and the sampling frequency is selected by bits TIPF0 and TIPF1 in the TRAI0C register. • Event input control function The enabled period for the event input to the TRAI0 pin is selected by bits TIOGT0 and TIOGT1 in the TRAI0C register.

Note:

1. The level of the output pulse becomes the level when the pulse output starts when the TRAMR register is written to.

17.5.1 Timer RA I/O Control Register (TRAIOC) in Event Counter Mode

Address 0101h

Bit	b7	b6	b5	b4	b3	b2	b1	b0
Symbol	TIOGT1	TIOGT0	TIPF1	TIPF0	TIOSEL	TOENA	TOPCR	TEDGSEL
After Reset	0	0	0	0	0	0	0	0

Bit	Symbol	Bit Name	Function	R/W
b0	TEDGSEL	TRAIO polarity switch bit	0: Starts counting at rising edge of the TRAIO input and TRAO starts output at "L" 1: Starts counting at falling edge of the TRAIO input and TRAO starts output at "H"	R/W
b1	TOPCR	TRAIO output control bit	Set to 0 in event counter mode.	R/W
b2	TOENA	TRAIO output enable bit	0: Port P3_0, P3_7, or P5_6 1: TRAO output	R/W
b3	TIOSEL	Hardware LIN function select bit	Set to 0.	R/W
b4	TIPF0	TRAIO input filter select bit (1)	b5 b4 0 0: No filter 0 1: Filter with f1 sampling 1 0: Filter with f8 sampling 1 1: Filter with f32 sampling	R/W
b5	TIPF1			R/W
b6	TIOGT0	TRAIO event input control bit	b7 b6 0 0: Event input always enabled 0 1: Event input enabled at INT2 level (2) 1 0: Event input enabled for "L" period of TRCIOD (timer RC compare match signal) 1 1: Do not set.	R/W
b7	TIOGT1			R/W

Notes:

- When the same value from the TRAIO pin is sampled three times continuously, the input is determined.
- Set the INT2PL bit in the INTEN register to 0 (one edge).
 When the POL bit in the INT2IC register is set to 0 (falling edge selected), the event input for the INT2 high-level period is enabled. When the POL bit is set to 1 (rising edge selected), the event input for the INT2 low-level period is enabled.

17.6 Pulse Width Measurement Mode

In pulse width measurement mode, the pulse width of an external signal input to the TRAI0 pin is measured (refer to **Table 17.5 Pulse Width Measurement Mode Specifications**).

Figure 17.3 shows an Operating Example of Pulse Width Measurement Mode.

Table 17.5 Pulse Width Measurement Mode Specifications

Item	Specification
Count sources	f1, f2, f8, fOCO, fC32, fC
Count operations	<ul style="list-style-type: none"> • Decrement • Continuously counts the selected signal only when measurement pulse is “H” level, or conversely only “L” level. • When the timer underflows, the contents of the reload register are reloaded and the count is continued.
Count start condition	1 (count starts) is written to the TSTART bit in the TRACR register.
Count stop conditions	<ul style="list-style-type: none"> • 0 (count stops) is written to the TSTART bit in the TRACR register. • 1 (count forcibly stops) is written to the TSTOP bit in the TRACR register.
Interrupt request generation timing	<ul style="list-style-type: none"> • When timer RA underflows [timer RA interrupt]. • Rising or falling of the TRAI0 input (end of measurement period) [timer RA interrupt]
TRAI0 pin function	Measured pulse input
TRAO pin function	Programmable I/O port
Read from timer	The count value can be read by reading registers TRA and TRAPRE.
Write to timer	<ul style="list-style-type: none"> • When registers TRAPRE and TRA are written while the count is stopped, values are written to both the reload register and counter. • When registers TRAPRE and TRA are written during the count, values are written to the reload register and counter (refer to 17.3.2 Timer Write Control during Count Operation).
Selectable functions	<ul style="list-style-type: none"> • Measurement level setting The “H” level or “L” level period is selected by the TEDGSEL bit in the TRAI0C register. • Measured pulse input pin select function P1_5, P1_7, or P3_2 is selected by bits TRAI0SEL0 to TRAI0SEL1 in the TRASR register. • Digital filter function Whether enabling or disabling the digital filter and the sampling frequency is selected by bits TIPF0 and TIPF1 in the TRAI0C register.

17.6.1 Timer RA I/O Control Register (TRAIOC) in Pulse Width Measurement Mode

Address 0101h

Bit	b7	b6	b5	b4	b3	b2	b1	b0
Symbol	TIOGT1	TIOGT0	TIPF1	TIPF0	TIOSEL	TOENA	TOPCR	TEDGSEL
After Reset	0	0	0	0	0	0	0	0

Bit	Symbol	Bit Name	Function	R/W
b0	TEDGSEL	TRAIO polarity switch bit	0: TRAI0 input starts at "L" 1: TRAI0 input starts at "H"	R/W
b1	TOPCR	TRAIO output control bit	Set to 0 in pulse width measurement mode.	R/W
b2	TOENA	TRAIO output enable bit		R/W
b3	TIOSEL	Hardware LIN function select bit	Set to 0. However, set to 1 when the hardware LIN function is used.	R/W
b4	TIPF0	TRAIO input filter select bit ⁽¹⁾	b5 b4 0 0: No filter 0 1: Filter with f1 sampling 1 0: Filter with f8 sampling 1 1: Filter with f32 sampling	R/W
b5	TIPF1			R/W
b6	TIOGT0	TRAIO event input control bit	Set to 0 in pulse width measurement mode.	R/W
b7	TIOGT1			R/W

Note:

1. When the same value from the TRAI0 pin is sampled three times continuously, the input is determined.

17.6.2 Operating Example

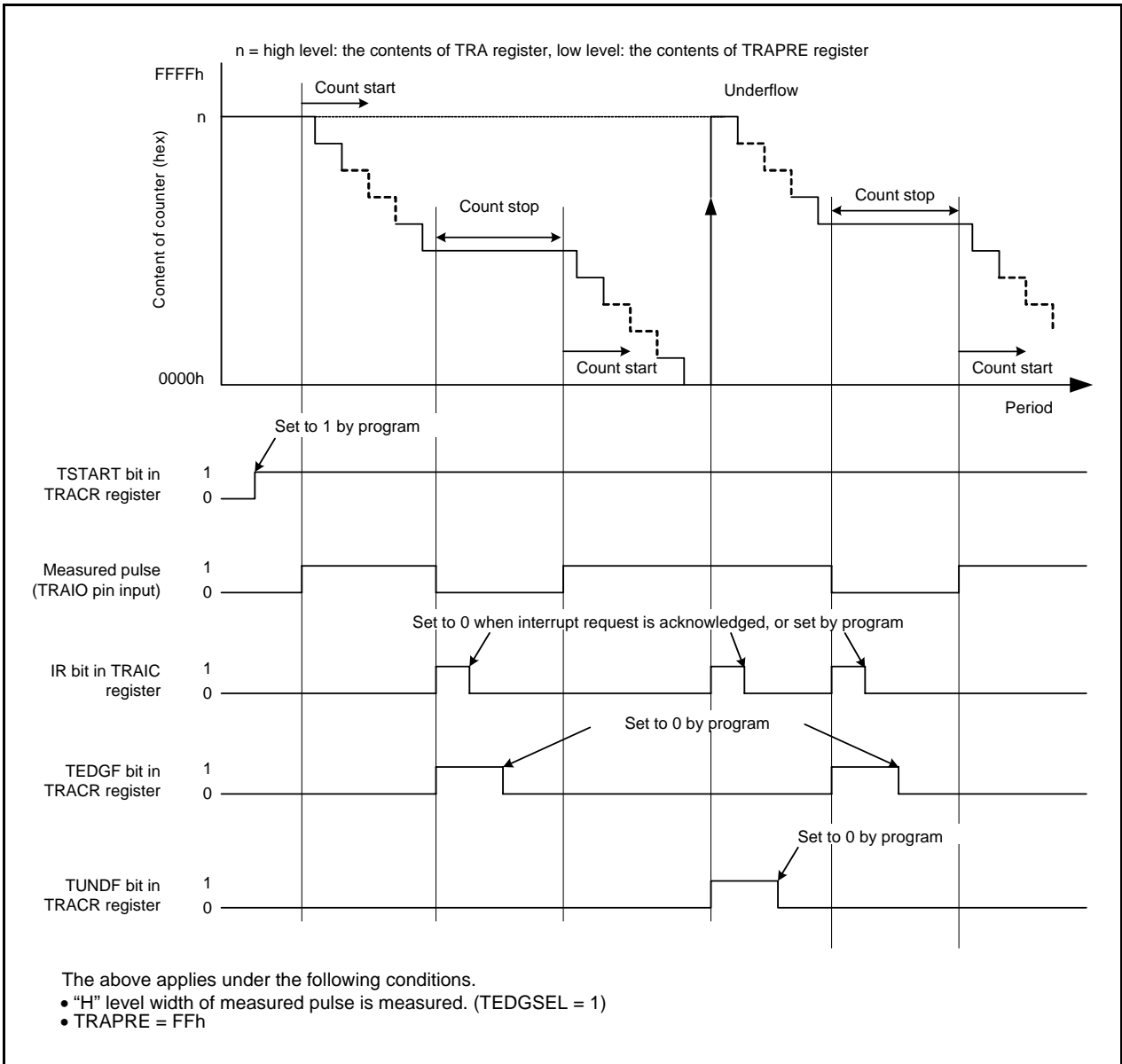


Figure 17.3 Operating Example of Pulse Width Measurement Mode

17.7 Pulse Period Measurement Mode

In pulse period measurement mode, the pulse period of an external signal input to the TRAI0 pin is measured (refer to **Table 17.6 Pulse Period Measurement Mode Specifications**).

Figure 17.4 shows an Operating Example of Pulse Period Measurement Mode.

Table 17.6 Pulse Period Measurement Mode Specifications

Item	Specification
Count sources	f1, f2, f8, fOCO, fC32, fC
Count operations	<ul style="list-style-type: none"> • Decrement • After the active edge of the measured pulse is input, the contents of the read-out buffer are retained at the first underflow of timer RA prescaler. Then timer RA reloads the contents in the reload register at the second underflow of timer RA prescaler and continues counting.
Count start condition	1 (count starts) is written to the TSTART bit in the TRACR register.
Count stop conditions	<ul style="list-style-type: none"> • 0 (count stops) is written to TSTART bit in the TRACR register. • 1 (count forcibly stops) is written to the TSTOP bit in the TRACR register.
Interrupt request generation timing	<ul style="list-style-type: none"> • When timer RA underflows or reloads [timer RA interrupt]. • Rising or falling of the TRAI0 input (end of measurement period) [timer RA interrupt]
TRAI0 pin function	Measured pulse input (1)
TRAO pin function	Programmable I/O port
Read from timer	The count value can be read by reading registers TRA and TRAPRE.
Write to timer	<ul style="list-style-type: none"> • When registers TRAPRE and TRA are written while the count is stopped, values are written to both the reload register and counter. • When registers TRAPRE and TRA are written during the count, values are written to the reload register and counter (refer to 17.3.2 Timer Write Control during Count Operation).
Selectable functions	<ul style="list-style-type: none"> • Measurement period selection The measurement period of the input pulse is selected by the TEDGSEL in the TRAI0C register. • Measured pulse input pin select function P1_5, P1_7, or P3_2 is selected by bits TRAI0SEL0 to TRAI0SEL1 in the TRASR register. • Digital filter function Whether enabling or disabling the digital filter and the sampling frequency is selected by bits TIPF0 and TIPF1 in the TRAI0C register.

Note:

1. Input a pulse with a period longer than twice the timer RA prescaler period. Input a pulse with a longer "H" and "L" width than the timer RA prescaler period. If a pulse with a shorter period is input to the TRAI0 pin, the input may be ignored.

17.7.1 Timer RA I/O Control Register (TRAIOC) in Pulse Period Measurement Mode

Address 0101h

Bit	b7	b6	b5	b4	b3	b2	b1	b0
Symbol	TIOGT1	TIOGT0	TIPF1	TIPF0	TIOSEL	TOENA	TOPCR	TEDGSEL
After Reset	0	0	0	0	0	0	0	0

Bit	Symbol	Bit Name	Function	R/W
b0	TEDGSEL	TRAI0 polarity switch bit	0: Measures measurement pulse from one rising edge to next rising edge 1: Measures measurement pulse from one falling edge to next falling edge	R/W
b1	TOPCR	TRAI0 output control bit	Set to 0 in pulse period measurement mode.	R/W
b2	TOENA	TRAI0 output enable bit		R/W
b3	TIOSEL	Hardware LIN function select bit	Set to 0.	R/W
b4	TIPF0	TRAI0 input filter select bit (1)	b5 b4 0 0: No filter 0 1: Filter with f1 sampling 1 0: Filter with f8 sampling 1 1: Filter with f32 sampling	R/W
b5	TIPF1			R/W
b6	TIOGT0	TRAI0 event input control bit	Set to 0 in pulse period measurement mode.	R/W
b7	TIOGT1			R/W

Note:

1. When the same value from the TRAI0 pin is sampled three times continuously, the input is determined.

17.7.2 Operating Example

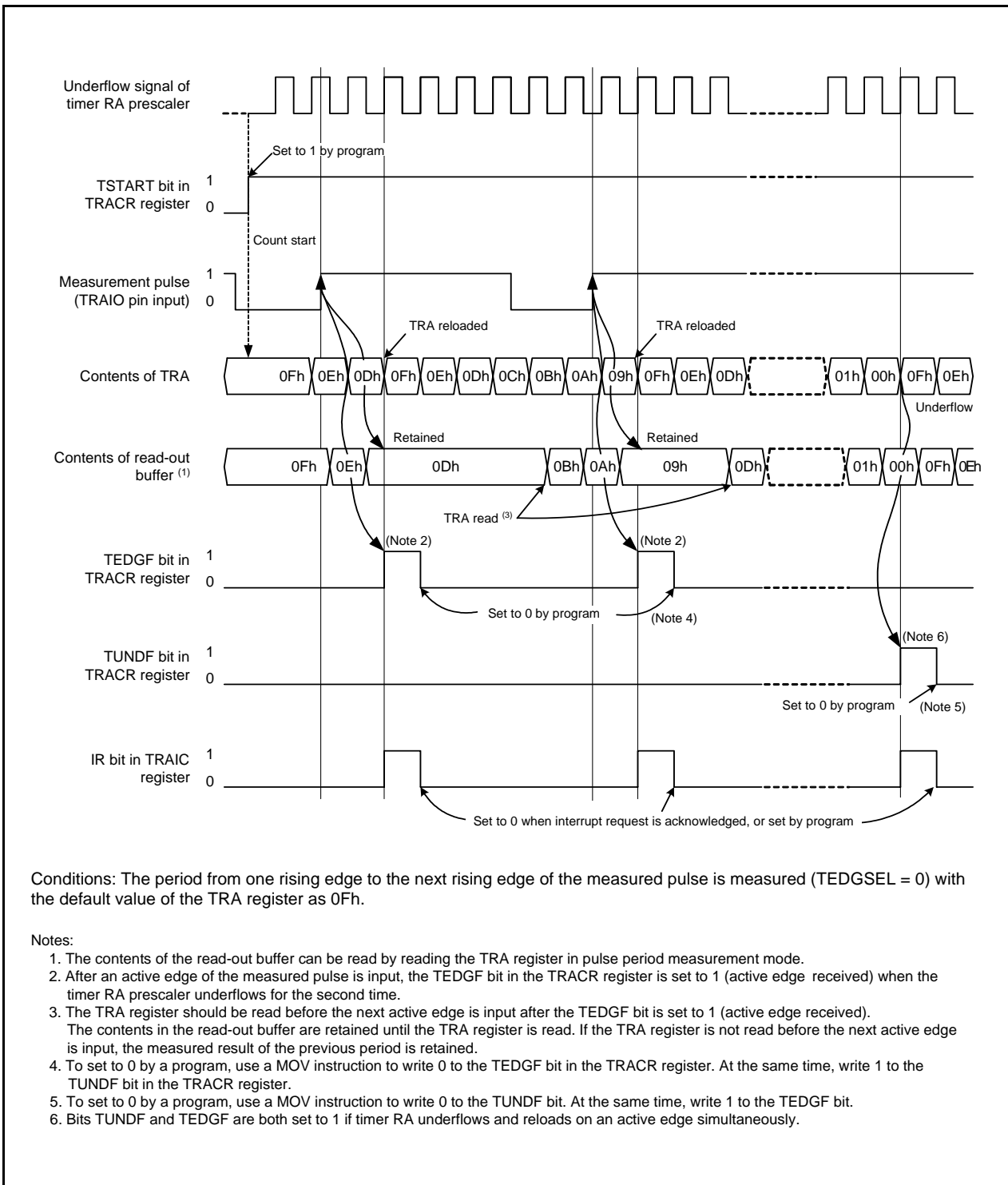


Figure 17.4 Operating Example of Pulse Period Measurement Mode

17.8 Notes on Timer RA

- Timer RA stops counting after a reset. Set the values in the timer RA and timer RA prescalers before the count starts.
- Even if the prescaler and timer RA are read out in 16-bit units, these registers are read 1 byte at a time by the MCU. Consequently, the timer value may be updated during the period when these two registers are being read.
- In pulse period measurement mode, bits TEDGF and TUNDF in the TRACR register can be set to 0 by writing 0 to these bits by a program. However, these bits remain unchanged if 1 is written. When using the READ-MODIFY-WRITE instruction for the TRACR register, the TEDGF or TUNDF bit may be set to 0 although these bits are set to 1 while the instruction is being executed. In this case, write 1 to the TEDGF or TUNDF bit which is not supposed to be set to 0 with the MOV instruction.
- When changing to pulse period measurement mode from another mode, the contents of bits TEDGF and TUNDF are undefined. Write 0 to bits TEDGF and TUNDF before the count starts.
- The TEDGF bit may be set to 1 by the first timer RA prescaler underflow generated after the count starts.
- When using the pulse period measurement mode, leave two or more periods of the timer RA prescaler immediately after the count starts, then set the TEDGF bit to 0.
- The TCSTF bit retains 0 (count stops) for 0 to 1 cycle of the count source after setting the TSTART bit to 1 (count starts) while the count is stopped.

During this time, do not access registers associated with timer RA ⁽¹⁾ other than the TCSTF bit. Timer RA starts counting at the first valid edge of the count source after The TCSTF bit is set to 1 (during count).

The TCSTF bit remains 1 for 0 to 1 cycle of the count source after setting the TSTART bit to 0 (count stops) while the count is in progress. Timer RA counting is stopped when the TCSTF bit is set to 0.

During this time, do not access registers associated with timer RA ⁽¹⁾ other than the TCSTF bit.

Note:

1. Registers associated with timer RA: TRACR, TRAIOC, TRAMR, TRAPRE, and TRA.

- When the TRAPRE register is continuously written during count operation (TCSTF bit is set to 1), allow three or more cycles of the count source clock for each write interval.
- When the TRA register is continuously written during count operation (TCSTF bit is set to 1), allow three or more cycles of the prescaler underflow for each write interval.

18.2 Registers

18.2.1 Timer RB Control Register (TRBCR)

Address 0108h

Bit	b7	b6	b5	b4	b3	b2	b1	b0
Symbol	—	—	—	—	—	TSTOP	TCSTF	TSTART
After Reset	0	0	0	0	0	0	0	0

Bit	Symbol	Bit Name	Function	R/W
b0	TSTART	Timer RB count start bit ⁽¹⁾	0: Count stops 1: Count starts	R/W
b1	TCSTF	Timer RB count status flag ⁽¹⁾	0: Count stops 1: During count ⁽³⁾	R
b2	TSTOP	Timer RB count forcible stop bit ^(1, 2)	When this bit is set to 1, the count is forcibly stopped. When read, the content is 0.	R/W
b3	—	Nothing is assigned. If necessary, set to 0. When read, the content is 0.		—
b4	—			
b5	—			
b6	—			
b7	—			

Notes:

1. Refer to **18.7 Notes on Timer RB** for precautions regarding bits TSTART, TCSTF and TSTOP.
2. When the TSTOP bit is set to 1, registers TRBPRE, TRBSC, TRBPR, and bits TSTART and TCSTF, and the TOSSTF bit in the TRBOCR register are set to values after a reset.
3. Indicates that count operation is in progress in timer mode or programmable waveform mode. In programmable one-shot generation mode or programmable wait one-shot generation mode, indicates that a one-shot pulse trigger has been acknowledged.

18.2.2 Timer RB One-Shot Control Register (TRBOCR)

Address 0109h

Bit	b7	b6	b5	b4	b3	b2	b1	b0
Symbol	—	—	—	—	—	TOSSTF	TOSSP	TOSST
After Reset	0	0	0	0	0	0	0	0

Bit	Symbol	Bit Name	Function	R/W
b0	TOSST	Timer RB one-shot start bit	When this bit is set to 1, one-shot trigger generated. When read, its content is 0.	R/W
b1	TOSSP	Timer RB one-shot stop bit	When this bit is set to 1, counting of one-shot pulses (including programmable wait one-shot pulses) stops. When read, the content is 0.	R/W
b2	TOSSTF	Timer RB one-shot status flag ⁽¹⁾	0: One-shot stopped 1: One-shot operating (Including wait period)	R
b3	—	Nothing is assigned. If necessary, set to 0. When read, the content is 0.		—
b4	—			
b5	—			
b6	—			
b7	—			

Note:

1. When 1 is set to the TSTOP bit in the TRBCR register, the TOSSTF bit is set to 0.

This register is enabled when bits TMOD1 to TMOD0 in the TRBMR register is set to 10b (programmable one-shot generation mode) or 11b (programmable wait one-shot generation mode).

18.2.3 Timer RB I/O Control Register (TRBIOC)

Address 010Ah

Bit	b7	b6	b5	b4	b3	b2	b1	b0
Symbol	—	—	—	—	INOSEG	INOSTG	TOCNT	TOPL
After Reset	0	0	0	0	0	0	0	0

Bit	Symbol	Bit Name	Function	R/W
b0	TOPL	Timer RB output level select bit	Function varies according to the operating mode.	R/W
b1	TOCNT	Timer RB output switch bit		R/W
b2	INOSTG	One-shot trigger control bit		R/W
b3	INOSEG	One-shot trigger polarity select bit		R/W
b4	—	Nothing is assigned. If necessary, set to 0. When read, the content is 0.		—
b5	—			
b6	—			
b7	—			

18.2.4 Timer RB Mode Register (TRBMR)

Address 010Bh

Bit	b7	b6	b5	b4	b3	b2	b1	b0
Symbol	TCKCUT	—	TCK1	TCK0	TWRC	—	TMOD1	TMOD0
After Reset	0	0	0	0	0	0	0	0

Bit	Symbol	Bit Name	Function	R/W
b0	TMOD0	Timer RB operating mode select bit (1)	^{b1 b0} 0 0: Timer mode 0 1: Programmable waveform generation mode 1 0: Programmable one-shot generation mode 1 1: Programmable wait one-shot generation mode	R/W
b1	TMOD1			R/W
b2	—	Nothing is assigned. If necessary, set to 0. When read, the content is 0.		—
b3	TWRC	Timer RB write control bit (2)	0: Write to reload register and counter 1: Write to reload register only	R/W
b4	TCK0	Timer RB count source select bit (1)	^{b5 b4} 0 0: f1 0 1: f8 1 0: Timer RA underflow 1 1: f2	R/W
b5	TCK1			R/W
b6	—	Nothing is assigned. If necessary, set to 0. When read, the content is 0.		—
b7	TCKCUT	Timer RB count source cutoff bit (1)	0: Provides count source 1: Cuts off count source	R/W

Notes:

1. Change bits TMOD1 and TMOD0; TCK1 and TCK0; and TCKCUT when both the TSTART and TCSTF bits in the TRBCR register set to 0 (count stops).
2. The TWRC bit can be set to either 0 or 1 in timer mode. In programmable waveform generation mode, programmable one-shot generation mode, or programmable wait one-shot generation mode, the TWRC bit must be set to 1 (write to reload register only).

18.2.5 Timer RB Prescaler Register (TRBPRES)

Address 010Ch

Bit	b7	b6	b5	b4	b3	b2	b1	b0
Symbol	—	—	—	—	—	—	—	—
After Reset	1	1	1	1	1	1	1	1

Bit	Mode	Function	Setting Range	R/W
b7 to b0	Timer mode	Counts an internal count source or timer RA underflows	00h to FFh	R/W
	Programmable waveform generation mode		00h to FFh	R/W
	Programmable one-shot generation mode		00h to FFh	R/W
	Programmable wait one-shot generation mode		00h to FFh	R/W

When the TSTOP bit in the TRBCR register is set to 1, the TRBPRES register is set to FFh.

18.2.6 Timer RB Secondary Register (TRBSC)

Address 010Dh

Bit	b7	b6	b5	b4	b3	b2	b1	b0
Symbol	—	—	—	—	—	—	—	—
After Reset	1	1	1	1	1	1	1	1

Bit	Mode	Function	Setting Range	R/W
b7 to b0	Timer mode	Disabled	00h to FFh	—
	Programmable waveform generation mode	Counts timer RB prescaler underflows ⁽¹⁾	00h to FFh	W ⁽²⁾
	Programmable one-shot generation mode	Disabled	00h to FFh	—
	Programmable wait one-shot generation mode	Counts timer RB prescaler underflows (one-shot width is counted)	00h to FFh	W ⁽²⁾

Notes:

1. The values of registers TRBPR and TRBSC are reloaded to the counter alternately and counted.
2. The count value can be read out by reading the TRBPR register even when the secondary period is being counted.

When the TSTOP bit in the TRBCR register is set to 1, the TRBSC register is set to FFh.

To write to the TRBSC register, perform the following steps.

- (1) Write the value to the TRBSC register.
- (2) Write the value to the TRBPR register. (If the value does not change, write the same value second time.)

18.2.7 Timer RB Primary Register (TRBPR)

Address 010Eh

Bit	b7	b6	b5	b4	b3	b2	b1	b0
Symbol	—	—	—	—	—	—	—	—
After Reset	1	1	1	1	1	1	1	1

Bit	Mode	Function	Setting Range	R/W
b7 to b0	Timer mode	Counts timer RB prescaler underflows	00h to FFh	R/W
	Programmable waveform generation mode	Counts timer RB prescaler underflows (1)	00h to FFh	R/W
	Programmable one-shot generation mode	Counts timer RB prescaler underflows (one-shot width is counted)	00h to FFh	R/W
	Programmable wait one-shot generation mode	Counts timer RB prescaler underflows (wait period width is counted)	00h to FFh	R/W

Note:

- The values of registers TRBPR and TRBSC are reloaded to the counter alternately and counted.

When the TSTOP bit in the TRBCR register is set to 1, the TRBPR register is set to FFh.

18.2.8 Timer RB/RC Pin Select Register (TRBRCSR)

Address 0181h

Bit	b7	b6	b5	b4	b3	b2	b1	b0
Symbol	—	—	TRCCLKSEL1	TRCCLKSEL0	—	—	—	TRBOSEL0
After Reset	0	0	0	0	0	0	0	0

Bit	Symbol	Bit Name	Function	R/W
b0	TRBOSEL0	TRBO pin select bit	0: P1_3 assigned 1: P3_1 assigned	R/W
b1	—	Reserved bit	Set to 0.	R/W
b2	—	Nothing is assigned. If necessary, set to 0. When read, the content is 0.		—
b3	—			
b4	TRCCLKSEL0	TRCCLK pin select bit	b5 b4 0 0: TRCCLK pin not used 0 1: P1_4 assigned 1 0: P3_3 assigned 1 1: Do not set.	R/W
b5	TRCCLKSEL1			R/W
b6	—	Reserved bit	Set to 0.	R/W
b7	—	Nothing is assigned. If necessary, set to 0. When read, the content is 0.		—

The TRBRCSR register selects which pin is assigned to the timer RB and timer RC I/O. To use the I/O pin for timer RB and timer RC, set this register.

Set the TRBOSEL0 bit before setting the timer RB associated registers. Set bits TRCCLKSEL0 and TRCCLKSEL1 before setting the timer RC associated registers. Also, do not change the setting values of the TRBOSEL0 bit during timer RB operation. Do not change the setting values of bits TRCCLKSEL0 and TRCCLKSEL1 during timer RC operation.

18.3 Timer Mode

In timer mode, a count source which is internally generated or timer RA underflows are counted (refer to **Table 18.2 Timer Mode Specifications**). Registers TRBOCR and TRBSC are not used in timer mode.

Table 18.2 Timer Mode Specifications

Item	Specification
Count sources	f1, f2, f8, timer RA underflow
Count operations	<ul style="list-style-type: none"> Decrement When the timer underflows, it reloads the reload register contents before the count continues (when timer RB underflows, the contents of timer RB primary reload register is reloaded).
Divide ratio	$1/(n+1)(m+1)$ n: setting value in TRBPRES register, m: setting value in TRBPR register
Count start condition	1 (count starts) is written to the TSTART bit in the TRBCR register.
Count stop conditions	<ul style="list-style-type: none"> 0 (count stops) is written to the TSTART bit in the TRBCR register. 1 (count forcibly stop) is written to the TSTOP bit in the TRBCR register.
Interrupt request generation timing	When timer RB underflows [timer RB interrupt].
TRBO pin function	Programmable I/O port
INT0 pin function	Programmable I/O port or $\overline{\text{INT0}}$ interrupt input
Read from timer	The count value can be read out by reading registers TRBPR and TRBPRES.
Write to timer	<ul style="list-style-type: none"> When registers TRBPRES and TRBPR are written while the count is stopped, values are written to both the reload register and counter. When registers TRBPRES and TRBPR are written to while count operation is in progress: If the TWRC bit in the TRBMR register is set to 0, the value is written to both the reload register and the counter. If the TWRC bit is set to 1, the value is written to the reload register only. (Refer to 18.3.2 Timer Write Control during Count Operation.)

18.3.1 Timer RB I/O Control Register (TRBIOC) in Timer Mode

Address 010Ah

Bit	b7	b6	b5	b4	b3	b2	b1	b0
Symbol	—	—	—	—	INOSEG	INOSTG	TOCNT	TOPL
After Reset	0	0	0	0	0	0	0	0

Bit	Symbol	Bit Name	Function	R/W
b0	TOPL	Timer RB output level select bit	Set to 0 in timer mode.	R/W
b1	TOCNT	Timer RB output switch bit		R/W
b2	INOSTG	One-shot trigger control bit		R/W
b3	INOSEG	One-shot trigger polarity select bit		R/W
b4	—	Nothing is assigned. If necessary, set to 0. When read, the content is 0.		—
b5	—			
b6	—			
b7	—			

18.3.2 Timer Write Control during Count Operation

Timer RB has a prescaler and a timer (which counts the prescaler underflows). The prescaler and timer each consist of a reload register and a counter. In timer mode, the TWRC bit in the TRBMR register can be used to select whether writing to the prescaler or timer during count operation is performed to both the reload register and counter or only to the reload register.

However, values are transferred from the reload register to the counter of the prescaler in synchronization with the count source. In addition, values are transferred from the reload register to the counter of the timer in synchronization with prescaler underflows. Therefore, even if the TWRC bit is set for writing to both the reload register and counter, the counter value is not updated immediately after the WRITE instruction is executed. In addition, if the TWRC bit is set for writing to the reload register only, the synchronization of the writing will be shifted if the prescaler value changes. Figure 18.2 shows an Operating Example of Timer RB when Counter Value is Rewritten during Count Operation.

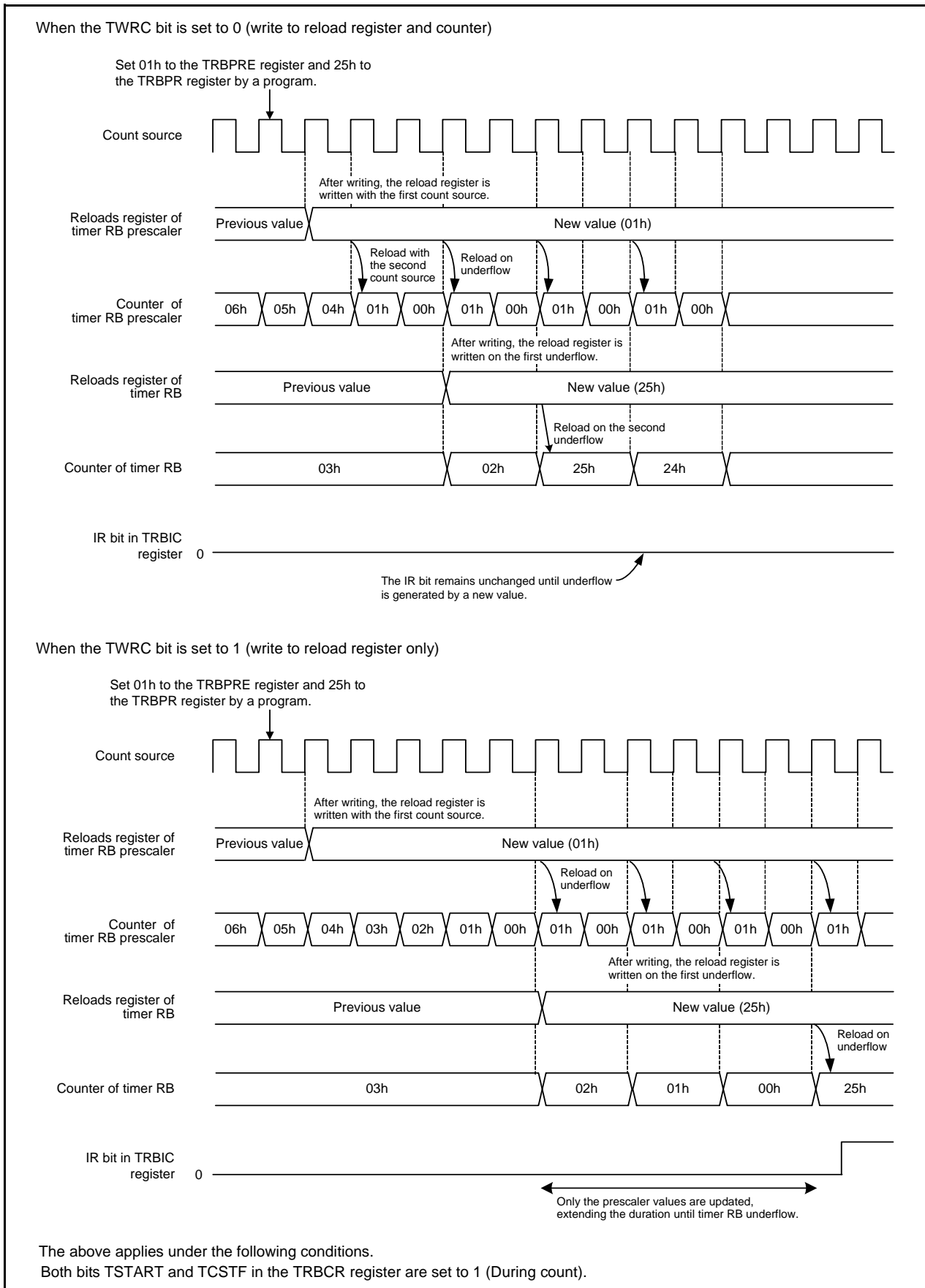


Figure 18.2 Operating Example of Timer RB when Counter Value is Rewritten during Count Operation

18.4 Programmable Waveform Generation Mode

In programmable waveform generation mode, the signal output from the TRBO pin is inverted each time the counter underflows, while the values in registers TRBPR and TRBSC are counted alternately (refer to Table 18.3 Programmable Waveform Generation Mode Specifications). Counting starts by counting the setting value in the TRBPR register. The TRBOCR register is unused in this mode.

Figure 18.3 shows an Operating Example of Timer RB in Programmable Waveform Generation Mode.

Table 18.3 Programmable Waveform Generation Mode Specifications

Item	Specification
Count sources	f1, f2, f8, timer RA underflow
Count operations	<ul style="list-style-type: none"> Decrement When the timer underflows, it reloads the contents of the primary reload and secondary reload registers alternately before the count continues.
Width and period of output waveform	Primary period: $(n+1)(m+1)/f_i$ Secondary period: $(n+1)(p+1)/f_i$ Period: $(n+1)\{(m+1)+(p+1)\}/f_i$ f_i : Count source frequency n : Value set in TRBPRES register m : Value set in TRBPR register p : Value set in TRBSC register
Count start condition	1 (count start) is written to the TSTART bit in the TRBCR register.
Count stop conditions	<ul style="list-style-type: none"> 0 (count stop) is written to the TSTART bit in the TRBCR register. 1 (count forcibly stop) is written to the TSTOP bit in the TRBCR register.
Interrupt request generation timing	In half a cycle of the count source, after timer RB underflows during the secondary period (at the same time as the TRBO output change) [timer RB interrupt]
TRBO pin function	Programmable output port or pulse output
INT0 pin function	Programmable I/O port or INT0 interrupt input
Read from timer	The count value can be read out by reading registers TRBPR and TRBPRES ⁽¹⁾ .
Write to timer	<ul style="list-style-type: none"> When registers TRBPRES, TRBSC, and TRBPR are written while the count is stopped, values are written to both the reload register and counter. When registers TRBPRES, TRBSC, and TRBPR are written to during count operation, values are written to the reload registers only. ⁽²⁾
Selectable functions	<ul style="list-style-type: none"> Output level select function The output level during primary and secondary periods is selected by the TOPL bit in the TRBIOC register. TRBO pin output switch function Timer RB pulse output or P3_1 (P1_3) latch output is selected by the TOCNT bit in the TRBIOC register. ⁽³⁾

Notes:

- Even when counting the secondary period, the TRBPR register may be read.
- The set values are reflected in the waveform output beginning with the following primary period after writing to the TRBPR register.
- The value written to the TOCNT bit is enabled by the following.
 - When counting starts.
 - When a timer RB interrupt request is generated.
The contents after the TOCNT bit is changed are reflected from the output of the following primary period.

18.4.1 Timer RB I/O Control Register (TRBIOC) in Programmable Waveform Generation Mode

Address 010Ah

Bit	b7	b6	b5	b4	b3	b2	b1	b0
Symbol	—	—	—	—	INOSEG	INOSTG	TOCNT	TOPL
After Reset	0	0	0	0	0	0	0	0

Bit	Symbol	Bit Name	Function	R/W
b0	TOPL	Timer RB output level select bit	0: Outputs "H" for primary period Outputs "L" for secondary period Outputs "L" when the timer is stopped 1: Outputs "L" for primary period Outputs "H" for secondary period Outputs "H" when the timer is stopped	R/W
b1	TOCNT	Timer RB output switch bit	0: Outputs timer RB waveform 1: Outputs value in P3_1 (P1_3) port register	R/W
b2	INOSTG	One-shot trigger control bit	Set to 0 in programmable waveform generation mode.	R/W
b3	INOSEG	One-shot trigger polarity select bit		R/W
b4	—	Nothing is assigned. If necessary, set to 0. When read, the content is 0.		—
b5	—			
b6	—			
b7	—			

18.4.2 Operating Example

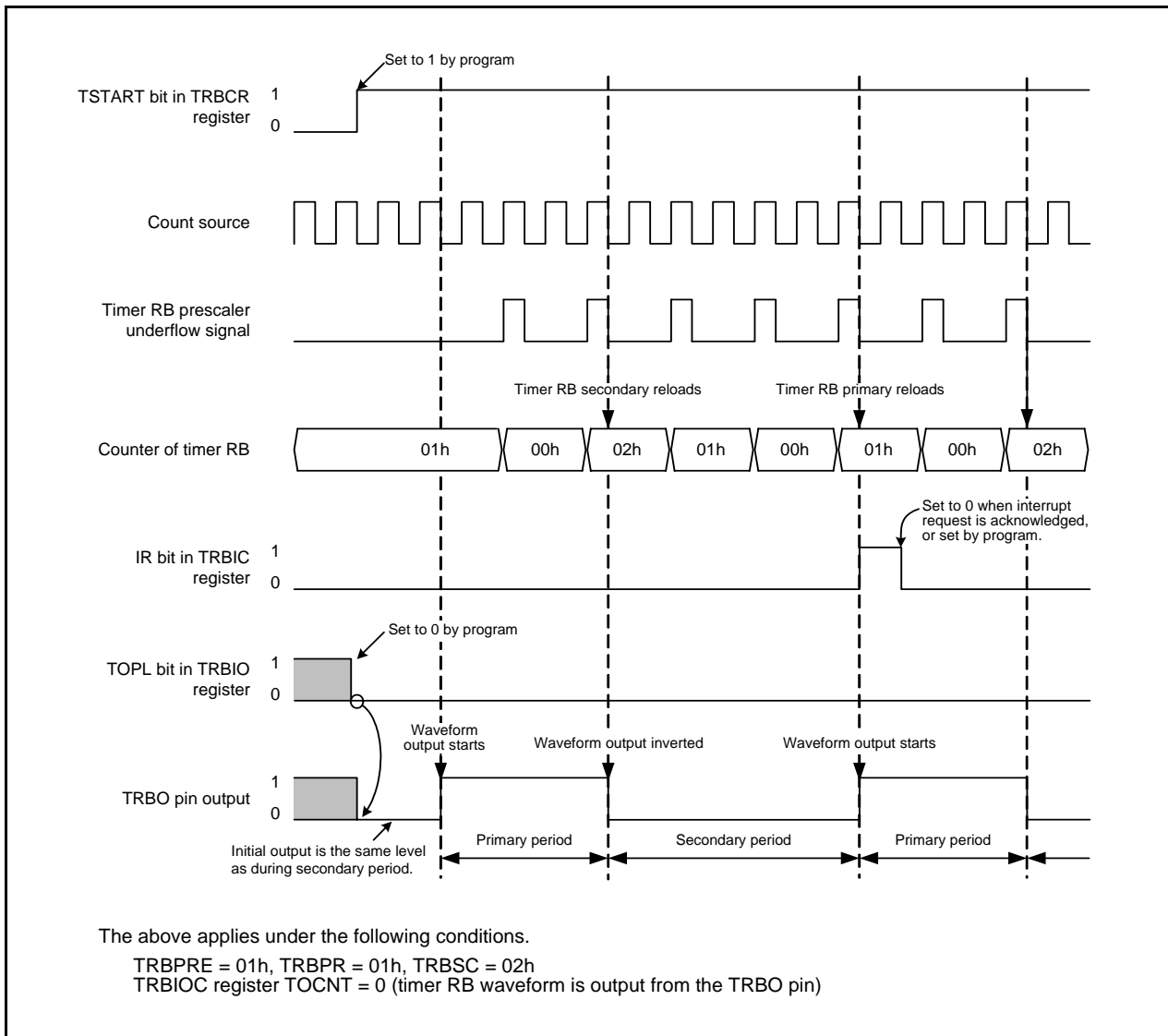


Figure 18.3 Operating Example of Timer RB in Programmable Waveform Generation Mode

18.5 Programmable One-shot Generation Mode

In programmable one-shot generation mode, a one-shot pulse is output from the TRBO pin by a program or an external trigger input (input to the $\overline{\text{INT0}}$ pin) (refer to Table 18.4 Programmable One-Shot Generation Mode Specifications). When a trigger is generated, the timer starts operating from the point only once for a given period equal to the set value in the TRBPR register. The TRBSC register is not used in this mode.

Figure 18.4 shows an Operating Example of Programmable One-Shot Generation Mode.

Table 18.4 Programmable One-Shot Generation Mode Specifications

Item	Specification
Count sources	f1, f2, f8, timer RA underflow
Count operations	<ul style="list-style-type: none"> Decrement the setting value in the TRBPR register When the timer underflows, it reloads the contents of the reload register before the count completes and the TOSSTF bit is set to 0 (one-shot stops). When the count stops, the timer reloads the contents of the reload register before it stops.
One-shot pulse output time	$(n+1)(m+1)/f_i$ f _i : Count source frequency, n: Setting value in TRBPRES register, m: Setting value in TRBPR register
Count start conditions	<ul style="list-style-type: none"> The TSTART bit in the TRBCR register is set to 1 (count starts) and the next trigger is generated Set the TOSST bit in the TRBOCR register to 1 (one-shot starts) Input trigger to the $\overline{\text{INT0}}$ pin
Count stop conditions	<ul style="list-style-type: none"> When reloading completes after timer RB underflows during primary period When the TOSSP bit in the TRBOCR register is set to 1 (one-shot stops) When the TSTART bit in the TRBCR register is set to 0 (stops counting) When the TSTOP bit in the TRBCR register is set to 1 (forcibly stops counting)
Interrupt request generation timing	In half a cycle of the count source, after the timer underflows (at the same time as the TRBO output ends) [timer RB interrupt]
TRBO pin function	Pulse output
$\overline{\text{INT0}}$ pin functions	<ul style="list-style-type: none"> When the INOSTG bit in the TRBIOC register is set to 0 ($\overline{\text{INT0}}$ one-shot trigger disabled): programmable I/O port or $\overline{\text{INT0}}$ interrupt input When the INOSTG bit in the TRBIOC register is set to 1 ($\overline{\text{INT0}}$ one-shot trigger enabled): external trigger ($\overline{\text{INT0}}$ interrupt input)
Read from timer	The count value can be read out by reading registers TRBPR and TRBPRES.
Write to timer	<ul style="list-style-type: none"> When registers TRBPRES and TRBPR are written while the count is stopped, values are written to both the reload register and counter. When registers TRBPRES and TRBPR are written during the count, values are written to the reload register only (the data is transferred to the counter at the following reload) ⁽¹⁾.
Selectable functions	<ul style="list-style-type: none"> Output level select function The output level of the one-shot pulse waveform is selected by the TOPL bit in the TRBIOC register. One-shot trigger select function Refer to 18.5.3 One-Shot Trigger Selection.

Note:

- The set value is reflected at the following one-shot pulse after writing to the TRBPR register.

18.5.1 Timer RB I/O Control Register (TRBIOC) in Programmable One-Shot Generation Mode

Address 010Ah

Bit	b7	b6	b5	b4	b3	b2	b1	b0
Symbol	—	—	—	—	INOSEG	INOSTG	TOCNT	TOPL
After Reset	0	0	0	0	0	0	0	0

Bit	Symbol	Bit Name	Function	R/W
b0	TOPL	Timer RB output level select bit	0: Outputs one-shot pulse "H" Outputs "L" when the timer is stopped 1: Outputs one-shot pulse "L" Outputs "H" when the timer is stopped	R/W
b1	TOCNT	Timer RB output switch bit	Set to 0 in programmable one-shot generation mode.	R/W
b2	INOSTG	One-shot trigger control bit ⁽¹⁾	0: $\overline{\text{INT0}}$ pin one-shot trigger disabled 1: $\overline{\text{INT0}}$ pin one-shot trigger enabled	R/W
b3	INOSEG	One-shot trigger polarity select bit ⁽¹⁾	0: Falling edge trigger 1: Rising edge trigger	R/W
b4	—	Nothing is assigned. If necessary, set to 0. When read, the content is 0.		—
b5	—			
b6	—			
b7	—			

Note:

1. Refer to **18.5.3 One-Shot Trigger Selection**.

18.5.2 Operating Example

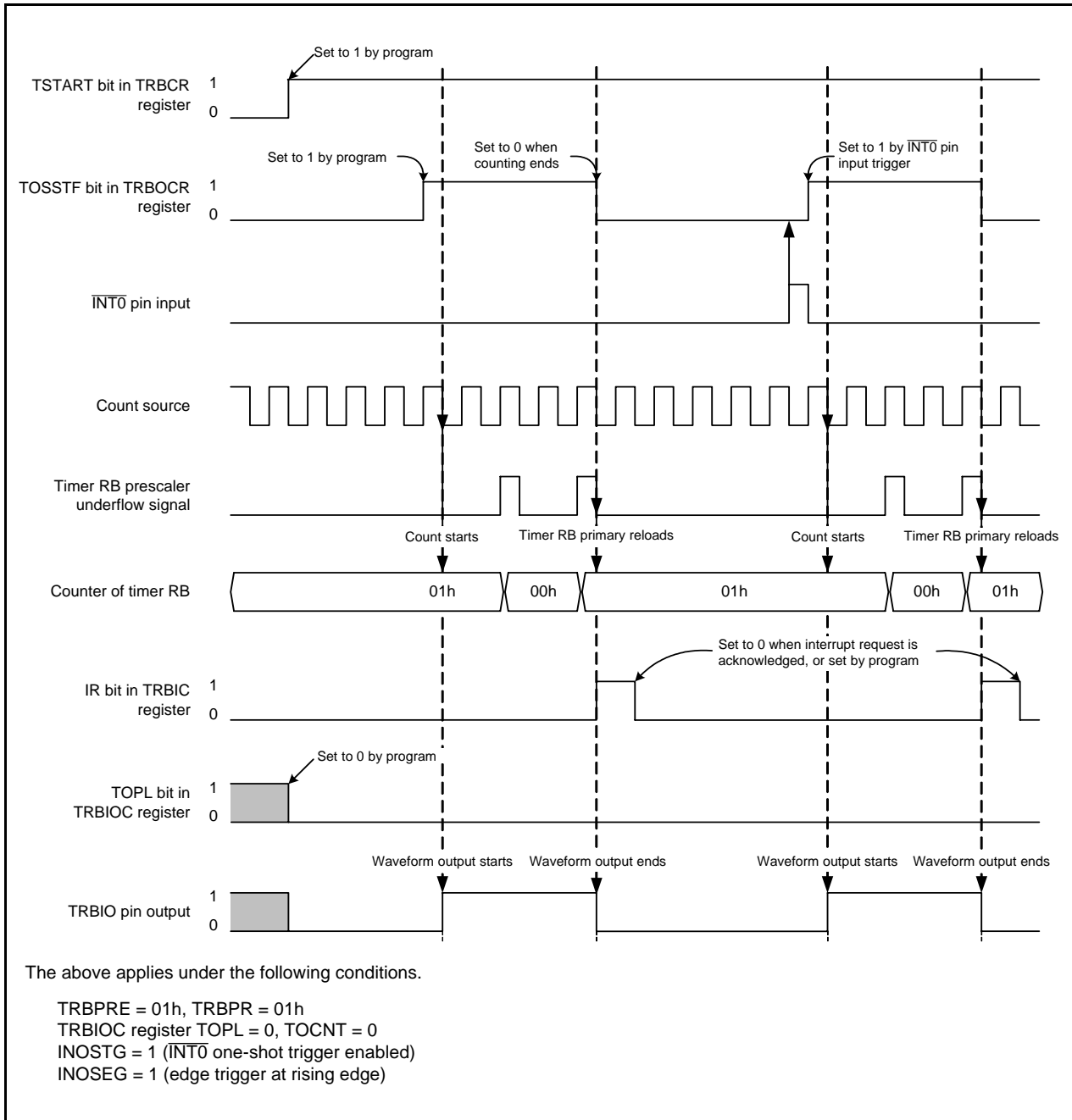


Figure 18.4 Operating Example of Programmable One-Shot Generation Mode

18.5.3 One-Shot Trigger Selection

In programmable one-shot generation mode and programmable wait one-shot generation mode, operation starts when a one-shot trigger is generated while the TCSTF bit in the TRBCR register is set to 1 (count starts).

A one-shot trigger can be generated by either of the following causes:

- 1 is written to the TOSST bit in the TRBOCR register by a program.
- Trigger input from the $\overline{\text{INT0}}$ pin.

When a one-shot trigger occurs, the TOSSTF bit in the TRBOCR register is set to 1 (one-shot operation in progress) after one or two cycles of the count source have elapsed. Then, in programmable one-shot generation mode, count operation begins and one-shot waveform output starts. (In programmable wait one-shot generation mode, count operation starts for the wait period.) If a one-shot trigger occurs while the TOSSTF bit is set to 1, no retriggering occurs.

To use trigger input from the $\overline{\text{INT0}}$ pin, input the trigger after making the following settings:

- Set the PD4_5 bit in the PD4 register to 0 (input port).
- Select the $\overline{\text{INT0}}$ digital filter with bits INT0F1 and INT0F0 in the INTF register.
- Select both edges or one edge with the INT0PL bit in INTEN register. If one edge is selected, further select falling or rising edge with the INOSEG bit in TRBIOC register.
- Set the INT0EN bit in the INTEN register to 0 (enabled).
- After completing the above, set the INOSTG bit in the TRBIOC register to 1 ($\overline{\text{INT}}$ pin one-shot trigger enabled).

Note the following points with regard to generating interrupt requests by trigger input from the $\overline{\text{INT0}}$ pin.

- Processing to handle the interrupts is required. Refer to **11. Interrupts**, for details.
- If one edge is selected, use the POL bit in the INT0IC register to select falling or rising edge. (The INOSEG bit in the TRBIOC register does not affect $\overline{\text{INT0}}$ interrupts).
- If a one-shot trigger occurs while the TOSSTF bit is set to 1, timer RB operation is not affected, but the value of the IR bit in the INT0IC register changes.

18.6 Programmable Wait One-Shot Generation Mode

In programmable wait one-shot generation mode, a one-shot pulse is output from the TRBO pin by a program or an external trigger input (input to the $\overline{\text{INT0}}$ pin) (refer to Table 18.5 Programmable Wait One-Shot Generation Mode Specifications). When a trigger is generated from that point, the timer outputs a pulse only once for a given length of time equal to the setting value in the TRBSC register after waiting for a given length of time equal to the setting value in the TRBPR register.

Figure 18.5 shows an Operating Example of Programmable Wait One-Shot Generation Mode.

Table 18.5 Programmable Wait One-Shot Generation Mode Specifications

Item	Specification
Count sources	f1, f2, f8, timer RA underflow
Count operations	<ul style="list-style-type: none"> Decrement the timer RB primary setting value. When a count of the timer RB primary underflows, the timer reloads the contents of timer RB secondary before the count continues. When a count of the timer RB secondary underflows, the timer reloads the contents of timer RB primary before the count completes and the TOSSTF bit is set to 0 (one-shot stops). When the count stops, the timer reloads the contents of the reload register before it stops.
Wait time	$(n+1)(m+1)/f_i$ f _i : Count source frequency n: Value set in the TRBPRES register, m: Value set in the TRBPR register
One-shot pulse output time	$(n+1)(p+1)/f_i$ f _i : Count source frequency n: Value set in the TRBPRES register, p: Value set in the TRBSC register
Count start conditions	<ul style="list-style-type: none"> The TSTART bit in the TRBCR register is set to 1 (count starts) and the next trigger is generated. Set the TOSST bit in the TRBOCR register to 1 (one-shot starts). Input trigger to the $\overline{\text{INT0}}$ pin
Count stop conditions	<ul style="list-style-type: none"> When reloading completes after timer RB underflows during secondary period. When the TOSSP bit in the TRBOCR register is set to 1 (one-shot stops). When the TSTART bit in the TRBCR register is set to 0 (starts counting). When the TSTOP bit in the TRBCR register is set to 1 (forcibly stops counting).
Interrupt request generation timing	In half a cycle of the count source after timer RB underflows during secondary period (complete at the same time as waveform output from the TRBO pin) [timer RB interrupt].
TRBO pin function	Pulse output
$\overline{\text{INT0}}$ pin functions	<ul style="list-style-type: none"> When the INOSTG bit in the TRBIOC register is set to 0 ($\overline{\text{INT0}}$ one-shot trigger disabled): programmable I/O port or $\overline{\text{INT0}}$ interrupt input When the INOSTG bit in the TRBIOC register is set to 1 ($\overline{\text{INT0}}$ one-shot trigger enabled): external trigger ($\overline{\text{INT0}}$ interrupt input)
Read from timer	The count value can be read out by reading registers TRBPR and TRBPRES.
Write to timer	<ul style="list-style-type: none"> When registers TRBPRES, TRBSC, and TRBPR are written while the count stops, values are written to both the reload register and counter. When registers TRBPRES, TRBSC, and TRBPR are written to during count operation, values are written to the reload registers only. ⁽¹⁾
Selectable functions	<ul style="list-style-type: none"> Output level select function The output level of the one-shot pulse waveform is selected by the TOPL bit in the TRBIOC register. One-shot trigger select function Refer to 18.5.3 One-Shot Trigger Selection.

Note:

- The set value is reflected at the following one-shot pulse after writing to registers TRBSC and TRBPR.

18.6.1 Timer RB I/O Control Register (TRBIOC) in Programmable Wait One-Shot Generation Mode

Address 010Ah

Bit	b7	b6	b5	b4	b3	b2	b1	b0
Symbol	—	—	—	—	INOSEG	INOSTG	TOCNT	TOPL
After Reset	0	0	0	0	0	0	0	0

Bit	Symbol	Bit Name	Function	R/W
b0	TOPL	Timer RB output level select bit	0: Outputs one-shot pulse "H" Outputs "L" when the timer stops or during wait 1: Outputs one-shot pulse "L" Outputs "H" when the timer stops or during wait	R/W
b1	TOCNT	Timer RB output switch bit	Set to 0 in programmable wait one-shot generation mode.	R/W
b2	INOSTG	One-shot trigger control bit ⁽¹⁾	0: $\overline{\text{INT0}}$ pin one-shot trigger disabled 1: $\overline{\text{INT0}}$ pin one-shot trigger enabled	R/W
b3	INOSEG	One-shot trigger polarity select bit ⁽¹⁾	0: Falling edge trigger 1: Rising edge trigger	R/W
b4	—	Nothing is assigned. If necessary, set to 0. When read, the content is 0.		—
b5	—			
b6	—			
b7	—			

Note:

1. Refer to **18.5.3 One-Shot Trigger Selection**.

18.6.2 Operating Example

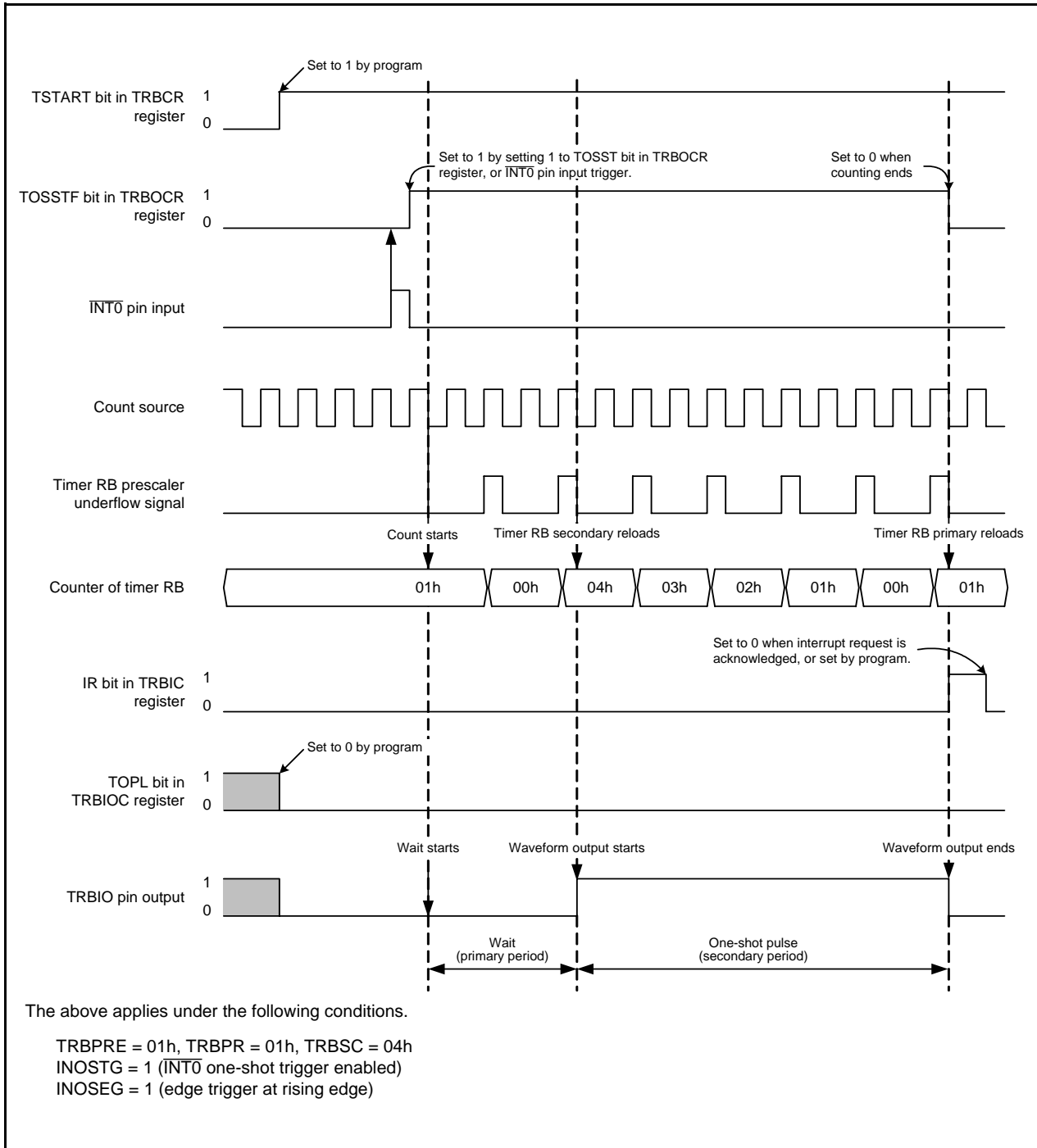


Figure 18.5 Operating Example of Programmable Wait One-Shot Generation Mode

18.7 Notes on Timer RB

- Timer RB stops counting after a reset. Set the values in the timer RB and timer RB prescalers before the count starts.
- Even if the prescaler and timer RB is read out in 16-bit units, these registers are read 1 byte at a time by the MCU. Consequently, the timer value may be updated during the period when these two registers are being read.
- In programmable one-shot generation mode and programmable wait one-shot generation mode, when setting the TSTART bit in the TRBCR register to 0, 0 (stops counting) or setting the TOSSP bit in the TRBOCR register to 1 (stops one-shot), the timer reloads the value of reload register and stops. Therefore, in programmable one-shot generation mode and programmable wait one-shot generation mode, read the timer count value before the timer stops.
- The TCSTF bit remains 0 (count stops) for 1 to 2 cycles of the count source after setting the TSTART bit to 1 (count starts) while the count is stopped.

During this time, do not access registers associated with timer RB ⁽¹⁾ other than the TCSTF bit. Timer RB starts counting at the first valid edge of the count source after the TCSTF bit is set to 1 (during count).

The TCSTF bit remains 1 for 1 to 2 cycles of the count source after setting the TSTART bit to 0 (count stops) while the count is in progress. Timer RB counting is stopped when the TCSTF bit is set to 0.

During this time, do not access registers associated with timer RB ⁽¹⁾ other than the TCSTF bit.

Note:

1. Registers associated with timer RB: TRBCR, TRBOCR, TRBIOC, TRBMR, TRBPRES, TRBSC, and TRBPR.

- If the TSTOP bit in the TRBCR register is set to 1 during timer operation, timer RB stops immediately.
- If 1 is written to the TOSST or TOSSP bit in the TRBOCR register, the value of the TOSSTF bit changes after one or two cycles of the count source have elapsed. If the TOSSP bit is written to 1 during the period between when the TOSST bit is written to 1 and when the TOSSTF bit is set to 1, the TOSSTF bit may be set to either 0 or 1 depending on the content state. Likewise, if the TOSST bit is written to 1 during the period between when the TOSSP bit is written to 1 and when the TOSSTF bit is set to 0, the TOSSTF bit may be set to either 0 or 1.

18.7.1 Timer Mode

To write to registers TRBPRES and TRBPR during count operation (TCSTF bit in the TRBCR register is set to 1), note the following points:

- When the TRBPRES register is written continuously, allow three or more cycles of the count source for each write interval.
- When the TRBPR register is written continuously, allow three or more cycles of the prescaler underflow for each write interval.

18.7.2 Programmable Waveform Generation Mode

To write to registers TRBPRES and TRBPR during count operation (TCSTF bit in the TRBCR register is set to 1), note the following points:

- When the TRBPRES register is written continuously, allow three or more cycles of the count source for each write interval.
- When the TRBPR register is written continuously, allow three or more cycles of the prescaler underflow for each write interval.

18.7.3 Programmable One-shot Generation Mode

To write to registers TRBPRES and TRBPR during count operation (TCSTF bit in the TRBCR register is set to 1), note the following points:

- When the TRBPRES register is written continuously during count operation (TCSTF bit is set to 1), allow three or more cycles of the count source for each write interval.
- When the TRBPR register is written continuously during count operation (TCSTF bit is set to 1), allow three or more cycles of the prescaler underflow for each write interval.

18.7.4 Programmable Wait One-shot Generation Mode

To write to registers TRBPRES and TRBPR during count operation (TCSTF bit in the TRBCR register is set to 1), note the following points:

- When the TRBPRES register is written continuously, allow three or more cycles of the count source for each write interval.
- When the TRBPR register is written continuously, allow three or more cycles of the prescaler underflow for each write interval.

19. Timer RC

Timer RC is a 16-bit timer with four I/O pins.

19.1 Overview

Timer RC uses either f1, fOCO40M or fOCO-F as its operation clock. Table 19.1 lists the Timer RC Operation Clock.

Table 19.1 Timer RC Operation Clock

Condition	Timer RC Operation Clock
Count source is f1, f2, f4, f8, f32, or TRCCLK input (bits TCK2 to TCK0 in TRCCR1 register are set to a value from 000b to 101b)	f1
Count source is fOCO40M (bits TCK2 to TCK0 in TRCCR1 register are set to 110b)	fOCO40M
Count source is fOCO-F (bits TCK2 to TCK0 in TRCCR1 register are set to 111b)	fOCO-F

Table 19.2 lists the Pin Configuration of Timer RC, and Figure 19.1 shows a Timer RC Block Diagram.

Timer RC has three modes.

- Timer mode
 - Input capture function The counter value is captured to a register, using an external signal as the trigger.
 - Output compare function Matches between the counter and register values are detected. (Pin output state changes when a match is detected.)

The following two modes use the output compare function.

- PWM mode Pulses of a given width are output continuously.
- PWM2 mode A one-shot waveform or PWM waveform is output following the trigger after the wait time has elapsed.

Input capture function, output compare function, and PWM mode settings may be specified independently for each pin.

In PWM2 mode waveforms are output based on a combination of the counter or the register.

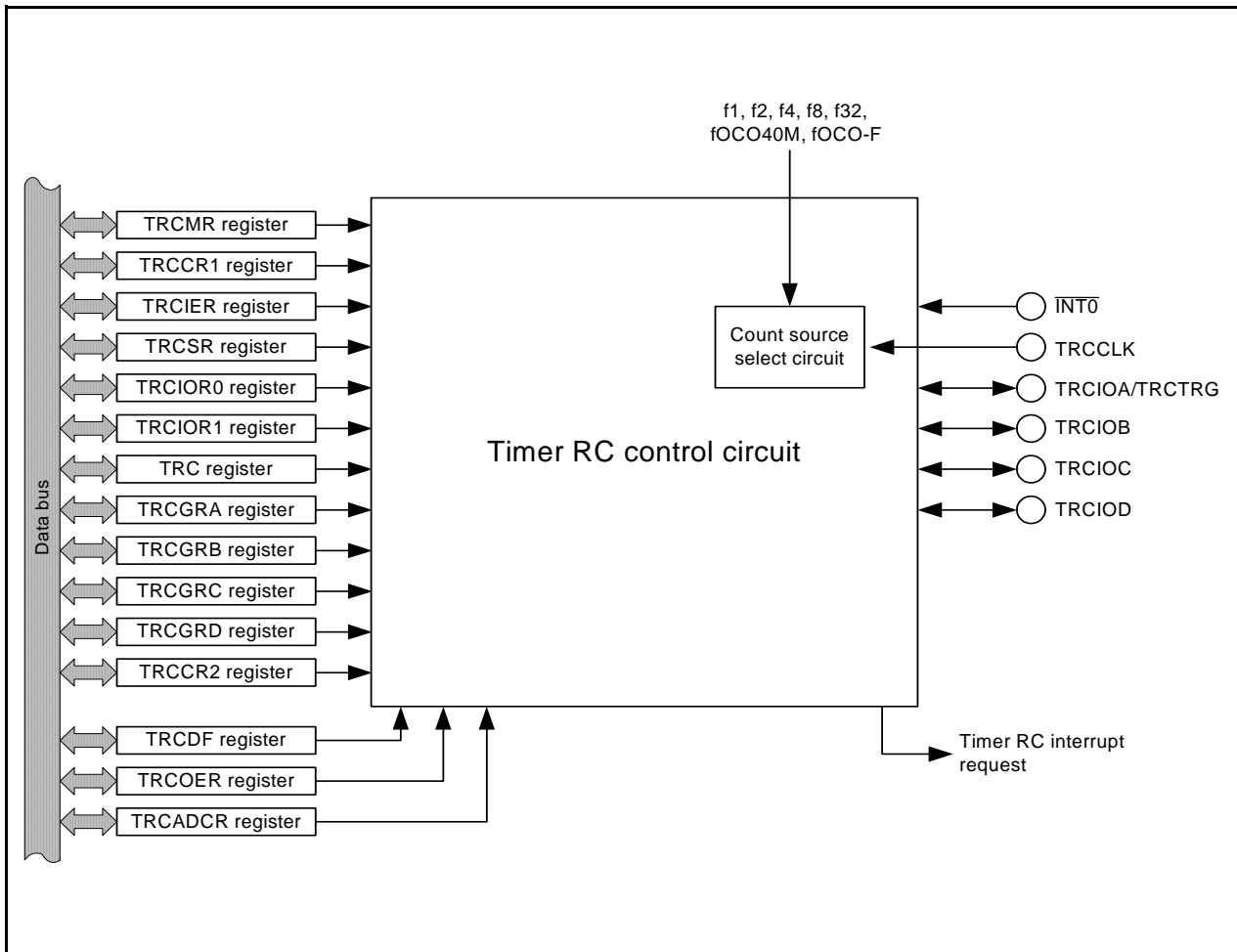


Figure 19.1 Timer RC Block Diagram

Table 19.2 Pin Configuration of Timer RC

Pin Name	Assigned Pin	I/O	Function
TRCIOA	P0_0, P0_1, P0_2, or P1_1	I/O	Function differs according to the mode. Refer to descriptions of individual modes for details
TRCIOB	P0_3, P0_4, P0_5, P1_2, P2_0, or P6_5		
TRCIOC	P0_7, P1_3, P2_1, P3_4, or P6_6		
TRCIOD	P0_6, P1_0, P2_2, P3_5, or P6_7		
TRCCLK	P1_4 or P3_3	Input	External clock input
TRCTRG	P0_0, P0_1, P0_2, or P1_1	Input	PWM2 mode external trigger input

19.2 Registers

Table 19.3 lists the Registers Associated with Timer RC.

Table 19.3 Registers Associated with Timer RC

Address	Symbol	Mode				Related Information
		Timer		PWM	PWM2	
		Input Capture Function	Output Compare Function			
0008h	MSTCR	Valid	Valid	Valid	Valid	19.2.1 Module Standby Control Register (MSTCR)
0120h	TRCMR	Valid	Valid	Valid	Valid	19.2.2 Timer RC Mode Register (TRCMR)
0121h	TRCCR1	Valid	Valid	Valid	Valid	Timer RC control register 1 19.2.3 Timer RC Control Register 1 (TRCCR1) 19.5.1 Timer RC Control Register 1 (TRCCR1) for Output Compare Function 19.6.1 Timer RC Control Register 1 (TRCCR1) in PWM Mode 19.7.1 Timer RC Control Register 1 (TRCCR1) in PWM2 Mode
0122h	TRCIER	Valid	Valid	Valid	Valid	19.2.4 Timer RC Interrupt Enable Register (TRCIER)
0123h	TRCSR	Valid	Valid	Valid	Valid	19.2.5 Timer RC Status Register (TRCSR)
0124h	TRCIOR0	Valid	Valid	-	-	Timer RC I/O control register 0, timer RC I/O control register 1 19.2.6 Timer RC I/O Control Register 0 (TRCIOR0) 19.2.7 Timer RC I/O Control Register 1 (TRCIOR1) 19.4.1 Timer RC I/O Control Register 0 (TRCIOR0) for Input Capture Function 19.4.2 Timer RC I/O Control Register 1 (TRCIOR1) for Input Capture Function 19.5.2 Timer RC I/O Control Register 0 (TRCIOR0) for Output Compare Function 19.5.3 Timer RC I/O Control Register 1 (TRCIOR1) for Output Compare Function
0125h	TRCIOR1					
0126h 0127h	TRC	Valid	Valid	Valid	Valid	19.2.8 Timer RC Counter (TRC)
0128h 0129h	TRCGRA	Valid	Valid	Valid	Valid	19.2.9 Timer RC General Registers A, B, C, and D (TRCGRA, TRCGRB, TRCGRC, TRCGRD)
012Ah 012Bh	TRCGRB					
012Ch 012Dh	TRCGRC					
012Eh 012Fh	TRCGRD					
0130h	TRCCR2	-	Valid	Valid	Valid	19.2.10 Timer RC Control Register 2 (TRCCR2)
0131h	TRCDF	Valid	-	-	Valid	19.2.11 Timer RC Digital Filter Function Select Register (TRCDF)
0132h	TRCOER	-	Valid	Valid	Valid	19.2.12 Timer RC Output Master Enable Register (TRCOER)
0133h	TRCADCR	-	Valid	Valid	Valid	19.2.13 Timer RC Trigger Control Register (TRCADCR)
0181h	TRBRCSR	Valid	Valid	Valid	Valid	19.2.14 Timer RB/RC Pin Select Register (TRBRCSR)
0182h	TRCPSR0	Valid	Valid	Valid	Valid	19.2.15 Timer RC Pin Select Register 0 (TRCPSR0)
0183h	TRCPSR1	Valid	Valid	Valid	Valid	19.2.16 Timer RC Pin Select Register 1 (TRCPSR1)

-: Invalid

19.2.1 Module Standby Control Register (MSTCR)

Address 0008h

Bit	b7	b6	b5	b4	b3	b2	b1	b0
Symbol	—	—	MSTTRC	MSTTRD	MSTIIC	—	—	—
After Reset	0	0	0	0	0	0	0	0

Bit	Symbol	Bit Name	Function	R/W
b0	—	Nothing is assigned. If necessary, set to 0. When read, the content is 0.		—
b1	—			
b2	—			
b3	MSTIIC	SSU, I ² C bus standby bit	0: Active 1: Standby ⁽¹⁾	R/W
b4	MSTTRD	Timer RD standby bit	0: Active 1: Standby ^(2, 3)	R/W
b5	MSTTRC	Timer RC standby bit	0: Active 1: Standby ⁽⁴⁾	R/W
b6	—	Nothing is assigned. If necessary, set to 0. When read, the content is 0.		—
b7	—			

Notes:

- When the MSTIIC bit is set to 1 (standby), any access to the SSU or the I²C bus associated registers (addresses 0193h to 019Dh) is disabled.
- When the MSTTRD bit is set to 1 (standby), any access to the timer RD associated registers (addresses 0135h to 015Fh) is disabled.
- To set the MSTTRD bit to 1 (standby), set bits TCK2 to TCK0 in the TRDCR_i (i = 0 or 1) register to 000b (f1).
- When the MSTTRC bit is set to 1 (standby), any access to the timer RC associated registers (addresses 0120h to 0133h) is disabled.

19.2.2 Timer RC Mode Register (TRCMR)

Address 0120h

Bit	b7	b6	b5	b4	b3	b2	b1	b0
Symbol	TSTART	—	BFD	BFC	PWM2	PWMD	PWMC	PWMB
After Reset	0	1	0	0	1	0	0	0

Bit	Symbol	Bit Name	Function	R/W
b0	PWMB	PWM mode of TRCIOB select bit ⁽¹⁾	0: Timer mode 1: PWM mode	R/W
b1	PWMC	PWM mode of TRCIOC select bit ⁽¹⁾	0: Timer mode 1: PWM mode	R/W
b2	PWMD	PWM mode of TRCIOD select bit ⁽¹⁾	0: Timer mode 1: PWM mode	R/W
b3	PWM2	PWM2 mode select bit	0: PWM 2 mode 1: Timer mode or PWM mode	R/W
b4	BFC	TRCGRC register function select bit ⁽²⁾	0: General register 1: Buffer register of TRCGRA register	R/W
b5	BFD	TRCGRD register function select bit	0: General register 1: Buffer register of TRCGRB register	R/W
b6	—	Nothing is assigned. If necessary, set to 0. When read, the content is 1.		—
b7	TSTART	TRC count start bit	0: Count stops 1: Count starts	R/W

Notes:

- These bits are enabled when the PWM2 bit is set to 1 (timer mode or PWM mode).
- Set the BFC bit to 0 (general register) in PWM2 mode.

For notes on PWM2 mode, refer to **19.9.6 TRCMR Register in PWM2 Mode**.

19.2.3 Timer RC Control Register 1 (TRCCR1)

Address 0121h

Bit	b7	b6	b5	b4	b3	b2	b1	b0
Symbol	CCLR	TCK2	TCK1	TCK0	TOD	TOC	TOB	TOA
After Reset	0	0	0	0	0	0	0	0

Bit	Symbol	Bit Name	Function	R/W
b0	TOA	TRCIOA output level select bit (1)	Function varies according to the operating mode (function).	R/W
b1	TOB	TRCIOB output level select bit (1)		R/W
b2	TOC	TRCIOC output level select bit (1)		R/W
b3	TOD	TRCIOD output level select bit (1)		R/W
b4	TCK0	Count source select bit (1)	b6 b5 b4 0 0 0: f1 0 0 1: f2 0 1 0: f4 0 1 1: f8 1 0 0: f32 1 0 1: TRCCLK input rising edge 1 1 0: fOCO40M 1 1 1: fOCO-F (2)	R/W
b5	TCK1			R/W
b6	TCK2			R/W
b7	CCLR	TRC counter clear select bit	0: Disable clear (free-running operation) 1: Clear TRC counter by input capture or by compare match in TRCGRA	R/W

Notes:

1. Set to these bits when the TSTART bit in the TRCMR register is set to 0 (count stops).
2. To select fOCO-F, set it to the clock frequency higher than the CPU clock frequency.

19.2.4 Timer RC Interrupt Enable Register (TRCIER)

Address 0122h

Bit	b7	b6	b5	b4	b3	b2	b1	b0
Symbol	OVIE	—	—	—	IMIED	IMIEC	IMIEB	IMIEA
After Reset	0	1	1	1	0	0	0	0

Bit	Symbol	Bit Name	Function	R/W
b0	IMIEA	Input capture / compare match interrupt enable bit A	0: Disable interrupt (IMIA) by the IMFA bit 1: Enable interrupt (IMIA) by the IMFA bit	R/W
b1	IMIEB	Input capture / compare match interrupt enable bit B	0: Disable interrupt (IMIB) by the IMFB bit 1: Enable interrupt (IMIB) by the IMFB bit	R/W
b2	IMIEC	Input capture / compare match interrupt enable bit C	0: Disable interrupt (IMIC) by the IMFC bit 1: Enable interrupt (IMIC) by the IMFC bit	R/W
b3	IMIED	Input capture / compare match interrupt enable bit D	0: Disable interrupt (IMID) by the IMFD bit 1: Enable interrupt (IMID) by the IMFD bit	R/W
b4	—	Nothing is assigned. If necessary, set to 0. When read, the content is 1.		—
b5	—			
b6	—			
b7	OVIE	Overflow interrupt enable bit	0: Disable interrupt (OVI) by the OVF bit 1: Enable interrupt (OVI) by the OVF bit	R/W

19.2.5 Timer RC Status Register (TRCSR)

Address 0123h

Bit	b7	b6	b5	b4	b3	b2	b1	b0
Symbol	OVF	—	—	—	IMFD	IMFC	IMFB	IMFA
After Reset	0	1	1	1	0	0	0	0

Bit	Symbol	Bit Name	Function	R/W
b0	IMFA	Input capture / compare match flag A	[Source for setting this bit to 0]	R/W
b1	IMFB	Input capture / compare match flag B	Write 0 after read ⁽¹⁾ .	R/W
b2	IMFC	Input capture / compare match flag C	[Source for setting this bit to 1]	R/W
b3	IMFD	Input capture / compare match flag D	Refer to Table 19.4 Source for Setting Bit of Each Flag to 1.	R/W
b4	—	Nothing is assigned. If necessary, set to 0. When read, the content is 1.		—
b5	—			
b6	—			
b7	OVF	Overflow flag	[Source for setting this bit to 0] Write 0 after read ⁽¹⁾ . [Source for setting this bit to 1] Refer to Table 19.4 Source for Setting Bit of Each Flag to 1.	R/W

Note:

- The writing results are as follows:
 - This bit is set to 0 when the read result is 1 and 0 is written to the same bit.
 - This bit remains unchanged even if the read result is 0 and 0 is written to the same bit. (This bit remains 1 even if it is set to 1 from 0 after reading, and writing 0.)
 - This bit remains unchanged if 1 is written to it.

Table 19.4 Source for Setting Bit of Each Flag to 1

Bit Symbol	Timer Mode		PWM Mode	PWM2 Mode
	Input capture Function	Output Compare Function		
IMFA	TRCIOA pin input edge ⁽¹⁾	When the values of the registers TRC and TRCGRA match.		
IMFB	TRCIOB pin input edge ⁽¹⁾	When the values of the registers TRC and TRCGRB match.		
IMFC	TRCIOC pin input edge ⁽¹⁾	When the values of the registers TRC and TRCGRC match. ⁽²⁾		
IMFD	TRCIOD pin input edge ⁽¹⁾	When the values of the registers TRC and TRCGRD match. ⁽²⁾		
OVF	When the TRC register overflows.			

Notes:

- Edge selected by bits IOj1 to IOj0 (j = A, B, C, or D).
- Includes the condition that bits BFC and BFD are set to 1 (buffer registers of registers TRCGRA and TRCGRB).

19.2.6 Timer RC I/O Control Register 0 (TRCIOR0)

Address 0124h

Bit	b7	b6	b5	b4	b3	b2	b1	b0
Symbol	—	IOB2	IOB1	IOB0	IOA3	IOA2	IOA1	IOA0
After Reset	1	0	0	0	1	0	0	0

Bit	Symbol	Bit Name	Function	R/W
b0	IOA0	TRCGRA control bit	Function varies according to the operating mode (function).	R/W
b1	IOA1			R/W
b2	IOA2	TRCGRA mode select bit ⁽¹⁾	0: Output compare function 1: Input capture function	R/W
b3	IOA3	TRCGRA input capture input switch bit ⁽³⁾	0: fOCO128 signal 1: TRCIOA pin input	R/W
b4	IOB0	TRCGRB control bit	Function varies according to the operating mode (function).	R/W
b5	IOB1			R/W
b6	IOB2	TRCGRB mode select bit ⁽²⁾	0: Output compare function 1: Input capture function	R/W
b7	—	Nothing is assigned. If necessary, set to 0. When read, the content is 1.		—

Notes:

1. When the BFC bit in the TRCMR register is set to 1 (buffer register of TRCGRA register), set the IOC2 bit in the TRCIOR1 register to the same value as the IOA2 bit in the TRCIOR0 register.
2. When the BFD bit in the TRCMR register is set to 1 (buffer register of TRCGRB register), set the IOD2 bit in the TRCIOR1 register to the same value as the IOB2 bit in the TRCIOR0 register.
3. The IOA3 bit is enabled when the IOA2 bit is set to 1 (input capture function).

The TRCIOR0 register is enabled in timer mode. It is disabled in modes PWM and PWM2.

19.2.7 Timer RC I/O Control Register 1 (TRCIOR1)

Address 0125h

Bit	b7	b6	b5	b4	b3	b2	b1	b0
Symbol	IOD3	IOD2	IOD1	IOD0	IOC3	IOC2	IOC1	IOC0
After Reset	1	0	0	0	1	0	0	0

Bit	Symbol	Bit Name	Function	R/W
b0	IOC0	TRCGRC control bit	Function varies according to the operating mode (function).	R/W
b1	IOC1			R/W
b2	IOC2	TRCGRC mode select bit ⁽¹⁾	0: Output compare function 1: Input capture function	R/W
b3	IOC3	TRCGRC register function select bit	0: TRCIOA output register 1: General register or buffer register	R/W
b4	IOD0	TRCGRD control bit	Function varies according to the operating mode (function).	R/W
b5	IOD1			R/W
b6	IOD2	TRCGRD mode select bit ⁽²⁾	0: Output compare function 1: Input capture function	R/W
b7	IOD3	TRCGRD register function select bit	0: TRCIOB output register 1: General register or buffer register	R/W

Notes:

1. When the BFC bit in the TRCMR register is set to 1 (buffer register of TRCGRA register), set the IOC2 bit in the TRCIOR1 register to the same value as the IOA2 bit in the TRCIOR0 register.
2. When the BFD bit in the TRCMR register is set to 1 (buffer register of TRCGRB register), set the IOD2 bit in the TRCIOR1 register to the same value as the IOB2 bit in the TRCIOR0 register.

The TRCIOR1 register is enabled in timer mode. It is disabled in modes PWM and PWM2.

19.2.8 Timer RC Counter (TRC)

Address 0127h to 0126h

Bit	b7	b6	b5	b4	b3	b2	b1	b0
Symbol	—	—	—	—	—	—	—	—
After Reset	0	0	0	0	0	0	0	0

Bit	b15	b14	b13	b12	b11	b10	b9	b8
Symbol	—	—	—	—	—	—	—	—
After Reset	0	0	0	0	0	0	0	0

Bit	Function	Setting Range	R/W
b15 to b0	Count a count source. Count operation is incremented. When an overflow occurs, the OVF bit in the TRCSR register is set to 1.	0000h to FFFFh	R/W

Access the TRC register in 16-bit units. Do not access it in 8-bit units.

19.2.9 Timer RC General Registers A, B, C, and D (TRCGRA, TRCGRB, TRCGRC, TRCGRD)

Address 0129h to 0128h (TRCGRA), 012Bh to 012Ah (TRCGRB), 012Dh to 012Ch (TRCGRC), 012Fh to 012Eh (TRCGRD)

Bit	b7	b6	b5	b4	b3	b2	b1	b0
Symbol	—	—	—	—	—	—	—	—
After Reset	1	1	1	1	1	1	1	1

Bit	b15	b14	b13	b12	b11	b10	b9	b8
Symbol	—	—	—	—	—	—	—	—
After Reset	1	1	1	1	1	1	1	1

Bit	Function	R/W
b15 to b0	Function varies according to the operating mode.	R/W

Access registers TRCGRA to TRCGRD in 16-bit units. Do not access them in 8-bit units.

19.2.10 Timer RC Control Register 2 (TRCCR2)

Address 0130h

Bit	b7	b6	b5	b4	b3	b2	b1	b0
Symbol	TCEG1	TCEG0	CSEL	—	—	POLD	POLC	POLB
After Reset	0	0	0	1	1	0	0	0

Bit	Symbol	Bit Name	Function	R/W
b0	POLB	PWM mode output level control bit B ⁽¹⁾	0: TRCIOB output level selected as “L” active 1: TRCIOB output level selected as “H” active	R/W
b1	POLC	PWM mode output level control bit C ⁽¹⁾	0: TRCIOC output level selected as “L” active 1: TRCIOC output level selected as “H” active	R/W
b2	POLD	PWM mode output level control bit D ⁽¹⁾	0: TRCIOD output level selected as “L” active 1: TRCIOD output level selected as “H” active	R/W
b3	—	Nothing is assigned. If necessary, set to 0. When read, the content is 1.		—
b4	—			
b5	CSEL	TRC count operation select bit ⁽²⁾	0: Count continues at compare match with the TRCGRA register 1: Count stops at compare match with the TRCGRA register	R/W
b6	TCEG0	TRCTRG input edge select bit ⁽³⁾	b7 b6 0 0: Disable the trigger input from the TRCTRG pin 0 1: Rising edge selected 1 0: Falling edge selected 1 1: Both edges selected	R/W
b7	TCEG1			R/W

Notes:

1. Enabled when in PWM mode.
2. Enabled when in output compare function, PWM mode, or PWM2 mode. For notes on PWM2 mode, refer to **19.9.6 TRCMR Register in PWM2 Mode**.
3. Enabled when in PWM2 mode.

19.2.11 Timer RC Digital Filter Function Select Register (TRCDF)

Address 0131h

Bit	b7	b6	b5	b4	b3	b2	b1	b0
Symbol	DFCK1	DFCK0	—	DFTRG	DFD	DFC	DFB	DFA
After Reset	0	0	0	0	0	0	0	0

Bit	Symbol	Bit Name	Function	R/W
b0	DFA	TRCIOA pin digital filter function select bit ⁽¹⁾	0: Function is not used 1: Function is used	R/W
b1	DFB	TRCIOB pin digital filter function select bit ⁽¹⁾		R/W
b2	DFC	TRCIOC pin digital filter function select bit ⁽¹⁾		R/W
b3	DFD	TRCIOD pin digital filter function select bit ⁽¹⁾		R/W
b4	DFTRG	TRCTRG pin digital filter function select bit ⁽²⁾		R/W
b5	—	Nothing is assigned. If necessary, set to 0. When read, the content is 0.		—
b6	DFCK0	Clock select bits for digital filter function ^(1, 2)	b7 b6 0 0: f32 0 1: f8 1 0: f1 1 1: Count source (clock selected by bits TCK2 to TCK0 in the TRCCR1 register)	R/W
b7	DFCK1			R/W

Notes:

1. These bits are enabled for the input capture function.
2. These bits are enabled when in PWM2 mode and bits TCEG1 to TCEG0 in the TRCCR2 register are set to 01b, 10b, or 11b (TRCTRG trigger input enabled).

19.2.12 Timer RC Output Master Enable Register (TRCOER)

Address 0132h

Bit	b7	b6	b5	b4	b3	b2	b1	b0
Symbol	PTO	—	—	—	ED	EC	EB	EA
After Reset	0	1	1	1	1	1	1	1

Bit	Symbol	Bit Name	Function	R/W
b0	EA	TRCIOA output disable bit ⁽¹⁾	0: Enable output 1: Disable output (The TRCIOA pin is used as a programmable I/O port.)	R/W
b1	EB	TRCIOB output disable bit ⁽¹⁾	0: Enable output 1: Disable output (The TRCIOB pin is used as a programmable I/O port.)	R/W
b2	EC	TRCIOC output disable bit ⁽¹⁾	0: Enable output 1: Disable output (The TRCIOC pin is used as a programmable I/O port.)	R/W
b3	ED	TRCIOD output disable bit ⁽¹⁾	0: Enable output 1: Disable output (The TRCIOD pin is used as a programmable I/O port.)	R/W
b4	—	Nothing is assigned. If necessary, set to 0. When read, the content is 1.		—
b5	—			
b6	—			
b7	PTO	INT0 of pulse output forced cutoff signal input enabled bit	0: Pulse output forced cutoff input disabled 1: Pulse output forced cutoff input enabled (Bits EA, EB, EC, and ED are set to 1 (disable output) when "L" is applied to the INT0 pin)	R/W

Note:

1. These bits are disabled for input pins set to the input capture function.

19.2.13 Timer RC Trigger Control Register (TRCADCR)

Address 0133h

Bit	b7	b6	b5	b4	b3	b2	b1	b0
Symbol	—	—	—	—	ADTRGDE	ADTRGCE	ADTRGBE	ADTRGAE
After Reset	0	0	0	0	0	0	0	0

Bit	Symbol	Bit Name	Function	R/W
b0	ADTRGAE	A/D trigger A enable bit	0: A/D trigger disabled 1: A/D trigger generated at compare match with registers TRC and TRCGRA	R/W
b1	ADTRGBE	A/D trigger B enable bit	0: A/D trigger disabled 1: A/D trigger generated at compare match with registers TRC and TRCGRB	R/W
b2	ADTRGCE	A/D trigger C enable bit	0: A/D trigger disabled 1: A/D trigger generated at compare match with registers TRC and TRCGRC	R/W
b3	ADTRGDE	A/D trigger D enable bit	0: A/D trigger disabled 1: A/D trigger generated at compare match with registers TRC and TRCGRD	R/W
b4	—	Nothing is assigned. If necessary, set to 0. When read, the content is 0.		—
b5	—			
b6	—			
b7	—			

19.2.14 Timer RB/RC Pin Select Register (TRBRCSR)

Address 0181h

Bit	b7	b6	b5	b4	b3	b2	b1	b0
Symbol	—	—	TRCCLKSEL1	TRCCLKSEL0	—	—	—	TRBOSEL0
After Reset	0	0	0	0	0	0	0	0

Bit	Symbol	Bit Name	Function	R/W
b0	TRBOSEL0	TRBO pin select bit	0: P1_3 assigned 1: P3_1 assigned	R/W
b1	—	Reserved bit	Set to 0.	R/W
b2	—	Nothing is assigned. If necessary, set to 0. When read, the content is 0.		—
b3	—			
b4	TRCCLKSEL0	TRCCLK pin select bit	b5 b4 0 0: TRCCLK pin not used 0 1: P1_4 assigned 1 0: P3_3 assigned 1 1: Do not set.	R/W
b5	TRCCLKSEL1			R/W
b6	—	Reserved bit	Set to 0.	R/W
b7	—	Nothing is assigned. If necessary, set to 0. When read, the content is 0.		—

The TRBRCSR register selects which pin is assigned to the timer RB and timer RC I/O. To use the I/O pin for timer RB and timer RC, set this register.

Set the TRBOSEL0 bit before setting the timer RB associated registers. Set bits TRCCLKSEL0 and TRCCLKSEL1 before setting the timer RC associated registers. Also, do not change the setting values of the TRBOSEL0 bit during timer RB operation. Do not change the setting values of bits TRCCLKSEL0 and TRCCLKSEL1 during timer RC operation.

19.2.15 Timer RC Pin Select Register 0 (TRCPSR0)

Address 0182h

Bit	b7	b6	b5	b4	b3	b2	b1	b0
Symbol	—	TRCIOBSEL2	TRCIOBSEL1	TRCIOBSEL0	—	TRCIOASEL2	TRCIOASEL1	TRCIOASEL0
After Reset	0	0	0	0	0	0	0	0

Bit	Symbol	Bit Name	Function	R/W
b0	TRCIOASEL0	TRCIOA/TRCTRG pin select bit	b2 b1 b0 0 0 0: TRCIOA/TRCTRG pin not used 0 0 1: P1_1 assigned 0 1 0: P0_0 assigned 0 1 1: P0_1 assigned 1 0 0: P0_2 assigned Other than above: Do not set.	R/W
b1	TRCIOASEL1			R/W
b2	TRCIOASEL2			R/W
b3	—	Nothing is assigned. If necessary, set to 0. When read, the content is 0.		—
b4	TRCIOBSEL0	TRCIOB pin select bit	b6 b5 b4 0 0 0: TRCIOB pin not used 0 0 1: P1_2 assigned 0 1 0: P0_3 assigned 0 1 1: P0_4 assigned 1 0 0: P0_5 assigned 1 0 1: P2_0 assigned 1 1 0: P6_5 assigned Other than above: Do not set.	R/W
b5	TRCIOBSEL1			R/W
b6	TRCIOBSEL2			R/W
b7	—	Nothing is assigned. If necessary, set to 0. When read, the content is 0.		—

The TRCPSR0 register selects which pin is assigned to the timer RC I/O. To use the I/O pin for timer RC, set this register.

Set the TRCPSR0 register before setting the timer RC associated registers. Also, do not change the setting value in this register during timer RC operation.

19.2.16 Timer RC Pin Select Register 1 (TRCPSR1)

Address 0183h

Bit	b7	b6	b5	b4	b3	b2	b1	b0
Symbol	—	TRCIODSEL2	TRCIODSEL1	TRCIODSEL0	—	TRCIOSEL2	TRCIOSEL1	TRCIOSEL0
After Reset	0	0	0	0	0	0	0	0

Bit	Symbol	Bit Name	Function	R/W
b0	TRCIOSEL0	TRCIO pin select bit	b2 b1 b0 0 0 0: TRCIO pin not used 0 0 1: P1_3 assigned 0 1 0: P3_4 assigned 0 1 1: P0_7 assigned 1 0 0: P2_1 assigned 1 0 1: P6_6 assigned Other than above: Do not set.	R/W
b1	TRCIOSEL1			R/W
b2	TRCIOSEL2			R/W
b3	—	Nothing is assigned. If necessary, set to 0. When read, the content is 0.		—
b4	TRCIODSEL0	TRCIOD pin select bit	b6 b5 b4 0 0 0: TRCIOD pin not used 0 0 1: P1_0 assigned 0 1 0: P3_5 assigned 0 1 1: P0_6 assigned 1 0 0: P2_2 assigned 1 0 1: P6_7 assigned Other than above: Do not set.	R/W
b5	TRCIODSEL1			R/W
b6	TRCIODSEL2			R/W
b7	—	Nothing is assigned. If necessary, set to 0. When read, the content is 0.		—

The TRCPSR1 register selects which pin is assigned to the timer RC I/O. To use the I/O pin for timer RC, set this register.

Set the TRCPSR1 register before setting the timer RC associated registers. Also, do not change the setting value in this register during timer RC operation.

19.3 Common Items for Multiple Modes

19.3.1 Count Source

The method of selecting the count source is common to all modes.
 Table 19.5 lists the Count Source Selection, and Figure 19.2 shows a Count Source Block Diagram.

Table 19.5 Count Source Selection

Count Source	Selection Method
f1, f2, f4, f8, f32	Count source selected using bits TCK2 to TCK0 in TRCCR1 register
fOCO40M fOCO-F	FRA00 bit in FRA0 register set to 1 (high-speed on-chip oscillator on) Bits TCK2 to TCK0 in TRCCR1 register are set to 110b (fOCO40M) Bits TCK2 to TCK0 in TRCCR1 register are set to 111b (fOCO-F)
External signal input to TRCCLK pin	Bits TCK2 to TCK0 in TRCCR1 register are set to 101b (count source is rising edge of external clock) and the corresponding direction bit in the corresponding direction register is set to 0 (input mode)

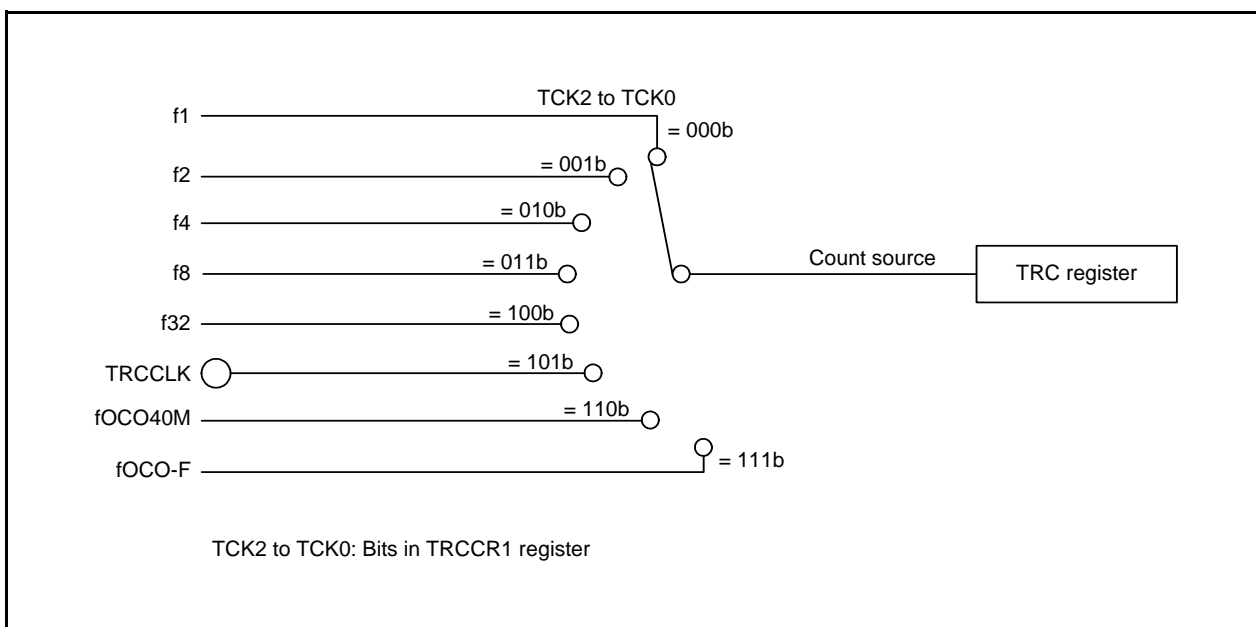


Figure 19.2 Count Source Block Diagram

The pulse width of the external clock input to the TRCCLK pin should be three cycles or more of the timer RC operation clock (see **Table 19.1 Timer RC Operation Clock**).

To select fOCO40M or fOCO-F as the count source, set the FRA00 bit in the FRA0 register set to 1 (high-speed on-chip oscillator on), and then set bits TCK2 to TCK0 in the TRCCR1 register to 110b (fOCO40M) or 111b (fOCO-F).

19.3.2 Buffer Operation

Bits BFC and BFD in the TRCMR register are used to select the TRCGRC or TRCGRD register as the buffer register for the TRCGRA or TRCGRB register.

- Buffer register for TRCGRA register: TRCGRC register
- Buffer register for TRCGRB register: TRCGRD register

Buffer operation differs depending on the mode.

Table 19.6 lists the Buffer Operation in Each Mode, Figure 19.3 shows the Buffer Operation for Input Capture Function, and Figure 19.4 shows the Buffer Operation for Output Compare Function.

Table 19.6 Buffer Operation in Each Mode

Function, Mode	Transfer Timing	Transfer Destination Register
Input capture function	Input capture signal input	Contents of TRCGRA (TRCGRB) register are transferred to buffer register
Output compare function	Compare match between TRC register and TRCGRA (TRCGRB) register	Contents of buffer register are transferred to TRCGRA (TRCGRB) register
PWM mode		
PWM2 mode	<ul style="list-style-type: none"> • Compare match between TRC register and TRCGRA register • TRCTRГ pin trigger input 	Contents of buffer register (TRCGRD) are transferred to TRCGRB register

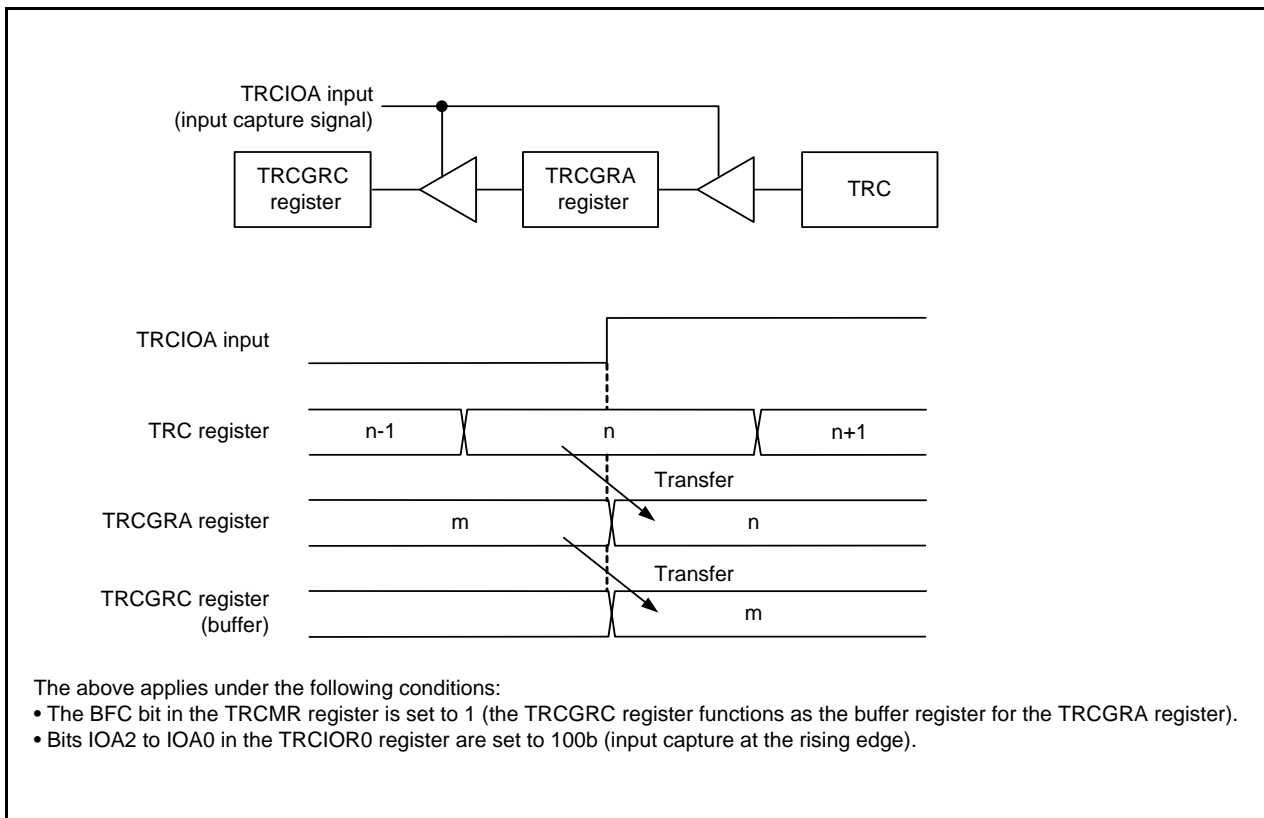


Figure 19.3 Buffer Operation for Input Capture Function

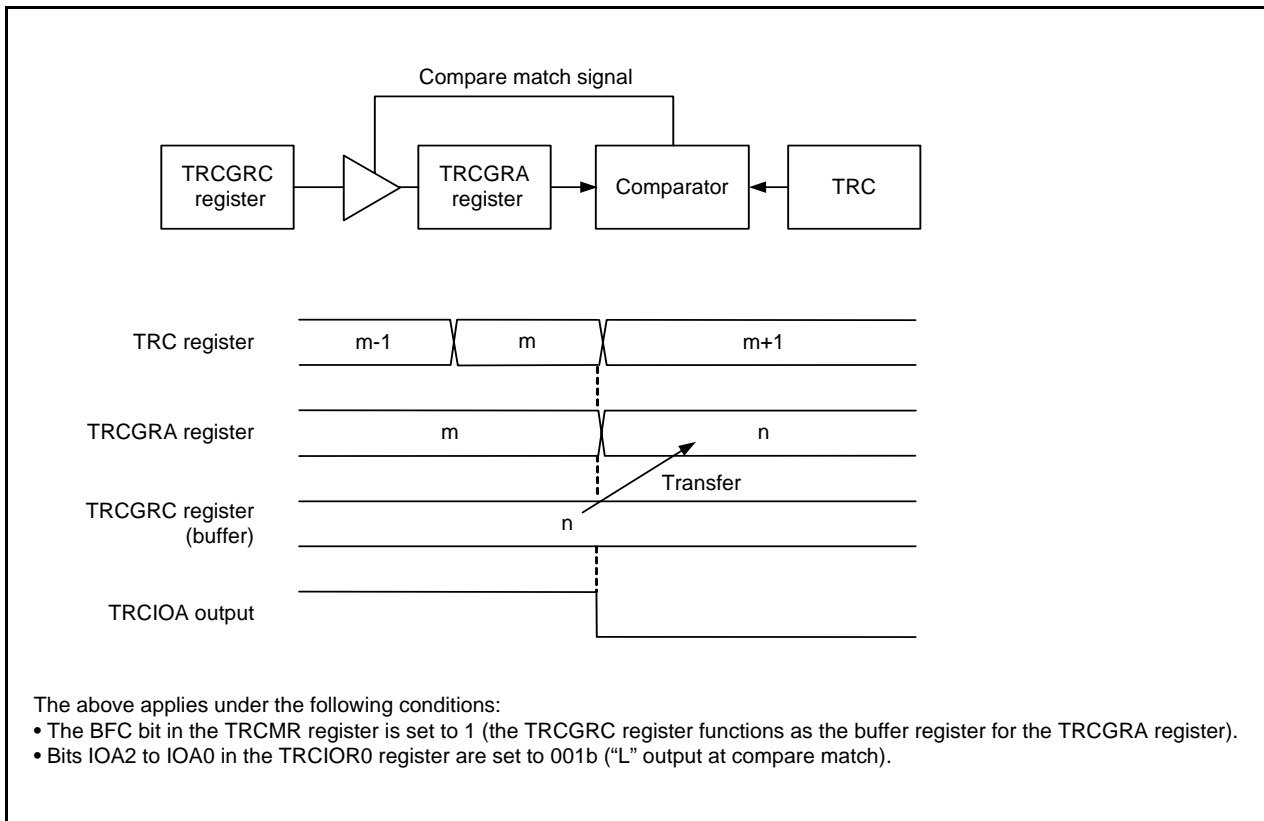


Figure 19.4 Buffer Operation for Output Compare Function

Make the following settings in timer mode.

- To use the TRCGRC register as the buffer register for the TRCGRA register:
 Set the IOC2 bit in the TRCIOR1 register to the same value as the IOA2 bit in the TRCIOR0 register.
- To use the TRCGRD register as the buffer register for the TRCGRB register:
 Set the IOD2 bit in the TRCIOR1 register to the same value as the IOB2 bit in the TRCIOR0 register.

The output compare function, PWM mode, or PWM2 mode, and the TRCGRC or TRCGRD register is functioning as a buffer register, the IMFC bit or IMFD bit in the TRCSR register is set to 1 when a compare match with the TRC register occurs.

The input capture function and the TRCGRC register or TRCGRD register is functioning as a buffer register, the IMFC bit or IMFD bit in the TRCSR register is set to 1 at the input edge of a signal input to the TRCIOC pin or TRCIOD pin.

19.3.3 Digital Filter

The input to TRCTR_j or TRCIO_j (j = A, B, C, or D) is sampled, and the level is considered to be determined when three matches occur. The digital filter function and sampling clock are selected using the TRCDF register. Figure 19.5 shows a Digital Filter Block Diagram.

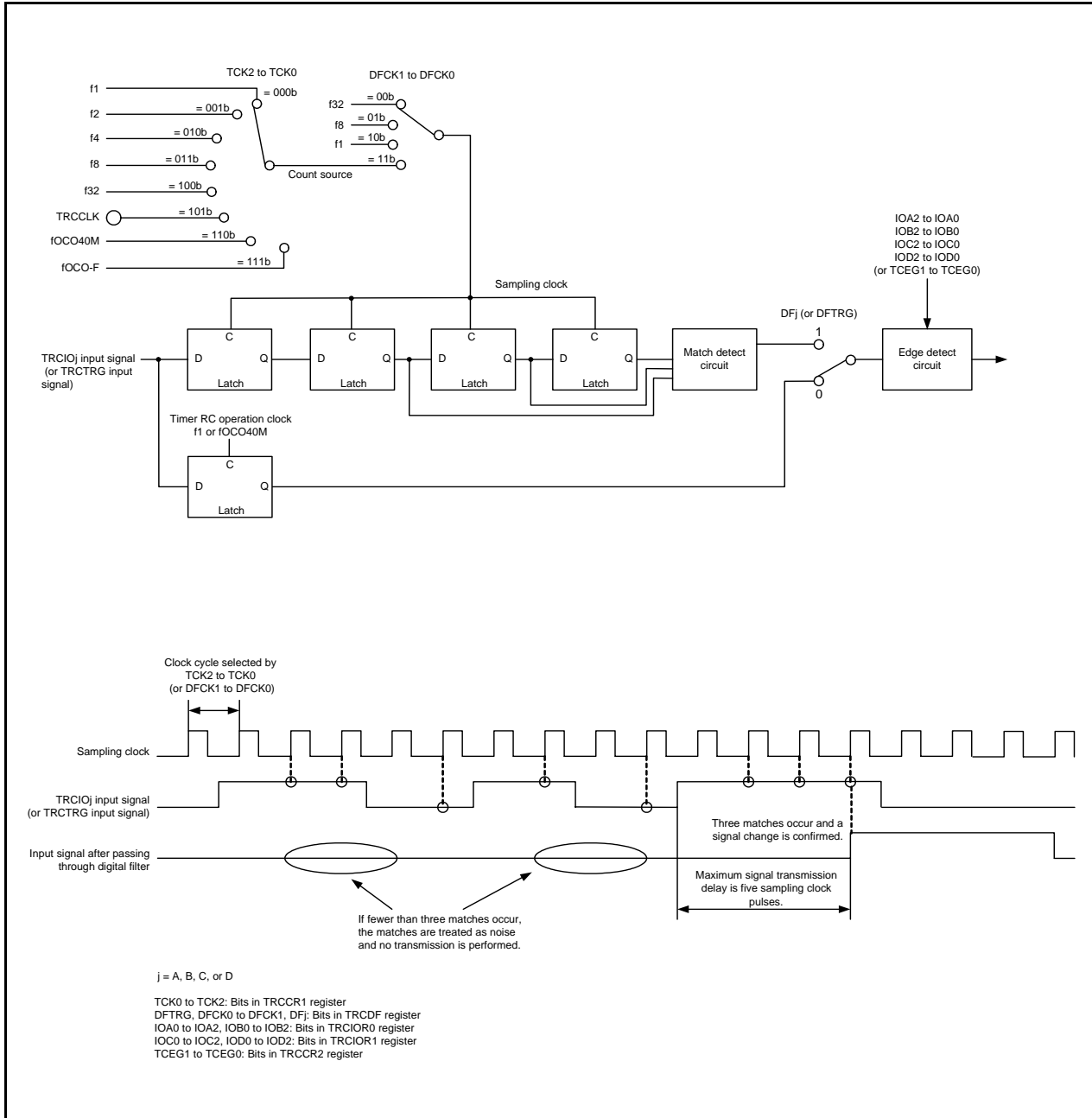


Figure 19.5 Digital Filter Block Diagram

19.3.4 Forced Cutoff of Pulse Output

When using the timer mode's output compare function, the PWM mode, or the PWM2 mode, pulse output from the TRCIOj (j = A, B, C, or D) output pin can be forcibly cut off and the TRCIOj pin set to function as a programmable I/O port by means of input to the $\overline{\text{INT0}}$ pin.

A pin used for output by the timer mode's output compare function, the PWM mode, or the PWM2 mode can be set to function as the timer RC output pin by setting the Ej bit in the TRCOER register to 0 (timer RC output enabled). If "L" is input to the $\overline{\text{INT0}}$ pin while the PTO bit in the TRCOER register is set to 1 (pulse output forced cutoff signal input $\overline{\text{INT0}}$ enabled), bits EA, EB, EC, and ED in the TRCOER register are all set to 1 (timer RC output disabled, TRCIOj output pin functions as the programmable I/O port). When one or two cycles of the timer RC operation clock after "L" input to the $\overline{\text{INT0}}$ pin (refer to **Table 19.1 Timer RC Operation Clock**) has elapsed, the TRCIOj output pin becomes a programmable I/O port.

Make the following settings to use this function.

- Set the pin state following forced cutoff of pulse output (high impedance (input), "L" output, or "H" output). (Refer to **7. I/O Ports**.)
- Set the INT0EN bit to 1 ($\overline{\text{INT0}}$ input enabled) and the INT0PL bit to 0 (one edge) in the INTEN register.
- Set the PD4_5 bit in the PD4 register to 0 (input mode).
- Select the $\overline{\text{INT0}}$ digital filter by means of bits INT0F1 to INT0F0 in the INTF register.
- Set the PTO bit in the TRCOER register to 1 (pulse output forced cutoff signal input $\overline{\text{INT0}}$ enabled).

The IR bit in the INT0IC register is set to 1 (interrupt request) in accordance with the setting of the POL bit and a change in the $\overline{\text{INT0}}$ pin input (refer to **11.8 Notes on Interrupts**).

For details on interrupts, refer to **11. Interrupts**.

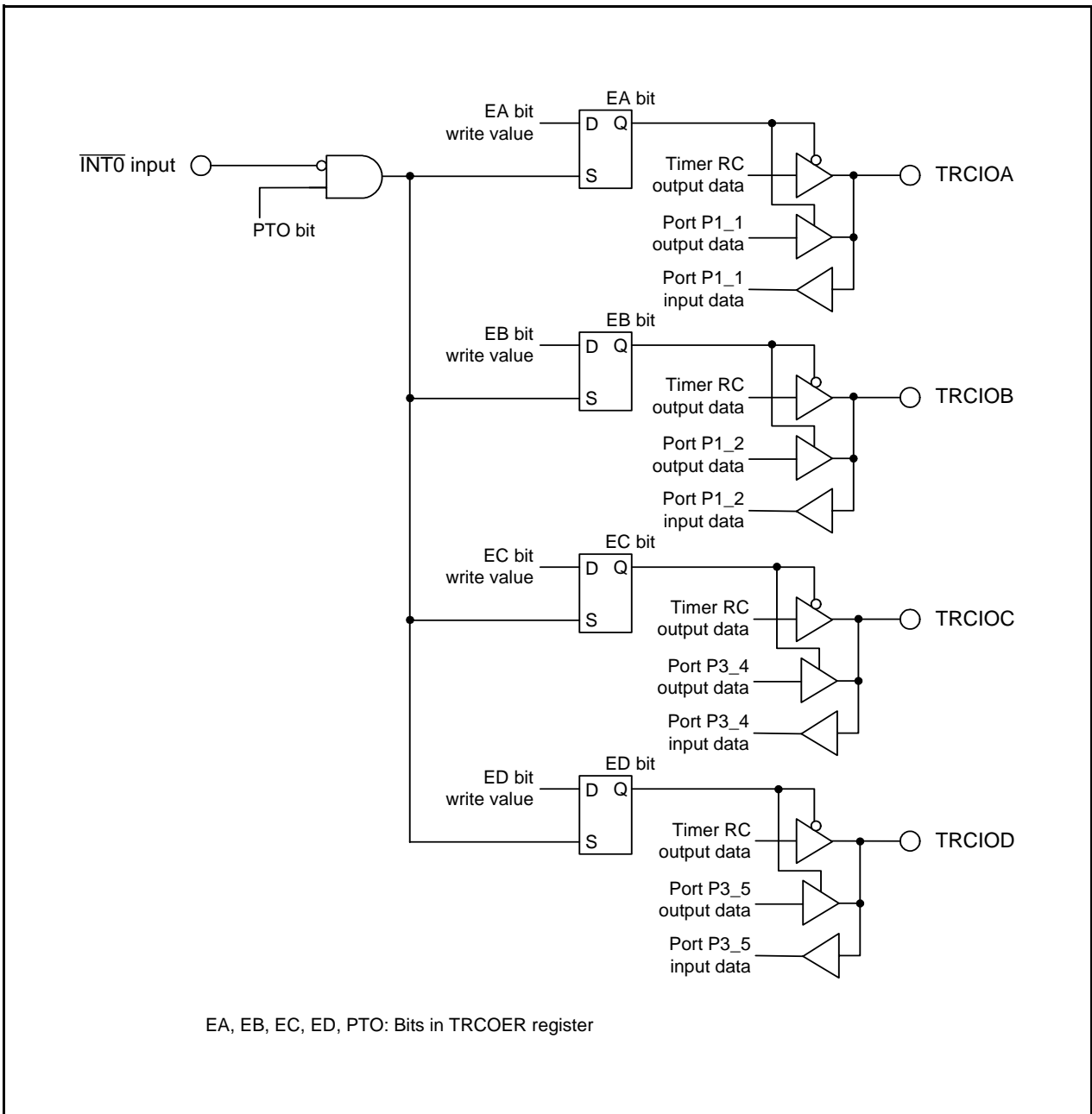


Figure 19.6 Forced Cutoff of Pulse Output

19.4 Timer Mode (Input Capture Function)

This function measures the width or period of an external signal. An external signal input to the TRCIOj (j = A, B, C, or D) pin acts as a trigger for transferring the contents of the TRC register (counter) to the TRCGRj register (input capture). The input capture function, or any other mode or function, can be selected for each individual pin. The TRCGRA register can also select fOCO128 signal as input-capture trigger input.

Table 19.7 lists the Specifications of Input Capture Function, Figure 19.7 shows a Block Diagram of Input Capture Function, Table 19.8 lists the Functions of TRCGRj Register when Using Input Capture Function, and Figure 19.8 shows an Operating Example of Input Capture Function.

Table 19.7 Specifications of Input Capture Function

Item	Specification
Count source	f1, f2, f4, f8, f32, fOCO40M, fOCO-F, or external signal (rising edge) input to TRCCLK pin
Count operation	Increment
Count period	$1/fk \times 65,536$ fk: Count source frequency
Count start condition	1 (count starts) is written to the TSTART bit in the TRCMR register.
Count stop condition	0 (count stops) is written to the TSTART bit in the TRCMR register. The TRC register retains a value before count stops.
Interrupt request generation timing	<ul style="list-style-type: none"> • Input capture (valid edge of TRCIOj input or fOCO128 signal edge) • The TRC register overflows.
TRCIOA, TRCIOB, TRCIOC, and TRCIOD pin functions	Programmable I/O port or input capture input (selectable individually for each pin)
INT0 pin function	Programmable I/O port or INT0 interrupt input
Read from timer	The count value can be read by reading TRC register.
Write to timer	The TRC register can be written to.
Selectable functions	<ul style="list-style-type: none"> • Input capture input pin selection One or more of pins TRCIOA, TRCIOB, TRCIOC, and TRCIOD • Input capture input valid edge selection Rising edge, falling edge, or both rising and falling edges • Buffer operation (Refer to 19.3.2 Buffer Operation.) • Digital filter (Refer to 19.3.3 Digital Filter.) • Timing for setting the TRC register to 0000h Overflow or input capture • Input-capture trigger selected fOCO128 can be selected for input-capture trigger input of the TRCGRA register.

j = A, B, C, or D

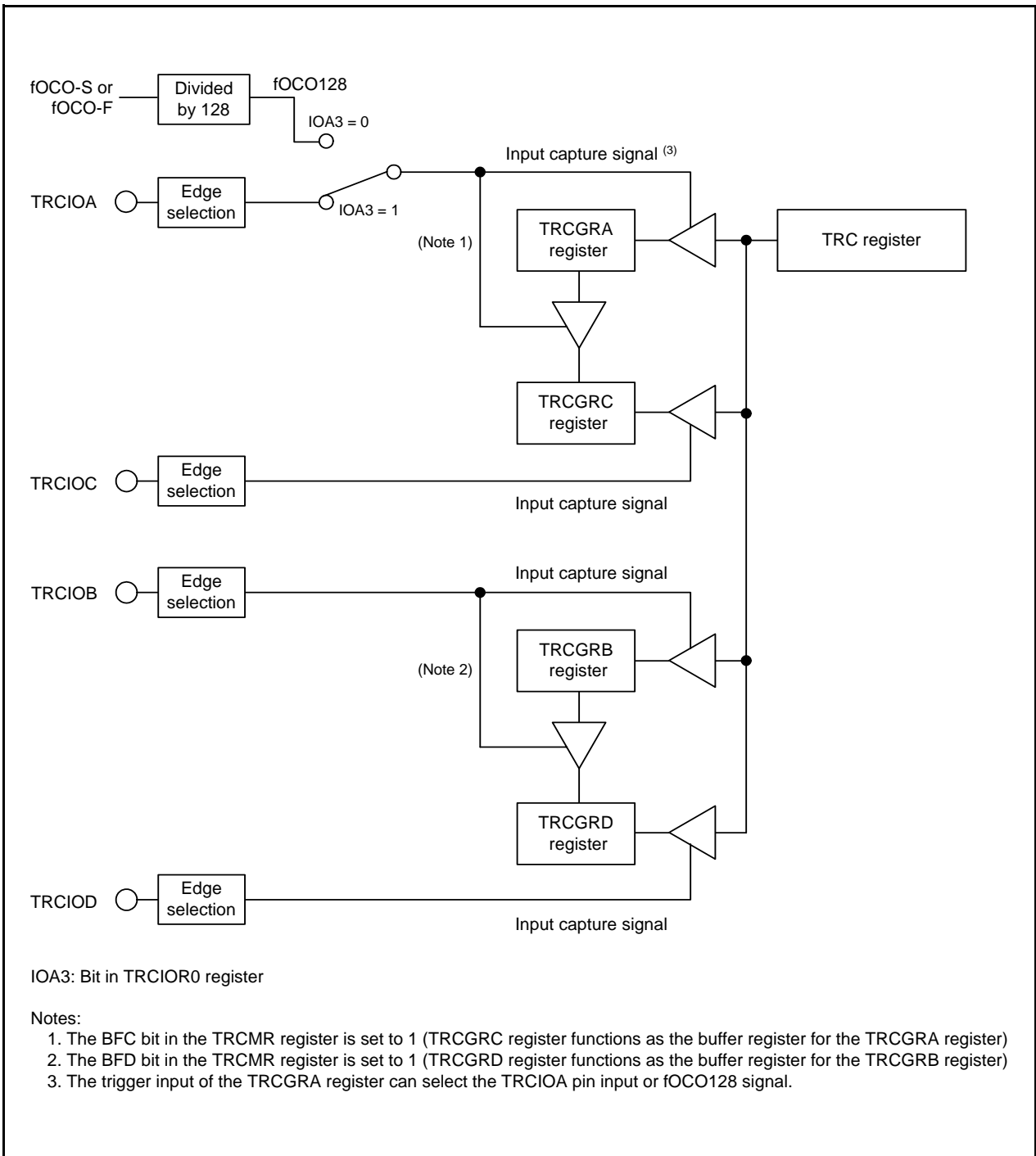


Figure 19.7 Block Diagram of Input Capture Function

19.4.1 Timer RC I/O Control Register 0 (TRCIOR0) for Input Capture Function

Address 0124h

Bit	b7	b6	b5	b4	b3	b2	b1	b0
Symbol	—	IOB2	IOB1	IOB0	IOA3	IOA2	IOA1	IOA0
After Reset	1	0	0	0	1	0	0	0

Bit	Symbol	Bit Name	Function	R/W
b0	IOA0	TRCGRA control bit	b1 b0 0 0: Input capture to the TRCGRA register at the rising edge 0 1: Input capture to the TRCGRA register at the falling edge 1 0: Input capture to the TRCGRA register at both edges 1 1: Do not set.	R/W
b1	IOA1			R/W
b2	IOA2	TRCGRA mode select bit ⁽¹⁾	Set to 1 (input capture) in the input capture function.	R/W
b3	IOA3	TRCGRA input capture input switch bit ⁽³⁾	0: fOCO128 signal 1: TRCIOA pin input	R/W
b4	IOB0	TRCGRB control bit	b5 b4 0 0: Input capture to the TRCGRB register at the rising edge 0 1: Input capture to the TRCGRB register at the falling edge 1 0: Input capture to the TRCGRB register at both edges 1 1: Do not set.	R/W
b5	IOB1			R/W
b6	IOB2	TRCGRB mode select bit ⁽²⁾	Set to 1 (input capture) in the input capture function.	R/W
b7	—	Nothing is assigned. If necessary, set to 0. When read, the content is 1.		—

Notes:

1. When the BFC bit in the TRCMR register is set to 1 (buffer register of TRCGRA register), set the IOC2 bit in the TRCIOR1 register to the same value as the IOA2 bit in the TRCIOR0 register.
2. When the BFD bit in the TRCMR register is set to 1 (buffer register of TRCGRB register), set the IOD2 bit in the TRCIOR1 register to the same value as the IOB2 bit in the TRCIOR0 register.
3. The IOA3 bit is enabled when the IOA2 bit is set to 1 (input capture function).

19.4.2 Timer RC I/O Control Register 1 (TRCIOR1) for Input Capture Function

Address 0125h

Bit	b7	b6	b5	b4	b3	b2	b1	b0
Symbol	IOD3	IOD2	IOD1	IOD0	IOC3	IOC2	IOC1	IOC0
After Reset	1	0	0	0	1	0	0	0

Bit	Symbol	Bit Name	Function	R/W
b0	IOC0	TRCGRC control bit	^{b1 b0} 0 0: Input capture to the TRCGRC register at the rising edge 0 1: Input capture to the TRCGRC register at the falling edge 1 0: Input capture to the TRCGRC register at both edges 1 1: Do not set.	R/W
b1	IOC1			R/W
b2	IOC2	TRCGRC mode select bit ⁽¹⁾	Set to 1 (input capture) in the input capture function.	R/W
b3	IOC3	TRCGRC register function select bit	Set to 1.	R/W
b4	IOD0	TRCGRD control bit	^{b5 b4} 0 0: Input capture to the TRCGRD register at the rising edge 0 1: Input capture to the TRCGRD register at the falling edge 1 0: Input capture to the TRCGRD register at both edges 1 1: Do not set.	R/W
b5	IOD1			R/W
b6	IOD2	TRCGRD mode select bit ⁽²⁾	Set to 1 (input capture) in the input capture function.	R/W
b7	IOD3	TRCGRD register function select bit	Set to 1.	R/W

Notes:

- When the BFC bit in the TRCMR register is set to 1 (buffer register of TRCGRA register), set the IOC2 bit in the TRCIOR1 register to the same value as the IOA2 bit in the TRCIOR0 register.
- When the BFD bit in the TRCMR register is set to 1 (buffer register of TRCGRB register), set the IOD2 bit in the TRCIOR1 register to the same value as the IOB2 bit in the TRCIOR0 register.

Table 19.8 Functions of TRCGRj Register when Using Input Capture Function

Register	Setting	Register Function	Input Capture Input Pin
TRCGRA	-	General register. Can be used to read the TRC register value at input capture.	TRCIOA
TRCGRB			TRCIOB
TRCGRC	BFC = 0	General register. Can be used to read the TRC register value at input capture.	TRCIOC
TRCGRD	BFD = 0		TRCIOD
TRCGRC	BFC = 1	Buffer registers. Can be used to hold transferred value from the general register. (Refer to 19.3.2 Buffer Operation.)	TRCIOA
TRCGRD	BFD = 1		TRCIOB

j = A, B, C, or D

BFC, BFD: Bits in TRCMR register

19.4.3 Operating Example

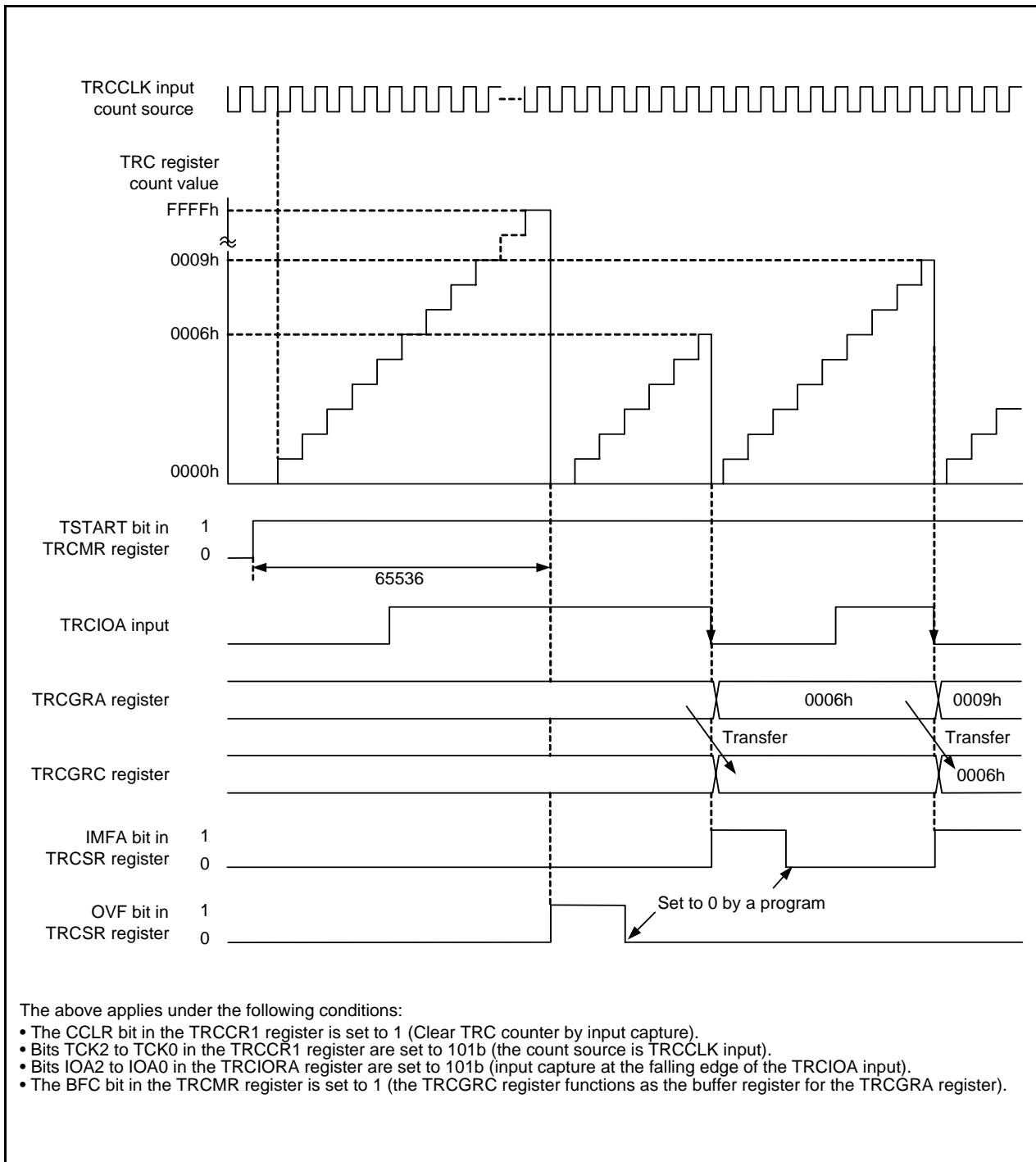


Figure 19.8 Operating Example of Input Capture Function

19.5 Timer Mode (Output Compare Function)

This function detects when the contents of the TRC register (counter) and the TRCGRj register (j = A, B, C, or D) match (compare match). When a match occurs a signal is output from the TRCIOj pin at a given level. The output compare function, or other mode or function, can be selected for each individual pin.

Table 19.9 lists the Specifications of Output Compare Function, Figure 19.9 shows a Block Diagram of Output Compare Function, Table 19.10 lists the Functions of TRCGRj Register when Using Output Compare Function, and Figure 19.10 shows an Operating Example of Output Compare Function.

Table 19.9 Specifications of Output Compare Function

Item	Specification
Count source	f1, f2, f4, f8, f32, fOCO40M, fOCO-F, or external signal (rising edge) input to TRCCLK pin
Count operation	Increment
Count period	<ul style="list-style-type: none"> The CCLR bit in the TRCCR1 register is set to 0 (free running operation): $1/fk \times 65,536$ fk: Count source frequency The CCLR bit in the TRCCR1 register is set to 1 (TRC register set to 0000h at TRCGRA compare match): $1/fk \times (n + 1)$ n: TRCGRA register setting value
Waveform output timing	Compare match
Count start condition	1 (count starts) is written to the TSTART bit in the TRCMR register.
Count stop condition	<ul style="list-style-type: none"> When the CSEL bit in the TRCCR2 register is set to 0 (count continues after compare match with TRCGRA). 0 (count stops) is written to the TSTART bit in the TRCMR register. The output compare output pin retains output level before count stops, the TRC register retains a value before count stops. When the CSEL bit in the TRCCR2 register is set to 1 (count stops at compare match with TRCGRA register). The count stops at the compare match with the TRCGRA register. The output-compare output pin retains the level after the output is changed by the compare match.
Interrupt request generation timing	<ul style="list-style-type: none"> Compare match (contents of registers TRC and TRCGRj match) The TRC register overflows.
TRCIOA, TRCIOB, TRCIOC, and TRCIOD pin functions	Programmable I/O port or output compare output (Selectable individually for each pin)
INT0 pin function	Programmable I/O port, pulse output forced cutoff signal input, or INT0 interrupt input
Read from timer	The count value can be read by reading the TRC register.
Write to timer	The TRC register can be written to.
Selectable functions	<ul style="list-style-type: none"> Output compare output pin selection One or more of pins TRCIOA, TRCIOB, TRCIOC, and TRCIOD Compare match output level selection "L" output, "H" output, or toggle output Initial output level selection Sets output level for period from count start to compare match Timing for setting the TRC register to 0000h Overflow or compare match with the TRCGRA register Buffer operation (Refer to 19.3.2 Buffer Operation.) Pulse output forced cutoff signal input (Refer to 19.3.4 Forced Cutoff of Pulse Output.) Can be used as an internal timer by disabling timer RC output Changing output pins for registers TRCGRC and TRCGRD TRCGRC can be used for output control of the TRCIOA pin and TRCGRD can be used for output control of the TRCIOB pin. A/D trigger generation

j = A, B, C, or D

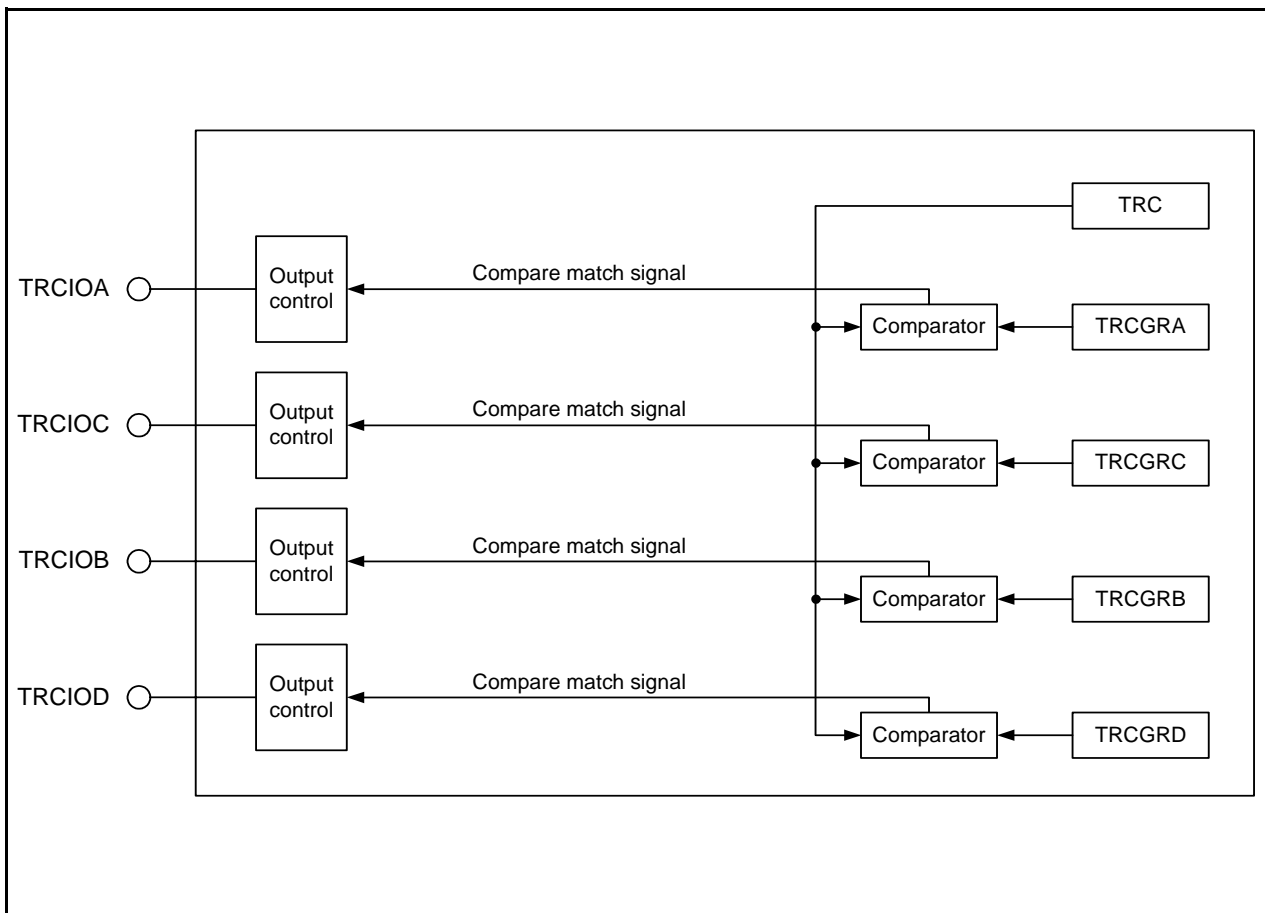


Figure 19.9 Block Diagram of Output Compare Function

19.5.1 Timer RC Control Register 1 (TRCCR1) for Output Compare Function

Address 0121h

Bit	b7	b6	b5	b4	b3	b2	b1	b0
Symbol	CCLR	TCK2	TCK1	TCK0	TOD	TOC	TOB	TOA
After Reset	0	0	0	0	0	0	0	0

Bit	Symbol	Bit Name	Function	R/W
b0	TOA	TRCIOA output level select bit (1, 2)	0: Initial output "L" 1: Initial output "H"	R/W
b1	TOB	TRCIOB output level select bit (1, 2)		R/W
b2	TOC	TRCIOC output level select bit (1, 2)		R/W
b3	TOD	TRCIOD output level select bit (1, 2)		R/W
b4	TCK0	Count source select bit (1)	b6 b5 b4 0 0 0: f1 0 0 1: f2 0 1 0: f4 0 1 1: f8 1 0 0: f32 1 0 1: TRCCLK input rising edge 1 1 0: fOCO40M 1 1 1: fOCO-F (3)	R/W
b5	TCK1			R/W
b6	TCK2			R/W
b7	CCLR	TRC counter clear select bit	0: Disable clear (free-running operation) 1: Clear by compare match in the TRCGRA register	R/W

Notes:

1. Set to these bits when the TSTART bit in the TRCMR register is set to 0 (count stops).
2. If the pin function is set for waveform output (refer to **7.5 Port Settings**), the initial output level is output when the TRCCR1 register is set.
3. To select fOCO-F, set it to the clock frequency higher than the CPU clock frequency.

Table 19.10 Functions of TRCGRj Register when Using Output Compare Function

Register	Setting	Register Function	Output Compare Output Pin
TRCGRA	-	General register. Write a compare value to one of these registers.	TRCIOA
TRCGRB			TRCIOB
TRCGRC	BFC = 0	General register. Write a compare value to one of these registers.	TRCIOC
TRCGRD	BFD = 0		TRCIOD
TRCGRC	BFC = 1	Buffer register. Write the next compare value to one of these registers. (Refer to 19.3.2 Buffer Operation .)	TRCIOA
TRCGRD	BFD = 1		TRCIOB

j = A, B, C, or D

BFC, BFD: Bits in TRCMR register

19.5.2 Timer RC I/O Control Register 0 (TRCIOR0) for Output Compare Function

Address 0124h

Bit	b7	b6	b5	b4	b3	b2	b1	b0
Symbol	—	IOB2	IOB1	IOB0	IOA3	IOA2	IOA1	IOA0
After Reset	1	0	0	0	1	0	0	0

Bit	Symbol	Bit Name	Function	R/W
b0	IOA0	TRCGRA control bit	b1 b0 0 0: Disable pin output by compare match (TRCIOA pin functions as the programmable I/O port) 0 1: "L" output by compare match in the TRCGRA register 1 0: "H" output by compare match in the TRCGRA register 1 1: Toggle output by compare match in the TRCGRA register	R/W
b1	IOA1			R/W
b2	IOA2	TRCGRA mode select bit ⁽¹⁾	Set to 0 (output compare) in the output compare function.	R/W
b3	IOA3	TRCGRA input capture input switch bit	Set to 1.	R/W
b4	IOB0	TRCGRB control bit	b5 b4 0 0: Disable pin output by compare match (TRCIOB pin functions as the programmable I/O port) 0 1: "L" output by compare match in the TRCGRB register 1 0: "H" output by compare match in the TRCGRB register 1 1: Toggle output by compare match in the TRCGRB register	R/W
b5	IOB1			R/W
b6	IOB2	TRCGRB mode select bit ⁽²⁾	Set to 0 (output compare) in the output compare function.	R/W
b7	—	Nothing is assigned. If necessary, set to 0. When read, the content is 1.		—

Notes:

1. When the BFC bit in the TRCMR register is set to 1 (buffer register of TRCGRA register), set the IOC2 bit in the TRCIOR1 register to the same value as the IOA2 bit in the TRCIOR0 register.
2. When the BFD bit in the TRCMR register is set to 1 (buffer register of TRCGRB register), set the IOD2 bit in the TRCIOR1 register to the same value as the IOB2 bit in the TRCIOR0 register.

19.5.3 Timer RC I/O Control Register 1 (TRCIOR1) for Output Compare Function

Address 0125h

Bit	b7	b6	b5	b4	b3	b2	b1	b0
Symbol	IOD3	IOD2	IOD1	IOD0	IOC3	IOC2	IOC1	IOC0
After Reset	1	0	0	0	1	0	0	0

Bit	Symbol	Bit Name	Function	R/W
b0	IOC0	TRCGRC control bit	b1 b0 0 0: Disable pin output by compare match 0 1: "L" output by compare match in the TRCGRC register 1 0: "H" output by compare match in the TRCGRC register 1 1: Toggle output by compare match in the TRCGRC register	R/W
b1	IOC1			R/W
b2	IOC2	TRCGRC mode select bit ⁽¹⁾	Set to 0 (output compare) in the output compare function.	R/W
b3	IOC3	TRCGRC register function select bit	0: TRCIOA output register 1: General register or buffer register	R/W
b4	IOD0	TRCGRD control bit	b5 b4 0 0: Disable pin output by compare match 0 1: "L" output by compare match in the TRCGRD register 1 0: "H" output by compare match in the TRCGRD register 1 1: Toggle output by compare match in the TRCGRD register	R/W
b5	IOD1			R/W
b6	IOD2	TRCGRD mode select bit ⁽²⁾	Set to 0 (output compare) in the output compare function.	R/W
b7	IOD3	TRCGRD register function select bit	0: TRCIOB output register 1: General register or buffer register	R/W

Notes:

1. When the BFC bit in the TRCMR register is set to 1 (buffer register of TRCGRA register), set the IOC2 bit in the TRCIOR1 register to the same value as the IOA2 bit in the TRCIOR0 register.
2. When the BFD bit in the TRCMR register is set to 1 (buffer register of TRCGRB register), set the IOD2 bit in the TRCIOR1 register to the same value as the IOB2 bit in the TRCIOR0 register.

19.5.4 Timer RC Control Register 2 (TRCCR2) for Output Compare Function

Address 0130h

Bit	b7	b6	b5	b4	b3	b2	b1	b0
Symbol	TCEG1	TCEG0	CSEL	—	—	POLD	POLC	POLB
After Reset	0	0	0	1	1	0	0	0

Bit	Symbol	Bit Name	Function	R/W
b0	POLB	PWM mode output level control bit B ⁽¹⁾	0: TRCIOB output level selected as “L” active 1: TRCIOB output level selected as “H” active	R/W
b1	POLC	PWM mode output level control bit C ⁽¹⁾	0: TRCIOC output level selected as “L” active 1: TRCIOC output level selected as “H” active	R/W
b2	POLD	PWM mode output level control bit D ⁽¹⁾	0: TRCIOD output level selected as “L” active 1: TRCIOD output level selected as “H” active	R/W
b3	—	Nothing is assigned. If necessary, set to 0. When read, the content is 1.		—
b4	—			
b5	CSEL	TRC count operation select bit ⁽²⁾	0: Count continues at compare match with the TRCGRA register 1: Count stops at compare match with the TRCGRA register	R/W
b6	TCEG0	TRCTRG input edge select bit ⁽³⁾	b7 b6 0 0: Disable the trigger input from the TRCTRG pin 0 1: Rising edge selected 1 0: Falling edge selected 1 1: Both edges selected	R/W
b7	TCEG1			R/W

Notes:

1. Enabled when in PWM mode.
2. Enabled when in output compare function, PWM mode, or PWM2 mode. For notes on PWM2 mode, refer to **19.9.6 TRCMR Register in PWM2 Mode**.
3. Enabled when in PWM2 mode.

19.5.5 Operating Example

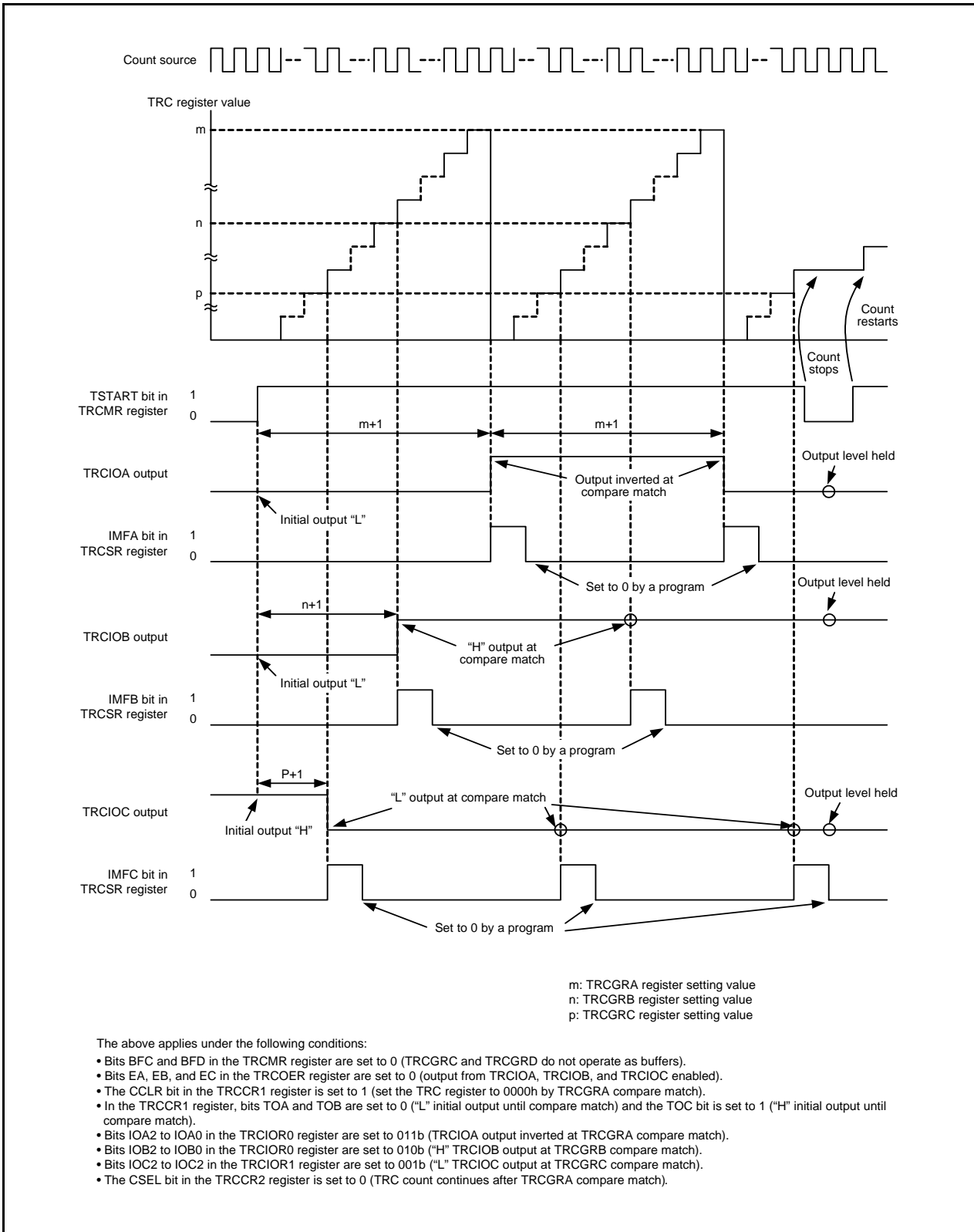


Figure 19.10 Operating Example of Output Compare Function

19.5.6 Changing Output Pins in Registers TRCGRC and TRCGRD

The TRCGRC register can be used for output control of the TRCIOA pin, and the TRCGRD register can be used for output control of the TRCIOB pin. Therefore, each pin output can be controlled as follows:

- TRCIOA output is controlled by the values in registers TRCGRA and TRCGRC.
- TRCIOB output is controlled by the values in registers TRCGRB and TRCGRD.

Change output pins in registers TRCGRC and TRCGRD as follows:

- Set the IOC3 bit in the TRCIOR1 register to 0 (TRCIOA output register) and set the IOD3 bit to 0 (TRCIOB output register).
- Set bits BFC and BFD in the TRCMR register to 0 (general register).
- Set different values in registers TRCGRC and TRCGRA. Also, set different values in registers TRCGRD and TRCGRB.

Figure 19.12 shows an Operating Example When TRCGRC Register is Used for Output Control of TRCIOA Pin and TRCGRD Register is Used for Output Control of TRCIOB Pin.

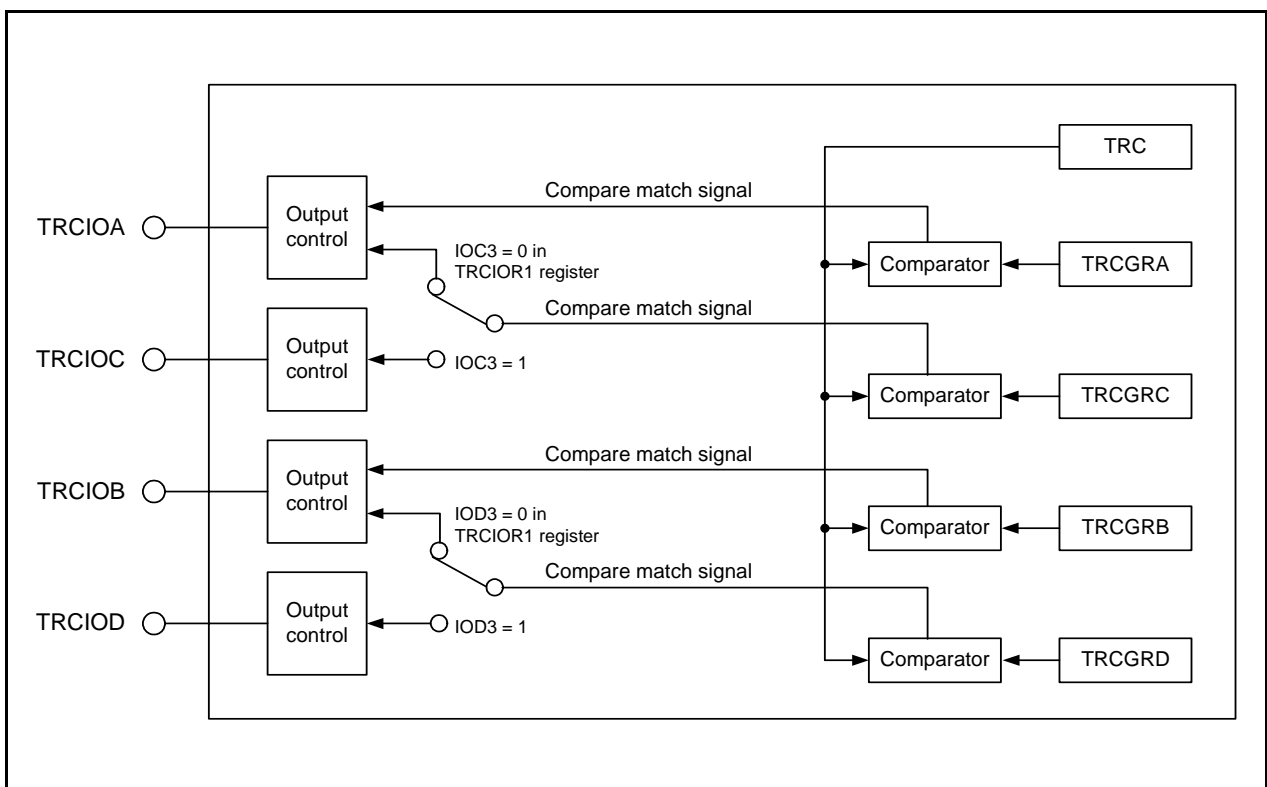


Figure 19.11 Changing Output Pins in Registers TRCGRC and TRCGRD

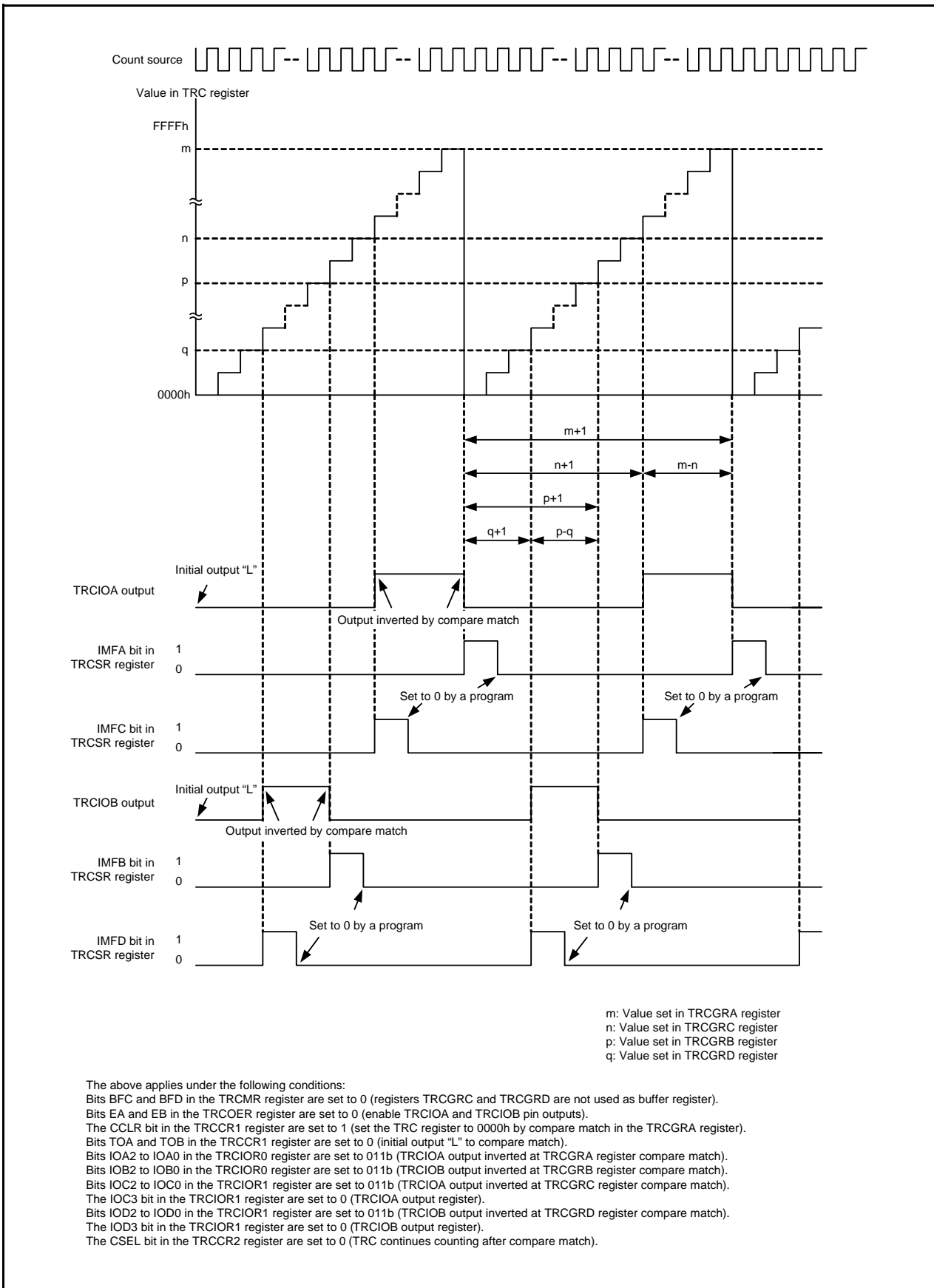
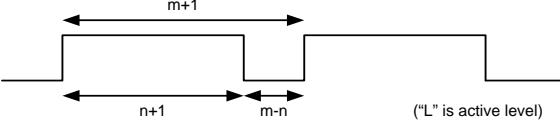


Figure 19.12 Operating Example When TRCGRC Register is Used for Output Control of TRCIOA Pin and TRCGRD Register is Used for Output Control of TRCIOB Pin

19.6 PWM Mode

This mode outputs PWM waveforms. A maximum of three PWM waveforms with the same period are output. The PWM mode, or the timer mode, can be selected for each individual pin. (However, since the TRCGRA register is used when using any pin for the PWM mode, the TRCGRA register cannot be used for the timer mode.) Table 19.11 lists the Specifications of PWM Mode, Figure 19.13 shows a PWM Mode Block Diagram, Table 19.12 lists the Functions of TRCGRh Register in PWM Mode, and Figures 19.14 and 19.15 show Operating Examples of PWM Mode.

Table 19.11 Specifications of PWM Mode

Item	Specification
Count source	f1, f2, f4, f8, f32, fOCO40M, fOCO-F, or external signal (rising edge) input to TRCCLK pin
Count operation	Increment
PWM waveform	<p>PWM period: $1/f_k \times (m + 1)$ Active level width: $1/f_k \times (m - n)$ Inactive width: $1/f_k \times (n + 1)$ f_k: Count source frequency m: TRCGRA register setting value n: TRCGRj register setting value</p> 
Count start condition	1 (count starts) is written to the TSTART bit in the TRCMR register.
Count stop condition	<ul style="list-style-type: none"> When the CSEL bit in the TRCCR2 register is set to 0 (count continues after compare match with TRCGRA). 0 (count stops) is written to the TSTART bit in the TRCMR register. PWM output pin retains output level before count stops, TRC register retains value before count stops. When the CSEL bit in the TRCCR2 register is set to 1 (count stops at compare match with TRCGRA register). The count stops at the compare match with the TRCGRA register. The PWM output pin retains the level after the output is changed by the compare match.
Interrupt request generation timing	<ul style="list-style-type: none"> Compare match (contents of registers TRC and TRCGRh match) The TRC register overflows.
TRCIOA pin function	Programmable I/O port
TRCIOB, TRCIOC, and TRCIOD pin functions	Programmable I/O port or PWM output (selectable individually for each pin)
INT0 pin function	Programmable I/O port, pulse output forced cutoff signal input, or INT0 interrupt input
Read from timer	The count value can be read by reading the TRC register.
Write to timer	The TRC register can be written to.
Selectable functions	<ul style="list-style-type: none"> One to three pins selectable as PWM output pins One or more of pins TRCIOB, TRCIOC, and TRCIOD Active level selectable for each pin Initial level selectable for each pin Buffer operation (Refer to 19.3.2 Buffer Operation.) Pulse output forced cutoff signal input (Refer to 19.3.4 Forced Cutoff of Pulse Output.) A/D trigger generation

j = B, C, or D
 h = A, B, C, or D

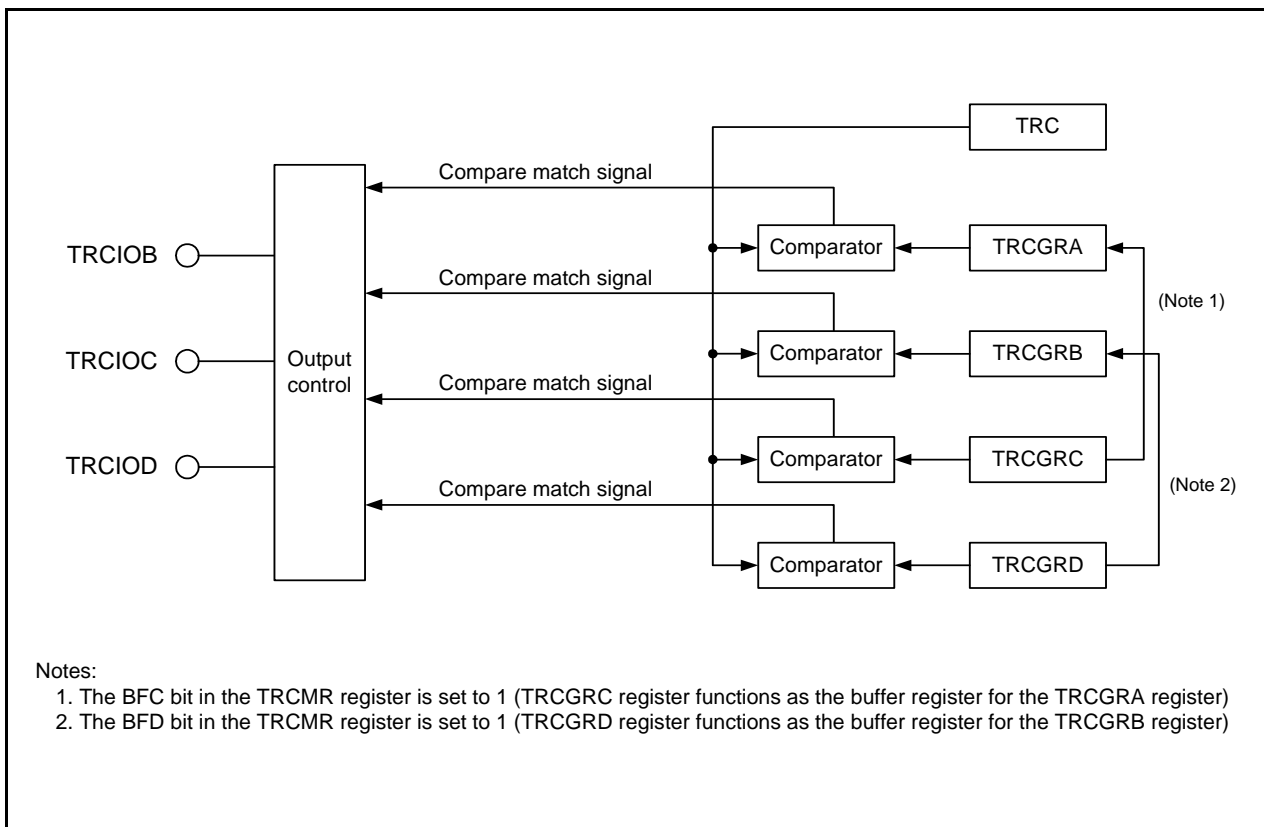


Figure 19.13 PWM Mode Block Diagram

19.6.1 Timer RC Control Register 1 (TRCCR1) in PWM Mode

Address 0121h

Bit	b7	b6	b5	b4	b3	b2	b1	b0
Symbol	CCLR	TCK2	TCK1	TCK0	TOD	TOC	TOB	TOA
After Reset	0	0	0	0	0	0	0	0

Bit	Symbol	Bit Name	Function	R/W
b0	TOA	TRCIOA output level select bit (1)	Disabled in PWM mode	R/W
b1	TOB	TRCIOB output level select bit (1, 2)	0: Initial output selected as non-active level 1: Initial output selected as active level	R/W
b2	TOC	TRCIOC output level select bit (1, 2)		R/W
b3	TOD	TRCIOD output level select bit (1, 2)		R/W
b4	TCK0	Count source select bit (1)	b6 b5 b4 0 0 0: f1 0 0 1: f2 0 1 0: f4 0 1 1: f8 1 0 0: f32 1 0 1: TRCCLK input rising edge 1 1 0: fOCO40M 1 1 1: fOCO-F (3)	R/W
b5	TCK1			R/W
b6	TCK2			R/W
b7	CCLR	TRC counter clear select bit	0: Disable clear (free-running operation) 1: Clear by compare match in the TRCGRA register	R/W

Notes:

- Set to these bits when the TSTART bit in the TRCMR register is set to 0 (count stops).
- If the pin function is set for waveform output (refer to **7.5 Port Settings**), the initial output level is output when the TRCCR1 register is set.
- To select fOCO-F, set it to the clock frequency higher than the CPU clock frequency.

19.6.2 Timer RC Control Register 2 (TRCCR2) in PWM Mode

Address 0130h

Bit	b7	b6	b5	b4	b3	b2	b1	b0
Symbol	TCEG1	TCEG0	CSEL	—	—	POLD	POLC	POLB
After Reset	0	0	0	1	1	0	0	0

Bit	Symbol	Bit Name	Function	R/W
b0	POLB	PWM mode output level control bit B (1)	0: TRCIOB output level selected as "L" active 1: TRCIOB output level selected as "H" active	R/W
b1	POLC	PWM mode output level control bit C (1)	0: TRCIOC output level selected as "L" active 1: TRCIOC output level selected as "H" active	R/W
b2	POLD	PWM mode output level control bit D (1)	0: TRCIOD output level selected as "L" active 1: TRCIOD output level selected as "H" active	R/W
b3	—	Nothing is assigned. If necessary, set to 0. When read, the content is 1.		—
b4	—			
b5	CSEL	TRC count operation select bit (2)	0: Count continues at compare match with the TRCGRA register 1: Count stops at compare match with the TRCGRA register	R/W
b6	TCEG0	TRCTRIG input edge select bit (3)	b7 b6 0 0: Disable the trigger input from the TRCTRIG pin 0 1: Rising edge selected 1 0: Falling edge selected 1 1: Both edges selected	R/W
b7	TCEG1			R/W

Notes:

- Enabled when in PWM mode.
- Enabled when in output compare function, PWM mode, or PWM2 mode. For notes on PWM2 mode, refer to **19.9.6 TRCMR Register in PWM2 Mode**.
- Enabled when in PWM2 mode.

Table 19.12 Functions of TRCGRh Register in PWM Mode

Register	Setting	Register Function	PWM Output Pin
TRCGRA	–	General register. Set the PWM period.	–
TRCGRB	–	General register. Set the PWM output change point.	TRCIOB
TRCGRC	BFC = 0	General register. Set the PWM output change point.	TRCIOC
TRCGRD	BFD = 0		TRCIOD
TRCGRC	BFC = 1	Buffer register. Set the next PWM period. (Refer to 19.3.2 Buffer Operation.)	–
TRCGRD	BFD = 1	Buffer register. Set the next PWM output change point. (Refer to 19.3.2 Buffer Operation.)	TRCIOB

h = A, B, C, or D

BFC, BFD: Bits in TRCMR register

Note:

1. The output level does not change even when a compare match occurs if the TRCGRA register value (PWM period) is the same as the TRCGRB, TRCGRC, or TRCGRD register value.

19.6.3 Operating Example

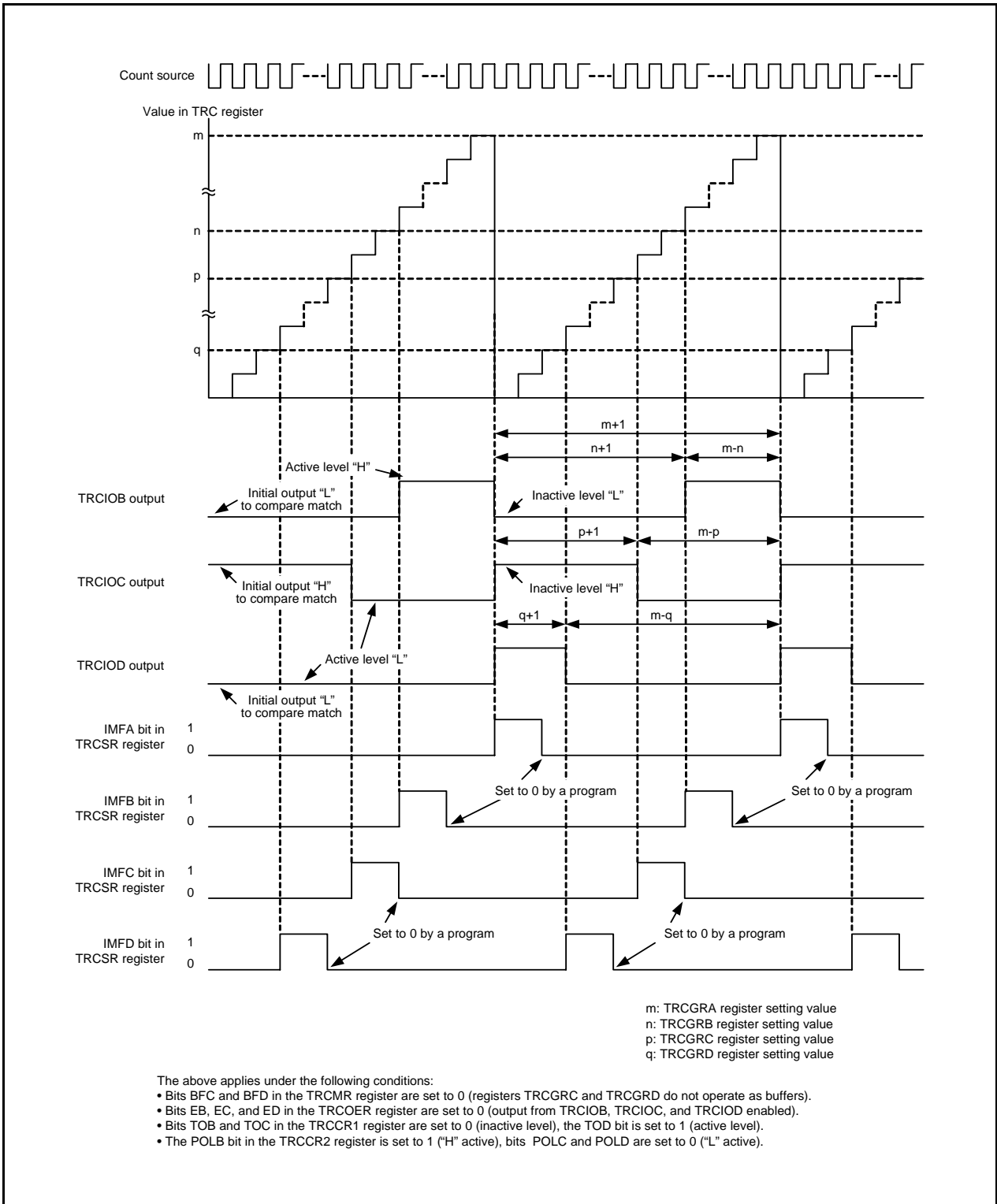


Figure 19.14 Operating Example of PWM Mode

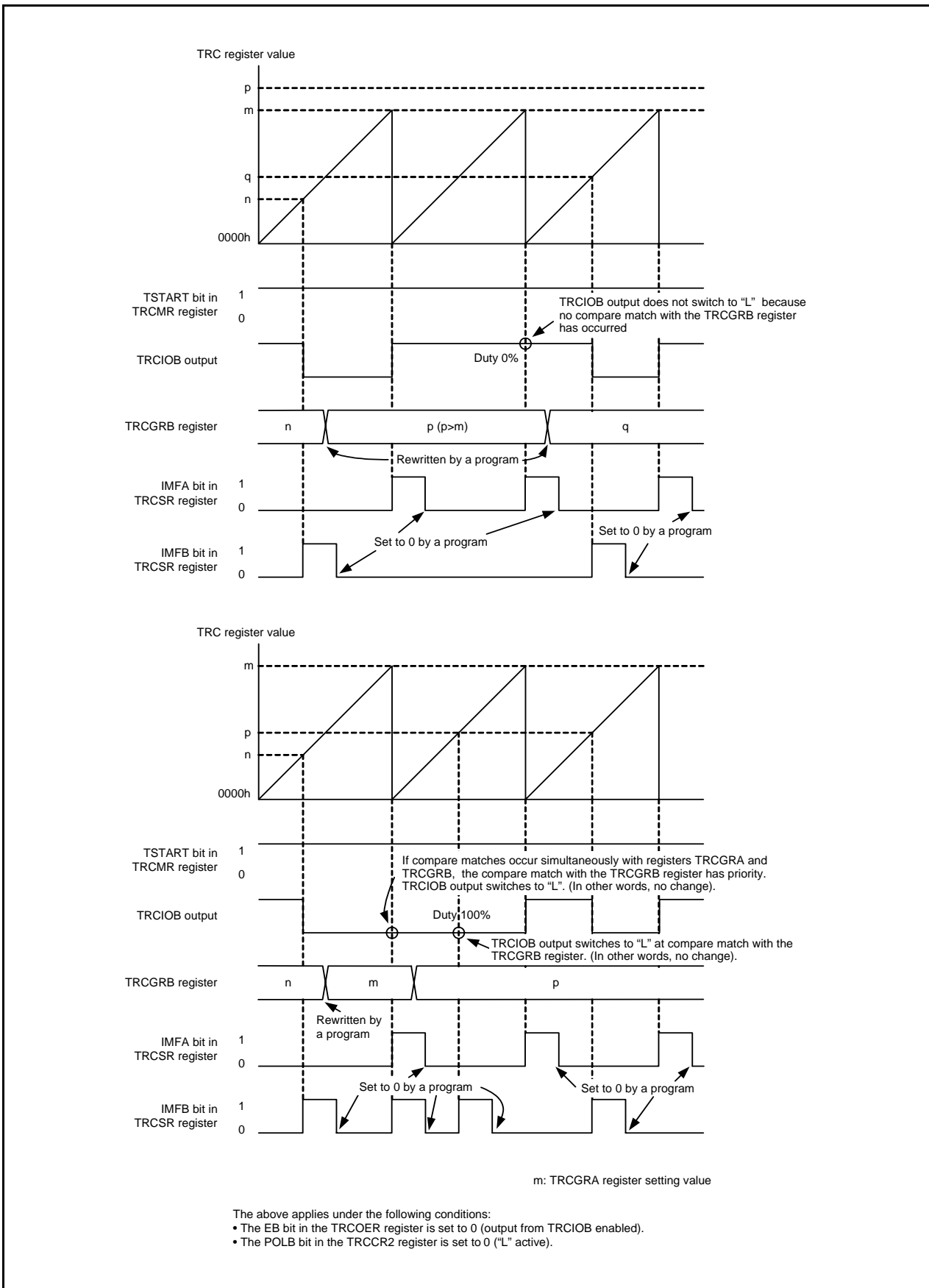


Figure 19.15 Operating Example of PWM Mode (Duty 0% and Duty 100%)

19.7 PWM2 Mode

This mode outputs a single PWM waveform. After a given wait duration has elapsed following the trigger, the pin output switches to active level. Then, after a given duration, the output switches back to inactive level. Furthermore, the counter stops at the same time the output returns to inactive level, making it possible to use PWM2 mode to output a programmable wait one-shot waveform.

Since timer RC uses multiple general registers in PWM2 mode, other modes cannot be used in conjunction with it. Figure 19.16 shows a PWM2 Mode Block Diagram, Table 19.13 lists the Specifications of PWM2 Mode, Table 19.14 lists the Functions of TRCGRj Register in PWM2 Mode, and Figures 19.17 to 19.19 show Operating Examples of PWM2 Mode.

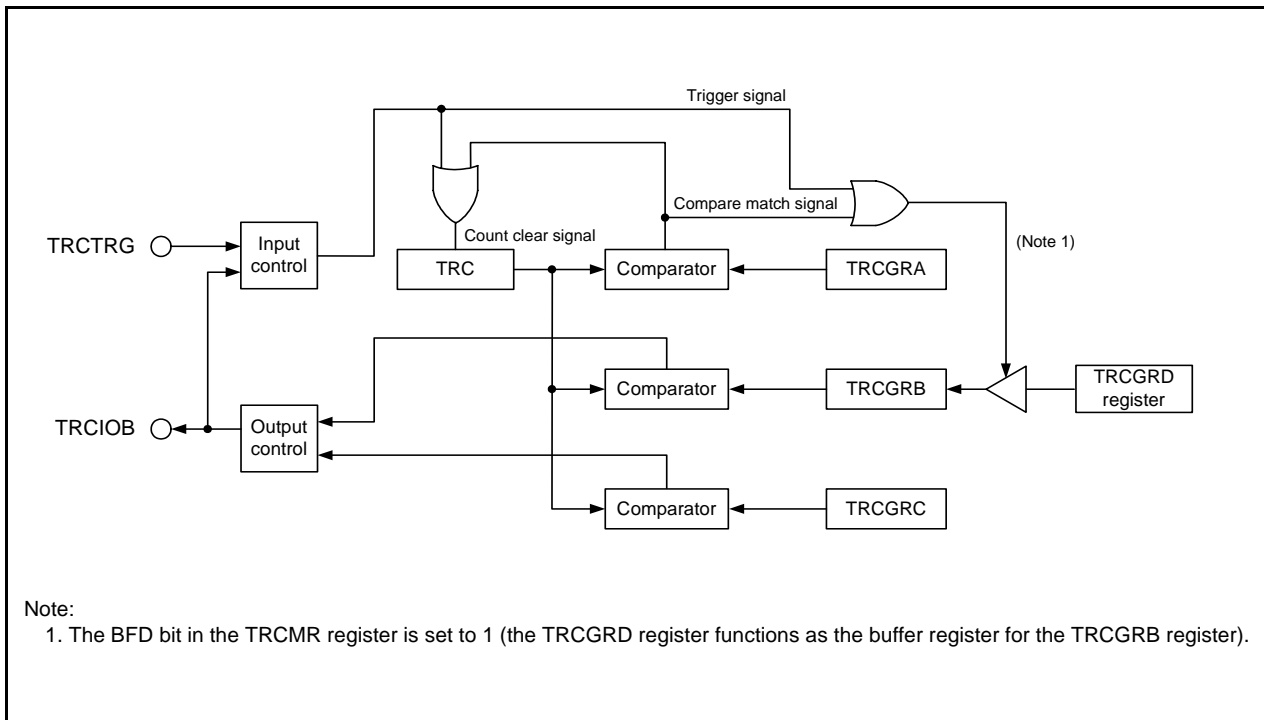


Figure 19.16 PWM2 Mode Block Diagram

Table 19.13 Specifications of PWM2 Mode

Item	Specification
Count source	f1, f2, f4, f8, f32, fOCO40M, fOCO-F, or external signal (rising edge) input to TRCCLK pin
Count operation	Increase TRC register
PWM waveform	<p>PWM period: $1/fk \times (m + 1)$ (no TRCTRГ input) Active level width: $1/fk \times (n - p)$ Wait time from count start or trigger: $1/fk \times (p + 1)$ fk: Count source frequency m: TRCGRA register setting value n: TRCGRB register setting value p: TRCGRC register setting value</p> <p>(TRCTRГ: Rising edge, active level is "H")</p>
Count start conditions	<ul style="list-style-type: none"> • Bits TCEG1 to TCEG0 in the TRCCR2 register are set to 00b (TRCTRГ trigger disabled) or the CSEL bit in the TRCCR2 register is set to 0 (count continues). 1 (count starts) is written to the TSTART bit in the TRCMR register. • Bits TCEG1 to TCEG0 in the TRCCR2 register are set to 01b, 10b, or 11b (TRCTRГ trigger enabled) and the TSTART bit in the TRCMR register is set to 1 (count starts). A trigger is input to the TRCTRГ pin
Count stop conditions	<ul style="list-style-type: none"> • 0 (count stops) is written to the TSTART bit in the TRCMR register while the CSEL bit in the TRCCR2 register is set to 0 or 1. The TRCIOB pin outputs the initial level in accordance with the value of the TOB bit in the TRCCR1 register. The TRC register retains the value before count stops. • The count stops due to a compare match with TRCGRA while the CSEL bit in the TRCCR2 register is set to 1. The TRCIOB pin outputs the initial level. The TRC register retains the value before count stops if the CCLR bit in the TRCCR1 register is set to 0. The TRC register is set to 0000h if the CCLR bit in the TRCCR1 register is set to 1.
Interrupt request generation timing	<ul style="list-style-type: none"> • Compare match (contents of TRC and TRCGRj registers match) • The TRC register overflows
TRCIOA/TRCTRГ pin function	Programmable I/O port or TRCTRГ input
TRCIOB pin function	PWM output
TRCIOC and TRCIOD pin functions	Programmable I/O port
INT0 pin function	Programmable I/O port, pulse output forced cutoff signal input, or INT0 interrupt input
Read from timer	The count value can be read by reading the TRC register.
Write to timer	The TRC register can be written to.
Selectable functions	<ul style="list-style-type: none"> • External trigger and valid edge selection The edge or edges of the signal input to the TRCTRГ pin can be used as the PWM output trigger: rising edge, falling edge, or both rising and falling edges • Buffer operation (Refer to 19.3.2 Buffer Operation.) • Pulse output forced cutoff signal input (Refer to 19.3.4 Forced Cutoff of Pulse Output.) • Digital filter (Refer to 19.3.3 Digital Filter.) • A/D trigger generation

j = A, B, or C

19.7.1 Timer RC Control Register 1 (TRCCR1) in PWM2 Mode

Address 0121h

Bit	b7	b6	b5	b4	b3	b2	b1	b0
Symbol	CCLR	TCK2	TCK1	TCK0	TOD	TOC	TOB	TOA
After Reset	0	0	0	0	0	0	0	0

Bit	Symbol	Bit Name	Function	R/W
b0	TOA	TRCIOA output level select bit (1)	Disabled in PWM2 mode	R/W
b1	TOB	TRCIOB output level select bit (1, 2)	0: Active level "H" (Initial output "L" "H" output by compare match in the TRCGRC register "L" output by compare match in the TRCGRB register 1: Active level "L" (Initial output "H" "L" output by compare match in the TRCGRC register "H" output by compare match in the TRCGRB register	R/W
b2	TOC	TRCIOC output level select bit (1)	Disabled in PWM2 mode	R/W
b3	TOD	TRCIOD output level select bit (1)		R/W
b4	TCK0	Count source select bit (1)	b6 b5 b4 0 0 0: f1 0 0 1: f2 0 1 0: f4 0 1 1: f8 1 0 0: f32 1 0 1: TRCLK input rising edge 1 1 0: fOCO40M 1 1 1: fOCO-F (3)	R/W
b5	TCK1			R/W
b6	TCK2			R/W
b7	CCLR	TRC counter clear select bit	0: Disable clear (free-running operation) 1: Clear by compare match in the TRCGRA register	R/W

Notes:

1. Set to these bits when the TSTART bit in the TRCMR register is set to 0 (count stops).
2. If the pin function is set for waveform output (refer to **7.5 Port Settings**), the initial output level is output when the TRCCR1 register is set.
3. To select fOCO-F, set it to the clock frequency higher than the CPU clock frequency.

19.7.2 Timer RC Control Register 2 (TRCCR2) in PWM2 Mode

Address 0130h

Bit	b7	b6	b5	b4	b3	b2	b1	b0
Symbol	TCEG1	TCEG0	CSEL	—	—	POLD	POLC	POLB
After Reset	0	0	0	1	1	0	0	0

Bit	Symbol	Bit Name	Function	R/W
b0	POLB	PWM mode output level control bit B ⁽¹⁾	0: TRCIOB output level selected as “L” active 1: TRCIOB output level selected as “H” active	R/W
b1	POLC	PWM mode output level control bit C ⁽¹⁾	0: TRCIOC output level selected as “L” active 1: TRCIOC output level selected as “H” active	R/W
b2	POLD	PWM mode output level control bit D ⁽¹⁾	0: TRCIOD output level selected as “L” active 1: TRCIOD output level selected as “H” active	R/W
b3	—	Nothing is assigned. If necessary, set to 0. When read, the content is 1.		—
b4	—			
b5	CSEL	TRC count operation select bit ⁽²⁾	0: Count continues at compare match with the TRCGRA register 1: Count stops at compare match with the TRCGRA register	R/W
b6	TCEG0	TRCTRG input edge select bit ⁽³⁾	b7 b6 0 0: Disable the trigger input from the TRCTRG pin 0 1: Rising edge selected 1 0: Falling edge selected 1 1: Both edges selected	R/W
b7	TCEG1			R/W

Notes:

1. Enabled when in PWM mode.
2. Enabled when in output compare function, PWM mode, or PWM2 mode. For notes on PWM2 mode, refer to **19.9.6 TRCMR Register in PWM2 Mode**.
3. Enabled when in PWM2 mode.

19.7.3 Timer RC Digital Filter Function Select Register (TRCDF) in PWM2 Mode

Address 0131h

Bit	b7	b6	b5	b4	b3	b2	b1	b0
Symbol	DFCK1	DFCK0	—	DFTRG	DFD	DFC	DFB	DFA
After Reset	0	0	0	0	0	0	0	0

Bit	Symbol	Bit Name	Function	R/W
b0	DFA	TRCIOA pin digital filter function select bit ⁽¹⁾	0: Function is not used 1: Function is used	R/W
b1	DFB	TRCIOB pin digital filter function select bit ⁽¹⁾		R/W
b2	DFC	TRCIOC pin digital filter function select bit ⁽¹⁾		R/W
b3	DFD	TRCIOD pin digital filter function select bit ⁽¹⁾		R/W
b4	DFTRG	TRCTRG pin digital filter function select bit ⁽²⁾		R/W
b5	—	Nothing is assigned. If necessary, set to 0. When read, the content is 0.		—
b6	DFCK0	Clock select bits for digital filter function ^(1, 2)	b7 b6 0 0: f32 0 1: f8 1 0: f1 1 1: Count source (clock selected by bits TCK2 to TCK0 in the TRCCR1 register)	R/W
b7	DFCK1			R/W

Notes:

1. These bits are enabled for the input capture function.
2. These bits are enabled when in PWM2 mode and bits TCEG1 to TCEG0 in the TRCCR2 register are set to 01b, 10b, or 11b (TRCTRG trigger input enabled).

Table 19.14 Functions of TRCGRj Register in PWM2 Mode

Register	Setting	Register Function	PWM2 Output Pin
TRCGRA	–	General register. Set the PWM period.	TRCIOB pin
TRCGRB	–	General register. Set the PWM output change point.	
TRCGRC	BFC = 0	General register. Set the PWM output change point (wait time after trigger).	
TRCGRD	BFD = 0	(Not used in PWM2 mode)	–
TRCGRD	BFD = 1	Buffer register. Set the next PWM output change point. (Refer to 19.3.2 Buffer Operation.)	TRCIOB pin

j = A, B, C, or D

BFC, BFD: Bits in TRCMR register

Note:

1. Do not set the TRCGRB and TRCGRC registers to the same value.

19.7.4 Operating Example

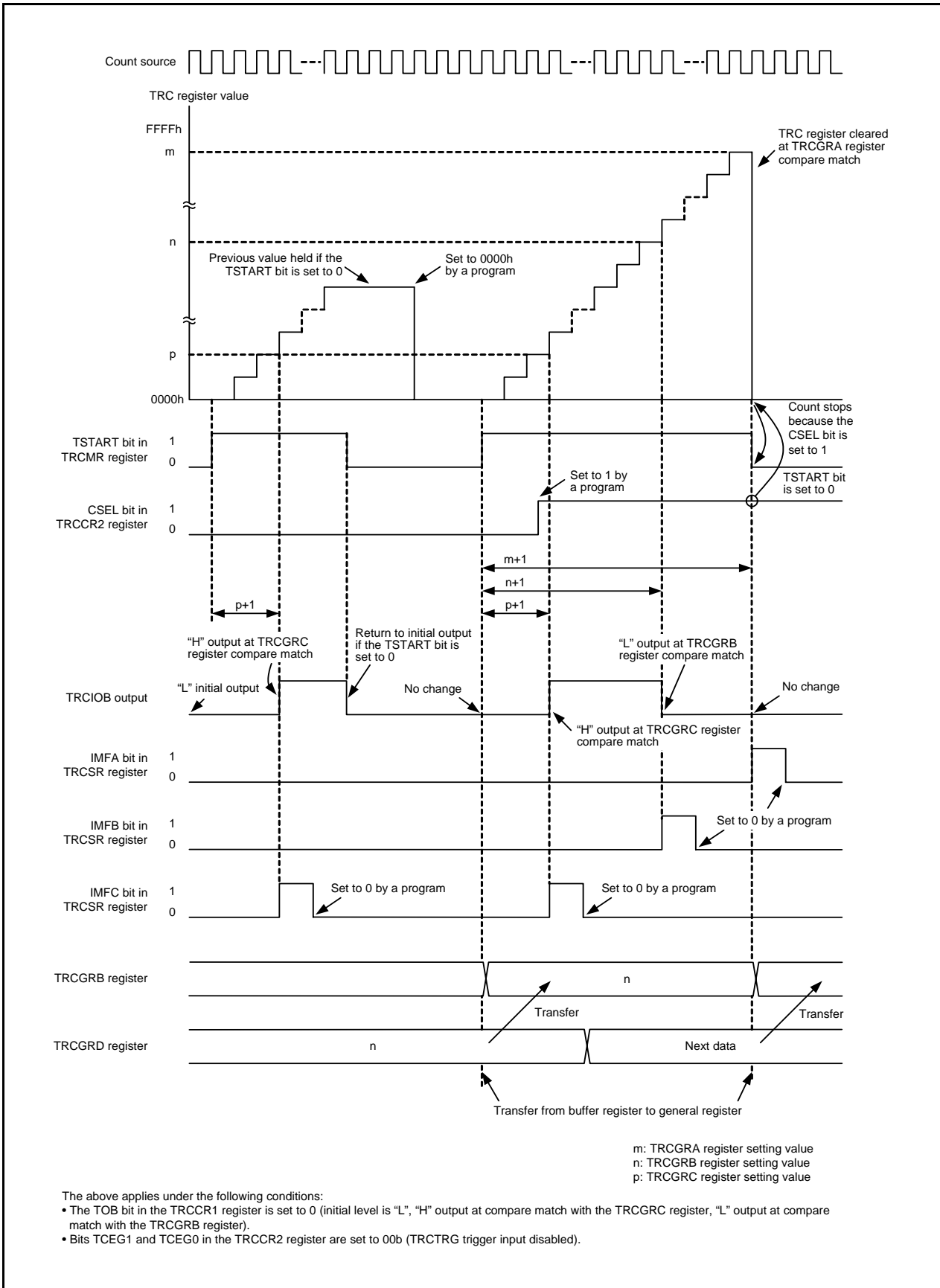


Figure 19.17 Operating Example of PWM2 Mode (TRCTRIG Trigger Input Disabled)

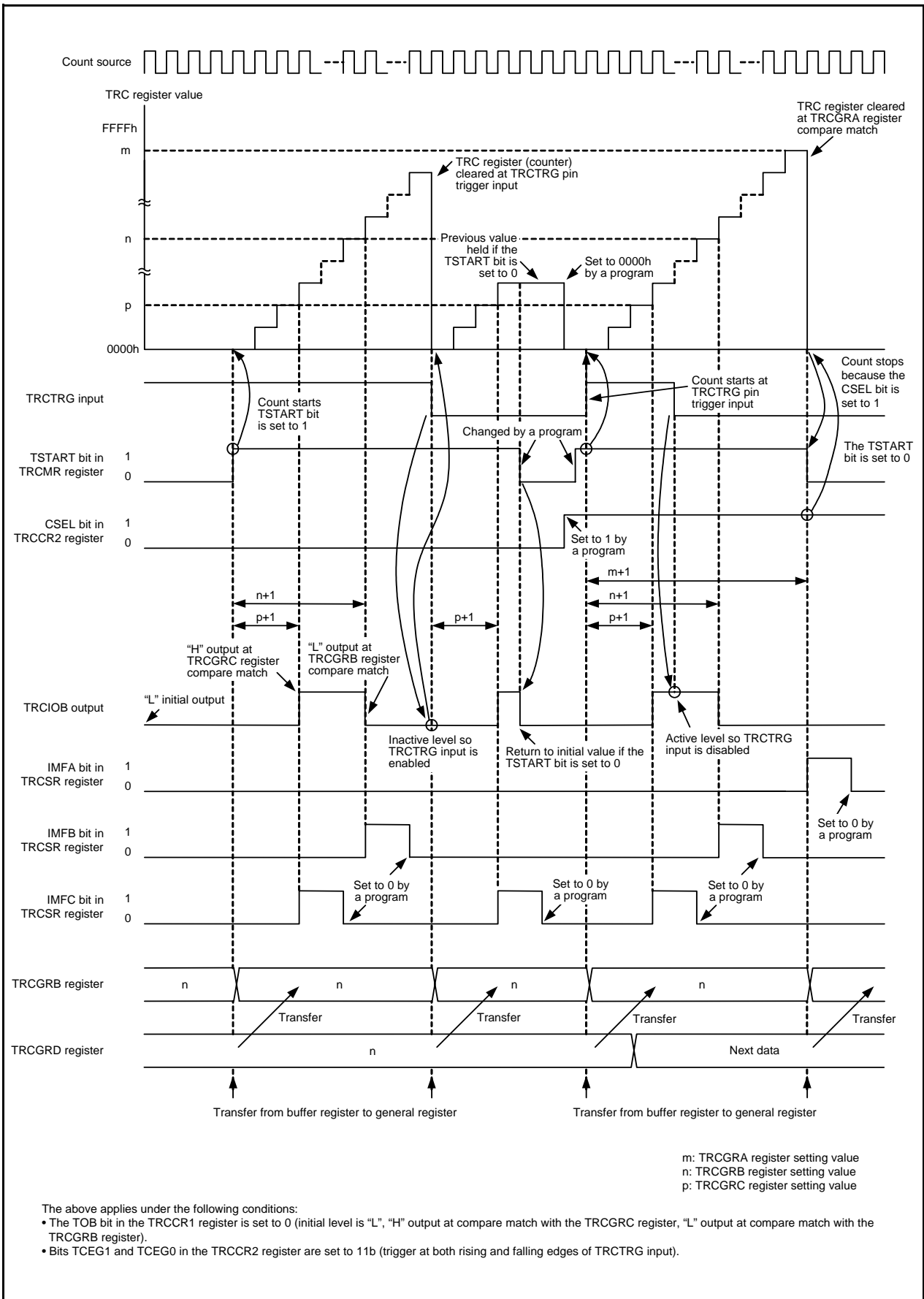


Figure 19.18 Operating Example of PWM2 Mode (TRCTRГ Trigger Input Enabled)

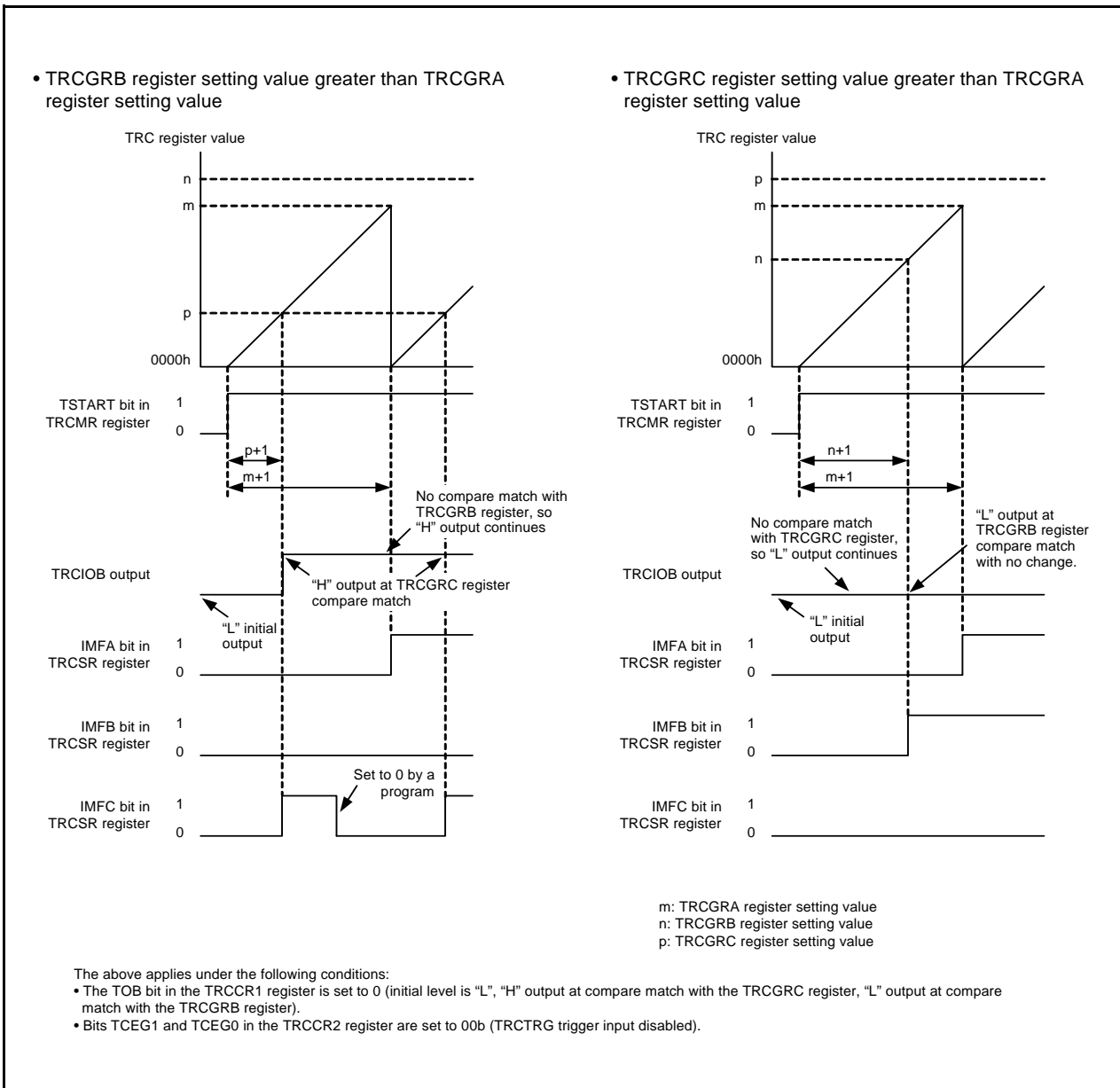


Figure 19.19 Operating Example of PWM2 Mode (Duty 0% and Duty 100%)

19.8 Timer RC Interrupt

Timer RC generates a timer RC interrupt request from five sources. The timer RC interrupt uses the single TRCIC register (bits IR and ILVL0 to ILVL2) and a single vector.

Table 19.15 lists the Registers Associated with Timer RC Interrupt, and Figure 19.20 is a Timer RC Interrupt Block Diagram.

Table 19.15 Registers Associated with Timer RC Interrupt

Timer RC Status Register	Timer RC Interrupt Enable Register	Timer RC Interrupt Control Register
TRCSR	TRCIER	TRCIC

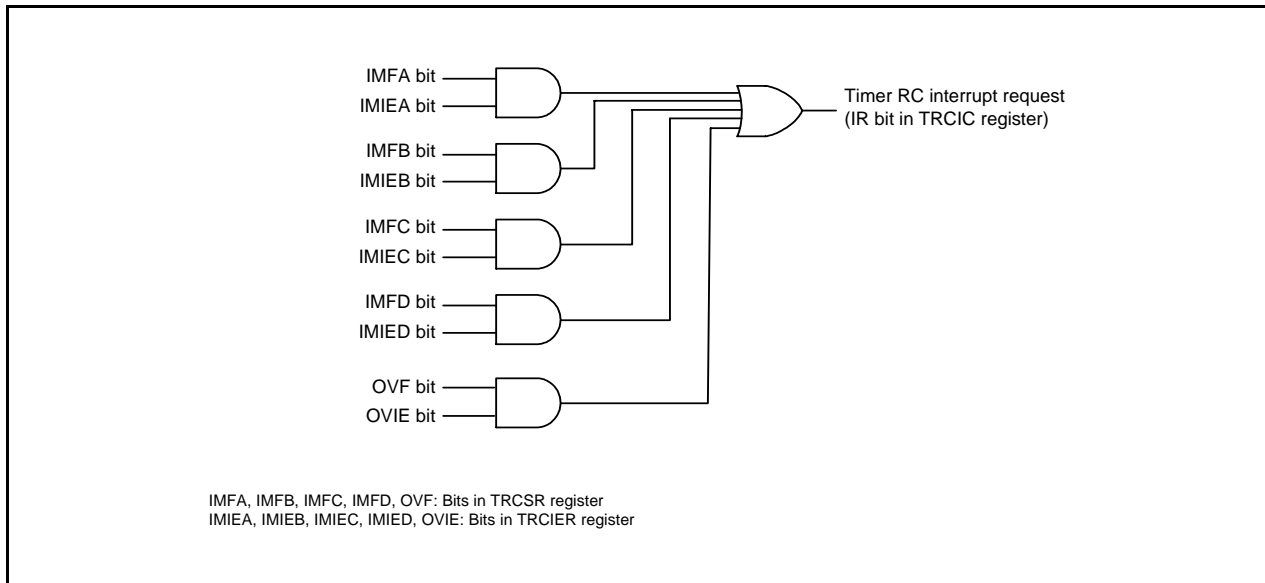


Figure 19.20 Timer RC Interrupt Block Diagram

Like other maskable interrupts, the timer RC interrupt is controlled by the combination of the I flag, IR bit, bits ILVL0 to ILVL2, and IPL. However, it differs from other maskable interrupts in the following respects because a single interrupt source (timer RC interrupt) is generated from multiple interrupt request sources.

- The IR bit in the TRCIC register is set to 1 (interrupt requested) when a bit in the TRCSR register is set to 1 and the corresponding bit in the TRCIER register is also set to 1 (interrupt enabled).
- The IR bit is set to 0 (no interrupt requested) when the bit in the TRCSR register or the corresponding bit in the TRCIER register is set to 0, or both are set to 0. In other words, the interrupt request is not maintained if the IR bit is once set to 1 but the interrupt is not acknowledged.
- If another interrupt source is triggered after the IR bit is set to 1, the IR bit remains set to 1 and does not change.
- If multiple bits in the TRCIER register are set to 1, use the TRCSR register to determine the source of the interrupt request.
- The bits in the TRCSR register are not automatically set to 0 when an interrupt is acknowledged. Set them to 0 within the interrupt routine. Refer to **19.2.5 Timer RC Status Register (TRCSR)**, for the procedure for setting these bits to 0.

Refer to **19.2.4 Timer RC Interrupt Enable Register (TRCIER)**, for details of the TRCIER register.

Refer to **11.3 Interrupt Control**, for details of the TRCIC register and **11.1.5.2 Relocatable Vector Tables**, for information on interrupt vectors.

19.9 Notes on Timer RC

19.9.1 TRC Register

- The following note applies when the CCLR bit in the TRCCR1 register is set to 1 (clear TRC register at compare match with TRCGRA register).

When using a program to write a value to the TRC register while the TSTART bit in the TRCMR register is set to 1 (count starts), ensure that the write does not overlap with the timing with which the TRC register is set to 0000h.

If the timing of the write to the TRC register and the setting of the TRC register to 0000h coincide, the write value will not be written to the TRC register and the TRC register will be set to 0000h.

- Reading from the TRC register immediately after writing to it can result in the value previous to the write being read out. To prevent this, execute the JMP.B instruction between the read and the write instructions.

```
Program Example      MOV.W      #XXXXh, TRC      ;Write
                    JMP.B      L1      ;JMP.B instruction
                    L1:      MOV.W      TRC,DATA      ;Read
```

19.9.2 TRCSR Register

Reading from the TRCSR register immediately after writing to it can result in the value previous to the write being read out. To prevent this, execute the JMP.B instruction between the read and the write instructions.

```
Program Example      MOV.B      #XXh, TRCSR      ;Write
                    JMP.B      L1      ;JMP.B instruction
                    L1:      MOV.B      TRCSR,DATA      ;Read
```

19.9.3 TRCCR1 Register

To set bits TCK2 to TCK0 in the TRCCR1 register to 111b (fOCO-F), set fOCO-F to the clock frequency higher than the CPU clock frequency.

19.9.4 Count Source Switching

- Stop the count before switching the count source.

Switching procedure

- Set the TSTART bit in the TRCMR register to 0 (count stops).
- Change the settings of bits TCK2 to TCK0 in the TRCCR1 register.

- After switching the count source from fOCO40M to another clock, allow a minimum of two cycles of f1 to elapse after changing the clock setting before stopping fOCO40M.

Switching procedure

- Set the TSTART bit in the TRCMR register to 0 (count stops).
- Change the settings of bits TCK2 to TCK0 in the TRCCR1 register.
- Wait for a minimum of two cycles of f1.
- Set the FRA00 bit in the FRA0 register to 0 (high-speed on-chip oscillator off).

- After switching the count source from fOCO-F to fOCO40M, allow a minimum of two cycles of fOCO-F to elapse after changing the clock setting before stopping fOCO-F.

Switching procedure

- (1) Set the TSTART bit in the TRCMR register to 0 (count stops).
- (2) Change the settings of bits TCK2 to TCK0 in the TRCCR1 register.
- (3) Wait for a minimum of two cycles of fOCO-F.
- (4) Set the FRA00 bit in the FRA0 register to 0 (high-speed on-chip oscillator off).

- After switching the count source from fOCO-F to a clock other than fOCO40M, allow a minimum of one cycle of fOCO-F + fOCO40M to elapse after changing the clock setting before stopping fOCO-F.

Switching procedure

- (1) Set the TSTART bit in the TRCMR register to 0 (count stops).
- (2) Change the settings of bits TCK2 to TCK0 in the TRCCR1 register.
- (3) Wait for a minimum of one cycle of fOCO-F + fOCO40M.
- (4) Set the FRA00 bit in the FRA0 register to 0 (high-speed on-chip oscillator off).

19.9.5 Input Capture Function

- The pulse width of the input capture signal should be three cycles or more of the timer RC operation clock (refer to **Table 19.1 Timer RC Operation Clock**).
- The value of the TRC register is transferred to the TRCGRj register one or two cycles of the timer RC operation clock after the input capture signal is input to the TRCIOj (j = A, B, C, or D) pin (when the digital filter function is not used).

19.9.6 TRCMR Register in PWM2 Mode

When the CSEL bit in the TRCCR2 register is set to 1 (count stops at compare match with the TRCGRA register), do not set the TRCMR register at compare match timing of registers TRC and TRCGRA.

19.9.7 Count Source fOCO40M

The count source fOCO40M can be used with supply voltage $VCC = 2.7$ to 5.5 V. For supply voltage other than that, do not set bits TCK2 to TCK0 in the TRCCR1 register to 110b (select fOCO40M as the count source).

20. Timer RD

Timer RD has 2 16-bit timers (timer RD0 and timer RD1).

20.1 Overview

Timer RD_i (i=0 or 1) has 4 I/O pins.

The operation clock of timer RD is f1, fOCO40M or fOCO-F. Table 20.1 lists the Timer RD Operation Clocks.

Table 20.1 Timer RD Operation Clocks

Condition	Operation Clock of Timer RD
The count source is f1, f2, f4, f8, f32, fC2, or TRDCLK input (bits TCK2 to TCK0 in registers TRDCR0 and TRDCR1 are set to a value from 000b to 101b).	f1
The count source is fOCO40M (bits TCK2 to TCK0 in registers TRDCR0 and TRDCR1 are set to 110b).	fOCO40M
The count source is fOCO-F (bits TCK2 to TCK0 in registers TRDCR0 and TRDCR1 are set to 111b).	fOCO-F

Figure 20.1 shows a Timer RD Block Diagram, and Table 20.2 lists Pin Configuration of Timer RD.

Timer RD has 5 modes:

- Timer mode
 - Input capture function Transfer the counter value to a register with an external signal as the trigger
 - Output compare function Detect register value matches with a counter (Pin output can be changed at detection)

The following 4 modes use the output compare function.

- PWM mode Output pulse of any width continuously
- Reset synchronous PWM mode Output three-phase waveforms (6) without sawtooth wave modulation and dead time
- Complementary PWM mode Output three-phase waveforms (6) with triangular wave modulation and dead time
- PWM3 mode Output PWM waveforms (2) with a fixed period

In the input capture function, output compare function, and PWM mode, timer RD0 and timer RD1 have the equivalent functions, and functions or modes can be selected individually for each pin. Also, a combination of these functions and modes can be used in timer RD_i.

In reset synchronous PWM mode, complementary PWM mode, and PWM3 mode, a waveform is output with a combination of counters and registers in timer RD0 and timer RD1.

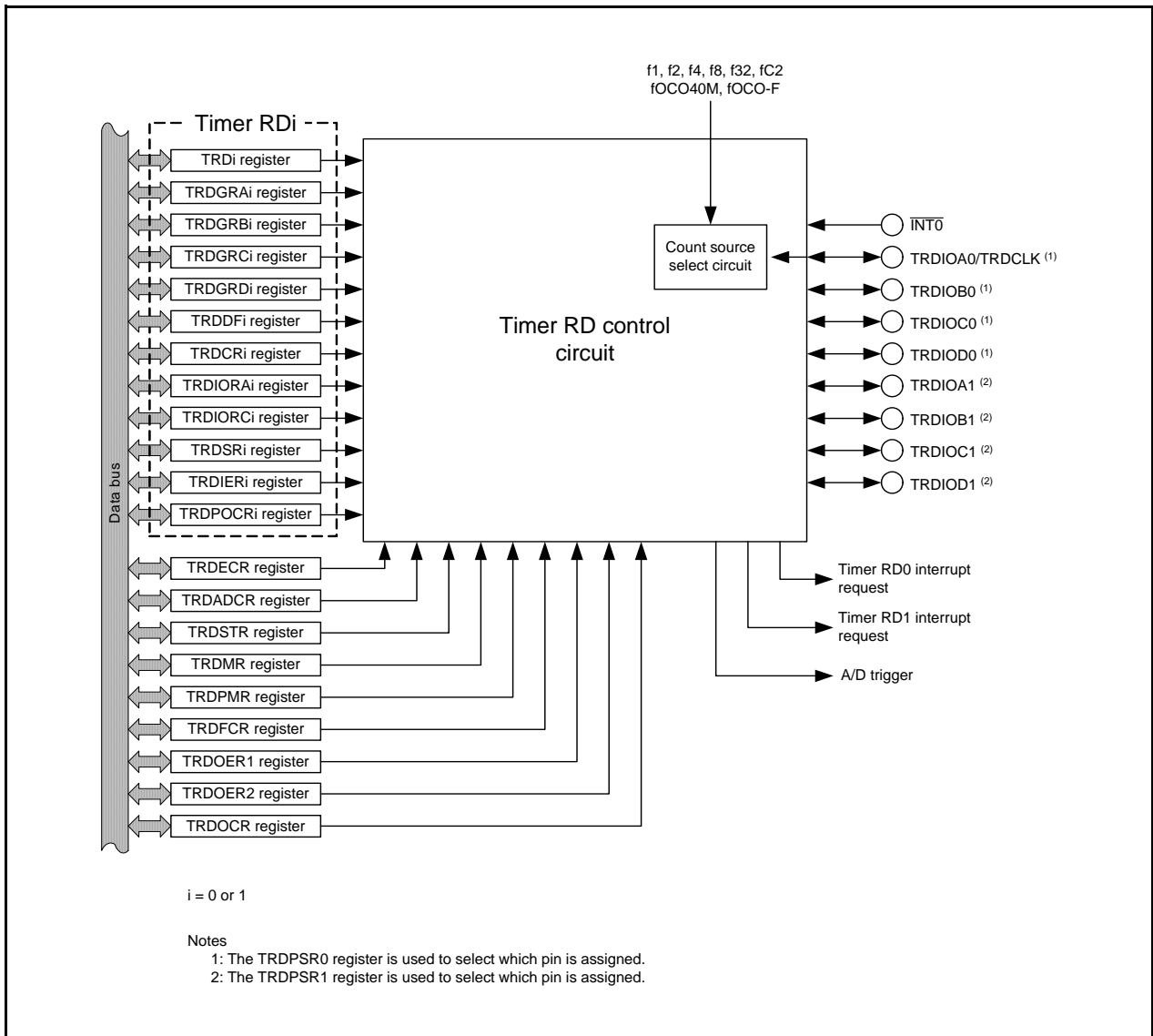


Figure 20.1 Timer RD Block Diagram

Table 20.2 Pin Configuration of Timer RD

Pin Name	Assigned Pin	I/O	Function
TRDIOA0/TRDCLK	P2_0	I/O	Function varies according to the mode. Refer to descriptions of individual modes for details.
TRDIOB0	P2_2	I/O	
TRDIOC0	P2_1	I/O	
TRDIOD0	P2_3	I/O	
TRDIOA1	P2_4	I/O	
TRDIOB1	P2_5	I/O	
TRDIOC1	P2_6	I/O	
TRDIOD1	P2_7	I/O	

20.2 Common Items for Multiple Modes

20.2.1 Count Sources

The count source selection method is the same in all modes. However, fC2 cannot be selected in PWM, reset synchronous PWM, complementary PWM, or PWM3 mode. The external clock cannot be selected in PWM3 mode.

Table 20.3 Count Source Selection

Count Source	Selection
f1, f2, f4, f8, f32	The count source is selected by bits TCK2 to TCK0 in the TRDCR _i register.
fOCO40M ⁽¹⁾ fOCO-F	The FRA00 bit in the FRA0 register is set to 1 (high-speed on-chip oscillator frequency). Bits TCK2 to TCK0 in the TRDCR _i register is set to 110b (fOCO40M). Bits TCK2 to TCK0 in the TRDCR _i register is set to 111b (fOCO-F).
fC2	Bits TCK2 to TCK0 in the TRDCR _i register is set to 101b (TRDCLK _i input or fC2) The ITCLK _i bit in the TRDECR register is set to 1 (fC2)
External signal input to TRDCLK pin	The STCLK bit in the TRDFCR register is set to 1 (external clock input enabled). Bits TCK2 to TCK0 in the TRDCR _i register are set to 101b (count source: external clock). The valid edge is selected by bits CKEG1 to CKEG0 in the TRDCR _i register. The PD2_0 bit in the PD2 register is set to 0 (input mode).

i = 0 or 1

Note:

1. The count source fOCO40M can be used with VCC = 3.0 to 5.5 V.

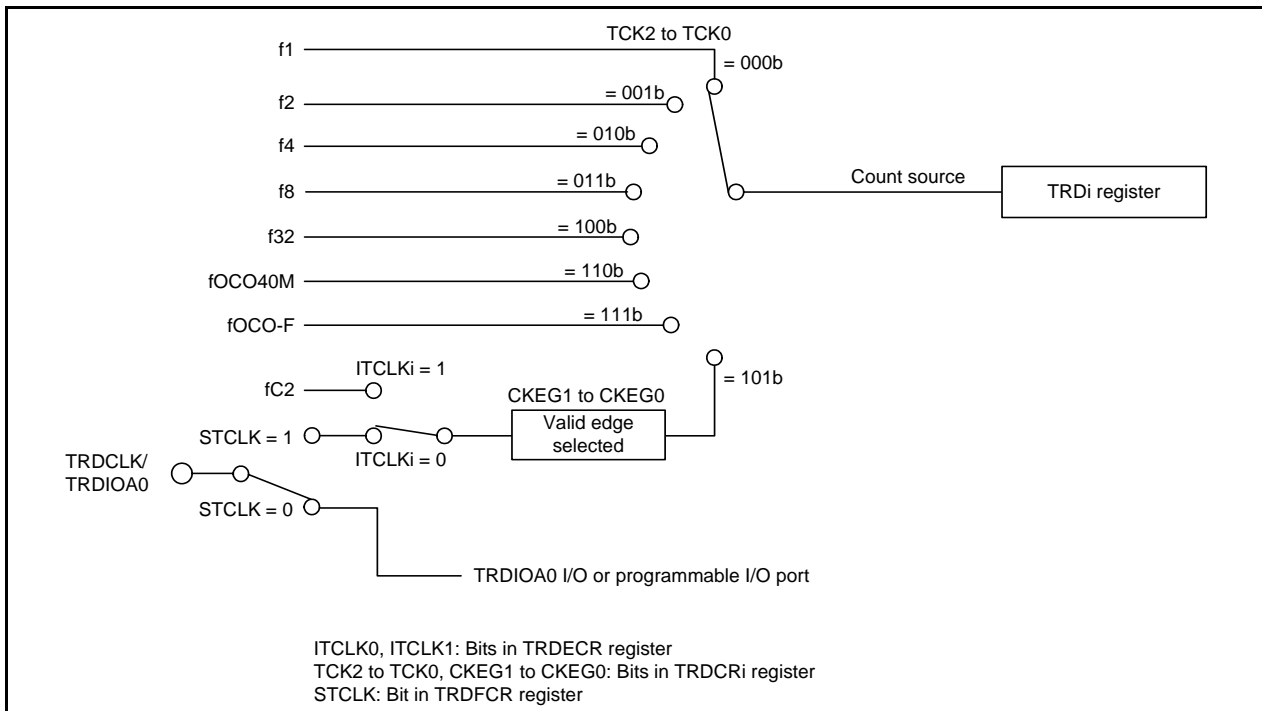


Figure 20.2 Block Diagram of Count Source

Set the pulse width of the external clock which inputs to the TRDCLK pin to 3 cycles or above of the operation clock of timer RD (refer to **Table 20.1 Timer RD Operation Clocks**).

When selecting fOCO40M or fOCO-F for the count source, set the FRA00 bit in the FRA0 register to 1 (high-speed on-chip oscillator on) before setting bits TCK2 to TCK0 in the TRDCR_i (i = 0 or 1) register to 110b (fOCO40M) or 111b (fOCO-F).

20.2.2 Buffer Operation

The TRDGRC_i (i = 0 or 1) register can be used as the buffer register of the TRDGRA_i register, and the TRDGRD_i register can be used as the buffer register of the TRDGRB_i register by means of bits BFC_i and BFD_i in the TRDMR register.

- TRDGRA_i buffer register: TRDGRC_i register
- TRDGRB_i buffer register: TRDGRD_i register

Buffer operation depends on the mode. Table 20.4 lists the Buffer Operation in Each Mode.

Table 20.4 Buffer Operation in Each Mode

Function and Mode	Transfer Timing	Transfer Register
Input capture function	Input capture signal input	Transfer content in TRDGRA _i (TRDGRB _i) register to buffer register
Output compare function	Compare match with TRD _i register and TRDGRA _i (TRDGRB _i) register	Transfer content in buffer register to TRDGRA _i (TRDGRB _i) register
PWM mode		
Reset synchronous PWM mode	Compare match with TRD0 register and TRDGRA0 register	Transfer content in buffer register to TRDGRA _i (TRDGRB _i) register
Complementary PWM mode	<ul style="list-style-type: none"> • Compare match with TRD0 register and TRDGRA0 register • TRD1 register underflow 	Transfer content in buffer register to registers TRDGRB0, TRDGRA1, and TRDGRB1
PWM3 mode	Compare match with TRD0 register and TRDGRA0 register	Transfer content in buffer register to registers TRDGRA0, TRDGRB0, TRDGRA1, and TRDGRB1

i = 0 or 1

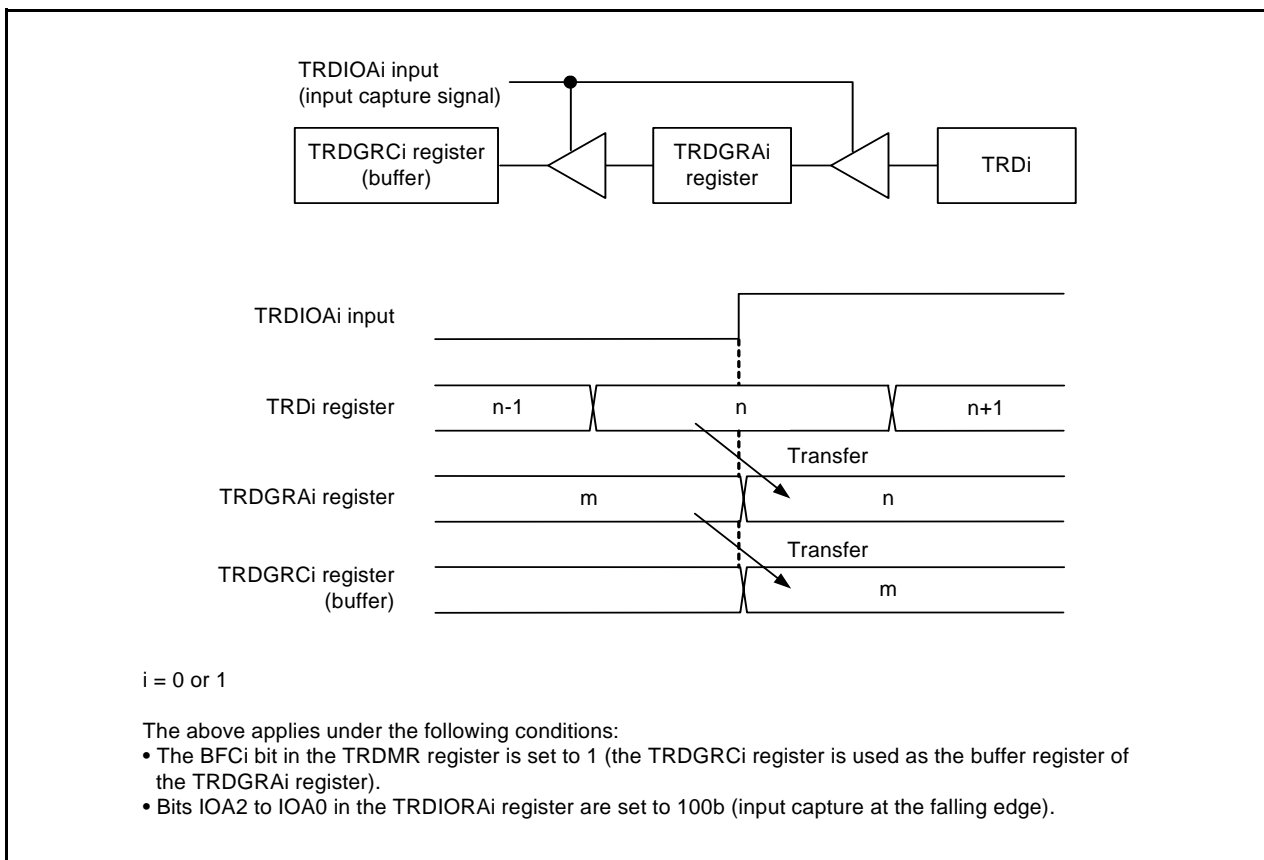


Figure 20.3 Buffer Operation in Input Capture Function

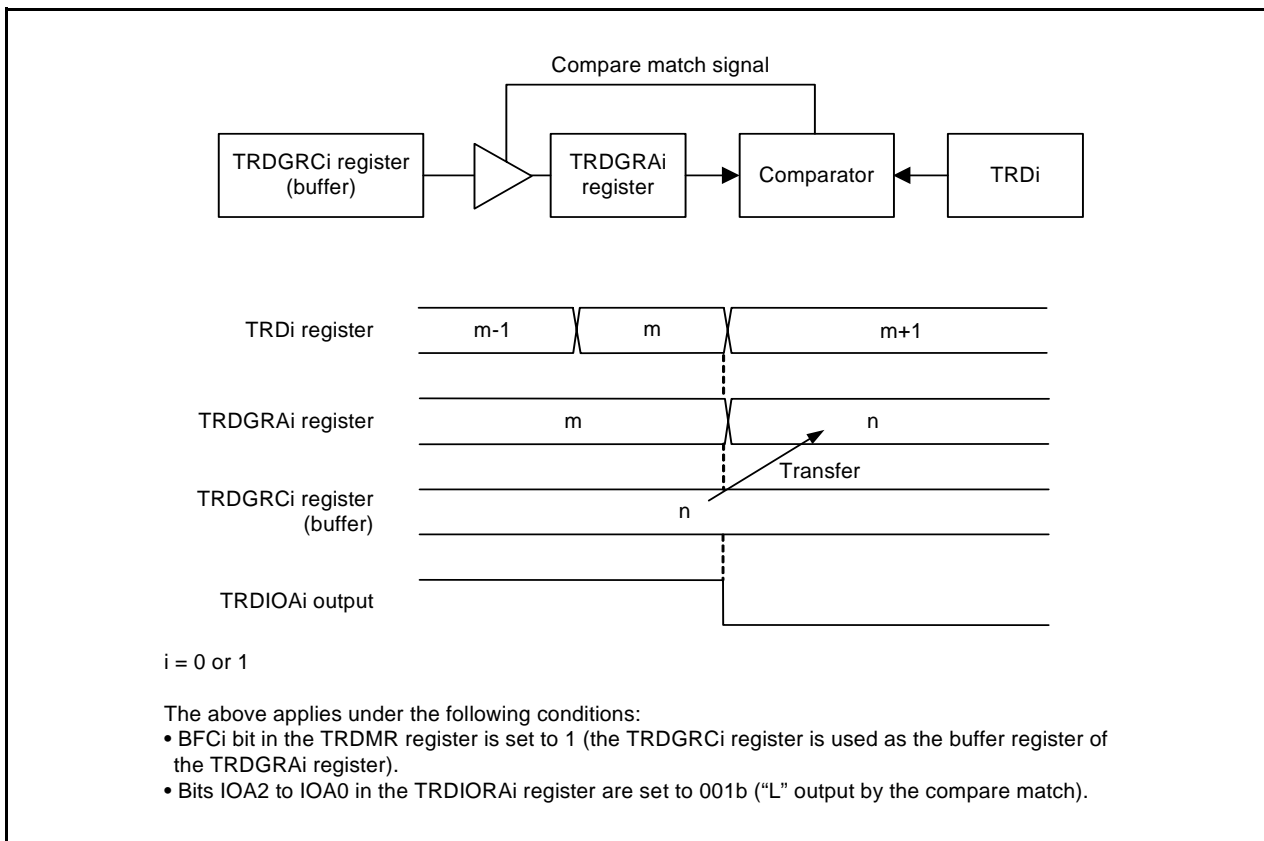


Figure 20.4 Buffer Operation in Output Compare Function

Perform the following for the timer mode (input capture and output compare functions).

When using the TRDGRCi ($i = 0 \text{ or } 1$) register as the buffer register of the TRDGRAi register

- Set the IOC3 bit in the TRDIORCi register to 1 (general register or buffer register).
- Set the IOC2 bit in the TRDIORCi register to the same value as the IOA2 bit in the TRDIORAi register.

When using the TRDGRDi register as the buffer register of the TRDGRBi register

- Set the IOD3 bit in the TRDIORDi register to 1 (general register or buffer register).
- Set the IOD2 bit in the TRDIORDi register to the same value as the IOB2 bit in the TRDIORAi register.

Bits IMFC and IMFD in the TRDSRi register are set to 1 at the input edge of the TRDIOCi pin when also using registers TRDGRCi and TRDGRDi as the buffer register in the input capture function.

When also using registers TRDGRCi and TRDGRDi as buffer registers for the output compare function, reset synchronous PWM mode, complementary PWM mode, and PWM3 mode, bits IMFC and IMFD in the TRDSRi register are set to 1 by a compare match with the TRDi register.

20.2.3 Synchronous Operation

The TRD1 register is synchronized with the TRD0 register.

- Synchronous preset
 When the SYNC bit in the TRDMR register is set to 1 (synchronous operation), the data is written to both the TRD0 and TRD1 registers after writing to the TRDi register.
- Synchronous clear
 When the SYNC bit in the TRDMR register is set to 1 and bits CCLR2 to CCLR0 in the TRDCRi register are set to 011b (synchronous clear), the TRD0 register is set to 0000h at the same time as the TRD1 register is set to 0000h.
 Also, when the SYNC bit in the TRDMR register is set to 1 and bits CCLR2 to CCLR0 in the TRDCRi register are set to 011b (synchronous clear), the TRD1 register is set to 0000h at the same time as the TRD0 register is set to 0000h.

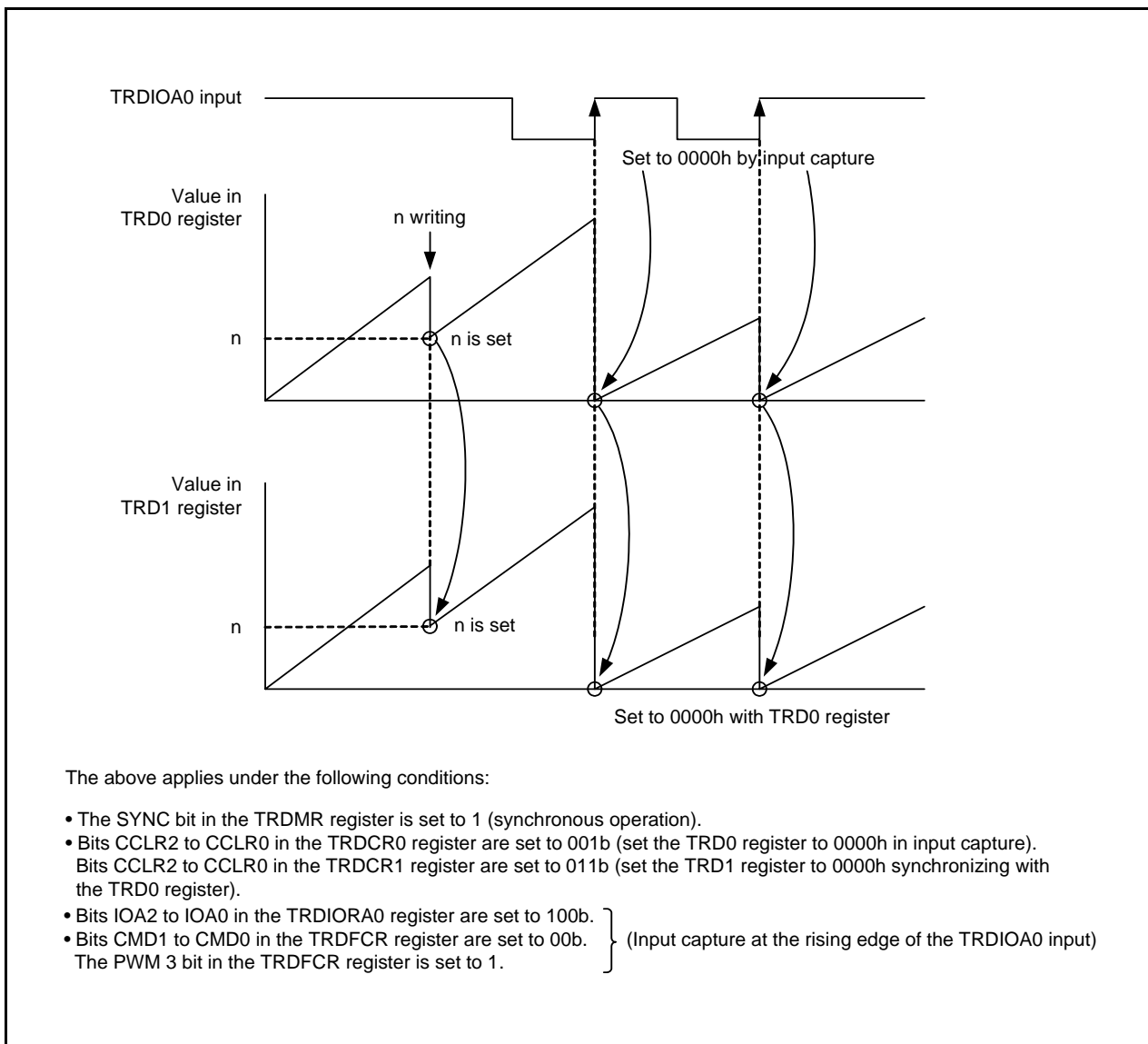


Figure 20.5 Synchronous Operation

20.2.4 Pulse Output Forced Cutoff

In the output compare function, PWM mode, reset synchronous PWM mode, complementary PWM mode, and PWM3 mode, the TRDIO_{ji} (i = 0 or 1, j = either A, B, C, or D) output pin can be forcibly set to a programmable I/O port by the $\overline{\text{INT0}}$ pin input, and pulse output can be cut off.

The pins used for output in these functions or modes can function as the output pin of timer RD when the applicable bit in the TRDOER1 register is set to 0 (enable timer RD output). When the PTO bit in the TRDOER2 register is set to 1 ($\overline{\text{INT0}}$ of pulse output forced cutoff signal input enabled), all bits in the TRDOER1 register are set to 1 (disable timer RD output, the TRDIO_{ji} output pin is used as the programmable I/O port) after “L” is applied to the $\overline{\text{INT0}}$ pin. The TRDIO_{ji} output pin is set to the programmable I/O port after “L” is applied to the $\overline{\text{INT0}}$ pin and waiting for 1 to 2 cycles of the timer RD operation clock (refer to **Table 20.1 Timer RD Operation Clocks**).

Set as below when using this function:

- Set the pin status (high impedance, “L” or “H” output) to pulse output forced cutoff by registers P2 and PD2.
- Set the INT0EN bit in the INTEN register to 1 (enable $\overline{\text{INT0}}$ input) and the INT0PL bit to 0 (one edge).
- Set the PD4_5 bit in the PD4 register to 0 (input mode).
- Set the $\overline{\text{INT0}}$ digital filter by bits INT0F1 to INT0F0 in the INTF register.
- Set the PTO bit in the TRDOER2 register to 1 (enable pulse output forced cutoff signal input $\overline{\text{INT0}}$).

According to the selection of the POL bit in the INT0IC register and change of the $\overline{\text{INT0}}$ pin input, the IR bit in the INT0IC register is set to 1 (interrupt request). Refer to **11. Interrupts** for details of interrupts.

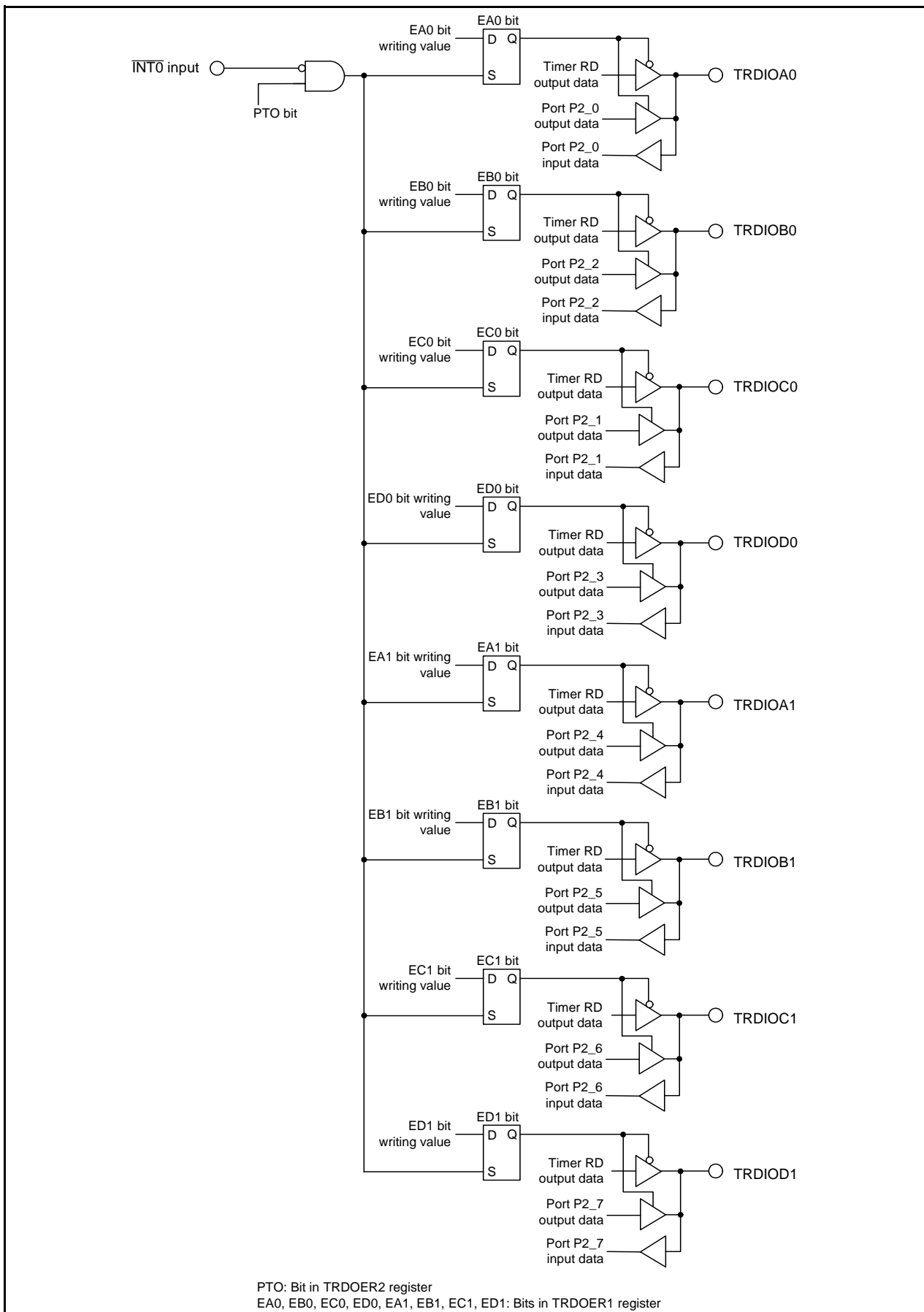


Figure 20.6 Pulse Output Forced Cutoff

20.3 Input Capture Function

The input capture function measures the external signal width and period. The content of the TRDi register (counter) is transferred to the TRDGRji register as a trigger of the TRDIOji (i = 0 or 1, j = either A, B, C, or D) pin external signal (input capture). Since this function is enabled with a combination of the TRDIOji pin and TRDGRji register, the input capture function, or any other mode or function, can be selected for each individual pin.

The TRDGRA0 register can also select fOCO128 signal as input-capture trigger input.

Figure 20.7 shows a Block Diagram of Input Capture Function, Table 20.5 lists the Input Capture Function Specifications. Figure 20.8 shows an Operating Example of Input Capture Function.

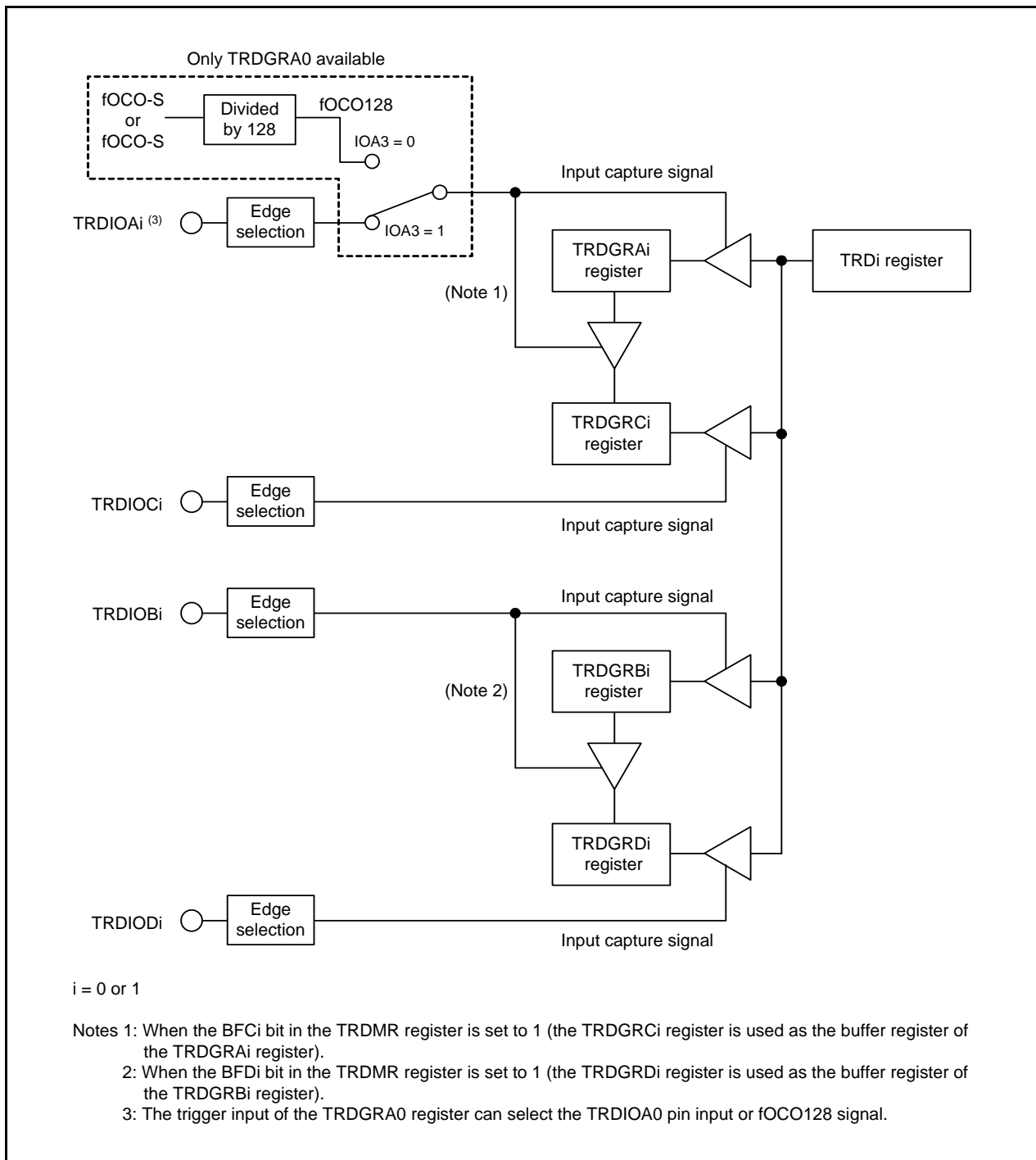


Figure 20.7 Block Diagram of Input Capture Function

Table 20.5 Input Capture Function Specifications

Item	Specification
Count sources	f1, f2, f4, f8, f32, fC2, fOCO40M, fOCO-F External signal input to the TRDCLK pin (valid edge selected by a program)
Count operations	Increment
Count period	When bits CCLR2 to CCLR0 in the TRDCRi register are set to 000b (free-running operation). $1/fk \times 65536$ fk: Frequency of count source
Count start condition	1 (count starts) is written to the TSTARTi bit in the TRDSTR register.
Count stop condition	0 (count stops) is written to the TSTARTi bit in the TRDSTR register when the CSELi bit in the TRDSTR register is set to 1.
Interrupt request generation timing	<ul style="list-style-type: none"> Input capture (valid edge of TRDIOji input or fOCO128 signal edge) TRDi register overflows
TRDIOA0 pin function	Programmable I/O port, input-capture input, or TRDCLK (external clock) input
TRDIOB0, TRDIOC0, TRDIOD0, TRDIOA1 to TRDIOD1 pin functions	Programmable I/O port, or input-capture input (selectable by pin)
INT0 pin function	Programmable I/O port or INT0 interrupt input
Read from timer	The count value can be read by reading the TRDi register.
Write to timer	<ul style="list-style-type: none"> When the SYNC bit in the TRDMR register is set to 0 (timer RD0 and timer RD1 operate independently). Data can be written to the TRDi register. When the SYNC bit in the TRDMR register is set to 1 (timer RD0 and timer RD1 operate synchronously). Data can be written to both the TRD0 and TRD1 registers by writing to the TRDi register.
Selectable functions	<ul style="list-style-type: none"> Input-capture input pin selection Either 1 pin or multiple pins among TRDIOAi, TRDIOBi, TRDIOCi, or TRDIODi. Input-capture input valid edge selection The rising edge, falling edge, or both the rising and falling edges Timing for setting the TRDi register to 0000h At overflow or input capture Buffer operation (Refer to 20.2.2 Buffer Operation.) Synchronous operation (Refer to 20.2.3 Synchronous Operation.) Digital filter The TRDIOji input is sampled, and when the sampled input level match as 3 times, the level is determined. Input-capture trigger selection fOCO128 can be selected for input-capture trigger input of the TRDGRA0 register.

i = 0 or 1, j = either A, B, C, or D

20.3.1 Module Standby Control Register (MSTCR)

Address 0008h

Bit	b7	b6	b5	b4	b3	b2	b1	b0
Symbol	—	—	MSTTRC	MSTTRD	MSTIIC	—	—	—
After Reset	0	0	0	0	0	0	0	0

Bit	Symbol	Bit Name	Function	R/W
b0	—	Nothing is assigned. If necessary, set to 0. When read, the content is 0.		—
b1	—			
b2	—			
b3	MSTIIC	SSU, I ² C bus standby bit	0: Active 1: Standby ⁽¹⁾	R/W
b4	MSTTRD	Timer RD standby bit	0: Active 1: Standby ^(2, 3)	R/W
b5	MSTTRC	Timer RC standby bit	0: Active 1: Standby ⁽⁴⁾	R/W
b6	—	Nothing is assigned. If necessary, set to 0. When read, the content is 0.		—
b7	—			

Notes:

1. When the MSTIIC bit is set to 1 (standby), any access to the SSU or the I²C bus associated registers (addresses 0193h to 019Dh) is disabled.
2. When the MSTTRD bit is set to 1 (standby), any access to the timer RD associated registers (addresses 0135h to 015Fh) is disabled.
3. To set the MSTTRD bit to 1 (standby), set bits TCK2 to TCK0 in the TRDCR_i (i = 0 or 1) register to 000b (f1).
4. When the MSTTRC bit is set to 1 (standby), any access to the timer RC associated registers (addresses 0120h to 0133h) is disabled.

20.3.2 Timer RD Control Expansion Register (TRDECR)

Address 0135h

Bit	b7	b6	b5	b4	b3	b2	b1	b0
Symbol	ITCLK1	—	—	—	ITCLK0	—	—	—
After Reset	0	0	0	0	0	0	0	0

Bit	Symbol	Bit Name	Function	R/W
b0	—	Nothing is assigned. If necessary, set to 0. When read, the content is 0.		—
b1	—			
b2	—			
b3	ITCLK0	Timer RD0 fC2 select bit	0: TRDCLK input selected 1: fC2 selected ⁽¹⁾	R/W
b4	—	Nothing is assigned. If necessary, set to 0. When read, the content is 0.		—
b5	—			
b6	—			
b7	ITCLK1	Timer RD1 fC2 select bit	0: TRDCLK input selected 1: fC2 selected ⁽¹⁾	R/W

Note:

1. Enabled when in timer mode.

20.3.3 Timer RD Start Register (TRDSTR) in Input Capture Function

Address 0137h

Bit	b7	b6	b5	b4	b3	b2	b1	b0
Symbol	—	—	—	—	CSEL1	CSEL0	TSTART1	TSTART0
After Reset	1	1	1	1	1	1	0	0

Bit	Symbol	Bit Name	Function	R/W
b0	TSTART0	TRD0 count start flag	0: Count stops 1: Count starts	R/W
b1	TSTART1	TRD1 count start flag		R/W
b2	CSEL0	TRD0 count operation select bit	Set to 1 in the input capture function.	R/W
b3	CSEL1	TRD1 count operation select bit		R/W
b4	—	Nothing is assigned. If necessary, set to 0. When read, the content is 1.		—
b5	—			
b6	—			
b7	—			

Set the TRDSTR register using the MOV instruction (do not use the bit handling instruction). Refer to **20.10.1 TRDSTR Register** of **Notes on Timer RD**.

20.3.4 Timer RD Mode Register (TRDMR) in Input Capture Function

Address 0138h

Bit	b7	b6	b5	b4	b3	b2	b1	b0
Symbol	BFD1	BFC1	BFD0	BFC0	—	—	—	SYNC
After Reset	0	0	0	0	1	1	1	0

Bit	Symbol	Bit Name	Function	R/W
b0	SYNC	Timer RD synchronous bit	0: Registers TRD0 and TRD1 operate independently 1: Registers TRD0 and TRD1 operate synchronously	R/W
b1	—	Nothing is assigned. If necessary, set to 0. When read, the content is 1.		—
b2	—			
b3	—			
b4	BFC0	TRDGRC0 register function select bit	0: General register 1: Buffer register of TRDGRA0 register	R/W
b5	BFD0	TRDGRD0 register function select bit	0: General register 1: Buffer register of TRDGRB0 register	R/W
b6	BFC1	TRDGRC1 register function select bit	0: General register 1: Buffer register of TRDGRA1 register	R/W
b7	BFD1	TRDGRD1 register function select bit	0: General register 1: Buffer register of TRDGRB1 register	R/W

20.3.5 Timer RD PWM Mode Register (TRDPMR) in Input Capture Function

Address 0139h

Bit	b7	b6	b5	b4	b3	b2	b1	b0
Symbol	—	PWMD1	PWMC1	PWMB1	—	PWMD0	PWMC0	PWMB0
After Reset	1	0	0	0	1	0	0	0

Bit	Symbol	Bit Name	Function	R/W
b0	PWMB0	PWM mode of TRDIOB0 select bit	Set to 0 (timer mode) in the input capture function.	R/W
b1	PWMC0	PWM mode of TRDIOC0 select bit		R/W
b2	PWMD0	PWM mode of TRDIOD0 select bit		R/W
b3	—	Nothing is assigned. If necessary, set to 0. When read, the content is 1.		—
b4	PWMB1	PWM mode of TRDIOB1 select bit	Set to 0 (timer mode) in the input capture function.	R/W
b5	PWMC1	PWM mode of TRDIOC1 select bit		R/W
b6	PWMD1	PWM mode of TRDIOD1 select bit		R/W
b7	—	Nothing is assigned. If necessary, set to 0. When read, the content is 1.		—

20.3.6 Timer RD Function Control Register (TRDFCR) in Input Capture Function

Address 013Ah

Bit	b7	b6	b5	b4	b3	b2	b1	b0
Symbol	PWM3	STCLK	ADEG	ADTRG	OLS1	OLS0	CMD1	CMD0
After Reset	1	0	0	0	0	0	0	0

Bit	Symbol	Bit Name	Function	R/W	
b0	CMD0	Combination mode select bit ⁽¹⁾	Set to 00b (timer mode, PWM mode, or PWM3 mode) in the input capture function.	R/W	
b1	CMD1			R/W	
b2	OLS0	Normal-phase output level select bit (in reset synchronous PWM mode or complementary PWM mode)	This bit is disabled in the input capture function.	R/W	
b3	OLS1			Counter-phase output level select bit (in reset synchronous PWM mode or complementary PWM mode)	R/W
b4	ADTRG			A/D trigger enable bit (in complementary PWM mode)	R/W
b5	ADEG			A/D trigger edge select bit (in complementary PWM mode)	R/W
b6	STCLK	External clock input select bit	0: External clock input disabled 1: External clock input enabled	R/W	
b7	PWM3	PWM3 mode select bit ⁽²⁾	Set this bit to 1 (other than PWM3 mode) in the input capture function.	R/W	

Notes:

- Set bits CMD1 to CMD0 when both the TSTART0 and TSTART1 bits in the TRDSTR register are set to 0 (count stops).
- When bits CMD1 to CMD0 are set to 00b (timer mode, PWM mode, or PWM3 mode), the setting of the PWM3 bit is enabled.

20.3.7 Timer RD Digital Filter Function Select Register i (TRDDFi) (i = 0 or 1) in Input Capture Function

Address 013Eh (TRDDF0), 013Fh (TRDDF1)

Bit	b7	b6	b5	b4	b3	b2	b1	b0
Symbol	DFCK1	DFCK0	—	—	DFD	DFC	DFB	DFA
After Reset	0	0	0	0	0	0	0	0

Bit	Symbol	Bit Name	Function	R/W
b0	DFA	TRDIOA pin digital filter function select bit	0: Function is not used 1: Function is used	R/W
b1	DFB	TRDIOB pin digital filter function select bit		R/W
b2	DFC	TRDIOC pin digital filter function select bit		R/W
b3	DFD	TRDIOD pin digital filter function select bit		R/W
b4	—	Nothing is assigned. If necessary, set to 0. When read, the content is 0.		—
b5	—			
b6	DFCK0	Clock select bits for digital filter function	b7 b6 0 0: f32 0 1: f8 1 0: f1 1 1: Count source (clock selected by bits TCK2 to TCK0 in the TRDCRi register)	R/W
b7	DFCK1			R/W

20.3.8 Timer RD Control Register i (TRDCRi) (i = 0 or 1) in Input Capture Function

Address 0140h (TRDCR0), 0150h (TRDCR1)

Bit	b7	b6	b5	b4	b3	b2	b1	b0
Symbol	CCLR2	CCLR1	CCLR0	CKEG1	CKEG0	TCK2	TCK1	TCK0
After Reset	0	0	0	0	0	0	0	0

Bit	Symbol	Bit Name	Function	R/W
b0	TCK0	Count source select bit	b2 b1 b0 0 0 0: f1 0 0 1: f2 0 1 0: f4 0 1 1: f8 1 0 0: f32 1 0 1: TRDCLK input ⁽¹⁾ or fC2 ⁽²⁾ 1 1 0: fOCO40M 1 1 1: fOCO-F ⁽⁵⁾	R/W
b1	TCK1			R/W
b2	TCK2			R/W
b3	CKEG0			External clock edge select bit ⁽³⁾
b4	CKEG1	R/W		
b5	CCLR0	TRDi counter clear select bit	b7 b6 b5 0 0 0: Disable clear (free-running operation) 0 0 1: Clear by input capture in the TRDGRAi register 0 1 0: Clear by input capture in the TRDGRBi register 0 1 1: Synchronous clear (clear simultaneously with other timer RD _i counter) ⁽⁴⁾ 1 0 0: Do not set. 1 0 1: Clear by input capture in the TRDGRCi register 1 1 0: Clear by input capture in the TRDGRDi register 1 1 1: Do not set.	R/W
b6	CCLR1			R/W
b7	CCLR2			R/W

Notes:

1. Enabled when the ITCLKi bit in the TRDECR register is set to 0 (TRDCLK input) and the STCLK bit in the TRDFCR register is 1 (external clock input enabled).
2. Enabled when the ITCLKi bit in the TRDECR register is set to 1 (fC2) in timer mode.
3. Enabled when bits TCK2 to TCK0 are set to 101b (TRDCLK input or fC2), the ITCLKi bit in the TRDECR is set to 0 (TRDCLK input), and the STCLK bit in the TRDFCR register is set to 1 (external clock input enabled).
4. This setting is enabled when the SYNC bit in the TRDMR register is set to 1 (registers TRD0 and TRD1 operate synchronously).
5. To select fOCO-F, set it to the clock frequency higher than the CPU clock frequency.

20.3.9 Timer RD I/O Control Register Ai (TRDIORAi) (i = 0 or 1) in Input Capture Function

Address 0141h (TRDIORA0), 0151h (TRDIORA1)

Bit	b7	b6	b5	b4	b3	b2	b1	b0
Symbol	—	IOB2	IOB1	IOB0	IOA3	IOA2	IOA1	IOA0
After Reset	1	0	0	0	1	0	0	0

Bit	Symbol	Bit Name	Function	R/W
b0	IOA0	TRDGRA control bit	^{b1 b0} 0 0: Input capture to the TRDGRAi register at the rising edge 0 1: Input capture to the TRDGRAi register at the falling edge 1 0: Input capture to the TRDGRAi register at both edges 1 1: Do not set.	R/W
b1	IOA1			R/W
b2	IOA2	TRDGRA mode select bit (1)	Set to 1 (input capture) in the input capture function.	R/W
b3	IOA3	Input capture input switch bit (3, 4)	0: fOCO128 Signal 1: TRDIOA0 pin input	R/W
b4	IOB0	TRDGRB control bit	^{b5 b4} 0 0: Input capture to the TRDGRBi register at the rising edge 0 1: Input capture to the TRDGRBi register at the falling edge 1 0: Input capture to the TRDGRBi register at both edges 1 1: Do not set.	R/W
b5	IOB1			R/W
b6	IOB2	TRDGRB mode select bit (2)	Set to 1 (input capture) in the input capture function.	R/W
b7	—	Nothing is assigned. If necessary, set to 0. When read, the content is 1.		—

Notes:

1. To select 1 (the TRDGRCi register is used as a buffer register of the TRDGRAi register) for this bit by the BFCi bit in the TRDMR register, set the IOC2 bit in the TRDIORCi register to the same value as the IOA2 bit in the TRDIORAi register.
2. To select 1 (the TRDGRDi register is used as a buffer register of the TRDGRBi register) for this bit by the BFDi bit in the TRDMR register, set the IOD2 bit in the TRDIORCi register to the same value as the IOB2 bit in the TRDIORAi register.
3. The IOA3 bit is enabled in the TRDIORA0 register only. Set to the IOA3 bit in TRDIORA1 to 1.
4. The IOA3 bit is enabled when the IOA2 bit is set to 1 (input capture function).

20.3.10 Timer RD I/O Control Register Ci (TRDIORCi) (i = 0 or 1) in Input Capture Function

Address 0142h (TRDIORC0), 0152h (TRDIORC1)

Bit	b7	b6	b5	b4	b3	b2	b1	b0
Symbol	IOD3	IOD2	IOD1	IOD0	IOC3	IOC2	IOC1	IOC0
After Reset	1	0	0	0	1	0	0	0

Bit	Symbol	Bit Name	Function	R/W
b0	IOC0	TRDGRC control bit	^{b1 b0} 0 0: Input capture to the TRDGRCi register at the rising edge 0 1: Input capture to the TRDGRCi register at the falling edge 1 0: Input capture to the TRDGRCi register at both edges 1 1: Do not set.	R/W
b1	IOC1			R/W
b2	IOC2	TRDGRC mode select bit ⁽¹⁾	Set to 1 (input capture) in the input capture function.	R/W
b3	IOC3	TRDGRC register function select bit	Set to 1 (general register or buffer register) in the input capture function.	R/W
b4	IOD0	TRDGRD control bit	^{b5 b4} 0 0: Input capture to the TRDGRDi register at the rising edge 0 1: Input capture to the TRDGRDi register at the falling edge 1 0: Input capture to the TRDGRDi register at both edges 1 1: Do not set.	R/W
b5	IOD1			R/W
b6	IOD2	TRDGRD mode select bit ⁽²⁾	Set to 1 (input capture) in the input capture function.	R/W
b7	IOD3	TRDGRD register function select bit	Set to 1 (general register or buffer register) in the input capture function.	R/W

Notes:

- To select 1 (the TRDGRCi register is used as a buffer register of the TRDGRAi register) for this bit by the BFCi bit in the TRDMR register, set the IOC2 bit in the TRDIORCi register to the same value as the IOA2 bit in the TRDIORAi register.
- To select 1 (the TRDGRDi register is used as a buffer register of the TRDGRBi register) for this bit by the BFDi bit in the TRDMR register, set the IOD2 bit in the TRDIORCi register to the same value as the IOB2 bit in the TRDIORAi register.

20.3.11 Timer RD Status Register i (TRDSRi) (i = 0 or 1) in Input Capture Function

Address 0143h (TRDSR0), 0153h (TRDSR1)

Bit	b7	b6	b5	b4	b3	b2	b1	b0	
Symbol	—	—	UDF	OVF	IMFD	IMFC	IMFB	IMFA	
After Reset	1	1	1	0	0	0	0	0	TRDSR0 register
After Reset	1	1	0	0	0	0	0	0	TRDSR1 register

Bit	Symbol	Bit Name	Function	R/W
b0	IMFA	Input capture / compare match flag A	[Source for setting this bit to 0] Write 0 after read (2). [Source for setting this bit to 1]. TRDSR0 register: fOCO128 signal edge when the IOA3 bit in the TRDIORA0 register is set to 0 (fOCO128 signal). TRDIOA0 pin input edge when the IOA3 bit in the TRDIORA0 register is set to 1 (TRDIOA0 input) (3). TRDSR1 register: Input edge of TRDIOA1 pin (3).	R/W
b1	IMFB	Input capture / compare match flag B	[Source for setting this bit to 0] Write 0 after read (2). [Source for setting this bit to 1] Input edge of TRDIOBi pin (3).	R/W
b2	IMFC	Input capture / compare match flag C	[Source for setting this bit to 0] Write 0 after read (2). [Source for setting this bit to 1] Input edge of TRDIOCi pin (4).	R/W
b3	IMFD	Input capture / compare match flag D	[Source for setting this bit to 0] Write 0 after read (2). [Source for setting this bit to 1] Input edge of TRDIODi pin (4).	R/W
b4	OVF	Overflow flag	[Source for setting this bit to 0] Write 0 after read (2). [Source for setting this bit to 1] When the TRDi register overflows.	R/W
b5	UDF	Underflow flag (1)	This bit is disabled in the input capture function.	R/W
b6	—	Nothing is assigned. If necessary, set to 0. When read, the content is 1.		—
b7	—			—

Notes:

- Nothing is assigned to b5 in the TRDSR0 register. When writing to b5, write 0. When reading, the content is 1.
- The writing results are as follows:
 - This bit is set to 0 when the read result is 1 and 0 is written to the same bit.
 - This bit remains unchanged even if the read result is 0 and 0 is written to the same bit. (This bit remains 1 even if it is set to 1 from 0 after reading, and writing 0.)
 - This bit remains unchanged if 1 is written to it.
- Edge selected by bits IOj1 to IOj0 (j = A or B) in the TRDIORAi register.
- Edge selected by bits IOK1 to IOK0 (k = C or D) in the TRDIORCi register.
Including when the BFki bit in the TRDMR register is set to 1 (TRDGRki is used as the buffer register)

20.3.12 Timer RD Interrupt Enable Register i (TRDIERi) (i = 0 or 1) in Input Capture Function

Address 0144h (TRDIER0), 0154h (TRDIER1)

Bit	b7	b6	b5	b4	b3	b2	b1	b0
Symbol	—	—	—	OVIE	IMIED	IMIEC	IMIEB	IMIEA
After Reset	1	1	1	0	0	0	0	0

Bit	Symbol	Bit Name	Function	R/W
b0	IMIEA	Input capture/compare match interrupt enable bit A	0: Disable interrupt (IMIA) by the IMFA bit 1: Enable interrupt (IMIA) by the IMFA bit	R/W
b1	IMIEB	Input capture/compare match interrupt enable bit B	0: Disable interrupt (IMIB) by the IMFB bit 1: Enable interrupt (IMIB) by the IMFB bit	R/W
b2	IMIEC	Input capture/compare match interrupt enable bit C	0: Disable interrupt (IMIC) by the IMFC bit 1: Enable interrupt (IMIC) by the IMFC bit	R/W
b3	IMIED	Input capture/compare match interrupt enable bit D	0: Disable interrupt (IMID) by the IMFD bit 1: Enable interrupt (IMID) by the IMFD bit	R/W
b4	OVIE	Overflow/underflow interrupt enable bit	0: Disable interrupt (OVI) by the OVF bit 1: Enable interrupt (OVI) by the OVF bit	R/W
b5	—	Nothing is assigned. If necessary, set to 0. When read, the content is 1.		—
b6	—			
b7	—			

20.3.13 Timer RD Counter i (TRDi) (i = 0 or 1) in Input Capture Function

Address 0147h to 0146h (TRD0), 0157h to 0156h (TRD1)

Bit	b7	b6	b5	b4	b3	b2	b1	b0
Symbol	—	—	—	—	—	—	—	—
After Reset	0	0	0	0	0	0	0	0

Bit	b15	b14	b13	b12	b11	b10	b9	b8
Symbol	—	—	—	—	—	—	—	—
After Reset	0	0	0	0	0	0	0	0

Bit	Function	Setting Range	R/W
b15 to b0	Count the count source. Count operation is incremented. When an overflow occurs, the OVF bit in the TRDSRi register is set to 1.	0000h to FFFFh	R/W

Access the TRDi register in 16-bit units. Do not access it in 8-bit units.

20.3.14 Timer RD General Registers Ai, Bi, Ci, and Di (TRDGRAi, TRDGRBi, TRDGRCi, TRDGRDi) (i = 0 or 1) in Input Capture Function

Address 0149h to 0148h (TRDGRA0), 014Bh to 014Ah (TRDGRB0),
 014Dh to 014Ch (TRDGRC0), 014Fh to 014Eh (TRDGRD0),
 0159h to 0158h (TRDGRA1), 015Bh to 015Ah (TRDGRB1),
 015Dh to 015Ch (TRDGRC1), 015Fh to 015Eh (TRDGRD1)

Bit	b7	b6	b5	b4	b3	b2	b1	b0
Symbol	—	—	—	—	—	—	—	—
After Reset	1	1	1	1	1	1	1	1

Bit	b15	b14	b13	b12	b11	b10	b9	b8
Symbol	—	—	—	—	—	—	—	—
After Reset	1	1	1	1	1	1	1	1

Bit	Function	R/W
b15 to b0	Refer to Table 20.6 TRDGRji Register Functions in Input Capture Function	R/W

Access registers TRDGRAi to TRDGRDi in 16-bit units. Do not access them in 8-bit units.

The following registers are disabled in the input capture function: TRDOER1, TRDOER2, TRDOCR, TRDPOCR0, and TRDPOCR1.

Table 20.6 TRDGRji Register Functions in Input Capture Function

Register	Setting	Register Function	Input-Capture Input Pin
TRDGRAi	—	General register The value in the TRDi register can be read at input capture.	TRDIOAi
TRDGRBi	—		TRDIOBi
TRDGRCi	BFCi = 0	General register The value in the TRDi register can be read at input capture.	TRDIOCi
TRDGRDi	BFDi = 0		TRDIODi
TRDGRCi	BFCi = 1	Buffer register The value in the TRDi register can be read at input capture. (Refer to 20.2.2 Buffer Operation)	TRDIOAi
TRDGRDi	BFDi = 1		TRDIOBi

i = 0 or 1, j = either A, B, C, or D

BFCi, BFDi: Bits in TRDMR register

Set the pulse width of the input capture signal applied to the TRDIOji pin to 3 cycles or more of the timer RD operation clock (refer to **Table 20.1 Timer RD Operation Clocks**) for no digital filter (the DFj bit in the TRDDFi register set to 0).

20.3.15 Timer RD Pin Select Register 0 (TRDPSR0)

Address 0184h

Bit	b7	b6	b5	b4	b3	b2	b1	b0
Symbol	—	TRDIOD0SEL0	TRDIOC0SEL1	TRDIOC0SEL0	TRDIOB0SEL1	TRDIOB0SEL0	—	TRDIOA0SEL0
After Reset	0	0	0	0	0	0	0	0

Bit	Symbol	Bit Name	Function	R/W
b0	TRDIOA0SEL0	TRDIOA0/TRDCLK pin select bit	0: TRDIOA0/TRDCLK pin not used 1: P2_0 assigned	R/W
b1	—	Nothing is assigned. If necessary, set to 0. When read, the content is 0.		—
b2	TRDIOB0SEL0	TRDIOB0 pin select bit	b3 b2 0 0: TRDIOB0 pin not used 0 1: Do not set. 1 0: P2_2 assigned 1 1: Do not set.	R/W
b3	TRDIOB0SEL1			R/W
b4	TRDIOC0SEL0	TRDIOC0 pin select bit	b5 b4 0 0: TRDIOC0 pin not used 0 1: Do not set. 1 0: P2_1 assigned 1 1: Do not set.	R/W
b5	TRDIOC0SEL1			R/W
b6	TRDIOD0SEL0	TRDIOD0 pin select bit	0: TRDIOD0 pin not used 1: P2_3 assigned	R/W
b7	—	Nothing is assigned. If necessary, set to 0. When read, the content is 0.		—

The TRDPSR0 register selects which pin is assigned to the timer RD I/O. To use the I/O pin for timer RD, set this register.

Set the TRDPSR0 register before setting the timer RD associated registers. Also, do not change the setting value in this register during timer RD operation.

20.3.16 Timer RD Pin Select Register 1 (TRDPSR1)

Address 0185h

Bit	b7	b6	b5	b4	b3	b2	b1	b0
Symbol	—	TRDIOD1SEL0	—	TRDIOC1SEL0	—	TRDIOB1SEL0	—	TRDIOA1SEL0
After Reset	0	0	0	0	0	0	0	0

Bit	Symbol	Bit Name	Function	R/W
b0	TRDIOA1SEL0	TRDIOA1 pin select bit	0: TRDIOA1 pin not used 1: P2_4 assigned	R/W
b1	—	Nothing is assigned. If necessary, set to 0. When read, the content is 0.		—
b2	TRDIOB1SEL0	TRDIOB1 pin select bit	0: TRDIOB1 pin not used 1: P2_5 assigned	R/W
b3	—	Nothing is assigned. If necessary, set to 0. When read, the content is 0.		—
b4	TRDIOC1SEL0	TRDIOC1 pin select bit	0: TRDIOC1 pin not used 1: P2_6 assigned	R/W
b5	—	Reserved bit	Set to 0.	R/W
b6	TRDIOD1SEL0	TRDIOD1 pin select bit	0: TRDIOD1 pin not used 1: P2_7 assigned	R/W
b7	—	Reserved bit	Set to 0.	R/W

The TRDPSR1 register selects which pin is assigned to the timer RD I/O. To use the I/O pin for timer RD, set this register.

Set the TRDPSR1 register before setting the timer RD associated registers. Also, do not change the setting value in this register during timer RD operation.

20.3.17 Operating Example

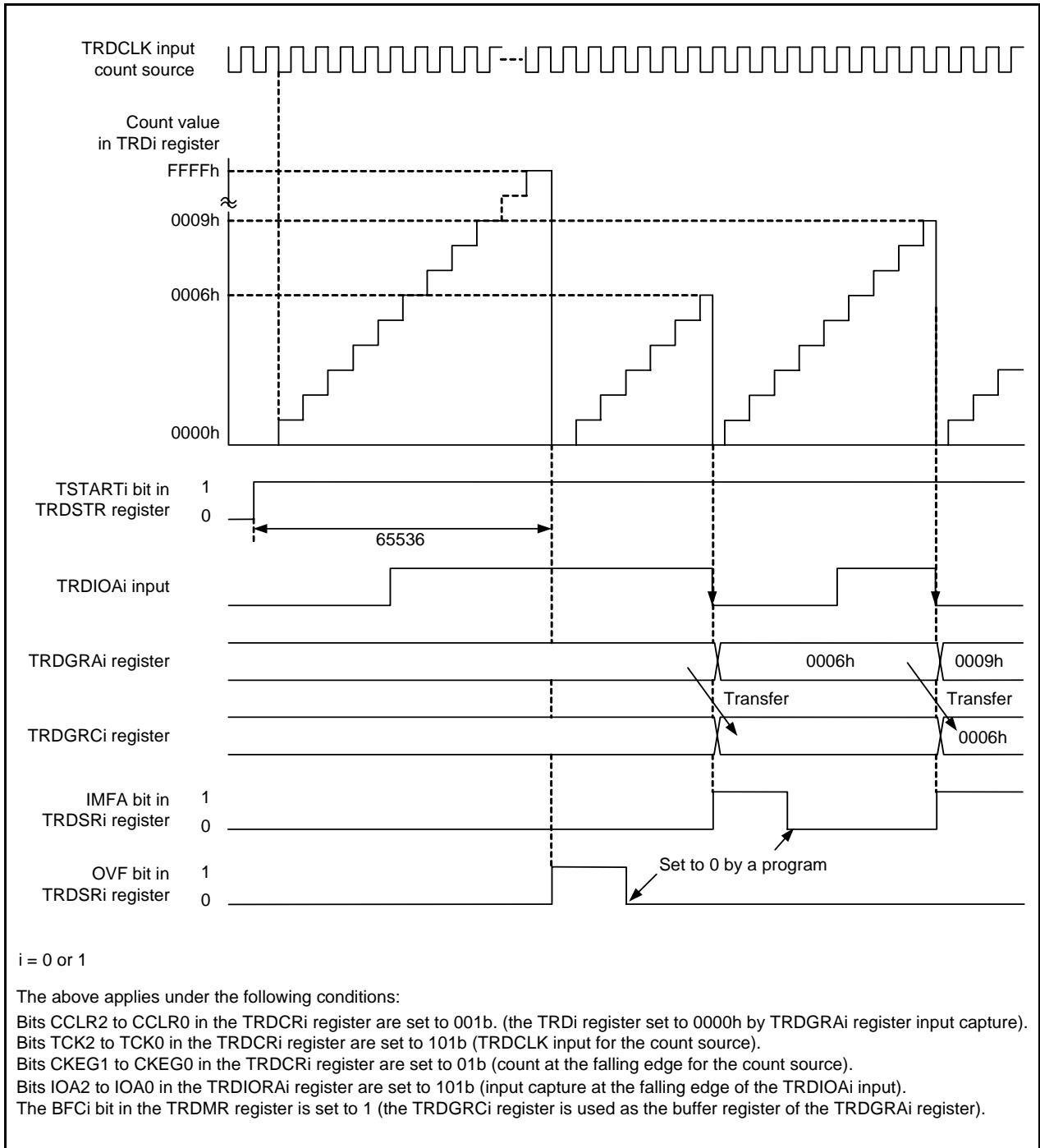


Figure 20.8 Operating Example of Input Capture Function

20.3.18 Digital Filter

The TRDIO_j input is sampled, and when the sampled input level matches 3 times, its level is determined. Select the digital filter function and sampling clock by the TRDDF_i register.

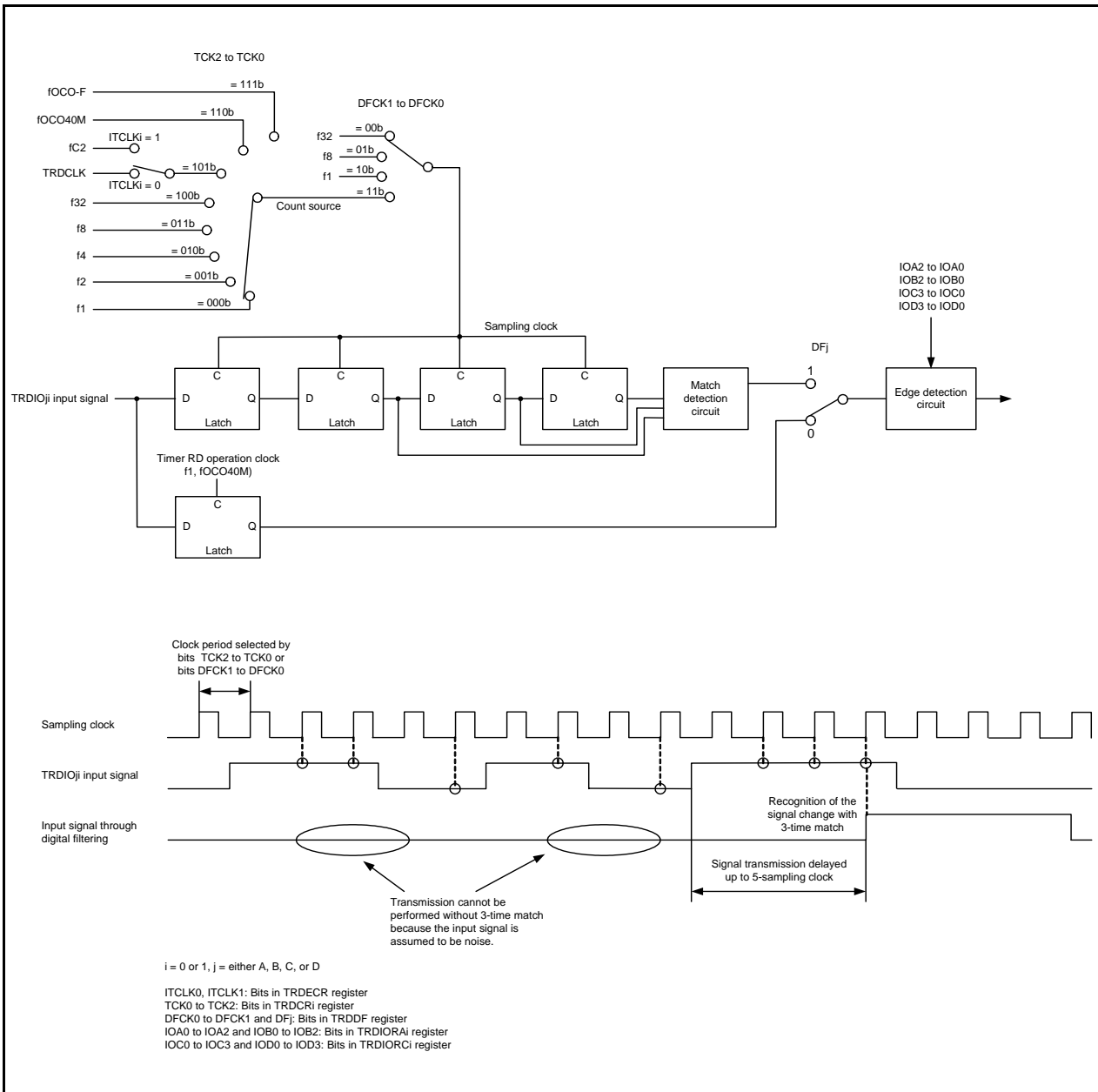


Figure 20.9 Block Diagram of Digital Filter

20.4 Output Compare Function

This function detects matches (compare match) between the content of the TRDGR_{ji} (j = either A, B, C, or D) register and the content of the TRD_i (i = 0 or 1) register. When the content matches, a user-set level is output from the TRDIO_{ji} pin. Since this function is enabled with a combination of the TRDIO_{ji} pin and TRDGR_{ji} register, the output compare function, or any other mode or function, can be selected for each individual pin. Figure 20.10 shows a Block Diagram of Output Compare Function, Table 20.7 lists the Output Compare Function Specifications. Figure 20.11 shows an Operating Example of Output Compare Function.

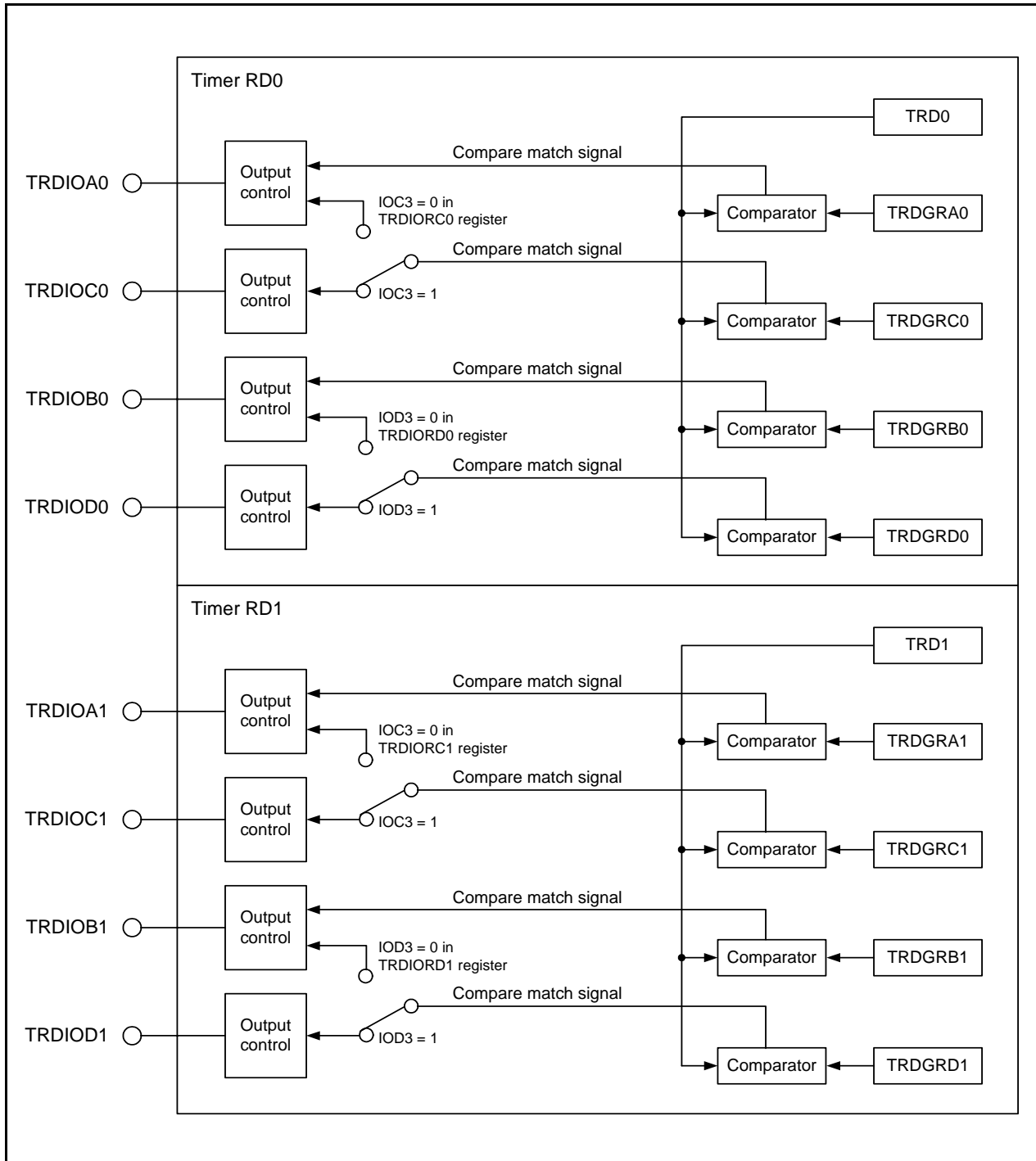


Figure 20.10 Block Diagram of Output Compare Function

Table 20.7 Output Compare Function Specifications

Item	Specification
Count sources	f1, f2, f4, f8, f32, fC2, fOCO40M, fOCO-F External signal input to the TRDCLK pin (valid edge selected by a program)
Count operations	Increment
Count period	<ul style="list-style-type: none"> When bits CCLR2 to CCLR0 in the TRDCR_i register are set to 000b (free-running operation) $1/fk \times 65536$ fk: Frequency of count source Bits CCLR1 to CCLR0 in the TRDCR_i register are set to 01b or 10b (set the TRD_i register to 0000h at the compare match in the TRDGR_{ji} register). Frequency of count source $\times (n+1)$ n: Setting value in the TRDGR_{ji} register
Waveform output timing	Compare match
Count start condition	1 (count starts) is written to the TSTART _i bit in the TRDSTR register.
Count stop conditions	<ul style="list-style-type: none"> 0 (count stops) is written to the TSTART_i bit in the TRDSTR register when the CSEL_i bit in the TRDSTR register is set to 1. The output compare output pin holds output level before the count stops. When the CSEL_i bit in the TRDSTR register is set to 0, the count stops at the compare match in the TRDGRA_i register. The output compare output pin holds level after output change by the compare match.
Interrupt request generation timing	<ul style="list-style-type: none"> Compare match (content of the TRD_i register matches content of the TRDGR_{ji} register.) TRD_i register overflows
TRDIOA0 pin function	Programmable I/O port, output-compare output, or TRDCLK (external clock) input
TRDIOB0, TRDIOC0, TRDIOD0, TRDIOA1 to TRDIOD1 pin functions	Programmable I/O port or output-compare output (Selectable by pin)
INT0 pin function	Programmable I/O port, pulse output forced cutoff signal input, or INT0 interrupt input
Read from timer	The count value can be read by reading the TRD _i register.
Write to timer	<ul style="list-style-type: none"> When the SYNC bit in the TRDMR register is set to 0 (timer RD0 and timer RD1 operate independently). Data can be written to the TRD_i register. When the SYNC bit in the TRDMR register is set to 1 (timer RD0 and timer RD1 operate synchronously). Data can be written to both the TRD0 and TRD1 registers by writing to the TRD_i register.
Selectable functions	<ul style="list-style-type: none"> Output-compare output pin selection Either 1 pin or multiple pins among TRDIOA_i, TRDIOB_i, TRDIOC_i, or TRDIOD_i. Output level at the compare match selection "L" output, "H" output, or output level inversed Initial output level selected Set the level at period from the count start to the compare match. Timing for setting the TRD_i register to 0000h Overflow or compare match in the TRDGRA_i register Buffer operation (Refer to 20.2.2 Buffer Operation.) Synchronous operation (Refer to 20.2.3 Synchronous Operation.) Changing output pins for registers TRDGRC_i and TRDGRD_i The TRDGRC_i register can be used as output control of the TRDIOA_i pin and the TRDGRD_i register can be used as output control of the TRDIOB_i pin. Pulse output forced cutoff signal input (Refer to 20.2.4 Pulse Output Forced Cutoff.) Timer RD can be used as the internal timer without output. A/D trigger generation

i = 0 or 1, j = either A, B, C, or D

20.4.1 Module Standby Control Register (MSTCR)

Address 0008h

Bit	b7	b6	b5	b4	b3	b2	b1	b0
Symbol	—	—	MSTTRC	MSTTRD	MSTIIC	—	—	—
After Reset	0	0	0	0	0	0	0	0

Bit	Symbol	Bit Name	Function	R/W
b0	—	Nothing is assigned. If necessary, set to 0. When read, the content is 0.		—
b1	—			
b2	—			
b3	MSTIIC	SSU, I ² C bus standby bit	0: Active 1: Standby (1)	R/W
b4	MSTTRD	Timer RD standby bit	0: Active 1: Standby (2, 3)	R/W
b5	MSTTRC	Timer RC standby bit	0: Active 1: Standby (4)	R/W
b6	—	Nothing is assigned. If necessary, set to 0. When read, the content is 0.		—
b7	—			

Notes:

1. When the MSTIIC bit is set to 1 (standby), any access to the SSU or the I²C bus associated registers (addresses 0193h to 019Dh) is disabled.
2. When the MSTTRD bit is set to 1 (standby), any access to the timer RD associated registers (addresses 0135h to 015Fh) is disabled.
3. To set the MSTTRD bit to 1 (standby), set bits TCK2 to TCK0 in the TRDCR_i (i = 0 or 1) register to 000b (f1).
4. When the MSTTRC bit is set to 1 (standby), any access to the timer RC associated registers (addresses 0120h to 0133h) is disabled.

20.4.2 Timer RD Control Expansion Register (TRDECR)

Address 0135h

Bit	b7	b6	b5	b4	b3	b2	b1	b0
Symbol	ITCLK1	—	—	—	ITCLK0	—	—	—
After Reset	0	0	0	0	0	0	0	0

Bit	Symbol	Bit Name	Function	R/W
b0	—	Nothing is assigned. If necessary, set to 0. When read, the content is 0.		—
b1	—			
b2	—			
b3	ITCLK0	Timer RD0 fC2 select bit	0: TRDCLK input selected 1: fC2 selected (1)	R/W
b4	—	Nothing is assigned. If necessary, set to 0. When read, the content is 0.		—
b5	—			
b6	—			
b7	ITCLK1	Timer RD1 fC2 select bit	0: TRDCLK input selected 1: fC2 selected (1)	R/W

Note:

1. Enabled when in timer mode.

20.4.3 Timer RD Trigger Control Register (TRDADCR)

Address 0136h

Bit	b7	b6	b5	b4	b3	b2	b1	b0
Symbol	ADTRGD1E	ADTRGC1E	ADTRGB1E	ADTRGA1E	ADTRGD0E	ADTRGC0E	ADTRGB0E	ADTRGA0E
After Reset	0	0	0	0	0	0	0	0

Bit	Symbol	Bit Name	Function	R/W
b0	ADTRGA0E	A/D trigger A0 enable bit	0: A/D trigger disabled 1: A/D trigger generated at compare match with registers TRD0 and TRDGRA0	R/W
b1	ADTRGB0E	A/D trigger B0 enable bit	0: A/D trigger disabled 1: A/D trigger generated at compare match with registers TRD0 and TRDGRB0	R/W
b2	ADTRGC0E	A/D trigger C0 enable bit	0: A/D trigger disabled 1: A/D trigger generated at compare match with registers TRD0 and TRDGRC0	R/W
b3	ADTRGD0E	A/D trigger D0 enable bit	0: A/D trigger disabled 1: A/D trigger generated at compare match with registers TRD0 and TRDGRD0	R/W
b4	ADTRGA1E	A/D trigger A1 enable bit	0: A/D trigger disabled 1: A/D trigger generated at compare match with registers TRD1 and TRDGRA1	R/W
b5	ADTRGB1E	A/D trigger B1 enable bit	0: A/D trigger disabled 1: A/D trigger generated at compare match with registers TRD1 and TRDGRB1	R/W
b6	ADTRGC1E	A/D trigger C1 enable bit	0: A/D trigger disabled 1: A/D trigger generated at compare match with registers TRD1 and TRDGRC1	R/W
b7	ADTRGD1E	A/D trigger D1 enable bit	0: A/D trigger disabled 1: A/D trigger generated at compare match with registers TRD1 and TRDGRD1	R/W

20.4.4 Timer RD Start Register (TRDSTR) in Output Compare Function

Address 0137h

Bit	b7	b6	b5	b4	b3	b2	b1	b0
Symbol	—	—	—	—	CSEL1	CSEL0	TSTART1	TSTART0
After Reset	1	1	1	1	1	1	0	0

Bit	Symbol	Bit Name	Function	R/W
b0	TSTART0	TRD0 count start flag ⁽³⁾	0: Count stops ⁽¹⁾ 1: Count starts	R/W
b1	TSTART1	TRD1 count start flag ⁽⁴⁾	0: Count stops ⁽²⁾ 1: Count starts	R/W
b2	CSEL0	TRD0 count operation select bit	0: Count stops at the compare match with the TRDGRA0 register 1: Count continues after the compare match with the TRDGRA0 register	R/W
b3	CSEL1	TRD1 count operation select bit	0: Count stops at the compare match with the TRDGRA1 register 1: Count continues after the compare match with the TRDGRA1 register	R/W
b4	—	Nothing is assigned. If necessary, set to 0. When read, the content is 1.		—
b5	—			
b6	—			
b7	—			

Notes:

1. When the CSEL0 bit is set to 1, write 0 to the TSTART0 bit.
2. When the CSEL1 bit is set to 1, write 0 to the TSTART1 bit.
3. When the CSEL0 bit is set to 0 and the compare match signal (TRDIOA0) is generated, this bit is set to 0 (count stops).
4. When the CSEL1 bit is set to 0 and the compare match signal (TRDIOA1) is generated, this bit is set to 0 (count stops).

Set the TRDSTR register using the MOV instruction (do not use the bit handling instruction). Refer to **20.10.1 TRDSTR Register of Notes on Timer RD**.

20.4.5 Timer RD Mode Register (TRDMR) in Output Compare Function

Address 0138h

Bit	b7	b6	b5	b4	b3	b2	b1	b0
Symbol	BFD1	BFC1	BFD0	BFC0	—	—	—	SYNC
After Reset	0	0	0	0	1	1	1	0

Bit	Symbol	Bit Name	Function	R/W
b0	SYNC	Timer RD synchronous bit	0: Registers TRD0 and TRD1 operate independently 1: Registers TRD0 and TRD1 operate synchronously	R/W
b1	—	Nothing is assigned. If necessary, set to 0. When read, the content is 1.		—
b2	—			
b3	—			
b4	BFC0	TRDGRC0 register function select bit (1)	0: General register 1: Buffer register of TRDGRA0 register	R/W
b5	BFD0	TRDGRD0 register function select bit (1)	0: General register 1: Buffer register of TRDGRB0 register	R/W
b6	BFC1	TRDGRC1 register function select bit (1)	0: General register 1: Buffer register of TRDGRA1 register	R/W
b7	BFD1	TRDGRD1 register function select bit (1)	0: General register 1: Buffer register of TRDGRB1 register	R/W

Note:

1. When selecting 0 (change the TRDGR_ji register output pin) by the IO_j3 (j = C or D) bit in the TRDIOR_{Ci} (i = 0 or 1) register, set the BF_ji bit in the TRDMR register to 0.

20.4.6 Timer RD PWM Mode Register (TRDPMR) in Output Compare Function

Address 0139h

Bit	b7	b6	b5	b4	b3	b2	b1	b0
Symbol	—	PWMD1	PWMC1	PWMB1	—	PWMD0	PWMC0	PWMB0
After Reset	1	0	0	0	1	0	0	0

Bit	Symbol	Bit Name	Function	R/W
b0	PWMB0	PWM mode of TRDIOB0 select bit	Set to 0 (timer mode) in the output compare function.	R/W
b1	PWMC0	PWM mode of TRDIOC0 select bit		R/W
b2	PWMD0	PWM mode of TRDIOD0 select bit		R/W
b3	—	Nothing is assigned. If necessary, set to 0. When read, the content is 1.		—
b4	PWMB1	PWM mode of TRDIOB1 select bit	Set to 0 (timer mode) in the output compare function.	R/W
b5	PWMC1	PWM mode of TRDIOC1 select bit		R/W
b6	PWMD1	PWM mode of TRDIOD1 select bit		R/W
b7	—	Nothing is assigned. If necessary, set to 0. When read, the content is 1.		—

20.4.7 Timer RD Function Control Register (TRDFCR) in Output Compare Function

Address 013Ah

Bit	b7	b6	b5	b4	b3	b2	b1	b0
Symbol	PWM3	STCLK	ADEG	ADTRG	OLS1	OLS0	CMD1	CMD0
After Reset	1	0	0	0	0	0	0	0

Bit	Symbol	Bit Name	Function	R/W
b0	CMD0	Combination mode select bit (1)	Set to 00b (timer mode, PWM mode, or PWM3 mode) in the output compare function.	R/W
b1	CMD1			R/W
b2	OLS0	Normal-phase output level select bit (in reset synchronous PWM mode or complementary PWM mode)	This bit is disabled in the output compare function.	R/W
b3	OLS1	Counter-phase output level select bit (in reset synchronous PWM mode or complementary PWM mode)		R/W
b4	ADTRG	A/D trigger enable bit (in complementary PWM mode)		R/W
b5	ADEG	A/D trigger edge select bit (in complementary PWM mode)		R/W
b6	STCLK	External clock input select bit		0: External clock input disabled 1: External clock input enabled
b7	PWM3	PWM3 mode select bit (2)	Set this bit to 1 (other than PWM3 mode) in the output compare function.	R/W

Notes:

1. Set bits CMD1 to CMD0 when both the TSTART0 and TSTART1 bits in the TRDSTR register are set to 0 (count stops).
2. When bits CMD1 to CMD0 are set to 00b (timer mode, PWM mode, or PWM3 mode), the setting of the PWM3 bit is enabled.

20.4.8 Timer RD Output Master Enable Register 1 (TRDOER1) in Output Compare Function

Address 013Bh

Bit	b7	b6	b5	b4	b3	b2	b1	b0
Symbol	ED1	EC1	EB1	EA1	ED0	EC0	EB0	EA0
After Reset	1	1	1	1	1	1	1	1

Bit	Symbol	Bit Name	Function	R/W
b0	EA0	TRDIOA0 output disable bit	0: Enable output 1: Disable output (The TRDIOA0 pin is used as a programmable I/O port.)	R/W
b1	EB0	TRDIOB0 output disable bit	0: Enable output 1: Disable output (The TRDIOB0 pin is used as a programmable I/O port.)	R/W
b2	EC0	TRDIOC0 output disable bit	0: Enable output 1: Disable output (The TRDIOC0 pin is used as a programmable I/O port.)	R/W
b3	ED0	TRDIOD0 output disable bit	0: Enable output 1: Disable output (The TRDIOD0 pin is used as a programmable I/O port.)	R/W
b4	EA1	TRDIOA1 output disable bit	0: Enable output 1: Disable output (The TRDIOA1 pin is used as a programmable I/O port.)	R/W
b5	EB1	TRDIOB1 output disable bit	0: Enable output 1: Disable output (The TRDIOB1 pin is used as a programmable I/O port.)	R/W
b6	EC1	TRDIOC1 output disable bit	0: Enable output 1: Disable output (The TRDIOC1 pin is used as a programmable I/O port.)	R/W
b7	ED1	TRDIOD1 output disable bit	0: Enable output 1: Disable output (The TRDIOD1 pin is used as a programmable I/O port.)	R/W

20.4.9 Timer RD Output Master Enable Register 2 (TRDOER2) in Output Compare Function

Address 013Ch

Bit	b7	b6	b5	b4	b3	b2	b1	b0
Symbol	PTO	—	—	—	—	—	—	—
After Reset	0	1	1	1	1	1	1	1

Bit	Symbol	Bit Name	Function	R/W
b0	—	Nothing is assigned. If necessary, set to 0. When read, the content is 1.		—
b1	—			
b2	—			
b3	—			
b4	—			
b5	—			
b6	—			
b7	PTO	$\overline{\text{INT0}}$ of pulse output forced cutoff signal input enabled bit ⁽¹⁾	0: Pulse output forced cutoff input disabled 1: Pulse output forced cutoff input enabled (All bits in the TRDOER1 register are set to 1 (disable output) when "L" is applied to the $\overline{\text{INT0}}$ pin.)	R/W

Note:

1. Refer to **20.2.4 Pulse Output Forced Cutoff**.

20.4.10 Timer RD Output Control Register (TRDOCR) in Output Compare Function

Address 013Dh

Bit	b7	b6	b5	b4	b3	b2	b1	b0
Symbol	TOD1	TOC1	TOB1	TOA1	TOD0	TOC0	TOB0	TOA0
After Reset	0	0	0	0	0	0	0	0

Bit	Symbol	Bit Name	Function	R/W
b0	TOA0	TRDIOA0 output level select bit	0: Initial output "L" 1: Initial output "H"	R/W
b1	TOB0	TRDIOB0 output level select bit	0: Initial output "L" 1: Initial output "H"	R/W
b2	TOC0	TRDIOC0 initial output level select bit	0: "L" 1: "H"	R/W
b3	TOD0	TRDIOD0 initial output level select bit		R/W
b4	TOA1	TRDIOA1 initial output level select bit		R/W
b5	TOB1	TRDIOB1 initial output level select bit		R/W
b6	TOC1	TRDIOC1 initial output level select bit		R/W
b7	TOD1	TRDIOD1 initial output level select bit		R/W

Write to the TRDOCR register when both the TSTART0 and TSTART1 bits in the TRDSTR register are set to 0 (count stopped).

If the pin function is set for waveform output (refer to **7.5 Port Settings**), the initial output level is output when the TRDOCR register is set.

20.4.11 Timer RD Control Register i (TRDCRi) (i = 0 or 1) in Output Compare Function

Address 0140h (TRDCR0), 0150h (TRDCR1)

Bit	b7	b6	b5	b4	b3	b2	b1	b0
Symbol	CCLR2	CCLR1	CCLR0	CKEG1	CKEG0	TCK2	TCK1	TCK0
After Reset	0	0	0	0	0	0	0	0

Bit	Symbol	Bit Name	Function	R/W
b0	TCK0	Count source select bit	b2 b1 b0 0 0 0: f1 0 0 1: f2 0 1 0: f4 0 1 1: f8 1 0 0: f32 1 0 1: TRDCLK input ⁽¹⁾ or fC2 ⁽²⁾ 1 1 0: fOCO40M 1 1 1: fOCO-F ⁽⁵⁾	R/W
b1	TCK1			R/W
b2	TCK2			R/W
b3	CKEG0	External clock edge select bit ⁽³⁾	b4 b3 0 0: Count at the rising edge 0 1: Count at the falling edge 1 0: Count at both edges 1 1: Do not set.	R/W
b4	CKEG1			R/W
b5	CCLR0	TRDi counter clear select bit	b7 b6 b5 0 0 0: Disable clear (free-running operation) 0 0 1: Clear by compare match with the TRDGRAi register 0 1 0: Clear by compare match with the TRDGRBi register 0 1 1: Synchronous clear (clear simultaneously with other timer RD _i counter) ⁽⁴⁾ 1 0 0: Do not set. 1 0 1: Clear by compare match with the TRDGRCi register 1 1 0: Clear by compare match with the TRDGRDi register 1 1 1: Do not set.	R/W
b6	CCLR1			R/W
b7	CCLR2			R/W

Notes:

1. Enabled when the ITCLK_i bit in the TRDECR register is set to 0 (TRDCLK input) and the STCLK bit in the TRDFCR register is 1 (external clock input enabled).
2. Enabled when the ITCLK_i bit in the TRDECR register is set to 1 (fC2) in timer mode.
3. Enabled when bits TCK2 to TCK0 are set to 101b (TRDCLK input or fC2), the ITCLK_i bit in the TRDECR is set to 0 (TRDCLK input), and the STCLK bit in the TRDFCR register is set to 1 (external clock input enabled).
4. This setting is enabled when the SYNC bit in the TRDMR register is set to 1 (registers TRD0 and TRD1 operate synchronously).
5. To select fOCO-F, set it to the clock frequency higher than the CPU clock frequency.

20.4.12 Timer RD I/O Control Register Ai (TRDIORAi) (i = 0 or 1) in Output Compare Function

Address 0141h (TRDIORA0), 0151h (TRDIORA1)

Bit	b7	b6	b5	b4	b3	b2	b1	b0
Symbol	—	IOB2	IOB1	IOB0	IOA3	IOA2	IOA1	IOA0
After Reset	1	0	0	0	1	0	0	0

Bit	Symbol	Bit Name	Function	R/W
b0	IOA0	TRDGRA control bit	^{b1 b0} 0 0: Disable pin output by the compare match (TRDIOAi pin functions as programmable I/O port) 0 1: "L" output at compare match with the TRDGRAi register 1 0: "H" output at compare match with the TRDGRAi register 1 1: Toggle output by compare match with the TRDGRAi register	R/W
b1	IOA1			R/W
b2	IOA2	TRDGRA mode select bit (1)	Set to 0 (output compare) in the output compare function.	R/W
b3	IOA3	Input capture input switch bit	Set to 1.	R/W
b4	IOB0	TRDGRB control bit	^{b5 b4} 0 0: Disable pin output by the compare match (TRDIOBi pin functions as programmable I/O port) 0 1: "L" output at compare match with the TRDGRBi register 1 0: "H" output at compare match with the TRDGRBi register 1 1: Toggle output by compare match with the TRDGRBi register	R/W
b5	IOB1			R/W
b6	IOB2	TRDGRB mode select bit (2)	Set to 0 (output compare) in the output compare function.	R/W
b7	—	Nothing is assigned. If necessary, set to 0. When read, the content is 1.		—

Notes:

1. To select 1 (the TRDGRCi register is used as a buffer register of the TRDGRAi register) for this bit by the BFCi bit in the TRDMR register, set the IOC2 bit in the TRDIORCi register to the same value as the IOA2 bit in the TRDIORAi register.
2. To select 1 (the TRDGRDi register is used as a buffer register of the TRDGRBi register) for this bit by the BFDi bit in the TRDMR register, set the IOD2 bit in the TRDIORCi register to the same value as the IOB2 bit in the TRDIORAi register.

20.4.13 Timer RD I/O Control Register Ci (TRDIORCi) (i = 0 or 1) in Output Compare Function

Address 0142h (TRDIORC0), 0152h (TRDIORC1)

Bit	b7	b6	b5	b4	b3	b2	b1	b0
Symbol	IOD3	IOD2	IOD1	IOD0	IOC3	IOC2	IOC1	IOC0
After Reset	1	0	0	0	1	0	0	0

Bit	Symbol	Bit Name	Function	R/W
b0	IOC0	TRDGRC control bit	b1 b0 0 0: Disable pin output by compare match 0 1: "L" output at compare match with the TRDGRCi register 1 0: "H" output at compare match with the TRDGRCi register 1 1: Toggle output by compare match with the TRDGRCi register	R/W
b1	IOC1			R/W
b2	IOC2	TRDGRC mode select bit ⁽¹⁾	Set to 0 (output compare) in the output compare function.	R/W
b3	IOC3	TRDGRC register function select bit	0: TRDIOA output register (Refer to 20.4.21 Changing Output Pins in Registers TRDGRCi (i = 0 or 1) and TRDGRDi.) 1: General register or buffer register	R/W
b4	IOD0	TRDGRD control bit	b5 b4 0 0: Disable pin output by compare match 0 1: "L" output at compare match with the TRDGRDi register 1 0: "H" output at compare match with the TRDGRDi register 1 1: Toggle output by compare match with the TRDGRDi register	R/W
b5	IOD1			R/W
b6	IOD2	TRDGRD mode select bit ⁽²⁾	Set to 0 (output compare) in the output compare function.	R/W
b7	IOD3	TRDGRD register function select bit	0: TRDIOB output register (Refer to 20.4.21 Changing Output Pins in Registers TRDGRCi (i = 0 or 1) and TRDGRDi.) 1: General register or buffer register	R/W

Notes:

1. To select 1 (the TRDGRCi register is used as a buffer register of the TRDGRAi register) for this bit by the BFCi bit in the TRDMR register, set the IOC2 bit in the TRDIORCi register to the same value as the IOA2 bit in the TRDIORAi register.
2. To select 1 (the TRDGRDi register is used as a buffer register of the TRDGRBi register) for this bit by the BFDi bit in the TRDMR register, set the IOD2 bit in the TRDIORCi register to the same value as the IOB2 bit in the TRDIORAi register.

20.4.14 Timer RD Status Register i (TRDSRi) (i = 0 or 1) in Output Compare Function

Address 0143h (TRDSR0), 0153h (TRDSR1)

Bit	b7	b6	b5	b4	b3	b2	b1	b0	
Symbol	—	—	UDF	OVF	IMFD	IMFC	IMFB	IMFA	
After Reset	1	1	1	0	0	0	0	0	TRDSR0 register
After Reset	1	1	0	0	0	0	0	0	TRDSR1 register

Bit	Symbol	Bit Name	Function	R/W
b0	IMFA	Input capture / compare match flag A	[Source for setting this bit to 0] Write 0 after read ⁽²⁾ [Source for setting this bit to 1] When the value in the TRDi register matches with the value in the TRDGRAi register.	R/W
b1	IMFB	Input capture / compare match flag B	[Source for setting this bit to 0] Write 0 after read ⁽²⁾ [Source for setting this bit to 1] When the value in the TRDi register matches with the value in the TRDGRBi register.	R/W
b2	IMFC	Input capture / compare match flag C	[Source for setting this bit to 0] Write 0 after read ⁽²⁾ [Source for setting this bit to 1] When the value in the TRDi register matches with the value in the TRDGRCi register ⁽³⁾ .	R/W
b3	IMFD	Input capture / compare match flag D	[Source for setting this bit to 0] Write 0 after read ⁽²⁾ [Source for setting this bit to 1] When the value in the TRDi register matches with the value in the TRDGRDi register ⁽³⁾ .	R/W
b4	OVF	Overflow flag	[Source for setting this bit to 0] Write 0 after read ⁽²⁾ [Source for setting this bit to 1] When the TRDi register overflows.	R/W
b5	UDF	Underflow flag ⁽¹⁾	This bit is disabled in the output compare function.	R/W
b6	—	Nothing is assigned. If necessary, set to 0. When read, the content is 1.		—
b7	—			

Notes:

- Nothing is assigned to b5 in the TRDSR0 register. When writing to b5, write 0. When reading, the content is 1.
- The writing results are as follows:
 - This bit is set to 0 when the read result is 1 and 0 is written to the same bit.
 - This bit remains unchanged even if the read result is 0 and 0 is written to the same bit. (This bit remains 1 even if it is set to 1 from 0 after reading, and writing 0.)
 - This bit remains unchanged if 1 is written to it.
- Including when the BFji bit in the TRDMR register is set to 1 (TRDGRji is used as the buffer register).

20.4.15 Timer RD Interrupt Enable Register i (TRDIERi) (i = 0 or 1) in Output Compare Function

Address 0144h (TRDIER0), 0154h (TRDIER1)

Bit	b7	b6	b5	b4	b3	b2	b1	b0
Symbol	—	—	—	OVIE	IMIED	IMIEC	IMIEB	IMIEA
After Reset	1	1	1	0	0	0	0	0

Bit	Symbol	Bit Name	Function	R/W
b0	IMIEA	Input capture/compare match interrupt enable bit A	0: Disable interrupt (IMIA) by the IMFA bit 1: Enable interrupt (IMIA) by the IMFA bit	R/W
b1	IMIEB	Input capture/compare match interrupt enable bit B	0: Disable interrupt (IMIB) by the IMFB bit 1: Enable interrupt (IMIB) by the IMFB bit	R/W
b2	IMIEC	Input capture/compare match interrupt enable bit C	0: Disable interrupt (IMIC) by the IMFC bit 1: Enable interrupt (IMIC) by the IMFC bit	R/W
b3	IMIED	Input capture/compare match interrupt enable bit D	0: Disable interrupt (IMID) by the IMFD bit 1: Enable interrupt (IMID) by the IMFD bit	R/W
b4	OVIE	Overflow/underflow interrupt enable bit	0: Disable interrupt (OVI) by the OVF bit 1: Enable interrupt (OVI) by the OVF bit	R/W
b5	—	Nothing is assigned. If necessary, set to 0. When read, the content is 1.		—
b6	—			
b7	—			

20.4.16 Timer RD Counter i (TRDi) (i = 0 or 1) in Output Compare Function

Address 0147h to 0146h (TRD0), 0157h to 0156h (TRD1)

Bit	b7	b6	b5	b4	b3	b2	b1	b0
Symbol	—	—	—	—	—	—	—	—
After Reset	0	0	0	0	0	0	0	0

Bit	b15	b14	b13	b12	b11	b10	b9	b8
Symbol	—	—	—	—	—	—	—	—
After Reset	0	0	0	0	0	0	0	0

Bit	Function	Setting Range	R/W
b15 to b0	Count the count source. Count operation is incremented. When an overflow occurs, the OVF bit in the TRDSRi register is set to 1.	0000h to FFFFh	R/W

Access the TRDi register in 16-bit units. Do not access it in 8-bit units.

20.4.17 Timer RD General Registers Ai, Bi, Ci, and Di (TRDGRAi, TRDGRBi, TRDGRCi, TRDGRDi) (i = 0 or 1) in Output Compare Function

Address 0149h to 0148h (TRDGRA0), 014Bh to 014Ah (TRDGRB0),
 014Dh to 014Ch (TRDGRC0), 014Fh to 014Eh (TRDGRD0),
 0159h to 0158h (TRDGRA1), 015Bh to 015Ah (TRDGRB1),
 015Dh to 015Ch (TRDGRC1), 015Fh to 015Eh (TRDGRD1)

Bit	b7	b6	b5	b4	b3	b2	b1	b0
Symbol	—	—	—	—	—	—	—	—
After Reset	1	1	1	1	1	1	1	1

Bit	b15	b14	b13	b12	b11	b10	b9	b8
Symbol	—	—	—	—	—	—	—	—
After Reset	1	1	1	1	1	1	1	1

Bit	Function	R/W
b15 to b0	Refer to Table 20.8 TRDGRji Register Function in Output Compare Function	R/W

Access registers TRDGRAi to TRDGRDi in 16-bit units. Do not access them in 8-bit units.

The following registers are disabled in the output compare function: TRDDF0, TRDDF1, TRDPOCR0, and TRDPOCR1.

Table 20.8 TRDGRji Register Function in Output Compare Function

Register	Setting		Register Function	Output-Compare Output Pin
	BFji	IOj3		
TRDGRAi	—	—	General register. Write the compare value.	TRDIOAi
TRDGRBi				TRDIOBi
TRDGRCi	0	1	General register. Write the compare value.	TRDIOCi
TRDGRDi				TRDIODi
TRDGRCi	1	1	Buffer register. Write the next compare value (Refer to 20.2.2 Buffer Operation.)	TRDIOAi
TRDGRDi				TRDIOBi
TRDGRCi	0	0	TRDIOAi output control (Refer to 20.4.21 Changing Output Pins in Registers TRDGRCi (i = 0 or 1) and TRDGRDi.)	TRDIOAi
TRDGRDi				TRDIOBi

i = 0 or 1, j = either A, B, C, or D

BFji: Bit in TRDMR register

IOj3: Bit in TRDIORCi register

20.4.18 Timer RD Pin Select Register 0 (TRDPSR0)

Address 0184h

Bit	b7	b6	b5	b4	b3	b2	b1	b0
Symbol	—	TRDIOD0SEL0	TRDIOC0SEL1	TRDIOC0SEL0	TRDIOB0SEL1	TRDIOB0SEL0	—	TRDIOA0SEL0
After Reset	0	0	0	0	0	0	0	0

Bit	Symbol	Bit Name	Function	R/W
b0	TRDIOA0SEL0	TRDIOA0/TRDCLK pin select bit	0: TRDIOA0/TRDCLK pin not used 1: P2_0 assigned	R/W
b1	—	Nothing is assigned. If necessary, set to 0. When read, the content is 0.		—
b2	TRDIOB0SEL0	TRDIOB0 pin select bit	b3 b2 0 0: TRDIOB0 pin not used 0 1: Do not set. 1 0: P2_2 assigned 1 1: Do not set.	R/W
b3	TRDIOB0SEL1			R/W
b4	TRDIOC0SEL0	TRDIOC0 pin select bit	b5 b4 0 0: TRDIOC0 pin not used 0 1: Do not set. 1 0: P2_1 assigned 1 1: Do not set.	R/W
b5	TRDIOC0SEL1			R/W
b6	TRDIOD0SEL0	TRDIOD0 pin select bit	0: TRDIOD0 pin not used 1: P2_3 assigned	R/W
b7	—	Nothing is assigned. If necessary, set to 0. When read, the content is 0.		—

The TRDPSR0 register selects which pin is assigned to the timer RD I/O. To use the I/O pin for timer RD, set this register.

Set the TRDPSR0 register before setting the timer RD associated registers. Also, do not change the setting value in this register during timer RD operation.

20.4.19 Timer RD Pin Select Register 1 (TRDPSR1)

Address 0185h

Bit	b7	b6	b5	b4	b3	b2	b1	b0
Symbol	—	TRDIOD1SEL0	—	TRDIOC1SEL0	—	TRDIOB1SEL0	—	TRDIOA1SEL0
After Reset	0	0	0	0	0	0	0	0

Bit	Symbol	Bit Name	Function	R/W
b0	TRDIOA1SEL0	TRDIOA1 pin select bit	0: TRDIOA1 pin not used 1: P2_4 assigned	R/W
b1	—	Nothing is assigned. If necessary, set to 0. When read, the content is 0.		—
b2	TRDIOB1SEL0	TRDIOB1 pin select bit	0: TRDIOB1 pin not used 1: P2_5 assigned	R/W
b3	—	Nothing is assigned. If necessary, set to 0. When read, the content is 0.		—
b4	TRDIOC1SEL0	TRDIOC1 pin select bit	0: TRDIOC1 pin not used 1: P2_6 assigned	R/W
b5	—	Reserved bit	Set to 0.	R/W
b6	TRDIOD1SEL0	TRDIOD1 pin select bit	0: TRDIOD1 pin not used 1: P2_7 assigned	R/W
b7	—	Reserved bit	Set to 0.	R/W

The TRDPSR1 register selects which pin is assigned to the timer RD I/O. To use the I/O pin for timer RD, set this register.

Set the TRDPSR1 register before setting the timer RD associated registers. Also, do not change the setting value in this register during timer RD operation.

20.4.20 Operating Example

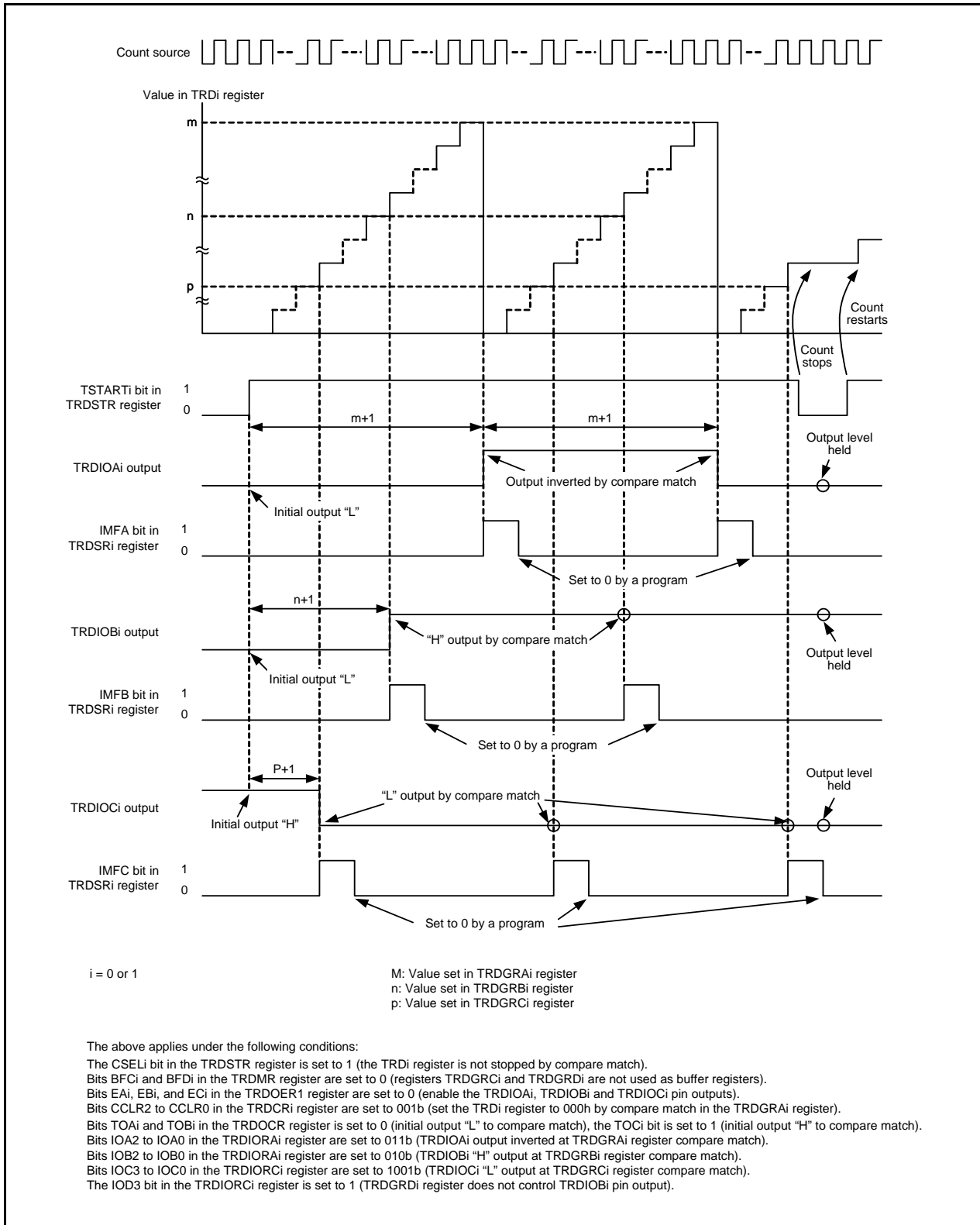


Figure 20.11 Operating Example of Output Compare Function

20.4.21 Changing Output Pins in Registers TRDGRCi (i = 0 or 1) and TRDGRDi

The TRDGRCi register can be used for output control of the TRDIOAi pin, and the TRDGRDi register can be used for output control of the TRDIOBi pin. Therefore, each pin output can be controlled as follows:

- TRDIOAi output is controlled by the values in registers TRDGRAi and TRDGRCi.
- TRDIOBi output is controlled by the values in registers TRDGRBi and TRDGRDi.

Change output pins in registers TRDGRCi and TRDGRDi as follows:

- Select 0 (change TRDGRji register output pin) by the IOj3 (j = C or D) bit in the TRDIORCi register.
- Set the BFji bit in the TRDMR register to 0 (general register).
- Set different values in registers TRDGRCi and TRDGRAi. Also, set different values in registers TRDGRDi and TRDGRBi.

Figure 20.13 shows an Operating Example When TRDGRCi Register is Used for Output Control of TRDIOAi Pin and TRDGRDi Register is Used for Output Control of TRDIOBi Pin.

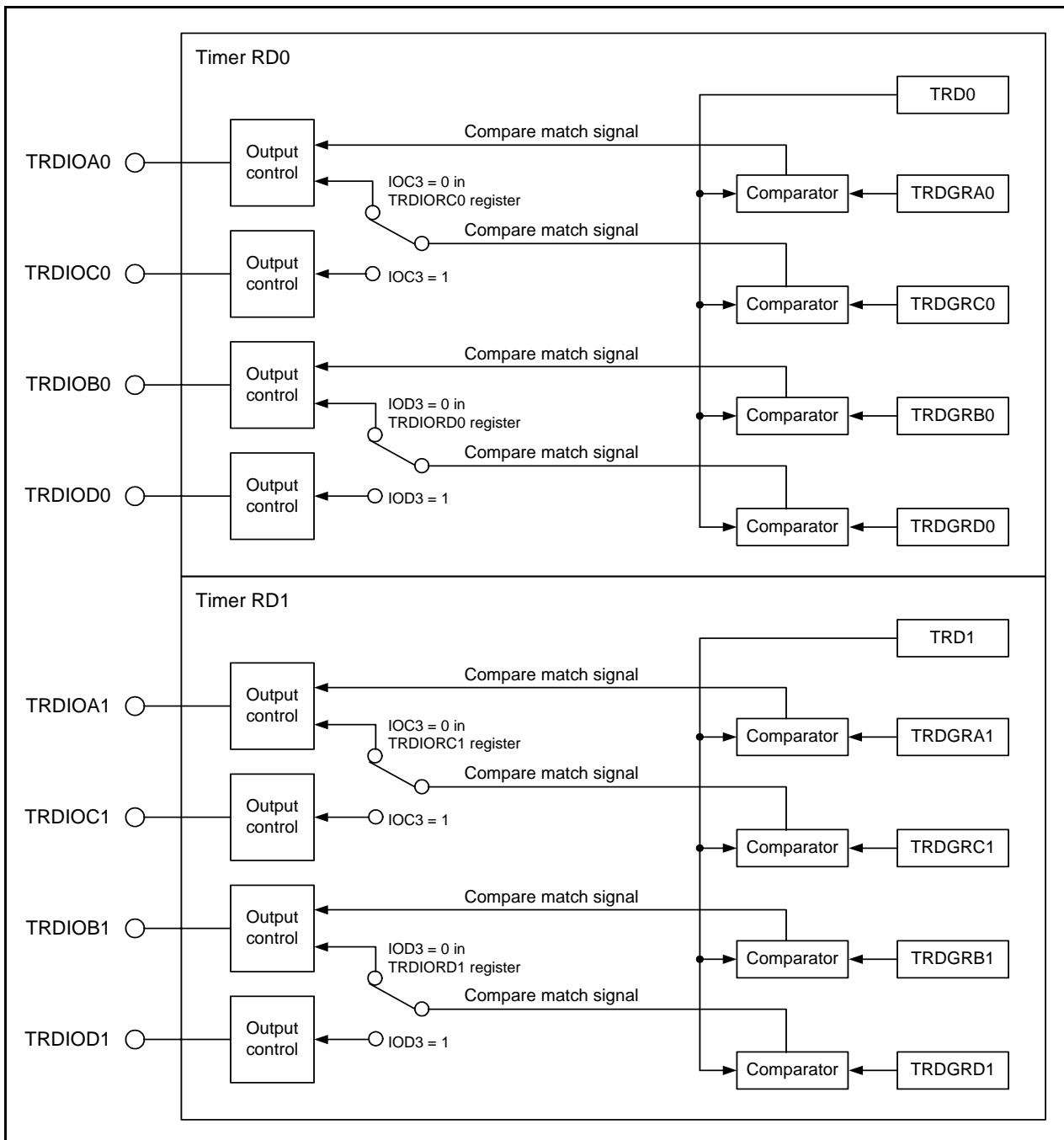


Figure 20.12 Changing Output Pins in Registers TRDGRCi and TRDGRDi

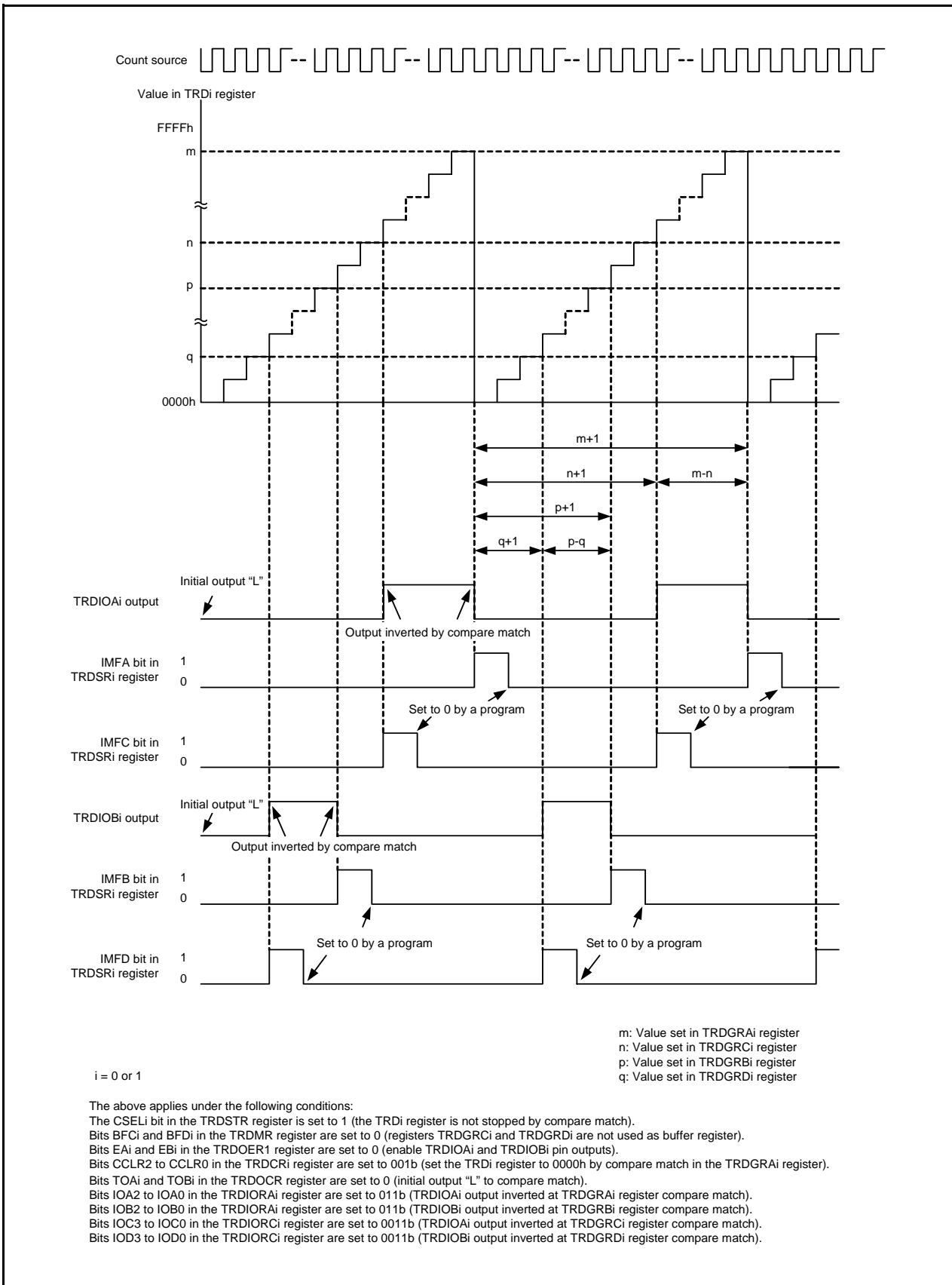


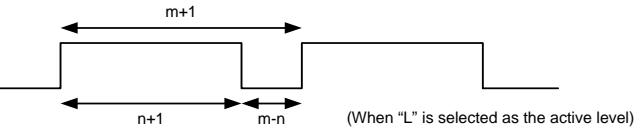
Figure 20.13 Operating Example When TRDGRCi Register is Used for Output Control of TRDIOAi Pin and TRDGRDi Register is Used for Output Control of TRDIOBi Pin

20.4.22 A/D Trigger Generation

A compare match signal with registers TRDi (i = 0 or 1) and TRDGRji (j = A, B, C, or D) can be used as the conversion start trigger of the A/D converter.

The TRDADCR register is used to select which compare match is used.

Table 20.9 PWM Mode Specifications

Item	Specification
Count sources	f1, f2, f4, f8, f32, fOCO40M, fOCO-F External signal input to the TRDCLK pin (valid edge selected by a program)
Count operations	Increment
PWM waveform	PWM period: $1/f_k \times (m+1)$ Active level width: $1/f_k \times (m-n)$ Inactive level width: $1/f_k \times (n+1)$ f_k : Frequency of count source m : Value set in the TRDGRAi register n : Value set in the TRDGRji register 
Count start condition	1 (count starts) is written to the TSTARTi bit in the TRDSTR register.
Count stop conditions	<ul style="list-style-type: none"> • 0 (count stops) is written to the TSTARTi bit in the TRDSTR register when the CSELi bit in the TRDSTR register is set to 1. The PWM output pin holds output level before the count stops. • When the CSELi bit in the TRDSTR register is set to 0, the count stops at the compare match in the TRDGRAi register. The PWM output pin holds level after output change by compare match.
Interrupt request generation timing	<ul style="list-style-type: none"> • Compare match (The content of the TRDi register matches content of the TRDGRhi register.) • TRDi register overflows
TRDIOA0 pin function	Programmable I/O port or TRDCLK (external clock) input
TRDIOA1 pin function	Programmable I/O port
TRDIOB0, TRDIOC0, TRDIOD0, TRDIOB1, TRDIOC1, TRDIOD1 pin functions	Programmable I/O port or pulse output (selectable by pin)
INT0 pin function	Programmable I/O port, pulse output forced cutoff signal input, or INT0 interrupt input
Read from timer	The count value can be read by reading the TRDi register.
Write to timer	The value can be written to the TRDi register.
Selectable functions	<ul style="list-style-type: none"> • One to three PWM output pins selectable with timer RD_i Either 1 pin or multiple pins of the TRDIOBi, TRDIOCi or TRDIODi pin. • Active level selectable for each pin. • Initial output level selectable for each pin. • Synchronous operation (Refer to 20.2.3 Synchronous Operation.) • Buffer operation (Refer to 20.2.2 Buffer Operation.) • Pulse output forced cutoff signal input (Refer to 20.2.4 Pulse Output Forced Cutoff.) • A/D trigger generation

i = 0 or 1

j = either B, C, or D

h = either A, B, C, or D

20.5.1 Module Standby Control Register (MSTCR)

Address 0008h

Bit	b7	b6	b5	b4	b3	b2	b1	b0
Symbol	—	—	MSTTRC	MSTTRD	MSTIIC	—	—	—
After Reset	0	0	0	0	0	0	0	0

Bit	Symbol	Bit Name	Function	R/W
b0	—	Nothing is assigned. If necessary, set to 0. When read, the content is 0.		—
b1	—			
b2	—			
b3	MSTIIC	SSU, I ² C bus standby bit	0: Active 1: Standby (1)	R/W
b4	MSTTRD	Timer RD standby bit	0: Active 1: Standby (2, 3)	R/W
b5	MSTTRC	Timer RC standby bit	0: Active 1: Standby (4)	R/W
b6	—	Nothing is assigned. If necessary, set to 0. When read, the content is 0.		—
b7	—			

Notes:

1. When the MSTIIC bit is set to 1 (standby), any access to the SSU or the I²C bus associated registers (addresses 0193h to 019Dh) is disabled.
2. When the MSTTRD bit is set to 1 (standby), any access to the timer RD associated registers (addresses 0135h to 015Fh) is disabled.
3. To set the MSTTRD bit to 1 (standby), set bits TCK2 to TCK0 in the TRDCR_i (i = 0 or 1) register to 000b (f1).
4. When the MSTTRC bit is set to 1 (standby), any access to the timer RC associated registers (addresses 0120h to 0133h) is disabled.

20.5.2 Timer RD Control Expansion Register (TRDECR)

Address 0135h

Bit	b7	b6	b5	b4	b3	b2	b1	b0
Symbol	ITCLK1	—	—	—	ITCLK0	—	—	—
After Reset	0	0	0	0	0	0	0	0

Bit	Symbol	Bit Name	Function	R/W
b0	—	Nothing is assigned. If necessary, set to 0. When read, the content is 0.		—
b1	—			
b2	—			
b3	ITCLK0	Timer RD0 fC2 select bit	0: TRDCLK input selected 1: fC2 selected (1)	R/W
b4	—	Nothing is assigned. If necessary, set to 0. When read, the content is 0.		—
b5	—			
b6	—			
b7	ITCLK1	Timer RD1 fC2 select bit	0: TRDCLK input selected 1: fC2 selected (1)	R/W

Note:

1. Enabled when in timer mode.

20.5.3 Timer RD Trigger Control Register (TRDADCR)

Address 0136h

Bit	b7	b6	b5	b4	b3	b2	b1	b0
Symbol	ADTRGD1E	ADTRGC1E	ADTRGB1E	ADTRGA1E	ADTRGD0E	ADTRGC0E	ADTRGB0E	ADTRGA0E
After Reset	0	0	0	0	0	0	0	0

Bit	Symbol	Bit Name	Function	R/W
b0	ADTRGA0E	A/D trigger A0 enable bit	0: A/D trigger disabled 1: A/D trigger generated at compare match with registers TRD0 and TRDGRA0	R/W
b1	ADTRGB0E	A/D trigger B0 enable bit	0: A/D trigger disabled 1: A/D trigger generated at compare match with registers TRD0 and TRDGRB0	R/W
b2	ADTRGC0E	A/D trigger C0 enable bit	0: A/D trigger disabled 1: A/D trigger generated at compare match with registers TRD0 and TRDGRC0	R/W
b3	ADTRGD0E	A/D trigger D0 enable bit	0: A/D trigger disabled 1: A/D trigger generated at compare match with registers TRD0 and TRDGRD0	R/W
b4	ADTRGA1E	A/D trigger A1 enable bit	0: A/D trigger disabled 1: A/D trigger generated at compare match with registers TRD1 and TRDGRA1	R/W
b5	ADTRGB1E	A/D trigger B1 enable bit	0: A/D trigger disabled 1: A/D trigger generated at compare match with registers TRD1 and TRDGRB1	R/W
b6	ADTRGC1E	A/D trigger C1 enable bit	0: A/D trigger disabled 1: A/D trigger generated at compare match with registers TRD1 and TRDGRC1	R/W
b7	ADTRGD1E	A/D trigger D1 enable bit	0: A/D trigger disabled 1: A/D trigger generated at compare match with registers TRD1 and TRDGRD1	R/W

20.5.4 Timer RD Start Register (TRDSTR) in PWM Mode

Address 0137h

Bit	b7	b6	b5	b4	b3	b2	b1	b0
Symbol	—	—	—	—	CSEL1	CSEL0	TSTART1	TSTART0
After Reset	1	1	1	1	1	1	0	0

Bit	Symbol	Bit Name	Function	R/W
b0	TSTART0	TRD0 count start flag ⁽³⁾	0: Count stops ⁽¹⁾ 1: Count starts	R/W
b1	TSTART1	TRD1 count start flag ⁽⁴⁾	0: Count stops ⁽²⁾ 1: Count starts	R/W
b2	CSEL0	TRD0 count operation select bit	0: Count stops at the compare match with the TRDGRA0 register 1: Count continues after the compare match with the TRDGRA0 register	R/W
b3	CSEL1	TRD1 count operation select bit	0: Count stops at the compare match with the TRDGRA1 register 1: Count continues after the compare match with the TRDGRA1 register	R/W
b4	—	Nothing is assigned. If necessary, set to 0. When read, the content is 1.		—
b5	—			
b6	—			
b7	—			

Notes:

1. When the CSEL0 bit is set to 1, write 0 to the TSTART0 bit.
2. When the CSEL1 bit is set to 1, write 0 to the TSTART1 bit.
3. When the CSEL0 bit is set to 0 and the compare match signal (TRDIOA0) is generated, this bit is set to 0 (count stops).
4. When the CSEL1 bit is set to 0 and the compare match signal (TRDIOA1) is generated, this bit is set to 0 (count stops).

Set the TRDSTR register using the MOV instruction (do not use the bit handling instruction). Refer to **20.10.1 TRDSTR Register** of **Notes on Timer RD**.

20.5.5 Timer RD Mode Register (TRDMR) in PWM Mode

Address 0138h

Bit	b7	b6	b5	b4	b3	b2	b1	b0
Symbol	BFD1	BFC1	BFD0	BFC0	—	—	—	SYNC
After Reset	0	0	0	0	1	1	1	0

Bit	Symbol	Bit Name	Function	R/W
b0	SYNC	Timer RD synchronous bit	0: Registers TRD0 and TRD1 operate independently 1: Registers TRD0 and TRD1 operate synchronously	R/W
b1	—	Nothing is assigned. If necessary, set to 0. When read, the content is 1.		—
b2	—			
b3	—			
b4	BFC0	TRDGRC0 register function select bit	0: General register 1: Buffer register of TRDGRA0 register	R/W
b5	BFD0	TRDGRD0 register function select bit	0: General register 1: Buffer register of TRDGRB0 register	R/W
b6	BFC1	TRDGRC1 register function select bit	0: General register 1: Buffer register of TRDGRA1 register	R/W
b7	BFD1	TRDGRD1 register function select bit	0: General register 1: Buffer register of TRDGRB1 register	R/W

20.5.6 Timer RD PWM Mode Register (TRDPMR) in PWM Mode

Address 0139h

Bit	b7	b6	b5	b4	b3	b2	b1	b0
Symbol	—	PWMD1	PWMC1	PWMB1	—	PWMD0	PWMC0	PWMB0
After Reset	1	0	0	0	1	0	0	0

Bit	Symbol	Bit Name	Function	R/W
b0	PWMB0	PWM mode of TRDIOB0 select bit	0: Timer mode 1: PWM mode	R/W
b1	PWMC0	PWM mode of TRDIOC0 select bit		R/W
b2	PWMD0	PWM mode of TRDIOD0 select bit		R/W
b3	—	Nothing is assigned. If necessary, set to 0. When read, the content is 1.		—
b4	PWMB1	PWM mode of TRDIOB1 select bit	0: Timer mode 1: PWM mode	R/W
b5	PWMC1	PWM mode of TRDIOC1 select bit		R/W
b6	PWMD1	PWM mode of TRDIOD1 select bit		R/W
b7	—	Nothing is assigned. If necessary, set to 0. When read, the content is 1.		—

20.5.7 Timer RD Function Control Register (TRDFCR) in PWM Mode

Address 013Ah

Bit	b7	b6	b5	b4	b3	b2	b1	b0
Symbol	PWM3	STCLK	ADEG	ADTRG	OLS1	OLS0	CMD1	CMD0
After Reset	1	0	0	0	0	0	0	0

Bit	Symbol	Bit Name	Function	R/W	
b0	CMD0	Combination mode select bit ⁽¹⁾	Set to 00b (timer mode, PWM mode, or PWM3 mode) in PWM mode.	R/W	
b1	CMD1			R/W	
b2	OLS0	Normal-phase output level select bit (in reset synchronous PWM mode or complementary PWM mode)	This bit is disabled in PWM mode.	R/W	
b3	OLS1			Counter-phase output level select bit (in reset synchronous PWM mode or complementary PWM mode)	R/W
b4	ADTRG			A/D trigger enable bit (in complementary PWM mode)	R/W
b5	ADEG			A/D trigger edge select bit (in complementary PWM mode)	R/W
b6	STCLK	External clock input select bit	0: External clock input disabled 1: External clock input enabled	R/W	
b7	PWM3	PWM3 mode select bit ⁽²⁾	Set this bit to 1 (other than PWM3 mode) in PWM mode.	R/W	

Notes:

1. Set bits CMD1 to CMD0 when both the TSTART0 and TSTART1 bits in the TRDSTR register are set to 0 (count stops).
2. When bits CMD1 to CMD0 are set to 00b (timer mode, PWM mode, or PWM3 mode), the setting of the PWM3 bit is enabled.

20.5.8 Timer RD Output Master Enable Register 1 (TRDOER1) in PWM Mode

Address 013Bh

Bit	b7	b6	b5	b4	b3	b2	b1	b0
Symbol	ED1	EC1	EB1	EA1	ED0	EC0	EB0	EA0
After Reset	1	1	1	1	1	1	1	1

Bit	Symbol	Bit Name	Function	R/W
b0	EA0	TRDIOA0 output disable bit	Set this bit to 1 (the TRDIOA0 pin is used as a programmable I/O port) in PWM mode.	R/W
b1	EB0	TRDIOB0 output disable bit	0: Enable output 1: Disable output (The TRDIOB0 pin is used as a programmable I/O port.)	R/W
b2	EC0	TRDIOC0 output disable bit	0: Enable output 1: Disable output (The TRDIOC0 pin is used as a programmable I/O port.)	R/W
b3	ED0	TRDIOD0 output disable bit	0: Enable output 1: Disable output (The TRDIOD0 pin is used as a programmable I/O port.)	R/W
b4	EA1	TRDIOA1 output disable bit	Set this bit to 1 (the TRDIOA1 pin is used as a programmable I/O port) in PWM mode.	R/W
b5	EB1	TRDIOB1 output disable bit	0: Enable output 1: Disable output (The TRDIOB1 pin is used as a programmable I/O port.)	R/W
b6	EC1	TRDIOC1 output disable bit	0: Enable output 1: Disable output (The TRDIOC1 pin is used as a programmable I/O port.)	R/W
b7	ED1	TRDIOD1 output disable bit	0: Enable output 1: Disable output (The TRDIOD1 pin is used as a programmable I/O port.)	R/W

20.5.9 Timer RD Output Master Enable Register 2 (TRDOER2) in PWM Mode

Address 013Ch

Bit	b7	b6	b5	b4	b3	b2	b1	b0
Symbol	PTO	—	—	—	—	—	—	—
After Reset	0	1	1	1	1	1	1	1

Bit	Symbol	Bit Name	Function	R/W
b0	—	Nothing is assigned. If necessary, set to 0. When read, the content is 1.		—
b1	—			
b2	—			
b3	—			
b4	—			
b5	—			
b6	—			
b7	PTO	INT0 of pulse output forced cutoff signal input enabled bit ⁽¹⁾	0: Pulse output forced cutoff input disabled 1: Pulse output forced cutoff input enabled (All bits in the TRDOER1 register are set to 1 (disable output) when "L" is applied to the INT0 pin.)	R/W

Note:

1. Refer to 20.2.4 Pulse Output Forced Cutoff.

20.5.10 Timer RD Output Control Register (TRDOCR) in PWM Mode

Address 013Dh

Bit	b7	b6	b5	b4	b3	b2	b1	b0
Symbol	TOD1	TOC1	TOB1	TOA1	TOD0	TOC0	TOB0	TOA0
After Reset	0	0	0	0	0	0	0	0

Bit	Symbol	Bit Name	Function	R/W
b0	TOA0	TRDIOA0 output level select bit	Set this bit to 0 (enable output) in PWM mode.	R/W
b1	TOB0	TRDI0B0 output level select bit ⁽¹⁾	0: Initial output is inactive level 1: Initial output is active level	R/W
b2	TOC0	TRDIOC0 initial output level select bit ⁽¹⁾		R/W
b3	TOD0	TRDIOD0 initial output level select bit ⁽¹⁾		R/W
b4	TOA1	TRDIOA1 initial output level select bit	Set this bit to 0 (enable output) in PWM mode.	R/W
b5	TOB1	TRDI0B1 initial output level select bit ⁽¹⁾	0: Inactive level 1: Active level	R/W
b6	TOC1	TRDIOC1 initial output level select bit ⁽¹⁾		R/W
b7	TOD1	TRDIOD1 initial output level select bit ⁽¹⁾		R/W

Note:

1. If the pin function is set for waveform output (refer to **7.5 Port Settings**), the initial output level is output when the TRDOCR register is set.

Write to the TRDOCR register when both the TSTART0 and TSTART1 bits in the TRDSTR register are set to 0 (count stops).

20.5.11 Timer RD Control Register i (TRDCRi) (i = 0 or 1) in PWM Mode

Address 0140h (TRDCR0), 0150h (TRDCR1)

Bit	b7	b6	b5	b4	b3	b2	b1	b0
Symbol	CCLR2	CCLR1	CCLR0	CKEG1	CKEG0	TCK2	TCK1	TCK0
After Reset	0	0	0	0	0	0	0	0

Bit	Symbol	Bit Name	Function	R/W
b0	TCK0	Count source select bit	b2 b1 b0 0 0 0: f1 0 0 1: f2 0 1 0: f4 0 1 1: f8 1 0 0: f32 1 0 1: TRDCLK input ⁽¹⁾ or fC2 ⁽²⁾ 1 1 0: fOCO40M 1 1 1: fOCO-F ⁽⁴⁾	R/W
b1	TCK1			R/W
b2	TCK2			R/W
b3	CKEG0	External clock edge select bit ⁽³⁾	b4 b3 0 0: Count at the rising edge 0 1: Count at the falling edge 1 0: Count at both edges 1 1: Do not set.	R/W
b4	CKEG1			R/W
b5	CCLR0	TRDi counter clear select bit	Set to 001b (the TRDi register cleared at compare match with TRDGRAi register) in PWM mode.	R/W
b6	CCLR1			R/W
b7	CCLR2			R/W

Notes:

1. Enabled when the ITCLKi bit in the TRDECR register is set to 0 (TRDCLK input) and the STCLK bit in the TRDFCR register is 1 (external clock input enabled).
2. Enabled when the ITCLKi bit in the TRDECR register is set to 1 (fC2) in timer mode.
3. Enabled when bits TCK2 to TCK0 are set to 101b (TRDCLK input or fC2), the ITCLKi bit in the TRDECR is set to 0 (TRDCLK input), and the STCLK bit in the TRDFCR register is set to 1 (external clock input enabled).
4. To select fOCO-F, set it to the clock frequency higher than the CPU clock frequency.

20.5.12 Timer RD Status Register i (TRDSRi) (i = 0 or 1) in PWM Mode

Address 0143h (TRDSR0), 0153h (TRDSR1)

Bit	b7	b6	b5	b4	b3	b2	b1	b0	
Symbol	—	—	UDF	OVF	IMFD	IMFC	IMFB	IMFA	
After Reset	1	1	1	0	0	0	0	0	TRDSR0 register
After Reset	1	1	0	0	0	0	0	0	TRDSR1 register

Bit	Symbol	Bit Name	Function	R/W
b0	IMFA	Input capture / compare match flag A	[Source for setting this bit to 0] Write 0 after read ⁽²⁾ [Source for setting this bit to 1] When the value in the TRDi register matches with the value in the TRDGRAi register.	R/W
b1	IMFB	Input capture / compare match flag B	[Source for setting this bit to 0] Write 0 after read ⁽²⁾ [Source for setting this bit to 1] When the value in the TRDi register matches with the value in the TRDGRBi register.	R/W
b2	IMFC	Input capture / compare match flag C	[Source for setting this bit to 0] Write 0 after read ⁽²⁾ [Source for setting this bit to 1] When the value in the TRDi register matches with the value in the TRDGRCi register ⁽³⁾ .	R/W
b3	IMFD	Input capture / compare match flag D	[Source for setting this bit to 0] Write 0 after read ⁽²⁾ [Source for setting this bit to 1] When the value in the TRDi register matches with the value in the TRDGRDi register ⁽³⁾ .	R/W
b4	OVF	Overflow flag	[Source for setting this bit to 0] Write 0 after read ⁽²⁾ [Source for setting this bit to 1] When the TRDi register overflows.	R/W
b5	UDF	Underflow flag ⁽¹⁾	This bit is disabled in PWM Mode.	R/W
b6	—	Nothing is assigned. If necessary, set to 0. When read, the content is 1.		—
b7	—			—

Notes:

- Nothing is assigned to b5 in the TRDSR0 register. When writing to b5, write 0. When reading, the content is 1.
- The writing results are as follows:
 - This bit is set to 0 when the read result is 1 and 0 is written to the same bit.
 - This bit remains unchanged even if the read result is 0 and 0 is written to the same bit. (This bit remains 1 even if it is set to 1 from 0 after reading, and writing 0.)
 - This bit remains unchanged if 1 is written to it.
- Including when the BFji bit in the TRDMR register is set to 1 (TRDGRji is used as the buffer register).

20.5.13 Timer RD Interrupt Enable Register i (TRDIERi) (i = 0 or 1) in PWM Mode

Address 0144h (TRDIER0), 0154h (TRDIER1)

Bit	b7	b6	b5	b4	b3	b2	b1	b0
Symbol	—	—	—	OVIE	IMIED	IMIEC	IMIEB	IMIEA
After Reset	1	1	1	0	0	0	0	0

Bit	Symbol	Bit Name	Function	R/W
b0	IMIEA	Input capture/compare match interrupt enable bit A	0: Disable interrupt (IMIA) by the IMFA bit 1: Enable interrupt (IMIA) by the IMFA bit	R/W
b1	IMIEB	Input capture/compare match interrupt enable bit B	0: Disable interrupt (IMIB) by the IMFB bit 1: Enable interrupt (IMIB) by the IMFB bit	R/W
b2	IMIEC	Input capture/compare match interrupt enable bit C	0: Disable interrupt (IMIC) by the IMFC bit 1: Enable interrupt (IMIC) by the IMFC bit	R/W
b3	IMIED	Input capture/compare match interrupt enable bit D	0: Disable interrupt (IMID) by the IMFD bit 1: Enable interrupt (IMID) by the IMFD bit	R/W
b4	OVIE	Overflow/underflow interrupt enable bit	0: Disable interrupt (OVI) by the OVF bit 1: Enable interrupt (OVI) by the OVF bit	R/W
b5	—	Nothing is assigned. If necessary, set to 0. When read, the content is 1.		—
b6	—			
b7	—			

20.5.14 Timer RD PWM Mode Output Level Control Register i (TRDPOCRi) (i = 0 or 1) in PWM Mode

Address 0145h (TRDPOCR0), 0155h (TRDPOCR1)

Bit	b7	b6	b5	b4	b3	b2	b1	b0
Symbol	—	—	—	—	—	POLD	POLC	POLB
After Reset	1	1	1	1	1	0	0	0

Bit	Symbol	Bit Name	Function	R/W
b0	POLB	PWM mode output level control bit B	0: "L" active TRDIOBi output level is selected 1: "H" active TRDIOBi output level is selected	R/W
b1	POLC	PWM mode output level control bit C	0: "L" active TRDIOCi output level is selected 1: "H" active TRDIOCi output level is selected	R/W
b2	POLD	PWM mode output level control bit D	0: "L" active TRDIODi output level is selected 1: "H" active TRDIODi output level is selected	R/W
b3	—	Nothing is assigned. If necessary, set to 0. When read, the content is 1.		—
b4	—			
b5	—			
b6	—			
b7	—			—

20.5.15 Timer RD Counter i (TRDi) (i = 0 or 1) in PWM Mode

Address 0147h to 0146h (TRD0), 0157h to 0156h (TRD1)

Bit	b7	b6	b5	b4	b3	b2	b1	b0
Symbol	—	—	—	—	—	—	—	—
After Reset	0	0	0	0	0	0	0	0

Bit	b15	b14	b13	b12	b11	b10	b9	b8
Symbol	—	—	—	—	—	—	—	—
After Reset	0	0	0	0	0	0	0	0

Bit	Function	Setting Range	R/W
b15 to b0	Count the count source. Count operation is incremented. When an overflow occurs, the OVF bit in the TRDSRi register is set to 1.	0000h to FFFFh	R/W

Access the TRDi register in 16-bit units. Do not access it in 8-bit units.

20.5.16 Timer RD General Registers Ai, Bi, Ci, and Di (TRDGRAi, TRDGRBi, TRDGRCi, TRDGRDi) (i = 0 or 1) in PWM Mode

Address 0149h to 0148h (TRDGRA0), 014Bh to 014Ah (TRDGRB0),
 014Dh to 014Ch (TRDGRC0), 014Fh to 014Eh (TRDGRD0),
 0159h to 0158h (TRDGRA1), 015Bh to 015Ah (TRDGRB1),
 015Dh to 015Ch (TRDGRC1), 015Fh to 015Eh (TRDGRD1)

Bit	b7	b6	b5	b4	b3	b2	b1	b0
Symbol	—	—	—	—	—	—	—	—
After Reset	1	1	1	1	1	1	1	1

Bit	b15	b14	b13	b12	b11	b10	b9	b8
Symbol	—	—	—	—	—	—	—	—
After Reset	1	1	1	1	1	1	1	1

Bit	Function	R/W
b15 to b0	Refer to Table 20.10 TRDGRji Register Functions in PWM Mode	R/W

Access registers TRDGRAi to TRDGRDi in 16-bit units. Do not access them in 8-bit units.

The following registers are disabled in the PWM mode: TRDDF0, TRDDF1, TRDIORA0, TRDIORC0, TRDIORA1, and TRDIORC1.

Table 20.10 TRDGRji Register Functions in PWM Mode

Register	Setting	Register Function	PWM Output Pin
TRDGRAi	—	General register. Set the PWM period	—
TRDGRBi	—	General register. Set the changing point of PWM output	TRDIOBi
TRDGRCi	BFCi = 0	General register. Set the changing point of PWM output	TRDIOCi
TRDGRDi	BFDi = 0		TRDIODi
TRDGRCi	BFCi = 1	Buffer register. Set the next PWM period (Refer to 20.2.2 Buffer Operation.)	—
TRDGRDi	BFDi = 1	Buffer register. Set the changing point of the next PWM output (Refer to 20.2.2 Buffer Operation.)	TRDIOBi

i = 0 or 1

BFCi, BFDi: Bits in TRDMR register

20.5.17 Timer RD Pin Select Register 0 (TRDPSR0)

Address 0184h

Bit	b7	b6	b5	b4	b3	b2	b1	b0
Symbol	—	TRDIOD0SEL0	TRDIOC0SEL1	TRDIOC0SEL0	TRDIOB0SEL1	TRDIOB0SEL0	—	TRDIOA0SEL0
After Reset	0	0	0	0	0	0	0	0

Bit	Symbol	Bit Name	Function	R/W
b0	TRDIOA0SEL0	TRDIOA0/TRDCLK pin select bit	0: TRDIOA0/TRDCLK pin not used 1: P2_0 assigned	R/W
b1	—	Nothing is assigned. If necessary, set to 0. When read, the content is 0.		—
b2	TRDIOB0SEL0	TRDIOB0 pin select bit	b3 b2 0 0: TRDIOB0 pin not used 0 1: Do not set. 1 0: P2_2 assigned 1 1: Do not set.	R/W
b3	TRDIOB0SEL1			R/W
b4	TRDIOC0SEL0	TRDIOC0 pin select bit	b5 b4 0 0: TRDIOC0 pin not used 0 1: Do not set. 1 0: P2_1 assigned 1 1: Do not set.	R/W
b5	TRDIOC0SEL1			R/W
b6	TRDIOD0SEL0	TRDIOD0 pin select bit	0: TRDIOD0 pin not used 1: P2_3 assigned	R/W
b7	—	Nothing is assigned. If necessary, set to 0. When read, the content is 0.		—

The TRDPSR0 register selects which pin is assigned to the timer RD I/O. To use the I/O pin for timer RD, set this register.

Set the TRDPSR0 register before setting the timer RD associated registers. Also, do not change the setting value in this register during timer RD operation.

20.5.18 Timer RD Pin Select Register 1 (TRDPSR1)

Address 0185h

Bit	b7	b6	b5	b4	b3	b2	b1	b0
Symbol	—	TRDIOD1SEL0	—	TRDIOC1SEL0	—	TRDIOB1SEL0	—	TRDIOA1SEL0
After Reset	0	0	0	0	0	0	0	0

Bit	Symbol	Bit Name	Function	R/W
b0	TRDIOA1SEL0	TRDIOA1 pin select bit	0: TRDIOA1 pin not used 1: P2_4 assigned	R/W
b1	—	Nothing is assigned. If necessary, set to 0. When read, the content is 0.		—
b2	TRDIOB1SEL0	TRDIOB1 pin select bit	0: TRDIOB1 pin not used 1: P2_5 assigned	R/W
b3	—	Nothing is assigned. If necessary, set to 0. When read, the content is 0.		—
b4	TRDIOC1SEL0	TRDIOC1 pin select bit	0: TRDIOC1 pin not used 1: P2_6 assigned	R/W
b5	—	Reserved bit	Set to 0.	R/W
b6	TRDIOD1SEL0	TRDIOD1 pin select bit	0: TRDIOD1 pin not used 1: P2_7 assigned	R/W
b7	—	Reserved bit	Set to 0.	R/W

The TRDPSR1 register selects which pin is assigned to the timer RD I/O. To use the I/O pin for timer RD, set this register.

Set the TRDPSR1 register before setting the timer RD associated registers. Also, do not change the setting value in this register during timer RD operation.

20.5.19 Operating Example

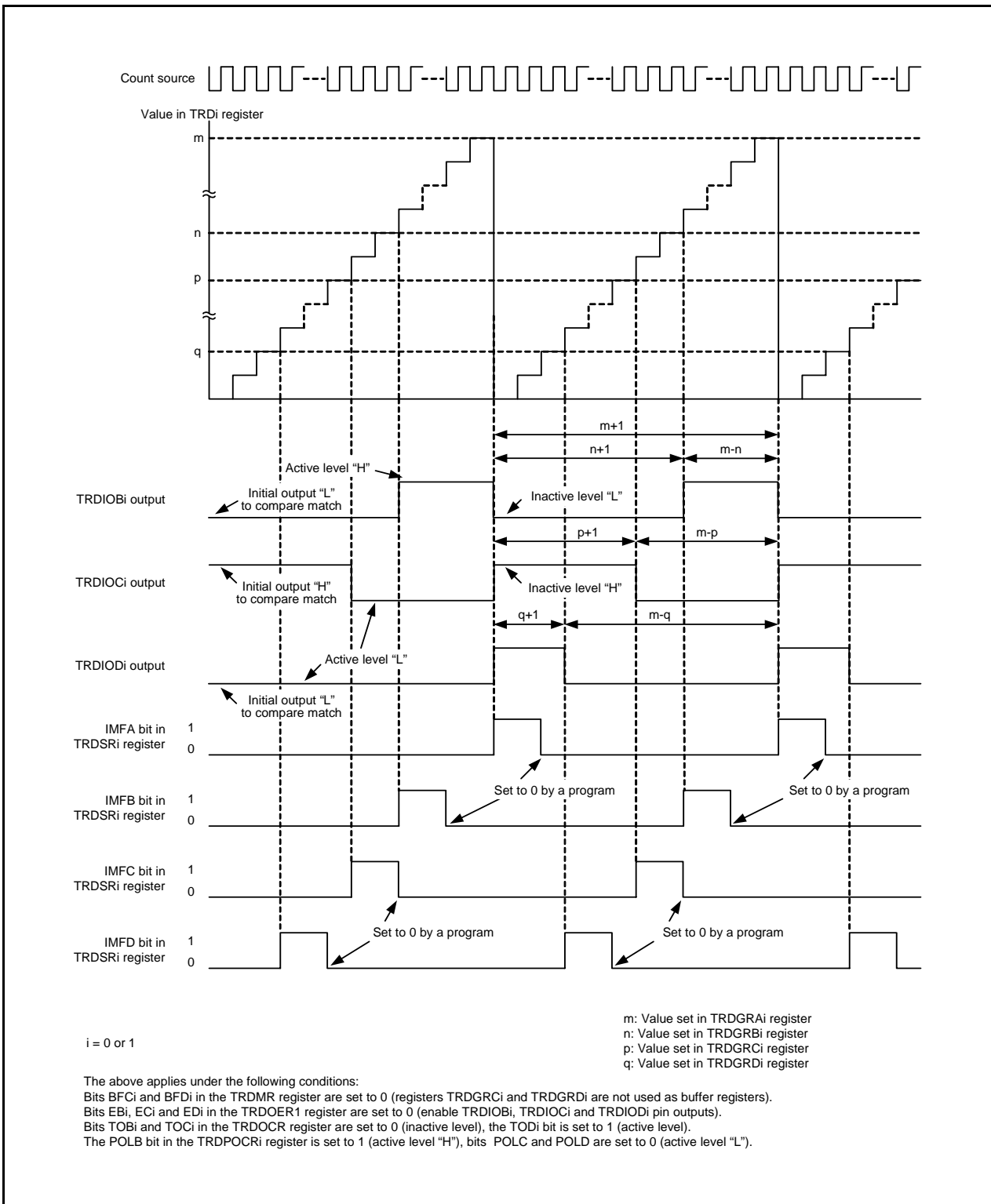


Figure 20.15 Operating Example of PWM Mode

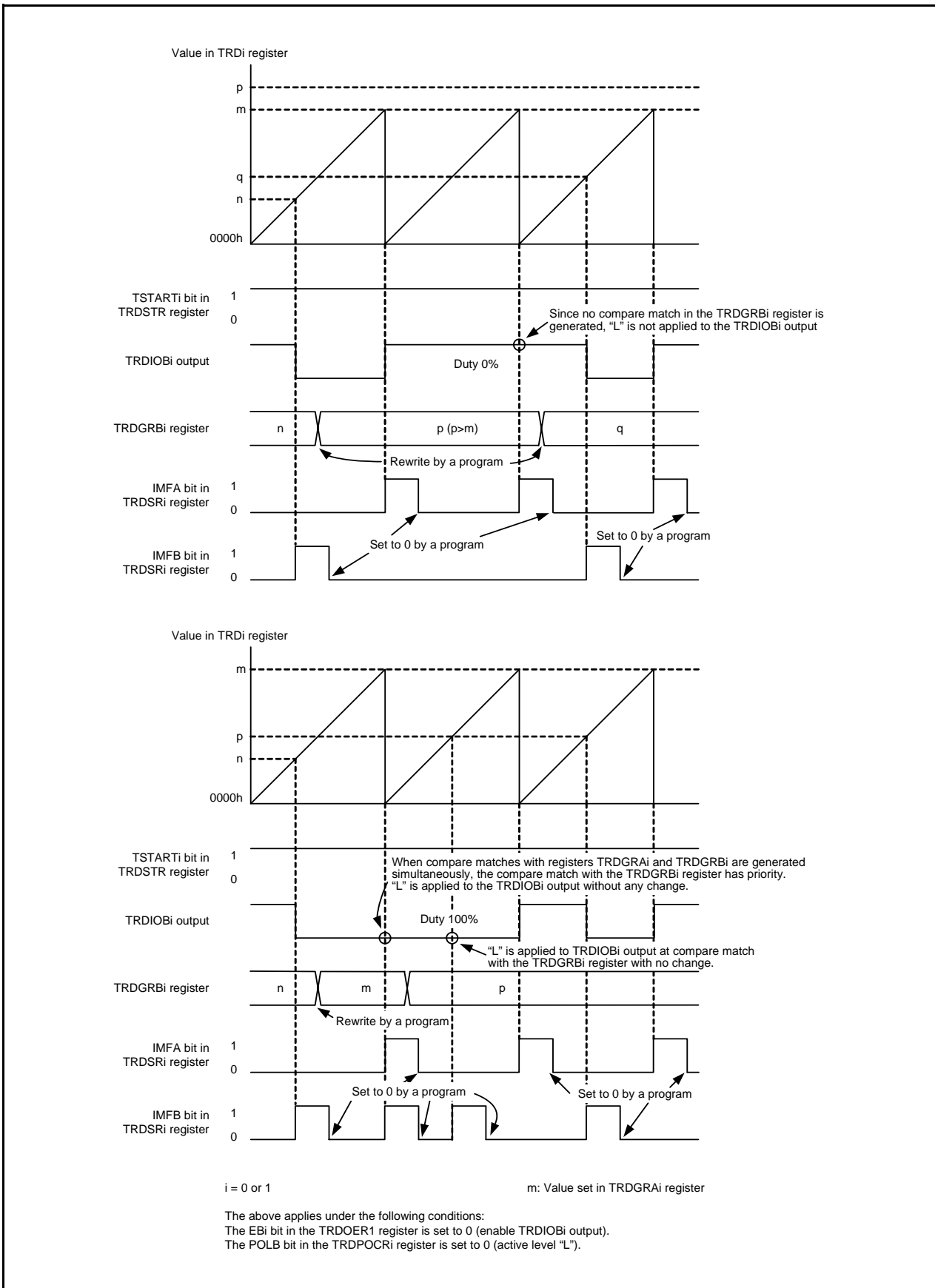


Figure 20.16 Operating Example of PWM Mode (Duty 0%, Duty 100%)

20.5.20 A/D Trigger Generation

A compare match signal with registers TRDi (i = 0 or 1) and TRDGRji (j = A, B, C, or D) can be used as the conversion start trigger of the A/D converter.

The TRDADCR register is used to select which compare match is used.

20.6 Reset Synchronous PWM Mode

In this mode, 3 normal-phases and 3 counter-phases of the PWM waveform are output with the same period (three-phase, sawtooth wave modulation, and no dead time).

Figure 20.17 shows a Block Diagram of Reset Synchronous PWM Mode, and Table 20.11 lists the Reset Synchronous PWM Mode Specifications. Figure 20.18 shows an Operating Example of Reset Synchronous PWM Mode.

Refer to **Figure 20.16 Operating Example of PWM Mode (Duty 0%, Duty 100%)** for an operating example of PWM Mode with duty 0% and duty 100%.

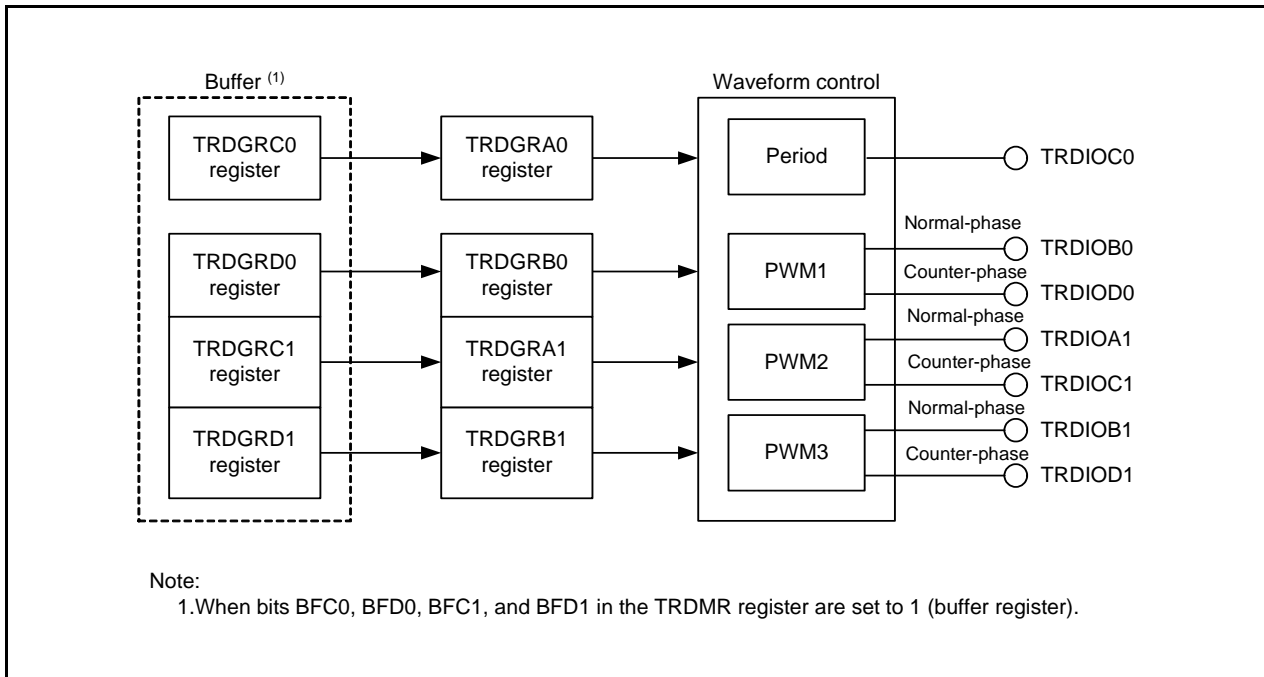


Figure 20.17 Block Diagram of Reset Synchronous PWM Mode

Table 20.11 Reset Synchronous PWM Mode Specifications

Item	Specification
Count sources	f1, f2, f4, f8, f32, fOCO40M, fOCO-F External signal input to the TRDCLK pin (valid edge selected by a program)
Count operations	The TRD0 register is incremented (the TRD1 register is not used).
PWM waveform	<p>PWM period : $1/f_k \times (m+1)$ Active level width of normal-phase : $1/f_k \times (m-n)$ Active level width of counter-phase: $1/f_k \times (n+1)$ f_k: Frequency of count source m: Value set in the TRDGRA0 register n: Value set in the TRDGRB0 register (PWM1 output), Value set in the TRDGRA1 register (PWM2 output), Value set in the TRDGRB1 register (PWM3 output)</p>
Count start condition	1 (count starts) is written to the TSTART0 bit in the TRDSTR register.
Count stop conditions	<ul style="list-style-type: none"> 0 (count stops) is written to the TSTART0 bit in the TRDSTR register when the CSEL0 bit in the TRDSTR register is set to 1. The PWM output pin holds output level before the count stops When the CSEL0 bit in the TRDSTR register is set to 0, the count stops at the compare match in the TRDGRA0 register. The PWM output pin holds level after output change at compare match.
Interrupt request generation timing	<ul style="list-style-type: none"> Compare match (the content of the TRD0 register matches content of registers TRDGRj0, TRDGRA1, and TRDGRB1). The TRD0 register overflows
TRDIOA0 pin function	Programmable I/O port or TRDCLK (external clock) input
TRDIOB0 pin function	PWM1 output normal-phase output
TRDIOD0 pin function	PWM1 output counter-phase output
TRDIOA1 pin function	PWM2 output normal-phase output
TRDIOC1 pin function	PWM2 output counter-phase output
TRDIOB1 pin function	PWM3 output normal-phase output
TRDIOD1 pin function	PWM3 output counter-phase output
TRDIOC0 pin function	Output inverted every PWM period
INT0 pin function	Programmable I/O port, pulse output forced cutoff signal input, or INT0 interrupt input
Read from timer	The count value can be read by reading the TRD0 register.
Write to timer	The value can be written to the TRD0 register.
Selectable functions	<ul style="list-style-type: none"> The normal-phase and counter-phase active level and initial output level are selected individually. Buffer operation (Refer to 20.2.2 Buffer Operation.) Pulse output forced cutoff signal input (Refer to 20.2.4 Pulse Output Forced Cutoff.) A/D trigger generation

j = either A, B, C, or D

20.6.1 Module Standby Control Register (MSTCR)

Address 0008h

Bit	b7	b6	b5	b4	b3	b2	b1	b0
Symbol	—	—	MSTTRC	MSTTRD	MSTIIC	—	—	—
After Reset	0	0	0	0	0	0	0	0

Bit	Symbol	Bit Name	Function	R/W
b0	—	Nothing is assigned. If necessary, set to 0. When read, the content is 0.		—
b1	—			
b2	—			
b3	MSTIIC	SSU, I ² C bus standby bit	0: Active 1: Standby (1)	R/W
b4	MSTTRD	Timer RD standby bit	0: Active 1: Standby (2, 3)	R/W
b5	MSTTRC	Timer RC standby bit	0: Active 1: Standby (4)	R/W
b6	—	Nothing is assigned. If necessary, set to 0. When read, the content is 0.		—
b7	—			

Notes:

1. When the MSTIIC bit is set to 1 (standby), any access to the SSU or the I²C bus associated registers (addresses 0193h to 019Dh) is disabled.
2. When the MSTTRD bit is set to 1 (standby), any access to the timer RD associated registers (addresses 0135h to 015Fh) is disabled.
3. To set the MSTTRD bit to 1 (standby), set bits TCK2 to TCK0 in the TRDCR_i (i = 0 or 1) register to 000b (f1).
4. When the MSTTRC bit is set to 1 (standby), any access to the timer RC associated registers (addresses 0120h to 0133h) is disabled.

20.6.2 Timer RD Control Expansion Register (TRDECR)

Address 0135h

Bit	b7	b6	b5	b4	b3	b2	b1	b0
Symbol	ITCLK1	—	—	—	ITCLK0	—	—	—
After Reset	0	0	0	0	0	0	0	0

Bit	Symbol	Bit Name	Function	R/W
b0	—	Nothing is assigned. If necessary, set to 0. When read, the content is 0.		—
b1	—			
b2	—			
b3	ITCLK0	Timer RD0 fC2 select bit	0: TRDCLK input selected 1: fC2 selected (1)	R/W
b4	—	Nothing is assigned. If necessary, set to 0. When read, the content is 0.		—
b5	—			
b6	—			
b7	ITCLK1	Timer RD1 fC2 select bit	0: TRDCLK input selected 1: fC2 selected (1)	R/W

Note:

1. Enabled when in timer mode.

20.6.3 Timer RD Trigger Control Register (TRDADCR)

Address 0136h

Bit	b7	b6	b5	b4	b3	b2	b1	b0
Symbol	ADTRGD1E	ADTRGC1E	ADTRGB1E	ADTRGA1E	ADTRGD0E	ADTRGC0E	ADTRGB0E	ADTRGA0E
After Reset	0	0	0	0	0	0	0	0

Bit	Symbol	Bit Name	Function	R/W
b0	ADTRGA0E	A/D trigger A0 enable bit	0: A/D trigger disabled 1: A/D trigger generated at compare match with registers TRD0 and TRDGRA0	R/W
b1	ADTRGB0E	A/D trigger B0 enable bit	0: A/D trigger disabled 1: A/D trigger generated at compare match with registers TRD0 and TRDGRB0	R/W
b2	ADTRGC0E	A/D trigger C0 enable bit	0: A/D trigger disabled 1: A/D trigger generated at compare match with registers TRD0 and TRDGRC0	R/W
b3	ADTRGD0E	A/D trigger D0 enable bit	0: A/D trigger disabled 1: A/D trigger generated at compare match with registers TRD0 and TRDGRD0	R/W
b4	ADTRGA1E	A/D trigger A1 enable bit	0: A/D trigger disabled 1: A/D trigger generated at compare match with registers TRD1 and TRDGRA1	R/W
b5	ADTRGB1E	A/D trigger B1 enable bit	0: A/D trigger disabled 1: A/D trigger generated at compare match with registers TRD1 and TRDGRB1	R/W
b6	ADTRGC1E	A/D trigger C1 enable bit	0: A/D trigger disabled 1: A/D trigger generated at compare match with registers TRD1 and TRDGRC1	R/W
b7	ADTRGD1E	A/D trigger D1 enable bit	0: A/D trigger disabled 1: A/D trigger generated at compare match with registers TRD1 and TRDGRD1	R/W

20.6.4 Timer RD Start Register (TRDSTR) in Reset Synchronous PWM Mode

Address 0137h

Bit	b7	b6	b5	b4	b3	b2	b1	b0
Symbol	—	—	—	—	CSEL1	CSEL0	TSTART1	TSTART0
After Reset	1	1	1	1	1	1	0	0

Bit	Symbol	Bit Name	Function	R/W
b0	TSTART0	TRD0 count start flag ⁽³⁾	0: Count stops ⁽¹⁾ 1: Count starts	R/W
b1	TSTART1	TRD1 count start flag ⁽⁴⁾	0: Count stops ⁽²⁾ 1: Count starts	R/W
b2	CSEL0	TRD0 count operation select bit	0: Count stops at the compare match with the TRDGRA0 register 1: Count continues after the compare match with the TRDGRA0 register	R/W
b3	CSEL1	TRD1 count operation select bit	0: Count stops at the compare match with the TRDGRA1 register 1: Count continues after the compare match with the TRDGRA1 register	R/W
b4	—	Nothing is assigned. If necessary, set to 0. When read, the content is 1.		—
b5	—			
b6	—			
b7	—			

Notes:

1. When the CSEL0 bit is set to 1, write 0 to the TSTART0 bit.
2. When the CSEL1 bit is set to 1, write 0 to the TSTART1 bit.
3. When the CSEL0 bit is set to 0 and the compare match signal (TRDIOA0) is generated, this bit is set to 0 (count stops).
4. When the CSEL1 bit is set to 0 and the compare match signal (TRDIOA1) is generated, this bit is set to 0 (count stops).

Set the TRDSTR register using the MOV instruction (do not use the bit handling instruction). Refer to **20.10.1 TRDSTR Register** of **Notes on Timer RD**.

20.6.5 Timer RD Mode Register (TRDMR) in Reset Synchronous PWM Mode

Address 0138h

Bit	b7	b6	b5	b4	b3	b2	b1	b0
Symbol	BFD1	BFC1	BFD0	BFC0	—	—	—	SYNC
After Reset	0	0	0	0	1	1	1	0

Bit	Symbol	Bit Name	Function	R/W
b0	SYNC	Timer RD synchronous bit	Set this bit to 0 (registers TRD and TRD1 operate independently) in reset synchronous PWM mode.	R/W
b1	—	Nothing is assigned. If necessary, set to 0. When read, the content is 1.		—
b2	—			
b3	—			
b4	BFC0	TRDGRC0 register function select bit	0: General register 1: Buffer register of TRDGRA0 register	R/W
b5	BFD0	TRDGRD0 register function select bit	0: General register 1: Buffer register of TRDGRB0 register	R/W
b6	BFC1	TRDGRC1 register function select bit	0: General register 1: Buffer register of TRDGRA1 register	R/W
b7	BFD1	TRDGRD1 register function select bit	0: General register 1: Buffer register of TRDGRB1 register	R/W

20.6.6 Timer RD Function Control Register (TRDFCR) in Reset Synchronous PWM Mode

Address 013Ah

Bit	b7	b6	b5	b4	b3	b2	b1	b0
Symbol	PWM3	STCLK	ADEG	ADTRG	OLS1	OLS0	CMD1	CMD0
After Reset	1	0	0	0	0	0	0	0

Bit	Symbol	Bit Name	Function	R/W
b0	CMD0	Combination mode select bit ^(1, 2)	Set to 01b (reset synchronous PWM mode) in reset synchronous PWM mode.	R/W
b1	CMD1			R/W
b2	OLS0	Normal-phase output level select bit (in reset synchronous PWM mode or complementary PWM mode) Counter-phase output level select bit (in reset synchronous PWM mode or complementary PWM mode)	0: Initial output "H", Active level "L" 1: Initial output "L", Active level "H"	R/W
b3	OLS1			R/W
b4	ADTRG	A/D trigger enable bit (in complementary PWM mode)	This bit is disabled in reset synchronous PWM mode.	R/W
b5	ADEG	A/D trigger edge select bit (in complementary PWM mode)		R/W
b6	STCLK	External clock input select bit	0: External clock input disabled 1: External clock input enabled	R/W
b7	PWM3	PWM3 mode select bit ⁽³⁾	This bit is disabled in reset synchronous PWM mode.	R/W

Notes:

1. When bits CMD1 to CMD0 are set to 01b, 10b, or 11b, the MCU enters reset synchronous PWM mode or complementary PWM mode in spite of the setting of the TRDPMR register.
2. Set bits CMD1 to CMD0 when both the TSTART0 and TSTART1 bits are set to 0 (count stops).
3. When bits CMD1 to CMD0 are set to 00b (timer mode, PWM mode, or PWM3 mode), the setting of the PWM3 bit is enabled.

20.6.7 Timer RD Output Master Enable Register 1 (TRDOER1) in Reset Synchronous PWM Mode

Address 013Bh

Bit	b7	b6	b5	b4	b3	b2	b1	b0
Symbol	ED1	EC1	EB1	EA1	ED0	EC0	EB0	EA0
After Reset	1	1	1	1	1	1	1	1

Bit	Symbol	Bit Name	Function	R/W
b0	EA0	TRDIOA0 output disable bit	Set this bit to 1 (the TRDIOA0 pin is used as a programmable I/O port) in reset synchronous PWM mode.	R/W
b1	EB0	TRDIOB0 output disable bit	0: Enable output 1: Disable output (The TRDIOB0 pin is used as a programmable I/O port.)	R/W
b2	EC0	TRDIOC0 output disable bit	0: Enable output 1: Disable output (The TRDIOC0 pin is used as a programmable I/O port.)	R/W
b3	ED0	TRDIOD0 output disable bit	0: Enable output 1: Disable output (The TRDIOD0 pin is used as a programmable I/O port.)	R/W
b4	EA1	TRDIOA1 output disable bit	0: Enable output 1: Disable output (The TRDIOA1 pin is used as a programmable I/O port.)	R/W
b5	EB1	TRDIOB1 output disable bit	0: Enable output 1: Disable output (The TRDIOB1 pin is used as a programmable I/O port.)	R/W
b6	EC1	TRDIOC1 output disable bit	0: Enable output 1: Disable output (The TRDIOC1 pin is used as a programmable I/O port.)	R/W
b7	ED1	TRDIOD1 output disable bit	0: Enable output 1: Disable output (The TRDIOD1 pin is used as a programmable I/O port.)	R/W

20.6.8 Timer RD Output Master Enable Register 2 (TRDOER2) in Reset Synchronous PWM Mode

Address 013Ch

Bit	b7	b6	b5	b4	b3	b2	b1	b0
Symbol	PTO	—	—	—	—	—	—	—
After Reset	0	1	1	1	1	1	1	1

Bit	Symbol	Bit Name	Function	R/W
b0	—	Nothing is assigned. If necessary, set to 0. When read, the content is 1.		—
b1	—			
b2	—			
b3	—			
b4	—			
b5	—			
b6	—			
b7	PTO	$\overline{\text{INT0}}$ of pulse output forced cutoff signal input enabled bit ⁽¹⁾	0: Pulse output forced cutoff input disabled 1: Pulse output forced cutoff input enabled (All bits in the TRDOER1 register are set to 1 (disable output) when “L” is applied to the $\overline{\text{INT0}}$ pin.)	R/W

Note:

1. Refer to **20.2.4 Pulse Output Forced Cutoff**.

20.6.9 Timer RD Control Register 0 (TRDCR0) in Reset Synchronous PWM Mode

Address 0140h

Bit	b7	b6	b5	b4	b3	b2	b1	b0
Symbol	CCLR2	CCLR1	CCLR0	CKEG1	CKEG0	TCK2	TCK1	TCK0
After Reset	0	0	0	0	0	0	0	0

Bit	Symbol	Bit Name	Function	R/W
b0	TCK0	Count source select bit	b2 b1 b0 0 0 0: f1 0 0 1: f2 0 1 0: f4 0 1 1: f8 1 0 0: f32 1 0 1: TRDCLK input (1) or fC2 (2) 1 1 0: fOCO40M 1 1 1: fOCO-F (4)	R/W
b1	TCK1			R/W
b2	TCK2			R/W
b3	CKEG0			External clock edge select bit (3)
b4	CKEG1	R/W		
b5	CCLR0	TRD0 counter clear select bit	Set to 001b (TRD0 register cleared at compare match with TRDGRA0 register) in reset synchronous PWM mode.	R/W
b6	CCLR1			R/W
b7	CCLR2			R/W

Notes:

1. Enabled when the ITCLKi bit in the TRDECR register is set to 0 (TRDCLK input) and the STCLK bit in the TRDFCR register is 1 (external clock input enabled).
2. Enabled when the ITCLKi bit in the TRDECR register is set to 1 (fC2) in timer mode.
3. Enabled when bits TCK2 to TCK0 are set to 101b (TRDCLK input or fC2), the ITCLKi bit in the TRDECR is set to 0 (TRDCLK input), and the STCLK bit in the TRDFCR register is set to 1 (external clock input enabled).
4. To select fOCO-F, set it to the clock frequency higher than the CPU clock frequency.

The TRDCR1 register is not used in reset synchronous PWM mode.

20.6.10 Timer RD Status Register i (TRDSRi) (i = 0 or 1) in Reset Synchronous PWM Mode

Address 0143h (TRDSR0), 0153h (TRDSR1)

Bit	b7	b6	b5	b4	b3	b2	b1	b0	
Symbol	—	—	UDF	OVF	IMFD	IMFC	IMFB	IMFA	
After Reset	1	1	1	0	0	0	0	0	TRDSR0 register
After Reset	1	1	0	0	0	0	0	0	TRDSR1 register

Bit	Symbol	Bit Name	Function	R/W
b0	IMFA	Input capture / compare match flag A	[Source for setting this bit to 0] Write 0 after read (2). [Source for setting this bit to 1] When the value in the TRDi register matches with the value in the TRDGRAi register.	R/W
b1	IMFB	Input capture / compare match flag B	[Source for setting this bit to 0] Write 0 after read (2). [Source for setting this bit to 1] When the value in the TRDi register matches with the value in the TRDGRBi register.	R/W
b2	IMFC	Input capture / compare match flag C	[Source for setting this bit to 0] Write 0 after read (2). [Source for setting this bit to 1] When the value in the TRDi register matches with the value in the TRDGRCi register (3).	R/W
b3	IMFD	Input capture / compare match flag D	[Source for setting this bit to 0] Write 0 after read (2). [Source for setting this bit to 1] When the value in the TRDi register matches with the value in the TRDGRDi register (3).	R/W
b4	OVF	Overflow flag	[Source for setting this bit to 0] Write 0 after read (2). [Source for setting this bit to 1] When the TRDi register overflows.	R/W
b5	UDF	Underflow flag (1)	This bit is disabled in reset synchronous PWM mode.	R/W
b6	—	Nothing is assigned. If necessary, set to 0. When read, the content is 1.		—
b7	—			

Notes:

- Nothing is assigned to b5 in the TRDSR0 register. When writing to b5, write 0. When reading, the content is 1.
- The writing results are as follows:
 - This bit is set to 0 when the read result is 1 and 0 is written to the same bit.
 - This bit remains unchanged even if the read result is 0 and 0 is written to the same bit. (This bit remains 1 even if it is set to 1 from 0 after reading, and writing 0.)
 - This bit remains unchanged if 1 is written to it.
- Including when the BFji bit in the TRDMR register is set to 1 (TRDGRji is used as the buffer register).

20.6.11 Timer RD Interrupt Enable Register i (TRDIERi) (i = 0 or 1) in Reset Synchronous PWM Mode

Address 0144h (TRDIER0), 0154h (TRDIER1)

Bit	b7	b6	b5	b4	b3	b2	b1	b0
Symbol	—	—	—	OVIE	IMIED	IMIEC	IMIEB	IMIEA
After Reset	1	1	1	0	0	0	0	0

Bit	Symbol	Bit Name	Function	R/W
b0	IMIEA	Input capture/compare match interrupt enable bit A	0: Disable interrupt (IMIA) by the IMFA bit 1: Enable interrupt (IMIA) by the IMFA bit	R/W
b1	IMIEB	Input capture/compare match interrupt enable bit B	0: Disable interrupt (IMIB) by the IMFB bit 1: Enable interrupt (IMIB) by the IMFB bit	R/W
b2	IMIEC	Input capture/compare match interrupt enable bit C	0: Disable interrupt (IMIC) by the IMFC bit 1: Enable interrupt (IMIC) by the IMFC bit	R/W
b3	IMIED	Input capture/compare match interrupt enable bit D	0: Disable interrupt (IMID) by the IMFD bit 1: Enable interrupt (IMID) by the IMFD bit	R/W
b4	OVIE	Overflow/underflow interrupt enable bit	0: Disable interrupt (OVI) by the OVF bit 1: Enable interrupt (OVI) by the OVF bit	R/W
b5	—	Nothing is assigned. If necessary, set to 0. When read, the content is 1.		—
b6	—			
b7	—			

20.6.12 Timer RD Counter 0 (TRD0) in Reset Synchronous PWM Mode

Address 0147h to 0146h

Bit	b7	b6	b5	b4	b3	b2	b1	b0
Symbol	—	—	—	—	—	—	—	—
After Reset	0	0	0	0	0	0	0	0

Bit	b15	b14	b13	b12	b11	b10	b9	b8
Symbol	—	—	—	—	—	—	—	—
After Reset	0	0	0	0	0	0	0	0

Bit	Function	Setting Range	R/W
b15 to b0	Count the count source. Count operation is incremented. When an overflow occurs, the OVF bit in the TRDSR0 register is set to 1.	0000h to FFFFh	R/W

Access the TRD0 register in 16-bit units. Do not access it in 8-bit units.
 The TRD1 register is not used in reset synchronous PWM mode.

20.6.13 Timer RD General Registers Ai, Bi, Ci, and Di (TRDGRAi, TRDGRBi, TRDGRCi, TRDGRDi) (i = 0 or 1) in Reset Synchronous PWM Mode

Address 0149h to 0148h (TRDGRA0), 014Bh to 014Ah (TRDGRB0),
 014Dh to 014Ch (TRDGRC0), 014Fh to 014Eh (TRDGRD0),
 0159h to 0158h (TRDGRA1), 015Bh to 015Ah (TRDGRB1),
 015Dh to 015Ch (TRDGRC1), 015Fh to 015Eh (TRDGRD1)

Bit	b7	b6	b5	b4	b3	b2	b1	b0
Symbol	—	—	—	—	—	—	—	—
After Reset	1	1	1	1	1	1	1	1

Bit	b15	b14	b13	b12	b11	b10	b9	b8
Symbol	—	—	—	—	—	—	—	—
After Reset	1	1	1	1	1	1	1	1

Bit	Function	R/W
b15 to b0	Refer to Table 20.12 TRDGRji Register Functions in Reset Synchronous PWM Mode	R/W

Access registers TRDGRAi to TRDGRDi in 16-bit units. Do not access them in 8-bit units.

The following registers are disabled in the reset synchronous PWM mode: TRDPMR, TRDOCR, TRDDF0, TRDDF1, TRDIOA0, TRDIORC0, TRDPOCR0, TRDIOA1, TRDIORC1, and TRDPOCR1.

Table 20.12 TRDGRji Register Functions in Reset Synchronous PWM Mode

Register	Setting	Register Function	PWM Output Pin
TRDGRA0	—	General register. Set the PWM period.	(Output inverted every PWM period and TRDIOC0 pin)
TRDGRB0	—	General register. Set the changing point of PWM1 output.	TRDIOB0 TRDIOD0
TRDGRC0	BFC0 = 0	(These registers are not used in reset synchronous PWM mode.)	—
TRDGRD0	BFD0 = 0		
TRDGRA1	—	General register. Set the changing point of PWM2 output.	TRDIOA1 TRDIOC1
TRDGRB1	—	General register. Set the changing point of PWM3 output.	TRDIOB1 TRDIOD1
TRDGRC1	BFC1 = 0	(These points are not used in reset synchronous PWM mode.)	—
TRDGRD1	BFD1 = 0		
TRDGRC0	BFC0 = 1	Buffer register. Set the next PWM period. (Refer to 20.2.2 Buffer Operation.)	(Output inverted every PWM period and TRDIOC0 pin)
TRDGRD0	BFD0 = 1	Buffer register. Set the changing point of the next PWM1 output. (Refer to 20.2.2 Buffer Operation.)	TRDIOB0 TRDIOD0
TRDGRC1	BFC1 = 1	Buffer register. Set the changing point of the next PWM2 output. (Refer to 20.2.2 Buffer Operation.)	TRDIOA1 TRDIOC1
TRDGRD1	BFD1 = 1	Buffer register. Set the changing point of the next PWM3 output. (Refer to 20.2.2 Buffer Operation.)	TRDIOB1 TRDIOD1

BFC0, BFD0, BFC1, BFD1: Bits in TRDMR register

20.6.14 Timer RD Pin Select Register 0 (TRDPSR0)

Address 0184h

Bit	b7	b6	b5	b4	b3	b2	b1	b0
Symbol	—	TRDIOD0SEL0	TRDIOC0SEL1	TRDIOC0SEL0	TRDIOB0SEL1	TRDIOB0SEL0	—	TRDIOA0SEL0
After Reset	0	0	0	0	0	0	0	0

Bit	Symbol	Bit Name	Function	R/W
b0	TRDIOA0SEL0	TRDIOA0/TRDCLK pin select bit	0: TRDIOA0/TRDCLK pin not used 1: P2_0 assigned	R/W
b1	—	Nothing is assigned. If necessary, set to 0. When read, the content is 0.		—
b2	TRDIOB0SEL0	TRDIOB0 pin select bit	b3 b2 0 0: TRDIOB0 pin not used 0 1: Do not set. 1 0: P2_2 assigned 1 1: Do not set.	R/W
b3	TRDIOB0SEL1			R/W
b4	TRDIOC0SEL0	TRDIOC0 pin select bit	b5 b4 0 0: TRDIOC0 pin not used 0 1: Do not set. 1 0: P2_1 assigned 1 1: Do not set.	R/W
b5	TRDIOC0SEL1			R/W
b6	TRDIOD0SEL0	TRDIOD0 pin select bit	0: TRDIOD0 pin not used 1: P2_3 assigned	R/W
b7	—	Nothing is assigned. If necessary, set to 0. When read, the content is 0.		—

The TRDPSR0 register selects which pin is assigned to the timer RD I/O. To use the I/O pin for timer RD, set this register.

Set the TRDPSR0 register before setting the timer RD associated registers. Also, do not change the setting value in this register during timer RD operation.

20.6.15 Timer RD Pin Select Register 1 (TRDPSR1)

Address 0185h

Bit	b7	b6	b5	b4	b3	b2	b1	b0
Symbol	—	TRDIOD1SEL0	—	TRDIOC1SEL0	—	TRDIOB1SEL0	—	TRDIOA1SEL0
After Reset	0	0	0	0	0	0	0	0

Bit	Symbol	Bit Name	Function	R/W
b0	TRDIOA1SEL0	TRDIOA1 pin select bit	0: TRDIOA1 pin not used 1: P2_4 assigned	R/W
b1	—	Nothing is assigned. If necessary, set to 0. When read, the content is 0.		—
b2	TRDIOB1SEL0	TRDIOB1 pin select bit	0: TRDIOB1 pin not used 1: P2_5 assigned	R/W
b3	—	Nothing is assigned. If necessary, set to 0. When read, the content is 0.		—
b4	TRDIOC1SEL0	TRDIOC1 pin select bit	0: TRDIOC1 pin not used 1: P2_6 assigned	R/W
b5	—	Reserved bit	Set to 0.	R/W
b6	TRDIOD1SEL0	TRDIOD1 pin select bit	0: TRDIOD1 pin not used 1: P2_7 assigned	R/W
b7	—	Reserved bit	Set to 0.	R/W

The TRDPSR1 register selects which pin is assigned to the timer RD I/O. To use the I/O pin for timer RD, set this register.

Set the TRDPSR1 register before setting the timer RD associated registers. Also, do not change the setting value in this register during timer RD operation.

20.6.16 Operating Example

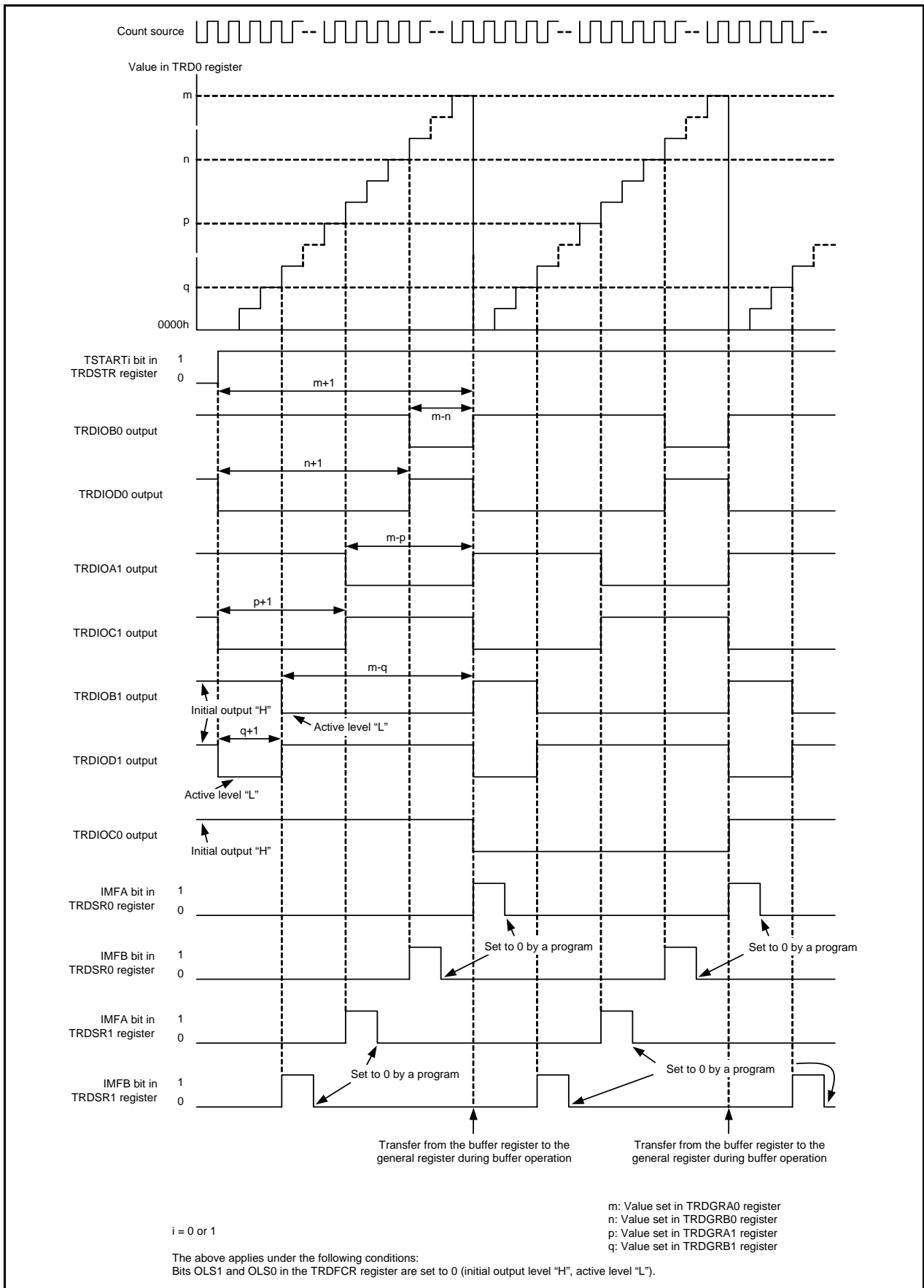


Figure 20.18 Operating Example of Reset Synchronous PWM Mode

20.6.17 A/D Trigger Generation

A compare match signal with registers TRDi (i = 0 or 1) and TRDGRji (j = A, B, C, or D) can be used as the conversion start trigger of the A/D converter.

The TRDADCR register is used to select which compare match is used.

20.7 Complementary PWM Mode

In this mode, 3 normal-phases and 3 counter-phases of the PWM waveform are output with the same period (three-phase, triangular wave modulation, and with dead time).

Figure 20.19 shows a Block Diagram of Complementary PWM Mode, and Table 20.13 lists the Complementary PWM Mode Specifications. Figure 20.20 shows Output Model of Complementary PWM Mode, and Figure 20.21 shows Operating Example of Complementary PWM Mode.

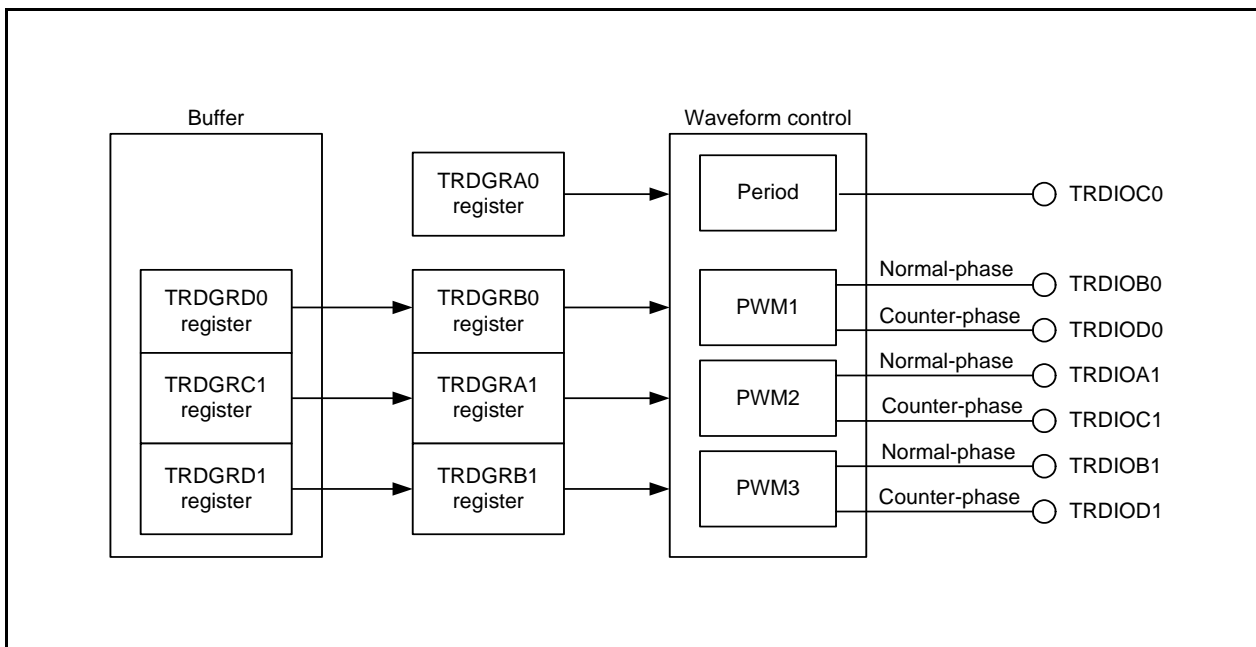


Figure 20.19 Block Diagram of Complementary PWM Mode

Table 20.13 Complementary PWM Mode Specifications

Item	Specification
Count sources	f1, f2, f4, f8, f32, fOCO40M, fOCO-F External signal input to the TRDCLK pin (valid edge selected by a program) Set bits TCK2 to TCK0 in the TRDCR1 register to the same value (same count source) as bits TCK2 to TCK0 in the TRDCR0 register.
Count operations	Increment or decrement Registers TRD0 and TRD1 are decremented with the compare match in registers TRD0 and TRDGRA0 during increment operation. The TRD1 register value is changed from 0000h to FFFFh during decrement operation, and registers TRD0 and TRD1 are incremented.
PWM operations	PWM period: $1/fk \times (m+2-p) \times 2$ ⁽¹⁾ Dead time: p Active level width of normal-phase: $1/fk \times (m-n-p+1) \times 2$ Active level width of counter-phase: $1/fk \times (n+1-p) \times 2$ fk: Frequency of count source m: Value set in the TRDGRA0 register n: Value set in the TRDGRB0 register (PWM1 output) Value set in the TRDGRA1 register (PWM2 output) Value set in the TRDGRB1 register (PWM3 output) p: Value set in the TRD0 register
Count start condition	1 (count starts) is written to bits TSTART0 and TSTART1 in the TRDSTR register.
Count stop conditions	0 (count stops) is written to bits TSTART0 and TSTART1 in the TRDSTR register when the CSEL0 bit in the TRDSTR register is set to 1. (The PWM output pin holds output level before the count stops.)
Interrupt request generation timing	<ul style="list-style-type: none"> • Compare match (The content of the TRDi register matches content of the TRDGRji register.) • The TRD1 register underflows
TRDIOA0 pin function	Programmable I/O port or TRDCLK (external clock) input
TRDIOB0 pin function	PWM1 output normal-phase output
TRDIOD0 pin function	PWM1 output counter-phase output
TRDIOA1 pin function	PWM2 output normal-phase output
TRDIOC1 pin function	PWM2 output counter-phase output
TRDIOB1 pin function	PWM3 output normal-phase output
TRDIOD1 pin function	PWM3 output counter-phase output
TRDIOC0 pin function	Output inverted every 1/2 period of PWM
INT0 pin function	Programmable I/O port, pulse output forced cutoff signal input or INT0 interrupt input
Read from timer	The count value can be read by reading the TRDi register.
Write to timer	The value can be written to the TRDi register.
Selectable functions	<ul style="list-style-type: none"> • Pulse output forced cutoff signal input (Refer to 20.2.4 Pulse Output Forced Cutoff.) • The normal-phase and counter-phase active level and initial output level are selected individually. • Transfer timing from the buffer register selection • A/D trigger generation

i = 0 or 1, j = either A, B, C, or D

Note:

1. After a count starts, the PWM period is fixed.

20.7.1 Module Standby Control Register (MSTCR)

Address 0008h

Bit	b7	b6	b5	b4	b3	b2	b1	b0
Symbol	—	—	MSTTRC	MSTTRD	MSTIIC	—	—	—
After Reset	0	0	0	0	0	0	0	0

Bit	Symbol	Bit Name	Function	R/W
b0	—	Nothing is assigned. If necessary, set to 0. When read, the content is 0.		—
b1	—			
b2	—			
b3	MSTIIC	SSU, I ² C bus standby bit	0: Active 1: Standby ⁽¹⁾	R/W
b4	MSTTRD	Timer RD standby bit	0: Active 1: Standby ^(2, 3)	R/W
b5	MSTTRC	Timer RC standby bit	0: Active 1: Standby ⁽⁴⁾	R/W
b6	—	Nothing is assigned. If necessary, set to 0. When read, the content is 0.		—
b7	—			

Notes:

1. When the MSTIIC bit is set to 1 (standby), any access to the SSU or the I²C bus associated registers (addresses 0193h to 019Dh) is disabled.
2. When the MSTTRD bit is set to 1 (standby), any access to the timer RD associated registers (addresses 0135h to 015Fh) is disabled.
3. To set the MSTTRD bit to 1 (standby), set bits TCK2 to TCK0 in the TRDCR_i (i = 0 or 1) register to 000b (f1).
4. When the MSTTRC bit is set to 1 (standby), any access to the timer RC associated registers (addresses 0120h to 0133h) is disabled.

20.7.2 Timer RD Control Expansion Register (TRDECR)

Address 0135h

Bit	b7	b6	b5	b4	b3	b2	b1	b0
Symbol	ITCLK1	—	—	—	ITCLK0	—	—	—
After Reset	0	0	0	0	0	0	0	0

Bit	Symbol	Bit Name	Function	R/W
b0	—	Nothing is assigned. If necessary, set to 0. When read, the content is 0.		—
b1	—			
b2	—			
b3	ITCLK0	Timer RD0 fC2 select bit	0: TRDCLK input selected 1: fC2 selected ⁽¹⁾	R/W
b4	—	Nothing is assigned. If necessary, set to 0. When read, the content is 0.		—
b5	—			
b6	—			
b7	ITCLK1	Timer RD1 fC2 select bit	0: TRDCLK input selected 1: fC2 selected ⁽¹⁾	R/W

Note:

1. Enabled when in timer mode.

20.7.3 Timer RD Trigger Control Register (TRDADCR)

Address 0136h

Bit	b7	b6	b5	b4	b3	b2	b1	b0
Symbol	ADTRGD1E	ADTRGC1E	ADTRGB1E	ADTRGA1E	ADTRGD0E	ADTRGC0E	ADTRGB0E	ADTRGA0E
After Reset	0	0	0	0	0	0	0	0

Bit	Symbol	Bit Name	Function	R/W
b0	ADTRGA0E	A/D trigger A0 enable bit	0: A/D trigger disabled 1: A/D trigger generated at compare match with registers TRD0 and TRDGRA0	R/W
b1	ADTRGB0E	A/D trigger B0 enable bit	0: A/D trigger disabled 1: A/D trigger generated at compare match with registers TRD0 and TRDGRB0	R/W
b2	ADTRGC0E	A/D trigger C0 enable bit	0: A/D trigger disabled 1: A/D trigger generated at compare match with registers TRD0 and TRDGRC0	R/W
b3	ADTRGD0E	A/D trigger D0 enable bit	0: A/D trigger disabled 1: A/D trigger generated at compare match with registers TRD0 and TRDGRD0	R/W
b4	ADTRGA1E	A/D trigger A1 enable bit	0: A/D trigger disabled 1: A/D trigger generated at compare match with registers TRD1 and TRDGRA1	R/W
b5	ADTRGB1E	A/D trigger B1 enable bit	0: A/D trigger disabled 1: A/D trigger generated at compare match with registers TRD1 and TRDGRB1	R/W
b6	ADTRGC1E	A/D trigger C1 enable bit	0: A/D trigger disabled 1: A/D trigger generated at compare match with registers TRD1 and TRDGRC1	R/W
b7	ADTRGD1E	A/D trigger D1 enable bit	0: A/D trigger disabled 1: A/D trigger generated at compare match with registers TRD1 and TRDGRD1	R/W

20.7.4 Timer RD Start Register (TRDSTR) in Complementary PWM Mode

Address 0137h

Bit	b7	b6	b5	b4	b3	b2	b1	b0
Symbol	—	—	—	—	CSEL1	CSEL0	TSTART1	TSTART0
After Reset	1	1	1	1	1	1	0	0

Bit	Symbol	Bit Name	Function	R/W
b0	TSTART0	TRD0 count start flag ⁽³⁾	0: Count stops ⁽¹⁾ 1: Count starts	R/W
b1	TSTART1	TRD1 count start flag ⁽⁴⁾	0: Count stops ⁽²⁾ 1: Count starts	R/W
b2	CSEL0	TRD0 count operation select bit	0: Count stops at the compare match with the TRDGRA0 register 1: Count continues after the compare match with the TRDGRA0 register	R/W
b3	CSEL1	TRD1 count operation select bit	0: Count stops at the compare match with the TRDGRA1 register 1: Count continues after the compare match with the TRDGRA1 register	R/W
b4	—	Nothing is assigned. If necessary, set to 0. When read, the content is 1.		—
b5	—			
b6	—			
b7	—			

Notes:

1. When the CSEL0 bit is set to 1, write 0 to the TSTART0 bit.
2. When the CSEL1 bit is set to 1, write 0 to the TSTART1 bit.
3. When the CSEL0 bit is set to 0 and the compare match signal (TRDIOA0) is generated, this bit is set to 0 (count stops).
4. When the CSEL1 bit is set to 0 and the compare match signal (TRDIOA1) is generated, this bit is set to 0 (count stops).

Set the TRDSTR register using the MOV instruction (do not use the bit handling instruction). Refer to **20.10.1 TRDSTR Register** of **Notes on Timer RD**.

20.7.5 Timer RD Mode Register (TRDMR) in Complementary PWM Mode

Address 0138h

Bit	b7	b6	b5	b4	b3	b2	b1	b0
Symbol	BFD1	BFC1	BFD0	BFC0	—	—	—	SYNC
After Reset	0	0	0	0	1	1	1	0

Bit	Symbol	Bit Name	Function	R/W
b0	SYNC	Timer RD synchronous bit	Set this bit to 0 (registers TRD0 and TRD1 operate independently) in complementary PWM mode.	R/W
b1	—	Nothing is assigned. If necessary, set to 0. When read, the content is 1.		—
b2	—			
b3	—			
b4	BFC0	TRDGRC0 register function select bit	Set this bit to 0 (general register) in complementary PWM mode.	R/W
b5	BFD0	TRDGRD0 register function select bit	0: General register 1: Buffer register of TRDGRB0 register	R/W
b6	BFC1	TRDGRC1 register function select bit	0: General register 1: Buffer register of TRDGRA1 register	R/W
b7	BFD1	TRDGRD1 register function select bit	0: General register 1: Buffer register of TRDGRB1 register	R/W

20.7.6 Timer RD Function Control Register (TRDFCR) in Complementary PWM Mode

Address 013Ah

Bit	b7	b6	b5	b4	b3	b2	b1	b0
Symbol	PWM3	STCLK	ADEG	ADTRG	OLS1	OLS0	CMD1	CMD0
After Reset	1	0	0	0	0	0	0	0

Bit	Symbol	Bit Name	Function	R/W
b0	CMD0	Combination mode select bit (1, 2)	b1 b0 1 0: Complementary PWM mode (transfer from the buffer register to the general register at the underflow in the TRD1 register) 1 1: Complementary PWM mode (transfer from the buffer register to the general register at the compare match with registers TRD0 and TRDGRA0.) Other than above: Do not set.	R/W
b1	CMD1			R/W
b2	OLS0	Normal-phase output level select bit (in reset synchronous PWM mode or complementary PWM mode)	0: Initial output "H", Active level "L" 1: Initial output "L", Active level "H"	R/W
b3	OLS1	Counter-phase output level select bit (in reset synchronous PWM mode or complementary PWM mode)	0: Initial output "H", Active level "L" 1: Initial output "L", Active level "H"	R/W
b4	ADTRG	A/D trigger enable bit (in complementary PWM mode)	0: Disable A/D trigger 1: Enable A/D trigger (3)	R/W
b5	ADEG	A/D trigger edge select bit (in complementary PWM mode)	0: A/D trigger is generated at compare match between registers TRD0 and TRDGRA0 1: A/D trigger is generated at underflow in the TRD1 register	R/W
b6	STCLK	External clock input select bit	0: External clock input disabled 1: External clock input enabled	R/W
b7	PWM3	PWM3 mode select bit (4)	This bit is disabled in complementary PWM mode.	R/W

Notes:

1. When setting bits CMD1 to CMD0 to 10b or 11b, the MCU enters complementary PWM mode in spite of the setting of the TRDPMR register.
2. Set bits CMD1 to CMD0 when both the TSTART0 and TSTART1 bits in the TRDSTR register are set to 0 (count stops).
3. Set the ADCAP bit in the ADCON0 register to 1 (starts by timer RD).
4. When bits CMD1 to CMD0 are set to 00b (timer mode, PWM mode, or PWM3 mode), the setting of the PWM3 bit is enabled.

20.7.7 Timer RD Output Master Enable Register 1 (TRDOER1) in Complementary PWM Mode

Address 013Bh

Bit	b7	b6	b5	b4	b3	b2	b1	b0
Symbol	ED1	EC1	EB1	EA1	ED0	EC0	EB0	EA0
After Reset	1	1	1	1	1	1	1	1

Bit	Symbol	Bit Name	Function	R/W
b0	EA0	TRDIOA0 output disable bit	Set this bit to 1 (the TRDIOA0 pin is used as a programmable I/O port) in complementary PWM mode.	R/W
b1	EB0	TRDIOB0 output disable bit	0: Enable output 1: Disable output (The TRDIOB0 pin is used as a programmable I/O port.)	R/W
b2	EC0	TRDIOC0 output disable bit	0: Enable output 1: Disable output (The TRDIOC0 pin is used as a programmable I/O port.)	R/W
b3	ED0	TRDIOD0 output disable bit	0: Enable output 1: Disable output (The TRDIOD0 pin is used as a programmable I/O port.)	R/W
b4	EA1	TRDIOA1 output disable bit	0: Enable output 1: Disable output (The TRDIOA1 pin is used as a programmable I/O port.)	R/W
b5	EB1	TRDIOB1 output disable bit	0: Enable output 1: Disable output (The TRDIOB1 pin is used as a programmable I/O port.)	R/W
b6	EC1	TRDIOC1 output disable bit	0: Enable output 1: Disable output (The TRDIOC1 pin is used as a programmable I/O port.)	R/W
b7	ED1	TRDIOD1 output disable bit	0: Enable output 1: Disable output (The TRDIOD1 pin is used as a programmable I/O port.)	R/W

20.7.8 Timer RD Output Master Enable Register 2 (TRDOER2) in Complementary PWM Mode

Address 013Ch

Bit	b7	b6	b5	b4	b3	b2	b1	b0
Symbol	PTO	—	—	—	—	—	—	—
After Reset	0	1	1	1	1	1	1	1

Bit	Symbol	Bit Name	Function	R/W
b0	—	Nothing is assigned. If necessary, set to 0. When read, the content is 1.		—
b1	—			
b2	—			
b3	—			
b4	—			
b5	—			
b6	—			
b7	PTO	$\overline{\text{INT0}}$ of pulse output forced cutoff signal input enabled bit (1)	0: Pulse output forced cutoff input disabled 1: Pulse output forced cutoff input enabled (All bits in the TRDOER1 register are set to 1 (disable output) when "L" is applied to the $\overline{\text{INT0}}$ pin.)	R/W

Note:

1. Refer to 20.2.4 Pulse Output Forced Cutoff.

20.7.9 Timer RD Control Register i (TRDCRi) (i = 0 or 1) in Complementary PWM Mode

Address 0140h (TRDCR0), 0150h (TRDCR1)

Bit	b7	b6	b5	b4	b3	b2	b1	b0
Symbol	CCLR2	CCLR1	CCLR0	CKEG1	CKEG0	TCK2	TCK1	TCK0
After Reset	0	0	0	0	0	0	0	0

Bit	Symbol	Bit Name	Function	R/W
b0	TCK0	Count source select bit ⁽³⁾	b2 b1 b0 0 0 0: f1 0 0 1: f2 0 1 0: f4 0 1 1: f8 1 0 0: f32 1 0 1: TRDCLK input ⁽¹⁾ or fC2 ⁽²⁾ 1 1 0: fOCO40M 1 1 1: fOCO-F ⁽⁵⁾	R/W
b1	TCK1			R/W
b2	TCK2			R/W
b3	CKEG0	External clock edge select bit ^(3, 4)	b4 b3 0 0: Count at the rising edge 0 1: Count at the falling edge 1 0: Count at both edges 1 1: Do not set.	R/W
b4	CKEG1			R/W
b5	CCLR0	TRDi counter clear select bit	Set to 000b (disable clearing (free-running operation)) in complementary PWM mode.	R/W
b6	CCLR1			R/W
b7	CCLR2			R/W

Notes:

1. Enabled when the ITCLKi bit in the TRDECR register is set to 0 (TRDCLK input) and the STCLK bit in the TRDFCR register is 1 (external clock input enabled).
2. Enabled when the ITCLKi bit in the TRDECR register is set to 1 (fC2) in timer mode.
3. Set bits TCK2 to TCK0 and bits CKEG1 to CKEG0 in registers TRDCR0 and TRDCR1 to the same values.
4. Enabled when bits TCK2 to TCK0 are set to 101b (TRDCLK input or fC2), the ITCLKi bit in the TRDECR is set to 0 (TRDCLK input), and the STCLK bit in the TRDFCR register is set to 1 (external clock input enabled).
5. To select fOCO-F, set it to the clock frequency higher than the CPU clock frequency.

20.7.10 Timer RD Status Register i (TRDSRi) (i = 0 or 1) in Complementary PWM Mode

Address 0143h (TRDSR0), 0153h (TRDSR1)

Bit	b7	b6	b5	b4	b3	b2	b1	b0	
Symbol	—	—	UDF	OVF	IMFD	IMFC	IMFB	IMFA	
After Reset	1	1	1	0	0	0	0	0	TRDSR0 register
After Reset	1	1	0	0	0	0	0	0	TRDSR1 register

Bit	Symbol	Bit Name	Function	R/W
b0	IMFA	Input capture / compare match flag A	[Source for setting this bit to 0] Write 0 after read (2). [Source for setting this bit to 1] When the value in the TRDi register matches with the value in the TRDGRAi register.	R/W
b1	IMFB	Input capture / compare match flag B	[Source for setting this bit to 0] Write 0 after read (2). [Source for setting this bit to 1] When the value in the TRDi register matches with the value in the TRDGRBi register.	R/W
b2	IMFC	Input capture / compare match flag C	[Source for setting this bit to 0] Write 0 after read (2). [Source for setting this bit to 1] When the value in the TRDi register matches with the value in the TRDGRCi register (3).	R/W
b3	IMFD	Input capture / compare match flag D	[Source for setting this bit to 0] Write 0 after read (2). [Source for setting this bit to 1] When the value in the TRDi register matches with the value in the TRDGRDi register (3).	R/W
b4	OVF	Overflow flag	[Source for setting this bit to 0] Write 0 after read (2). [Source for setting this bit to 1] When the TRDi register overflows.	R/W
b5	UDF	Underflow flag (1)	[Source for setting this bit to 0] Write 0 after read (2). [Source for setting this bit to 1] When the TRD1 register underflows.	R/W
b6	—	Nothing is assigned. If necessary, set to 0. When read, the content is 1.		—
b7	—			—

Notes:

- Nothing is assigned to b5 in the TRDSR0 register. When writing to b5, write 0. When reading, the content is 1.
- The writing results are as follows:
 - This bit is set to 0 when the read result is 1 and 0 is written to the same bit.
 - This bit remains unchanged even if the read result is 0 and 0 is written to the same bit. (This bit remains 1 even if it is set to 1 from 0 after reading, and writing 0.)
 - This bit remains unchanged if 1 is written to it.
- Including when the BFji bit in the TRDMR register is set to 1 (TRDGRji is used as the buffer register).

20.7.11 Timer RD Interrupt Enable Register i (TRDIERi) (i = 0 or 1) in Complementary PWM Mode

Address 0144h (TRDIER0), 0154h (TRDIER1)

Bit	b7	b6	b5	b4	b3	b2	b1	b0
Symbol	—	—	—	OVIE	IMIED	IMIEC	IMIEB	IMIEA
After Reset	1	1	1	0	0	0	0	0

Bit	Symbol	Bit Name	Function	R/W
b0	IMIEA	Input capture/compare match interrupt enable bit A	0: Disable interrupt (IMIA) by the IMFA bit 1: Enable interrupt (IMIA) by the IMFA bit	R/W
b1	IMIEB	Input capture/compare match interrupt enable bit B	0: Disable interrupt (IMIB) by the IMFB bit 1: Enable interrupt (IMIB) by the IMFB bit	R/W
b2	IMIEC	Input capture/compare match interrupt enable bit C	0: Disable interrupt (IMIC) by the IMFC bit 1: Enable interrupt (IMIC) by the IMFC bit	R/W
b3	IMIED	Input capture/compare match interrupt enable bit D	0: Disable interrupt (IMID) by the IMFD bit 1: Enable interrupt (IMID) by the IMFD bit	R/W
b4	OVIE	Overflow/underflow interrupt enable bit	0: Disable interrupt (OVI) by the OVF bit 1: Enable interrupt (OVI) by the OVF bit	R/W
b5	—	Nothing is assigned. If necessary, set to 0. When read, the content is 1.		—
b6	—			
b7	—			

20.7.12 Timer RD Counter 0 (TRD0) in Complementary PWM Mode

Address 0147h to 0146h

Bit	b7	b6	b5	b4	b3	b2	b1	b0
Symbol	—	—	—	—	—	—	—	—
After Reset	0	0	0	0	0	0	0	0

Bit	b15	b14	b13	b12	b11	b10	b9	b8
Symbol	—	—	—	—	—	—	—	—
After Reset	0	0	0	0	0	0	0	0

Bit	Function	Setting Range	R/W
b15 to b0	Set the dead time. Count a count source. Count operation is incremented or decremented. When an overflow occurs, the OVF bit in the TRDSR0 register is set to 1.	0000h to FFFFh	R/W

Access the TRD0 register in 16-bit units. Do not access it in 8-bit units.

20.7.13 Timer RD Counter 1 (TRD1) in Complementary PWM Mode

Address 0157h to 0156h

Bit	b7	b6	b5	b4	b3	b2	b1	b0
Symbol	—	—	—	—	—	—	—	—
After Reset	0	0	0	0	0	0	0	0

Bit	b15	b14	b13	b12	b11	b10	b9	b8
Symbol	—	—	—	—	—	—	—	—
After Reset	0	0	0	0	0	0	0	0

Bit	Function	Setting Range	R/W
b15 to b0	Set 0000h. Count a count source. Count operation is incremented or decremented. When an underflow occurs, the UDF bit in the TRDSR1 register is set to 1.	0000h to FFFFh	R/W

Access the TRD1 register in 16-bit units. Do not access it in 8-bit units.

20.7.14 Timer RD General Registers Ai, Bi, C1, and Di (TRDGRAi, TRDGRBi, TRDGRC1, TRDGRDi) (i = 0 or 1) in Complementary PWM Mode

Address 0149h to 0148h (TRDGRA0), 014Bh to 014Ah (TRDGRB0),
 014Fh to 014Eh (TRDGRD0),
 0159h to 0158h (TRDGRA1), 015Bh to 015Ah (TRDGRB1),
 015Dh to 015Ch (TRDGRC1), 015Fh to 015Eh (TRDGRD1)

Bit	b7	b6	b5	b4	b3	b2	b1	b0
Symbol	—	—	—	—	—	—	—	—
After Reset	1	1	1	1	1	1	1	1

Bit	b15	b14	b13	b12	b11	b10	b9	b8
Symbol	—	—	—	—	—	—	—	—
After Reset	1	1	1	1	1	1	1	1

Bit	Function	R/W
b15 to b0	Refer to Table 20.14 TRDGRji Register Functions in Complementary PWM Mode	R/W

Access registers TRDGRAi to TRDGRDi in 16-bit units. Do not access them in 8-bit units.
 The TRDGRC0 register is not used in complementary PWM mode.

The following registers are disabled in the complementary PWM mode: TRDPMR, TRDOCR, TRDDF0, TRDDF1, TRDIORA0, TRDIORC0, TRDPOCR0, TRDIORA1, TRDIORC1, and TRDPOCR1.

Table 20.14 TRDGR*j* Register Functions in Complementary PWM Mode

Register	Setting	Register Function	PWM Output Pin
TRDGRA0	–	General register. Set the PWM period at initialization. Setting range: Setting value or above in TRD0 register FFFFh - TRD0 register setting value or below Do not write to this register when the TSTART0 and TSTART1 bits in the TRDSTR register are set to 1 (count starts).	(Output inverted every half period of TRDIOC0 pin)
TRDGRB0	–	General register. Set the changing point of PWM1 output at initialization. Setting range: Setting value or above in TRD0 register TRDGRA0 register - TRD0 register setting value or below Do not write to this register when the TSTART0 and TSTART1 bits in the TRDSTR register are set to 1 (count starts).	TRDIOB0 TRDIOD0
TRDGRA1	–	General register. Set the changing point of PWM2 output at initialization. Setting range: Setting value or above in TRD0 register TRDGRA0 register - TRD0 register setting value or below Do not write to this register when the TSTART0 and TSTART1 bits in the TRDSTR register are set to 1 (count starts).	TRDIOA1 TRDIOC1
TRDGRB1	–	General register. Set the changing point of PWM3 output at initialization. Setting range: Setting value or above in TRD0 register TRDGRA0 register - TRD0 register setting value or below Do not write to this register when the TSTART0 and TSTART1 bits in the TRDSTR register are set to 1 (count starts).	TRDIOB1 TRDIOD1
TRDGRC0	–	This register is not used in complementary PWM mode.	–
TRDGRD0	BFD0 = 1	Buffer register. Set the changing point of next PWM1 output. (Refer to 20.2.2 Buffer Operation .) Setting range: Setting value or above in TRD0 register TRDGRA0 register - TRD0 register setting value or below Set this register to the same value as the TRDGRB0 register for initialization.	TRDIOB0 TRDIOD0
TRDGRC1	BFC1 = 1	Buffer register. Set the changing point of next PWM2 output. (Refer to 20.2.2 Buffer Operation .) Setting range: Setting value or above in TRD0 register TRDGRA0 register - TRD0 register setting value or below Set this register to the same value as the TRDGRA1 register for initialization.	TRDIOA1 TRDIOC1
TRDGRD1	BFD1 = 1	Buffer register. Set the changing point of next PWM3 output. (Refer to 20.2.2 Buffer Operation .) Setting range: Setting value or above in TRD0 register TRDGRA0 register - TRD0 register setting value or below Set this register to the same value as the TRDGRB1 register for initialization.	TRDIOB1 TRDIOD1

BFC0, BFD0, BFC1, BFD1: Bits in TRDMR register

Since values cannot be written to the TRDGRB0, TRDGRA1, or TRDGRB1 register directly after count operation starts (prohibited item), use the TRDGRD0, TRDGRC1, or TRDGRD1 register as a buffer register. However, to write data to the TRDGRD0, TRDGRC1, or TRDGRD1 register, set bits BFD0, BFC1, and BFD1 to 0 (general register). After this, bits BFD0, BFC1, and BFD1 may be set to 1 (buffer register).

20.7.15 Timer RD Pin Select Register 0 (TRDPSR0)

Address 0184h

Bit	b7	b6	b5	b4	b3	b2	b1	b0
Symbol	—	TRDIOD0SEL0	TRDIOC0SEL1	TRDIOC0SEL0	TRDIOB0SEL1	TRDIOB0SEL0	—	TRDIOA0SEL0
After Reset	0	0	0	0	0	0	0	0

Bit	Symbol	Bit Name	Function	R/W
b0	TRDIOA0SEL0	TRDIOA0/TRDCLK pin select bit	0: TRDIOA0/TRDCLK pin not used 1: P2_0 assigned	R/W
b1	—	Nothing is assigned. If necessary, set to 0. When read, the content is 0.		—
b2	TRDIOB0SEL0	TRDIOB0 pin select bit	b3 b2 0 0: TRDIOB0 pin not used 0 1: Do not set. 1 0: P2_2 assigned 1 1: Do not set.	R/W
b3	TRDIOB0SEL1			R/W
b4	TRDIOC0SEL0	TRDIOC0 pin select bit	b5 b4 0 0: TRDIOC0 pin not used 0 1: Do not set. 1 0: P2_1 assigned 1 1: Do not set.	R/W
b5	TRDIOC0SEL1			R/W
b6	TRDIOD0SEL0	TRDIOD0 pin select bit	0: TRDIOD0 pin not used 1: P2_3 assigned	R/W
b7	—	Nothing is assigned. If necessary, set to 0. When read, the content is 0.		—

The TRDPSR0 register selects which pin is assigned to the timer RD I/O. To use the I/O pin for timer RD, set this register.

Set the TRDPSR0 register before setting the timer RD associated registers. Also, do not change the setting value in this register during timer RD operation.

20.7.16 Timer RD Pin Select Register 1 (TRDPSR1)

Address 0185h

Bit	b7	b6	b5	b4	b3	b2	b1	b0
Symbol	—	TRDIOD1SEL0	—	TRDIOC1SEL0	—	TRDIOB1SEL0	—	TRDIOA1SEL0
After Reset	0	0	0	0	0	0	0	0

Bit	Symbol	Bit Name	Function	R/W
b0	TRDIOA1SEL0	TRDIOA1 pin select bit	0: TRDIOA1 pin not used 1: P2_4 assigned	R/W
b1	—	Nothing is assigned. If necessary, set to 0. When read, the content is 0.		—
b2	TRDIOB1SEL0	TRDIOB1 pin select bit	0: TRDIOB1 pin not used 1: P2_5 assigned	R/W
b3	—	Nothing is assigned. If necessary, set to 0. When read, the content is 0.		—
b4	TRDIOC1SEL0	TRDIOC1 pin select bit	0: TRDIOC1 pin not used 1: P2_6 assigned	R/W
b5	—	Reserved bit	Set to 0.	R/W
b6	TRDIOD1SEL0	TRDIOD1 pin select bit	0: TRDIOD1 pin not used 1: P2_7 assigned	R/W
b7	—	Reserved bit	Set to 0.	R/W

The TRDPSR1 register selects which pin is assigned to the timer RD I/O. To use the I/O pin for timer RD, set this register.

Set the TRDPSR1 register before setting the timer RD associated registers. Also, do not change the setting value in this register during timer RD operation.

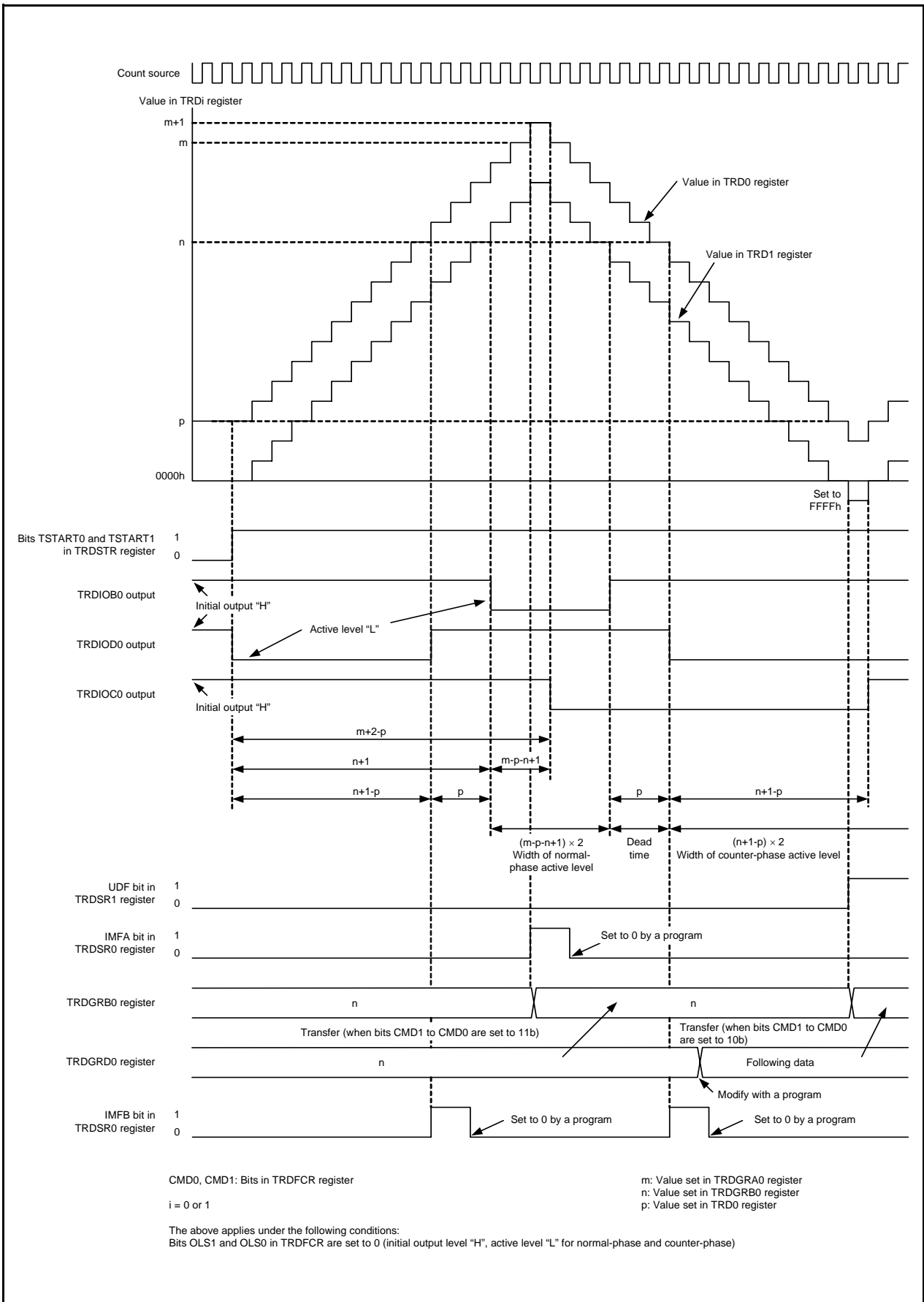


Figure 20.21 Operating Example of Complementary PWM Mode

20.7.18 Transfer Timing from Buffer Register

- Transfer from the TRDGRD0, TRDGRC1, or TRDGRD1 register to the TRDGRB0, TRDGRA1, or TRDGRB1 register.

When bits CMD1 to CMD0 in the TRDFCR register are set to 10b, the content is transferred when the TRD1 register underflows.

When bits CMD1 to CMD0 are set to 11b, the content is transferred at compare match between registers TRD0 and TRDGRA0.

20.7.19 A/D Trigger Generation

Compare match between registers TRD0 and TRDGRA0 and TRD1 underflow can be used as the conversion start trigger of the A/D converter. The trigger is selected by bits ADEG and ADTRG in the TRDFCR register. In addition, set bits ADCAP1 to ADCAP0 in the ADMOD register to 01b (start by timer RD).

20.8 PWM3 Mode

In this mode, 2 PWM waveforms are output with the same period.

Figure 20.22 shows a Block Diagram of PWM3 Mode, and Table 20.15 lists the PWM3 Mode Specifications.

Figure 20.23 shows an Operating Example of PWM3 Mode.

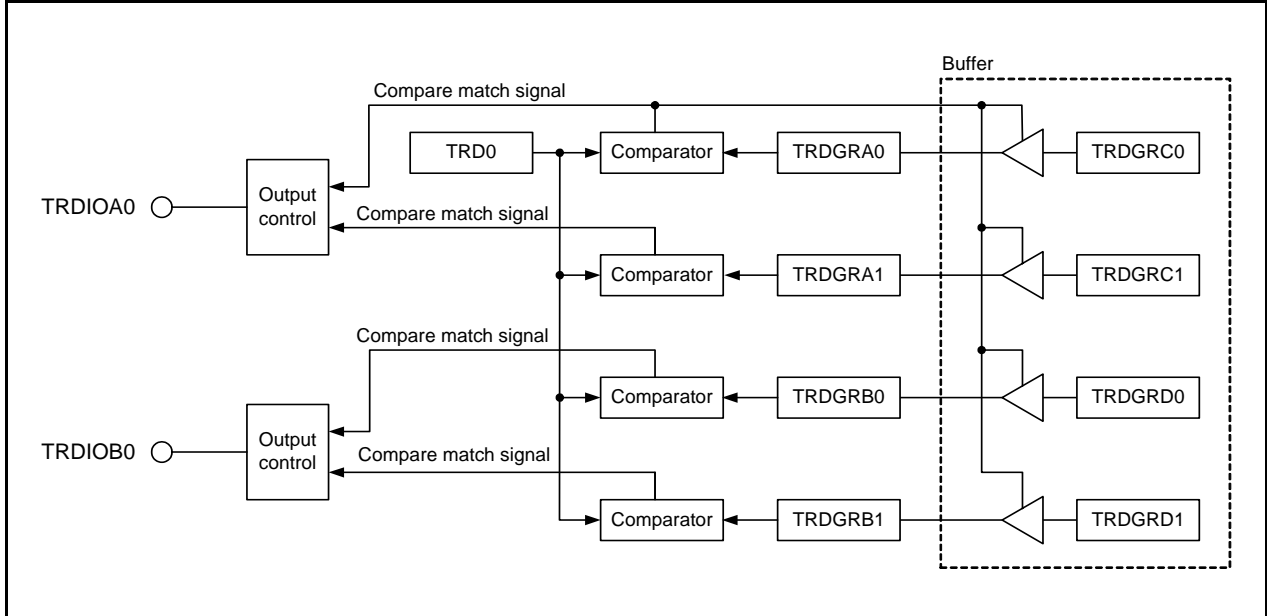


Figure 20.22 Block Diagram of PWM3 Mode

Table 20.15 PWM3 Mode Specifications

Item	Specification
Count sources	f1, f2, f4, f8, f32, fOCO40M, fOCO-F
Count operations	The TRD0 register is incremented (the TRD1 is not used).
PWM waveform	<p>PWM period: $1/f_k \times (m+1)$ Active level width of TRDIOA0 output: $1/f_k \times (m-n)$ Active level width of TRDIOB0 output: $1/f_k \times (p-q)$ f_k: Frequency of count source m: Value set in the TRDGRA0 register n: Value set in the TRDGRA1 register p: Value set in the TRDGRB0 register q: Value set in the TRDGRB1 register</p> <p>(When "H" is selected as the active level)</p>
Count start condition	1 (count starts) is written to the TSTART0 bit in the TRDSTR register.
Count stop conditions	<ul style="list-style-type: none"> • 0 (count stops) is written to the TSTART0 bit in the TRDSTR register when the CSEL0 bit in the TRDSTR register is set to 1. The PWM output pin holds output level before the count stops • When the CSEL0 bit in the TRDSTR register is set to 0, the count stops at compare match with the TRDGRA0 register. The PWM output pin holds level after output change by compare match.
Interrupt request generation timing	<ul style="list-style-type: none"> • Compare match (The content of the TRDi register matches content of the TRDGRji register.) • The TRD0 register overflows
TRDIOA0, TRDIOB0 pin functions	PWM output
TRDIOC0, TRDIOD0, TRDIOA1 to TRDIOD1 pin functions	Programmable I/O port
INT0 pin function	Programmable I/O port, pulse output forced cutoff signal input, or INT0 interrupt input
Read from timer	The count value can be read by reading the TRD0 register.
Write to timer	The value can be written to the TRD0 register.
Selectable functions	<ul style="list-style-type: none"> • Pulse output forced cutoff signal input (Refer to 20.2.4 Pulse Output Forced Cutoff.) • Buffer operation (Refer to 20.2.2 Buffer Operation.) • Active level selectable for each pin • A/D trigger generation

i = 0 or 1, j = either A, B, C, or D

20.8.1 Module Standby Control Register (MSTCR)

Address 0008h

Bit	b7	b6	b5	b4	b3	b2	b1	b0
Symbol	—	—	MSTTRC	MSTTRD	MSTIIC	—	—	—
After Reset	0	0	0	0	0	0	0	0

Bit	Symbol	Bit Name	Function	R/W
b0	—	Nothing is assigned. If necessary, set to 0. When read, the content is 0.		—
b1	—			
b2	—			
b3	MSTIIC	SSU, I ² C bus standby bit	0: Active 1: Standby (1)	R/W
b4	MSTTRD	Timer RD standby bit	0: Active 1: Standby (2, 3)	R/W
b5	MSTTRC	Timer RC standby bit	0: Active 1: Standby (4)	R/W
b6	—	Nothing is assigned. If necessary, set to 0. When read, the content is 0.		—
b7	—			

Notes:

1. When the MSTIIC bit is set to 1 (standby), any access to the SSU or the I²C bus associated registers (addresses 0193h to 019Dh) is disabled.
2. When the MSTTRD bit is set to 1 (standby), any access to the timer RD associated registers (addresses 0135h to 015Fh) is disabled.
3. To set the MSTTRD bit to 1 (standby), set bits TCK2 to TCK0 in the TRDCR_i (i = 0 or 1) register to 000b (f1).
4. When the MSTTRC bit is set to 1 (standby), any access to the timer RC associated registers (addresses 0120h to 0133h) is disabled.

20.8.2 Timer RD Control Expansion Register (TRDECR)

Address 0135h

Bit	b7	b6	b5	b4	b3	b2	b1	b0
Symbol	ITCLK1	—	—	—	ITCLK0	—	—	—
After Reset	0	0	0	0	0	0	0	0

Bit	Symbol	Bit Name	Function	R/W
b0	—	Nothing is assigned. If necessary, set to 0. When read, the content is 0.		—
b1	—			
b2	—			
b3	ITCLK0	Timer RD0 fC2 select bit	0: TRDCLK input selected 1: fC2 selected (1)	R/W
b4	—	Nothing is assigned. If necessary, set to 0. When read, the content is 0.		—
b5	—			
b6	—			
b7	ITCLK1	Timer RD1 fC2 select bit	0: TRDCLK input selected 1: fC2 selected (1)	R/W

Note:

1. Enabled when in timer mode.

20.8.3 Timer RD Trigger Control Register (TRDADCR)

Address 0136h

Bit	b7	b6	b5	b4	b3	b2	b1	b0
Symbol	ADTRGD1E	ADTRGC1E	ADTRGB1E	ADTRGA1E	ADTRGD0E	ADTRGC0E	ADTRGB0E	ADTRGA0E
After Reset	0	0	0	0	0	0	0	0

Bit	Symbol	Bit Name	Function	R/W
b0	ADTRGA0E	A/D trigger A0 enable bit	0: A/D trigger disabled 1: A/D trigger generated at compare match with registers TRD0 and TRDGRA0	R/W
b1	ADTRGB0E	A/D trigger B0 enable bit	0: A/D trigger disabled 1: A/D trigger generated at compare match with registers TRD0 and TRDGRB0	R/W
b2	ADTRGC0E	A/D trigger C0 enable bit	0: A/D trigger disabled 1: A/D trigger generated at compare match with registers TRD0 and TRDGRC0	R/W
b3	ADTRGD0E	A/D trigger D0 enable bit	0: A/D trigger disabled 1: A/D trigger generated at compare match with registers TRD0 and TRDGRD0	R/W
b4	ADTRGA1E	A/D trigger A1 enable bit	0: A/D trigger disabled 1: A/D trigger generated at compare match with registers TRD1 and TRDGRA1	R/W
b5	ADTRGB1E	A/D trigger B1 enable bit	0: A/D trigger disabled 1: A/D trigger generated at compare match with registers TRD1 and TRDGRB1	R/W
b6	ADTRGC1E	A/D trigger C1 enable bit	0: A/D trigger disabled 1: A/D trigger generated at compare match with registers TRD1 and TRDGRC1	R/W
b7	ADTRGD1E	A/D trigger D1 enable bit	0: A/D trigger disabled 1: A/D trigger generated at compare match with registers TRD1 and TRDGRD1	R/W

20.8.4 Timer RD Start Register (TRDSTR) in PWM3 Mode

Address 0137h

Bit	b7	b6	b5	b4	b3	b2	b1	b0
Symbol	—	—	—	—	CSEL1	CSEL0	TSTART1	TSTART0
After Reset	1	1	1	1	1	1	0	0

Bit	Symbol	Bit Name	Function	R/W
b0	TSTART0	TRD0 count start flag ⁽³⁾	0: Count stops ⁽¹⁾ 1: Count starts	R/W
b1	TSTART1	TRD1 count start flag ⁽⁴⁾	0: Count stops ⁽²⁾ 1: Count starts	R/W
b2	CSEL0	TRD0 count operation select bit	0: Count stops at the compare match with the TRDGRA0 register 1: Count continues after the compare match with the TRDGRA0 register	R/W
b3	CSEL1	TRD1 count operation select bit [this bit is not used in PWM3 mode]	0: Count stops at the compare match with the TRDGRA1 register 1: Count continues after the compare match with the TRDGRA1 register	R/W
b4	—	Nothing is assigned. If necessary, set to 0. When read, the content is 1.		—
b5	—			
b6	—			
b7	—			

Notes:

1. When the CSEL0 bit is set to 1, write 0 to the TSTART0 bit.
2. When the CSEL1 bit is set to 1, write 0 to the TSTART1 bit.
3. When the CSEL0 bit is set to 0 and the compare match signal (TRDIOA0) is generated, this bit is set to 0 (count stops).
4. When the CSEL1 bit is set to 0 and the compare match signal (TRDIOA1) is generated, this bit is set to 0 (count stops).

Set the TRDSTR register using the MOV instruction (do not use the bit handling instruction). Refer to **20.10.1 TRDSTR Register** of **Notes on Timer RD**.

20.8.5 Timer RD Mode Register (TRDMR) in PWM3 Mode

Address 0138h

Bit	b7	b6	b5	b4	b3	b2	b1	b0
Symbol	BFD1	BFC1	BFD0	BFC0	—	—	—	SYNC
After Reset	0	0	0	0	1	1	1	0

Bit	Symbol	Bit Name	Function	R/W
b0	SYNC	Timer RD synchronous bit	Set this bit to 0 (TRD0 and TRD1 operate independently) in PWM3 mode.	R/W
b1	—	Nothing is assigned. If necessary, set to 0. When read, the content is 1.		—
b2	—			
b3	—			
b4	BFC0	TRDGRC0 register function select bit	0: General register 1: Buffer register of TRDGRA0 register	R/W
b5	BFD0	TRDGRD0 register function select bit	0: General register 1: Buffer register of TRDGRB0 register	R/W
b6	BFC1	TRDGRC1 register function select bit	0: General register 1: Buffer register of TRDGRA1 register	R/W
b7	BFD1	TRDGRD1 register function select bit	0: General register 1: Buffer register of TRDGRB1 register	R/W

20.8.6 Timer RD Function Control Register (TRDFCR) in PWM3 Mode

Address 013Ah

Bit	b7	b6	b5	b4	b3	b2	b1	b0
Symbol	PWM3	STCLK	ADEG	ADTRG	OLS1	OLS0	CMD1	CMD0
After Reset	1	0	0	0	0	0	0	0

Bit	Symbol	Bit Name	Function	R/W
b0	CMD0	Combination mode select bit ⁽¹⁾	Set to 00b (timer mode, PWM mode, or PWM3 mode) in PWM3 mode.	R/W
b1	CMD1			R/W
b2	OLS0	Normal-phase output level select bit (enabled in reset synchronous PWM mode or complementary PWM mode)	This bit is disabled in PWM3 mode.	R/W
b3	OLS1	Counter-phase output level select bit (enabled in reset synchronous PWM mode or complementary PWM mode)		R/W
b4	ADTRG	A/D trigger enable bit (enabled in complementary PWM mode)		R/W
b5	ADEG	A/D trigger edge select bit (enabled in complementary PWM mode)		R/W
b6	STCLK	External clock input select bit	Set this bit to 0 (external clock input disabled) in PWM3 mode.	R/W
b7	PWM3	PWM3 mode select bit ⁽²⁾	Set this bit to 0 (PWM3 mode) in PWM3 mode.	R/W

Notes:

1. Set bits CMD1 to CMD0 when both the TSTART0 and TSTART1 bits in the TRDSTR register are set to 0 (count stops).
2. When bits CMD1 to CMD0 are set to 00b (timer mode, PWM mode, or PWM3 mode), the setting of the PWM3 bit is enabled.

20.8.7 Timer RD Output Master Enable Register 1 (TRDOER1) in PWM3 Mode

Address 013Bh

Bit	b7	b6	b5	b4	b3	b2	b1	b0
Symbol	ED1	EC1	EB1	EA1	ED0	EC0	EB0	EA0
After Reset	1	1	1	1	1	1	1	1

Bit	Symbol	Bit Name	Function	R/W
b0	EA0	TRDIOA0 output disable bit	0: Enable output 1: Disable output (The TRDIOA0 pin is used as a programmable I/O port.)	R/W
b1	EB0	TRDIOB0 output disable bit	0: Enable output 1: Disable output (The TRDIOB0 pin is used as a programmable I/O port.)	R/W
b2	EC0	TRDIOC0 output disable bit	Set these bits to 1 (programmable I/O port) in PWM3 mode.	R/W
b3	ED0	TRDIOD0 output disable bit		R/W
b4	EA1	TRDIOA1 output disable bit		R/W
b5	EB1	TRDIOB1 output disable bit		R/W
b6	EC1	TRDIOC1 output disable bit		R/W
b7	ED1	TRDIOD1 output disable bit		R/W

20.8.8 Timer RD Output Master Enable Register 2 (TRDOER2) in PWM3 Mode

Address 013Ch

Bit	b7	b6	b5	b4	b3	b2	b1	b0
Symbol	PTO	—	—	—	—	—	—	—
After Reset	0	1	1	1	1	1	1	1

Bit	Symbol	Bit Name	Function	R/W
b0	—	Nothing is assigned. If necessary, set to 0. When read, the content is 1.		—
b1	—			
b2	—			
b3	—			
b4	—			
b5	—			
b6	—			
b7	PTO	$\overline{\text{INT0}}$ of pulse output forced cutoff signal input enabled bit ⁽¹⁾	0: Pulse output forced cutoff input disabled 1: Pulse output forced cutoff input enabled (All bits in the TRDOER1 register are set to 1 (disable output) when "L" is applied to the $\overline{\text{INT0}}$ pin.)	R/W

Note:

1. Refer to 20.2.4 Pulse Output Forced Cutoff.

20.8.9 Timer RD Output Control Register (TRDOCR) in PWM3 Mode

Address 013Dh

Bit	b7	b6	b5	b4	b3	b2	b1	b0
Symbol	TOD1	TOC1	TOB1	TOA1	TOD0	TOC0	TOB0	TOA0
After Reset	0	0	0	0	0	0	0	0

Bit	Symbol	Bit Name	Function	R/W
b0	TOA0	TRDIOA0 output level select bit ⁽¹⁾	0: Active level "H", initial output "L", output "H" at compare match with the TRDGRA1 register, output "L" at compare match with the TRDGRA0 register 1: Active level "L", initial output "H", output "L" at compare match with the TRDGRA1 register, output "H" at compare match with the TRDGRA0 register	R/W
b1	TOB0	TRDIOB0 output level select bit ⁽¹⁾	0: Active level "H", initial output "L", output "H" at compare match with the TRDGRB1 register, output "L" at compare match with the TRDGRB0 register 1: Active level "L", initial output "H", output "L" at compare match with the TRDGRB1 register, output "H" at compare match with the TRDGRB0 register	R/W
b2	TOC0	TRDIOC0 initial output level select bit	These bits are disabled in PWM3 mode.	R/W
b3	TOD0	TRDIOD0 initial output level select bit		R/W
b4	TOA1	TRDIOA1 initial output level select bit		R/W
b5	TOB1	TRDIOB1 initial output level select bit		R/W
b6	TOC1	TRDIOC1 initial output level select bit		R/W
b7	TOD1	TRDIOD1 initial output level select bit		R/W

Note:

1. If the pin function is set for waveform output (refer to **7.5 Port Settings**), the initial output level is output when the TRDOCR register is set.

Write to the TRDOCR register when both bits TSTART0 and TSTART1 in the TRDSTR register are set to 0 (count stops).

20.8.10 Timer RD Control Register 0 (TRDCR0) in PWM3 Mode

Address 0140h

Bit	b7	b6	b5	b4	b3	b2	b1	b0
Symbol	CCLR2	CCLR1	CCLR0	CKEG1	CKEG0	TCK2	TCK1	TCK0
After Reset	0	0	0	0	0	0	0	0

Bit	Symbol	Bit Name	Function	R/W
b0	TCK0	Count source select bit	b2 b1 b0 0 0 0: f1 0 0 1: f2 0 1 0: f4 0 1 1: f8 1 0 0: f32 1 0 1: Do not set. 1 1 0: fOCO40M 1 1 1: fOCO-F ⁽¹⁾	R/W
b1	TCK1			R/W
b2	TCK2			R/W
b3	CKEG0			External clock edge select bit
b4	CKEG1			R/W
b5	CCLR0	TRD0 counter clear select bit	Set to 001b (the TRD0 register cleared at compare match with TRDGRA0 register) in PWM3 mode.	R/W
b6	CCLR1			R/W
b7	CCLR2			R/W

Note:

1. To select fOCO-F, set it to the clock frequency higher than the CPU clock frequency.

The TRDCR1 register is not used in PWM3 mode.

20.8.11 Timer RD Status Register i (TRDSRi) (i = 0 or 1) in PWM3 Mode

Address 0143h (TRDSR0), 0153h (TRDSR1)

Bit	b7	b6	b5	b4	b3	b2	b1	b0	
Symbol	—	—	UDF	OVF	IMFD	IMFC	IMFB	IMFA	
After Reset	1	1	1	0	0	0	0	0	TRDSR0 register
After Reset	1	1	0	0	0	0	0	0	TRDSR1 register

Bit	Symbol	Bit Name	Function	R/W
b0	IMFA	Input capture / compare match flag A	[Source for setting this bit to 0] Write 0 after read ⁽¹⁾ . [Source for setting this bit to 1] When the value in the TRDi register matches with the value in the TRDGRAi register.	R/W
b1	IMFB	Input capture / compare match flag B	[Source for setting this bit to 0] Write 0 after read ⁽¹⁾ . [Source for setting this bit to 1] When the value in the TRDi register matches with the value in the TRDGRBi register.	R/W
b2	IMFC	Input capture / compare match flag C	[Source for setting this bit to 0] Write 0 after read ⁽¹⁾ . [Source for setting this bit to 1] When the value in the TRDi register matches with the value in the TRDGRCi register ⁽²⁾ .	R/W
b3	IMFD	Input capture / compare match flag D	[Source for setting this bit to 0] Write 0 after read ⁽¹⁾ . [Source for setting this bit to 1] When the value in the TRDi register matches with the value in the TRDGRDi register ⁽²⁾ .	R/W
b4	OVF	Overflow flag	[Source for setting this bit to 0] Write 0 after read ⁽¹⁾ . [Source for setting this bit to 1] When the TRDi register overflows.	R/W
b5	UDF	Underflow flag ⁽¹⁾	This bit is disabled in PWM3 Mode.	R/W
b6	—	Nothing is assigned. If necessary, set to 0. When read, the content is 1.		—
b7	—			—

Notes:

- The writing results are as follows:
 - This bit is set to 0 when the read result is 1 and 0 is written to the same bit.
 - This bit remains unchanged even if the read result is 0 and 0 is written to the same bit. (This bit remains 1 even if it is set to 1 from 0 after reading, and writing 0.)
 - This bit remains unchanged if 1 is written to it.
- Including when the BF_{ji} (j = C or D) bit in the TRDMR register is set to 1 (TRDGR_{ji} is used as the buffer register).

20.8.12 Timer RD Interrupt Enable Register i (TRDIERi) (i = 0 or 1) in PWM3 Mode

Address 0144h (TRDIER0), 0154h (TRDIER1)

Bit	b7	b6	b5	b4	b3	b2	b1	b0
Symbol	—	—	—	OVIE	IMIED	IMIEC	IMIEB	IMIEA
After Reset	1	1	1	0	0	0	0	0

Bit	Symbol	Bit Name	Function	R/W
b0	IMIEA	Input capture/compare match interrupt enable bit A	0: Disable interrupt (IMIA) by the IMFA bit 1: Enable interrupt (IMIA) by the IMFA bit	R/W
b1	IMIEB	Input capture/compare match interrupt enable bit B	0: Disable interrupt (IMIB) by the IMFB bit 1: Enable interrupt (IMIB) by the IMFB bit	R/W
b2	IMIEC	Input capture/compare match interrupt enable bit C	0: Disable interrupt (IMIC) by the IMFC bit 1: Enable interrupt (IMIC) by the IMFC bit	R/W
b3	IMIED	Input capture/compare match interrupt enable bit D	0: Disable interrupt (IMID) by the IMFD bit 1: Enable interrupt (IMID) by the IMFD bit	R/W
b4	OVIE	Overflow/underflow interrupt enable bit	0: Disable interrupt (OVI) by the OVF bit 1: Enable interrupt (OVI) by the OVF bit	R/W
b5	—	Nothing is assigned. If necessary, set to 0. When read, the content is 1.		—
b6	—			
b7	—			

20.8.13 Timer RD Counter 0 (TRD0) in PWM3 Mode

Address 0147h to 0146h

Bit	b7	b6	b5	b4	b3	b2	b1	b0
Symbol	—	—	—	—	—	—	—	—
After Reset	0	0	0	0	0	0	0	0

Bit	b15	b14	b13	b12	b11	b10	b9	b8
Symbol	—	—	—	—	—	—	—	—
After Reset	0	0	0	0	0	0	0	0

Bit	Function	Setting Range	R/W
b15 to b0	Count a count source. Count operation is incremented. When an overflow occurs, the OVF bit in the TRDSR0 register is set to 1.	0000h to FFFFh	R/W

Access the TRD0 register in 16-bit units. Do not access it in 8-bit units.
 The TRD1 register is not used in PWM3 mode.

20.8.14 Timer RD General Registers Ai, Bi, Ci, and Di (TRDGRAi, TRDGRBi, TRDGRCi, TRDGRDi) (i = 0 or 1) in PWM3 Mode

Address 0149h to 0148h (TRDGRA0), 014Bh to 014Ah (TRDGRB0),
 014Dh to 014Ch (TRDGRC0), 014Fh to 014Eh (TRDGRD0),
 0159h to 0158h (TRDGRA1), 015Bh to 015Ah (TRDGRB1),
 015Dh to 015Ch (TRDGRC1), 015Fh to 015Eh (TRDGRD1)

Bit	b7	b6	b5	b4	b3	b2	b1	b0
Symbol	—	—	—	—	—	—	—	—
After Reset	1	1	1	1	1	1	1	1

Bit	b15	b14	b13	b12	b11	b10	b9	b8
Symbol	—	—	—	—	—	—	—	—
After Reset	1	1	1	1	1	1	1	1

Bit	Function	R/W
b15 to b0	Refer to Table 20.16 TRDGRji Register Functions in PWM3 Mode	R/W

Access registers TRDGRAi to TRDGRDi in 16-bit units. Do not access them in 8-bit units.

The following registers are disabled in the PWM3 mode function: TRDPMR, TRDDF0, TRDDF1, TRDIORA0, TRDIORC0, TRDPOCR0, TRDIORA1, TRDIORC1, and TRDPOCR1.

Table 20.16 TRDGR_{ji} Register Functions in PWM3 Mode

Register	Setting	Register Function	PWM Output Pin
TRDGRA0	–	General register. Set the PWM period. Setting range: Value set in TRDGRA1 register or above	TRDIOA0
TRDGRA1		General register. Set the changing point (the active level timing) of PWM output. Setting range: Value set in TRDGRA0 register or below	
TRDGRB0		General register. Set the changing point (the timing that returns to initial output level) of PWM output. Setting range: Value set in TRDGRB1 register or above Value set in TRDGRA0 register or below	TRDIOB0
TRDGRB1		General register. Set the changing point (active level timing) of PWM output. Setting range: Value set in TRDGRB0 register or below	
TRDGRC0	BFC0 = 0	(These registers is not used in PWM3 mode.)	–
TRDGRC1	BFC1 = 0		
TRDGRD0	BFD0 = 0		
TRDGRD1	BFD1 = 0		
TRDGRC0	BFC0 = 1	Buffer register. Set the next PWM period. (Refer to 20.2.2 Buffer Operation .) Setting range: Value set in TRDGRC1 register or above	TRDIOA0
TRDGRC1	BFC1 = 1	Buffer register. Set the changing point of next PWM output. (Refer to 20.2.2 Buffer Operation .) Setting range: Value set in TRDGRC0 register or below	
TRDGRD0	BFD0 = 1	Buffer register. Set the changing point of next PWM output. (Refer to 20.2.2 Buffer Operation .) Setting range: Value set in TRDGRD1 register or above, setting value or below in TRDGRC0 register.	TRDIOB0
TRDGRD1	BFD1 = 1	Buffer register. Set the changing point of next PWM output. (Refer to 20.2.2 Buffer Operation .) Setting range: Value set in TRDGRD0 register or below	

BFC0, BFD0, BFC1, BFD1: Bits in TRDMR register

Registers TRDGRC0, TRDGRC1, TRDGRD0, and TRDGRD1 are not used in PWM3 mode. To use them as buffer registers, set bits BFC0, BFC1, BFD0, and BFD1 to 0 (general register) and write a value to the TRDGRC0, TRDGRC1, TRDGRD0, or TRDGRD1 register. After this, bits BFC0, BFC1, BFD0, and BFD1 may be set to 1 (buffer register).

20.8.15 Timer RD Pin Select Register 0 (TRDPSR0)

Address 0184h

Bit	b7	b6	b5	b4	b3	b2	b1	b0
Symbol	—	TRDIOD0SEL0	TRDIOC0SEL1	TRDIOC0SEL0	TRDIOB0SEL1	TRDIOB0SEL0	—	TRDIOA0SEL0
After Reset	0	0	0	0	0	0	0	0

Bit	Symbol	Bit Name	Function	R/W
b0	TRDIOA0SEL0	TRDIOA0/TRDCLK pin select bit	0: TRDIOA0/TRDCLK pin not used 1: P2_0 assigned	R/W
b1	—	Nothing is assigned. If necessary, set to 0. When read, the content is 0.		—
b2	TRDIOB0SEL0	TRDIOB0 pin select bit	b3 b2 0 0: TRDIOB0 pin not used 0 1: Do not set. 1 0: P2_2 assigned 1 1: Do not set.	R/W
b3	TRDIOB0SEL1			R/W
b4	TRDIOC0SEL0	TRDIOC0 pin select bit	b5 b4 0 0: TRDIOC0 pin not used 0 1: Do not set. 1 0: P2_1 assigned 1 1: Do not set.	R/W
b5	TRDIOC0SEL1			R/W
b6	TRDIOD0SEL0	TRDIOD0 pin select bit	0: TRDIOD0 pin not used 1: P2_3 assigned	R/W
b7	—	Nothing is assigned. If necessary, set to 0. When read, the content is 0.		—

The TRDPSR0 register selects which pin is assigned to the timer RD I/O. To use the I/O pin for timer RD, set this register.

Set the TRDPSR0 register before setting the timer RD associated registers. Also, do not change the setting value in this register during timer RD operation.

20.8.16 Timer RD Pin Select Register 1 (TRDPSR1)

Address 0185h

Bit	b7	b6	b5	b4	b3	b2	b1	b0
Symbol	—	TRDIOD1SEL0	—	TRDIOC1SEL0	—	TRDIOB1SEL0	—	TRDIOA1SEL0
After Reset	0	0	0	0	0	0	0	0

Bit	Symbol	Bit Name	Function	R/W
b0	TRDIOA1SEL0	TRDIOA1 pin select bit	0: TRDIOA1 pin not used 1: P2_4 assigned	R/W
b1	—	Nothing is assigned. If necessary, set to 0. When read, the content is 0.		—
b2	TRDIOB1SEL0	TRDIOB1 pin select bit	0: TRDIOB1 pin not used 1: P2_5 assigned	R/W
b3	—	Nothing is assigned. If necessary, set to 0. When read, the content is 0.		—
b4	TRDIOC1SEL0	TRDIOC1 pin select bit	0: TRDIOC1 pin not used 1: P2_6 assigned	R/W
b5	—	Reserved bit	Set to 0.	R/W
b6	TRDIOD1SEL0	TRDIOD1 pin select bit	0: TRDIOD1 pin not used 1: P2_7 assigned	R/W
b7	—	Reserved bit	Set to 0.	R/W

The TRDPSR1 register selects which pin is assigned to the timer RD I/O. To use the I/O pin for timer RD, set this register.

Set the TRDPSR1 register before setting the timer RD associated registers. Also, do not change the setting value in this register during timer RD operation.

20.8.17 Operating Example

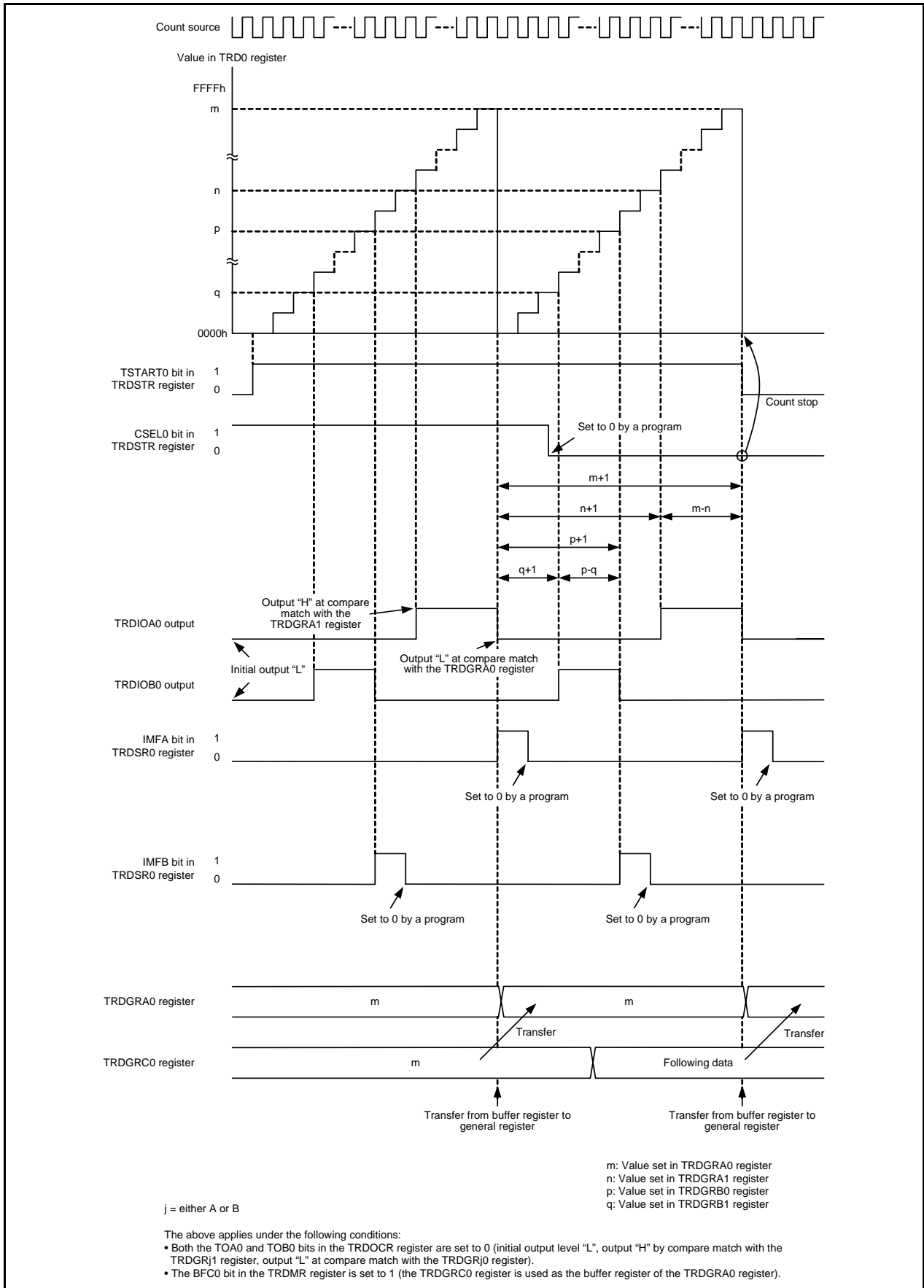


Figure 20.23 Operating Example of PWM3 Mode

20.8.18 A/D Trigger Generation

A compare match signal with registers TRDi (i = 0 or 1) and TRDGRji (j = A, B, C, or D) can be used as the conversion start trigger of the A/D converter.

The TRDADCR register is used to select which compare match is used.

20.9 Timer RD Interrupt

Timer RD generates the timer RD_i (*i* = 0 or 1) interrupt request from six sources for each timer RD0 and timer RD1. The timer RD interrupt has 1 TRDiIC register (bits IR, and ILVL0 to ILVL2), and 1 vector for each timer RD0 and timer RD1.

Table 20.17 lists the Registers Associated with Timer RD Interrupt, and Figure 20.24 shows a Block Diagram of Timer RD Interrupt.

Table 20.17 Registers Associated with Timer RD Interrupt

	Timer RD Status Register	Timer RD Interrupt Enable Register	Timer RD Interrupt Control Register
Timer RD0	TRDSR0	TRDIER0	TRD0IC
Timer RD1	TRDSR1	TRDIER1	TRD1IC

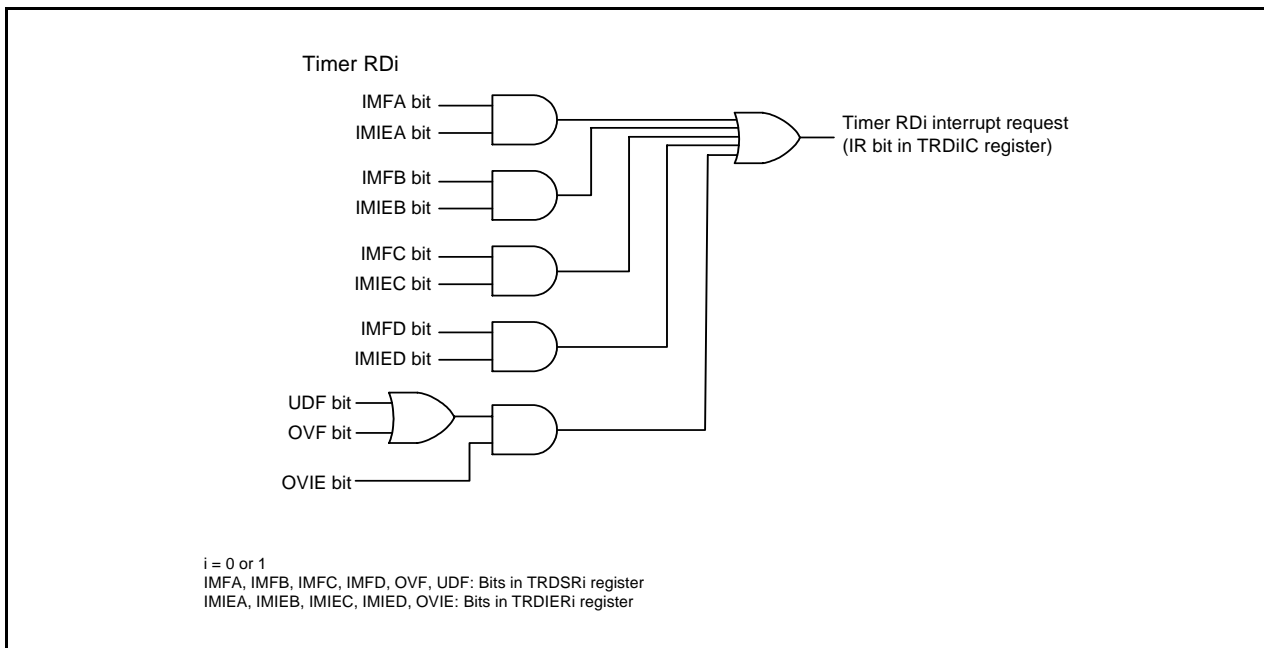


Figure 20.24 Block Diagram of Timer RD Interrupt

As with other maskable interrupts, the timer RD interrupt is controlled by the combination of the I flag, IR bit, bits ILVL0 to ILVL2, and IPL. However, since the interrupt source (timer RD interrupt) is generated by a combination of multiple interrupt request sources, the following differences from other maskable interrupts apply:

- When bits in the TRDSR_i register corresponding to bits set to 1 in the TRDIER_i register are set to 1 (enable interrupt), the IR bit in the TRDiIC register is set to 1 (interrupt requested).
- When either bits in the TRDSR_i register or bits in the TRDIER_i register corresponding to bits in the TRDSR_i register, or both of them, are set to 0, the IR bit is set to 0 (interrupt not requested). Therefore, even though the interrupt is not acknowledged after the IR bit is set to 1, the interrupt request will not be maintained.
- When the conditions of other request sources are met, the IR bit remains 1.
- When multiple bits in the TRDIER_i register are set to 1, which request source causes an interrupt is determined by the TRDSR_i register.
- Since each bit in the TRDSR_i register is not automatically set to 0 even if the interrupt is acknowledged, set each bit to 0 in the interrupt routine. For information on how to set these bits to 0, refer to **the descriptions of the registers used in the different modes (20.3.11, 20.4.14, 20.5.12, 20.6.10, 20.7.10, and 20.8.11)**.

Refer to **Registers TRDSR0 to TRDSR1 in each mode (20.3.11, 20.4.14, 20.5.12, 20.6.10, 20.7.10, and 20.8.11)** for the TRDSR_i register. Refer to **Registers TRDIER0 to TRDIER1 in each mode (20.3.12, 20.4.15, 20.5.13, 20.6.11, 20.7.11, and 20.8.12)** for the TRDIER_i register.

Refer to **11.3 Interrupt Control** for information on the TRDiIC register and **11.1.5.2 Relocatable Vector Tables** for the interrupt vectors.

20.10 Notes on Timer RD

20.10.1 TRDSTR Register

- Set the TRDSTR register using the MOV instruction.
- When the CSELi (i = 0 to 1) is set to 0 (the count stops at compare match of registers TRDi and TRDGRAi), the count does not stop and the TSTARTi bit remains unchanged even if 0 (count stops) is written to the TSTARTi bit.
 Therefore, set the TSTARTi bit to 0 to change other bits without changing the TSTARTi bit when the CSELi bit is set to 0.
 To stop counting by a program, set the TSTARTi bit after setting the CSELi bit to 1. Although the CSELi bit is set to 1 and the TSTARTi bit is set to 0 at the same time (with 1 instruction), the count cannot be stopped.
- Table 20.18 lists the TRDIOji (j = A, B, C, or D) Pin Output Level when Count Stops to use the TRDIOji (j = A, B, C, or D) pin with the timer RD output.

Table 20.18 TRDIOji (j = A, B, C, or D) Pin Output Level when Count Stops

Count Stop	TRDIOji Pin Output when Count Stops
When the CSELi bit is set to 1, set the TSTARTi bit to 0 and the count stops.	Hold the output level immediately before the count stops.
When the CSELi bit is set to 0, the count stops at compare match of registers TRDi and TRDGRAi.	Hold the output level after output changes by compare match.

20.10.2 TRDi Register (i = 0 or 1)

- When writing the value to the TRDi register by a program while the TSTARTi bit in the TRDSTR register is set to 1 (count starts), avoid overlapping with the timing for setting the TRDi register to 0000h, and then write.
 If the timing for setting the TRDi register to 0000h overlaps with the timing for writing the value to the TRDi register, the value is not written and the TRDi register is set to 0000h.
 These precautions are applicable when selecting the following by bits CCLR2 to CCLR0 in the TRDCRi register.
 - 001b (Clear by the TRDi register at compare match with the TRDGRAi register.)
 - 010b (Clear by the TRDi register at compare match with the TRDGRBi register.)
 - 011b (Synchronous clear)
 - 101b (Clear by the TRDi register at compare match with the TRDGRCi register.)
 - 110b (Clear by the TRDi register at compare match with the TRDGRDi register.)
- When writing the value to the TRDi register and continuously reading the same register, the value before writing may be read. In this case, execute the JMP.B instruction between the writing and reading.

```

Program example      MOV.W    #XXXXh, TRD0      ;Writing
                    JMP.B    L1                          ;JMP.B
                    L1:     MOV.W    TRD0,DATA            ;Reading
    
```

20.10.3 TRDSRi Register (i = 0 or 1)

When writing the value to the TRDSRi register and continuously reading the same register, the value before writing may be read. In this case, execute the JMP.B instruction between the writing and reading.

```

Program example      MOV.B    #XXh, TRDSR0      ;Writing
                    JMP.B    L1                          ;JMP.B
                    L1:     MOV.B    TRDSR0,DATA      ;Reading
    
```

20.10.4 TRDCRi Register (i = 0 or 1)

To set bits TCK2 to TCK0 in the TRDCRi register to 111b (fOCO-F), set fOCO-F to the clock frequency higher than the CPU clock frequency.

20.10.5 Count Source Switch

- Switch the count source after the count stops.

Switching procedure

- (1) Set the TSTART_i (i = 0 or 1) bit in the TRDSTR register to 0 (count stops).
- (2) Change bits TCK2 to TCK0 in the TRDCR_i register.

- When changing the count source from fOCO40M to another source and stopping fOCO40M, wait 2 cycles of f1 or more after setting the clock switch, and then stop fOCO40M.

Switching procedure

- (1) Set the TSTART_i (i = 0 or 1) bit in the TRDSTR register to 0 (count stops).
- (2) Change bits TCK2 to TCK0 in the TRDCR_i register.
- (3) Wait 2 or more cycles of f1.
- (4) Set the FRA00 bit in the FRA0 register to 0 (high-speed on-chip oscillator stops).

- After switching the count source from fOCO-F to fOCO40M, allow a minimum of two cycles of fOCO-F to elapse after changing the clock setting before stopping fOCO-F.

Switching procedure

- (1) Set the TSTART_i (i = 0 to 1) bit in the TRDSTR register to 0 (count stops).
- (2) Change the settings of bits TCK2 to TCK0 in the TRDCR_i register.
- (3) Wait for a minimum of two cycles of fOCO-F.
- (4) Set the FRA00 bit in the FRA0 register to 0 (high-speed on-chip oscillator off).

- After switching the count source from fOCO-F to a clock other than fOCO40M, allow a minimum of one cycle of fOCO-F + fOCO40M to elapse after changing the clock setting before stopping fOCO-F.

Switching procedure

- (1) Set the TSTART_i (i = 0 to 1) bit in the TRDSTR register to 0 (count stops).
- (2) Change the settings of bits TCK2 to TCK0 in the TRDCR_i register.
- (3) Wait for a minimum of one cycle of fOCO-F + fOCO40M.
- (4) Set the FRA00 bit in the FRA0 register to 0 (high-speed on-chip oscillator off).

20.10.6 Input Capture Function

- Set the pulse width of the input capture signal to 3 or more cycles of the timer RD operation clock (refer to **Table 20.1 Timer RD Operation Clocks**).
- The value in the TRD_i register is transferred to the TRDGR_{ji} register 2 to 3 cycles of the timer RD operation clock after the input capture signal is applied to the TRDIO_{ji} pin (i = 0 or 1, j = either A, B, C, or D) (no digital filter).

20.10.7 Reset Synchronous PWM Mode

- When reset synchronous PWM mode is used for motor control, make sure OLS0 = OLS1.
- Set to reset synchronous PWM mode by the following procedure:

Switching procedure

- (1) Set the TSTART0 bit in the TRDSTR register to 0 (count stops).
- (2) Set bits CMD1 to CMD0 in the TRDFCR register to 00b (timer mode, PWM mode, and PWM3 mode).
- (3) Set bits CMD1 to CMD0 to 01b (reset synchronous PWM mode).
- (4) Set the other registers associated with timer RD again.

20.10.8 Complementary PWM Mode

- When complementary PWM mode is used for motor control, make sure OLS0 = OLS1.
- Change bits CMD1 to CMD0 in the TRDFCR register in the following procedure.
 Switching procedure: When setting to complementary PWM mode (including re-set), or changing the transfer timing from the buffer register to the general register in complementary PWM mode.

- (1) Set both the TSTART0 and TSTART1 bits in the TRDSTR register to 0 (count stops).
- (2) Set bits CMD1 to CMD0 in the TRDFCR register to 00b (timer mode, PWM mode, and PWM3 mode).
- (3) Set bits CMD1 to CMD0 to 10b or 11b (complementary PWM mode).
- (4) Set the registers associated with other timer RD again.

Switching procedure: When stopping complementary PWM mode

- (1) Set both the TSTART0 and TSTART1 bits in the TRDSTR register to 0 (count stops).
- (2) Set bits CMD1 to CMD0 to 00b (timer mode, PWM mode, and PWM3 mode).

- Do not write to TRDGRA0, TRDGRB0, TRDGRA1, or TRDGRB1 register during operation.
 When changing the PWM waveform, transfer the values written to registers TRDGRD0, TRDGRC1, and TRDGRD1 to registers TRDGRB0, TRDGRA1, and TRDGRB1 using the buffer operation.
 However, to write data to the TRDGRD0, TRDGRC1, or TRDGRD1 register, set bits BFD0, BFC1, and BFD1 to 0 (general register). After this, bits BFD0, BFC1, and BFD1 may be set to 1 (buffer register).
 The PWM period cannot be changed.
- If the value in the TRDGRA0 register is assumed to be m, the TRD0 register counts m-1, m, m+1, m, m-1, in that order, when changing from increment to decrement operation.
 When changing from m to m+1, the IMFA bit is set to 1. Also, bits CMD1 to CMD0 in the TRDFCR register are set to 11b (complementary PWM mode, buffer data transferred at compare match between registers TRD0 and TRDGRA0), the content in the buffer registers (TRDGRD0, TRDGRC1, and TRDGRD1) is transferred to the general registers (TRDGRB0, TRDGRA1, and TRDGRB1).
 During m+1, m, and m-1 operation, the IMFA bit remains unchanged and data are not transferred to registers such as the TRDGRA0 register.

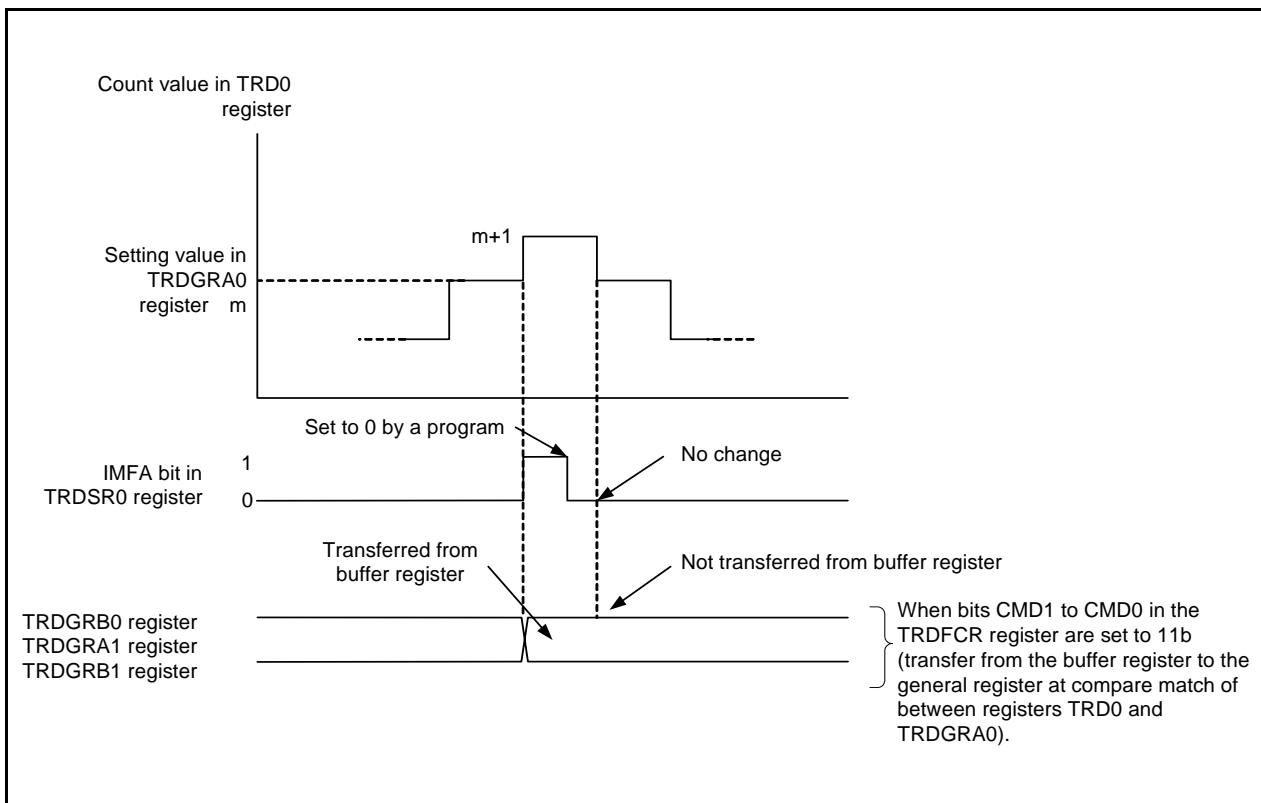


Figure 20.25 Operation at Compare Match between Registers TRD0 and TRDGRA0 in Complementary PWM Mode

- The TRD1 register counts 1, 0, FFFFh, 0, 1, in that order, when changing from decrement to increment operation.

The UDF bit is set to 1 when changing between 1, 0, and FFFFh operation. Also, when bits CMD1 to CMD0 in the TRDFCR register are set to 10b (complementary PWM mode, buffer data transferred at underflow in the TRD1 register), the content in the buffer registers (TRDGRD0, TRDGRC1, and TRDGRD1) is transferred to the general registers (TRDGRB0, TRDGRA1, and TRDGRB1). During FFFFh, 0, 1 operation, data are not transferred to registers such as the TRDGRB0 register. Also, at this time, the OVF bit remains unchanged.

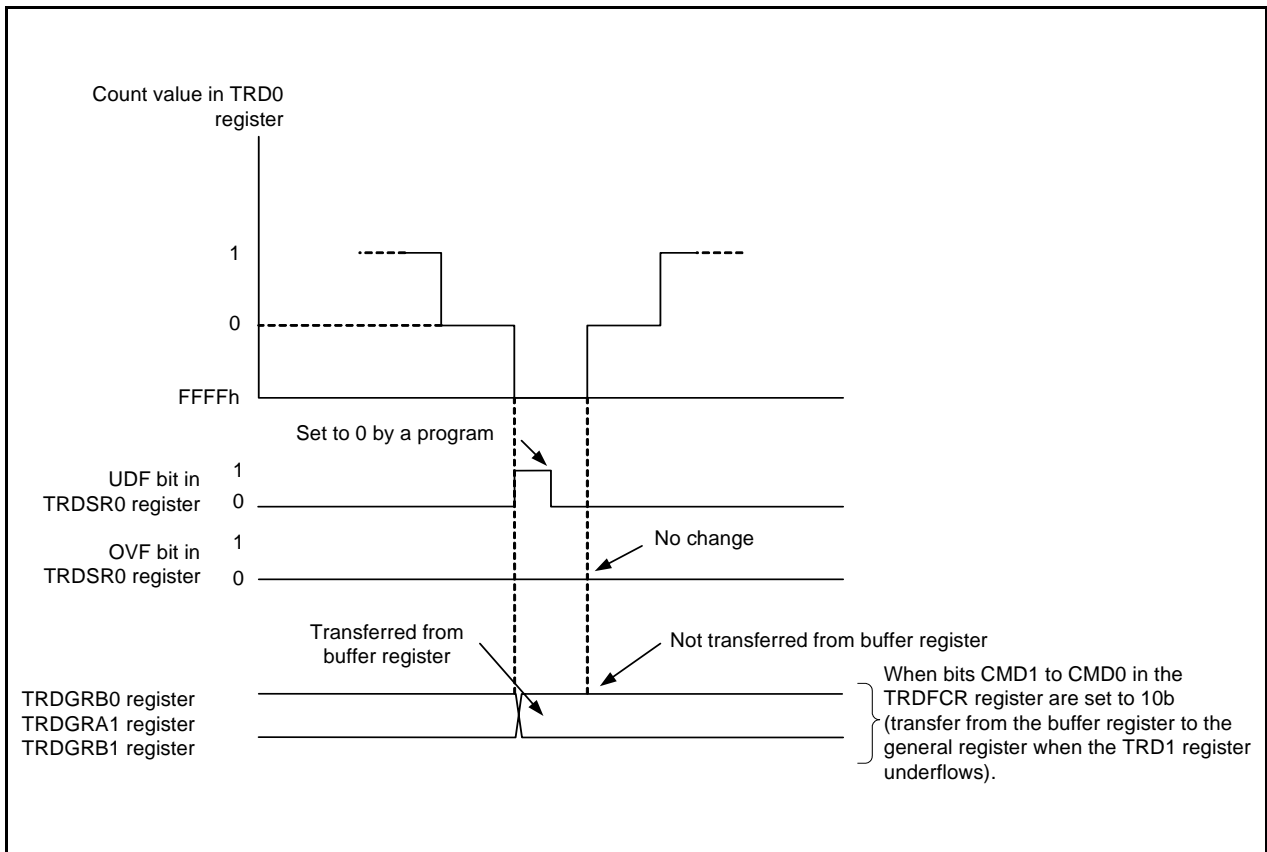


Figure 20.26 Operation when TRD1 Register Underflows in Complementary PWM Mode

- Select with bits CMD1 to CMD0 the timing of data transfer from the buffer register to the general register. However, transfer takes place with the following timing in spite of the value of bits CMD1 to CMD0 in the following cases:

Value in buffer register \geq value in TRDGRA0 register:

Transfer take place at underflow of the TRD1 register.

After this, when the buffer register is set to 0001h or above and a smaller value than the value of the TRDGRA0 register, and the TRD1 register underflows for the first time after setting, the value is transferred to the general register. After that, the value is transferred with the timing selected by bits CMD1 to CMD0.

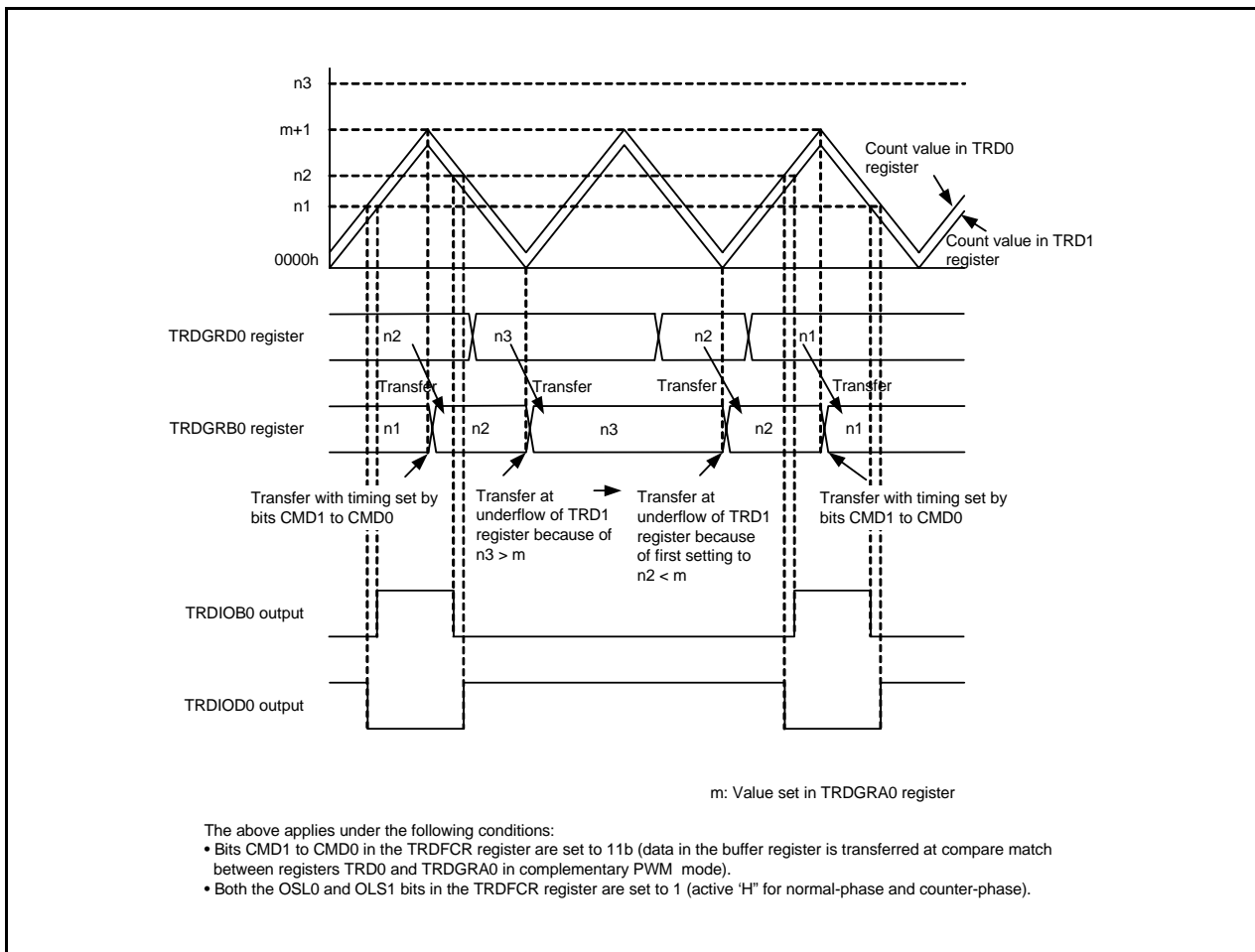


Figure 20.27 Operation when Value in Buffer Register \geq Value in TRDGRA0 Register in Complementary PWM Mode

When the value in the buffer register is set to 0000h:
 Transfer takes place at compare match between registers TRD0 and TRDGRA0.
 After this, when the buffer register is set to 0001h or above and a smaller value than the value of the TRDGRA0 register, and a compare match occurs between registers TRD0 and TRDGRA0 for the first time after setting, the value is transferred to the general register. After that, the value is transferred with the timing selected by bits CMD1 to CMD0.

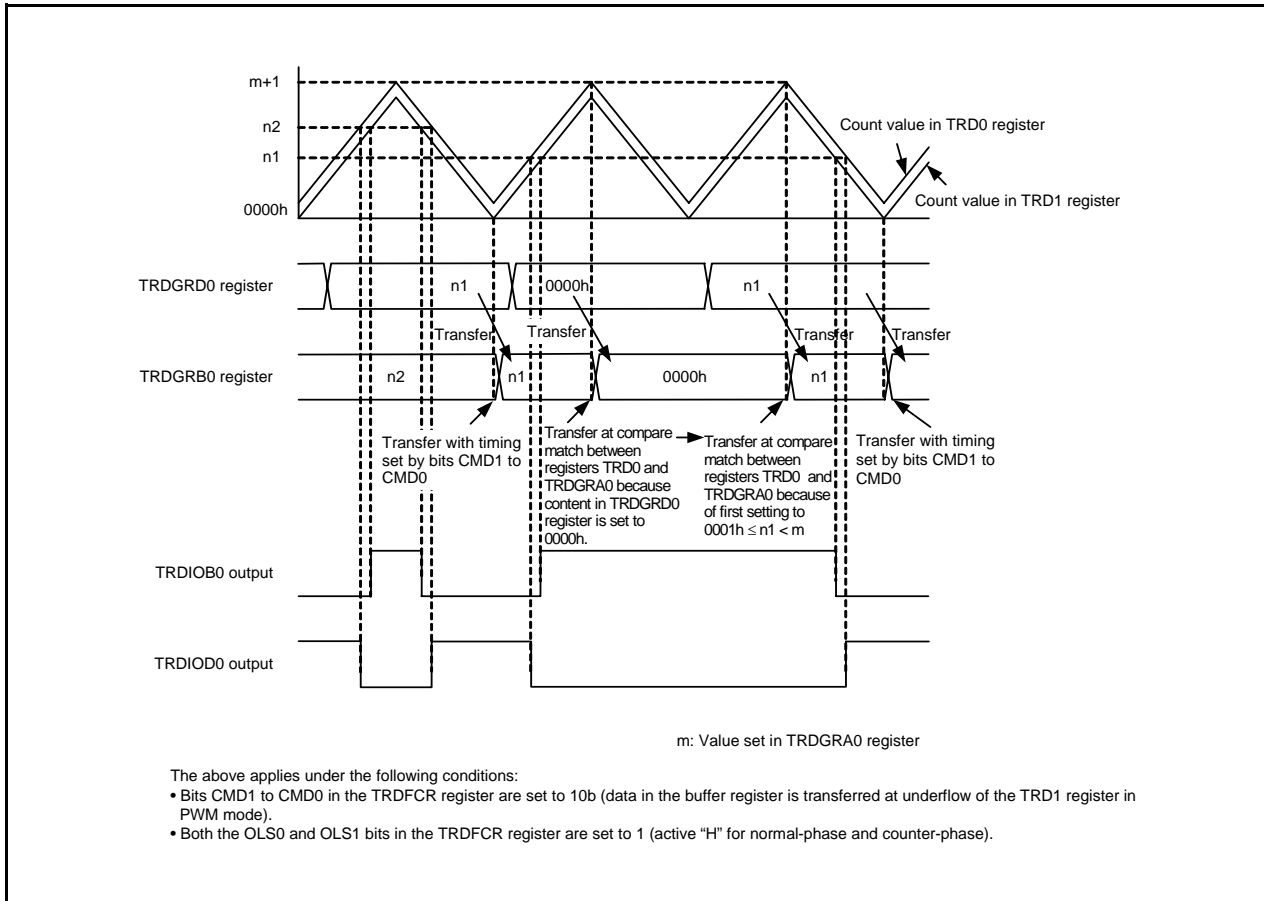


Figure 20.28 Operation when Value in Buffer Register Is Set to 0000h in Complementary PWM Mode

20.10.9 Count Source fOCO40M

The count source fOCO40M can be used with supply voltage VCC = 2.7 to 5.5 V. For supply voltage other than that, do not set bits TCK2 to TCK0 in registers TRDCR0 and TRDCR to 110b (select fOCO40M as the count source).

21. Timer RE

Timer RE has the 4-bit counter and 8-bit counter.

21.1 Overview

Timer RE has the following 2 modes:

- Real-time clock mode Generate 1-second signal from fC4 and count seconds, minutes, hours, and days of the week.
- Output compare mode Count a count source and detect compare matches.

The count source for timer RE is the operating clock that regulates the timing of timer operations.

Table 21.1 lists the Pin Configuration of Timer RE.

Table 21.1 Pin Configuration of Timer RE

Pin Name	Assigned Pin	I/O	Function
TREO	P0_4 or P6_0	Output	Function differs according to the mode. Refer to descriptions of individual modes for details

21.2 Real-Time Clock Mode

In real-time clock mode, a 1-second signal is generated from fC4 using a divide-by-2 frequency divider, 4-bit counter, and 8-bit counter and used to count seconds, minutes, hours, and days of the week. Figure 21.1 shows a Block Diagram of Real-Time Clock Mode and Table 21.2 lists the Real-Time Clock Mode Specifications. Table 21.3 lists the Interrupt Sources, Figure 21.2 shows the Definition of Time Representation and Figure 21.3 shows the Operating Example in Real-Time Clock Mode.

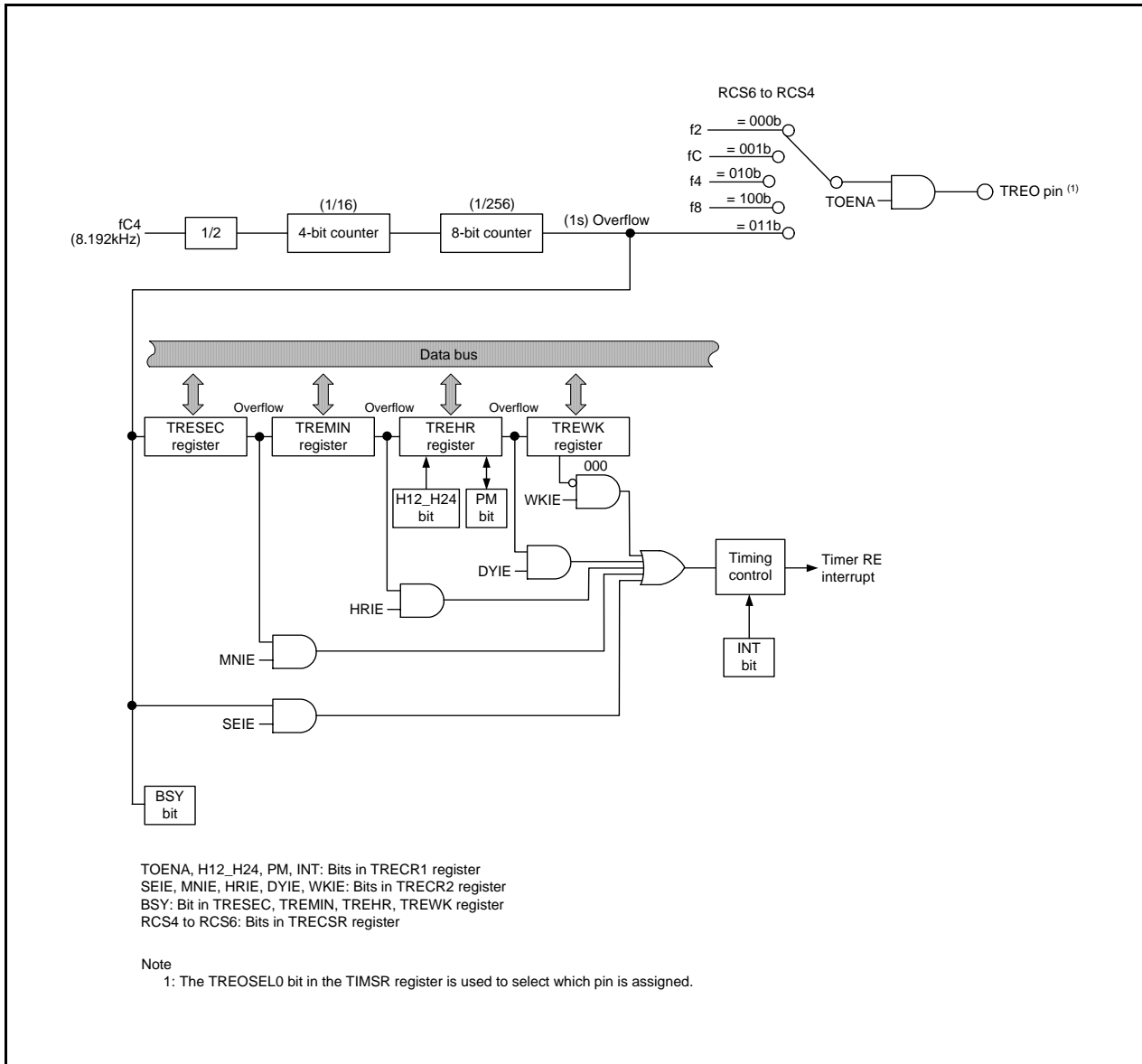


Figure 21.1 Block Diagram of Real-Time Clock Mode

Table 21.2 Real-Time Clock Mode Specifications

Item	Specification
Count source	fC4
Count operation	Increment
Count start condition	1 (count starts) is written to TSTART bit in TRECR1 register
Count stop condition	0 (count stops) is written to TSTART bit in TRECR1 register
Interrupt request generation timing	Select any one of the following: <ul style="list-style-type: none"> • Update second data • Update minute data • Update hour data • Update day of week data • When day of week data is set to 000b (Sunday)
TREO pin function	Programmable I/O ports or output of f2, fC, f4, f8 or, 1Hz
Read from timer	When reading TRESEC, TREMIN, TREHR, or TREWK register, the count value can be read. The values read from registers TRESEC, TREMIN, and TREHR are represented by the BCD code.
Write to timer	When bits TSTART and TCSTF in the TRECR1 register are set to 0 (timer stops), the value can be written to registers TRESEC, TREMIN, TREHR, and TREWK. The values written to registers TRESEC, TREMIN, and TREHR are represented by the BCD codes.
Select function	<ul style="list-style-type: none"> • 12-hour mode/24-hour mode switch function • TREO pin select function P0_4 or P6_0 is selected by the TREOSEL0 bit in the TIMSR register.

21.2.1 Timer RE Second Data Register (TRESEC) in Real-Time Clock Mode

Address 0118h

Bit	b7	b6	b5	b4	b3	b2	b1	b0
Symbol	BSY	SC12	SC11	SC10	SC03	SC02	SC01	SC00
After Reset	0	0	0	0	0	0	0	0

Bit	Symbol	Bit Name	Function	Setting Range	R/W
b0	SC00	1st digit of second count bit	Count 0 to 9 every second. When the digit moves up, 1 is added to the 2nd digit of second.	0 to 9 (BCD code)	R/W
b1	SC01				R/W
b2	SC02				R/W
b3	SC03				R/W
b4	SC10	2nd digit of second count bit	When counting 0 to 5, 60 seconds are counted.	0 to 5 (BCD code)	R/W
b5	SC11				R/W
b6	SC12				R/W
b7	BSY	Timer RE busy flag	This bit is set to 1 while registers TRESEC, TREMIN, TREHR, and TREWK are updated		R

21.2.2 Timer RE Minute Data Register (TREMIN) in Real-Time Clock Mode

Address 0119h

Bit	b7	b6	b5	b4	b3	b2	b1	b0
Symbol	BSY	MN12	MN11	MN10	MN03	MN02	MN01	MN00
After Reset	0	0	0	0	0	0	0	0

Bit	Symbol	Bit Name	Function	Setting Range	R/W
b0	MN00	1st digit of minute count bit	Count 0 to 9 every minute. When the digit moves up, 1 is added to the 2nd digit of minute.	0 to 9 (BCD code)	R/W
b1	MN01				R/W
b2	MN02				R/W
b3	MN03				R/W
b4	MN10	2nd digit of minute count bit	When counting 0 to 5, 60 minutes are counted.	0 to 5 (BCD code)	R/W
b5	MN11				R/W
b6	MN12				R/W
b7	BSY	Timer RE busy flag	This bit is set to 1 while registers TRESEC, TREMIN, TREHR, and TREWK are updated.		R

21.2.3 Timer RE Hour Data Register (TREHR) in Real-Time Clock Mode

Address 011Ah

Bit	b7	b6	b5	b4	b3	b2	b1	b0
Symbol	BSY	—	HR11	HR10	HR03	HR02	HR01	HR00
After Reset	0	0	0	0	0	0	0	0

Bit	Symbol	Bit Name	Function	Setting Range	R/W
b0	HR00	1st digit of hour count bit	Count 0 to 9 every hour. When the digit moves up, 1 is added to the 2nd digit of hour.	0 to 9 (BCD code)	R/W
b1	HR01				R/W
b2	HR02				R/W
b3	HR03				R/W
b4	HR10	2nd digit of hour count bit	Count 0 to 1 when the H12_H24 bit is set to 0 (12-hour mode). Count 0 to 2 when the H12_H24 bit is set to 1 (24-hour mode).	0 to 2 (BCD code)	R/W
b5	HR11				R/W
b6	—	Nothing is assigned. If necessary, set to 0. When read, the content is 0.			—
b7	BSY	Timer RE busy flag	This bit is set to 1 while registers TRESEC, TREMIN, TREHR, and TREWK are updated.		R

21.2.4 Timer RE Day of Week Data Register (TREWK) in Real-Time Clock Mode

Address 011Bh

Bit	b7	b6	b5	b4	b3	b2	b1	b0
Symbol	BSY	—	—	—	—	WK2	WK1	WK0
After Reset	0	0	0	0	0	0	0	0

Bit	Symbol	Bit Name	Function	R/W	
b0	WK0	Day of week count bit	b2 b1 b0 0 0 0: Sunday 0 0 1: Monday 0 1 0: Tuesday 0 1 1: Wednesday 1 0 0: Thursday 1 0 1: Friday 1 1 0: Saturday 1 1 1: Do not set.	R/W	
b1	WK1			R/W	
b2	WK2			R/W	
b3	—	Nothing is assigned. If necessary, set to 0. When read, the content is 0.			—
b4	—				
b5	—				
b6	—				
b7	BSY	Timer RE busy flag	This bit is set to 1 while registers TRESEC, TREMIN, TREHR, and TREWK are updated.	R	

21.2.5 Timer RE Control Register 1 (TRECRR1) in Real-Time Clock Mode

Address 011Ch

Bit	b7	b6	b5	b4	b3	b2	b1	b0
Symbol	TSTART	H12_H24	PM	TRERST	INT	TOENA	TCSTF	—
After Reset	0	0	0	0	0	0	0	0

Bit	Symbol	Bit Name	Function	R/W
b0	—	Nothing is assigned. If necessary, set to 0. When read, the content is 0.		—
b1	TCSTF	Timer RE count status flag	0: Count stopped 1: Counting	R
b2	TOENA	TREO pin output enable bit	0: Disable clock output 1: Enable clock output	R/W
b3	INT	Interrupt request timing bit	Set to 1 in real-time clock mode.	R/W
b4	TRERST	Timer RE reset bit	When setting this bit to 0, after setting it to 1, the followings will occur. • Registers TRESEC, TREMIN, TREHR, TREWK, and TRECRR2 are set to 00h. • Bits TCSTF, INT, PM, H12_H24, and TSTART in the TRECRR1 register are set to 0. • The 8-bit counter is set to 00h and the 4-bit counter is set to 0h.	R/W
b5	PM	A.m./p.m. bit	When the H12_H24 bit is set to 0 (12-hour mode) ⁽¹⁾ 0: a.m. 1: p.m. When the H12_H24 bit is set to 1 (24-hour mode), its value is undefined.	R/W
b6	H12_H24	Operating mode select bit	0: 12-hour mode 1: 24-hour mode	R/W
b7	TSTART	Timer RE count start bit	0: Count stops 1: Count starts	R/W

Note:

- This bit is automatically modified while timer RE counts.

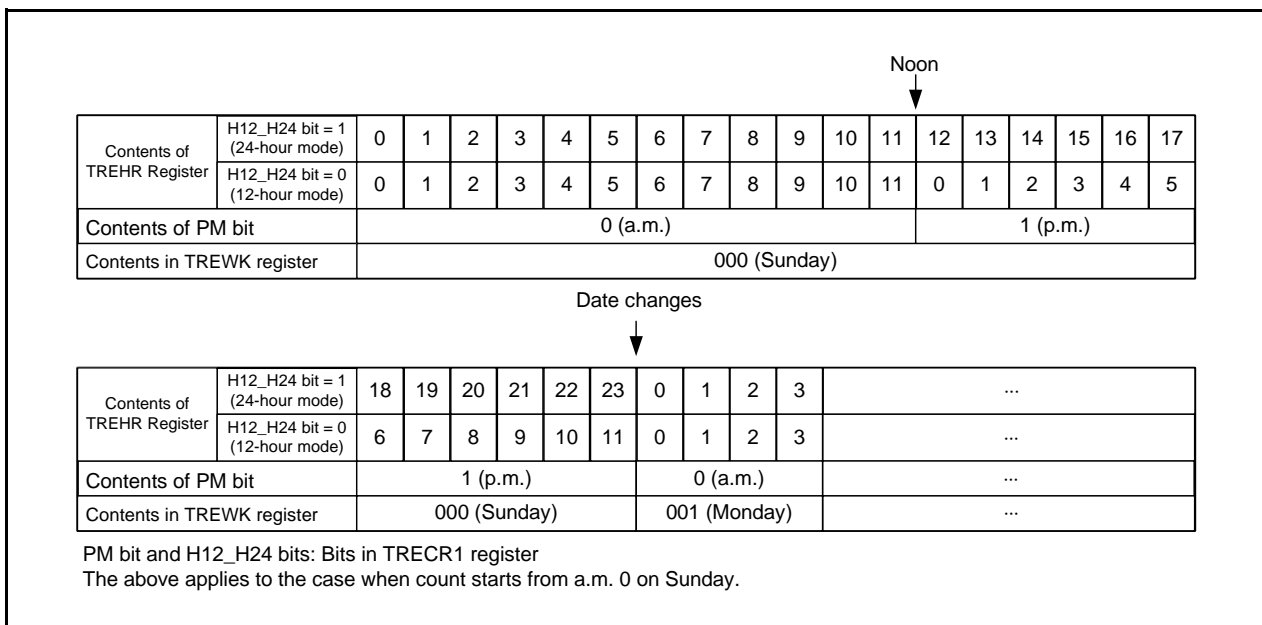


Figure 21.2 Definition of Time Representation

21.2.6 Timer RE Control Register 2 (TRECRC2) in Real-Time Clock Mode

Address 011Dh

Bit	b7	b6	b5	b4	b3	b2	b1	b0
Symbol	—	—	COMIE	WKIE	DYIE	HRIE	MNIE	SEIE
After Reset	0	0	0	0	0	0	0	0

Bit	Symbol	Bit Name	Function	R/W
b0	SEIE	Periodic interrupt triggered every second enable bit ⁽¹⁾	0: Disable periodic interrupt triggered every second 1: Enable periodic interrupt triggered every second	R/W
b1	MNIE	Periodic interrupt triggered every minute enable bit ⁽¹⁾	0: Disable periodic interrupt triggered every minute 1: Enable periodic interrupt triggered every minute	R/W
b2	HRIE	Periodic interrupt triggered every hour enable bit ⁽¹⁾	0: Disable periodic interrupt triggered every hour 1: Enable periodic interrupt triggered every hour	R/W
b3	DYIE	Periodic interrupt triggered every day enable bit ⁽¹⁾	0: Disable periodic interrupt triggered every day 1: Enable periodic interrupt triggered every day	R/W
b4	WKIE	Periodic interrupt triggered every week enable bit ⁽¹⁾	0: Disable periodic interrupt triggered every week 1: Enable periodic interrupt triggered every week	R/W
b5	COMIE	Compare match interrupt enable bit	Set to 0 in real-time clock mode.	R/W
b6	—	Nothing is assigned. If necessary, set to 0. When read, the content is 0.		—
b7	—			

Note:

- Do not set multiple enable bits to 1 (enable interrupt).

Table 21.3 Interrupt Sources

Factor	Interrupt Source	Interrupt Enable Bit
Periodic interrupt triggered every week	Value in TREWK register is set to 000b (Sunday) (1-week period)	WKIE
Periodic interrupt triggered every day	TREWK register is updated (1-day period)	DYIE
Periodic interrupt triggered every hour	TREHR register is updated (1-hour period)	HRIE
Periodic interrupt triggered every minute	TREMIN register is updated (1-minute period)	MNIE
Periodic interrupt triggered every second	TRESEC register is updated (1-second period)	SEIE

21.2.7 Timer RE Count Source Select Register (TRECSR) in Real-Time Clock Mode

Address 011Eh

Bit	b7	b6	b5	b4	b3	b2	b1	b0
Symbol	—	RCS6	RCS5	RCS4	RCS3	RCS2	RCS1	RCS0
After Reset	0	0	0	0	1	0	0	0

Bit	Symbol	Bit Name	Function	R/W
b0	RCS0	Count source select bit	Set to 00b in real-time clock mode.	R/W
b1	RCS1			R/W
b2	RCS2	4-bit counter select bit	Set to 0 in real-time clock mode.	R/W
b3	RCS3	Real-time clock mode select bit	Set to 1 in real-time clock mode.	R/W
b4	RCS4	Clock output select bit ⁽¹⁾	b6 b5 b4 0 0 0: f2 0 0 1: fC 0 1 0: f4 0 1 1: 1Hz 1 0 0: f8 Other than above: Do not set.	R/W
b5	RCS5			R/W
b6	RCS6			R/W
b7	—			Nothing is assigned. If necessary, set to 0. When read, the content is 0.

Note:

1. Write to bits RCS4 to RCS6 when the TOENA bit in the TRECR1 register is set to 0 (disable clock output).

21.2.8 Timer Pin Select Register (TIMSR)

Address 0186h

Bit	b7	b6	b5	b4	b3	b2	b1	b0
Symbol	—	—	—	—	—	—	—	TREOSEL0
After Reset	0	0	0	0	0	0	0	0

Bit	Symbol	Bit Name	Function	R/W
b0	TREOSEL0	TREO pin select bit	0: P0_4 assigned 1: P6_0 assigned	R/W
b1	—	Nothing is assigned. If necessary, set to 0. When read, the content is 0.		—
b2	—			
b3	—			
b4	—			
b5	—			
b6	—			
b7	—			

The TIMSR register selects which pin is assigned to the timer RE output. To use the output pin for timer RE, set this register.

Set the TIMSR register before setting the timer RE associated registers. Also, do not change the setting value in this register during timer RE operation.

21.2.9 Operating Example

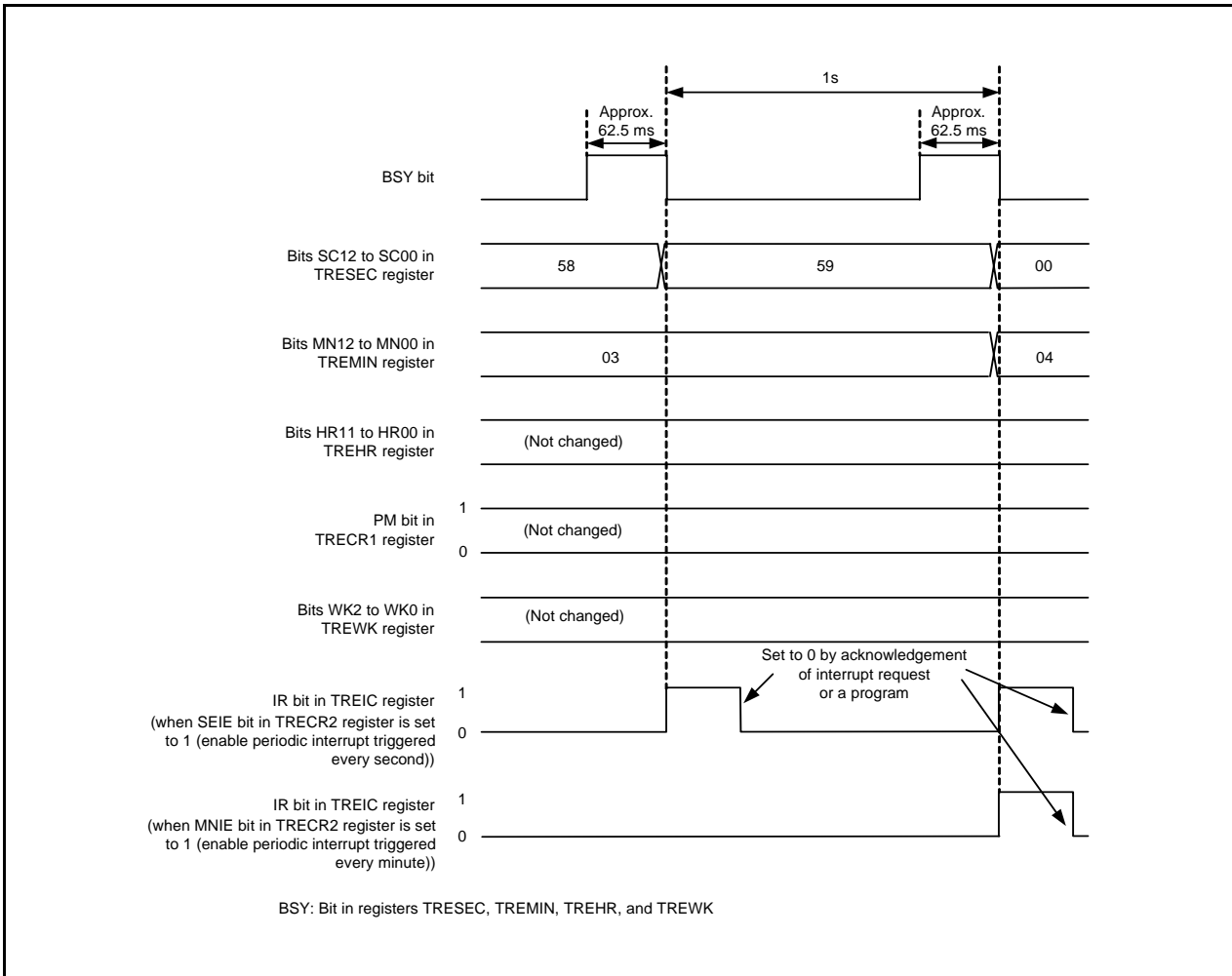


Figure 21.3 Operating Example in Real-Time Clock Mode

21.3 Output Compare Mode

In output compare mode, the internal count source divided by 2 is counted using the 4-bit or 8-bit counter and compare value match is detected with the 8-bit counter. Figure 21.4 shows a Block Diagram of Output Compare Mode and Table 21.4 lists the Output Compare Mode Specifications. Figure 21.5 shows the Operating Example in Output Compare Mode.

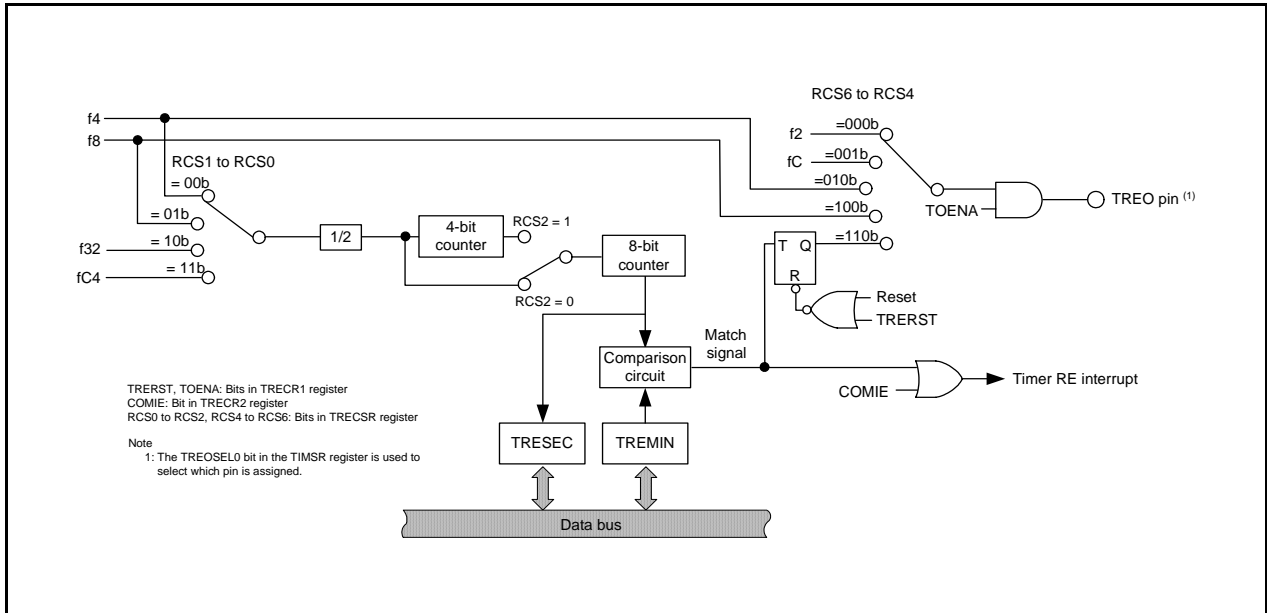


Figure 21.4 Block Diagram of Output Compare Mode

Table 21.4 Output Compare Mode Specifications

Item	Specification
Count sources	f4, f8, f32, fC4
Count operations	<ul style="list-style-type: none"> • Increment • When the 8-bit counter content matches with the TREMIN register content, the value returns to 00h and count continues. The count value is held while count stops.
Count period	<ul style="list-style-type: none"> • When RCS2 = 0 (4-bit counter is not used) $1/f_i \times 2 \times (n+1)$ • When RCS2 = 1 (4-bit counter is used) $1/f_i \times 32 \times (n+1)$ f _i : Frequency of count source n: Setting value of TREMIN register
Count start condition	1 (count starts) is written to the TSTART bit in the TRECR1 register
Count stop condition	0 (count stops) is written to the TSTART bit in the TRECR1 register
Interrupt request generation timing	When the 8-bit counter content matches with the TREMIN register content
TREO pin function	Select any one of the following: <ul style="list-style-type: none"> • Programmable I/O ports • Output f2, fC, f4, or f8 • Compare output
Read from timer	When reading the TRESEC register, the 8-bit counter value can be read. When reading the TREMIN register, the compare value can be read.
Write to timer	Writing to the TRESEC register is disabled. When bits TSTART and TCSTF in the TRECR1 register are set to 0 (timer stops), writing to the TREMIN register is enabled.
Selectable functions	<ul style="list-style-type: none"> • Select use of 4-bit counter • Compare output function Every time the 8-bit counter value matches the TREMIN register value, TREO output polarity is reversed. The TREO pin outputs "L" after reset is deasserted and the timer RE is reset by the TRERST bit in the TRECR1 register. Output level is held by setting the TSTART bit to 0 (count stops). • TREO pin select function P0_4 or P6_0 is selected by the TREOSEL0 bit in the TIMSR register.

21.3.1 Timer RE Counter Data Register (TRESEC) in Output Compare Mode

Address 0118h

Bit	b7	b6	b5	b4	b3	b2	b1	b0
Symbol	—	—	—	—	—	—	—	—
After Reset	0	0	0	0	0	0	0	0

Bit	Function	R/W
b7 to b0	8-bit counter data can be read. Although Timer RE stops counting, the count value is held. The TRESEC register is set to 00h at the compare match.	R

21.3.2 Timer RE Compare Data Register (TREMINT) in Output Compare Mode

Address 0119h

Bit	b7	b6	b5	b4	b3	b2	b1	b0
Symbol	—	—	—	—	—	—	—	—
After Reset	0	0	0	0	0	0	0	0

Bit	Function	R/W
b7 to b0	8-bit compare data is stored.	R/W

21.3.3 Timer RE Control Register 1 (TRECRC1) in Output Compare Mode

Address 011Ch

Bit	b7	b6	b5	b4	b3	b2	b1	b0
Symbol	TSTART	H12_H24	PM	TRERST	INT	TOENA	TCSTF	—
After Reset	0	0	0	0	0	0	0	0

Bit	Symbol	Bit Name	Function	R/W
b0	—	Nothing is assigned. If necessary, set to 0. When read, the content is 0.		—
b1	TCSTF	Timer RE count status flag	0: Count stopped 1: Counting	R
b2	TOENA	TREO pin output enable bit	0: Disable clock output 1: Enable clock output	R/W
b3	INT	Interrupt request timing bit	Set to 0 in output compare mode.	R/W
b4	TRERST	Timer RE reset bit	When setting this bit to 0, after setting it to 1, the following will occur. <ul style="list-style-type: none"> Registers TRESEC, TREMIN, TREHR, TREWK, and TRECRC2 are set to 00h. Bits TCSTF, INT, PM, H12_H24, and TSTART in the TRECRC1 register are set to 0. The 8-bit counter is set to 00h and the 4-bit counter is set to 0h. 	R/W
b5	PM	A.m./p.m. bit	Set to 0 in output compare mode.	R/W
b6	H12_H24	Operating mode select bit		R/W
b7	TSTART	Timer RE count start bit	0: Count stops 1: Count starts	R/W

21.3.4 Timer RE Control Register 2 (TRECRC2) in Output Compare Mode

Address 011Dh

Bit	b7	b6	b5	b4	b3	b2	b1	b0
Symbol	—	—	COMIE	WKIE	DYIE	HRIE	MNIE	SEIE
After Reset	0	0	0	0	0	0	0	0

Bit	Symbol	Bit Name	Function	R/W
b0	SEIE	Periodic interrupt triggered every second enable bit	Set to 0 in output compare mode.	R/W
b1	MNIE	Periodic interrupt triggered every minute enable bit		R/W
b2	HRIE	Periodic interrupt triggered every hour enable bit		R/W
b3	DYIE	Periodic interrupt triggered every day enable bit		R/W
b4	WKIE	Periodic interrupt triggered every week enable bit		R/W
b5	COMIE	Compare match interrupt enable bit	0: Disable compare match interrupt 1: Enable compare match interrupt	R/W
b6	—	Nothing is assigned. If necessary, set to 0. When read, the content is 0.		—
b7	—			

21.3.5 Timer RE Count Source Select Register (TRECSR) in Output Compare Mode

Address 011Eh

Bit	b7	b6	b5	b4	b3	b2	b1	b0
Symbol	—	RCS6	RCS5	RCS4	RCS3	RCS2	RCS1	RCS0
After Reset	0	0	0	0	1	0	0	0

Bit	Symbol	Bit Name	Function	R/W
b0	RCS0	Count source select bit ⁽¹⁾	b1 b0 0 0: f4 0 1: f8 1 0: f32 1 1: fC4	R/W
b1	RCS1			R/W
b2	RCS2	4-bit counter select bit	0: Not used 1: Used	R/W
b3	RCS3	Real-time clock mode select bit	Set to 0 in output compare mode.	R/W
b4	RCS4	Clock output select bit ⁽²⁾	b6 b5 b4 0 0 0: f2 0 0 1: fC 0 1 0: f4 1 0 0: f8 1 1 0: Compare output Other than above: Do not set.	R/W
b5	RCS5			R/W
b6	RCS6			R/W
b7	—	Nothing is assigned. If necessary, set to 0. When read, the content is 0.		—

Notes:

1. Write to bits RCS0 to RCS1 when the TCSTF bit in the TRECR1 register is set to 0 (count stopped).
2. Write to bits RCS4 to RCS6 when the TOENA bit in the TRECR1 register is set to 0 (disable clock output).

21.3.6 Timer Pin Select Register (TIMSR)

Address 0186h

Bit	b7	b6	b5	b4	b3	b2	b1	b0
Symbol	—	—	—	—	—	—	—	TREOSEL0
After Reset	0	0	0	0	0	0	0	0

Bit	Symbol	Bit Name	Function	R/W
b0	TREOSEL0	TREO pin select bit	0: P0_4 assigned 1: P6_0 assigned	R/W
b1	—	Nothing is assigned. If necessary, set to 0. When read, the content is 0.		—
b2	—			
b3	—			
b4	—			
b5	—			
b6	—			
b7	—			

The TIMSR register selects which pin is assigned to the timer RE output. To use the output pin for timer RE, set this register.

Set the TIMSR register before setting the timer RE associated registers. Also, do not change the setting value in this register during timer RE operation.

21.3.7 Operating Example

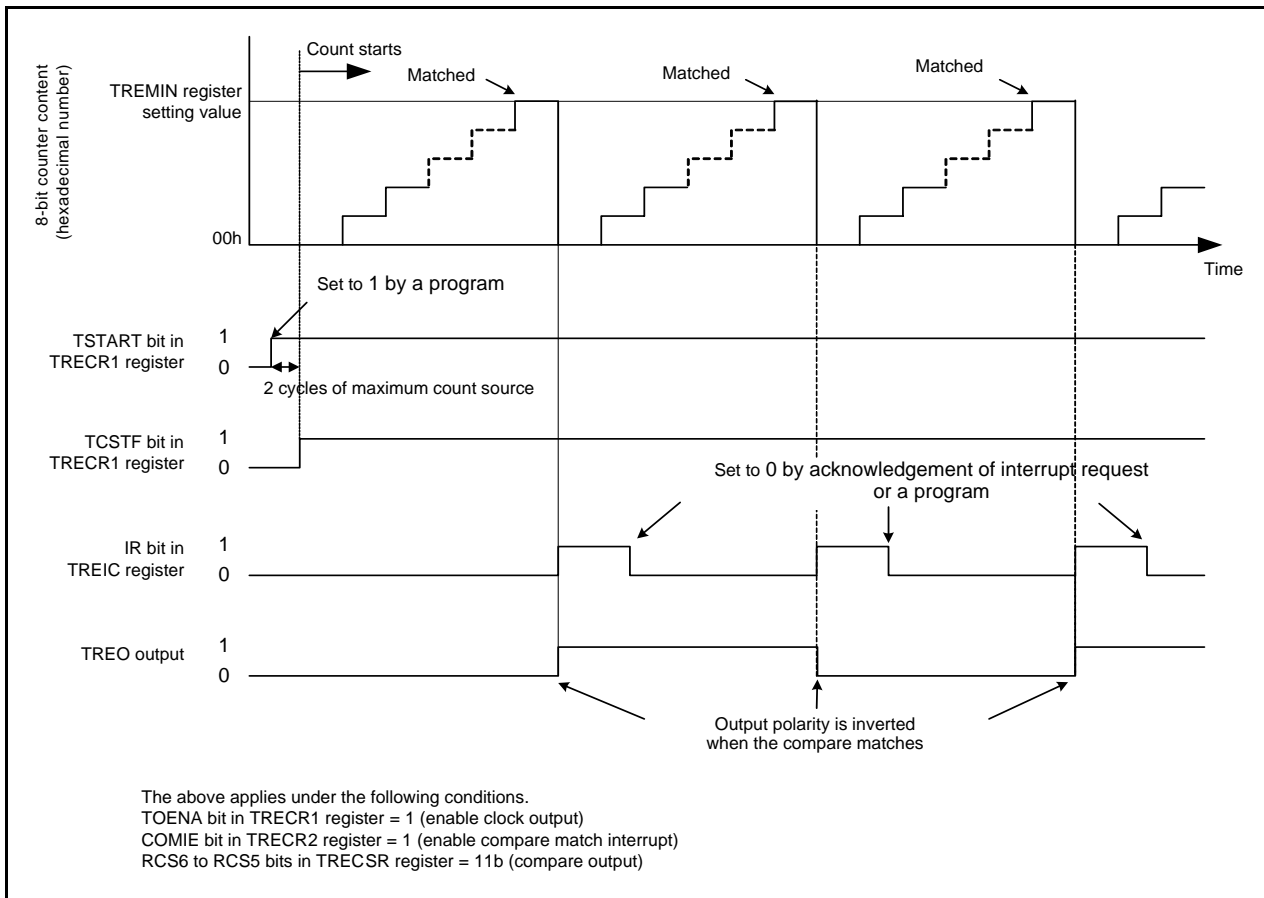


Figure 21.5 Operating Example in Output Compare Mode

21.4 Notes on Timer RE

21.4.1 Starting and Stopping Count

Timer RE has the TSTART bit for instructing the count to start or stop, and the TCSTF bit, which indicates count start or stop. Bits TSTART and TCSTF are in the TRECR1 register.

Timer RE starts counting and the TCSTF bit is set to 1 (count starts) when the TSTART bit is set to 1 (count starts). It takes up to 2 cycles of the count source until the TCSTF bit is set to 1 after setting the TSTART bit to 1. During this time, do not access registers associated with timer RE ⁽¹⁾ other than the TCSTF bit.

Also, timer RE stops counting when setting the TSTART bit to 0 (count stops) and the TCSTF bit is set to 0 (count stops). It takes the time for up to 2 cycles of the count source until the TCSTF bit is set to 0 after setting the TSTART bit to 0. During this time, do not access registers associated with timer RE other than the TCSTF bit.

Note:

1. Registers associated with timer RE: TRESEC, TREMIN, TREHR, TREWK, TRECR1, TRECR2, and TRECSR.

21.4.2 Register Setting

Write to the following registers or bits when timer RE is stopped.

- Registers TRESEC, TREMIN, TREHR, TREWK, and TRECR2
- Bits H12_H24, PM, and INT in TRECR1 register
- Bits RCS0 to RCS3 in TRECSR register

Timer RE is stopped when bits TSTART and TCSTF in the TRECR1 register are set to 0 (timer RE stopped).

Also, set all above-mentioned registers and bits (immediately before timer RE count starts) before setting the TRECR2 register.

Figure 21.6 shows a Setting Example in Real-Time Clock Mode.

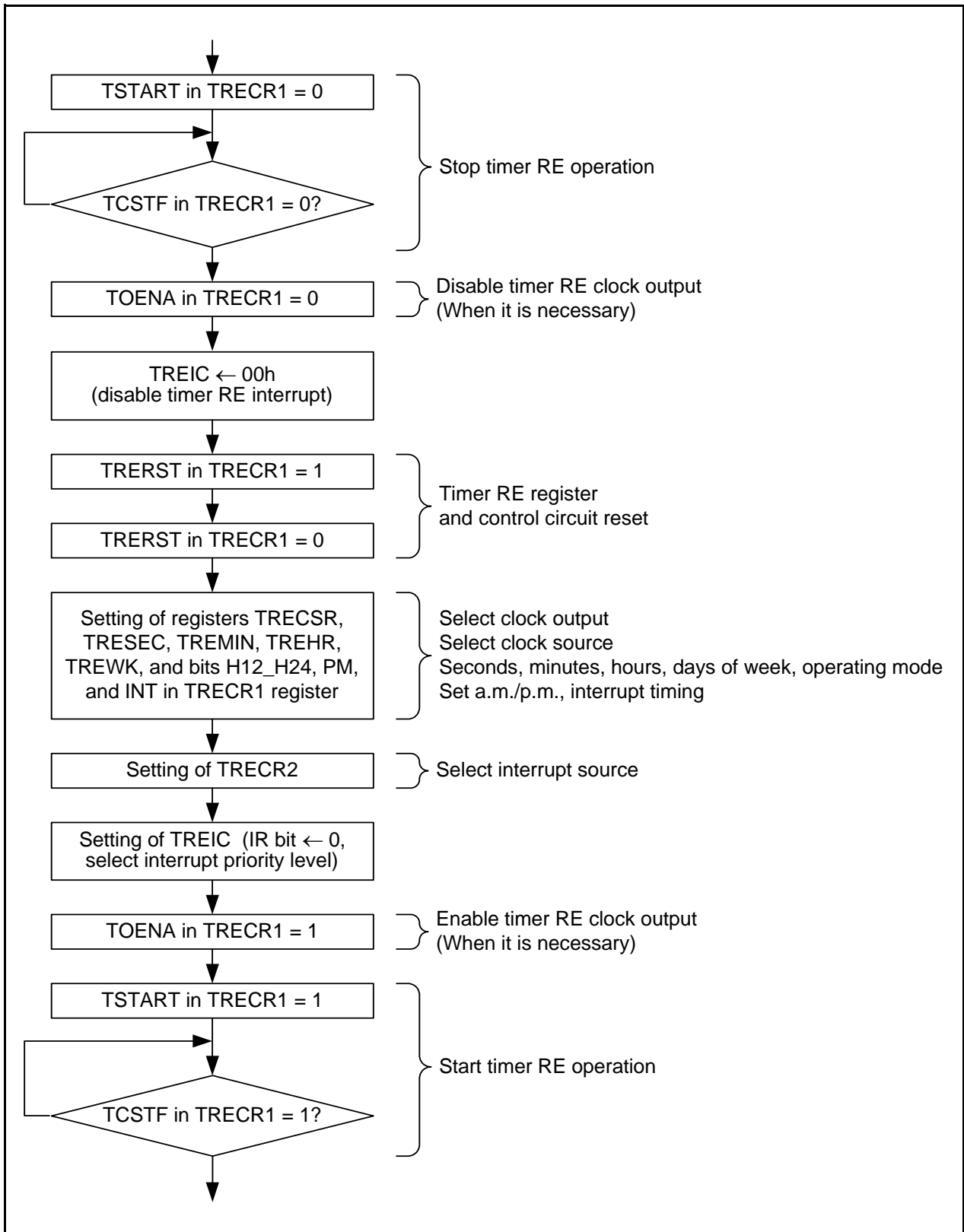


Figure 21.6 Setting Example in Real-Time Clock Mode

21.4.3 Time Reading Procedure of Real-Time Clock Mode

In real-time clock mode, read registers TRESEC, TREMIN, TREHR, and TREWK when time data is updated and read the PM bit in the TRECR1 register when the BSY bit is set to 0 (not while data is updated).

Also, when reading several registers, an incorrect time will be read if data is updated before another register is read after reading any register.

In order to prevent this, use the reading procedure shown below.

- Using an interrupt

Read necessary contents of registers TRESEC, TREMIN, TREHR, and TREWK and the PM bit in the TRECR1 register in the timer RE interrupt routine.

- Monitoring with a program 1

Monitor the IR bit in the TREIC register with a program and read necessary contents of registers TRESEC, TREMIN, TREHR, and TREWK and the PM bit in the TRECR1 register after the IR bit in the TREIC register is set to 1 (timer RE interrupt request generated).

- Monitoring with a program 2

(1) Monitor the BSY bit.

(2) Monitor until the BSY bit is set to 0 after the BSY bit is set to 1 (approximately 62.5 ms while the BSY bit is set to 1).

(3) Read necessary contents of registers TRESEC, TREMIN, TREHR, and TREWK and the PM bit in the TRECR1 register after the BSY bit is set to 0.

- Using read results if they are the same value twice

(1) Read necessary contents of registers TRESEC, TREMIN, TREHR, and TREWK and the PM bit in the TRECR1 register.

(2) Read the same register as (1) and compare the contents.

(3) Recognize as the correct value if the contents match. If the contents do not match, repeat until the read contents match with the previous contents.

Also, when reading several registers, read them as continuously as possible.

22. Serial Interface (UARTi (i = 0 or 1))

The serial interface consists of three channels, UART0 to UART2. This chapter describes the UARTi (i = 0 or 1).

22.1 Overview

UART0 and UART 1 have a dedicated timer to generate a transfer clock and operate independently. UART0 and UART1 support clock synchronous serial I/O mode and clock asynchronous serial I/O mode (UART mode).

Figure 22.1 shows a UARTi (i = 0 or 1) Block Diagram. Figure 22.2 shows a Block Diagram of UARTi Transmit/Receive Unit. Table 22.1 lists the Pin Configuration of UARTi (i = 0 or 1).

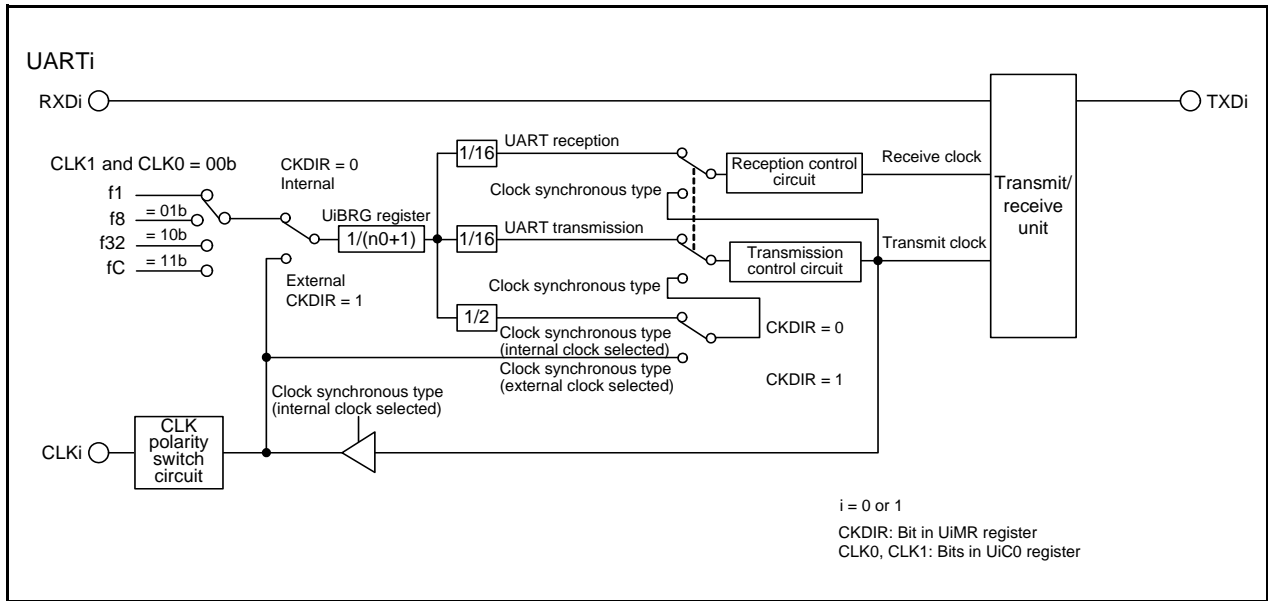


Figure 22.1 UARTi (i = 0 or 1) Block Diagram

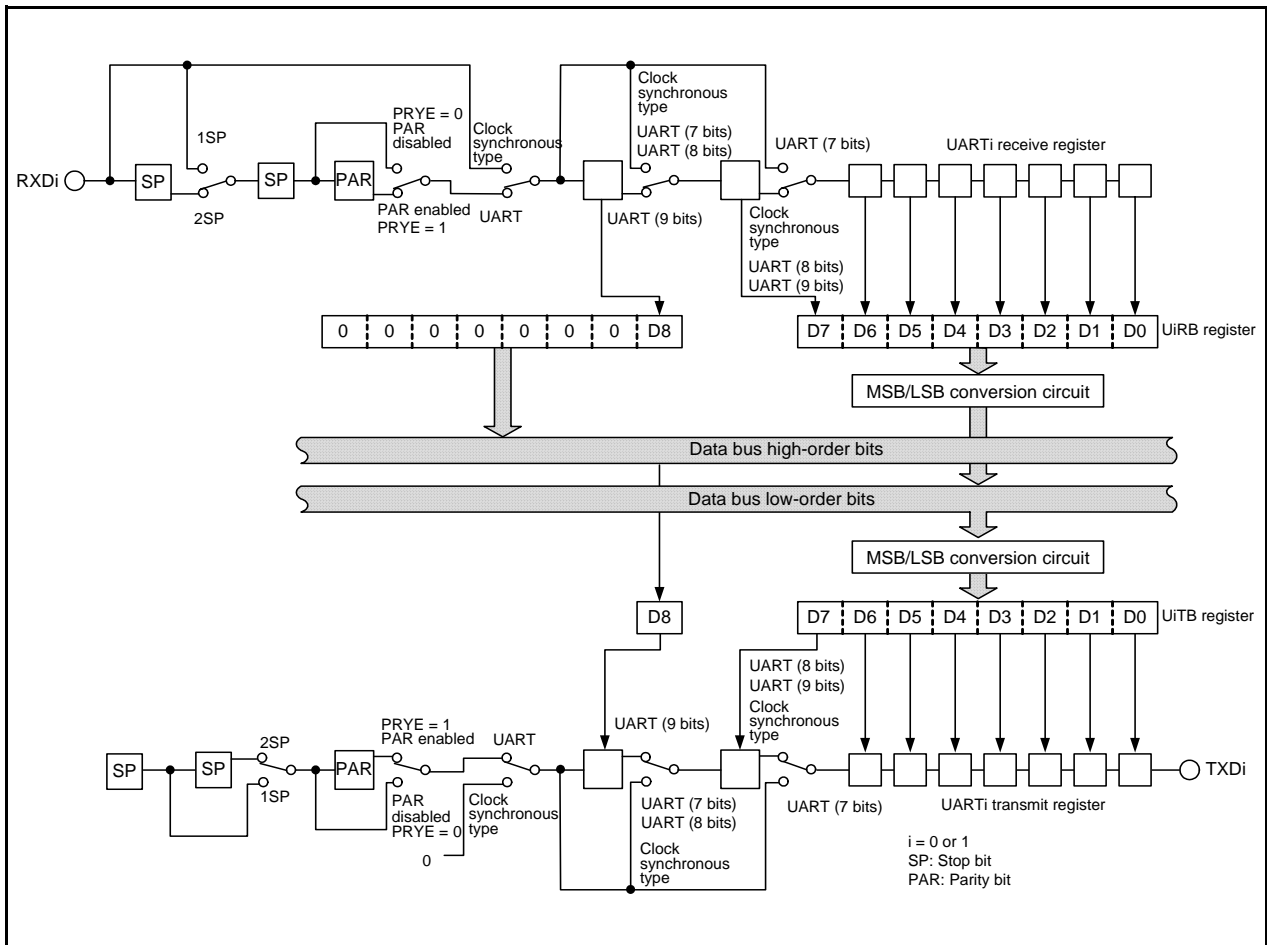


Figure 22.2 Block Diagram of UARTi Transmit/Receive Unit

Table 22.1 Pin Configuration of UARTi (i = 0 or 1)

Pin Name	Assigned Pin	I/O	Function
TXD0	P1_4	Output	Serial data output
RXD0	P1_5	Input	Serial data input
CLK0	P1_6	I/O	Transfer clock I/O
TXD1	P0_1 or P6_3	Output	Serial data output
RXD1	P0_2 or P6_4	Input	Serial data input
CLK1	P0_3, P6_2, or P6_5	I/O	Transfer clock I/O

22.2 Registers

22.2.1 UARTi Transmit/Receive Mode Register (UiMR) (i = 0 or 1)

Address 00A0h (U0MR), 0160h (U1MR)

Bit	b7	b6	b5	b4	b3	b2	b1	b0
Symbol	—	PRYE	PRY	STPS	CKDIR	SMD2	SMD1	SMD0
After Reset	0	0	0	0	0	0	0	0

Bit	Symbol	Bit Name	Function	R/W
b0	SMD0	Serial I/O mode select bit	b2 b1 b0 0 0 0: Serial interface disabled 0 0 1: Clock synchronous serial I/O mode 1 0 0: UART mode, transfer data 7 bits long 1 0 1: UART mode, transfer data 8 bits long 1 1 0: UART mode, transfer data 9 bits long Other than above: Do not set.	R/W
b1	SMD1			R/W
b2	SMD2			R/W
b3	CKDIR	Internal/external clock select bit	0: Internal clock 1: External clock	R/W
b4	STPS	Stop bit length select bit	0: One stop bit 1: Two stop bits	R/W
b5	PRY	Odd/even parity select bit	Enabled when PRYE = 1 0: Odd parity 1: Even parity	R/W
b6	PRYE	Parity enable bit	0: Parity disabled 1: Parity enabled	R/W
b7	—	Reserved bit	Set to 0.	R/W

22.2.2 UARTi Bit Rate Register (UiBRG) (i = 0 or 1)

Address 00A1h (U0BRG), 0161h (U1BRG)

Bit	b7	b6	b5	b4	b3	b2	b1	b0
Symbol	—	—	—	—	—	—	—	—
After Reset	X	X	X	X	X	X	X	X

Bit	Function	Setting Range	R/W
b7 to b0	If the setting value is n, UiBRG divides the count source by n+1.	00h to FFh	W

Write to the UiBRG register while transmission and reception stop.

Use the MOV instruction to write to this register.

Set bits CLK0 and CLK1 in the UiC0 register before writing to the UiBRG register.

22.2.3 UARTi Transmit Buffer Register (UiTB) (i = 0 or 1)

Address 00A3h to 00A2h (U0TB), 0163h to 0162h (U1TB)

Bit	b7	b6	b5	b4	b3	b2	b1	b0
Symbol	—	—	—	—	—	—	—	—
After Reset	X	X	X	X	X	X	X	X

Bit	b15	b14	b13	b12	b11	b10	b9	b8
Symbol	—	—	—	—	—	—	—	—
After Reset	X	X	X	X	X	X	X	X

Bit	Symbol	Function	R/W
b0	—	Transmit data	W
b1	—		
b2	—		
b3	—		
b4	—		
b5	—		
b6	—		
b7	—		
b8	—		
b9	—	Nothing is assigned. If necessary, set to 0. When read, the content is undefined.	—
b10	—		
b11	—		
b12	—		
b13	—		
b14	—		
b15	—		

If the transfer data is 9 bits long, write data to the high-order byte first, then low-order byte of the UiTB register. Use the MOV instruction to write to this register.

22.2.4 UARTi Transmit/Receive Control Register 0 (UiC0) (i = 0 or 1)

Address 00A4h (U0C0), 0164h (U1C0)

Bit	b7	b6	b5	b4	b3	b2	b1	b0
Symbol	UFORM	CKPOL	NCH	—	TXEPT	—	CLK1	CLK0
After Reset	0	0	0	0	1	0	0	0

Bit	Symbol	Bit Name	Function	R/W
b0	CLK0	BRG count source select bit ⁽¹⁾	b1 b0 0 0: f1 selected 0 1: f8 selected 1 0: f32 selected 1 1: fC selected	R/W
b1	CLK1			R/W
b2	—	Reserved bit	Set to 0.	R/W
b3	TXEPT	Transmit register empty flag	0: Data present in the transmit register (transmission in progress) 1: No data in the transmit register (transmission completed)	R
b4	—	Nothing is assigned. If necessary, set to 0. When read, the content is 0.		—
b5	NCH	Data output select bit	0: TXDi pin set to CMOS output 1: TXDi pin set to N-channel open-drain output	R/W
b6	CKPOL	CLK polarity select bit	0: Transmit data output at the falling edge and receive data input at the rising edge of the transfer clock 1: Transmit data output at the rising edge and receive data input at the falling edge of the transfer clock	R/W
b7	UFORM	Transfer format select bit	0: LSB first 1: MSB first	R/W

Note:

1. If the BRG count source is switched, set the UiBRG register again.

22.2.5 UARTi Transmit/Receive Control Register 1 (UiC1) (i = 0 or 1)

Address 00A5h (U0C1), 0165h (U1C1)

Bit	b7	b6	b5	b4	b3	b2	b1	b0
Symbol	—	—	UiRRM	UiIRS	RI	RE	TI	TE
After Reset	0	0	0	0	0	0	1	0

Bit	Symbol	Bit Name	Function	R/W
b0	TE	Transmit enable bit	0: Transmission disabled 1: Transmission enabled	R/W
b1	TI	Transmit buffer empty flag	0: Data present in the UiTB register 1: No data in the UiTB register	R
b2	RE	Receive enable bit	0: Reception disabled 1: Reception enabled	R/W
b3	RI	Receive complete flag ⁽¹⁾	0: No data in the UiRB register 1: Data present in the UiRB register	R
b4	UiIRS	UARTi transmit interrupt source select bit	0: Transmission buffer empty (TI = 1) 1: Transmission completed (TXEPT = 1)	R/W
b5	UiRRM	UARTi continuous receive mode enable bit ⁽²⁾	0: Continuous receive mode disabled 1: Continuous receive mode enabled	R/W
b6	—	Nothing is assigned. If necessary, set to 0. When read, the content is 0.		—
b7	—			

Notes:

1. The RI bit is set to 0 when the higher byte of the UiRB register is read.
2. In UART mode, set the UiRRM bit to 0 (continuous receive mode disabled).

22.2.6 UARTi Receive Buffer Register (UiRB) (i = 0 or 1)

Address 00A7h to 00A6h (U0RB), 0167h to 0166h (U1RB)

Bit	b7	b6	b5	b4	b3	b2	b1	b0
Symbol	—	—	—	—	—	—	—	—
After Reset	X	X	X	X	X	X	X	X

Bit	b15	b14	b13	b12	b11	b10	b9	b8
Symbol	SUM	PER	FER	OER	—	—	—	—
After Reset	X	X	X	X	X	X	X	X

Bit	Symbol	Bit Name	Function	R/W
b0	—	—	Receive data (D7 to D0)	R
b1	—			
b2	—			
b3	—			
b4	—			
b5	—			
b6	—			
b7	—			
b8	—	—	Receive data (D8)	R
b9	—	Nothing is assigned. If necessary, set to 0. When read, the content is undefined.		—
b10	—			
b11	—			
b12	OER	Overrun error flag ⁽¹⁾	0: No overrun error 1: Overrun error	R
b13	FER	Framing error flag ⁽¹⁾	0: No framing error 1: Framing error	R
b14	PER	Parity error flag ⁽¹⁾	0: No parity error 1: Parity error	R
b15	SUM	Error sum flag ⁽¹⁾	0: No error 1: Error	R

Note:

- Bits SUM, PER, FER, and OER are set to 0 (no error) when either of the following is set:
 - Bits SMD2 to SMD0 in the UiMR register are set to 000b (serial interface disabled), or
 - The RE bit in the UiC1 register is set to 0 (reception disabled)
 The SUM bit is set to 0 (no error) when all of bits PER, FER, and OER are set to 0 (no error).
 Bits PER and FER are also set to 0 when the high-order byte of the UiRB register is read.

Always read the UiRB register in 16-bit units.

22.2.7 UART0 Pin Select Register (U0SR)

Address 0188h

Bit	b7	b6	b5	b4	b3	b2	b1	b0
Symbol	—	—	—	CLK0SELO	—	RXD0SELO	—	TXD0SELO
After Reset	0	0	0	0	0	0	0	0

Bit	Symbol	Bit Name	Function	R/W
b0	TXD0SELO	TXD0 pin select bit	0: TXD0 pin not used 1: P1_4 assigned	R/W
b1	—	Nothing is assigned. If necessary, set to 0. When read, the content is 0.		—
b2	RXD0SELO	RXD0 pin select bit	0: RXD0 pin not used 1: P1_5 assigned	R/W
b3	—	Nothing is assigned. If necessary, set to 0. When read, the content is 0.		—
b4	CLK0SELO	CLK0 pin select bit	0: CLK0 pin not used 1: P1_6 assigned	R/W
b5	—	Nothing is assigned. If necessary, set to 0. When read, the content is 0.		—
b6	—			
b7	—			

The U0SR register selects which pin is assigned to the UART0 I/O. To use the I/O pin for UART0, set this register.

Set the U0SR register before setting the UART0 associated registers. Also, do not change the setting value in this register during UART0 operation.

22.2.8 UART1 Pin Select Register (U1SR)

Address 0189h

Bit	b7	b6	b5	b4	b3	b2	b1	b0
Symbol	—	—	CLK1SEL1	CLK1SELO	RXD1SEL1	RXD1SELO	TXD1SEL1	TXD1SELO
After Reset	0	0	0	0	0	0	0	0

Bit	Symbol	Bit Name	Function	R/W
b0	TXD1SELO	TXD1 pin select bit	b1 b0 0 0: TXD1 pin not used 0 1: P0_1 assigned 1 0: P6_3 assigned 1 1: Do not set.	R/W
b1	TXD1SEL1			R/W
b2	RXD1SELO	RXD1 pin select bit	b3 b2 0 0: RXD1 pin not used 0 1: P0_2 assigned 1 0: P6_4 assigned 1 1: Do not set.	R/W
b3	RXD1SEL1			R/W
b4	CLK1SELO	CLK1 pin select bit	b5 b4 0 0: CLK1 pin not used 0 1: P0_3 assigned 1 0: P6_2 assigned 1 1: P6_5 assigned	R/W
b5	CLK1SEL1			R/W
b6	—	Nothing is assigned. If necessary, set to 0. When read, the content is 0.		—
b7	—			—

The U1SR register selects which pin is assigned to the UART1 I/O. To use the I/O pin for UART1, set this register.

Set the U1SR register before setting the UART1 associated registers. Also, do not change the setting value in this register during UART1 operation.

22.3 Clock Synchronous Serial I/O Mode

In clock synchronous serial I/O mode, data is transmitted and received using a transfer clock.

Table 22.2 lists the Clock Synchronous Serial I/O Mode Specifications. Table 22.3 lists the Registers Used and Settings in Clock Synchronous Serial I/O Mode ⁽¹⁾.

Table 22.2 Clock Synchronous Serial I/O Mode Specifications

Item	Specification
Transfer data format	<ul style="list-style-type: none"> Transfer data length: 8 bits
Transfer clocks	<ul style="list-style-type: none"> The CKDIR bit in the UiMR register is set to 0 (internal clock): $f_i/(2(n+1))$ $f_i = f_1, f_8, f_{32}, f_C$ n = setting value in the UiBRG register: 00h to FFh The CKDIR bit is set to 1 (external clock): Input from the CLKi pin
Transmit start conditions	<ul style="list-style-type: none"> To start transmission, the following requirements must be met: ⁽¹⁾ <ul style="list-style-type: none"> The TE bit in the UiC1 register is set to 1 (transmission enabled). The TI bit in the UiC1 register is set to 0 (data present in the UiTB register).
Receive start conditions	<ul style="list-style-type: none"> To start reception, the following requirements must be met: ⁽¹⁾ <ul style="list-style-type: none"> The RE bit in the UiC1 register is set to 1 (reception enabled). The TE bit in the UiC1 register is set to 1 (transmission enabled). The TI bit in the UiC1 register is set to 0 (data present in the UiTB register).
Interrupt request generation timing	<ul style="list-style-type: none"> For transmission: One of the following can be selected. <ul style="list-style-type: none"> The UiIRS bit is set to 0 (transmit buffer empty): When data is transferred from the UiTB register to the UARTi transmit register (at start of transmission). The UiIRS bit is set to 1 (transmission completed): When data transmission from the UARTi transmit register is completed. For reception: When data is transferred from the UARTi receive register to the UiRB register (at completion of reception).
Error detection	<ul style="list-style-type: none"> Overrun error ⁽²⁾ This error occurs if the serial interface starts receiving the next unit of data before reading the UiRB register and receives the 7th bit of the next unit of data.
Selectable functions	<ul style="list-style-type: none"> CLK polarity selection Transfer data input/output can be selected to occur synchronously with the rising or the falling edge of the transfer clock. LSB first, MSB first selection Whether transmitting or receiving data begins with bit 0 or begins with bit 7 can be selected. Continuous receive mode selection Reception is enabled immediately by reading the UiRB register.

i = 0 or 1

Notes:

- When an external clock is selected, the requirements must be met in either of the following states:
 - The external clock is held high when the CKPOL bit in the UiC0 register is set to 0 (transmit data output at the falling edge and receive data input at the rising edge of the transfer clock)
 - The external clock is held low when the CKPOL bit in the UiC0 register is set to 1 (transmit data output at the rising edge and receive data input at the falling edge of the transfer clock)
- If an overrun error occurs, the receive data (b0 to b8) in the UiRB register will be undefined. The IR bit in the SiRIC register remains unchanged.

Table 22.3 Registers Used and Settings in Clock Synchronous Serial I/O Mode (1)

Register	Bit	Function
UiTB	b0 to b7	Set data transmission.
UiRB	b0 to b7	Receive data can be read.
	OER	Overrun error flag
UiBRG	b0 to b7	Set a bit rate.
UiMR	SMD2 to SMD0	Set to 001b.
	CKDIR	Select the internal clock or external clock.
UiC0	CLK1, CLK0	Select the count source for the UiBRG register.
	TXEPT	Transmit register empty flag
	NCH	Select TXDi pin output mode.
	CKPOL	Select the transfer clock polarity.
	UFORM	Select LSB first or MSB first.
UiC1	TE	Set to 1 to enable transmission/reception
	TI	Transmit buffer empty flag
	RE	Set to 1 to enable reception.
	RI	Receive complete flag
	UiIRS	Select the UARTi transmit interrupt source.
	UiRRM	Set to 1 to use continuous receive mode.

i = 0 or 1

Note:

1. Set the bits not listed in this table to 0 when writing to the above registers in clock synchronous serial I/O mode.

Table 22.4 lists the I/O Pin Functions in Clock Synchronous Serial I/O Mode.

After UARTi (i = 0 or 1) operating mode is selected, the TXDi pin outputs a “H” level until transfer starts. (If the NCH bit is set to 1 (N-channel open-drain output), this pin is in the high-impedance state.)

Table 22.4 I/O Pin Functions in Clock Synchronous Serial I/O Mode

Pin Name	Function	Selection Method
TXD0 (P1_4)	Serial data output	TXD0SEL0 bit in U0SR register = 1 For reception only: P1_4 can be used as a port by setting TXD0SEL0 bit = 0.
RXD0 (P1_5)	Serial data input	RXD0SEL0 bit in U0SR register = 1 PD1_5 bit in PD1 register = 0 For transmission only: P1_5 can be used as a port by setting RXD0SEL0 bit = 0.
CLK0 (P1_6)	Transfer clock output	CLK0SEL0 bit in U0SR register = 1 CKDIR bit in U0MR register = 0
	Transfer clock input	CLK0SEL0 bit in U0SR register = 1 CKDIR bit in U0MR register = 1 PD1_6 bit in PD1 register = 0
TXD1 (P0_1 or P6_3)	Serial data output	<ul style="list-style-type: none"> • TXD1 (P0_1) Bits TXD1SEL1 to TXD1SEL0 in U1SR register = 01b (P0_1) • TXD1 (P6_3) Bits TXD1SEL1 to TXD1SEL0 in U1SR register = 10b (P6_3) • For reception only: P0_1 and P6_3 can be used as a port by setting bits TXD1SEL1 to TXD1SEL0 = 00b.
RXD1 (P0_2 or P6_4)	Serial data input	<ul style="list-style-type: none"> • RXD1 (P0_2) Bits RXD1SEL1 to RXD1SEL0 in U1SR register = 01b (P0_2) PD0_2 bit in PD0 register = 0 • RXD1 (P6_4) Bits RXD1SEL1 to RXD1SEL0 in U1SR register = 10b (P6_4) PD6_4 bit in PD6 register = 0 • For transmission only: P0_2 and P6_4 can be used as a port by setting bits RXD1SEL1 to RXD1SEL0 = 00b.
CLK1 (P0_3, P6_2, or P6_5)	Transfer clock output	<ul style="list-style-type: none"> • CLK1 (P0_3) Bits CLK1SEL1 to CLK1SEL0 in U1SR register = 01b (P0_3) CKDIR bit in U1MR register = 0 • CLK1 (P6_2) Bits CLK1SEL1 to CLK1SEL0 in U1SR register = 10b (P6_2) CKDIR bit in U1MR register = 0 • CLK1 (P6_5) Bits CLK1SEL1 to CLK1SEL0 in U1SR register = 11b (P6_5) CKDIR bit in U1MR register = 0
	Transfer clock input	<ul style="list-style-type: none"> • CLK1 (P0_3) Bits CLK1SEL1 to CLK1SEL0 in U1SR register = 01b (P0_3) CKDIR bit in U1MR register = 1 PD0_3 bit in PD0 register = 0 • CLK1 (P6_2) Bits CLK1SEL1 to CLK1SEL0 in U1SR register = 10b (P6_2) CKDIR bit in U1MR register = 1 PD6_2 bit in PD6 register = 0 • CLK1 (P6_5) Bits CLK1SEL1 to CLK1SEL0 in U1SR register = 11b (P6_5) CKDIR bit in U1MR register = 1 PD6_5 bit in PD6 register = 0

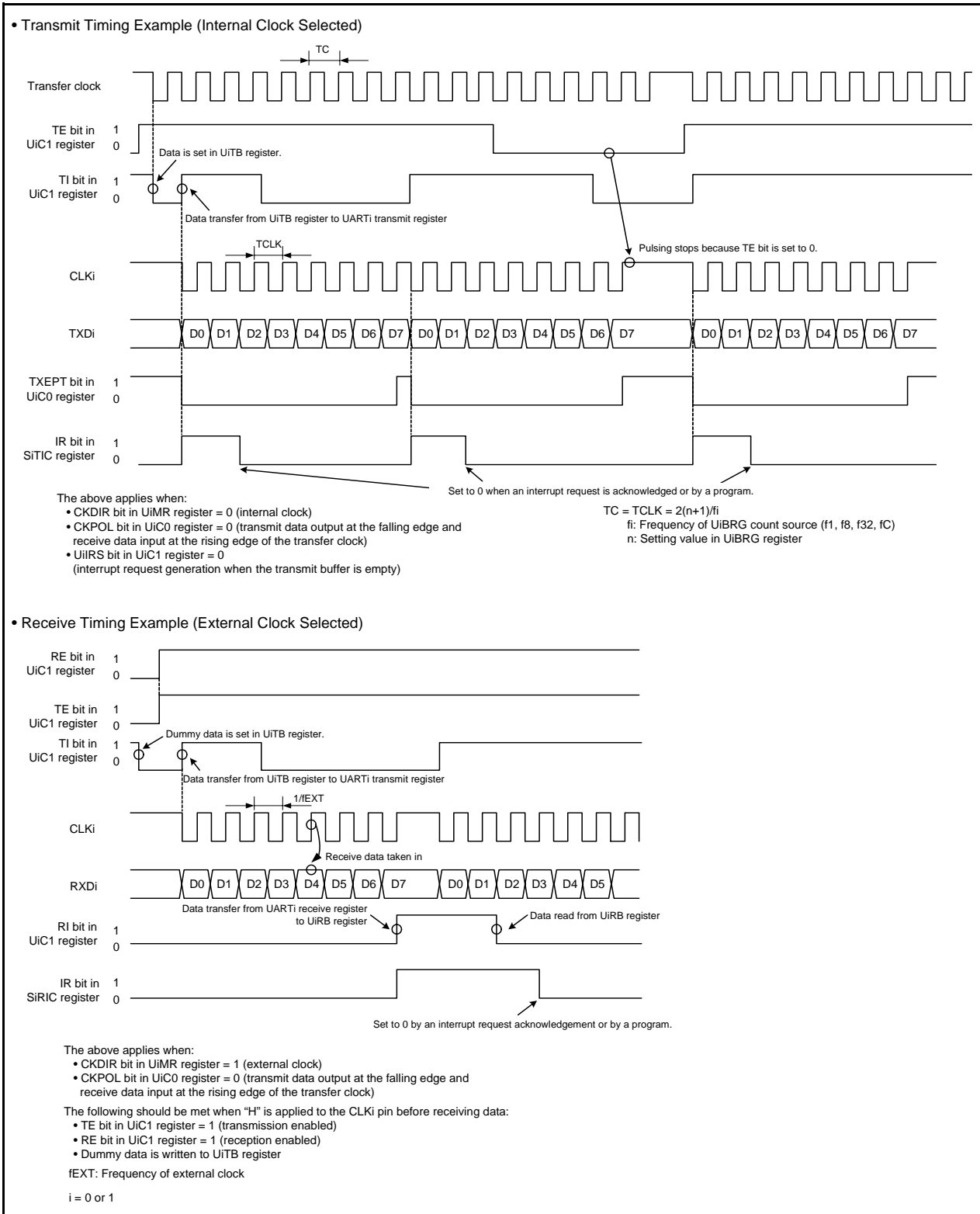


Figure 22.3 Transmit and Receive Timing in Clock Synchronous Serial I/O Mode

22.3.1 Measure for Dealing with Communication Errors

If a communication error occurs while transmitting or receiving in clock synchronous serial I/O mode, follow the procedures below:

- Resetting the UiRB (i = 0 or 1) register

- (1) Set the RE bit in the UiC1 register to 0 (reception disabled).
- (2) Set bits SMD2 to SMD0 in the UiMR register to 000b (serial interface disabled).
- (3) Set bits SMD2 to SMD0 in the UiMR register to 001b (clock synchronous serial I/O mode).
- (4) Set the RE bit in the UiC1 register to 1 (reception enabled).

- Resetting the UiTB register

- (1) Set bits SMD2 to SMD0 in the UiMR register to 000b (serial interface disabled).
- (2) Set bits SMD2 to SMD0 in the UiMR register to 001b (clock synchronous serial I/O mode).
- (3) Write 1 to the TE bit in the UiC1 register (transmission enabled), regardless of the TE bit value in the UiC1 register.

22.3.2 Polarity Select Function

Figure 22.4 shows the Transfer Clock Polarity. Use the CKPOL bit in the UiC0 (i = 0 or 1) register to select the transfer clock polarity.

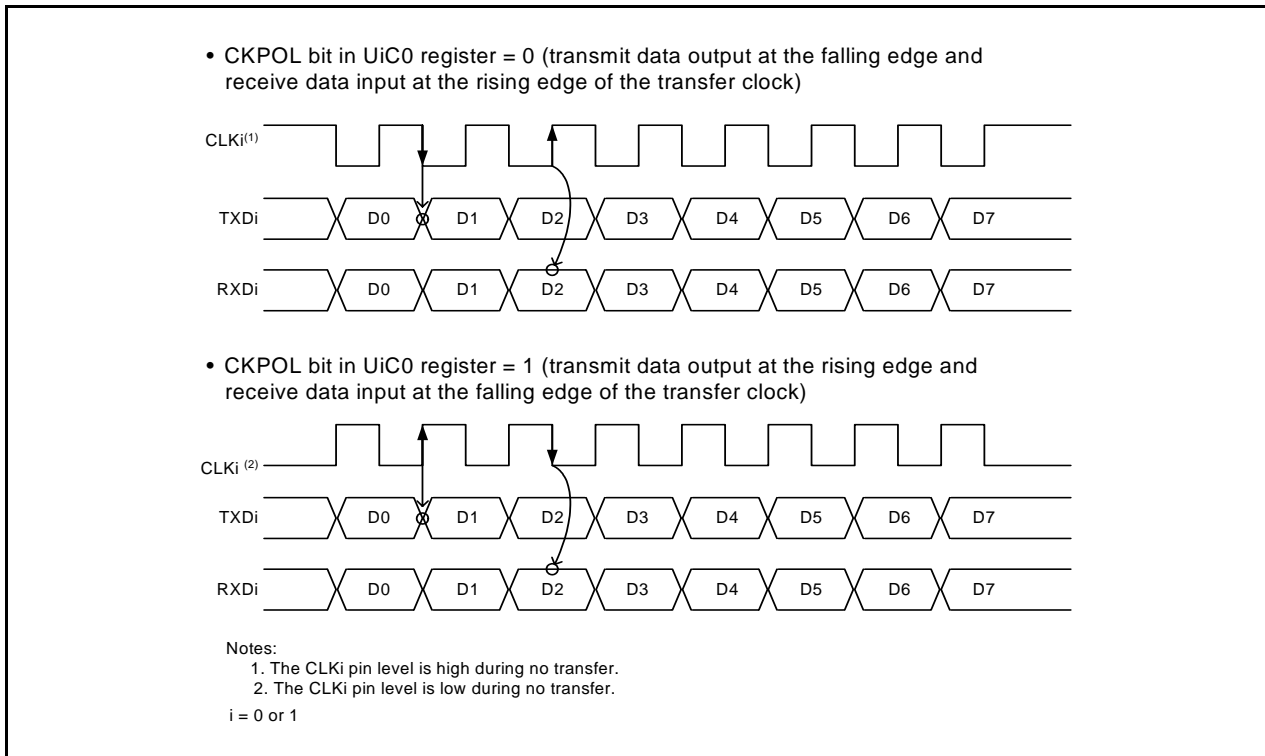


Figure 22.4 Transfer Clock Polarity

22.3.3 LSB First/MSB First Select Function

Figure 22.5 shows the Transfer Format. Use the UFORM bit in the UiC0 (i = 0 to 1) register to select the transfer format.

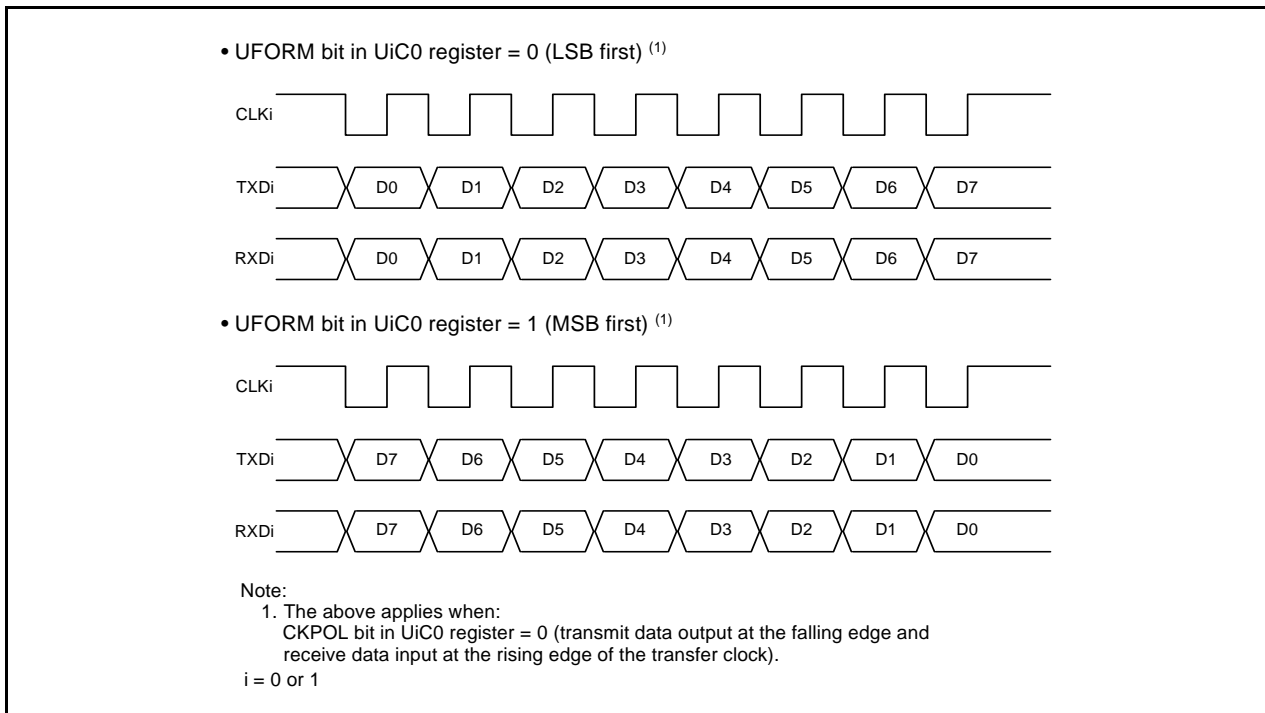


Figure 22.5 Transfer Format

22.3.4 Continuous Receive Mode

Continuous receive mode is selected by setting the UiRRM bit in the UiC1 register (i = 0 or 1) to 1 (continuous receive mode enabled). In this mode, reading the UiRB register sets the TI bit in the UiC1 register to 0 (data present in the UiTB register). If the UiRRM bit is set to 1, do not write dummy data to the UiTB register by a program.

22.4 Clock Asynchronous Serial I/O (UART) Mode

The UART mode allows data transmission and reception after setting the desired bit rate and transfer data format. Table 22.5 lists the UART Mode Specifications. Table 22.6 lists the Registers Used and Settings in UART Mode.

Table 22.5 UART Mode Specifications

Item	Specification
Transfer data formats	<ul style="list-style-type: none"> • Character bits (transfer data): Selectable among 7, 8 or 9 bits • Start bit: 1 bit • Parity bit: Selectable among odd, even, or none • Stop bits: Selectable among 1 or 2 bits
Transfer clocks	<ul style="list-style-type: none"> • The CKDIR bit in the UiMR register is set to 0 (internal clock): $f_j / (16(n+1))$ $f_j = f_1, f_8, f_{32}, f_C$ $n =$ setting value in the UiBRG register: 00h to FFh • The CKDIR bit is set to 1 (external clock): $f_{EXT} / (16(n+1))$ f_{EXT}: Input from the CLKi pin, $n =$ setting value in the UiBRG register: 00h to FFh
Transmit start conditions	<ul style="list-style-type: none"> • To start transmission, the following requirements must be met: <ul style="list-style-type: none"> - The TE bit in the UiC1 register is set to 1 (transmission enabled). - The TI bit in the UiC1 register is set to 0 (data present in the UiTB register).
Receive start conditions	<ul style="list-style-type: none"> • To start reception, the following requirements must be met: <ul style="list-style-type: none"> - The RE bit in the UiC1 register is set to 1 (reception enabled). - Start bit detection
Interrupt request generation timing	<ul style="list-style-type: none"> • For transmission: One of the following can be selected. <ul style="list-style-type: none"> - The UiIRS bit is set to 0 (transmit buffer empty): When data is transferred from the UiTB register to the UARTi transmit register (at start of transmission). - The UiIRS bit is set to 1 (transfer completed): When data transmission from the UARTi transmit register is completed. • For reception: When data is transferred from the UARTi receive register to the UiRB register (at completion of reception).
Error detection	<ul style="list-style-type: none"> • Overrun error ⁽¹⁾ This error occurs if the serial interface starts receiving the next unit of data before reading the UiRB register and receive the bit one before the last stop bit of the next unit of data. • Framing error This error occurs when the set number of stop bits is not detected. • Parity error This error occurs when parity is enabled, and the number of 1's in the parity and character bits do not match the set number of 1's. • Error sum flag This flag is set is set to 1 if an overrun, framing, or parity error occurs.

i = 0 or 1

Note:

1. If an overrun error occurs, the receive data (b0 to b8) in the UiRB register will be undefined. The IR bit in the SiRIC register remains unchanged.

Table 22.6 Registers Used and Settings in UART Mode

Register	Bit	Function
UiTB	b0 to b8	Set transmit data. ⁽¹⁾
UiRB	b0 to b8	Receive data can be read. ⁽²⁾
	OER, FER, PER, SUM	Error flag
UiBRG	b0 to b7	Set a bit rate.
UiMR	SMD2 to SMD0	Set to 100b when transfer data is 7 bits long. Set to 101b when transfer data is 8 bits long. Set to 110b when transfer data is 9 bits long.
	CKDIR	Select the internal clock or external clock.
	STPS	Select the stop bit.
	PRY, PRYE	Select whether parity is included and whether odd or even.
UiC0	CLK0, CLK1	Select the count source for the UiBRG register.
	TXEPT	Transmit register empty flag
	NCH	Select TXD _i pin output mode.
	CKPOL	Set to 0.
	UFORM	Select LSB first or MSB first when transfer data is 8 bits long. Set to 0 when transfer data is 7 bits or 9 bits long.
UiC1	TE	Set to 1 to enable transmission.
	TI	Transmit buffer empty flag
	RE	Set to 1 to enable reception.
	RI	Receive complete flag
	UiIRS	Select the UART _i transmit interrupt source.
	UiRRM	Set to 0.

i = 0 or 1

Notes:

1. The bits used for transmission/receive data are as follows:
 - Bits b0 to b6 when transfer data is 7 bits long
 - Bits b0 to b7 when transfer data is 8 bits long
 - Bits b0 to b8 when transfer data is 9 bits long
2. The contents of the following are undefined:
 - Bits 7 and 8 when the transfer data is 7 bits long
 - Bit 8 when the transfer data is 8 bits long

Table 22.7 lists the I/O Pin Functions in UART Mode.

After the UARTi (i = 0 to 1) operating mode is selected, the TXDi pin outputs a “H” level until transfer starts. (If the NCH bit is set to 1 (N-channel open-drain output), this pin is in the high-impedance state.)

Table 22.7 I/O Pin Functions in UART Mode

Pin name	Function	Selection Method
TXD0 (P1_4)	Serial data output	TXD0SEL0 bit in U0SR register = 1 For reception only: P1_4 can be used as a port by setting TXD0SEL0 bit = 0.
RXD0 (P1_5)	Serial data input	RXD0SEL0 bit in U0SR register = 1 PD1_5 bit in PD1 register = 0 For transmission only: P1_5 can be used as a port by setting RXD0SEL0 bit = 0.
CLK0 (P1_6)	Programmable I/O port	CLK0SEL0 bit in U0SR register = 0 (CLK0 pin not used)
	Transfer clock input	CLK0SEL0 bit in U0SR register = 1 CKDIR bit in U0MR register = 1 PD1_6 bit in PD1 register = 0
TXD1 (P0_1 or P6_3)	Serial data output	• TXD1 (P0_1) Bits TXD1SEL1 to TXD1SEL0 in U1SR register = 01b (P0_1)
		• TXD1 (P6_3) Bits TXD1SEL1 to TXD1SEL0 in U1SR register = 10b (P6_3) • For reception only: P0_1 and P6_3 can be used as a port by setting bits TXD1SEL1 to TXD1SEL0 = 00b.
RXD1 (P0_2 or P6_4)	Serial data input	• RXD1 (P0_2) Bits RXD1SEL1 to RXD1SEL0 in U1SR register = 01b (P0_2) PD0_2 bit in PD0 register = 0
		• RXD1 (P6_4) Bits RXD1SEL1 to RXD1SEL0 in U1SR register = 10b (P6_4) PD6_4 bit in PD6 register = 0 • For transmission only: P0_2 and P6_4 can be used as a port by setting bits RXD1SEL1 to RXD1SEL0 = 00b.
CLK1 (P0_3, P6_2, or P6_5)	Programmable I/O port	Bits CLK1SEL1 to CLK1SEL0 in U1SR register = 00b (CLK1 pin not used)
	Transfer clock input	• CLK1 (P0_3) Bits CLK1SEL1 to CLK1SEL0 in U1SR register = 01b (P0_3) CKDIR bit in U1MR register = 1 PD0_3 bit in PD0 register = 0 • CLK1 (P6_2) Bits CLK1SEL1 to CLK1SEL0 in U1SR register = 10b (P6_2) CKDIR bit in U1MR register = 1 PD6_2 bit in PD6 register = 0 • CLK1 (P6_5) Bits CLK1SEL1 to CLK1SEL0 in U1SR register = 11b (P6_5) CKDIR bit in U1MR register = 1 PD6_5 bit in PD6 register = 0

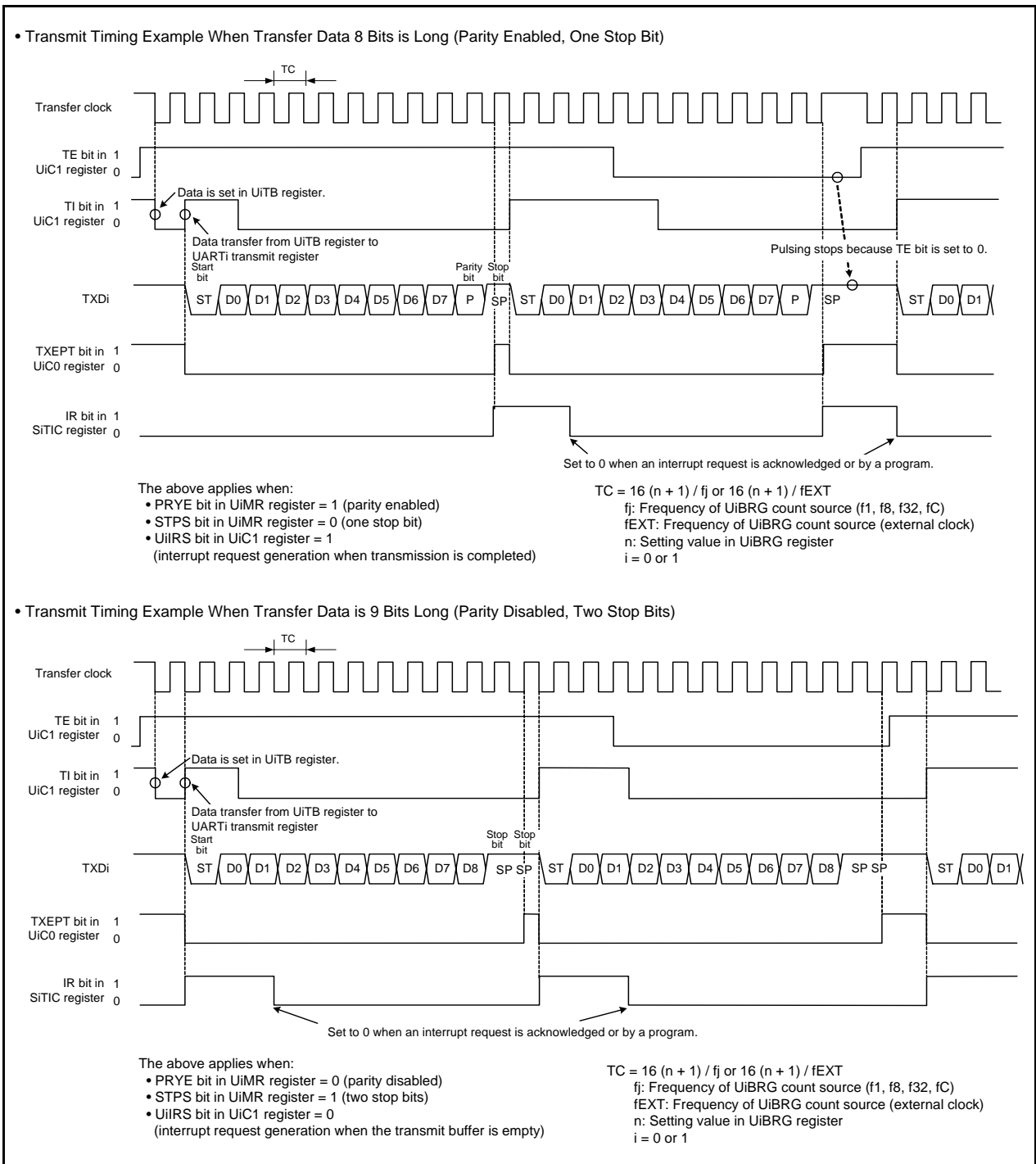


Figure 22.6 Transmit Timing in UART Mode

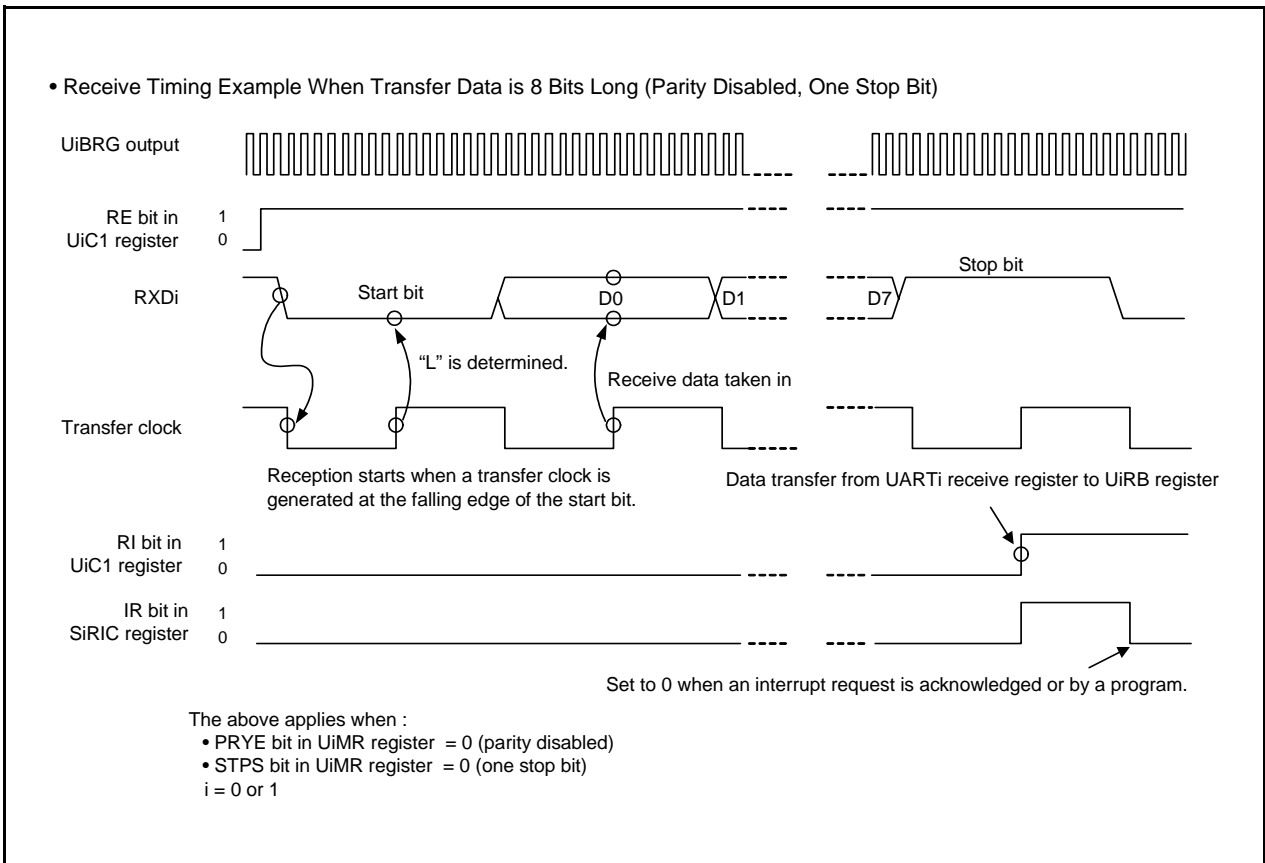


Figure 22.7 Receive Timing in UART Mode

22.4.1 Bit Rate

In UART mode, the bit rate is the frequency divided by the UiBRG (i = 0 or 1) register and divided by 16.

UART mode

- Internal clock selected

$$\text{Setting value in UiBRG register} = \frac{f_j}{\text{Bit Rate} \times 16} - 1$$

f_j: Count source frequency of UiBRG register (f₁, f₈, f₃₂, or f_C)

- External clock selected

$$\text{Setting value in UiBRG register} = \frac{f_{\text{EXT}}}{\text{Bit Rate} \times 16} - 1$$

f_{EXT}: Count source frequency of UiBRG register (external clock)

i = 0 or 1

Figure 22.8 Formula for Calculating Setting Value in UiBRG (i = 0 or 1) Register

Table 22.8 Bit Rate Setting Example in UART Mode (Internal Clock Selected)

Bit Rate (bps)	UiBRG Count Source	System Clock = 20 MHz			System Clock = 18.432 MHz ⁽¹⁾			System Clock = 8 MHz		
		UiBRG Setting Value	Actual Time (bps)	Setting Error (%)	UiBRG Setting Value	Actual Time (bps)	Setting Error (%)	UiBRG Setting Value	Actual Time (bps)	Setting Error (%)
1200	f8	129 (81h)	1201.92	0.16	119 (77h)	1200.00	0.00	51 (33h)	1201.92	0.16
2400	f8	64 (40h)	2403.85	0.16	59 (3Bh)	2400.00	0.00	25 (19h)	2403.85	0.16
4800	f8	32 (20h)	4734.85	-1.36	29 (1Dh)	4800.00	0.00	12 (0Ch)	4807.69	0.16
9600	f1	129 (81h)	9615.38	0.16	119 (77h)	9600.00	0.00	51 (33h)	9615.38	0.16
14400	f1	86 (56h)	14367.82	-0.22	79 (4Fh)	14400.00	0.00	34 (22h)	14285.71	-0.79
19200	f1	64 (40h)	19230.77	0.16	59 (3Bh)	19200.00	0.00	25 (19h)	19230.77	0.16
28800	f1	42 (2Ah)	29069.77	0.94	39 (27h)	28800.00	0.00	16 (10h)	29411.76	2.12
38400	f1	32 (20h)	37878.79	-1.36	29 (1Dh)	38400.00	0.00	12 (0Ch)	38461.54	0.16
57600	f1	21 (15h)	56818.18	-1.36	19 (13h)	57600.00	0.00	8 (08h)	55555.56	-3.55
115200	f1	10 (0Ah)	113636.36	-1.36	9 (09h)	115200.00	0.00	–	–	–

i = 0 or 1

Note:

- For the high-speed on-chip oscillator, the correction value in the FRA4 register should be written into the FRA1 register and the correction value in the FRA5 register should be written into the FRA3 register. This applies when the high-speed on-chip oscillator is selected as the system clock and bits FRA22 to FRA20 in the FRA2 register are set to 000b (divide-by-2 mode). For the precision of the high-speed on-chip oscillator, refer to **34. Electrical Characteristics**.

22.4.2 Measure for Dealing with Communication Errors

If a communication error occurs while transmitting or receiving in UART mode, follow the procedures below:

- Resetting the UiRB (i = 0 or 1) register

- (1) Set the RE bit in the UiC1 register to 0 (reception disabled).
- (2) Set the RE bit in the UiC1 register to 1 (reception enabled).

- Resetting the UiTB register

- (1) Set bits SMD2 to SMD0 in the UiMR register to 000b (serial interface disabled).
- (2) Reset bits SMD2 to SMD0 in the UiMR register to 001b, 101b, and 110b.
- (3) Write 1 to the TE bit in the UiC1 register (transmission enabled), regardless of the TE bit value in the UiC1 register.

22.5 Notes on Serial Interface (UARTi (i = 0 or 1))

- When reading data from the UiRB (i = 0 or 1) register either in clock synchronous serial I/O mode or in clock asynchronous serial I/O mode, always read data in 16-bit units.
When the high-order byte of the UiRB register is read, bits PER and FER in the UiRB register and the RI bit in the UiC1 register are set to 0.
To check receive errors, read the UiRB register and then use the read data.

Program example to read the receive buffer register:

```
MOV.W    00A6H,R0    ; Read the UORB register
```

- When writing data to the UiTB register in clock asynchronous serial I/O mode with 9-bit transfer data length, write data to the high-order byte first and then the low-order byte, in 8-bit units.

Program example to write to the transmit buffer register:

```
MOV.B    #XXH,00A3H  ; Write to the high-order byte of the UOTB register  
MOV.B    #XXH,00A2H  ; Write to the low-order byte of the UOTB register
```


23. Serial Interface (UART2)

The serial interface consists of three channels, UART0 to UART2. This chapter describes the UART2.

23.1 Overview

UART2 has a dedicated timer to generate a transfer clock and operate independently.

Figure 23.1 shows a UART2 Block Diagram. Figure 23.2 shows a Block Diagram of UART2 Transmit/Receive Unit. Table 23.1 lists the Pin Configuration of UART2.

UART2 has the following modes:

- Clock synchronous serial I/O mode
- Clock asynchronous serial I/O mode (UART mode)
- Special mode 1 (I²C mode)
- Multiprocessor communication function

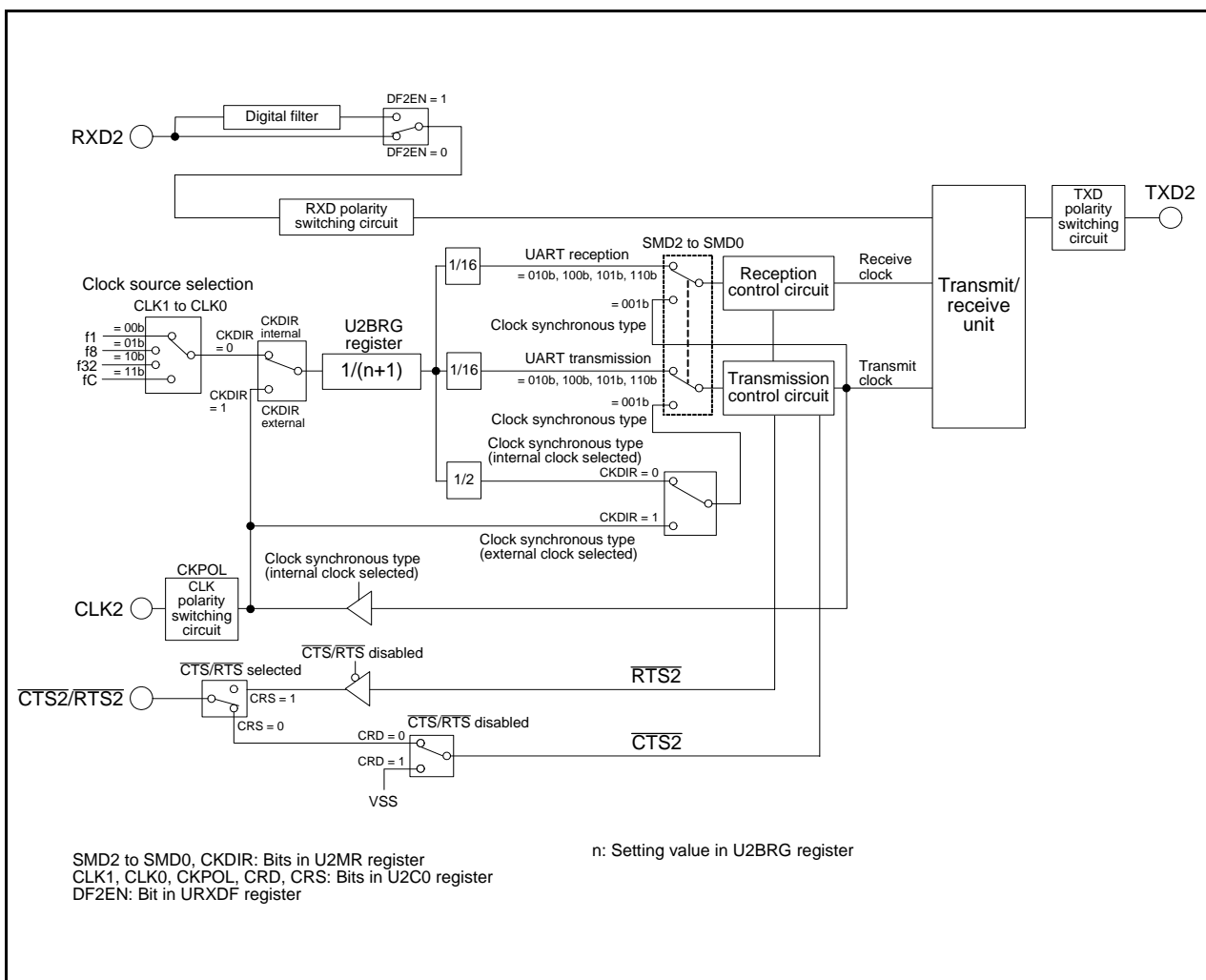


Figure 23.1 UART2 Block Diagram

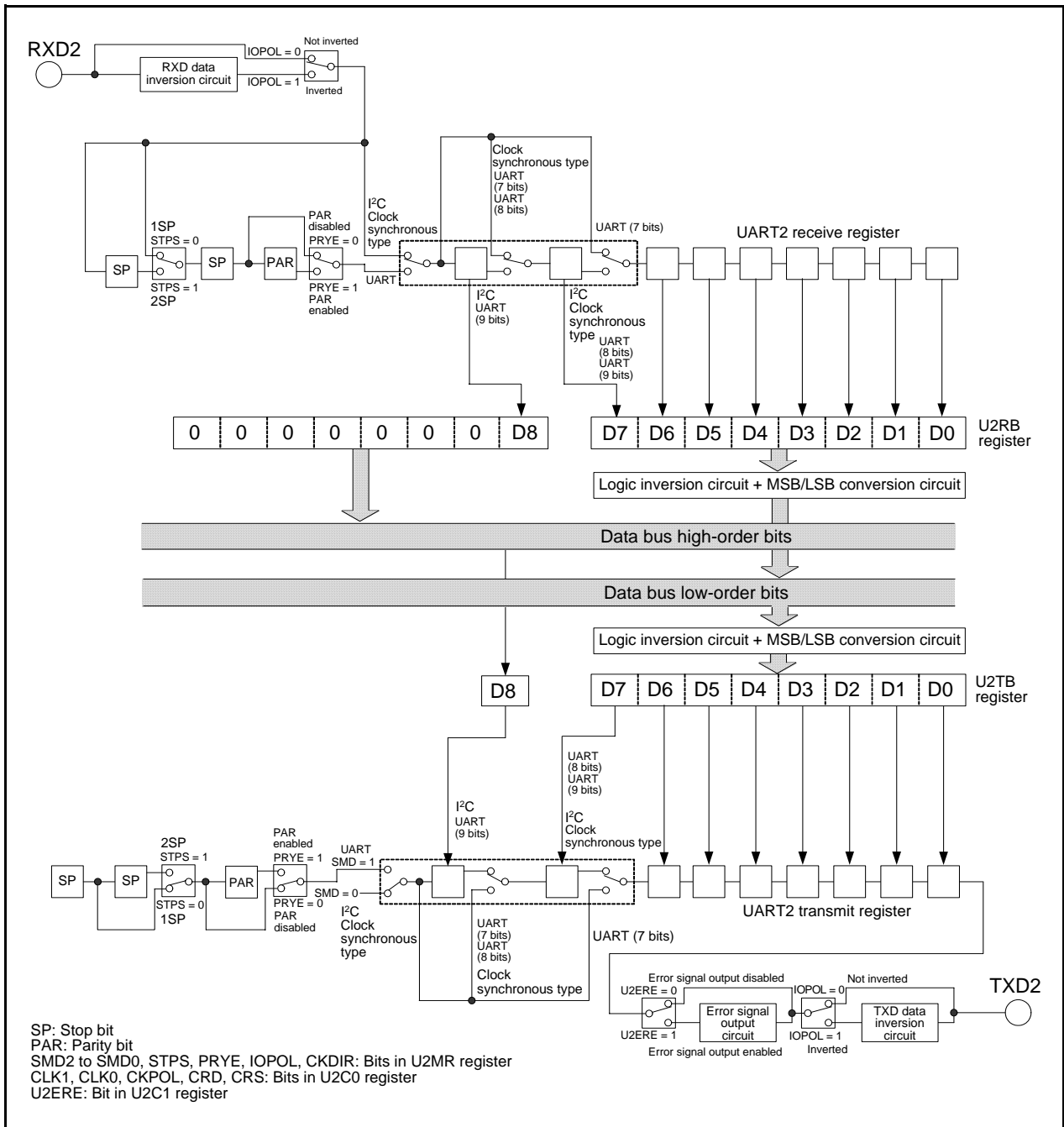


Figure 23.2 Block Diagram of UART2 Transmit/Receive Unit

Table 23.1 Pin Configuration of UART2

Pin Name	Assigned Pin	I/O	Function
TXD2	P3_4, P3_7, or P6_6	Output	Serial data output
RXD2	P3_4, P3_7, or P4_5	Input	Serial data input
CLK2	P3_5 or P6_5	I/O	Transfer clock I/O
CTS2	P3_3	Input	Transmit control input
RTS2	P3_3	Output	Receive control input
SCL2	P3_4, P3_7, or P4_5	I/O	I2C mode clock I/O
SDA2	P3_4, P3_7, or P6_6	I/O	I2C mode data I/O

23.2 Registers

23.2.1 UART2 Transmit/Receive Mode Register (U2MR)

Address 00A8h

Bit	b7	b6	b5	b4	b3	b2	b1	b0
Symbol	IOPOL	PRYE	PRY	STPS	CKDIR	SMD2	SMD1	SMD0
After Reset	0	0	0	0	0	0	0	0

Bit	Symbol	Bit Name	Function	R/W
b0	SMD0	Serial I/O mode select bit	b2 b1 b0 0 0 0: Serial interface disabled 0 0 1: Clock synchronous serial I/O mode 0 1 0: I ² C mode 1 0 0: UART mode, transfer data 7 bits long 1 0 1: UART mode, transfer data 8 bits long 1 1 0: UART mode, transfer data 9 bits long Other than above: Do not set.	R/W
b1	SMD1			R/W
b2	SMD2			R/W
b3	CKDIR	Internal/external clock select bit	0: Internal clock 1: External clock	R/W
b4	STPS	Stop bit length select bit	0: One stop bit 1: Two stop bits	R/W
b5	PRY	Odd/even parity select bit	Enabled when PRYE = 1 0: Odd parity 1: Even parity	R/W
b6	PRYE	Parity enable bit	0: Parity disabled 1: Parity enabled	R/W
b7	IOPOL	TXD, RXD I/O polarity switch bit	0: Not inverted 1: Inverted	R/W

23.2.2 UART2 Bit Rate Register (U2BRG)

Address 00A9h

Bit	b7	b6	b5	b4	b3	b2	b1	b0
Symbol	—	—	—	—	—	—	—	—
After Reset	X	X	X	X	X	X	X	X

Bit	Function	Setting Range	R/W
b7 to b0	If the setting value is n, U2BRG divides the count source by n+1.	00h to FFh	W

Write to the U2BRG register while transmission and reception stop.

Use the MOV instruction to write to this register.

Set bits CLK1 to CLK0 in the U2C0 register before writing to the U2BRG register.

23.2.3 UART2 Transmit Buffer Register (U2TB)

Address 00ABh to 00AAh

Bit	b7	b6	b5	b4	b3	b2	b1	b0
Symbol	—	—	—	—	—	—	—	—
After Reset	X	X	X	X	X	X	X	X

Bit	b15	b14	b13	b12	b11	b10	b9	b8
Symbol	—	—	—	—	—	—	—	MPTB
After Reset	X	X	X	X	X	X	X	X

Bit	Symbol	Function	R/W
b0	—	Transmit data (D7 to D0)	W
b1	—		
b2	—		
b3	—		
b4	—		
b5	—		
b6	—		
b7	—		
b8	MPTB	Transmit data (D8) ⁽¹⁾ [When the multiprocessor communication function is not used] Transmit data (D8) [When the multiprocessor communication function is used] • To transfer an ID, set the MPTB bit to 1. • To transfer data, set the MPTB bit to 0.	W
b9	—	Nothing is assigned. If necessary, set to 0. When read, the content is 0.	—
b10	—		
b11	—		
b12	—		
b13	—		
b14	—		
b15	—		

Note:

1. Set bits b0 to b7 after setting the MPTB bit.

23.2.4 UART2 Transmit/Receive Control Register 0 (U2C0)

Address 00ACh

Bit	b7	b6	b5	b4	b3	b2	b1	b0
Symbol	UFORM	CKPOL	NCH	CRD	TXEPT	CRS	CLK1	CLK0
After Reset	0	0	0	0	1	0	0	0

Bit	Symbol	Bit Name	Function	R/W
b0	CLK0	U2BRG count source select bit ⁽¹⁾	b1 b0 0 0: f1 selected 0 1: f8 selected 1 0: f32 selected 1 1: fC selected	R/W
b1	CLK1			R/W
b2	CRS	CTS/RTS function select bit	Enabled when CRD = 0 0: CTS function selected 1: RTS function selected	R/W
b3	TXEPT	Transmit register empty flag	0: Data present in the transmit register (transmission in progress) 1: No data in the transmit register (transmission completed)	R
b4	CRD	CTS/RTS disable bit	0: CTS/RTS function enabled 1: CTS/RTS function disabled	R/W
b5	NCH	Data output select bit	0: Pins TXD2/SDA2, SCL2 set to CMOS output 1: Pins TXD2/SDA2, SCL2 set to N-channel open-drain output	R/W
b6	CKPOL	CLK polarity select bit	0: Transmit data output at the falling edge and receive data input at the rising edge of the transfer clock 1: Transmit data output at the rising edge and receive data input at the falling edge of the transfer clock	R/W
b7	UFORM	Transfer format select bit ⁽²⁾	0: LSB first 1: MSB first	R/W

Notes:

1. If bits CLK1 to CLK0 are switched, set the U2BRG register again.
2. The UFORM bit is enabled when bits SMD2 to SMD0 in the U2MR register are set to 001b (clock synchronous serial I/O mode), or set to 101b (UART mode, transfer data 8 bits long).
 Set the UFORM bit to 1 when bits SMD2 to SMD0 are set to 010b (I²C mode), and to 0 when bits SMD2 to SMD0 are set to 100b (UART mode, transfer data 7 bits long) or 110b (UART mode, transfer data 9 bits long).

23.2.5 UART2 Transmit/Receive Control Register 1 (U2C1)

Address 00ADh

Bit	b7	b6	b5	b4	b3	b2	b1	b0
Symbol	U2ERE	U2LCH	U2RRM	U2IRS	RI	RE	TI	TE
After Reset	0	0	0	0	0	0	1	0

Bit	Symbol	Bit Name	Function	R/W
b0	TE	Transmit enable bit	0: Transmission disabled 1: Transmission enabled	R/W
b1	TI	Transmit buffer empty flag	0: Data present in the U2TB register 1: No data in the U2TB register	R
b2	RE	Receive enable bit	0: Reception disabled 1: Reception enabled	R/W
b3	RI	Receive complete flag	0: No data in the U2RB register 1: Data present in the U2RB register	R
b4	U2IRS	UART2 transmit interrupt source select bit	0: Transmit buffer empty (TI = 1) 1: Transmission completed (TXEPT = 1)	R/W
b5	U2RRM	UART2 continuous receive mode enable bit	0: Continuous receive mode disabled 1: Continuous receive mode enabled	R/W
b6	U2LCH	Data logic select bit (1)	0: Not inverted 1: Inverted	R/W
b7	U2ERE	Error signal output enable bit	0: Output disabled 1: Output enabled	R/W

Note:

- The U2LCH bit is enabled when bits SMD2 to SMD0 in the U2MR register are set to 001b (clock synchronous serial I/O mode), 100b (UART mode, transfer data 7 bits long), or 101b (UART mode, transfer data 8 bits long). Set the U2LCH bit to 0 when bits SMD2 to SMD0 are set to 010b (I²C mode) or 110b (UART mode, transfer data 9 bits long).

23.2.6 UART2 Receive Buffer Register (U2RB)

Address 00AFh to 00AEh

Bit	b7	b6	b5	b4	b3	b2	b1	b0
Symbol	—	—	—	—	—	—	—	—
After Reset	X	X	X	X	X	X	X	X

Bit	b15	b14	b13	b12	b11	b10	b9	b8
Symbol	SUM	PER	FER	OER	—	—	—	MPRB
After Reset	X	X	X	X	X	X	X	X

Bit	Symbol	Bit Name	Function	R/W
b0	—	—	Receive data (D7 to D0)	R
b1	—			
b2	—			
b3	—			
b4	—			
b5	—			
b6	—			
b7	—			
b8	MPRB	—	Receive data (D8) ⁽¹⁾ [When the multiprocessor communication function is not used] Receive data (D8) [When the multiprocessor communication function is used] • When the MPRB bit is set to 0, received D0 to D7 are data fields. • When the MPRB bit is set to 1, received D0 to D7 are ID fields.	R
b9	—	Nothing is assigned. If necessary, set to 0. When read, the content is 0.		—
b10	—			
b11	—	Reserved bit	Set to 0.	R/W
b12	OER	Overrun error flag ⁽¹⁾	0: No overrun error 1: Overrun error	R
b13	FER	Framing error flag ^(1, 2)	0: No framing error 1: Framing error	R
b14	PER	Parity error flag ^(1, 2)	0: No parity error 1: Parity error	R
b15	SUM	Error sum flag ^(1, 2)	0: No error 1: Error	R

Notes:

- When bits SMD2 to SMD0 in the U2MR register are set to 000b (serial interface disabled) or the RE bit in the U2C1 register is set to 0 (reception disabled), all of bits SUM, PER, FER, and OER are set to 0 (no error). The SUM bit is set to 0 (no error) when all of bits PER, FER, and OER are set to 0 (no error). Bits PER and FER are set to 0 by reading the lower byte of the U2RB register.
- These error flags are disabled when bits SMD2 to SMD0 in the U2MR register are set to 001b (clock synchronous serial I/O mode) or to 010b (I²C mode). When read, the content is undefined.

23.2.7 UART2 Digital Filter Function Select Register (URXDF)

Address 00B0h

Bit	b7	b6	b5	b4	b3	b2	b1	b0
Symbol	—	—	—	—	—	DF2EN	—	—
After Reset	0	0	0	0	0	0	0	0

Bit	Symbol	Bit Name	Function	R/W
b0	—	Nothing is assigned. If necessary, set to 0. When read, the content is 0.		—
b1	—			
b2	DF2EN	RXD2 digital filter enable bit ⁽¹⁾	0: RXD2 digital filter disabled 1: RXD2 digital filter enabled	R/W
b3	—	Nothing is assigned. If necessary, set to 0. When read, the content is 0.		—
b4	—			
b5	—			
b6	—			
b7	—			

Note:

- The RXD2 digital filter can be used only in clock asynchronous serial I/O (UART) mode. When bits SMD2 to SMD0 in the U2MR register are set to 001b (clock synchronous serial I/O mode) or 010b (I²C mode), set the DF2EN bit to 0 (RXD2 digital filter disabled).

23.2.8 UART2 Special Mode Register 5 (U2SMR5)

Address 00BBh

Bit	b7	b6	b5	b4	b3	b2	b1	b0
Symbol	—	—	—	MPIE	—	—	—	MP
After Reset	0	0	0	0	0	0	0	0

Bit	Symbol	Bit Name	Function	R/W
b0	MP	Multiprocessor communication enable bit	0: Multiprocessor communication disabled 1: Multiprocessor communication enabled ⁽¹⁾	R/W
b1	—	Nothing is assigned. If necessary, set to 0. When read, the content is 0.		—
b2	—			
b3	—			
b4	MPIE	Multiprocessor communication control bit	This bit is enabled when the MP bit is set to 1 (multiprocessor communication enabled). When the MPIE bit is set to 1, the following will result: <ul style="list-style-type: none"> Receive data in which the multiprocessor bit is 0 is ignored. Setting of the RI bit in the U2C1 register and bits OER and FER in the U2RB register to 1 is disabled. On receiving receive data in which the multiprocessor bit is 1, the MPIE bit is set to 0 and receive operation other than multiprocessor communication is performed. 	R/W
b5	—	Nothing is assigned. If necessary, set to 0. When read, the content is 0.		—
b6	—			
b7	—	Reserved bit	Set to 0.	R/W

Note:

- When the MP bit is set to 1 (multiprocessor communication enabled), the settings of bits PRY and PRYE in the U2MR register are disabled. If bits SMD2 to SMD0 in the U2MR register are set to 001b (clock synchronous serial I/O mode), set the MP bit to 0 (multiprocessor communication disabled).

23.2.9 UART2 Special Mode Register 4 (U2SMR4)

Address 00BCh

Bit	b7	b6	b5	b4	b3	b2	b1	b0
Symbol	SWC9	SCLHI	ACKC	ACKD	STSPSEL	STPREQ	RSTAREQ	STAREQ
After Reset	0	0	0	0	0	0	0	0

Bit	Symbol	Bit Name	Function	R/W
b0	STAREQ	Start condition generate bit ⁽¹⁾	0: Clear 1: Start	R/W
b1	RSTAREQ	Restart condition generate bit ⁽¹⁾	0: Clear 1: Start	R/W
b2	STPREQ	Stop condition generate bit ⁽¹⁾	0: Clear 1: Start	R/W
b3	STSPSEL	SCL, SDA output select bit	0: Start and stop conditions not output 1: Start and stop conditions output	R/W
b4	ACKD	ACK data bit	0: ACK 1: NACK	R/W
b5	ACKC	ACK data output enable bit	0: Serial interface data output 1: ACK data output	R/W
b6	SCLHI	SCL output stop enable bit	0: Disabled 1: Enabled	R/W
b7	SWC9	SCL wait bit 3	0: SCL "L" hold disabled 1: SCL "L" hold enabled	R/W

Note:

1. This bit is set to 0 when each condition is generated.

23.2.10 UART2 Special Mode Register 3 (U2SMR3)

Address 00BDh

Bit	b7	b6	b5	b4	b3	b2	b1	b0
Symbol	DL2	DL1	DL0	—	NODC	—	CKPH	—
After Reset	0	0	0	X	0	X	0	X

Bit	Symbol	Bit Name	Function	R/W
b0	—	Nothing is assigned. If necessary, set to 0. When read, the content is undefined.		—
b1	CKPH	Clock phase set bit	0: No clock delay 1: With clock delay	R/W
b2	—	Nothing is assigned. If necessary, set to 0. When read, the content is undefined.		—
b3	NODC	Clock output select bit	0: CLK2 set to CMOS output 1: CLK2 set to N-channel open-drain output	R/W
b4	—	Nothing is assigned. If necessary, set to 0. When read, the content is undefined.		—
b5	DL0	SDA2 digital delay setup bit ^(1, 2)	^{b7 b6 b5} 0 0 0: No delay 0 0 1: 1 to 2 cycle(s) of U2BRG count source 0 1 0: 2 to 3 cycles of U2BRG count source 0 1 1: 3 to 4 cycles of U2BRG count source 1 0 0: 4 to 5 cycles of U2BRG count source 1 0 1: 5 to 6 cycles of U2BRG count source 1 1 0: 6 to 7 cycles of U2BRG count source 1 1 1: 7 to 8 cycles of U2BRG count source	R/W
b6	DL1			R/W
b7	DL2			R/W

Notes:

1. Bits DL2 to DL0 are used to generate a delay in SDA2 output digitally in I²C mode. In other than I²C mode, set these bits to 000b (no delay).
2. The amount of delay varies with the load on pins SCL2 and SDA2. When an external clock is used, the amount of delay increases by about 100 ns.

23.2.11 UART2 Special Mode Register 2 (U2SMR2)

Address 00BEh

Bit	b7	b6	b5	b4	b3	b2	b1	b0
Symbol	—	SDHI	SWC2	STAC	—	SWC	CSC	IICM2
After Reset	X	0	0	0	0	0	0	0

Bit	Symbol	Bit Name	Function	R/W
b0	IICM2	I ² C mode select bit 2	Refer to Table 23.12 I²C Mode Functions .	R/W
b1	CSC	Clock synchronization bit	0: Disabled 1: Enabled	R/W
b2	SWC	SCL wait output bit	0: Disabled 1: Enabled	R/W
b3	—	Reserved bit	Set to 0.	R/W
b4	STAC	UART2 initialization bit	0: Disabled 1: Enabled	R/W
b5	SWC2	SCL wait output bit 2	0: Transfer clock 1: "L" output	R/W
b6	SDHI	SDA output disable bit	0: Enabled 1: Disabled (high-impedance)	R/W
b7	—	Nothing is assigned. If necessary, set to 0. When read, the content is undefined.		—

23.2.12 UART2 Special Mode Register (U2SMR)

Address 00BFh

Bit	b7	b6	b5	b4	b3	b2	b1	b0
Symbol	—	—	—	—	—	BBS	—	IICM
After Reset	X	0	0	0	0	0	0	0

Bit	Symbol	Bit Name	Function	R/W
b0	IICM	I ² C mode select bit	0: Other than I ² C mode 1: I ² C mode	R/W
b1	—	Reserved bit	Set to 0.	R/W
b2	BBS	Bus busy flag ⁽¹⁾	0: Stop condition detected 1: Start condition detected (busy)	R/W
b3	—	Reserved bits	Set to 0.	R/W
b4	—			
b5	—			
b6	—			
b7	—	Nothing is assigned. If necessary, set to 0. When read, the content is undefined.		—

Note:

1. The BBS bit is set to 0 by writing 0 by a program (Writing 1 has no effect).

23.2.13 UART2 Pin Select Register 0 (U2SR0)

Address 018Ah

Bit	b7	b6	b5	b4	b3	b2	b1	b0
Symbol	—	—	RXD2SEL1	RXD2SEL0	—	TXD2SEL2	TXD2SEL1	TXD2SEL0
After Reset	0	0	0	0	0	0	0	0

Bit	Symbol	Bit Name	Function	R/W
b0	TXD2SEL0	TXD2/SDA2 pin select bit	^{b2 b1 b0} 0 0 0: TXD2/SDA2 pin not used 0 0 1: P3_7 assigned 0 1 0: P3_4 assigned 0 1 1: Do not set. 1 0 0: Do not set. 1 0 1: P6_6 assigned 1 1 0: Do not set. 1 1 1: Do not set.	R/W
b1	TXD2SEL1			R/W
b2	TXD2SEL2			R/W
b3	—	Nothing is assigned. If necessary, set to 0. When read, the content is 0.		—
b4	RXD2SEL0	RXD2/SCL2 pin select bit	^{b5 b4} 0 0: RXD2/SCL2 pin not used 0 1: P3_4 assigned 1 0: P3_7 assigned 1 1: P4_5 assigned	R/W
b5	RXD2SEL1			R/W
b6	—	Reserved bit	Set to 0.	R/W
b7	—	Nothing is assigned. If necessary, set to 0. When read, the content is 0.		—

The U2SR0 register selects which pin is assigned to the UART2 I/O. To use the I/O pin for UART2, set this register.

Set the U2SR0 register before setting the UART2 associated registers. Also, do not change the setting value in this register during UART2 operation.

23.2.14 UART2 Pin Select Register 1 (U2SR1)

Address 018Bh

Bit	b7	b6	b5	b4	b3	b2	b1	b0
Symbol	—	—	—	CTS2SEL0	—	—	CLK2SEL1	CLK2SEL0
After Reset	0	0	0	0	0	0	0	0

Bit	Symbol	Bit Name	Function	R/W
b0	CLK2SEL0	CLK2 pin select bit	^{b1 b0} 0 0: CLK2 pin not used 0 1: P3_5 assigned 1 0: Do not set. 1 1: P6_5 assigned	R/W
b1	CLK2SEL1			R/W
b2	—	Nothing is assigned. If necessary, set to 0. When read, the content is 0.		—
b3	—			—
b4	CTS2SEL0	CTS2/RTS2 pin select bit	0: CTS2/RTS2 pin not used 1: P3_3 assigned	R/W
b5	—	Reserved bit	Set to 0.	R/W
b6	—	Nothing is assigned. If necessary, set to 0. When read, the content is 0.		—
b7	—			—

The U2SR1 register selects which pin is assigned to the UART2 I/O. To use the I/O pin for UART2, set this register.

Set the U2SR1 register before setting the UART2 associated registers. Also, do not change the setting value in this register during UART2 operation.

23.3 Clock Synchronous Serial I/O Mode

In clock synchronous serial I/O mode, data is transmitted and received using a transfer clock.

Table 23.2 lists the Clock Synchronous Serial I/O Mode Specifications. Table 23.3 lists the Registers Used and Settings in Clock Synchronous Serial I/O Mode.

Table 23.2 Clock Synchronous Serial I/O Mode Specifications

Item	Specification
Transfer data format	Transfer data length: 8 bits
Transfer clock	<ul style="list-style-type: none"> The CKDIR bit in the U2MR register is set to 0 (internal clock): $f_j / (2(n+1))$ $f_j = f_1, f_8, f_{32}, f_C$ n = setting value in the U2BRG register: 00h to FFh The CKDIR bit is set to 1 (external clock): Input from the CLK2 pin
Transmit/receive control	Selectable from the \overline{CTS} function, \overline{RTS} function, or $\overline{CTS}/\overline{RTS}$ function disabled.
Transmit start conditions	To start transmission, the following requirements must be met: ⁽¹⁾ <ul style="list-style-type: none"> The TE bit in the U2C1 register is set to 1 (transmission enabled) The TI bit in the U2C1 register is set to 0 (data present in the U2TB register) If the \overline{CTS} function is selected, input to the CTS2 pin = "L".
Receive start conditions	To start reception, the following requirements must be met: ⁽¹⁾ <ul style="list-style-type: none"> The RE bit in the U2C1 register is set to 1 (reception enabled). The TE bit in the U2C1 register is set to 1 (transmission enabled). The TI bit in the U2C1 register is set to 0 (data present in the U2TB register).
Interrupt request generation timing	For transmission, one of the following conditions can be selected. <ul style="list-style-type: none"> The U2IRS bit in the U2C1 register is set to 0 (transmit buffer empty): When data is transferred from the U2TB register to the UART2 transmit register (at start of transmission). The U2IRS bit is set to 1 (transmission completed): When data transmission from the UART2 transmit register is completed. For reception <ul style="list-style-type: none"> When data is transferred from the UART2 receive register to the U2RB register (at completion of reception).
Error detection	Overrun error ⁽²⁾ This error occurs if the serial interface starts receiving the next unit of data before reading the U2RB register and receives the 7th bit of the next unit of data.
Selectable functions	<ul style="list-style-type: none"> CLK polarity selection Transfer data I/O can be selected to occur synchronously with the rising or falling edge of the transfer clock. LSB first, MSB first selection Whether transmitting or receiving data begins with bit 0 or begins with bit 7 can be selected. Continuous receive mode selection Reception is enabled immediately by reading the U2RB register. Serial data logic switching This function inverts the logic value of the transmit/receive data.

Notes:

- When an external clock is selected, the requirements must be met in either of the following states:
 - The external clock is held high when the CKPOL bit in the U2C0 register is set to 0 (transmit data output at the falling edge and receive data input at the rising edge of the transfer clock)
 - The external clock is held low when the CKPOL bit in the U2C0 register is set to 1 (transmit data output at the rising edge and receive data input at the falling edge of the transfer clock)
- If an overrun error occurs, the receive data in the U2RB register will be undefined. The IR bit in the S2RIC register does not change to 1 (interrupt requested).

Table 23.3 Registers Used and Settings in Clock Synchronous Serial I/O Mode

Register	Bit	Function
U2TB (1)	b0 to b7	Set transmit data.
U2RB (1)	b0 to b7	Receive data can be read.
	OER	Overflow error flag
U2BRG	b0 to b7	Set a bit rate.
U2MR (1)	SMD2 to SMD0	Set to 001b.
	CKDIR	Select the internal clock or external clock.
	IOPOL	Set to 0.
U2C0	CLK1, CLK0	Select the count source for the U2BRG register.
	CRS	Select either $\overline{\text{CTS}}$ or $\overline{\text{RTS}}$ to use functions.
	TXEPT	Transmit register empty flag
	CRD	Enable or disable the $\overline{\text{CTS}}$ or $\overline{\text{RTS}}$ function.
	NCH	Select TXD2 pin output mode.
	CKPOL	Select the transfer clock polarity.
	UFORM	Select LSB first or MSB first.
U2C1	TE	Set to 1 to enable transmission/reception.
	TI	Transmit buffer empty flag
	RE	Set to 1 to enable reception.
	RI	Receive complete flag
	U2IRS	Select the source of UART2 transmit interrupt.
	U2RRM	Set to 1 to use continuous receive mode.
	U2LCH	Set to 1 to use inverted data logic.
	U2ERE	Set to 0.
U2SMR	b0 to b7	Set to 0.
U2SMR2	b0 to b7	Set to 0.
U2SMR3	b0 to b2	Set to 0.
	NODC	Select clock output mode.
	b4 to b7	Set to 0.
U2SMR4	b0 to b7	Set to 0.
URXDF	DF2EN	Set to 0.
U2SMR5	MP	Set to 0.

Note:

1. Set the bits not listed in this table to 0 when writing to the above registers in clock synchronous serial I/O mode.

Table 23.4 lists the Pin Functions in Clock Synchronous Serial I/O Mode (Multiple Transfer Clock Output Pin Function Not Selected).

Note that for a period from when UART2 operating mode is selected to when transfer starts, the TXD2 pin outputs a “H” level. (When N-channel open-drain output is selected, this pin is in the high-impedance state.)

Figure 23.3 shows the Transmit and Receive Timing in Clock Synchronous Serial I/O Mode.

Table 23.4 Pin Functions in Clock Synchronous Serial I/O Mode (Multiple Transfer Clock Output Pin Function Not Selected)

Pin Name	Function	Selection Method
TXD2 (P3_4, P3_7, or P6_6)	Serial data output	<ul style="list-style-type: none"> • When TXD2 (P3_4) Bits TXD2SEL2 to TXD2SEL0 in U2SR0 register = 010b (P3_4) • When TXD2 (P3_7) Bits TXD2SEL2 to TXD2SEL0 in U2SR0 register = 001b (P3_7) • When TXD2 (P6_6) Bits TXD2SEL2 to TXD2SEL0 in U2SR0 register = 101b (P6_6) • For reception only: P3_4, P3_7 and P6_6 can be used as ports by setting TXD2SEL2 to TXD2SEL0 to 000b.
RXD2 (P3_4, P3_7, or P4_5)	Serial data input	<ul style="list-style-type: none"> • When RXD2 (P3_4) Bits RXD2SEL1 to RXD2SEL0 in U2SR0 register = 01b (P3_4) PD3_4 bit in PD3 register = 0 • When RXD2 (P3_7) Bits RXD2SEL1 to RXD2SEL0 in U2SR0 register = 10b (P3_7) PD3_7 bit in PD3 register = 0 • When RXD2 (P4_5) Bits RXD2SEL1 to RXD2SEL0 in U2SR0 register = 11b (P4_5) PD4_5 bit in PD4 register = 0 • For transmission only: P3_4, P3_7, and P4_5 can be used as ports by setting RXD2SEL1 to RXD2SEL0 to 00b.
CLK2 (P3_5 or P6_5)	Transfer clock output	<ul style="list-style-type: none"> • When CLK2 (P3_5) Bits CLK2SEL1 to CLK2SEL0 in U2SR1 register = 01b (P3_5) CKDIR bit in U2MR register = 0 • When CLK2 (P6_5) Bits CLK2SEL1 to CLK2SEL0 in U2SR1 register = 11b (P6_5) CKDIR bit in U2MR register = 0
	Transfer clock input	<ul style="list-style-type: none"> • When CLK2 (P3_5) Bits CLK2SEL1 to CLK2SEL0 in U2SR1 register = 01b (P3_5) CKDIR bit in U2MR register = 1 PD3_5 bit in PD3 register = 0 • When CLK2 (P6_5) Bits CLK2SEL1 to CLK2SEL0 in U2SR1 register = 11b (P6_5) CKDIR bit in U2MR register = 1 PD6_5 bit in PD6 register = 0
CTS2/RTS2 (P3_3)	CTS input	CTS2SEL0 bit in U2SR1 register = 1 CRD bit in U2C0 register = 0 CRS bit in U2C0 register = 0 PD3_3 bit in PD3 register = 0
	RTS output	CTS2SEL0 bit in U2SR1 register = 1 CRD bit in U2C0 register = 0 CRS bit in U2C0 register = 1
	I/O port	CTS2SEL0 bit in U2SR1 register = 0

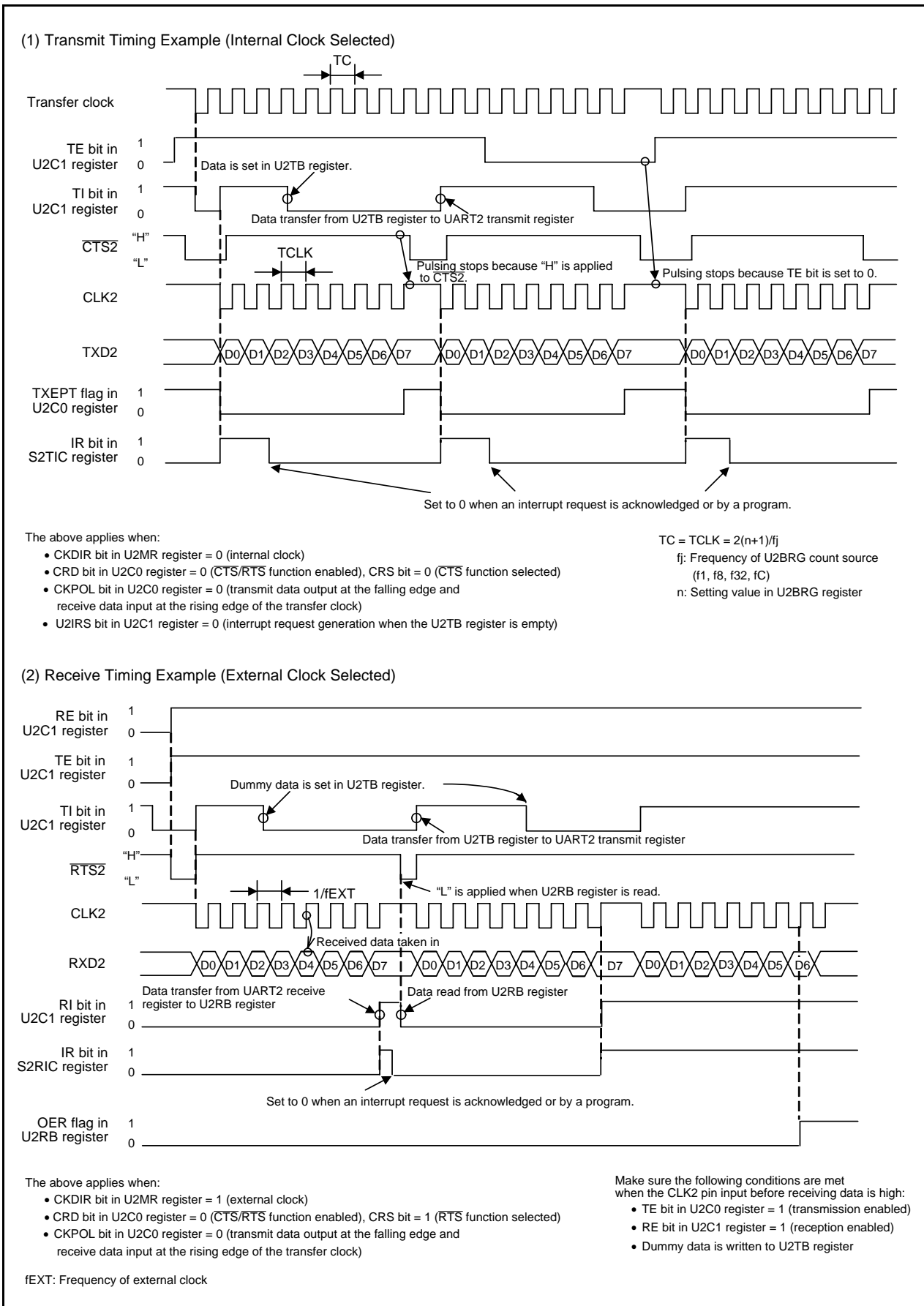


Figure 23.3 Transmit and Receive Timing in Clock Synchronous Serial I/O Mode

23.3.1 Measure for Dealing with Communication Errors

If a communication error occurs while transmitting or receiving in clock synchronous serial I/O mode, follow the procedures below:

- Resetting the U2RB register
 - (1) Set the RE bit in the U2C1 register to 0 (reception disabled).
 - (2) Set bits SMD2 to SMD0 in the U2MR register to 000b (serial interface disabled).
 - (3) Set bits SMD2 to SMD0 in the U2MR register to 001b (clock synchronous serial I/O mode).
 - (4) Set the RE bit in the U2C1 register to 1 (reception enabled).
- Resetting the U2TB register
 - (1) Set bits SMD2 to SMD0 in the U2MR register to 000b (serial interface disabled).
 - (2) Set bits SMD2 to SMD0 in the U2MR register to 001b (clock synchronous serial I/O mode).
 - (3) Write 1 to the TE bit in the U2C1 register (transmission enabled), regardless of the TE bit value in the U2C2 register.

23.3.2 CLK Polarity Select Function

Use the CKPOL bit in the U2C0 register to select the transfer clock polarity. Figure 23.4 shows the Transfer Clock Polarity.

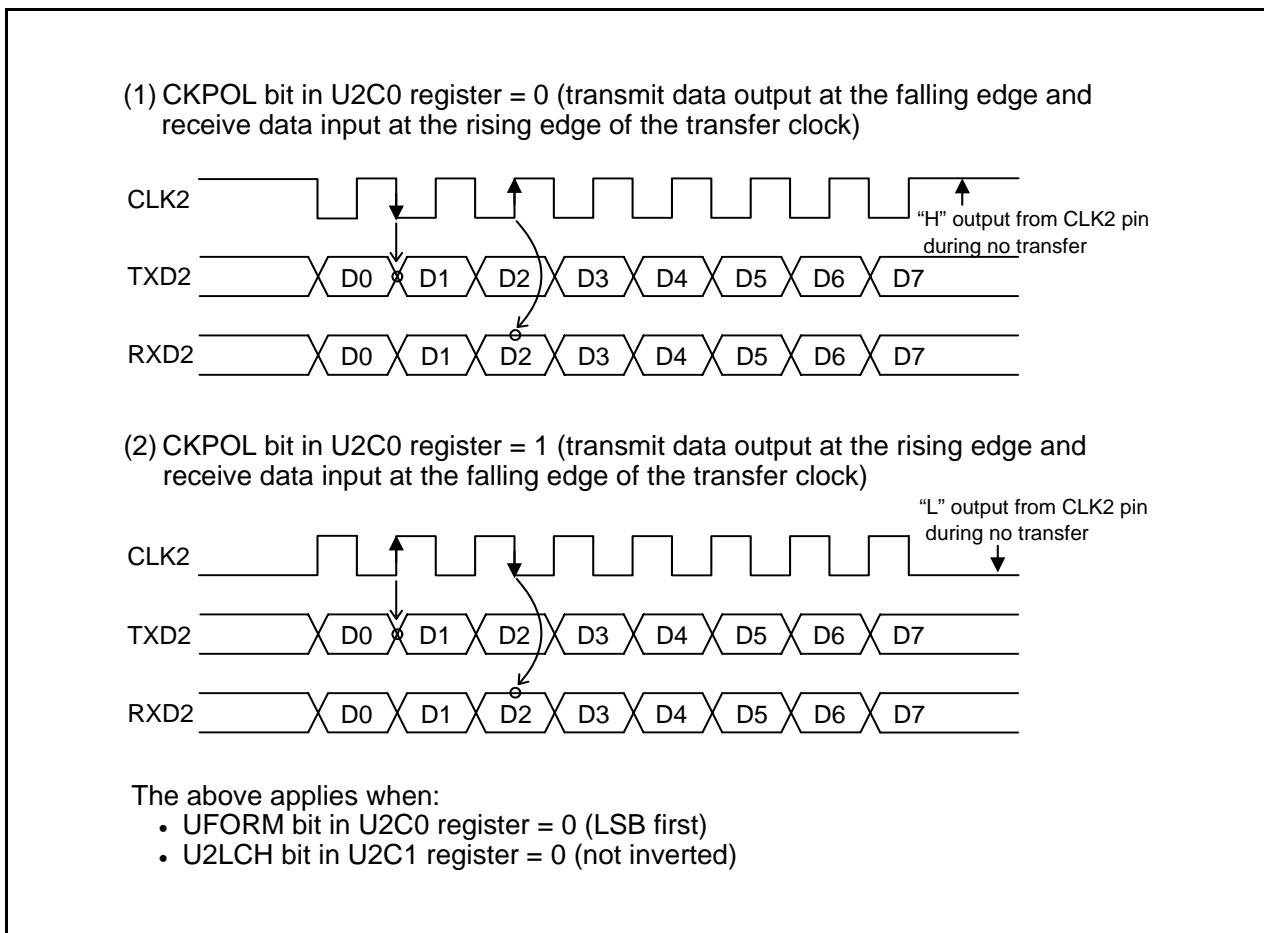


Figure 23.4 Transfer Clock Polarity

23.3.3 LSB First/MSB First Select Function

Use the UFORM bit in the U2C0 register to select the transfer format. Figure 23.5 shows the Transfer Format.

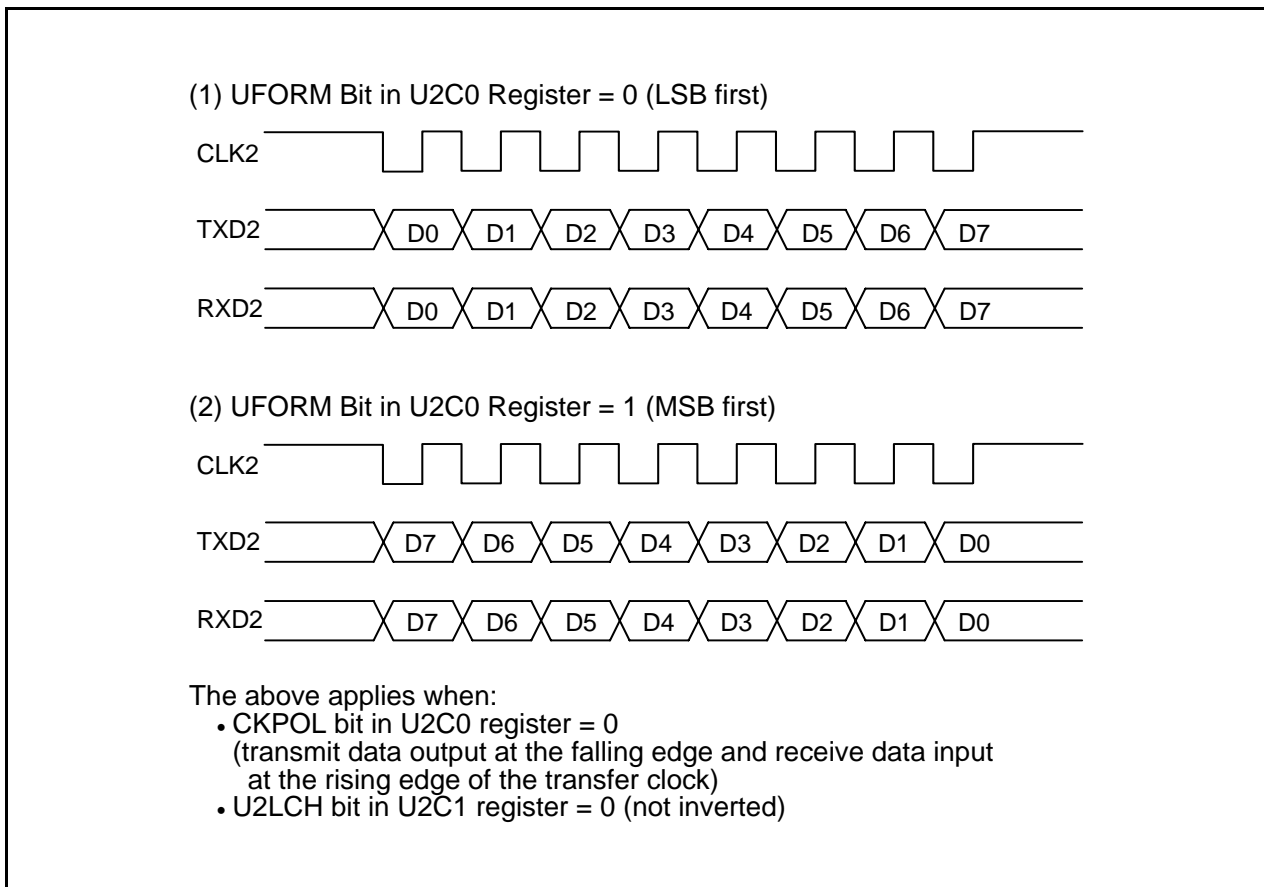


Figure 23.5 Transfer Format

23.3.4 Continuous Receive Mode

In continuous receive mode, receive operation is enabled when the receive buffer register is read. It is not necessary to write dummy data to the transmit buffer register to enable receive operation in this mode. However, a dummy read of the receive buffer register is required when starting the operating mode.

When the U2RRM bit in the U2C1 register is set to 1 (continuous receive mode), the TI bit in the U2C1 register is set to 0 (data present in the U2TB register) by reading the U2RB register. If the U2RRM bit is set to 1, do not write dummy data to the U2TB register by a program.

23.3.5 Serial Data Logic Switching Function

If the U2LCH bit in the U2C1 register is set to 1 (inverted), the data written to the U2TB register has its logic inverted before being transmitted. Similarly, the received data has its logic inverted when read from the U2RB register. Figure 23.6 shows the Serial Data Logic Switching.

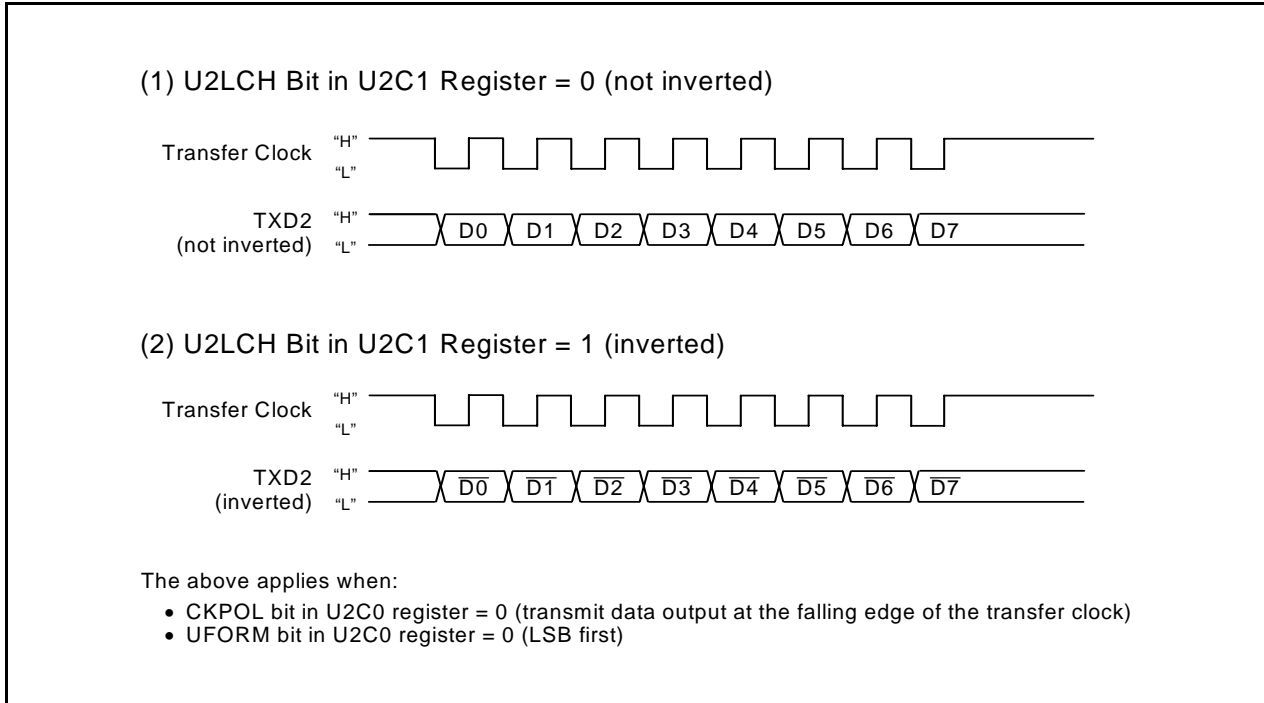


Figure 23.6 Serial Data Logic Switching

23.3.6 CTS/RTS Function

The $\overline{\text{CTS}}$ function is used to start transmit and receive operation when "L" is applied to the $\overline{\text{CTS2/RTS2}}$ pin. Transmit and receive operation begins when the $\overline{\text{CTS2/RTS2}}$ pin is held low. If the "L" signal is switched to "H" during a transmit or receive operation, the operation stops before the next data.

For the $\overline{\text{RTS}}$ function, the $\overline{\text{CTS2/RTS2}}$ pin outputs "L" when the MCU is ready for a receive operation. The output level goes high at the first falling edge of the CLK2 pin.

- The CRD bit in the U2C0 register = 1 ($\overline{\text{CTS/RTS}}$ function disabled)
 The $\overline{\text{CTS2/RTS2}}$ pin operates as the programmable I/O function.
- The CRD bit = 0, CRS bit = 0 ($\overline{\text{CTS}}$ function selected)
 The $\overline{\text{CTS2/RTS2}}$ pin operates as the $\overline{\text{CTS}}$ function.
- The CRD bit = 0, CRS bit = 1 ($\overline{\text{RTS}}$ function selected)
 The $\overline{\text{CTS2/RTS2}}$ pin operates as the $\overline{\text{RTS}}$ function.

23.4 Clock Asynchronous Serial I/O (UART) Mode

In UART mode, data is transmitted and received after setting the desired bit rate and transfer data format. Table 23.5 lists the UART Mode Specifications. Table 23.6 lists the Registers Used and Settings in UART Mode.

Table 23.5 UART Mode Specifications

Item	Specification
Transfer data format	<ul style="list-style-type: none"> • Character bits (transfer data): Selectable from 7, 8, or 9 bits • Start bit: 1 bit • Parity bit: Selectable from odd, even, or none • Stop bits: Selectable from 1 bit or 2 bits
Transfer clock	<ul style="list-style-type: none"> • The CKDIR bit in the U2MR register is set to 0 (internal clock): $f_j / (16(n + 1))$ $f_j = f_1, f_8, f_{32}, f_C$ n = setting value in the U2BRG register: 00h to FFh • The CKDIR bit is set to 1 (external clock): $f_{EXT} / (16(n + 1))$ f_{EXT}: Input from CLK2 pin n: Setting value in the U2BRG register: 00h to FFh
Transmit/receive control	Selectable from the \overline{CTS} function, \overline{RTS} function, or $\overline{CTS}/\overline{RTS}$ function disabled.
Transmit start conditions	To start transmission, the following requirements must be met: <ul style="list-style-type: none"> • The TE bit in the U2C1 register is set to 1 (transmission enabled). • The TI bit in the U2C1 register is set to 0 (data present in the U2TB register). • If the \overline{CTS} function is selected, input to the $\overline{CTS2}$ pin = "L".
Receive start conditions	To start reception, the following requirements must be met: <ul style="list-style-type: none"> • The RE bit in the U2C1 register is set to 1 (reception enabled). • Start bit detection
Interrupt request generation timing	For transmission, one of the following conditions can be selected. <ul style="list-style-type: none"> • The U2IRS bit in the U2C1 register is set to 0 (transmit buffer empty): When data is transferred from the U2TB register to the UART2 transmit register (at start of transmission). • The U2IRS bit is set to 1 (transmission completed): When data transmission from the UART2 transmit register is completed. For reception <ul style="list-style-type: none"> • When data is transferred from the UART2 receive register to the U2RB register (at completion of reception).
Error detection	<ul style="list-style-type: none"> • Overrun error (1) This error occurs if the serial interface starts receiving the next unit of data before reading the U2RB register and receives the bit one before the last stop bit of the next unit of data. • Framing error (2) This error occurs when the set number of stop bits is not detected. • Parity error (2) This error occurs when if parity is enabled, the number of 1's in the parity and character bits does not match the set number of 1's. • Error sum flag This flag is set to 1 if an overrun, framing, or parity error occurs.
Selectable functions	<ul style="list-style-type: none"> • LSB first, MSB first selection Whether transmitting or receiving data begins with bit 0 or begins with bit 7 can be selected. • Serial data logic switching This function inverts the logic of the transmit/receive data. The start and stop bits are not inverted. • TXD, RXD I/O polarity switching This function inverts the polarities of the TXD pin output and RXD pin input. The logic levels of all I/O data are inverted. • RXD2 digital filter selection The RXD2 input signal can be enabled or disabled.

Notes:

1. If an overrun error occurs, the receive data in the U2RB register will be undefined. The IR bit in the S2RIC register remains unchanged.
2. The timing at which the framing error flag and the parity error flag are set is detected when data is transferred from the UART2 receive register to the U2RB register.

Table 23.6 Registers Used and Settings in UART Mode

Register	Bit	Function
U2TB	b0 to b8	Set transmit data. (1)
U2RB	b0 to b8	Receive data can be read. (1, 2)
	OER, FER, PER, SUM	Error flag
U2BRG	b0 to b7	Set a bit rate.
U2MR	SMD2 to SMD0	Set to 100b when transfer data is 7 bits long. Set to 101b when transfer data is 8 bits long. Set to 110b when transfer data is 9 bits long.
	CKDIR	Select the internal clock or external clock.
	STPS	Select the stop bit.
	PRY, PRYE	Select whether parity is included and whether odd or even.
	IOPOL	Select the TXD/RXD I/O polarity.
U2C0	CLK0, CLK1	Select the count source for the U2BRG register.
	CRS	Select $\overline{\text{CTS}}$ or $\overline{\text{RTS}}$ to use functions.
	TXEPT	Transmit register empty flag
	CRD	Enable or disable the $\overline{\text{CTS}}$ or $\overline{\text{RTS}}$ function.
	NCH	Select TXD2 pin output mode.
	CKPOL	Set to 0.
	UFORM	Select LSB first or MSB first when transfer data is 8 bits long. Set to 0 when transfer data is 7 or 9 bits long.
U2C1	TE	Set to 1 to enable transmission.
	TI	Transmit buffer empty flag
	RE	Set to 1 to enable reception.
	RI	Receive complete flag
	U2IRS	Select the UART2 transmit interrupt source.
	U2RRM	Set to 0.
	U2LCH	Set to 1 to use inverted data logic.
	U2ERE	Set to 0.
U2SMR	b0 to b7	Set to 0.
U2SMR2	b0 to b7	Set to 0.
U2SMR3	b0 to b7	Set to 0.
U2SMR4	b0 to b7	Set to 0.
URXDF	DF2EN	Select the digital filter disabled or enabled.
U2SMR5	MP	Set to 0.

Notes:

- The bits used for transmit/receive data are as follows:
 - Bits b0 to b6 when transfer data is 7 bits long
 - Bits b0 to b7 when transfer data is 8 bits long
 - Bits b0 to b8 when transfer data is 9 bits long
- The contents of the following are undefined:
 - Bits b7 and b8 when transfer data is 7 bits long
 - Bit b8 when transfer data is 8 bits long

Table 23.7 lists the I/O Pin Functions in UART Mode.

Note that for a period from when the UART2 operating mode is selected to when transfer starts, the TXD2 pin outputs “H”. (When N-channel open-drain output is selected, this pin is in the high-impedance state.)

Figure 23.7 shows the Transmit Timing in UART Mode. Figure 23.8 shows the Receive Timing in UART Mode.

Table 23.7 I/O Pin Functions in UART Mode

Pin Name	Function	Selection Method
TXD2 (P3_4, P3_7, or P6_6)	Serial data output	<ul style="list-style-type: none"> • When TXD2 (P3_4) Bits TXD2SEL2 to TXD2SEL0 in U2SR0 register = 010b (P3_4) • When TXD2 (P3_7) Bits TXD2SEL2 to TXD2SEL0 in U2SR0 register = 001b (P3_7) • When TXD2 (P6_6) Bits TXD2SEL2 to TXD2SEL0 in U2SR0 register = 101b (P6_6) • For reception only: P3_4, P3_7, and P6_6 can be used as ports by setting TXD2SEL2 to TXD2SEL0 to 000b.
RXD2 (P3_4, P3_7, or P4_5)	Serial data input	<ul style="list-style-type: none"> • When RXD2 (P3_4) Bits RXD2SEL1 to RXD2SEL0 in U2SR0 register = 01b (P3_4) • When RXD2 (P3_7) Bits RXD2SEL1 to RXD2SEL0 in U2SR0 register = 10b (P3_7) PD3_7 bit in PD3 register = 0 • When RXD2 (P4_5) Bits RXD2SEL1 to RXD2SEL0 in U2SR0 register = 11b (P4_5) PD4_5 bit in PD4 register = 0 • For transmission only: P3_4, P3_7, and P4_5 can be used as ports by setting RXD2SEL1 to RXD2SEL0 to 00b.
CLK2 (P3_5 or P6_5)	I/O port Transfer clock input	<ul style="list-style-type: none"> • When CLK2 (P3_5) Bits CLK2SEL1 to CLK2SEL0 in U2SR1 register = 01b (P3_5) CKDIR bit in U2MR register = 1 PD3_5 bit in PD3 register = 0 • When CLK2 (P6_5) Bits CLK2SEL1 to CLK2SEL0 in U2SR1 register = 11b (P6_5) CKDIR bit in U2MR register = 1 PD6_5 bit in PD6 register = 0
CTS2/RTS2 (P3_3)	CTS input	CTS2SEL0 bit in U2SR1 register = 1 CRD bit in U2C0 register = 0 CRS bit in U2C0 register = 0 PD3_3 bit in PD3 register = 0
	RTS output	CTS2SEL0 bit in U2SR1 register = 1 CRD bit in U2C0 register = 0 CRS bit in U2C0 register = 1
	I/O port	CTS2SEL0 bit in U2SR1 register = 0

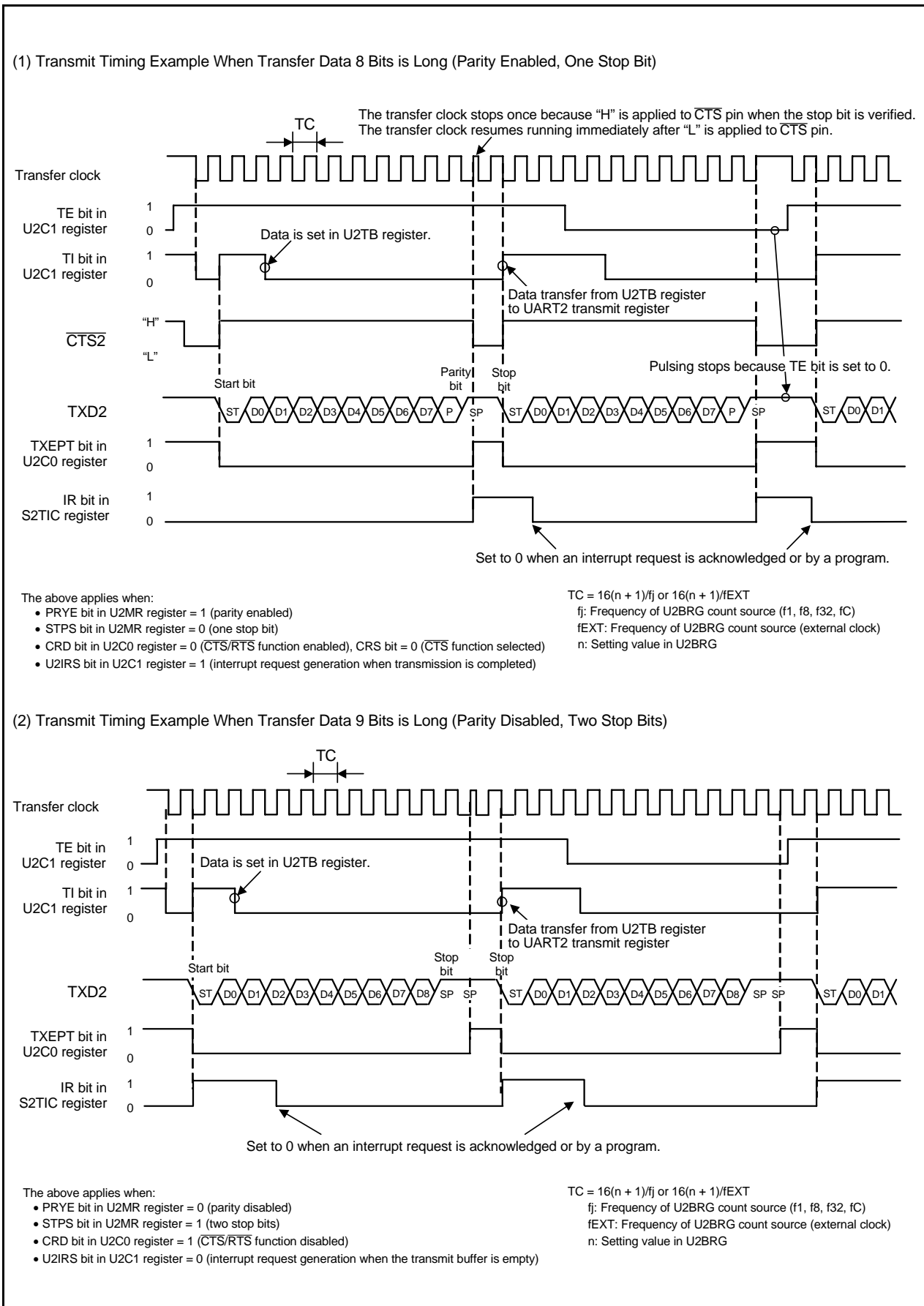


Figure 23.7 Transmit Timing in UART Mode

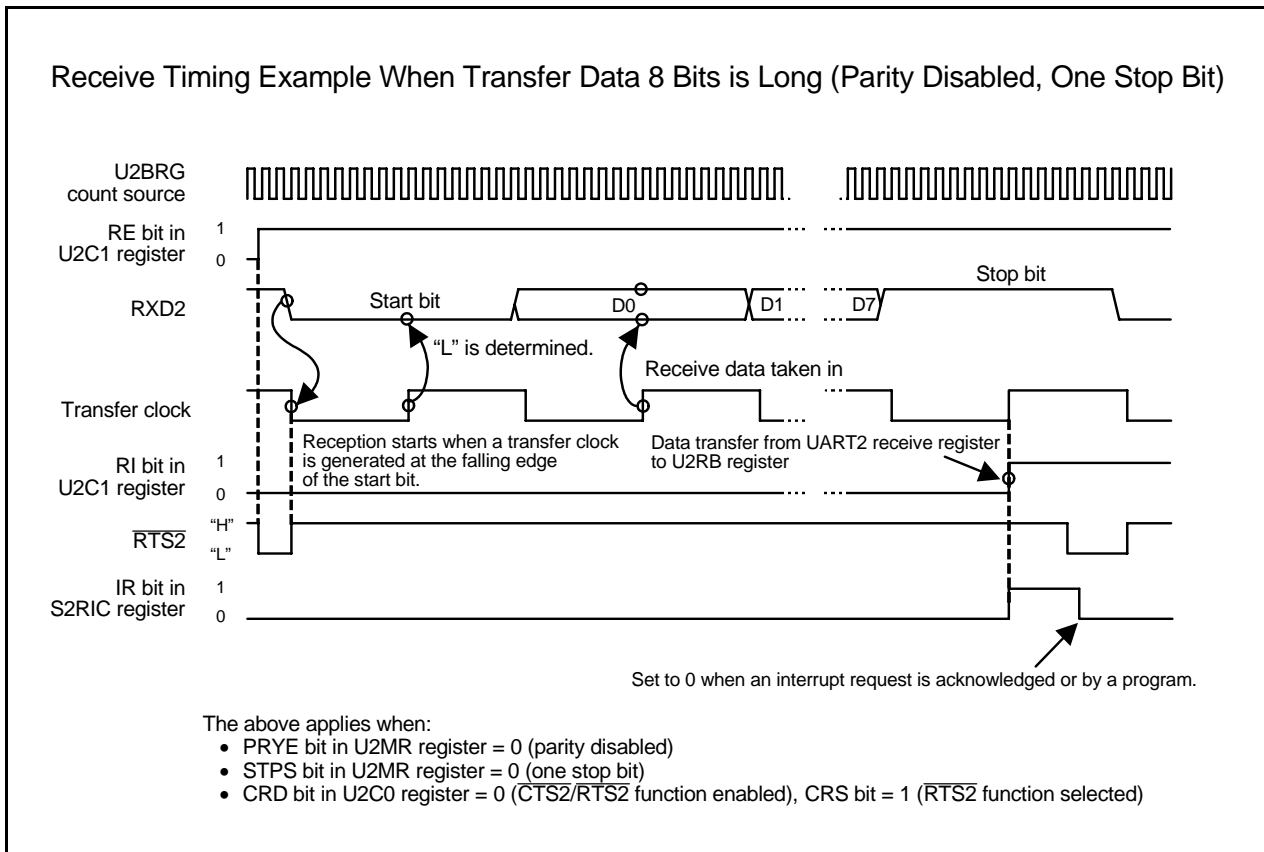


Figure 23.8 Receive Timing in UART Mode

23.4.1 Bit Rate

In UART mode, the bit rate is the frequency divided by the U2BRG register divided by 16. Table 23.8 lists the Bit Rate Setting Example in UART Mode (Internal Clock Selected).

Table 23.8 Bit Rate Setting Example in UART Mode (Internal Clock Selected)

Bit Rate (bps)	U2BRG Count Source	System Clock = 20 MHz			System Clock = 18.432 MHz ⁽¹⁾			System Clock = 8 MHz		
		U2BRG Setting Value	Actual Time (bps)	Setting Error (%)	U2BRG Setting Value	Actual Time (bps)	Setting Error (%)	U2BRG Setting Value	Actual Time (bps)	Setting Error (%)
1200	f8	129 (81h)	1201.92	0.16	119 (77h)	1200.00	0.00	51 (33h)	1201.92	0.16
2400	f8	64 (40h)	2403.85	0.16	59 (3Bh)	2400.00	0.00	25 (19h)	2403.85	0.16
4800	f8	32 (20h)	4734.85	-1.36	29 (1Dh)	4800.00	0.00	12 (0Ch)	4807.69	0.16
9600	f1	129 (81h)	9615.38	0.16	119 (77h)	9600.00	0.00	51 (33h)	9615.38	0.16
14400	f1	86 (56h)	14367.82	-0.22	79 (4Fh)	14400.00	0.00	34 (22h)	14285.71	-0.79
19200	f1	64 (40h)	19230.77	0.16	59 (3Bh)	19200.00	0.00	25 (19h)	19230.77	0.16
28800	f1	42 (2Ah)	29069.77	0.94	39 (27h)	28800.00	0.00	16 (10h)	29411.76	2.12
38400	f1	32 (20h)	37878.79	-1.36	29 (1Dh)	38400.00	0.00	12 (0Ch)	38461.54	0.16
57600	f1	21 (15h)	56818.18	-1.36	19 (13h)	57600.00	0.00	8 (08h)	55555.56	-3.55
115200	f1	10 (0Ah)	113636.36	-1.36	9 (09h)	115200.00	0.00	—	—	—

Note:

1. For the high-speed on-chip oscillator, the correction value in the FRA4 register should be written into the FRA1 register and the correction value in the FRA5 register should be written into the FRA3 register. This applies when the high-speed on-chip oscillator is selected as the system clock and bits FRA22 to FRA20 in the FRA2 register are set to 000b (divide-by-2 mode). For the precision of the high-speed on-chip oscillator, refer to **34. Electrical Characteristics**.

23.4.2 Measure for Dealing with Communication Errors

If a communication error occurs while transmitting or receiving in UART mode, follow the procedures below:

- Resetting the U2RB register
 - (1) Set the RE bit in the U2C1 register to 0 (reception disabled).
 - (2) Set the RE bit in the U2C1 register to 1 (reception enabled).
- Resetting the U2TB register
 - (1) Set bits SMD2 to SMD0 in the U2MR register to 000b (serial interface disabled).
 - (2) Reset bits SMD2 to SMD0 in the U2MR register to 001b, 101b, and 110b.
 - (3) Write 1 to the TE bit in the U2C1 register (transmission enabled), regardless of the TE bit value in the U2C1 register.

23.4.3 LSB First/MSB First Select Function

As shown in Figure 23.9, use the UFORM bit in the U2C0 register to select the transfer format. This function is enabled when transfer data is 8 bits long. Figure 23.9 shows the Transfer Format.

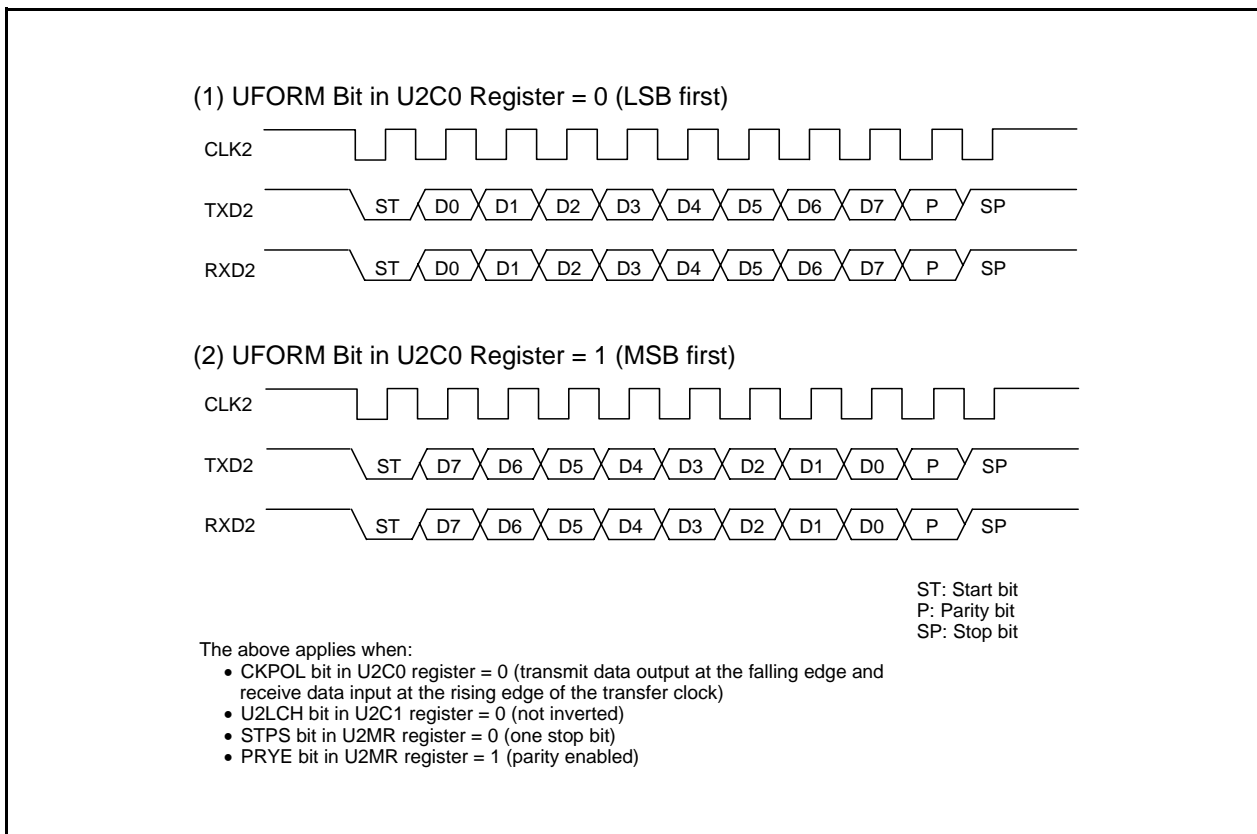


Figure 23.9 Transfer Format

23.4.4 Serial Data Logic Switching Function

The data written to the U2TB register has its logic inverted before being transmitted. Similarly, the received data has its logic inverted when read from the U2RB register. Figure 23.10 shows the Serial Data Logic Switching.

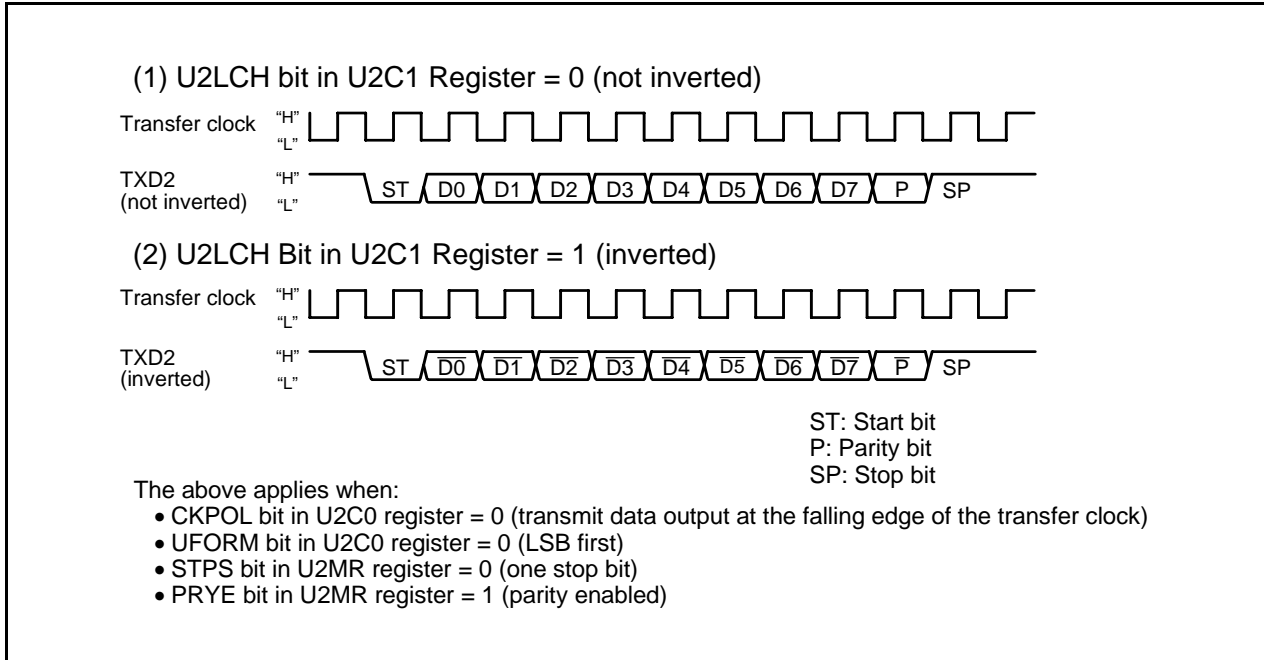


Figure 23.10 Serial Data Logic Switching

23.4.5 TXD and RXD I/O Polarity Inverse Function

This function inverts the polarities of the TXD2 pin output and RXD2 pin input. The logic levels of all I/O data (including bits for start, stop, and parity) are inverted. Figure 23.11 shows the TXD and RXD I/O Inversion.

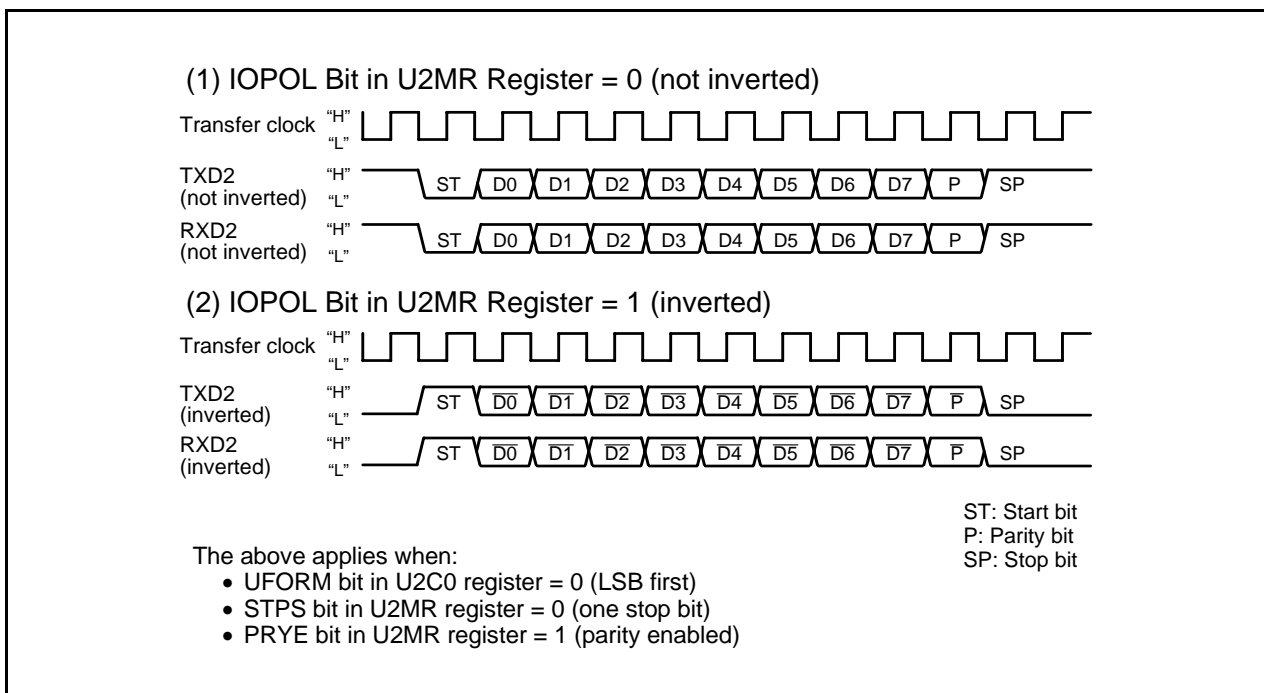


Figure 23.11 TXD and RXD I/O Inversion

23.4.6 $\overline{\text{CTS}}/\overline{\text{RTS}}$ Function

The $\overline{\text{CTS}}$ function is used to start transmit operation when “L” is applied to the $\overline{\text{CTS2}}/\overline{\text{RTS2}}$ pin. Transmit operation begins when the $\overline{\text{CTS2}}/\overline{\text{RTS2}}$ pin is held low. If the “L” signal is switched to “H” during transmit operation, the operation stops after the ongoing transmit/receive operation is completed. When the $\overline{\text{RTS}}$ function is used, the $\overline{\text{CTS2}}/\overline{\text{RTS2}}$ pin outputs “L” when the MCU is ready for a receive operation. The output level goes high at the first falling edge of the CLK2 pin.

- The CRD bit in the U2C0 register = 1 ($\overline{\text{CTS}}/\overline{\text{RTS}}$ function disabled)
 The $\overline{\text{CTS2}}/\overline{\text{RTS2}}$ pin operates as the programmable I/O function.
- The CRD bit = 0, CRS bit = 0 ($\overline{\text{CTS}}$ function selected)
 The $\overline{\text{CTS2}}/\overline{\text{RTS2}}$ pin operates as the $\overline{\text{CTS}}$ function.
- The CRD bit = 0, CRS bit = 1 ($\overline{\text{RTS}}$ function selected)
 The $\overline{\text{CTS2}}/\overline{\text{RTS2}}$ pin operates as the $\overline{\text{RTS}}$ function.

23.4.7 RXD2 Digital Filter Select Function

When the DF2EN bit in the URXDF register is set to 1 (RXD2 digital filter enabled), the RXD2 input signal is loaded internally via the digital filter circuit for noise reduction. The noise canceller consists of three cascaded latch circuits and a match detection circuit. The RXD2 input signal is sampled on the internal basic clock with a frequency 16 times the bit rate. It is recognized as a signal and the level is passed forward to the next circuit when three latch outputs match. When the outputs do not match, the previous value is retained. In other words, when the level is changed within three clocks, the change is recognized as not a signal but noise. Figure 23.12 shows a Block Diagram of RXD2 Digital Filter Circuit.

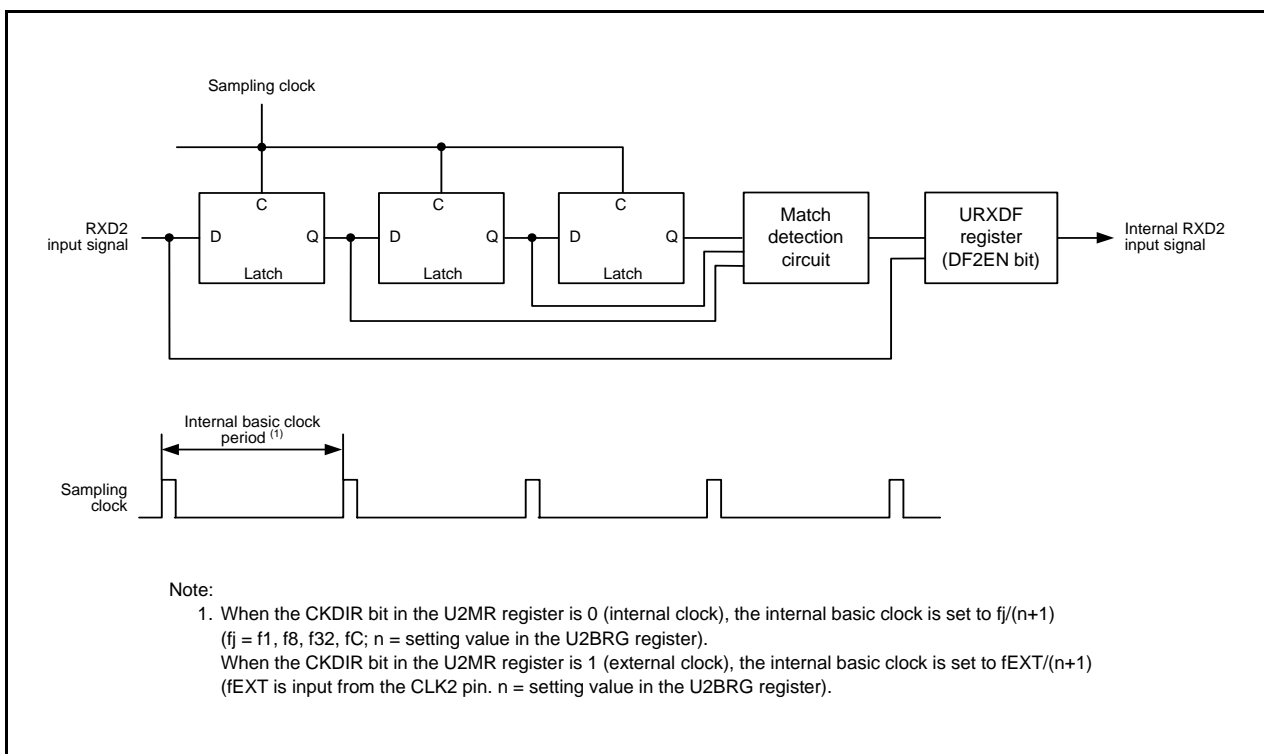


Figure 23.12 Block Diagram of RXD2 Digital Filter Circuit

23.5 Special Mode 1 (I²C Mode)

I²C mode is provided for use as a simplified I²C interface compatible mode. Table 23.9 lists the I²C Mode Specifications. Tables 23.10 and 23.11 list the registers used in I²C mode and the settings. Table 23.12 lists the I²C Mode Functions, Figure 23.13 shows an I²C Mode Block Diagram, and Figure 23.14 shows the Transfer to U2RB Register and Interrupt Timing.

As shown in Table 23.12, the MCU is placed in I²C mode by setting bits SMD2 to SMD0 to 010b and the IICM bit to 1. Because SDA2 transmit output has a delay circuit attached, SDA2 output does not change state until SCL2 goes low and remains stably low.

Table 23.9 I²C Mode Specifications

Item	Specification
Transfer data format	Transfer data length: 8 bits
Transfer clock	<ul style="list-style-type: none"> Master mode The CKDIR bit in the U2MR register is set to 0 (internal clock): $f_j/(2(n+1))$ $f_j = f_1, f_8, f_{32}, f_C$ n = setting value in the U2BRG register: 00h to FFh Slave mode The CKDIR bit is set to 1 (external clock): Input from the SCL2 pin
Transmit start conditions	To start transmission, the following requirements must be met: ⁽¹⁾ <ul style="list-style-type: none"> The TE bit in the U2C1 register is set to 1 (transmission enabled). The TI bit in the U2C1 register is set to 0 (data present in the U2TB register).
Receive start conditions	To start reception, the following requirements must be met: ⁽¹⁾ <ul style="list-style-type: none"> The RE bit in the U2C1 register is set to 1 (reception enabled). The TE bit in the U2C1 register is set to 1 (transmission enabled). The TI bit in the U2C1 register is set to 0 (data present in the U2TB register).
Interrupt request generation timing	Start/stop condition detection, no acknowledgement detection, or acknowledgement detection
Error detection	Overrun error ⁽²⁾ This error occurs if the serial interface starts receiving the next unit of data before reading the U2RB register and receives the 8th bit of the next unit of data.
Selectable functions	<ul style="list-style-type: none"> SDA2 digital delay No digital delay or a delay of 2 to 8 U2BRG count source clock cycles can be selected. Clock phase setting With or without clock delay can be selected.

Notes:

- When an external clock is selected, the requirements must be met while the external clock is held high.
- If an overrun error occurs, the received data in the U2RB register will be undefined. The IR bit in the S2RIC register remains unchanged.

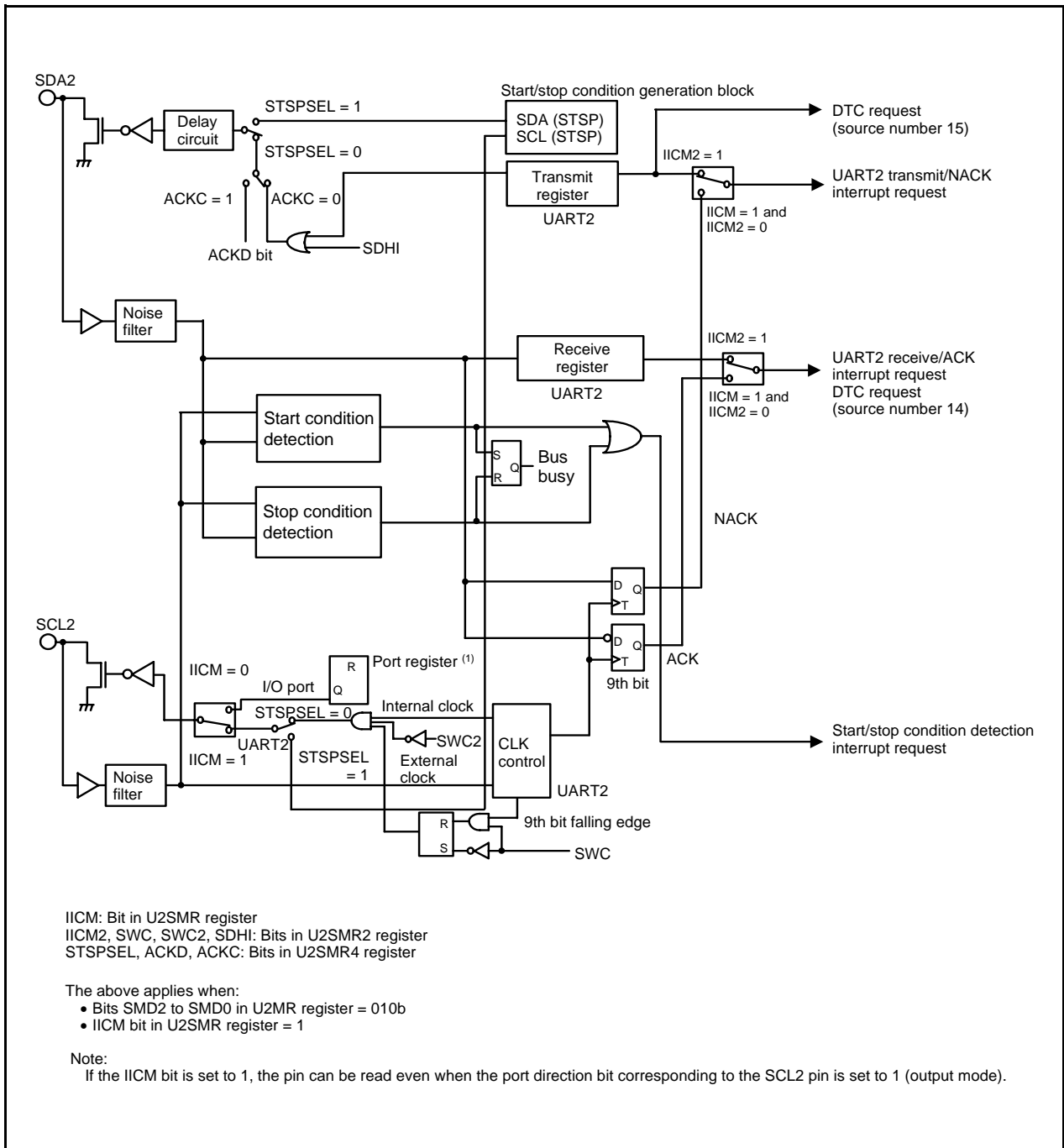


Figure 23.13 I²C Mode Block Diagram

Table 23.10 Registers Used and Settings in I²C Mode (1)

Register	Bit	Function	
		Master	Slave
U2TB (1)	b0 to b7	Set transmit data.	Set transmit data.
U2RB (1)	b0 to b7	Receive data can be read.	Receive data can be read.
	b8	ACK or NACK is set in this bit.	ACK or NACK is set in this bit.
	OER	Overrun error flag	Overrun error flag
U2BRG	b0 to b7	Set a bit rate.	Disabled
U2MR (1)	SMD2 to SMD0	Set to 010b.	Set to 010b.
	CKDIR	Set to 0.	Set to 1.
	IOPOL	Set to 0.	Set to 0.
U2C0	CLK1, CLK0	Select the count source for the U2BRG register.	Disabled
	CRS	Disabled because CRD = 1.	Disabled because CRD = 1.
	TXEPT	Transmit register empty flag	Transmit register empty flag
	CRD	Set to 1.	Set to 1.
	NCH	Set to 1.	Set to 1.
	CKPOL	Set to 0.	Set to 0.
	UFORM	Set to 1.	Set to 1.
U2C1	TE	Set to 1 to enable transmission.	Set to 1 to enable transmission.
	TI	Transmit buffer empty flag	Transmit buffer empty flag
	RE	Set to 1 to enable reception.	Set to 1 to enable reception.
	RI	Receive complete flag	Receive complete flag
	U2IRS	Disabled	Disabled
	U2RRM, U2LCH, U2ERE	Set to 0.	Set to 0.
U2SMR	IICM	Set to 1.	Set to 1.
	BBS	Bus busy flag	Bus busy flag
	b3 to b7	Set to 0.	Set to 0.
U2SMR2	IICM2	Refer to Table 23.12 I²C Mode Functions.	Refer to Table 23.12 I²C Mode Functions.
	CSC	Set to 1 to enable clock synchronization.	Set to 0.
	SWC	Set to 1 to fix SCL2 output low at the falling edge of the 9th bit of clock.	Set to 1 to fix SCL2 output low at the falling edge of the 9th bit of clock.
	STAC	Set to 0.	Set to 1 to initialize UART2 at start condition detection
	SWC2	Set to 1 to forcibly pull SCL2 low.	Set to 1 to forcibly pull SCL2 output low.
	SDHI	Set to 1 to disable SDA2 output.	Set to 1 to disable SDA2 output.
	b7	Set to 0.	Set to 0.

Note:

1. Set the bits not listed in this table to 0 when writing to the above registers in I²C mode.

Table 23.11 Registers Used and Settings in I²C Mode (2)

Register	Bit	Function	
		Master	Slave
U2SMR3	b0, b2, b4, and NODC	Set to 0.	Set to 0.
	CKPH	Refer to Table 23.12 I²C Mode Functions.	Refer to Table 23.12 I²C Mode Functions.
	DL2 to DL0	Set the amount of SDA2 digital delay.	Set the amount of SDA2 digital delay.
U2SMR4	STAREQ	Set to 1 to generate a start condition.	Set to 0.
	RSTAREQ	Set to 1 to generate a restart condition.	Set to 0.
	STPREQ	Set to 1 to generate a stop condition.	Set to 0.
	STSPSEL	Set to 1 to output each condition.	Set to 0.
	ACKD	Select ACK or NACK.	Select ACK or NACK.
	ACKC	Set to 1 to output ACK data.	Set to 1 to output ACK data.
	SCLHI	Set to 1 to stop SCL2 output when a stop condition is detected.	Set to 0.
	SWC9	Set to 0.	Set to 1 to hold SCL2 low at the falling edge of the 9th bit of clock.
URXDF	DF2EN	Set to 0.	Set to 0.
U2SMR5	MP	Set to 0.	Set to 0.

Table 23.12 I²C Mode Functions

Function	Clock Synchronous Serial I/O Mode (SMD2 to SMD0 = 001b, IICM = 0)	I ² C Mode (SMD2 to SMD0 = 010b, IICM = 1)			
		IICM2 = 0 (NACK/ACK interrupt)		IICM2 = 1 (UART transmit/receive interrupt)	
		CKPH = 0 (No Clock Delay)	CKPH = 1 (With Clock Delay)	CKPH = 0 (No Clock Delay)	CKPH = 1 (With Clock Delay)
Source of UART2 bus collision interrupt (1, 5)	-	Start condition detection or stop condition detection (Refer to Table 23.13 STSPSEL Bit Functions)			
Source of UART2 transmit/NACK2 (1, 6)	UART2 transmission Transmission started or completed (selectable by U2IRS bit)	No acknowledgment detection (NACK) Rising edge of SCL2 9th bit	UART2 transmission Rising edge of SCL2 9th bit	UART2 transmission Falling edge of SCL2 next to 9th bit	
Source of UART2 receive/ACK2 (1, 6)	UART2 reception When 8th bit received CKPOL = 0 (rising edge) CKPOL = 1 (falling edge)	Acknowledgment detection (ACK) Rising edge of SCL2 9th bit	UART2 reception Falling edge of SCL2 9th bit		
Timing for transferring data from UART reception shift register to U2RB register	CKPOL = 0 (rising edge) CKPOL = 1 (falling edge)	Rising edge of SCL2 9th bit	Falling edge of SCL2 9th bit	Falling and rising edges of SCL2 9th bit	
UART2 transmission output delay	No delay	With delay			
TXD2/SDA2 functions	TXD2 output	SDA2 I/O			
RXD2/SCL2 functions	RXD2 input	SCL2 I/O			
CLK2 functions	CLK2 input or output port selected	– (Cannot be used in I ² C mode.)			
Noise filter width	15 ns	200 ns			
Read of RXD2 and SCL2 pin levels	Possible when the corresponding port direction bit = 0	Possible regardless of the content of the corresponding port direction bit.			
Initial value of TXD2 and SDA2 outputs	CKPOL = 0 (“H”) CKPOL = 1 (“L”)	The value set in the port register before setting I ² C mode. (2)			
Initial and end values of SCL2	-	“H”	“L”	“H”	“L”
DTC source number 14 (6)	UART2 reception When 8th bit received CKPOL = 0 (rising edge) CKPOL = 1 (falling edge)	Acknowledgment detection (ACK)		UART2 reception Falling edge of SCL2 9th bit	
DTC source number 15 (6)	UART2 transmission Transmission started or completed (selectable by U2IRS bit)	UART2 transmission Rising edge of SCL2 9th bit	UART2 transmission Falling edge of SCL2 next to 9th bit	UART2 transmission Rising edge of SCL2 9th bit	UART2 transmission Falling edge of SCL2 next to 9th bit
Storage of receive data	1st to 8th bits of the received data are stored in bits b0 to b7 in the U2RB register.	1st to 8th bits of the received data are stored in bits b7 to b0 in the U2RB register.		1st to 7th bits of the received data are stored in bits b6 to b0 in the U2RB register. 8th bit is stored in bit b8 in the U2RB register. 1st to 8th bits are stored in bits b7 to b0 in the U2RB register. (3)	
Read of receive data	The U2RB register status is read.			Bits b6 to b0 in the U2RB register are read as bits b7 to b1. Bit b8 in the U2RB register is read as bit b0. (4)	

Notes:

1. If the source of any interrupt is changed, the IR bit in the interrupt control register for the changed interrupt may inadvertently be set to 1 (interrupt requested). (Refer to **11.8 Notes on Interrupts**.)
If one of the bits listed below is changed, the interrupt source, the interrupt timing, and others change. Therefore, always be sure to set the IR bit to 0 (interrupt not requested) after changing these bits.
Bits SMD2 to SMD0 in the U2MR register, the IICM bit in the U2SMR register, the IICM2 bit in the U2SMR2 register, and the CKPH bit in the U2SMR3 register.
2. Set the initial value of SDA2 output while bits SMD2 to SMD0 in the U2MR register are 000b (serial interface disabled).
3. Second data transfer to the U2RB register (rising edge of SCL2 9th bit)
4. First data transfer to the U2RB register (falling edge of SCL2 9th bit)
5. Refer to **Figure 23.16 STSPSEL Bit Functions**.
6. Refer to **Figure 23.14 Transfer to U2RB Register and Interrupt Timing**.

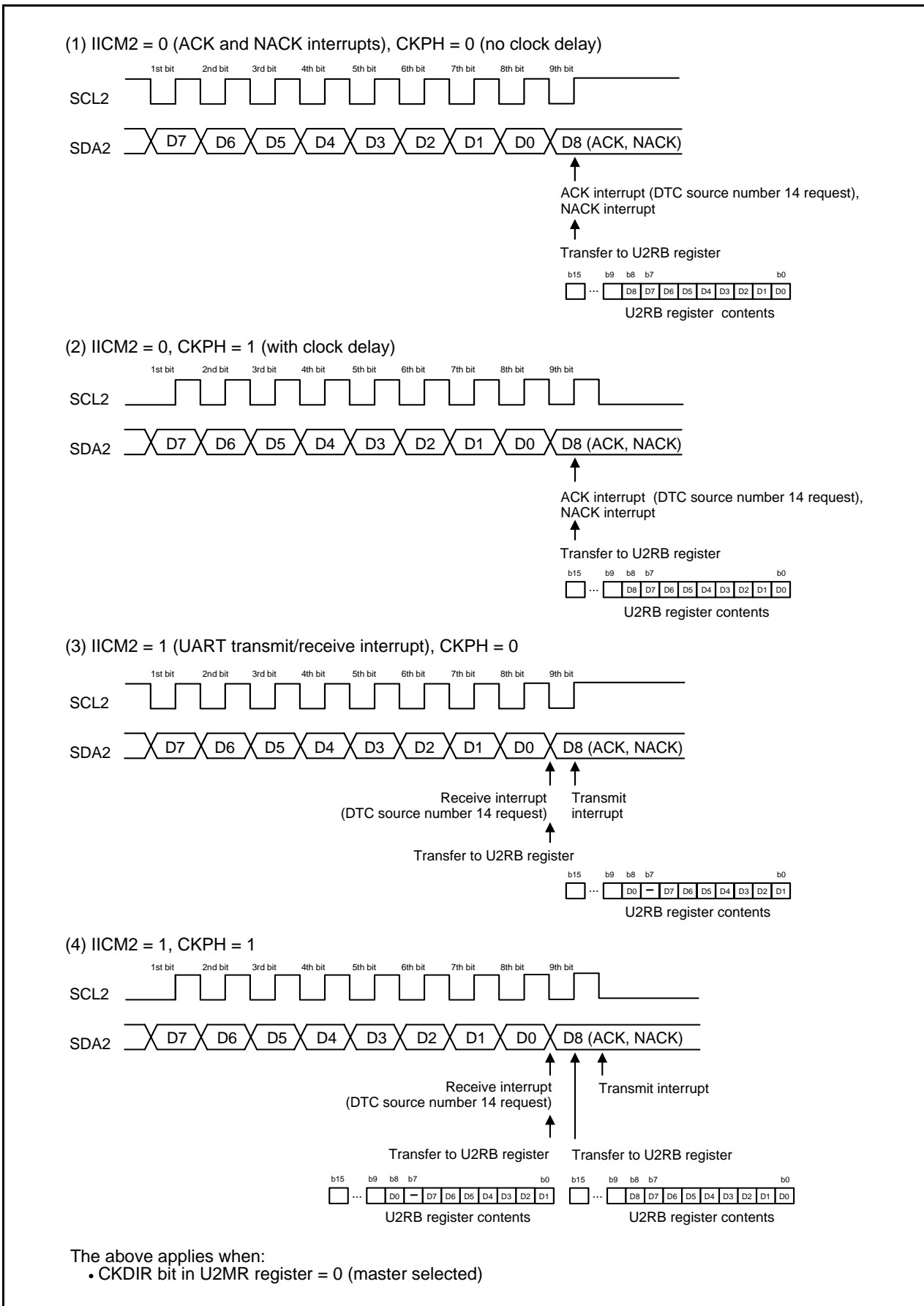


Figure 23.14 Transfer to U2RB Register and Interrupt Timing

23.5.1 Detection of Start and Stop Conditions

Whether a start or a stop condition has been detected is determined.

A start condition detect interrupt request is generated when the SDA2 pin changes state from high to low while the SCL2 pin is in the high state. A stop condition detect interrupt request is generated when the SDA2 pin changes state from low to high while the SCL2 pin is in the high state.

Because the start and stop condition detect interrupts share an interrupt control register and vector, check the BBS bit in the U2SMR register to determine which interrupt source is requesting the interrupt.

Figure 23.15 shows the Detection of Start and Stop Conditions.

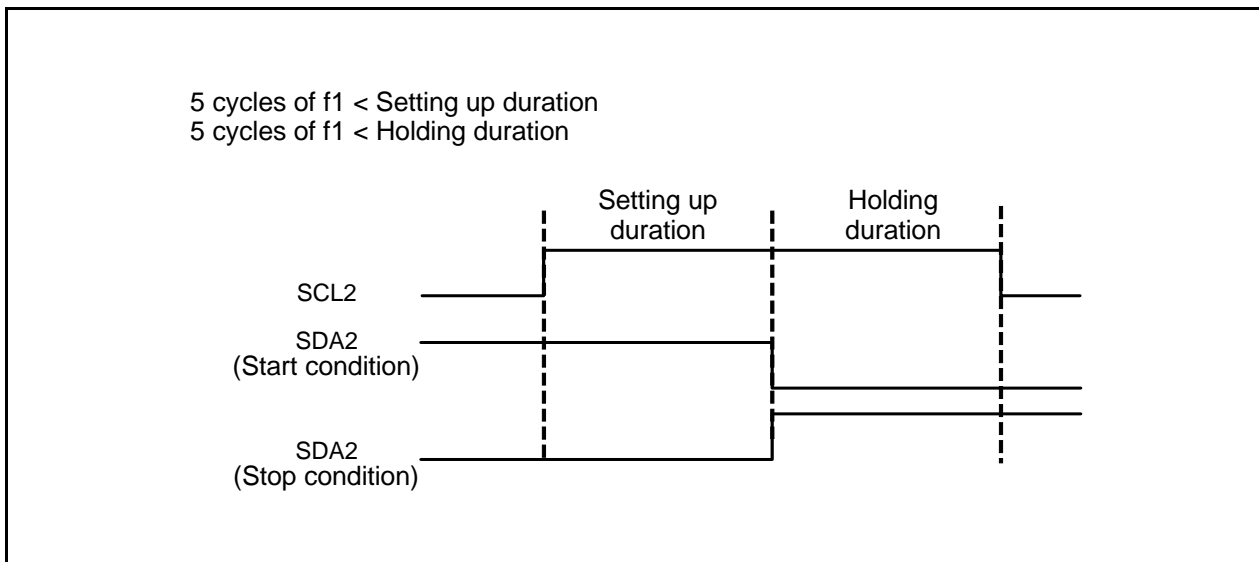


Figure 23.15 Detection of Start and Stop Conditions

23.5.2 Output of Start and Stop Conditions

A start condition is generated by setting the STAREQ bit in the U2SMR4 register to 1 (start).
 A restart condition is generated by setting the RSTAREQ bit in the U2SMR4 register to 1 (start).
 A stop condition is generated by setting the STPREQ bit in the U2SMR4 register to 1 (start).

The output procedure is as follows:

- (1) Set the STAREQ bit, RSTAREQ bit or STPREQ bit to 1 (start).
- (2) Set the STSPSEL bit in the U2SMR4 register to 1 (output).

Table 23.13 lists the STSPSEL Bit Functions. Figure 23.16 shows the STSPSEL Bit Functions.

Table 23.13 STSPSEL Bit Functions

Function	STSPSEL = 0	STSPSEL = 1
Output of pins SCL2 and SDA2	Output of transfer clock and data Output of start/stop conditions is accomplished by a program using ports (not automatically generated in hardware)	Output of start/stop conditions according to bits STAREQ, RSTAREQ, and STPREQ
Start/stop condition interrupt request generation timing	Detection of start/stop conditions	Completion of start/stop condition generation

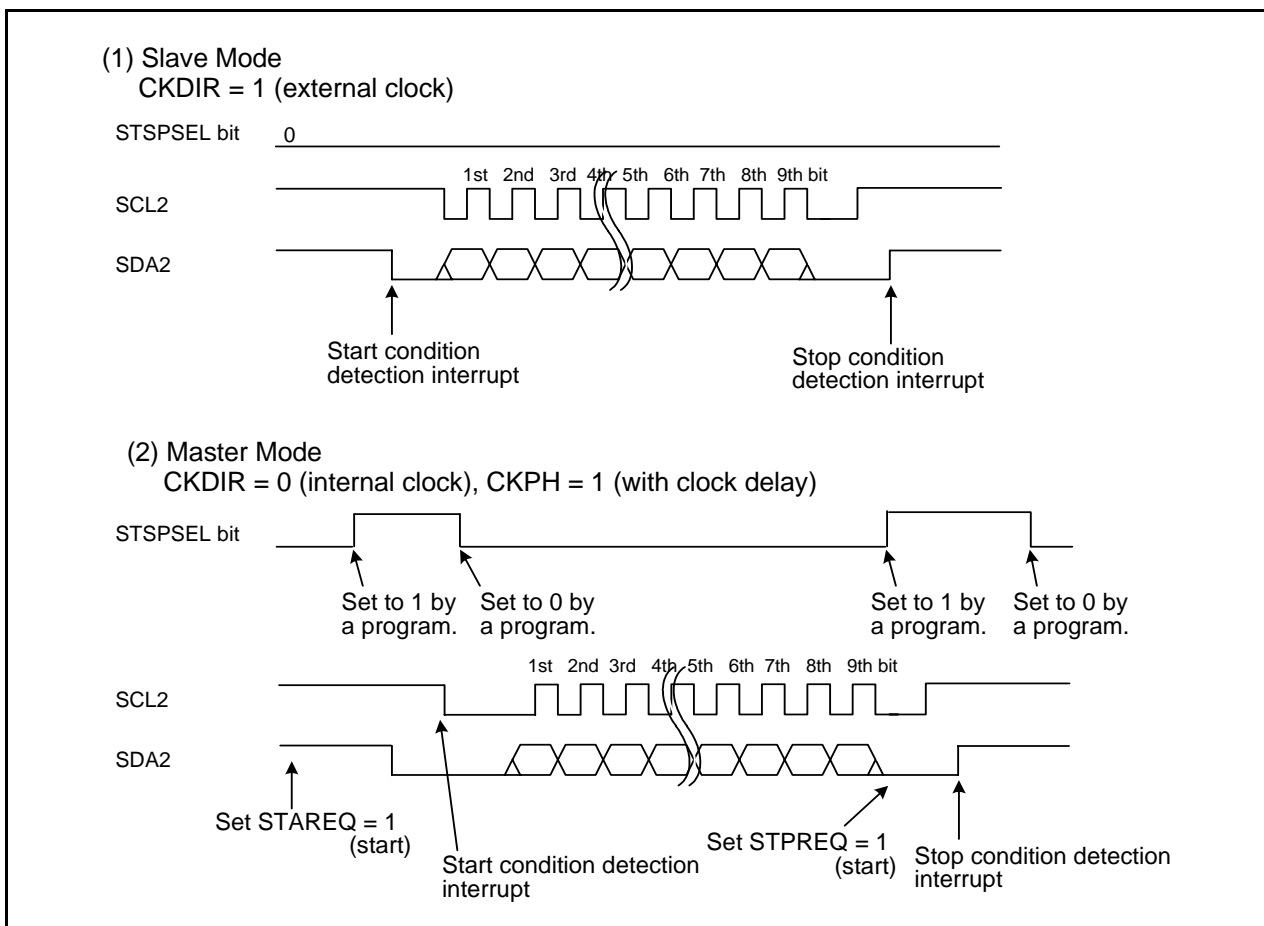


Figure 23.16 STSPSEL Bit Functions

23.5.3 Transfer Clock

The transfer clock is used to transmit and receive data as is shown in **Figure 23.14 Transfer to U2RB Register and Interrupt Timing**.

The CSC bit in the U2SMR2 register is used to synchronize an internally generated clock (internal SCL2) and an external clock supplied to the SCL2 pin. When the CSC bit is set to 1 (clock synchronization enabled), if a falling edge on the SCL2 pin is detected while the internal SCL2 is high, the internal SCL2 goes low. The value in the U2BRG register is reloaded and counting of the low-level intervals starts. If the internal SCL2 changes state from low to high while the SCL2 pin is low, counting stops. If the SCL2 pin goes high, counting restarts. In this way, the UART2 transfer clock is equivalent to AND of the internal SCL2 and the clock signal applied to the SCL2 pin. The transfer clock works from a half cycle before the falling edge of the internal SCL2 1st bit to the rising edge of the 9th bit. To use this function, select an internal clock for the transfer clock.

The SWC bit in the U2SMR2 register determines whether the SCL2 pin is fixed low or freed from low-level output at the falling edge of the 9th clock pulse.

If the SCLHI bit in the U2SMR4 register is set to 1 (enabled), SCL2 output is turned off (placed in the high-impedance state) when a stop condition is detected.

Setting the SWC2 bit in the U2SMR2 register to 1 (“L” output) makes it possible to forcibly output a low-level signal from the SCL2 pin even while sending or receiving data. Setting the SWC2 bit to 0 (transfer clock) allows the transfer clock to be output from or supplied to the SCL2 pin, instead of outputting a low-level signal. If the SWC9 bit in the U2SMR4 register is set to 1 (SCL “L” hold enabled) when the CKPH bit in the U2SMR3 register is 1, the SCL2 pin is fixed low at the falling edge of the clock pulse next to the 9th. Setting the SWC9 bit to 0 (SCL “L” hold disabled) frees the SCL2 pin from low-level output.

23.5.4 SDA Output

The data written to bits b7 to b0 (D7 to D0) in the U2TB register is output in descending order from D7.

The 9th bit (D8) is ACK or NACK.

Set the initial value of SDA2 transmit output when IICM is set to 1 (I²C mode) and bits SMD2 to SMD0 in the U2MR register are set to 000b (serial interface disabled).

Bits DL2 to DL0 in the U2SMR3 register allow addition of no delays or a delay of 2 to 8 U2BRG count source clock cycles to the SDA2 output.

Setting the SDHI bit in the U2SMR2 register to 1 (SDA output disabled) forcibly places the SDA2 pin in the high-impedance state. Do not write to the SDHI bit at the rising edge of the UART2 transfer clock.

23.5.5 SDA Input

When the IICM2 bit is set to 0, the 1st to 8th bits (D7 to D0) of received data are stored in bits b7 to b0 in the U2RB register. The 9th bit (D8) is ACK or NACK.

When the IICM2 bit is set to 1, the 1st to 7th bits (D7 to D1) of received data are stored in bits b6 to b0 in the U2RB register and the 8th bit (D0) is stored in bit b8 in the U2RB register. Even when the IICM2 bit is set to 1, if the CKPH bit is 1, the same data as when the IICM2 bit is 0 can be read by reading the U2RB register after the rising edge of 9th bit of the clock.

23.5.6 ACK and NACK

If the STSPSEL bit in the U2SMR4 register is set to 0 (start and stop conditions not output) and the ACKC bit in the U2SMR4 register is set to 1 (ACK data output), the value of the ACKD bit in the U2SMR4 register is output from the SDA2 pin.

If the IICM2 bit is set to 0, a NACK interrupt request is generated if the SDA2 pin remains high at the rising edge of the 9th bit of transmit clock pulse. An ACK interrupt request is generated if the SDA2 pin is low at the rising edge of the 9th bit of the transmit clock.

If ACK2 (UART2 reception) is selected to generate a DTC request source, a DTC transfer can be activated by detection of an acknowledge.

23.5.7 Initialization of Transmission/Reception

If a start condition is detected while the STAC bit is set to 1 (UART2 initialization enabled), the serial interface operates as described below.

- The transmit shift register is initialized, and the contents of the U2TB register are transferred to the transmit shift register. In this way, the serial interface starts sending data when the next clock pulse is applied. However, the UART2 output value does not change state and remains the same as when a start condition was detected until the first bit of data is output in synchronization with the input clock.
- The receive shift register is initialized, and the serial interface starts receiving data when the next clock pulse is applied.
- The SWC bit is set to 1 (SCL wait output enabled). Consequently, the SCL2 pin is pulled low at the falling edge of the 9th clock pulse.

Note that when UART2 transmission/reception is started using this function, the TI bit does not change state. Select the external clock as the transfer clock to start UART2 transmission/reception with this setting.

23.6 Multiprocessor Communication Function

When the multiprocessor communication function is used, data transmission/reception can be performed between a number of processors sharing communication lines by asynchronous serial communication, in which a multiprocessor bit is added to the data. For multiprocessor communication, each receiving station is addressed by a unique ID code. The serial communication cycle consists of two component cycles; an ID transmission cycle for specifying the receiving station, and a data transmission cycle for the specified receiving station. The multiprocessor bit is used to differentiate between the ID transmission cycle and the data transmission cycle. When the multiprocessor bit is set to 1, the cycle is an ID transmission cycle; when the multiprocessor bit is set to 0, the cycle is a data transmission cycle. Figure 23.17 shows an Inter-Processor Communication Example Using Multiprocessor Format (Data AAh Transmission to Receiving Station A).

The transmitting station first sends the ID code of the receiving station to perform communication as communication data with a 1 multiprocessor bit added. It then sends transmit data as communication data with a 0 multiprocessor bit added.

When communication data in which the multiprocessor bit is 1 is received, the receiving station compares that data with its own ID. If they match, the data to be sent next is received. If they do not match, the receive station continues to skip communication data until data in which the multiprocessor bit is 1 is again received.

UART2 uses the MPIE bit in the U2SMR5 register to implement this function. When the MPIE bit is set to 1, data transfer from the UART2 receive register to the U2RB register, receive error detection, and the settings of the status flags, the RI bit in the U2C1 register, bits FER and OER in the U2RB register, are disabled until data in which the multiprocessor bit is 1 is received. On receiving a receive character in which the multiprocessor bit is 1, the MPRB bit in the U2RB register is set to 1 and the MPIE in the U2SMR5 register bit is set to 0, thus normal reception is resumed.

When the multiprocessor format is specified, the parity bit specification is invalid. All other bit settings are the same as those in normal asynchronous mode (UART mode). The clock used for multiprocessor communication is the same as that in normal asynchronous mode (UART mode).

Figure 23.18 shows a Block Diagram of Multiprocessor Communication Function.

Table 23.14 lists the Registers and Settings in Multiprocessor Communication Function.

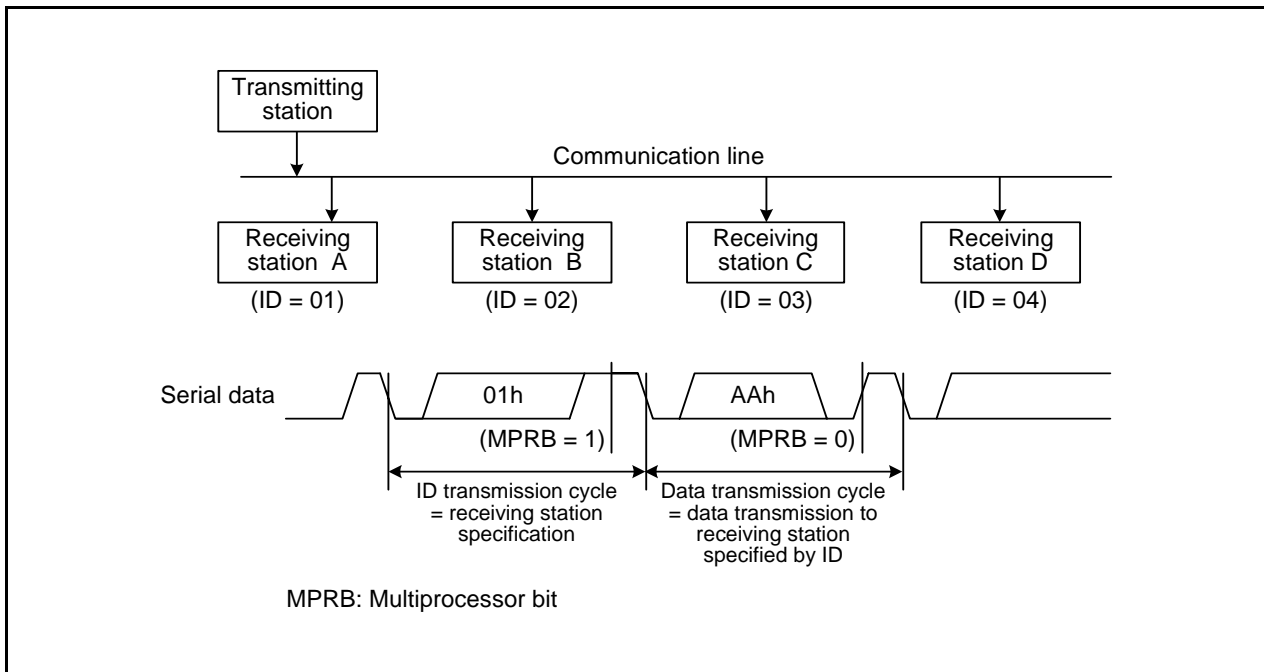


Figure 23.17 Inter-Processor Communication Example Using Multiprocessor Format (Data AAh Transmission to Receiving Station A)

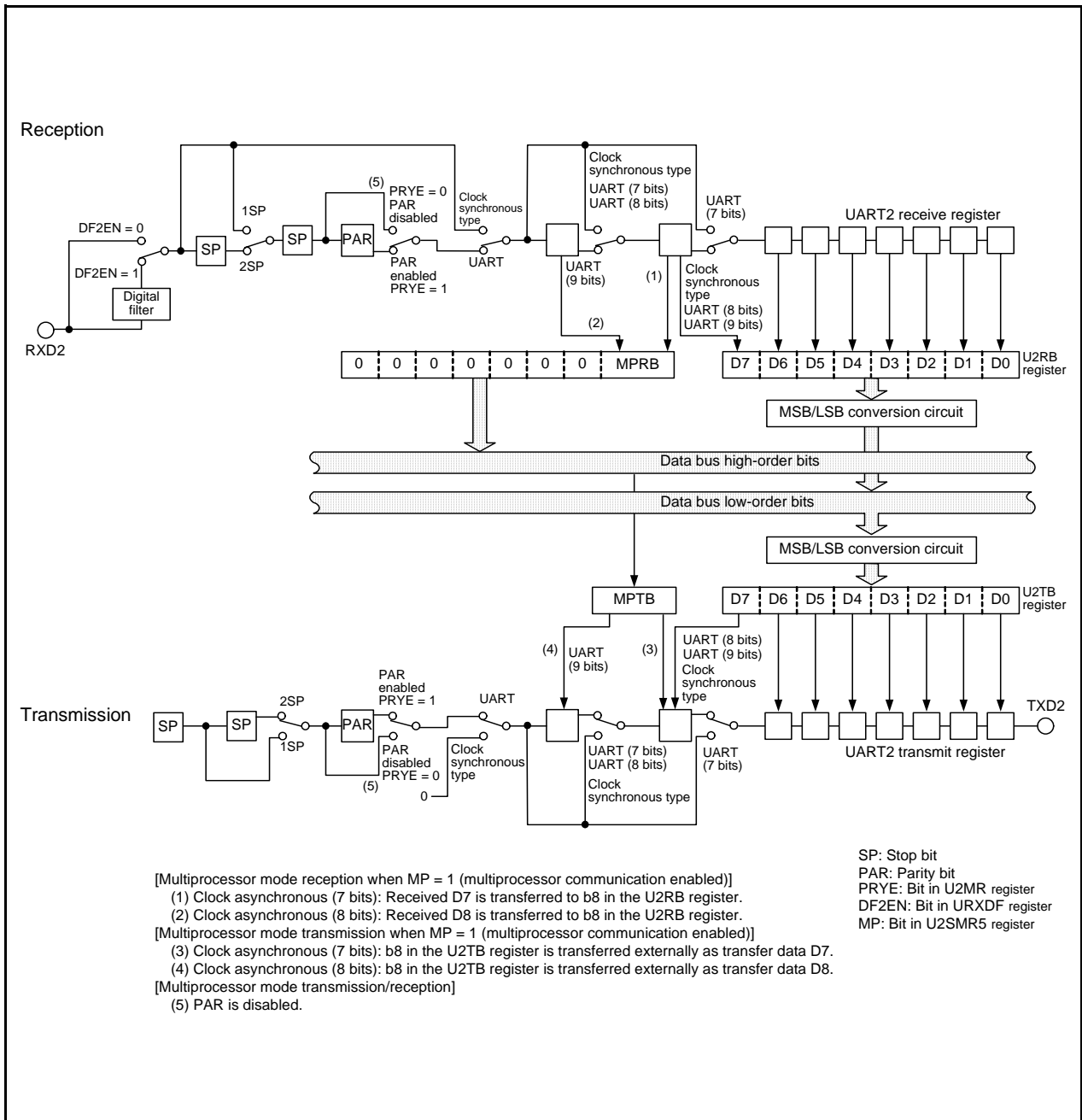


Figure 23.18 Block Diagram of Multiprocessor Communication Function

Table 23.14 Registers and Settings in Multiprocessor Communication Function

Register	Bit	Function
U2TB (1)	b0 to b7	Set transmit data.
	MPTB	Set to 0 or 1.
U2RB (2)	b0 to b7	Receive data can be read.
	MPRB	Multiprocessor bit
	OER, FER, SUM	Error flag
U2BRG	b0 to b7	Set the transfer rate.
U2MR	SMD2 to SMD0	Set to 100b when transfer data is 7 bits long.
		Set to 101b when transfer data is 8 bits long.
	CKDIR	Select the internal clock or external clock.
	STPS	Select the stop bit.
	PRY, PRYE	Parity detection function disabled
	IOPOL	Set to 0.
U2C0	CLK0, CLK1	Select the U2BRG count source.
	CRS	$\overline{\text{CTS}}$ or $\overline{\text{RTS}}$ function disabled
	TXEPT	Transmit register empty flag
	CRD	Set to 0.
	NCH	Select TXD2 pin output mode.
	CKPOL	Set to 0.
	UFORM	Set to 0.
U2C1	TE	Set to 1 to enable transmission.
	TI	Transmit buffer empty flag
	RE	Set to 1 to enable reception.
	RI	Receive complete flag
	U2IRS	Select the UART2 transmit interrupt source.
	U2LCH	Set to 0.
	U2ERE	Set to 0.
U2SMR	b0 to b7	Set to 0.
U2SMR2	b0 to b7	Set to 0.
U2SMR3	b0 to b7	Set to 0.
U2SMR4	b0 to b7	Set to 0.
U2SMR5	MP	Set to 1.
	MPIE	Set to 1.
URXDF	DF2EN	Select the digital filter enabled or disabled.

Notes:

1. Set the MPTB bit to 1 when the ID data frame is transmitted. Set this bit to 0 when the data frame is transmitted.
2. If the MPRB bit is set to 1, received D7 to D0 are ID fields. If the MPRB bit is set to 0, received D7 to D0 are data fields.

23.6.1 Multiprocessor Transmission

Figure 23.19 shows a Sample Flowchart of Multiprocessor Data Transmission. Set the MPBT bit in the U2TB register to 1 for ID transmission cycles. Set the MPBT bit in the U2TB register to 0 for data transmission cycles. Other operations are the same as in universal asynchronous receiver/transmitter mode (UART mode).

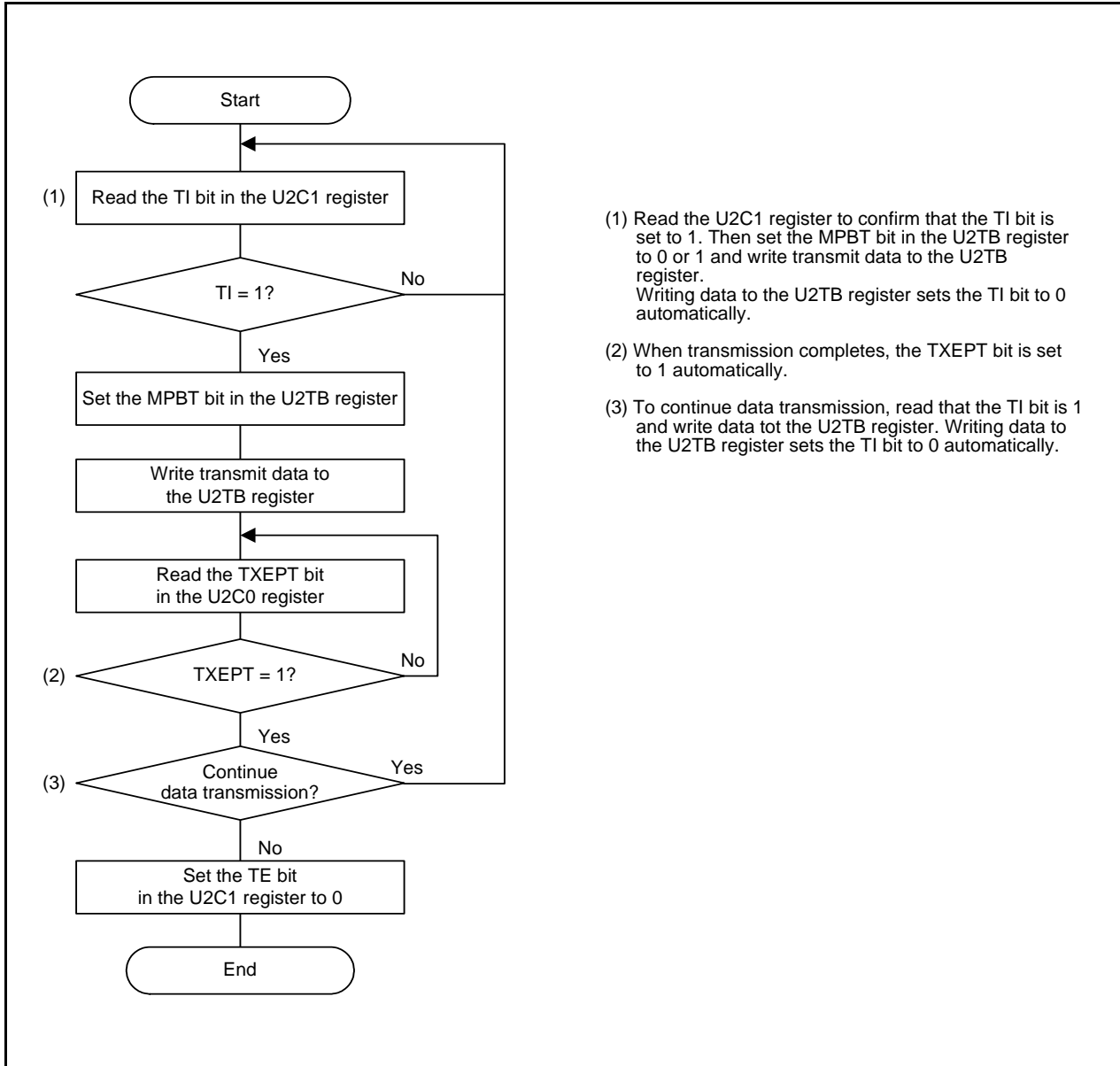
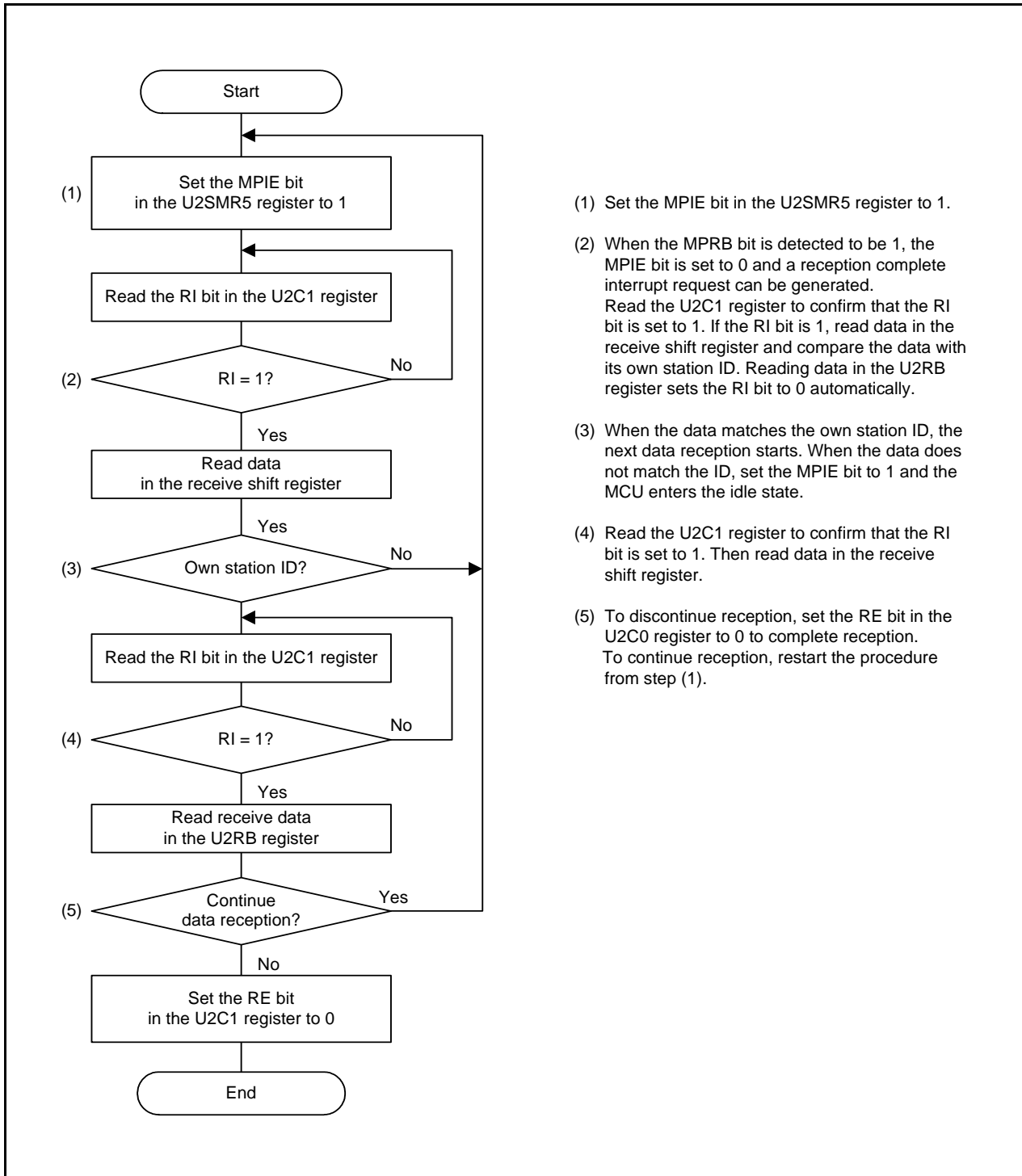


Figure 23.19 Sample Flowchart of Multiprocessor Data Transmission

23.6.2 Multiprocessor Reception

Figure 23.20 shows a Sample Flowchart of Multiprocessor Data Reception. When the MPIE bit in the U2SMR5 register is set to 1, communication data is ignored until data in which the multiprocessor bit is 1 is received. Communication data with a 1 multiprocessor bit added is transferred to the U2RB register as receive data. At this time, a reception complete interrupt request is generated. Other operations are the same as in universal asynchronous receiver/transmitter mode (UART mode). Figure 23.21 shows a Receive Operation Example during Multiprocessor Communication (with 8-Bit Data/Multiprocessor Bit/One-Stop Bit).



- (1) Set the MPIE bit in the U2SMR5 register to 1.
- (2) When the MPRB bit is detected to be 1, the MPIE bit is set to 0 and a reception complete interrupt request can be generated. Read the U2C1 register to confirm that the RI bit is set to 1. If the RI bit is 1, read data in the receive shift register and compare the data with its own station ID. Reading data in the U2RB register sets the RI bit to 0 automatically.
- (3) When the data matches the own station ID, the next data reception starts. When the data does not match the ID, set the MPIE bit to 1 and the MCU enters the idle state.
- (4) Read the U2C1 register to confirm that the RI bit is set to 1. Then read data in the receive shift register.
- (5) To discontinue reception, set the RE bit in the U2C0 register to 0 to complete reception. To continue reception, restart the procedure from step (1).

Figure 23.20 Sample Flowchart of Multiprocessor Data Reception

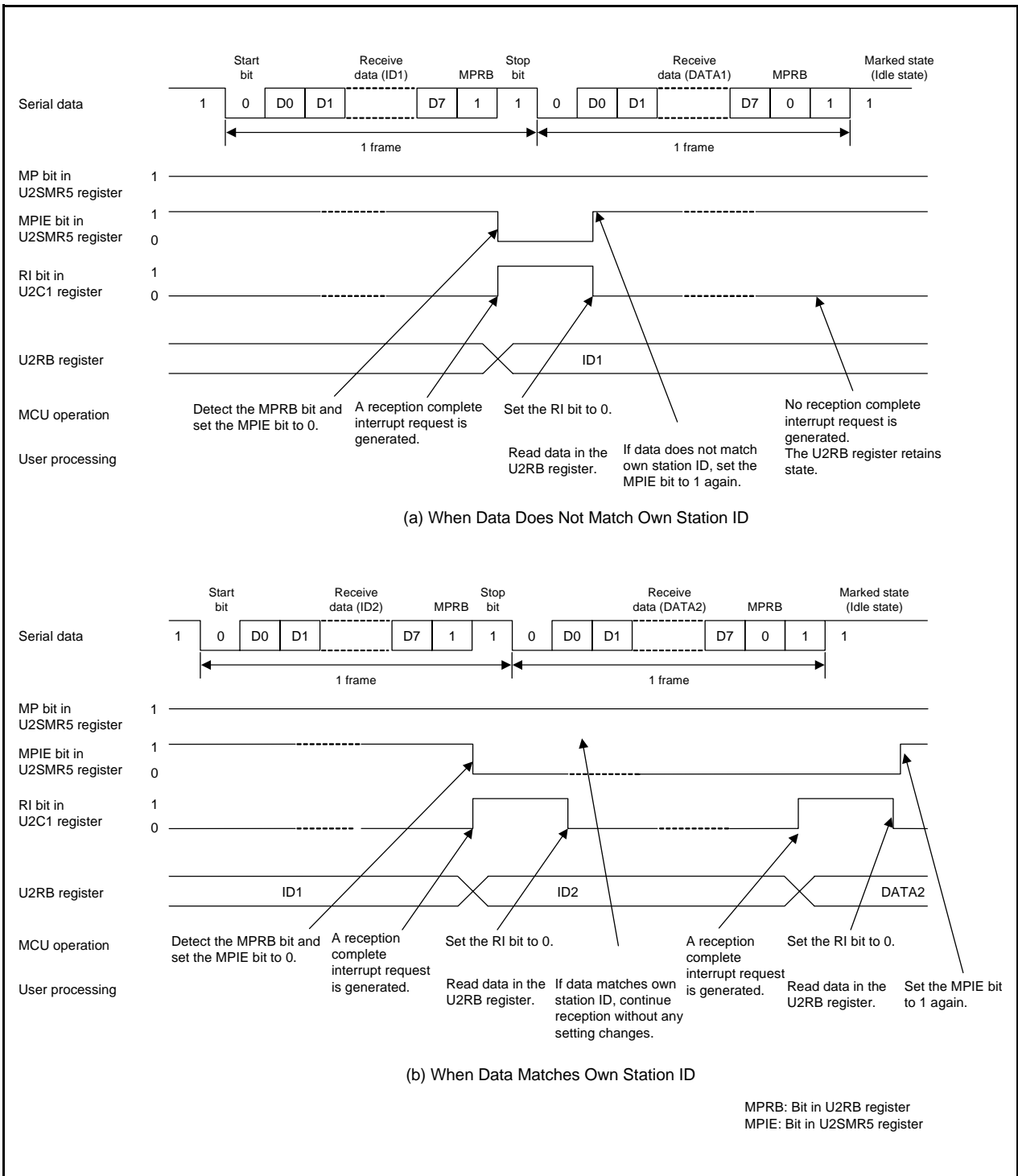


Figure 23.21 Receive Operation Example during Multiprocessor Communication (with 8-Bit Data/Multiprocessor Bit/One-Stop Bit)

23.6.3 RXD2 Digital Filter Select Function

When the DF2EN bit in the URXDF register is set to 1 (RXD2 digital filter enabled), the RXD2 input signal is loaded internally via the digital filter circuit for noise reduction. The noise canceller consists of three cascaded latch circuits and a match detection circuit. The RXD2 input signal is sampled on the internal basic clock with a frequency 16 times the bit rate. It is recognized as a signal and the level is passed forward to the next circuit when three latch outputs match. When the outputs do not match, the previous value is retained.

In other words, when the level is changed within three clocks, the change is recognized as not a signal but noise. Figure 23.22 shows a Block Diagram of RXD2 Digital Filter Circuit.

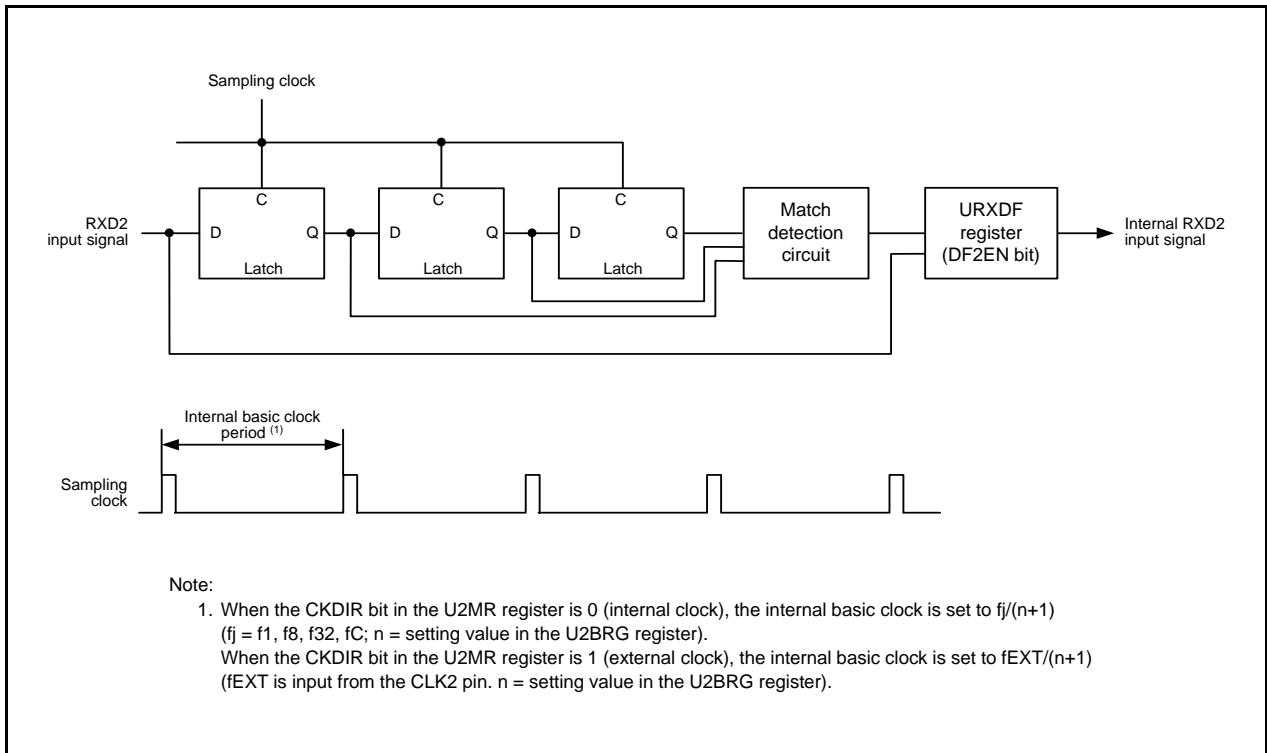


Figure 23.22 Block Diagram of RXD2 Digital Filter Circuit

23.7 Notes on Serial Interface (UART2)

23.7.1 Clock Synchronous Serial I/O Mode

23.7.1.1 Transmission/Reception

When the $\overline{\text{RTS}}$ function is used with an external clock, the $\overline{\text{RTS2}}$ pin outputs “L,” which informs the transmitting side that the MCU is ready for a receive operation. The $\overline{\text{RTS2}}$ pin outputs “H” when a receive operation starts. Therefore, the transmit timing and receive timing can be synchronized by connecting the $\overline{\text{RTS2}}$ pin to the $\overline{\text{CTS2}}$ pin of the transmitting side. The $\overline{\text{RTS}}$ function is disabled when an internal clock is selected.

23.7.1.2 Transmission

If an external clock is selected, the following conditions must be met while the external clock is held high when the CKPOL bit in the U2C0 register is set to 0 (transmit data output at the falling edge and receive data input at the rising edge of the transfer clock), or while the external clock is held low when the CKPOL bit is set to 1 (transmit data output at the rising edge and receive data input at the falling edge of the transfer clock).

- The TE bit in the U2C1 register = 1 (transmission enabled)
- The TI bit in the U2C1 register = 0 (data present in the U2TB register)
- If the $\overline{\text{CTS}}$ function is selected, input on the $\overline{\text{CTS2}}$ pin = “L”

23.7.1.3 Reception

In clock synchronous serial I/O mode, the shift clock is generated by activating the transmitter. Set the UART2-associated registers for transmit operation even if the MCU is used for receive operation only. Dummy data is output from the TXD2 pin while receiving.

When an internal clock is selected, the shift clock is generated by setting the TE bit in the U2C1 register to 1 (transmission enabled) and placing dummy data in the U2TB register. When an external clock is selected, set the TE bit to 1 (transmission enabled), place dummy data in the U2TB register, and input an external clock to the CLK2 pin to generate the shift clock.

If data is received consecutively, an overrun error occurs when the RE bit in the U2C1 register is set to 1 (data present in the U2RB register) and the next receive data is received in the UART2 receive register. Then, the OER bit in the U2RB register is set to 1 (overrun error). At this time, the U2RB register value is undefined. If an overrun error occurs, the IR bit in the S2RIC register remains unchanged.

To receive data consecutively, set dummy data in the low-order byte in the U2TB register per each receive operation.

If an external clock is selected, the following conditions must be met while the external clock is held high when the CKPOL bit is set to 0, or while the external clock is held low when the CKPOL bit is set to 1.

- The RE bit in the U2C1 register = 1 (reception enabled)
- The TE bit in the U2C1 register = 1 (transmission enabled)
- The TI bit in the U2C1 register = 0 (data present in the U2TB register)

23.7.2 Clock Asynchronous Serial I/O (UART) Mode

23.7.2.1 Transmission/Reception

When the $\overline{\text{RTS}}$ function is used with an external clock, the $\overline{\text{RTS2}}$ pin outputs “L,” which informs the transmitting side that the MCU is ready for a receive operation. The $\overline{\text{RTS2}}$ pin outputs “H” when a receive operation starts. Therefore, the transmit timing and receive timing can be synchronized by connecting the $\overline{\text{RTS2}}$ pin to the $\overline{\text{CTS2}}$ pin of the transmitting side. The $\overline{\text{RTS}}$ function is disabled when an internal clock is selected.

23.7.2.2 Transmission

If an external clock is selected, the following conditions must be met while the external clock is held high when the CKPOL bit in the U2C0 register is set to 0 (transmit data output at the falling edge and receive data input at the rising edge of the transfer clock), or while the external clock is held low when the CKPOL bit is set to 1 (transmit data output at the rising edge and receive data input at the falling edge of the transfer clock).

- The TE bit in the U2C1 register = 1 (transmission enabled)
- The TI bit in the U2C1 register = 0 (data present in the U2TB register)
- If the $\overline{\text{CTS}}$ function is selected, input on the $\overline{\text{CTS2}}$ pin = “L”

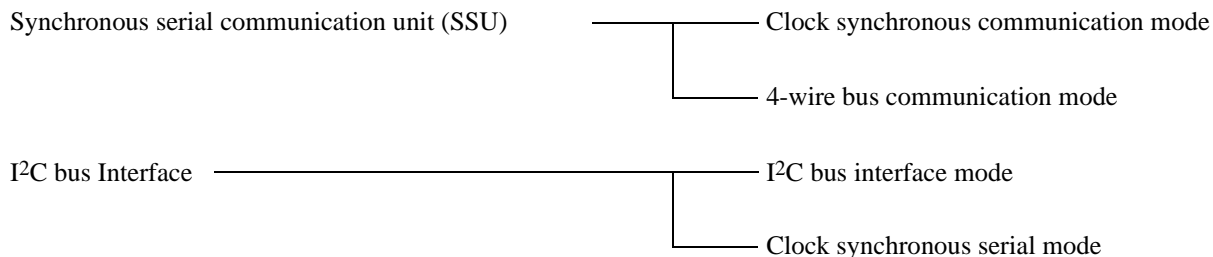
23.7.3 Special Mode 1 (I²C Mode)

When generating start, stop, and restart conditions, set the STSPSEL bit in the U2SMR4 register to 0 and wait for more than half cycle of the transfer clock before changing each condition generation bit (STAREQ, RSTAREQ, and STPREQ) from 0 to 1.

24. Clock Synchronous Serial Interface

The clock synchronous serial interface is configured as follows.

Clock synchronous serial interface



The clock synchronous serial interface uses the registers at addresses 0193h to 019Dh. Registers, bits, symbols, and functions vary even for the same addresses depending on the mode. Refer to the registers of each function for details. Also, the differences between clock synchronous communication mode and clock synchronous serial mode are the options of the transfer clock, clock output format, and data output format.

24.1 Mode Selection

The clock synchronous serial interface has four modes.

Table 24.1 lists the Mode Selections. Refer to **25. Synchronous Serial Communication Unit (SSU)**, **26. I²C bus Interface** and the sections that follow for details of each mode.

Table 24.1 Mode Selections

IICSEL Bit in SSUIICSR Register	Bit 7 in 0198h (ICE Bit in ICCR1 Register)	Bit 0 in 019Dh (SSUMS Bit in SSMR2 Register, FS Bit in SAR Register)	Function	Mode
0	0	0	Synchronous serial communication unit	Clock synchronous communication mode
0	0	1		4-wire bus communication mode
1	1	0	I ² C bus interface	I ² C bus interface mode
1	1	1		Clock synchronous serial mode

25. Synchronous Serial Communication Unit (SSU)

Synchronous serial communication unit (SSU) supports clock synchronous serial data communication.

25.1 Overview

Table 25.1 shows a Synchronous Serial Communication Unit Specifications and Figure 25.1 shows a Block Diagram of Synchronous Serial Communication Unit.

Table 25.1 Synchronous Serial Communication Unit Specifications

Item	Specification
Transfer data format	<ul style="list-style-type: none"> Transfer data length: 8 to 16 bits Continuous transmission and reception of serial data are supported since both transmitter and receiver have buffer structures.
Operating modes	<ul style="list-style-type: none"> Clock synchronous communication mode 4-wire bus communication mode (including bidirectional communication)
Master/slave device	Selectable
I/O pins	SSCK (I/O): Clock I/O pin SSI (I/O): Data I/O pin SSO (I/O): Data I/O pin SCS (I/O): Chip-select I/O pin
Transfer clocks	<ul style="list-style-type: none"> When the MSS bit in the SSCRH register is set to 0 (operates as slave device), external clock is selected (input from SSCK pin). When the MSS bit in the SSCRH register is set to 1 (operates as master device), internal clock (selectable among f1/256, f1/128, f1/64, f1/32, f1/16, f1/8 and f1/4, output from SSCK pin) is selected. Clock polarity and phase of SSCK can be selected.
Receive error detection	<ul style="list-style-type: none"> Overrun error Overrun error occurs during reception and completes in error. While the RDRF bit in the SSSR register is set to 1 (data in the SSRDR register) and when next serial data receive is completed, the ORER bit is set to 1.
Multimaster error detection	<ul style="list-style-type: none"> Conflict error When the SSUMS bit in the SSMR2 register is set to 1 (4-wire bus communication mode) and the MSS bit in the SSCRH register is set to 1 (operates as master device) and when starting a serial communication, the CE bit in the SSSR register is set to 1 if "L" applies to the SCS pin input. When the SSUMS bit in the SSMR2 register is set to 1 (4-wire bus communication mode), the MSS bit in the SSCRH register is set to 0 (operates as slave device) and the SCS pin input changes state from "L" to "H", the CE bit in the SSSR register is set to 1.
Interrupt requests	5 interrupt requests (transmit-end, transmit-data-empty, receive-data-full, overrun error, and conflict error) ⁽¹⁾ .
Selectable functions	<ul style="list-style-type: none"> Data transfer direction Selects MSB-first or LSB-first SSCK clock polarity Selects "L" or "H" level when clock stops SSCK clock phase Selects edge of data change and data download

Note:

1. Synchronous serial communication unit has only one interrupt vector table.

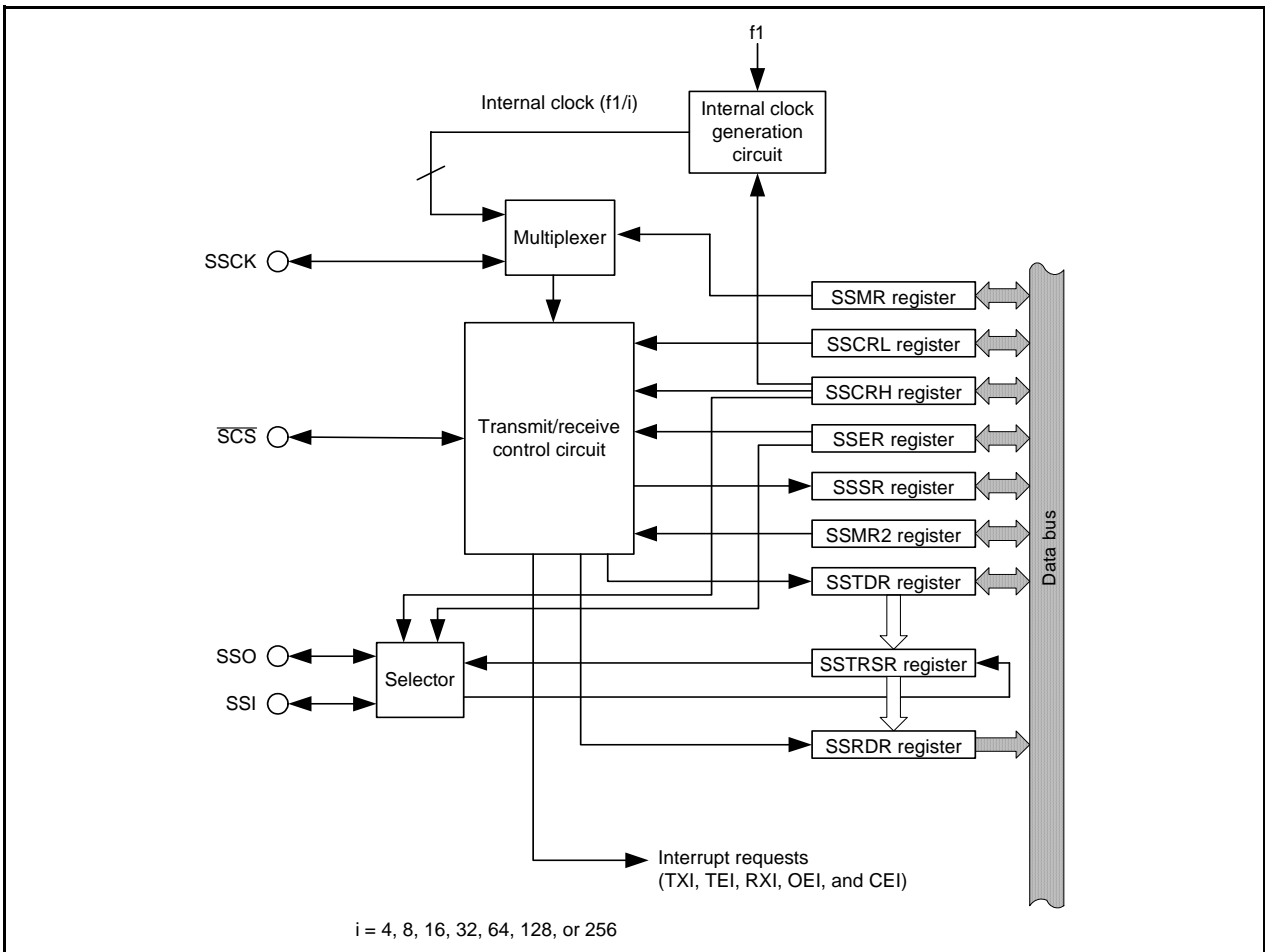


Figure 25.1 Block Diagram of Synchronous Serial Communication Unit

Table 25.2 Pin Configuration of Synchronous Serial Communication Unit

Pin Name	Assigned Pin	I/O	Function
SSI	P3_3, P3_4, or P1_6	I/O	Data I/O pin
$\overline{\text{SCS}}$	P3_3 or P3_4	I/O	Chip-select signal I/O pin
SSCK	P3_5	I/O	Clock I/O pin
SSO	P3_7	I/O	Data I/O pin

25.2 Registers

25.2.1 Module Standby Control Register (MSTCR)

Address 0008h

Bit	b7	b6	b5	b4	b3	b2	b1	b0
Symbol	—	—	MSTTRC	MSTTRD	MSTIIC	—	—	—
After Reset	0	0	0	0	0	0	0	0

Bit	Symbol	Bit Name	Function	R/W
b0	—	Nothing is assigned. If necessary, set to 0. When read, the content is 0.		—
b1	—			
b2	—			
b3	MSTIIC	SSU, I ² C bus standby bit	0: Active 1: Standby ⁽¹⁾	R/W
b4	MSTTRD	Timer RD standby bit	0: Active 1: Standby ^(2, 3)	R/W
b5	MSTTRC	Timer RC standby bit	0: Active 1: Standby ⁽⁴⁾	R/W
b6	—	Nothing is assigned. If necessary, set to 0. When read, the content is 0.		—
b7	—			

Notes:

1. When the MSTIIC bit is set to 1 (standby), any access to the SSU or the I²C bus associated registers (addresses 0193h to 019Dh) is disabled.
2. When the MSTTRD bit is set to 1 (standby), any access to the timer RD associated registers (addresses 0135h to 015Fh) is disabled.
3. To set the MSTTRD bit to 1 (standby), set bits TCK2 to TCK0 in the TRDCR_i (i = 0 or 1) register to 000b (f1).
4. When the MSTTRC bit is set to 1 (standby), any access to the timer RC associated registers (addresses 0120h to 0133h) is disabled.

25.2.2 SSU/IIC Pin Select Register (SSUICSR)

Address 018Ch

Bit	b7	b6	b5	b4	b3	b2	b1	b0
Symbol	—	—	—	—	—	—	—	IICSEL
After Reset	0	0	0	0	0	0	0	0

Bit	Symbol	Bit Name	Function	R/W
b0	IICSEL	SSU/I ² C bus switch bit	0: SSU function selected 1: I ² C bus function selected	R/W
b1	—	Reserved bit	Set to 0.	R/W
b2	—	Nothing is assigned. If necessary, set to 0. When read, the content is 0.		—
b3	—			
b4	—	Reserved bits	Set to 0.	R/W
b5	—			
b6	—			
b7	—			

25.2.3 SS Bit Counter Register (SSBR)

Address 0193h

Bit	b7	b6	b5	b4	b3	b2	b1	b0
Symbol	—	—	—	—	BS3	BS2	BS1	BS0
After Reset	1	1	1	1	1	0	0	0

Bit	Symbol	Bit Name	Function	R/W
b0	BS0	SSU data transfer length set bit ⁽¹⁾	b3 b2 b1 b0 0 0 0 0: 16 bits 1 0 0 0: 8 bits 1 0 0 1: 9 bits 1 0 1 0: 10 bits 1 0 1 1: 11 bits 1 1 0 0: 12 bits 1 1 0 1: 13 bits 1 1 1 0: 14 bits 1 1 1 1: 15 bits	R/W
b1	BS1			R/W
b2	BS2			R/W
b3	BS3			R/W
b4	—	Nothing is assigned. If necessary, set to 0. When read, the content is 1.		—
b5	—			—
b6	—			—
b7	—			—

Note:

- Do not write to bits BS0 to BS3 during SSU operation. Write to these bits when the RE bit in the SSER register is set to 0 (reception disabled) and the TE bit is set to 0 (transmission disabled).

To set the SSBR register, set the RE bit in the SSER register to 0 and the TE bit to 0.

Bits BS0 to BS3 (SSU Data Transfer Length Set Bit)

As the SSU data transfer length, 8 to 16 bits can be used.

25.2.4 SS Transmit Data Register (SSTDR)

Address 0195h to 0194h

Bit	b7	b6	b5	b4	b3	b2	b1	b0
Symbol	—	—	—	—	—	—	—	—
After Reset	1	1	1	1	1	1	1	1

Bit	b15	b14	b13	b12	b11	b10	b9	b8
Symbol	—	—	—	—	—	—	—	—
After Reset	1	1	1	1	1	1	1	1

Bit	Symbol	Function	R/W
b15 to b0	—	Store the transmit data. ⁽¹⁾ The stored transmit data is transferred to the SSTRSR register and transmission is started when it is detected that the SSTRSR register is empty. When the next transmit data is written to the SSTDR register during the data transmission from the SSTRSR register, the data can be transmitted continuously. When the MLS bit in the SSMR register is set to 1 (transfer data with LSB-first), the data in which MSB and LSB are reversed is read, after writing to the SSTDR register.	R/W

Note:

- When the SSU data transfer length is set to 9 bits or more with the SSBR register, access the SSTDR register in 16-bit units.

25.2.5 SS Receive Data Register (SSRDR)

Address 0197h to 0196h

Bit	b7	b6	b5	b4	b3	b2	b1	b0
Symbol	—	—	—	—	—	—	—	—
After Reset	1	1	1	1	1	1	1	1

Bit	b15	b14	b13	b12	b11	b10	b9	b8
Symbol	—	—	—	—	—	—	—	—
After Reset	1	1	1	1	1	1	1	1

Bit	Symbol	Function	R/W
b15 to b0	—	Store the receive data. (1, 2) The receive data is transferred to the SSRDR register and the receive operation is completed when 1 byte of data has been received by the SSTRSR register. At this time, the next receive operation is possible. Continuous reception is possible using registers SSTRSR and SSRDR.	R

Notes:

1. The SSRDR register retains the data received before an overrun error occurs (ORER bit in the SSSR register set to 1 (overrun error)). When an overrun error occurs, the receive data may contain errors and therefore should be discarded.
2. When the SSU data transfer length is set to 9 bits or more with the SSBR register, access the SSRDR register in 16-bit units.

25.2.6 SS Control Register H (SSCRH)

Address 0198h

Bit	b7	b6	b5	b4	b3	b2	b1	b0
Symbol	—	RSSTP	MSS	—	—	CKS2	CKS1	CKS0
After Reset	0	0	0	0	0	0	0	0

Bit	Symbol	Bit Name	Function	R/W
b0	CKS0	Transfer clock select bit (1)	b2 b1 b0 0 0 0: f1/256 0 0 1: f1/128 0 1 0: f1/64 0 1 1: f1/32 1 0 0: f1/16 1 0 1: f1/8 1 1 0: f1/4 1 1 1: Do not set.	R/W
b1	CKS1			R/W
b2	CKS2			R/W
b3	—	Nothing is assigned. If necessary, set to 0. When read, the content is 0.		—
b4	—			
b5	MSS	Master/slave device select bit (2)	0: Operates as slave device 1: Operates as master device	R/W
b6	RSSTP	Receive single stop bit (3)	0: Maintains receive operation after receiving 1 byte of data 1: Completes receive operation after receiving 1 byte of data	R/W
b7	—	Nothing is assigned. If necessary, set to 0. When read, the content is 0.		—

Notes:

1. The set clock is used when the internal clock is selected.
2. The SSCK pin functions as the transfer clock output pin when the MSS bit is set to 1 (operates as master device). The MSS bit is set to 0 (operates as slave device) when the CE bit in the SSSR register is set to 1 (conflict error occurs).
3. The RSSTP bit is disabled when the MSS bit is set to 0 (operates as slave device).

25.2.7 SS Control Register L (SSCRL)

Address 0199h

Bit	b7	b6	b5	b4	b3	b2	b1	b0
Symbol	—	—	SOL	SOLP	—	—	SRES	—
After Reset	0	1	1	1	1	1	0	1

Bit	Symbol	Bit Name	Function	R/W
b0	—	Nothing is assigned. If necessary, set to 0. When read, the content is 1.		—
b1	SRES	SSU control unit reset bit	Writing 1 to this bit resets the SSU control unit and the SSTRSR register. The value in the SSU internal register ⁽¹⁾ is retained.	R/W
b2	—	Nothing is assigned. If necessary, set to 0. When read, the content is 1.		—
b3	—			
b4	SOLP	SOL write protect bit ⁽²⁾	The output level can be changed by the SOL bit when this bit is set to 0. The SOLP bit remains unchanged even if 1 is written to it. When read, the content is 1.	R/W
b5	SOL	Serial data output value setting bit	When read 0: The serial data output is set to "L". 1: The serial data output is set to "H". When written ^(2, 3) 0: The data output is "L". 1: The data output is "H".	R/W
b6	—	Nothing is assigned. If necessary, set to 0. When read, the content is 1.		—
b7	—	Nothing is assigned. If necessary, set to 0. When read, the content is 0.		—

Notes:

- Registers SSBR, SSCRH, SSCRL, SSMR, SSER, SSSR, SSMR2, SSTDR, and SSRDR.
- For the data output after serial data transmission, the last bit value of the transmitted serial data is retained.
If the content of the SOL bit is rewritten before or after serial data transmission, the change is immediately reflected in the data output.
When writing to the SOL bit, set the SOLP bit to 0 and the SOL bit to 0 or 1 simultaneously by the MOV instruction.
- Do not write to the SOL bit during data transfer.

25.2.8 SS Mode Register (SSMR)

Address 019Ah

Bit	b7	b6	b5	b4	b3	b2	b1	b0
Symbol	MLS	CPOS	CPHS	—	BC3	BC2	BC1	BC0
After Reset	0	0	0	1	0	0	0	0

Bit	Symbol	Bit Name	Function	R/W
b0	BC0	Bits counter 3 to 0	b3 b2 b1 b0 0 0 0 0: 16 bits left	R
b1	BC1		0 0 0 1: 1 bit left	R
b2	BC2		0 0 1 0: 2 bits left	R
b3	BC3		0 0 1 1: 3 bits left	R
			0 1 0 0: 4 bits left	
			0 1 0 1: 5 bits left	
			0 1 1 0: 6 bits left	
			0 1 1 1: 7 bits left	
			1 0 0 0: 8 bits left	
			1 0 0 1: 9 bits left	
		1 0 1 0: 10 bits left		
		1 0 1 1: 11 bits left		
		1 1 0 0: 12 bits left		
		1 1 0 1: 13 bits left		
		1 1 1 0: 14 bits left		
		1 1 1 1: 15 bits left		
b4	—	Nothing is assigned. If necessary, set to 0. When read, the content is 1.		—
b5	CPHS	SSCK clock phase select bit ⁽¹⁾	0: Change data at odd edge (Download data at even edge) 1: Change data at even edge (Download data at odd edge)	R/W
b6	CPOS	SSCK clock polarity select bit ⁽¹⁾	0: "H" when clock stops 1: "L" when clock stops	R/W
b7	MLS	MSB first/LSB first select bit	0: Transfers data MSB first 1: Transfers data LSB first	R/W

Note:

1. Refer to **25.3.1.1 Association between Transfer Clock Polarity, Phase, and Data** for the settings of the CPHS and CPOS bits.
 When the SSUMS bit in the SSMR2 register is set to 0 (clock synchronous communication mode), set the CPHS bit to 0 and the CPOS bit to 0.

25.2.9 SS Enable Register (SSER)

Address 019Bh

Bit	b7	b6	b5	b4	b3	b2	b1	b0
Symbol	TIE	TEIE	RIE	TE	RE	—	—	CEIE
After Reset	0	0	0	0	0	0	0	0

Bit	Symbol	Bit Name	Function	R/W
b0	CEIE	Conflict error interrupt enable bit	0: Disables conflict error interrupt request 1: Enables conflict error interrupt request	R/W
b1	—	Nothing is assigned. If necessary, set to 0. When read, the content is 0.		—
b2	—			
b3	RE	Receive enable bit	0: Disables receive 1: Enables receive	R/W
b4	TE	Transmit enable bit	0: Disables transmit 1: Enables transmit	R/W
b5	RIE	Receive interrupt enable bit	0: Disables receive data full and overrun error interrupt request 1: Enables receive data full and overrun error interrupt request	R/W
b6	TEIE	Transmit end interrupt enable bit	0: Disables transmit end interrupt request 1: Enables transmit end interrupt request	R/W
b7	TIE	Transmit interrupt enable bit	0: Disables transmit data empty interrupt request 1: Enables transmit data empty interrupt request	R/W

25.2.10 SS Status Register (SSSR)

Address 019Ch

Bit	b7	b6	b5	b4	b3	b2	b1	b0
Symbol	TDRE	TEND	RDRF	—	—	ORER	—	CE
After Reset	0	0	0	0	0	0	0	0

Bit	Symbol	Bit Name	Function	R/W
b0	CE	Conflict error flag ⁽¹⁾	0: No conflict errors generated 1: Conflict errors generated ⁽²⁾	R/W
b1	—	Nothing is assigned. If necessary, set to 0. When read, the content is 0.		—
b2	ORER	Overflow error flag ⁽¹⁾	0: No overflow errors generated 1: Overflow errors generated ⁽³⁾	R/W
b3	—	Nothing is assigned. If necessary, set to 0. When read, the content is 0.		—
b4	—			
b5	RDRF	Receive data register full flag ^(1, 4)	0: No data in SSRDR register 1: Data in SSRDR register	R/W
b6	TEND	Transmit end flag ^(1, 5)	0: The TDRE bit is set to 0 when transmitting the last bit of transmit data 1: The TDRE bit is set to 1 when transmitting the last bit of transmit data	R/W
b7	TDRE	Transmit data empty flag ^(1, 5, 6)	0: Data is not transferred from registers SSTDR to SSTRSR 1: Data is transferred from registers SSTDR to SSTRSR	R/W

Notes:

- Writing 1 to CE, ORER, RDRF, TEND, or TDRE bits is invalid. To set any of these bits to 0, first read 1 then write 0.
- When the serial communication is started while the SSUMS bit in the SSMR2 register is set to 1 (four-wire bus communication mode) and the MSS bit in the SSCRH register is set to 1 (operates as master device), the CE bit is set to 1 if "L" is applied to the SCS pin input. Refer to **25.5.4 SCS Pin Control and Arbitration** for more information.
 When the SSUMS bit in the SSMR2 register is set to 1 (four-wire bus communication mode), the MSS bit in the SSCRH register is set to 0 (operates as slave device) and the SCS pin input changes the level from "L" to "H" during transfer, the CE bit is set to 1.
- Indicates when overrun errors occur and receive completes by error reception. If the next serial data receive operation is completed while the RDRF bit is set to 1 (data in the SSRDR register), the ORER bit is set to 1. After the ORER bit is set to 1 (overflow error), receive operation is disabled while the bit remains 1.
- The RDRF bit is set to 0 when reading out the data from the SSRDR register.
- Bits TEND and TDRE are set to 0 when writing data to the SSTDR register.
- The TDRE bit is set to 1 when the TE bit in the SSER register is set to 1 (transmit enabled).

If the SSSR register is accessed continuously, insert one or more NOP instructions between the instructions used for access.

25.2.11 SS Mode Register 2 (SSMR2)

Address 019Dh

Bit	b7	b6	b5	b4	b3	b2	b1	b0
Symbol	BIDE	SCKS	CSS1	CSS0	SCKOS	SOOS	CSOS	SSUMS
After Reset	0	0	0	0	0	0	0	0

Bit	Symbol	Bit Name	Function	R/W
b0	SSUMS	SSU mode select bit ⁽¹⁾	0: Clock synchronous communication mode 1: Four-wire bus communication mode	R/W
b1	CSOS	$\overline{\text{SCS}}$ pin open drain output select bit	0: CMOS output 1: N-channel open-drain output	R/W
b2	SOOS	Serial data pin open output drain select bit ⁽¹⁾	0: CMOS output ⁽⁵⁾ 1: N-channel open-drain output	R/W
b3	SCKOS	SSCK pin open drain output select bit	0: CMOS output 1: N-channel open-drain output	R/W
b4	CSS0	$\overline{\text{SCS}}$ pin select bit ⁽²⁾	b5 b4 0 0: Functions as port 0 1: Functions as $\overline{\text{SCS}}$ input pin 1 0: Functions as $\overline{\text{SCS}}$ output pin ⁽³⁾ 1 1: Functions as $\overline{\text{SCS}}$ output pin ⁽³⁾	R/W
b5	CSS1			R/W
b6	SCKS	SSCK pin select bit	0: Functions as port 1: Functions as serial clock pin	R/W
b7	BIDE	Bidirectional mode enable bit ^(1, 4)	0: Standard mode (communication using 2 pins of data input and data output) 1: Bidirectional mode (communication using 1 pin of data input and data output)	R/W

Notes:

1. Refer to **25.3.2.1 Association between Data I/O Pins and SS Shift Register** for information on combinations of data I/O pins.
2. The $\overline{\text{SCS}}$ pin functions as a port, regardless of the values of bits CSS0 and CSS1 when the SSUMS bit is set to 0 (clock synchronous communication mode).
3. This bit functions as the $\overline{\text{SCS}}$ input pin before starting transfer.
4. The BIDE bit is disabled when the SSUMS bit is set to 0 (clock synchronous communication mode).
5. When the SOOS bit is set to 0 (CMOS output), set the port direction register bits corresponding to pins SSI and SSO to 0 (input mode).

25.3 Common Items for Multiple Modes

25.3.1 Transfer Clock

The transfer clock can be selected from among seven internal clocks (f1/256, f1/128, f1/64, f1/32, f1/16, f1/8, and f1/4) and an external clock.

When using synchronous serial communication unit, set the SCKS bit in the SSMR2 register to 1 and select the SSCK pin as the serial clock pin.

When the MSS bit in the SSCRH register is set to 1 (operates as master device), an internal clock can be selected and the SSCK pin functions as output. When transfer is started, the SSCK pin outputs clocks of the transfer rate selected by bits CKS0 to CKS2 in the SSCRH register.

When the MSS bit in the SSCRH register is set to 0 (operates as slave device), an external clock can be selected and the SSCK pin functions as input.

25.3.1.1 Association between Transfer Clock Polarity, Phase, and Data

The association between the transfer clock polarity, phase and data changes according to the combination of the SSUMS bit in the SSMR2 register and bits CPHS and CPOS in the SSMR register.

Figure 25.2 shows the Association between Transfer Clock Polarity, Phase, and Transfer Data.

Also, the MSB-first transfer or LSB-first transfer can be selected by setting the MLS bit in the SSMR register. When the MLS bit is set to 1, transfer is started from the LSB and proceeds to the MSB. When the MLS bit is set to 0, transfer is started from the MSB and proceeds to the LSB.

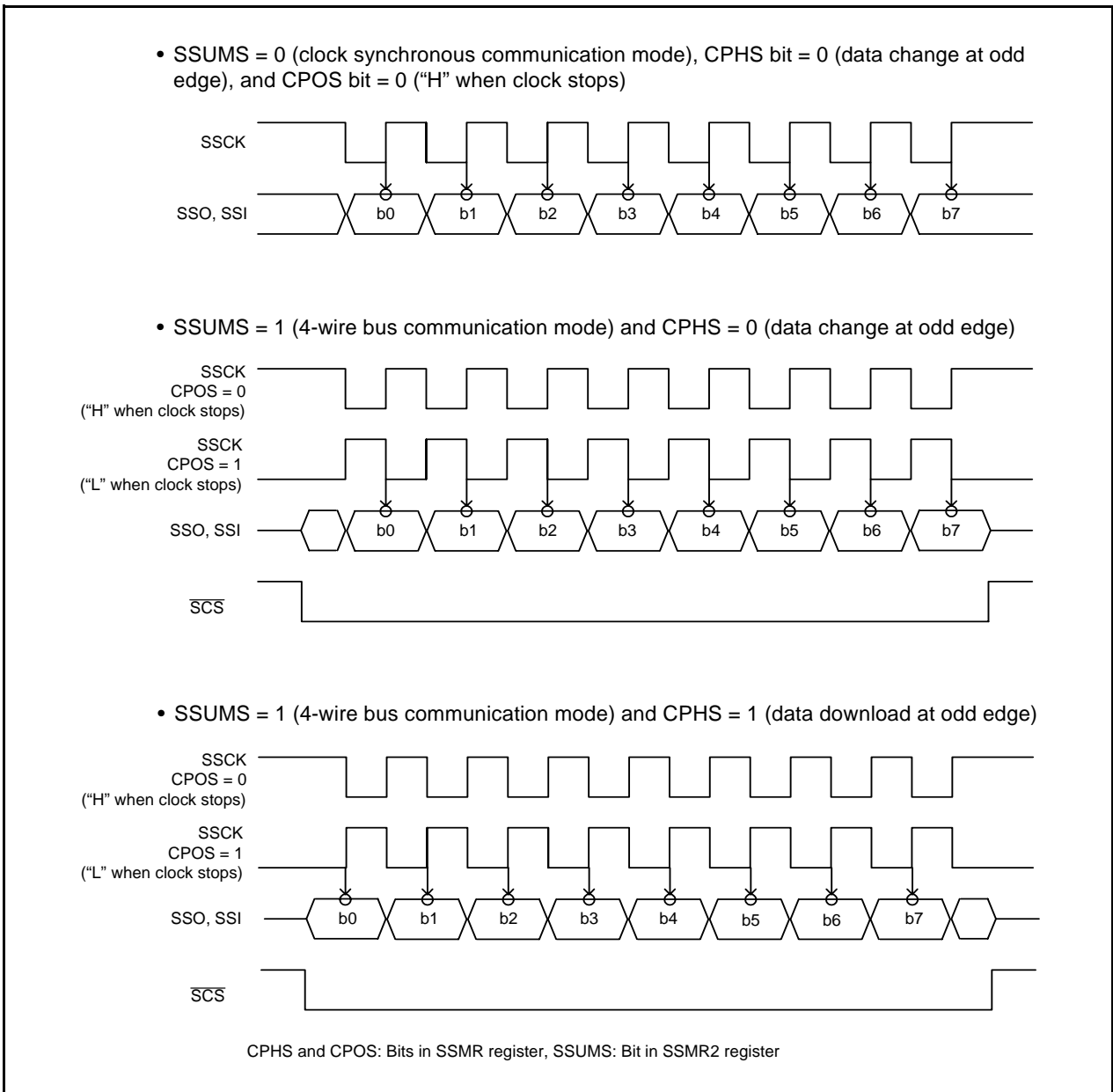


Figure 25.2 Association between Transfer Clock Polarity, Phase, and Transfer Data

25.3.2 SS Shift Register (SSTRSR)

The SSTRSR register is a shift register for transmitting and receiving serial data.

When transmit data is transferred from the SSTDR register to the SSTRSR register and the MLS bit in the SSMR register is set to 0 (MSB-first), the bit 0 in the SSTDR register is transferred to bit 0 in the SSTRSR register. When the MLS bit is set to 1 (LSB-first), bit 7 in the SSTDR register is transferred to bit 0 in the SSTRSR register.

25.3.2.1 Association between Data I/O Pins and SS Shift Register

The connection between the data I/O pins and SSTRSR register (SS shift register) changes according to a combination of the MSS bit in the SSCRH register and the SSUMS bit in the SSMR2 register. The connection also changes according to the BIDE bit in the SSMR2 register.

Figure 25.3 shows the Association between Data I/O Pins and SSTRSR Register.

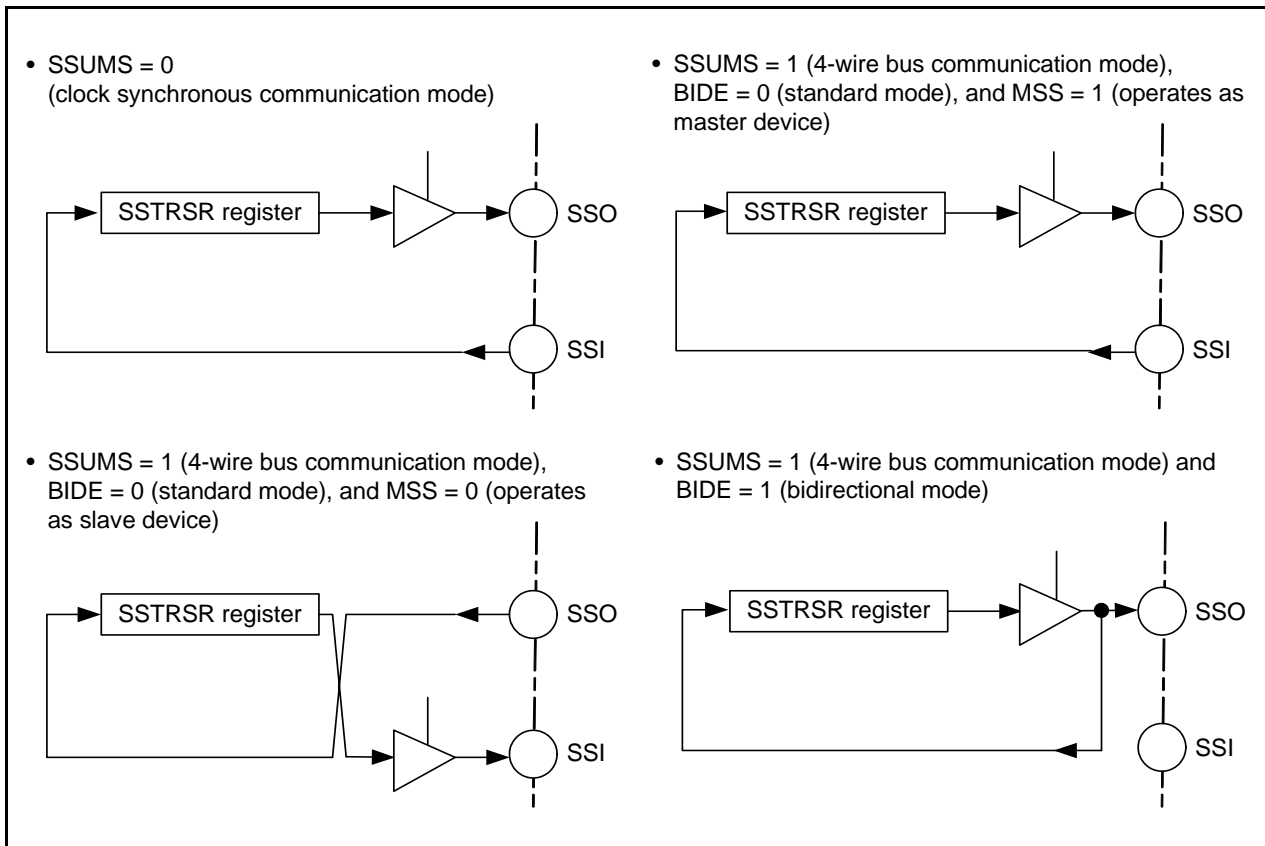


Figure 25.3 Association between Data I/O Pins and SSTRSR Register

25.3.3 Interrupt Requests

Synchronous serial communication unit has five interrupt requests: transmit data empty, transmit end, receive data full, overrun error, and conflict error. Since these interrupt requests are assigned to the synchronous serial communication unit interrupt vector table, determining interrupt sources by flags is required.

Table 25.3 shows the Synchronous Serial Communication Unit Interrupt Requests.

Table 25.3 Synchronous Serial Communication Unit Interrupt Requests

Interrupt Request	Abbreviation	Generation Condition
Transmit data empty	TXI	TIE = 1, TDRE = 1
Transmit end	TEI	TEIE = 1, TEND = 1
Receive data full	RXI	RIE = 1, RDRF = 1
Overrun error	OEI	RIE = 1, ORER = 1
Conflict error	CEI	CEIE = 1, CE = 1

CEIE, RIE, TEIE and TIE: Bits in SSER register

ORER, RDRF, TEND and TDRE: Bits in SSSR register

If the generation conditions in Table 25.3 are met, a synchronous serial communication unit interrupt request is generated. Set each interrupt source to 0 by a synchronous serial communication unit interrupt routine.

However, the TDRE and TEND bits are automatically set to 0 by writing transmit data to the SSTDR register and the RDRF bit is automatically set to 0 by reading the SSRDR register. In particular, the TDRE bit is set to 1 (data transmitted from registers SSTDR to SSTRSR) at the same time transmit data is written to the SSTDR register. Setting the TDRE bit to 0 (data not transmitted from registers SSTDR to SSTRSR) can cause an additional byte of data to be transmitted.

25.3.4 Communication Modes and Pin Functions

Synchronous serial communication unit switches the functions of the I/O pins in each communication mode according to the setting of the MSS bit in the SSCRH register and bits RE and TE in the SSER register.

Table 25.4 shows the Association between Communication Modes and I/O Pins.

Table 25.4 Association between Communication Modes and I/O Pins

Communication Mode	Bit Setting					Pin State		
	SSUMS	BIDE	MSS	TE	RE	SSI	SSO	SSCK
Clock synchronous communication mode	0	Disabled	0	0	1	Input	– (1)	Input
				1	0	– (1)	Output	Input
				1	1	Input	Output	Input
			1	0	1	Input	– (1)	Output
				1	0	– (1)	Output	Output
				1	1	Input	Output	Output
4-wire bus communication mode	1	0	0	0	1	– (1)	Input	Input
				1	0	Output	– (1)	Input
				1	1	Output	Input	Input
			1	0	1	Input	– (1)	Output
				1	0	– (1)	Output	Output
				1	1	Input	Output	Output
4-wire bus (bidirectional) communication mode (2)	1	1	0	0	1	– (1)	Input	Input
				1	0	– (1)	Output	Input
			1	0	1	– (1)	Input	Output
				1	0	– (1)	Output	Output

Notes:

1. This pin can be used as a programmable I/O port.
2. Do not set both bits TE and RE to 1 in 4-wire bus (bidirectional) communication mode.

SSUMS and BIDE: Bits in SSMR2 register

MSS: Bit in SSCRH register

TE and RE: Bits in SSER register

25.4 Clock Synchronous Communication Mode

25.4.1 Initialization in Clock Synchronous Communication Mode

Figure 25.4 shows Initialization in Clock Synchronous Communication Mode. To initialize, set the TE bit in the SSER register to 0 (transmit disabled) and the RE bit to 0 (receive disabled) before data transmission or reception.

Set the TE bit to 0 and the RE bit to 0 before changing the communication mode or format.

Setting the RE bit to 0 does not change the contents of flags RDRF and ORER or the contents of the SSRDR register.

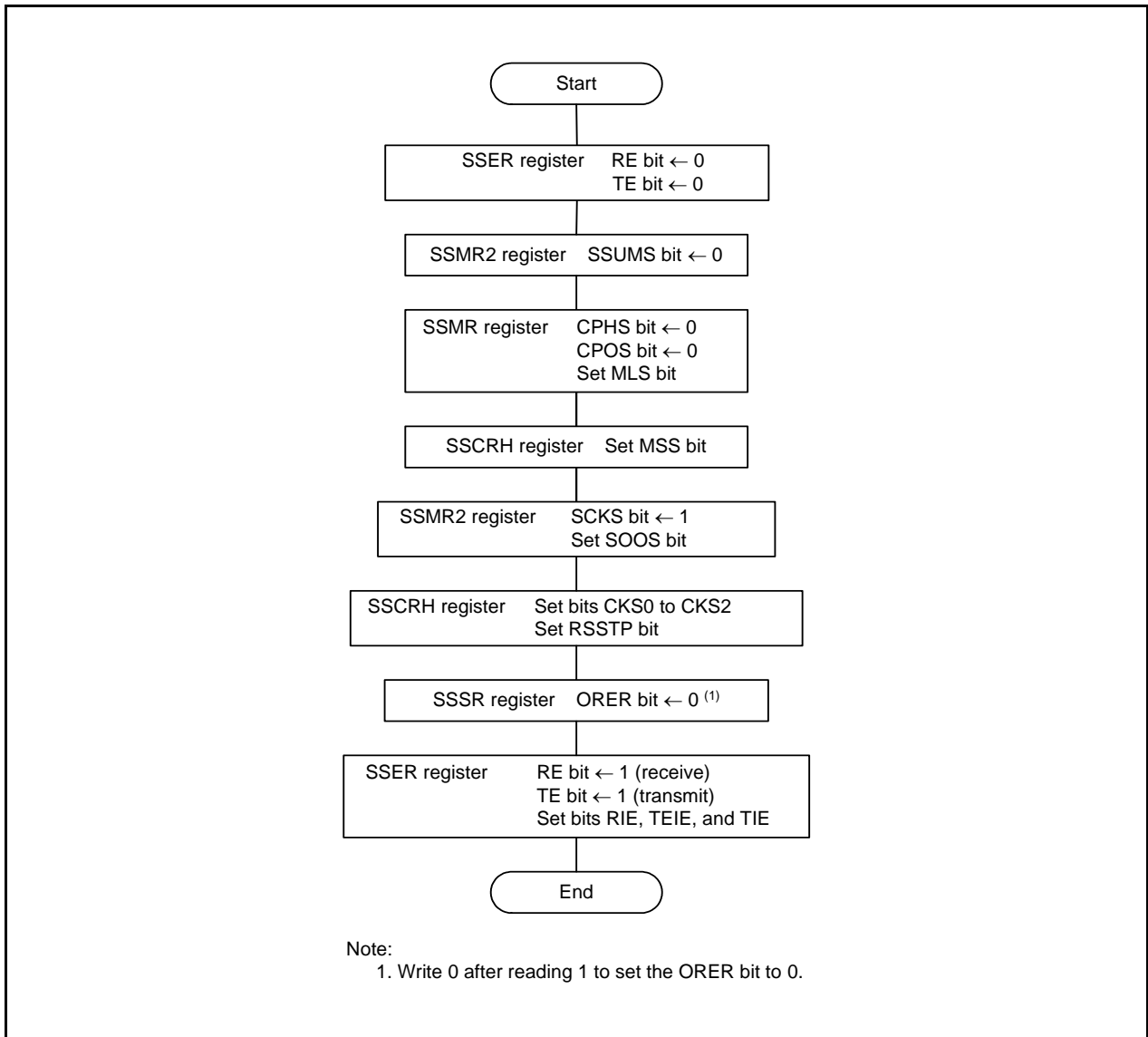


Figure 25.4 Initialization in Clock Synchronous Communication Mode

25.4.2 Data Transmission

Figure 25.5 shows an Example of Synchronous Serial Communication Unit Operation for Data Transmission (Clock Synchronous Communication Mode, 8-Bit SSU Data Transfer Length). During data transmission, the synchronous serial communication unit operates as described below (The data transfer length can be set from 8 to 16 bits using the SSBR register).

When synchronous serial communication unit is set as a master device, it outputs a synchronous clock and data. When synchronous serial communication unit is set as a slave device, it outputs data synchronized with the input clock.

When the TE bit is set to 1 (transmit enabled) before writing the transmit data to the SSTDR register, the TDRE bit is automatically set to 0 (data not transferred from registers SSTDR to SSTRSR) and the data is transferred from registers SSTDR to SSTRSR.

After the TDRE bit is set to 1 (data transferred from registers SSTDR to SSTRSR), transmission starts. When the TIE bit in the SSER register is set to 1, the TXI interrupt request is generated. When one frame of data is transferred while the TDRE bit is set to 0, data is transferred from registers SSTDR to SSTRSR and transmission of the next frame is started. If the 8th bit is transmitted while the TDRE bit is set to 1, the TEND bit in the SSSR register is set to 1 (the TDRE bit is set to 1 when the last bit of the transmit data is transmitted) and the state is retained. The TEI interrupt request is generated when the TEIE bit in the SSER register is set to 1 (transmit-end interrupt request enabled). The SSCK pin is fixed "H" after transmit-end.

Transmission cannot be performed while the ORER bit in the SSSR register is set to 1 (overrun error). Confirm that the ORER bit is set to 0 before transmission.

Figure 25.6 shows a Sample Flowchart of Data Transmission (Clock Synchronous Communication Mode).

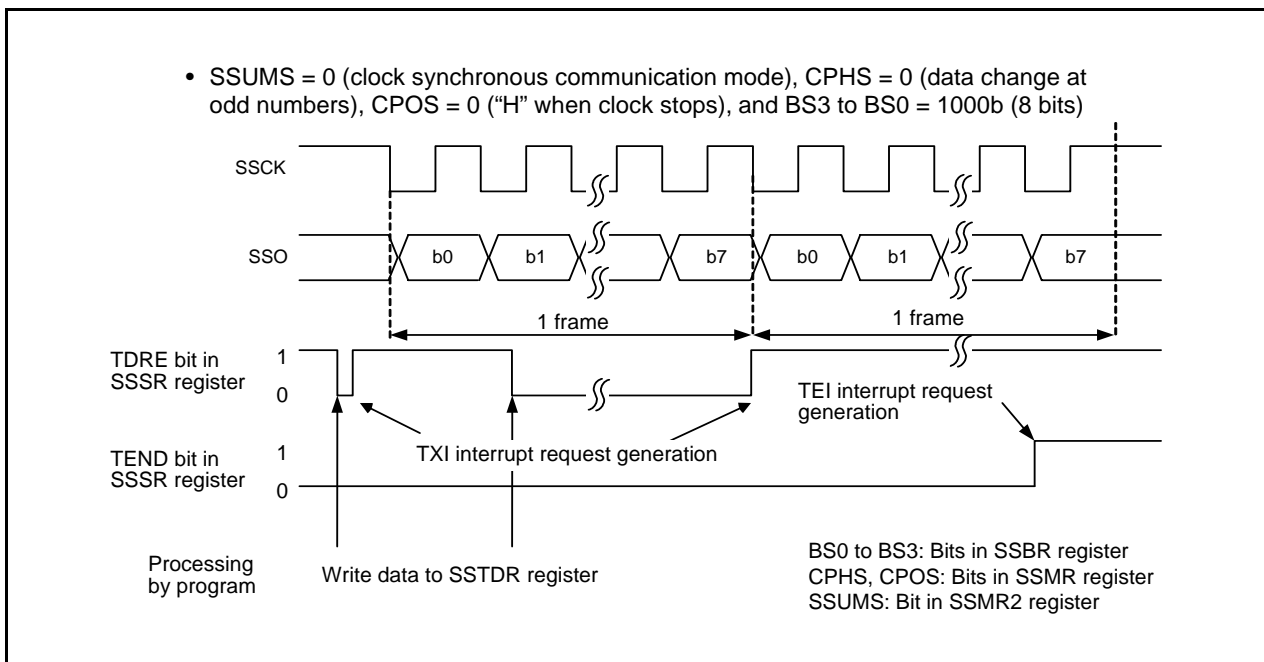


Figure 25.5 Example of Synchronous Serial Communication Unit Operation for Data Transmission (Clock Synchronous Communication Mode, 8-Bit SSU Data Transfer Length)

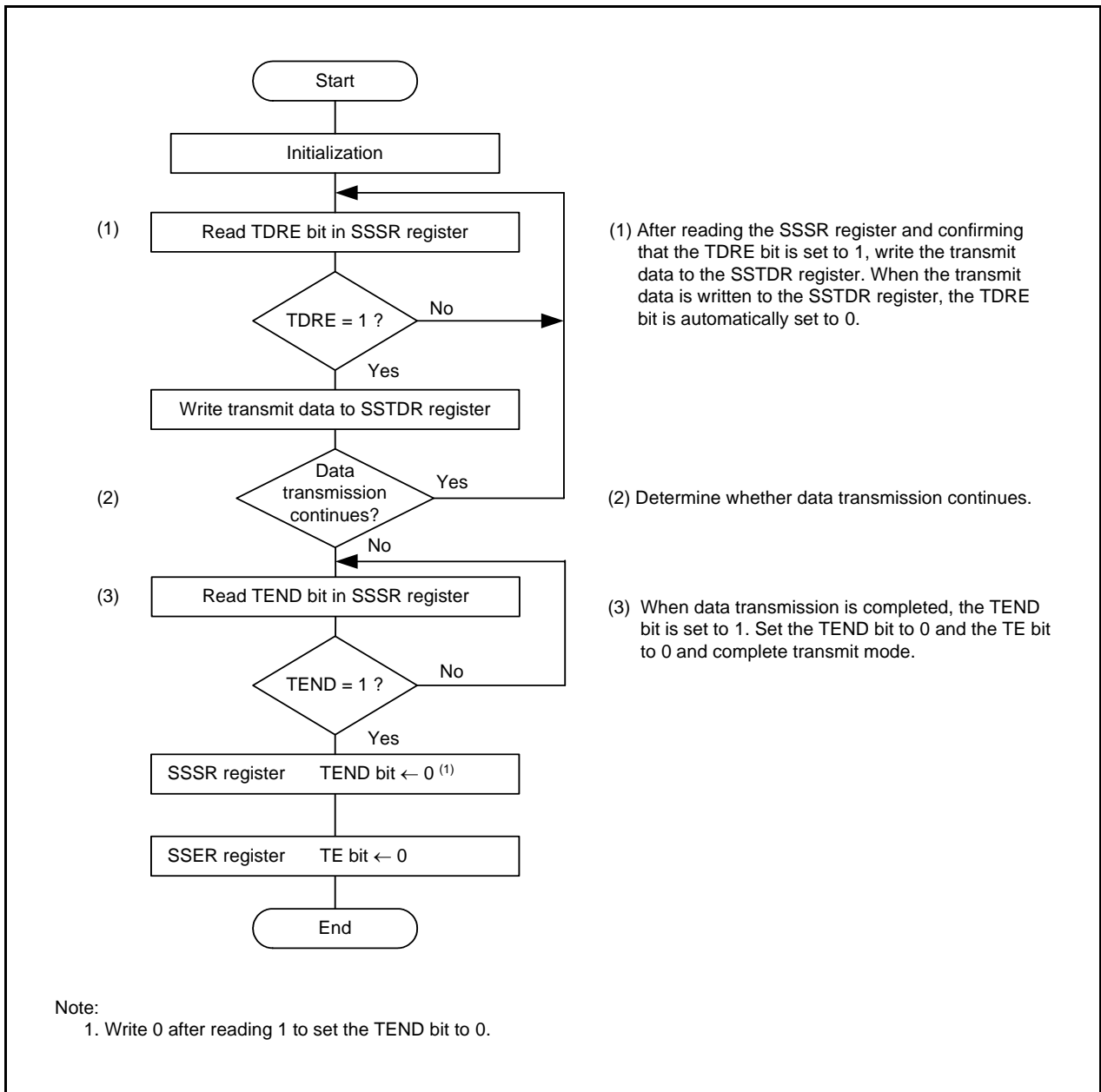


Figure 25.6 Sample Flowchart of Data Transmission (Clock Synchronous Communication Mode)

25.4.3 Data Reception

Figure 25.7 shows an Example of Synchronous Serial Communication Unit Operation for Data Reception (Clock Synchronous Communication Mode, 8-Bit SSU Data Transfer Length). During data reception, synchronous serial communication unit operates as described below (The data transfer length can be set from 8 to 16 bits using the SSBR register).

When the synchronous serial communication unit is set as the master device, it outputs a synchronous clock and inputs data. When synchronous serial communication unit is set as a slave device, it inputs data synchronized with the input clock.

When synchronous serial communication unit is set as a master device, it outputs a receive clock and starts receiving by performing dummy read of the SSRDR register.

After 8 bits of data are received, the RDRF bit in the SSSR register is set to 1 (data in the SSRDR register) and receive data is stored in the SSRDR register. When the RIE bit in the SSER register is set to 1 (RXI and OEI interrupt requests enabled), the RXI interrupt request is generated. If the SSSR register is read, the RDRF bit is automatically set to 0 (no data in the SSRDR register).

Read the receive data after setting the RSSTP bit in the SSCRH register to 1 (after receiving 1 byte of data, the receive operation is completed). Synchronous serial communication unit outputs a clock for receiving 8 bits of data and stops. After that, set the RE bit in the SSER register to 0 (receive disabled) and the RSSTP bit to 0 (receive operation is continued after receiving the 1 byte of data) and read the receive data. If the SSRDR register is read while the RE bit is set to 1 (receive enabled), a receive clock is output again.

When the 8th clock rises while the RDRF bit is set to 1, the ORER bit in the SSSR register is set to 1 (overrun error: OEI) and the operation is stopped. When the ORER bit is set to 1, receive cannot be performed. Confirm that the ORER bit is set to 0 before restarting receive.

Figure 25.8 shows a Sample Flowchart of Data Reception (MSS = 1) (Clock Synchronous Communication Mode).

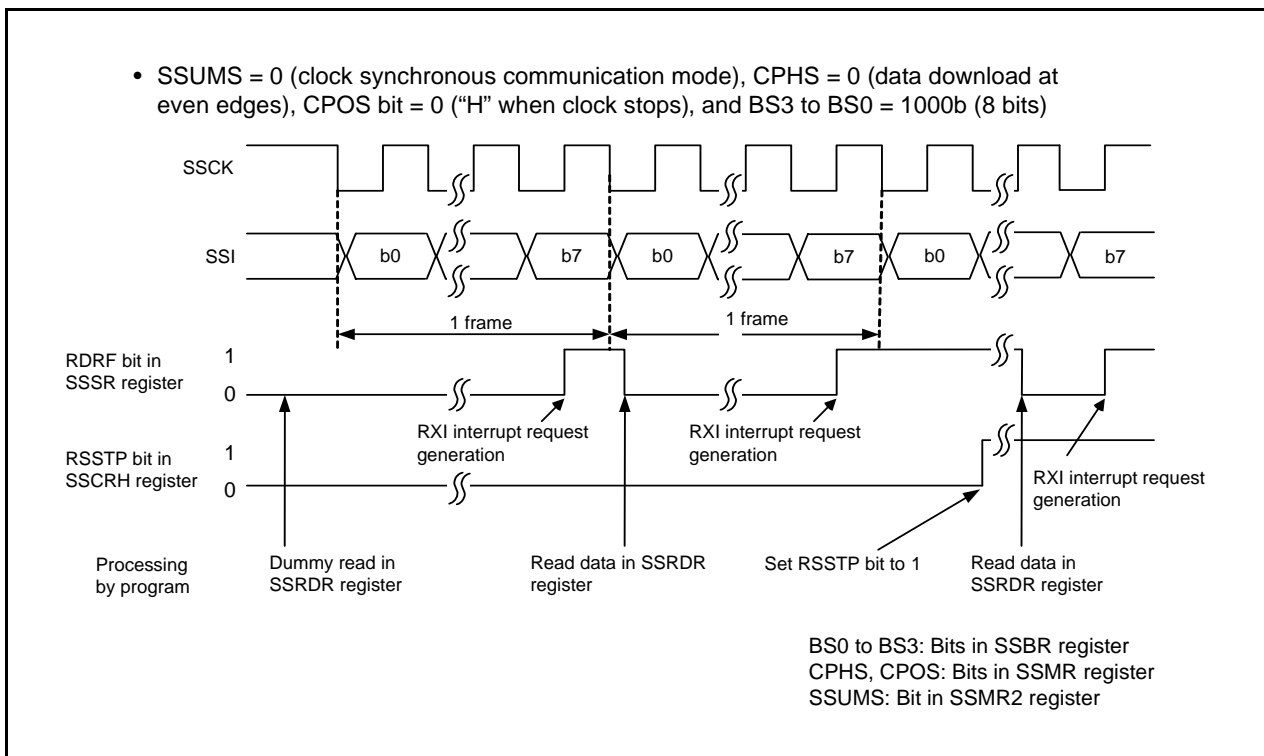


Figure 25.7 Example of Synchronous Serial Communication Unit Operation for Data Reception (Clock Synchronous Communication Mode, 8-Bit SSU Data Transfer Length)

25.4.3.1 Data Transmission/Reception

Data transmission/reception is an operation combining data transmission and reception which were described earlier. Transmission/reception is started by writing data to the SSTDR register.

When the last transfer clock (The data transfer length can be set from 8 to 16 bits using the SSBR register) rises or the ORER bit is set to 1 (overrun error) while the TDRE bit is set to 1 (data is transferred from registers SSTDR to SSTRSR), the transmit/receive operation is stopped.

When switching from transmit mode (TE = 1) or receive mode (RE = 1) to transmit/receive mode (TE = RE = 1), set the TE bit to 0 and RE bit to 0 before switching. After confirming that the TEND bit is set to 0 (the TDRE bit is set to 0 when the last bit of the transmit data is transmitted), the RDRF bit is set to 0 (no data in the SSRDR register), and the ORER bit is set to 0 (no overrun error), set bits TE and RE to 1.

Figure 25.9 shows a Sample Flowchart of Data Transmission/Reception (Clock Synchronous Communication Mode).

When exiting transmit/receive mode after this mode is used (TE = RE = 1), a clock may be output if transmit/receive mode is exited after reading the SSRDR register. To avoid any clock outputs, perform either of the following:

- First set the RE bit to 0, and then set the TE bit to 0.
- Set bits TE and RE to 0 at the same time.

When subsequently switching to receive mode (TE = 0 and RE = 1), first set the SRES bit to 1, and set this bit to 0 to reset the SSU control unit and the SSTRSR register. Then, set the RE bit to 1.

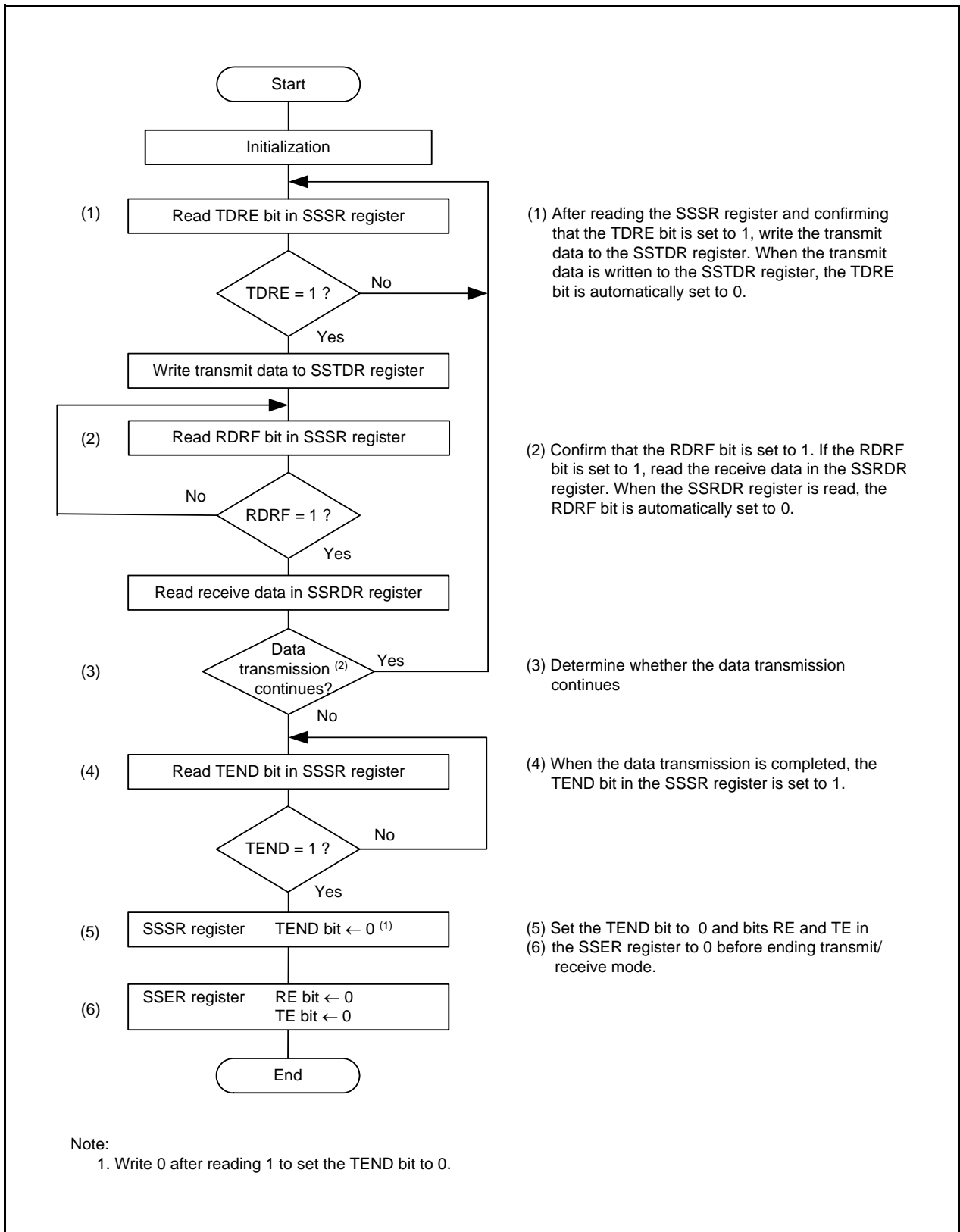


Figure 25.9 Sample Flowchart of Data Transmission/Reception (Clock Synchronous Communication Mode)

25.5 Operation in 4-Wire Bus Communication Mode

In 4-wire bus communication mode, a 4-wire bus consisting of a clock line, a data input line, a data output line, and a chip select line is used for communication. This mode includes bidirectional mode in which the data input line and data output line function as a single pin.

The data input line and output line change according to the settings of the MSS bit in the SSCRH register and the BIDE bit in the SSMR2 register. For details, refer to **25.3.2.1 Association between Data I/O Pins and SS Shift Register**. In this mode, clock polarity, phase, and data settings are performed by bits CPOS and CPHS in the SSMR register. For details, refer to **25.3.1.1 Association between Transfer Clock Polarity, Phase, and Data**.

When this MCU is set as the master device, the chip select line controls output. When synchronous serial communication unit is set as a slave device, the chip select line controls input. When it is set as the master device, the chip select line controls output of the $\overline{\text{SCS}}$ pin or controls output of a general port according to the setting of the CSS1 bit in the SSMR2 register. When the MCU is set as a slave device, the chip select line sets the $\overline{\text{SCS}}$ pin as an input pin by setting bits CSS1 and CSS0 in the SSMR2 register to 01b.

In 4-wire bus communication mode, the MLS bit in the SSMR register is set to 0 and communication is performed MSB-first.

25.5.1 Initialization in 4-Wire Bus Communication Mode

Figure 25.10 shows Initialization in 4-Wire Bus Communication Mode. Before the data transit/receive operation, set the TE bit in the SSER register to 0 (transmit disabled), the RE bit in the SSER register to 0 (receive disabled), and initialize the synchronous serial communication unit.

To change the communication mode or format, set the TE bit to 0 and the RE bit to 0 before making the change. Setting the RE bit to 0 does not change the settings of flags RDRF and ORER or the contents of the SSRDR register.

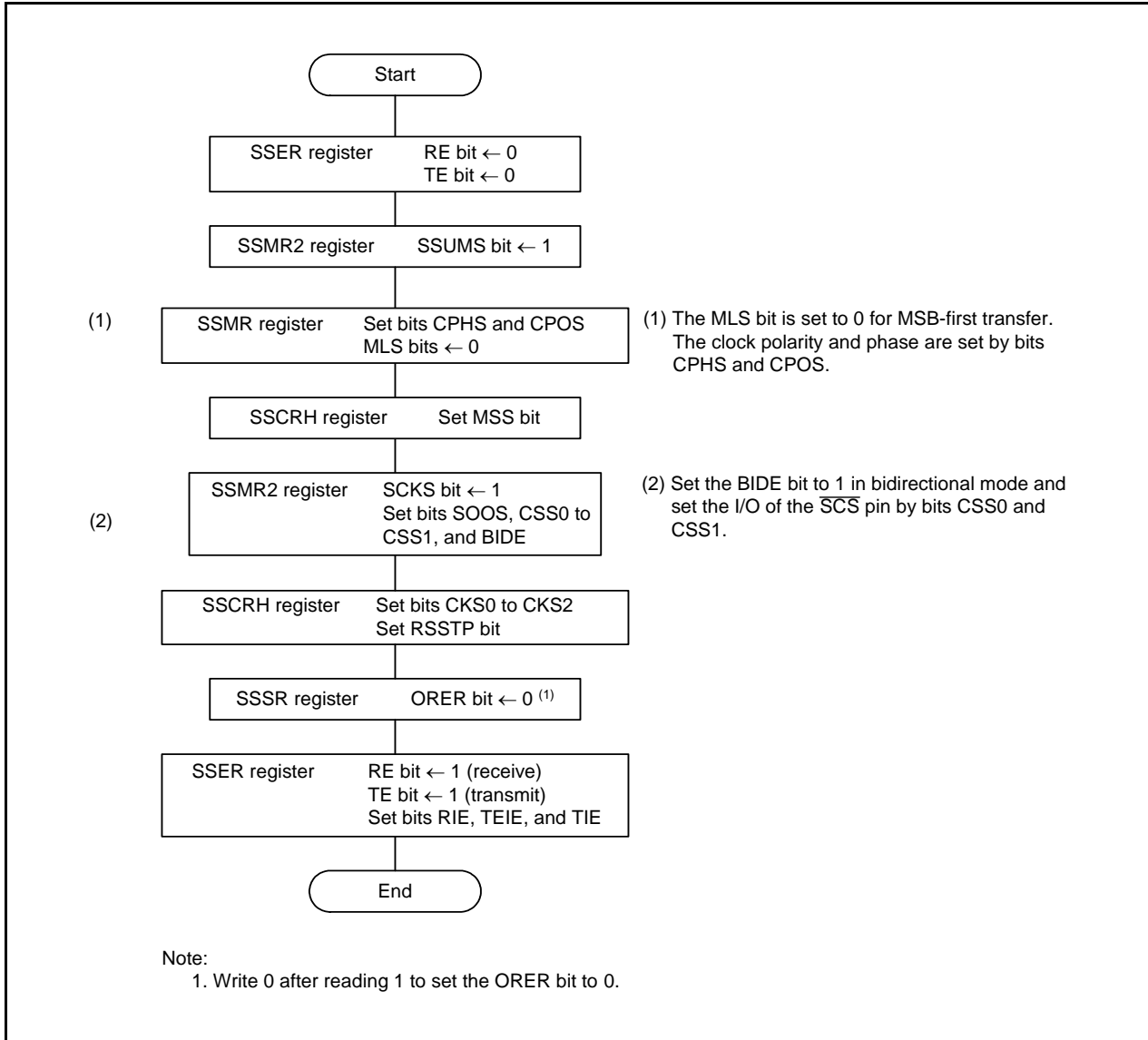


Figure 25.10 Initialization in 4-Wire Bus Communication Mode

25.5.2 Data Transmission

Figure 25.11 shows an Example of Synchronous Serial Communication Unit Operation during Data Transmission (4-Wire Bus Communication Mode, 8-Bit SSU Data Transfer Length). During the data transmit operation, synchronous serial communication unit operates as described below (The data transfer length can be set from 8 to 16 bits using the SSBR register).

When the MCU is set as the master device, it outputs a synchronous clock and data. When the MCU is set as a slave device, it outputs data in synchronization with the input clock while the $\overline{\text{SCS}}$ pin is "L".

When the transmit data is written to the SSTDR register after setting the TE bit to 1 (transmit enabled), the TDRE bit is automatically set to 0 (data has not been transferred from registers SSTDR to SSTRSR) and the data is transferred from registers SSTDR to SSTRSR. After the TDRE bit is set to 1 (data is transferred from registers SSTDR to SSTRSR), transmission starts. When the TIE bit in the SSER register is set to 1, a TXI interrupt request is generated.

After 1 frame of data is transferred while the TDRE bit is set to 0, the data is transferred from registers SSTDR to SSTRSR and transmission of the next frame is started. If the 8th bit is transmitted while TDRE is set to 1, TEND in the SSSR register is set to 1 (when the last bit of the transmit data is transmitted, the TDRE bit is set to 1) and the state is retained. If the TEIE bit in the SSER register is set to 1 (transmit-end interrupt requests enabled), a TEI interrupt request is generated. The SSCK pin remains "H" after transmit-end and the $\overline{\text{SCS}}$ pin is held "H". When transmitting continuously while the $\overline{\text{SCS}}$ pin is held "L", write the next transmit data to the SSTDR register before transmitting the 8th bit.

Transmission cannot be performed while the ORER bit in the SSSR register is set to 1 (overrun error). Confirm that the ORER bit is set to 0 before transmission.

In contrast to the clock synchronous communication mode, the SSO pin is placed in high-impedance state while the $\overline{\text{SCS}}$ pin is placed in high-impedance state when operating as a master device and the SSI pin is placed in high-impedance state while the $\overline{\text{SCS}}$ pin is placed in "H" input state when operating as a slave device.

The sample flowchart is the same as that for the clock synchronous communication mode (refer to **Figure 25.6 Sample Flowchart of Data Transmission (Clock Synchronous Communication Mode)**).

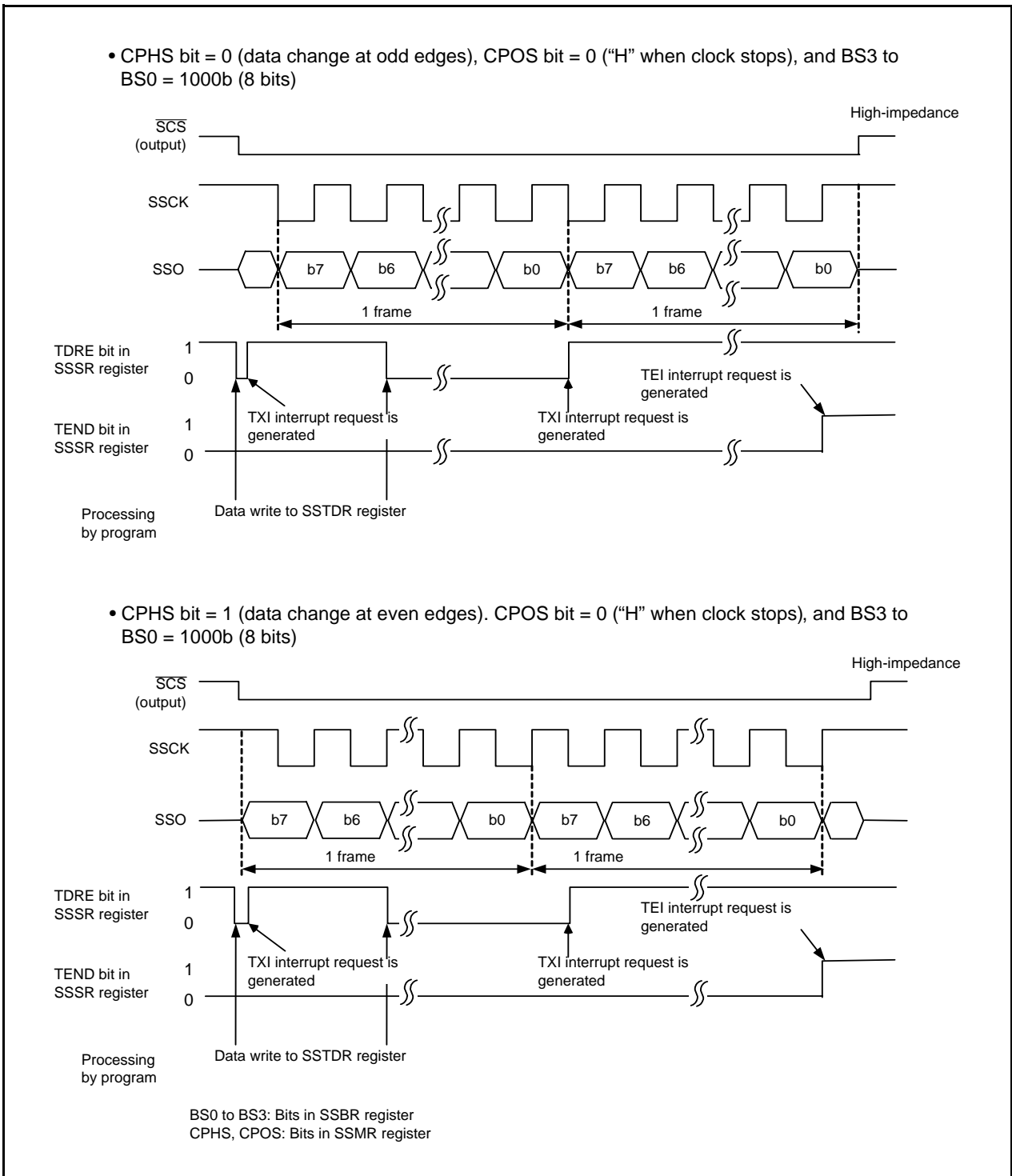


Figure 25.11 Example of Synchronous Serial Communication Unit Operation during Data Transmission (4-Wire Bus Communication Mode, 8-Bit SSU Data Transfer Length)

25.5.3 Data Reception

Figure 25.12 shows an Example of Synchronous Serial Communication Unit Operation during Data Reception (4-Wire Bus Communication Mode, 8-Bit SSU Data Transfer Length). During data reception, synchronous serial communication unit operates as described below (The data transfer length can be set from 8 to 16 bits using the SSBR register).

When the MCU is set as the master device, it outputs a synchronous clock and inputs data. When the MCU is set as a slave device, it outputs data synchronized with the input clock while the SCS pin receives "L" input. When the MCU is set as the master device, it outputs a receive clock and starts receiving by performing a dummy read of the SSRDR register.

After 8 bits of data are received, the RDRF bit in the SSSR register is set to 1 (data in the SSRDR register) and receive data is stored in the SSRDR register. When the RIE bit in the SSER register is set to 1 (RXI and OEI interrupt requests enabled), an RXI interrupt request is generated. When the SSRDR register is read, the RDRF bit is automatically set to 0 (no data in the SSRDR register).

Read the receive data after setting the RSSTP bit in the SSCRH register to 1 (after receiving 1-byte data, the receive operation is completed). Synchronous serial communication unit outputs a clock for receiving 8 bits of data and stops. After that, set the RE bit in the SSER register to 0 (receive disabled) and the RSSTP bit to 0 (receive operation is continued after receiving 1-byte data) and read the receive data. When the SSRDR register is read while the RE bit is set to 1 (receive enabled), a receive clock is output again.

When the 8th clock rises while the RDRF bit is set to 1, the ORER bit in the SSSR register is set to 1 (overrun error: OEI) and the operation is stopped. When the ORER bit is set to 1, reception cannot be performed. Confirm that the ORER bit is set to 0 before restarting reception.

The timing with which bits RDRF and ORER are set to 1 varies depending on the setting of the CPHS bit in the SSMR register. Figure 25.12 shows when bits RDRF and ORER are set to 1.

When the CPHS bit is set to 1 (data download at the odd edges), bits RDRF and ORER are set to 1 at some point during the frame.

The sample flowchart is the same as that for the clock synchronous communication mode (refer to **Figure 25.8 Sample Flowchart of Data Reception (MSS = 1) (Clock Synchronous Communication Mode)**).

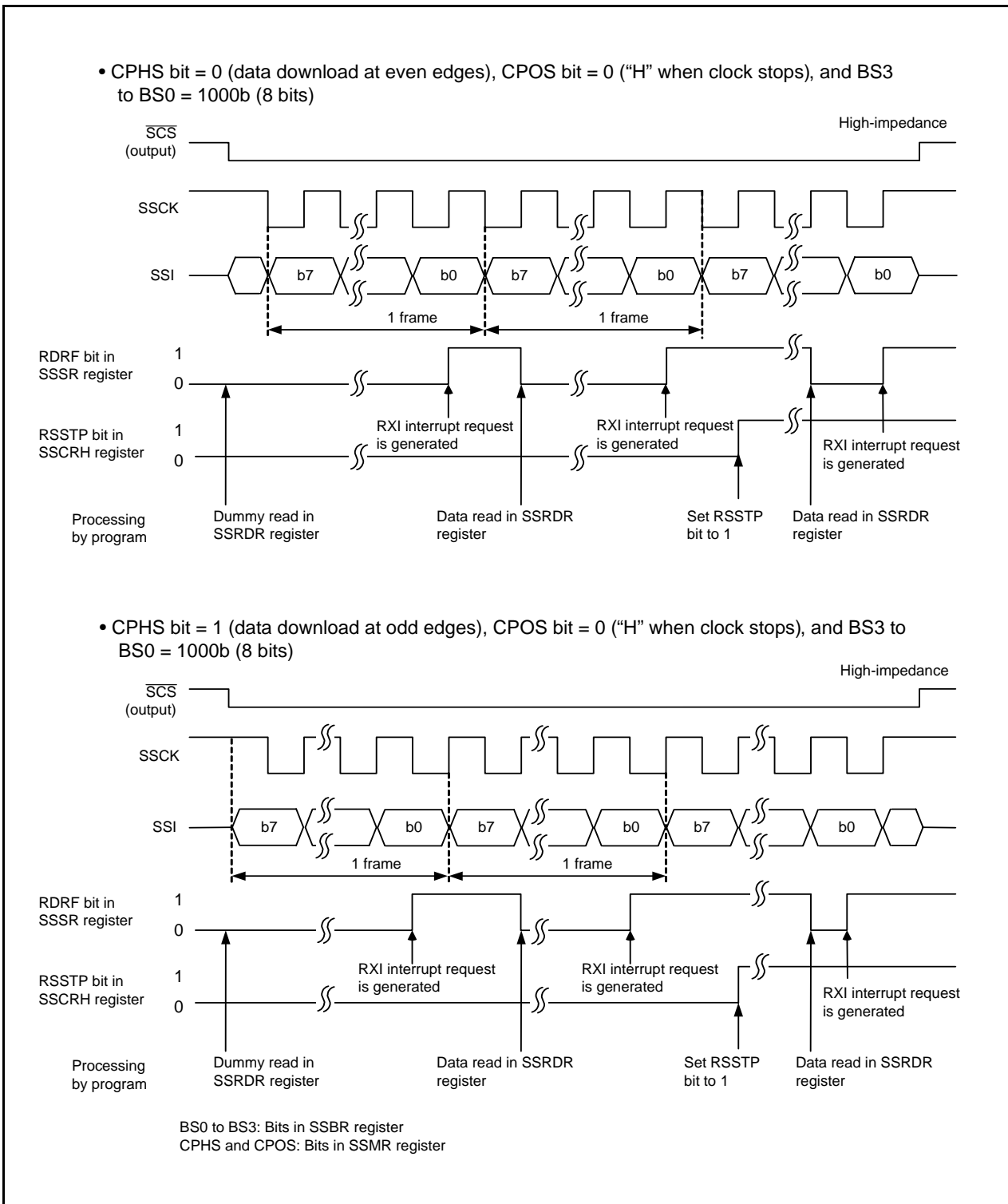


Figure 25.12 Example of Synchronous Serial Communication Unit Operation during Data Reception (4-Wire Bus Communication Mode, 8-Bit SSU Data Transfer Length)

25.5.4 $\overline{\text{SCS}}$ Pin Control and Arbitration

When setting the SSUMS bit in the SSMR2 register to 1 (4-wire bus communication mode) and the CSS1 bit in the SSMR2 register to 1 (functions as $\overline{\text{SCS}}$ output pin), set the MSS bit in the SSCRH register to 1 (operates as the master device) and check the arbitration of the $\overline{\text{SCS}}$ pin before starting serial transfer. If synchronous serial communication unit detects that the synchronized internal $\overline{\text{SCS}}$ signal is held “L” in this period, the CE bit in the SSSR register is set to 1 (conflict error) and the MSS bit is automatically set to 0 (operates as a slave device).

Figure 25.13 shows the Arbitration Check Timing.

Future transmit operations are not performed while the CE bit is set to 1. Set the CE bit to 0 (no conflict error) before starting transmission.

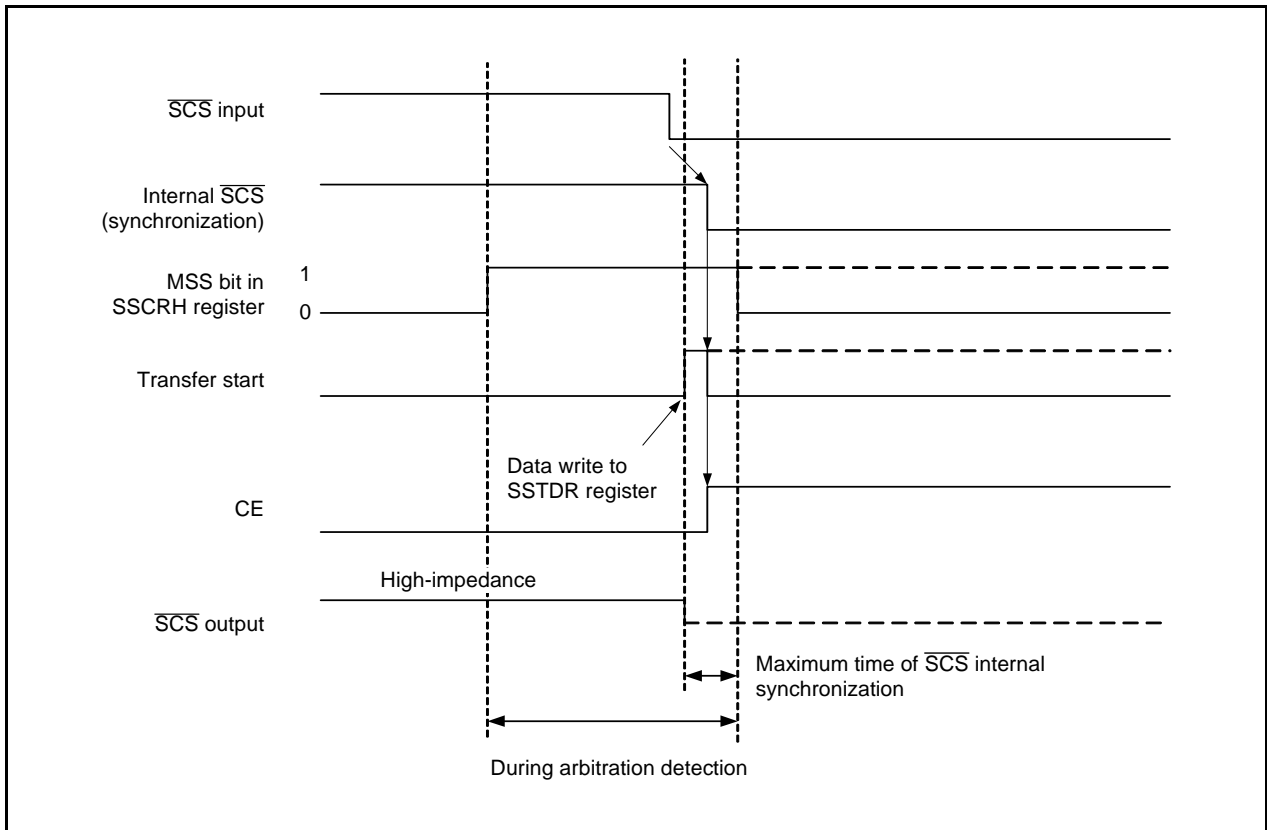


Figure 25.13 Arbitration Check Timing

25.6 Notes on Synchronous Serial Communication Unit

Set the IICSEL bit in the SSUIICSR register to 0 (select SSU function) to use the synchronous serial communication unit function.

26. I²C bus Interface

The I²C bus interface is the circuit that performs serial communication based on the data transfer format of the Philips I²C bus.

26.1 Overview

Table 26.1 lists the I²C bus Interface Specifications, Figure 26.1 shows an I²C bus interface Block Diagram, and Figure 26.2 shows the External Circuit Connection Example of Pins SCL and SDA, Table 26.2 lists the Pin Configuration of I²C bus Interface.

Table 26.1 I²C bus Interface Specifications

Item	Specification
Communication formats	<ul style="list-style-type: none"> • I²C bus format <ul style="list-style-type: none"> - Selectable as master/slave device. - Continuous transmit/receive operation (because the shift register, transmit data register, and receive data register are independent.) - Start/stop conditions are automatically generated in master mode. - Automatic loading of the acknowledge bit during transmission - Bit synchronization/wait function (In master mode, the state of the SCL signal is monitored per bit and the timing is synchronized automatically. If the transfer is not possible yet, the SCL signal goes "L" and the interface stands by.) - Support for direct drive of pins SCL and SDA (N-channel open-drain output) • Clock synchronous serial format <ul style="list-style-type: none"> - Continuous transmit/receive operation (because the shift register, transmit data register, and receive data register are independent.)
I/O pins	SCL (I/O): Serial clock I/O pin SDA (I/O): Serial data I/O pin
Transfer clocks	<ul style="list-style-type: none"> • When the MST bit in the ICCR1 register is set to 0. External clock (input from the SCL pin) • When the MST bit in the ICCR1 register is set to 1. Internal clock selected by bits CKS0 to CKS3 in the ICCR1 register and bits IICTCTWI and IICTCHALF in the PINSR register (output from the SCL pin)
Receive error detection	<ul style="list-style-type: none"> • Overrun error detection (clock synchronous serial format) Indicates an overrun error during reception. When the last bit of the next unit of data is received while the RDRF bit in the ICSR register is set to 1 (data in the ICDRR register), the AL bit is set to 1.
Interrupt sources	<ul style="list-style-type: none"> • I²C bus format 6 sources ⁽¹⁾ Transmit data empty (including when slave address matches), end of transmission, receive data full (including when slave address matches), arbitration lost, NACK detection, and stop condition detection • Clock synchronous serial format 4 sources ⁽¹⁾ Transmit data empty, end of transmission, receive data full, and overrun error
Selectable functions	<ul style="list-style-type: none"> • I²C bus format <ul style="list-style-type: none"> - Selectable output level for the acknowledge signal during reception. • Clock synchronous serial format <ul style="list-style-type: none"> - MSB-first or LSB-first selectable as the data transfer direction. • SDA digital delay <ul style="list-style-type: none"> - Digital delay value for the SDA pin selectable by bits SDADLY0 to SDADLY1 in the PINSR register.

Note:

1. All sources use one interrupt vector for I²C bus interface.

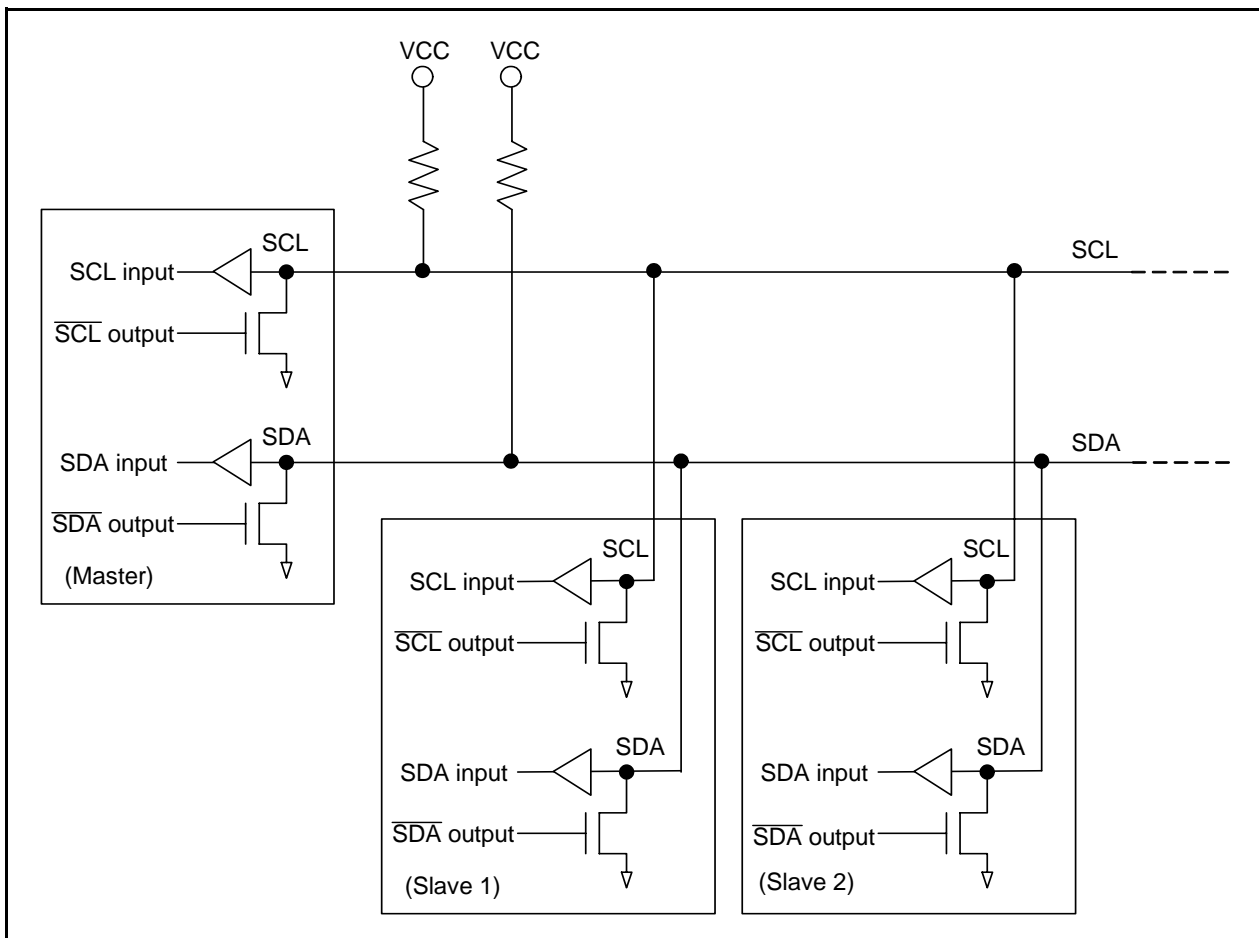


Figure 26.2 External Circuit Connection Example of Pins SCL and SDA

26.2 Registers

26.2.1 Module Standby Control Register (MSTCR)

Address 0008h

Bit	b7	b6	b5	b4	b3	b2	b1	b0
Symbol	—	—	MSTTRC	MSTTRD	MSTIIC	—	—	—
After Reset	0	0	0	0	0	0	0	0

Bit	Symbol	Bit Name	Function	R/W
b0	—	Nothing is assigned. If necessary, set to 0. When read, the content is 0.		—
b1	—			
b2	—			
b3	MSTIIC	SSU, I ² C bus standby bit	0: Active 1: Standby ⁽¹⁾	R/W
b4	MSTTRD	Timer RD standby bit	0: Active 1: Standby ^(2, 3)	R/W
b5	MSTTRC	Timer RC standby bit	0: Active 1: Standby ⁽⁴⁾	R/W
b6	—	Nothing is assigned. If necessary, set to 0. When read, the content is 0.		—
b7	—			

Notes:

1. When the MSTIIC bit is set to 1 (standby), any access to the SSU or the I²C bus associated registers (addresses 0193h to 019Dh) is disabled.
2. When the MSTTRD bit is set to 1 (standby), any access to the timer RD associated registers (addresses 0135h to 015Fh) is disabled.
3. To set the MSTTRD bit to 1 (standby), set bits TCK2 to TCK0 in the TRDCR_i (i = 0 or 1) register to 000b (f1).
4. When the MSTTRC bit is set to 1 (standby), any access to the timer RC associated registers (addresses 0120h to 0133h) is disabled.

26.2.2 SSU/IIC Pin Select Register (SSUICSR)

Address 018Ch

Bit	b7	b6	b5	b4	b3	b2	b1	b0
Symbol	—	—	—	—	—	—	—	IICSEL
After Reset	0	0	0	0	0	0	0	0

Bit	Symbol	Bit Name	Function	R/W
b0	IICSEL	SSU/I ² C bus switch bit	0: SSU function selected 1: I ² C bus function selected	R/W
b1	—	Reserved bit	Set to 0.	R/W
b2	—	Nothing is assigned. If necessary, set to 0. When read, the content is 0.		—
b3	—			
b4	—	Reserved bits	Set to 0.	R/W
b5	—			
b6	—			
b7	—			

26.2.3 I/O Function Pin Select Register (PINSR)

Address 018Fh

Bit	b7	b6	b5	b4	b3	b2	b1	b0
Symbol	SDADLY1	SDADLY0	IICTCHALF	IICTCTWI	IOINSEL	—	—	XCSEL
After Reset	0	0	0	0	0	0	0	0

Bit	Symbol	Bit Name	Function	R/W
b0	XCSEL	XCIN/XCOUT pin connect bit	0: XCIN not connected to P4_3, XCOUT not connected to P4_4 1: XCIN connected to P4_3, XCOUT connected to P4_4	R/W
b1	—	Reserved bit	Set to 0.	R/W
b2	—	Nothing is assigned. If necessary, set to 0. When read, the content is 0.		—
b3	IOINSEL	I/O port input function select bit	0: The I/O port input function depends on the PDi (i = 0 to 6) register. When the PDi_j (j = 0 to 7) bit in the PDi register is set to 0 (input mode), the pin input level is read. When the PDi_j bit in the PDi register is set to 1 (output mode), the port latch is read. 1: The I/O port input function reads the pin input level regardless of the PDi register.	R/W
b4	IICTCTWI	I ² C double transfer rate select bit	0: Transfer rate is the same as the value set with bits CKS0 to CKS3 in the ICCR1 register 1: Transfer rate is twice the value set with bits CKS0 to CKS3 in the ICCR1 register	R/W
b5	IICTCHALF	I ² C half transfer rate select bit	0: Transfer rate is the same as the value set with bits CKS0 to CKS3 in the ICCR1 register 1: Transfer rate is half the value set with bits CKS0 to CKS3 in the ICCR1 register	R/W
b6	SDADLY0	SDA digital delay select bit	b7 b6 0 0: Digital delay of 3 × f1 cycles 0 1: Digital delay of 11 × f1 cycles 1 0: Digital delay of 19 × f1 cycles 1 1: Do not set.	R/W
b7	SDADLY1			R/W

XCSEL Bit (XCIN/XCOUT pin connect bit)

The XCSEL bit is used to connect XCIN and XCOUT to P4_3 and P4_4, respectively. When this bit is set to 1, XCIN is connected to P4_3 and XCOUT is connected to P4_4. For how to set XCIN and XCOUT, refer to **9. Clock Generation Circuit**.

IOINSEL Bit (I/O port input function select bit)

The IOINSEL bit is used to select the pin level of an I/O port when the PDi_j (j = 0 to 7) bit in the PDi (i = 0 to 6) register is set to 1 (output mode). When this bit is set to 1, the I/O port input function reads the pin input level regardless of the PDi register.

Table 26.3 lists I/O Port Values Read by Using IOINSEL Bit. The IOINSEL bit can be used to change the input function of all I/O ports except P4_2.

Table 26.3 I/O Port Values Read by Using IOINSEL Bit

PDi_j bit in PDi register	0 (input mode)		1 (output mode)		
	IOINSEL bit	0	1	0	1
I/O port values read		Pin input level	Port latch value	Pin input level	

26.2.4 IIC bus Transmit Data Register (ICDRT)

Address 0194h

Bit	b7	b6	b5	b4	b3	b2	b1	b0
Symbol	—	—	—	—	—	—	—	—
After Reset	1	1	1	1	1	1	1	1

Bit	Function	R/W
b7 to b0	This register stores transmit data. When the ICDRS register is detected as empty, the stored transmit data item is transferred to the ICDRS register and data transmission starts. When the next unit of transmit data is written to the ICDRT register while data is transmitted to the ICDRS register, continuous transmission is enabled. When the MLS bit in the ICMR register is set to 1 (data transfer with LSB-first), the MSB-LSB inverted data is read after the data is written to the ICDRT register.	R/W

26.2.5 IIC bus Receive Data Register (ICDRR)

Address 0196h

Bit	b7	b6	b5	b4	b3	b2	b1	b0
Symbol	—	—	—	—	—	—	—	—
After Reset	1	1	1	1	1	1	1	1

Bit	Function	R/W
b7 to b0	This register stores receive data. When the ICDRS register receives 1 byte of data, the receive data is transferred to the ICDRR register and the next receive operation is enabled.	R

26.2.6 IIC bus Control Register 1 (ICCR1)

Address 0198h

Bit	b7	b6	b5	b4	b3	b2	b1	b0
Symbol	ICE	RCVD	MST	TRS	CKS3	CKS2	CKS1	CKS0
After Reset	0	0	0	0	0	0	0	0

Bit	Symbol	Bit Name	Function	R/W
b0	CKS0	Transmit clock select bits 3 to 0 ⁽¹⁾	b ³ b ² b ¹ b ⁰ 0 0 0 0: f1/28	R/W
b1	CKS1		0 0 0 1: f1/40	R/W
b2	CKS2		0 0 1 0: f1/48	R/W
b3	CKS3		0 0 1 1: f1/64	R/W
			0 1 0 0: f1/80	
		0 1 0 1: f1/100		
			0 1 1 0: f1/112	
			0 1 1 1: f1/128	
			1 0 0 0: f1/56	
			1 0 0 1: f1/80	
			1 0 1 0: f1/96	
			1 0 1 1: f1/128	
			1 1 0 0: f1/160	
			1 1 0 1: f1/200	
			1 1 1 0: f1/224	
			1 1 1 1: f1/256	
b4	TRS	Transfer/receive select bit ^(2, 3, 6)	b ⁵ b ⁴ 0 0: Slave Receive Mode ⁽⁴⁾ 0 1: Slave Transmit Mode 1 0: Master Receive Mode 1 1: Master Transmit Mode	R/W
b5	MST	Master/slave select bit ^(5, 6)		R/W
b6	RCVD	Receive disable bit	After reading the ICDRR register while the TRS bit is set to 0 0: Next receive operation continues 1: Next receive operation disabled	R/W
b7	ICE	I ² C bus interface enable bit	0: This module is halted (Pins SCL and SDA are set to a port function) 1: This module is enabled for transfer operations (Pins SCL and SDA are in a bus drive state)	R/W

Notes:

- Set according to the necessary transfer rate in master mode. Refer to **Table 26.4 Transfer Rate Examples (1) and Table 26.5 Transfer Rate Examples (2)** for the transfer rate. This bit is used for maintaining the setup time in transmit mode of slave mode. The time is 10T_{cyc} when the CKS3 bit is set to 0 and 20T_{cyc} when the CKS3 bit is set to 1. (1T_{cyc} = 1/f1(s))
- Rewrite the TRS bit between transfer frames.
- When the first 7 bits after the start condition in slave receive mode match the slave address set in the SAR register and the 8th bit is set to 1, the TRS bit is set to 1.
- In master mode with the I²C bus format, if arbitration is lost, bits MST and TRS are set to 0 and the IIC enters slave receive mode.
- When an overrun error occurs in master receive mode with the clock synchronous serial format, the MST bit is set to 0 and the I²C bus enters slave receive mode.
- In multimaster operation, use the MOV instruction to set bits TRS and MST.

26.2.7 IIC bus Control Register 2 (ICCR2)

Address 0199h

Bit	b7	b6	b5	b4	b3	b2	b1	b0
Symbol	BBSY	SCP	SDAO	SDAOP	SCLO	—	IICRST	—
After Reset	0	1	1	1	1	1	0	1

Bit	Symbol	Bit Name	Function	R/W
b0	—	Nothing is assigned. If necessary, set to 0. When read, the content is 1.		—
b1	IICRST	I ² C bus control block reset bit	When hang-up occurs due to communication failure during I ² C bus interface operation, writing 1 resets the control block of the I ² C bus interface without setting ports or initializing registers.	R/W
b2	—	Nothing is assigned. If necessary, set to 0. When read, the content is 1.		—
b3	SCLO	SCL monitor flag	0: SCL pin is set to "L" 1: SCL pin is set to "H"	R
b4	SDAOP	SDAO write protect bit	When rewriting the SDAO bit, write 0 simultaneously ⁽¹⁾ . When read, the content is 1.	R/W
b5	SDAO	SDA output value control bit	When read 0: SDA pin output is held "L" 1: SDA pin output is held "H" When written ^(1, 2) 0: SDA pin output is changed to "L" 1: SDA pin output is changed to high-impedance ("H" output via external pull-up resistor)	R/W
b6	SCP	Start/stop condition generation disable bit	When writing to the to BBSY bit, write 0 simultaneously ⁽³⁾ . When read, the content is 1. Writing 1 is invalid.	R/W
b7	BBSY	Bus busy bit ⁽⁴⁾	When read: 0: Bus is released (SDA signal changes from "L" to "H" while SCL signal is held "H") 1: Bus is occupied (SDA signal changes from "H" to "L" while SCL signal is held "H") When written ⁽³⁾ : 0: Stop condition generated 1: Start condition generated	R/W

Notes:

1. When rewriting the SDAO bit, write 0 to the SDAOP bit simultaneously using the MOV instruction.
2. Do not write to the SDAO bit during a transfer operation.
3. Enabled in master mode. When writing to the BBSY bit, write 0 to the SCP bit simultaneously using the MOV instruction. Execute the same way when a start condition is regenerated.
4. Disabled when the clock synchronous serial format is used.

26.2.8 IIC bus Mode Register (ICMR)

Address 019Ah

Bit	b7	b6	b5	b4	b3	b2	b1	b0
Symbol	MLS	WAIT	—	—	BCWP	BC2	BC1	BC0
After Reset	0	0	0	1	1	0	0	0

Bit	Symbol	Bit Name	Function	R/W
b0	BC0	Bit counters 2 to 0	I ² C bus format	R/W
b1	BC1		(Read: Number of remaining transfer bits;	R/W
b2	BC2		Write: Number of next transfer data bits) (1, 2).	R/W
			b2 b1 b0 0 0 0: 9 bits (3) 0 0 1: 2 bits 0 1 0: 3 bits 0 1 1: 4 bits 1 0 0: 5 bits 1 0 1: 6 bits 1 1 0: 7 bits 1 1 1: 8 bits Clock synchronous serial format (Read: Number of remaining transfer bits; Write: Always 000b). b2 b1 b0 0 0 0: 8 bits 0 0 1: 1 bit 0 1 0: 2 bits 0 1 1: 3 bits 1 0 0: 4 bits 1 0 1: 5 bits 1 1 0: 6 bits 1 1 1: 7 bits	
b3	BCWP	BC write protect bit	When rewriting bits BC0 to BC2, write 0 simultaneously (2, 4). When read, the content is 1.	R/W
b4	—	Nothing is assigned. If necessary, set to 0. When read, the content is 1.		—
b5	—	Reserved bit	Set to 0.	R/W
b6	WAIT	Wait insertion bit (5)	0: No wait states (Data and the acknowledge bit are transferred consecutively) 1: Wait state (After the clock of the last data bit falls, a “L” period is extended for two transfer clocks)	R/W
b7	MLS	MSB-first/LSB-first select bit	0: Data transfer with MSB-first (6) 1: Data transfer with LSB-first	R/W

Notes:

1. Rewrite between transfer frames. When writing values other than 000b, write when the SCL signal is “L”.
2. When writing to bits BC0 to BC2, write 0 to the BCWP bit simultaneously using the MOV instruction.
3. After data including the acknowledge bit is transferred, these bits are automatically set to 000b. When a start condition is detected, these bits are automatically set to 000b.
4. Do not rewrite when the clock synchronous serial format is used.
5. The setting value is valid in master mode with the I²C bus format. It is invalid in slave mode with the I²C bus format or when the clock synchronous serial format is used.
6. Set to 0 when the I²C bus format is used.

26.2.9 IIC bus Interrupt Enable Register (ICIER)

Address 019Bh

Bit	b7	b6	b5	b4	b3	b2	b1	b0
Symbol	TIE	TEIE	RIE	NAKIE	STIE	ACKE	ACKBR	ACKBT
After Reset	0	0	0	0	0	0	0	0

Bit	Symbol	Bit Name	Function	R/W
b0	ACKBT	Transmit acknowledge select bit	0: In receive mode, 0 is transmitted as the acknowledge bit. 1: In receive mode, 1 is transmitted as the acknowledge bit.	R/W
b1	ACKBR	Receive acknowledge bit	0: In transmit mode, the acknowledge bit received from receive device is set to 0. 1: In transmit mode, the acknowledge bit received from receive device is set to 1.	R
b2	ACKE	Acknowledge bit detection select bit	0: Content of the receive acknowledge bit is ignored and continuous transfer is performed. 1: When the receive acknowledge bit is set to 1, continuous transfer is halted.	R/W
b3	STIE	Stop condition detection interrupt enable bit	0: Stop condition detection interrupt request disabled 1: Stop condition detection interrupt request enabled ⁽²⁾	R/W
b4	NAKIE	NACK receive interrupt enable bit	0: NACK receive interrupt request and arbitration lost/ overrun error interrupt request disabled 1: NACK receive interrupt request and arbitration lost/ overrun error interrupt request ⁽¹⁾	R/W
b5	RIE	Receive interrupt enable bit	0: Receive data full and overrun error interrupt request disabled 1: Receive data full and overrun error interrupt request enabled ⁽¹⁾	R/W
b6	TEIE	Transmit end interrupt enable bit	0: Transmit end interrupt request disabled 1: Transmit end interrupt request enabled	R/W
b7	TIE	Transmit interrupt enable bit	0: Transmit data empty interrupt request disabled 1: Transmit data empty interrupt request enabled	R/W

Notes:

1. An overrun error interrupt request is generated when the clock synchronous format is used.
2. Set the STIE bit to 1 (stop condition detection interrupt request enabled) when the STOP bit in the ICSR register is set to 0.

26.2.10 IIC bus Status Register (ICSR)

Address 019Ch

Bit	b7	b6	b5	b4	b3	b2	b1	b0
Symbol	TDRE	TEND	RDRF	NACKF	STOP	AL	AAS	ADZ
After Reset	0	0	0	0	X	0	0	0

Bit	Symbol	Bit Name	Function	R/W
b0	ADZ	General call address recognition flag (1, 2)	This flag is set to 1 when a general call address is detected.	R/W
b1	AAS	Slave address recognition flag (1)	This flag is set to 1 when the first frame immediately after the start condition matches bits SVA0 to SVA6 in the SAR register in slave receive mode (slave address detection and general call address detection)	R/W
b2	AL	Arbitration lost flag/overrun error flag (1)	I ² C bus format: This flag indicates that arbitration has been lost in master mode. This flag is set to 1 (3) when: <ul style="list-style-type: none"> • The internal SDA signal and SDA pin level do not match at the rising edge of the SCL signal in master transmit mode • The SDA pin is held "H" at start condition detection in master transmit/receive mode Clock synchronous format: This flag indicates an overrun error. This flag is set to 1 when: <ul style="list-style-type: none"> • The last bit of the next unit of data is received while the RDRF bit is set to 1 	R/W
b3	STOP	Stop condition detection flag (1)	This flag is set to 1 when a stop condition is detected after the frame is transferred.	R/W
b4	NACKF	No acknowledge detection flag (1, 4)	This flag is set to 1 when no ACKnowledge is detected from the receive device after transmission.	R/W
b5	RDRF	Receive data register full flag (1, 5)	This flag is set to 1 when receive data is transferred from registers ICDRS to ICDRR.	R/W
b6	TEND	Transmit end flag (1, 6)	I ² C bus format: This flag is set to 1 at the rising edge of the 9th clock cycle of the SCL signal while the TDRE bit is set to 1. Clock synchronous format: This flag is set to 1 when the last bit of the transmit frame is transmitted.	R/W
b7	TDRE	Transmit data empty flag (1, 6)	This flag is set to 1 when: <ul style="list-style-type: none"> • Data is transferred from registers ICDRT to ICDRS and the CDRT register is empty • The TRS bit in the ICCR1 register is set to 1 (transmit mode) • A start condition is generated (including retransmission) • Slave receive mode is changed to slave transmit mode 	R/W

Notes:

1. Each bit is set to 0 by reading 1 before writing 0.
2. This flag is enabled in slave receive mode with the I²C bus format.
3. When two or more master devices attempt to occupy the bus at nearly the same time, if the I²C bus Interface monitors the SDA pin and the data which the I²C bus Interface transmits is different, the AL flag is set to 1 and the bus is occupied by another master.
4. The NACKF bit is enabled when the ACKE bit in the ICIER register is set to 1 (when the receive acknowledge bit is set to 1, transfer is halted).
5. The RDRF bit is set to 0 when data is read from the ICDRR register.
6. Bits TEND and TDRE are set to 0 when data is written to the ICDRT register.

When accessing the ICSR register continuously, insert one or more NOP instructions between the instructions to access it.

26.2.11 Slave Address Register (SAR)

Address 019Dh

Bit	b7	b6	b5	b4	b3	b2	b1	b0
Symbol	SVA6	SVA5	SVA4	SVA3	SVA2	SVA1	SVA0	FS
After Reset	0	0	0	0	0	0	0	0

Bit	Symbol	Bit Name	Function	R/W
b0	FS	Format select bit	0: I ² C bus format 1: Clock synchronous serial format	R/W
b1	SVA0	Slave addresses 6 to 0	Set an address different from that of the other slave devices connected to the I ² C bus. When the 7 high-order bits of the first frame transmitted after the start condition match bits SVA0 to SVA6 in slave mode of the I ² C bus format, the MCU operates as a slave device.	R/W
b2	SVA1			R/W
b3	SVA2			R/W
b4	SVA3			R/W
b5	SVA4			R/W
b6	SVA5			R/W
b7	SVA6			R/W

26.2.12 IIC bus Shift Register (ICDRS)

Bit	b7	b6	b5	b4	b3	b2	b1	b0
Symbol	—	—	—	—	—	—	—	—

Bit	Function	R/W
b7 to b0	This register transmits and receives data. During transmission, data is transferred from registers ICRDT to ICDRS and transmitted from the SDA pin. During reception, data is transferred from registers ICDRS to the ICDRR after 1 byte of data reception ends.	—

26.3 Common Items for Multiple Modes

26.3.1 Transfer Clock

When the MST bit in the ICCR1 register is set to 0, the transfer clock is the external clock input from the SCL pin.

When the MST bit in the ICCR1 register is set to 1, the transfer clock is the internal clock selected by bits CKS0 to CKS3 in the ICCR1 register and bits IICTCTWI and IICTCHALF in the PINSR register and the transfer clock is output from the SCL pin.

Tables 26.4 and 26.5 list the Transfer Rate Examples.

Table 26.4 Transfer Rate Examples (1)

PINSR Register		ICCR1 Register				Transfer Clock	Transfer Rate					
IICTCHALF	IICTCTWI	CKS3	CKS2	CKS1	CKS0		f1 = 5 MHz	f1 = 8 MHz	f1 = 10 MHz	f1 = 16 MHz	f1 = 20 MHz	
0	0	0	0	0	0	f1/28	179 kHz	286 kHz	357 kHz	571 kHz	714 kHz	
					1	f1/40	125 kHz	200 kHz	250 kHz	400 kHz	500 kHz	
				1	0	f1/48	104 kHz	167 kHz	208 kHz	333 kHz	417 kHz	
					1	f1/64	78.1 kHz	125 kHz	156 kHz	250 kHz	313 kHz	
			1	0	0	f1/80	62.5 kHz	100 kHz	125 kHz	200 kHz	250 kHz	
					1	f1/100	50.0 kHz	80.0 kHz	100 kHz	160 kHz	200 kHz	
				1	0	f1/112	44.6 kHz	71.4 kHz	89.3 kHz	143 kHz	179 kHz	
					1	f1/128	39.1 kHz	62.5 kHz	78.1 kHz	125 kHz	156 kHz	
		1	0	0	0	0	f1/56	89.3 kHz	143 kHz	179 kHz	286 kHz	357 kHz
						1	f1/80	62.5 kHz	100 kHz	125 kHz	200 kHz	250 kHz
					1	0	f1/96	52.1 kHz	83.3 kHz	104 kHz	167 kHz	208 kHz
						1	f1/128	39.1 kHz	62.5 kHz	78.1 kHz	125 kHz	156 kHz
				1	0	0	f1/160	31.3 kHz	50.0 kHz	62.5 kHz	100 kHz	125 kHz
						1	f1/200	25.0 kHz	40.0 kHz	50.0 kHz	80.0 kHz	100 kHz
					1	0	f1/224	22.3 kHz	35.7 kHz	44.6 kHz	71.4 kHz	89.3 kHz
						1	f1/256	19.5 kHz	31.3 kHz	39.1 kHz	62.5 kHz	78.1 kHz

Table 26.5 Transfer Rate Examples (2)

PINSR Register		ICCR1 Register				Transfer Clock	Transfer Rate					
IICTCHALF	IICTCTWI	CKS3	CKS2	CKS1	CKS0		f1 = 5 MHz	f1 = 8 MHz	f1 = 10 MHz	f1 = 16 MHz	f1 = 20 MHz	
0	1	0	0	0	0	f1/28	358 kHz	572 kHz	714 kHz	1142 kHz	1428 kHz	
					1	f1/40	250 kHz	400 kHz	500 kHz	800 kHz	1000 kHz	
				1	0	f1/48	208 kHz	334 kHz	416 kHz	666 kHz	834 kHz	
					1	f1/64	156 kHz	250 kHz	312 kHz	500 kHz	626 kHz	
			1	0	0	f1/80	125 kHz	200 kHz	250 kHz	400 kHz	500 kHz	
					1	f1/100	100 kHz	160 kHz	200 kHz	320 kHz	400 kHz	
				1	0	f1/112	89 kHz	143 kHz	179 kHz	286 kHz	358 kHz	
					1	f1/128	78 kHz	125 kHz	156 kHz	250 kHz	312 kHz	
		1	0	0	0	0	f1/56	179 kHz	286 kHz	358 kHz	572 kHz	714 kHz
						1	f1/80	125 kHz	200 kHz	250 kHz	400 kHz	500 kHz
					1	0	f1/96	104 kHz	167 kHz	208 kHz	334 kHz	416 kHz
						1	f1/128	78 kHz	125 kHz	156 kHz	250 kHz	312 kHz
				1	0	0	f1/160	63 kHz	100 kHz	125 kHz	200 kHz	250 kHz
						1	f1/200	50 kHz	80 kHz	100 kHz	160 kHz	200 kHz
					1	0	f1/224	45 kHz	71 kHz	89 kHz	143 kHz	179 kHz
						1	f1/256	39 kHz	63 kHz	78 kHz	125 kHz	156 kHz
1	0	0	0	0	0	f1/28	90 kHz	143 kHz	179 kHz	286 kHz	357 kHz	
					1	f1/40	63 kHz	100 kHz	125 kHz	200 kHz	250 kHz	
				1	0	f1/48	52 kHz	84 kHz	104 kHz	167 kHz	209 kHz	
					1	f1/64	39 kHz	63 kHz	78 kHz	125 kHz	157 kHz	
			1	0	0	f1/80	31 kHz	50 kHz	63 kHz	100 kHz	125 kHz	
					1	f1/100	25 kHz	40 kHz	50 kHz	80 kHz	100 kHz	
				1	0	f1/112	22 kHz	36 kHz	45 kHz	72 kHz	90 kHz	
					1	f1/128	20 kHz	31 kHz	39 kHz	63 kHz	78 kHz	
		1	0	0	0	0	f1/56	45 kHz	72 kHz	90 kHz	143 kHz	179 kHz
						1	f1/80	31 kHz	50 kHz	63 kHz	100 kHz	125 kHz
					1	0	f1/96	26 kHz	42 kHz	52 kHz	84 kHz	104 kHz
						1	f1/128	20 kHz	31 kHz	39 kHz	63 kHz	78 kHz
				1	0	0	f1/160	16 kHz	25 kHz	31 kHz	50 kHz	63 kHz
						1	f1/200	13 kHz	20 kHz	25 kHz	40 kHz	50 kHz
					1	0	f1/224	11 kHz	18 kHz	22 kHz	36 kHz	45 kHz
						1	f1/256	10 kHz	16 kHz	20 kHz	31 kHz	39 kHz

26.3.2 SDA Pin Digital Delay Selection

The digital delay value for the SDA pin can be selected by bits SDADLY0 to SDADLY1 in the PINSR register. Figure 26.3 shows the Operating Example of Digital Delay for SDA Pin.

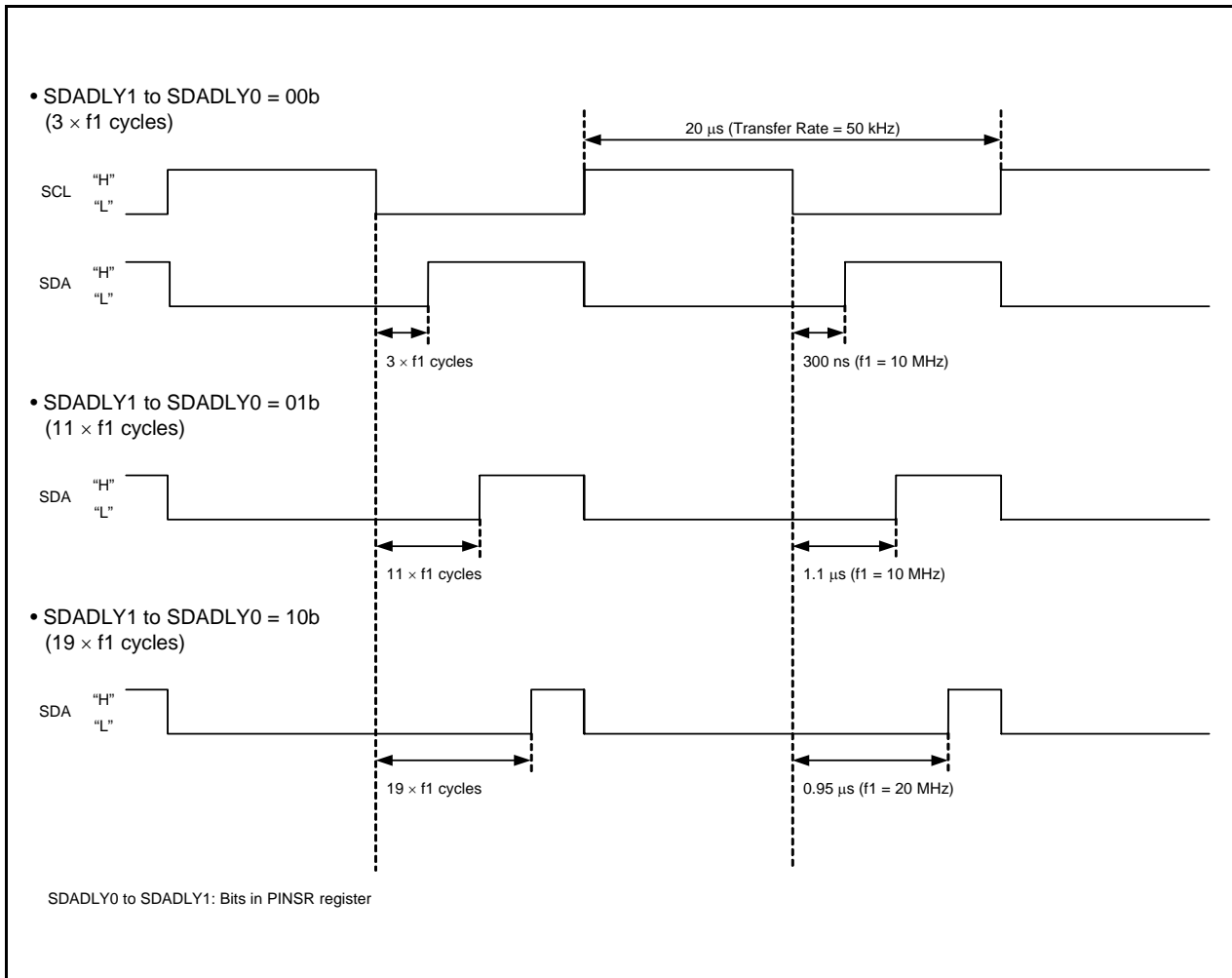


Figure 26.3 Operating Example of Digital Delay for SDA Pin

26.3.3 Interrupt Requests

The I²C bus interface has six interrupt requests when the I²C bus format is used and four interrupt requests when the clock synchronous serial format is used.

Table 26.6 lists the Interrupt Requests of I²C bus Interface.

Because these interrupt requests are allocated at the I²C bus interface interrupt vector table, the source must be determined bit by bit.

Table 26.6 Interrupt Requests of I²C bus Interface

Interrupt Request		Generation Condition	Format	
			I ² C bus	Clock Synchronous Serial
Transmit data empty	TXI	TIE = 1 and TDRE = 1	Enabled	Enabled
Transmit ends	TEI	TEIE = 1 and TEND = 1	Enabled	Enabled
Receive data full	RXI	RIE = 1 and RDRF = 1	Enabled	Enabled
Stop condition detection	STPI	STIE = 1 and STOP = 1	Enabled	Disabled
NACK detection	NAKI	NAKIE = 1 and AL = 1 (or NAKIE = 1 and NACKF = 1)	Enabled	Disabled
Arbitration lost/overrun error			Enabled	Enabled

STIE, NAKIE, RIE, TEIE, TIE: Bits in ICIER register

AL, STOP, NACKF, RDRF, TEND, TDRE: Bits in ICSR register

When generation conditions listed in Table 26.6 are met, an I²C bus interface interrupt request is generated. Set the interrupt generation conditions to 0 by the I²C bus interface interrupt routine.

Note that bits TDRE and TEND are automatically set to 0 by writing transmit data to the ICDRT register and that the RDRF bit is automatically set to 0 by reading the ICDRR register. Especially, the TDRE bit is set to 0 when writing transmit data to the ICDRT register and set to 1 when transferring data from the ICDRT register to the ICDRS register. If the TDRE bit is further set to 0, additional 1 byte may be transmitted.

Also, set the STIE bit to 1 (stop condition detection interrupt request enabled) when the STOP bit is set to 0.

26.4 I²C bus Interface Mode

26.4.1 I²C bus Format

When the FS bit in the SAR register is set to 0, the I²C bus format is used for communication.

Figure 26.4 shows the I²C bus Format and Bus Timing. The first frame following the start condition consists of 8 bits.

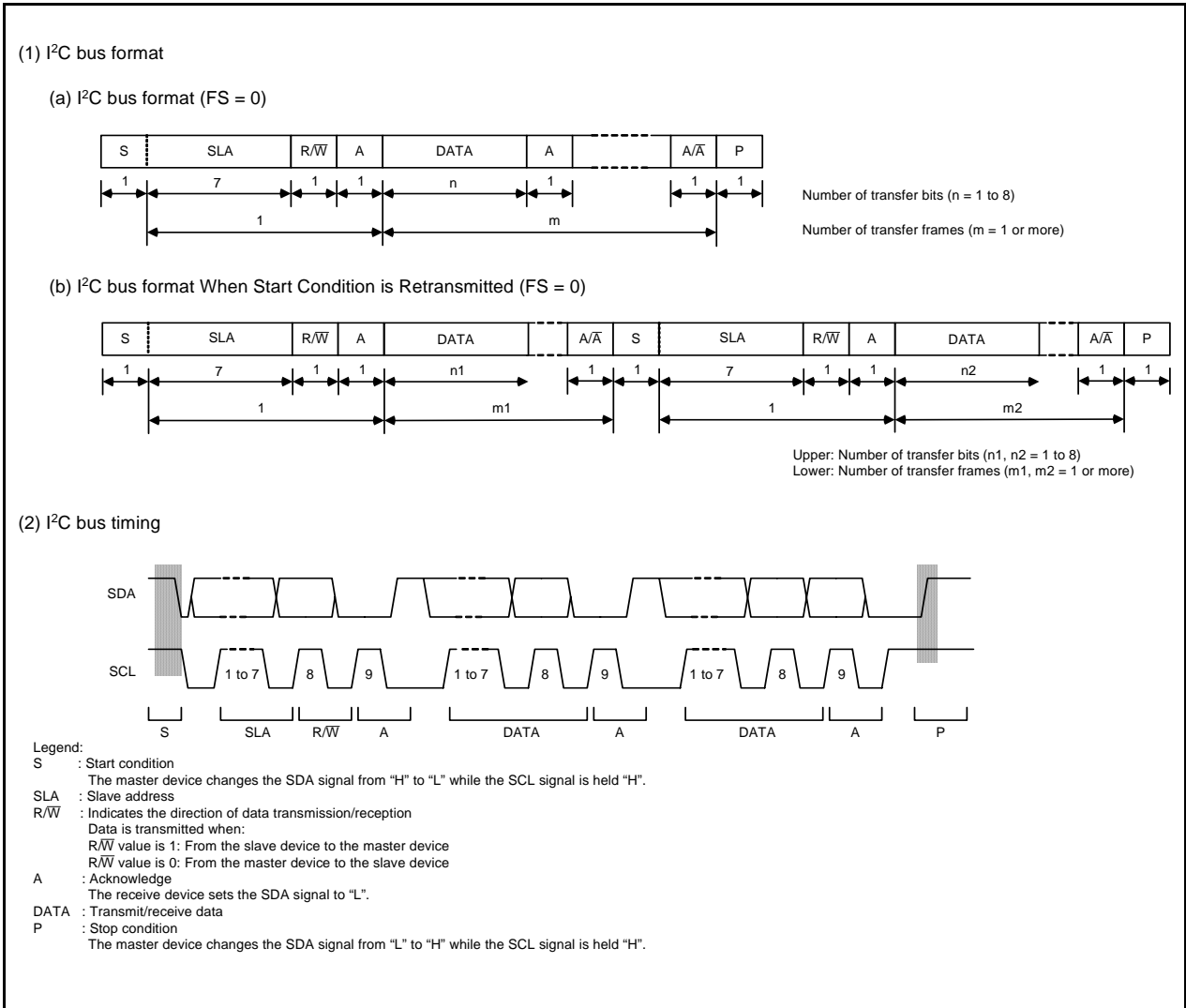


Figure 26.4 I²C bus Format and Bus Timing

26.4.2 Master Transmit Operation

In master transmit mode, the master device outputs the transmit clock and data, and the slave device returns an acknowledge signal.

Figures 26.5 and 26.6 show the Operating Timing in Master Transmit Mode (I²C bus Interface Mode).

The transmit procedure and operation in master transmit mode are as follows.

- (1) Set the STOP bit in the ICSR register to 0 for initialization, and set the ICE bit in the ICCR1 register to 1 (transfer operation enabled). Then, set bits WAIT and MLS in the ICMR register and bits CKS0 to CKS3 in the ICCR1 register (initial setting).
- (2) After confirming that the bus is released by reading the BBSY bit in the ICCR2 register, set bits TRS and MST in the ICCR1 register to master transmit mode. Then, write 1 to the BBSY bit and 0 to the SCP bit with the MOV instruction (start condition generated). This will generate a start condition.
- (3) After confirming that the TDRE bit in the ICSR register is set to 1 (data is transferred from registers ICDRT to ICDRS), write transmit data to the ICDRT register (data in which a slave address and R/ \bar{W} are indicated in the 1st byte). At this time, the TDRE bit is automatically set to 0. When data is transferred from registers ICDRT to ICDRS, the TDRE bit is set to 1 again.
- (4) When 1 byte of data transmission is completed while the TDRE bit is set to 1, the TEND bit in the ICSR register is set to 1 at the rising edge of the 9th clock cycle of the transmit clock. After confirming that the slave device is selected by reading the ACKBR bit in the ICIER register, write the 2nd byte of data to the ICDRT register. Since the slave device is not acknowledged when the ACKBR bit is set to 1, generate a stop condition. Stop condition generation is enabled by writing 0 to the BBSY bit and 0 to the SCP bit with the MOV instruction. The SCL signal is fixed “L” until data is ready or a stop condition is generated.
- (5) Write the transmit data after the 2nd byte to the ICDRT register every time the TDRE bit is set to 1.
- (6) When the number of bytes to be transmitted is written to the ICDRT register, wait until the TEND bit is set to 1 while the TDRE bit is set to 1. Or wait for NACK (NACKF bit in ICSR register = 1) from the receive device while the ACKE bit in the ICIER register is set to 1 (when the receive acknowledge bit is set to 1, transfer is halted). Then, generate a stop condition before setting the TEND bit or the NACKF bit to 0.
- (7) When the STOP bit in the ICSR register is set to 1, return to slave receive mode.

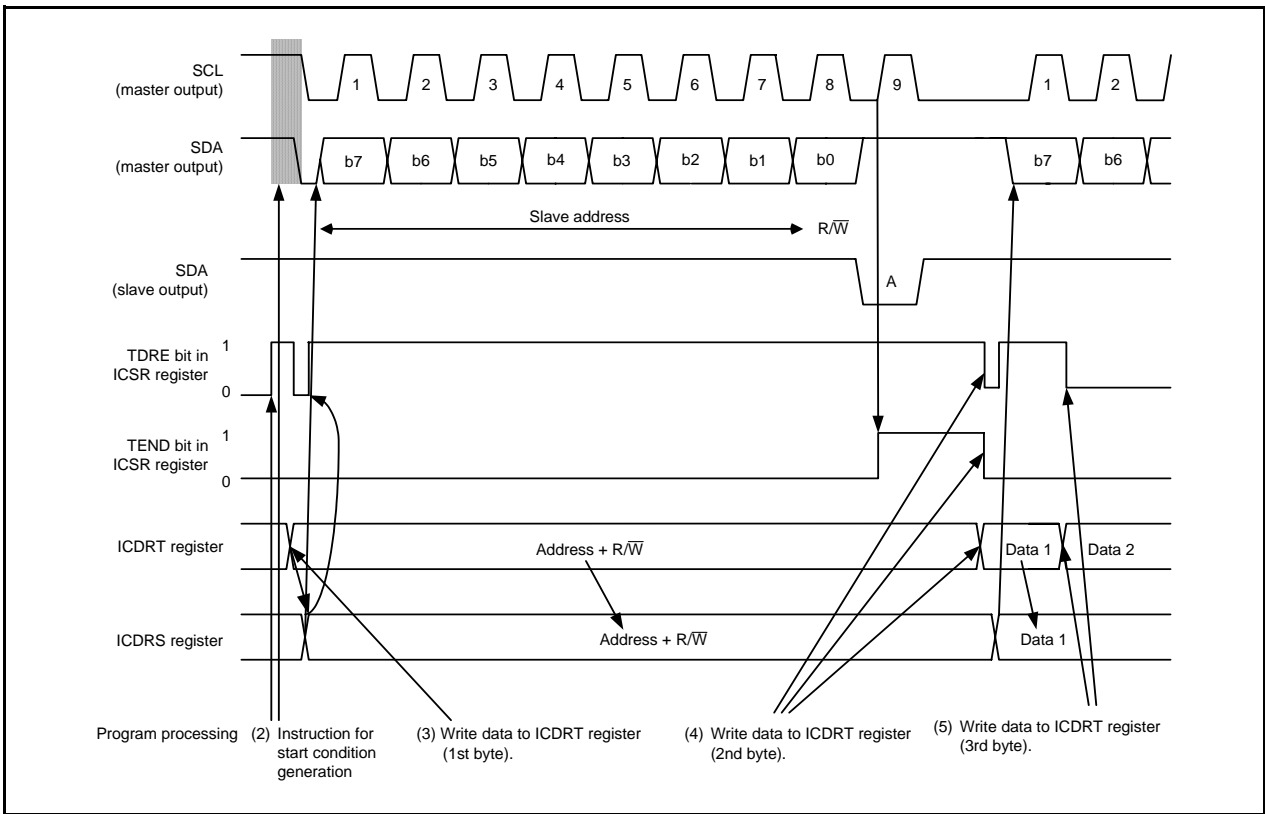


Figure 26.5 Operating Timing in Master Transmit Mode (I²C bus Interface Mode) (1)

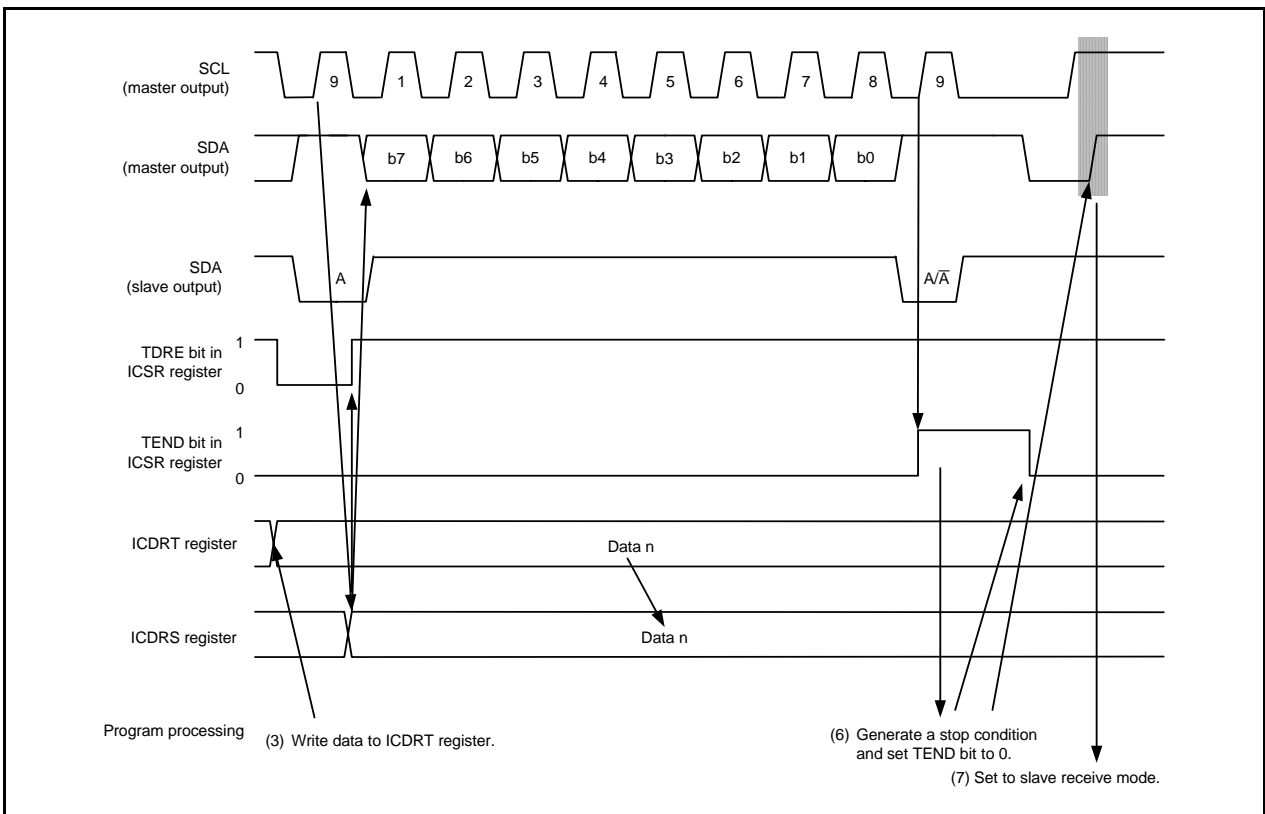


Figure 26.6 Operating Timing in Master Transmit Mode (I²C bus Interface Mode) (2)

26.4.3 Master Receive Operation

In master receive mode, the master device outputs the receive clock, receives data from the slave device, and returns an acknowledge signal.

Figures 26.7 and 26.8 show the Operating Timing in Master Receive Mode (I²C bus Interface Mode).

The receive procedure and operation in master receive mode are shown below.

- (1) After setting the TEND bit in the ICSR register to 0, set the TRS bit in the ICCR1 register to 0 to switch from master transmit mode to master receive mode. Then set the TDRE bit in the ICSR register to 0.
- (2) Dummy reading the ICDRR register starts receive operation. The receive clock is output in synchronization with the internal clock and data is received. The master device outputs the level set by the ACKBT bit in the ICIER register to the SDA pin at the rising edge of the 9th clock cycle of the receive clock.
- (3) When 1-frame of data reception is completed, the RDRF bit in the ICSR register is set to 1 at the rising edge of the 9th clock cycle of the receive clock. At this time, if the ICDRR register is read, the received data can be read and the RDRF bit is set to 0 simultaneously.
- (4) Continuous receive operation is enabled by reading the ICDRR register every time the RDRF bit is set to 1. If reading the ICDRR register is delayed by another process and the 8th clock cycle falls while the RDRF bit is set to 1, the SCL signal is fixed "L" until the ICDRR register is read.
- (5) If the next frame is the last receive frame and the RCVD bit in the ICCR1 register is set to 1 (next receive operation disabled) before reading the ICDRR register, stop condition generation is enabled after the next receive operation.
- (6) When the RDRF bit is set to 1 at the rising edge of the 9th clock cycle of the receive clock, generate a stop condition.
- (7) When the STOP bit in the ICSR register is set to 1, read the ICDRR register and set the RCVD bit to 0 (next receive operation continues).
- (8) Return to slave receive mode.

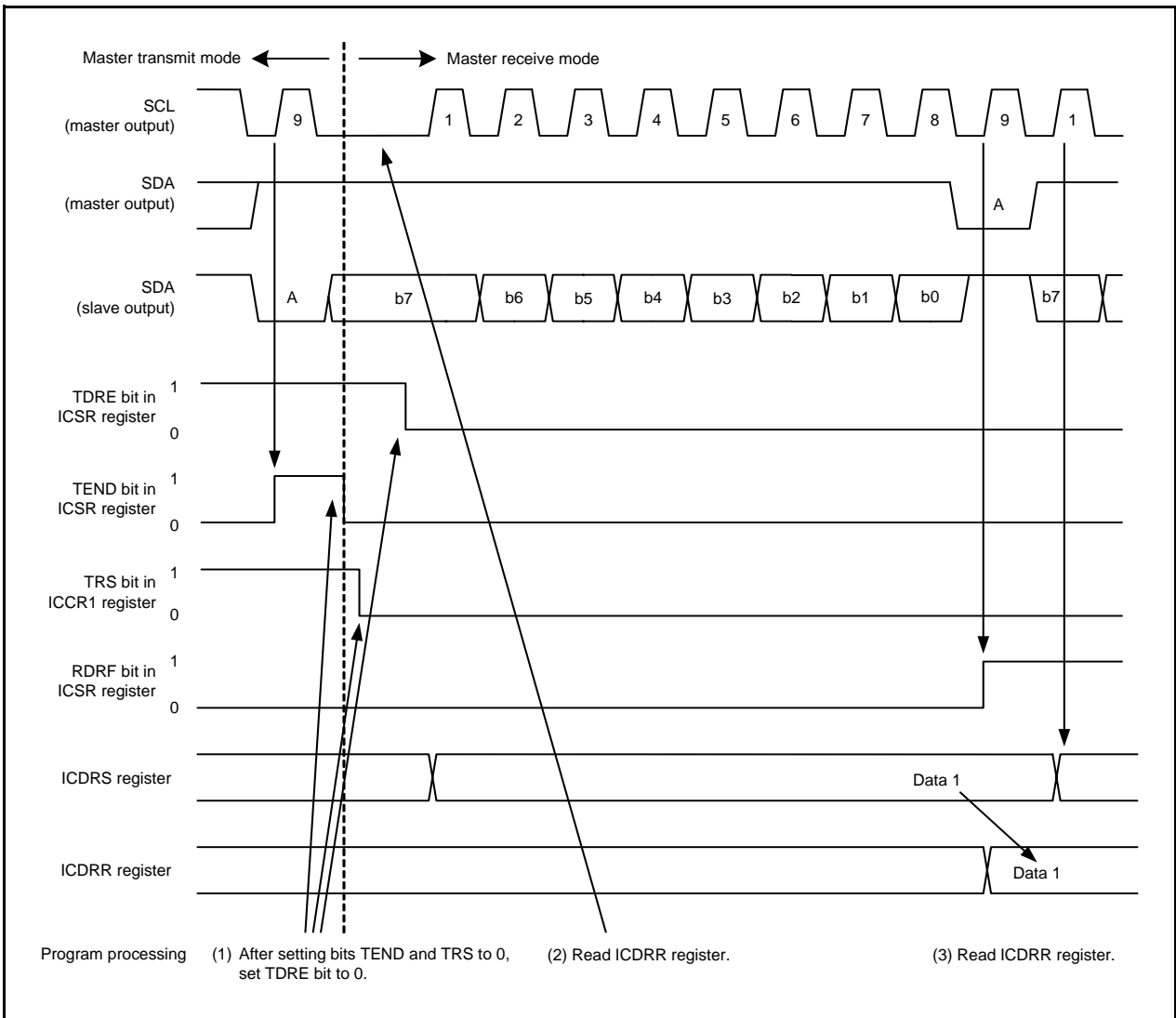


Figure 26.7 Operating Timing in Master Receive Mode (I²C bus Interface Mode) (1)

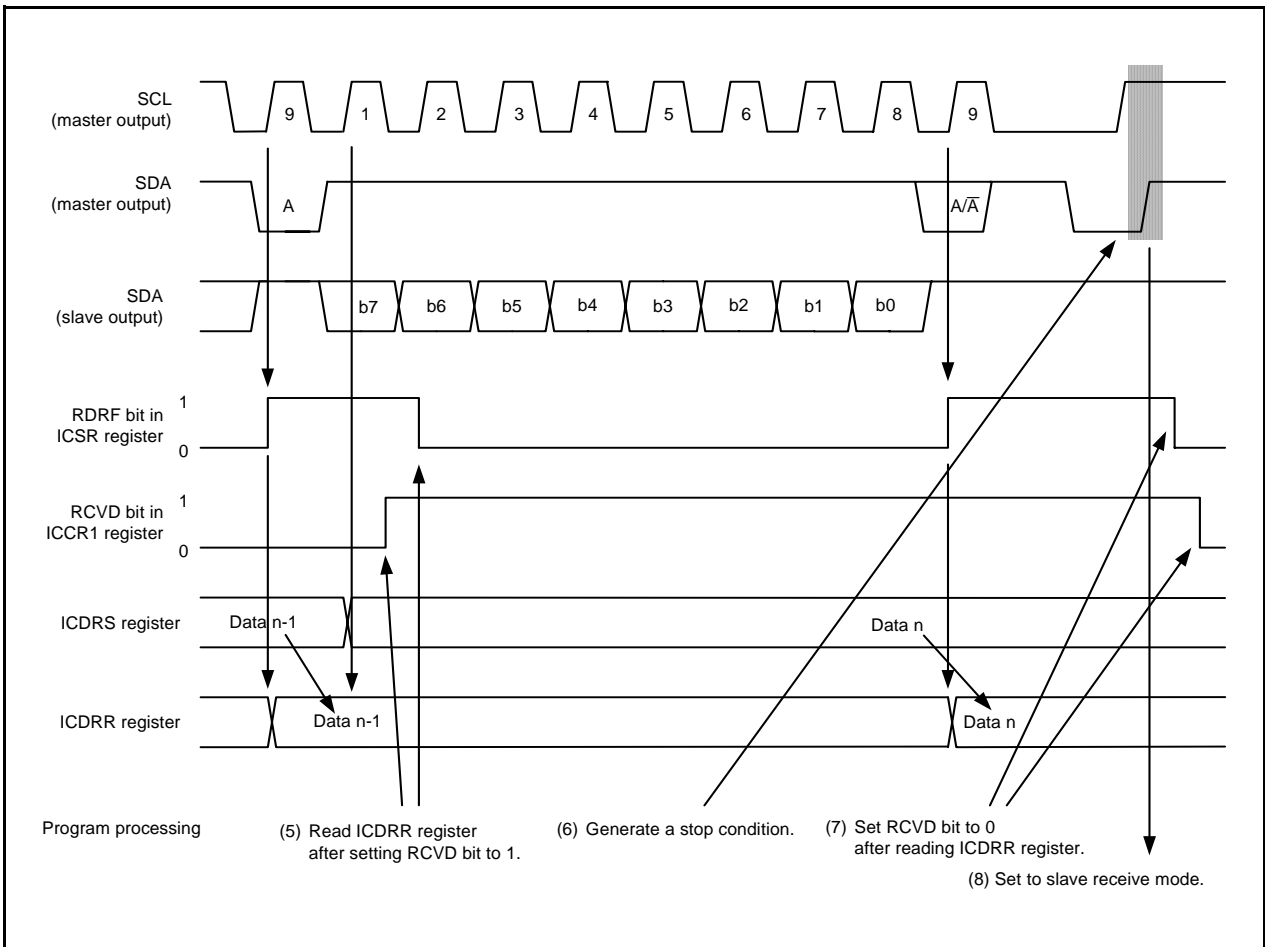


Figure 26.8 Operating Timing in Master Receive Mode (I²C bus Interface Mode) (2)

26.4.4 Slave Transmit Operation

In slave transmit mode, the slave device outputs the transmit data while the master device outputs the receive clock and returns an acknowledge signal.

Figures 26.9 and 26.10 show the Operating Timing in Slave Transmit Mode (I²C bus Interface Mode).

The transmit procedure and operation in slave transmit mode are as follows.

- (1) Set the ICE bit in the ICCR1 register to 1 (transfer operation enabled), and set bits WAIT and MLS in the ICMR register and bits CKS0 to CKS3 in the ICCR1 register (initial setting). Then, set bits TRS and MST in the ICCR1 register to 0 and wait until the slave address matches in slave receive mode.
- (2) When the slave address matches at the first frame after detecting the start condition, the slave device outputs the level set by the ACKBT bit in the ICIER register to the SDA pin at the rising edge of the 9th clock cycle. At this time, if the 8th bit of data (R/\overline{W}) is 1, bits TRS and TDRE in the ICSR register are set to 1, and the mode is switched to slave transmit mode automatically. Continuous transmission is enabled by writing transmit data to the ICDRT register every time the TDRE bit is set to 1.
- (3) When the TDRE bit in the ICDRT register is set to 1 after the last transmit data is written to the ICDRT register, wait until the TEND bit in the ICSR register is set to 1 while the TDRE bit is set to 1. When the TEND bit is set to 1, set the TEND bit to 0.
- (4) Set the TRS bit to 0 and dummy read the ICDRR register to end the process. This will release the SCL signal.
- (5) Set the TDRE bit to 0.

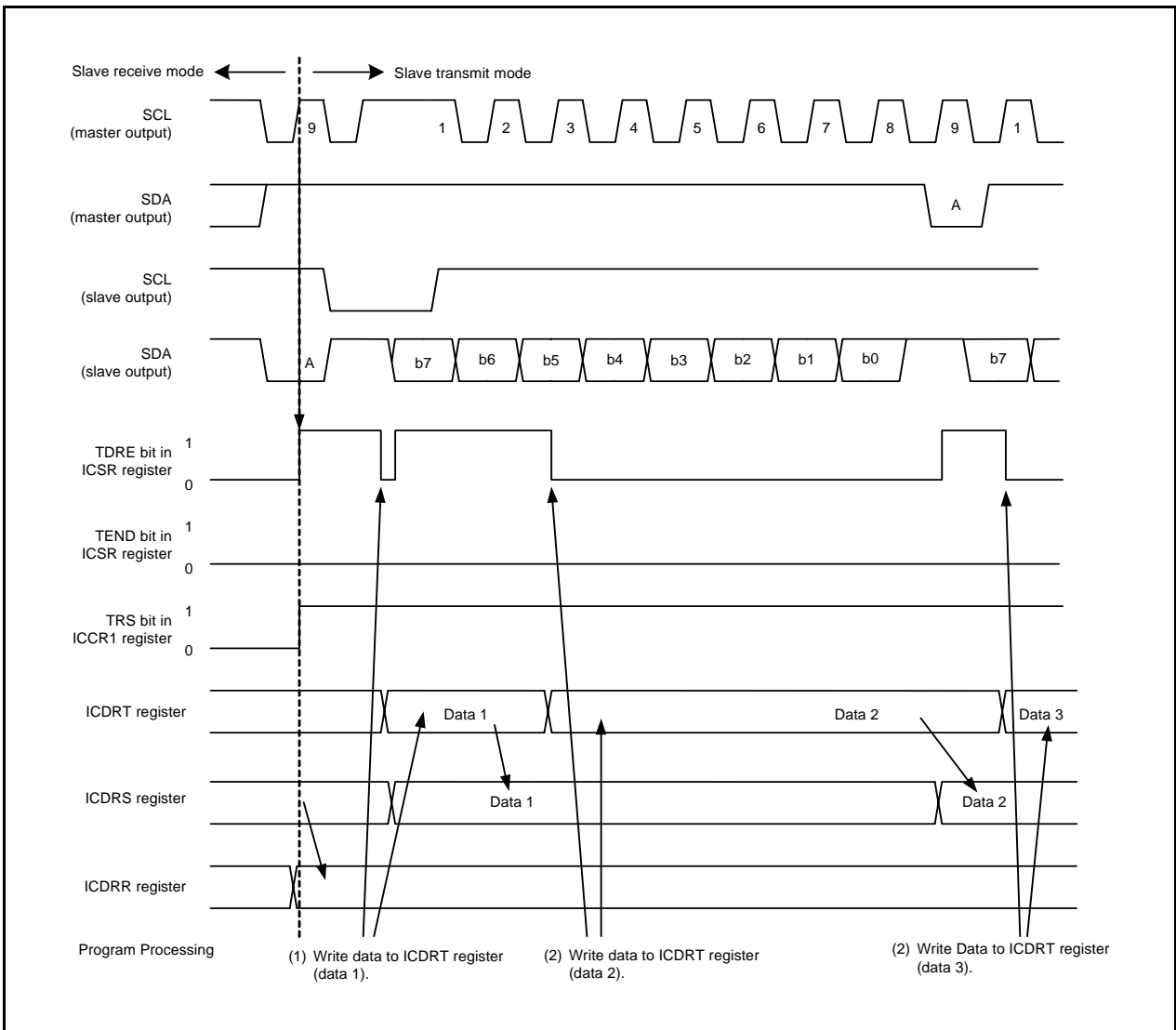


Figure 26.9 Operating Timing in Slave Transmit Mode (I²C bus Interface Mode) (1)

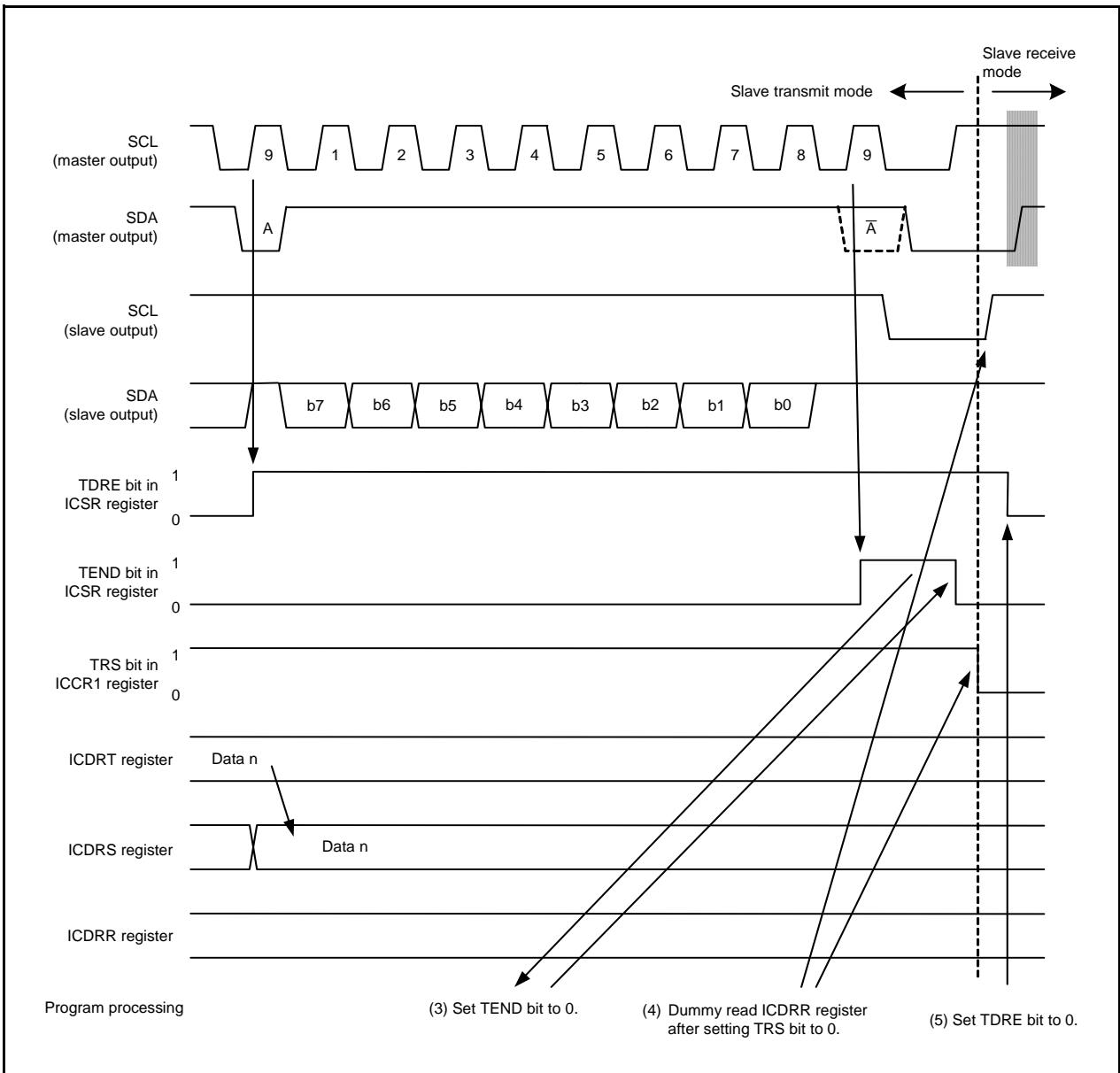


Figure 26.10 Operating Timing in Slave Transmit Mode (I²C bus interface Mode) (2)

26.4.5 Slave Receive Operation

In slave receive mode, the master device outputs the transmit clock and data, and the slave device returns an acknowledge signal.

Figures 26.11 and 26.12 show the Operating Timing in Slave Receive Mode (I²C bus Interface Mode).

The receive procedure and operation in slave receive mode are as follows.

- (1) Set the ICE bit in the ICCR1 register to 1 (transfer operation enabled), and set bits WAIT and MLS in the ICMR register and bits CKS0 to CKS3 in the ICCR1 register (initial setting). Then, set bits TRS and MST in the ICCR1 register to 0 and wait until the slave address matches in slave receive mode.
- (2) When the slave address matches at the first frame after detecting the start condition, the slave device outputs the level set in the ACKBT bit in the ICIER register to the SDA pin at the rising edge of the 9th clock cycle. Since the RDRF bit in the ICSR register is set to 1 simultaneously, dummy read the ICDRR register (the read data is unnecessary because it indicates the slave address and $\overline{R/W}$).
- (3) Read the ICDRR register every time the RDRF bit is set to 1. If the 8th clock cycle falls while the RDRF bit is set to 1, the SCL signal is fixed "L" until the ICDRR register is read. The setting change of the acknowledge signal returned to the master device before reading the ICDRR register takes affect from the following transfer frame.
- (4) Reading the last byte is also performed by reading the ICDRR register.

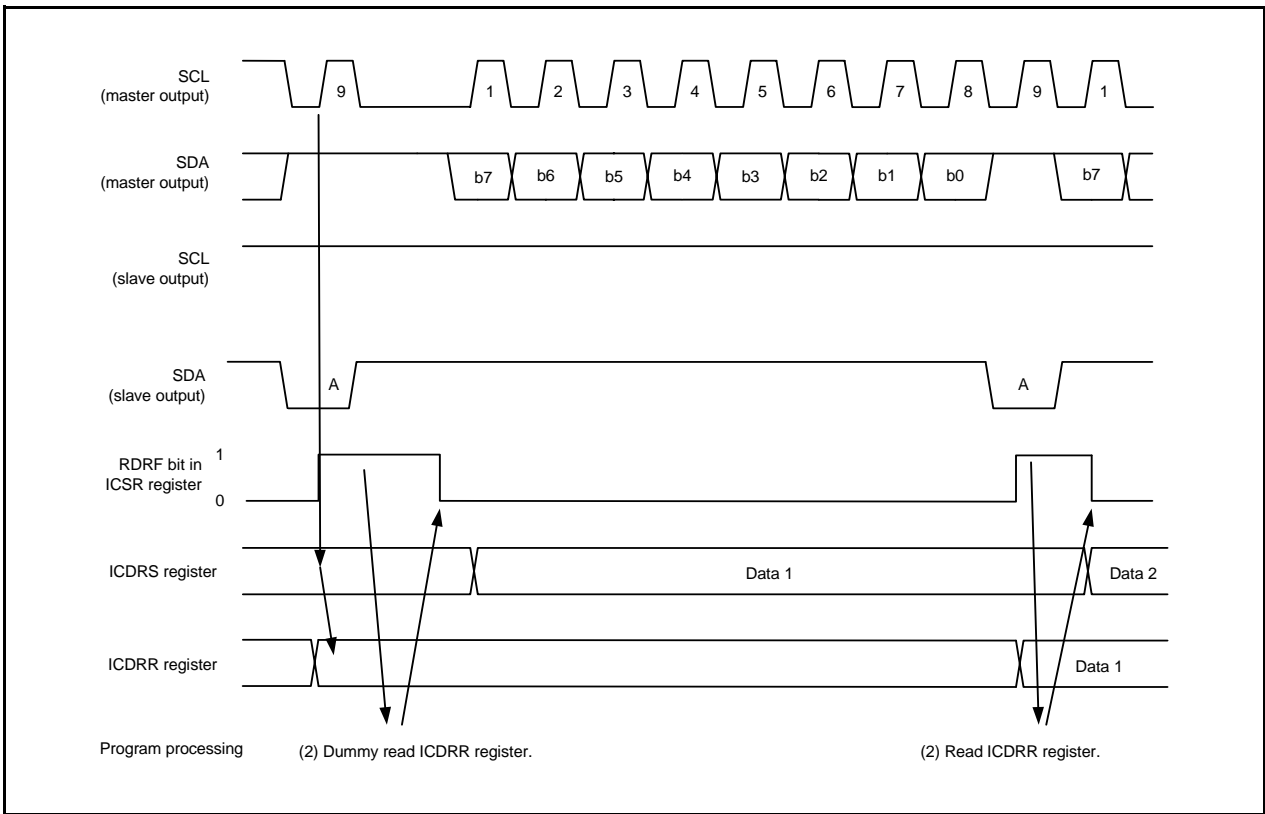


Figure 26.11 Operating Timing in Slave Receive Mode (I²C bus Interface Mode) (1)

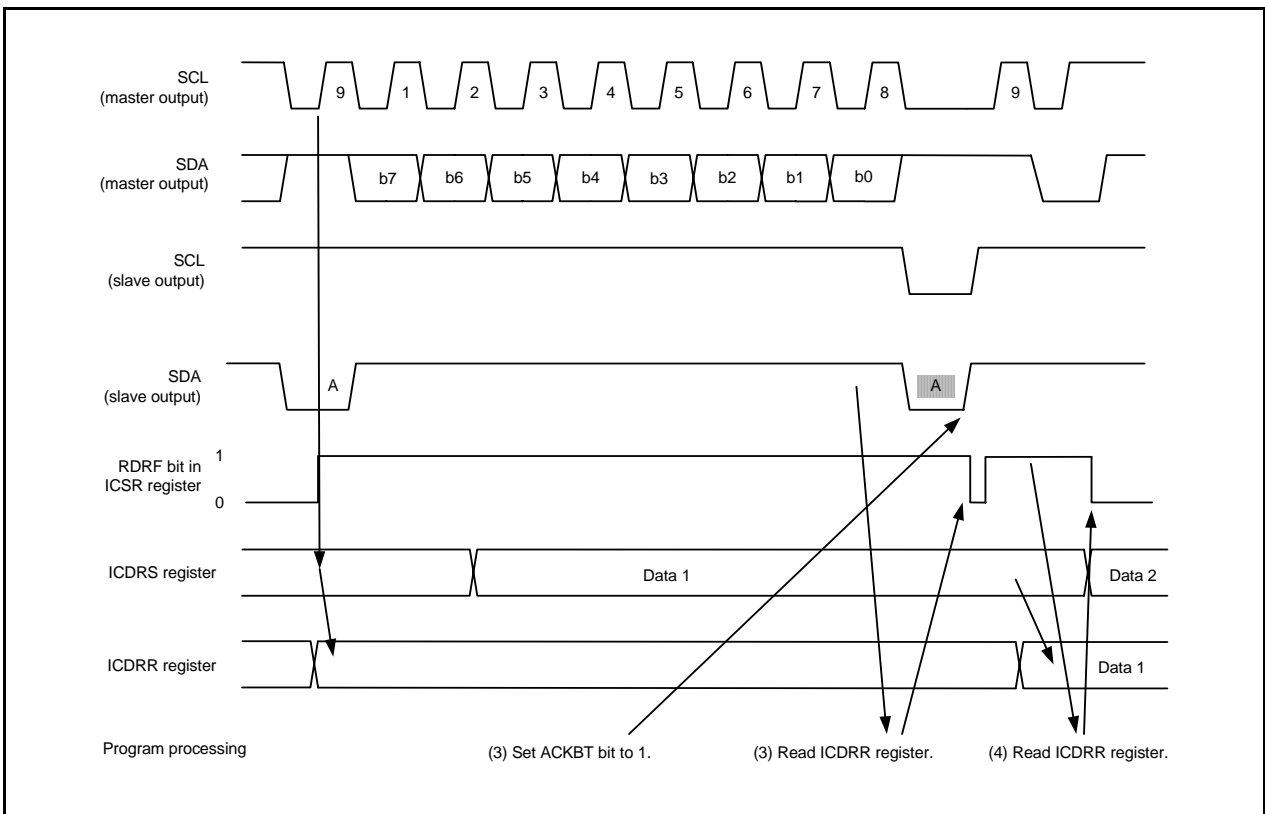


Figure 26.12 Operating Timing in Slave Receive Mode (I²C bus Interface Mode) (2)

26.5 Clock Synchronous Serial Mode

26.5.1 Clock Synchronous Serial Format

When the FS bit in the SAR register is set to 1, the clock synchronous serial format is used for communication. Figure 26.13 shows the Transfer Format of Clock Synchronous Serial Format.

When the MST bit in the ICCR1 register is set to 1, the transfer clock is output from the SCL pin. When the MST bit is set to 0, the external clock is input.

The transfer data is output between successive falling edges of the SCL clock, and data is determined at the rising edge of the SCL clock. MSB-first or LSB-first can be selected as the order of the data transfer by setting the MLS bit in the ICMR register. The SDA output level can be changed by the SDAO bit in the ICCR2 register during transfer standby.

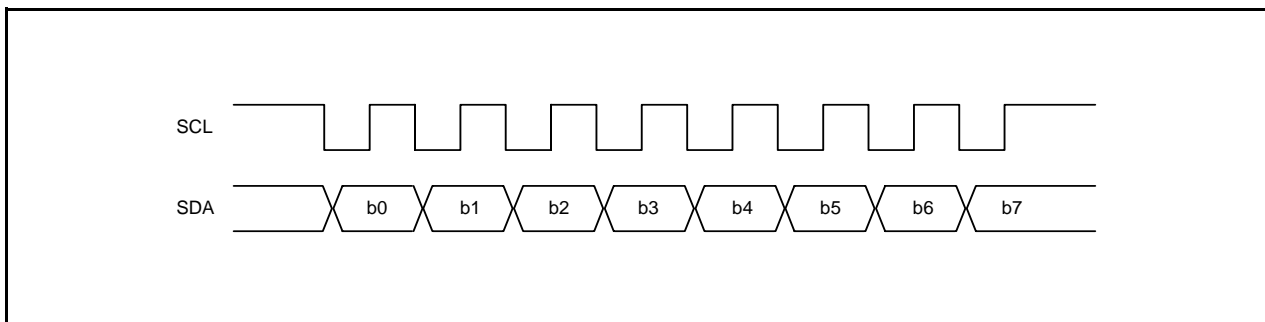


Figure 26.13 Transfer Format of Clock Synchronous Serial Format

26.5.2 Transmit Operation

In transmit mode, transmit data is output from the SDA pin in synchronization with the falling edge of the transfer clock. The transfer clock is output when the MST bit in the ICCR1 register is set to 1 and input when the MST bit is set to 0.

Figure 26.14 shows the Operating Timing in Transmit Mode (Clock Synchronous Serial Mode).

The transmit procedure and operation in transmit mode are as follows.

- (1) Set the ICE bit in the ICCR1 register to 1 (transfer operation enabled). Then set bits CKS0 to CKS3 in the ICCR1 register and the MST bit (initial setting).
- (2) Set the TRS bit in the ICCR1 register to 1 to select transmit mode. This will set the TDRE bit in the ICSR register to 1.
- (3) After confirming that the TDRE bit is set to 1, write transmit data to the ICDRT register. Data is transferred from registers ICDRT to ICDRS and the TDRE bit is automatically set to 1. Continuous transmission is enabled by writing data to the ICDRT register every time the TDRE bit is set to 1. To switch from transmit to receive mode, set the TRS bit to 0 while the TDRE bit is set to 1.

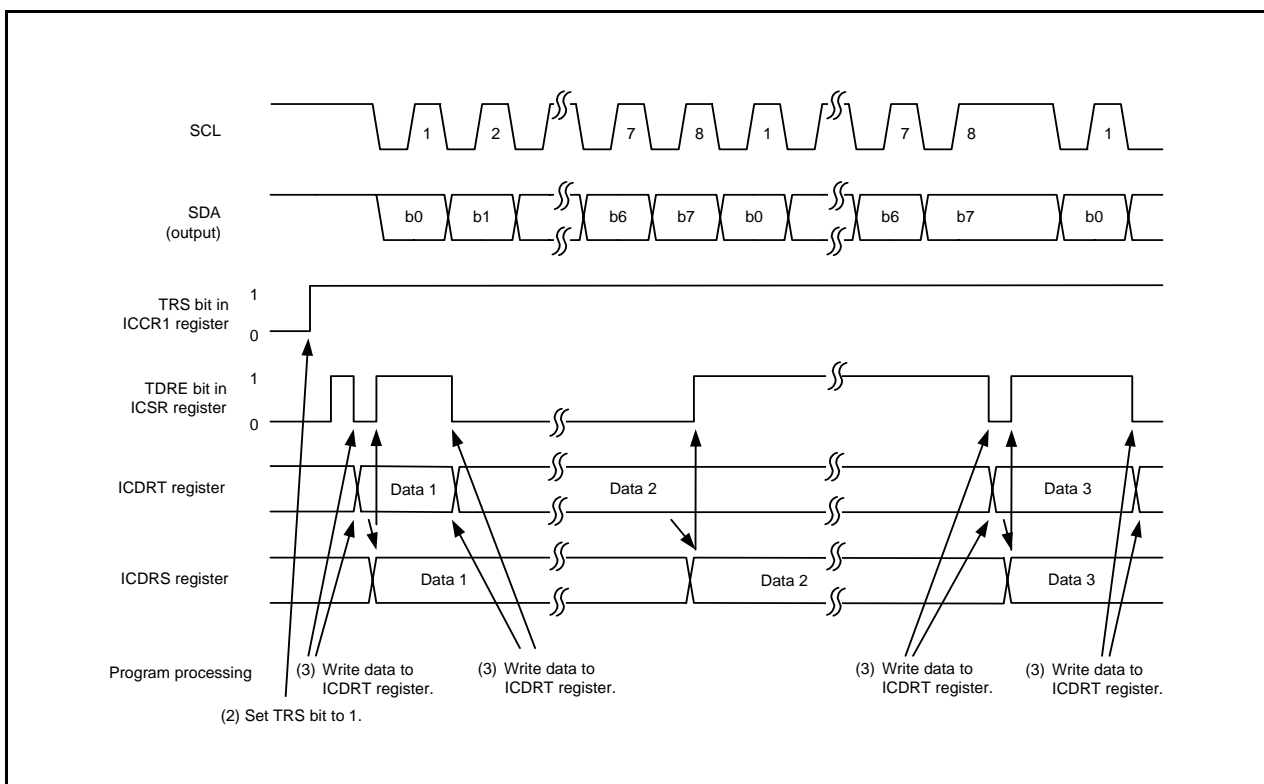


Figure 26.14 Operating Timing in Transmit Mode (Clock Synchronous Serial Mode)

26.5.3 Receive Operation

In receive mode, data is latched at the rising edge of the transfer clock. The transfer clock is output when the MST bit in the ICCR1 register is set to 1 and input when the MST bit is set to 0.

Figure 26.15 shows the Operating Timing in Receive Mode (Clock Synchronous Serial Mode).

The receive procedure and operation in receive mode are as follows.

- (1) Set the ICE bit in the ICCR1 register to 1 (transfer operation enabled). Then set bits CKS0 to CKS3 in the ICCR1 register and the MST bit (initial setting).
- (2) Set the MST bit to 1 while the transfer clock is being output. This will start the output of the receive clock.
- (3) When the receive operation is completed, data is transferred from registers ICDRS to ICDRR and the RDRF bit in the ICSR register is set to 1. When the MST bit is set to 1, the clock is output continuously since the next byte of data is enabled for reception. Continuous reception is enabled by reading the ICDRR register every time the RDRF bit is set to 1. If the 8th clock cycle falls while the RDRF bit is set to 1, an overrun is detected and the AL bit in the ICSR register is set to 1. At this time, the last receive data is retained in the ICDRR register.
- (4) When the MST bit is set to 1, set the RCVD bit in the ICCR1 register to 1 (next receive operation disabled) and read the ICDRR register. The SCL signal is fixed “H” after the following byte of data reception is completed.

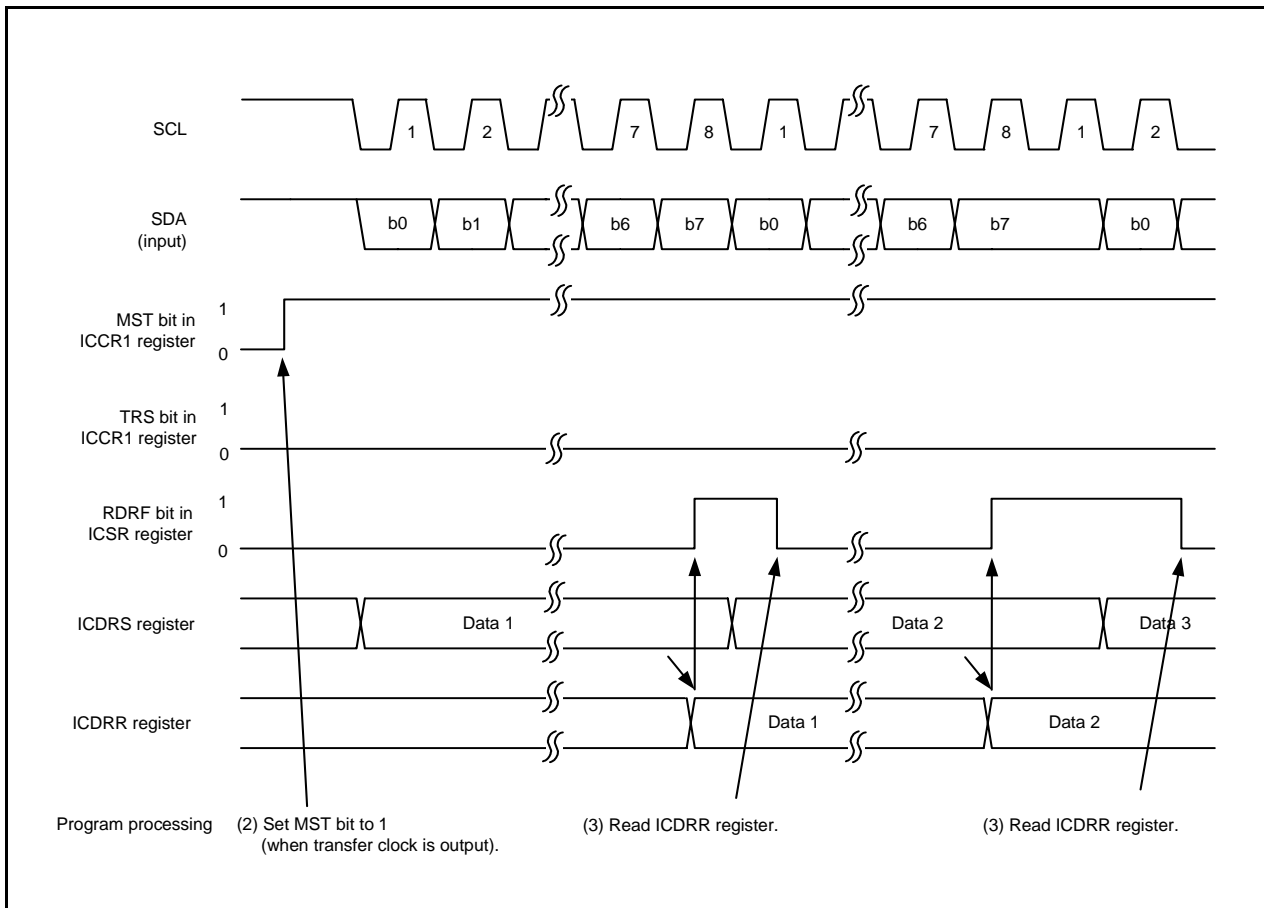


Figure 26.15 Operating Timing in Receive Mode (Clock Synchronous Serial Mode)

26.6 Examples of Register Setting

Figures 26.16 to 26.19 show Examples of Register Setting When Using I²C bus interface.

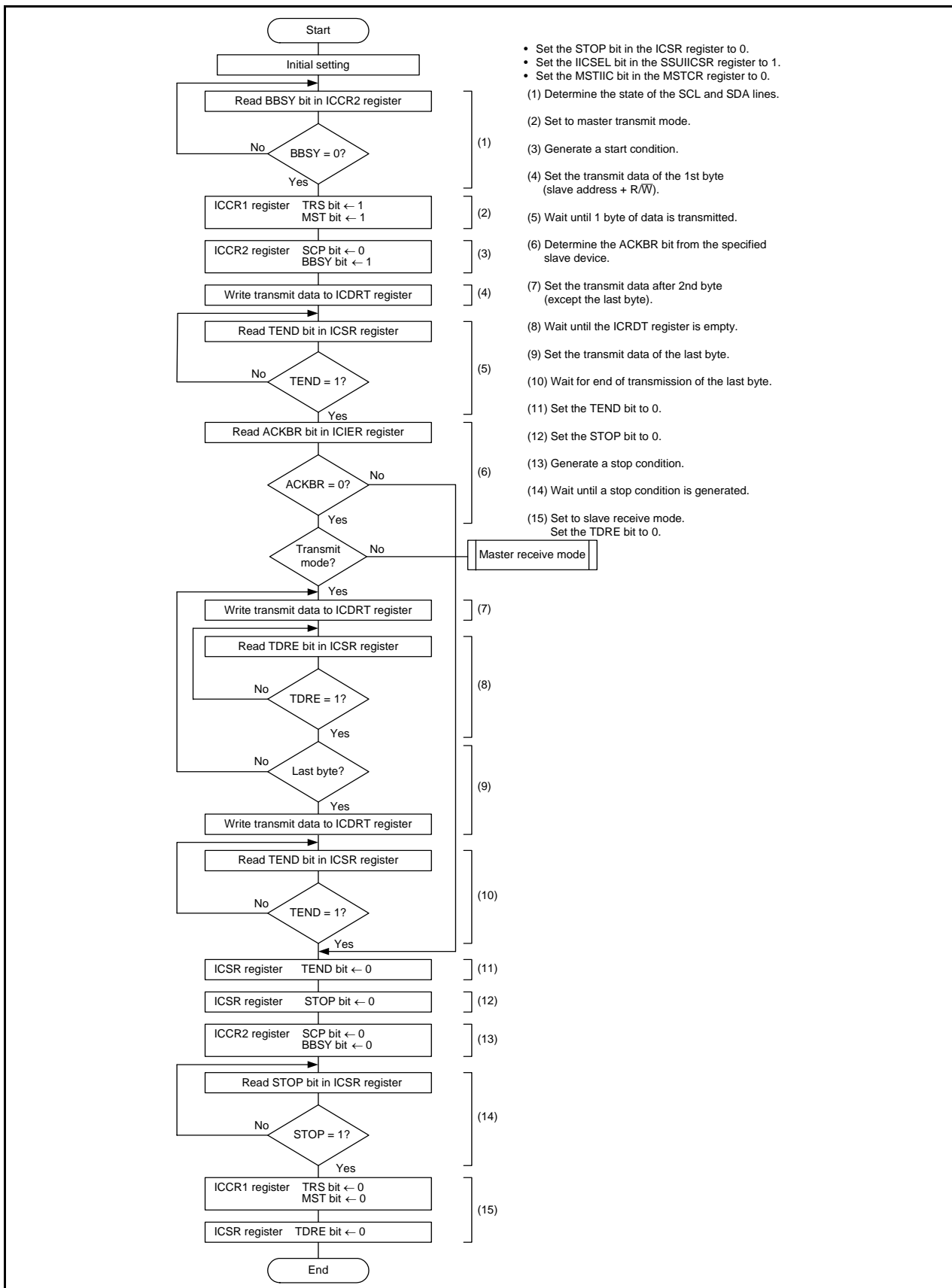


Figure 26.16 Register Setting Example in Master Transmit Mode (I²C bus Interface Mode)

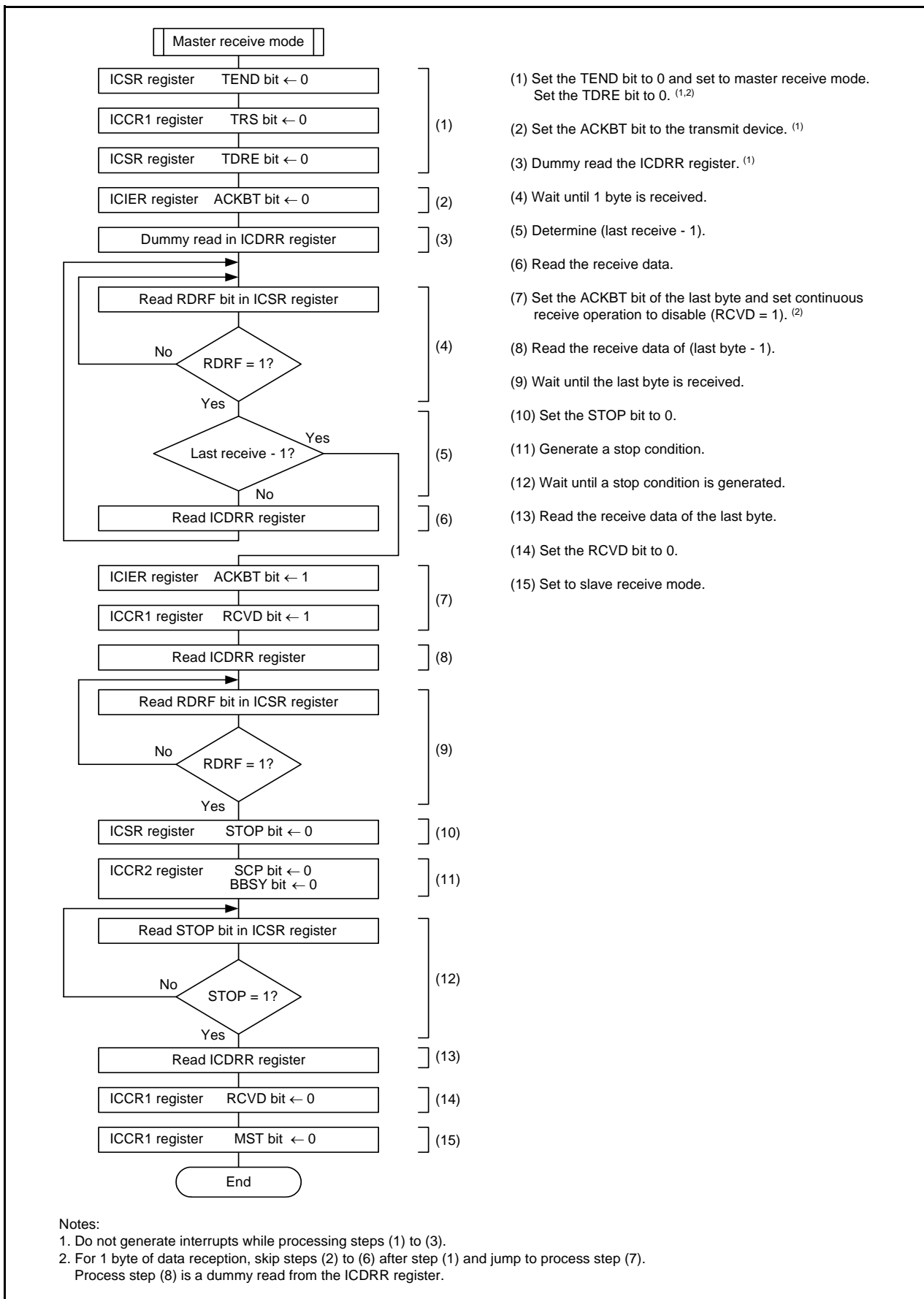


Figure 26.17 Register Setting Example in Master Receive Mode (I²C bus Interface Mode)

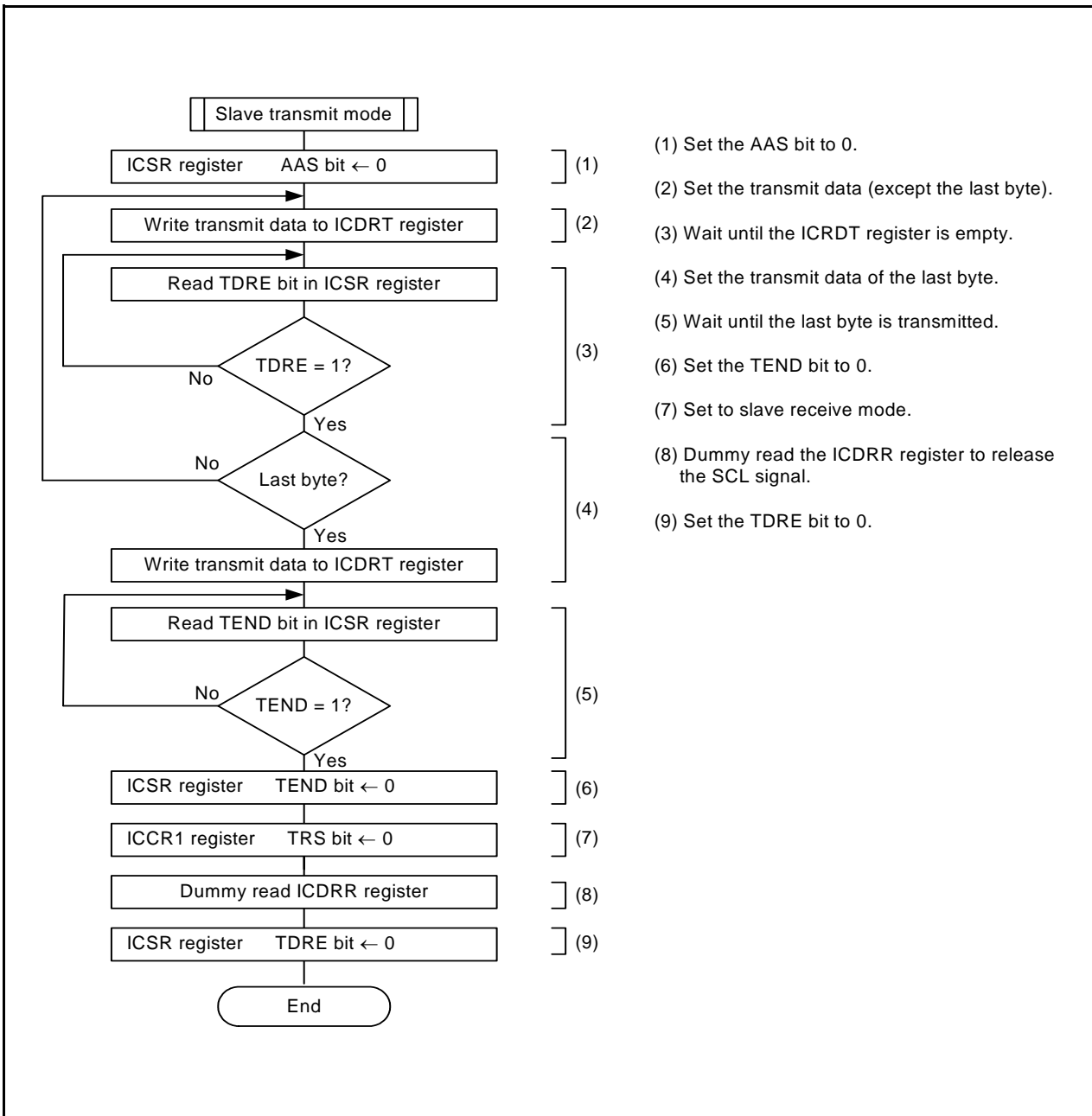


Figure 26.18 Register Setting Example in Slave Transmit Mode (I²C bus Interface Mode)

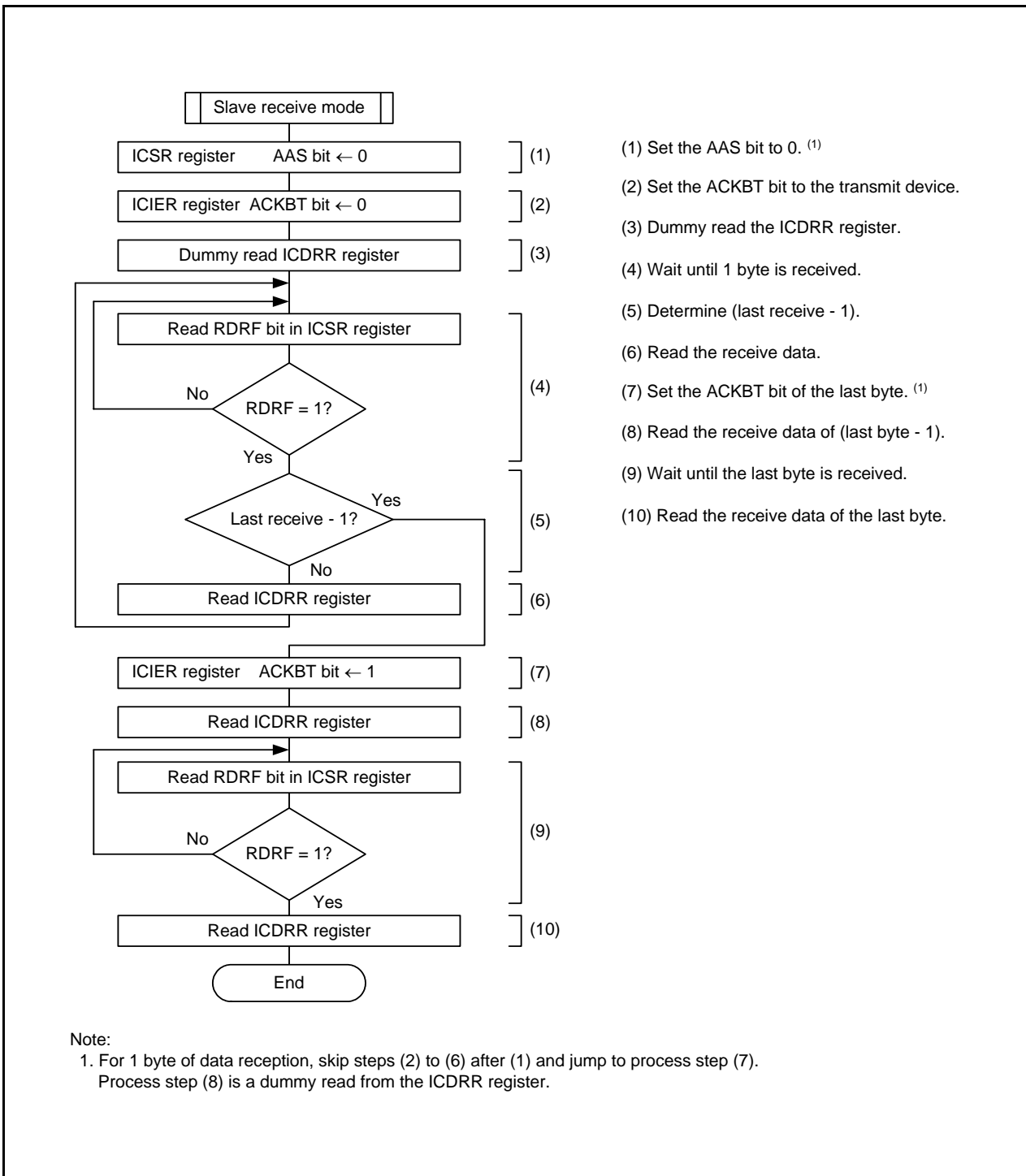


Figure 26.19 Register Setting Example in Slave Receive Mode (I²C bus Interface Mode)

26.7 Noise Canceller

The states of pins SCL and SDA are routed through the noise canceller before being latched internally.

Figure 26.20 shows a Noise Canceller Block Diagram.

The noise canceller consists of two cascaded latch and match detector circuits. When the SCL pin input signal (or SDA pin input signal) is sampled on f1 and two latch outputs match, the level is passed forward to the next circuit. When they do not match, the former value is retained.

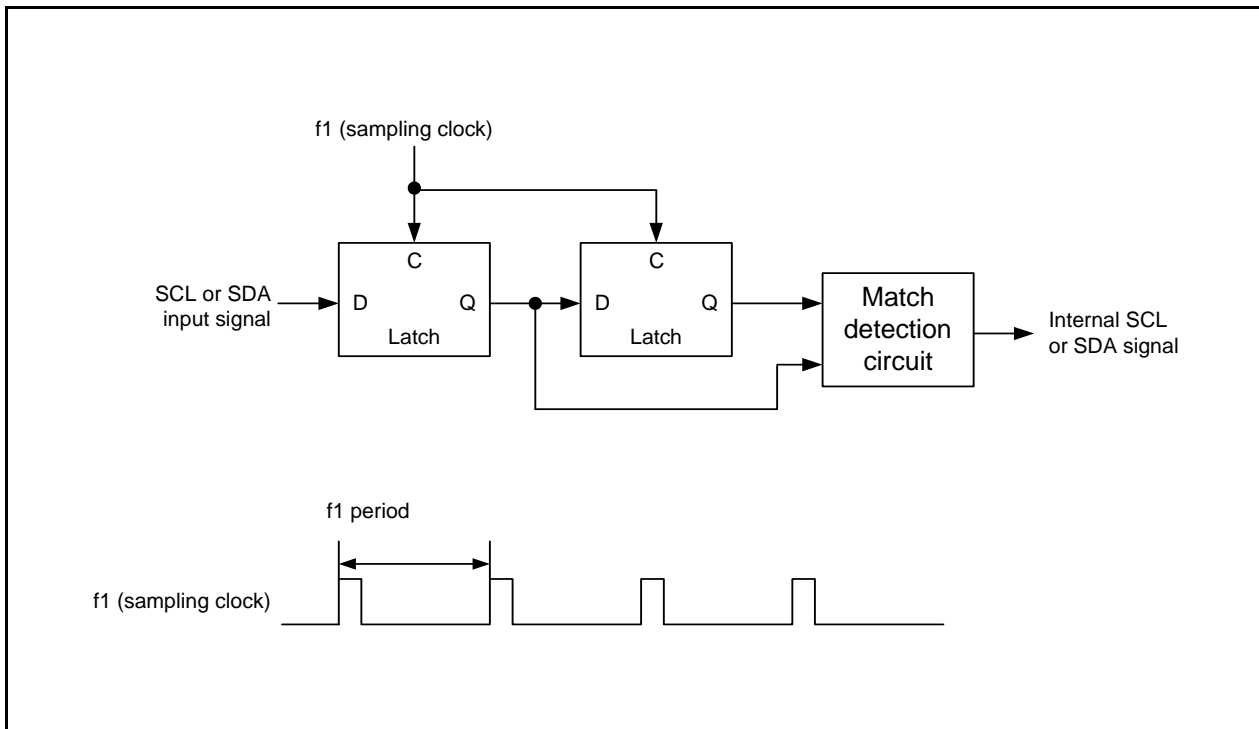


Figure 26.20 Noise Canceller Block Diagram

26.8 Bit Synchronization Circuit

When the I²C bus interface is set to master mode, the high-level period may become shorter if:

- The SCL signal is driven L level by a slave device
- The rise speed of the SCL signal is reduced by a load (load capacity or pull-up resistor) on the SCL line.

Therefore, the SCL signal is monitored and communication is synchronized bit by bit.

Figure 26.21 shows the Bit Synchronization Circuit Timing and Table 26.7 lists the Time between Changing SCL Signal from “L” Output to High-Impedance and Monitoring SCL Signal.

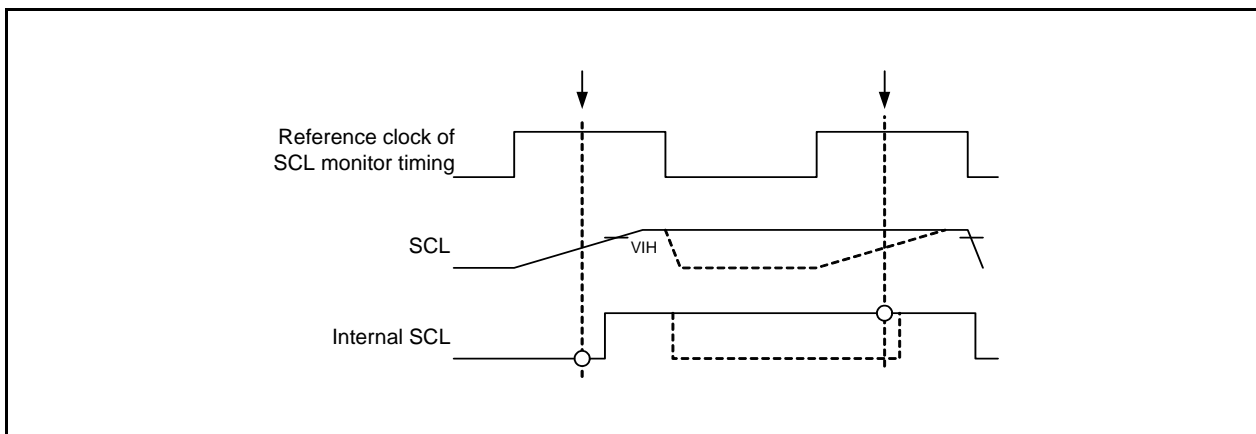


Figure 26.21 Bit Synchronization Circuit Timing

Table 26.7 Time between Changing SCL Signal from “L” Output to High-Impedance and Monitoring SCL Signal

ICCR1 Register		SCL Monitoring Time
CKS3	CKS2	
0	0	7.5Tcyc
	1	19.5Tcyc
1	0	17.5Tcyc
	1	41.5Tcyc

1Tcyc = 1/f1(s)

26.9 Notes on I²C bus Interface

To use the I²C bus interface, set the IICSEL bit in the SSUIICSR register to 1 (I²C bus interface function selected).

27. Hardware LIN

The hardware LIN performs LIN communication in cooperation with timer RA and UART0.

27.1 Overview

The hardware LIN has the features listed below.

Figure 27.1 shows a Hardware LIN Block Diagram.

Master mode

- Synch Break generation
- Bus collision detection

Slave mode

- Synch Break detection
- Synch Field measurement
- Control function for Synch Break and Synch Field signal inputs to UART0
- Bus collision detection

Note:

1. The Wake up function is detected using $\overline{\text{INT1}}$.

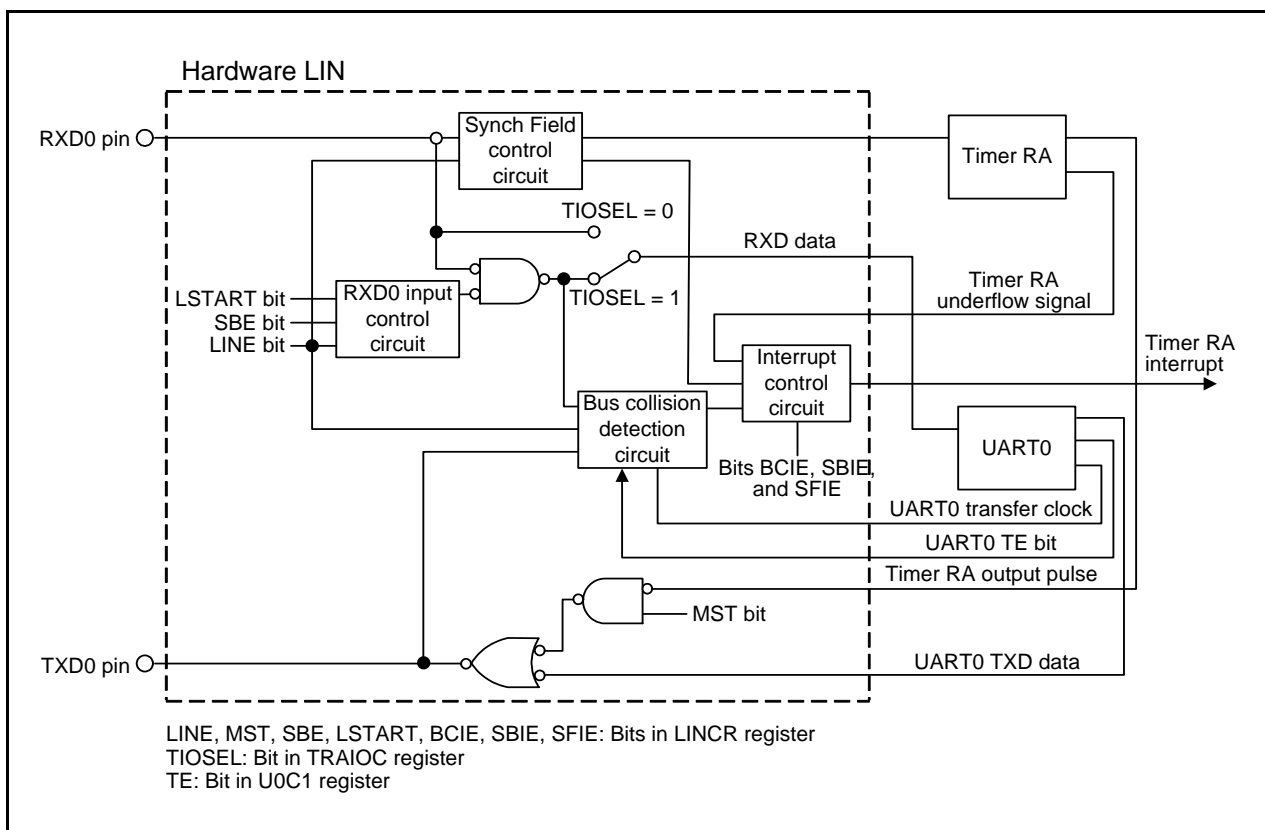


Figure 27.1 Hardware LIN Block Diagram

27.2 Input/Output Pins

The pin configuration for the hardware LIN is listed in Table 27.1.

Table 27.1 Hardware LIN Pin Configuration

Name	Pin Name	Assigned Pin	Input/Output	Function
Receive data input	RXD0	P1_5 (1)	Input	Receive data input pin for the hardware LIN
Transmit data output	TXD0	P1_4 (1)	Output	Transmit data output pin for the hardware LIN

Note:

1. To use the hardware LIN, set the TXD0SEL0 bit in the U0SR register to 1 and the RXD0SEL0 bit to 1.

27.3 Registers

The hardware LIN contains the following registers:

- LIN Control Register 2 (LINCR2)
- LIN Control Register (LINCR)
- LIN Status Register (LINST)

27.3.1 LIN Control Register 2 (LINCR2)

Address 0105h

Bit	b7	b6	b5	b4	b3	b2	b1	b0
Symbol	—	—	—	—	—	—	—	BCE
After Reset	0	0	0	0	0	0	0	0

Bit	Symbol	Bit Name	Function	R/W
b0	BCE	Bus collision detection during Sync Break transmission enable bit	0: Bus collision detection disabled 1: Bus collision detection enabled	R/W
b1	—	Reserved bits	Set to 0.	R/W
b2	—			
b3	—			
b4	—	Nothing is assigned. If necessary, set to 0. When read, the content is 0.		—
b5	—			
b6	—			
b7	—			

27.3.2 LIN Control Register (LINCR)

Address 0106h

Bit	b7	b6	b5	b4	b3	b2	b1	b0
Symbol	LINE	MST	SBE	LSTART	RXDSF	BCIE	SBIE	SFIE
After Reset	0	0	0	0	0	0	0	0

Bit	Symbol	Bit Name	Function	R/W
b0	SFIE	Synch Field measurement-completed interrupt enable bit	0: Synch Field measurement-completed interrupt disabled 1: Synch Field measurement-completed interrupt enabled	R/W
b1	SBIE	Synch Break detection interrupt enable bit	0: Synch Break detection interrupt disabled 1: Synch Break detection interrupt enabled	R/W
b2	BCIE	Bus collision detection interrupt enable bit	0: Bus collision detection interrupt disabled 1: Bus collision detection interrupt enabled	R/W
b3	RXDSF	RXD0 input status flag	0: RXD0 input enabled 1: RXD0 input disabled	R
b4	LSTART	Synch Break detection start bit (1)	When this bit is set to 1, timer RA input is enabled and RXD0 input is disabled. When read, the content is 0.	R/W
b5	SBE	RXD0 input unmasking timing select bit (effective only in slave mode)	0: Unmasked after Synch Break detected 1: Unmasked after Synch Field measurement completed	R/W
b6	MST	LIN operation mode setting bit (2)	0: Slave mode (Synch Break detection circuit operation) 1: Master mode (timer RA output OR'ed with TXD0)	R/W
b7	LINE	LIN operation start bit	0: LIN operation stops 1: LIN operation starts (3)	R/W

Notes:

1. After setting the LSTART bit, confirm that the RXDSF flag is set to 1 before Synch Break input starts.
2. Before switching LIN operation modes, stop the LIN operation (LINE bit = 0) once.
3. Inputs to timer RA and UART0 are disabled immediately after the LINE bit is set to 1 (LIN operation starts). (Refer to **Figure 27.3 Header Field Transmission Flowchart Example (1)** and **Figure 27.7 Header Field Reception Flowchart Example (2)**.)

27.3.3 LIN Status Register (LINST)

Address 0107h

Bit	b7	b6	b5	b4	b3	b2	b1	b0
Symbol	—	—	B2CLR	B1CLR	B0CLR	BCDCT	SBDCT	SFDCT
After Reset	0	0	0	0	0	0	0	0

Bit	Symbol	Bit Name	Function	R/W
b0	SFDCT	Synch Field measurement-completed flag	When this bit is set to 1, Synch Field measurement is completed.	R
b1	SBDCT	Synch Break detection flag	when this bit is set to 1, Synch Break is detected or Synch Break generation is completed.	R
b2	BCDCT	Bus collision detection flag	When this bit is set to 1, bus collision is detected.	R
b3	B0CLR	SFDCT bit clear bit	When this bit is set to 1, the SFDCT bit is set to 0. When read, the content is 0.	R/W
b4	B1CLR	SBDCT bit clear bit	When this bit is set to 1, the SBDCT bit is set to 0. When read, the content is 0.	R/W
b5	B2CLR	BCDCT bit clear bit	When this bit is set to 1, the BCDCT bit is set to 0. When read, the content is 0.	R/W
b6	—	Nothing is assigned. If necessary, set to 0. When read, the content is 0.		—
b7	—			—

27.4 Function Description

27.4.1 Master Mode

Figure 27.2 shows an Operating Example during Header Field Transmission in master mode. Figures 27.3 and 27.4 show Examples of Header Field Transmission Flowchart.

During header field transmission, the hardware LIN operates as follows:

- (1) When 1 is written to the TSTART bit in the TRACR register for timer RA, a “L” level is output from the TXD0 pin for the period set in registers TRAPRE and TRA for timer RA.
- (2) When timer RA underflows, the TXD0 pin output is inverted and the SBDCT flag in the LINST register is set to 1. If the SBIE bit in the LINCRC register is set to 1, a timer RA interrupt is generated.
- (3) The hardware LIN transmits “55h” via UART0.
- (4) After the hardware LIN completes transmitting “55h”, it transmits an ID field via UART0.
- (5) After the hardware LIN completes transmitting the ID field, it performs communication for a response field.

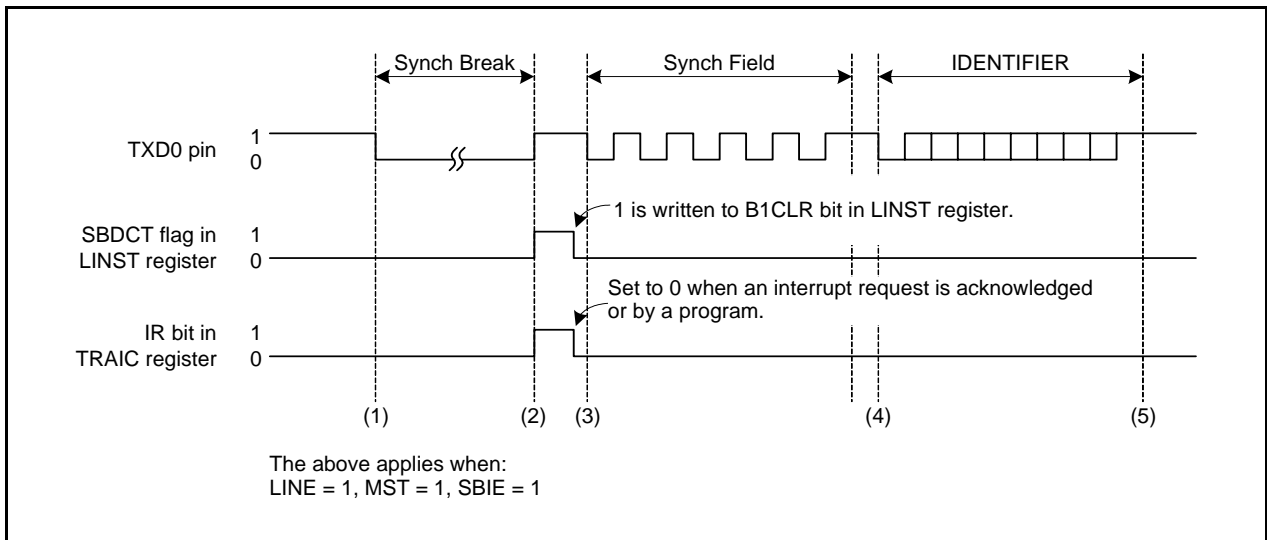


Figure 27.2 Operating Example during Header Field Transmission

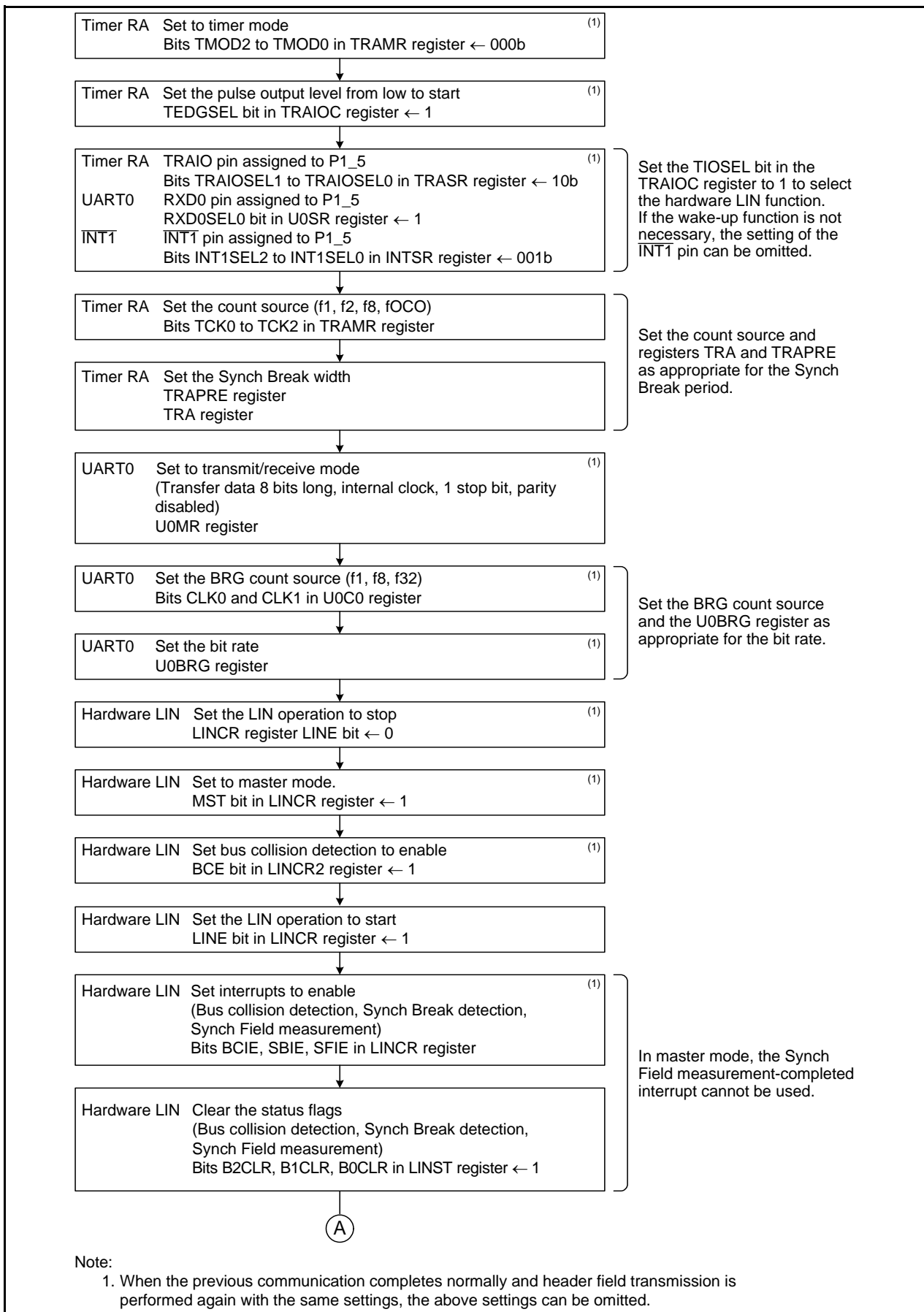


Figure 27.3 Header Field Transmission Flowchart Example (1)

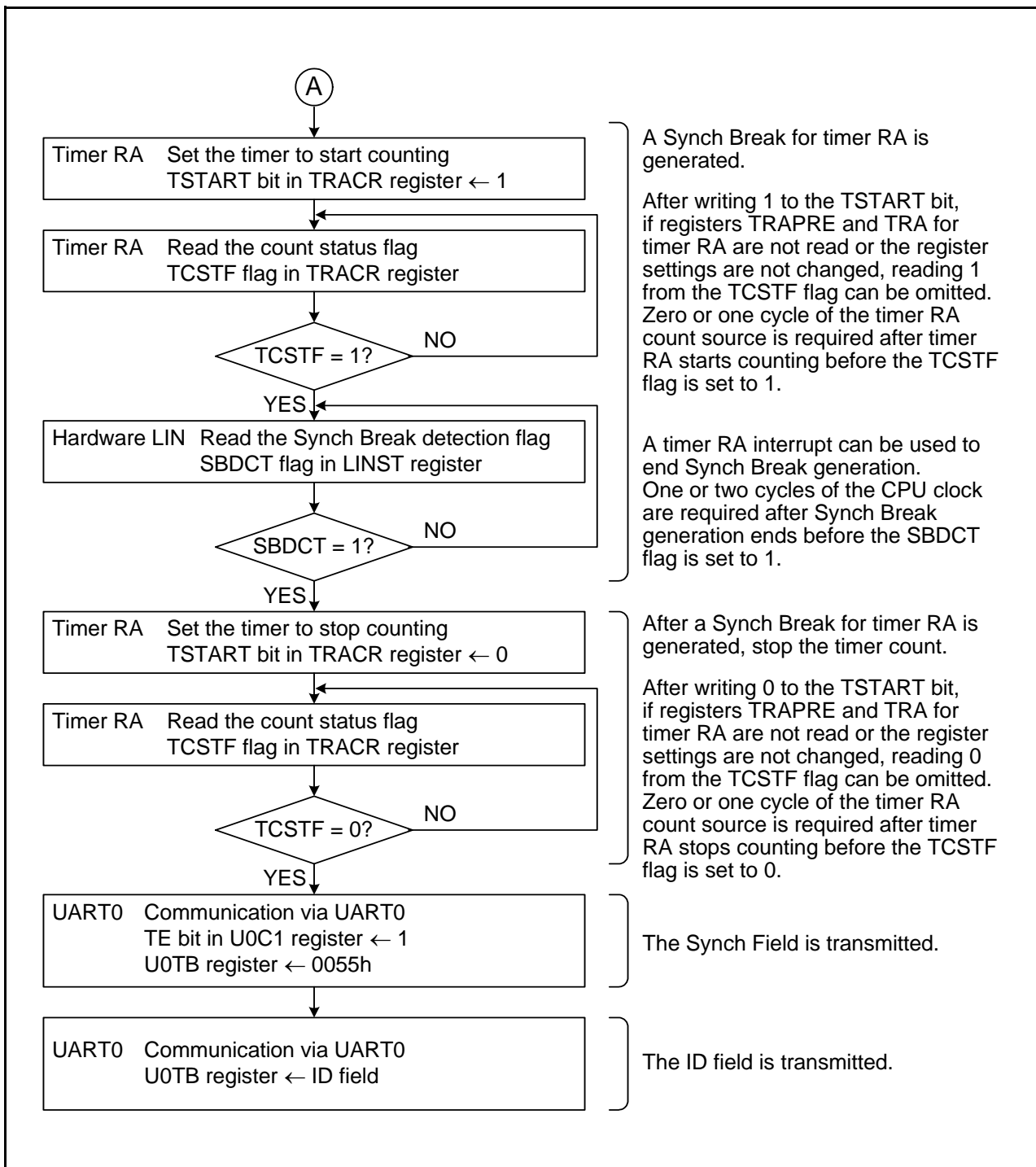


Figure 27.4 Header Field Transmission Flowchart Example (2)

27.4.2 Slave Mode

Figure 27.5 shows an Operating Example during Header Field Reception in slave mode. Figure 27.6 through Figure 27.8 show examples of Header Field Reception Flowchart.

During header field reception, the hardware LIN operates as follows:

- (1) When 1 is written to the LSTART bit in the LINCR register for the hardware LIN, Synch Break detection is enabled.
- (2) If a “L” level is input for a duration equal to or longer than the period set in timer RA, the hardware LIN detected it as a Synch Break. At this time, the SBDCT flag in the LINST register is set to 1. If the SBIE bit in the LINCR register is set to 1, a timer RA interrupt is generated. Then the hardware LIN enters the Synch Field measurement.
- (3) The hardware LINA receives a Synch Field (55h) and measures the period of the start bit and bits 0 to 6 is using timer RA. At this time, whether to input the Synch Field signal to RXD0 of UART0 can be selected by the SBE bit in the LINCR register.
- (4) When the Synch Field measurement is completed, the SFDCT flag in the LINST register is set to 1. If the SFIE bit in the LINCR register is set to 1, a timer RA interrupt is generated.
- (5) After the Synch Field measurement is completed, a transfer rate is calculated from the timer RA count value. The rate is set in UART0 and registers TRAPRE and TRA for timer RA are set again. Then the hardware LIN receives an ID field via UART0.
- (6) After the hardware LIN completes receiving the ID field, it performs communication for a response field.

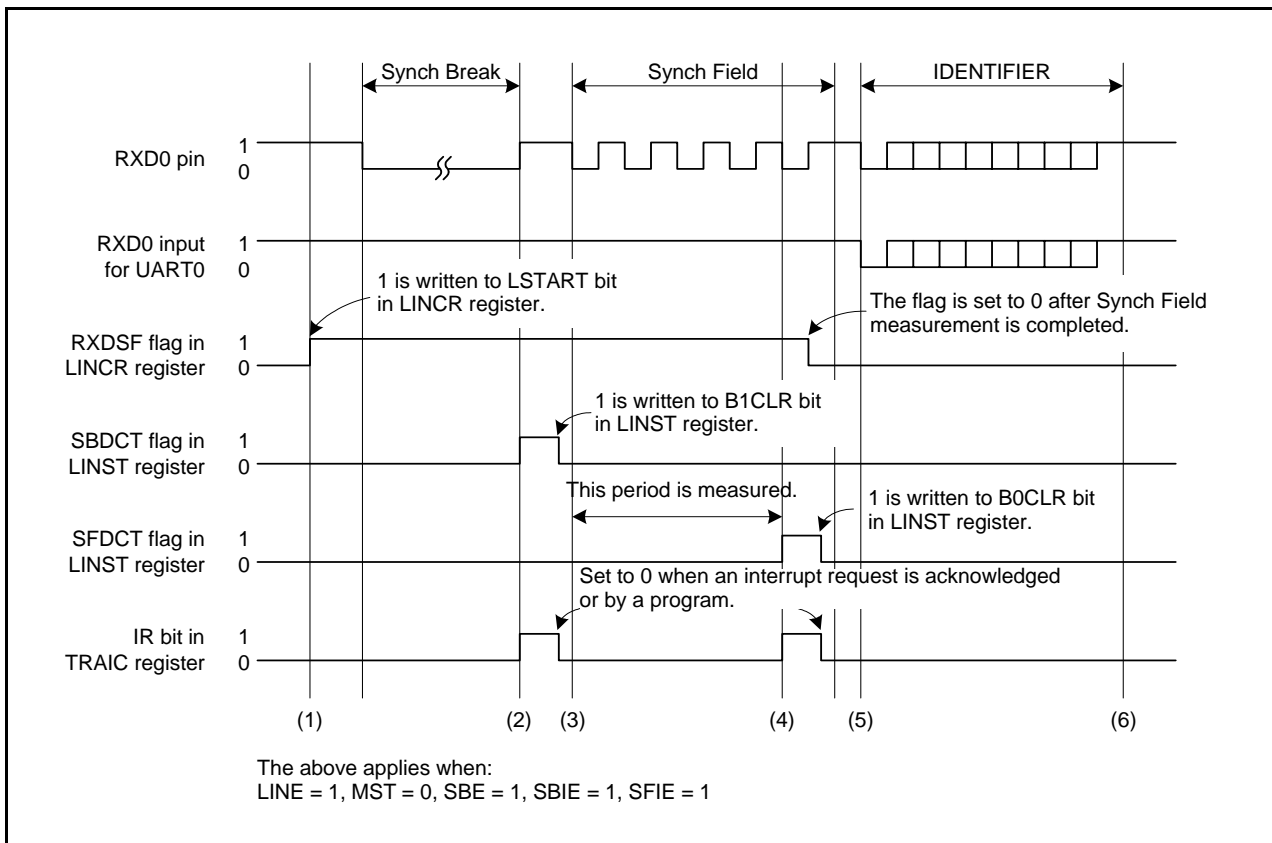


Figure 27.5 Operating Example during Header Field Reception

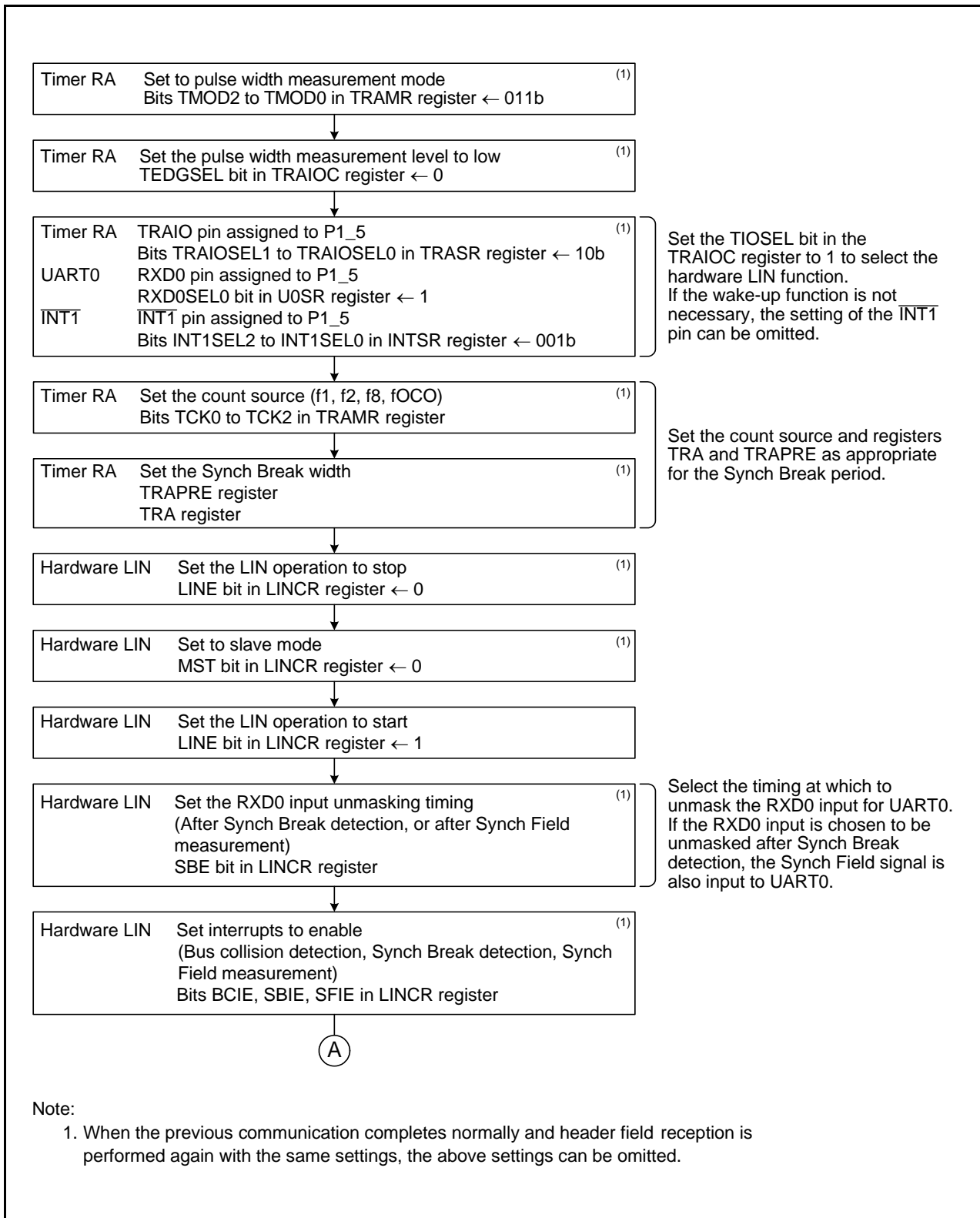


Figure 27.6 Header Field Reception Flowchart Example (1)

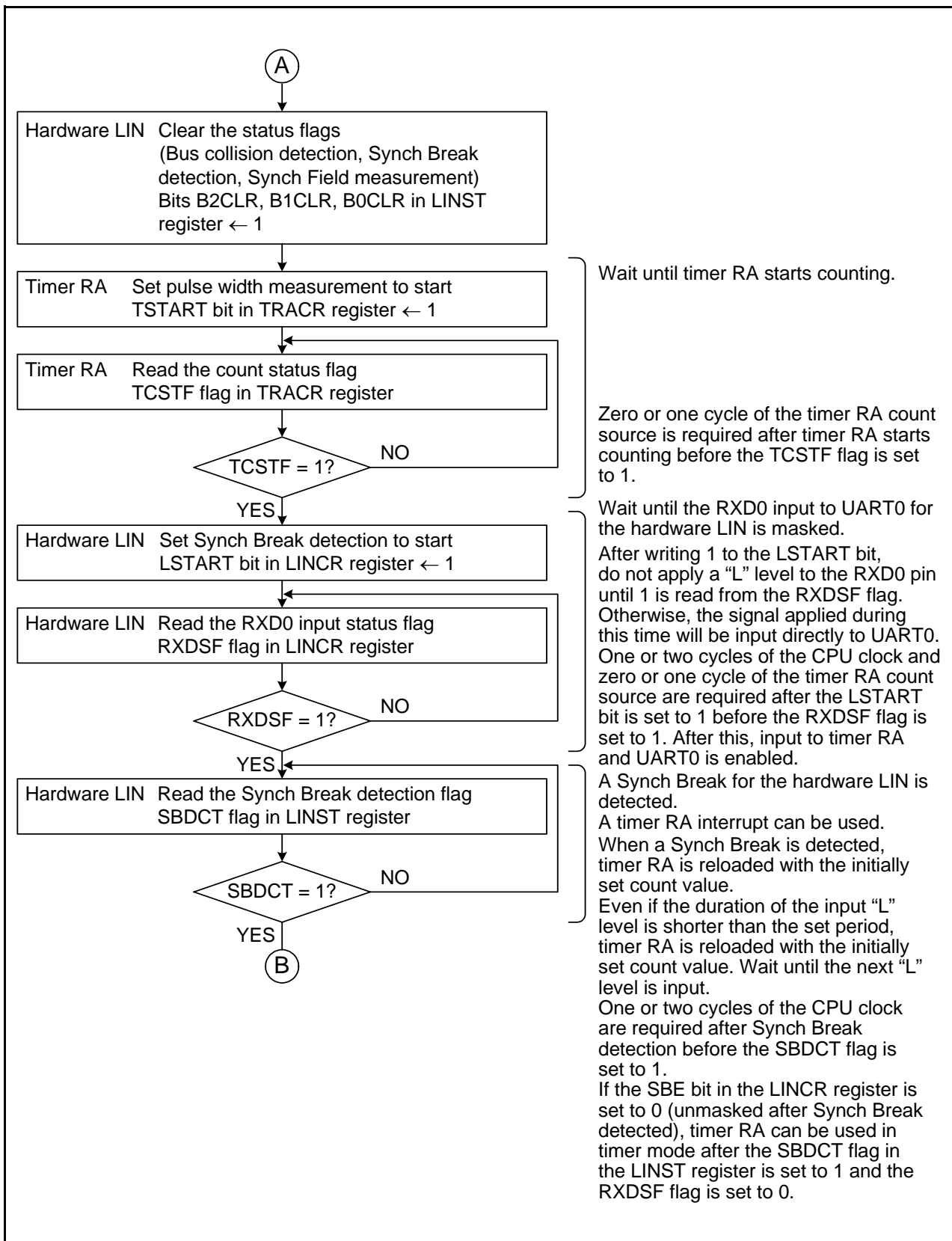


Figure 27.7 Header Field Reception Flowchart Example (2)

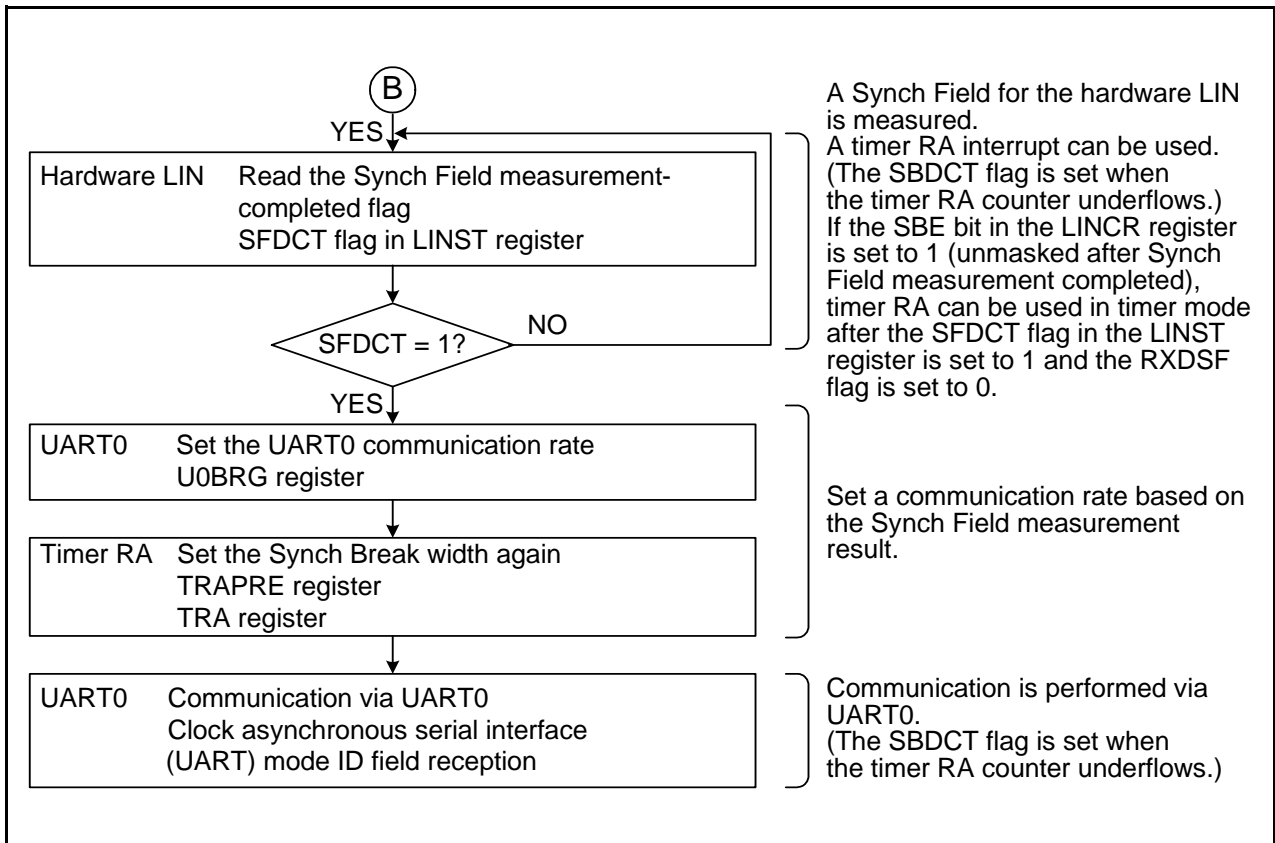


Figure 27.8 Header Field Reception Flowchart Example (3)

27.4.3 Bus Collision Detection Function

The bus collision detection function can be used if UART0 is enabled for transmission (TE bit in U0C1 register = 1). To detect a bus collision during Synch Break transmission, set the BCE bit in the LINCR2 register to 1 (bus collision detection enabled).

Figure 27.9 shows an Operating Example When Bus Collision is Detected.

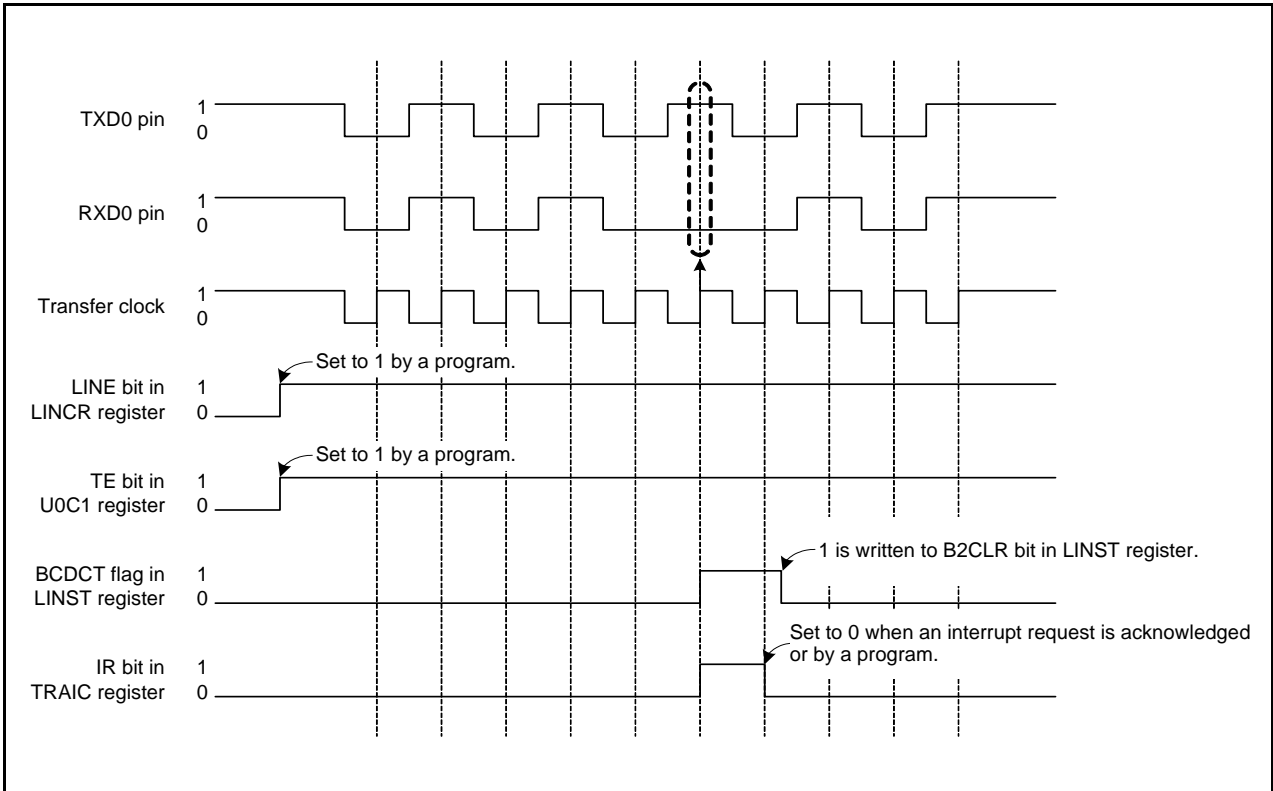


Figure 27.9 Operating Example When Bus Collision is Detected

27.4.4 Hardware LIN End Processing

Figure 27.10 shows an Example of Hardware LIN Communication Completion Flowchart.

Use the following timing for hardware LIN end processing:

- If the hardware bus collision detection function is used
 Perform hardware LIN end processing after checksum transmission completes.
- If the bus collision detection function is not used
 Perform hardware LIN end processing after header field transmission and reception complete.

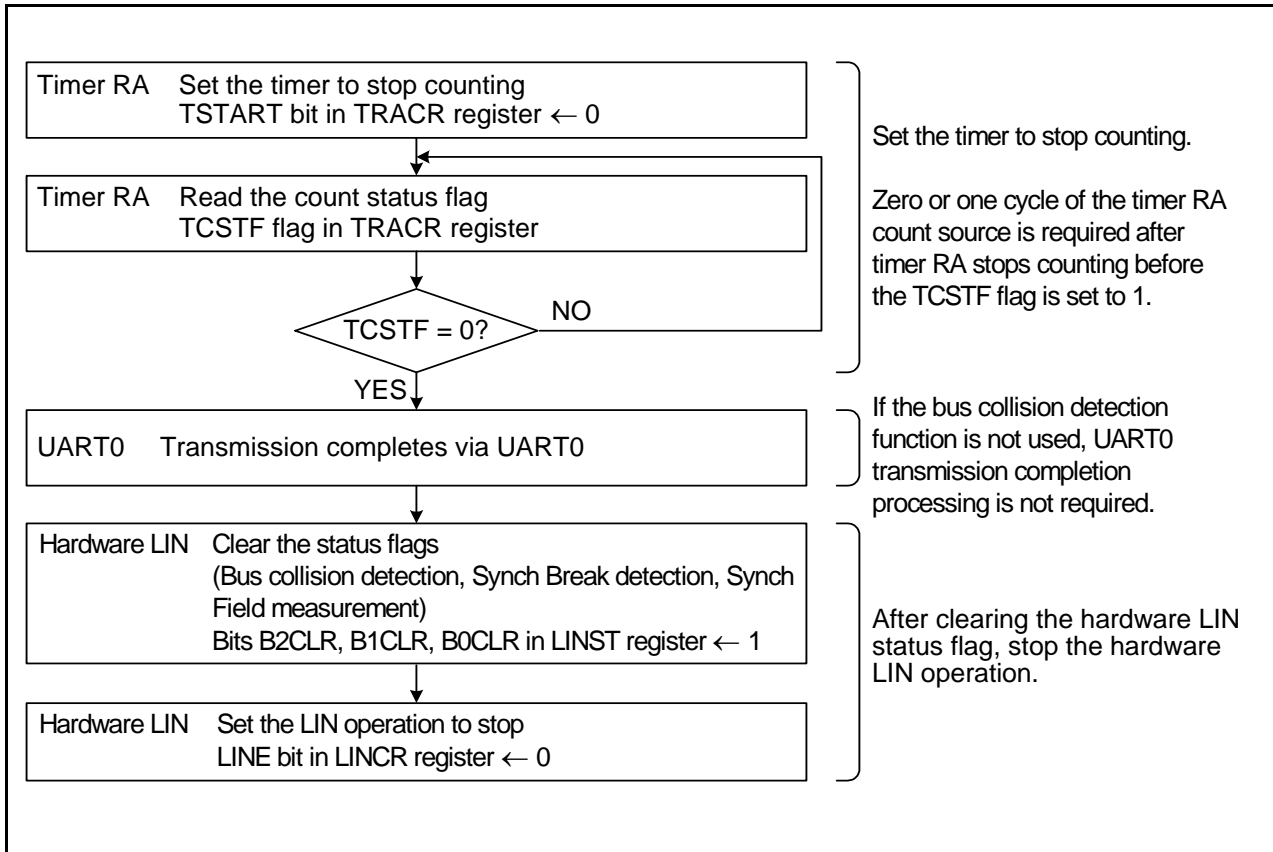


Figure 27.10 Example of Hardware LIN Communication Completion Flowchart

27.5 Interrupt Requests

There are four interrupt requests generated by the hardware LIN: Synch Break detection, Completion of Synch Break generation, Completion of Synch Field measurement, and bus collision detection. These interrupts are shared with timer RA.

Table 27.2 lists the Hardware LIN Interrupt Requests.

Table 27.2 Hardware LIN Interrupt Requests

Interrupt Request	Status Flag	Interrupt Source
Synch Break detection	SBDCT	Generated when timer RA underflows after the “L” level duration for the RXD0 input is measured, or when a “L” level is input for a duration longer than the Synch Break period during communication.
Completion of Synch Break generation		Generated when a “L” level output to TXD0 for the duration set by timer RA is completed.
Completion of Synch Field measurement	SFDCT	Generated when measurement for 6 bits of the Lynch Field by timer RA is completed.
Bus collision detection	BCDCT	Generated when the RXD0 input and TXD0 output values are different at data latch timing while UART0 is enabled for transmission.

27.6 Notes on Hardware LIN

For the time-out processing of the header and response fields, use another timer to measure the duration of time with a Synch Break detection interrupt as the starting point.

28. A/D Converter

The A/D converter consists of one 10-bit successive approximation A/D converter circuit with a capacitive coupling amplifier. The analog input shares pins P0_0 to P0_7, and P1_0 to P1_3.

28.1 Overview

Table 28.1 lists the A/D Converter Performance. Figure 28.1 shows a Block Diagram of A/D Converter.

Table 28.1 A/D Converter Performance

Item	Performance
A/D conversion method	Successive approximation (with capacitive coupling amplifier)
Analog input voltage ⁽¹⁾	0 V to AVCC
Operating clock ϕ_{AD} ⁽²⁾	fAD, fAD divided by 2, fAD divided by 4, fAD divided by 8 (fAD=f1 or fOCO-F)
Resolution	8 bits or 10 bits selectable
Absolute accuracy	AVCC = Vref = 5 V, ϕ_{AD} = 20 MHz • 8-bit resolution ± 2 LSB • 10-bit resolution ± 3 LSB AVCC = Vref = 3.3 V, ϕ_{AD} = 16 MHz • 8-bit resolution ± 2 LSB • 10-bit resolution ± 5 LSB AVCC = Vref = 3.0 V, ϕ_{AD} = 10 MHz • 8-bit resolution ± 2 LSB • 10-bit resolution ± 5 LSB AVCC = Vref = 2.2 V, ϕ_{AD} = 5 MHz • 8-bit resolution ± 2 LSB • 10-bit resolution ± 5 LSB
Operating mode	One-shot mode, repeat mode 0, repeat mode 1, single sweep mode, and repeat sweep mode
Analog input pin	12 pins (AN0 to AN11)
A/D conversion start condition	<ul style="list-style-type: none"> • Software trigger • Timer RD • Timer RC • External trigger (Refer to 28.3.3 A/D Conversion Start Condition.)
Conversion rate per pin (ϕ_{AD} = fAD)	Minimum 43 ϕ_{AD} cycles

Notes:

1. When the analog input voltage is over the reference voltage, the A/D conversion result will be 3FFh in 10-bit mode and FFh in 8-bit mode.
2. When $4.0\text{ V} \leq AVCC \leq 5.5\text{ V}$, the frequency of ϕ_{AD} must be 20 MHz or below.
 When $3.2\text{ V} \leq AVCC < 4.0\text{ V}$, the frequency of ϕ_{AD} must be 16 MHz or below.
 When $3.0\text{ V} \leq AVCC < 3.2\text{ V}$, the frequency of ϕ_{AD} must be 10 MHz or below.
 When $2.2\text{ V} \leq AVCC < 3.0\text{ V}$, the frequency of ϕ_{AD} must be 5 MHz or below.
 The ϕ_{AD} frequency should be 2 MHz or above.
3. The conversion rate per pin is minimum 43 ϕ_{AD} cycles for 8-bit and 10-bit resolution.

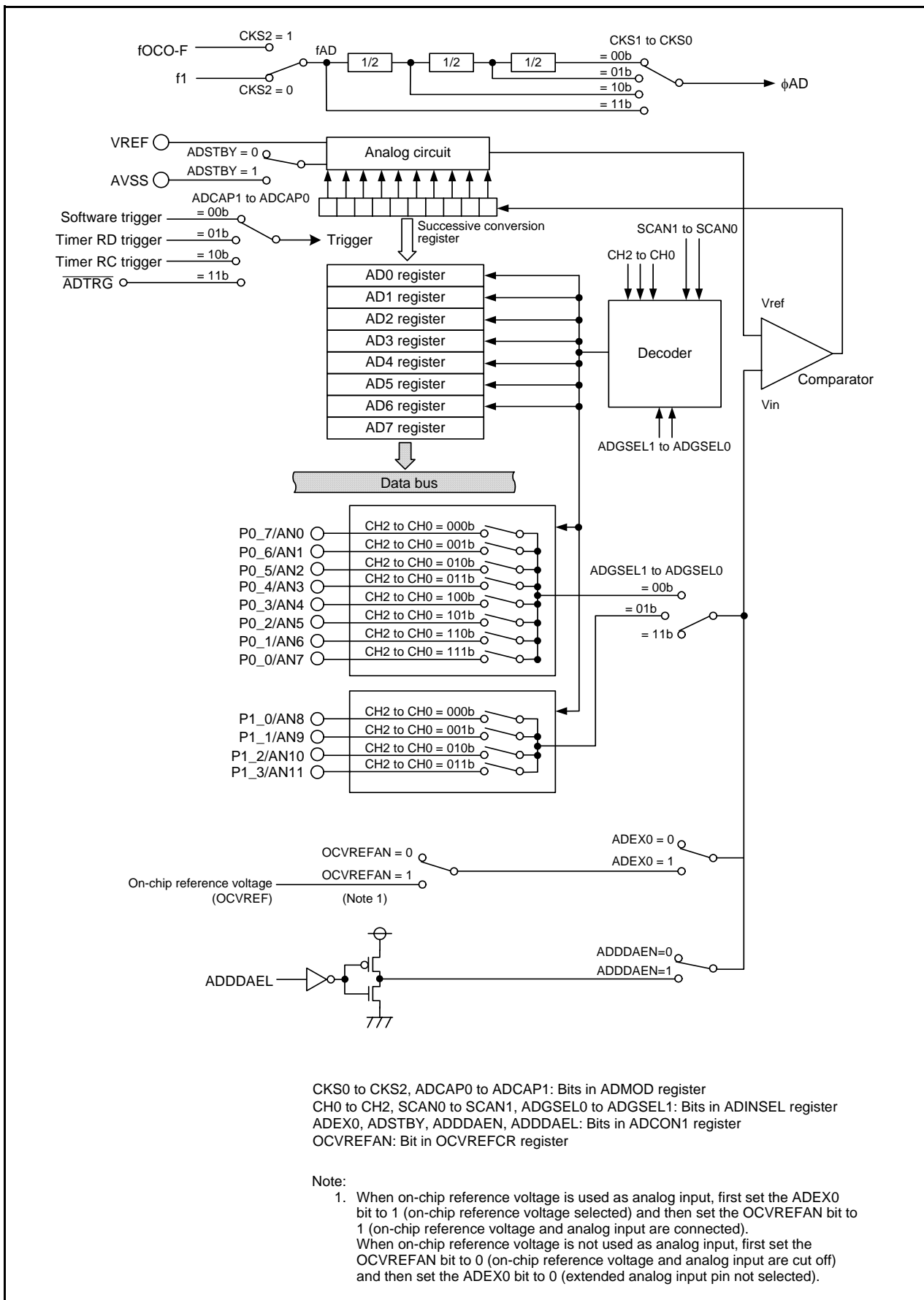


Figure 28.1 Block Diagram of A/D Converter

28.2 Registers

28.2.1 On-Chip Reference Voltage Control Register (OCVREFCR)

Address 0026h

Bit	b7	b6	b5	b4	b3	b2	b1	b0
Symbol	—	—	—	—	—	—	—	OCVREFAN
After Reset	0	0	0	0	0	0	0	0

Bit	Symbol	Bit Name	Function	R/W
b0	OCVREFAN	On-chip reference voltage to analog input connect bit ⁽¹⁾	0: On-chip reference voltage and analog input are cut off 1: On-chip reference voltage and analog input are connected	R/W
b1	—	Reserved bits	Set to 0.	R/W
b2	—			
b3	—			
b4	—			
b5	—			
b6	—			
b7	—			

Note:

- When on-chip reference voltage is used as analog input, first set the ADEX0 bit in the ADCON1 register to 1 (on-chip reference voltage selected) and then set the OCVREFAN bit to 1 (on-chip reference voltage and analog input are connected).

When on-chip reference voltage is not used as analog input, first set the OCVREFAN bit to 0 (on-chip reference voltage and analog input are cut off) and then set the ADEX0 bit to 0 (extended analog input pin not selected).

Set the PRC3 bit in the PRCR register to 1 (write enabled) before rewriting the OCVREFCR register.

If the contents of the OCVREFCR register are rewritten during A/D conversion, the conversion result is undefined.

28.2.2 A/D Register i (ADi) (i = 0 to 7)

Address 00C1h to 00C0h (AD0), 00C3h to 00C2h (AD1), 00C5h to 00C4h (AD2),
 00C7h to 00C6h (AD3), 00C9h to 00C8h (AD4), 00CBh to 00CAh (AD5),
 00CDh to 00CCh (AD6), 00CFh to 00CEh (AD7)

Bit	b7	b6	b5	b4	b3	b2	b1	b0
Symbol	—	—	—	—	—	—	—	—
After Reset	X	X	X	X	X	X	X	X

Bit	b15	b14	b13	b12	b11	b10	b9	b8
Symbol	—	—	—	—	—	—	—	—
After Reset	0	0	0	0	0	0	X	X

Bit	Function		R/W
	10-Bit Mode (BITS Bit in ADCON1 Register = 1)	8-Bit Mode (BITS Bit in ADCON1 Register = 0)	
b0	8 low-order bits in A/D conversion result	A/D conversion result	R
b1			
b2			
b3			
b4			
b5			
b6			
b7			
b8	2 high-order bits in A/D conversion result	When read, the content is 0.	R
b9			
b10	Nothing is assigned. If necessary, set to 0. When read, the content is 0.		—
b11			
b12			
b13			
b14			
b15	Reserved bit	When read, the content is undefined.	R

If the contents of the ADCON1, ADMOD, ADINSEL, or OCVREFCR register are written during A/D conversion, the conversion result is undefined.

When using the A/D converter in 10-bit mode, repeat mode 0, repeat mode 1, or repeat sweep mode, access the ADi register in 16-bit units. Do not access it in 8-bit units.

28.2.3 A/D Mode Register (ADMOD)

Address 00D4h

Bit	b7	b6	b5	b4	b3	b2	b1	b0
Symbol	ADCAP1	ADCAP0	MD2	MD1	MD0	CKS2	CKS1	CKS0
After Reset	0	0	0	0	0	0	0	0

Bit	Symbol	Bit Name	Function	R/W
b0	CKS0	Division select bit	b1 b0 0 0: fAD divided by 8 0 1: fAD divided by 4 1 0: fAD divided by 2 1 1: fAD divided by 1 (no division)	R/W
b1	CKS1			R/W
b2	CKS2	Clock source select bit (1)	0: Selects f1 1: Selects fOCO-F	R/W
b3	MD0	A/D operating mode select bit	b5 b4 b3 0 0 0: One-shot mode 0 0 1: Do not set. 0 1 0: Repeat mode 0 0 1 1: Repeat mode 1 1 0 0: Single sweep mode 1 0 1: Do not set. 1 1 0: Repeat sweep mode 1 1 1: Do not set.	R/W
b4	MD1			R/W
b5	MD2			R/W
b6	ADCAP0	A/D conversion trigger select bit	b7 b6 0 0: A/D conversion starts by software trigger (ADST bit in ADCON0 register) 0 1: A/D conversion starts by conversion trigger from timer RD 1 0: A/D conversion starts by conversion trigger from timer RC 1 1: A/D conversion starts by external trigger ($\overline{\text{ADTRG}}$)	R/W
b7	ADCAP1			R/W

Note:

1. When the CKS2 bit is changed, wait for 3 ϕ AD cycles or more before starting A/D conversion.

If the ADMOD register is rewritten during A/D conversion, the conversion result is undefined.

28.2.4 A/D Input Select Register (ADINSEL)

Address 00D5h

Bit	b7	b6	b5	b4	b3	b2	b1	b0
Symbol	ADGSEL1	ADGSEL0	SCAN1	SCAN0	—	CH2	CH1	CH0
After Reset	1	1	0	0	0	0	0	0

Bit	Symbol	Bit Name	Function	R/W
b0	CH0	Analog input pin select bit	Refer to Table 28.2 Analog Input Pin Selection	R/W
b1	CH1			R/W
b2	CH2			R/W
b3	—	Reserved bit	Set to 0.	R/W
b4	SCAN0	A/D sweep pin count select bit	^{b5 b4} 0 0: 2 pins 0 1: 4 pins 1 0: 6 pins 1 1: 8 pins	R/W
b5	SCAN1			R/W
b6	ADGSEL0	A/D input group select bit	^{b7 b6} 0 0: Port P0 group selected 0 1: Port P1 group selected 1 0: Do not set. 1 1: Port group not selected	R/W
b7	ADGSEL1			R/W

If the ADINSEL register is rewritten during A/D conversion, the conversion result is undefined.

Table 28.2 Analog Input Pin Selection

Bits CH2 to CH0	Bits ADGSEL1, ADGSEL0 = 00b	Bits ADGSEL1, ADGSEL0 = 01b
000b	AN0	AN8
001b	AN1	AN9
010b	AN2	AN10
011b	AN3	AN11
100b	AN4	Do not set.
101b	AN5	
110b	AN6	
111b	AN7	

28.2.5 A/D Control Register 0 (ADCON0)

Address 00D6h

Bit	b7	b6	b5	b4	b3	b2	b1	b0
Symbol	—	—	—	—	—	—	—	ADST
After Reset	0	0	0	0	0	0	0	0

Bit	Symbol	Bit Name	Function	R/W
b0	ADST	A/D conversion start flag	0: Stop A/D conversion 1: Start A/D conversion	R/W
b1	—	Nothing is assigned. If necessary, set to 0. When read, the content is 0.		—
b2	—			
b3	—			
b4	—			
b5	—			
b6	—			
b7	—			

ADST Bit (A/D conversion start flag)

[Conditions for setting to 1]

When A/D conversion starts and while A/D conversion is in progress.

[Condition for setting to 0]

When A/D conversion stops.

28.2.6 A/D Control Register 1 (ADCON1)

Address 00D7h

Bit	b7	b6	b5	b4	b3	b2	b1	b0
Symbol	ADDDAEL	ADDDAEN	ADSTBY	BITS	—	—	—	ADEX0
After Reset	0	0	0	0	0	0	0	0

Bit	Symbol	Bit Name	Function	R/W
b0	ADEX0	Extended analog input pin select bit ⁽¹⁾	0: Extended analog input pin not selected 1: On-chip reference voltage selected ⁽²⁾	R/W
b1	—	Reserved bits	Set to 0.	R/W
b2	—			
b3	—			
b4	BITS	8/10-bit mode select bit	0: 8-bit mode 1: 10-bit mode	R/W
b5	ADSTBY	A/D standby bit ⁽³⁾	0: A/D operation stops (standby) 1: A/D operation enabled	R/W
b6	ADDDAEN	A/D open-circuit detection assist function enable bit ⁽⁴⁾	0: Disabled 1: Enabled	R/W
b7	ADDDAEL	A/D open-circuit detection assist method select bit ⁽⁴⁾	0: Discharge before conversion 1: Precharge before conversion	R/W

Notes:

- When on-chip reference voltage is used as analog input, first set the ADEX0 bit to 1 (on-chip reference voltage selected) and then set the OCVREFAN bit in the OCVREFCR register to 1 (on-chip reference voltage and analog input are connected).
 When on-chip reference voltage is not used as analog input, first set the OCVREFAN bit to 0 (on-chip reference voltage and analog input are cut off) and then set the ADEX0 bit to 0 (extended analog input pin not selected).
- Do not set to 1 (A/D conversion using comparison reference voltage as input) in single sweep mode or repeat sweep mode.
- When the ADSTBY bit is changed from 0 (A/D operation stops) to 1 (A/D operation enabled), wait for 1 ϕ AD cycle or more before starting A/D conversion.
- To enable the A/D open-circuit detection assist function, select the conversion start state with the ADDDAEL bit after setting the ADDDAEN bit to 1 (enabled).
 The conversion result with an open circuit varies with external circuits. Careful evaluation should be performed according to the system before using this function.

If the ADCON1 register is rewritten during A/D conversion, the conversion result is undefined.

28.3 Common Items for Multiple Modes

28.3.1 Input/Output Pins

The analog input shares pins P0_0 to P0_7, and P1_0 to P1_3 in AN0 to AN11.
 When using the AN_i (i = 0 to 11) pin as input, set the corresponding port direction bit to 0 (input mode).
 After changing the A/D operating mode, select an analog input pin again.

28.3.2 A/D Conversion Cycles

Figure 28.2 shows a Timing Diagram of A/D Conversion. Figure 28.3 shows the A/D Conversion Cycles ($\phi_{AD} = f_{AD}$).

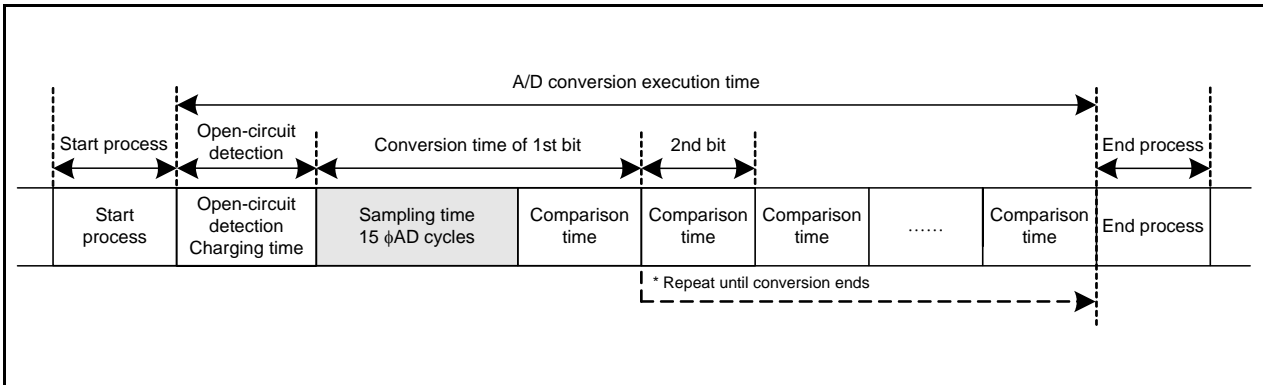


Figure 28.2 Timing Diagram of A/D Conversion

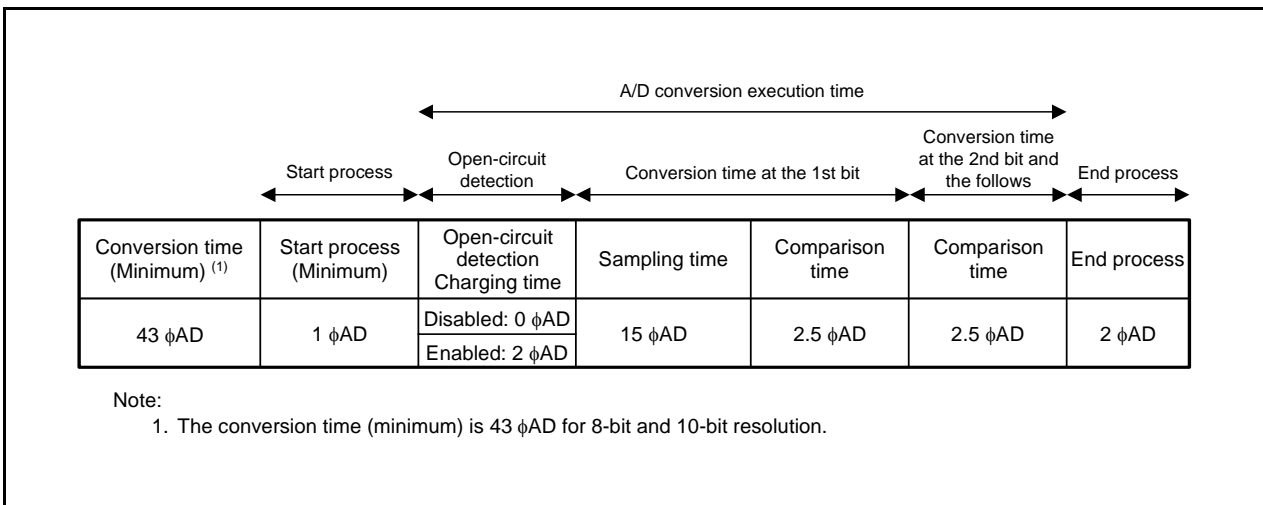


Figure 28.3 A/D Conversion Cycles ($\phi_{AD} = f_{AD}$)

Table 28.3 shows the Number of Cycles for A/D Conversion Items. The A/D conversion time is defined as follows.

The start process time varies depending on which ϕ_{AD} is selected.

When 1 (A/D conversion starts) is written to the ADST bit in the ADCON0 register, an A/D conversion starts after the start process time has elapsed. Reading the ADST bit before the A/D conversion returns 0 (A/D conversion stops).

In the modes where an A/D conversion is performed on multiple pins or multiple times, the between-execution process time is inserted between the A/D conversion execution time for one pin and the next A/D conversion time.

In one-shot mode and single sweep mode, the ADST bit is set to 0 during the end process time and the last A/D conversion result is stored in the ADi register.

- In on-shot mode
 Start process time + A/D conversion execution time + end process time

- When two pins are selected in single sweep mode
 Start process time + (A/D conversion execution time + between-execution process time + A/D conversion execution time) + end process time

Table 28.3 Number of Cycles for A/D Conversion Items

A/D Conversion Item		Number of Cycles
Start process time	$\phi_{AD} = f_{AD}$	1 or 2 fAD cycles
	$\phi_{AD} = f_{AD}$ divided by 2	2 or 3 fAD cycles
	$\phi_{AD} = f_{AD}$ divided by 4	3 or 4 fAD cycles
	$\phi_{AD} = f_{AD}$ divided by 8	5 or 6 fAD cycles
A/D conversion execution time	Open-circuit detection disabled	40 ϕ_{AD} cycles
	Open-circuit detection enabled	42 ϕ_{AD} cycles
Between-execution process time		1 ϕ_{AD} cycle
End process time		2 or 3 fAD cycles

28.3.3 A/D Conversion Start Condition

A software trigger, trigger from timer RD or timer RC, and external trigger are used as A/D conversion start triggers.

Figure 28.4 shows the Block Diagram of A/D Conversion Start Control Unit.

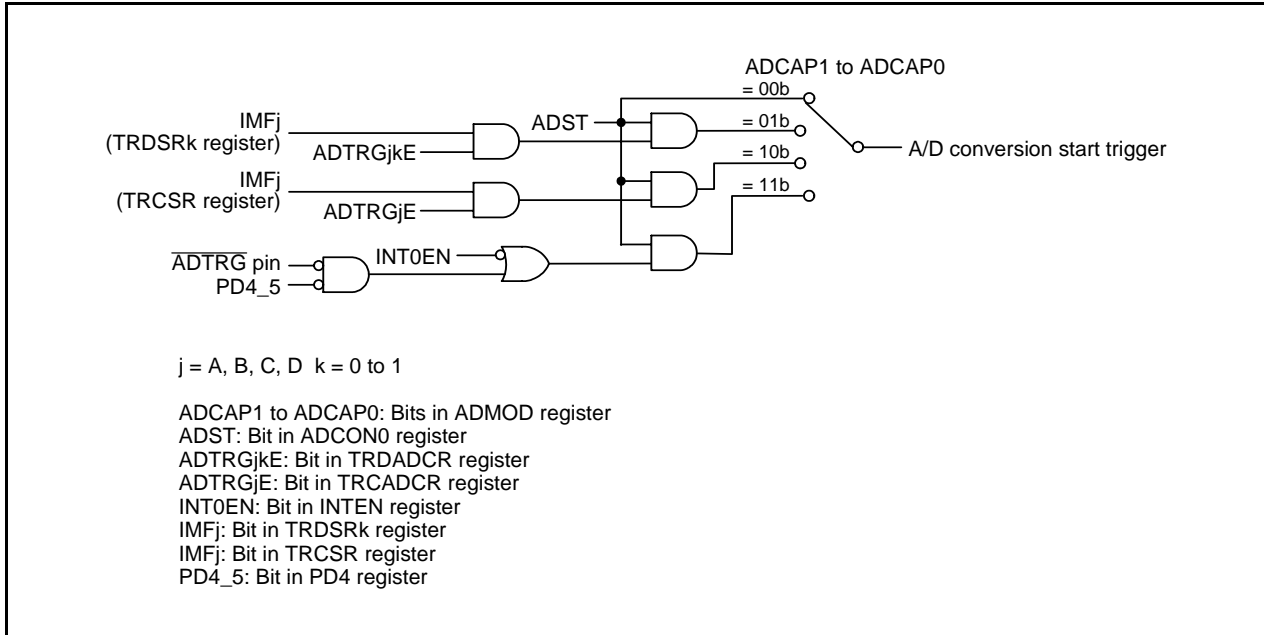


Figure 28.4 Block Diagram of A/D Conversion Start Control Unit

28.3.3.1 Software Trigger

A software trigger is selected when bits ADCAP1 to ADCAP0 in the ADMOD register are set to 00b (software trigger).

The A/D conversion starts when the ADST bit in the ADCON0 register is set to 1 (A/D conversion starts).

28.3.3.2 Trigger from Timer RD

This trigger is selected when bits ADCAP1 to ADCAP0 in the ADMOD register are set to 01b (timer RD).

To use this function, make sure the following conditions are met.

- Bits ADCAP1 to ADCAP0 in the ADMOD register are set to 01b (timer RD).
- Timer RD is used in the output compare function (timer mode, PWM mode, reset synchronous PWM mode, complementary PWM mode, and PWM3 mode).
- The ADTRGjkE bit (j = A, B, C, D, k = 0 or 1) in the TRDADCR register is set to 1 (A/D trigger occurs at compare match with TRDGRjk register).
- The ADST bit in the ADCON0 register is set to 1 (A/D conversion starts).

When the IMFj bit in the TRDSRk register is changed from 0 to 1, A/D conversion starts.

Refer to **20. Timer RD**, **20.4 Output Compare Function**, **20.5 PWM Mode**, **20.6 Reset Synchronous PWM Mode**, **20.7 Complementary PWM Mode**, **20.8 PWM3 Mode** for the details of timer RD and the output compare function (timer mode, PWM mode, reset synchronous PWM mode, complementary PWM mode, and PWM3 mode).

28.3.3.3 Trigger from Timer RC

This trigger is selected when bits ADCAP1 to ADCAP0 in the ADMOD register are set to 10b (timer RC). To use this function, make sure the following conditions are met.

- Bits ADCAP1 to ADCAP0 in the ADMOD register are set to 10b (timer RC).
- Timer RC is used in the output compare function (timer mode, PWM mode, PWM2 mode).
- The ADTRGjE bit (j = A, B, C, D) in the TRCADCR register is set to 1 (A/D trigger occurs at compare match with TRCGRj register).
- The ADST bit in the ADCON0 register is set to 1 (A/D conversion starts).

When the IMFj bit in the TRCSR register is changed from 0 to 1, A/D conversion starts.

Refer to **19. Timer RC**, **19.5 Timer Mode (Output Compare Function)**, **19.6 PWM Mode**, **19.7 PWM2 Mode** for the details of timer RC and the output compare function (timer mode, PWM mode, and PWM2 mode).

28.3.3.4 External Trigger

This trigger is selected when bits ADCAP1 to ADCAP0 in the ADMOD register are set to 11b (external trigger ($\overline{\text{ADTRG}}$)).

To use this function, make sure the following conditions are met.

- Bits ADCAP1 to ADCAP0 in the ADMOD register are set to 11b (external trigger ($\overline{\text{ADTRG}}$)).
- The INT0EN bit in the INTEN register is set to 1 ($\overline{\text{INT0}}$ input enabled).
- The PD4_5 bit in the PD4 register is set to 0 (input mode).
- The ADST bit in the ADCON0 register is set to 1 (A/D conversion starts).

When the $\overline{\text{ADTRG}}$ pin input is changed from “H” to “L” under the above conditions, A/D conversion starts.

28.3.4 A/D Conversion Result

The A/D conversion result is stored in the ADi register (i = 0 to 7). The register where the result is stored varies depending on the A/D operating mode used. The contents of the ADi register are undefined after a reset. Values cannot be written to the ADi register.

In repeat mode 0, no interrupt request is generated. After the first AD conversion is completed, determine if the A/D conversion time has elapsed by a program.

In one-shot mode, repeat mode 1, single sweep mode, and repeat sweep mode, an interrupt request is generated at certain times, such as when an A/D conversion completes (the IR bit in the ADIC register is set to 1).

However, in repeat mode 1 and repeat sweep mode, A/D conversion continues after an interrupt request is generated. Read the ADi register before the next A/D conversion is completed, since at completion the ADi register is rewritten with the new value.

In one-shot mode and single sweep mode, when bits ADCAP1 to ADCAP0 in the ADMOD register is set to 00b (software trigger), the ADST bit in the ADCON0 register is used to determine whether the A/D conversion or sweep has completed.

During an A/D conversion operation, if the ADST bit in the ADCON0 register is set to 0 (A/D conversion stops) by a program to forcibly terminate A/D conversion, the conversion result of the A/D converter is undefined and no interrupt is generated. The value of the ADi register before A/D conversion may also be undefined.

If the ADST bit is set to 0 by a program, do not use the value of all the ADi register.

28.3.5 Low Current Consumption Function

When the A/D converter is not used, power consumption can be reduced by setting the ADSTBY bit in the ADCON1 register to 0 (A/D operation stops (standby)) to shut off any analog circuit current flow.

To use the A/D converter, set the ADSTBY bit to 1 (A/D operation enabled) and wait for 1 ϕ AD cycle or more before setting the ADST bit in the ADCON0 register to 1 (A/D conversion starts). Do not write 1 to bits ADST and ADSTBY at the same time.

Also, do not set the ADSTBY bit to 0 (A/D operation stops (standby)) during A/D conversion.

28.3.6 Extended Analog Input Pins

In one-shot mode, repeat mode 0, and repeat mode 1, the on-chip reference voltage (OCVREF) can be used as analog input.

Any variation in VREF can be confirmed using the on-chip reference voltage. Use the ADEX0 bit in the ADCON1 register and the OCVREFAN bit in the OCVREFCR register to select the on-chip reference voltage.

The A/D conversion result of the on-chip reference voltage in one-shot mode or in repeat mode 0 is stored in the AD0 register.

28.3.7 A/D Open-Circuit Detection Assist Function

To suppress influences of the analog input voltage leakage from the previously converted channel during A/D conversion operation, a function is incorporated to fix the electric charge on the chopper amp capacitor to the predetermined state (AVCC or GND) before starting conversion.

This function enables more reliable detection of an open circuit in the wiring connected to the analog input pins. Figure 28.5 shows the A/D Open-Circuit Detection Example on AVCC Side (Precharge before Conversion Selected) and Figure 28.6 shows the A/D Open-Circuit Detection Example on AVSS Side (Discharge before Conversion Selected).

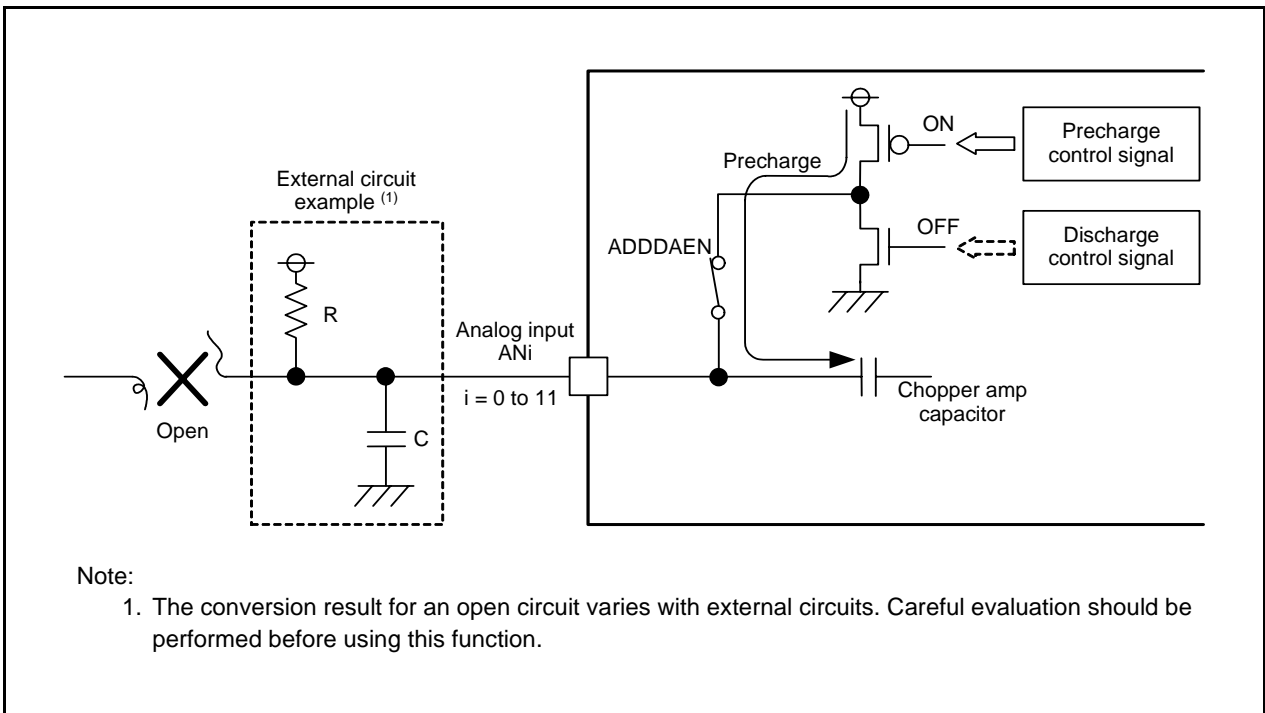


Figure 28.5 A/D Open-Circuit Detection Example on AVCC Side (Precharge before Conversion Selected)

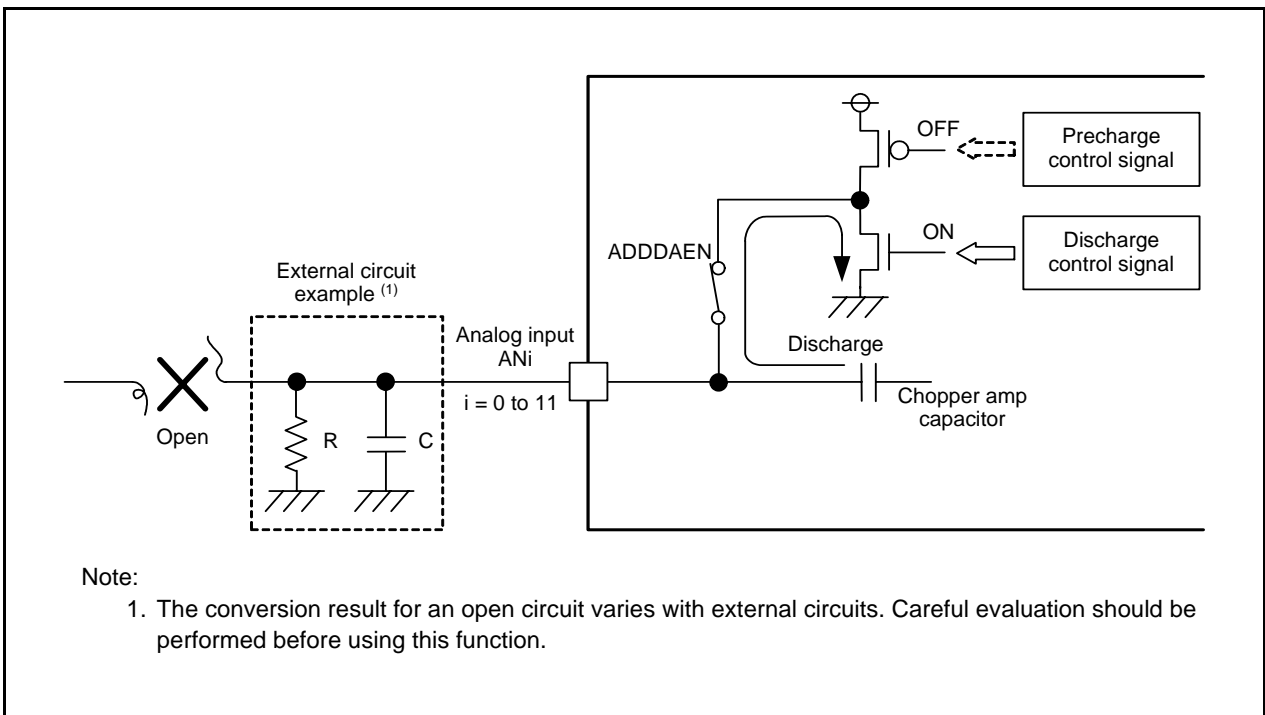


Figure 28.6 A/D Open-Circuit Detection Example on AVSS Side (Discharge before Conversion Selected)

28.4 One-Shot Mode

In one-shot mode, the input voltage to one pin selected from among AN0 to AN11 or OCVREF is A/D converted once.

Table 28.4 lists the One-Shot Mode Specifications.

Table 28.4 One-Shot Mode Specifications

Item	Specification
Function	The input voltage to the pin selected by bits CH2 to CH0 and bits ADGSEL1 to ADGSEL0 in the ADINSEL register or the ADEX0 bit in the ADCON1 register is A/D converted once.
Resolution	8 bits or 10 bits
A/D conversion start condition	<ul style="list-style-type: none"> • Software trigger • Timer RD • Timer RC • External trigger (Refer to 28.3.3 A/D Conversion Start Condition)
A/D conversion stop condition	<ul style="list-style-type: none"> • A/D conversion completes (If bits ADCAP1 to ADCAP0 in the ADMOD register are set to 00b (software trigger), the ADST bit in the ADCON0 register is set to 0.) • Set the ADST bit to 0
Interrupt request generation timing	When A/D conversion completes
Analog input pin	One pin selectable from among AN0 to AN11, or OCVREF.
Storage register for A/D conversion result	AD0 register: AN0, AN8, OCVREF AD1 register: AN1, AN9 AD2 register: AN2, AN10 AD3 register: AN3, AN11 AD4 register: AN4 AD5 register: AN5 AD6 register: AN6 AD7 register: AN7
Reading of result of A/D converter	Read register AD0 to AD7 corresponding to the selected pin.

28.5 Repeat Mode 0

In repeat mode 0, the input voltage to one pin selected from among AN0 to AN11 or OCVREF is A/D converted repeatedly.

Table 28.5 lists the Repeat Mode 0 Specifications.

Table 28.5 Repeat Mode 0 Specifications

Item	Specification
Function	The input voltage to the pin selected by bits CH2 to CH0 and bits ADGSEL1 to ADGSEL0 in the ADINSEL register or the ADEX0 bit in the ADCON1 register is A/D converted repeatedly.
Resolution	8 bits or 10 bits
A/D conversion start condition	<ul style="list-style-type: none"> • Software trigger • Timer RD • Timer RC • External trigger (Refer to 28.3.3 A/D Conversion Start Condition)
A/D conversion stop condition	Set the ADST bit in the ADCON0 register to 0
Interrupt request generation timing	Not generated
Analog input pin	One pin selectable from among AN0 to AN11, or OCVREF.
Storage register for A/D conversion result	AD0 register: AN0, AN8, OCVREF AD1 register: AN1, AN9 AD2 register: AN2, AN10 AD3 register: AN3, AN11 AD4 register: AN4 AD5 register: AN5 AD6 register: AN6 AD7 register: AN7
Reading of result of A/D converter	Read register AD0 to AD7 corresponding to the selected pin.

28.6 Repeat Mode 1

In repeat mode 1, the input voltage to one pin selected from among AN0 to AN11 or OCVREF is A/D converted repeatedly.

Table 28.6 lists the Repeat Mode 1 Specifications. Figure 28.7 shows the Operating Example of Repeat Mode 1.

Table 28.6 Repeat Mode 1 Specifications

Item	Specification
Function	The input voltage to the pin selected by bits CH2 to CH0 and bits ADGSEL1 to ADGSEL0 in the ADINSEL register or the ADEX0 bit in the ADCON1 register is A/D converted repeatedly.
Resolution	8 bits or 10 bits
A/D conversion start condition	<ul style="list-style-type: none"> • Software trigger • Timer RD • Timer RC • External trigger (Refer to 28.3.3 A/D Conversion Start Condition)
A/D conversion stop condition	Set the ADST bit in the ADCON0 register to 0
Interrupt request generation timing	When the A/D conversion result is stored in the AD7 register.
Analog input pin	One pin selectable from among AN0 to AN11, or OCVREF.
Storage register for A/D conversion result	AD0 register: 1st A/D conversion result, 9th A/D conversion result... AD1 register: 2nd A/D conversion result, 10th A/D conversion result... AD2 register: 3rd A/D conversion result, 11th A/D conversion result... AD3 register: 4th A/D conversion result, 12th A/D conversion result... AD4 register: 5th A/D conversion result, 13th A/D conversion result... AD5 register: 6th A/D conversion result, 14th A/D conversion result... AD6 register: 7th A/D conversion result, 15th A/D conversion result... AD7 register: 8th A/D conversion result, 16th A/D conversion result...
Reading of result of A/D converter	Read registers AD0 to AD7

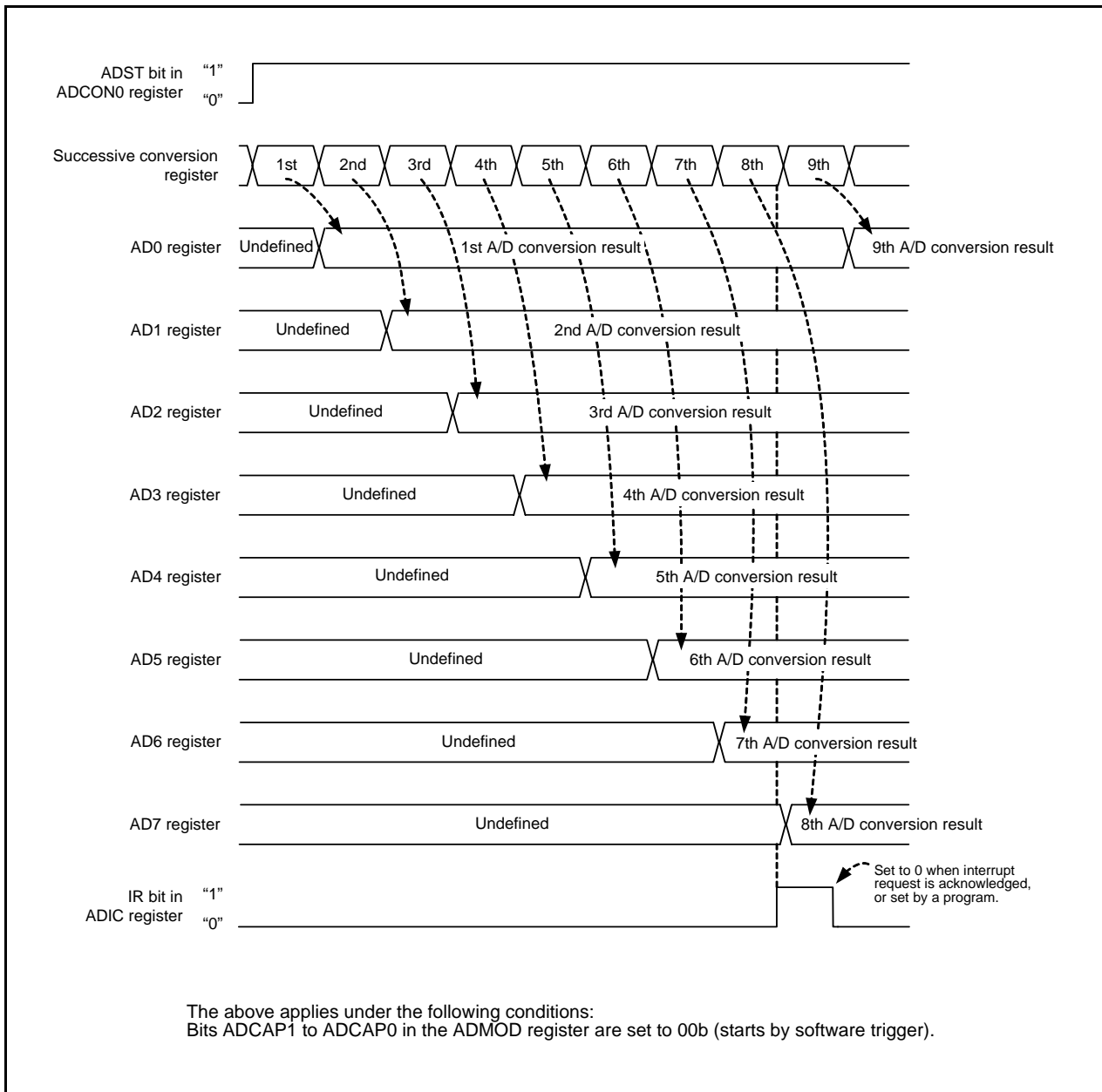


Figure 28.7 Operating Example of Repeat Mode 1

28.7 Single Sweep Mode

In single sweep mode, the input voltage to two, four, six, or eight pins selected from among AN0 to AN11 are A/D converted once.

Table 28.7 lists the Single Sweep Mode Specifications. Figure 28.8 shows the Operating Example of Single Sweep Mode.

Table 28.7 Single Sweep Mode Specifications

Item	Specification
Function	The input voltage to the pins selected by bits ADGSEL1 to ADGSEL0 and bits SCAN1 to SCAN0 in the ADINSEL register is A/D converted once.
Resolution	8 bits or 10 bits
A/D conversion start condition	<ul style="list-style-type: none"> • Software trigger • Timer RD • Timer RC • External trigger (Refer to 28.3.3 A/D Conversion Start Condition)
A/D conversion stop condition	<ul style="list-style-type: none"> • If two pins are selected, when A/D conversion of the two selected pins completes (the ADST bit in the ADCON0 register is set to 0). • If four pins are selected, when A/D conversion of the four selected pins completes (the ADST bit is set to 0). • If six pins are selected, when A/D conversion of the six selected pins completes (the ADST bit is set to 0). • If eight pins are selected, when A/D conversion of the eight selected pins completes (the ADST bit is set to 0). • Set the ADST bit to 0.
Interrupt request generation timing	<ul style="list-style-type: none"> • If two pins are selected, when A/D conversion of the two selected pins completes. • If four pins are selected, when A/D conversion of the four selected pins completes. • If six pins are selected, when A/D conversion of the six selected pins completes. • If eight pins are selected, when A/D conversion of the eight selected pins completes.
Analog input pin	AN0 to AN1(2 pins), AN8 to AN9(2 pins), AN0 to AN3(4 pins), AN8 to AN11(4 pins), AN0 to AN5(6 pins), AN0 to AN7(8 pins) (Selectable by bits SCAN1 to SCAN0 and bits ADGSEL1 to ADGSEL0.)
Storage register for A/D conversion result	AD0 register: AN0, AN8 AD1 register: AN1, AN9 AD2 register: AN2, AN10 AD3 register: AN3, AN11 AD4 register: AN4 AD5 register: AN5 AD6 register: AN6 AD7 register: AN7
Reading of result of A/D converter	Read the registers from AD0 to AD7 corresponding to the selected pin.

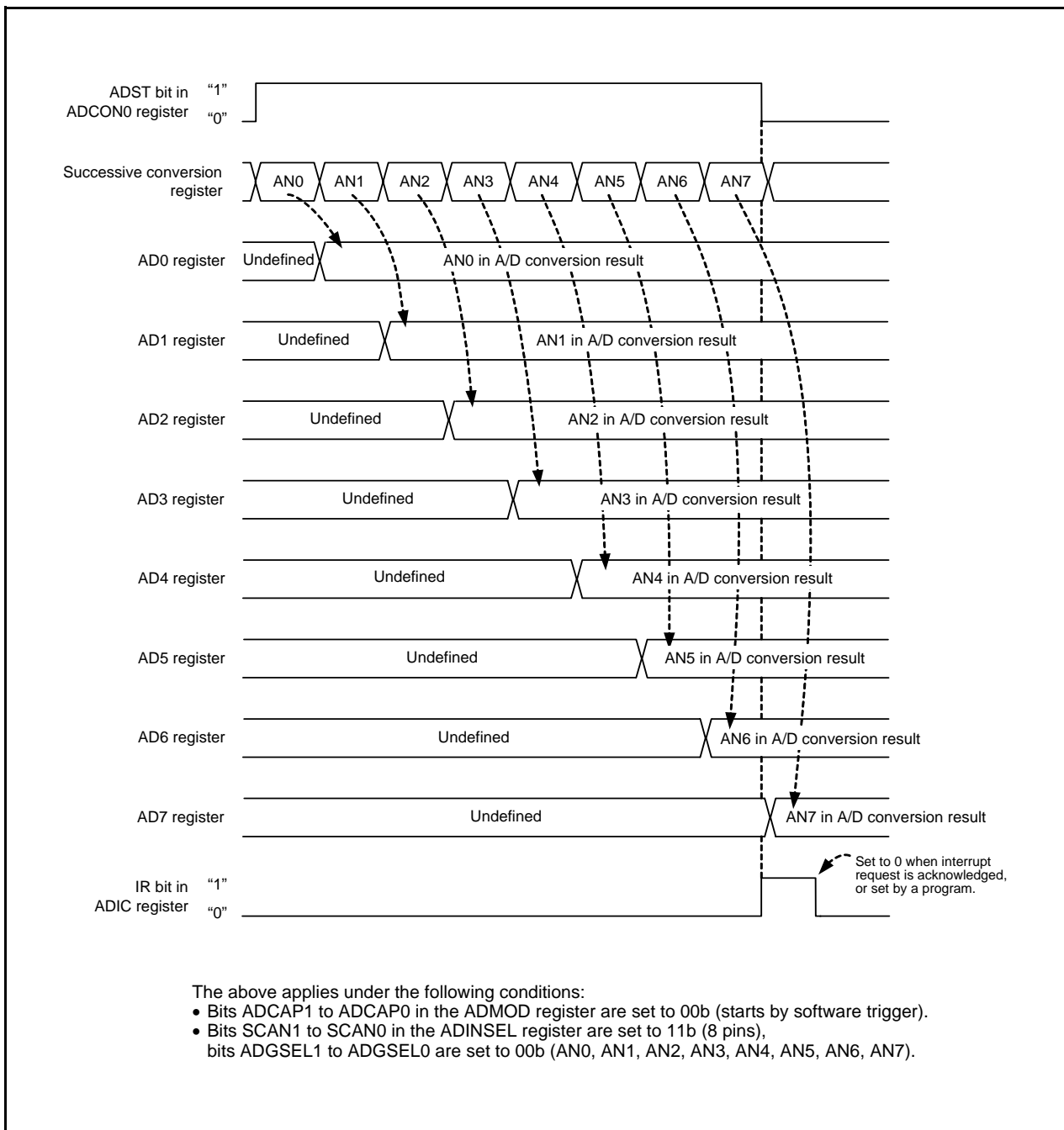


Figure 28.8 Operating Example of Single Sweep Mode

28.8 Repeat Sweep Mode

In repeat sweep mode, the input voltage to two, four, six, or eight pins selected from among AN0 to AN11 are A/D converted repeatedly.

Table 28.8 lists the Repeat Sweep Mode Specifications. Figure 28.9 shows the Operating Example of Repeat Sweep Mode.

Table 28.8 Repeat Sweep Mode Specifications

Item	Specification
Function	The input voltage to the pins selected by bits ADGSEL1 to ADGSEL0 and bits SCAN1 to SCAN0 in the ADINSEL register are A/D converted repeatedly.
Resolution	8 bits or 10 bits
A/D conversion start condition	<ul style="list-style-type: none"> • Software trigger • Timer RD • Timer RC • External trigger (Refer to 28.3.3 A/D Conversion Start Condition)
A/D conversion stop condition	Set the ADST bit in the ADCON0 register to 0
Interrupt request generation timing	<ul style="list-style-type: none"> • If two pins are selected, when A/D conversion of the two selected pins completes. • If four pins are selected, when A/D conversion of the four selected pins completes. • If six pins are selected, when A/D conversion of the six selected pins completes. • If eight pins are selected, when A/D conversion of the eight selected pins completes.
Analog input pin	AN0 to AN1(2 pins), AN8 to AN9(2 pins), AN0 to AN3(4 pins), AN8 to AN11(4 pins), AN0 to AN5(6 pins), AN0 to AN7(8 pins) (Selectable by bits SCAN1 to SCAN0 and bits ADGSEL1 to ADGSEL0.)
Storage register for A/D conversion result	AD0 register: AN0, AN8 AD1 register: AN1, AN9 AD2 register: AN2, AN10 AD3 register: AN3, AN11 AD4 register: AN4 AD5 register: AN5 AD6 register: AN6 AD7 register: AN7
Reading of result of A/D converter	Read the registers from AD0 to AD7 corresponding to the selected pin.

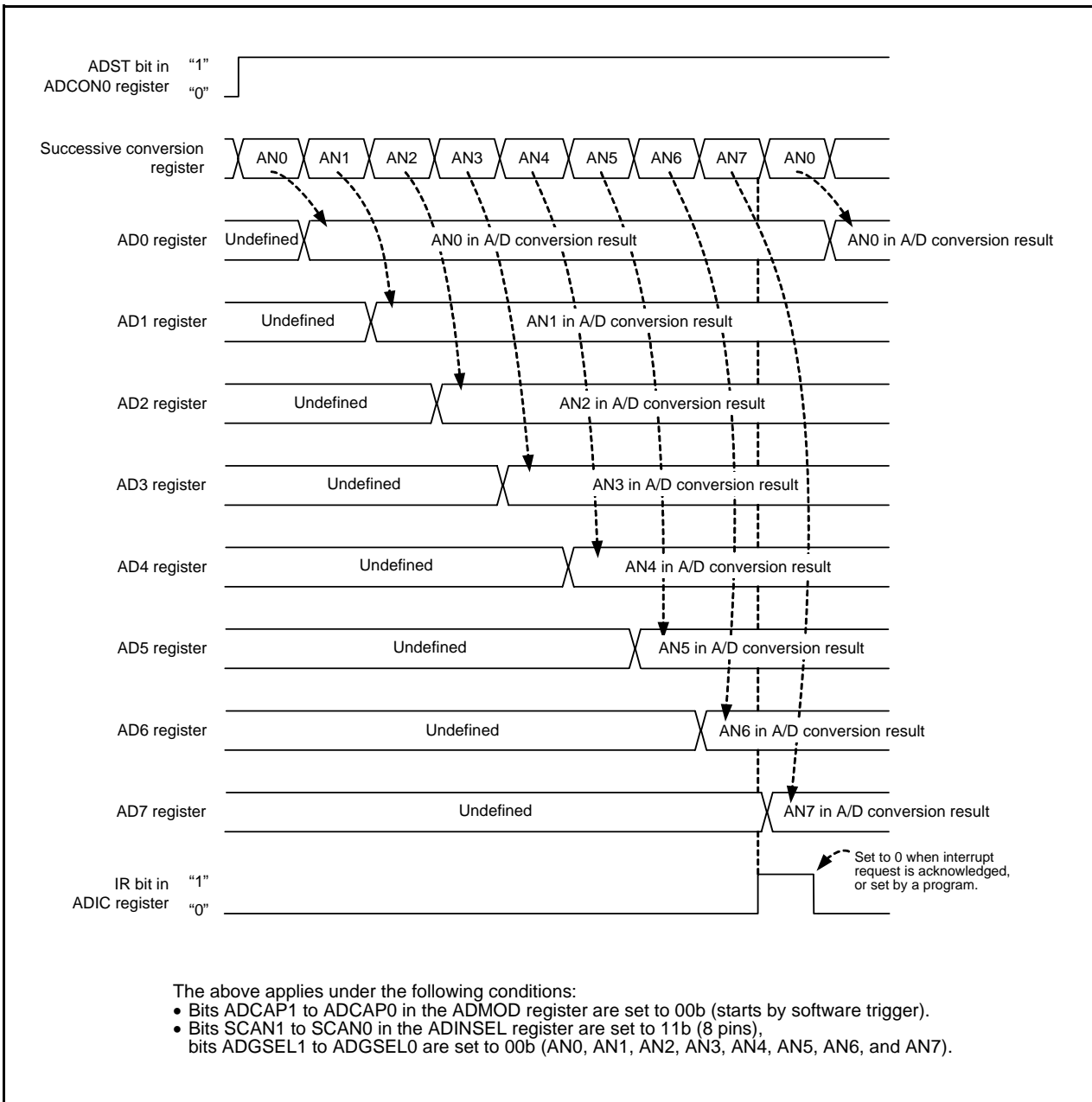


Figure 28.9 Operating Example of Repeat Sweep Mode

28.9 Output Impedance of Sensor under A/D Conversion

To carry out A/D conversion properly, charging the internal capacitor C shown in Figure 28.10 has to be completed within a specified period of time. T (sampling time) as the specified time. Let output impedance of sensor equivalent circuit be R0, internal resistance of microcomputer be R, precision (error) of the A/D converter be X, and the resolution of A/D converter be Y (Y is 1024 in the 10-bit mode, and 256 in the 8-bit mode).

$$VC \text{ is generally } VC = VIN \left\{ 1 - e^{-\frac{1}{C(R0 + R)} t} \right\}$$

$$\text{And when } t = T, \quad VC = VIN - \frac{X}{Y} VIN = VIN \left(1 - \frac{X}{Y} \right)$$

$$e^{-\frac{1}{C(R0 + R)} T} = \frac{X}{Y}$$

$$-\frac{1}{C(R0 + R)} T = \ln \frac{X}{Y}$$

$$\text{Hence, } R0 = -\frac{T}{C \cdot \ln \frac{X}{Y}} - R$$

Figure 28.10 shows the Analog Input Pin and External Sensor Equivalent Circuit. When the difference between VIN and VC becomes 0.1LSB, we find impedance R0 when voltage between pins VC changes from 0 to VIN - (0.1/1024) VIN in time T. (0.1/1024) means that A/D precision drop due to insufficient capacitor charge is held to 0.1LSB at time of A/D conversion in the 10-bit mode. Actual error however is the value of absolute precision added to 0.1LSB.

T = 0.75 μs when φAD = 20 MHz. Output impedance R0 for sufficiently charging capacitor C within time T is determined as follows.

T = 0.75 μs, R = 10 kΩ, C = 6.0 pF, X = 0.1, and Y = 1024. Hence,

$$R0 = \frac{0.75 \times 10^{-6}}{6.0 \times 10^{-12} \cdot \ln \frac{0.1}{1024}} - 10 \times 10^3 \approx 3.5 \times 10^3$$

Thus, the allowable output impedance of the sensor equivalent circuit, making the precision (error) 0.1LSB or less, is approximately 3.5 kΩ maximum.

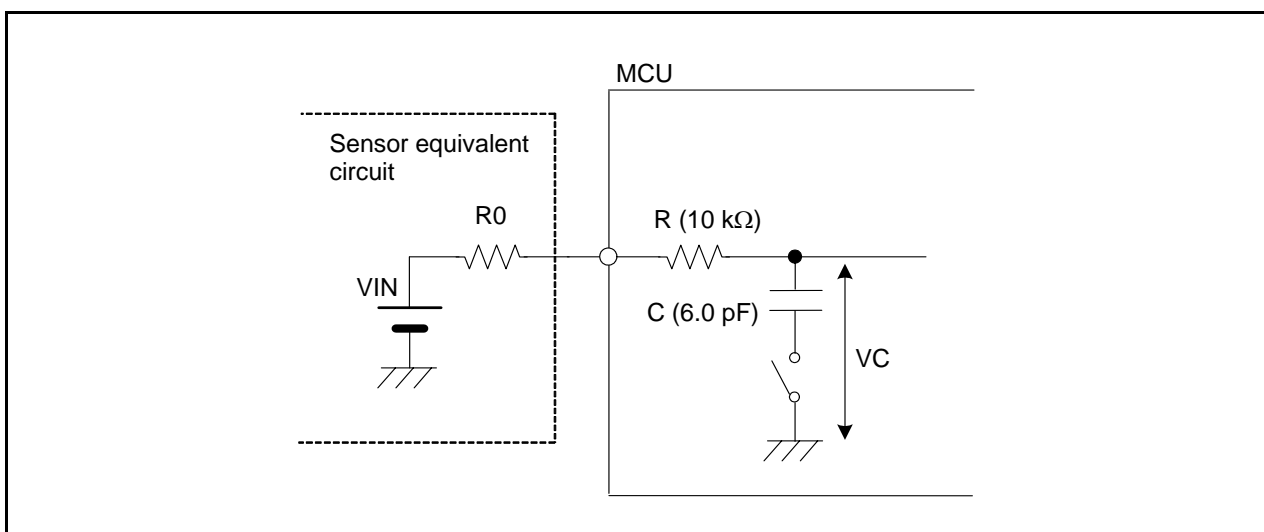


Figure 28.10 Analog Input Pin and External Sensor Equivalent Circuit

28.10 Notes on A/D Converter

- Write to the ADMOD register, the ADINSEL register, the ADCON0 register (other than ADST bit), the ADCON1 register, the OCVREFCR register when A/D conversion is stopped (before a trigger occurs).
- To use the A/D converter in repeat mode 0, repeat mode 1, or repeat sweep mode, select the frequency of the A/D converter operating clock ϕ_{AD} or more for the CPU clock during A/D conversion.
Do not select fOCO-F as ϕ_{AD} .
- Connect 0.1 μ F capacitor between the VREF pin and AVSS pin.
- Do not enter stop mode during A/D conversion.
- Do not enter wait mode during A/D conversion regardless of the state of the CM02 bit in the CM0 register (1: Peripheral function clock stops in wait mode or 0: Peripheral function clock does not stop in wait mode).
- Do not set the FMSTP bit in the FMR0 register to 1 (flash memory stops) during A/D conversion.
- Do not change the CKS2 bit in the ADMOD register while fOCO-F is stopped.
- During an A/D conversion operation, if the ADST bit in the ADCON0 register is set to 0 (A/D conversion stops) by a program to forcibly terminate A/D conversion, the conversion result of the A/D converter is undefined and no interrupt is generated. The value of the ADi register before A/D conversion may also be undefined.
If the ADST bit is set to 0 by a program, do not use the value of all the ADi register.

29. D/A Converter

The D/A converters are 8-bit R-2R type units. There are two independent D/A converters.

29.1 Overview

D/A conversion is performed by writing a value to the DA_i register (i = 0 or 1). To output the conversion result, set the DA_iE bit in the DACON register to 1 (output enabled). Before using D/A conversion, set the corresponding bits PD0_6 and PD0_7 in the PD0 register to 0 (input mode) and the PU01 bit in the PUR0 register to 0 (not pulled up). The output analog voltage (V) is determined by the setting value n (n: decimal) of the DA_i register.

$$V = V_{ref} \times n / 256 \quad (n = 0 \text{ to } 255)$$

V_{ref}: Reference voltage

Table 29.1 lists the D/A Converter Specifications. Figure 29.1 shows the D/A Converter Block Diagram and Figure 29.2 shows the D/A Converter Equivalent Circuit.

Table 29.1 D/A Converter Specifications

Item	Performance
D/A conversion method	R-2R method
Resolution	8 bits
Analog output pins	2 (DA0 and DA1)

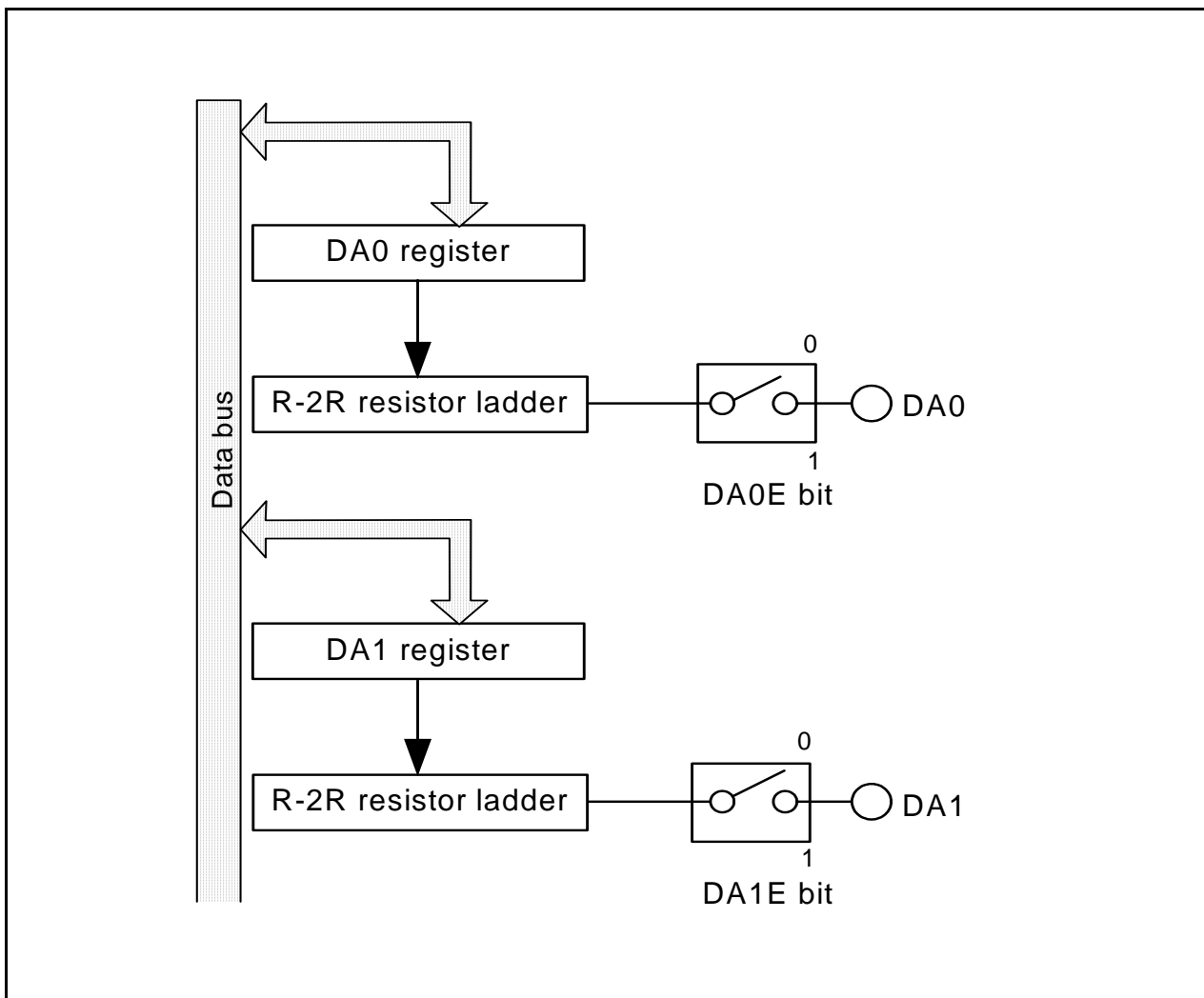


Figure 29.1 D/A Converter Block Diagram

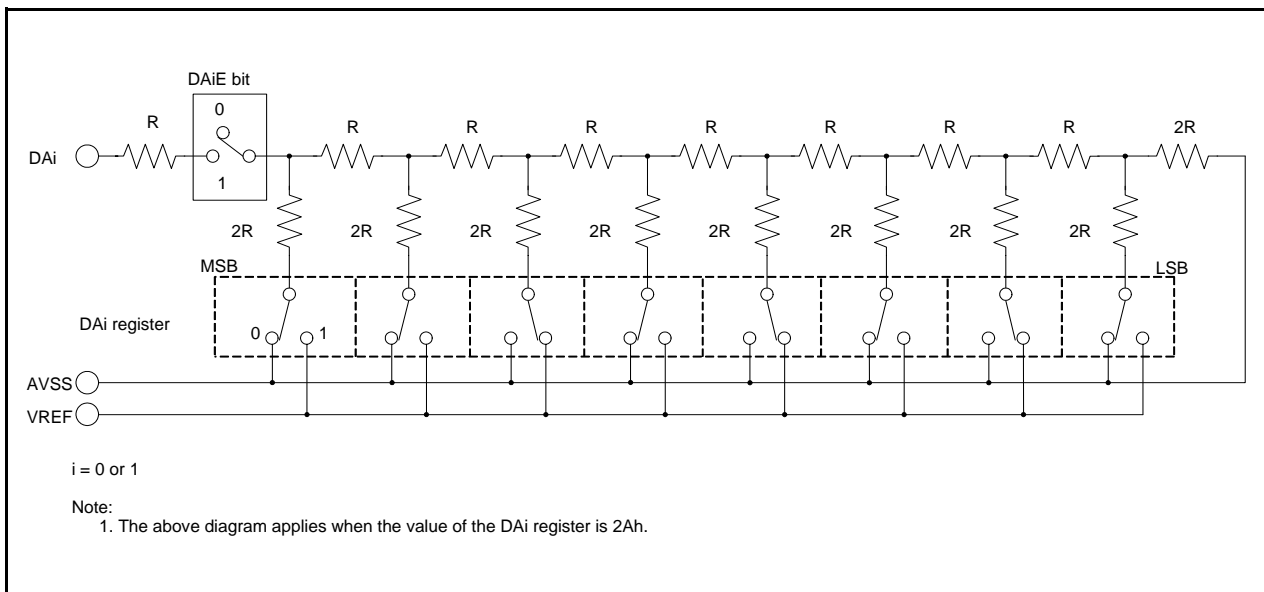


Figure 29.2 D/A Converter Equivalent Circuit

29.2 Registers

29.2.1 D/A_i Register (DA_i) (i = 0 or 1)

Address 00D8h (DA0), 00D9h (DA1)

Bit	b7	b6	b5	b4	b3	b2	b1	b0
Symbol	—	—	—	—	—	—	—	—
After Reset	0	0	0	0	0	0	0	0

Bit	Function	Setting Range	R/W
b7-b0	Output value of D/A conversion	00h to FFh	R/W

When the D/A converter is not used, set the DA_iE bit (i = 0 or 1) to 0 (output disabled) and set the DA_i register to 00h to prevent current from flowing into the R-2R resistor ladder to reduce unnecessary current consumption.

29.2.2 D/A Control Register (DACON)

Address 00DCh

Bit	b7	b6	b5	b4	b3	b2	b1	b0
Symbol	—	—	—	—	—	—	DA1E	DA0E
After Reset	0	0	0	0	0	0	0	0

Bit	Symbol	Bit Name	Function	R/W
b0	DA0E	D/A0 output enable bit	0: Output disabled 1: Output enabled	R/W
b1	DA1E	D/A1 output enable bit	0: Output disabled 1: Output enabled	R/W
b2	—	Nothing is assigned. If necessary, set to 0. When read, the content is 0.		—
b3	—			
b4	—			
b5	—			
b6	—			
b7	—			

When the D/A converter is not used, set the DA_iE bit (i = 0 or 1) to 0 (output disabled) and set the DA_i register to 00h to prevent current from flowing into the R-2R resistor ladder to reduce unnecessary current consumption.

30. Comparator A

Comparator A compares a reference input voltage and an analog input voltage. Comparator A1 and comparator A2 are independent of each other. Note that these comparators share the voltage detection circuit with voltage monitor 1 and voltage monitor 2. Either comparator A1 and comparator A2 or voltage monitor 1 and voltage monitor 2 can be selected to use the voltage detection circuit.

30.1 Overview

The comparison result of the reference input voltage and analog input voltage can be read by software. The result also can be output from the VCOU*T*_i (i = 1 or 2) pin. An input voltage to the LVREF pin can be selected as the reference input voltage. Also, the comparator A1 interrupt and comparator A2 interrupt can be used.

Table 30.1 lists the Comparator A Specifications, Figure 30.1 shows a Comparator A Block Diagram, and Table 30.2 lists the Pin Configuration of Comparator A.

Table 30.1 Comparator A Specifications

Item		Comparator A1	Comparator A2
Analog input voltage		Input voltage to the LVCMP1 pin	Input voltage to the LVCMP2 pin
Reference input voltage		Input voltage to the LVREF pin	
Comparison target		Whether passing through the reference input voltage by rising or falling.	
Comparison result monitor		The VW1C3 bit in the VW1C register	The VCA13 bit in the VCA1 register
		Whether higher or lower than the reference input voltage.	
Interrupt		Comparator A1 interrupt (non-makable or maskable selectable)	Comparator A2 interrupt (non-makable or maskable selectable)
		Interrupt request at: Reference input voltage > input voltage to the LVCMP1 pin and/or Input voltage to the LVCMP1 pin > reference input voltage	Interrupt request at: Reference input voltage > input voltage to the LVCMP2 pin and/or Input voltage to the LVCMP2 pin > reference input voltage
Digital Filter	Switching enable/disable	Supported	
	Sampling time	(fOCO-S divided by n) × 2 n: 1, 2, 4, and 8	
Comparison result output		Output from the LVCOU1 pin (Whether the comparison result output is inverted or not can be selected.)	Output from the LVCOU2 pin (Whether the comparison result output is inverted or not can be selected.)

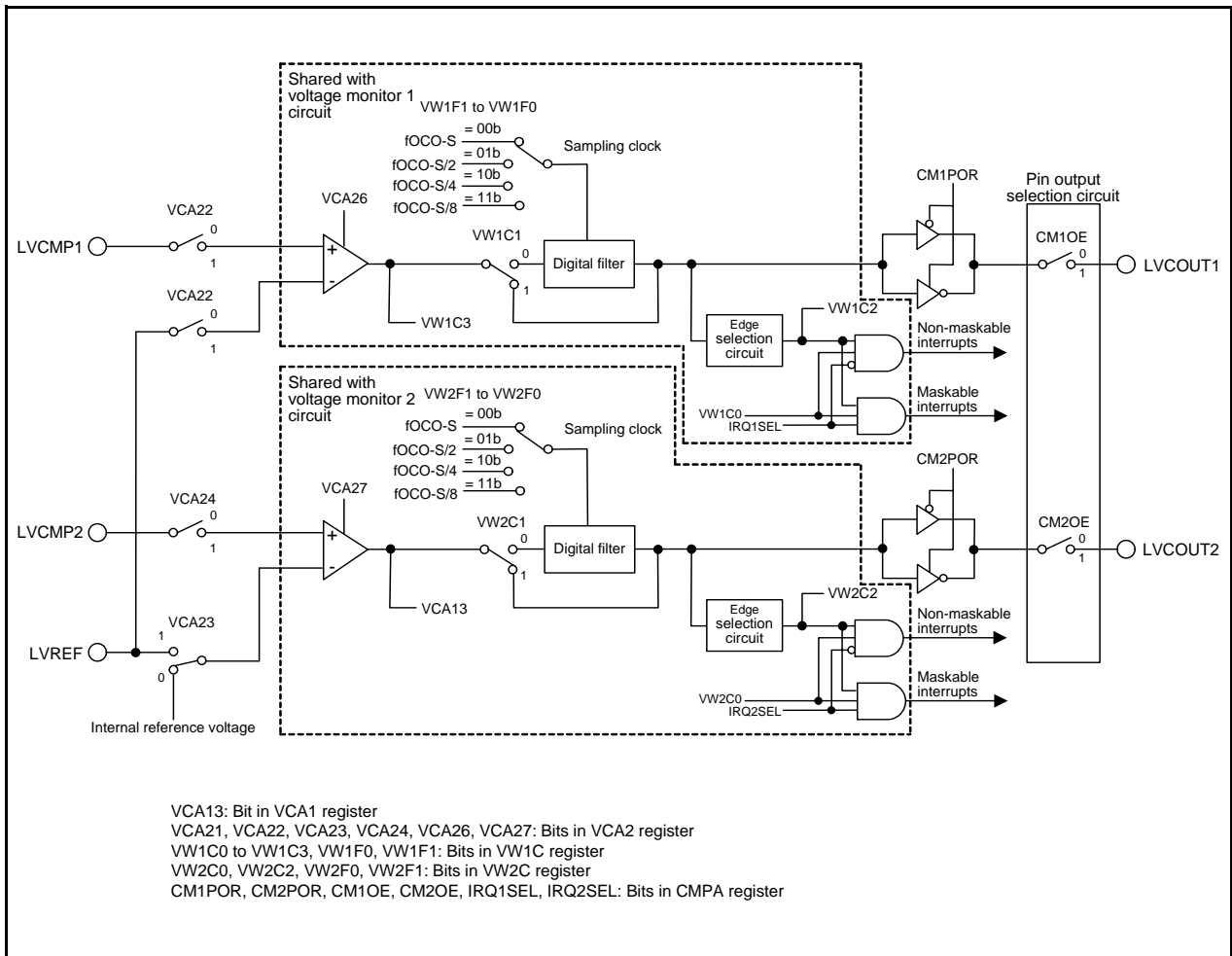


Figure 30.1 Comparator A Block Diagram

Table 30.2 Pin Configuration of Comparator A

Pin Name	I/O	Function
LVCMP1	Input	Comparator A1 analog pin
LVCOUT1	Output	Comparator A1 comparison result output pin
LVCMP2	Input	Comparator A2 analog pin
LVCOUT2	Output	Comparator A2 comparison result output pin
LVREF	Input	Comparator reference voltage pin

30.2 Registers

30.2.1 Voltage Monitor Circuit/Comparator A Control Register (CMPA)

Address 0030h

Bit	b7	b6	b5	b4	b3	b2	b1	b0
Symbol	COMPSEL	—	IRQ2SEL	IRQ1SEL	CM2OE	CM1OE	CM2POR	CM1POR
After Reset	0	0	0	0	0	0	0	0

Bit	Symbol	Bit Name	Function	R/W
b0	CM1POR	LVCOUT1 output polarity select bit	0: Non-inverted comparator A1 comparison result is output to LVCOUT1. 1: Inverted comparator A1 comparison result is output to LVCOUT1.	R/W
b1	CM2POR	LVCOUT2 output polarity select bit	0: Non-inverted Comparator A2 comparison result is output to LVCOUT2. 1: Inverted comparator A2 comparison result is output to LVCOUT2.	R/W
b2	CM1OE	LVCOUT1 output enable bit	0: Output disabled 1: Output enabled	R/W
b3	CM2OE	LVCOUT2 output enable bit	0: Output disabled 1: Output enabled	R/W
b4	IRQ1SEL	Voltage monitor 1/comparator A1 interrupt type select bit	0: Non-maskable interrupt 1: Maskable interrupt	R/W
b5	IRQ2SEL	Voltage monitor 2/comparator A2 interrupt type select bit	0: Non-maskable interrupt 1: Maskable interrupt	R/W
b6	—	Reserved bit	Set to 0.	R/W
b7	COMPSEL	Voltage monitor/comparator A interrupt type selection enable bit	0: Bits IRQ1SEL and IRQ2SEL disabled 1: Bits IRQ1SEL and IRQ2SEL enabled	R/W

30.2.2 Voltage Monitor Circuit Edge Select Register (VCAC)

Address 0031h

Bit	b7	b6	b5	b4	b3	b2	b1	b0
Symbol	—	—	—	—	—	VCAC2	VCAC1	—
After Reset	0	0	0	0	0	0	0	0

Bit	Symbol	Bit Name	Function	R/W
b0	—	Nothing is assigned. If necessary, set to 0. When read, the content is 0.		—
b1	VCAC1	Comparator A1 circuit edge select bit (1)	0: One edge 1: Both edges	R/W
b2	VCAC2	Comparator A2 circuit edge select bit (2)	0: One edge 1: Both edges	R/W
b3	—	Nothing is assigned. If necessary, set to 0. When read, the content is 0.		—
b4	—			
b5	—			
b6	—			
b7	—			

Notes:

- When the VCA1 bit is set to 0 (one edge), the VW1C7 bit in the VW1C register is enabled. Set the VW1C7 bit after setting the VCAC1 bit to 0.
- When the VCA2 bit is set to 0 (one edge), the VW2C7 bit in the VW2C register is enabled. Set the VW2C7 bit after setting the VCAC2 bit to 0.

30.2.3 Voltage Detect Register (VCA1)

Address 0033h

Bit	b7	b6	b5	b4	b3	b2	b1	b0
Symbol	—	—	—	—	VCA13	—	—	—
After Reset	0	0	0	0	1	0	0	0

Bit	Symbol	Bit Name	Function	R/W
b0	—	Reserved bits	Set to 0.	R/W
b1	—			
b2	—			
b3	VCA13	Comparator A2 signal monitor flag ⁽¹⁾	0: LVCMP2 < reference voltage 1: LVCMP2 ≥ reference voltage or comparator A2 circuit disabled	R
b4	—	Reserved bits	Set to 0.	R/W
b5	—			
b6	—			
b7	—			

Note:

1. When the VCA27 bit in the VCA2 register is set to 1 (comparator A2 circuit enabled), the VCA13 bit is enabled. When the VCA27 bit in the VCA2 register is set to 0 (comparator A2 circuit disabled), the VCA13 bit is set to 1 (VCOMP2 ≥ reference voltage).

30.2.4 Voltage Detect Register 2 (VCA2)

Address 0034h

Bit	b7	b6	b5	b4	b3	b2	b1	b0
Symbol	VCA27	VCA26	VCA25	VCA24	VCA23	VCA22	VCA21	VCA20
After Reset	The LVDAS bit in the OFS register is set to 1.							
	0	0	0	0	0	0	0	0
After Reset	The LVDAS bit in the OFS register is set to 0.							
	0	0	1	0	0	0	0	0

Bit	Symbol	Bit Name	Function	R/W
b0	VCA20	Internal power low consumption enable bit ⁽¹⁾	0: Low consumption disabled 1: Low consumption enabled ⁽²⁾	R/W
b1	VCA21	Comparator A1 reference voltage input select bit	0: Internal reference voltage 1: LVREF pin input voltage	R/W
b2	VCA22	LVCMP1 comparison voltage external input select bit	0: Supply voltage (VCC) 1: LVCMP1 pin input voltage	R/W
b3	VCA23	Comparator A2 reference voltage input select bit	0: Internal reference voltage 1: LVREF pin input voltage	R/W
b4	VCA24	LVCMP2 comparison voltage external input select bit	0: Supply voltage (VCC) (Vdet2_0) 1: LVCMP2 pin input voltage (Vdet2_EXT)	R/W
b5	VCA25	Voltage detection 0 enable bit ⁽³⁾	0: Voltage detection 0 circuit disabled 1: Voltage detection 0 circuit enabled	R/W
b6	VCA26	Voltage detection 1/comparator A1 enable bit ⁽³⁾	0: Voltage detection 1/comparator A1 circuit disabled 1: Voltage detection 1/comparator A1 circuit enabled	R/W
b7	VCA27	Voltage detection 2/comparator A2 enable bit ⁽⁵⁾	0: Voltage detection 2/comparator A2 circuit disabled 1: Voltage detection 2/comparator A2 circuit enabled	R/W

Notes:

- Use the VCA20 bit only when the MCU enters wait mode. To set the VCA20 bit, follow the procedure shown in **Figure 9.3 Procedure for Reducing Internal Power Consumption Using VCA20 bit**.
- When the VCA20 bit is set to 1 (low consumption enabled), do not set the CM10 bit in the CM1 register to 1 (stop mode).
- When writing to the VCA25 bit, set a value after reset.
- To use the voltage detection 1/comparator A1 interrupt or the VW1C3 bit in the VW1C register, set the VCA26 bit to 1.
After the VCA26 bit is set to 1 from 0, allow td(E-A) to elapse before the voltage detection 1/comparator A1 circuit starts operation.
- To use the voltage detection 2/comparator A2 interrupt or the VCAC13 bit in the VCA1 register, set the VCA27 bit to 1.
After the VCA27 bit is set to 1 from 0, allow td(E-A) to elapse before the voltage detection 2/comparator A2 circuit starts operation.

Set the PRC3 bit in the PRCR register to 1 (write enabled) before rewriting the VCA2 register.

30.2.5 Voltage Monitor 1 Circuit Control Register (VW1C)

Address 0039h

Bit	b7	b6	b5	b4	b3	b2	b1	b0
Symbol	VW1C7	—	VW1F1	VW1F0	VW1C3	VW1C2	VW1C1	VW1C0
After Reset	1	0	0	0	1	0	1	0

Bit	Symbol	Bit Name	Function	R/W
b0	VW1C0	Comparator A1 interrupt enable bit ⁽¹⁾	0: Disabled 1: Enabled	R/W
b1	VW1C1	Comparator A1 digital filter disable mode select bit ⁽²⁾	0: Digital filter enable mode (digital filter circuit enabled) 1: Digital filter disable mode (digital filter circuit disabled)	R/W
b2	VW1C2	Comparator A1 interrupt flag ^(3, 4)	[Condition to set this bit to 0] 0 is written. [Condition to set this bit to 1] When an interrupt request is generated.	R/W
b3	VW1C3	Comparator A1 signal monitor flag ⁽³⁾	0: LVCMP1 < reference voltage 1: LVCMP1 ≥ reference voltage or comparator A1 circuit disabled	R
b4	VW1F0	Sampling clock select bit	^{b5 b4} 0 0: fOCO-S divided by 1 0 1: fOCO-S divided by 2 1 0: fOCO-S divided by 4 1 1: fOCO-S divided by 8	R/W
b5	VW1F1			R/W
b6	—	Reserved bit	Set to 0.	R/W
b7	VW1C7	Comparator A1 interrupt generation condition select bit ⁽⁵⁾	0: When LVCMP1 reaches reference voltage or above. 1: When LVCMP1 reaches reference voltage or below.	R/W

Notes:

- The VW1C0 is enabled when the VCA26 bit in the VCA2 register is set to 1 (comparator A1 circuit enabled). Set the VW1C0 bit to 0 (disabled) when the VCA26 bit is set to 0 (comparator A1 circuit disabled). To set the VW1C0 bit to 1 (enabled), follow the procedure shown in **Table 30.3 Procedure for Setting Bits Associated with Comparator A1 Interrupt**.
- To use the comparator A1 interrupt to exit stop mode and to return again, write 0 and then 1 to the VW1C1 bit.
- Bits VW1C2 and VW1C3 are enabled when the VCA26 bit in the VCA2 register is set to 1 (comparator A1 circuit enabled).
- Set the VW1C2 bit to 0 by a program. When 0 is written by a program, this bit is set to 0 (and remains unchanged even if 1 is written to it).
- The VW1C7 bit is enabled when the VCAC1 bit in the VCAC register is set to 0 (one edge). After setting the VCAC1 bit to 0, set the VW1C7 bit.

Set the PRC3 bit in the PRCR register to 1 (write enabled) before rewriting the VW1C register.

Rewriting the VW1C register may set the VW1C2 bit to 1. After rewriting this register, set the VW1C2 bit to 0.

30.2.6 Voltage Monitor 2 Circuit Control Register (VW2C)

Address 003Ah

Bit	b7	b6	b5	b4	b3	b2	b1	b0
Symbol	VW2C7	VW2C6	VW2F1	VW2F0	VW2C3	VW2C2	VW2C1	VW2C0
After Reset	1	0	0	0	0	0	1	0

Bit	Symbol	Bit Name	Function	R/W
b0	VW2C0	Comparator A2 interrupt enable bit (1)	0: Disabled 1: Enabled	R/W
b1	VW2C1	Comparator A2 digital filter disable mode select bit (2)	0: Digital filter enable mode (digital filter circuit enabled) 1: Digital filter disable mode (digital filter circuit disabled)	R/W
b2	VW2C2	Comparator A2 interrupt flag (3, 4)	[Condition to set this bit to 0] 0 is written. [Condition to set this bit to 1] When an interrupt request is generated.	R/W
b3	VW2C3	WDT detection monitor flag (4)	0: Not detected 1: Detected	R/W
b4	VW2F0	Sampling clock select bit	b5 b4 0 0: fOCO-S divided by 1 0 1: fOCO-S divided by 2 1 0: fOCO-S divided by 4 1 1: fOCO-S divided by 8	R/W
b5	VW2F1			R/W
b6	VW2C6	Reserved bit	Set to 0.	R/W
b7	VW2C7	Comparator A2 interrupt generation condition select bit (5)	0: When LVCMP2 reaches reference voltage or above. 1: When LVCMP2 reaches reference voltage or below.	R/W

Notes:

- The VW2C0 is enabled when the VCA27 bit in the VCA2 register is set to 1 (comparator A2 circuit enabled). Set the VW2C0 bit to 0 (disabled) when the VCA27 bit is set to 0 (comparator A2 circuit disabled). To set the VW2C0 bit to 1 (enabled), follow the procedure shown in **Table 30.4 Procedure for Setting Bits Associated Comparator A2 Interrupt**.
- To use the comparator A2 interrupt to exit stop mode and to return again, write 0 and then 1 to the VW2C1 bit.
- The VW2C2 bit is enabled when the VCA27 bit in the VCA2 register is set to 1 (comparator A2 circuit enabled).
- Set this bit to 0 by a program. When 0 is written by a program, this bit is set to 0 (and remains unchanged even if 1 is written to it).
- The VW2C7 bit is enabled when the VCAC2 bit in the VCAC register is set to 0 (one edge). After setting the VCAC2 bit to 0, set the VW2C7 bit.

Set the PRC3 bit in the PRCR register to 1 (write enabled) before rewriting the VW2C register.

Rewriting the VW2C register may set the VW2C2 bit to 1. After rewriting this register, set the VW2C2 bit to 0.

30.3 Monitoring Comparison Results

30.3.1 Monitoring Comparator A1

Once the following settings are made, the comparison result of comparator A1 can be monitored by the VW1C3 bit in the VW1C register after $t_d(E-A)$ has elapsed (refer to **34. Electrical Characteristics**).

- (1) Set the VCA21 bit in the VCA2 register to 1 (LVREF pin input voltage).
- (2) Set the VCA22 bit in the VCA2 register to 1 (LVCMP1 pin input voltage).
- (3) Set the VCA26 bit in the VCA2 register to 1 (comparator A1 circuit enabled).

30.3.2 Monitoring Comparator A2

Once the following settings are made, the comparison result of comparator A2 can be monitored by the VCA13 bit in the VCA1 register after $t_d(E-A)$ has elapsed (refer to **34. Electrical Characteristics**).

- (1) Set the VCA23 bit in the VCA2 register to 1 (LVREF pin input voltage).
- (2) Set the VCA24 bit in the VCA2 register to 1 (LVCMP2 pin input voltage).
- (3) Set the VCA27 bit in the VCA2 register to 1 (comparator A2 circuit enabled).

30.4 Functional Description

Comparator A1 and comparator A2 operate independently.

The comparison result of the reference input voltage and analog input voltage can be read by software. The result can also be output from the LVCOU_{Ti} (i = 1 or 2) pin. An input voltage to the LVREF pin can be used as the reference input voltage. The comparator A1 interrupt or the comparator A2 interrupt can be used by selecting non-maskable or maskable for each interrupt type.

30.4.1 Comparator A1

Table 30.3 lists the Procedure for Setting Bits Associated with Comparator A1 Interrupt, Figure 30.2 shows a Comparator A1 Operating Example (Digital Filter Enabled), and Figure 30.3 shows a Comparator A1 Operating Example (Digital Filter Disabled).

Table 30.3 Procedure for Setting Bits Associated with Comparator A1 Interrupt

Step	When Using Digital Filter	When Using No Digital Filter
1	Set the COMPSEL bit in the CMPA register to 1 (bits IRQ1SEL and IRQ2SEL enabled).	
2	Set the VCA21 bit in the VCA2 register to 1 (LVREF pin input voltage) and the VCA22 bit to 1 (LVCMP1 pin input voltage).	
3	Set the VCA26 bit in the VCA2 register to 1 (comparator A1 circuit enabled).	
4	Wait for $t_d(E-A)$.	
5	Select the interrupt type by the IRQ1SEL bit in the CMPA register.	
6	Select the sampling clock of the digital filter by bits VW1F0 and VW1F1 in the VW1C register.	Set the VW1C1 bit in the VW1C register to 1 (digital filter disabled).
7 (1)	Set the VW1C1 bit in the VW1C register to 0 (digital filter enabled).	–
8	Select the interrupt request timing by the VCAC1 bit in the VCAC register and the VW1C7 bit in the VW1C register.	
9	Set the VW1C2 bit in the VW1C register to 0.	
10	Set the CM14 bit in the CM1 register to 0 (low-speed on-chip oscillator on).	–
11	Wait for 2 cycles of the sampling clock of the digital filter.	– (No wait time required)
12	Set the VW1C0 bit in the VW1C register to 1 (comparator A1 interrupt enabled).	

Note:

1. When the VW1C0 bit is set to 0, steps 6 and 7 can be executed at the same time (with one instruction).

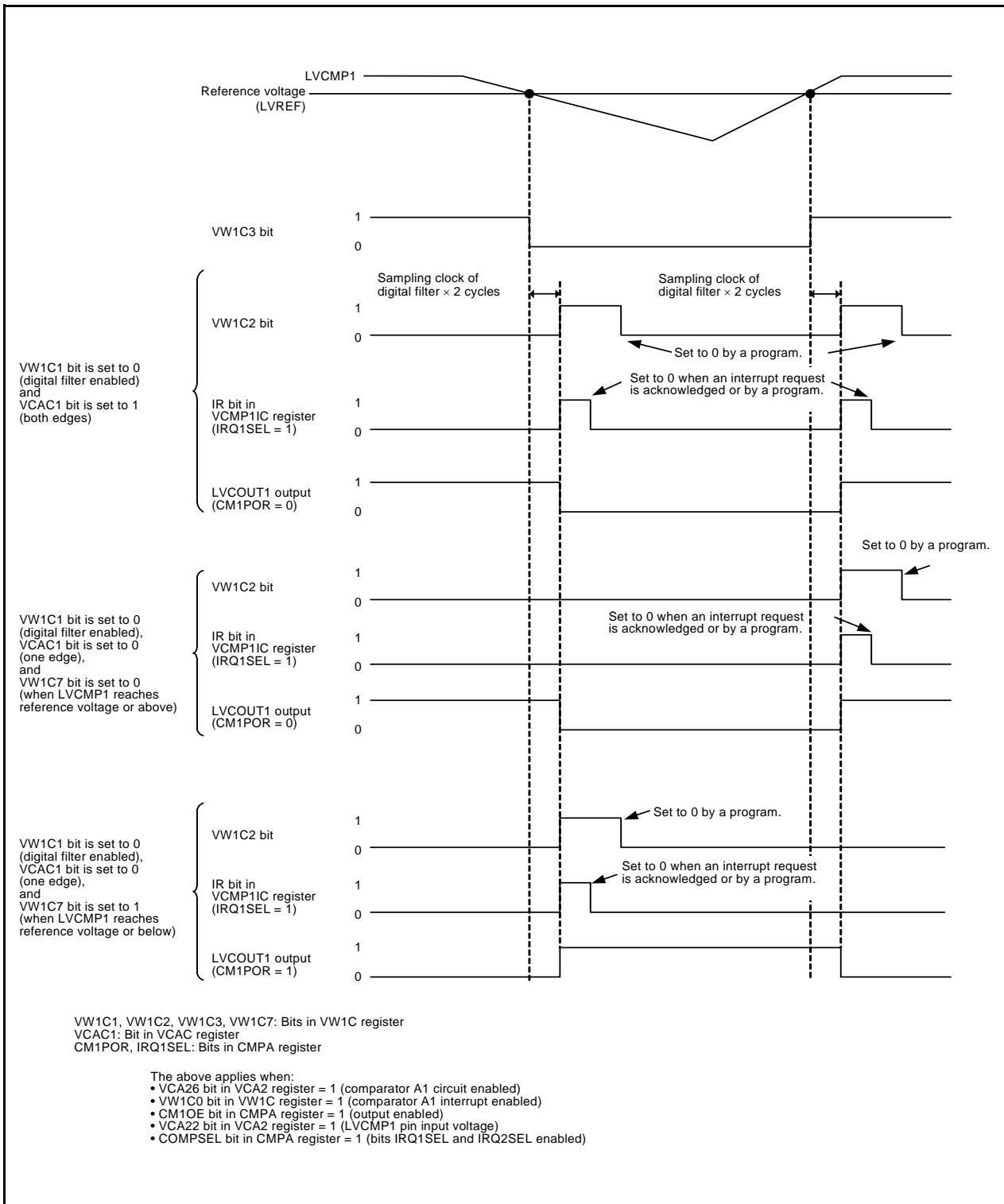


Figure 30.2 Comparator A1 Operating Example (Digital Filter Enabled)

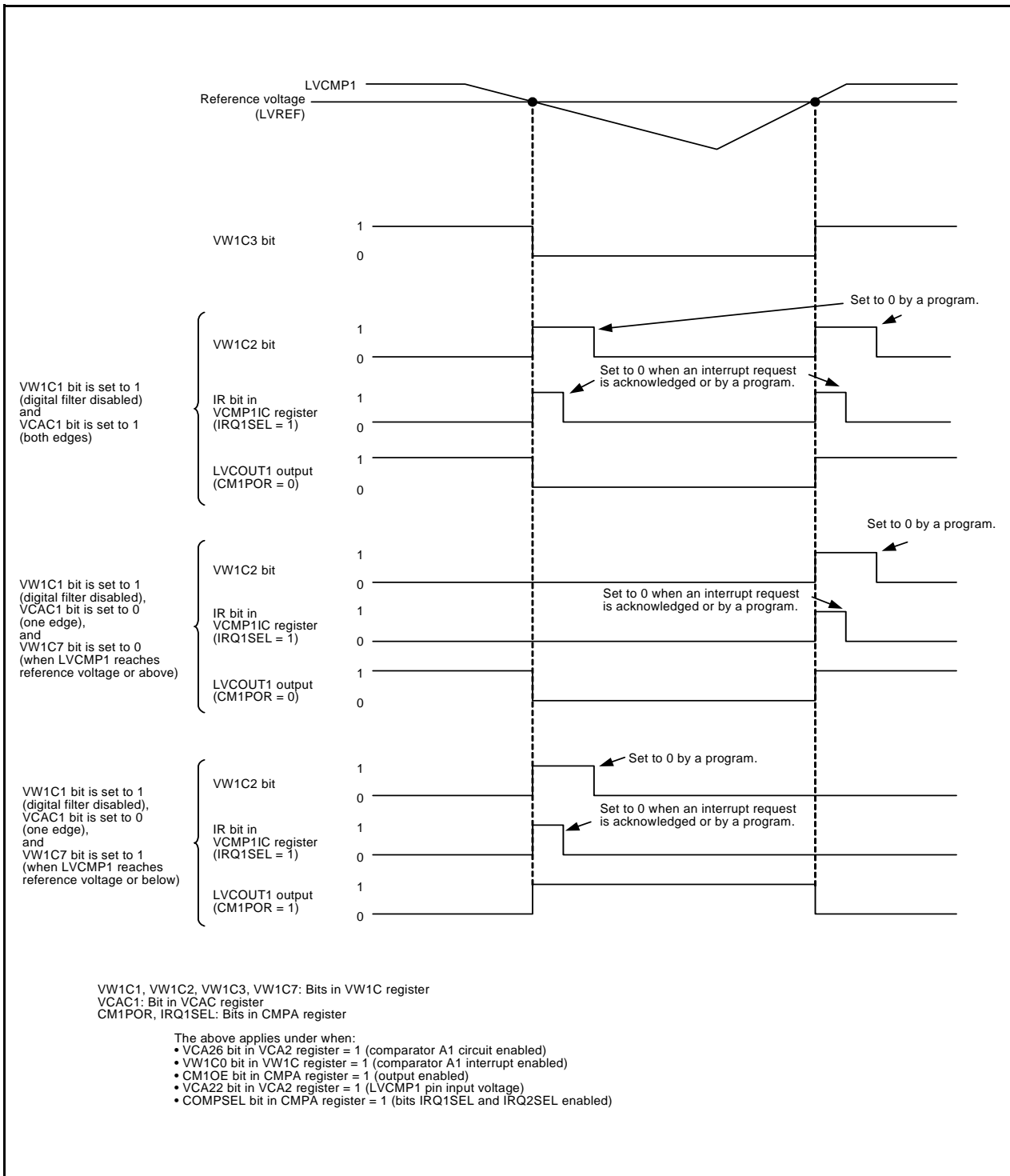


Figure 30.3 Comparator A1 Operating Example (Digital Filter Disabled)

30.4.2 Comparator A2

Table 30.4 lists the Procedure for Setting Bits Associated Comparator A2 Interrupt, Figure 30.4 shows a Comparator A2 Operating Example (Digital Filter Enabled), and Figure 30.5 shows a Comparator 2 Operating Example (Digital Filter Disabled).

Table 30.4 Procedure for Setting Bits Associated Comparator A2 Interrupt

Step	When Using Digital Filter	When Using No Digital Filter
1	Set the COMPSEL bit in the CMPA register to 1 (bits IRQ1SEL and IRQ2SEL enabled).	
2	Set the VCA23 bit in the VCA2 register to 1 (LVREF pin input voltage) and the VCA24 bit to 1 (LVCMP2 pin input voltage).	
3	Set the VCA27 bit in the VCA2 register to 1 (comparator A2 circuit enabled).	
4	Wait for $t_d(E-A)$.	
5	Select the interrupt type by the IRQ2SEL bit in the CMPA register.	
6	Select the sampling clock of the digital filter by bits VW2F0 and VW2F1 in the VW2C register.	Set the VW2C1 bit in the VW2C register to 1 (digital filter disabled).
7 (1)	Set the VW2C1 bit in the VW2C register to 0 (digital filter enabled).	–
8	Select the interrupt request timing by the VCAC2 bit in the VCAC register and the VW2C7 bit in the VW2C register.	
9	Set the VW2C2 bit in the VW2C register to 0.	
10	Set the CM14 bit in the CM1 register to 0 (low-speed on-chip oscillator on).	–
11	Wait for 2 cycles of the sampling clock of the digital filter.	– (No wait time required)
12	Set the VW2C0 bit in the VW2C register to 1 (comparator A2 interrupt enabled).	

Note:

1. When the VW2C0 bit is set to 0, steps 6 and 7 can be executed at the same time (with one instruction).

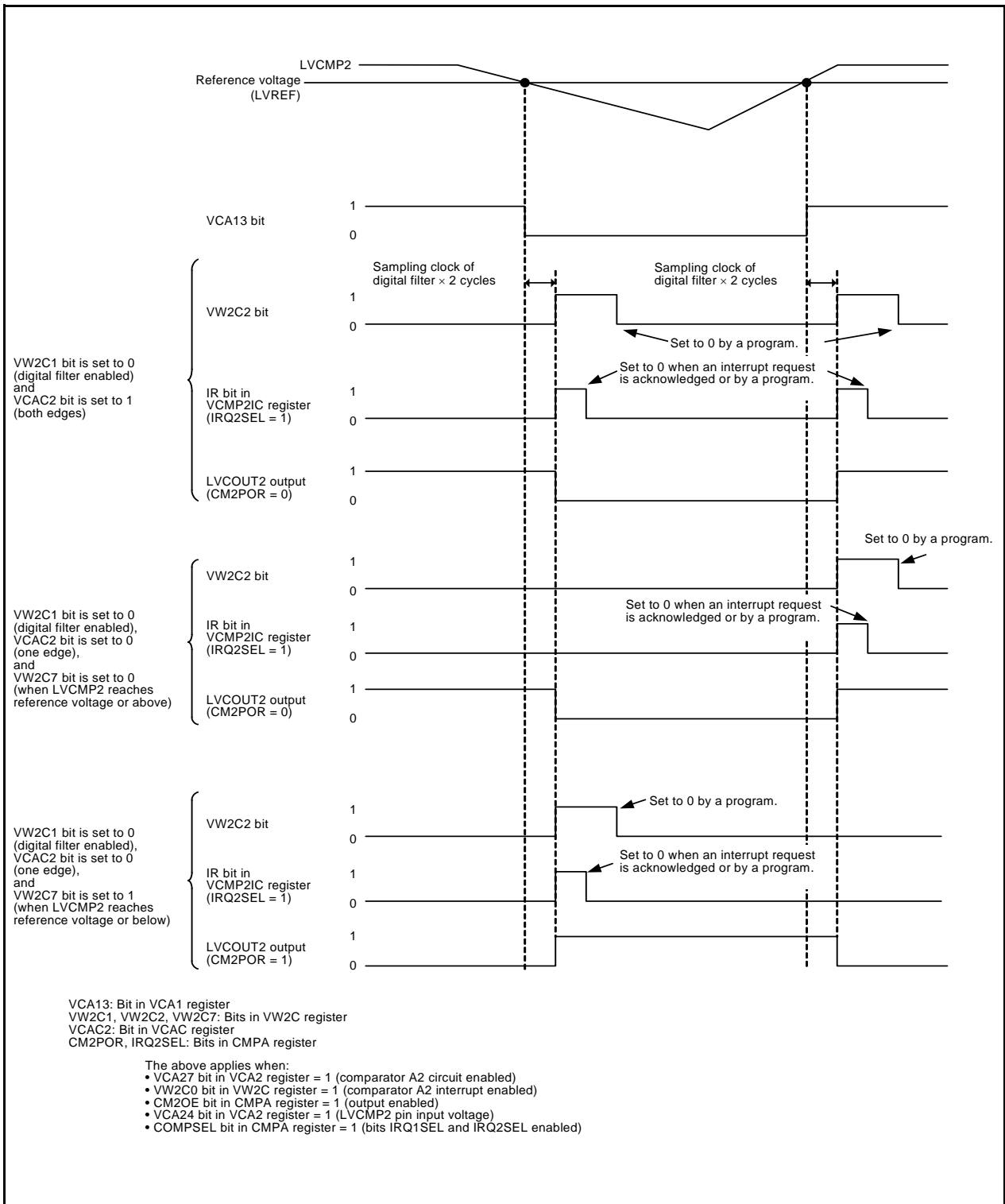


Figure 30.4 Comparator A2 Operating Example (Digital Filter Enabled)

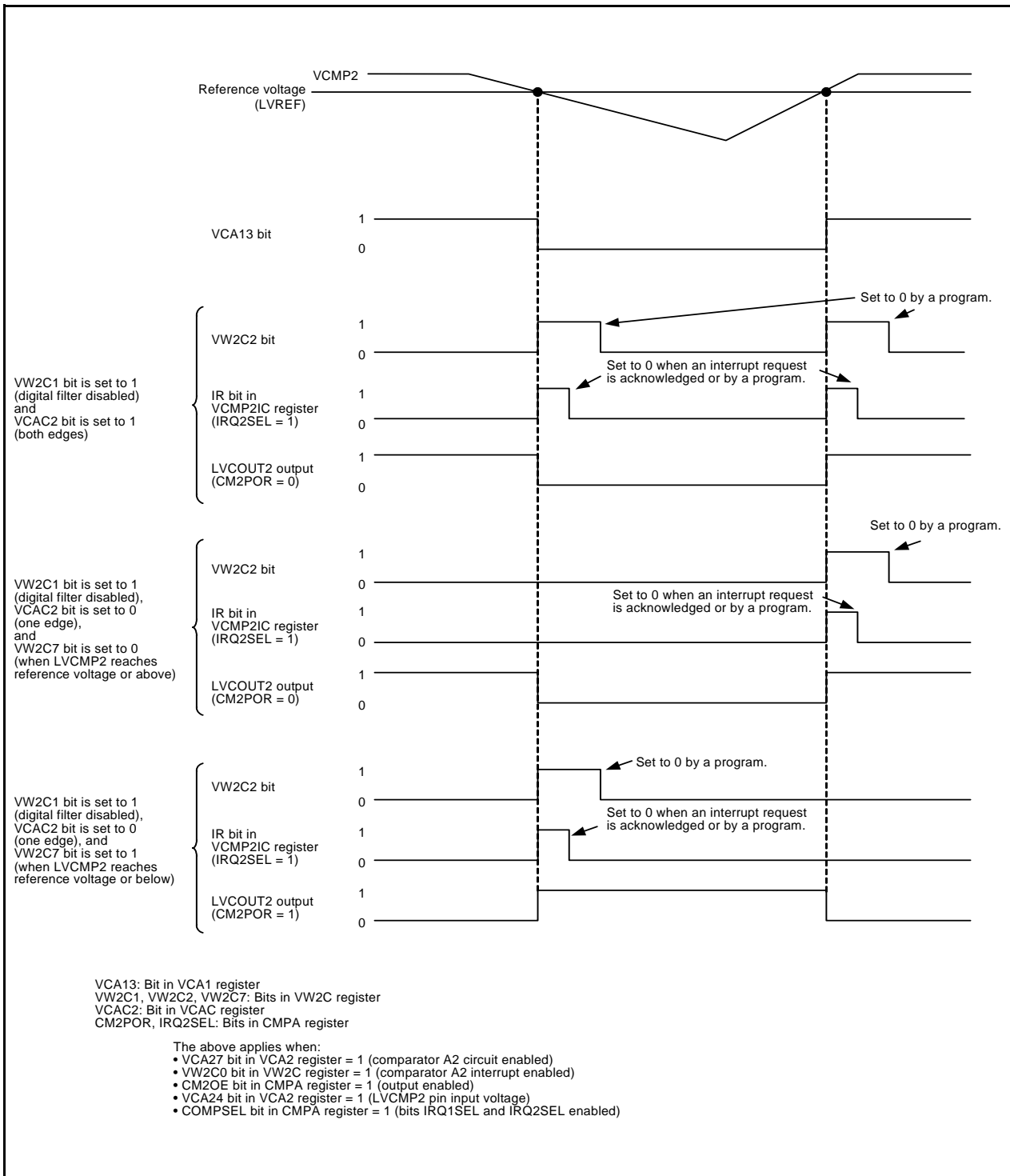


Figure 30.5 Comparator 2 Operating Example (Digital Filter Disabled)

30.5 Comparator A1 and Comparator A2 Interrupts

Comparator A generates an interrupt request from two sources, comparator A1 and comparator A2. Non-maskable or maskable can be selected for each interrupt type.

Refer to **11. Interrupts** for details of interrupts.

30.5.1 Non-Maskable Interrupts

When the COMPSEL bit in the CMPA register is set to 1 (bits IRQ1SEL and IRQ2SEL enabled) and the IRQiSEL (i = 1 or 2) is set to 0, the comparator Ai interrupt functions as a non-maskable interrupt.

When the selected interrupt request timing occurs, the VWiC2 bit in the VWiC register is set to 1. At this time, a non-maskable interrupt request for comparator Ai is generated.

30.5.2 Maskable Interrupts

When the COMPSEL bit in the CMPA register is set to 1 (bits IRQ1SEL and IRQ2SEL enabled) and the IRQiSEL (i = 1 or 2) is set to 1, the comparator Ai interrupt functions as a maskable interrupt.

The comparator Ai interrupt uses the corresponding VCMPiIC register (bits IR and ILVL0 to ILVL2) and a single vector. When the selected interrupt request timing occurs, the VWiC2 bit in the VWiC register is set to 1. At this time, the IR bit in the VCMPiIC register is set to 1 (interrupt requested).

Refer to **11.3 Interrupt Control** for the VCMPiIC register and **11.1.5.2 Relocatable Vector Tables** for interrupt vectors.

31. Comparator B

Comparator B compares a reference input voltage and an analog input voltage. Comparator B1 and comparator B3 are independent of each other.

31.1 Overview

The comparison result of the reference input voltage and analog input voltage can be read by software. An input to the IVREFi (i = 1 or 3) pin can be used as the reference input voltage.

Table 31.1 lists the Comparator B Specifications, Figure 31.1 shows a Comparator B Block Diagram, and Table 31.2 lists the I/O Pins.

Table 31.1 Comparator B Specifications

Item	Specification
Analog input voltage	Input voltage to the IVCMPi pin
Reference input voltage	Input voltage to the IVREFi pin
Comparison result	Read from the INTiCOUT bit in the INTCMP register
Interrupt request generation timing	When the comparison result changes.
Selectable functions	<ul style="list-style-type: none"> Digital filter function Whether the digital filter is applied or not and the sampling frequency can be selected.

i = 1 or 3

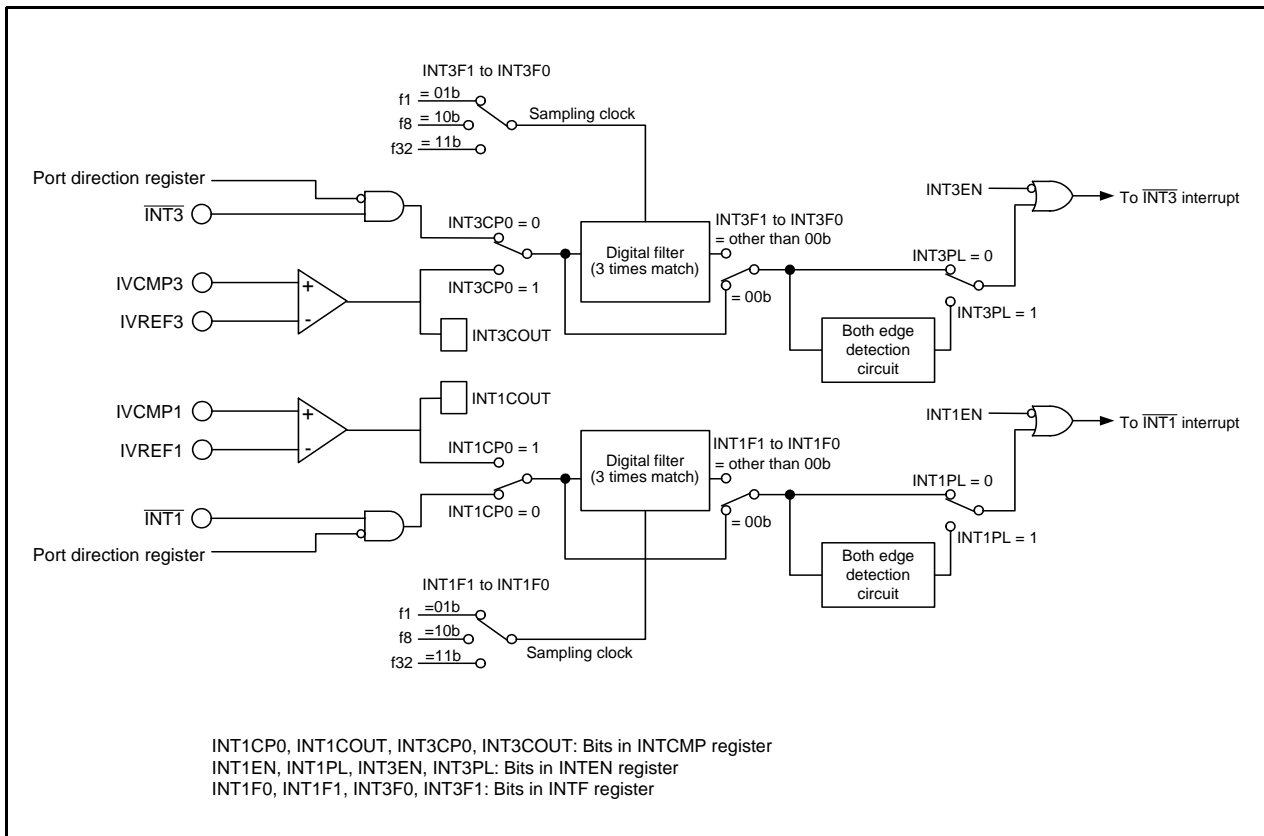


Figure 31.1 Comparator B Block Diagram

Table 31.2 I/O Pins

Pin Name	I/O	Function
IVCMP1	Input	Comparator B1 analog pin
IVREF1	Input	Comparator B1 reference voltage pin
IVCMP3	Input	Comparator B3 analog pin
IVREF3	Input	Comparator B3 reference voltage pin

31.2 Registers

31.2.1 Comparator B Control Register 0 (INTCMP)

Address 01F8h

Bit	b7	b6	b5	b4	b3	b2	b1	b0
Symbol	INT3COUT	—	—	INT3CP0	INT1COUT	—	—	INT1CP0
After Reset	0	0	0	0	0	0	0	0

Bit	Symbol	Bit Name	Function	R/W
b0	INT1CP0	Comparator B1 operation enable bit	0: Comparator B1 operation disabled 1: Comparator B1 operation enabled	R/W
b1	—	Reserved bits	Set to 0.	R/W
b2	—			
b3	INT1COUT	Comparator B1 monitor flag	0: IVCMP1 < IVREF1 or comparator B1 operation disabled 1: IVCMP1 > IVREF1	R
b4	INT3CP0	Comparator B3 operation enable bit	0: Comparator B3 operation disabled 1: Comparator B3 operation enabled	R/W
b5	—	Reserved bits	Set to 0.	R/W
b6	—			
b7	INT3COUT	Comparator B3 monitor flag	0: IVCMP3 < IVREF3 or comparator B3 operation disabled 1: IVCMP3 > IVREF3	R

31.2.2 External Input Enable Register 0 (INTEN)

Address 01FAh

Bit	b7	b6	b5	b4	b3	b2	b1	b0
Symbol	INT3PL	INT3EN	INT2PL	INT2EN	INT1PL	INT1EN	INT0PL	INT0EN
After Reset	0	0	0	0	0	0	0	0

Bit	Symbol	Bit Name	Function	R/W
b0	INT0EN	$\overline{\text{INT0}}$ input enable bit	0: Disabled 1: Enabled	R/W
b1	INT0PL	$\overline{\text{INT0}}$ input polarity select bit (1, 2)	0: One edge 1: Both edges	R/W
b2	INT1EN	$\overline{\text{INT1}}$ input enable bit	0: Disabled 1: Enabled	R/W
b3	INT1PL	$\overline{\text{INT1}}$ input polarity select bit (1, 2)	0: One edge 1: Both edges	R/W
b4	INT2EN	$\overline{\text{INT2}}$ input enable bit	0: Disabled 1: Enabled	R/W
b5	INT2PL	$\overline{\text{INT2}}$ input polarity select bit (1, 2)	0: One edge 1: Both edges	R/W
b6	INT3EN	$\overline{\text{INT3}}$ input enable bit	0: Disabled 1: Enabled	R/W
b7	INT3PL	$\overline{\text{INT3}}$ input polarity select bit (1, 2)	0: One edge 1: Both edges	R/W

Notes:

- To set the INTiPL bit (i = 0 to 3) to 1 (both edges), set the POL bit in the INTiIC register to 0 (falling edge selected).
- The IR bit in the INTiIC register may be set to 1 (interrupt requested) if the INTiPL bit is rewritten. Refer to **11.8.4 Changing Interrupt Sources**.

31.2.3 INT Input Filter Select Register 0 (INTF)

Address 01FCh

Bit	b7	b6	b5	b4	b3	b2	b1	b0
Symbol	INT3F1	INT3F0	INT2F1	INT2F0	INT1F1	INT1F0	INT0F1	INT0F0
After Reset	0	0	0	0	0	0	0	0

Bit	Symbol	Bit Name	Function	R/W
b0	INT0F0	INT0 input filter select bit	b1 b0 0 0: No filter 0 1: Filter with f1 sampling 1 0: Filter with f8 sampling 1 1: Filter with f32 sampling	R/W
b1	INT0F1			R/W
b2	INT1F0	INT1 input filter select bit	b3 b2 0 0: No filter 0 1: Filter with f1 sampling 1 0: Filter with f8 sampling 1 1: Filter with f32 sampling	R/W
b3	INT1F1			R/W
b4	INT2F0	INT2 input filter select bit	b5 b4 0 0: No filter 0 1: Filter with f1 sampling 1 0: Filter with f8 sampling 1 1: Filter with f32 sampling	R/W
b5	INT2F1			R/W
b6	INT3F0	INT3 input filter select bit	b7 b6 0 0: No filter 0 1: Filter with f1 sampling 1 0: Filter with f8 sampling 1 1: Filter with f32 sampling	R/W
b7	INT3F1			R/W

31.3 Functional Description

Comparator B1 and comparator B3 operate independently. Their operations are the same. Table 31.3 lists the Procedure for Setting Registers Associated with Comparator B.

Table 31.3 Procedure for Setting Registers Associated with Comparator B

Step	Register	Bit	Setting Value
1	Select the function of pins IVCMPi and IVREFi. Refer to 7.5 Port Settings . However, set registers and bits other than listed in step 2 and the following steps.		
2	INTF	Select whether to enable or disable the filter. Select the sampling clock.	
3	INTCMP	INTiCPO	1 (operation enabled)
4	Wait for comparator stability time (100 μ s max.)		
5	INTEN	INTiEN	When using an interrupt: 1 (interrupt enabled)
		INTiPL	When using an interrupt: Select the input polarity.
6	INTiIC	ILVL2 to ILVL0	When using an interrupt: Select the interrupt priority level.
		IR	When using an interrupt: 0 (no interrupt requested: initialization)

i = 1 or 3

Figure 31.2 shows an Operating Example of Comparator Bi (i = 1 or 3).

If the analog input voltage is higher than the reference input voltage, the INTiCOUT bit in the INTCMP register is set to 1. If the analog input voltage is lower than the reference input voltage, the INTiCOUT bit is set to 0. To use the comparator Bi interrupt, set the INTiEN bit in the INTEN register to 1 (interrupt enabled). If the comparison result changes at this time, a comparator Bi interrupt request is generated. Refer to **31.4 Comparator B1 and Comparator B3 Interrupts** for details of interrupts.

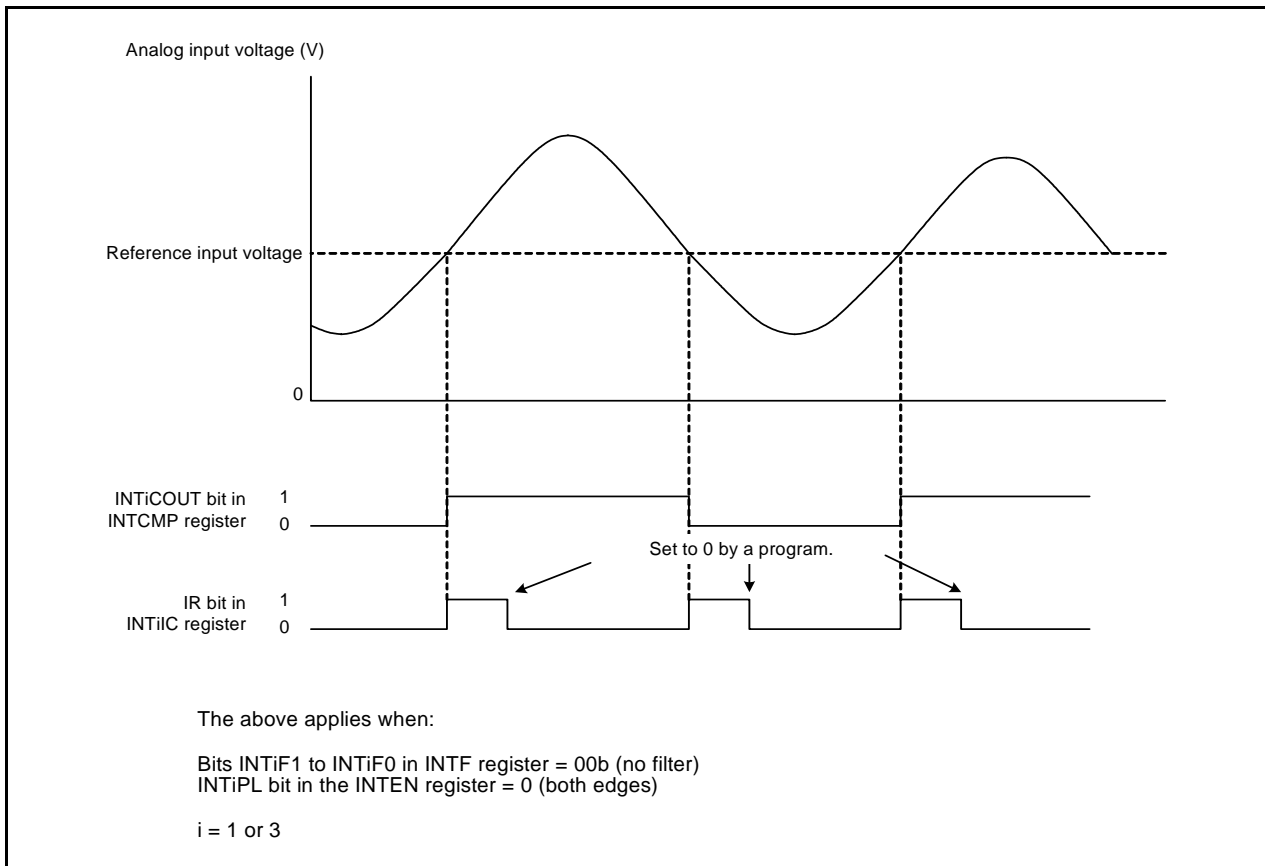


Figure 31.2 Operating Example of Comparator Bi (i = 1 or 3)

31.3.1 Comparator Bi Digital Filter (i = 1 or 3)

Comparator Bi can use the same digital filter as the $\overline{\text{INTi}}$ input. The sampling clock can be selected by bits INTiF1 and INTiF0 in the INTF register. The INTiCOUT signal output from comparator Bi is sampled every sampling clock. When the level matches three times, the IR bit in the INTiC register is set to 1 (interrupt requested).

Figure 31.3 shows a Configuration of Comparator Bi Digital Filter, and Figure 31.4 shows an Operating Example of Comparator Bi Digital Filter.

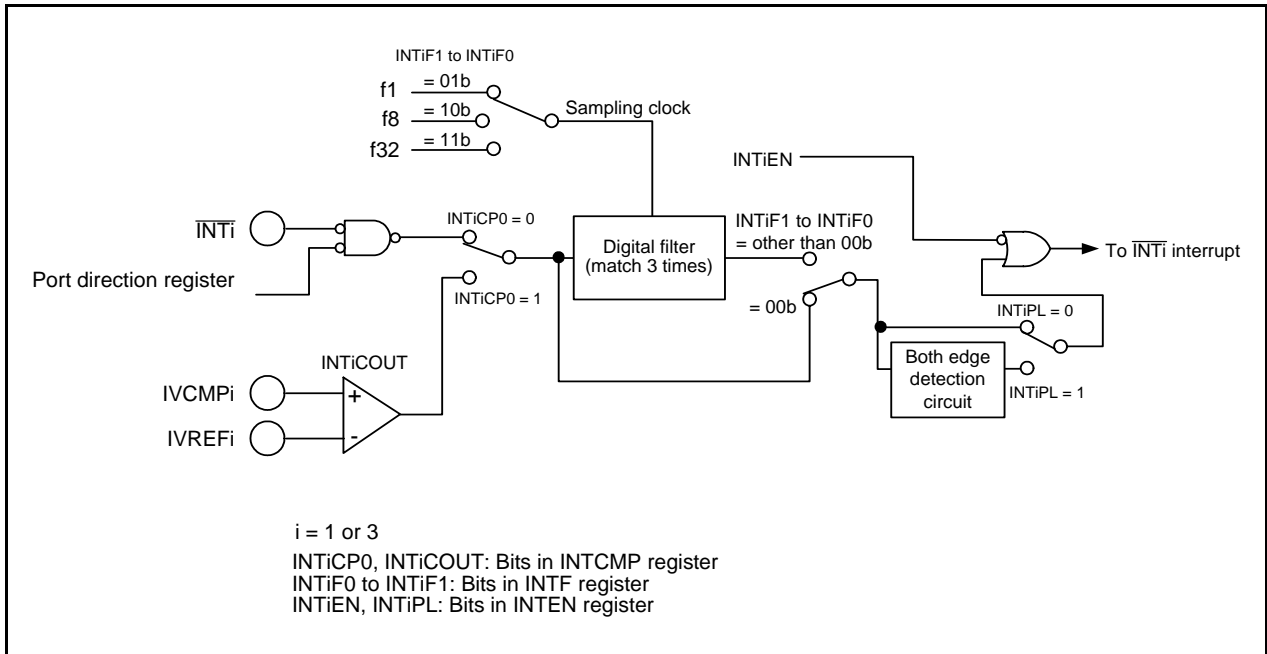


Figure 31.3 Configuration of Comparator Bi Digital Filter

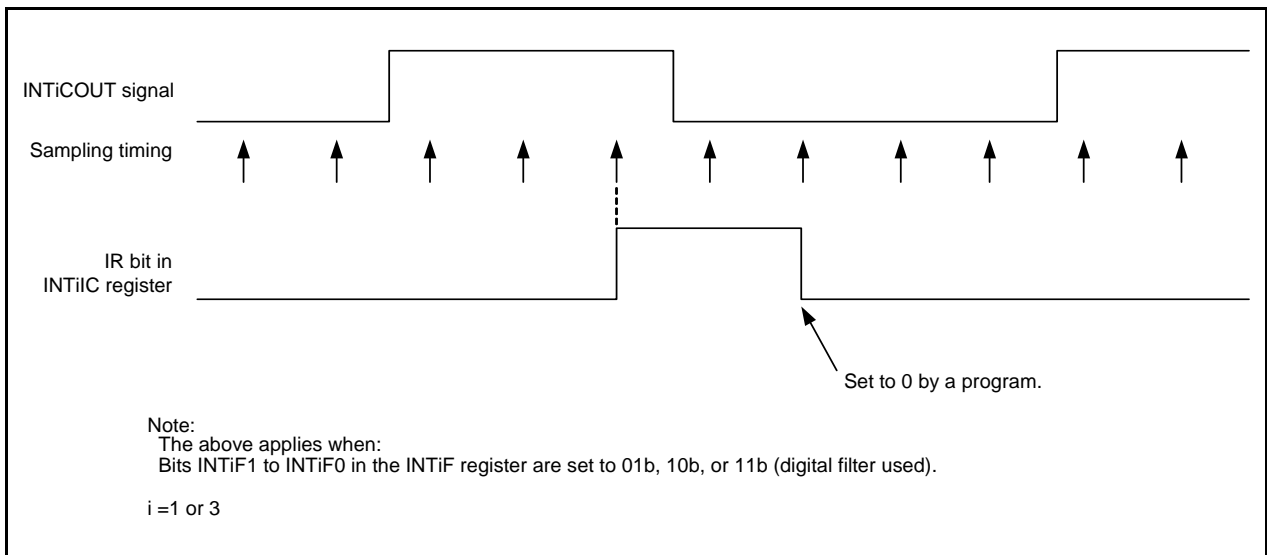


Figure 31.4 Operating Example of Comparator Bi Digital Filter

31.4 Comparator B1 and Comparator B3 Interrupts

Comparator B generates an interrupt request from two sources, comparator B1 and comparator B3. The comparator Bi (i = 1 or 3) interrupt uses the same INTiIC register (bits IR and ILVL0 to ILVL2) as the $\overline{\text{INTi}}$ (i = 1 or 3) and a single vector.

To use the comparator Bi interrupt, set the INTiEN bit in the INTEN register to 1 (interrupt enabled). In addition, the polarity can be selected by the INTiPL bit in the INTEN register and the POL bit in the INTiIC register.

Inputs can also be passed through the digital filter with three different sampling clocks.

32. Flash Memory

The flash memory can perform in the following three rewrite modes: CPU rewrite mode, standard serial I/O mode, and parallel I/O mode.

32.1 Overview

Table 32.1 lists the Flash Memory Version Performance. (Refer to **Table 1.1** and **Table 1.2 R8C/35A Group Specifications** for items not listed in Table 32.1.)

Table 32.1 Flash Memory Version Performance

Item		Specification
Flash memory operating mode		3 modes (CPU rewrite, standard serial I/O, and parallel I/O)
Division of erase blocks		Refer to Figure 32.1 .
Programming method		Byte units
Erasure method		Block erase
Programming and erasure control method (1)		Program and erasure control by software commands
Rewrite control method	Blocks 0 to 8 (Program ROM) (3)	Rewrite protect control in block units by the lock bit
	Blocks A, B, C, and D (Data flash)	Individual rewrite protect control on blocks A, B, C, and D by bits FMR14, FMR15, FMR16, and FMR17 in the FMR1 register
Number of commands		8 commands
Programming and erasure endurance (2)	Blocks 0 to 8 (Program ROM) (3)	1,000 times
	Blocks A, B, C, and D (Data flash)	10,000 times
ID code check function		Standard serial I/O mode supported
ROM code protection		Parallel I/O mode supported

Notes:

- To perform programming and erasure, use VCC = 2.7 V to 5.5 V as the supply voltage. Do not perform programming and erasure at less than 2.7 V.
- Definition of programming and erasure endurance
 The programming and erasure endurance is defined on a per-block basis. If the programming and erasure endurance is n (n = 1,000 or 10,000), each block can be erased n times. For example, if 1,024 1-byte writes are performed to different addresses in block A, a 1-Kbyte block, and then the block is erased, the programming/erasure endurance still stands at one. When performing 100 or more rewrites, the actual erase count can be reduced by executing program operations in such a way that all blank areas are used before performing an erase operation. Avoid rewriting only particular blocks and try to average out the programming and erasure endurance of the blocks. It is also advisable to retain data on the erasure endurance of each block and limit the number of erase operations to a certain number.
- The number of blocks and block division vary with the MCU. Refer to **Figures 32.1 and 32.2 R8C/35A Group Flash Memory Block Diagram** for details.

Table 32.2 Flash Memory Rewrite Mode

Flash Memory Rewrite Mode	CPU Rewrite Mode	Standard Serial I/O Mode	Parallel I/O Mode
Function	User ROM area is rewritten by executing software commands from the CPU.	User ROM area is rewritten using a dedicated serial programmer.	User ROM area is rewritten using a dedicated parallel programmer.
Rewritable area	User ROM	User ROM	User ROM
Rewrite programs	User program	Standard boot program	—

32.2 Memory Map

The flash memory contains a user ROM area and a boot ROM area (reserved area).

Figures 32.1 and 32.2 show the R8C/35A Group Flash Memory Block Diagrams.

The user ROM area contains program ROM and data flash.

Program ROM: Flash memory mainly used for storing programs

Data flash: Flash memory mainly used for storing data to be rewritten

The user ROM area is divided into several blocks. The user ROM area can be rewritten in CPU rewrite mode, standard serial I/O mode, or parallel I/O mode.

The rewrite control program (standard boot program) for standard serial I/O mode is stored in the boot ROM area before shipment. The boot ROM area is allocated separately from the user ROM area.

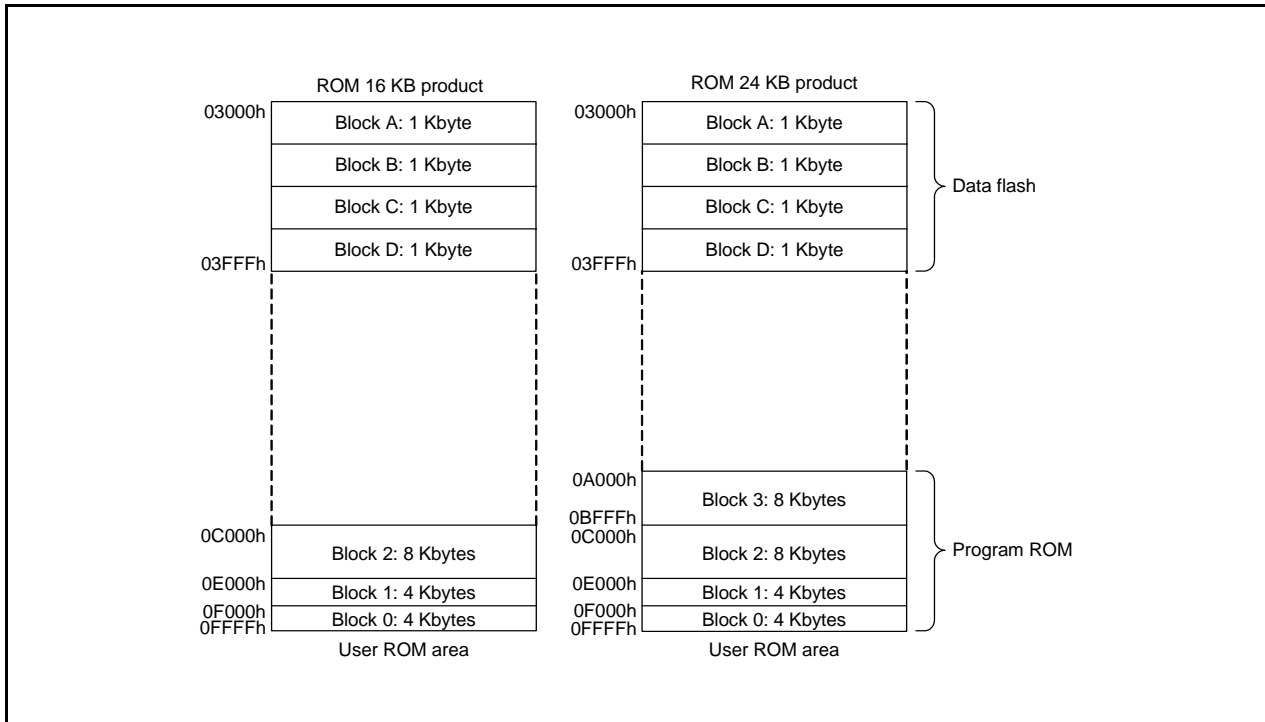


Figure 32.1 R8C/35A Group Flash Memory Block Diagram (1)

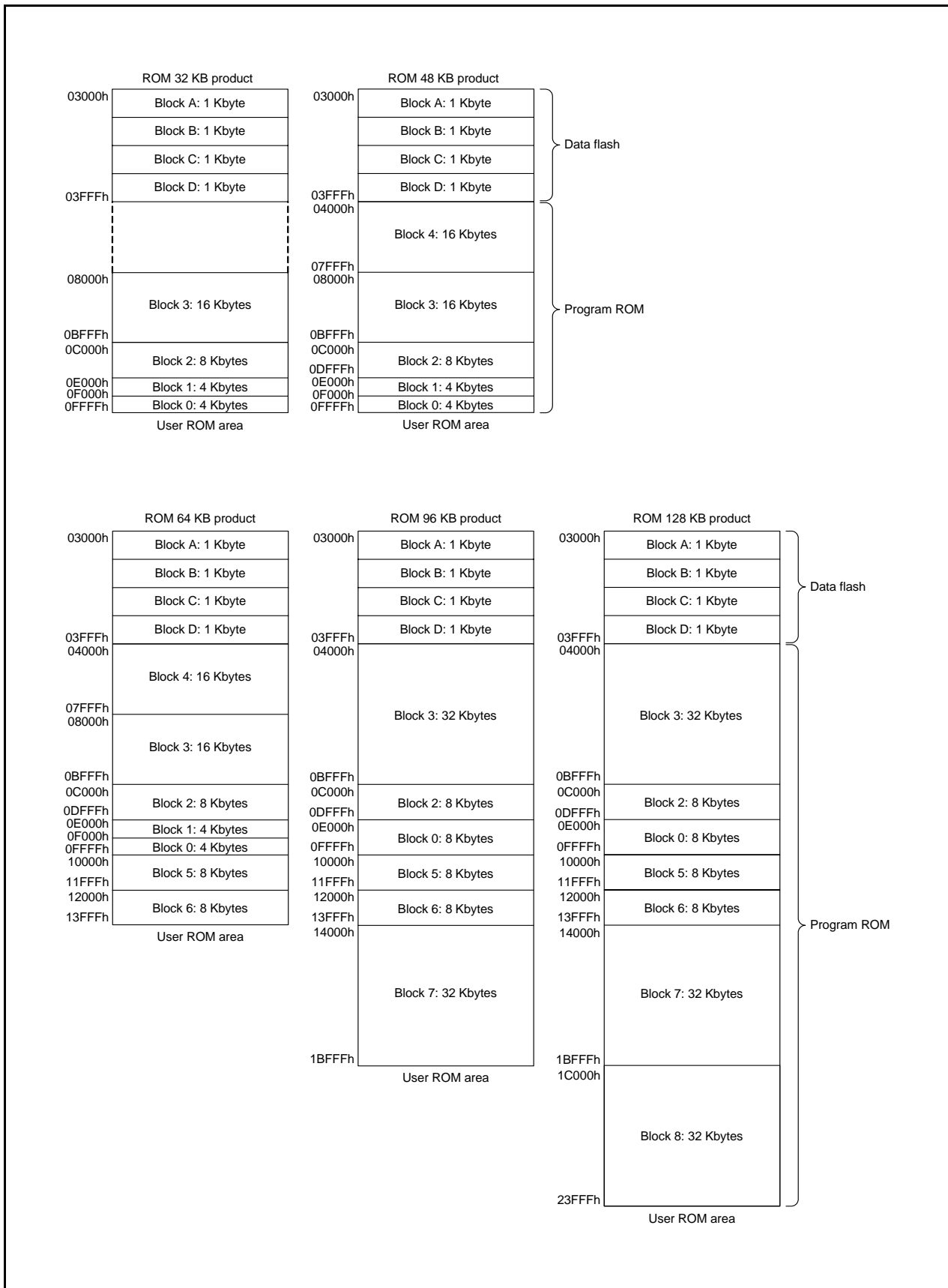


Figure 32.2 R8C/35A Group Flash Memory Block Diagram (2)

32.3 Functions to Prevent Flash Memory from being Rewritten

Standard serial I/O mode has an ID code check function, and parallel I/O mode has a ROM code protect function to prevent the flash memory from being read or rewritten easily.

32.3.1 ID Code Check Function

The ID code check function is used in standard serial I/O mode. Unless 3 bytes (addresses 0FFFCh to 0FFFEh) of the reset vector are set to FFFFFFFh, the ID codes sent from the serial programmer or the on-chip debugging emulator and the 7-byte ID codes written in the flash memory are checked to see if they match. If the ID codes do not match, the commands sent from the serial programmer or the on-chip debugging emulator are not accepted. For details of the ID code check function, refer to **12. ID Code Areas**.

32.3.2 ROM Code Protect Function

The ROM protect function prevents the contents of the flash memory from being read, rewritten, or erased using the OFS register in parallel I/O mode.

Refer to **13. Option Function Select Area** for details of the OFS register.

The ROM code protect function is enabled by writing 1 to the ROMCR bit and writing 0 to the ROMCP1 bit. This prevents the contents of the on-chip flash memory from being read or rewritten.

Once ROM code protection is enabled, the content of the internal flash memory cannot be rewritten in parallel I/O mode. To disable ROM code protection, erase the block including the OFS register using CPU rewrite mode or standard serial I/O mode.

32.3.3 Option Function Select Register (OFS)

Address 0FFFh

Bit	b7	b6	b5	b4	b3	b2	b1	b0	
Symbol	CSPROINI	LVDAS	VDSEL1	VDSEL0	ROMCP1	ROMCR	—	WDTON	
When shipping	1	1	1	1	1	1	1	1	(Note 1)

Bit	Symbol	Bit Name	Function	R/W
b0	WDTON	Watchdog timer start select bit	0: Watchdog timer automatically starts after reset. 1: Watchdog timer is stopped after reset.	R/W
b1	—	Reserved bit	Set to 1.	R/W
b2	ROMCR	ROM code protect disable bit	0: ROM code protect disabled 1: ROMCP1 bit enabled	R/W
b3	ROMCP1	ROM code protect bit	0: ROM code protect enabled 1: ROM code protect disabled	R/W
b4	VDSEL0	Voltage detection 0 level select bit (2)	b5 b4 0 0: 3.80 V selected (Vdet0_3) 0 1: 2.85 V selected (Vdet0_2) 1 0: 2.35 V selected (Vdet0_1) 1 1: 1.90 V selected (Vdet0_0)	R/W
b5	VDSEL1			R/W
b6	LVDAS	Voltage detection 0 circuit start bit (3)	0: Voltage monitor 0 reset enabled after reset 1: Voltage monitor 0 reset disabled after reset	R/W
b7	CSPROINI	Count source protection mode after reset select bit	0: Count source protect mode enabled after reset 1: Count source protect mode disabled after reset	R/W

Notes:

1. If the block including the OFS register is erased, the OFS register value is set to FFh.
2. The same level of the voltage detection 0 level selected by bits VDSEL0 and VDSEL1 is set in both functions of voltage monitor 0 reset and power-on reset.
3. To use power-on reset and voltage monitor 0 reset, set the LVDAS bit to 0 (voltage monitor 0 reset enabled after reset).

The OFS register is allocated in the flash memory. Write to this register with a program. After writing, do not write additions to this register.

LVDAS Bit (Voltage Detection 0 Circuit Start Bit)

The Vdet0 voltage to be monitored by the voltage detection 0 circuit is selected by bits VDSEL0 and VDSEL1.

32.4 CPU Rewrite Mode

In CPU rewrite mode, the user ROM area can be rewritten by executing software commands from the CPU. Therefore, the user ROM area can be rewritten directly while the MCU is mounted on a board without using a ROM programmer. Execute the software command only to blocks in the user ROM area.

The flash module has an erase-suspend function which halts the erase operation temporarily during an erase operation in CPU rewrite mode. During erase-suspend, the user ROM area can be read by a program.

Erase-write 0 mode (EW0 mode) and erase-write 1 mode (EW1 mode) are available in CPU rewrite mode.

Table 32.3 lists the Differences between EW0 Mode and EW1 Mode.

Table 32.3 Differences between EW0 Mode and EW1 Mode

Item	EW0 Mode	EW1 Mode
Operating mode	Single-chip mode	Single-chip mode
Rewrite control program allocatable area	User ROM	User ROM
Rewrite control program executable areas	RAM (The rewrite control program must be transferred before being executed.) However, the program can be executed in the program ROM area when rewriting the data flash area.	User ROM or RAM
Rewritable area	User ROM	User ROM However, blocks which contain the rewrite control program are excluded.
Software command restrictions	—	Program and block erase commands cannot be executed to any block which contains the rewrite control program.
Mode after programming or block erasure or after entering erase-suspend	Read array mode	Read array mode
CPU and DTC state during programming and block erasure	The CPU operates.	<ul style="list-style-type: none"> The CPU or DTC operates while the data flash area is being programmed or block erased. The CPU or DTC is put in a hold state while the program ROM area is being programmed or block erased. (I/O ports retain the state before the command execution).
Flash memory status detection	Read bits FST7, FMT5, and FMT4 in the FST register by a program.	Read bits FST7, FMT5, and FMT4 in the FST register by a program.
Conditions for entering program-suspend	<ul style="list-style-type: none"> Set bits FMR20 and FMR21 in the FMR2 register to 1 by a program. Set bits FMR20 and FMR22 in the FMR2 register to 1 and the enabled maskable interrupt is generated. 	<ul style="list-style-type: none"> Set bits FMR20 and FMR21 in the FMR2 register to 1 by a program (while rewriting the data flash area). Set bits FMR20 and FMR22 in the FMR2 register to 1 and the enabled maskable interrupt is generated.
CPU clock	20 MHz	20 MHz

32.4.1 Flash Memory Status Register (FST)

Address 01B2h

Bit	b7	b6	b5	b4	b3	b2	b1	b0
Symbol	FST7	FST6	FST5	FST4	—	LBDATA	BSYAEI	RDYSTI
After Reset	1	0	0	0	0	X	0	0

Bit	Symbol	Bit Name	Function	R/W
b0	RDYSTI	Flash ready status interrupt request flag (1, 4)	0: No flash ready status interrupt request 1: Flash ready status interrupt request	R/W
b1	BSYAEI	Flash access error interrupt request flag (2, 4)	0: No flash access error interrupt request 1: Flash access error interrupt request	R/W
b2	LBDATA	LBDATA monitor flag	0: Locked 1: Not locked	R
b3	—	Nothing is assigned. If necessary, set to 0. When read, the content is 0.		—
b4	FST4	Program error flag (3)	0: No program error 1: Program error	R
b5	FST5	Erase error/blank check error flag (3)	0: No erase error/blank check error 1: Erase error/blank check error	R
b6	FST6	Erase-suspend status flag	0: Other than erase-suspend 1: During erase-suspend	R
b7	FST7	Ready/busy status flag	0: Busy 1: Ready	R

Notes:

1. The RDYSTI bit cannot be set to 1 (flash ready status interrupt request) by a program.
2. The BSYAEI bit cannot be set to 1 (flash access error interrupt request) by a program.
3. This bit is also set to 1 (error) when a command error occurs.
4. When this bit is set to 1, do not set the FMR01 bit in the FMR0 register to 0 (CPU rewrite mode disabled).

RDYSTI Bit (Flash Ready Status Flag Interrupt Request Flag)

When the RDYSTIE bit in the FMR0 register is set to 1 (flash ready status interrupt enabled) and auto-programming or auto-erasure completes, or erase-suspend mode is entered, the RDYSTI bit is set to 1 (flash ready status interrupt request).

During interrupt handling, set the RDYSTI bit to 0 (no flash ready status interrupt request).

[Condition for setting to 0]

Set to 0 by an interrupt handling program.

[Condition for setting to 1]

When the flash memory status changes from busy to ready while the RDYSTIE bit in the FRMR0 register is set to 1, the RDYSTI bit is set to 1.

The status is changed from busy to ready by the following operations: erasing/writing to the flash memory, suspend acknowledgement, forcible termination, completion of the lock bit program, and completion of the read lock bit status.

BYSAEI Bit (Flash Access Error Interrupt Request Flag)

The BYSAEI bit is set to 1 (flash access error interrupt request) when the BSYAEIE bit in the FMR0 register is set to 1 (flash access error interrupt enabled) and the block during auto-programming/auto-erasure is accessed. This bit is also set to 1 if an erase or program error occurs when the CMDERIE bit in the FMR0 register is set to 1 (erase/write error interrupt enabled).

During interrupt handling, set the BSYAEI bit to 0 (no flash access error interrupt request).

[Conditions for setting to 0]

- (1) Set to 0 by an interrupt handling program.
- (2) Execute the status clear instruction.

[Conditions for setting to 1]

- (1) Read or write the area that is being erased/written when the BSYAEIE bit in the FMR0 register is set to 1 and while the flash memory is busy.

Or, read the data flash area while erasing/writing to the program ROM area. (Note that the read value is undefined in both cases. Writing has no effect.)

- (2) If a command sequence error, erase error, blank check error, or program error occurs when the CMDERIE bit in the FMR0 register is set to 1 (erase/write error interrupt enabled).

LBDATA Bit (LBDATA Monitor Flag)

This is a read-only bit indicating the lock bit status. To confirm the lock bit status, execute the read lock bit status command and read the LBDATA bit after the FST7 bit is set to 1 (ready).

The condition for updating this bit is when the program, erase, read lock bit status commands are generated.

When the read lock bit status command is input, the FST7 bit is set to 0 (busy). At the time when the FST7 bit is set to 1 (ready), the lock bit status is stored in the LBDATA bit. The data in the LBDATA bit is retained until the next command is input.

FST4 Bit (Program Error Flag)

This is a read-only bit indicating the auto-programming status. The bit is set to 1 if a program error occurs; otherwise, it is set to 0. For details, refer to the description in **32.4.12 Full Status Check**.

FST5 Bit (Erase Error/Blank Check Error Flag)

This is a read-only bit indicating the status of auto-programming or the block blank check command. The bit is set to 1 if an erase error or blank check error occurs; otherwise, it is set to 0. Refer to **32.4.12 Full Status Check** for details.

FST6 Bit (Erase Suspend Status Flag)

This is a read-only bit indicating the suspend status. The bit is set to 1 when an erase-suspend request is acknowledged and a suspend status is entered; otherwise, it is set to 0.

FST7 Bit (Ready/Busy Status Flag)

This is a read-only bit indicating the operating status of the flash memory. The bit is set to 0 during program and erase operations; otherwise, it is set to 1.

32.4.2 Flash Memory Control Register 0 (FMR0)

Address 01B4h

Bit	b7	b6	b5	b4	b3	b2	b1	b0
Symbol	RDYSTIE	BSYAEIE	CMDERIE	CMDRST	FMSTP	FMR02	FMR01	—
After Reset	0	0	0	0	0	0	0	0

Bit	Symbol	Bit Name	Function	R/W
b0	—	Reserved bit	Set to 0.	R/W
b1	FMR01	CPU rewrite mode select bit (1, 4)	0: CPU rewrite mode disabled 1: CPU rewrite mode enabled	R/W
b2	FMR02	EW1 mode select bit (1)	0: EW0 mode 1: EW1 mode	R/W
b3	FMSTP	Flash memory stop bit (2)	0: Flash memory operates 1: Flash memory stops (Low-power consumption state, flash memory initialization)	R/W
b4	CMDRST	Erase/write sequence reset bit (3)	When the CMDRST bit is set to 1, the erase/write sequence is reset and erasure/writing can be forcibly stopped. When read, the content is 0.	R/W
b5	CMDERIE	Erase/write error interrupt enable bit	0: Erase/write error interrupt disabled 1: Erase/write error interrupt enabled	R/W
b6	BSYAEIE	Flash access error interrupt enable bit	0: Flash access error interrupt disabled 1: Flash access error interrupt enabled	R/W
b7	RDYSTIE	Flash ready status interrupt enable bit	0: Flash ready status interrupt disabled 1: Flash ready status interrupt enabled	R/W

Notes:

1. To set this bit to 1, first write 0 and then 1 immediately. Do not generate an interrupt between writing 0 and writing 1.
2. Write to the FMSTP bit by a program transferred to the RAM. The FMSTP bit is enabled when the FMR01 bit is set to 1 (CPU rewrite mode enabled). To set the FMSTP bit to 1 (flash memory stops), set it when the FST7 bit in the FST register is set to 1 (ready).
3. The CMDRST bit is enabled when the FMR01 bit is set to 1 (CPU rewrite mode enabled) and the FST7 bit in the FST register is set to 0 (busy).
4. To set the FMR01 bit to 0 (CPU rewrite mode disabled), set it when the RDYSTI bit in the FST register is set to 0 (no flash ready status interrupt request) and the BSYAEI bit is set to 0 (no flash access error interrupt request).

FMR01 Bit (CPU Rewrite Mode Select Bit)

When the FMR01 bit is set to 1 (CPU rewrite mode enabled), the MCU is made ready to accept software commands.

FMR02 Bit (EW1 Mode Select Bit)

When the FMR02 bit is set to 1 (EW1 mode), EW1 mode is selected.

FMSTP Bit (Flash Memory Stop Bit)

This bit is used to initialize the flash memory control circuits, and also to reduce the amount of current consumed by the flash memory. Access to the flash memory is disabled by setting the FMSTP bit to 1.

Write to the FMSTP bit by a program transferred to the RAM.

To reduce the power consumption further in high-speed on-chip oscillator mode, low-speed on-chip oscillator mode (XIN clock stopped), and low-speed clock mode (XIN clock stopped), set the FMSTP bit to 1. Refer to **33.2.10 Stopping Flash Memory** for details.

When entering stop mode or wait mode while CPU rewrite mode is disabled, the FMR0 register does not need to be set because the power for the flash memory is automatically turned off and is turned back on when exiting stop or wait mode.

CMDRST Bit (Erase/Write Sequence Reset Bit)

This bit is used to initialize the flash memory sequence and forcibly stop a program or block erase command. The user ROM area can be read while the flash memory sequence is being initialized.

For addresses and blocks which the program or block erase command is forcibly stopped by the CMDRST bit, execute a block erasure again and ensure it completes normally. If the addresses and blocks which the program or block erase command is forcibly stopped are allocated in the program area, set the FMR13 bit in the FMR1 register to 1 (lock bit disabled) before executing the block erasure command again.

The time from when the command is forcibly stopped and until reading is enabled is some hundreds μ s where the suspend response time is $t_d(\text{SR-SUS})$.

CMDERIE Bit (Erase/Write Interrupt Enable Bit)

This bit enables a flash command error interrupt to be generated if a program or block erase error occurs. If the CMDERIE bit is set to 1 (erase/write error interrupt enabled) and erasure/writing is performed, an interrupt is generated if an erase or program error occurs.

If a flash command error interrupt is generated, execute the clear status register command during interrupt handling.

BSYAEIE Bit (Flash Access Error Interrupt Enable Bit)

This bit enables a flash access error interrupt to be generated if the flash memory during rewriting is accessed.

RDYSTIE Bit (Flash Ready Status Interrupt Enable Bit)

This bit enables a flash ready status error interrupt to be generated when the status of the flash memory sequence changes from the busy to ready status.

32.4.3 Flash Memory Control Register 1 (FMR1)

Address 01B5h

Bit	b7	b6	b5	b4	b3	b2	b1	b0
Symbol	FMR17	FMR16	FMR15	FMR14	FMR13	FMR12	FMR11	FMR10
After Reset	0	0	0	0	0	0	0	0

Bit	Symbol	Bit Name	Function	R/W
b0	FMR10	Nothing is assigned. If necessary, set to 0. When read, the content is 0.		—
b1	FMR11			—
b2	FMR12			—
b3	FMR13	Lock bit disable select bit ⁽¹⁾	0: Lock bit enabled 1: Lock bit disabled	R/W
b4	FMR14	Data flash block A rewrite disable bit ⁽²⁾	0: Rewrite enabled (software command acceptable) 1: Rewrite disabled (software command not acceptable, no error occurred)	R/W
b5	FMR15	Data flash block B rewrite disable bit ⁽²⁾	0: Rewrite enabled (software command acceptable) 1: Rewrite disabled (software command not acceptable, no error occurred)	R/W
b6	FMR16	Data flash block C rewrite disable bit ⁽²⁾	0: Rewrite enabled (software command acceptable) 1: Rewrite disabled (software command not acceptable, no error occurred)	R/W
b7	FMR17	Data flash block D rewrite disable bit ⁽²⁾	0: Rewrite enabled (software command acceptable) 1: Rewrite disabled (software command not acceptable, no error occurred)	R/W

Notes:

1. To set the FMR13 bit to 1, first write 0 and then 1 immediately. Do not generate an interrupt between writing 0 and writing 1.
2. To set this bit to 0, first write 1 and then 0 immediately. Do not generate an interrupt between writing 1 and writing 0.

FMR13 Bit (Lock Bit Disable Select Bit)

When the FMR13 bit is set to 1 (lock bit disabled), the lock bit is disabled. When the FMR13 bit is set to 0, the lock bit is enabled. Refer to **32.4.10 Data Protect Function** for the details of the lock bit.

The FMR13 bit enables the lock bit function only and the lock bit data does not change. However, when a block erase command is executed while the FMR13 bit is set to 1, the lock bit data set to 0 (locked) changes to 1 (not locked) after erasure completes.

[Conditions for setting to 0]

The FMR13 bit is set to 0 when one of the following conditions is met.

- Completion of the program command
- Completion of the erase command
- Generation of a command error
- Transition to erase-suspend
- If the FMR01 bit in the FMR0 register is set to 0 (CPU rewrite mode disabled).
- If the FMSTP bit in the FMR0 register is set to 1 (flash memory stops).
- If the CMDRST bit in the FMR0 register is set to 1 (erasure/writing stopped).

[Condition for setting to 1]

Set to 1 by a program.

FMR14 Bit (Data Flash Block A Rewrite Disable Bit)

When the FMR 14 bit is set to 0, data flash block A accepts program and block erase commands.

FMR15 Bit (Data Flash Block B Rewrite Disable Bit)

When the FMR 15 bit is set to 0, data flash block B accepts program and block erase commands.

FMR16 Bit (Data Flash Block C Rewrite Disable Bit)

When the FMR 16 bit is set to 0, data flash block C accepts program and block erase commands.

FMR17 Bit (Data Flash Block D Rewrite Disable Bit)

When the FMR 17 bit is set to 0, data flash block D accepts program and block erase commands.

32.4.4 Flash Memory Control Register 2 (FMR2)

Address 01B6h

Bit	b7	b6	b5	b4	b3	b2	b1	b0
Symbol	FMR27	—	—	—	—	FMR22	FMR21	FMR20
After Reset	0	0	0	0	0	0	0	0

Bit	Symbol	Bit Name	Function	R/W
b0	FMR20	Erase-suspend enable bit ⁽¹⁾	0: Erase-suspend disabled 1: Erase-suspend enabled	R/W
b1	FMR21	Erase-suspend request bit ⁽²⁾	0: Erase restart 1: Erase-suspend request	R/W
b2	FMR22	Interrupt request suspend request enable bit ⁽¹⁾	0: Erase-suspend request disabled by interrupt request 1: Erase-suspend request enabled by interrupt request	R/W
b3	—	Nothing is assigned. If necessary, set to 0. When read, the content is 0.		—
b4	—	Reserved bits	Set to 0.	R/W
b5	—			R/W
b6	—			R/W
b7	FMR27	Low-consumption-current read mode enable bit ⁽¹⁾	0: Low-consumption-current read mode disabled 1: Low-consumption-current read mode enabled	R/W

Notes:

- To set this bit to 1, first write 0 and then 1 immediately. Do not generate an interrupt between writing 0 and writing 1.
- To set the FMR21 bit to 0 (erase restart), set it when the FMR01 bit in the FMR0 register is set to 1 (CPU rewrite mode enabled).

FMR20 Bit (Erase-Suspend Enable Bit)

When the FMR20 bit is set to 1 (enabled), the erase-suspend function is enabled.

FMR21 Bit (Erase-Suspend Request Bit)

When the FMR21 bit is set to 1, erase-suspend mode is entered. If the FMR22 bit is set to 1 (erase-suspend request enabled by interrupt request), the FMR21 bit is automatically set to 1 (erase-suspend request) when an interrupt request for the enabled interrupt is generated, and erase-suspend mode is entered. To restart auto-erasure, set the FMR21 bit to 0 (erase restart).

[Condition for setting to 0]

Set to 0 by a program.

[Conditions for setting to 1]

- When the FMR22 bit is set to 1 (erase-suspend request enabled by interrupt request) at the time an interrupt is generated.
- Set to 1 by a program.

FMR22 Bit (Interrupt Request Suspend-Request Enable Bit)

When the FMR 22 bit is set to 1 (erase-suspend request enabled by interrupt request), the FMR21 bit is automatically set to 1 (erase-suspend request) at the time an interrupt request is generated during auto-erasure. Set the FMR22 bit to 1 when using erase-suspend while rewriting the user ROM area in EW1 mode.

FMR27 Bit (Low-Power-Current Read Mode Enable Bit)

When the FMR 27 bit is set to 1 (low-consumption-current read mode enabled) in low-speed clock mode (XIN clock stopped) or low-speed on-chip oscillator mode (XIN clock stopped), power consumption when reading the flash memory can be reduced. Refer to **33.2.11 Low-Current-Consumption Read Mode** for details.

32.4.5 EW0 Mode

When the FMR01 bit in the FMR0 register is set to 1 (CPU rewrite mode enabled), the MCU enters CPU rewrite mode and software commands can be accepted. At this time, the FMR02 bit in the FMR0 register is set to 0 so that EW0 mode is selected.

Software commands are used to control program and erase operations. The FST register can be used to confirm whether programming or erasure has completed.

To enter erase-suspend during auto-erasure, set the FMR20 bit to 1 (erase-suspend enabled) and the FMR21 bit to 1 (erase-suspend request). Wait for $t_d(\text{SR-SUS})$ and ensure that the FST6 bit in the FST register is set to 1 (during erase-suspend) before accessing the flash memory. Auto-erasure can be restarted by setting the FMR21 bit in the FMR2 register to 0 (erase restart).

32.4.6 EW1 Mode

After the FMR01 bit in the FMR0 register is set to 1 (CPU rewrite mode enabled), EW1 mode is selected by setting the FMR02 bit is set to 1.

The FST register can be used to confirm whether programming and erasure has completed.

To enable the erase-suspend function during auto-erasure, execute the block erase command after setting the FMR20 bit in the FMR2 register to 1 (suspend enabled). To enter erase-suspend while auto-erasing the user ROM area, set the FMR22 bit in the FMR2 register to 1 (erase-suspend request enabled by interrupt request). Also, the interrupt to enter program-suspend must be enabled beforehand.

When an interrupt request is generated, the FMR21 bit in the FMR2 register is automatically set to 1 (erase-suspend request) and auto-erasure suspends after $t_d(\text{SR-SUS})$. After interrupt handling completes, set the FMR21 bit to 0 (erase restart) to restart auto-erasure.

32.4.7 Suspend Operation

The suspend function halts the auto-erase operation temporarily during auto-erase. When auto-erase is suspended, the next operation can be executed. (Refer to **Table 32.4 Executable Operation during Suspend.**)

- When suspending the auto-erase of any block in data flash, auto-programming and reading another block can be executed.
- When suspending the auto-erase of data flash, auto-programming and reading program ROM can be executed.
- When suspending the auto-erase of any block in program ROM, auto-programming and reading another block can be executed.
- When suspending the auto-erase of program ROM, auto-programming and reading data flash can be executed.

Figure 32.3 shows the Suspend Operation Timing.

Table 32.4 Executable Operation during Suspend

		Operation during Suspend											
		Data flash (Block during erasure execution before entering suspend)			Data flash (Block during no erasure execution before entering suspend)			Program ROM (Block during erasure execution before entering suspend)			Program ROM (Block during no erasure execution before entering suspend)		
		Erase	Program	Read	Erase	Program	Read	Erase	Program	Read	Erase	Program	Read
Areas during erasure execution before entering suspend	Data flash	×	×	×	×	○	○	—	—	—	×	○	○ ⁽⁵⁾
	Program ROM	—	—	—	×	○	○	×	×	×	×	○	○

Notes:

1. ○ indicates operation is enabled by using the suspend function, × indicates operation is disabled, and — indicates no combination is available.
2. Operation cannot be suspended during programming.
3. The block erase command can be executed for erasure. The program, lock bit program, and read lock bit status commands can be executed for programming.
 The clear status register command can be executed when the FST7 bit in the FST register is set to 1 (ready).
 The operation of block blank check is disabled during suspend.
4. The MCU enters read array mode immediately after entering erase-suspend.
5. The program ROM area can be read with the BGO function while programming or block erasing data flash.

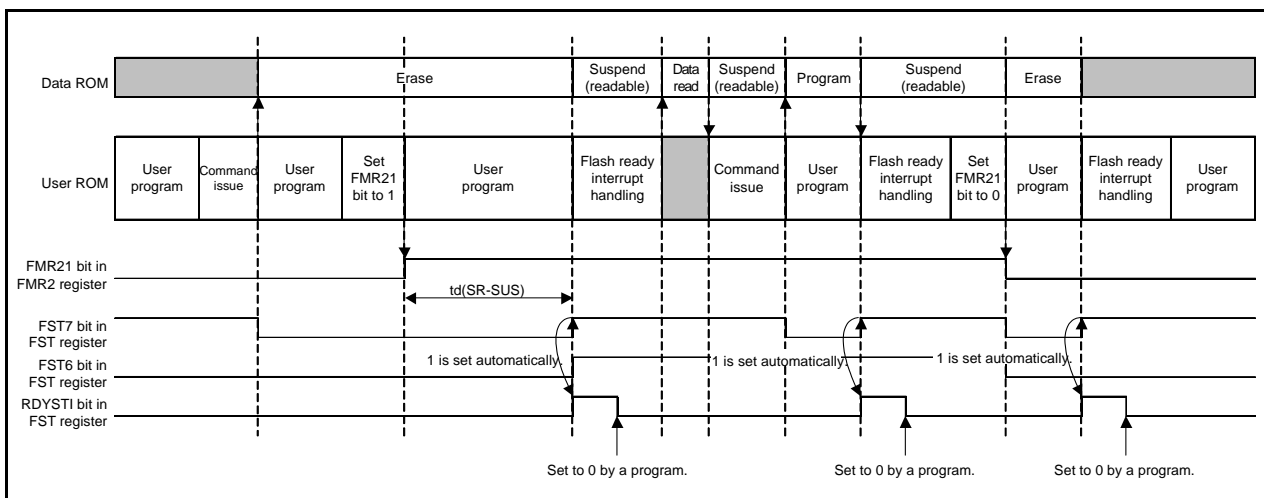


Figure 32.3 Suspend Operation Timing

32.4.8 How to Set and Exit Each Mode

Figure 32.4 shows How to Set and Exit EW0 Mode and Figure 32.5 shows How to Set and Exit EW0 Mode (When Rewriting Data Flash) and EW1 Mode.

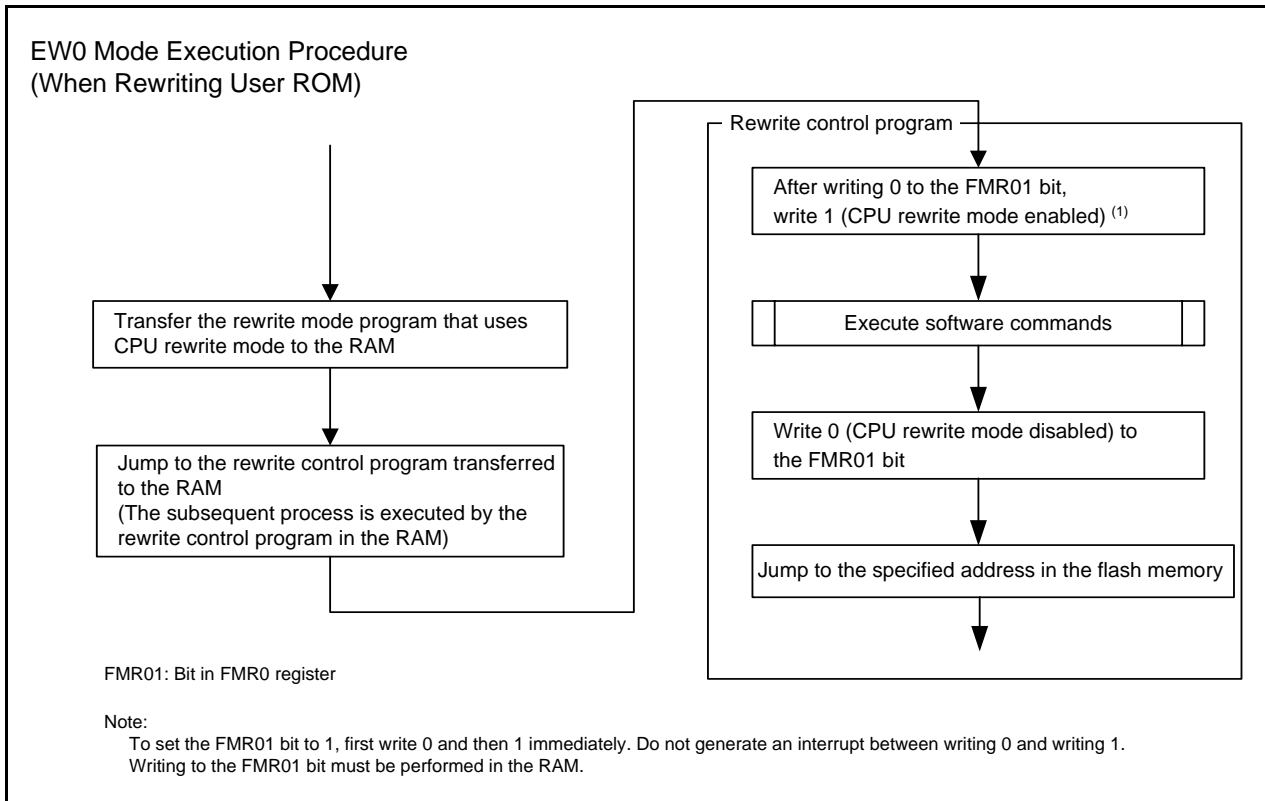


Figure 32.4 How to Set and Exit EW0 Mode

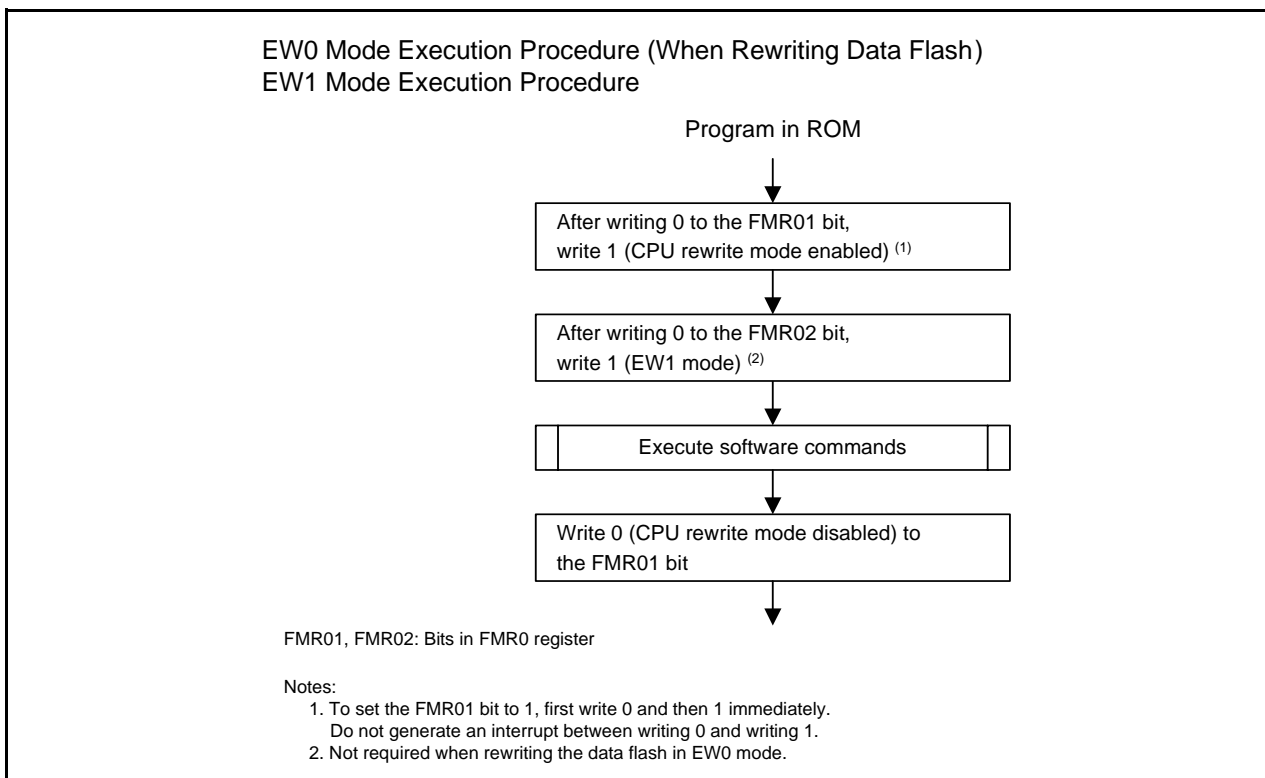


Figure 32.5 How to Set and Exit EW0 Mode (When Rewriting Data Flash) and EW1 Mode

32.4.9 BGO (BackGround Operation) Function

When the program ROM area is specified while a program or block erase operation to the data flash, array data can be read. This eliminates the need for writing software commands. Access time is the same as for normal read operations.

Figure 32.6 shows the BGO Function.

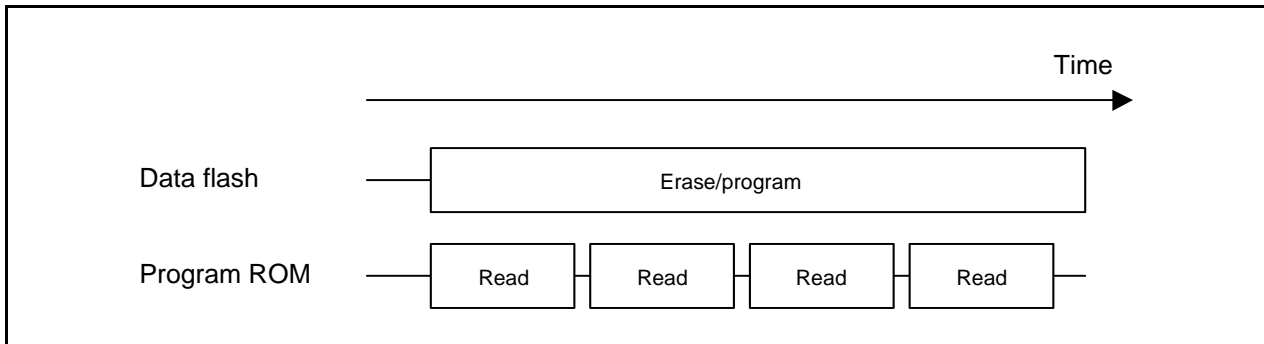


Figure 32.6 BGO Function

32.4.10 Data Protect Function

Each block in the flash memory has a nonvolatile lock bit. The lock bit is enabled by setting the FMR13 bit in the FMR1 register is set to 0 (lock bit enabled). The lock bit can be used to disable (lock) programming or erasing each block. This prevents data from being written or erased inadvertently. A block status changes according to the lock bit as follows:

- When the lock bit data is set to 0: locked (the block cannot be programmed or erased)
- When the lock bit data is set to 1: not locked (the block can be programmed and erased)

The lock bit data is set to 0 (locked) by executing the lock bit program command and to 1 (not locked) by erasing the block. No commands can be used to set only the lock bit data to 1.

The lock bit data can be read using the read lock bit status command.

When the FMR13 bit is set to 1 (lock bit disabled), the lock bit function is disabled and all blocks are not locked (each lock bit data remains unchanged). The lock bit function is enabled by setting the FMR13 bit to 0 (the lock bit data is retained).

When the block erase command is executed while the FMR13 bit is set to 1, the target block is erased regardless of the lock bit status. The lock bit of the erase target block is set to 1 after auto-erasure completes.

Refer to **32.4.11 Software Commands** for the details of individual commands.

The FMR13 bit is set to 0 after auto-erasure completes. This bit is also set to 0 if one of the following conditions is met. To erase or program a different locked block, set the FMR 13 bit to 1 again and execute the block erase or program command.

- If the FST7 bit in the FST register is changed from 0 (busy) to 1 (ready).
- If an incorrect command is input.
- If the FMR01 bit in the FMR0 register is set to 0 (CPU mode disabled).
- If the FMSTP bit in the FM0 register is set to 1 (flash memory stops).

Figure 32.7 shows the FMR13 Bit Operation Timing.

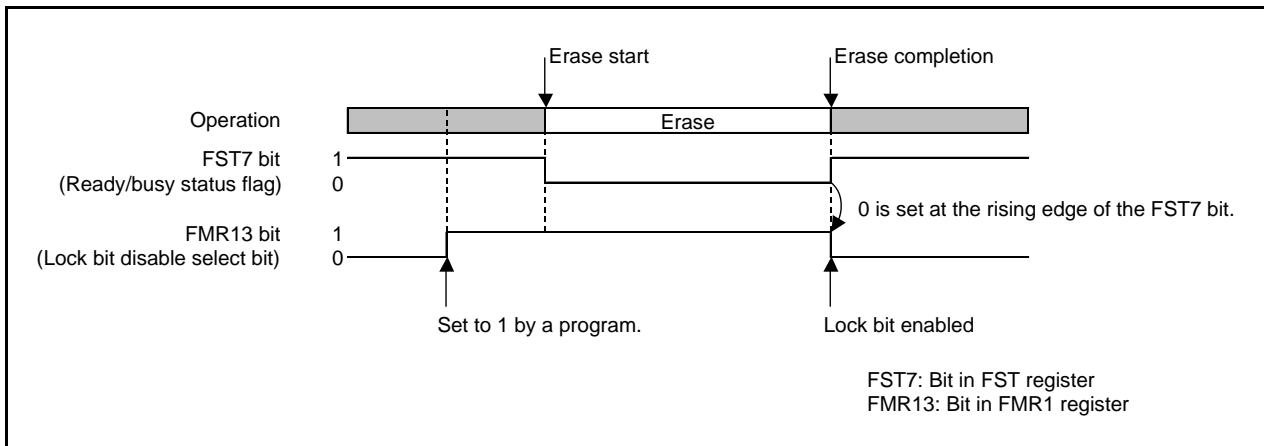


Figure 32.7 FMR13 Bit Operation Timing

32.4.11 Software Commands

The software commands are described below. Read or write commands and data in 8-bit units.

Table 32.5 Software Commands

Command	First Bus Cycle			Second Bus Cycle		
	Mode	Address	Data	Mode	Address	Data
Read array	Write	x	FFh			
Clear status register	Write	x	50h			
Program	Write	WA	40h	Write	WA	WD
Block erase	Write	x	20h	Write	BA	D0h
Lock bit program	Write	BT	77h	Write	BT	D0h
Read lock bit status	Write	x	71h	Write	BT	D0h
Block blank check	Write	x	25h	Write	BA	D0h

WA: Write address

WD: Write data

BA: Any block address

BT: Starting block address

x: Any address in the user ROM area

32.4.11.1 Read Array Command

The read array command is used to read the flash memory.

When FFh is written in the first bus cycle, the MCU enters read array mode. When the read address is input in the following bus cycles, the content of the specified address can be read in 8-bit units.

Since read array mode remains until another command is written, the contents of multiple addresses can be read continuously.

In addition, after a reset, the MCU enters read array mode after programming or block erasure or after entering erase-suspend.

32.4.11.2 Clear Status Register Command

The clear status register command is used to set bits FST4 and FST5 in the FST register to 0.

When 50h is written in the first bus cycle, bits FST4 and FST5 in the FST register are set to 0.

32.4.11.3 Program Command

The program command is used to write data to the flash memory in 1-byte units.

When 40h is written in the first bus cycle and data is written in the second bus cycle to the write address, auto-programming (data program and verify operation) starts. Make sure the address value specified in the first bus cycle is the same address as the write address specified in the second bus cycle.

The FST7 bit in the FST register can be used to confirm whether auto-programming has completed. The FST7 bit is set to 0 during auto-programming and is set to 1 when auto-programming completes.

After auto-programming has completed, the auto-program result can be confirmed by the FST4 bit in the FST register (refer to **32.4.12 Full Status Check**).

Do not write additions to the already programmed addresses.

The program command targeting each block in the program ROM can be disabled using the lock bit.

The following commands are not accepted under the following conditions:

- Block erase commands targeting data flash block A when the FMR14 bit in the FMR1 register is set to 1 (rewrite disabled).
- Block erase commands targeting data flash block B when the FMR15 bit is set to 1 (rewrite disabled).
- Block erase commands targeting data flash block C when the FMR16 bit is set to 1 (rewrite disabled).
- Block erase commands targeting data flash block D when the FMR17 bit is set to 1 (rewrite disabled).

Figure 32.8 shows a Program Flowchart (Flash Ready Status Interrupt Disabled) and Figure 32.9 shows a Program Flowchart (Flash Ready Status Interrupt Enabled).

In EW1 mode, do not execute this command to any address where a rewrite control program is allocated.

When RDYSTIE bit in the FMR0 register is set to 1 (flash ready status interrupt enabled), a flash ready status interrupt can be generated upon completion of auto-programming. The auto-program result can be confirmed by reading the FST register during the interrupt routine.

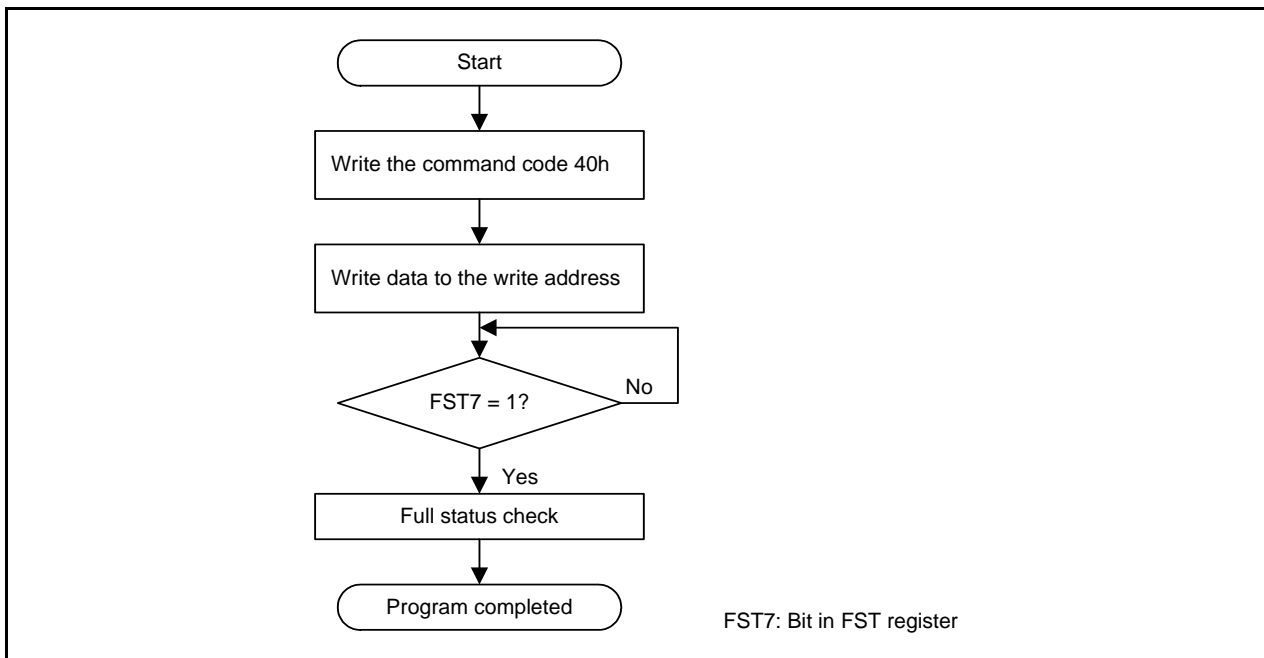


Figure 32.8 Program Flowchart (Flash Ready Status Interrupt Disabled)

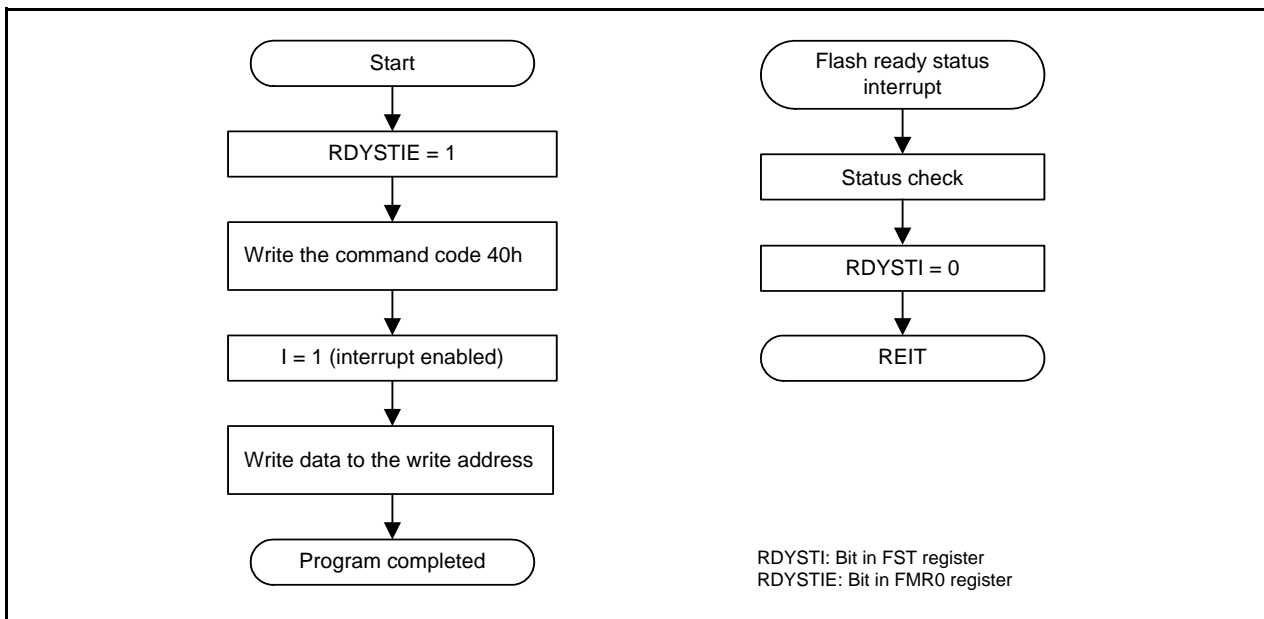


Figure 32.9 Program Flowchart (Flash Ready Status Interrupt Enabled)

32.4.11.4 Block Erase Command

When 20h is written in the first bus cycle and then D0h is written in the second bus cycle to any block address, auto-erasure (erase and erase verify operation) starts in the specified block.

The FST7 bit in the FST register can be used to confirm whether auto-erasure has completed. The FST7 bit is set to 0 during auto-erasure and is set to 1 when auto-erasure completes. After auto-erasure completes, all data in the block is set to FFh.

After auto-erasure has completed, the auto-erase result can be confirmed by the FST5 bit in the FST register. (Refer to **32.4.12 Full Status Check**).

The block erase command targeting each block in the program ROM can be disabled using the lock bit.

The following commands are not accepted under the following conditions:

- Block erase commands targeting data flash block A when the FMR14 bit in the FMR1 register is set to 1 (rewrite disabled).
- Block erase commands targeting data flash block B when the FMR15 bit is set to 1 (rewrite disabled).
- Block erase commands targeting data flash block C when the FMR16 bit is set to 1 (rewrite disabled).
- Block erase commands targeting data flash block D when the FMR17 bit is set to 1 (rewrite disabled).

Figure 32.10 shows a Block Erase Flowchart (Flash Ready Status Interrupt Disabled), Figure 32.11 shows a Block Erase Flowchart (Flash Ready Status Interrupt Disabled and Suspend Enabled), and Figure 32.12 shows a Block Erase Flowchart (Flash Ready Status Interrupt Enabled and Suspend Enabled).

In EW1 mode, do not execute this command to any block where a rewrite control program is allocated.

While the RDYSTIE bit in the FMR0 register is set to 1 (flash ready status interrupt enabled), a flash ready status interrupt can be generated upon completion of auto-erasure. While the RDYSTIE bit is set to 1 and the FMR20 bit in the FMR2 register is set to 1 (erase-suspend enabled), a flash ready status interrupt is generated when the FMR21 bit is set to 1 (erase-suspend request) and auto-erasure suspends. The auto-erase result can be confirmed by reading the FST register during the interrupt routine.

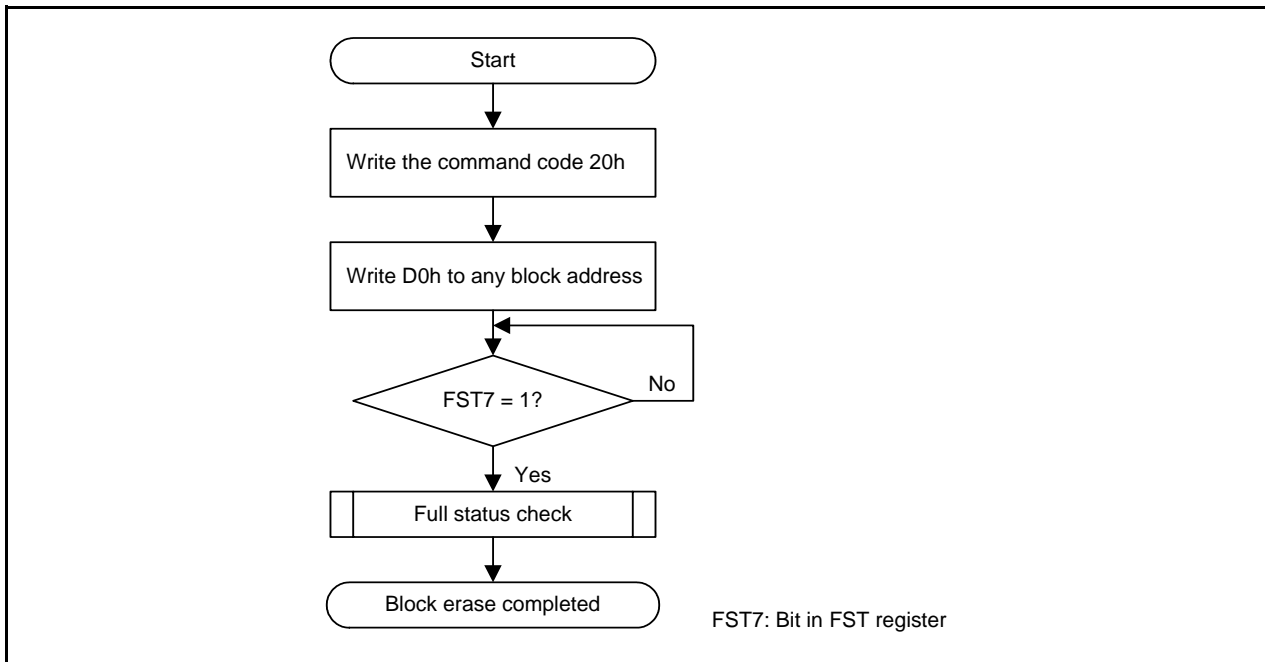


Figure 32.10 Block Erase Flowchart (Flash Ready Status Interrupt Disabled)

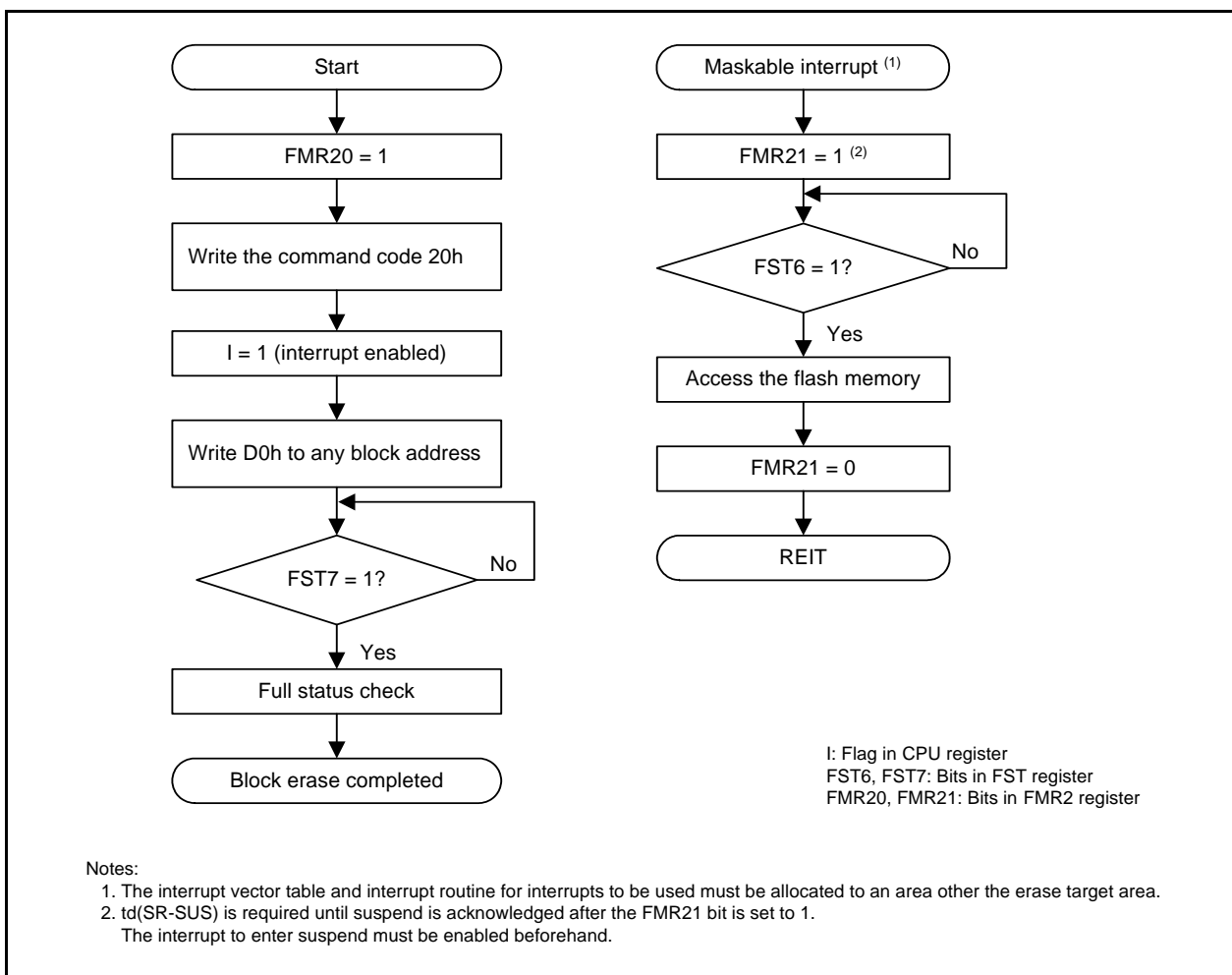


Figure 32.11 Block Erase Flowchart (Flash Ready Status Interrupt Disabled and Suspend Enabled)

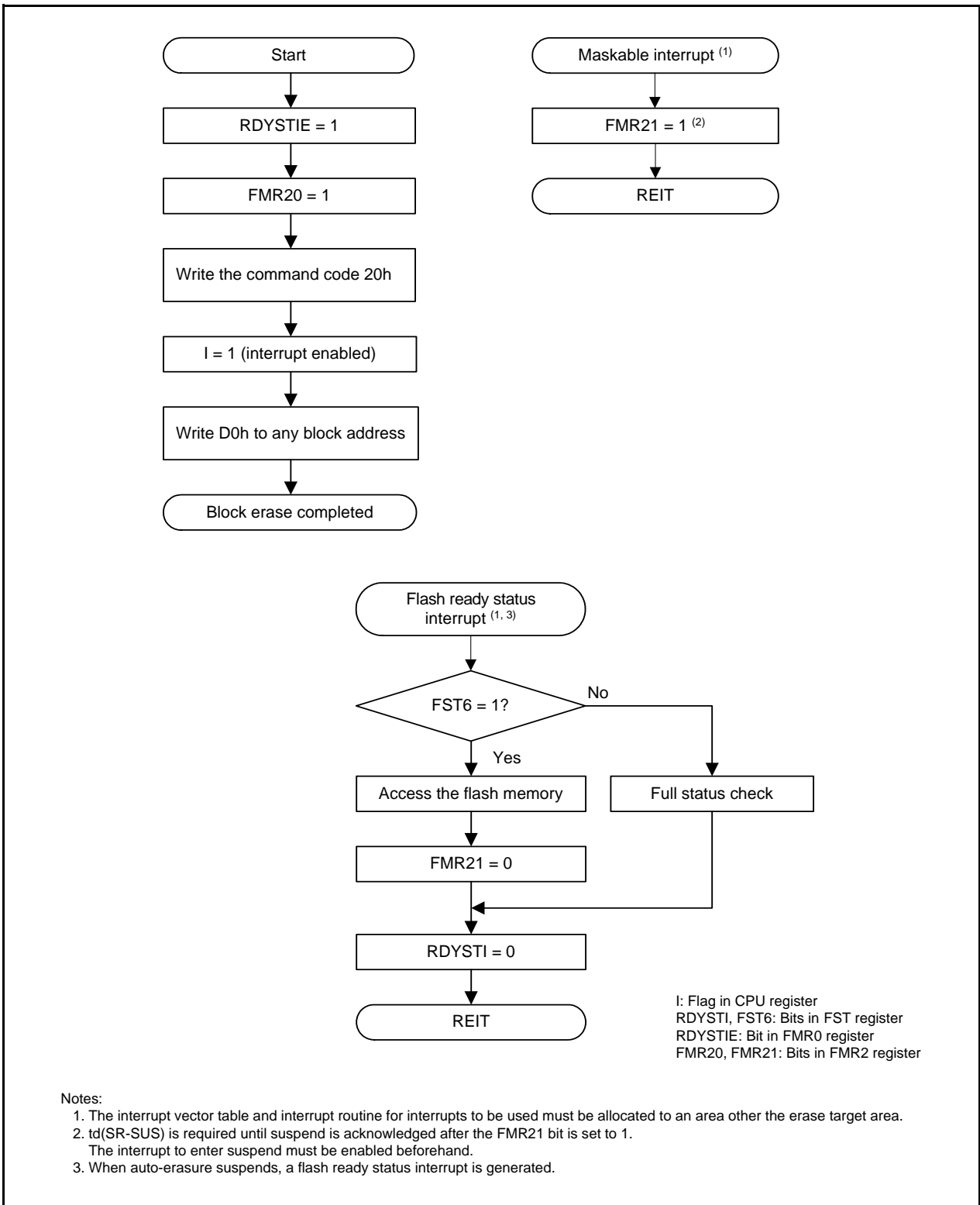


Figure 32.12 Block Erase Flowchart (Flash Ready Status Interrupt Enabled and Suspend Enabled)

32.4.11.5 Lock Bit Program Command

This command is used to set the lock bit of any block in the program ROM area to 0 (locked).

When 77h is written in the first bus cycle and D0h is written in the second bus cycle to the starting block address, 0 is written to the lock bit of the specified block. Make sure the address value in the first bus cycle is the same address as the starting block address specified in the second bus cycle.

Figure 32.13 shows a Lock Bit Program Flowchart. The lock bit status (lock bit data) can be read using the read lock bit status command.

The FST7 bit in the FST register can be used to confirm whether writing to the lock bit has completed.

Refer to **32.4.10 Data Protect Function** for the lock bit function and how to set the lock bit to 1 (not locked).

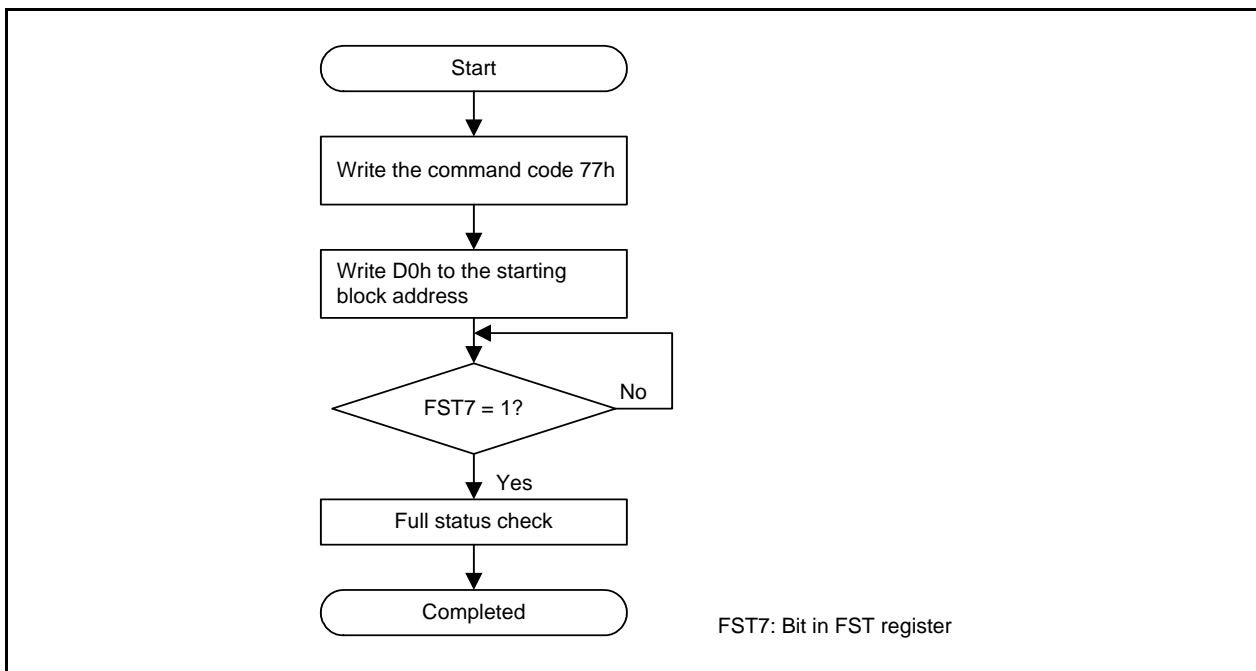


Figure 32.13 Lock Bit Program Flowchart

32.4.11.6 Read Lock Bit Status Command

This command is used to read the lock bit status of any address in the program ROM area.

When 71h written in the first bus cycle and D0h is written in the second cycle to the starting block address, the lock bit status of the specified block is stored in the LBDATA bit in the FST register. After the FST7 bit in the FST register has been set to 1 (ready), read the LBDATA bit.

Figure 32.14 shows a Read Lock Bit Status Flowchart.

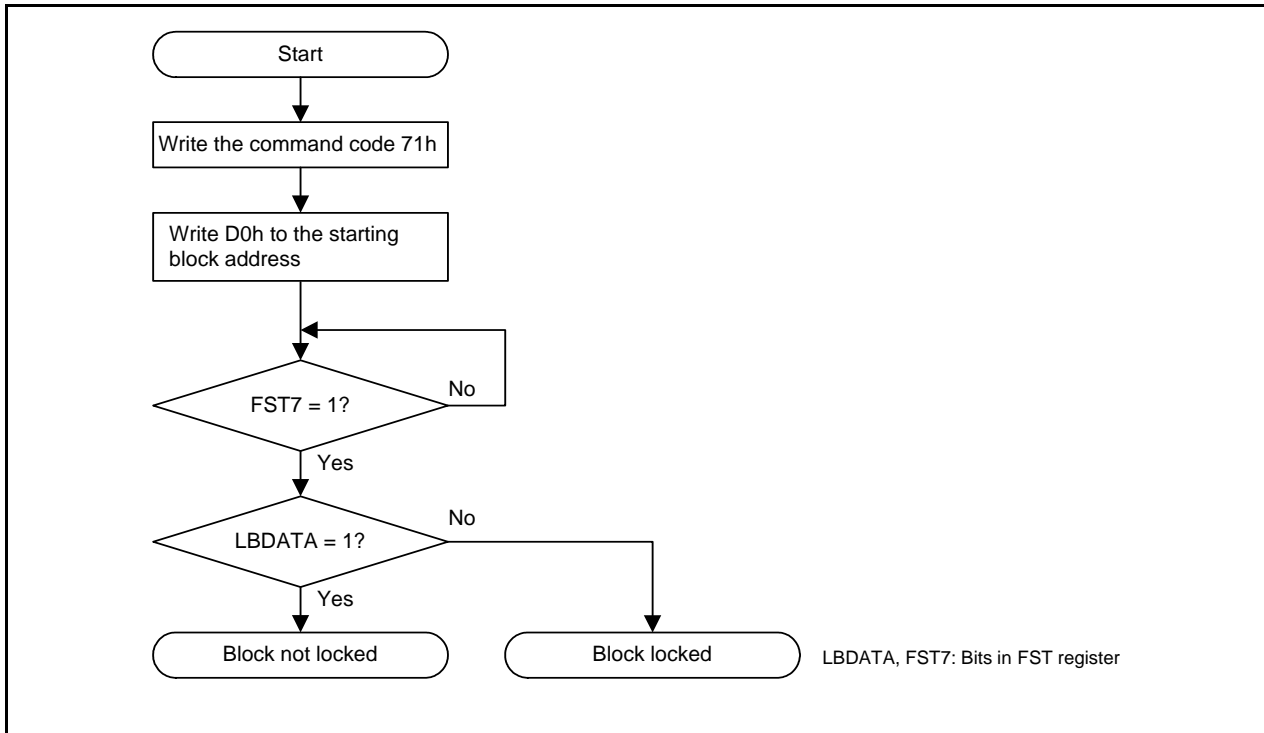


Figure 32.14 Read Lock Bit Status Flowchart

32.4.11.7 Block Blank Check Command

This command is used to confirm that all addresses in any block are blank data FFh.

When 25h is written in the first bus cycle and D0h is written in the second bus cycle to any block address, blank checking starts in the specified block. The FST7 bit in the FST register can be used to confirm whether blank checking has completed. The FST7 bit is set to 0 during the blank-check period and set to 1 when blank checking completes.

After blank checking has completed, the blank-check result can be confirmed by the FST5 bit in the FST register. (Refer to **32.4.12 Full Status Check**.)

Do not execute the block blank check command when the FST6 bit is set to 1 (during erase-suspend).

Figure 32.15 shows a Block Blank Check Flowchart.

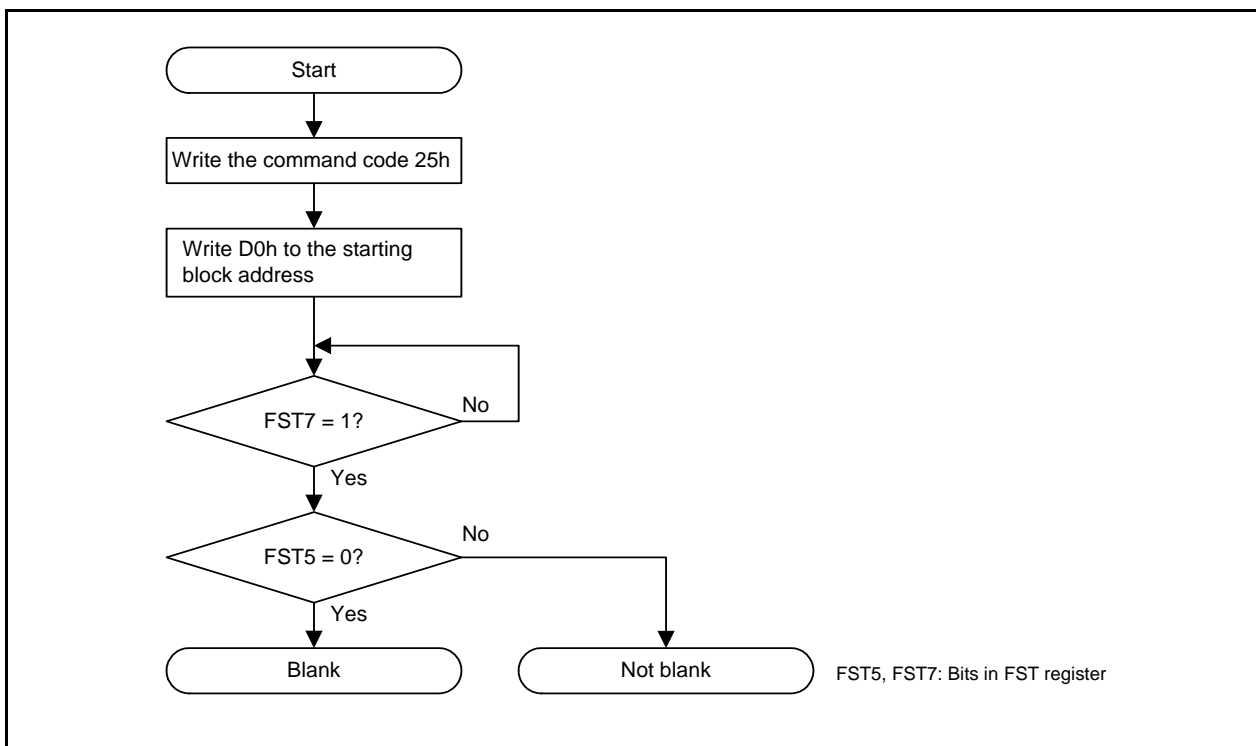


Figure 32.15 Block Blank Check Flowchart

32.4.12 Full Status Check

If an error occurs, bits FST4 and FST5 in the FST register are set to 1, indicating the occurrence of an error. The execution result can be confirmed by checking these status bits (full status check).

Table 32.6 lists the Errors and FST Register Status. Figure 32.16 shows the Full Status Check and Handling Procedure for Individual Errors.

Table 32.6 Errors and FST Register Status

FST Register Status		Error	Error Occurrence Condition
FST5	FST4		
1	1	Command sequence error	<ul style="list-style-type: none"> When a command is not written correctly. When data other than valid data (i.e., D0h or FFh) is written in the second bus cycle of the block erase command ⁽¹⁾.
1	0	Erase error	When the block erase command is executed, but auto-erasure does not complete correctly.
		Blank check error	When the block blank check command is executed and data other than blank data FFh is read.
0	1	Program error	When the program command is executed, but auto-programming does not complete correctly.

Note:

- When FFh is written in the second bus cycle of these commands, the MCU enters read array mode. At the same time, the command code written in the first bus cycle is invalid.

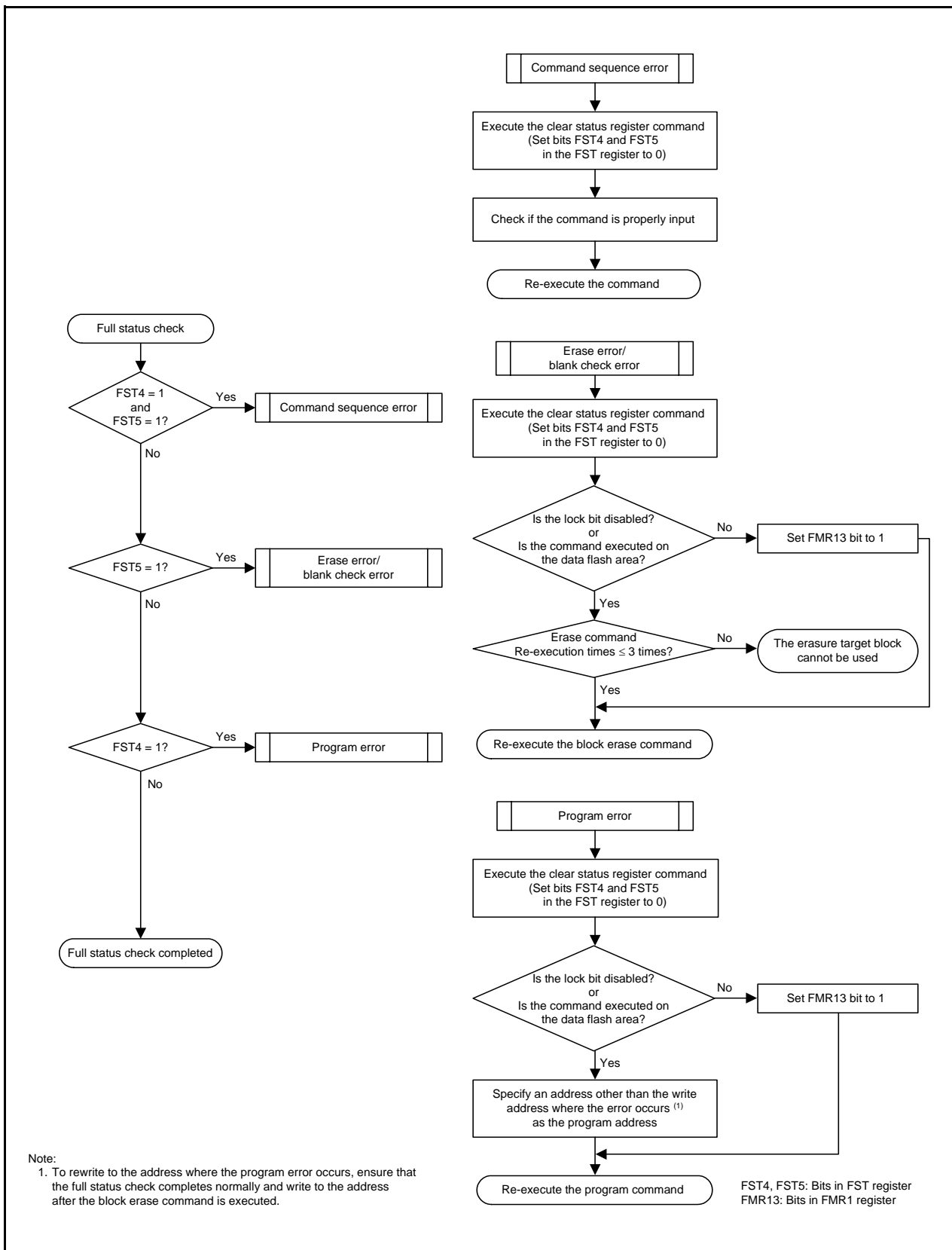


Figure 32.16 Full Status Check and Handling Procedure for Individual Errors

32.5 Standard Serial I/O Mode

In standard serial I/O mode, a serial programmer which supports the MCU can be used to rewrite the user ROM area while the MCU is mounted on-board.

There are three types of standard serial I/O modes:

- Standard serial I/O mode 1Clock synchronous serial I/O used to connect to a serial programmer
- Standard serial I/O mode 2Clock asynchronous serial I/O used to connect to a serial programmer
- Standard serial I/O mode 3Special clock asynchronous serial I/O used to connect to a serial programmer

Standard serial I/O mode 2 and standard serial I/O mode 3 can be used for the MCU.

Refer to **Appendix 2. Connection Examples between Serial Writer and On-Chip Debugging Emulator** for examples of connecting to a serial programmer. Contact the serial programmer manufacturer for more information. Refer to the user's manual included with your serial programmer for instructions.

Table 32.7 lists the Pin Functions (Flash Memory Standard Serial I/O Mode 2) and Figure 32.17 shows Pin Handling in Standard Serial I/O Mode 2. Table 32.8 lists the Pin Functions (Flash Memory Standard Serial I/O Mode 3) and Figure 32.18 shows Pin Handling in Standard Serial I/O Mode 3.

After handling the pins shown in Table 32.8 and rewriting the flash memory using the programmer, apply a "H" level signal to the MODE pin and reset the hardware to run a program in the flash memory in single-chip mode.

32.5.1 ID Code Check Function

The ID code check function determines whether the ID codes sent from the serial programmer and those written in the flash memory match.

Refer to **12. ID Code Areas** for details of the ID code check.

Table 32.7 Pin Functions (Flash Memory Standard Serial I/O Mode 2)

Pin	Name	I/O	Description
VCC, VSS	Power supply input		Apply the guaranteed programming and erasure voltage to the VCC pin and 0 V to the VSS pin.
RESET	Reset input	I	Reset input pin
P4_6/XIN	P4_6 input/clock input	I	Connect a ceramic resonator or crystal oscillator between pins XIN and XOUT.
P4_7/XOUT	P4_7 input/clock output	I/O	
P4_3/XCIN	P4_3 input/clock input	I	Connect a crystal oscillator between pins XCIN and XCOUT.
P4_4/XCOUT	P4_4 input/clock output	I/O	
P0_0 to P0_7	Input port P0	I	Input a "H" or "L" level signal or leave open.
P1_0 to P1_3, P1_6, P1_7	Input port P1	I	Input a "H" or "L" level signal or leave open.
P2_0 to P2_7	Input port P2	I	Input a "H" or "L" level signal or leave open.
P3_0 to P3_7	Input port P3	I	Input a "H" or "L" level signal or leave open.
P4_2/VREF, P4_5	Input port P4	I	Input a "H" or "L" level signal or leave open.
P5_6, P5_7	Input port P5	I	Input a "H" or "L" level signal or leave open.
MODE	MODE	I/O	Input a "L" level signal.
P1_4	TXD output	O	Serial data output pin
P1_5	RXD input	I	Serial data input pin

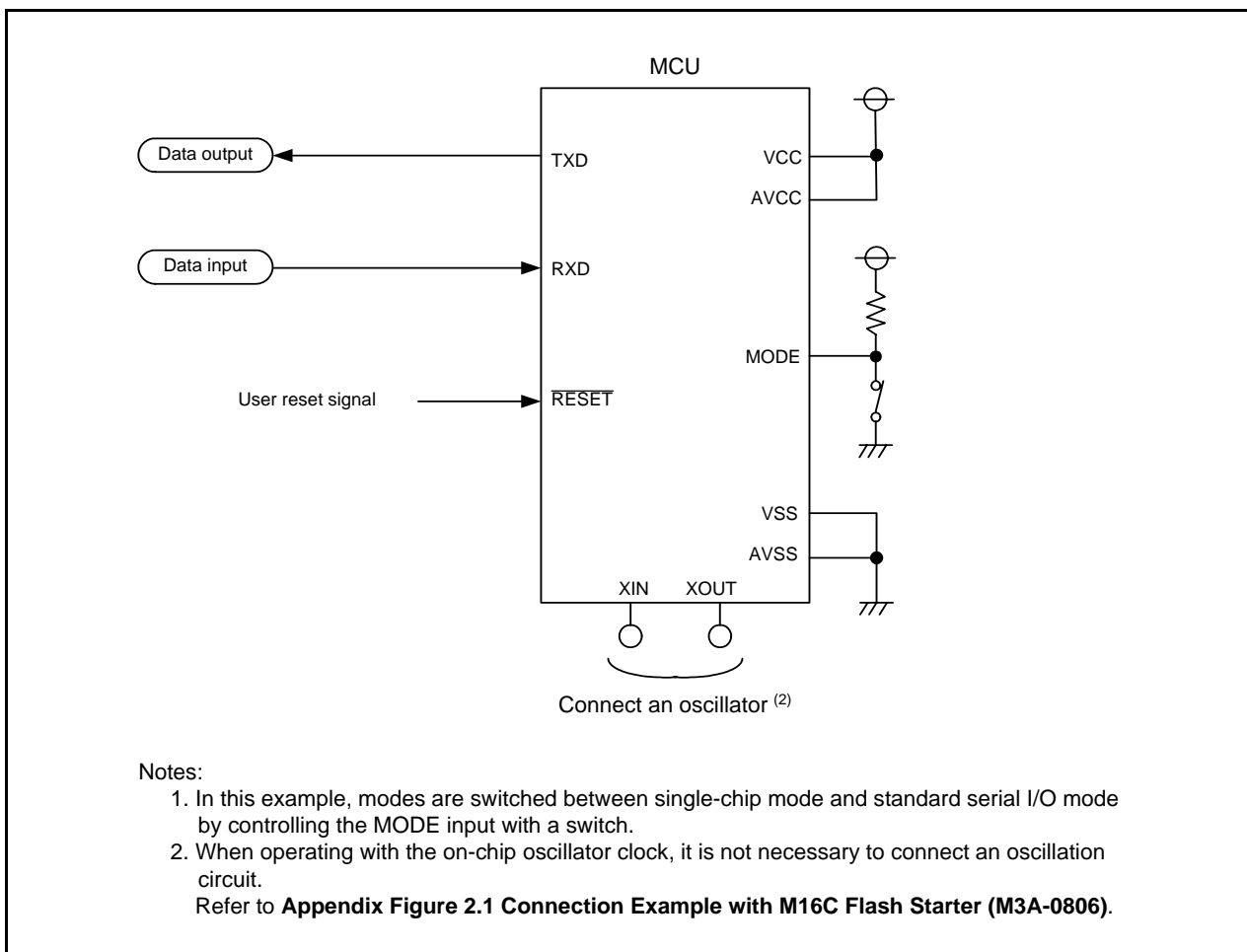


Figure 32.17 Pin Handling in Standard Serial I/O Mode 2

Table 32.8 Pin Functions (Flash Memory Standard Serial I/O Mode 3)

Pin	Name	I/O	Description
VCC, VSS	Power supply input		Apply the guaranteed programming and erasure voltage to the VCC pin and 0 V to the VSS pin.
RESET	Reset input	I	Reset input pin
P4_6/XIN	P4_6 input/clock input	I	If an external oscillator is connected, connect a ceramic resonator or crystal oscillator between pins XIN and XOUT. To use as an input port, input a "H" or "L" level signal or leave the pin open.
P4_7/XOUT	P4_7 input/clock output	I/O	
P4_3/XCIN	P4_3 input/clock input	I	If an external oscillator is connected, connect a crystal oscillator between pins XCIN and XCOU. To use as an input port, input a "H" or "L" level signal or leave the pin open.
P4_4/XCOU	P4_4 input/clock output	I/O	
P0_0 to P0_7	Input port P0	I	Input a "H" or "L" level signal or leave open.
P1_0 to P1_7	Input port P1	I	Input a "H" or "L" level signal or leave open.
P2_0 to P2_7	Input port P2	I	Input a "H" or "L" level signal or leave open.
P3_0 to P3_7	Input port P3	I	Input a "H" or "L" level signal or leave open.
P4_2/VREF, P4_5	Input port P4	I	Input a "H" or "L" level signal or leave open.
P5_6, P5_7	Input port P5	I	Input a "H" or "L" level signal or leave open.
MODE	MODE	I/O	Serial data I/O pin. Connect the pin to a programmer.

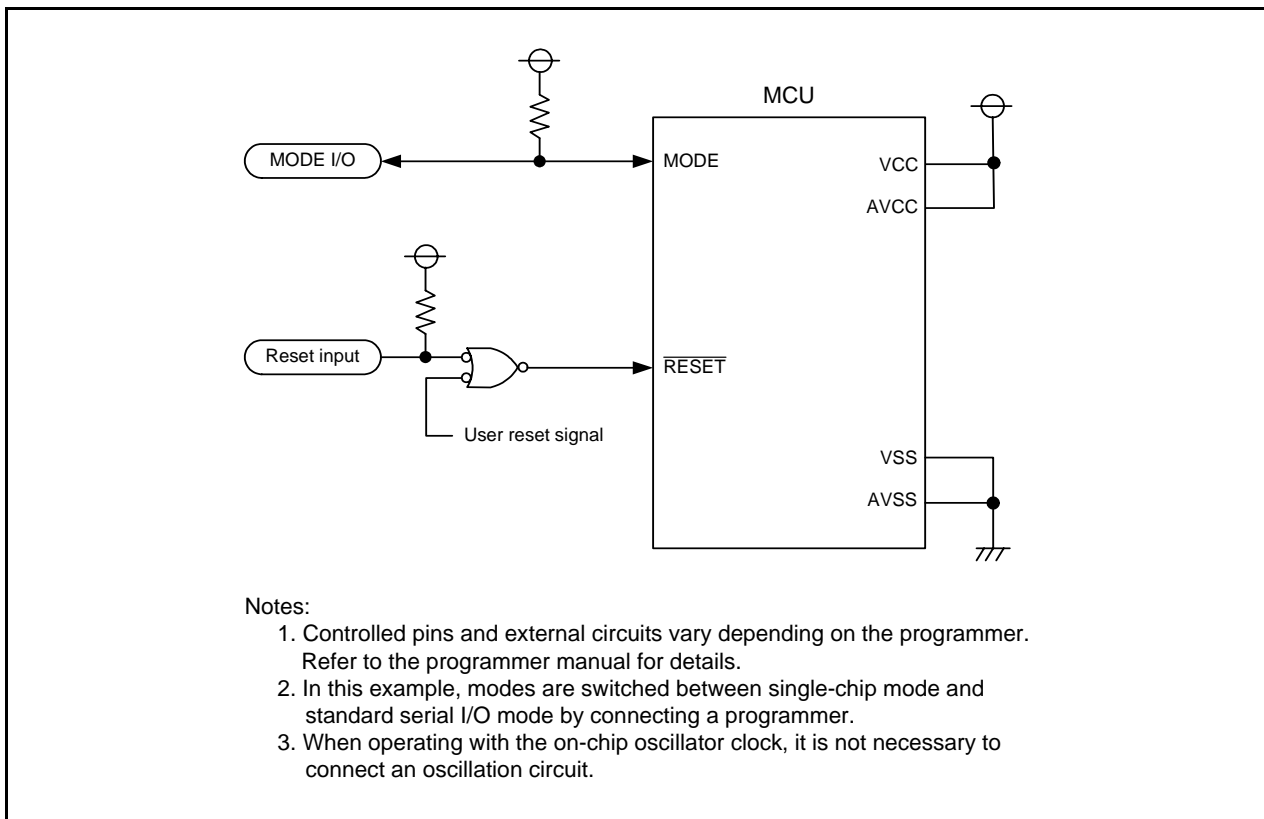


Figure 32.18 Pin Handling in Standard Serial I/O Mode 3

32.6 Parallel I/O Mode

Parallel I/O mode is used to input and output software commands, addresses and data necessary to control (read, program, and erase) the on-chip flash memory.

Use a parallel programmer which supports the MCU. Contact the parallel programmer manufacturer for more information. Refer to the user's manual included with your parallel programmer for instructions.

In parallel I/O mode, the user ROM areas shown in Figure 32.1 and Figure 32.2 can be rewritten.

32.6.1 ROM Code Protect Function

The ROM code protect function prevents the flash memory from being read and rewritten. (Refer to the **32.3.2 ROM Code Protect Function**.)

32.7 Notes on Flash Memory

32.7.1 CPU Rewrite Mode

32.7.1.1 Prohibited Instructions

The following instructions cannot be used while the program ROM area is being rewritten in EW0 mode because they reference data in the flash memory: UND, INTO, and BRK.

32.7.1.2 Interrupts

Tables 32.9 to 32.11 show CPU Rewrite Mode Interrupts (1), (2) and (3), respectively.

Table 32.9 CPU Rewrite Mode Interrupts (1)

Mode	Erase/Write Target	Status	Maskable Interrupt
EW0	Data flash	During auto-erase (suspend enabled)	When an interrupt request is acknowledged, interrupt handling is executed. If the FMR22 bit is set to 1 (erase-suspend request enabled by interrupt request), the FMR21 bit is automatically set to 1 (erase-suspend request). The flash memory suspends auto-erase after td(SR-SUS). If erase-suspend is required while the FMR22 bit is set to 0 (erase-suspend request disabled by interrupt request), set the FMR 21 bit to 1 during interrupt handling. The flash memory suspends auto-erase after td(SR-SUS). While auto-erase is being suspended, any block other than the block during auto-erase execution can be read. Auto-erase can be restarted by setting the FMR21 bit to 0 (erase restart).
		During auto-erase (suspend disabled or FMR22 = 0)	Interrupt handling is executed while auto-erase or auto-programming is being performed.
		During auto-programming	
	Program ROM	During auto-erase (suspend enabled)	Usable by allocating a vector in RAM.
		During auto-erase (suspend disabled)	
		During auto-programming	
EW1	Data flash	During auto-erase (suspend enabled)	When an interrupt request is acknowledged, interrupt handling is executed. If the FMR22 bit is set to 1, the FMR21 bit is automatically set to 1. The flash memory suspends auto-erase after td(SR-SUS). If erase-suspend is required while the FMR22 bit is set to 0, set the FMR 21 bit to 1 during interrupt handling. The flash memory suspends auto-erase after td(SR-SUS). While auto-erase is being suspended, any block other than the block during auto-erase execution can be read. Auto-erase can be restarted by setting the FMR21 bit to 0.
		During auto-erase (suspend disabled or FMR22 = 0)	Interrupt handling is executed while auto-erase or auto-programming is being performed.
		During auto-programming	
	Program ROM	During auto-erase (suspend enabled)	Auto-erase suspends after td(SR-SUS) and interrupt handling is executed. Auto-erase can be restarted by setting the FMR21 bit to 0 after interrupt handling completes. While auto-erase is being suspended, any block other than the block during auto-erase execution can be read.
		During auto-erase (suspend disabled or FMR22 = 0)	Auto-erase and auto-programming have priority and interrupt requests are put on standby. Interrupt handling is executed after auto-erase and auto-program complete.
		During auto-programming	

FMR21, FMR22: Bits in FMR2 register

Table 32.10 CPU Rewrite Mode Interrupts (2)

Mode	Erase/Write Target	Status	<ul style="list-style-type: none"> • Watchdog Timer • Oscillation Stop Detection • Voltage Monitor 2 • Voltage Monitor 1 • NMI (Note 1)	<ul style="list-style-type: none"> • Undefined Instruction • INTO Instruction • BRK Instruction • Single Step • Address Match • Address Break (Note 1)
EW0	Data flash	During auto-erasure (suspend enabled)	When an interrupt request is acknowledged, interrupt handling is executed. If the FMR22 bit is set to 1 (erase-suspend request enabled by interrupt request), the FMR21 bit is automatically set to 1 (erase-suspend request). The flash memory suspends auto-erasure after td(SR-SUS). If erase-suspend is required while the FMR22 bit is set to 0 (erase-suspend request disabled by interrupt request), set the FMR 21 bit to 1 during interrupt handling. The flash memory suspends auto-erasure after td(SR-SUS). While auto-erasure is being suspended, any block other than the block during auto-erasure execution can be read. Auto-erasure can be restarted by setting the FMR21 bit is set to 0 (erase restart).	When an interrupt request is acknowledged, interrupt handling is executed. If erase-suspend is required, set the FMR 21 bit to 1 during interrupt handling. The flash memory suspends auto-erasure after td(SR-SUS). While auto-erasure is being suspended, any block other than the block during auto-erasure execution can be read. Auto-erasure can be restarted by setting the FMR21 bit in the FMR2 register is set to 0 (erase restart).
		During auto-erasure (suspend disabled or FMR22 = 0)	Interrupt handling is executed while auto-erasure or auto-programming is being performed.	
		During auto-programming		
	Program ROM	During auto-erasure (suspend enabled)	When an interrupt request is acknowledged, auto-erasure or auto-programming is forcibly stopped immediately and the flash memory is reset. Interrupt handling starts when the flash memory restarts after the fixed period. Since the block during auto-erasure or the address during auto-programming is forcibly stopped, the normal value may not be read. After the flash memory restarts, execute auto-erasure again and ensure it completes normally. The watchdog timer does not stop during the command operation, so interrupt requests may be generated. Initialize the watchdog timer regularly using the erase-suspend function.	Not usable during auto-erasure or auto-programming.
		During auto-erasure (suspend disabled)		
		During auto-programming		

FMR21, FMR22: Bits in FMR2 register

Note:

1. Do not use a non-maskable interrupt while block 0 is being auto-erased because the fixed vector is allocated in block 0.

Table 32.11 CPU Rewrite Mode Interrupts (3)

Mode	Erase/Write Target	Status	<ul style="list-style-type: none"> • Watchdog Timer • Oscillation Stop Detection • Voltage Monitor 2 • Voltage Monitor 1 • NMI (Note 1)	<ul style="list-style-type: none"> • Undefined Instruction • INTO Instruction • BRK Instruction • Single Step • Address Match • Address Break (Note 1)
EW1	Data flash	During auto-erasure (suspend enabled)	When an interrupt request is acknowledged, interrupt handling is executed. If the FMR22 bit is set to 1, the FMR21 bit is automatically set to 1. The flash memory suspends auto-erasure after td(SR-SUS). If erase-suspend is required while the FMR22 bit is set to 0, set the FMR 21 bit to 1 during interrupt handling. The flash memory suspends auto-programming after td(SR-SUS). While auto-erasure is being suspended, any block other than the block during auto-erasure execution can be read. Auto-erasure can be restarted by setting the FMR21 bit is set to 0.	When an interrupt request is acknowledged, interrupt handling is executed. If erase-suspend is required, set the FMR 21 bit to 1 during interrupt handling. The flash memory suspends auto-erasure after td(SR-SUS). While auto-erasure is being suspended, any block other than the block during auto-erasure execution can be read. Auto-erasure can be restarted by setting the FMR21 bit in the FMR2 register is set to 0 (erase restart).
		During auto-erasure (suspend disabled or FMR22 = 0)	Interrupt handling is executed while auto-erasure or auto-programming is being performed.	
		During auto-programming		
	Program ROM	During auto-erasure (suspend enabled)	When an interrupt request is acknowledged, auto-erasure or auto-programming is forcibly stopped immediately and the flash memory is reset. Interrupt handling starts when the flash memory restarts after the fixed period.	Not usable during auto-erasure or auto-programming.
		During auto-erasure (suspend disabled or FMR22 = 0)	Since the block during auto-erasure or the address during auto-programming is forcibly stopped, the normal value may not be read. After the flash memory restarts, execute auto-erasure again and ensure it completes normally.	
		During auto-programming	The watchdog timer does not stop during the command operation, so interrupt requests may be generated. Initialize the watchdog timer regularly using the erase-suspend function.	

FMR21, FMR22: Bits in FMR2 register

Note:

1. Do not use a non-maskable interrupt while block 0 is being auto-erased because the fixed vector is allocated in block 0.

32.7.1.3 How to Access

To set one of the following bits to 1, first write 0 and then 1 immediately. Do not generate an interrupt between writing 0 and writing 1.

- The FMR01 bit or FMR02 bit in the FMR0 register
- The FMR13 bit in the FMR1 register
- The FMR20 bit, FMR22 bit, or FMR 27 bit in the FMR2 register

To set one of the following bits to 0, first write 1 and then 0 immediately. Do not generate an interrupt between writing 1 and writing 0.

- The FMR14 bit, FMR15 bit, FMR16 bit, or FMR17 bit in the FMR1 register

32.7.1.4 Rewriting User ROM Area

In EW0 Mode, if the supply voltage drops while rewriting any block in which a rewrite control program is stored, it may not be possible to rewrite the flash memory because the rewrite control program cannot be rewritten correctly. In this case, use standard serial I/O mode.

32.7.1.5 Programming

Do not write additions to the already programmed address.

32.7.1.6 Entering Stop Mode or Wait Mode

Do not enter stop mode or wait mode during erase-suspend.

If the FST7 in the FST register is set to 0 (busy (during programming or erasure execution), do not enter to stop mode or wait mode.

32.7.1.7 Programming and Erasure Voltage for Flash Memory

To perform programming and erasure, use $V_{CC} = 2.7\text{ V}$ to 5.5 V as the supply voltage. Do not perform programming and erasure at less than 2.7 V .

32.7.1.8 Block Blank Check

Do not execute the block blank check command during erase-suspend.

33. Reducing Power Consumption

33.1 Overview

This chapter describes key points and processing methods for reducing power consumption.

33.2 Key Points and Processing Methods for Reducing Power Consumption

Key points for reducing power consumption are shown below. They should be referred to when designing a system or creating a program.

33.2.1 Voltage Detection Circuit

If voltage monitor 1 and comparator A1 are not used, set the VCA26 bit in the VCA2 register to 0 (voltage detection 1 circuit disabled). If voltage monitor 2 and comparator A2 are not used, set the VCA27 bit in the VCA2 register to 0 (voltage detection 2 circuit disabled).

If the power-on reset and voltage monitor 0 reset are not used, set the VCA25 bit in the VCA2 register to 0 (voltage detection 0 circuit disabled).

33.2.2 Ports

Even after the MCU enters wait mode or stop mode, the states of the I/O ports are retained. Current flows into the output ports in the active state, and shoot-through current flows into the input ports in the high-impedance state. Unnecessary ports should be set to input and fixed to a stable electric potential before the MCU enters wait mode or stop mode.

33.2.3 Clocks

Power consumption generally depends on the number of the operating clocks and their frequencies. The fewer the number of operating clocks or the lower their frequencies, the more power consumption decreases. Unnecessary clocks should be stopped accordingly.

Stopping low-speed on-chip oscillator oscillation: CM14 bit in CM1 register

Stopping high-speed on-chip oscillator oscillation: FRA00 bit in FRA0 register

33.2.4 Wait Mode, Stop Mode

Power consumption can be reduced in wait mode and stop mode. Refer to **9.7 Power Control** for details.

33.2.5 Stopping Peripheral Function Clocks

If the peripheral function f1, f2, f4, f8, and f32 clocks are not necessary in wait mode, set the CM02 bit in the CM0 register to 1 (peripheral function clock stops in wait mode). This will stop the f1, f2, f4, f8, and f32 clocks in wait mode.

33.2.6 Timers

If timer RA is not used, set the TCKCUT bit in the TRAMR register to 1 (count source cutoff).

If timer RB is not used, set the TCKCUT bit in the TRBMR register to 1 (count source cutoff).

If timer RC is not used, set the MSTTRC bit in the MSTCR register to 1 (standby).

If timer RD is not used, set bits TCK2 to TCK0 in the TRDCR_i (i = 0 to 1) register to 000b (f1) and the MSTTRD bit in the MSTCR register to 1 (standby).

33.2.7 A/D Converter

When the A/D converter is not used, power consumption can be reduced by setting the ADSTBY bit in the ADCON1 register to 0 (A/D operation stops (standby)) to shut off any analog circuit current flow.

33.2.8 Clock Synchronous Serial Interface

When the SSU or the I²C bus is not used, set the MSTIIC bit in the MSTCR register to 1 (standby).

33.2.9 Reducing Internal Power Consumption

When the MCU enters wait mode using low-speed clock mode or low-speed on-chip oscillator mode, internal power consumption can be reduced by using the VCA20 bit in the VCA2 register. Figure 33.1 shows the Handling Procedure for Reducing Internal Power Consumption Using VCA20 Bit. To enable reduced internal power consumption by the VCA20 bit, follow Figure 33.1 Handling Procedure for Reducing Internal Power Consumption Using VCA20 Bit.

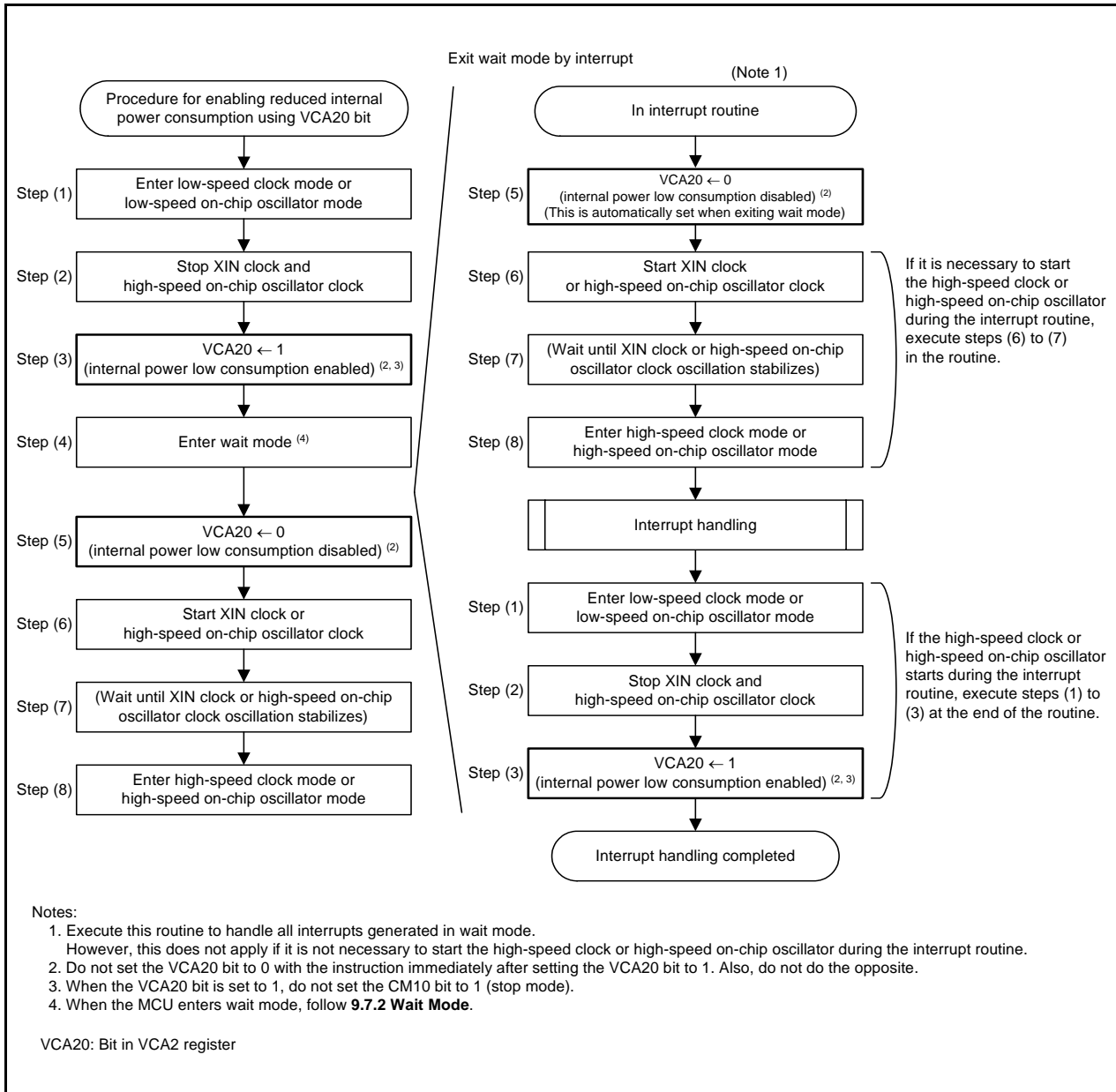


Figure 33.1 Handling Procedure for Reducing Internal Power Consumption Using VCA20 Bit

33.2.10 Stopping Flash Memory

In low-speed on-chip oscillator mode and low-speed clock mode, power consumption can be further reduced by stopping the flash memory using the FMSTP bit in the FMR0 register.

Access to the flash memory is disabled by setting the FMSTP bit to 1 (flash memory stops). The FMSTP bit must be written to by a program transferred to RAM.

When the MCU enters stop mode or wait mode while CPU rewrite mode is disabled, the power for the flash memory is automatically turned off. It is turned back on again after the MCU exit stop mode or wait mode. This eliminates the need to set the FMR0 register.

Figure 33.2 shows the Handling Procedure Example for Reducing Power Consumption Using FMSTP Bit.

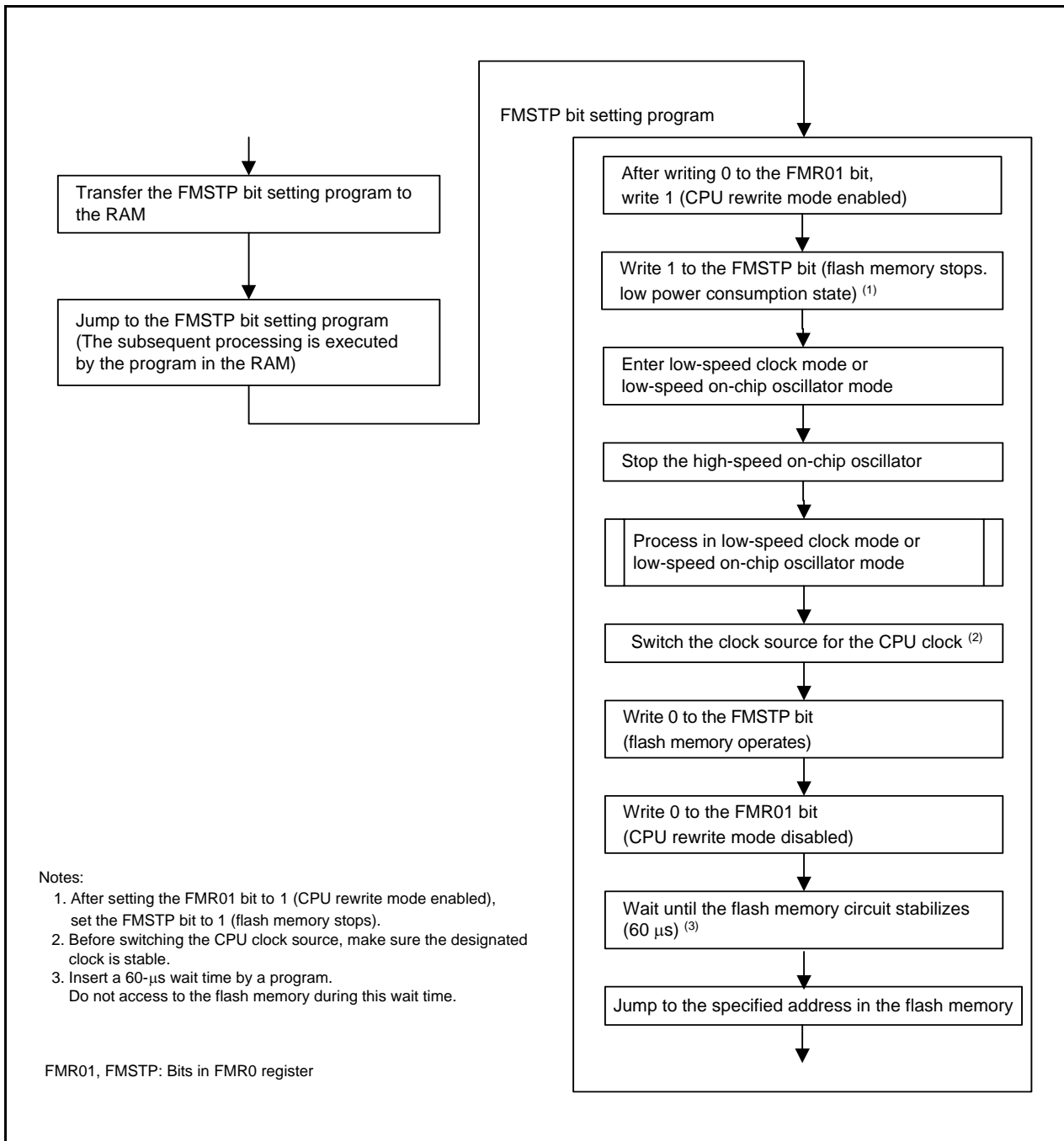


Figure 33.2 Handling Procedure Example for Reducing Power Consumption Using FMSTP Bit

33.2.11 Low-Current-Consumption Read Mode

In low-speed clock mode and low-speed on-chip oscillator mode, the current consumption when reading the flash memory can be reduced by setting the FMR27 bit in the FMR2 register to 1 (enabled).

Figure 33.3 shows the Handling Procedure Example of Low-Current-Consumption Read Mode.

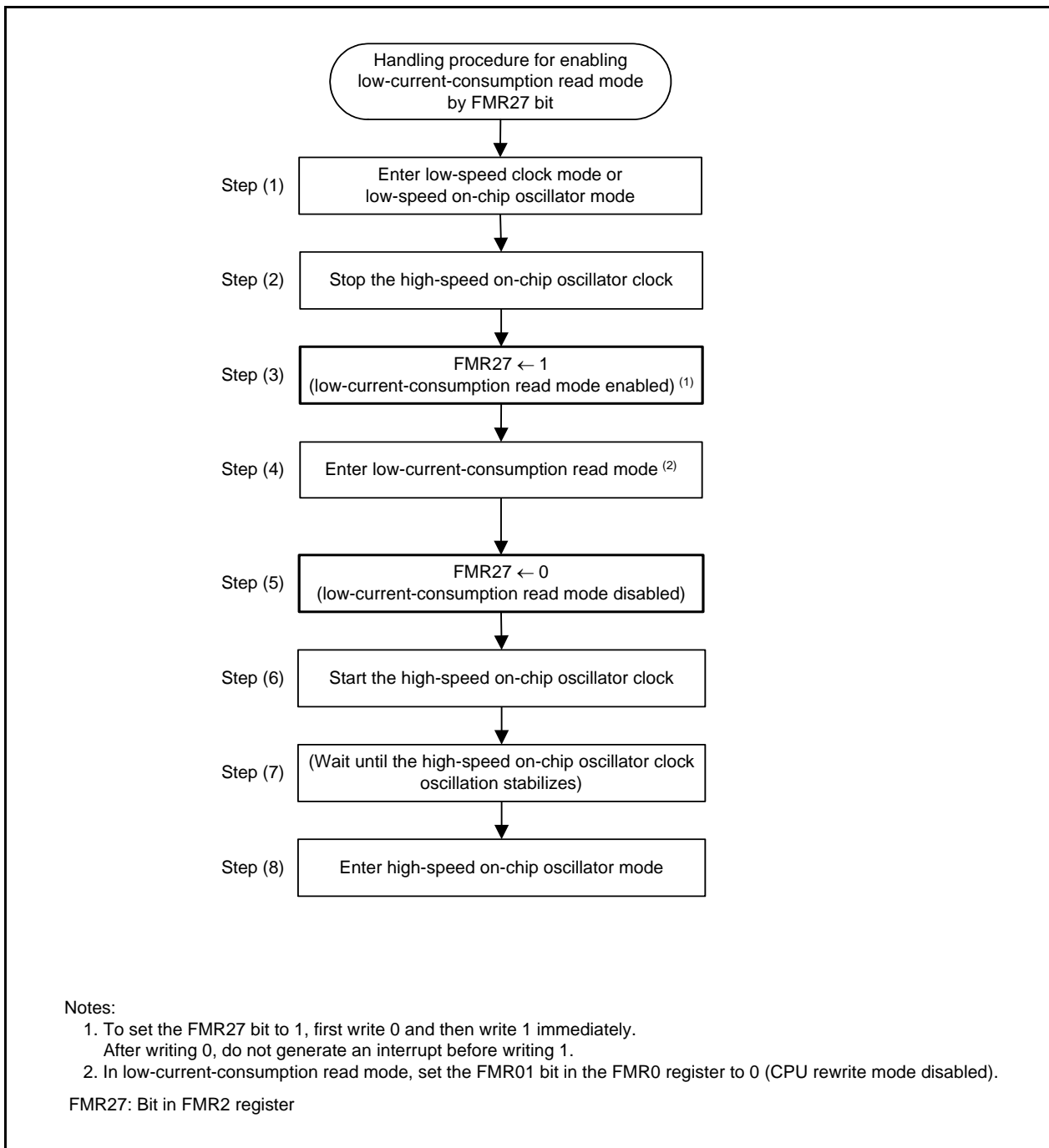


Figure 33.3 Handling Procedure Example of Low-Current-Consumption Read Mode

34. Electrical Characteristics

Table 34.1 Absolute Maximum Ratings

Symbol	Parameter	Condition	Rated Value	Unit
V _{CC} /AV _{CC}	Supply voltage		-0.3 to 6.5	V
V _I	Input voltage		-0.3 to V _{CC} + 0.3	V
V _O	Output voltage		-0.3 to V _{CC} + 0.3	V
P _d	Power dissipation	-40°C ≤ T _{opr} ≤ 85°C	500	mW
T _{opr}	Operating ambient temperature		-20 to 85 (N version) / -40 to 85 (D version)	°C
T _{stg}	Storage temperature		-65 to 150	°C

Table 34.2 Recommended Operating Conditions

Symbol	Parameter		Conditions	Standard			Unit		
				Min.	Typ.	Max.			
V _{CC} /AV _{CC}	Supply voltage			1.8	–	5.5	V		
V _{SS} /AV _{SS}	Supply voltage			–	0	–	V		
V _{IH}	Input “H” voltage	Other than CMOS input			0.8 V _{CC}	–	V _{CC}	V	
		CMOS input	Input level switching function (I/O port)	Input level selection : 0.35 V _{CC}	4.0 V ≤ V _{CC} ≤ 5.5 V	0.5 V _{CC}	–	V _{CC}	V
					2.7 V ≤ V _{CC} < 4.0 V	0.55 V _{CC}	–	V _{CC}	V
					1.8 V ≤ V _{CC} < 2.7 V	0.65 V _{CC}	–	V _{CC}	V
				Input level selection : 0.5 V _{CC}	4.0 V ≤ V _{CC} ≤ 5.5 V	0.65 V _{CC}	–	V _{CC}	V
					2.7 V ≤ V _{CC} < 4.0 V	0.7 V _{CC}	–	V _{CC}	V
					1.8 V ≤ V _{CC} < 2.7 V	0.8 V _{CC}	–	V _{CC}	V
				Input level selection : 0.7 V _{CC}	4.0 V ≤ V _{CC} ≤ 5.5 V	0.85 V _{CC}	–	V _{CC}	V
					2.7 V ≤ V _{CC} < 4.0 V	0.85 V _{CC}	–	V _{CC}	V
					1.8 V ≤ V _{CC} < 2.7 V	0.85 V _{CC}	–	V _{CC}	V
V _{IL}	Input “L” voltage	Other than CMOS input			0	–	0.2 V _{CC}	V	
		CMOS input	Input level switching function (I/O port)	Input level selection : 0.35 V _{CC}	4.0 V ≤ V _{CC} ≤ 5.5 V	0	–	0.2 V _{CC}	V
					2.7 V ≤ V _{CC} < 4.0 V	0	–	0.2 V _{CC}	V
					1.8 V ≤ V _{CC} < 2.7 V	0	–	0.2 V _{CC}	V
				Input level selection : 0.5 V _{CC}	4.0 V ≤ V _{CC} ≤ 5.5 V	0	–	0.4 V _{CC}	V
					2.7 V ≤ V _{CC} < 4.0 V	0	–	0.3 V _{CC}	V
					1.8 V ≤ V _{CC} < 2.7 V	0	–	0.2 V _{CC}	V
				Input level selection : 0.7 V _{CC}	4.0 V ≤ V _{CC} ≤ 5.5 V	0	–	0.55 V _{CC}	V
					2.7 V ≤ V _{CC} < 4.0 V	0	–	0.45 V _{CC}	V
					1.8 V ≤ V _{CC} < 2.7 V	0	–	0.35 V _{CC}	V
I _{OH(sum)}	Peak sum output “H” current	Sum of all pins I _{OH(peak)}		–	–	–160	mA		
I _{OH(sum)}	Average sum output “H” current	Sum of all pins I _{OH(avg)}		–	–	–80	mA		
I _{OH(peak)}	Peak output “H” current	Drive capacity Low		–	–	–10	mA		
		Drive capacity High		–	–	–40	mA		
I _{OH(avg)}	Average output “H” current	Drive capacity Low		–	–	–5	mA		
		Drive capacity High		–	–	–20	mA		
I _{OL(sum)}	Peak sum output “L” current	Sum of all pins I _{OL(peak)}		–	–	160	mA		
I _{OL(sum)}	Average sum output “L” current	Sum of all pins I _{OL(avg)}		–	–	80	mA		
I _{OL(peak)}	Peak output “L” current	Drive capacity Low		–	–	10	mA		
		Drive capacity High		–	–	40	mA		
I _{OL(avg)}	Average output “L” current	Drive capacity Low		–	–	5	mA		
		Drive capacity High		–	–	20	mA		
f _(XIN)	XIN clock input oscillation frequency		2.7 V ≤ V _{CC} ≤ 5.5 V	–	–	20	MHz		
			1.8 V ≤ V _{CC} < 2.7 V	–	–	5	MHz		
f _(XCIN)	XCIN clock input oscillation frequency		1.8 V ≤ V _{CC} ≤ 5.5 V	–	32.768	50	kHz		
f _{OCO40M}	When used as the count source for timer RC or timer RD ⁽³⁾		2.7 V ≤ V _{CC} ≤ 5.5 V	32	–	40	MHz		
f _{OCO-F}	f _{OCO-F} frequency		2.7 V ≤ V _{CC} ≤ 5.5 V	–	–	20	MHz		
			1.8 V ≤ V _{CC} < 2.7 V	–	–	5	MHz		
–	System clock frequency		2.7 V ≤ V _{CC} ≤ 5.5 V	–	–	20	MHz		
			1.8 V ≤ V _{CC} < 2.7 V	–	–	5	MHz		
f _(BCLK)	CPU clock frequency		2.7 V ≤ V _{CC} ≤ 5.5 V	–	–	20	MHz		
			1.8 V ≤ V _{CC} < 2.7 V	–	–	5	MHz		

Notes:

1. V_{CC} = 1.8 to 5.5 V at T_{opr} = –20 to 85°C (N version) / –40 to 85°C (D version), unless otherwise specified.
2. The average output current indicates the average value of current measured during 100 ms.
3. f_{OCO40M} can be used as the count source for timer RC or timer RD in the range of V_{CC} = 2.7 V to 5.5V.

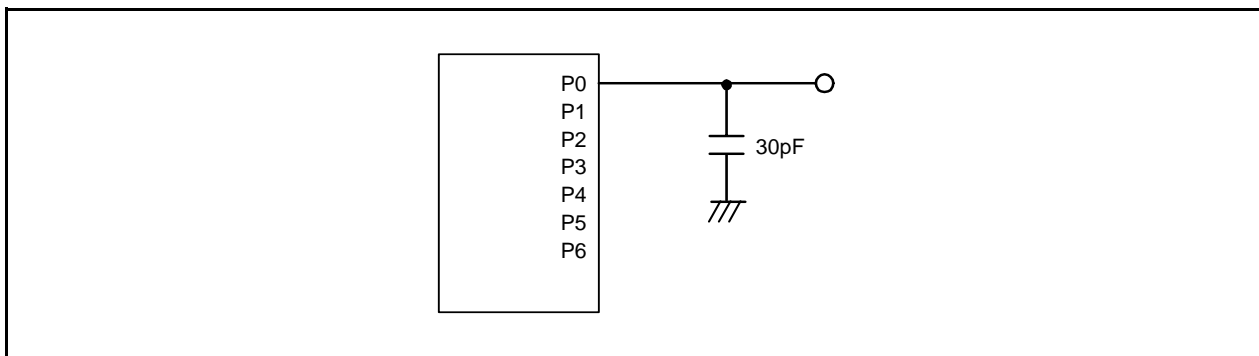


Figure 34.1 Ports P0 to P6 Timing Measurement Circuit

Table 34.3 A/D Converter Characteristics (1)

Symbol	Parameter		Conditions		Standard			Unit
					Min.	Typ.	Max.	
–	Resolution		$V_{ref} = AV_{CC}$		–	–	10	Bit
–	Absolute accuracy	10-bit mode	$V_{ref} = AV_{CC} = 5.0\text{ V}$	AN0 to AN7 input, AN8 to AN11 input	–	–	± 3	LSB
			$V_{ref} = AV_{CC} = 3.3\text{ V}$	AN0 to AN7 input, AN8 to AN11 input	–	–	± 5	LSB
			$V_{ref} = AV_{CC} = 3.0\text{ V}$	AN0 to AN7 input, AN8 to AN11 input	–	–	± 5	LSB
			$V_{ref} = AV_{CC} = 2.2\text{ V}$	AN0 to AN7 input, AN8 to AN11 input	–	–	± 5	LSB
		8-bit mode	$V_{ref} = AV_{CC} = 5.0\text{ V}$	AN0 to AN7 input, AN8 to AN11 input	–	–	± 2	LSB
			$V_{ref} = AV_{CC} = 3.3\text{ V}$	AN0 to AN7 input, AN8 to AN11 input	–	–	± 2	LSB
			$V_{ref} = AV_{CC} = 3.0\text{ V}$	AN0 to AN7 input, AN8 to AN11 input	–	–	± 2	LSB
			$V_{ref} = AV_{CC} = 2.2\text{ V}$	AN0 to AN7 input, AN8 to AN11 input	–	–	± 2	LSB
ϕ_{AD}	A/D conversion clock		$4.0\text{ V} \leq V_{ref} = AV_{CC} \leq 5.5\text{ V}^{(2)}$		2	–	20	MHz
			$3.2\text{ V} \leq V_{ref} = AV_{CC} \leq 5.5\text{ V}^{(2)}$		2	–	16	MHz
			$2.7\text{ V} \leq V_{ref} = AV_{CC} \leq 5.5\text{ V}^{(2)}$		2	–	10	MHz
			$2.2\text{ V} \leq V_{ref} = AV_{CC} \leq 5.5\text{ V}^{(2)}$		2	–	5	MHz
–	Tolerance level impedance				–	3	–	k Ω
DNL	Differential non-linearity error				–	–	± 1	LSB
t _{CONV}	Conversion time	10-bit mode	$V_{ref} = AV_{CC} = 5.0\text{ V}, \phi_{AD} = 20\text{ MHz}$		2.15	–	–	μs
		8-bit mode	$V_{ref} = AV_{CC} = 5.0\text{ V}, \phi_{AD} = 20\text{ MHz}$		2.15	–	–	μs
t _{SAMP}	Sampling time		$\phi_{AD} = 20\text{ MHz}$		0.75	–	–	μs
I _{Vref}	V _{ref} current		$V_{CC} = 5\text{ V}, XIN = f1 = \phi_{AD} = 20\text{ MHz}$		–	45	–	μA
V _{ref}	Reference voltage				2.2	–	AV _{CC}	V
V _{IA}	Analog input voltage ⁽³⁾				0	–	V _{ref}	V

Notes:

1. $V_{CC}/AV_{CC} = V_{ref} = 2.2$ to 5.5 V , $V_{SS} = 0\text{ V}$ at $T_{opr} = -20$ to 85°C (N version) / -40 to 85°C (D version), unless otherwise specified.
2. When the CPU and flash memory stop, the A/D conversion result will be undefined.
3. When the analog input voltage is over the reference voltage, the A/D conversion result will be 3FFh in 10-bit mode and FFh in 8-bit mode.

Table 34.4 D/A Converter Characteristics (1)

Symbol	Parameter	Conditions	Standard			Unit
			Min.	Typ.	Max.	
–	Resolution		–	–	8	Bit
–	Absolute accuracy		–	–	2.5	LSB
t_{su}	Setup time		–	–	3	μs
R_O	Output resistor		–	6	–	$k\Omega$
I_{Vref}	Reference power input current	(Note 2)	–	–	1.5	mA

Notes:

- $V_{CC}/AV_{CC} = V_{ref} = 2.7$ to 5.5 V at $T_{opr} = -20$ to $85^\circ C$ (N version) / -40 to $85^\circ C$ (D version), unless otherwise specified.
- This applies when one D/A converter is used and the value of the DA_i register ($i = 0$ or 1) for the unused D/A converter is $00h$. The resistor ladder of the A/D converter is not included.

Table 34.5 Comparator A Electrical Characteristics

Symbol	Parameter	Condition	Standard			Unit
			Min.	Typ.	Max.	
LVREF	External reference voltage input range		1.4	–	V_{CC}	V
LVCMP1, LVCMP2	External comparison voltage input range		-0.3	–	$V_{CC} + 0.3$	V
–	Offset		–	50	200	mV
–	Comparator output delay time (2)	At falling, $V_I = V_{ref} - 100$ mV	–	3	–	μs
		At falling, $V_I = V_{ref} - 1$ V or below	–	1.5	–	μs
		At rising, $V_I = V_{ref} + 100$ mV	–	2	–	μs
		At rising, $V_I = V_{ref} + 1$ V or above	–	0.5	–	μs
–	Comparator operating current	$V_{CC} = 5.0$ V	–	0.5	–	μA

Notes:

- $V_{CC} = 2.7$ to 5.5 V, $T_{opr} = -20$ to $85^\circ C$ (N version) / -40 to $85^\circ C$ (D version), unless otherwise specified.
- When the digital filter is disabled.

Table 34.6 Comparator B Electrical Characteristics

Symbol	Parameter	Condition	Standard			Unit
			Min.	Typ.	Max.	
V_{ref}	IVREF1, IVREF3 input reference voltage		0	–	$V_{CC} - 1.4$	V
V_I	IVCMP1, IVCMP3 input voltage		-0.3	–	$V_{CC} + 0.3$	V
–	Offset		–	5	100	mV
t_d	Comparator output delay time (2)	$V_I = V_{ref} \pm 100$ mV	–	0.1	–	μs
I_{cMP}	Comparator operating current	$V_{CC} = 5.0$ V	–	17.5	–	μA

Notes:

- $V_{CC} = 2.7$ to 5.5 V, $T_{opr} = -20$ to $85^\circ C$ (N version) / -40 to $85^\circ C$ (D version), unless otherwise specified.
- When the digital filter is disabled.

Table 34.7 Flash Memory (Program ROM) Electrical Characteristics

Symbol	Parameter	Conditions	Standard			Unit
			Min.	Typ.	Max.	
–	Program/erase endurance ⁽²⁾		1,000 ⁽³⁾	–	–	times
–	Byte program time		–	80	TBD	μs
–	Block erase time		–	0.3	TBD	s
t _d (SR-SUS)	Time delay from suspend request until suspend		–	–	5+CPU clock x 3 cycles	ms
–	Interval from erase start/restart until following suspend request		0	–	–	μs
–	Suspend interval necessary for auto-erasure to complete		20	–	–	ms
–	Time from suspend until erase restart		–	–	30+CPU clock x 1 cycle	μs
–	Program, erase voltage		2.7	–	5.5	V
–	Read voltage		1.8	–	5.5	V
–	Program, erase temperature		0	–	60	°C
–	Data hold time ⁽⁷⁾	Ambient temperature = 55°C	20	–	–	year

Notes:

- V_{CC} = 2.7 to 5.5 V at T_{opr} = 0 to 60°C, unless otherwise specified.
- Definition of programming/erasure endurance
 The programming and erasure endurance is defined on a per-block basis.
 If the programming and erasure endurance is n (n = 1,000), each block can be erased n times. For example, if 1,024 1-byte writes are performed to different addresses in block A, a 1 Kbyte block, and then the block is erased, the programming/erasure endurance still stands at one.
 However, the same address must not be programmed more than once per erase operation (overwriting prohibited).
- Endurance to guarantee all electrical characteristics after program and erase. (1 to Min. value can be guaranteed).
- In a system that executes multiple programming operations, the actual erasure count can be reduced by writing to sequential addresses in turn so that as much of the block as possible is used up before performing an erase operation. For example, when programming groups of 16 bytes, the effective number of rewrites can be minimized by programming up to 128 groups before erasing them all in one operation. It is also advisable to retain data on the erasure endurance of each block and limit the number of erase operations to a certain number.
- If an error occurs during block erase, attempt to execute the clear status register command, then execute the block erase command at least three times until the erase error does not occur.
- Customers desiring program/erase failure rate information should contact their Renesas technical support representative.
- The data hold time includes time that the power supply is off or the clock is not supplied.

Table 34.8 Flash Memory (Data flash Block A to Block D) Electrical Characteristics

Symbol	Parameter	Conditions	Standard			Unit
			Min.	Typ.	Max.	
–	Program/erase endurance ⁽²⁾		10,000 ⁽³⁾	–	–	times
–	Byte program time (program/erase endurance ≤ 1,000 times)		–	160	TBD	μs
–	Byte program time (program/erase endurance > 1,000 times)		–	300	–	μs
–	Block erase time (program/erase endurance ≤ 1,000 times)		–	0.2	1	s
–	Block erase time (program/erase endurance > 1,000 times)		–	0.3	1	s
t _d (SR-SUS)	Time delay from suspend request until suspend		–	–	5+CPU clock × 3 cycles	ms
–	Interval from erase start/restart until following suspend request		0	–	–	μs
–	Suspend interval necessary for auto-erasure to complete		3	–	–	ms
–	Time from suspend until erase restart		–	–	30+CPU clock × 1 cycle	μs
–	Program, erase voltage		2.7	–	5.5	V
–	Read voltage		1.8	–	5.5	V
–	Program, erase temperature		–20 ⁽⁷⁾	–	85	°C
–	Data hold time ⁽⁸⁾	Ambient temperature = 55 °C	20	–	–	year

Notes:

- V_{CC} = 2.7 to 5.5 V at T_{opr} = –20 to 85°C (N version) / –40 to 85°C (D version), unless otherwise specified.
- Definition of programming/erasure endurance
 The programming and erasure endurance is defined on a per-block basis.
 If the programming and erasure endurance is n (n = 10,000), each block can be erased n times. For example, if 1,024 1-byte writes are performed to different addresses in block A, a 1 Kbyte block, and then the block is erased, the programming/erasure endurance still stands at one.
 However, the same address must not be programmed more than once per erase operation (overwriting prohibited).
- Endurance to guarantee all electrical characteristics after program and erase. (1 to Min. value can be guaranteed).
- In a system that executes multiple programming operations, the actual erasure count can be reduced by writing to sequential addresses in turn so that as much of the block as possible is used up before performing an erase operation. For example, when programming groups of 16 bytes, the effective number of rewrites can be minimized by programming up to 128 groups before erasing them all in one operation. In addition, averaging the erasure endurance between blocks A to D can further reduce the actual erasure endurance. It is also advisable to retain data on the erasure endurance of each block and limit the number of erase operations to a certain number.
- If an error occurs during block erase, attempt to execute the clear status register command, then execute the block erase command at least three times until the erase error does not occur.
- Customers desiring program/erase failure rate information should contact their Renesas technical support representative.
- 40°C for D version.
- The data hold time includes time that the power supply is off or the clock is not supplied.

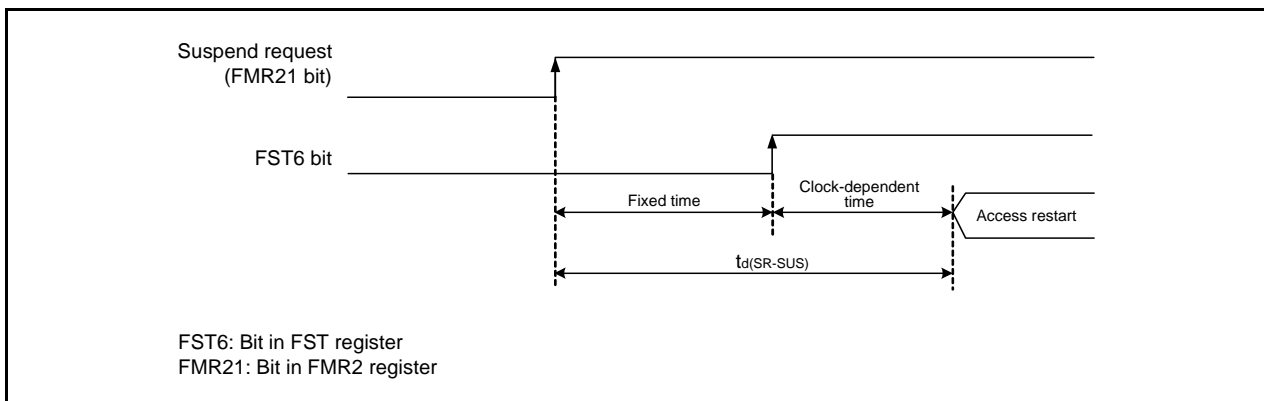


Figure 34.2 Time delay until Suspend

Table 34.9 Voltage Detection 0 Circuit Electrical Characteristics

Symbol	Parameter	Condition	Standard			Unit
			Min.	Typ.	Max.	
Vdet0	Voltage detection level Vdet0_0 (2)		TBD	1.90	TBD	V
	Voltage detection level Vdet0_1 (2)		TBD	2.35	TBD	V
	Voltage detection level Vdet0_2 (2)		TBD	2.85	TBD	V
	Voltage detection level Vdet0_3 (2)		TBD	3.80	TBD	V
–	Voltage detection 0 circuit response time (4)	At the falling of Vcc from 5 V to (Vdet0_0 – 0.1) V	–	6	150	μs
–	Voltage detection circuit self power consumption	VCA25 = 1, Vcc = 5.0 V	–	1.5	–	μA
td(E-A)	Waiting time until voltage detection circuit operation starts (3)		–	–	100	μs

Notes:

1. The measurement condition is Vcc = 1.8 V to 5.5 V and Topr = –20 to 85°C (N version) / –40 to 85°C (D version).
2. Select the voltage detection level with bits VDSEL0 and VDSEL1 in the OFS register.
3. Necessary time until the voltage detection circuit operates when setting to 1 again after setting the VCA25 bit in the VCA2 register to 0.
4. Time until the voltage monitor 0 reset is generated after the voltage passes Vdet0.

Table 34.10 Voltage Detection 1 Circuit Electrical Characteristics

Symbol	Parameter	Condition	Standard			Unit
			Min.	Typ.	Max.	
Vdet1	Voltage detection level Vdet1_0 (2)	At the falling of Vcc	TBD	2.20	TBD	V
	Voltage detection level Vdet1_1 (2)	At the falling of Vcc	TBD	2.35	TBD	V
	Voltage detection level Vdet1_2 (2)	At the falling of Vcc	TBD	2.50	TBD	V
	Voltage detection level Vdet1_3 (2)	At the falling of Vcc	TBD	2.65	TBD	V
	Voltage detection level Vdet1_4 (2)	At the falling of Vcc	TBD	2.80	TBD	V
	Voltage detection level Vdet1_5 (2)	At the falling of Vcc	TBD	2.95	TBD	V
	Voltage detection level Vdet1_6 (2)	At the falling of Vcc	TBD	3.10	TBD	V
	Voltage detection level Vdet1_7 (2)	At the falling of Vcc	TBD	3.25	TBD	V
	Voltage detection level Vdet1_8 (2)	At the falling of Vcc	TBD	3.40	TBD	V
	Voltage detection level Vdet1_9 (2)	At the falling of Vcc	TBD	3.55	TBD	V
	Voltage detection level Vdet1_A (2)	At the falling of Vcc	TBD	3.70	TBD	V
	Voltage detection level Vdet1_B (2)	At the falling of Vcc	TBD	3.85	TBD	V
	Voltage detection level Vdet1_C (2)	At the falling of Vcc	TBD	4.00	TBD	V
	Voltage detection level Vdet1_D (2)	At the falling of Vcc	TBD	4.15	TBD	V
	Voltage detection level Vdet1_E (2)	At the falling of Vcc	TBD	4.30	TBD	V
	Voltage detection level Vdet1_F (2)	At the falling of Vcc	TBD	4.45	TBD	V
–	Hysteresis width at the rising of Vcc in voltage detection 1 circuit	Vdet1_0 to Vdet1_5 selected	–	0.07	–	V
		Vdet1_6 to Vdet1_F selected	–	0.10	–	V
–	Voltage detection 1 circuit response time (3)	At the falling of Vcc from 5 V to (Vdet1_0 – 0.1) V	–	60	150	μs
–	Voltage detection circuit self power consumption	VCA26 = 1, Vcc = 5.0 V	–	1.7	–	μA
td(E-A)	Waiting time until voltage detection circuit operation starts (4)		–	–	100	μs

Notes:

1. The measurement condition is Vcc = 1.8 V to 5.5 V and Topr = –20 to 85°C (N version) / –40 to 85°C (D version).
2. Select the voltage detection level with bits VD1S0 to VD1S3 in the VD1LS register.
3. Time until the voltage monitor 1 interrupt request is generated after the voltage passes Vdet1.
4. Necessary time until the voltage detection circuit operates when setting to 1 again after setting the VCA26 bit in the VCA2 register to 0.

Table 34.11 Voltage Detection 2 Circuit Electrical Characteristics

Symbol	Parameter	Condition	Standard			Unit
			Min.	Typ.	Max.	
Vdet2	Voltage detection level Vdet2_0 (2)	At the falling of Vcc	TBD	4.00	TBD	V
	Voltage detection level Vdet2_EXT (2)	At the falling of LVCMP2	TBD	1.34	TBD	V
–	Hysteresis width at the rising of Vcc in voltage detection 2 circuit		–	0.10	–	V
–	Voltage detection 2 circuit response time (3)	At the falling of Vcc from 5 V to (Vdet2_0 – 0.1) V	–	20	150	μs
–	Voltage detection circuit self power consumption	VCA27 = 1, Vcc = 5.0 V	–	1.7	–	μA
t _{d(E-A)}	Waiting time until voltage detection circuit operation starts (4)		–	–	100	μs

Notes:

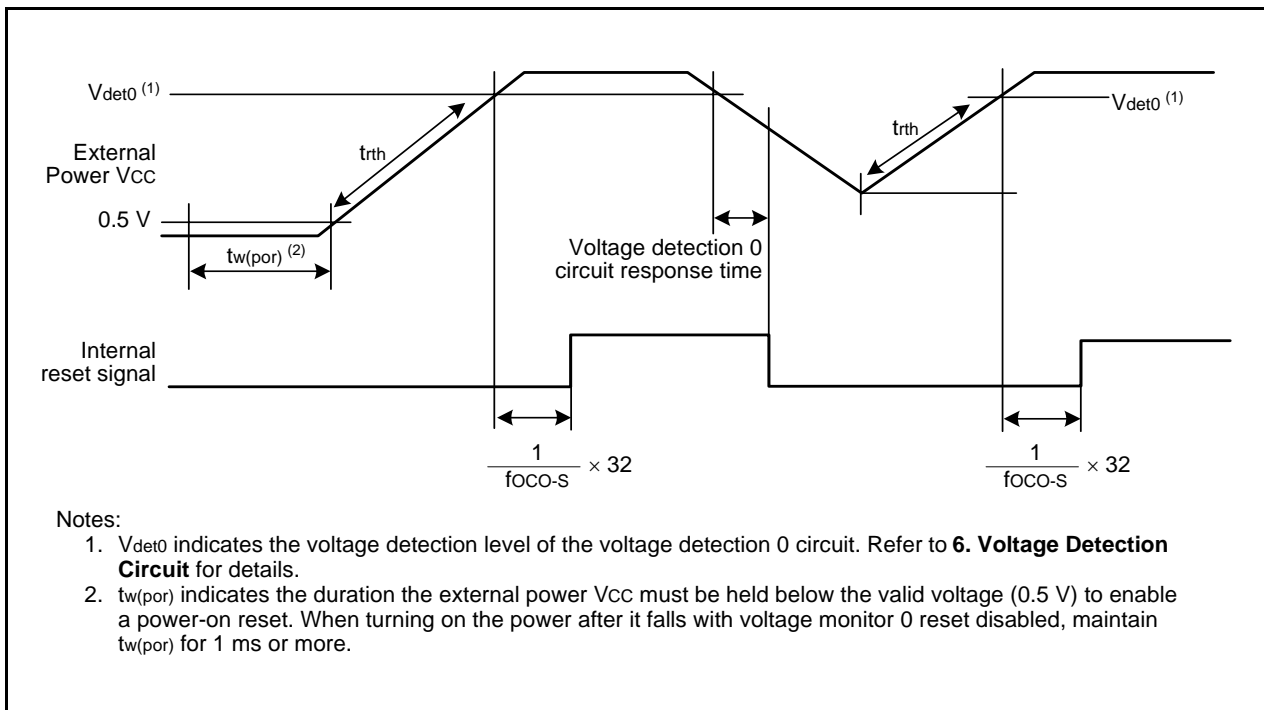
1. The measurement condition is Vcc = 1.8 V to 5.5 V and T_{opr} = –20 to 85°C (N version) / –40 to 85°C (D version).
2. The voltage detection level varies with detection targets. Select the level with the VCA24 bit in the VCA2 register.
3. Time until the voltage monitor 2 interrupt request is generated after the voltage passes Vdet2.
4. Necessary time until the voltage detection circuit operates after setting to 1 again after setting the VCA27 bit in the VCA2 register to 0.

Table 34.12 Power-on Reset Circuit (3)

Symbol	Parameter	Condition	Standard			Unit
			Min.	Typ.	Max.	
trth	External power Vcc rise gradient (2)		0	–	50000	mV/msec

Notes:

1. The measurement condition is T_{opr} = –20 to 85°C (N version) / –40 to 85°C (D version), unless otherwise specified.
2. This condition (external power Vcc rise gradient) does not apply if Vcc ≥ 1.0 V.
3. To use the power-on reset function, enable voltage monitor 0 reset by setting the LVD0ON bit in the OFS register to 0.



Notes:

1. Vdet0 indicates the voltage detection level of the voltage detection 0 circuit. Refer to 6. Voltage Detection Circuit for details.
2. tw(por) indicates the duration the external power Vcc must be held below the valid voltage (0.5 V) to enable a power-on reset. When turning on the power after it falls with voltage monitor 0 reset disabled, maintain tw(por) for 1 ms or more.

Figure 34.3 Power-on Reset Circuit Electrical Characteristics

Table 34.13 High-speed On-Chip Oscillator Circuit Electrical Characteristics

Symbol	Parameter	Condition	Standard			Unit
			Min.	Typ.	Max.	
–	High-speed on-chip oscillator frequency after reset	$V_{CC} = 5.0\text{ V}$, $T_{opr} = 25^{\circ}\text{C}$	TBD	40	TBD	MHz
	High-speed on-chip oscillator frequency when the FRA4 register correction value is written into the FRA1 register and the FRA5 register correction value into the FRA3 register ⁽³⁾		TBD	36.864	TBD	MHz
	High-speed on-chip oscillator frequency when the FRA6 register correction value is written into the FRA1 register and the FRA7 register correction value into the FRA3 register		TBD	32	TBD	MHz
	High-speed on-chip oscillator frequency temperature • supply voltage dependence ⁽²⁾	$V_{CC} = 2.7\text{ V to }5.5\text{ V}$ $-20^{\circ}\text{C} \leq T_{opr} \leq 85^{\circ}\text{C}$	TBD	–	TBD	%
		$V_{CC} = 2.7\text{ V to }5.5\text{ V}$ $-40^{\circ}\text{C} \leq T_{opr} \leq 85^{\circ}\text{C}$	TBD	–	TBD	%
		$V_{CC} = 2.2\text{ V to }5.5\text{ V}$ $-20^{\circ}\text{C} \leq T_{opr} \leq 85^{\circ}\text{C}$	TBD	–	TBD	%
		$V_{CC} = 2.2\text{ V to }5.5\text{ V}$ $-40^{\circ}\text{C} \leq T_{opr} \leq 85^{\circ}\text{C}$	TBD	–	TBD	%
$V_{CC} = 1.8\text{ V to }5.5\text{ V}$ $-20^{\circ}\text{C} \leq T_{opr} \leq 85^{\circ}\text{C}$		TBD	–	TBD	%	
$V_{CC} = 1.8\text{ V to }5.5\text{ V}$ $-40^{\circ}\text{C} \leq T_{opr} \leq 85^{\circ}\text{C}$	TBD	–	TBD	%		
–	Oscillation stability time	$V_{CC} = 5.0\text{ V}$, $T_{opr} = 25^{\circ}\text{C}$	–	100	450	μs
–	Self power consumption at oscillation	$V_{CC} = 5.0\text{ V}$, $T_{opr} = 25^{\circ}\text{C}$	–	400	–	μA

Notes:

1. $V_{CC} = 1.8$ to 5.5 V , $T_{opr} = -20$ to 85°C (N version) / -40 to 85°C (D version), unless otherwise specified.
2. This indicates the precision error for the oscillation frequency of the high-speed on-chip oscillator.
3. This enables the setting errors of bit rates such as 9600 bps and 38400 bps to be 0% when the serial interface is used in UART mode.

Table 34.14 Low-speed On-Chip Oscillator Circuit Electrical Characteristics

Symbol	Parameter	Condition	Standard			Unit
			Min.	Typ.	Max.	
fOCO-S	Low-speed on-chip oscillator frequency		60	125	250	kHz
–	Oscillation stability time	$V_{CC} = 5.0\text{ V}$, $T_{opr} = 25^{\circ}\text{C}$	–	30	100	μs
–	Self power consumption at oscillation	$V_{CC} = 5.0\text{ V}$, $T_{opr} = 25^{\circ}\text{C}$	–	2	–	μA

Note:

1. $V_{CC} = 1.8$ to 5.5 V , $T_{opr} = -20$ to 85°C (N version) / -40 to 85°C (D version), unless otherwise specified.

Table 34.15 Power Supply Circuit Timing Characteristics

Symbol	Parameter	Condition	Standard			Unit
			Min.	Typ.	Max.	
t _{d(P-R)}	Time for internal power supply stabilization during power-on ⁽²⁾		–	–	2000	μs

Notes:

1. The measurement condition is $V_{CC} = 1.8$ to 5.5 V and $T_{opr} = 25^{\circ}\text{C}$.
2. Waiting time until the internal power supply generation circuit stabilizes during power-on.

Table 34.16 Timing Requirements of Clock Synchronous Serial I/O with Chip Select (1)

Symbol	Parameter		Conditions	Standard			Unit
				Min.	Typ.	Max.	
tsucyc	SSCK clock cycle time			4	–	–	tcyc (2)
tHI	SSCK clock "H" width			0.4	–	0.6	tsucyc
tLO	SSCK clock "L" width			0.4	–	0.6	tsucyc
tRISE	SSCK clock rising time	Master		–	–	1	tcyc (2)
		Slave		–	–	1	μs
tFALL	SSCK clock falling time	Master		–	–	1	tcyc (2)
		Slave		–	–	1	μs
tsu	SSO, SSI data input setup time			100	–	–	ns
tH	SSO, SSI data input hold time			1	–	–	tcyc (2)
tLEAD	$\overline{\text{SCS}}$ setup time	Slave		1tcyc + 50	–	–	ns
tLAG	$\overline{\text{SCS}}$ hold time	Slave		1tcyc + 50	–	–	ns
tOD	SSO, SSI data output delay time			–	–	1	tcyc (2)
tSA	SSI slave access time		$2.7 \text{ V} \leq V_{\text{CC}} \leq 5.5 \text{ V}$	–	–	$1.5\text{tcyc} + 100$	ns
			$1.8 \text{ V} \leq V_{\text{CC}} < 2.7 \text{ V}$	–	–	$1.5\text{tcyc} + 200$	ns
tOR	SSI slave out open time		$2.7 \text{ V} \leq V_{\text{CC}} \leq 5.5 \text{ V}$	–	–	$1.5\text{tcyc} + 100$	ns
			$1.8 \text{ V} \leq V_{\text{CC}} < 2.7 \text{ V}$	–	–	$1.5\text{tcyc} + 200$	ns

Notes:

1. $V_{\text{CC}} = 1.8$ to 5.5 V , $V_{\text{SS}} = 0 \text{ V}$ at $T_{\text{opr}} = -20$ to 85°C (N version) / -40 to 85°C (D version), unless otherwise specified.
2. $1\text{tcyc} = 1/f_1(\text{s})$

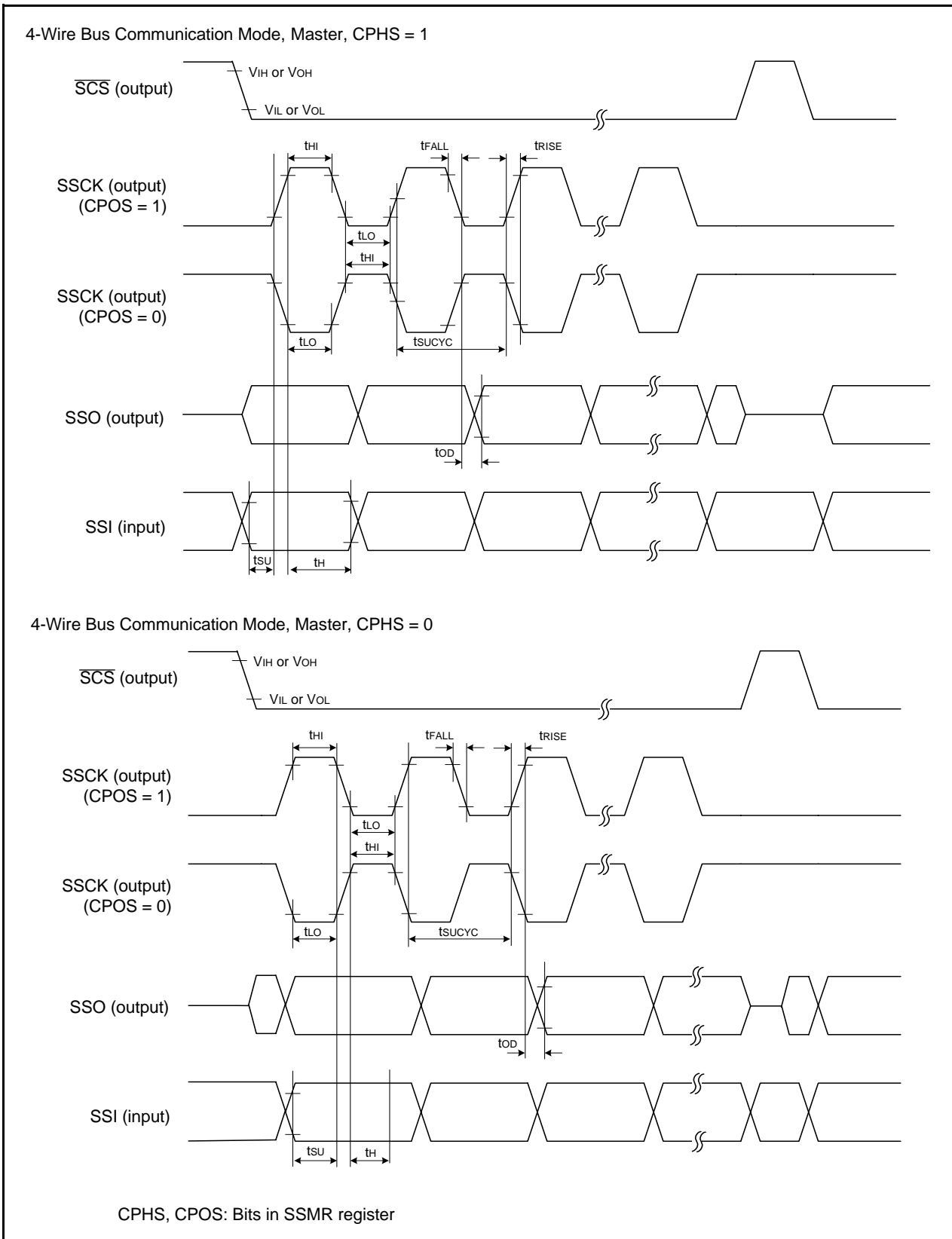


Figure 34.4 I/O Timing of Clock Synchronous Serial I/O with Chip Select (Master)

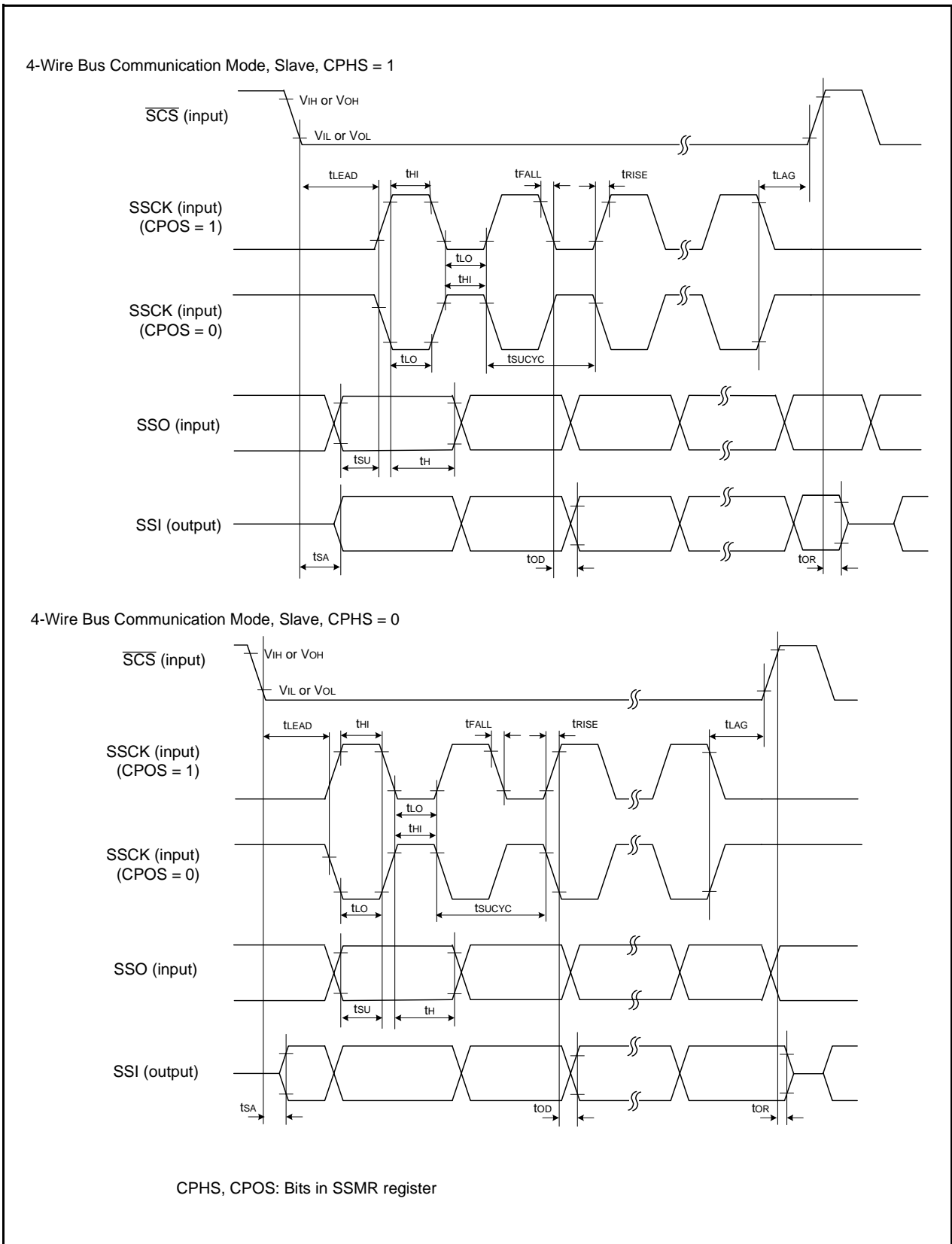


Figure 34.5 I/O Timing of Clock Synchronous Serial I/O with Chip Select (Slave)

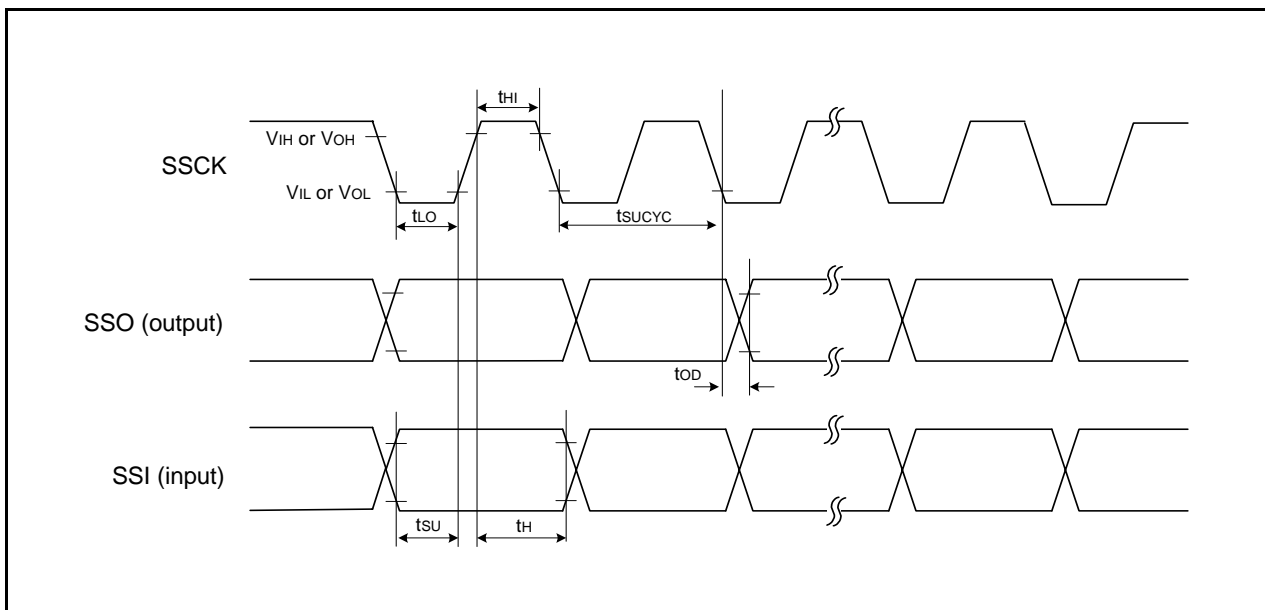


Figure 34.6 I/O Timing of Clock Synchronous Serial I/O with Chip Select (Clock Synchronous Communication Mode)

Table 34.17 Timing Requirements of I²C bus Interface (1)

Symbol	Parameter	Condition	Standard			Unit												
			Min.	Typ.	Max.													
tSCL	SCL input cycle time		12tcyc + 600 (2)	–	–	ns												
tSCLH	SCL input “H” width		3tcyc + 300 (2)	–	–	ns												
tSCLL	SCL input “L” width		5tcyc + 500 (2)	–	–	ns												
tsf	SCL, SDA input fall time		–	–	300	ns												
tSP	SCL, SDA input spike pulse rejection time		–	–	1tcyc (2)	ns												
tBUF	SDA input bus-free time		5tcyc (2)	–	–	ns												
tSTAH	Start condition input hold time		3tcyc (2)	–	–	ns												
tSTAS	Retransmit start condition input setup time		3tcyc (2)	–	–	ns												
tSTOP	Stop condition input setup time		3tcyc (2)	– </tr <tr> <td>tSDAS</td> <td>Data input setup time</td> <td></td> <td>1tcyc + 40 (2)</td> <td>–</td> <td>–</td> <td>ns</td> </tr> <tr> <td>tSDAH</td> <td>Data input hold time</td> <td></td> <td>10</td> <td>–</td> <td>–</td> <td>ns</td> </tr>	tSDAS	Data input setup time		1tcyc + 40 (2)	–	–	ns	tSDAH	Data input hold time		10	–	–	ns
tSDAS	Data input setup time		1tcyc + 40 (2)	–	–	ns												
tSDAH	Data input hold time		10	–	–	ns												

Notes:

- VCC = 1.8 to 5.5 V, VSS = 0 V and Topr = –20 to 85°C (N version) / –40 to 85°C (D version), unless otherwise specified.
- 1tcyc = 1/f1(s)

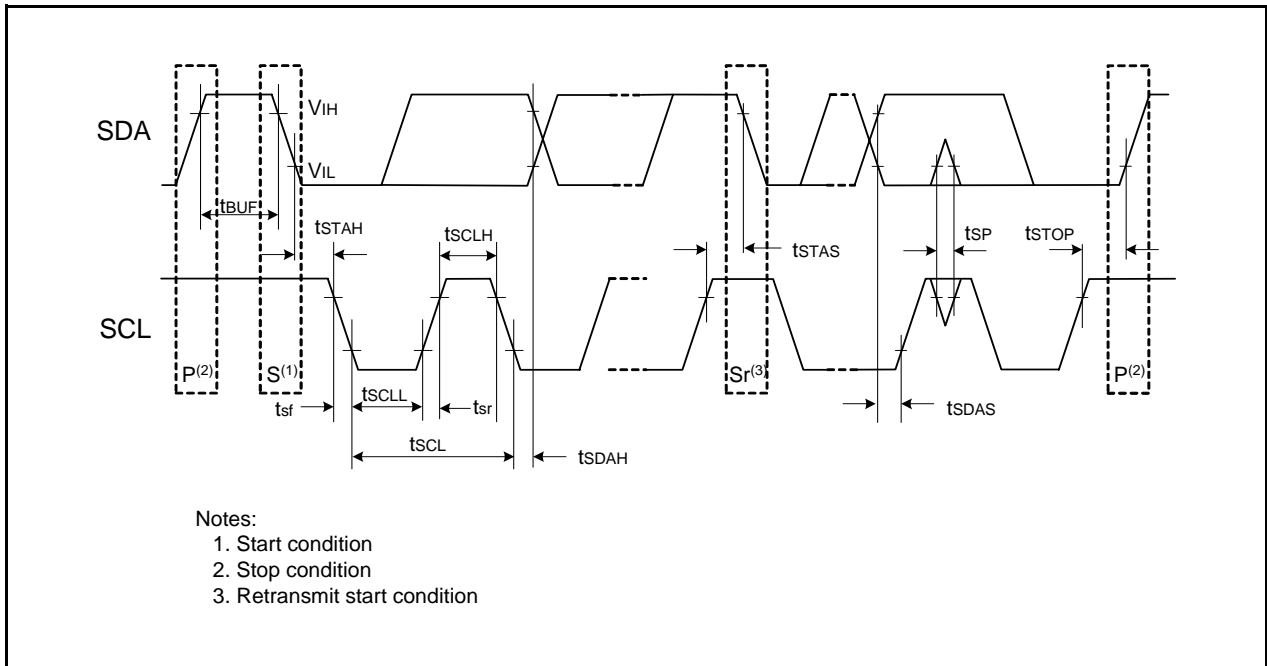


Figure 34.7 I/O Timing of I²C bus Interface

Table 34.18 Electrical Characteristics (1) [4.2 V ≤ Vcc ≤ 5.5 V]

Symbol	Parameter		Condition		Standard			Unit
					Min.	Typ.	Max.	
VOH	Output "H" voltage		Drive capacity High Vcc = 5V	IOH = -20 mA	Vcc - 2.0	-	Vcc	V
			Drive capacity Low Vcc = 5V	IOH = -5 mA	Vcc - 2.0	-	Vcc	V
VOL	Output "L" voltage		Drive capacity High Vcc = 5V	IOL = 20 mA	-	-	2.0	V
			Drive capacity Low Vcc = 5V	IOL = 5 mA	-	-	2.0	V
VT+-VT-	Hysteresis	INT0, INT1, INT2, INT3, INT4, KI0, KI1, KI2, KI3, TRAIO, TRBO, TRCIOA, TRCIOB, TRCIOC, TRCIOD, TRDIOA0, TRDIOB0, TRDIOC0, TRDIOD0, TRDIOA1, TRDIOB1, TRDIOC1, TRDIOD1, TRCTRG, TRCCLK, ADTRG, RXD0, RXD1, RXD2, CLK0, CLK1, CLK2, SSI, SCL, SDA, SSO			0.1	1.2	-	V
		RESET			0.1	1.2	-	V
IiH	Input "H" current		VI = 5 V		-	-	5.0	μA
IiL	Input "L" current		VI = 0 V		-	-	-5.0	μA
RPULLUP	Pull-up resistance		VI = 0 V		25	50	100	kΩ
RfXIN	Feedback resistance	XIN			-	0.3	-	MΩ
RfXCIN	Feedback resistance	XCIN			-	8	-	MΩ
V _{RAM}	RAM hold voltage		During stop mode		1.8	-	-	V

Note:

1. 4.2 V ≤ Vcc ≤ 5.5 V at T_{opr} = -20 to 85°C (N version) / -40 to 85°C (D version), f(XIN) = 20 MHz, unless otherwise specified.

**Table 34.19 Electrical Characteristics (2) [3.3 V ≤ Vcc ≤ 5.5 V]
 (Topr = −20 to 85°C (N version) / −40 to 85°C (D version), unless otherwise specified.)**

Symbol	Parameter	Condition	Standard			Unit	
			Min.	Typ.	Max.		
Icc	Power supply current (Vcc = 3.3 to 5.5 V) Single-chip mode, output pins are open, other pins are Vss	High-speed clock mode	XIN = 20 MHz (square wave) High-speed on-chip oscillator off Low-speed on-chip oscillator on = 125 kHz No division	−	6.5	15	mA
			XIN = 16 MHz (square wave) High-speed on-chip oscillator off Low-speed on-chip oscillator on = 125 kHz No division	−	5.3	12.5	mA
			XIN = 10 MHz (square wave) High-speed on-chip oscillator off Low-speed on-chip oscillator on = 125 kHz No division	−	3.6	−	mA
			XIN = 20 MHz (square wave) High-speed on-chip oscillator off Low-speed on-chip oscillator on = 125 kHz Divide-by-8	−	3.0	−	mA
			XIN = 16 MHz (square wave) High-speed on-chip oscillator off Low-speed on-chip oscillator on = 125 kHz Divide-by-8	−	2.2	−	mA
			XIN = 10 MHz (square wave) High-speed on-chip oscillator off Low-speed on-chip oscillator on = 125 kHz Divide-by-8	−	1.5	−	mA
		High-speed on-chip oscillator mode	XIN clock off High-speed on-chip oscillator on fOCO-F = 20 MHz Low-speed on-chip oscillator on = 125 kHz No division	−	7.0	15	mA
			XIN clock off High-speed on-chip oscillator on fOCO-F = 20 MHz Low-speed on-chip oscillator on = 125 kHz Divide-by-8	−	3.0	−	mA
			XIN clock off High-speed on-chip oscillator on fOCO-F = 4 MHz Low-speed on-chip oscillator on = 125 kHz Divide-by-16 MSTIIC = MSTTRD = MSTTRC = 1	−	1	−	mA
		Low-speed on-chip oscillator mode	XIN clock off High-speed on-chip oscillator off Low-speed on-chip oscillator on = 125 kHz Divide-by-8, FMR27 = 1, VCA20 = 0	−	90	400	μA
		Low-speed clock mode	XIN clock off High-speed on-chip oscillator off Low-speed on-chip oscillator off XCIN clock oscillator on = 32 kHz FMR27 = 1, VCA20 = 0	−	85	400	μA
			XIN clock off High-speed on-chip oscillator off Low-speed on-chip oscillator off XCIN clock oscillator on = 32 kHz Program operation on RAM Flash memory off, FMSTP = 1, VCA20 = 0	−	47	−	μA
		Wait mode	XIN clock off High-speed on-chip oscillator off Low-speed on-chip oscillator on = 125 kHz While a WAIT instruction is executed Peripheral clock operation VCA27 = VCA26 = VCA25 = 0 VCA20 = 1	−	15	100	μA
			XIN clock off High-speed on-chip oscillator off Low-speed on-chip oscillator on = 125 kHz While a WAIT instruction is executed Peripheral clock off VCA27 = VCA26 = VCA25 = 0 VCA20 = 1	−	4	90	μA
			XIN clock off High-speed on-chip oscillator off Low-speed on-chip oscillator off XCIN clock oscillator on = 32 kHz (peripheral clock off) While a WAIT instruction is executed VCA27 = VCA26 = VCA25 = 0 VCA20 = 1	−	3.5	−	μA
		Stop mode	XIN clock off, Topr = 25°C High-speed on-chip oscillator off Low-speed on-chip oscillator off CM10 = 1 Peripheral clock off VCA27 = VCA26 = VCA25 = 0	−	2.0	5.0	μA
			XIN clock off, Topr = 85°C High-speed on-chip oscillator off Low-speed on-chip oscillator off CM10 = 1 Peripheral clock off VCA27 = VCA26 = VCA25 = 0	−	5.0	−	μA

Timing Requirements

(Unless Otherwise Specified: $V_{CC} = 5\text{ V}$, $V_{SS} = 0\text{ V}$ at $T_{op} = 25^\circ\text{C}$)

Table 34.20 XIN Input, XCIN Input

Symbol	Parameter	Standard		Unit
		Min.	Max.	
$t_{c(XIN)}$	XIN input cycle time	50	–	ns
$t_{WH(XIN)}$	XIN input “H” width	24	–	ns
$t_{WL(XIN)}$	XIN input “L” width	24	–	ns
$t_{c(XCIN)}$	XCIN input cycle time	14	–	μs
$t_{WH(XCIN)}$	XCIN input “H” width	7	–	μs
$t_{WL(XCIN)}$	XCIN input “L” width	7	–	μs

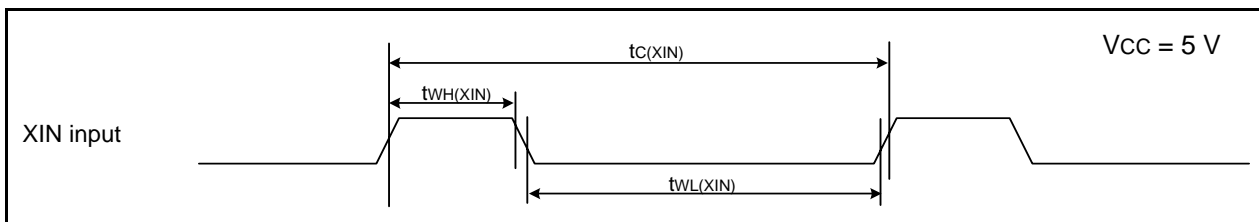


Figure 34.8 XIN Input and XCIN Input Timing Diagram when $V_{CC} = 5\text{ V}$

Table 34.21 TRAIO Input

Symbol	Parameter	Standard		Unit
		Min.	Max.	
$t_{c(TRAIO)}$	TRAIO input cycle time	100	–	ns
$t_{WH(TRAIO)}$	TRAIO input “H” width	40	–	ns
$t_{WL(TRAIO)}$	TRAIO input “L” width	40	–	ns

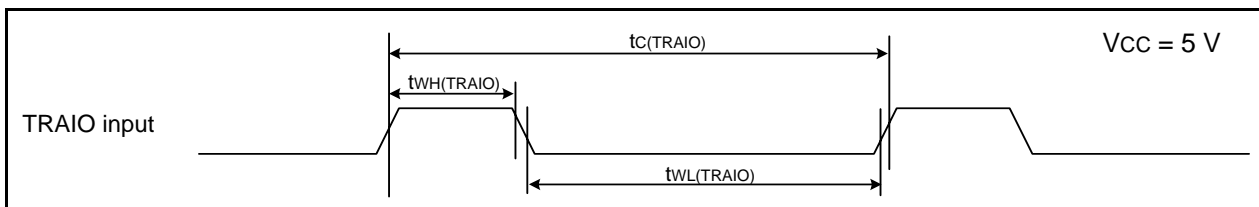


Figure 34.9 TRAIO Input Timing Diagram when $V_{CC} = 5\text{ V}$

Table 34.22 Serial Interface

Symbol	Parameter	Standard		Unit
		Min.	Max.	
$t_{c(CK)}$	CLKi input cycle time	200	–	ns
$t_{w(CKH)}$	CLKi input “H” width	100	–	ns
$t_{w(CKL)}$	CLKi input “L” width	100	–	ns
$t_{d(C-Q)}$	TXDi output delay time	–	50	ns
$t_{h(C-Q)}$	TXDi hold time	0	–	ns
$t_{su(D-C)}$	RXDi input setup time	50	–	ns
$t_{h(C-D)}$	RXDi input hold time	90	–	ns

$i = 0$ to 2

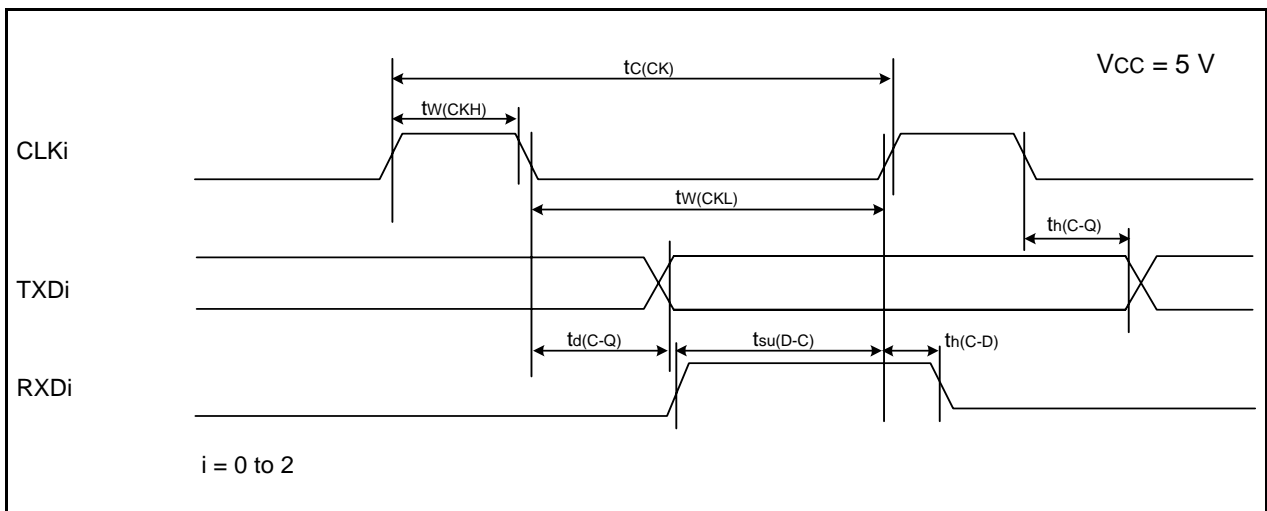


Figure 34.10 Serial Interface Timing Diagram when Vcc = 5 V

Table 34.23 External Interrupt \overline{INTi} ($i = 0$ to 4) Input, Key Input Interrupt \overline{Kli} ($i = 0$ to 3)

Symbol	Parameter	Standard		Unit
		Min.	Max.	
$t_{w(INH)}$	$\overline{INT0}$ input “H” width, \overline{Kli} input “H” width	250 (1)	–	ns
$t_{w(INL)}$	$\overline{INT0}$ input “L” width, \overline{Kli} input “L” width	250 (2)	–	ns

Notes:

1. When selecting the digital filter by the \overline{INTi} input filter select bit, use an \overline{INTi} input HIGH width of either (1/digital filter clock frequency \times 3) or the minimum value of standard, whichever is greater.
2. When selecting the digital filter by the \overline{INTi} input filter select bit, use an \overline{INTi} input LOW width of either (1/digital filter clock frequency \times 3) or the minimum value of standard, whichever is greater.

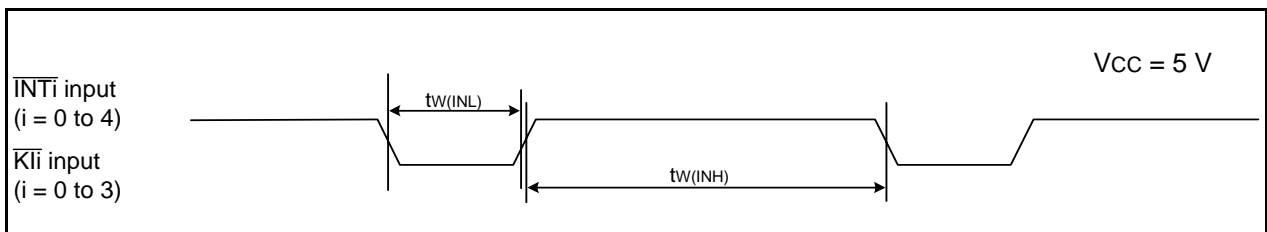


Figure 34.11 Input Timing for External Interrupt \overline{INTi} and Key Input Interrupt \overline{Kli} when Vcc = 5 V

Table 34.24 Electrical Characteristics (3) [2.7 V ≤ Vcc < 4.2 V]

Symbol	Parameter		Condition		Standard			Unit
					Min.	Typ.	Max.	
VOH	Output "H" voltage		Drive capacity High	IOH = -5 mA	Vcc - 0.5	-	Vcc	V
			Drive capacity Low	IOH = -1 mA	Vcc - 0.5	-	Vcc	V
VOL	Output "L" voltage		Drive capacity High	IOL = 5 mA	-	-	0.5	V
			Drive capacity Low	IOL = 1 mA	-	-	0.5	V
VT+ - VT-	Hysteresis	$\overline{\text{INT0}}, \overline{\text{INT1}}, \overline{\text{INT2}},$ $\overline{\text{INT3}}, \overline{\text{INT4}},$ $\overline{\text{KI0}}, \overline{\text{KI1}}, \overline{\text{KI2}}, \overline{\text{KI3}},$ TRAIO, TRBO, TRCIOA, TRCIOB, TRCIOA, TRCIOB, TRCIOA, TRCIOB, TRDIOA0, TRDIOB0, TRDIOC0, TRDIOD0, TRDIOA1, TRDIOB1, TRDIOC1, TRDIOD1, TRCTRG, TRCCLK, ADTRG, RXD0, RXD1, RXD2, CLK0, CLK1, CLK2, SSI, SCL, SDA, SSO	Vcc = 3.0 V	0.1	0.4	-	V	
		RESET	Vcc = 3.0 V	0.1	0.5	-	V	
IiH	Input "H" current		VI = 3 V		-	-	4.0	μA
IiL	Input "L" current		VI = 0 V		-	-	-4.0	μA
RPULLUP	Pull-up resistance		VI = 0 V		42	84	168	kΩ
RfXIN	Feedback resistance	XIN			-	0.3	-	MΩ
RfXCIN	Feedback resistance	XCIN			-	8	-	MΩ
VRAM	RAM hold voltage		During stop mode		1.8	-	-	V

Note:

- 2.7 V ≤ Vcc < 4.2 V at Topr = -20 to 85°C (N version) / -40 to 85°C (D version), f(XIN) = 10 MHz, unless otherwise specified.

Table 34.25 Electrical Characteristics (4) [2.7 V ≤ Vcc < 3.3 V]
(T_{opr} = -20 to 85°C (N version) / -40 to 85°C (D version), unless otherwise specified.)

Symbol	Parameter	Condition	Standard			Unit	
			Min.	Typ.	Max.		
I _{cc}	Power supply current (V _{cc} = 2.7 to 3.3 V) Single-chip mode, output pins are open, other pins are V _{ss}	High-speed clock mode	XIN = 10 MHz (square wave) High-speed on-chip oscillator off Low-speed on-chip oscillator on = 125 kHz No division	–	3.5	10	mA
			XIN = 10 MHz (square wave) High-speed on-chip oscillator off Low-speed on-chip oscillator on = 125 kHz Divide-by-8	–	1.5	7.5	mA
		High-speed on-chip oscillator mode	XIN clock off High-speed on-chip oscillator on f _{OCO-F} = 20 MHz Low-speed on-chip oscillator on = 125 kHz No division	–	7.0	15	mA
			XIN clock off High-speed on-chip oscillator on f _{OCO-F} = 20 MHz Low-speed on-chip oscillator on = 125 kHz Divide-by-8	–	3.0	–	mA
			XIN clock off High-speed on-chip oscillator on f _{OCO-F} = 10 MHz Low-speed on-chip oscillator on = 125 kHz No division	–	4.0	–	mA
			XIN clock off High-speed on-chip oscillator on f _{OCO-F} = 10 MHz Low-speed on-chip oscillator on = 125 kHz Divide-by-8	–	1.5	–	mA
			XIN clock off High-speed on-chip oscillator on f _{OCO-F} = 4 MHz Low-speed on-chip oscillator on = 125 kHz Divide-by-16 MSTIIC = MSTTRD = MSTTRC = 1	–	1	–	mA
			XIN clock off High-speed on-chip oscillator on f _{OCO-F} = 4 MHz Low-speed on-chip oscillator on = 125 kHz Divide-by-16 MSTIIC = MSTTRD = MSTTRC = 1	–	1	–	mA
		Low-speed on-chip oscillator mode	XIN clock off High-speed on-chip oscillator off Low-speed on-chip oscillator on = 125 kHz Divide-by-8, FMR27 = 1, VCA20 = 0	–	90	390	μA
		Low-speed clock mode	XIN clock off High-speed on-chip oscillator off Low-speed on-chip oscillator off XCIN clock oscillator on = 32 kHz FMR27 = 1, VCA20 = 0	–	80	400	μA
			XIN clock off High-speed on-chip oscillator off Low-speed on-chip oscillator off XCIN clock oscillator on = 32 kHz Program operation on RAM Flash memory off, FMSTP = 1, VCA20 = 0	–	40	–	μA
		Wait mode	XIN clock off High-speed on-chip oscillator off Low-speed on-chip oscillator on = 125 kHz While a WAIT instruction is executed Peripheral clock operation VCA27 = VCA26 = VCA25 = 0 VCA20 = 1	–	15	90	μA
			XIN clock off High-speed on-chip oscillator off Low-speed on-chip oscillator on = 125 kHz While a WAIT instruction is executed Peripheral clock off VCA27 = VCA26 = VCA25 = 0 VCA20 = 1	–	4	80	μA
			XIN clock off High-speed on-chip oscillator off Low-speed on-chip oscillator on = 125 kHz XCIN clock oscillator on = 32 kHz (peripheral clock off) While a WAIT instruction is executed VCA27 = VCA26 = VCA25 = 0 VCA20 = 1	–	3.5	–	μA
		Stop mode	XIN clock off, T _{opr} = 25°C High-speed on-chip oscillator off Low-speed on-chip oscillator off CM10 = 1 Peripheral clock off VCA27 = VCA26 = VCA25 = 0	–	2.0	5.0	μA
			XIN clock off, T _{opr} = 85°C High-speed on-chip oscillator off Low-speed on-chip oscillator off CM10 = 1 Peripheral clock off VCA27 = VCA26 = VCA25 = 0	–	5.0	–	μA

Timing Requirements

(Unless Otherwise Specified: $V_{CC} = 3\text{ V}$, $V_{SS} = 0\text{ V}$ at $T_{op} = 25^\circ\text{C}$)

Table 34.26 XIN Input, XCIN Input

Symbol	Parameter	Standard		Unit
		Min.	Max.	
$t_c(XIN)$	XIN input cycle time	50	–	ns
$t_{WH}(XIN)$	XIN input “H” width	24	–	ns
$t_{WL}(XIN)$	XIN input “L” width	24	–	ns
$t_c(XCIN)$	XCIN input cycle time	14	–	μs
$t_{WH}(XCIN)$	XCIN input “H” width	7	–	μs
$t_{WL}(XCIN)$	XCIN input “L” width	7	–	μs

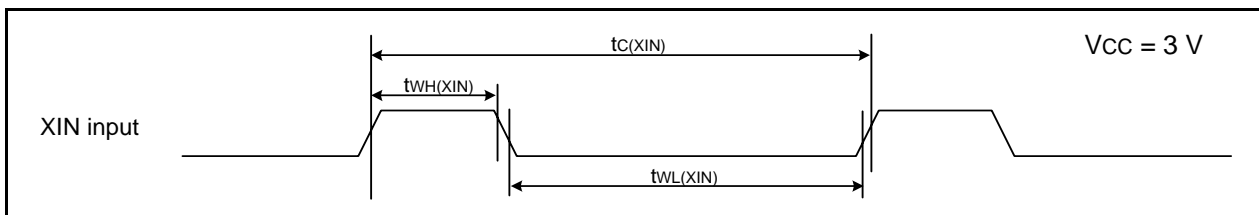


Figure 34.12 XIN Input and XCIN Input Timing Diagram when $V_{CC} = 3\text{ V}$

Table 34.27 TRAIO Input

Symbol	Parameter	Standard		Unit
		Min.	Max.	
$t_c(TRAIO)$	TRAIO input cycle time	300	–	ns
$t_{WH}(TRAIO)$	TRAIO input “H” width	120	–	ns
$t_{WL}(TRAIO)$	TRAIO input “L” width	120	–	ns

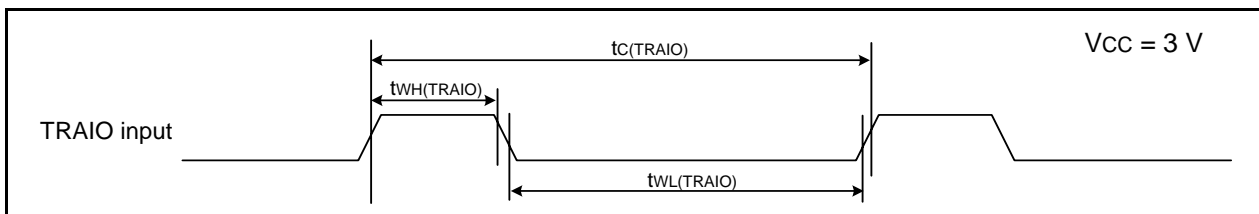


Figure 34.13 TRAIO Input Timing Diagram when $V_{CC} = 3\text{ V}$

Table 34.28 Serial Interface

Symbol	Parameter	Standard		Unit
		Min.	Max.	
$t_{c(CK)}$	CLKi input cycle time	300	–	ns
$t_{w(CKH)}$	CLKi input “H” width	150	–	ns
$t_{w(CKL)}$	CLKi Input “L” width	150	–	ns
$t_{d(C-Q)}$	TXDi output delay time	–	80	ns
$t_{h(C-Q)}$	TXDi hold time	0	–	ns
$t_{su(D-C)}$	RXDi input setup time	70	–	ns
$t_{h(C-D)}$	RXDi input hold time	90	–	ns

$i = 0$ to 2

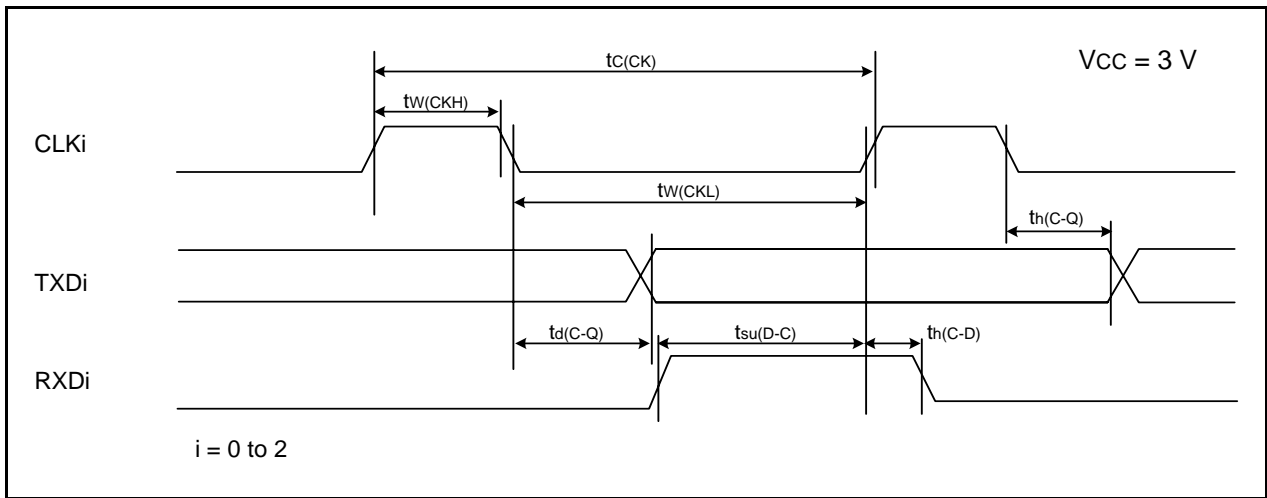


Figure 34.14 Serial Interface Timing Diagram when $V_{cc} = 3\text{ V}$

Table 34.29 External Interrupt \overline{INTi} ($i = 0$ to 4) Input, Key Input Interrupt \overline{Kli} ($i = 0$ to 3)

Symbol	Parameter	Standard		Unit
		Min.	Max.	
$t_{w(INH)}$	$\overline{INT0}$ input “H” width, \overline{Kli} input “H” width	380 (1)	–	ns
$t_{w(INL)}$	$\overline{INT0}$ input “L” width, \overline{Kli} input “L” width	380 (2)	–	ns

Notes:

1. When selecting the digital filter by the \overline{INTi} input filter select bit, use an \overline{INTi} input HIGH width of either (1/digital filter clock frequency \times 3) or the minimum value of standard, whichever is greater.
2. When selecting the digital filter by the \overline{INTi} input filter select bit, use an \overline{INTi} input LOW width of either (1/digital filter clock frequency \times 3) or the minimum value of standard, whichever is greater.

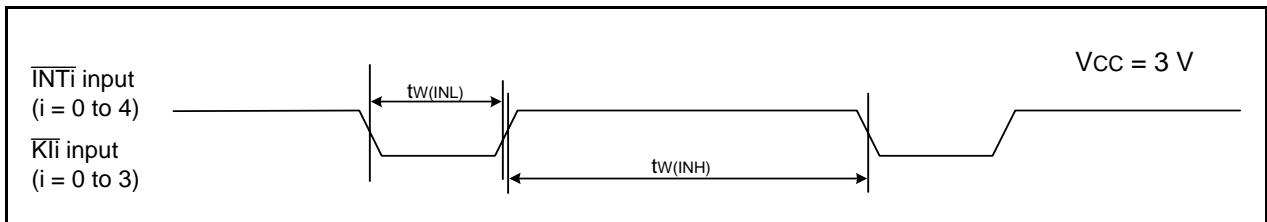


Figure 34.15 Input Timing for External Interrupt \overline{INTi} and Key Input Interrupt \overline{Kli} when $V_{cc} = 3\text{ V}$

Table 34.30 Electrical Characteristics (5) [1.8 V ≤ Vcc < 2.7 V]

Symbol	Parameter		Condition		Standard			Unit
					Min.	Typ.	Max.	
VOH	Output "H" voltage		Drive capacity High	IOH = -2 mA	Vcc - 0.5	-	Vcc	V
			Drive capacity Low	IOH = -1 mA	Vcc - 0.5	-	Vcc	V
VOL	Output "L" voltage		Drive capacity High	IOL = 2 mA	-	-	0.5	V
			Drive capacity Low	IOL = 1 mA	-	-	0.5	V
VT+-VT-	Hysteresis	INT0, INT1, INT2, INT3, INT4, KI0, KI1, KI2, KI3, TRAIO, TRBO, TRCIOA, TRCIOB, TRCIOA, TRCIOB, TRCIOA, TRCIOB, TRDIOA0, TRDIOB0, TRDIOC0, TRDIOD0, TRDIOA1, TRDIOB1, TRDIOC1, TRDIOD1, TRCTRG, TRCCLK, ADTRG, RXD0, RXD1, RXD2, CLK0, CLK1, CLK2, SSI, SCL, SDA, SSO			0.05	0.2	-	V
		RESET			0.05	0.20	-	V
IiH	Input "H" current		VI = 1.8 V		-	-	4.0	μA
IiL	Input "L" current		VI = 0 V		-	-	-4.0	μA
RPULLUP	Pull-up resistance		VI = 0 V		70	140	300	kΩ
RfXIN	Feedback resistance	XIN			-	0.3	-	MΩ
RfXCIN	Feedback resistance	XCIN			-	8	-	MΩ
VDRAM	RAM hold voltage		During stop mode		1.8	-	-	V

Note:

- 1.8 V ≤ Vcc < 2.7 V at Topr = -20 to 85°C (N version) / -40 to 85°C (D version), f(XIN) = 5 MHz, unless otherwise specified.

**Table 34.31 Electrical Characteristics (6) [$1.8\text{ V} \leq V_{CC} < 2.7\text{ V}$]
($T_{opr} = -20\text{ to }85^\circ\text{C}$ (N version) / $-40\text{ to }85^\circ\text{C}$ (D version), unless otherwise specified.)**

Symbol	Parameter	Condition	Standard			Unit	
			Min.	Typ.	Max.		
I _{CC}	Power supply current ($V_{CC} = 1.8\text{ to }2.7\text{ V}$) Single-chip mode, output pins are open, other pins are V _{SS}	High-speed clock mode	XIN = 5 MHz (square wave) High-speed on-chip oscillator off Low-speed on-chip oscillator on = 125 kHz No division	–	2.2	–	mA
			XIN = 5 MHz (square wave) High-speed on-chip oscillator off Low-speed on-chip oscillator on = 125 kHz Divide-by-8	–	0.8	–	mA
		High-speed on-chip oscillator mode	XIN clock off High-speed on-chip oscillator on fOCO-F = 5 MHz Low-speed on-chip oscillator on = 125 kHz No division	–	2.5	10	mA
			XIN clock off High-speed on-chip oscillator on fOCO-F = 5 MHz Low-speed on-chip oscillator on = 125 kHz Divide-by-8	–	1.7	–	mA
			XIN clock off High-speed on-chip oscillator on fOCO-F = 4 MHz Low-speed on-chip oscillator on = 125 kHz Divide-by-16 MSTIIC = MSTTRD = MSTTRC = 1	–	1	–	mA
		Low-speed on-chip oscillator mode	XIN clock off High-speed on-chip oscillator off Low-speed on-chip oscillator on = 125 kHz Divide-by-8, FMR27 = 1, VCA20 = 0	–	90	300	μA
		Low-speed clock mode	XIN clock off High-speed on-chip oscillator off Low-speed on-chip oscillator off XCIN clock oscillator on = 32 kHz FMR27 = 1, VCA20 = 0	–	80	350	μA
			XIN clock off High-speed on-chip oscillator off Low-speed on-chip oscillator off XCIN clock oscillator on = 32 kHz Program operation on RAM Flash memory off, FMSTP = 1, VCA20 = 0	–	40	–	μA
		Wait mode	XIN clock off High-speed on-chip oscillator off Low-speed on-chip oscillator on = 125 kHz While a WAIT instruction is executed Peripheral clock operation VCA27 = VCA26 = VCA25 = 0 VCA20 = 1	–	15	90	μA
			XIN clock off High-speed on-chip oscillator off Low-speed on-chip oscillator on = 125 kHz While a WAIT instruction is executed Peripheral clock off VCA27 = VCA26 = VCA25 = 0 VCA20 = 1	–	4	80	μA
			XIN clock off High-speed on-chip oscillator off Low-speed on-chip oscillator off XCIN clock oscillator on = 32 kHz (peripheral clock off) While a WAIT instruction is executed VCA27 = VCA26 = VCA25 = 0 VCA20 = 1	–	3.5	–	μA
		Stop mode	XIN clock off, $T_{opr} = 25^\circ\text{C}$ High-speed on-chip oscillator off Low-speed on-chip oscillator off CM10 = 1 Peripheral clock off VCA27 = VCA26 = VCA25 = 0	–	2.0	5	μA
			XIN clock off, $T_{opr} = 85^\circ\text{C}$ High-speed on-chip oscillator off Low-speed on-chip oscillator off CM10 = 1 Peripheral clock off VCA27 = VCA26 = VCA25 = 0	–	5.0	–	μA

Timing Requirements

(Unless Otherwise Specified: $V_{CC} = 2.2\text{ V}$, $V_{SS} = 0\text{ V}$ at $T_{opr} = 25^\circ\text{C}$)

Table 34.32 XIN Input, XCIN Input

Symbol	Parameter	Standard		Unit
		Min.	Max.	
$t_{c(XIN)}$	XIN input cycle time	200	–	ns
$t_{WH(XIN)}$	XIN input “H” width	90	–	ns
$t_{WL(XIN)}$	XIN input “L” width	90	–	ns
$t_{c(XCIN)}$	XCIN input cycle time	14	–	μs
$t_{WH(XCIN)}$	XCIN input “H” width	7	–	μs
$t_{WL(XCIN)}$	XCIN input “L” width	7	–	μs

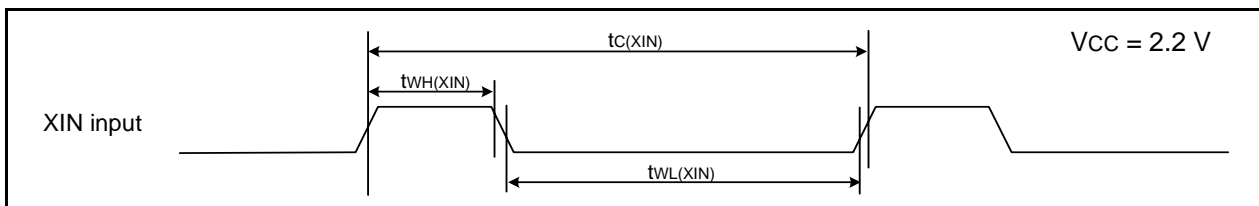


Figure 34.16 XIN Input and XCIN Input Timing Diagram when $V_{CC} = 2.2\text{ V}$

Table 34.33 TRAI0 Input

Symbol	Parameter	Standard		Unit
		Min.	Max.	
$t_{c(TRAIO)}$	TRAIO input cycle time	500	–	ns
$t_{WH(TRAIO)}$	TRAIO input “H” width	200	–	ns
$t_{WL(TRAIO)}$	TRAIO input “L” width	200	–	ns

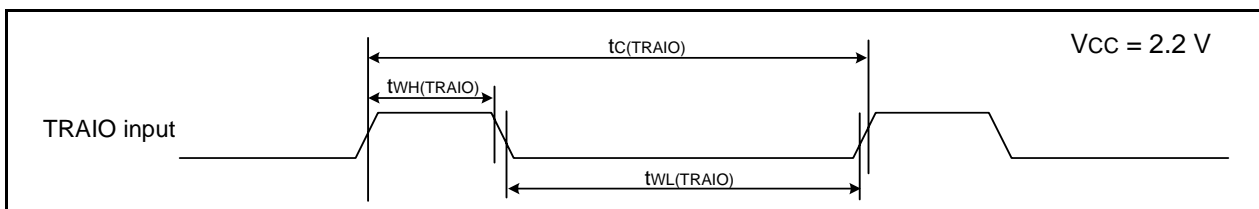


Figure 34.17 TRAI0 Input Timing Diagram when $V_{CC} = 2.2\text{ V}$

Table 34.34 Serial Interface

Symbol	Parameter	Standard		Unit
		Min.	Max.	
$t_{c(CK)}$	CLKi input cycle time	800	–	ns
$t_{w(CKH)}$	CLKi input “H” width	400	–	ns
$t_{w(CKL)}$	CLKi input “L” width	400	–	ns
$t_{d(C-Q)}$	TXDi output delay time	–	200	ns
$t_{h(C-Q)}$	TXDi hold time	0	–	ns
$t_{su(D-C)}$	RXDi input setup time	150	–	ns
$t_{h(C-D)}$	RXDi input hold time	90	–	ns

$i = 0$ to 2

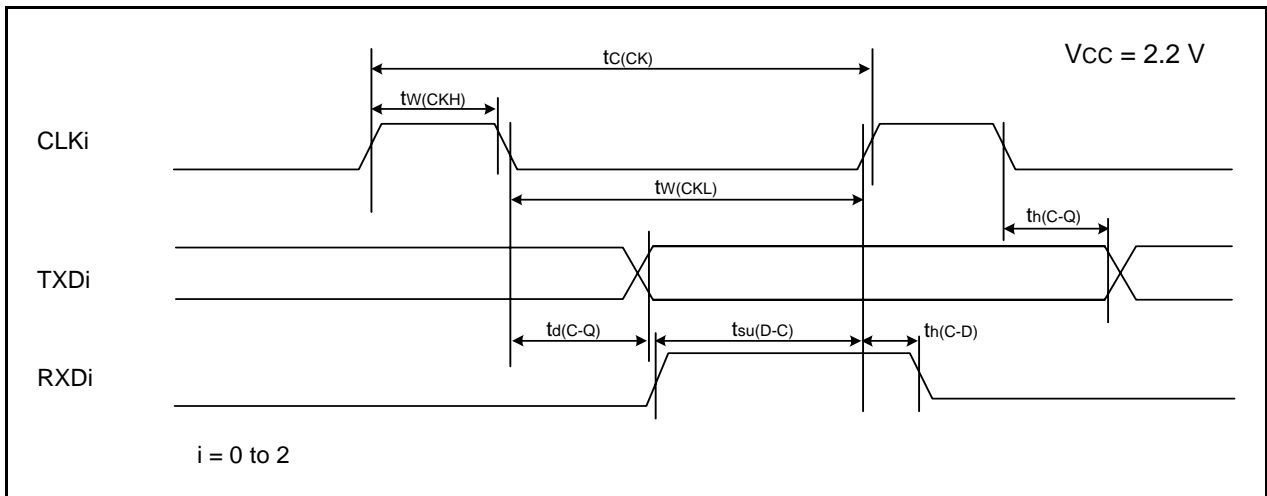


Figure 34.18 Serial Interface Timing Diagram when $V_{cc} = 2.2$ V

Table 34.35 External Interrupt \overline{INTi} ($i = 0$ to 4) Input, Key Input Interrupt \overline{Kli} ($i = 0$ to 3)

Symbol	Parameter	Standard		Unit
		Min.	Max.	
$t_{w(INH)}$	$\overline{INT0}$ input “H” width, \overline{Kli} input “H” width	1000 (1)	–	ns
$t_{w(INL)}$	$\overline{INT0}$ input “L” width, \overline{Kli} input “L” width	1000 (2)	–	ns

Notes:

1. When selecting the digital filter by the \overline{INTi} input filter select bit, use an \overline{INTi} input HIGH width of either (1/digital filter clock frequency \times 3) or the minimum value of standard, whichever is greater.
2. When selecting the digital filter by the \overline{INTi} input filter select bit, use an \overline{INTi} input LOW width of either (1/digital filter clock frequency \times 3) or the minimum value of standard, whichever is greater.

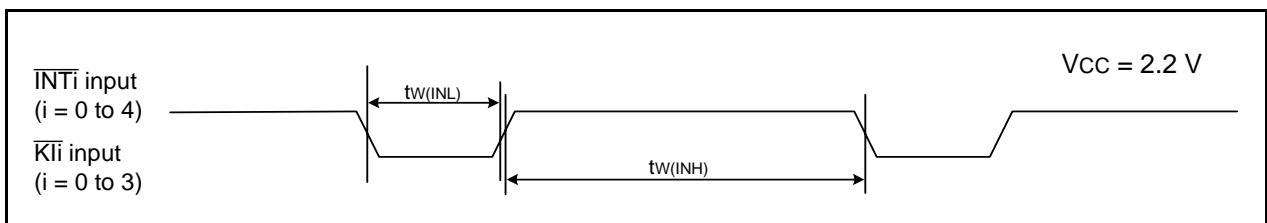


Figure 34.19 Input Timing for External Interrupt \overline{INTi} and Key Input Interrupt \overline{Kli} when $V_{cc} = 2.2$ V

35. Usage Notes

35.1 Notes on Clock Generation Circuit

35.1.1 Stop Mode

To enter stop mode, set the FMR01 bit in the FMR0 register to 0 (CPU rewrite mode disabled) and then the CM10 bit in the CM1 register to 1 (stop mode). An instruction queue pre-reads 4 bytes from the instruction which sets the CM10 bit to 1 (stop mode) and the program stops.

Insert at least four NOP instructions following the JMP.B instruction after the instruction which sets the CM10 bit to 1.

- Program example to enter stop mode

```
BCLR      1,FMR0      ; CPU rewrite mode disabled
BSET      0,PRCR     ; Protect disabled
FSET      I          ; Enable interrupt
BSET      0,CM1      ; Stop mode
JMP.B     LABEL_001
LABEL_001:
NOP
NOP
NOP
NOP
```

35.1.2 Wait Mode

To enter wait mode by setting the CM30 bit to 1, set the FMR01 bit in the FMR0 register to 0 (CPU rewrite mode disabled) before setting the CM30 bit to 1.

To enter wait mode with the WAIT instruction, set the FMR01 bit in the FMR0 register to 0 (CPU rewrite mode disabled) and then execute the WAIT instruction. An instruction queue pre-reads 4 bytes from the WAIT instruction and the program stops. Insert at least four NOP instructions after the WAIT instruction.

- Program example to execute the WAIT instruction

```
BCLR      1,FMR0      ; CPU rewrite mode disabled
FSET      I          ; Enable interrupt
WAIT      ; Wait mode
NOP
NOP
NOP
NOP
```

35.1.3 Oscillation Stop Detection Function

Since the oscillation stop detection function cannot be used if the XIN clock frequency is below 2 MHz, set bits OCD1 to OCD0 to 00b.

35.1.4 Oscillation Circuit Constants

Consult the oscillator manufacturer to determine the optimal oscillation circuit constants for the user system.

To use the MCU with supply voltage below $VCC = 2.7$ V, it is recommended to set the CM11 bit in the CM1 register to 1 (on-chip feedback resistor disabled) and connect the feedback resistor to the chip externally.

35.2 Notes on Interrupts

35.2.1 Reading Address 00000h

Do not read address 00000h by a program. When a maskable interrupt request is acknowledged, the CPU reads interrupt information (interrupt number and interrupt request level) from 00000h in the interrupt sequence. At this time, the IR bit for the acknowledged interrupt is set to 0.

If address 00000h is read by a program, the IR bit for the interrupt which has the highest priority among the enabled interrupts is set to 0. This may cause the interrupt to be canceled, or an unexpected interrupt to be generated.

35.2.2 SP Setting

Set a value in the SP before an interrupt is acknowledged. The SP is set to 0000h after a reset. If an interrupt is acknowledged before setting a value in the SP, the program may run out of control.

35.2.3 External Interrupt and Key Input Interrupt

Either the “L” level width or “H” level width shown in the Electrical Characteristics is required for the signal input to pins $\overline{\text{INT0}}$ to $\overline{\text{INT4}}$ and pins $\overline{\text{KI0}}$ to $\overline{\text{KI3}}$, regardless of the CPU clock.

For details, refer to **Table 34.23** (VCC = 5V), **Table 34.29** (VCC = 3V), **Table 34.35** (VCC = 2.2V) **External Interrupt INTi (i = 0 to 4) Input, Key Input Interrupt KIi (i = 0 to 3)**.

35.2.4 Changing Interrupt Sources

The IR bit in the interrupt control register may be set to 1 (interrupt requested) when the interrupt source changes. To use an interrupt, set the IR bit to 0 (no interrupt requested) after changing interrupt sources. Changing interrupt sources as referred to here includes all factors that change the source, polarity, or timing of the interrupt assigned to a software interrupt number. Therefore, if a mode change of a peripheral function involves the source, polarity, or timing of an interrupt, set the IR bit to 0 (no interrupt requested) after making these changes. Refer to the descriptions of the individual peripheral functions for related interrupts. Figure 35.1 shows a Procedure Example for Changing Interrupt Sources.

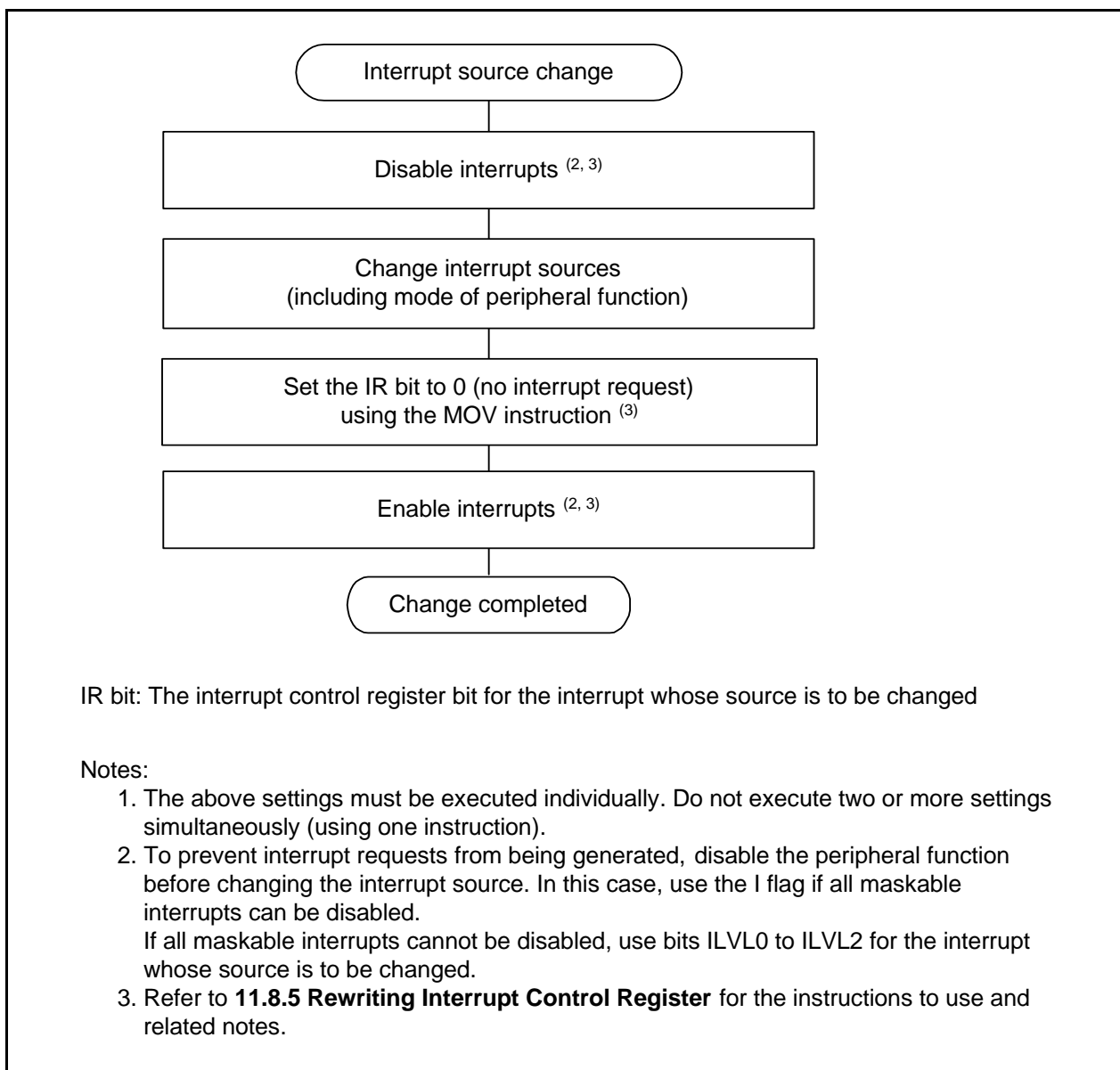


Figure 35.1 Procedure Example for Changing Interrupt Sources

35.2.5 Rewriting Interrupt Control Register

- (a) The contents of the interrupt control register can be rewritten only while no interrupt requests corresponding to that register are generated. If an interrupt request may be generated, disable the interrupt before rewriting the contents of the interrupt control register.
- (b) When rewriting the contents of the interrupt control register after disabling the interrupt, be careful to choose appropriate instructions.

Changing any bit other than the IR bit

If an interrupt request corresponding to the register is generated while executing the instruction, the IR bit may not be set to 1 (interrupt requested), and the interrupt may be ignored. If this causes a problem, use one of the following instructions to rewrite the contents of the register: AND, OR, BCLR, and BSET.

Changing the IR bit

Depending on the instruction used, the IR bit may not be set to 0 (no interrupt requested). Use the MOV instruction to set the IR bit to 0.

- (c) When using the I flag to disable an interrupt, set the I flag as shown in the sample programs below. Refer to (b) regarding rewriting the contents of interrupt control registers using the sample programs.

Examples 1 to 3 shows how to prevent the I flag from being set to 1 (interrupts enabled) before the contents of the interrupt control register are rewritten for the effects of the internal bus and the instruction queue buffer.

Example 1: Use the NOP instructions to pause program until the interrupt control register is rewritten

```
INT_SWITCH1:
  FCLR   I           ; Disable interrupts
  AND.B  #00H,0056H ; Set the TRAIC register to 00h
  NOP    ;
  NOP    ;
  FSET   I           ; Enable interrupts
```

Example 2: Use a dummy read to delay the FSET instruction

```
INT_SWITCH2:
  FCLR   I           ; Disable interrupts
  AND.B  #00H,0056H ; Set the TRAIC register to 00h
  MOV.W  MEM,R0     ; Dummy read
  FSET   I           ; Enable interrupts
```

Example 3: Use the POPC instruction to change the I flag

```
INT_SWITCH3:
  PUSHC  FLG
  FCLR   I           ; Disable interrupts
  AND.B  #00H,0056H ; Set the TRAIC register to 00h
  POPC   FLG        ; Enable interrupts
```

35.3 Notes on ID Code Areas

35.3.1 Setting Example of ID Code Areas

As the ID code areas are allocated in the flash memory (not in the SFRs), they cannot be rewritten by executing an instruction. Write appropriate values when creating a program. The following shows a setting example.

- To set 55h in all of the ID code areas

```
.org 00FFDCH
.word dummy | (55000000h) ; UND
.word dummy | (55000000h) ; INTO
.word dummy ; BREAK
.word dummy | (55000000h) ; ADDRESS MATCH
.word dummy | (55000000h) ; SET SINGLE STEP
.word dummy | (55000000h) ; WDT
.word dummy | (55000000h) ; ADDRESS BREAK
.word dummy | (55000000h) ; RESERVE
```

(Programming formats vary depending on the compiler. Check the compiler manual.)

35.4 Notes on Option Function Select Area

35.4.1 Setting Example of Option Function Select Area

As the option function select area is allocated in the flash memory (not in the SFRs), they cannot be rewritten by executing an instruction. Write appropriate values when creating a program. The following shows a setting example.

- To set FFh in the OFS register

```
.org 00FFFCH
.word reset | (0FF00000h) ; RESET
```

(Programming formats vary depending on the compiler. Check the compiler manual.)

35.5 Notes on DTC

35.5.1 DTC activation source

- Do not generate any DTC activation sources before entering wait mode or during wait mode.
- Do not generate any DTC activation sources before entering stop mode or during stop mode.

35.5.2 DTCENi (i = 0 to 6) Registers

- Modify bits DTCENi0 to DTCENi7 only while an interrupt request corresponding to the bit is not generated.
- When the interrupt source flag in the status register for the peripheral function is 1, do not modify the corresponding activation source bit among bits DTCENi0 to DTCENi7.
- Do not access the DTCENi registers using DTC transfers.

35.5.3 Peripheral Modules

- Do not set the status register bit for the peripheral function to 0 using a DTC transfer.
- When the DTC activation source is SSU/I²C bus receive data full, read the SSRDR register/the ICDRR register using a DTC transfer.
The RDRF bit in the SSSR register/the ICSR register is set to 0 (no data in SSRDR/ICDRR register) by reading the SSRDR register/the ICDRR register.
However, the RDRF bit is not set to 0 by reading the SSRDR register/the ICDRR register when the DTC data transfer setting is either of the following:
 - Transfer causing the DTCCTj (j = 0 to 23) register value to change from 1 to 0 in normal mode
 - Transfer causing the DTCCRj register value to change from 1 to 0 while the RPTINT bit in the DTCCRj register is 1 (interrupt generation enabled) in repeat mode
- When the DTC activation source is SSU/I²C bus transmit data empty, write to the SSTDR register/the ICDRT register using a DTC transfer. The TDRE bit in the SSSR register/the ICSR register is set to 0 (data is not transferred from registers SSTDR/ICDRT to SSTRSR/ICDRS) by writing to the SSTDR register/the ICDRT register.

35.5.4 Interrupt Request

No interrupt is generated for the CPU during DTC operation in any of the following cases:

- When the DTC activation source is SSU/I²C transmit data empty or flash ready status
- When performing the data transfer causing the DTCCTj (j = 0 to 23) register value to change to 0 in normal mode
- When performing the data transfer causing the DTCCRj register value to change to 0 while the RPTINT bit in the DTCCRj register is 1 (interrupt generation enabled) in repeat mode

35.6 Notes on Timer RA

- Timer RA stops counting after a reset. Set the values in the timer RA and timer RA prescalers before the count starts.
- Even if the prescaler and timer RA are read out in 16-bit units, these registers are read 1 byte at a time by the MCU. Consequently, the timer value may be updated during the period when these two registers are being read.
- In pulse period measurement mode, bits TEDGF and TUNDF in the TRACR register can be set to 0 by writing 0 to these bits by a program. However, these bits remain unchanged if 1 is written. When using the READ-MODIFY-WRITE instruction for the TRACR register, the TEDGF or TUNDF bit may be set to 0 although these bits are set to 1 while the instruction is being executed. In this case, write 1 to the TEDGF or TUNDF bit which is not supposed to be set to 0 with the MOV instruction.
- When changing to pulse period measurement mode from another mode, the contents of bits TEDGF and TUNDF are undefined. Write 0 to bits TEDGF and TUNDF before the count starts.
- The TEDGF bit may be set to 1 by the first timer RA prescaler underflow generated after the count starts.
- When using the pulse period measurement mode, leave two or more periods of the timer RA prescaler immediately after the count starts, then set the TEDGF bit to 0.
- The TCSTF bit retains 0 (count stops) for 0 to 1 cycle of the count source after setting the TSTART bit to 1 (count starts) while the count is stopped.

During this time, do not access registers associated with timer RA ⁽¹⁾ other than the TCSTF bit. Timer RA starts counting at the first valid edge of the count source after The TCSTF bit is set to 1 (during count).

The TCSTF bit remains 1 for 0 to 1 cycle of the count source after setting the TSTART bit to 0 (count stops) while the count is in progress. Timer RA counting is stopped when the TCSTF bit is set to 0.

During this time, do not access registers associated with timer RA ⁽¹⁾ other than the TCSTF bit.

Note:

1. Registers associated with timer RA: TRACR, TRAIOC, TRAMR, TRAPRE, and TRA.

- When the TRAPRE register is continuously written during count operation (TCSTF bit is set to 1), allow three or more cycles of the count source clock for each write interval.
- When the TRA register is continuously written during count operation (TCSTF bit is set to 1), allow three or more cycles of the prescaler underflow for each write interval.

35.7 Notes on Timer RB

- Timer RB stops counting after a reset. Set the values in the timer RB and timer RB prescalers before the count starts.
- Even if the prescaler and timer RB is read out in 16-bit units, these registers are read 1 byte at a time by the MCU. Consequently, the timer value may be updated during the period when these two registers are being read.
- In programmable one-shot generation mode and programmable wait one-shot generation mode, when setting the TSTART bit in the TRBCR register to 0, 0 (stops counting) or setting the TOSSP bit in the TRBOCR register to 1 (stops one-shot), the timer reloads the value of reload register and stops. Therefore, in programmable one-shot generation mode and programmable wait one-shot generation mode, read the timer count value before the timer stops.
- The TCSTF bit remains 0 (count stops) for 1 to 2 cycles of the count source after setting the TSTART bit to 1 (count starts) while the count is stopped.

During this time, do not access registers associated with timer RB ⁽¹⁾ other than the TCSTF bit. Timer RB starts counting at the first valid edge of the count source after the TCSTF bit is set to 1 (during count).

The TCSTF bit remains 1 for 1 to 2 cycles of the count source after setting the TSTART bit to 0 (count stops) while the count is in progress. Timer RB counting is stopped when the TCSTF bit is set to 0.

During this time, do not access registers associated with timer RB ⁽¹⁾ other than the TCSTF bit.

Note:

1. Registers associated with timer RB: TRBCR, TRBOCR, TRBIOC, TRBMR, TRBPRES, TRBSC, and TRBPR.

- If the TSTOP bit in the TRBCR register is set to 1 during timer operation, timer RB stops immediately.
- If 1 is written to the TOSST or TOSSP bit in the TRBOCR register, the value of the TOSSTF bit changes after one or two cycles of the count source have elapsed. If the TOSSP bit is written to 1 during the period between when the TOSST bit is written to 1 and when the TOSSTF bit is set to 1, the TOSSTF bit may be set to either 0 or 1 depending on the content state. Likewise, if the TOSST bit is written to 1 during the period between when the TOSSP bit is written to 1 and when the TOSSTF bit is set to 0, the TOSSTF bit may be set to either 0 or 1.

35.7.1 Timer Mode

To write to registers TRBPRES and TRBPR during count operation (TCSTF bit in the TRBCR register is set to 1), note the following points:

- When the TRBPRES register is written continuously, allow three or more cycles of the count source for each write interval.
- When the TRBPR register is written continuously, allow three or more cycles of the prescaler underflow for each write interval.

35.7.2 Programmable Waveform Generation Mode

To write to registers TRBPRES and TRBPR during count operation (TCSTF bit in the TRBCR register is set to 1), note the following points:

- When the TRBPRES register is written continuously, allow three or more cycles of the count source for each write interval.
- When the TRBPR register is written continuously, allow three or more cycles of the prescaler underflow for each write interval.

35.7.3 Programmable One-shot Generation Mode

To write to registers TRBPRES and TRBPR during count operation (TCSTF bit in the TRBCR register is set to 1), note the following points:

- When the TRBPRES register is written continuously during count operation (TCSTF bit is set to 1), allow three or more cycles of the count source for each write interval.
- When the TRBPR register is written continuously during count operation (TCSTF bit is set to 1), allow three or more cycles of the prescaler underflow for each write interval.

35.7.4 Programmable Wait One-shot Generation Mode

To write to registers TRBPRES and TRBPR during count operation (TCSTF bit in the TRBCR register is set to 1), note the following points:

- When the TRBPRES register is written continuously, allow three or more cycles of the count source for each write interval.
- When the TRBPR register is written continuously, allow three or more cycles of the prescaler underflow for each write interval.

35.8 Notes on Timer RC

35.8.1 TRC Register

- The following note applies when the CCLR bit in the TRCCR1 register is set to 1 (clear TRC register at compare match with TRCGRA register).

When using a program to write a value to the TRC register while the TSTART bit in the TRCMR register is set to 1 (count starts), ensure that the write does not overlap with the timing with which the TRC register is set to 0000h.

If the timing of the write to the TRC register and the setting of the TRC register to 0000h coincide, the write value will not be written to the TRC register and the TRC register will be set to 0000h.

- Reading from the TRC register immediately after writing to it can result in the value previous to the write being read out. To prevent this, execute the JMP.B instruction between the read and the write instructions.

```
Program Example      MOV.W      #XXXXh, TRC      ;Write
                    JMP.B      L1          ;JMP.B instruction
                    L1:      MOV.W      TRC,DATA      ;Read
```

35.8.2 TRCSR Register

Reading from the TRCSR register immediately after writing to it can result in the value previous to the write being read out. To prevent this, execute the JMP.B instruction between the read and the write instructions.

```
Program Example      MOV.B      #XXh, TRCSR      ;Write
                    JMP.B      L1          ;JMP.B instruction
                    L1:      MOV.B      TRCSR,DATA      ;Read
```

35.8.3 TRCCR1 Register

To set bits TCK2 to TCK0 in the TRCCR1 register to 111b (fOCO-F), set fOCO-F to the clock frequency higher than the CPU clock frequency.

35.8.4 Count Source Switching

- Stop the count before switching the count source.

Switching procedure

- Set the TSTART bit in the TRCMR register to 0 (count stops).
- Change the settings of bits TCK2 to TCK0 in the TRCCR1 register.

- After switching the count source from fOCO40M to another clock, allow a minimum of two cycles of f1 to elapse after changing the clock setting before stopping fOCO40M.

Switching procedure

- Set the TSTART bit in the TRCMR register to 0 (count stops).
- Change the settings of bits TCK2 to TCK0 in the TRCCR1 register.
- Wait for a minimum of two cycles of f1.
- Set the FRA00 bit in the FRA0 register to 0 (high-speed on-chip oscillator off).

- After switching the count source from fOCO-F to fOCO40M, allow a minimum of two cycles of fOCO-F to elapse after changing the clock setting before stopping fOCO-F.

Switching procedure

- (1) Set the TSTART bit in the TRCMR register to 0 (count stops).
- (2) Change the settings of bits TCK2 to TCK0 in the TRCCR1 register.
- (3) Wait for a minimum of two cycles of fOCO-F.
- (4) Set the FRA00 bit in the FRA0 register to 0 (high-speed on-chip oscillator off).

- After switching the count source from fOCO-F to a clock other than fOCO40M, allow a minimum of one cycle of fOCO-F + fOCO40M to elapse after changing the clock setting before stopping fOCO-F.

Switching procedure

- (1) Set the TSTART bit in the TRCMR register to 0 (count stops).
- (2) Change the settings of bits TCK2 to TCK0 in the TRCCR1 register.
- (3) Wait for a minimum of one cycle of fOCO-F + fOCO40M.
- (4) Set the FRA00 bit in the FRA0 register to 0 (high-speed on-chip oscillator off).

35.8.5 Input Capture Function

- The pulse width of the input capture signal should be three cycles or more of the timer RC operation clock (refer to **Table 19.1 Timer RC Operation Clock**).
- The value of the TRC register is transferred to the TRCGRj register one or two cycles of the timer RC operation clock after the input capture signal is input to the TRCIOj (j = A, B, C, or D) pin (when the digital filter function is not used).

35.8.6 TRCMR Register in PWM2 Mode

When the CSEL bit in the TRCCR2 register is set to 1 (count stops at compare match with the TRCGRA register), do not set the TRCMR register at compare match timing of registers TRC and TRCGRA.

35.8.7 Count Source fOCO40M

The count source fOCO40M can be used with supply voltage $VCC = 2.7$ to 5.5 V. For supply voltage other than that, do not set bits TCK2 to TCK0 in the TRCCR1 register to 110b (select fOCO40M as the count source).

35.9 Notes on Timer RD

35.9.1 TRDSTR Register

- Set the TRDSTR register using the MOV instruction.
- When the CSELi (i = 0 to 1) is set to 0 (the count stops at compare match of registers TRDi and TRDGRAi), the count does not stop and the TSTARTi bit remains unchanged even if 0 (count stops) is written to the TSTARTi bit.
 Therefore, set the TSTARTi bit to 0 to change other bits without changing the TSTARTi bit when the CSELi bit is set to 0.
 To stop counting by a program, set the TSTARTi bit after setting the CSELi bit to 1. Although the CSELi bit is set to 1 and the TSTARTi bit is set to 0 at the same time (with 1 instruction), the count cannot be stopped.
- Table 35.1 lists the TRDIOji (j = A, B, C, or D) Pin Output Level when Count Stops to use the TRDIOji (j = A, B, C, or D) pin with the timer RD output.

Table 35.1 TRDIOji (j = A, B, C, or D) Pin Output Level when Count Stops

Count Stop	TRDIOji Pin Output when Count Stops
When the CSELi bit is set to 1, set the TSTARTi bit to 0 and the count stops.	Hold the output level immediately before the count stops.
When the CSELi bit is set to 0, the count stops at compare match of registers TRDi and TRDGRAi.	Hold the output level after output changes by compare match.

35.9.2 TRDi Register (i = 0 or 1)

- When writing the value to the TRDi register by a program while the TSTARTi bit in the TRDSTR register is set to 1 (count starts), avoid overlapping with the timing for setting the TRDi register to 0000h, and then write.
 If the timing for setting the TRDi register to 0000h overlaps with the timing for writing the value to the TRDi register, the value is not written and the TRDi register is set to 0000h.
 These precautions are applicable when selecting the following by bits CCLR2 to CCLR0 in the TRDCRi register.
 - 001b (Clear by the TRDi register at compare match with the TRDGRAi register.)
 - 010b (Clear by the TRDi register at compare match with the TRDGRBi register.)
 - 011b (Synchronous clear)
 - 101b (Clear by the TRDi register at compare match with the TRDGRCi register.)
 - 110b (Clear by the TRDi register at compare match with the TRDGRDi register.)
- When writing the value to the TRDi register and continuously reading the same register, the value before writing may be read. In this case, execute the JMP.B instruction between the writing and reading.

```

Program example      MOV.W      #XXXXh, TRD0      ;Writing
                    JMP.B      L1              ;JMP.B
                    L1:      MOV.W      TRD0,DATA    ;Reading
    
```

35.9.3 TRDSRi Register (i = 0 or 1)

When writing the value to the TRDSRi register and continuously reading the same register, the value before writing may be read. In this case, execute the JMP.B instruction between the writing and reading.

```

Program example      MOV.B      #XXh, TRDSR0    ;Writing
                    JMP.B      L1              ;JMP.B
                    L1:      MOV.B      TRDSR0,DATA ;Reading
    
```

35.9.4 TRDCRi Register (i = 0 or 1)

To set bits TCK2 to TCK0 in the TRDCRi register to 111b (fOCO-F), set fOCO-F to the clock frequency higher than the CPU clock frequency.

35.9.5 Count Source Switch

- Switch the count source after the count stops.

Switching procedure

- (1) Set the TSTART_i (i = 0 or 1) bit in the TRDSTR register to 0 (count stops).
- (2) Change bits TCK2 to TCK0 in the TRDCR_i register.

- When changing the count source from fOCO40M to another source and stopping fOCO40M, wait 2 cycles of f1 or more after setting the clock switch, and then stop fOCO40M.

Switching procedure

- (1) Set the TSTART_i (i = 0 or 1) bit in the TRDSTR register to 0 (count stops).
- (2) Change bits TCK2 to TCK0 in the TRDCR_i register.
- (3) Wait 2 or more cycles of f1.
- (4) Set the FRA00 bit in the FRA0 register to 0 (high-speed on-chip oscillator stops).

- After switching the count source from fOCO-F to fOCO40M, allow a minimum of two cycles of fOCO-F to elapse after changing the clock setting before stopping fOCO-F.

Switching procedure

- (1) Set the TSTART_i (i = 0 to 1) bit in the TRDSTR register to 0 (count stops).
- (2) Change the settings of bits TCK2 to TCK0 in the TRDCR_i register.
- (3) Wait for a minimum of two cycles of fOCO-F.
- (4) Set the FRA00 bit in the FRA0 register to 0 (high-speed on-chip oscillator off).

- After switching the count source from fOCO-F to a clock other than fOCO40M, allow a minimum of one cycle of fOCO-F + fOCO40M to elapse after changing the clock setting before stopping fOCO-F.

Switching procedure

- (1) Set the TSTART_i (i = 0 to 1) bit in the TRDSTR register to 0 (count stops).
- (2) Change the settings of bits TCK2 to TCK0 in the TRDCR_i register.
- (3) Wait for a minimum of one cycle of fOCO-F + fOCO40M.
- (4) Set the FRA00 bit in the FRA0 register to 0 (high-speed on-chip oscillator off).

35.9.6 Input Capture Function

- Set the pulse width of the input capture signal to 3 or more cycles of the timer RD operation clock (refer to **Table 20.1 Timer RD Operation Clocks**).
- The value in the TRD_i register is transferred to the TRDGR_{ji} register 2 to 3 cycles of the timer RD operation clock after the input capture signal is applied to the TRDIO_{ji} pin (i = 0 or 1, j = either A, B, C, or D) (no digital filter).

35.9.7 Reset Synchronous PWM Mode

- When reset synchronous PWM mode is used for motor control, make sure OLS0 = OLS1.
- Set to reset synchronous PWM mode by the following procedure:

Switching procedure

- (1) Set the TSTART0 bit in the TRDSTR register to 0 (count stops).
- (2) Set bits CMD1 to CMD0 in the TRDFCR register to 00b (timer mode, PWM mode, and PWM3 mode).
- (3) Set bits CMD1 to CMD0 to 01b (reset synchronous PWM mode).
- (4) Set the other registers associated with timer RD again.

35.9.8 Complementary PWM Mode

- When complementary PWM mode is used for motor control, make sure OLS0 = OLS1.
- Change bits CMD1 to CMD0 in the TRDFCR register in the following procedure.
 Switching procedure: When setting to complementary PWM mode (including re-set), or changing the transfer timing from the buffer register to the general register in complementary PWM mode.

- (1) Set both the TSTART0 and TSTART1 bits in the TRDSTR register to 0 (count stops).
- (2) Set bits CMD1 to CMD0 in the TRDFCR register to 00b (timer mode, PWM mode, and PWM3 mode).
- (3) Set bits CMD1 to CMD0 to 10b or 11b (complementary PWM mode).
- (4) Set the registers associated with other timer RD again.

Switching procedure: When stopping complementary PWM mode

- (1) Set both the TSTART0 and TSTART1 bits in the TRDSTR register to 0 (count stops).
- (2) Set bits CMD1 to CMD0 to 00b (timer mode, PWM mode, and PWM3 mode).

- Do not write to TRDGRA0, TRDGRB0, TRDGRA1, or TRDGRB1 register during operation.
 When changing the PWM waveform, transfer the values written to registers TRDGRD0, TRDGRC1, and TRDGRD1 to registers TRDGRB0, TRDGRA1, and TRDGRB1 using the buffer operation.
 However, to write data to the TRDGRD0, TRDGRC1, or TRDGRD1 register, set bits BFD0, BFC1, and BFD1 to 0 (general register). After this, bits BFD0, BFC1, and BFD1 may be set to 1 (buffer register).
 The PWM period cannot be changed.
- If the value in the TRDGRA0 register is assumed to be m, the TRD0 register counts m-1, m, m+1, m, m-1, in that order, when changing from increment to decrement operation.
 When changing from m to m+1, the IMFA bit is set to 1. Also, bits CMD1 to CMD0 in the TRDFCR register are set to 11b (complementary PWM mode, buffer data transferred at compare match between registers TRD0 and TRDGRA0), the content in the buffer registers (TRDGRD0, TRDGRC1, and TRDGRD1) is transferred to the general registers (TRDGRB0, TRDGRA1, and TRDGRB1).
 During m+1, m, and m-1 operation, the IMFA bit remains unchanged and data are not transferred to registers such as the TRDGRA0 register.

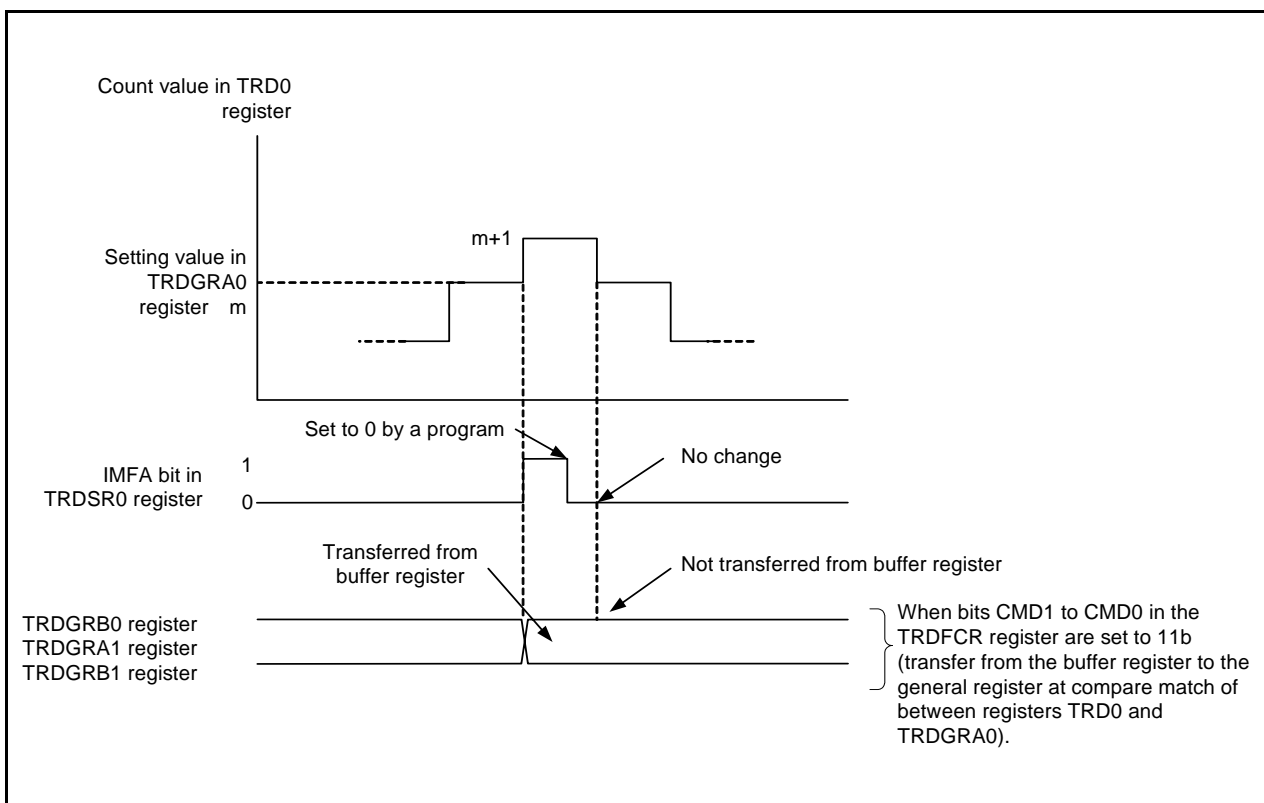


Figure 35.2 Operation at Compare Match between Registers TRD0 and TRDGRA0 in Complementary PWM Mode

- The TRD1 register counts 1, 0, FFFFh, 0, 1, in that order, when changing from decrement to increment operation.

The UDF bit is set to 1 when changing between 1, 0, and FFFFh operation. Also, when bits CMD1 to CMD0 in the TRDFCR register are set to 10b (complementary PWM mode, buffer data transferred at underflow in the TRD1 register), the content in the buffer registers (TRDGRD0, TRDGRC1, and TRDGRD1) is transferred to the general registers (TRDGRB0, TRDGRA1, and TRDGRB1). During FFFFh, 0, 1 operation, data are not transferred to registers such as the TRDGRB0 register. Also, at this time, the OVF bit remains unchanged.

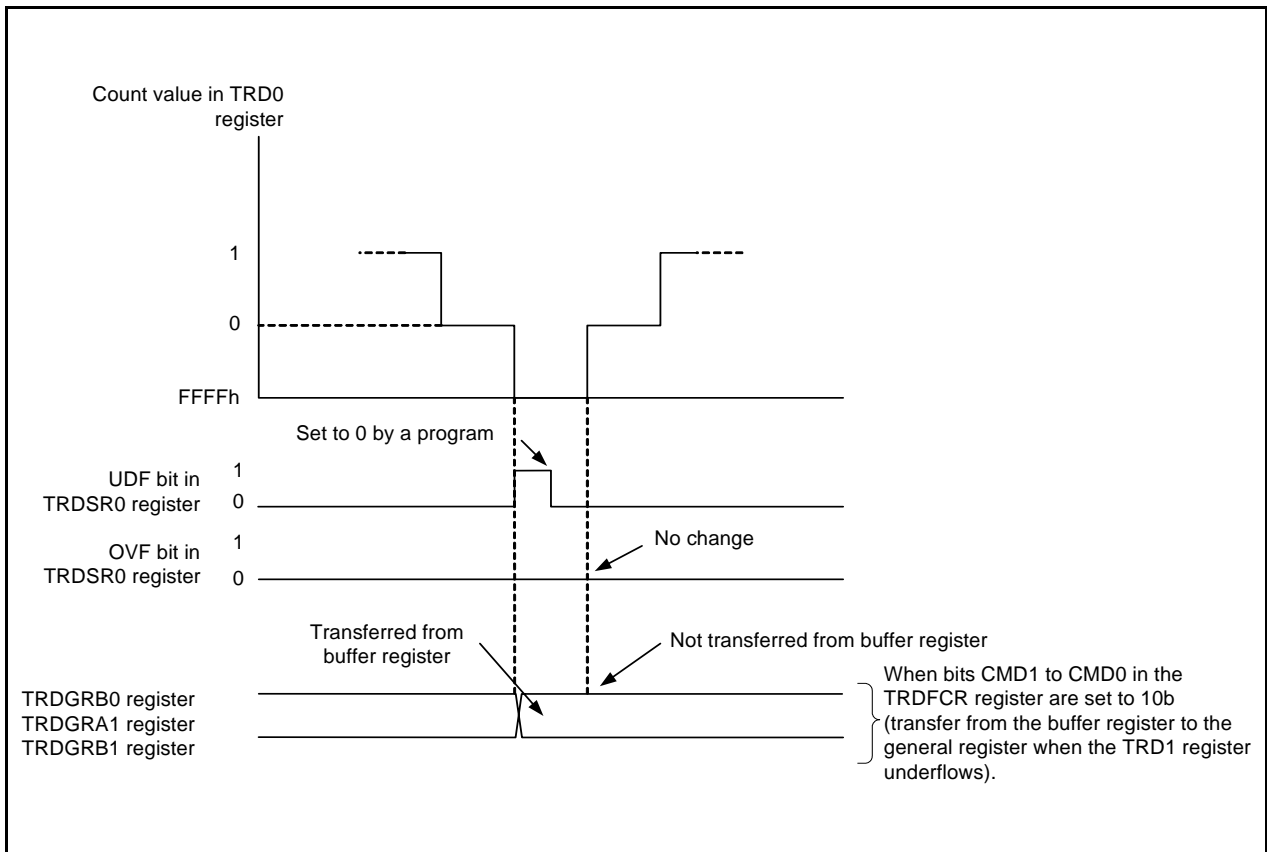


Figure 35.3 Operation when TRD1 Register Underflows in Complementary PWM Mode

- Select with bits CMD1 to CMD0 the timing of data transfer from the buffer register to the general register. However, transfer takes place with the following timing in spite of the value of bits CMD1 to CMD0 in the following cases:

Value in buffer register \geq value in TRDGRA0 register:

Transfer take place at underflow of the TRD1 register.

After this, when the buffer register is set to 0001h or above and a smaller value than the value of the TRDGRA0 register, and the TRD1 register underflows for the first time after setting, the value is transferred to the general register. After that, the value is transferred with the timing selected by bits CMD1 to CMD0.

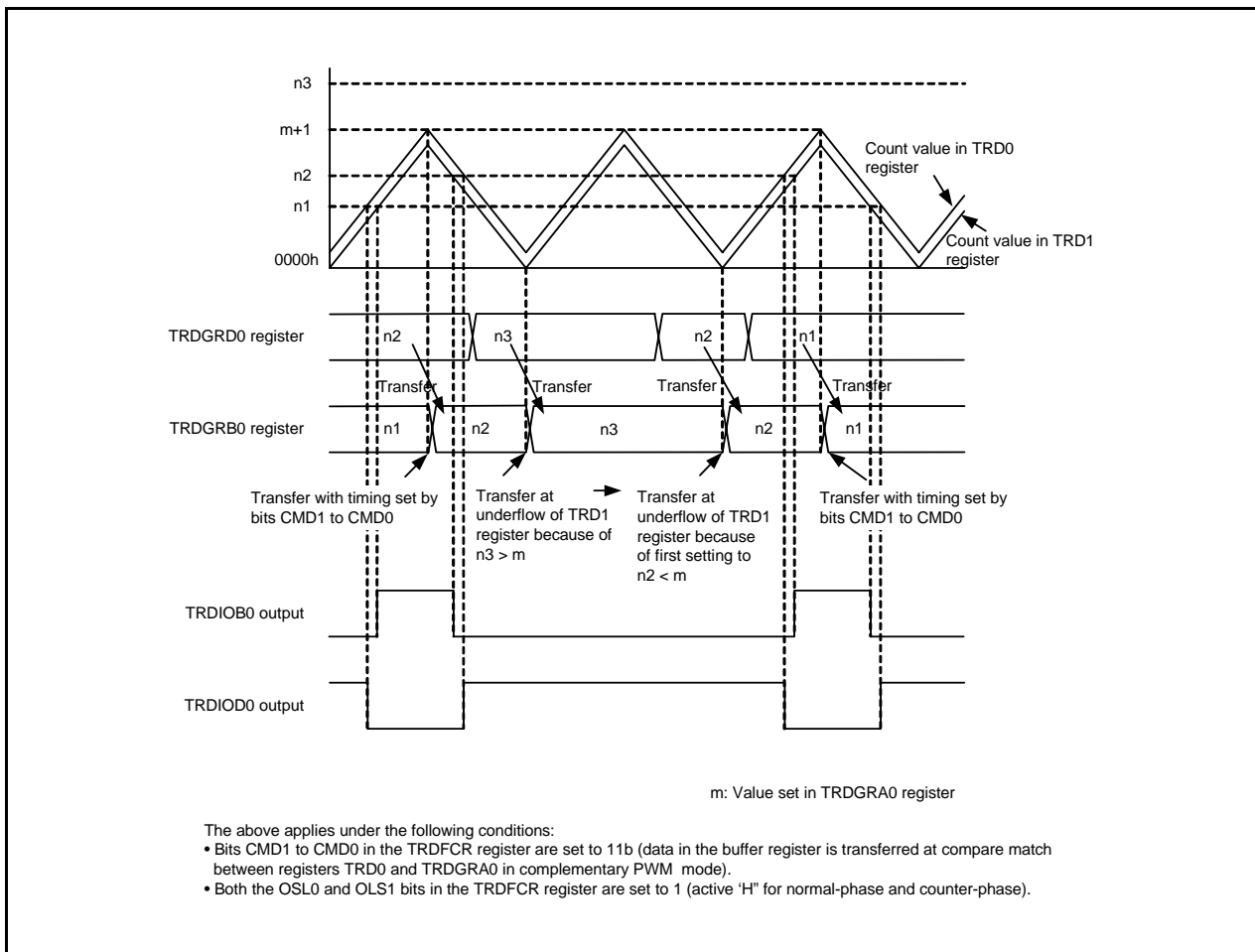


Figure 35.4 Operation when Value in Buffer Register \geq Value in TRDGRA0 Register in Complementary PWM Mode

When the value in the buffer register is set to 0000h:
 Transfer takes place at compare match between registers TRD0 and TRDGRA0.
 After this, when the buffer register is set to 0001h or above and a smaller value than the value of the TRDGRA0 register, and a compare match occurs between registers TRD0 and TRDGRA0 for the first time after setting, the value is transferred to the general register. After that, the value is transferred with the timing selected by bits CMD1 to CMD0.

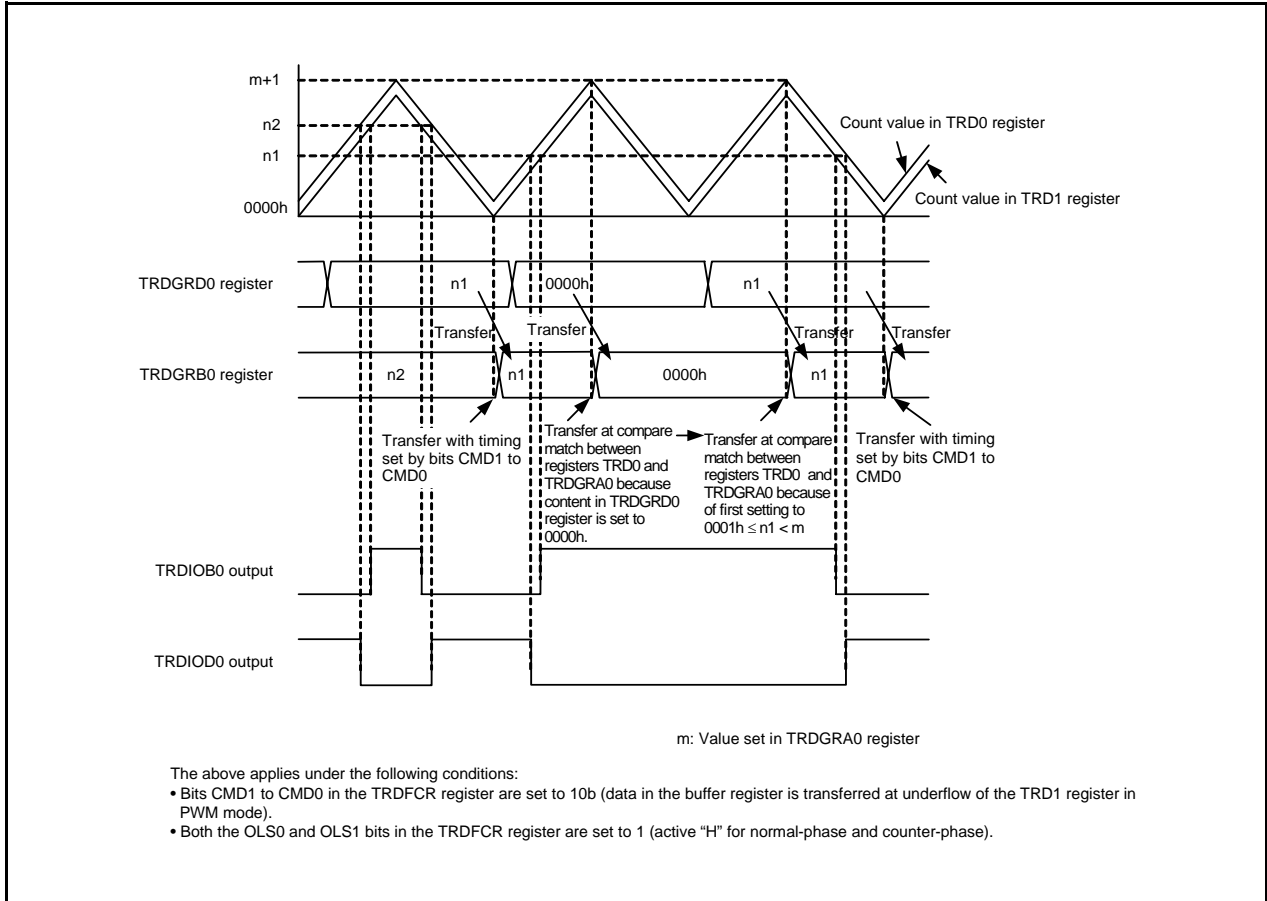


Figure 35.5 Operation when Value in Buffer Register Is Set to 0000h in Complementary PWM Mode

35.9.9 Count Source fOCO40M

The count source fOCO40M can be used with supply voltage VCC = 2.7 to 5.5 V. For supply voltage other than that, do not set bits TCK2 to TCK0 in registers TRDCR0 and TRDCR to 110b (select fOCO40M as the count source).

35.10 Notes on Timer RE

35.10.1 Starting and Stopping Count

Timer RE has the TSTART bit for instructing the count to start or stop, and the TCSTF bit, which indicates count start or stop. Bits TSTART and TCSTF are in the TREC1 register.

Timer RE starts counting and the TCSTF bit is set to 1 (count starts) when the TSTART bit is set to 1 (count starts). It takes up to 2 cycles of the count source until the TCSTF bit is set to 1 after setting the TSTART bit to 1. During this time, do not access registers associated with timer RE ⁽¹⁾ other than the TCSTF bit.

Also, timer RE stops counting when setting the TSTART bit to 0 (count stops) and the TCSTF bit is set to 0 (count stops). It takes the time for up to 2 cycles of the count source until the TCSTF bit is set to 0 after setting the TSTART bit to 0. During this time, do not access registers associated with timer RE other than the TCSTF bit.

Note:

1. Registers associated with timer RE: TRESEC, TREMIN, TREHR, TREWK, TREC1, TREC2, and TRECSR.

35.10.2 Register Setting

Write to the following registers or bits when timer RE is stopped.

- Registers TRESEC, TREMIN, TREHR, TREWK, and TREC2
- Bits H12_H24, PM, and INT in TREC1 register
- Bits RCS0 to RCS3 in TRECSR register

Timer RE is stopped when bits TSTART and TCSTF in the TREC1 register are set to 0 (timer RE stopped).

Also, set all above-mentioned registers and bits (immediately before timer RE count starts) before setting the TREC2 register.

Figure 35.6 shows a Setting Example in Real-Time Clock Mode.

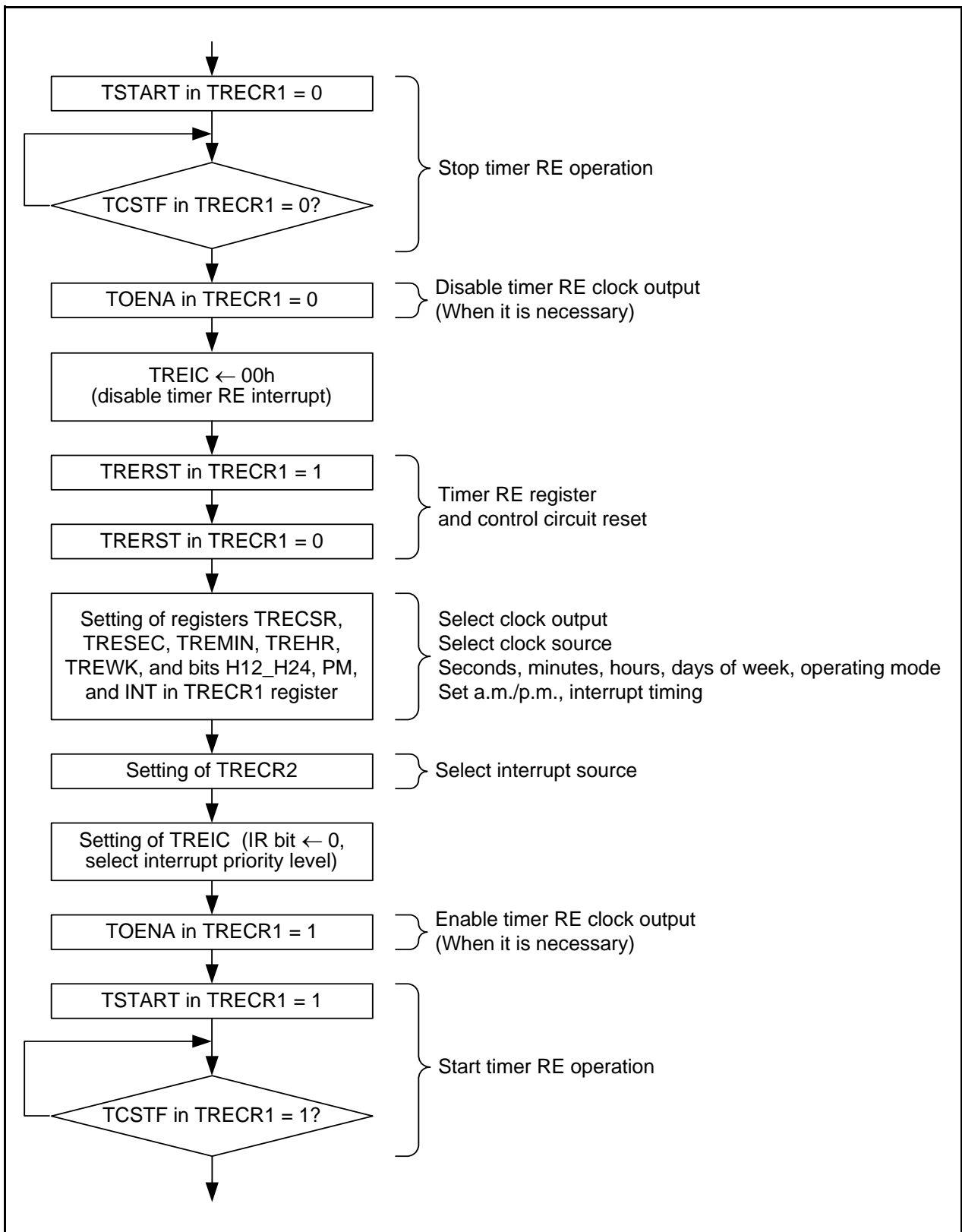


Figure 35.6 Setting Example in Real-Time Clock Mode

35.10.3 Time Reading Procedure of Real-Time Clock Mode

In real-time clock mode, read registers TRESEC, TREMIN, TREHR, and TREWK when time data is updated and read the PM bit in the TRECRI register when the BSY bit is set to 0 (not while data is updated).

Also, when reading several registers, an incorrect time will be read if data is updated before another register is read after reading any register.

In order to prevent this, use the reading procedure shown below.

- Using an interrupt

Read necessary contents of registers TRESEC, TREMIN, TREHR, and TREWK and the PM bit in the TRECRI register in the timer RE interrupt routine.

- Monitoring with a program 1

Monitor the IR bit in the TREIC register with a program and read necessary contents of registers TRESEC, TREMIN, TREHR, and TREWK and the PM bit in the TRECRI register after the IR bit in the TREIC register is set to 1 (timer RE interrupt request generated).

- Monitoring with a program 2

(1) Monitor the BSY bit.

(2) Monitor until the BSY bit is set to 0 after the BSY bit is set to 1 (approximately 62.5 ms while the BSY bit is set to 1).

(3) Read necessary contents of registers TRESEC, TREMIN, TREHR, and TREWK and the PM bit in the TRECRI register after the BSY bit is set to 0.

- Using read results if they are the same value twice

(1) Read necessary contents of registers TRESEC, TREMIN, TREHR, and TREWK and the PM bit in the TRECRI register.

(2) Read the same register as (1) and compare the contents.

(3) Recognize as the correct value if the contents match. If the contents do not match, repeat until the read contents match with the previous contents.

Also, when reading several registers, read them as continuously as possible.

35.11 Notes on Serial Interface (UARTi (i = 0 or 1))

- When reading data from the UiRB (i = 0 or 1) register either in clock synchronous serial I/O mode or in clock asynchronous serial I/O mode, always read data in 16-bit units.
When the high-order byte of the UiRB register is read, bits PER and FER in the UiRB register and the RI bit in the UiC1 register are set to 0.
To check receive errors, read the UiRB register and then use the read data.

Program example to read the receive buffer register:

```
MOV.W    00A6H,R0    ; Read the UORB register
```

- When writing data to the UiTB register in clock asynchronous serial I/O mode with 9-bit transfer data length, write data to the high-order byte first and then the low-order byte, in 8-bit units.

Program example to write to the transmit buffer register:

```
MOV.B    #XXH,00A3H  ; Write to the high-order byte of the UOTB register  
MOV.B    #XXH,00A2H  ; Write to the low-order byte of the UOTB register
```

35.12 Notes on Serial Interface (UART2)

35.12.1 Clock Synchronous Serial I/O Mode

35.12.1.1 Transmission/Reception

When the $\overline{\text{RTS}}$ function is used with an external clock, the $\overline{\text{RTS2}}$ pin outputs “L,” which informs the transmitting side that the MCU is ready for a receive operation. The $\overline{\text{RTS2}}$ pin outputs “H” when a receive operation starts. Therefore, the transmit timing and receive timing can be synchronized by connecting the $\overline{\text{RTS2}}$ pin to the $\overline{\text{CTS2}}$ pin of the transmitting side. The $\overline{\text{RTS}}$ function is disabled when an internal clock is selected.

35.12.1.2 Transmission

If an external clock is selected, the following conditions must be met while the external clock is held high when the CKPOL bit in the U2C0 register is set to 0 (transmit data output at the falling edge and receive data input at the rising edge of the transfer clock), or while the external clock is held low when the CKPOL bit is set to 1 (transmit data output at the rising edge and receive data input at the falling edge of the transfer clock).

- The TE bit in the U2C1 register = 1 (transmission enabled)
- The TI bit in the U2C1 register = 0 (data present in the U2TB register)
- If the $\overline{\text{CTS}}$ function is selected, input on the $\overline{\text{CTS2}}$ pin = “L”

35.12.1.3 Reception

In clock synchronous serial I/O mode, the shift clock is generated by activating the transmitter. Set the UART2-associated registers for transmit operation even if the MCU is used for receive operation only. Dummy data is output from the TXD2 pin while receiving.

When an internal clock is selected, the shift clock is generated by setting the TE bit in the U2C1 register to 1 (transmission enabled) and placing dummy data in the U2TB register. When an external clock is selected, set the TE bit to 1 (transmission enabled), place dummy data in the U2TB register, and input an external clock to the CLK2 pin to generate the shift clock.

If data is received consecutively, an overrun error occurs when the RE bit in the U2C1 register is set to 1 (data present in the U2RB register) and the next receive data is received in the UART2 receive register. Then, the OER bit in the U2RB register is set to 1 (overrun error). At this time, the U2RB register value is undefined. If an overrun error occurs, the IR bit in the S2RIC register remains unchanged.

To receive data consecutively, set dummy data in the low-order byte in the U2TB register per each receive operation.

If an external clock is selected, the following conditions must be met while the external clock is held high when the CKPOL bit is set to 0, or while the external clock is held low when the CKPOL bit is set to 1.

- The RE bit in the U2C1 register = 1 (reception enabled)
- The TE bit in the U2C1 register = 1 (transmission enabled)
- The TI bit in the U2C1 register = 0 (data present in the U2TB register)

35.12.2 Clock Asynchronous Serial I/O (UART) Mode

35.12.2.1 Transmission/Reception

When the $\overline{\text{RTS}}$ function is used with an external clock, the $\overline{\text{RTS2}}$ pin outputs “L,” which informs the transmitting side that the MCU is ready for a receive operation. The $\overline{\text{RTS2}}$ pin outputs “H” when a receive operation starts. Therefore, the transmit timing and receive timing can be synchronized by connecting the $\overline{\text{RTS2}}$ pin to the $\overline{\text{CTS2}}$ pin of the transmitting side. The $\overline{\text{RTS}}$ function is disabled when an internal clock is selected.

35.12.2.2 Transmission

If an external clock is selected, the following conditions must be met while the external clock is held high when the CKPOL bit in the U2C0 register is set to 0 (transmit data output at the falling edge and receive data input at the rising edge of the transfer clock), or while the external clock is held low when the CKPOL bit is set to 1 (transmit data output at the rising edge and receive data input at the falling edge of the transfer clock).

- The TE bit in the U2C1 register = 1 (transmission enabled)
- The TI bit in the U2C1 register = 0 (data present in the U2TB register)
- If the $\overline{\text{CTS}}$ function is selected, input on the $\overline{\text{CTS2}}$ pin = “L”

35.12.3 Special Mode 1 (I²C Mode)

When generating start, stop, and restart conditions, set the STSPSEL bit in the U2SMR4 register to 0 and wait for more than half cycle of the transfer clock before changing each condition generation bit (STAREQ, RSTAREQ, and STPREQ) from 0 to 1.

35.13 Notes on Synchronous Serial Communication Unit

Set the IICSEL bit in the SSUIICSR register to 0 (select SSU function) to use the synchronous serial communication unit function.

35.14 Notes on I²C bus Interface

To use the I²C bus interface, set the IICSEL bit in the SSUIICSR register to 1 (I²C bus interface function selected).

35.15 Notes on Hardware LIN

For the time-out processing of the header and response fields, use another timer to measure the duration of time with a Synch Break detection interrupt as the starting point.

35.16 Notes on A/D Converter

- Write to the ADMOD register, the ADINSEL register, the ADCON0 register (other than ADST bit), the ADCON1 register, the OCVREFCR register when A/D conversion is stopped (before a trigger occurs).
- To use the A/D converter in repeat mode 0, repeat mode 1, or repeat sweep mode, select the frequency of the A/D converter operating clock ϕ_{AD} or more for the CPU clock during A/D conversion.
Do not select fOCO-F as ϕ_{AD} .
- Connect 0.1 μ F capacitor between the VREF pin and AVSS pin.
- Do not enter stop mode during A/D conversion.
- Do not enter wait mode during A/D conversion regardless of the state of the CM02 bit in the CM0 register (1: Peripheral function clock stops in wait mode or 0: Peripheral function clock does not stop in wait mode).
- Do not set the FMSTP bit in the FMR0 register to 1 (flash memory stops) during A/D conversion.
- Do not change the CKS2 bit in the ADMOD register while fOCO-F is stopped.
- During an A/D conversion operation, if the ADST bit in the ADCON0 register is set to 0 (A/D conversion stops) by a program to forcibly terminate A/D conversion, the conversion result of the A/D converter is undefined and no interrupt is generated. The value of the ADi register before A/D conversion may also be undefined. If the ADST bit is set to 0 by a program, do not use the value of all the ADi register.

35.17 Notes on Flash Memory

35.17.1 CPU Rewrite Mode

35.17.1.1 Prohibited Instructions

The following instructions cannot be used while the program ROM area is being rewritten in EW0 mode because they reference data in the flash memory: UND, INTO, and BRK.

35.17.1.2 Interrupts

Tables 35.2 to 35.4 show CPU Rewrite Mode Interrupts (1), (2) and (3), respectively.

Table 35.2 CPU Rewrite Mode Interrupts (1)

Mode	Erase/Write Target	Status	Maskable Interrupt
EW0	Data flash	During auto-erasure (suspend enabled)	When an interrupt request is acknowledged, interrupt handling is executed. If the FMR22 bit is set to 1 (erase-suspend request enabled by interrupt request), the FMR21 bit is automatically set to 1 (erase-suspend request). The flash memory suspends auto-erasure after td(SR-SUS). If erase-suspend is required while the FMR22 bit is set to 0 (erase-suspend request disabled by interrupt request), set the FMR 21 bit to 1 during interrupt handling. The flash memory suspends auto-erasure after td(SR-SUS). While auto-erasure is being suspended, any block other than the block during auto-erasure execution can be read. Auto-erasure can be restarted by setting the FMR21 bit to 0 (erase restart).
		During auto-erasure (suspend disabled or FMR22 = 0)	Interrupt handling is executed while auto-erasure or auto-programming is being performed.
		During auto-programming	
	Program ROM	During auto-erasure (suspend enabled)	Usable by allocating a vector in RAM.
		During auto-erasure (suspend disabled)	
		During auto-programming	
EW1	Data flash	During auto-erasure (suspend enabled)	When an interrupt request is acknowledged, interrupt handling is executed. If the FMR22 bit is set to 1, the FMR21 bit is automatically set to 1. The flash memory suspends auto-erasure after td(SR-SUS). If erase-suspend is required while the FMR22 bit is set to 0, set the FMR 21 bit to 1 during interrupt handling. The flash memory suspends auto-erasure after td(SR-SUS). While auto-erasure is being suspended, any block other than the block during auto-erasure execution can be read. Auto-erasure can be restarted by setting the FMR21 bit to 0.
		During auto-erasure (suspend disabled or FMR22 = 0)	Interrupt handling is executed while auto-erasure or auto-programming is being performed.
		During auto-programming	
	Program ROM	During auto-erasure (suspend enabled)	Auto-erasure suspends after td(SR-SUS) and interrupt handling is executed. Auto-erasure can be restarted by setting the FMR21 bit to 0 after interrupt handling completes. While auto-erasure is being suspended, any block other than the block during auto-erasure execution can be read.
		During auto-erasure (suspend disabled or FMR22 = 0)	Auto-erasure and auto-programming have priority and interrupt requests are put on standby. Interrupt handling is executed after auto-erase and auto-program complete.
		During auto-programming	

FMR21, FMR22: Bits in FMR2 register

Table 35.3 CPU Rewrite Mode Interrupts (2)

Mode	Erase/Write Target	Status	<ul style="list-style-type: none"> • Watchdog Timer • Oscillation Stop Detection • Voltage Monitor 2 • Voltage Monitor 1 • NMI (Note 1)	<ul style="list-style-type: none"> • Undefined Instruction • INTO Instruction • BRK Instruction • Single Step • Address Match • Address Break (Note 1)
EW0	Data flash	During auto-erasure (suspend enabled)	When an interrupt request is acknowledged, interrupt handling is executed. If the FMR22 bit is set to 1 (erase-suspend request enabled by interrupt request), the FMR21 bit is automatically set to 1 (erase-suspend request). The flash memory suspends auto-erasure after td(SR-SUS). If erase-suspend is required while the FMR22 bit is set to 0 (erase-suspend request disabled by interrupt request), set the FMR 21 bit to 1 during interrupt handling. The flash memory suspends auto-erasure after td(SR-SUS). While auto-erasure is being suspended, any block other than the block during auto-erasure execution can be read. Auto-erasure can be restarted by setting the FMR21 bit is set to 0 (erase restart).	When an interrupt request is acknowledged, interrupt handling is executed. If erase-suspend is required, set the FMR 21 bit to 1 during interrupt handling. The flash memory suspends auto-erasure after td(SR-SUS). While auto-erasure is being suspended, any block other than the block during auto-erasure execution can be read. Auto-erasure can be restarted by setting the FMR21 bit in the FMR2 register is set to 0 (erase restart).
		During auto-erasure (suspend disabled or FMR22 = 0)	Interrupt handling is executed while auto-erasure or auto-programming is being performed.	
		During auto-programming		
	Program ROM	During auto-erasure (suspend enabled)	When an interrupt request is acknowledged, auto-erasure or auto-programming is forcibly stopped immediately and the flash memory is reset. Interrupt handling starts when the flash memory restarts after the fixed period. Since the block during auto-erasure or the address during auto-programming is forcibly stopped, the normal value may not be read. After the flash memory restarts, execute auto-erasure again and ensure it completes normally. The watchdog timer does not stop during the command operation, so interrupt requests may be generated. Initialize the watchdog timer regularly using the erase-suspend function.	Not usable during auto-erasure or auto-programming.
		During auto-erasure (suspend disabled)		
		During auto-programming		

FMR21, FMR22: Bits in FMR2 register

Note:

1. Do not use a non-maskable interrupt while block 0 is being auto-erased because the fixed vector is allocated in block 0.

Table 35.4 CPU Rewrite Mode Interrupts (3)

Mode	Erase/Write Target	Status	<ul style="list-style-type: none"> • Watchdog Timer • Oscillation Stop Detection • Voltage Monitor 2 • Voltage Monitor 1 • NMI (Note 1)	<ul style="list-style-type: none"> • Undefined Instruction • INTO Instruction • BRK Instruction • Single Step • Address Match • Address Break (Note 1)
EW1	Data flash	During auto-erase (suspend enabled)	When an interrupt request is acknowledged, interrupt handling is executed. If the FMR22 bit is set to 1, the FMR21 bit is automatically set to 1. The flash memory suspends auto-erase after td(SR-SUS). If erase-suspend is required while the FMR22 bit is set to 0, set the FMR 21 bit to 1 during interrupt handling. The flash memory suspends auto-programming after td(SR-SUS). While auto-erase is being suspended, any block other than the block during auto-erase execution can be read. Auto-erase can be restarted by setting the FMR21 bit is set to 0.	When an interrupt request is acknowledged, interrupt handling is executed. If erase-suspend is required, set the FMR 21 bit to 1 during interrupt handling. The flash memory suspends auto-erase after td(SR-SUS). While auto-erase is being suspended, any block other than the block during auto-erase execution can be read. Auto-erase can be restarted by setting the FMR21 bit in the FMR2 register is set to 0 (erase restart).
		During auto-erase (suspend disabled or FMR22 = 0)	Interrupt handling is executed while auto-erase or auto-programming is being performed.	
		During auto-programming		
	Program ROM	During auto-erase (suspend enabled)	When an interrupt request is acknowledged, auto-erase or auto-programming is forcibly stopped immediately and the flash memory is reset. Interrupt handling starts when the flash memory restarts after the fixed period.	Not usable during auto-erase or auto-programming.
		During auto-erase (suspend disabled or FMR22 = 0)	Since the block during auto-erase or the address during auto-programming is forcibly stopped, the normal value may not be read. After the flash memory restarts, execute auto-erase again and ensure it completes normally.	
		During auto-programming	The watchdog timer does not stop during the command operation, so interrupt requests may be generated. Initialize the watchdog timer regularly using the erase-suspend function.	

FMR21, FMR22: Bits in FMR2 register

Note:

1. Do not use a non-maskable interrupt while block 0 is being auto-erased because the fixed vector is allocated in block 0.

35.17.1.3 How to Access

To set one of the following bits to 1, first write 0 and then 1 immediately. Do not generate an interrupt between writing 0 and writing 1.

- The FMR01 bit or FMR02 bit in the FMR0 register
- The FMR13 bit in the FMR1 register
- The FMR20 bit, FMR22 bit, or FMR 27 bit in the FMR2 register

To set one of the following bits to 0, first write 1 and then 0 immediately. Do not generate an interrupt between writing 1 and writing 0.

- The FMR14 bit, FMR15 bit, FMR16 bit, or FMR17 bit in the FMR1 register

35.17.1.4 Rewriting User ROM Area

In EW0 Mode, if the supply voltage drops while rewriting any block in which a rewrite control program is stored, it may not be possible to rewrite the flash memory because the rewrite control program cannot be rewritten correctly. In this case, use standard serial I/O mode.

35.17.1.5 Programming

Do not write additions to the already programmed address.

35.17.1.6 Entering Stop Mode or Wait Mode

Do not enter stop mode or wait mode during erase-suspend.

If the FST7 in the FST register is set to 0 (busy (during programming or erasure execution), do not enter to stop mode or wait mode.

35.17.1.7 Programming and Erasure Voltage for Flash Memory

To perform programming and erasure, use $VCC = 2.7\text{ V}$ to 5.5 V as the supply voltage. Do not perform programming and erasure at less than 2.7 V .

35.17.1.8 Block Blank Check

Do not execute the block blank check command during erase-suspend.

35.18 Notes on Noise

35.18.1 Inserting a Bypass Capacitor between VCC and VSS Pins as a Countermeasure against Noise and Latch-up

Connect a bypass capacitor (at least 0.1 μF) using the shortest and thickest wire possible.

35.18.2 Countermeasures against Noise Error of Port Control Registers

During rigorous noise testing or the like, external noise (mainly power supply system noise) can exceed the capacity of the MCU's internal noise control circuitry. In such cases the contents of the port related registers may be changed.

As a firmware countermeasure, it is recommended that the port registers, port direction registers, and pull-up control registers be reset periodically. However, examine the control processing fully before introducing the reset routine as conflicts may be created between the reset routine and interrupt routines.

36. Notes on On-Chip Debugger

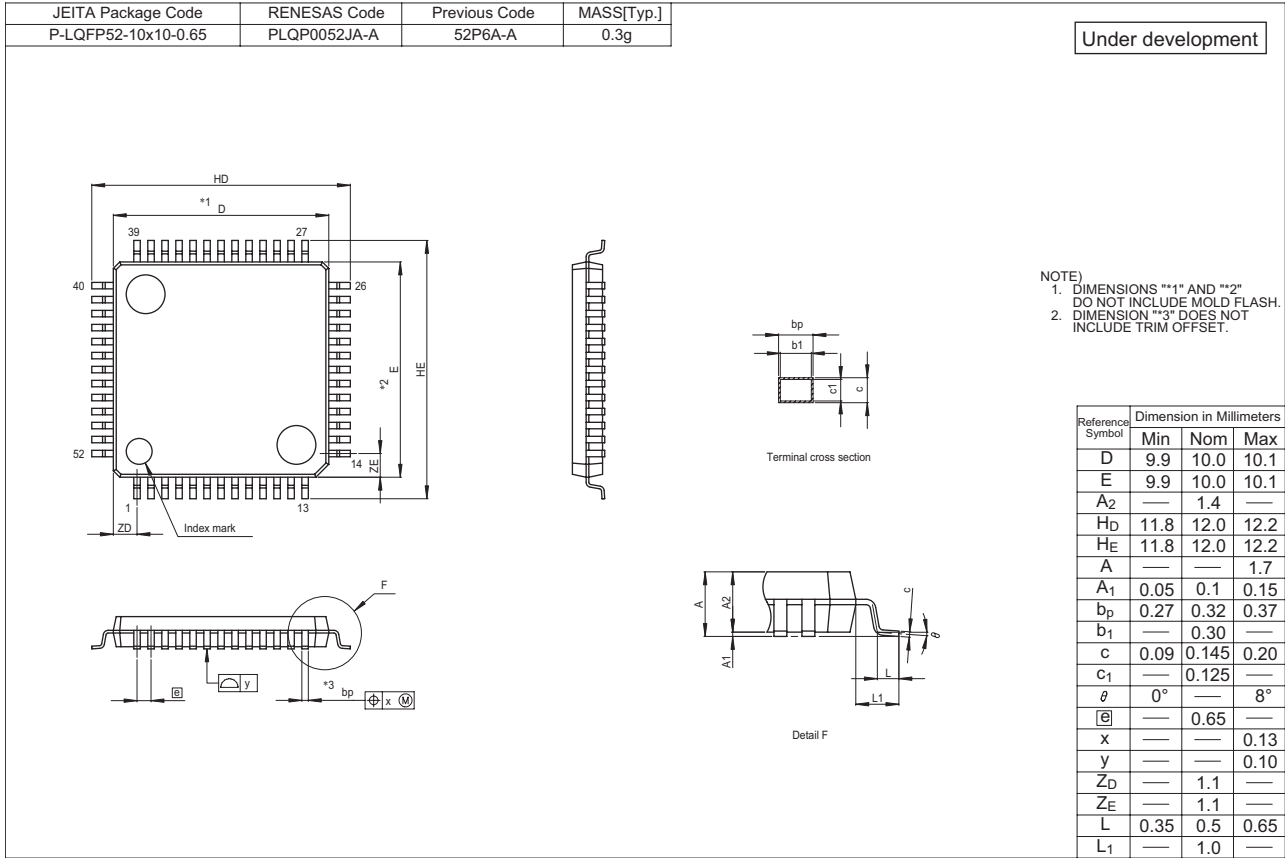
When using the on-chip debugger to develop and debug programs for the R8C/35A Group take note of the following.

- (1) Some of the user flash memory and RAM areas are used by the on-chip debugger. These areas cannot be accessed by the user.
Refer to the on-chip debugger manual for which areas are used.
- (2) Do not set the address match interrupt (registers AIER0, AIER1, RMAD0, and RMAD1 and fixed vector tables) in a user system.
- (3) Do not use the BRK instruction in a user system.
- (4) Debugging is available under the condition of supply voltage $VCC = 1.8$ to 5.5 V. Set the supply voltage to 2.7 V or above for rewriting the flash memory.

Connecting and using the on-chip debugger has some special restrictions. Refer to the on-chip debugger manual for details.

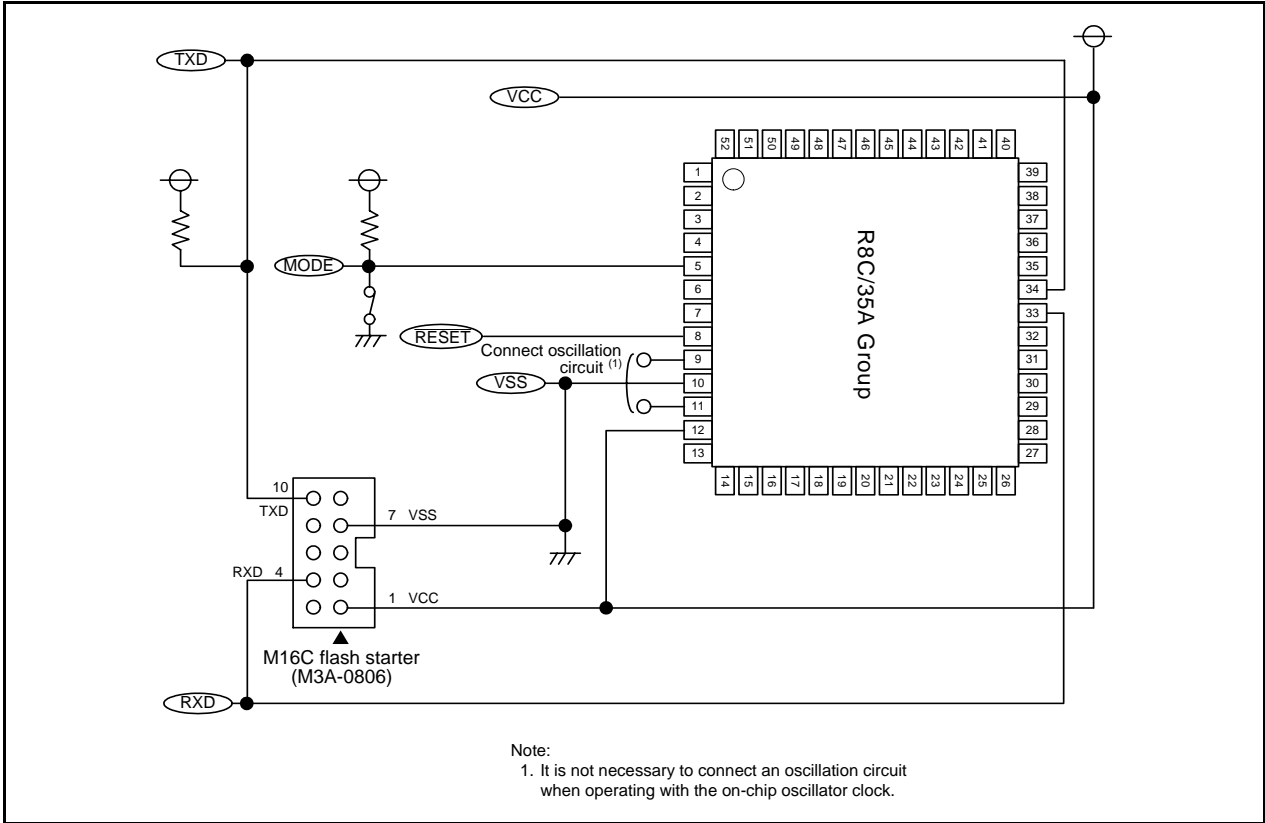
Appendix 1. Package Dimensions

Diagrams showing the latest package dimensions and mounting information are available in the “Packages” section of the Renesas Technology website.

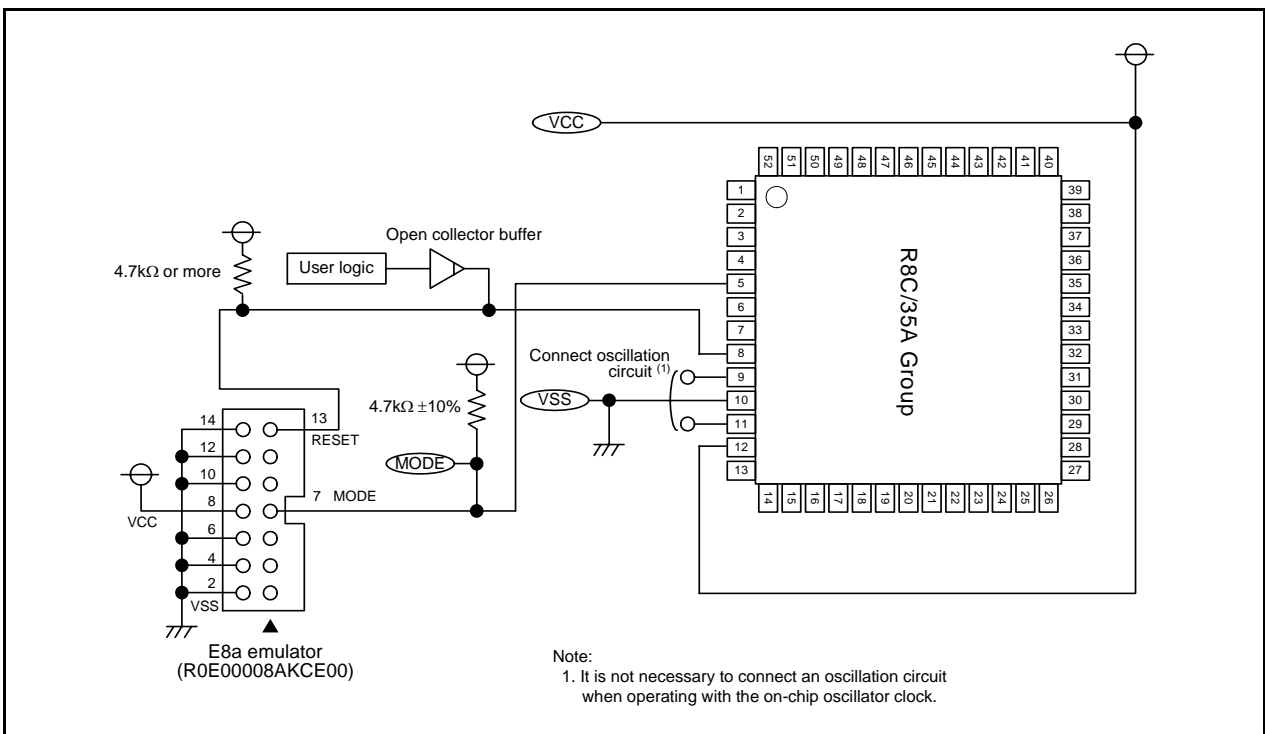


Appendix 2. Connection Examples between Serial Writer and On-Chip Debugging Emulator

Appendix Figure 2.1 shows a Connection Example with M16C Flash Starter (M3A-0806) and Appendix Figure 2.2 shows a Connection Example with E8a Emulator (R0E00008AKCE00).



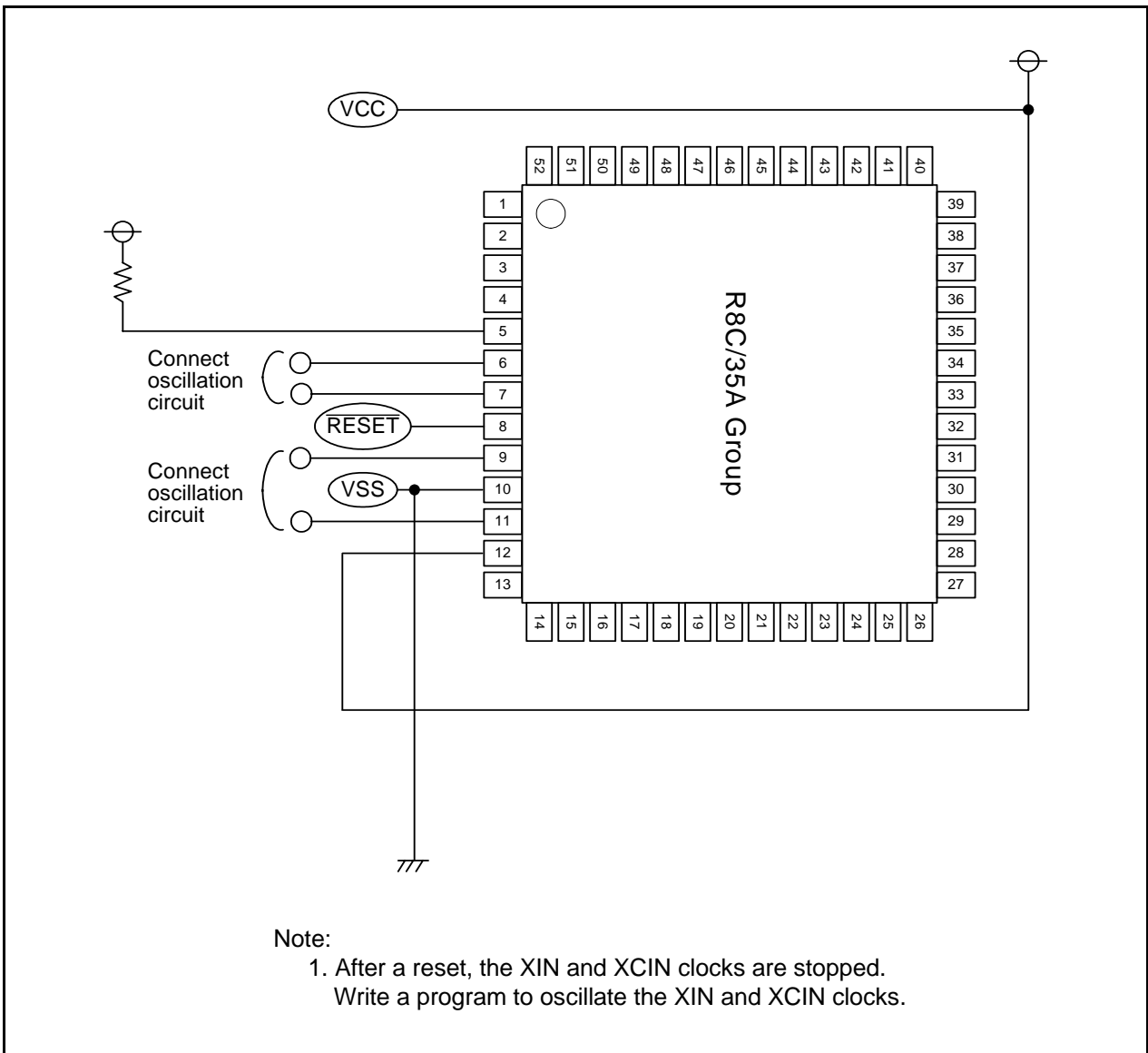
Appendix Figure 2.1 Connection Example with M16C Flash Starter (M3A-0806)



Appendix Figure 2.2 Connection Example with E8a Emulator (R0E00008AKCE00)

Appendix 3. Example of Oscillation Evaluation Circuit

Appendix Figure 3.1 shows an Example of Oscillation Evaluation Circuit.



Appendix Figure 3.1 Example of Oscillation Evaluation Circuit

Index

[A]		[K]	
ADCON0	590	KIEN	169
ADCON1	591	KUPIC	154
ADi (i = 0 to 7)	587		
ADIC	154	[L]	
ADINSEL	589	LINCR	572
ADMOD	588	LINCR2	571
AIERi (i = 0 or 1)	171	LINST	572
[C]		[M]	
CM0	119	MSTCR	257, 314, 329, 349, 364, 378, 395, 504, 535
CM1	120		
CM3	121	[O]	
CMPA	42, 613	OCD	122
CPSRF	124	OCVREFCR	586
CSPR	188	OFS	30, 49, 182, 189, 637
		OFS2	31, 183, 190
[D]		[P]	
DACON	610	P1DRR	87
DAi (i = 0 or 1)	610	P2DRR	87
DRR0	88	PDi (i = 0 to 6)	74
DRR1	89	Pi (i = 0 to 6)	75
DTBLSj (j = 0 to 23)	196	PINSR	85, 127, 536
DTCCRj (j = 0 to 23)	196	PM0	29
DTCCTj (j = 0 to 23)	197	PM1	187
DTCENi (i = 0 to 6)	198	PRCR	148
DTCTL	199	PUR0	86
DTDARj (j = 0 to 23)	197	PUR1	86
DTRL Dj (j = 0 to 23)	197		
DTSARj (j = 0 to 23)	197	[R]	
		RMADi (i = 0 or 1)	171
		RSTFR	29
[F]		[S]	
FMR0	641	S0RIC	154
FMR1	643	S0TIC	154
FMR2	645	S1RIC	154
FMRDYIC	155	S1TIC	154
FRA0	123	S2RIC	154
FRA1	123	S2TIC	154
FRA2	124	SAR	543
FRA3	125	SSBR	505
FRA4	125	SSCRH	506
FRA5	125	SSCRL	507
FRA6	125	SSER	509
FRA7	122	SSMR	508
FST	639	SSMR2	511
		SSRDR	506
		SSSR	510
		SSTD	505
		SSUIC/IICIC	155
		SSUICSR	83, 504, 535
[I]		[T]	
ICCR1	538	TIMSR	80, 423, 429
ICCR2	539	TRA	220
ICDRR	537	TRACR	218
ICDRS	543	TRAIC	154
ICDRT	537	TRAI OC	218, 221, 224, 226, 228, 231
ICIER	541	TRAMR	219
ICMR	540		
ICSR	542		
INTCMP	628		
INTEN	165, 628		
INTEN1	165		
INTF	166, 629		
INTF1	166		
INTiC (i = 0 to 4)	156		
INTSR	84, 164		

TRAPRE	219
TRASR	76, 220
TRBCR	235
TRBIC	154
TRBIOC	236, 239, 243, 246, 250
TRBMR	236
TRBOCR	235
TRBPR	238
TRBPRE	237
TRBRCSR	76, 238, 264
TRBSC	237
TRC	261
TRCADCR	263
TRCCR1	258, 280, 289, 295
TRCCR2	262, 283, 289, 296
TRCDF	262, 296
TRCGRA	261
TRCGRB	261
TRCGRC	261
TRCGRD	261
TRCIC	155
TRCIER	258
TRCIOR0	260, 275, 281
TRCIOR1	260, 276, 282
TRCMR	257
TRCOER	263
TRCPSR0	77, 265
TRCPSR1	78, 266
TRCSR	259
TRD0	371, 386, 403
TRD0IC	155
TRD1	386
TRD1IC	155
TRDADCR	330, 350, 365, 379, 396
TRDCR0	369, 401
TRDCRi (i = 0 or 1)	318, 336, 354, 383
TRDDFi (i = 0 or 1)	317
TRDECR	314, 329, 349, 364, 378, 395
TRDFCR	316, 333, 352, 367, 381, 398
TRDGRAi (i = 0 or 1)	323, 341, 357, 372, 387, 404
TRDGRBi (i = 0 or 1)	323, 341, 357, 372, 387, 404
TRDGRC1	387
TRDGRCi (i = 0 or 1)	323, 341, 357, 372, 404
TRDGRDi (i = 0 or 1)	323, 341, 357, 372, 387, 404
TRDi (i = 0 or 1)	322, 340, 357
TRDIERi (i = 0 or 1)	322, 340, 356, 371, 385, 403
TRDIORAi (i = 0 or 1)	319, 337
TRDIORCi (i = 0 or 1)	320, 338
TRDMR	315, 332, 351, 366, 380, 397
TRDOCR	335, 354, 400
TRDOER1	334, 353, 368, 382, 399
TRDOER2	334, 353, 368, 382, 399
TRDPMR	316, 333, 352
TRDPOCRi (i = 0 or 1)	356
TRDPSR0	79, 324, 342, 358, 373, 389, 406
TRDPSR1	79, 324, 342, 358, 373, 389, 406
TRDSRi (i = 0 or 1)	321, 339, 355, 370, 384, 402
TRDSTR	315, 331, 351, 366, 380, 397
TRECR1	421, 428
TRECR2	422, 428
TRECSR	423, 429
TREHR	420
TREIC	154
TREMIN	419, 427
TRESEC	419, 427
TREWK	420

[U]

U0SR	81, 440
U1SR	81, 440
U2BCNIC	154
U2BRG	458
U2C0	460
U2C1	461
U2MR	458
U2RB	462
U2SMR	465
U2SMR2	465
U2SMR3	464
U2SMR4	464
U2SMR5	463
U2SR0	82, 466
U2SR1	82, 466
U2TB	459
UiBRG (i = 0 or 1)	436
UiC0 (i = 0 or 1)	438
UiC1 (i = 0 or 1)	438
UiMR (i = 0 or 1)	436
UiRB (i = 0 or 1)	439
UiTB (i = 0 or 1)	437
URXDF	463

[V]

VCA1	43, 614
VCA2	44, 126, 615
VCAC	43, 613
VCMP1IC	154
VCMP2IC	154
VD1LS	45
VLT0	90
VLT1	91
VW0C	46
VW1C	47, 616
VW2C	48, 617

[W]

WDTC	188
WDTR	187
WDTS	187

REVISION HISTORY

R8C/35A Group Hardware Manual

Rev.	Date	Description	
		Page	Summary
0.00	Sep 28, 2007	–	First Edition issued
0.01	Oct 12, 2007	–	<p>“Module Operation Enable Register” → “Module Standby Control Register”</p> <p>“A/D Input Select Register 2 (VREFMON)” →</p> <p>“On-Chip Reference Voltage Control Register (OCVREFCR)”</p> <p>“Timer RE Pin Select Register (TREPSR)” →</p> <p>“Timer Pin Select Register (TIMSR)”</p> <p>“High-Speed On-Chip Oscillator Control Register 3 (FRA3)” added</p> <p>“High-Speed On-Chip Oscillator Control Register 7 (FRA7)” added</p> <p>2 Table 1.1 CPU Specification:</p> <p> “200 ns (f(XIN) = 5 MHz, VCC = 1.8 to 5.5 V)” →</p> <p> “200 ns (f(XIN) = 5 MHz, VCC = 2.2 to 5.5 V)”</p> <p> “500 ns (f(XIN) = 2 MHz, VCC = 1.8 to 5.5 V)” added</p> <p> I/O Ports: High current drive ports: “45” → “47”</p> <p>3 Table 1.2 Operating Frequency/Supply Voltage:</p> <p> “f(XIN) = 5 MHz (VCC = 1.8 to 5.5 V)” →</p> <p> “f(XIN) = 5 MHz (VCC = 2.2 to 5.5 V)”</p> <p> “f(XIN) = 2 MHz (VCC = 1.8 to 5.5 V)” added</p> <p>4 Table 1.3 revised</p> <p> Figure 1.1 revised</p> <p>5 Figure 1.5 revised</p> <p>9 Table 1.6 Description:</p> <p> “To use ... to the XCIN pin and leave the XCOUT pin open.” →</p> <p> “To use ... to the XOUT pin and connect the XIN pin to VCC.”</p> <p>10 Table 1.7 I/O port: Pin Name; “P6_0 to P6_7” added</p> <p>14 Figure 3.1 revised</p> <p>35 Figure 5.7 added</p> <p>67 Figure 7.10 revised</p> <p>69 Figure 7.12 revised</p> <p>96 Table 7.17 “RXD1 input” → “RXD0 input”</p> <p>104 Table 7.37, Table 7.38 revised</p> <p>105 Table 7.40 revised</p> <p>106 Table 7.41 revised</p> <p>121 9.2.2 Note5 deleted</p> <p>124 9.2.7 revised</p> <p>126 9.2.12 revised</p> <p>130 9.3 “The XIN clock oscillation circuit may ... to the XOUT pin.” → “The XIN clock oscillation circuit may ... to the XIN pin.”</p> <p> Figure 9.5 revised</p> <p>131 9.4.2 “The frequency can high-speed on-chip oscillator clock will be 40 MHz or less.” deleted</p> <p>132 Figure 9.6 revised</p>

REVISION HISTORY

R8C/35A Group Hardware Manual

Rev.	Date	Description	
		Page	Summary
0.01	Oct 12, 2007	201	15.3.2 "After one data transfer is ... source is set to 0 (activation disabled)." → "After one data transfer is ... in the DTCENi register." Figure 15.2 revised
		202	Table 15.4 added
		203	Table 15.5 revised
		205	Figure 15.3 revised
		209	Figure 15.7 revised
		254, 307, 322, 342, 357, 371, 387, 506, 538	19.2.1, 20.3.1, 20.4.1, 20.5.1, 20.6.1, 20.7.1, 20.8.1, 25.2.1, 26.2.1 revised
		495	Figure 23.27 "MPB" → "MPRB"
		563	Figure 26.15 "•Set the MSTIIC bit in the MSTCR register to 1." → "•Set the MSTIIC bit in the MSTCR register to 0."
		586	Figure 28.1 revised
		591	28.2.6 revised
		596	28.3.6 "(tentative)" → "(OCVREF)" "the VREFMON bit in the VREFMON register" → "the OCVREFAN bit in the OCVREFCR register"
		597 to 599	"VREFMON (tentative)" → "OCVREF"
		606	" 0.25×10^{-6} ", " 6.0×10^{-12} ", " 2.8×10^3 ", " 1.7×10^3 " → "TBD"
		634	32.2 "Program ROM: Flash memory ... programs", "Data flash: Flash memory ... to be rewritten" added Figure 32.1 deleted
		635	Figure 32.2 Note1 deleted
		649	Figure 32.7 "1 is set the FST7 bit." → "0 is set the FST7 bit."
670	33.2.6 "If timer RC is not used, ... to 0 (timer RC operation disabled)." "If timer RC is not used, ... to 1 (standby)." "If timer RD is not used, ... to 0 (timer RD operation disabled)." "If timer RD is not used, ... to 1 (standby)." 33.2.8 "When the SSU or ... to 0 (SSU, I2C bus operation disabled)." "When the SSU or ... to 1 (standby)."		
0.10	Jan 16, 2008	–	VCA2 register: bit b4 revised
		–	OFS register: bit b4, b5 revised
		2	Table 1.1 Clock, Interrupts, Watchdog Timer: Specification revised
		3	Table 1.2 Serial Interface: Specification revised, Note1 deleted
		5	Figure 1.2 revised
		6	Figure 1.3 revised
		7	Table 1.4 Pin Number: 13, 35 revised

REVISION HISTORY

R8C/35A Group Hardware Manual

Rev.	Date	Description	
		Page	Summary
0.10	Jan 16, 2008	9	Table 1.6 XIN clock input, XIN clock output: I/O Type, Description revised Note1 added
		14	Figure 3.1 "Expanded area" deleted, Note1 revised
		28	Figure 5.3 "(CPU clock × 108 to 178 cycles)" → "(CPU clock × 178 cycles)" revised
		29	5.1.2 Note1 revised
		37	5.7 revised
		88	7.4.22 DRR11 Bit: "two pins" → "four pins"
		99	Table 7.28 "TRAO input (1)" → "TRAO output (2)"
		103	Table 7.35 revised
		110	Table 7.53 revised
		113	Table 7.65 "VREF" → "Port P4_2/VREF" Figure 7.18 revised
		116	Table 9.1 Note3 revised
		117, 118	Figure 9.1, Figure 9.2 revised
		119	Figure 9.3 revised
		120	9.2.1 bit b7, Note3 revised
		121	9.2.2 bit b3, b4 revised
		124	9.2.6 bit b3, b4 revised
		130	Figure 9.5 revised
		131	9.4.2 "This enables the setting errors (refer to Table 22.8 and Table 23.8 Bit Rate Setting Example in UART Mode)." added
		133	9.6.6 revised
		134	9.6.8 revised
		139, 140	Figure 9.7, Figure 9.8 revised
		142	Figure 9.9 revised
		149	10.1.1 bit b2 "PM0 register" → "PD0 register"
		154	Table 11.2 revised
		196	Figure 15.1 revised
		213	Table 16.1 Count sources: "• fOCO-F" added
		214	Figure 17.1 revised
		251 to 403	fOCO-F added
		257	19.2.6 bit: b3 revised, Note3 added
		270	19.4 "The TRCGRA register can input-capture trigger input." added Table 19.7 Interrupt request generation timing, Select functions: Specification revised
271	Figure 19.7 revised		
272	19.4.1 bit: b3 revised, Note3 added		
278	19.5.2 bit: b3 revised added		

REVISION HISTORY

R8C/35A Group Hardware Manual

Rev.	Date	Description	
		Page	Summary
0.10	Jan 16, 2008	283	Table 19.11 Interrupt request generation timing: Specification "... and TRCGRj match)" → "... and TRCGRh match)" "h = A, B, C, or D" added
		290	Table 19.13 "j = A, B, C, or D" → "j = A, B, or C"
		292	19.7.2, 19.7.3 added
		298	19.9.3 added
		299	19.9.4 "• After switching the count source from fOCO-F to fOCO40M, ... before stopping fOCO-F.", "• After switching the count source from fOCO-F to a clock before stopping fOCO-F." added 19.9.7 added
		308	Figure 20.7 revised
		406	20.10.4 added
		407	20.10.5 "• After switching the count source from fOCO-F to fOCO40M, ... before stopping fOCO-F.", "• After switching the count source from fOCO-F to a clock ... before stopping fOCO-F." added
		411	20.10.9 "... VCC = 3.0 to 5.5 V." → "... VCC = 2.7 to 5.5 V."
		448	Table 22.8 revised
		450	23.1 "• Special mode 2", "• Special mode 3 (bus collision detection function, IE mode)", "• Special mode 4 (SIM mode)" deleted "• Special mode 5 (multiprocessor communication function)" → "multiprocessor communication function"
		473	Table 23.8 revised
		487	The last 23.6, 23.7, 23.8 deleted 23.6 The title revised Figure 23.18 revised
		494	23.7.3 The title revised 23.7.4 deleted
		500	25.2.3 "To set the SSBR register, set the RE bit in the SSER register to 0 and the TE bit to 0." added
		520	Figure 25.10 revised
		562	Figure 27.1 revised
		563	Table 27.1 revised
		567	Figure 27.3 revised
		570	Figure 27.6 revised
		572	Figure 27.8 revised
		577	Table 28.1 Absolute accuracy: Performance, Note2 revised
		578	Figure 28.1 revised
		584	28.2.6 bit: b6, b7, Note4 revised
		589	28.3.7 added
		590	Figure 28.5, 28.6 added
620	Figure 31.1 revised		

REVISION HISTORY

R8C/35A Group Hardware Manual

Rev.	Date	Description	
		Page	Summary
0.10	Jan 16, 2008	668 to 694	Electrical Characteristics added
		704	35.8.3 added
		705	35.8.4 “• After switching the count source from fOCO-F to fOCO40M, ... before stopping fOCO-F.”, “• After switching the count source from fOCO-F to a clock before stopping fOCO-F.” added
			35.8.7 added
		706	35.9.4 added
		707	35.9.5 “• After switching the count source from fOCO-F to fOCO40M, ... before stopping fOCO-F.”, “• After switching the count source from fOCO-F to a clock ... before stopping fOCO-F.” added
		711	35.9.9 “... VCC = 3.0 to 5.5 V.” → “... VCC = 2.7 to 5.5 V.”
0.30	Oct 17, 2008	1	1.1 “These MCUs also use an are designed to withstand EMI.” → “These MCUs are designed to maximize EMI/EMS performance.”
		2	Table 1.1 revised
		3	Table 1.2 revised
		5	Figure 1.2 revised
		7	Table 1.4 revised
		8	Table 1.5 revised
		10	Table 1.7 Voltage detection circuit added
		14	Figure 3.1 revised
		15	Table 4.1 “0XXX00XXb” → “0XXXXXXXXb” Note2 revised
		16	Table 4.2 004Fh, 0072h, 0073h: revised
		18	Table 4.4 00C0h, 00D8h, 00D9h revised
		21	Table 4.7 019Ah “00010000b /” added
		27	Figure 5.1 Note1 revised
		28	Figure 5.3 revised
		29	5.1.2 revised
		30, 49, 184, 191, 640	5.1.3, 6.2.9, 13.2.1, 14.2.6, 32.3.3 Note3 revised
		34	5.3 revised Figure 5.6 revised
		35	5.4 revised Figure 5.7 revised
		37	5.7 revised Figure 5.8 “The above applies when the digital filter is not used.” deleted
		38	Table 6.1 revised
40	Figure 6.2 revised		
44, 128, 618	6.2.4, 9.2.14, 30.2.4 Note3 revised		

REVISION HISTORY

R8C/35A Group Hardware Manual

Rev.	Date	Description	
		Page	Summary
0.30	Oct 17, 2008	46	6.2.6 revised
		47	6.2.7 b6 revised
		48	6.2.8 Note5 revised
		51	6.4 revised Table 6.3 deleted Figure 6.5 revised
		52, 54	Table 6.4, Table 6.5 Note4 added
		56	Table 7.1 Note6 "input-only" → "I/O"
		58 to 73	Figure 7.1 to Figure 7.16 revised
		75	7.4.2 "Pi_0 Bit (i = 0 to 6) (Port Pi_0 Bit)" → "Pi_j Bit (i = 0 to 6, j = 0 to 7) (Port Pi_0 Bit)"
		85, 129	7.4.16, 9.2.15 revised
		86 to 89	7.4.17 to 7.4.22 revised
		91	7.4.24 b2, b3 "P5_0" → "P5_6"
		92 to 96	Table 7.5 to Table 7.16 Function: A/D converter input (AN0), D/A converter output (DA1); Note1 added
		97	Table 7.18 Register: INTCMP added Table 7.20 revised
		98	Table 7.21 Register: "TRDPDR0" → "TRDPSR0", INTCMP added
		101	Table 7.31 Register: INTCMP added Table 7.32 revised
		102	Table 7.33 Register: Timer RD Setting deleted
		103	Table 7.35 Register: INTCMP added
		109	Table 7.50 Register: "U2SR" → "U2SR1"
		110	Table 7.52 Register: "TRCPSR0" → "TRCPSR1", INTCMP added
		114	Table 7.66 revised
		116	"Interrupts: Each interrupt control register" added
		117	Table 9.1 revised
		118, 119	Figure 9.1, Figure 9.2 revised
		120	Figure 9.3 revised
		121, 122	9.2.1, 9.2.2 b6 revised
		123	9.2.3 revised
		125	9.2.6 Note1 revised
		125, 127	9.2.7, 9.2.13 revised
		132	9.4.1 "fOCO128" added 9.4.2 revised
		135	9.6.8 "channel 0" → "timer RD0" 9.6.10 "... in the CSPR register to 0 (count ...) → "... in the CSPR register to 1 (count ..."
136	9.7.1 "If the new clock source is before the MCU exits." → "Allow sufficient wait time before switching the clock."		

Rev.	Date	Description	
		Page	Summary
0.30	Oct 17, 2008	137	9.7.1.2, 9.7.1.4 "...the FMR47 bit in the FMR4 register..." → "...the FMR27 bit in the FMR2 register..."
		139	Table 9.4 "INT0 to INT3 ..." → "INT0 to INT4 ..."
		142	Table 9.5 revised
		150	10.1.1 b6, b7 revised
		151	Figure 11.1 "Voltage monitor 1" → "Voltage monitor 1/comparator A1", "Voltage monitor 2" → "Voltage monitor 1/comparator A2" Note3 added
		153	11.1.3.3, 11.1.3.4, 11.1.3.6 revised
		154	Table 11.1 revised
		155	Table 11.2 revised
		161	Table 11.5 "voltage monitor 1" → "voltage monitor 1/comparator A1", "voltage monitor 2" → "voltage monitor 1/comparator A2"
		164	Figure 11.7 "Voltage monitor 1" → "Voltage monitor 1/comparator A1", "Voltage monitor 2" → "Voltage monitor 1/comparator A2"
		165	Figure 11.8 revised
		169	11.4.7 "The sampling clock is selected using bits INTiF1 and INTiF0 in the register INTF." → "The sampling clock is selected using bits INTiF1 and INTiF0 in registers INTF and INTF1." Figure 11.9, Figure 11.10 revised
		173	11.6.1 revised
		174	11.7 "The timer RC interrupt, timer RD (channel 0) interrupt, timer RD (channel 1) interrupt, ..." → "The timer RC, timer RD (timer RD0) interrupt, timer RD (timer RD1) interrupt, ..." Table 11.10 "Channel 0", "Channel 1" → "Timer RD0", "Timer RD1" Figure 11.12 revised
		175	"As with other maskable interrupts, the timer RC interrupt, timer RD (channel 0) interrupt, timer RD (channel 1) interrupt, ..." → "As with other maskable interrupts, the timer RC, timer RD (timer RD0) interrupt, timer RD (timer RD1) interrupt, ..."
		180	Table 12.1 revised
		181	12.4 "This allows the flash memory ..." → "This does not allow the flash memory ...", "User boot mode becomes active even when the ID codes are set to the character sequence of the ASCII codes "Protect"." deleted
		183	Figure 13.1 "Reserved area" added
		187	14.1 "The watchdog timer contains a 15-bit counter ..." → "The watchdog timer contains a 14-bit counter ..." Table 14.1 Note1 added
		189	14.2.2 Note1 added
190	14.2.4 b0 to b5 revised		
193	14.3.1.1 "Do not execute any refresh is stopped." added		

REVISION HISTORY

R8C/35A Group Hardware Manual

Rev.	Date	Description	
		Page	Summary
0.30	Oct 17, 2008	194	Table 14.2 Note3 added
		195	Table 14.3 Count stop condition: Specification revised Note3 added
		196 to 216	“DTCCR” → “DTCCRj”, “DTBLS” → “DTBLSj”, “DTCCT” → “DTCCTj”, “DTRLD” → “DTRLDj” “DTSAR” → “DTSARj”, “DTDAR” → “DTDARj” “(j=0 to 23)” added
		196	Table 15.1 revised
		197	15.2 revised
		198	15.2.1, 15.2.2 revised
		199	15.2.3, 15.2.4, 15.2.5, 15.2.6 revised
		200	Table 15.2 revised
		201	15.2.8 “When an interrupt source is ... writing 0 to the NMIF bit. ” added
		202	15.3.1, 15.3.2 revised Figure 15.2 “I ² C bus/SSU” deleted
		203	Table 15.3 revised
		205	Table 15.5 revised
		206 to 208	Figure 15.3 revised Figure 15.4 to 15.7 added
		209	15.3.4 revised
		210	15.3.5 revised
		211	15.3.6, 15.3.7 revised
		212	Figure 15.12 revised
		213	Table 15.10 revised 15.3.9 “To read data from or write data accesses in 16-bit units.” added
		214, 215	15.3.10 added
		216	15.4.3 revised 15.4.4 added
		217	16 “The MCU has output compare functions.” revised
		218	Table 16.1 “channels” deleted, Note1 “channel 1” → “timer RD1”
		219	Figure 17.1 revised
		223	Table 17.2 Count sources: “fC” added
		226	17.4.1 bit: b1, b2 revised
		228	17.5.1 bit: b2, b6, b7 revised, Note2 added
		236	Figure 18.1 revised
244	Table 18.3 Selectable functions: Specification revised		
258	Table 19.3 0130h: Mode revised		

REVISION HISTORY

R8C/35A Group Hardware Manual

Rev.	Date	Description	
		Page	Summary
0.30	Oct 17, 2008	259, 316, 331, 351, 366, 380, 397, 507, 538 264, 291, 298 285 289 306 307 308 313 315, 330 316, 331, 351, 366, 380, 397 319 320 320, 338, 356, 371, 385 329, 346 330 332, 352, 367, 381, 398 338 349 350, 365, 379, 396 411 445 447 452 456 458	19.2.1, 20.3.1, 20.4.1, 20.5.1, 20.6.1, 20.7.1, 20.8.1, 25.2.1, 26.2.1 Note3 added 19.2.10, 19.6.2, 19.7.2 b5: "CSTP" → "CSEL", Note2, Note3 revised 19.5.4 added Table 19.11 Selectable functions: Specification revised 20 "Timer RD has 2 16-bit timers (channels 0 and 1)." → "Timer RD has 2 16-bit timers (timer RD0 and timer RD1)." 20.1 revised Figure 20.1 revised 20.2.1 revised Figure 20.6 revised Table 20.5, Table 20.7 Write to timer: Specification revised 20.3.2, 20.4.2, 20.5.2, 20.6.2, 20.7.2, 20.8.2 Note1 added 20.3.7 bit: b6, b7 "... TRCCRi register)" → "... TRDCRi register)" 20.3.8 bit: b5, b6, b7 revised 20.3.8, 20.4.11, 20.5.11, 20.6.9, 20.7.9 Note1 revised Figure 20.10, Figure 20.12 "Channel 0" → "Timer RD0", "Channel 1" → "Timer RD1" Table 20.7 "The following registers and TRDPOCR1." deleted 20.4.3, 20.5.3, 20.6.3, 20.8.3 revised 20.7.3 added 20.4.11 bit: b5, b6, b7 revised 20.5 "Up to 3 PWM by synchronizing channels 0 and 1." → "Up to 3 PWM by synchronizing timer RD0 and timer RD1." Table 20.9, Table 20.11, Table 20.13, Table 20.15 revised 20.9 "Timer RD generates vector for each timer RD0 and timer RD1." revised Table 20.17 "Channel 0" → "Timer RD0", "Channel 1" → "Timer RD1" Figure 20.24 revised Table 22.4 revised 22.3.1 added Table 22.7 revised 22.4.2 added Figure 23.1 revised

REVISION HISTORY

R8C/35A Group Hardware Manual

Rev.	Date	Description	
		Page	Summary
0.30	Oct 17, 2008	464	23.2.6 b11 revised, Note1 deleted
		465	23.2.7 Note1 added
		467	23.2.11 b3 revised 23.2.12 b1, b4 to b6 revised, Note2 deleted
		468	23.2.14 b7 revised
		469	Table 23.2 Selectable functions: Specification revised
		470	Table 23.3 URXDF: Function; "Select the digital filter disabled or enabled." → "Set to 0."
		471	Table 23.4 revised
		472	Figure 23.3 "f2" deleted
		475	23.3.7 deleted
		476	Table 23.5 Transfer clock: Specification; "f2" deleted
		478	Table 23.7 revised
		479	Figure 23.7 "f2" deleted
		483	23.4.7 "The RXD2 input signal is as not a signal but noise." revised Figure 23.12 Note1 added
		484	Table 23.9 revised
		485	Figure 23.13 revised
		486	Table 23.10 revised
		488	Table 23.12 Function: Noise filter width deleted
		490	Figure 23.15 "3 to 6 cycles" → "5 cycles of f1"
		492	23.5.3 Arbitration deleted 23.5.4 "This is because be set to 1 (detected)." deleted
		495	Figure 23.18 "D8/MPTB" → "MPTB"
		496	Table 23.14 Bit: SMD2 to SMD0; "Set to 110b 9 bits long." deleted
		500	23.6.3 added
		507	25.2.4 Note1 added
		508	25.2.5 Note2 added
		510	25.2.8 Note1 revised
		512, 543	25.2.10, 26.2.9 bit: b5, b6, b7 revised
		520, 522, 529, 531	Figure 25.5, Figure 25.7, Figure 25.11, Figure 25.12 Figure title "8-Bit SSU Data Transfer Length" added
		524	25.4.3.1 "When the 8th clock" → "When the last transfer clock" "When exiting transmit/receive mode set the RE bit to 1." added
		534	26.1 "* I ² C bus is Koninklijke Philips Electronics N. V." deleted Table 26.1 revised
		538	26.2.3 added
546	26.3.1 revised Table 26.4 revised		
547	Table 26.5 added		

REVISION HISTORY

R8C/35A Group Hardware Manual

Rev.	Date	Description	
		Page	Summary
0.30	Oct 17, 2008	548	26.3.2 added
		564	Figure 26.16 “• Set the IICSEL bit in the PMR register to 1.” → “• Set the IICSEL bit in the SSUIICSR register to 1.”
		577	Figure 27.4 revised
		580	Figure 27.7 revised
		586	Table 28.1 revised
		594	Figure 28.2, Figure 28.3 revised
		595	Table 28.3 revised
		598	28.3.4 revised
		608, 609	28.9 revised, The last 28.10 deleted
		610	28.10 “• Do not change the CKS2 bit do not use the value of the ADi register.” added
		611	29.1 Description revised
		612	Figure 29.2 Note2 deleted
		620	30.2.6 Note5 revised
		629	Figure 31.1 revised
		633	Table 31.3 “TBD μ s” → “100 μ s”
		634	Figure 31.3 revised
		636	Table 32.1 revised
		638	Figure 32.2 revised
		641	Table 32.3 revised
		642, 643	32.4.1 revised
		645	32.4.2 revised
		646	32.4.3 “• Transition to erase-suspend” added
		649	32.4.5 “The FST register or the status register can be used to...” → “The FST register can be used to...”
			32.4.6 “Do not execute in EW1 mode.” deleted
		650	32.4.7 “The suspend function reading data flash can be executed.” added
			Table 32.4 added
		654	Table 32.5 revised 32.4.11.1 revised The last 32.4.11.2 deleted 32.4.11.2 revised
		657	32.4.11.4 “After auto-erasure completes, is set to FFh.” added
		663	32.4.11.7 “Do not execute the block (during erase-suspend).” added
		664	32.4.12 to 32.4.16 deleted Table 32.6 revised
665	Figure 32.16 revised		
668	Table 32.8 Note2 revised		

REVISION HISTORY

R8C/35A Group Hardware Manual

Rev.	Date	Description	
		Page	Summary
0.30	Oct 17, 2008	670, 729	32.7.1.2, 35.17.1.2 "Non-Maskable Interrupts" → "Interrupts"
		670 to 672	Table 32.9 to Table 32.11 revised
		673	32.7.1.8 added
		674	33.2.6 "set bits TCK2 to TCK0 in the TRDCRi (i = 0 to 1) register to 000b (f1) and" added
		678 to 687, 689 to 694, 697 to 699, 701, 702	Table 34.1 to Table 34.15, Table 34.17 to Table 34.19, Table 34.24 to Table 34.26, Table 34.30, Table 34.31 revised Figure 34.3 to Figure 34.6 revised
		710	35.5.3 revised
		728	35.16 "• Do not change the CKS2 bit do not use the value of the ADi register." added
		729 to 731	Table 35.2 to Table 35.4 revised
		732	35.17.1.8 added
		734	36 (2), (4) revised
		0.40	Dec 05, 2008
7	Table 1.4 Pin Number: 9 "XOUT(/XCOUT)" → "XOUT" 11 "XIN(/XCIN)" → "XIN"		
34	Figure 5.6 revised		
43	6.2.3 "Voltage Detect Register" → "Voltage Detect Register 1"		
55	Figure 6.7 revised		
56	7. "if the XIN clock oscillation circuit and the XCIN clock oscillation circuit are not used.)" → "if the XIN clock oscillation circuit is not used.)" Table 7.1 Note6 revised		
67	Figure 7.10 revised		
69	Figure 7.12 revised		
85, 127, 536	7.4.16, 9.2.15, 26.2.3 revised		
105	Table 7.38, Table 7.39 Bit: CM01 deleted		
106	Table 7.41, Table 7.42 revised		
116	Table 9.1 Note1 revised		
117	Figure 9.1, Figure 9.2 deleted		
119	9.2.1 b1, Note6 revised		
121	9.2.3 revised		
131	9.5 revised		
138	9.7.2.4 "(1) Set the I flag to 0 (maskable interrupt disabled)" added Figure 9.7 figure title revised		
147, 702	9.9.2, 35.1.2 "To enter wait mode by setting the CM30 bit to 1." added		
165, 628	11.4.3, 31.2.2 Note1 revised		
170	11.6 "The AIERi bit in the" → "The AIERi0 bit in the"		

REVISION HISTORY

R8C/35A Group Hardware Manual

Rev.	Date	Description	
		Page	Summary
0.40	Dec 05, 2008	211	Table 15.10 "On-Chip ROM (Data flash)" → "Internal ROM (Data flash)"
		218	17.2.1 Note2 "TPRAPRE" → "TRAPRE"
		286	Figure 19.12 revised
		471	Figure 23.4 revised
		476	Table 23.7 Function: "RTS input" "RTS output"
		480	Figure 23.11 revised
		507	25.2.7 b5, Note2 revised
		522	25.4.3.1 "- Set bits TE and RE at the same time." → "- Set bits TE and RE to 0 at the same time."
		578	Figure 27.7 "After writing 1 to the RXD pin until 1 is read from the RXDSF flag." → "After writing 1 to the RXD0 pin until 1 is read from the RXDSF flag."
		585	Figure 28.1 revised
		612	Figure 30.1 revised
		639	32.4.1 Note4 added
		641	32.4.2 Note4 added
		642	CMDRST Bit: "where the suspend response time is 10 ms." → "where the suspend response time is td(SR-SUS)."
		645	32.4.4 Note2 added
		676	Table 34.2 revised
683	Figure 34.3 revised		
699	Table 34.31 Condition: Low-speed clock mode "VCA20 = 1" → "VCA20 = 0"		

R8C/35A Group Hardware Manual

Publication Date: Rev.0.00 Sep 28, 2007
Rev.0.40 Dec 05, 2008

Published by: Sales Strategic Planning Div.
Renesas Technology Corp.

© 2008. Renesas Technology Corp., All rights reserved. Printed in Japan

R8C/35A Group Hardware Manual



Renesas Electronics Corporation

1753, Shimonumabe, Nakahara-ku, Kawasaki-shi, Kanagawa 211-8668 Japan

REJ09B0407-0040

RENESAS TECHNICAL UPDATE

Nippon Bldg., 2-6-2, Ohte-machi, Chiyoda-ku, Tokyo 100-0004, Japan
RenesasTechnology Corp.

Product Category	MPU & MCU	Document No.	TN-R8C-A001B/E	Rev.	2.00
Title	R8C/32A Group, R8C/33A Group, R8C/35A Group, R8C/36A Group, R8C/38A Group, R8C/3GA Group, R8C/3JA Group Specification Change	Information Category	Technical Notification		
Applicable Product	R8C/32A Group, R8C/33A Group, R8C/35A Group, R8C/36A Group, R8C/38A Group, R8C/3GA Group, R8C/3JA Group	Lot No.	Reference Document		
		--			

1. Information

Specifications in the R8C/32A Group, R8C/33A Group, R8C/35A Group, R8C/36A Group, R8C/38A Group, R8C/3GA Group, and R8C/3JA Group datasheet and hardware manual have been changed.

1.1 Changes

- (1) Removed high-speed on-chip oscillator function
- (2) Changed the flash memory suspend function specification
- (3) Changed the flash memory suspend function's electrical characteristics

1.2 Applicable Documents

- R8C/32A Group Datasheet Rev.0.20 (REJ03B0229-0020)
- R8C/32A Group Hardware Manual Rev.0.20 (REJ09B0458-0020)
- R8C/33A Group Datasheet Rev.0.20 (REJ03B0228-0020)
- R8C/33A Group Hardware Manual Rev.0.20 (REJ09B0455-0020)
- R8C/35A Group Datasheet Rev.0.40 (REJ03B0225-0040)
- R8C/35A Group Hardware Manual Rev.0.40 (REJ09B0407-0040)
- R8C/36A Group Hardware Manual Rev.0.20 (REJ09B0480-0020)
- R8C/38A Group Hardware Manual Rev.0.10 (REJ09B0485-0010)
- R8C/3GA Group Hardware Manual Rev.0.20 (REJ09B0472-0020)
- R8C/3JA Group Hardware Manual Rev.1.00 (REJ09B0508-0100)

2. Specification Change

2.1 High-Speed On-Chip Oscillator Function Removed

The high-speed on-chip oscillator function has been removed. Do not select the high-speed on-chip oscillator clock for the CPU clock or peripheral function. Descriptions regarding the high-speed on-chip oscillator in the applicable documents shown in 1.2, other than descriptions in this technical update, are invalid.

2.1.1 Clock Generation Circuit Register Setting

2.1.1.1 High-Speed On-Chip Oscillator Control Register 0 (FRA0)

- (1) Do not set the FRA00 bit to 1 (high-speed on-chip oscillator on) [refer to Figure 2.1].
- (2) Do not set the FRA01 bit to 1 (high-speed on-chip oscillator selected for the fOCO clock) [refer to Figure 2.1]. The fOCO clock is used for timer RA.
- (3) Do not set the FRA03 bit to 1 (fOCO-F divided by 128 selected for the fOCO128 clock) [refer to Figure 2.1]. The fOCO128 clock is used for timers RC and RD.

2.1.1.2 System Clock Control Register 3 (CM3)

- (1) Do not set bits CM37 to CM36 to 10b (high-speed on-chip oscillator clock selected for the CPU clock when the MCU exits wait mode or stop mode) [refer to Figure 2.2].

2.1.1.3 High-Speed On-Chip Oscillator Control Registers 1 to 7 (FRA1 to FRA7)

- (1) Do not set the register related to the high-speed on-chip oscillator division select (FRA2) or registers related to the frequency adjustment (FRA1 and FRA3 to FRA7) .

2.1.2 Timer RA Register Setting

2.1.2.1 High-Speed On-Chip Oscillator Control Register 0 (FRA0)

- (1) Do not set the FRA01 bit to 1 (high-speed on-chip oscillator selected for the fOCO clock) [refer to Figure 2.1]. The high-speed on-chip oscillator clock cannot be selected for the timer RA count source.

2.1.3 Timer RC Register Setting

2.1.3.1 Timer RC Control Register 1 (TRCCR1)

- (1) Do not set bits TCK2 to TCK0 to 110b (fOCO40M selected for the timer RC count source) [refer to Figure 2.3].
- (2) Do not set bits TCK2 to TCK0 to 111b (fOCO-F selected for the timer RC count source) [refer to Figure 2.3].

2.1.3.2 High-Speed On-Chip Oscillator Control Register 0 (FRA0)

- (1) Do not set the FRA03 bit to 1 (fOCO-F divided by 128 selected for the fOCO128 clock) [refer to Figure 2.1]. For the timer RC input-capture function, fOCO-F divided by 128 cannot be selected for the input-capture trigger input of the TRCGRA register.

2.1.4 Timer RD Register Setting (only for the R8C/35A Group, R8C/36A Group, R8C/38A Group, and R8C/3JA Group*)

- * The R8C/32A Group, R8C/33A Group, and R8C/3GA Group are not equipped with timer RD.

2.1.4.1 Timer RD Control Register 0, 1 (TRDCR0, TRDCR1)

- (1) Do not set bits TCK2 to TCK0 to 110b (fOCO40M selected for the timer RD count source) [refer to Figure 2.4].
- (2) Do not set bits TCK2 to TCK0 to 111b (fOCO-F selected for the timer RD count source) [refer to Figure 2.4].

2.1.4.2 High-Speed On-Chip Oscillator Control Register 0 (FRA0)

- (1) Do not set the FRA03 bit to 1 (fOCO-F divided by 128 selected for the fOCO128 clock) [refer to Figure 2.1]. For the timer RD input-capture function, fOCO-F divided by 128 cannot be selected for the input-capture trigger input of the TRDGRA0 register.

2.1.5 A/D Converter Register Setting

2.1.5.1 A/D Mode Register (ADM0D)

(1) Do not set the CKS2 bit to 1 (fOCO-F selected for the A/D converter operating clock source) [refer to Figure 2.5].

High-Speed On-Chip Oscillator Control Register 0 (FRA0)

Address 0023h

Bit	b7	b6	b5	b4	b3	b2	b1	b0
Symbol	—	—	—	—	FRA03	—	FRA01	FRA00
After Reset	0	0	0	0	0	0	0	0

Bit	Symbol	Bit Name	Function	R/W
b0	FRA00	High-speed on-chip oscillator enable bit	0: High-speed on-chip oscillator off 1: High-speed on-chip oscillator on → Do not set.	R/W
b1	FRA01	High-speed on-chip oscillator select bit ⁽¹⁾	0: Low-speed on-chip oscillator selected ⁽²⁾ 1: High-speed on-chip oscillator selected → Do not set.	R/W
b2	—	Reserved bit	Set to 0.	R/W
b3	FRA03	fOCO128 clock select bit	0: fOCO-S divided by 128 selected 1: fOCO-F divided by 128 selected → Do not set.	R/W
b4	—	Nothing is assigned. If necessary, set to 0. When read, the content is 0.		—
b5	—			
b6	—			
b7	—			

1. Change the FRA01 bit in the following conditions.
2. FRA00 = 1 (high-speed on-chip oscillator on)
3. The CM14 bit in the CM1 register = 0 (low-speed on-chip oscillator on)
4. Bits FRA22 to FRA20 in the FRA2 register:
All division mode can be set when VCC = 2.7 V to 5.5 V 000b to 111b
Divide ratio of 8 or more when VCC = 1.8 V to 5.5 V 110b to 111b (divide-by-8 or more)
5. When setting the FRA01 bit to 0 (low-speed on-chip oscillator selected), do not set the FRA00 bit to 0 (high-speed on-chip oscillator off) at the same time. Set the FRA00 bit to 0 after setting the FRA01 bit to 0.

Set the PRC0 bit in the PRCR register to 1 (write enabled) before rewriting the FRA0 register.

Figure 2.1 High-Speed On-Chip Oscillator Control Register 0 (FRA0) Setting

System Clock Control Register 3 (CM3)

Address 0009h

Bit	b7	b6	b5	b4	b3	b2	b1	b0
Symbol	CM37	CM36	CM35	—	—	—	—	CM30
After Reset	0	0	0	0	0	0	0	0

Bit	Symbol	Bit Name	Function	R/W
b0	CM30	Wait control bit ⁽¹⁾	0: Other than wait mode 1: MCU enters wait mode	R/W
b1	—	Nothing is assigned. If necessary, set to 0. When read, the content is 0.		—
b2	—			
b3	—	Reserved bits	Set to 0.	R/W
b4	—			
b5	CM35	CPU clock division when exiting wait mode select bit ⁽²⁾	0: Following settings are enabled: CM06 bit in CM0 register Bits CM16 and CM17 in CM1 register 1: No division	R/W
b6	CM36	System clock when exiting wait mode or stop mode select bit	b7 b6 0 0: MCU exits with the CPU clock immediately before entering wait or stop mode. 0 1: Do not set. 1 0: High-speed on-chip oscillator clock selected⁽³⁾ → Do not set. 1 1: XIN clock selected ⁽⁴⁾	R/W
b7	CM37			R/W

- When the MCU exits wait mode by a peripheral function interrupt, the CM30 bit is set to 0 (other than wait mode).
- Set the CM35 bit to 0 in stop mode. When the MCU enters wait mode, if the CM35 bit is set to 1 (no division), the CM06 bit in the CM0 register is set to 0 (bits CM16 and CM17 enabled) and bits CM17 and CM16 in the CM1 register is set to 00b (no division mode).
- ~~When bits CM37 and CM36 are set to 10b (high-speed on-chip oscillator clock selected), the following will be set when the MCU exits wait mode or stop mode.~~
- OCD2 bit in OCD register = 1 (on-chip oscillator selected)
- FRA00 bit in FRA0 register = 1 (high-speed on-chip oscillator on)
- FRA01 bit in FRA0 register = 1 (high-speed on-chip oscillator selected)
- When bits CM37 and CM36 are set to 11b (XIN clock selected), the following will be set when the MCU exits wait mode or stop mode.
- OM05 bit in OM0 register = 1 (XIN clock oscillates)
- OM13 bit in OM1 register = 1 (XIN-XOUT pin)
- OCD2 bit in OCD register = 0 (XIN clock selected)
- When the MCU enters wait mode while the CM05 bit in the CM0 register is 1 (XIN clock stops), if the XIN clock is selected as the CPU clock when exiting wait mode, set the CM06 bit to 1 (divide-by-8 mode) and the CM35 bit to 0.
- However, if an externally generated clock is used as the XIN clock, do not set bits CM37 to CM36 to 11b (XIN clock selected).

Set the PRC0 bit in the PRCR register to 1 (write enabled) before rewriting the CM3 register.

Figure 2.2 System Clock Control Register 3 (CM3) Setting

Timer RC Control Register 1 (TRCCR1)

Address 0121h

Bit	b7	b6	b5	b4	b3	b2	b1	b0
Symbol	CCLR	TCK2	TCK1	TCK0	TOD	TOC	TOB	TOA

After Reset 0 0 0 0 0 0 0 0

Bit	Symbol	Bit Name	Function	R/W
b0	TOA	TRCIOA output level select bit ⁽¹⁾	Function varies according to the operating mode (function).	R/W
b1	TOB	TRCIOB output level select bit ⁽¹⁾		R/W
b2	TOC	TRCIOC output level select bit ⁽¹⁾		R/W
b3	TOD	TRCIOD output level select bit ⁽¹⁾		R/W
b4	TCK0	Count source select bit ⁽¹⁾	b6 b5 b4	R/W
b5	TCK1		0 0 0: f1	R/W
b6	TCK2		0 0 1: f2 0 1 0: f4 0 1 1: f8 1 0 0: f32 1 0 1: TRCCLK input rising edge 1 1 0: fOCO40M 1 1 1: fOCO-F ⁽²⁾ → Do not set.	R/W
b7	CCLR	TRC counter clear select bit ⁽¹⁾	0: Disable clear (free-running operation) 1: Clear TRC counter by input capture or by compare match in TRCGRA	R/W

Notes:

1. Set to these bits when the TSTART bit in the TRCMR register is set to 0 (count stops).
2. ~~To select fOCO-F, set it to the clock frequency higher than the CPU clock frequency.~~

Figure 2.3 Timer RC Control Register 1 (TRCCR1) Setting

Timer RD Control Register i (TRDCRi) (i = 0 or 1)

Address 0140h (TRDCR0), 0150h (TRDCR1)

Bit	b7	b6	b5	b4	b3	b2	b1	b0
Symbol	CCLR2	CCLR1	CCLR0	CKEG1	CKEG0	TCK2	TCK1	TCK0
After Reset	0	0	0	0	0	0	0	0

Bit	Symbol	Bit Name	Function	R/W
b0	TCK0	Count source select bit	b2 b1 b0	R/W
b1	TCK1		0 0 0: f1	R/W
b2	TCK2		0 0 1: f2 0 1 0: f4 0 1 1: f8 1 0 0: f32 1 0 1: TRDCLK input ⁽¹⁾ or fC2 ⁽²⁾ 1 1 0: fOCO40M 1 1 1: fOCO-F ⁽⁶⁾ → Do not set	R/W
b3	CKEG0	External clock edge select bit ⁽³⁾	b4 b3	R/W
b4	CKEG1		0 0: Count at the rising edge 0 1: Count at the falling edge 1 0: Count at both edges 1 1: Do not set.	R/W
b5	CCLR0	TRDi counter clear select bit	b7 b6 b5	R/W
b6	CCLR1		0 0 0: Disable clear (free-running operation)	R/W
b7	CCLR2		0 0 1: Clear by input capture in the TRDGRAi register	R/W
			0 1 0: Clear by input capture in the TRDGRBi register 0 1 1: Synchronous clear (clear simultaneously with other timer RD _i counter) ⁽⁴⁾ 1 0 0: Do not set. 1 0 1: Clear by input capture in the TRDGRCi register 1 1 0: Clear by input capture in the TRDGRDi register 1 1 1: Do not set.	R/W

Notes:

1. Enabled when the ITCLKi bit in the TRDECR register is set to 0 (TRDCLK input) and the STCLK bit in the TRDFCR register is 1 (external clock input enabled).
2. Enabled when the ITCLKi bit in the TRDECR register is set to 1 (fC2) in timer mode.
3. Enabled when bits TCK2 to TCK0 are set to 101b (TRDCLK input or fC2), the ITCLKi bit in the TRDECR is set to 0 (TRDCLK input), and the STCLK bit in the TRDFCR register is set to 1 (external clock input enabled).
4. This setting is enabled when the SYNC bit in the TRDMR register is set to 1 (registers TRD0 and TRD1 operate synchronously).
5. ~~To select fOCO-F, set it to the clock frequency higher than the CPU clock frequency.~~

Figure 2.4 Timer RD Control Register 0, 1 (TRDCR0, TRDCR1) Setting

A/D Mode Register (ADM0D)

Address 00D4h

Bit	b7	b6	b5	b4	b3	b2	b1	b0
Symbol	ADCAP1	ADCAP0	MD2	MD1	MD0	CKS2	CKS1	CKS0
After Reset	0	0	0	0	0	0	0	0

Bit	Symbol	Bit Name	Function	R/W
b0	CKS0	Division select bit	b1 b0 0 0: fAD divided by 8 0 1: fAD divided by 4 1 0: fAD divided by 2 1 1: fAD divided by 1 (no division)	R/W
b1	CKS1			R/W
b2	CKS2	Clock source select bit ⁽¹⁾	0: Selects f1 1: Selects fOCO-F → Do not set.	R/W
b3	MD0	A/D operating mode select bit	b5 b4 b3 0 0 0: One-shot mode 0 0 1: Do not set. 0 1 0: Repeat mode 0 0 1 1: Repeat mode 1 1 0 0: Single sweep mode 1 0 1: Do not set. 1 1 0: Repeat sweep mode 1 1 1: Do not set.	R/W
b4	MD1			R/W
b5	MD2			R/W
b6	ADCAP0	A/D conversion trigger select bit	b7 b6 0 0: A/D conversion starts by software trigger (ADST bit in ADCON0 register) 0 1: A/D conversion starts by conversion trigger from timer RD 1 0: A/D conversion starts by conversion trigger from timer RC 1 1: A/D conversion starts by external trigger ($\overline{\text{ADTRG}}$)	R/W
b7	ADCAP1			R/W

Notes:

1. When the CKS2 bit is changed, wait for 3 ϕ AD cycles or more before starting A/D conversion.

If the ADM0D register is rewritten during A/D conversion, the conversion result is undefined.

Figure 2.5 A/D Mode Register (ADM0D) Setting

2.2 Change in the Flash Memory Suspend Function

For the flash memory suspend function, a program cannot be operated while auto-erasure is being suspended [refer to Figure 2.6].

Executable Operation during Suspend

		Operation during Suspend											
		Data flash (Block during erasure execution before entering suspend)			Data flash (Block during no erasure execution before entering suspend)			Program ROM (Block during erasure execution before entering suspend)			Program ROM (Block during no erasure execution before entering suspend)		
		Erase	Program	Read	Erase	Program	Read	Erase	Program	Read	Erase	Program	Read
Areas during erasure execution before entering suspend	Data flash	×	×	×	×	⊖	○	—	—	—	×	⊖	○ ⁽⁵⁾
	Program ROM	—	—	—	×	⊖	○	×	×	×	×	⊖	○

Not executable (*)

Notes:

- indicates operation is enabled by using the suspend function, × indicates operation is disabled, and — indicates no combination is available.
- Operation cannot be suspended during programming.
- The block erase command can be executed for erasure. The program, lock bit program, and read lock bit status commands can be executed for programming.
The clear status register command can be executed when the FST7 bit in the FST register is set to 1 (ready).
The operation of block blank check is disabled during suspend.
- The MCU enters read array mode immediately after entering erase-suspend.
- The program ROM area can be read with the BGO function while programming or block erasing data flash.

* Not executable when using a data flash driver.

Figure 2.6 Change in the Flash Memory Suspend Function

2.3 Change in the Flash Memory Suspend Function's Electrical Characteristics

Allow 33 ms or more of the suspend during flash memory auto-erasure [refer to Figure 2.7].

Flash Memory (Program ROM) Electrical Characteristics

Symbol	Parameter	Conditions	Standard			Unit
			Min.	Typ.	Max.	
-	Interval from erase start/restart until following suspend request		θ → 33	-	-	μ s → ms
-	Suspend interval necessary for auto-erasure to complete		2θ → 33	-	-	ms

Notes:

- V_{CC} = 2.7 to 5.5 V at T_{opr} = 0 to 60°C, unless otherwise specified.

Flash Memory (Data flash Block A to Block D) Electrical Characteristics

Symbol	Parameter	Conditions	Standard			Unit
			Min.	Typ.	Max.	
-	Interval from erase start/restart until following suspend request		θ → 33	-	-	μ s → ms
-	Suspend interval necessary for auto-erasure to complete		3θ → 33	-	-	ms

Notes:

- V_{CC} = 2.7 to 5.5 V at T_{opr} = -20 to 85°C (N version) / -40 to 85°C (D version), unless otherwise specified.

Figure 2.7 Electrical Characteristics of the Flash Memory Suspend Function

2.4 Note on XCIN Clock

The XIN-XOUT pin and XCIN-XCOUT pin are shared pins (P4_6 and P4_7) in the R8C/32A Group, R8C/33A Group, and R8C/3GA Group. The XCIN clock cannot be used when using the XIN clock.

3. Slated Changes

Contact the Renesas Technology sales department for products including the high-speed on-chip oscillator.