

# E8a Emulator

Additional Document for User's Manual  
(Notes on Connection)

Supported Devices:  
M16C Family / M16C/60 Series  
M16C/63

All information contained in these materials, including products and product specifications, represents information on the product at the time of publication and is subject to change by Renesas Electronics Corporation without notice. Please review the latest information published by Renesas Electronics Corporation through various means, including the Renesas Electronics Corporation website (<http://www.renesas.com>).

## Notice

1. All information included in this document is current as of the date this document is issued. Such information, however, is subject to change without any prior notice. Before purchasing or using any Renesas Electronics products listed herein, please confirm the latest product information with a Renesas Electronics sales office. Also, please pay regular and careful attention to additional and different information to be disclosed by Renesas Electronics such as that disclosed through our website.
2. Renesas Electronics does not assume any liability for infringement of patents, copyrights, or other intellectual property rights of third parties by or arising from the use of Renesas Electronics products or technical information described in this document. No license, express, implied or otherwise, is granted hereby under any patents, copyrights or other intellectual property rights of Renesas Electronics or others.
3. You should not alter, modify, copy, or otherwise misappropriate any Renesas Electronics product, whether in whole or in part.
4. Descriptions of circuits, software and other related information in this document are provided only to illustrate the operation of semiconductor products and application examples. You are fully responsible for the incorporation of these circuits, software, and information in the design of your equipment. Renesas Electronics assumes no responsibility for any losses incurred by you or third parties arising from the use of these circuits, software, or information.
5. When exporting the products or technology described in this document, you should comply with the applicable export control laws and regulations and follow the procedures required by such laws and regulations. You should not use Renesas Electronics products or the technology described in this document for any purpose relating to military applications or use by the military, including but not limited to the development of weapons of mass destruction. Renesas Electronics products and technology may not be used for or incorporated into any products or systems whose manufacture, use, or sale is prohibited under any applicable domestic or foreign laws or regulations.
6. Renesas Electronics has used reasonable care in preparing the information included in this document, but Renesas Electronics does not warrant that such information is error free. Renesas Electronics assumes no liability whatsoever for any damages incurred by you resulting from errors in or omissions from the information included herein.
7. Renesas Electronics products are classified according to the following three quality grades: "Standard", "High Quality", and "Specific". The recommended applications for each Renesas Electronics product depends on the product's quality grade, as indicated below. You must check the quality grade of each Renesas Electronics product before using it in a particular application. You may not use any Renesas Electronics product for any application categorized as "Specific" without the prior written consent of Renesas Electronics. Further, you may not use any Renesas Electronics product for any application for which it is not intended without the prior written consent of Renesas Electronics. Renesas Electronics shall not be in any way liable for any damages or losses incurred by you or third parties arising from the use of any Renesas Electronics product for an application categorized as "Specific" or for which the product is not intended where you have failed to obtain the prior written consent of Renesas Electronics. The quality grade of each Renesas Electronics product is "Standard" unless otherwise expressly specified in a Renesas Electronics data sheets or data books, etc.
  - "Standard": Computers; office equipment; communications equipment; test and measurement equipment; audio and visual equipment; home electronic appliances; machine tools; personal electronic equipment; and industrial robots.
  - "High Quality": Transportation equipment (automobiles, trains, ships, etc.); traffic control systems; anti-disaster systems; anti-crime systems; safety equipment; and medical equipment not specifically designed for life support.
  - "Specific": Aircraft; aerospace equipment; submersible repeaters; nuclear reactor control systems; medical equipment or systems for life support (e.g. artificial life support devices or systems), surgical implantations, or healthcare intervention (e.g. excision, etc.), and any other applications or purposes that pose a direct threat to human life.
8. You should use the Renesas Electronics products described in this document within the range specified by Renesas Electronics, especially with respect to the maximum rating, operating supply voltage range, movement power voltage range, heat radiation characteristics, installation and other product characteristics. Renesas Electronics shall have no liability for malfunctions or damages arising out of the use of Renesas Electronics products beyond such specified ranges.
9. Although Renesas Electronics endeavors to improve the quality and reliability of its products, semiconductor products have specific characteristics such as the occurrence of failure at a certain rate and malfunctions under certain use conditions. Further, Renesas Electronics products are not subject to radiation resistance design. Please be sure to implement safety measures to guard them against the possibility of physical injury, and injury or damage caused by fire in the event of the failure of a Renesas Electronics product, such as safety design for hardware and software including but not limited to redundancy, fire control and malfunction prevention, appropriate treatment for aging degradation or any other appropriate measures. Because the evaluation of microcomputer software alone is very difficult, please evaluate the safety of the final products or system manufactured by you.
10. Please contact a Renesas Electronics sales office for details as to environmental matters such as the environmental compatibility of each Renesas Electronics product. Please use Renesas Electronics products in compliance with all applicable laws and regulations that regulate the inclusion or use of controlled substances, including without limitation, the EU RoHS Directive. Renesas Electronics assumes no liability for damages or losses occurring as a result of your noncompliance with applicable laws and regulations.
11. This document may not be reproduced or duplicated, in any form, in whole or in part, without prior written consent of Renesas Electronics.
12. Please contact a Renesas Electronics sales office if you have any questions regarding the information contained in this document or Renesas Electronics products, or if you have any other inquiries.

(Note 1) "Renesas Electronics" as used in this document means Renesas Electronics Corporation and also includes its majority-owned subsidiaries.

(Note 2) "Renesas Electronics product(s)" means any product developed or manufactured by or for Renesas Electronics.

## Contents

	Page
1. Inside the E8a Emulator User's Manual .....	4
2. E8a Emulator Specifications .....	5
2.1 Target MCUs .....	5
2.2 Emulator specifications .....	5
2.3 Applicable tool chain and third-party products .....	8
3. Connecting the E8a Emulator to the User System .....	10
3.1 Connector for connecting the E8a emulator and the user system .....	10
4. Examples of Pin Handling for Connecting the E8a .....	12
4.1 Pin handling for connecting the E8a .....	12
4.1.1 Examples of pin handling for connecting the E8a (types of connection method) .....	12
4.1.2 Examples of pin handling for connecting the E8a (communication via CNVss pin) .....	13
4.1.3 Examples of pin handling for connecting the E8a (communication via P6_4/P6_5/P6_6/P6_7) .....	15
4.2 Interface circuit in the E8a emulator .....	20
5. Emulator Debugger Setting .....	21
5.1 [Emulator Setting] dialog box .....	21
5.2 [Emulator mode] tab .....	22
5.3 [Firmware Location] tab .....	24
5.4 [MCU Setting] tab .....	25
5.5 [Communication Baud Rate] tab .....	26
6. E8a Emulator Functions (Supplement on the User's Manual) .....	27
6.1 E8a emulator functions .....	27
6.1.1 Forced break .....	27
6.1.2 S/W break (software break) .....	27
6.1.3 On-chip break functions .....	27
6.1.4 On-chip trace functions .....	28
6.2 Eventcondition tab of the Eventpoints window .....	28
6.3 Event Setting dialog box .....	29
6.4 Display contents of the Trace window .....	31
6.5 Notes on the event settings of the access break and trace function .....	32
6.6 Command for memory space expansion function 4 MB mode .....	33
6.6.1 Command for memory space expansion function 4 MB mode .....	33
6.6.2 Details of command for memory space expansion function 4 MB mode .....	33
7. Notes on Using the E8a Emulator .....	36
7.1 MCU resources used by the E8a emulator .....	36
7.2 Reset .....	41
7.3 Flash memory .....	42
7.3.1 Notes on debugging in CPU rewrite mode .....	42
7.3.2 Note on rewriting flash memory by the E8a emulator .....	42
7.3.3 Note on flash memory during user program execution .....	42
7.3.4 MCUs used for debugging .....	42
7.3.5 Flash memory ID code .....	43
7.4 Power supply .....	44
7.5 Operation during a user program halt .....	44
7.6 Final evaluation of the program .....	44
7.7 Debug functions .....	45
7.7.1 Step execution .....	45
7.7.2 Other debug functions .....	46

# 1. Inside the E8a Emulator User's Manual

---

The E8a manual consists of two documents: the E8a User's Manual and the E8a Additional Document for User's Manual (this document). Be sure to read BOTH documents before using the E8a emulator.

In this user's manual, the symbol # is used to show active LOW. (e.g. RESET#)

## (1) E8a Emulator User's Manual

The E8a Emulator User's Manual describes the hardware specifications and how to use the emulator debugger.

- E8a emulator hardware specifications
- Connecting the E8a emulator to the host computer or user system
- Operating the E8a emulator debugger
- Tutorial: From starting up the E8a emulator debugger to debugging

## (2) E8a Additional Document for User's Manual

The E8a Additional Document for User's Manual describes content dependent on the MCUs and precautionary notes.

- MCU resources used by the E8a emulator
- Example of the E8a emulator connection or interface circuit necessary for designing the hardware
- Notes on using the E8a emulator
- Setting the E8a emulator debugger during startup

### Note:

- For the specifications and supported MCUs of the optional FDT, please check the Flash Development Tool Kit page of our website (<http://www.renesas.com/tools>).
- FDT stands for the Flash Development Toolkit.

### Trademarks

Microsoft, MS-DOS, Visual SourceSafe, Windows and Windows Vista are either registered trademarks or trademarks of Microsoft Corporation in the United States and/or other countries.

All other company or product names are the trademarks or registered trademarks of their respective owners.

## 2. E8a Emulator Specifications

### 2.1 Target MCUs

Table 2.1 shows the target MCUs covered in this user's manual.

Table 2.1 Target MCUs

Item	Description
Target MCUs	M16C Family M16C/60 Series M16C/63 Group
Available operating modes	Single-chip mode, Memory expansion mode * Microprocessor mode is not supported.

### 2.2 Emulator specifications

Table 2.2 shows the specifications of the emulator supported by the M16C E8a Emulator Debugger. Table 2.3 shows the E8a emulator specifications when using the target MCU.

Table 2.2 E8a Emulator Specifications

Item	Description
Emulator power supply	Unnecessary (USB bus powered, power supplied from the host machine)
Applicable emulator debugger	M16C E8a Emulator Debugger V.1.03.03 or later
Operating Environment	Temperatures Active : 10°C to 35°C Inactive : -10°C to 50°C
	Humidity Active : 35% RH to 80% RH, no condensation Inactive : 35% RH to 80% RH, no condensation
	Vibrations Active : maximum 2.45 m/s <sup>2</sup> Inactive : maximum 4.9 m/s <sup>2</sup> Transportation : maximum 14.7 m/s <sup>2</sup>
	Ambient gases No corrosive gases

Table 2.3 E8a Emulator Specifications when Using the Target MCU

Item	Description
Power voltages	2.7 - 5.5 V (f(BCLK)=20MHz) 1.8 - 5.5 V (f(BCLK)=5MHz) [*1] For details, refer to the hardware manual of the MCU.
Break functions	- Address match break, 8 points - Data access break, 2 points - Event A: Comparison with the address/data mask, and access condition (R, W, R/W) can be set. - Event B: Comparison with the address mask, and access condition (R, W, R/W) can be set. - PC break points (maximum 255 points) - Forced break
Trace functions	32 branch instructions (branch source/destination PC) or Up to 64 data cycles can be specified
Flash memory programming function	Available (when selecting the 'Program Flash' mode)
User interface (see Section 4.1.1 on page 12)	When communicating via CNVss pin: 1-line clock-asynchronous serial or 2-line clock-asynchronous serial [*2] When communicating via P6_4/P6_5/P6_6/P6_7: Clock-synchronous serial
MCU resources to be used	When communicating via CNVss pin (see Section 4.1.1 on page 12) <ul style="list-style-type: none"> <li>- ROM size: 4 KB</li> <li>- RAM size: 128 bytes</li> <li>- Stack 14 bytes</li> <li>- Address match interrupt</li> <li>- UART1 function (external clock) and P6_5 [*3]</li> </ul>
	When communicating via P6_4/P6_5/P6_6/P6_7 (see Section 4.1.1 on page 12) <ul style="list-style-type: none"> <li>- UART1 function and P6_4/P6_5/P6_6/P6_7</li> <li>- Pins P5_0 and P5_5</li> </ul>
Interface with host machine	USB (USB 1.1, full speed) * Also connectable to host computers that support USB 2.0 * Operation with all combinations of host machine, USB device and USB hub is not guaranteed for the USB interface.
Power supply function	Can supply 3.3 V or 5.0 V to the user system (maximum 300 mA) [*4]

## Notes:

[\*1] The minimum voltage for writing into or erasing the flash memory is 2.7V according to the specification of the MCU to be used.

As flash rewrite occurs when the operations below are executed, if the supply voltage of the MCU is less than 2.7V, the emulator cannot be used:

- Downloading the user program
- Setting and canceling PC breaks (Setting/canceling event breaks are available)
- Rewriting the value of the Flash memory in the memory window
- Connecting the emulator to the MCU at emulator debugger startup

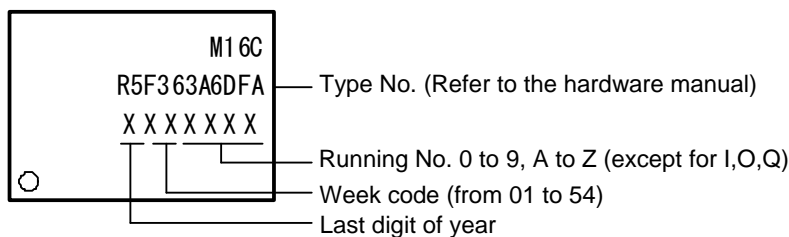
[\*2] Selecting the user interface

The availability of 1-line clock-asynchronous serial support (connection made with one CNVss pin) differs depending on the time of shipment of the MCU.

Applicable Products (Not all the products shipped in the past are applicable):

M16C/63 Group MCUs meeting the following conditions provide 1-line clock-asynchronous serial in addition to 2-line clock-asynchronous serial.

- Production is dated on or after the 1st week in 2010 (Check the product date code for production year and week). The date code is listed in the marking of the package.  
Example: "001xxxx" indicates the 1st week of 2010.



## Marking example

Refer to the Technical Update "M16C/63 Group, M16C/6C Group Easing the Limitation of the Debugging Interface"

English: [http://www.renesas.com/m16c\\_technical\\_update](http://www.renesas.com/m16c_technical_update)

Japanese: [http://japan.renesas.com/m16c\\_technical\\_update](http://japan.renesas.com/m16c_technical_update)

[\*3] The communication mode that needs the CLK1 pin of UART1 cannot be used.

This note applies only when 2-line clock-asynchronous serial is selected.

[\*4] Do not use the power-supply function of the emulator when it is being used to program flash memory as part of a mass-production process. Separately supply power from the user system in accord with the specifications of the MCU.

Use FDT for programming flash memory during mass-production, etc.

Voltage supplied from the E8a emulator depends on the quality of the USB power supply of the host computer, and as such, precision is not guaranteed.

## 2.3 Applicable tool chain and third-party products

You can debug a module created by the inhouse tool chain and third-party products listed in Table 2.4 below.

Table 2.4 Applicable Tool Chain and Third-party Products

Tool chain	M3T-NC30WA V.5.20 Release 01 or later
Third-party products	TASKING M16C C/C++/EC++ Compiler V.2.3r1 or later [*1] IAR EWM16C V.2.12 or later

Note:

[\*1] Notes on debugging the load modules created in ELF/DWARF2 format

If the load module was created in ELF/DWARF2 format using TASKING M16C C/C++/EC++ compiler V3.0r1, the precautionary note described below must be observed when displaying member variables of the base class in the [Watch] window.

Precautionary Note:

If any class object with a base class is defined, the following problems may occur:

Case 1: Member variables of the base class cannot be referenced directly from the class object (\*1).

=>Use indirect references from the class object to refer to member variables of the base class (\*2) (\*3).

Case 2: If the PC value resides in any member function of a derived class, member variables of the base class cannot be referenced directly (\*4).

=> Use indirect references from “this” pointer to refer to member variables of the base class (\*5) (\*6).

Figure 2.1 shows a code example, and Figure 2.2 shows a [Watch] window registration example.



```

////////////////////////////////////
*.h
class BaseClass
{
public:
    int m_iBase;
public:
    BaseClass() {
        m_iBase = 0;
    }
    void BaseFunc(void);
};

class DerivedClass : public BaseClass
{
public:
    int m_iDerive;
public:
    DerivedClass() {
        m_iDerive = 0;
    }
    void DerivedFunc(void);
};

*.cpp
main()
{
    class DerivedClass ClassObj;
    ClassObj.DerivedFunc();
    return;
}

void BaseClass::BaseFunc(void)
{
    m_iBase = 0x1234;
}

void DerivedClass::DerivedFunc(void)
{
    BaseFunc();
    m_iDerive = 0x1234;
}
////////////////////////////////////

```

Figure 2.1 Example code

```

////////////////////////////////////
Case 1: If the PC value resides in the main() function
(1)"ClassObj.m_iBase" : Cannot be referenced (*1)
(2)"ClassObj.__b_BaseClass.m_iBase" : Can be referenced (*2)
(3)"ClassObj"
    -"__b_BaseClass"
        -"m_iBase" : Can be referenced (*3)
        -"m_iDerive"
            -: Expansion symbol

Case 2: If the PC value resides in the DerivedClass::DerivedFunc() function
(1)"m_iBase" : Cannot be referenced (*4)
(2)"this->__b_BaseClass.m_iBase" : Can be referenced (*5)
(3)"__b_BaseClass.m_iBase" : Can be referenced (*5)
(4)"this"
    -"*"
        -"__b_BaseClass"
            -"m_iBase" : Can be referenced (*6)
            -"m_iDerive"
(5)"__b_BaseClass"
    -"m_iBase" : Can be referenced (*6)
////////////////////////////////////

```

Figure 2.2 Watch window registration example

### 3. Connecting the E8a Emulator to the User System

#### 3.1 Connector for connecting the E8a emulator and the user system

Before connecting the E8a emulator to the user system, a connector must be installed in the user system so a user system interface cable can be connected. Table 3.1 shows the recommended connector for the E8a emulator and Figure 3.2 shows E8a connecting connector pin assignments.

When designing the user system, refer to Figure 3.2 “E8a Connecting Connector Pin Assignments” and Section 4 “Examples of Pin Handling for Connecting the E8a”.

Before designing the user system, be sure to read the E8a Emulator User’s Manual and related device hardware manuals.

Table 3.1 Recommended Connector

	Type Number	Manufacturer	Specification
14-pin connector	2514-6002	3M Limited	14-pin straight type (for use outside Japan)
	7614-6002	3M Limited	14-pin straight type (for use in Japan)

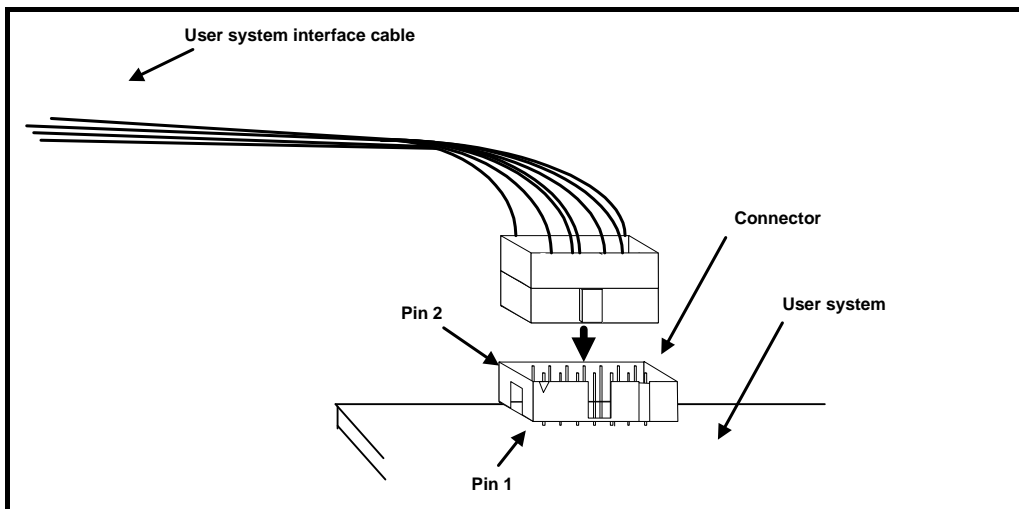


Figure 3.1 Connecting the User System Interface Cable with an E8a Connecting Connector

Notes:

- Do not place any components within 3 mm area of the connector.
- When using the E8a emulator as a programmer, connect it to the user system in the same way.
- Connect E8a connecting connector pins 2, 6, 10, 12 and 14 firmly to the GND on the user system board. These pins are used as an electric GND and monitor the connection of the user system connector.
- When inserting or removing the user system interface cable from the connector section of the user system, be sure to hold the connector cover at the head of the cable. Removal by pulling the cable portion instead of grasping the cover causes breakage of the cable connection.

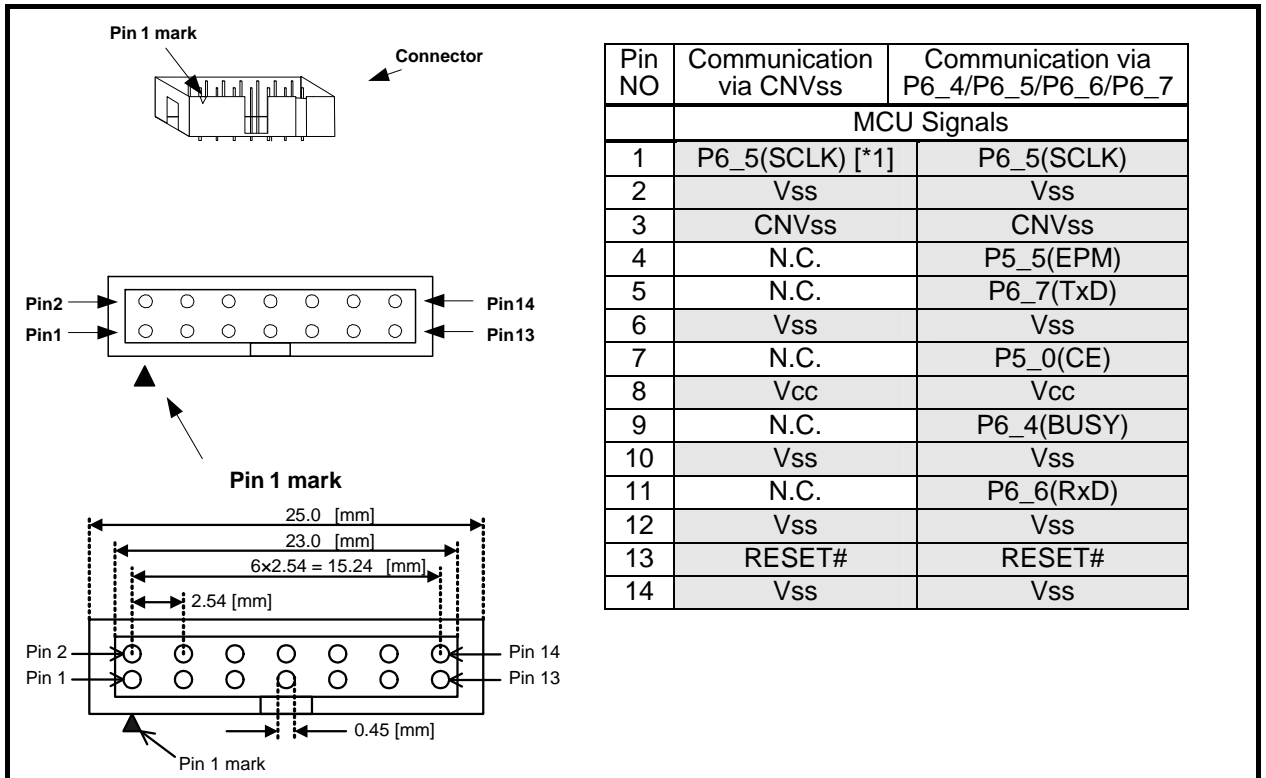


Figure 3.2 E8a Connecting Connector Pin Assignments

Notes:

- Pin 14 is used for checking the connection between the E8a and the user system, and is not directly connected to the Vss inside the E8a. Make sure pins 2, 6, 10, 12 and 14 are all connected to the Vss.
- Note the pin assignments for the user system connector.
- Do not connect anything to the N.C. pin.

Note:

[\*1] P6\_5 (SCLK) is used only when the user interface is 2-line clock-asynchronous serial. For details, refer to “Selecting the user interface” on page 7.  
 In this case, the communication mode that needs the CLK1 pin of UART1 cannot be used.

## 4. Examples of Pin Handling for Connecting the E8a

---

### 4.1 Pin handling for connecting the E8a

#### 4.1.1 Examples of pin handling for connecting the E8a (types of connection method)

Table 4.1 shows two types of connection method between the E8a and an MCU.

Table 4.1 Types of E8a connection method

	Debugging by E8a Emulator Debugger	Flash memory programming by FDT [*1]
Communication via CNVss pin	Yes	Yes
Communication via P6_4/P6_5/P6_6/P6_7	No	Yes

Note:

[\*1] For the applicable version of the FDT, refer to the 'Flash Development Toolkit target device list' on the Flash Development Toolkit page of our website (<http://www.renesas.com/tools>).

4.1.2 Examples of pin handling for connecting the E8a (communication via CNVss pin)

The following shows examples of pin handling for connecting the E8a.

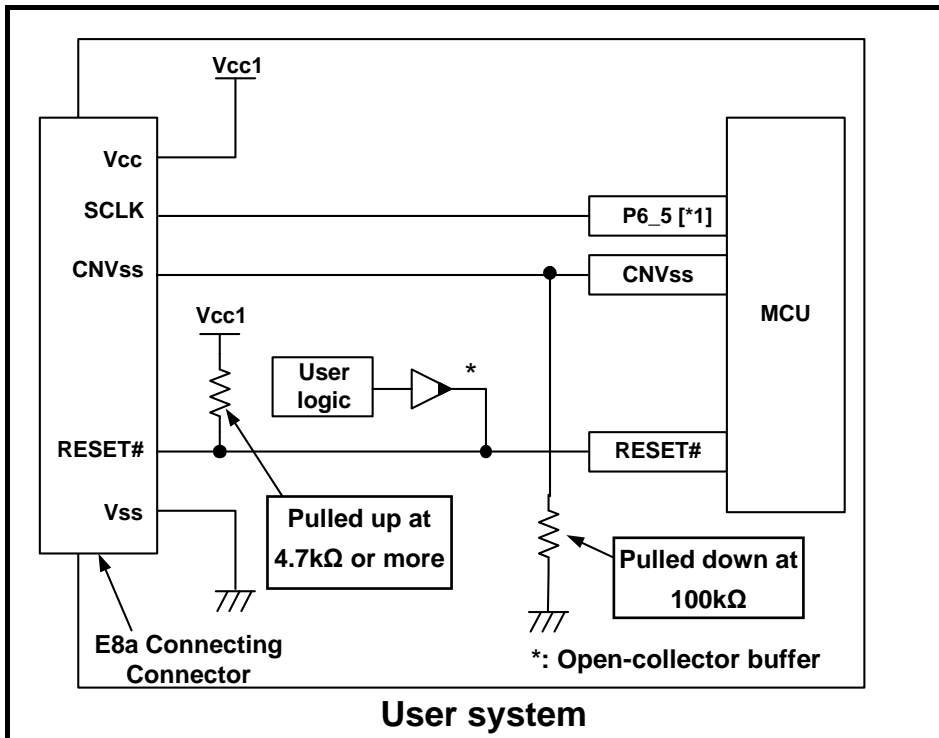


Figure 4.1 Example of an E8a Connection

Note:

[\*1] P6\_5 (SCLK) is used only when the user interface is 2-line clock-asynchronous serial. For details, refer to “Selecting the user interface” on page 7.

When the user interface is 2-line clock-asynchronous serial:

P6\_5 (SCLK) is used exclusively by the E8a emulator. Pull up or down the pin at the Vcc (Vcc1) level according to the MCU pin state after disconnecting the E8a emulator.

When the user interface is 1-line clock-asynchronous serial:

When the user interface is 1-line clock-asynchronous serial, P6\_5 (SCLK) must be held at “H” level for a given time period after a reset is released.

Therefore, when the user interface is 1-line clock-asynchronous serial, pull up P6\_5 (SCLK) at the Vcc (Vcc1) level. Since P6\_5 (SCLK) does not need to be connected to the E8a emulator while it is pulled up, it can be used as an output port.

When adjacent resistors are used for pull-up, they may be affected by noise from other pins. In particular, separate the resistor for CNVss from the other resistors.

Wiring patterns between the connector and the MCU must be as short as possible (within 50 mm is recommended). Do not connect the signal lines between the connector and MCU to other signal lines.

For the handling of pins while the E8a emulator is not in use, refer to the hardware manual for the MCU.

(1) CNVss pin

The E8a emulator uses the CNVss pin for MCU control.  
 Pull down the E8a emulator and MCU pins and connect the E8a emulator.  
 Do not connect a capacitor etc. to this pin.

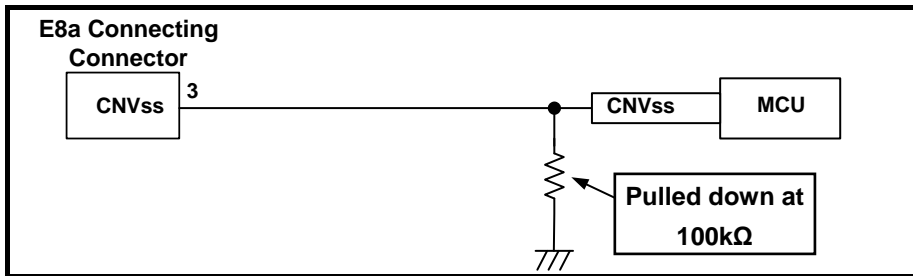


Figure 4.2 E8a Emulator and CNVss Pin Connection

(2) RESET# pin

The RESET# pin is used by the E8a emulator. Therefore, use an open-collector output buffer or a CR reset circuit as the reset circuit for the user system. The recommended pull-up value is 4.7 kΩ or more. The MCU can be reset by outputting “L” from the E8a emulator. However, if the reset IC output is “H”, the user system reset circuit cannot be set to “L”. As such, the E8a emulator will not operate normally.

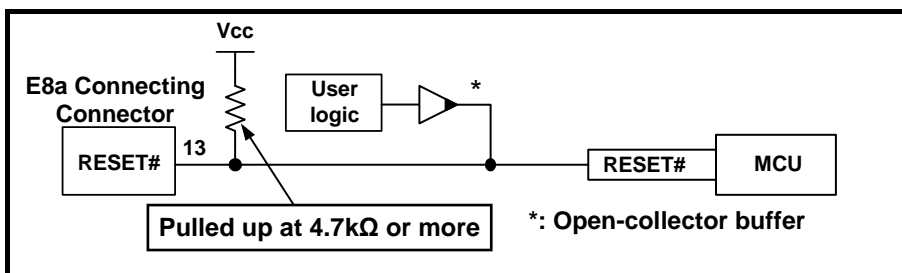


Figure 4.3 Example of a Reset Circuit

(3) Other pins

- Connect Vss and Vcc to the Vss and Vcc (Vcc1) of the MCU, respectively.
- The amount of voltage input to Vcc (Vcc1, Vcc2) must be within the specified range of the MCU.
- If NMI# interrupts are used, make sure the NMI# pin is pulled up to the Vcc (Vcc1) pin through a resistor.
- Pin 14 is used for checking the connection between the E8a and the user system, and is not directly connected to the Vss inside the E8a. Make sure that pins 2, 6, 10, 12 and 14 are all connected to the Vss.
- Do not connect anything to the N.C. pin.

**⚠ WARNING**

**About Power Supply Circuit of the User System:**



When supplying power, ensure that there are no short circuits between Vcc and GND. Only connect the E8a emulator after confirming that there are no mismatches in pin assignments of the E8a connecting connector. Incorrect connection will result in the host computer, the emulator, and the user system emitting smoke or catching fire.

4.1.3 Examples of pin handling for connecting the E8a (communication via P6\_4/P6\_5/P6\_6/P6\_7)

The following shows examples of pin handling for connecting the E8a.

- Single power supply: See Figure 4.4.
- Dual power supply: See Figure 4.5.

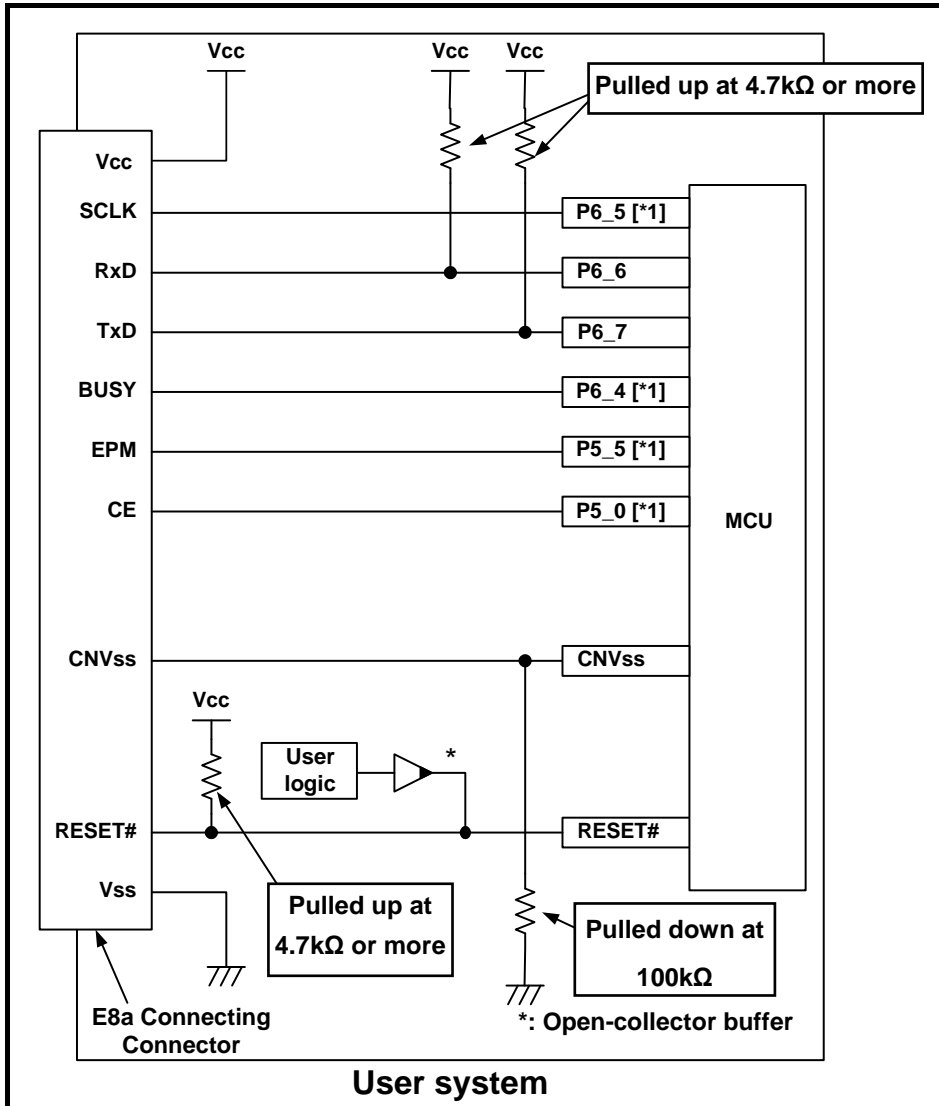


Figure 4.4 Example of an E8a Connection (Single Power Supply)

Note:

[\*1] For details on setting pins P6\_4 and P6\_5, refer to “(1) SCLK, RxD, TxD and BUSY pins” on page 17. For details on setting pins P5\_0 and P5\_5, refer to “(2) EPM# and CE# pins” on page 18.

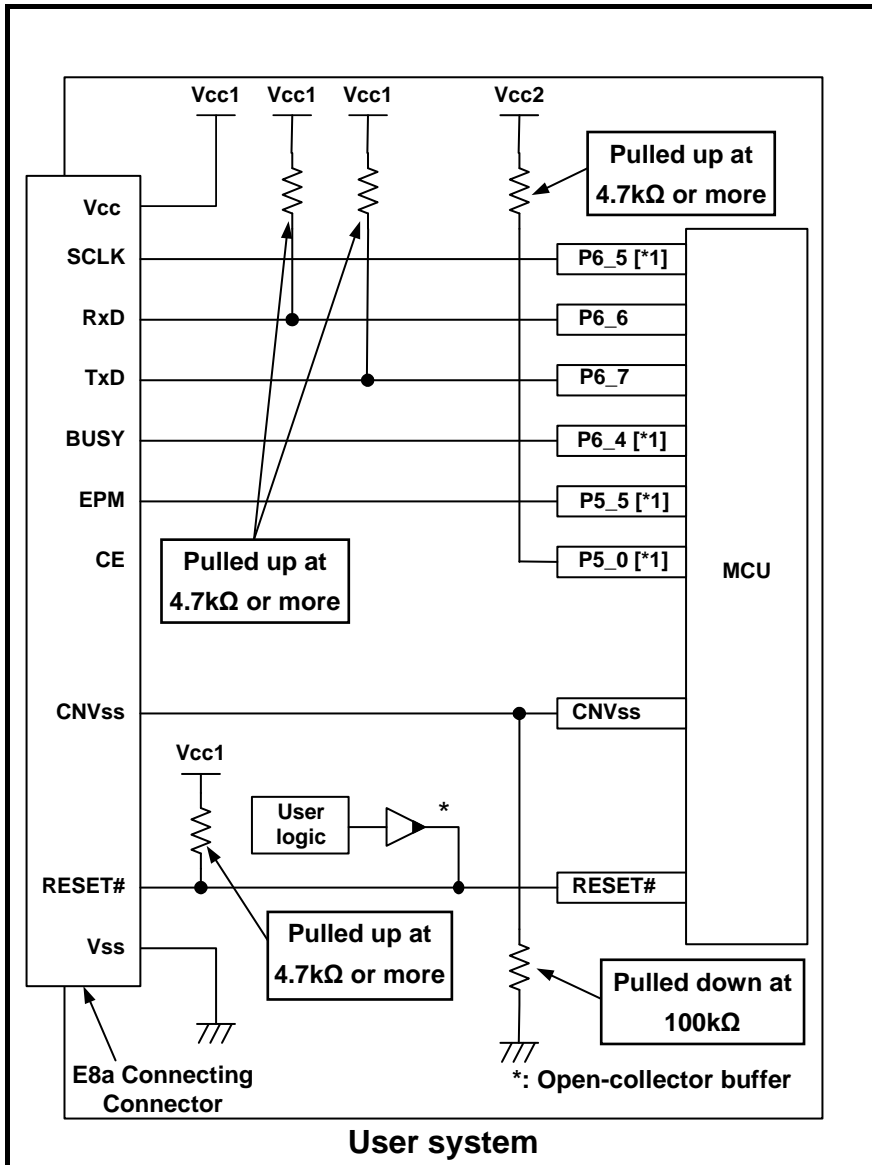


Figure 4.5 Example of an E8a Connection (Dual Power Supply)

Note:

- [\*1] For details on setting pins P6\_4 and P6\_5, refer to “(1) SCLK, RxD, TxD and BUSY pins” on page 17. For details on setting pins P5\_0 and P5\_5, refer to “(2) EPM# and CE# pins” on page 18.



(1) SCLK, RxD, TxD and BUSY pins

Pins P6\_4(BUSY), P6\_5(SCLK), P6\_6(RxD) and P6\_7(TxD) are used exclusively by the E8a emulator.

Connect pins P6\_6 and P6\_7 to the E8a emulator after pulling up the MCU pins at the Vcc (Vcc1) level.

For P6\_4 and P6\_5, pull up the pins at the Vcc (Vcc1) level or pull down them according to the MCU pin state after disconnecting the E8a emulator.

P6\_4 may be in a Hiz state while the E8a emulator is active. Therefore, set the pin resistance value so the voltage cannot be at the midpoint potential, depending on the voltage dividing of the resistance inside the E8a emulator (Figure 4.11 on page 20).

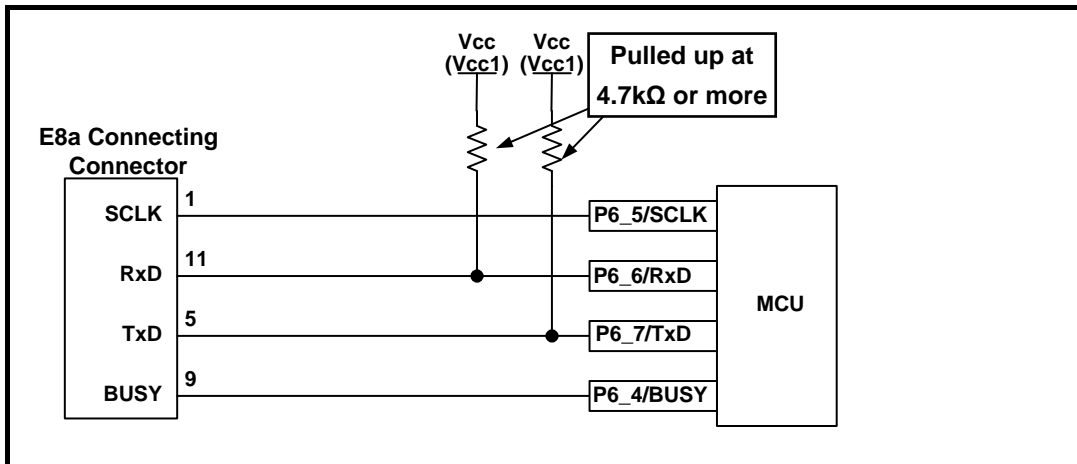


Figure 4.6 Connection of the SCLK, RxD, TxD and BUSY pins to the E8a Emulator

(2) EPM# and CE# pins

The E8a emulator uses pins P5\_0(CE#) and P5\_5(EPM#) for MCU control. Connect the E8a emulator to the MCU pins.

1. Single power supply

For P5\_0 and P5\_5, pull up the pins at the Vcc level or pull down them according to the MCU pin state after disconnecting the E8a emulator. P5\_0 and P5\_5 may be in a Hiz state while the E8a emulator is active. Therefore, set the pin resistance value so the voltage cannot be at the midpoint potential, depending on the voltage dividing of the resistance inside the E8a emulator (Figure 4.11 on page 20).

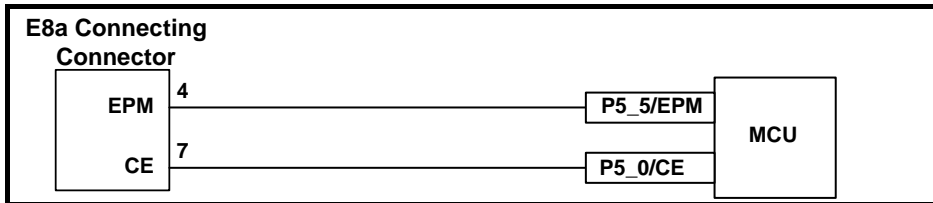


Figure 4.7 Connection of E8a Emulator and Pins P5\_0 and P5\_5 (Single Power Supply)

2. Dual power supply

Pull up P5\_5 at the Vcc2 level or pull down it according to the MCU pin state after disconnecting the E8a emulator. P5\_5 may be in a Hiz state while the E8a emulator is active. Therefore, set the pin resistance value so the voltage cannot be at the midpoint potential, depending on the voltage dividing of the resistance inside the E8a emulator (Figure 4.11 on page 20).

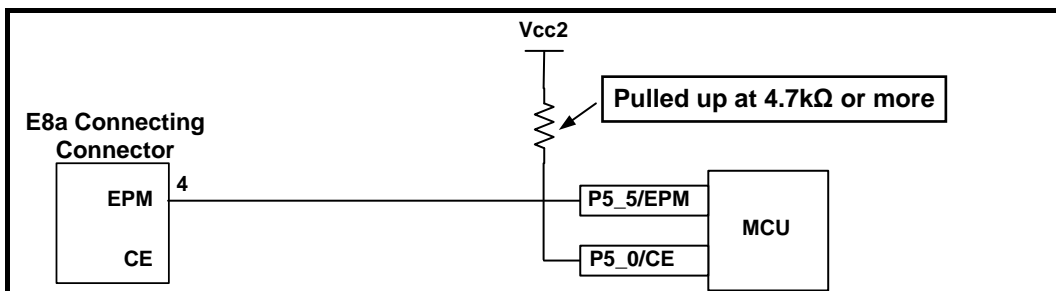


Figure 4.8 Connection of E8a Emulator and Pins P5\_0 and P5\_5 (Dual Power Supply)

(3) CNVss pin

The E8a emulator uses the CNVss pin for MCU control.  
 Pull down the E8a emulator and MCU pins and connect the E8a emulator.  
 Do not connect a capacitor etc. to this pin.

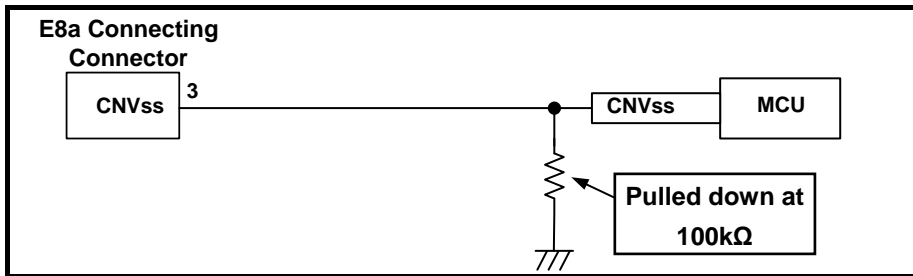


Figure 4.9 E8a Emulator and CNVss Pin Connection

(4) RESET# pin

The RESET# pin is used by the E8a emulator. Therefore, use an open-collector output buffer or a CR reset circuit as the reset circuit for the user system. The recommended pull-up value is 4.7 kΩ or more. The MCU can be reset by outputting “L” from the E8a emulator. However, if the reset IC output is “H”, the user system reset circuit cannot be set to “L”. As such, the E8a emulator will not operate normally.

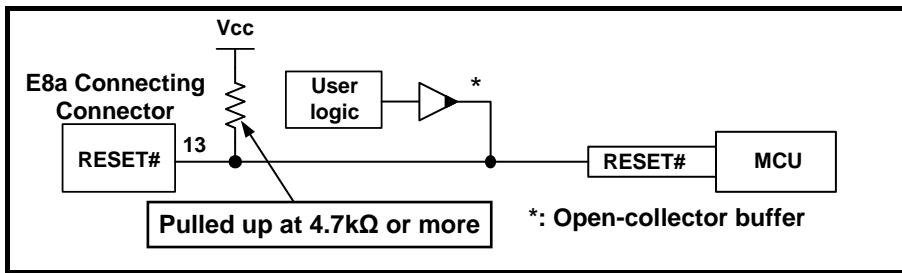


Figure 4.10 Example of a Reset Circuit

(5) Other pins

- Connect Vss and Vcc to the Vss and Vcc (Vcc1) of the MCU, respectively.
- The amount of voltage input to Vcc (Vcc1, Vcc2) must be within the specified range of the MCU.
- If NMI# interrupts are used, make sure the NMI# pin is pulled up to the Vcc (Vcc1) pin through a resistor.
- Pin 14 is used for checking the connection between the E8a and the user system, and is not directly connected to the Vss inside the E8a. Make sure that pins 2, 6, 10, 12 and 14 are all connected to the Vss.
- Do not connect anything to the N.C. pin.

**⚠ WARNING**

**About Power Supply Circuit of the User System:**



When supplying power, ensure that there are no short circuits between Vcc and GND. Only connect the E8a emulator after confirming that there are no mismatches in pin assignments of the E8a connecting connector. Incorrect connection will result in the host computer, the emulator, and the user system emitting smoke or catching fire.

### 4.2 Interface circuit in the E8a emulator

Figure 4.11 shows the interface circuit in the E8a emulator. Use this figure as a reference when determining the pull-up resistance value.

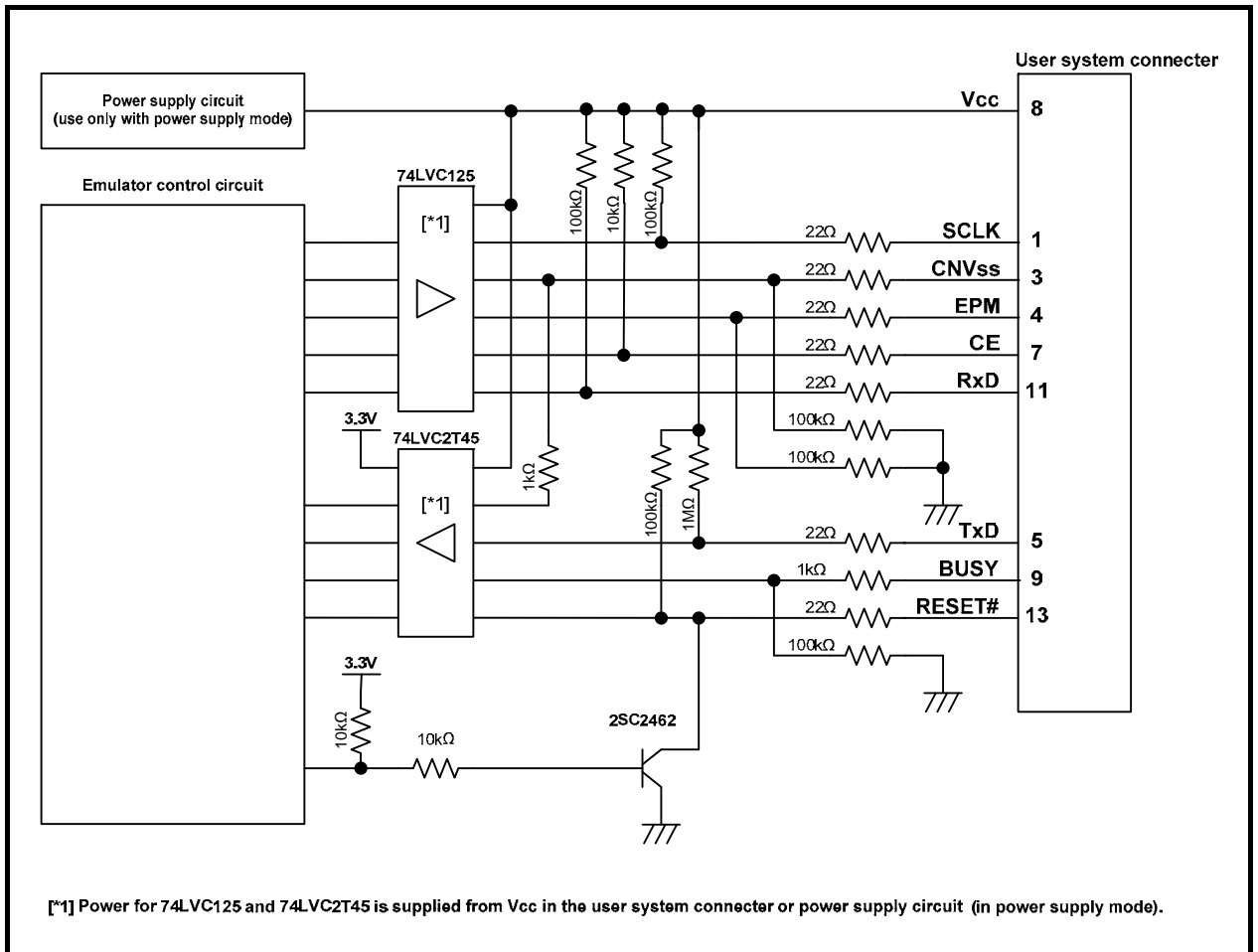


Figure 4.11 Interface Circuit inside the E8a Emulator (For Reference)

## 5. Emulator Debugger Setting

### 5.1 [Emulator Setting] dialog box

The [Emulator Setting] dialog box is provided for setting items that need to be set when the debugger is launched. The contents set from this dialog box (excluding [Power Supply] group box items) also become valid the next time the debugger is launched. When launching the debugger for the first time after creating a new project work space, the [Emulator Setting] dialog box is displayed with the Wizard.

The settings you have made here cannot be changed after the emulator is booted up. To change the settings, you need to cancel the process of booting-up and then reboot the emulator.

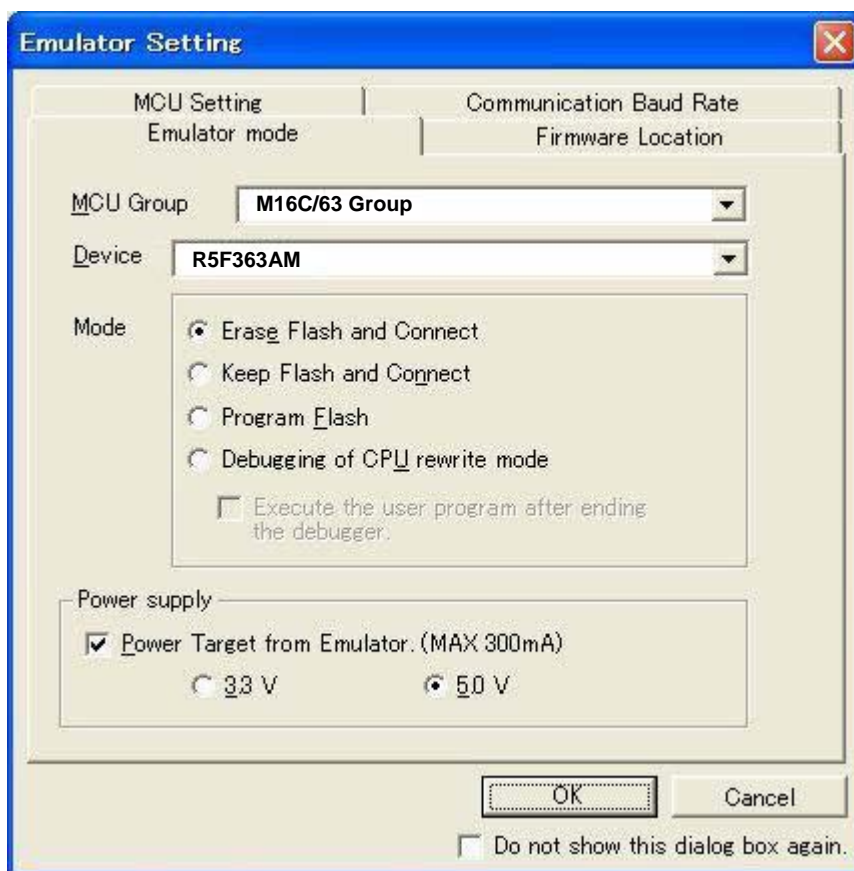


Figure 5.1 [Emulator Setting] Dialog Box

If you check “Do not show this dialog box again.” at the bottom of the [Emulator Setting] dialog box, the [Emulator Setting] dialog box will not be displayed the next time the debugger is launched.

You can open the [Emulator Setting] dialog box using one of the following methods:

- After the debugger is launched, select Menu -> [Setup] -> [Emulator] -> [Emulator Setting...].
- Hold down the Ctrl key while launching the debugger.

When “Do not show this dialog box again.” is checked, the E8a does not supply power to the user system.

## 5.2 [Emulator mode] tab

Device selection, mode specification and power supply setting are made from the [Emulator mode] tab of the [Emulator Setting] dialog box.

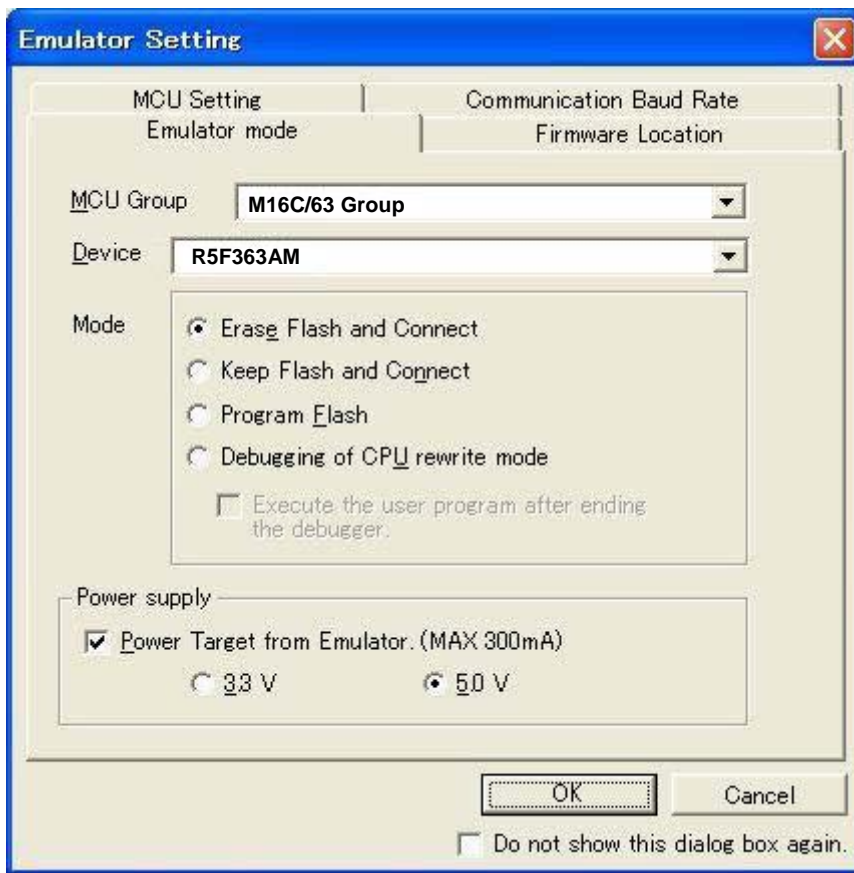


Figure 5.2 [Emulator mode] Tab of [Emulator Setting] Dialog Box

### **[MCU Group] [\*1]**

Select the name of the MCU group to be used from the [MCU Group] drop-down list.

### **[Device]**

Select the type of MCU to be used from the [Device] drop-down list.

(See “7.1 MCU resources used by the E8a emulator” on page 36 for the list of applicable MCUs.)

### **[Mode]**

Select the mode to be used.

For details, see “5.2 (1) Selecting the Mode” (page 23).

### **[Power supply]**

Select the power supply to the user system.

- When supplying power to the user system from the E8a, click the [Power Target from Emulator. (MAX 300mA)] checkbox.

Note that when debugging the system which operates the MCU with a dual power supply, power cannot be supplied from the E8a.

Note:

- [\*1] Select the MCU group according to the user interface:
- 1-line clock-asynchronous serial: M16C/63 Group\_1Line
  - 2-line clock-asynchronous serial: M16C/63 Group

For details of the user interface, refer to “Selecting the user interface” on page 7.

## (1) Selecting the Mode

Table 5.1 Selecting the Mode

Mode	Usage	Description
Erase Flash and Connect [*2]	Debugging only [*1]	When starting the debugger, the E8a emulator erases the Flash memory data for the MCUs and simultaneously writes the area for the E8a emulator program and the vector area used by the E8a emulator. The emulator rewrites the OFS1 and ID code areas.
Keep Flash and Connect [*2]		When launching the debugger, the E8a emulator retains the Flash memory data for the MCUs.  Note that the area for the E8a emulator program and the vector area used by the E8a emulator will change. The emulator rewrites the OFS1 and ID code areas.
Program Flash [*2]	Simple programmer	When downloaded, the E8a writes only the user program. (E8a emulator program is not written.) Therefore, in this mode, you can only download the program. You cannot change the memory contents by using the fill command, etc.  When [Execute the user program after ending the debugger.] is selected, with the E8a emulator connected to the user system, the user program is executed at the same time the debugger is terminated. This check box setting is available only when the [Program Flash] mode is selected.
Debugging of CPU rewrite mode [*3]	Debugging only [*1]	Be sure to select this setting when debugging the program which rewrites the CPU. In this mode, the following debug operation which rewrites the Flash memory cannot be executed. <ul style="list-style-type: none"> <li>- Setting the PC break points</li> <li>- Changing the memory contents in the Flash memory area</li> </ul> In this mode, when starting the debugger, the E8a emulator erases the Flash memory data for the MCUs and simultaneously writes the area for the E8a emulator program and the vector area used by the E8a emulator. The emulator rewrites the OFS1 and ID code areas.

## Notes:

[\*1] In this mode, vector addresses are used by the E8a emulator program. After a program has been downloaded, you cannot disconnect the emulator and operate the user system as a stand-alone unit. (Programs written in this mode cannot be executed from the MCU.)

If you want to execute a program from the MCU, use [Program Flash] mode.

The vector area, ID code area and the OFS1 area have their values rewritten by the emulator, so be aware that their checksums do not match.

[\*2] When starting up in these modes, lock bits in all the blocks of the flash memory will be unlocked. Note that the lock bits of the downloaded blocks will be unlocked after downloading the user program.

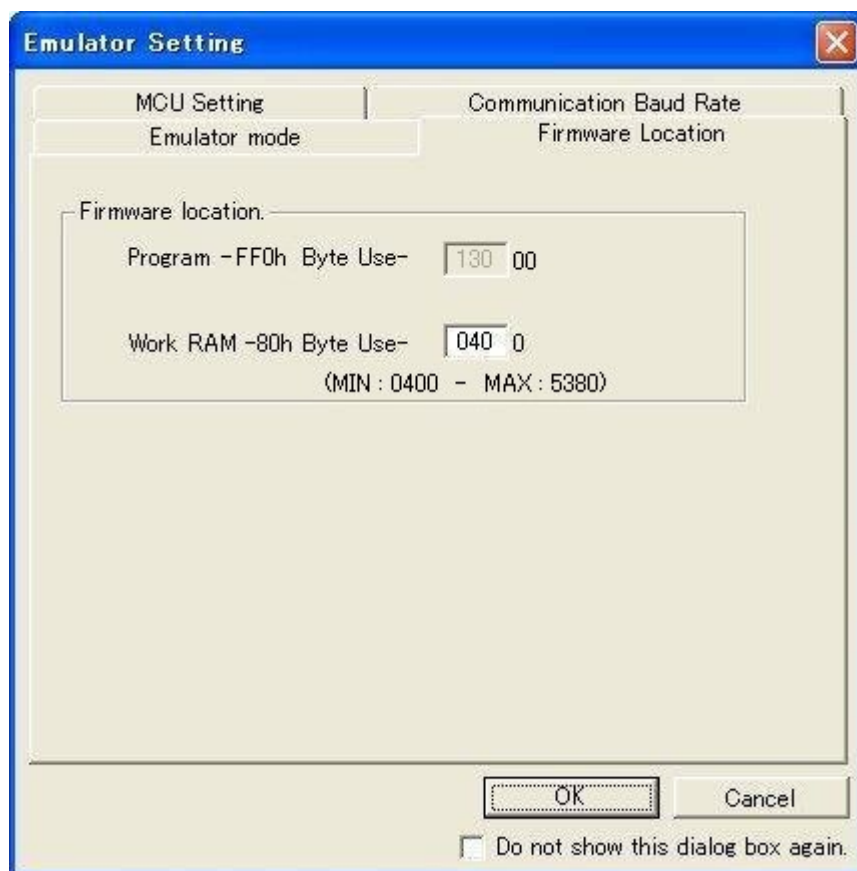
In this mode, the ID code settings made on the user program will be written to the internal flash memory of the MCU.

[\*3] When debugging a program in CPU rewrite mode, memory reference or modification functions can be used. However, do not use these functions in the following condition. The MCU does not recognize the writing is continuously executed if the write instruction is interrupted by the memory reference or modification process.

- While write instruction is being executed to the register which requires continuous writing (ex. FMR01 bit)

### 5.3 [Firmware Location] tab

You can specify the address of the firmware location in the [Firmware Location] tab.



#### **[Firmware Location]**

Select the area in which the firmware is located. Specify the address that will not be used by the user system in the ROM area or RAM area.

- Program

Specify the ROM area in which the firmware is located. This setting is not required.

- Work RAM

Specify the RAM area in which the firmware is located. Specify 128 bytes that will not be used by the user system.

Figure 5.3 [Firmware Location] tab of [Emulator Setting] Dialog Box



## 5.4 [MCU Setting] tab

In the [MCU Setting] tab, set the operating condition of the MCU used in the user system.

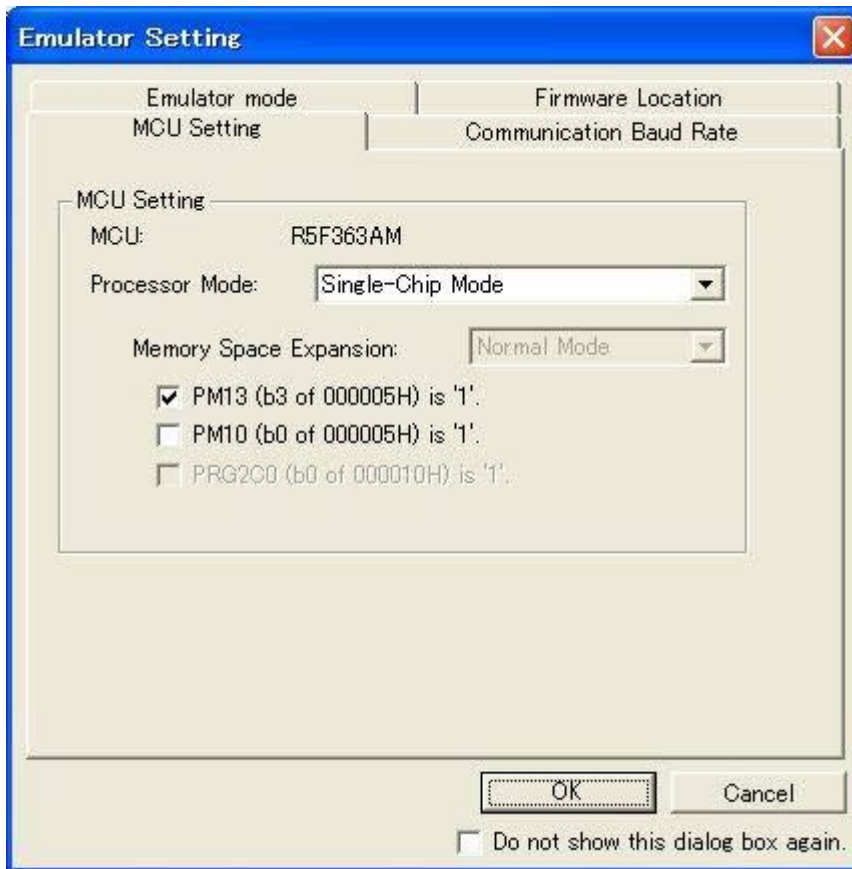


Figure 5.4 [MCU Setting] Tab

### MCU

The MCU selected in the [Device] drop-down list in the [Emulator mode] tab is displayed.

### Processor Mode

Specify the processor mode according to the user system. One of the following can be specified:

- Single-Chip Mode
- Memory Expansion Mode [\*1]

### Memory Space Expansion

When Memory Expansion Mode is selected, specify whether the memory space expansion function will be used.

“Normal Mode”: When not using the memory space expansion function

“4 MB Mode”: When using the memory space expansion function

### PM13 (b3 of 000005H) is '1'

Specify whether PM13 (internal area expansion bit) is set. When using the user program with PM13 set to “1”, check this option.

### PM10 (b0 of 000005H) is '1'

Specify whether PM10 (data flash enable bit) is set. When using the user program with PM10 set to “1”, check this option.

### PRG2C0 (b0 of 000010H) is '1'

Specify whether PRG2C0 (program 2 area control register) is set. PRG2C0 is fixed to “0”.

Note:

- [\*1]
- When the external area cannot be rewritten via normal memory access, software breaks cannot be used in that area.
  - No address match break can be used in the external memory space.
  - The “Go to Cursor” function cannot be used in the external memory space. If this function is used in the external memory space, the program will be in a state of execution.
  - To access the memory space expansion area in the download, the editor window (MIX display or disassembled display mode), the memory window or the watch window while operating in the memory space expansion 4 MB mode, be aware that only bank 7 can be accessed. In this case, the data bank offset depends on the offset bits of the data bank register.
  - When using the memory space expansion function 4 MB mode, execute the command for the memory space expansion function 4 MB mode to access each bank.

### 5.5 [Communication Baud Rate] tab

Select communication baud rate between the E8a and MCU in the [Communication Baud Rate] tab. 750000 bps (default setting) should be selected [\*1] [\*2].

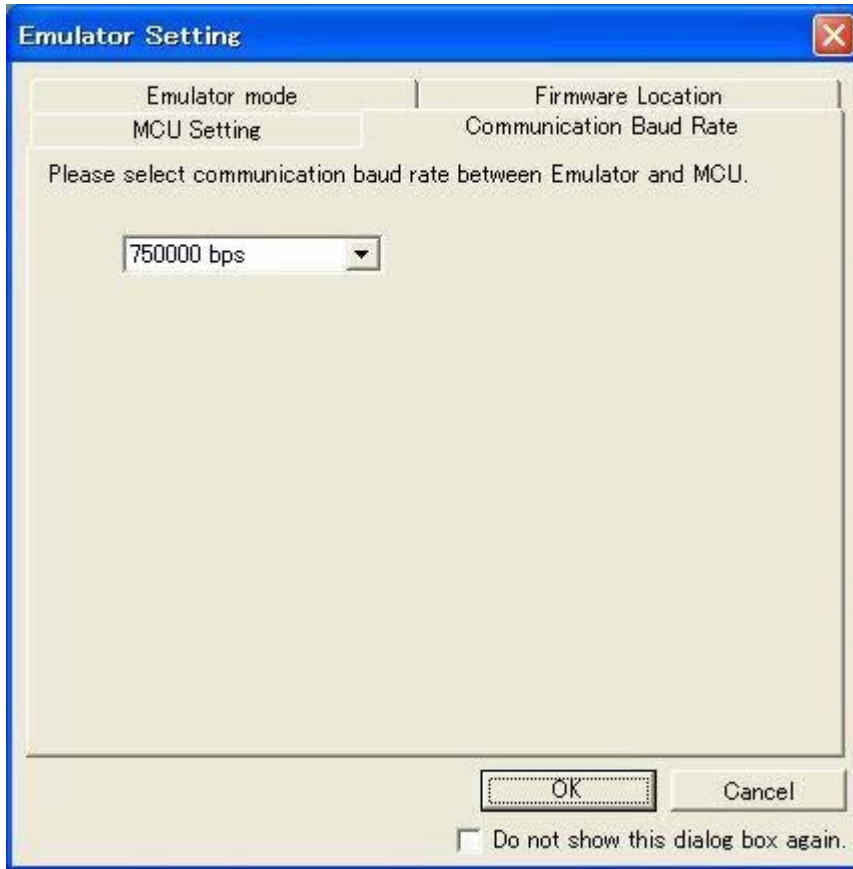


Figure 5.5 [Communication Baud Rate] Tab

Notes:

- [\*1] Depending on the wired length of the CNVss signal and how it is wired on the user system, communication at the selected baud rate may not be performed. Reducing this baud rate may help to solve the problem. Also, the communication information you set here cannot be changed after the emulator debugger has started. To change the communication baud rate, you need to disconnect the emulator and the MCU temporarily and then reconnect.
- [\*2] The baud rate of 57600 bps or below is designated for checking purpose in case there is a failure in the connection with the emulator. With such a low baud rate, it takes a long time to write into the flash memory of the target MCU, and the emulator debugger may appear to be giving no response. Also note if the data of 1024 bytes or larger is handled when displaying the memory contents or in memory fill function, a time-out error may occur because the communication takes up much time.

## 6. E8a Emulator Functions (Supplement on the User's Manual)

### 6.1 E8a emulator functions

With the MCUs in this user's manual, three break functions can be used: forced break, S/W break and on-chip break.

The break functions can be set singly or multiply.

The list of break functions supported for the MCUs in this user's manual is shown in Table 6.1.

#### 6.1.1 Forced break

The forced break function is used to forcibly cause a break in execution of the user program.

#### 6.1.2 S/W break (software break)

This function breaks the program by rewriting the instruction of the specified address to an instruction (BRK instruction) dedicated to the debugger.

Since the op-code at the specified address is replaced by the instruction dedicated to the debugger, when a S/W breakpoint is set, a write to on-chip memory (flash memory and RAM) will occur. (Similarly, removing a S/W breakpoint involves a write to memory.)

#### 6.1.3 On-chip break functions

With the MCUs in this user's manual, the following three on-chip break functions are available: Address match break, data access break and trace full break.

- Address match break

This function breaks the program immediately before a specified address instruction is executed. It can be realized using the address match interrupt of the MCU.

Set the address match breakpoint in the Break condition sheet of the Eventpoints window. You can also set it by double-clicking the Event column in the Editor window.

For details, refer to the E8a User's Manual.

- Data access break

This function breaks the program when a specified event is encountered. You can combine two points of the data access event.

- Trace full break

This function breaks the program when the trace buffer is filled.

Table 6.1 Break Functions

Break type		Number of points that can be set (max.)	Break condition	Flash memory rewrite	Can a breakpoint be set while the program is running?
Forced break			No	No	Yes
S/W break [*1]		255	Specified address	Yes	No
On-chip break	Address match break [*1]	8	Specified address	No	Yes
	Data access break	EventA	Specified address & specified data	No	No
		EventB	Specified address	No	No
Trace full break			Trace buffer full	No	No

Note:

[\*1] When execution is restarted from the address where it stopped at a breakpoint (S/W breakpoints or address match breakpoints), the actual instruction at the address must be executed as a single step before further execution continues. Operation is thus not in real time.

6.1.4 On-chip trace functions

With the MCUs in this user's manual, either the branch trace or data trace function is available.

- Branch trace

This function displays addresses, mnemonics and source lines of the branch source and destination.

- Data trace

This function displays data accesses when a data access event is encountered.

For the data access event and trace condition, set them in the Event condition sheet of the Eventpoints window.

6.2 Eventcondition tab of the Eventpoints window

Set the contents of the data access event, break condition and trace condition.

Double-clicking each item in this window will open the Event Setting dialog box to change the conditions. The items displayed in the sheet are shown in Table 6.2.

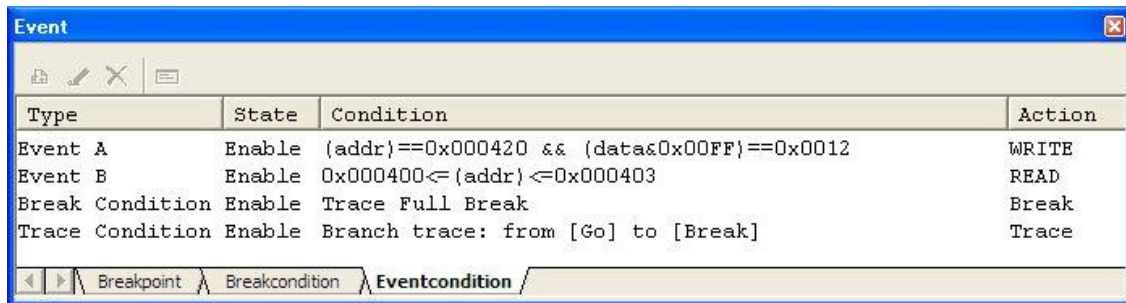


Figure 6.1 Eventpoints Window (Eventcondition tab)

Table 6.2 Display Contents of the Eventcondition Tab

Item	Description
Type	Displays the event types. - Event A - Event B - Break Condition - Trace Condition
State	Shows the event is enable or disable. - Enable - Disable
Condition	Displays the set condition.
Action	For the Event A and Event B, the access types are displayed. - R/W: READ or WRITE - READ - WRITE For the Break Condition and Trace Condition, Break/Trace is always displayed.

### 6.3 Event Setting dialog box

The conditions in the Event condition sheet can be set.

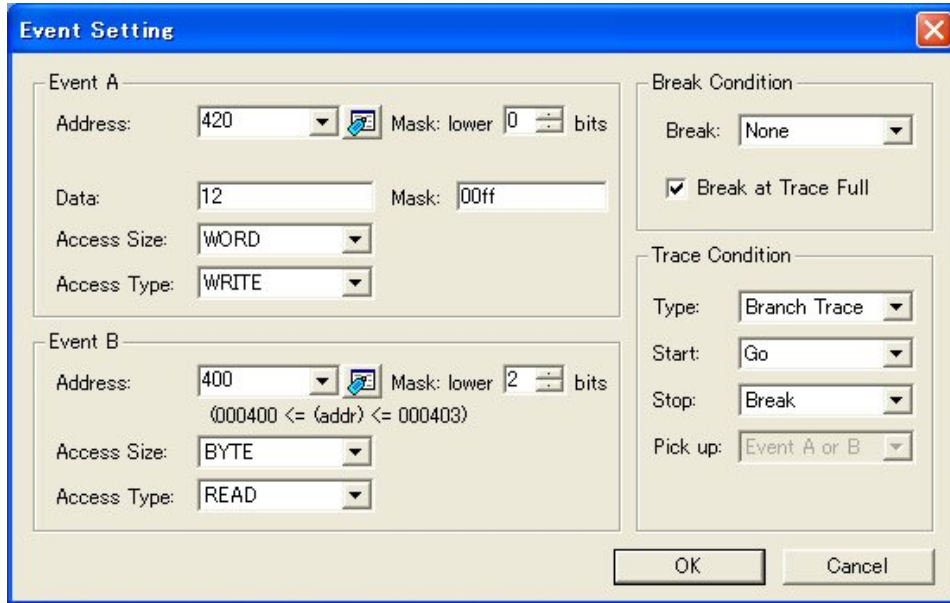


Figure 6.2 Event Setting Dialog box

(1) Event A

Set the contents of the Event A. You can set the conditions of the address comparison with mask specification and data comparison with mask specification for the Event A.

Table 6.3 Contents of the Event A

Option	Description
Address (with mask specification)	Specify an address to detect the data access. Specify the bit number to set the address mask. The specified lower bits of the specified address are masked.
Data (with mask specification)	If you compare data, specify the data and data mask. When selecting BYTE for the Access Size, you can specify to FF. When selecting WORD for the Access Size, you can specify to FFFF. If you do not compare data, leave the Data item empty or enter 0 in the Mask. If you do not use the data mask, leave the Mask item empty.
Access Size	Select one from BYTE, WORD or Not specify for the Access Size. If a data access which does not match the specified access size occurs, the event is not encountered. When specifying WORD for the Access Size, specify the even address for the Address item.
Access Type	Select an access type. - R/W: READ or WRITE - READ - WRITE

(2) Event B

Set the contents of the Event B. You can set the conditions of the address comparison with mask specification for the Event B.

Table 6.4 Contents of the Event B

Option	Description
Address (with mask specification)	Same as the Event A.
Access Size	Same as the Event A.
Access Type	Same as the Event A.

(3) Break Condition

Set the break condition.

Table 6.5 Break Condition

Option	Description
Break	Select a break condition. - None: None specified. (No break by event) - Event A: Breaks the program when the Event A is encountered. - Event A or B: Breaks the program when either the Event A or Event B is encountered. - Event A and B: Breaks the program when both the Event A and Event B are encountered. - Event B->A: Breaks the program when an event is encountered in the order of the Event B and Event A.
Break at Trace Full	Check it to break the program when the trace buffer is filled. It can be set with the break condition by event.

(4) Trace Condition

Set the trace condition.

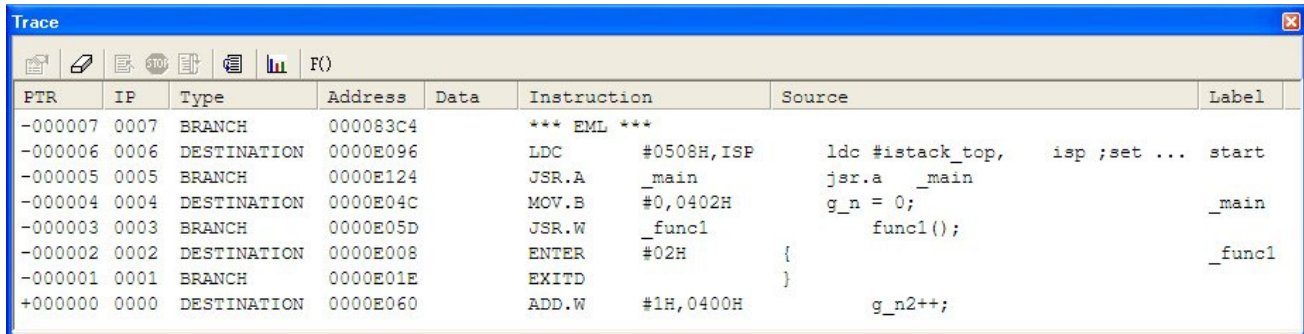
Table 6.6 Trace Condition

Option	Description
Type	Select a trace type. - Branch Trace - Data Trace
Start	Select a start condition for the trace measurement. - Go: Starts a measurement when starting executing the target program. - Event A: Starts a measurement when the Event A is encountered. - Event A or B: Starts a measurement when either the Event A or Event B is encountered. - Event A and B: Starts a measurement when both the Event A and Event B are encountered. - Event B->A: Starts a measurement when an event is encountered in the order of the Event B and Event A.
Stop	Select a stop condition for the trace measurement. - Break: Stops a measurement when stopping executing the target program. - Trace FULL: Stops a measurement when the trace data is filled. - Event A: Stops a measurement when the Event A is encountered. - Event A or B: Stops a measurement when either the Event A or Event B is encountered. - Event A and B: Stops a measurement when both the Event A and Event B are encountered. - Event B->A: Stops a measurement when an event is encountered in the order of the Event B and Event A.
Pick up	Select an event to record when tracing data. - Event A: Records only data access which encounters the condition of the Event A. - Event A or B: Records only data access which encounters the condition of either the Event A or Event B.

## 6.4 Display contents of the Trace window

To display the trace results, open the Trace window.

For each function of the popup menu, refer to the E8a User's Manual. The items displayed in the sheet are shown in Table 6.7.



PTR	IP	Type	Address	Data	Instruction	Source	Label
-000007	0007	BRANCH	000083C4		*** EML ***		
-000006	0006	DESTINATION	0000E096		LDC #0508H,ISP	ldc #istack_top, isp;set ...	start
-000005	0005	BRANCH	0000E124		JSR.A _main	jsr.a _main	
-000004	0004	DESTINATION	0000E04C		MOV.B #0,0402H	g_n = 0;	_main
-000003	0003	BRANCH	0000E05D		JSR.W _func1	func1();	
-000002	0002	DESTINATION	0000E008		ENTER #02H	{	_func1
-000001	0001	BRANCH	0000E01E		EXITD	}	
+000000	0000	DESTINATION	0000E060		ADD.W #1H,0400H	g_n2++;	

Figure 6.3 Trace Window

Table 6.7 Trace Display

Item	Description
PTR	Displays the pointer numbers in the trace buffer. Displays them in ascending order with the trace end position as 0.
IP	Displays the instruction pointer.
Type	Displays the type of trace information. When the branch trace is set, BRANCH/DESTINATION is displayed. When the data trace is set, READ/WRITE is displayed.
Address	When the branch trace is set, an address of the branch source and destination is displayed. When the data trace is set, an address or address range set for the encountered event is displayed.
Data	When the data trace is set, the accessed value is displayed. When the branch trace is set, nothing is displayed.
Instruction	When the branch trace is set, the mnemonic of the address is displayed. When the data trace is set, nothing is displayed. "*** EML ***" may be displayed in the Instruction column. This shows that the target program accessed the area of emulator use to control breaks, etc. It is not an error.
Source	If there is a source line information correspondent to the Instruction, the correspondent source line is displayed. When the data trace is set, nothing is displayed.
Label	If there is a label correspondent to an address in the Instruction, the correspondent label is displayed. When the data trace is set, nothing is displayed.

## 6.5 Notes on the event settings of the access break and trace function

When setting the Event A or Event B for the access break and trace function, set the address, access size and access type referring to Table 6.8 below. [\*1] [\*2] [\*3] [\*4]

Table 6.8 Availability of the Event Setting

Event setting condition	Availability of event setting	Example of Event Setting dialog box
Byte read to even address	Available	Address: 400h Access size: BYTE Access type: READ or R/W
Byte write to even address	Available	Address: 400h Access size: BYTE Access type: WRITE or R/W
Word read to even address	Available	Address: 400h Access size: WORD Access type: READ or R/W
Word write to even address	Available	Address: 400h Access size: WORD Access type: WRITE or R/W
Byte read to odd address	Available	Address: 401h Access size: BYTE Access type: READ or R/W
Byte write to odd address	Available	Address: 401h Access size: BYTE Access type: WRITE or R/W
Word read to odd address	Available	Address: 401h Access size: BYTE [*5] Access type: READ or R/W
Word write to odd address	Available	Address: 401h Access size: BYTE [*5] Access type: WRITE or R/W

### Notes:

#### [\*1] Note on the trace start condition

When setting an event (other than "Go") for the trace start condition, a data when the event is encountered is not recorded to the trace data. The data of the event which is encountered the next time is recorded.

#### [\*2] Notes on the trace stop condition

When the trace start and trace stop conditions occur simultaneously, the trace stop condition becomes invalid.

When setting other than "Break" for the trace stop condition, the display contents of the Trace window will not be updated until the user program stops even after a trace stop condition is encountered.

#### [\*3] Note on setting the Event A

When setting an event for the Event A, you cannot specify a mask for an address and data simultaneously. If you mask them simultaneously, an event will not be encountered.

#### [\*4] Note on setting an event

Do not specify the following addresses as the address of the event. Otherwise, an unauthorized break may occur.

- Address in the interrupt vector table
- Address set in the interrupt vector table (interrupt routine start address)
- Branch address of the branch instruction

Both fixed vector table and variable vector table are included with the interrupt vector table above.

#### [\*5] For the access size, specify "BYTE". In this condition, the lower one byte data can be compared.



## 6.6 Command for memory space expansion function 4 MB mode

### 6.6.1 Command for memory space expansion function 4 MB mode

The following show the command for memory space expansion function 4 MB mode. These commands can be executed in the command line window.

Command	Description
Memory_Compare_Ext	Compares the memory area (between the start address and the end address) with the memory starting at destination address.
Memory_Display_Ext	Displays memory contents.
Memory_Fill_Ext	Fills an area of memory.
Memory_Find_Ext	Finds a string in a memory range.
Memory_Move_Ext	Moves memory.

### 6.6.2 Details of command for memory space expansion function 4 MB mode

The following show the details of the command for memory space expansion function 4 MB mode.

#### (1) Memory\_Compare\_Ext

- Abbreviation: MCE

- Description

Compares the memory area (between the start address and the end address) with the memory starting at destination address. This cannot be used during program execution.

- Syntax

MCE <bank> <offsetbit> <start> <end> <destination> [<mode>]

Parameter	Type	Description
<bank>	Numeric	Bank (0 – 7)
<offsetbit> *	Numeric	Offset bit (0: no offset, 1: offset)
<start>	Numeric	Start address
<end>	Numeric	End address (including this address)
<destination>	Numeric	Destination address
<mode>	Keyword	Format (optional, default = BYTE)
	BYTE	1 byte
	WORD	2 bytes
	LONG	4 bytes
	DOUBLE	8 bytes

\*: When "PM13 is 1" is not selected in the MCU setting dialog box, set the offset bit to "0".

## (2) Memory\_Display\_Ext

- Abbreviation: MDE

- Description

Displays memory contents. This cannot be used during program execution.

- Syntax

MDE &lt;bank&gt; &lt;offsetbit&gt; &lt;address&gt; [&lt;length&gt;] [&lt;mode&gt;]

Parameter	Type	Description
<bank>	Numeric	Bank (0 – 7)
<offsetbit> *	Numeric	Offset bit (0: no offset, 1: offset)
<address>	Numeric	Start address
<length>	Numeric	Length (optional, default = 0x100 bytes)
<mode>	Keyword	Display format (optional, default = BYTE)
	BYTE	Bytes
	WORD	Words (2 bytes)
	LONG	Long words (4 bytes)
	ASCII	ASCII
	SINGLE	Single-precision floating-point (4 bytes)
	DOUBLE	Double-precision floating-point (8 bytes)

\*: When "PM13 is 1" is not selected in the MCU setting dialog box, set the offset bit to "0".

## (3) Memory\_Fill\_Ext

- Abbreviation: MFE

- Description

Fills an area of memory. This cannot be used during program execution.

- Syntax

MFE &lt;bank&gt; &lt;offsetbit&gt; &lt;start&gt; &lt;end&gt; &lt;data&gt; [&lt;mode&gt;] [&lt;verify&gt;]

Parameter	Type	Description
<bank>	Numeric	Bank (0 – 7)
<offsetbit> *	Numeric	Offset bit (0: no offset, 1: offset)
<start>	Numeric	Start address
<end>	Numeric	End address
<data>	Numeric	Data value
<mode>	Keyword	Data size (optional, default = BYTE)
	BYTE	Byte
	WORD	Word (2 bytes)
	LONG	Long word (4 bytes)
	ASCII	ASCII
	SINGLE	Single-precision floating-point (4 bytes)
	DOUBLE	Double-precision floating-point (8 bytes)
<verify>	Keyword	Verify flag (optional, default = V)
	V	Verification
	N	No verification

\*: When "PM13 is 1" is not selected in the MCU setting dialog box, set the offset bit to "0".

(4) Memory\_Find\_Ext

- Abbreviation: MIE

- Description

Finds a string in a memory range. This cannot be used during program execution.

- Syntax

MIE <bank> <offsetbit> <start> <end> <string> [<mode>]

Parameter	Type	Description
<bank>	Numeric	Bank (0 – 7)
<offsetbit> *	Numeric	Offset bit (0: no offset, 1: offset)
<start>	Numeric	Start address
<end>	Numeric	End address (including this address)
<string>	Numeric	String to search for
<mode>	Keyword	Format (optional, default = BYTE)
	BYTE	Bytes
	WORD	Words (2 bytes)
	LONG	Long words (4 bytes)
	ASCII	ASCII
	SINGLE	Single-precision floating-point (4 bytes)
DOUBLE	Double-precision floating-point (8 bytes)	

\*: When "PM13 is 1" is not selected in the MCU setting dialog box, set the offset bit to "0".

(5) Memory\_Move\_Ext

- Abbreviation: MVE

- Description

Moves memory. This cannot be used during program execution.

- Syntax

MVE <bank> <offsetbit> <start> <end> <destination> [<verify>] [<mode>]

Parameter	Type	Description
<bank>	Numeric	Bank (0 – 7)
<offsetbit> *	Numeric	Offset bit (0: no offset, 1: offset)
<start>	Numeric	Source start address
<end>	Numeric	Source end address (including this address)
<destination>	Numeric	Destination start address
<verify>	Keyword	Verify flag (optional, default = V)
	V	Verification
	N	No verification
<mode>	Keyword	Format (optional, default = BYTE)
	BYTE	1 byte
	WORD	2 bytes
	LONG	4 bytes
	DOUBLE	8 bytes

\*: When "PM13 is 1" is not selected in the MCU setting dialog box, set the offset bit to "0".

## 7. Notes on Using the E8a Emulator

### 7.1 MCU resources used by the E8a emulator

(1) Program area for the E8a emulator

Table 7.1 lists the program area for the E8a emulator. Do not change this area, otherwise the E8a emulator will not control the MCU. In this case, disconnect the debugger and then reconnect it.

Table 7.1 Program Area for the E8a Emulator

Group	Part No.	ROM Size	RAM Size	Program Area for E8a Emulator		
		Program ROM		Vector Area	ROM Area	RAM Area
M16C/63	R5F363A6	128 KB	12 KB	FFFE4h - FFFE7h, FFFE8h - FFFEb, FFFECh - FFEFh, FFFF4h - FFFF7h, FFFFCh - FFFFh	13000h - 13FEFh [*1]	128 bytes [*2]
	R5F363B6	128 KB	12 KB			
	R5F363AE	256 KB	20 KB			
	R5F363BE	256 KB	20 KB			
	R5F363AK	384 KB	31 KB			
	R5F363AM	512 KB	31 KB			

Notes:

- [\*1] - The portion of the program ROM2 area (13000h - 13FEFh) is used by the E8a emulator program.  
 - This area overlaps with the user boot area. Therefore, when using any other mode than “Program Flash” mode (see 5.2 (1) Selecting the Mode on page 23) at the startup of the emulator debugger, note that this area (13000h - 13FEFh) is overwritten by the E8a emulator program.
- [\*2] - When starting the debugger, the [Emulator Setting] dialog box is displayed. Specify the area which will not be used by the user system. For details, see 5.3 [Firmware Location] tab on page 24.

(2) Pins used by the E8a emulator

The E8a emulator controls the MCUs by using the following pins depending on the usage.

- When communicating via CNVss pin: P6\_5 pin [\*1], RESET# and CNVss pins
- When communicating via P6\_4/P6\_5/P6\_6/P6\_7: RESET#, CNVss, P5\_0, P5\_5, P6\_4, P6\_5, P6\_6 and P6\_7 pins

(3) Interrupts used by the E8a emulator program (unusable)

The BRK instruction interrupt, address match interrupt, single-step interrupt and DBC interrupt are used by the E8a emulator program. Therefore, make sure the user program does not use any of these interrupts. The E8a emulator changes these interrupt vector values to the values to be used by the emulator. No problems occur if the interrupt vector values are written in the user program.

(4) Interrupts used by the E8a emulator program (NMI)

If NMI interrupts are used, be sure to take the necessary precautions before executing the user program like disabling the automatic update in the watch window or fix the display in the memory window before running the program so that memory accesses do not occur during an execution. If an NMI interrupt occurs while the user program halts or when memory contents are referenced or modified during user program execution, the E8a emulator cannot control the MCU.

(5) Stack area used by the E8a emulator

The E8a emulator uses up to 14 bytes of the stack pointer (ISP) during a user program break. Therefore, set aside 14 bytes for the stack area.

(6) Count source protection mode

Count source protection mode cannot be debugged with the E8a emulator.

(7) User boot function

When debugging with the E8a emulator, the user boot function cannot be used.

If the user boot function is set to be enabled in the user boot code area, the E8a emulator cannot connect with the MCU. In this case, rewrite the area to disable the user boot function with a parallel programmer.

Note:

- [\*1] P6\_5 (SCLK) is used only when the user interface is 2-line clock-asynchronous serial. For details, refer to "Selecting the user interface" on page 7.

In this case, the communication mode that needs the CLK1 pin of UART1 cannot be used.

Also note that the external clock cannot be selected as a transfer clock for UART1. Be sure to set the internal clock for it.



## (9) SFRs exclusively used by the E8a emulator program

The SFRs listed in Table 7.3 are used by the E8a emulator program, not the user program.

- Do not change the registers, otherwise the E8a cannot control the MCU.
- The SFRs listed in Table 7.3 are not initialized by selecting [Debug] -> [Reset CPU] or by using the RESET command. If register contents are referred to, a value that has been set in the E8a emulator program will be read out.

Table 7.3 SFRs Used by the E8a Emulator Program (2)

Address	Register	Symbol	Bit	Notes on Using the E8a Emulator
0010h	Program 2 area control register	PRG2C	Bit 0	[*1]
0022h	40 MHz on-chip oscillator control register 0	FRA0	Bit 0	[*2]
020Eh	Address match interrupt enable register	AIER	All bits	[*3]
020Fh	Address match interrupt enable register 2	AIER2	All bits	
0210h - 0212h	Address match interrupt register 0	RMAD0	All bits	
0214h - 0216h	Address match interrupt register 1	RMAD1	All bits	
0218h - 021Ah	Address match interrupt register 2	RMAD2	All bits	
021Ch - 021Eh	Address match interrupt register 3	RMAD3	All bits	
0220h	Flash memory control register 0	FMR0	Bit 5	[*1]
0258h	UART1 transmit/receive mode register	U1MR	Bit 3	[*1] [*4]
03EEh	Port P6 direction register	PD6	Bit 5	[*1] [*4]

## Notes:

[\*1] When operating this register, make changes using the bit operation instructions to avoid changing the bit values.

[\*2] 40 MHz on-chip oscillator

When debugging with the E8a emulator, the 40 MHz on-chip oscillator does not stop although the options for 40 MHz on-chip oscillator start bit are available and FRA00 can be set to “40 MHz on-chip oscillator off”.

For this reason, functions to reduce power consumption, with the 40 MHz on-chip oscillator off, need to be checked using your final products or system for which only the user program is written to the MCU, with the E8a emulator disconnected.

The functions can also be checked by writing only the user program to the MCU in the ‘Program Flash’ mode, ending the debugger, then executing the user program. In the [Emulator Setting] dialog box displayed when starting the debugger, select [Program Flash], then check [Execute the user program after ending the debugger].

[\*3] Do not change this register value.

[\*4] Applies only when 2-line clock-asynchronous serial is selected.  
For details, refer to “Selecting the user interface” on page 7.

## (10) Registers initialized by the E8a emulator

When the system is launched, the E8a emulator initializes the general registers and some of the flag registers as shown in Table 7.4.

Table 7.4 E8a Emulator Register Initial Values

Status	Register	Initial Value
E8a Emulator Activation	PC	Reset vector value in the vector address table
	R0 to R3 (bank 0, 1)	0000h
	A0, A1 (bank 0, 1)	0000h
	FB (bank 0, 1)	0000h
	INTB	00000h
	USP	0000h
	ISP	Work RAM Address for the E8a emulator + 80h [*1]
	SB	0000h
	FLG	0000h

## (11) Reserved area

The addresses not specified in the Hardware Manual of MCUs are reserved area. Do not change the contents. Otherwise, the E8a emulator cannot control the MCU.

- The value of this area is undefined when referenced in the memory window.
- In this area, the memory window's search, compare and move functions do not work normally.

## Note:

[\*1] The Work RAM address for the E8a emulator is specified in the [Firmware Location] tab of the [Emulator Setting] dialog box.





## 7.3 Flash memory

### 7.3.1 Notes on debugging in CPU rewrite mode

#### (1) Unrewritable area in CPU rewrite mode

Do not perform CPU rewrite operations to the following areas. If these areas are rewritten, the E8a emulator will not control the MCU.

- Block 0 area (addresses F0000h - FFFFFh) and block containing the E8a emulator program

#### (2) Operation in CPU rewrite mode

- When debugging in the CPU rewrite mode, select “Debugging of CPU rewrite mode” in the [Mode] section of the [Emulator mode] tab.

- When debugging in the CPU rewrite mode, do not halt the user program while the CPU rewrite mode is enabled or while in the erase suspend state, otherwise the E8a emulator may not control the MCU. And do not perform a step execution of the instruction which enables a CPU rewrite mode or enters an erase-suspend state.

Disable the automatic update in the watch window or fix the display in the memory window before running the program so memory accesses do not occur during an execution.

- To check the data after executing the CPU rewrite mode, halt the program after releasing the CPU rewrite mode and refer to the memory window, etc.

- When rewriting the Flash memory in the program area, select Menu -> [Setup] -> [Emulator] -> [System...] to open the [Configuration] dialog box in the High-performance Embedded Workshop. In this dialog box, change the [Flash memory synchronization] setting to [Flash memory to PC] and set the debugger cache to OFF.

In this setting, the Flash memory is read whenever a break occurs, which takes some time. Use it with the [Disable] setting except when debugging in CPU rewrite mode.

Setting the debugger cache to OFF is not necessary if the debugger is started in “Debugging of CPU rewrite mode”.

### 7.3.2 Note on rewriting flash memory by the E8a emulator

Do not reset nor execute debugging operations to the MCU while the internal ROM (flash memory) is being written by the E8a emulator.

Flash memory rewrite ends when the “Flash memory write end” is displayed in the output window of the High-performance Embedded Workshop. If the MCU is reset or debugged when rewriting the flash memory, the user program or the E8a emulator program may be disrupted.

Flash memory rewrite occurs:

- When downloading the user program
- After setting PC breaks in the flash memory and executing the user program
- After canceling PC breaks in the flash memory and executing the user program
- After rewriting the value of the flash memory in the memory window and executing the user program

### 7.3.3 Note on flash memory during user program execution

Modification of the internal ROM area (program ROM) attempted except from the user program (such as from the memory window) while the user program is being executed is always made to the internal cache of the E8a emulator. Actual access to the flash memory is executed before the user program restarts. (In the same way, modification of the internal ROM area during a user program halt is made to the internal cache of the E8a emulator, and actual access to the flash memory is executed before the user program restarts.)

### 7.3.4 MCUs used for debugging

When debugging, the Flash memory is frequently rewritten by the E8a emulator. Therefore, do not use an MCU that has been used for debugging in products. Also, as the E8a emulator program is written to the MCU while debugging, do not save the contents of the MCU Flash memory which were used for debugging nor use them as the ROM data for products.

7.3.5 Flash memory ID code

This MCU function prevents the Flash memory from being read out by anyone other than the user.

The ID code in Table 7.5 written to the flash memory of the MCU must match the ID code displayed in the Figure 7.1 [ID Code verification] Dialog Box at debugger startup, otherwise the debugger cannot be launched. Note that when the ID code is FFh, FFh, FFh, FFh, FFh, FFh, FFh, the ID code is regarded as undefined. In this case, the ID code is automatically authenticated and the [ID Code verification] dialog box is not displayed.

The values written into the ID code area differs depending on the mode.

- 'Program Flash' mode [\*1]: Contents of the user program
- Modes other than 'Program Flash' mode [\*2]: FFh, FFh, FFh, FFh, FFh, FFh, FFh  
(regardless of the contents of the downloaded user program)

Table 7.5 ID Code Storage Area

Address	Description
FFFDh	First byte of ID code
FFFE3h	Second byte of ID code
FFFEb	Third byte of ID code
FFFEFh	Fourth byte of ID code
FFFF3h	Fifth byte of ID code
FFFF7h	Sixth byte of ID code
FFFFBh	Seventh byte of ID code

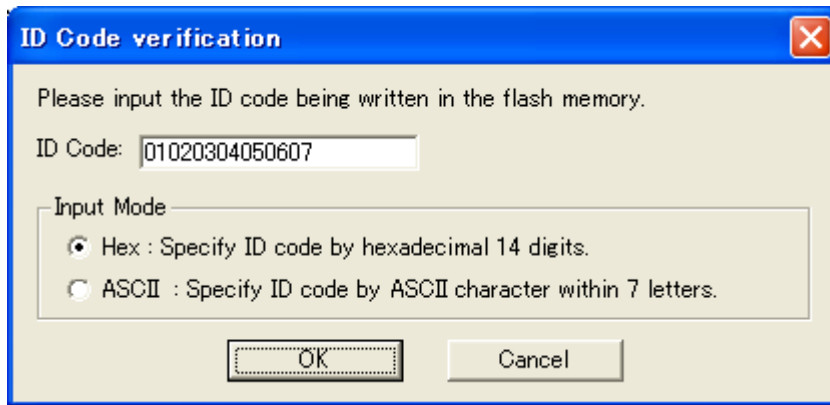


Figure 7.1 [ID Code verification] Dialog Box

Notes:

- [\*1] Notes on 'Program Flash' mode:
  - When the ID code is specified by the -ID option of the lmc30, download the MOT file or HEX file. When the X30 file is downloaded, the ID code is not valid.
  - When downloading the X30 file, specify the ID code using an assembler directive command such as ".BYTE".
  - The file to which the ID code specified by the assembler directive command ".ID" is output varies depending on the version of the assembler. For details, refer to the Assembler User's Manual.
- [\*2] If the ID code written to the ID code area of the MCU matches the one entered for the [ID Code] box in the [ID Code verification] dialog displayed at emulator debugger startup, the E8a emulator writes FFh, FFh, FFh, FFh, FFh, FFh, FFh to the ID code area. Therefore, the [ID Code verification] dialog will not be displayed the next time the debugger starts up.

## 7.4 Power supply

### (1) Consumption current

When the E8a emulator does not supply power to the user system, it consumes the power voltage of the user system from several mA to more than 10 mA. This is because the user power supply drives 74LVC125, 74LVC1T45 and 74LVC2T45 to make the communication signal level match the user system power supply voltage.

### (2) Note on E8a emulator power supply

When writing a program with the E8a emulator for mass production processes, the program requires reliability, so do not use the E8a emulator power supply function. Supply power separately to the user system according to the allowable voltage for MCU writing. Voltage supplied from the E8a emulator depends on the quality of the USB power supply of the PC, and as such, precision is not guaranteed.

Note that when debugging the system which operates the MCU with a dual power supply, power cannot be supplied from the E8a.

## 7.5 Operation during a user program halt

### (1) Operation clock during a user program halt

When the user program halts, the emulator changes the CPU clock to the internal high-speed on-chip oscillator clock.

This oscillator clock is changed as follows to meet the frequency specification for rewriting the flash memory of the MCU.

- When firmware is operating: Approx. 10 MHz
- When writing flash memory: Approx. 8 MHz or approx. 4 MHz

The peripheral features operate with the clock specified by the user program (the peripheral clock coming from the CPU clock originates from the internal high-speed on-chip oscillator clock).

### (2) Peripheral I/Os during a halt

During a user program halt, the maskable interrupt request cannot be accepted, because the emulator disables interrupts. However, since peripheral I/Os continue to run, the interrupt request is accepted immediately after the user program execution is started.

For example, a timer interrupt is not accepted although the timer continues to count when a user program is stopped by a break after the timer started.

### (3) Notes on accessing the SFR areas

You can reference or set the contents of the SFR areas in the memory window or the IO window. Note the followings.

#### a) When accessing the special registers

You may not be able to access some special registers successfully during the user program halt. [\*1]

These registers include:

- Access prohibited addresses
- Registers for which access order is specified from high-order byte to low-order byte
- Registers that can be accessed only by a specific instruction
- Registers whose bus width specification does not match the bus width set in the [Memory] window
- Registers that can be accessed on conditions (one of which is that fOCO-F must be faster than the CPU clock to access the register)

Note:

[\*1] Follow the instructions in the hardware manual of the target MCU to access to the SFR areas.

## 7.6 Final evaluation of the program

Before entering the mass-production phase, be sure to perform a final evaluation of the program singly, without the E8a emulator connected.

## 7.7 Debug functions

### 7.7.1 Step execution

(1) Exceptional step execution

a) Software interrupt instruction

Step execution cannot be performed in the internal processing of instructions (undefined, overflow, BRK and INT) which generate a software interrupt continuously in the program (see Figure 7.2).

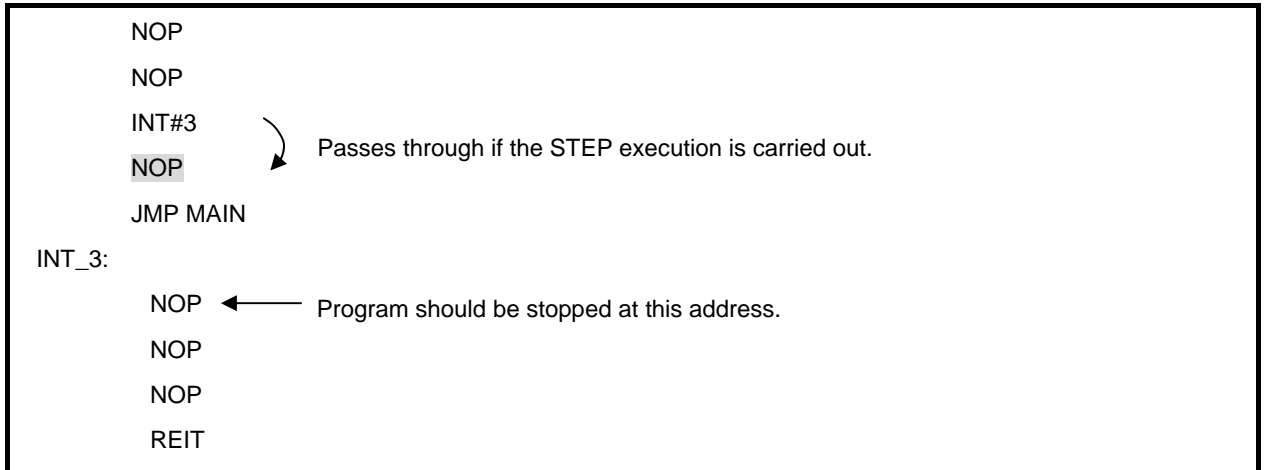


Figure 7.2 Example of Software Interrupt Instruction

b) INT instruction

To debug the user program with the INT instruction, set a PC break for the internal processing of the INT instruction and execute the program with the GO command (see Figure 7.3).

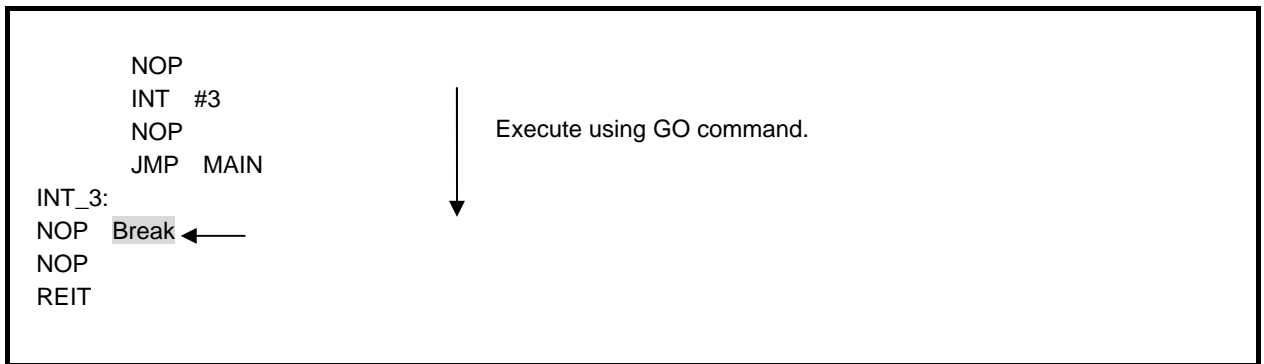


Figure 7.3 Example of INT Instruction

c) Other: Flag manipulating instructions

The following instructions, when single-stepped, only manipulate a flag in the E8a emulator, with no MCU operations involved. Therefore, when these instructions are executed, be aware that the Start/Stop function does not work.

- LDC src, FLG
- STC FLG, dest
- LDINTB src

### 7.7.2 Other debug functions

(1) “Go to cursor” function

The “Go to cursor” function is actualized using an address match break. Therefore, when you execute the “Go to cursor” command, all the address match breaks you set become invalid, while all the PC breaks remain valid.

(2) Debugging in stop mode or wait mode

When debugging in stop mode or wait mode, do not operate windows until the program stops at the breakpoint by setting the breakpoint at the line of the program which will be executed after the stop mode or wait mode is cancelled.

Also, if memory contents are referenced or changed during the stop mode or wait mode, the program—after exiting the stop or wait mode and accessing the MCU memory—restarts from the instruction next to the one by which it was placed into the stop or wait mode. If the program enters the stop or wait mode in the middle of a memory access, a reference or a change of memory contents may not be performed normally.

In addition, disable the automatic update in the memory window or watch window or fix the display in the memory window before running the program, and do not make refresh operations during an execution so memory accesses do not occur during user program execution.

When the program is forcibly stopped or when the memory is referred to or modified in stop mode or wait mode, these modes will be cancelled, and the memory reference or modification may not be performed properly.

(3) Note on PC break point

When downloading a user program after modifying it, the set address of PC break may not be corrected normally depending on the modification. Therefore, break points other than the set PC breaks may shift. After downloading a user program, check the setting of PC breaks in the event point window and reset it.

(4) Note on the CPU clock

Do not use the CPU clock at less than 32.768 kHz (sub-clock).

(5) Low power consumption mode

When debugging in low-current consumption read mode, slow read mode, or the state that the flash memory is stopped, do not operate windows until the program stops at the breakpoint by setting the breakpoint at the line of the program which will be executed after each mode or state is cancelled.

(6) Note on using automatic memory update

When the automatic memory update is enabled in the memory or watch window, do not execute Step Out or Multiple-step. Otherwise, it will take longer to update memory data and the operation will be delayed

---

E8a Emulator Additional Document for User's Manual  
(Notes on Connection)

Publication Date: May 08, 2012 Rev.3.02

Published by: Renesas Electronics Corporation

Edited by: Microcomputer Tool Development Department 2  
Renesas Solutions Corp.

---

**SALES OFFICES**

Renesas Electronics Corporation

<http://www.renesas.com>

---

Refer to "http://www.renesas.com/" for the latest and detailed information.

**Renesas Electronics America Inc.**2880 Scott Boulevard Santa Clara, CA 95050-2554, U.S.A.  
Tel: +1-408-588-6000, Fax: +1-408-588-6130**Renesas Electronics Canada Limited**1101 Nicholson Road, Newmarket, Ontario L3Y 9C3, Canada  
Tel: +1-905-898-5441, Fax: +1-905-898-3220**Renesas Electronics Europe Limited**Dukes Meadow, Millboard Road, Bourne End, Buckinghamshire, SL8 5FH, U.K  
Tel: +44-1628-585-100, Fax: +44-1628-585-900**Renesas Electronics Europe GmbH**Arcadiastrasse 10, 40472 Düsseldorf, Germany  
Tel: +49-211-65030, Fax: +49-211-6503-1327**Renesas Electronics (China) Co., Ltd.**7th Floor, Quantum Plaza, No.27 ZhichunLu Haidian District, Beijing 100083, PRC  
Tel: +86-10-8235-1155, Fax: +86-10-8235-7679**Renesas Electronics (Shanghai) Co., Ltd.**Unit 204, 205, AZIA Center, No.1233 Lujiazui Ring Rd., Pudong District, Shanghai 200120, China  
Tel: +86-21-5877-1818, Fax: +86-21-6887-7858 / -7898**Renesas Electronics Hong Kong Limited**Unit 1601-1613, 16/F, Tower 2, Grand Century Place, 193 Prince Edward Road West, Mongkok, Kowloon, Hong Kong  
Tel: +852-2886-9318, Fax: +852-2886-9022/9044**Renesas Electronics Taiwan Co., Ltd.**7F, No. 363 Fu Shing North Road Taipei, Taiwan  
Tel: +886-2-8175-9600, Fax: +886-2-8175-9670**Renesas Electronics Singapore Pte. Ltd.**1 HarbourFront Avenue, #06-10, Keppel Bay Tower, Singapore 098632  
Tel: +65-6213-0200, Fax: +65-6278-8001**Renesas Electronics Malaysia Sdn.Bhd.**Unit 906, Block B, Menara Amcorp, Amcorp Trade Centre, No. 18, Jln Persiaran Barat, 46050 Petaling Jaya, Selangor Darul Ehsan, Malaysia  
Tel: +60-3-7955-9390, Fax: +60-3-7955-9510**Renesas Electronics Korea Co., Ltd.**11F, Samik Laviel' or Bldg., 720-2 Yeoksam-Dong, Kangnam-Ku, Seoul 135-080, Korea  
Tel: +82-2-558-3737, Fax: +82-2-558-5141



E8a Emulator  
Additional Document for User's Manual  
(Notes on Connection)