

Evaluation System for Stepping Motor with Resolver
(RTK0EMX270C02000BJ)
Schematic

- 01 : Contents
- 02 : RX24T
- 03 : Connector
- 04 : RDC
- 05 : History

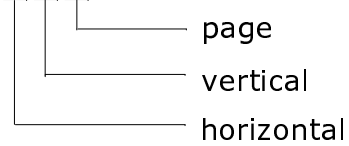
Supplementary explanation :

DNF : unmounted part

Access point : <horizontal, vertical, page>

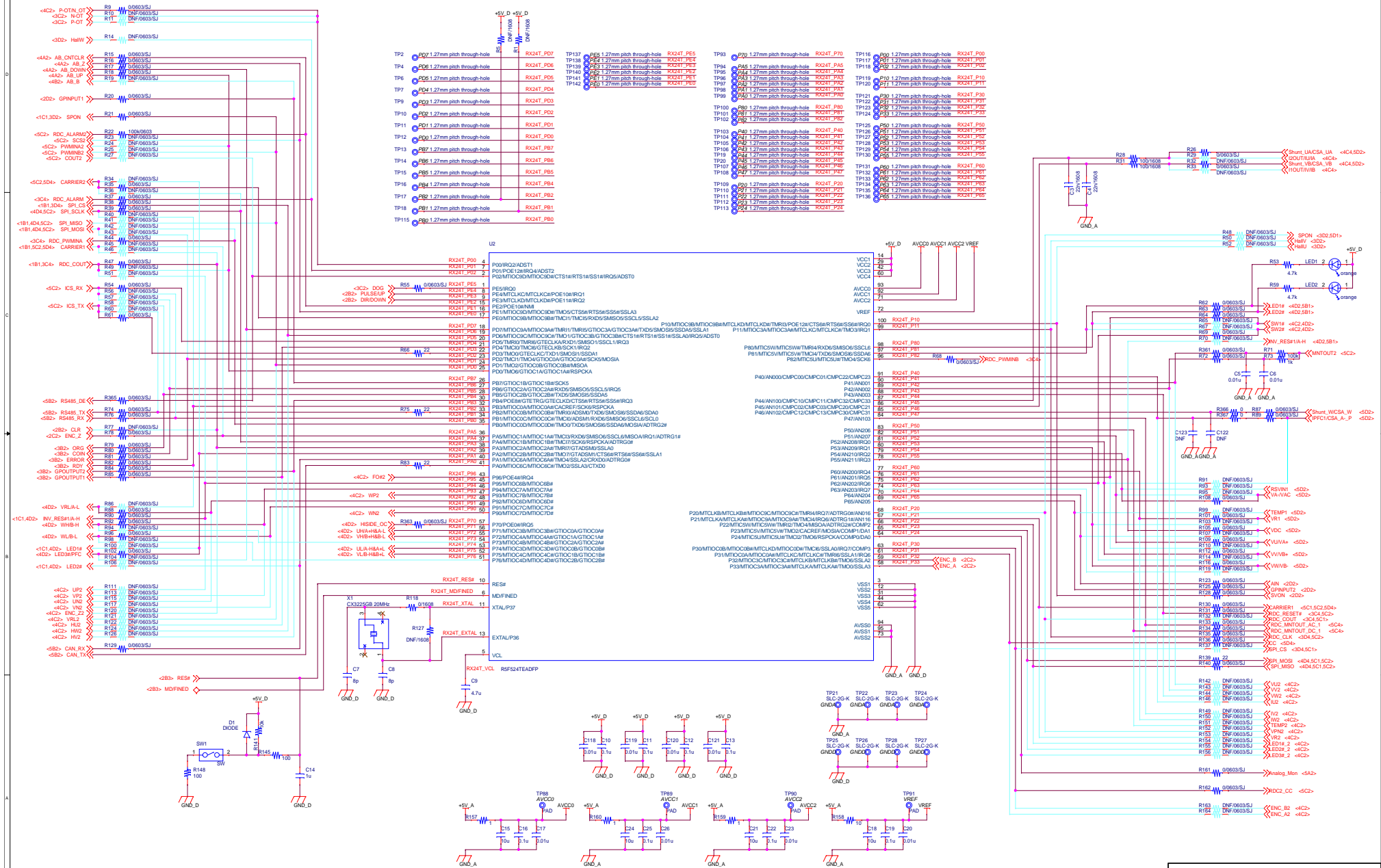
Ex.

< 4 C 3 >



Title		
RTK0EMX270C02000BJ		
Size	Document Number	Rev
A3	R12TU0082EJ0100	1.00
Date:	Friday, January 17, 2020	Sheet 1 of 5

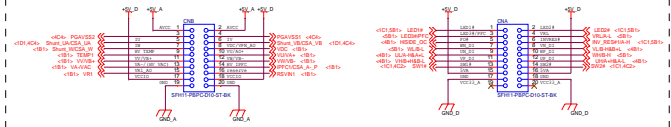
RX24T



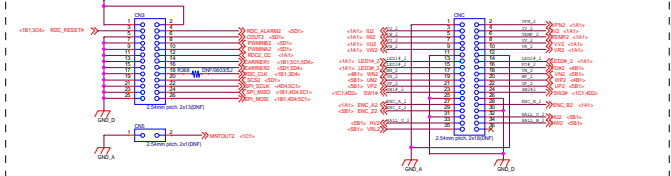
Rev	RTM06M270C0000J	Rev	1.00
Doc	Document Number	Rev	
AC	R12TU0082E.0100	Rev	
Date	Friday, January 17, 2020	Sheet	2 of 5

Connector

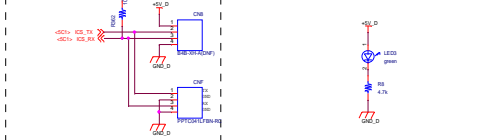
Inverter board connector



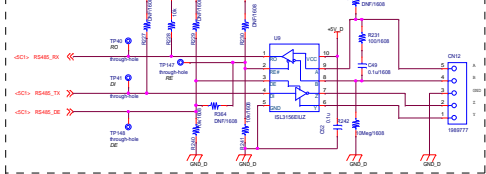
Empty terminal



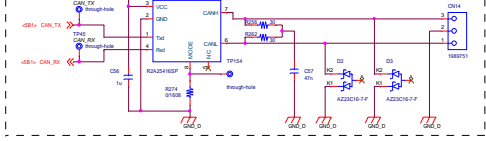
RS485 communication connector



RS485 Driver



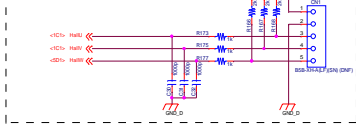
CAN Driver



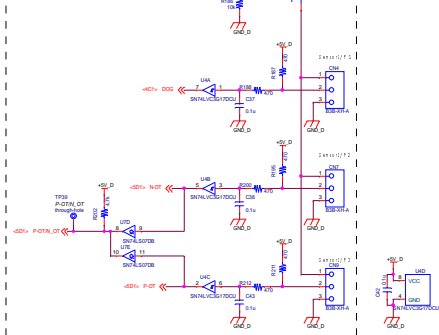
Analog monitor



Hall IC connector



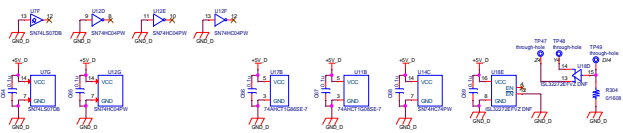
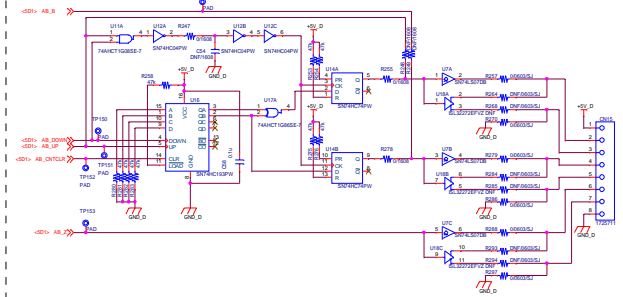
Sensor I/F



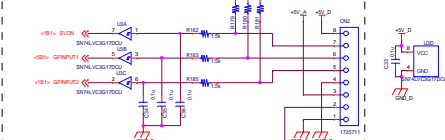
Sequence output



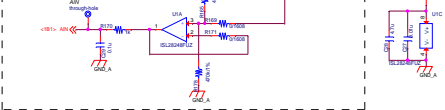
AB phase conversion+Buffer circuit



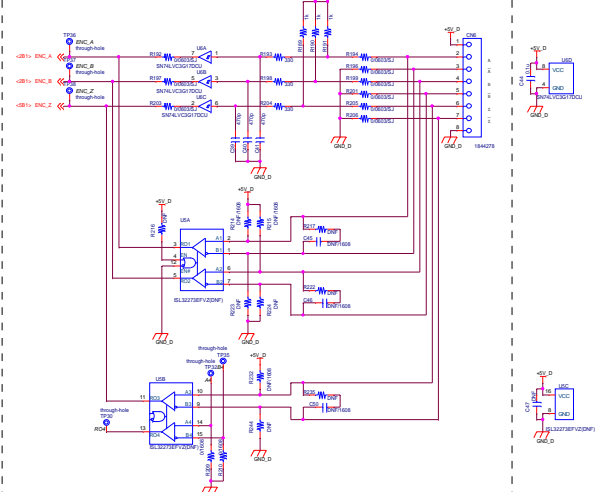
Sequence input



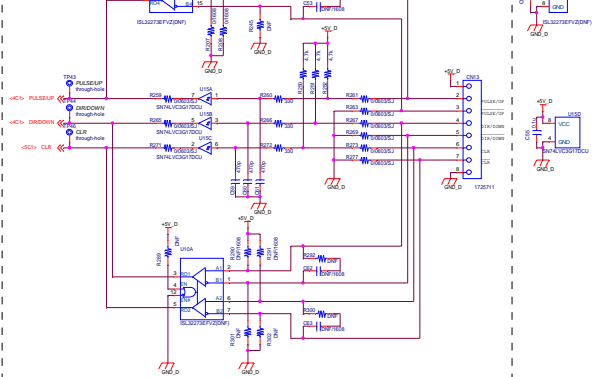
Analog command



Encoder



Pulse train command



History

Rev.	Date	Page	Summary
1.0	2020/1/17	—	First edition

Title		
RTK0EMX270C02000BJ		
Size	Document Number	Rev
A3	R12TU0082EJ0100	1.00
Date:	Friday, January 17, 2020	Sheet 5 of 5